

2003 Dodge Sprinter 3500

2003 SYSTEM WIRING DIAGRAMS Dodge - Sprinter

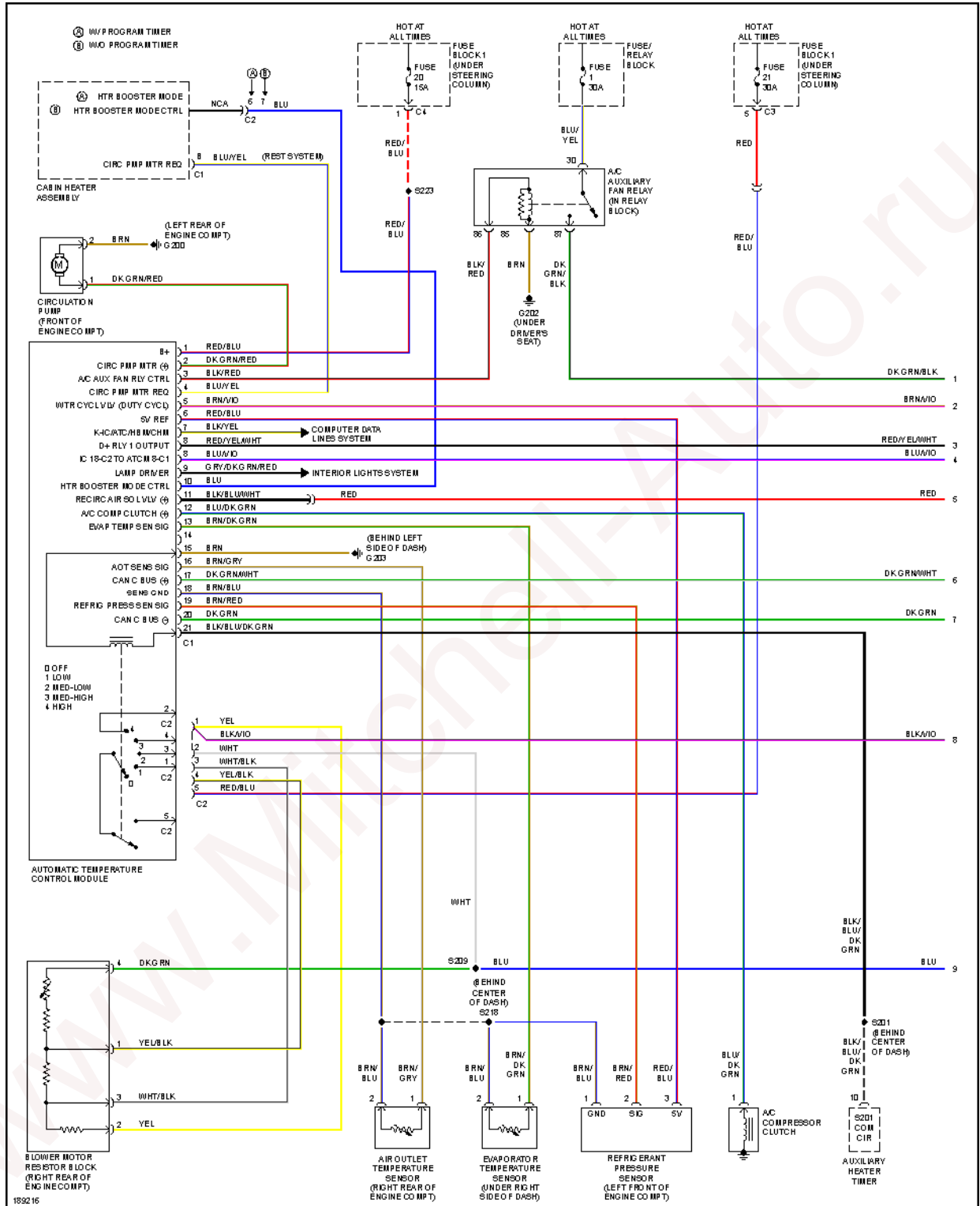


Fig. 1: Automatic A/C Circuit (1 of 2)

2003 Dodge Sprinter 3500

2003 SYSTEM WIRING DIAGRAMS Dodge - Sprinter

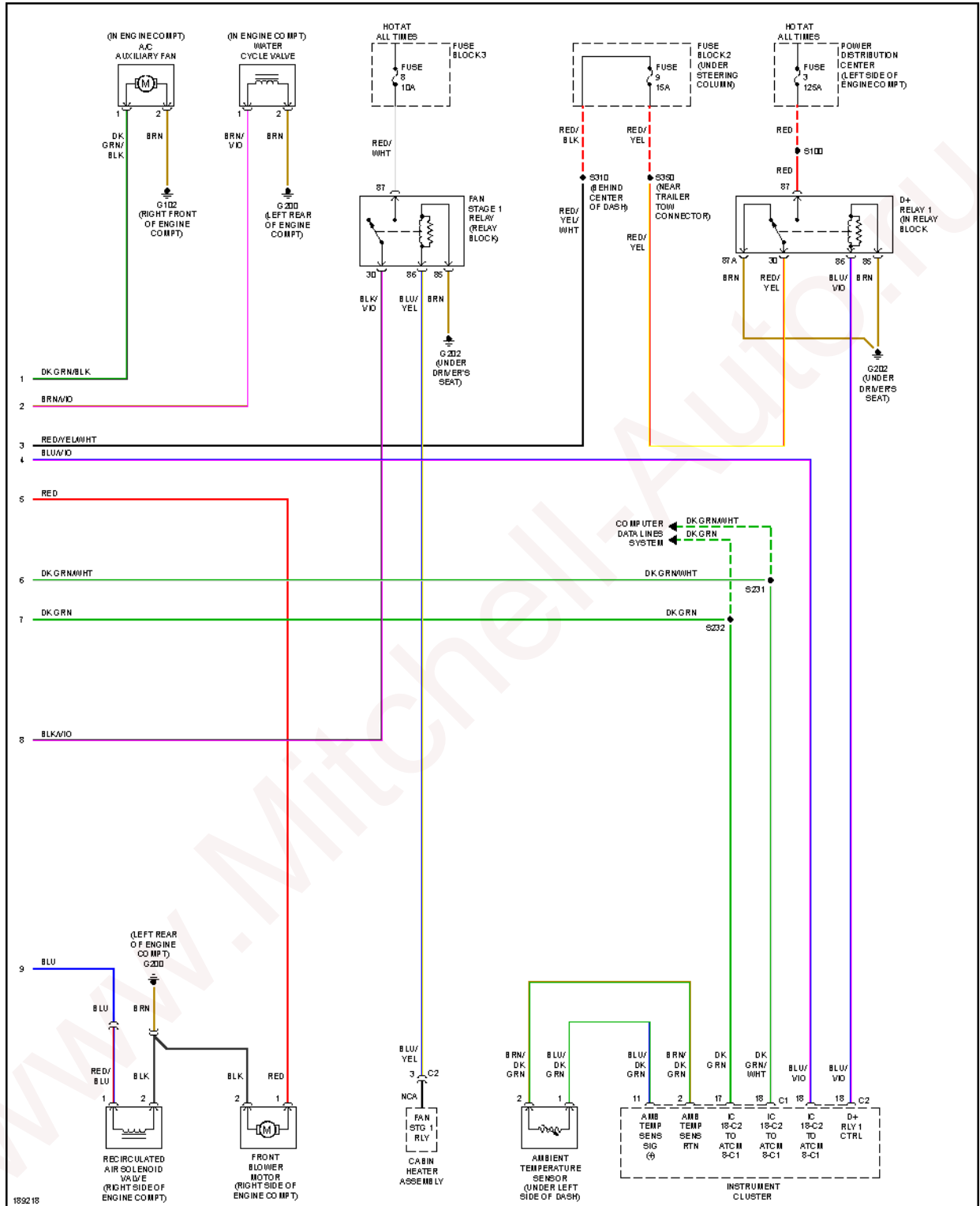


Fig. 2: Automatic A/C Circuit (2 of 2)

2003 Dodge Sprinter 3500

2003 SYSTEM WIRING DIAGRAMS Dodge - Sprinter

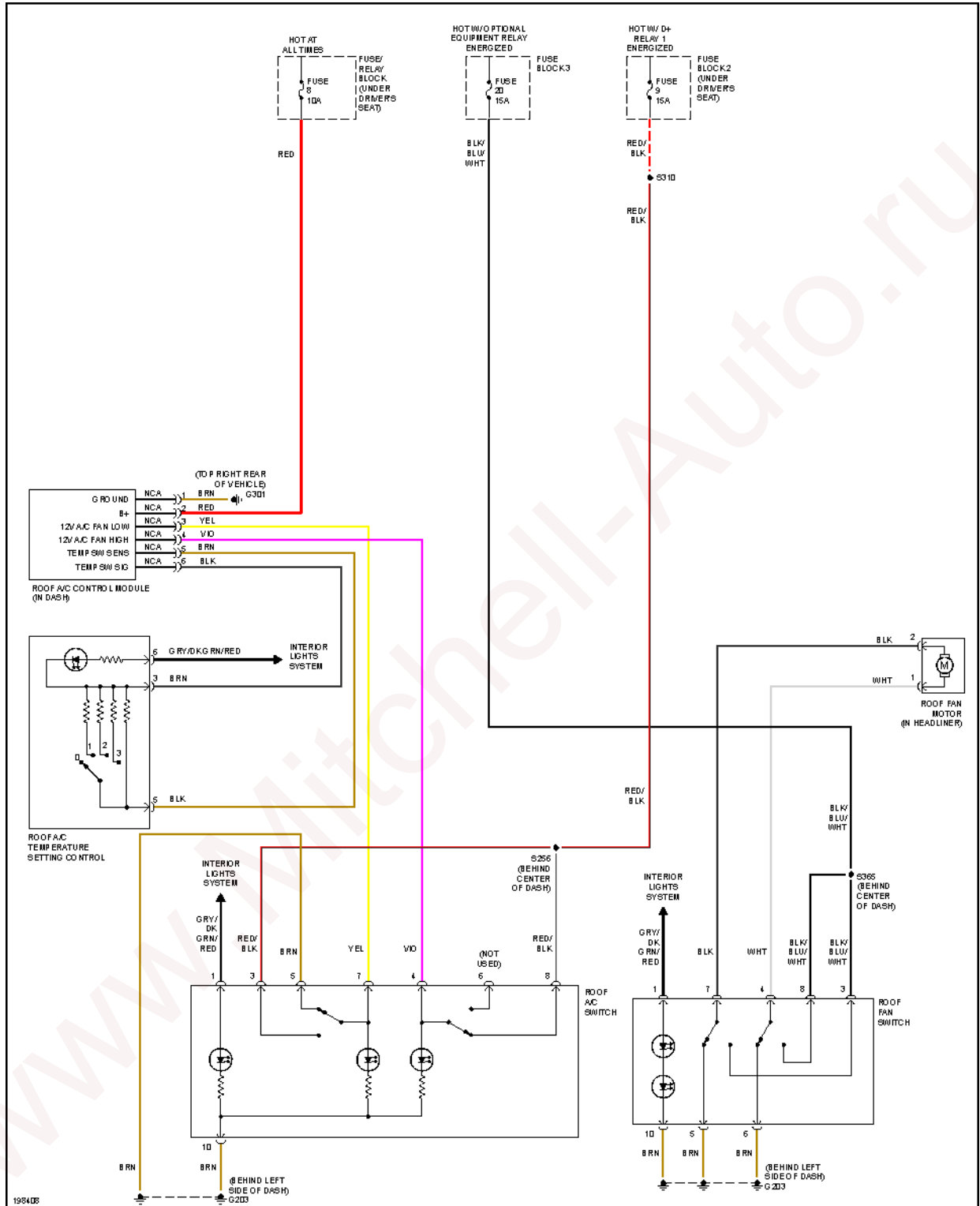


Fig. 3: Auxiliary Blower Circuit

2003 Dodge Sprinter 3500

2003 SYSTEM WIRING DIAGRAMS Dodge - Sprinter

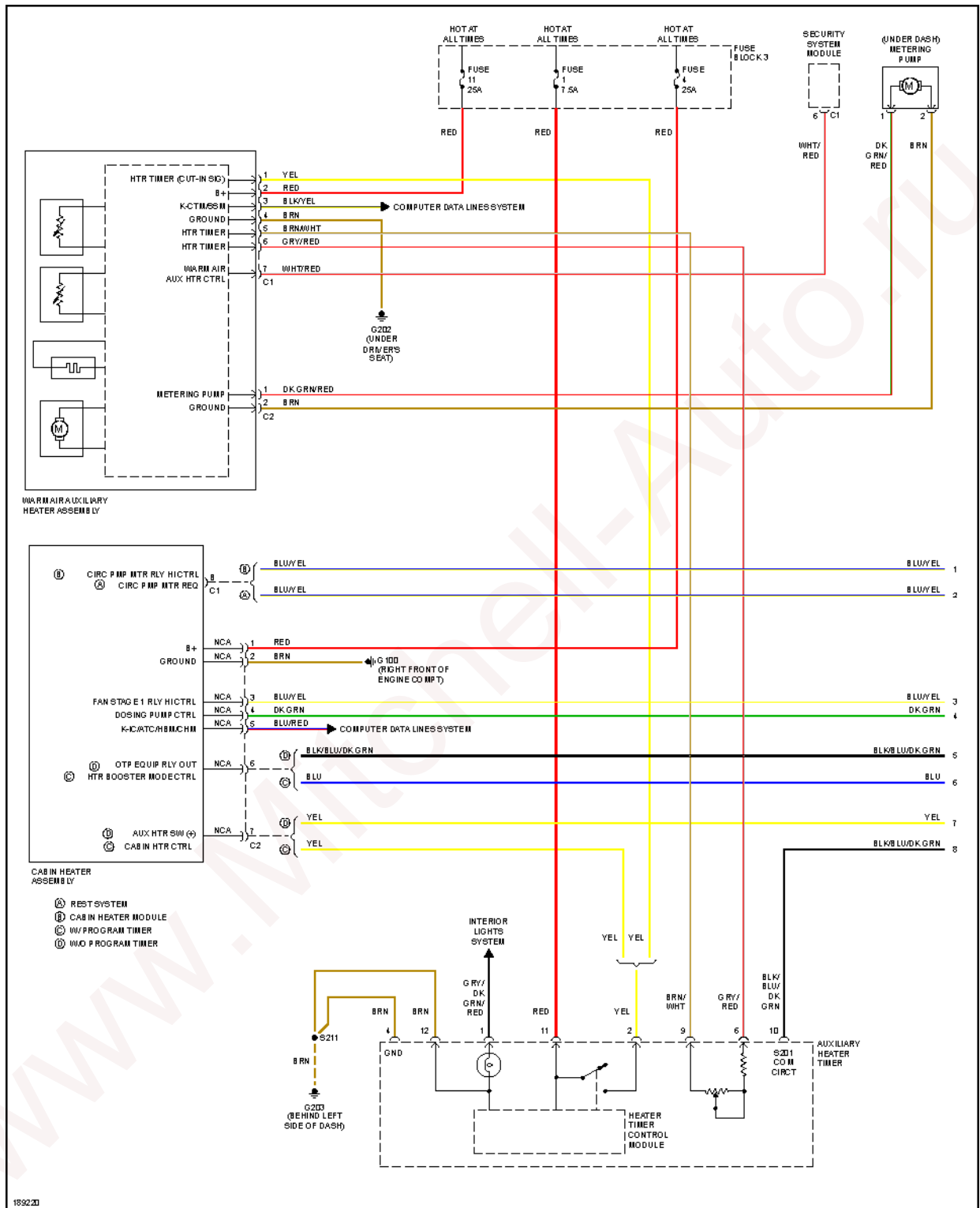


Fig. 4: Auxiliary Heater Circuit (1 of 3)

2003 Dodge Sprinter 3500

2003 SYSTEM WIRING DIAGRAMS Dodge - Sprinter

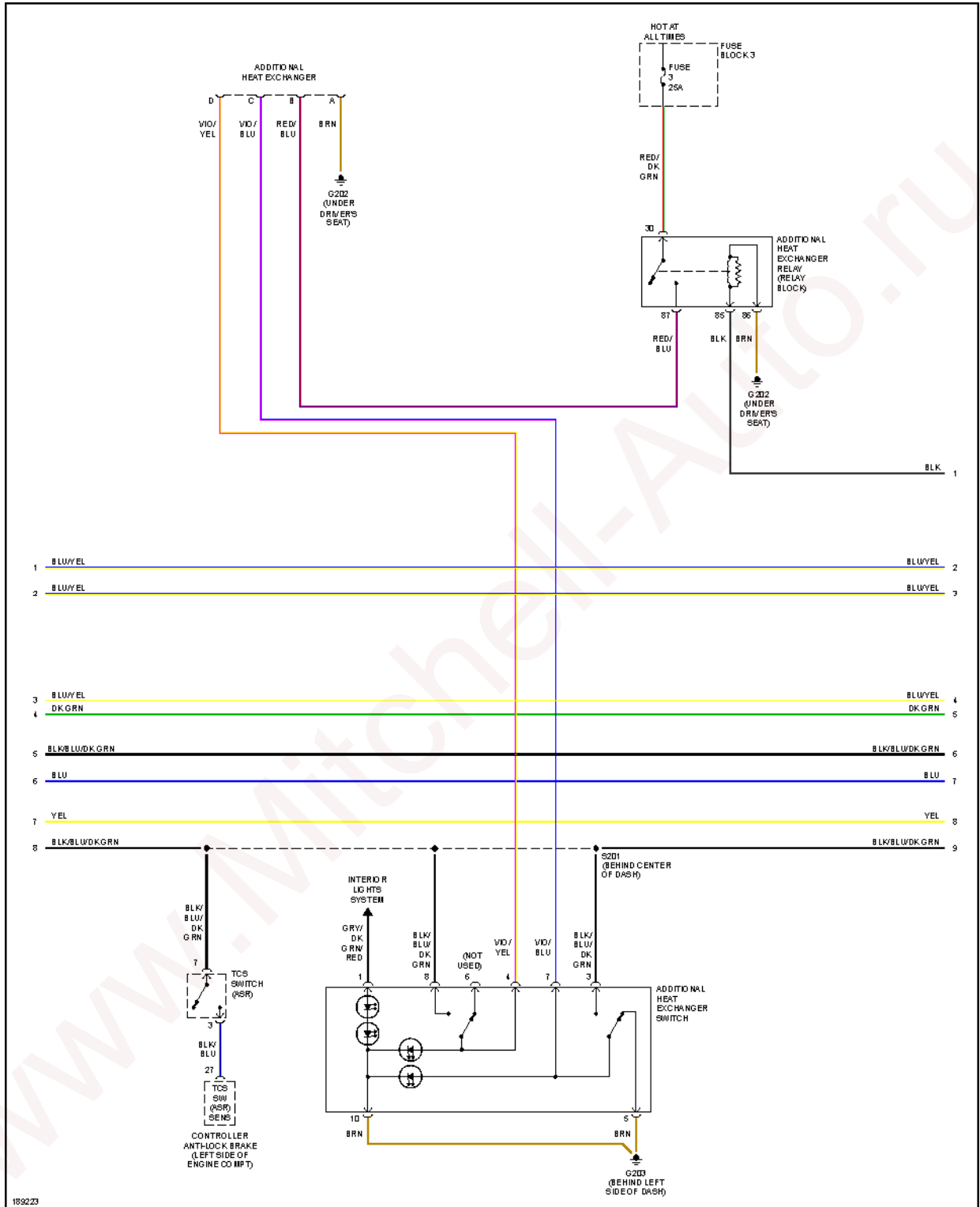


Fig. 5: Auxiliary Heater Circuit (2 of 3)

2003 Dodge Sprinter 3500

2003 SYSTEM WIRING DIAGRAMS Dodge - Sprinter

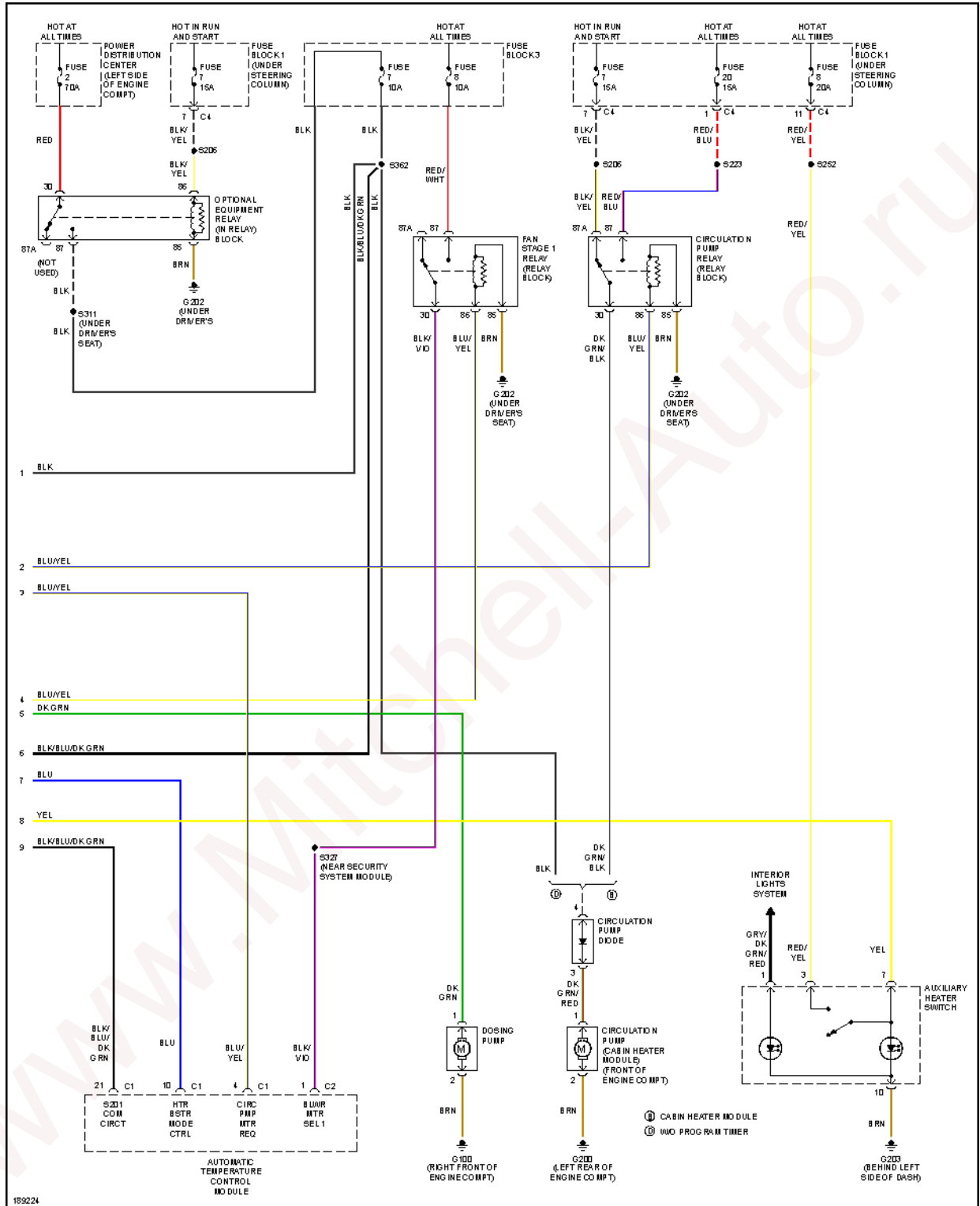


Fig. 6: Auxiliary Heater Circuit (3 of 3)

ANTI-LOCK BRAKES

2003 Dodge Sprinter 3500

2003 SYSTEM WIRING DIAGRAMS Dodge - Sprinter

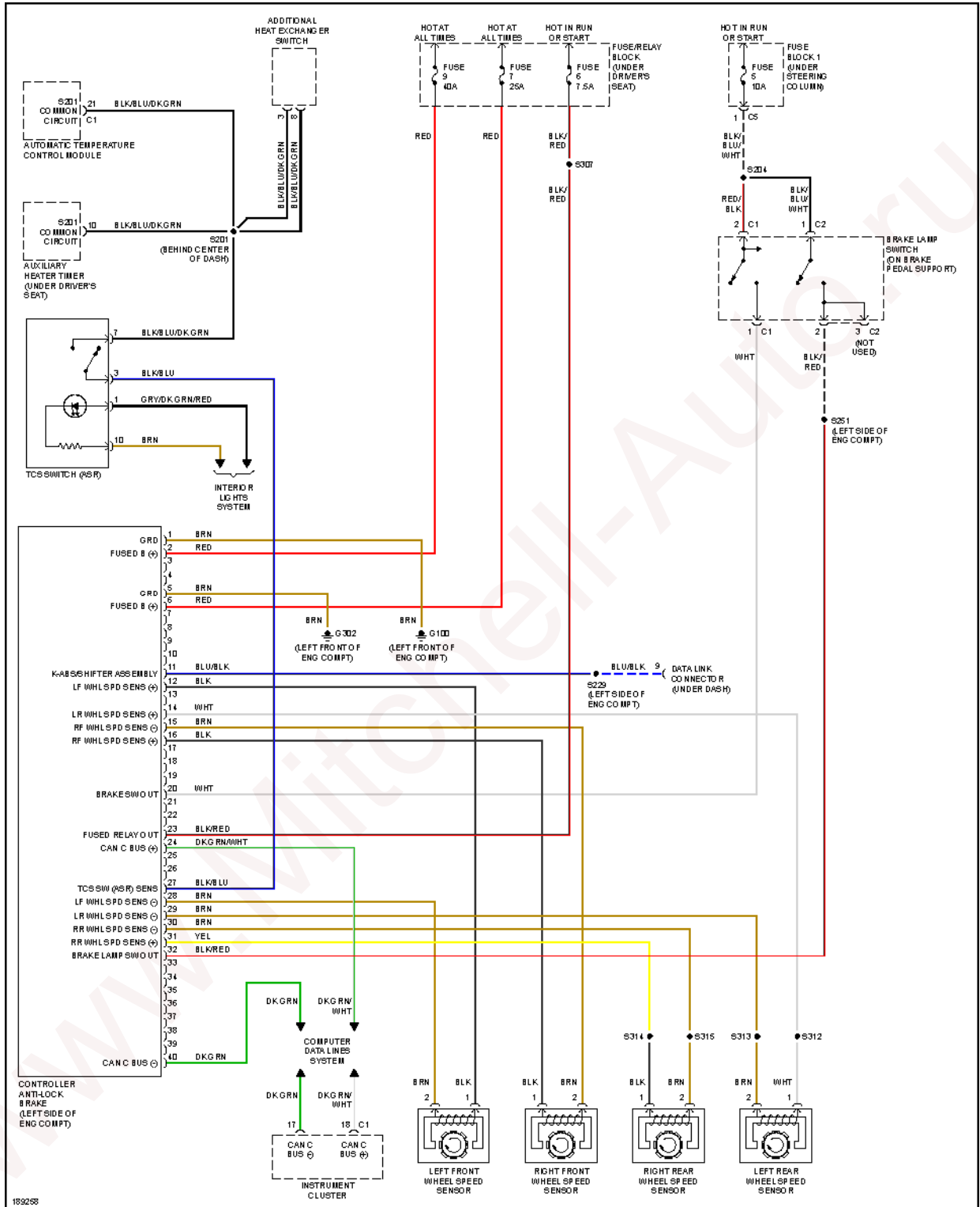


Fig. 7: Anti-lock Brakes Circuit

ANTI-THEFT

2003 Dodge Sprinter 3500

2003 SYSTEM WIRING DIAGRAMS Dodge - Sprinter

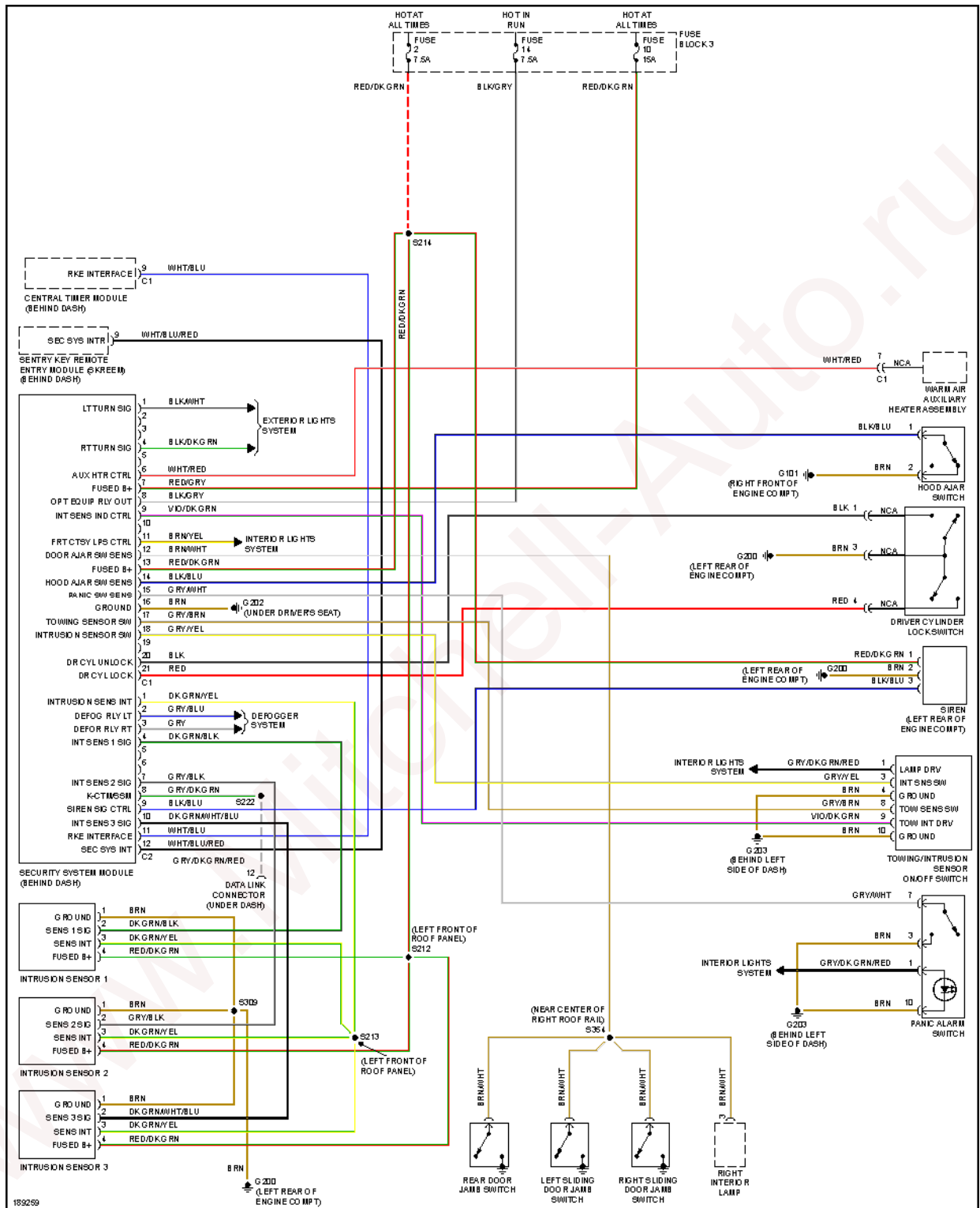


Fig. 8: Anti-theft Circuit

BODY CONTROL MODULES

2003 Dodge Sprinter 3500

2003 SYSTEM WIRING DIAGRAMS Dodge - Sprinter

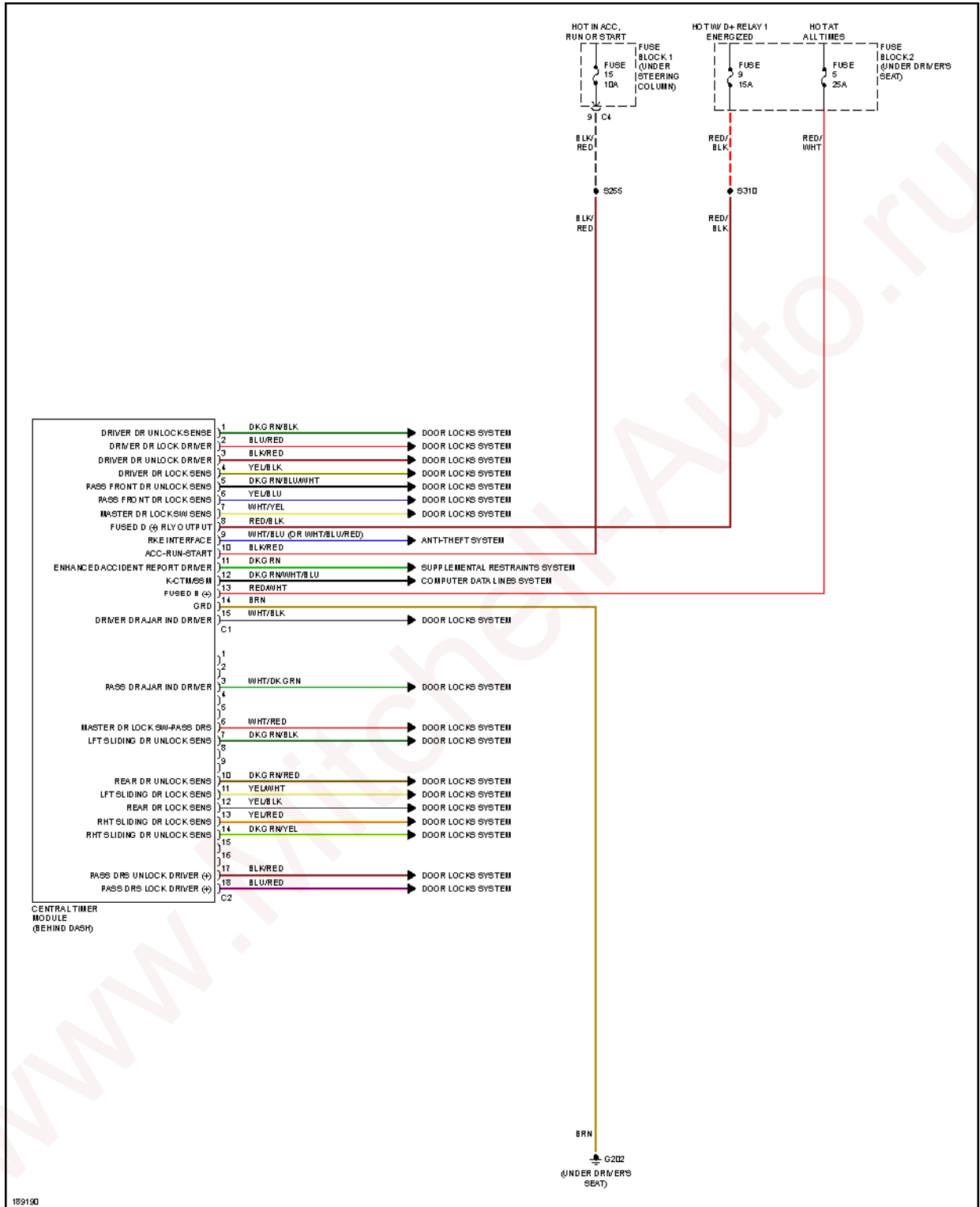


Fig. 9: Body Control Modules Circuit

COMPUTER DATA LINES

2003 Dodge Sprinter 3500

2003 SYSTEM WIRING DIAGRAMS Dodge - Sprinter

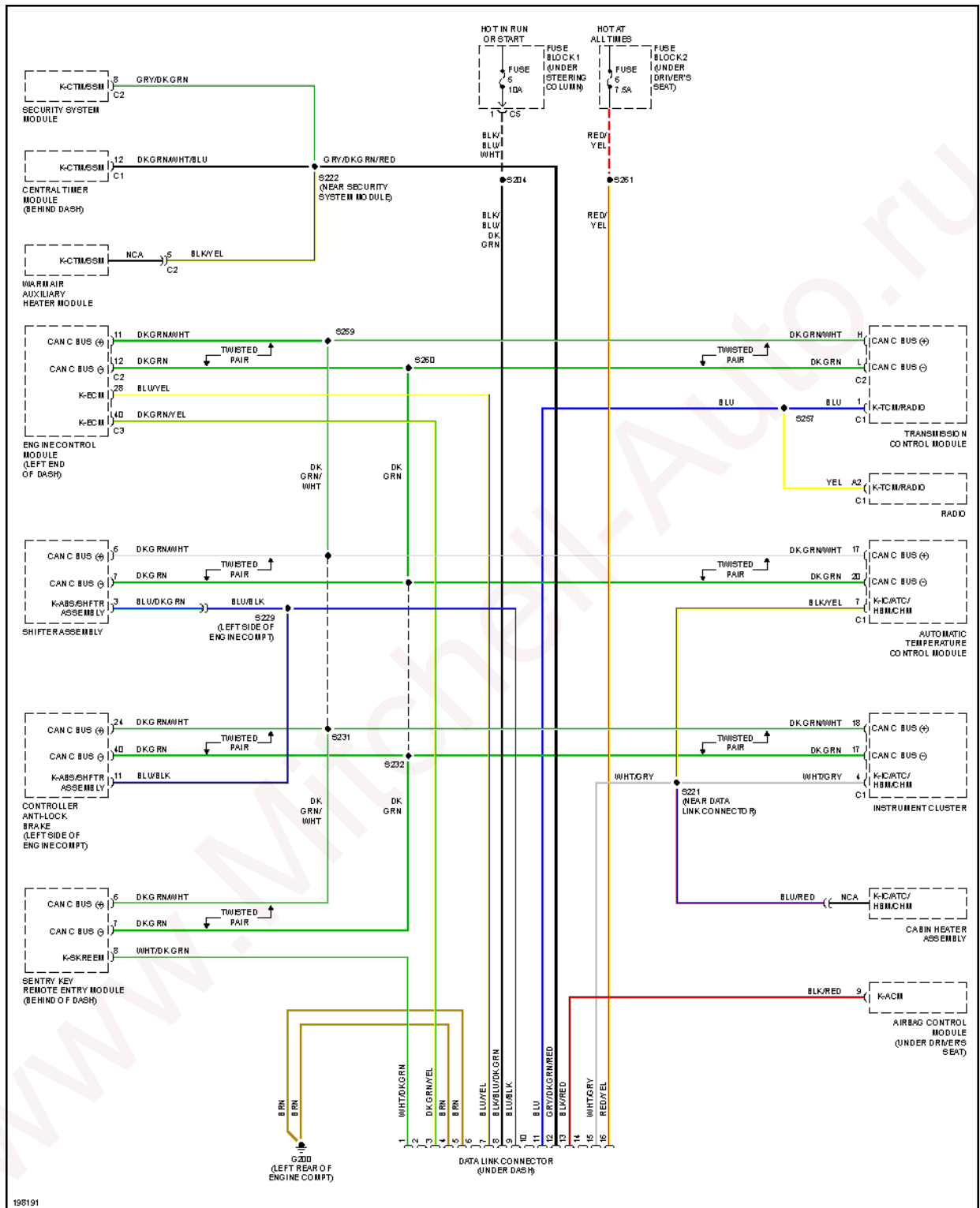


Fig. 10: Computer Data Lines Circuit

CRUISE CONTROL

2003 Dodge Sprinter 3500

2003 SYSTEM WIRING DIAGRAMS Dodge - Sprinter

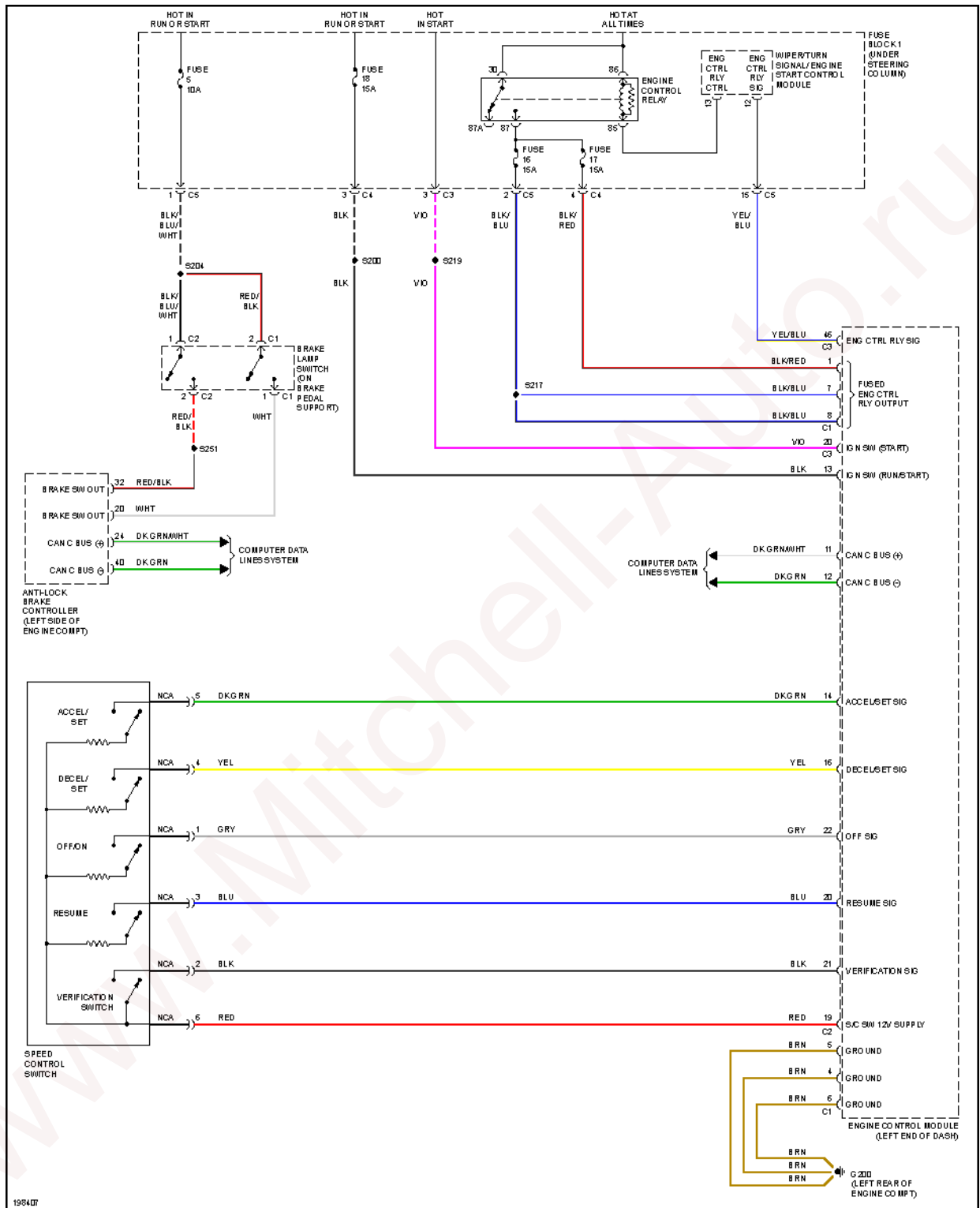


Fig. 11: Cruise Control Circuit

DEFOGGERS

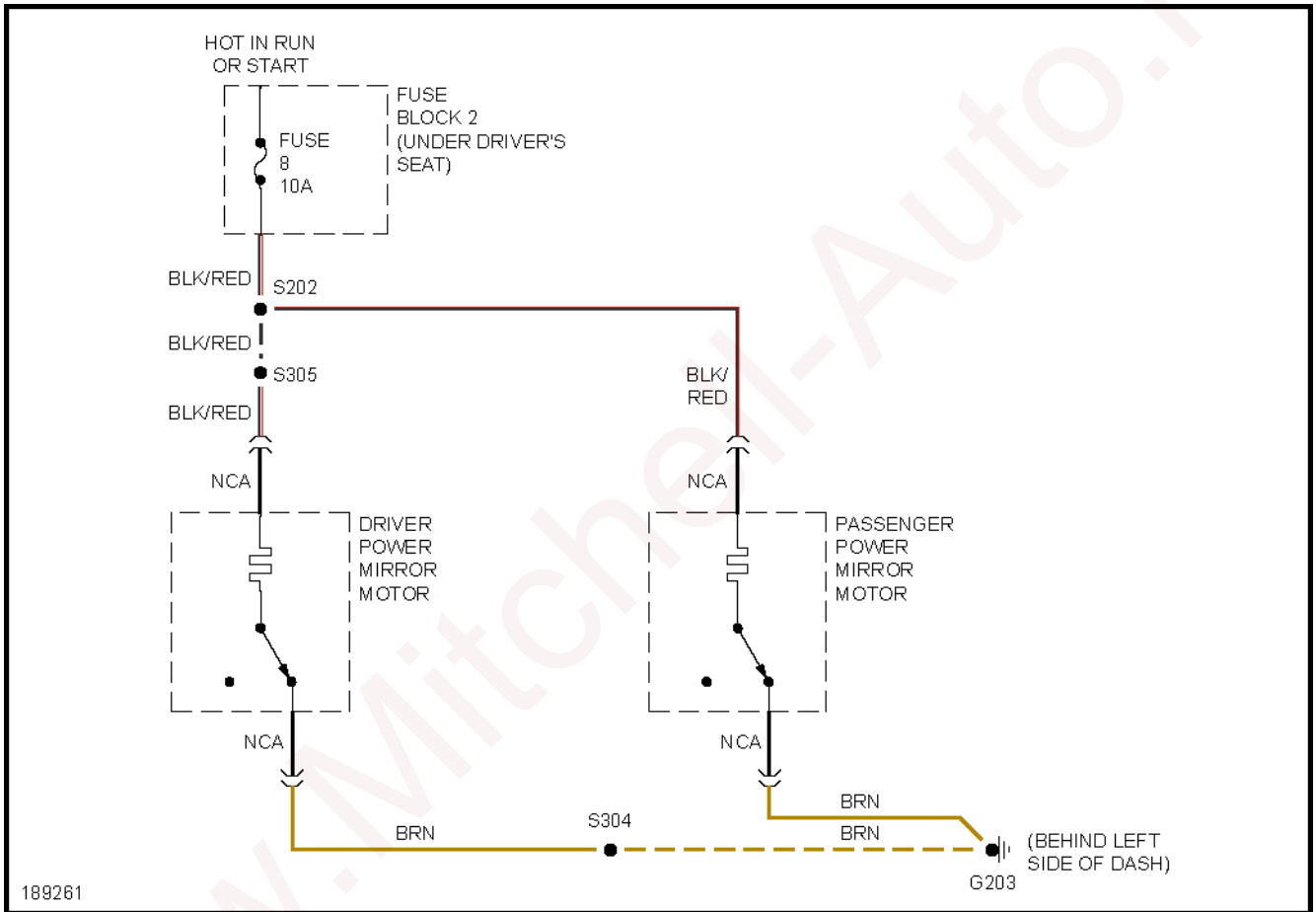


Fig. 12: Heated Mirrors Circuit

2003 Dodge Sprinter 3500

2003 SYSTEM WIRING DIAGRAMS Dodge - Sprinter

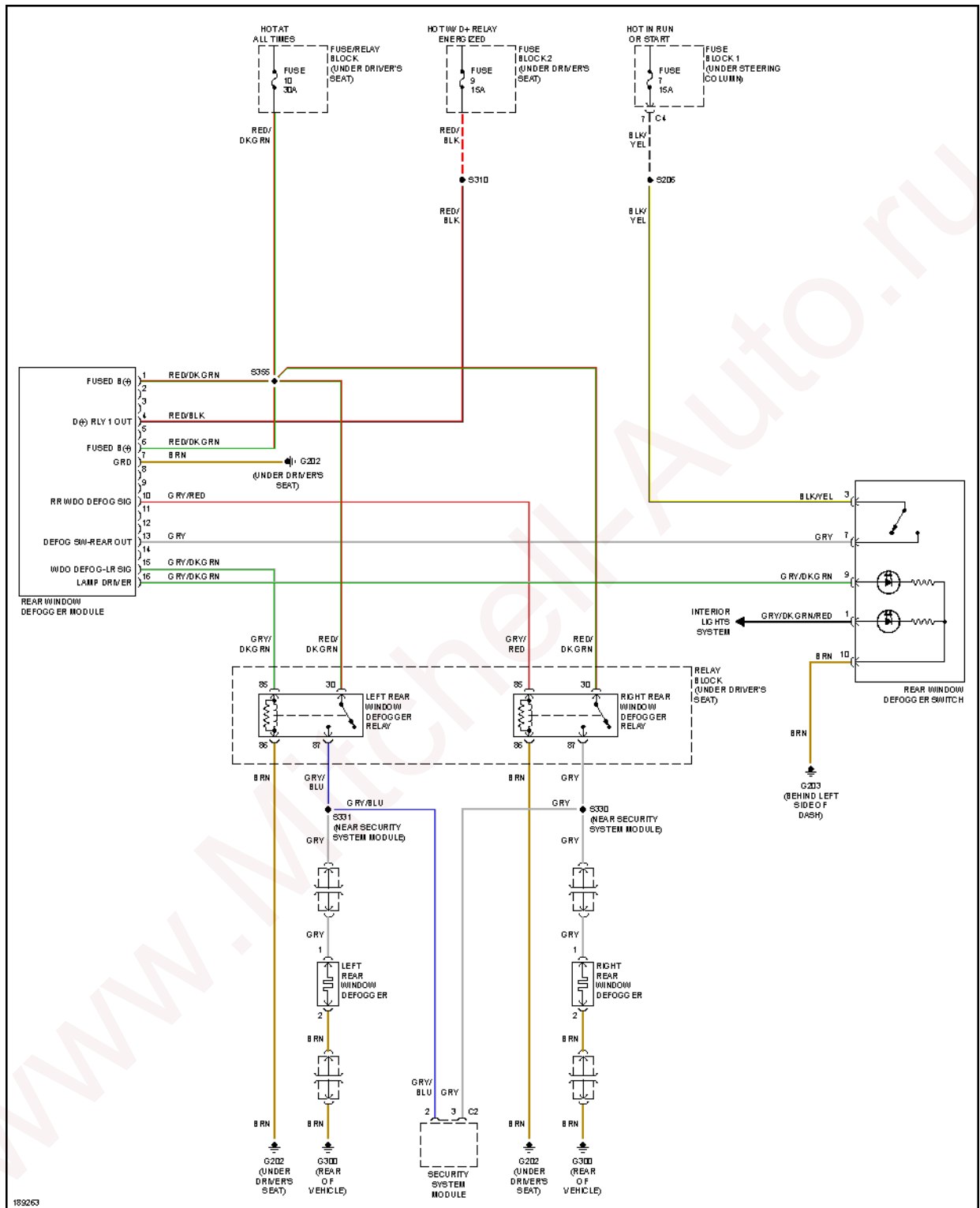


Fig. 13: Rear Defogger Circuit

ENGINE PERFORMANCE

2003 Dodge Sprinter 3500

2003 SYSTEM WIRING DIAGRAMS Dodge - Sprinter

2.7L

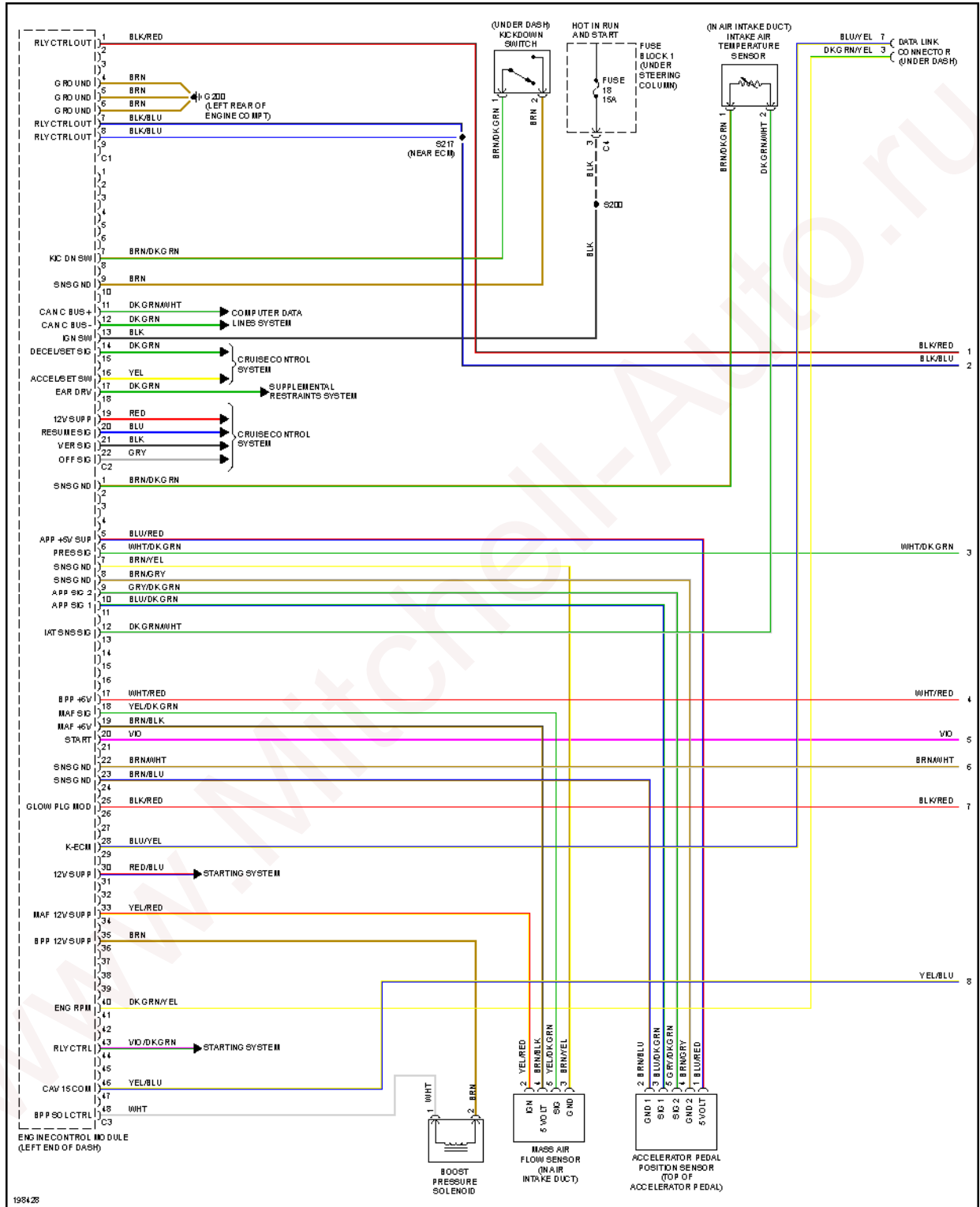


Fig. 14: 2.7L, Engine Performance Circuit (1 of 4)

2003 Dodge Sprinter 3500

2003 SYSTEM WIRING DIAGRAMS Dodge - Sprinter

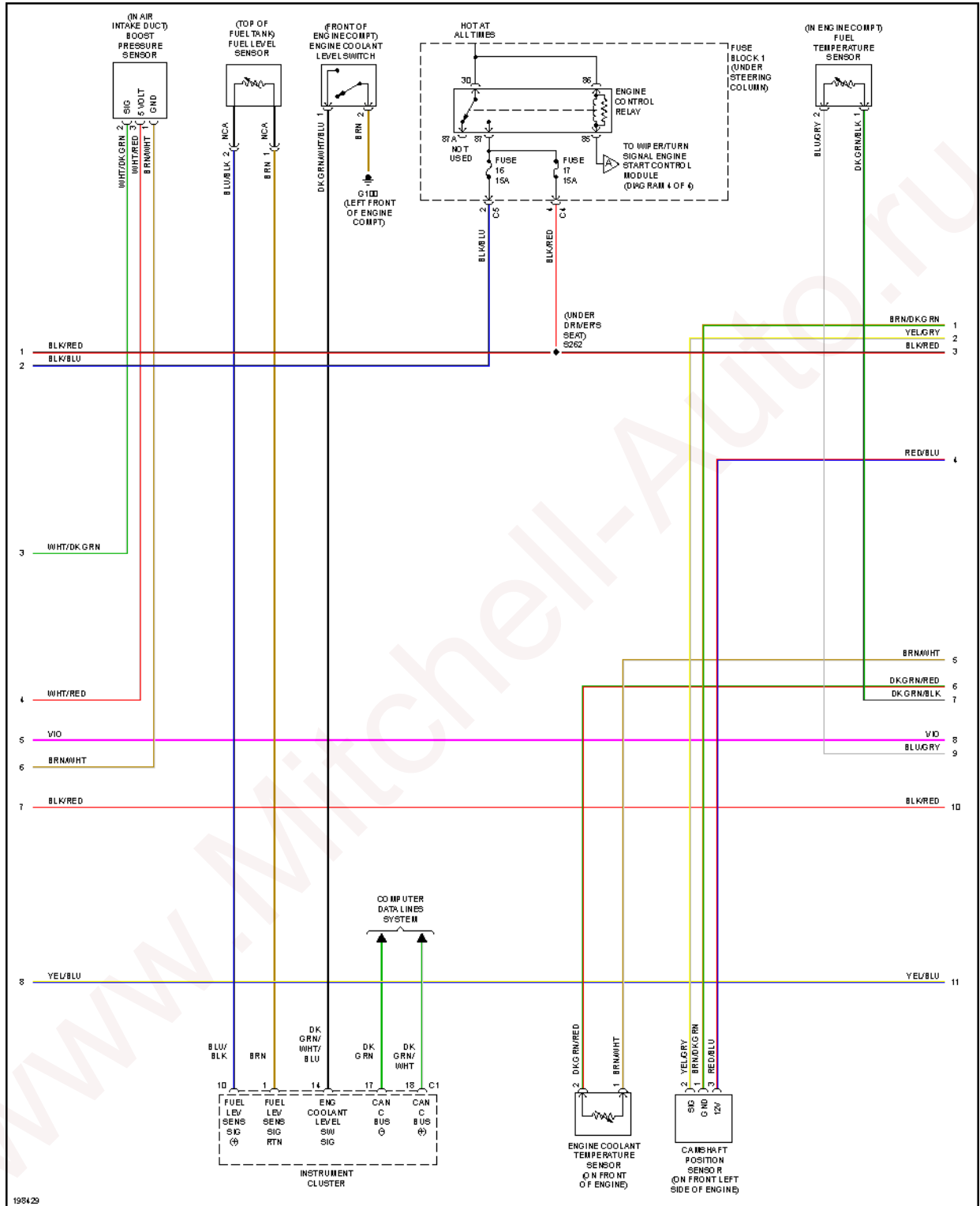


Fig. 15: 2.7L, Engine Performance Circuit (2 of 4)

2003 Dodge Sprinter 3500

2003 SYSTEM WIRING DIAGRAMS Dodge - Sprinter

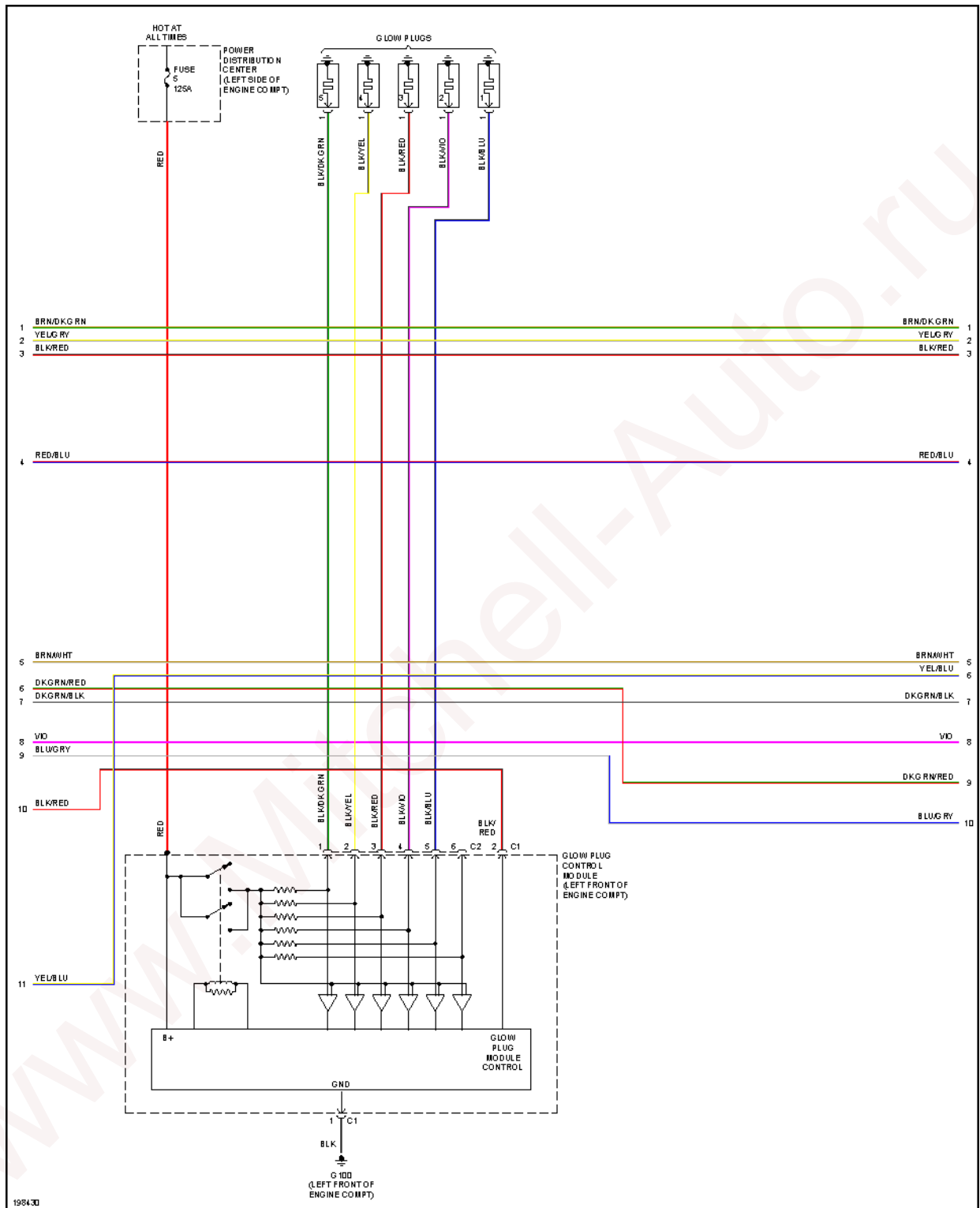


Fig. 16: 2.7L, Engine Performance Circuit (3 of 4)

2003 Dodge Sprinter 3500

2003 SYSTEM WIRING DIAGRAMS Dodge - Sprinter

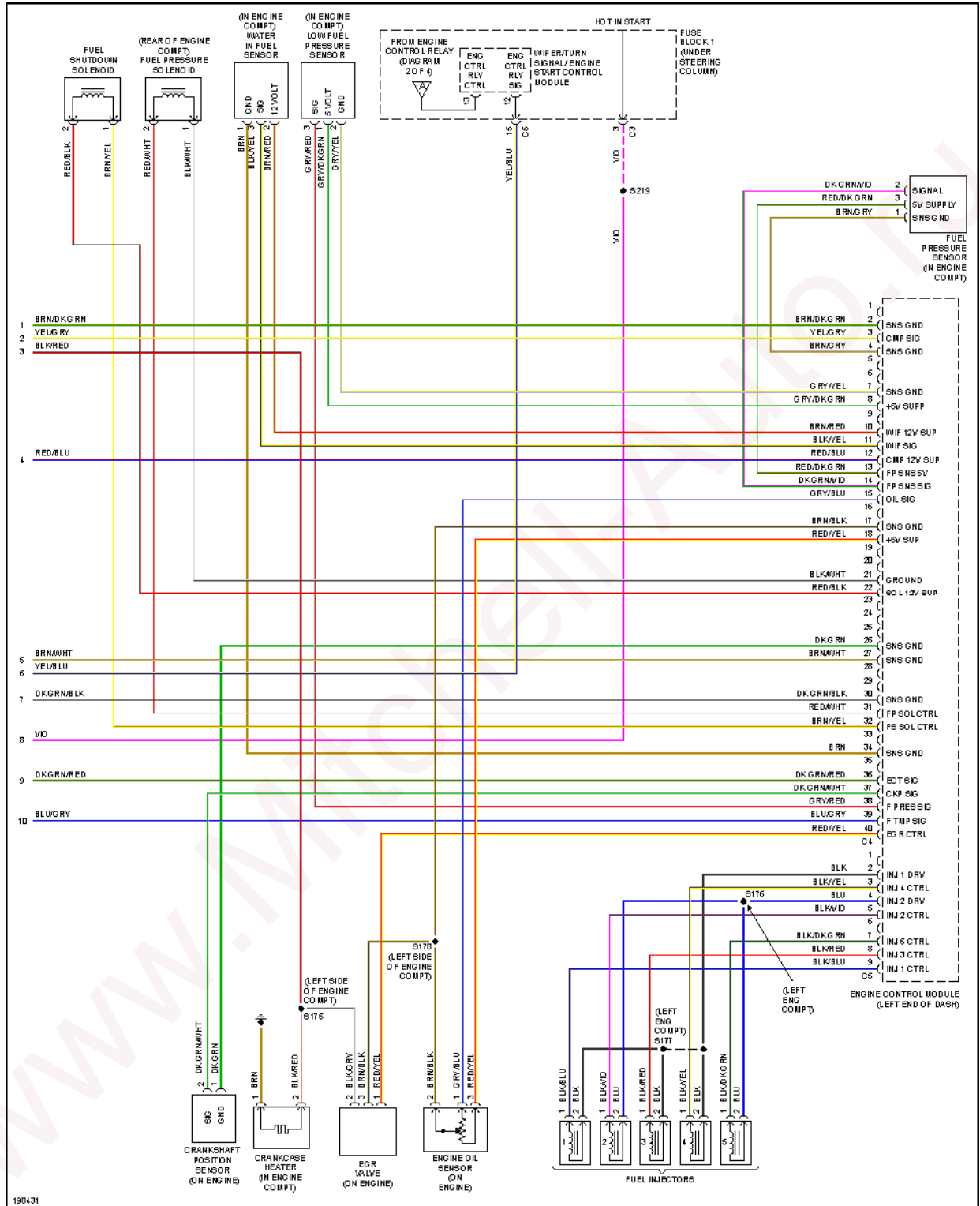


Fig. 17: 2.7L, Engine Performance Circuit (4 of 4)

EXTERIOR LIGHTS

2003 Dodge Sprinter 3500

2003 SYSTEM WIRING DIAGRAMS Dodge - Sprinter

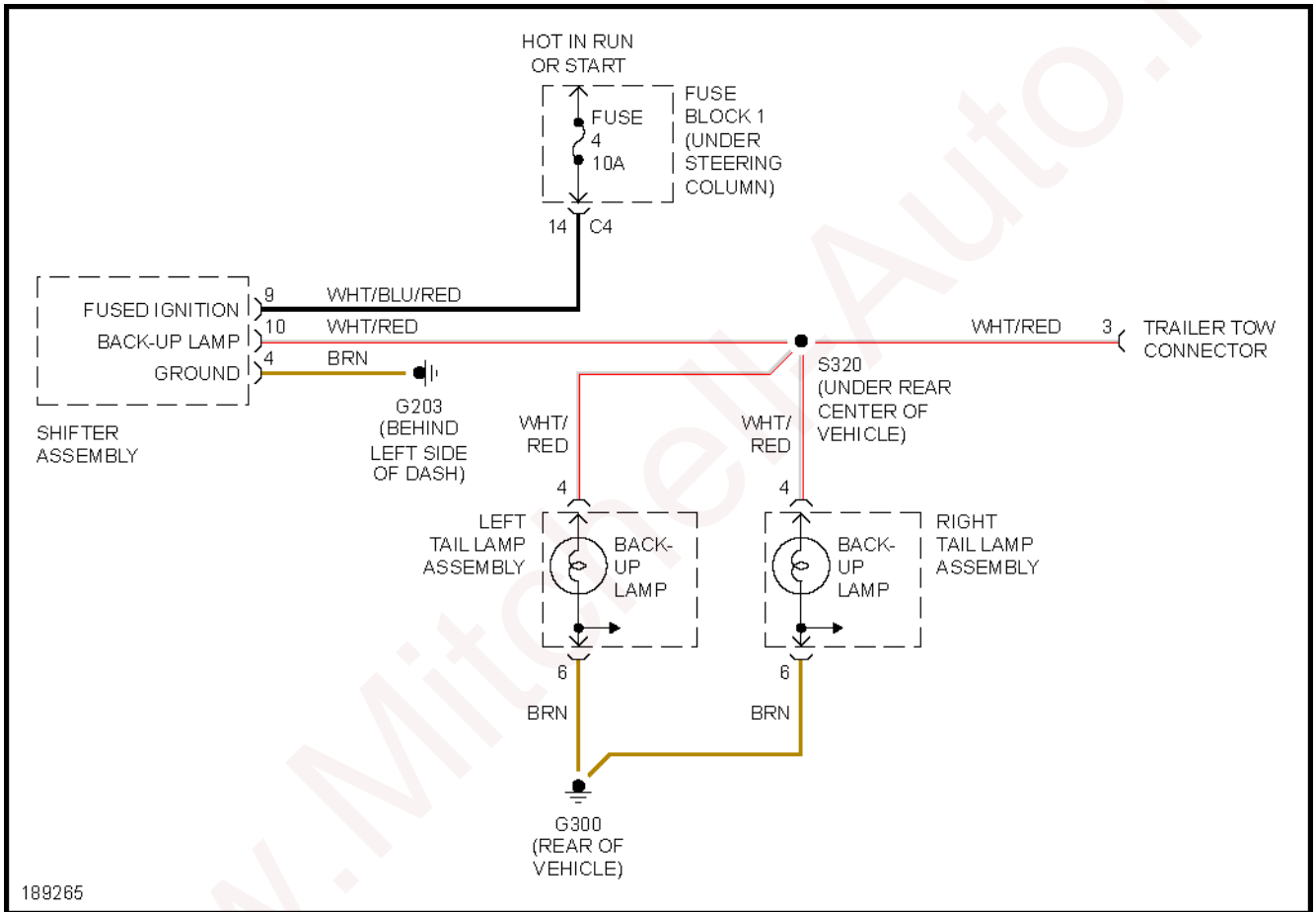


Fig. 18: Back-up Lamps Circuit

2003 Dodge Sprinter 3500

2003 SYSTEM WIRING DIAGRAMS Dodge - Sprinter

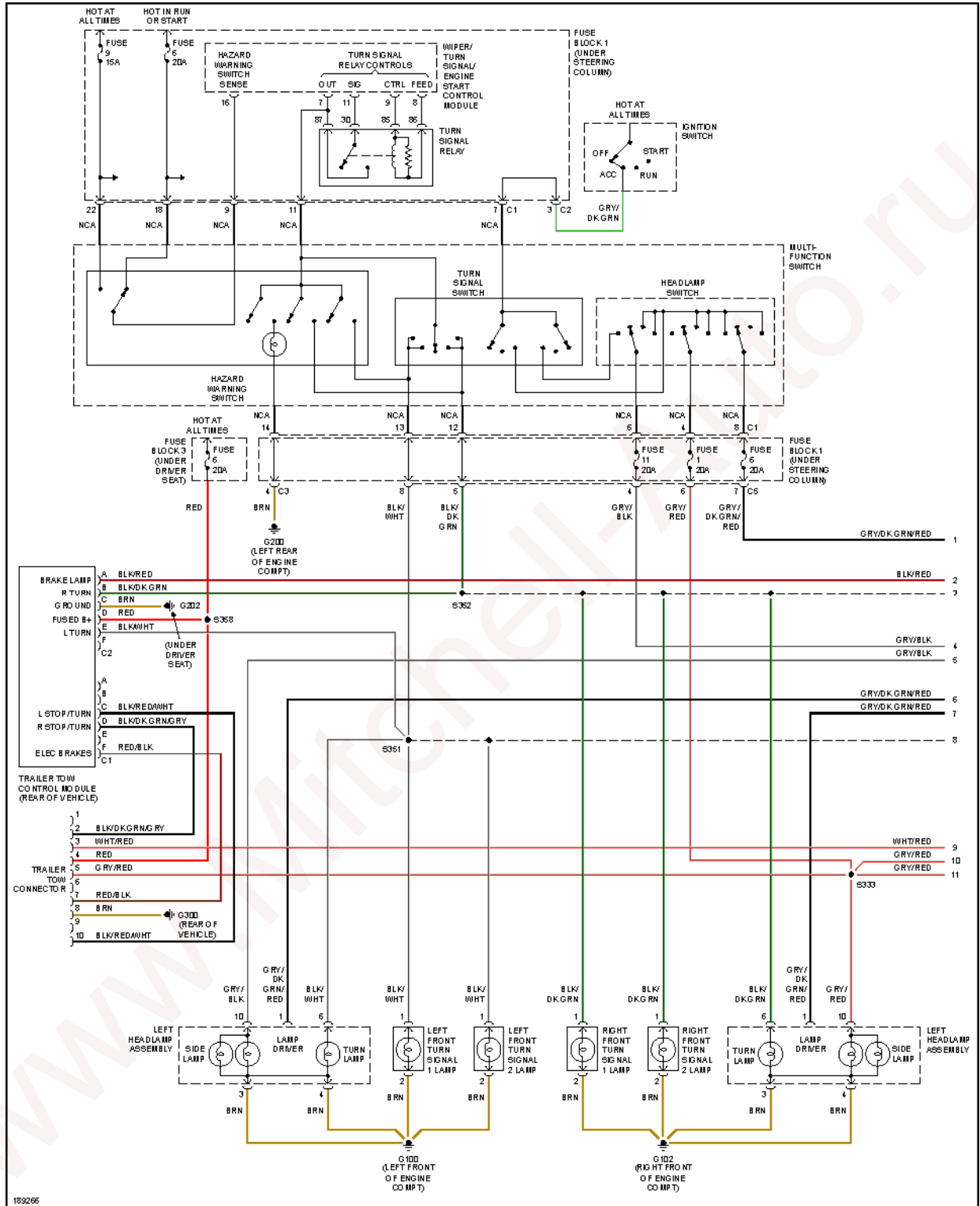


Fig. 19: Exterior Lamps Circuit (1 of 3)

2003 Dodge Sprinter 3500

2003 SYSTEM WIRING DIAGRAMS Dodge - Sprinter

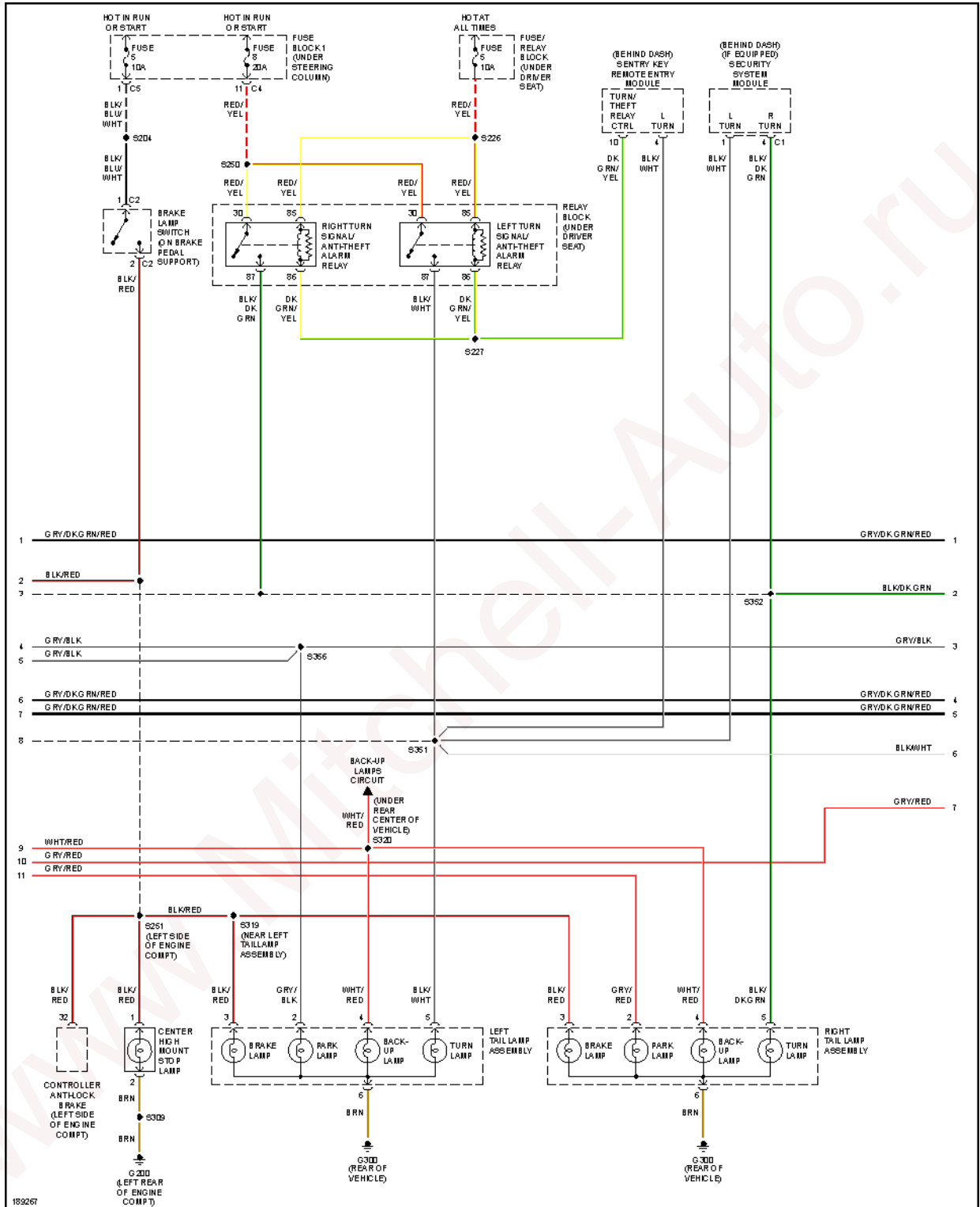


Fig. 20: Exterior Lamps Circuit (2 of 3)

2003 Dodge Sprinter 3500

2003 SYSTEM WIRING DIAGRAMS Dodge - Sprinter

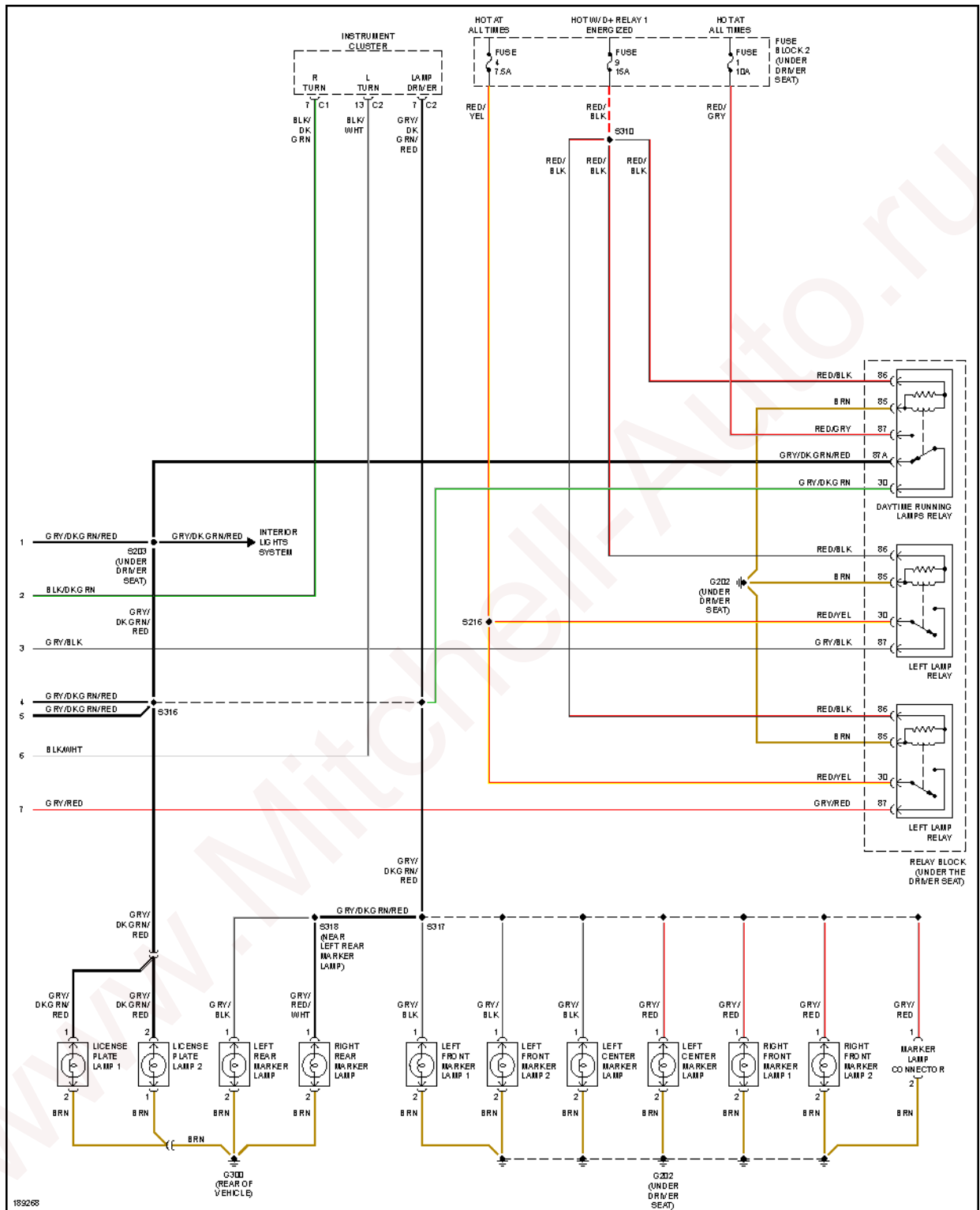


Fig. 21: Exterior Lamps Circuit (3 of 3)

GROUND DISTRIBUTION

2003 Dodge Sprinter 3500

2003 SYSTEM WIRING DIAGRAMS Dodge - Sprinter

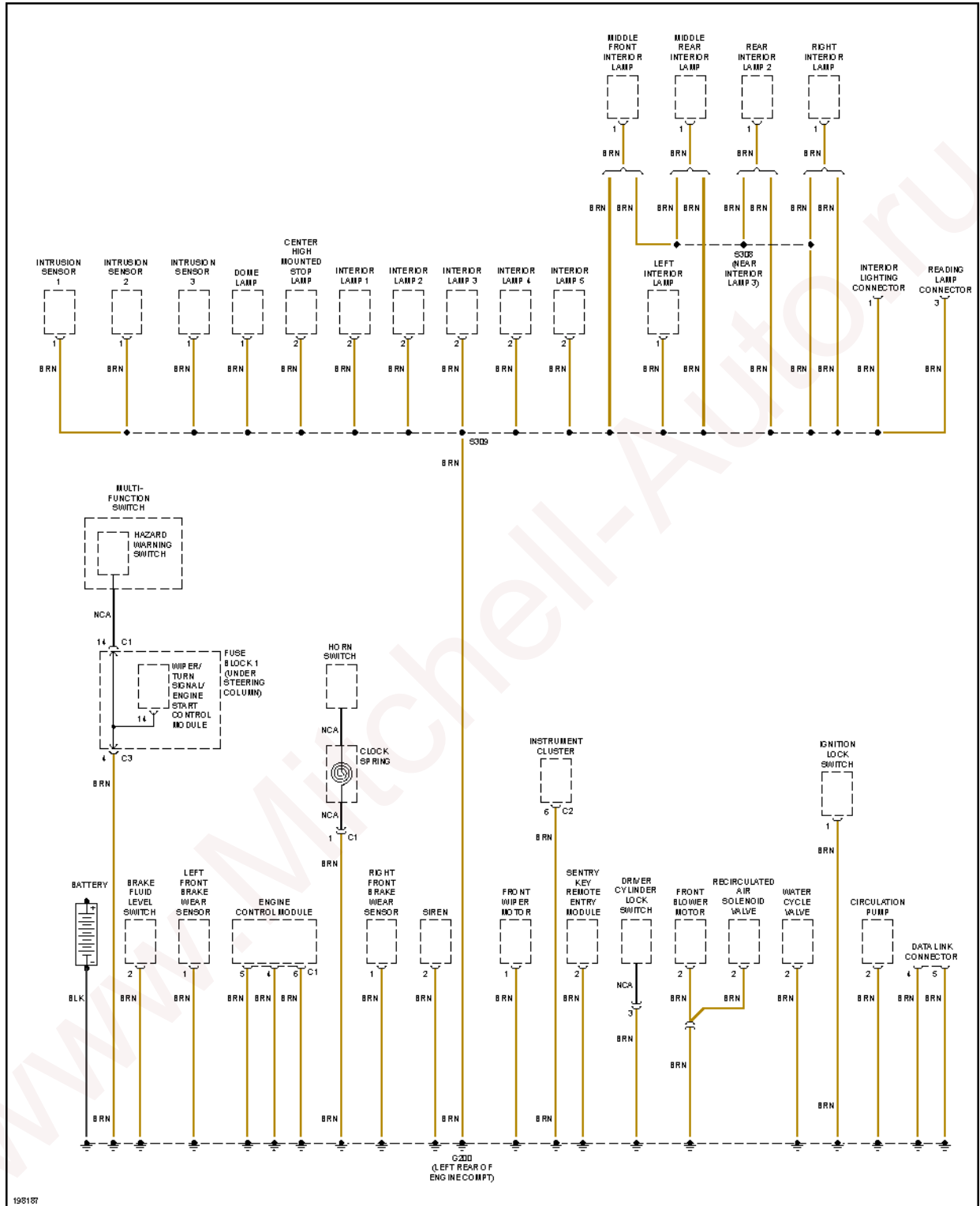


Fig. 22: Ground Distribution Circuit (1 of 4)

2003 Dodge Sprinter 3500

2003 SYSTEM WIRING DIAGRAMS Dodge - Sprinter

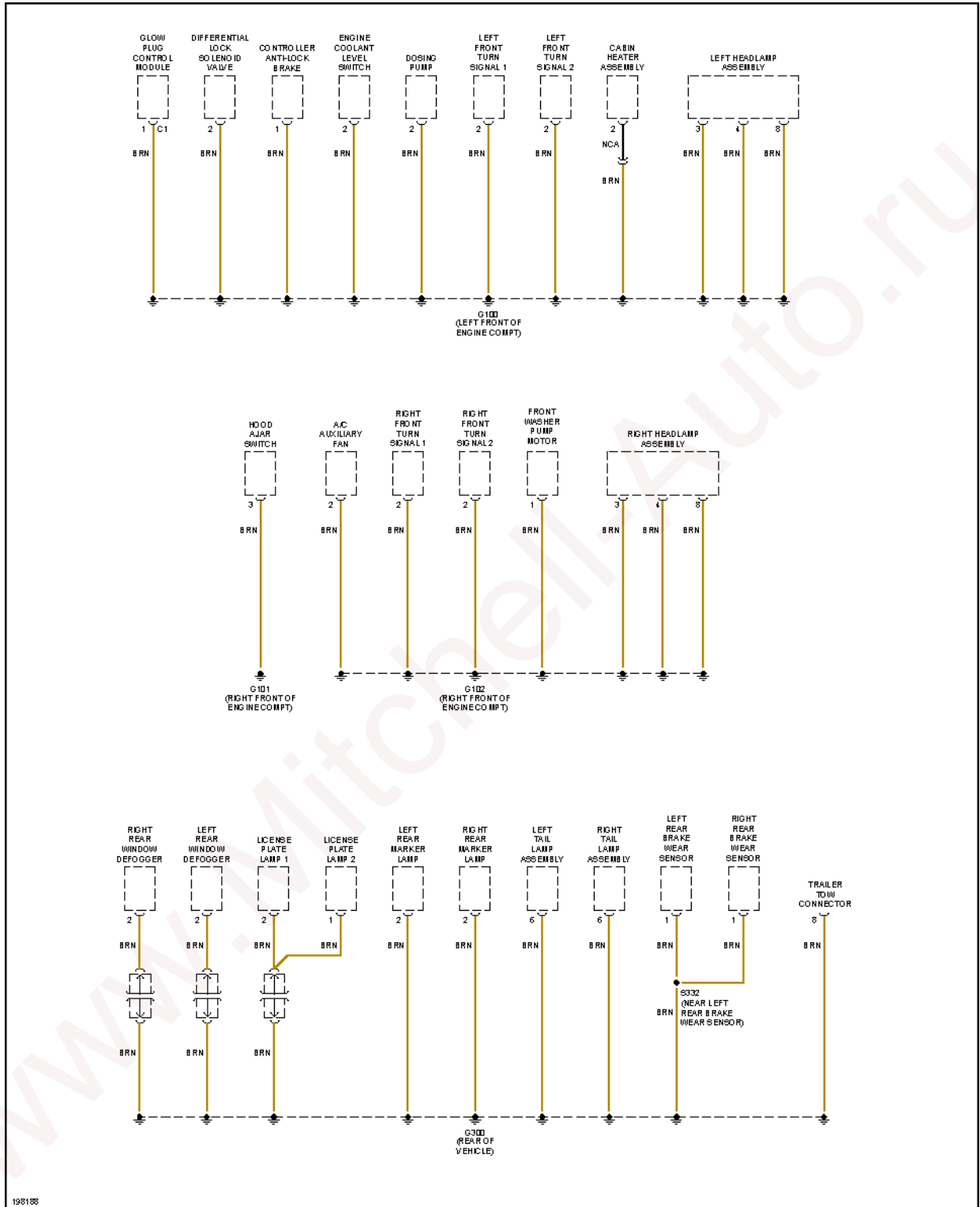


Fig. 23: Ground Distribution Circuit (2 of 4)

2003 Dodge Sprinter 3500

2003 SYSTEM WIRING DIAGRAMS Dodge - Sprinter

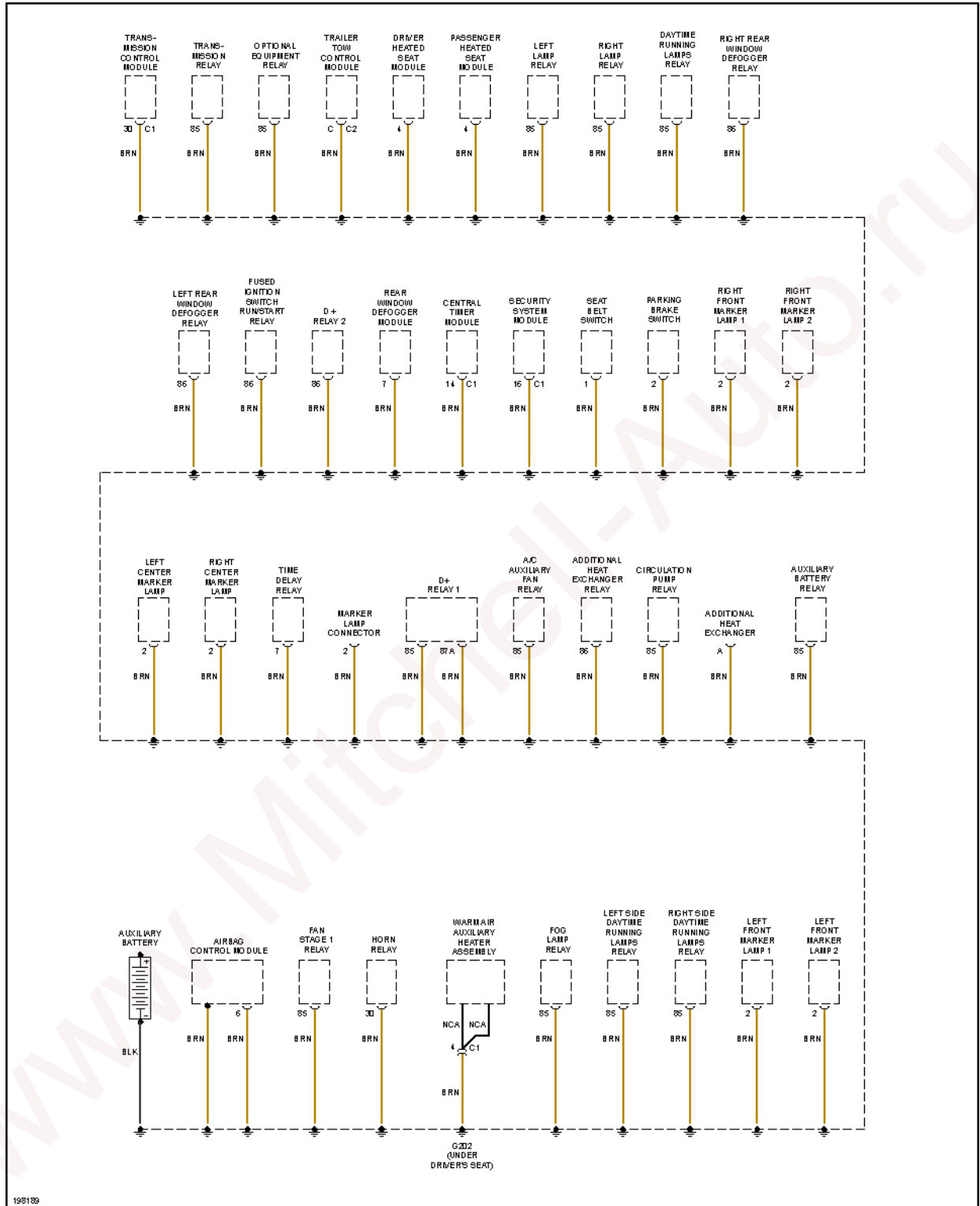


Fig. 24: Ground Distribution Circuit (3 of 4)

2003 Dodge Sprinter 3500

2003 SYSTEM WIRING DIAGRAMS Dodge - Sprinter

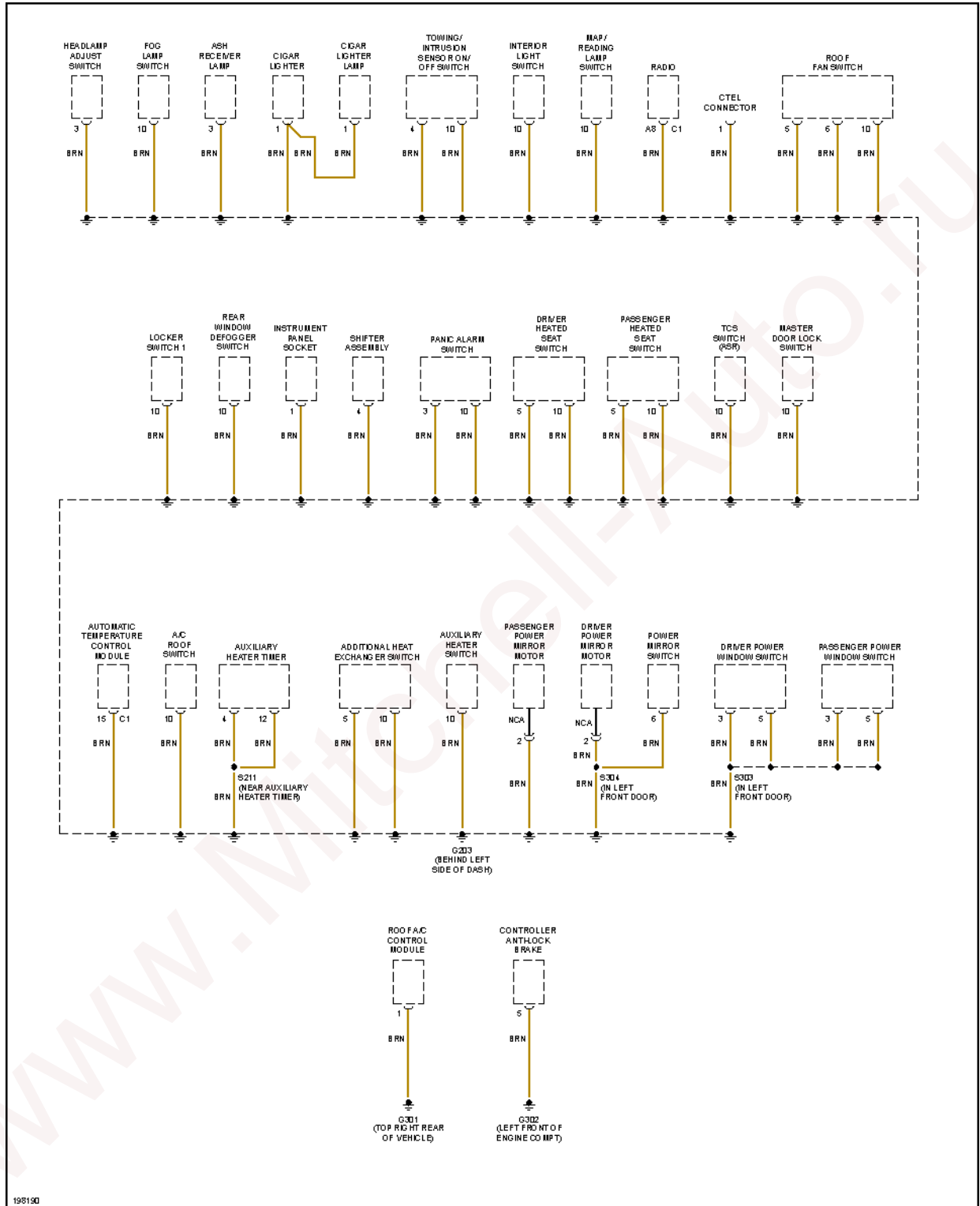


Fig. 25: Ground Distribution Circuit (4 of 4)

HEADLIGHTS

2003 Dodge Sprinter 3500

2003 SYSTEM WIRING DIAGRAMS Dodge - Sprinter

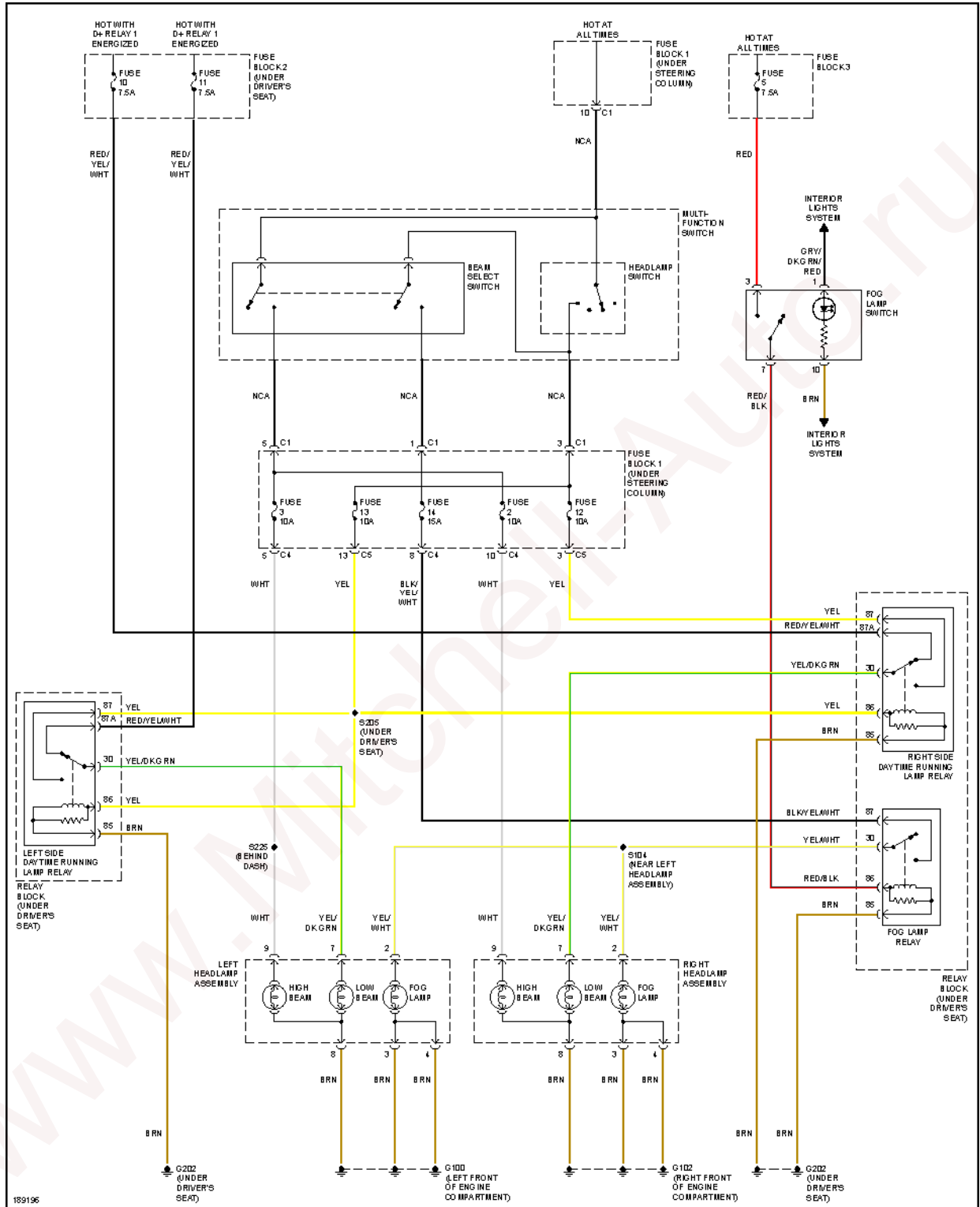


Fig. 26: Headlights Circuit, W/ DRL

2003 Dodge Sprinter 3500

2003 SYSTEM WIRING DIAGRAMS Dodge - Sprinter

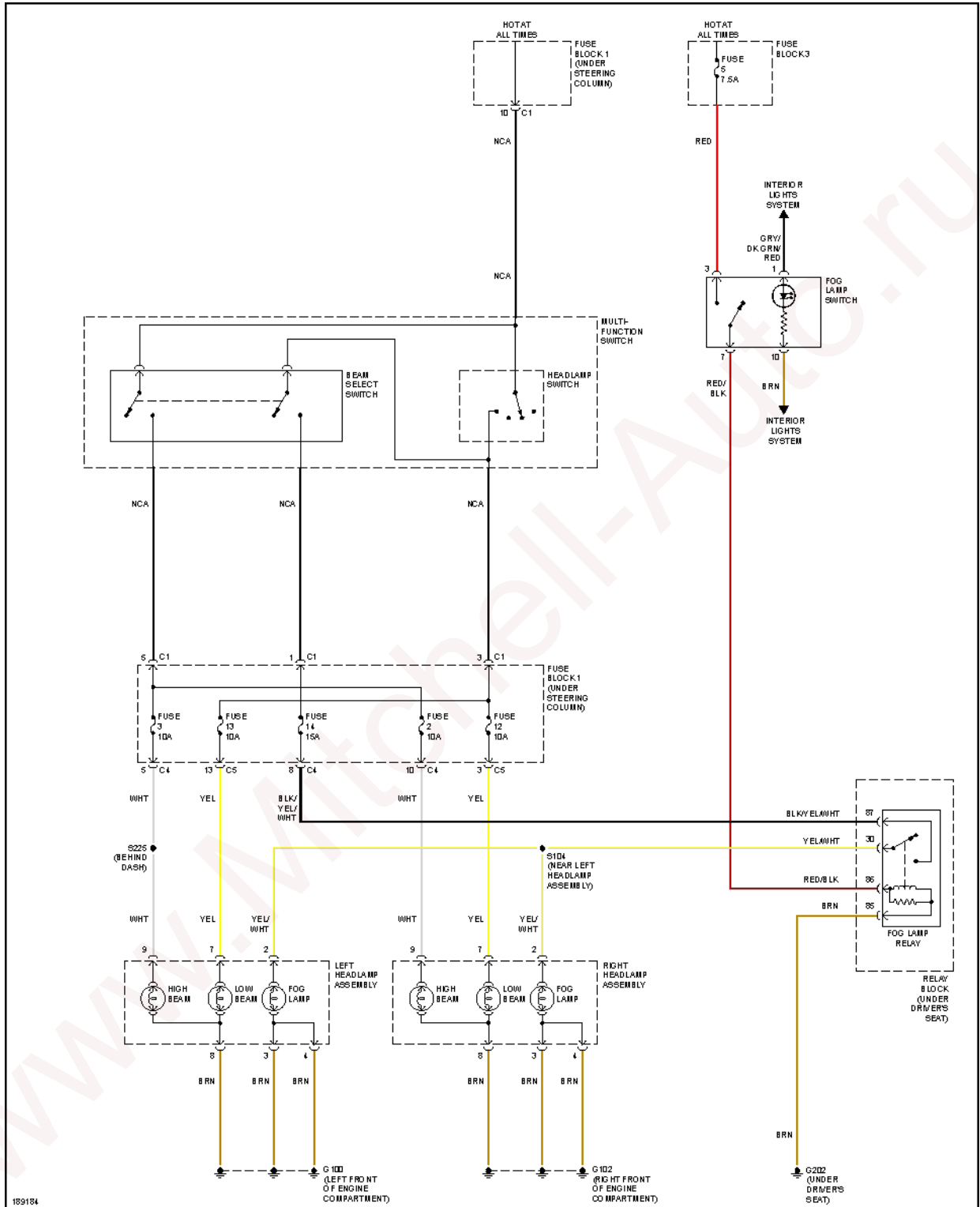


Fig. 27: Headlights Circuit, W/O DRL

HORN

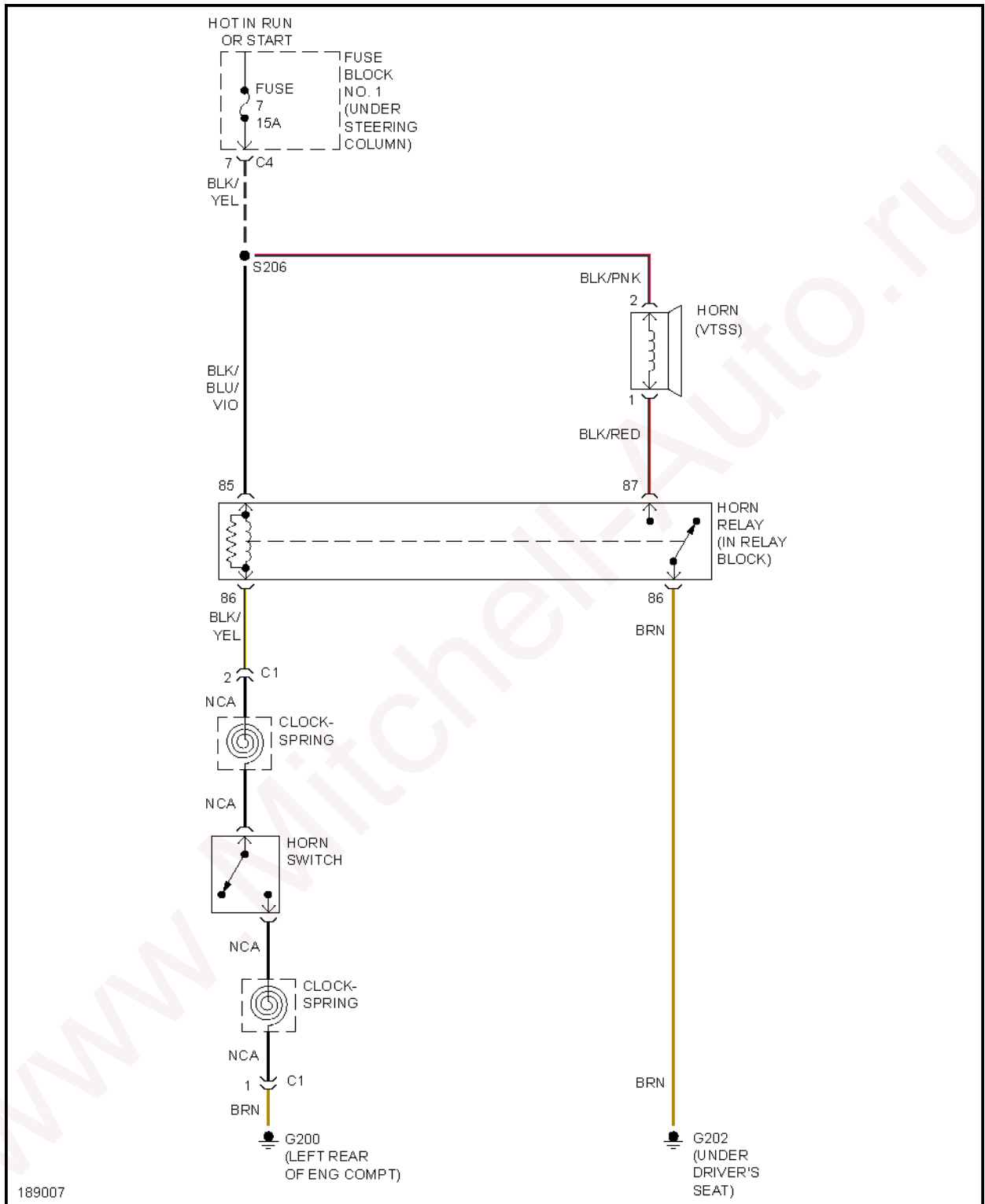


Fig. 28: Horn Circuit

INTERIOR LIGHTS

2003 Dodge Sprinter 3500

2003 SYSTEM WIRING DIAGRAMS Dodge - Sprinter

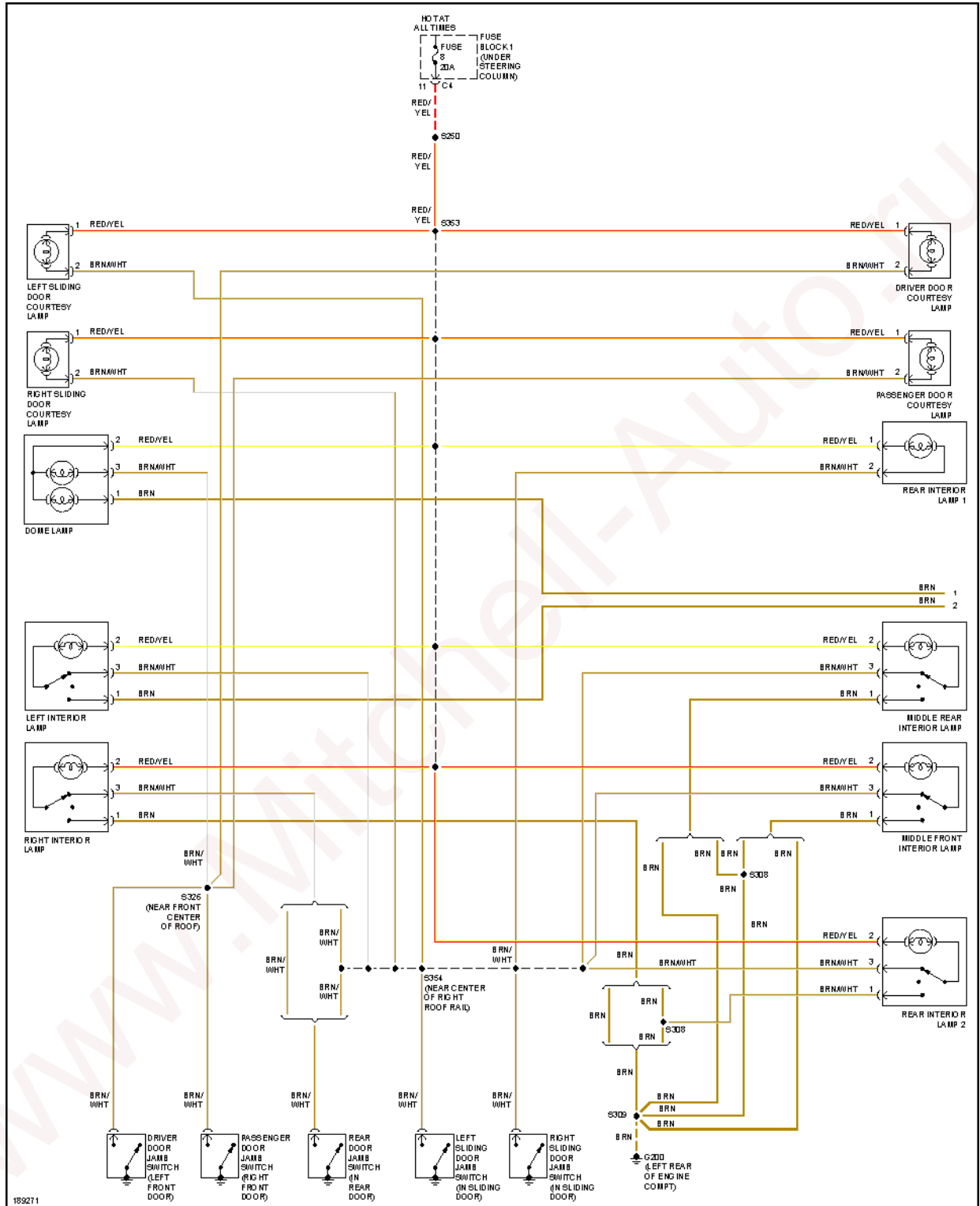


Fig. 29: Courtesy Lamps Circuit (1 of 2)

2003 Dodge Sprinter 3500

2003 SYSTEM WIRING DIAGRAMS Dodge - Sprinter

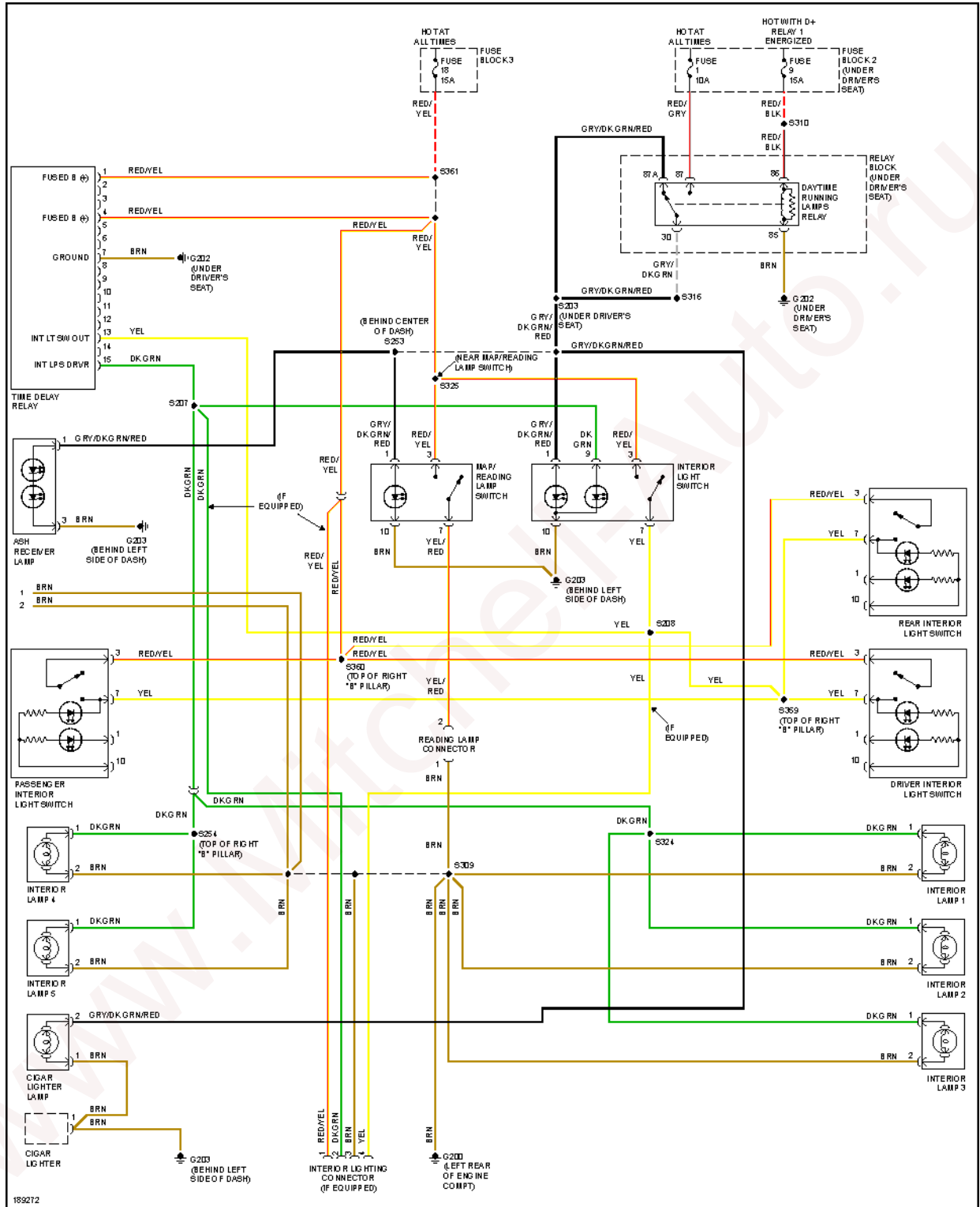


Fig. 30: Courtesy Lamps Circuit (2 of 2)

2003 Dodge Sprinter 3500

2003 SYSTEM WIRING DIAGRAMS Dodge - Sprinter

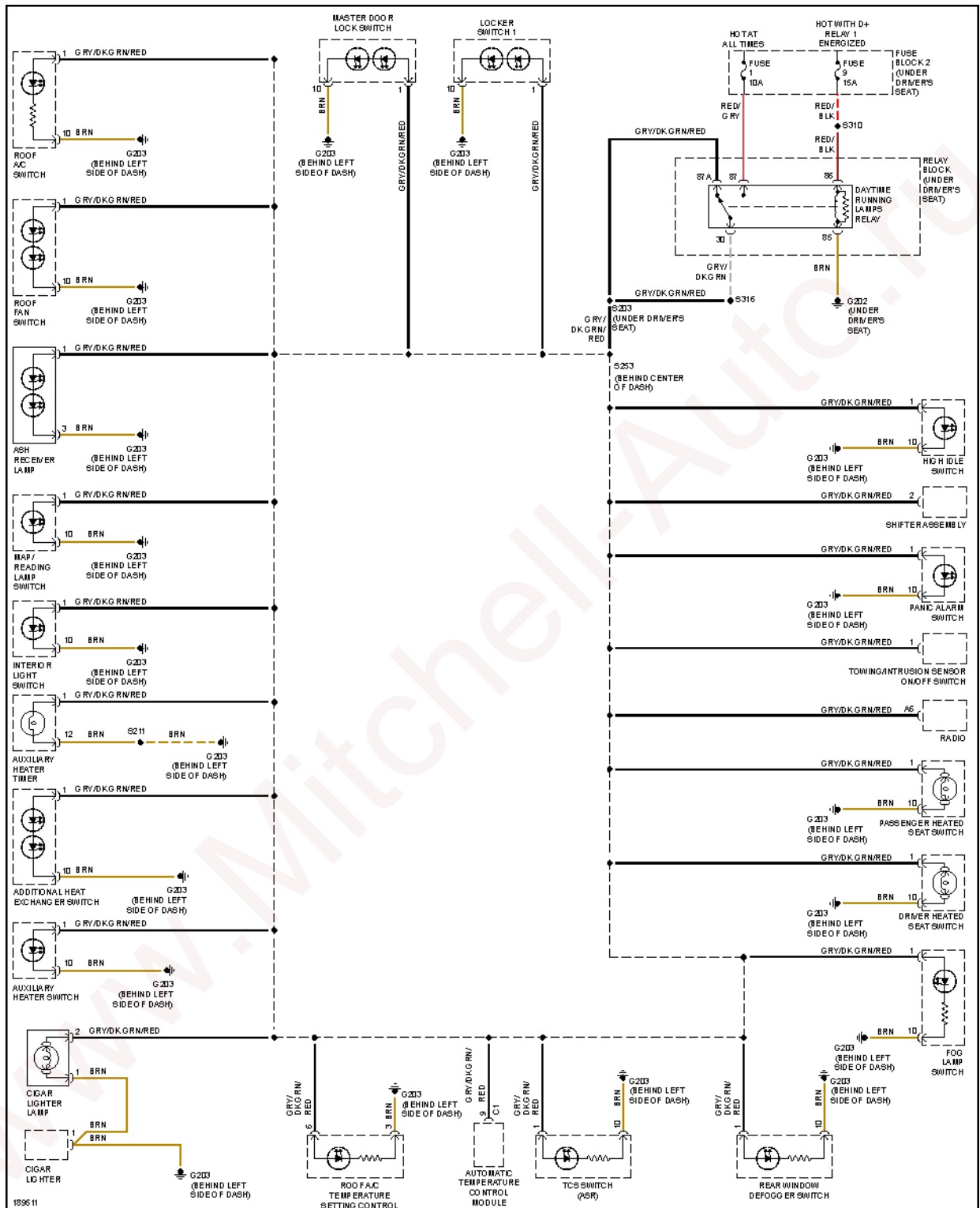


Fig. 31: Instrument Illumination Circuit

POWER DISTRIBUTION

2003 Dodge Sprinter 3500

2003 SYSTEM WIRING DIAGRAMS Dodge - Sprinter

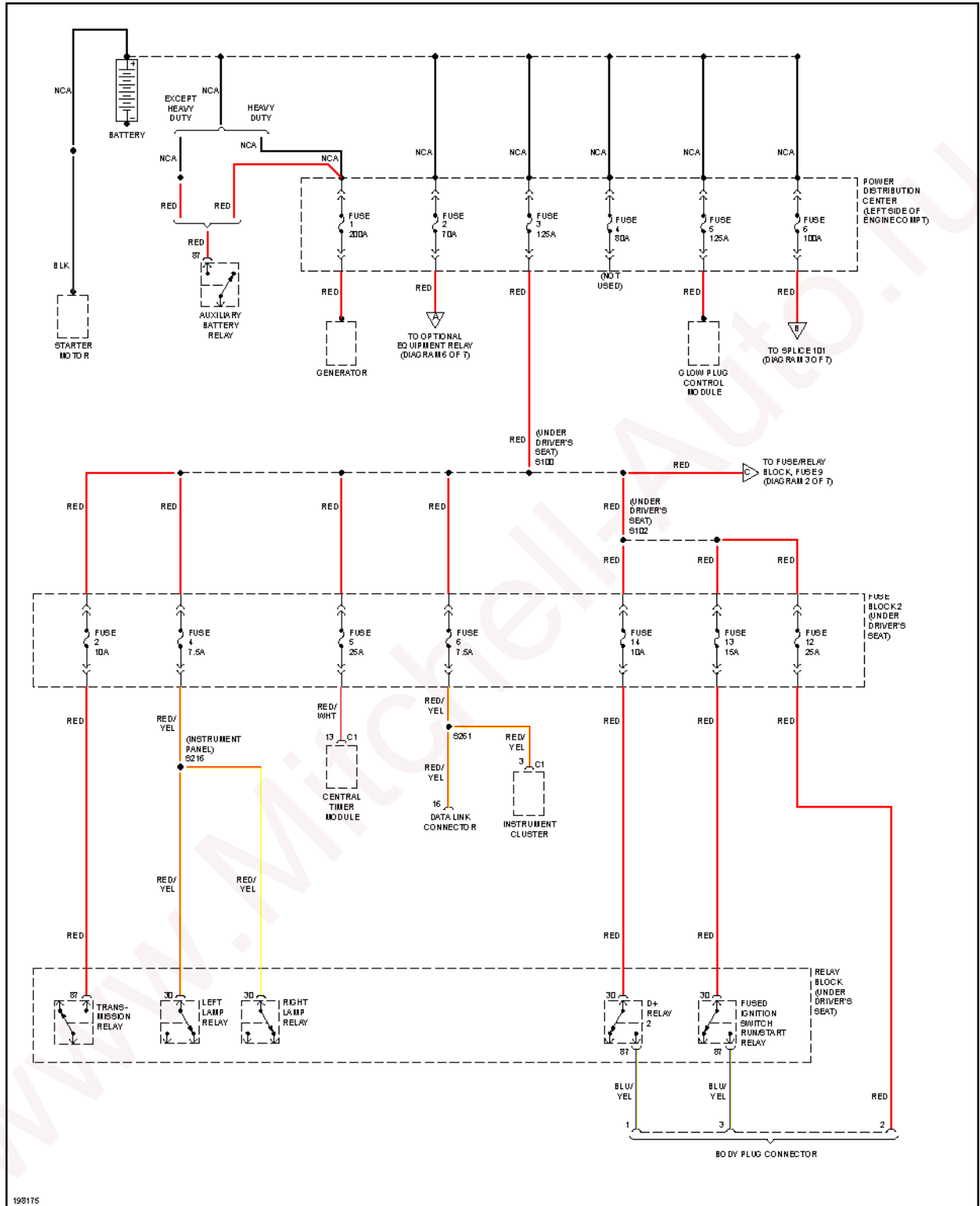


Fig. 32: Power Distribution Circuit (1 of 7)

2003 Dodge Sprinter 3500

2003 SYSTEM WIRING DIAGRAMS Dodge - Sprinter

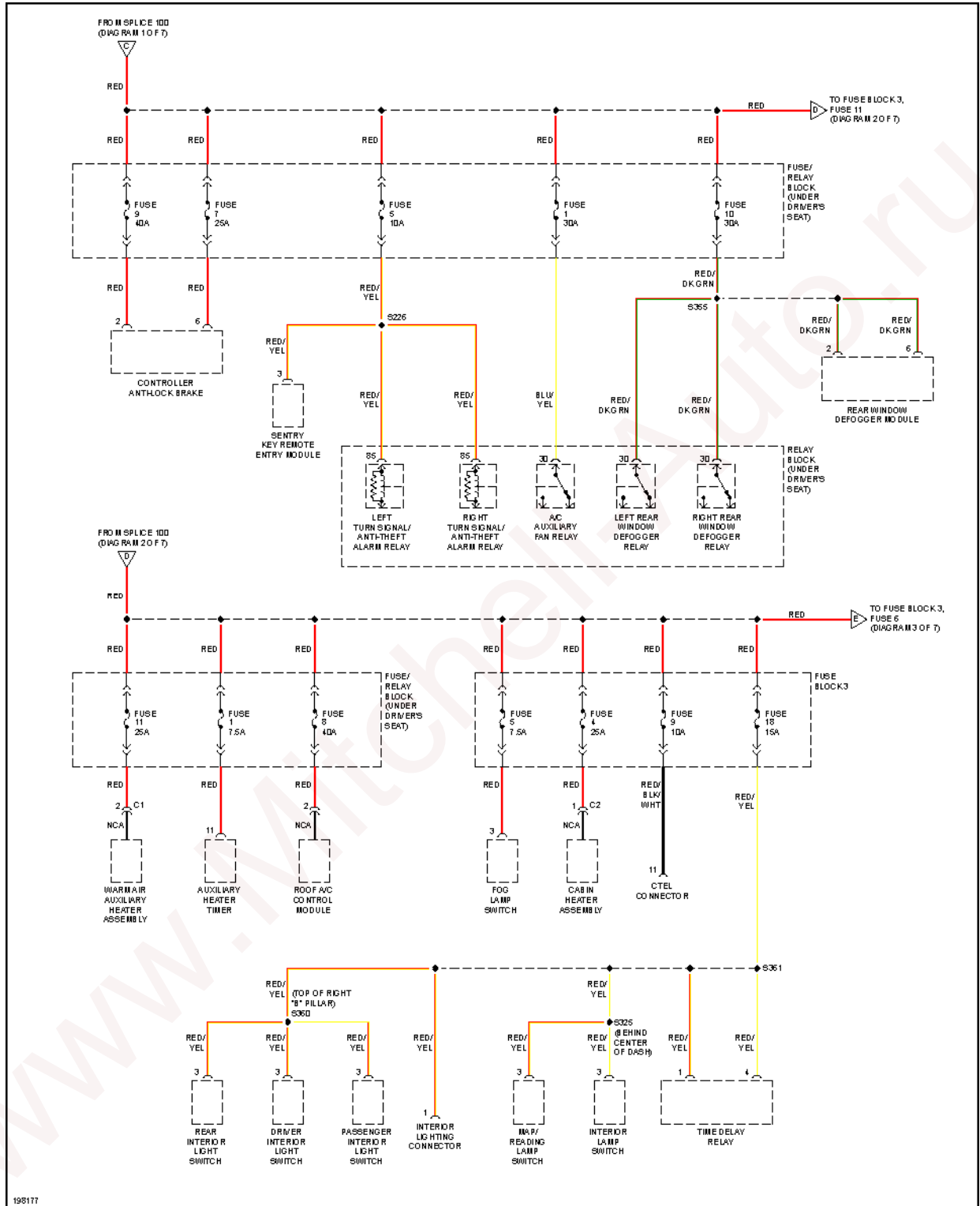


Fig. 33: Power Distribution Circuit (2 of 7)

2003 Dodge Sprinter 3500

2003 SYSTEM WIRING DIAGRAMS Dodge - Sprinter

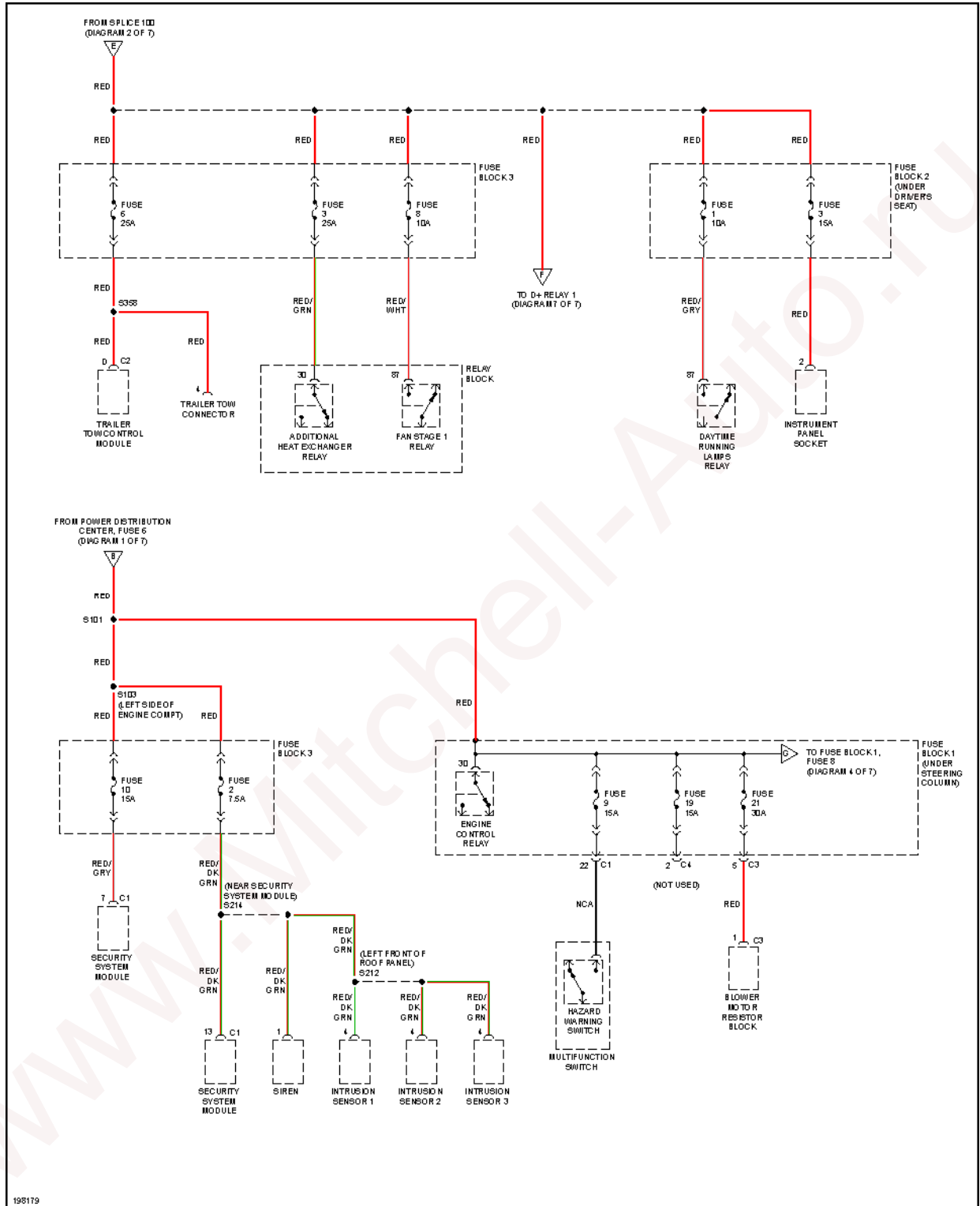


Fig. 34: Power Distribution Circuit (3 of 7)

2003 Dodge Sprinter 3500

2003 SYSTEM WIRING DIAGRAMS Dodge - Sprinter

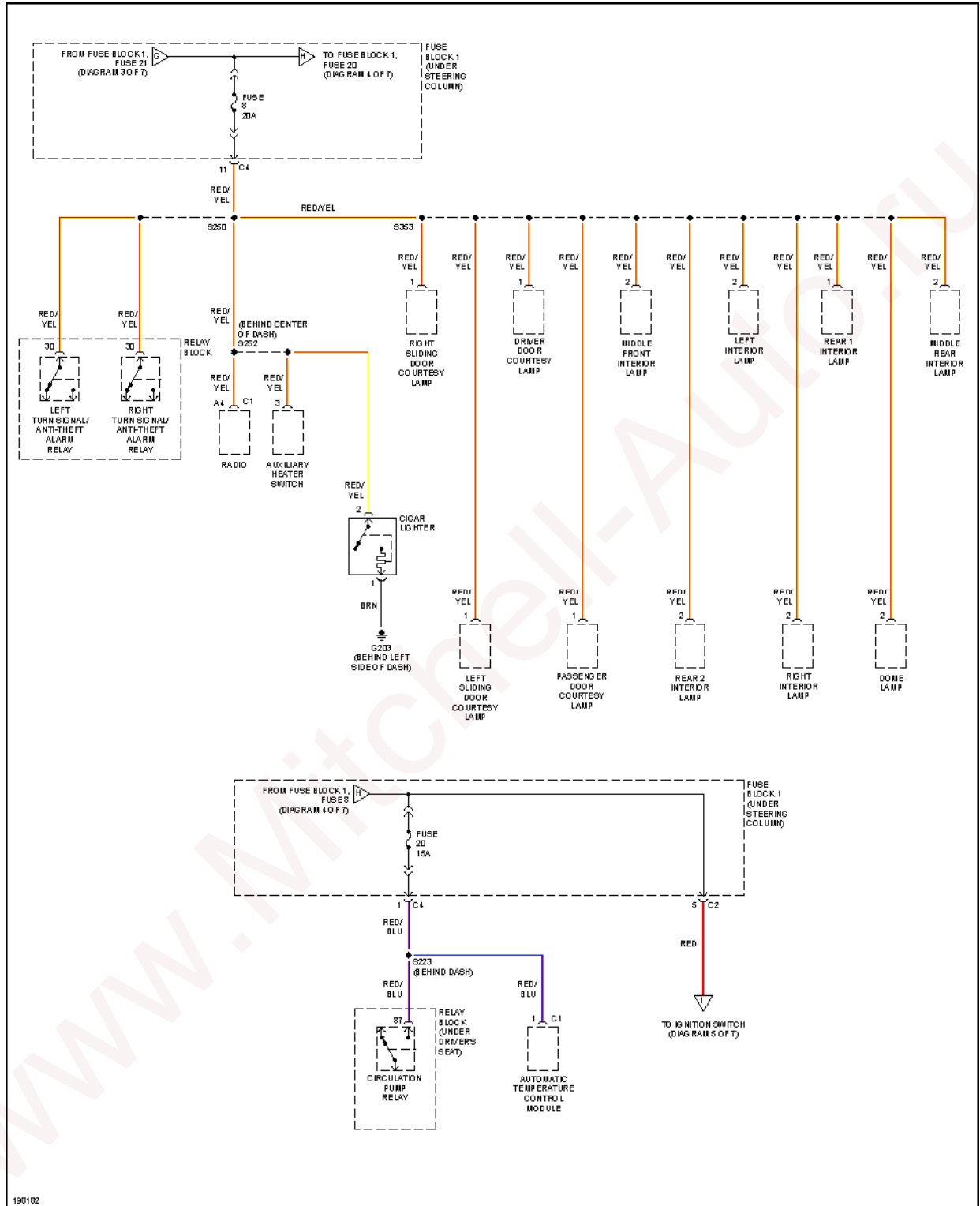


Fig. 35: Power Distribution Circuit (4 of 7)

2003 Dodge Sprinter 3500

2003 SYSTEM WIRING DIAGRAMS Dodge - Sprinter

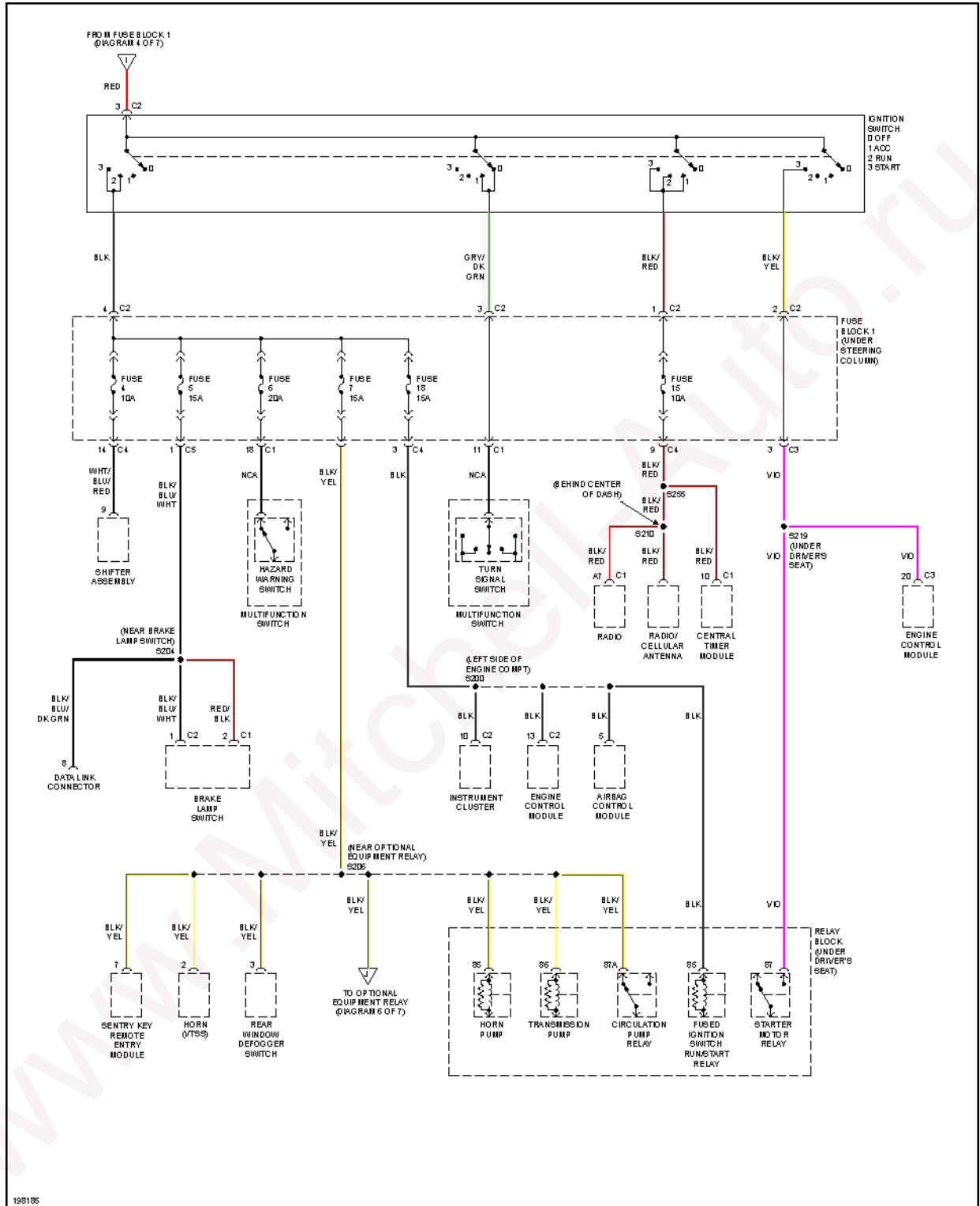


Fig. 36: Power Distribution Circuit (5 of 7)

2003 Dodge Sprinter 3500

2003 SYSTEM WIRING DIAGRAMS Dodge - Sprinter

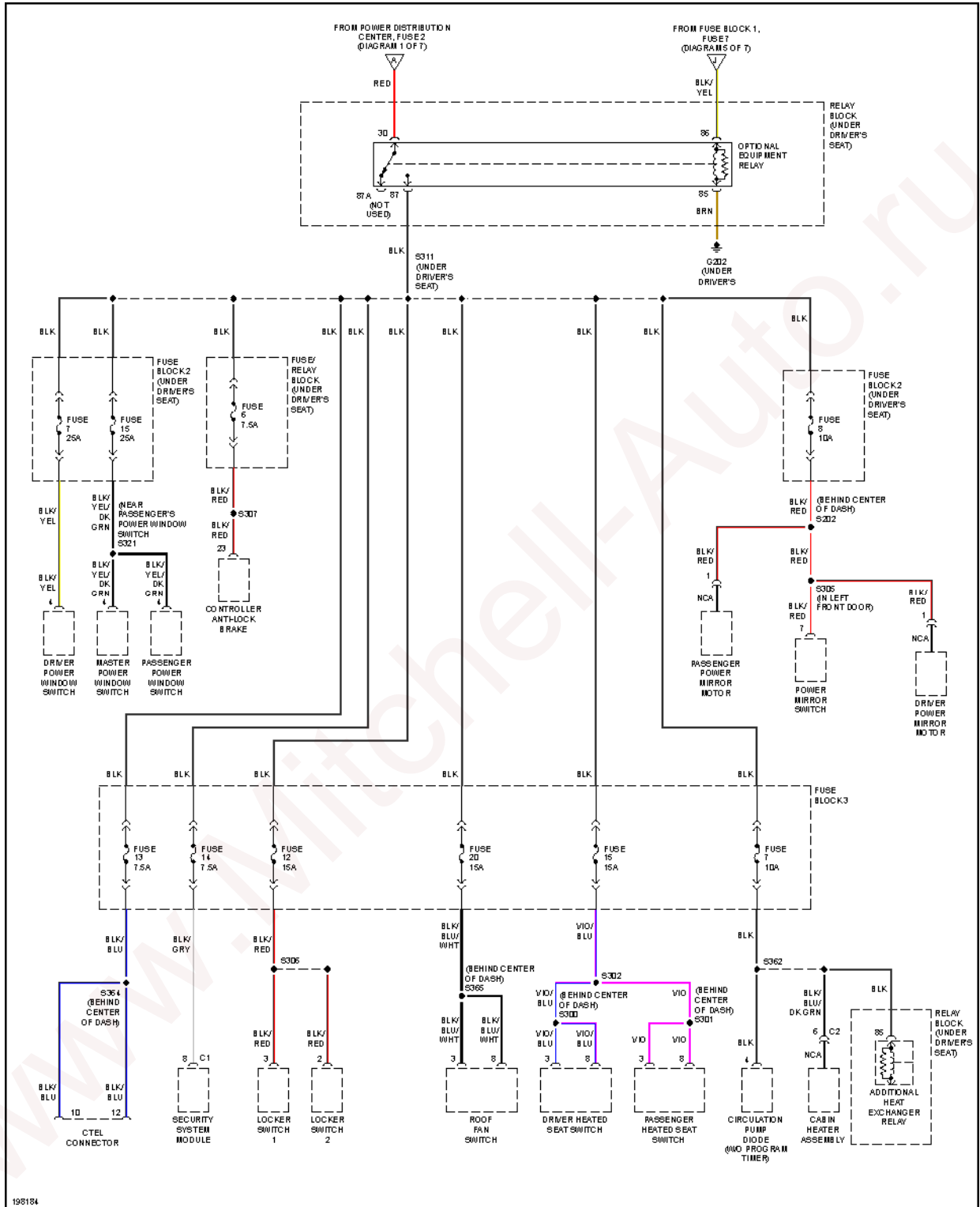


Fig. 37: Power Distribution Circuit (6 of 7)

2003 Dodge Sprinter 3500

2003 SYSTEM WIRING DIAGRAMS Dodge - Sprinter

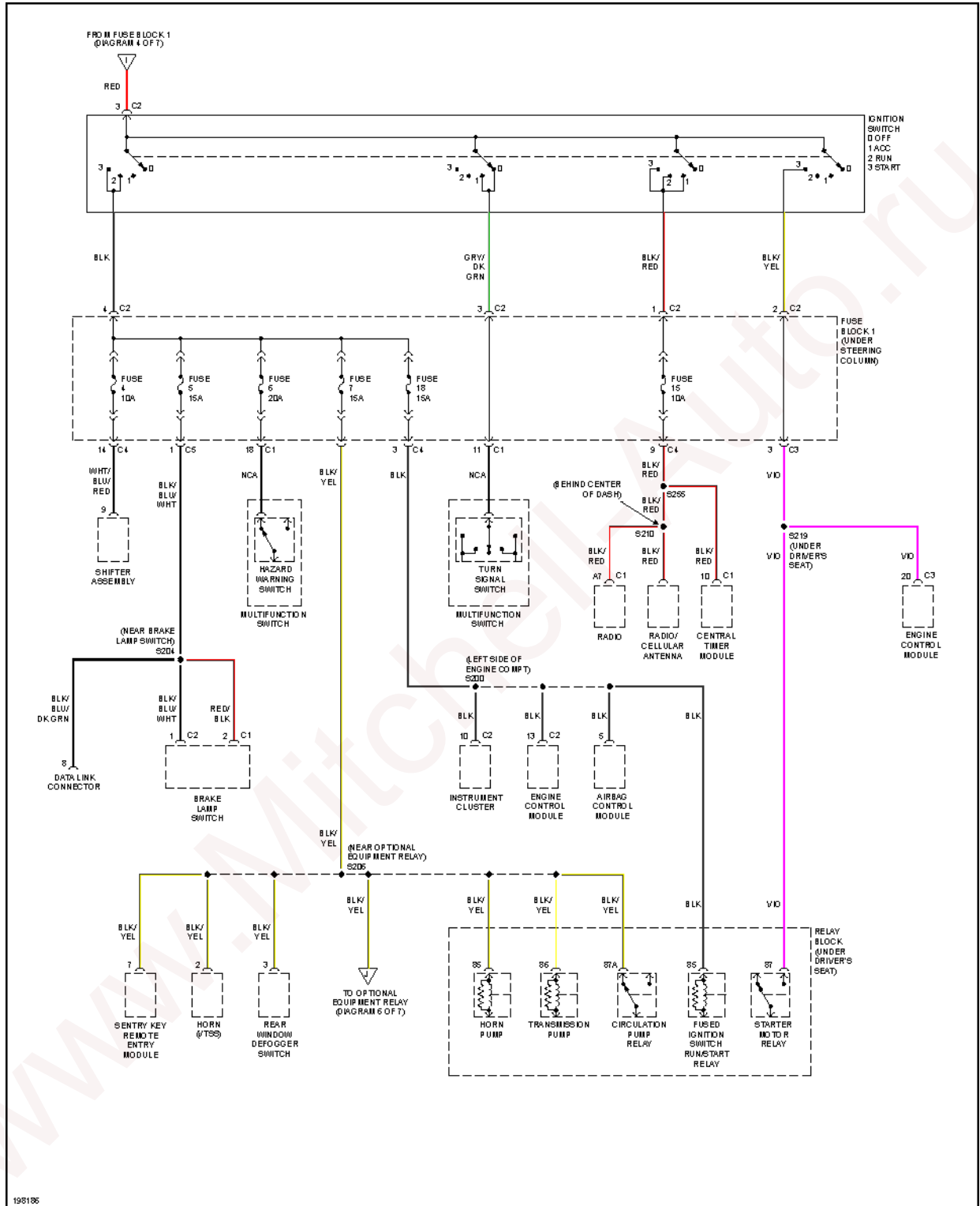


Fig. 38: Power Distribution Circuit (7 of 7)

POWER DOOR LOCKS

2003 Dodge Sprinter 3500

2003 SYSTEM WIRING DIAGRAMS Dodge - Sprinter

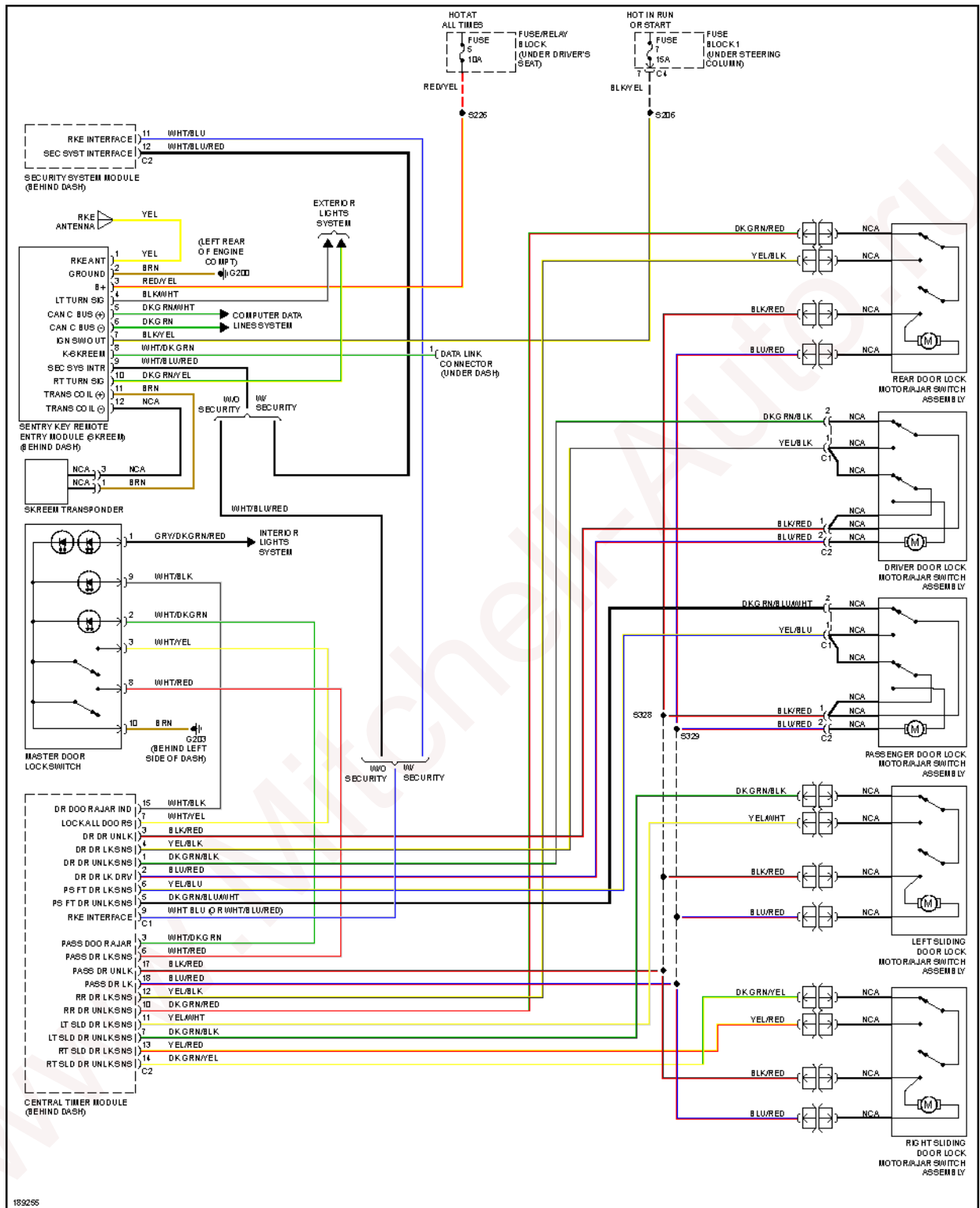


Fig. 39: Power Door Locks Circuit

POWER MIRRORS

2003 Dodge Sprinter 3500

2003 SYSTEM WIRING DIAGRAMS Dodge - Sprinter

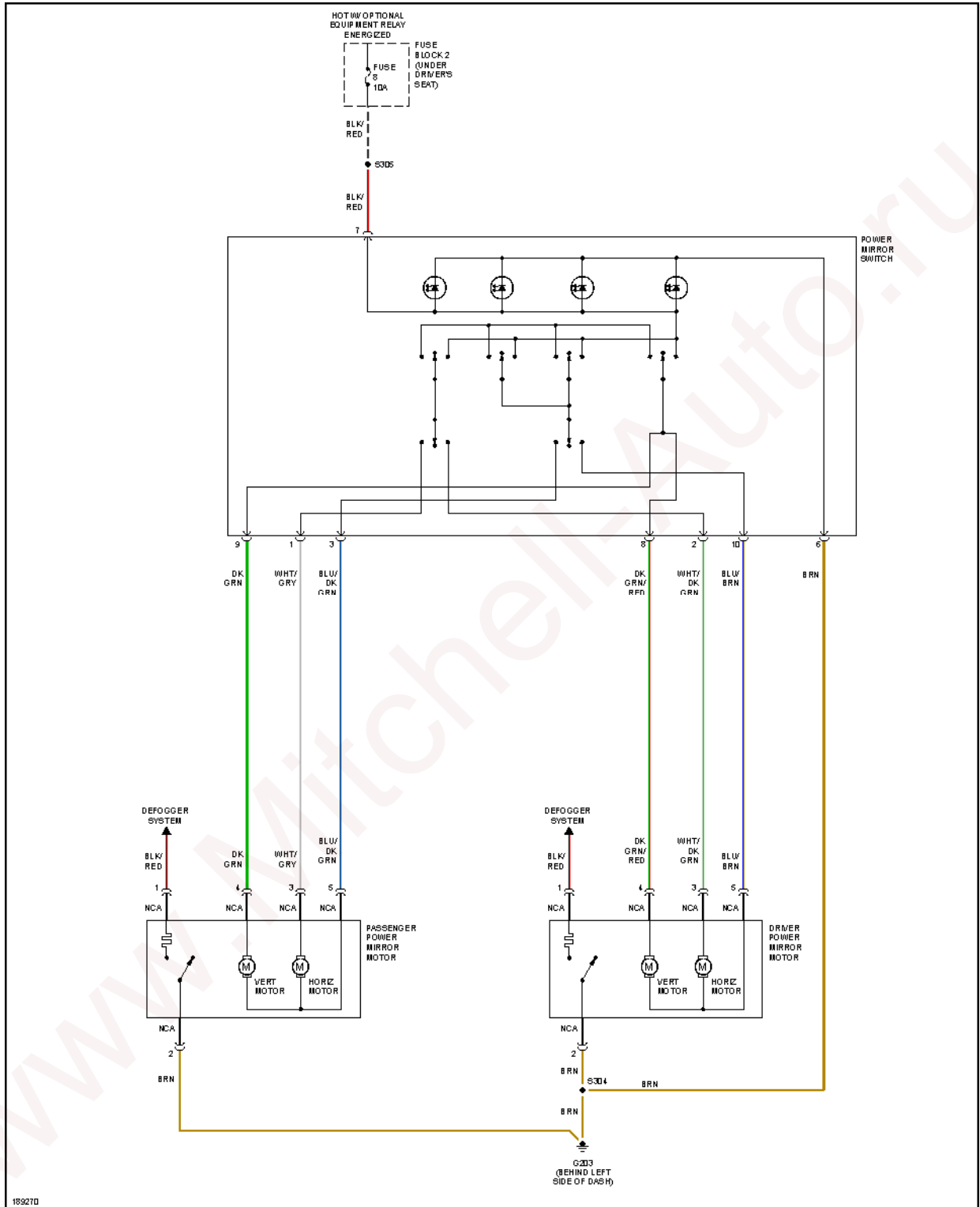


Fig. 40: Power Mirrors Circuit

POWER SEATS

2003 Dodge Sprinter 3500

2003 SYSTEM WIRING DIAGRAMS Dodge - Sprinter

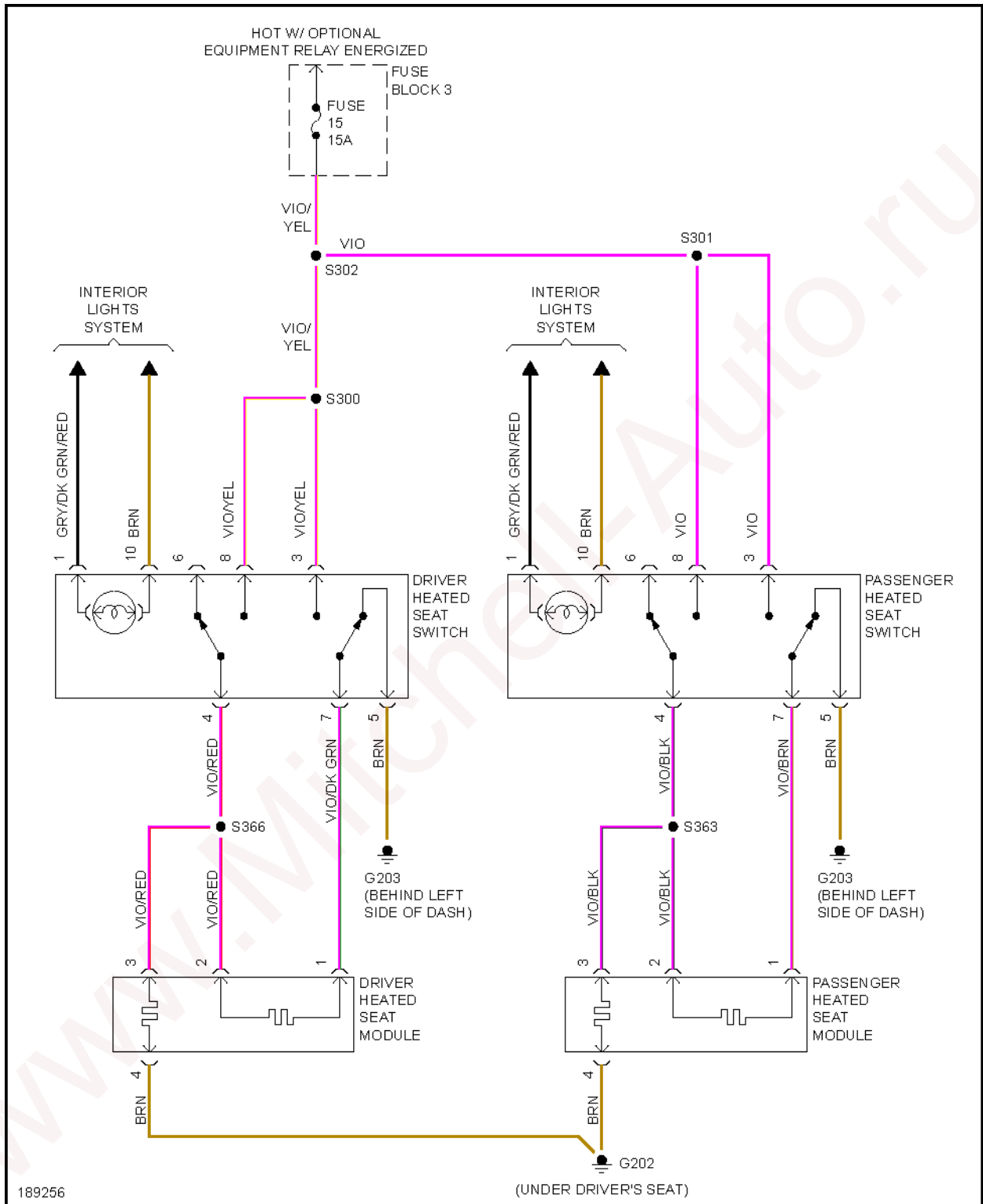


Fig. 41: Heated Seats Circuit

POWER WINDOWS

2003 Dodge Sprinter 3500

2003 SYSTEM WIRING DIAGRAMS Dodge - Sprinter

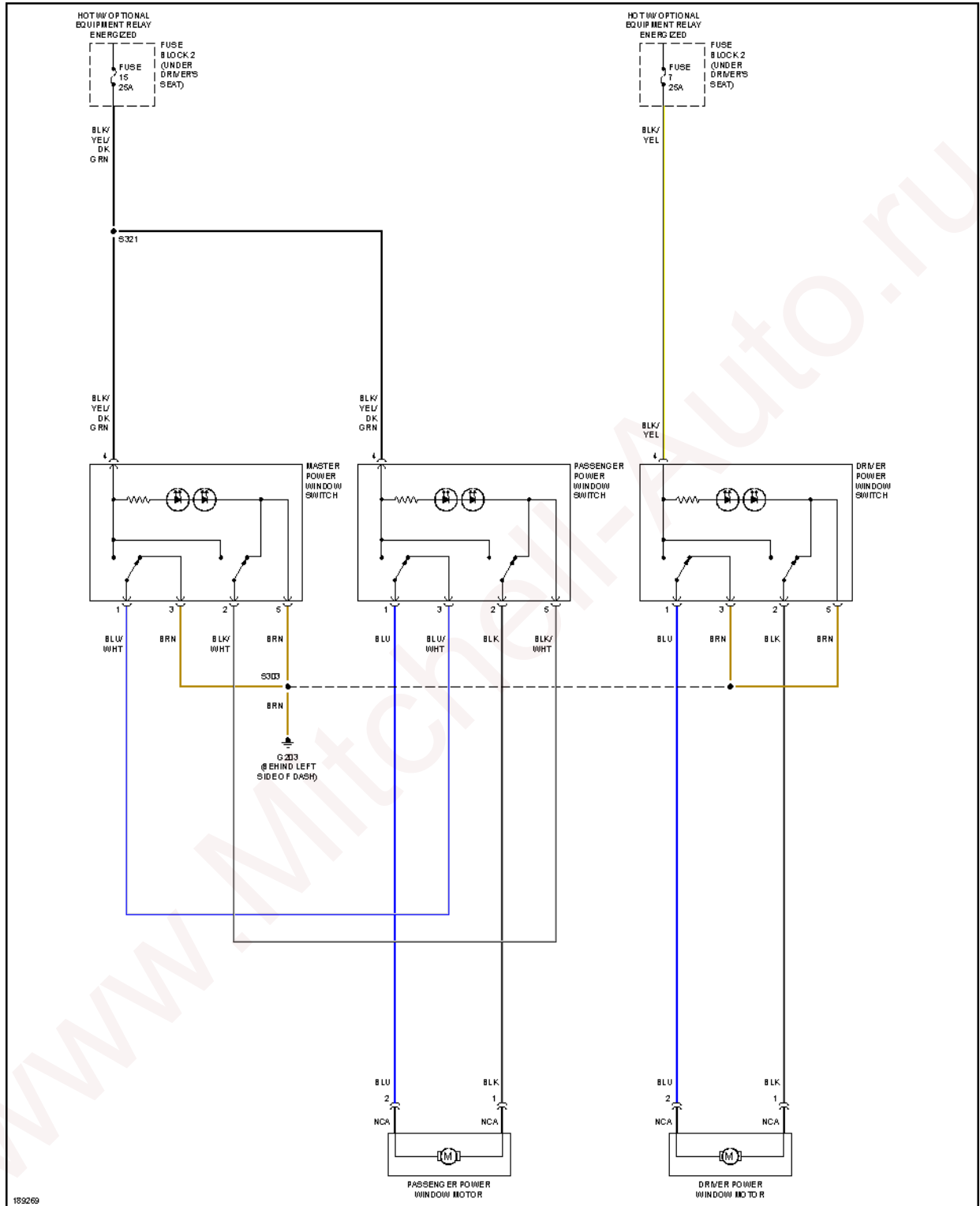


Fig. 42: Power Windows Circuit

RADIO

2003 Dodge Sprinter 3500

2003 SYSTEM WIRING DIAGRAMS Dodge - Sprinter

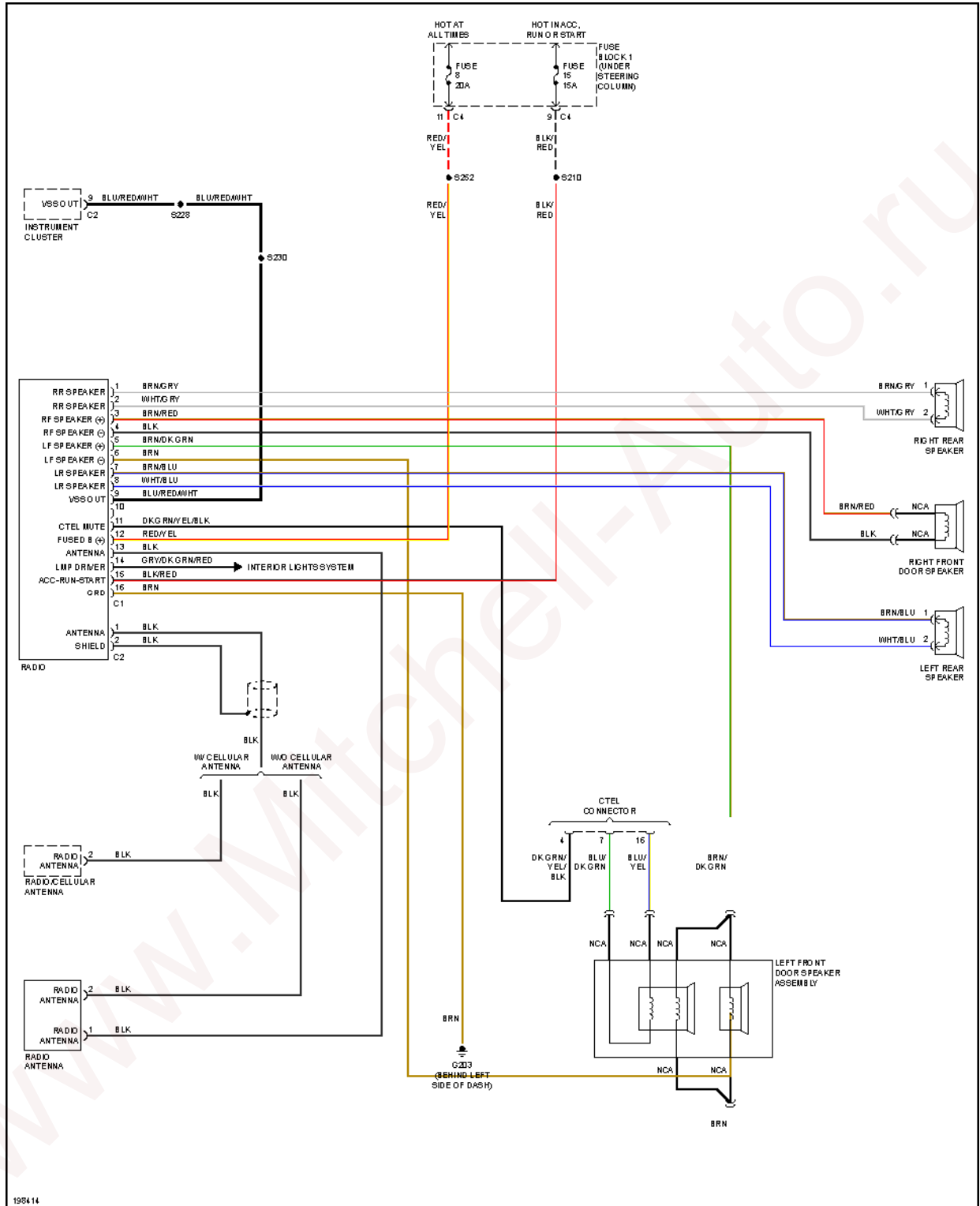


Fig. 43: Radio Circuit

SHIFT INTERLOCK

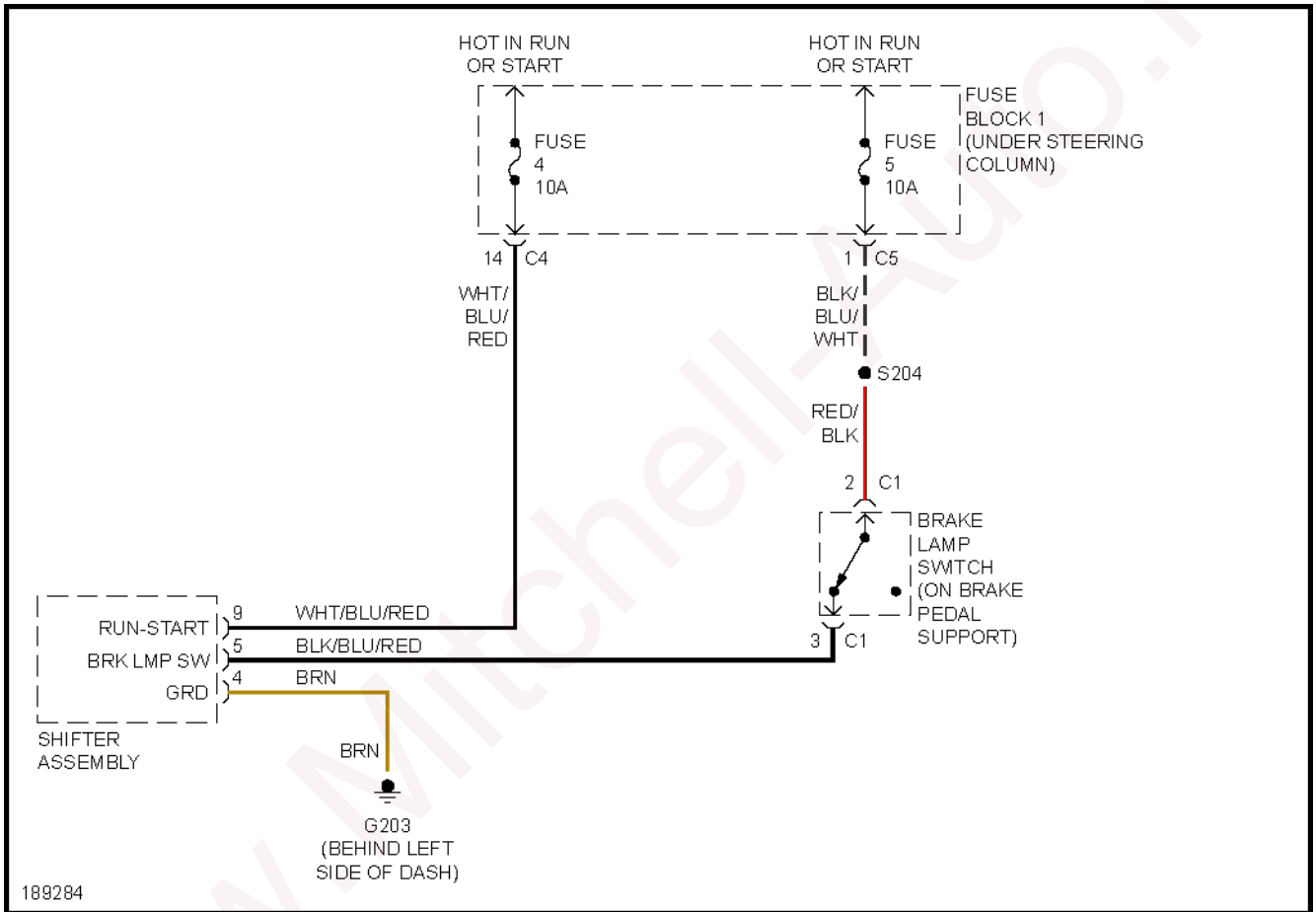


Fig. 44: Shift Interlock Circuit

STARTING/CHARGING

2003 Dodge Sprinter 3500

2003 SYSTEM WIRING DIAGRAMS Dodge - Sprinter

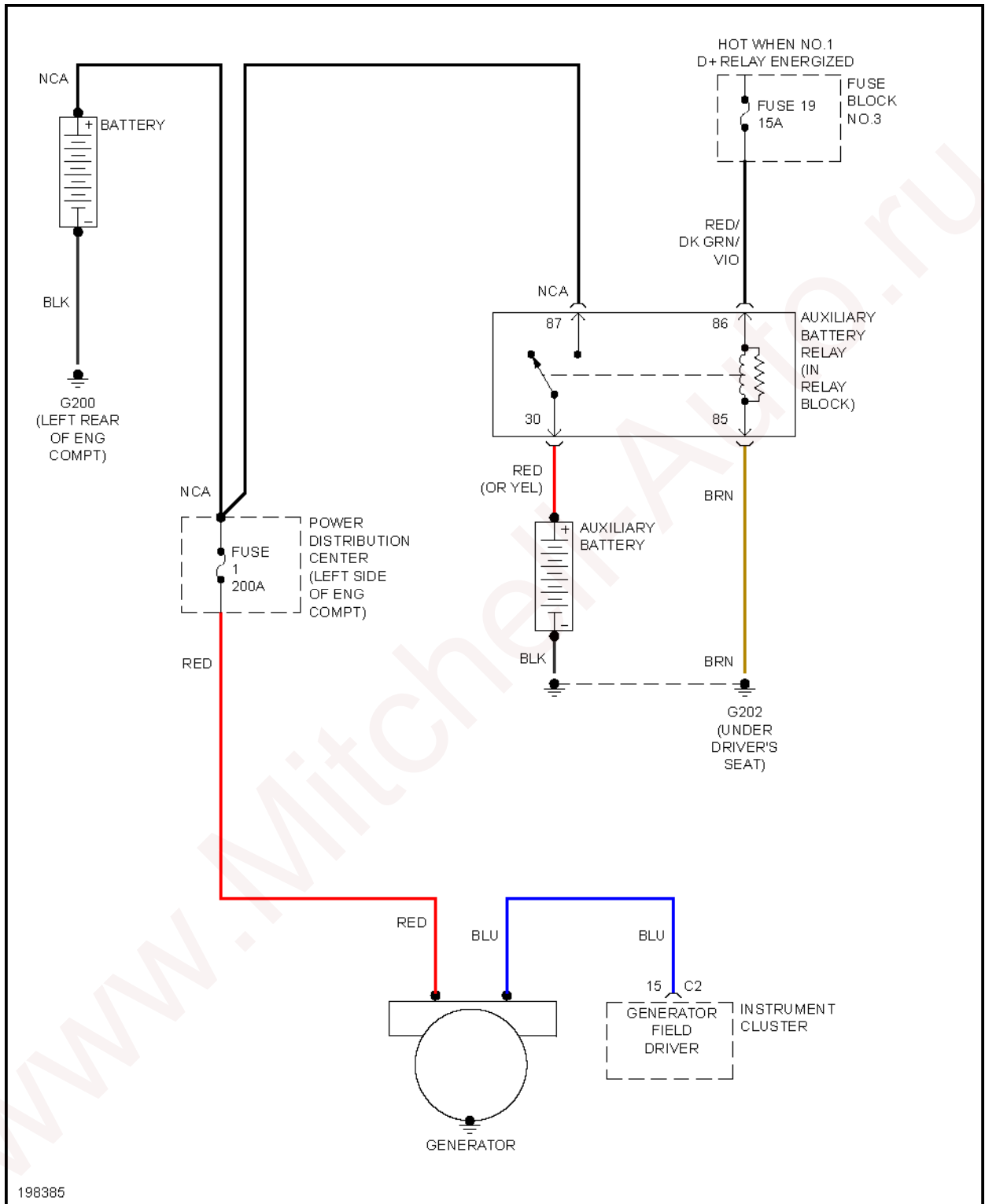


Fig. 45: Charging Circuit

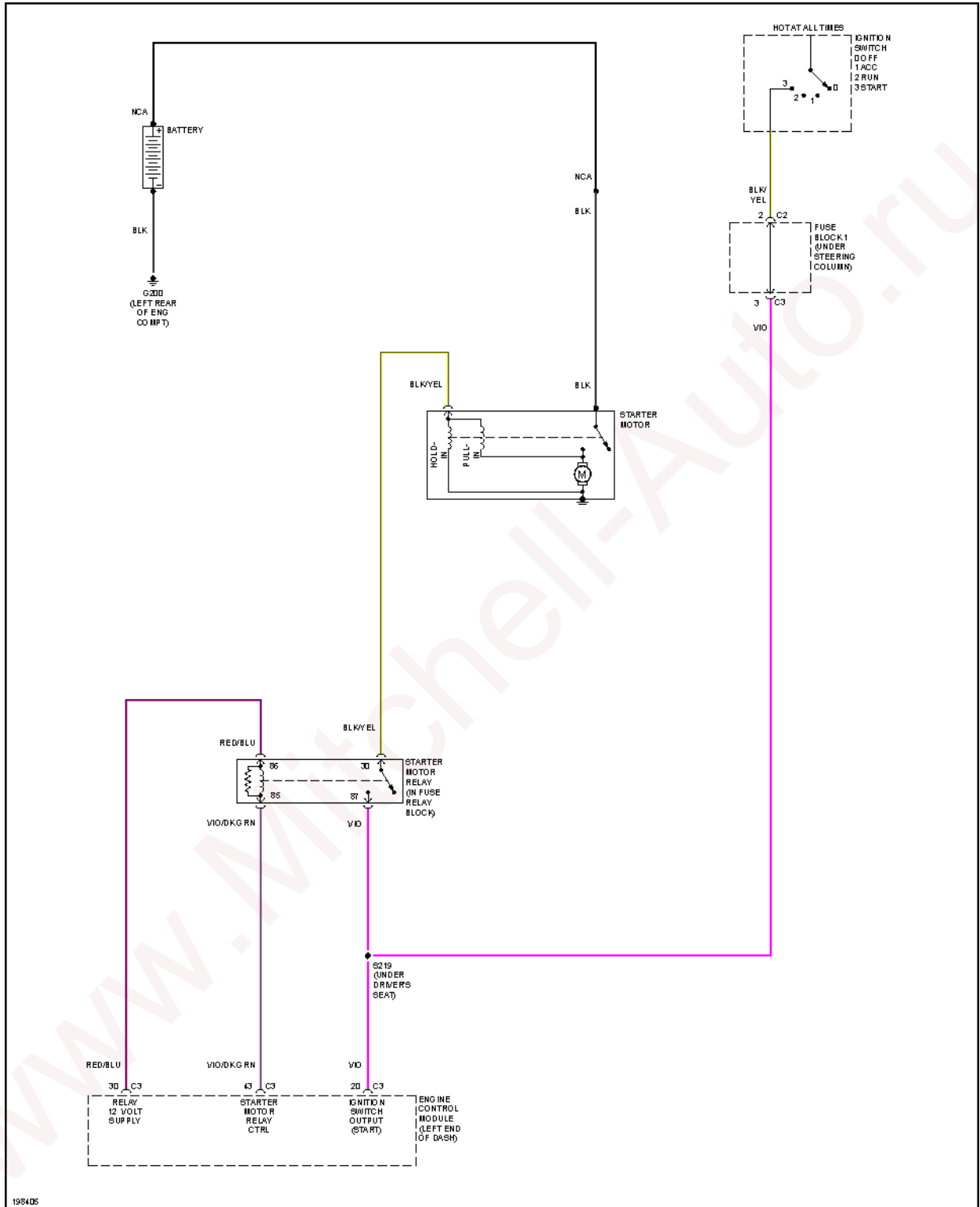


Fig. 46: Starting Circuit

SUPPLEMENTAL RESTRAINTS

2003 Dodge Sprinter 3500

2003 SYSTEM WIRING DIAGRAMS Dodge - Sprinter

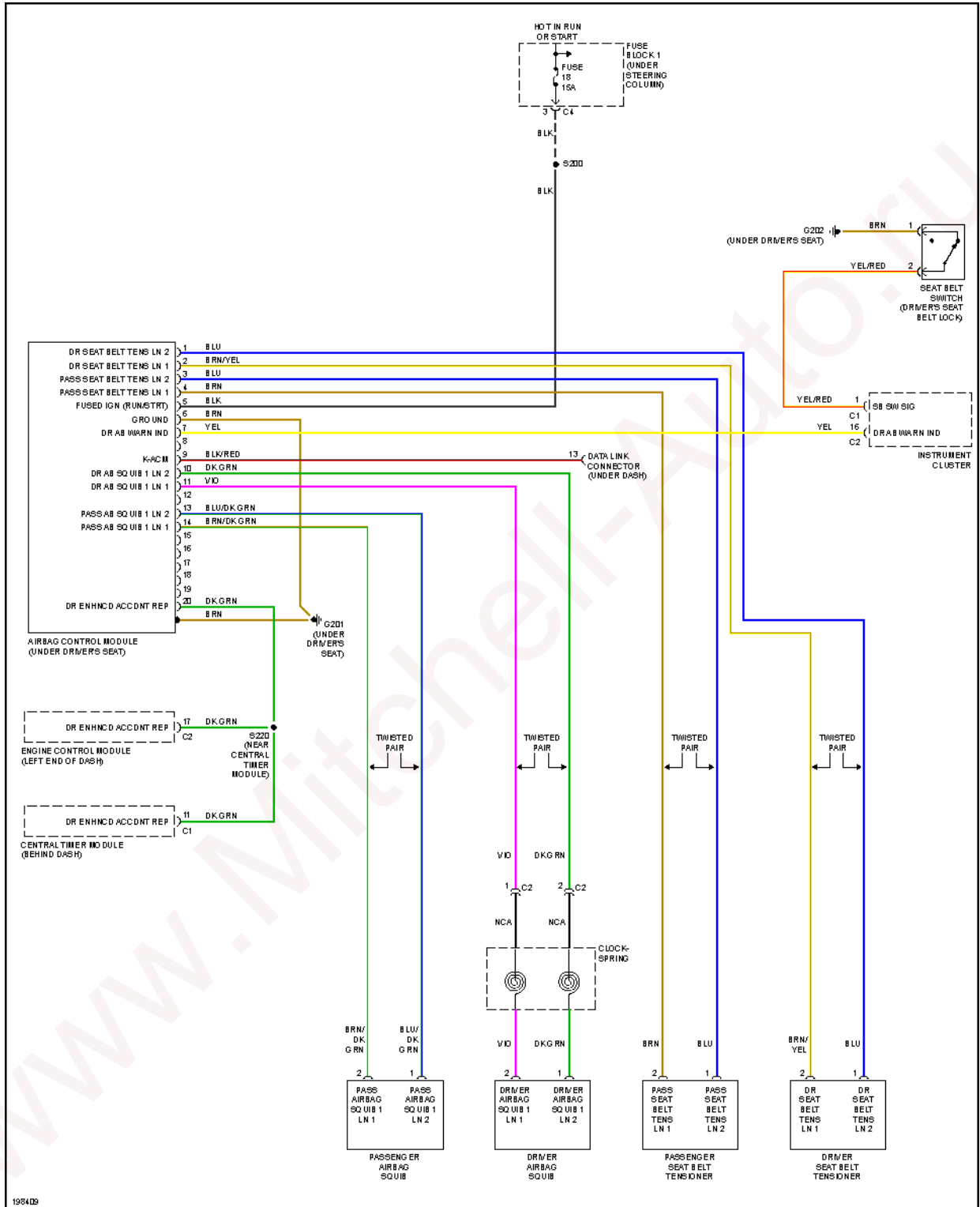


Fig. 47: Supplemental Restraints Circuit

TRANSMISSION

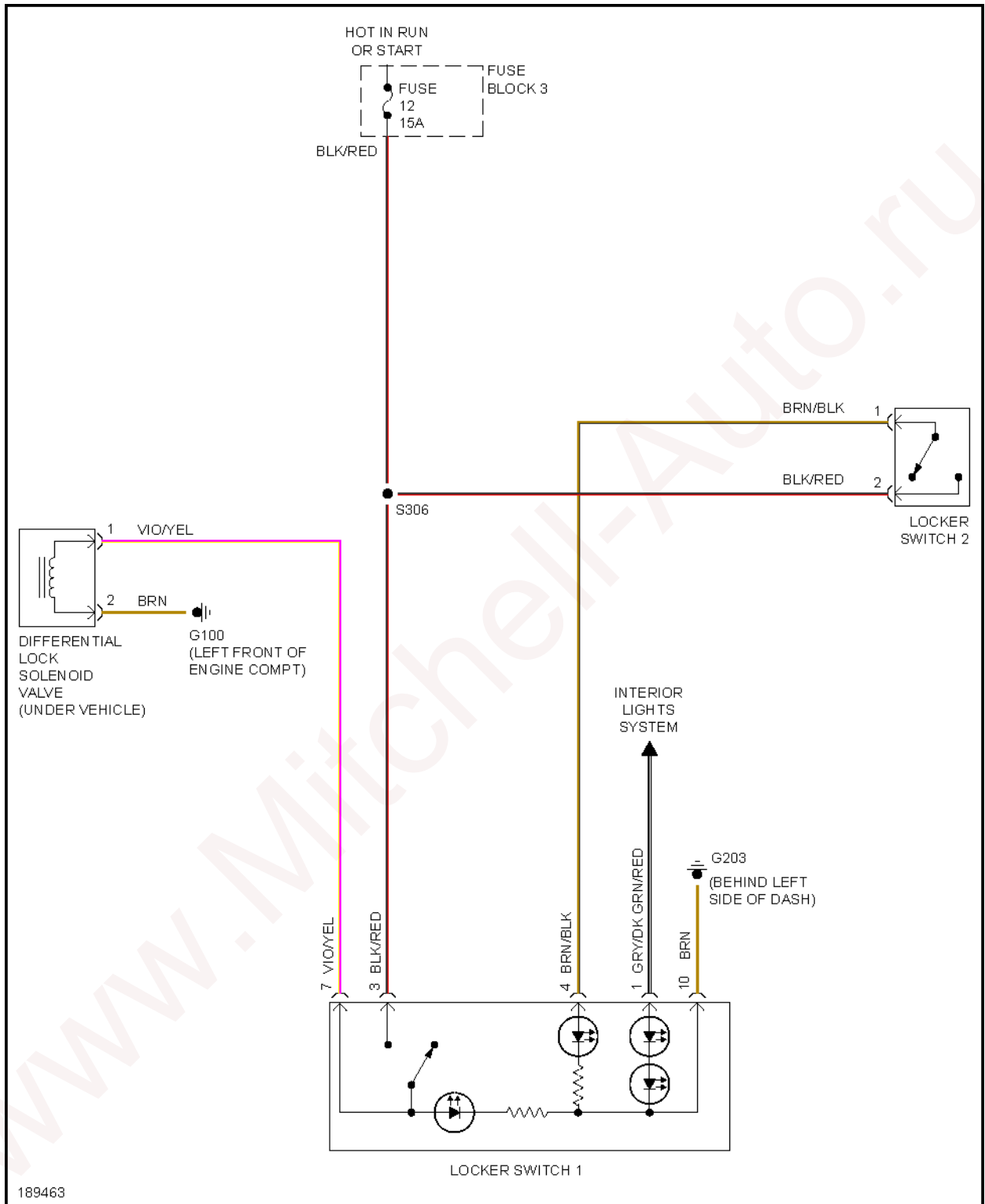


Fig. 48: Rear Differential Lock Circuit

2003 Dodge Sprinter 3500

2003 SYSTEM WIRING DIAGRAMS Dodge - Sprinter

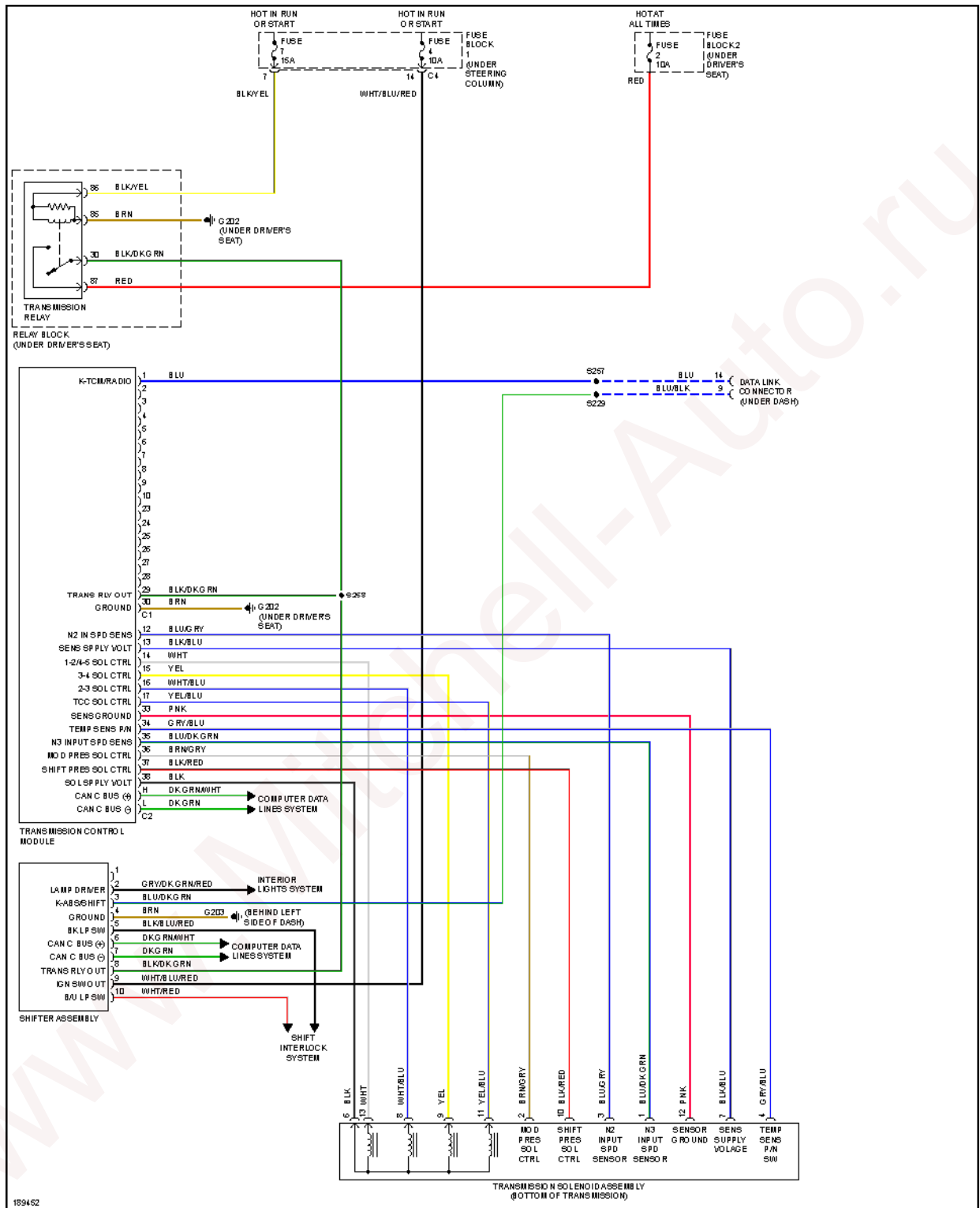


Fig. 49: Transmission Circuit

WARNING SYSTEMS

2003 Dodge Sprinter 3500

2003 SYSTEM WIRING DIAGRAMS Dodge - Sprinter

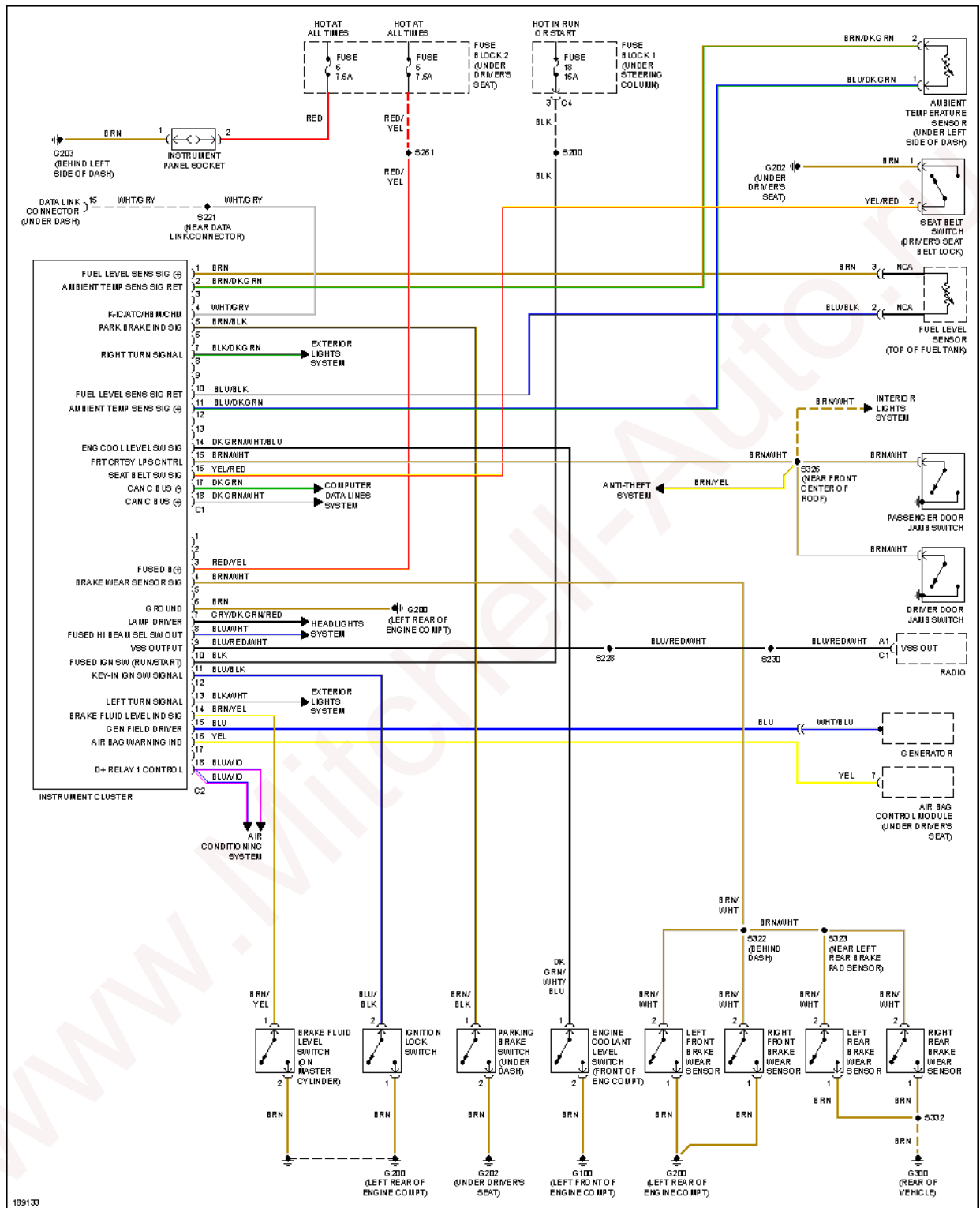


Fig. 50: Warning Systems Circuit

WIPER/WASHER

2003 Dodge Sprinter 3500

2003 SYSTEM WIRING DIAGRAMS Dodge - Sprinter

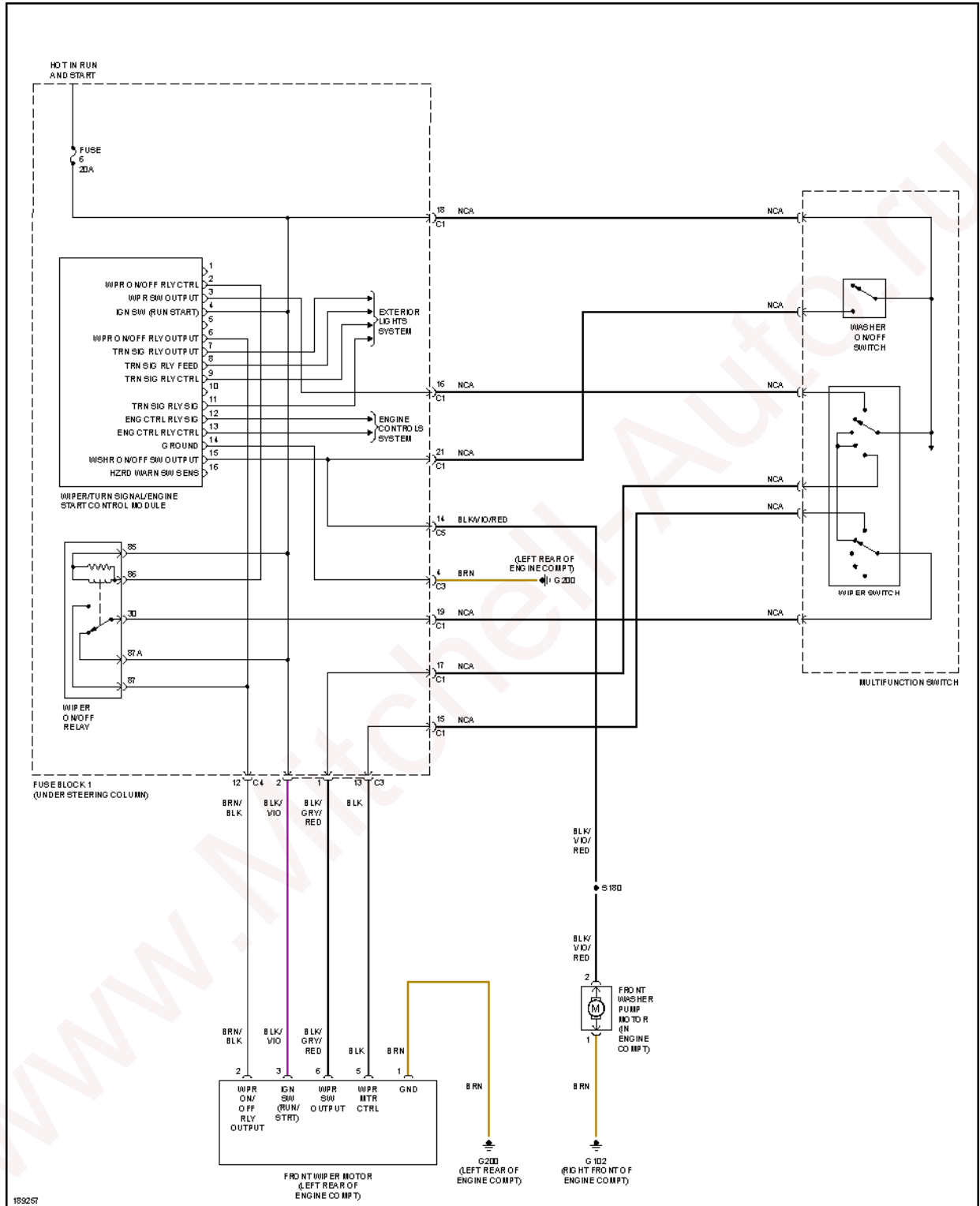


Fig. 51: Wiper/Washer Circuit