

**Alfa Romeo 145/6**

# table of contents

145/6 .....	6
BODY .....	6
MIRROR .....	6
LIGHTNING .....	7
BODY PANELS .....	8
BUMPER/GRILLE/PANEL .....	9
DRAFT DEFLECTOR .....	10
DRAFT DEFLECTOR .....	10
DRAFT DEFLECTOR .....	11
WINDOW REGULATOR .....	12
ENGINE .....	13
AIR SYSTEM .....	13
V-BELTS .....	14
Boxer Bj. 94-96 .....	14
TS 16V .....	15
1.9 TD .....	16
1.9 JTD .....	17
ENGINE BLOCK .....	18
PISTON + LINERS .....	18
1.7 IE 16V .....	18
1.8 TS 16V .....	19
2.0 TS 16V .....	20
2.0 TS 8V .....	21
PIL PAN .....	22
FUEL SYSTEM .....	23
Boxer 1994-96 .....	23
FUEL PUMP .....	23
1.7 IE 16V Boxer 1994-96 .....	24
FUEL PUMP .....	24
TS 16V .....	25
FUEL PUMP .....	25
1.9 TD/JTD .....	26
FUEL PUMP .....	26
ENGINE GASKETS .....	27
Boxer 1994-96 .....	27
GASKETS ENGINE 1.4/1.6 .....	27
1.7 IE 16V 1994-96 .....	28
HEAD SET 1.4/1.6 .....	29
HEAD SET 1.7 ie 16V .....	30
FULL SET 1.4/1.6 .....	31
FULL SET 1.7 IE 16V .....	32
HAEDSCREWSET 1.7 IE 16V .....	33
TS 16V .....	34
GASKETS ENGINE .....	34
HEAD GASKET SET .....	35
FULL SET .....	36
HEADSCREW SET .....	37

1.9 TD/JTD.....	38
GASKETS ENGINE 1.9 TD.....	38
GASKETS ENGINE 1.9 JTD.....	39
HAED GASKET SET 145/6 TD/JTD.....	40
OVERFLOW CONTAINER.....	41
HEADGASKET TD/JTD.....	42
HEADSCREWSET 1.9 TD.....	43
HEADSCREWSET 1.9 JTD.....	44
COOLING SYSTEM.....	45
Boxer 1994-96.....	45
RADIATOR.....	45
1.4/1.6.....	45
1.7 IE 16V.....	46
THERMOSTAT.....	47
1.4/1.6.....	47
1.7 IE 16V.....	48
WATERPUMP.....	49
1.4/1.6.....	49
1.7 IE 16V.....	50
HOUSES.....	51
TS 16V.....	52
RADIATOR.....	52
THERMOSTAT.....	53
WATERPUMP.....	54
OVERFLOW CONTAINER.....	55
HOUSES.....	56
1.9 TD/JTD.....	57
RADIATOR.....	57
THERMOSTAT.....	58
WATERPUMP.....	59
OVERFLOW CONTAINER.....	60
HOUSES.....	61
ENGINE MOUNT.....	62
Boxer 1994-96.....	62
TS 16V.....	63
1.9 TD/JTD.....	64
VALVE GEAR.....	65
1.4/1.6 Boxer 1994-1996.....	65
CAMSHAFT.....	65
TIMING BELT.....	66
VALVE MECHANISM.....	67
1.7 IE 16V Boxer 1994-1996.....	68
CAMSHAFT.....	68
TIMING BELT.....	69
VALVE MECHANISM.....	70
TS 16V.....	71
CAMSHAFT.....	71
VALVE MECHANISM.....	72
TIMING BELT.....	73
1.9 TD/JTD.....	74

CAMSHAFT 1.9 JTD .....	74
CAMSHAFT 1.9 TD .....	75
VALVE MACHANISM 1.9 TD .....	76
VALVE MECHANISM 1.9 JTD .....	77
TIMINGBELT 1.9 TD .....	78
TIMINGBELT 1.9 JTD.....	79
FILTER.....	80
Boxer 94-96.....	80
TS 16V.....	81
TD/JTD.....	82
EXHAUST SYSTEM.....	83
EXHAUST SYSTEM.....	83
Boxer 1994-96.....	83
TS 16V 1996> .....	84
2.0 TS 16V Quadrifoglio >1996.....	85
1.9 TD.....	86
1.9 TD KAT.....	87
1.9 JTD .....	88
SPORT EXHAUST SYSTEM .....	89
Boxer 1994-96.....	89
TS 16V 1996> .....	90
2.0 TS 16V Quadrifoglio >1996.....	91
LAMBDA PROBE.....	92
Boxer 1994-96.....	92
TS 16V 1996> .....	93
2.0 TS Quadrifoglio >1996.....	94
DRIVETRAIN.....	95
DRIVE SHAFT .....	95
DRIVESHAFT 1.4/1.6/1.7/IE/16V Boxer >199 .....	95
DRIVESHAFT 1.4 TS 16V 1996> .....	96
DRIVESHAFT 1.6 TS 16V 1996> .....	97
DRIVESHAFT 1.8 TS 16V 1996> .....	98
DRIVESHAFT 2.0 TS 16V 1995> .....	99
DRIVESHAFT 1.9 TD .....	100
DRIVESHAFT 1.9 JTD .....	101
GEARBOX.....	102
GEAR MOUNT 1.4/1.6/1.7/IE/16V Boxer.....	102
CLUTCH .....	103
CLUTCH SET 1.4/1.6/1.7 IE/16V BOXER.....	103
CLUTCH-SET TS 16V 1996>.....	104
GUIDE BUSH f. SLEEVE BEARING 145/6 TS 16 .....	105
CLUTCH SET 2.0 TS 16V Quadrifoglio >1996.....	106
GUIDE BUSH f. SLEEVE BEARING 145/6 2.0 T.....	107
CLUTCH SET 1.9 TD.....	108
GUIDE BUSH f. SLEEVE BEARING 145/6 1.9 T.....	109
CLUTCH SET 1.9 TD KAT.....	110
CLUTCH-SET 1.9 JTD.....	111
GUIDE BUSH f. SLEEVE BEARING 145/6 1.9 J .....	112
CLUTCH ACTUATION.....	113
1.4/1.6/1.7/IE/16V >1996.....	113

TS 16V 1996> .....	114
2.0 TS 16V Quadrifoglio >1996.....	115
1.9 TD/KAT.....	116
1.9 JTD .....	117
BRAKE.....	118
BRAKE DISKS .....	118
BRAKE PADS FRONT .....	119
BRAKE PADS REAR.....	120
DRUM BRAKE.....	121
CALIPER FRONT .....	122
CALIPER REAR.....	123
BRAKE SERVO/BRAKE MASTER CYL. BOXER .....	124
BRAKE SERVO/BRAKE MASTER CYL. TS .....	125
BRAKE SERVO/BRAKE MASTER CYL. TD/JTD .....	126
WHEEL BRAKE CYL.....	127
BRAKE VALVE .....	128
BRAKE HOSES .....	129
BRAKE CABLE.....	130
SUSPENSION .....	131
STRUT Boxer >1996.....	131
STRUT TS 16V .....	132
STRUT 1.9 TD/JTD .....	133
ATTACHMENT FRONT.....	134
WHEEL BEARING BOXER >1996.....	135
WHEEL BEARING TS 16V .....	136
WHEEL BEARING TD/JTD .....	137
STEERING .....	138
STEERING PARTS .....	138
ELECTRIC .....	139
ENGINE ELECTRIC .....	139
GLOW PLUG.....	139
SENSORS/SWITCHES.....	140
IGNITION SYSTEM BOXER .....	141
IGNITION SYSTEM TS.....	142
AGGREGATS BOXER .....	143
AGGREGATS TS .....	144
AGGREGATS TD/JTD.....	145
WIPERS.....	146
WIPERS.....	146
INTERIOR.....	147
CAR MAT .....	147

## Außenspiegel/Mirror 145/6



**5. ASP 43080**  
146 links/left  
manuell schwarz/black

**6. ASP 44080**  
146 rechts/right  
manuell schwarz/black

**7. ASP 69099**  
146 links/left  
electr. grundiert/primed

**8. ASP 70099**  
146 rechts/right  
electr. grundiert/primed

**1. ASP 29080**  
145 links/left  
manuell schwarz/black

**2. ASP 30080**  
145 rechts/right  
manuell schwarz/black

**3. ASP 39099**  
145 links/left  
electr. grundiert/primed

**4. ASP 40099**  
145 rechts/right  
electr. grundiert/primed



**9. ASP 79163**  
Glas/Glass rechts/right  
145/6

**10. ASP 79164**  
Glas/Glass rechts/right  
145/6



<b>1</b>	<b>ASP29080</b>	<b>Außenspiegel links 145 manuell,schw arz</b>	<b>79.50 EUR</b>
<b>2</b>	<b>ASP30080</b>	<b>Außenspiegel rechts 145 manuell,sch warz</b>	<b>87.20 EUR</b>
<b>3</b>	<b>ASP39099</b>	<b>Außenspiegel links 145 elektrisch g rundiert</b>	<b>163.11 EUR</b>
<b>4</b>	<b>ASP40099</b>	<b>Außenspiegel rechts 145 elektrisch grundiert</b>	<b>163.11 EUR</b>
<b>5</b>	<b>ASP43080</b>	<b>Außenspiegel links 146 manuell,schw arz</b>	<b>76.95 EUR</b>
<b>6</b>	<b>ASP44080</b>	<b>Außenspiegel rechts 146 manuell,sch warz</b>	<b>76.95 EUR</b>
<b>7</b>	<b>ASP69099</b>	<b>Außenspiegel links 146 elektrisch, grundiert</b>	<b>164.14 EUR</b>
<b>8</b>	<b>ASP70099</b>	<b>Außenspiegel rechts 146 elektrisch, grundiert</b>	<b>164.14 EUR</b>
<b>9</b>	<b>ASP79163</b>	<b>Ersatzglas f. Außenspiegel 145/6 rechts Bj. 10.95&gt;</b>	<b>50.78 EUR</b>
<b>10</b>	<b>ASP79164</b>	<b>Ersatzglas f. Außenspiegel 145/6 links Bj. 10.95&gt;</b>	<b>50.78 EUR</b>

# Beleuchtung/Lightning 145/6



1	SW28720	Hauptscheinwerfer Li 145/6 elektr./ manuelle LEW	142.60 EUR
2	SW28721	60628721 Headlamp right 146 up to 1999	142.60 EUR
3	BL46767	DIRECTION INDICATOR LEFT 145/6	22.05 EUR
4	BL46766	DIRECTION INDICATOR RIGHT 145/6	22.05 EUR
5	NSW81654	FOG LAMP LEFT 145/6 >99	61.04 EUR
6	NSW81653	FOG LAMP RIGHT 145/6 >99	61.04 EUR
7	NSW52415	FOG LAMP LEFT 145/6 99>	70.78 EUR
8	NSW52414	OE.46752414 FOG LAMP RIGHT 145/6 YEAR 99>	70.78 EUR
9	ZBL03162	ADDITIONAL TURN SIGNAL LAMP LEFT 145/6, 155,GTV/SPIDER (916)	11.50 EUR
10	ZBL03161	ADDITIONAL TURN SIGNAL LAMP RIGHT 145/6, 155,GTV/SPIDER (916)	11.50 EUR
11	RL79852	Rückleuchte links 145 (außen)	51.19 EUR
12	RL79851	Rückleuchte rechts 145 (außen)	51.19 EUR
13	RL79854	Rückleuchte links 145 (innen)	59.39 EUR
14	RL79853	Rückleuchte rechts 145 (innen)	***
15	RL03945	Rückleuchte links 146	***
16	RL03944	OE. 60603944 TAIL LAMP 146 RIGHT	75.01 EUR
17	KL74850	OE. 60574850 NUMBERPLATELIGHT gtv/spider (916)	17.20 EUR

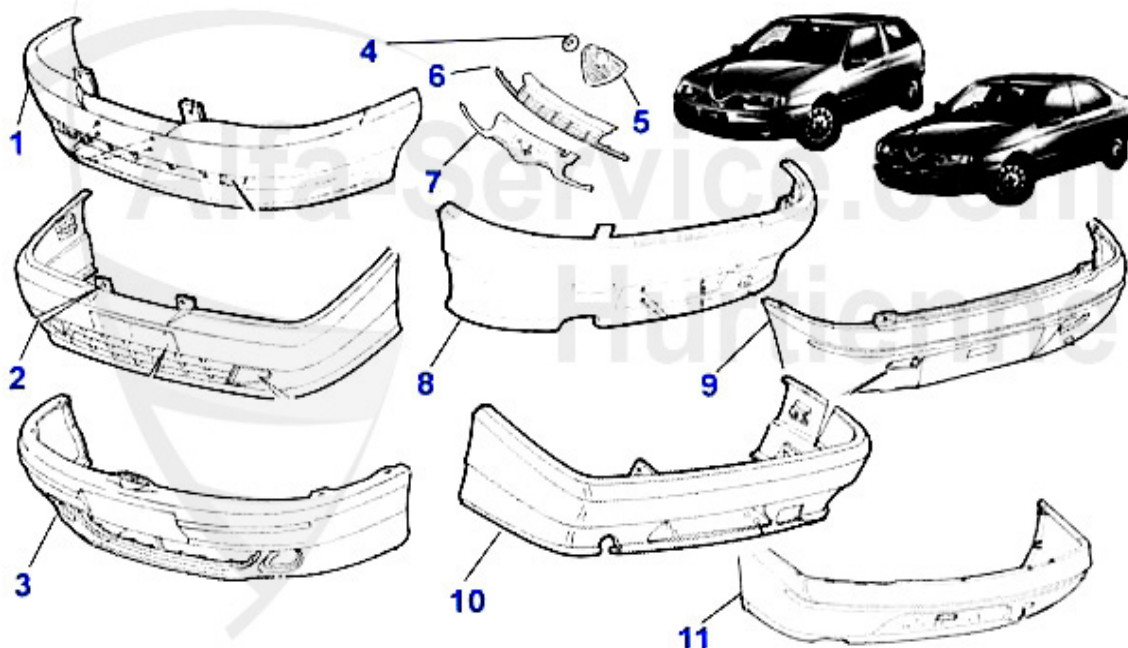
# Karosserieteile/Body Parts 145/6



1	MS02456	Scharnier/Motorhaube rechts 145/6	21.34 EUR
1	MS02455	Scharnier Motorhaube links 145/6	21.34 EUR
2	MH02285	Motorhaube 145/6	265.70 EUR
3	SB02275	Schlossbrücke 145/6	76.95 EUR
4	QT02235	Querträger (unter Kühler) 145/6 1.4 /1.6/1.7 ie TS	41.03 EUR
4	QT00235	Querträger (unter Kühler) 145/6 1.9 TD/JTD/2.0 16V TS,155	120.11 EUR
5	QT25231	Querträger (vor Kühler unten) 145/6 ,155	56.57 EUR
6	SWA02246	METAL HEADLAMP FRAME 145/6 RIGHT	33.34 EUR
6	SWA02245	METAL HEADLAMP FRAME 145/6 LEFT	33.34 EUR
7	KF02315	MUDGUARD FRONT LEFT 145/6	101.55 EUR
7	KF02316	MUDGUARD FRONT RIGHT 145/6	101.55 EUR
8	GF7906	Gasfeder Heckklappe 146 mit/ohne Sp oiler Bj. 03.96-06.99	25.39 EUR
8	GF1571	Gasfeder Heckklappe 146 ohne Spoiler Bj. >6.99	26.98 EUR
8	GF12204	Gasfeder Heckklappe 145	31.80 EUR
8	GF0932	Gasfeder Heckklappe 146 mit Spoiler Bj. 07.99>	25.64 EUR
10	TFB67090	Türfangband 146 vorne	***
10	TFB67089	Türfangband 145 vorne	***



## Stoßstangen/Bumpers 145/6



1	STF02906	Stossfänger vorne 145/6 1.6/1.8/2.0 (ohne Nebel/Scheinwerferreinigung) teilgründiert Bj. >99	255.45 EUR
1	STF02903	Stossfänger vorne 145/6 1.4ie/1.9TD (ohne Nebel/Scheinwerferreinigung) schwarz Bj. >99	210.30 EUR
1	STF02905	Stossfänger vorne 145/6 1.4ie/1.9TD (mit Nebel/Scheinwerferreinigung) s schwarz Bj. >99	234.92 EUR
1	STF02908	Stossfänger vorne 145/6 1.6/1.8/2.0 (mit Nebel/Scheinwerferreinigung) t eigruündiert Bj. <99	255.45 EUR
1	STF02907	Stossfänger vorne 145/6 1.6/1.8/2.0 (mit Nebel/ohne Scheinwerferreinigung) teilgründiert Bj. >99	286.22 EUR
2	STF02904	Stossfänger vorne 145/6 1.4ie/1.9TD (mit Nebel/ohne Scheinwerferreinigung) schwarz Bj. >99	234.92 EUR
3	STF02910	FRONT BUMPER 145/6 99>	265.70 EUR
4	23 033 3 0	ALFA ROMEO-EMBLEM - 75 mm metal OE. 60596492	19.90 EUR
5	KG02995	Kühlergrill mitte (Alfaherz) 145/6 (montiert in der Motorhaube)	74.38 EUR
6	KG02997	GRILLE 145/6 (OPEN VERSION) 99-00	89.00 EUR
7	KG02996	GRILLE 145/6 >96 (CLOSED VERSION)	49.75 EUR
8	STF02955	REAR BUMPER 145 >99 GROUND COLOURED	238.00 EUR
9	STF81799	REAR BUMPER 145 99>	***
10	STF02956	REAR BUMPER 146 >99	***
11	STF81899	REAR BUMPER 146 99>	241.08 EUR

## Dachwindabweiser/Top Draftdeflector 145/6



1 DWA1117 DRAFT DEFLECTOR 145/6, 155

46.67 EUR

## Seitenwindabweiser/Side Draftdeflector 145/6

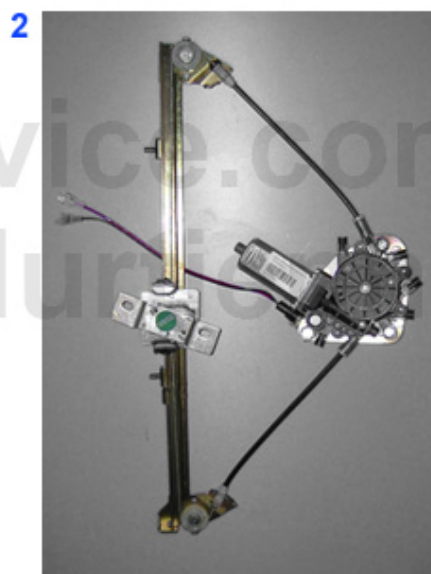


- |   |         |                          |
|---|---------|--------------------------|
| 1 | SWA2030 | SIDE DRAFT DEFLECTOR 145 |
| 2 | SWA2033 | SIDE DRAFT DEFLECTOR 146 |

\*\*\*

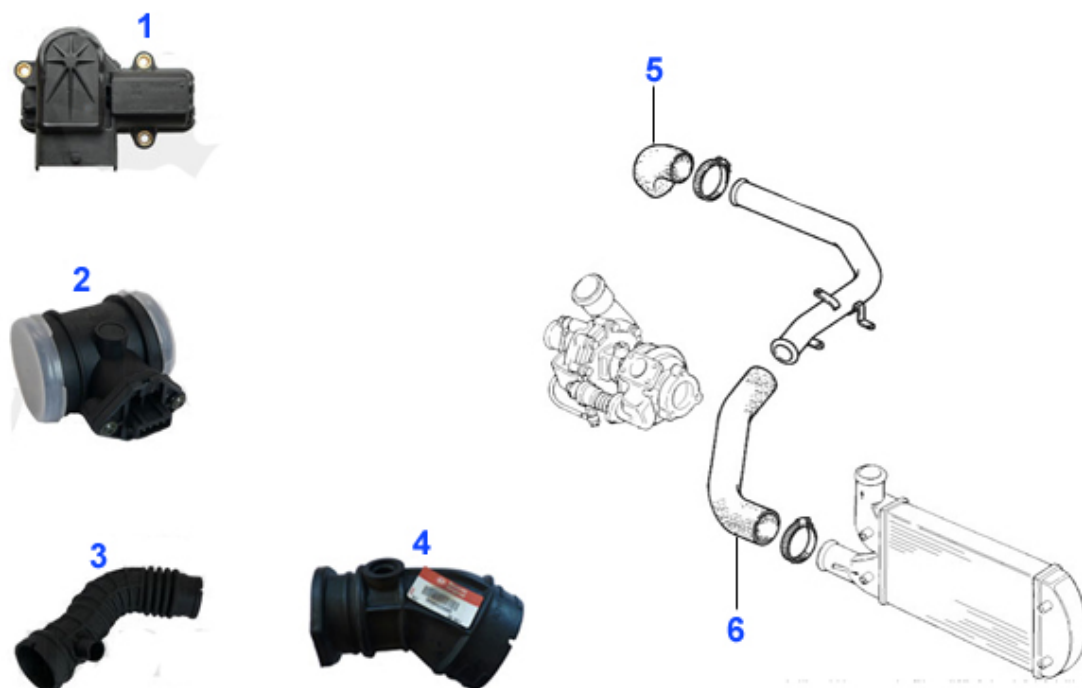
51.19 EUR

## 145/6 > BODY > WINDOW REGULATOR



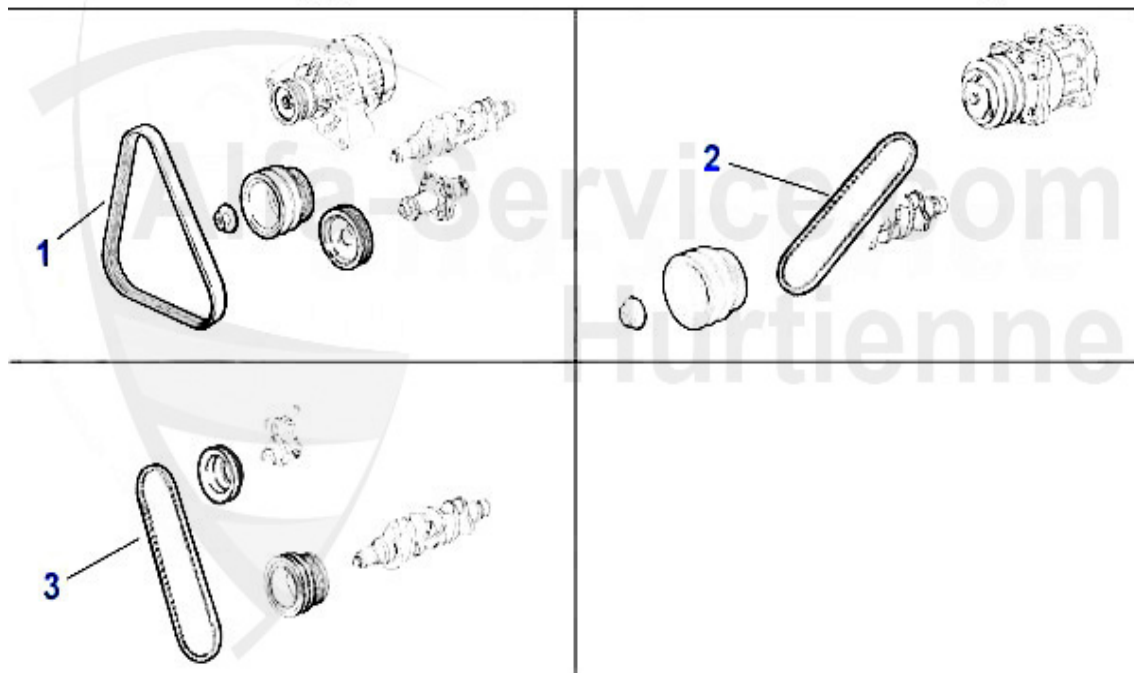
1	FH010122	WINDOW REGULATOR COMPLETE 145/6 FRONT L (AFTERMARKET PRODUCT)	97.00 EUR
1	FH010123	WINDOW REGULATOR COMPLETE 145/6 FRONT R (AFTERMARKET PRODUCT)	97.00 EUR
2	FH010124	WINDOW REGULATOR COMPLETE 145/6 REAR R	116.99 EUR
2	FH010125	WINDOW REGULATOR COMPLETE 145/6 REAR L (AFTERMARKET PRODUCT)	116.99 EUR

## 145/6 > ENGINE > AIR SYSTEM



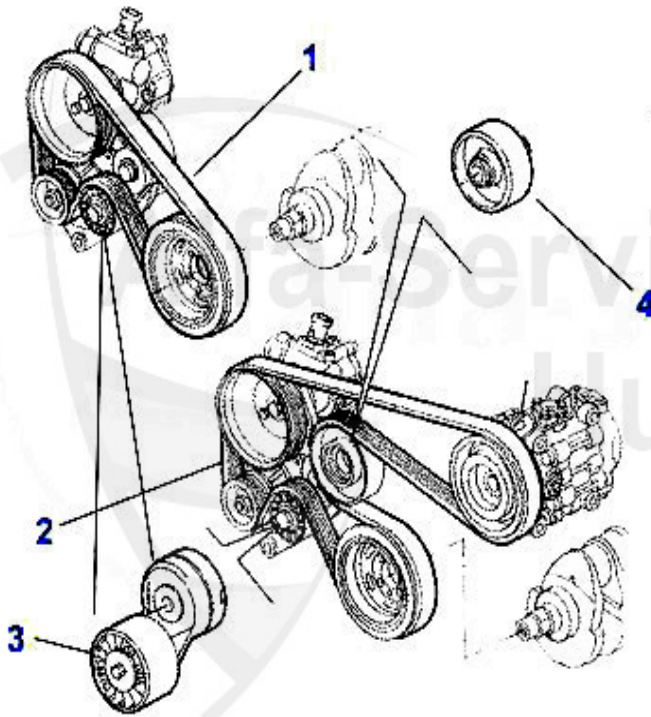
1	LR13829	OE. 71713829 ELECTRO-VALVE	***
2	LMM07008	OE. 46407007 FLOWMETER TS 16V	348.99 EUR
3	LMS93709	Luftmassenschlauch 147/6 u.155 4 Zylindermotoren am Luftfilter 145/6 (94-99) AR155 (92-97)	69.00 EUR
4	LMS25695	Luftmassenschlauch 145/146 1.4 I.E. 16V TS	***
5	KWS31298	Ladeluftschlauch am Turbolader 145/146/155 1,9 TD	45.65 EUR
6	KWS60171	Kühlwasserschlauch zum Ladeluftkühler 155 1.9 TD	21.85 EUR

## Keil-/Keilrippenriemen 145/6 Boxer Bj. >96



1	KRR5PK865Keilrippenriemen 5PK865 spider (916 ) 3.0 V6 Servopumpe,145/6 1.4/1.6ie Bj. >96 Wasserpumpe/Generator	16.07 EUR
2	KR13A950 V-BELT 12.5X950 33 (907),145/6 >11.96 CLIMACOMPRESSOR GTV/6	12.85 EUR
3	03 070 0 0 V-BELT 9.5X825 (SPIDER, GT)	8.70 EUR

145/6 > ENGINE > V-BELTS > TS 16V

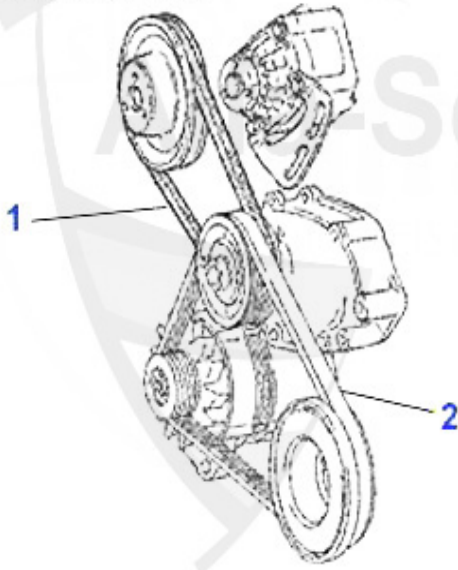


Keilrippenriemen  
V-BELTS  
145/6 TS 16V

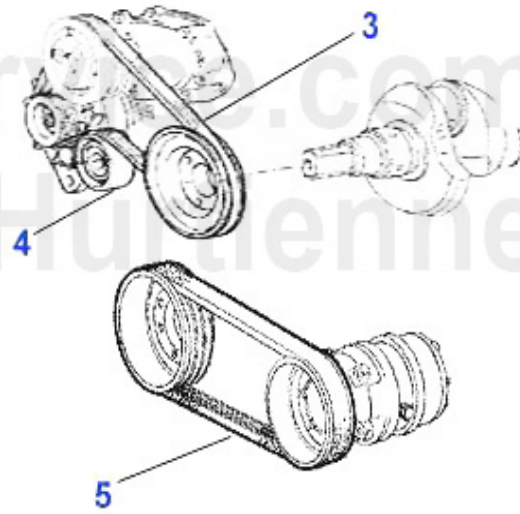
1	KRR6PK108		25.13 EUR
2	Keilrippemriemen 6PK1082 145/6 2.0 TS 16V,147 2.0 TS/JTS,156/166 2.0 T S,gtv/spider (916) Bj. 98> 2.0 TS o hne Klima, Generator/Servopumpe		
1	KRR7PK108		28.00 EUR
3	Keilrippenriemen 7PK1083 145/6,155 156,166,gtv/spider (916) bis Motor # 1385143, Servopumpe		
1	KRR6PK104		20.00 EUR
5	Keilrippenriemen 6PK1045 145/6 Bj. 97>,155,156,gtv&spider(916) 1.4/1.6 /1.8 TS 16V ohne Klima Generator/S ervopumpe		
2	KRR7PK195		48.73 EUR
2	Keilrippenriemen 7PK1952 145/6,155, gtv/spider (916) 2.0 TS 16V ab Moto r # 343116, Generator/Servopumpe/KI imakompressor		
2	KRR6PK197		35.81 EUR
5	OE.60815414/60630741 RIBBED V- BELT,156/166/GTV/SPIDER(916)CF3 2.0L TS 16V UNTIL ENGINE #1385143 GENERATOR/SERVOPUMP/AIRCON COMPRESSOR 6PK1975 145/6/147		
2	KRR6PK184		30.73 EUR
2	V-RIBBED BELT 6PK 1842 145/6 1,8 TS WITH A/C , 155 1,6/1,8 TS , NUOVO GT		
2	KRR6PK183		35.39 EUR
0	Keilrippenriemen 6PK1830 145/6 1.4 16V TS Bj. 11.96-1.01 Generator/Servopumpe/Klimakompressor		
2	KRR6PK185		28.73 EUR
5	V-RIBBED BELT 6PK1855,OE.60814395,145/6 1.4/1.8 TS 16V YEAR 97>,1.6 TS,1.6/1.8 16V,GTV/SPIDER 1.8 16V TS YEAR 98> GENERATOR,SERVOPUMP,AIR-CON-COMPRESSOR		
3	SPA55863	DRIVE BELT TENSIONER 145/6/7,155/6,166,916 2.0	43.99 EUR
4	UR55849	OE.60812515,REVERSE ROLLER FOR RIPPED V-BELT 145/6/7,155/6,GTV/SPIDER(916) 1.4/1.6/1.8 TS (WITH AIR CON)	34.37 EUR
4	UR55848	DRIVE BELT BEARING 156 2.0,145,166,916	69.00 EUR

## Keil-/Keilrippenriemen 145/6 1.9 TD

ohne/without  
Klimaanlage/AC:



mit/with  
Klimaanlage/AC:

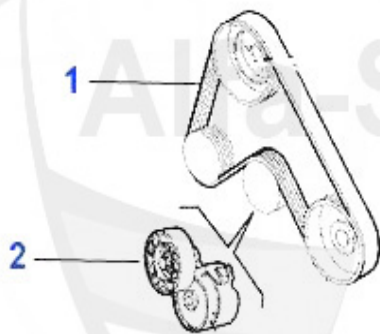


1	03 214 0 0 V-BELT 9.5X725	8.70 EUR
2	KRR5PK915Keilrippenriemen 5PK915 145/6 1.9 T D,155 1.9 TD ab Motor # 1723043 Generator/Wasserpumpe	15.59 EUR
2	KRR5PK907Keilrippenriemen 5PK907 145/6 1.9 T D,155 1.9 TD bis Motor # 1723043 Generator/Wasserpumpe	16.92 EUR
3	KRR5PK990Keilrippenriemen 5PK990 145/6,155 1.9 TD ab Motor # 1723043 Generator/ Wasserpumpe/Klimakompressor	16.72 EUR
3	KRR5PK975Keilrippenriemen 5PK975 145/6,155 1.9 TD bis Motor # 1723043 Generator /Wasserpumpe/Klimakompressor	16.36 EUR
4	UR55860 Umlenkrolle Keilrippenriemen 145/6 155,164	23.80 EUR
5	KRR5PK938Keilrippenriemen 5PK938 145/6,155 1.9 TD Klimakompressor	15.28 EUR



## Keilrippenriemen 145/6 1.9 JTD

ohne/without  
Klimaanlage/AC:



mit/with  
Klimaanlage/AC:



<b>1</b>	<b>KRR6PK103</b>		<b>21.75 EUR</b>
5	Keilrippenriemen 6PK1035 145/6,156, 147 1.9 JTD ohne Klima		
<b>2</b>	<b>SPA55872</b>	Spannarm Keilrippenriemen 145/6/7, 156 1.9 JTD (81/85KW mit/ohne Klima )	<b>44.21 EUR</b>
<b>3</b>	<b>UR55847</b>	Umlenkrolle f. Keilrippenriemen 145 /6,147,156 1.9 JTD mit Klima	<b>30.68 EUR</b>
<b>4</b>	<b>KRR6PK179</b>		<b>30.06 EUR</b>
5	Keilrippenriemen 6PK1795 145/6 1.9 JTD 77kw Bj. 2.99> Generator/Servop umpe/Klimakompressor		
<b>4</b>	<b>KRR6PK177</b>		<b>33.34 EUR</b>
5	Keilrippenriemen 6PK1775 145/6 1.9 JTD 77kw Bj. >1.99 Generator/Servop umpe/Klimakompressor		



1 KB24162 OVERSIZED PISTON 33 (907),145/6 1.7 IE 16V +0,40

134.76 EUR



1 KB24126 OE. 71713064 PISTON 1.8 TS 16V AR32201

159.01 EUR



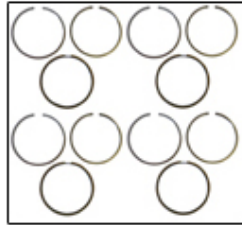
1 KB24100 OE. 5895173 PISTON 2.0 TS 16V (AR162201/32301)

184.45 EUR



1

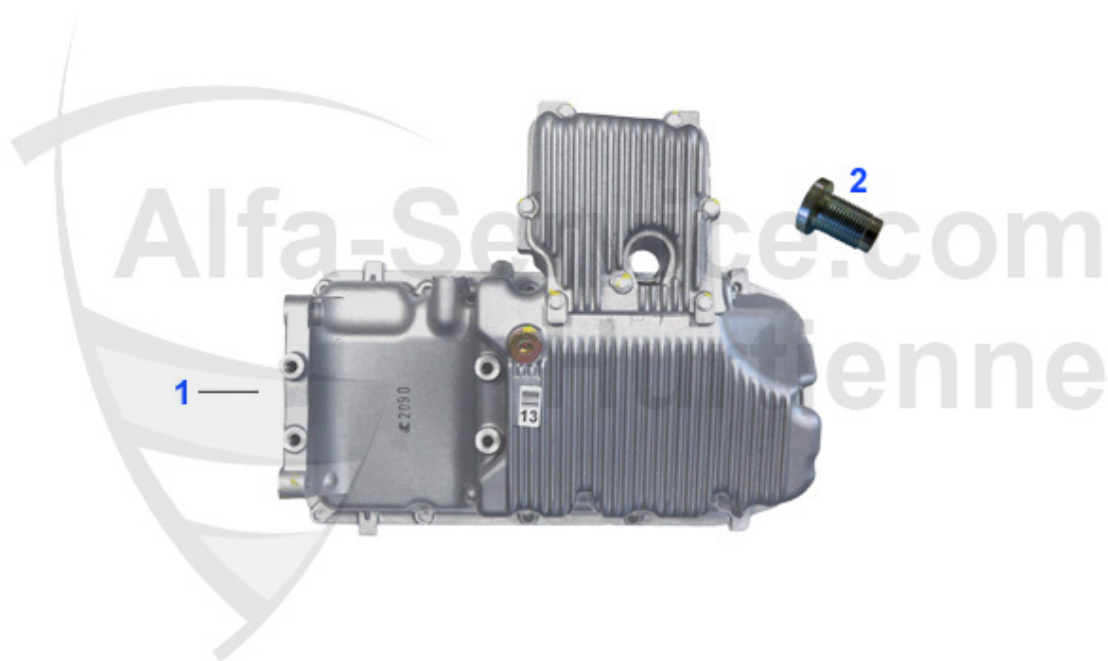
1



1 KR46450 Piston ring set 75,155/2,0/1,5+1,5+3,5 SERIES 4 SPIDER

116.62 EUR

145/6 > ENGINE > ENGINE BLOCK > PIL PAN



1	OW90209	OE. 55190209 PIL PAN 145/6,147,155,156, gtv/spider (916),Nuovo GT	469.00 EUR
2	OWD357	OIL DRAIN SCREW Alfa 145,146,147,155, 156,GT,GTV+Sp.916,NUOVO SPIDER,BRERA O.E. 46476967 (M18x1,5 30mm height)	7.74 EUR

## Kraftstoffpumpe/Fuel Pump 145/6 Boxer Bj. 94-96

---



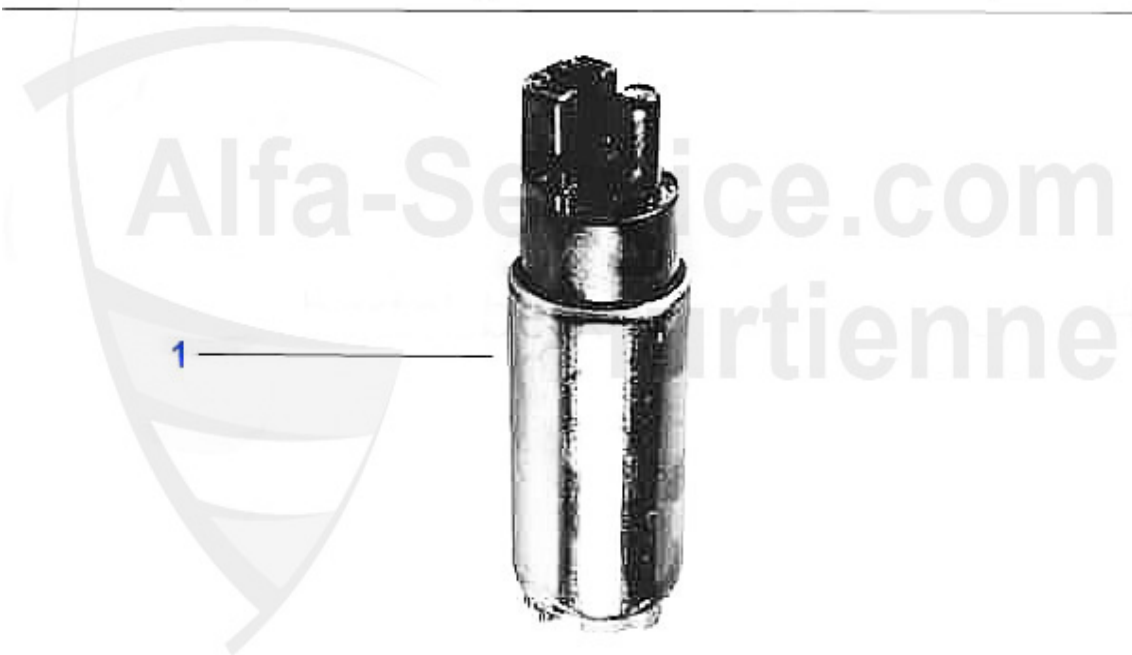
---

<b>1</b>	<b>KP6416</b>	<b>OE. 7782620 FUEL PUMP 145/6, 155, gtv/spider (916) Boxer/TS 16V/ V6 Turbo &gt; 1998</b>	<b>171.32 EUR</b>
----------	---------------	--	-------------------

145/6 > ENGINE > FUEL SYSTEM > 1.7 IE 16V Boxer 1994-96 > FUEL PUMP

Kraftstoffpumpe/Fuel Pump 145/6 1.7 IE 16V Boxer Bj. 94-96

---



---

<b>1</b>	<b>KP6416</b>	<b>OE. 7782620 FUEL PUMP 145/6, 155, gtv/spider (916) Boxer/TS 16V/ V6 Turbo &gt; 1998</b>
----------	---------------	--

**171.32 EUR**



## Kraftstoffpumpe/Fuel Pump 145/6 TS 16V

---



---

1	KP6416	OE. 7782620 FUEL PUMP 145/6, 155, gtv/spider (916) Boxer/TS 16V/ V6 Turbo > 1998
---	--------	---

171.32 EUR

## Kraftstoffpumpe/Fuel Pump 145/6 1.9 JTD

---

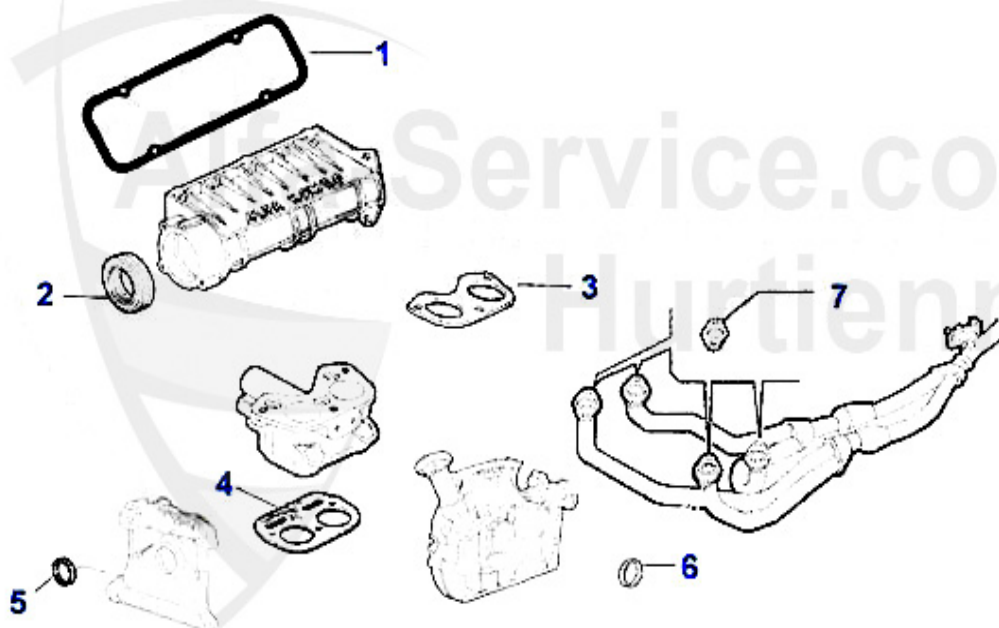


---

1 KP6557 OE. 46742146 FUEL PUMP 145/6 1.9 JTD

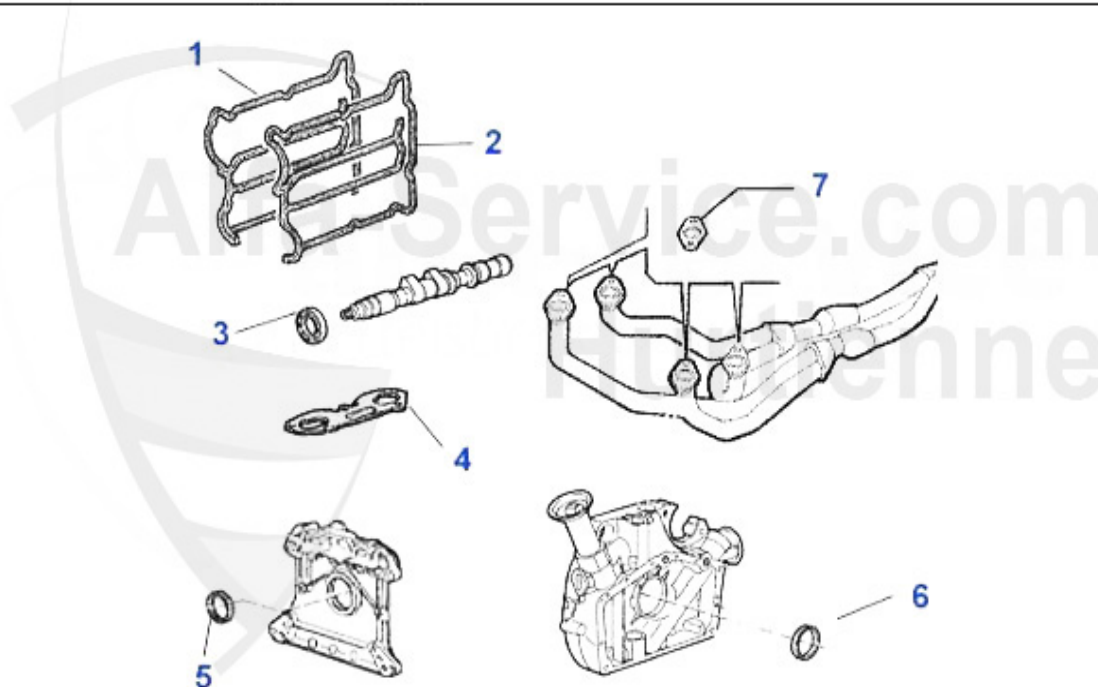
210.30 EUR

## Dichtungen Motor/Gaskets Engine 145/6 1.4/1.6 IE Boxer



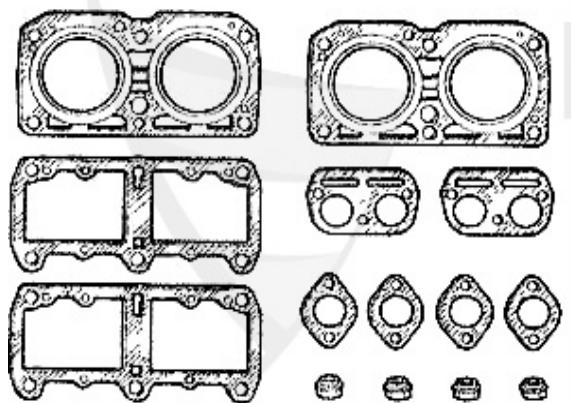
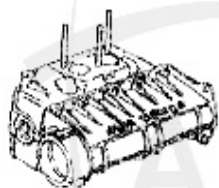
1	VDD3800	Ventildeckeldichtung Arna,Sud/Sprint,33 (905/7),145/6 kork	2.57 EUR
1	VDD3900	Ventildeckeldichtung Arna,Sud/Sprint,33 (905/7),145/6 kork gummiert	10.90 EUR
2	WD14200	OE.60502913 OIL SEAL CAMSHAFT SUD SPRINT, 33 (905/7), 145/6 BOXER	12.14 EUR
3	ASKD24717	Ansaugkrümmerdichtung Boxer oben	5.02 EUR
4	ASKD04851	Ansaugkrümmerdichtung Boxer unten	1.95 EUR
5	WD17600	CRANKSHAFT OIL SEAL FRONT 40/56/10 ARNA,SUD/SPRINT,33 (905/7),145/6 BOXER, 155 TS 8V # 0006645	10.59 EUR
6	WD30500	Siri Kurbelwelle hinten (Schwingscheibe) Arna,Sud/Sprint,33 (905/7),145/6 Boxer	20.65 EUR
7	SAT094405	EXHAUST GASKET ARNA,SUD/SPRINT,33 (905/7),145/6 BOXER	2.77 EUR

Motordichtungen/Engine Gaskets 145/6 1.7 IE 16V Boxer



1	VDD46400	VALVE COVER GASKET LEFT 33,145/6 1.7 ie/ 16V YEARS 90-96	12.83 EUR
2	VDD46500	VALVE COVER GASKET RIGHT 33,145/6 1.7ie/ 16V YEARS 90-96	12.83 EUR
3	WD57200	CAMSHAFT OIL SEAL 33 (907),145/6 1.7 IE 16V	7.63 EUR
4	ASKD25029	Ansaugkrümmerdichtung 33 (907),145/ 6 Boxer 16V	8.10 EUR
5	WD17600	CRANKSHAFT OIL SEAL FRONT 40/56/10 ARNA,SUD/SPRINT,33 (905/7),145/6 BOXER, 155 TS 8V # 0006645	10.59 EUR
6	WD30500	Siri Kurbelwelle hinten (Schwung- scheibe) Arna,Sud/Sprint,33 (905/7) ,145/6 Boxer	20.65 EUR
7	SAT46397	Abgaskrümmerdichtung 33 (907),145/6 1.7 ie 16V	8.50 EUR

## Kopfdichtsatz/Head Set 145/6 1.4/1.6 IE Boxer

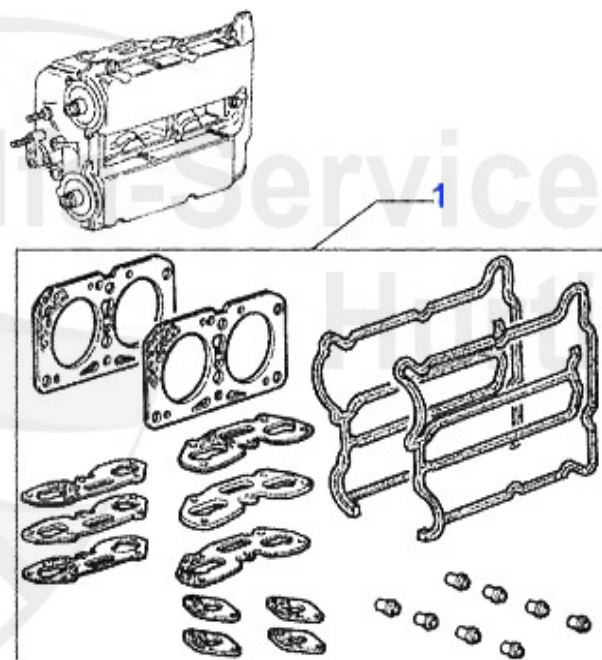


**1.** ZKDS 40500  
1.4 IE

**2.** ZKDS 36000  
1.6 IE

- |          |   |                   |
|----------|---|-------------------|
| <b>1</b> | ZKDS36000 HEAD GASKET SET 33 1.5 IE 90-94 145/6 1.6 IE 94-96  | <b>99.71 EUR</b>  |
| <b>1</b> | ZKDS40500 OE.60778767 HEAD GASKET SET 33, 145/6, 1.4 ie 91-96 | <b>138.49 EUR</b> |

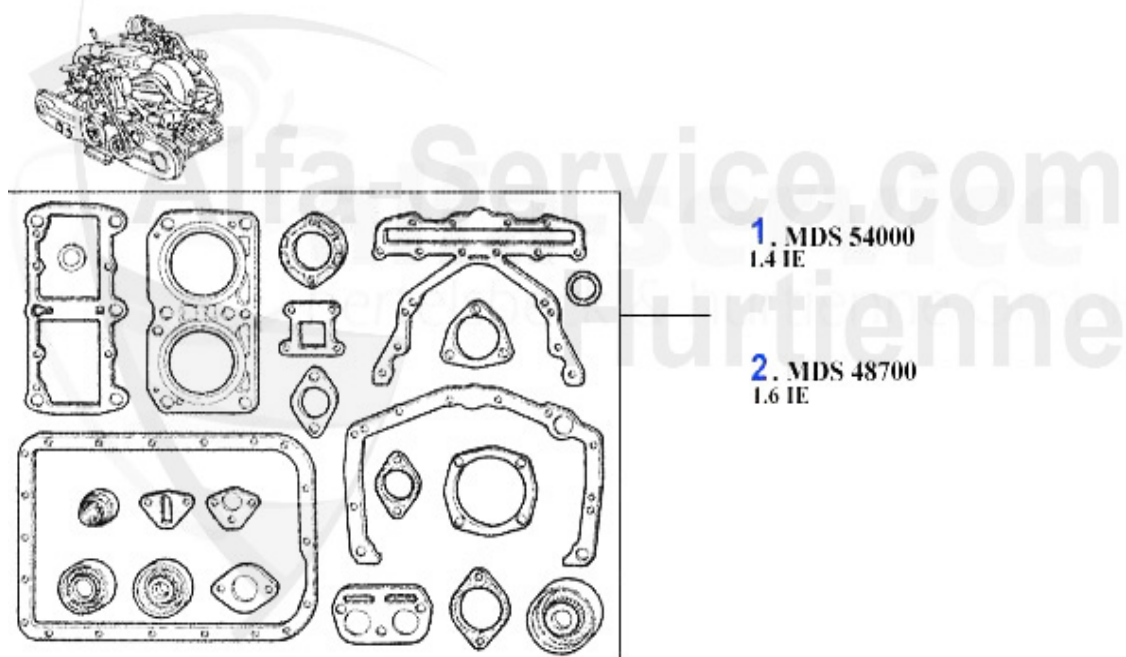
## Kopfdichtsatz/Head Set 145/6 1.7 IE 16V Boxer



1 ZKDS2700 HEAD GASKET SET 145/146/33 1.7 IE 16V 90-96

116.62 EUR

## Motordichtsatz/Full Set 145/6 1.4/1.6 IE Boxer



1. MDS 54000  
1.4 IE

2. MDS 48700  
1.6 IE

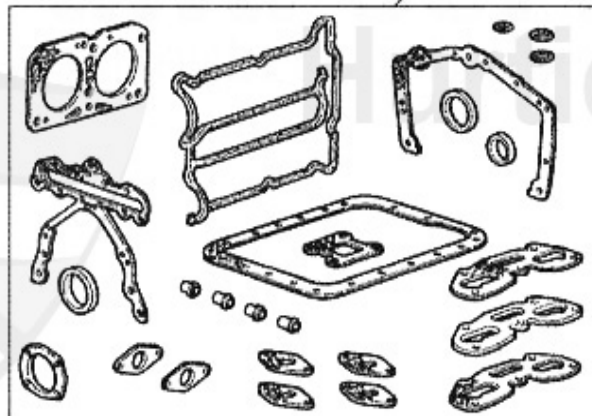
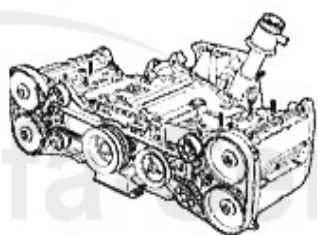
1 MDS54000 ENGINE GASKET SET 33,145/6 1.4 IE 91-96

159.00 EUR

2 MDS48700 ENGINE GASKET SET 33 1.5 IE 90-94 145/6 1.6 IE 94-96

155.00 EUR

Motordichtsatz/Full Set 145/6 1.7 IE 16V Boxer

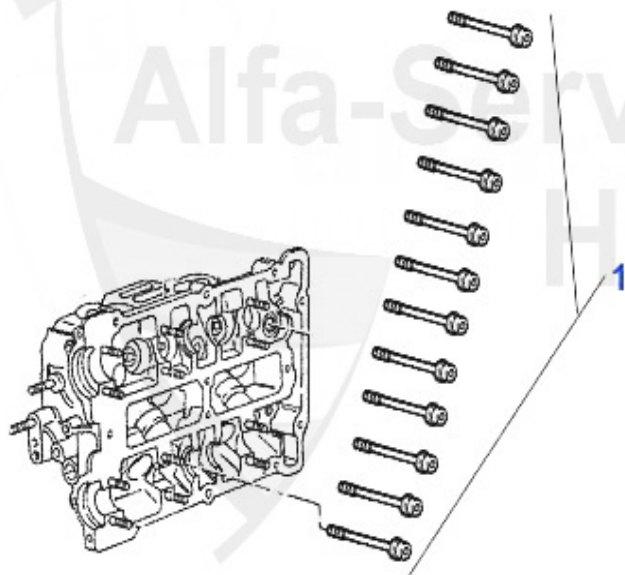


1 MDS16000 ENGINE GASKET SET 145/146/33 1.7 IE 16V 91-97

134.90 EUR



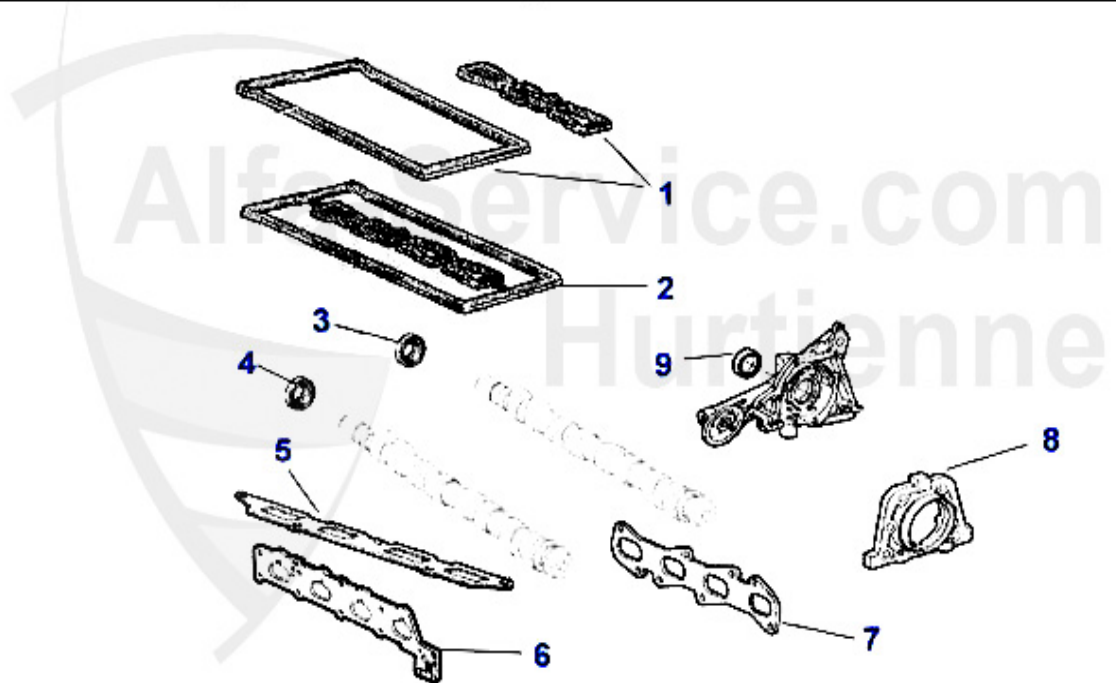
Kopfschraubensatz/Head Screw Set 145/6 1.7 IE 16V Boxer



1 ZKSS263 HEAD SCREW SET 33 (907),145/6 1.7 IE 16V

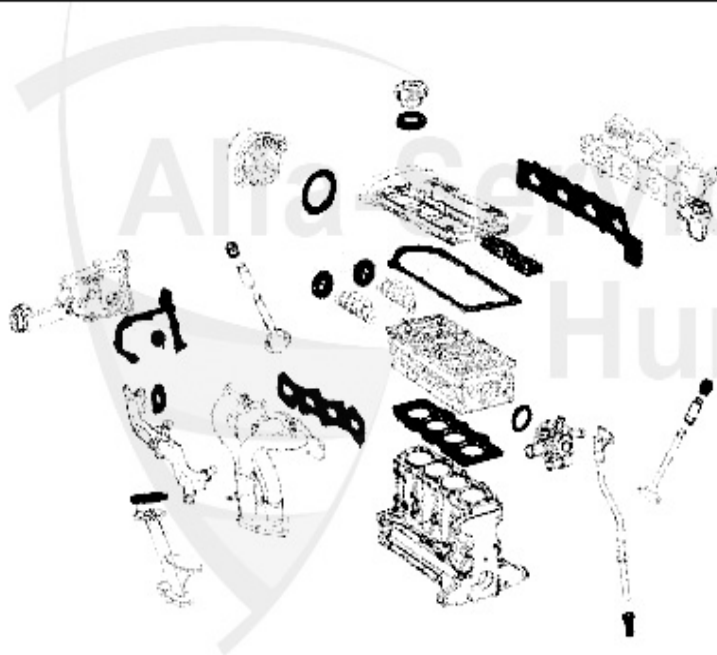
\*\*\*

## Dichtung Motor/Engine Gaskets 145/6 TS



1	VDD3700	Ventildeckeldichtung 2-teilig für Alu-Ventildeckel 145/6,155,156 166 Diverse 4-Zylinder bj >03.98	19.39 EUR
2	VDD5400	CAM COVER GASKET FOR PLASTIC COVER 145/6 , 156 GTV/ SPIDER 916 04.98>	33.50 EUR
3	WD55300	siri nockenwelle 145/6,155,156 1.6,1.7,1.8,2.0 16V TS	16.97 EUR
4	WD08200	CAMSHAFT 145/6,155,156,GTV/SPIDER (916), 166 VARIOUS 96-01	11.84 EUR
5	ASKD52309	Ansaugkrümmerdichtung 145/6 1.4 TS 16V > #3174687	8.10 EUR
6	ASKD59747	Ansaugkrümmerdichtung 145/6,147,155 156,166,gtv/spider (916),Nuovo GT # 0165088> TS 16V	25.13 EUR
7	AGKD02761	EXHAUST MANIFOLD GASKET 145/6,147,155, 156,166,GTV/SPIDER (916) TS/JTS 16 V STARTING FROM YEAR 1998	22.22 EUR
8	WD0800	OIL SEAL CRANKSHAFT REAR (FLYWHEEL) 147 1.6 TS 16V/1.9 JTD 03>, 156 1.9/2.4 JTD 00>	47.50 EUR
9	WD55200	OE.7628850 oil seal crankshaft front	10.31 EUR

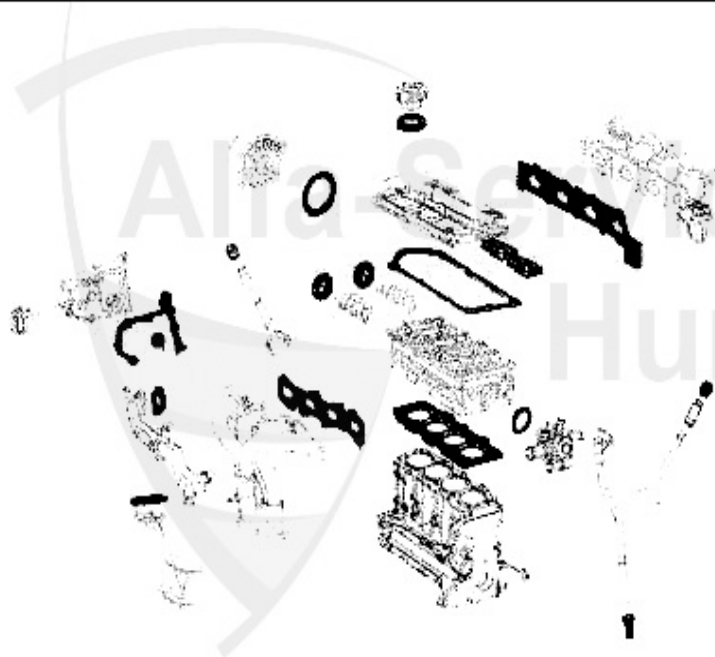
## Kopfdichtsatz/Head Set 145/6 TS 16V



- 1. ZKDS 61800**  
1.4 >#03174687
- 2. ZKDS 40600**  
1.4 #03174688>
- 3. ZKDS 40700**  
1.6/1.8 >#03174687
- 4. ZKDS 61700**  
1.6/1.8 #03174688>
- 5. ZKDS 40800**  
2.0 >1996
- 6. ZKDS 60800**  
2.0 1996>

<b>1</b>	<b>ZKDS61800 Kopfdichtsatz 145/6 1.4 ie 16V TS Bj. 96-01 Kunststoff-Ventildeckel</b>	<b>122.08 EUR</b>
<b>2</b>	<b>ZKDS40600 Kopfdichtsatz 145/6 1.4 ie 16V TS Bj. &gt;12.97 Alu-Ventildeckel</b>	<b>111.82 EUR</b>
<b>3</b>	<b>ZKDS40700 Kopfdichtsatz 145/6,155,156,166 1.6-2.0 ie 16V TS Bj. &gt;98 Alu-Ventildeckel</b>	<b>108.74 EUR</b>
<b>4</b>	<b>ZKDS61700 OE. 71713631 HEADSET</b>	<b>132.34 EUR</b>
<b>5</b>	<b>ZKDS40800 Kopfdichtsatz 145/6,155,gtv/spider (916) 2.0 TS 110 KW Bj. 95-01 Alu-Ventildeckel</b>	<b>128.23 EUR</b>
<b>6</b>	<b>ZKDS60800 HEAD GASKET SET 145/6,156,GTV/SPIDER (916) 2.0 16V TS 97-01 PLASTIC VALVE COVER</b>	<b>111.82 EUR</b>

## Motordichtsatz/Full Set 145/6 TS 16V



**1. MDS 54100**  
1.4 >#03174687

**2. MDS 17500**  
1.4 #03174688>

**3. MDS 54200**  
1.6/1.8 >#03174687

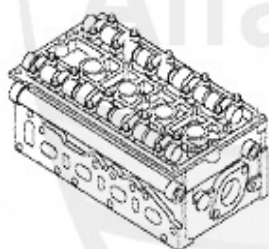
**4. MDS 74900**  
1.6/1.8 #03174688>

**5. MDS 54300**  
2.0 >1996

**6. MDS 74000**  
2.0 1996>

<b>1</b>	<b>MDS54100</b> Motordichtsatz 145/6 1.4 ie 16V TS Bj. >97 alu-ventildeckel	<b>110.79 EUR</b>
<b>2</b>	<b>MDS175000</b> Motordichtsatz 145/6 1.4 ie 16V TS Bj. 96-01 Kunststoff-Ventildeckel	<b>111.82 EUR</b>
<b>4</b>	<b>MDS74900</b> Motordichtsatz 145/6,156,gtv/spider (916) 1.6 - 1.8 16V TS Bj. 97> Kunststoff-Ventildeckel	<b>152.86 EUR</b>
<b>5</b>	<b>MDS54300</b> Motordichtsatz 145/6,155,gtv/spider (916) 2.0 TS Bj. 95-01 110KW Alu-Ventildeckel	<b>189.21 EUR</b>
<b>6</b>	<b>MDS74000</b> ENGINE GASKET SET 145/6,156,GTV/SPIDER (916) 2.0 16V TS,	<b>152.86 EUR</b>

## Kopfschraubensatz/Head Srew Set 145/6 TS 16V

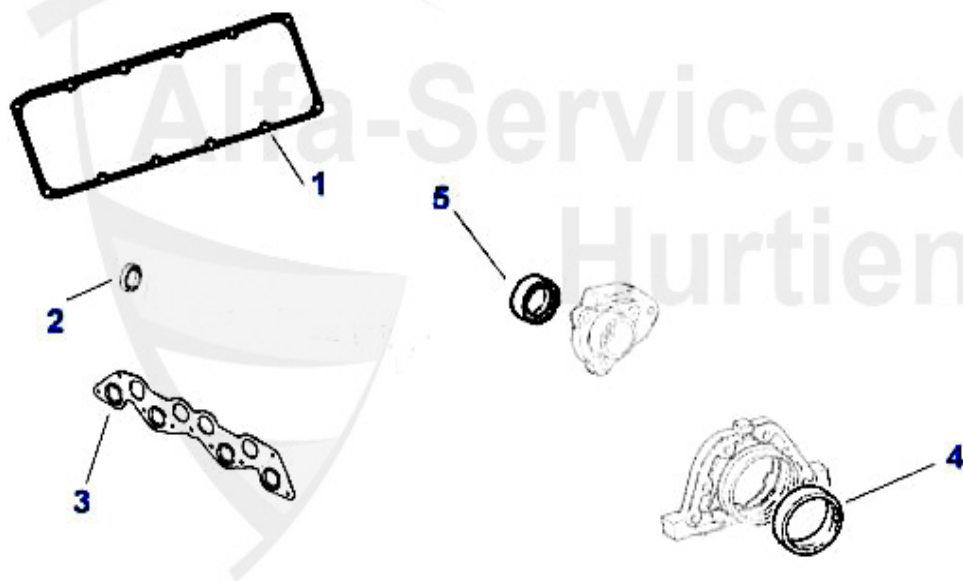


1. ZKSS 1600  
1.4

2. ZKSS 152080  
1.6/1.8/2.0

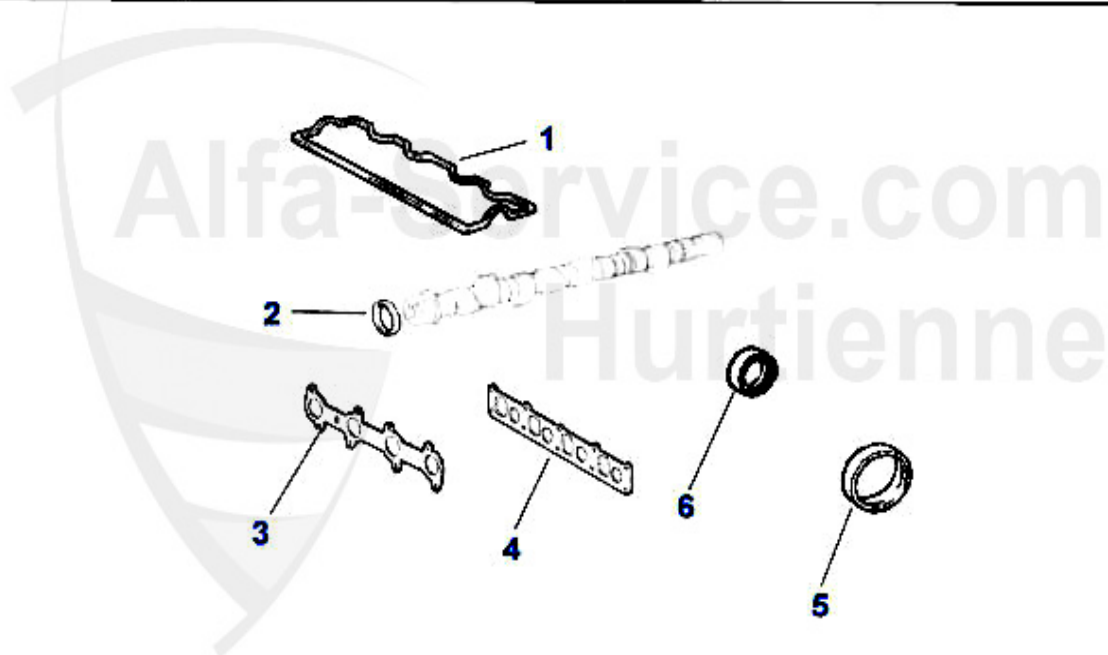
1	ZKSS1600	HEAD SCREW SET 145/6,1.4/1.6 TS 16V YEAR 96-01,147 1.6 TS 16V 76/88 KW, 156 1.6 TS 16V	39.00 EUR
2	ZKSS152080	HEAD SCREW SET 145/6,147,155,156,166, GTV/SPIDER(916),NOUVO GT TS 16V	69.00 EUR

## Dichtungen Motor/Gaskets Engine 145/6 1.9 TD



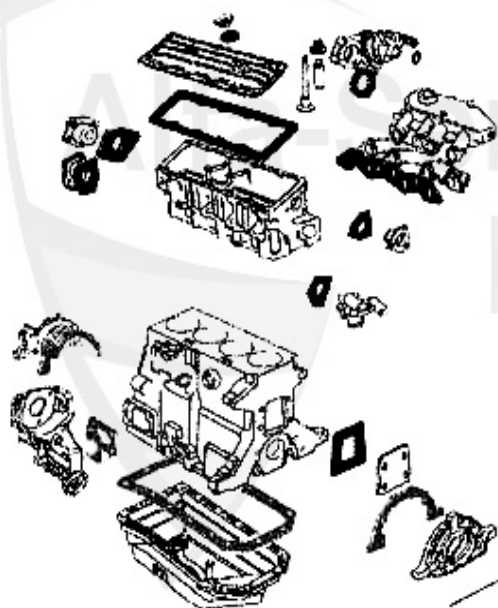
1	VDD1980	Ventildeckeldichtung 145/6,155 1.9 TD, Bj. 93-99	8.90 EUR
2	WD09700	Siri Nockenwelle 145/6,155 1.9 TD Bj. 93-99 164 2.0 Turbo	6.37 EUR
3	AGSKD3793	Ansaug/Abgaskrümmerdichtung 145/6, 155 1.9 TD	24.62 EUR
4	WD33900	siri kurbelwelle hinten(schwungsch) 145/6,155,156,166,gtv&spider(916) 1.4,1.6,1.7 ie&16V,2.016V&ts,1.9jtd	16.24 EUR
5	WD43800	Siri Kurbelwelle vorne (Riemensch.) 145/6 1.9 TD Bj. 94-99,147 2.0 TS 155 1.9 TD Bj. 93-97,155 2.0 TS 16V 2.0 16V Turbo	9.75 EUR

## Dichtungen Motor/Gaskets Engine 145/6 1.9 JTD



1	VDD66300	Ventildeckeldichtung 145/6,156 1.9 JTD CF2 Bj. 97-01 74KW	11.19 EUR
2	WD08200	CAMSHAFT 145/6,155,156,GTV/SPIDER (916), 166 VARIOUS 96-01	11.84 EUR
3	AGKD22700	Abgaskrümmerdichtung 145/6,147,156 1.9 JTD	19.99 EUR
4	ASKD41900	Ansaugkrümmerdichtung 145/6,147,156 1.9 JTD	15.28 EUR
5	WD33900	siri kurbelwelle hinten(schwungsch) 145/6,155,156,166,gtv&spider(916) 1.4,1.6,1.7 ie&16V,2.016V&ts,1.9jtd	16.24 EUR
6	WD55200	OE.7628850 oil seal crankshaft front	10.31 EUR

## Kopfdichtsatz/Head Set 145/6 1.9 TD/JTD



### **Achtung/Attention:**

**Ohne Kopfdichtung, Kopfdichtung  
bitte separat bestellen!**  
**Without Headgasket, please order it  
separate!**

**1. ZKDS 10400**  
1.9 JTD

**2. ZKDS 2400**  
1.9 TD

- |          |  |                  |
|----------|--|------------------|
| <b>1</b> | <b>ZKDS10400 HEAD GASKET SET 145/6,156 1.9 JTD 97-01 WITHOUT HEAD GASKET</b> | <b>60.52 EUR</b> |
| <b>2</b> | <b>ZKDS2400 HEAD GASKET SET 145/6,155 1.9 TD 93-99 WITHOUT HEAD GASKET</b>   | <b>34.78 EUR</b> |



FOTO

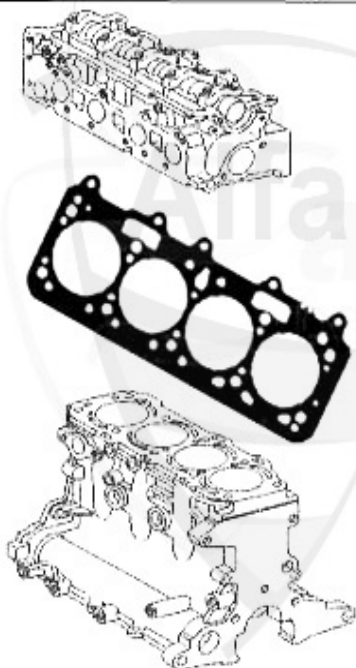
FOLGT

---

1 KWB4720 OVERFLOW CONTAINER 145/146/156 1.8-2.0 TS/1.9-2.4JTD (97-02)

39.00 EUR

## Kopfdichtung/Headgasket 145/6 1.9 TD/JTD



### Achtung/Attention:

Beim Bestellen der Kopfdichtung bitte auf die entsprechende Markierung achten!  
Before you order the headgasket, please note the marking!

**1. ZKD 20100**  
1.9 JTD  
1.60 mm

**2. ZKD 20110**  
1.9 JTD  
1.70 mm

**3. ZKD 20120**  
1.9 JTD  
1.80 mm

**4. ZKD 34200**  
1.9 TD  
1.65 mm

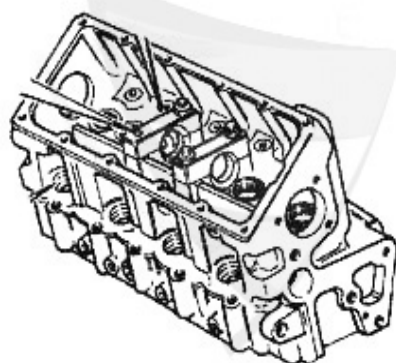
**5. ZKD 34210**  
1.9 TD  
1.80 mm

**6. ZKD 34220**  
1.9 TD  
1.95 mm

<b>1</b>	<b>ZKD20100</b>	Kopfdichtung 145/6,156 1.9 JTD Bj. 97-01 1.60 mm 0 kerbe	<b>90.70 EUR</b>
<b>2</b>	<b>ZKD20110</b>	Kopfdichtung 145/6,156 1.9 JTD Bj. 97-01 Dicke: 1.70 mm 1 Kerbe	<b>52.32 EUR</b>
<b>3</b>	<b>ZKD20120</b>	Kopfdichtung 145/6,156 1.9 JTD Bj. 97-01 dicke: 1.80 mm 2 Kerben	<b>52.32 EUR</b>
<b>4</b>	<b>ZKD34200</b>	Kopfdichtung 145/6,155 1.9 TD Bj. 93-99 Dicke: 1.65 mm 0 Kerben	<b>31.70 EUR</b>
<b>5</b>	<b>ZKD34210</b>	Kopfdichtung 145/6,155 1.9 TD Bj. 93-99 Dicke: 1.80 mm 1 Kerbe	<b>34.37 EUR</b>
<b>6</b>	<b>ZKD34220</b>	Kopfdichtung 145/6,155 1.9 TD Bj. 93-99 Dicke: 1.95 mm 2 Kerben	<b>34.37 EUR</b>

## Kopfschraubensatz/Head Screw Set 145/6 1.9 TD

---



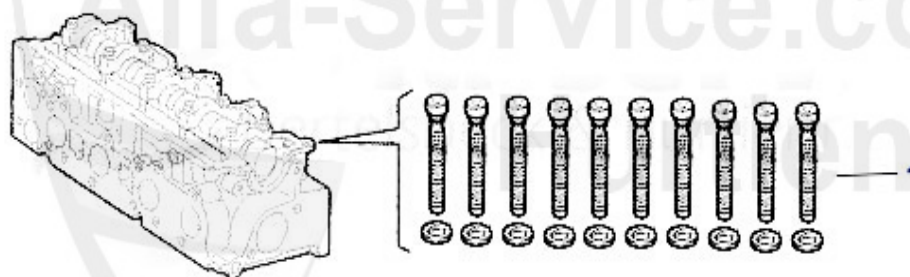
1

---

1 ZKSS7700 HEAD SCREW SET 145/6,155 1.9 TD 94-99

40.94 EUR

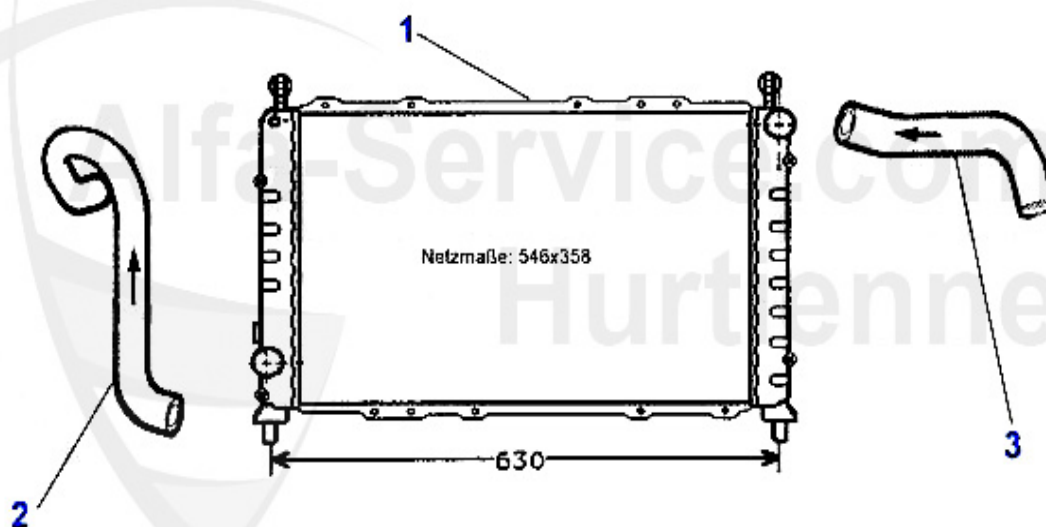
## Kopfschraubensatz/Head Srew Set 145/6 1.9 JTD



1 ZKSS0300 HEAD SCREW SET 145/6,147,156 1.9 JTD 8V 74/85 KW

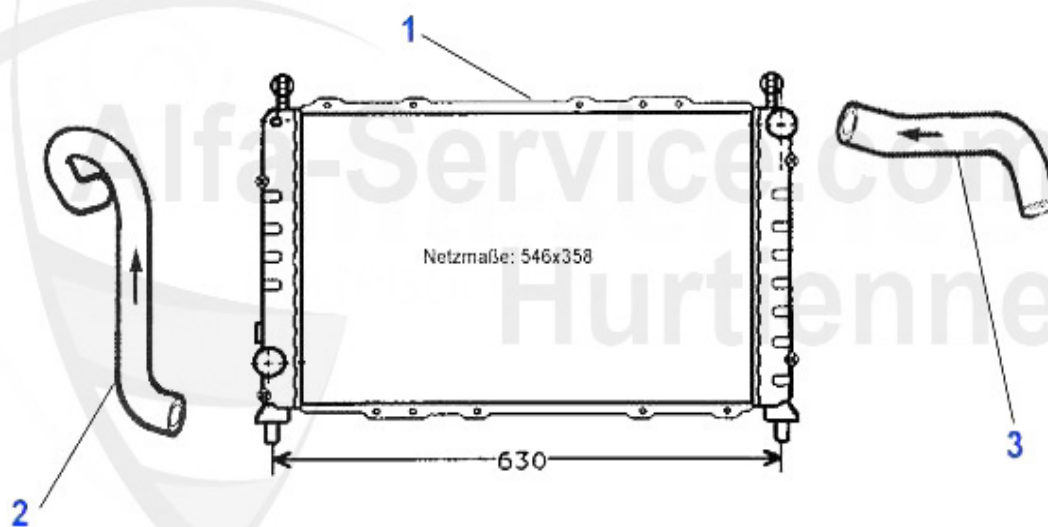
40.94 EUR

## Kühler/Radiator 145/6 1.4/1.6 Boxer Bj. 94-96



1	MK22880 OE.60590292 RADIATOR 145/6 1.4,1.6,1.7 16V WITH/WITHOUT AC 07.94.12.96	242.00 EUR
2	KWS89413 Kühlwasserschlauch unten 145/6 1.4/ 1.6/1.7 ie	12.61 EUR
3	KWS89412 UPPER WATER HOSE 145/6 1.4/1.6/1.7 ie	19.90 EUR

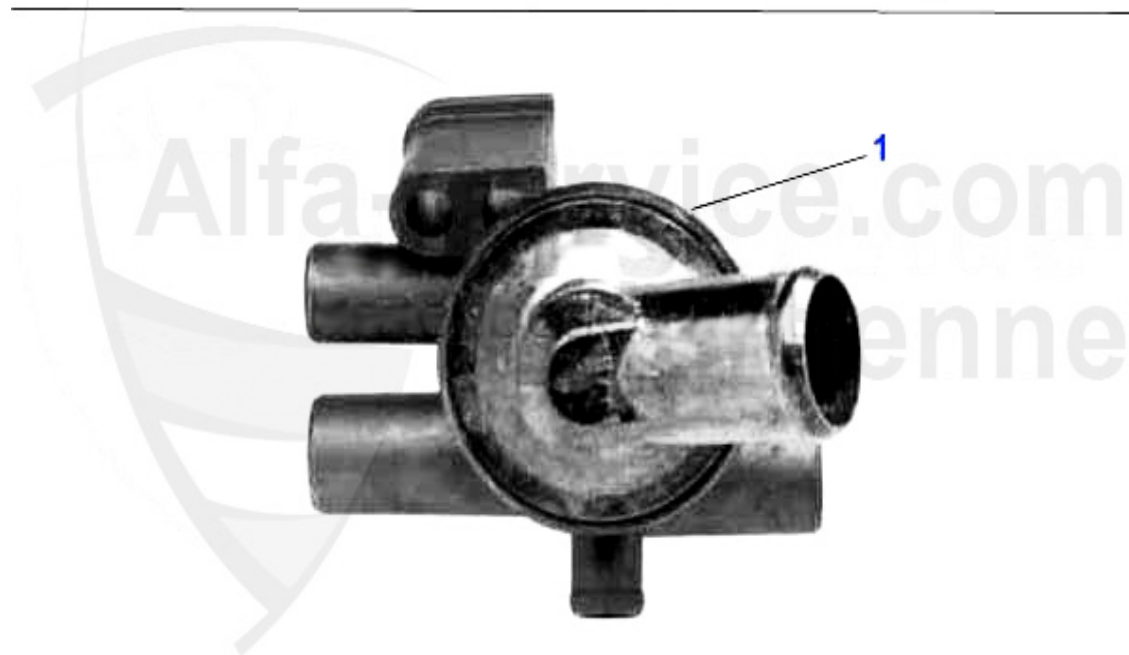
## Kühler/Radiator 145/6 1.7 IE 16V Boxer Bj. 94-96



1	MK22880 OE.60590292 RADIATOR 145/6 1.4,1.6,1.7 16V WITH/WITHOUT AC 07.94.12.96	242.00 EUR
2	KWS89413 Kühlwasserschlauch unten 145/6 1.4/ 1.6/1.7 ie	12.61 EUR
3	KWS89412 UPPER WATER HOSE 145/6 1.4/1.6/1.7 ie	19.90 EUR

## Thermostat 145/6 1.4/1.6 Boxer Bj. 94-96

---



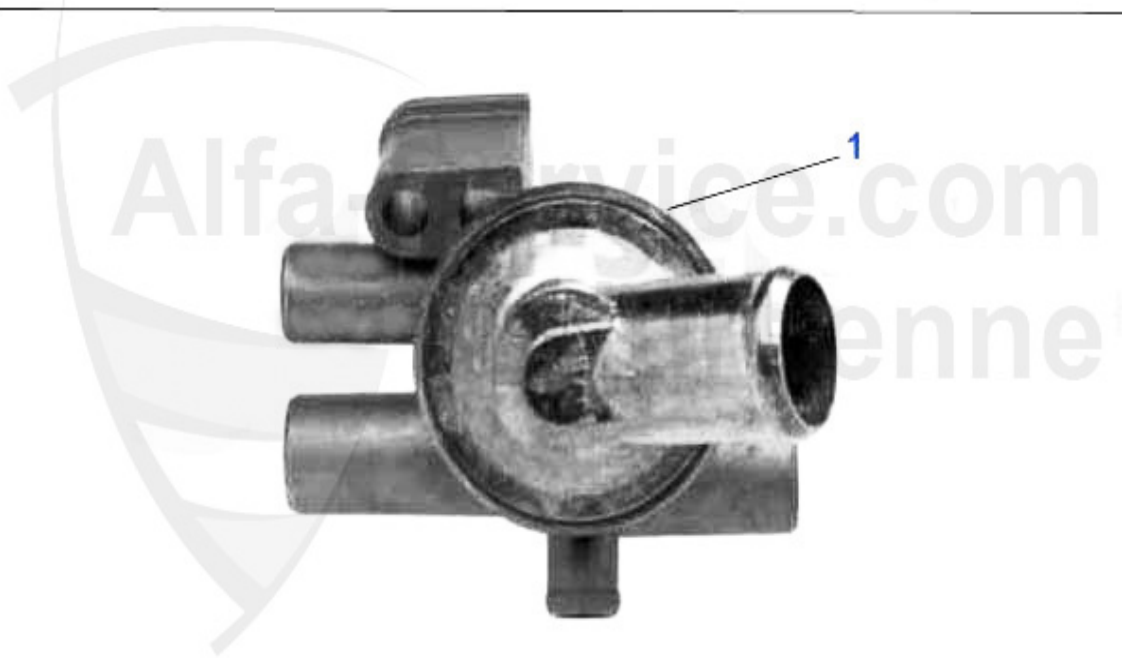
---

1 TH595386 Thermostat 1.4/1.5/1.6/1.7 ie 33, 145/6 Gehäuserthermotat

33.80 EUR

## Thermostat 145/6 1.7 IE 16V Boxer Bj. 94-96

---



---

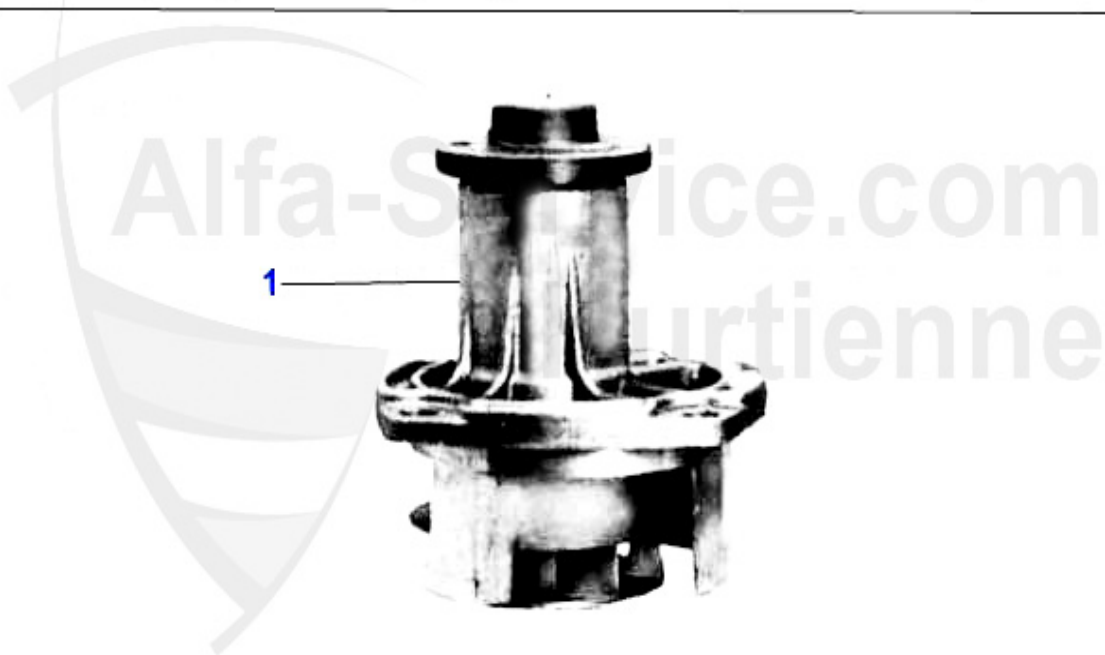
1 TH595386 Thermostat 1.4/1.5/1.6/1.7 ie 33, 145/6 Gehäusethermotat

33.80 EUR



Wasserpumpe/Waterpump 145/6 1.4/1.6 Boxer Bj. 94-96

---



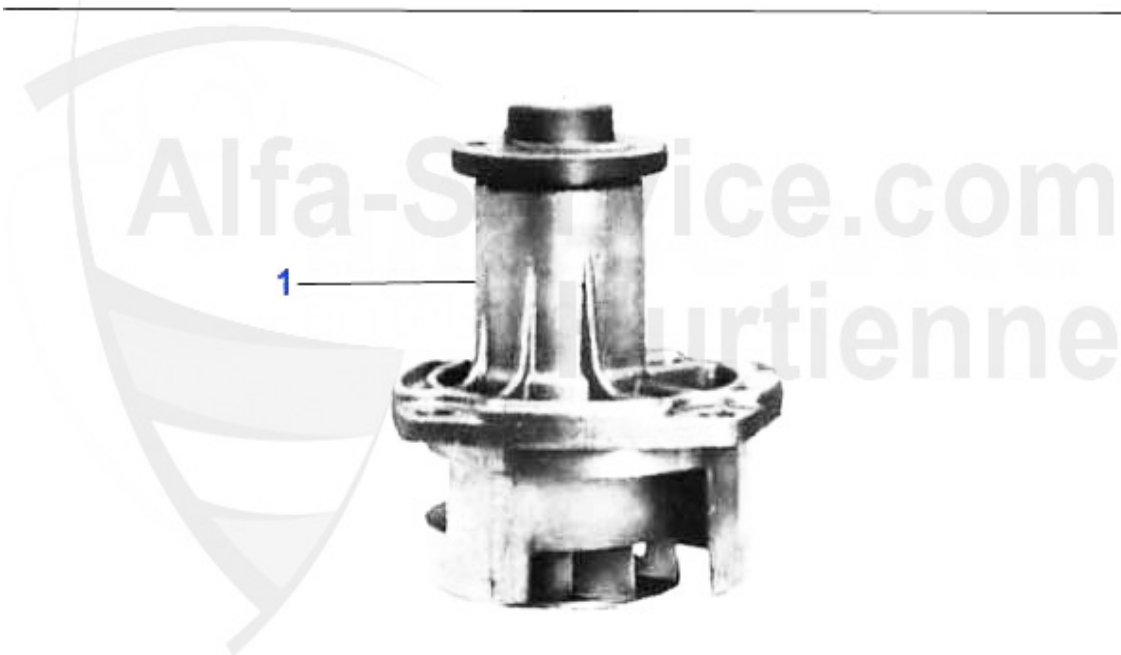
---

1 WP02110 OE. 60614390 WATERPUMP BOXER

53.86 EUR

Wasserpumpe/Waterpump 145/6 1.7 IE 16V Boxer Bj. 94-96

---

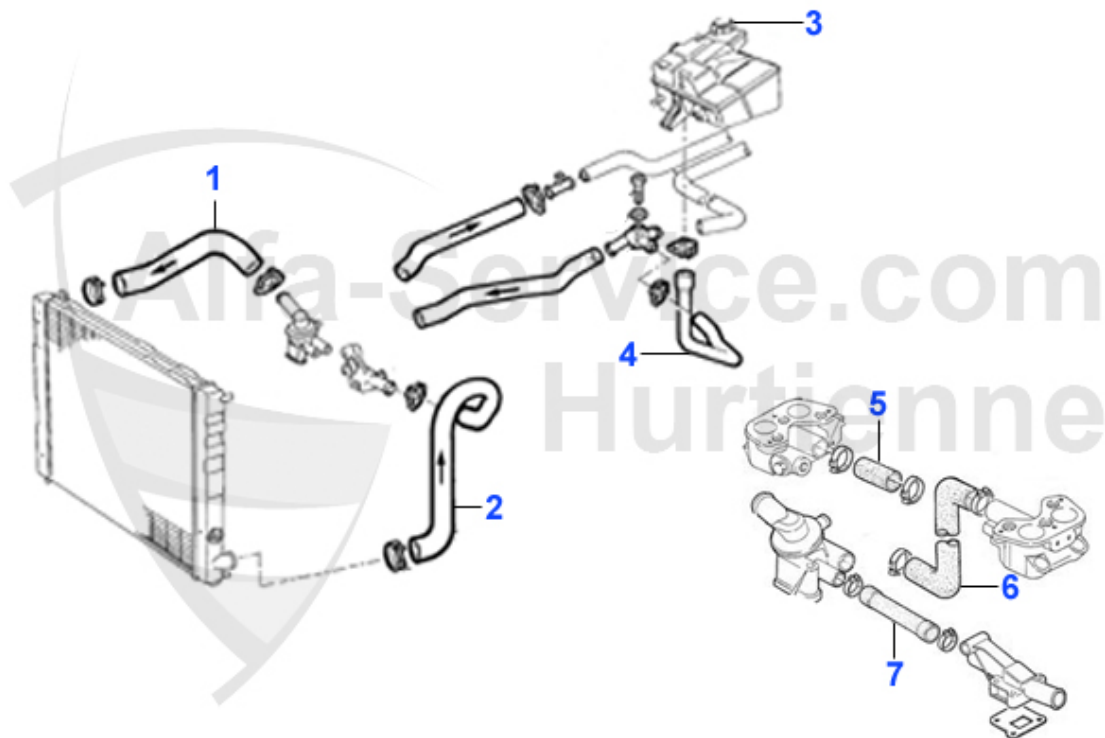


---

1 WP02110 OE. 60614390 WATERPUMP BOXER

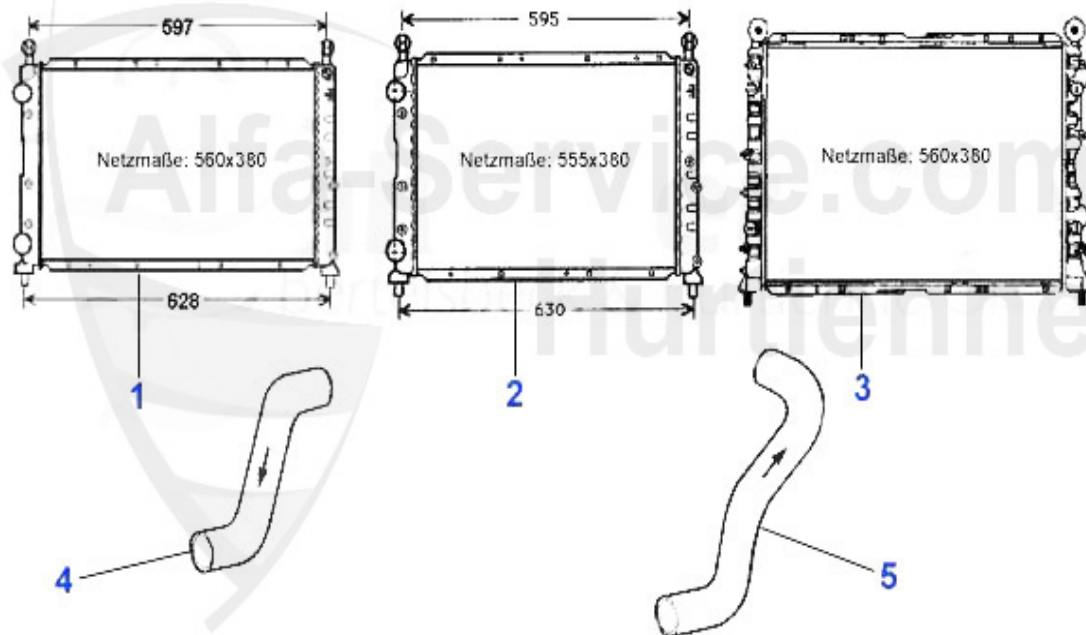
53.86 EUR

145/6 > ENGINE > COOLING SYSTEM > Boxer 1994-96 > HOUSES



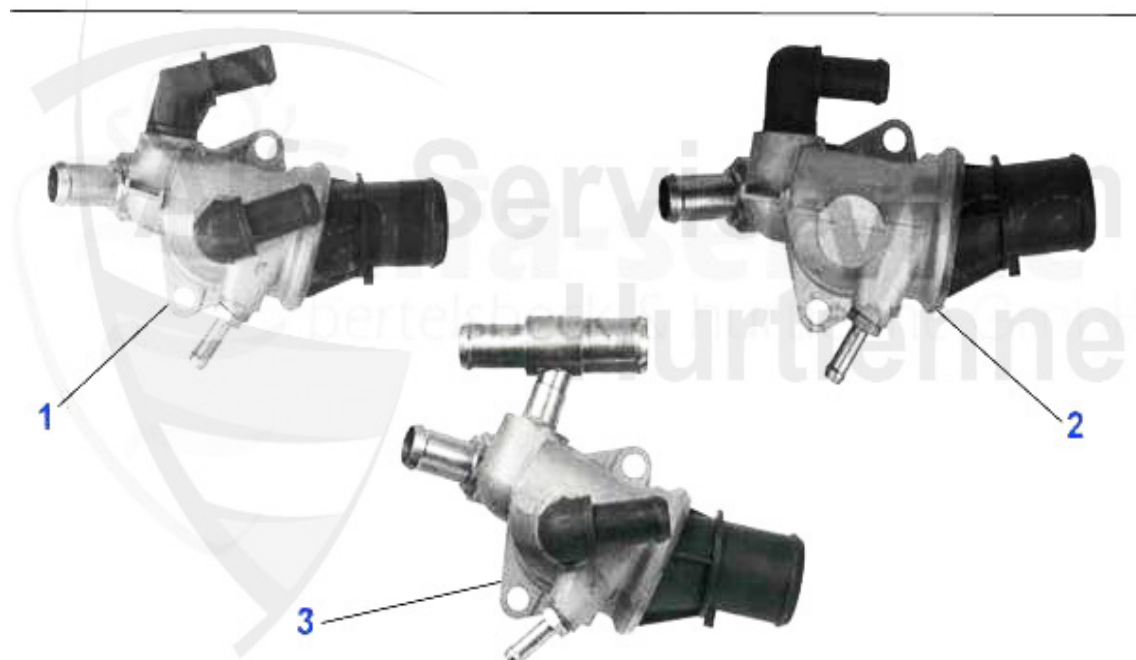
1	KWS89412 UPPER WATER HOSE 145/6 1.4/1.6/1.7 ie	19.90 EUR
2	KWS89413 Kühlwasserschlauch unten 145/6 1.4/ 1.6/1.7 ie	12.61 EUR
3	08 037 0 0 CAP for overflow container GTV/6 (116), 33, 145/6, 75, 155, RZ, SZ, SPIDER '90 for 0803600	10.20 EUR
4	KWS89417 Kühlwasserschlauch unter Ausgleichs behälter 145/6 1.4/1.6/1.7 ie	***
5	KWS04023 Kühlwasserschlauch Thermostatgehäus e 33 (905/7),145/6 1.4/1.6/1.7 ie/1 6V	3.70 EUR
6	KWS11225 kühlwasserschlauch Thermostatgehäus e 33 (907),145/6 1.4/1.6/1.7 ie/16V	13.49 EUR
7	KWS33399 Kühlwasserschlauch Thermostatgehäus e 33 (905/7) mit Lima 55 A,145/6 1. 4/1.6/1.7 ie 16V	6.56 EUR

## Kühler/Radiator 145/6 TS 16V



1	MK22820	Motorkühler 145/6 1.4/1.6/1.7ie 16V TS Bj. 96-01,155 1.6 16V TS Bj.96>	224.66 EUR
2	MK22992	Motorkühler 145/6,155 1.6/1.7/1.8/ 2.0 TS 16V	213.38 EUR
3	MK22999	RADIATOR 145/6 2.0 16V TS/QV 6.96>	193.89 EUR
4	KWS03081	Kühlwasserschlauch oben 145/6 1.4/1.6/1.8/2.0 TS 16V/1.9 TD,155 TS 16V	***
5	KWS03082	Kühlwasserschlauch unten 145/6 1.4/ 1.6/1.8/2.0 16V TS/1.9 TD,155 TS 16V	12.83 EUR

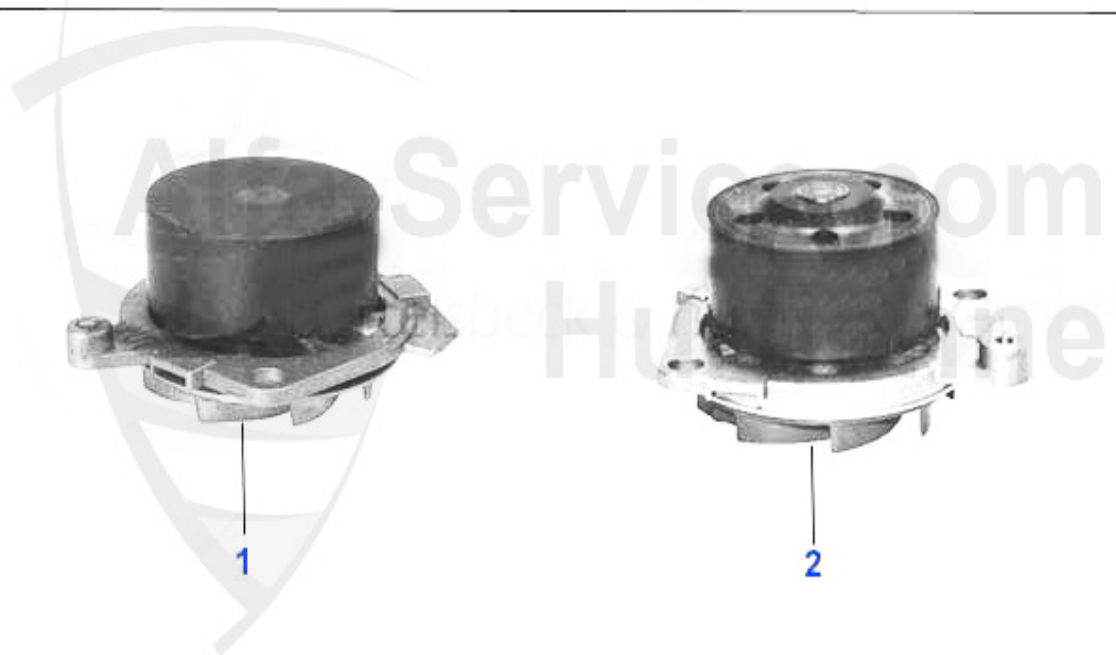
## Thermostat 145/6 TS 16V



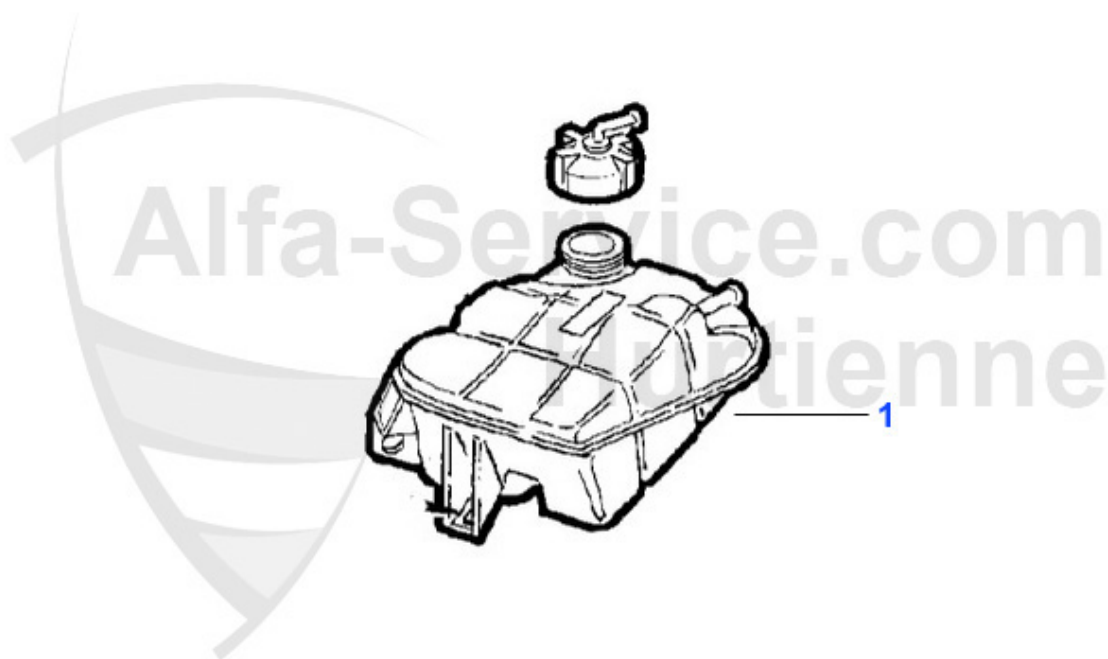
1	TH656883	Thermostat 145/6,155,1.4/1.6 ie TS Bj. 97>,Ghäüsethermostat	64.52 EUR
2	TH650688	OE.60653946,THERMOSTAT WITH HOUSING 1.6/1.8/2.0 IE TS YEAR 98>,THERMOSTAT 145/6,147,156,GTV(916),TS 16V	59.50 EUR
3	TH649083	OE. 60602148 THERMOSTAT 145/6,155,916 TS 16V	84.99 EUR

## Wasserpumpe/Waterpump 145/6 TS 16V

---



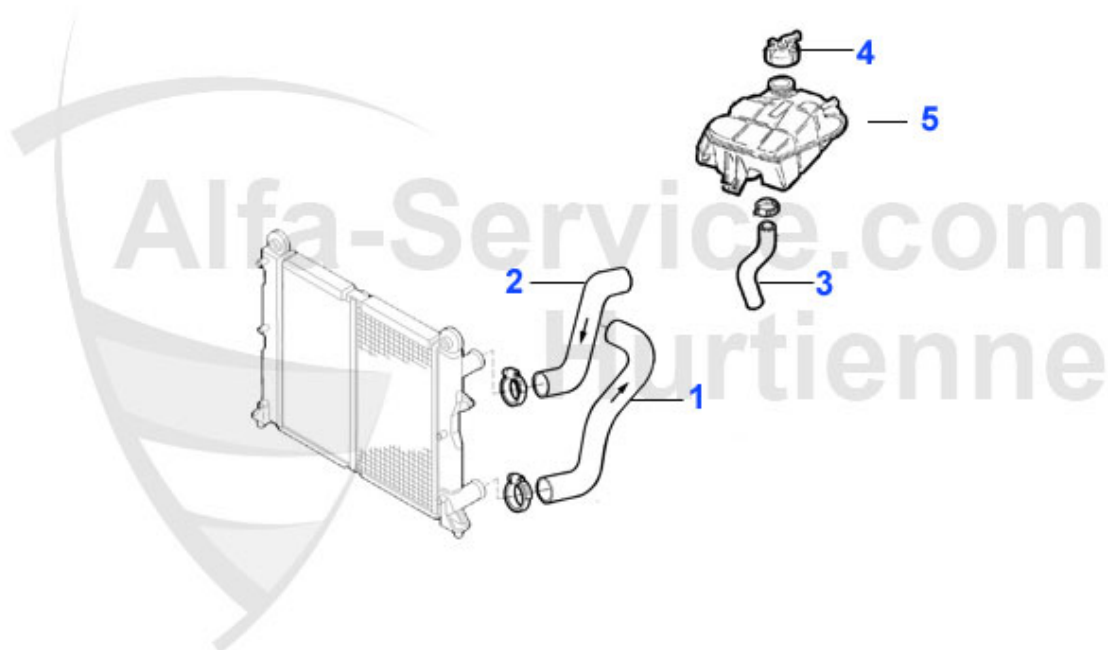
<b>1</b>	<b>WP00310</b>	<b>OE. 60586222 WATERPUMP TS 16V</b>	<b>50.27 EUR</b>
<b>2</b>	<b>WP00410</b>	<b>WATER PUMP 145/6 1.6 IE 16V TS,155/6 1.6/1.8 IE 16V TS,NUOVO GT 1.8 TS</b>	<b>54.37 EUR</b>



1 KWB4720 OVERFLOW CONTAINER 145/146/156 1.8-2.0 TS/1.9-2.4JTD (97-02)

39.00 EUR

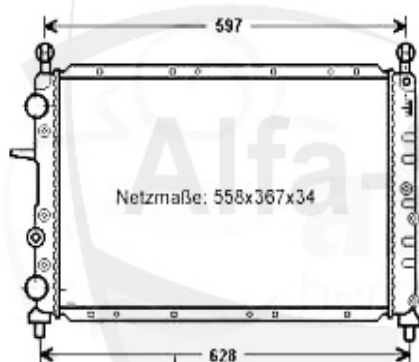
145/6 > ENGINE > COOLING SYSTEM > TS 16V > HOUSES



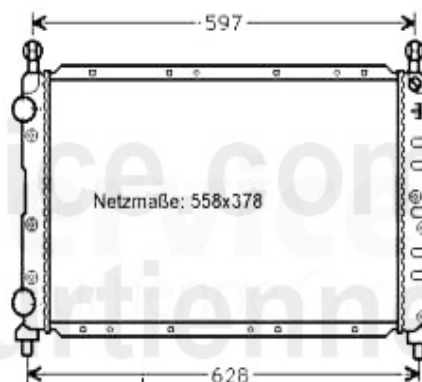
1	KWS03082	Kühlwasserschlauch unten 145/6 1.4/ 1.6/1.8/2.0 16V TS/1.9 TD,155 TS 16V	12.83 EUR
2	KWS03081	Kühlwasserschlauch oben 145/6 1.4/1 .6/1.8/2.0 TS 16V/1.9 TD,155 TS 16V	***
3	KWS03083	Kühlwasserschlauch unter Ausgleichs behälter 145/6,155 TS 16V	10.83 EUR
4	KD56738	Deckel für Ausgleichsbehälter 145/6,164,166,Spider+GTV916 1,8TS 16V/2,0TS CF2+CF3/2,0JTS	9.37 EUR
5	KWB4720	OVERFLOW CONTAINER 145/146/156 1.8-2.0 TS/1.9-2.4JTD (97-02)	39.00 EUR



## Kühler/Radiator 145/6 1.9 TD/JTD



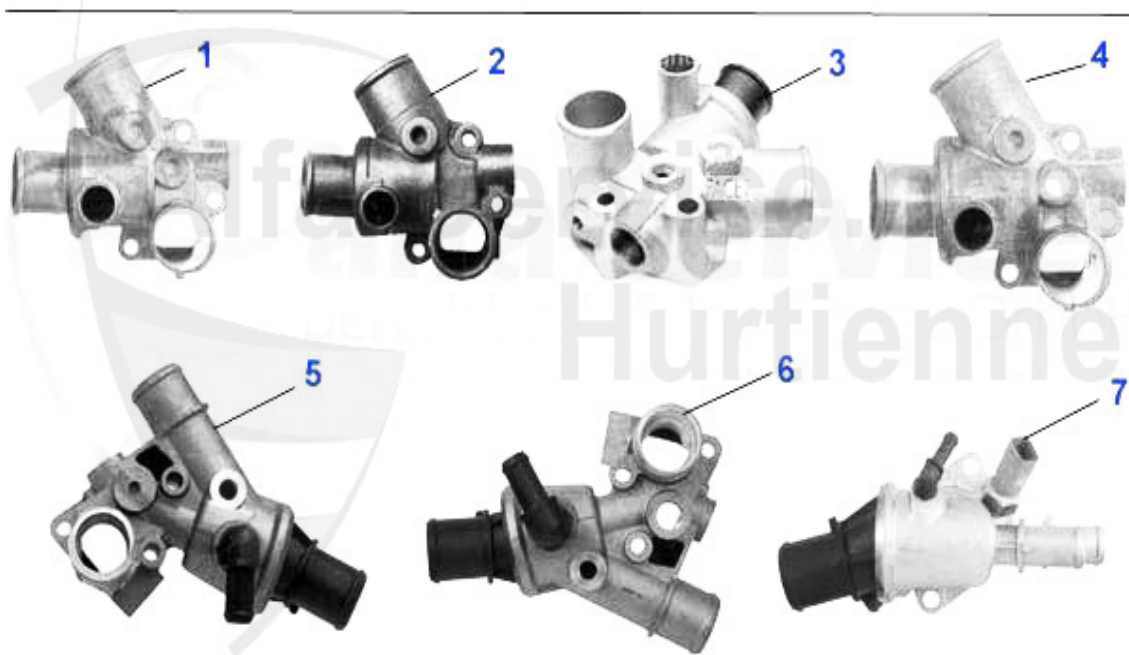
1



2

1	MK21949	Motorkühler 145/6 2.0 16V Bj. >5.96 1.9 TD Bj. 12.94-02.99,155 1.9 TD	189.78 EUR
2	MK22055	Motorkühler 145/6 1.9 JTD	249.00 EUR

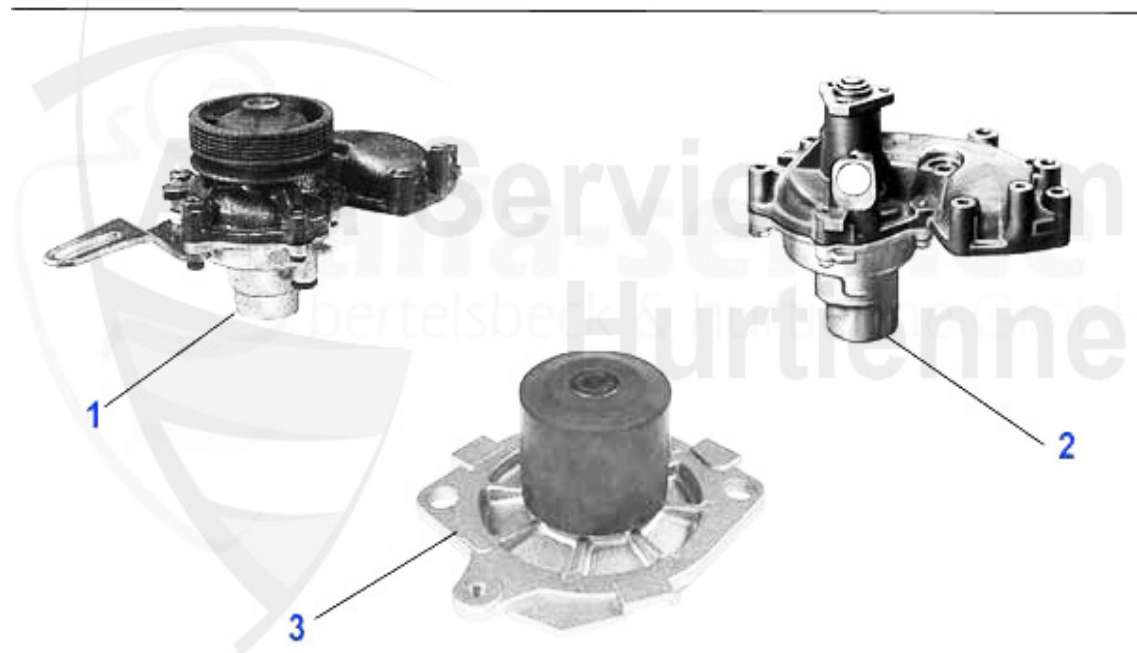
## Thermostat 145/6 1.9 TD/JTD



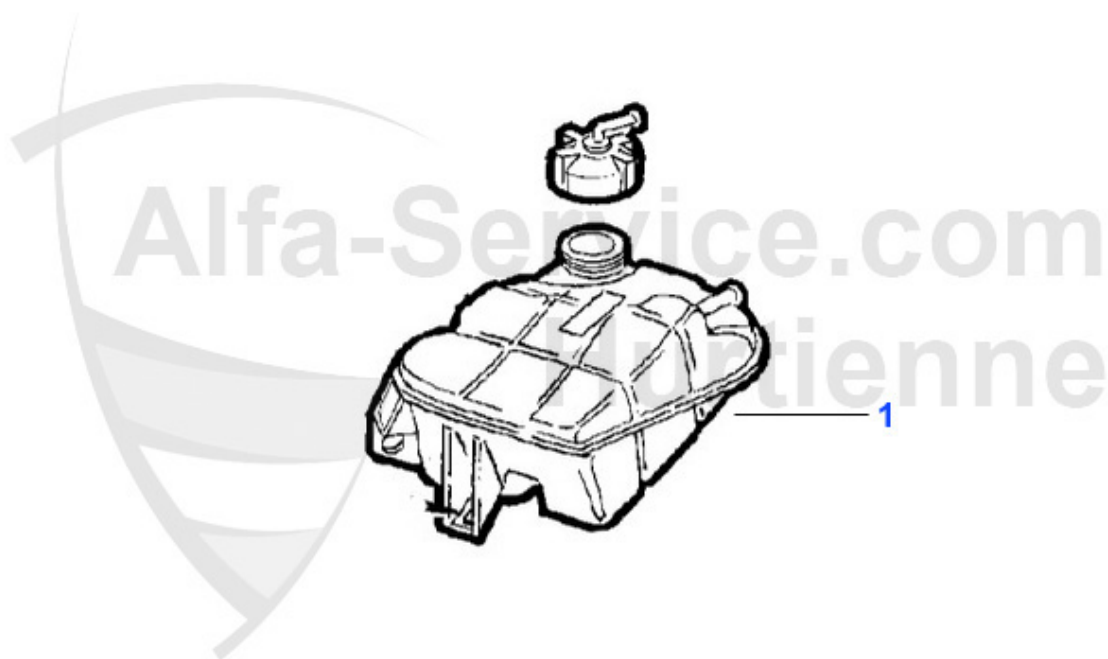
1	TH568880	Thermostat 1.9 TD 145/6,155 (ohne Klima) Gehäusethermostat	39.50 EUR
2	TH625480	Thermostat 1.9 TD Mot # 1761923 > 1 45/6,155 (ohne Klima),Gehäusethermostat	29.50 EUR
3	TH657488	Thermostat 145/6,155 1.9 TD mit Klima,Gehäusethermostat	33.00 EUR
4	TH625580	Thermostat 1.9 TD Mot. # 1761923 > 145/6,155 (mit Klima),Gehäusethermostat	45.51 EUR
5	TH597580	Thermostat 1.9 TD 145/6 Bj. 96,155 Bj. 96> (ohne Klima),Gehäusethermostat	66.28 EUR
6	TH653780	Thermostat 145/6,155, 1.9 TD,Gehäusethermostat (mit Klima)	72.99 EUR
7	TH655188	Thermostat 145/6,156,1.9 JTD Gehäusethermostat	60.00 EUR

## Wasserpumpe/Waterpump 145/6 1.9 TD/JTD

---

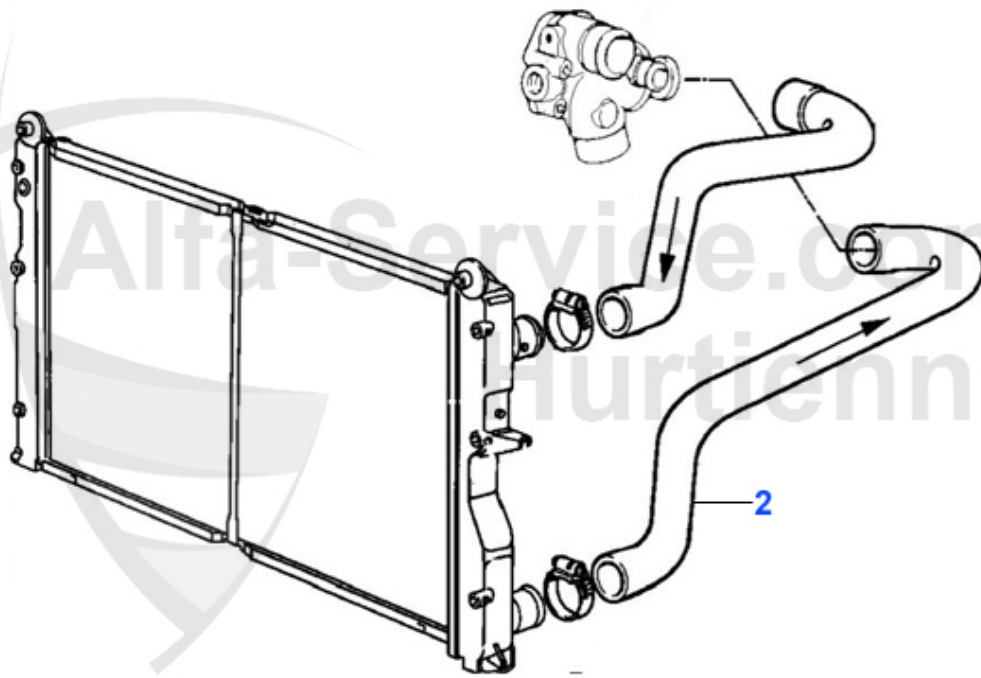


1	WP26310	Wasserpumpe 145/6,155 1.9 TD mit Ge häuse > #1723043	146.70 EUR
2	WP35858	Wasserpumpe 145/6,155 1.9 TD #17230 44>	123.11 EUR
3	WP15970	OE. 46515970 WATER PUMP 1.9/2.4 8/10 V	60.52 EUR



1 KWB4720 OVERFLOW CONTAINER 145/146/156 1.8-2.0 TS/1.9-2.4JTD (97-02)

39.00 EUR

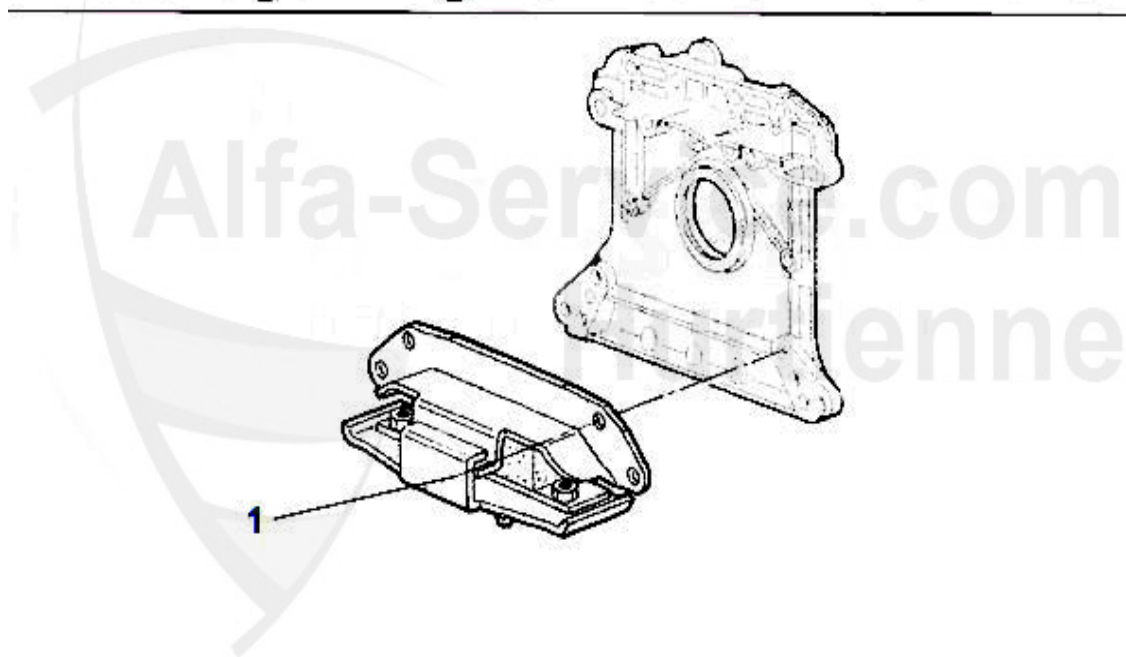


2 KWS68287 Kühlwasserschlauch unten 155 1.9 TD 145/6 1,9Td

19.39 EUR

## Motorlager/Engine Mount 145/6 Boxer

---

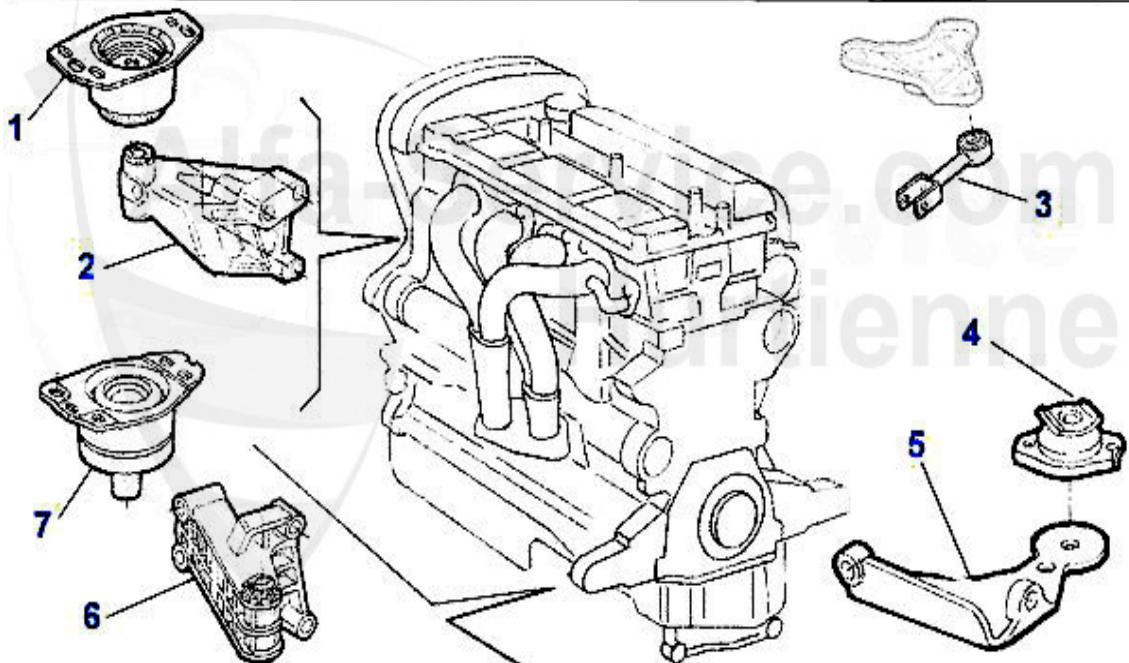


---

1 ML88447 ENGINE MOUNT 145/6 BOXER

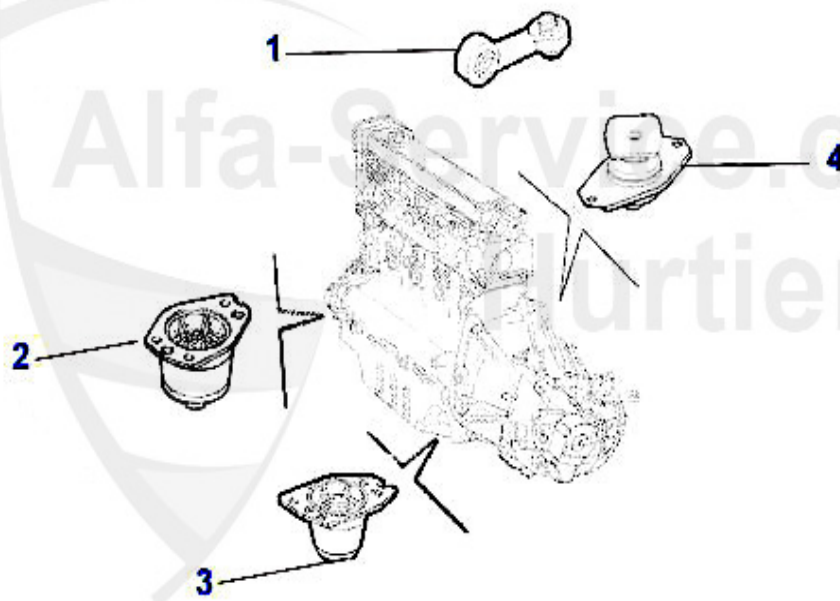
\*\*\*

# Motorlager/Engine Mount 145/6 TS 16V



1	ML52930	OE. 46452930 ENGINE MOUNT FL 145/6 1999> 2.0 TS 16V,155 1.6/1.8 TS 16V,156 1.6 TS 16V	149.00 EUR
1	ML3237	FRONT ENGINE MOUNT 145/6,155 all TS MODELS 16V & 6 CYL.,GTV/Spider (916) 4 CYL.	50.78 EUR
2	ML99403	OE. 60672234/60599403 ENGINE MOUNT	92.50 EUR
3	ML88458	Motorzugstange 145/6,155,gtv/spider (916) 2.0 TS 16V	***
3	ML52899	OE. 60652899 ENGINE MOUNT 145/6 2.0 TS, 147 all,156,gtv/spider (916) 1998>, Nuovo GT TS/JTS (without Selespeed)	33.00 EUR
3	ML26822	OE. 60626822 ENGINE MOUNT 145/6 1.6/1.8 TS 16V	30.68 EUR
3	ML27691	OE. 60627691 ENINEMOUNT RR 145/6,155, 156,gtv/spider (916),Nuovo GT TS 16V	35.81 EUR
3	ML29981	OE. 60629981 ENGINE MOUNT RR 145/6 1.4 TS 16V	32.50 EUR
4	ML3234	OE. 7652240/60808861 ENGINE MOUNT	52.00 EUR
4	ML13084	OE. 7792020/60813084 ENINGE MOUNT RR 145/6 1.4 TS 16V	85.00 EUR
4	ML14239	OE. 46467329/60814239 ENGINE MOUNT 145/6 1.4 TS 16V GEARBOX: C 513	69.00 EUR
5	ML70915	OE. 7770915 SUPPORT	126.76 EUR
5	ML48368	OE. 46448368/60813085 ENGINE SUPPORT RR 145/6 1.4 TS 16V	138.00 EUR
6	ML23429	OE. 46423429 SUPPORT	65.00 EUR
7	ML88460	ENGINE MOUNT 145/6,147 (74KW),155,156, GTV/SPIDER (916)	109.27 EUR

## Motorlager/Engine Mount 145/6 TD/JTD



1	ML62481	OE. 60662481 ENGINE MOUNT 145/6,147,156, Nuovo GT 1.9 JTD	61.25 EUR
2	ML67328	OE. 46467328 ENGINE MOUNT FL 145/6,147, 156,Nuovo GT JTD	61.62 EUR
2	ML32301	Motorlager vorne 145/6 alle 155 nur diesel	61.45 EUR
3	ML81213	OE. 46781213 ENGINE MOUNT RL 145/6, 147 1,9 JTD +74KW, 156, Nuovo GT JTD	70.00 EUR
4	ML3234	OE. 7652240/60808861 ENGINE MOUNT	52.00 EUR

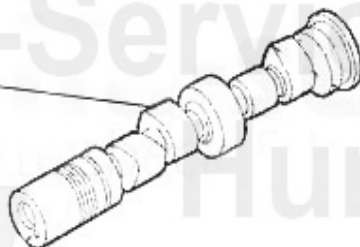


## Nockenwelle 1.4/1.6 Boxer

---

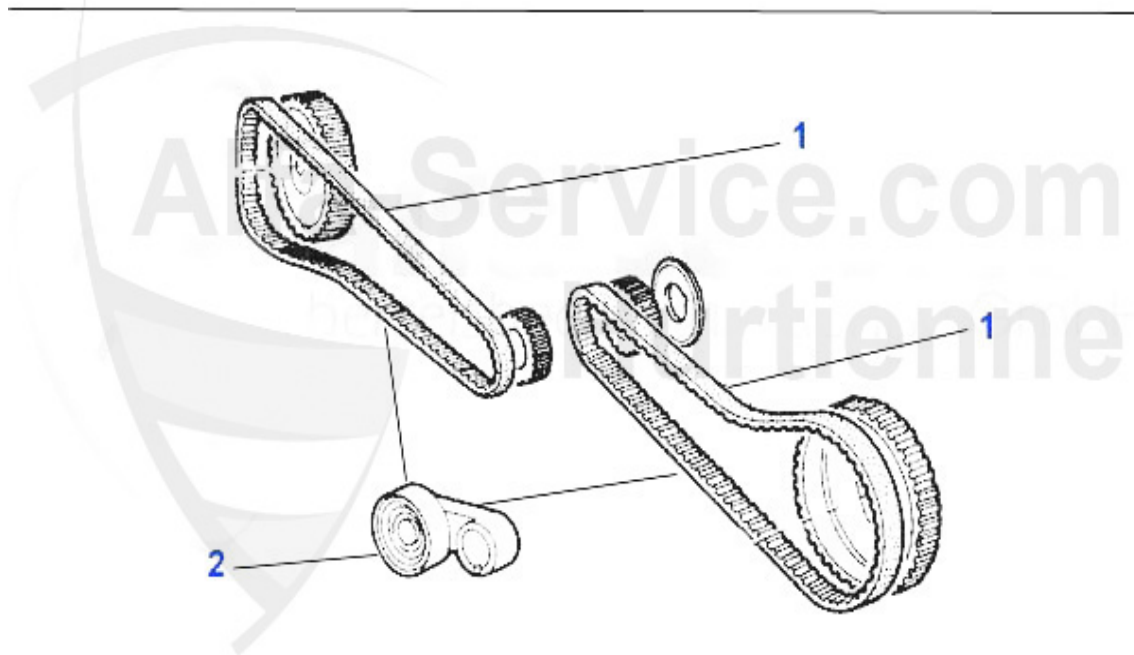
**1. NKW 12289**  
1.4 ># 03067816  
1.6 alle/all  
Einlaß/Auslaß  
Intake/Exhaust

**2. NKW 16030**  
1.4 # 03067817>  
Einlaß/Auslaß  
Intake/Exhaust



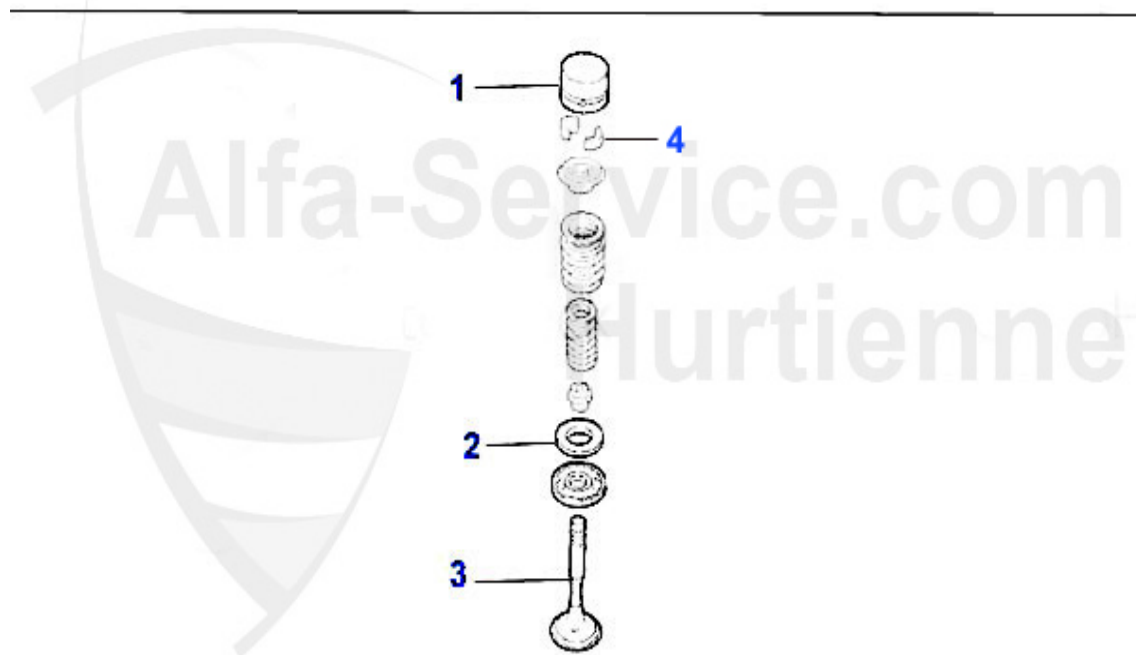
- |          |   |                   |
|----------|---|-------------------|
| <b>1</b> | <b>NKW12289 CAMSHAFT 33 (907),145/6 1.4/1.6/1.7 IE 92&gt;</b>   | <b>259.00 EUR</b> |
| <b>2</b> | <b>NKW16030 CAMSHAFT 145/6 1.4/1.6 IE (C36,2) &gt; #3067816</b> | <b>273.97 EUR</b> |

## Zahnriemen 145/6 1.4/1.6 Boxer



1	ZR94055	DRIVE BELT 100S170 33 (905/7) 1.3/1.5/ 1.7/ie/16V/QV,145/6 1.4/1.6 ie CAMSHAFT	23.21 EUR
2	SR56000	OE. 60504224 BELTSTRETCHER right BOXER	62.88 EUR
2	SR56001	OE. 60504225 BELTSTRETCHER left BOXER	62.88 EUR

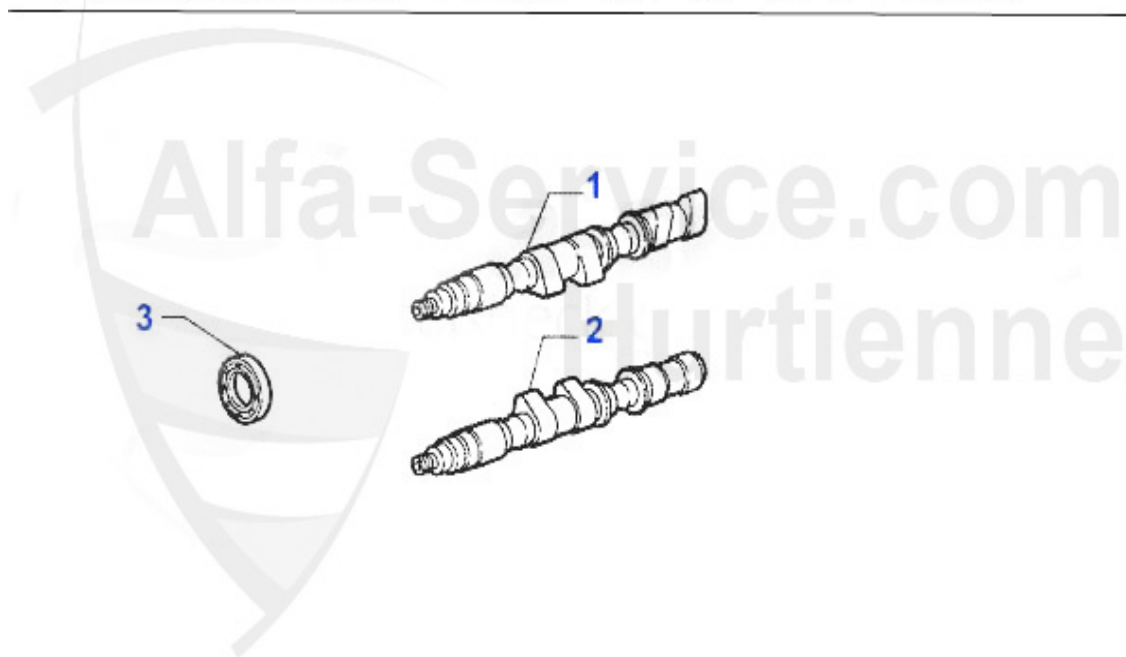
## Ventiltrieb 145/6 1.4/1.6 Boxer



1	HST23146	hydraulic valve lifter SUD/SPRINT 33 145/6 1.4/1.6/1.7 ie	19.39 EUR
2	03 295 0 0	OE.60502912 WASHER INSIDE LOWER VALVE SPRING PLATE	1.61 EUR
3	VE91629	Ventil-Einlaß Sud/Sprint,33 (905/7), 145/6 Boxer 8V	19.65 EUR
3	VA91630	Ventil-Auslaß Sud/Sprint,33 (905/7), 145/6 Boxer 8V	29.75 EUR
4	VK 8	Valve cotters 8mm twin spark OE.60503036	1.79 EUR

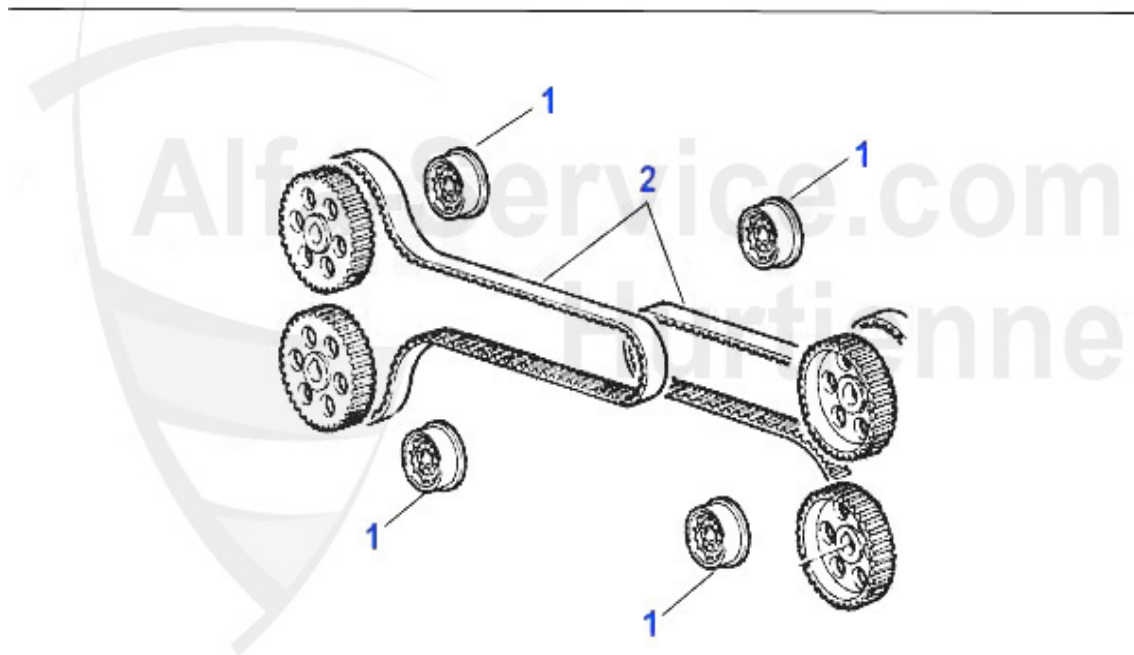
## Nockenwelle 145/6 1.7 ie 16V Boxer

---



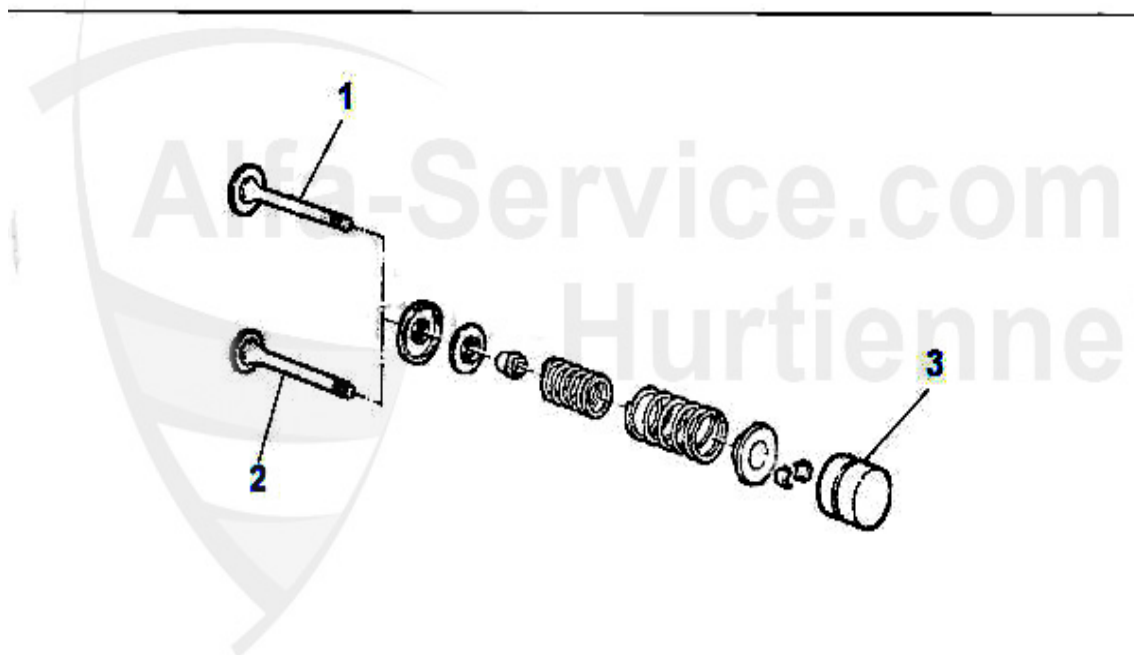
<b>1</b>	<b>NKW10542 Nockenwelle (Einlaß) 145/6 1.7 ie 16V</b>	<b>256.43 EUR</b>
<b>2</b>	<b>NKW91896 Nockenwelle (Auslaß) 33,145/6 1.7 i e 16V</b>	<b>258.99 EUR</b>
<b>3</b>	<b>WD57200 CAMSHAFT OIL SEAL 33 (907),145/6 1.7 IE 16V</b>	<b>7.63 EUR</b>

## Zahnriemen 145/6 1.7 ie 16V Boxer



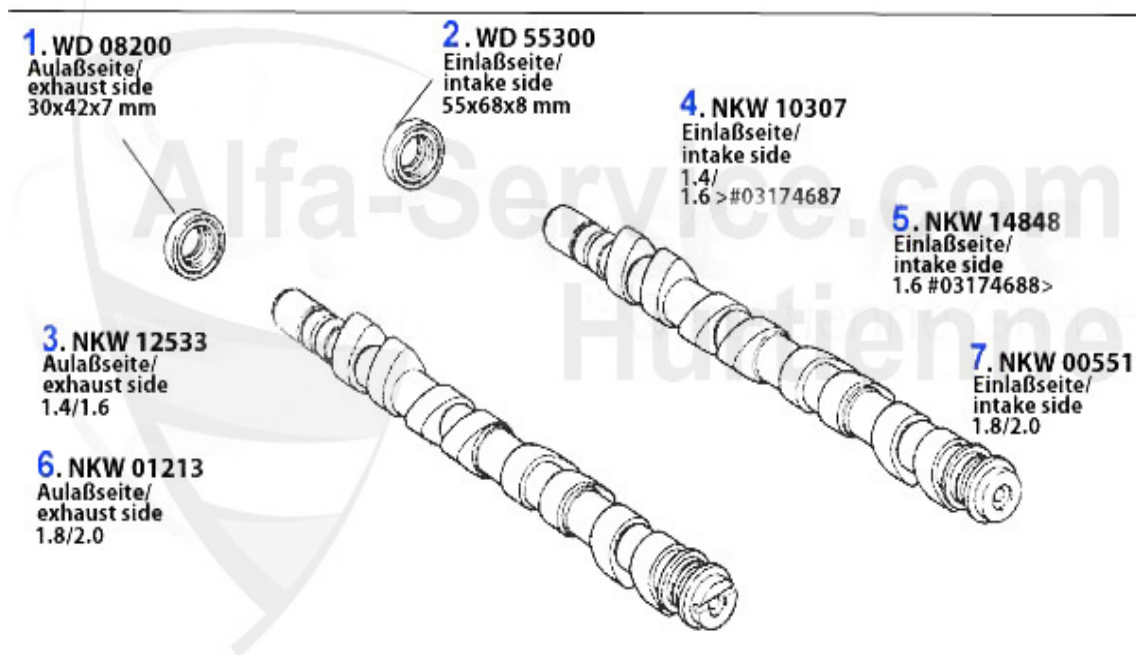
1	SR56010	DRIVE BELT TENSIONER 33,145/6 IE 16V (ONLY PULLEY)	32.01 EUR
2	ZR94387	OE. 60556211 TIMINGBELT BOXER 16V	35.90 EUR

## Ventiltrieb 145/6 1.7 ie 16V Boxer



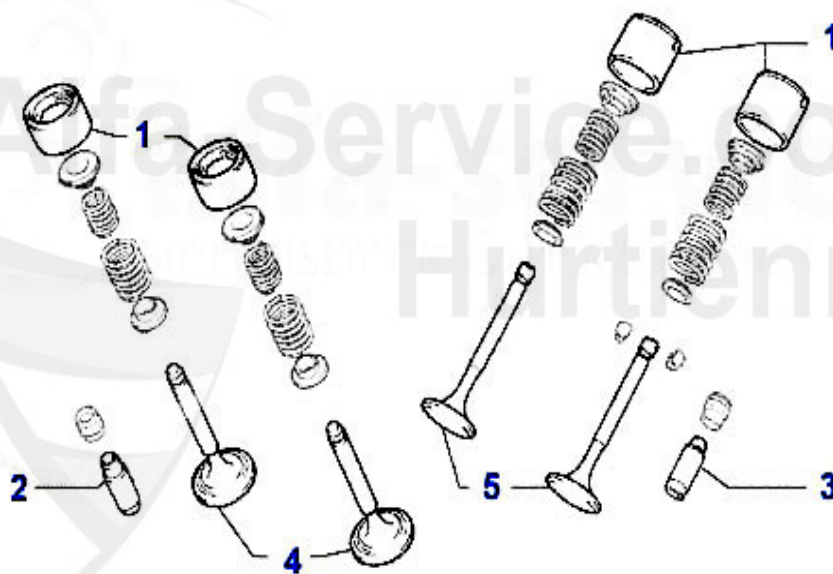
1	VE56008	Ventil-Einlaß Alfa 33/145/146 1.7 i.e. 16V	39.00 EUR
2	VA91623	Ventil-Auslaß 33 (907),145/6 Boxer 16V	41.03 EUR
3	HST64980	VALVE TAPPET 33(907), 1.7 16V AR156 2.5 24V	21.85 EUR

## Nockenwellen 145/6 TS 16V



1	WD08200	CAMSHAFT 145/6,155,156,GTV/SPIDER (916), 166 VARIOUS 96-01	11.84 EUR
2	WD55300	siri nockenwelle 145/6,155,156 1.6,1.7,1.8,2.0 16V TS	16.97 EUR
3	NKW12533	Nockenwelle (Auslaß) 145/6,147,155, 156 1.4/1.6 TS 16V	243.13 EUR
4	NKW10307	Nockenwelle (Einlaß) 145/6,155,156 1.4/1.6 TS 16V	242.11 EUR
5	NKW14848	Nockenwelle 145/6 1.6 TS 16V # 1650 88>, 156 1.6 TS 16V #84340>	230.82 EUR
6	NKW01213	OE. 60601213 CAMSHAFT	336.69 EUR
7	NKW00551	OE. 60600551 CAMSHAFT	279.76 EUR

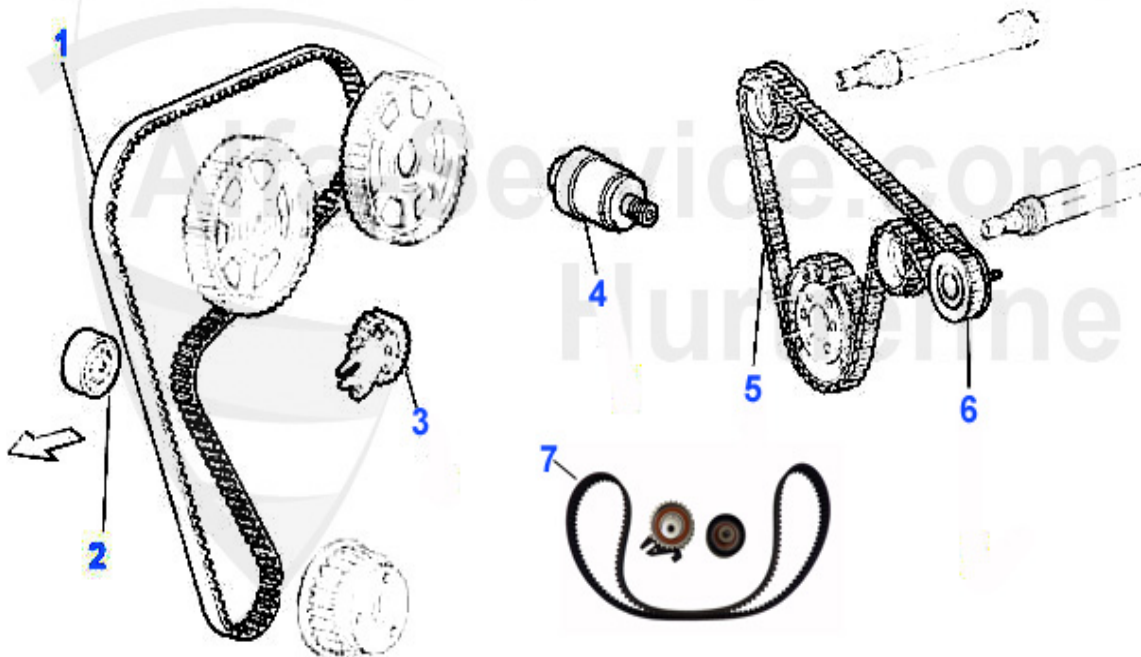
## Ventiltrieb 145/6 TS 16V



1	HST12769	HYDRAULIC VALVE LIFTER 145/6,147,155 156,166,GTV/SPIDER(916)16V TS ALL!	14.90 EUR
2	VFA11582	Ventilführung Auslaß + 0.05 TS 16V	21.03 EUR
3	VFE11575	Ventilführung Einlaß +0.05 TS 16V	21.03 EUR
4	VA35899	Ventil-Auslaß 145/6 1.4/1.6 TS 16V, 147 1.8/2.0 TS 16V	22.47 EUR
4	VA91934	EXHAUST VALVE 145/6,155,156,SPIDER/GTV (916) 1.6/1.8/2.0 TS 16V	18.05 EUR
5	VE35898	Ventil-Einlaß 145/6 1.4/1.6 TS 16V, 147 1.6/1.8 TS 16V	22.57 EUR
5	VE91933	INLET VALVE 145/6,155,156,SPIDER/GTV (916) 1.6/1.8/2.0 TS 16V	15.28 EUR



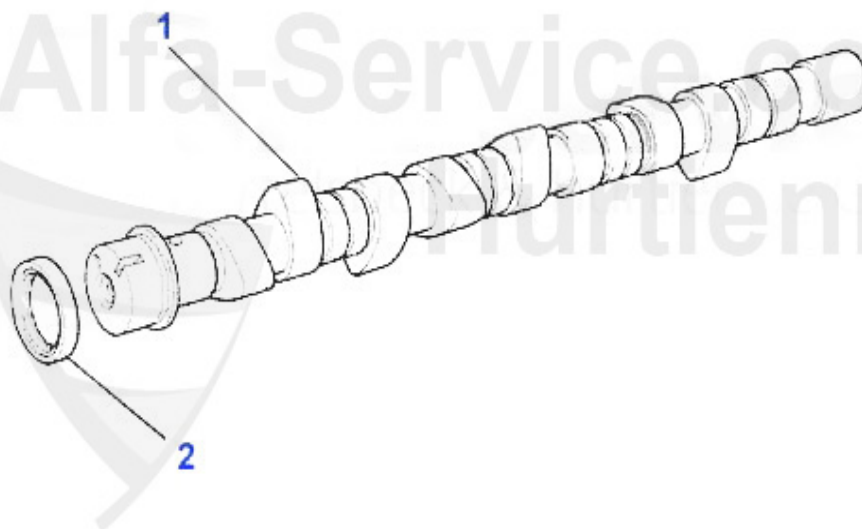
## Zahnriemen 145/6 TS 16V



1	ZR94675	Zahnriemen 166SHPN240H 145/6,155/6 4-Zylinder(Mot.CF2/3) Nockenwelle Hochtemperatur-Ausführung ACHTUNG!!! auf Motor # achten	42.58 EUR
1	ZR94674	Zahnriemen 163SHPN240H 145/6 1.4 ie 16V TS,147 1.6 16V TS,156 1.6 16V T S Nockenwelle Hochtemperatur-Ausführung	42.98 EUR
1	ZR94590	OE.60814319 TIMING BELT 168SHPN240H 145/6 1.8/2.0 IE/16V/TS, 147 2.0 16V TS,155 2.0 16V TS,156 1.8,2.0 IE 16V/TS	40.94 EUR
2	UR55851	OE. 60671573 DEFLECTION PULLEY 1.8 TS 16V 145/6, 147, 155, 156, 166, Nuovo GT, gtv/spider (916)	33.50 EUR
3	SR55835	OE. 55192239 IDLER PULLEY 1.8 TS 16V 145/6, 147, 155, 156, 166, gtv/spider (916)	89.50 EUR
3	SR55850	Spannrolle Zahnriemen 145/6 1.4 ie 16V TS,155/6 1.6 ie 16V TS/2.0 JTS/ gtv/spider (916) 2.0 JTS	72.98 EUR
4	SZV6066619 9	OE. 71738360/55202772 ADVANCE VARIATOR TS 16V	198.99 EUR
4	SZVRS1545 0	Reparatursatz Spritzzeitversteller Alfa 145/46 155/6 Spider / GTV 916	7.71 EUR
5	ZR94591	Zahnriemen 130SLDD150H 145/6,155/6 2.0 16V TS Ausgleichswelle,Hochtemperatur-Ausführung	61.55 EUR
5	ZR94715	Zahnriemen 126SHPDD150H 145/6,155,spider/gtv (916) 2,0 16V TS,Ausgleichswelle,Hochtemperatur-Ausführung	72.84 EUR
6	SR20443	Spannrolle für Ausgleichswelle 2.0 TS gtv/spider (916),155,156 Mot.- Nr. 0134319>	38.20 EUR
7	ZR04000	Spannrollensatz 3 teilig Zahnriemen,Spannrolle, Umlenkrolle AR145/6 1,4+1,6 AR147 1,6 TS/ AR156 1,6 TS	89.00 EUR

## Nockenwelle 145/6 1.9 JTD

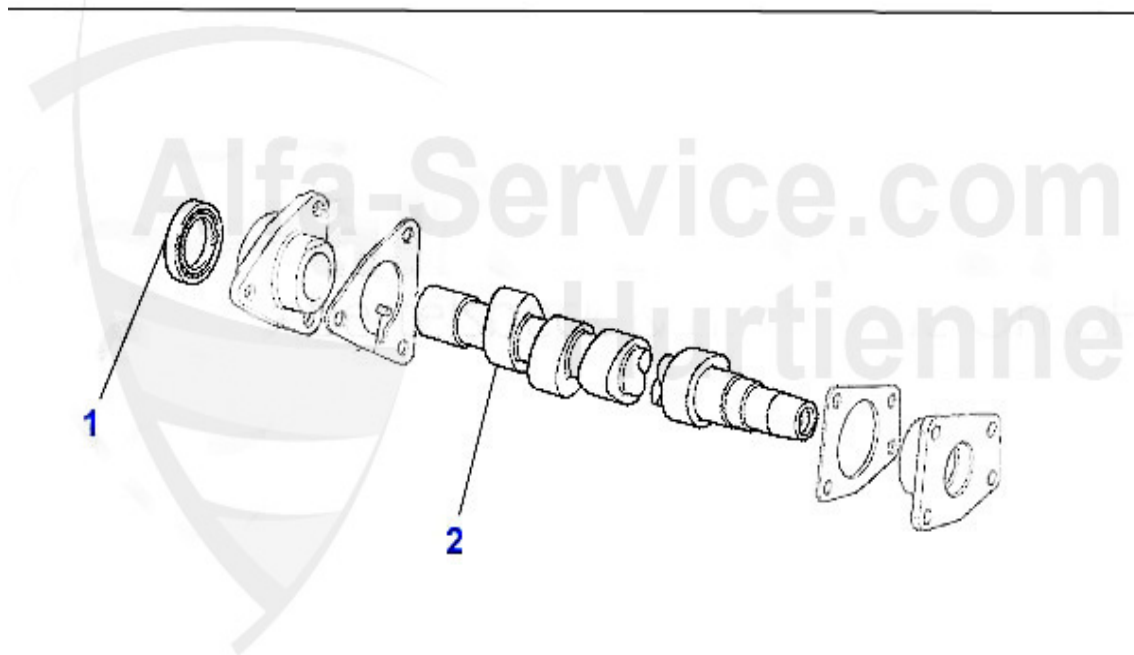
---



1	NKW13911 Nockenwelle 156,145/6 1.9 JTD (CF2)	204.14 EUR
2	WD08200 CAMSHAFT 145/6,155,156,GTV/SPIDER (916), 166 VARIOUS 96-01	11.84 EUR

## Nockenwelle 145/6 1.9 TD

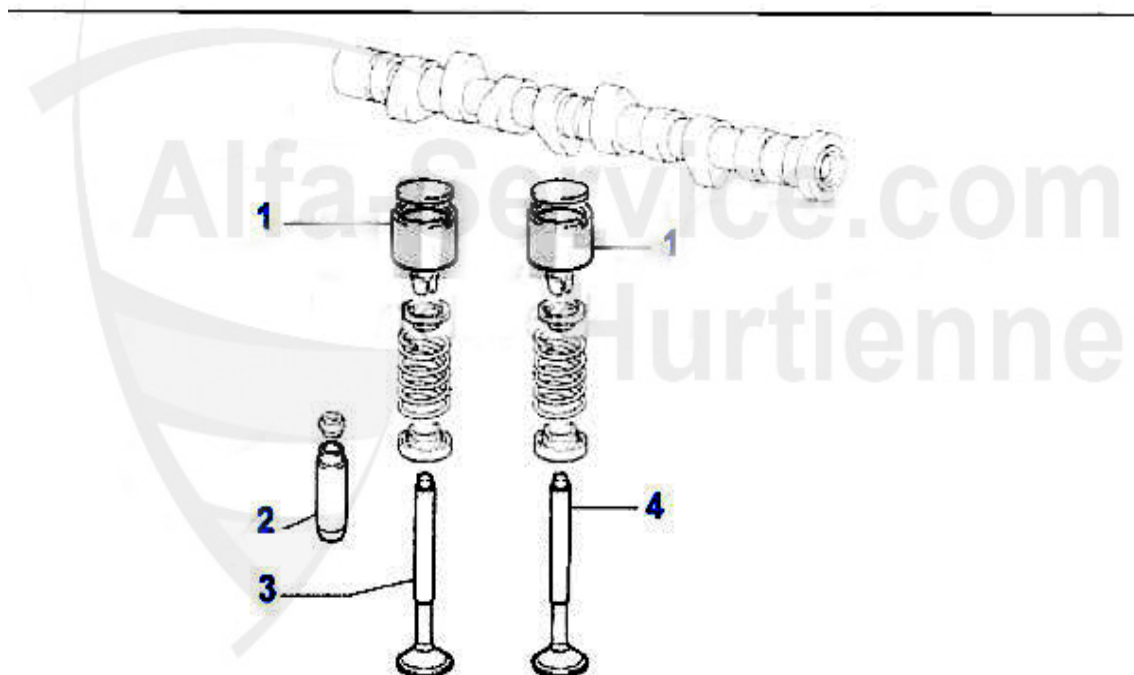
---



- |   |          |   |
|---|----------|---|
| 1 | WD09700  | Siri Nockenwelle 145/6,155 1.9 TD Bj. 93-99 164 2.0 Turbo |
| 2 | NKW52986 | Nockenwelle 145/6,155 1.9 TD                              |

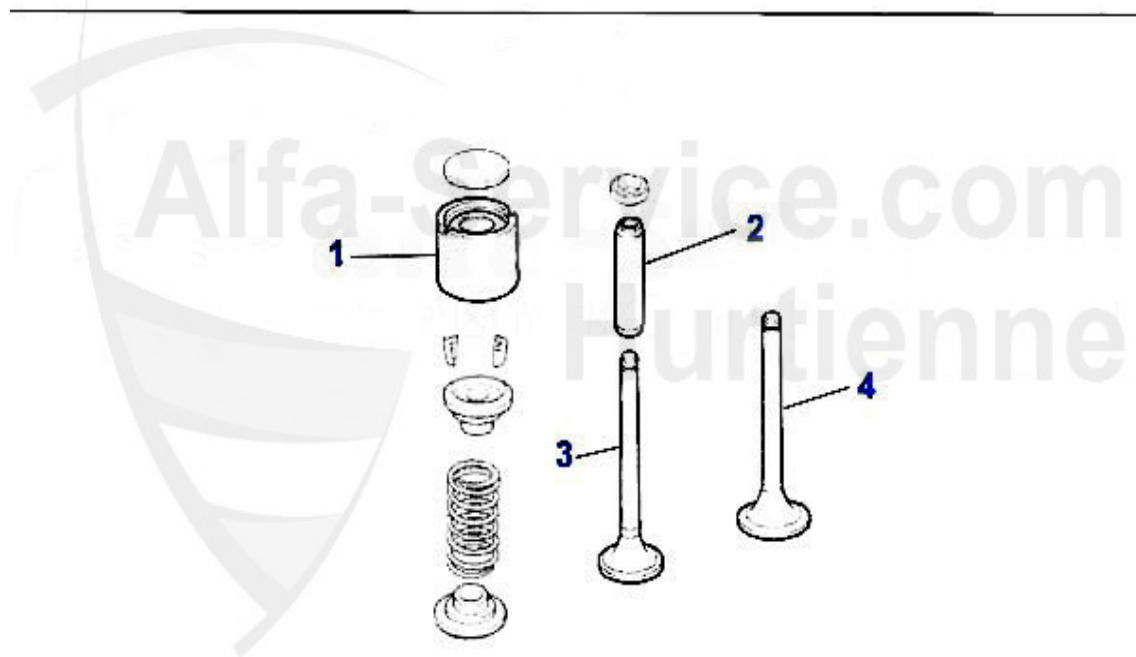
6.37 EUR
234.92 EUR

## Ventiltrieb 145/6 1.9 TD



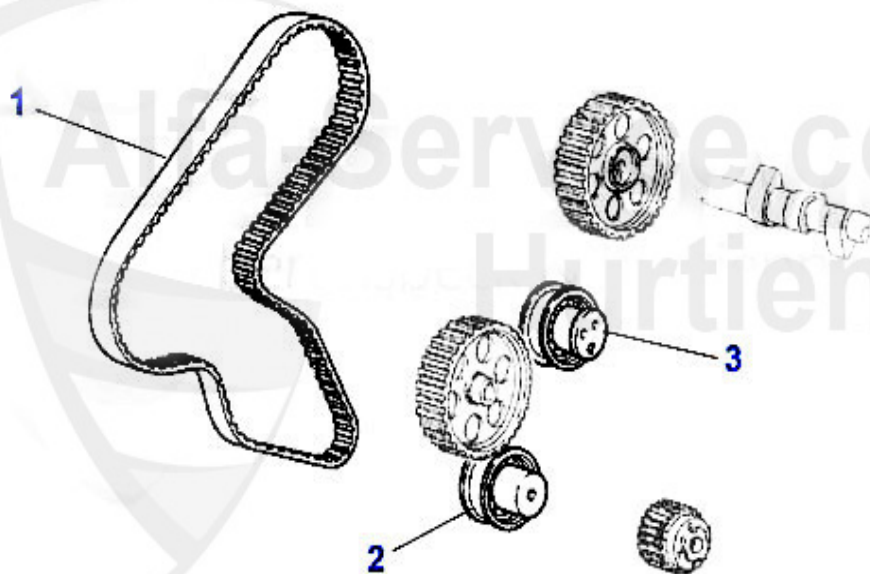
1	HST52447	Hydrostößel 145/6,155,156,166 TD/ JTD	14.26 EUR
2	VFEA72160	Ventilführung Einlaß/Auslaß 145/6, 155 1.9 TD + 0.05	6.31 EUR
3	VE91291	Ventil-Einlaß 145/6,155 1.9 TD	33.13 EUR
4	VA91321	Ventil-Auslaß 145/6,155 1.9 TD	31.29 EUR

## Ventiltrieb 145/6 1.9 JTD



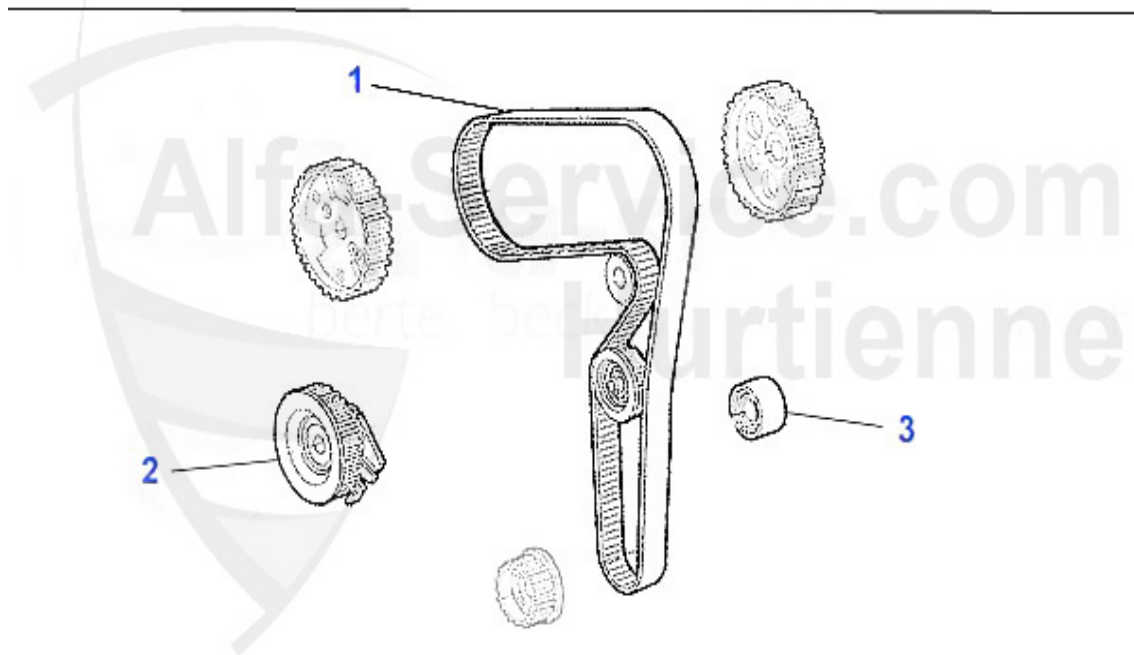
<b>1</b>	<b>HST52447</b>	<b>Hydrostößel 145/6,155,156,166 TD/ JTD</b>	<b>14.26 EUR</b>
<b>2</b>	<b>VFEA33782</b>	<b>Ventilführung Ein-/Auslaß +0.05 JTD 8/10V 145/6,147,156,166</b>	<b>4.11 EUR</b>
<b>3</b>	<b>VA83962</b>	<b>Ventil-Auslaß 145/6,147,156,166 JTD 8/10V</b>	<b>32.83 EUR</b>
<b>4</b>	<b>VE50859</b>	<b>Ventil-Einlaß 145/6,147,156,166 JTD 8/10V</b>	<b>21.03 EUR</b>

## Zahnriemen 145/6 1.9 TD



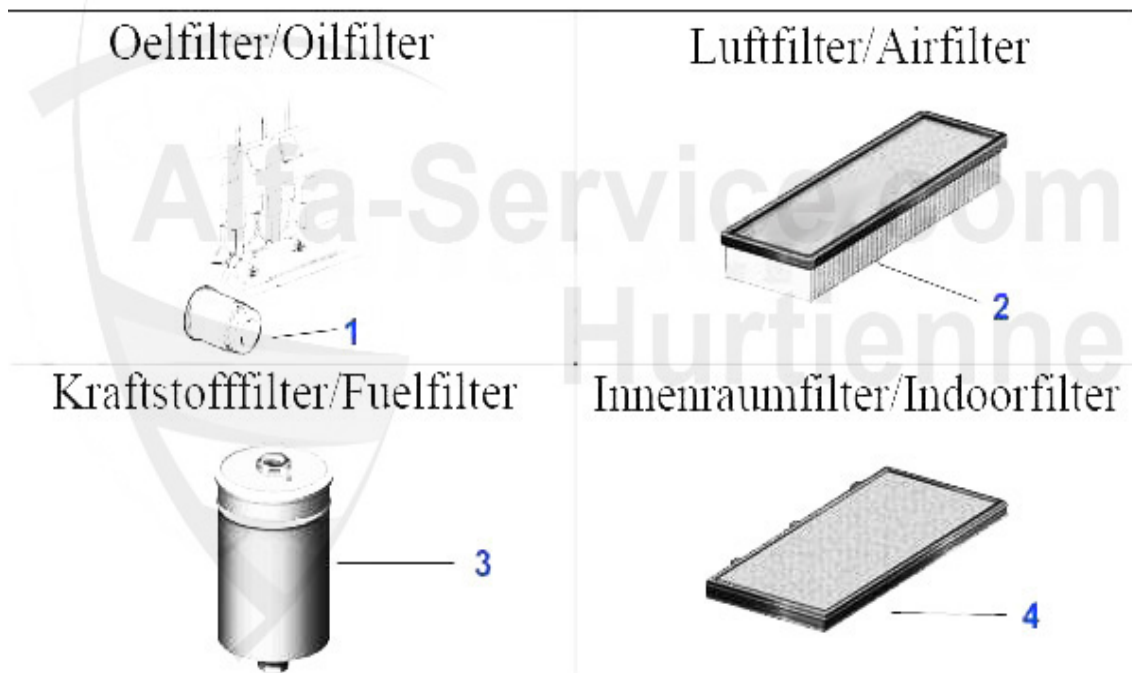
1	ZR94138	Zahnriemen 173SHP220 145/6 1.9 TD Nockenwelle	30.68 EUR
2	UR55825	Umlenkrolle Zahnriemen 145/6,155 1.9 TD	61.04 EUR
3	SR55829	Spannrolle Zahnriemen 145/6,155 1.9 TD	68.22 EUR

## Zahnriemen 145/6 1.9 JTD



1	ZR94713	OE.60814603 DRIVE BELT 190SHPN240H 145/6, 156,166 1.9/2.4 JTD CAMSHAFT HIGH TEMPERATURE VERSION	43.60 EUR
2	SR55844	TENSIONING PULLEY TIMING BELT 145/6/7 , 156 , 166 1,9 & 2,4 JTD	68.22 EUR
3	UR55842	GUIDE PULLEY TIMING BELT 145/6/7,156 , 166 1,9 & 2,4 JTD	34.77 EUR

## Filter 145/6 Boxer

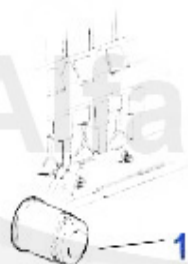


1	OF122	Ölfilter 145/6 1.4/1.6/1.7/ie/16V 164/Super V6 24V Anschraubpatrone	8.39 EUR
2	LF185	AIR FILTER 33 (905/7),145/6 BOXER, FIRM	12.30 EUR
3	KF96	FUEL FILTER SUD/SPRINT,33 (905/7),145/6, 155,SCREW CARTRIDGE	25.99 EUR
4	IF309	OE.60810570 INDOOR FILTER 145/6/155 >96 GTV Spider(916) >98, SQUARE	26.57 EUR

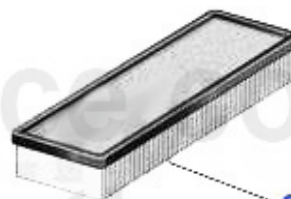


## Filter 145/6 TS 16V

Oelfilter/Oilfilter



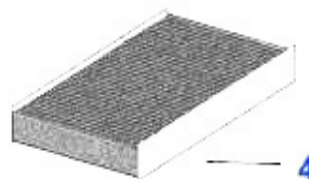
Luftfilter/Airfilter



Kraftstofffilter/Fuelfilter

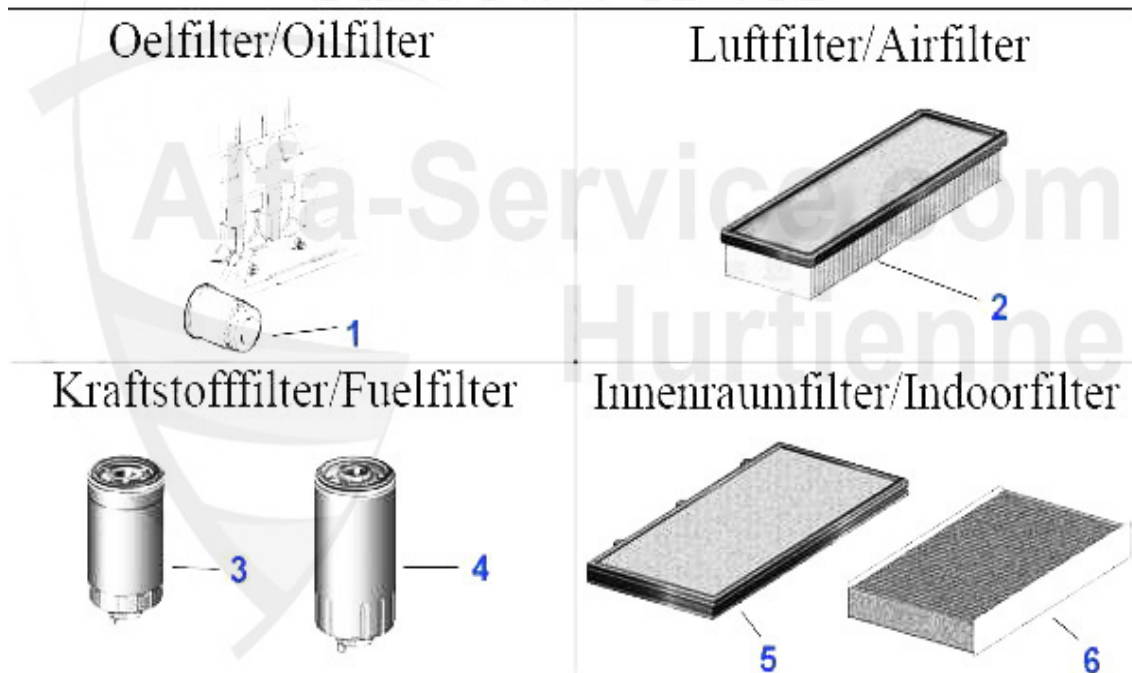


Innenraumfilter/Indoorfilter



<b>1</b>	<b>OF519</b>	<b>OE. 46808398/71736159 OILFILTER</b>	<b>7.79 EUR</b>
<b>2</b>	<b>LF841</b>	<b>AIR FILTER 145/6 TS 16V,1.9 JTD,155 TS 16V, FIRM</b>	<b>10.15 EUR</b>
<b>3</b>	<b>KF57</b>	<b>Kraftstoff-Filter 145/6,147,156 TS 16V,Leitungsfiler</b>	<b>10.77 EUR</b>
<b>4</b>	<b>IF314</b>	<b>OE.60812197 CABIN FILTER 145/6/155 96&gt; GTV/SPIDER (916) 98&gt; SQUARE</b>	<b>26.57 EUR</b>

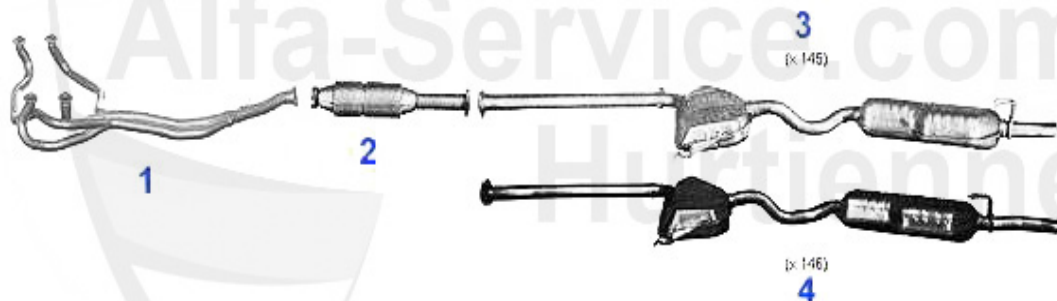
## Filter 145/6 TD/JTD



1	OF125	OIL FILTER 75, 90, 145/6, 155, 164 ALFETTA, GIULIETTA, div. 105 screw on cartridge	10.00 EUR
1	OF126	Ölfilter 145/6,147,156,166 JTD Anschraubpatrone	9.13 EUR
2	LF841	AIR FILTER 145/6 TS 16V,1.9 JTD,155 TS 16V, FIRM	10.15 EUR
2	LF358	AIR FILTER 145/6,155 1.9 TD, FIRM	13.23 EUR
3	KF234	Kraftstoff-Filter 6,33,75,90,145/6 155,164 Alfetta,Giulietta 1.8/1.9/2 .0/2.4/2.5 TD Anschraubpatrone	19.08 EUR
4	KF60B	Kraftstoff-Filter 145/6,156,166 JTD (CF2) Bj. >01,Anschraubfilter	12.83 EUR
5	IF309	OE.60810570 INDOOR FILTER 145/6/155 >96 GTV Spider(916) >98, SQUARE	26.57 EUR
6	IF314	OE.60812197 CABIN FILTER 145/6/155 96> GTV/SPIDER (916) 98> SQUARE	26.57 EUR

## Abgasanlage/Exhaust System 145/6 Boxer Bj. 94-96

5 x4    6 x1    7 x1    8 x1    9 x1    10 x1

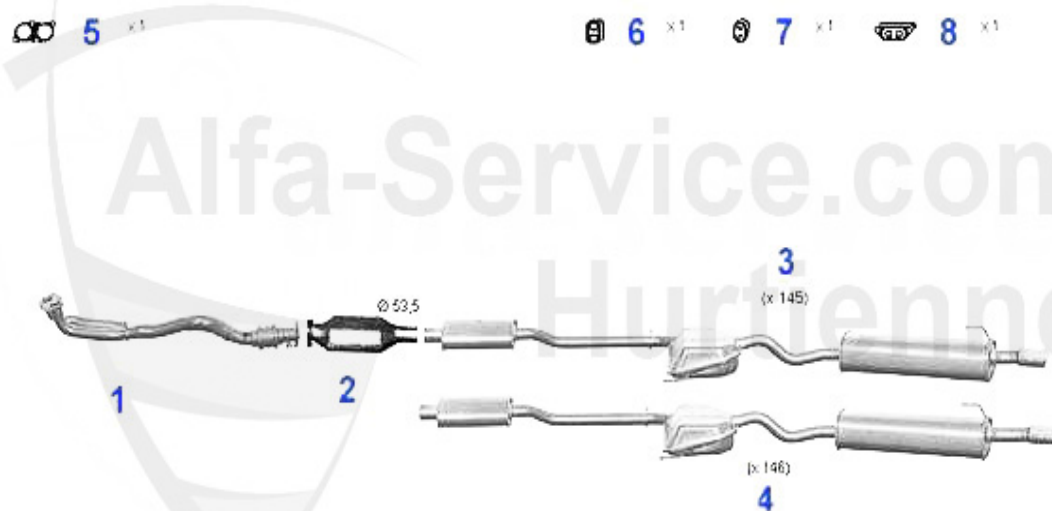


145 / 146 1.3/1.6/1.7 16V

'94-'96

1	VR113001 Hosenrohr 145/6 1.3/1.6 ie	***
1	VR11577 OE. 60611577 EXHAUST PIPE 145/6 1.7 IE 16V 1994-96	220.55 EUR
2	KAT113033 CATALYST 145/6 1.3-1.7 IE 16V 94-96	460.61 EUR
3	ESD113009 OE.60610407 MIDDLE+END MUFFLER 145 1.4-1.7 16V	199.49 EUR
4	ESD114009 Mittel + Endschalld.146 1.4-1.7 16V Bj. 94-96	190.22 EUR
5	SAT094405 EXHAUST GASKET ARNA,SUD/SPRINT,33 (905/7),145/6 BOXER	2.77 EUR
6	SAT094494 Dichtung Hosenrohr/Kat 145/6	4.77 EUR
7	SAT094002 Brennring Kat Diverse Modelle	8.60 EUR
8	SAT091124 Gummi/Auspuffaufhängung 145/6 ESD 155 MSD	3.59 EUR
9	SAT091011 OE 60521386, RUBBER RING EXHAUST MOUNTING DIVERSE TYPES	1.23 EUR
10	SAT091041 OE.60586017 RUBBER HANGER EXHAUST 145/6, 155 ESD	4.50 EUR

## Abgasanlage/Exhaust System 145/6 TS 16V



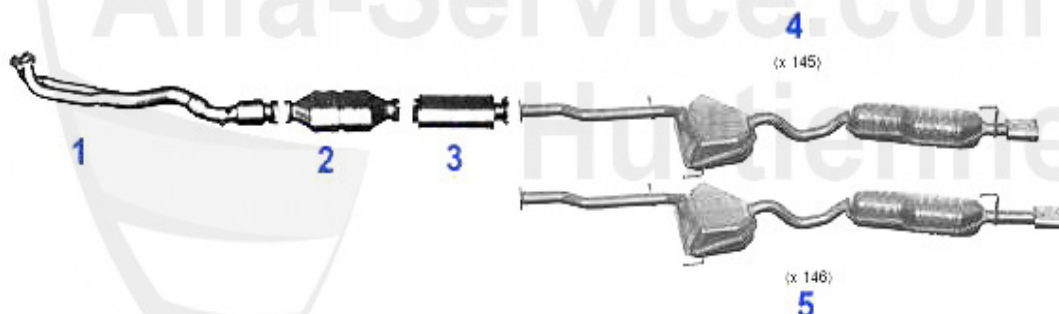
145 / 146 16V T.S. 1.4/1.6/1.8/2.0

'97-

1	VSD116201 Vorschalldämpfer 145/6 1.4-2.0 16V TS bj. 97> 155 1.6-2.0 16V TS bj. 96-97	159.01 EUR
2	KAT116233 Katalysator 145/6 1.4-2.0 16V TS bj. 97> 155 1.6-2.0 16V TS bj. 96-97	646.29 EUR
3	ESD113409 Schalld. kompl. ab KAT 145 16V TS 1.4-2.0 '97-	229.00 EUR
4	ESD114409 Schalld. kompl. ab KAT 146 16V TS 1.4-2.0 '97-	232.00 EUR
5	SAT094474 Dichtung VSD spider/gtv (916) 145/6,155,156 2.0 TS 16V	10.77 EUR
6	SAT091124 Gummi/Auspuffaufhängung 145/6 ESD 155 MSD	3.59 EUR
7	SAT091140 Gummi/Auspuffaufhängung 145/6 ESD 16V TS,155 2.0 16V TS	4.19 EUR
8	SAT091041 OE.60586017 RUBBER HANGER EXHAUST 145/6, 155 ESD	4.50 EUR

## Abgasanlage/Exhaust System 145/6 TS Quadrifoglio

 **6** x1   
  **7** x1   
  **8** x1   
  **9** x1   
  **10** x1   
  **11** x1   
  **12** x1

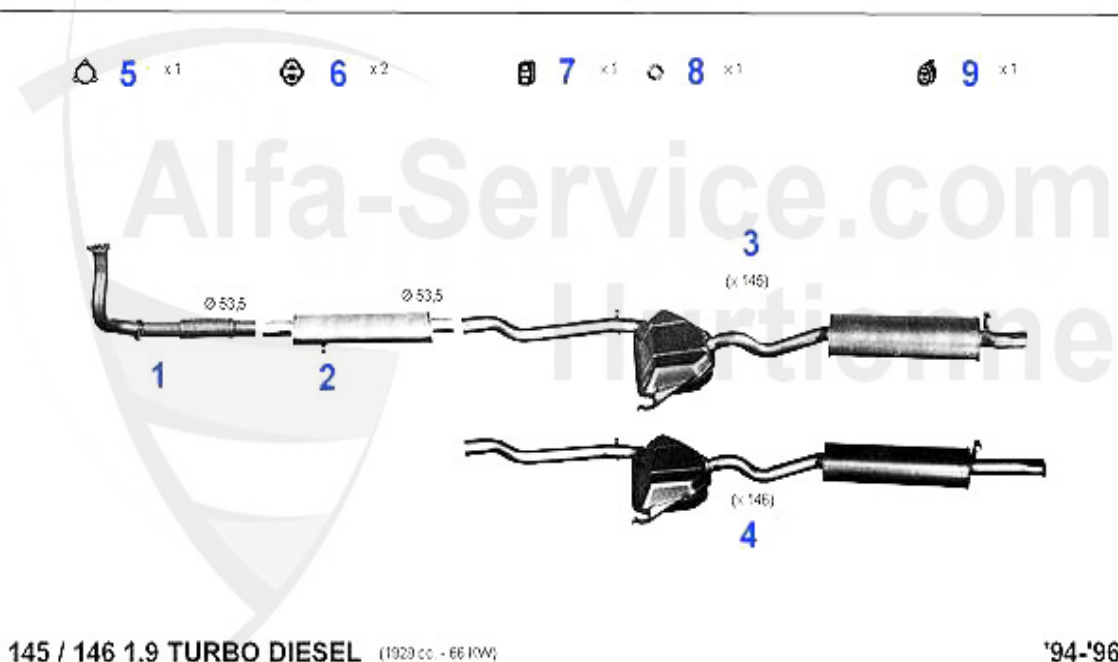


145 QUADRIFOGLIO / 146 Ti 2.0 16V T.S.

9/'95-'96

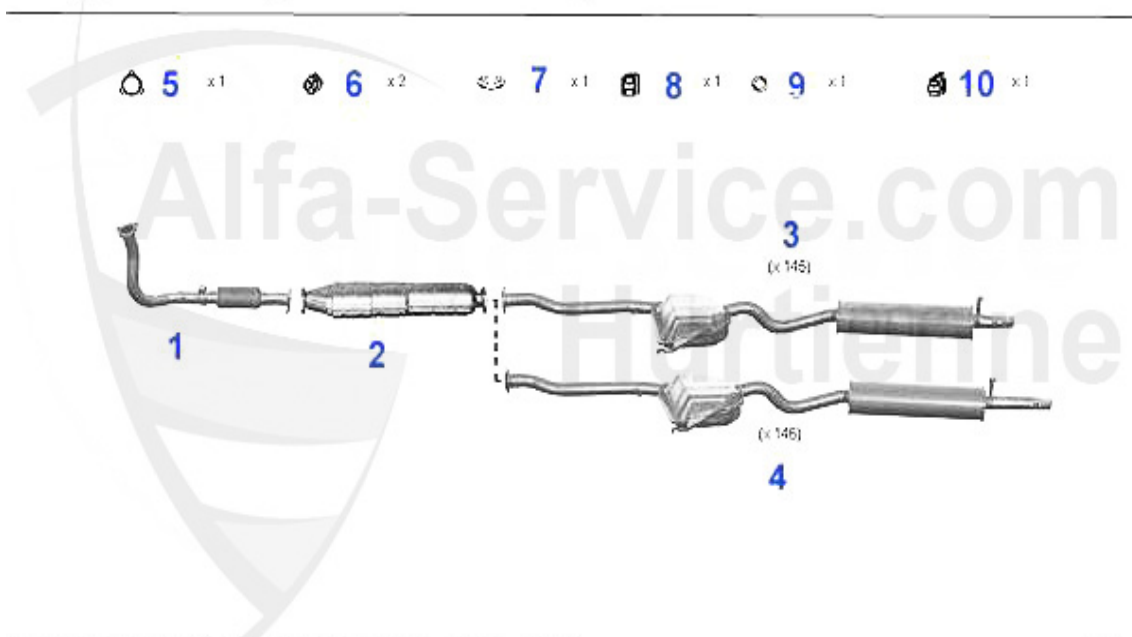
<b>1</b>	VSD102101 FRONT MUFFLER SPIDER/GTV (916) 1.8 & 2.0 TS 95> 145/6,155 2.0 16V TS 95-96	<b>188.14 EUR</b>
<b>2</b>	KAT113133 CATALYST SPIDER/GTV (916) 1.8 & 2.0 TS 95>,155 2.0 ie TS (CAT AND CENTRE 2 PIECES)	<b>645.27 EUR</b>
<b>3</b>	MSD116103 CENTER MUFFLER 155 2.0 16V TS 95-96 145 QV,146 2.0 16V TS 95-96	<b>136.96 EUR</b>
<b>4</b>	ESD113109 FRONT+CENTER MUFFLER ONE PIECE 145 QV YEAR 95-96	<b>217.48 EUR</b>
<b>5</b>	ESD114109 CENTER + END MUFFLER 146 2.0 16V TS 95-96	<b>272.88 EUR</b>
<b>6</b>	SAT094474 Dichtung VSD spider/gtv (916) 145/6,155,156 2.0 TS 16V	<b>10.77 EUR</b>
<b>7</b>	SAT094487 CATALYST GASKET SPIDER/GTV (916)	<b>5.08 EUR</b>
<b>8</b>	SAT094002 Brennring Kat Diverse Modelle	<b>8.60 EUR</b>
<b>9</b>	SAT091124 Gummi/Auspuffaufhängung 145/6 ESD 155 MSD	<b>3.59 EUR</b>
<b>10</b>	SAT091140 Gummi/Auspuffaufhängung 145/6 ESD 16V TS,155 2.0 16V TS	<b>4.19 EUR</b>
<b>11</b>	SAT091041 OE.60586017 RUBBER HANGER EXHAUST 145/6, 155 ESD	<b>4.50 EUR</b>

## Abgasanlage/Exhaust System 145/6 1.9 TD



1	VSD445201 FRONT MUFFLER 145/6 1.9 TD 94-96 155 1.9 TD	118.41 EUR
2	MSD254303 CENTER MUFFLER 145/6 1.9 TD 94-96 155 1.9 TD	96.95 EUR
3	ESD113209 REAR SILENCER 145 1.9 TD 94-96	139.52 EUR
4	ESD114209 REAR SILENCER 146 1.9 TD 94-96	169.58 EUR
5	SAT094477 GASKET FRONT SILENCER 145/6,155 TD	6.26 EUR
6	SAT091032 Gummi/Auspuffaufhängung 145/6 TD MSD	1.33 EUR
7	SAT091124 Gummi/Auspuffaufhängung 145/6 ESD 155 MSD	3.59 EUR
8	SAT091011 OE 60521386, RUBBER RING EXHAUST MOUNTING DIVERSE TYPES	1.23 EUR
9	SAT091073 Gummi/Auspuffaufhängung 145/6 TD ESD	2.46 EUR

## Abgasanlage/Exhaust System 145/6 1.9 TD Kat

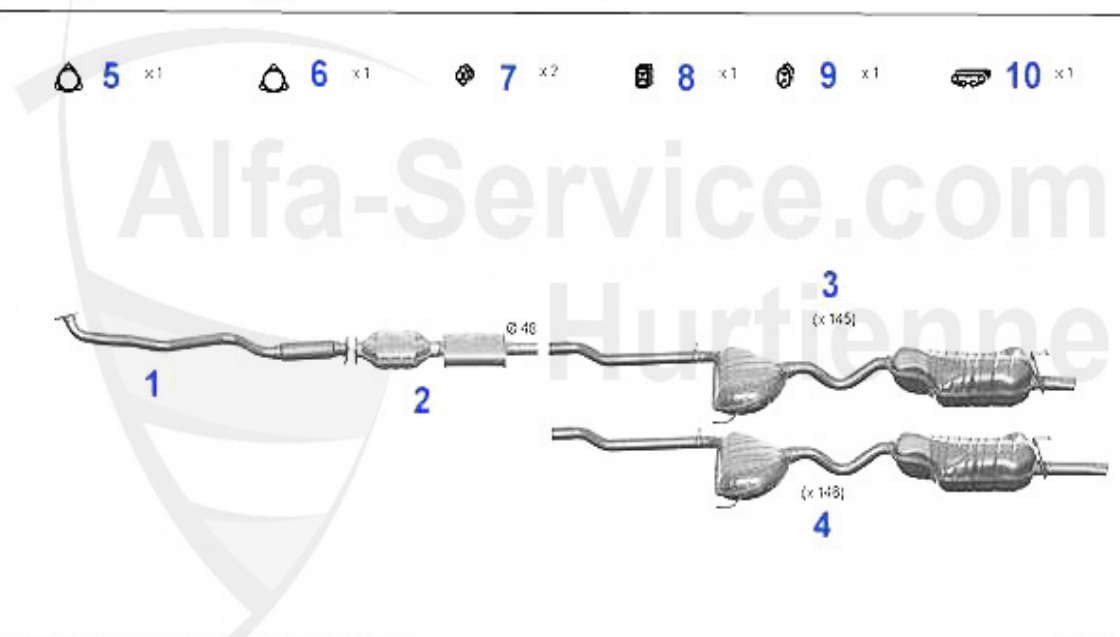


145 / 146 1.9 TURBO DIESEL KAT. (1829 cc - 66 kW)

'94-

1	VSD254901 Vorschalldämpfer 145/6 1.9 TD kat bj. 94> 155 1.9 TD kat	208.85 EUR
2	KAT254933 CATALYST 145/6 1.9 TD KAT 155 1.9 TD KAT	584.74 EUR
3	ESD113309 REAR SILENCER 145 1.9 TD KAT	221.22 EUR
4	ESD114309 REAR SILENCER 146 1.9 TD KAT 94>	243.95 EUR
5	SAT094477 GASKET FRONT SILENCER 145/6,155 TD	6.26 EUR
6	SAT091119 Gummi/Auspuffaufhängung 145/6 TD mit Kat	6.06 EUR
7	SAT094002 Brennring Kat Diverse Modelle	8.60 EUR
8	SAT091124 Gummi/Auspuffaufhängung 145/6 ESD 155 MSD	3.59 EUR
9	SAT091011 OE 60521386, RUBBER RING EXHAUST MOUNTING DIVERSE TYPES	1.23 EUR
10	SAT091073 Gummi/Auspuffaufhängung 145/6 TD ESD	2.46 EUR

## Abgasanlage/Exhaust System 145/6 1.9 JTD



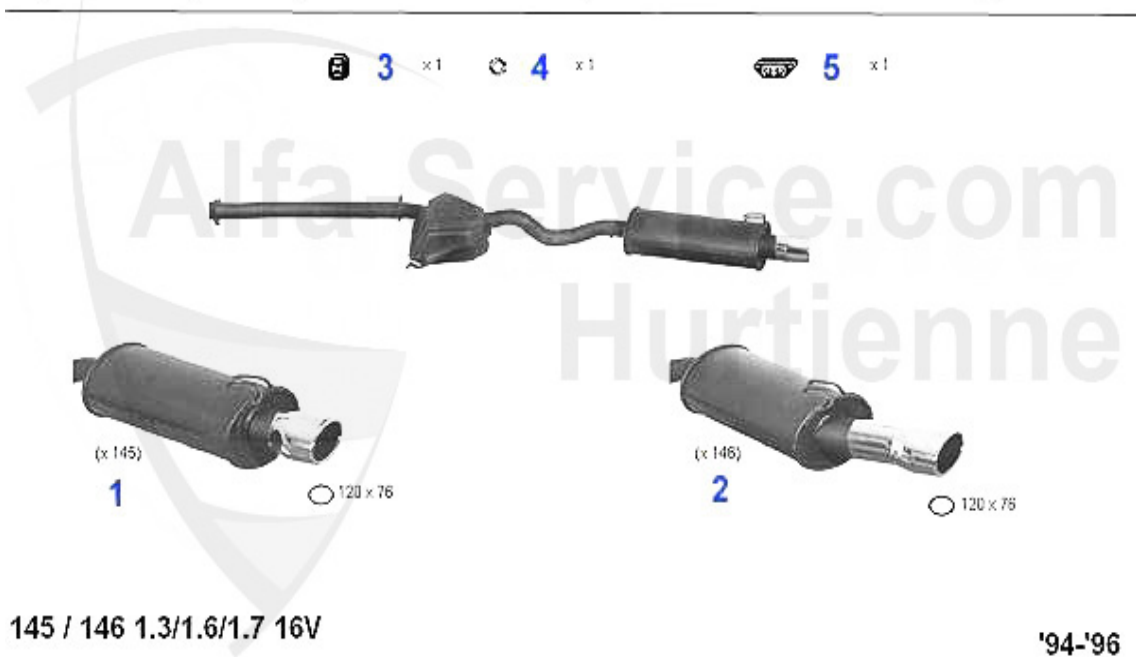
145 / 146 1.9 JTD TURBO DIESEL (1910 cc - 77KW)

4/'99-

1	VSD113501 FRONT MUFFLER 145/6 1.9 JTD 99>	224.32 EUR
2	KAT255533 CATALYST 145/6 1.9 JTD 99>	480.11 EUR
3	ESD113509 REAR SILENCER 145 1.9 JTD 99>	275.96 EUR
4	ESD113559 REAR SILENCER 146 1.9 JTD 99>	261.21 EUR
5	SAT094560 GASKET FRONT MUFFLER 145/6,156,166 JTD	4.62 EUR
6	SAT094486 GASKET FRONT MUFFLER/CAT 145/6 JTD	9.13 EUR
7	SAT091119 Gummi/Auspuffaufhängung 145/6 TD mit Kat	6.06 EUR
8	SAT091124 Gummi/Auspuffaufhängung 145/6 ESD 155 MSD	3.59 EUR
9	SAT091140 Gummi/Auspuffaufhängung 145/6 ESD 16V TS,155 2.0 16V TS	4.19 EUR
10	SAT091105 Gummi/Auspuffaufhängung 145/6 JTD ESD	3.28 EUR



Sportauspuff/Sport Exhaust System 145/6 Boxer Bj. 94-96



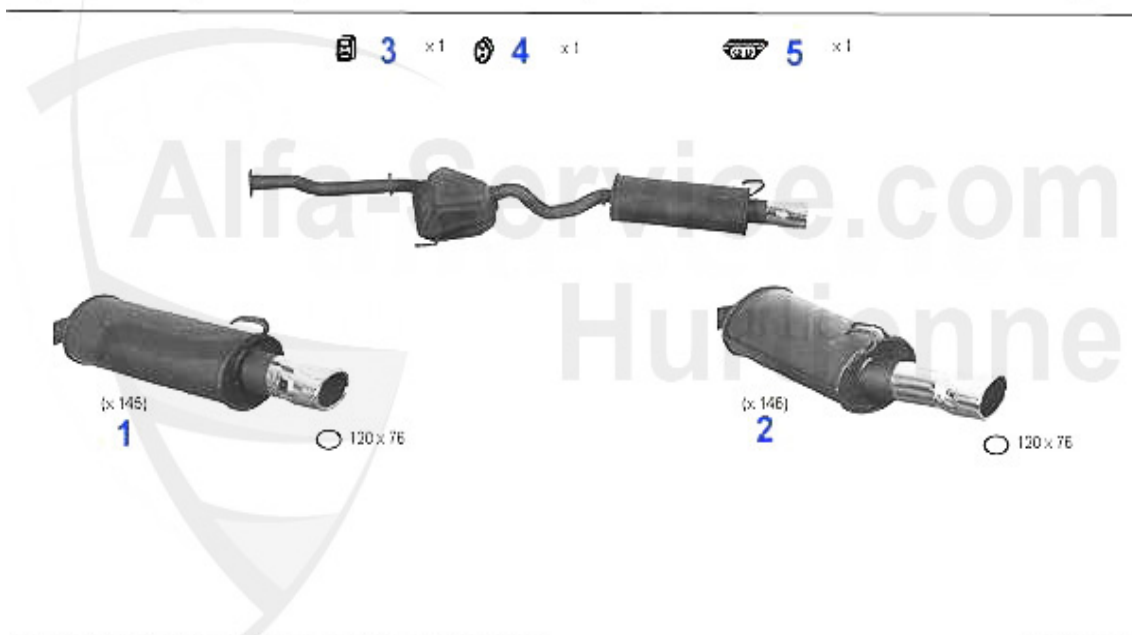
1	SNSD1130 Sport-Endtopf 145 1.3-1.7 16V bj. 94-96 Endrohr oval verchromt 120x76 mm	235.95 EUR
2	SNSD1140 Sport-Endtopf 146 1.3-1.7 16V Bj. 94-96 Endrohr oval verchromt 120x76 mm	235.95 EUR
3	SAT091124 Gummi/Auspuffaufhängung 145/6 ESD 155 MSD	3.59 EUR
4	SAT091011 OE 60521386, RUBBER RING EXHAUST MOUNTING DIVERSE TYPES	1.23 EUR
5	SAT091041 OE.60586017 RUBBER HANGER EXHAUST 145/6, 155 ESD	4.50 EUR

## Sportauspuff/Sport Exhaust System 145 TS 16V



1	SNSD1134 Sport-Endtopf 145 1.4-2.0 16V TS bj. 97>	354.95 EUR
2	SAT091124 Gummi/Auspuffaufhängung 145/6 ESD 155 MSD	3.59 EUR
3	SAT091140 Gummi/Auspuffaufhängung 145/6 ESD 16V TS,155 2.0 16V TS	4.19 EUR
4	SAT091041 OE.60586017 RUBBER HANGER EXHAUST 145/6, 155 ESD	4.50 EUR

Sportauspuff/Sport Exhaust System 145/6 TS Quadrifoglio

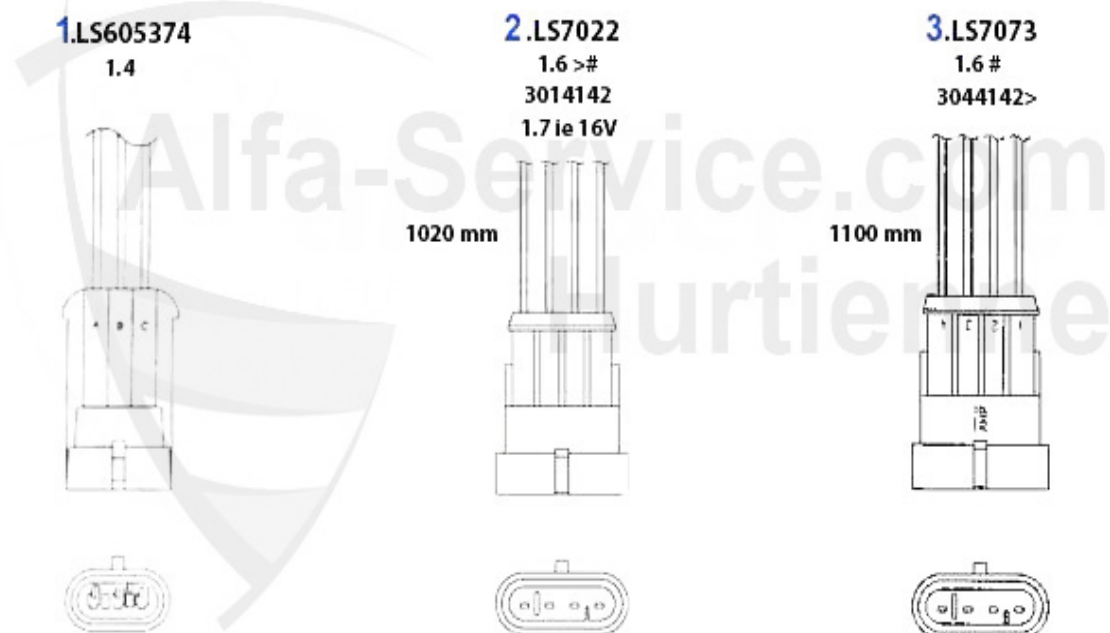


145 QUADRIFOGLIO / 146 Ti 2.0 16V T.S.

9/'95-'96

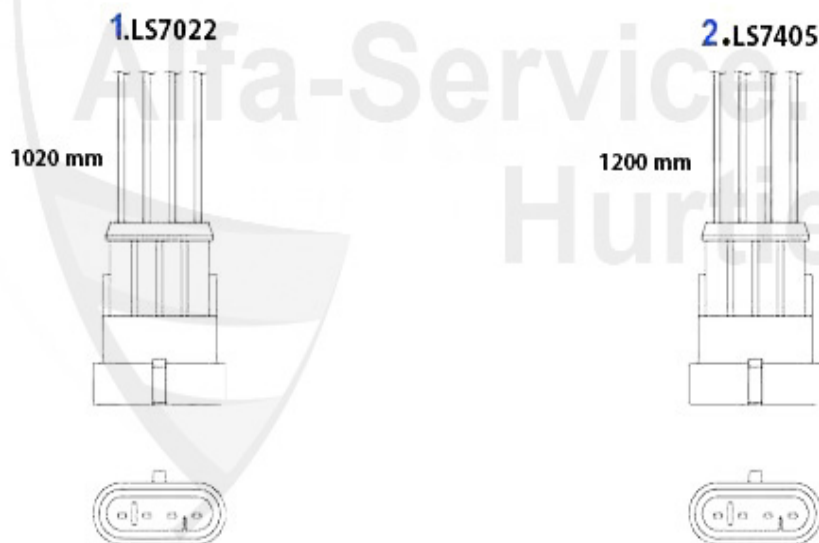
1	SNSD1131 Sport-Endtopf 145 Quadrifoglio Endrohr verchromt oval 120x76 mm	271.86 EUR
2	SNSD1141 Sport-Endtopf 146 2.0 16V TS Quadrifoglio Endrohr verchromt oval 120x76 mm	272.88 EUR
3	SAT091124 Gummi/Auspuffaufhängung 145/6 ESD 155 MSD	3.59 EUR
4	SAT091140 Gummi/Auspuffaufhängung 145/6 ESD 16V TS,155 2.0 16V TS	4.19 EUR
5	SAT091041 OE.60586017 RUBBER HANGER EXHAUST 145/6, 155 ESD	4.50 EUR

## Lambda-Sonde/Lambda Probe 145/6 Boxer Bj. 94-96



1	LS605374	OE. 60605374 LAMBDA PROBE 145/6 1.4 IE BOXER	129.00 EUR
2	LS7022	LAMDA SENSOR 3,0 24V, 164, Spider (916)	85.00 EUR
3	LS7073	LAMBDA PROBE 145/6 1.6 IE >12.96 4 WIRES	58.99 EUR

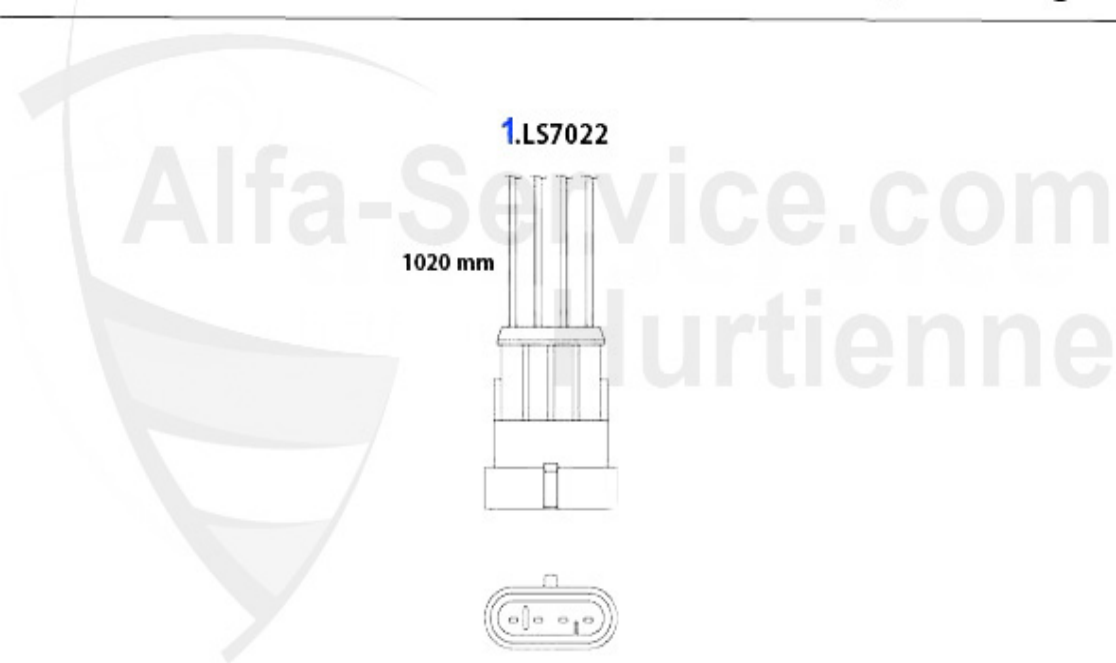
## Lambda-Sonde/Lambda Probe 145/6 TS 16V



1	LS7022	LAMDA SENSOR 3,0 24V, 164, Spider (916)	85.00 EUR
2	LS7405	LAMBDA PROBE 145/6 1.4/1.6/1.8/16V TS/2.0 QV,156 1.6 16V TS #0023373> 156 1.8/2.0/16V TS/2.5 V6 24V,166 6-CYL.,SPIDER/GTV (916) 1.8/ FOUR-CORE CABLE	79.00 EUR

## Lambda-Sonde/Lambda Probe 145/6 TS Quadrifoglio

---

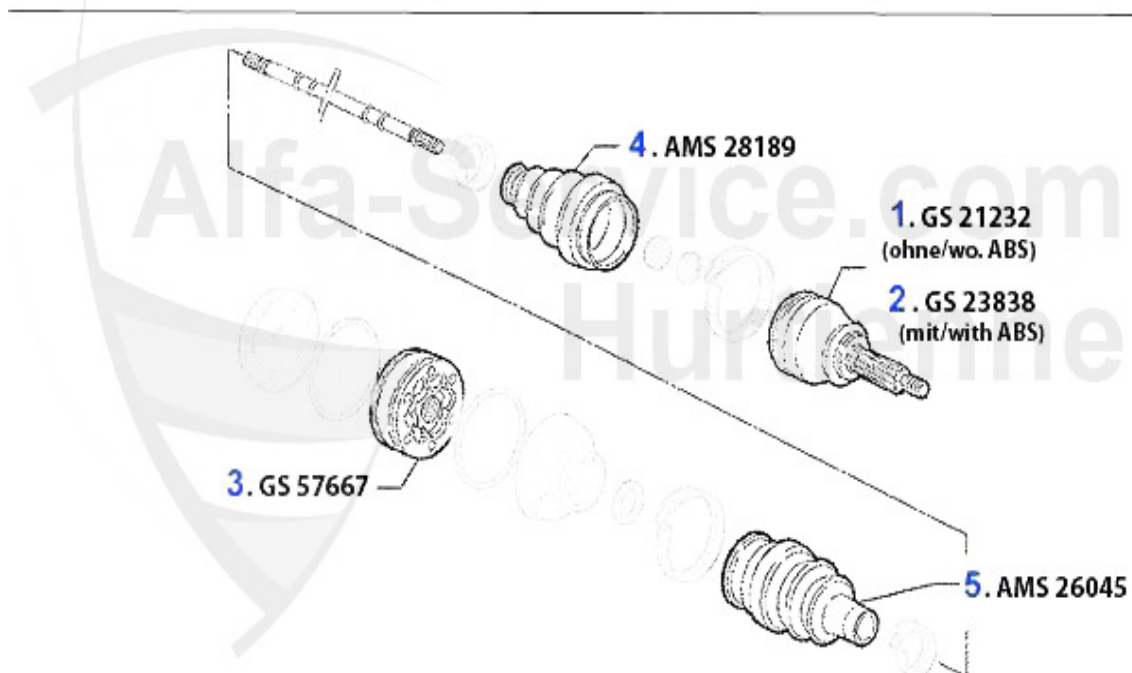


---

1 LS7022 LAMDA SENSOR 3,0 24V, 164, Spider (916)

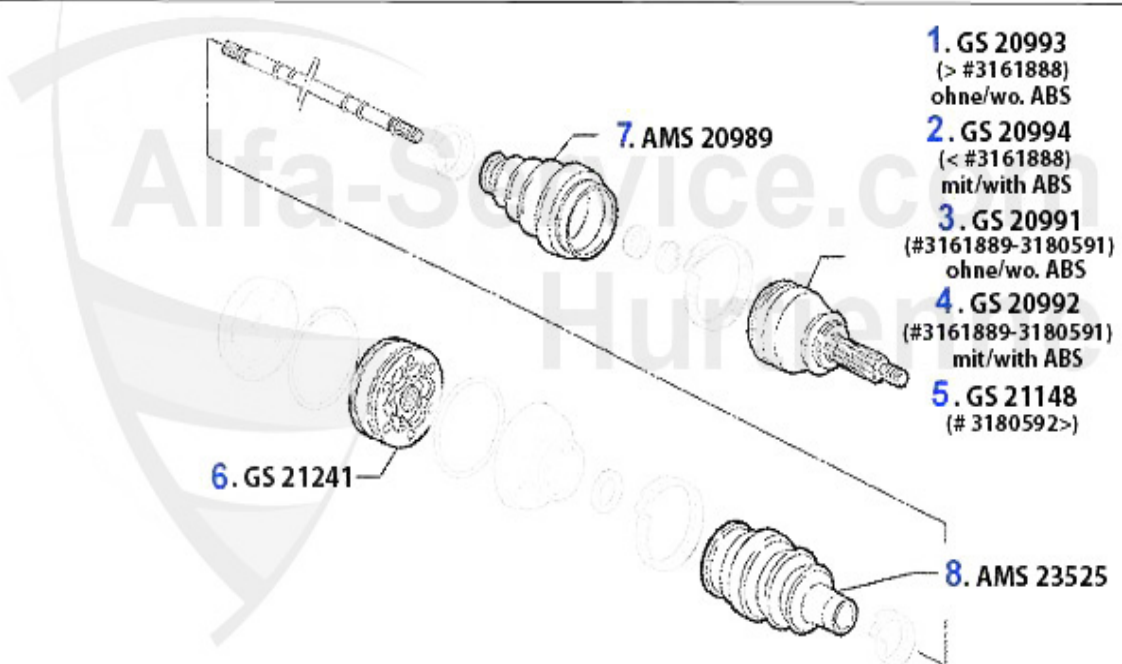
85.00 EUR

## Antriebswelle/Driveshaft 145/6 Boxer



1	GS21232	EXTERIOR HINGE 145/6, 155 1.4/1.6/1.7/ ie/16V/TS WITHOUT ABS	117.71 EUR
2	GS23838	EXTERIOR HINGE 145/6, 155, GTV/SPIDER (916) 2.0 16V TS WITH ABS	163.11 EUR
3	GS57667	OE. 60557667 CONST. VELOCITY JOI gearside 145/6 Boxer	139.52 EUR
4	AMS26189	PROSHAFT RUBBER BOOT GTV / SPIDER 2.0TS 145/6 1.4 ie/TS 1.6ie/TS 155 16 TS	13.44 EUR
5	AMS26045	INNER DRIVE SHAFT BOOT SET (GEARSIDE) Sud/Sprint	16.31 EUR

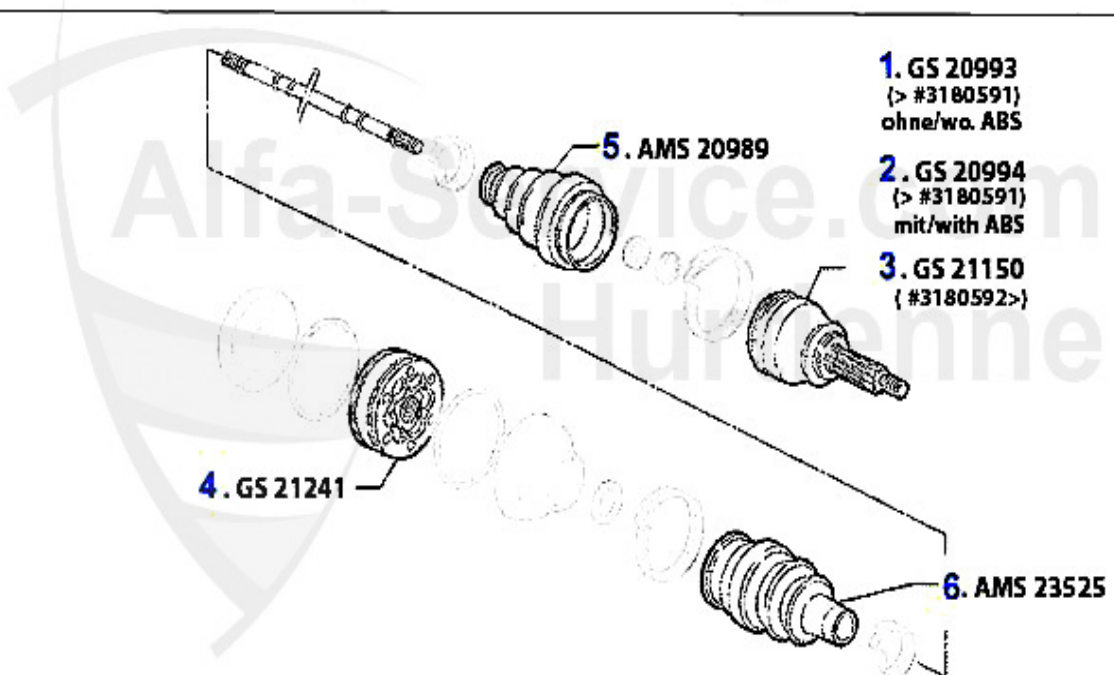
## Antriebswelle/Driveshaft 145/6 1.4 TS 16V



1	GS20993	Gelenksatz außen 145/6 TS/TD/JTD Bj. 96> ohne ABS, 155 2.0 TS 16V	117.98 EUR
2	GS20994	Gelenksatz außen 145/6 TS/TD/JTD Bj. 96> mit ABS,155 2.0 TS 16V mit ABS,gtv/spider (916) TS #6023168 - 6063040	122.08 EUR
3	GS20991	Gelenksatz außen 145/6 1.4 TS 16V ohne ABS	117.98 EUR
4	GS20992	Gelenksatz außen 145/6 1.4 ie 16V TS mit ABS	122.08 EUR
5	GS21148	OE. 60815368 CONST.VELLOCITY JOI 145/6 1.4 TS 16V # 3180592>	152.86 EUR
6	GS21241	Inner drive shaft joint gtv/spider (916),155,145/6 TS 16V,156 TS 16V 166 2.0 TS,147 1.6/2.0 TS	111.72 EUR
7	AMS20989	OE.46429633, outer joint gaiter 145/6 147, 156, 166	17.90 EUR
8	AMS23525	Achsmanschetzensatz innen 155 1,7/ 1.8/2.0/TS 16V,2.5 V6,1.9TD 164/Super 2.0 TS,145/6 TS 16V	25.55 EUR

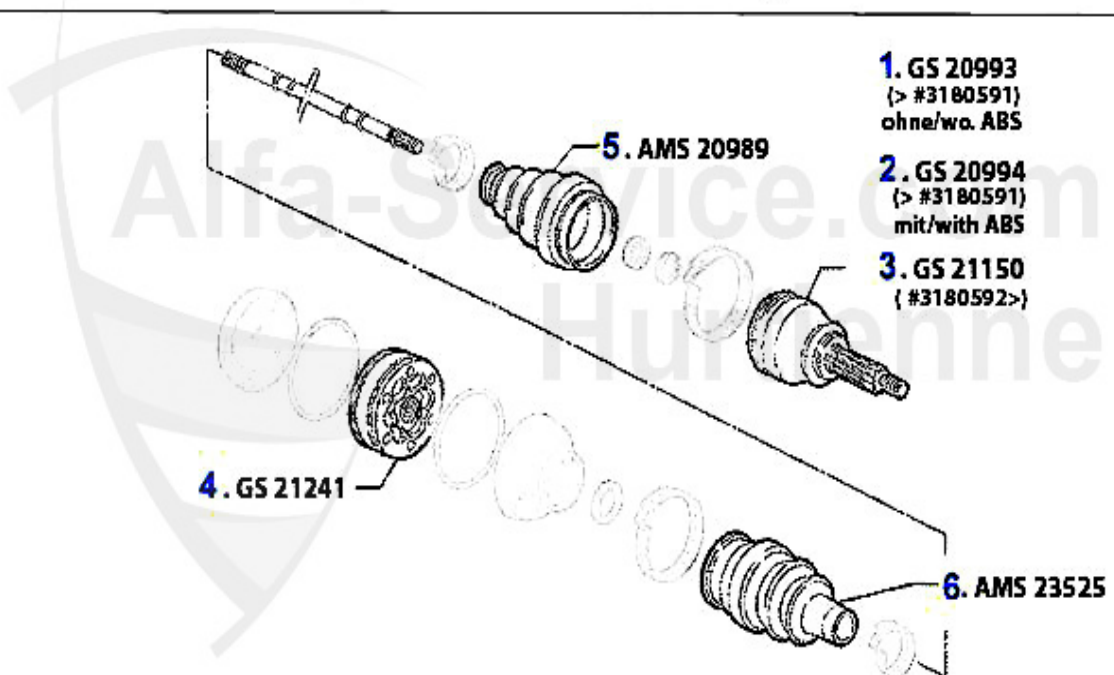


## Antriebswelle/Driveshaft 145/6 1.6 TS 16V



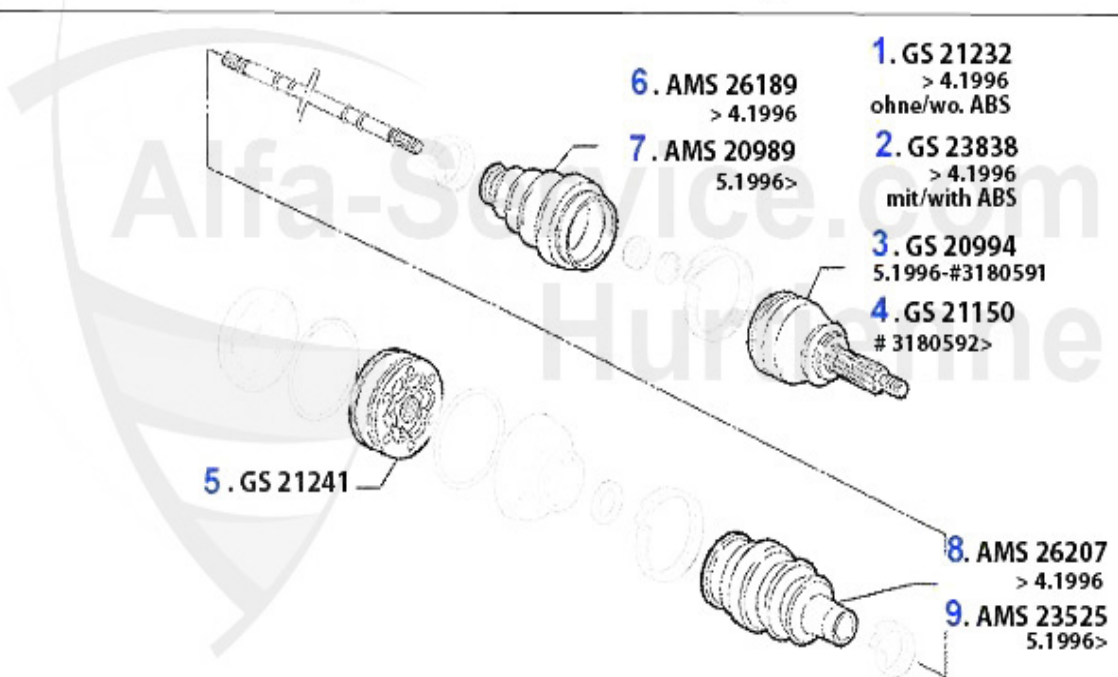
1	GS20993	Gelenksatz außen 145/6 TS/TD/JTD Bj. 96> ohne ABS, 155 2.0 TS 16V	117.98 EUR
2	GS20994	Gelenksatz außen 145/6 TS/TD/JTD Bj. 96> mit ABS,155 2.0 TS 16V mit ABS,gtv/spider (916) TS #6023168 - 6063040	122.08 EUR
3	GS21150	OUTER CV JONT 156/6 TS 16V #3180592>, 147 TS 16V,GTV/SPIDER (916) TS # 6063041>	121.05 EUR
4	GS21241	Inner drive shaft joint gtv/spider (916),155,145/6 TS 16V,156 TS 16V 166 2.0 TS,147 1.6/2.0 TS	111.72 EUR
5	AMS20989	OE.46429633, outer joint gaiter 145/6 147, 156, 166	17.90 EUR
6	AMS23525	Achsmanschettensatz innen 155 1,7/ 1.8/2.0/TS 16V,2.5 V6,1.9TD 164/Super 2.0 TS,145/6 TS 16V	25.55 EUR

## Antriebswelle/Driveshaft 145/6 1.8 TS 16V



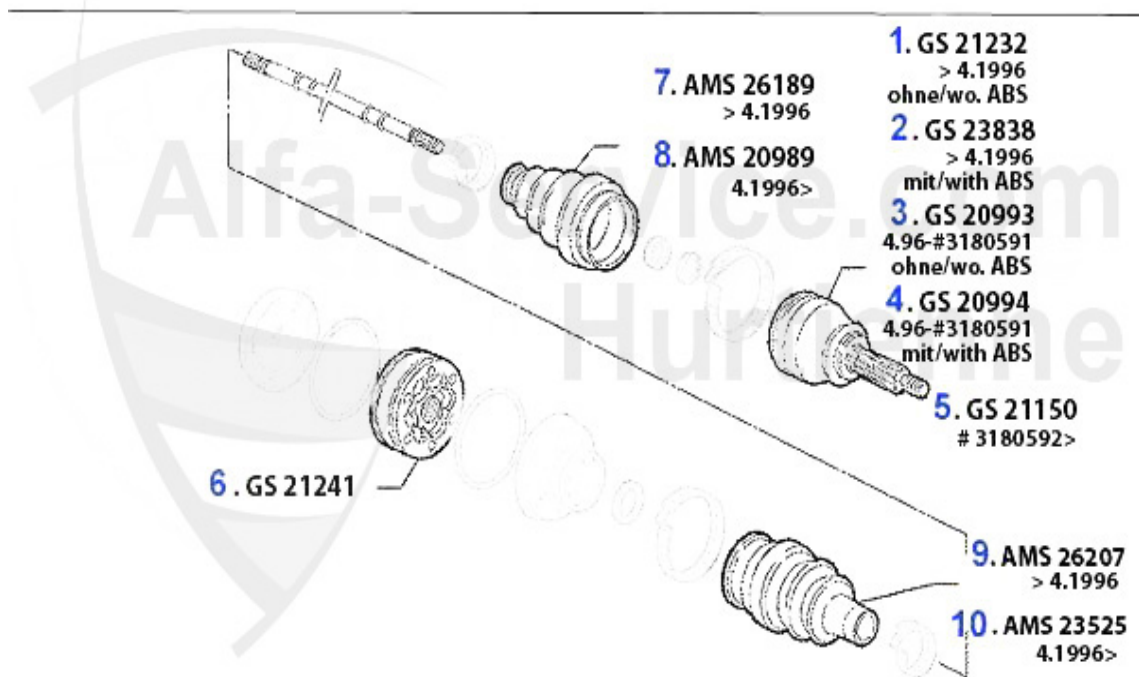
1	GS20993	Gelenksatz außen 145/6 TS/TD/JTD Bj. 96> ohne ABS, 155 2.0 TS 16V	117.98 EUR
2	GS20994	Gelenksatz außen 145/6 TS/TD/JTD Bj. 96> mit ABS,155 2.0 TS 16V mit ABS,gtv/spider (916) TS #6023168 - 6063040	122.08 EUR
3	GS21150	OUTER CV JONT 156/6 TS 16V #3180592>, 147 TS 16V,GTV/SPIDER (916) TS # 6063041>	121.05 EUR
4	GS21241	Inner drive shaft joint gtv/spider (916),155,145/6 TS 16V,156 TS 16V 166 2.0 TS,147 1.6/2.0 TS	111.72 EUR
5	AMS20989	OE.46429633, outer joint gaiter 145/6 147, 156, 166	17.90 EUR
6	AMS23525	Achsmanschettensatz innen 155 1,7/ 1.8/2.0/TS 16V,2.5 V6,1.9TD 164/Super 2.0 TS,145/6 TS 16V	25.55 EUR

## Antriebswelle/Driveshaft 145/6 2.0 TS 16V



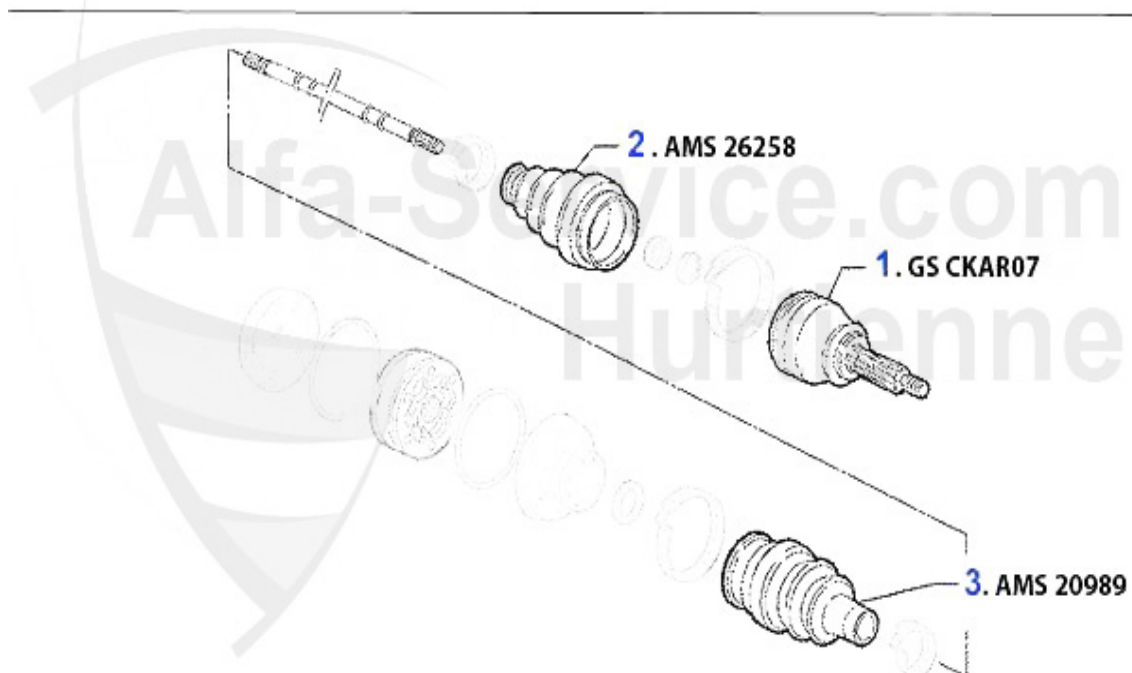
1	GS21232	EXTERIOR HINGE 145/6, 155 1.4/1.6/1.7/ ie/16V/TS WITHOUT ABS	117.71 EUR
2	GS23838	EXTERIOR HINGE 145/6, 155, GTV/SPIDER (916) 2.0 16V TS WITH ABS	163.11 EUR
3	GS20994	Gelenksatz außen 145/6 TS/TD/JTD Bj. 96> mit ABS,155 2.0 TS 16V mit ABS,gtv/spider (916) TS #6023168 - 6063040	122.08 EUR
4	GS21150	OUTER CV JONT 156/6 TS 16V #3180592>, 147 TS 16V,GTV/SPIDER (916) TS # 6063041>	121.05 EUR
5	GS21241	Inner drive shaft joint gtv/spider (916),155,145/6 TS 16V,156 TS 16V 166 2.0 TS,147 1.6/2.0 TS	111.72 EUR
6	AMS26189	PROSHAFT RUBBER BOOT GTV / SPIDER 2.0TS 145/6 1.4 ie/TS 1.6ie/TS 155 16 TS	13.44 EUR
7	AMS20989	OE.46429633, outer joint gaiter 145/6 147, 156, 166	17.90 EUR
8	AMS26207	Inner RUBBERBOOT GTV/SPIDER 155,166,145	20.00 EUR
9	AMS23525	Achsmanschettensatz innen 155 1,7/ 1.8/2.0/TS 16V,2.5 V6,1.9TD 164/Super 2.0 TS,145/6 TS 16V	25.55 EUR

# Antriebswelle/Driveshaft 145/6 1.9 TD



1	GS21232	EXTERIOR HINGE 145/6, 155 1.4/1.6/1.7/ ie/16V/TS WITHOUT ABS	117.71 EUR
2	GS23838	EXTERIOR HINGE 145/6, 155, GTV/SPIDER (916) 2.0 16V TS WITH ABS	163.11 EUR
3	GS20993	Gelenksatz außen 145/6 TS/TD/JDT Bj. 96> ohne ABS, 155 2.0 TS 16V	117.98 EUR
4	GS20994	Gelenksatz außen 145/6 TS/TD/JTD Bj. 96> mit ABS, 155 2.0 TS 16V mit ABS,gtv/spider (916) TS #6023168 - 6063040	122.08 EUR
5	GS21150	OUTER CV JONT 156/6 TS 16V #3180592>, 147 TS 16V,GTV/SPIDER (916) TS # 6063041>	121.05 EUR
6	GS21241	Inner drive shaft joint gtv/spider (916),155,145/6 TS 16V,156 TS 16V 166 2.0 TS,147 1.6/2.0 TS	111.72 EUR
7	AMS26189	PROSHAFT RUBBER BOOT GTV / SPIDER 2.0TS 145/6 1.4 ie/TS 1.6ie/TS 155 16 TS	13.44 EUR
8	AMS20989	OE.46429633, outer joint gaiter 145/6 147, 156, 166	17.90 EUR
9	AMS26207	Inner RUBBERBOOT GTV/SPIDER 155,166,145	20.00 EUR
10	AMS23525	Achsmanschettensatz innen 155 1,7/ 1.8/2.0/TS 16V,2.5 V6,1.9TD 164/Super 2.0 TS,145/6 TS 16V	25.55 EUR

## Antriebswelle/Driveshaft 145/6 1.9 JTD



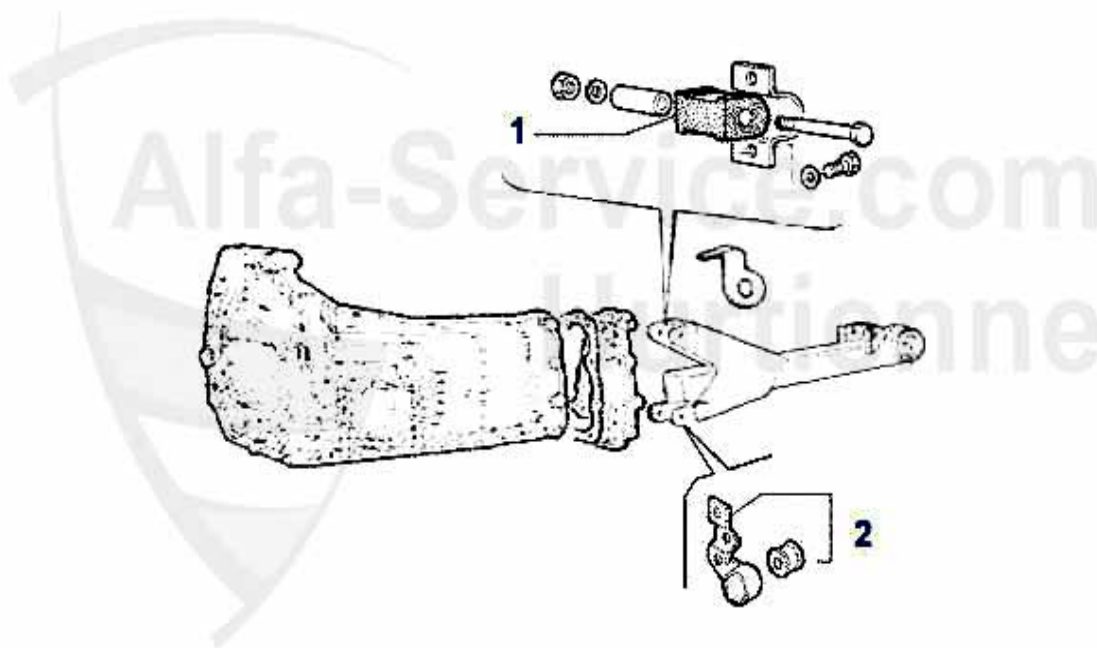
**2** AMS26258 INTERIOR AXLE BOOT 155 2.0TB,2.5TD (107-22mm) SPIDER 916 3.0 V6

**14.26 EUR**

**3** AMS20989 OE.46429633, outer joint gaiter 145/6 147, 156, 166

**17.90 EUR**

145/6 > DRIVETRAIN > GEARBOX > GEAR MOUNT 1.4/1.6/1.7/IE/16V Boxer

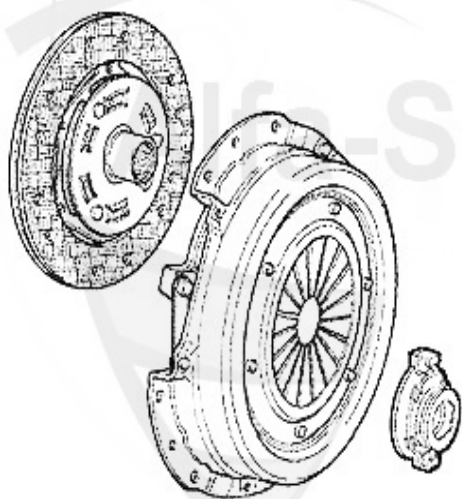


- |   |         |   |
|---|---------|---|
| 1 | GL38718 | OE.60502538 silent bloc rear 33 (905/7),145/6 Boxer |
| 2 | GL88449 | Getriebe-Bügellager vorne 145/6 Boxer               |

6.50 EUR

\*\*\*

## Kupplungs-Kit/Clutch Set 145/6 Boxer Bj. >96



**1** KK779001

Ø 200 mm

1.4/1.6 IE

Bj. 94-96

**2** KK778001

Ø 215 mm

1.7 IE 16V

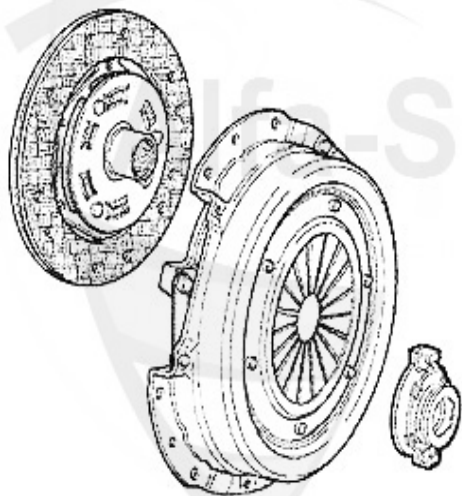
Bj. 94-96

<b>1</b>	<b>KK779001</b>	<b>CLUTCH SET 145/6 1.4/1.6 IE 07.94-12.96</b>
<b>1</b>	<b>KK778001</b>	<b>CLUTCH SET 145/6 1.7 IE 16V 10.94-12.96</b>

**194.91 EUR**

**211.00 EUR**

## Kupplungs-Kit/Clutch Set 145/6 1.4/1.6/1.8/2.0 TS



**1** KK576001  
Ø 215 mm  
1.4 # >3161888  
1.6/1.8 TS 16V

**2** KK6203074  
Ø 200 mm  
1.4 #3161888>

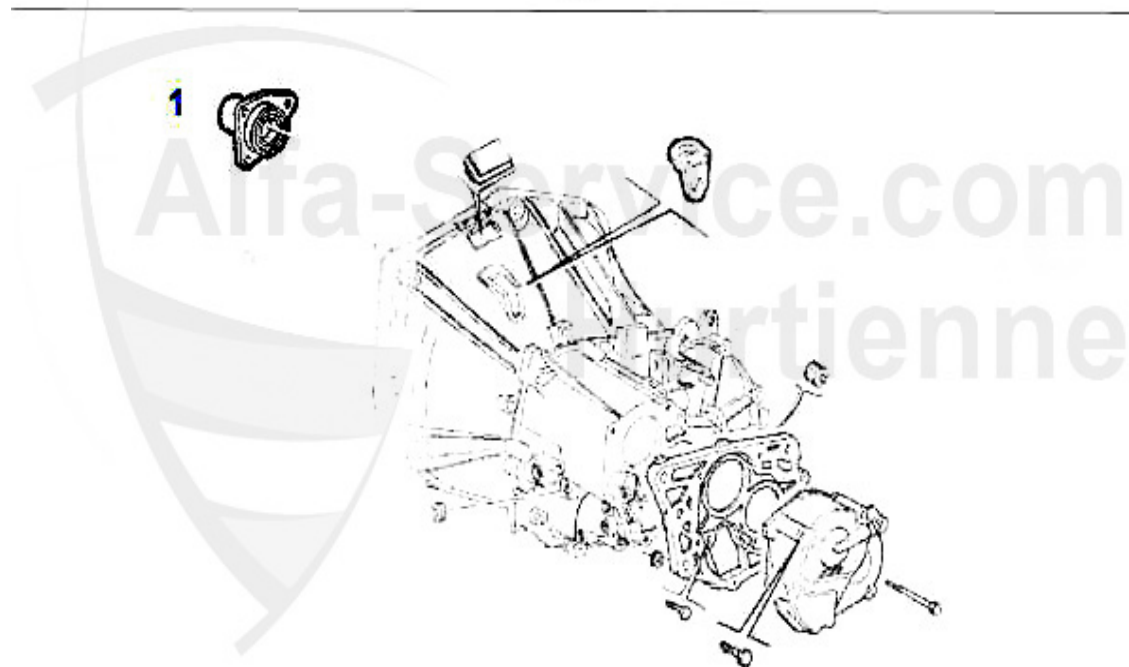
**3** KK789001  
Ø 230 mm  
2.0 TS 16V

<b>1</b>	KK576001 CLUTCH SET 145/6 1.4/1.6/1.8 TS,GTV/ Spider (916)/155 1.6/1.8 TS 16V,2.0 TS 8V 92-99	<b>183.63 EUR</b>
<b>2</b>	KK6203074 Kupplungs-Kit 145/6 1.4 IE 16V TS # 3161888> Getriebe-Typ C.513	<b>204.14 EUR</b>
<b>3</b>	KK789001 OE. 71734766 CLUTCH KIT 2.0 TS 16V 230 mm	<b>269.00 EUR</b>



## Ausrücker/Sleeve Bearing 145/6 1.4/1.6/1.8/2.0 TS

---



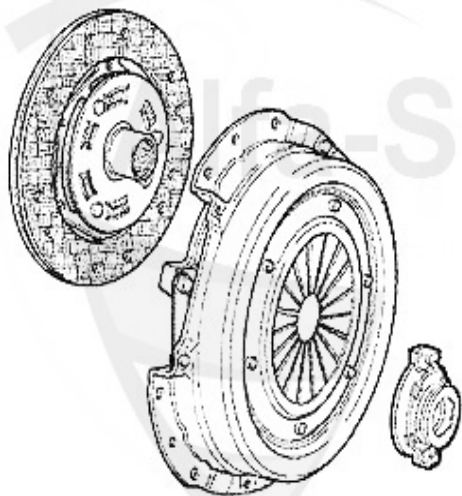
---

1 FH1140 Schiebehülse für Ausrücker 145/6, 147,155,156,gtv/spider (916)

9.66 EUR

## Kupplungs-Kit/Clutch Set 145/6 2.0 Quadrifoglio

---



1. KK789001

Ø 230 mm

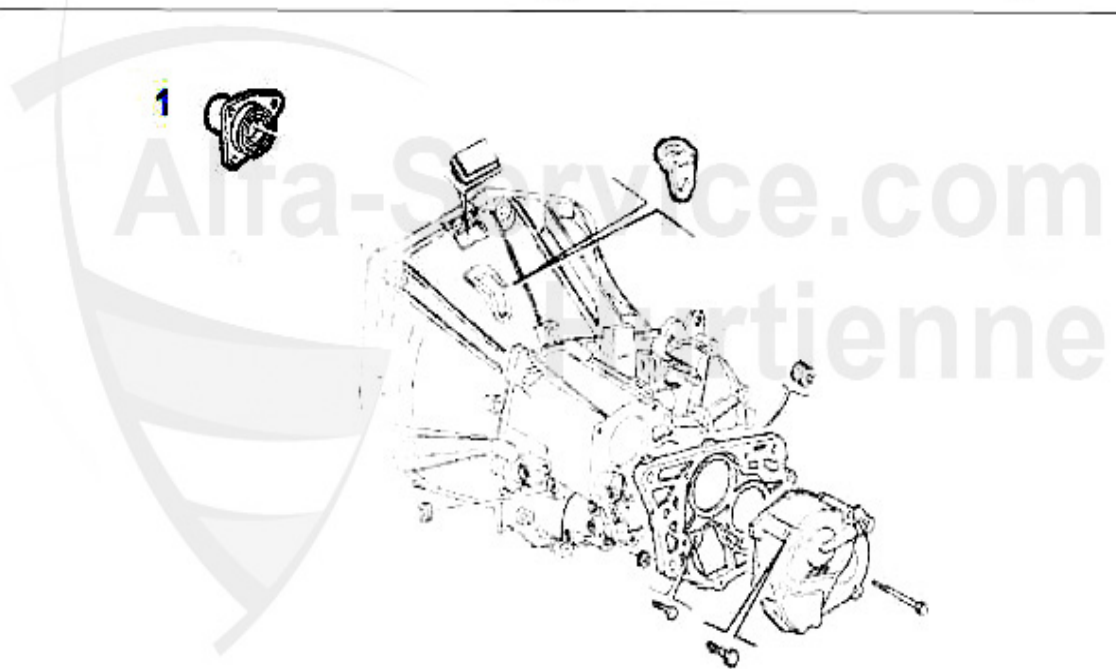
---

1 KK789001 OE. 71734766 CLUTCH KIT 2.0 TS 16V 230 mm

269.00 EUR

## Ausrücker/Sleeve Bearing 145/6 2.0 Quadrifoglio

---



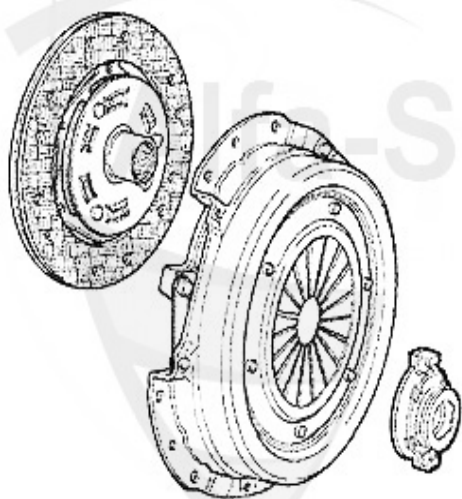
---

1 FH1140 Schiebehülse für Ausrücker 145/6, 147,155,156,gtv/spider (916)

9.66 EUR

## Kupplungs-Kit/Clutch Set 145/6 1.9 TD

---



1. KK345001

Ø 215 mm

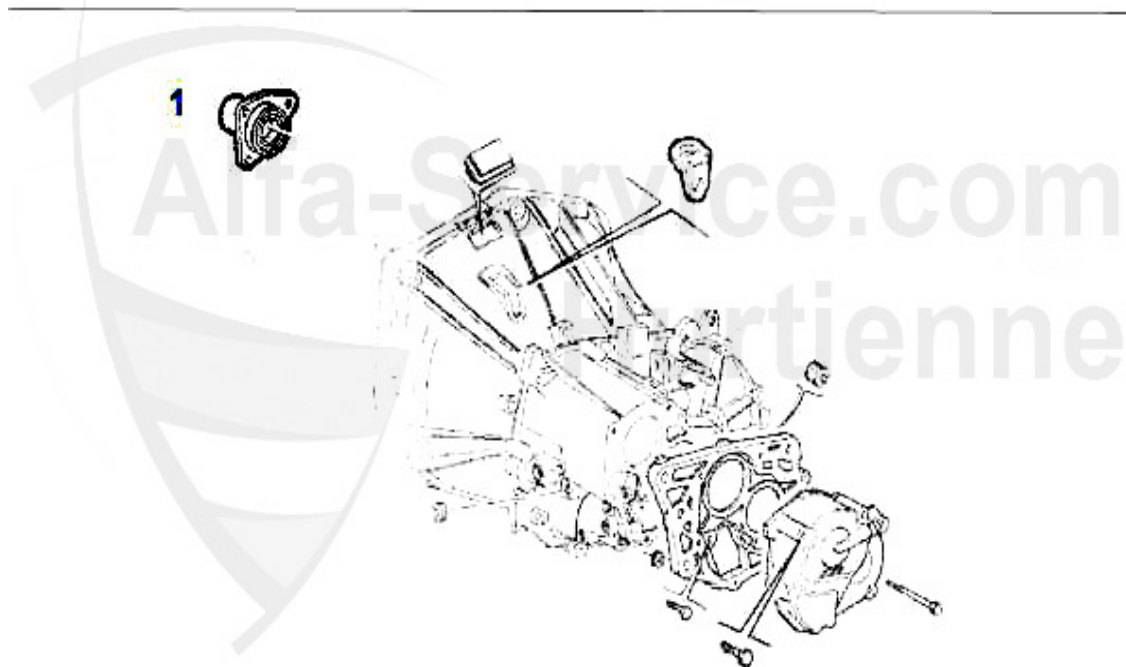
---

1 KK345001 CLUTCH SET 145/6,155 1.9 TD 93-99

189.78 EUR

## Ausrücker/Sleeve Bearing 145/6 1.9 TD

---



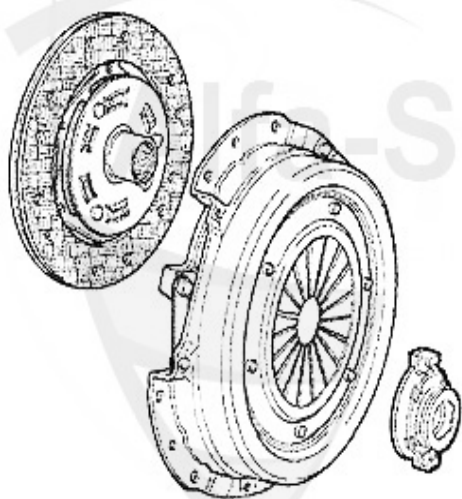
---

1 FH1140 Schiebehülse für Ausrücker 145/6, 147,155,156,gTv/spider (916)

9.66 EUR

## Kupplungs-Kit/Clutch Set 145/6 1.9 TD KAT

---



1. KK345001

Ø 215 mm

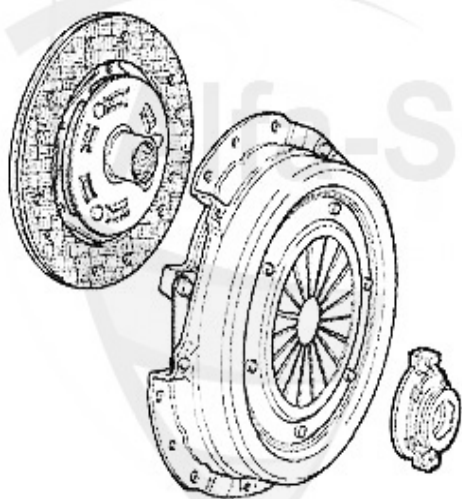
---

1 KK345001 CLUTCH SET 145/6,155 1.9 TD 93-99

189.78 EUR

## Kupplungs-Kit/Clutch Set 145/6 1.9 JTD

---



1. KK 853501

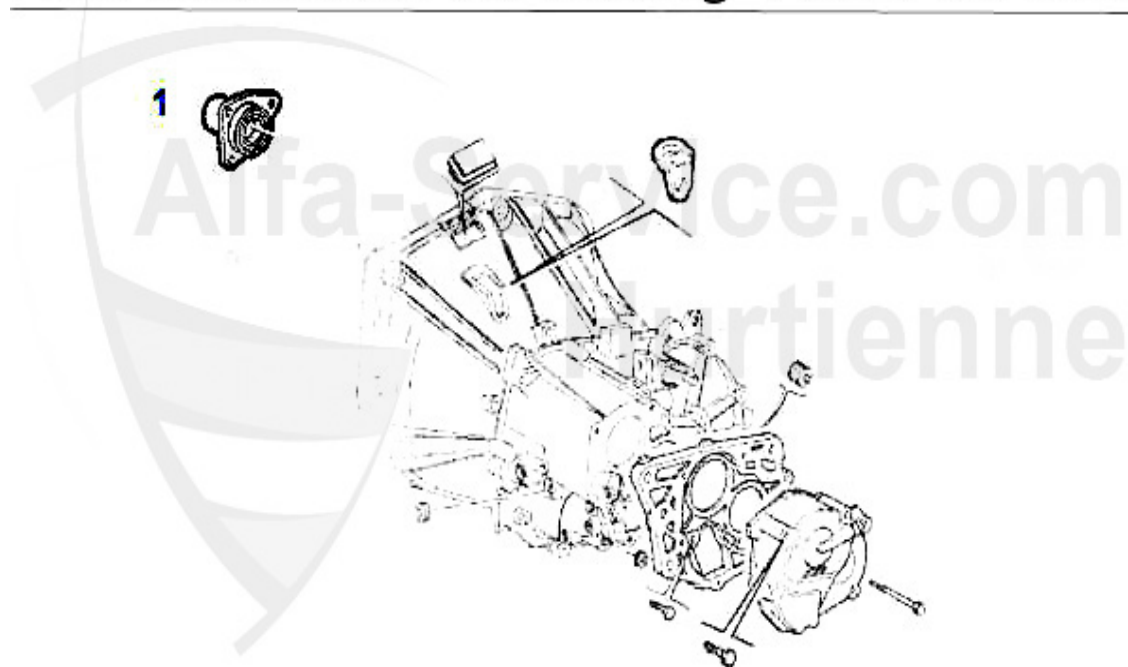
Ø 235 mm

---

1 KK853501 Kupplungs-Kit 145/6,156 1.9/2.4 JTD 166 2.0 TS Bj. 09.97-10.00 (ohne Ausrücker)

337.00 EUR

## Ausrücker/Sleeve Bearing 145/6 1.9 JTD

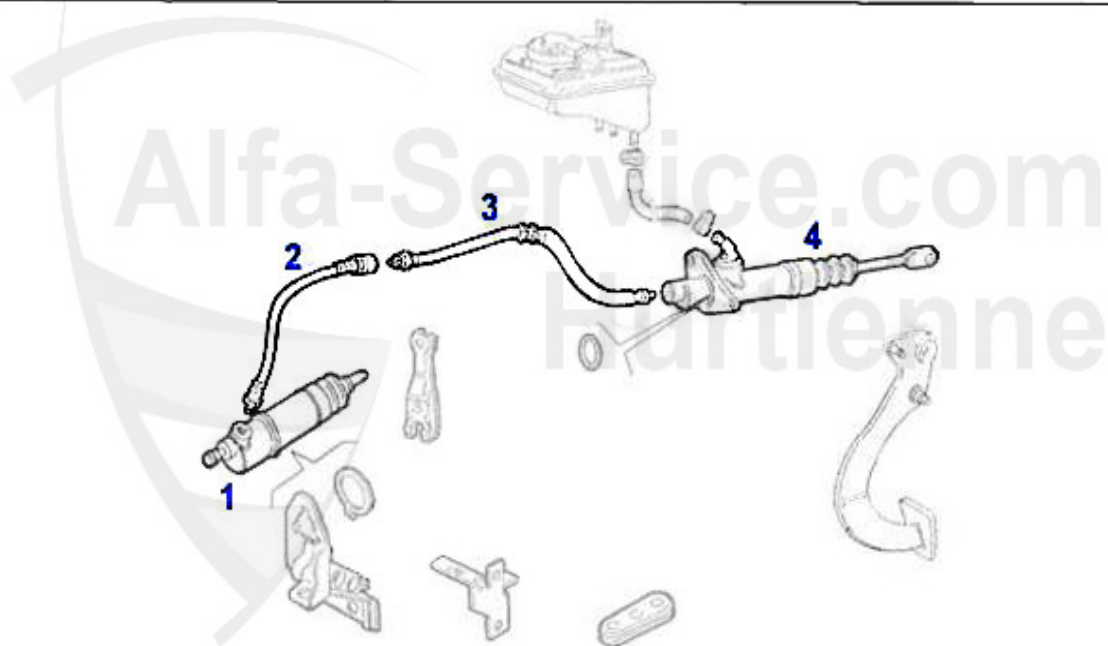


1 FH11951 OE. 46411951 Cover

18.84 EUR

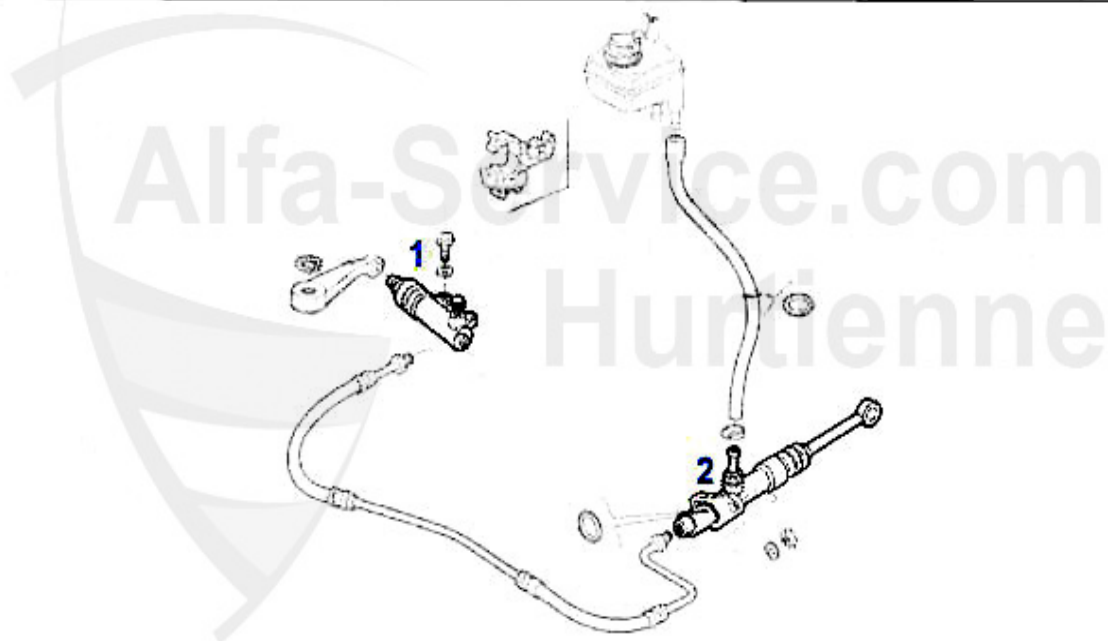


Kupplungsbetätigung/Clutch Actuation 145/6 Boxer Bj. >96



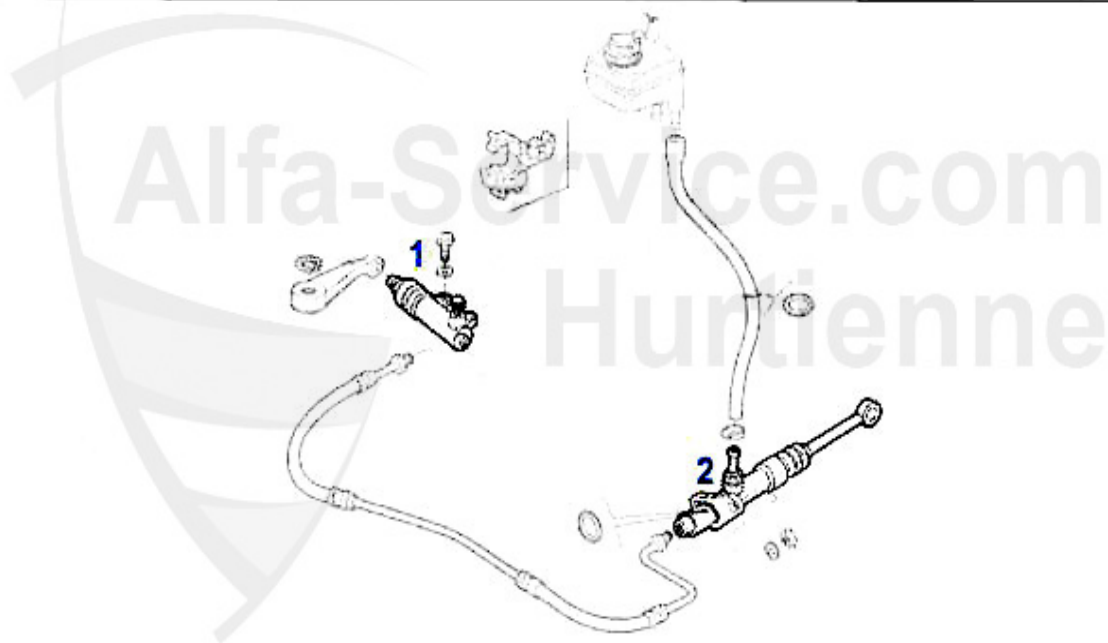
1	KNZ008	OE. 60502665 CLUTCH SLAVE CYLINDER	51.50 EUR
2	KS09618	OE. 82409618 FLEX. HOSE 145/6,155	***
3	KS06168	OE. 60606168 FLEX. HOSE 145/6 Boxer	19.61 EUR
4	KGZ028	kupplungsgeberzylinder 145/6 1.4,1.6,1.7 16V bj. 94-96	101.55 EUR

## Kupplungsbetätigung/Clutch Actuation 145/6 TS 16V



1	KNZ024	OE.71739541 CLUTCH SLAVE CYL.145/6 155,0075933>,GTV/SPIDER(916) 07.95>	49.90 EUR
2	KGZ027	OE.60814827,CLUTCH MASTER CYLINDER 145/6,155,GTV/SPIDER(916)	69.00 EUR

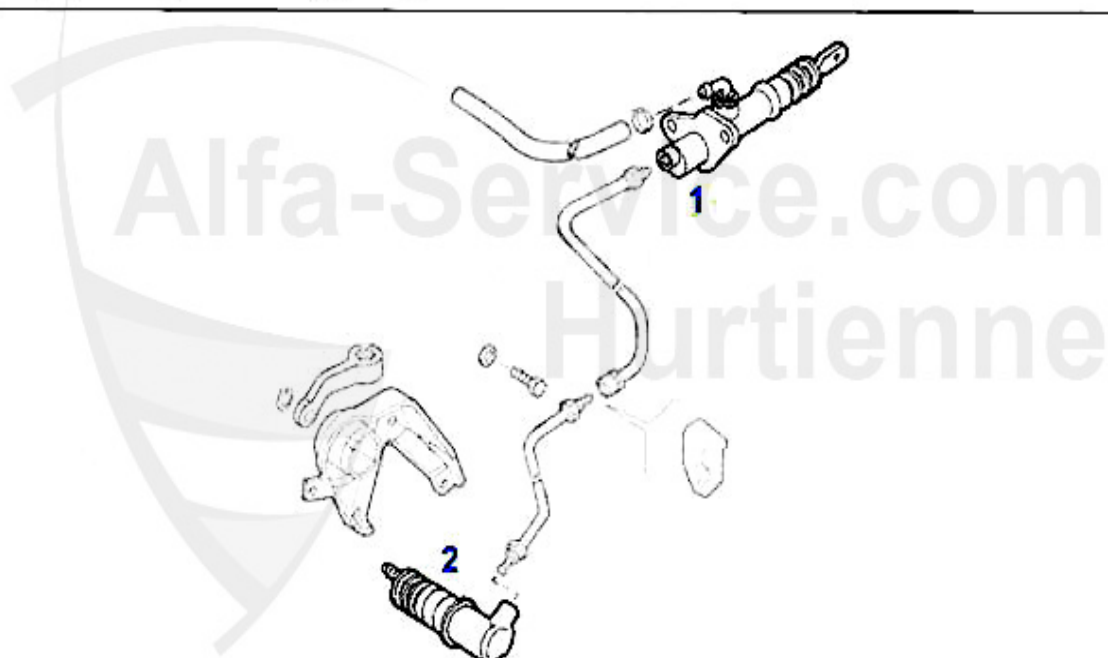
Kupplungsbetätigung/Clutch Actuation 145/6 2.0 TS 16V Quadrifoglio



1	KNZ024	OE.71739541 CLUTCH SLAVE CYL.145/6 155,0075933>,GTV/SPIDER(916) 07.95>	49.90 EUR
2	KGZ027	OE.60814827,CLUTCH MASTER CYLINDER 145/6,155,GTV/SPIDER(916)	69.00 EUR

## Kupplungsbetätigung/Clutch Actuation 145/6 1.9 TD/KAT.

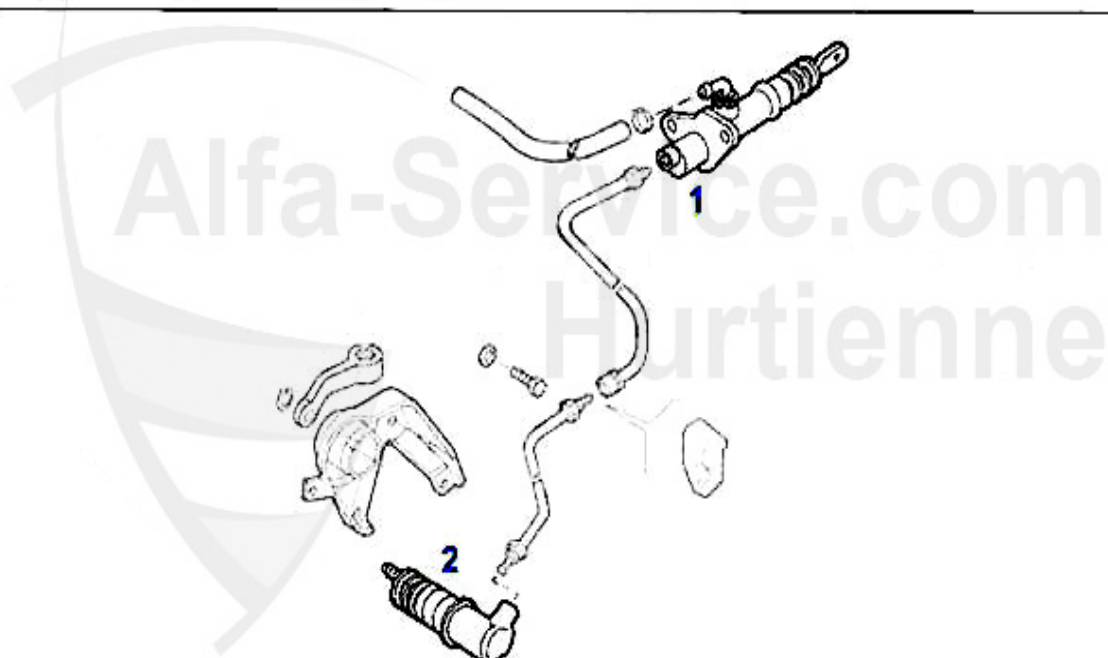
---



1	KGZ027	OE.60814827,CLUTCH MASTER CYLINDER 145/6,155,GTV/SPIDER(916)	69.00 EUR
2	KNZ024	OE.71739541 CLUTCH SLAVE CYL.145/6 155,0075933>,GTV/SPIDER(916) 07.95>	49.90 EUR

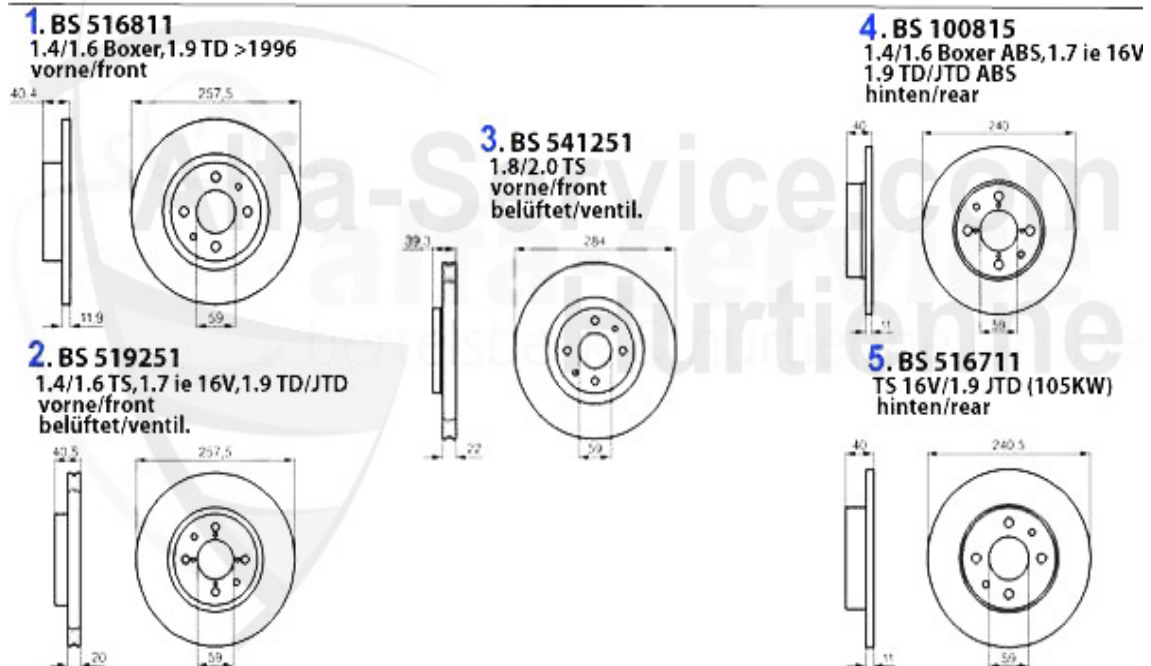
## Kupplungsbetätigung/Clutch Actuation 145/6 1.9 JTD

---



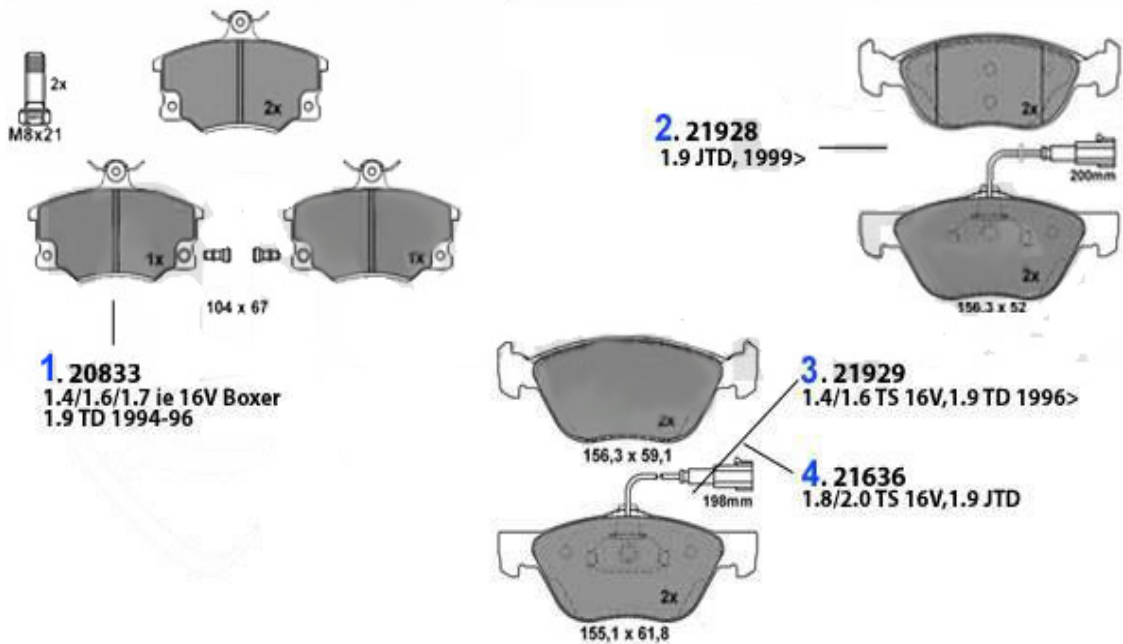
1	KGZ027	OE.60814827,CLUTCH MASTER CYLINDER 145/6,155,GTV/SPIDER(916)	69.00 EUR
2	KNZ028	OE. 60801577 CLUTCH SLAVE CYLINDER	51.50 EUR

## Bremsscheiben/Brakedisks 145/6



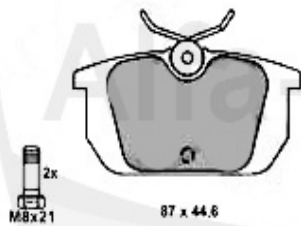
1	BS516811	FRONT BRAKE DISK 145/6 1.4/1.6 IE YEAR 94-12.96/1.9 TD YEAR 94-99 155 1.9 TD	19.90 EUR
2	BS519251	FRONT BRAKE DISK 145/6 1.4/1.6/1.7 IE 16V TS/1.9 TD/JTD 94-01,155 1.6/1.7/ 1.8/2.0/16V/TS 93>	28.50 EUR
3	BS541251	FRONT BRAKE DISK 145/6 1.8/2.0 16V TS/QV 96>	54.00 EUR
4	BS100815	Bremsscheibe HA 33 (907) 1.4/1.5/ 1.7/ie/16V, 145/6 1.4/1.6/1.7/1.8/ 2.0/ie/16V/TS/1.9/TD/JTD/alle mit ABS, 155 1.6/1.7/2.0/16V/TS/2.5 V6/ TD bj. 05.96>	17.90 EUR
5	BS516711	REAR BRAKE DISK 145/6 1.4/1.8 16V TS 01.97>/2.0 16V TS/1.9 JTD ALL, 155 ALL	14.90 EUR

## Brembeläge/Brakepads 145/6 vorne/front



1	20833 171 25	FRONT BRAKE PADS WITH CONTROL UNIT 145/6 1.4/1.6/1.7/1.8 16V/TS 94-96,155 1.7/ 1.8/2.0/TS 1.9TD,SPIDER (916) 2.0 TS/2.0 V6 95-98 BRAKE SYSTEM: LUCAS	42.98 EUR
2	21928 179 05	SBB VA mit WE 145/6 1.9 JTD Bj. 02.99-01.01 Bremssystem: Ate	45.65 EUR
3	21929 179 05	SBB VA mit WE 145/6 1.4/1.6/2.0/16V TS/1.9 TD,spider/gtv (916) 2.0 TS C F 3/JTS Bj. >9.03 Bremssystem: Ate	50.02 EUR
4	21636 193 05	OE 77362222, BRAKE PADS WITH ABRASION CONTACT, 155 1.6/1.8/2.0 16V TS/2.5 V6 TD 05.96 >, 156 1.6 1.8/2.0/16V/TS/JTS/V6/1.9/2.4 JTD , GTV/S	60.52 EUR

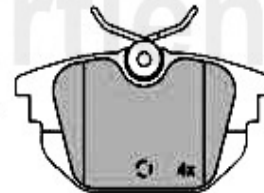
## Brembeläge/Brakepads 145/6 hinten/rear



**1. 21103**  
Grauguß-Sattel/  
grey iron caliper  
> 1997

87 x 44,6

**2. 23177**  
ALU-Sattel/  
alu caliper  
1997 >

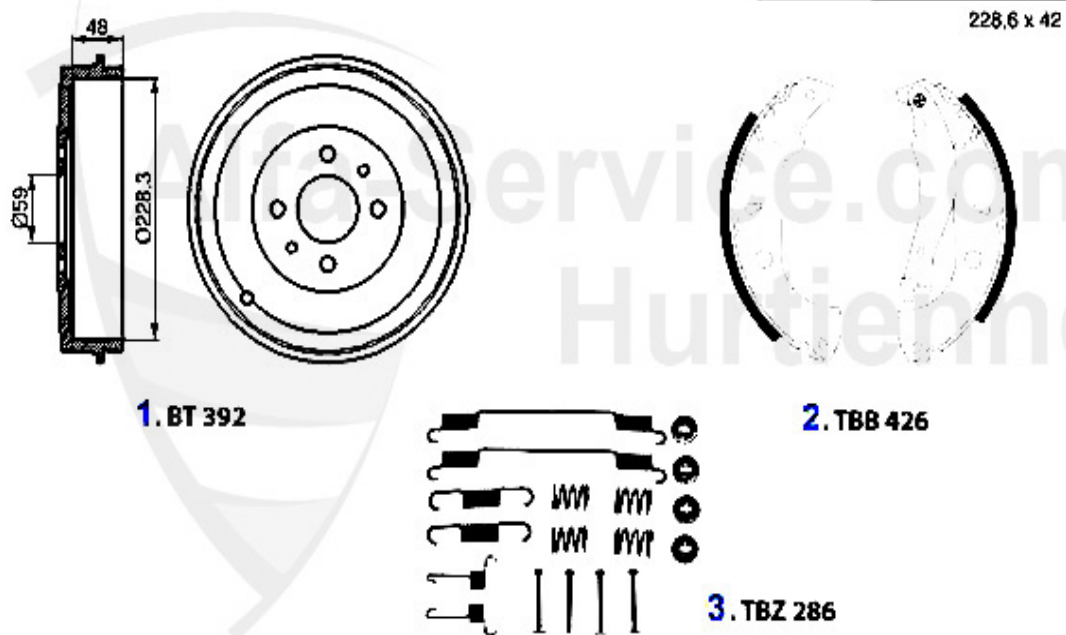


87 x 44,6

<b>1</b> 21103 144 04	SBB HA ohne WE 145/6 1.4/1.6/1.7/ 1.8/2.0/16V/TS/1.9/TD/JTD bj. 94-01 155 1.6/1.7/1.8/2.0/16V/TS/turbo/ 1.9/2.5/TD/V6 bj. 92-97 spider/gtv (916) 2.0/TS/V6 turbo/ 3.0/V6/24V Bremssystem: Lucas Neuer Preis!	<b>46.17 EUR</b>
<b>2</b> 23177 144 14	REAR BRAKE PADS WITH CONTROL UNIT 33 (907) 1.7 ie/16V/QV/4x4/1.8 TD WITH ABS 145/6 1.4/1.6/1.8/2.0/16V/TS/1.9/TD/JTD, 155 1.6/1.7/1.8/2.0/16V/TS/2.5 V6/TD/1.9 TD SPIDER/GTV (916) 1.8/2.0 TS/2.0/3.0 V6/TURBO/24V BRAKE SYSTEM: LUCAS	<b>50.93 EUR</b>

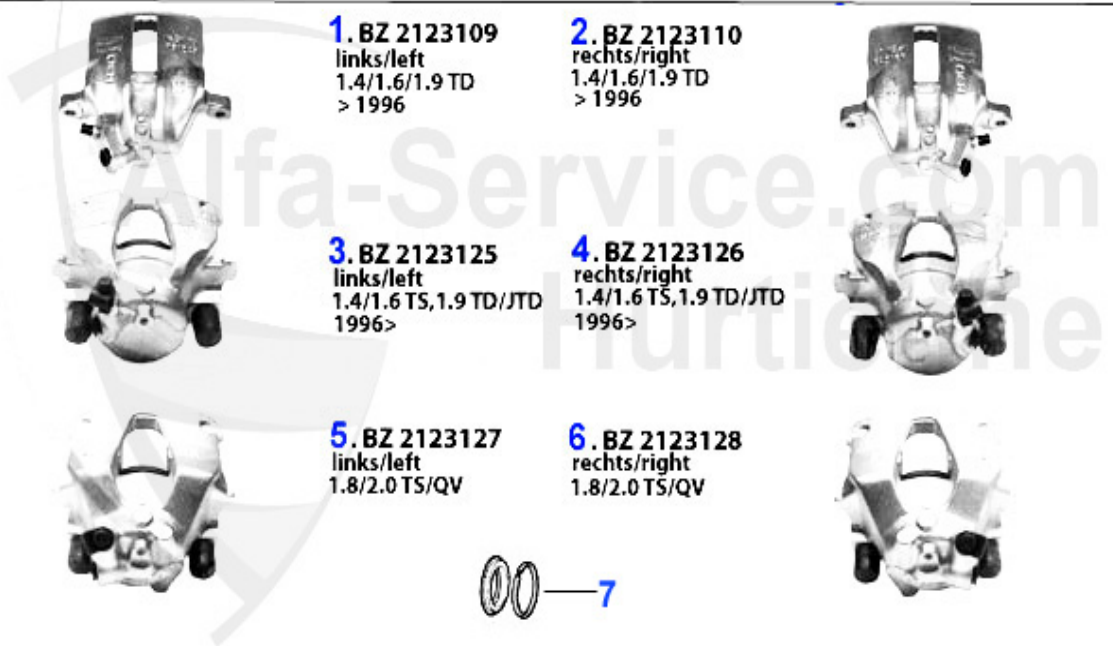


## Trommelbremse/Drum Brake 145/6 hinten/rear



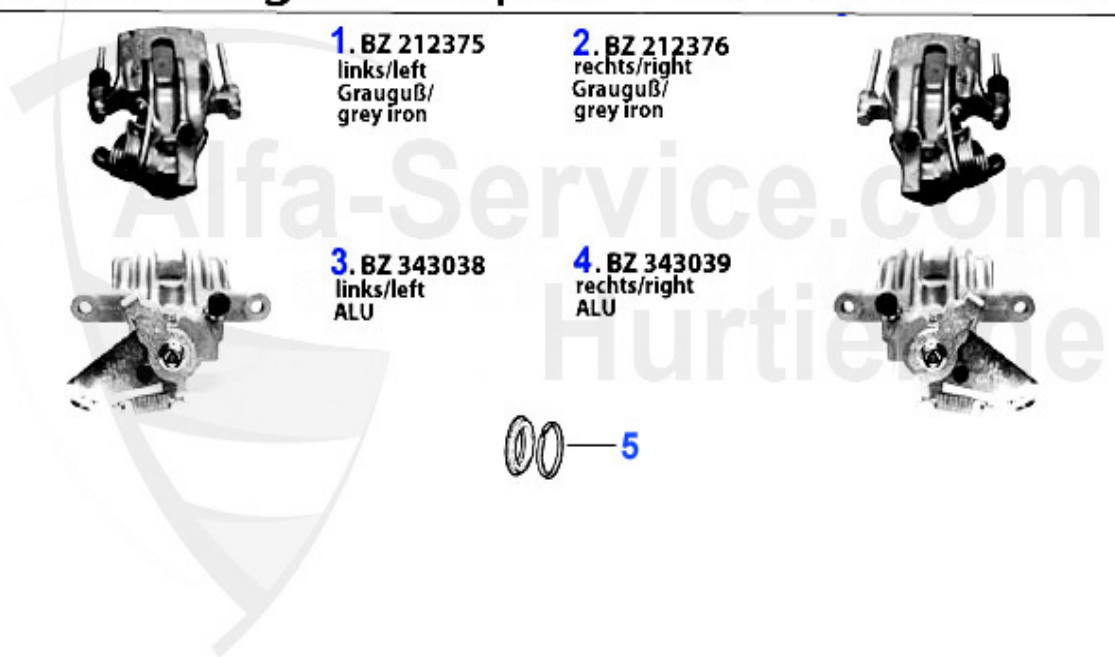
1	BT392	DRUM BRAKE 145/6 1.4/1.6/1.7/1.8/IE/ 16V TS/1.9 TD >12.96	85.45 EUR
2	TBB426	Bremsbackensatz bendix 145/6	63.61 EUR
3	TBZ286	Bremsbackenzubehörsatz 145/6 Bremssystem: Bendix	20.00 EUR

## Bremszangen/Calipers 145/6 vorne/front



1	BZ2123109	Bremssattel vl 145/6 1.4/1.6 ie 1.9 TD bj. 94-96 Bremssystem: Bendix 1-kolben Austauschteil	101.55 EUR
2	BZ2123110	Bremssattel vr 145/6 1.4/1.6 ie/ 1.9 TD bj. 94-96 Bremssystem: Bendix 1-kolben Austauschteil	101.55 EUR
3	BZ2123125	OE. 9947121 BRAKE CALIPER FL 145/6 1996> 1.4/1.6 TS,1.9 TD/JTD	142.60 EUR
4	BZ2123126	OE. 9947122 BRAKE CALIPER FR 145/6 1996> 1.4/1.6 TS, 1.9 TD/JTD	142.60 EUR
5	BZ2123127	OE. 9947391 F.BRK.CAL.W/O PAD	138.49 EUR
6	BZ2123128	OE. 9947392 F.BRK.CAL.W/O PAD	138.49 EUR
7	RSBS4359	REPAIRKIT FOR ONE CALIPPER TYP ATE 53MM 145/6 1.4 16VTS,1.8 i.e 16V, 2.0 16V, 1.9JTD, 156 16V TS, 2.5 V6 +SW Models	19.90 EUR
7	RSBS4025	REPAIR KIT FOR CALIPPER ATE 53mm DIAM. (for one calipper) FITS FOR THE MODELS 145/6-(930) 1.4/1.6/1.8/2.0/ 16V/TS 1.9J/TD 94-01, 156+SW(932)1.9JTD 1.6/1.8/2.0/2.4JTD, 3.2GTA, 00-05	21.99 EUR
7	RSBS89990 02	Reparatursatz für Bremssattel vorne 2123127/2123128,Gummimanschetten Preis pro Set, GTV Spider(916), 145/6 1.8/2.0L TS	23.68 EUR

## Bremszangen/Calipers 145/6 hinten/rear



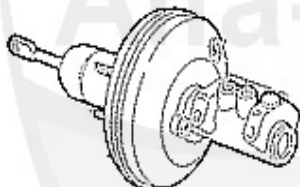
<b>1</b>	<b>BZ212375</b>	brake caliper rear left side 145/6 1.4 1.6/1.7 ie 16V/TS 1.9 TD,155 all- 916 GTV/Spider 2,0L TS 16V/TB. Lucas 1-piston brake system, exchange part	<b>142.60 EUR</b>
<b>2</b>	<b>BZ212376</b>	brake caliper rear right side 145/6 1.4 1.6/1.7 ie 16V/TS 1.9 TD, 155 all- 916 GTV/Spider 2,0L TS 16V/TB. Lucas 1-piston brake system, exchange part	<b>142.60 EUR</b>
<b>3</b>	<b>BZ343038</b>	Bremssattel HL 145/6,155 Bj. 97> Br emssystem: Lucas 1-Kolben Aluminium	<b>189.78 EUR</b>
<b>4</b>	<b>BZ343039</b>	Bremssattel HR 145/6,155 Bj. 97> Br emssystem: Lucas 1-Kolben Aluminium	<b>189.78 EUR</b>
<b>5</b>	<b>RSBS89990</b> 03	Reparatursatz Bremssattel hinten 212375/212376 Gummimanschetten 145/ 146 1.4/1.6/1.7i 16V/TS/1.9TD,155 alle Lucas Bremssystem	<b>***</b>
<b>5</b>	<b>RSBS4468</b>	REPAIR KIT FOR REAR CALIPPER LUCAS SYSTEM 38mm, for one side	<b>19.90 EUR</b>
<b>5</b>	<b>RSBS4129</b>	Rep-Satz Bremszange hinten Lucas 145/6 94-99, 155 92-96, GTV/Spider 95-98	<b>23.21 EUR</b>

## 145/6 > BRAKE > BRAKE SERVO/BRAKE MASTER CYL. BOXER

BKV/Hauptbremszylinder/Brakeservo/Brake master cylinder 145/6 Boxer

---

1. BKV 08676



2. HBZ 208



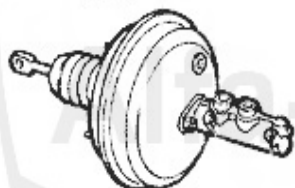
- |   |          |  |     |
|---|----------|--|-----|
| 1 | BKV08676 | Bremskraftverstärker 145/6 Bj. >96 1.4/1.6/ie/1.7 ie 16V | *** |
| 2 | HBZ208   | BRAKE MASTER CYLINDER 145/6,155,916                      |     |

**117.98 EUR**

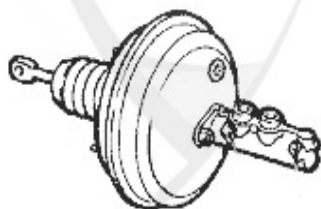
## 145/6 > BRAKE > BRAKE SERVO/BRAKE MASTER CYL. TS

BKV/Hauptbremszylinder/Brakeservo/Brake master cylinder 145/6 TS 16V

1. BKV 78966  
1.4 TS



2. BKV 71358  
1.6/1.8/2.0 TS



3. HBZ 208



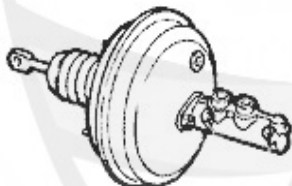
1	BKV78966	Bremskraftverstärker 145/6 1.4 TS 1 6V,1.9 JTD Bj. 7.99>	306.73 EUR
2	BKV71358	BRAKE SERVO 145/6 1.6/1.6TS 16V,155 1.7/1.8/2.0 TS 16V/2.5 V6 #69451>/1.9/ 2.5 TD,GTV/Spider (916) 1.8/2.0 TS/V6 Turbo	548.99 EUR
3	HBZ208	BRAKE MASTER CYLINDER 145/6,155,916	117.98 EUR

## 145/6 > BRAKE > BRAKE SERVO/BRAKE MASTER CYL. TD/JTD

BKV/Hauptbremszylinder/Brakeservo/Brake master cylinder 145/6 TD/JTD

---

1. BKV 09922



3. HBZ 208



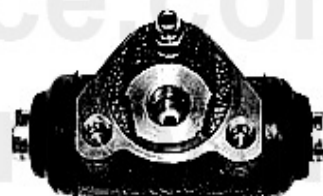
1	BKV09922	Bremskraftverstärker 145/6 1.9 TD/ JTD Bj. >7.99,155 1.9/2.5 TD	400.55 EUR
3	HBZ208	BRAKE MASTER CYLINDER 145/6,155,916	117.98 EUR

## Radbremszylinder/Wheel Brake Cyl. 145/6

**1. RBZ 612**  
1. SERIE >1996  
Ø 20,6 mm



**2. RBZ 644**  
2. SERIE 1996>  
Ø 17,5 mm

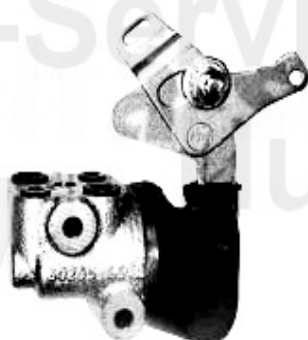


<b>1</b>	<b>RBZ612</b>	<b>WHEEL BRAKE CYLINDER 145/6 &gt;2.96</b>	<b>25.13 EUR</b>
<b>2</b>	<b>RBZ644</b>	<b>WHEEL BRAKE CYLINDER 145/6 1/97&gt;</b>	<b>32.32 EUR</b>

## Bremskraftregler/Brake Valve 145/6

---

1. BKR 052



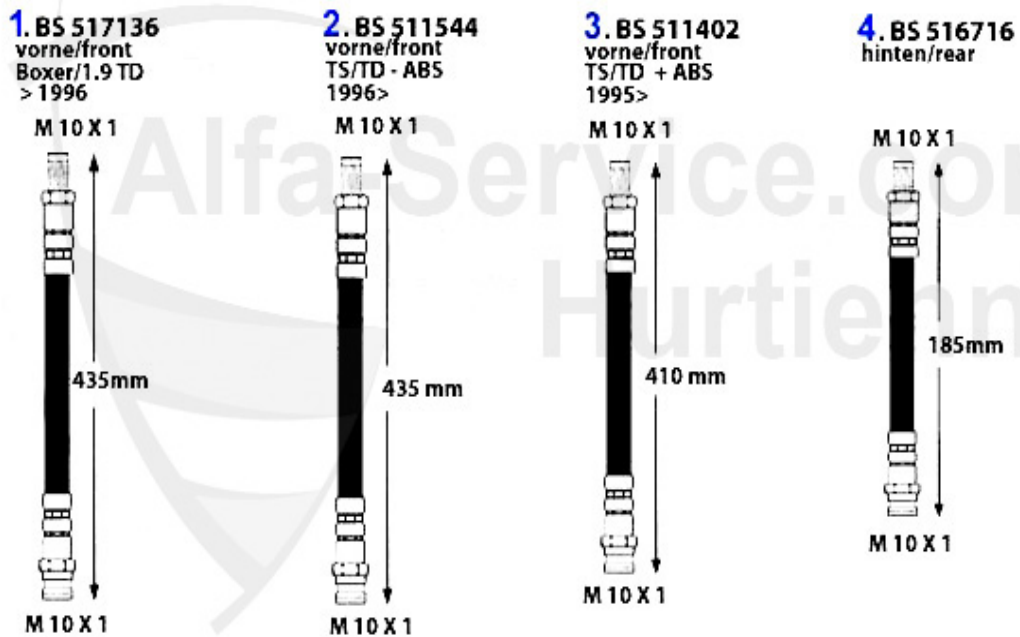
---

1 BKR052 BRAKE VALVE 145/6,155 > #6026240

156.58 EUR

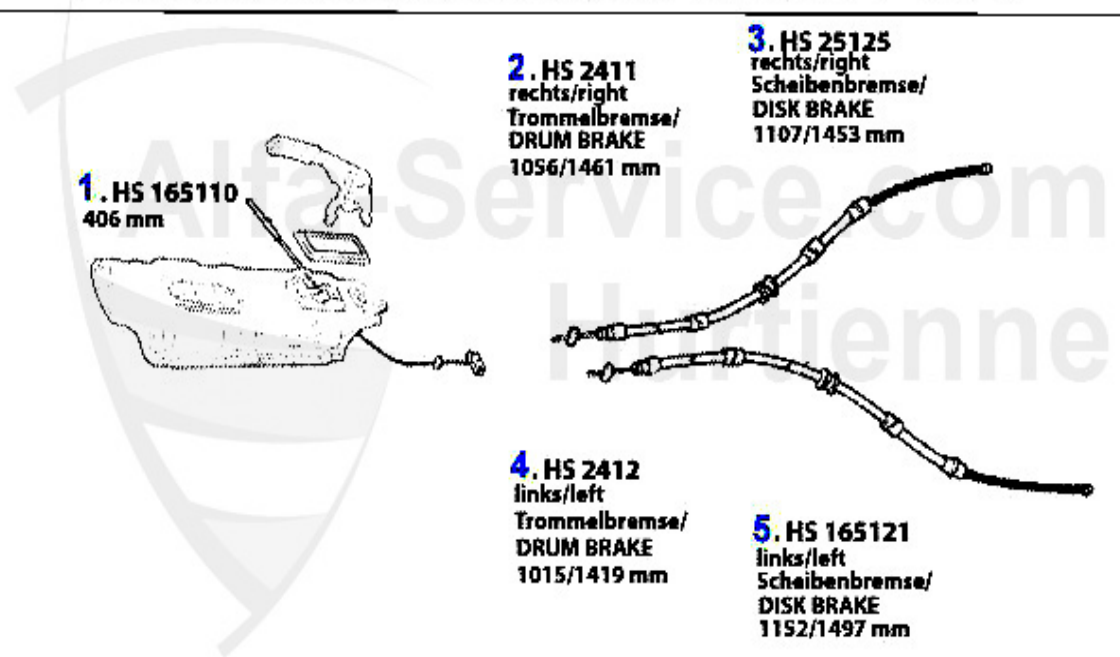


## Bremsschlauch/Brake Hose 145/6



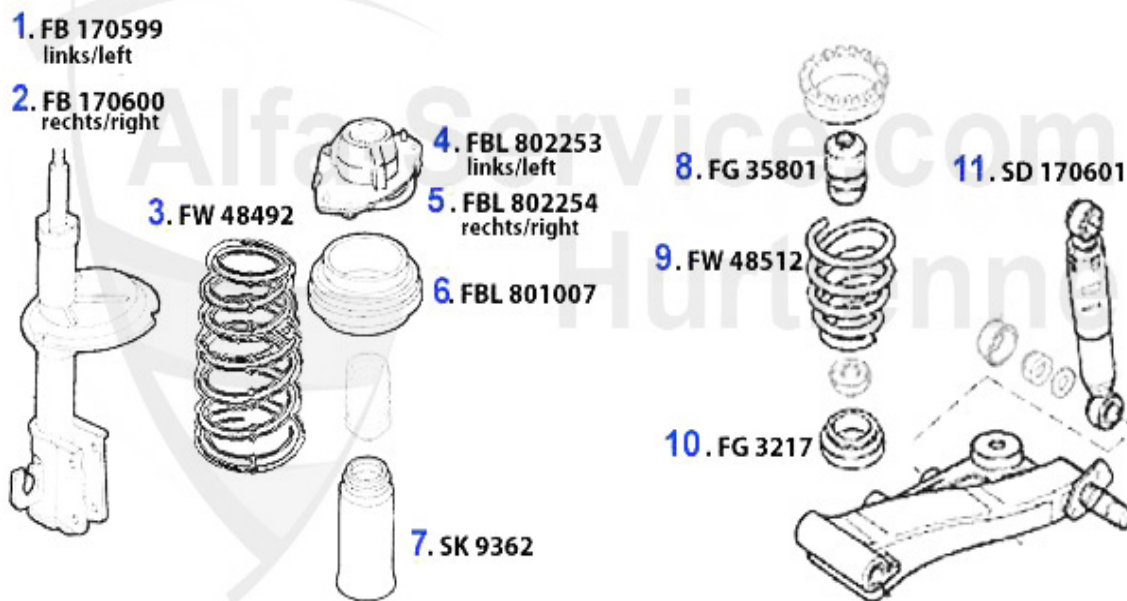
2	BS511544	BRAKE HOSE FRONT 145/6 97-01	14.77 EUR
3	BS511402	BRAKE HOSE FRONT 145/6 96> WITH ABS	12.83 EUR
4	BS516716	BRAKE HOSE REAR 145/6,155,GTV/SPIDER (916) 2.0 TS/3.0 V6 >98	16.31 EUR

# Handbremsseil/Brake Cable 145/6



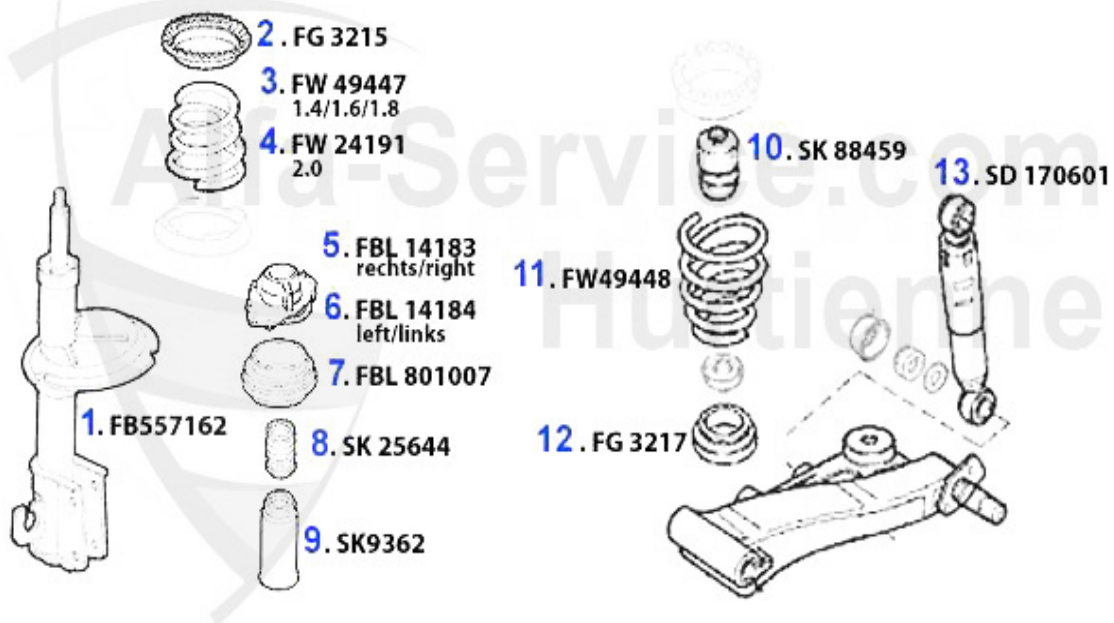
1	HS165110	HANDBRAKE CABLE FRONT 145/6,147,155, SPIDER/GTV (916),NUOVO GT HANDBRAKE CABLE FRONT 145/6,147,155, SPIDER/GTV (916),NUOVO GT	19.08 EUR
2	HS2411	Handbremsseil rechts 145/6 mit Trommelbremse	20.00 EUR
3	HS25125	OE.60577826,HANDBRAKE CABLE RIGHT 145/6 WITH DISK BRAKE REAR 155	22.36 EUR
4	HS2412	Handbremsseil links 145/6 mit Trommelbremse	20.42 EUR
5	HS165121	OE.46456849 HANDBRAKE CABLE LEFT 145/6, 155 WITH DISK BRAKE REAR	27.18 EUR

## Federbeine/Struts 145/6 Boxer



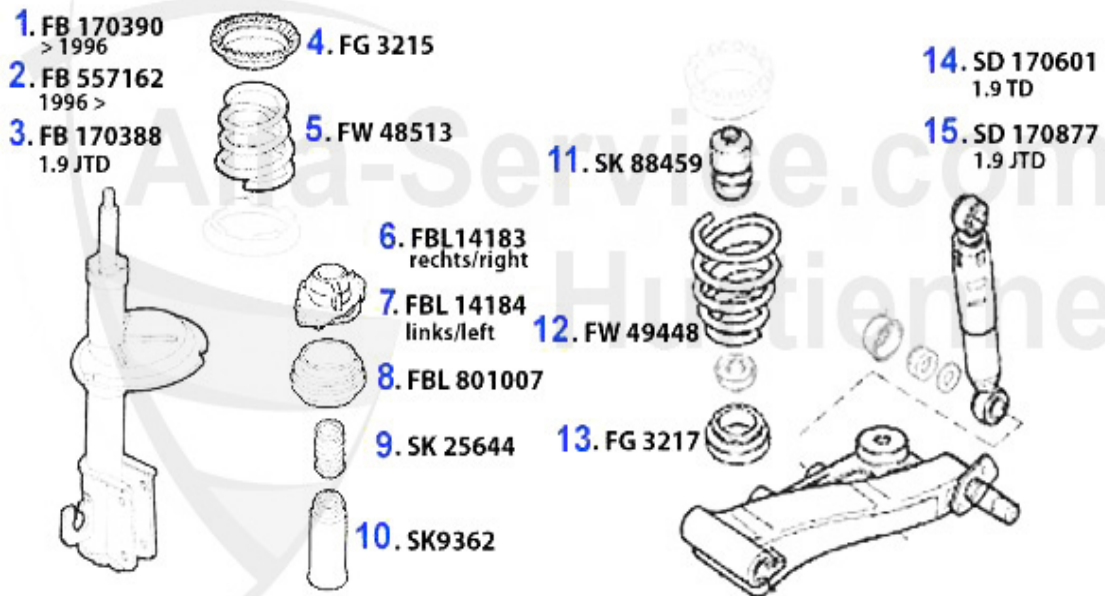
1	FB170599	Federbein VL 145/6 Bj. >96 2-Rohr Gas	163.11 EUR
2	FB170600	Federbein VR 145/6 Bj. >96 2-Rohr Gas	163.11 EUR
3	FW48492	Fahrwerksfeder vorne 145/6 1.4-1.6 ie Bj. 07.94-12.96	55.30 EUR
4	FBL802253	Federbeinlager vorne links 145/6,15 5,kpl.-Satz	50.27 EUR
5	FBL802254	Federbeinlager vorne rechts 145/6,1 55,kpl.-Satz	50.27 EUR
6	FBL801007	Federbeinlager vorne 145/6,155	20.47 EUR
7	SK9362	Staubkappe vorderes Federbein 145/6,155	4.17 EUR
8	FG35801	OE. 7599485 RUBBER PAD	4.41 EUR
9	FW48512	Fahrwerksfeder hinten 145/6,155	49.24 EUR
10	FG3217	Federgummi HA 145/6,155	7.79 EUR
11	SD170601	Stossdämpfer hinten 145/6,155 Bj. 4 .95> oben Auge/unten Auge,1-Rohr Gas	94.08 EUR

## Federbeine/Struts 145/6 TS 16V



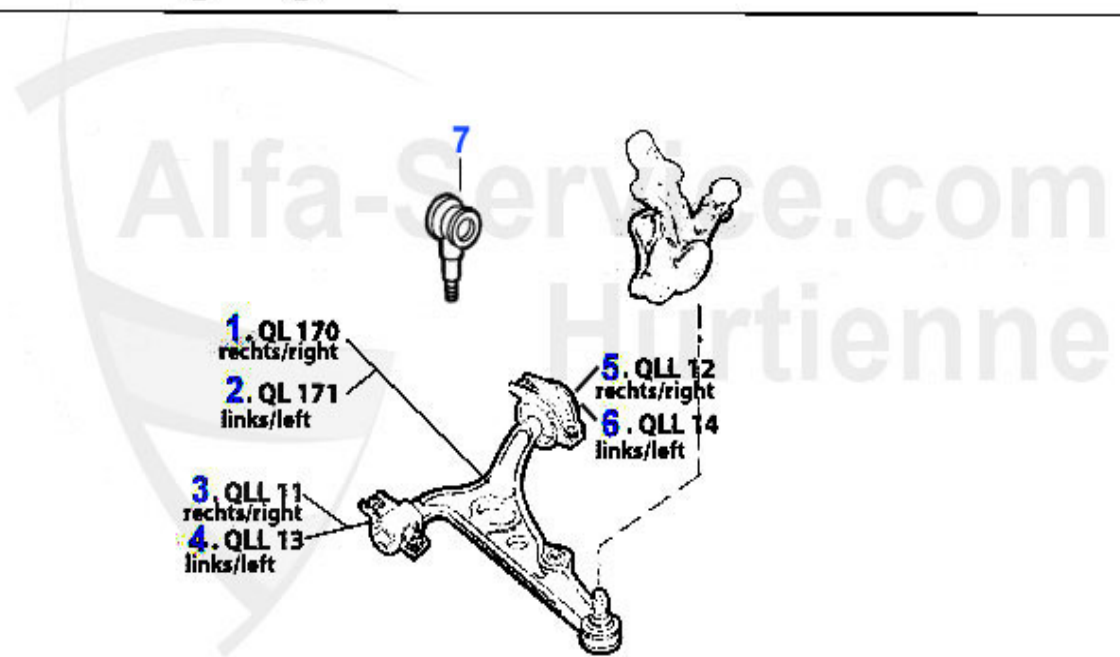
1	FB557162	Federbein vorne 145/6 alle TS,2-Roh r Gas	135.92 EUR
2	FG3215	Federgummi für vorderes Federbein 145/6,155	8.15 EUR
3	FW49447	OE. 60618686 SPRING FA 145/6 TS 16V	79.00 EUR
4	FW24191	OE. 60624191 SPRING FA 145/6 2.0 TS 16V	70.78 EUR
5	FBL14183	OE. 46414183 ELASTIC PAD FA 145/6 TS 16V	56.42 EUR
6	FBL14184	OE. 46414184 ELASTIC PAD FA 145/6 TS 16V	56.42 EUR
7	FBL801007	Federbeinlager vorne 145/6,155	20.47 EUR
8	SK25644	OE. 60625644 RUBBER PAD f. STRUT FA 145/ 6	19.49 EUR
9	SK9362	Staubkappe vorderes Federbein 145/6,155	4.17 EUR
10	SK88459	DUST COVER REAR STRUT 145/6 155, SPIDER/GTV (916)	17.96 EUR
11	FW49448	OE. 7683823 SPRING RA 145/6 TS 16V	70.78 EUR
12	FG3217	Federgummi HA 145/6,155	7.79 EUR
13	SD170601	Stossdämpfer hinten 145/6,155 Bj. 4 .95> oben Auge/unten Auge,1-Rohr Ga s	94.08 EUR

## Federbeine/Struts 145/6 TD/JTD



1	FB170390	Federbein vorne 145/6 1.9 TD Bj. >1 1.96,155 4-Zylinder,2-Rohr Gas	122.08 EUR
2	FB557162	Federbein vorne 145/6 alle TS,2-Rohr Gas	135.92 EUR
3	FB170388	Federbein vorne 155 TD,Turbo 16 V 2 -Rohr Gas,145 1.9 JTD	148.75 EUR
4	FG3215	Federgummi für vorderes Federbein 145/6,155	8.15 EUR
5	FW48513	Fahrwerksfeder vorne 145/6 1.9 TD/ JTD, 155 (alle 4-zylinder)	79.99 EUR
6	FBL14183	OE. 46414183 ELASTIC PAD FA 145/6 TS 16V	56.42 EUR
7	FBL14184	OE. 46414184 ELASTIC PAD FA 145/6 TS 16V	56.42 EUR
8	FBL801007	Federbeinlager vorne 145/6,155	20.47 EUR
9	SK25644	OE. 60625644 RUBBER PAD f. STRUT FA 145/ 6	19.49 EUR
10	SK9362	Staubkappe vorderes Federbein 145/6,155	4.17 EUR
11	SK88459	DUST COVER REAR STRUT 145/6 155, SPIDER/GTV (916)	17.96 EUR
12	FW49448	OE. 7683823 SPRING RA 145/6 TS 16V	70.78 EUR
13	FG3217	Federgummi HA 145/6,155	7.79 EUR
14	SD170601	Stossdämpfer hinten 145/6,155 Bj. 4 .95> oben Auge/unten Auge,1-Rohr Gas	94.08 EUR
15	SD170877	Stossdämpfer hinten 145/6 1.9 JTD oben Auge/unten Auge,1-Rohr Gas	81.04 EUR

## Aufhängung/Attachment 145/6 vorne/front



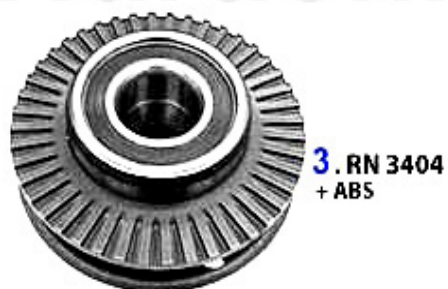
1	QL170	OE.60586752 TRAILING ARM FRONT RIGHT 145,146,155 GTV/SPIDER(916) -cpl. CONTROL ARM	49.00 EUR
2	QL171	OE.60586771 TRAILING ARM LEFT 145,146,155 GT/SPIDER(916)- CPL. TRAILING ARM	49.00 EUR
2	QLL13	TRAILING ARM BEARING INNER LEFT 145/6, 155,GTV&SPIDER (916) FITTING PART FOR QL171/3	9.50 EUR
3	QLL11	TRAILING ARM BEARING INNER RIGHT 145/6, 155,GTV&SPIDER (916) FITTING ITEM FOR QL170/2	9.50 EUR
5	QLL12	TRAILING ARM BEARING OUTER/RIGHT 145/6, 155,GTV&SPIDER (916) FITTING PART FOR QL170/2	11.50 EUR
6	QLL14	TRAILING ARM BEARING OUTER LEFT 145/6, 155,GTV&SPIDER (916) FITTING PART FOR QL171/3	11.50 EUR
7	SS1502	Stabilisatorarm/Pendelstütze 145/6,155,spider/gtv (916) vorne	21.50 EUR

## Radlager/Wheel Bearing 145/6 Boxer

vorne/front:



hinten/rear:



1	RL9051	WHEEL BEARING SET FRONT SPIDER/GTV (916) 145/6,155	57.00 EUR
2	RN3402	REAR WHEEL HUB 145/6,155 without ABS WHEEL HUB WITH BEARING	56.93 EUR
3	RN3404	OE.46425959 WHEEL HUB REAR 145/6 155 WHEEL HUB WITH BEARING INCL. ABS RING	123.11 EUR

# Radlager/Wheel Bearing 145/6 TS 16V

vorne/front:



hinten/rear:



1	RL9051	WHEEL BEARING SET FRONT SPIDER/GTV (916) 145/6,155	57.00 EUR
2	RL15843	FRONT WHEEL BEARING 145/6 99> WITH ABS, GTV/SPIDER (916) #6063042	84.00 EUR
3	RN3401	FRONT WHEEL HUB 145/6,155,164 2.0 TS	66.68 EUR
4	RN3402	REAR WHEEL HUB 145/6,155 without ABS WHEEL HUB WITH BEARING	56.93 EUR
5	RN3403	Radnabe hinten 145/6,155 Radnabe mit Lager ohne Impulsring für Fahrzeuge mit ABS	60.52 EUR
6	RN15429	Radnabe hinten 145/6 (mit ABS) 4.Generation mit Airbag-Ansteuerung	66.68 EUR



## Radlager/Wheel Bearing 145/6 TD/JTD

vorne/front:

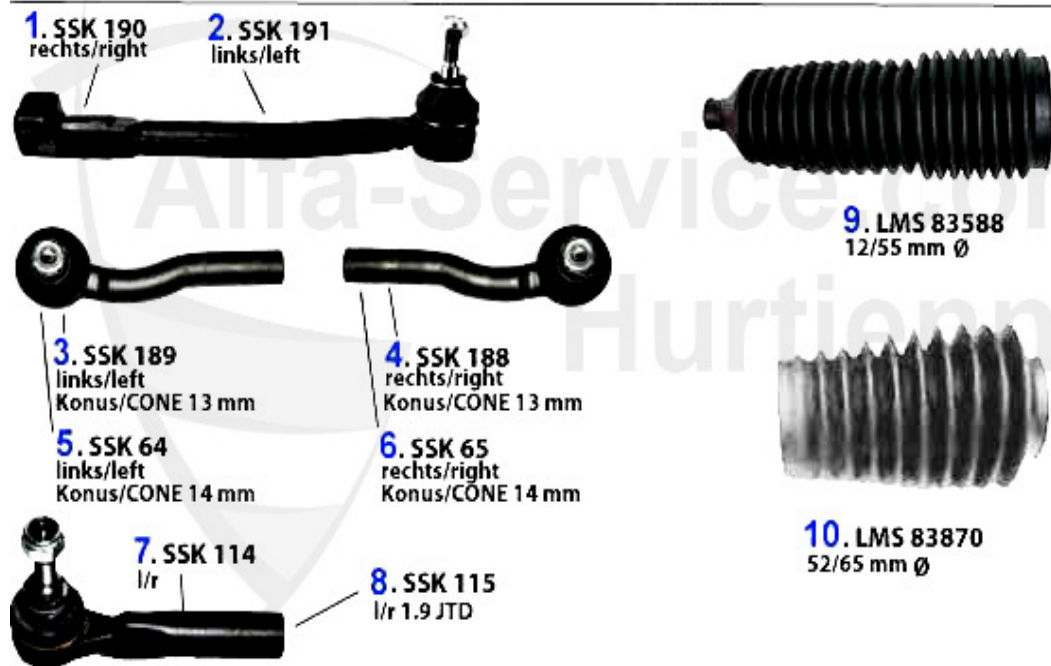


hinten/rear:



1	RL9051	WHEEL BEARING SET FRONT SPIDER/GTV (916) 145/6,155	57.00 EUR
2	RL15843	FRONT WHEEL BEARING 145/6 99> WITH ABS, GTV/SPIDER (916) #6063042	84.00 EUR
3	RL9054	Radlagersatz VA 155 2.0 16V Turbo, 164/Super 2.0 TS # 0014992 >, 2.0 V6 turbo,3.0 V6/24V/QV,145/6 1.9 JTD (ohne ABS), gtv/spider (916) V6/24V	85.00 EUR
4	RN3401	FRONT WHEEL HUB 145/6,155,164 2.0 TS	66.68 EUR
5	RN3402	REAR WHEEL HUB 145/6,155 without ABS WHEEL HUB WITH BEARING	56.93 EUR
6	RN3404	OE.46425959 WHEEL HUB REAR 145/6 155 WHEEL HUB WITH BEARING INCL. ABS RING	123.11 EUR
7	RN3403	Radnabe hinten 145/6,155 Radnabe mit Lager ohne Impulsring für Fahrzeuge mit ABS	60.52 EUR
8	RN15429	Radnabe hinten 145/6 (mit ABS) 4.Generation mit Airbag-Ansteuerung	66.68 EUR

## Lenkung/Steering 145/6



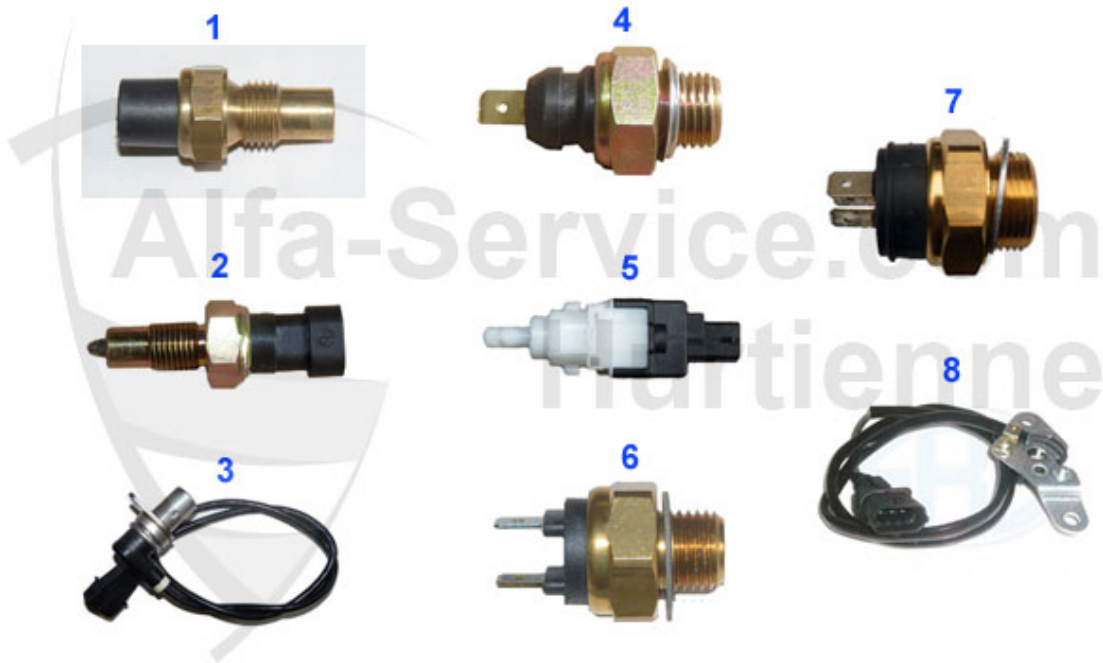
1	SSK190	Spurstange rechts 145/6 bj. 94-96	65.00 EUR
2	SSK191	Spurstange links 145/6 bj. 94-96	65.00 EUR
3	SSK189	OE.9947764 TRACK ROD END LEFT OUTER 145/6,155,GTV/SPIDER(916)IMPORTANT: PLEASE CHECK CONE SIZE:SSK189= 14MM SSK64= 14MM	55.00 EUR
4	SSK188	TRACK ROD END RH 145/6,155,916 CONUS SHAFT 13MM	55.00 EUR
5	SSK64	OE.60565706 TRACK ROD END LEFT OUTER 155,SPIDER/GTV(916)IMPORTANT:PLEASE CHECK CONE SIZE/SSK64=14MM, SSK189= 13MM	34.00 EUR
6	SSK65	Spurstangenkopf außen rechts 155, spider/gtv (916) ACHTUNG: auf Konusmaß achten/SSK 65 = 14 mm, SSK 188 = 13mm	34.00 EUR
7	SSK114	Spurstangenkopf außen 145/6,155 spider/gtv (916)	45.01 EUR
8	SSK115	Spurstangenkopf 145/6,155 TD/JTD spider/gtv (916) 6-zylinder	45.01 EUR
9	LMS83588	OE.9941582 STEERING BOOT SET LEFT & RIGHT SIDE 155, GTV/SPIDER (916)	23.09 EUR
10	LMS83870	OE. 9947534 STEERING BOOT 145/6	16.31 EUR

## 145/6 > ELECTRIC > ENGINE ELECTRIC > GLOW PLUG



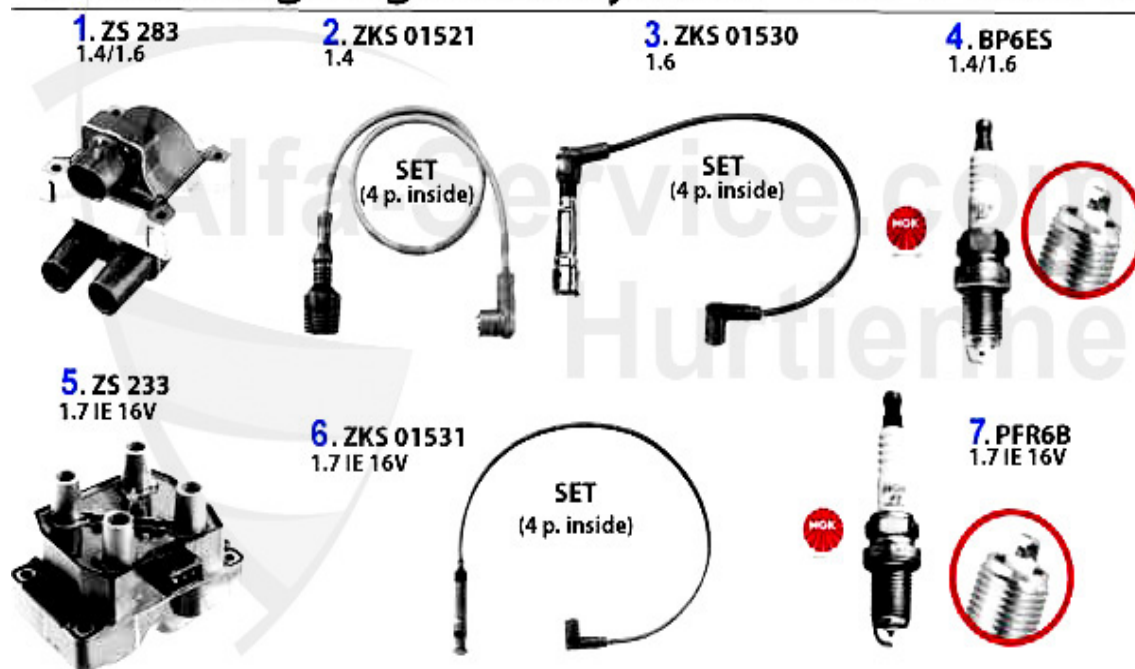
<b>1</b>	<b>GK17</b>	<b>Glühkerze Beru 145/6,156,166 1.9/2. 4 JTD</b>	<b>12.90 EUR</b>
<b>1</b>	<b>GK41</b>	<b>Glühkerze Beru 145/6 1.9 JTD Bj. 2. 99-1.01,156 1.9/2.4 JTD Bj. &gt;10.02, 166 2.4 JTD Bj. 04.02&gt;</b>	<b>22.13 EUR</b>
<b>1</b>	<b>GK908</b>	<b>Glühkerze Beru 145/6 1.9 TD Bj. &gt;2. 99,155 1.9/2.5 TD,164/Super 2.5 TD 2.5 TD</b>	<b>10.00 EUR</b>
<b>1</b>	<b>GK08</b>	<b>Glühkerze 147,156,166,GT, Brera/Spider /Motor 16V+20V Steckbefestigung</b>	<b>15.01 EUR</b>

145/6 > ELECTRIC > ENGINE ELECTRIC > SENSORS/SWITCHES



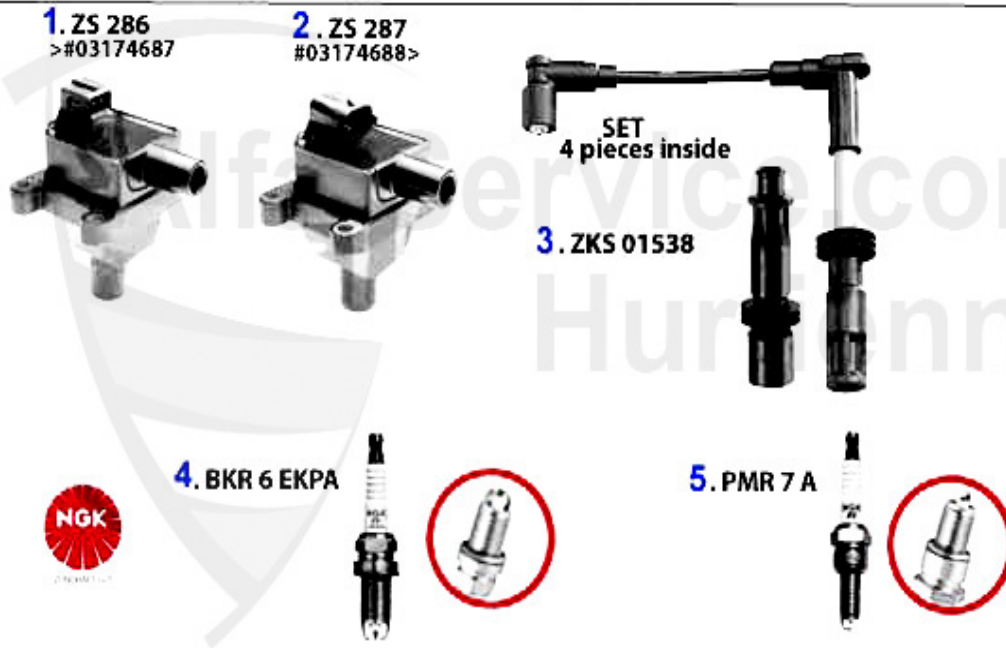
1	WTG6028	Geber Kühlwassertemperatur Sud/Sprint,33 (905/7),145/6 Bj. >96,75 2.0 TS,155 TS 8V Bj. >96,164/Super 2.0 TS >Temperatur-Kontrollleuchte	7.50 EUR
1	WTG60114	Geber Kühlwassertemperatur 33 (905/ 7),145/6 Bj. >96,75 2.0 TS,155 Bj. >96,164/Super >Temperatur-Kontrollleuchte	7.50 EUR
1	WTG11520	OE. 7778980 SENDING UNIT	14.01 EUR
1	WTG6035	Geber Kühlwassertemperatur 145/6,15 5 1.9 TD	20.49 EUR
2	RFS2821	Rückfahrl.-Schalter 145/6 Bj. 94-96	9.00 EUR
2	RFS9076	Rückfahrl.-Schalter 147,155, 156,gtv/spider (916),Nuovo GT, 145/6 1.4-2.0TS u. 1.9TD	12.00 EUR
2	RFS4553	OE. 46434553 SWITCH GEARBOX	20.00 EUR
3	KWS69912	Nockenwellen-Sensor 145/6,147,155, 156,Nuovo GT,gtv/spider (916) 97-02 (Motor CF2)	69.00 EUR
3	KWS13208	OE. 60513208 SENDING UNIT 33,75,145/6, 155,164/SUPER,SPIDER 90,GTV/SPIDER (916),RZ/SZ	64.00 EUR
4	ODS404012	Öldruckschalter 145/6,147,155,156,1 66,gtv/spider (916),Nuovo GT, 4-Zylinder TS 16 V	9.00 EUR
5	BLS313016	Bremslichtschalter 145/6,156,166,gt v/spider (916) 3.0 24V	12.00 EUR
6	WTS707072	Wassertemperaturschalter f. Kontrolle 33 (907) 145/6 Bj. >96	16.31 EUR
7	THS2700	Thermoschalter 145/6,155,164 (mit K (mit Kabel)	***
8	ZIG2810022	Sensor Nockenwellenposition 145/6 JTD,147 JTD,156JTD 159JTD,166JTD OE 46481640/60814770 OE 46432103	48.99 EUR

## Zündanlage/Ignitionsystem 145/6 BOXER



1	ZS283	Zündspule 33,145/6 1.4 ie Bj. 91-96 155 2.0 16V turbo Bj. 92-97,für Fahrzeuge ohne Verteiler Zündsystem: Marelli	19.96 EUR
2	ZKS01521	CABLES 33 (907) 1.4 IE 90-94 14-146 1.4 IE 94-96	40.01 EUR
3	ZKS01530	CABLES 145/6 1.6 IE >96	70.78 EUR
4	BP 6 ES	SPARK PLUG NGK 33 1.3/1.4/1.7 ie 1.6/1.8/TURBO/2.0ie/3.0 V6, 90 1.8/ 90 1.8/2.0ie, 145/6 1.4/1.6IE ALFETTA GT/V(116)1.8/2.0 SUD/SPRINT 1.2/1.3/1.5 TI,ARNA 1.2/1.3/TI,SPIDER(115)1.6/2.0 79>,166 2.0 V6 TURBO	2.67 EUR
5	ZS233	IGNITION COIL 33 (907),145/6 1.6/1.7 IE 90-96	98.00 EUR
6	ZKS01531	CABLES 145/6 1.7 IE 16V 94-97	70.78 EUR
7	PFR 6 B	Zündkerze NGK 33 1.7 ie 16V,145/6 1.7 ie 16V,147 3.2 GTA,156 2.5 V6 24 V/3.2 GTA,164 Super 3.0 V6 24V,166 2.5/3.0 V6 24V,gtv/spider (916) 3.0 V6 24V/3.2 V6	15.51 EUR

# Zündanlage/Ignitionsystem 145/6 TS 16V



1	ZS286	IGNITION COIL 145/6,155,156,SPIDER/GTV (916) 1.6-2.0 TS 95>	67.00 EUR
2	ZS287	IGNITION COIL 145/6,155,156,166,GTV/ SPIDER (916) 1.4-2.0 TS 09.97>	65.00 EUR
3	ZKS01538	Kabelsatz 145/6 1.4/1.6/1.8/2.0 ie 16V TS bj. 97>,155 1.6/1.8/2.0 ie 16V TS,gtv/spider 1.8/2.0 16V TS, 166 2.0 TS	163.11 EUR
4	BKR 6 EKPA	SPARK PLUG 2 X PLATINUM 145/6,147,155 156,166 GTV/SPIDER(916)ALL 4-CYL. TS JTS YEAR 95>IMPORTANT: 2 SPARKS EACH CYL. 1X BKR 6 EKPA/1X PMR 7 A	24.57 EUR
5	PMR 7 A	Zündkerze NGK Iridium Langzeitkerze 145/6,147,155,156,166,gtv/spider (916) alle 4-Zylinder TS/JTS Bj. 95> ACHTUNG: benötigt werden 2 Kerzen je Zylinder je 1x PMR 7 A/BKR 6 EKPA	24.99 EUR

## Aggregate/Aggregats 145/6 Boxer

**1. AN 10 340**  
1.4/1.6  
0,8 KW



**2. AN 15 560**  
1.7 IE 16V  
1,1 KW

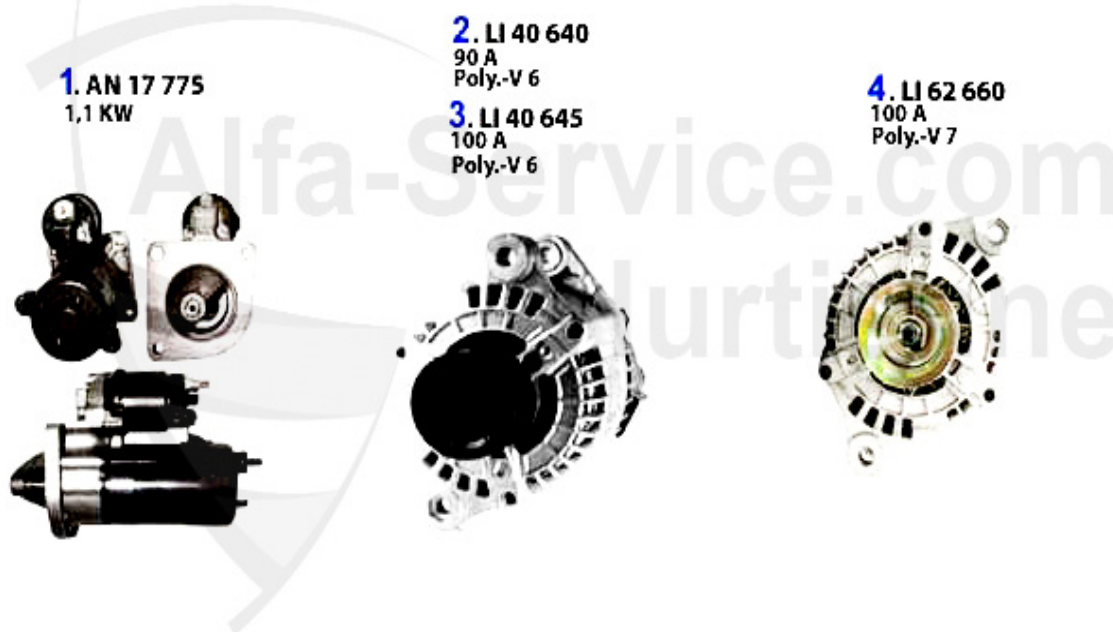


**3. LI 40 410**  
80 A



<b>1</b>	<b>AN10340</b>	<b>STARTER 145 1.4-1.6 IE 94-96 SUD/SPRINT ARNA,33 1.2,1.3,1.4 IE,1.5,1.5QV,1.7QV</b>	<b>163.11 EUR</b>
<b>2</b>	<b>AN15560</b>	<b>STARTER 145/6 1.7 IE 16V 91-96 33 1.7 IE/16V</b>	<b>173.37 EUR</b>
<b>3</b>	<b>LI40410</b>	<b>ALTERNATOR 145/6 1.4/1.6 IE 1.7 IE 16V</b>	<b>245.18 EUR</b>

## Aggregate/Aggregats 145/6 TS



**1. AN 17 775**  
1,1 KW

**2. LI 40 640**  
90 A  
Poly.-V 6

**3. LI 40 645**  
100 A  
Poly.-V 6

**4. LI 62 660**  
100 A  
Poly.-V 7

<b>1</b>	<b>AN17775</b>	<b>STARTER 145/6 1.4ie 16V TS - 2.0ie 16V TS, 166 2.0TS, GTV/SPIDER (916) 2.0 16V TS &gt;05.98, 166 2.0 TS</b>	<b>230.82 EUR</b>
<b>2</b>	<b>LI40640</b>	<b>ALTERNATOR 145/6 1.4-2.0 ie 16V 96-01, 155 1.6 16V,156 1.8 16V/2.4 JTD 10V</b>	<b>216.46 EUR</b>
<b>3</b>	<b>LI40645</b>	<b>ALTERNATOR 145/6 (WITH AC),155/6 1.6/ 1.8 16V TS (WITH AC)</b>	<b>287.24 EUR</b>
<b>4</b>	<b>LI62660</b>	<b>ALTERNATOR 145/6,155,156,GTV/SPIDER (916) 2.0 TS</b>	<b>276.98 EUR</b>



## Aggregate/Aggregats 145/6 TD/JTD

**1. AN 15 910**  
> 1996

**2. AN 17 230**  
1996 >

**3. AN 17 790**  
1.9 JTD

**4. LI 35 700**  
90 A

**5. LI 68 170**  
1.9 JTD  
100 A



<b>1</b>	<b>AN15910</b>	<b>STARTER 145/6,155 1.9 TD 66 KW</b>	<b>287.24 EUR</b>
<b>2</b>	<b>AN17230</b>	<b>STARTER 146 1.9 TD 66 KW</b>	<b>295.45 EUR</b>
<b>3</b>	<b>AN17790</b>	<b>STARTER 145/6,147,156 1.9 TD/JTD</b>	<b>219.53 EUR</b>
<b>4</b>	<b>LI35700</b>	<b>ALTERNATOR 145/6 1.9 TD (WITH AC),155 1.9 TD</b>	<b>306.73 EUR</b>
<b>5</b>	<b>LI68170</b>	<b>OE. 60816045 GENERATOR 145/6 1.9 JTD 100 A</b>	<b>330.33 EUR</b>



---

1 WB310 Wischblatt-Satz 145/6,155,166

25.13 EUR

## 145/6 > INTERIOR > CAR MAT



<b>1</b>	<b>FMS 145 2</b>	<b>Fußmatten 145 bj. 06.99&gt; schwarz/rotes Emblem Tuftvelour gekettelt,Rückenbeschichtung Latex Feinprägung</b>	<b>61.04 EUR</b>
<b>1</b>	<b>FMS 145 1</b>	<b>FLOOR MATS 145 9.94-05.99, BACK/RED EMBLEM LINKED VELOUR, COATED BACK: LATEX EMBOSSEMENT</b>	<b>61.04 EUR</b>
<b>2</b>	<b>FMS 146 2</b>	<b>Fußmatten 146 bj. 06.99&gt; schwarz/rotes Emblem Tuftvelour gekettelt,Rückenbeschichtung:Latex Feinprägung</b>	<b>61.04 EUR</b>
<b>2</b>	<b>FMS 146 1</b>	<b>Fußmatten 146 bj. 05.95-05.99 schwarz/rotes Emblem Tuftvelour gekettelt,Rückenbeschichtung:Latex Feinprägung</b>	<b>61.04 EUR</b>