

## **Alfa Romeo 155**

# table of contents

155 .....	7
BODY .....	7
MIRROR .....	7
LIGHTNING .....	8
BODY PARTS .....	9
BUMPER/GRILLE/PANEL .....	10
DRAFT DEFLECTOR .....	11
DRAFT DEFLECTOR .....	11
DRAFT DEFLECTOR .....	12
WINDOW REGULATOR .....	13
ENGINE .....	14
AIR SYSTEM.....	14
1,9 TD.....	14
V-BELTS.....	15
TS 8V.....	15
TS 16V.....	16
Turbo Q4 16V.....	17
2.5 V6 .....	18
1.9 TD.....	19
2.5 TD.....	20
ENGINE BLOCK.....	21
PISTON + LINERS .....	21
1.7/1.8/2.0 16V.....	21
1.8 TS 16V.....	22
2.0 TS 16V.....	23
2.0 TS 8V.....	24
2.5 V6 .....	25
PIL PAN .....	26
FUEL SYSTEM .....	27
TS 8V.....	27
Fuel Pump.....	27
TS 16V.....	28
FUEL PUMP .....	28
Turbo Q4 16V.....	29
FUEL PUMP .....	29
2.5 V6 .....	30
FUEL PUMP .....	30
ENGINE GASKETS .....	31
TS 8V.....	31
GASKETS ENGINE.....	31
HEAD SET.....	32
FULL SET .....	33
TS 16V.....	34
ENGINE GASKETS .....	34
HEAD SET.....	35
FULL SET .....	36
HEADSCREW SET .....	37

Turbo Q4 16V.....	38
GASKETS ENGINE.....	38
HEAD SET.....	39
FULL SET.....	40
HEADSCREW SET.....	41
2.5 V6.....	42
GASKETS ENGINE.....	42
HEAD SET.....	43
FULL SET.....	44
1.9 TD.....	45
GASKETS ENGINE.....	45
HEAD GASKET.....	46
HEAD SET.....	47
HEADSCREW SET.....	48
2.5 TD.....	49
GASKETS ENGINE.....	49
HEAD GASKET.....	50
HEAD SET.....	51
HEADSCREW SET.....	52
COOLING SYSTEM.....	53
TS 8V.....	53
HOUSES.....	53
RADIATOR.....	54
THERMOSTAT.....	55
WATERPUMP.....	56
TS 16V.....	57
HOUSES.....	57
RADIATOR.....	58
THERMOSTAT.....	59
WATERPUMP.....	60
Turbo Q4 16V.....	61
RADIATOR.....	61
THERMOSTAT.....	62
WATERPUMP.....	63
2.0 Turbo 4x4.....	64
HOUSES.....	64
2.5 V6.....	65
RADIATOR.....	65
THERMOSTAT.....	66
WATERPUMP.....	67
1.9 TD.....	68
HOUSES.....	68
RADIATOR.....	69
THERMOSTAT.....	70
WATERPUMP.....	71
OVERFLOW CONTAINER.....	72
2.5 TD.....	73
RADIATOR.....	73
THERMOSTAT.....	74
WATERPUMP.....	75

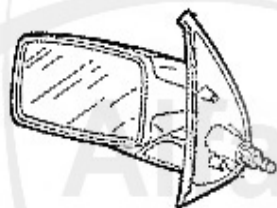
HOUSES.....	76
ENGINE MOUNT.....	77
TS 8V.....	77
TS16V.....	78
Turbo Q4 16V.....	79
2.5 V6.....	80
1.9 TD.....	81
2.5 TD.....	82
VALVE GEAR.....	83
TS 8V.....	83
CAMSHAFT.....	83
TIMING CHAIN.....	84
VALVE MECHANISM.....	85
TS16V.....	86
CAMSHAFT.....	86
VALVE MECHANISM.....	87
TIMINGBELT.....	88
Turbo Q4 16V.....	89
CAMSHAFT.....	89
VALVE MECHANISM.....	90
TIMINGBELT.....	91
2.5 V6.....	92
VALVE MECHANISM/CAMSHAFT.....	92
TIMINGBELT.....	93
1.9 TD.....	94
CAMSHAFT.....	94
VALVE MECHANISM.....	95
TIMINGBELT.....	96
2.5 TD.....	97
CAMSHAFT.....	97
VALVE MECHANISM.....	98
FILTER.....	99
TS 8V.....	99
TS 16V.....	100
Turbo Q4 16V.....	101
2.5 V6.....	102
1.9 TD.....	103
2.5 TD.....	104
EXHAUST SYSTEM.....	105
EXHAUST SYSTEM.....	105
TS 8V.....	105
TS 16V >4.1996.....	106
TS 16V 5.1996>.....	107
Turbo Q4 16V.....	108
2.5 V6.....	109
1.9 TD.....	110
1.9 TD KAT.....	111
2.5 TD.....	112
SPORT EXHAUST SYSTEM.....	113
TS 8V.....	113



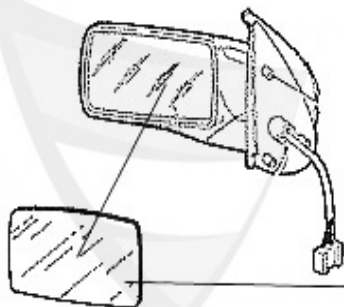
TS 16V 5.1996> .....	114
2.5 V6 .....	115
LAMBDA PROBE .....	116
TS 8V .....	116
TS 16V >4.1996 .....	117
TS 16V 5.1996> .....	118
Turbo Q4 16V .....	119
2.5 V6 .....	120
2.5 TD .....	121
DRIVETRAIN .....	122
DRIVE SHAFT .....	122
TS 8V .....	122
TS 16V >4.1996 .....	123
TS 16V 5.1996> .....	124
2.5 V6 .....	125
1.9 TD .....	126
2.5 TD .....	127
CLUTCH .....	128
CLUTCH SET TS 8V .....	128
GUIDE BUSH f. SLEEVE BEARING TS 8V .....	129
CLUTCH SET TS 16V >4.1996 .....	130
GUIDE BUSH f. SLEEVE BEARING TS 16V >4.1 .....	131
CLUTCH SET TS 16V 5.1996> .....	132
GUIDE BUSH f. SLEEVE BEARING TS 16V 5.19 .....	133
CLUTCH SET Turbo Q4 16V .....	134
CLUTCH SET 2.5 V6 .....	135
GUIDE BUSH f. SLEEVE BEARING 2.5 V6 .....	136
CLUTCH SET 1.9 TD .....	137
GUIDE BUSH f. SLEEVE BEARING 1.9 TD .....	138
CLUTCH SET 2.5 TD .....	139
GUIDE BUSH f. SLEEVE BEARING 2.5 TD .....	140
CLUTCH ACTUATION .....	141
TS 8V .....	141
TS 16V >4.1996 .....	142
TS 16V 5.1996> .....	143
Turbo Q4 16V .....	144
2.5 V6 .....	145
1.9 TD .....	146
2.5 TD .....	147
BRAKE .....	148
BRAKE DISKS .....	148
BRAKE PADS FRONT .....	149
BRAKE PADS REAR .....	150
CALIPER FRONT PETROL VERSIONS .....	151
CALIPER FRONT DIESEL VERSIONS .....	152
CALIPER REAR .....	153
BRAKE SERVO/BRAKE MASTER CYL .....	154
BRAKE VALVE .....	155
BRAKE HOSES .....	156
BRAKE CABLE .....	157

SUSPENSION .....	158
STRUT TS 8V .....	158
STRUT TS 16V .....	159
STRUT Turbo Q4 16V .....	160
STRUT 2.5 V6.....	161
STRUT 1.9 TD .....	162
STRUT 2.5 TD .....	163
ATTACHMENT FRONT.....	164
WHEEL BEARING TS 8V .....	165
WHEEL BEARING TS 16V .....	166
WHEEL BEARING Turbo Q4 16V .....	167
WHEEL BEARING 2.5 V6.....	168
WHEEL BEARING 1.9 TD .....	169
WHEEL BEARING 2.5 TD .....	170
STEERING .....	171
STEERING PARTS .....	171
ELECTRIC .....	172
FUSE .....	172
ENGINE ELECTRIC .....	173
GLOW PLUG.....	173
SENSORS.....	174
IGNITION SYSTEM TS 8V .....	175
IGNITION SYSTEM TS 16V .....	176
IGNITION SYSTEM Q4.....	177
IGNITION SYSTEM 2.5 V6.....	178
AGGREGATS TS 8V .....	179
AGGREGATS TS 16V .....	180
AGGREGATS Q4 .....	181
AGGREGATS 2.5 V6.....	182
AGGREGATS 1.9 TD.....	183
AGGREGATS 2.5 TD.....	184
WIPERS.....	185
WIPERS.....	185

## Aussenspiegel/Mirror 155



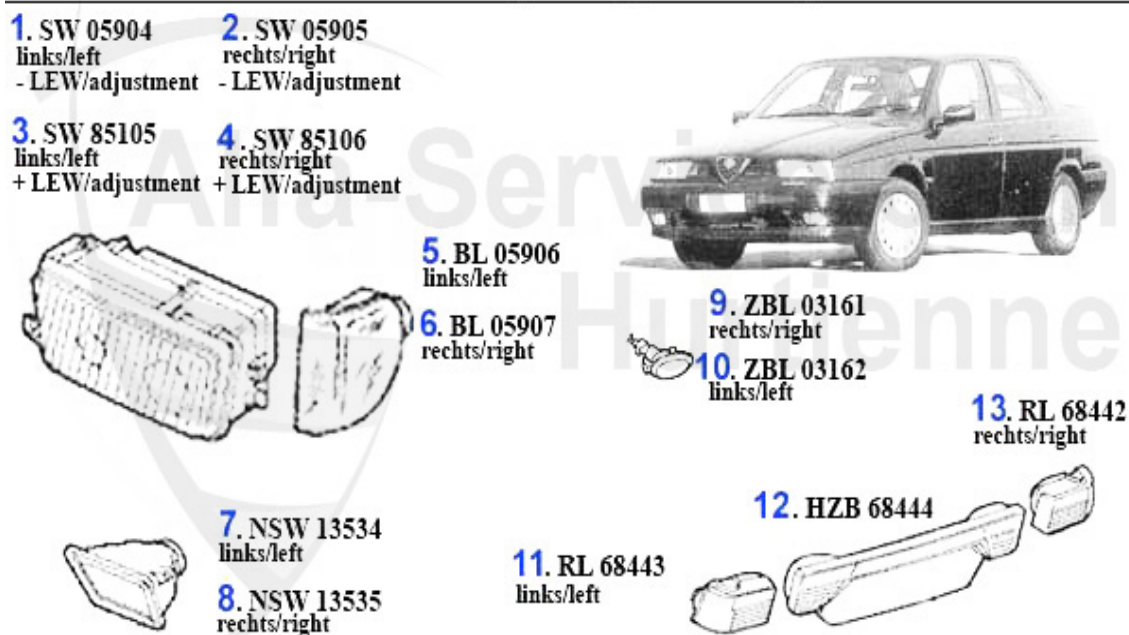
- 1. ASP 84080**  
links/left manuell
- 2. ASP 85080**  
rechts/right manuell



- 3. ASP 01033**  
links/left electr.  
>1996
- 4. ASP 01034**  
rechts/right electr.  
>1996
- 5. ASP 33099**  
links/left electr.  
1996>
- 6. ASP 72099**  
rechts/right electr.  
1996>
- 8. ASP 78353**  
links/left
- 9. ASP 78352**  
rechts/right

<b>1</b>	<b>ASP84080</b>	<b>Außenspiegel Li 155 Std. (manuell)</b>	<b>***</b>
<b>2</b>	<b>ASP85080</b>	<b>Außenspiegel Re 155 Std. (manuell)</b>	<b>***</b>
<b>3</b>	<b>ASP01033</b>	<b>OE.112977780 outer mirror electric version LEFT 155 year &gt; 96</b>	<b>***</b>
<b>4</b>	<b>ASP01034</b>	<b>OE.112977680 outer mirror electric version RIGHT 155 year &gt;96</b>	<b>***</b>
<b>5</b>	<b>ASP33099</b>	<b>Außenspiegel links 155 Bj. 96&gt; elek trisch,blaues Glas,grundiert</b>	<b>***</b>
<b>6</b>	<b>ASP72099</b>	<b>Außenspiegel rechts 155 Bj. 96&gt; ele ktrisch,blaues Glas,konvex,grundiert</b>	<b>***</b>
<b>8</b>	<b>ASP78353</b>	<b>Ersatzglas Außenspiegel links 155 elektrisch</b>	<b>***</b>
<b>9</b>	<b>ASP78352</b>	<b>Ersatzglas Außenspiegel rechts 155 elektrisch</b>	<b>32.32 EUR</b>

## Beleuchtung/Lightning 155



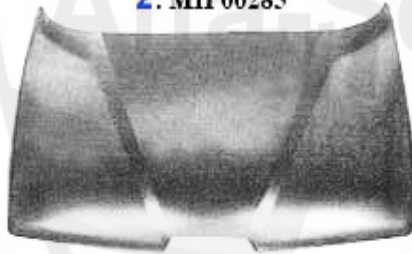
1	SW05904	Hauptscheinwerfer links 155 (ohne L EW)	142.60 EUR
2	SW05905	Hauptscheinwerfer rechts 155 (ohne LEW)	142.60 EUR
3	SW85105	HEADLAMP LEFT 155	189.78 EUR
4	SW85106	HEADLAMP RIGHT 155 WITH ELECTRICAL ADJUSTMENT	189.78 EUR
5	BL05906	DIRECTION INDICATOR LEFT 155	50.78 EUR
6	BL05907	DIRECTION INDICATOR RIGHT 155	50.78 EUR
7	NSW13534	FOG LAMP LEFT 155	56.42 EUR
8	NSW13535	FOG LAMP RIGHT 155	56.42 EUR
9	ZBL03161	ADDITIONAL TURN SIGNAL LAMP RIGHT 145/6, 155,GTV/SPIDER (916)	11.50 EUR
10	ZBL03162	ADDITIONAL TURN SIGNAL LAMP LEFT 145/6, 155,GTV/SPIDER (916)	11.50 EUR
11	RL68443	REAR LIGHT LEFT 155	81.55 EUR
12	HZB68444	Heckzierblende 155 (zwischen den Rückleuchten)	***
13	RL68442	Rückleuchte rechts 155	***

## Karosserieteile/Body Parts 155

**1. GF 9093**  
Gasfeder Motorhaube/  
gasspring engine bonnet



**2. MH 00285**



**7. GF 8429**  
Gasfeder Heckklappe/  
gasspring back door  
- spoiler



**8. GF 8432**  
Gasfeder Heckklappe/  
gasspring back door  
+ spoiler

**3. KF 02103**  
links/left  
> 1996



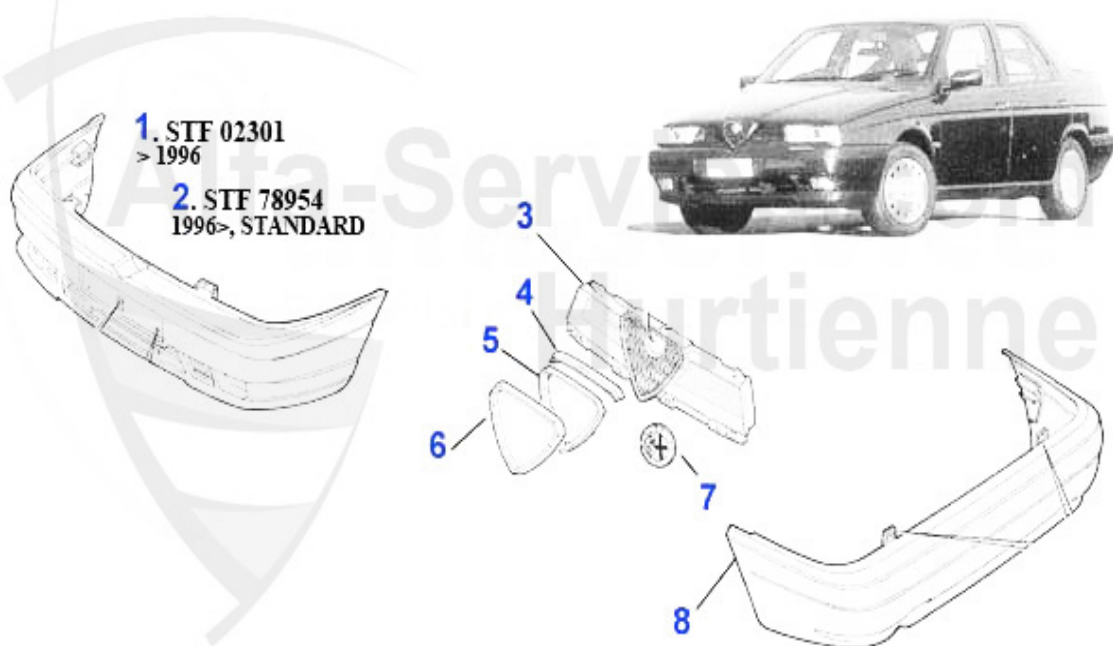
**5. KF 02105**  
links/left  
1996>

**6. KF 02106**  
rechts/right  
1996>



<b>1</b>	<b>GF9093</b>	OE.60564112, gas spring for bonnet	<b>38.47 EUR</b>
<b>2</b>	<b>MH00285</b>	Mororhaube 155	<b>306.73 EUR</b>
<b>3</b>	<b>KF02103</b>	MUDGUARD FRONT LEFT 155 >4.95	<b>133.36 EUR</b>
<b>4</b>	<b>KF02104</b>	MUDGUARD FRONT RIGHT 155 >4.95	<b>133.36 EUR</b>
<b>5</b>	<b>KF02105</b>	MUDGUARD LEFT 155 4.95>	<b>143.51 EUR</b>
<b>6</b>	<b>KF02106</b>	MUDGUARD RIGHT 155 4.95>	<b>143.51 EUR</b>
<b>7</b>	<b>GF8429</b>	OE.60583192 gas spring for boot lid 155 with spoiler	<b>29.64 EUR</b>
<b>8</b>	<b>GF8432</b>	OE.60540532 pneumatic spring 155 rear trunk lid, without spoiler	<b>29.64 EUR</b>

## Stoßstangen/Bumpers 155



1	STF02301	FRONT BUMPER 155 >4.95	255.45 EUR
2	STF78954	Stoßfänger vorne 155 Bj. 8.95> für Modelle: Standard/Super/Sport	335.31 EUR
3	KG77794	RADIATOR GRILLE PRIMING 155	70.00 EUR
4	KG72984	Dichtung Kühlergrill/Alfaherz 155	12.21 EUR
5	KG06208	Halterahmen f. Alfaherz 155 Bj. 8.9 5> passend zu Kühlergrill KG77794	***
6	KG16961	Chromrahmen Alfaherz 155	***
7	23 033 3 0	ALFA ROMEO-EMBLEM - 75 mm metal OE. 60596492	19.90 EUR
8	STF78957	REAR BUMPER 155	***

## Dachwindabweiser/Top Draftdeflector 155

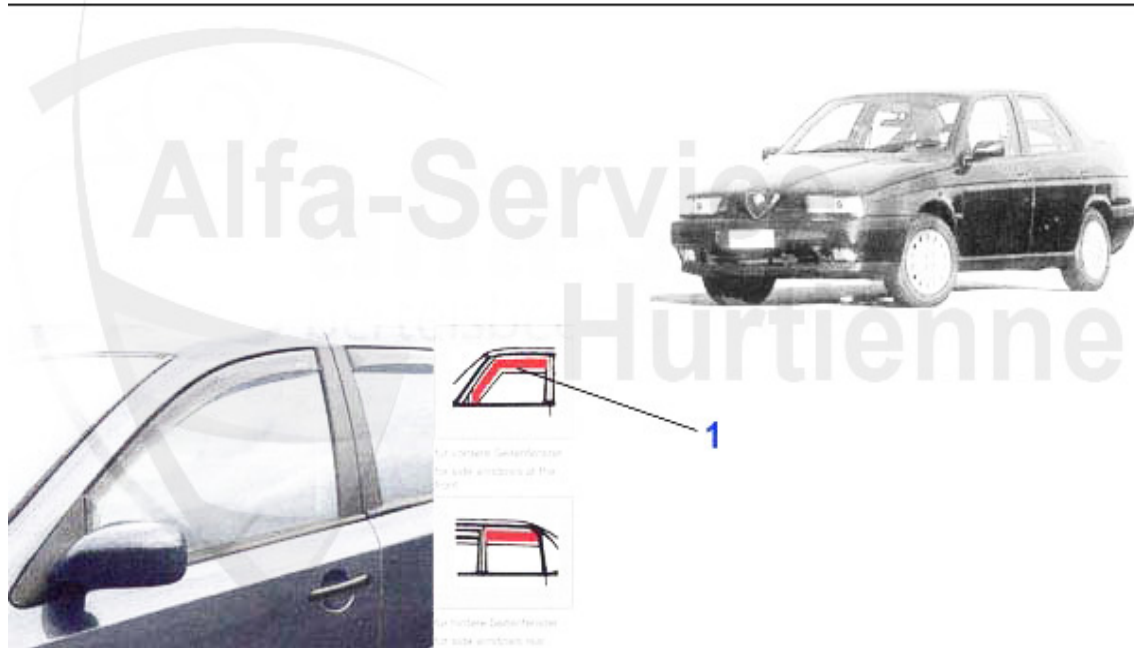


ohne Belüftungsklappen  
without ventilation flaps

1 DWA1117 DRAFT DEFLECTOR 145/6, 155

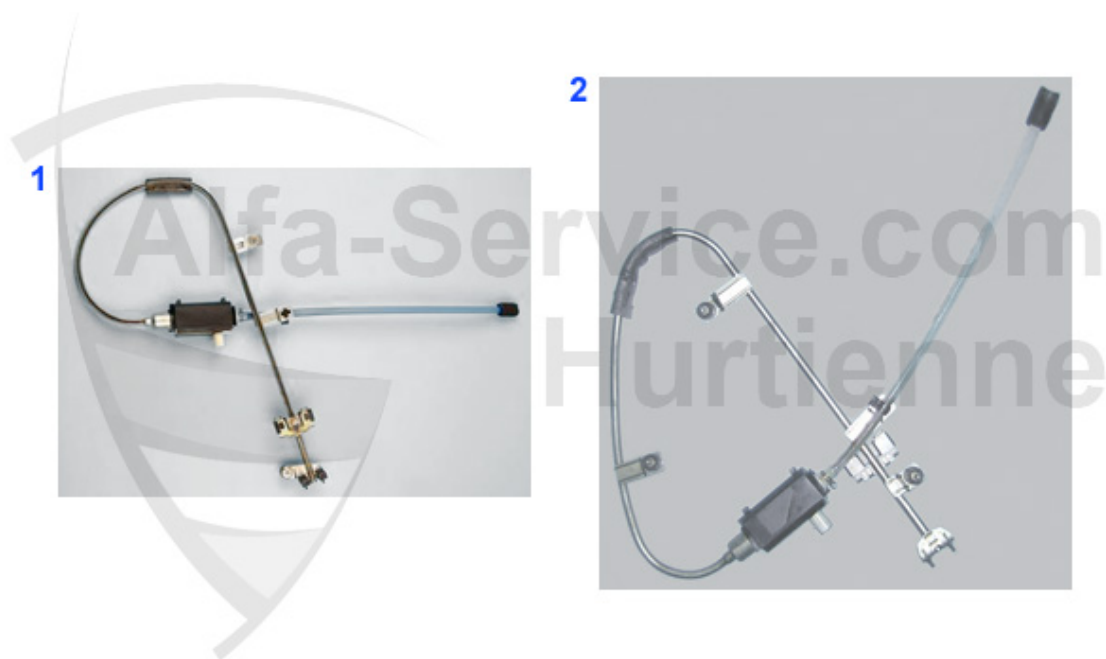
46.67 EUR

## Seitenwindabweiser/Side Draftdeflector 155



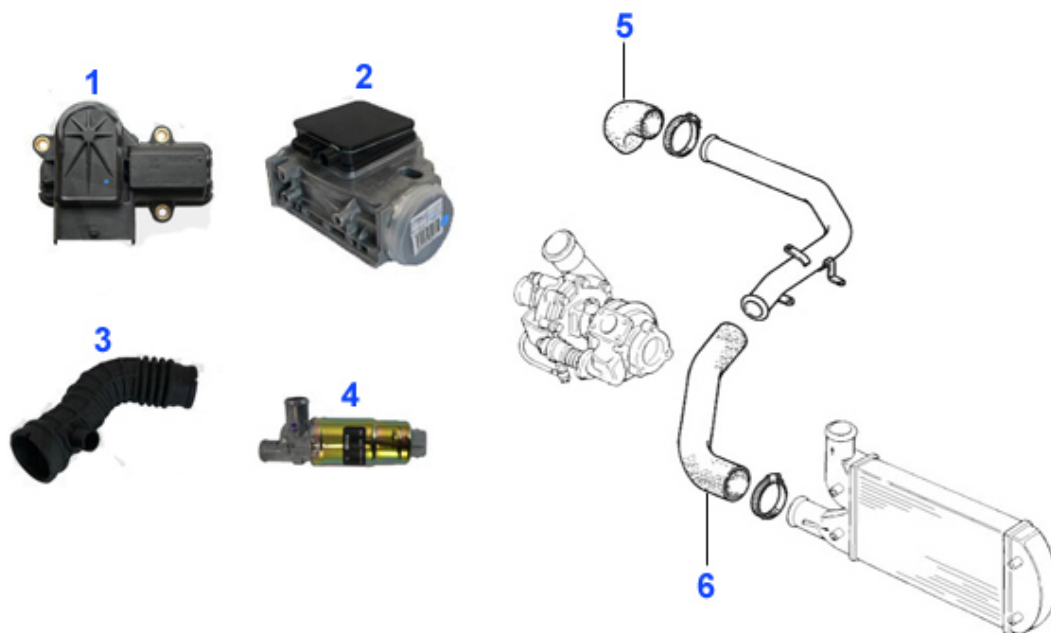


## 155 > BODY > WINDOW REGULATOR



1	FH010118	WINDOW REGULATOR COMPLETE 155 FRONT RIGHT (AFTERMARKET PRODUCT)	123.00 EUR
1	FH010119	WINDOW REGULATOR COMPLETE 155 FRONT LEFT (AFTERMARKET PRODUCT)	123.00 EUR
2	FH010120	WINDOW REGULATOR COMPLETE 155 REAR RIGHT (AFTERMARKET PRODUCT)	198.99 EUR
2	FH010121	WINDOW REGULATOR COMPLETE 155 REAR LEFT (AFTERMARKETPRODUCT)	198.99 EUR

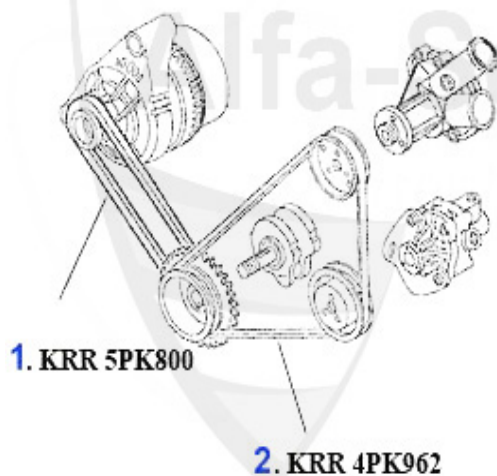
# 155 > ENGINE > AIR SYSTEM > 1,9 TD



1	LR13829	OE. 71713829	ELECTRO-VALVE	***
2	LMM69704	OE. 60569704	FLOWMETER 155, 164/Super 2.0 TS 8V	545.00 EUR
3	LMM07008	OE. 46407007	FLOWMETER TS 16V	348.99 EUR
4	LR37024	OE. 7637024	IDLE VALVE BOSCH 155,164, gtv/spider (916)	***
5	KWS31298		Ladeluftschlauch am Turbolader 145/146/155 1,9 TD	45.65 EUR
6	KWS60171		Kühlwasserschlauch zum Ladeluftkühler 155 1.9 TD	21.85 EUR

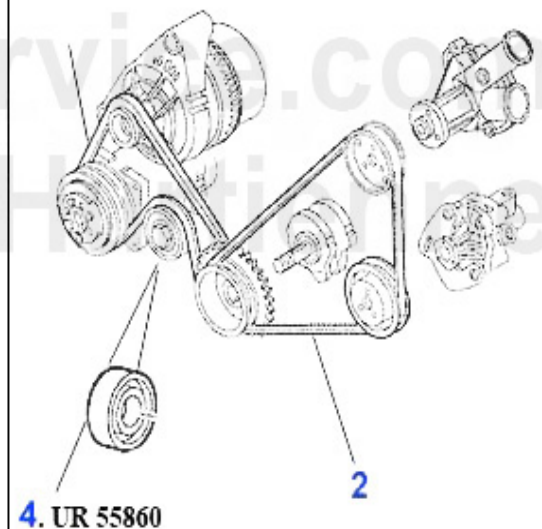
## Keilriemen/V-Belt 155 TS 8V

ohne/without  
Klimaanlage/AC:



mit/with  
Klimaanlage/AC:

3. KRR 5PK1285

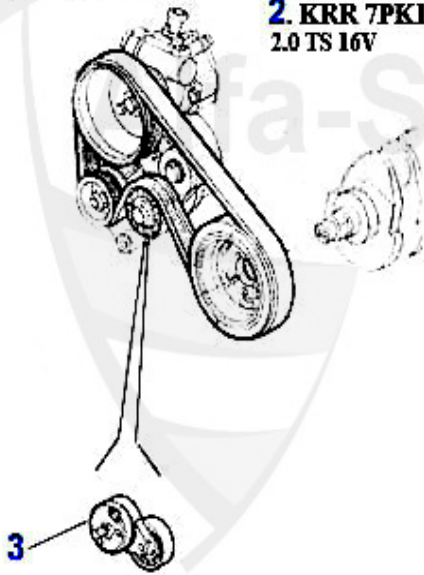


1	KRR5PK800Keilrippenriemen 5PK800 155 1.7/1.8 /2.0 TS 8V,164 Super 2.0 TS Generator	14.88 EUR
2	KRR4PK962Keilrippenriemen 4PK962 155 1.7/1.8 /2.0 TS, 164 Super 2.0 TS Bj. 92> Servopumpe	14.88 EUR
3	KRR5PK1285 Keilrippenriemen 5PK1285 155 1.7/1.8/2.0 TS,164/Super 2.0 TS Bj. 92> Generator/Klimakompressor	22.05 EUR
4	UR55860 Umlenkrolle Keilrippenriemen 145/6 155,164	23.80 EUR

## Keilrippenriemen 155 TS 16V

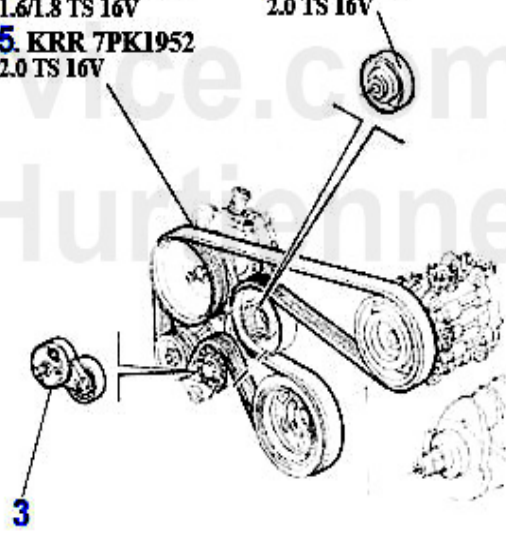
ohne/without  
Klimaanlage/AC:

- 1. KRR 6PK1045**  
1.6/1.8 TS 16V  
**2. KRR 7PK1083**  
2.0 TS 16V



mit/with  
Klimaanlage/AC:

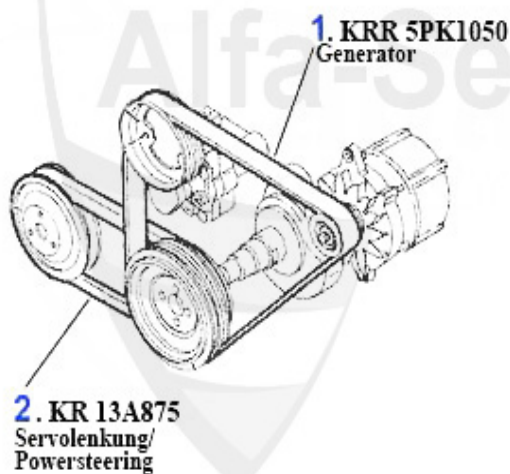
- 4. KRR 6PK1842**  
1.6/1.8 TS 16V  
**5. KRR 7PK1952**  
2.0 TS 16V  
**6. UR 55849**  
1.6/1.8 TS 16V  
**7. UR 55848**  
2.0 TS 16V



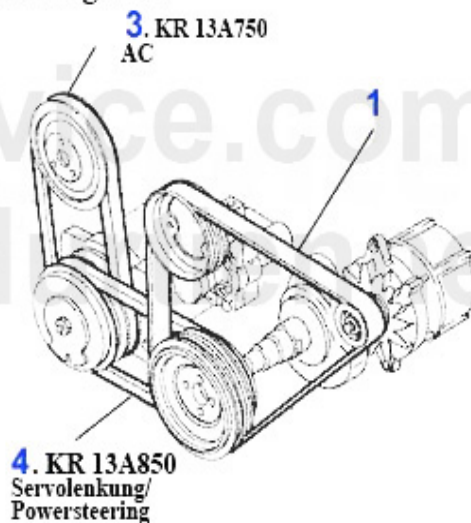
<b>1</b>	<b>KRR6PK104</b> 5 Keilrippenriemen 6PK1045 145/6 Bj. 97>,155,156,gtv&spider(916) 1.4/1.6 /1.8 TS 16V ohne Klima Generator/S ervopumpe	<b>20.00 EUR</b>
<b>2</b>	<b>KRR7PK108</b> 3 Keilrippenriemen 7PK1083 145/6,155 156,166,gtv/spider (916) bis Motor # 1385143, Servopumpe	<b>28.00 EUR</b>
<b>3</b>	<b>SPA55863</b> DRIVE BELT TENSIONER 145/6/7,155/6,166,916 2.0	<b>43.99 EUR</b>
<b>4</b>	<b>KRR6PK184</b> 2 V-RIBBED BELT 6PK 1842 145/6 1,8 TS WITH A/C , 155 1,6/1,8 TS , NUOVO GT	<b>30.73 EUR</b>
<b>5</b>	<b>KRR7PK195</b> 2 Keilrippenriemen 7PK1952 145/6,155, gtv/spider (916) 2.0 TS 16V ab Moto r # 343116, Generator/Servopumpe/KI imakompressor	<b>48.73 EUR</b>
<b>6</b>	<b>UR55849</b> OE.60812515,REVERSE ROLLER FOR RIPPED V-BELT 145/6/7,155/6,GTV/SPIDER(916) 1.4/1.6/1.8 TS (WITH AIR CON)	<b>34.37 EUR</b>
<b>7</b>	<b>UR55848</b> DRIVE BELT BEARING 156 2.0,145,166,916	<b>69.00 EUR</b>

## Keil-/Keilrippenriemen 155 Turbo Q4

ohne/without  
Klimaanlage/AC:



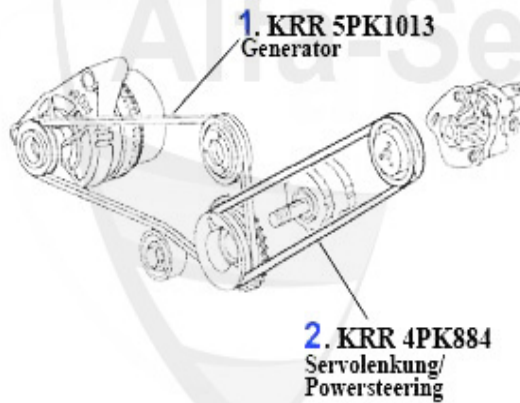
mit/with  
Klimaanlage/AC:



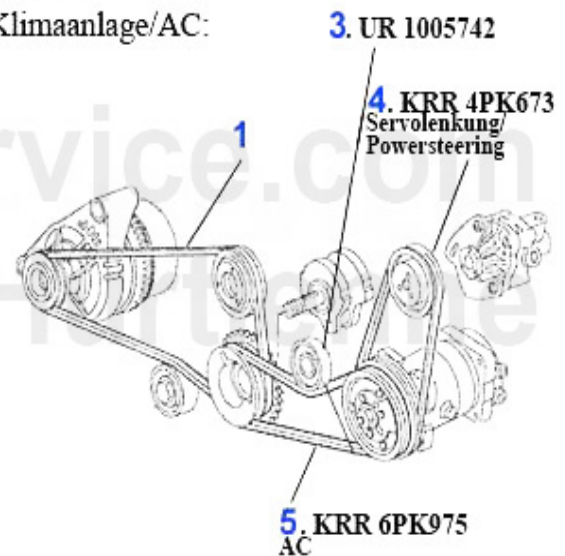
1	KRR5PK1050	Keilrippenriemen 5PK1050 155 2.0 Turbo Wasserpumpe/Generator mit Klima	22.05 EUR
2	KR13A875	Keilriemen 12.5x875 155 Turbo Servo Pumpe	14.32 EUR
3	KR13A750	Keilriemen 12.5x750 155 Turbo Servo Pumpe (mit Klima)	13.28 EUR
4	KR13A850	V-BELT 12.5X850 75,90, 155 4 CYL. A/C COMPRESSOR	15.34 EUR

## Keilriemen/V-Belt 155 2.5 V6

ohne/without  
Klimaanlage/AC:



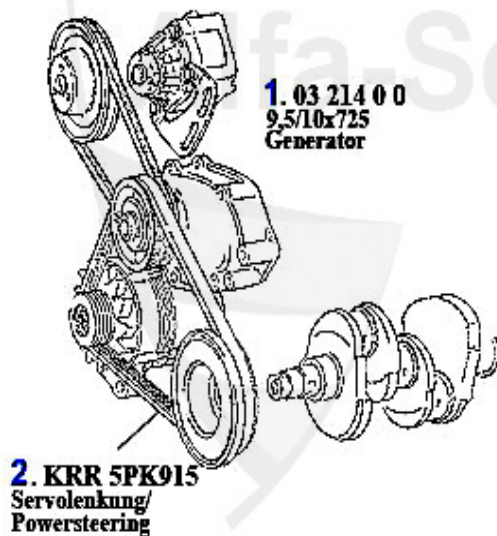
mit/with  
Klimaanlage/AC:



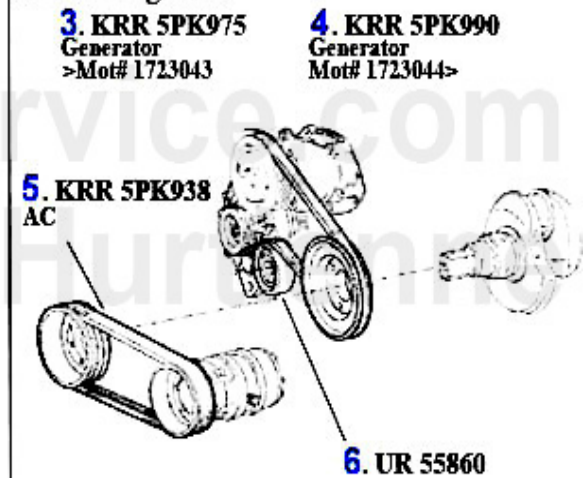
1	KRR5PK101 3 OE 60596949 RIBBED DRIVE BELT	18.98 EUR
2	KRR4PK884Keilrippenriemen 4PK884 155 2.5 V6 Servopumpe	12.21 EUR
3	UR1005742 OE 60570850	95.00 EUR
4	KRR4PK673OE 60566058 RIBBED TIME BELT	14.01 EUR
5	KRR6PK975OE 60625590 RIBBED TIME BELT	24.93 EUR

## Keilriemen/V-Belt 155 1.9 TD

ohne/without  
Klimaanlage/AC:



mit/with  
Klimaanlage/AC:



1	03 214 0 0 V-BELT 9.5X725	8.70 EUR
2	KRR5PK915Keilrippenriemen 5PK915 145/6 1.9 T D,155 1.9 TD ab Motor # 1723043 Gen erator/Wasserpumpe	15.59 EUR
3	KRR5PK975Keilrippenriemen 5PK975 145/6,155 1 .9 TD bis Motor # 1723043 Generator /Wasserpumpe/Klimakompressor	16.36 EUR
4	KRR5PK990Keilrippenriemen 5PK990 145/6,155 1 .9 TD ab Motor # 1723043 Generator/ Wasserpumpe/Klimakompressor	16.72 EUR
5	KRR5PK938Keilrippenriemen 5PK938 145/6,155 1 .9 TD Klimakompressor	15.28 EUR
6	UR55860 Umlenkrolle Keilrippenriemen 145/6 155,164	23.80 EUR

## 155 > ENGINE > V-BELTS > 2.5 TD

<b>1</b>	<b>KRR7PK173</b>		<b>69.00 EUR</b>
<b>0</b>	<b>Keilrippenriemen 7PK1730 155,164 Su per 2.5 TD Bj. 09.92-09.98</b>		
	<b>Generato r/Servopumpe/Klimakompressor</b>		
<b>2</b>	<b>UR107648</b>	<b>Umlenkrolle Keilrippenriemen 155/ 164 Super 2.5 TD</b>	<b>102.08 EUR</b>
<b>3</b>	<b>RS56007</b>	<b>Riemenspanner/Schwingungsdämpfer 155/164 Super 2.5 TD</b>	<b>238.00 EUR</b>





1 KB4062 PISTON AND LINER 155 1.7/1.8/2.0 TS 16V

122.08 EUR



1 KB24126 OE. 71713064 PISTON 1.8 TS 16V AR32201

159.01 EUR



1 KB24100 OE. 5895173 PISTON 2.0 TS 16V (AR162201/32301)

184.45 EUR

155 > ENGINE > ENGINE BLOCK > PISTON + LINERS > 2.0 TS 8V



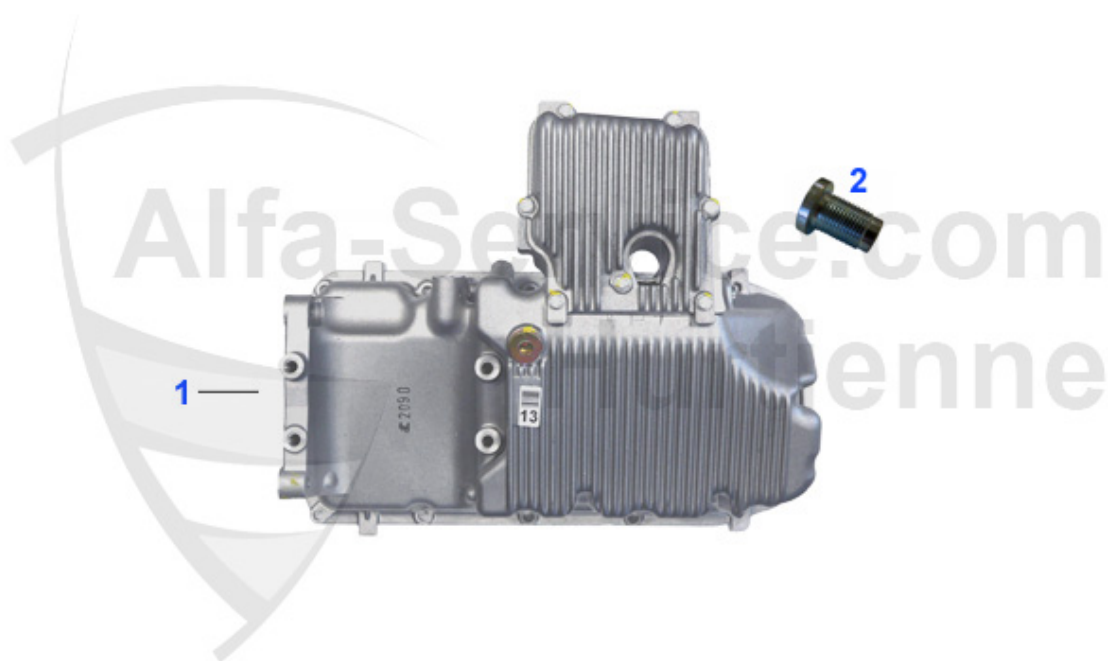
1	KB2421	OE. 60778832 PISTON E LINER ASS 2.0 TS 8V 155,164 ORIGINAL ALFA	179.00 EUR
2	KR46450	Piston ring set 75,155/2,0/1,5+1,5+3,5 SERIES 4 SPIDER	116.62 EUR



1 KB4045 PISTON/LINER 6,75,90,155 ALFETTA/GTV 6 2.5 V6 1984-97

175.00 EUR

155 > ENGINE > ENGINE BLOCK > PIL PAN



1 OW90209 OE. 55190209 PIL PAN 145/6,147,155,156, gtv/spider (916),Nuovo GT

469.00 EUR

155 > ENGINE > FUEL SYSTEM > TS 8V > Fuel Pump



1	KP6195	OE. 46413630/7580215 FUEL PUMP 155, 164/Super TS/V6/16V/24V	211.33 EUR
1	07 039 0 0	RUBBER FOR ELECTRIC FUEL PUMP SPIDER 90, 33ie,75,155,164,RZ/SZ,GT 03-10	4.30 EUR

## Kraftstoffpumpe/Fuel Pump 155 TS 16V

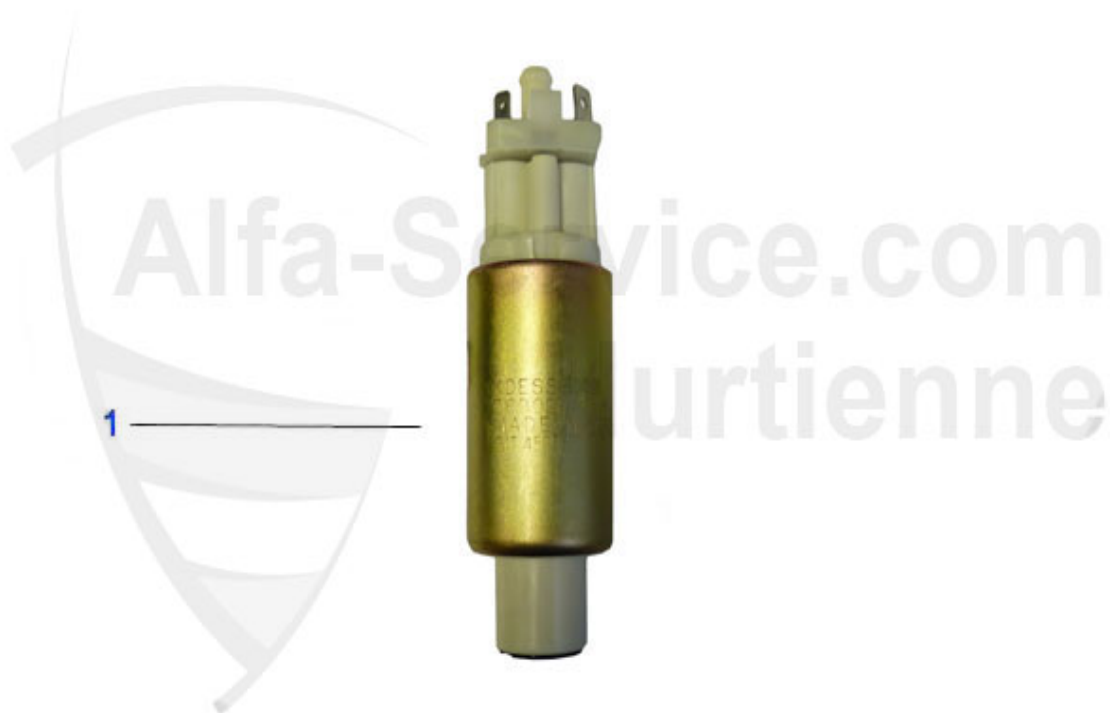
---



1	KP6416	OE. 7782620 FUEL PUMP 145/6, 155, gtv/spider (916) Boxer/TS 16V/ V6 Turbo > 1998	171.32 EUR
1	07 039 0 0	RUBBER FOR ELECTRIC FUEL PUMP SPIDER 90, 33ie,75,155,164,RZ/SZ,GT 03-10	4.30 EUR

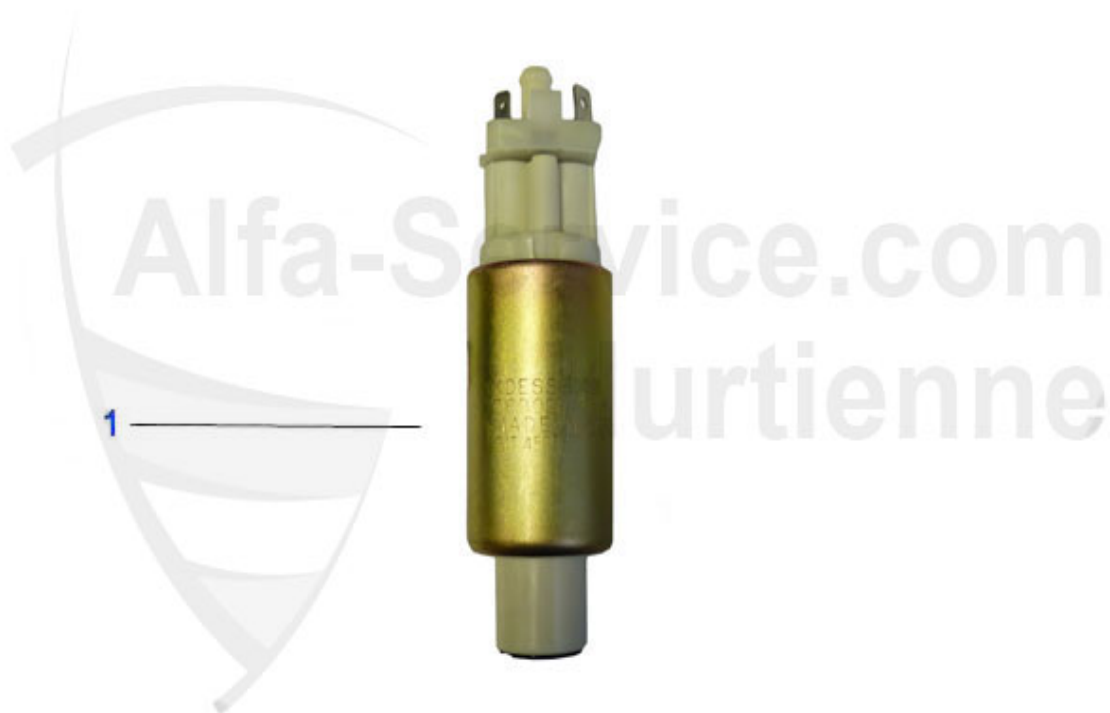


155 > ENGINE > FUEL SYSTEM > Turbo Q4 16V > FUEL PUMP



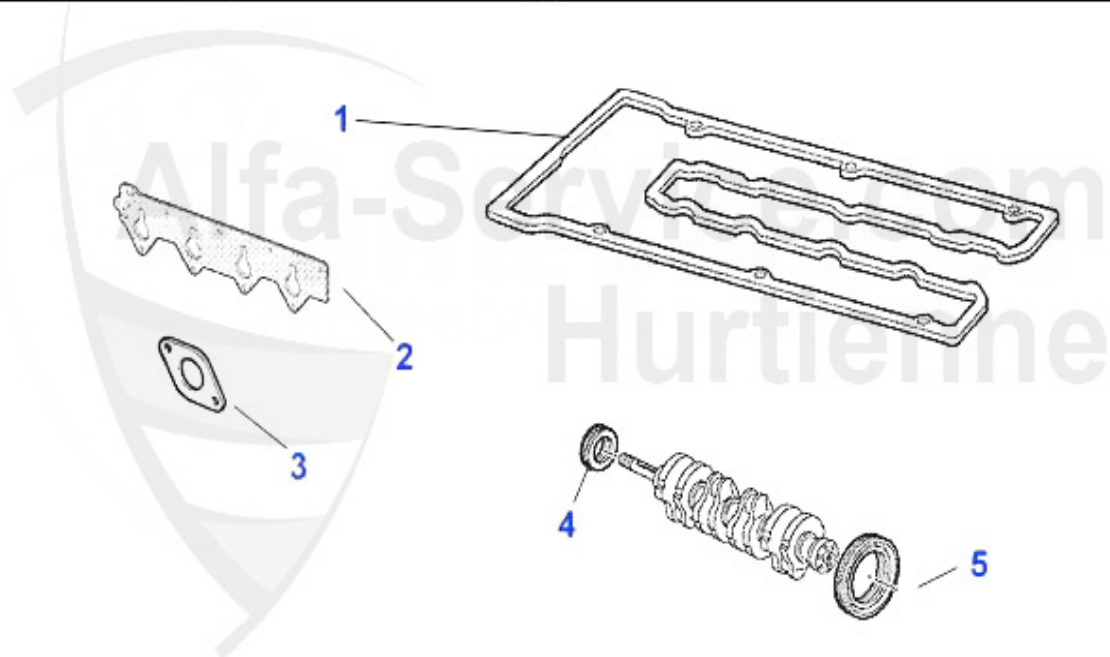
1	KP6195	OE. 46413630/7580215 FUEL PUMP 155, 164/Super TS/V6/16V/24V	211.33 EUR
1	07 039 0 0	RUBBER FOR ELECTRIC FUEL PUMP SPIDER 90, 33ie,75,155,164,RZ/SZ,GT 03-10	4.30 EUR

155 > ENGINE > FUEL SYSTEM > 2.5 V6 > FUEL PUMP



1	KP6195	OE. 46413630/7580215 FUEL PUMP 155, 164/Super TS/V6/16V/24V	211.33 EUR
1	07 039 0 0	RUBBER FOR ELECTRIC FUEL PUMP SPIDER 90, 33ie,75,155,164,RZ/SZ,GT 03-10	4.30 EUR

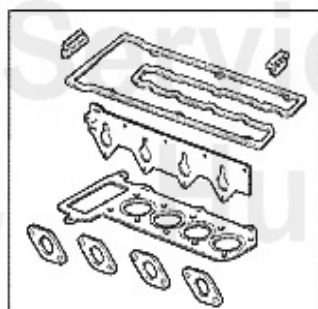
## Dichtungen Motor/Engine Gaskets 155 TS 8V



1	VDD41900 Ventildeckeldichtung 155,164/Super 1.7/1.8/2.0 TS	30.26 EUR
2	ASKD76100Ansaugkrümmerdichtung 75,164 2.0 TS	20.00 EUR
3	AGKD74400OE. 60507576 GASKET	3.18 EUR
4	WD17600 CRANKSHAFT OIL SEAL FRONT 40/56/10 ARNA,SUD/SPRINT,33 (905/7),145/6 BOXER, 155 TS 8V # 0006645	10.59 EUR
4	02 022 0 0 OIL SEAL (35/50/10) CRANKSHAFT FRONT	7.95 EUR
5	02 060 3 0 OIL SEAL (84/105/12) CRANKSHAFT REAR Spider 1990-93, 75, 90, 155, 164, GTV 6, 166, 156	24.10 EUR

## Kopfdichtsatz/HEAD SET 155 TS 8V

---

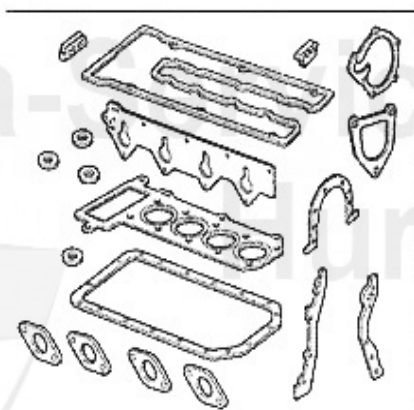


1 ZKDS95300 Gasket set cylinder head 155 1.7/1.8/2.0 TS 8V 92-96, 164/Super 2.0  
TS92>

122.08 EUR

## Motordichtsatz/Full SET 155 TS 8V

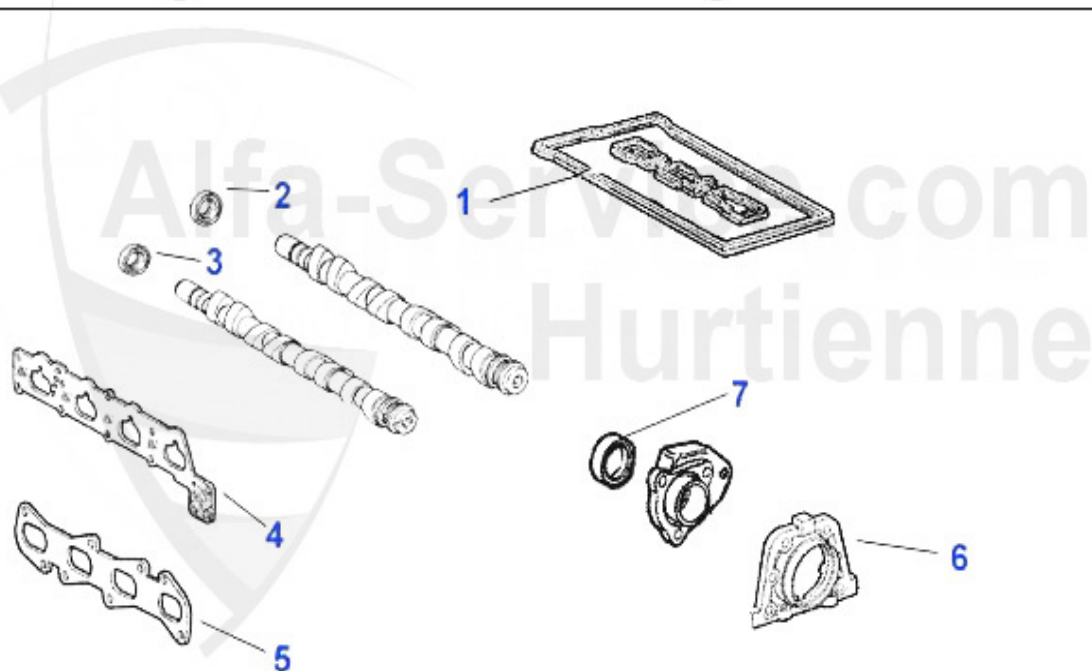
---



1 MDS8100 ENGINE GASKET SET 155 1.7/1.8/2.0 TS 8V 92-96,164 SUPER 2.0 TS 92>

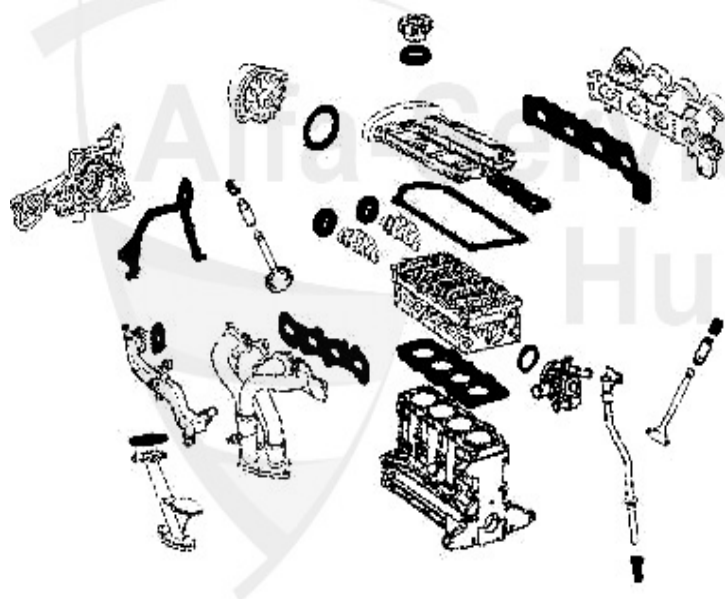
388.25 EUR

## Dichtungen Motor/Gaskets Engine 155 TS 16V



1	VDD3700	Ventildeckeldichtung 2-teilig für Alu-Ventildeckel 145/6,155,156 166 Diverse 4-Zylinder bj >03.98	19.39 EUR
2	WD55300	siri nockenwelle 145/6,155,156 1.6,1.7,1.8,2.0 16V TS	16.97 EUR
3	WD08200	CAMSHAFT 145/6,155,156,GTV/SPIDER (916), 166 VARIOUS 96-01	11.84 EUR
4	ASKD59747	Ansaugkrümmerdichtung 145/6,147,155 156,166,gtv/spider (916),Nuovo GT # 0165088> TS 16V	25.13 EUR
5	AGKD02761	EXHAUST MANIFOLD GASKET 145/6,147,155, 156,166,GTV/SPIDER (916) TS/JTS 16 V STARTING FROM YEAR 1998	22.22 EUR
6	WD0800	OIL SEAL CRANKSHAFT REAR (FLYWHEEL) 147 1.6 TS 16V/1.9 JTD 03>, 156 1.9/2.4 JTD 00>	47.50 EUR
7	WD43800	Siri Kurbelwelle vorne (Riemensch.) 145/6 1.9 TD Bj. 94-99,147 2.0 TS 155 1.9 TD Bj. 93-97,155 2.0 TS 16V 2.0 16V Turbo	9.75 EUR

## Kopfdichtsatz/Head Set 155 TS 16V

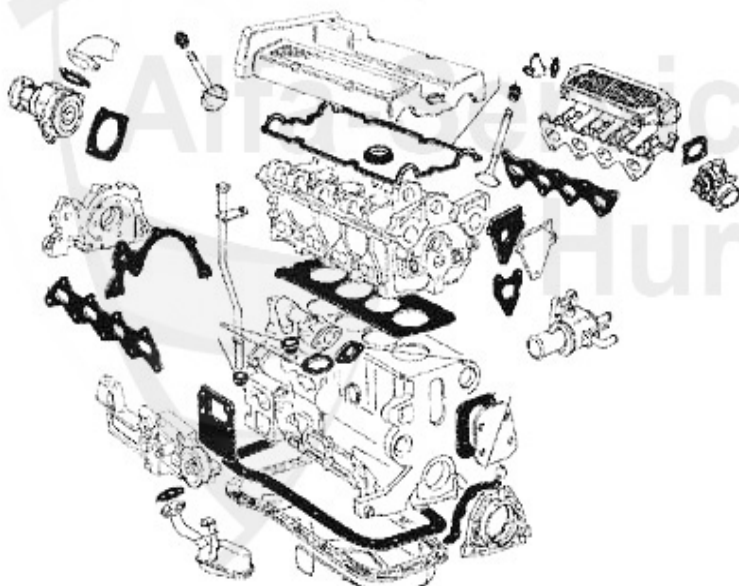


**1. ZKDS 40700**  
1.6/1.8 TS 16V

**2. ZKDS 40800**  
2.0 TS 16V

<b>1</b>	ZKDS40700 Kopfdichtsatz 145/6,155,156,166 1.6-2.0 ie 16V TS Bj. >98 Alu-Ventildeckel	<b>108.74 EUR</b>
<b>2</b>	ZKDS40800 Kopfdichtsatz 145/6,155,gtv/spider (916) 2.0 TS 110 KW Bj. 95-01 Alu-Ventildeckel	<b>128.23 EUR</b>

## Motordichtsatz/Full Set 155 TS 16V



1. MDS 54200  
1.6/1.8 TS 16V

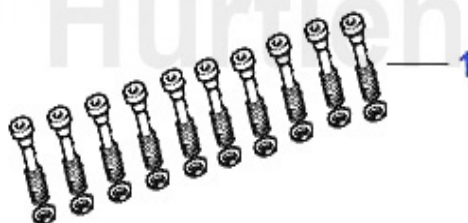
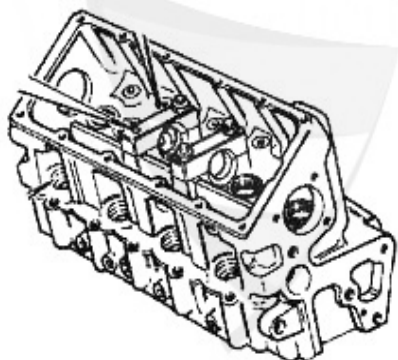
2. MDS 54300  
2.0 TS 16V

1	MDS54200	Motordichtsatz 145/6,155,156,166 1.6 - 2.0 TS 16V Bj. >98 Alu-Ventildeckel	127.21 EUR
2	MDS54300	Motordichtsatz 145/6,155,gtv/spider (916) 2.0 TS Bj. 95-01 110KW Alu-Ventildeckel	189.21 EUR



## Kopfschraubensatz/Head Srew Set 155 TS 16V

---

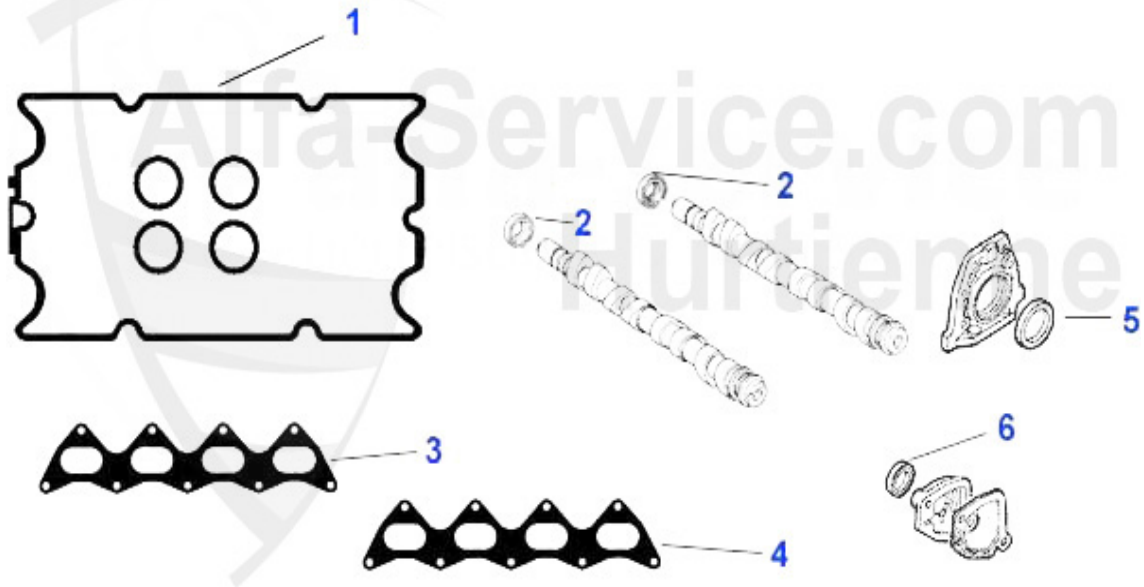


---

1	ZKSS15208		
0		HEAD SCREW SET 145/6,147,155,156,166, GTV/SPIDER(916),NOUVO GT TS 16V	

69.00 EUR

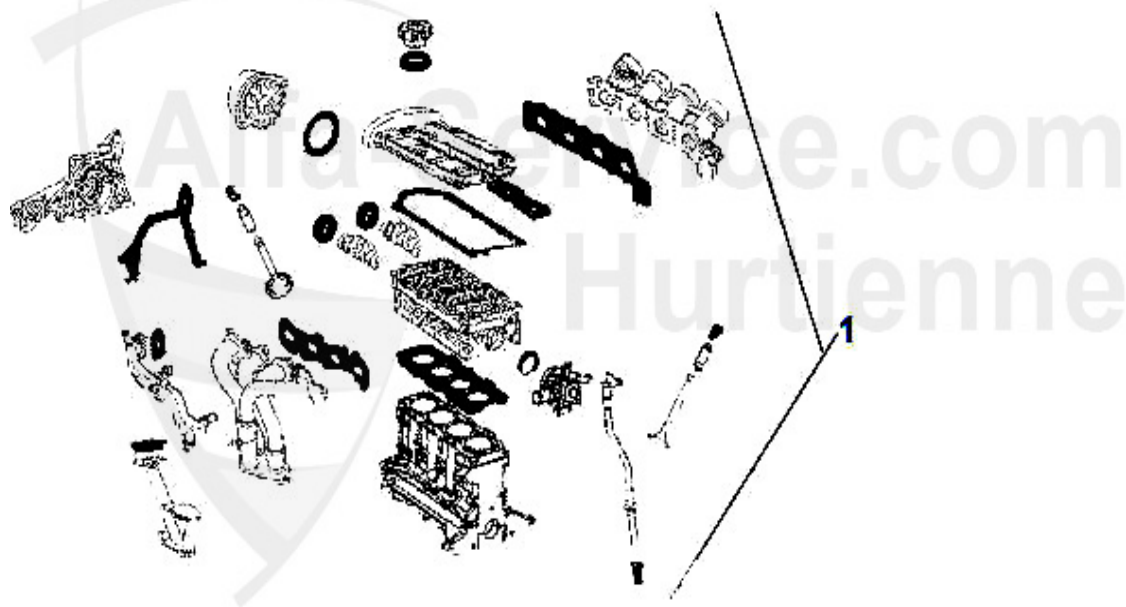
## Dichtungen Motor/Gaskets Engine 155 Q4



1	VDD6200	Ventildeckeldichtung 155 2.0 turbo 16V Bj. 92-97	20.42 EUR
2	WD08200	CAMSHAFT 145/6,155,156,GTV/SPIDER (916), 166 VARIOUS 96-01	11.84 EUR
3	ASGK74700	Ansaugkrümmerdichtung 155 2.0 16V T urbo	17.96 EUR
4	AGKD74800	Abgaskrümmerdichtung 155 2.0 16V Tu rbo	18.36 EUR
5	WD33900	siri kurbelwelle hinten(schwungsch) 145/6,155,156,166,gtv&spider(916) 1.4,1.6,1.7 ie&16V,2.016V&ts,1.9jtd	16.24 EUR
6	WD43800	Siri Kurbelwelle vorne (Riemensch.) 145/6 1.9 TD Bj. 94-99,147 2.0 TS 155 1.9 TD Bj. 93-97,155 2.0 TS 16V 2.0 16V Turbo	9.75 EUR

## Kopfdichtsatz/Head Set 155 Q4

---



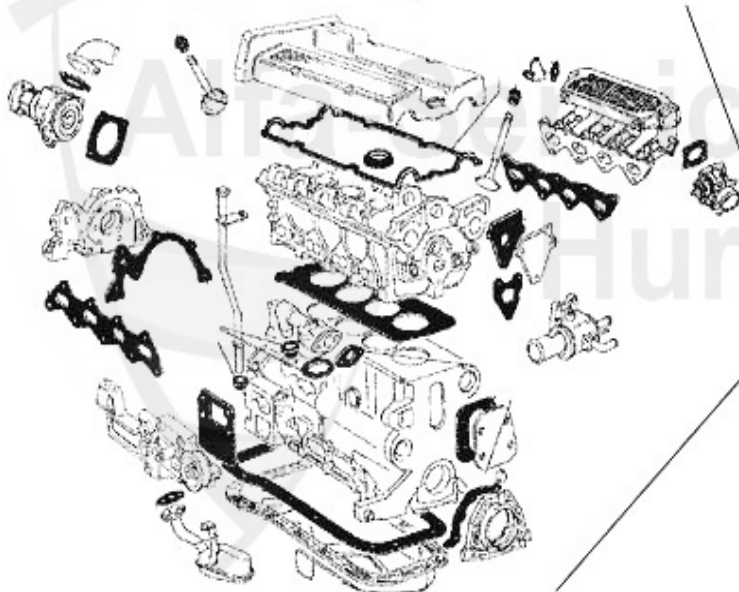
---

1 ZKDS95500 CYLINDER HEAD SET 155 2.0 16V TURBO 92-97

132.34 EUR

## Motordichtsatz/Full Set 155 Q4

---



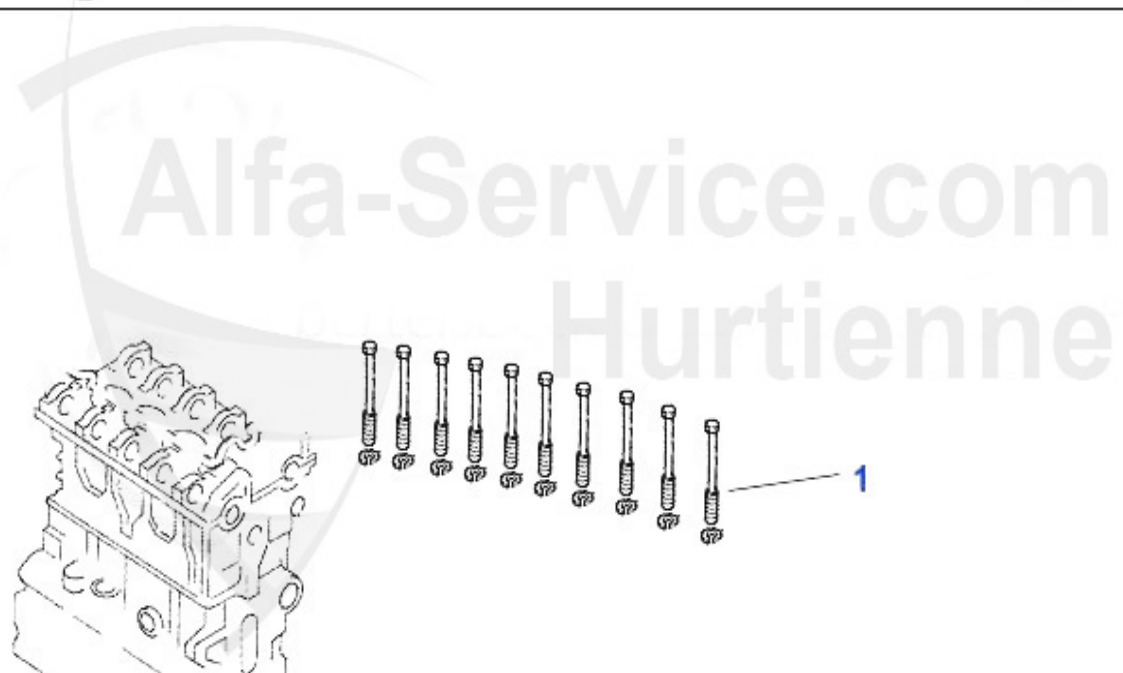
---

1 MDS8300 MOTOR GASKET SET 155 16V TURBO

132.34 EUR

## Kopfschraubensatz/Head Screw Set 155 Q4

---

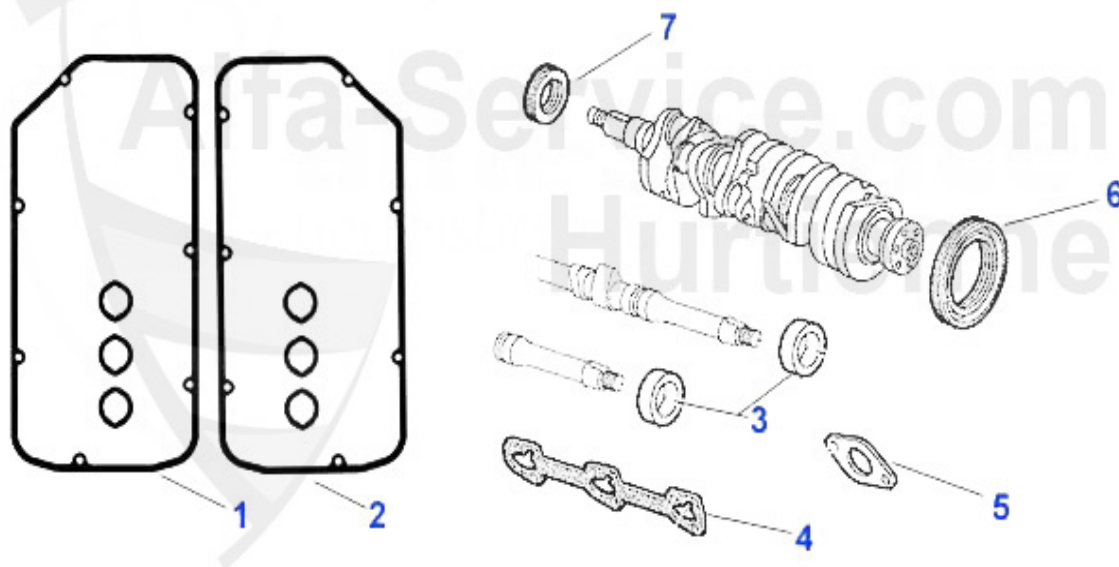


---

1 ZKSS7500 HEADED SCREW SET 155 2.0 16V TURBO

48.22 EUR

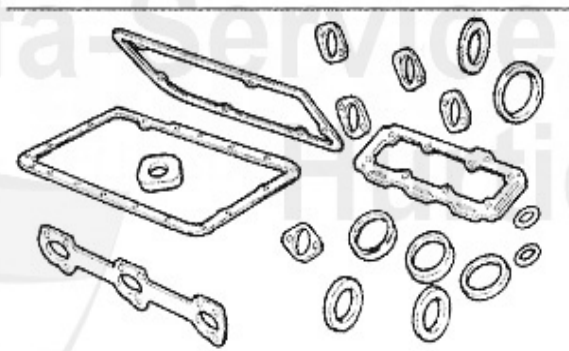
## Dichtungen Motor/Gaskets Engine 155 2.5 V6



1	VDD24700	CAM COVER GASKET LEFT 6,75,90	33.34 EUR
2	VDD24600	CAM COVER GASKET RIGHT 6,75,90	33.34 EUR
3	WD45700	CAMSHAFT 155 2.5 V6, 166 2.0 V6 TURBO 09.98>	28.00 EUR
4	ASKD76200	Ansaugkrümmerdichtung 155,164/Super ,166,gtv/spider V6 12V	9.13 EUR
5	AGKD06636OE. 60506636	GASKET	2.80 EUR
6	02 060 3 0	OIL SEAL (84/105/12) CRANKSHAFT REAR Spider 1990-93, 75, 90, 155, 164, GTV 6, 166, 156	24.10 EUR
7	WD23600	OE. 60567607 Sealing Gasket	18.85 EUR

## Kopfdichtsatz/Head Set 155 2.5 V6

---



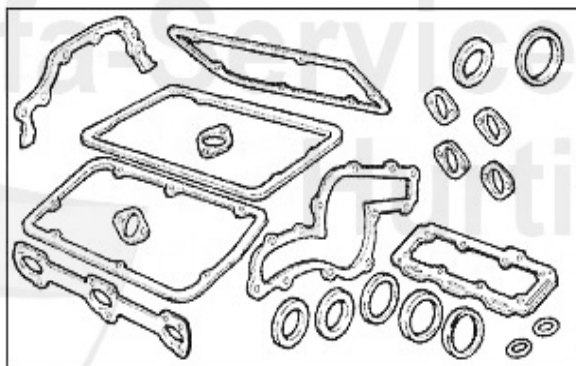
---

1 ZKDS95600 OE.60777617 HEADGASKET SET 155 V6 92-96

240.00 EUR

## Motordichtsatz/Full Set 155 2.5 V6

---



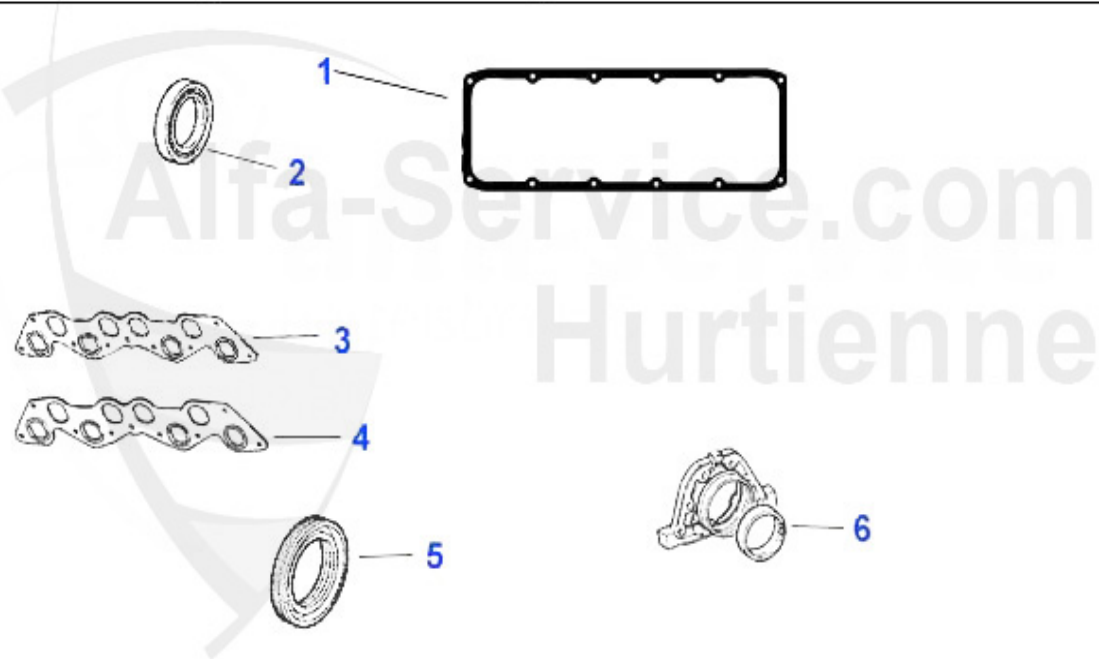
---

1 MDS8400 ENGINE GASKET SET 155 2.5 V6

325.00 EUR

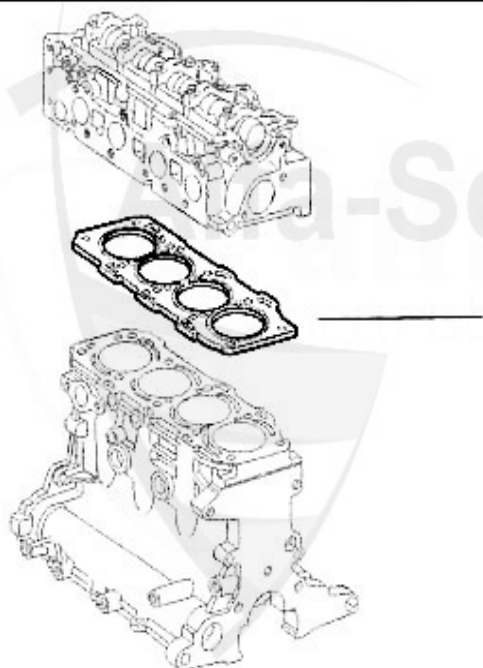


## Dichtungen Motor/ Engine Gaskets 155 1.9 TD



1	VDD1980	Ventildeckeldichtung 145/6,155 1.9 TD, Bj. 93-99	8.90 EUR
2	WD09700	Siri Nockenwelle 145/6,155 1.9 TD Bj. 93-99 164 2.0 Turbo	6.37 EUR
3	AGSKD3793		24.62 EUR
6		Ansaug/Abgaskrümmerdichtung 145/6, 155 1.9 TD	
5	WD43800	Siri Kurbelwelle vorne (Riemensch.) 145/6 1.9 TD Bj. 94-99,147 2.0 TS 155 1.9 TD Bj. 93-97,155 2.0 TS 16V 2.0 16V Turbo	9.75 EUR
6	WD33900	siri kurbelwelle hinten(schwungsch) 145/6,155,156,166,gtv&spider(916) 1.4,1.6,1.7 ie&16V,2.016V&ts,1.9jtd	16.24 EUR

## Kopfdichtung/Head Gasket 155 1.9 TD



### Achtung/Attention:

Beim Bestellen der Kopfdichtung bitte auf die entsprechende Markierung achten!  
Before you order the headgasket, please note the marking!

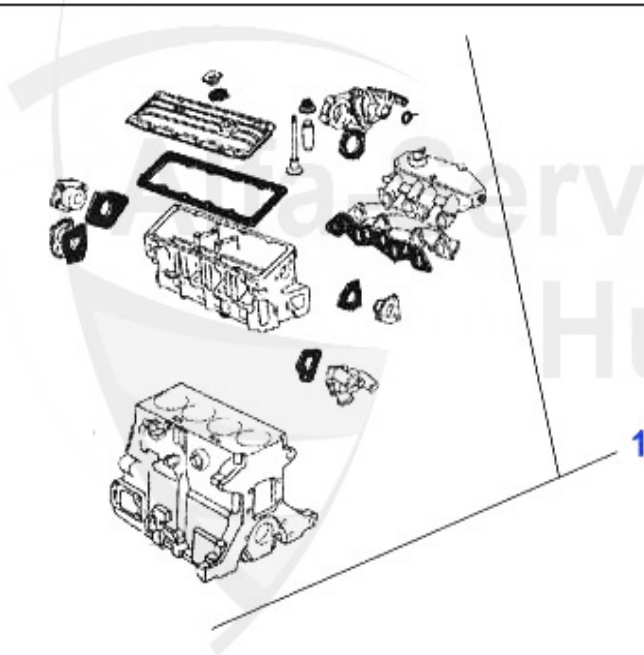
**1. ZKD 34200**  
1.65 mm

**2. ZKD 34210**  
1.80 mm

**3. ZKD 34220**  
1.95 mm

<b>1</b>	<b>ZKD34200</b>	<b>Kopfdichtung 145/6,155 1.9 TD Bj. 93-99 Dicke: 1.65 mm 0 Kerben</b>	<b>31.70 EUR</b>
<b>1</b>	<b>ZKD34210</b>	<b>Kopfdichtung 145/6,155 1.9 TD Bj. 93-99 Dicke: 1.80 mm 1 Kerbe</b>	<b>34.37 EUR</b>
<b>1</b>	<b>ZKD34220</b>	<b>Kopfdichtung 145/6,155 1.9 TD Bj. 93-99 Dicke: 1.95 mm 2 Kerben</b>	<b>34.37 EUR</b>

## Kopfdichtsatz/Head Set 155 1.9 TD



### **Achtung/Attention:**

Ohne Kopfdichtung, Kopfdichtung  
bitte separat bestellen!

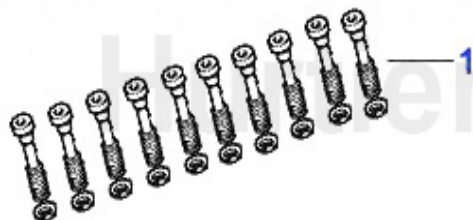
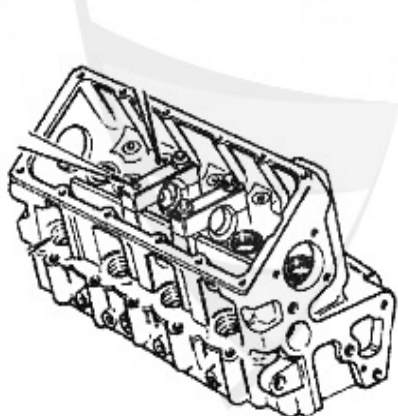
Without Headgasket, please order it  
separate!

1 ZKDS2400 HEAD GASKET SET 145/6,155 1.9 TD 93-99 WITHOUT HEAD GASKET

34.78 EUR

## Kopfschraubensatz/Head Screw Set 155 1.9 TD

---

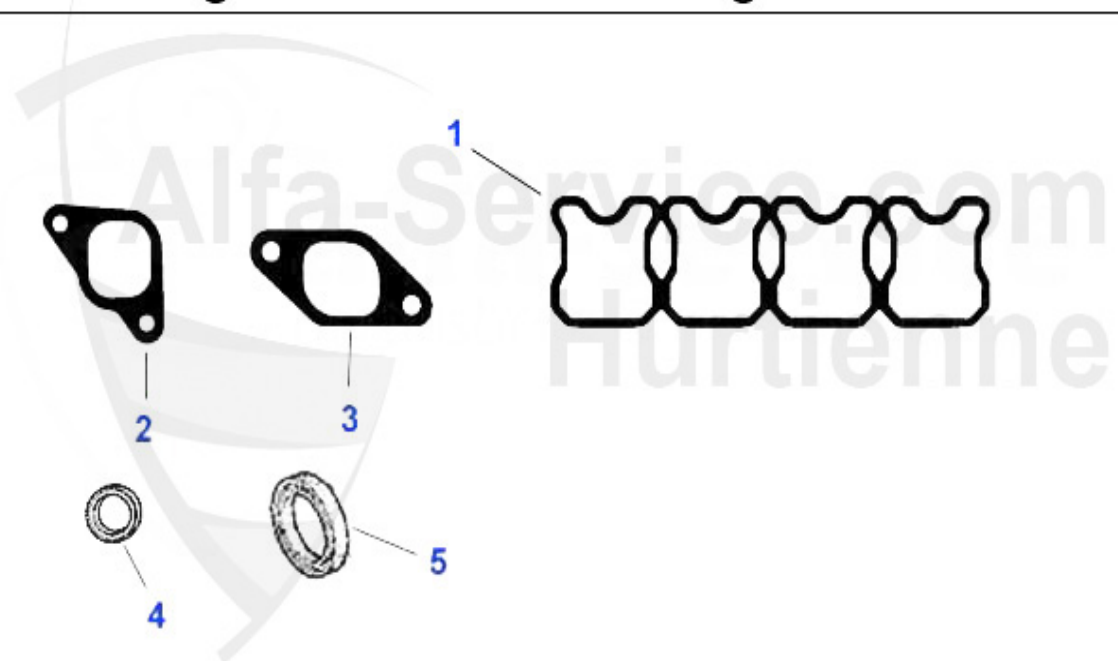


---

1 ZKSS7700 HEAD SCREW SET 145/6,155 1.9 TD 94-99

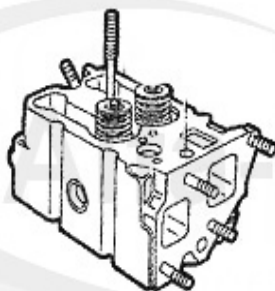
40.94 EUR

## Dichtungen Motor/Gaskets Engine 155 2.5 TD



1	VDD79100 Ventildeckeldichtung 75 2.0 TD,90 2.4 TD, 155,164/Super 2.5 TD, Alfetta 2.4 TD	23.09 EUR
2	ASKD83742Ansaugkrümmerdichtung 33 1.8 TD,75 2.0/2.4 TD,155,164/Super 2.5 TD	2.42 EUR
3	AGKD32812Abgaskrümmerdichtung 6,75,90,155, 164/Super,Alfetta 2.4/2.5 TD	3.59 EUR
4	WD26200 Siri Kurbelwelle vorne (Riemensch.) 33 1.8 TD, 155 2.5 TD Bj. 86-97	7.15 EUR
5	WD41700 OE.71712728 OIL SEAL CRANKSHAFT REAR	18.30 EUR

## Kopfdichtung/Headgasket 155 2.5 TD



### Achtung/Attention:

Beim Bestellen der Kopfdichtung bitte auf die entsprechende Markierung achten!  
Before you order the headgasket, please note the marking!

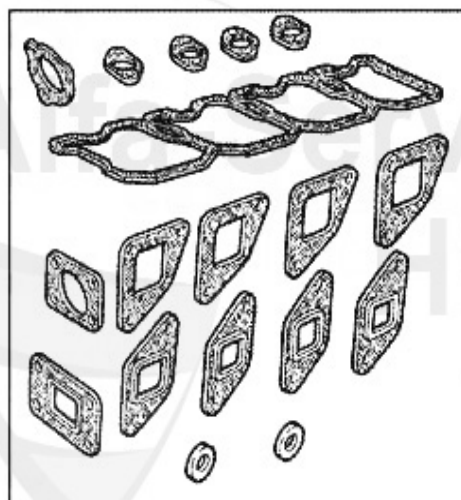
1. ZKD 11500  
1,42mm

2. ZKD 11510  
1,52 mm

3. ZKD 11520  
1,62 mm

1	ZKD11500	ZKD Alfetta,6,33,75,90,155,164 1.8 - 2.5 TD Dicke:1.42mm 0 Kerben ACHTUNG: auf Stückzahl achten	28.00 EUR
2	ZKD11510	ZKD Alfetta,6,33,75,90,155,164 1.8 - 2.5 TD Dicke: 1.52 mm 1 Kerbe ACHTUNG: auf Stückzahl achten	28.00 EUR
3	ZKD11520	Kopfdichtung Alfetta,6,33,75,155,164 1.8 - 2.5 TD dicke: 1.62 mm 2Kerben ACHTUNG: auf Stückzahl achten	30.38 EUR

## Kopfdichtsatz/Head Set 155 2.5 TD



**Achtung/Attention:**  
Ohne Kopfdichtung, Kopfdichtung  
bitte separat bestellen!  
Without Headgasket, please order it  
separate!

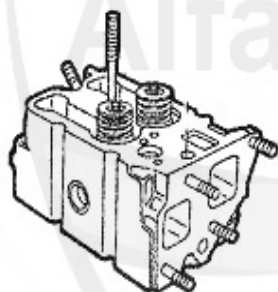
1

1 ZKDS6100 HEAD GASKET SET 155,164 2.5 TD 87-97 WITHOUT HEAD GASKET

52.84 EUR

Kopfschraubensatz/Head Screw Set 155 2.5 TD

---



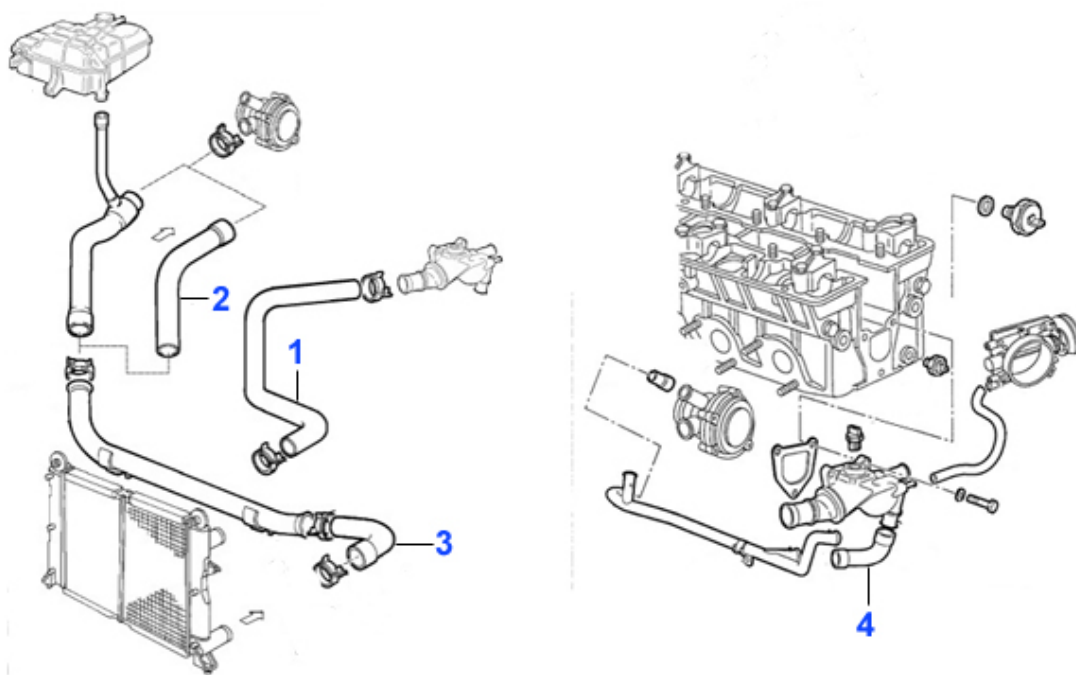
---

1 ZKSS9200 HEAD SCREW SET 155,164 2.5 TD 87-97

60.52 EUR

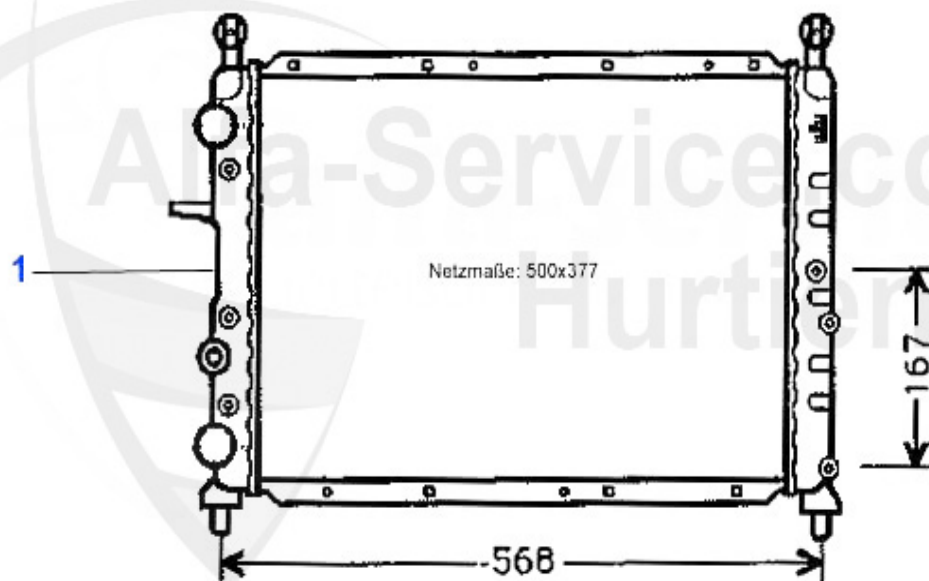


# 155 > ENGINE > COOLING SYSTEM > TS 8V > HOUSES



<b>1</b>	<b>KWS56562 UPPER WATER HOSE 155 1.7/1.8/2.0 TS</b>	<b>24.51 EUR</b>
<b>2</b>	<b>KWS56561 WATER HOSE WATERPUMP/DISTRIBUTOR HOSE 155 1.7/1.8/2.0 TS</b>	<b>10.15 EUR</b>
<b>3</b>	<b>KWS56563 LOWER WATER HOSE 155 1.7/1.8/2.0 TS</b>	<b>9.13 EUR</b>
<b>4</b>	<b>KWS56558 WATER HOSE THERMOSTAT HOUSING/ DISTRIBUTOR HOSE 155 1.7/1.8/2.0 TS</b>	<b>7.08 EUR</b>

## Kühler/Radiator 155 TS 8V



1 MK21072 radiator 155 1.7/1.8/2.0 TS 93-97

204.14 EUR

## Thermostat 155 TS 8V

---



---

1 TH596687 Thermostat 1.7/1.8/2.0 TS 155,164 Super,Gehäusethermostat

46.99 EUR

## Wasserpumpe/Waterpump 155 TS 8V

---

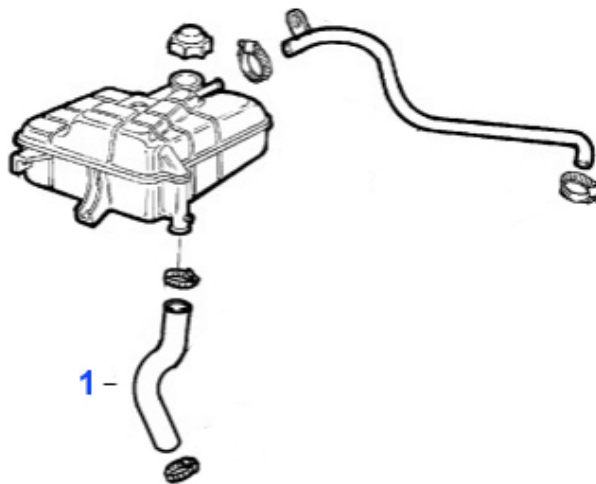


---

1 WP01210 WATERPUMP 155 1.7/1.8/2.0 ie TS 164 SUPER 2.0 TS

71.00 EUR

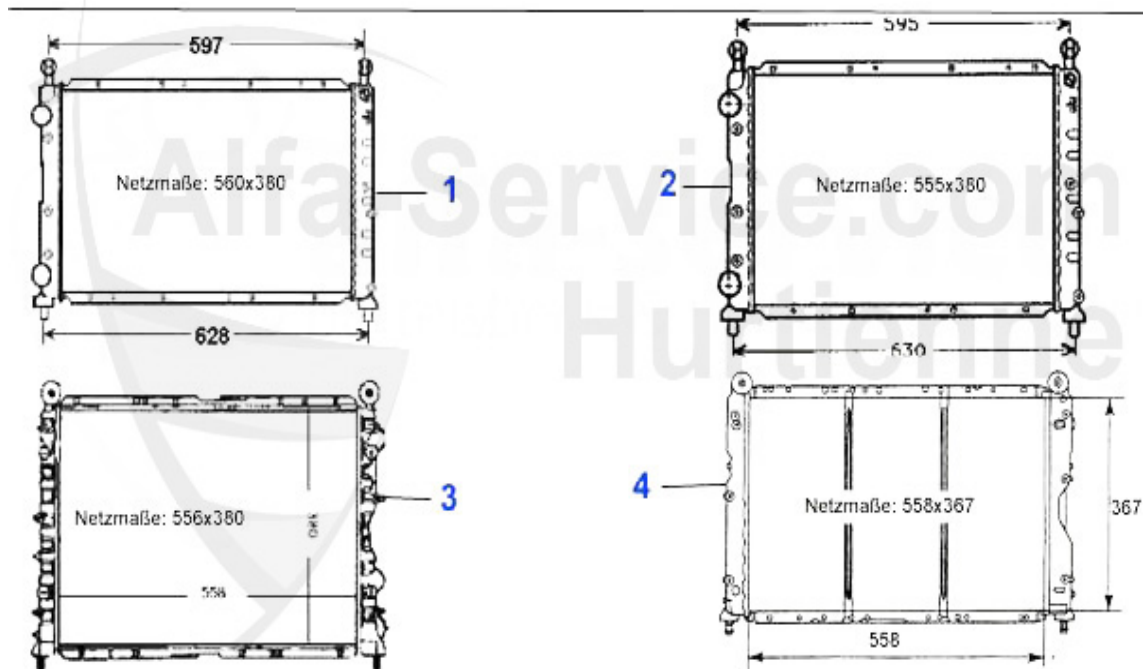
155 > ENGINE > COOLING SYSTEM > TS 16V > HOUSES



1 KWS03083 Kühlwasserschlauch unter Ausgleichs behälter 145/6,155 TS 16V

10.83 EUR

## Kühler/Radiator 155 TS 16V



1	MK22820	Motorkühler 145/6 1.4/1.6/1.7ie 16V TS Bj. 96-01,155 1.6 16V TS Bj.96>	224.66 EUR
2	MK22992	Motorkühler 145/6,155 1.6/1.7/1.8/ 2.0 TS 16V	213.38 EUR
3	MK22999	RADIATOR 145/6 2.0 16V TS/QV 6.96>	193.89 EUR
4	MK35342	RADIATOR 145/6 2.0 TS 16V >6.96,155 2.0 TS 16V 95-96	205.07 EUR

## Thermostat 155 TS 16V

---

1. TH 656883  
1.6 TS 16V



2. TH 649083  
1.8/2.0 TS 16V



- |   |          |  |           |
|---|----------|--|-----------|
| 1 | TH656883 | Thermostat 145/6,155,1.4/1.6 ie TS Bj. 97>,Gehäusethermostat | 64.52 EUR |
| 2 | TH649083 | OE. 60602148 THERMOSTAT 145/6,155,916 TS 16V                 | 84.99 EUR |

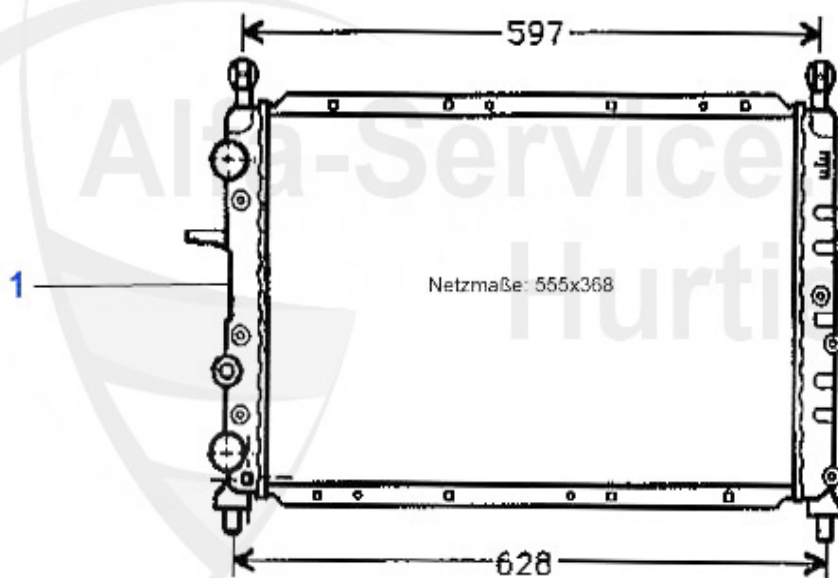
## Wasserpumpe/Waterpump 155 TS 16V



1	WP00310	OE. 60586222 WATERPUMP TS 16V	50.27 EUR
2	WP00410	WATER PUMP 145/6 1.6 IE 16V TS,155/6 1.6/1.8 IE 16V TS,NUOVO GT 1.8 TS	54.37 EUR



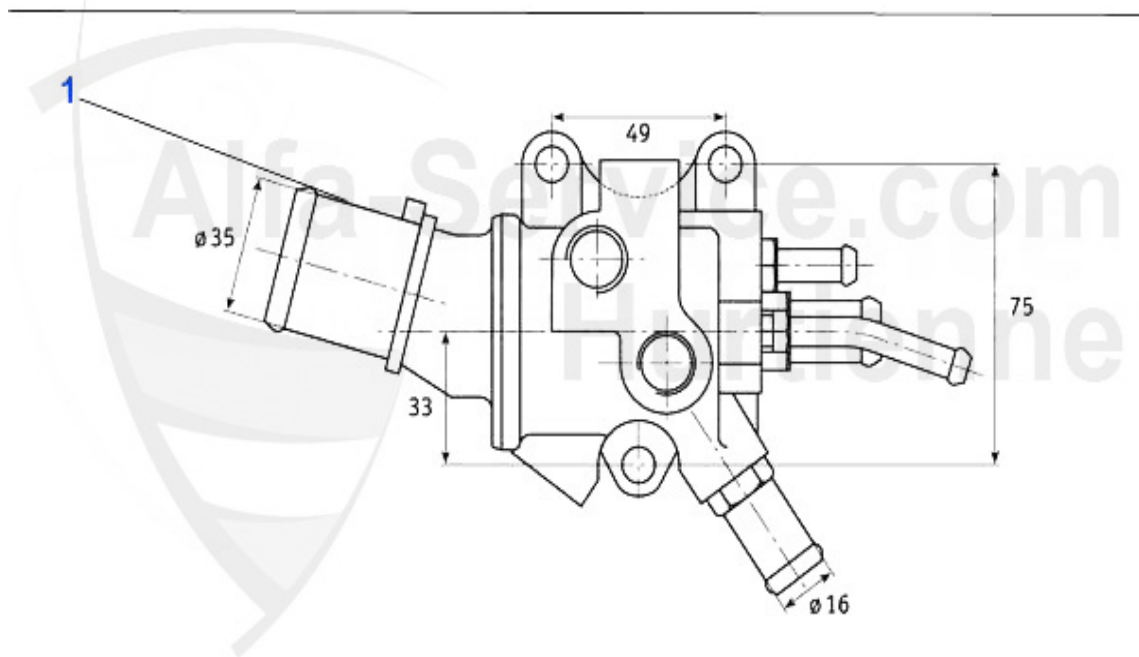
## Kühler/Radiator 155 Turbo Q4



1 MK22518 RADIATOR 155 2.0 16V TURBO

249.28 EUR

## Thermostat 155 Turbo Q4



1 TH23789 OE. 7723789 THERMOSTAT 155 Turbo Q4

\*\*\*

## Wasserpumpe/Waterpump 155 Turbo Q4

---

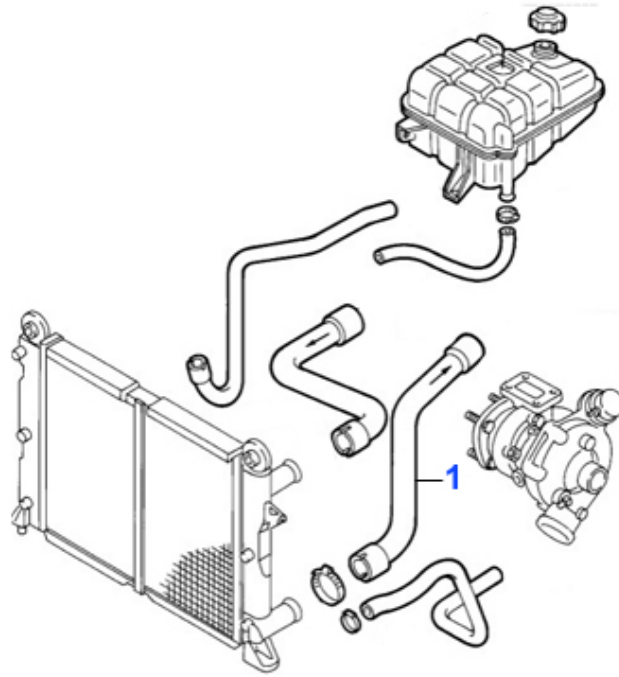


---

1 WP10426 OE. 71719680 WATERPUMP 155 Turbo Q4

152.86 EUR

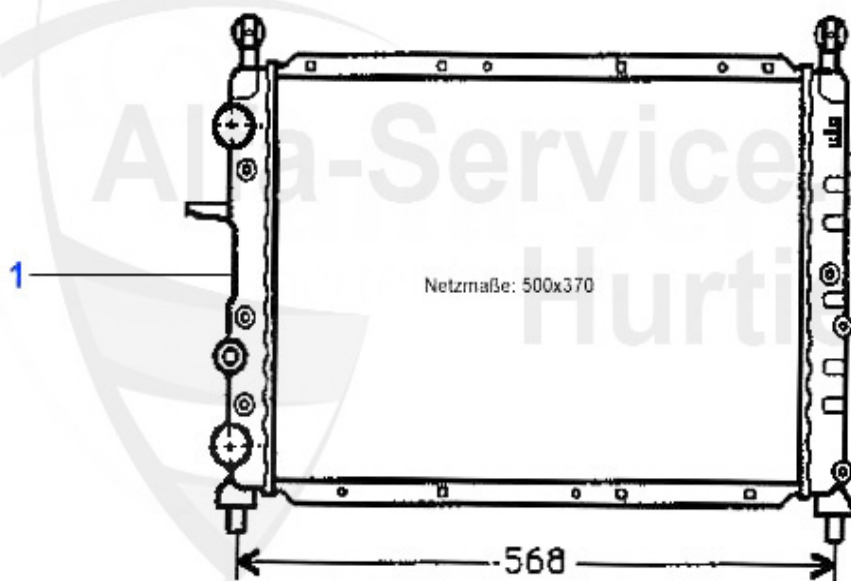
155 > ENGINE > COOLING SYSTEM > 2.0 Turbo 4x4 > HOUSES



1 KWS73245 Kühlwasserschlauch 155 Kühler unten 2,0 Turbo 4X4

12.21 EUR

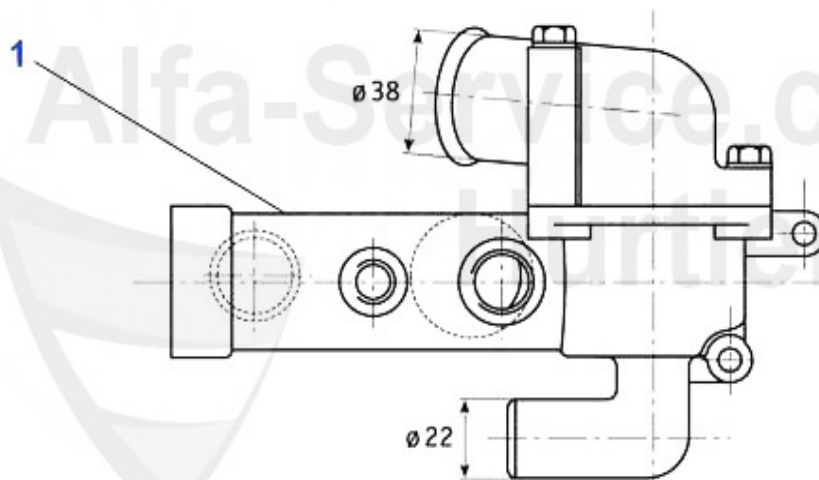
## Kühler/Radiator 155 2.5 V6



1 MK22516 Radiator 155, 2.5 V6

207.74 EUR

## Thermostat 155 2.5 V6

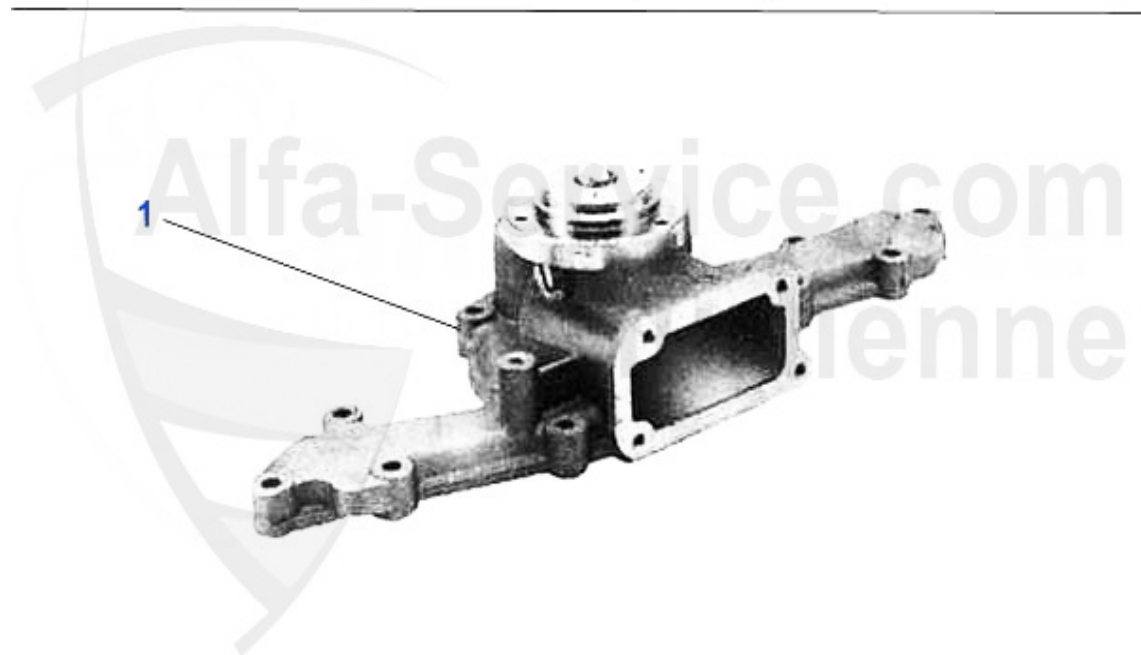


1 TH657187 THERMOSTAT 155,156,166,GTV,SPIDER (916) 6 CYL. (WITH HOUSING)

54.00 EUR

## Wasserpumpe/Waterpump 155 2.5 V6

---

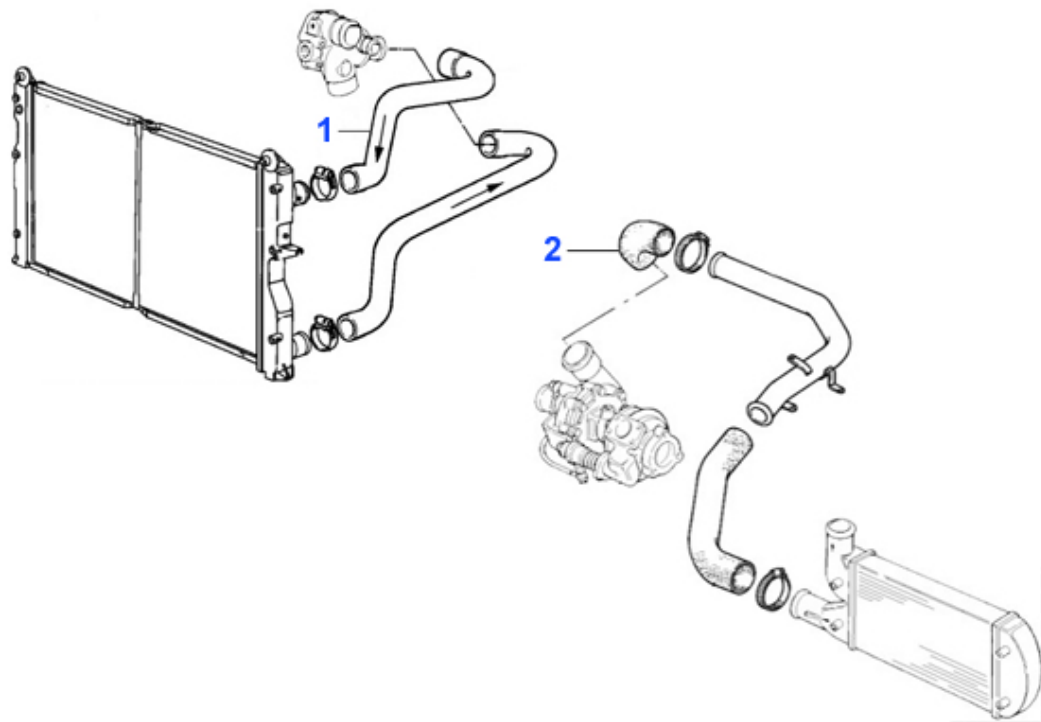


---

1 WP01110 OE. 60668488 WATERPUMP 155 2.5 V6,164/ 916 3.0 V6

87.20 EUR

155 > ENGINE > COOLING SYSTEM > 1.9 TD > HOUSES

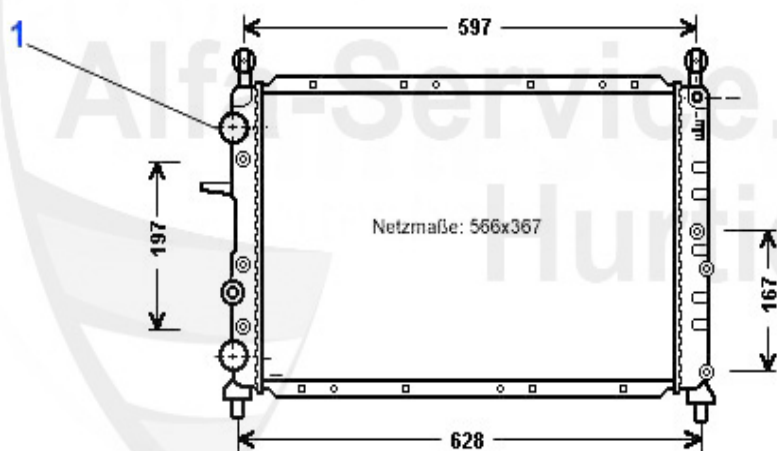


1 KWS09309 Kühlwasserschlauch oben 155 1.9 TD Bj. >96

14.88 EUR



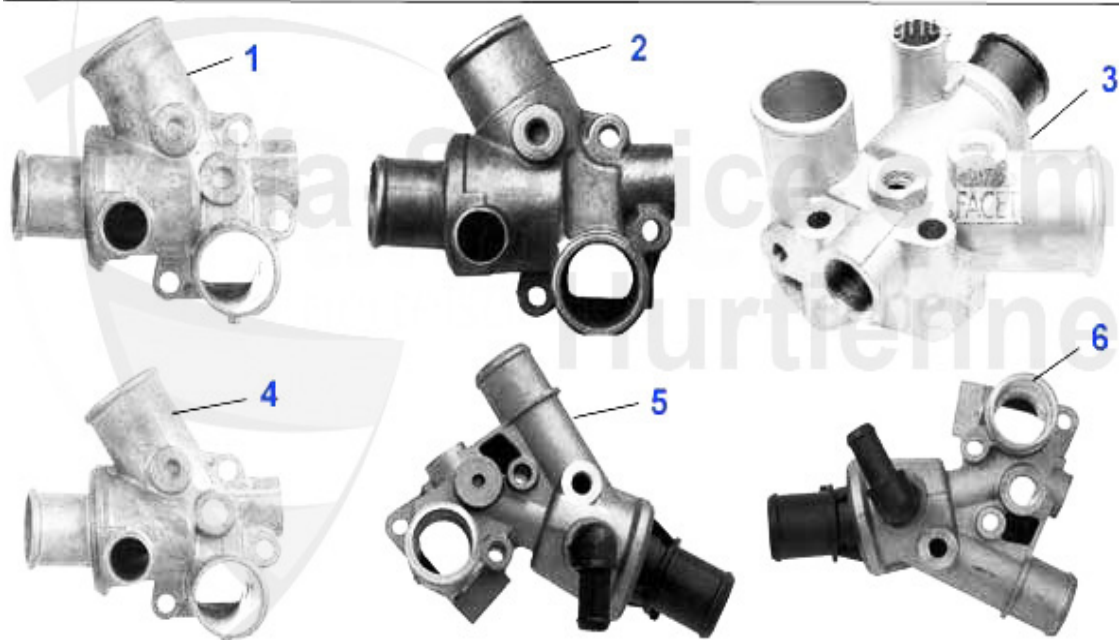
## Kühler/Radiator 155 1.9 TD



1 MK21949 Motorkühler 145/6 2.0 16V Bj. >5.96 1.9 TD Bj. 12.94-02.99,155 1.9 TD

189.78 EUR

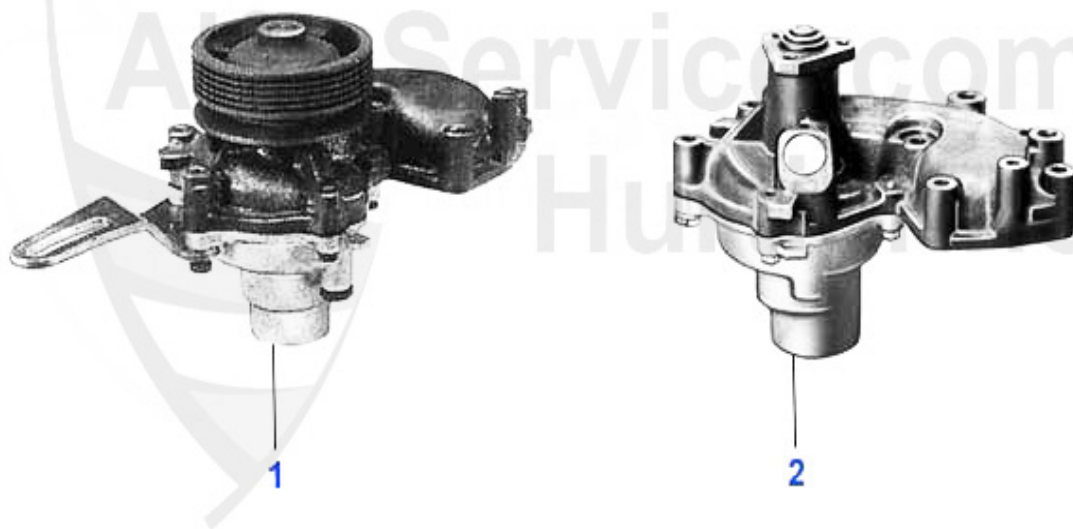
## Thermostat 155 1.9 TD



1	TH568880	Thermostat 1.9 TD 145/6,155 (ohne Klima) Gehäusethermostat	39.50 EUR
2	TH625480	Thermostat 1.9 TD Mot # 1761923 > 1 45/6,155 (ohne Klima),Gehäusethermostat	29.50 EUR
3	TH657488	Thermostat 145/6,155 1.9 TD mit Klima,Gehäusethermostat	33.00 EUR
4	TH625580	Thermostat 1.9 TD Mot. # 1761923 > 145/6,155 (mit Klima),Gehäusethermostat	45.51 EUR
5	TH597580	Thermostat 1.9 TD 145/6 Bj. 96,155 Bj. 96> (ohne Klima),Gehäusethermostat	66.28 EUR
6	TH653780	Thermostat 145/6,155, 1.9 TD,Gehäusethermostat (mit Klima)	72.99 EUR

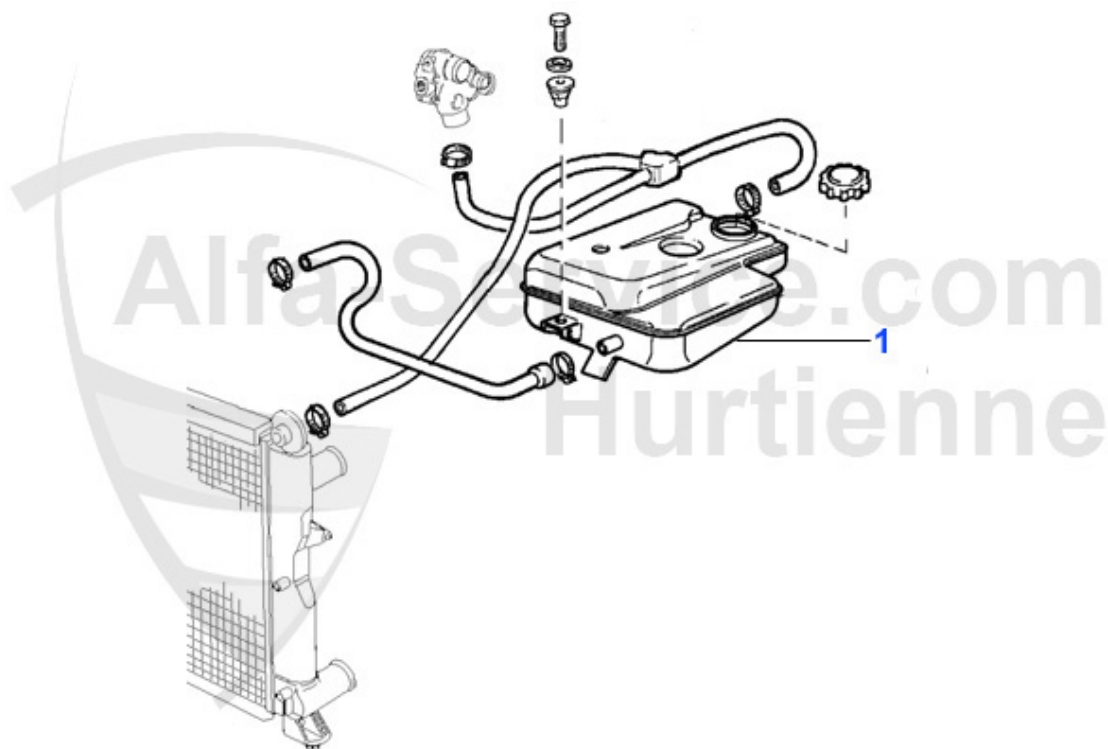
## Wasserpumpe/Waterpump 155 1.9 TD

---



1	WP26310	Wasserpumpe 145/6,155 1.9 TD mit Ge häuse > #1723043	146.70 EUR
2	WP35858	Wasserpumpe 145/6,155 1.9 TD #17230 44>	123.11 EUR

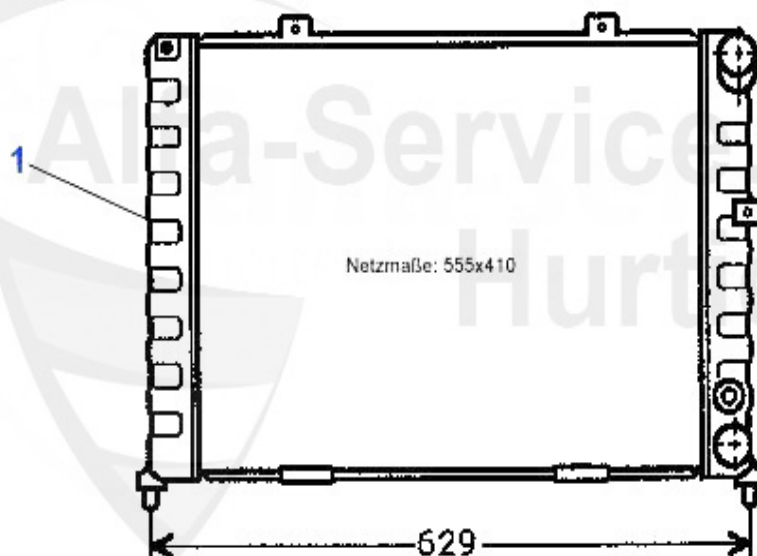
155 > ENGINE > COOLING SYSTEM > 1.9 TD > OVERFLOW CONTAINER



1 KWB00155 OWERFLOW CONTAINER 155 1.9 TD (93-97)

59.90 EUR

## Kühler/Radiator 155 2.5 TD



1 MK22376 Motorkühler 155 2.5 TD

\*\*\*

## Thermostat 155 2.5 TD

---



---

1 TH657080 Thermostat 155 2.5 TD,Gehäusethermo stat

66.00 EUR

## Wasserpumpe/Waterpump 155 2.5 TD

---

1. WP 00130  
>1995

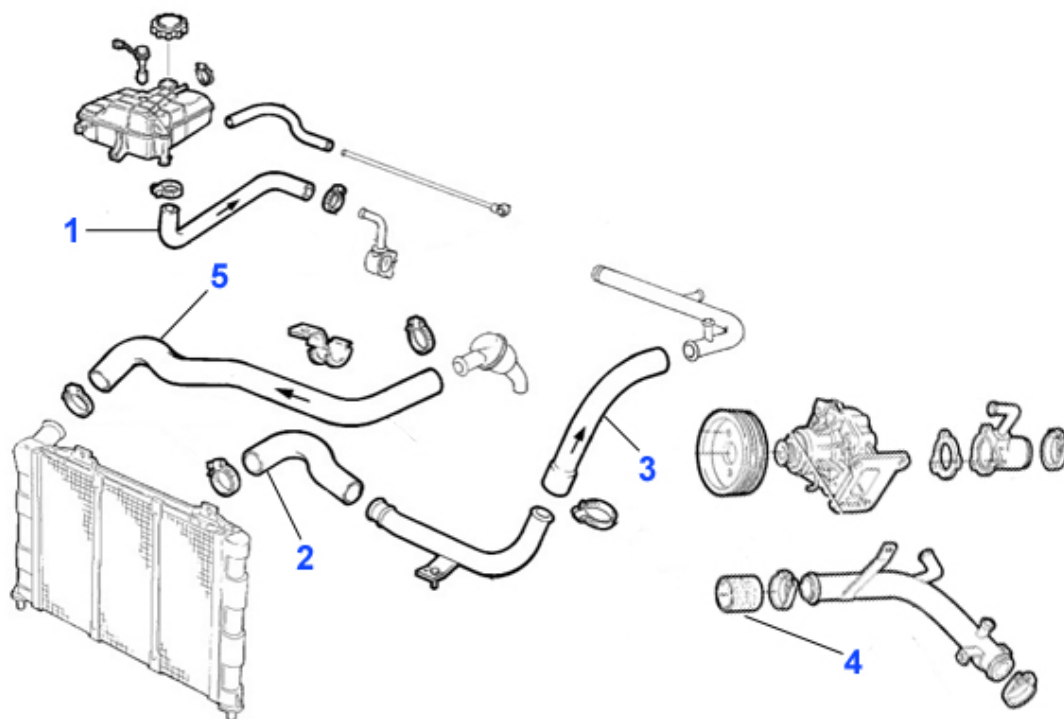


2. WP 01330  
1995>



1	WP00130	WATER PUMP 33 (905/7) 1.8 TD,155,164 2.5 TD WITHOUT CAP	59.50 EUR
2	WP01330	Wasserpumpe 155,164/Super 2.5 TD	60.52 EUR

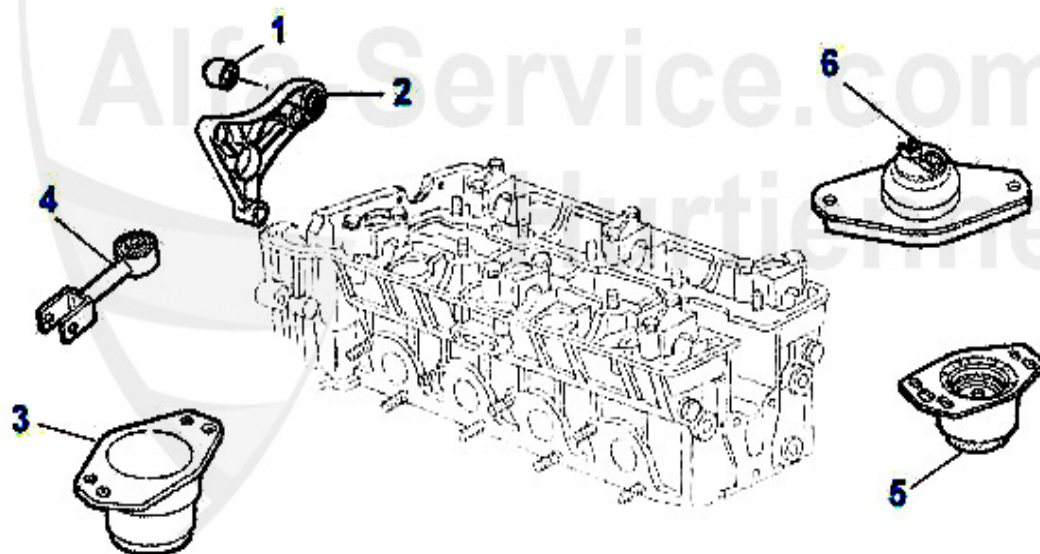
# 155 > ENGINE > COOLING SYSTEM > 2.5 TD > HOUSES



<b>1</b>	<b>KWS80056 Kühlwasserschlauch unter Ausgleichs behälter 155 2.5 TD</b>	<b>7.08 EUR</b>
<b>2</b>	<b>KWS80068 Kühlwasserschlauch unten 155 2.5 TD</b>	<b>11.19 EUR</b>
<b>3</b>	<b>KWS80067 Kühlwasserschlauch zwischen den bei den Verteilerrohren 155 2.5 TD</b>	<b>10.15 EUR</b>
<b>4</b>	<b>KWS13630 Kühlwasserschlauch Wasserpumpe/Vert eilerrohr 155,164 Super 2.5 TD</b>	<b>15.28 EUR</b>
<b>5</b>	<b>KWS80069 Kühlwasserschlauch oben 155 2.5 TD</b>	<b>18.36 EUR</b>

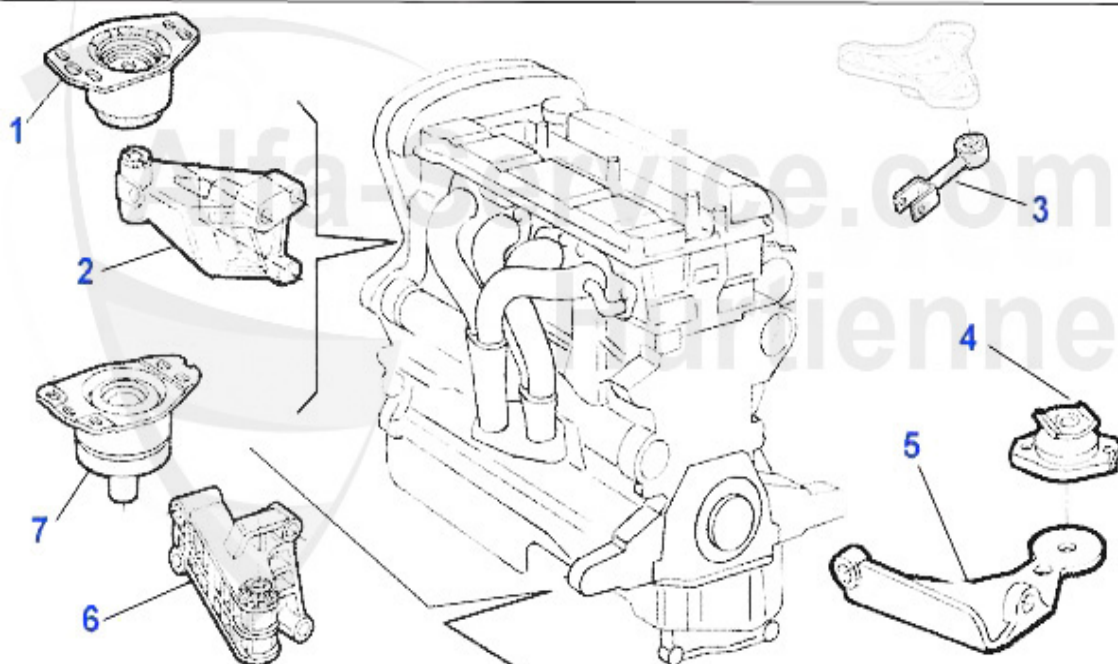


# Motorlager/Enginemount 155 TS 8V



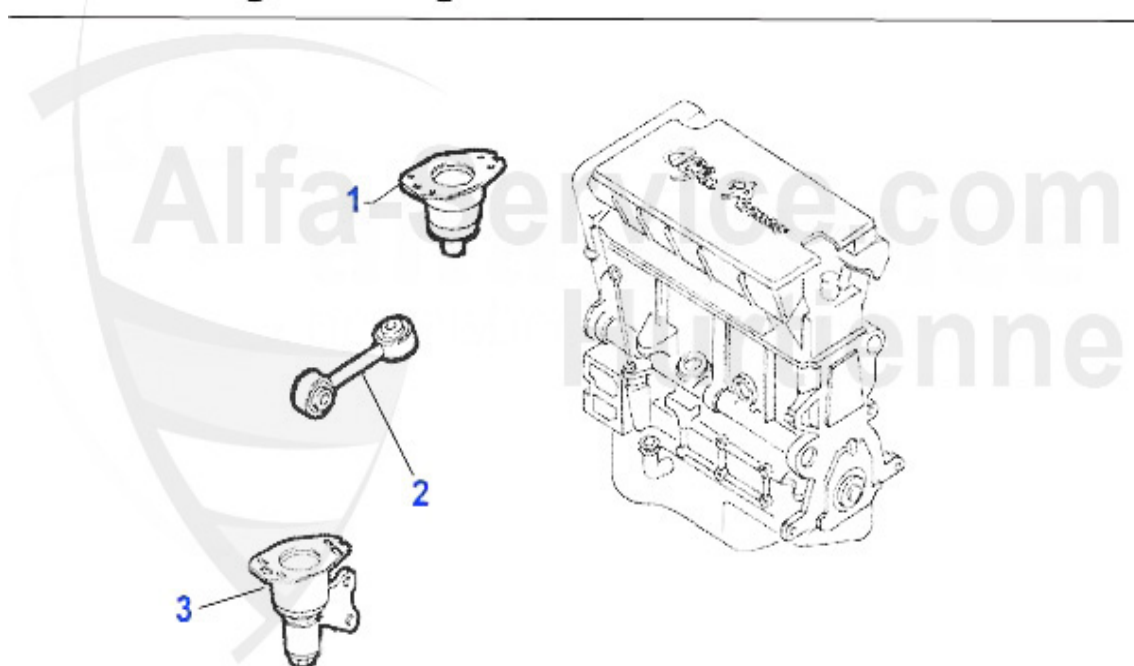
1	ML8775	Motorlagerbuchse vorne 145/6, 155,164,spider/gtv (916)	20.00 EUR
2	ML55482	OE. 60555482 ENGINEMOUNT 155 TS 8V	***
3	ML3237	FRONT ENGINE MOUNT 145/6,155 all TS MODELS 16V & 6 CYL.,GTV/Spider (916) 4 CYL.	50.78 EUR
4	ML55705	OE. 60555705 ENGINEMOUNT 155 TS 8V	***
5	ML67561	OE. 60567561 ENGINEMOUNT REAR 155 TS 8V/ 2.5 V6	***
6	ML9359	OE.7644686 ENGINE MOUNT REAR 147, 155, 156	55.81 EUR

## Motorlager/Engine Mount 155 TS 16V



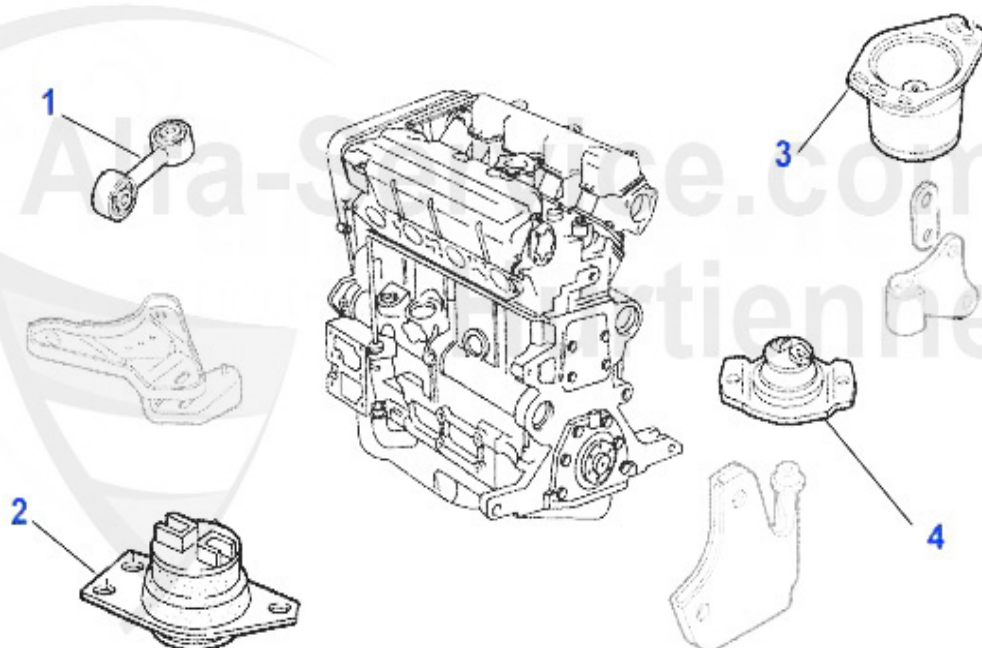
1	ML52930	OE. 46452930 ENGINE MOUNT FL 145/6 1999> 2.0 TS 16V,155 1.6/1.8 TS 16V,156 1.6 TS 16V	149.00 EUR
1	ML3237	FRONT ENGINE MOUNT 145/6,155 all TS MODELS 16V & 6 CYL.,GTV/Spider (916) 4 CYL.	50.78 EUR
2	ML99403	OE. 60672234/60599403 ENGINE MOUNT	92.50 EUR
3	ML88458	Motorzugstange 145/6,155,gtv/spider (916) 2.0 TS 16V	***
4	ML46931	OE. 46446931/60812783 ENGINE MOUNT RR 155 1.6/1.8 TS 16V	70.00 EUR
4	ML3234	OE. 7652240/60808861 ENGINE MOUNT	52.00 EUR
5	ML70915	OE. 7770915 SUPPORT	126.76 EUR
6	ML23429	OE. 46423429 SUPPORT	65.00 EUR
7	ML88460	ENGINE MOUNT 145/6,147 (74KW),155,156, GTV/SPIDER (916)	109.27 EUR

## Motorlager/Enginemount 155 Turbo Q4



1	ML43405	OE. 82443405/60807394 ENGINE MOUNT	***
2	ML68132	OE. 7668132 ENGINE ROD	***
3	ML67676	OE. 82467676 ENGINE MOUNT	***

## Motorlager/Enginemount 155 2.5 V6



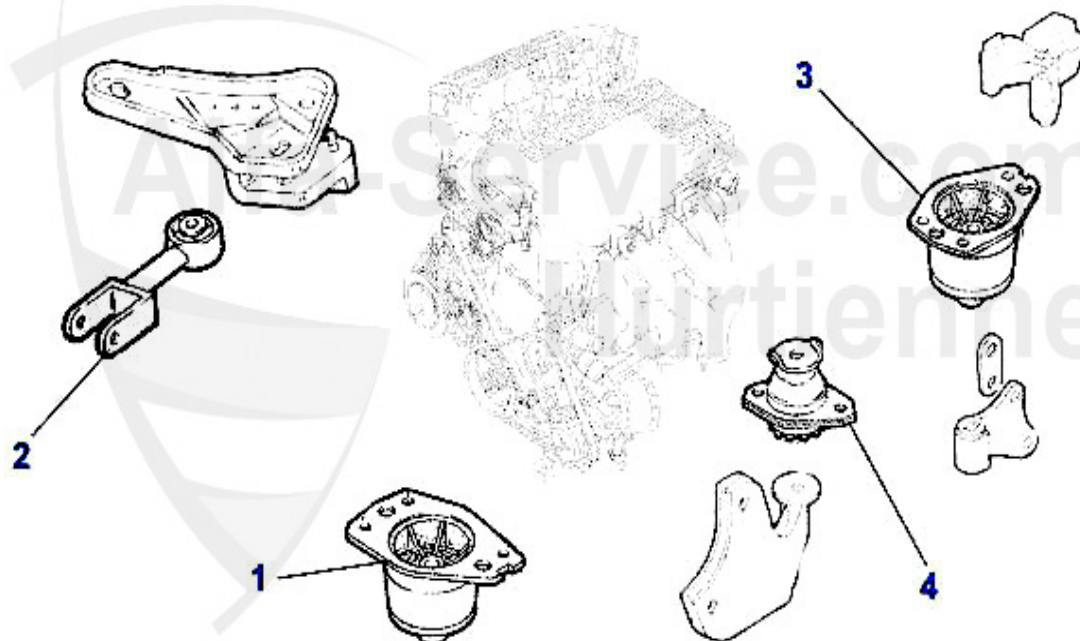
1	ML62252	OE. 60562252 ENGINE ROD	***
2	ML00574	OE. 60500574 ENGINE MOUNT	***
3	ML67561	OE. 60567561 ENGINEMOUNT REAR 155 TS 8V/ 2.5 V6	***
4	ML9359	OE.7644686 ENGINE MOUNT REAR 147, 155, 156	<b>55.81 EUR</b>

## Motorlager/Enginemount 155 1.9 TD



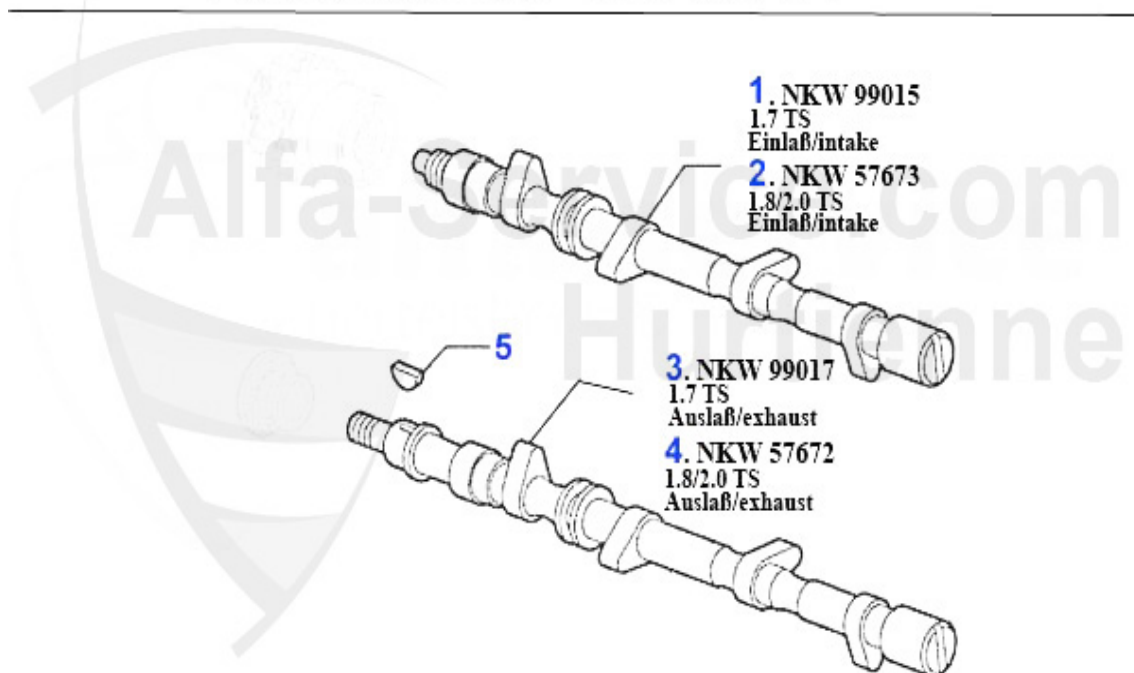
1	ML32301	Motorlager vorne 145/6 alle 155 nur diesel	61.45 EUR
2	ML3234	OE. 7652240/60808861 ENGINE MOUNT	52.00 EUR
3	ML32331	Motorlager hinten 145/6 alle 155 nur diesel	71.29 EUR

## Motorlager/Enginemount 155 2.5 TD



1	ML64421	OE. 60564421 ENGINEMOUNT FL 155 2.5 TD	43.60 EUR
2	ML62575	OE. 60562575 ENGINE ROD 155 2.5 TD	40.52 EUR
3	ML64419	OE. 60564419/20 ENGINEMOUNT RR 155 2.5 TD	44.63 EUR
4	ML64423	OE. 60564423 ENGINEMOUNT RL 155 2.5 TD	26.57 EUR

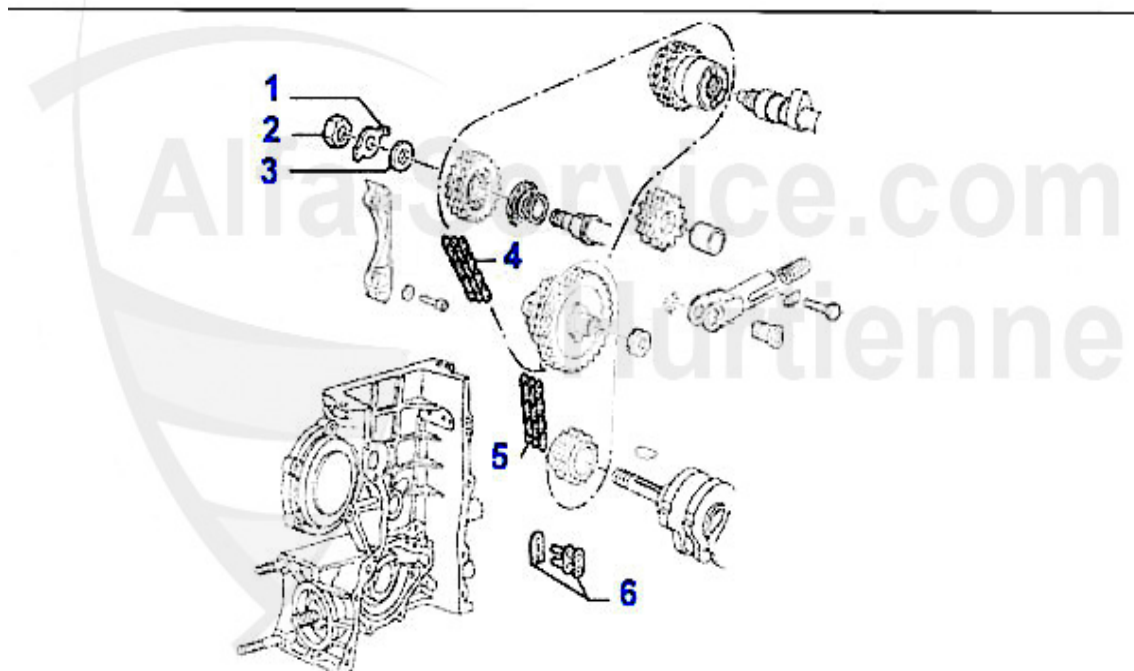
## Nockenwelle 155 TS 8V



1	NKW99015 Nockenwelle (Einlaß)155 1.7 TS Bj. >96	354.99 EUR
2	NKW57673 Nockenwelle (Einlaß) 155 1.8/2.0 TS Bj. >96,164 Super 2.0 TS	225.01 EUR
3	NKW99017 CAM SHAFT (EXHAUST) 155 1.7 TS >96	320.00 EUR
4	NKW57672 CAMSHAFT (EXHAUST) 155 1.8/2.0 TS >96, 164 SUPER 2.0 TS	225.01 EUR
5	03 137 0 0 WEDGE FOR CAMSHAFTS	3.70 EUR



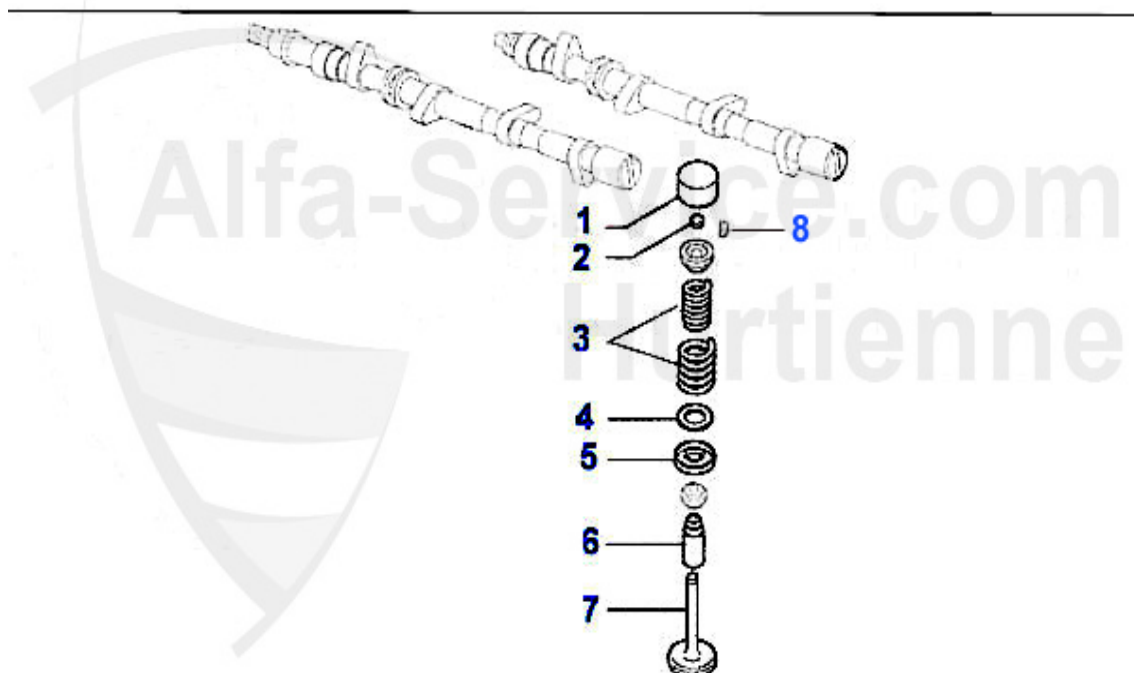
## Steuerkette 155 TS 8V



1	03 123 0 0	LOCK TAB CAMSHAFT	1.70 EUR
2	03 121 0 0	MOUNTING NUT-CHAIN WHEEL-CAMSHAFT	***
3	03 122 0 0	THRUST WASHER MOUNTING NUT	***
4	STK13301	TIMING CHAIN LONG 75,155,164	74.89 EUR
5	03 047 0 0 I	TIMING CHAIN IWIS 1300-2000 SHORT ENDLESS	40.60 EUR
5	03 047 0 0	TIMING CHAIN 1300-2000 SHORT ENDLESS	20.35 EUR
5	03 047 0 0 R	TIMING CHAIN IWIS RACING 1300-2000 SHORT ENDLESS	45.85 EUR
6	03 048 0 0	MASTER LINK	3.20 EUR

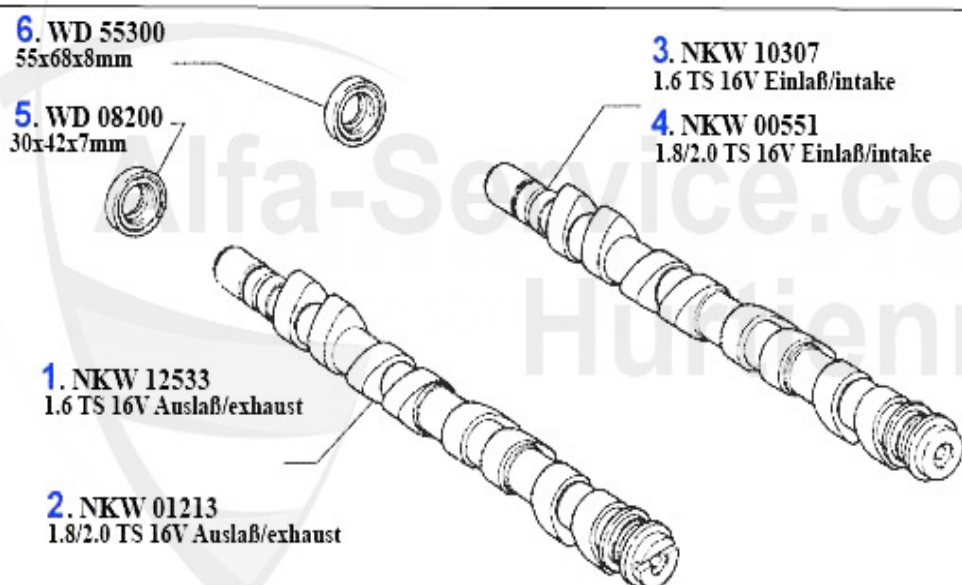


## Ventiltrieb 155 TS 8V



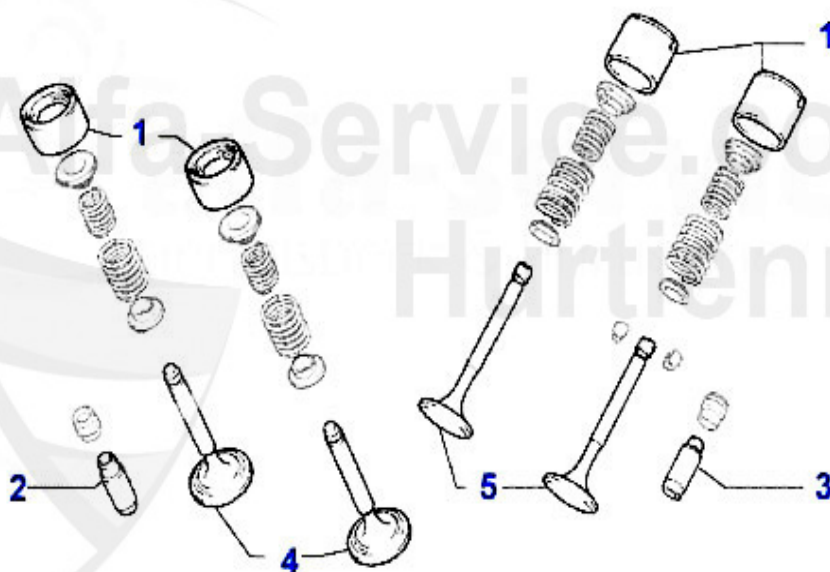
1	03 068 0 0	CAM FOLLOWER OE60612178	23.50 EUR
2	VEP1085	VALVE ADJUSTING SHIMS SET 8mm 2,525- 3,500, 200 pcs, TS 8V	404.20 EUR
3	03 274 0 0	VALVE SPRING SET 16 pcs	59.80 EUR
4	03 295 0 0	OE.60502912 WASHER INSIDE LOWER VALVE SPRING PLATE	1.61 EUR
5	03 292 0 0	CUP FOR VALVE WASHER	***
6	VFA80247	OE. 60580247 VALVE GUIDE EXHAUST TS 8V	6.50 EUR
6	VFE79202	OE. 60602064 Valve Guide Intake TS 8V	22.05 EUR
7	VA12751	OE. 60512751 Valve Exhaust TS 8V	33.32 EUR
7	VE64098	OE. 60564098 Valve Intake TS 8V	22.61 EUR
8	VK 8	Valve cotteners 8mm twin spark OE.60503036	1.79 EUR

## Nockenwelle 155 TS 16V



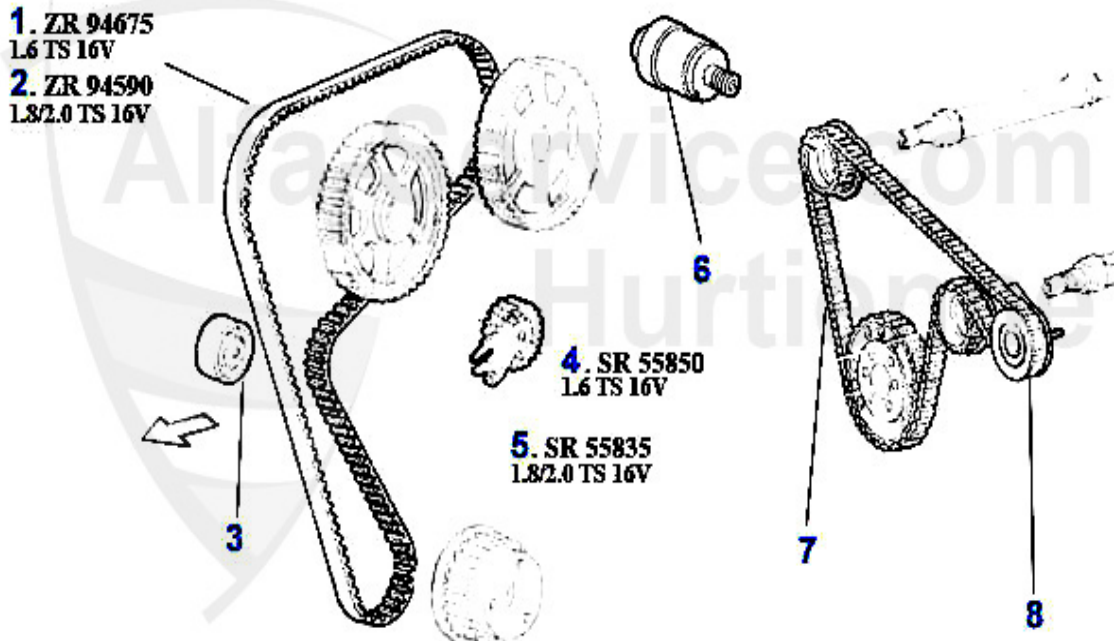
1	NKW12533 Nockenwelle (Auslaß) 145/6,147,155, 156 1.4/1.6 TS 16V	243.13 EUR
2	NKW01213 OE. 60601213 CAMSHAFT	336.69 EUR
3	NKW10307 Nockenwelle (Einlaß) 145/6,155,156 1.4/1.6 TS 16V	242.11 EUR
4	NKW00551 OE. 60600551 CAMSHAFT	279.76 EUR
5	WD08200 CAMSHAFT 145/6,155,156,GTV/SPIDER (916), 166 VARIOUS 96-01	11.84 EUR
6	WD55300 siri nockenwelle 145/6,155,156 1.6,1.7,1.8,2.0 16V TS	16.97 EUR

## Ventiltrieb 155 TS 16V



1	HST12769	HYDRAULIC VALVE LIFTER 145/6,147,155 156,166,GTV/SPIDER(916)16V TS ALL!	14.90 EUR
2	VFA11582	Ventilführung Auslaß + 0.05 TS 16V	21.03 EUR
3	VFE11575	Ventilführung Einlaß +0.05 TS 16V	21.03 EUR
4	VA91934	EXHAUST VALVE 145/6,155,156,SPIDER/GTV (916) 1.6/1.8/2.0 TS 16V	18.05 EUR
5	VE91933	INLET VALVE 145/6,155,156,SPIDER/GTV (916) 1.6/1.8/2.0 TS 16V	15.28 EUR

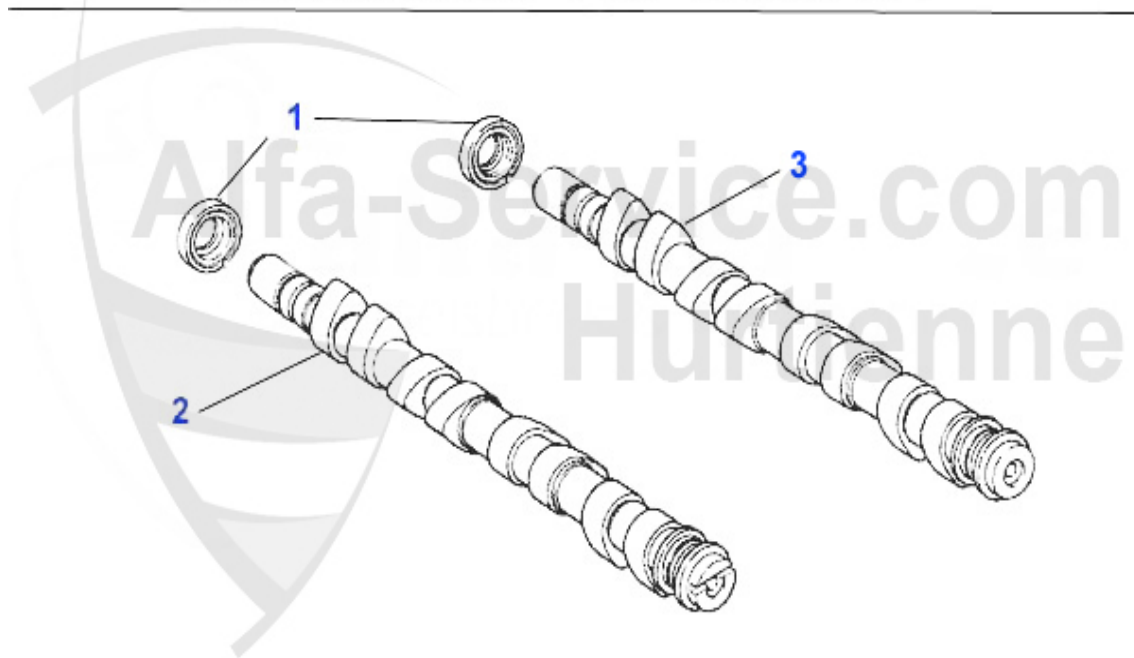
## Zahnriemen 155 TS 16V



1	ZR94675	Zahnriemen 166SHPN240H 145/6,155/6 4-Zylinder(Mot.CF2/3) Nockenwelle Hochtemperatur-Ausführung ACHTUNG!!! auf Motor # achten	42.58 EUR
2	ZR94590	OE.60814319 TIMING BELT 168SHPN240H 145/6 1.8/2.0 IE/16V/TS, 147 2.0 16V TS,155 2.0 16V TS,156 1.8,2.0 IE 16V/TS	40.94 EUR
3	UR55851	OE. 60671573 DEFLECTION PULLEY 1.8 TS 16V 145/6, 147, 155, 156, 166, Nuovo GT, gtv/spider (916)	33.50 EUR
4	SR55850	Spannrolle Zahnriemen 145/6 1.4 ie 16V TS,155/6 1.6 ie 16V TS/2.0 JTS/ gtv/spider (916) 2.0 JTS	72.98 EUR
5	SR55835	OE. 55192239 IDLER PULLEY 1.8 TS 16V 145/6, 147, 155, 156, 166, gtv/spider (916)	89.50 EUR
6	SZVRS1545 0	Reparatursatz Spritzzeitversteller Alfa 145/46 155/6 Spider / GTV 916	7.71 EUR
6	SZV6066619 9	OE. 71738360/55202772 ADVANCE VARIATOR TS 16V	198.99 EUR
7	ZR94591	Zahnriemen 130SLDD150H 145/6,155/6 2.0 16V TS Ausgleichswelle,Hochtemp eratur-Ausführung	61.55 EUR
8	SR20443	Spannrolle für Ausgleichswelle 2.0 TS gtv/spider (916),155,156 Mot.- Nr. 0134319>	38.20 EUR

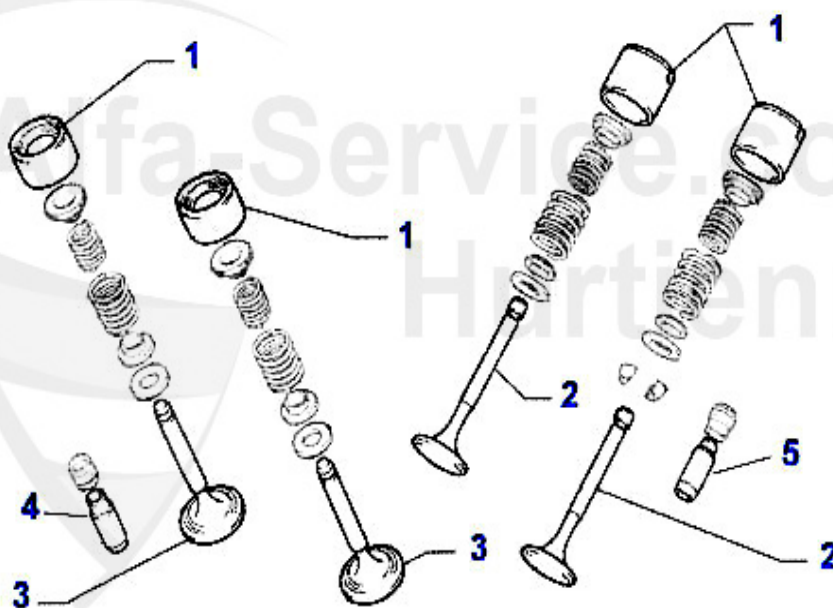
## Nockenwelle 155 Turbo Q4

---



1	WD08200	CAMSHAFT 145/6,155,156,GTV/SPIDER (916), 166 VARIOUS 96-01	11.84 EUR
2	NKW05830	Nockenwelle (Auslaß) 155 2.0 16V Turbo	313.61 EUR
3	NKW05829	CAMSHAFT (INTAKE) 155 2.0 16V TURBO	381.99 EUR

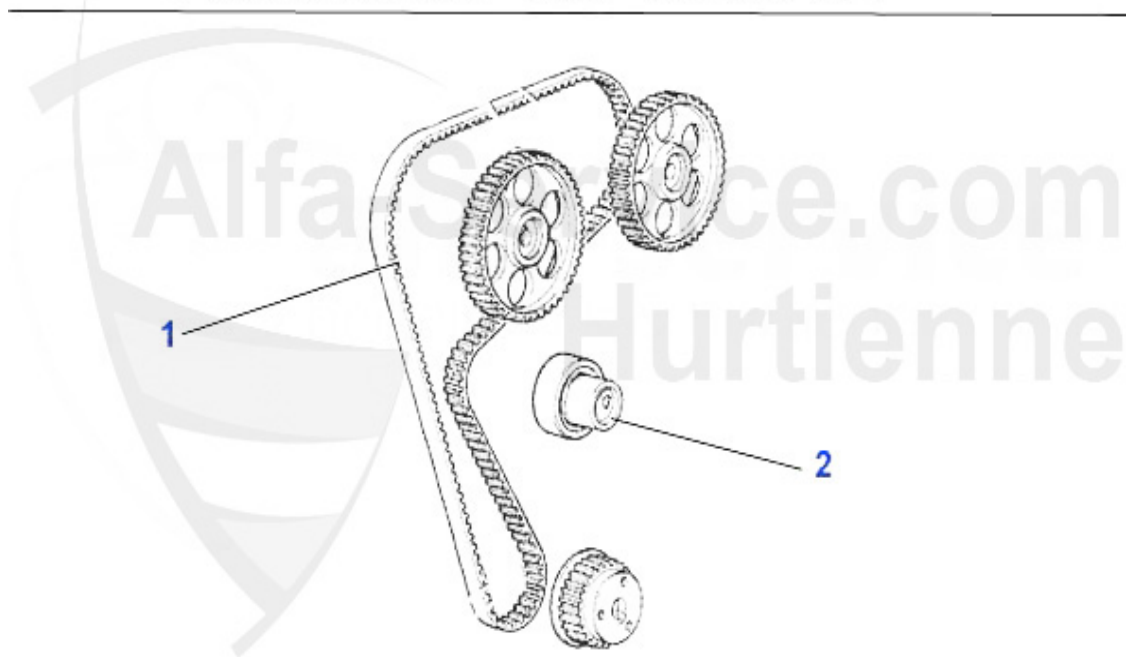
## Ventiltrieb 155 Turbo Q4



1	HST52447	Hydrostößel 145/6,155,156,166 TD/ JTD	14.26 EUR
2	VE22907	OE. 7722907 VALVE-INTAKE	22.50 EUR
3	VA50916	OE. 7650916 VALVE-EXHAUST 155 Turbo Q4	55.91 EUR
4	VFA11680	OE. 7611680 VALVE GUIDE EXHAUST	15.90 EUR
5	VFE16992	OE. 7616992 VALVE GUIDE INTAKE 155 Q4	5.21 EUR

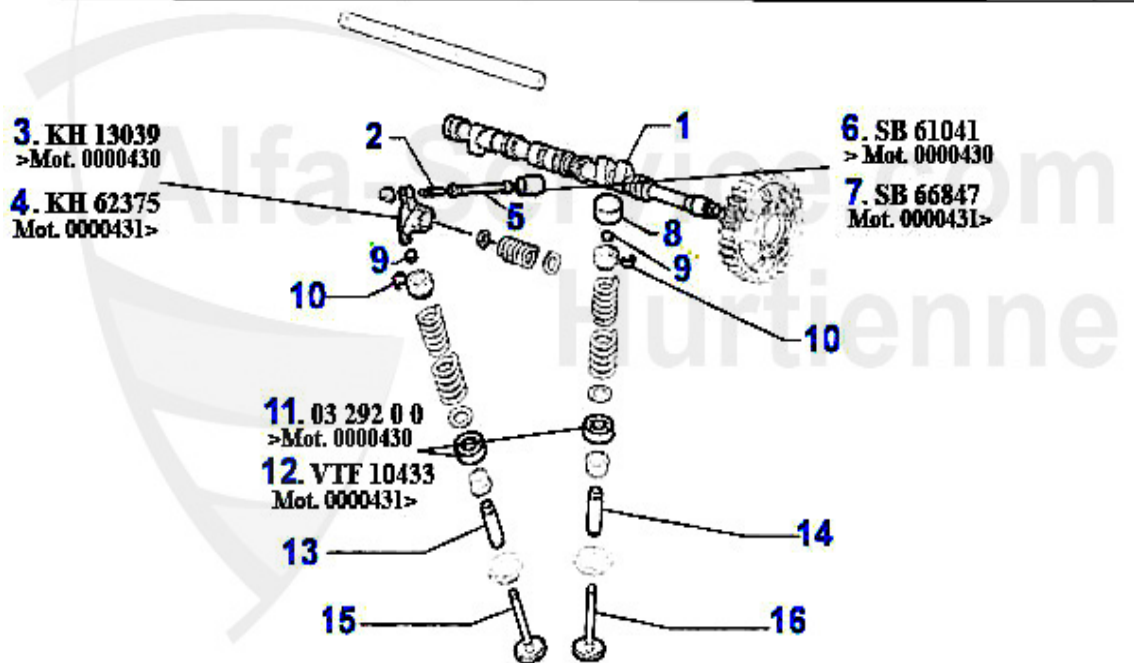
## Zahnriemen 155 Turbo Q4

---



1	ZR94491	Zahnriemen 173SHP180H 155 16V Turbo Nockenwelle,Hochtemperatur-Ausführung	42.79 EUR
2	SR55804	OE. 5997325 Belt Stretcher	44.49 EUR

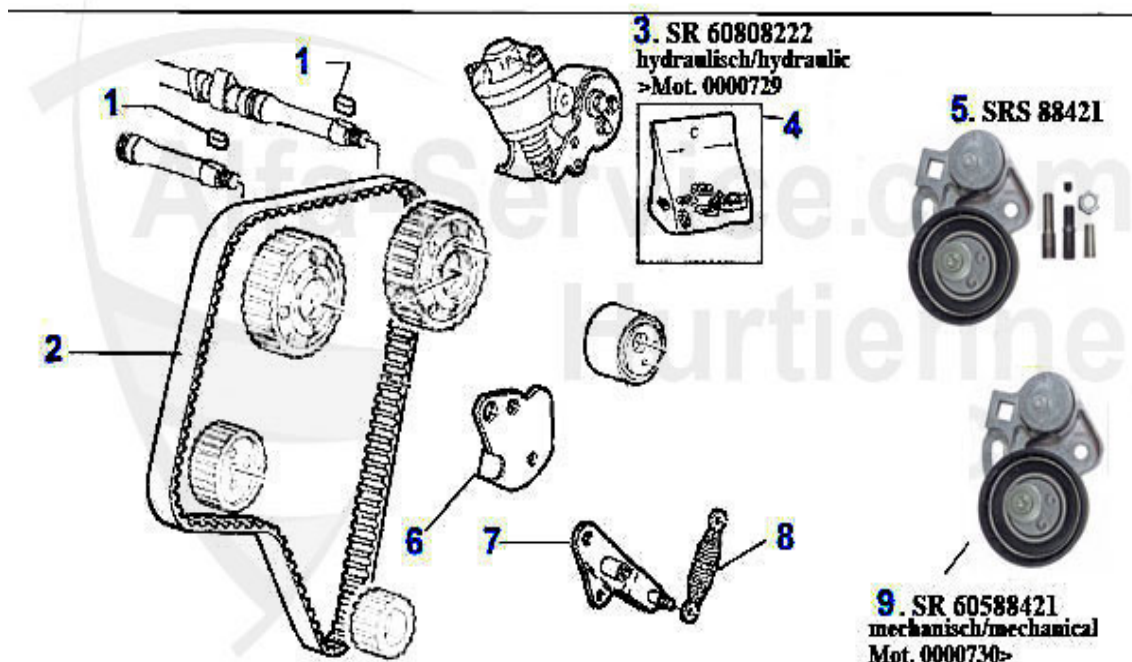
## Ventiltrieb 155 2.5 V6



1	NKW00455	CAMSHAFT LEFT 155 2.5 V6	245.18 EUR
1	NKW00454	CAMSHAFT RIGHT 155 2.5 V6	245.18 EUR
2	ES07485	Einstellschraube f. Kipphebelwelle 75,155,164,166,RZ,SZ,gtv/spider (916),GTV/6	3.45 EUR
3	KH13039	Kipphebel (Auslaß) 75, 155, 164, RZ/SZ	47.12 EUR
4	KH62375	Kipphebel (Auslaß) 155, 164/Super, 166, gtv/spider (916)	89.06 EUR
5	SS07401	Stößelstange (Auslasseite) 75,155 164,166,RZ,SZ,gtv/spider (916),GTV/ 6	50.86 EUR
6	SB61041	OE. 60561041 EKHAUST TAPPET 6-CYL.	***
7	SB66847	CAMFOLLOWER 155,164 GTV/SPIDER 916 24 x 21,5 x 36	20.25 EUR
8	03 068 0 0	CAM FOLLOWER OE60612178	23.50 EUR
9	03 084 0 0	VALVE ADJUSTING SHIMS 205 pcs per box 1.500 - 2.500 mm	279.00 EUR
9	03 043 0 0	VALVE ADJUSTING SHIMS	5.40 EUR
9	03 114 0 0	VALVE ADJUSTING SHIMS 200 pcs per box 2.525 - 3.500 mm	315.00 EUR
10	03 296 0 0	VALVE COTTERS 9mm	1.20 EUR
11	03 292 0 0	CUP FOR VALVE WASHER	***
12	VTF10433	OE. 60601088/60810433 VALVE CUP	1.80 EUR
13	VFA815609	OE. 60605721 Valve Guide-Exhaust 6-Cylinder 116	9.75 EUR
14	VFE05739	OE. 60605739 VALVE GUIDE INTAKE	15.28 EUR
15	VE91624	OE. 60523548 Valve-Intake 6-Cylinder 116	***
16	VA91625	OE. 60810441 Valve-Exhaust 6-Cylinder 116	33.00 EUR

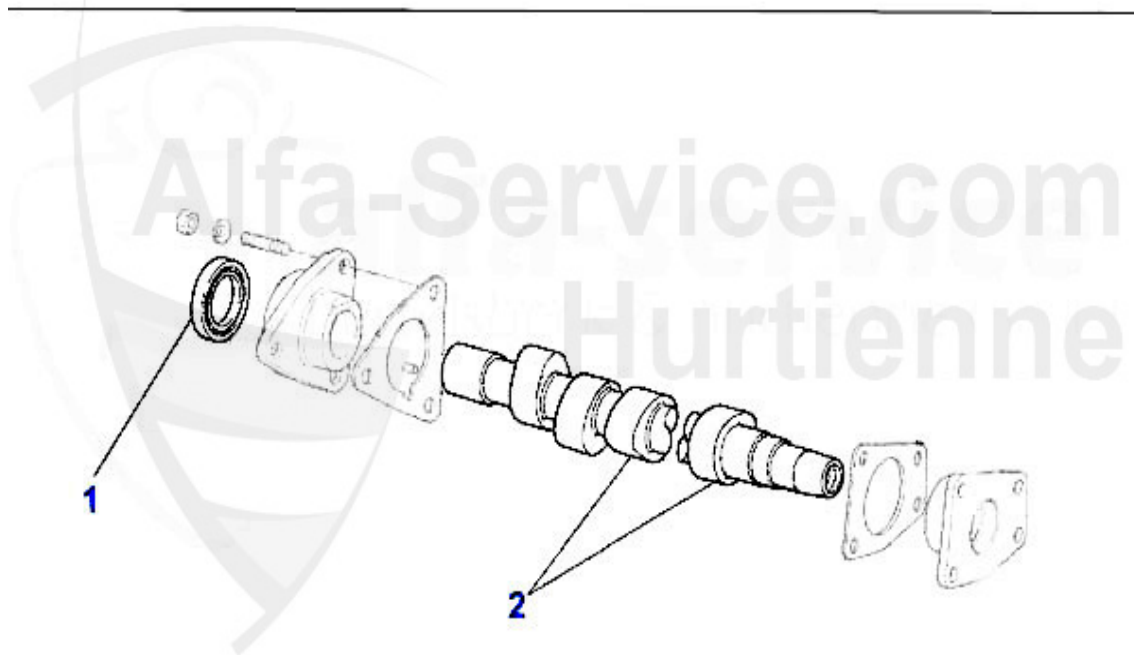


## Zahnriemen 155 2.5 V6



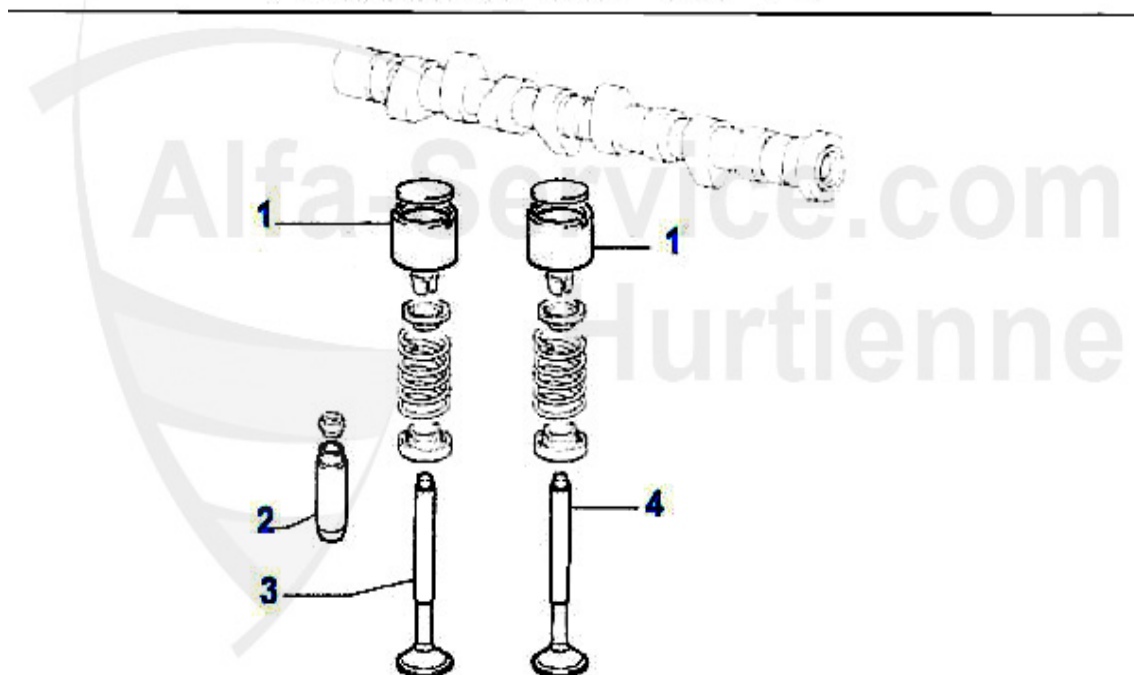
1	03 137 0 0	WEDGE FOR CAMSHAFTS	3.70 EUR
2	ZR94411	OE. 60500466 TIMINGBELT V6 12V 1992>	37.62 EUR
3	SR60808222	BELTTENSIONER HYDRAULIC 75,155,RZ,SZ,164	***
4	DS77065	OE. 60777065 GASKET-SET F. BELTSTRETCHER	39.90 EUR
5	SRS88421	ALTERING KIT TIMING BELT TENSIONER HYDRAULIC TO MECHANIC V6	175.00 EUR
6	SRPL7320	Halteplatte zu Riemenspanner # SR60808222	4.62 EUR
7	SR13023	OE. 60513023/60507460 Bracket	33.34 EUR
8	SF07469	OE.60507469 SPRING	28.21 EUR
9	SR60588421	OE. 60588421 BELT TENSIONER MECHANIC.	170.91 EUR

## Nockenwelle 155 1.9 TD



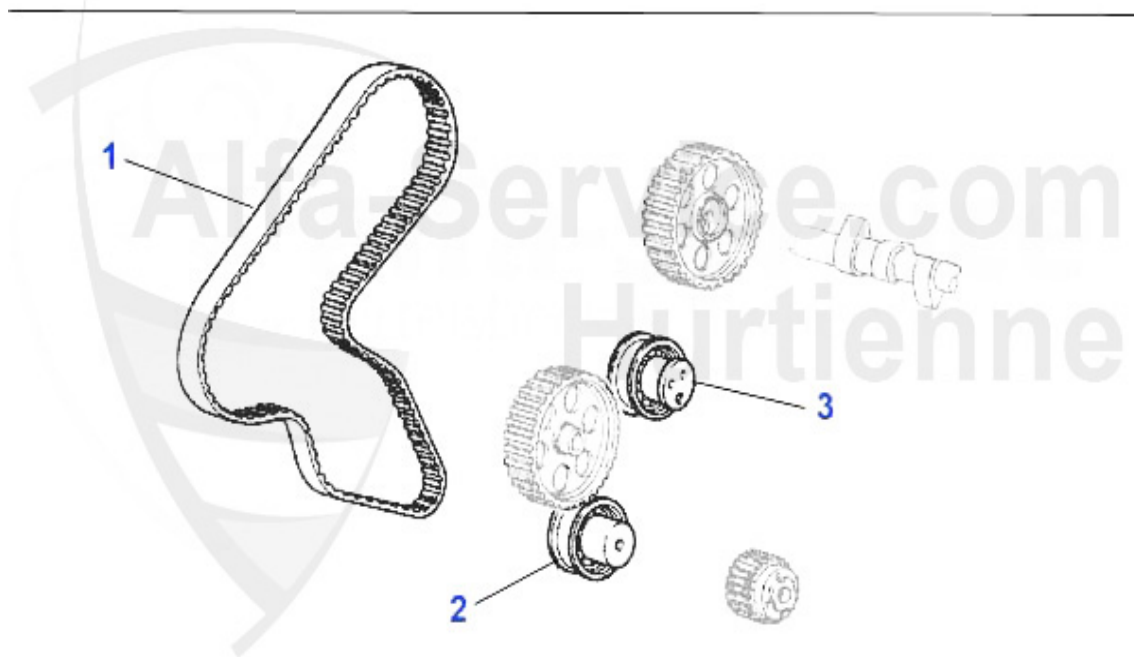
1	WD09700	Siri Nockenwelle 145/6,155 1.9 TD Bj. 93-99 164 2.0 Turbo	6.37 EUR
2	NKW52986	Nockenwelle 145/6,155 1.9 TD	234.92 EUR

## Ventiltrieb 155 1.9 TD



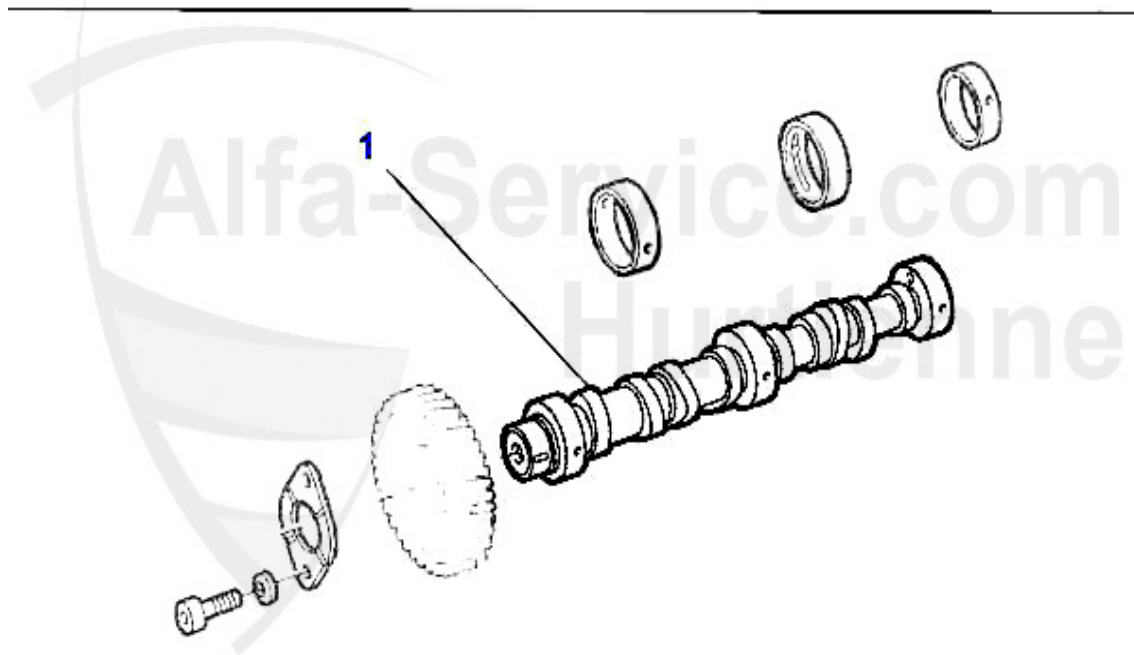
1	HST52447	Hydrostößel 145/6,155,156,166 TD/ JTD	14.26 EUR
2	VFEA72160	Ventilführung Einlaß/Auslaß 145/6, 155 1.9 TD + 0.05	6.31 EUR
3	VE91291	Ventil-Einlaß 145/6,155 1.9 TD	33.13 EUR
4	VA91321	Ventil-Auslaß 145/6,155 1.9 TD	31.29 EUR

## Zahnriemen 155 1.9 TD



1	ZR94138	Zahnriemen 173SHP220 145/6 1.9 TD Nockenwelle	30.68 EUR
2	UR55825	Umlenkrolle Zahnriemen 145/6,155 1.9 TD	61.04 EUR
3	SR55829	Spannrolle Zahnriemen 145/6,155 1.9 TD	68.22 EUR

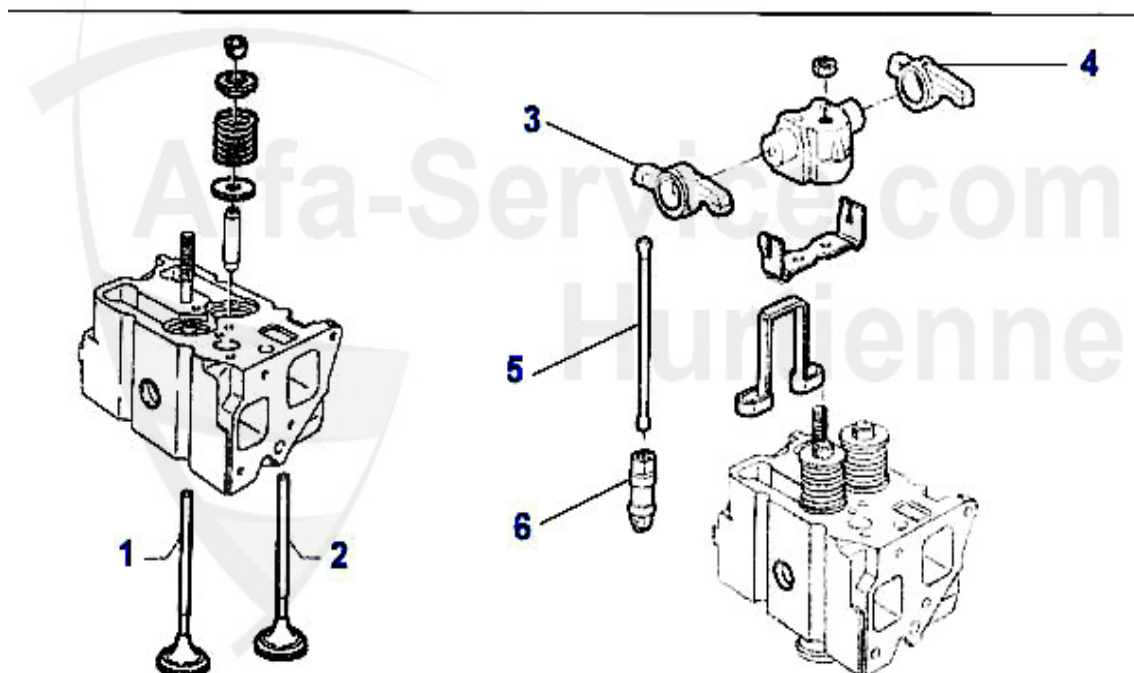
## Nockenwelle 155 2.5 TD



1 NKW15282 Nockenwelle 155,164 Super 2.5 TD ((CEE F2)

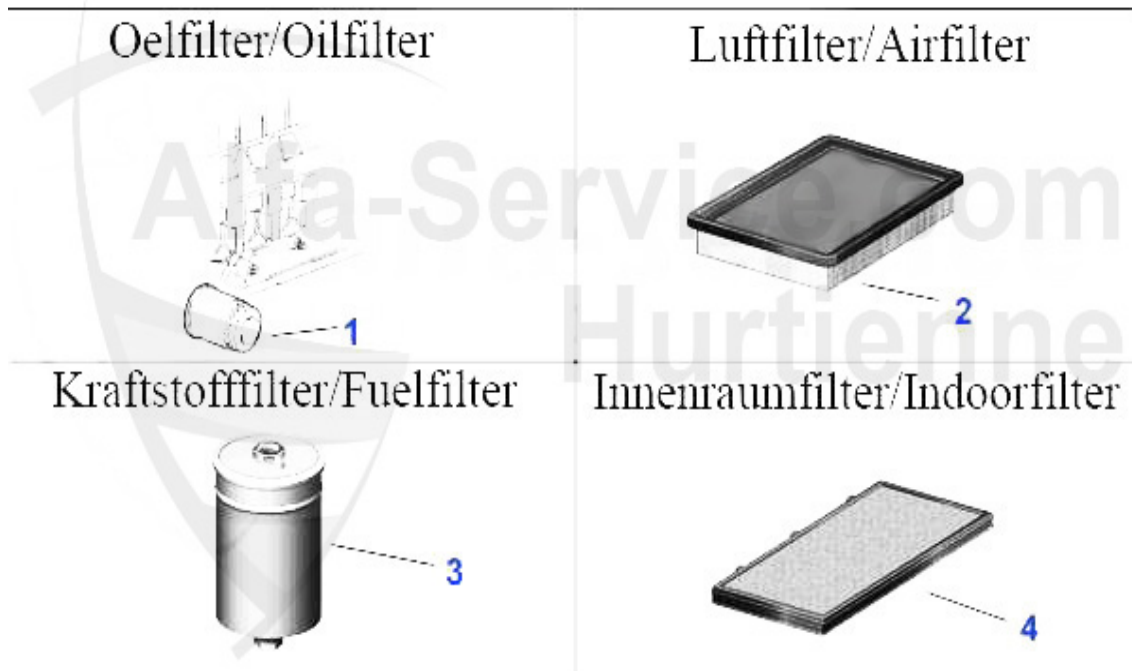
337.51 EUR

## Ventiltrieb 155 2.5 TD



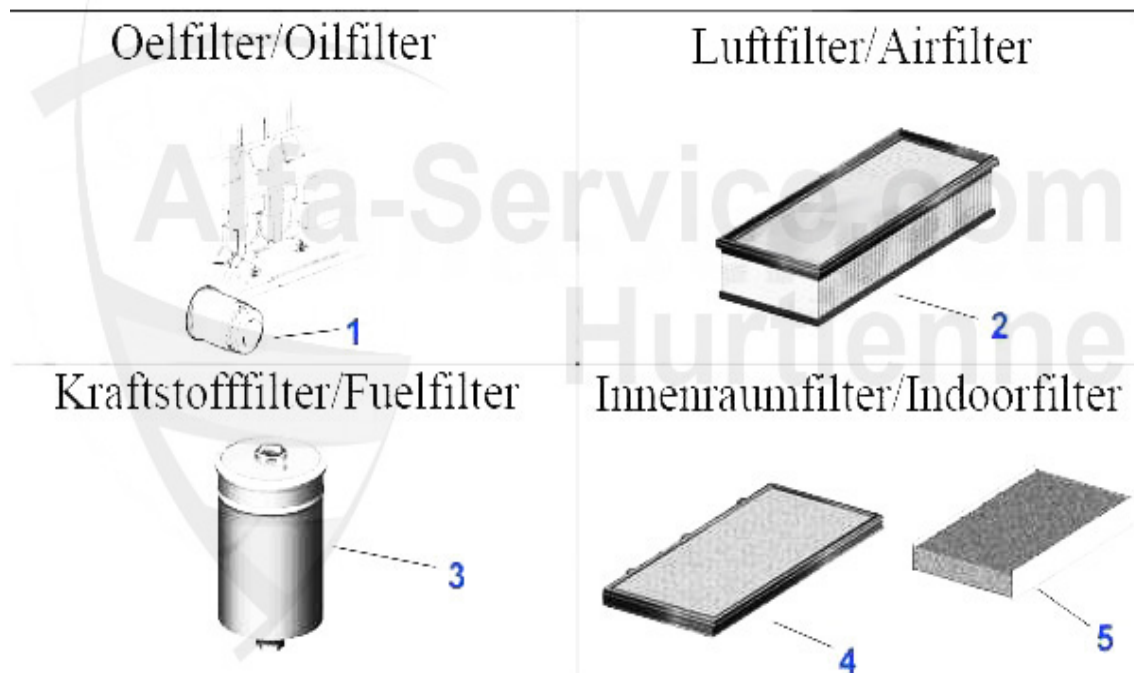
1	VA91438	OE. 60540864 VALVE EXHAUST 1.8/2.5 TD	81.55 EUR
2	VE91437	OE. 60507189 VALVE INTAKE 1.8/2.5 TD	37.85 EUR
3	KH16982	OE. 60616982 Rocker	46.16 EUR
4	KH16983	OE. 60616983 INTAKE ROCKER 2.5 TD	46.16 EUR
5	SS17012	OE. 60617012 PUSH ROD 2.5 TD	13.23 EUR
6	HST17014	OE. 60617014 TAPPET 2.5 TD	22.57 EUR

## Filter 155 TS 8V



1	OF125	OIL FILTER 75, 90, 145/6, 155, 164 ALFETTA, GIULIETTA, div. 105 screw on cartridge	10.00 EUR
2	LF280	AIR FILTER 155 TS/ TD/V6/Q4/GTV/SPIDER(916)2.0 V6 TURBO,SQUARE	13.34 EUR
3	KF96	FUEL FILTER SUD/SPRINT,33 (905/7),145/6, 155,SCREW CARTRIDGE	25.99 EUR
4	IF309	OE.60810570 INDOOR FILTER 145/6/155 >96 GTV Spider(916) >98, SQUARE	26.57 EUR

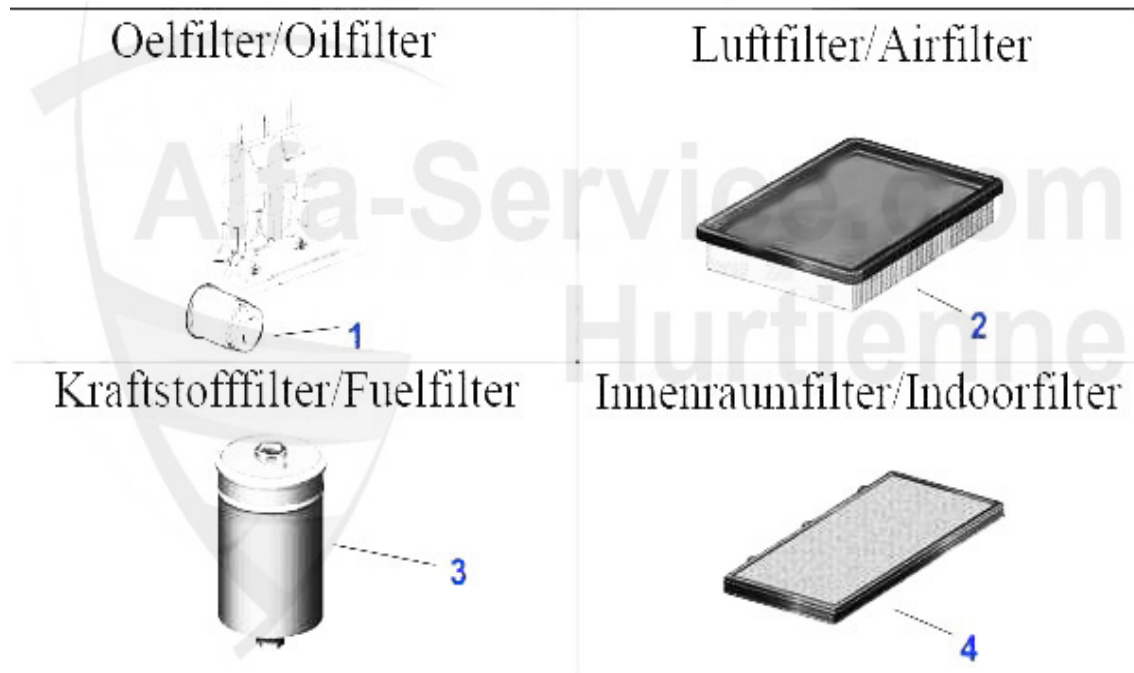
## Filter 155 TS 16V



1	OF519	OE. 46808398/71736159 OILFILTER	7.79 EUR
2	LF841	AIR FILTER 145/6 TS 16V,1.9 JTD,155 TS 16V, FIRM	10.15 EUR
3	KF96	FUEL FILTER SUD/SPRINT,33 (905/7),145/6, 155,SCREW CARTRIDGE	25.99 EUR
4	IF309	OE.60810570 INDOOR FILTER 145/6/155 >96 GTV Spider(916) >98, SQUARE	26.57 EUR
5	IF314	OE.60812197 CABIN FILTER 145/6/155 96> GTV/SPIDER (916) 98> SQUARE	26.57 EUR

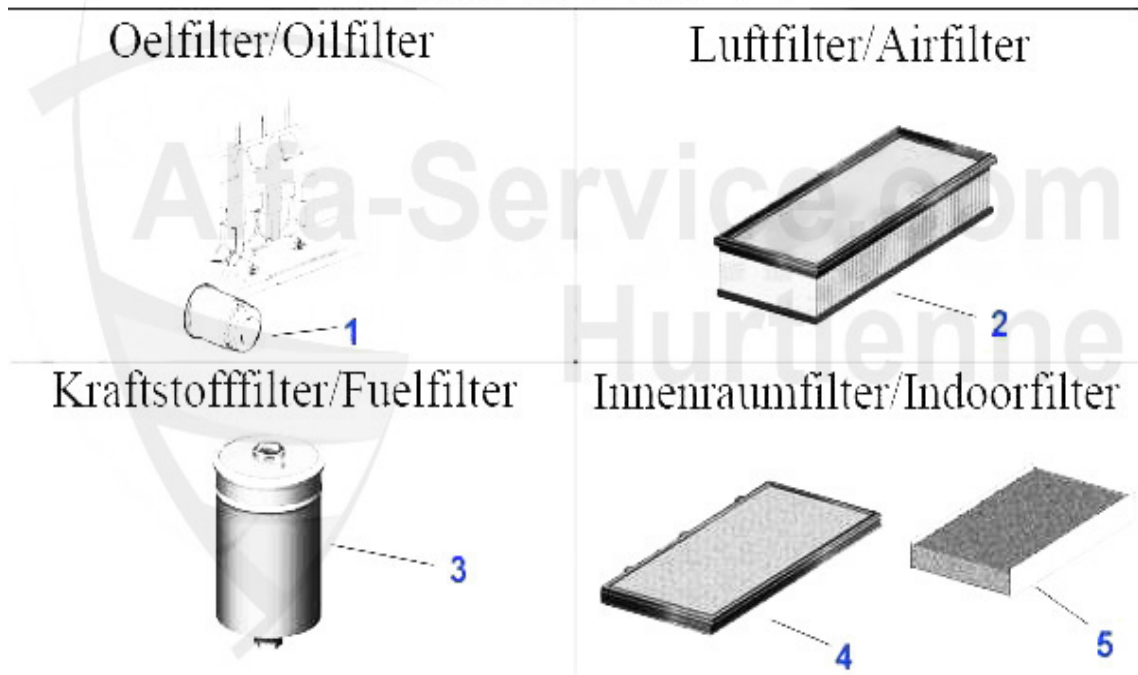


## Filter 155 Turbo Q4 16V



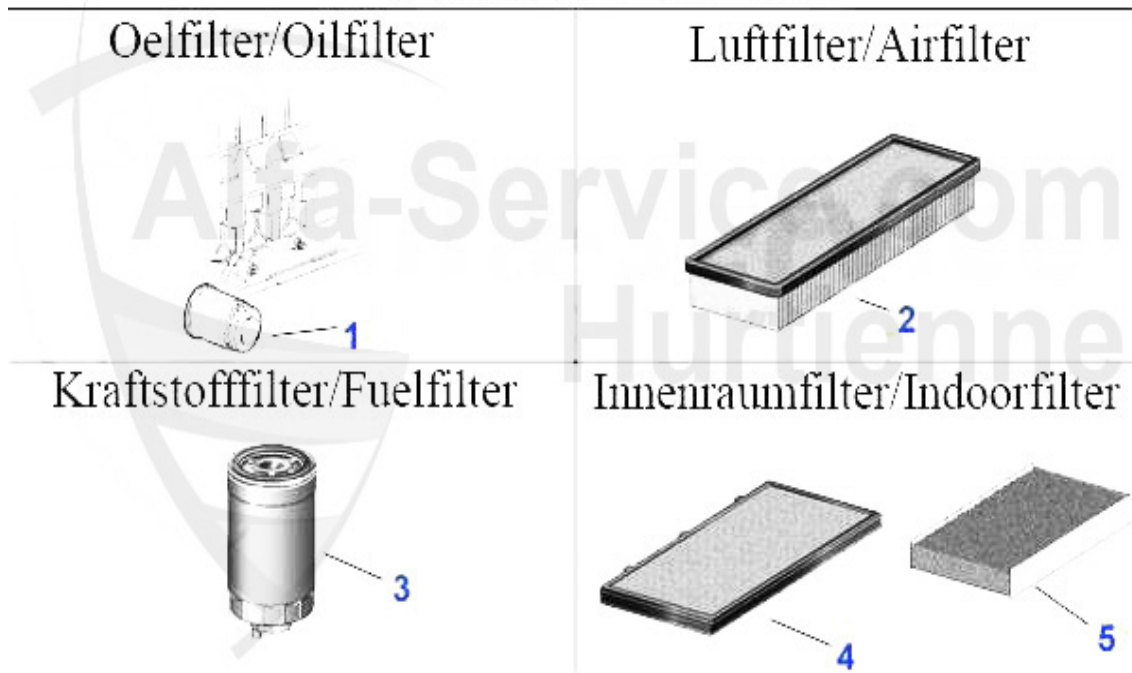
1	OF125	OIL FILTER 75, 90, 145/6, 155, 164 ALFETTA, GIULIETTA, div. 105 screw on cartridge	10.00 EUR
2	LF280	AIR FILTER 155 TS/ TD/V6/Q4/GTV/SPIDER(916)2.0 V6 TURBO,SQUARE	13.34 EUR
3	KF5	Kraftstoff-Filter 155 2.0 16V Turbo Schraubpatrone	19.90 EUR
4	IF309	OE.60810570 INDOOR FILTER 145/6/155 >96 GTV Spider(916) >98, SQUARE	26.57 EUR

## Filter 155 2.5 V6



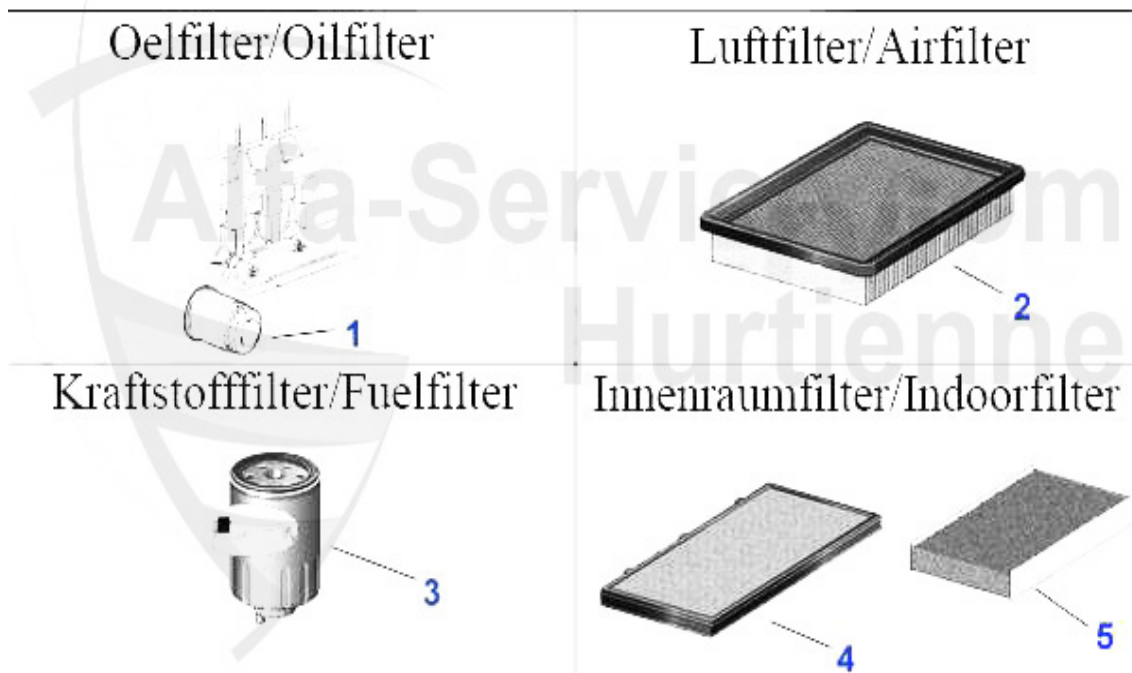
1	OF125	OIL FILTER 75, 90, 145/6, 155, 164 ALFETTA, GIULIETTA, div. 105 screw on cartridge	10.00 EUR
1	OF124	OE. 46805830 OILFILTER	9.13 EUR
2	LF280	AIR FILTER 155 TS/ TD/V6/Q4/GTV/SPIDER(916)2.0 V6 TURBO,SQUARE	13.34 EUR
3	KF96	FUEL FILTER SUD/SPRINT,33 (905/7),145/6, 155,SCREW CARTRIDGE	25.99 EUR
4	IF309	OE.60810570 INDOOR FILTER 145/6/155 >96 GTV Spider(916) >98, SQUARE	26.57 EUR
5	IF314	OE.60812197 CABIN FILTER 145/6/155 96> GTV/SPIDER (916) 98> SQUARE	26.57 EUR

## Filter 155 1.9 TD



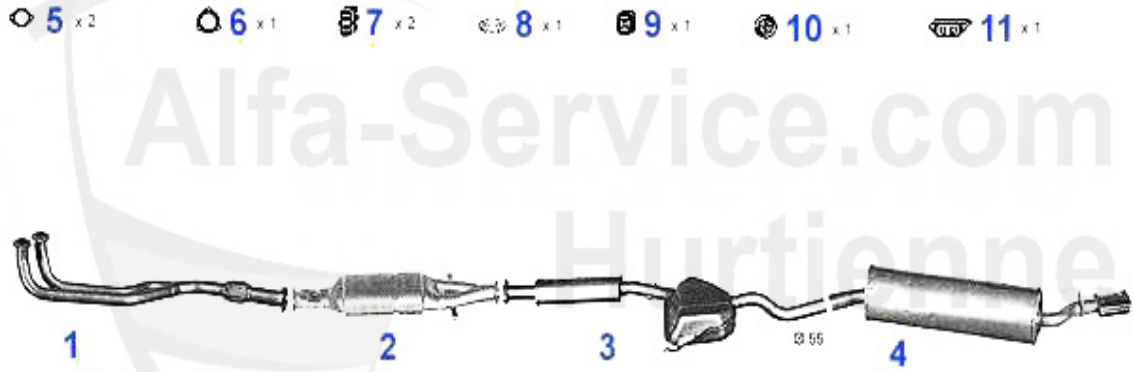
1	OF125	OIL FILTER 75, 90, 145/6, 155, 164 ALFETTA, GIULIETTA, div. 105 screw on cartridge	10.00 EUR
2	LF358	AIR FILTER 145/6,155 1.9 TD, FIRM	13.23 EUR
3	KF234	Kraftstoff-Filter 6,33,75,90,145/6 155,164 Alfetta,Giulietta 1.8/1.9/2 .0/2.4/2.5 TD Anschraubpatrone	19.08 EUR
4	IF309	OE.60810570 INDOOR FILTER 145/6/155 >96 GTV Spider(916) >98, SQUARE	26.57 EUR
5	IF314	OE.60812197 CABIN FILTER 145/6/155 96> GTV/SPIDER (916) 98> SQUARE	26.57 EUR

## Filter 155 2.5 TD



1	OF123	OE. 60553431/60537470/60533494/60521128 OILFILTER	10.00 EUR
2	LF280	AIR FILTER 155 TS/ TD/V6/Q4/GTV/SPIDER(916)2.0 V6 TURBO,SQUARE	13.34 EUR
3	KF57B	Kraftstoff-Filter 155,164/Super 2.5 TD,Anschraubpatrone	29.49 EUR
4	IF309	OE.60810570 INDOOR FILTER 145/6/155 >96 GTV Spider(916) >98, SQUARE	26.57 EUR
5	IF314	OE.60812197 CABIN FILTER 145/6/155 96> GTV/SPIDER (916) 98> SQUARE	26.57 EUR

# Abgasanlage/Exhaust System 155 TS 8V



155 TWIN SPARK 1.7/1.8/2.0

'92-'96

1	VR115601 BREECH PIECE 155 1.7-2.0 TS 92-96	208.76 EUR
2	KAT115633 CATALYST 155 1.7-2.0 TS 92-96	502.67 EUR
3	MSD115609 CENTER MUFFLER 155 TS 1.7-2.0 92-96	130.42 EUR
4	NSD115607 REAR SILENCER 155 TS 1.7-2.0 92-96 155 2.5 V6	100.56 EUR
5	SAT094413 OE 60777697, GASKET VSD ALFETTA, GIULIETTA,75,90,155,164	3.89 EUR
6	SAT094411 Dichtung VSD/Kat 155 TS,164 3.0 V6	6.10 EUR
7	SAT091069 Gummi/Auspuffaufhängung Kat 155	3.28 EUR
8	SAT094003 MUFFLER RING FOR VARIOUS MODELS	10.15 EUR
9	SAT091124 Gummi/Auspuffaufhängung 145/6 ESD 155 MSD	3.59 EUR
10	SAT091012 OE 60503033, RUBBER/EXHAUST MOUNTING DIVERSE TYPES	4.00 EUR
11	SAT091041 OE.60586017 RUBBER HANGER EXHAUST 145/6, 155 ESD	4.50 EUR

Abgasanlage/Exhaust System 155 2.0 TS 16V Bj. >4.96

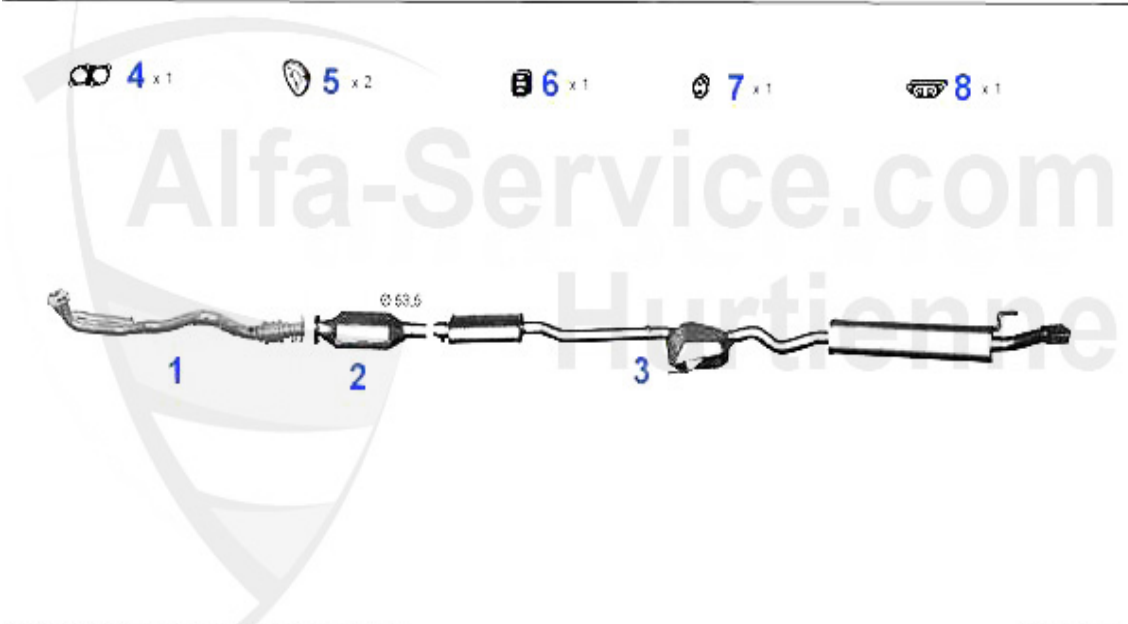


155 2.0i 16V TWIN SPARK

4/'95-4/'96

1	VSD102101 FRONT MUFFLER SPIDER/GTV (916) 1.8 & 2.0 TS 95> 145/6,155 2.0 16V TS 95-96	188.14 EUR
2	KAT113133 CATALYST SPIDER/GTV (916) 1.8 & 2.0 TS 95>,155 2.0 ie TS (CAT AND CENTRE 2 PIECES)	645.27 EUR
3	MSD116103 CENTER MUFFLER 155 2.0 16V TS 95-96 145 QV,146 2.0 16V TS 95-96	136.96 EUR
4	ESD116109 Mittl. + Endtopf 155 2.0 16V TS Bj. 4.95-4.96	234.92 EUR
5	SAT094474 Dichtung VSD spider/gtv (916) 145/6,155,156 2.0 TS 16V	10.77 EUR
6	SAT094487 CATALYST GASKET SPIDER/GTV (916)	5.08 EUR
7	SAT094002 Brennring Kat Diverse Modelle	8.60 EUR
8	SAT091124 Gummi/Auspuffaufhängung 145/6 ESD 155 MSD	3.59 EUR
9	SAT091140 Gummi/Auspuffaufhängung 145/6 ESD 16V TS,155 2.0 16V TS	4.19 EUR
10	SAT091041 OE.60586017 RUBBER HANGER EXHAUST 145/6, 155 ESD	4.50 EUR

## Abgasanlage/Exhaust System 155 TS 16V

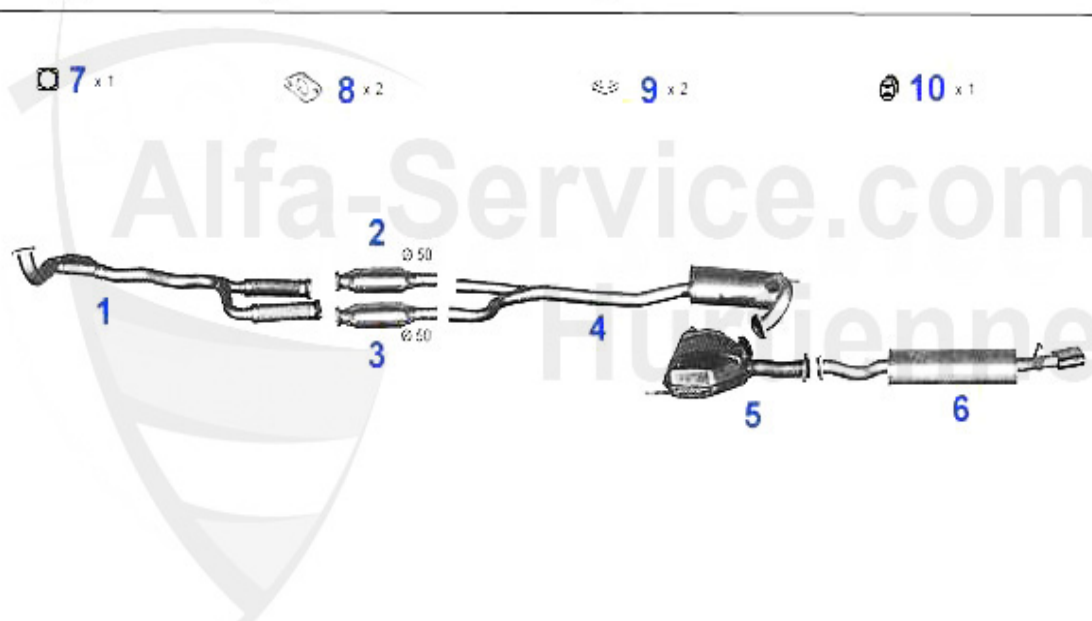


155 16V TWIN SPARK 1.6/1.8/2.0

5/'96-'97

1	VSD116201 Vorschalldämpfer 145/6 1.4-2.0 16V TS bj. 97> 155 1.6-2.0 16V TS bj. 96-97	159.01 EUR
2	KAT116233 Katalysator 145/6 1.4-2.0 16V TS bj. 97> 155 1.6-2.0 16V TS bj. 96-97	646.29 EUR
3	ESD116209 REAR SILENCER 155 1.6-2.0 16V TS 96-97	249.00 EUR
4	SAT094474 Dichtung VSD spider/gtv (916) 145/6,155,156 2.0 TS 16V	10.77 EUR
5	SAT256625 CATALYST GASKET 145/6 97>,155 TS 16V	7.13 EUR
6	SAT091124 Gummi/Auspuffaufhängung 145/6 ESD 155 MSD	3.59 EUR
7	SAT091140 Gummi/Auspuffaufhängung 145/6 ESD 16V TS,155 2.0 16V TS	4.19 EUR
8	SAT091041 OE.60586017 RUBBER HANGER EXHAUST 145/6, 155 ESD	4.50 EUR

## Abgasanlage/Exhaust System 155 Turbo Q4



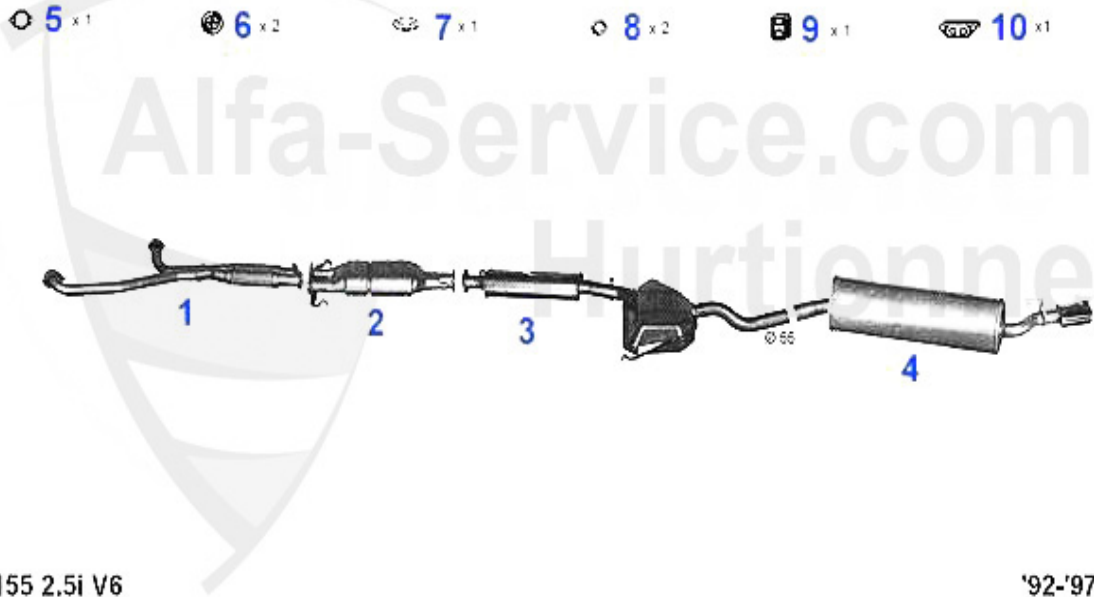
155 2.0i TURBO 16V Q.4

'92-'97

1	KAT115733 Hosenrohr mit Kat 155 2.0 turbo 16V Q4 bj. 92-97	712.98 EUR
2	KAT115833 CATALYST RIGHT 155 2.0 TURBO 16V Q4	648.35 EUR
3	KAT115843 Katalysator links 155 2.0 turbo 16V Q4	709.89 EUR
4	MSD115703 CENTER MUFFLER 155 2.0 TURBO 16V TS	163.63 EUR
5	MSD115706 CENTER MUFFLER 155 2.0 TURBO 16V TS	125.66 EUR
6	NSD115707 REAR SILENCER 155 2.0 TURBO 16V TS	154.70 EUR
7	SAT094410 FRONT MUFFLER GASKET 155,164 TURBO	25.13 EUR
8	SAT44608 OE. 82444608 SEALING GASKET KATALYSATOR 155 Q4	5.02 EUR
9	SAT094003 MUFFLER RING FOR VARIOUS MODELS	10.15 EUR
10	SAT091014 SILENT BLOC REAR SILENCER SUSPENSION SPIDER/GTV (916)	4.11 EUR

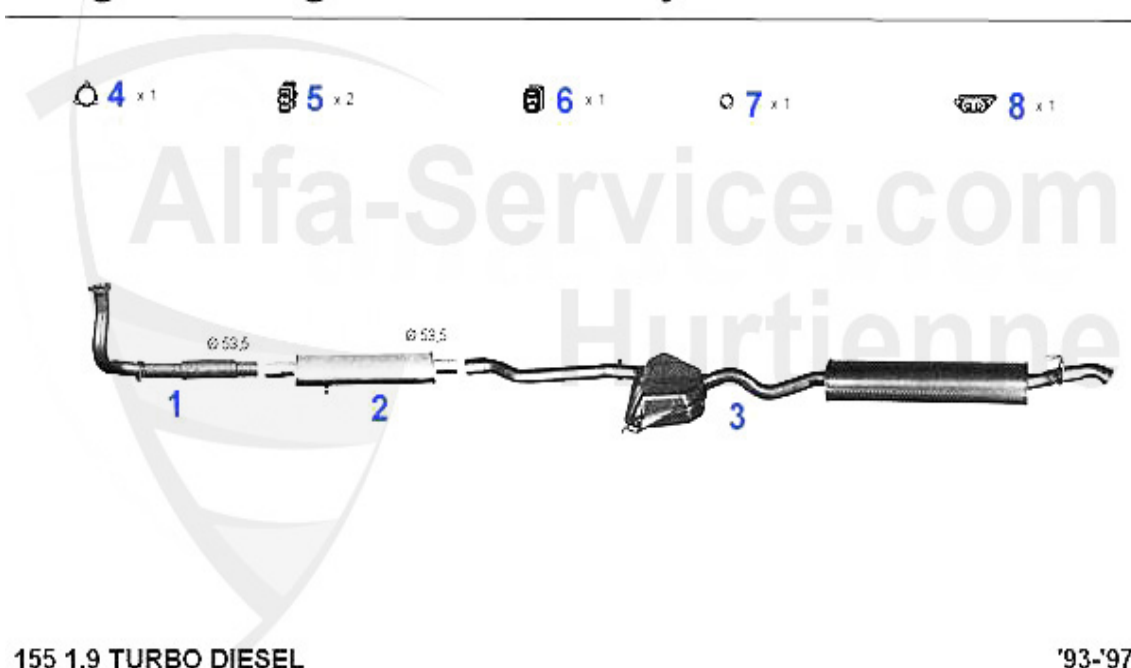


# Abgasanlage/Exhaust System 155 2.5 V6



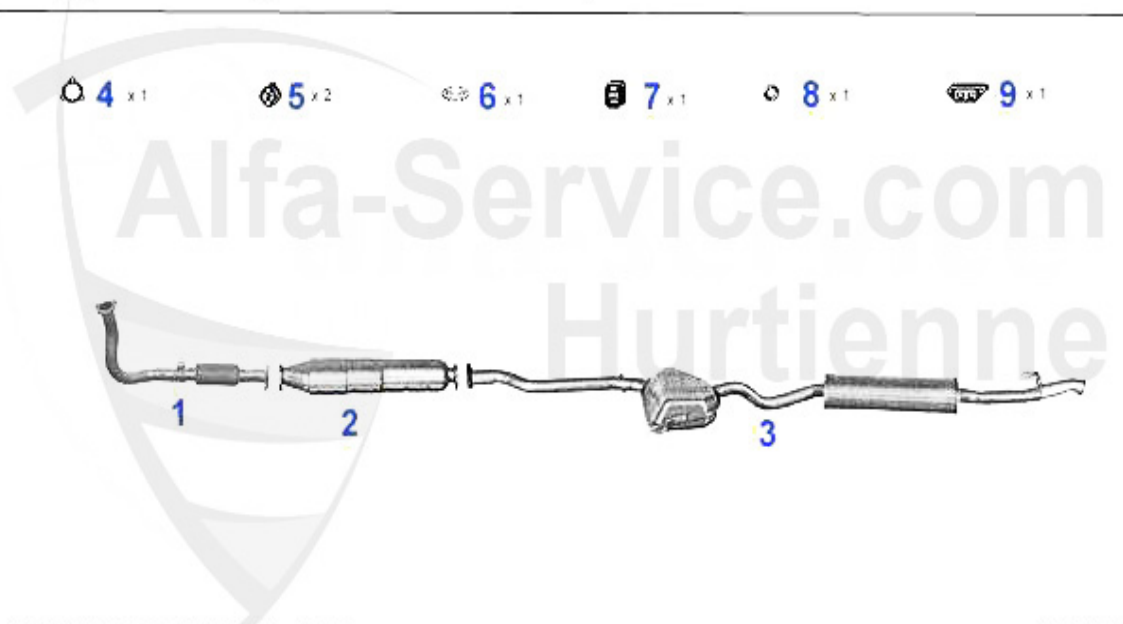
1	VR115901 Hosenrohr mit Kat 155 2.5 V6	256.47 EUR
2	KAT115933 CATALYST 155 2.5 V6	683.23 EUR
3	MSD115909 CENTER MUFFLER 155 2.5 V6	212.42 EUR
4	NSD115607 REAR SILENCER 155 TS 1.7-2.0 92-96 155 2.5 V6	100.56 EUR
5	SAT094413 OE 60777697, GASKET VSD ALFETTA, GIULIETTA,75,90,155,164	3.89 EUR
6	SAT091012 OE 60503033, RUBBER/EXHAUST MOUNTING DIVERSE TYPES	4.00 EUR
7	SAT094003 MUFFLER RING FOR VARIOUS MODELS	10.15 EUR
8	SAT091011 OE 60521386, RUBBER RING EXHAUST MOUNTING DIVERSE TYPES	1.23 EUR
9	SAT091124 Gummi/Auspuffaufhängung 145/6 ESD 155 MSD	3.59 EUR
10	SAT091041 OE.60586017 RUBBER HANGER EXHAUST 145/6, 155 ESD	4.50 EUR

## Abgasanlage/Exhaust System 155 1.9 TD



1	VSD445201 FRONT MUFFLER 145/6 1.9 TD 94-96 155 1.9 TD	118.41 EUR
2	MSD254303 CENTER MUFFLER 145/6 1.9 TD 94-96 155 1.9 TD	96.95 EUR
3	ESD445209 REAR SILENCER 155 1.9 TD	174.34 EUR
4	SAT094477 GASKET FRONT SILENCER 145/6,155 TD	6.26 EUR
5	SAT091069 Gummi/Auspuffaufhängung Kat 155	3.28 EUR
6	SAT091124 Gummi/Auspuffaufhängung 145/6 ESD 155 MSD	3.59 EUR
7	SAT091011 OE 60521386, RUBBER RING EXHAUST MOUNTING DIVERSE TYPES	1.23 EUR
8	SAT091041 OE.60586017 RUBBER HANGER EXHAUST 145/6, 155 ESD	4.50 EUR

## Abgasanlage/Exhaust System 155 1.9 TD Kat.

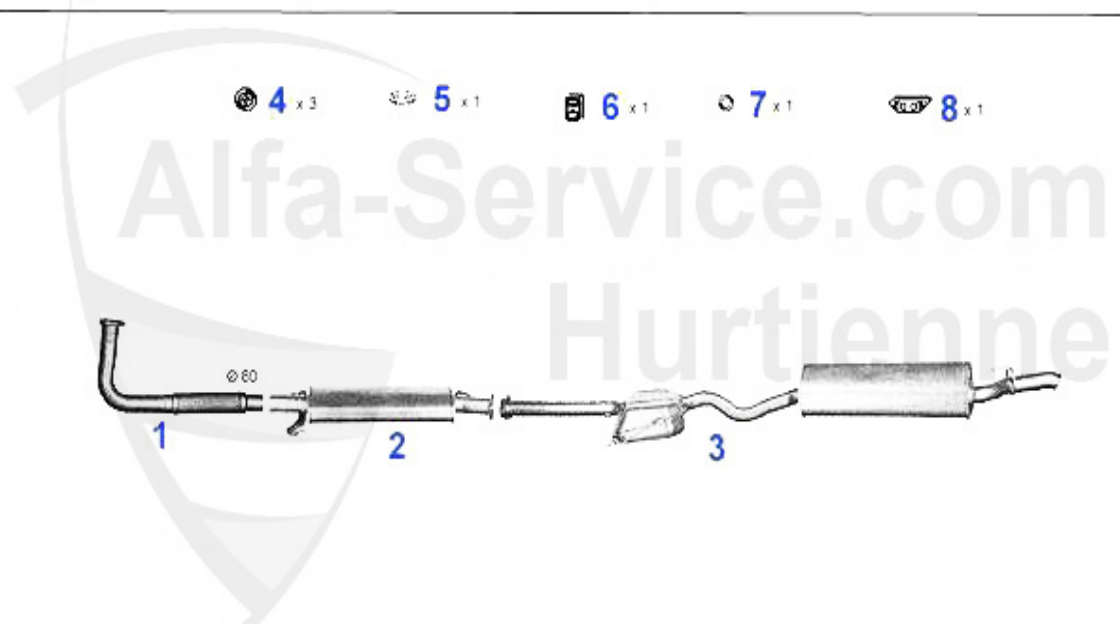


155 1.9 TURBO DIESEL KAT.

'93-'97

1	VSD254901 Vorschalldämpfer 145/6 1.9 TD kat bj. 94> 155 1.9 TD kat	208.85 EUR
2	KAT254933 CATALYST 145/6 1.9 TD KAT 155 1.9 TD KAT	584.74 EUR
3	ESD116309 REAR SILENCER 155 1.9 TD KAT	305.65 EUR
4	SAT094477 GASKET FRONT SILENCER 145/6,155 TD	6.26 EUR
5	SAT091119 Gummi/Auspuffaufhängung 145/6 TD mit Kat	6.06 EUR
6	SAT094002 Brennring Kat Diverse Modelle	8.60 EUR
7	SAT091124 Gummi/Auspuffaufhängung 145/6 ESD 155 MSD	3.59 EUR
8	SAT091011 OE 60521386, RUBBER RING EXHAUST MOUNTING DIVERSE TYPES	1.23 EUR
9	SAT091041 OE.60586017 RUBBER HANGER EXHAUST 145/6, 155 ESD	4.50 EUR

## Abgasanlage/Exhaust System 155 2.5 TD



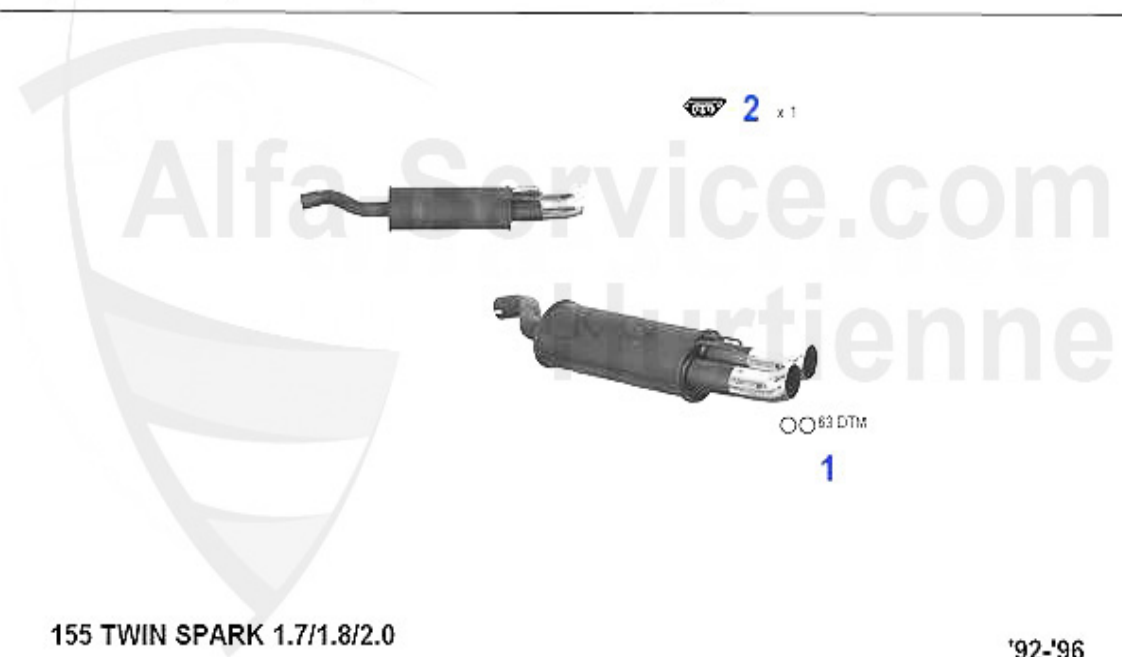
155 2.5 TURBO DIESEL

'93-'97

1	VSD116001 FRONT MUFFLER 155 2.5 TD	154.52 EUR
2	MSD116003 CENTER MUFFLER 155 2.5 TD	130.90 EUR
3	ESD116009 REAR SILENCER 155 2.5 TD	172.55 EUR
4	SAT091012 OE 60503033, RUBBER/EXHAUST MOUNTING DIVERSE TYPES	4.00 EUR
5	SAT094003 MUFFLER RING FOR VARIOUS MODELS	10.15 EUR
6	SAT091124 Gummi/Auspuffaufhängung 145/6 ESD 155 MSD	3.59 EUR
7	SAT091011 OE 60521386, RUBBER RING EXHAUST MOUNTING DIVERSE TYPES	1.23 EUR
8	SAT091041 OE.60586017 RUBBER HANGER EXHAUST 145/6, 155 ESD	4.50 EUR

## Sportauspuff/Sport Exhaust System 155 TS 8V

---



1 SNSD1156 SPORT END MUFFLER 155 1.7-2.0 TS YEAR 92-96,155 2.5 V6, 2  
CHROMED END PIPES DTM LOOK

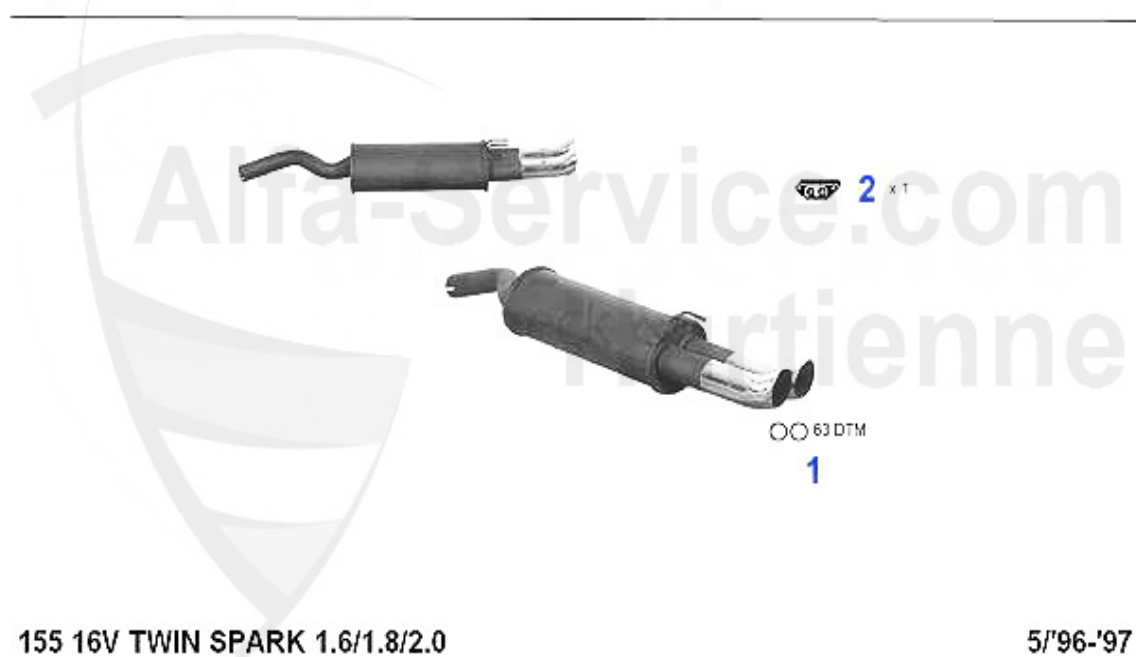
\*\*\*

2 SAT091041 OE.60586017 RUBBER HANGER EXHAUST 145/6, 155 ESD

4.50 EUR

## Sportauspuff/Sport Exhaust System 155 TS 16V

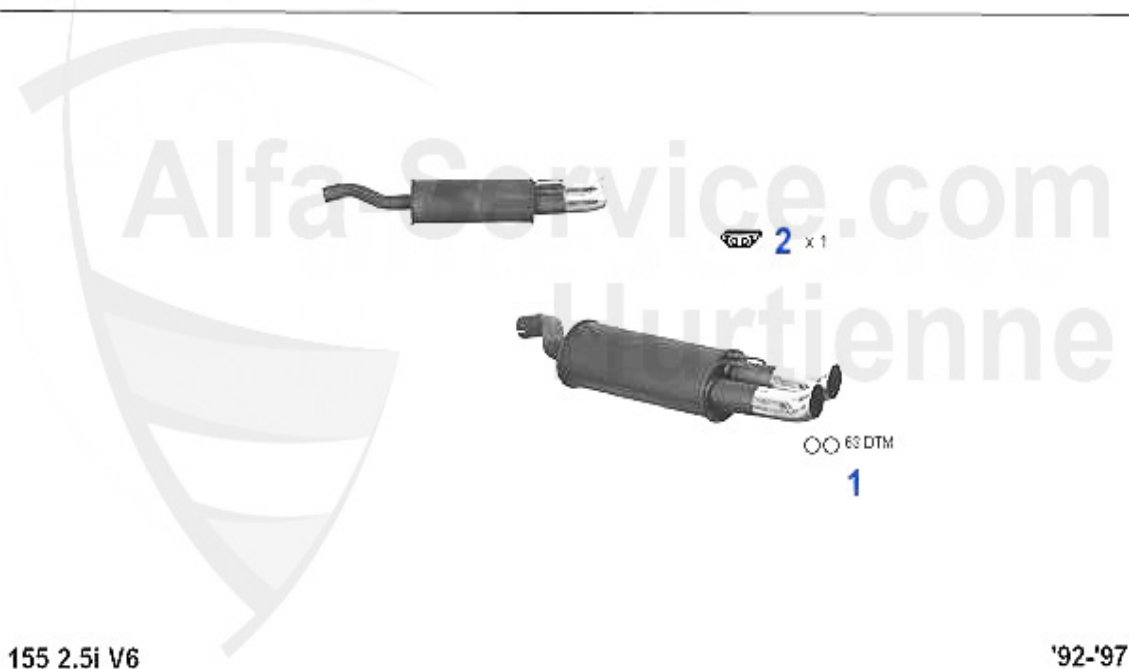
---



1	SNSD1162 Sport-Endtopf 155 1.6-2.0 16V TS Bj. 96-97 Endrohre 2 x 63 mm DTM-look	227.94 EUR
2	SAT091041 OE.60586017 RUBBER HANGER EXHAUST 145/6, 155 ESD	4.50 EUR

## Sportauspuff/Sport Exhaust System 155 2.5 V6

---



155 2.5i V6

'92-'97

**1 SNSD1156 SPORT END MUFFLER 155 1.7-2.0 TS YEAR 92-96,155 2.5 V6, 2  
CHROMED END PIPES DTM LOOK**

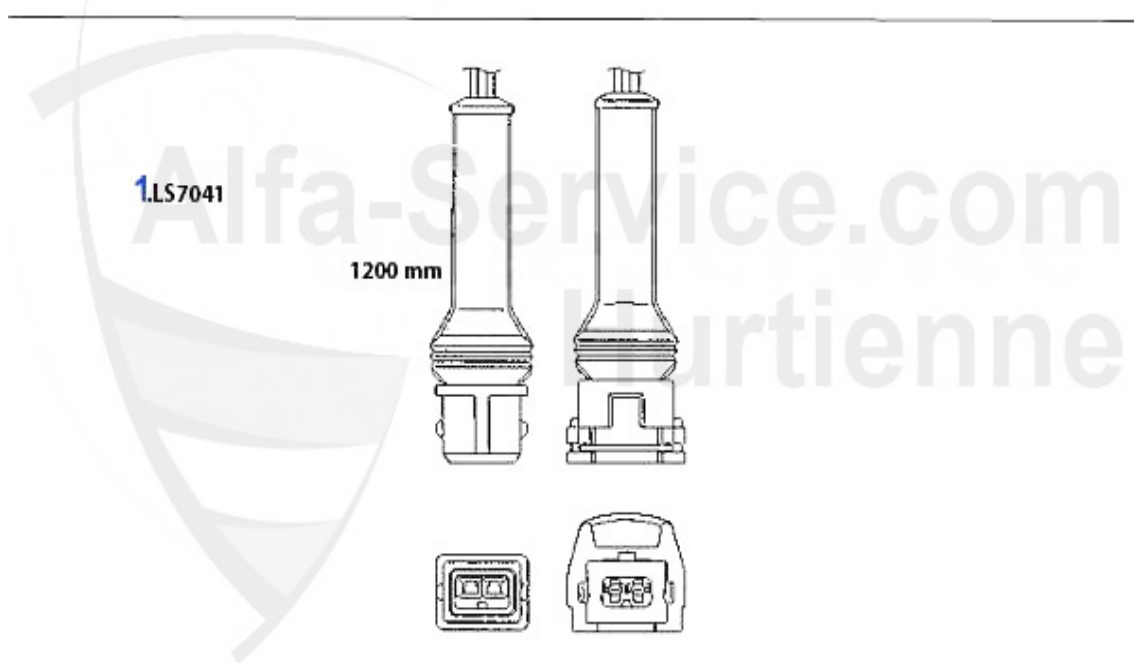
\*\*\*

**2 SAT091041 OE.60586017 RUBBER HANGER EXHAUST 145/6, 155 ESD**

**4.50 EUR**

## Lambda-Sonde/Lambda Probe 155 TS 8V

---



---

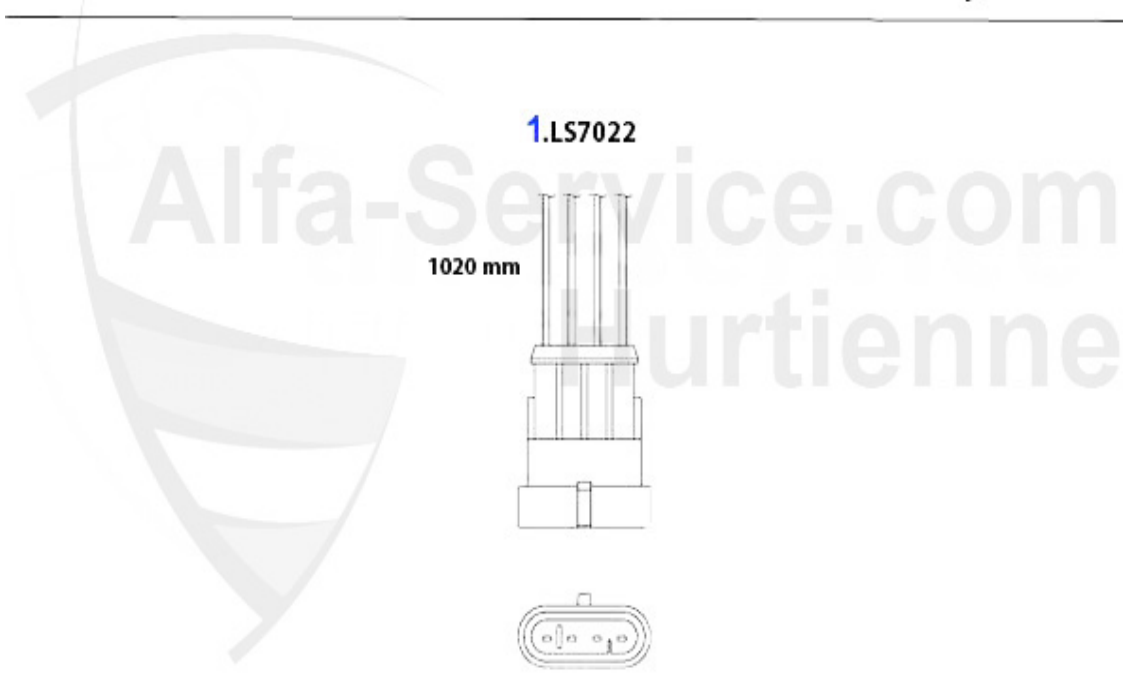
1 LS7041 Lambda-Sonde 155 1.7/1.8/2.0 TS 164 Super 2.0 TS/3.0 V6/24 V/QV 4-adrig

80.00 EUR



## Lambda-Sonde/Lambda Probe 155 TS 16V Bj. >4.96

---



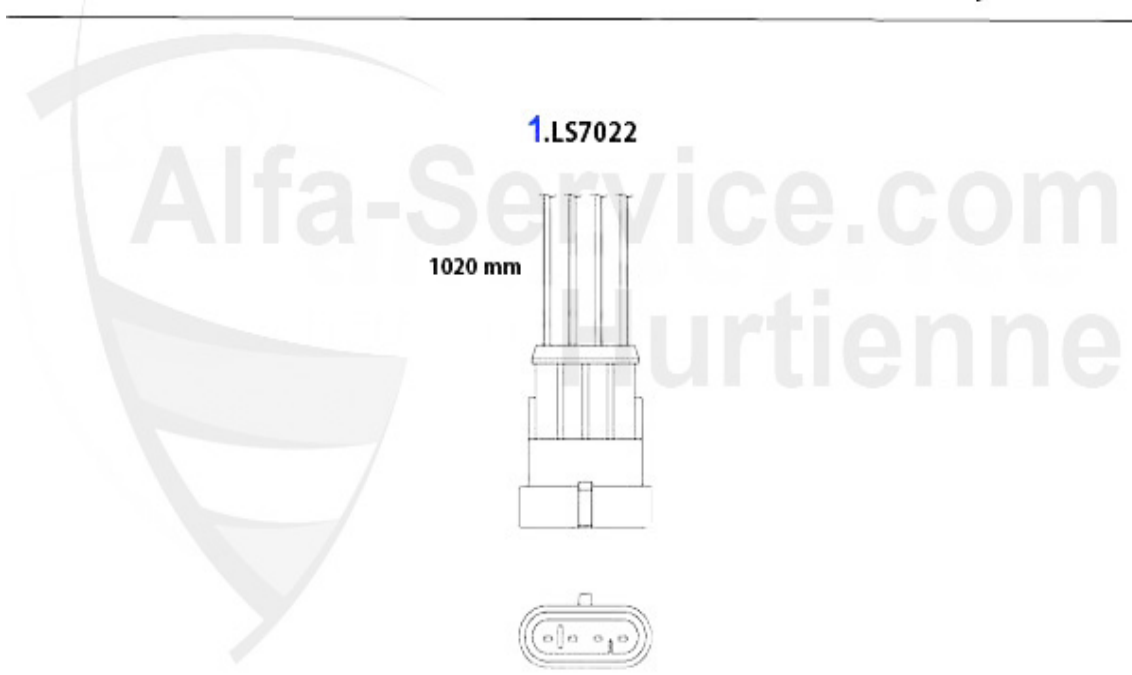
---

1 LS7022 LAMDA SENSOR 3,0 24V, 164, Spider (916)

85.00 EUR

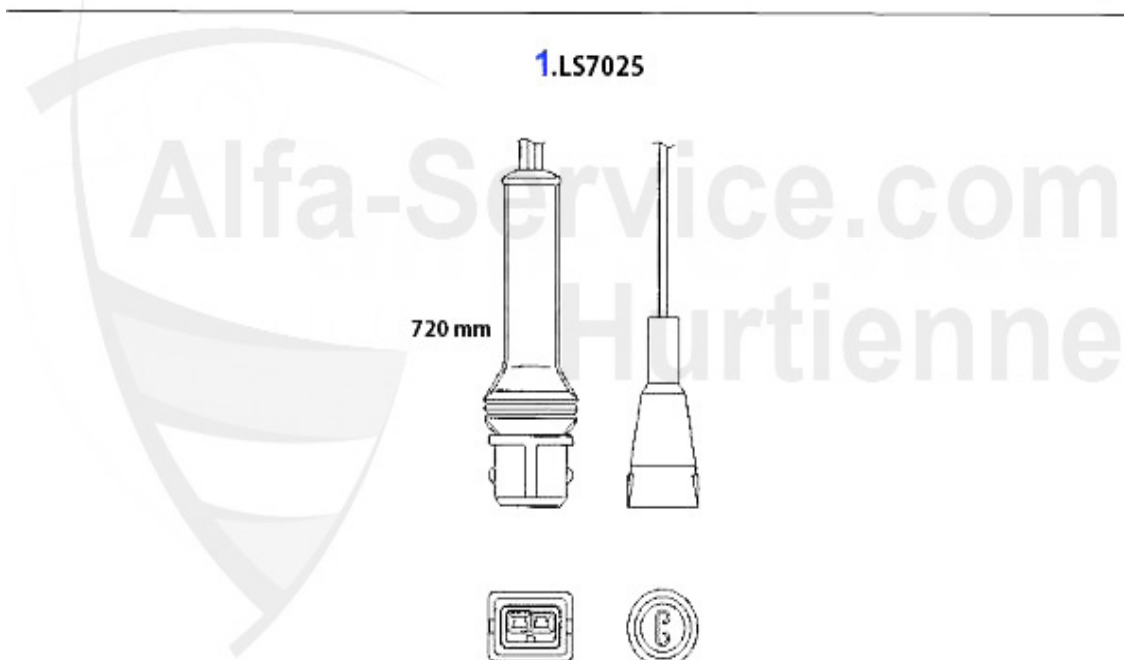
Lambda-Sonde/Lambda Probe 155 TS 16V Bj. 5.96>

---



1	LS7041	Lambda-Sonde 155 1.7/1.8/2.0 TS 164 Super 2.0 TS/3.0 V6/24 V/QV 4-adrig	80.00 EUR
1	LS7022	LAMDA SENSOR 3,0 24V, 164, Spider (916)	85.00 EUR

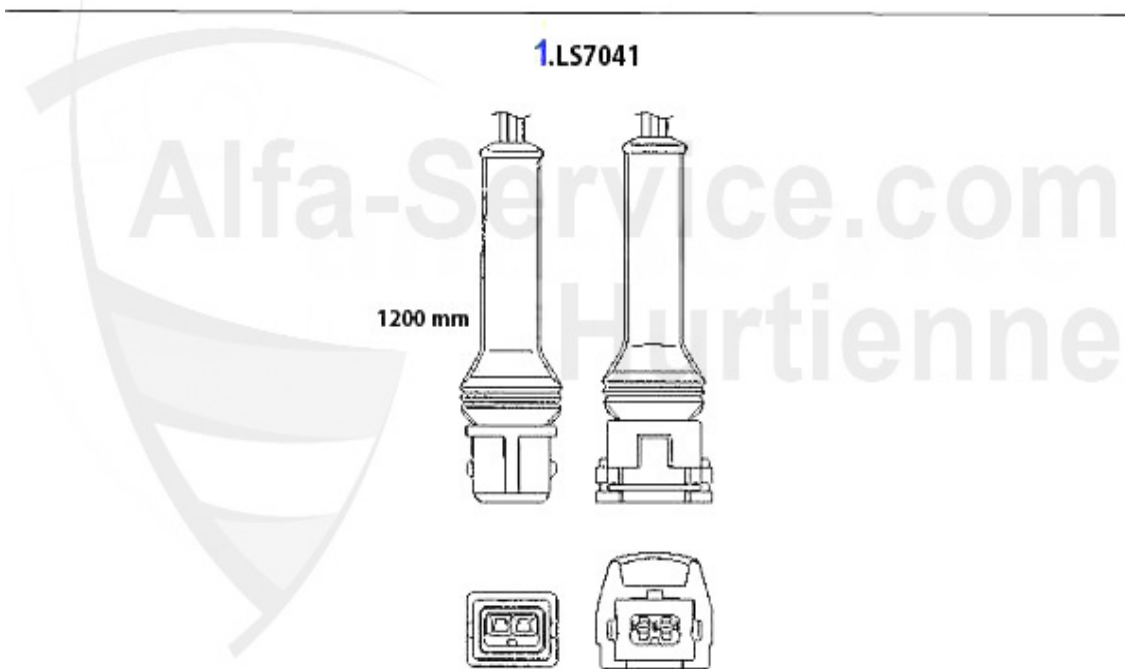
## Lambda-Sonde/Lambda Probe 155 Turbo Q4



1 LS7025 Lambda-Sonde 155 2.0 Turbo/2.5 TD 3-adrig

77.99 EUR

## Lambda-Sonde/Lambda Probe 155 2.5 V6

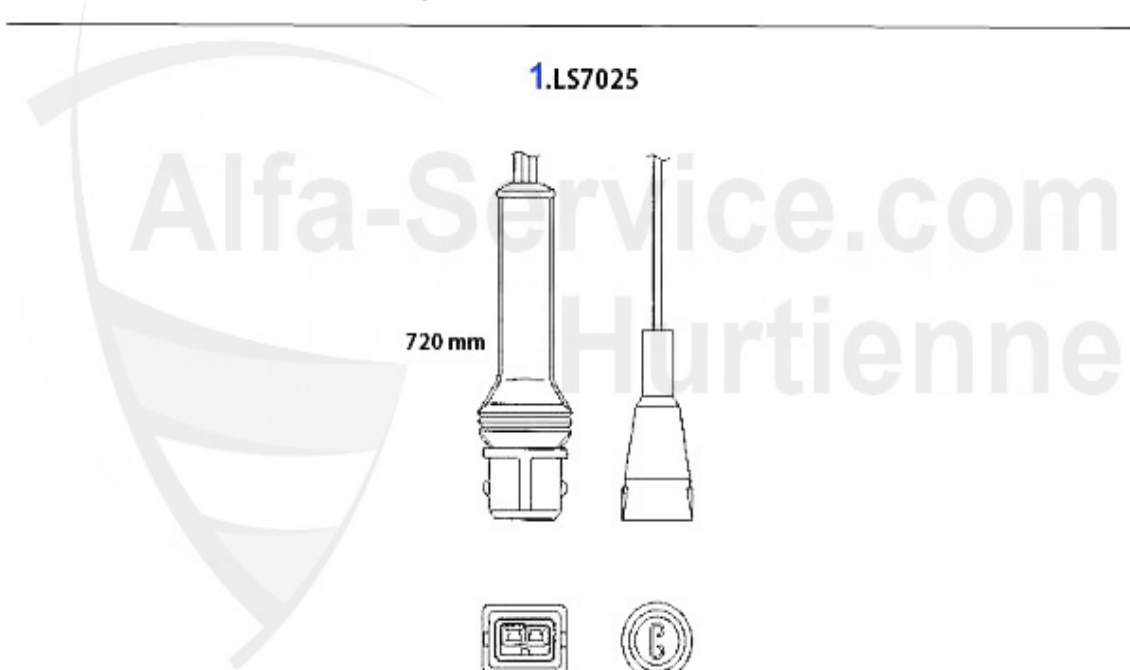


1 LS7039 Lambda-Sonde 155 2.5 V6,164 Super 3.0 V6 24V QV, 4-adrig

85.00 EUR

## Lambda-Sonde/Lambda Probe 155 2.5 TD

---

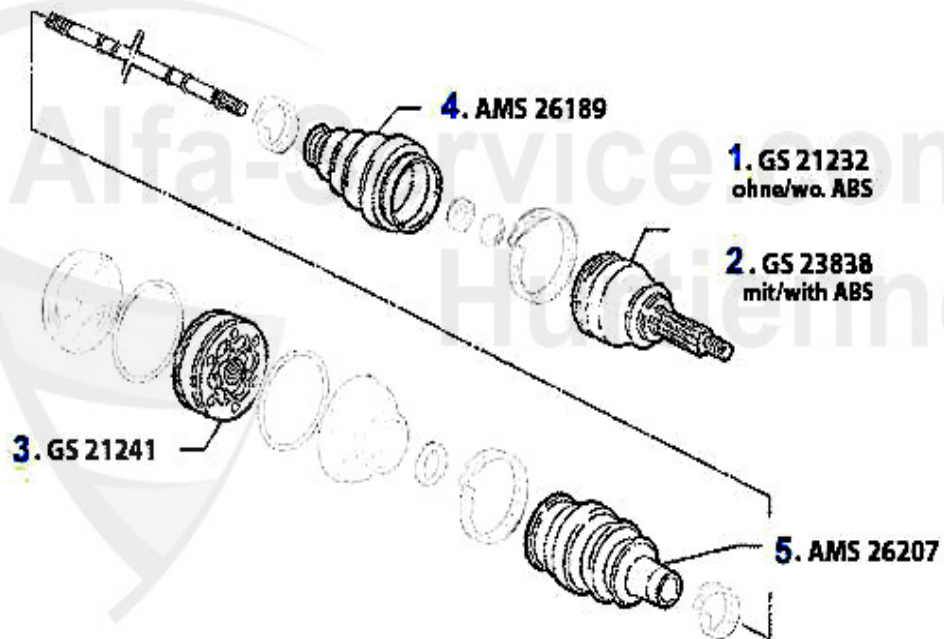


---

1 LS7025 Lambda-Sonde 155 2.0 Turbo/2.5 TD 3-adrig

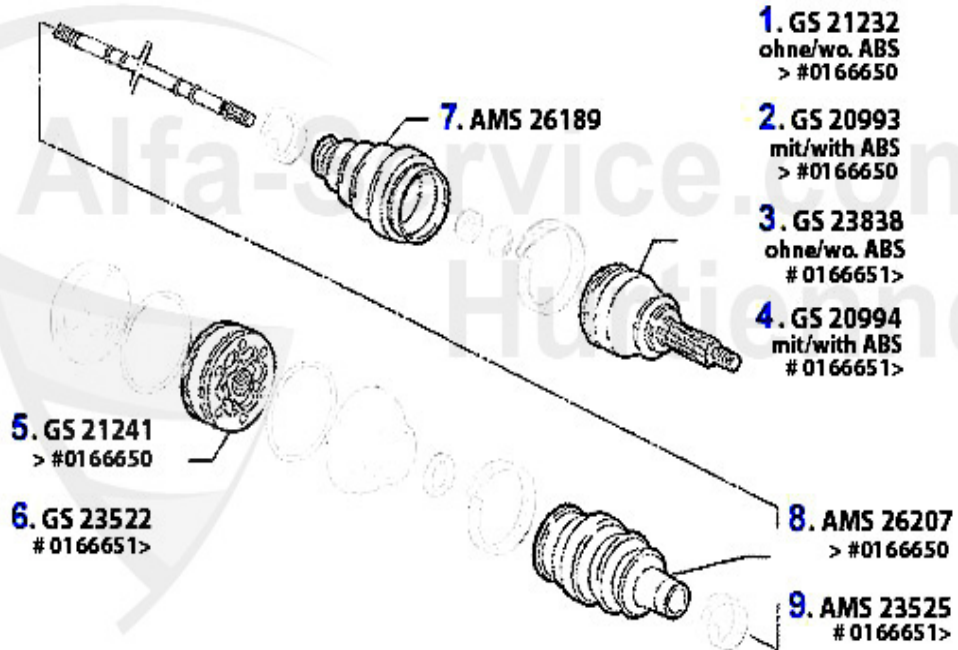
77.99 EUR

## Antriebswelle/Driveshaft 155 TS 8V >1996



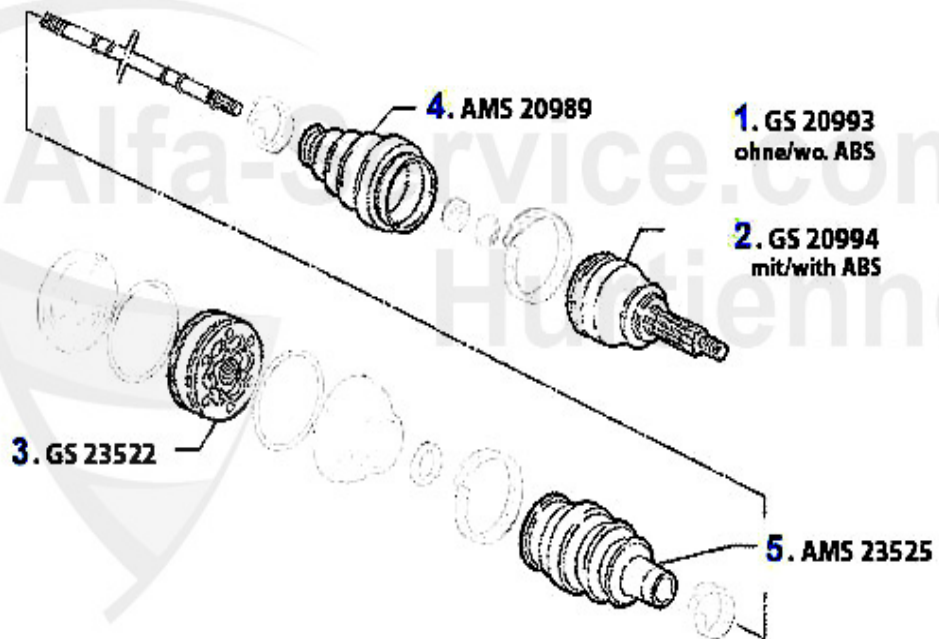
<b>1</b>	<b>GS21232</b>	<b>EXTERIOR HINGE 145/6, 155 1.4/1.6/1.7i/16V/TS WITHOUT ABS</b>	<b>117.71 EUR</b>
<b>2</b>	<b>GS23838</b>	<b>EXTERIOR HINGE 145/6, 155, GTV/SPIDER (916) 2.0 16V TS WITH ABS</b>	<b>163.11 EUR</b>
<b>3</b>	<b>GS21241</b>	<b>Inner drive shaft joint gtv/spider (916),155,145/6 TS 16V,156 TS 16V 166 2.0 TS,147 1.6/2.0 TS</b>	<b>111.72 EUR</b>
<b>4</b>	<b>AMS26189</b>	<b>PROSHAFT RUBBER BOOT GTV / SPIDER 2.0TS 145/6 1.4 ie/TS 1.6ie/TS 155 16 TS</b>	<b>13.44 EUR</b>
<b>5</b>	<b>AMS26207</b>	<b>Inner RUBBERBOOT GTV/SPIDER 155,166,145</b>	<b>20.00 EUR</b>

## Antriebswelle/Driveshaft 155 2.0 TS 16V Bj. >4.96



1	GS21232	EXTERIOR HINGE 145/6, 155 1.4/1.6/1.7/ ie/16V/TS WITHOUT ABS	117.71 EUR
2	GS20993	Gelenksatz außen 145/6 TS/TD/JDT Bj. 96> ohne ABS, 155 2.0 TS 16V	117.98 EUR
3	GS23838	EXTERIOR HINGE 145/6, 155, GTV/SPIDER (916) 2.0 16V TS WITH ABS	163.11 EUR
4	GS20994	Gelenksatz außen 145/6 TS/TD/JTD Bj. 96> mit ABS,155 2.0 TS 16V mit ABS,gtv/spider (916) TS #6023168 - 6063040	122.08 EUR
5	GS21241	Inner drive shaft joint gtv/spider (916),155,145/6 TS 16V,156 TS 16V 166 2.0 TS,147 1.6/2.0 TS	111.72 EUR
6	GS23522	Gelenksatz innen 155,164 diverse	101.55 EUR
7	AMS26189	PROSHAFT RUBBER BOOT GTV / SPIDER 2.0TS 145/6 1.4 ie/TS 1.6ie/TS 155 16 TS	13.44 EUR
8	AMS26207	Inner RUBBERBOOT GTV/SPIDER 155,166,145	20.00 EUR
9	AMS23525	Achsmanschettensatz innen 155 1,7/ 1.8/2.0/TS 16V,2.5 V6,1.9TD 164/Super 2.0 TS,145/6 TS 16V	25.55 EUR

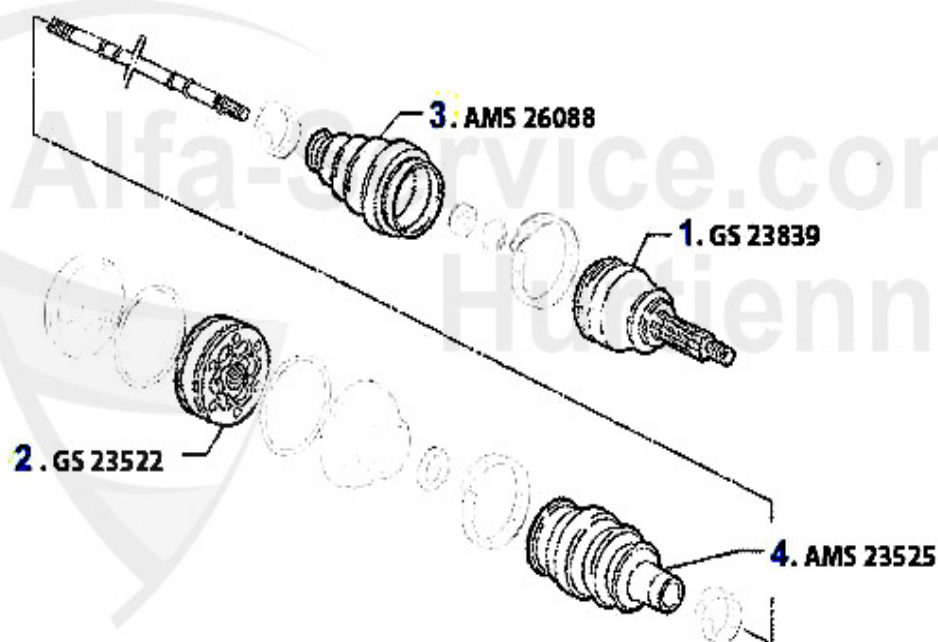
## Antriebswelle/Driveshaft 155 TS 16V Bj. 96>



<b>1</b>	<b>GS20993</b>	Gelenksatz außen 145/6 TS/TD/JTD Bj. 96> ohne ABS, 155 2.0 TS 16V	<b>117.98 EUR</b>
<b>2</b>	<b>GS20994</b>	Gelenksatz außen 145/6 TS/TD/JTD Bj. 96> mit ABS, 155 2.0 TS 16V mit ABS, gtv/spider (916) TS #6023168 - 6063040	<b>122.08 EUR</b>
<b>3</b>	<b>GS23522</b>	Gelenksatz innen 155, 164 diverse	<b>101.55 EUR</b>
<b>4</b>	<b>AMS20989</b>	OE.46429633, outer joint gaiter 145/6 147, 156, 166	<b>17.90 EUR</b>
<b>5</b>	<b>AMS23525</b>	Achsmanschettensatz innen 155 1,7/ 1.8/2.0/TS 16V, 2.5 V6, 1.9TD 164/Super 2.0 TS, 145/6 TS 16V	<b>25.55 EUR</b>

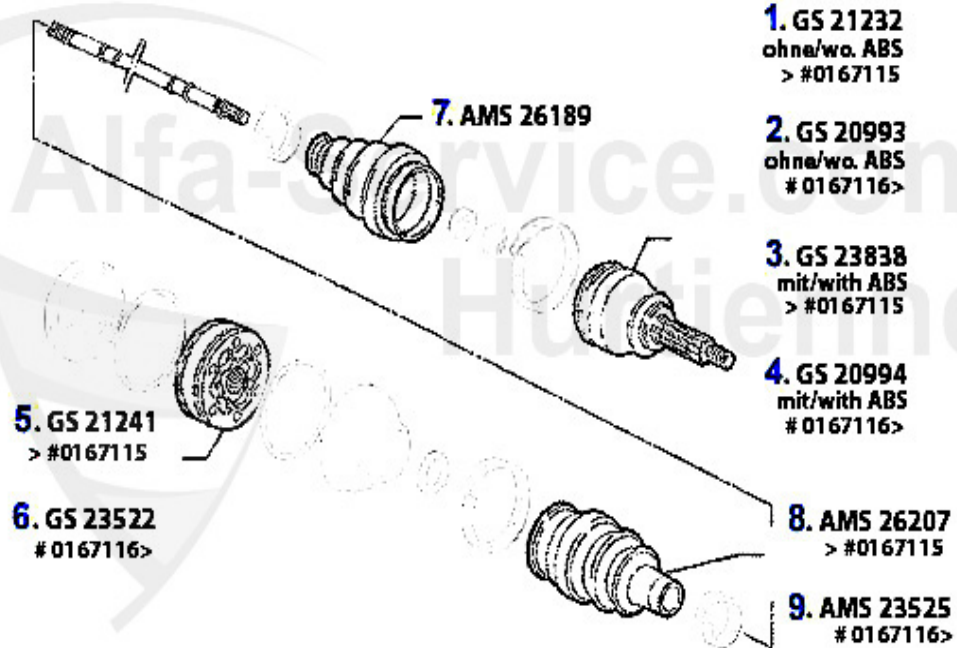


## Antriebswelle/Driveshaft 155 2.5 V6



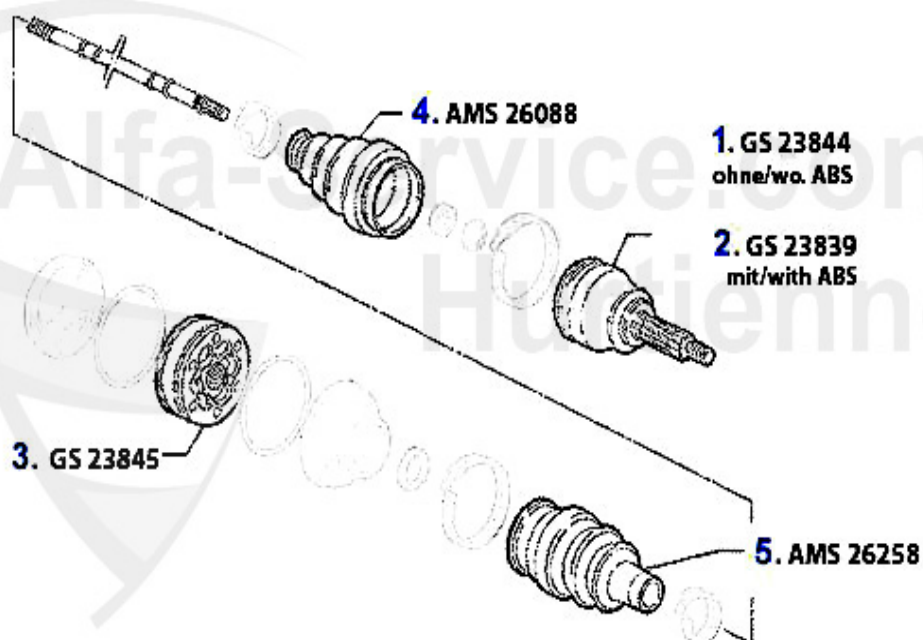
<b>1</b>	<b>GS23839</b>	<b>Gelenksatz außen 155,gtv/spider (916) diverse mit ABS</b>	<b>169.27 EUR</b>
<b>2</b>	<b>GS23522</b>	<b>Gelenksatz innen 155,164 diverse</b>	<b>101.55 EUR</b>
<b>3</b>	<b>AMS26088</b>	<b>OE. 60556609 Boot Set Wheel Side</b>	<b>24.89 EUR</b>
<b>4</b>	<b>AMS23525</b>	<b>Achsmanschettensatz innen 155 1,7/ 1.8/2.0/TS 16V,2.5 V6,1.9TD 164/Super 2.0 TS,145/6 TS 16V</b>	<b>25.55 EUR</b>

# Antriebswelle/Driveshaft 155 1.9 TD



1	GS21232	EXTERIOR HINGE 145/6, 155 1.4/1.6/1.7/ ie/16V/TS WITHOUT ABS	117.71 EUR
2	GS20993	Gelenksatz außen 145/6 TS/TD/JDT Bj. 96> ohne ABS, 155 2.0 TS 16V	117.98 EUR
3	GS23838	EXTERIOR HINGE 145/6, 155, GTV/SPIDER (916) 2.0 16V TS WITH ABS	163.11 EUR
4	GS20994	Gelenksatz außen 145/6 TS/TD/JTD Bj. 96> mit ABS,155 2.0 TS 16V mit ABS,gtv/spider (916) TS #6023168 - 6063040	122.08 EUR
5	GS21241	Inner drive shaft joint gtv/spider (916),155,145/6 TS 16V,156 TS 16V 166 2.0 TS,147 1.6/2.0 TS	111.72 EUR
6	GS23522	Gelenksatz innen 155,164 diverse	101.55 EUR
7	AMS26189	PROSHAFT RUBBER BOOT GTV / SPIDER 2.0TS 145/6 1.4 ie/TS 1.6ie/TS 155 16 TS	13.44 EUR
8	AMS26207	Inner RUBBERBOOT GTV/SPIDER 155,166,145	20.00 EUR
9	AMS23525	Achsmanschettensatz innen 155 1,7/ 1.8/2.0/TS 16V,2.5 V6,1.9TD 164/Super 2.0 TS,145/6 TS 16V	25.55 EUR

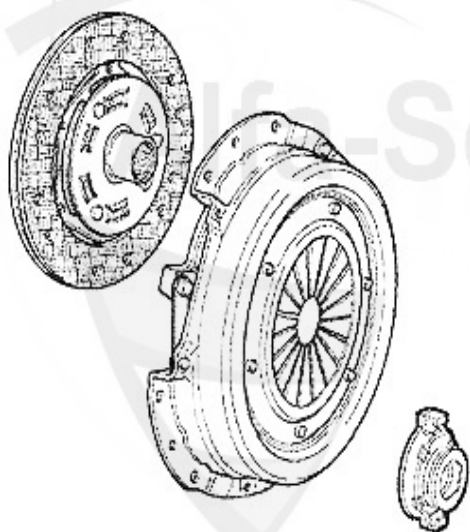
## Antriebswelle/Driveshaft 155 2.5 TD



1	GS23844	Gelenksatz außen 155 2.5 TD	152.34 EUR
2	GS23839	Gelenksatz außen 155,gtv/spider (916) diverse mit ABS	169.27 EUR
3	GS23845	Gelenksatz innen 155 2.5 TD,gtv/spi der (916) 6-zylinder	101.04 EUR
4	AMS26088	OE. 60556609 Boot Set Wheel Side	24.89 EUR
5	AMS26258	INTERIOR AXLE BOOT 155 2.0TB,2.5TD (107-22mm) SPIDER 916 3.0 V6	14.26 EUR

## Kupplungs-Kit/Clutch Set 155 TS 8V

---



1. KK 576001  
Ø 215 mm  
1.7/1.8/2.0 TS 8V

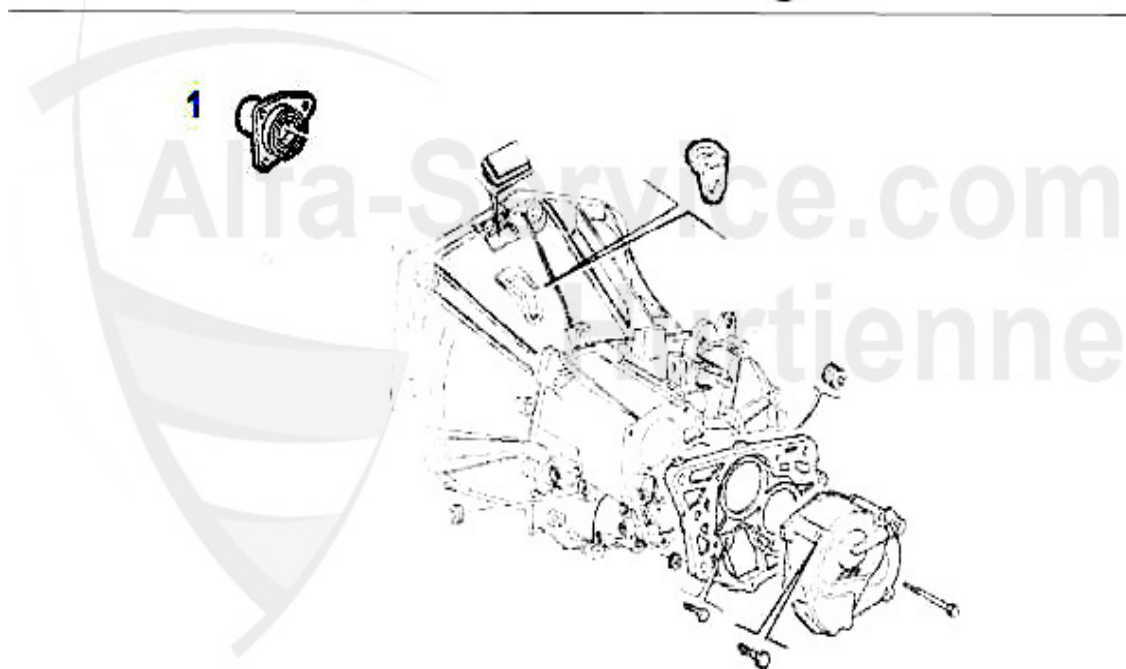
---

1 KK576001 CLUTCH SET 145/6 1.4/1.6/1.8 TS,GTV/ Spider (916)/155 1.6/1.8 TS 16V,2.0  
TS 8V 92-99

183.63 EUR

## Ausrücker/Sleeve Bearing 155 TS 8V

---



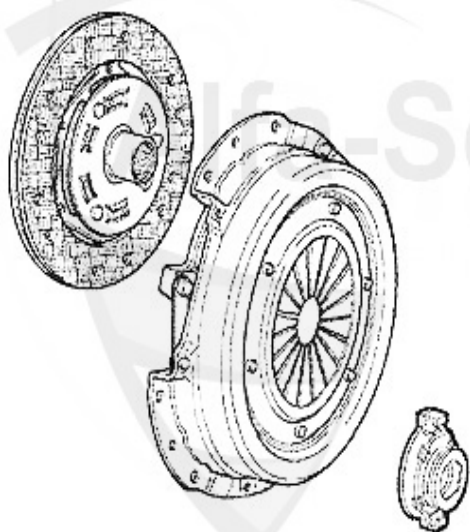
---

1 FH1140 Schiebehülse für Ausrücker 145/6, 147,155,156,gtv/spider (916)

9.66 EUR

## Kupplungs-Kit/Clutch Set 155 2.0 TS 16V Bj. >96

---



1. KK 789001

Ø 230 mm

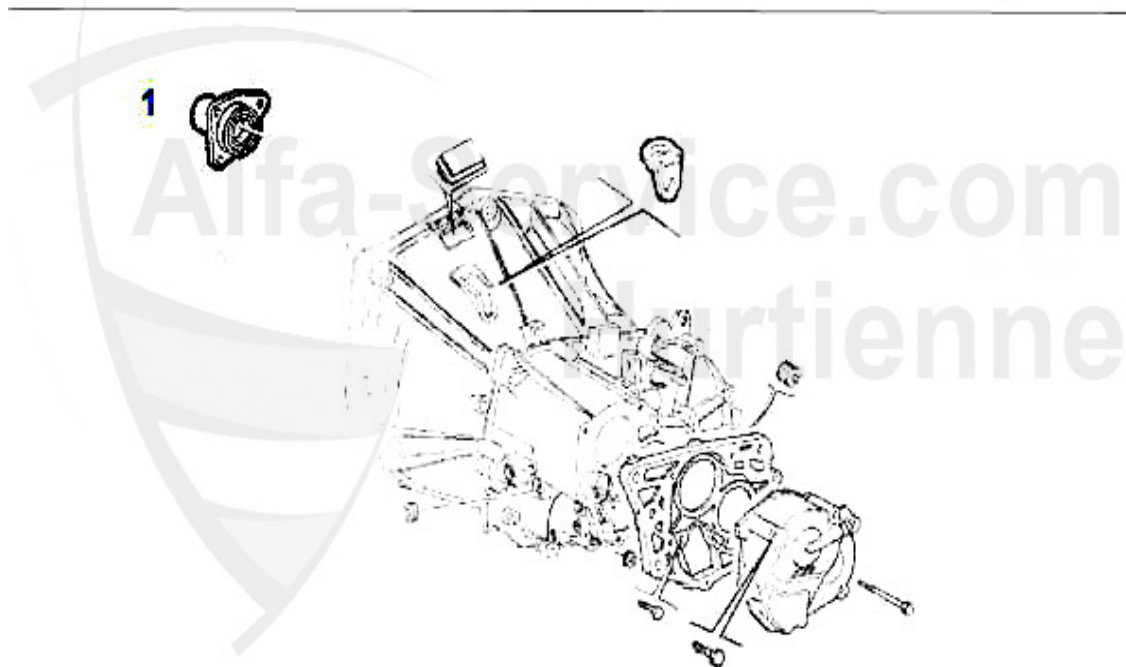
---

1 KK789001 OE. 71734766 CLUTCH KIT 2.0 TS 16V 230 mm

269.00 EUR

## Ausrücker/Sleeve Bearing 155 2.0 TS 16V Bj. >96

---

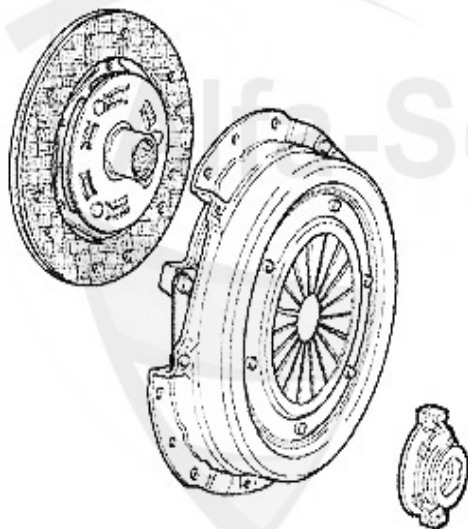


---

1 FH1140 Schiebehülse für Ausrücker 145/6, 147,155,156,gtv/spider (916)

9.66 EUR

## Kupplungs-Kit/Clutch Set 155 TS 16V Bj. 96>



1. KK 576001

Ø 215 mm

1.6/1.8 16V

2. KK 789001

Ø 230 mm

2.0 TS 16V

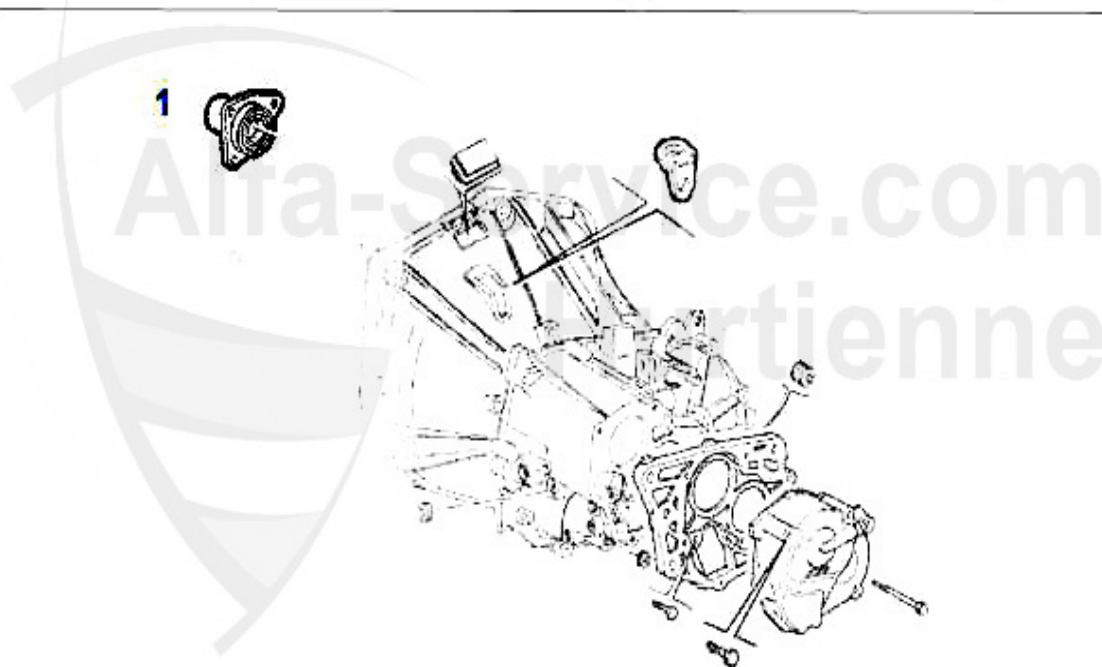
1	KK576001	CLUTCH SET 145/6 1.4/1.6/1.8 TS,GTV/ Spider (916)/155 1.6/1.8 TS 16V,2.0 TS 8V 92-99	183.63 EUR
---	----------	--	------------

2	KK789001	OE. 71734766 CLUTCH KIT 2.0 TS 16V 230 mm	269.00 EUR
---	----------	---	------------



## Ausrücker/Sleeve Bearing 155 TS 16V Bj. 96>

---

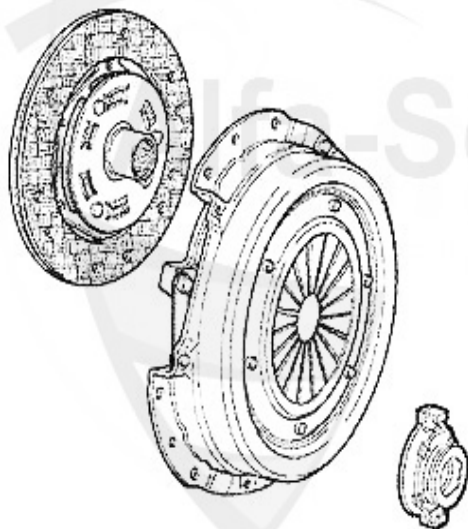


---

1 FH1140 Schiebehülse für Ausrücker 145/6, 147,155,156,gtv/spider (916)

9.66 EUR

## Kupplungs-Kit/Clutch Set 155 Turbo Q4



1. KK 72900

Ø 235 mm

Bj. >3.92

2. KK 727001

Ø 235 mm

Bj. 4.92>

1 KK729001 CLUTCH SET 155,164 V6 TURBO,164 3.0 IE QV >09.92

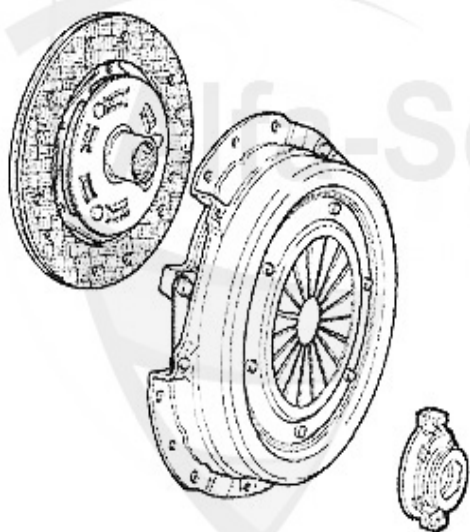
\*\*\*

2 KK727001 CLUTCH-KIT 717 34 944/607 78 039/5896173

369.00 EUR

## Kupplungs-Kit/Clutch Set 155 2.5 V6

---



1. KK 835301

Ø 235 mm

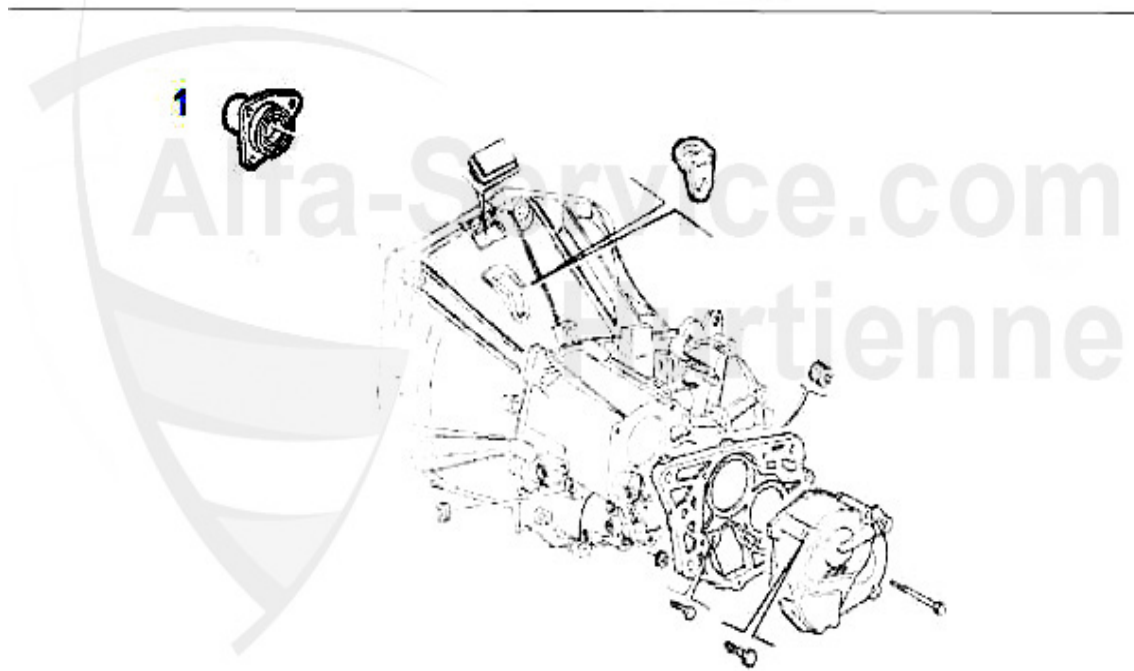
---

1 KK835301 OE. 60777605 CLUTCH KIT 155 2.5 V6 235 mm

305.00 EUR

## Ausrücker/Sleeve Bearing 155 2.5 V6

---



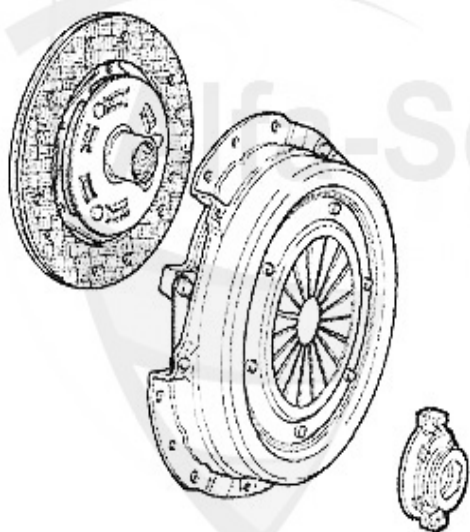
---

1 FH11951 OE. 46411951 Cover

18.84 EUR

## Kupplungs-Kit/Clutch Set 155 1.9 TD

---



1. KK 345001

Ø 215 mm

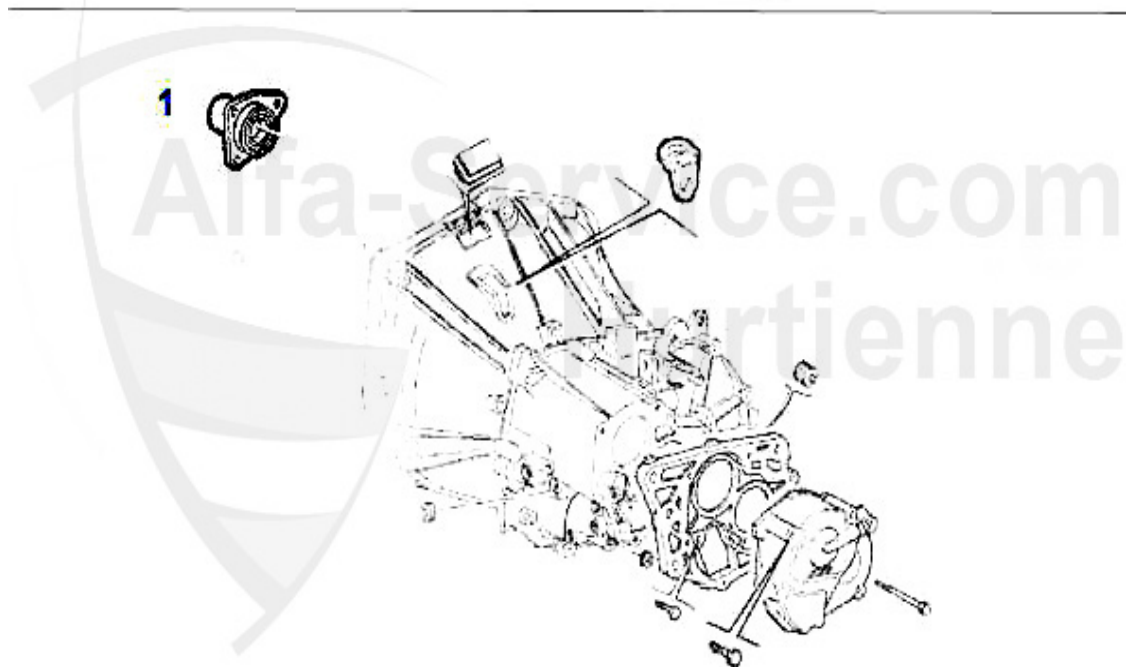
---

1 KK345001 CLUTCH SET 145/6,155 1.9 TD 93-99

189.78 EUR

## Ausrücker/Sleeve Bearing 155 1.9 TD

---



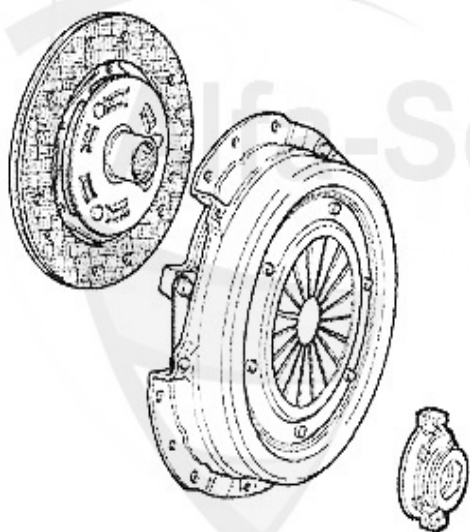
---

1 FH1140 Schiebehülse für Ausrücker 145/6, 147,155,156,gtv/spider (916)

9.66 EUR

## Kupplungs-Kit/Clutch Set 155 2.5 TD

---



1. KK 727001

Ø 235 mm

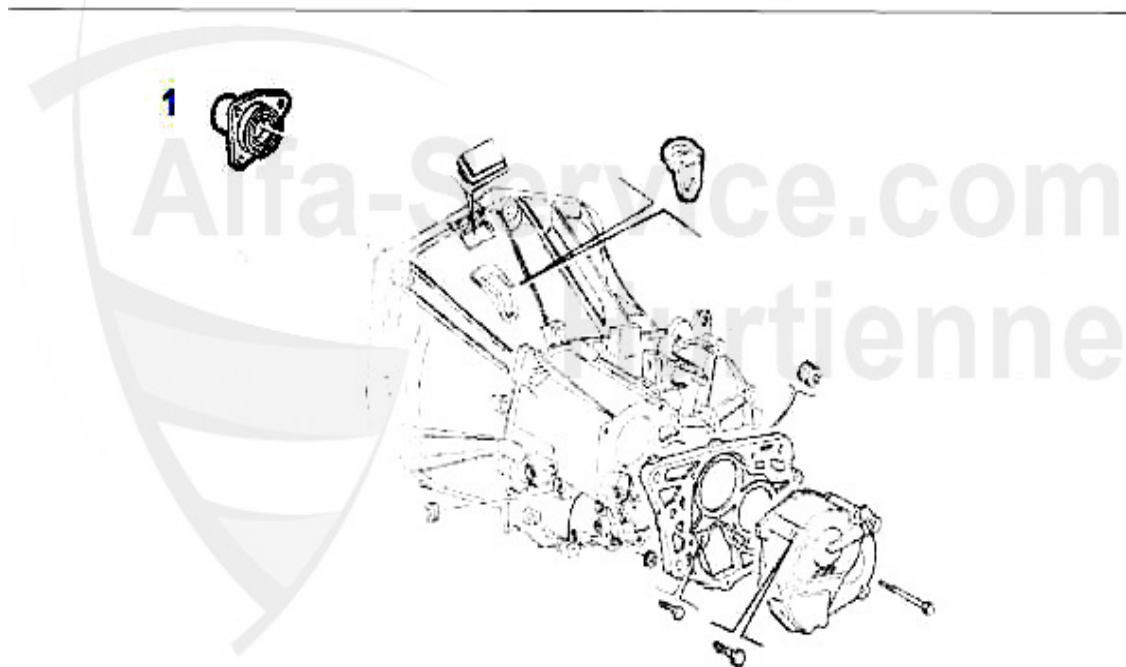
---

1 KK727001 CLUTCH-KIT 717 34 944/607 78 039/5896173

369.00 EUR

## Ausrücker/Sleeve Bearing 155 2.5 TD

---



---

1 FH11951 OE. 46411951 Cover

18.84 EUR



Kupplungsbetätigung/Clutch Actuation 155 1.7/1.8/2.0 TS 8V



1	KGZ027	OE.60814827,CLUTCH MASTER CYLINDER 145/6,155,GTV/SPIDER(916)	69.00 EUR
2	KNZ047	Kupplungs-Nehmerzylinder 155 1.7/1. 8/2.0 TS Bj. 92> > #0067034	45.65 EUR
3	KNZ024	OE.71739541 CLUTCH SLAVE CYL.145/6 155,0075933>,GTV/SPIDER(916) 07.95>	49.90 EUR

Kupplungsbetätigung/Clutch Actuation 155 2.0 TS 16V Bj. >96



1	KGZ027	OE.60814827,CLUTCH MASTER CYLINDER 145/6,155,GTV/SPIDER(916)	69.00 EUR
2	KNZ047	Kupplungs-Nehmerzylinder 155 1.7/1. 8/2.0 TS Bj. 92> > #0067034	45.65 EUR
3	KNZ024	OE.71739541 CLUTCH SLAVE CYL.145/6 155,0075933>,GTV/SPIDER(916) 07.95>	49.90 EUR

Kupplungsbetätigung/Clutch Actuation 155 TS 16V Bj. 96>

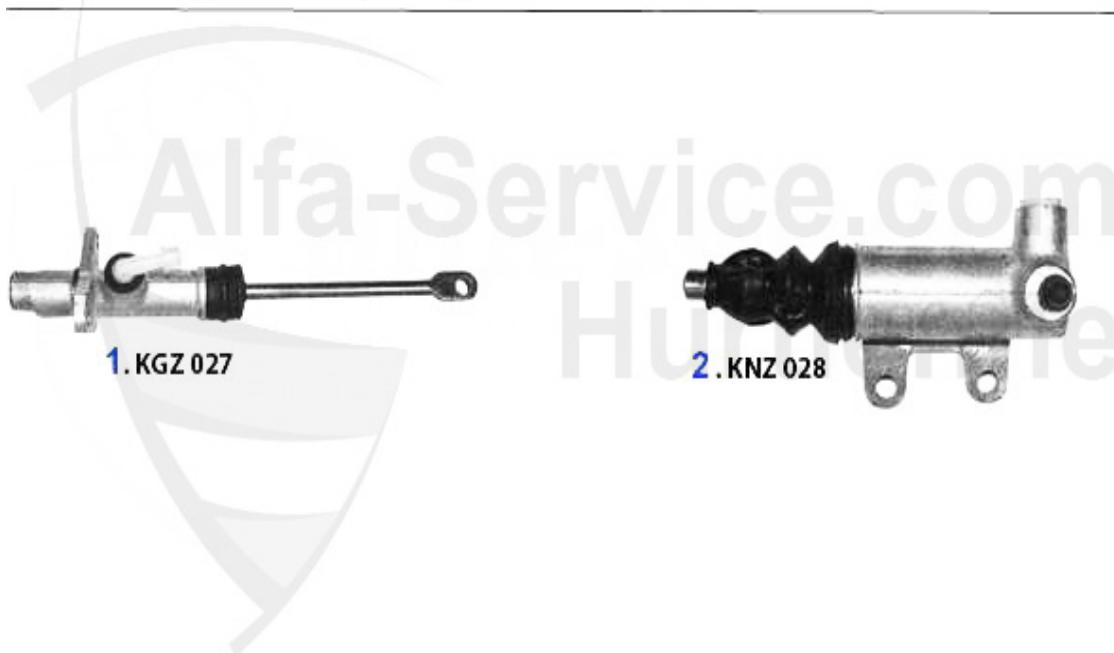
---



1	KGZ027	OE.60814827,CLUTCH MASTER CYLINDER 145/6,155,GTV/SPIDER(916)	69.00 EUR
2	KNZ024	OE.71739541 CLUTCH SLAVE CYL.145/6 155,0075933>,GTV/SPIDER(916) 07.95>	49.90 EUR

## Kupplungsbetätigung/Clutch Actuation 155 Turbo Q4

---



1	KGZ027	OE.60814827,CLUTCH MASTER CYLINDER 145/6,155,GTV/SPIDER(916)	69.00 EUR
2	KNZ028	OE. 60801577 CLUTCH SLAVE CYLINDER	51.50 EUR

## Kupplungsbetätigung/Clutch Actuation 155 2.5 V6

---



1	KGZ026	CLUTCH MASTER CYLINDER 155 2.5 V6	69.00 EUR
2	KNZ028	OE. 60801577 CLUTCH SLAVE CYLINDER	51.50 EUR
3	KGZ027	OE.60814827,CLUTCH MASTER CYLINDER 145/6,155,GTV/SPIDER(916)	69.00 EUR

## Kupplungsbetätigung/Clutch Actuation 155 1.9 TD

---



1	KGZ027	OE.60814827,CLUTCH MASTER CYLINDER 145/6,155,GTV/SPIDER(916)	69.00 EUR
2	KNZ024	OE.71739541 CLUTCH SLAVE CYL.145/6 155,0075933>,GTV/SPIDER(916) 07.95>	49.90 EUR

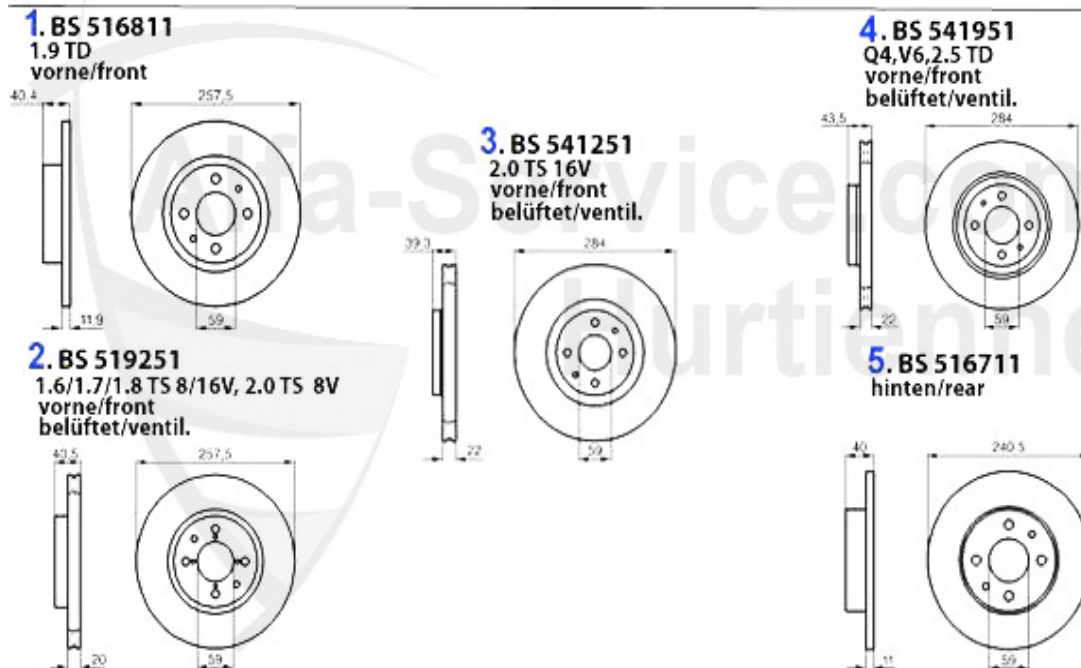
## Kupplungsbetätigung/Clutch Actuation 155 2.5 TD

---



1	KGZ027	OE.60814827,CLUTCH MASTER CYLINDER 145/6,155,GTV/SPIDER(916)	69.00 EUR
2	KNZ028	OE. 60801577 CLUTCH SLAVE CYLINDER	51.50 EUR

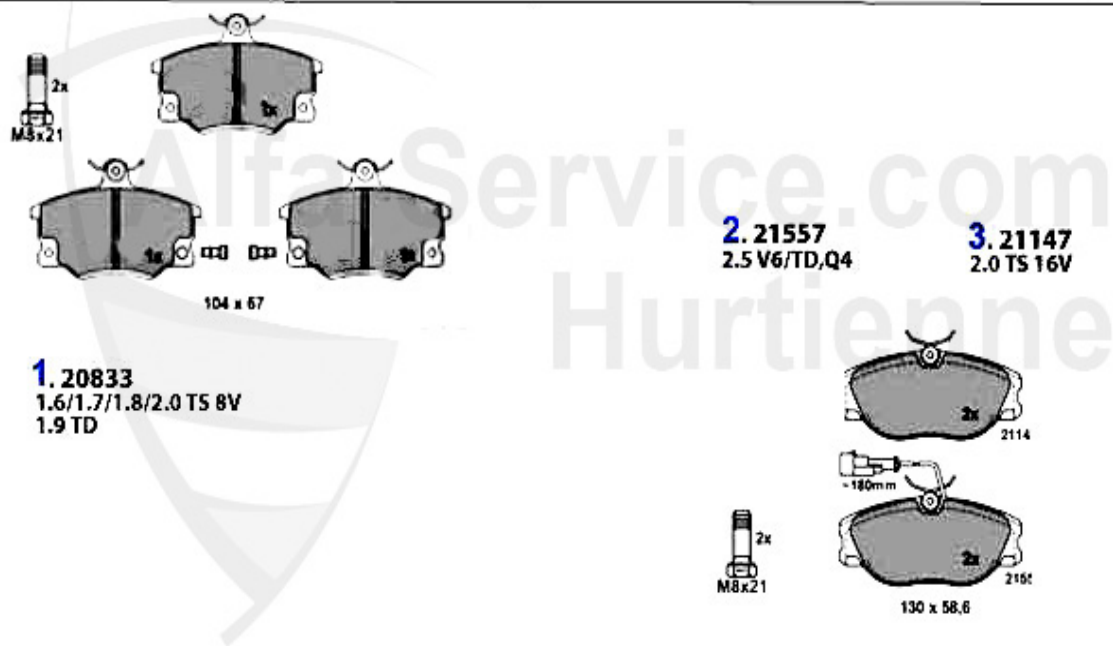
# Bremsscheiben/Brakedisks 155



1	BS516811	FRONT BRAKE DISK 145/6 1.4/1.6 IE YEAR 94-12.96/1.9 TD YEAR 94-99 155 1.9 TD	19.90 EUR
2	BS519251	FRONT BRAKE DISK 145/6 1.4/1.6/1.7 IE 16V TS/1.9 TD/JTD 94-01,155 1.6/1.7/ 1.8/2.0/16V/TS 93>	28.50 EUR
3	BS541251	FRONT BRAKE DISK 145/6 1.8/2.0 16V TS/QV 96>	54.00 EUR
4	BS541951	FRONT BRAKE DISK 155 2.0 16V TURBO/2.5/ V6/TD	94.80 EUR
5	BS516711	REAR BRAKE DISK 145/6 1.4/1.8 16V TS 01.97>/2.0 16V TS/1.9 JTD ALL,155 ALL	14.90 EUR

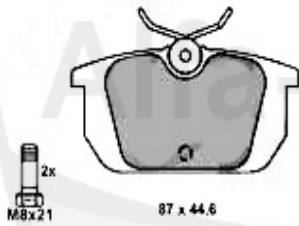


# Brembeläge/Brakepads 155 vorne/front



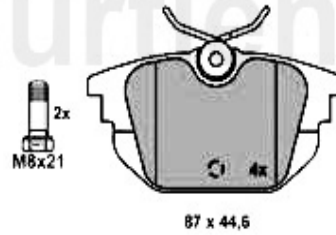
<b>1</b>	<b>20833 171</b> 25	<b>FRONT BRAKE PADS WITH CONTROL UNIT 145/6 1.4/1.6/1.7/1.8 16V/TS 94-96,155 1.7/ 1.8/2.0/TS 1.9TD,SPIDER (916) 2.0 TS/2.0 V6 95-98 BRAKE SYSTEM: LUCAS</b>	<b>42.98 EUR</b>
<b>2</b>	<b>21557 193</b> 25	<b>SBB VA mit WE 155 2.0 16V turbo/2.5 V6/2.5 TD bj. &gt;04.96 Bremssystem: Lucas</b>	<b>92.84 EUR</b>
<b>3</b>	<b>21147 193</b> 25	<b>BRAKE PADS 164 FRONT</b>	<b>87.20 EUR</b>

# Bremsbeläge/Brakepads 155 hinten/rear



**1. 21103**  
Grauguß-Sattel/  
grey iron caliper  
> 1997

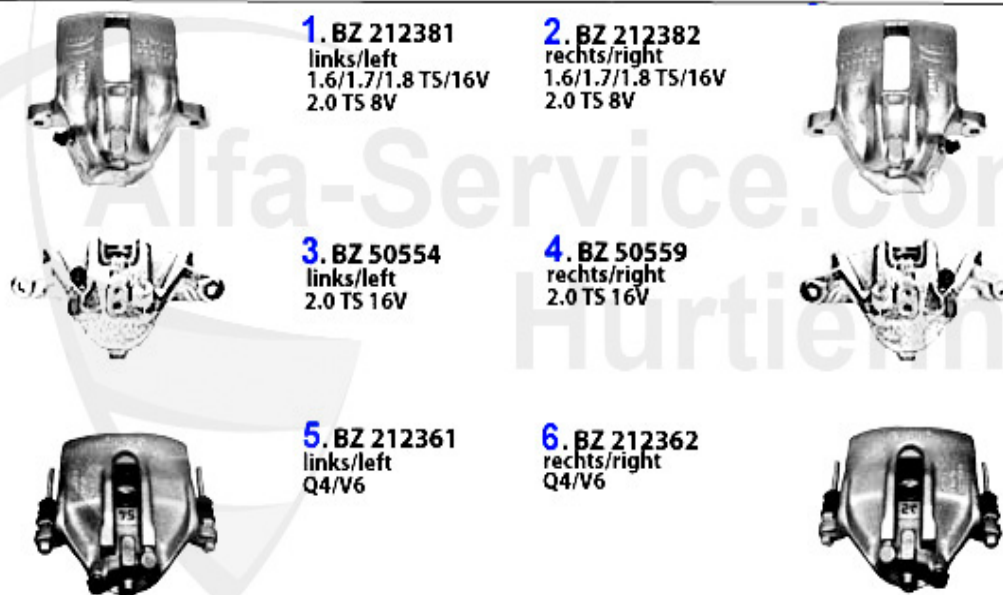
**2. 23177**  
ALU-Sattel/  
alu caliper  
1997 >



<p><b>1</b> 21103 144 04</p>	<p>SBB HA ohne WE 145/6 1.4/1.6/1.7/ 1.8/2.0/16V/TS/1.9/TD/JTD bj. 94-01 155 1.6/1.7/1.8/2.0/16V/TS/turbo/ 1.9/2.5/TD/V6 bj. 92-97 spider/gtv (916) 2.0/TS/V6 turbo/ 3.0/V6/24V Bremssystem: Lucas Neuer Preis!</p>	<p><b>46.17 EUR</b></p>
<p><b>2</b> 23177 144 14</p>	<p>REAR BRAKE PADS WITH CONTROL UNIT 33 (907) 1.7 ie/16V/QV/4x4/1.8 TD WITH ABS 145/6 1.4/1.6/1.8/2.0/16V/TS/1.9/TD/JTD, 155 1.6/1.7/1.8/2.0/16V/TS/2.5 V6/TD/1.9 TD SPIDER/GTV (916) 1.8/2.0 TS/2.0/3.0 V6/TURBO/24V BRAKE SYSTEM: LUCAS</p>	<p><b>50.93 EUR</b></p>

## 155 > BRAKE > CALIPER FRONT PETROL VERSIONS

### Bremszangen/Calipers 155 (Benzin/Petrol) vorne/front



<b>1</b>	<b>BZ212381</b>	<b>Bremssattel vl 155 1.6/1.7/1.8/2.0 16V/TS Bremssystem: Lucas 1-kolben Austauschteil</b>	<b>87.20 EUR</b>
<b>2</b>	<b>BZ212382</b>	<b>Bremssattel vr 155 1.6/1.7/1.8/2.0 16V/TS Bremssystem: Lucas 1-kolben Austauschteil</b>	<b>87.20 EUR</b>
<b>3</b>	<b>BZ50554</b>	<b>OE. 9950554 BRAKE CALIPER FL 155 2.0 TS 16V</b>	<b>271.86 EUR</b>
<b>4</b>	<b>BZ50559</b>	<b>OE. 9950559 BRAKE CALIPER FR 155 2.0 TS 16V</b>	<b>271.86 EUR</b>
<b>5</b>	<b>BZ212361</b>	<b>Bremssattel vl 155 2.0 16V turbo/ 2.5 V6 bj. &gt; 12.94 Bremssystem: Lucas 1-kolben Austaschteil</b>	<b>142.60 EUR</b>
<b>6</b>	<b>BZ212362</b>	<b>Bremssattel vr 155 2.0 16V turbo/ 2.5 V6 bj. &gt;12.94 Bremssystem: Lucas 1-kolben Austauschteil</b>	<b>142.60 EUR</b>

## Bremszangen/Calipers 155 (Diesel) vorne/front



**1. BZ 2123109**  
links/left  
1.9 TD

**2. BZ 2123110**  
rechts/right  
1.9 TD



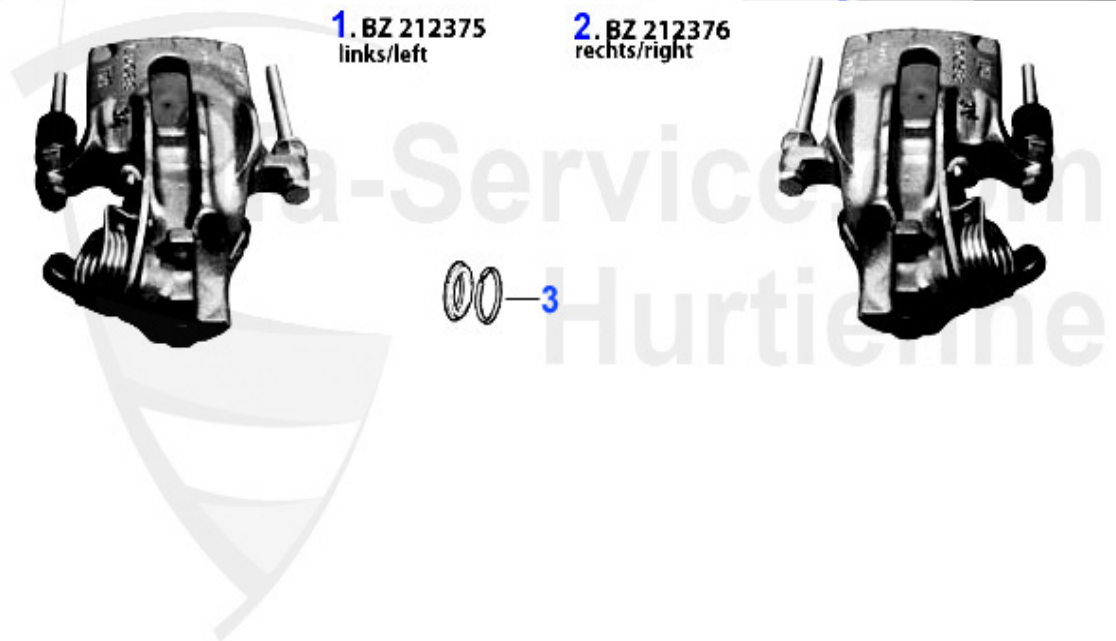
**3. BZ 212361**  
links/left  
2.5 TD

**4. BZ 212362**  
rechts/right  
2.5 TD



<b>1</b>	<b>BZ2123109</b> Bremssattel vl 145/6 1.4/1.6 ie 1.9 TD bj. 94-96 Bremssystem: Bendix 1-kolben Austauschteil	<b>101.55 EUR</b>
<b>2</b>	<b>BZ2123110</b> Bremssattel vr 145/6 1.4/1.6 ie/ 1.9 TD bj. 94-96 Bremssystem: Bendix 1-kolben Austauschteil	<b>101.55 EUR</b>
<b>3</b>	<b>BZ212361</b> Bremssattel vl 155 2.0 16V turbo/ 2.5 V6 bj. > 12.94 Bremssystem: Lucas 1-kolben Austaschteil	<b>142.60 EUR</b>
<b>4</b>	<b>BZ212362</b> Bremssattel vr 155 2.0 16V turbo/ 2.5 V6 bj. >12.94 Bremssystem: Lucas 1-kolben Austauschteil	<b>142.60 EUR</b>

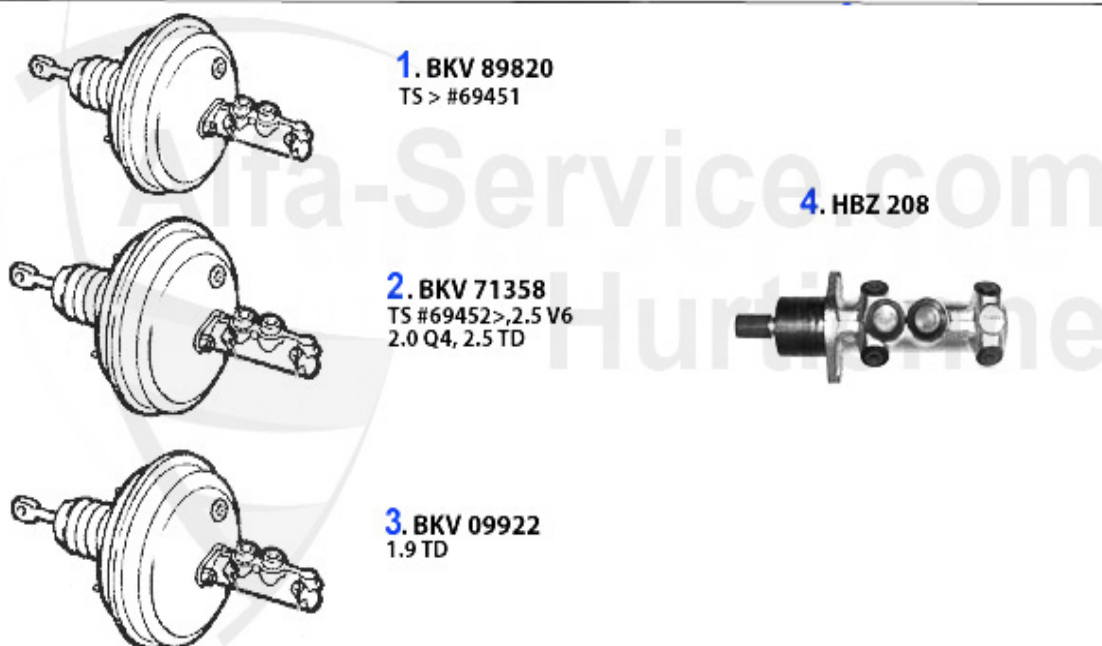
## Bremszangen/Calipers 155 hinten/rear



<b>1</b>	<b>BZ212375</b>	brake caliper rear left side 145/6 1.4 1.6/1.7 ie 16V/TS 1.9 TD,155 all- 916 GTV/Spider 2,0L TS 16V/TB. Lucas 1-piston brake system, exchange part	<b>142.60 EUR</b>
<b>2</b>	<b>BZ212376</b>	brake caliper rear right side 145/6 1.4 1.6/1.7 ie 16V/TS 1.9 TD, 155 all- 916 GTV/Spider 2,0L TS 16V/TB. Lucas 1-piston brake system, exchange part	<b>142.60 EUR</b>
<b>3</b>	<b>RSBS89990</b> 03	Reparatursatz Bremssattel hinten 212375/212376 Gummimanschetten 145/ 146 1.4/1.6/1.7i 16V/TS/1.9TD,155 alle Lucas Bremssystem	<b>***</b>
<b>3</b>	<b>RSBS4129</b>	Rep-Satz Bremszange hinten Lucas 145/6 94-99, 155 92-96, GTV/Spider 95-98	<b>23.21 EUR</b>

## 155 > BRAKE > BRAKE SERVO/BRAKE MASTER CYL.

### BKV/Hauptbremszylinder/Brakeservo/Brake master cylinder 155



**1. BKV 89820**  
TS > #69451

**4. HBZ 208**

**2. BKV 71358**  
TS #69452>,2.5 V6  
2.0 Q4, 2.5 TD

**3. BKV 09922**  
1.9 TD

<b>1</b>	<b>BKV89820</b> OE. 60589820 BRAKESERVO 155 TS > #69451	<b>335.46 EUR</b>
<b>2</b>	<b>BKV71358</b> BRAKE SERVO 145/6 1.6/1.6TS 16V,155 1.7/1.8/2.0 TS 16V/2.5 V6 #69451>/1.9/ 2.5 TD,GTV/Spider (916) 1.8/2.0 TS/V6 Turbo	<b>548.99 EUR</b>
<b>3</b>	<b>BKV09922</b> Bremskraftverstärker 145/6 1.9 TD/ JTD Bj. >7.99,155 1.9/2.5 TD	<b>400.55 EUR</b>
<b>4</b>	<b>HBZ208</b> BRAKE MASTER CYLINDER 145/6,155,916	<b>117.98 EUR</b>

## Bremskraftregler/Brake Valve 155

---



---

1 BKR052 BRAKE VALVE 145/6,155 > #6026240

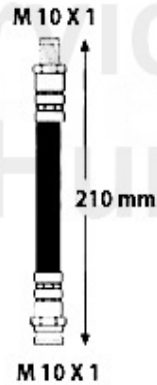
156.58 EUR

## Bremsschlauch/Brake Hose 155

**1. BS 517136**  
vorne/front



**2. BS 516717**  
hinten/rear  
- ABS  
Q4



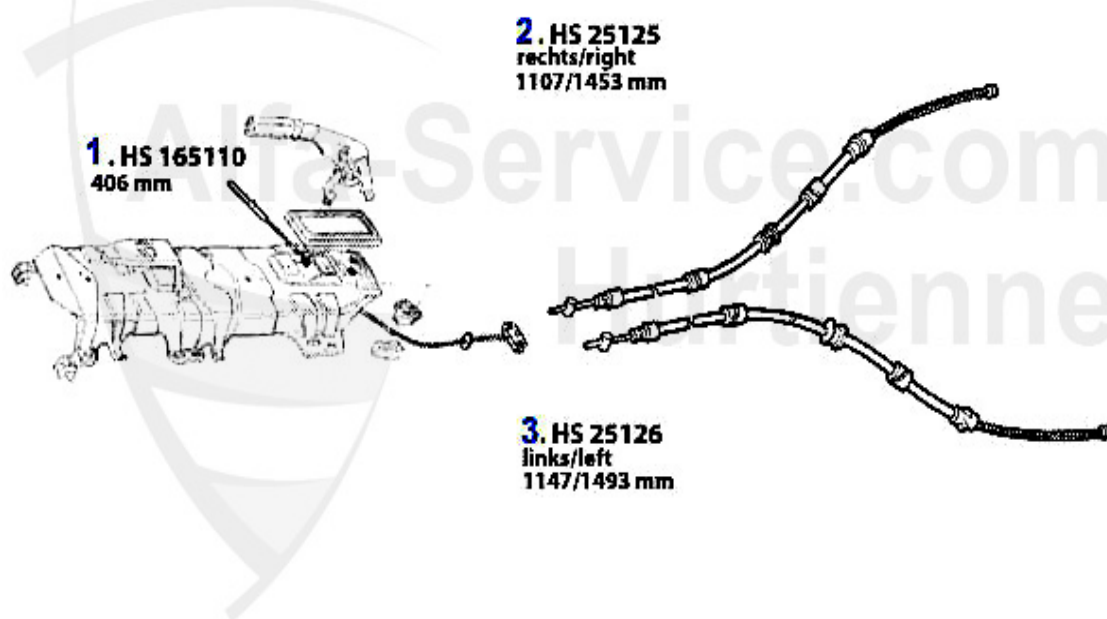
**3. BS 516716**  
hinten/rear  
+ ABS



<b>1</b>	<b>BS517136 FRONT BRAKE HOSE 145/6 1.4/1.6/3.0 V6 06.95&gt;</b>	<b>16.31 EUR</b>
<b>2</b>	<b>BS516717 BRAKE HOSE REAR 155 WITHOUT ABS &gt;96</b>	<b>11.79 EUR</b>
<b>3</b>	<b>BS516716 BRAKE HOSE REAR 145/6,155,GTV/SPIDER (916) 2.0 TS/3.0 V6 &gt;98</b>	<b>16.31 EUR</b>



## Handbremsseil/Brake Cable 155



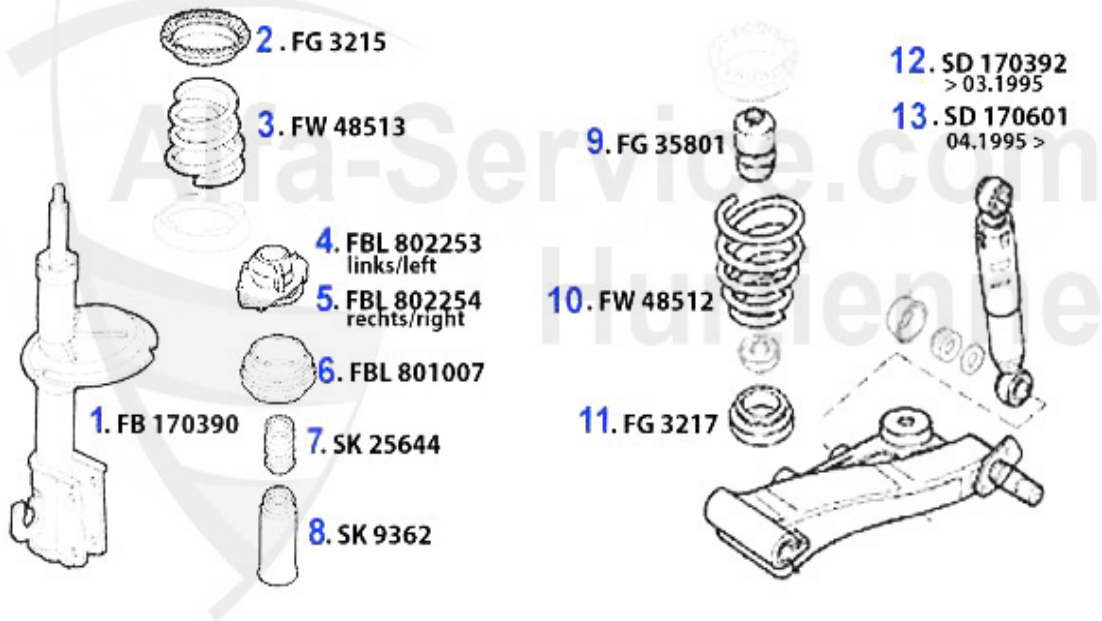
**1. HS 165110**  
406 mm

**2. HS 25125**  
rechts/right  
1107/1453 mm

**3. HS 25126**  
links/left  
1147/1493 mm

<b>1</b>	<b>HS165110</b>	<b>HANDBRAKE CABLE FRONT 145/6,147,155, SPIDER/GTV (916),NUOVO GT HANDBRAKE CABLE FRONT 145/6,147,155, SPIDER/GTV (916),NUOVO GT</b>	<b>19.08 EUR</b>
<b>2</b>	<b>HS25125</b>	<b>OE.60577826,HANDBRAKE CABLE RIGHT 145/6 WITH DISK BRAKE REAR 155</b>	<b>22.36 EUR</b>
<b>3</b>	<b>HS25126</b>	<b>OE.7714822,HANDBRAKE CABLE LEFT 155</b>	<b>26.48 EUR</b>

## Federbeine/Struts 155 TS 8V



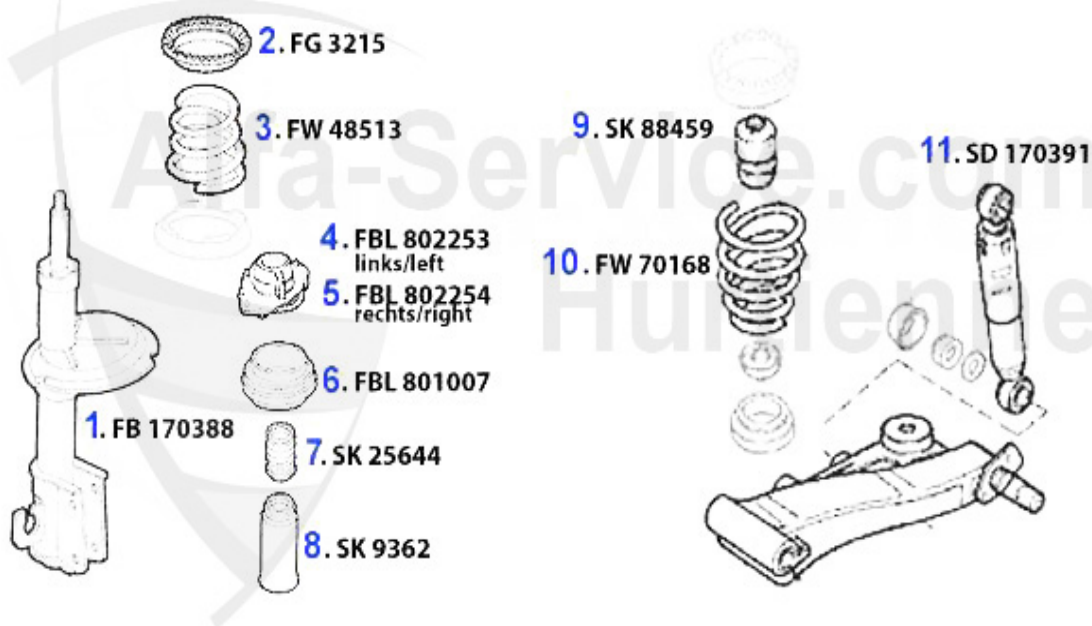
1	FB170390	Federbein vorne 145/6 1.9 TD Bj. >1 1.96,155 4-Zylinder,2-Rohr Gas	122.08 EUR
2	FG3215	Federgummi für vorderes Federbein 145/6,155	8.15 EUR
3	FW48513	Fahrwerksfeder vorne 145/6 1.9 TD/ JTD, 155 (alle 4-zylinder)	79.99 EUR
4	FBL802253	Federbeinlager vorne links 145/6,15 5,kpl.-Satz	50.27 EUR
5	FBL802254	Federbeinlager vorne rechts 145/6,1 55,kpl.-Satz	50.27 EUR
6	FBL801007	Federbeinlager vorne 145/6,155	20.47 EUR
7	SK25644	OE. 60625644 RUBBER PAD f. STRUT FA 145/ 6	19.49 EUR
8	SK9362	Staubkappe vorderes Federbein 145/6,155	4.17 EUR
9	FG35801	OE. 7599485 RUBBER PAD	4.41 EUR
10	FW48512	Fahrwerksfeder hinten 145/6,155	49.24 EUR
11	FG3217	Federgummi HA 145/6,155	7.79 EUR
12	SD170392	Stossdämpfer hinten 155 Bj. >03.95 oben Auge/unten Auge,2-Rohr Gas	64.63 EUR
13	SD170601	Stossdämpfer hinten 145/6,155 Bj. 4 .95> oben Auge/unten Auge,1-Rohr Gas	94.08 EUR

## Federbeine/Struts 155 TS 16V



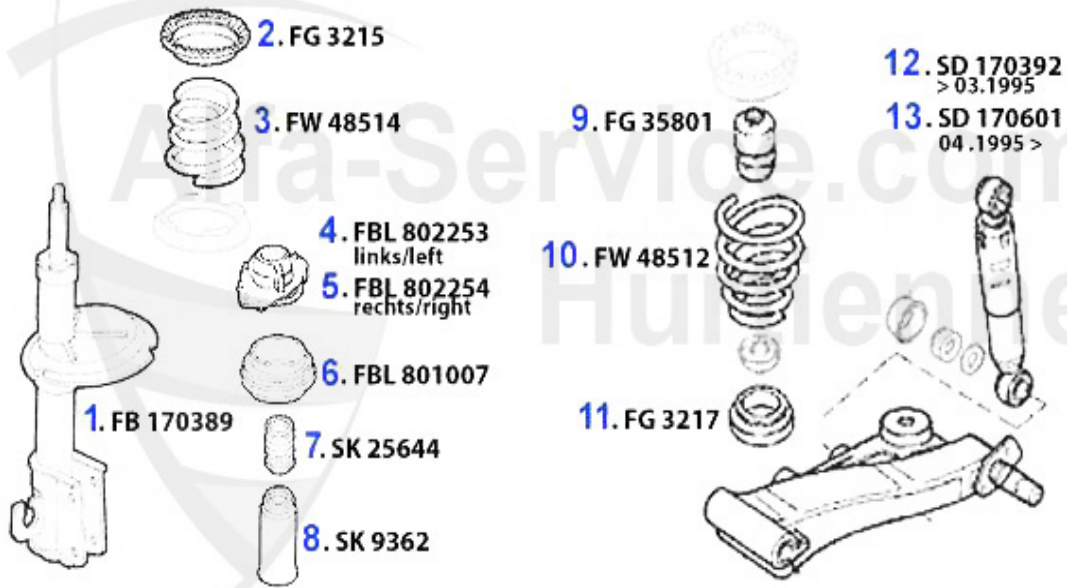
1	FB170390	Federbein vorne 145/6 1.9 TD Bj. >1 1.96,155 4-Zylinder,2-Rohr Gas	122.08 EUR
2	FG3215	Federgummi für vorderes Federbein 145/6,155	8.15 EUR
3	FW48513	Fahrwerksfeder vorne 145/6 1.9 TD/ JTD, 155 (alle 4-zylinder)	79.99 EUR
4	FBL802253	Federbeinlager vorne links 145/6,15 5,kpl.-Satz	50.27 EUR
5	FBL802254	Federbeinlager vorne rechts 145/6,1 55,kpl.-Satz	50.27 EUR
6	FBL801007	Federbeinlager vorne 145/6,155	20.47 EUR
7	SK25644	OE. 60625644 RUBBER PAD f. STRUT FA 145/ 6	19.49 EUR
8	SK9362	Staubkappe vorderes Federbein 145/6,155	4.17 EUR
9	FG35801	OE. 7599485 RUBBER PAD	4.41 EUR
10	FW48512	Fahrwerksfeder hinten 145/6,155	49.24 EUR
11	FG3217	Federgummi HA 145/6,155	7.79 EUR
12	SD170601	Stossdämpfer hinten 145/6,155 Bj. 4 .95> oben Auge/unten Auge,1-Rohr Gas	94.08 EUR

## Federbeine/Struts 155 Turbo Q4 16V



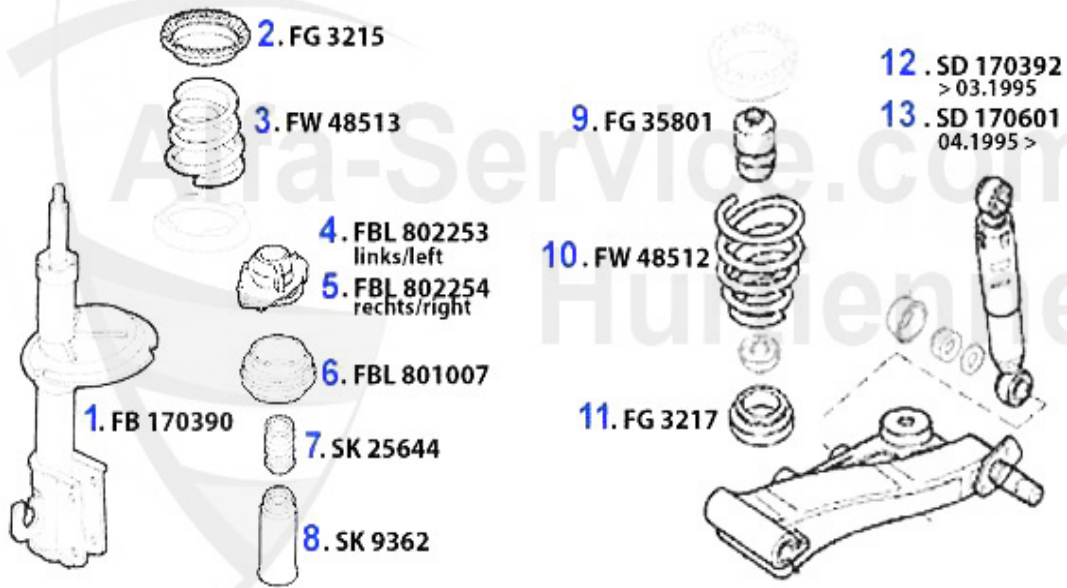
1	FB170388	Federbein vorne 155 TD,Turbo 16 V 2 -Rohr Gas,145 1.9 JTD	148.75 EUR
2	FG3215	Federgummi für vorderes Federbein 145/6,155	8.15 EUR
3	FW48513	Fahrwerksfeder vorne 145/6 1.9 TD/ JTD, 155 (alle 4-zylinder)	79.99 EUR
4	FBL802253	Federbeinlager vorne links 145/6,15 5,kpl.-Satz	50.27 EUR
5	FBL802254	Federbeinlager vorne rechts 145/6,1 55,kpl.-Satz	50.27 EUR
6	FBL801007	Federbeinlager vorne 145/6,155	20.47 EUR
7	SK25644	OE. 60625644 RUBBER PAD f. STRUT FA 145/ 6	19.49 EUR
8	SK9362	Staubkappe vorderes Federbein 145/6,155	4.17 EUR
9	SK88459	DUST COVER REAR STRUT 145/6 155, SPIDER/GTV (916)	17.96 EUR
10	FW70168	OE. 60570168 SPRING RA 155 Turbo Q4 16V	70.78 EUR
11	SD170391	Stossdämpfer hinten 155 Turbo 16V,o ben Auge/unten Auge,2-Rohr Gas	101.55 EUR

## Federbeine/Struts 155 2.5 V6



1	FB170389	Federbein vorne 155 V6,2-Rohr Gas	128.23 EUR
2	FG3215	Federgummi für vorderes Federbein 145/6,155	8.15 EUR
3	FW48514	Fahrwerksfeder vorne 155 6-zylinder	60.52 EUR
4	FBL802253	Federbeinlager vorne links 145/6,15 5,kpl.-Satz	50.27 EUR
5	FBL802254	Federbeinlager vorne rechts 145/6,1 55,kpl.-Satz	50.27 EUR
6	FBL801007	Federbeinlager vorne 145/6,155	20.47 EUR
7	SK25644	OE. 60625644 RUBBER PAD f. STRUT FA 145/ 6	19.49 EUR
8	SK9362	Staubkappe vorderes Federbein 145/6,155	4.17 EUR
9	FG35801	OE. 7599485 RUBBER PAD	4.41 EUR
10	FW48512	Fahrwerksfeder hinten 145/6,155	49.24 EUR
11	FG3217	Federgummi HA 145/6,155	7.79 EUR
12	SD170392	Stossdämpfer hinten 155 Bj. >03.95 oben Auge/unten Auge,2-Rohr Gas	64.63 EUR
13	SD170601	Stossdämpfer hinten 145/6,155 Bj. 4 .95> oben Auge/unten Auge,1-Rohr Gas	94.08 EUR

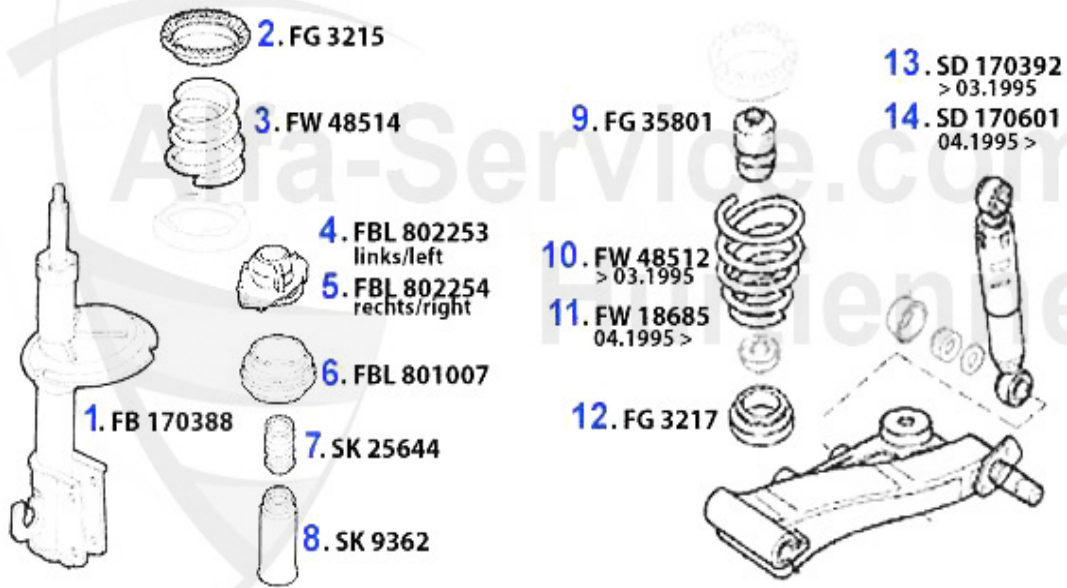
## Federbeine/Struts 155 1.9 TD



1	FB170390	Federbein vorne 145/6 1.9 TD Bj. >1 1.96,155 4-Zylinder,2-Rohr Gas	122.08 EUR
2	FG3215	Federgummi für vorderes Federbein 145/6,155	8.15 EUR
3	FW48513	Fahrwerksfeder vorne 145/6 1.9 TD/ JTD, 155 (alle 4-zylinder)	79.99 EUR
4	FBL802253	Federbeinlager vorne links 145/6,15 5,kpl.-Satz	50.27 EUR
5	FBL802254	Federbeinlager vorne rechts 145/6,1 55,kpl.-Satz	50.27 EUR
6	FBL801007	Federbeinlager vorne 145/6,155	20.47 EUR
7	SK25644	OE. 60625644 RUBBER PAD f. STRUT FA 145/ 6	19.49 EUR
8	SK9362	Staubkappe vorderes Federbein 145/6,155	4.17 EUR
9	FG35801	OE. 7599485 RUBBER PAD	4.41 EUR
10	FW48512	Fahrwerksfeder hinten 145/6,155	49.24 EUR
11	FG3217	Federgummi HA 145/6,155	7.79 EUR
12	SD170392	Stossdämpfer hinten 155 Bj. >03.95 oben Auge/unten Auge,2-Rohr Gas	64.63 EUR
13	SD170601	Stossdämpfer hinten 145/6,155 Bj. 4 .95> oben Auge/unten Auge,1-Rohr Gas	94.08 EUR

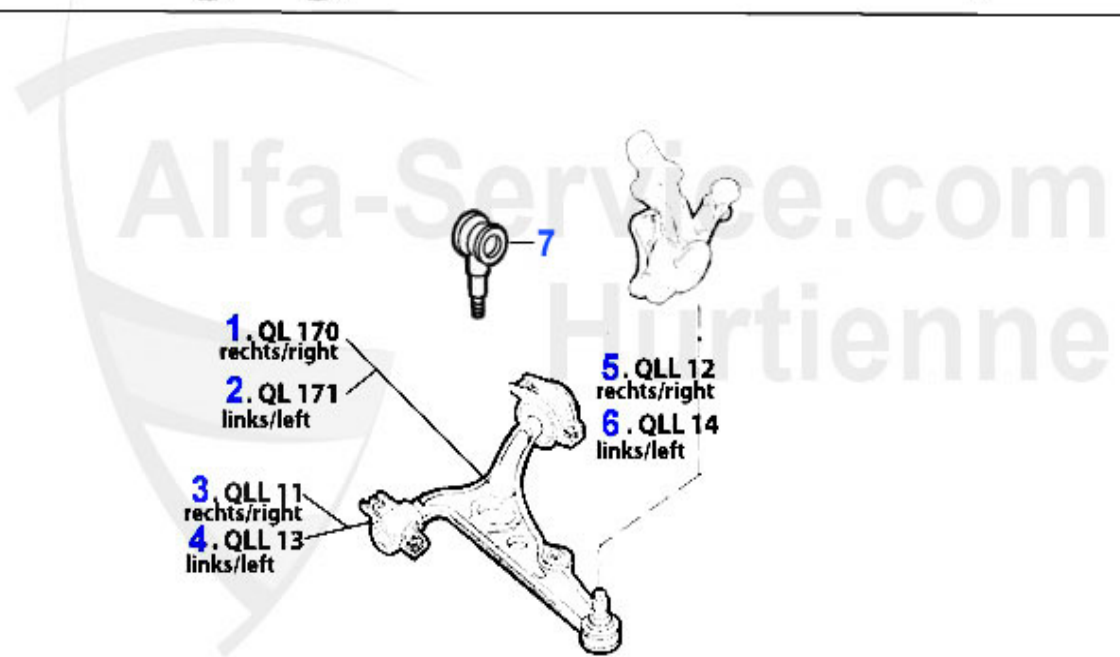


## Federbeine/Struts 155 2.5 TD



1	FB170388	Federbein vorne 155 TD,Turbo 16 V 2 -Rohr Gas,145 1.9 JTD	148.75 EUR
2	FG3215	Federgummi für vorderes Federbein 145/6,155	8.15 EUR
3	FW48514	Fahrwerksfeder vorne 155 6-zylinder	60.52 EUR
4	FBL802253	Federbeinlager vorne links 145/6,15 5,kpl.-Satz	50.27 EUR
5	FBL802254	Federbeinlager vorne rechts 145/6,1 55,kpl.-Satz	50.27 EUR
6	FBL801007	Federbeinlager vorne 145/6,155	20.47 EUR
7	SK25644	OE. 60625644 RUBBER PAD f. STRUT FA 145/ 6	19.49 EUR
8	SK9362	Staubkappe vorderes Federbein 145/6,155	4.17 EUR
9	FG35801	OE. 7599485 RUBBER PAD	4.41 EUR
10	FW48512	Fahrwerksfeder hinten 145/6,155	49.24 EUR
11	FW18685	OE. 60618685 SPRING RA 155 2.5 TD	70.78 EUR
12	FG3217	Federgummi HA 145/6,155	7.79 EUR
13	SD170392	Stossdämpfer hinten 155 Bj. >03.95 oben Auge/unten Auge,2-Rohr Gas	64.63 EUR
14	SD170601	Stossdämpfer hinten 145/6,155 Bj. 4 .95> oben Auge/unten Auge,1-Rohr Gas	94.08 EUR

## Aufhängung/Attachment 155 vorne/front



1	QL170	OE.60586752 TRAILING ARM FRONT RIGHT 145,146,155 GTV/SPIDER(916) -cpl. CONTROL ARM	49.00 EUR
2	QL171	OE.60586771 TRAILING ARM LEFT 145,146,155 GT/SPIDER(916)- CPL. TRAILING ARM	49.00 EUR
3	QLL11	TRAILING ARM BEARING INNER RIGHT 145/6, 155,GTV&SPIDER (916) FITTING ITEM FOR QL170/2	9.50 EUR
4	QLL13	TRAILING ARM BEARING INNER LEFT 145/6, 155,GTV&SPIDER (916) FITTING PART FOR QL171/3	9.50 EUR
5	QLL12	TRAILING ARM BEARING OUTER/RIGHT 145/6, 155,GTV&SPIDER (916) FITTING PART FOR QL170/2	11.50 EUR
6	QLL14	TRAILING ARM BEARING OUTER LEFT 145/6, 155,GTV&SPIDER (916) FITTING PART FOR QL171/3	11.50 EUR
7	SS1502	Stabilisatorarm/Pendelstütze 145/6,155,spider/gtv (916) vorne	21.50 EUR



## Radlager/Wheel Bearing 155 TS 8V

vorne/front:



hinten/rear:



1	RL9051	WHEEL BEARING SET FRONT SPIDER/GTV (916) 145/6,155	57.00 EUR
2	RN3401	FRONT WHEEL HUB 145/6,155,164 2.0 TS	66.68 EUR
3	RN3402	REAR WHEEL HUB 145/6,155 without ABS WHEEL HUB WITH BEARING	56.93 EUR
4	RN3404	OE.46425959 WHEEL HUB REAR 145/6 155 WHEEL HUB WITH BEARING INCL. ABS RING	123.11 EUR

## Radlager/Wheel Bearing 155 TS 16V

vorne/front:



hinten/rear:



1	RL9051	WHEEL BEARING SET FRONT SPIDER/GTV (916) 145/6,155	57.00 EUR
2	RN3401	FRONT WHEEL HUB 145/6,155,164 2.0 TS	66.68 EUR
3	RN3402	REAR WHEEL HUB 145/6,155 without ABS WHEEL HUB WITH BEARING	56.93 EUR
4	RN3404	OE.46425959 WHEEL HUB REAR 145/6 155 WHEEL HUB WITH BEARING INCL. ABS RING	123.11 EUR

## Radlager/Wheel Bearing 155 Turbo Q4

vorne/front:



hinten/rear:



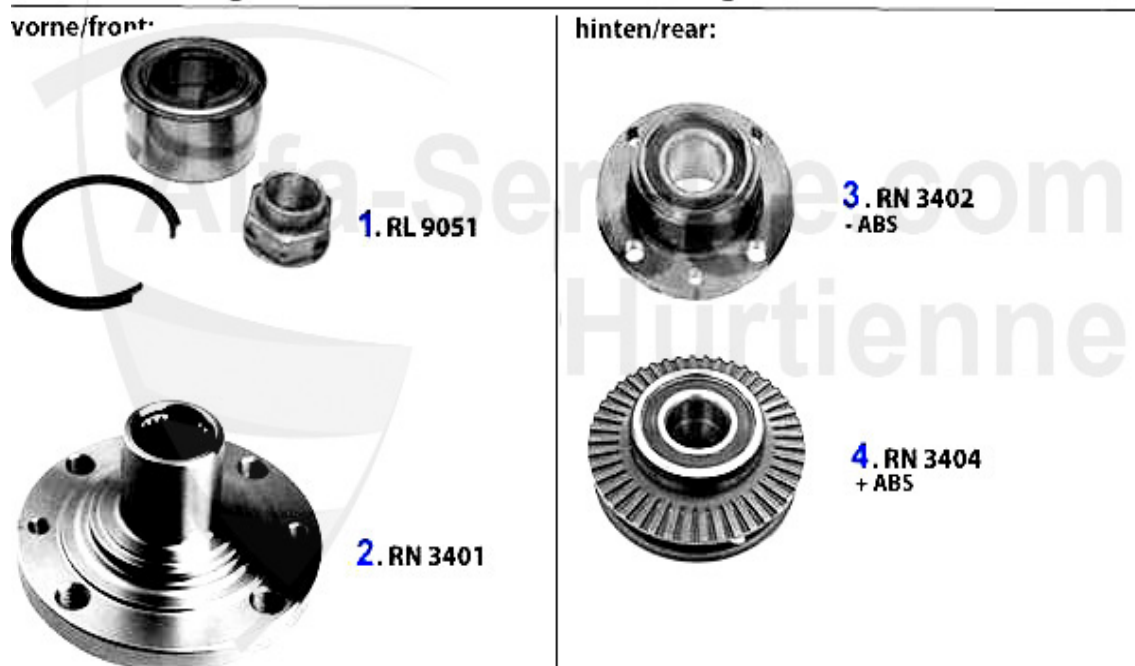
1	RL9054	Radlagersatz VA 155 2.0 16V Turbo, 164/Super 2.0 TS # 0014992 >, 2.0 V6 turbo,3.0 V6/24V/QV,145/6 1.9 JTD (ohne ABS), gtv/spider (916) V6/24V	85.00 EUR
2	RN3402	REAR WHEEL HUB 145/6,155 without ABS WHEEL HUB WITH BEARING	56.93 EUR
3	RN3404	OE.46425959 WHEEL HUB REAR 145/6 155 WHEEL HUB WITH BEARING INCL. ABS RING	123.11 EUR

## 155 > SUSPENSION > WHEL BEARING 2.5 V6



1	RL9054	Radlagersatz VA 155 2.0 16V Turbo, 164/Super 2.0 TS # 0014992 >, 2.0 V6 turbo,3.0 V6/24V/QV,145/6 1.9 JTD (ohne ABS), gtv/spider (916) V6/24V	85.00 EUR
2	RN3402	REAR WHEEL HUB 145/6,155 without ABS WHEEL HUB WITH BEARING	56.93 EUR
3	RN3404	OE.46425959 WHEEL HUB REAR 145/6 155 WHEEL HUB WITH BEARING INCL. ABS RING	123.11 EUR
4	RN6057	Radnabe vorne 145/6 (99-20) AR155 Turbo, 155 2,5 V6 92-97	69.00 EUR

## Radlager/Wheel Bearing 155 1.9 TD



1	RL9051	WHEEL BEARING SET FRONT SPIDER/GTV (916) 145/6,155	57.00 EUR
2	RN3401	FRONT WHEEL HUB 145/6,155,164 2.0 TS	66.68 EUR
3	RN3402	REAR WHEEL HUB 145/6,155 without ABS WHEEL HUB WITH BEARING	56.93 EUR
4	RN3404	OE.46425959 WHEEL HUB REAR 145/6 155 WHEEL HUB WITH BEARING INCL. ABS RING	123.11 EUR

## Radlager/Wheel Bearing 155 2.5 TD

vorne/front:



hinten/rear:



1	RL9054	Radlagersatz VA 155 2.0 16V Turbo, 164/Super 2.0 TS # 0014992 >, 2.0 V6 turbo, 3.0 V6/24V/QV, 145/6 1.9 JTD (ohne ABS), gtv/spider (916) V6/24V	85.00 EUR
2	RN3402	REAR WHEEL HUB 145/6,155 without ABS WHEEL HUB WITH BEARING	56.93 EUR
3	RN3404	OE.46425959 WHEEL HUB REAR 145/6 155 WHEEL HUB WITH BEARING INCL. ABS RING	123.11 EUR

## Lenkung/Steering 155



**1. SSK189**  
links/left  
Konus/CONE 13 mm

**2. SSK 188**  
rechts/right  
Konus/CONE 13 mm

**3. SSK 64**  
links/left  
Konus/CONE 14 mm

**4. SSK 65**  
rechts/right  
Konus/CONE 14 mm



**5. SSK 115**  
links/rechts  
left/right  
4-Cyl.

**6. SSK 1100**  
links/rechts  
left/right  
6-Cyl.

**7. LMS 83588**  
-2.0 TS 16V/2.5 V6  
Q4/TD

**8. LMS 83871**  
+2.0 TS 16V/2.5 V6  
Q4/TD

<b>1</b>	<b>SSK188</b>	<b>TRACK ROD END RH 145/6,155,916 CONUS SHAFT 13MM</b>	<b>55.00 EUR</b>
<b>3</b>	<b>SSK64</b>	<b>OE.60565706 TRACK ROD END LEFT OUTER 155,SPIDER/GTV(916)IMPORTANT:PLEASE CHECK CONE SIZE/SSK64=14MM, SSK189= 13MM</b>	<b>34.00 EUR</b>
<b>4</b>	<b>SSK65</b>	<b>Spurstangenkopf außen rechts 155, spider/gtv (916) ACHTUNG: auf Konusmaß achten/SSK 65 = 14 mm, SSK 188 = 13mm</b>	<b>34.00 EUR</b>
<b>5</b>	<b>SSK115</b>	<b>Spurstangenkopf 145/6,155 TD/JTD spider/gtv (916) 6-zylinder</b>	<b>45.01 EUR</b>
<b>6</b>	<b>SSK1100</b>	<b>Spurstangenkopf außen 145/6,155, spider/gtv (916)</b>	<b>45.01 EUR</b>
<b>7</b>	<b>LMS83588</b>	<b>OE.9941582 STEERING BOOT SET LEFT &amp; RIGHT SIDE 155, GTV/SPIDER (916)</b>	<b>23.09 EUR</b>
<b>8</b>	<b>LMS83871</b>	<b>OE. 9947721 STEERING BOOT SET</b>	<b>16.31 EUR</b>

## 155 > ELECTRIC > FUSE



1	FSI075	Flachsteck-Sicherung 7,5 A	0.20 EUR
2	FSI010	Flachsteck-Sicherung 10 A	0.20 EUR
3	FSI020	Flachsteck-Sicherung 20 A	0.20 EUR
4	FSI025	Flachsteck-Sicherung 25 A	0.20 EUR
5	FSI030	Flachsteck-Sicherung 30 A	0.20 EUR ***



155 > ELECTRIC > ENGINE ELECTRIC > GLOW PLUG



1	GK908	Glühkerze Beru 145/6 1.9 TD Bj. >2. 99,155 1.9/2.5 TD,164/Super 2.5 TD 2.5 TD	10.00 EUR
1	GK07	Glühkerze Beru 155,164/Super 2.5 TD	12.90 EUR

155 > ELECTRIC > ENGINE ELECTRIC > SENSORS



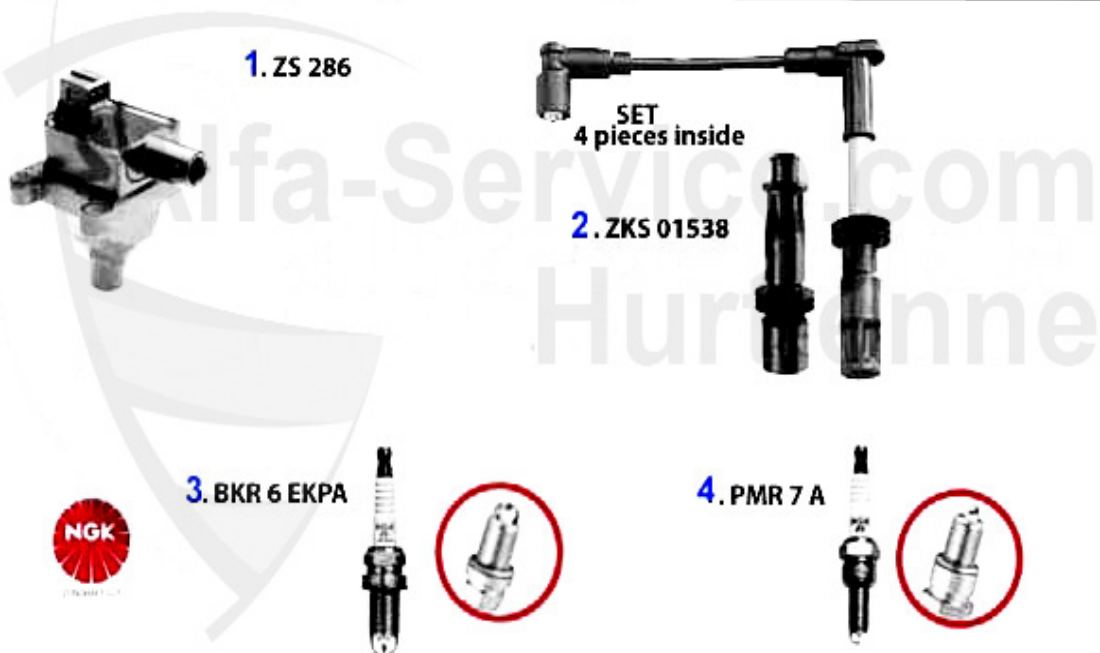
1	WTG60149	Geber Kühlwassertemperatur 145/6, 155, 156, gtv/spider (916) 2 Anschlüsse, eckig	16.01 EUR
1	WTG60189	Geber Kühlwassertemperatur 75 1.8 T urbo,164 2.0 Turbo,gtv/spider (916) 2.0 Turbo,155 2.5 V6	13.99 EUR
1	WTG6028	Geber Kühlwassertemperatur Sud/Spri nt,33 (905/7),145/6 Bj. >96,75 2.0 TS,155 TS 8V Bj. >96,164/Super 2.0 TS >Temperatur-Kontrollleuchte	7.50 EUR
1	WTG60114	Geber Kühlwassertemperatur 33 (905/ 7),145/6 Bj. >96,75 2.0 TS,155 Bj. >96,164/Super >Temperatur-Kontroll- leuchte	7.50 EUR
1	WTG6006	Geber Kühlwassertemperatur 155 2.0 Turbo 4x4	16.01 EUR
1	WTG6035	Geber Kühlwassertemperatur 145/6,15 5 1.9 TD	20.49 EUR
1	WTG6025	Geber Kühlwassertemperatur 155,164 Super 2.5 TD	15.99 EUR
2	KWS69866	OE. 46469866 SENDING UNIT TS 16V	45.90 EUR
2	KWS69912	Nockenwellen-Sensor 145/6,147,155, 156,Nuovo GT,gtv/spider (916) 97-02 (Motor CF2)	69.00 EUR
2	KWS13208	OE. 60513208 SENDING UNIT 33,75,145/6, 155,164/SUPER,SPIDER 90,GTV/SPIDER (916),RZ/SZ	64.00 EUR
3	ODS404012 7	Öldruckschalter 145/6,147,155,156,1 66,gtv/spider (916),Nuovo GT, 4-Zyl inder TS 16 V	9.00 EUR
3	ODS404010 9	Öldruckschalter 155 Bj. >96 1.7 TS, 164/Super 2.0 TS (mit Klima)	6.49 EUR
3	ODS404068	OE.60807764 oil pressure switch 147 155,156,164,166 gtv/spider(916), Nouvo GT all 6 cylinder	5.00 EUR
4	ODG505002	OIL PRESSURE SENDER 105,116,6,75,90,155, 164/Super,RZ/SZ	42.99 EUR
5	RFS9098	Rückfahrl.-Schalter 155,164 2.5 TD	19.00 EUR
5	RFS9076	Rückfahrl.-Schalter 147,155, 156,gtv/spider (916),Nuovo GT, 145/6 1.4-2.0TS u. 1.9TD	12.00 EUR
5	RFS9097	OE. 7700415 GEARBOX SWITCH 155,164	17.99 EUR
6	THS2700	Thermoschalter 145/6,155,164 (mit K (mit Kabel)	***
7	NWS69912	OE. 46469912 SENDING UNIT CAMSHAFT TS 16V	68.00 EUR

## Zündanlage/Ignitionsystem 155 TS 8V



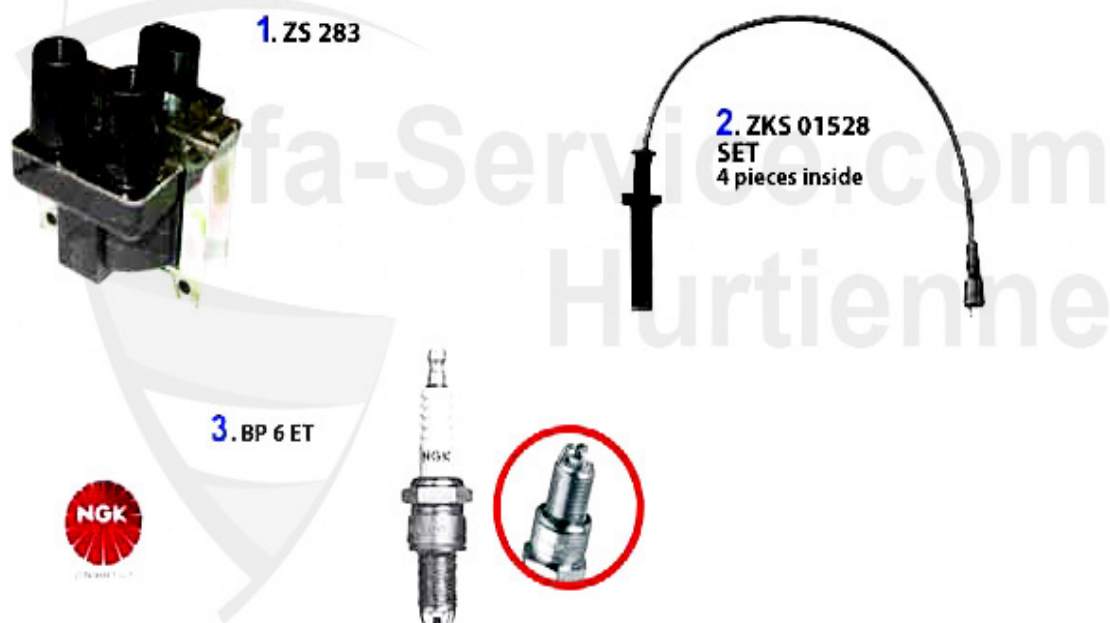
1	ZS068	7648797/60809606 IGNITION COIL 155,164/ SUPER	100.60 EUR
2	ZKS01534	CABLES 155 TS 8V,164/SUPER 2.0 TS	79.00 EUR
3	ZSG48798	OE. 7648798 Ignition Collector	97.46 EUR
4	BCP 6 ES	OE 60512848, SPARK PLUG NGK 75 2.0L TS, 155 1.7/1.8/2.0 TS,164 2.0 TS BJ. >92	3.57 EUR
6	2HLDR	SPARK PLUG 2HLDR GOLDEN LODGE ALFA 75 TS/155 TS/164 TS ENGINES WITH TIMING CHAIN	6.19 EUR

# Zündanlage/Ignitionsystem 155 TS 16V



1	ZS286	IGNITION COIL 145/6,155,156,SPIDER/GTV (916) 1.6-2.0 TS 95>	67.00 EUR
2	ZKS01538	Kabelsatz 145/6 1.4/1.6/1.8/2.0 ie 16V TS bj. 97>,155 1.6/1.8/2.0 ie 16V TS,gtv/spider 1.8/2.0 16V TS, 166 2.0 TS	163.11 EUR
3	BKR 6 EKPA	SPARK PLUG 2 X PLATINUM 145/6,147,155 156,166 GTV/SPIDER(916)ALL 4-CYL. TS JTS YEAR 95>IMPORTANT: 2 SPARKS EACH CYL. 1X BKR 6 EKPA/1X PMR 7 A	24.57 EUR
4	PMR 7 A	Zündkerze NGK Idrum Langzeitkerze 145/6,147,155,156,166,gtv/spider (9 16) alle 4-Zylinder TS/JTS Bj. 95> ACHTUNG: benötigt werden 2 Kerzen je Zylinder je 1x PMR 7 A/BKR 6 EKPA	24.99 EUR

## Zündanlage/Ignitionsystem 155 Q4



1	ZS283	Zündspule 33,145/6 1.4 ie Bj. 91-96 155 2.0 16V turbo Bj. 92-97,für Fahrzeuge ohne Verteiler Zündsystem: Marelli	19.96 EUR
2	ZKS01528	SPARK PLUG WIRE SET 155 TURBO	***
3	BP 6 ET	Zündkerze NGK m. 3 Masselektroden 155 2.0 16V Turbo,105er alle Typen anstelle 2 HL	5.80 EUR

## Zündanlage/Ignitionsystem 155 2.5 V6



1. ZS 230



2. ZKS 01537  
SET  
6 pieces inside



3. BPR 7 ES



1	ZS230	IGNITION COIL 155,164,166,SPIDER/GTV (916) 2.5-3.0 V6 92>	235.62 EUR
2	ZKS01537	CABLES 155 V6,166 V6	245.18 EUR
3	BPR 7 ES	SPARK PLUG NGK 155 2.5 V6,164 3.0 V6	4.07 EUR

## Aggregate/Aggregats 155 TS 8V

1. AN 15 600  
> 1992



2. AN 16 910  
1993 >



3. LI 39 330



2	AN16910	STARTER 155 1.7 TS - 2.0 TS	209.27 EUR
3	LI39330	ALTERNATOR 155 1.7/1.8/2.0 TS >96,164 2.0 TS 11.90>	286.22 EUR

## Aggregate/Aggregats 155 TS 16V

**1. AN 16 910**  
>06.1995



**2. AN 17 770**  
06.1995>



**3. LI 62 660**  
Poly.-V 7



**4. LI 40 645**  
Poly.-V 6  
>1997



**5. LI 40 630**  
Poly.-V 6  
1998>



<b>1</b>	<b>AN16910</b>	<b>STARTER 155 1.7 TS - 2.0 TS</b>	<b>209.27 EUR</b>
<b>2</b>	<b>AN17770</b>	<b>Anlasser 145 1.7ie 16V/2.0 16V QV bj. 03.98&gt;, 147 1.6/2.0 16V TS 156,gtv/spider (916) 2.0 TS bj. 98&gt;</b>	<b>174.99 EUR</b>
<b>3</b>	<b>LI62660</b>	<b>ALTERNATOR 145/6,155,156,GTV/SPIDER (916) 2.0 TS</b>	<b>276.98 EUR</b>
<b>4</b>	<b>LI40645</b>	<b>ALTERNATOR 145/6 (WITH AC),155/6 1.6/ 1.8 16V TS (WITH AC)</b>	<b>287.24 EUR</b>
<b>5</b>	<b>LI40630</b>	<b>OE. 71739603 GENERATOR 155 2.0 TS 16V 1998&gt;</b>	<b>224.66 EUR</b>



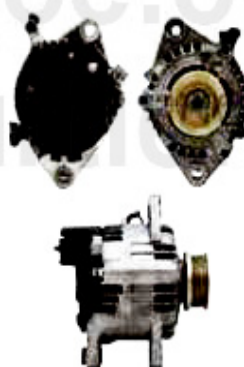
## Aggregate/Aggregats 155 Q 4

---

1. AN 14 570



2. LI 36 785



1	AN14570	STARTER 155/164 2.0 16V TURBO
2	LI36785	ALTERNATOR 155 2.0 16V TURBO

173.37 EUR
318.02 EUR

## Aggregate/Aggregats 155 V6

---

1. AN 15 600



2. LI 60 780  
80 A



3. LI 40 920  
90 A



2	LI60780	ALTERNATOR 155 2.5 V6 >03.94	323.14 EUR
3	LI40920	ALTERNATOR GTV/SPIDER (916) 6 CYLINDER	316.99 EUR

## Aggregate/Aggregats 155 1.9 TD

1. AN 15 910



2. LI 37 150  
65 A/ - AC



3. LI 35 700  
90A/ + AC



1	AN15910	STARTER 145/6,155 1.9 TD 66 KW	287.24 EUR
2	LI37150	OE. 46431710 GENERATOR 155 1.9 TD 65A	220.55 EUR
3	LI35700	ALTERNATOR 145/6 1.9 TD (WITH AC),155 1.9 TD	306.73 EUR

## Aggregate/Aggregats 155 2.5 TD

---

1. AN 15 610



2. LI 61 130



1	AN15610	STARTER 33 1.8 TD,155,164 2.5 TD	306.73 EUR
2	LI61130	ALTERNATOR 155 1.9/2.5 TD,164 2.4 TD	214.40 EUR

