

Alfa Romeo 166

table of contents

| | |
|---------------------------|----|
| 166 | 6 |
| BODY | 6 |
| MIRROR | 6 |
| LIGHTNING | 7 |
| BODY PARTS | 8 |
| BUMPER/GRILLE/PANEL | 9 |
| DRAFT DEFLECTOR | 10 |
| DRAFT DEFLECTOR | 10 |
| ENGINE | 11 |
| AIR SYSTEM..... | 11 |
| V-BELTS..... | 12 |
| 2.0 TS..... | 12 |
| 2.0 V6 Turbo..... | 13 |
| 2.5/3.0/3.2 V6 24V | 14 |
| 2.4 JTD 10V | 15 |
| 2.4 JTD 20V | 16 |
| ENGINE BLOCK..... | 17 |
| PISTON + LINERS | 17 |
| 2,5 V6 24V | 17 |
| 2.0 TS 16V..... | 18 |
| FUEL SYSTEM | 19 |
| 2.0 TS..... | 19 |
| FUEL PUMP | 19 |
| 2.0 V6 Turbo..... | 20 |
| FUEL PUMP | 20 |
| 2.5/3.0/3.2 V6 24V | 21 |
| FUEL PUMP | 21 |
| 2.4 JTD 10V | 22 |
| FUEL PUMP | 22 |
| 2.4 JTD 20V | 23 |
| FUEL PUMP | 23 |
| ENGINE GASKETS | 24 |
| 2.0 TS..... | 24 |
| HOUSES..... | 24 |
| GASKETS ENGINE | 25 |
| HEAD GASKET | 26 |
| FULL SET | 27 |
| HEADSCREW SET | 28 |
| 2.0 V6 Turbo..... | 29 |
| GASKETS ENGINE | 29 |
| Head Set..... | 30 |
| 2.5/3.0/3.2 V6 24V | 31 |
| GASKETS ENGINE | 31 |
| HEAD SET | 32 |
| FULL SET | 33 |
| HEADSCREW SET | 34 |
| 2.4 JTD 10/20V | 35 |

| | |
|--------------------------|----|
| GASKETS ENGINE | 35 |
| HEAD GASKET | 36 |
| HEAD SET | 37 |
| HEADSCREW SET | 38 |
| COOLING SYSTEM | 39 |
| 2.0 TS..... | 39 |
| HOUSES..... | 39 |
| RADIATOR | 40 |
| THERMOSTAT | 41 |
| WATERPUMP | 42 |
| 2.0 V6 Turbo..... | 43 |
| RADIATOR | 43 |
| THERMOSTAT | 44 |
| WATERPUMP | 45 |
| 2.5/3.0/3.2 V6 24V | 46 |
| RADIATOR | 46 |
| THERMOSTAT | 47 |
| WATERPUMP | 48 |
| HOSES | 49 |
| 2.4 JTD 10V | 50 |
| RADIATOR | 50 |
| THERMOSTAT | 51 |
| WATERPUMP | 52 |
| 2.4 JTD 20V | 53 |
| RADIATOR | 53 |
| THERMOSTAT | 54 |
| WATERPUMP | 55 |
| ENGINE MOUNT..... | 56 |
| 2.0 TS..... | 56 |
| 2.0 V6 Turbo..... | 57 |
| 2.5/3.0/3.2 V6 24V | 58 |
| 2.4 JTD 10V | 59 |
| 2.4 JTD 20V | 60 |
| VALVE GEAR..... | 61 |
| 2.0 TS..... | 61 |
| CAMSHAFT | 61 |
| VALVE MECHANISM | 62 |
| TIMINGBELT..... | 63 |
| 2.0 V6 Turbo..... | 64 |
| CAMSHAFT | 64 |
| VALVE MECHANISM | 65 |
| TIMINGBELT..... | 66 |
| 2.5/3.0/3.2 V6 24V | 67 |
| CAMSHAFT | 67 |
| VALVE MECHANISM | 68 |
| TIMINGBELT..... | 69 |
| 2.4 JTD 10V | 70 |
| CAMSHAFT | 70 |
| VALVE MECHANISM | 71 |
| TIMINGBELT..... | 72 |

| | |
|--|-----|
| 2.4 JTD 20V | 73 |
| CAMSHAFT | 73 |
| VALVE MECHANISM | 74 |
| TIMINGBELT | 75 |
| FILTER..... | 76 |
| 2.0 TS..... | 76 |
| 2.0 V6 Turbo..... | 77 |
| 2.5/3.0/3.2 V6 24V | 78 |
| 2.4 JTD 10/20V | 79 |
| EXHAUST SYSTEM..... | 80 |
| TURBO CHARGER..... | 80 |
| 1.9/2.4 JTD | 80 |
| EXHAUST SYTEM..... | 81 |
| 2.0 TS..... | 81 |
| 2.0 V6 Turbo..... | 82 |
| 2.5/3.0 V6 24V CF2 | 83 |
| 2.5/3.0/3.2 V6 24V CF3 | 84 |
| 2.4 JTD 10V | 85 |
| 2.4 JTD 20V | 86 |
| LAMBDA PROBE | 87 |
| 2.0 TS..... | 87 |
| 2.0 V6 Turbo..... | 88 |
| 2.5/3.0 V6 24V CF2 | 89 |
| 2.5/3.0/3.2 V6 24V CF3 | 90 |
| DRIVETRAIN..... | 91 |
| DRIVE SHAFT | 91 |
| 2.0 TS..... | 91 |
| 2.0 V6 Turbo..... | 92 |
| 2.5 V6 24V | 93 |
| 3.0 V6 24V | 94 |
| 3.2 V6 24V | 95 |
| 2.4 JTD 10V | 96 |
| 2.4 JTD 20V | 97 |
| CLUTCH | 98 |
| CLUTCH SET 2.0 TS | 98 |
| GUIDE BUSH f. SLEEVE BEARING 2.0 TS | 99 |
| CLUTCH SET 2.0 V6 Turbo | 100 |
| GUIDE BUSH f. SLEEVE BEARING 2.0 V6 Tur | 101 |
| CLUTCH SET 2.5 V6 24V | 102 |
| GUIDE BUSH f. SLEEVE BEARING 2.5 V6 24V | 103 |
| CLUTCH SET 3.0 V6 24V | 104 |
| GUIDE BUSH f. SLEEVE BEARING 3.0 V6 24V | 105 |
| CLUTCH SET 3.2 V6 24V | 106 |
| GUIDE BUSH f. SLEEVE BEARING 3.2 V6 24V | 107 |
| CLUTCH SET 2.4 JTD 10V | 108 |
| GUIDE BUSH f. SLEEVE BEARING 2.4 JTD 10V | 109 |
| CLUTCH SET 2.4 JTD 20V | 110 |
| SLEEVE BEARING 2.4 JTD 20V..... | 111 |
| CLUTCH HOSE..... | 112 |
| CLUTCH ACTUATION..... | 113 |

| | |
|-----------------------------------|-----|
| 2.0 TS..... | 113 |
| 2.0 V6 Turbo..... | 114 |
| 2.5 V6 24V | 115 |
| 3.0 V6 24V | 116 |
| 3.2 V6 24V | 117 |
| 2.4 JTD 10V | 118 |
| 2.4 JTD 20V | 119 |
| BRAKE..... | 120 |
| BRAKE DISKS | 120 |
| BRAKE PADS | 121 |
| CALIPER..... | 122 |
| BRAKE SERVO/BRAKE MASTER CYL..... | 123 |
| BRAKE HOSES | 124 |
| BRAKE CABLE..... | 125 |
| SUSPENSION | 126 |
| STRUT 2.0 TS | 126 |
| STRUT 2.0 V6 Turbo..... | 127 |
| STRUT 2.5 V6 24V | 128 |
| STRUT 3.0 V6 24V | 129 |
| STRUT 3.2 V6 24V..... | 130 |
| STRUT 2.4 JTD..... | 131 |
| ATTACHMENT FRONT..... | 132 |
| ATTACHMENT REAR | 133 |
| WHEEL BEARING | 134 |
| STEERING | 135 |
| STEERING PARTS | 135 |
| ELECTRIC | 136 |
| FUSE | 136 |
| ENGINE ELECTRIC | 137 |
| GLOW PLUG..... | 137 |
| SENSOR..... | 138 |
| IGNITION SYSTEM 2.0 TS..... | 139 |
| IGNITION SYSTEM V6 Turbo..... | 140 |
| IGNITION SYSTEM V6 24V..... | 141 |
| AGGREGATS 2.0 TS | 142 |
| AGGREGATS V6 Turbo | 143 |
| AGGREGATS V6 24V | 144 |
| AGGREGATS 2.4 JTD 20V | 145 |
| AGGREGATS 2.4 JTD 20V | 146 |
| WIPERS..... | 147 |
| WIPERS..... | 147 |
| INTERIOR..... | 148 |
| CAR MAT | 148 |

Außenspiegel/Mirror 166



1. ASP 25802
links/left
mit Temperatur Sensor/
w. temp.-sensor

2. ASP 25841
rechts/right



3. ASP 79358
links/left



4. ASP 79357
rechts/right

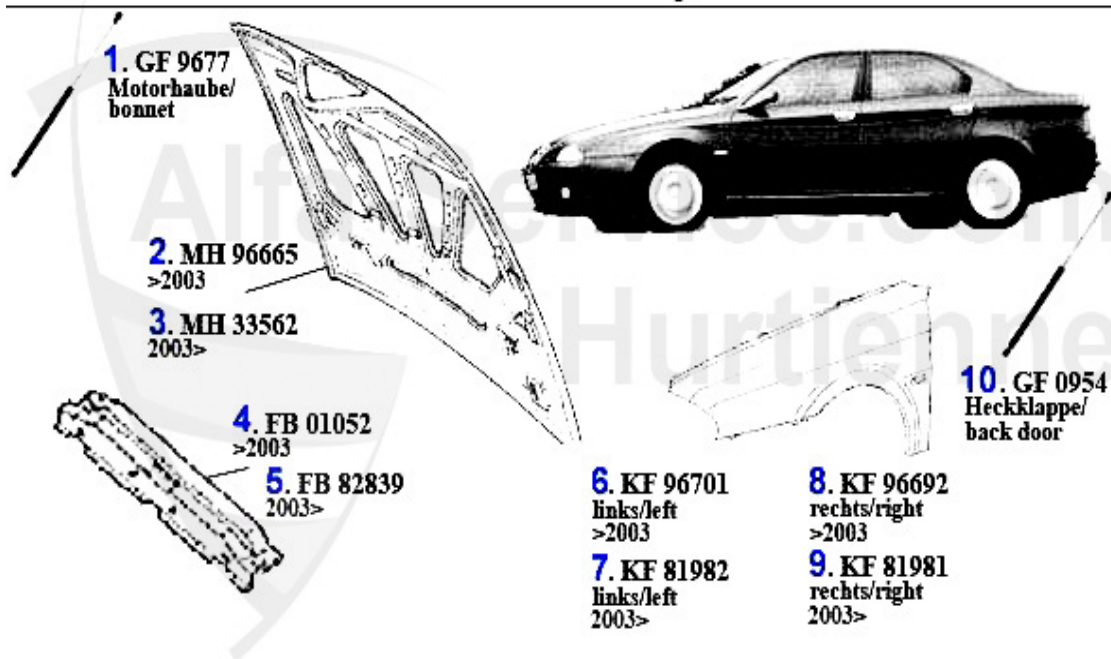
| | | | |
|----------|-----------------|--|-------------------|
| 1 | ASP25802 | Außenspiegel links 166 elektrisch b eheizt,klappbar,blaua Glas,konvex, mit Sensor | 419.00 EUR |
| 2 | ASP25841 | Außenspiegel rechts 166 elektrisch beheizt,klappbar,blaues Glas,konvex | 419.00 EUR |
| 3 | ASP79358 | Ersatzglas f. Außenspiegel 166 link s | 38.47 EUR |
| 4 | ASP79357 | Ersatzglas f. Außenspiegel 166 rech ts | 38.47 EUR |

Beleuchtung/Lightning 166



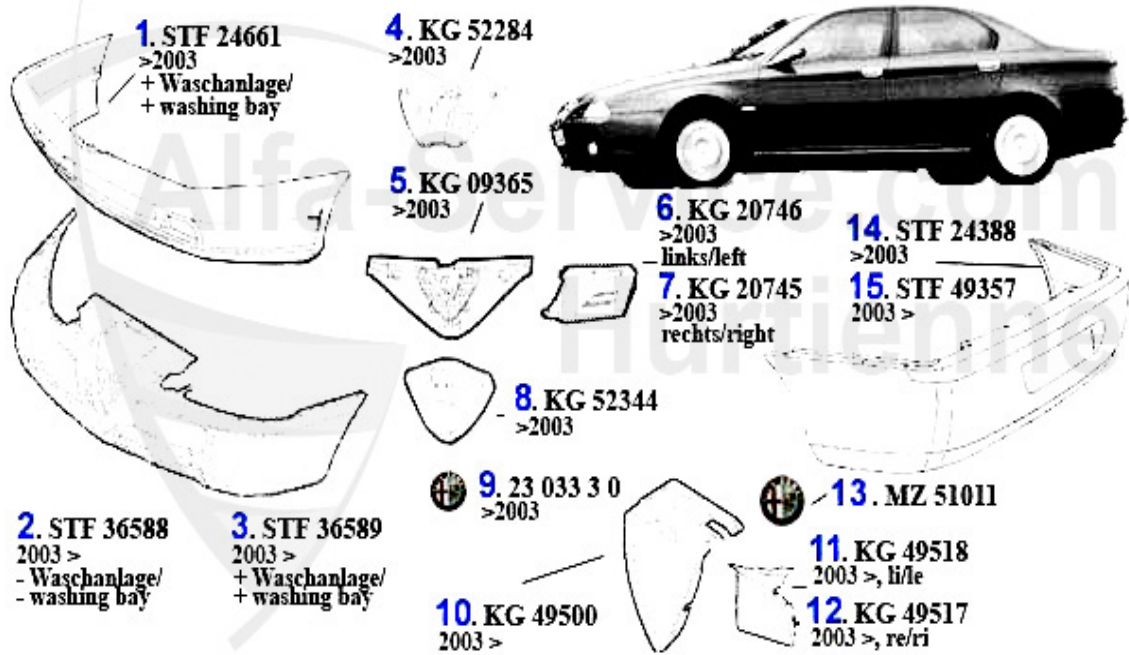
| | | | |
|----|----------|--|-------------|
| 1 | SW97295 | MAIN HEADLAMP LEFT 166 | 299.00 EUR |
| 2 | SW97294 | MAIN HEADLAMP RIGHT 166 | 299.00 EUR |
| 3 | SW58066 | MAIN HEADLAMP XENON LEFT 166 | 707.85 EUR |
| 4 | SW56169 | MAIN HEADLAMP XENON RIGHT 166 | 707.85 EUR |
| 5 | SW95988 | MAIN HEADLAMP XENON LEFT 166 03> (FACELIFT) | 1147.37 EUR |
| 6 | SW95986 | MAIN HEADLAMP XENON RIGHT 166 03> (FACELIFT) | 1147.37 EUR |
| 7 | NSW79084 | FOG LAMP 166 LEFT, FIRM >03 | 84.63 EUR |
| 8 | NSW79083 | FOG LAMP 166 RIGHT, FIRM >03 | 84.63 EUR |
| 9 | NSW46913 | OE. 51746913 FOG LAMP 166 round version | 99.00 EUR |
| 10 | ZBL97300 | Zusatzblinkleuchte links 166 | 13.85 EUR |
| 11 | ZBL97299 | Zusatzblinkleuchte rechts 166 | 26.06 EUR |
| 12 | KL08006 | Kennzeichenleuchte 156/SW,166 | 13.23 EUR |
| 13 | RL97302 | OUTER TAIL TIGHT LEFT 166 | 164.99 EUR |
| 14 | RL97301 | Rückleuchte rechts 166 (außen) | 164.99 EUR |
| 15 | RL09911 | INNER TAIL LIGHT LEFT 166 | *** |
| 16 | RL09910 | Rückleuchte rechts 166 (innen) | *** |
| 17 | RS97343 | Rückstrahler links 166 (Stoßfänger) | 9.13 EUR |
| 18 | RS97342 | Rückstrahler rechts 166 (Stoßfänger) | 9.13 EUR |

Karosserieteile/Body Parts 166



| | | | |
|----|---------|--|------------|
| 1 | GF9677 | OE.60658924 gas spring for bonnet 166 | 25.95 EUR |
| 2 | MH96665 | Motorhaube 166 | 296.48 EUR |
| 3 | MH33562 | OE. 71733562 HOOD BONNET 166 2003> | 499.00 EUR |
| 4 | FB01052 | Frontblech oben (Traverse) 166 | 56.42 EUR |
| 5 | FB82839 | OE. 60682839 CROSSRAIL 166 2003> | 59.00 EUR |
| 6 | KF96701 | Kotflügel vorne links 166 Standard | 320.24 EUR |
| 7 | KF81982 | Kotflügel vorne links 166/Progression/Distinctive | 250.00 EUR |
| 8 | KF96692 | Kotflügel vorne rechts 166 Standard | 320.24 EUR |
| 9 | KF81981 | Kotflügel vorne rechts 166/Progression/Distinctive | 250.00 EUR |
| 10 | GF0954 | OE.60622424 gas spring for boot lid 166 | 22.05 EUR |

Stoßstangen/Bumpers 166



| | | | |
|----|------------|--|------------|
| 1 | STF24661 | Stoßfänger 166 vorne (mit Scheinwerferwaschanlage) | 400.09 EUR |
| 2 | STF36588 | Stoßfänger 166 vorne (Progression,D instinctive,Basic) ohne Scheinwerfer waschanlage | 599.00 EUR |
| 3 | STF36589 | Stoßfänger 166 vorne (Progression,D instinctive,Basic) mit Scheinwerferwaschanlage | 488.99 EUR |
| 4 | KG52284 | Abdeckung (hinter Alfaherz) 166 | 30.68 EUR |
| 5 | KG09365 | OE. 60609365 RADIATOR GRILLE 166 | 22.05 EUR |
| 6 | KG20746 | GRILLE LEFT 166 | 29.69 EUR |
| 7 | KG20745 | GRILLE RIGHT 166 | 35.46 EUR |
| 8 | KG52344 | OE. 60652344 CHROME FRAME FOR FRONT GRILLE 166 | 79.00 EUR |
| 9 | 23 033 3 0 | ALFA ROMEO-EMBLEM - 75 mm metal OE. 60596492 | 19.90 EUR |
| 10 | KG49500 | Kühlergrill (Alfaherz) mitte 166 (F acelift) | 112.85 EUR |
| 11 | KG49518 | GRILLE LEFT 166 (FACELIFT) | 28.00 EUR |
| 12 | KG49517 | GRILLE RIGHT 166 (FACELIFT) | 23.49 EUR |
| 13 | MZ51011 | Alfa Emblem f. Kühlergrill 166 (Fac elift) | 23.09 EUR |
| 14 | STF24388 | REAR BUMPER 166 | 360.00 EUR |
| 15 | STF49357 | OE. 156049357 REAR BUMPER 166 2003> | 379.00 EUR |

Seitenwindabweiser/Side Draftdeflector 166



166 > ENGINE > AIR SYSTEM



| | | | |
|---|----------|---|------------|
| 1 | LR13829 | OE. 71713829 ELECTRO-VALVE | *** |
| 2 | LMS83896 | FLEX SLEEVE OE.60583896, GTV/SPIDER (916) V6 12V | 58.50 EUR |
| 3 | LMM69704 | OE. 60569704 FLOWMETER 155, 164/Super 2.0 TS 8V | 545.00 EUR |
| 4 | LMM59804 | OE. 46541253/60814852/46559804/55193048 0280218019,AIR FLOW METER DIV MODELLS Aftermarket product | 94.01 EUR |

Keilriemen/V-Belt 166 2.0 TS

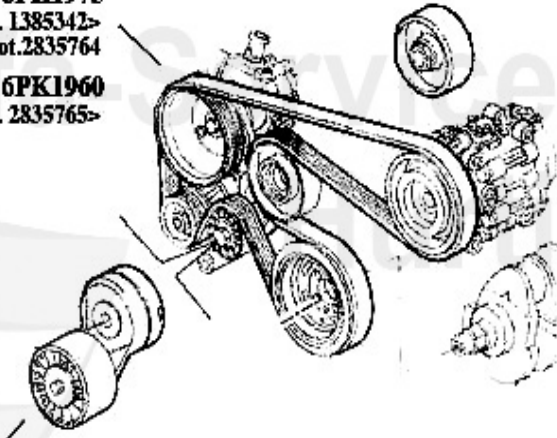
2. KRR 7PK1952
CF2, > Mot.1385341

3. KRR 6PK1975
CF2, Mot. 1385342>
CF3, > Mot.2835764

4. KRR 6PK1960
CF3, Mot. 2835765>

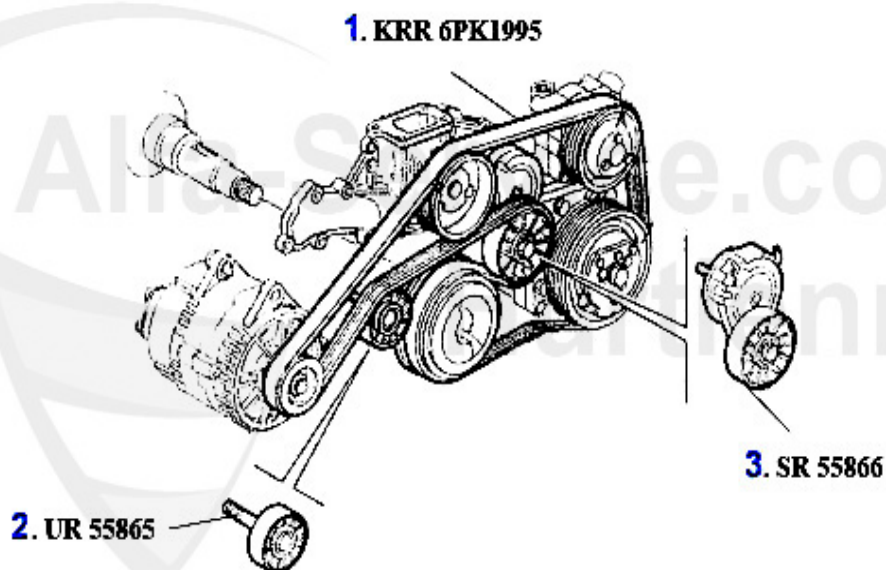
1. UR 55848

5. SPA 55863



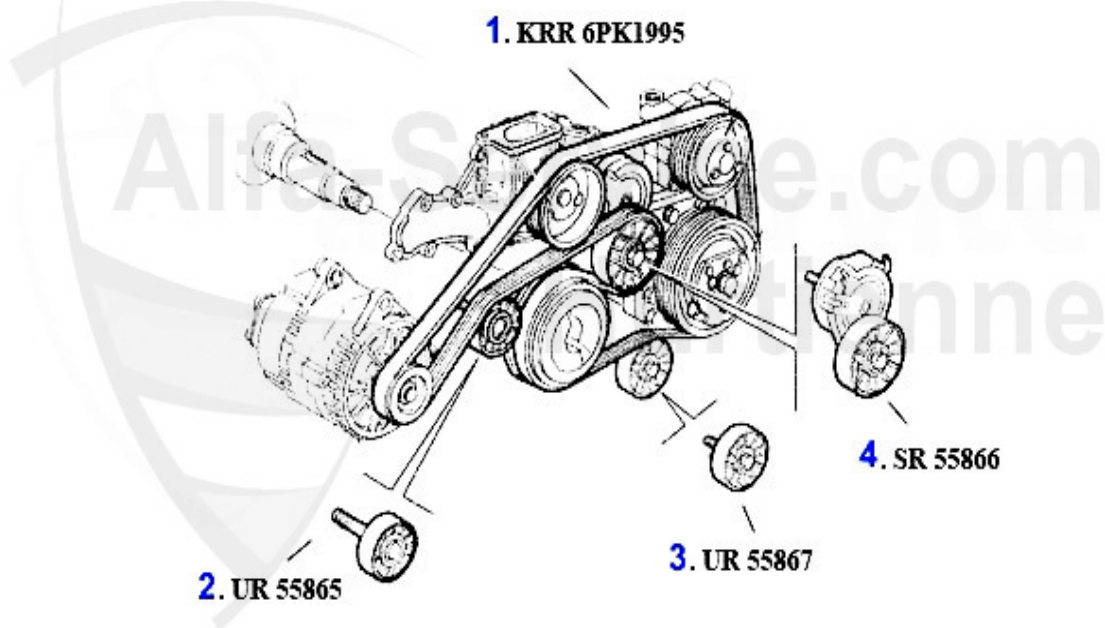
| | | | |
|----------|------------------|---|------------------|
| 1 | UR55848 | DRIVE BELT BEARING 156 2.0,145,166,916 | 69.00 EUR |
| 2 | KRR7PK195 | Keilrippenriemen 7PK1952 145/6,155, gtv/spider (916) 2.0 TS 16V ab Motor # 343116, Generator/Servopumpe/Klimakompressor | 48.73 EUR |
| 3 | KRR6PK197 | OE.60815414/60630741 RIBBED V- BELT,156/166/GTV/SPIDER(916)CF3 2.0L TS 16V UNTIL ENGINE #1385143 GENERATOR/SERVOPUMP/AIRCON COMPRESSOR 6PK1975 145/6/147 | 35.81 EUR |
| 4 | KRR6PK196 | RIBBED BELT 6PK1960 | 38.20 EUR |
| 5 | SPA55863 | DRIVE BELT TENSIONER 145/6/7,155/6,166,916 2.0 | 43.99 EUR |

Keilriemen/V-Belt 166 2.0 V6 Turbo



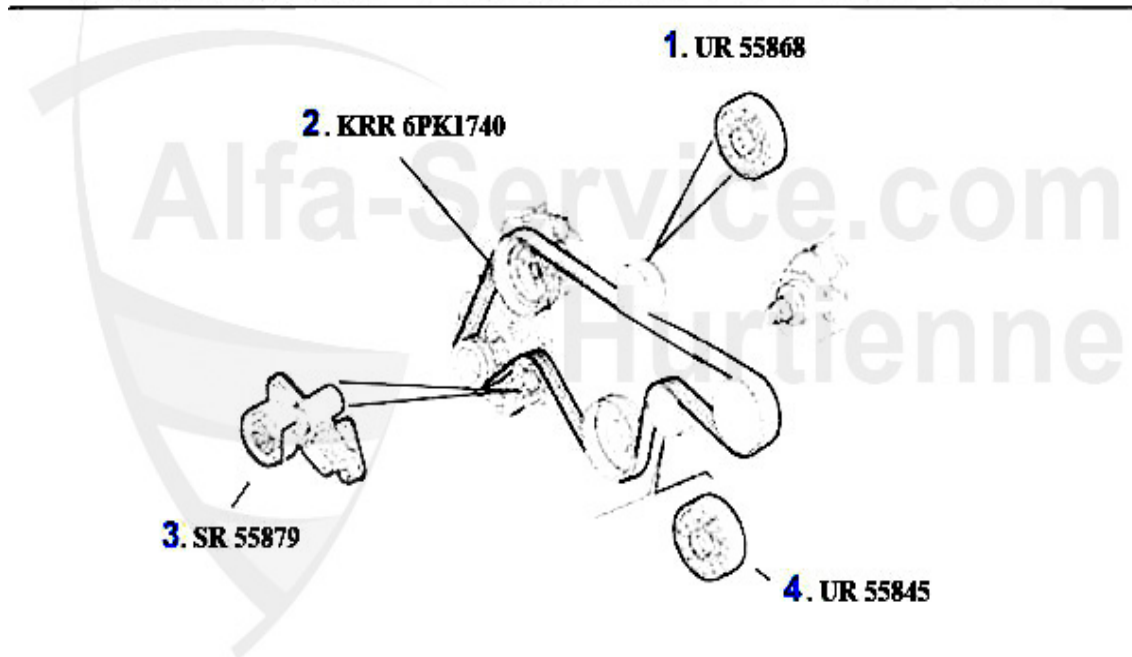
| | | | |
|---|----------------|---|------------|
| 1 | KRR6PK199 5 | V-BELT 6PK1995, OE.60626658, 147/156/ 166/GTV SPIDER (916) NUOVO GT ALL V6 24 V, GTA GENERATOR/SERVOPUMP/AIR CON COMPRESSOR | 35.19 EUR |
| 2 | UR55865 | IDLER PULLEY FOR DRIVE BELT 156,166,GTV/ SPIDER (916) V6 | 37.77 EUR |
| 3 | SR55866 | TENSIONER PULLEY FOR DRIVE BELT 156, 166 V6 24V/GTA | 148.75 EUR |

Keilriemen/V-Belt 166 V6 24V



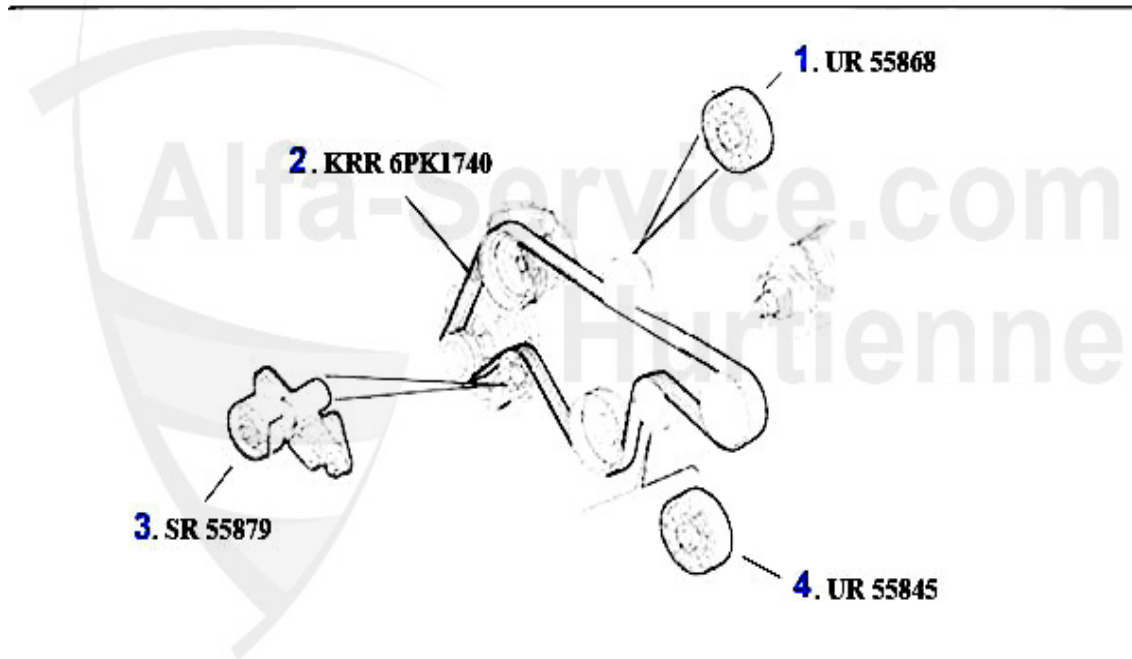
| | | | |
|----------|-----------------------|---|-------------------|
| 1 | KRR6PK199 5 | V-BELT 6PK1995, OE.60626658, 147/156/ 166/GTV SPIDER (916) NUOVO GT ALL V6 24 V, GTA GENERATOR/SERVOPUMP/AIR CON COMPRESSOR | 35.19 EUR |
| 2 | UR55865 | IDLER PULLEY FOR DRIVE BELT 156,166,GTV/ SPIDER (916) V6 | 37.77 EUR |
| 3 | UR55867 | IDLER PULLEY FOR DRIVE BELT 156,166, GTV/SPIDER (916) V6 | 56.06 EUR |
| 4 | SR55866 | TENSIONER PULLEY FOR DRIVE BELT 156, 166 V6 24V/GTA | 148.75 EUR |

Keilriemen/V-Belt 166 2.4 JTD 10V



| | | | |
|---|------------|--|------------|
| 1 | UR55868 | IDLER PULLEY RIBBED DRIVE BELT 156/166 2.4 JTD (WITH AC) | 40.01 EUR |
| 2 | KRR6PK1740 | Keilrippenriemen 6PK1740 166 2.4JTD | 31.70 EUR |
| | 0 | Generator/Servopumpe/Klimakompresso r | |
| 3 | SR55879 | Riemenspanner Keilrippenriemen 156/ 166 2.4 JTD | 173.37 EUR |
| 4 | UR55845 | Umlenkrolle f. Keilrippenriemen 166 2.4 JTD | 78.48 EUR |

Keilriemen/V-Belt 166 2.4 JTD 20V



| | | | |
|----------|-------------------|---|-------------------|
| 1 | UR55868 | IDLER PULLEY RIBBED DRIVE BELT 156/166 2.4 JTD (WITH AC) | 40.01 EUR |
| 2 | KRR6PK1740 | Keilrippenriemen 6PK1740 166 2.4JTD | 31.70 EUR |
| | 0 | Generator/Servopumpe/Klimakompresso r | |
| 3 | SR55879 | Riemenspanner Keilrippenriemen 156/ 166 2.4 JTD | 173.37 EUR |
| 4 | UR55845 | Umlenkrolle f. Keilrippenriemen 166 2.4 JTD | 78.48 EUR |



1 KB14927 OE. 71714927 PISTON E LINER ASS 156/166 2.5 V6 24V

238.00 EUR



1 KB24100 OE. 5895173 PISTON 2.0 TS 16V (AR162201/32301)

184.45 EUR

Kraftstoffpumpe/Fuel Pump 166 2.0 TS



1. KP 6552
CF 2

2. KP 6511
CF 3

| | | | |
|---|--------|--|------------|
| 1 | KP6552 | OE. 60670832 FUEL PUMP 166 2.0 TS/V6 24V CF2 | 259.00 EUR |
| 2 | KP6511 | OE. 60682369 FUEL PUMP 166 2.0 TS/V6 24V CF3 | 236.98 EUR |

Kraftstoffpumpe/Fuel Pump 166 2.0 V6 Turbo



1. KP 6553

1 KP6553 OE. 60670833 FUEL PUMP 166 2.0 V6 Turbo

236.98 EUR

Kraftstoffpumpe/Fuel Pump 166 V6 24V



1. KP 6552
CF2

2. KP 6511
CF3

| | | | |
|---|--------|--|------------|
| 1 | KP6552 | OE. 60670832 FUEL PUMP 166 2.0 TS/V6 24V CF2 | 259.00 EUR |
| 2 | KP6511 | OE. 60682369 FUEL PUMP 166 2.0 TS/V6 24V CF3 | 236.98 EUR |

Kraftstoffpumpe/Fuel Pump 166 2.4 JTD 10V



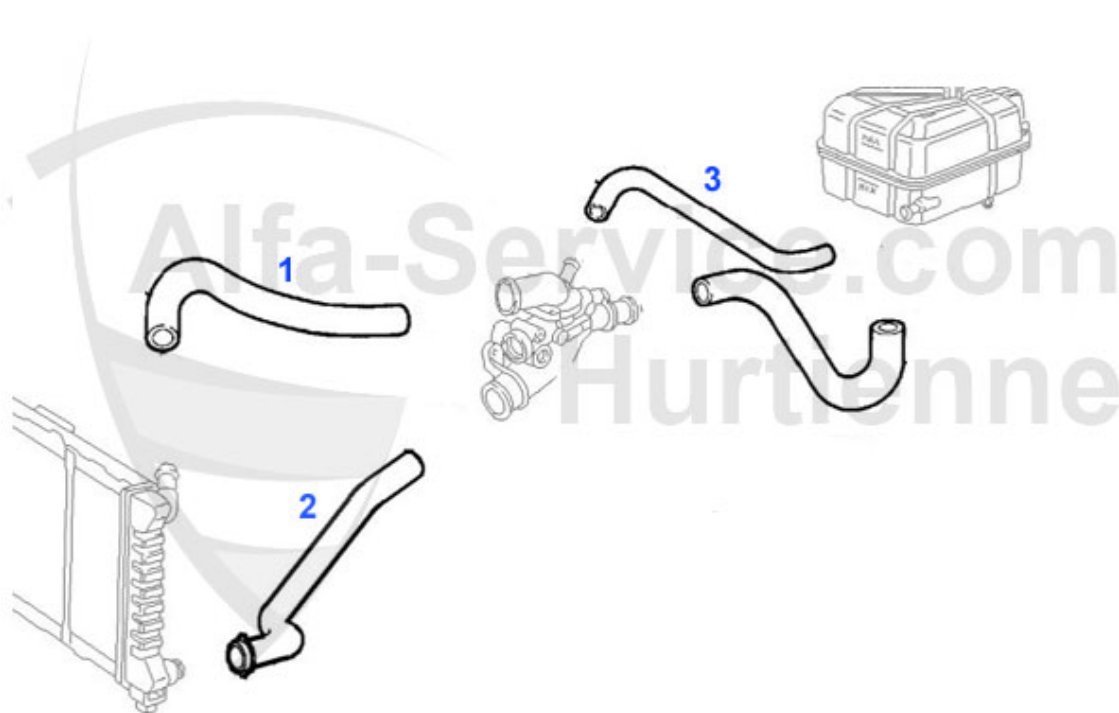
| | | | |
|----------|--------|--|-------------------|
| 1 | KP6592 | OE. 60670834 FUEL PUMP 166 2.4 JTD CF2 | 220.55 EUR |
| 2 | KP6500 | OE. 60678456 FUEL PUMP 166 2.4 JTD CF3 | 236.98 EUR |

Kraftstoffpumpe/Fuel Pump 166 2.4 JTD 20V



| | | | |
|----------|--------|--|-------------------|
| 1 | KP6592 | OE. 60670834 FUEL PUMP 166 2.4 JTD CF2 | 220.55 EUR |
| 2 | KP6500 | OE. 60678456 FUEL PUMP 166 2.4 JTD CF3 | 236.98 EUR |

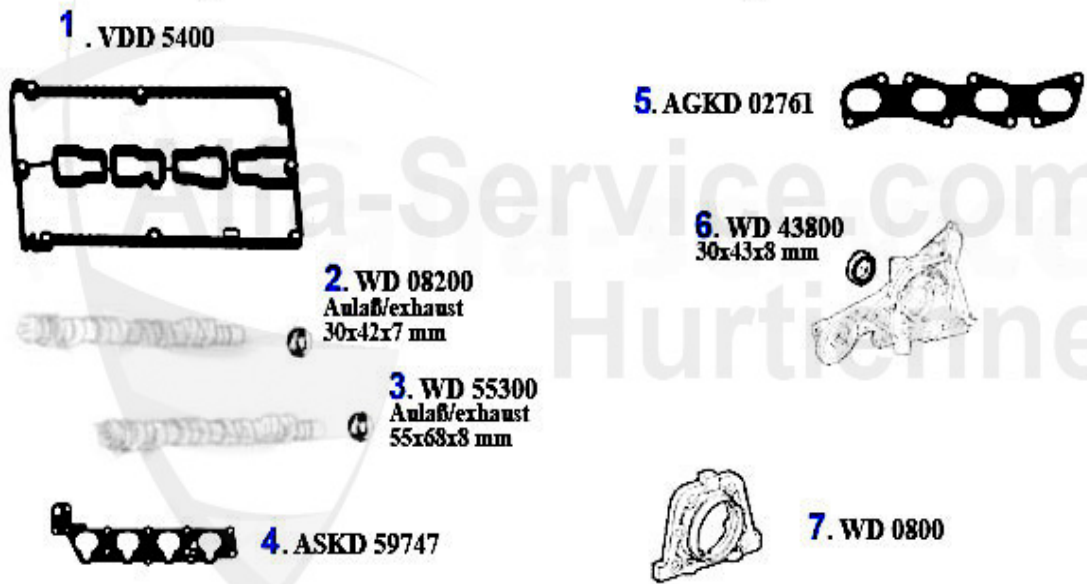
166 > ENGINE > ENGINE GASKETS > 2.0 TS > HOUSES



1 KWS38021 OEM 60651578 HOSE FROM THE EXPANSION TANK TO THE THERMOSTAT Alfa 166 2,0TS

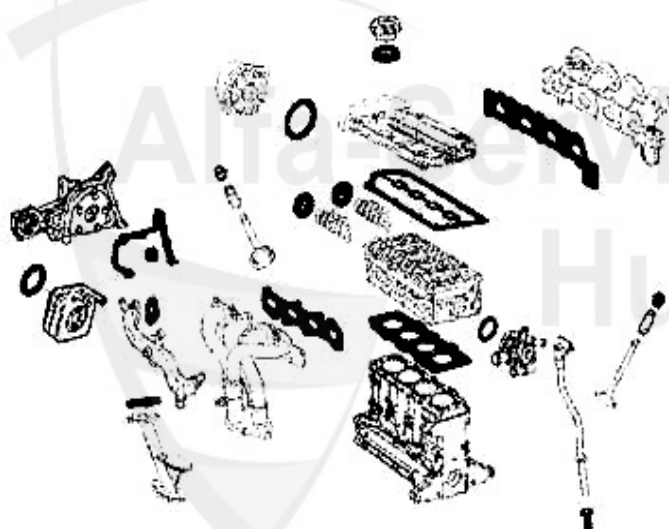
9.89 EUR

Dichtungen Motor/Gaskets Engine 166 2.0 TS



| | | | |
|---|-----------|---|-----------|
| 1 | VDD5400 | CAM COVER GASKET FOR PLASTIC COVER 145/6 , 156 GTV/ SPIDER 916 04.98> | 33.50 EUR |
| 2 | WD08200 | CAMSHAFT 145/6,155,156,GTV/SPIDER (916), 166 VARIOUS 96-01 | 11.84 EUR |
| 3 | WD55300 | siri nockenwelle 145/6,155,156 1.6,1.7,1.8,2.0 16V TS | 16.97 EUR |
| 4 | ASKD59747 | Ansaugkrümmerdichtung 145/6,147,155 156,166,gtv/spider (916),Nuovo GT # 0165088> TS 16V | 25.13 EUR |
| 5 | AGKD02761 | EXHAUST MANIFOLD GASKET 145/6,147,155, 156,166,GTV/SPIDER (916) TS/JTS 16 V STARTING FROM YEAR 1998 | 22.22 EUR |
| 6 | WD43800 | Siri Kurbelwelle vorne (Riemensch.) 145/6 1.9 TD Bj. 94-99,147 2.0 TS 155 1.9 TD Bj. 93-97,155 2.0 TS 16V 2.0 16V Turbo | 9.75 EUR |
| 7 | WD0800 | OIL SEAL CRANKSHAFT REAR (FLYWHEEL) 147 1.6 TS 16V/1.9 JTD 03>, 156 1.9/2.4 JTD 00> | 47.50 EUR |

Kopfdichtsatz/Head Set 166 2.0 TS



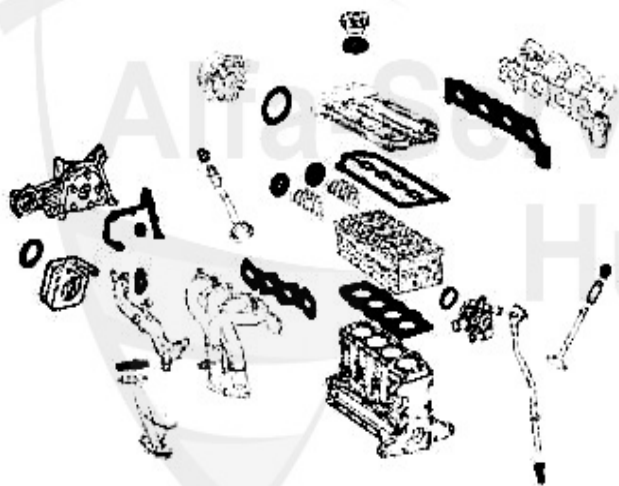
1. ZKDS 60800
CF2

2. ZKDS 87600
CF3 >#2557364

3. ZKDS 90500
CF3 #2557365>

| | | |
|----------|--|-------------------|
| 1 | ZKDS60800 HEAD GASKET SET 145/6,156,GTV/SPIDER (916) 2.0 16V TS 97-01 PLASTIC VALVE COVER | 111.82 EUR |
| 2 | ZKDS87600 HEAD GASKET SET 166 2.0 TS CF3 110 KW > #2557364, 156 1.6 16V, MOTOR CODE: 321.04 | 132.34 EUR |
| 3 | ZKDS90500 HEAD GASKET SET 166 2.0 TS CF3 110 KW #2557365 > | 132.34 EUR |

Motordichtsatz/Full Set 166 2.0 TS



1. MDS 74000
CF2

2. MDS 3100
CF3 >#2557364

3. MDS 6600
CF3 #2557365>

| | | | |
|----------|-----------------|---|-------------------|
| 1 | MDS74000 | ENGINE GASKET SET 145/6,156,GTV/SPIDER (916) 2.0 16V TS, | 152.86 EUR |
| 2 | MDS3100 | ENGINE GASKET SET 166 2.0 TS CF3 110 KW > #2557364 | 163.11 EUR |
| 3 | MDS6600 | ENGINE GASKET SET 166 2.0 TS CF3 110 KW #2557365 > | 163.11 EUR |

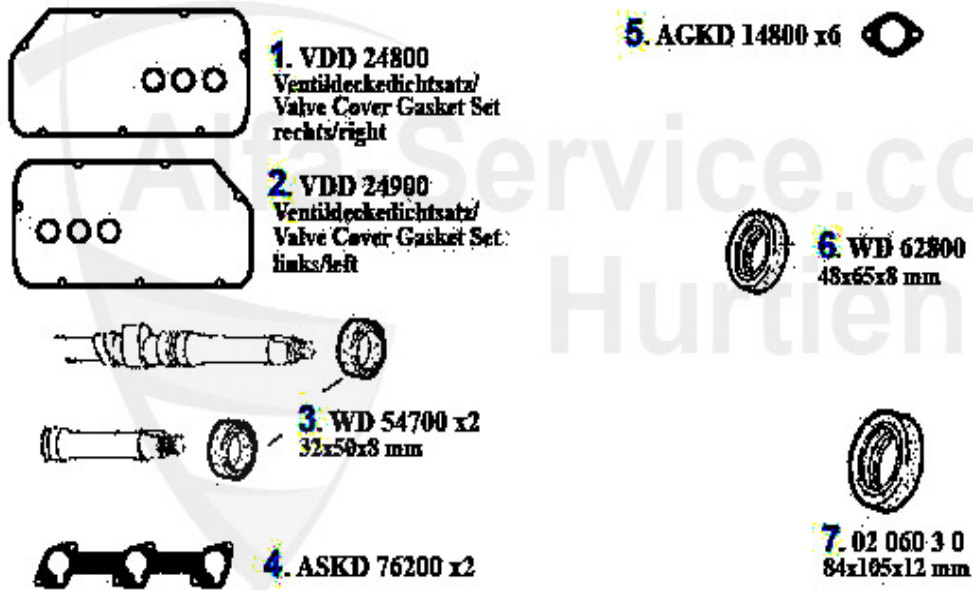
Kopfschraubensatz/Head Screw Set 166 2.0 TS



| | | | |
|---|-----------|--|--|
| 1 | ZKSS15208 | | |
| 0 | | HEAD SCREW SET 145/6,147,155,156,166, GTV/SPIDER(916),NOUVO GT TS 16V | |

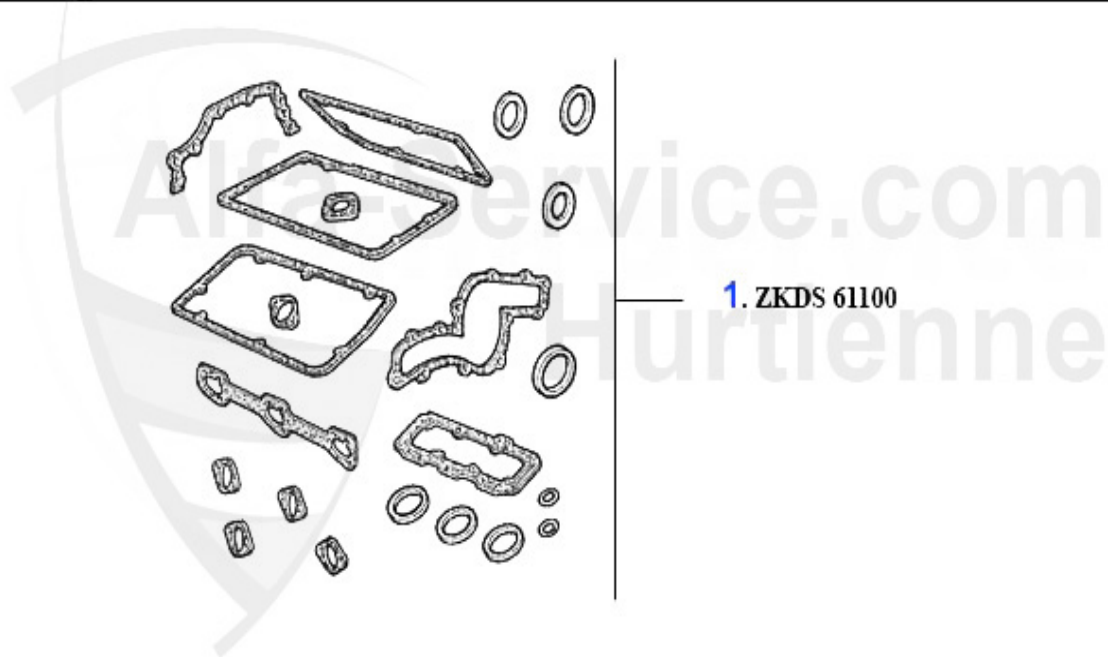
69.00 EUR

Dichtungen Motor/Gaskets Engine 166 2.0 V6 Turbo



| | | | |
|---|------------|--|-----------|
| 1 | VDD24800 | OE 60512948 VALVE COVER GASKET | 47.01 EUR |
| 2 | VDD24900 | OE 60512949 VALVE COVER GASKET | 47.01 EUR |
| 3 | WD45700 | CAMSHAFT 155 2.5 V6, 166 2.0 V6 TURBO 09.98> | 28.00 EUR |
| 4 | ASKD76200 | Ansaugkrümmerdichtung 155,164/Super ,166,gtv/spider V6 12V | 9.13 EUR |
| 5 | AGKD14800 | Abgaskrümmerdichtung 6,75,90,155, 164/Super,RZ/SZ 6-Zylinder | 4.62 EUR |
| 6 | WD62800 | Siri kurbelwelle vorne (Riemensch.) 156,166 6-zylinder | 14.45 EUR |
| 7 | 02 060 3 0 | OIL SEAL (84/105/12) CRANKSHAFT REAR Spider 1990-93, 75, 90, 155, 164, GTV 6, 166, 156 | 24.10 EUR |

Kopfdichtsatz/Head Set 166 2.0 V6 Turbo



1 ZKDS61100 Kopfdichtsatz 166 2.0 V6 Turbo Bj. >98

204.14 EUR

Dichtungen Motor/Gaskets Engine 166 V6 24V



1. VDD 24400
Ventildeckeldichtsatz/
Valve Cover Gasket Set
Rechts/right



2. VDD 24500
Ventildeckeldichtsatz/
Valve Cover Gasket Set
Links/left



3. WD 10800 x2
32x47x10 mm



4. ASKD 13869 x2



5. ASKD 13868 x6



6. AGKD 17600 x6



7. WD 62800
48x65x8 mm

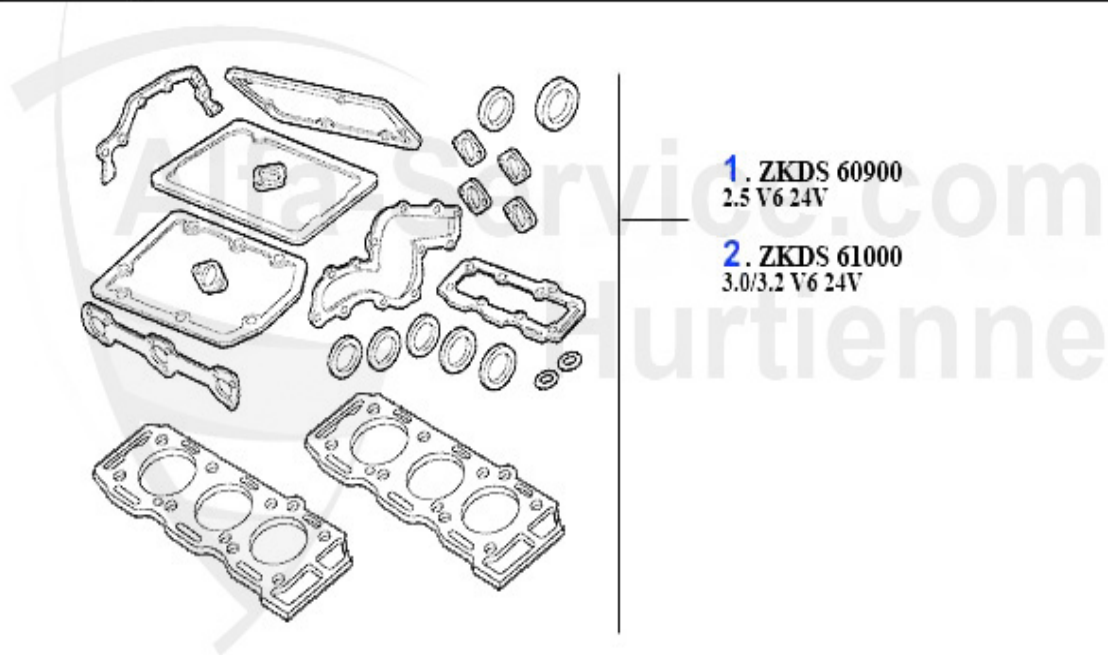


8. 02 060 3 0
84x105x12 mm

Alfa-Service.com
Hurtienne

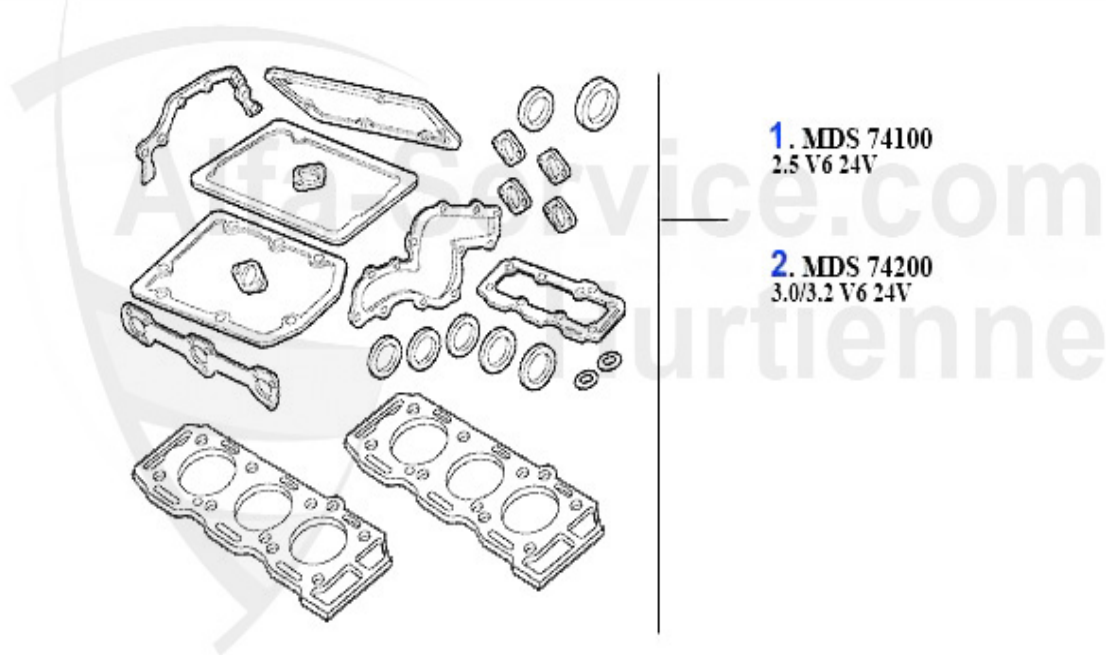
| | | |
|----------|--|------------------|
| 1 | VDD24400 RIGHT CAM COVER GASKET 147,156,166,166, GTV/SPIDER (916),NUOVO GT V6 24V | 34.37 EUR |
| 2 | VDD24500 LEFT CAM COVER GASKET 147,156,166, GTV/SPIDER (916),NUOVO GT V6 24V | 34.37 EUR |
| 4 | ASKD13869 Ansaugkrümmerdichtung 147,156,164/S uper,166,gtv/spider (916),Nuovo GT 6-Zylinder 24V | 6.70 EUR |
| 5 | ASKD13868 OE. 60513868 Sealing Gasket | 1.95 EUR |
| 6 | AGKD17600 Abgaskrümmerdichtung 156,164/Super, 166,gtv/spider (916),Nuovo GT V6 24V | 8.28 EUR |
| 7 | WD62800 Siri kurbelwelle vorne (Riemensch.) 156,166 6-zylinder | 14.45 EUR |
| 8 | 02 060 3 0 OIL SEAL (84/105/12) CRANKSHAFT REAR Spider 1990-93, 75, 90, 155, 164, GTV 6, 166, 156 | 24.10 EUR |

Kopfdichtsatz/Head Set 166 V6 24V



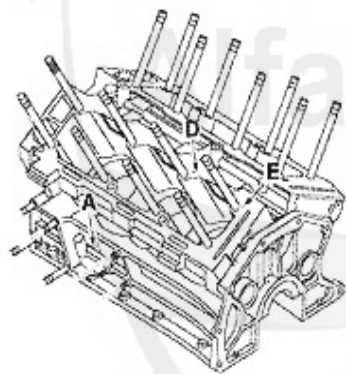
| | | |
|---|--|------------|
| 1 | ZKDS60900 HEAD GASKET SET 156,166 2.5 V6 24V | 261.80 EUR |
| 2 | ZKDS61000 HEAD GASKET SET 147,156,166,GTV/SPIDER (916),NUOVO GT V6 24V/GTA | 255.45 EUR |

Motordichtsatz/Full Set 166 V6 24V



| | | | |
|---|----------|--|------------|
| 1 | MDS74100 | ENGINE GASKET SET 156,166 2.5 V6 24V | 258.52 EUR |
| 2 | MDS74200 | OE.71713724 FULL SET 147,156,166, GTV/SPIDER(916),NOUVO GT V6 24V/GTA ENGINE GASKET SET 147,156,166,GTV/SPIDER (916),NUOVO GT V6 24V/GTA | 379.00 EUR |

Kopfschraubensatz/Head Screw Set 166 V6 24V



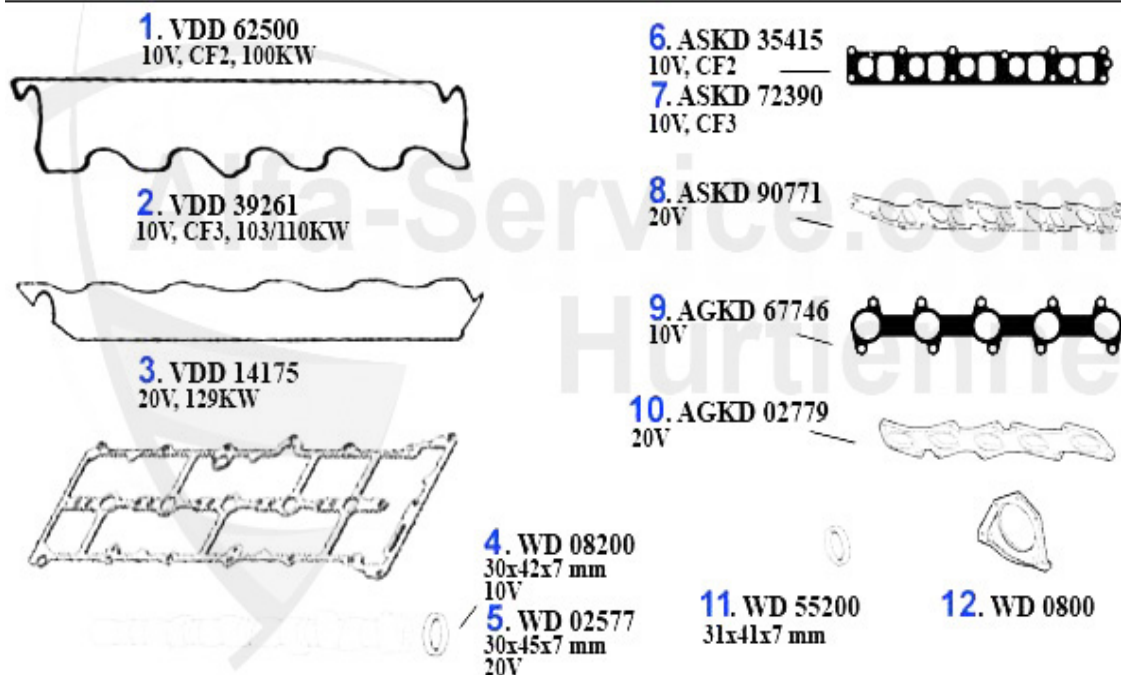
1. ZKSS 8200



1 ZKSS8200 STUD-SET CYLINDER HEAD # 605 13 756

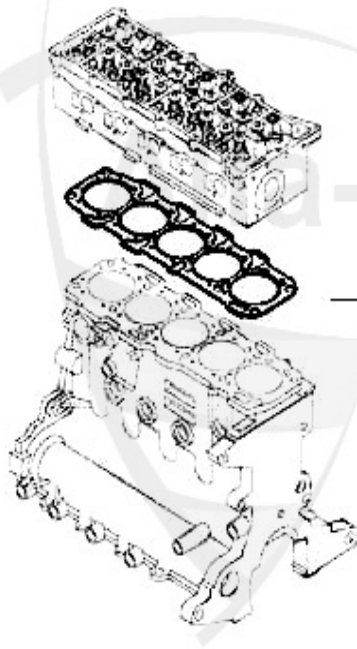
110.02 EUR

Dichtungen Motor/Gaskets Engine 166 2.4 JTD



| | | | |
|----|-----------|---|-----------|
| 1 | VDD62500 | Ventildeckeldichtung 156,166 2.4 JTD CF 2 Bj. 09.97-10.00 | 14.26 EUR |
| 2 | VDD39261 | OE. 46739261/60816566 Gasket | 17.34 EUR |
| 3 | VDD14175 | OE. 46814175 Gasket | 22.05 EUR |
| 4 | WD08200 | CAMSHAFT 145/6,155,156,GTV/SPIDER (916), 166 VARIOUS 96-01 | 11.84 EUR |
| 5 | WD02577 | Siri Nockenwelle 147,156,166,Nuovo GT 1.9/2.4 JTD 16V/20V | 5.90 EUR |
| 6 | ASKD35415 | OE. 60814987/7735415 Gasket | 17.85 EUR |
| 7 | ASKD72390 | Ansaugkrümmerdichtung 156,166 2.4 JTD CF 3 10V | 17.96 EUR |
| 8 | ASKD90771 | OE. 55190771 Gasket | 18.05 EUR |
| 9 | AGKD67746 | OE. 60813631/46414437/46467746 Gasket | 12.83 EUR |
| 10 | AGKD02779 | OE. 73502779 Gasket | 16.62 EUR |
| 11 | WD55200 | OE.7628850 oil seal crankshaft front | 10.31 EUR |
| 12 | WD0800 | OIL SEAL CRANKSHAFT REAR (FLYWHEEL) 147 1.6 TS 16V/1.9 JTD 03>, 156 1.9/2.4 JTD 00> | 47.50 EUR |

Kopfdichtung/Headgasket 166 2.4 JTD



Achtung/Attention:

Beim Bestellen der Kopfdichtung bitte auf die entsprechende Markierung achten!
Before you order the headgasket, please note the marking!

- | | |
|--|--|
| 1. ZKD 20200 10V, CF2, 1.60 mm | 4. ZKD 37200 10V, CF3, 0,82 mm |
| 2. ZKD 20210 10V, CF2, 1.70 mm | 5. ZKD 37210 10V, CF3, 0,92 mm |
| 3. ZKD 20220 10V, CF2, 1.80 mm | 6. ZKD 37220 10V, CF3, 1,02 mm |
| | 7. ZKD 90353 20V, 0,82 mm |
| | 8. ZKD 90354 20V, 0,92 mm |
| | 9. ZKD 90355 20V, 1,02 mm |

| | | | |
|----------|-----------------|---|------------------|
| 1 | ZKD20200 | Kopfdichtung 156,166 2.4 JTD Bj. 97-00 Dicke: 1.60 mm 0 Kerben | 91.30 EUR |
| 2 | ZKD20210 | OE.60814967, HEAD GASKET 156,166 2.4 JTD 97-00, THICKNESS 1.70MM 1 JAG | 91.30 EUR |
| 3 | ZKD20220 | Kopfdichtung 156,166 2.4 JTD Bj. 97-00 Dicke: 1.80 mm 2 Kerben | 91.30 EUR |
| 4 | ZKD37200 | Kopfdichtung 156,166 2.4 JTD CF3 103/110 KW ACHTUNG: auf Markierung achten 0 Kerbe | 70.78 EUR |
| 5 | ZKD37210 | Kopfdichtung 156,166 2.4 JTD CF3 103/110 KW ACHTUNG: auf Markierung achten 1 Kerbe | 70.78 EUR |
| 6 | ZKD37220 | Kopfdichtung 156,166 2.4 JTD CF3 103/110 KW ACHTUNG: auf Markierung achten 2 Kerben | 81.04 EUR |
| 7 | ZKD90353 | Kopfdichtung 156,166 2.4 JTD 129 KW ACHTUNG: auf Markierung achten 0 Kerben | 56.42 EUR |
| 8 | ZKD90354 | HEAD GASKET 156,166 2.4 JTD 129 KW CAUTION! PLEASE CHECK MARK 1 JAG! | 83.75 EUR |
| 9 | ZKD90355 | HEAD GASKET 156,166 2.4 JTD 129 KW CAUTION! PLEASE CHECK MARK 2 JAGS! | 86.25 EUR |

Kopfdichtsatz/Headset 166 2.4 JTD



Achtung/Attention:

Ohne Kopfdichtung, Kopfdichtung bitte separat bestellen!
Without Headgasket, please order it separate!

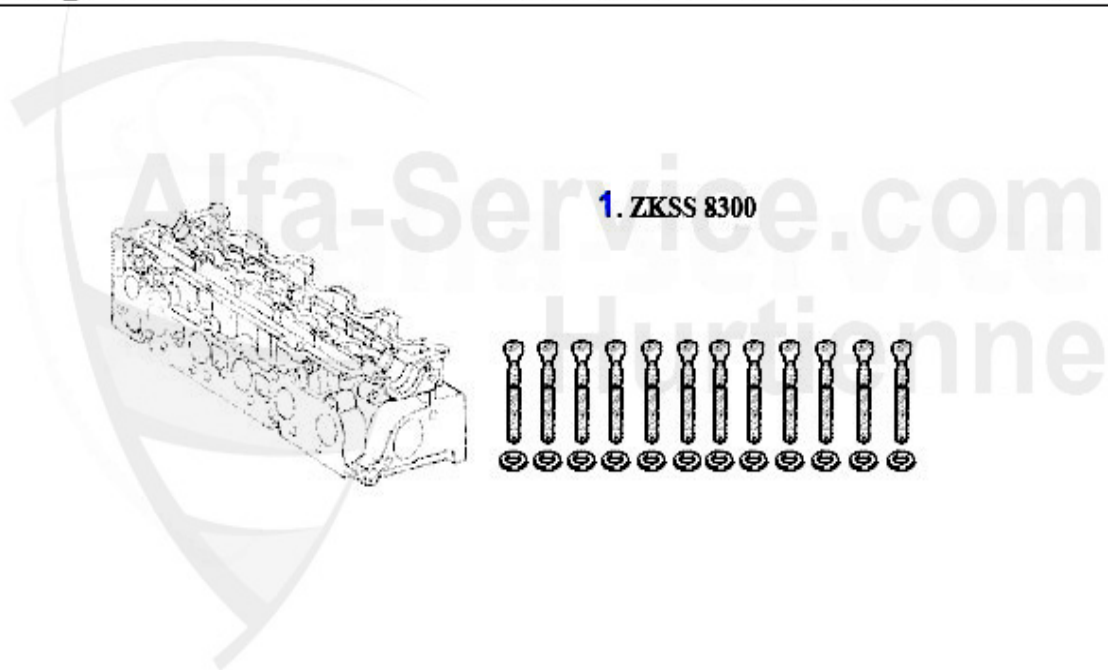
1. ZKDS 10500
10V, CF2

2. ZKDS 14300
10V, CF3

3. ZKDS 34259
20V

| | | |
|----------|---|-------------------|
| 1 | ZKDS10500 HEAD GASKET SET 156,166 2.4 JTD 97-01 WITHOUT HEAD GASKET | 75.91 EUR |
| 2 | ZKDS14300 HEAD GASKET SET (WITHOUT HEAD GASKET) 156,166 2.4 JTD CF3 103/110 KW | 91.30 EUR |
| 3 | ZKDS34259 HEAD GASKET SET (WITHOUT HEAD GASKET) 156,166 2.4 JTD CF3 129 KW | 124.91 EUR |

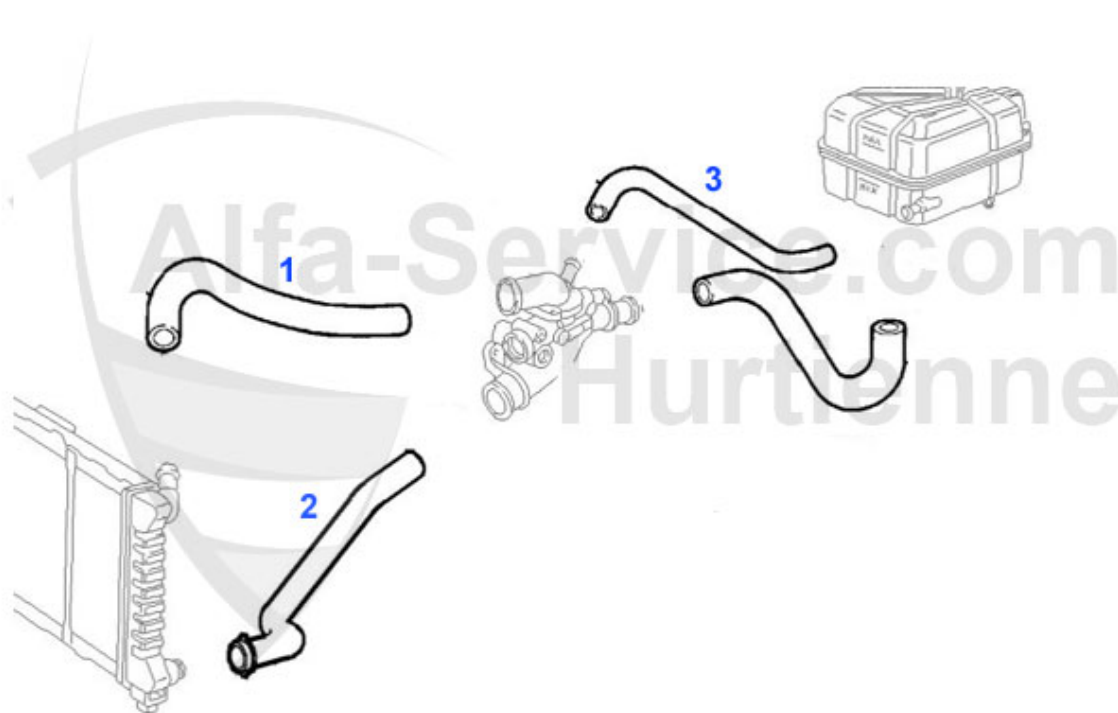
Kopfschraubensatz/Head Srew Set 166 2.4 JTD



1 ZKSS8300 HEAD SCREW SET 156,166 2.4 JTD

60.52 EUR

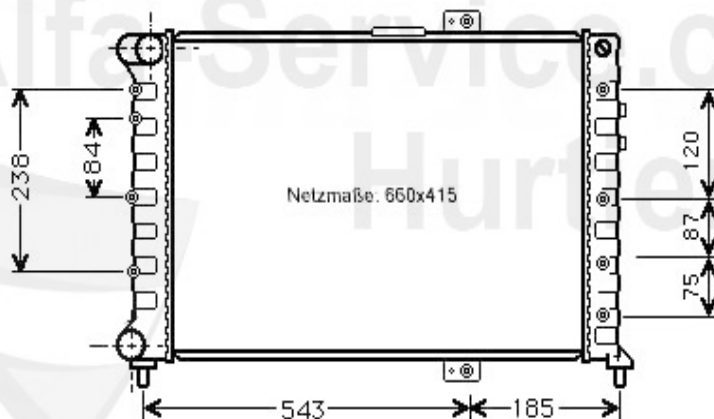
166 > ENGINE > COOLING SYSTEM > 2.0 TS > HOUSES



| | | |
|---|---|-----------|
| 1 | KWS22960 Kühlwasserschlauch AR 166 oben (98-07) 2,0TS CF2+CF3 2,5V6 24V/3,0V6 24V | 24.00 EUR |
| 2 | KWS15457 LOWER WATER HOSE 166 2.0 TS | 29.00 EUR |
| 3 | KWS38021 OEM 60651578 HOSE FROM THE EXPANSION TANK TO THE THERMOSTAT Alfa 166 2,0TS | 9.89 EUR |

Kühler/Radiator 166 2.0 TS

1. MK 32505



1 MK32505 Motorkühler 166 2.0 TS (Schaltwagen)

204.14 EUR

Thermostat 166 2.0 TS

1. TH 657588



1 TH657588 Thermostat 166 2.0 TS 16V,Gehäuse thermostat

44.01 EUR

Wasserpumpe/Waterpump 166 2.0 TS

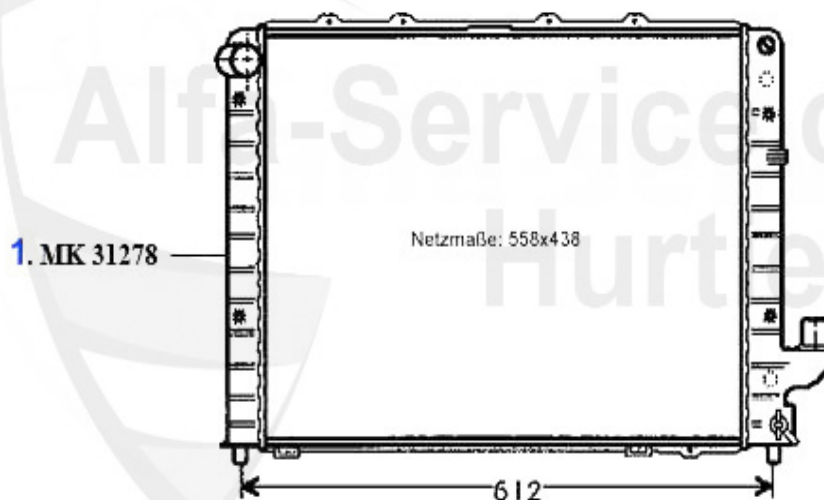
1. WP 00310



1 WP00310 OE. 60586222 WATERPUMP TS 16V

50.27 EUR

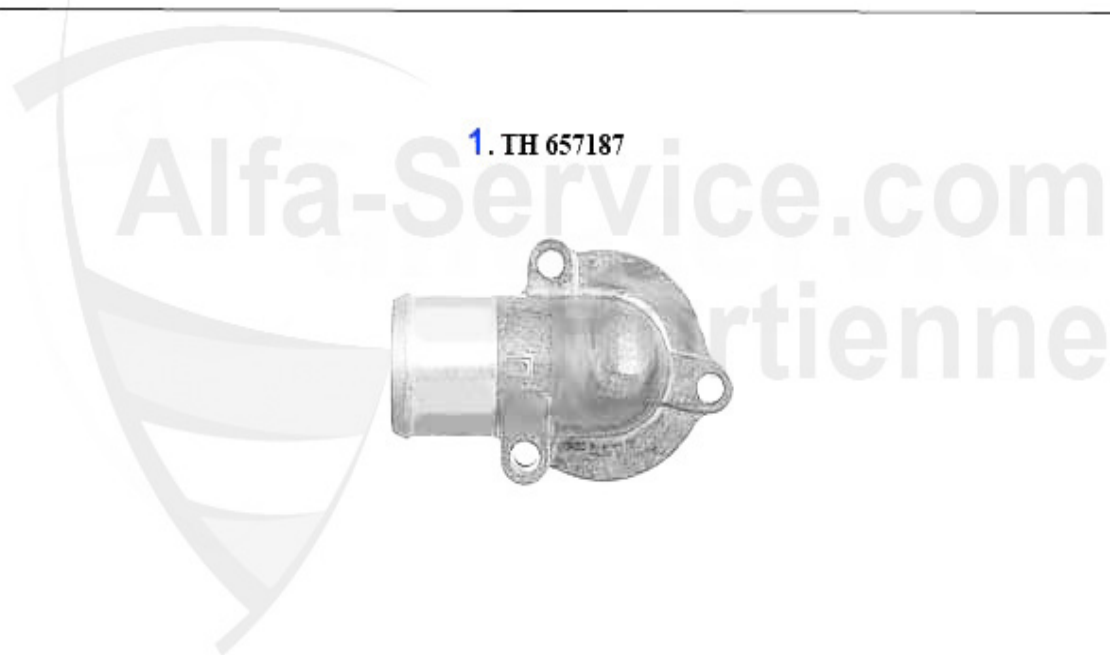
Kühler/Radiator 166 2.0 V6 Turbo



1 MK31278 Motorkühler 166 2.0 V6 Turbo, 2.4 JTD 10V/20V

289.80 EUR

Thermostat 166 2.0 V6 Turbo

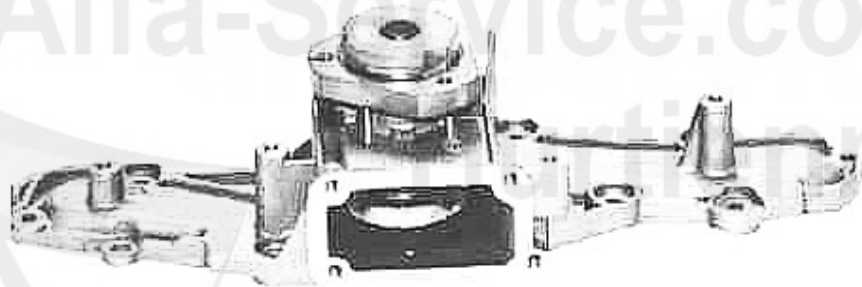


1 TH657187 THERMOSTAT 155,156,166,GTV,SPIDER (916) 6 CYL. (WITH HOUSING)

54.00 EUR

Wasserpumpe/Waterpump 166 2.0 V6 Turbo

1. WP 81355

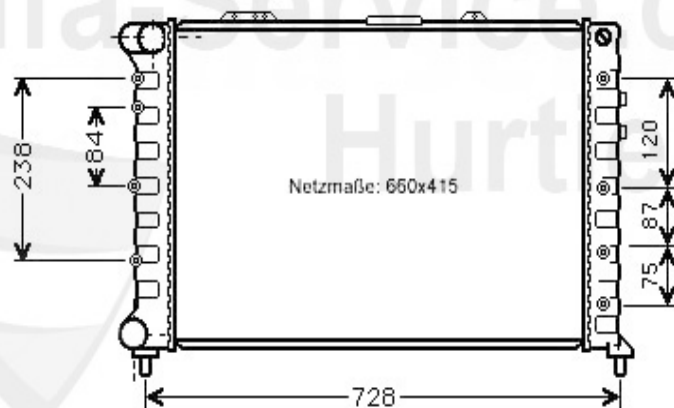


1 WP81355 OE. 60816018 WATERPUMP V6 24V

99.00 EUR

Kühler/Radiator 166 V6 24V

1. MK 32696



1 MK32696 OE. 60690408 RADIATOR 166 V6 24V

465.00 EUR

Thermostat 166 V6 24V

1. TH 58913
CF 2

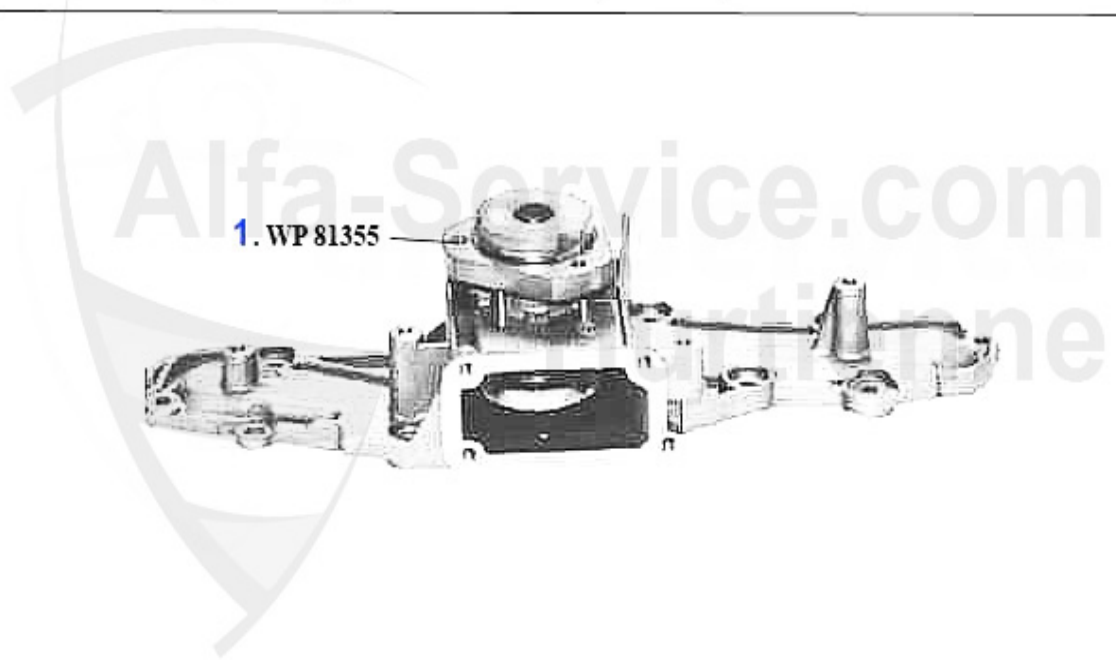
2. TH 54199
CF 3



Alfa-Service.com
rtienne

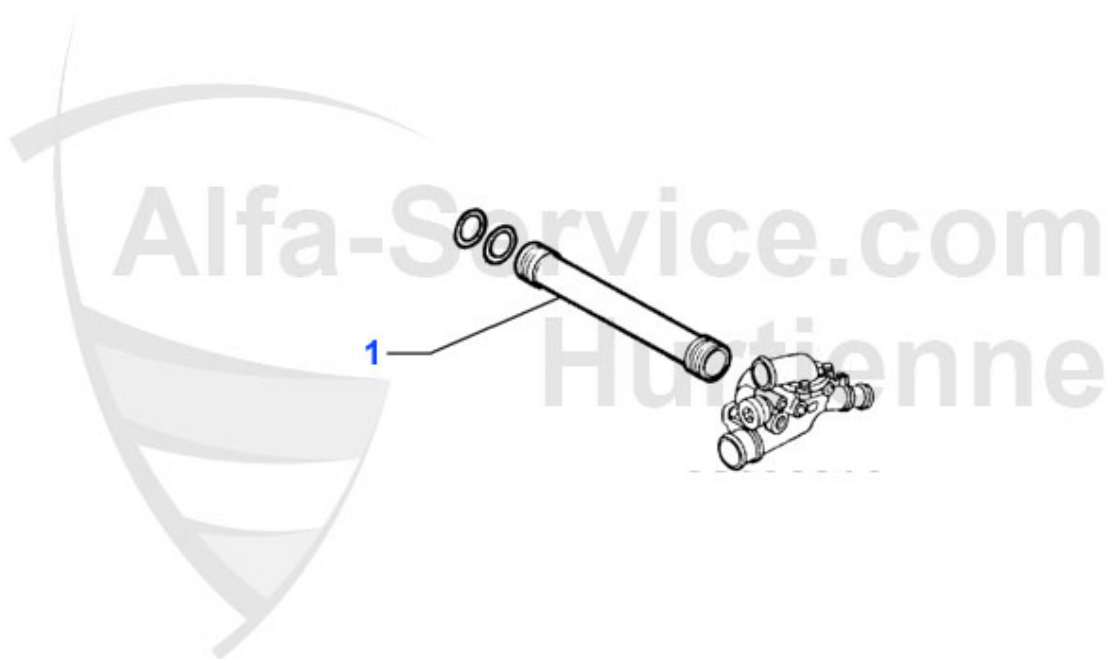
| | | | |
|---|---------|---|-----------|
| 1 | TH58913 | OE. 60658913 Thermostat 156 2.5 V6 | 69.00 EUR |
| 2 | TH54199 | OE. 60654199 THERMOSTAT 156,166,Nouvo GT V6 24V CF3 | 98.48 EUR |

Wasserpumpe/Waterpump 166 V6 24V



1 WP81355 OE. 60816018 WATERPUMP V6 24V

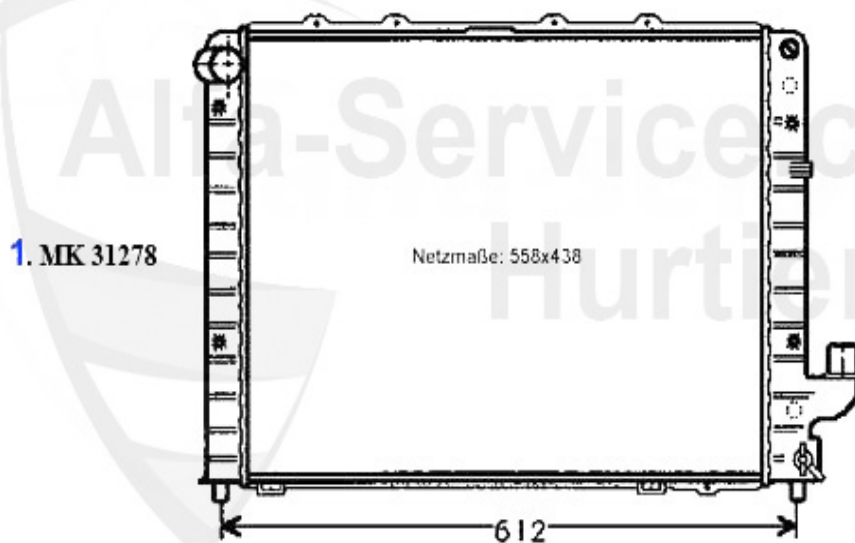
99.00 EUR



1 KWS04178 TUBE WATERPUMP-THERMOSTAT 2.5/3.0/3.2 V6 24V (95-10)
147,156,166,GT,GTV/ SPIDER (916)

164.01 EUR

Kühler/Radiator 166 2.4 JTD 10V



1 MK31278 Motorkühler 166 2.0 V6 Turbo, 2.4 JTD 10V/20V

289.80 EUR

Thermostat 166 2.4 JTD 10V

1. TH 657688
CF 2

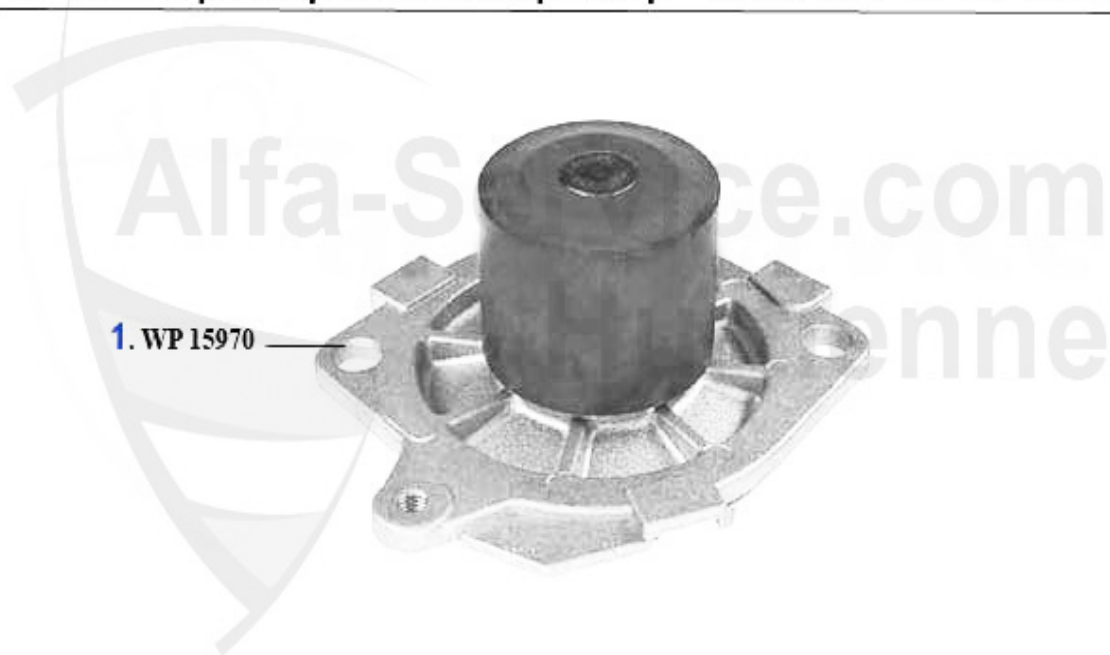


2. TH 682688
CF 3



| | | | |
|---|----------|---|-----------|
| 1 | TH657688 | Thermostat 166 2.4 JTD,Gehäusetherm ostat | 50.78 EUR |
| 2 | TH682688 | OE. 46795667 THERMOSTAT 156,166 1.9/2.4 JTD CF3 | 92.00 EUR |

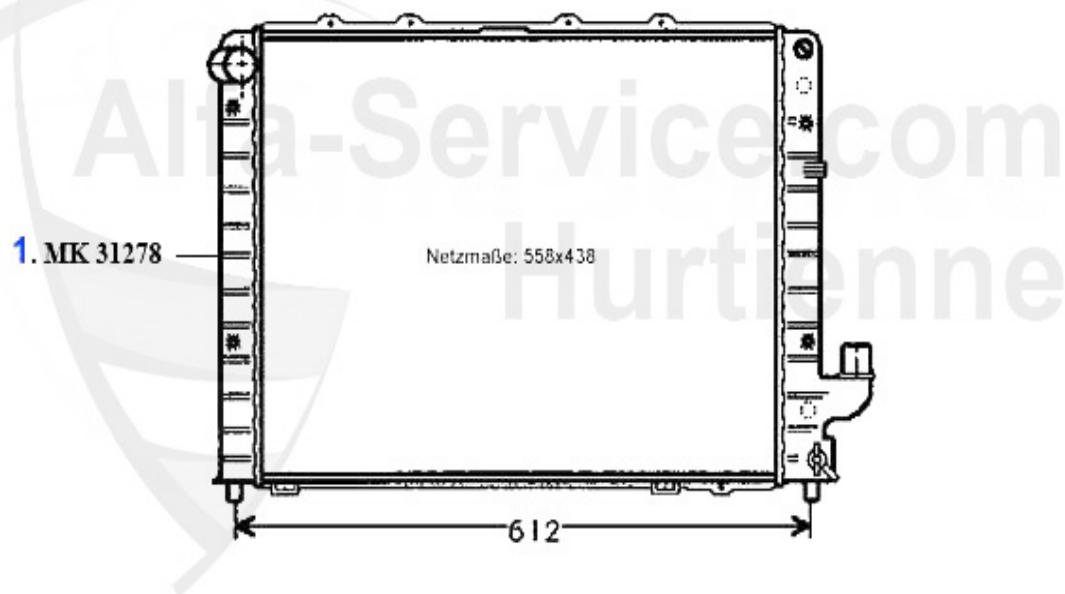
Wasserpumpe/Waterpump 166 2.4 JTD 10V



1 WP15970 OE. 46515970 WATER PUMP 1.9/2.4 8/10 V

60.52 EUR

Kühler/Radiator 166 2.4 JTD 20V



1 MK31278 Motorkühler 166 2.0 V6 Turbo, 2.4 JTD 10V/20V

289.80 EUR

Thermostat 166 2.4 JTD 20V

1. TH 688288



1 TH688288 OE. 55189843 THERMOSTAT 156,166 1.9/2.4 JTD 10/20V

119.00 EUR

Wasserpumpe/Waterpump 166 2.4 JTD 20V

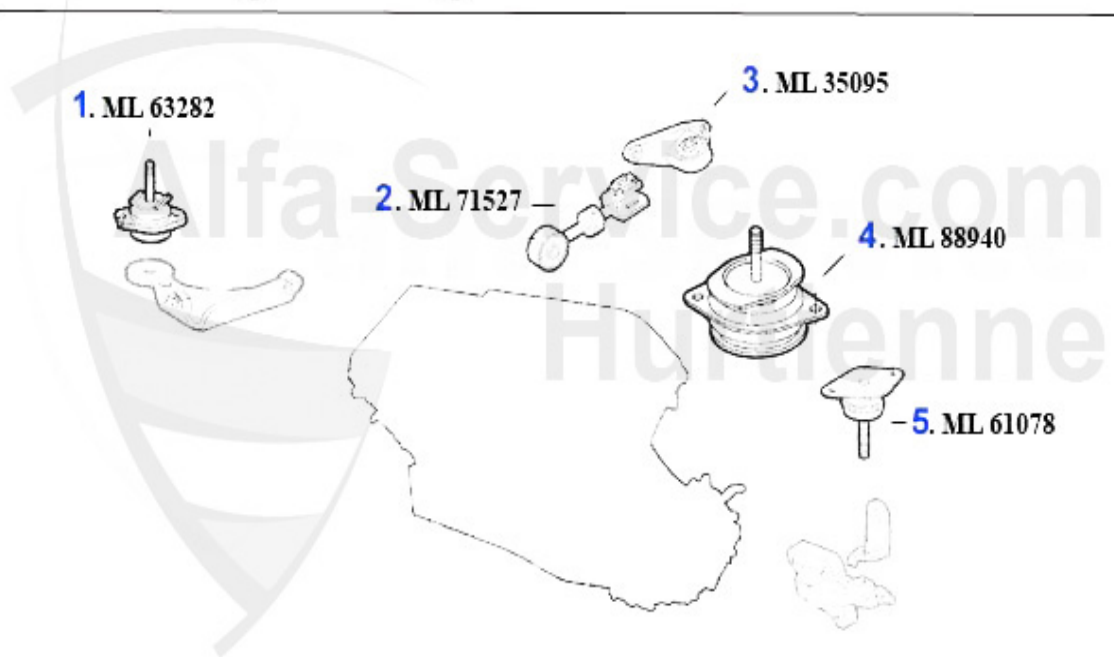
1. WP 04051



1 WP04051 OE. 46804051 WATERPUMP 1.9/2.4 16/20 V

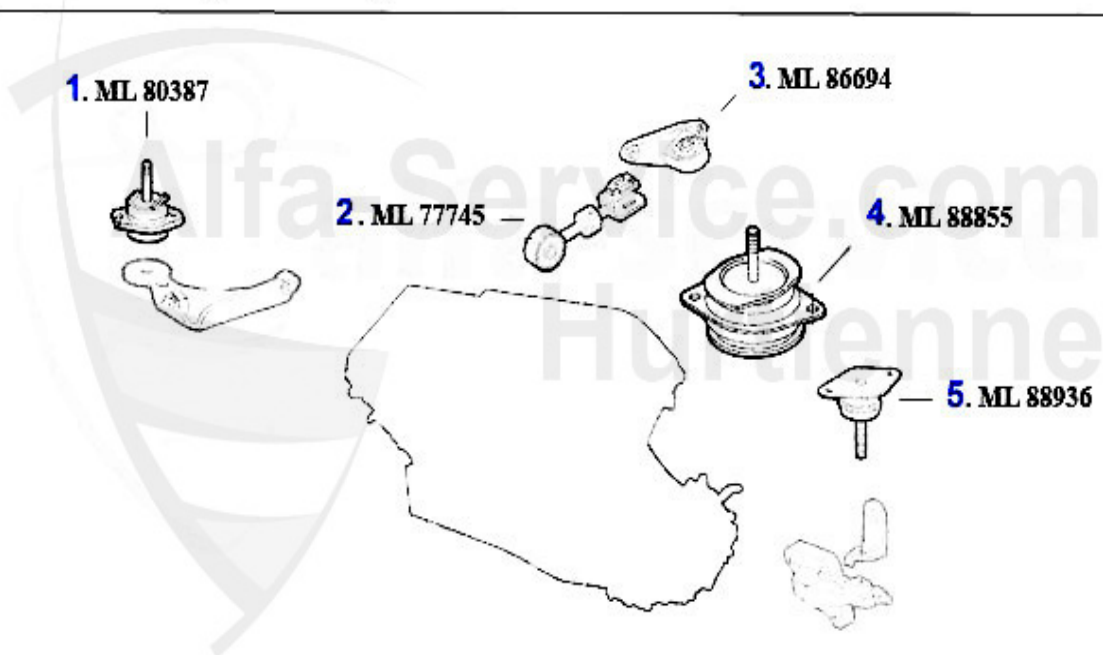
72.33 EUR

Motorlager/Enginemount 166 2.0 TS



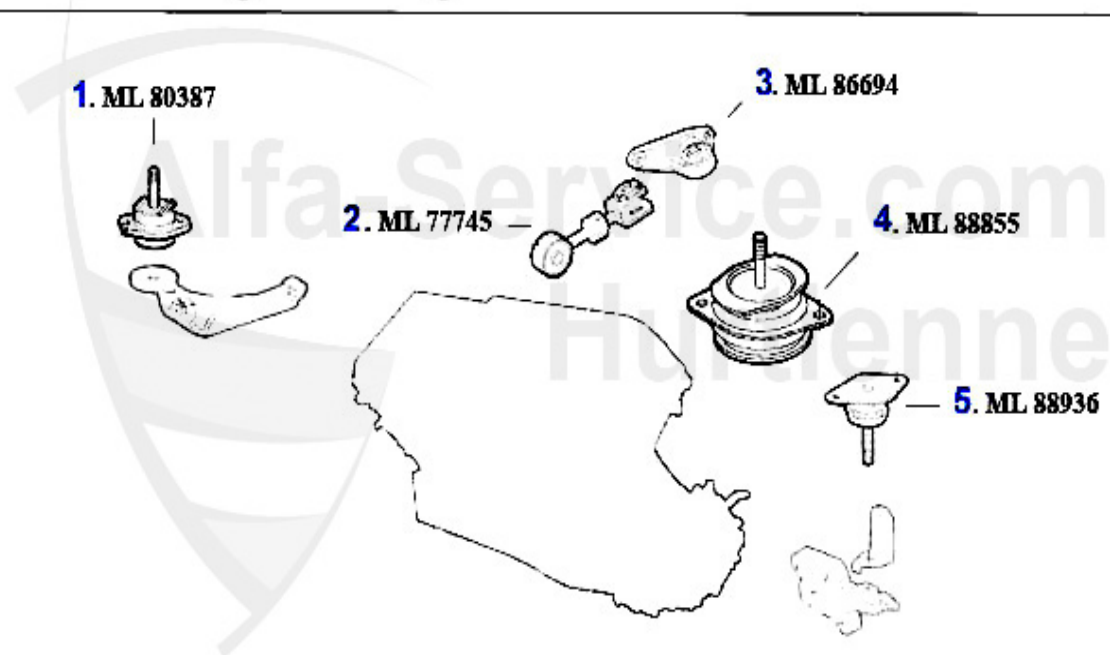
| | | | | |
|----------|----------------|---------------------|--|-------------------|
| 1 | ML63282 | OE. 60663282 | ENGINEMOUNT 166 2.0 TS | 145.28 EUR |
| 2 | ML71527 | OE. 60671527 | ENGINE ROD 166 2.0 TS | 59.00 EUR |
| 3 | ML35095 | OE. 46435095 | ENGINEMOUNT 166 2.0 TS | 67.78 EUR |
| 4 | ML88940 | OE. 82488940 | ENGINEMOUNT RR 166 2.0 TS/ 2.4 JTD 103 KW | *** |
| 5 | ML61078 | OE. 46461078 | ENGINEMOUNT RL 166 2.0 TS | 57.14 EUR |

Motorlager/Enginemount 166 2.0 V6 Turbo



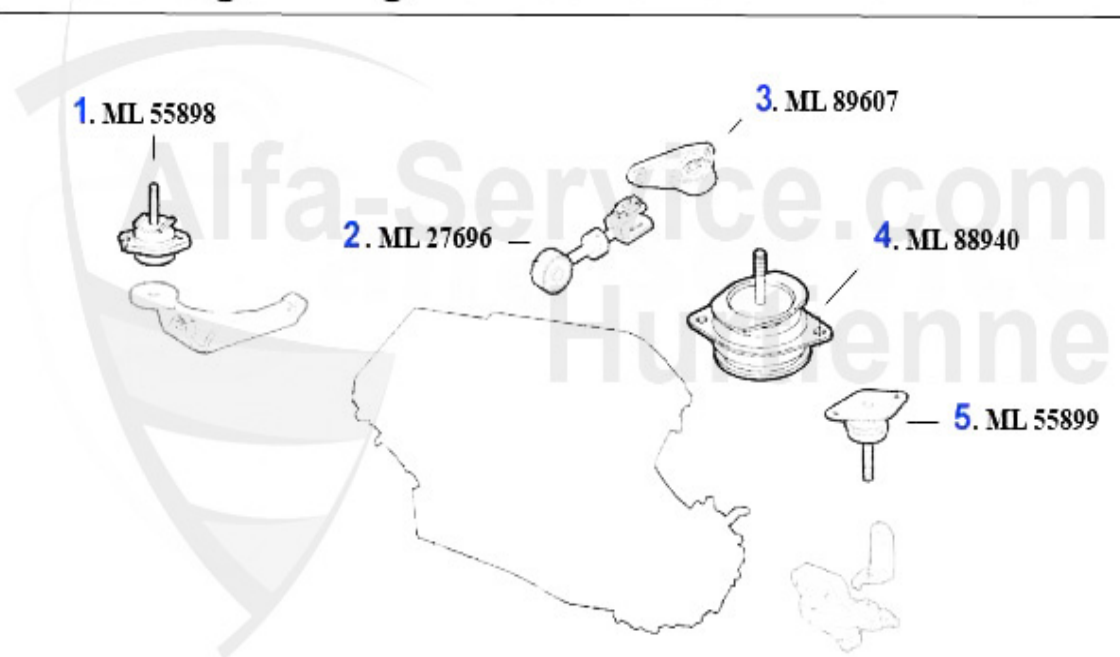
| | | | | |
|----------|----------------|---------------------|---|-------------------|
| 1 | ML80387 | OE. 46480387 | ENGINEMOUNT front 166 6-CYLINDER | 101.17 EUR |
| 2 | ML77745 | OE. 60677745 | ENGINEROD 166 6-Cylinder | 105.73 EUR |
| 3 | ML86694 | OE. 82486694 | ENGINE BRACKET 166 6-Cyl. | 103.53 EUR |
| 4 | ML88855 | OE. 7788855 | ENGINEMOUNT RR 166 6-Cyl. | 41.39 EUR |
| 5 | ML88936 | OE. 82488936 | ENGINEMOUNT RL 166 6-Cyl. | 129.50 EUR |

Motorlager/Enginemount 166 V6 24V



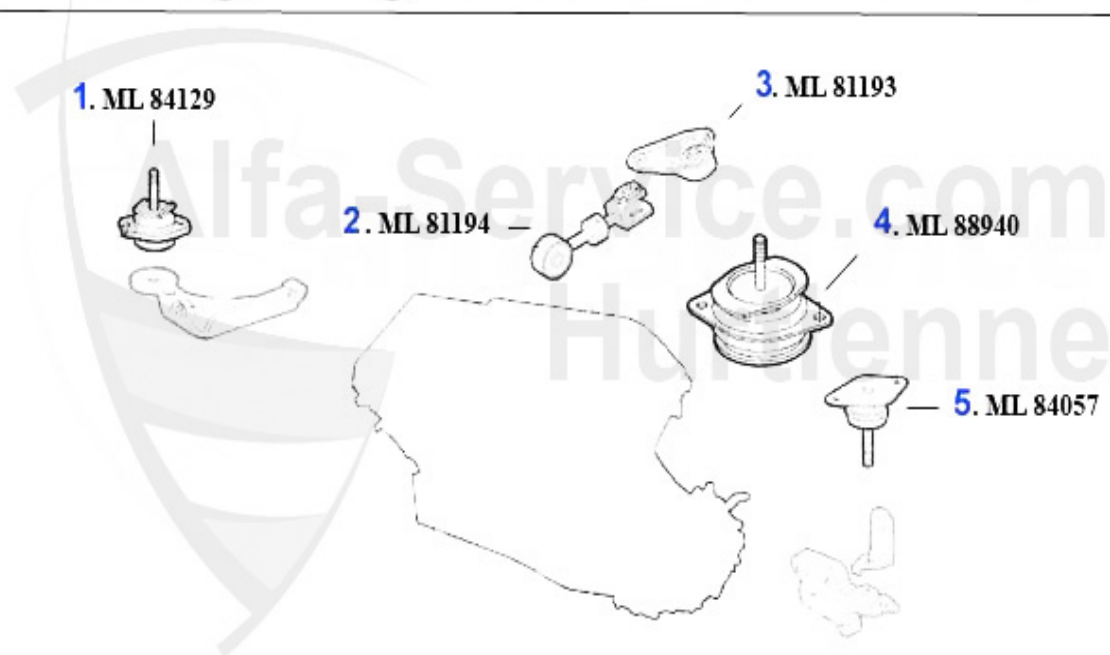
| | | | |
|---|---------|---|------------|
| 1 | ML80387 | OE. 46480387 ENGINEMOUNT front 166 6-CYLINDER | 101.17 EUR |
| 2 | ML77745 | OE. 60677745 ENGINEROD 166 6-Cylinder | 105.73 EUR |
| 3 | ML86694 | OE. 82486694 ENGINE BRACKET 166 6-Cyl. | 103.53 EUR |
| 4 | ML88855 | OE. 7788855 ENGINEMOUNT RR 166 6-Cyl. | 41.39 EUR |
| 5 | ML88936 | OE. 82488936 ENGINEMOUNT RL 166 6-Cyl. | 129.50 EUR |

Motorlager/Enginemount 166 2.4 JTD 10V



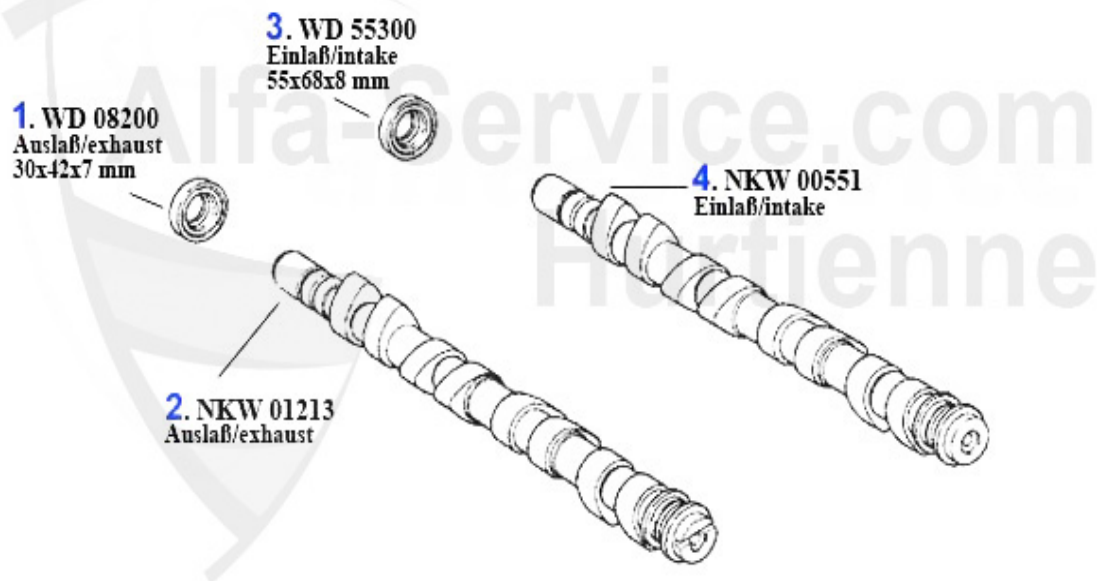
| | | | |
|---|---------|--|------------|
| 1 | ML55898 | OE. 60655898 ENGINEMOUNT fr. 166 2.4 JTD 10V | 111.82 EUR |
| 2 | ML27696 | OE. 46427696 ENGINEROD 166 2.4 JTD 10V | 25.00 EUR |
| 3 | ML89607 | OE. 82489607 ENGINEMOUNT 166 2.4 JTD 10V | 40.01 EUR |
| 4 | ML88940 | OE. 82488940 ENGINEMOUNT RR 166 2.0 TS/ 2.4 JTD 103 KW | *** |
| 5 | ML55899 | OE. 60655899 ENGINEMOUNT RL 166 2.4 JTD 10V | 109.80 EUR |

Motorlager/Enginemount 166 2.4 JTD 20V



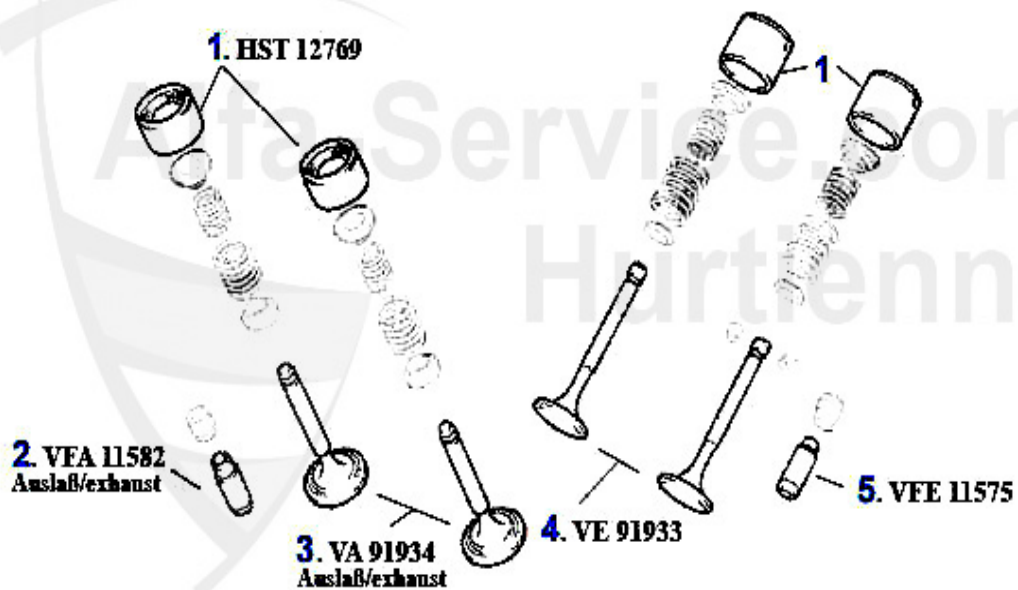
| | | | |
|---|---------|--|-----------|
| 1 | ML84129 | OE. 60684129 ENGINEMOUNT fr. 166 2.4 JTD 20V | *** |
| 2 | ML81194 | OE. 60681194 ENGINEROD 166 2.4 JTD 20V | 14.26 EUR |
| 3 | ML81193 | OE. 60681193 ENGINEMOUNT 166 2.4 JTD 20V | 40.01 EUR |
| 4 | ML88940 | OE. 82488940 ENGINEMOUNT RR 166 2.0 TS/ 2.4 JTD 103 KW | *** |
| 5 | ML84057 | OE. 60684057 ENGINEMOUNT RL 166 2.4 JTD 20V | 83.30 EUR |

Nockenwelle/Camshaft 166 2.0 TS



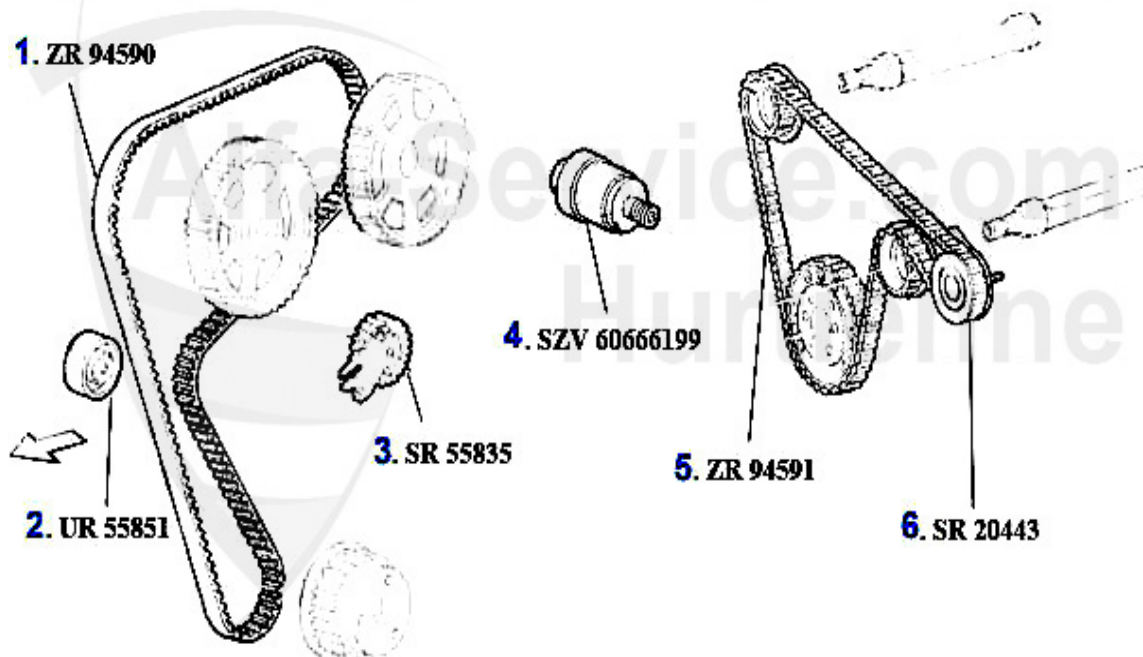
| | | | |
|---|----------|--|------------|
| 1 | WD08200 | CAMSHAFT 145/6,155,156,GTV/SPIDER (916), 166 VARIOUS 96-01 | 11.84 EUR |
| 2 | NKW01213 | OE. 60601213 CAMSHAFT | 336.69 EUR |
| 3 | WD55300 | siri nockenwelle 145/6,155,156 1.6,1.7,1.8,2.0 16V TS | 16.97 EUR |
| 4 | NKW00551 | OE. 60600551 CAMSHAFT | 279.76 EUR |

Ventiltrieb/Valve Train 166 2.0 TS



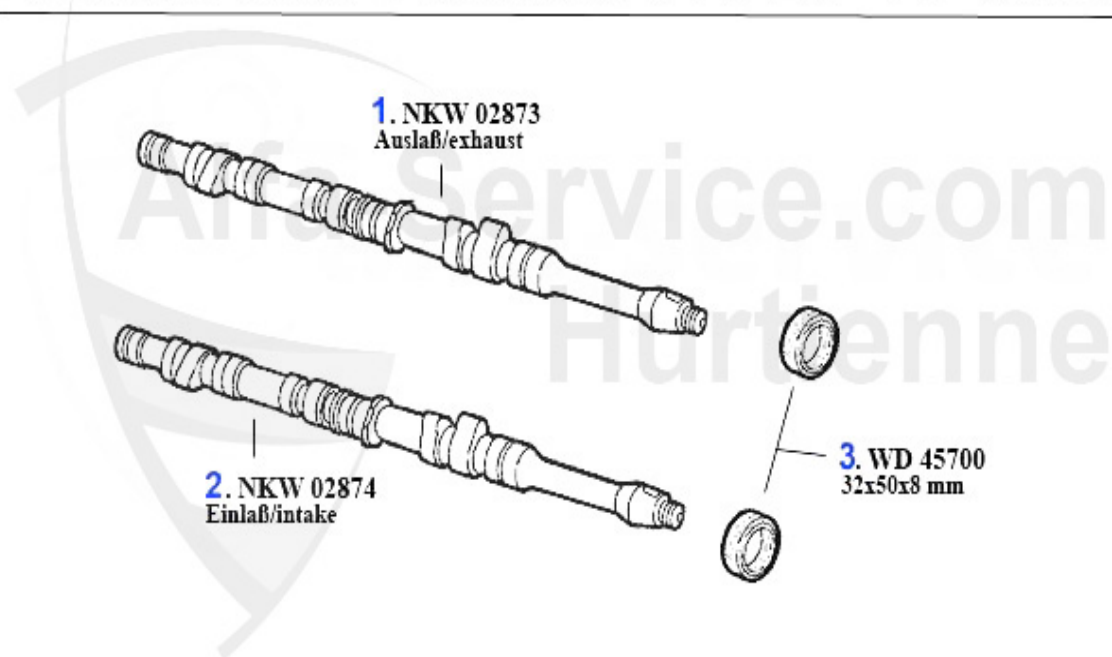
| | | | |
|---|----------|--|-----------|
| 1 | HST12769 | HYDRAULIC VALVE LIFTER 145/6,147,155 156,166,GTV/SPIDER(916)16V TS ALL! | 14.90 EUR |
| 2 | VFA11582 | Ventilführung Auslaß + 0.05 TS 16V | 21.03 EUR |
| 3 | VA91934 | EXHAUST VALVE 145/6,155,156,SPIDER/GTV (916) 1.6/1.8/2.0 TS 16V | 18.05 EUR |
| 4 | VE91933 | INLET VALVE 145/6,155,156,SPIDER/GTV (916) 1.6/1.8/2.0 TS 16V | 15.28 EUR |
| 5 | VFE11575 | Ventilführung Einlaß +0.05 TS 16V | 21.03 EUR |

Zahnriemen/Timingbelt 166 2.0 TS



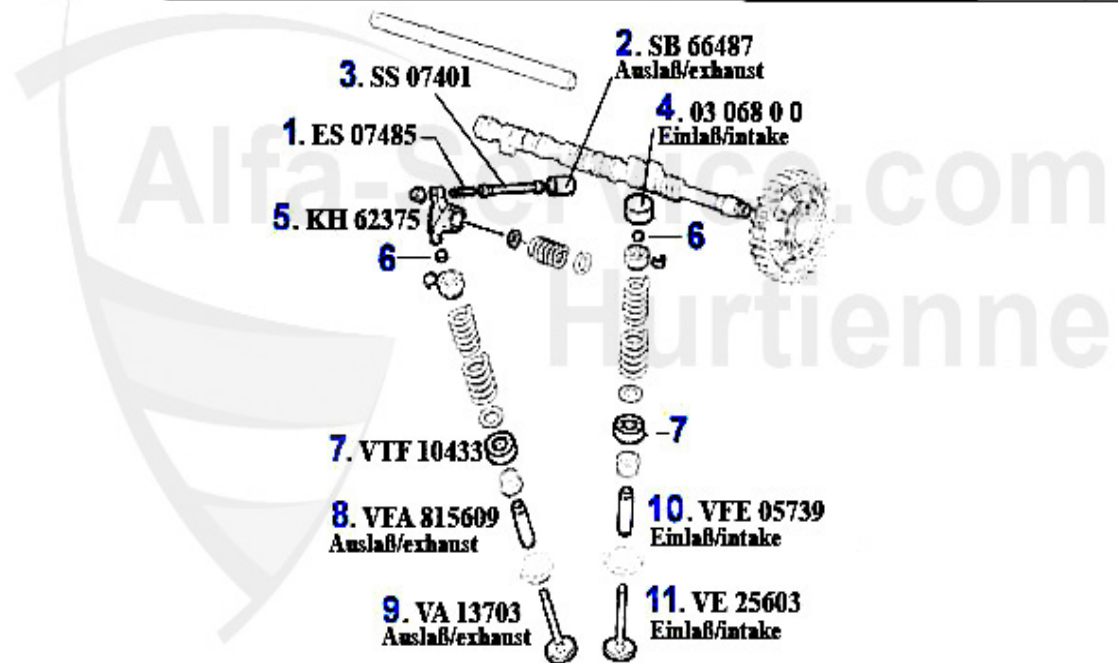
| | | | |
|---|-----------------|--|------------|
| 1 | ZR94590 | OE.60814319 TIMING BELT 168SHPN240H 145/6 1.8/2.0 IE/16V/TS, 147 2.0 16V TS,155 2.0 16V TS,156 1.8,2.0 IE 16V/TS | 40.94 EUR |
| 2 | UR55851 | OE. 60671573 DEFLECTION PULLEY 1.8 TS 16V 145/6, 147, 155, 156, 166, Nuovo GT, gtv/spider (916) | 33.50 EUR |
| 3 | SR55835 | OE. 55192239 IDLER PULLEY 1.8 TS 16V 145/6, 147, 155, 156, 166, gtv/spider (916) | 89.50 EUR |
| 4 | SZV6066619 9 | OE. 71738360/55202772 ADVANCE VARIATOR TS 16V | 198.99 EUR |
| 5 | ZR94591 | Zahnriemen 130SLDD150H 145/6,155/6 2.0 16V TS Ausgleichswelle,Hochtemp eratur-Ausführung | 61.55 EUR |
| 6 | SR20443 | Spannrolle für Ausgleichswelle 2.0 TS gtv/spider (916),155,156 Mot.- Nr. 0134319> | 38.20 EUR |

Nockenwelle/Camshaft 166 2.0 V6 Turbo



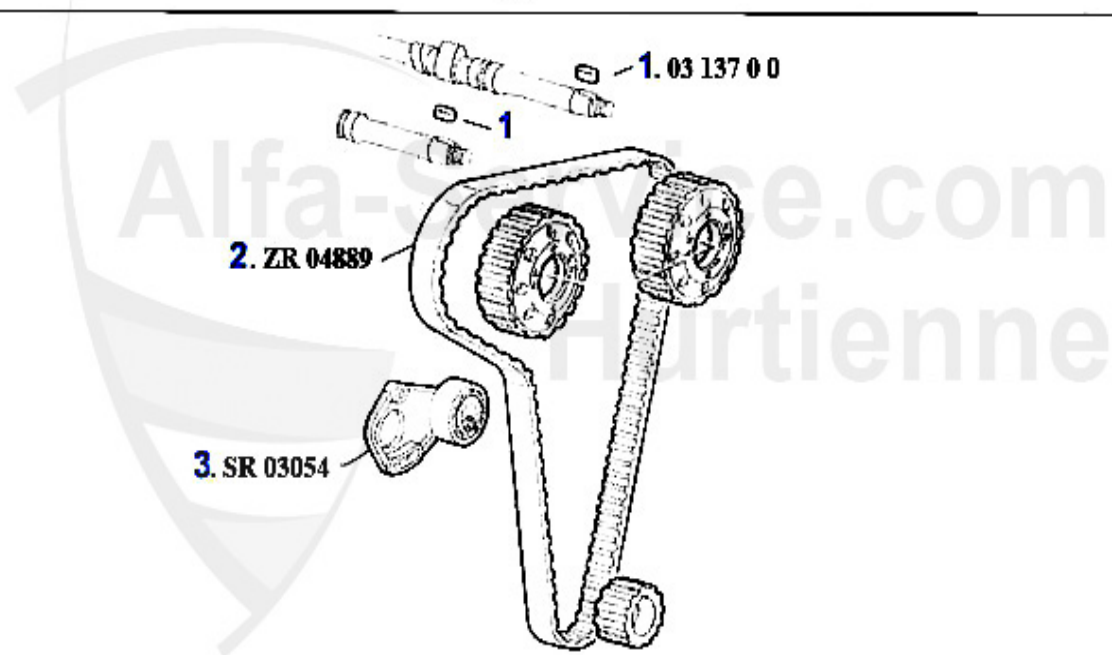
| | | |
|---|---|------------|
| 1 | NKW02873 CAMSHAFT 164 SUPER 2.0 V6 GTV/SPIDER 2.0 TURBO V6 | 459.99 EUR |
| 2 | NKW02874 CAMSHAFT LEFT 164 SUPER 2.0 V6 GTV/SPIDER 2.0 V6 TURBO | 459.99 EUR |
| 3 | WD45700 CAMSHAFT 155 2.5 V6, 166 2.0 V6 TURBO 09.98> | 28.00 EUR |

Ventiltrieb/Valve Train 166 2.0 V6 Turbo



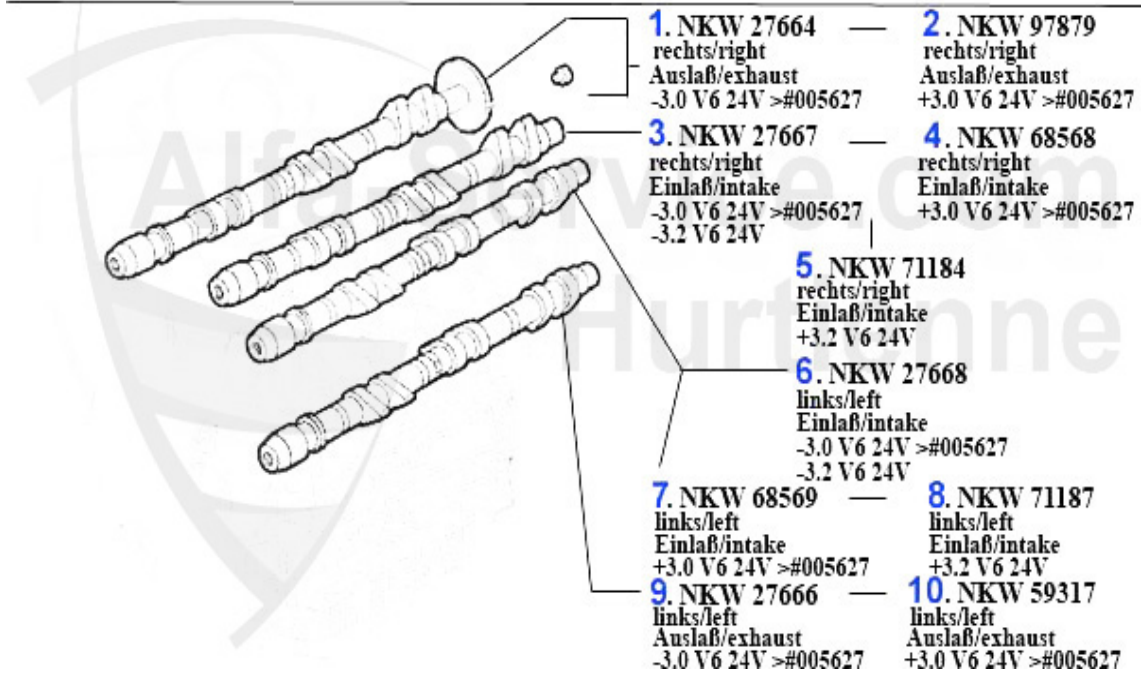
| | | | |
|----|------------|--|------------|
| 1 | ES07485 | Einstellschraube f. Kipphebelwelle 75,155,164,166,RZ,SZ,gtv/spider (916),GTV/6 | 3.45 EUR |
| 2 | SB66847 | CAMFOLLOWER 155,164 GTV/SPIDER 916 24 x 21,5 x 36 | 20.25 EUR |
| 3 | SS07401 | Stößelstange (Auslasseite) 75,155 164,166,RZ,SZ,gtv/spider (916),GTV/ 6 | 50.86 EUR |
| 4 | 03 068 0 0 | CAM FOLLOWER OE60612178 | 23.50 EUR |
| 5 | KH62375 | Kipphebel (Auslaß) 155, 164/Super, 166, gtv/spider (916) | 89.06 EUR |
| 6 | 03 043 0 0 | VALVE ADJUSTING SHIMS | 5.40 EUR |
| 6 | 03 084 0 0 | VALVE ADJUSTING SHIMS 205 pcs per box 1.500 - 2.500 mm | 279.00 EUR |
| 6 | 03 114 0 0 | VALVE ADJUSTING SHIMS 200 pcs per box 2.525 - 3.500 mm | 315.00 EUR |
| 7 | VTF10433 | OE. 60601088/60810433 VALVE CUP | 1.80 EUR |
| 8 | VFA815609 | OE. 60605721 Valve Guide-Exhaust 6-Cylinder 116 | 9.75 EUR |
| 9 | VA13703 | OE. 60513707 VALVE EXHAUST 2.0 V6 Turbo | 81.04 EUR |
| 10 | VFE05739 | OE. 60605739 VALVE GUIDE INTAKE | 15.28 EUR |
| 11 | VE25603 | OE. 60625603 VALVE INTAKE 2.0 V6 Turbo | 49.00 EUR |

Zahnriemen/Timingbelt 166 2.0 V6 Turbo



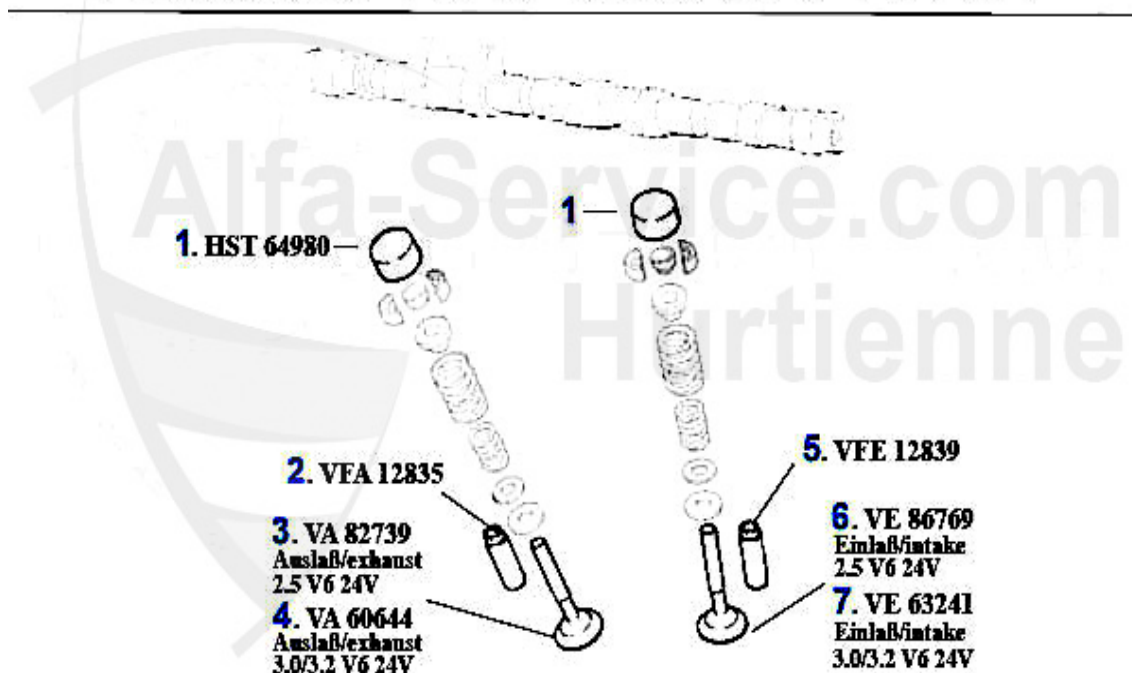
| | | | |
|---|------------|--|------------|
| 1 | 03 137 0 0 | WEDGE FOR CAMSHAFTS | 3.70 EUR |
| 2 | ZR04889 | OE. 60604889 TIMINGBELT 166 2.0 V6 Turbo | 55.00 EUR |
| 3 | SR03054 | TENSION PULLEY 166 2.0 V6 TURBO | 105.01 EUR |

Nockenwelle/Camshaft 166 V6 24V



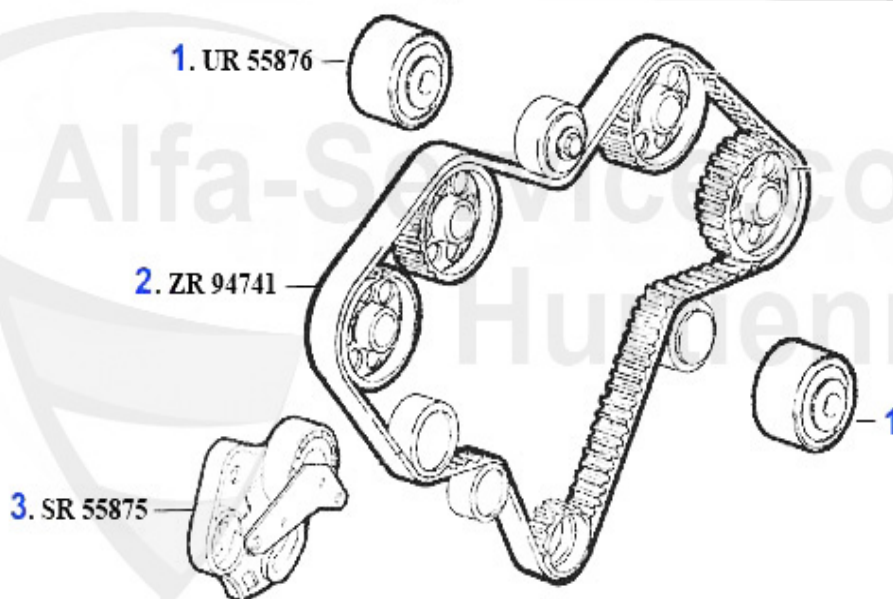
| | | |
|----|--|------------|
| 1 | NKW27664 Nockenwelle rechts (Auslaß) 156,166 2.5 V6 24V,gtv/spider (916) Bj. 98> 3.0 V6 24V,Nouvo GT 3.2 | 416.74 EUR |
| 2 | NKW97879 Nockenwelle rechts (Auslaß) 166,gtv (916) > Mot #5627 | 222.61 EUR |
| 3 | NKW27667 Nockenwelle rechts (Einlaß) 156,166 2.5 V6 24V,gtv/spider (916) 3.0 V6 24V | 253.59 EUR |
| 4 | NKW68568 Nockenwelle rechts (Einlaß) 164 Super,166,gtv (916) > Mot #5627 | 379.61 EUR |
| 5 | NKW71184 OE. 60671184 Camshaft R Intake 3.2 V6 24V | 379.00 EUR |
| 6 | NKW27668 Nockenwelle links (Einlaß) 156,166 2.5 V6 24V,gtv/spider (916) Bj. 98> 3.0 V6 24V | 253.59 EUR |
| 7 | NKW68569 Nockenwelle links (Einlaß) 164 Super,166,gtv (916) > Mot #5627 | 234.92 EUR |
| 8 | NKW71187 OE. 60671187 Camshaft R Intake 3.2 V6 24V | 399.00 EUR |
| 9 | NKW27666 Nockenwelle links (Auslaß) 156,166 2.5 V6 24V,gtv/spider (916) Bj. 98> 3.0 V 24V,Nuovo GT 3.2 | *** |
| 10 | NKW59317 Nockenwelle links (Auslaß) 164 Super,166,gtv (916) > Mot #5627 | 305.00 EUR |

Ventiltrieb/Valve Train 166 V6 24V



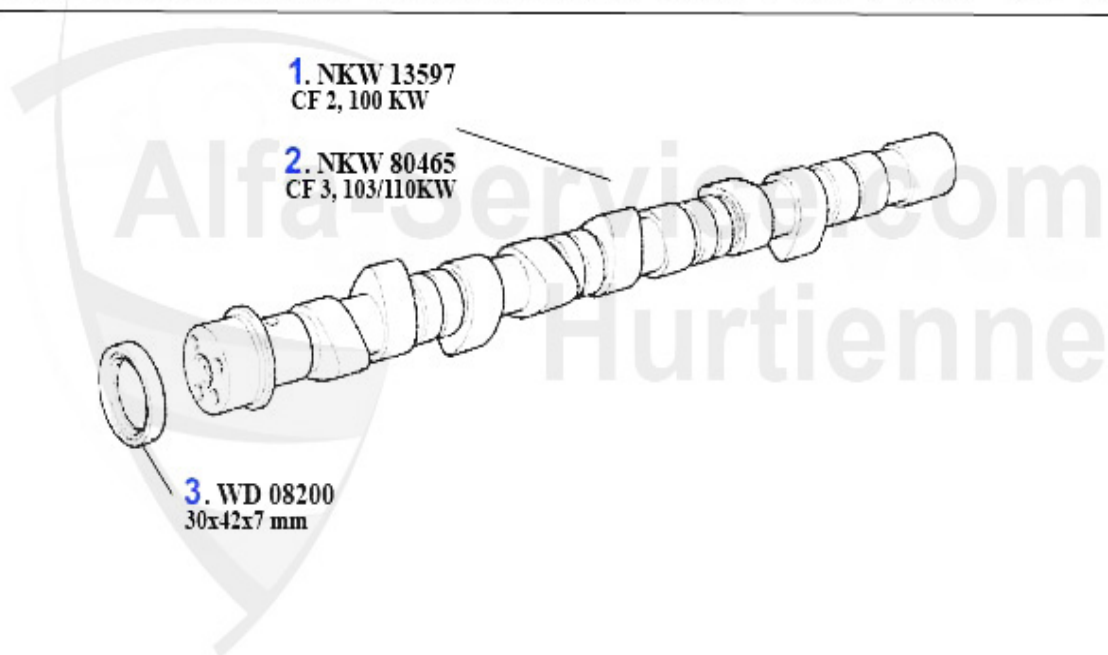
| | | | |
|---|----------|--|-----------|
| 1 | HST64980 | VALVE TAPPET 33(907), 1.7 16V AR156 2.5 24V | 21.85 EUR |
| 2 | VFA12835 | Ventilführung Auslaß 147,156,164/ Super,gtv/spider (916),Nuovo GT V6 24V | 32.50 EUR |
| 3 | VA82739 | OE. 60582739 VALVE EXHAUST 2.5 24V | 47.49 EUR |
| 4 | VA60644 | Exhaust Valve 3.0/3.2 24V | 40.01 EUR |
| 5 | VFE12839 | Ventilführung Einlaß 147,156,164/ Super,gtv/spider (916),Nuovo GT V6 24V | 32.50 EUR |
| 6 | VE86769 | OE. 55186769 VALVE INTAKE 2.5 24V | 35.00 EUR |
| 7 | VE63241 | Ventil-Einlaß 3.0 V6 24V/3.2 GTA 14 7,156,164,166 spider/gtv (916),Nuov o GT | 22.05 EUR |

Zahnriemen/Timingbelt 166 2.5 V6 24V



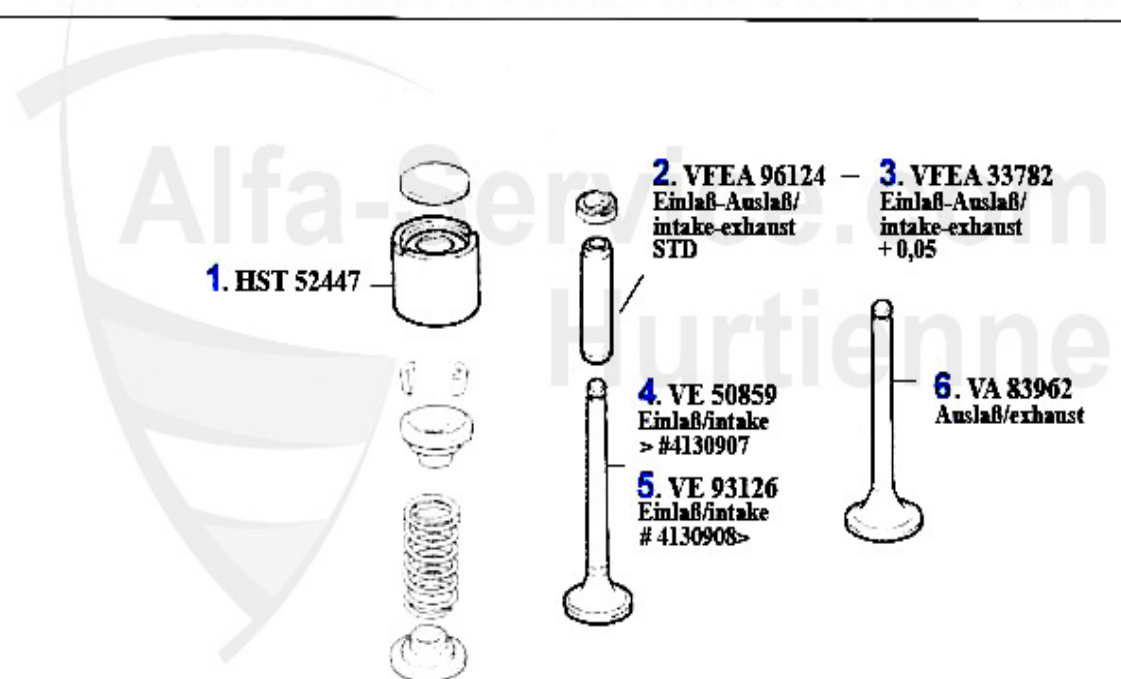
| | | | |
|----------|----------------|---|-------------------|
| 1 | UR55876 | IDLER PULLEY FOR DRIVE BELT 147,156,166, GTV/SPIDER (916) V6 24V | 72.00 EUR |
| 2 | ZR94741 | TIMING BELT 185H9.5P280 147,156,166,GTV/ SPIDER (916),Nuovo GT V6 24V (HIGH TEMPERATURE VERSION) | 87.00 EUR |
| 3 | SR55875 | OE. 55196536 BELTSTRETCHER | 169.49 EUR |

Nockenwelle/Camshaft 166 2.4 JTD 10V



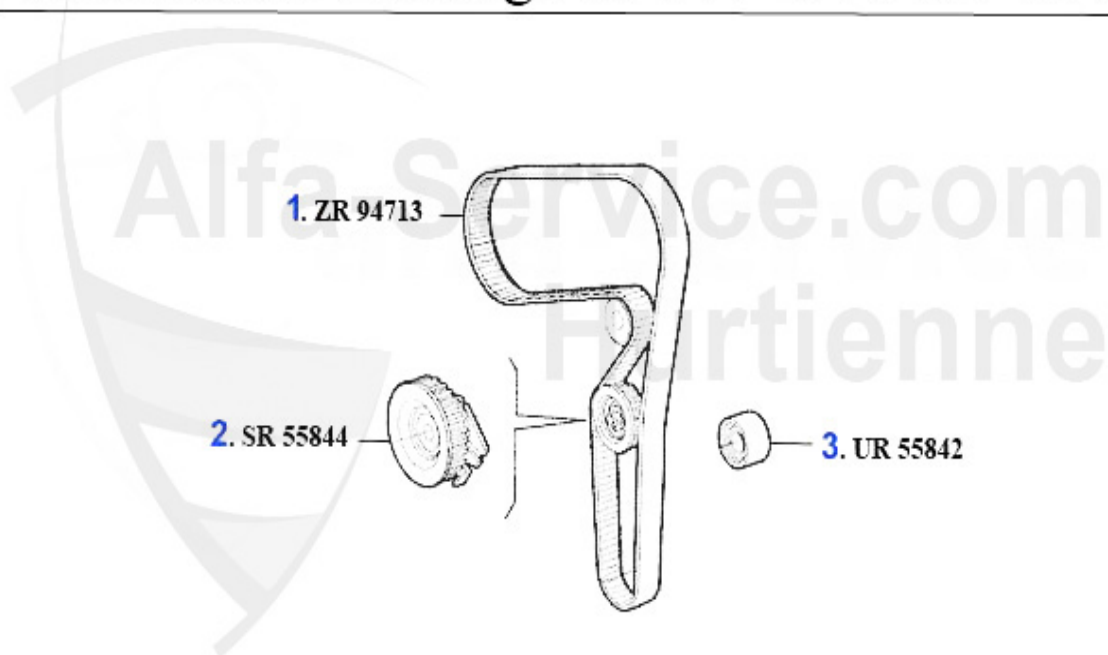
| | | |
|---|--|------------|
| 1 | NKW13597 Nockenwelle 156,166 2.4 JTD CF2 (10 3 KW) | 386.75 EUR |
| 2 | NKW80465 OE. 46780465 CAMSHAFT 2.4 JTD 10V (CF3) | 328.27 EUR |
| 3 | WD08200 CAMSHAFT 145/6,155,156,GTV/SPIDER (916), 166 VARIOUS 96-01 | 11.84 EUR |

Ventiltrieb/Valve Train 166 2.4 JTD 10V



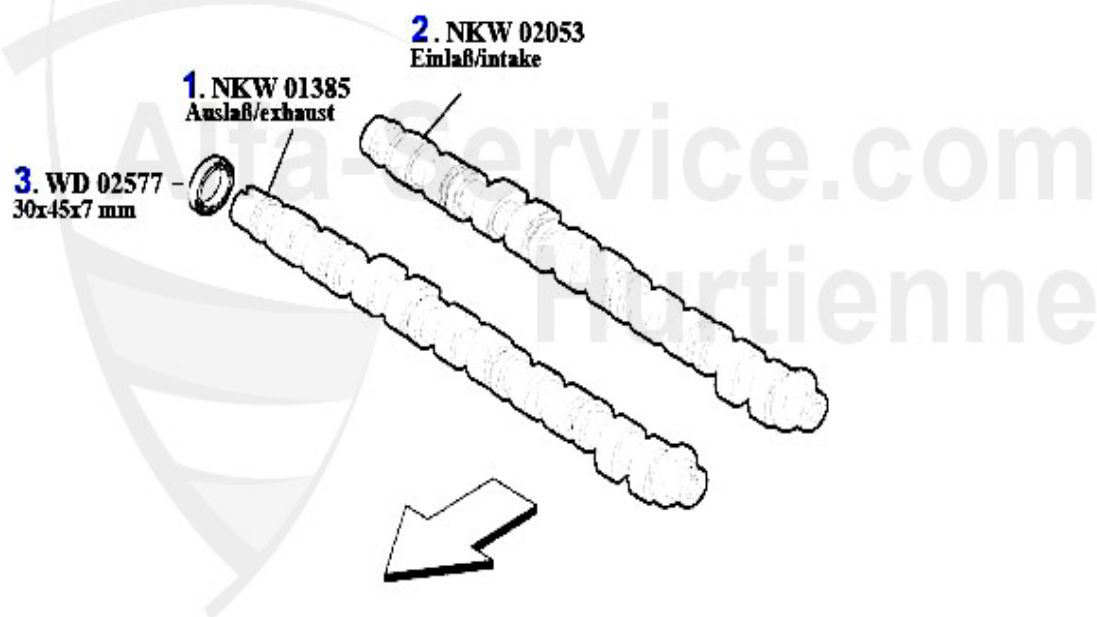
| | | | |
|---|-----------|---|-----------|
| 1 | HST52447 | Hydrostößel 145/6,155,156,166 TD/ JTD | 14.26 EUR |
| 2 | VFEA96124 | VALVE GUIDE INTAKE/EXHAUST 166 2.4 JTD 10V | 4.90 EUR |
| 3 | VFEA33782 | Ventilführung Ein-/Auslaß +0.05 JTD 8/10V 145/6,147,156,166 | 4.11 EUR |
| 4 | VE50859 | Ventil-Einlaß 145/6,147,156,166 JTD 8/10V | 21.03 EUR |
| 5 | VE93126 | Ventil-Einlaß 147,156,166 JTD 8/10V Bj. 6.04> | 20.21 EUR |
| 6 | VA83962 | Ventil-Auslaß 145/6,147,156,166 JTD 8/10V | 32.83 EUR |

Zahnriemen/Timingbelt 166 2.4 JTD 10V



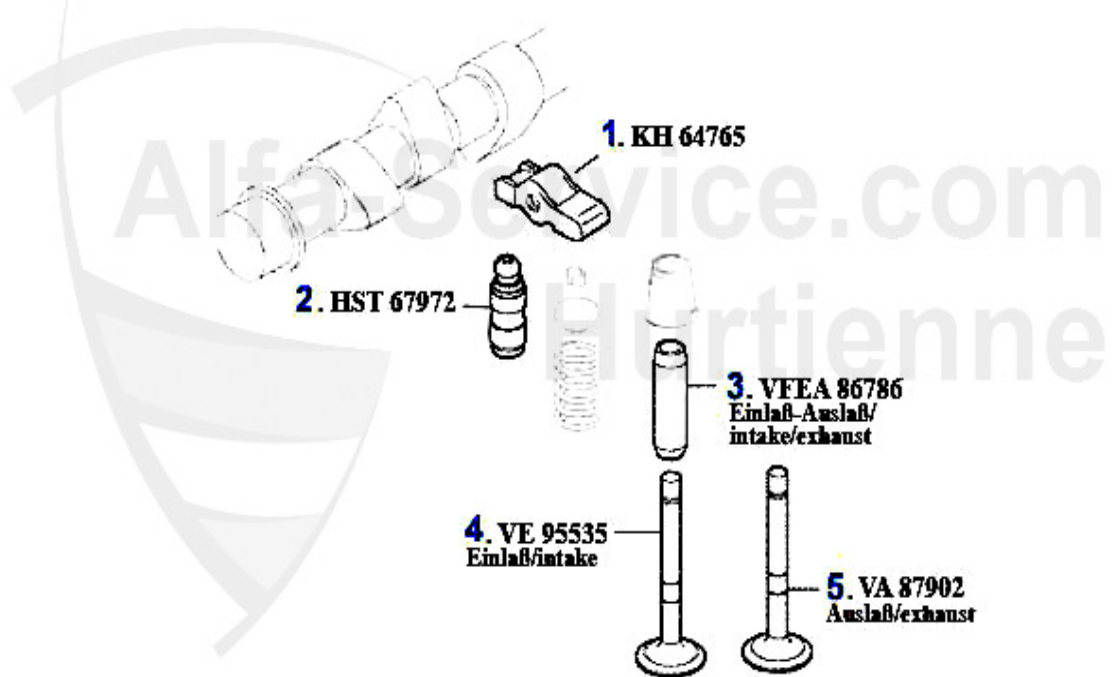
| | | | |
|---|---------|---|-----------|
| 1 | ZR94713 | OE.60814603 DRIVE BELT 190SHPN240H 145/6, 156,166 1.9/2.4 JTD CAMSHAFT HIGH TEMPERATURE VERSION | 43.60 EUR |
| 2 | SR55844 | TENSIONING PULLEY TIMING BELT 145/6/7 , 156 , 166 1,9 & 2,4 JTD | 68.22 EUR |
| 3 | UR55842 | GUIDE PULLEY TIMING BELT 145/6/7,156 , 166 1,9 & 2,4 JTD | 34.77 EUR |

Nockenwelle/Camshaft 166 2.4 JTD 20V



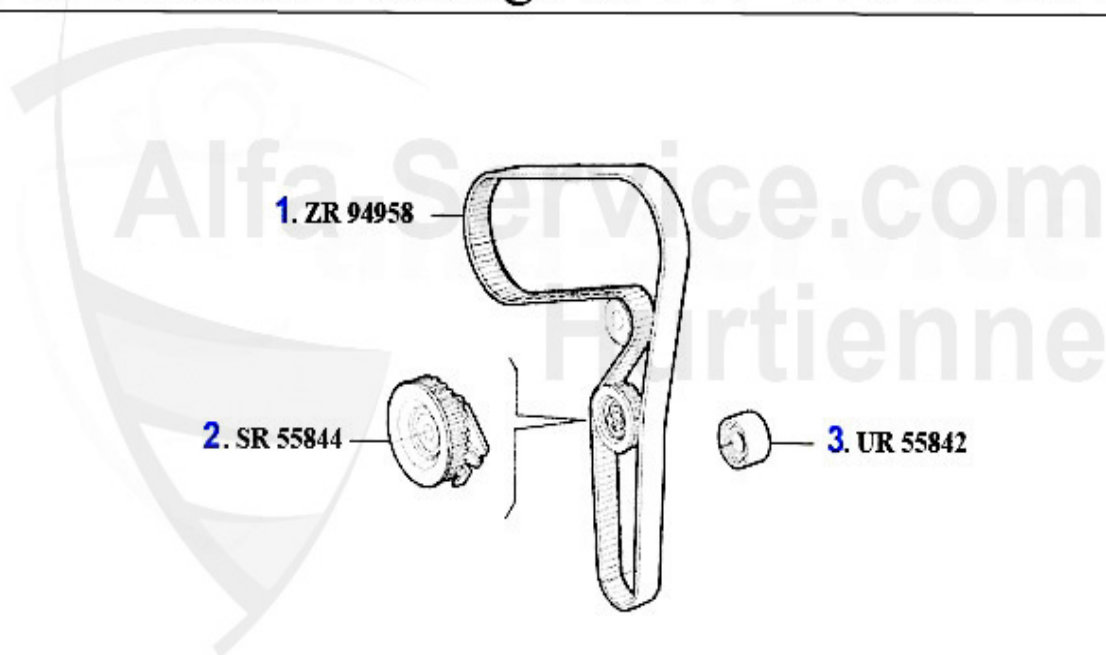
| | | |
|---|---|------------|
| 1 | NKW01385 OE. 73501385 CAMSHAFT EXHAUST 2.4 JTD 20V | 299.00 EUR |
| 2 | NKW02053 OE. 46802053 CAMSHAFT INTAKE 2.4 JTD 20V | 183.63 EUR |
| 3 | WD02577 Siri Nockenwelle 147,156,166,Nuovo GT 1.9/2.4 JTD 16V/20V | 5.90 EUR |

Ventiltrieb/Valve Train 166 2.4 JTD 20V



| | | | |
|---|-----------|--|-----------|
| 1 | KH64765 | Kipphebel 147,156,166,Nuovo GT JTD 16/20V | 10.67 EUR |
| 2 | HST67972 | Stößel 147,156,166,Nuovo GT JTD 16/20V | 35.11 EUR |
| 3 | VFEA86786 | OE. 55186786 Valve Guide Intake/Exhaust JTD 16/20V | 13.34 EUR |
| 4 | VE95535 | OE. 55195535 Valve Intake JTD 16/20V | 18.98 EUR |
| 5 | VA87902 | OE. 46787902 Valve-Exhaust JTD 16/20V | 20.00 EUR |

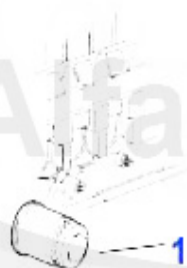
Zahnriemen/Timingbelt 166 2.4 JTD 20V



| | | | |
|---|---------|---|-----------|
| 1 | ZR94958 | Zahnriemen 147,156,166,Nuovo GT JTD 16/20V | 58.48 EUR |
| 2 | SR55844 | TENSIONING PULLEY TIMING BELT 145/6/7 , 156 , 166 1,9 & 2,4 JTD | 68.22 EUR |
| 3 | UR55842 | GUIDE PULLEY TIMING BELT 145/6/7,156 , 166 1,9 & 2,4 JTD | 34.77 EUR |

Filter 166 2.0 TS

Oelfilter/Oilfilter

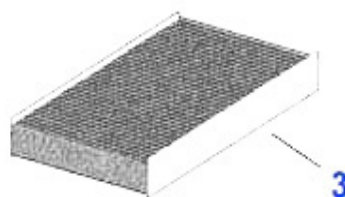


Luftfilter/Airfilter



Kraftstofffilter/Fuelfilter

Innenraumfilter/Indoorfilter



| | | | |
|----------|--------------|--|------------------|
| 1 | OF519 | OE. 46808398/71736159 OILFILTER | 7.79 EUR |
| 2 | LF93 | OE. 60811342 AIR FILTER | 16.31 EUR |
| 3 | IF355 | OE. 46722335 INTERIOR FILTER | 31.00 EUR |

Filter 166 Turbo

Oelfilter/Oilfilter

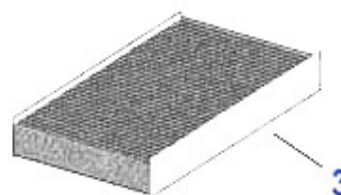


Luftfilter/Airfilter



Kraftstofffilter/Fuelfilter

Innenraumfilter/Indoorfilter



| | | | |
|---|-------|------------------------------|-----------|
| 1 | OF124 | OE. 46805830 OILFILTER | 9.13 EUR |
| 2 | LF93 | OE. 60811342 AIR FILTER | 16.31 EUR |
| 3 | IF355 | OE. 46722335 INTERIOR FILTER | 31.00 EUR |

Filter 166 V6 24V

Oelfilter/Oilfilter

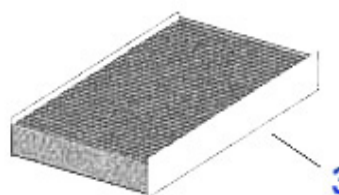


Luftfilter/Airfilter



Kraftstofffilter/Fuelfilter

Innenraumfilter/Indoorfilter



| | | | |
|----------|--------------|-------------------------------------|------------------|
| 1 | OF124 | OE. 46805830 OILFILTER | 9.13 EUR |
| 2 | LF93 | OE. 60811342 AIR FILTER | 16.31 EUR |
| 3 | IF355 | OE. 46722335 INTERIOR FILTER | 31.00 EUR |

Filter 166 JTD

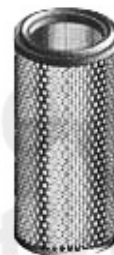
Oelfilter/Oilfilter



1. OF 126
100/103 KW

2. OF 110
110/129 KW

Luftfilter/Airfilter



3. LF 93
100/103 KW

4. LF 149
110/129 KW

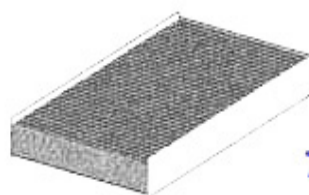
Kraftstofffilter/Fuelfilter



5. KF 378
>12.2002

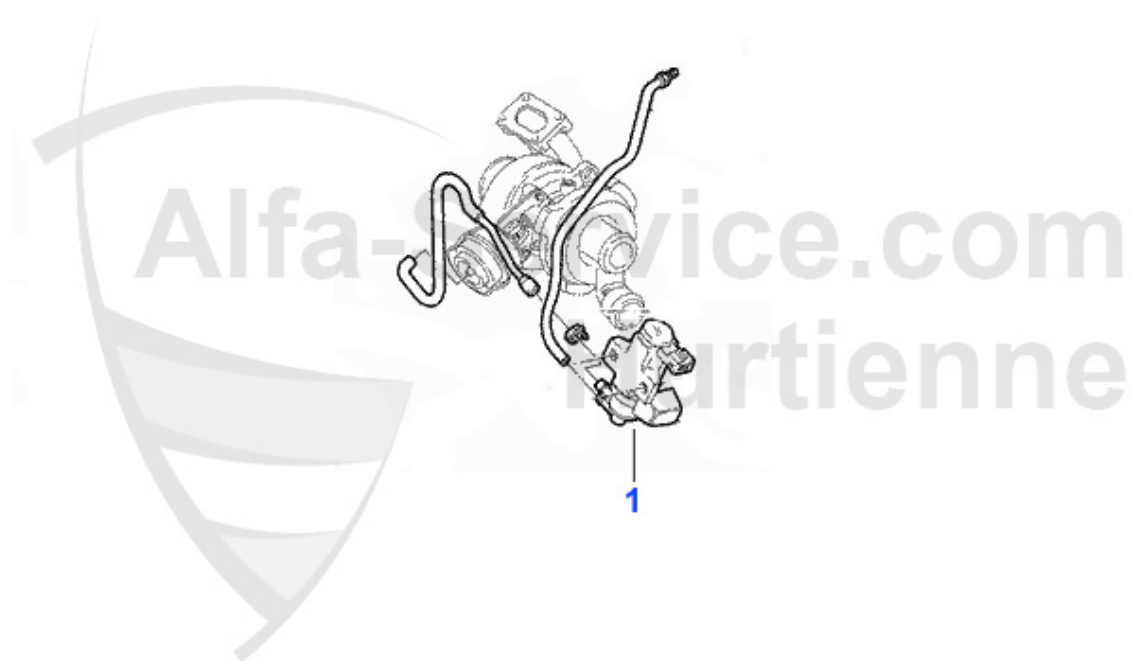
6. KF 338
01.2003>

Innenraumfilter/Indoorfilter



7. IF 355

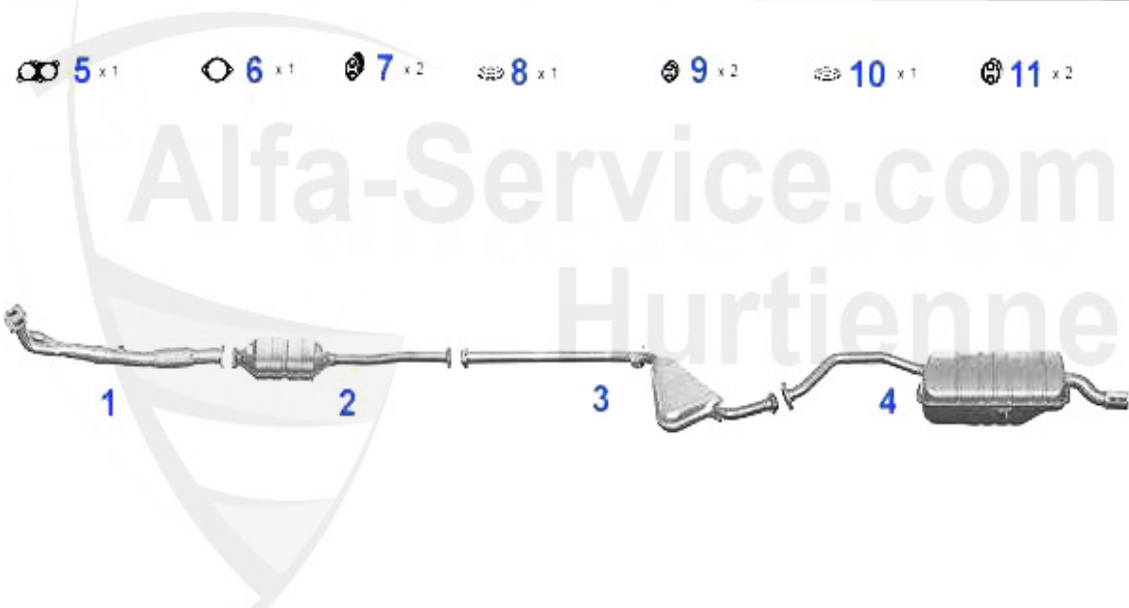
| | | | |
|----------|--------------|--|------------------|
| 1 | OF126 | Ölfiter 145/6,147,156,166 JTD Anschraubpatrone | 9.13 EUR |
| 2 | OF110 | Ölfiter 147,156,Nuovo GT 1.9 JTD, 166 2.4 JTD Anschraubpatrone | 10.36 EUR |
| 3 | LF93 | OE. 60811342 AIR FILTER | 16.31 EUR |
| 4 | LF149 | AIR FILTER 147 GTA,156 2.0 TS/JTS/V6 24V/JTD,NUOVO GT V6 24V, ROUND | 14.77 EUR |
| 5 | KF378 | Kraftstoff-Filter 147,156,166 1.9 JTD 8V (CF3)/2.4 JTD 110 KW | 32.93 EUR |
| 6 | KF338 | Kraftstofffilter 147,156,166,Nuovo G T JTD (CF3),Bj 01> | 28.62 EUR |
| 7 | IF355 | OE. 46722335 INTERIOR FILTER | 31.00 EUR |



1 STV203202 ELECTRO VALVE FOR TURBO 147, 156, 159, 166,GT, Brera, Mito, Nuovo
Spider

68.94 EUR

Abgasanlage/Exhaust System 166 2.0 TS



166 2.0 16V TWIN SPARK (1970cc - 114KW - Met AR34103 / 110KW - Met AR36201)

10/'98-

| | | |
|----|---|------------|
| 1 | VR118101 Vorderrohr 166 2.0 TS (114kw) | 244.15 EUR |
| 1 | VR674700 OE. 60674700 EXHAUST PIPE 166 2.0 TS 110 KW | 690.40 EUR |
| 2 | KAT118133 CENTER CATALYST 166 2.0 TS (114 KW) | 728.36 EUR |
| 2 | KAT667262 OE. 60667262 SILENCER CATALIZED 166 2.0 TS 110KW | 730.41 EUR |
| 3 | MSD118106 CENTER MUFFLER 166 2.0 TS,2.4 JTD | 166.01 EUR |
| 4 | NSD118107 END MUFFLER 166 2.0 TS | 220.15 EUR |
| 5 | SAT094474 Dichtung VSD spider/gtv (916) 145/6,155,156 2.0 TS 16V | 10.77 EUR |
| 6 | SAT094484 Dichtung VSD/Kat Diverse | 9.75 EUR |
| 7 | SAT091031 Gummi/Auspuffaufhängung 164 Super turbo | 4.00 EUR |
| 8 | SAT094002 Brennring Kat Diverse Modelle | 8.60 EUR |
| 9 | SAT091143 SILENT BLOC MUFFLER SUSPENSION SPIDER/ GTV (916),156,166,147 1.9JTD 8/16V | 3.53 EUR |
| 11 | SAT091066 OE.60655991 rubber exhaust hanger 147/156 | 4.00 EUR |

Abgasanlage/Exhaust System 166 V6 Turbo



166 2.0 V6 TURBO (1998cc - 151 kW - Met AR94102)

10/'98-

| | | |
|----|--|------------|
| 1 | VR658592 OE. 60658592 EXHAUST PIPE 166 2.0 V6 Turbo | 358.02 EUR |
| 2 | KAT457433 CATALYST 166 V6 TURBO | 728.36 EUR |
| 3 | MSD457406 CENTER MUFFLER 166 V6 TURBO,2.5/3.0/3.2 V6 24V CF2/3 | 255.85 EUR |
| 4 | NSD118207 END MUFFLER 166 V6 TURBO | 403.41 EUR |
| 5 | SAT27204 OE. 55191963 SEALING GASKET f. EXHAUST PIPE 166 2.0 V6 Turbo | 11.19 EUR |
| 6 | SAT094484 Dichtung VSD/Kat Diverse | 9.75 EUR |
| 7 | SAT091031 Gummi/Auspuffaufhängung 164 Super turbo | 4.00 EUR |
| 8 | SAT094003 MUFFLER RING FOR VARIOUS MODELS | 10.15 EUR |
| 9 | SAT091143 SILENT BLOC MUFFLER SUSPENSION SPIDER/ GTV (916),156,166,147 1.9JTD 8/16V | 3.53 EUR |
| 11 | SAT091066 OE.60655991 rubber exhaust hanger 147/156 | 4.00 EUR |

Abgasanlage/Exhaust System 166 V6 24V CF2



166 2.5 V6 24V / 3.0 V6 24V (2492 cc - 140 kW - Mot. AR34201) / (2859 cc - 165 kW - Mot. AR34301) + AUTOMATIKGET 10/'98-

| | | |
|----|---|------------|
| 1 | VR656839 OE. 60656838 EXHAUST PIPE FR 166 2.5/3.0 V6 24V CF2 | 245.00 EUR |
| 2 | VR656838 OE. 60656838 EXHAUST PIPE FL 166 2.5/3.0 V6 24V CF2 | 320.00 EUR |
| 3 | KAT118333 CENTER CATALYST 166 V6 24V | 805.30 EUR |
| 4 | MSD457406 CENTER MUFFLER 166 V6 TURBO,2.5/3.0/3.2 V6 24V CF2/3 | 255.85 EUR |
| 5 | NSD118307 END MUFFLER 166 V6 24V | 302.63 EUR |
| 6 | SAT54239 Dichtung/Hosenrohr 156,164 Super, 166,gtv/spider (916) V6 24V | 10.14 EUR |
| 7 | SAT094552 CATALYST GASKET 166 V6 24V | 10.15 EUR |
| 8 | SAT091031 Gummi/Auspuffaufhängung 164 Super turbo | 4.00 EUR |
| 9 | SAT094003 MUFFLER RING FOR VARIOUS MODELS | 10.15 EUR |
| 10 | SAT091143 SILENT BLOC MUFFLER SUSPENSION SPIDER/ GTV (916),156,166,147 1.9JTD 8/16V | 3.53 EUR |
| 12 | SAT091066 OE.60655991 rubber exhaust hanger 147/156 | 4.00 EUR |

Abgasanlage/Exhaust System 166 V6 24V CF3



| | | | | |
|----|-----------|--------------|---|-------------|
| 1 | VR656839 | OE. 60656838 | EXHAUST PIPE FR 166 2.5/3.0 V6 24V CF2 | 245.00 EUR |
| 1 | VR669661 | OE. 60669661 | EXHAUST PIPE FR 166 2.5/3.2 V6 24V CF3 | 296.48 EUR |
| 2 | VR669662 | OE. 60669662 | EXHAUST PIPE FL 166 2.5/3.2 V6 24V CF3 | 296.48 EUR |
| 2 | VR656838 | OE. 60656838 | EXHAUST PIPE FL 166 2.5/3.0 V6 24V CF2 | 320.00 EUR |
| 3 | KAT677530 | OE. 60677530 | SILENCER CATALIZED 166 3.2 V6 24V CF | 1154.10 EUR |
| 3 | KAT666853 | OE. 60666853 | SILENCER CATALIZED 166 2.5/3.0 V6 24V CF3 | 1179.74 EUR |
| 4 | MSD457406 | | CENTER MUFFLER 166 V6 TURBO,2.5/3.0/3.2 V6 24V CF2/3 | 255.85 EUR |
| 5 | NSD118307 | | END MUFFLER 166 V6 24V | 302.63 EUR |
| 6 | SAT54239 | | Dichtung/Hosenrohr 156,164 Super, 166,gtv/spider (916) V6 24V | 10.14 EUR |
| 6 | SAT69665 | OE. 60669665 | SEALING GASKET f. EXHAUST PIPE 147,156,166,Nuovo GT V6 24V/GTA | 7.18 EUR |
| 7 | SAT094552 | | CATALYST GASKET 166 V6 24V | 10.15 EUR |
| 8 | SAT091031 | | Gummi/Auspuffaufhängung 164 Super turbo | 4.00 EUR |
| 9 | SAT094003 | | MUFFLER RING FOR VARIOUS MODELS | 10.15 EUR |
| 10 | SAT091143 | | SILENT BLOC MUFFLER SUSPENSION SPIDER/ GTV (916),156,166,147 1.9JTD 8/16V | 3.53 EUR |
| 12 | SAT091066 | OE.60655991 | rubber exhaust hanger 147/156 | 4.00 EUR |

Abgasanlage/Exhaust System 166 2.4 JTD 10V



166 2.4 JTD TURBO DIESEL (2387 cc - 100 KW - Mot. AR34202 / 103 KW - Mot.839A6000/110 KW - Mot.641C000)

10/'98-

| | | |
|----|---|------------|
| 1 | VR457301 Vorderrohr 166 2.4 JTD | 251.34 EUR |
| 2 | KAT118433 CENTER CATALYST 166 2.4 JTD | 870.96 EUR |
| 3 | MSD118106 CENTER MUFFLER 166 2.0 TS,2.4 JTD | 166.01 EUR |
| 4 | NSD118407 END MUFFLER 166 2.4 JTD | 238.00 EUR |
| 5 | SAT76928 OE. 82476928 SEALING GASKET f. EXHAUST PIPE 166 2.4 JTD 10V | 16.92 EUR |
| 6 | SAT094484 Dichtung VSD/Kat Diverse | 9.75 EUR |
| 7 | SAT091031 Gummi/Auspuffaufhängung 164 Super turbo | 4.00 EUR |
| 8 | SAT094002 Brennring Kat Diverse Modelle | 8.60 EUR |
| 9 | SAT091143 SILENT BLOC MUFFLER SUSPENSION SPIDER/ GTV (916),156,166,147 1.9JTD 8/16V | 3.53 EUR |
| 11 | SAT091066 OE.60655991 rubber exhaust hanger 147/156 | 4.00 EUR |

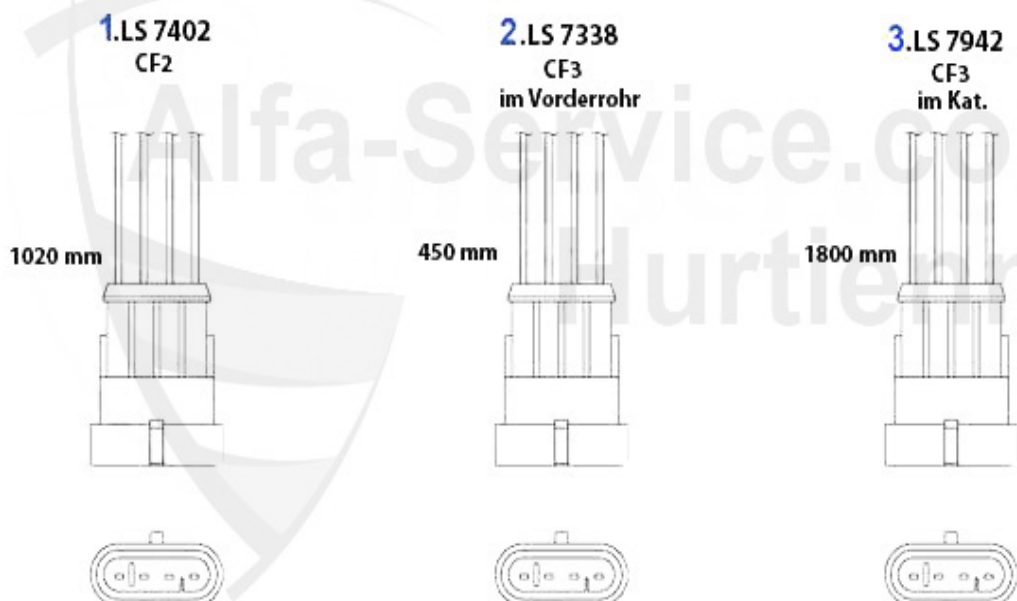
Abgasanlage/Exhaust System 166 2.4 JTD 20V



166 2.4 JTD TURBO DIESEL 20V

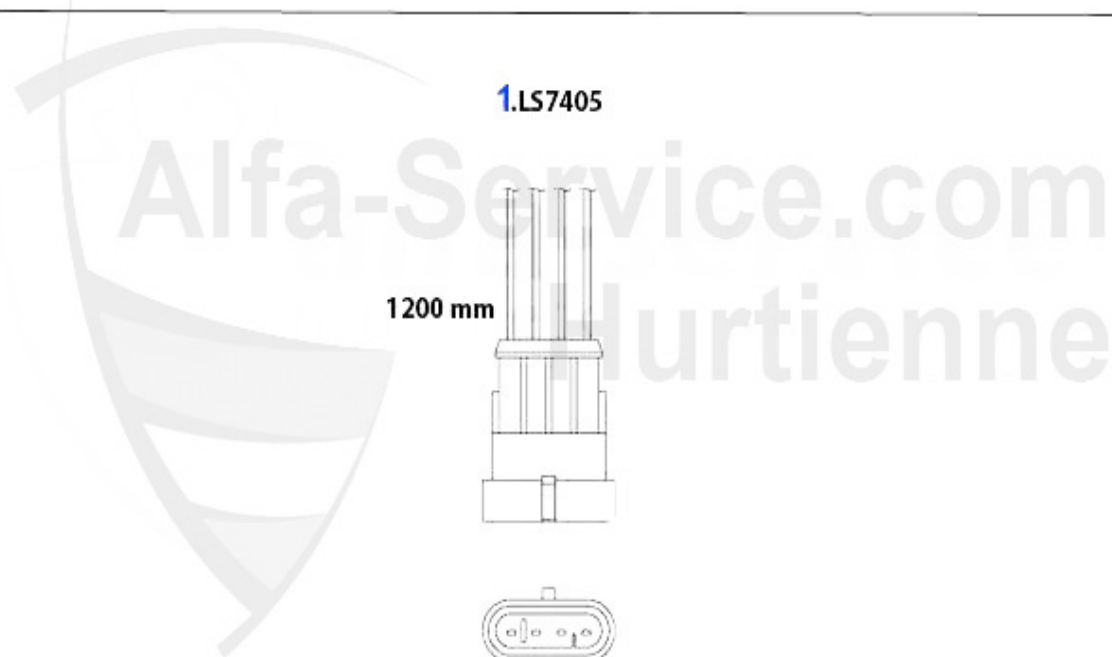
| | | |
|----|---|------------|
| 1 | VR183717 OE. 55183717 EXHAUST PIPE 166 2.4 JTD 20V | 275.96 EUR |
| 2 | KAT118433 CENTER CATALYST 166 2.4 JTD | 870.96 EUR |
| 3 | MSD118106 CENTER MUFFLER 166 2.0 TS, 2.4 JTD | 166.01 EUR |
| 4 | NSD118407 END MUFFLER 166 2.4 JTD | 238.00 EUR |
| 5 | SAT094560 GASKET FRONT MUFFLER 145/6, 156, 166 JTD | 4.62 EUR |
| 6 | SAT094484 Dichtung VSD/Kat Diverse | 9.75 EUR |
| 7 | SAT091031 Gummi/Auspuffaufhängung 164 Super turbo | 4.00 EUR |
| 8 | SAT094002 Brennring Kat Diverse Modelle | 8.60 EUR |
| 9 | SAT091143 SILENT BLOC MUFFLER SUSPENSION SPIDER/ GTV (916), 156, 166, 147 1.9 JTD 8/16V | 3.53 EUR |
| 11 | SAT091066 OE. 60655991 rubber exhaust hanger 147/156 | 4.00 EUR |

Lambda-Sonde/Lambda Probe 166 2.0 TS



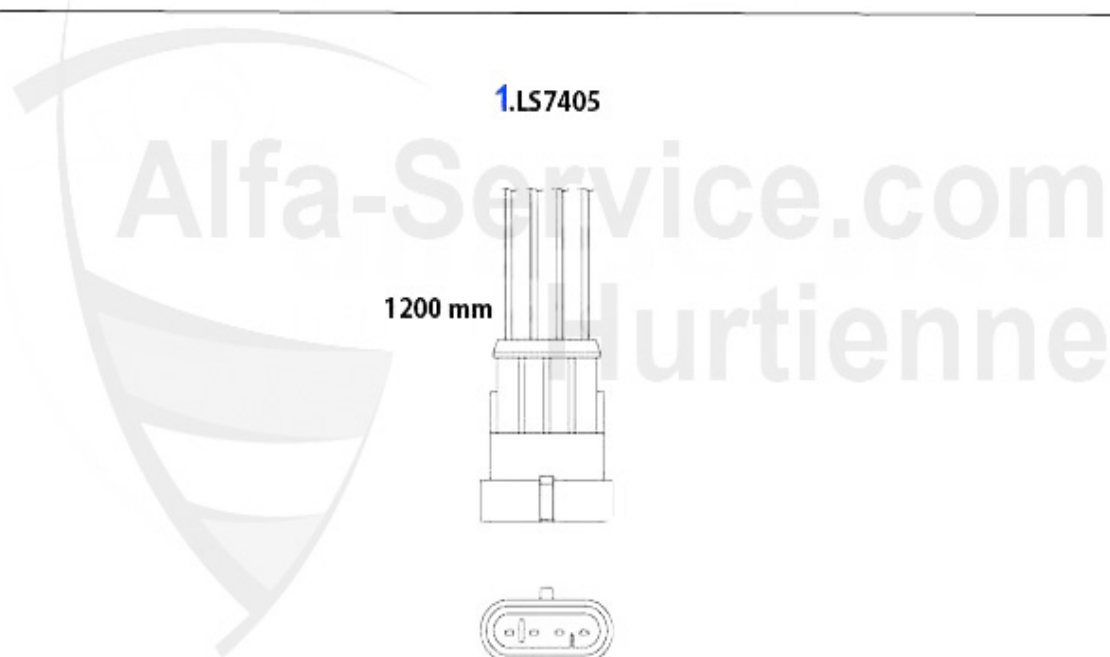
| | | | |
|----------|---------------|---|-------------------|
| 1 | LS7402 | OE. 46750242 LAMBDA PROBE 166 2.0 TS CF2 | 160.03 EUR |
| 2 | LS7338 | Lambda-Sonde 147 1.6/2.0 16V TS, 156 1.6/1.8/2.0 16V TS/2.5 V6 24V, 3.2 GTA,166 2.0 16V TS,gtv/spider (916) 2.0 TS bj. 08.00> 4-adrig | 112.85 EUR |
| 3 | LS7942 | OE. 46750248 LAMBDA PROBE 166 2.0/2.5/ 3.0/3.2 CF3 | 77.00 EUR |

Lambda-Sonde/Lambda Probe 166 2.0 V6 Turbo



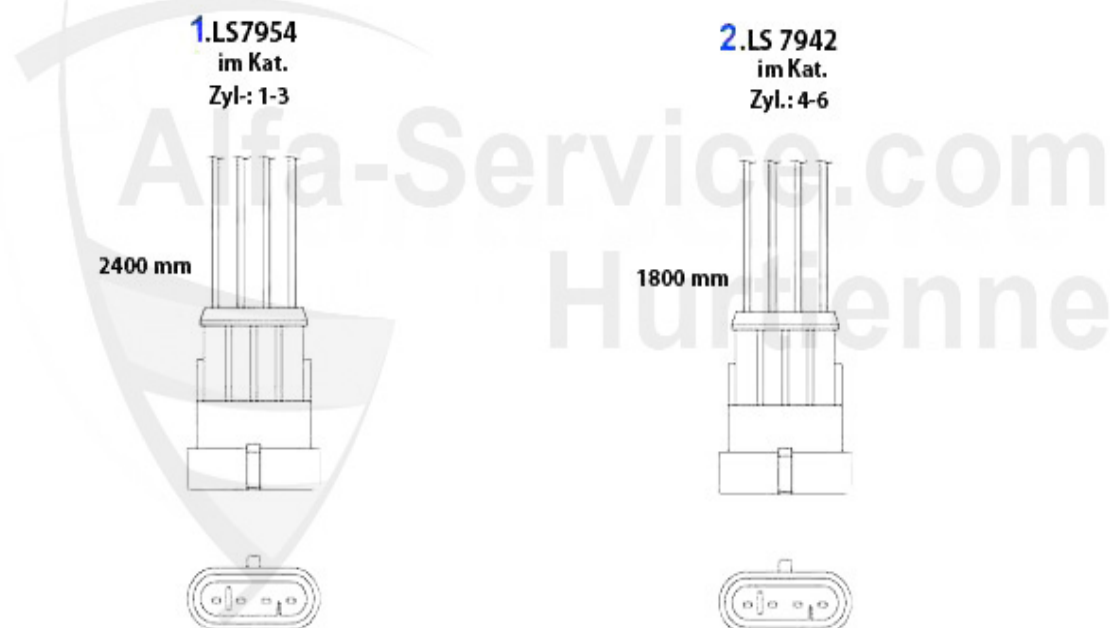
| | | | |
|---|--------|--|-----------|
| 1 | LS7405 | LAMBDA PROBE 145/6 1.4/1.6/1.8/16V TS/2.0 QV,156 1.6 16V TS #0023373> 156 1.8/2.0/16V TS/2.5 V6 24V,166 6-CYL.,SPIDER/GTV (916) 1.8/ FOUR-CORE CABLE | 79.00 EUR |
|---|--------|--|-----------|

Lambda-Sonde/Lambda Probe 166 2.5/3.0 V6 24V CF2



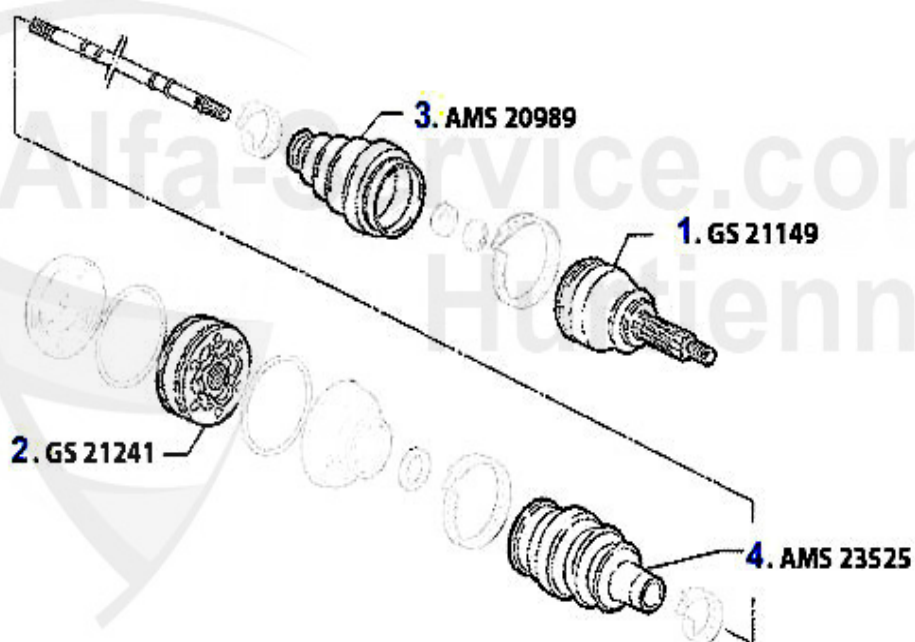
| | | | |
|---|--------|--|-----------|
| 1 | LS7405 | LAMBDA PROBE 145/6 1.4/1.6/1.8/16V TS/2.0 QV,156 1.6 16V TS #0023373> 156 1.8/2.0/16V TS/2.5 V6 24V,166 6-CYL.,SPIDER/GTV (916) 1.8/ FOUR-CORE CABLE | 79.00 EUR |
|---|--------|--|-----------|

Lambda-Sonde/Lambda Probe 166 2.5/3.0/3.2 V6 24V CF3



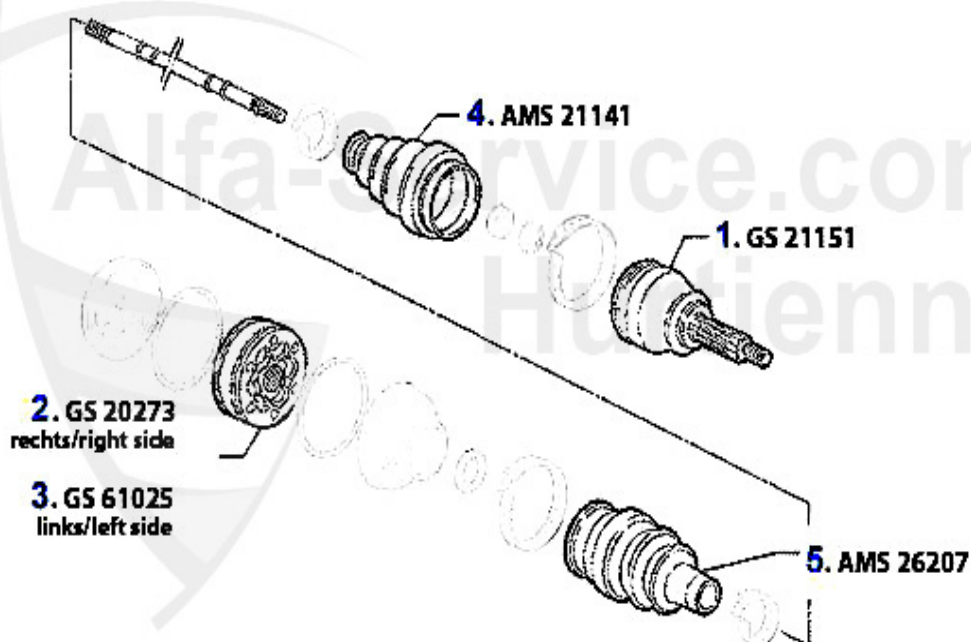
| | | | |
|---|--------|--|-----------|
| 1 | LS7954 | Lambda-Sonde 147 GTA,156 2.5 V6 24V bj. 01.02>/ 3.2 GTA bj.03.02>,166 3.2 V6 24V, gtv/spider (916) 3.2 V6 24V, GT Nuovo 3.2 V6 24V,4-adrig | 69.00 EUR |
| 2 | LS7942 | OE. 46750248 LAMBDA PROBE 166 2.0/2.5/ 3.0/3.2 CF3 | 77.00 EUR |

Antriebswelle/Driveshaft 166 2.0 TS



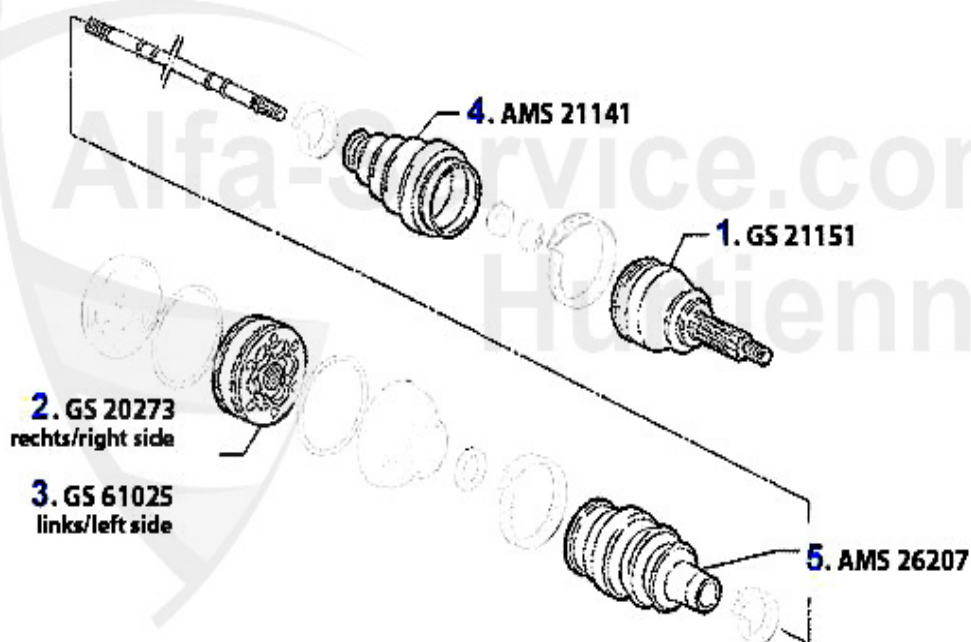
| | | | |
|----------|-----------------|---|-------------------|
| 1 | GS21149 | Gelenksatz außen 166 2.0 TS | 107.72 EUR |
| 2 | GS21241 | Inner drive shaft joint gtv/spider (916),155,145/6 TS 16V,156 TS 16V 166 2.0 TS,147 1.6/2.0 TS | 111.72 EUR |
| 3 | AMS20989 | OE.46429633, outer joint gaiter 145/6 147, 156, 166 | 17.90 EUR |
| 4 | AMS23525 | Achsmanschettensatz innen 155 1,7/ 1.8/2.0/TS 16V,2.5 V6,1.9TD 164/Super 2.0 TS,145/6 TS 16V | 25.55 EUR |

Antriebswelle/Driveshaft 166 2.0 TS



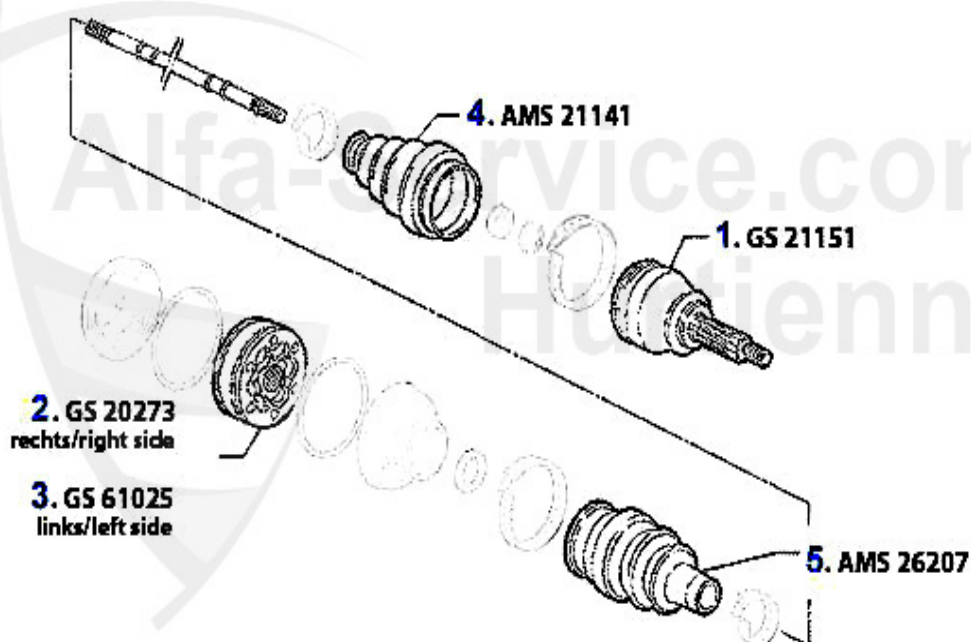
| | | | |
|---|----------|---|------------|
| 1 | GS21151 | Gelenksatz außen 156 1.8/1.8/2.0 16V TS,gtv (916) 1.8/2.0 TS/JTS Bj. 98>,Nuovo GT | 119.00 EUR |
| 2 | GS20273 | INNER DRIVESHAFT JOINT Ri 166 6-Cyl. | 120.54 EUR |
| 3 | GS61025 | INNER DRIVESHAFT JOINT LE 166 6-Cyl. | 120.54 EUR |
| 4 | AMS21141 | Achsmanschettensatz aussen 166 alle 6-zylimder/JTD 10V | 15.49 EUR |
| 5 | AMS26207 | Inner RUBBERBOOT GTV/SPIDER 155,166,145 | 20.00 EUR |

Antriebswelle/Driveshaft 166 2.5 V6 24V



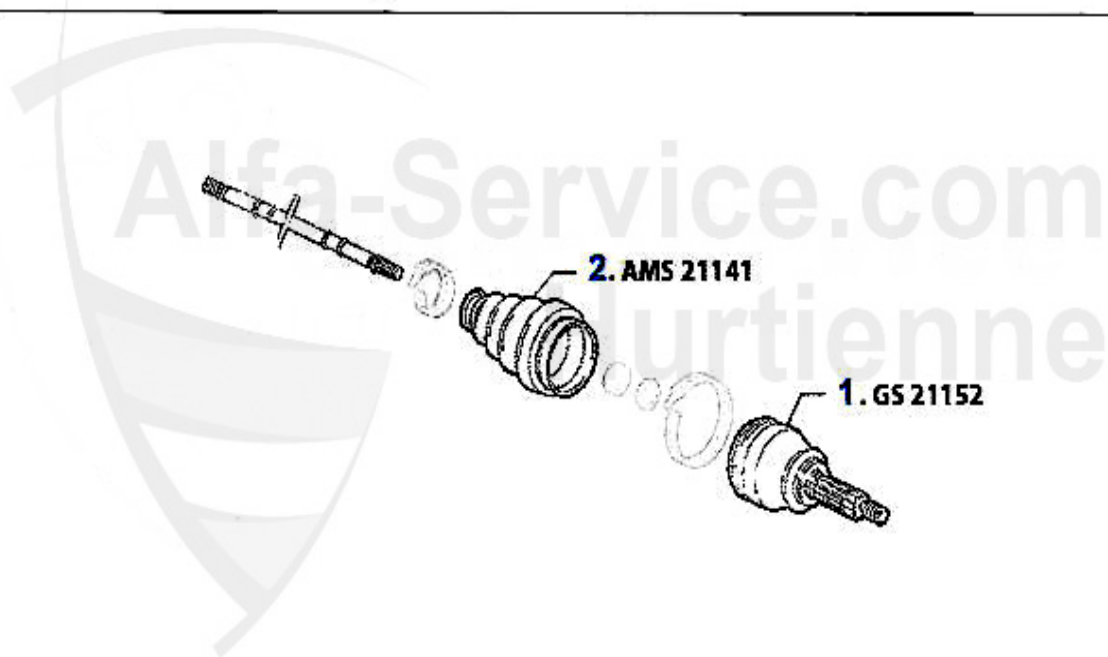
| | | | |
|---|----------|---|------------|
| 1 | GS21151 | Gelenksatz außen 156 1.8/1.8/2.0 16V TS,gtv (916) 1.8/2.0 TS/JTS Bj. 98>,Nuovo GT | 119.00 EUR |
| 2 | GS20273 | INNER DRIVESHAFT JOINT Ri 166 6-Cyl. | 120.54 EUR |
| 3 | GS61025 | INNER DRIVESHAFT JOINT LE 166 6-Cyl. | 120.54 EUR |
| 4 | AMS21141 | Achsmanschettensatz aussen 166 alle 6-zylimder/JTD 10V | 15.49 EUR |
| 5 | AMS26207 | Inner RUBBERBOOT GTV/SPIDER 155,166,145 | 20.00 EUR |

Antriebswelle/Driveshaft 166 3.0 V6 24V



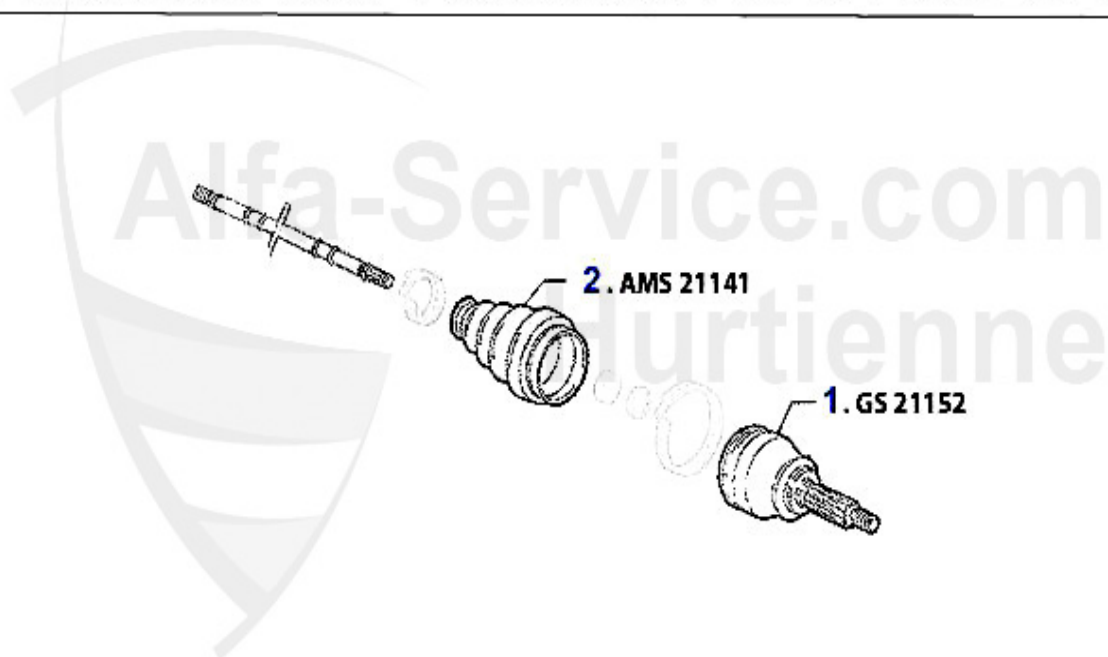
| | | | |
|---|----------|---|------------|
| 1 | GS21151 | Gelenksatz außen 156 1.8/1.8/2.0 16V TS,gtv (916) 1.8/2.0 TS/JTS Bj. 98>,Nuovo GT | 119.00 EUR |
| 2 | GS20273 | INNER DRIVESHAFT JOINT Ri 166 6-Cyl. | 120.54 EUR |
| 3 | GS61025 | INNER DRIVESHAFT JOINT LE 166 6-Cyl. | 120.54 EUR |
| 4 | AMS21141 | Achsmanschettensatz aussen 166 alle 6-zylimder/JTD 10V | 15.49 EUR |
| 5 | AMS26207 | Inner RUBBERBOOT GTV/SPIDER 155,166,145 | 20.00 EUR |

Antriebswelle/Driveshaft 166 3.2 V6 24V



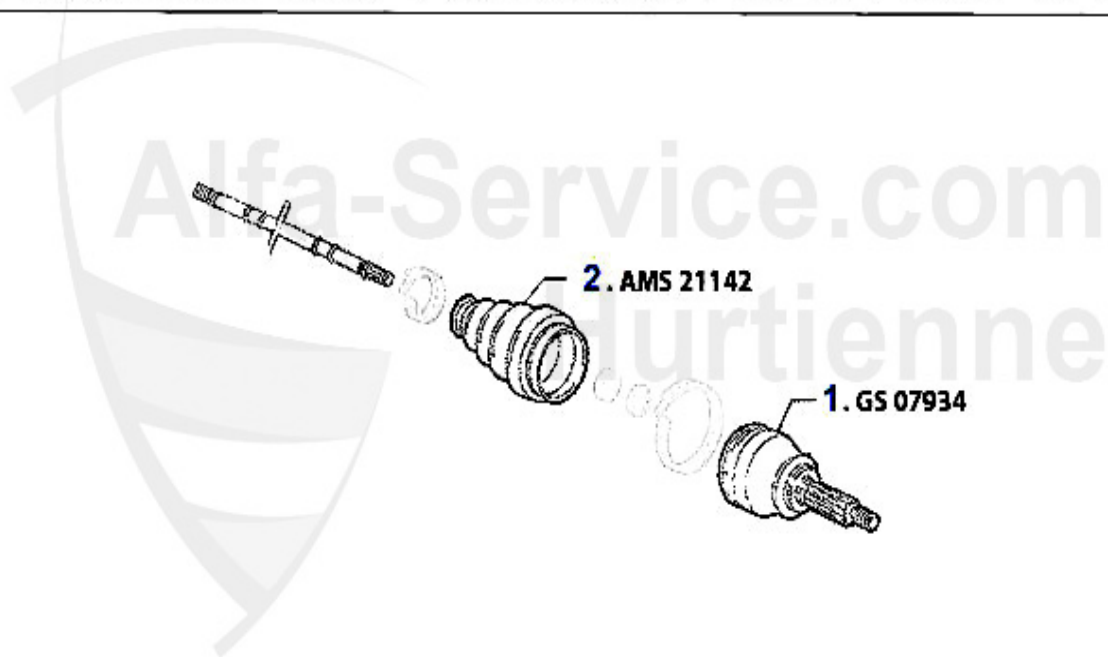
| | | | |
|---|----------|--|------------|
| 1 | GS21152 | Gelenksatz außen 166 6-zylinder/JTD | 127.72 EUR |
| 2 | AMS21141 | Achsmanschettensatz aussen 166 alle 6-zylinder/JTD 10V | 15.49 EUR |

Antriebswelle/Driveshaft 166 2.4 JTD 10V



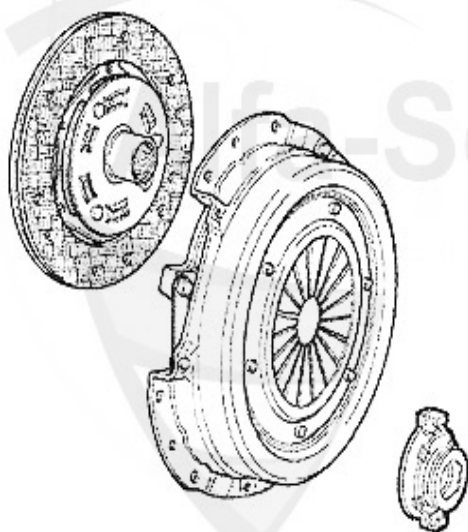
| | | | |
|---|----------|--|------------|
| 1 | GS21152 | Gelenksatz außen 166 6-zylinder/JTD | 127.72 EUR |
| 2 | AMS21141 | Achsmanschettensatz aussen 166 alle 6-zylinder/JTD 10V | 15.49 EUR |

Antriebswelle/Driveshaft 166 2.4 JTD 20V



| | | | |
|----------|-----------------|--|-------------------|
| 1 | GS07934 | OE. 46307934 CONST.VELLOCITY JOI 166 2.4 JTD 20V | 152.86 EUR |
| 2 | AMS21142 | OE. 46307733 BOOT SET 147,156,gtv/spider (916),Nuovo GT 3.2 V6 24V/GTA | 20.42 EUR |

Kupplungs-Kit/Clutch Set 166 2.0 TS



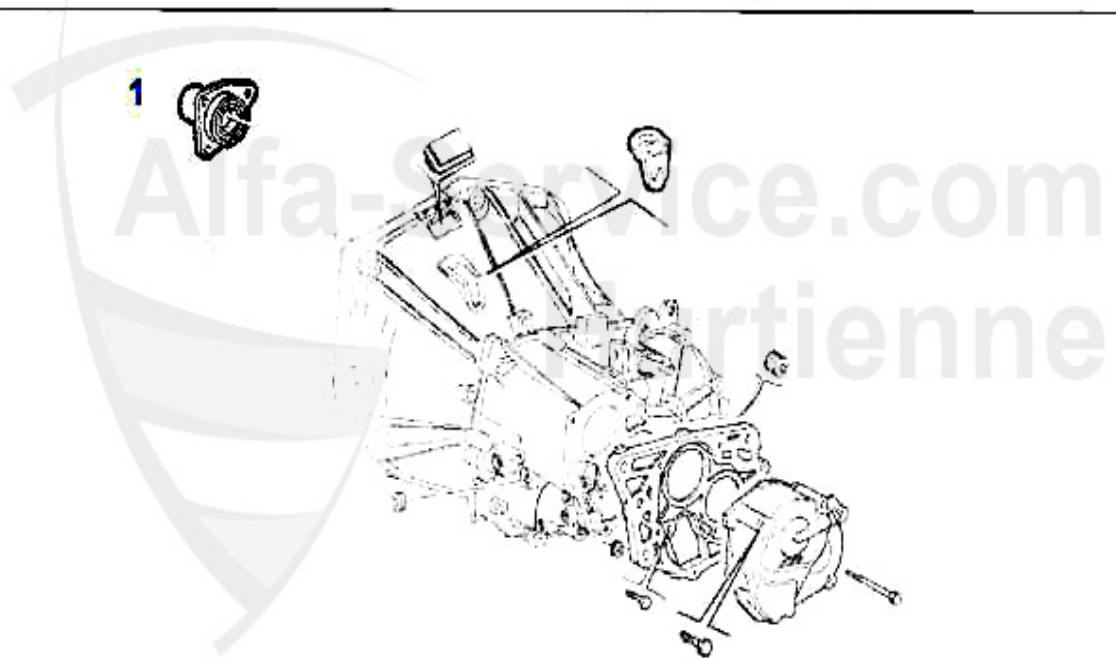
1. KK 739501

Ø 235 mm

1 KK739501 OE. 71735901 KIT CLUTCH 147,156,Nuovo GT 1.9 JTD 16V, 166 2.0 TS
CF3

316.99 EUR

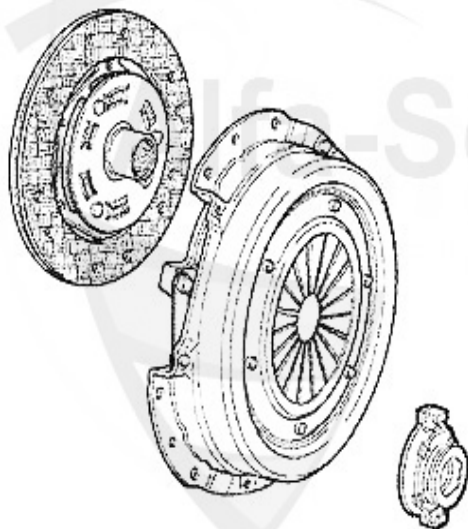
Ausrücker/Sleeve Bearing 166 2.0 TS



1 FH11951 OE. 46411951 Cover

18.84 EUR

Kupplungs-Kit/Clutch Set 166 2.0 V6 Turbo



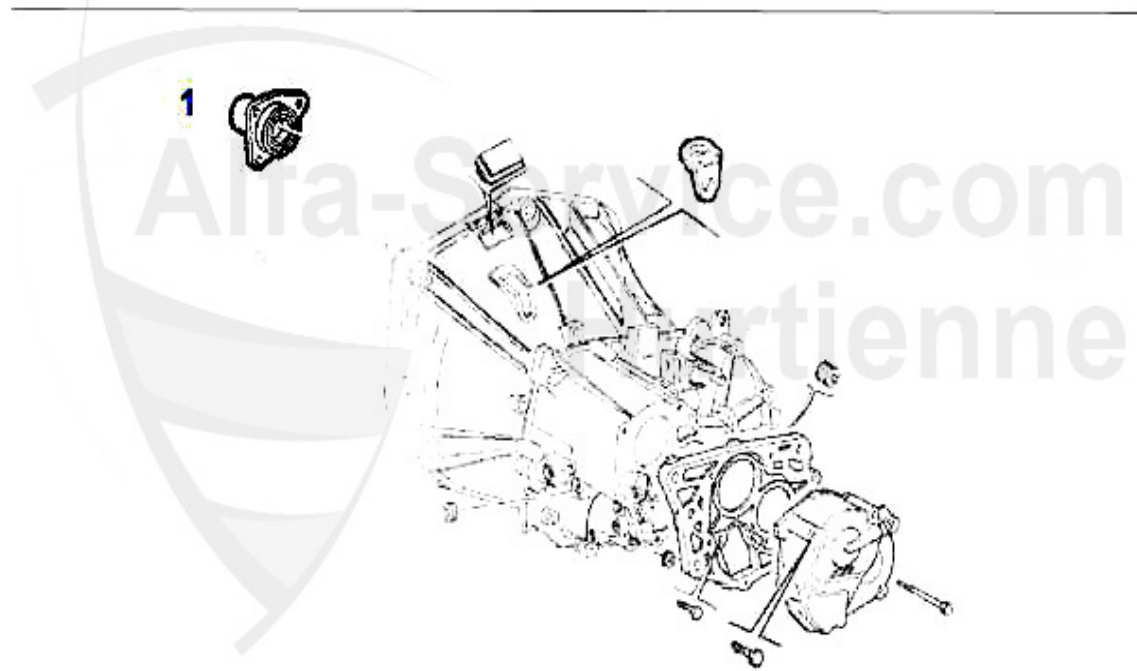
1. KK 740355

Ø 235 mm

1 KK740355 OE. 71710355 KIT CLUTCH 166 2.0 V6 Turbo 3.2 V6 24V

344.99 EUR

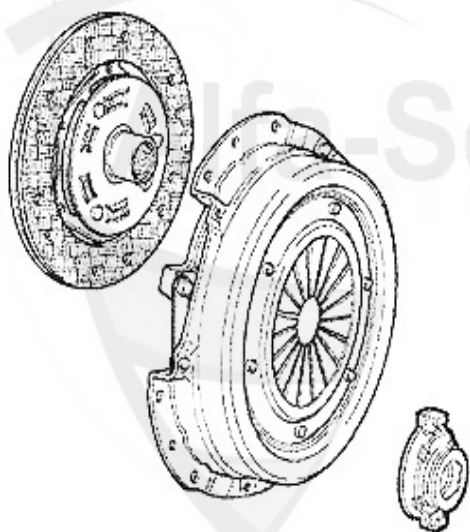
Ausrücker/Sleeve Bearing 166 2.0 V6 Turbo



1 FH11951 OE. 46411951 Cover

18.84 EUR

Kupplungs-Kit/Clutch Set 166 2.5 V6 24V



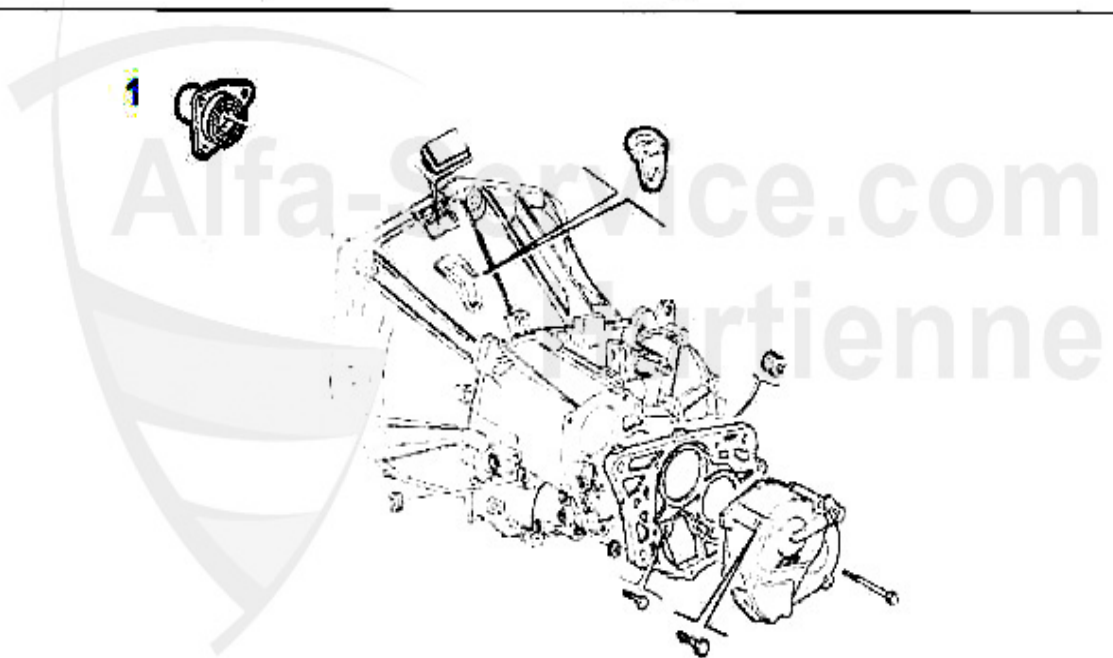
1. KK 739490

Ø 235 mm

1 KK739490 OE.71739490 KIT CLUTCH 166 2.5/3.0 V6 24V

352.89 EUR

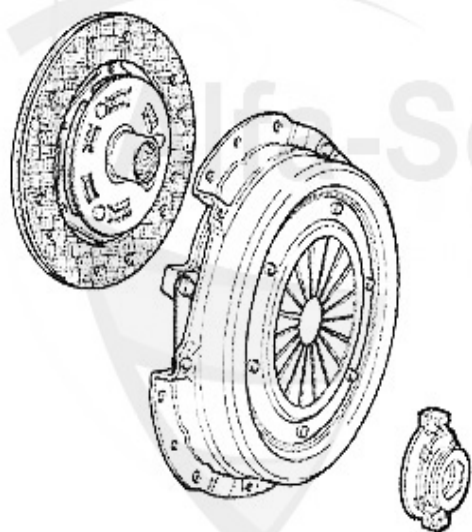
Ausrücker/Sleeve Bearing 166 2.5 V6 24V



1 FH11951 OE. 46411951 Cover

18.84 EUR

Kupplungs-Kit/Clutch Set 166 3.0 V6 24V



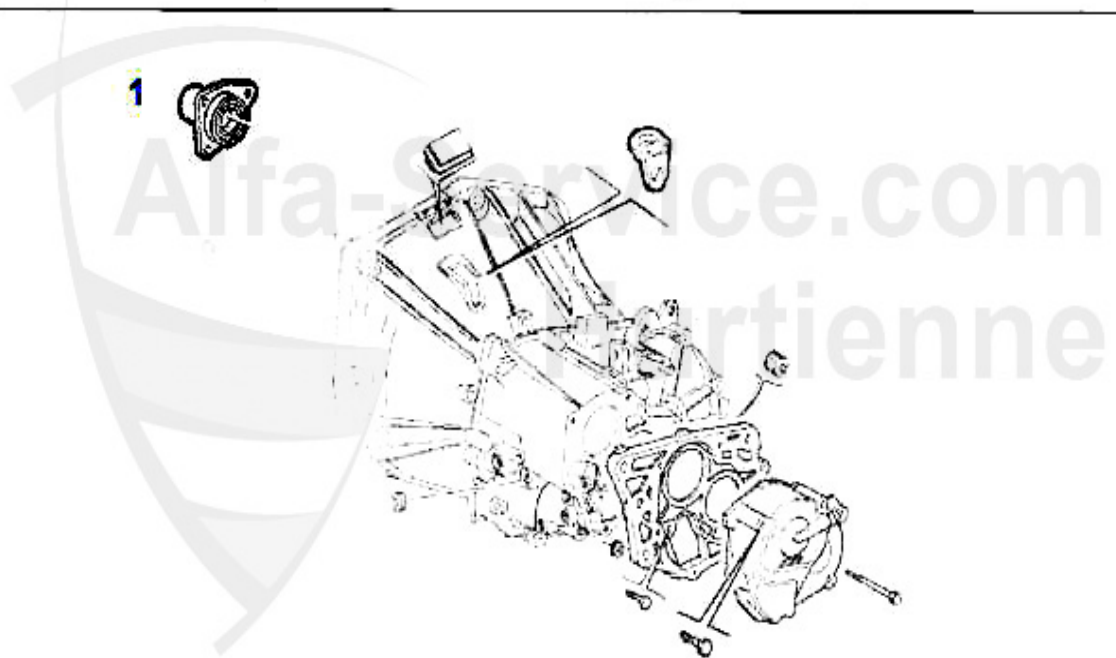
1. KK 735943

Ø 235 mm

1 KK735943 OE. 71735943 CLUTCH KIT 166,gtv/spider (916) 3.0 V6 24V = OE.
71718090

368.28 EUR

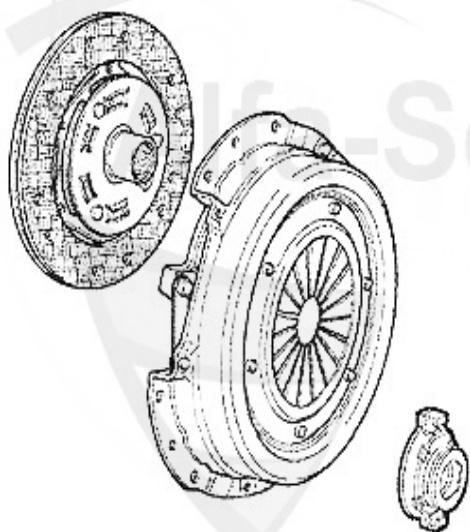
Ausrücker/Sleeve Bearing 166 3.0 V6 24V



1 FH11951 OE. 46411951 Cover

18.84 EUR

Kupplungs-Kit/Clutch Set 166 3.2 V6 24V



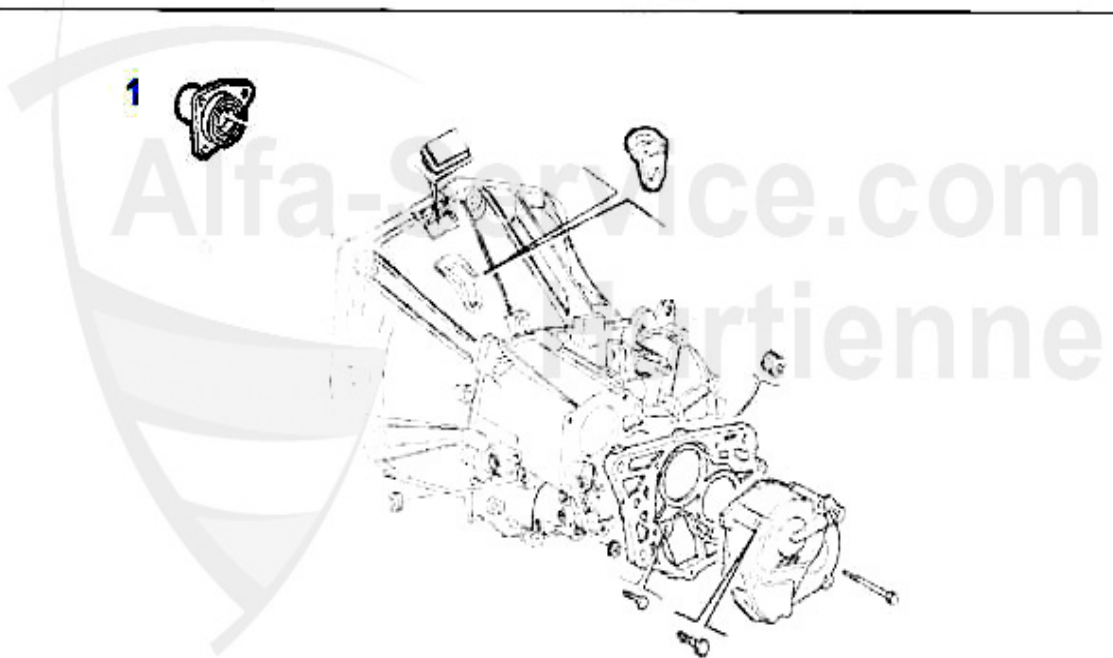
1. KK 740355

Ø 235 mm

1 KK740355 OE. 71710355 KIT CLUTCH 166 2.0 V6 Turbo 3.2 V6 24V

344.99 EUR

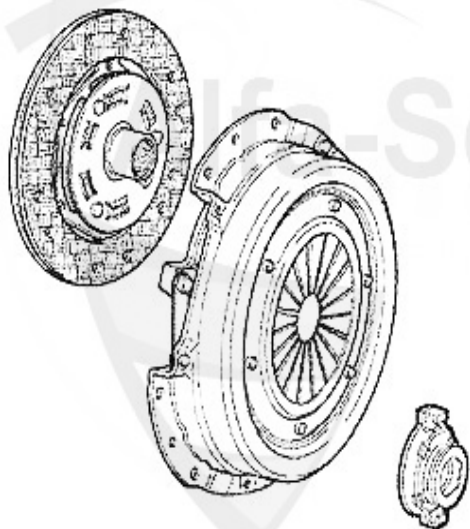
Ausrücker/Sleeve Bearing 166 3.2 V6 24V



1 FH11951 OE. 46411951 Cover

18.84 EUR

Kupplungs-Kit/Clutch Set 166 2.4 JTD 10V



1. KK 734930

Ø 235 mm

100/103 KW

CF2/3

2. KK 739538

Ø 235 mm

110 KW

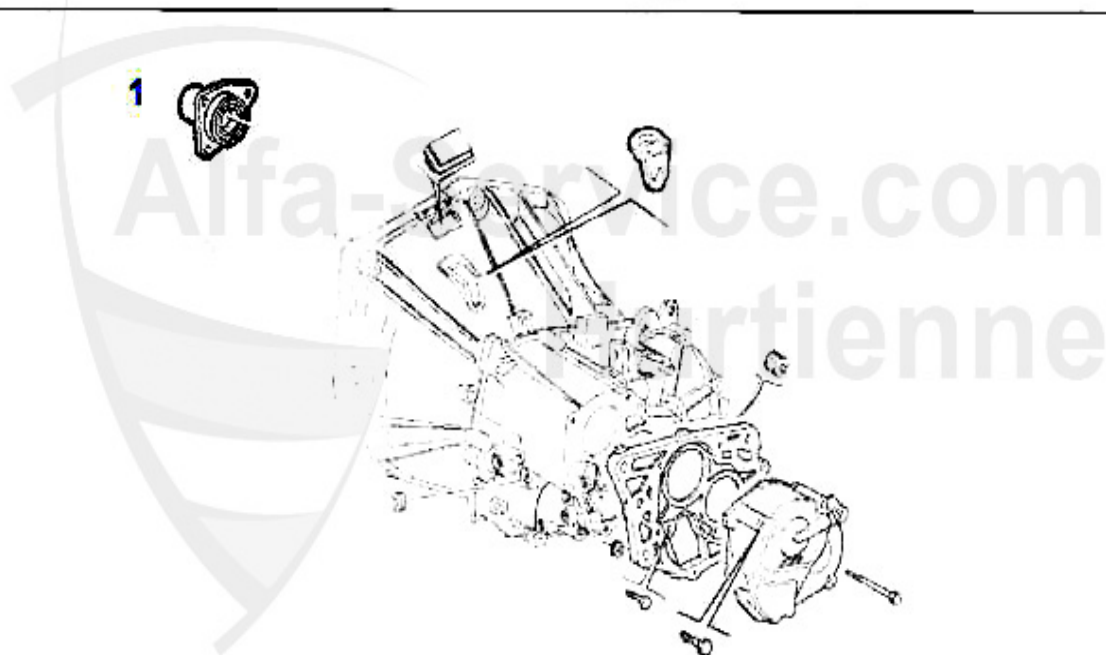
CF3

| | | | |
|---|----------|--------------|---|
| 1 | KK734930 | OE. 71734930 | KIT CLUTCH 166 2.4 JTD 10V CF2/3 100/103 KW |
| 2 | KK739538 | OE. 71739538 | KIT CLUTCH 166 2.4 JTD 10V CF3 110 KW |

337.51 EUR

316.99 EUR

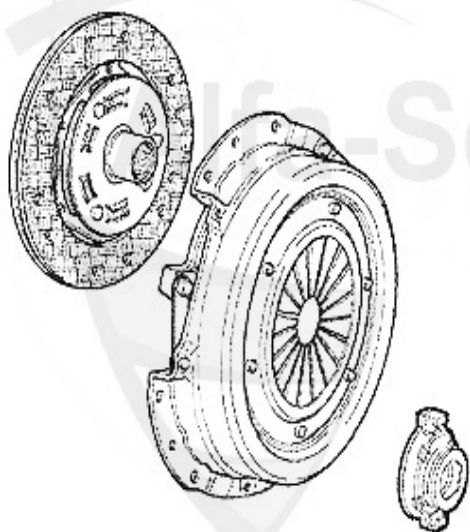
Ausrücker/Sleeve Bearing 166 2.4 JTD 10V



1 FH11951 OE. 46411951 Cover

18.84 EUR

Kupplungs-Kit/Clutch Set 166 2.4 JTD 20V

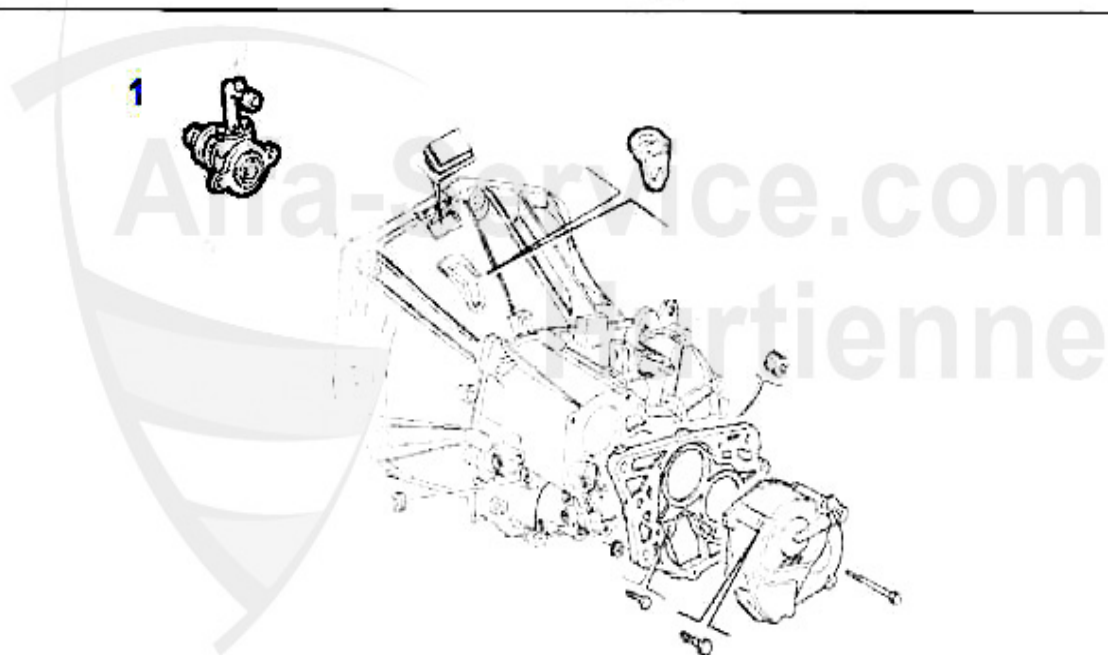


Life-Service.com
1. KK 192735
Hurricane

1 KK192735 OE. 55192735 KIT CLUTCH 156,166 2.4 JTD 20V

286.22 EUR

Ausrücker/Sleeve Bearing 166 2.4 JTD 20V



1 ZA184529 OE. 55184529 ACTUATOR 156/166 2.4 JTD 20V

64.12 EUR



1 KS18617 Kupplungsschlauch Alfa 166 2,0TS/2,5V6 24V/3,2V6 24V/ 2,4JTD Motor
CF3/ (98-07)

19.00 EUR

Kupplungsbetätigung/Clutch Actuation 166 2.0 TS



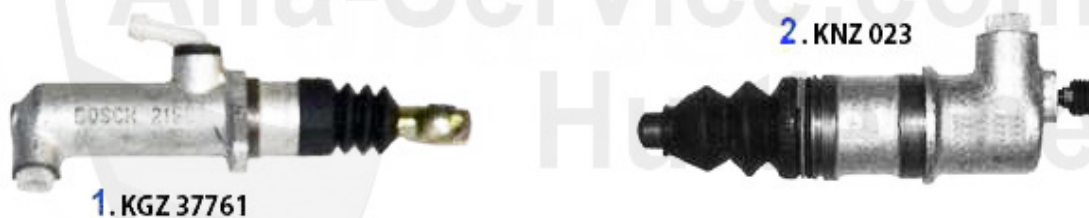
| | | | |
|---|----------|--|------------|
| 1 | KGZ37761 | OE. 71737761/60653742 CLUTCH CYLINDER 166 2.0 TS, 2.5/3.2 V6 24V, 2.4 JTD 10V | 117.98 EUR |
| 2 | KNZ023 | Kupplungsnehmerzylinder 155,166 gtv/spider (916) | 36.93 EUR |

Kupplungsbetätigung/Clutch Actuation 166 2.0 V6 Turbo



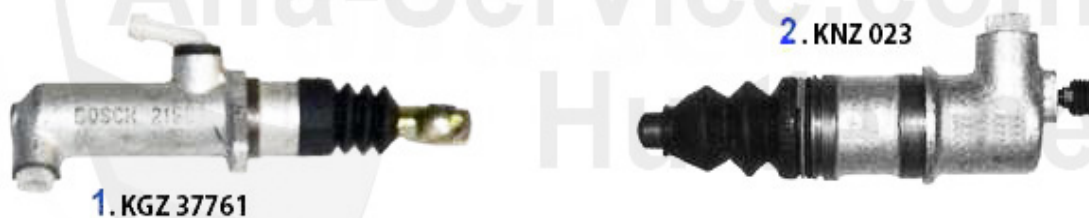
| | | | |
|---|----------|--|------------|
| 1 | KGZ37761 | OE. 71737761/60653742 CLUTCH CYLINDER 166 2.0 TS, 2.5/3.2 V6 24V, 2.4 JTD 10V | 117.98 EUR |
| 2 | KNZ023 | Kupplungsnehmerzylinder 155,166 gtv/spider (916) | 36.93 EUR |

Kupplungsbetätigung/Clutch Actuation 166 2.5 V6 24V



| | | | |
|---|----------|--|------------|
| 1 | KGZ37761 | OE. 71737761/60653742 CLUTCH CYLINDER 166 2.0 TS, 2.5/3.2 V6 24V, 2.4 JTD 10V | 117.98 EUR |
| 2 | KNZ023 | Kupplungsnehmerzylinder 155,166 gtv/spider (916) | 36.93 EUR |

Kupplungsbetätigung/Clutch Actuation 166 3.0 V6 24V



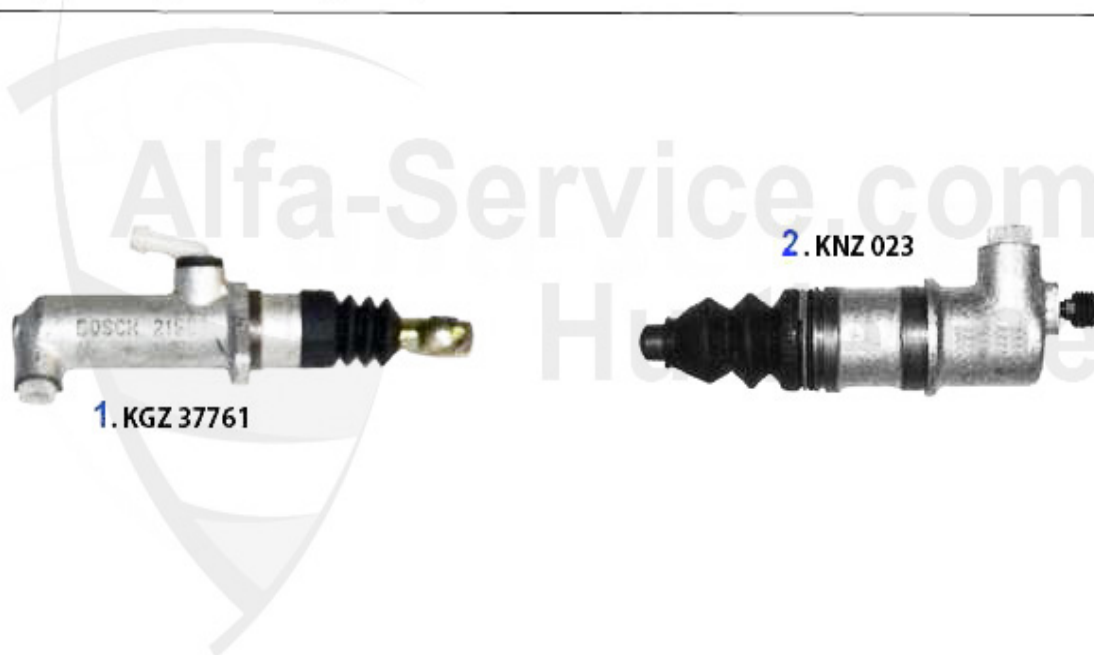
| | | | |
|---|----------|--|------------|
| 1 | KGZ37761 | OE. 71737761/60653742 CLUTCH CYLINDER 166 2.0 TS, 2.5/3.2 V6 24V, 2.4 JTD 10V | 117.98 EUR |
| 2 | KNZ023 | Kupplungsnehmerzylinder 155,166 gtv/spider (916) | 36.93 EUR |

Kupplungsbetätigung/Clutch Actuation 166 3.2 V6 24V



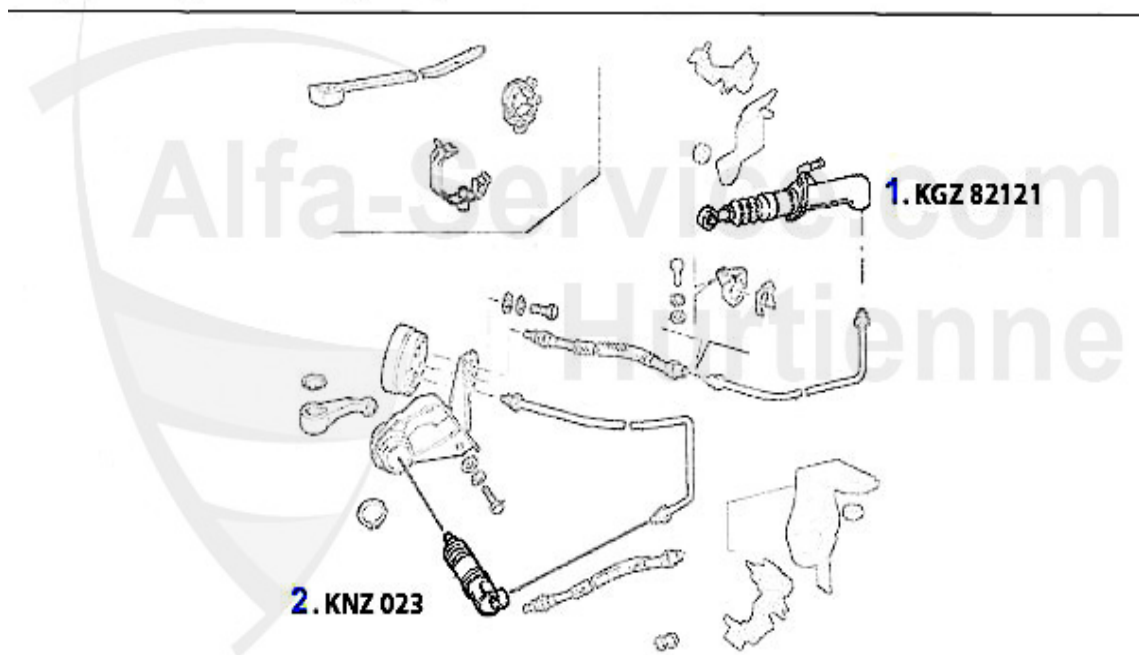
| | | | |
|---|----------|--|------------|
| 1 | KGZ37761 | OE. 71737761/60653742 CLUTCH CYLINDER 166 2.0 TS, 2.5/3.2 V6 24V, 2.4 JTD 10V | 117.98 EUR |
| 2 | KNZ023 | Kupplungsnehmerzylinder 155,166 gtv/spider (916) | 36.93 EUR |

Kupplungsbetätigung/Clutch Actuation 166 2.4 JTD 10V



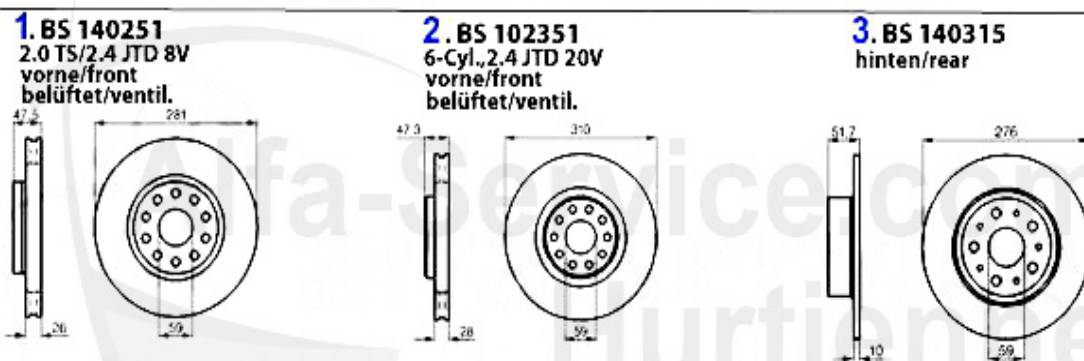
| | | | |
|---|----------|--|------------|
| 1 | KGZ37761 | OE. 71737761/60653742 CLUTCH CYLINDER 166 2.0 TS, 2.5/3.2 V6 24V, 2.4 JTD 10V | 117.98 EUR |
| 2 | KNZ023 | Kupplungsnehmerzylinder 155,166 gtv/spider (916) | 36.93 EUR |

Kupplungsbetätigung/Clutch Actuation 166 2.4 JTD 20V



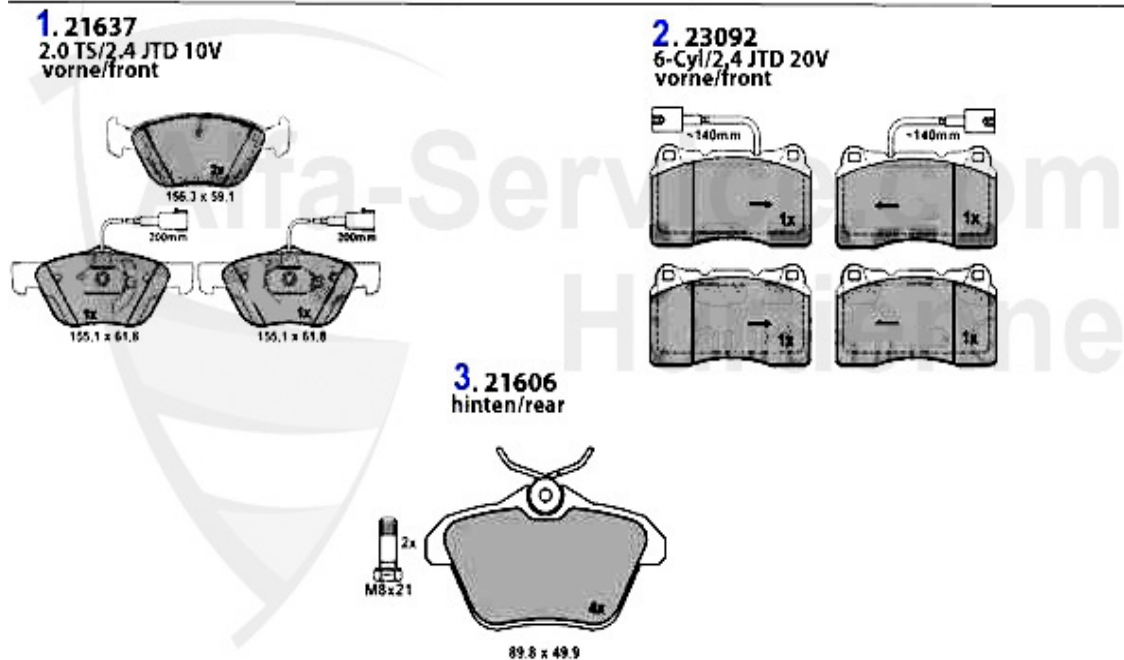
| | | | |
|---|----------|--|-----------|
| 1 | KGZ82121 | OE. 55182121 CLUTCH CYLINDER 166 2.4 JTD 20V | 89.32 EUR |
| 2 | KNZ023 | Kupplungsnehmerzylinder 155,166 gtv/spider (916) | 36.93 EUR |

Bremsscheiben/Brakedisks 166



| | | | |
|----------|-----------------|---|-------------------|
| 1 | BS140251 | Bremsscheibe VA 166 2.0 TS/2.4 JTD | 82.07 EUR |
| 2 | BS102351 | Bremsscheibe VA 166 2.0 V6 turbo/ 2.5/3.0/V6 24V | 110.28 EUR |
| 3 | BS140315 | Bremsscheibe HA 166 alle | 56.42 EUR |

Brembeläge/Brakepads 166



| | | | |
|----------|-----------------|--|-------------------|
| 1 | 21637 188 05 | SBB VA mit We 166 2.0 TS/2.4 JTD Bj. 09.98> Bremssystem: Ate | 96.43 EUR |
| 2 | 23092 160 05 | OE. 77363328 FRONT BRAKE PADS 166 | 101.35 EUR |
| 3 | 21606 166 24 | OE. 71712910 REAR BRAKE PADS WITHOUT ABRASION CONTACT, 156 1.6/1.8/2.0/16V/TS/JTS/2.5 V6 24V/1.9/2.4/JTD 164 3.0V6 Q4 02.94-09.98 | 62.58 EUR |

Bremszangen/Calipers 166

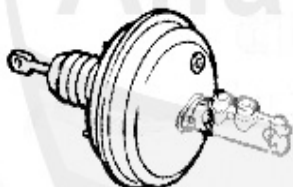


| | | | |
|---|---------|---|------------|
| 1 | BZ48204 | OE. 9948204 BRAKE CALIPER FL 166 2.0 TS/ 2.4 JTD 10V | 210.30 EUR |
| 2 | BZ48208 | OE. 9948208 BRAKE CALIPER FR 166 2.0 TS/ 2.4 JTD 10V | 210.30 EUR |
| 3 | BZ48339 | OE. 9948339 F.BRK.CAL.W/O PAD L 166 V6/ 24V/2.4 JTD 20V | 358.02 EUR |
| 4 | BZ48340 | OE. 9948340 F.BRK.CAL.W/O PAD R 166 V6/ 24V/2.4 JTD 20V | 358.02 EUR |
| 5 | BZ47885 | OE. 9947885 BRAKE CALIPER RL 156 >02,166 | 193.89 EUR |
| 6 | BZ47896 | OE. 9947896 BRAKE CALIPER RR 156 >02,166 | 193.89 EUR |

166 > BRAKE > BRAKE SERVO/BRAKE MASTER CYL.

BKV/Hauptbremszylinder/Brakeservo/Brake master cylinder 166

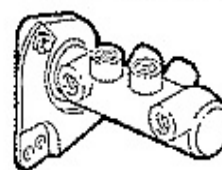
1. BKV 51102



2. HBZ 8218
- DYNMIC CONTROL



3. HBZ 9166
+ DYNMIC CONTROL



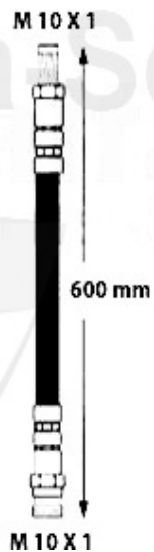
| | | | |
|---|----------|---|------------|
| 1 | BKV51102 | BRAKE SERVO 166, WITHOUT BRAKE MASTER CYLINDER | 374.45 EUR |
| 2 | HBZ8218 | OE. 9948218 BRAKE MASTER CYLINDER 166 without DYNAMIC CONTROL | 265.70 EUR |
| 3 | HBZ9166 | OE. 9949166 BRAKE MASTER CYLINDER 166 with DYNAMIC CONTROL | 178.50 EUR |

Bremsschlauch/Brake Hose 166

1. BS 511920
vorne/front
4-Cyl./JTD



2. BS 511921
vorne/front
6-Cyl.

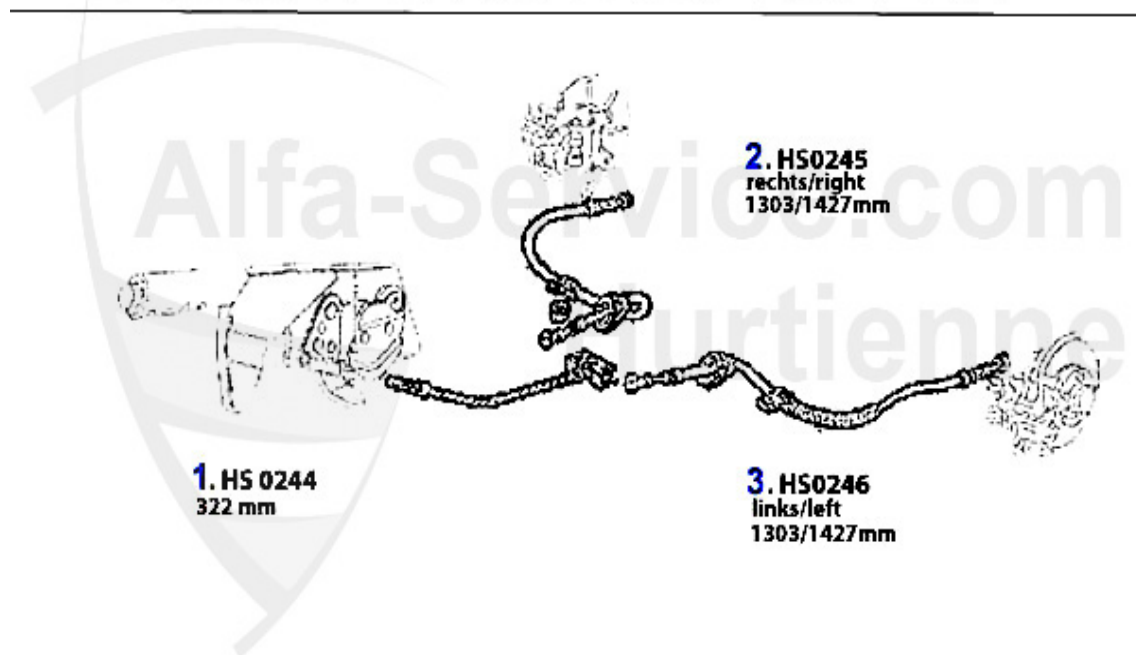


3. BS 516851
hinten/rear



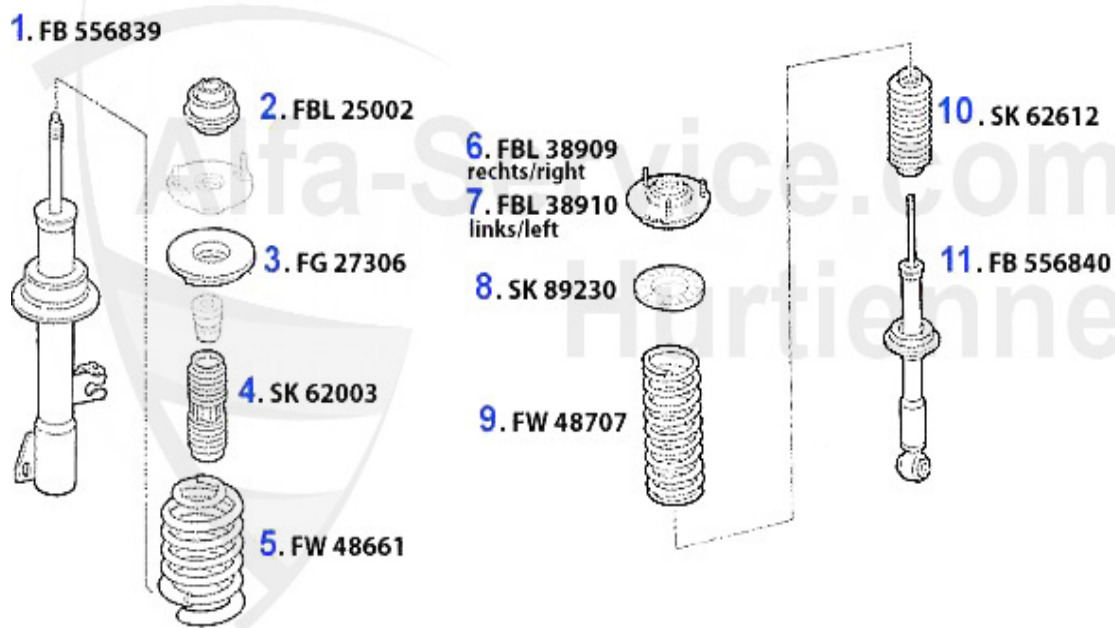
- | | | | |
|----------|-----------------|---|------------------|
| 1 | BS511920 | Bremsschlauch vorne 166 4-zylinder und JTD | 18.68 EUR |
| 2 | BS511921 | Bremsschlauch vorne 166 6-Zylinder | 18.68 EUR |
| 3 | BS516851 | OE. 60728512 BRAKEHOSE REAR 116 >1983 | 16.92 EUR |

Handbremsseil/Brake Cable 166



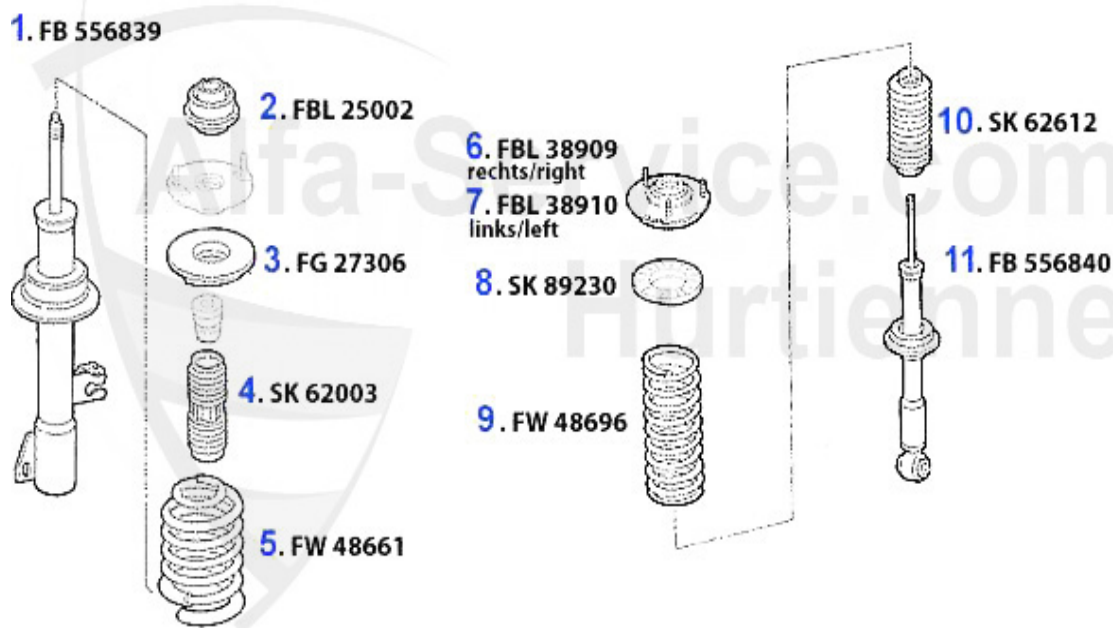
| | | | |
|---|--------|-----------------------------|-----------|
| 1 | HS0244 | HAND BRAKE CABLE 166, FRONT | 12.32 EUR |
| 2 | HS0245 | HAND BRAKE CABLE 166, RIGHT | 37.96 EUR |
| 3 | HS0246 | HAND BRAKE CABLE 166, LEFT | 34.88 EUR |

Federbeine/Struts 166 2.0 TS



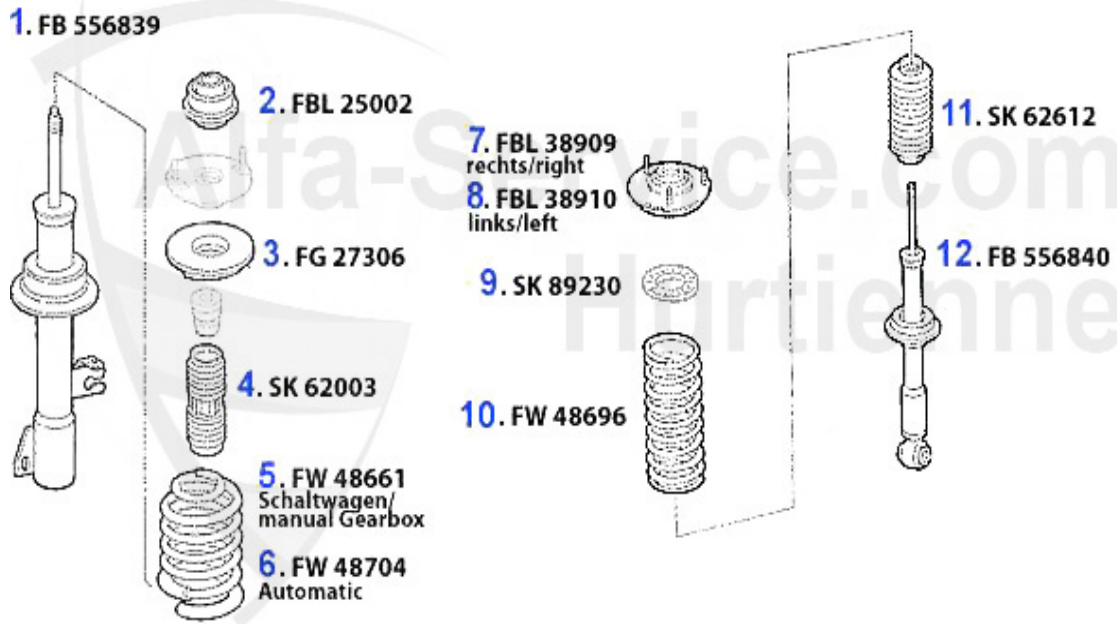
| | | | |
|----|----------|--|------------|
| 1 | FB556839 | Federbein vorne 166,2-Rohr Gas | 134.99 EUR |
| 2 | FBL25002 | OE.60625002,STRUT BEARING FRONT 147, 156,166, NOUVO GT | 24.99 EUR |
| 3 | FG27306 | OE. 60627306 RING | 7.50 EUR |
| 4 | SK62003 | OE. 60662003 RUBBER PAD | 8.29 EUR |
| 5 | FW48661 | OE. 60658366 SPRING FA 166 2.0 TS | 79.99 EUR |
| 6 | FBL38909 | OE.60629468, rear strut 166 right side | 78.99 EUR |
| 7 | FBL38910 | OE.60654300, rear strut 166 left side | 78.99 EUR |
| 8 | SK89230 | OE. 82489230 INSULATING RING RA 166 | 8.50 EUR |
| 9 | FW48707 | OE. 60665036 SPRING RA 166 2.0 TS, 2.4 JTD | 91.30 EUR |
| 11 | FB556840 | Federbein hinten 166,2-Rohr Gas mit Standard-Fahrwerk | 117.98 EUR |

Federbeine/Struts 166 2.0 V6 Turbo



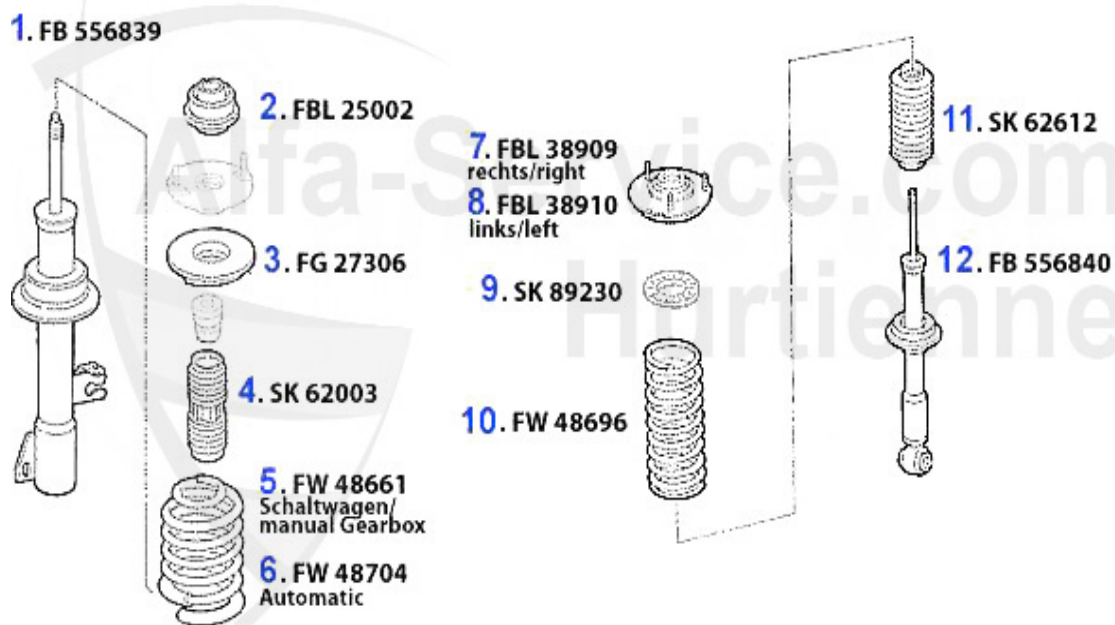
| | | | |
|----|----------|--|------------|
| 1 | FB556839 | Federbein vorne 166,2-Rohr Gas | 134.99 EUR |
| 2 | FBL25002 | OE.60625002,STRUT BEARING FRONT 147, 156,166, NOUVO GT | 24.99 EUR |
| 3 | FG27306 | OE. 60627306 RING | 7.50 EUR |
| 4 | SK62003 | OE. 60662003 RUBBER PAD | 8.29 EUR |
| 5 | FW48661 | OE. 60658366 SPRING FA 166 2.0 TS | 79.99 EUR |
| 6 | FBL38909 | OE.60629468, rear strut 166 right side | 78.99 EUR |
| 7 | FBL38910 | OE.60654300, rear strut 166 left side | 78.99 EUR |
| 8 | SK89230 | OE. 82489230 INSULATING RING RA 166 | 8.50 EUR |
| 9 | FW48696 | OE. 60655024 SPRING RA 166 6-Cyl. | 60.52 EUR |
| 10 | SK62612 | OE. 60662612 RUBBER PAD 166 RA | 19.44 EUR |
| 11 | FB556840 | Federbein hinten 166,2-Rohr Gas mit Standard-Fahrwerk | 117.98 EUR |

Federbeine/Struts 166 2.5 V6 24V



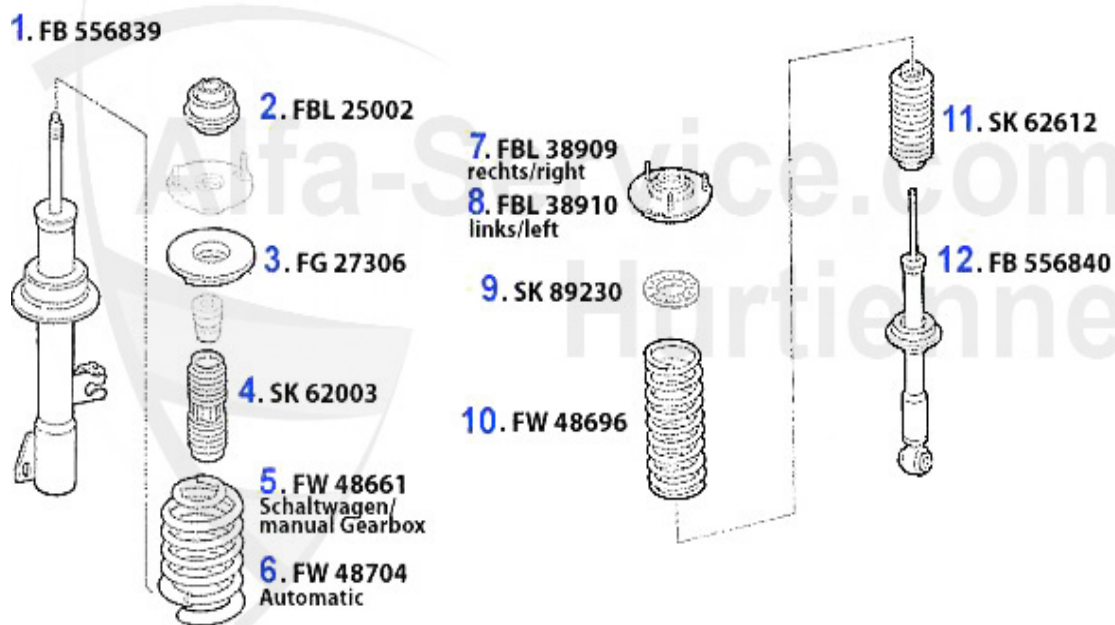
| | | | |
|----|----------|--|------------|
| 1 | FB556839 | Federbein vorne 166,2-Rohr Gas | 134.99 EUR |
| 2 | FBL25002 | OE.60625002,STRUT BEARING FRONT 147, 156,166, NOUVO GT | 24.99 EUR |
| 3 | FG27306 | OE. 60627306 RING | 7.50 EUR |
| 4 | SK62003 | OE. 60662003 RUBBER PAD | 8.29 EUR |
| 5 | FW48661 | OE. 60658366 SPRING FA 166 2.0 TS | 79.99 EUR |
| 6 | FW48704 | Fahrwerksfeder VA 166 6-Zyl. Automatik | 89.23 EUR |
| 7 | FBL38909 | OE.60629468, rear strut 166 right side | 78.99 EUR |
| 8 | FBL38910 | OE.60654300, rear strut 166 left side | 78.99 EUR |
| 9 | SK89230 | OE. 82489230 INSULATING RING RA 166 | 8.50 EUR |
| 10 | FW48696 | OE. 60655024 SPRING RA 166 6-Cyl. | 60.52 EUR |
| 11 | SK62612 | OE. 60662612 RUBBER PAD 166 RA | 19.44 EUR |
| 12 | FB556840 | Federbein hinten 166,2-Rohr Gas mit Standard-Fahrwerk | 117.98 EUR |

Federbeine/Struts 166 3.0 V6 24V



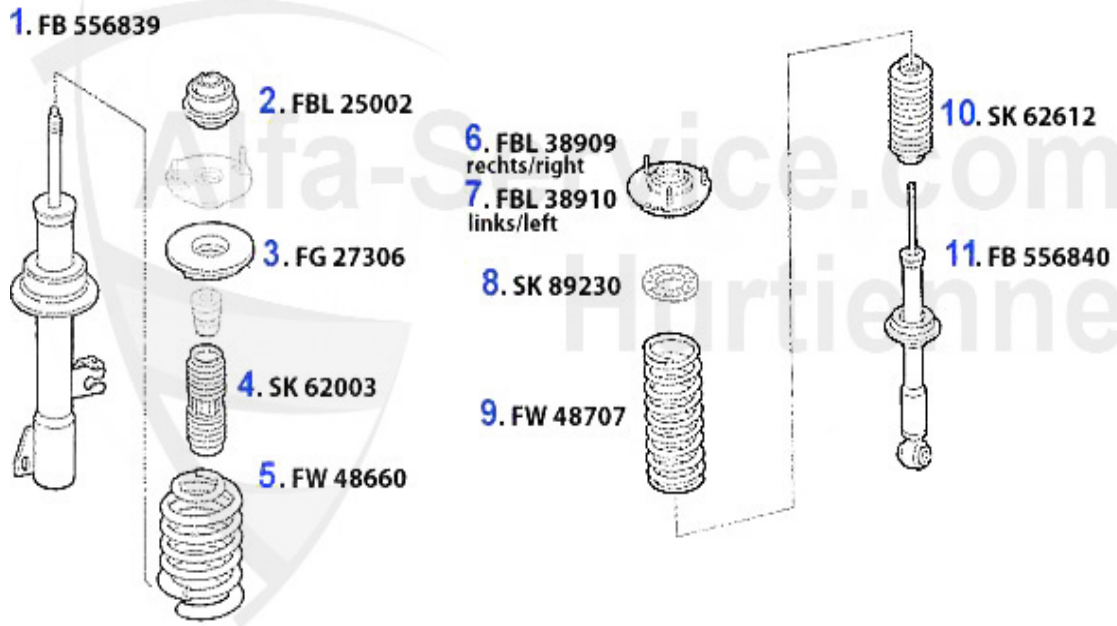
| | | | |
|----|----------|--|------------|
| 1 | FB556839 | Federbein vorne 166,2-Rohr Gas | 134.99 EUR |
| 2 | FBL25002 | OE.60625002,STRUT BEARING FRONT 147, 156,166, NOUVO GT | 24.99 EUR |
| 3 | FG27306 | OE. 60627306 RING | 7.50 EUR |
| 4 | SK62003 | OE. 60662003 RUBBER PAD | 8.29 EUR |
| 5 | FW48661 | OE. 60658366 SPRING FA 166 2.0 TS | 79.99 EUR |
| 6 | FW48704 | Fahrwerksfeder VA 166 6-Zyl. Automatik | 89.23 EUR |
| 7 | FBL38909 | OE.60629468, rear strut 166 right side | 78.99 EUR |
| 8 | FBL38910 | OE.60654300, rear strut 166 left side | 78.99 EUR |
| 9 | SK89230 | OE. 82489230 INSULATING RING RA 166 | 8.50 EUR |
| 10 | FW48696 | OE. 60655024 SPRING RA 166 6-Cyl. | 60.52 EUR |
| 11 | SK62612 | OE. 60662612 RUBBER PAD 166 RA | 19.44 EUR |
| 12 | FB556840 | Federbein hinten 166,2-Rohr Gas mit Standard-Fahrwerk | 117.98 EUR |

Federbeine/Struts 166 3.2 V6 24V



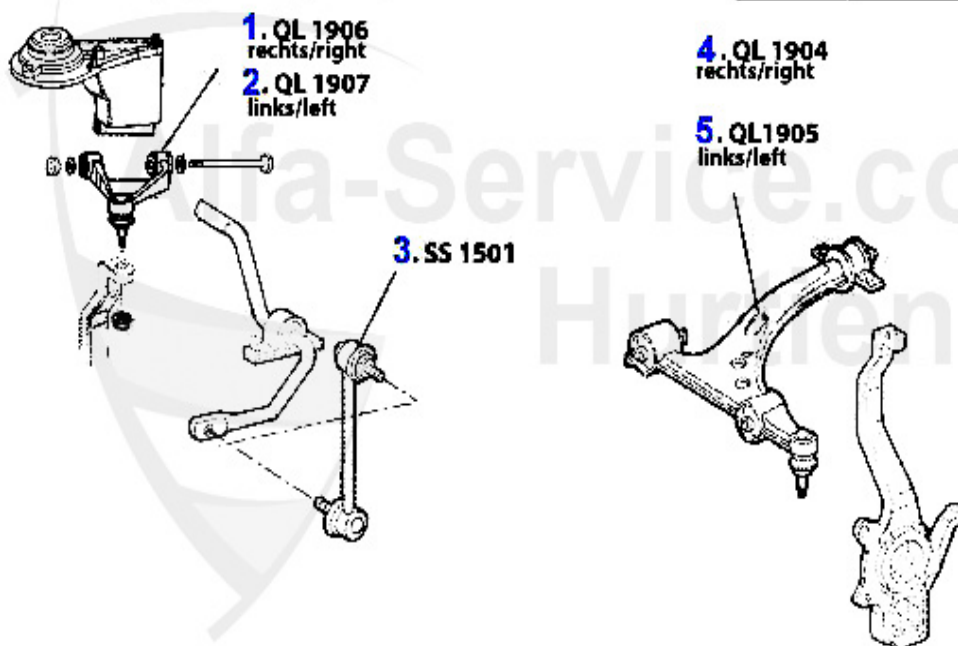
| | | | |
|----|----------|--|------------|
| 1 | FB556839 | Federbein vorne 166,2-Rohr Gas | 134.99 EUR |
| 2 | FBL25002 | OE.60625002,STRUT BEARING FRONT 147, 156,166, NOUVO GT | 24.99 EUR |
| 3 | FG27306 | OE. 60627306 RING | 7.50 EUR |
| 4 | SK62003 | OE. 60662003 RUBBER PAD | 8.29 EUR |
| 5 | FW48661 | OE. 60658366 SPRING FA 166 2.0 TS | 79.99 EUR |
| 6 | FW48704 | Fahrwerksfeder VA 166 6-Zyl. Automatik | 89.23 EUR |
| 7 | FBL38909 | OE.60629468, rear strut 166 right side | 78.99 EUR |
| 8 | FBL38910 | OE.60654300, rear strut 166 left side | 78.99 EUR |
| 9 | SK89230 | OE. 82489230 INSULATING RING RA 166 | 8.50 EUR |
| 10 | FW48696 | OE. 60655024 SPRING RA 166 6-Cyl. | 60.52 EUR |
| 11 | SK62612 | OE. 60662612 RUBBER PAD 166 RA | 19.44 EUR |
| 12 | FB556840 | Federbein hinten 166,2-Rohr Gas mit Standard-Fahrwerk | 117.98 EUR |

Federbeine/Struts 166 2.4 JTD



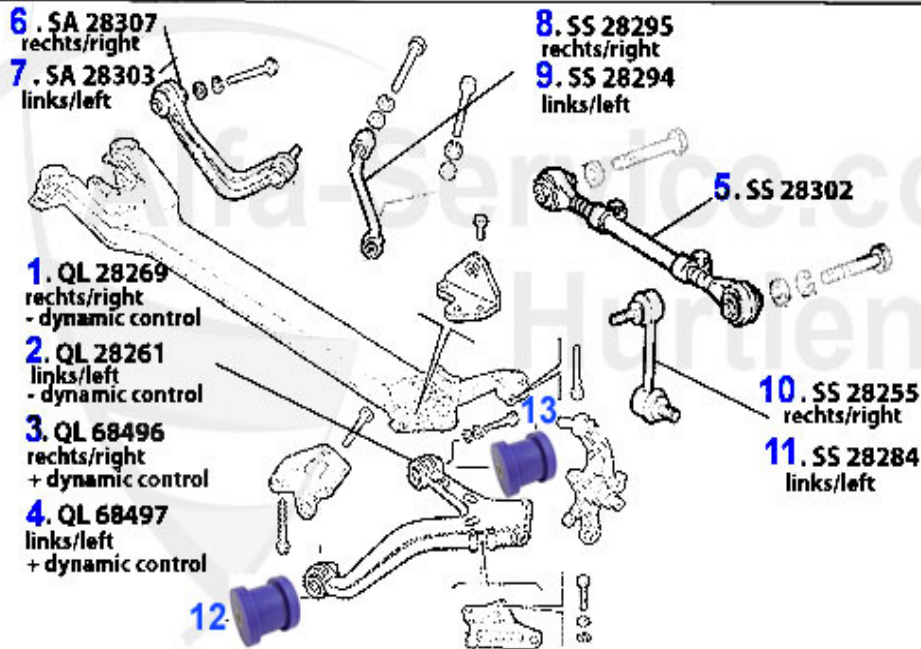
| | | | |
|----|----------|--|------------|
| 1 | FB556839 | Federbein vorne 166,2-Rohr Gas | 134.99 EUR |
| 2 | FBL25002 | OE.60625002,STRUT BEARING FRONT 147, 156,166, NOUVO GT | 24.99 EUR |
| 3 | FG27306 | OE. 60627306 RING | 7.50 EUR |
| 4 | SK62003 | OE. 60662003 RUBBER PAD | 8.29 EUR |
| 5 | FW48660 | OE. 60658366 SPRING FA 166 2.4 JTD | 91.30 EUR |
| 6 | FBL38909 | OE.60629468, rear strut 166 right side | 78.99 EUR |
| 7 | FBL38910 | OE.60654300, rear strut 166 left side | 78.99 EUR |
| 8 | SK89230 | OE. 82489230 INSULATING RING RA 166 | 8.50 EUR |
| 9 | FW48707 | OE. 60665036 SPRING RA 166 2.0 TS, 2.4 JTD | 91.30 EUR |
| 10 | SK62612 | OE. 60662612 RUBBER PAD 166 RA | 19.44 EUR |
| 11 | FB556840 | Federbein hinten 166,2-Rohr Gas mit Standard-Fahrwerk | 117.98 EUR |

Aufhängung/Attachment 166 vorne/front



| | | | |
|---|--------|---|------------|
| 1 | QL1906 | Querlenker rechts oben 166 | 82.11 EUR |
| 2 | QL1907 | Querlenker links oben 166 | 82.11 EUR |
| 3 | SS1501 | Stabilisatorstange/Pendelstütze 166 VA | 19.50 EUR |
| 4 | QL1904 | Querlenker rechts unten 166 Stahl geschmiedet | 192.86 EUR |
| 5 | QL1905 | Querlenker links unten 166 Stahl geschmiedet | 192.86 EUR |

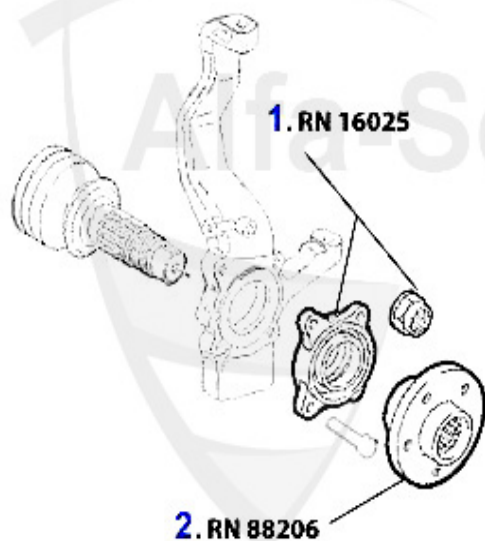
Aufhängung/Attachment 166 hinten/rear



| | | | |
|----|---------|--|------------|
| 1 | QL28269 | OE. 60628269 SWINGING ARM 166 RR wo. "DYNMIC CONTROL" | *** |
| 2 | QL28261 | OE. 60628261 SWINGING ARM RL 166 wo. "DYNAMIC CONTROL" | *** |
| 3 | QL68496 | OE. 60668496 SWINGING ARM RR 166 w. "DYNAMIC CONTROL" | *** |
| 4 | QL68497 | OE. 60668497 SWINGING ARM RL 166 w. "DYNAMIC CONTROL" | 280.20 EUR |
| 5 | SS28302 | OE. 60628302 ROD REAR 166 L/R | 66.68 EUR |
| 6 | SA28307 | OE. 60628307 ROD RR 166 | 111.10 EUR |
| 7 | SA28303 | OE. 60628303 ROD RL 166 | 111.10 EUR |
| 8 | SS28295 | OE. 60628295 ROD RR 166 | 61.93 EUR |
| 9 | SS28294 | Spurstange HL 166 | 61.93 EUR |
| 10 | SS28255 | Pendelstütze HR 166 | 17.96 EUR |
| 11 | SS28284 | Pendelstütze HL 166 | 17.96 EUR |
| 12 | SF911 | PU-bushing for Alfa 166 rear control arm"rear" | 36.90 EUR |
| 13 | SF910 | PU-bushing for Alfa 166 rear control arm"front" | 36.90 EUR |

Radlager/Wheel Bearing 166

vorne/front:



hinten/rear:



| | | | |
|---|---------|----------------------------|------------|
| 1 | RN16025 | OE. 60671437 BEARING | 162.99 EUR |
| 2 | RN88206 | OE. 7788206 FRONTHUB 166 | 90.00 EUR |
| 3 | RN16027 | Radnabe hinten 166 mit ABS | 136.96 EUR |

Lenkung/Steering 166



1. SSK 1103
links/left

2. SSK 1102
rechts/right

3. LMS 91005

| | | | |
|----------|-----------------|---|------------------|
| 1 | SSK1103 | Spurstangenkopf links 147,156,166 | 37.00 EUR |
| 2 | SSK1102 | Spurstangenkopf rechts 147,156,166 | 37.00 EUR |
| 3 | LMS91005 | STEERING BOOT 147/156/166 | 22.99 EUR |

166 > ELECTRIC > FUSE



| | | | |
|---|--------|----------------------------|--------------|
| 1 | FSI075 | Flachsteck-Sicherung 7,5 A | 0.20 EUR |
| 2 | FSI010 | Flachsteck-Sicherung 10 A | 0.20 EUR |
| 3 | FSI020 | Flachsteck-Sicherung 20 A | 0.20 EUR |
| 4 | FSI025 | Flachsteck-Sicherung 25 A | 0.20 EUR |
| 5 | FSI030 | Flachsteck-Sicherung 30 A | 0.20 EUR *** |



1 GK17

Glühkerze Beru 145/6,156,166 1.9/2. 4 JTD

12.90 EUR

166 > ELECTRIC > ENGINE ELECTRIC > SENSOR



| | | |
|-----------|---|------------------|
| 1 | ODS404012 | 9.00 EUR |
| 7 | Öldruckschalter 145/6,147,155,156,1 66,gtv/spider (916),Nuovo GT, 4-Zylinder TS 16 V | |
| 1 | ODS404068 OE.60807764 oil pressure switch 147 155,156,164,166 gtv/spider(916), Nouvo GT all 6 cylinder | 5.00 EUR |
| 2 | BLS313016Bremslichtschalter 145/6,156,166,gt v/spider (916) 3.0 24V | 12.00 EUR |
| 2 | BLS610295 Bremslichtschalter 147,156,166,gtv/ spider (916) Bj. 98>,Nuovo GT | 9.00 EUR |
| 3 | RFS4553 OE. 46434553 SWITCH GEARBOX | 20.00 EUR |
| 4 | NWS86655 Nockenwellensensor 3,0V6 24V (92-10), Einbautiefe 24mm Achtung Einbautiefe beachten !!! | 45.01 EUR |
| 4 | NWS69912 OE. 46469912 SENDING UNIT CAMSHAFT TS 16V | 68.00 EUR |
| 5 | WTG74712 OE. 4644712 SENDING UNIT | 12.00 EUR |
| 6 | KWS69866 OE. 46469866 SENDING UNIT TS 16V | 45.90 EUR |
| 7 | ZIG2810022 | 48.99 EUR |
| 13 | Sensor Nockenwellenposition 145/6 JTD,147 JTD,156JTD 159JTD,166JTD OE 46481640/60814770 OE 46432103 | |

Zündanlage/Ignition System 166 TS



| | | | |
|---|------------|---|------------|
| 1 | ZS297 | IGNITION COIL 147,166,GTV/SPIDER (916) CF 3 | 89.00 EUR |
| 2 | ZKS01538 | Kabelsatz 145/6 1.4/1.6/1.8/2.0 ie 16V TS bj. 97>,155 1.6/1.8/2.0 ie 16V TS,gtv/spider 1.8/2.0 16V TS, 166 2.0 TS | 163.11 EUR |
| 3 | BKR 6 EKPA | SPARK PLUG 2 X PLATINUM 145/6,147,155 156,166 GTV/SPIDER(916)ALL 4-CYL. TS JTS YEAR 95>IMPORTANT: 2 SPARKS EACH CYL. 1X BKR 6 EKPA/1X PMR 7 A | 24.57 EUR |
| 4 | PMR 7 A | Zündkerze NGK Iridium Langzeitkerze 145/6,147,155,156,166,gtv/spider (9 16) alle 4-Zylinder TS/JTS Bj. 95> ACHTUNG: benötigt werden 2 Kerzen je Zylinder je 1x PMR 7 A/BKR 6 EKPA | 24.99 EUR |

Zündanlage/Ignition System 166 V6 Turbo

1. ZS 230



2. BP 6 ES



| | | | |
|---|---------|---|------------|
| 1 | ZS230 | IGNITION COIL 155,164,166,SPIDER/GTV (916) 2.5-3.0 V6 92> | 235.62 EUR |
| 2 | BP 6 ES | SPARK PLUG NGK 33 1.3/1.4/1.7 ie 1.6/1.8/TURBO/2.0ie/3.0 V6, 90 1.8/ 90 1.8/2.0ie, 145/6 1.4/1.6IE ALFETTA GT/V(116)1.8/2.0 SUD/SPRINT 1.2/1.3/1.5 TI,ARNA 1.2/1.3/TI,SPIDER(115)1.6/2.0 79>,166 2.0 V6 TURBO | 2.67 EUR |

Zündanlage/Ignition System 166 V6 24V

1. ZS 213

2. ZKS 91046

3. PFR 6 B



| | | | |
|---|----------|--|------------|
| 1 | ZS213 | OE. 60562701 IGNITION COIL 156,164, 166.spider/gtv(916) 2.5/3.0 V6 24V 94-00 | 102.90 EUR |
| 2 | ZKS91046 | IGNITION CABLE SET V6 24V CF3 | 519.99 EUR |
| 3 | PFR 6 B | Zündkerze NGK 33 1.7 ie 16V,145/6 1.7 ie 16V,147 3.2 GTA,156 2.5 V6 24V/3.2 GTA,164 Super 3.0 V6 24V,166 2.5/3.0 V6 24V,gtv/spider (916) 3.0 V6 24V/3.2 V6 | 15.51 EUR |

Aggregate/Aggregats 166 2.0 TS

1. AN 17 775



2. LI 42 780
100/105 A



| | | | |
|---|---------|---|------------|
| 1 | AN17775 | STARTER 145/6 1.4ie 16V TS - 2.0ie 16V TS, 166 2.0TS, GTV/SPIDER (916) 2.0 16V TS >05.98, 166 2.0 TS | 230.82 EUR |
| 2 | LI42780 | Lichtmaschine 145/6 1.7 ie 16V Bj. 98-01,147 (mit Klima),156 (mit Klim a) Bj. 10.00> 166, gtv/spider (916) | 318.02 EUR |

Aggregate/Aggregats 166 2.0 V6 Turbo

1. AN 15 600



2. LI 41 280
120 A



| | | |
|---|---------|---|
| 2 | LI41280 | ALTERNATOR, 156,166 GTV/SPIDER(916) 6 CYL.-EXCHANGE PART, PLEDGE EUR 64,66 |
|---|---------|---|

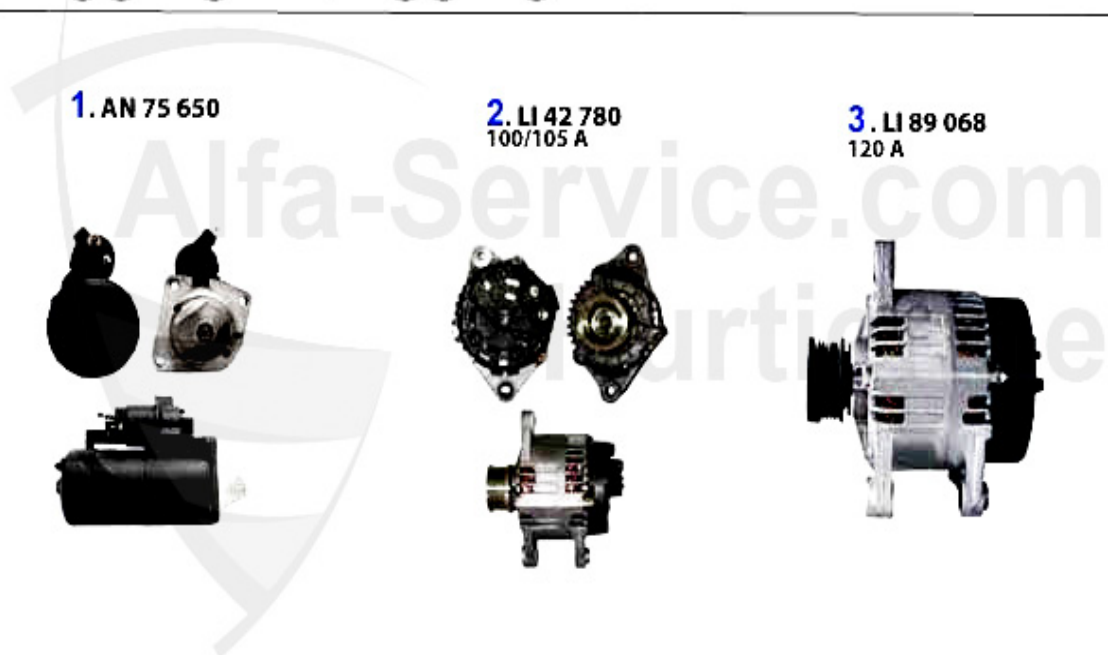
383.16 EUR

Aggregate/Aggregats 166 V6 24V



| | | | |
|---|---------|--|------------|
| 2 | LI41280 | ALTERNATOR, 156,166 GTV/SPIDER(916) 6 CYL.-EXCHANGE PART, PLEDGE EUR 64,66 | 383.16 EUR |
| 3 | LI73305 | OE. 60673305 ALTERNATOR 3.2 V6 24V - GTA | 399.05 EUR |

Aggregate/Aggregats 166 2.4 JTD 10V



| | | | |
|----------|----------------|--|-------------------|
| 1 | AN75650 | STARTER 156,166 2.4 JTD | 251.34 EUR |
| 2 | LI42780 | Lichtmaschine 145/6 1.7 ie 16V Bj. 98-01,147 (mit Klima),156 (mit Klim a) Bj. 10.00> 166, gtv/spider (916) | 318.02 EUR |
| 3 | LI89068 | OE. 46809068 ALTERNATOR 1.9 JTD 16V 147 | 406.24 EUR |

Aggregate/Aggregats 166 2.4 JTD 20V

1. AN 75 650



2. LI 89 068
120 A



| | | | |
|---|---------|---|------------|
| 1 | AN75650 | STARTER 156,166 2.4 JTD | 251.34 EUR |
| 2 | LI89068 | OE. 46809068 ALTERNATOR 1.9 JTD 16V 147 | 406.24 EUR |



1 WB310 Wischblatt-Satz 145/6,155,166

25.13 EUR

166 > INTERIOR > CAR MAT



1 FMS 166 1 FOOT MATS 166 YEAR >09.03 BLACK COLOR WITH RED EMBLEM,
VELOUR

61.04 EUR

1 FMS 166 2 FOOT MATS 166 YEAR 10.03> BLACK COLOR WITH RED EMBLEM,
VELOUR

61.04 EUR