

20.00

DATSUN TRUCK

MODEL 320

SERVICE MANUAL

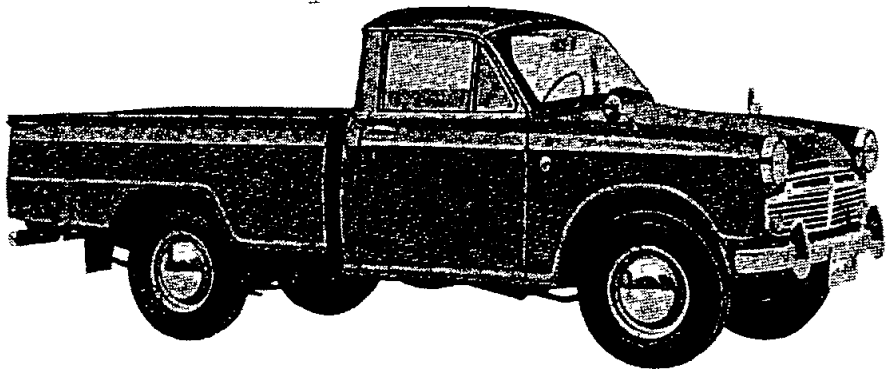


P

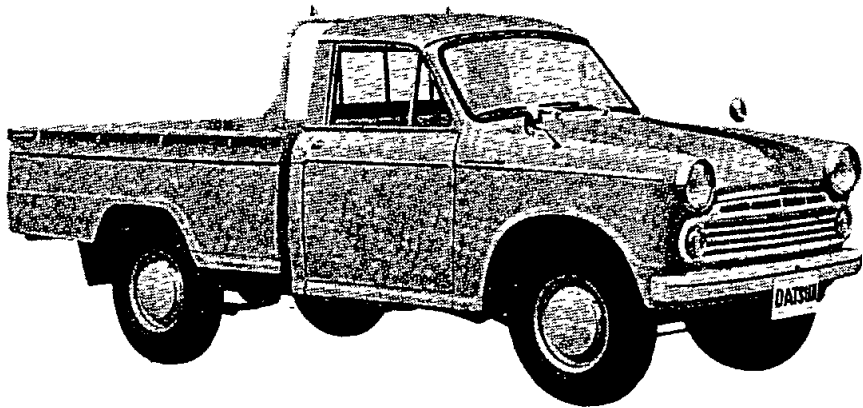
NISSAN MOTOR CO., LTD.

OTEMACHI BLDG., OTEMACHI, CHIYODA-KU,
TOKYO, JAPAN

CABLE ADDRESS : "NISMO" TOKYO
PHONES : (211) 5281-9



MODEL 320-U



NEW MODEL 320-U

INTRODUCTION

This manual has been compiled for purpose of assisting DATSUN distributors and dealers for effective service and maintenance of the *Model P(L) 320-U*. Each assembly of the major components is described in detail. In addition, comprehensive instructions are given for complete dismantling, assembling and inspection of these assemblies.

It is emphasised that only genuine DATSUN Spare Parts should be used as replacements.

CONTENTS

	Page
SPECIFICATION	1~6
ENGINE	1
General Specifications	1
COOLING SYSTEM	3
Lubrication	10
Service Operations with Engine in Position	15
Rocker Mechanism	20
Removing & Refitting	34
Operation with the Engine Removed	35
FUEL SYSTEM	38
The Gasoline Tank	39
Fuel Strainer	43
Fuel Pump	44
Adjustment and Inspection of Engine	49
Carburetor	54
BRAKER POINT AND IGNITION TIMING ADJUSTMENT	59
Distributor	59
Adjusting the Ignition Timing	61
Checking the Spark Plugs	65
CLUTCH	66
Clutch	67
Description of Clutch Control	68
TRANSMISSION	76
Transmission	77
Disassembling the Case	81
Assembling the Transmission	87
Selector Inner & Operating Lever Cross Shaft	91
PROPELLER SHAFT & UNIVERSAL JOINT	93
Propeller Shaft & Universal Joints	94
STEERING	97
FRONT AXLE	106
Front Axle	106
Setting of Tension Rod	114

	Page
REAR AXLE	117
Rear Axle	118
Assembling, Adjustment	122
BRAKE	138
IGNITION SYSTEM	147
ELECTRICAL SYSTEM	150
Starter Motor	164
Battery	171

SPECIFICATIONS

For Model 320-U

VEHICLE DIMENSIONS

Length, overall (approx.)	· · · · ·	· 4,185 mm. (164 8 in.)
Width, overall (approx.)	· · · · ·	· 1,515 mm. (59.6 in.)
Height, overall (approx.)	· · · · ·	· 1,505 mm. (59.3 in.)
Wheelbase	· · · · ·	· 2,470 mm. (97.2 in.)
Tread - - - - Front	· · · · ·	· 1,170 mm (46.1 in.)
Rear	· · · · ·	· 1,187 mm. (46.7 in.)
Min. road clearance	· · · · ·	· 177 mm. (7.0 in.)

CARGO SPACE DIMENSIONS

Interior length	· · · · ·	· 1,850 mm. (72.8 in.)
Interior width	· · · · ·	· 1,427 mm (56.2 in.)
Interior height	· · · · ·	· 406 mm (16.0 in.)

WEIGHTS

Dry vehicle weight, (empty)	· · · · ·	945 kg. (2,080 lbs.)
Seating capacity	· · · · ·	2
Max. cargo weight		
Model 320-U	· · · · ·	225 kg. (500 lbs.)
Model 320-UN	· · · · ·	500 kg. (1,000 lbs.)
Model 320-UP	· · · · ·	910 kg. (2,000 lbs.)

PERFORMANCE

Max. speed	· · · · ·	120 KPH (75 MPH)
Grade ability (Sin θ)	· · · · ·	38%
Min. turning radius	· · · · ·	5.2 m (17 ft)

ENGINE

Name	· · · · ·	Model E1
Kind	· · · · ·	Gasoline engine
Cylinder - - - No. and arrangement	· · · · ·	4 cyls., in-line
Cycle	· · · · ·	4-cycle
Valve arrangement	· · · · ·	Valve-in-head
Bore x Stroke	· · · · ·	73 x 71 mm. (2.875 in. x 2.796 in.)
Total piston displacement	· · · · ·	1,189 cc. (72.5 cu. in.)
Compression ratio	· · · · ·	8.2
Max. power	· · · · ·	60 HP at 5,000 r. p. m. (SAE)
Max. torque	· · · · ·	9.3 kg-m. (67.3 ft-lb.) at 3,600 r. p. m.
Firing order	· · · · ·	1-3-4-2

Valve timing	
Inlet opening	14 deg. B. T. C.
Inlet closing	50 deg. A. B. C.
Exhaust opening	52 deg. B. B. C.
Exhaust closing	12 deg. A. T. C.
Valve clearance - - Both inlet and exhaust, (Hot)	0.35 mm. (0.014 in.)

IGNITION SYSTEM

Ignition timing	10 deg. B. T. C. (600 rpm.)
Spark plugs	NGK, Model B-6E, 14 mm.
Spark plug gap	0.7-0.8 mm.

FUEL SYSTEM

Carburetor	<u>Primary</u>	<u>Secondary</u>
Throttle valve dia.	28 mm.	30 mm.
Venturi dia.	21-8 mm.	25-14-7 mm.
Main jet dia.	#98	#115
Slow jet dia.	#48	#40
Power jet dia.	#40	-
Slow economizer	#145	-
Slow air First	#100	-
Slow air Second	#220	-
Float level		19 mm.
Fuel tank capacity	35 litres (9.3 U. S. gal.)	

LUBRICATION SYSTEM

Oil pan capacity	3.1 litres (0.86 U. S. gal.)
----------------------------	------------------------------

COOLING SYSTEM

Cooling water capacity	5.4 litres (1.4 U. S. gal.)
----------------------------------	-----------------------------

BATTERY

Type	CF3-12K, 14M2, M39-12
Voltage	12 volts
	(2 SMS)
Capacity	40 amp. hr. /20 hr.
	(50 amp. hr. /20 hr.)
Terminal grounded	+(positive) side

GENERATOR

Capacity	0.2 KW
Voltage-current regulator	Carbon-pile type

STARTER MOTOR

Voltage and power 12 volts, 1.4 hp

CLUTCH

Type Dry, single-plate type
 Operating system Hydraulic
 Master cylinder inside dia. 15.85 mm. (5/8 in.)
 Operating cylinder, inside dia. 19.05 mm. (3/4 in.)

TRANSMISSION

Type Four forward speeds and one reverse
 Synchronmesh on 2nd., 3rd and top gears
 Gear ratios For 320U & 320 UN For 320UP

	For 320U & 320 UN	For 320UP
1st. speed	3.94	4.94
2nd speed	2.40	3.01
3rd speed	1.49	1.73
4th. speed	1.00	1.00
Reverse	5.16	6.46

Oil capacity 2.0 litres (0.53 U. S. gal.)

REAR AXLE

Type Semi-floating
 Gear ratio 4.875 (39T 8T) for 320-U, 320-UN, 5.143 (36T 7T) for 320-UP, for other 320 series (as optional).
 Oil capacity 0.85 litres (0.22 U. S. gal.)

STEERING SYSTEM

Gear mechanism Worm and roller
 Gear ratio 17.3 : 1

FRONT AXLE

Toe-in 2 - 3 mm.
 Camber 1 deg. 30 min.
 Caster 4 deg. 15 min.
 King-pin inclination 6 deg. -

BRAKE SYSTEM

Type-Foot brake Front Hydraulic, uniservo type
 Rear Hydraulic, duoservo type
 Hand brake Mechanical, rear wheels braked

Brake drum dia. (front and rear) 254 mm. (10 in.)
 Master cylinder bore 19.05 mm. (0.77 in.)
 Wheel cylinder bore -
 Front wheels 19.05 mm. (0.77 in.)
 Rear wheels 19.05 mm. (0.77 in.)

SUSPENSION SYSTEM

Front suspension Wishbone type Independent suspension
 Front springs Torsion bar spring
 Dimension - (Dia. x Length) 20.5 x 664.5 mm.
 Rear springs Parallel, semielliptic leaf spring
 Thickness - number
 7 mm x 2 }
 6 mm x 1 } for 320-U
 6 mm - 4 }
 12 mm - 1 } for 320-UN
 6 mm - 2 }
 5 mm - 2 } for 320-UP with
 12 mm - 1 } helper rubber

Shock absorbers - - - Front single action
 Rear single action

TIRES

Model	Front	Rear
320-U	5.60-14-6PL. T(24 lb.)	5.60-14-6PL. T(30 lb.)
320-UN	5.50-14-6PL. T(22 lb.)	5.50-14-6PL. T(36 lb.)
320-UP	6.00-14-6PL. T(22 lb.)	6.00-14-8PL. T(60 lb.)

For
RUNCH SEDAN (U320) (Double Seat), 2-DOOR ST. WAGON (V320) & N320 (Single Seat)

VEHICLE DIMENSIONS

	U320	V320	N320
Length, overall (approx.)	4,285 mm (168.7 in.)	4,155 mm (163.6 in.)	4,155 mm (163.6 in.)
Width, overall (approx.)	1,497 mm (58.9 in.)	1,497 mm (58.9 in.)	1,497 mm (58.9 in.)
Height, overall (approx.)	1,520 mm (59.8 in.)	1,515 mm (59.6 in.)	1,530 mm (60.3 in.)
Wheel base	2,470 mm (97.2 in.)	2,470 mm (97.2 in.)	2,470 mm (97.2 in.)

CARGO SPACE DIMENSIONS

Interior length	880 mm (34.6 in.)	2+1,555 mm (61.2 in.)	1,560 mm (61.6 in.)
Interior width	1,245 mm (49 in.)	5+940 mm (1.180 in)	1,254 mm (49.4 in.)
Interior height	420 mm (16.5 in.)	905 mm (35.6 in.)	430 mm (16.9 in.)

WEIGHTS

Vehicle weight	1,000 kg. (2,200 lbs.)	1,020 kg. (2,255 lbs.)	955 kg. (2,100 lbs.)
Seating and loading capacity	5+400 kg. (880 lbs.)	2+500 kg. (1,100 lbs.) 5+300 kg. (660 lbs.)	2+500 kg. (1,100 lbs.)

TRANSMISSION

Gear train	High gear, 4 forward, 1 reverse	
Gear ratio	Low 3.94, 2nd 2.40 3rd 1.49, high 1.00 reverse 5.16	Low 3.94, 2nd 2.40, 3rd 1.49, 4th 1.000 Reverse 5.16

FINAL GEAR

Gear ratio	5.143 (36T 7T)	4.875 (39T 8T)
------------	----------------	----------------

SUSPENSION

Front	Wishbone type independent suspension with torsion bar	
Rear thickness and number of spring leaves	6 mm - 4 12 mm - 1	6 mm - 1 12 mm - 1
Supplemental Sp.		108 mm + 80 mm
Shock absorbers	Front - - Single acting Rear - - Single acting (Optional)	Single action Single action

TIRE SIZE AND PRESSURE

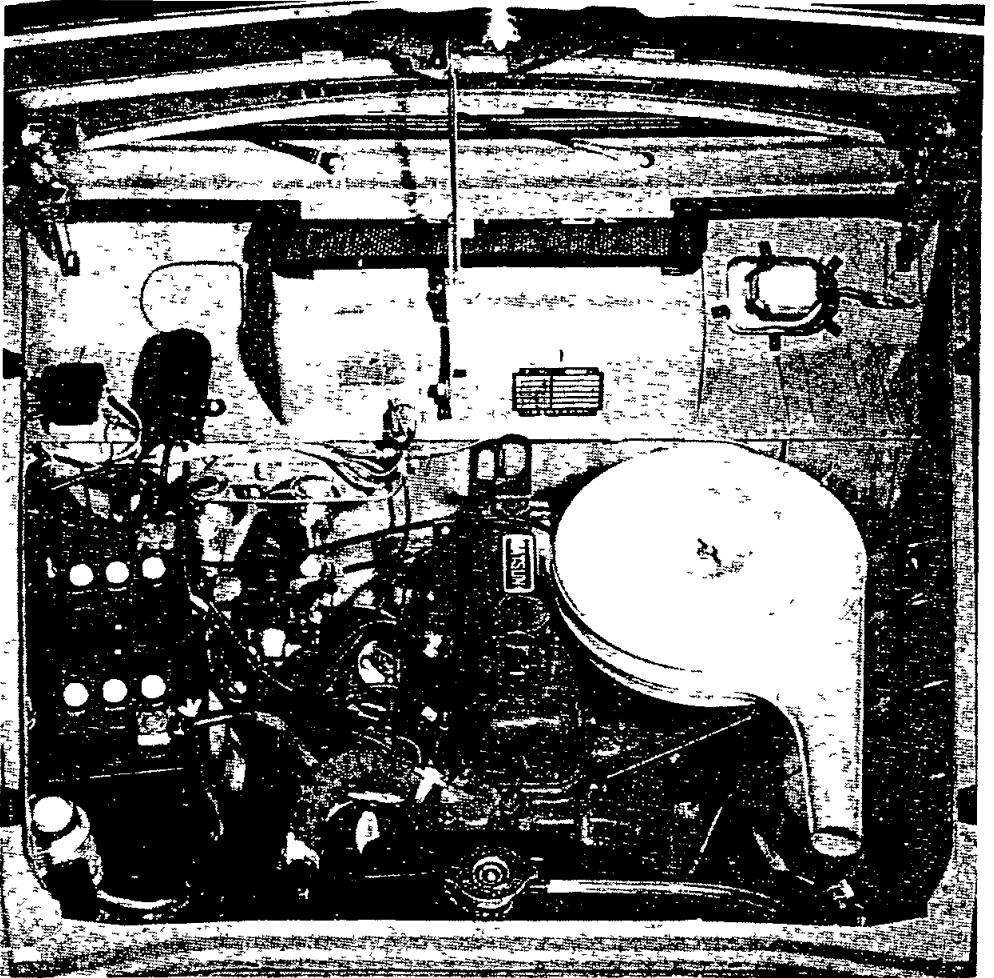
Front	5.50-14-6PL. T(22 lb.)	5.50-14-6PL.
Rear	5.50-14-6PL. T(46 lb.)	5.50-14-6PL.

PERFORMANCE

Max. speed	110 KPH (70 MPH)	120 KPH (74.6 MPH)
Grade ability	0.30	0.30
Min. turning radius	5.2 m (17 ft.)	5.2 m (17 ft.)

NOTE: Other specifications are same as Model 320-U.

ENGINE



ENGINE

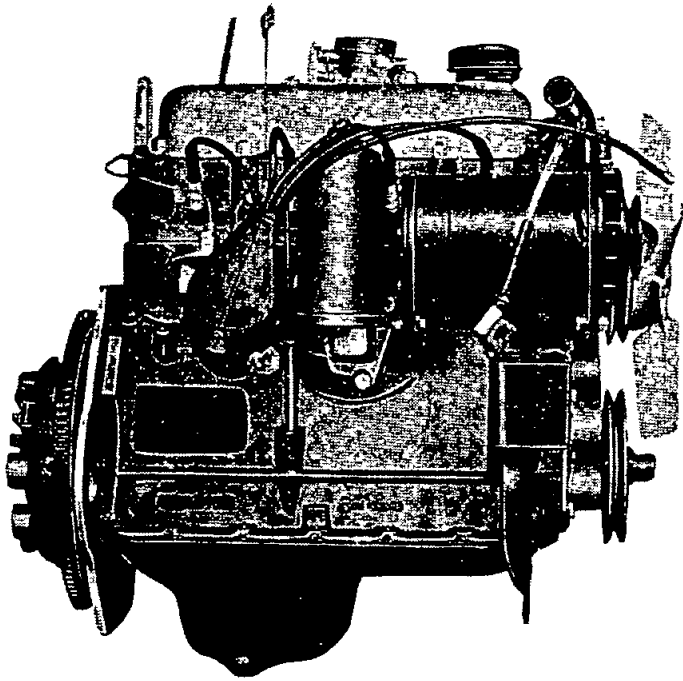
The engine is of monobloc construction, and is fitted with overhead valves operated by rockers and push rods from the camshaft. Oil seals are fitted to the valves. Three steel backed bearings support the camshaft which is chain driven.

The oil pump and distributor are driven from the camshaft, each component having its own drive shaft.

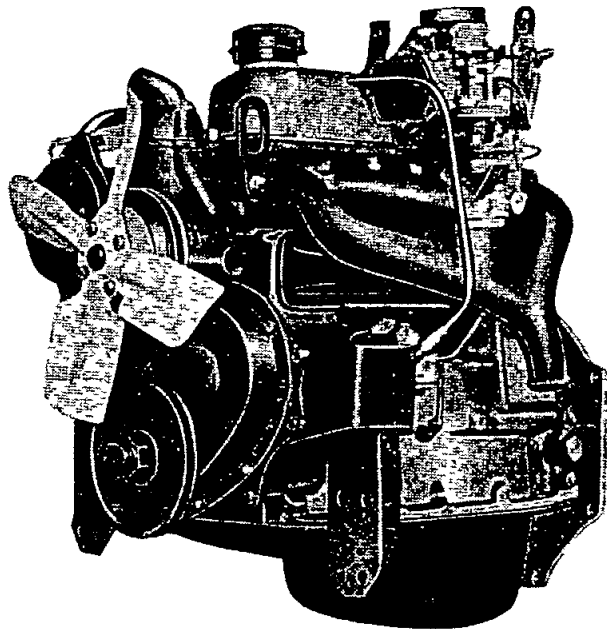
The pistons are each fitted with two compression rings and a slotted oil control ring. Bearings of the thin shell preformed type are fitted to the connecting rod big ends and to the main bearings. A counter-balanced crankshaft is fitted. The end thrust on this component is taken by special washers at the center main bearing. The centrifugal water pump and cooling fan are driven by the dynamo belt.

GENERAL SPECIFICATIONS

No. of Cylinder	4
Bore	73.025 mm. (2.875 in)
Stroke	71 mm. (2.796 in)
Volume	1,189 cc
Max. brake horse power	60 HP. at 5000 r. p. m.
Torque	9.3 kg-m at 3600 r. p. m.
Firing order	1 - 3 - 4 - 2
Valve arrangement	Overhead valve, push rod type
Compression pressure	163 lbs. per sq. in. (11.5 kg/cm ²) at 350 r. p. m.
Compression ratio	8.2 : 1



Engine-Right side



Engine-Left side

COOLING SYSTEM

An efficient cooling system is of major importance to ensure the satisfactory running of the engine and it is therefore necessary to pay particular attention to its maintenance.

Description

The cooling system is maintained by water pump circulation, combined with an efficient fan cooled radiator and thermostat.

The system is pressurised and the relief valve, incorporated in the radiator filler cap, controls the pressure at approximately 0.4 kg. per sq. cm. Do not remove the filler cap if the temperature of the coolant is above boiling point or if the engine is running. Topping-up should only be required occasionally to replace water lost through the overflow pipe. Top-up when the engine is cold, and if possible use clean soft water.

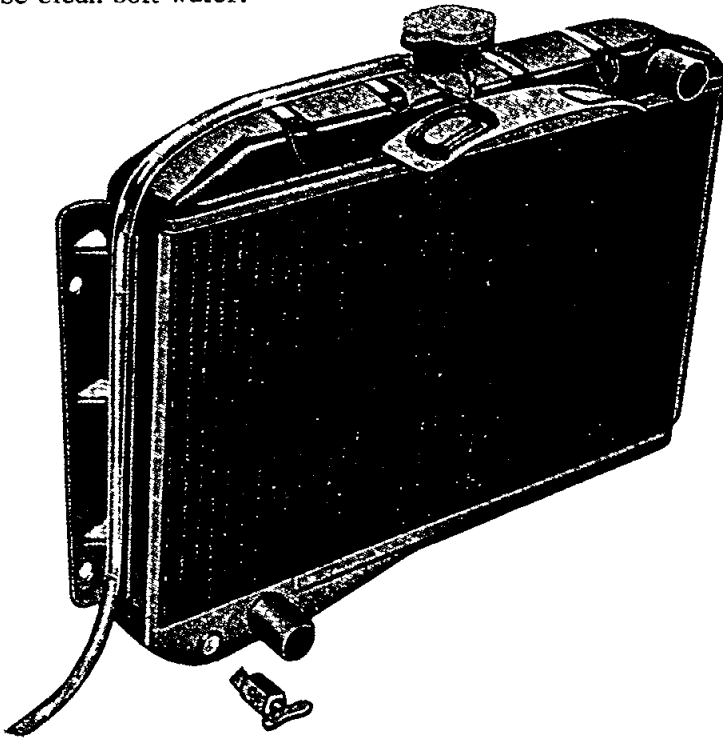


Fig. 1 Radiator

Fill to within 1/2" of the bottom of the filler plug well. Overfilling when the engine is cold may cause water to flow through the overflow pipe. The capacity of the system is approximately 5.2 litres.

Thermostat

In order to ensure maximum efficiency, it is essential to keep the engine operating temperatures within certain limits. To assist this a bellows type thermostat is fitted, being located in the water outlet at the front of the cylinder-head. The device consists of metallic bellows, filled with a volatile liquid, which controls a mushroom valve. When the engine is cold this valve is closed and on starting the engine the flow of water to the radiator is temporarily restricted.

Due to this, the temperature of the water in the cylinder head and cylinder jackets will quickly rise, thus ensuring rapid warming up. The heat so generated will gradually expand the bellows so opening the valve, and ultimately permitting a full flow of water to the radiator.

The thermostat itself is detachable, therefore, should the occasion arise, it can be removed from its housing and the hose reconnected to avoid laying up the car. Should the thermostat be tight, there are two tapped holes on the top which may be utilized to ease it from casting. When the system has been completely emptied, it is essential to allow air to escape through the thermostat valve and then finally top-up. The thermostat opening is set by the manufacturer and cannot be altered. It opens at a temperature of 71.5 - 74.5 C. During de-carbonising it is policy to test this opening by immersing the thermostat in water raised to the requisite temperature. The valve should open under these conditions, but if it fails to open a new unit should be fitted.

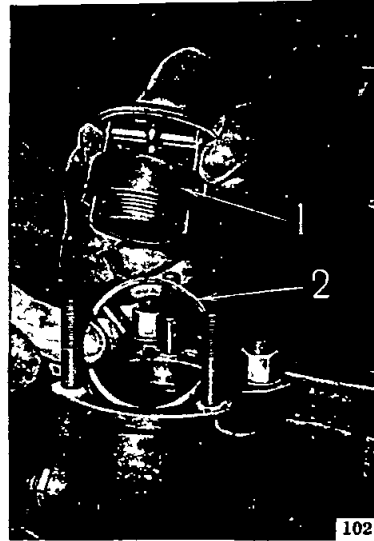


Fig. 2 Illustrating the Removal of the Thermostat from its Housing

Overheating

Overheating may be caused by a slack fan belt, excessive carbon deposit in the cylinders, running with the ignition too far retarded, incorrect carburetor adjustment, failure of the water to circulate or loss of water.

Fan Belt Adjustment

The fan is driven from the crankshaft by a "V" belt, this also driving the dynamo.

A New belt can be fitted by first loosening the clamp bolts (Fig. 3), which hold the dynamo in position, and moving the dynamo towards the engine. Slide the belt over the fan and onto the fan pulley.

Adjustment is then made by bringing the dynamo away from the engine. The belt should be sufficiently tight to prevent slip, yet the belt should have 15 to 20 mm. 5/8" - 3/4" slack between the generator and crankshaft pulley when the midspan is pushed firmly.

As the drive is taken on the "V" of the pulleys it is not necessary to have the fan belt tight, to do so may cause excessive wear to the dynamo and water pump bearings. After the correct tension has been obtained, securely lock the dynamo in position again.



Fig. 3 Fan Belt Adjustment

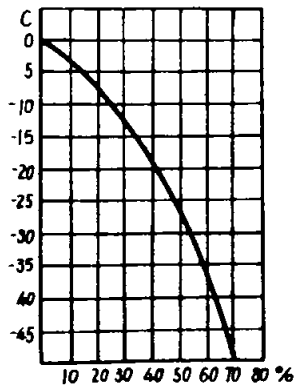
- (1) Generator hinge bolt
- (2) Adjusting link bolt

Frost Precautions

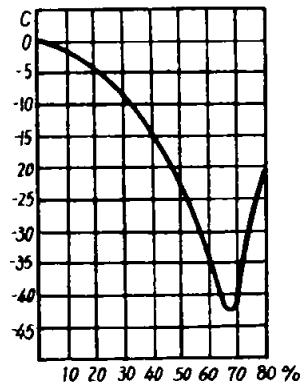
Freezing may occur first at the bottom of the radiator or in the lower hose connections.

Ice in the hose will stop water circulation and may cause boiling. A muff can be used to advantage, but care must be taken not to run with the muff fully closed, or boiling will result. When frost is expected or when the car is to be used in a very low temperature, make sure that the strength of the solution is, in fact, up to the strength advised by the manufacturers. The strength of the solution must be maintained by topping-up with anti-freeze solution as necessary. Excessive topping-up with water reduces the degree of protection afforded. Solution must be made up in accordance with instructions supplied with the container.

Relations of freezing temperatures of alcohol-water and glycerine mixtures ratio.



Alcohol-Water (%)



Glycerine-Water mixture (%)

Top-up when the system is cold.

If the cooling system has to be drained, run the mixture into a clear container and use again

Protection by Draining

On cars where anti-freeze is not used the following precautions must be taken during frosty weather to obviate any damage due to freezing of the cooling system.

When heavy frost is imminent, the cooling system must be completely drained. It is not sufficient merely to cover the radiator and engine with rugs and musks. There are two drain cocks one on the left-hand side of the cylinder block and the other at the base of the radiator block. Both taps must be opened to drain the system and the car must be on level ground while draining.

The drain taps should be tested at frequent intervals by inserting a piece of wire to ensure that they are clear. This should be done immediately the taps are opened, so that any obstruction freed by the wire may be flushed out by the water. The draining should be carried out when the engine is hot.

When completely drained the engine should be run for a timed minute to ensure that all water has been cleaned from the system.

A suitable notice should be then affixed to the radiator, indicating that the water has been drained.

Flushing the Radiator

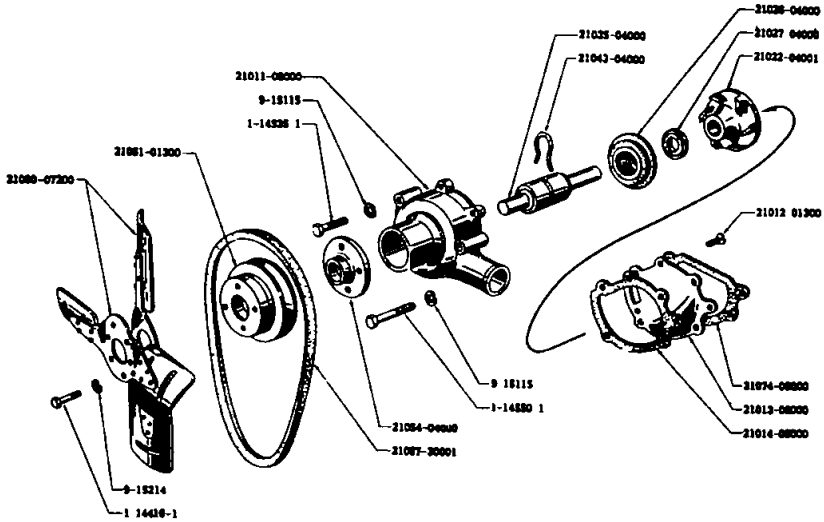
To ensure efficient circulation of the coolant and to reduce the formation of scale and sediment in the radiator, the system should be periodically flushed with clear running water, preferably before putting in anti-freeze in the winter and again when taking it out in the spring. The water should be allowed to run through until it comes out clear from the drain taps. At intervals a stiff piece of wire should be inserted into the taps during draining to ensure that they are not becoming clogged with sediment.

This method of radiator flushing may serve well, but in cases where the "furring" up is excessive the operator will find it more efficient practice to remove the radiator completely and flush in the reverse way to the flow, turn the radiator upside down and let the water flow in through the bottom hose connection and out of the top connection.

WATER PUMP

After draining the water from the radiator, remove the pump unit from the cylinder block by taking off the fan belt and releasing the setbolts with spring washers and hinge bolts to dynamo.

WATER PUMP



Removing the Pump Shaft Assembly

Disconnect the fan blades, pulley and cover.

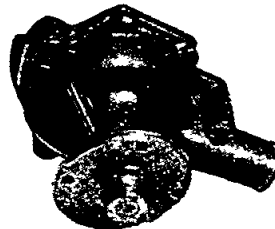
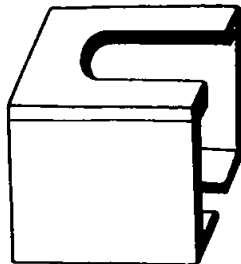
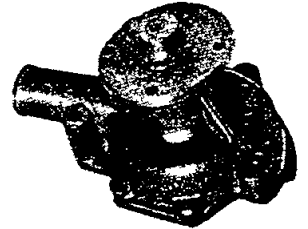
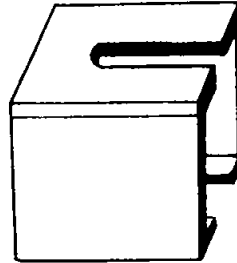
The shaft and ball bearings is combined with one unit.

Put the pulley hub on the bench.

First, press or knock the shaft end with a drift (hard bar) and draw out the pulley hub on the U type bench.

Take out the set pin from the slit which locked the shaft assembly to the pump body. (See Fig. 1**)

Next, turn the body upside down and press out the shaft assembly from the vane side on the U type bench.



The shaft and ball bearing assembly can be drewout from the body.
Thus take out the vane, floating seal and seal which remained the pump body.

Reassembly

The reassembling of the pump is a reversal of the disassembly procedure, but a care should be taken to ensure that the shaft assembly is fitted correctly for a slit (a hole of set ring) with a groove of shaft so as to insert and set the said ring correctly.

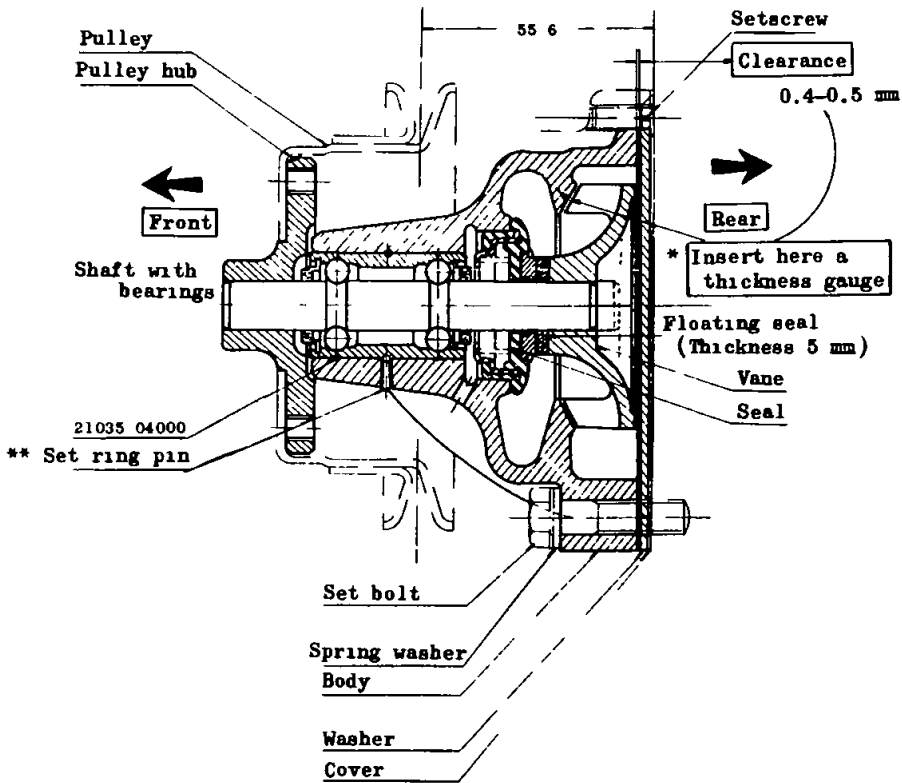
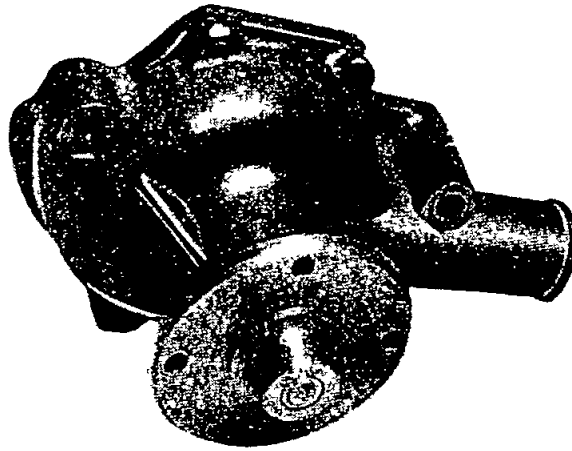
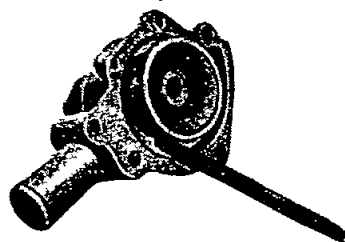
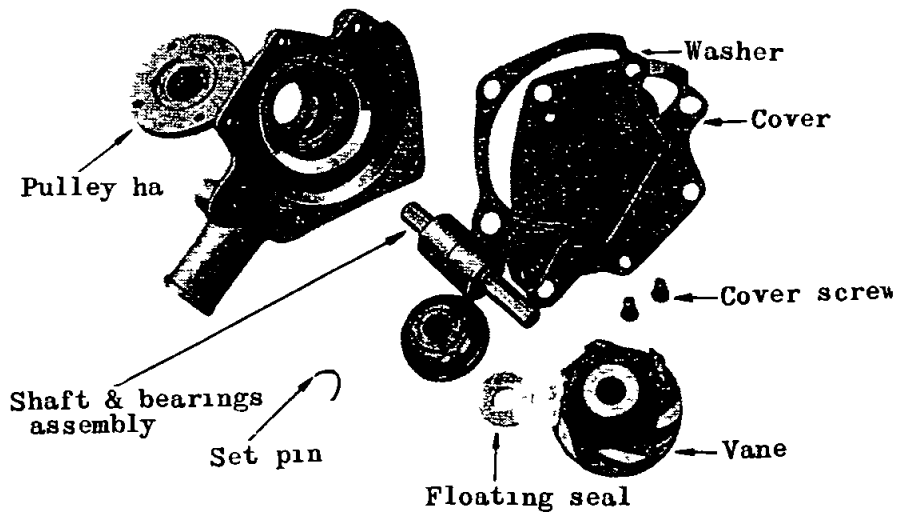


Fig. 1 Sectional View of the Water Pump



Adjusting the Clearance the Vane End and Body

First, press down the shaft fitting with a groove line to insert the set pin.
 Inserting thickness gauge (Thickness 0.4-0.5 mm) between the vane end on the U block bench. Take out the thickness gauge and find out good condition. Screw up with the cover and cork washer.



Insert here
 thickness
 gauge
 0.4-0.5 mm.

LUBRICATION

Circulation

Pressure lubrication is used throughout the unit and is provided by gear oil pump. The oil pump is bolted into the left-hand side of the crankcase, and is driven from the camshaft gear by a short vertical shaft.

Oil is drawn into the pump via the filter and is delivered through internal oil-way. The relief valve directly is situated in the oil filter body.

From the relief valve the oil passes into the main oil way if caused the element fail to pass the oil. The flow then passes via connecting oil ways to the main, big end and cam shaft bearings through drillings in the crankshaft. The connecting rod ends are drilling in the cylinder block and the rear rocker shaft bracket, to lubricate the rockers, and then drains back into the engine sump via the push rod apertures. Oil from the center camshaft bearing enters a gallery on the left-hand side of the engine and lubricates the tappets through individual drillings. As the camshaft rotates, two grooves in the front journal register with a small hole in the camshaft thrust plate thus allowing a small amount of oil to pass into the timing case twice during case revolution of the camshaft to provide lubrication for the timing chain and gears. From the timing case the oil returns via a drain hole back to the engine sump. The filter therefore forms part of the main oil gallery and as such is filled with oil under pressure.

The full of oil enters the element through holes in the casing, and passes through the element into the annular space round the center bolt

This space is sealed top and bottom so that the oil can only escape through the hole into the hollow center bolt and from this point back into the inlet passage through the element

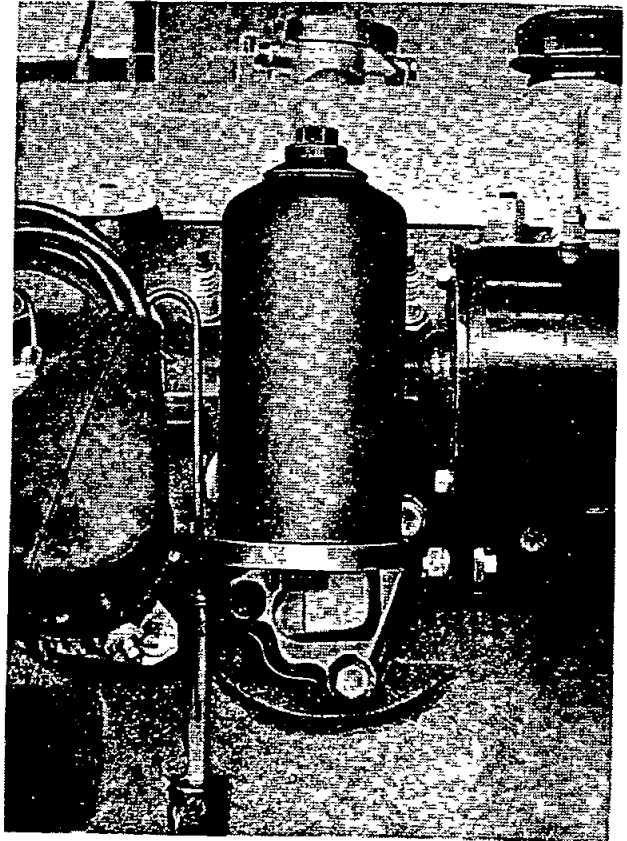


Fig. 1 Checking the Oil Filter

Draining the Sump (Oil Pan)

The sump is a metal pressing, with the drain plug.

On new and reconditioned engines the sump must be drained and refilled with new oil after the first 1000 km, and subsequently at intervals of 5000 km.

Drain the oil when the engine is hot since warm oil flows freely and takes with it any sludge or sediment which may have accumulated.

Never use petrol or paraffin for flushing purposes. Such cleaning mediums are never completely dispersed from the engine lubrication system and will remain to contaminate any fresh oil. This may cause premature bearing failure.

Oil Pressure

The normal operating oil pressure is 60 lb. per sq.in

The warning light which is embodied in the instrument panel light if the oil pressure drops below 8 lbs. sq in. , under these circumstances do not attempt to run the engine or serious damage may result.

Refilling

When refilling the sump do not pour the oil in too quickly, as it may overflow from the filler orifice and mislead the operator as to the quantity of lubricant in the engine.

Before testing the level of the oil, ensure that the vehicle is as near level as possible. Always wipe the dip-stick clean with a non-fluffy cloth before taking the reading. It should be remembered that time must be allowed for new oil to reach to sump before reading the dipstick.

Check for Low Oil Pressure

Check the level of oil in the engine sump by means of the dip-stick and top up if necessary. If the warning light is still on after refilling the sump, switch off and ascertain that the gauge strainer in the sump is clean and not choked with sludge, also that no air leakage exists at the strainer union on the suction side of the oil pump being defective, remove the unit and rectify the fault.

Removing the Filter

A new filter element should be fitted every 6,000 km.,

The filter forms part of the main oil gallery of the engine. To remove the filter it is only necessary to unscrew the center bolt when the bowl can be removed from the cylinder block, complete with the element. For full flow type E1 engine it is necessary to cover with some of rags to prevent from flow oil on the generator when remove the body. Take care not to lose the rubber sealing ring. Remove the element and note the assembly of the components.

Wash out the bowl with pettol, so that it is clean. It is important to thoroughly dry the bowl to obviate any contamination of the lubricating oil.

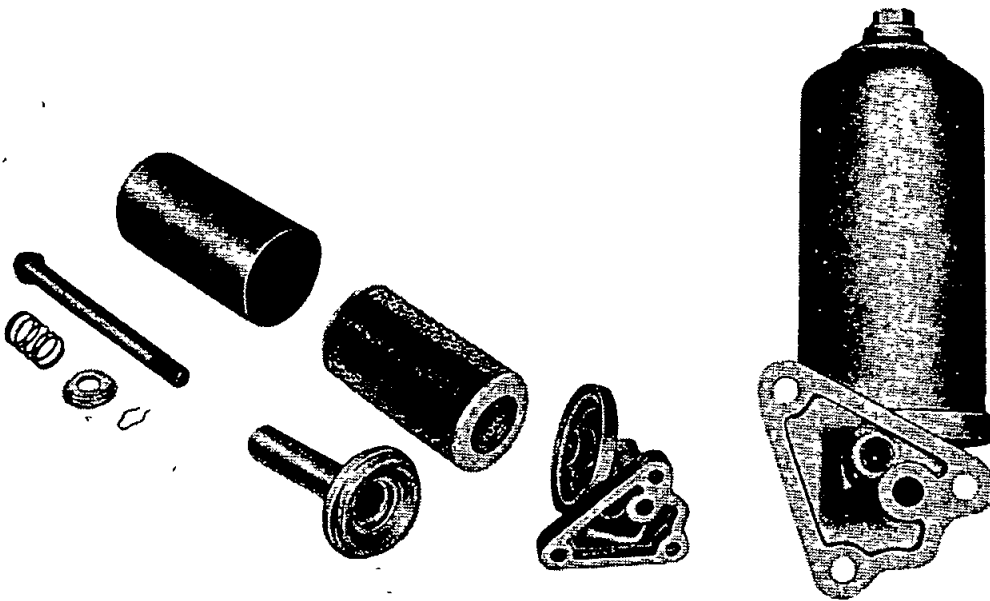


Fig. 3 Components of Oil Filter

Replacing the Filter

Put the element with seat of it on the bracket. Cover with the filter body after putting the element retainer, spring and the gasket in position. Insert the center shaft into position and screw up it with tightening torque 2 - 2.5 kg-m. and secure into position by means of the center bolt.

Removing the Oil Pan

The sump capacity is 3.1 litres. Drain the oil and replace the drain plug.

Remove the set screw bolts which are inserted from the underside of the securing flange, and the lower bolts from the bottom edge of the bell housing. Lower the oil pan from the engine, taking care not to damage the joint washers in the process.

Removing the Strainer

With the sump lowered, it is possible to remove the oil strainer through which oil is drawn into the oil pump. To remove the strainer unto the union connecting the oil pick-up to the pump and unscrew the securing bolts.

The strainer may be dismantled for cleaning purpose by removing the delivery pipe flange bolts.

Notice that there are the dowel pins to the cover which must be positioned correctly when refitting

Removing the Oil Pump

Remove the oil pan and pick up strainer. Three of the five bolts securing the oil pump bottom cover are long enough to secure the pump to the crankcase.

Fig. 4 illustrates the pump in exploded form. Unscrew the long bolts and remove the pump with its drive shaft

Dismantling the Oil Pump

Remove the setscrews and spring washers which secure the cover to the body and take off the cover. On tilting the body upside down the inner rotor with its drive shaft, and the outer rotor with slide out.

Refitting the Sump

Clean out the sump by washing it in paraffin, the care to remove any traces of the paraffin before refitting the oil pan to the engine. Pay particular attention to the oil pan and crank case joint faces, and remove any traces of old jointing material. Examine the joint washer and renew it if necessary. The old joint washer can be used again if it is sound, but it is advisable to fit a new one. Smear the faces of the joint with grease and fit the joint washer. Lift the oil pan into position and insert the setscrews into the flange tightening them up evenly.

Reassembling the Oil Pump

The outer rotor Fig. 4, has a chamfered edge. It is of great importance that this chamfer be towards the base of the body, failure to assemble in this way will result in the cover is tightened down. Insert the slotted end of the drive shaft into the body and bring the rotors into mesh.

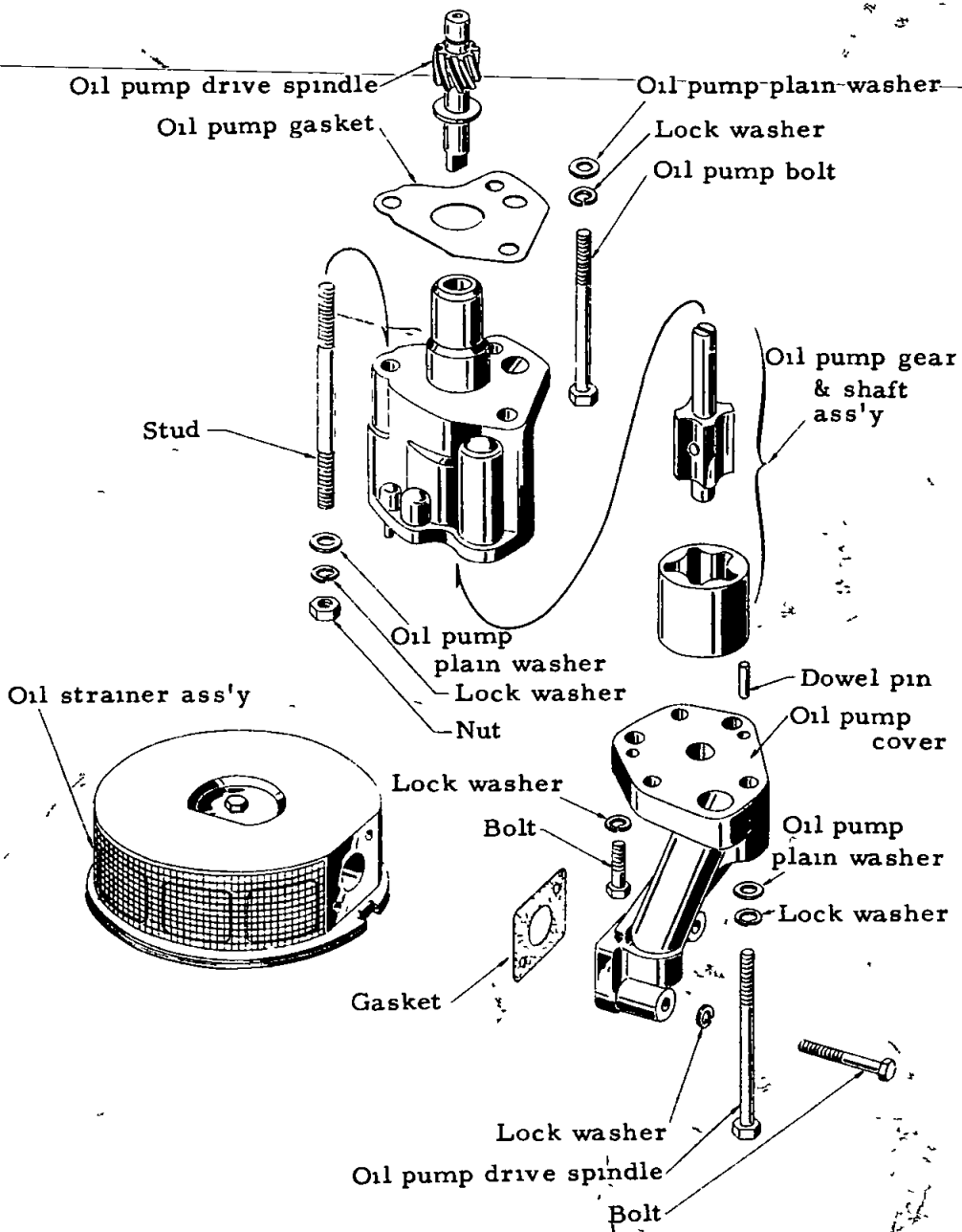


Fig. 4 Oil Pump

SERVICE OPERATIONS WITH ENGINE IN POSITION

Removing Starting Nut and Pulley

Remove the radiator. Slacken the dynamo attachment bolts and remove the fan belt.

Bend back the tab on the starting dog nut locking washer. Unscrew the starting dog nut by using Heavy duty "Shock type" spanner.

A few sharp blows in an anti-clockwise direction will slacken the nut.

Pull off the crankshaft pulley.

Removing the Timing Cover

The timing cover is secured by set-screw bolts, each having a shakeproof washer and a special plain-washer. Note that the special washer is of elongated shape and is fitted next to the timing cover flange.

The spring washers are immediately below the bolt heads.

Take out the set-screw bolts, remove the cover and its joint washer. Care should be taken not to damage the washer when breaking the joint. If damage does occur fit a new washer, cleaning of the faces of the joint surfaces beforehand.

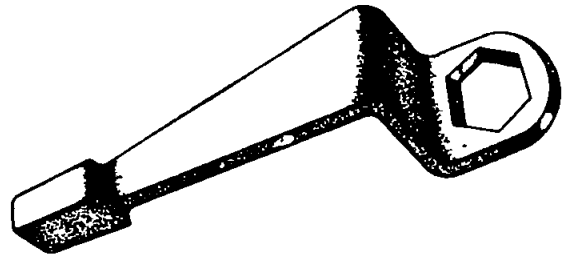


Fig. 1 Heavy Duty "Shock Type" Spanner

Removing the Timing Gear

The timing chain is endless, and it is necessary to remove both the crankshaft and camshaft gears together. Before doing this, notice the timing marks on both gears and their relationship to each other.

Draw off both the gears a little at a time, first removing the crankshaft gear retaining nut.

As the gears are withdrawn care must be taken not to lose the packing washers from behind the crankshaft gear. Between the camshaft gear teeth, is a rubber ring which acts as a tensioner, and ensures silent operation of the chain drive. Examine the felt washer and renew it if oil has been lost by seepage.

Refitting the Timing Gear

Replacing the components of the timing gear is largely a reversal of the dismantling process, but special attention should be paid to the following points.

Fit the crankshaft and camshaft gears into their respective shafts. Ensure the timing marks are opposite and in line.

Turn the engine crankshaft until the keyway is at T. D. C. and the camshaft with its keyway in approximately the one o'clock position.

Place the gears into position, ensuring that the keys are present in keyways on the shafts. Ensure that the timing marks on the gears are opposite to each other and in line. Drive the gears home.

The same number of packing washers taken from behind the crankshaft gear must be replaced unless a new crank or camshaft has been fitted. In this case the alignment of the gear faces and measuring the alignment with a feeler gauge. To adjust the alignment it will be necessary to vary the number of packing washers.

Fit the oil thrower behind the crankshaft gear so that its concave face it towards the front of the car, and check that the felt washer is in position.

Valve Rocker Cover Removal

Remove the air cleaner. Unscrew the cap nuts securing the engine lifting brackets. Remove the rocker cover and the cork joint washer.

Removing the Rocker Assembly

Drain the cooling system. If anti-freeze is in use, use a clean container for the fluid if it is to be used again.

It is necessary to drain the system and slacken the cylinder head nuts, because four of the rocker shaft fixing nuts also secure the cylinder head.

If the cylinder head nuts are not slackened distortion may result and allow water to find its way from the cooling system into the cylinders and pump.

Notice that under the right-hand rear rocker stud nut is a special locking plate. Completely unscrew the rocker-shaft bracket nuts and remove the rocker assembly. Complete with brackets and rockers.

Dismantling the Assembly

To dismantle the rocker shaft assembly first remove the grub screw and locking plate from the rear rocker bracket.

Remove the split pins, flat washers and spring washers from each end of the shaft. Slide the rockers, brackets and springs from the shaft. Unscrew the plug from the end of the shaft and clean out the oil way.

The two end rockers may be dismantled without the whole rocker assembly being drawn out. This may be achieved by turning the engine by hand until No. 1 push rod reaches its lowest position.

Unlock the tappet adjusting screw and screw it back as far as it will go.

Withdraw the split pin, flat and spring washers and slide the rocker off the shaft.

Sometimes the valve spring will have to be slightly compressed by levering a screwdriver under No. 2 rocker, thus allowing the end rocker to slide off the shaft easily. Repeat the procedure for No. 8 rocker.

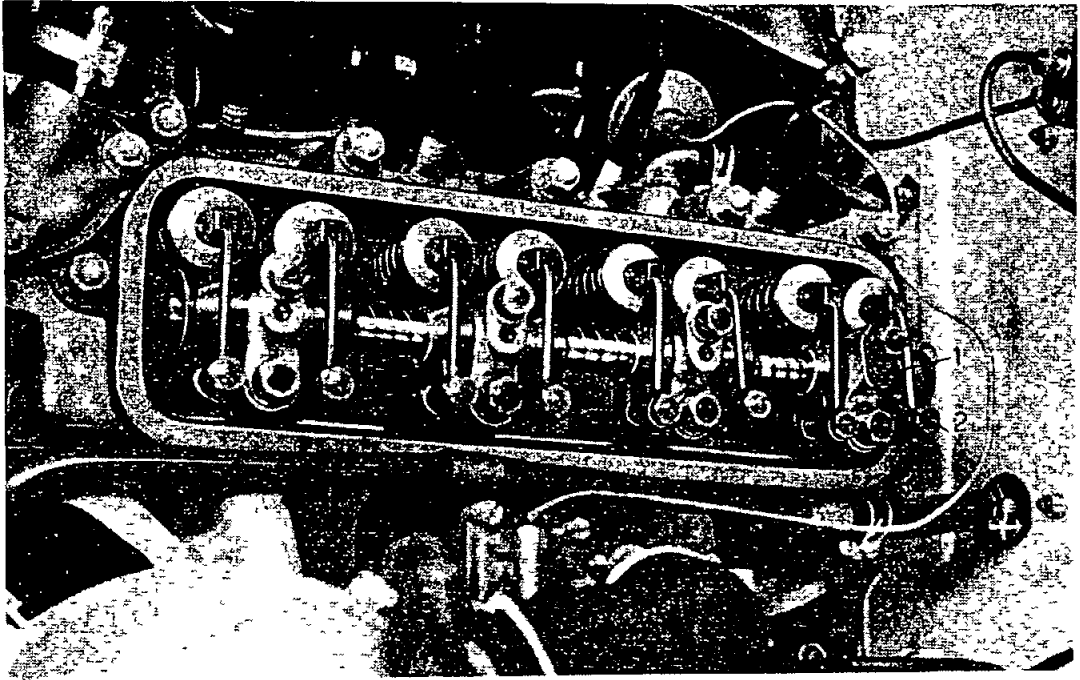


Fig. 2 Rear Locking Plate (1) Plate (2) Locating Stud

Reassembling the Rocker

On reassembly tighten the pedestal bracket securing nuts a little at a time working diagonally from nut to nut, left nut of No. 1 pedestal bracket, right nut of No. 2, left of No. 3 and so on returning from the left nut of No. 4 bracket and repeating the process until they are all tight. If the rocker assembly has been completely stripped down and rebushed, the oil holes will have to be redrilled and the bushes reamed down to size before assembly on the shaft.

The rockers and spring must be replaced in their original position on the ends of the shaft. Remember to replace the rocker shaft locating screw and lock plate.

Replace the spring and flat washers with the split pins on the ends of the shaft. Replace the rocker cover and gasket. The vent pipe should be at the front of the engine. Secure the cover by means of the two cap nuts, ensuring that the rubber bushed and engine lifting plates are in position. If the rocker cover gasket or the rubber bushes are found to be faulty, they must be renewed otherwise oil leaks will result.

Push Rod Removal

If the valve rocker assembly has already been removed all that remains is for the push rods to be lifted out. They may on the other hand be taken out without detaching the rocker assembly.

Remove the air cleaner and rocker cover.

Slacken all the tappet adjusting screws to their full extent, then using a screwdriver, with the rocker shaft as a fulcrum, depress the valve spring,

slide the rocker side ways and lift out the push rod.

All but the end push rods can be withdrawn in this way. These will have to be withdrawn after the removal of the two end rockers from the shaft. When replacing push rods ensure that the ball ends register in the tappet cups. From here onwards, reassembly is a straight forward reversal of the dismantling process.

Adjusting Valve Rocker Clearances

Remove the air cleaner and rocker cover.

There should be a clearance of 0.014 in. (0.35 mm) between the face of the rocker and the base of the valve stem. Whilst checking the clearances it is important to maintain pressure with a screw-driver on the tappet adjusting screw to disperse the film of oil from the push rod cup. Failure to follow this procedure will result in a wrong reading being taken.

Turn the engine over by hand (Starting handle) until the push rod stops falling, the valve is fully closed.

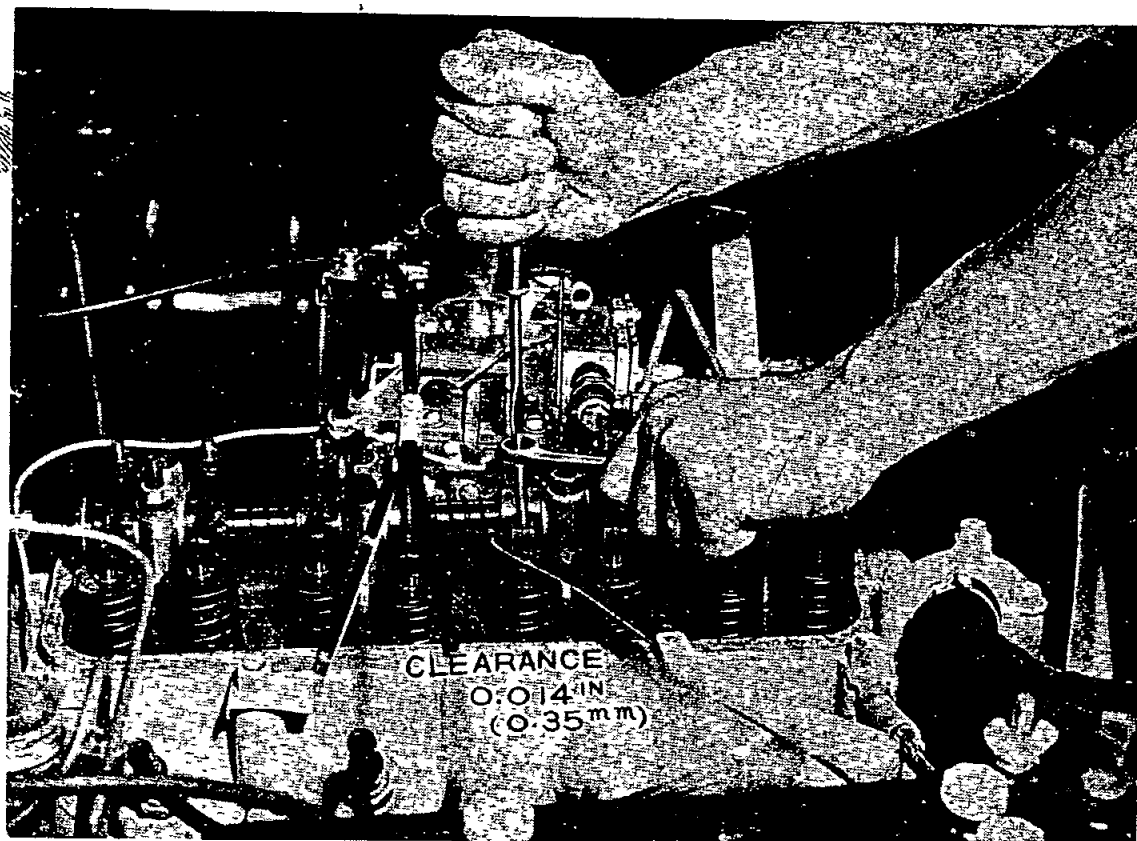


Fig. 3 Adjusting the Rocker Clearance

To adjust (Fig. 3) insert a screwdriver in the adjusting screw slot and slaken the lock nut. Then insert .014 in. feeler gauge between the face of the rocker and the valve stem. Raise or lower the adjusting screw until the correct clearance is obtained.

Tighten the lock nut and recheck the clearance.

It is important to note that while the clearance is being set, the tappet of the valve being adjusted must be on the back of the cam, opposite to its peak.

ROCKER MECHANISM

Rocker shaft	
Length	355.63 mm (14 1/32 in.)
Outer diameter	15.850-15.875 mm (0.624-0.625 in.)
Rocker arm bush	
Type	White metal with steel lining
Outer diameter (before mounting)	19.075-19.101 mm (0.751-0.752 in.)
Inner diameter (Reamer-finished dimension after mounting)	15.888-15.901 mm (0.625 1/2-0.626 in.)
Thickness before reamer finishing	1.644-1.727 mm (0.065-1/2-0.068 in.)
Clearance	0.013-0.051 mm (0.0001/2-0/002 in.)
Rocker arm	
Bore	19.012-19.037 mm (0.748 1/2-0.749 1/2 in.)
Lever ratio	25.003 to 35.719 mm (63/64 to 1 13/32 in.)

CYLINDER HEAD

Removing the Cylinder Head

Drain the cooling system by opening the radiator and cylinder block drain taps.

One is situated inlet tube at the backside of the radiator and other at the rear right-hand side of the engine. If anti-freeze mixture is in use it should be drained into a suitable container and retained for future use.

Disconnect the negative cable from the battery by extracting the terminal screw and removing the lug from the battery terminal post.

Slacken both the retaining clips on the hose connecting the radiator to the thermostat housing and remove the hose.

Extract the thermostat housing securing nuts and remove the housing and thermostat.

Remove the aircleaner, carburetor, rocker cover and the inlet and exhaust manifolds.

Detach the high tension cables and remove the sparking plugs, also disconnect the water temperature gauge connection from the thermostat housing.

Take off the rocker assembly not forgetting to slacken the external cylinder head nuts at the same time.

Withdraw the push rods keeping them in the order of removal.

The cylinder head can now be lifted off the cylinder block. To facilitate breaching the cylinder head joint, tap each side of the head with a hammer using a piece of wood interposed to take the blow. Do not use excessive force. When lifting the head a direct pull should be given so that the head is pulled evenly up the studs. Remove the cylinder head gasket.

Decarbonising

Remove the cylinder head. With the valves still in position remove the carbon from the combustion chambers and the valve faces. Leaving the valves in position for this operation ensures that damage cannot be caused to the seats by the wire brush which should be used for the removal of carbon.

If the exhaust valve heads are coated with a very hard deposit this may be removed by using a chisel shaped piece of hardwood.

Remove the valves, and using the wire brush clean out the carbon from the inlet and exhaust ports.

Blow out all traces of carbon dust with compressed air or type pump, and finally clean the ports with gasoline and dry them out. The carbon should now be removed from the piston crowns. Rotate the engine until the piston to be worked on is at T D.C. Protect the other cylinder bore from the entry of carbon particles by pushing a non-fluffy rag into them.

Using a chisel shaped piece of hardwood. Carefully remove the carbon from the piston crowns. A ring of carbon should be left round the periphery of each piston, and the deposit round the top of the cylinder bore should not be touched. An indication as to when decarbonisation is required is generally given by an all round loss of power. Cars used mainly on short runs will require this attention more often than those used for long runs.

Removal and Replacement of a Valve

Whilst the cylinder head is removed the valves can be taken out. To do this compress the valve spring with the special valve spring compressor as shown in Fig. 4.

Removal

Remove the two cap retaining collars. Release the valve spring, the valve spring cap, valve oil seal (Inlet valve only) and its retainer. Withdraw the valve from the guide.

Keep the valves in their relative positions when removed from the engine, to ensure replacement in their original valve guides.

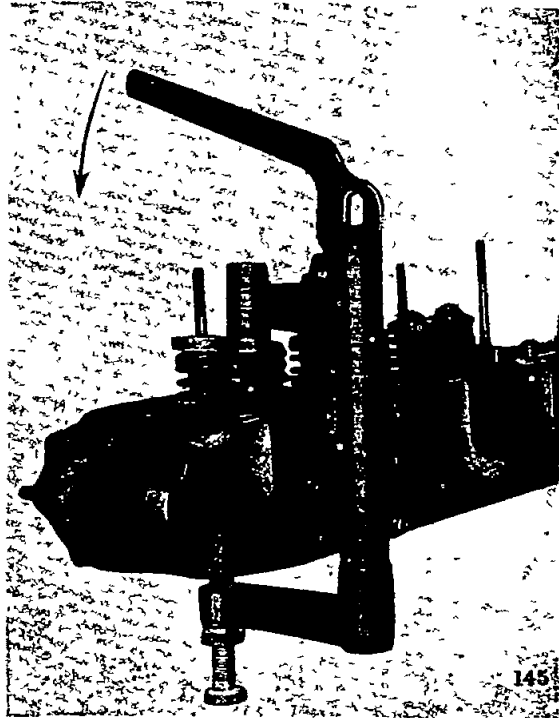


Fig. 4. Valve Spring Compressor

Replacement

Note that the diameter of the exhaust valve heads are smaller than the inlet valve. To replace the valves, insert each valve into its guide and replace the spring, oil seal and retainer. Fit oil seal chamfered side down wards. The oil seals are more easily fitted if they have been soaked in engine oil for a short period before use. The oil seal is used for the intake valve only.

Replace the valve spring and compress the valve spring.

Refit the cap retainers and secure them by means of the valve cotters.

Remove the compressor.

	Inner Sp.	Outer Sp.
Free length mm	50 mm	52 mm
Length in use and loaded mm-kg.	36.9-13.1 \pm 0.7	38.9-29 \pm 1.5
Turning Nos. of coil	8.5	6.5
Effective turn of coil	6.5	4.5
Dia. of coil wire	5.6 \pm 0.2 mm	8.5 \pm 0.2 mm
Diameter of coil	24 mm	33.7 mm

VALVE SPRING

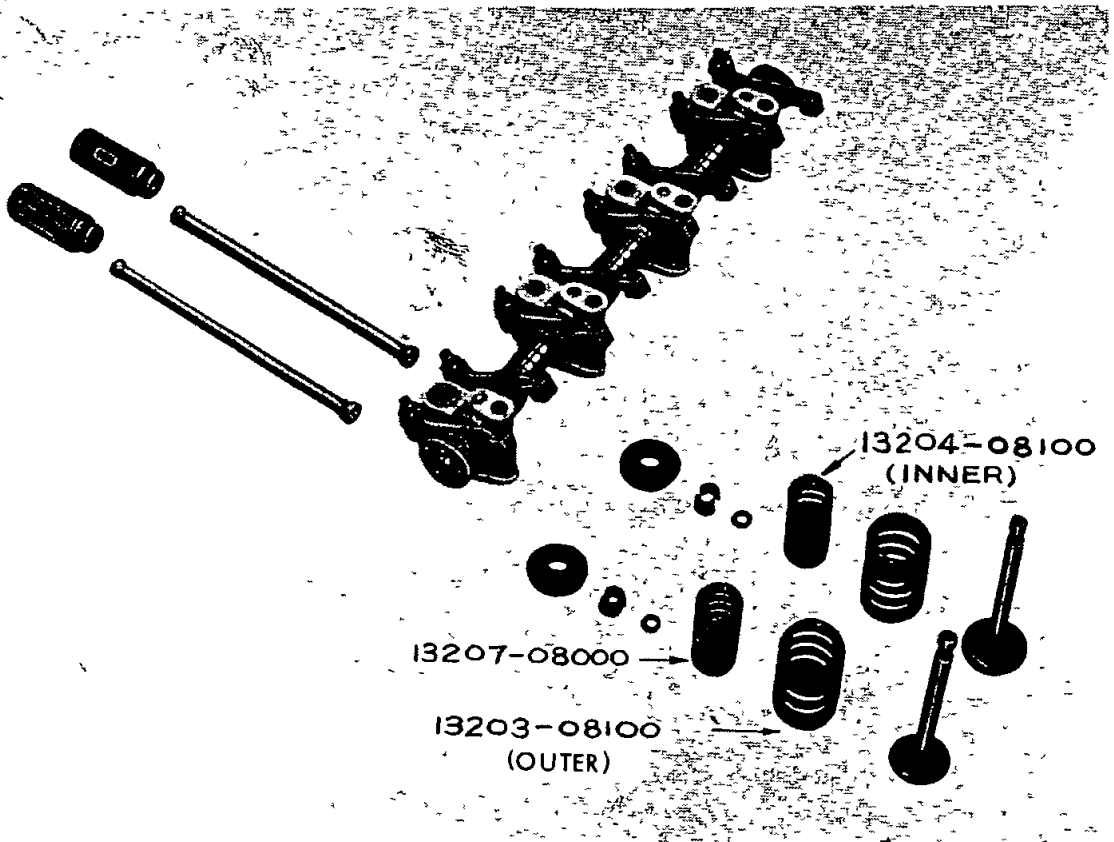


Fig. 5 Valve Spring & Valve Ass'y

Valve Grinding

Before replacement of the cylinder head the valves and their seats should be examined for signs of pitting or burnt patches and distortion.

If these conditions are present, the valve seats must be recut before attempting to grind in the valves, whilst distorted valve heads should be trued or the valve renewed. Only the minimum amount of metal should be removed in the turning process.

When grinding a valve onto its seating, the valve face should be smeared lightly with grinding paste and then lapped in with a suction type grinding tool. The valve must be ground to its seat with a semi rotary motion. A light coil spring interposed between the valve head and the port will assist considerably when lifting the valve in order to rotate the face to a different position. This should be done frequently to spread the grinding compound evenly.

It is necessary to continue the grinding process until an even matt surface is produced on the seating and the valve face.

On completion, the valve seats and ports should be thoroughly cleaned with gasoline soaked rag, and dried, and the subjected to a compressed air blast. The valves should be washed in gasoline and all traces of grinding compound removed.

VALVES

Valve head diameter	
Intake valve	34.798-34.935 mm (1.370-1.375 in.)
Exhaust valve	30.023-30.150 mm (1.182-1.187 in.)
Valve seat width	1.63±0.015 mm
Valve stem outer diameter (both intake and ex.)	8.6805-8.6932 mm (0.341 3/4- 0.342 1/4 in.)
Overall length	
Intake valve	109.54 mm (4-5/16 in.)
Ex. valve	108.74 mm (4-9/32 in.)

VALVE GUIDE

Length Intake valve	47.63 mm (1-7/8 in.)
Exhaust valve	57.94 mm (2-9/32 in.)
Outer diameter (both intake and exhaust)	14.313-14.440 mm (0.5635-0.5685 in.)
Inner diameter (both intake and exhaust)	8.733-8.860 mm (0.3438-0.3443 in.)
Inner diameter at guide inlet to insert (both intake and exhaust)	14.3 mm (0.5634 in.)
Clearance of valve stem and guide (both intake and exhaust)	0.0394-0.0648 mm (0.0015-0.0025 in.)

Refitting the Cylinder Head

Ensure that the cylinder head and cylinder block joint faces are clean.

The cylinder head gasket is marked "Top" so that it will be placed head in correctly. Place the gasket into position and lower the cylinder head into place. Fit the cylinder head securing nuts finger tight.

Insert the push rods, replacing them in the positions from which they were taken.

Screw back all the tappet adjusting screws. Replace the rocker assembly and screw down the securing nuts finger tight. Evenly tighten the eleven cylinder head nuts a little at a time in the order given in Fig. 6, finally pulling them down with a torque wrench set to 45 lbs. /ft.

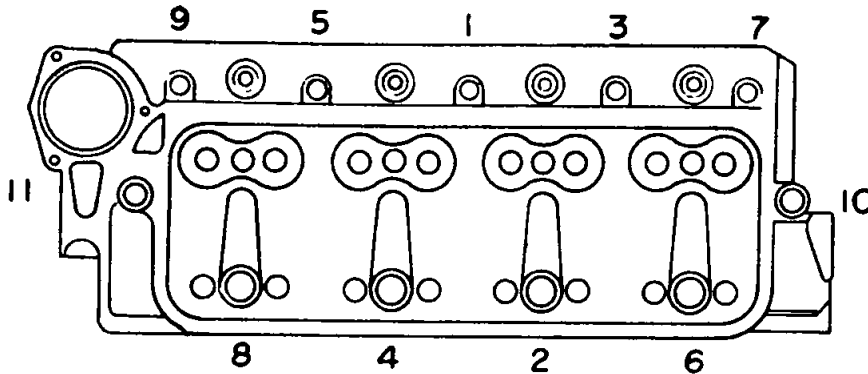


Fig. 6 The Order of Tightening the Cylinder Head Nuts

Reset the valve clearances, and finally check them when the engine is not hot or cold. The cylinder head nuts may pull down slightly more after the engine has attained its normal working temperature, in which case the valve clearances will have to be checked again and reset if necessary.

Refit the inlet and exhaust manifolds.

Fit the carburetor and reconnect the control linkage. Refit the ignition advance suction pipe to the connection on the carburetter, but do not at this stage refit the air cleaner or it will have to be removed later to check the valve clearances. Replace the rocker cover taking care to fit the cork gasket correctly.

Place the thermostat and its housing in position and secure with the three nuts. Reconnect the water temperature gauge wire and fit the radiator hose to the thermostat housing. Connect the cables to the battery. Ensure that the radiator and cylinder block drain tapes are closed, and refill the radiator.

Clean and adjust the sparking plugs and refit them, clipping on the high tension leads. The firing order of the engine is 1 - 3 - 4 - 2. Replace the clip which secures part of the electrical wiring harness to the side of the head.

The ignition can now be switched on and the engine started. When the normal operating temperature has been reached switch off and remove the rocker cover so that the valve clearances may be rechecked. Replace the rocker cover and fit the air cleaner when the final check has been made.

Whilst the engine is running check that the water hose connections and fuel line unions do not leak. Tighten them if necessary.

Removing and Refitting Valve Guides

Remove the cylinder head.

Remove the appropriate valve and spring.

Rest the cylinder head with its machined face downwards on a clean surface and drive the guide downward into the combustion space with a drift.

This should take the form of a hardened steel punch. (See Fig 8)

When fitting new valve guides, these should be driven in from the top of the cylinder head.



Fig. 8 *Hardened Steel Punch*

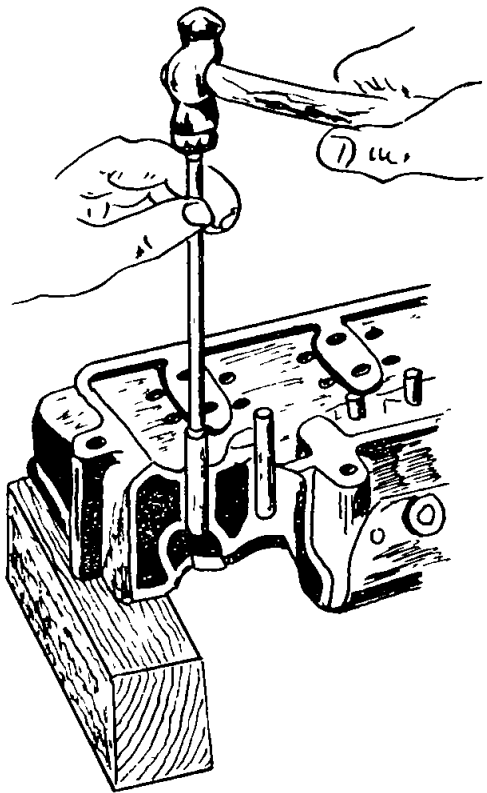


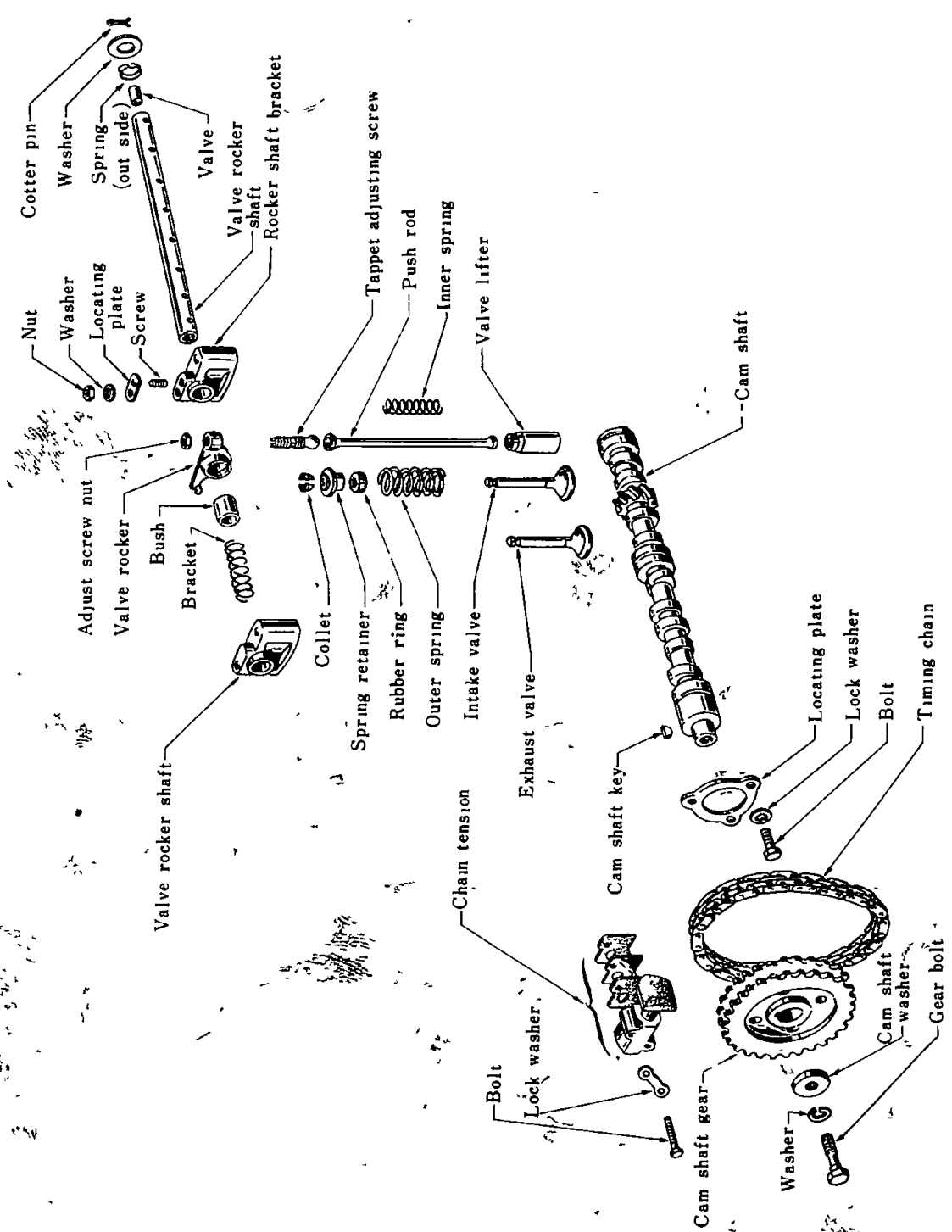
Fig. 7 *Renewing a Valve Guide*

Renewing a Valve Spring in Position

In an emergency a new valve spring can be fitted without removing the cylinder head. When doing this, the applicable piston must be brought to its T. D. C. position to eliminate any possibility of the valve falling into the cylinder.

Remove the spark plug from the cylinder concerned. Hold the valve onto its sealing with the aid of a suitable tool such as a bent screwdriver which will pass through the sparking plug orifice, and locate on the valve head. By using the rocker shaft, as a fulcrum point, the spring can be compressed with two screwdrivers or a fork ended bar.

Withdraw the valve cotters and renew the valve spring.



CAMSHAFT & VALVE GEAR

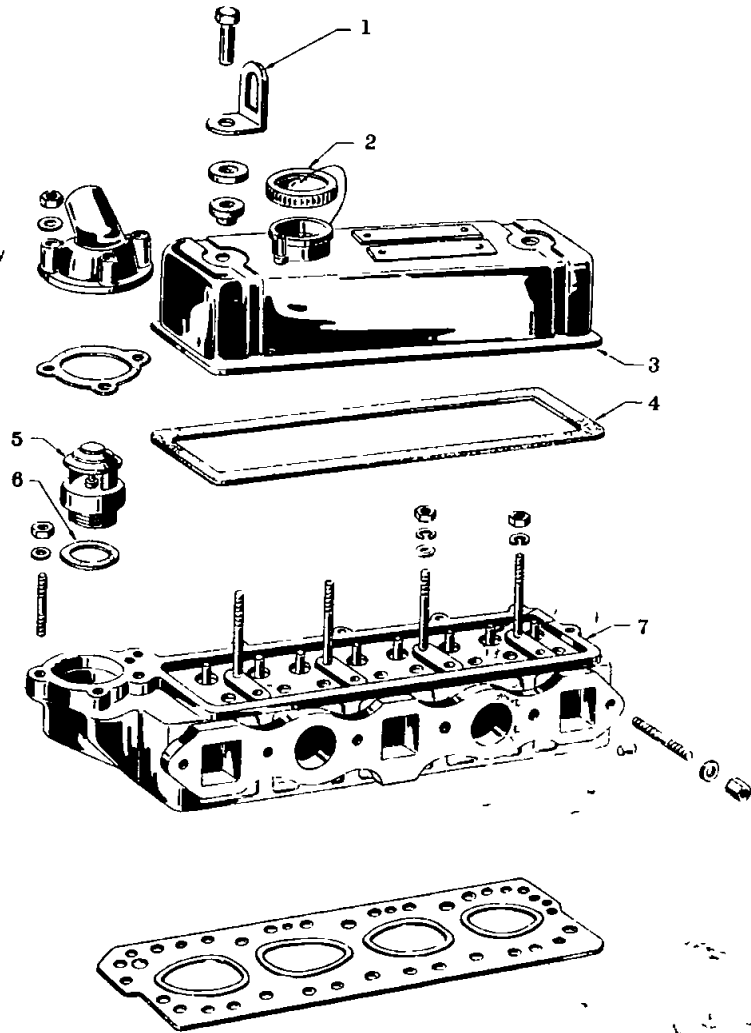


Fig. 9 Cylinder Head

- | | |
|--------------------------|-------------------|
| (1) Engine sling bracket | (5) Thermostat |
| (2) Oil filler cap | (6) joint washer |
| (3) Valve locker cover | (7) Cylinder head |
| (4) Washer (Cover joint) | |

Removing and Replacing the Tappets

Remove the carburetor and the rocker cover, then take off the manifolds.

Disconnect the high-tension leads from the sparking plugs, remove the rocker assembly and withdraw the push rods, keeping them in their respective positions so that they will be replaced onto the same tappets.

Remove the tappet covers and lift out the tappets, also keeping them in same locations (Fig. 10)

New tappet should be fitted by selective assembly so that they fall into the guides under their own weight when lubricated,

Assembly is a reversal of the above procedure, but care should be taken to see that tappet cover joints are oil tight, and that the rockers are adjusted to give the correct valve clearance.

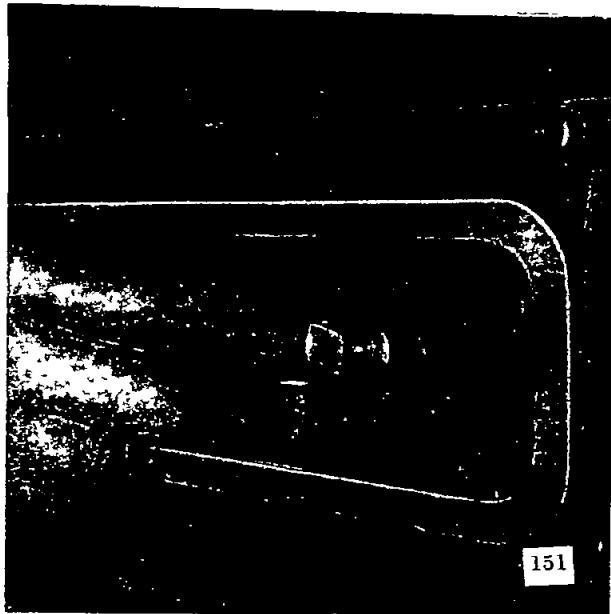


Fig. 10 Removing a Tappet

Piston and Connecting Rod Removal

Drain the cooling water from the engine and radiator. Drain and remove the sump from the engine, then disconnect and remove the oil strainer. Take out the set screws and rock washers from the big-ends and withdraw the caps. It will be noted that the caps are off-set. When used parts are replaced after dismantling it is essential they are fitted into their original positions. To ensure correct refitting mark the caps and connecting rods on the sides to identify them together. The piston and connecting rods must be withdrawn upwards through the cylinder bores.

Release the connecting rod from the crankshaft and slowly push the piston and rod upwards through the cylinder bore.

NOTE

It may be necessary to remove the ring of carbon or lip from the top of the cylinder bore with a hand scraper to avoid risk of piston ring breakage.

Remove the assembly from the top of the cylinder block.

Check the crankpins for ovality with a pair of micro meter calipers, and examine the bearing surface for scoring, either defect will necessitate the removal of the crankshaft for regrinding.

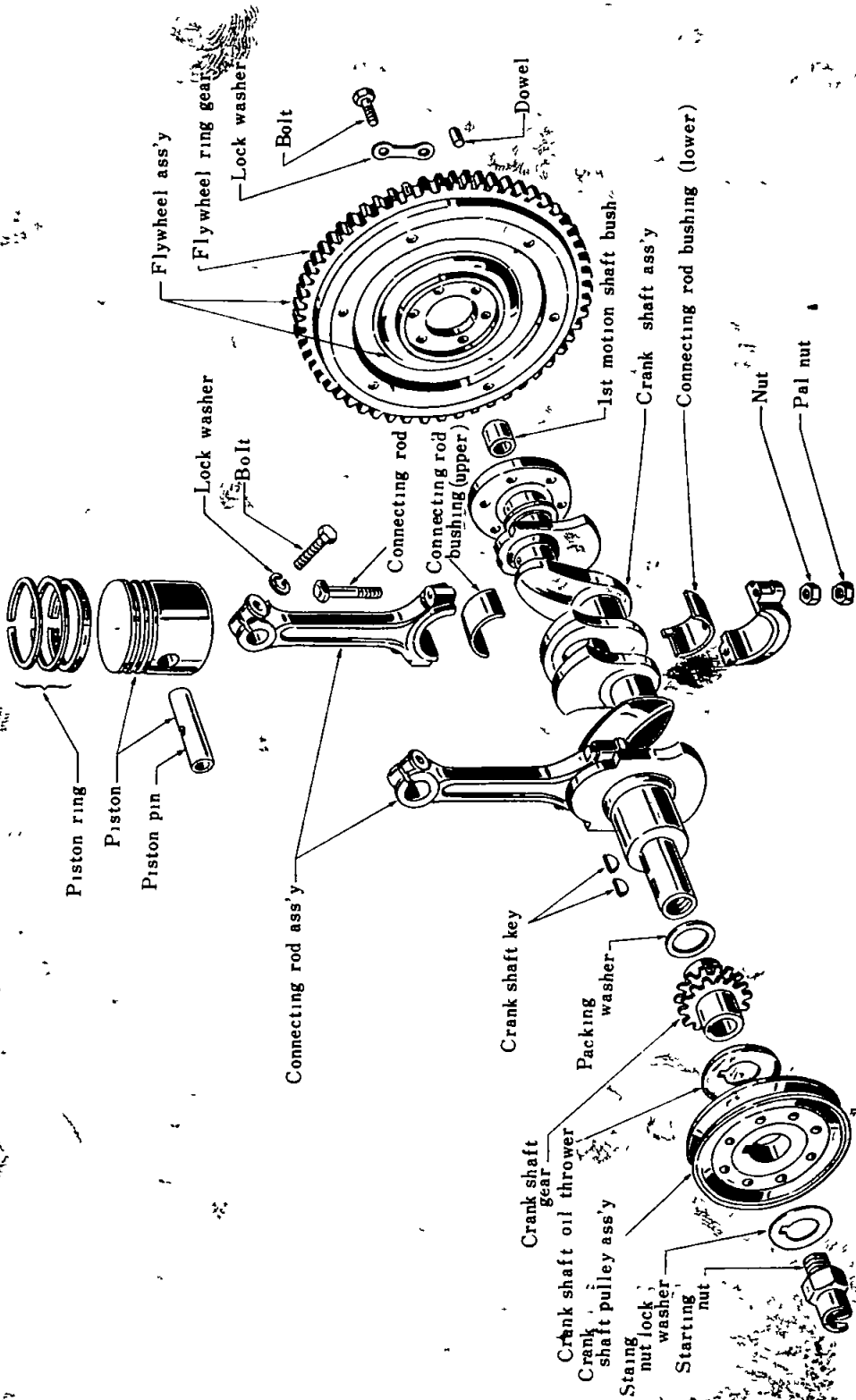
CONNECTING ROD

Distance between center of large end and small end	144 ± 0.03 mm
Large end bearing	Copperish metal with steel lining (upper side)
Type	White metal with steel lining (lower side)
Overall length	25.273-25.527 mm (0.995-0.005 in.)
Thickness	1.8288-1.8352 mm (0.072-0.0725 in.)
Outer diameter	51.346 mm (2.015 in.)
Width of large end	26.8 mm (1.055 in.)
End play of large end	0.203-0.305 mm (0.008-0.012 in.)
Finishing dimension of inner diameter of small end bush	
Standard	17.450-17.462 mm (0.6870-0.6875 in.)

CRANKSHAFT

Clearance of bearing periphery to cylinder block hole	-0.013-0.050 mm
Material	Forged steel
Clearance of bearing inner diameter and crank journal	0.0127-0.0508 mm (0.0005-0.0020 in.)
Diameter of main journal	50.183-50.825 mm (2.0005-2.001 in.)
End play of crankshaft	0.051-0.076 mm (0.002-0.003 in.)
Crank pin diameter	
Standard	47.640-47.652 mm (1.875-1.876 in.)
Difference of crank pin diameter	Less than 0.012 mm (0.00048 in.)
End play when flywheel was installed	Less than 0.05 mm (0.002 in.)

The shell bearing are removable by hand. The bearings are require no "bedding in" it is being only necessary to ensure that the housings are scrupulously clean and dry, and to place the bearings into position with the tangs located in their corresponding slots. Always renew bearings if they are scored or damaged in any way, or following the regrinding of the crankshaft bearing surfaces. In the latter case undersize bearings will be required and the kinds of sizes available are 0.010, 0.020, 0.030 and 0.040 etc.



PISTON & CRANK SHAFT



Fig. 11 Crank Shaft

PISTON

Replacing Pistons and Connecting Rods

Insert each piston and connecting rod assembly into the cylinder from which it was taken, it is essential that the split in the skirt of the piston is positioned towards the camshaft.

Compress the piston rings with inserting piston using tool (Fig. 12), and gently tap the crown of the piston with the wooden end of a hammer handle, until the piston is clear of the piston ring clamp

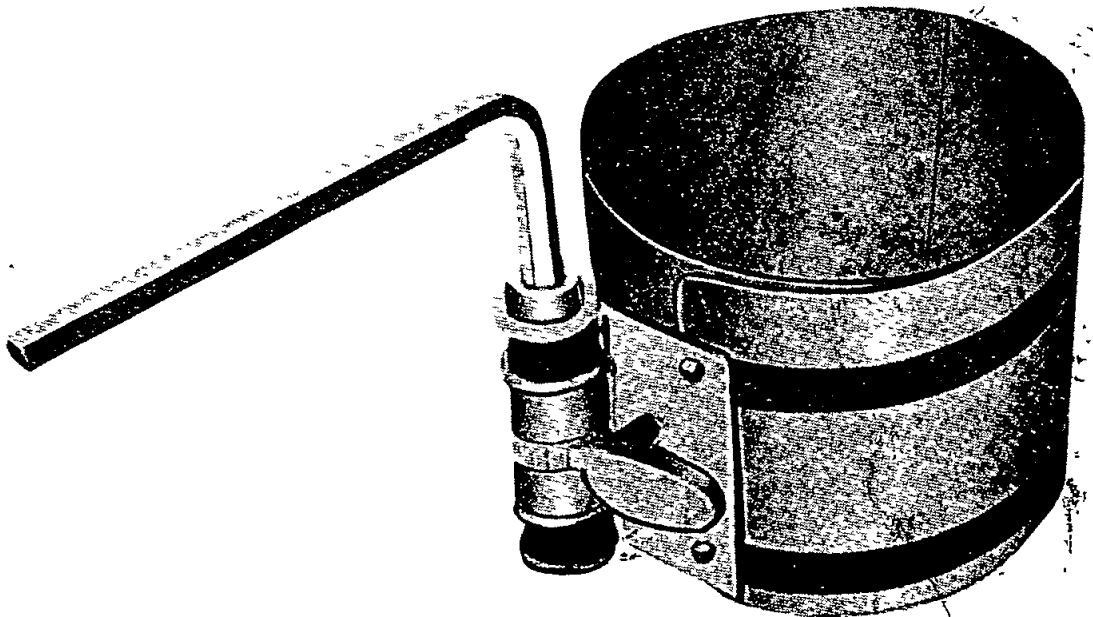


Fig. 12 Piston Adapter

Now push the piston down the cylinder block until the big end of the connecting rod just protrudes through the bottom of the cylinder bore, then position upper half bearing shells.

NOTE - Each upper & lower bearing has two oil holes, there by ensuring sufficient and it is of the greatest importance that the corresponding oil hole in the bearing shell registers with the oil way to provide an unobstructed passage.

Pull the connecting rod onto the crankpin taking care not to injure the bearing surface. Insert the shell into the connecting rod cap, position the cap and the locking washers. Insert the setscrews and tighten with a torque wrench to 21.7-24.6 lbs. /ft.

Finally knock back the lock washers

Check the connecting rod big end for side clearance (7/1000 in.) and see that the shell bearings are not binding on the crankpin when rotating the crankshaft. If it is difficult to turn, undo the big end and examine the shell and seat for dirt or grit.

Before reassembling always apply a little clean oil to the piston surfaces and into the cylinder bore. Never file the connecting rod caps or their mating surfaces as this creates ovality in the bearing.

Removing a Piston

Remove the clamping bolt from the small end of the connecting rod and push out the gudgeon pin. The gudgeon pin is a push fit in piston at 70°F. (21.1°C.)

When reassembling, ensure the gudgeon pin is positioned in the connecting rod so that its groove is in line with the clamp screw hole. Check that the spring washer fitted under the head of the pitch bolt is not damaged.

PISTON PIN

Diameter	17.447-17.452 mm (0.6869-0.6871 in.)
Over size 5/1000 in.	17.574-17.579 mm (0.6919-0.6921 in.)
10/1000 in.	17.701-17.706 mm (0.6969-0.6971 in.)
15/1000 in.	17.828-17.833 mm (0.7019-0.7021 in.)
Length	64.20-64.45 mm (2.568-2.578 in.)
Clearance of pin and pin hole	Degree to be able to push it by finger at 20°C
Clearance of pin and connecting rod bush hole	0.003-0.010 mm (0.0001-0.0004 in.)

PISTON AND BORES

There should be a clearance of 0.0010-0.0016 in. (0.025-0.040 mm)

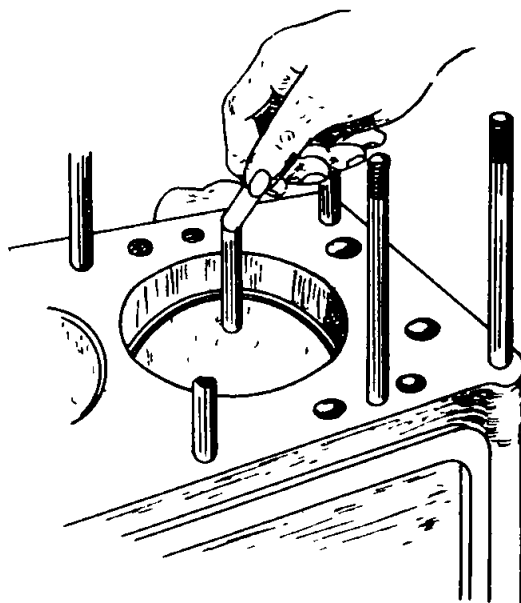
PISTON RINGS

The piston ring gap should be 0.008-0.013 in. (0.203-0.330 mm) when checked in the cylinder bore. The clearance of the compression rings in their grooves should amount to 0.0015-0.0035 in. (0.038-0.089 mm) and the oil control ring 0.0016-0.0036 in. (0.041-0.092 mm)

Because the piston rings do not travel to the end of the cylinder bores a "lip" is eventually formed due to wear

This may be checked with a dial gauge and must be removed. If this is not done there will be a tendency to noisy operation or a fractured ring, caused by the top piston ring striking the lip.

Piston and rings are available in 0.010 in. (0.254 mm), 0.020 in. (0.508 mm), 0.030 in. (0.762 mm), and 0.040 in. (1.016 mm) oversizes. The piston rings



should always be fitted from the crown of the piston and never pushed upwards over the skirt. Before fitting the rings, remove any carbon deposit from the grooves in the piston. When fitting, note that the second compression is tapered type and oil control ring is slat type processed by chromium plating.

REMOVING & REFITTING

Experience has shown that it is much easier to remove the engine and transmission as a single unit than to detach the engine by itself.

To remove the engine and transmission upwards, proceed as follows,

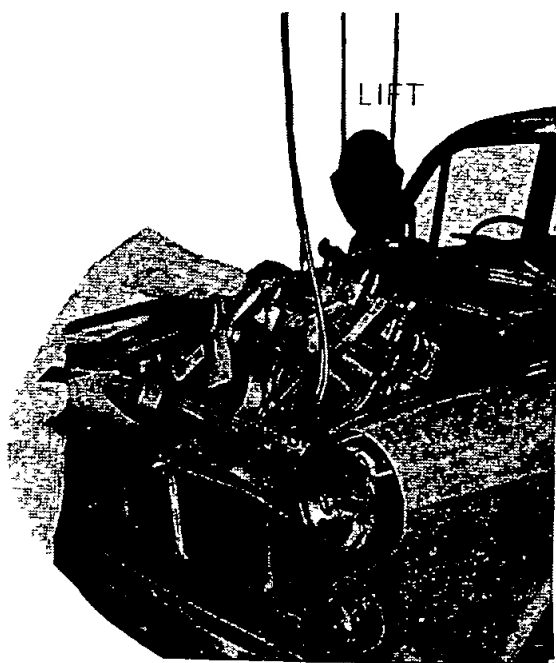
Completely drain the cooling system and the transmission, disconnect and remove the battery and its supporting tray.

Remove the upper and lower radiator hoses by undoing the retaining clips.

Disconnect the capacitor lead at the distributor, also the high tension and switch wires at the coil.

Take off the dynamo lead and disconnect the starter motor cable at the motor end.

Remove the oil gauge and water, temperature gauge leads from their terminals on the engine.



Engine & Transmission Assembly being lifted from Chassis.

The throttle and choke controls must be disconnected from the carburetor. Disconnect the fuel pipe from the fuel pump.

Next, remove the exhaust pipe from the manifold.

From below the vehicle, remove the gear change selector rod from the lever on the transmission casing.

Disconnect the earth strap from the starter motor. Remove the hand brake control rod supporting from transmission

Disconnect the speed-meter cable from the transmission. Uncouple the propeller shaft pinion franges at rear axle and draw the shaft out of the transmission.

To allow the engine and transmission to be drawn forward, the radiator must be removed by undoing the four securing bolts.

OPERATION WITH THE ENGINE REMOVED

The following operations are best performed with the engine removed from the car.

Although it may be found possible to carry out certain attentions with the engine in position, it is more convenient to do the work on the bench.

Withdrawing Camshaft

The camshaft is positioned by a locating plate held by three screws and shakeproof washers. Note the position of the small lubricating oil hole in the locating plate when replacing should be to the right of the engine.

End play of 0.003-0.007 in (0.076-0.178 mm) is controlled by the thickness of the locating plate, and can be checked with a dial indicator set against the camshaft gear.

Before withdrawing the camshaft the distributor and its driving spindle push rods, and tappet, will have to be removed. Remove the oil pump and its drive shaft, and take off the timing cover and gears. The engine front mounting plate is now accessible and may be removed by withdrawing the setscrew and locking plates. The dynamo swinging link must be removed.

Take out the setscrews securing the camshaft locating plate, when the camshaft can be withdrawn from the cylinder block.

CAMSHAFT BEARINGS

White metal bearings, with steel lining are used for the camshaft. They can be taken out renewed when necessary, it being usual to do this when the cylinder block is being reconditioned.

The bearings can be removed by drifting them out of their housings.

When fitting new bearings care must be taken to line up the oil holes with the corresponding holes in the cylinder block.

Tap the new bearings into position and ream them to give a running clearance of 0.001-0.002 in. (0.025-0.051 mm.)

Refitting the Camshaft

This is a reversal of the introductions for removal. Care should be taken however, to align and engage the drive pin in the rear end of the camshaft with the slot in the oil pump drive shaft.

Main Bearing Caps

Remove the flywheel and clutch.

Take off the timing chain, the sump and strainer, and the engine rear mounting plate. Unlock and remove the bolts securing the main bearing caps to the cylinder block, also the two bolts securing the front cap to the engine front bearer plate.

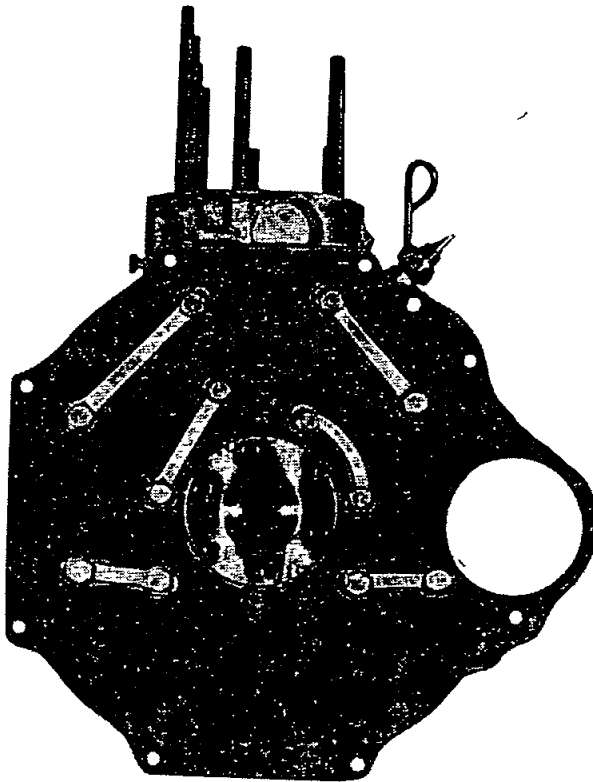
Note that a thrust washer is fitted on each side of the centre main bearing to take the crankshaft end thrust. These thrust washers each consist of two semi-circular valves, one half having a lug, which is located in a recess in the detachable half of the bearing, the other being plain.

When fitting new bearings no scraping is required as they are machined to give the correct running clearance of 0.0005-0.002 in. (0.0127-0.0508 mm).

Ensure that the locating tangs are properly engaged in their recesses.

Handle the new bearings carefully so as not to damage the fine surface finish.

Remove all traces of dirt and oil from the housings and thoroughly dry them with a non-fluffy rag. Make sure that the oil ways are clear. When fitting the bearing caps ensure that they are replaced the right-way round. Each cap is punch marked, and the marks should face the camshaft side of the engine.



Engine (Rear Side)

Caution

Never file the bearing caps to take up excessive play as this will cause ovality.

Always cover the bearing surfaces with engine oil when they are replaced.

The main bearing caps are held in position by set screws and lock washers. Pull the set-screws up tight with a torque wrench set to a loading of 75-80 lbs./ft (10.36-11.05 kgm.).

When refitting the main bearing caps tighten the center one first, after each cap is tighten rotate the crankshaft to ascertain that it revolves freely.

If it is tight remove the last cap tightened, and examine the bearing and its seating for foreign matter.

Check the crankshaft end play by means of a dial gauge. This should be 0.002 in. (0.051 mm).

If a bearing has "run", it is essential to clean out all oil-ways in the crankshaft and block. Wash out the engine sump and the strainer.

The oil pump should be dismantled and cleaned. Ensure that no particles of bearing, metal are left within the engine lubrication system.

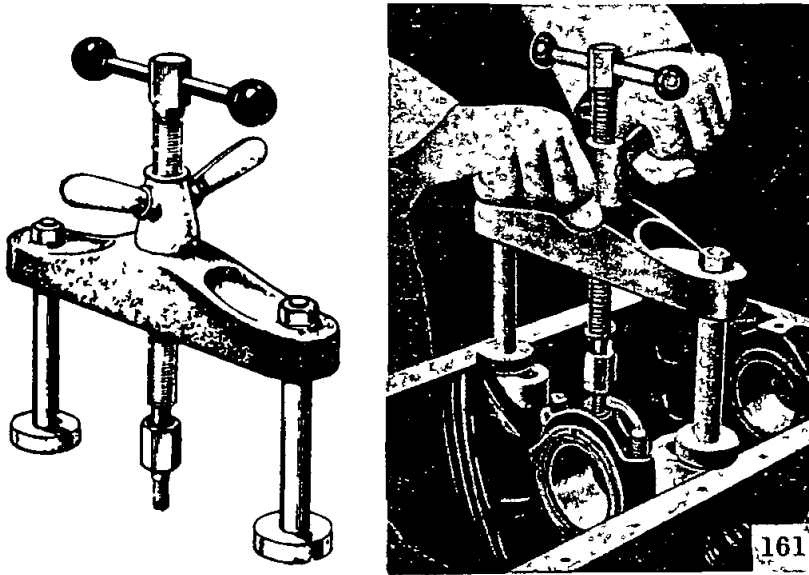
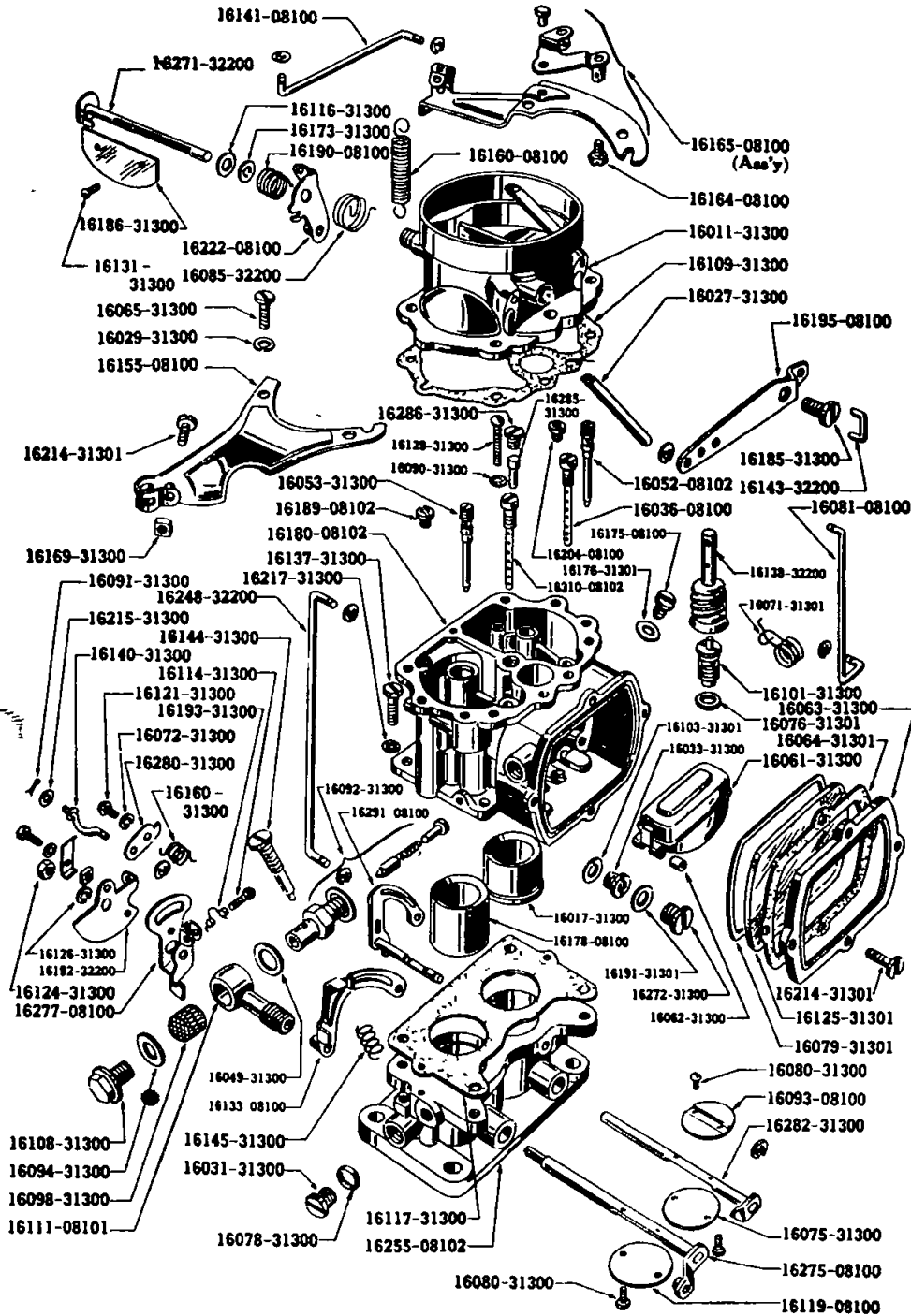


Fig. 15 Removing a Main Bearing Cap & Extractor

FUEL SYSTEM



The fuel tank has a capacity of 31.0 litres and is situated at the rear of the luggage compartment.

The fuel pump, operated off the camshaft draws fuel from the tank and forces it into the carburetor float chamber. A large and efficient air cleaner filters the air supply to the carburetor.

THE GASOLINE TANK

Draining the Tank and Fuel Gauge

The fuel tank is drained by turning the wrench operated drain cock.

Fuel Tank Gauge Unit

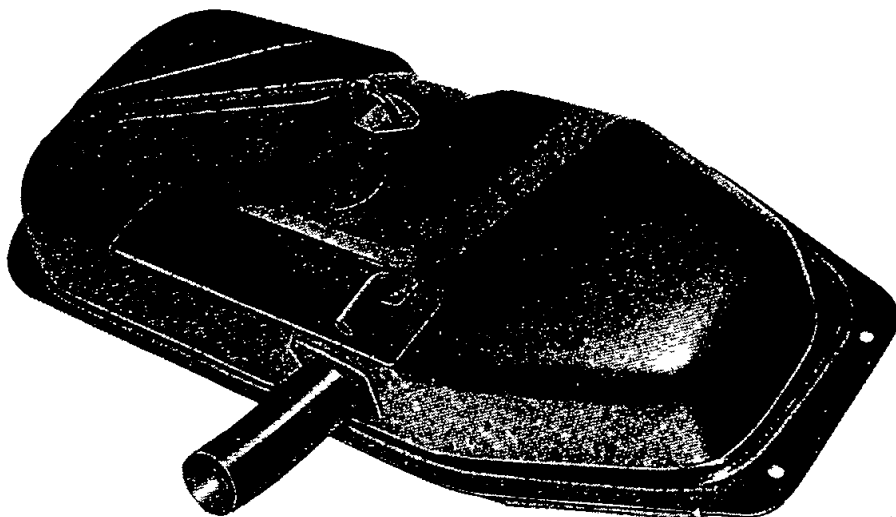
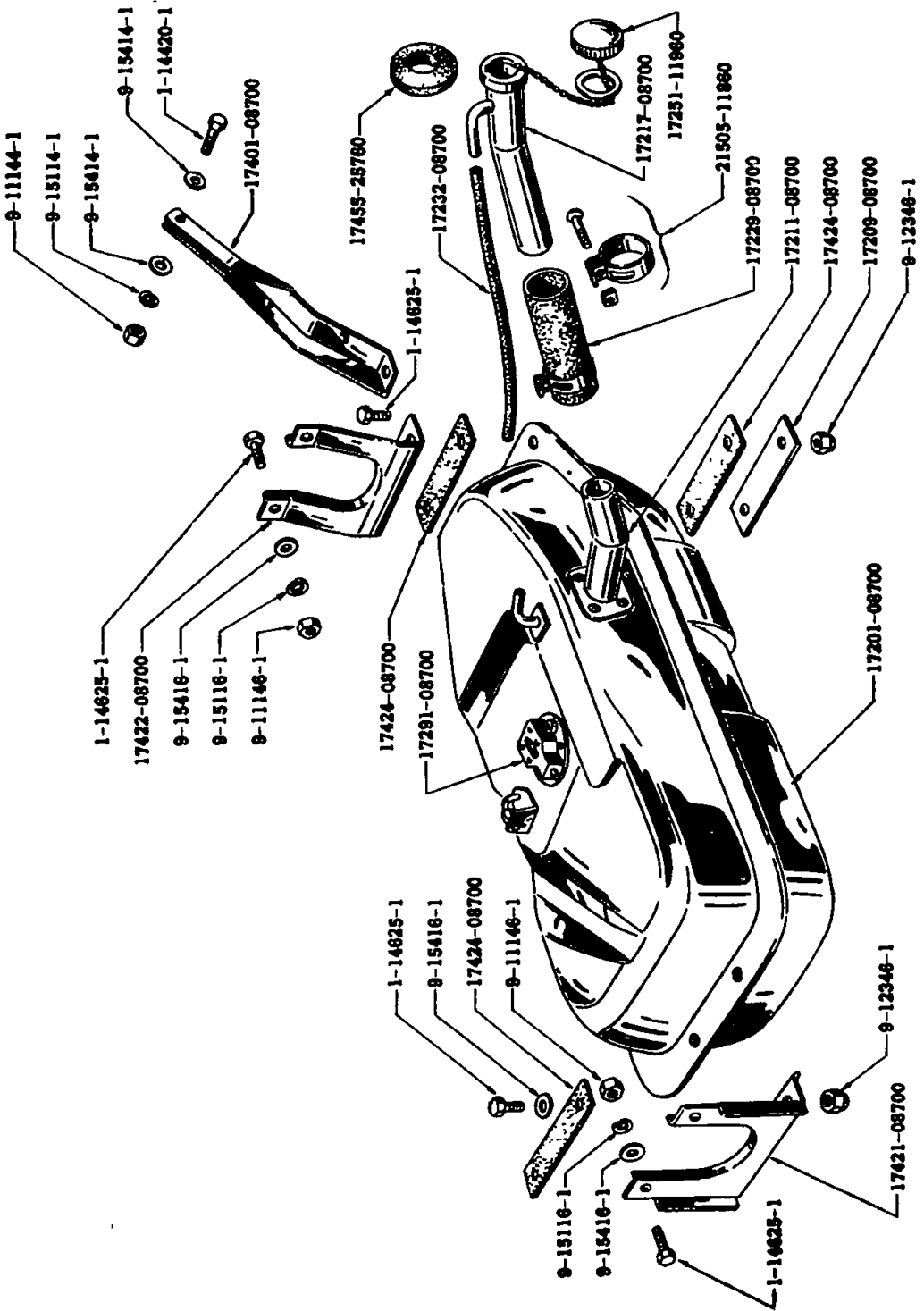


Fig. 1 Fuel Tank Securing

Situated on the top face of the tank is the gauge unit. To remove, withdraw the set screws which secure the unit to the tank not forgetting to disconnect the electrical lead beforehand. Care must be taken not to strain or bend the float lever as this may seriously effect subsequent gauge readings. Remember this also applies when refitting the unit.

Examine the joint washer to ensure that it is in position and undamaged. This is essential as the joint between the tank and gauge unit must be fuel tight.

GASOLINE TANK MOUNTING



Troubles and Repairs of Gasoline Tank

(A) When Fuel Leaks from Gasoline Tank

When a crack, distortion or damage is found in the tank, repair or replace it.

To make repairs, put marks with chalk at the leaking points and, even after the fuel in the tank has been drained out, blow with compressed air through the tank to force out stagnant gasoline vapor completely. Repairs should be done only when the tank is completely dry.

Leakage is ordinarily mended by soldering. When welding is necessary, the above precaution must be strictly observed. Otherwise, there will be danger of explosion

(B) When Gasoline Fails to Reach Gasoline Strainer

If the fuel fails to reach the gasoline strainer when there is some fuel left in the gasoline tank and the operation of fuel pump is known to be satisfactory, check the following points.

(When it is difficult to confirm the delivery of fuel at the strainer, loosen the connector at the fuel intake of the carburetor.)

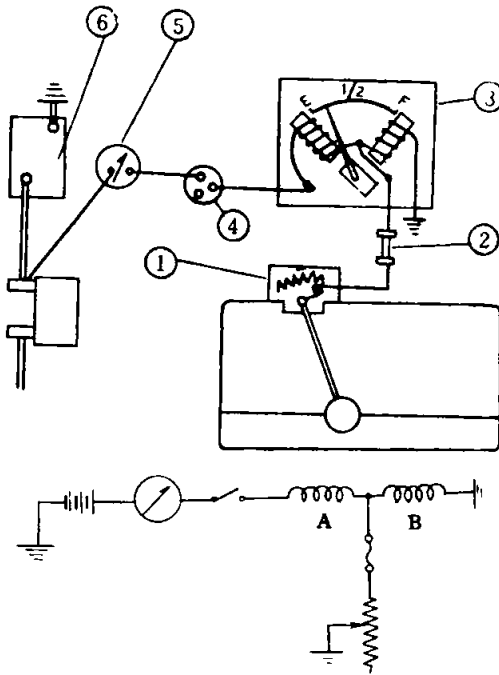


Fig. 2 Wiring of Fuel Gauge

- | | |
|----------------|---------------------|
| (1) Unit Gauge | (4) Ignition Switch |
| (2) Fuse | (5) Ammeter |
| (3) Fuel Gauge | (6) Battery |

(1) Check to see if gasoline pipe is clogged with dust and dirt. This can be easily checked by disconnecting the connector of the pipe and blowing with compressed air toward the direction of the tank. Then from the tank end blow the pipe again and clean the pipe

In many cases the tip of gasoline intake pipe of tank unit is clogged with dust and water.

Therefore, together with cleaning of the pipe, the interior of the tank should be cleaned by removing the drain plug at the bottom of the tank.

Check to see if the gasoline pipe of the tank unit is so bent as to fail to reach the fuel surface.

The standard position of the bottom end of pipe is about 3/4 in. apart from the bottom in order to prevent its sucking up sediments on the tank bottom.

If not normal, remove tank unit and adjust the bend of the pipe.

Check too see if the vent hole of the filler cap is clogged with dust and dirt, not supplying air to the tank.

According to the degree of vacuum within the tank, fuel cannot be drawn up even by the operation of fuel pump.

So be sure to clean the air vent of the cap.

If you should lose the cap and substitute a wooden plug for it, a measure which is sometimes witnessed, the condition inside of the tank becomes the same as though it were sealed up. Always use only the standard cap.

Operation and Repairs of Fuel Gauge

As shown in Fig. 2, the fuel gauge consists of the dash unit and tank unit.

The dash unit, which is installed on the instrument panel, has two coils that cross each other at right angles, whose magnetic forces control the movement of a keeper (iron piece) with a hand (indicator).

On the tank unit, a contact arm slides over a resistance in response to the float level.

As shown in Fig. 2 if the ignition switch is turned on when the tank is empty, electric current will flow from the battery through the ammeter into coil A, and then through the contact arm to the ground.

Coil A is then magnetized, attracts the iron piece, and the indicator points to E.

As the float is raised and the contact arm moves, tank unit increases resistance in the circuit and thus the current which traveled through coil A then flows, this time, both contact arm and coil B, and finally to the ground.

As both A and B coils are so wound as to have their magnetic poles in the same direction, the iron piece will rotate to the direction where the magnetic power of the two coils can be balanced, with the indicator deflecting in the direction of F.

That is, this is a gauge of electric resistance control type, E signifies Empty level and F, Full level.

Troubles with Fuel Gauge and their Remedies

When something is wrong with the readings of the fuel gauge, first disconnect the wiring at the unit and, turning on the ignition switch, ground and unground the terminal end of the said wiring to the body of the car.

If the indicator of the dash unit swings actively between E and F, the wiring between the dash unit and the said terminal end is in good condition, with the defect existing either in tank unit itself or in poor ground of this unit.

In the test mentioned in the preceding section, if the indicator does not swing but it moves (moves to E) when the dash unit end of the wiring from the tank unit is grounded, the wiring between the dash unit and tank unit is defective.

Therefore rewiring or repairing is required.

If, when indicator fails to swing but sparking is observed when the wiring connecting the battery with the terminal on the dash unit is disconnected at the dash unit end and grounded, it proves the wiring is satisfactory, and the trouble is in the dash unit itself.

If sparking does not occur, the wiring, which is thus indicated to be out of order, should be repaired or replaced.

Incorrect readings of the indicator probably means that the height of the float of the tank unit is in error.

In this case, adjust the height of the float by bending the rod.

Troubles with the unit are difficult to repair so it should be replaced by a new unit.

In checking the tank unit, be sure to insert a fuel gauge in the circuit between the battery and the unit.

FUEL STRAINER

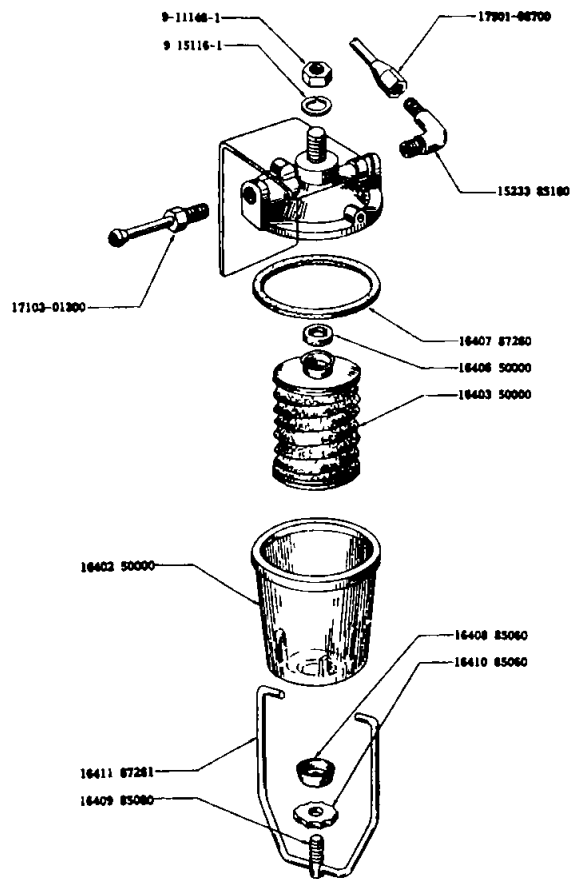
Instruction for Disassembly

To remove the bowl from the body, loosen the strainer nut and remove the wire to a side. Take off the bolt, nut and washer from the wire and remove bowl, gasket and screen.

The strainer body is made of aluminum alloy. Take good care not to break threads of each connection.

Pay attention not to tighten the strainer nut so excessively that the gasket and bowl are broken.

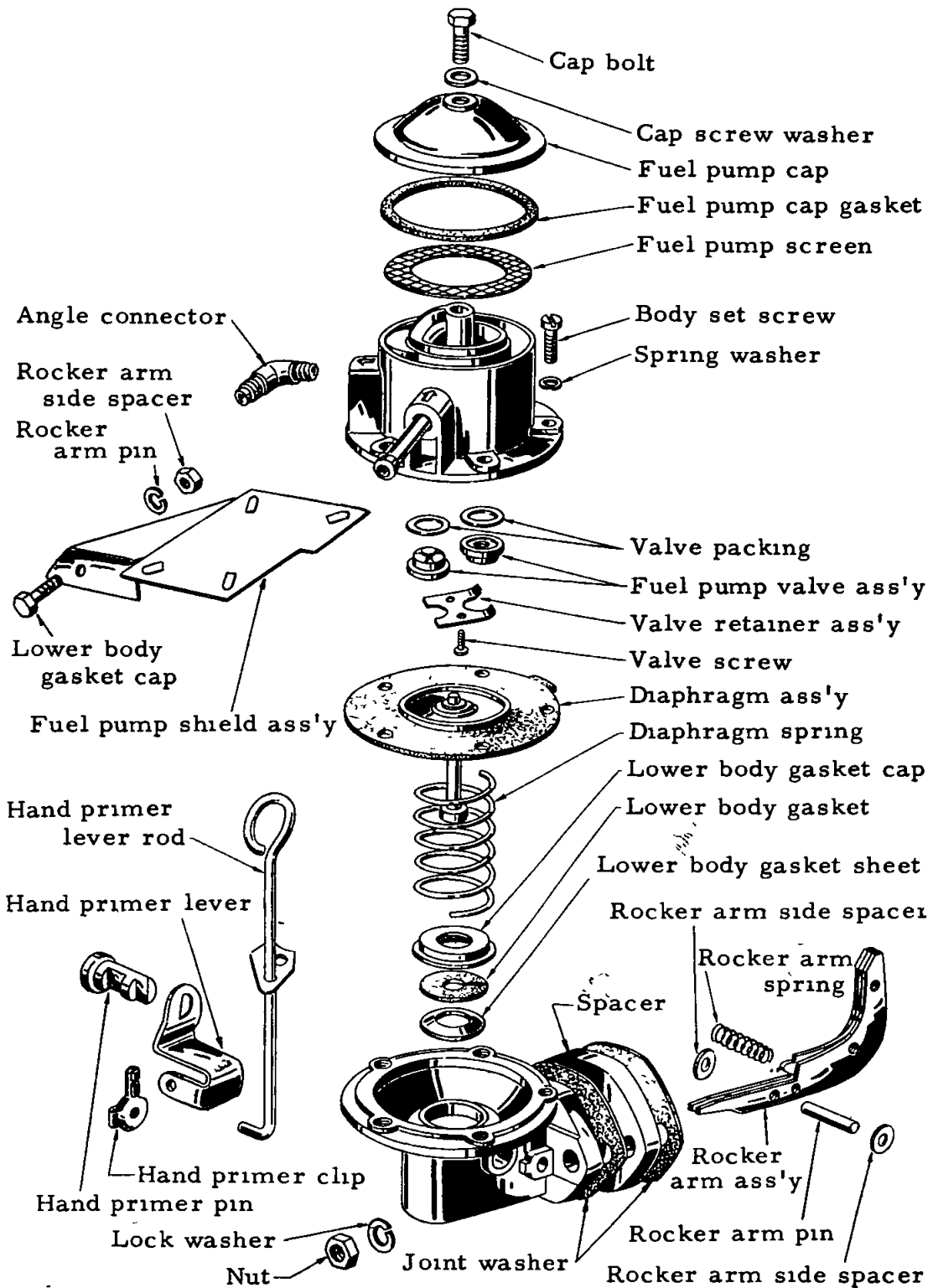
When installing the strainer assembly, the strainer bracket should be cleaned sufficiently. Dust and dirt on the bracket surface prevent plug from keeping air-tight.



Fuel Strainer Assembly

FUEL PUMP

COMPONENTS OF FUEL PUMP



FUEL PUMP

Type	Diaphragm pump
Method driven	Driven by camshaft
Diaphragm spring	
Free length	36.5 0.1 mm
Length in use and tension	18 mm - 1.6 0.1 kg
Rocker arm spring	
Free length	30 mm
Valve spring	
Free length	9.5 mm
Thickness of valve	1.6 mm
Performance	
Max. quantity discharged	1300 cu. cm. per minute at 1000 r. p. m. of cam, 500 mm. in suction height
Max pressure discharged	110-130 mm. in mercury column
Max. degree of suction vacuum	More than 400 mm. in mercury column
Hand primer quantity discharged	80 cu. cm. (at 20 strokes)

The fuel pump, which is of the diaphragm type, is mechanically driven by the eccentric part of the camshaft of the engine.

It draws gasoline from the tank and delivers it under pressure to the carburetor.

Even when the engine is not running, fuel can be delivered under pressure by moving the hand primer up and down.

By the rotation of camshaft, rocker arm is pushed and pull rod of diaphragm is pulled down.

At the same time, diaphragm goes down against diaphragm spring and then is pushed up again by its spring.

By the movements of the diaphragm and functioning of the valves at the inlet and outlet of the pump chamber, gasoline is drawn up from the tank to the carburetor.

If the float chamber of the carburetor contains enough gasoline and the needle valve is closed, gasoline is not allowed into the carburetor.

Thus gasoline is stored in the pump chamber and due to its pressure, the diaphragm is kept down and cannot return.

Under this condition, the rocker arm works in vain, as the rod remains low.

The rocker arm spring serves to prevent noise, keeping the rocker arm pushed against the eccentric of the camshaft.

Disassembling & Inspection

Checking with fuel pump installed on engine

Switch off and stop the engine. Disconnect the fuel pipe at the inlet union of the carburetor, and then turn the engine with the crank handle.

Now the gasoline should be ejected vigorously from the tip of the pipe once every two rotations of the crankshaft.

To test the function of the pump alone, operation of the hand primer and checking the fuel ejection is enough.

Removal from engine

Fuel pump can be easily removed by disconnecting the inlet and outlet unions and loosening the 2 attachment nuts.

Inspection prior to disassembling

Prior to disassembling of the removed pump, measure the distance between the rocker arm and flange of the lower body by means of a scale and see if the rocker arm, rocker link and pins are worn.

Method of disassembling

First wipe dirt off the outer surface of the pump and put marks on both the upper and lower bodies, to make their reassembling easy.

It is easily separated into two when the five screws around the upper body are loosened.

Take great care not to damage the diaphragm during this disassembly.

Checking & Repairs of Parts

Wash the disassembled parts well in gasoline then inspect them.

Replace the diaphragm if any damage, impregnation by gasoline.

Replace a valve assembly if any wear or faulty operation is detected.

Even if repairs are unavoidably required, the limit for repairs of warp or wear of the valve is 0.001 in.

When the surface of the valve seat or valve is found irregular, remove the valve seat of the outlet and dress the surface with a fine oilstone.

In case of irregularity of the seat surface of the inlet valve, which cannot be taken off from the body, recondition it with a cutter and grinding tool.

When the surface of the valve is faulty, place some very fine grinding compound on the surface of a flat piece of glass plate and grind it lightly with the tip of a finger. The standard thickness of the valve is 1.6 mm.

The hole of the joint parts of diaphragm shaft and link may be worn to some extent. This is not serious, but when serious eccentric wear, crack, or breakage is found, the part must be replaced.

As a remedial measure, such wear can be compensated for at the time of dismantling and reassembling of the body, by inserting a packing made of thick paper between the lower body and diaphragm to raise the relative position of diaphragm shaft with respect to the lower body.

The rocker arm should be replaced when its contact face with the cam and that with the link and its pin hole are seriously worn.

When its re-employment by reconditioning is unavoidable, add material to the rocker arm and link by welding and finish them with a file, but this cannot last long and is no more than a temporary measure.

Renew the arm pin when it is found worn excessively.

The diaphragm spring, arm spring seldom become faulty, but when weakened, replace them always with standard ones.

If the diaphragm spring is too strong, it results in overflow of the float chamber of the carburetor

The tension of the spring must not be strengthened or weakened arbitrarily by hand.

Check to see if there is any warp on the joint surfaces of the cap and body, and, after disassembling is over, renew the gasket to keep its air-tightness.

Reassembling & Installing

Employ standard springs for the various uses as stated before.

Install valves precisely for close contact with their respective seats.

In screwing in of upper and lower bodies and diaphragm, fit them together according to the marks which were put before the disassembling and align one screwing hole to its mate, and then screw in at the position where the diaphragm is fully pulled down with the rocker arm pushed towards the side of the body by and pressure.

Do not screw in tight one by one since it causes warping. Instead, clamp all the screws round loosely and uniformly.

Then tighten them diagonally and lastly re-tighten all of them in order to make sure.

As a general rule, gaskets should be replaced by new ones.

Installation on the engine is done in the reverse order to that for disassembly.

Be sure to set the rocker arm so that it is contacting the eccentric of camshaft properly, not the rear side or to one side. Replace the gasket between the cylinder block and pump with a new, standard one.

Checking Function

When repairs of the pump is over, or before it is installed on the engine, make a check to see

When a vacuum gauge is connected to the pump inlet port and the pump is mounted on a tester, the rocker arm is activated by the eccentric of the camshaft revolving at 1000 rpm. Then the gauge pressure should rise to higher than 400 mm. of mercury column, and, even if operation is discontinued, this condition should remain for more than 3 seconds.

When a gauge or tester is not available, test in the following way

Close the inlet port and outlet port with finger tips. Then, after operating the rocker arm several times, suddenly release the fingers. The pump is in good conditions if, 3 to 5 seconds thence, there can be heard strong inlet and outlet noise respectively.

The pump is mechanically fit for use when, by connecting a hose to the inlet port, it is able to draw up gasoline from a height of more than 0.5 m. After installing the pump, test its functions during operation.

(A) Connect the gasoline pipe on the inlet post side only. Leave that on the outlet port side as it is, and turn the engine 6 to 7 rotations by means of the crank handle and make sure that there is sure outflow of gasoline from the outlet port.

(B) Connect the gasoline pipe to the outlet port side and tighten all the piping joints. Then turn the engine again several times to see if there is any leakage of air or gasoline from each connection.

ADJUSTMENT AND INSPECTION OF ENGINE

The engine must always be operated in the best possible condition, and for this purpose, periodic inspection and adjustment must be maintained in a certain order while in use as well as after overhaul.

Order of Inspection and Adjustment of Engine

- (1) Check the cooling water water level and extent of filthiness.
- (2) Inspect the battery all connections, level of electrolyte, specific gravity of electrolyte and voltage.
- (3) Inspect the oil amount, filthiness, classification and viscosity.
- (4) Cleaning of spark plugs and adjustment of their gaps.
- (5) Measurement of compression pressure of cylinders. The standard compression pressure of the engine is approx. 163 lbs. per. sq. in. at 350 r. p. m. Measurement of pressure is made in the following manner (see Fig. 1) First, warm up the engine (temperature of cooling water, 70-80°C) then remove all spark plugs and pull out the throttle knob all the way (that is in the carburetor, the throttle valve and choke valve are fully opened), press a compression gauge against each spark plug hole, and, running the starter motor with a fully charged battery, read the maximum pressure obtained within 5 - 8 rotations of the motor. This measurement must be made as quickly as possible.

If the compression pressure of any one cylinder differs by 10 lb. /sq. in. or more from that of another, the cause must be investigated.

- (6) Check and adjust the distributor

If the breaker contact points have defective contact surfaces, dress them and adjust the gap to 0.45-0.55 mm.

Also turn the cam of the distributor clockwise and check to see if the governor can carry out advancing function.

- (7) Adjust ignition timing correctly.

By utilizing a power timing light, the function of the governor can be checked together with the ignition timing (illumination of crank pulley will enable to inspect the conditions of running and advancing of the timing.) (B. T. D. C. 20°)

- (8) Inspection of fuel pump and gasoline strainer.
- (9) Adjust the slow setting of carburetor.

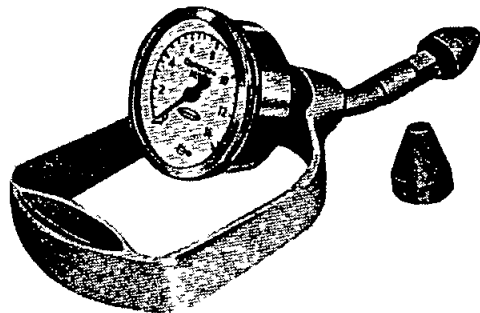


Fig. 1 Compression Gauge

(10) Checking operation of generator.

Check the generating condition and functioning of the cut-out relay by means of indications of the ammeter.

(11) Adjustment of slack in fan belt.

(12) Adjustment of valve tappet clearance.

(13) Road test.

While driving in 3rd. speed at about 25 km. /hr. , suddenly step on the accelerator. If only a slight knocking results, the ignition timing is correct. Slow speed adjustment is made so that the speed is about 15 km. /hr. , when driving in 3rd speed.

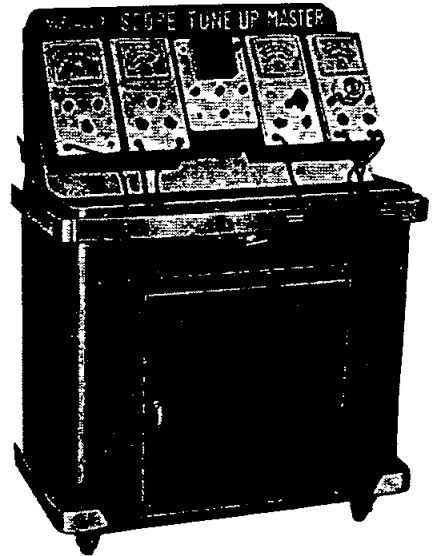
Diagnosing of Engine by means of Vacuum Gauge and Combustion Tester

In diagnosing the engine, the condition of each cylinder can be assumed by measuring its compression.

For employment of a vacuum gauge, connect it to the engine intake manifold and refer to Fig. 2.

The use of a master motor tester as shown in Fig. 2 is convenient.

When a combustion tester is used, install a special intake (pick-up) in the exhaust tube, and after the engine has been started, analyze by means of a special gauge, the combustion gas which flows through the connecting hose into the tester, and judge the combustion condition according to the mixture ratio of fuel and air. When measurement is to be made in rainy or cold weather, use an auxiliary condenser between the pick up and the meter, otherwise, the excessive moisture in the exhaust gas will damage the functioning of the meter if permitted to enter it.



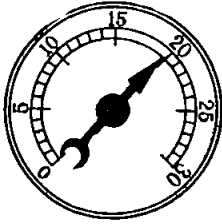
*Fig. 2 Motor Master Tester
Available for 4, 6 and 8 Cylinder
Engine*

When a SUN tester is to be used, make adjustments according to the following table.

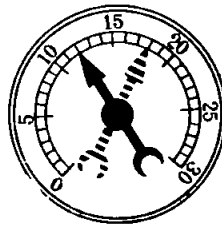
Conditions (Without load)	Suitable Weight Ratio of Mixture
Low Speed Running (600 r. p. m.)	$70 \pm 2 \%$
High Speed Running (2,000 r. p. m.)	$85 \begin{matrix} + 5 \\ - 2 \end{matrix} \%$

Engine Trouble Shooting

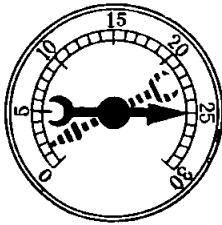
Fig. 3 is intended to be of assistance in the systematic analysis and isolation of symptoms of engine troubles so that the defective points may be accurately traced and economically repaired.



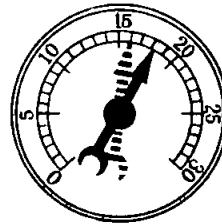
(1)
Normal condition
Settles between 18~20 in



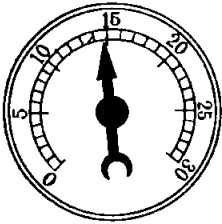
(6)
When indicator drops by several inches at certain time, valves are burnt



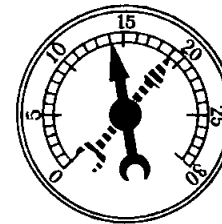
(2)
Normal condition
When indicator fluctuates between a range of 0~25 in as engine is raced, rings and valves are in good conditions



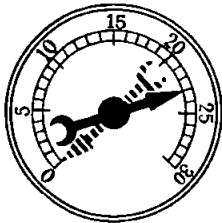
(7)
When indicator drops by about 2 in, valves leak (Faulty seating of valves)



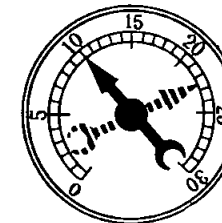
(3)
Even if indicator settles, if reading is low rings or oil are in faulty condition



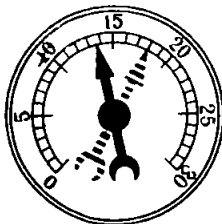
(8)
When indicator oscillates actively between 14 and 18 in, valve stem guide is worn out



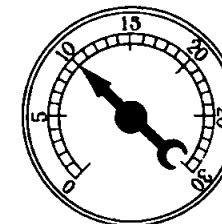
(4)
When above (3) condition exists, indicator will swing to 0 in if engine is raced



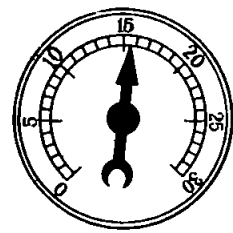
(9)
When, with a slight speeding up, indicator moves between 10~22 in, and with increase of speed, the range becomes larger, valve springs are weak.



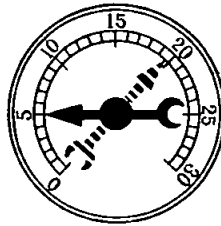
(5)
When indicator sometimes drops by 4 in, or so, valve sticking exists



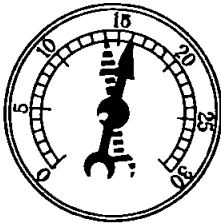
(10)
When indicator remains still between 8~15 in, it is because either valve timing is retarded or valve clearances are not correct



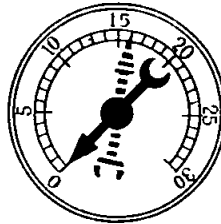
(11)
When indicator settles between 14~17 in, ignition timing is retarded



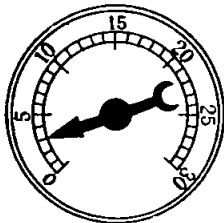
(14)
When indicator oscillates regularly between 5~19 in, there is leakage at cylinder head gasket (Faulty clamping of gasket)



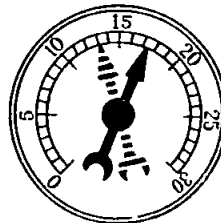
(12)
When indicator moves slowly between 14~16 in, it is because either electrode gaps of plugs are too narrow, or breaker point is defective



(15)
When indicator first rises high, drops down to zero, and then returns to 16 in, muffler is clogged

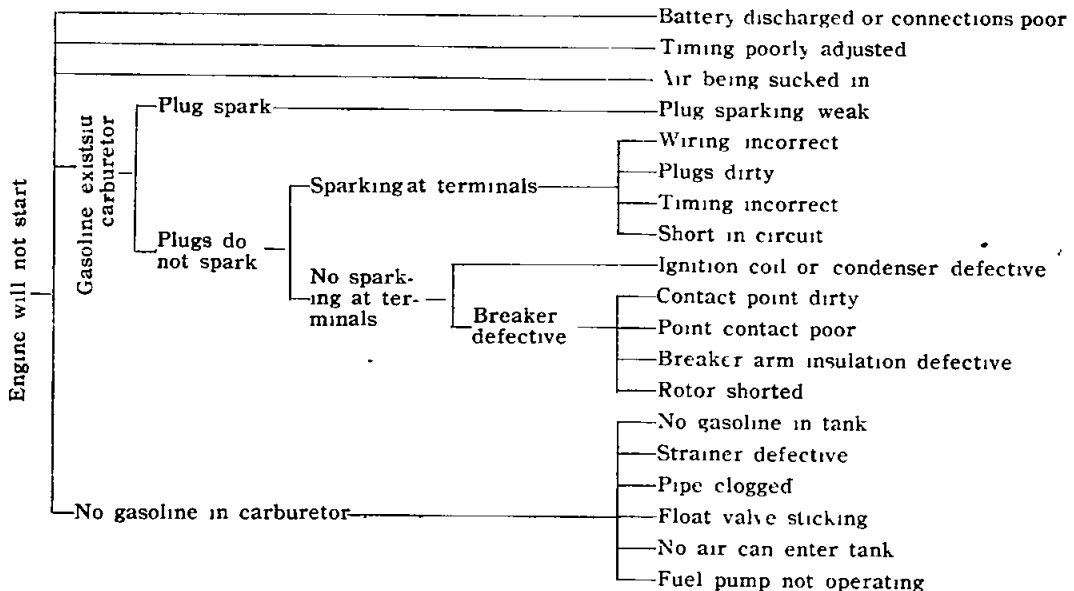


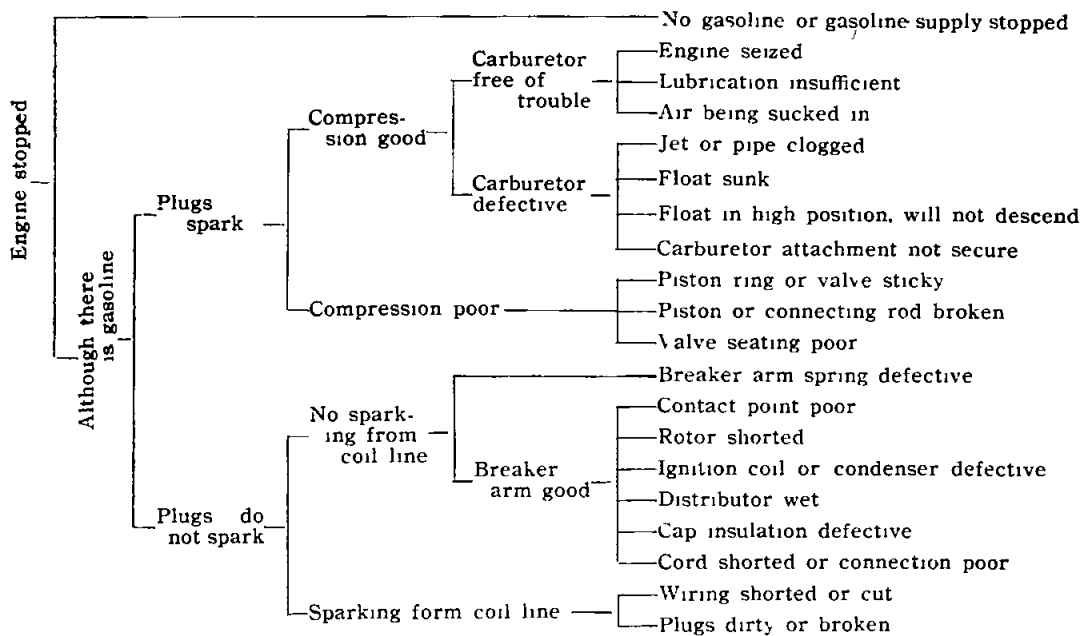
(13)
When indicator points to 5 in or below, there is leakage at intake-manifold or gasket of carburetor (Faulty clamping of gasket)



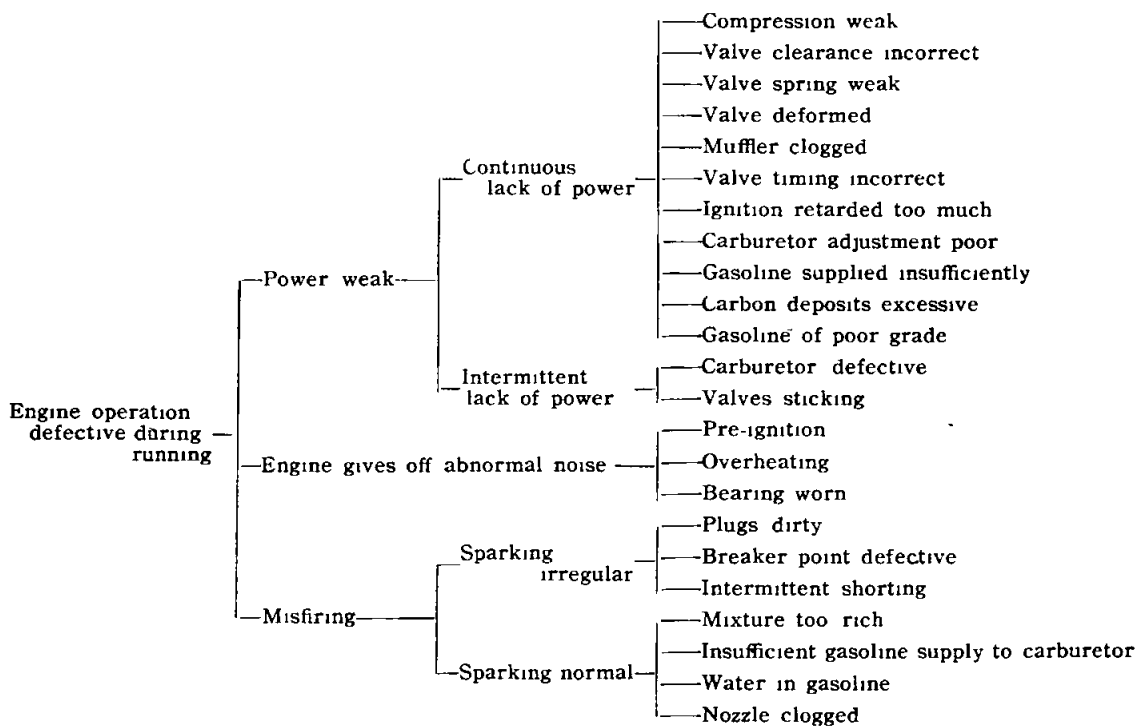
(16)
When indicator moves slowly between 13~17 in, carburetor is poorly adjusted

Fig. 3 Diagnosing Engine by means of a Vacuum Gauge.





(A) *Trouble Shooting Chart*



(B) *Trouble Shooting Chart*

CARBURETOR

SPECIFICATIONS

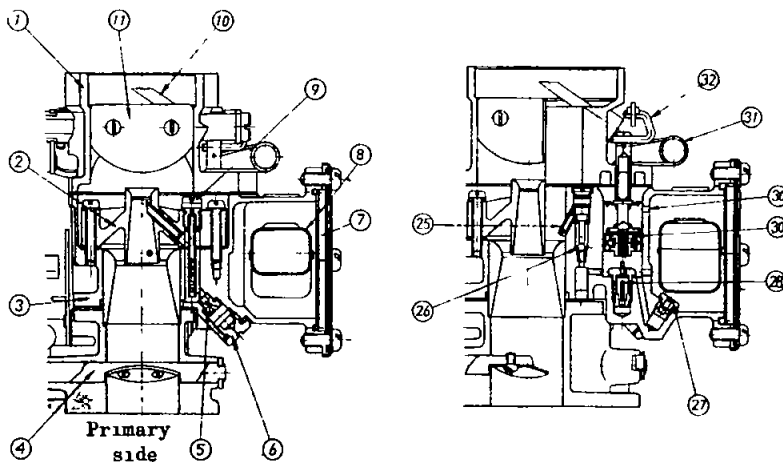
2D - 30C Type	Primary	Secondary
Bore diameter	28 mm	30 mm
Venturi diameter	21-8 mm	25 - 14 - 7 mm
Main jet	# 98	#115
Main air bleed	# 60	# 60
Slow jet	# 48	# 48
Slow Air First	#100	#160
Slow Air Second	#220	
Slow Economizer	#145	
Power jet	# 40	
Power valve	Begins to open when the primary throttle valve is at 48° opening.	
Float level	19 mm below the upper surface of the float chamber body.	

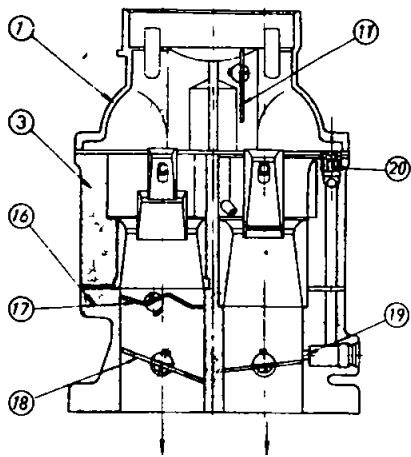
The carburetor has the function of atomizing the fuel, mixing it in suitable ratio to air and supplying the mixture to the engine.

It is therefore an important part which can influence the performance of the engine.

The Model 2D-30C carburetor is a highly efficient carburetor of two barrel two step and down draft type having the following special features.

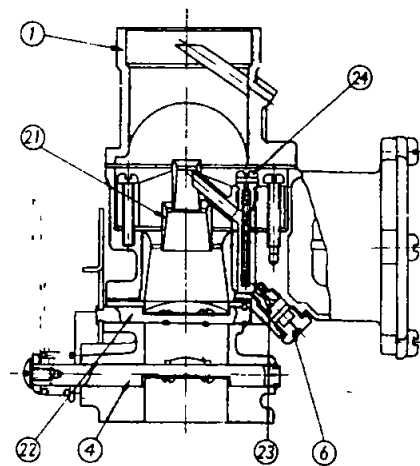
Construction and Operation



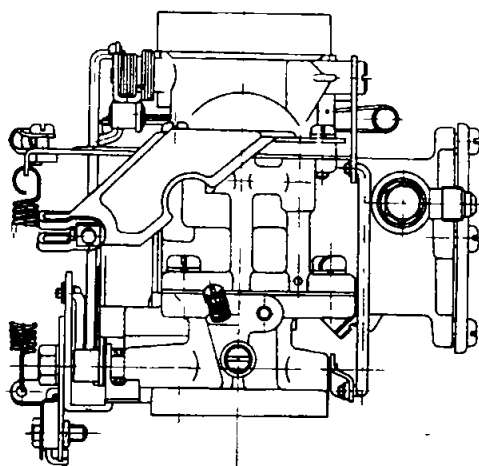


Secondary Side

Primary Side



Secondary Side



- | | |
|----------------------------|--------------------------------|
| (1) Body assembly | (17) Auxiliary throttle valve |
| (2) Venturi | (18) Throttle valve |
| (3) Float chamber | (19) By-pass hole |
| (4) Throttle shaft | (20) Slow jet |
| (5) Main jet | (21) Venturi |
| (6) Main jet carrier | (22) Auxiliary valve shaft |
| (7) Float chamber cover | (23) Main jet |
| (8) Float | (24) Main air bleed |
| (9) Main air bleed | (25) Pump injector |
| (10) Air bent pipe | (26) Out-let valve |
| (11) Choke valve | (27) Inlet check valve |
| (12) Choke control link | (28) Power valve |
| (13) Connecting rod | (29) Pump piston |
| (14) Choke wire bracket | (30) Air vent hole |
| (15) Throttle wire bracket | (31) Pump piston return spring |
| (16) Lower body | (32) Connecting rod |

Main Carburetting System

The fuel flowing out of the passage at the bottom of the float chamber passes through the primary main jet and then mixed with the air coming from the main air bleed to be minute drops and inject into the venturi through the main nozzle.

When the throttle valve is widely open and the engine requires dense mixture gas, the accelerating pump opens its power valve, from where the fuel also flows into the main system.

The power valve begins to operate when the throttle valve opens 48° from full closed position.

Slow Speed System

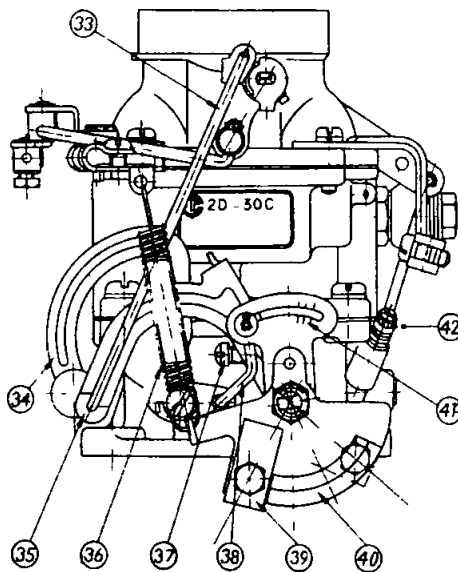
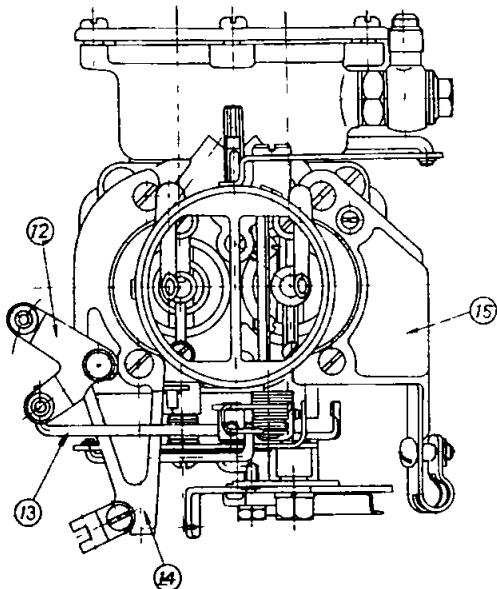
Passing through the main jet, the fuel passage separate from main line and flows through the slow jet, slow air bleed first, slow economizer, slow air bleed second and inject from the by-pass holes and idle holes.

Accelerating System

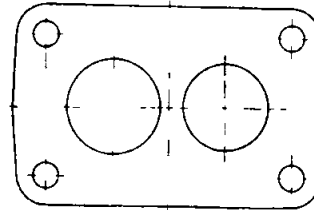
Mechanical accelerating pump synchronized with the throttle valve is adapted. When throttle valve is open, the piston rod is pushed up with the linkage, which pushed up the piston through the dumper spring. When the piston is coming down, the inlet check valve closes the out-let check valve opens and the fuel within the pump is blown out from the pump jet by the compressed dumper spring and hits against the side wall of the small venturi to be minute drops, compensating transient sparseness of the fuel. A jetting amount of the fuel can be varied with the two holes provided on the pump arm, that is, the inserting positions of the connecting rod.

Starting System

The choke valve is provided with the spring and installed eccentrically on the normal carburetting device and synchronized with the throttle valve. When the choke is fully closed, the throttle valve opens about 14° from a full close. This is the best condition to start operation. The synchronization of the choke valve and the throttle valve can be exactly maintained often the engine has started firing



- (12) Choke control link
- (13) Connecting rod
- (14) Choke wire blacket
- (15) Throttle wire blacket
- (33) Starting con rod
- (34) Auxiliary lever
- (35) Starting throttle lever
- (36) Spring
- (37) Throttle adjusting screw
- (38) Con rod
- (39) Throttle wire clamp
- (40) Throttle lever
- (41) Scale
- (42) Idle adjust screw



POWER CARBURETTING FUNCTION

Main Carbureting System

Same as the normal carbureting function the fuel flowing out of the passage at the bottom of the float chamber passes through the secondary main jet and become minute drops mixing with the air coming from the main air bleed and is blown into the venturi through the main nozzle.

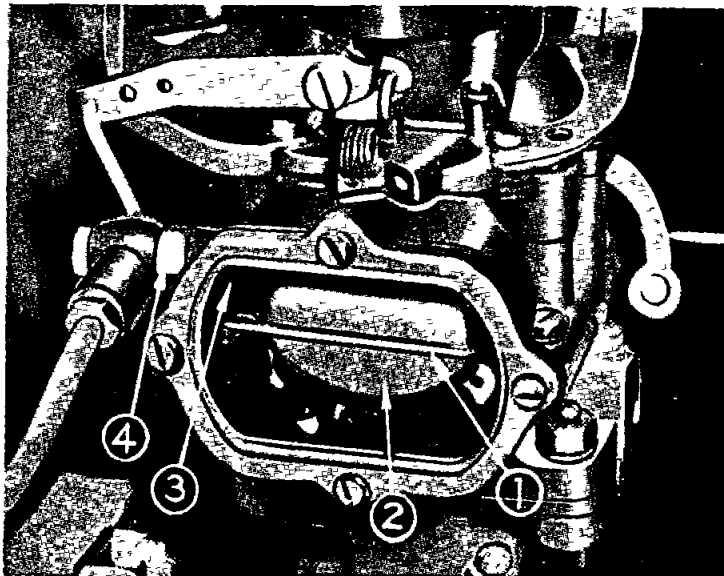


Fig. 12 Carburetor (Model : Nikki 2D 30C)

- | | |
|-----------------|--------------------------|
| (1) Float level | (3) Needle valve |
| (2) Float | (4) Needle valve carrier |

When the throttle valve of the normal carburetor is widely opened and the engine produces high power, the throttle valve of the power carburetor begins to open by the synchronized linkage.

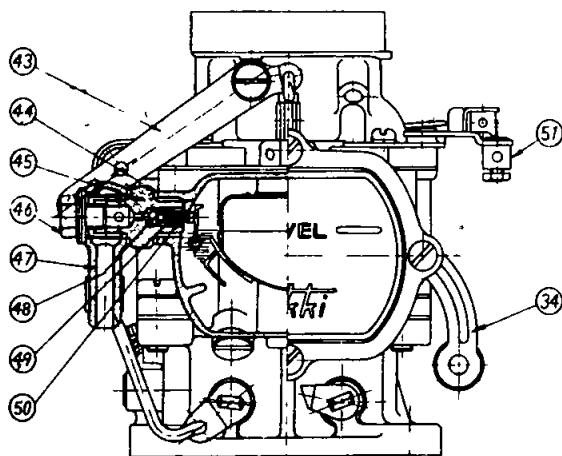
However, at the top of the power carburetor throttle valve is an auxiliary valve which is not open at a slow speed with a heavy load due to the load of the

counter weight connected to the valve shaft even when the throttle valve is open. When the engine change to still higher revolutions, the auxiliary valve open against the load of the counter weight and the power carburetor starts operation for high power. When the normal carburetor throttle valve is in a full open, the power carburetor throttle valve is also to be in a full open.

Float Chamber

The float chamber is provided, cover of which is made of glass of facilitate for inspecting inside condition through the marked line of cover of it. Adjustment of the float level can be done from outside by adding or subtracting the needle valve carrier gasket after removing the float needle valve installed at the inlet connector.

As ventilation within the float chamber is of a air vent method and pressure within the venturi and the float chamber is always constant no matter how suctional resistance of the air cleaner varies, fuel consumption can be always economically maintained.



- (43) Pump arm
- (44) Float valve sheet gasket
- (45) Float valve sheet
- (46) Union bolt
- (47) Banjo union
- (48) Needle valve
- (49) Spring retainer
- (50) Needle valve spring
- (51) Choke wire clamp

Float Chamber

Adjusting Fuel Level

Float level is shown on the float chamber cover with the line, 19 mm below the body top to which fuel is to be adjusted. Adjusting the float level is done by adding or subtracting the gasket of float valve seat (needle valve carrier)

Addition or subtraction of 2 numbers gasket make the float level up or down about 1 mm.

BRAKER POINT AND IGNITION TIMING ADJUSTMENT

DISTRIBUTOR

Type	Hitachi D406-01
Ignition timing standard	10° before top dead center at 600 r. p. m.
Apparatus of automatic advance	Governor type
Advance starting vacuum pressure	100~120 mm-Hg
Advance angle by vacuum pressure of 340 mm-Hg	12°~18°(Crankshaft) 6°~9°(Distributor)
Number of revolution at the start of advance angle	450 r. p. m.
Max. advance angle at crankshaft	11°~15° at 2400 r. p. m.
Rotating direction of cam	Counterclockwise
Firing order	1 - 3 - 4 - 2
Point gap	0.45-0.55 mm (0.018-0.022 in.)
Dowel angle	50°-55°
Contact arm spring pressure	0.5 - 0.65 kg
Condenser capacity	0.20 - 0.24 mfd.

Inside the distributor is a braker point as shown in Fig. This braker makes and brakes contact several thousand times in one minute. Each time this braker brakes contact, a spark is generated in one of the spark plugs. Therefore, the maintenance of this braker must not be treated lightly. Also, because the time during which the ignition coil current flows varies with the gap between these braker points, see that this gap is maintained at the standard value, which is 0.45 mm. (0.018 to 0.022 in.)

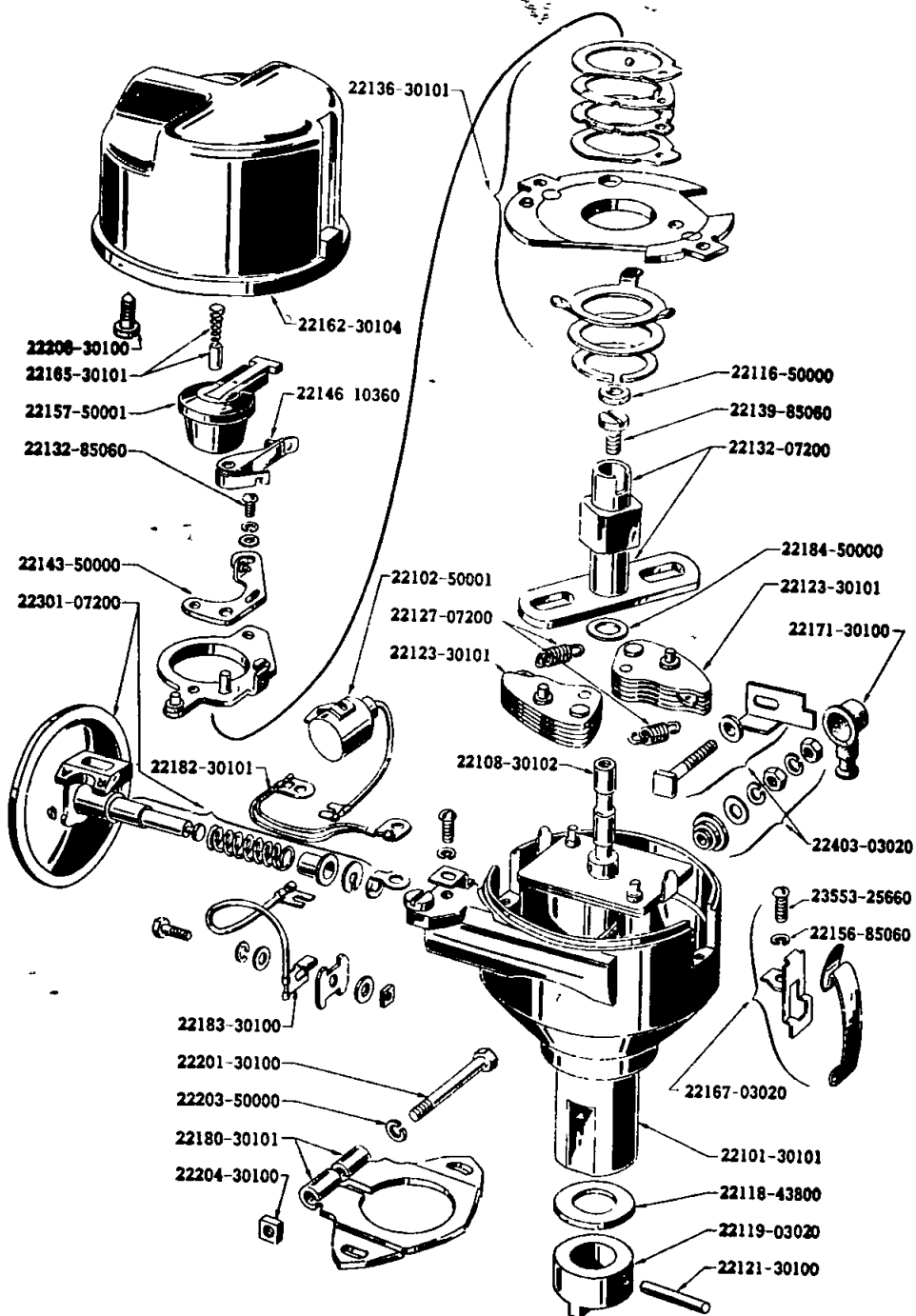
The braker points must be kept free of grease and oil. If the points should become burnt or blackened, they are cleaned with a fine honing stone or crocus cloth after which they should be wiped clean with a piece of cloth which has been dampened with gasoline.

If the points are badly burnt, they must be replaced. Braker points must always be replaced as sets.

Adjusting the Braker Points

To adjust the braker points, turn the engine crankshaft with the crank handle until the braker is fully open. Then loosen the braker point fixing screw. Next, by turning the adjusting screw, move the plate until a feeler gauge of 0.45 to 0.55

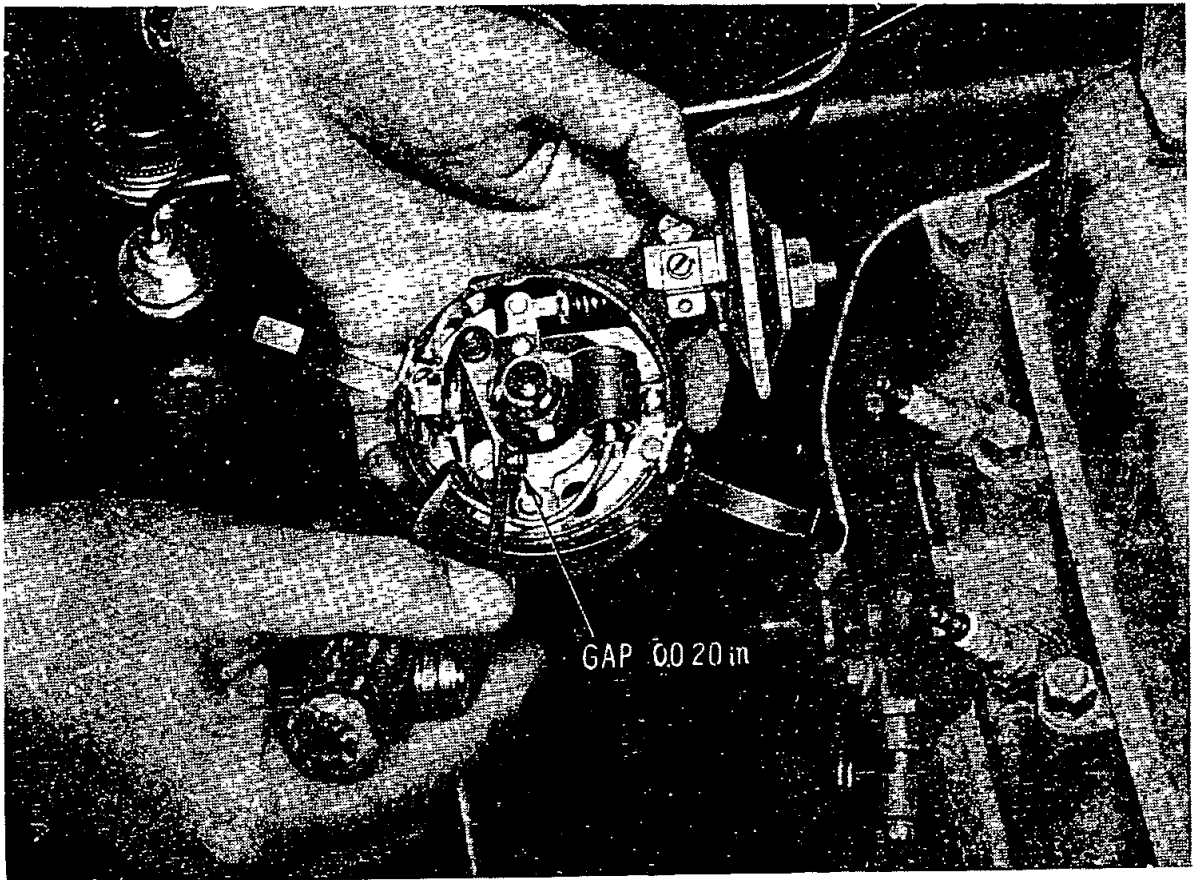
DISTRIBUTOR



mm. (0.018 to 0.022 ins.) thickness slides easily between the breaker points. Then tighten the Fixing screw securely.

Finally, check the gap once more, then reinstall the rotor. The interior and exterior of the cap is wiped clean with a soft, dry piece of cloth, extra attention being paid to the areas between the terminals. Clean the center electrode on the inside of the cap also.

Whether or not the vacuum type timing advancer is functioning properly, can be determined by the inspection pointer located at the diaphragm if, as the engine is being run, this pointer moves when the engine speed is suddenly changed, the advancer is satisfactory.

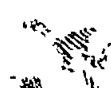


Adjusting the Point Gap

ADJUSTING THE IGNITION TIMING

The ignition timing is adjusted to 10 degrees before top dead center with the engine stopped as shown in Fig. 1. With this adjustment, the automatic timing advancer of the distributor advances the ignition timing even further at the time the engine starts to rotate, and the timing is maintained constantly at valves suitable for the rotational speed.

With the engine stopped, adjust so that the distributor breaker point just breaks when the piston of the No. 1 cylinder is in its 10 degrees before top dead center position for compression. If a timing lamp is used, the standard ignition



timing is 15 degrees before top dead center at idling (600 rpm.) speed.

In the case of marks which are not evenly spaced, pointers indicate 10 deg., 15 deg. and 20 deg., positions before top dead center. Adjustment is made by the following procedure.

1. First adjust the distributor to the correct gap as described previously.
2. Turn the crankshaft gradually until the top dead center mark (Fig. 1) on the pulley periphery coincides with the mark for 10 deg. before top dead center on the timing gear cover as the crankshaft approaches its position somewhat before that corresponding to the end of the compression stroke of the No. 1 piston. Stop the crankshaft in this position. The compression stroke of the No. 1 piston can be determined if the spark plug of the No. 1 cylinder is removed, the hole plugged with a finger, and the crankshaft turned. With the crankshaft in the previously-mentioned position, the No. 1 piston is in its position of 10 deg. before top dead center of compression.

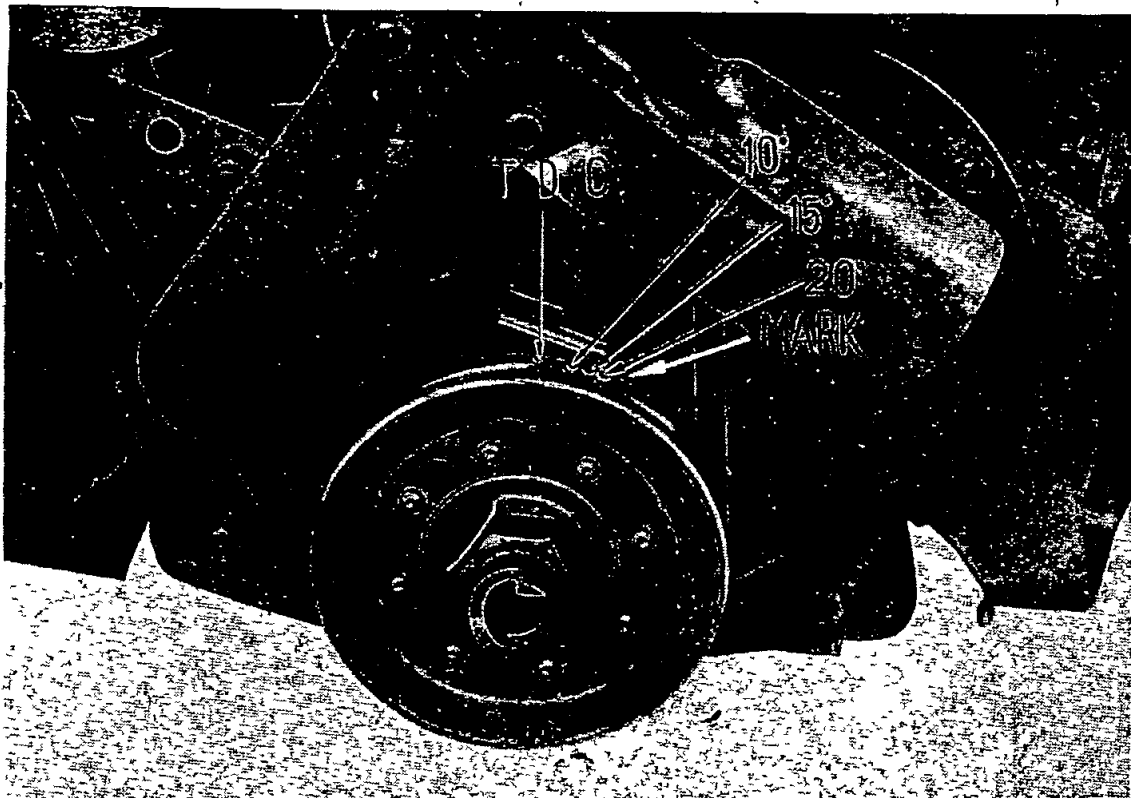


Fig. 1 Checking the Ignition Timing

3. Next, inserting the driving shaft of the distributor at an angle to the engine, engage the gear on its lower end with the gear on the camshaft. During this assembly place the slot of the distributor drive of the upper end of the shaft somewhat to the left as shown in Fig. 2. At this time, the smaller of the semi-circles is placed toward the front.

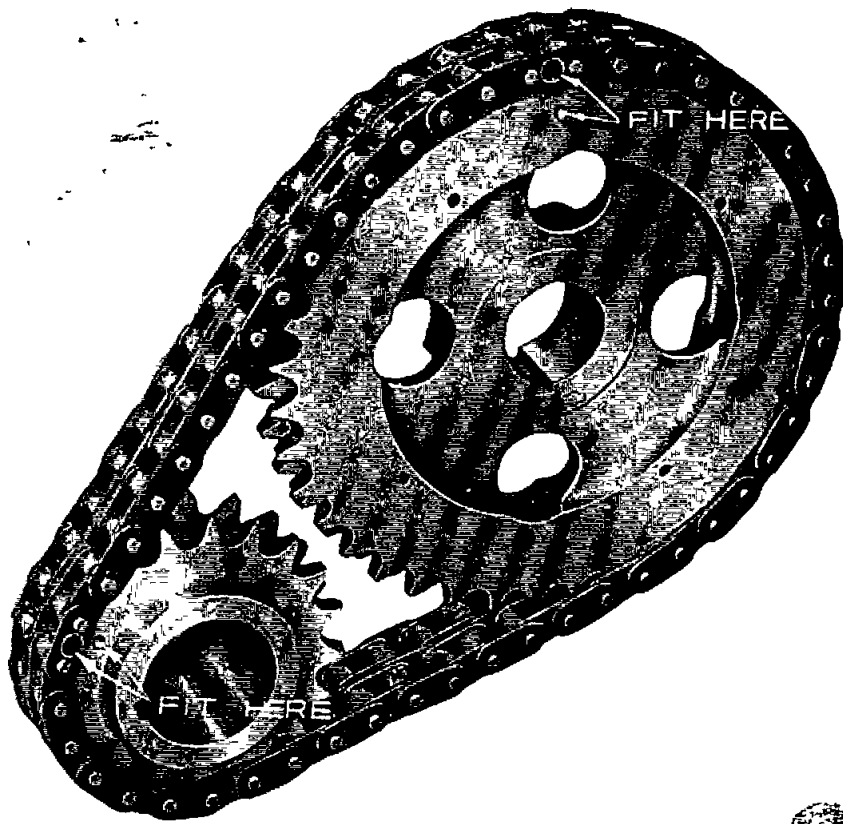


Fig. 2 Setting of Timing Gear Mark

4. Adjusting the direction of the rotor so that it engages the drive shaft slot, mount the distributor to the engine. During this assembly, the directions of the distributor and rotor must be as shown in Fig. 3. At the same time, the breaker must be in its position when it is just beginning to open. If these conditions do not coincide, they are made to do so by slightly turning the distributor body only. To determine the position when the breaker point is just beginning to open, turn on the ignition key, hold the end of the No. 1 spark cord about 1/4 inch away from the cylinder head, and turn the body until spark jumps across the gap.

The off-set slot position of the drive shaft when the No. 1 piston is in its compression top dead center position is shown here.

5. Next put the distributor cap on and clamp it securely with the clip.

6. To the No. 1 spark plug connect the cord from the terminal to which the arm of the rotor is pointing. Thereafter connect the terminal cords to their spark plugs in the counter-clock-wise order so as to obtain a 1-3-4-2 firing order.

7. Upon completion of the wiring, cover the distributor with a rubber cap. The engine should now start properly.

Ordinarily, the pointer of the octane selector is set at its zero reading during the ignition timing adjustment. If the octane number of the fuel being used is low and the engine knocks, the pointer is adjusted to the right (R) to the optimum advance angle.

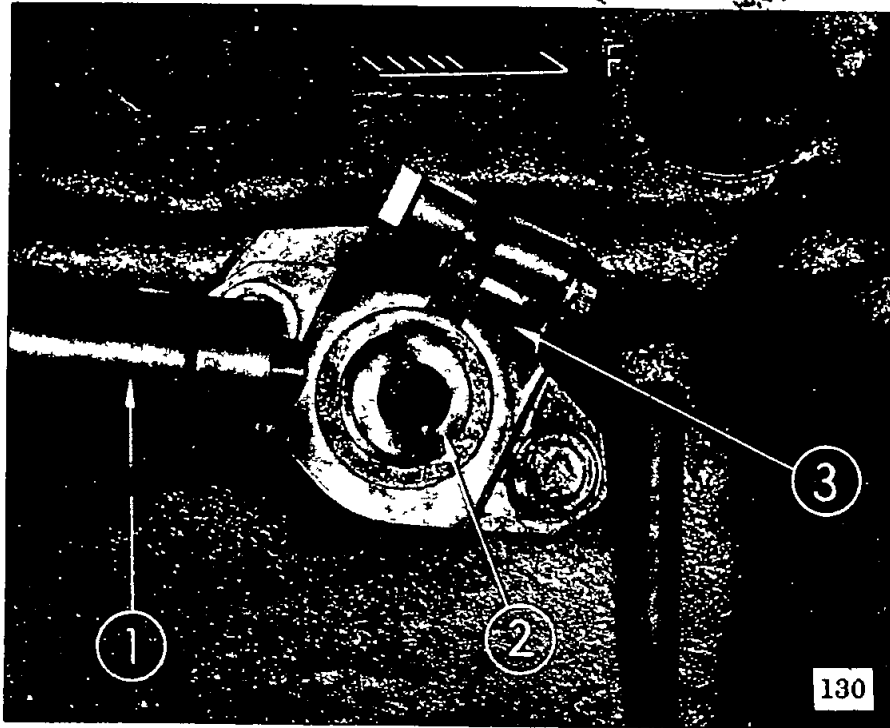


Fig. 3 Assembly Angle of Drive Shaft

- (1) Distributor shaft
- (2) Distributor drive shaft
- (3) Distributor fixing plate

Conversely, if the octane number is high the pointer is adjusted to the left (A). One unit of calibration of the selector corresponds to 2 deg. of the distributor angle and to 4 deg. of the crankshaft angle.

When a timing lamp is used, the standard setting is 15 deg. before top dead center with the engine idling (600 - 620). In any case, the optimum adjustment is that in which a slight knocking is heard when, with the car running at low speed in "HIGH" (TOP) gear, acceleration is applied suddenly.

CHECKING THE SPARK PLUGS

Spark Plug

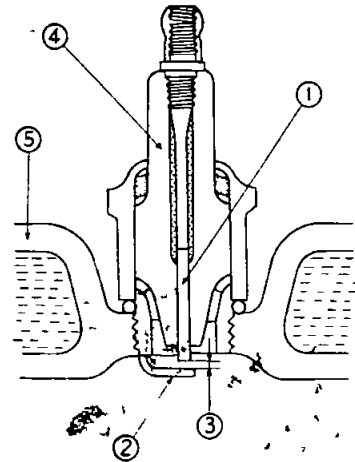
Type	N. G. K. B-6 E
Thread diameter	14 mm
Plug gap	0.60 - 0.8 mm

The spark plug has the function of igniting the air-fuel mixture with the spark which jumps between its electrodes. During its operation it is subjected to extremely high temperature and pressure. In this vehicle, NGK Model B-6E Spark plugs are used. Care should be taken to see that the specified spark plugs are always used for replacement.

Spark plugs are apt to become dirty with deposits of carbon and oil droplets, which may cause leakage or shoring between the delectrodes. Furthermore, the spark plugs are subject to wear after long use. Therefore, remove the plugs every 2,000 km. (1,200 miles) of driving, clean them, and measure and correct their gaps to 0.6 to 0.8 mm. In correcting the gaps, always be sure to bend only the ground (side) electrode, never bend the center electrode. If the insulator is damaged, replace the spark plug. A wire feeler type plug gap gauge should be used.

When screwing in the spark plugs, be sure not to forget the copper washers. If these have been flattened out or are worn, they will not be gas-tight and will cause such trouble as interference with the dissipation of heat. To install a spark plug, first screw it in as far as it will go by hand, then finally tighten it by means of a socket wrench. The use of such unsuitable tools as an adjustable wrench may crack the insulator. Each spark plug must be tightened securely, yet not too tight.

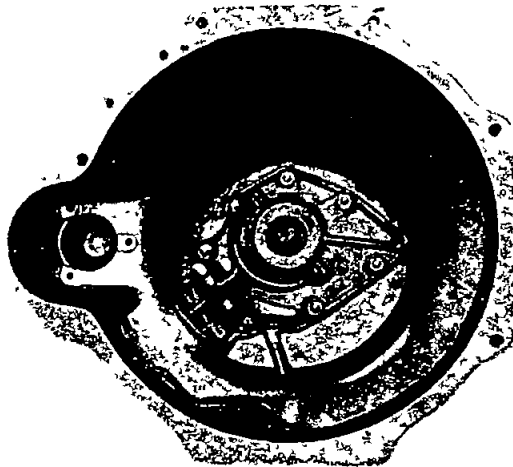
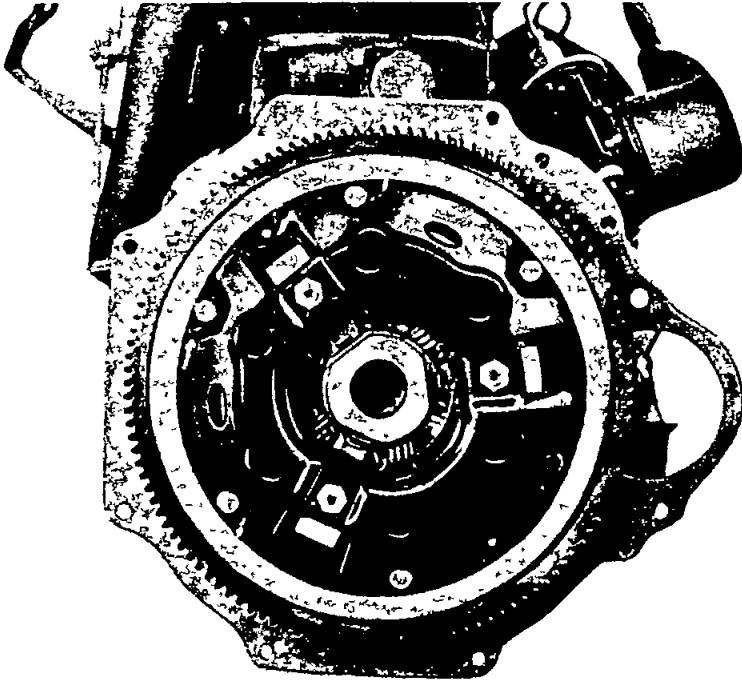
Any dirt, oil, or such impurities adhering to the outside of the spark plugs will impair their performance. Therefore, frequently clean the spark plugs by wiping with a piece of clean cloth.



Spark Plug Section

- (1) Center electrode
- (2) Ground side electrode
- (3) Gap
- (4) Insulator porcelain
- (5) Cylinder head

CLUTCH



CLUTCH

GENERAL DATA

Type	Single dry disc plate
Construction of disc	With coil spring
Outer dia. of facing	184 mm (7 249 in.)
Inner dia. of facing	127 mm (5 003 in.)
Thickness of facing	3.4 mm (0 1339 in.)
Gross friction area	139 x 2 sq cm
Thickness of disc ass'y	8.85 mm (0 346 in.) when releasing 7.5 mm (0.30 in.) when depressing
Disc run-out	Less than 0.5 mm (0.02 in.)
Backlash at splined part	0.05-0.15 mm (0.002-0.006 in.)
Surface strain of pressure plate	Less than 0.05 mm (0.002 in.)
Ditto	0.10 mm (0.004 in.)
Operating method	Oil pressure
Inner dia. of master cylinder	22.2 mm (7/8 in.)
Inner dia. of operating cylinder	19.05 mm (3/4 in.)
Operating liquid	Genuine super brake oil

PRESSURE SPRING

Free length	49.5 mm
Compressed length	Less than 30 mm
Turn	8
Effective turn	6
Coil wire diameter	3.5 ± 0.03 mm
Length in use and load	35.7 mm - 57 ± 1 kg.

RELEASE BEARING

Construction	Carbon bearing type
Height of release plate	From flywheel face to rear end of plate 58 ± 0.5 mm
Release plate run-out	Less than 0.03 mm (0.0012 in.)
Play of pedal	Approximately 25-30 mm (0.98-1.18 in.)

DRIVEN PLATE ASSEMBLY

This is the flexible type in which the splined hub is indirectly attached to a disc (See Fig. 1), which transmits the power and the over-run through a number of coil springs held in position by retaining wires

Two friction linings are riveted to the disc

COVER ASSEMBLY

The cover assembly consists of pressed steel cover, (11) and a cast iron pressure plate (2) located by six thrust springs

Mounted on the pressure plate are three release levers which pivot on floating pins retained by eye-bolts. Adjustment nuts are screwed on the eye-bolts and secured by staking. Struts are interposed between the lugs on the pressure plate and the outer end of release levers.

Anti-rattle springs load the release levers, and retainer spring connect the release lever plate.

RELEASE BEARING

The release bearing consists of a carbon bearing shrunk into a bearing cup, bearing located by the operating fork and the release bearing retainer spring

RUNNING ADJUSTMENT

Owing to the hydraulic design of the clutch controls no adjustment is necessary to the clutch pedal

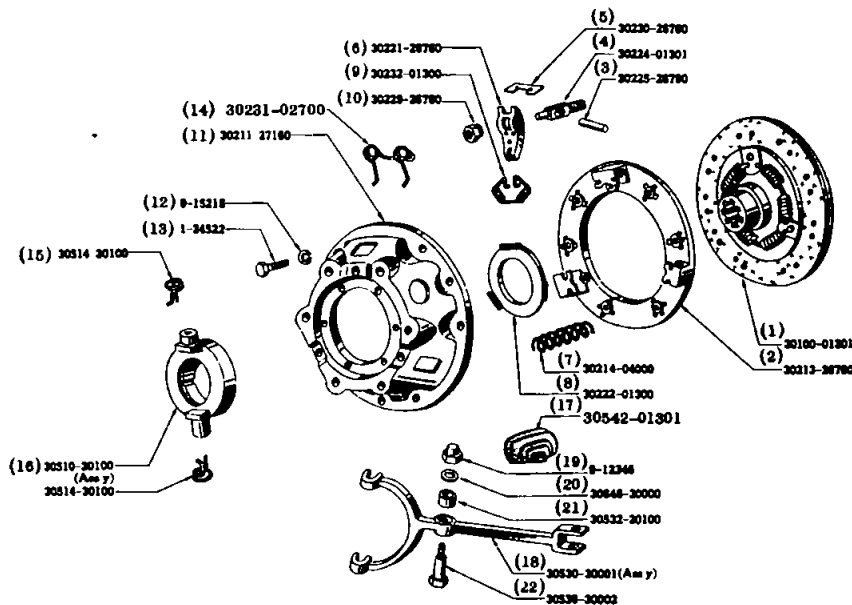


Fig. 1

- | | | |
|--------------------------|-------------------------|----------------------|
| (1) Clutch disc assembly | (9) Retainer spring | (16) Release bearing |
| (2) Pressure plate | (10) Eye bolt nut | assembly |
| (3) Release lever pin | (11) Clutch cover | (17) Rubber boot |
| (4) Eye bolt | (12) Washer | (18) Lever assembly |
| (5) Release lever strut | (13) Bolt | (19) Nut |
| (6) Release lever | (14) Anti-rattle spring | (20) Plane washer |
| (7) Thrust spring | (15) Retainer spring of | (21) Lever bush |
| (8) Release lever plate | release bearing | (22) Bolt |

Removing the Clutch

To gain access to the clutch it is first necessary to remove the transmission complete from the engine

Once the transmission unit is free, a turn at a time by diagonal selection until the spring pressing is relieved.

Then remove the screws completely and lift the clutch assembly away from the flywheel. Finally, remove the driven plate assembly.

The release levers are correctly set on assembly. Interference with this setting, unless new parts have to be fitted, will throw the pressure plate out causing judder

Dismantling, Assembling & Gauging

By using service tool (Fig. 2) the clutch can be quickly dismantled, reassembled and adjusted to a high degree of accuracy

The tool comprises the following parts, base plate centre pillar, spacing washers, distance pieces, light finger actuating mechanism, setscrews, speed brace and metal box. As this tool is universal, a chart indicating the particular parts to be used for particular types of clutch will be found on the inside of the lid of the box (Tool No 4799)

Dismantling

With the clutch assembly, select three spacing washers (Fig 2 inset) and place them over the code letter "B" on the base plate.

- | |
|------------------------------------|
| (1) Release lever height indicator |
| (2) Distance piece |
| (3) Center pillar |
| (4) Clutch cover |
| (5) Set screw |
| (6) Pressure plate |
| (7) Thrust spring |
| (8) Spacing washer |
| (9) Base plate |
| (10) Lock nut |
| (11) Adjusting screw |
| (12) Release lever |

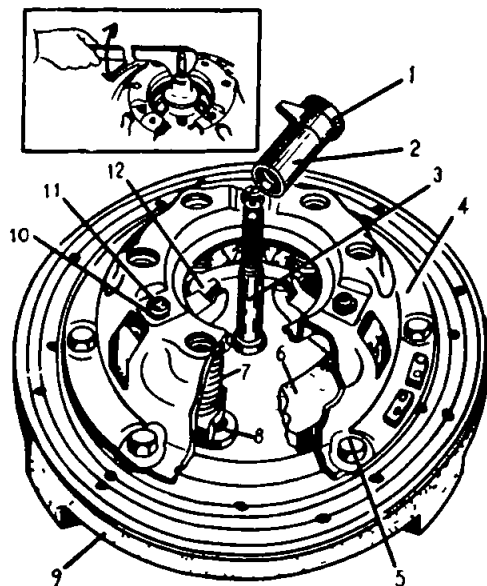


Fig. 2

Now place the clutch assembly on the three spring washer so that the holes in the cover coincide with the tapped holes in the plate, insert the setscrews provided and tighten them, a little at a time, by diagonal selection until the cover is firmly attached to the base plate at all possible points. This is most important if the best results are to be achieved. Mark the cover, pressure plate lugs and release levers with a centre punch so that the parts can be reassembled in their relative position in order to maintain the balance of the clutch

Detach the release lever plate from the retaining springs and remove the three eye-bolt nuts or adjusting nuts.

Slowly release the pressure on the springs, unscrewing by diagonal selection, the setscrews securing the cover to the base plate. The clutch can be lifted to expose all components for inspection. The release levers, eye-bolts, struts and springs should be examined for wear and distortion. Renew these parts if necessary, bearing in mind that the thrust springs must only be renewed in sets. Clean all parts and lubricate the bearing surfaces of the levers, eye-bolts, etc., sparingly with grease

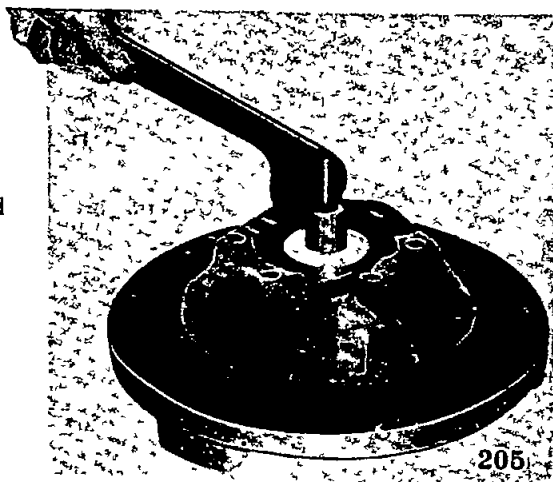
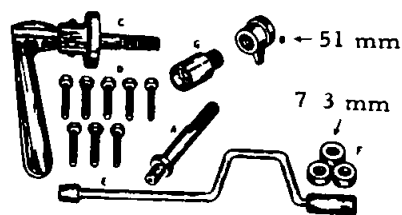


Fig. 3 Assembling Tool

Assembling

Place the pressure plate over the three spacing washers on the base plate, with the thrust springs in position on the pressure plate (*See Fig. 3*). Assemble the release lever, eye-bolt and pin holding the threaded end of the eye-bolt and the inner end of the lever as close together as possible. With the other hand, insert the strut in the slots on the pressure plate lug sufficiently to allow the plain end of the eye-bolt to be inserted in to the hole in the pressure plate

Move the strut upwards into the slot in the pressure plate lug and over the ridge on the short end of the lever and drop it into the groove formed in the latter.

Fit the other two levers in a similar manner. Place the cover over the assembled parts, ensuring that the anti-rattle springs are in position, and that the tops of the thrust springs are directly under the seats in the cover. In addition the machined portions of the pressure plate lugs must be directly under the slots in the cover through which they have to pass

Compress the pressure springs by screwing down the cover to the base plate by using the special set screw placed through each hole in the cover. Tighten the screw, a little at a time, by diagonal selection to prevent distortion to the cover.

The eye-bolts and pressure plate lugs must be guided through the holes in the cover at the same time.

Gauging

Screw the nuts into the eye-bolts and proceed as follows, -
Screw the centre pillar into the base plate and slip the distance piece over the pillar followed by the cam-shaped height finger. Adjust the height of the release levers by screwing or unscrewing the eye-bolt nuts until the height finger, when rotated, just contact the highest point on the tip of the release levers.

Replace the height finger and pillar by the clutch actuating mechanism (See *inset Fig. 3*) and actuate the clutch several times by operating the handle

This will enable the parts to settle down on their knife edges.

Replace the height finger and distance piece and readjust the height of the release levers, checked for "run out" as near the edge as possible as, if the error is more than 0.02 in. press over the high spots until it is true within this figure. It is important to keep friction facings free from oil or grease.

Refitting the Clutch

Place the driven plate on the flywheel with the longer chamfered splined end of the driven plate hub towards the transmission.

The driven plate should be centralised by a dummy drive gear shaft which fits the splined bore of the driven plate hub and the pilot bearing of the flywheel.

The clutch cover assembly can now be secured to flywheel by means of the holding screws, tightening them a turn at a time by diagonal selection.

There are two dowels in the flywheel to locate in the clutch cover. Remove the dummy shaft after these screws are fully tightened. Finally remove the dummy shaft and refit the withdrawal bearing and transmission. The weight of the transmission must be supported during refitting in order to avoid strain on the first motion shaft and distortion of the driven plate assembly.

Finally repeat the procedure to make quite sure the release levers are seating properly and gauge again. Secure the eye-bolt nuts and fit the release lever plate on the tips of the release levers, then secure by means of the three retaining springs.

Release the setscrews, a little at a time, by diagonal selection, and remove the clutch assembly from the base plate

Refacing the Driven Plate

If a new complete clutch driven plate is not available new linings may be fitted to the old driven plate in the following manner,

Each rivet should be removed by using a 3.5 mm. diameter drill. The rivets should not be punched out. Rivet one new facing in position, then if the correct tool

is not available, use a blunted center punch to roll the rivet shanks securely against the plate. The second facing should then be riveted on the opposite side of the plate with the clearance holes over the heads already formed in fitting the first facing. The plate should then be mounted on a mandrel between centers and checked for "run out" as near the edge as possible, if the wobbling is more than 0.02 in. press over high spots until it is true within this figure. It is important to keep friction facings free from oil or grease.

CLUTCH (NEW TYPE)

GENERAL DATA

Type	Single dry disc plate
Construction of disc	With coil spring
Outer dia. of facing	200 mm
Inner dia. of facing	130 mm
Thickness of facing	3.5 mm
Gross friction area	363 cm ²
Thickness of disc ass'y	8.6 ~ 9.1 mm when releasing 7.3 ~ 8.1 mm when depressing
Disc run-out	Less than 0.5 mm
Backlash at splines part	0.05 ~ 0.15 mm (0.002 ~ 0.006 in.)
*Operating method	Oil pressure
*Inner dia. of master cylinder	15.85 mm (5/8 in.)
*Inner dia. of operating cylinder	19.05 mm (3/4 in.)
*Operating liquid	Genuine super brake oil
Return spring, withdrawal wire dia.	1.6 mm
Free length	87 mm
Length in used & tension	136 mm/5 kg

PRESSURE SPRING

Free length	49 mm ± 1.5
Compressed length	Less than 25 mm
Turn numbers	7.8
Power of comp. in full	About 300 kg
Wire diameter	3.3 mm
Length in use and load	29.2 - 37.5 ± 2 kg

RELEASE BEARING

Construction	Ball bearing type
Height of release plate	*From flywheel face to rear end of plate 50.5 ± 0.2 mm
Release plate run-out	Less than 0.03 (0.0012 in.)

*If use master disc (7.8 mm ± 0.5 mm height), height of release lever is 50.5 ± 0.2 mm.

DRIVEN PLATE ASSEMBLY

This is the flexible type in which the splined hub is indirectly attached to a disc, which transmits the power and the over-run through a number of coil springs held in position by retaining wires.

Two friction linings are riveted to the disc.

COVER ASSEMBLY

The cover assembly consists of pressed steel cover, and a cast iron pressure plate located by six pressure springs.

Mounted on the pressure plate are three release levers.

Adjusting nuts are screwed on the bolts of pressure plate. Retainers of pressure spring insert to the clutch cover holes and anti-rattle springs load release levers.

RELEASE BEARING

The release bearing consists of a carbon bearing shrunk into a bearing cup, the cup bearing located by the operating fork and the release bearing retainer spring.

RUNNING ADJUSTMENT

Owing to the hydraulic design of the clutch controls no adjustment is necessary to the clutch pedal.

Removing the Clutch

To gain access to the clutch it is first necessary to remove the transmission complete from the engine.

Once the transmission unit is free, a turn at a time by diagonal selection until the spring pressing is relived.

Then remove the screws completely and lift the clutch assembly away from the flywheel. Finally, remove the driven plate assembly.

The release levers are correctly set on assembly. Interference with this setting, unless new parts have to be fitted, will throw the pressure plate out causing judder.

Dismantling, Assembling & Gauging

By using service tool the clutch can be quickly dismantled, reassembled and adjusted to a high degree of accuracy.

The tool comprises the following parts, base plate centre pillar, spacing washers, distance pieces, hight finger actuating mechanism, setscrews, speed brace and metal box. As this tool is universal, a chart indicating the particular parts to be used for particular types of clutch will be found on the inside of the lid of the box.

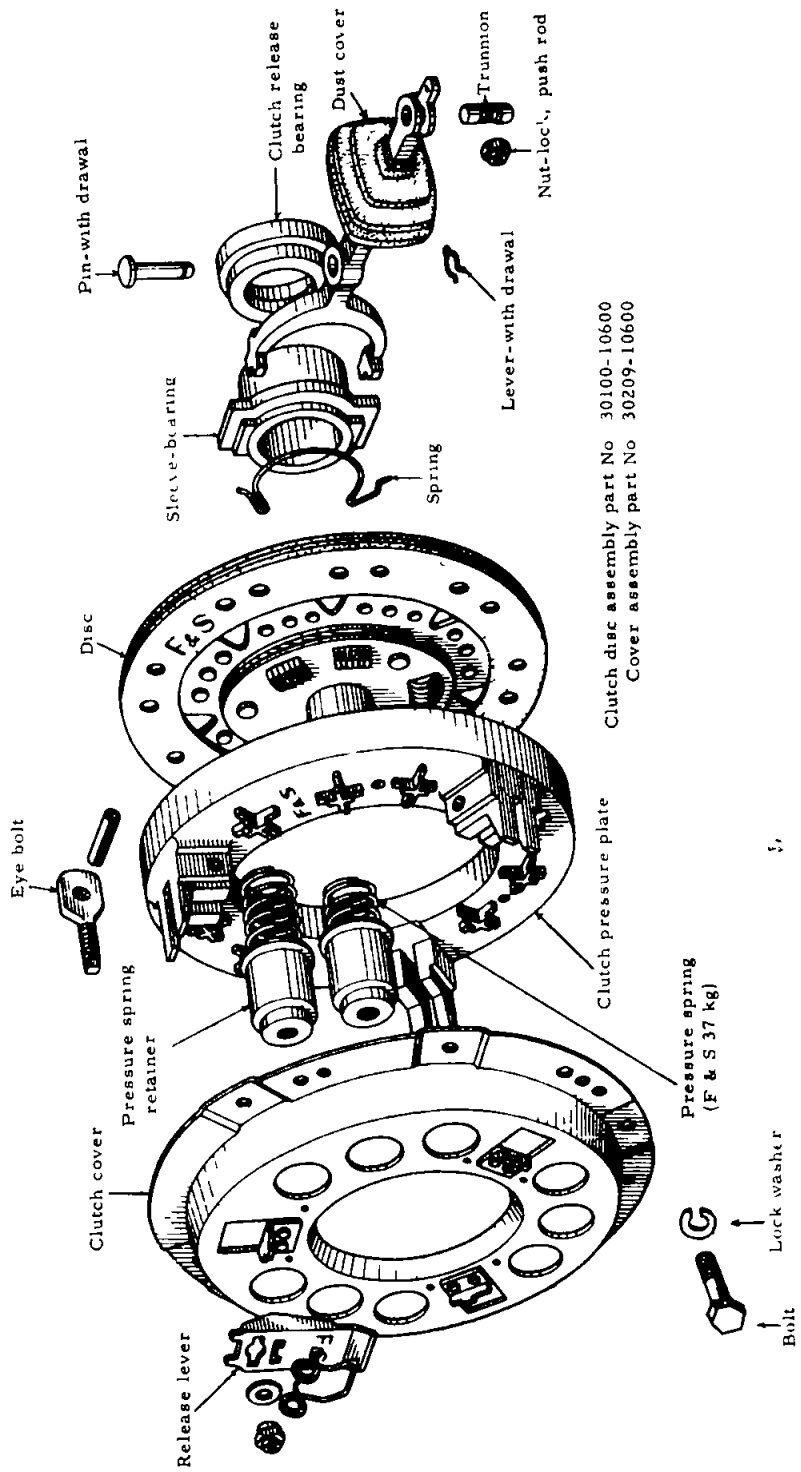


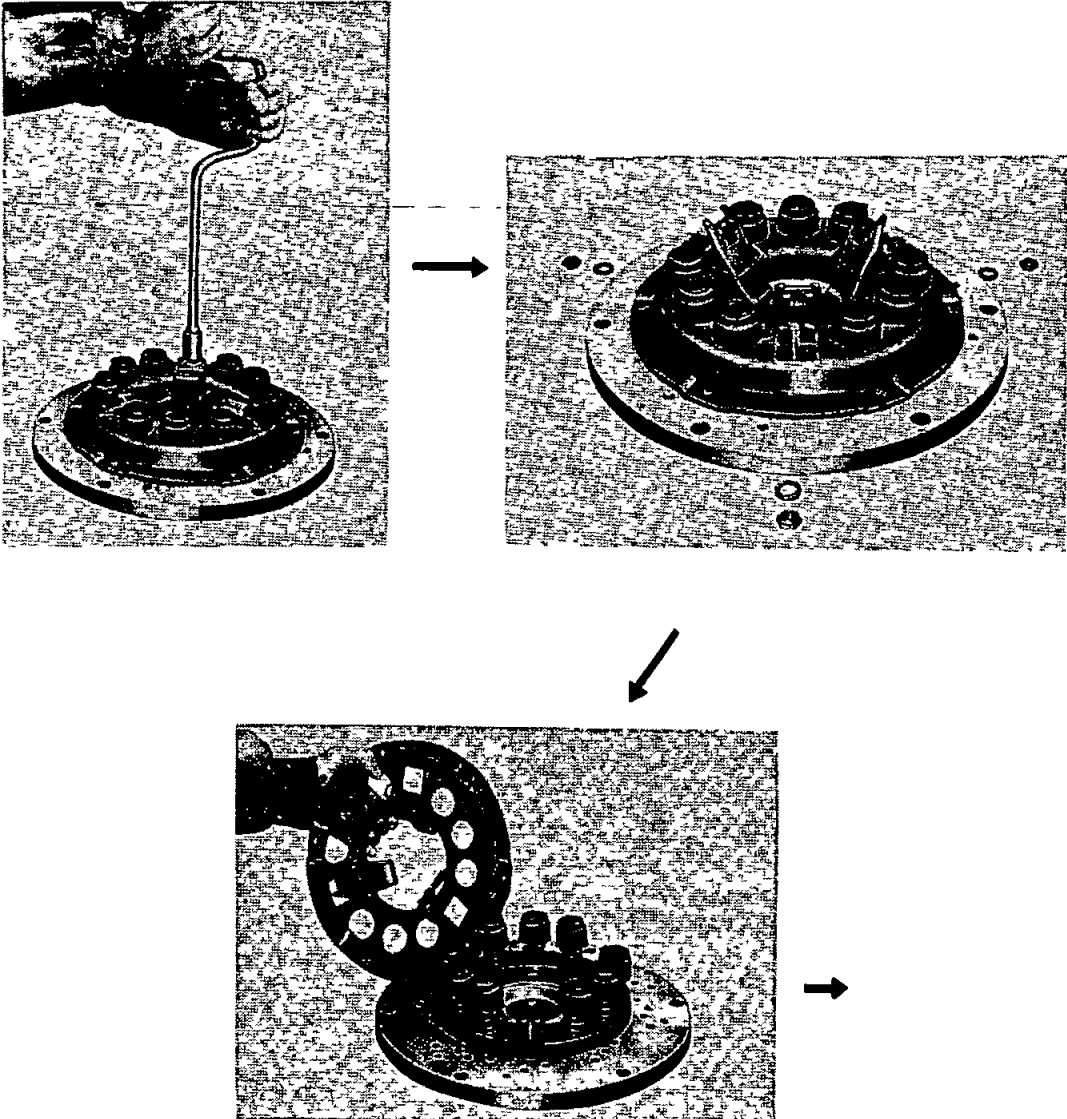
Fig 2 CLUTCH

Dismantling

Place the clutch cover assembly on the three spring so that the holes in the cover coincide with the tapped holes in the plate, insert the set-screws provided and tighten them, a little at a time, by diagonal selection until the cover is firmly attached to the base plate at all possible points. This is most important if the best results are to be achieved.

Mark the cover, pressure plate lugs and release levers with a centre punch so that the parts can be reassembled in their relative position in order to maintain the balance of the clutch.

Detach the release lever plate from the eye-bolts and remove the three lock nuts and adjusting nuts



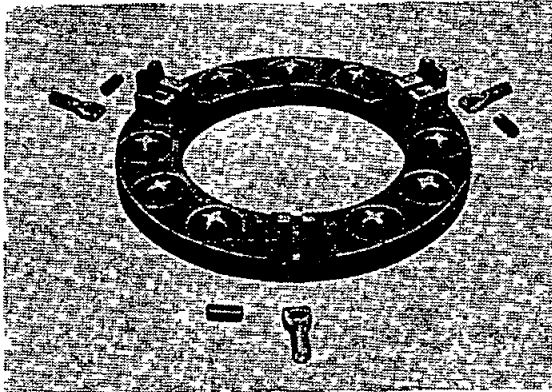
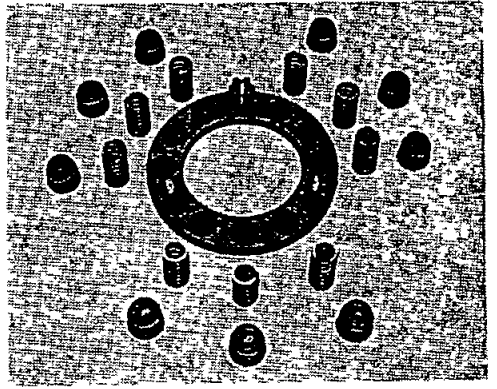
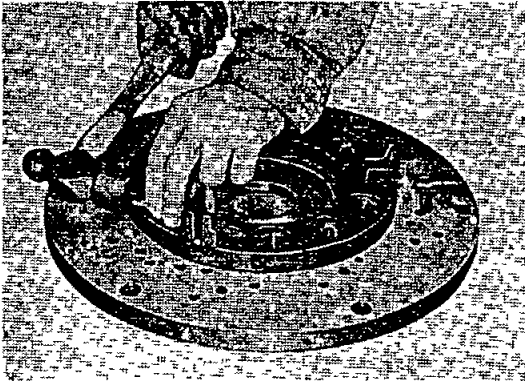
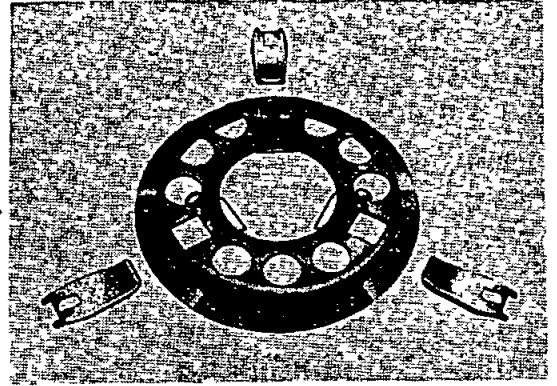
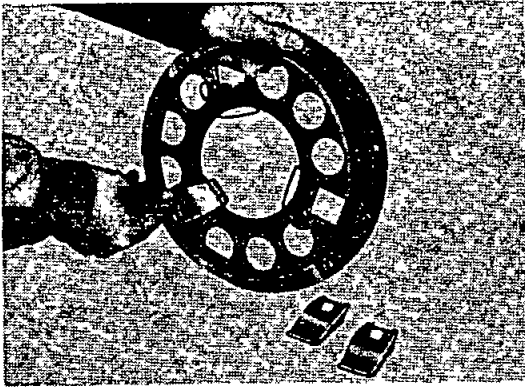


Fig. 4 Disassembling

Slowly release the pressure on the springs, unscrewing by diagonal selection, the set-screws securing the cover to the base plate. The clutch can then be lifted to expose all components for inspection.

The release levers, and springs should be examined for wear and distortion. Renew these parts if necessary, bearing in mind that the pressure springs must only be renewed in sets. Clean all parts and lubricate the bearing surfaces of the levers, sparingly with grease.

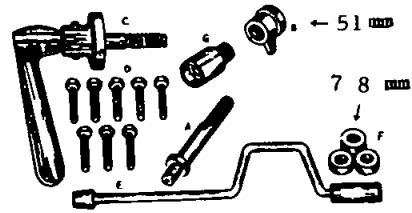
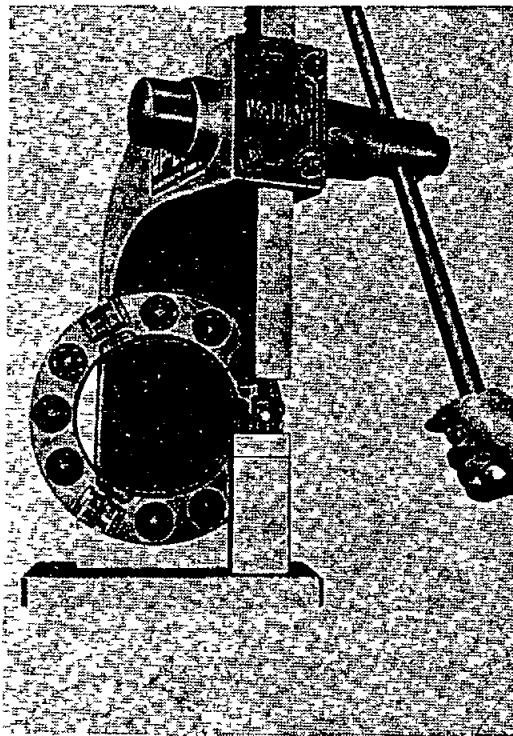


Fig. 5

Assembling

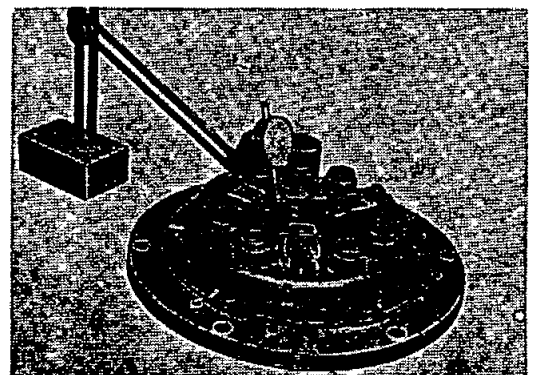
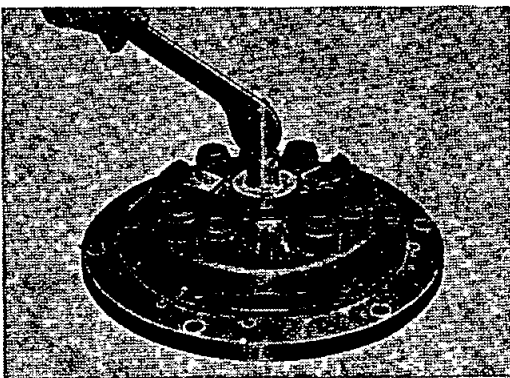
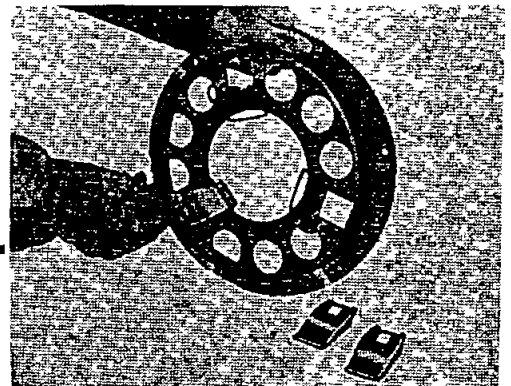
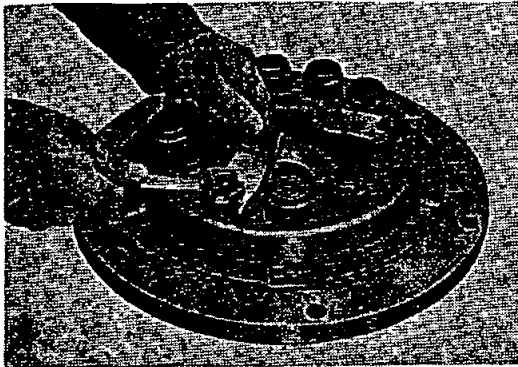
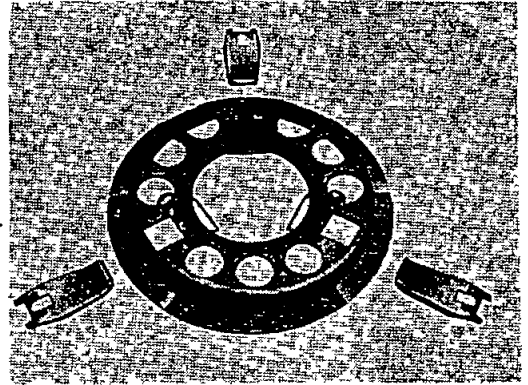
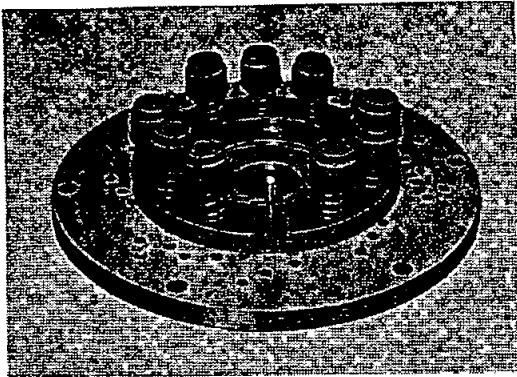
Press the pin into the eye-bolt hole through the lug on the pressure plate as shown.

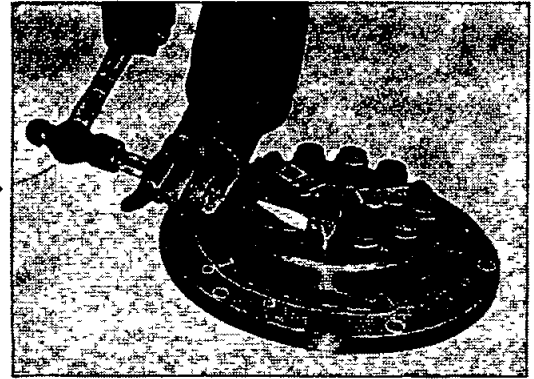
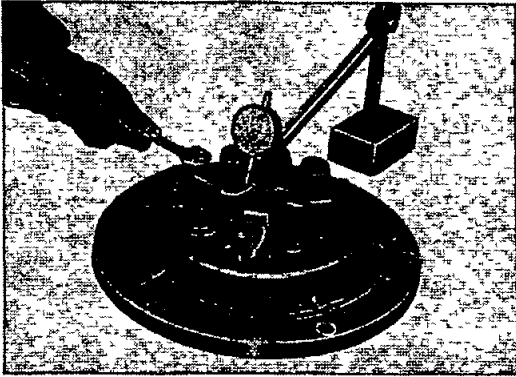


Place the pressure plate on the base plate with the pressure springs in position on the pressure plate and put the pressure spring retainers on it. Cover and set the clutch cover assembly on the base plate

Compress the pressure springs by screwing down the cover to the base plate by using the special set screw placed through each hole in the cover

Tighten the screws, a little at a time, by diagonal selection to prevent distortion to the cover. Set the release lever on the eye-bolt with lock nuts inserting for lug at the edge of pressure plate





Gauging

Screw the nuts into the bolts and proceed as follows, Screw the centre pillar into the base plate and slip the distance piece over the pillar followed by the cam-shaped height finger. Adjust the height of the release levers by screwing or unscrewing the bolt nuts until the height finger, when rotated, just contact the highest point on the tip of the release levers.

Replace the height finger and pillar by the clutch actuating mechanism (See inset Fig. 5) and actuate the clutch several times by operating the handle.

This will enable the parts to settle down on their knife edges.

Replace the height finger and distance piece and readjust the height of the release levers checked for "run out" as near the edge as possible as, if the error is more than 0.02 in. press over the high spots until it is true within this figure. It is important to keep friction facings free from oil or grease.

Finally repeat the procedure to make quite sure the release levers are seating properly and gauge again. Secure the lock nuts and fix the release lever

Release the setscrews, and remove the clutch assembly from the base plate

Refacing the Driven Plate

If a new complete clutch driven plate is not available new linings may be fitted to the old driven plate in the following manner,

Each rivet should be removed by using drill. The rivets should not be punched out. Rivet one new facing in position, then if the correct tool is not available, use a blunted center punch to roll the rivet shanks securely against the plate. The second facing should then be riveted on the opposite side of the plate with the clear-holes over the heads already formed in fitting the first facing. The plate should then be mounted on a mandrel between centers and checked for "run out" as near the edge as possible, if the wabbing is more than 0.02 in. press over high spots until it is true within this figure. It is important to keep friction facings free from oil or grease.

Refitting the Clutch

Place the driven plate on the flywheel with the longer chamfered splined end of the driven plate hub towards the transmission.

The driven plate should be centralised by a dummy drive shaft which fits the splined bore of the driven plate hub and the pilot bearing of the flywheel.

The clutch cover assembly can now be secured to the flywheel by means of the holding screws, tightening them a turn at a time by diagonal selection.

There are two dowels in the flywheel to locate in the clutch cover. Remove a dummy shaft after these screws are fully tightened. (35 lb/ft= 4 84 kg-m)

Refit the release bearing and transmission case. The weight avoid strain on the drive shaft and distortion of the driven plate assembly

DESCRIPTION OF CLUTCH CONTROL

The clutch is operated from a master cylinder by means of a suspended pedal. A cylinder mounted on the clutch bell housing is coupled to the clutch operating shaft

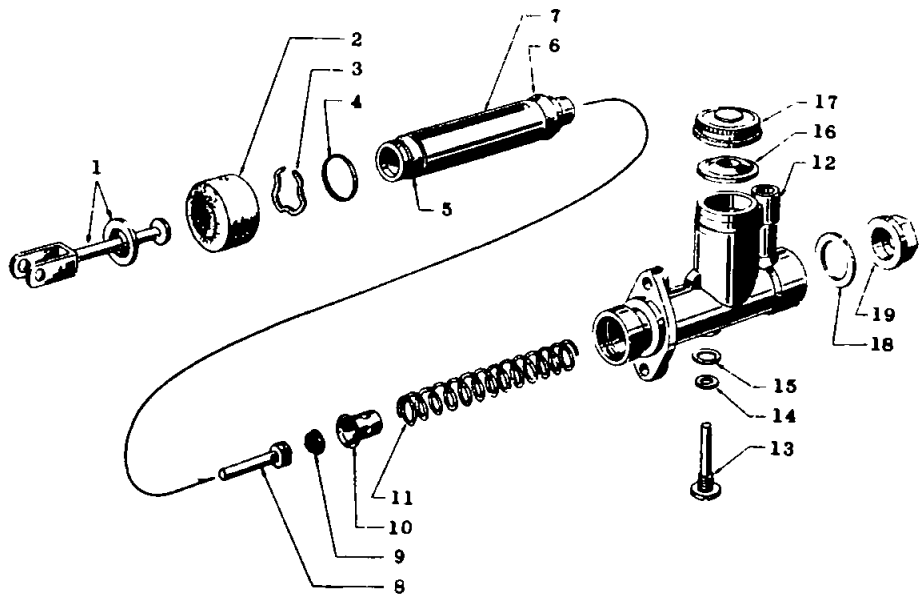


Fig. 4 Components of the Master Cylinder

- | | |
|----------------------------------|----------------------------------------|
| (1) Push rod assembly | (11) Piston return spring |
| (2) Master cylinder rubber boots | (12) Clutch master cylinder body ass'y |
| (3) Stopper ring | (13) Let-in valve release pin |
| (4) Piston secondary cup ring | (14) Ring |
| (5) Secondary cup | (15) Gasket |
| (6) Primary cup | (16) Filler cap gasket |
| (7) Master cylinder piston | (17) Cap |
| (8) Let-in valve assembly | (18) End plug gasket |
| (9) Let-in valve spring | (19) End plug |
| (10) Return spring seat | |

When pressure to the clutch pedal is applied the piston of the master cylinder displaces the fluid in the cylinder and via a pipe line, in turn, moves the piston of the cylinder, pushing against the lever of the clutch shaft.

The Master Cylinder

The master cylinder consists of an alloy body with a polished finish bore, and reservoir with cap. The inner assembly is made up of the push rod, ring, stopper ring, piston, cups, spring seat, spring, valve and valve spring.

The end of cylinder is protected by a rubber boot.

Dismantling the Clutch Master Cylinder

Disconnect the pressure pipe union from the cylinder and remove the securing bolts, then the master cylinder and may be withdrawn complete from the car.

Remove the filler cap and drain out the fluid. Pull back the rubber boot and remove the stopper ring with a pair of long nosed pliers. The push rod and ring can then be removed, and unscrew the release pin.

When the push rod has been removed the piston with cups attached will be exposed, remove the piston assembly complete.

The assembly can be separated by lifting the spring seat edge over the shouldered end of the piston. Depress the piston return spring allowing the valve assembly to slide through the elongated hole of the spring seat thus releasing the tension on the spring.

Examine all parts, especially the gasket, cylinder bore and piston cups, for wear or distortion and replace the new parts where necessary.

Assembling

Smear the assembly well with the recommended brake fluid, and insert the assembly into the bore of the cylinder end with piston cups lips in the bore.

Replace the push rod, with the secondary cup ring, into the cylinder followed by the stopper ring which engages into the groove machined in the cylinder body.

Replace the rubber boot and secure the unit by means of the two bolts on the flange and refit the pressure pipe union into the cylinder.

The Operating Cylinder

The cylinder is of simple construction, consisting of the body, piston, piston with cup, spring and bleed screw, the open end of the cylinder being protected by a rubber dust cover. The cylinder is mounted under side of the starting motor.

Dismantling

Remove the rubber dust cap from the bleed screw attached a bleed tube, open the bleed screw three-quarters of a turn and pump the clutch pedal until all the fluid has been drained into a clean container

Unscrew the flexible pipe union and push rod. The operating cylinder can now be removed. Remove the rubber cover and if compressed air line is available, blow out the piston from the side of union.

Examine all parts, especially the seal, and replace if worn or damaged.

Assembling

Place the seal into the stem of the piston, with the back of the seal against the piston, replace the springs with the small end on the stem, smear well with the recommended fluid and insert into the cylinder. Replace the dust cover and mount the cylinder in position, making sure the push rod enters the hole in the rubber boot. Secure the cylinder with the pinch bolt, and screw in the pipe union.

Bleeding the Clutch System

Remove the bleed screw dust cap at the operating cylinder, open the bleed screw approximately three-quarters of a turn and attach a tube immersing the open end into a clean receptacle containing a small amount of brake fluid.

Fill the master cylinder reservoir with the recommended fluid and by using slow, full strokes, pump the clutch pedal until the fluid entering the container is free from air bubbles. On a down stroke of the pedal, screw up the bleed screw, remove the bleed tube and replace the dust cap.

When the clutch pedal is depressed, the force is transmitted to a carbon bearing, and the surface pushed the release plate

The carbon bearing has high resistance against wear and does not need lubrication

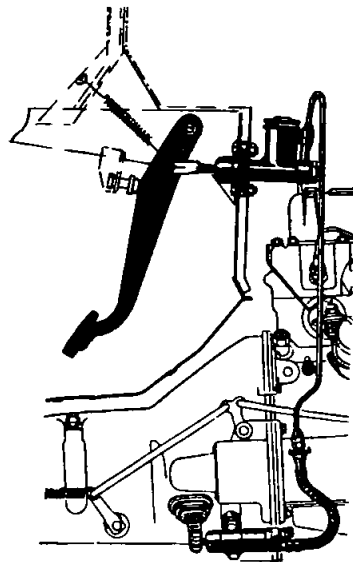


Fig. 5

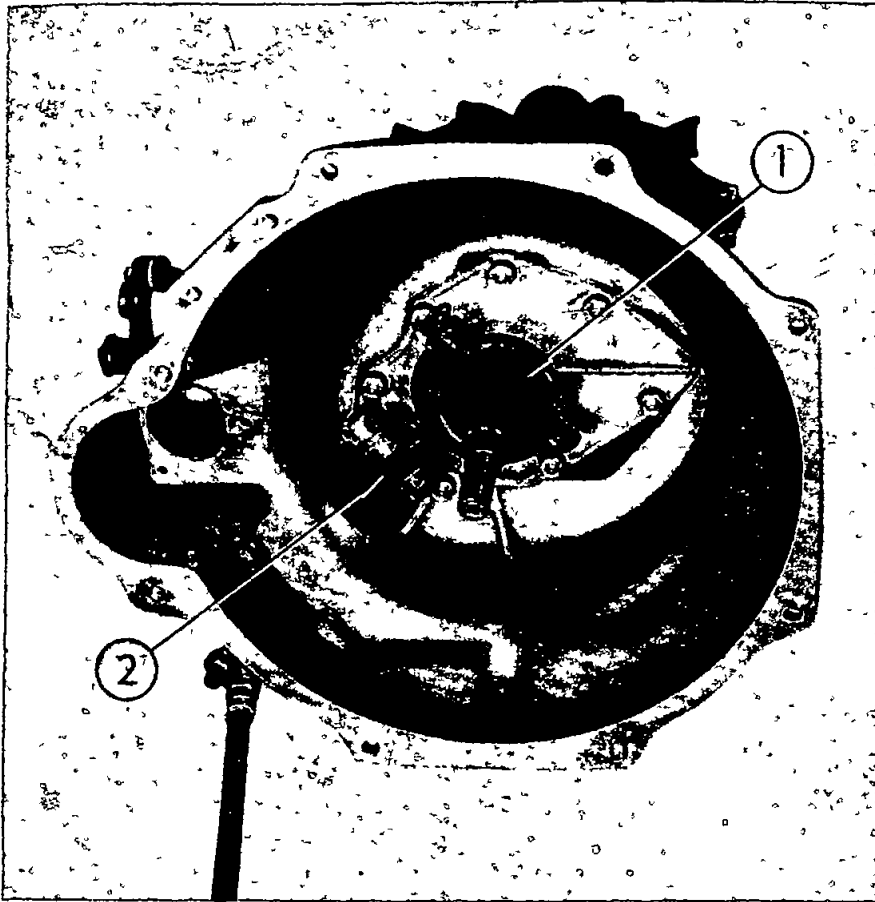
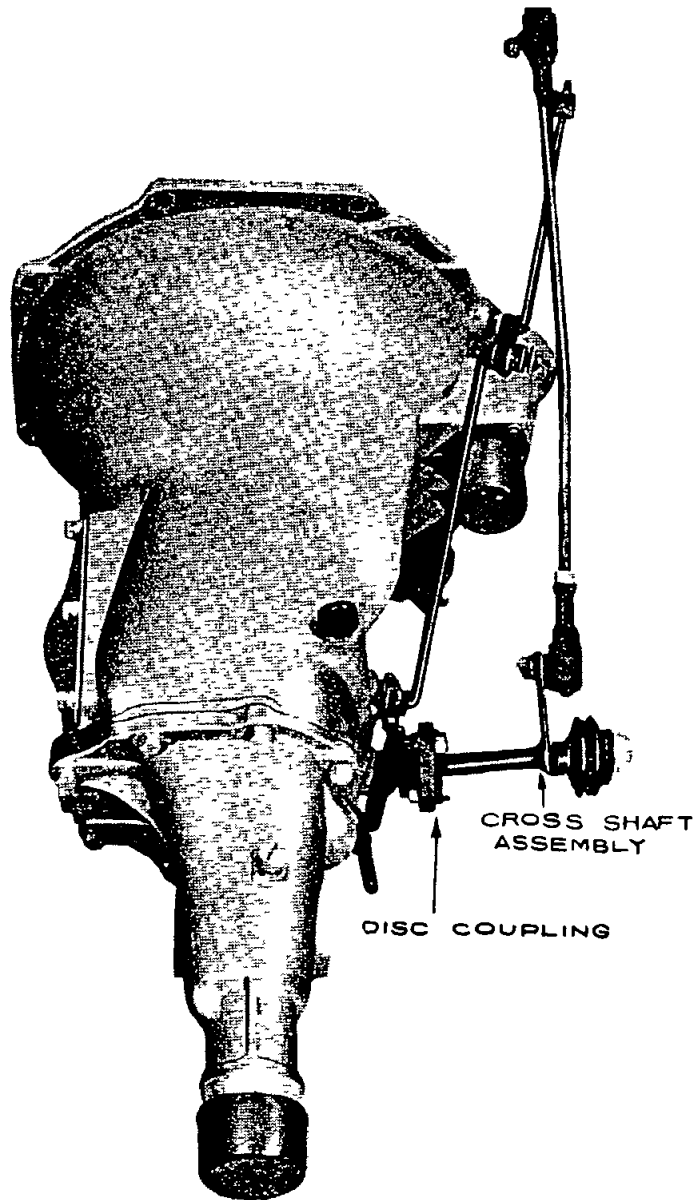


Fig. 6 Clutch Release Lever

(1) Carbon bearing (2) Clutch lever

TRANSMISSION



TRANSMISSION

GENERAL DATA

Model	4 stages for forward, 1 stage for reverse remote controlled		
Type of gear	Synchro-meshed for speed #2, 3 & 4 Synchro-meshed helical gear type		
	320-UP, UR (32010-07200)		320-U, UN (32010-07301)
Speed #1	4.94	1	3.94
Speed #2	3.01	1	2.40
Speed #3	1.73	1	1.49
Speed #4	1.00	1	1.00
Reverse	6.46	1	5.16 1
No. of tooth of gear			
Main drive gear	17		20
Main shaft 3rd gear	24		25
Main shaft 2nd gear	31		31
Main shaft 1st gear	28 (spur gear)		28
Counter drive gear	31		31
Counter third gear	26		26
Counter second gear	20		20
Counter first gear	11 (spur gear)		11
Reverse idler gear	13 & 17 (spur gear)		13 & 17

BACKLASH OF VERIOUS GEARS

(Play on revolutional direction)

Between main drive gear and counter drive gear	0.075-0.125 mm (0.003-0.005 in.)
Between third gears	0.075-0.125 mm (0.003-0.005 in.)
Between second gears	0.075-0.125 mm (0.003-0.005 in.)
Between low gears	0.075-0.125 mm (0.003-0.005 in.)
Between speed #3 & 4	
Synchronizers and main	0.03-0.12 mm (0.0014-0.0048 in.)
Between peripheral gears of speed #3 & 4 synchronizers and coupling sleeve	0.075-0.125 mm (0.003-0.005 in.)
Between speed #3 & 4 coupling sleeves and main drive gear	0.075-0.125 mm (0.003-0.005 in.)

Between speed #3 & 4 coupling sleeves and speed #3 gear	0.075-0 125 mm (0 003-0.005 in.)
Between speed #2 synchronizer and main shaft spline	0.003-0 12 mm (0.0014-0 0048 in.)
Between #2 synchronizer and speed #1 gear	0.075-0 125 mm (0.003-0 005 in.)
Between speed #1 gear and speed #2 gear	0 075-0 125 mm (0 003-0 005 in.)

MAIN DRIVE GEAR AND SHAFT

Inner diameter of bearing at rear end of main drive gear	20 485-20 503 mm (0 8064-0 8072 in.)
Outer dia of bearing at front end of main shaft	14 460-14 448 mm (0.5693-0 5688 in.)
Main shaft pilot bearing	Needle roller bearing
No. of needles of needle roller bearing	18
Dia. x height of dittoed bearing	3 mm x 28 mm (0 118 in. x 1 102 in.)
Inner dia of 3rd gear bearing hole	33 388-33.401 mm (0 3144-1 3149 in.)
Outer dia of 3rd gear bush (before pressing in)	33 312-33 325 mm (1.3114-1 3119 in.)
Play of periphery of 3rd gear bush	0.06-0 09 mm (0 0023-0 0035 in.)
Amendment limit of dittoed play	0.15 mm (0 0059 in.)
Inner dia. of 2nd gear bearing hole	33 388-33 401 mm (1 3144-1 3149 in.)
Outer dia. of 2nd gear bush	33.312-33 325 mm (1 3114-1 3119 in.)
Gap at periphery of 2nd gear bush	0.06-0.09 mm (0.0023-0 0035 in.)
Amendment limit of dittoed gap	0 15 mm (0.0059 in.)
Thickness of front thrust washer on main shaft	3 975-4.001 mm (0 1564-0 1575 in.)
"	4 026-4 051 mm (0 1585-0 1595 in.)
"	4.077-4 102 mm (0 1605-0 1614 in.)
Thickness of interlocking ring on 2nd & 3rd gear bush	3 937-3 962 mm (0 1549-0.1559 in.)

Thickness of rear thrust washer on main shaft	4.826-4.801 mm (0.1900-0.1890 in.)
End play of 2nd & 3rd gear	0.12-0.16 mm (0.0048-0.0062 in.)
Amendment limit of dittoed play	0.25 mm (0.01 in.)
Synchronizer spring	
Free length	127 mm (0.49 in.)
Outer diameter	6.7 mm (0.25 in.)
Coil diameter	0.8 mm (0.03 in.)
Tension	2 kg at 8 mm
Outer dia. of synchronizer locating hole	9/32 in. (7.144 mm)

COUNTER GEAR

Inner dia. at gear bearing	22.420-22.433 mm (0.8826-0.8831 in.)
Outer dia. of shaft	16.391-16.401 mm (0.6452-0.6456 in.)
Type of bearing	Needle roller bearing
No. of needles	20 x 2 (front & rear)
Dia. x length	3 mm x 23.8 mm (0.118-0.936 in.)
Thickness of front thrust washer	3.91-3.96 mm (0.154-0.156 in.)
Thickness of rear thrust washer	3.96-3.91 mm (0.1560-0.1540 in.) 4.013-3.988 mm (0.1580-0.1569 in.) 4.089-3.140 mm (0.161-0.160 in.) 4.166-4.140 mm (0.164-0.163 in.)
Eng. play	0.04-0.06 mm (0.0015-0.0023 in.)
Amendment limit of dittoed play	0.10 mm (0.004 in.)

REVERSE GEAR

Inner dia. of bush	14.338-14.376 mm (0.564-0.566 in.)
Outer dia. of reverse shaft	14.249-14.262 mm (0.561-0.5614 in.)
Gap between shaft & bush	0.076-0.127 mm (0.03-0.005 in.)

SHIFT ROD

Locking ball spring	
Free length	30.2 mm

Coil diameter	7.5 mm
Dia. of wire	1.2 mm
Tension when in stalled	19 mm - 8 6±0.4 kg
Diameter of check ball	5 16 in. (7 94 mm)
Control rod return spring	
Free length	81 7 mm
Coil diameter	10.5 mm
Dia. of wire	1 2 mm
Tension when installed	54 mm - 3±0.3 kg
Change speed lever spring	
Free length	35 mm
Coil diameter	20 mm
Dia. of wire	1 6 mm
Tension when installed	12 mm - 6±0 3 kg
Cross shaft spring	
Free length	38 mm
Coil diameter	21 mm
Dia. of wire	2 3 mm
Tension when installed	20 mm - 15±1 kg
Oil to be used Standard of oil	Genuine gear oil MP #90 (Hypoid gear oil) In warmer district than 32°C use #140
Oil quantity necessary	1 8 lr

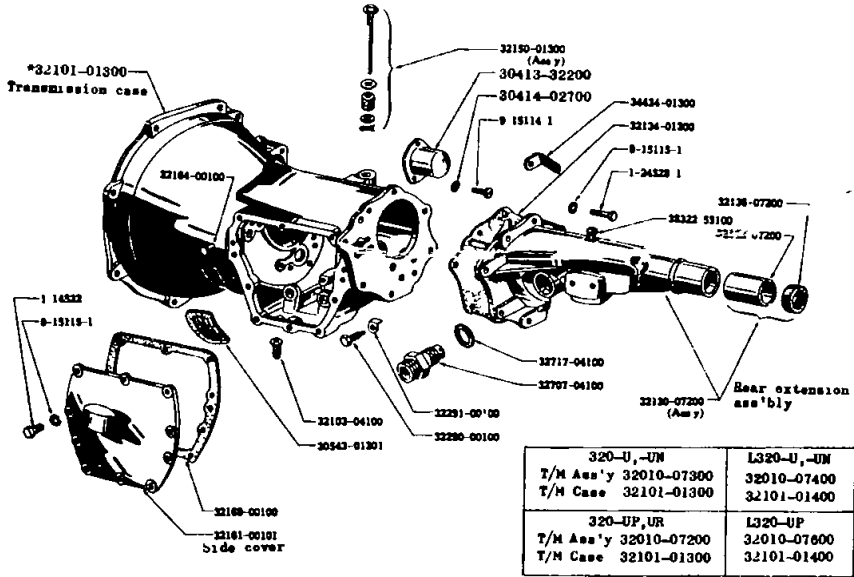


Fig. 1, A Components of Transmission Case

DISASSEMBLING THE CASE

First drain the oil from the transmission by removing the drain plug. The drain plug is situated beneath the case at the left-hand side.

Clutch Withdrawal Lever

Bend back the lock washer, remove the nut its spring washer, and screw the bolt out of the bracket. The leg of the clutch withdrawal support bracket on the steering part of the car is threaded, do not therefore, try to knock the bolt out, or the threaded in the support bracket will be stripped. Screw the bolt out. Detach the rubber dust cover around the withdrawal lever from within the clutch housing

Cross Shaft Levers

The cross shaft levers are positioned on the right-hand side of the case of transmission if the car has right-hand steering, and on the left-hand side if left hand steering.

A cotter pin, spring washer, and nut, secures each lever to its shaft. After the nuts and washers have been removed, the pins may be tapped out, and the levers lifted off the shafts.

Side Cover

Holding the side cover in position are set-bolts and set-screw with serrated washers, all of which must be removed, when the cover can be taken off

Change Speed Cross Shafts & Selector Arm

Once the side cover is removed both the selector arm and change speed lever cross shafts can be drawn from the case, bringing with them the change speed gate. Gentle pressing prising may be necessary to assist removal of the gate, as its rounded ends are a tight fit in the machined recesses on the side cover seating. After withdrawal, the gate can be threaded off the selector arm and change speed lever. At this stage the shafts, oil seals, and felt washers can be withdrawn from the case at the operating lever side.

To remove the selector arm the shaft, tap out the securing pin. The engagement lever is anchored in its pivot by a nut and bolt whilst the pivot is connected to the cross shaft.

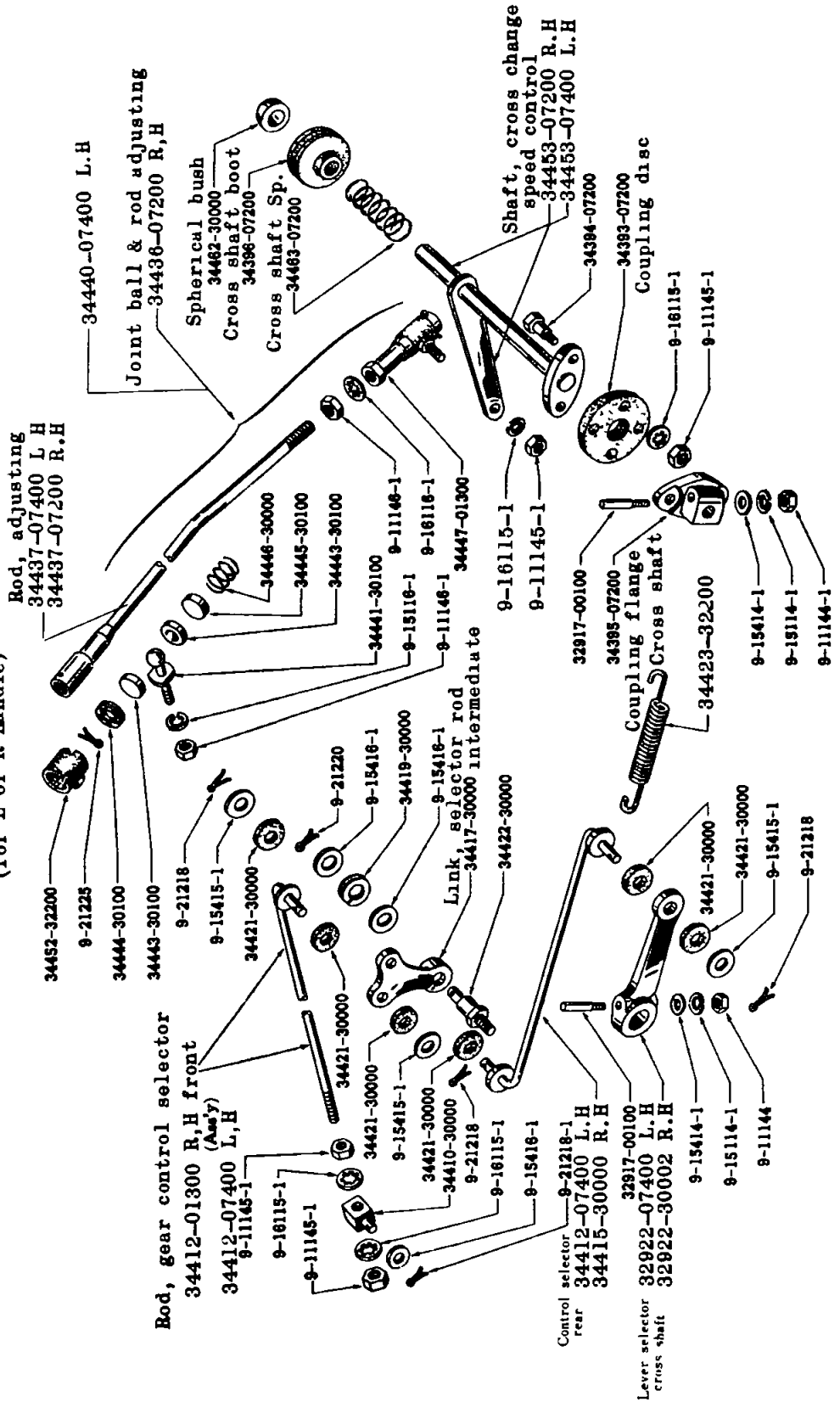
Front Cover

Release the front cover situated within the clutch housing by removing the nuts and spring washers. At this stage of disassembling do not attempt to remove the cover and front washer

The operation will prove easier if the shift fork selector rods are tapped forward, thus pushing the cover away from the casing

Fig. 1 B REMOTE CONTROL LINKAGE

(for L or R Handle)



Select Rods & Forks

Using a soft metal drift, tap forward for a short distance, each of the three rods, and prise out the keys which are fitted to prevent the rods from turning.

Now drive each rod forward, clear of the forks and extract them from the case. Care should be exercised in order not to lose the spring loaded ball fitted to each fork. Lift out the three forks, noting carefully their respective positions to assist reassembly.

Fitting behind the third speed fork is a distance piece which must be retrieved from the case when removing this fork

Reverse Gear

A lug, which is an integral part of the main casting locates the forward end of the reverse gear shaft. To secure the shaft in position, a setpin is screwed through the lug locating in the shaft. The setpin is locked by a tab washer. Straighten the tab washer, release the setpin, then tap forward and remove the reverse gear shaft. Lift out the reverse gear.

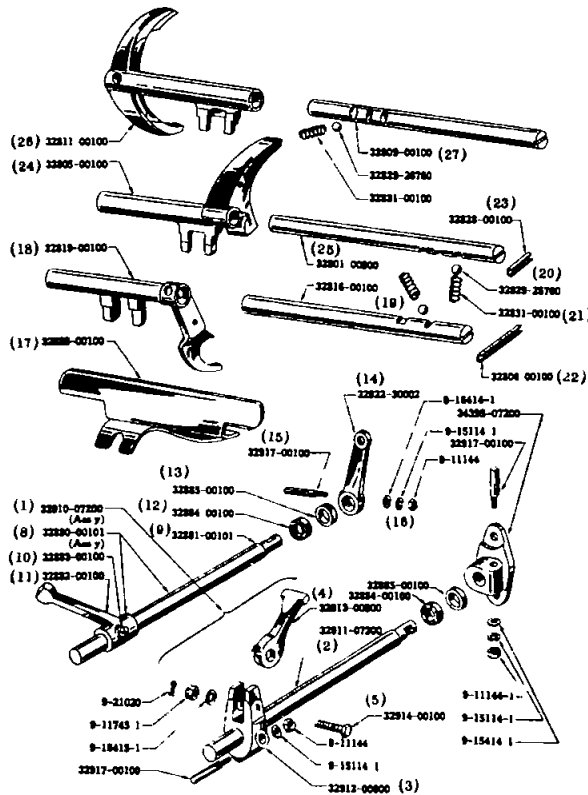


Fig. 2 Fork & Shaft

- | | |
|------------------------------------------|-------------------------------------|
| (1) Operating change speed fork assembly | (14) Selector cross shaft lever |
| (2) Change speed cross shaft | (15) Lock pin |
| (3) Change speed operating fork | (16) Plane, lock washer & plane nut |
| (4) Change speed operating fork | (17) Change speed gate assembly |
| (5) Fulcrum pin | (18) Reverse fork |
| (6) Change speed cross shaft lever | (19) Reverse fork rod |
| (7) Lock pin | (20) Check ball |
| (8) Selector shaft assembly | (21) Locking ball spring |
| (9) Selector shaft | (22) Fork rod locking strip (big) |
| (10) Taper pin | (23) Fork rod locking strip (small) |
| (11) Selector cross shaft inner lever | (24) First & second speed fork |
| (12) Cross shaft oil seal | (25) First & second speed fork rod |
| (13) Felt ring | (26) Third & fourth speed fork |
| | (27) Third & fourth speed rod |

Counter Shaft & Gear

Using a soft metal drift, drive the counter shaft forward and out of the case, when the counter gear cluster and two thrust washers will drop to the bottom of the case

These gears can only be lifted from the casting when the main and drive shafts together with their respective gears, have been removed

Remove the needle roller bearing within the counter gear cluster it is necessary to break the retaining circlips before driving out the bearing with a suitable piece of metal tubing

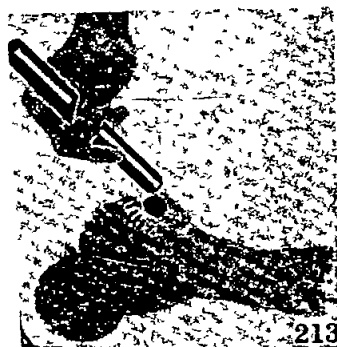


Fig. 3

Main Shaft

The main shaft can now be withdrawn from the transmission casing To remove the gears from the main shaft first slide off the third and fourth speed synchronizer assembly, then with a piece of wire inserted through the hole in the gear cone, depress the small spring loaded plunger which locates the splined washer at the forward end of the main shaft, turning the washer into line with the splines The third and second speed constant mesh gears, together with their common phosphor bronze sleeve, can now be pulled over the steel plunger and so clear of the main shaft As the phosphor bronze sleeves and their common driving washer are a tight fit on the shaft, the shaft should be immersed in warm oil in order to expand the sleeves so that they will slide off the shaft, when the second speed gear can be removed. Take out the steel plunger and spring

Next remove the splined washer separating the second speed constant mesh gear assembly from the first gear unit, and then slide the first gear assembly free of the main shaft. To release the speedometer wheel from the main shaft, straighten the tab washer and unscrew its securing nut, then slide the speedometer wheel off the shaft Do not lose the key Take off the distance piece, and the main shaft bearing, can be separated from its housing after the nut has been prised from the shaft

Fig. 4 TRANSMISSION GEAR
COMPONENTS OF THE TRANSMISSION

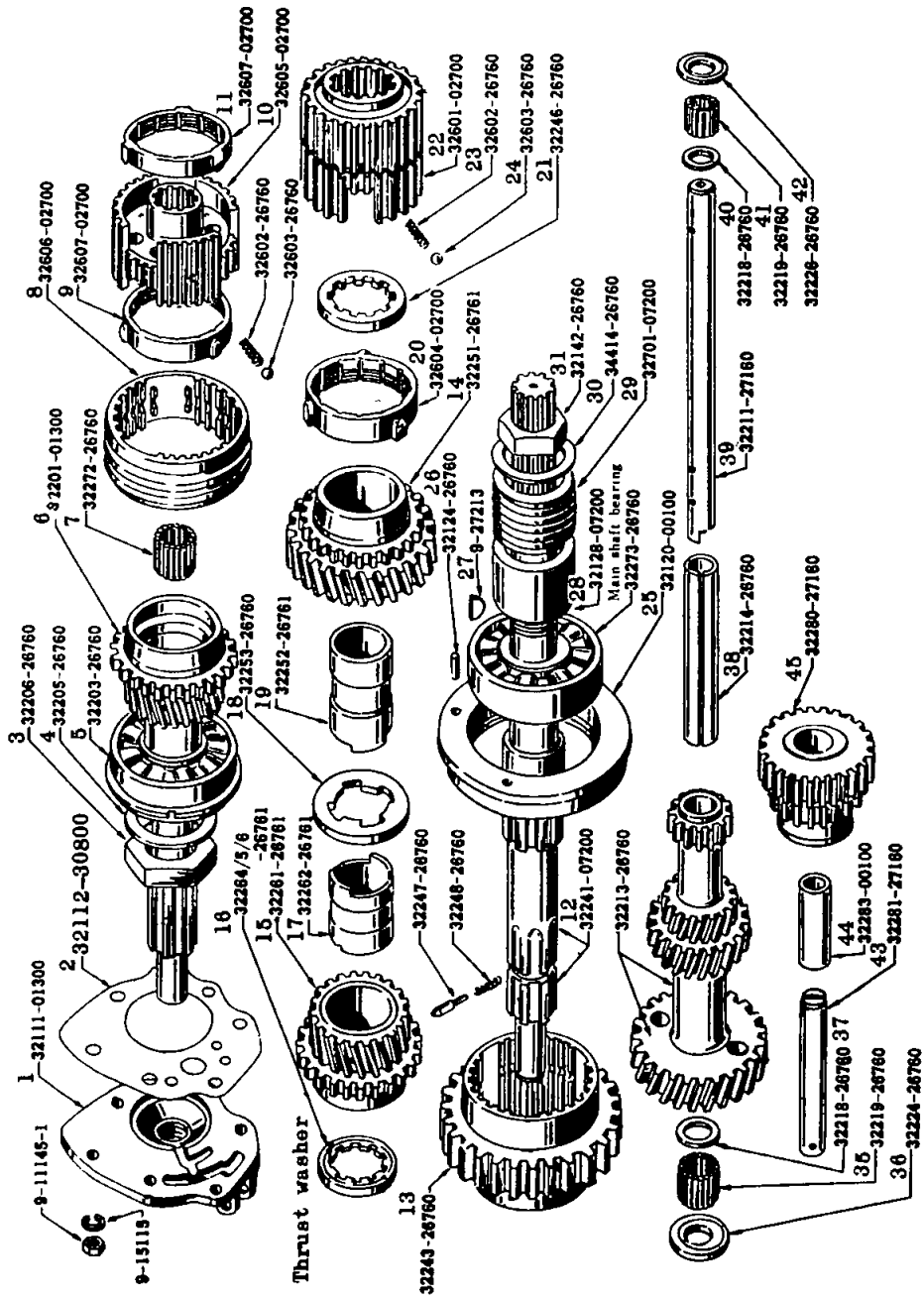


Fig. 4 Components of the Transmission

- | | |
|----------------------------------------------|-------------------------------------------|
| (1) Gear case front cover | (23) Synchronizer spring |
| (2) Front cover gasket | (24) Ball |
| (3) Main drive gear nut | (25) Main shaft bearing retainer assembly |
| (4) Lock washer | (26) Bearing retainer locator |
| (5) Main drive gear bearing | (27) Key |
| (6) Main drive gear | (28) Main shaft spacer |
| (7) Main shaft pilot bearing | (29) Speed meter drive gear |
| (8) Third & fourth speed synchronizer sleeve | (30) Main shaft lock washer |
| (9) Third & fourth speed synchronizer ring | (31) Main shaft nut |
| (10) Third & fourth speed synchronizer hub | (32) Locking peg |
| (11) Third & fourth speed synchronizer ring | (33) Locking peg spring |
| (12) Main shaft | (34) Counter shaft gear |
| (13) First speed gear | (35) Counter shaft needle roller |
| (14) Main shaft second speed gear | (36) Counter shaft front thrust washer |
| (15) Main shaft third speed gear | (37) Counter shaft snap ring |
| (16) Main shaft front thrust washer | (38) Counter shaft spacer |
| (17) Main shaft gear third speed bush | (39) Counter shaft |
| (18) Main shaft cotter thrust washer | (40) Snap ring |
| (19) Main shaft gear second speed bush | (41) Needle roller |
| (20) Second speed synchronizer ring | (42) Rear thrust washer |
| (21) Main shaft rear thrust washer | (43) Reverse shaft |
| (22) Second speed synchronizer hub | (44) Reverse gear bush |
| | (45) Reverse gear assembly |

If it is desired to dismantle the fourth and third speed coupling sleeve, or the first speed gear, these can be pressed clear of their splined synchronizers, but care must be taken to retrieve the three balls and springs in each assembly. Take out the main shaft front needle roller bearings from the end of the drive gear shaft.

Rear Oil Seal

This oil seal is situated in the end of the rear cover and should not be dismantled unless suspected of leaking. It is almost impossible to take off the seal without damaging it, consequently a new oil seal should be fitted if the old one has been moved. It will be seen that the oil seal housing is pinched into position. This can be removed by using a punch and hammer.

Drive Gear Shaft

Before driving the drive shaft from its position, tilt the counter gears, now in the bottom of the case, to clear the drive shaft gear. Using a long drift, inserted through the main shaft opening, drive the drive shaft forward, complete with bearing and circlip, from the case.

The counter gears may now be removed from the case.

To remove the bearing from shaft, knock back the tab locking washer and unscrew the shaft nut. This nut has a left-hand thread.

The bearing can now be driven from the shaft, preferably by resting the circlip

of the outer race on the jaws of an open vice and driving the shaft downward.

Use a hide or lead hammer for the operation, as great care must be exercised to prevent the end of the gear shaft from spreading.

ASSEMBLING THE TRANSMISSION

Synchromesh Sub-Assembly

During manufacture both speed gear and the third and fourth speed coupling sleeves are each paired with their respective synchronizers. Only mated pairs of these parts should therefore fitted.

Special guides are available to facilitate the reassembling of the three balls and springs into the synchronizers. The guide is of the same diameter as the coupling sleeve as shown Fig. 5.

The guide is slipped over the synchronizer and turned until the hole coincides with one of the three sockets. A spring and ball are then placed in position, the ball depressed and the guide rotated for each spring and ball in turn until they are all depressed. The guide is then pushed further along the synchronizer splines, followed by the coupling sleeve.

As the coupling sleeve replaces the guide, the balls find their correct location in the coupling sleeve. It should be noted that the coupling sleeve has a much greater depth of flange on one side, and on reassembly this should fall towards the rear of the box. In addition the internal splines must be correctly located to allow the baulking ring to pass through the machined grooves between the teeth.

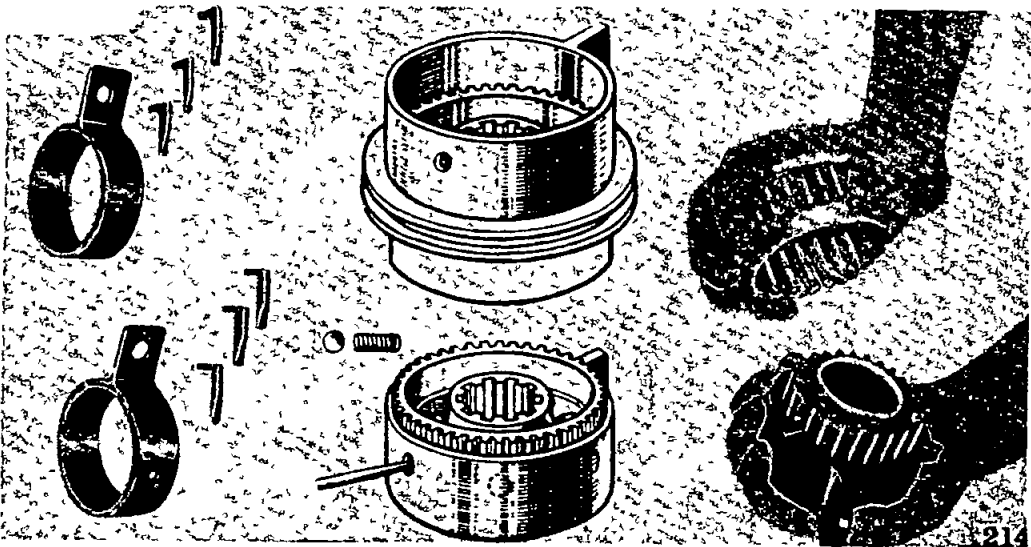


Fig. 5 Using a Special Guide to Reassemble the Three Balls and Springs into Synchronizers

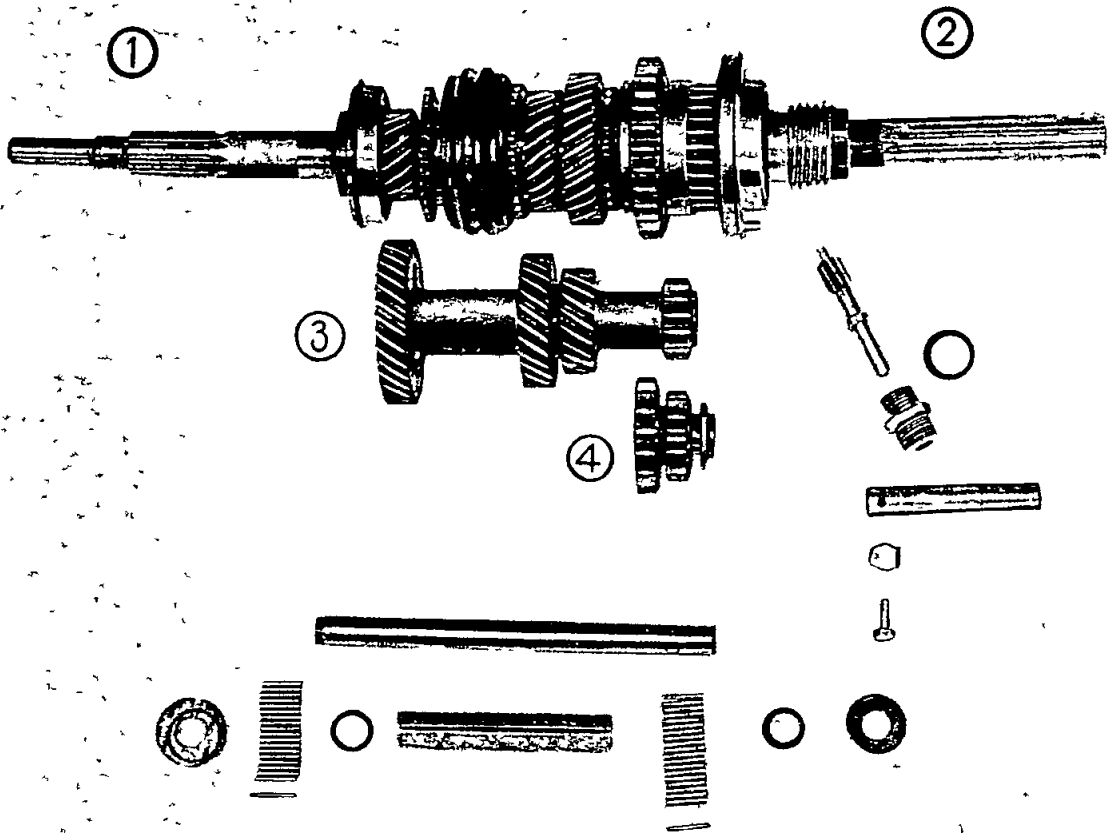


Fig. 6 Assembly Order of Transmission Gears

- | | |
|---------------------|------------------|
| (1) Main drive gear | (3) Counter gear |
| (2) Main shaft | (4) Reverse gear |

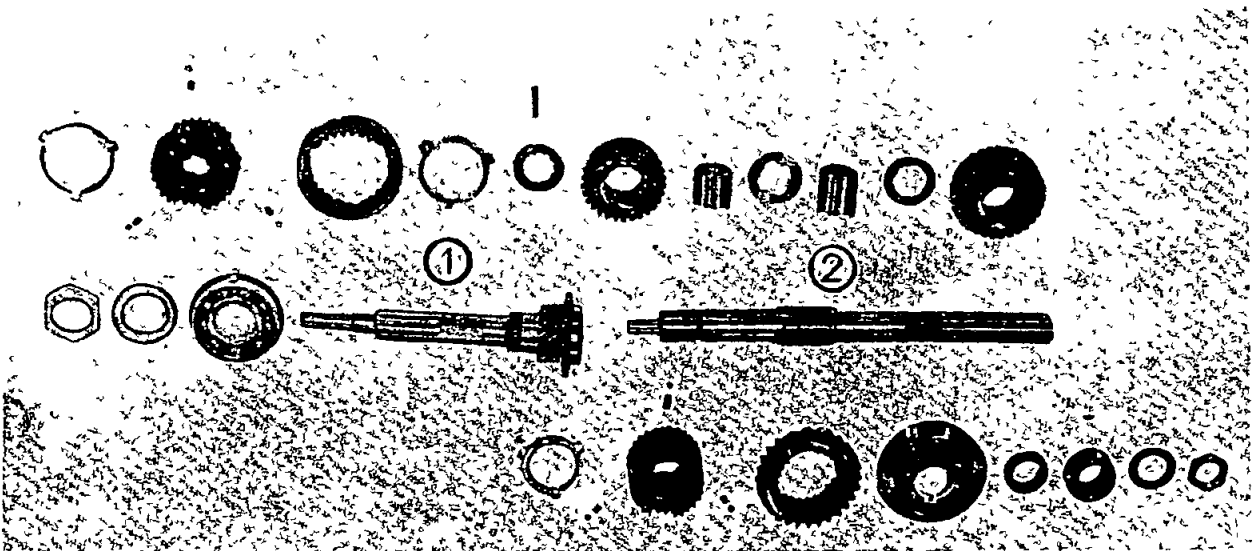


Fig. 7 Components of Gears Synchronizer

Counter Shaft & Gears

First locate the two thrust washers to the counter gears, ensuring that the larger washer is at the front, and then place the gear cluster in the gear case.

Check that there is end play for the cluster gears of between 0.04-0.06 mm (0.0015-0.0023), and remedy if necessary by fitting a thicker or thinner rear washer.

Thickness of front thrust washer

3.91-3.96 mm (0.154-0.156 in.)

Thickness of rear thrust washer

3.96-3.91 mm (0.156-0.154 in.)

4.013-3.988 mm (0.1580-0.1569 in.)

4.089-4.064 mm (0.161-0.160 in.)

4.166-4.140 mm (0.164-0.164 in.)

0.44-0.06 mm (0.0015-0.0023 in.)

Temporarily replace the counter shaft with a thin rod which will permit the gear cluster to remain out of mesh with the main and drive shaft gears.

Drive Gear Shaft

The ball journal bearing should now be drifted on to the shaft, with its spring ring away from the geared end. Position the geared end of the drive shaft in a dummy 3rd and 4th speed coupling sleeve, put the washer over the bearing, tighten the nut and lock it in position.

Smear grease in the end of the shaft, where the main shaft locates, then load the 18 needle rollers so that they adhere in position by means of the grease.

Turn the gear casing to ensure that the counter teeth are below the drive gear shaft bearing housing. Failure to do this will result in damage to both the counter gear and drive shaft geared ends.

The drive shaft can now be drifted into position from the clutch housing end.

Ensure that the spring ring resisters properly in the recess on the gear case.

Main Shaft

Press the main shaft center bearing complete with housing on to the shaft from the rear. The bearing must be pressed firmly against the shoulder of the center splined portion of the shaft.

Lightly oil the shaft forward of the bearing and refit the first speed wheel assembly with the synchronizer pointing forward.

Refit the thrust washer on to the shaft followed by the baulking ring.

The phosphor bronze sleeve which carries the second speed is a tight fit on the shaft, there it must be first immersed in warm oil and then slid into position on the shaft. Fit the second speed wheel over the sleeve, then the driving washer and the second bronze sleeve which carries the third speed wheel. The two sleeves are locked together by the driving washer. Now position the third gear over its sleeve. Place the spring and plunger into the hole in the main shaft and slide the splined washer. Depress the plunger with a piece of wire through the hole in the third speed, and slide the splined washer over the plunger. Then turn the washer for the plunger to engage with a groove in the washer.

The gears are now assembled on the main shaft and there should be end movement for the first speed gear between the center bearing and the keyed washer at the rear of the second speed gear. Assemble the two baulking rings to the third and top speed synchronizer and coupling sleeve

When fitted to the shaft, the large boss of the inner splines of the synchronizer must face towards the front of the box. Also note that in each case the pointed ends of the baulking ring lugs face inwards to the synchronizers. Slide the third and fourth synchronizers slightly forward on the shaft to clear the counter gears and then carefully guide the main shaft assembly into the gear casing. When the housing surrounding the main shaft bearing is flush with the gear casing, the counter shaft gear cluster should be raised into mesh with the gears and counter shaft oiled and fitted into position. The lipped end must be flush with the gear casing

FRONT THRUST WASHER	THICKNESS
32264 26761	3.975-4.001 mm (0.1564-0.1575 in.)
32265 26761	4.026-4.051 mm (0.1585-0.1595 in.)
32266 26761	4.077-4.102 mm (0.1605-0.1614 in.)

Reverse Gear

Refit the reverse gear into the gear casing with the large gear to the rear. Oil the reverse gear shaft before inserting and secure the shaft with locating pin and tab washer

Selector Rods & Forks

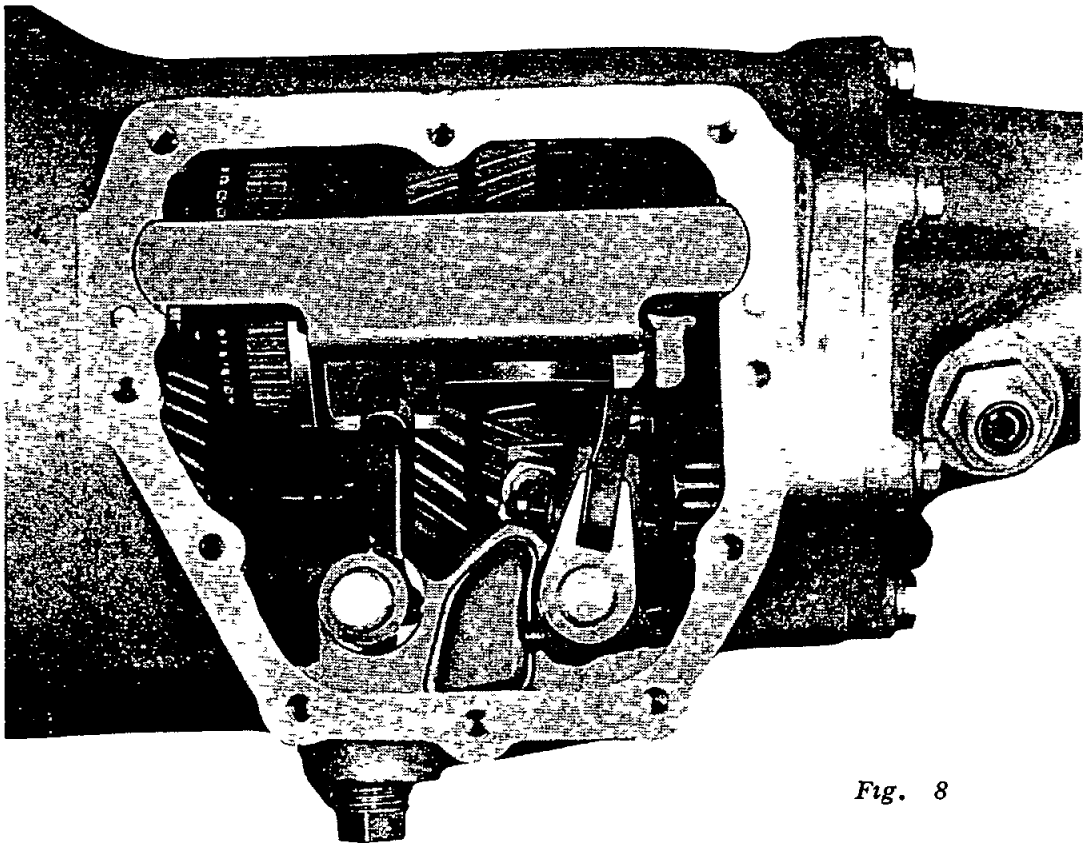


Fig. 8

Before commencing to locate the selector forks within the gear case it is advisable to pre-load the spring and ball into each fork, and with the aid of a pilot bar, retain the spring and ball in position until each fork rod has entered its correlative fork.

With the gear in the neutral position, first fit the first speed selector fork and then locate the third and fourth speed fork. Now tap the third and fourth fork rod through the casing. Continue tapping the rod through its fork until it reaches its final position. Next locate the reverse gear fork and then enter the first and second selector fork rod and the reverse gear fork rod, through the casing and into their respective forks. When driving the fork rods hole remember to retrieve the pilot bars as they leave the forks. The key ways in the rod ends are offset and when fitted the narrow face should be at the bottom.

SELECTOR INNER & OPERATING LEVER CROSS SHAFT

With the selector lever (Fig. 1, B), pinned to its respective cross shaft, also change speed cross shaft lever assembly, cottered to its own cross shaft, the two shafts should be positioned in the case with the respective levers nearest to the side cover opening. Note that the selector cross shaft takes the forward position in the case. At the same time that the shafts are placed in the case, the change speed gate should be threaded over the levers and the whole assembly put into the case as one unit. The gate is located in position by its rounded ends in the machined recesses of the side cover seating.

Before fitting the levers, the oil seal and felt ring must be fitted to each shaft in that order. The levers are cottered to their respective shaft.

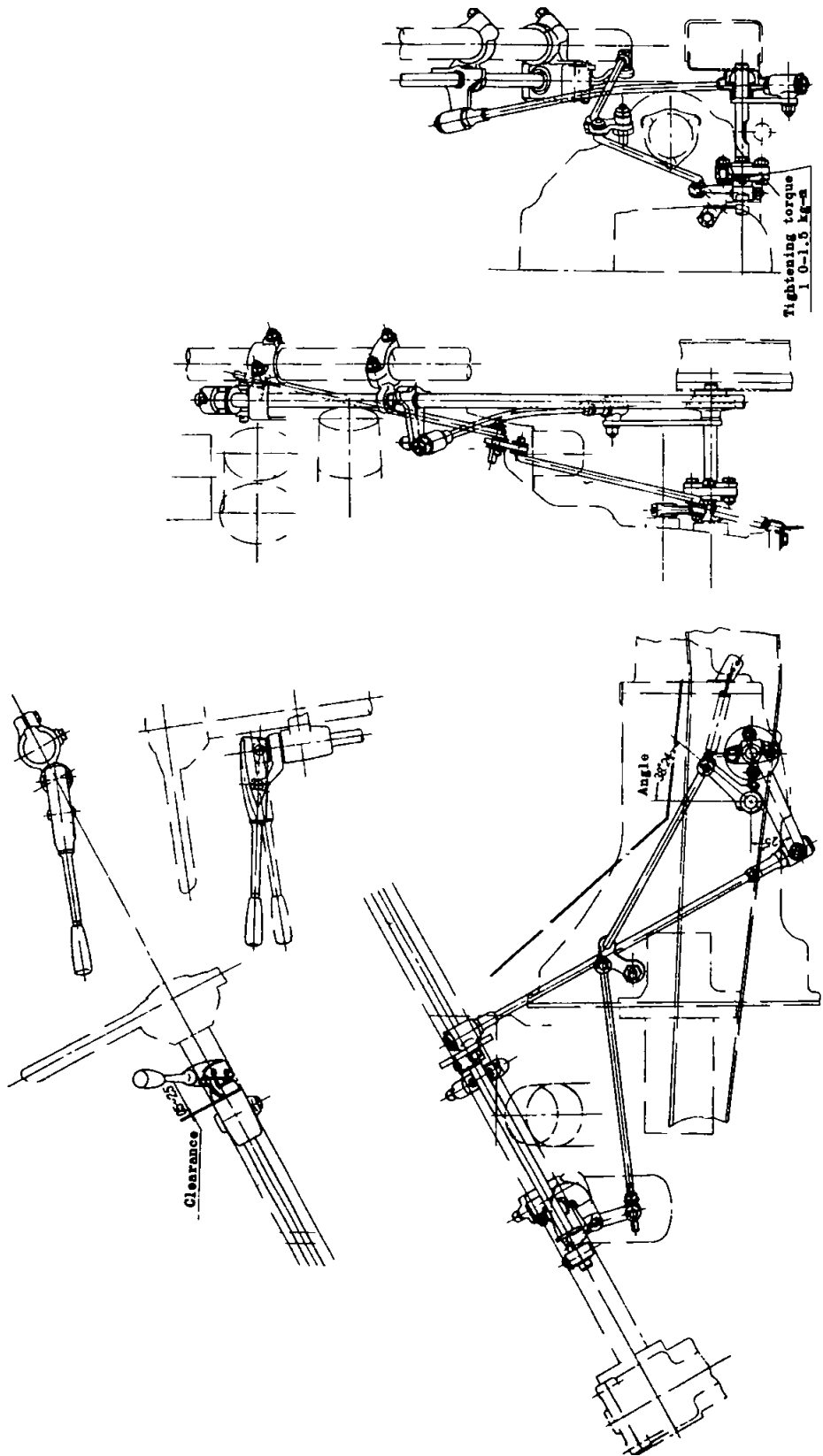
Side Cover

Secure the side cover into position by means of the bolts and screws, ensuring that the side cover is intact.

Front Cover

The front cover and gasket should now be positioned over the securing studs and attached by means of the seven nuts and lock washers.

REMOTE CONTROL LINKAGE



PROPELLER SHAFT & UNIVERSAL JOINTS

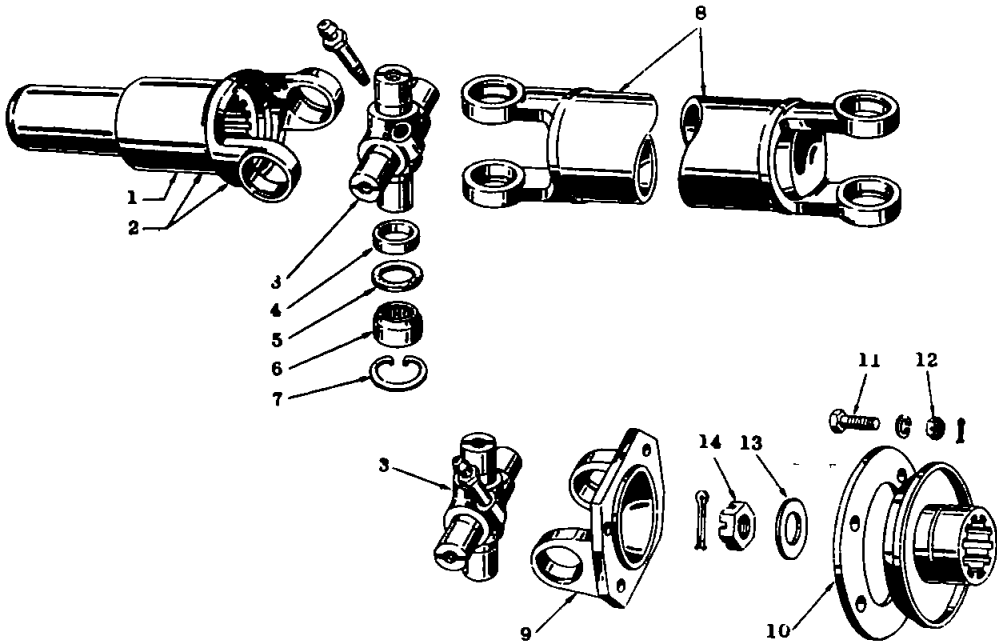


Fig. 1 Propeller Shaft & Joint

- | | |
|-------------------------------|------------------------------|
| (1) Dust cover | (8) Propeller shaft assembly |
| (2) Sleeve yoke | (9) Flange yoke |
| (3) Journal | (10) Companion flange |
| (4) Oil seal bearing retainer | (11) Bolt |
| (5) Oil seal | (12) Nut |
| (6) Bearing assembly | (13) Plane washer |
| (7) Snap ring | (14) Drive pinion nut |
| | (15) Cotter pin |

PROPELLER SHAFT & UNIVERSAL JOINTS

Backlash of sleeve yoke spline	0.1 mm (0.004 in.)
Amendment limit of dittoed backlash	0.5 mm (0.02 in.)
Outer diameter of universal joint journal	14.728-14.725 mm (0.580-0.579 in.)
Inner dia of bearing lace	19.515-19.530 mm (0.768-0.769 in.)
Number of roller of bearing needle	22 for each bearing
Diameter x length on dittoed bearing needle roller	2.38 mm x 10.3 mm
Run-out of shaft	Less than 0.4 mm (0.015 in.)
Tighting torque of companion flange nuts	15-18 ft-lbs
Outer dia ,	68.9 mm
Inner dia ,	60.3 mm
Length (between front & rear joint)	1320 mm

Lubrication

An oil nipple is fitted to each center spider for lubricating the bearings

The central oil chamber is connected to the four oil reservoirs and to the needle roller bearing assemblies. (Fig 2)

The needle roller bearings are filled with oil on assembly Oil from the transmission

Lubricates the sliding splined joint between propeller shaft and the transmission

Before refitting the propeller shaft to the transmission case, smear the splines with the oil

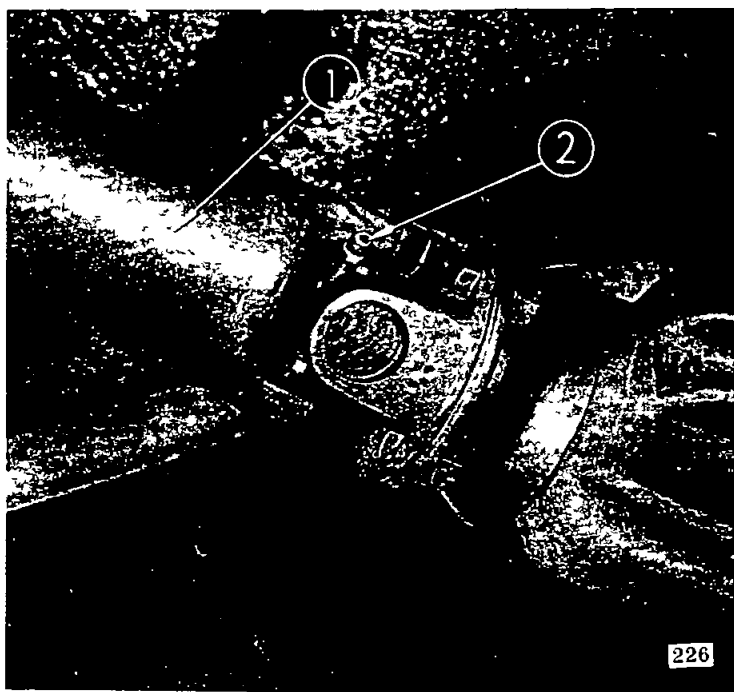


Fig. 2 Lubricating a Universal Joint of the Propeller Shaft

- (1) Propeller shaft
- (2) Universal joint nipple

226

Removal

Remove the rear propeller shaft flange from the pinion flange of the rear axle by taking out the securing nuts, bolts and lock washers.

Place a clean tray under the rear end of the gear box to collect any surplus oil that may drain off. The operator should now take the weight of the propeller shaft and then draw the splined end out of the transmission.

Dismantling

Clean away the paints from all the snap rings and bearing faces, to ensure easy extraction of the bearings.

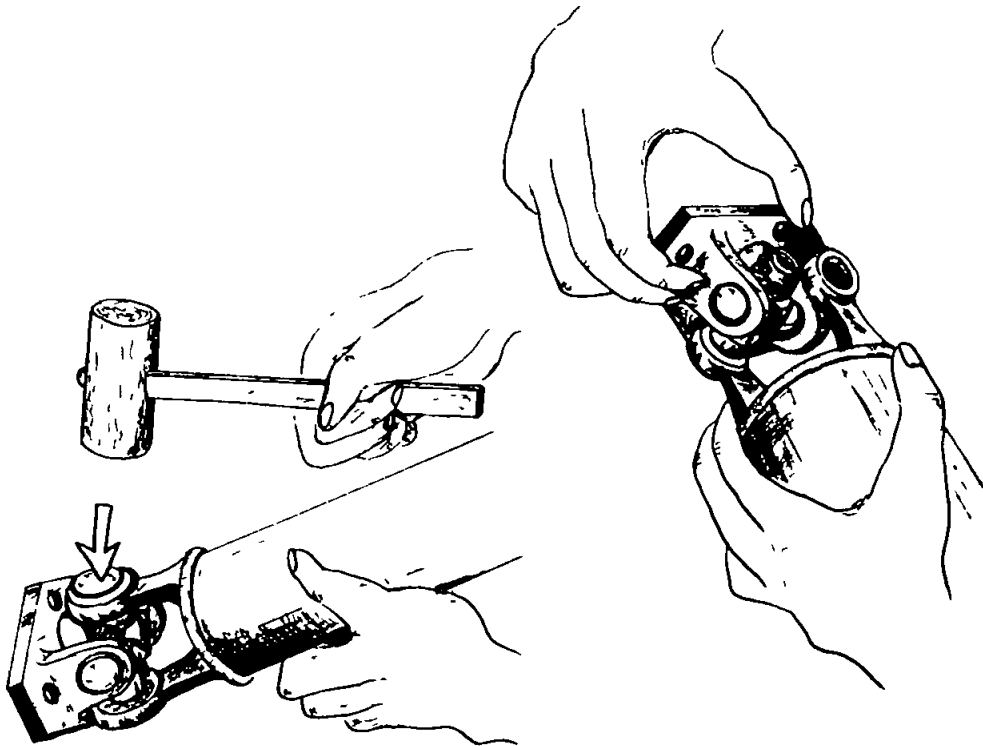
Remove the snap rings by pressing these ends together and prise out with screw driver. If the ring does not come out, tap the bearing face lightly to relieve the pressure against the ring.

Hold the splined end of the shaft in one hand and tap the radius of the yoke with a lead or copper hammer, when the bearing will begin to emerge.

If difficulty is experienced, use a small bar to tap the bearing from the inside, taking care not to damage the race itself, being careful not to lose any of the needles.

Repeat this operation the other bearing and the splined yoke can be removed from the spider.

The same procedure can be utilized to detach the other spider from its yoke.



EXAMINATION & CHECKING FOR WEAR

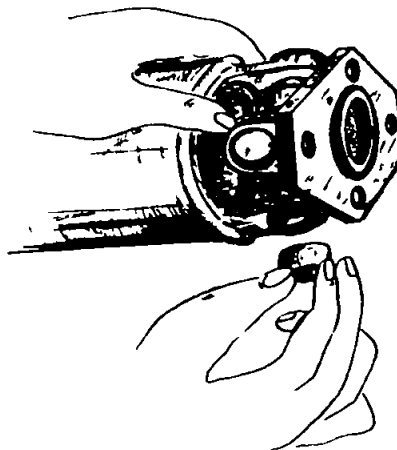
When the propeller shaft has been in use for a long time, the parts most likely to show signs of wear are the bearing races and the spider journals.

The complete assembly should be renewed if looseness or stress marks are observed, as no oversize journals or bearings are provided. It is essential that bearing races are a light drive fit in the yoke trunions.

Any ovality in the trunion bearing holes indicates the fitting of new yokes.

The straightness of the shaft is determined by measuring the offcenter deflection of the shaft in rotation with a dial gauge applied both ends.

If the deflection exceeds clearance limit, (Less than 0.4 mm) correct or replace the shaft.



Reassembling

See that the drilled holes in the journals are cleaned out and filled with oil. Assemble the needle rollers in the bearing races and fill with the oil. Should difficulty be experienced in assembly, smear the walls of the races with petroleum jelly to retain the needle rollers (22, Nos) in place. Insert the spider in the yoke and tap the bearing in position with a foot nosed drift smaller in diameter than the hole in the yoke. It is essential that the bearing races are a light drive fit in the yoke trunions. Repeat this operation for the other bearings.

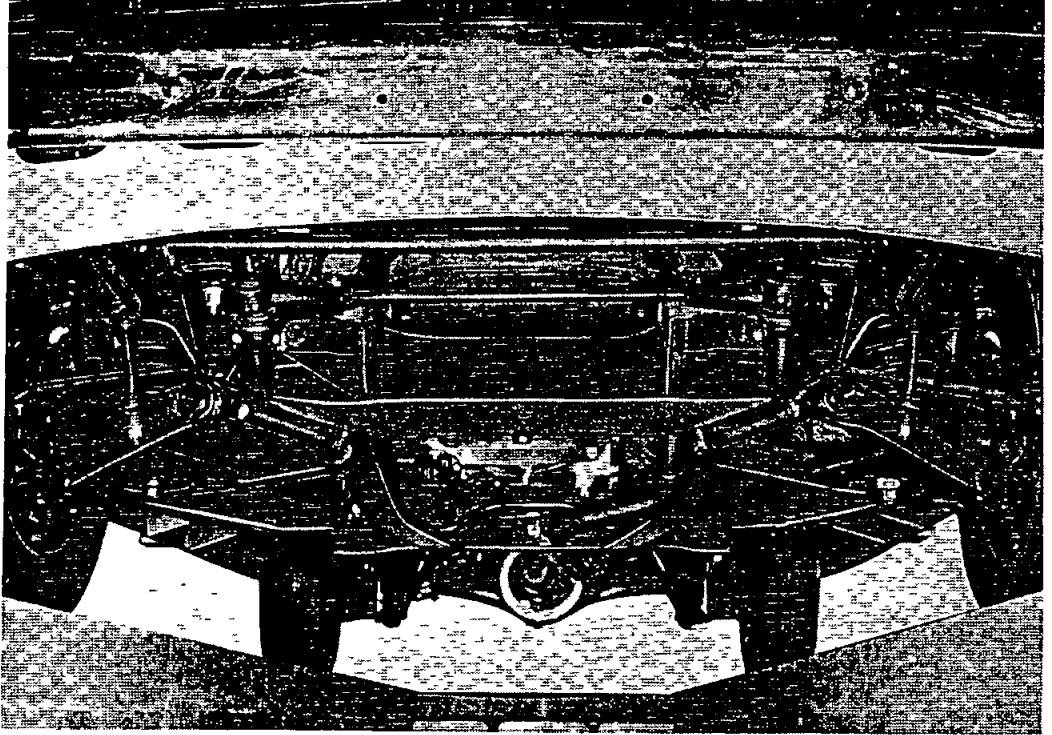
The spider journal shoulder should be coated with shellac prior to fitting the retainers to ensure a good seal.

If the joint appears to bind, tap lightly with a wooden mallet which will relieve any pressure of the bearings on the end of the journals. It is advisable to renew cork washers and washer retainers on speeder journals, using a tubular drift.

Replacing the Shaft Assembling

Smear the propeller shaft splines with oil and slide the splines into mesh with those of transmission main shaft.

Wipe the rear companion flange and flange yoke faces clean to ensure that the pilot flange registers properly and the joint faces bed evenly all around and securely lock them in position. It is advisable to use new lock in position. It is advisable to use new lock washers.



CONSTRUCTION OF CHASSIS

STEERING

STEERING GEAR

Type	Semi-external mesh worm and roller
Gear ratio	17.3 : 1

WORM GEAR

Thickness of adjusting shim for housing end play	
Shim for adjusting front end play	0.762 mm (0.030 in.)
"	0.254 mm (0.010 in.)
"	0.127 mm (0.005 in.)
"	0.075 mm (0.003 in.)
"	0.050 mm (0.002 in.)
Shim for adjusting rear end play	0.254 mm (0.010 in.)
"	0.127 mm (0.005 in.)
"	0.075 mm (0.003 in.)
"	0.050 mm (0.002 in.)
Center distance	52 mm
Locking angle	$\pm 40^\circ$
Starting torque for revolving worm shaft	0.08-0.15 kg.
Backlash between worm & roller	0 - 0.2 mm (at top center of gear arm)
Tightening torque for cover nut	2.5 kg-m
Roller shaft nut	14 kg-m
Gear box fix bolts	4.5 kg-m

The type of steering gear is worm and roller and has the drum type of worm gear at the lowest end of main steering shaft.

The main steering shaft is incased in the jacket tube, and the steering wheel is fixed with at the top end of it

The worm gear inter locks with the roller which is fixed on the roller shaft and works upon it to turn and through which turns the steering arm around the axle of shaft at the operation of steering wheel.

The motion of the steering arm is that of back and forth in front of drag link and turns the spindle around the king pin with the connecting knuckle arm, through which changes the bushings of front wheels.

The roller shaft itself is supported by the two bearings both sides in the gear housing.

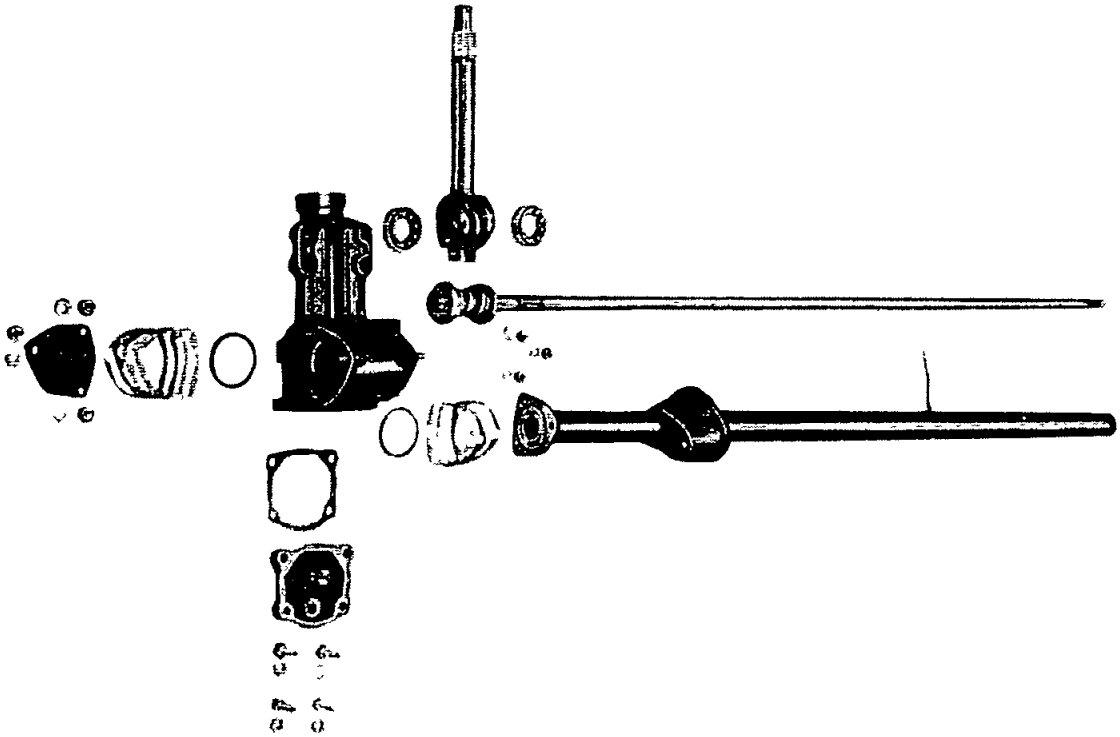
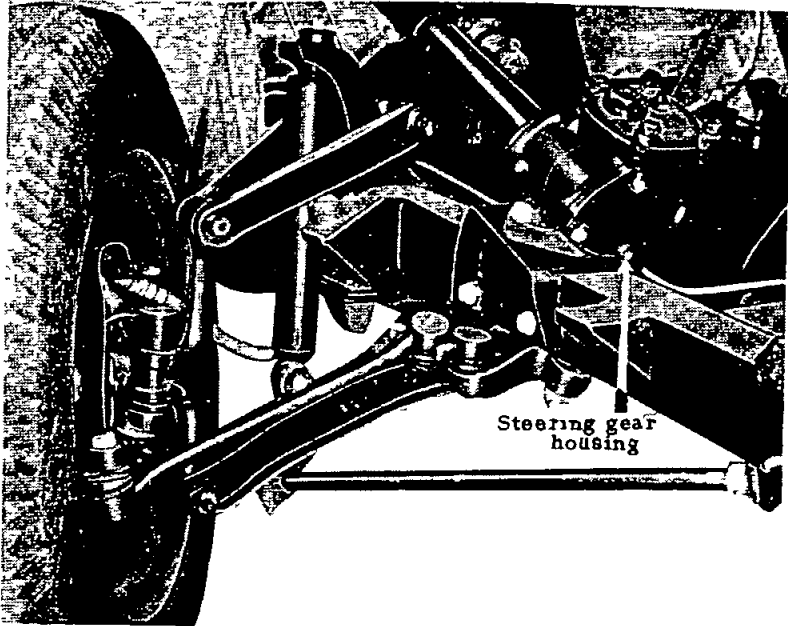
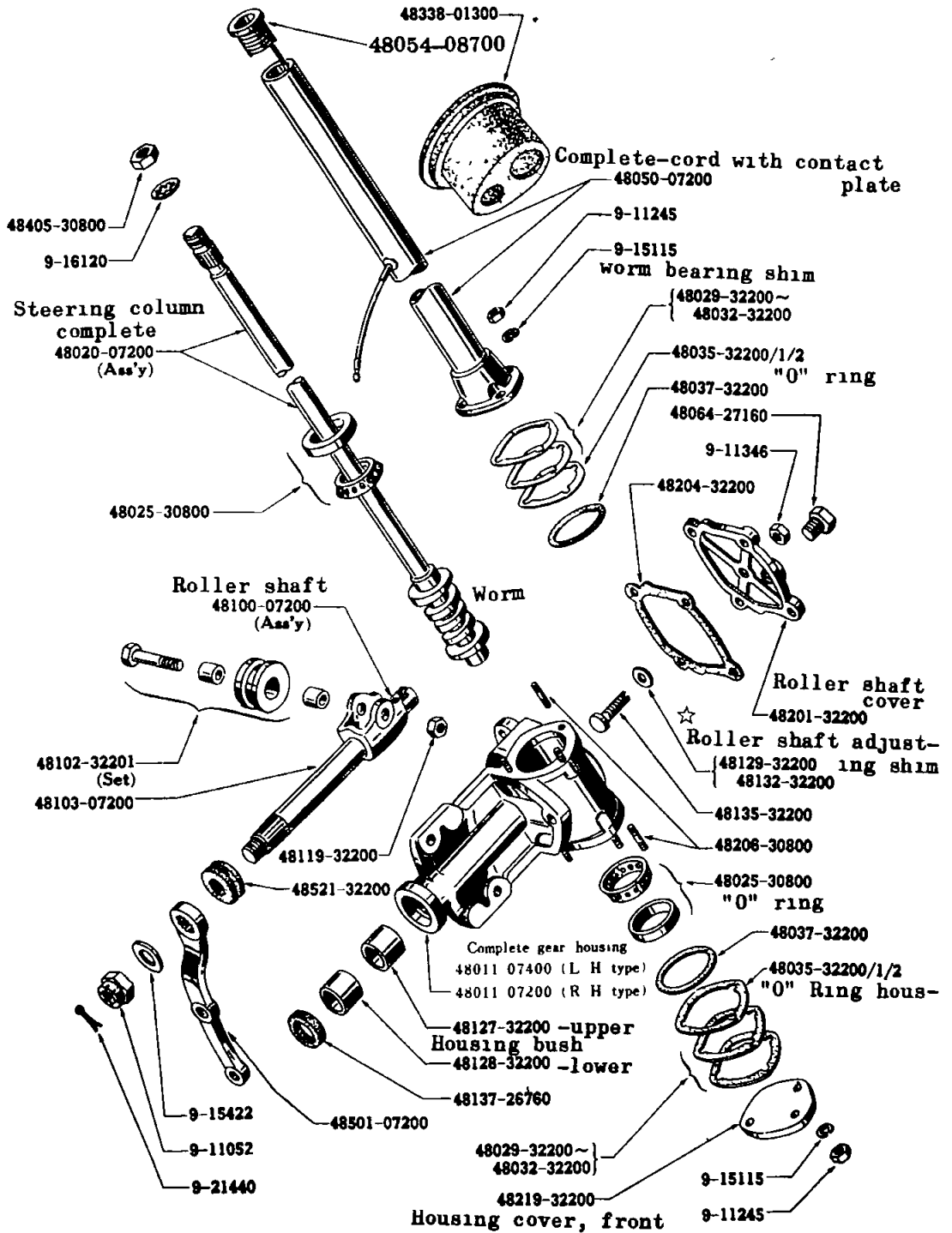


Fig. 1

STEERING GEAR



Assembling and Inspection

In case the replacement of parts is required due to the defacements and damages of steering gear and housing bush, disassemble and adjust in the following order.

Dismounting of the Steering

- 1) Take off the steering wheel.

Pull out the three screws of the back side of steering wheel boss, then take off the horn button retainer as well as horn button. After unscrewing and taking off the wheel nut, pull out the steering wheel with the steering wheel puller.

- 2) Disconnect the clamp on and under the remote control rod which is fixed on the jacket tube after unscrewing the steering jacket clamp bolt under the instrument panel, and disconnect the horn cord
- 3) Disconnect the steering gear arm with the drag link, unscrewing the end plug at the side of steering gear arm of drag link, thus is taken off from the gear arm.
- 4) Take off the fixing bolt of steering gear box which is fixed with the side member of frame.
- 5) Pull out the steering assembly to the downward direction.

Disassembling and Inspection of the Steering Gear

After the steering assembly is dismantled and the gear oil is completely drained, the steering gear box should be fixed on the vice setting the steering tube on level.

- 1) Taking off the steering gear arm.

Take off the nut of gear arm and roller shaft cover and strike out lightly the bolt, then pull the gear arm out of roller shaft

- 2) Dismounting the housing cover and roller shaft assembly.

In dismantling the cover, the column jacket and roller shaft assembly after unscrewing the three nuts, the adjusting shim of the housing gear must be handled with care not to loose them.

- 3) Taking off the housing end plate

Unscrew the three nuts, at the front end of the housing and they should also be handled carefully not to loose them.

- 4) Dismounting and inspection of the worm shaft and bearing

The main shaft could be dismantled together with the roller bearing assembly and upper bearing cone by fixing the wheel nut on the tip of main shaft and striking out lightly, without damage.

- 5) Take the column jacket out of the gear housing, thus the outer lace of upper bearing can easily be dismantled. The adjust shim must be carefully handled not to loose them in taking off the housing gear.

- 6) Inspection and adjustment of dear housing column jacket and front cover.
Adjust the steering gear by changing the total thickness of the adjust shims of the worm bearing so that the starting torque for revolving worm shaft is 0.08-0.15 kg at the circumference of steering wheel. In this case, tighten it with the end cover by applying the "O" ring. Use the said ring 0.3-1.1 mm thicker than the used shims.
And further adjust by changing the thickness of the worm bearing adjust shims exchanging the rear and front shims.
- 7) Inspection and adjustment of the roller shaft.
The shaft itself should be checked and replaced with new one when it is worn out. The roller shaft assembly should be replaced in a unit in case the roller pin becomes loose and damages or defacement of surface of roller is found. The replacement can be limited to the worn out parts after disassembling.
Fit the roller shaft to the gear housing after inserting the adjust shims to the adjust screw and adjusting said screw so as the end clearance along the roller shaft is to be 0.01-0.03 mm with the shims.
The backlash at the top of gear arm is to be 0-0.2 mm in the vertical rolling center of the roller shaft and lock the nut up after confirming that the roller is smoothly rolling over the worm gear.
- 8) Assemble and Disassemble of the linkage
The joint parts of the linkage are constructed with the spring sheet, spring, plug, and so forth, and this order must be conformed with in assembling the unit.

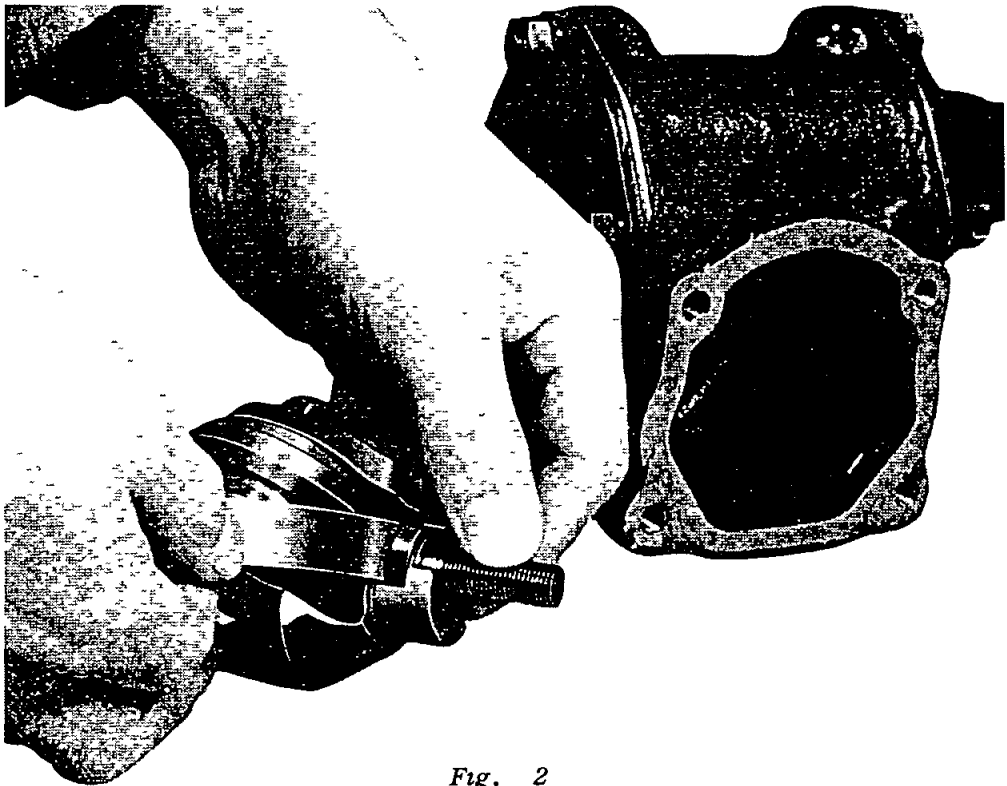


Fig. 2

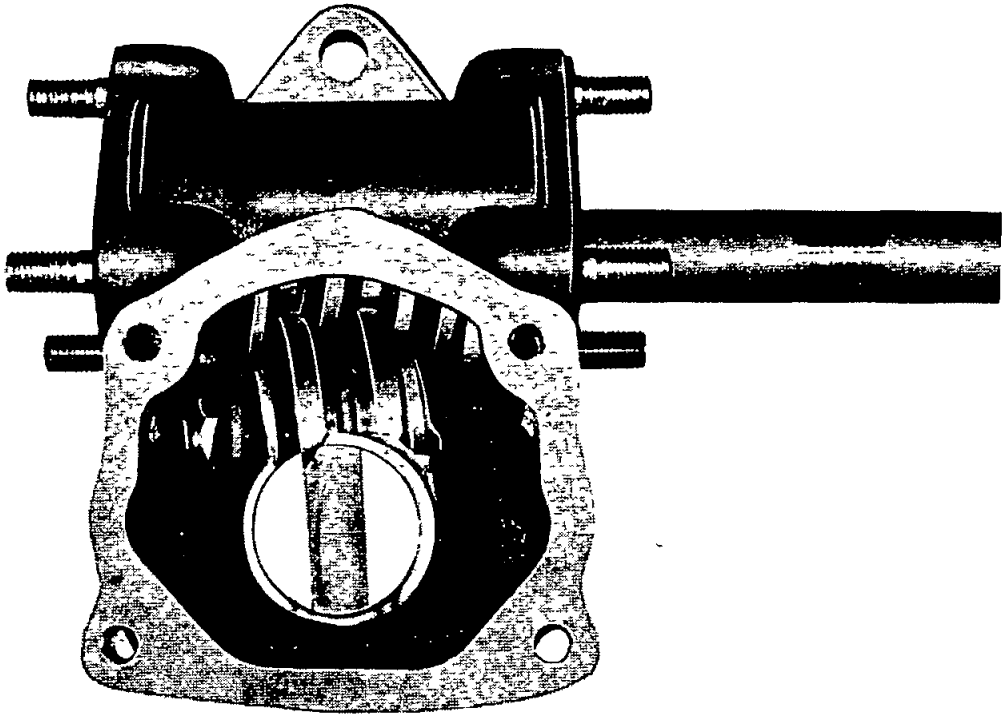


Fig. 3

Otherwise, the spring would not action besides giving a shock to the every part of the unit, wearing out both the steering gear arm and linkage of the steering, which furtherly will be easily pulled off endangering the operation. It is, therefore, important to check and to set aside the parts in assembling when disassembled.

Inspection and Adjustment after Assembling

It is important that the center of interlocking roller is located in the center of worm gear.

The inspection for this should be made in a way as to make sure of the equal conditions of backlash at the position of steering wheel when turned fully to left and right. In case the backlash differs, greatly, the interlocking position of worm gear must be adjusted again.

The correct backlash at the both ends of worm gear should be made sure of, after putting the more shim in the side of larger backlash at the gear arm and for equalizing, pull out the shim on the opposite side and tighten up the bolt again, adjusting with the shim in front of and the shim behind the gear housing.

The backlash at the center locking should also be checked and adjusted, if necessary.

Installation of Steering Wheel

Inspection by steering wheel.

The steering wheel is celation-locked with the shaft and it may as be fixed to the forwording direction, tightened may as well be fixed to the forwording direction,

tightened with nuts. The standard revolving weight gravity of the wheel on the wheel rim circle, as far as it is rightly assembled, is 500-700 gr., measured by the spring scale.

The play allowed on the circle of wheel is 40-50 mm.

Installation and adjustment of horn button.

The horn button should be installed in a reverse order of dismantling.

Inspection and Adjustment of Steering Fixed on Car

The inspection and adjustment of the steering system installed in the car should be made in following order

- 1) Set the car on the levelling place with the front wheels fixed to the forwarding direction.

Take measure of the position of lower part of wheel and tube with the finger of one hand, spin the wheel to left and right to the extent of wheel's play by another hand. When the wheel moves up and down, there should be found a play in the worm bearing to the direction of axle.

In this case, the fixing bolts in front and rear (upper or lower) of gear housing are loose on the bearing is worn out.

The shim should be pull off in a way as explained in the item of worm bearing and the adjustment should be made as explained in the item of inspection and adjustment after assembling.

- 2) In case the roller shaft moves to the direction of axle shaft, as the wheel spined hardly to left and right, the roller shaft adjusting screw is loose. The adjustment should be carried in a way as explained in adjustment of the position of steering roller.

- 3) In case the roller shaft shakes to left and right, the roller shaft or the bush is worn out, therefore, they should be replaced with new one and adjusted.

- 4) In this case the fixing bolt for gear housing front and rear (upper or lower) is loose or the bearing is worn out, for which the shim should be pulled out in a way as mentioned in the item of worm bearing and the adjustment should be made as inspection and adjustment after assembling.

- 5) In case the roller shaft moves to the axle shaft, by returning the wheel to left and right, the roller shaft adjusting screw is loose, for which the adjustment should be made in a way as explained in adjustment of the position of steering roller

- 6) In case the roller shaft trembles to left and right, the roller shaft or the bush is worn out and they should be replaced with new one and adjusted.

- 7) Take off the drag link at the end of steering gear arm. In case the play should be found by holding the arm and move it strongly back and forth, the backlash of roller and worm gear is too large. The adjustment for this should be done in a way as explained in the above section setting the steering wheel at the center of turning to left and right.

- 8) In case the operation of steering wheel felt heavy and becomes light when the

front axle is jacked up, the trouble is with the front axle system.

In case the wheel is still felt heavy even when the front axle is jacked up, the trouble is connected with the front axle.

- 9) When the front axle is jacked up, the inspection of contacting and tightening parts of tie-rod socket, neckle arm, drag link and the steering arm should be possible.
- 10) Hold both the top and down end of front wheel and move it strongly, and the pin would rattle if any, as well as the looseness of the wheel should be found.

Adjustment of Idler

After tightening the idler shaft nut under the torque of 14 kgm, adjust the idler so as the dimension from the idler body frame fitting plane to the idler arm lower end is to be 157 mm by turning the idler shaft.

THE CAUSE OF TROUBLE

The cause of the trouble caused in regards with the steering in operation, is closely connected with those of the front axle, therefore it is hard to judge then separately.

The following are main troubles caused in steering.

Heavy and difficult operation of handle.

- 1) The oil in gear box.
- 2) Adjustment of worm and roller is poor.
- 3) Damage on corn of worm bearing.
- 4) Hard locking of column jacket bush.
- 5) Steering shaft or tube is bended.

Insufficient Amount of Turning

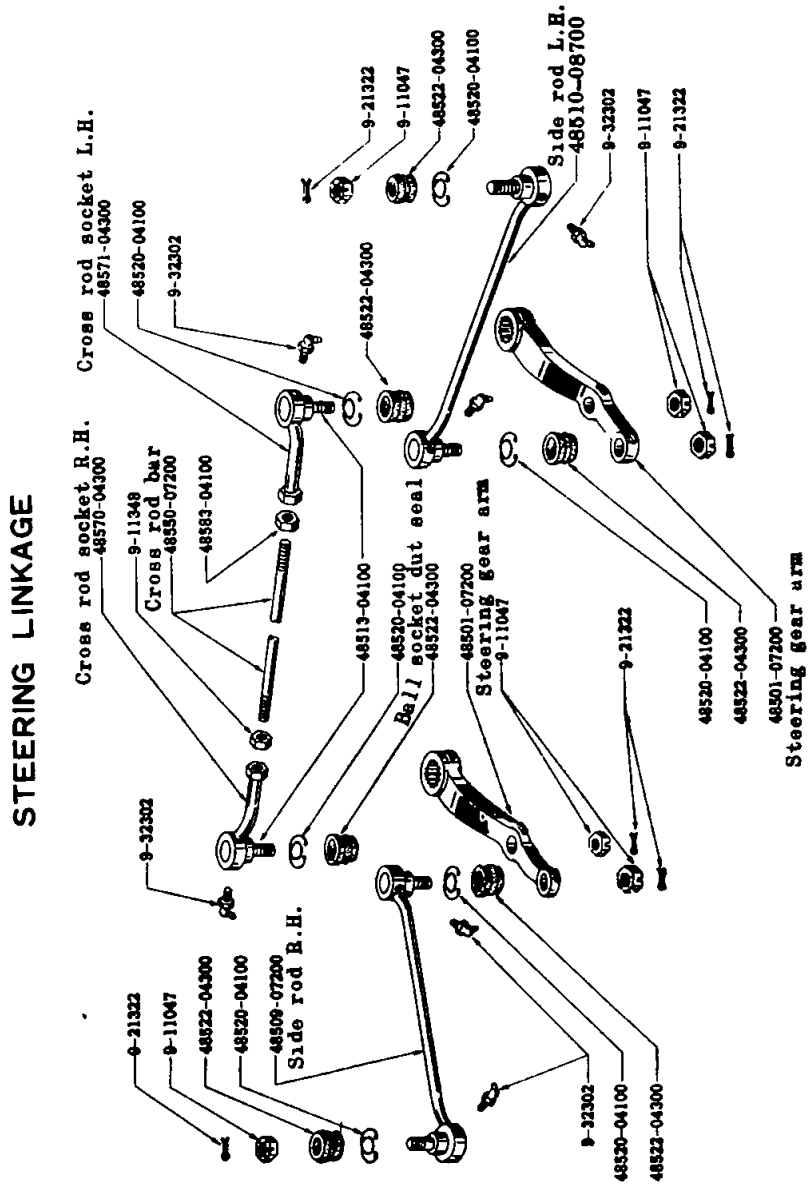
- 1) Adjustment of worm and roller is poor.
- 2) Fixing port of gear housing with frame is loose.
- 3) Locking position of roller shaft and steering arm is bad.

Unsteady or Trembling Handle in Motion

- 1) Too much backlash of worm and roller (wheel play is too large).
- 2) Worm bearing and roller shaft bush is worn out.
- 3) Looseness of each bolts on gear housing.
- 4) Looseness of fixing bolts for frame.

Noise in the Gear Housing

- 1) Backlash of worm and roller.
- 2) Insufficient gear oil.



FRONT AXLE

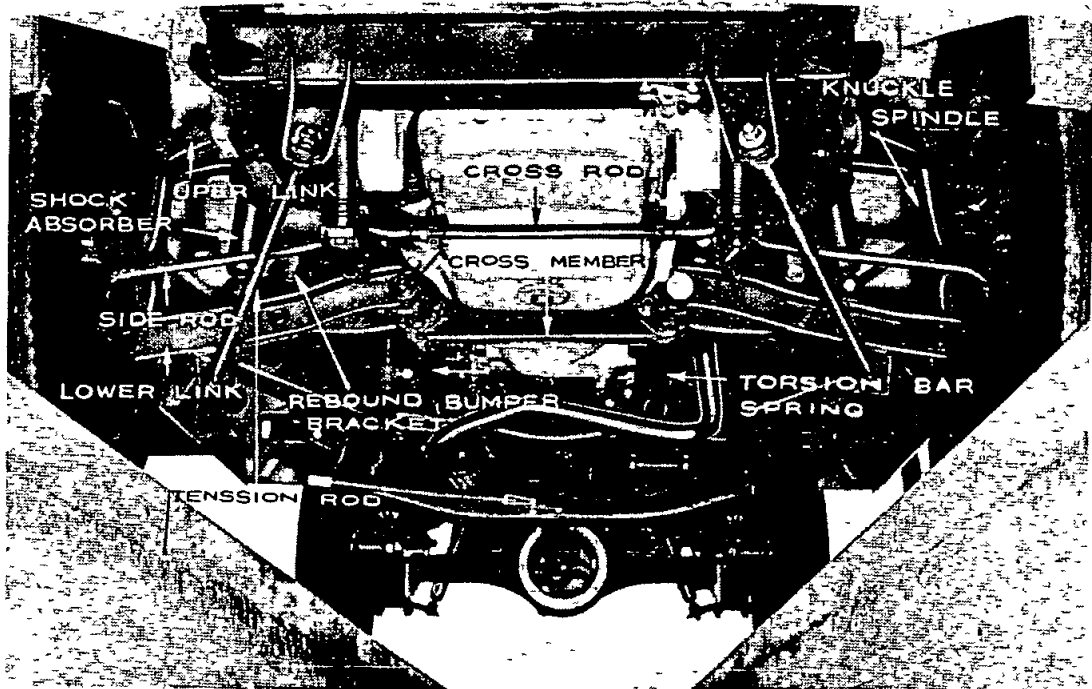


Fig. 1

FRONT AXLE

DISASSEMBLING OF FRONT AXLE

Disassembling and dismantling of the front axle should be carried out in the following order if required in case that it is bended by the violent shock or with any other reason.

- 1) Unscrew the connector of the brake hose for the front wheel on left and right at the side of frame.
- 2) The front axle unit can be disassembled further as follows

Taking off the cover, loosen the spindle nut after the hub cap is taken off. It can be easily removed first by tapping lightly around the cap and pry with the screw driver.

Take off the front brake disc ass'y.
Pull out first the machine screws and after taking off the oil catcher with the packing, remove the four cap screws which fixed the disc to the spindle
Thus, the disc ass'y can be dismantled

Dismounting of the tie rods.
The tie rod ass'y can be dismantled by disconnecting the stud nut of the rod socket on the both end of side rod.

Taking out the spindle of the axle
The king pin must be pulled out first. Pull out the king pin lock bolt and take off the spindle plug on the spindle by a graver. Strike downwards the king pin by the drift and take off the plug at the bottom
The pin, thus, can easily be removed. The spindle can be dismantled with the spindle shim and thrust washer assembly

INSPECTION & ADJUSTMENT AFTER DISASSEMBLING

Every parts must be cleaned with the cleaning oil. Any parts of damage or defect should be replaced and adjusted

Adjustment of Spindle

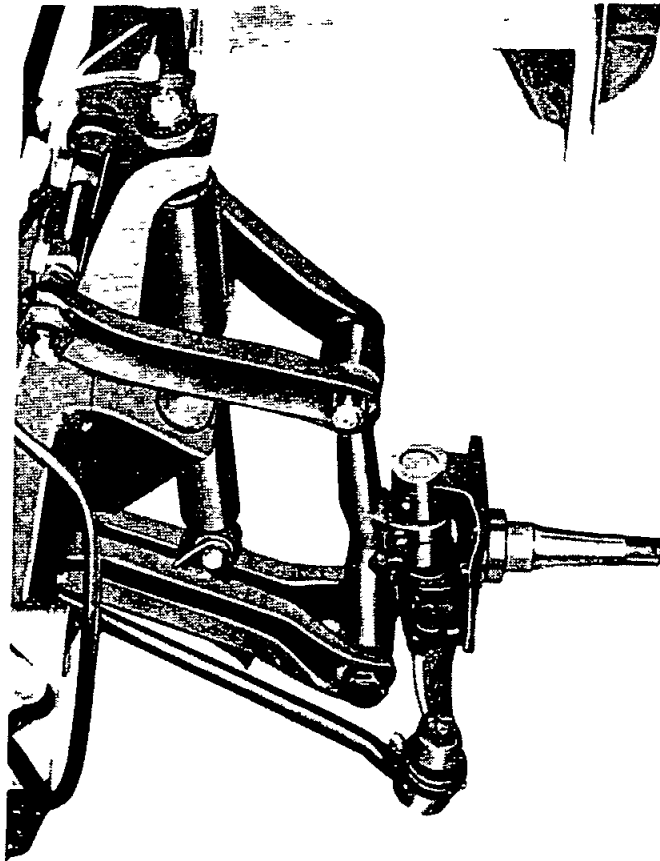


Fig. 2

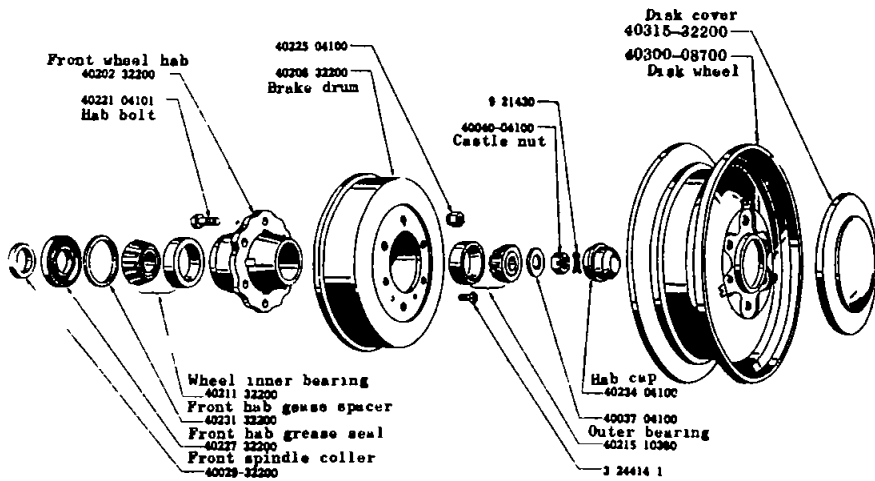


Fig. 3

The inspection should be made specially in regard with the crack and any other scratch. Check the defacement of king pin and spindle bush. If the clearance between the pin and bush is over 0.10 mm. replace the pin or bush. For replacement of spindle bush, make use of king pin bush driver and can insert the bush, it is easily removed without giving any scratch on the surface of it tapping with the hammer. After the bush is replaced, the interior diameter of it should be finished up exactly in accordance with the standard measurement.

The king pin bush reamer should be employed in this case.

It can ream the holes at the upper and bottom in exactly a straight line. In reaming the upper hole, insert the adaptor of taper in the bottom hole from up side, and at its guide, scrape the upper side.



Fig. 4

SPINDLE

Dia. of king pin	20.000-19.980 mm (0.8-0.799 in.)
Finishing dimension of inner dia of king pin bush	20.035-20.010 mm (0.801-0.800 in.)
Finishing dimension of outer dia of king pin bush	22.930-22.880 mm (0.917-0.915 in.)
Gap of pin & bush	
Amendment limit of dittoed gap	0.10 mm (0.004 in.)
Thickness of spindle shim	0.75 mm (0.03 in.)
Thickness of spindle shim	0.25 mm (0.01 in.)
Thickness of spindle shim	0.075 mm (0.003 in.)

Vertical gap of spindle	0.08-0.13 mm (0.0032 in.)
Tightening of wheel bearing nut	Tighten it at 30 ft-lb and turn it 1/8 revolution back.

Name of Parts	Number of Parts	Thickness
Front spindle shim	40032 25660	0.075 mm
Front spindle shim	40033 25660	0.250 mm
Front spindle shim	40034 25660	0.750 mm

The bottom hole can be made and finished up in a reverse way as well. Give the reamer an average force and finish up by turning to right so as the scraping face should be made smoothly. At the time of pulling out the reamer it must be handled with much care turning to right direction to avoid giving any scratch on the surface.

The standard fitting of the king pin with the bush is 0.010 mm-0.055 mm. Clean the both of them well, smear with new oil. They should be in a condition that can be turned lightly and be pushed in at the top of it with a thumb without any play.

It must be noted to open the oil feeding hole which connect with oil nipple at the top and bottom after the finishing of bush is completed. After making the hole by the drill of the diameter in mm, adjust the roll at the interior of the bush.

FRONT AXLE

Type	Independent suspension by torsion bar spring	
Toe-in	2-3 mm	
Camber	1° 20' 30'	
Caster	(L) 320-U ± 30'	U(L) 320-U 3° 50'
	(L) 320-UN 4° 05'	V(L) 320-U 3° 25'
	(L) 320-UP 1 30' + 1°	- 30'
Angle of inclination of king pin	6°	
Tread	1,170 mm	
Turning angle of front wheel (inside)	34°	
(outside)	29° 30'	
Min. turning radius	5° 20' metres	

ASSEMBLING & ADJUSTMENT

The assembling is made in a reverse order of disassembling with care to the following points

- 1) Inspect the locking part of the king pin and bush. The inspection must be

made whether there is the oil hole or not after the bush is replaced.

- 2) At the time of fixing the spindle with the axle, the thrust washer should be replaced in an ass'y, because it consists of the armed bronze washer with the oil groove, clipping two carburized rapping steel washer of upper and bottom, and two covering covers
- 3) Use standard clearance (the play to the direction of the axle) between the upper end of king pin boss of the axle and the spindle is 0.08-0.13 mm. In case of exceeding the standard clearance, adjust it by inserting the front spindle shim.
- 4) After the king pin is fixed, strike the expansion plug both on upper & bottom. The plug should be new one
- 5) The outer lace drift should be used to press in or strike in at the time of mounting the inner bearing, outer bearing and oil seal on the front wheel hub. The oil seal should be replaced with a new one.
- 6) Smear well the oil on the bearing at the time of mounting the front wheel hub, on the other hand, the grease housing should be fitted out only for 50% of the space. In tightening up the spindle nut, settle down the bearing by turning and clamping up the wheel hub turn back for about 1/8 and lock with the cotter pin.
This is important to decide the play at the wheel bearing to the direction of the axle. There should not be any rattle and it should be turned lightly.
- 7) If the front axle ass'y is mounted on the chassis, feed oil to the king pin. After this, as mentioned later, inspect the alignment of the front wheel. Inspect the turning angle at the same time and then adjust the stopper.

Front Axle and Suspension

As showing above Fig. 1 is adopted an independent suspension and is directly connected to the upper link bracket. The front suspension is provided with the lower link spindle and the torsion bar

The tension rod are fitted to restrict the back and forth movement of the lower links.

The upper and lower links come out of the upper and lower sides of the knuckle support fitted to the wheel.

The upper link is connected to the frame by the upper link bracket. The lower link is connected to the lower side of the frame by the lower link bracket.

The torsion bar arrests the shocks from the road, and the tension rod determines the lower link position.

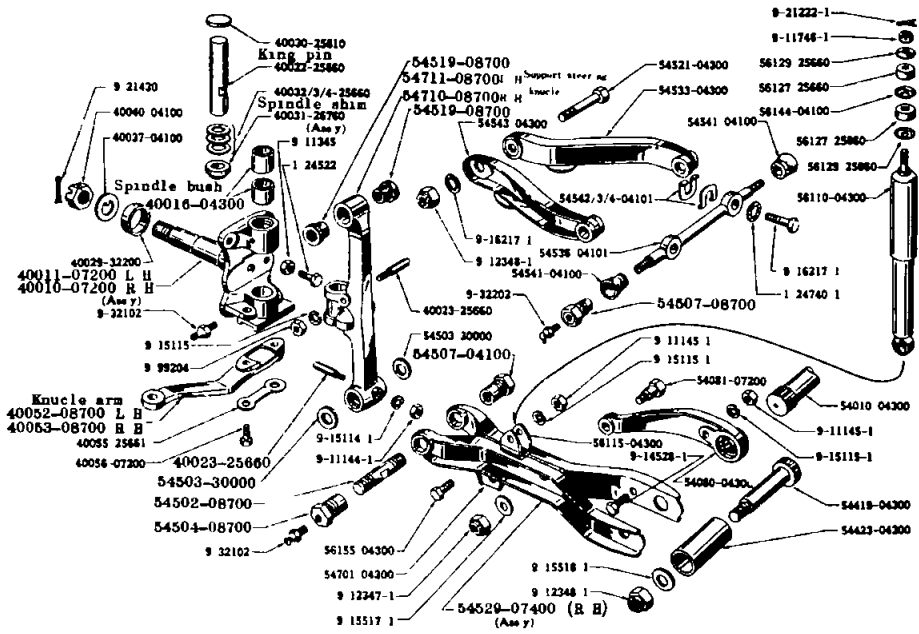


Fig. 5

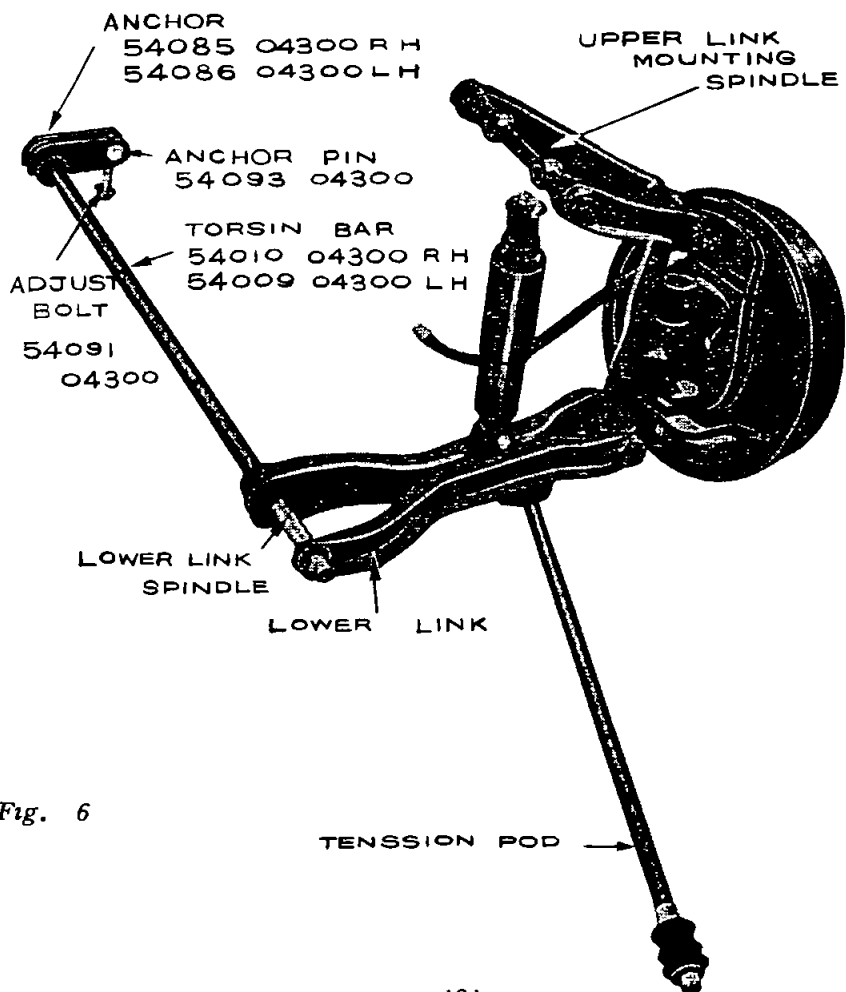


Fig. 6

TIGHTENING TORQUE

Parts Name	Tighting torque (kgm.)
Nut-fulcrum upper link	4.7 - 5.2
Nut-lower link spindle bolt	8.5-9.5
Nut-upper spindle fixing bolt	5.5-6.2
Nut-cross member front susp. fixing bolt	8 - 9
Threading bush-lower link	20-22.5
Threading bush-upper link spindle	14-16.5

Fitting Upper Link

Apply the rubber bush to joint of the upper link and the knuckle support and tighten with the bolt.

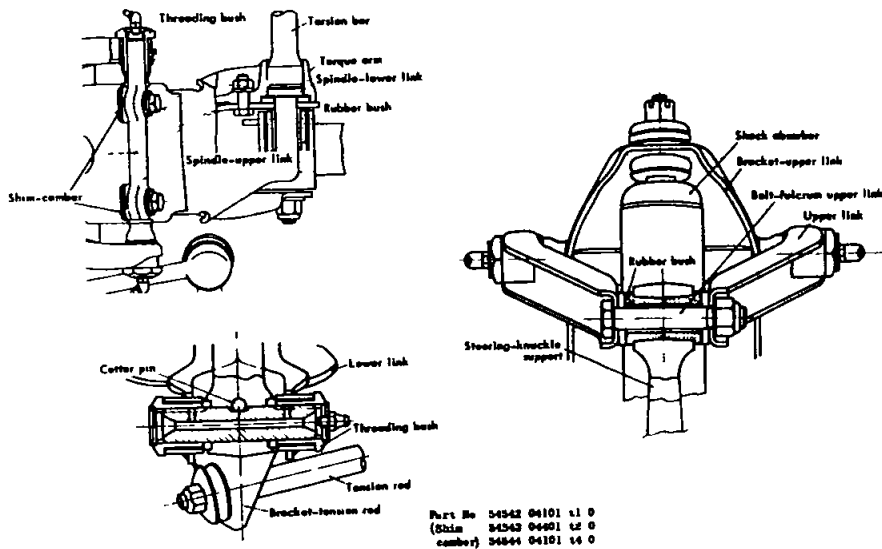


Fig. 7

Fit the torque arm on the side of lower link.

Temporarily insert and tighten the tension rod. Fit the lower link to the frame with the lower link spindle, but tighten temporarily the lower link spindle nut.

Insert one end of the torsion bar to the torque arm.

In this case, be attentive to the symbols "R" and "L" marked on the right and left sides of the bar.

Insert the anchor to the other end of the torsion bar and fit it to the second cross member

After adjusting the vehicle carriage

Tighten the lower link spindle nut under the torque of 8.5-9.5 kgm.

FRONT SUSPENSION

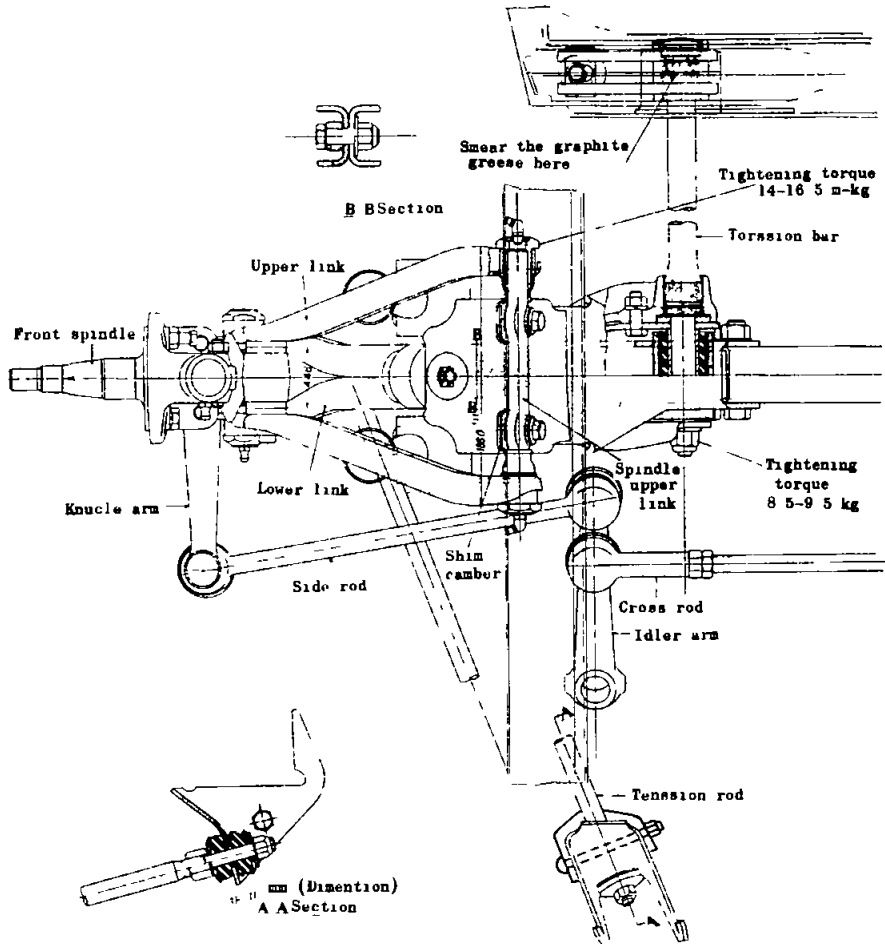


Fig. 8

The torsion bar spring is a serration fit at both ends, but it is easy to set in or remove

Apply ample chassis grease before hand to the serrated position.
Apply a few drops of motor oil to the anchor adjust bolt

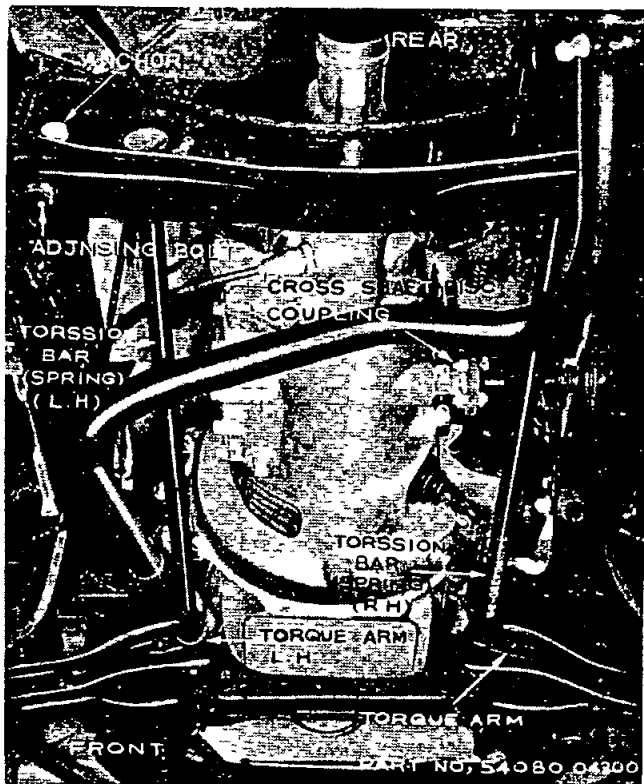


Fig. 9

SETTING OF TENSION ROD

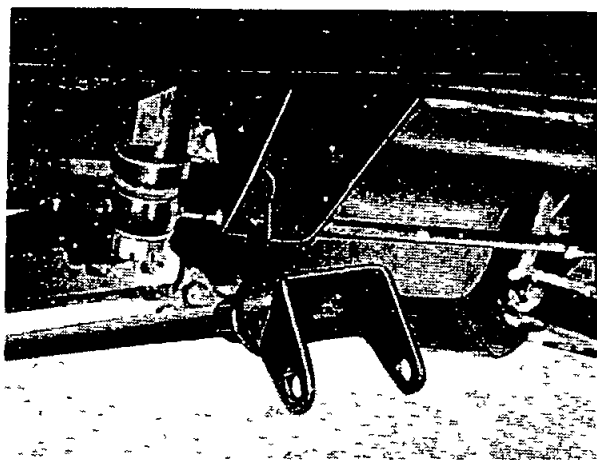


Fig. 10

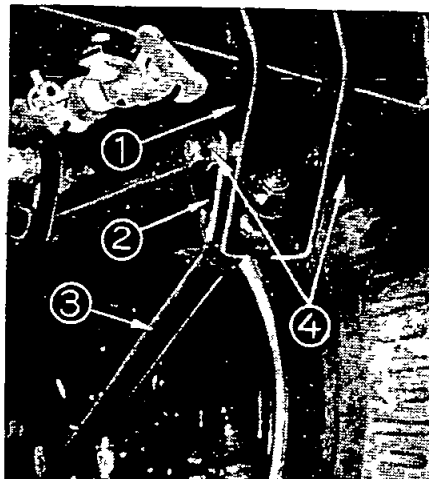


Fig. 11

- (1) Frame side bracket
- (2) Bracket
- (3) Tension rod
- (4) Bolt

After the torsion bar has been assembled tighten it so as the compressed dimension of the rubber is to be 11 mm respectively as shown, the lower link side is tightened first and the frame side next.

A tightening nut is provided on the lower side and two on the frame side, front and rear.

Tighten these nuts alternately and gradually until the dimension of rubber become 11 mm.

Adjustment of Vehicle Carriage

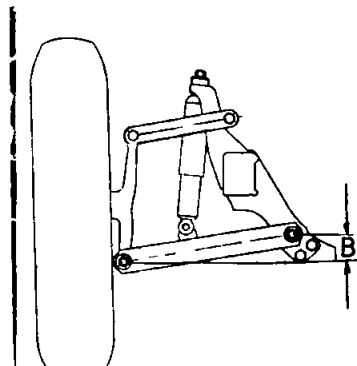
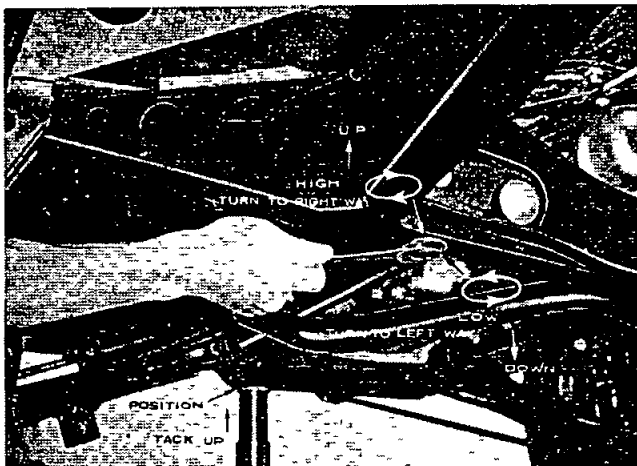


Fig. 12

Jack up the vehicle at the position as shown and after reducing the twisting torque loading, upon the torsion bar to the minimum turn the anchor adjust bolt to right or left so as the dimension (as shown) is to be the following value Turning the bolt to right makes the carriage higher and to left makes it lower

Dimension B	320-U	74.5 mm
(when unloaded)	V320-U	88.5 mm

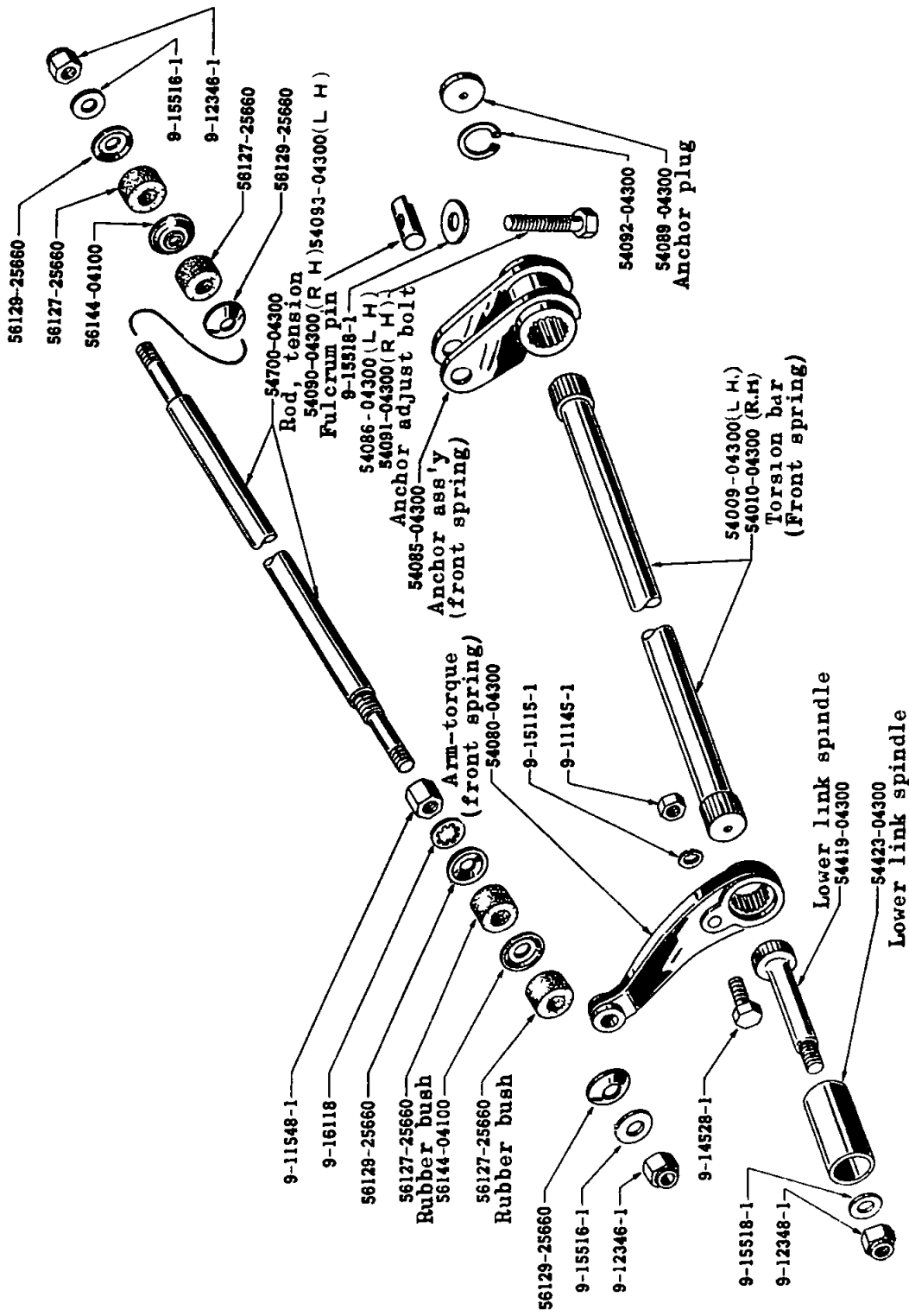
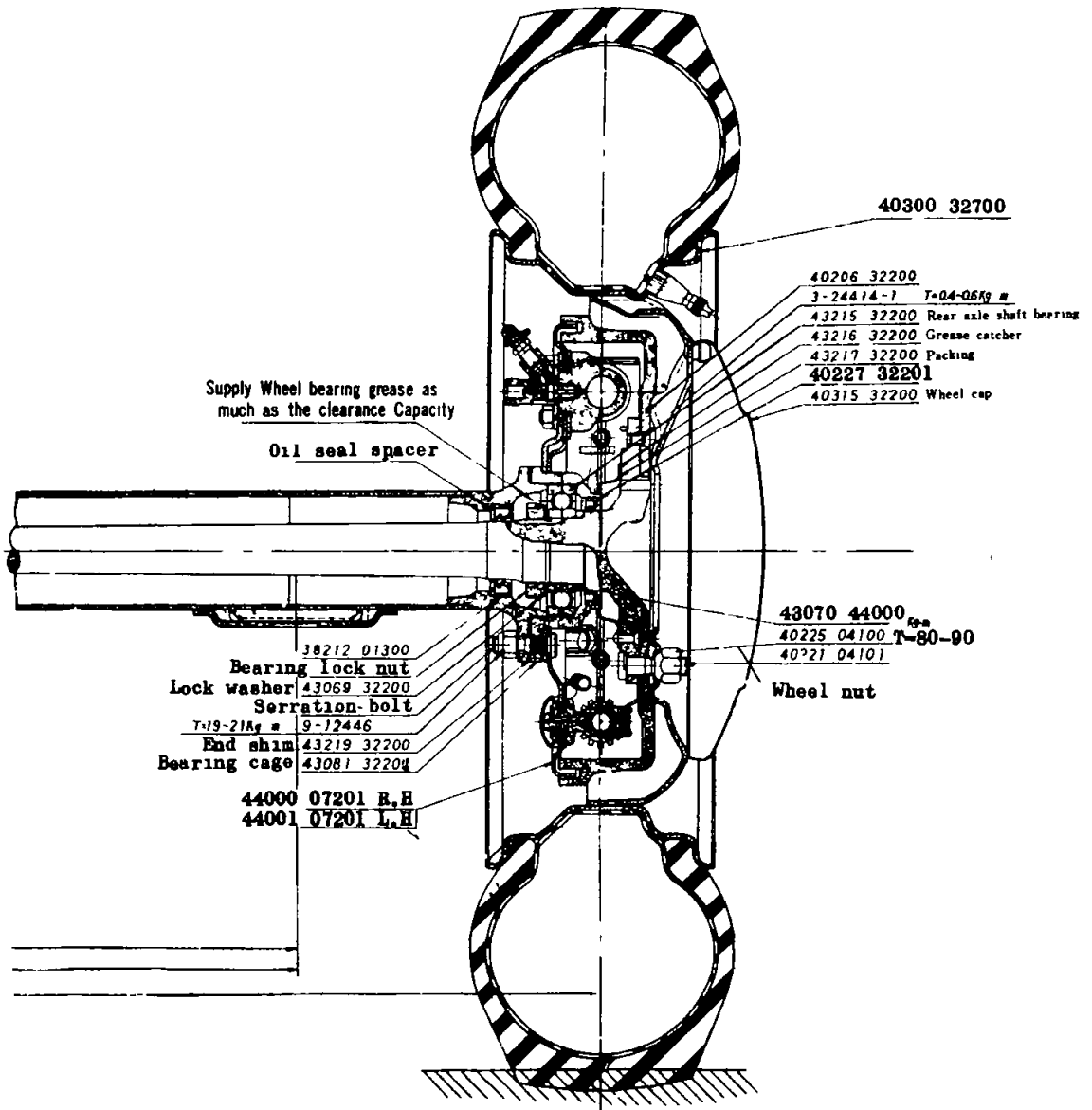


Fig.13 FRONT SPRING

REAR AXLE



REAR AXLE

2

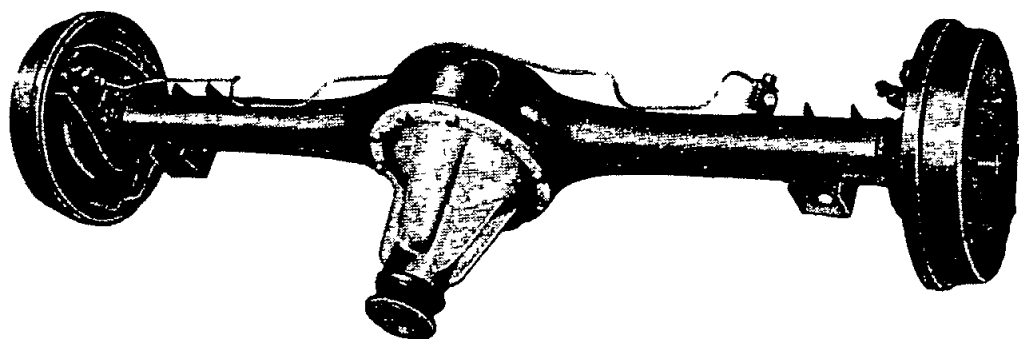


Fig. 1

THE CONSTRUCTION & HANDLING

The rear axle is semi-floating and the hypoid bevel gear is used for slowing down the speed. The engine power is transmitted through the transmission to the propeller shaft, then to the drive pinion and finally drives the left and right rear axle with the differential gear which is housed in the axle housing. The axle housing is made out of the pressed steel plate in the form of Banjo and is constructionally strong enough against the torsion or the bending for its light weight with its rear cover being welded.

The gear carrier is made out of light and strong alloy of aluminum and the differential gear ass'y is so constructed as to make easy dismounting and the adjustment of each gear carrier. The rear axle shaft is materially made out of molybdenum chrome steel of highly strength, and the spline is of the involute gear type.

Inside the housing, the drive pinion drives the bevel gear which is closely connected with the differential gear case. The each two pinions and side gears are fixed in this case and locked each other. The pinion locks with the pinion shaft which is supported by the gear case, while the side gear, which is so supported as to function freely inside the gear case, is connected with the spline at the top end of rear axle shaft.

Thus the construction of differential gear combined with these gears has the function of controlling the difference of revolution of the rear wheels in case of turning to the various directions. The pinion as it stays on the pinion shaft drive equally the side gear on left and right and drives at equal speed the rear axle on the straight line. In case of turning or meeting at the resistance of some obstacles on the ground the pinion revolves itself on the pinion shaft and drives differentially the side gear, as well as the rear axle show the revolution of left and right wheels differs.

The external side of axle shaft which locks with the side gear, is inclined and fixed to axle housing with the brake disc.

The shaft is supported by the taper roller bearing to the axle tube with the brake disc fixed by the four bolts together with the adjusting shim.

It is not necessary to check the lubrication to the bearing, but need to feed the new wheel bearing grease in proper quantity when disassembled. The proper lubrication to the gear housing is also necessary, otherwise it would shorten the durability of the gear to cause the trouble.

The following points must be taken into consideration.

1. Nominated Hypoid gear oil No. MP 90 must be used. (Temperature over 32°C SAE. MP 140)
11. It is prohibited to use any other kinds of gear oil or any oil of different viscosity. The same brand must always be selected.

The standard capacity of oil is about 0.9. The method of feeding oil should be done by taking off the feeler plug at the rear cover of the housing and fill in full up to the feeding hole.

The brake system would not work if over-feed the oil by causing it to flow out of the bath end of the rear axle housing into brake drum.

Dismounting & Disassembling of Differential Gear Carrier

- (1) Take off and drain out the gear oil
- (2) At the time of dismounting the gear carrier, pull out the both left and right axle shaft or pull out for at least 4 inches
- (3) Take off the joint flange from the side of propeller shaft
- (4) Pull off the nuts of the housing and dismount forward the carrier ass'y
- (5) Take off the side bearing cap of carrier and pry with a lever the differential gear case and the bearing
- (6) Dismount the differential side bearing.

As illustrated in Fig. 2 with the aid of side bearing puller, pull out the bearing. The puller should be handled with care in catching the hedge of bearing inner race which is hard to hook. Both the left and right bearing should be arranged separately

- (7) Dismount the differential drive gear, by loosening the 8 fixing screws on the differential gear case, and spreading out the lock washer

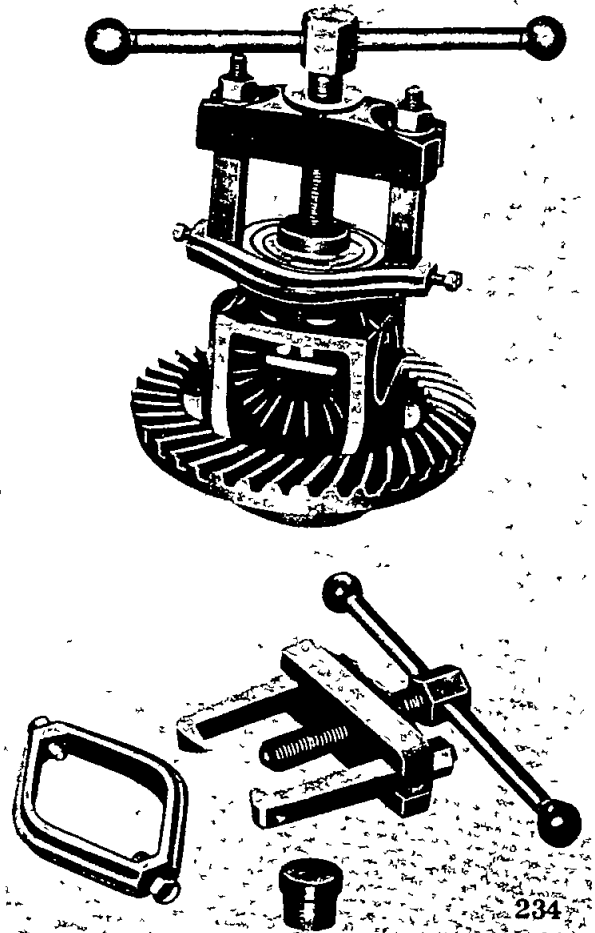


Fig. 2 Using of Side Bearing Puller

Loosen them in a diagonal line considering to keep from the gear bending

- (8) Take out the differential pinion as well as the side gear. The pinion mate shaft should first be pulled out by striking out the pinion mate shaft locking pin which is fixed on the differential case from left side (from the side of ring gear fixed) to the right before pulling out the pinion, side gear and the thrust washer. The gear as well as the thrust washer should be arranged separately as left and right, front and rear.
- (9) After taking the nut of the carrier, pull out the companion flange. The drive pinion flange wrench should be employed, setting its four points in the holes of flange to keep it from moving, take off the nuts with the box wrench.
- (10) Take out the drive pinion of gear carrier by striking out lightly to the backwards the front end (at the side of companion flange) of drive pinion with the drift of soft metal. Thus, the pinion would be taken out together with the inner race of rear bearing and roller, distance piece, and the adjusting shim and the oil seal, outer race and pinion of front and rear bearing as well as the pinion adjusting shim left in the carrier.

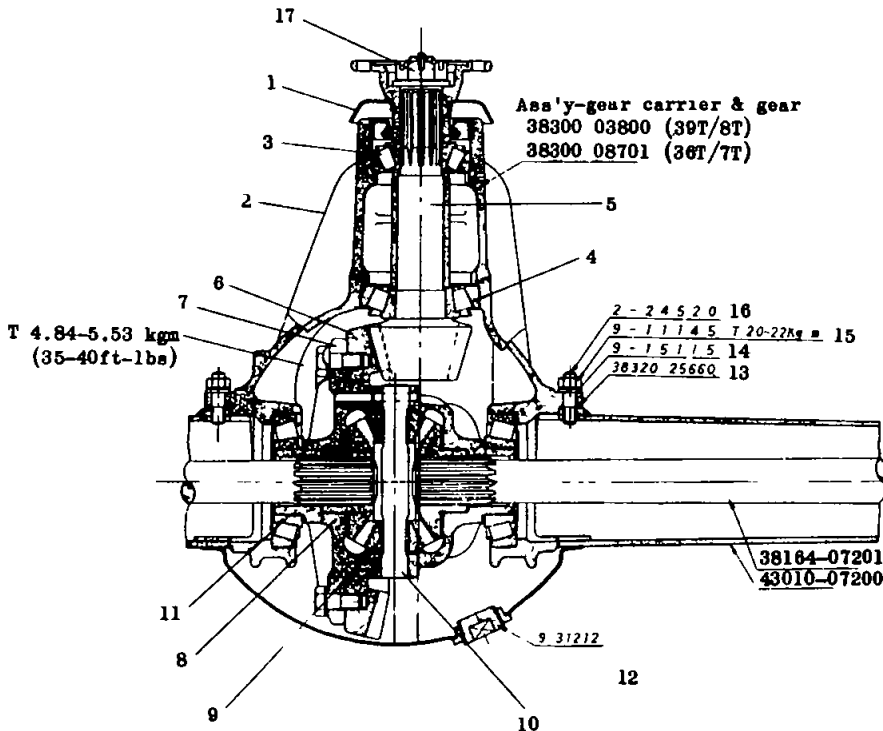


Fig. 3 Differential Gear Carrier

- | | |
|--------------------------------|---------------------------|
| (1) Companion flange | (10) Pinion shaft |
| (2) Carrier assembly | (11) Diff side bearing |
| (3) Drive pinion front bearing | (12) Rear axle shaft |
| (4) Drive pinion rear bearing | (13) Gear carrier packing |
| (5) Hypoid drive pinion | (14) Washer |
| (6) Hypoid drive gear | (15) Nut |
| (7) Diff gear case | (16) Stud |
| (8) Diff. bevel side gear | (17) Drive pinion nut |
| (9) Diff bevel pinion mate | |

(11) Pull out the rear bearing inner race of the drive pinion. The drive pinion rear bearing inner race replacer and the adaptor should be employed in this case. The adaptor in the round from is for fixing and the other for taking off. It is easy to handle with the vice fixing one end of replacer.

(12) Taking out the rear bearing outer race of gear carrier.

The drive pinion bearing outer race replacer should be employed in this case. In other upon the stud so as to make the screw at the center of carrier, and set the adaptor at the lower frim of the race.

Supporting the tommy bar and screw up till the corn closely touches the adaptor, then screw the wing nut to take out the rear outer race.

(13) To pull out the front bearing outer race from the gear carrier, set the tool body pull it out with adaptor in the way of rear race.

INSPECTION & REPAIRING OF DISASSEMBLED PARTS

Every parts after they are disassembled should be cleaned and cleaned by the compressed air before making an inspection and adjustment.

(1) Each bearing should be inspected in every unit of ass'y in regard with the defect and defacement before deciding to re-used them.

(2) Every gear should be inspected as to the locking condition defacement or any defects on the surface to see if they can be reused.

In case of insufficient standard backlash, deformation or found, replacement is necessary.

Specially the drive pinion and drive gear should be replaced in a set whenever the locking condition gets worse and the defacement is already in progress, because it would cause the noise in later operation and be difficult to adjust even with proper adjustment is made.

The perfect driving condition at the surface of drive pinion gear should be about from 2/3 mm to 3/4 mm in unloaded driving while the gear surface should start to touch from tip to full surface in an ordinary loaded driving

The inspection of this condition can be made as it is.

If it is hard to inspect them as it is, do otherwise by cleaning the both with the rugs before disassembling and paint thinly and evenly with the mixed with thin oil on the gear surface (drive side) then turn the pinion with hand to print the trace of it on the gear. Which shows the situations of considerably worn out gear

In case of unloaded test, it is perfect that the gears contact for about three quarter at the center of $1/4$ of whole gear length from tooth (interior tip end of the gear) on the pitch line.

- (3) Lock the side gear with pinion together with respective thrust in the gear case.

In case of the backlash over 0.2 mm and the clearance between the side gear and thrust washer exceeds 0.5 mm, replace the thrust washer.

The else worn out parts should also be replaced.

The contact when ring gear is too close to pinion center in case of backlash should be adjusted closely or it gives much noise.

- (4) Put the drive gear (ring gear) on the buoy block as it is fixed in the differential gear case, and measure with the dial indicator. Revolve the drive gear to turn around the differential gear case as the bearing do not move on the buoy block.

Measure the shake at the rear side of gear by the scale and the shake should be within 0.5 mm. In mounting the gear, clean well the fitting face and rear face (measured face) of it and fix correctly, then there should not be any shaking.

ASSEMBLING, ADJUSTMENT

Assembling Differential Gear

- (1) Assemble the pinion and side gear in the differential case. Every parts should be cleaned and oiled with new gear oil, then the pinion mate side gear and the thrust washer should be assembled by the mentioned inspection and selection before pushing in the pinion mate to shaft. Inspection should be made again in the clearance of between the washer or the backlash. Adjustment must be made in case any abnormal, is found

Strike in the pinion shaft locking pin from the right side of the case (opposite side of drive gear) and must be fixed by setting well the striking hole of it after putting it to the required piston so as the pin should not loosen.

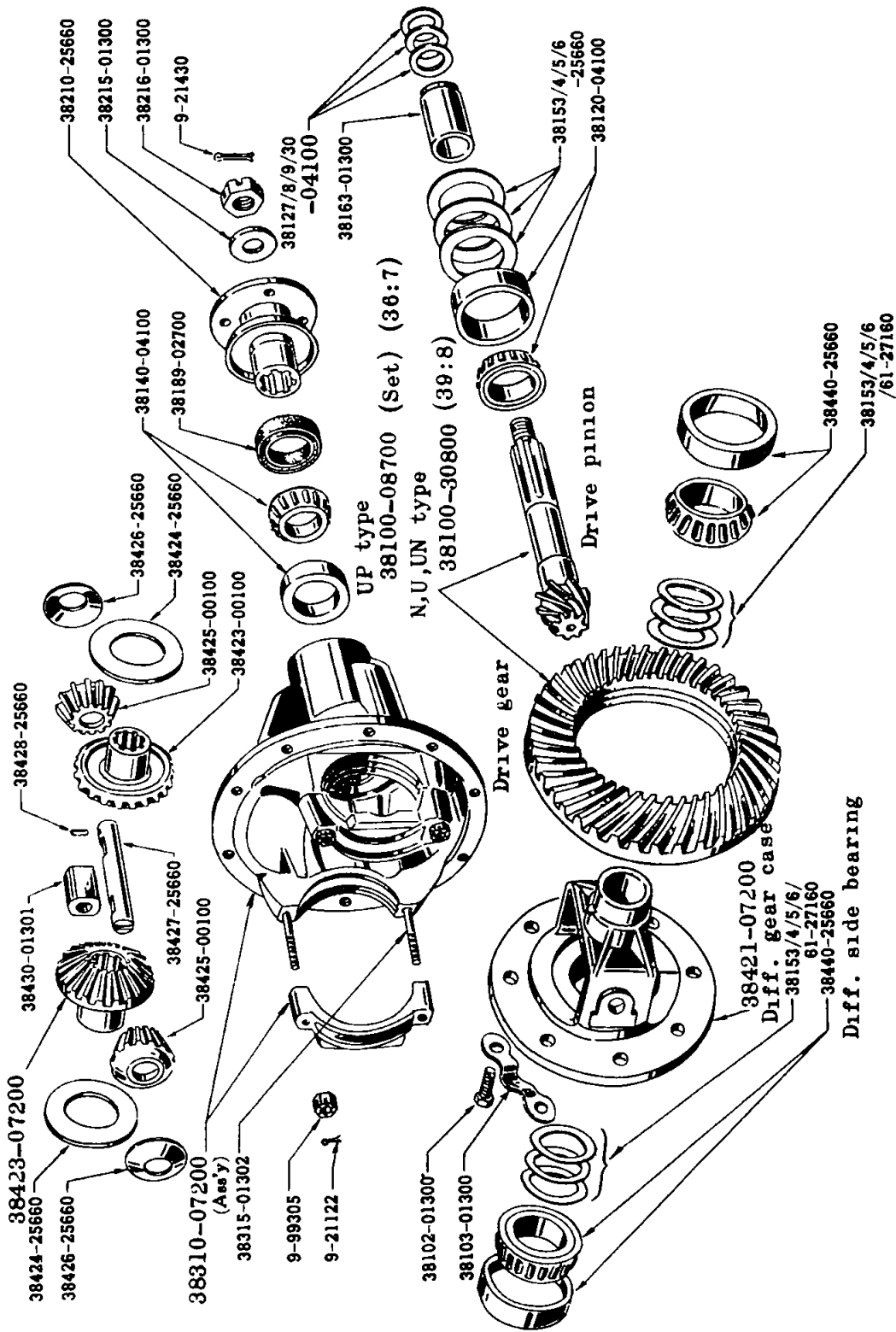
- (2) Fix the drive gear (ring gear) with the differential case.

The drive gear as well as the drive pinion should be well inspected or they must be replaced as a set whenever the replacement is required. Otherwise, they would not properly lock after assembling is completed. In mounting in the case, the fitting surface must specially be cleaned and fixed with 8 Nos screws as well as lock washer. Bend the washer with sureness after the drive gear shake is adjusted. In tightening up the screw, it should be set and supported by vice or any other setting tools so as not to damage it and screw up in a diagonal line with a wrench which fit correctly with the head of the screws. The standard screwing torque for this is 35 ft/lbs. to 40 ft/lbs. Screw in for sure, striking lightly the head of screw by one quarter and pund hammer.

- (3) Mount the side bearing in the differential case.

Press in the both side of the bearing by using the drift.

It is important in this case to assemble by putting the side bearing adjusting shim to give the bearing a proper preload in fixing with the carrier.



GEAR CARRIER & GEAR

ASSEMBLING & ADJUSTMENT BY GEAR CARRIER ASS'Y

It is to decide the assembling & adjustment of gear which is most important in an rear axle ass'y and should be carried in accordance with the exact sample shown by the manufacture. The construction and mechanism must well be comprehended referring to Fig. 4 & 6 and the adjustment & repairing exactly according to the condition of practical use based on the adjustment by exact calculation.

(A) The Preparation for Mounting the Drive Pinion in the Gear Carrier

- (1) If the drive gear, drive pinion, and bearing are to be reused they are as a result of disassembling and inspection, they should be assembled in order of disassembling at the previous condition of adjusting shim

In case any item should be replaced or required to reuse even if any item is worn out prepare the various shims as mentioned later because the position of drive pinion to be fixed with carrier must be adjusted by the adjusting shim between the carrier and pinion rear bearing outer race.

- (2) There are few numbers with 0 & + or - besides set number marked by an electric pen on the tip head surface of drive pinion.

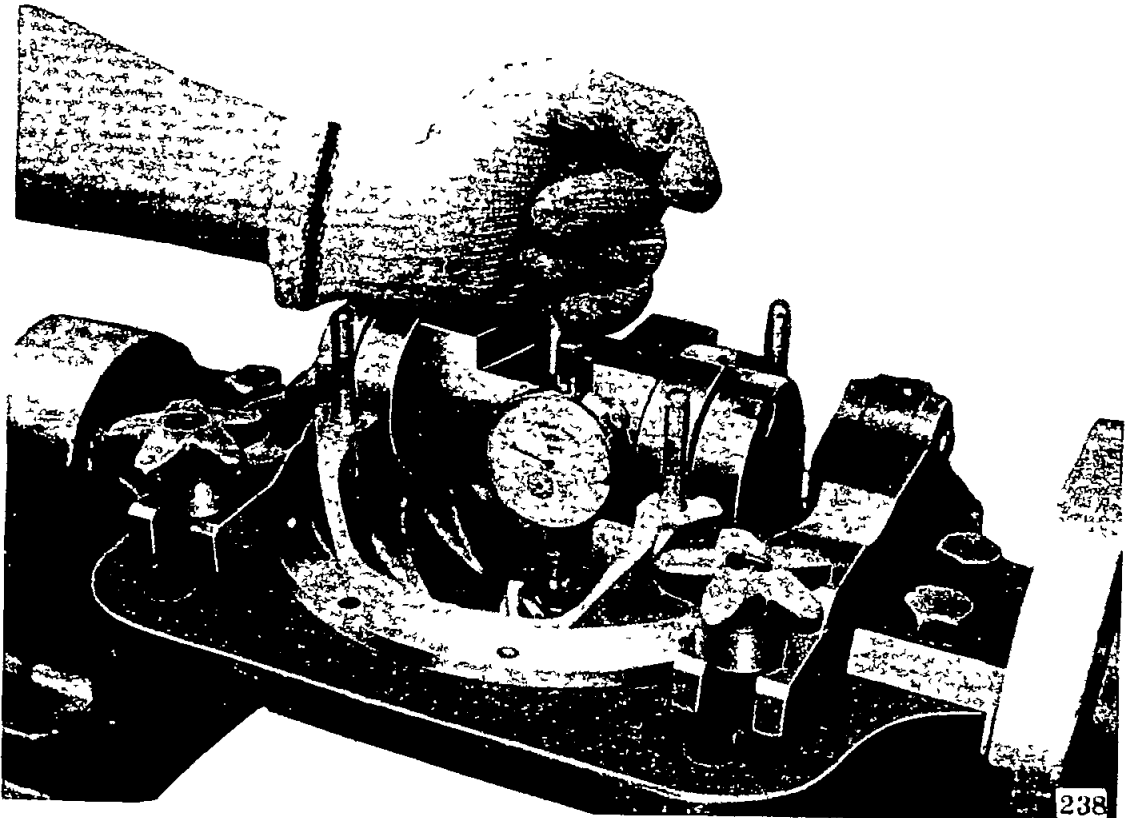


Fig. 4 Adjustment of Pinion Height

They show the manufacturing error in a figure at the unit of 0.001 in. (0.025 mm) to decide the thickness of adjusting shim for adjustment of standard position (The standard pinion height is 61.0 mm from axle center as shown in Fig 5). If the figure is difficult to discriminate due to the corrosion, scrape off the oxidized substance on the surface by a somewhat narrow grind stone with care not to scrape off even the mark

Adjust to the direction of an arrow in accordance with the pinion mark

(3) The thickness of drive pinion adjusting shim are arranged as following

	Part No.	Thickness	Standard Leaf Nos.	Part No
Drive pinion adjusting shim	38153 25660	0.75 mm (0.030 in)	1	38127 04100
"	38154 35660	0.25 mm (0.010 in)	2	38128 04100
"	38155 25660	0.125 mm (0.005 in.)	2	38129 04100
"	38156 25660	0.075 mm (0.003 in)	2	38130 04100

The use of the adjusting shim will be explained in the following paragraph of adjustment. Supposing the drive gear and the drive pinion were replaced as a new set and the height of drive pinion previously used was right, prepare the shim of thickness which equals to the difference of figures on the new and this pinion. Deduct the previously used shim in case it is plus, increase in case of minus and have the general idea of required thickness of the shim for assembling to prepare.

It is convenient to inspect the condition before disassembling in a way as mentioned later in the measurement of pinion height. Beside the condition of defacement on the carrier, the pinion bearing must be taken into consideration though it will be explained in detail later.

(B) Fixing and Adjustment of Drive Pinion

(1) Drive pinion rear bearing outer race should be mounted in the carrier. In this case, after inserting the properly selected adjusting shim as previously mentioned between the carrier and bearing race, mount the outer race by the special tool of drive pinion front, rear bearing outer race replacer. For adjustment of previously mentioned pinion height, the shim at the rear side of this outer race is increased or decreased, and the race also must be taken off in each time for this adjustment, therefore the tools must be handled properly to avoid such a situation as to make the bearing hole of carrier in an oval. Referring to handling method of tool, set the adaptor ring on the corn to guide the body of tool at the small hole of carrier put the rear outer race on the corn as bearing surface faces inside at the tip end of screw and put the split adaptor inside race. At the same time, supporting it by the bar, twist up the corn till the adaptor and race come to the setted position then screw up the wing nut so as the race be housed properly at the setted position.

(2) Mount the front bearing outer race in the carrier

For mounting the front outer race, take off at first the adaptor from the front end of the carrier and fix the tool at the side of stud in opposite side, tighten the screw as to be the center of carrier then mount it by using adaptor as in a way of mounting the rear outer race.

The race is scarcely necessary to be taken off unless damaged.

- (3) Mount the rear bearing inner race and roller to the drive pinion. By using the round adaptor attached to the drive pinion rear bearing inner race replacer which was employed at disassembling, press in the drive pinion. This might as well be done in pressing in by the use of a certain drift.

- (4) Mount the drive pinion in the carrier and adjust by measuring the position.

The pinion height must be adjusted as mentioned in the previous paragraph, by mounting temporarily the pinion in the carrier and the bearing be given a regular pre-load. On the other hand, the bearing of drive pinion should be newly oiled after the pinion is inspected from the inside of the carrier, the inserted end of pinion should be locked with front bearing cone and tightened up by the pinion nut fixing with the companion

flange till the regular revolving torque is required. As this is not yet at the final assembling, the bearing spacer (distance piece), bearing adjusting shim and oil seal are not mounted

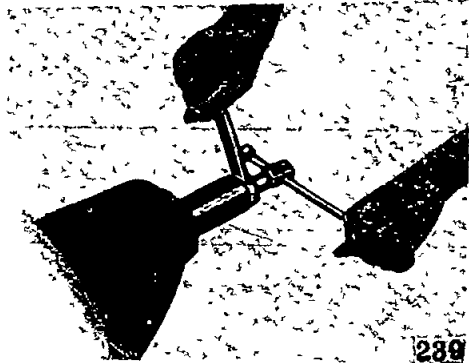


Fig. 5

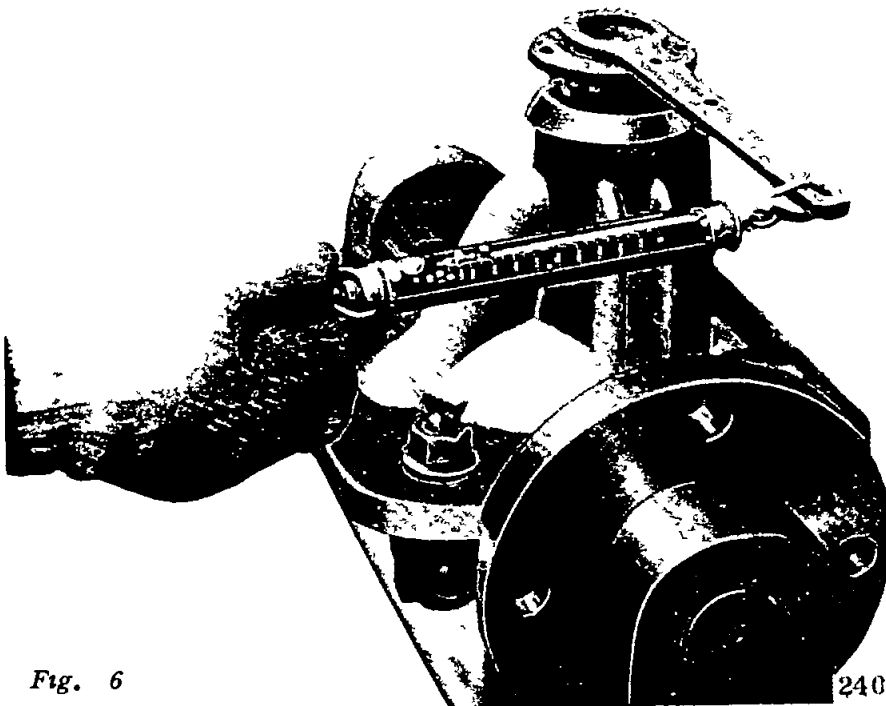


Fig. 6

At the time of inserting the front bearing, as pushing in the inner race by pulling out the drive pinion from the rear side of the carrier. Put the rear side of the carrier downward and set the tool under it, then supporting the end surface of drive pinion, press in the bearing by using the drift. The operation would be easier by using the drive pinion front bearing inner race inserter as shown.

Tighten up the pinion nut by turning it slowly with hands with the use of pre-load gauge as Fig. 7 to the degree that support the bearing pre-load at 7-10 kg/cm.

When the drive pinion is mounted in the previously mentioned condition, it is necessary to measure the height of rear surface of the pinion whether it is higher or lower than the standard. Make use of the special drive pinion arrangement gauge. The standard height of the pinion is 21 mm from the bottom of the side bearing fixed with the carrier. The fixing position can be measured by setting an arc of circle on both sides of arrangement gauge at the position of side bearing and insert the thickness gauge in the clearance between the tip of gauge bar and the pinion such as to push in by scraping of the carrier in diagonal, otherwise pre-load and the pinion height of the bearing would come out of order and tend to cause an unexpected trouble in future.

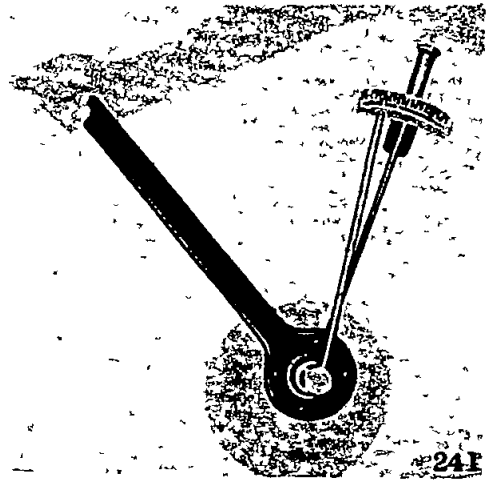


Fig. 7 Use of Drive Pinion Bearing Pre-load Gauge

- (5) The formal adjustment of the drive pinion, bearing and preload. After the fixing position of drive pinion is decided as mentioned in the previous paragraph, take off the pinion nut & companion flange to mount again the drive pinion bearing spacer (distance piece) and nut. Tighten up the nut as Fig. 7 by using the torque wrench at the regular torque of 100-120 ft/lbs (1400-1680 kg-cm). The preload supportedly the bearing in this case is different according to the condition of the bearing adjusting shim inserted. The more of the shim inserted, much the play of pinion to the direction of axle is increased.

The less of the shims inserted, the more the bearing tightened by the previously mentioned nuts and cause it to be burned if left and turned as it is. Therefore, for readjustment of the bearing preload in this case, it must be adjusted by increasing or decreasing the number of four kinds of adjusting shim as shown in the following list and measuring with the use of the drive pinion bearing preload gauge as Fig. 6 so as to make the revolving torque of pinion at 7 - 10 kg/cm if there should not be any error in the pinion with the head mark at 0 and the clearance should be sealed at 0.2 mm (0.008 in) by the feeler gauge, thus pinion is regarded as at the correct position because the height of the gauge is made shorter for 0.2 mm than the standard size (21.0 mm). If it is necessary to adjust the pinion height, take off the drive pinion as well as pinion rear bearing outer race from the carrier to adjust by increasing or decreasing the number of the adjusting shim. In other words, read the mark on the head of the drive pinion, before adjusting by increasing or decreasing the number of device pinion adjusting shim to insert the feeler gauge which is deducted for the number

of mark from 0.008 in in case of minus side added for the number of mark to 0.008 in in case of plus

For instance, the mark shows 2, adjust the position of drive pinion by deducting the number of shim so as to make the clearance at 0.008 in, 0.002 in, 0.010 in. It is necessary to give the bearing a right preload. At the time of pushing the outer race into the carrier, it must be done in a right way, otherwise.

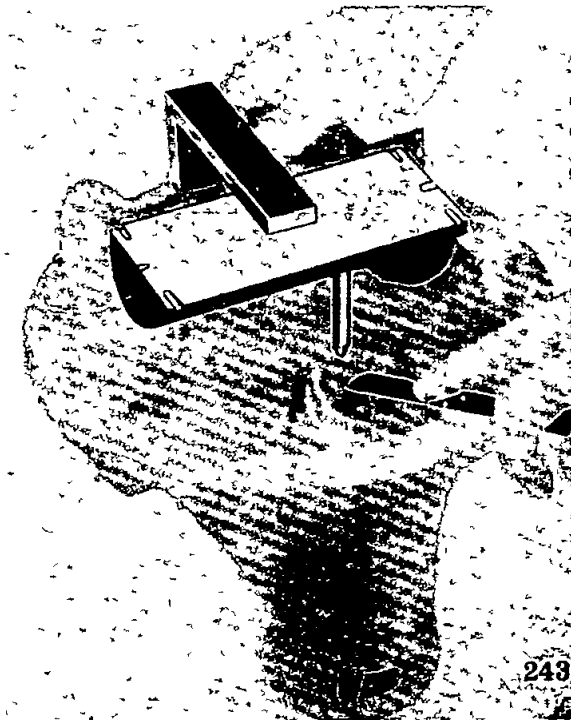


Fig. 8

Remarks: When measuring the height of the pinion head, set the semi-circular side portions of the gauge on the side portions of the gauge on the side bearing seats, insert a feeler gauge into the clearance between the tip of the gauge center rod and the pinion head, and adjust the pinion.

The gauge rod is made 0.2 mm (8/1000 in) shorter than the standard measurement (21 mm). Therefore, adjustment is made by selecting a feeler gauge in accordance with the plus or minus value marked on the pinion head.

Special when the old bearing is to be used again in assembling, the adjustment should be made at the lower torque than standard in accordance with the conditions of practical use so as not to give it an over preload

- (6) When the former adjustment of preload of the bearing is completed as in the previous paragraph, inspect the pinion height again. Unless any thing wrong is found, loosen the pinion nut, take off the flange, insert the new oil seal in

the rear of the carrier and formerly fix the flange, washer and pinion nut. The nut should be tightened up at the standard torque. In case the cotter pin hole fitted, the adjustment should be made not by tightening the nut, but by filling the washer.

C) Mounting the Differential Gear Ass'y in the Carrier

- (1) Mount the complete unit of differential gear in the carrier and fix the bearing cap. There is an engraved mark on the side of cap which should be fitted with mark on the leg of bearing housing when mounting. It is important to note that the fixing part of the cap of each bearing housing is machinerly finished up.

The differential gear case is inserted by the bearing adjusting shim with the side bearing as explained and by housing in the bearing housing of carrier, the bearing must be given the regular preload. The screwing torque of the fixing nut of the side bearing cap is at 30-35 ft/lbs. (420-490 kg-cm) and should be equally locked with fixing cotter pin.

So far, only the differential unit is mounted and the drive gear is locked with the drive pinion, therefore, the following adjustment must be made to acquire the regular side bearing preload & the gear backlash

- (2) Adjustment of side bearing preload & backlash

To give the right preload on the side bearing of differential gear case and in pressing the bearing in the differential case adjust by inserting inside the bearing adjusting shim of thickness calculated in accordance with the following method of computation

There is a marked numeral of adjusting basis on the bearing housing of the gear carrier and differential case. The numeral is the manufacturing error in a unit of 1/1000 in against each standard measurement of A. B. C. D. in Fig. 8.

To measure the width of the side bearing on left and right, use the standard gauge (20.0 mm thickness) and dial gauge on a flat board. In this case, place the load on the bearing with the aid of weight block for about 2.5 kg to acquire the steady figures

Calculate the error on minus side against the each standard measurement of 20.0 mm on the unit basis of 1/1000 and assume each of them as E & F. Take the left side bearing, for example. When the measured width is 19.8 mm, it is -0.2 mm (-0.008 in) against the standard measurement and the E is, by excluding the minus sign, 0.008 in

The thickness of the shim is acquired by applying the numerals to the following method of computation

It may as well be assembled by using the shim of thickness which is in accordance with above method of computation. The left and right bearing must be well pressed in, otherwise the preload changes

Measure the backlash of the drive pinion & ring gear as Fig. 9 by using the dial indicator to make sure that it is within 0.1 mm-0.2 mm (0.004"-0.008"). If it is much, move to left by taking off the right shim, and a vice versa for adjustment.

The numeral marked by the electric pen on the side of the drive gear shows that of the recommended backlash besides the set number. For example, 6-6 means the backlash of 0.006 in

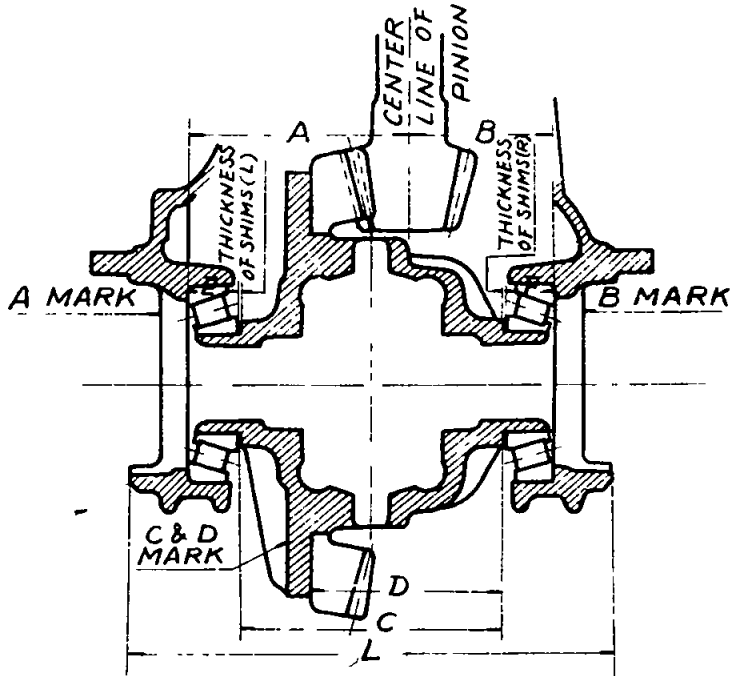


Fig. 9

Thickness of shim on left side

Left Side $T_1 = A + D - C + 0.007 \text{ in} + E$

Thickness of shim on right side

Right Side $T_2 = B - D + 0.006 \text{ in.} + F$

Example of calculation

Left

$$\begin{aligned}
 A &= + 1 \\
 D &= + 2 \\
 C &= + 2 \\
 E &= + 0.2 \text{ mm (0.008 in.)}
 \end{aligned}$$

Right

$$\begin{aligned}
 B &= + 2 \\
 D &= + 3 \quad \text{there fore} \\
 F &= + 0.25 \text{ mm} \\
 &= (0.010 \text{ in.})
 \end{aligned}$$

$$\begin{aligned}
 T_1 &= A + D - C + 0.007'' + E \\
 &= 0.001'' + 0.002'' - 0.002'' \\
 &\quad + 0.007'' + 0.008'' = 0.016''
 \end{aligned}$$

(Thickness of left shim)

$$\begin{aligned}
 T_2 &= B - D + 0.006'' + F \\
 &= 0.002'' - 0.003'' + 0.006'' \\
 &\quad + 0.010'' = 0.015''
 \end{aligned}$$

(Thickness of right shim)

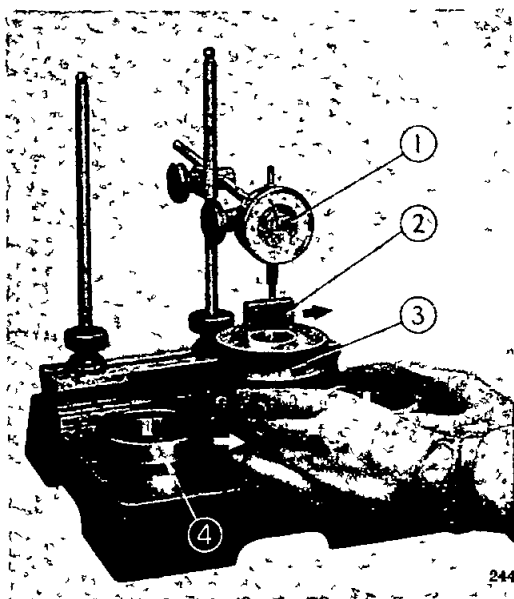


Fig. 10

- (1) Dial gauge
- (2) S T D gauge (20.0 mm thickness)
- (3) Weight block
- (4) The bearing measured

After the Operation

If it is necessary to use the bearing again at the time of repairing, the thickness of each shim of left & right must be reduced for $0.001'' - 0.003''$ on the basis of 80% or 60% against standard preload in accordance with the practical condition of use, because over preload is given to the bearing with the shim of thickness calculated from above method of computation

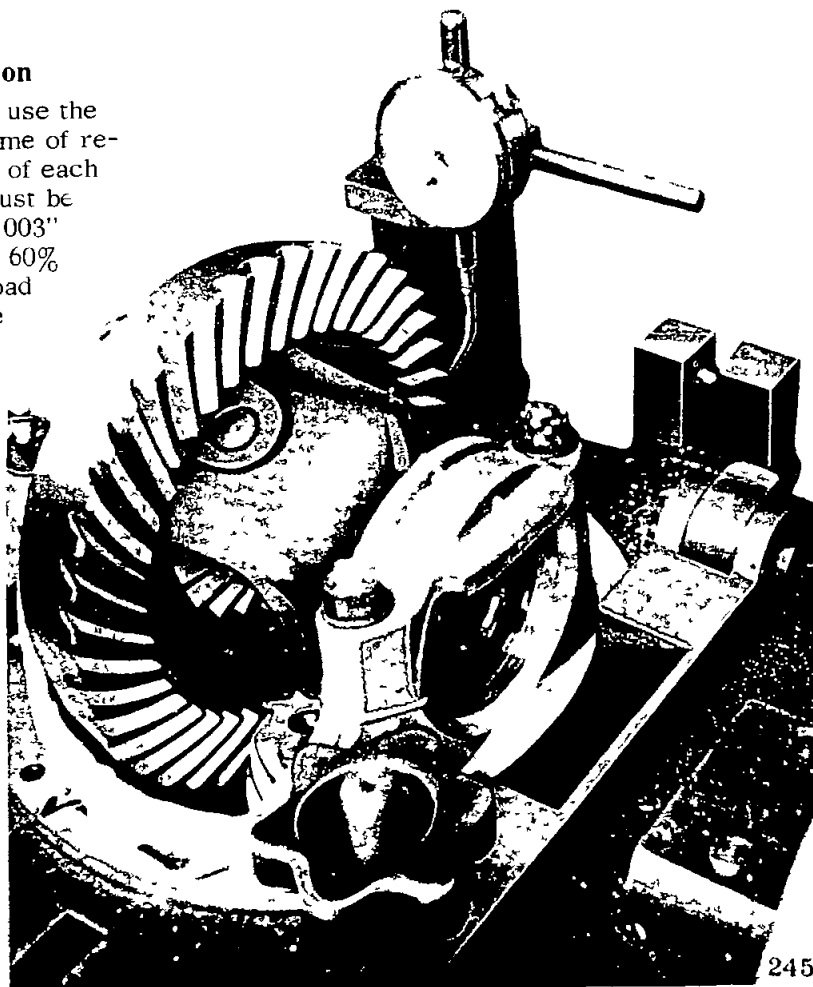


Fig. 11

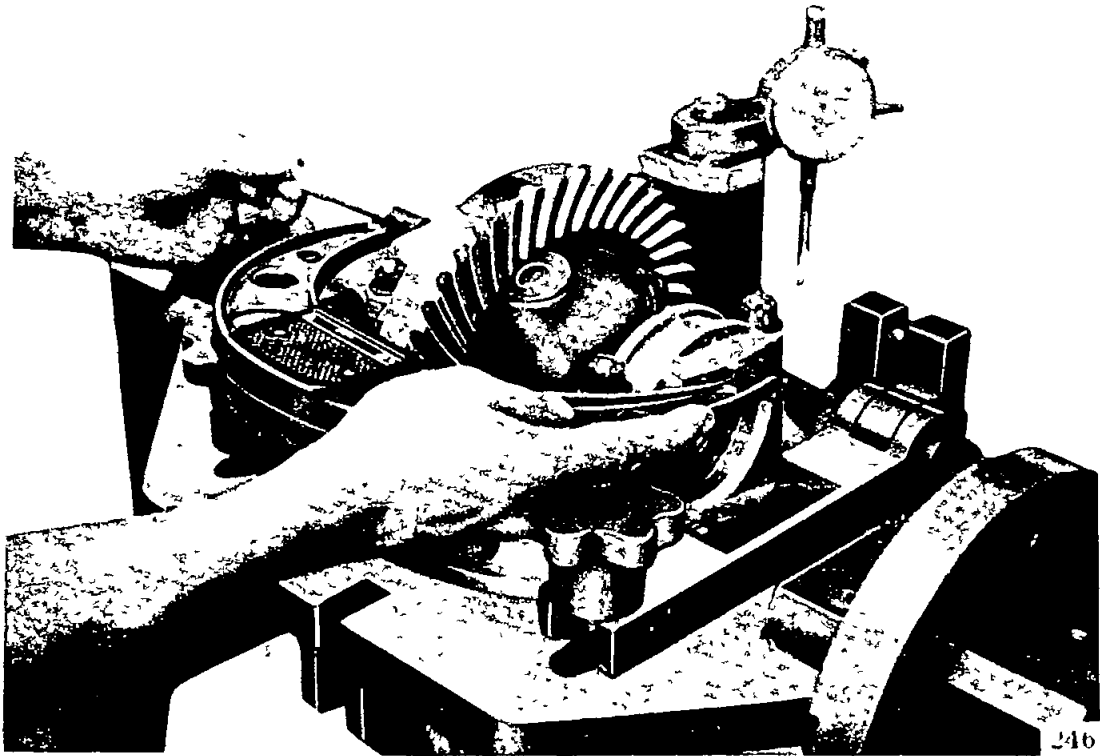
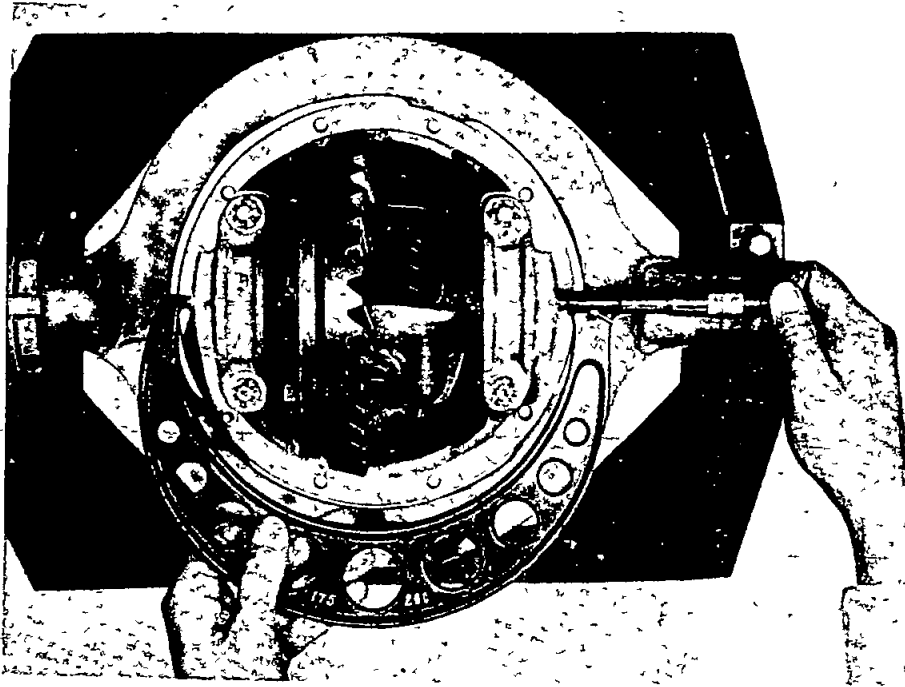
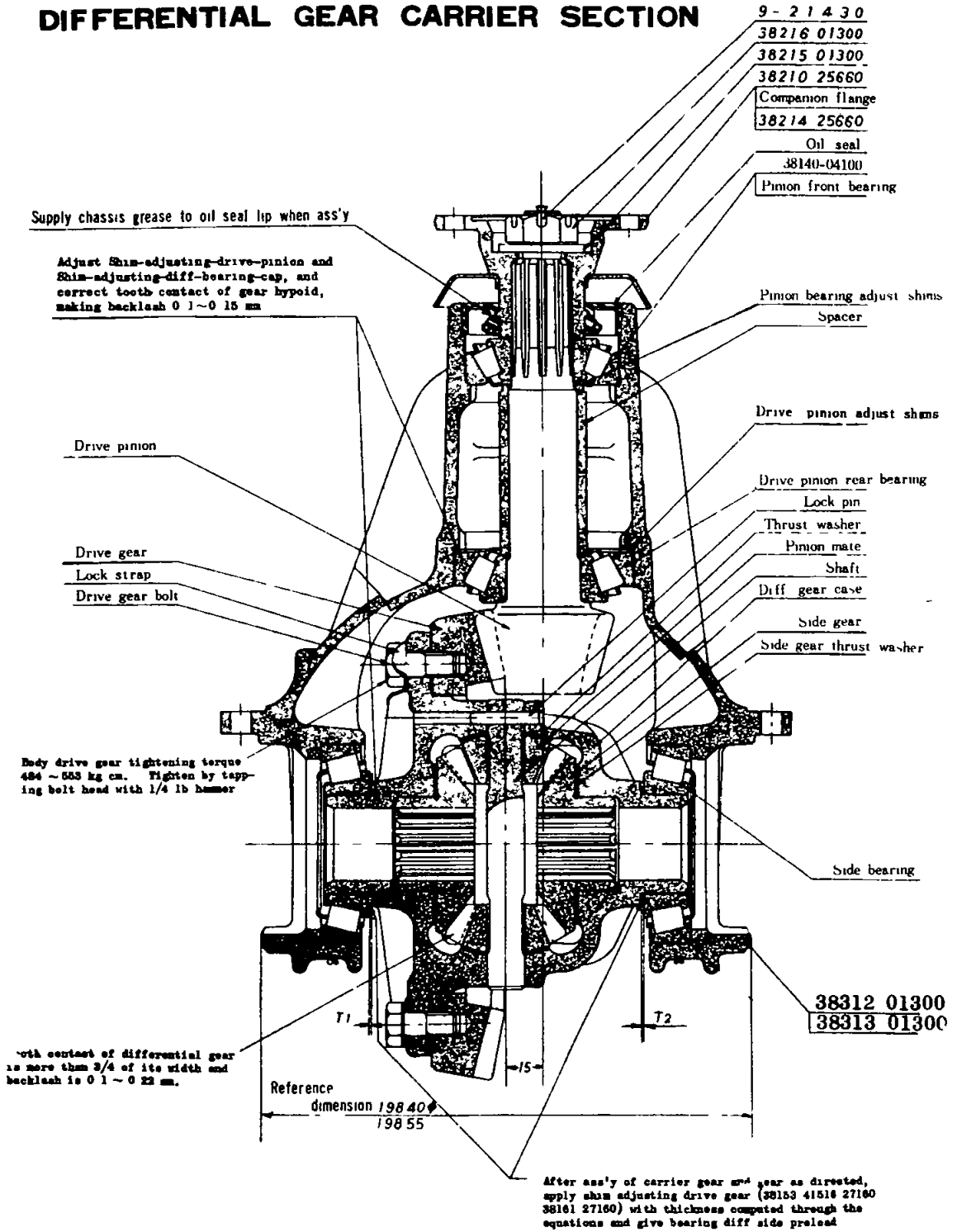


Fig. 12 Using the Differential Side Bearing Cap Gauge

DIFFERENTIAL GEAR CARRIER SECTION



Thus the adjustment is completed. By way of precaution, measure the L measurement which is within 198.40-198.55 mm as Fig. 12. If it is insufficient, and an additional shim of 0.002 ins. (0.05 mm) in left and right. In this case, the large size of micrometer, as Fig 12 or special gauge should be employed for scaling.

The shake of the back of drive gear which has been fixed with the carrier should be measured by dial indicator to confirm that it is within 0.1-0.2 mm.

Mounting the Gear Carrier Ass'y on the Rear Axle Housing

Interior of the axle housing should be cleaned well .

- The carrier packing should also be replaced with new one.

Mount the gear carrier ass'y without mistaking its upper side with down side and through 10 studs, then fix with the lock washer & nut. The nut must be tightened in a diagonal line so as not to cause the oil leaks.

When it is mounted on the vehicle, feed the gear oil immediately. The oil of the designated hypoid gear oil No 90 should be feed. Feed the oil till it comes up to the down side of the feeding hole.

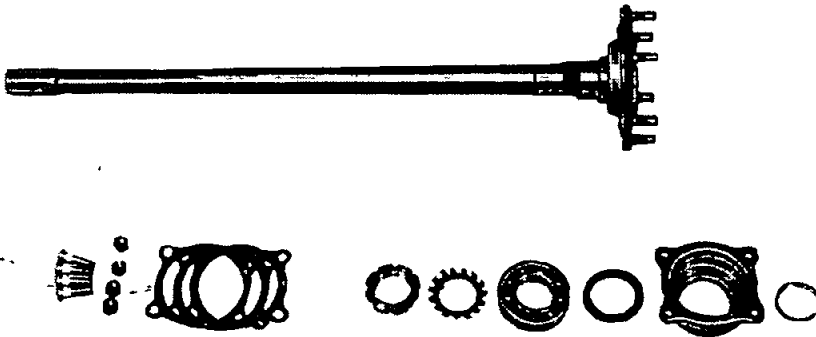


Fig. 13

When replacing the differential axle shaft do not forget the adjust shim between the end of the axle flange and the shaft with the brake disc assembly so as to keep the end play of the axle shafts

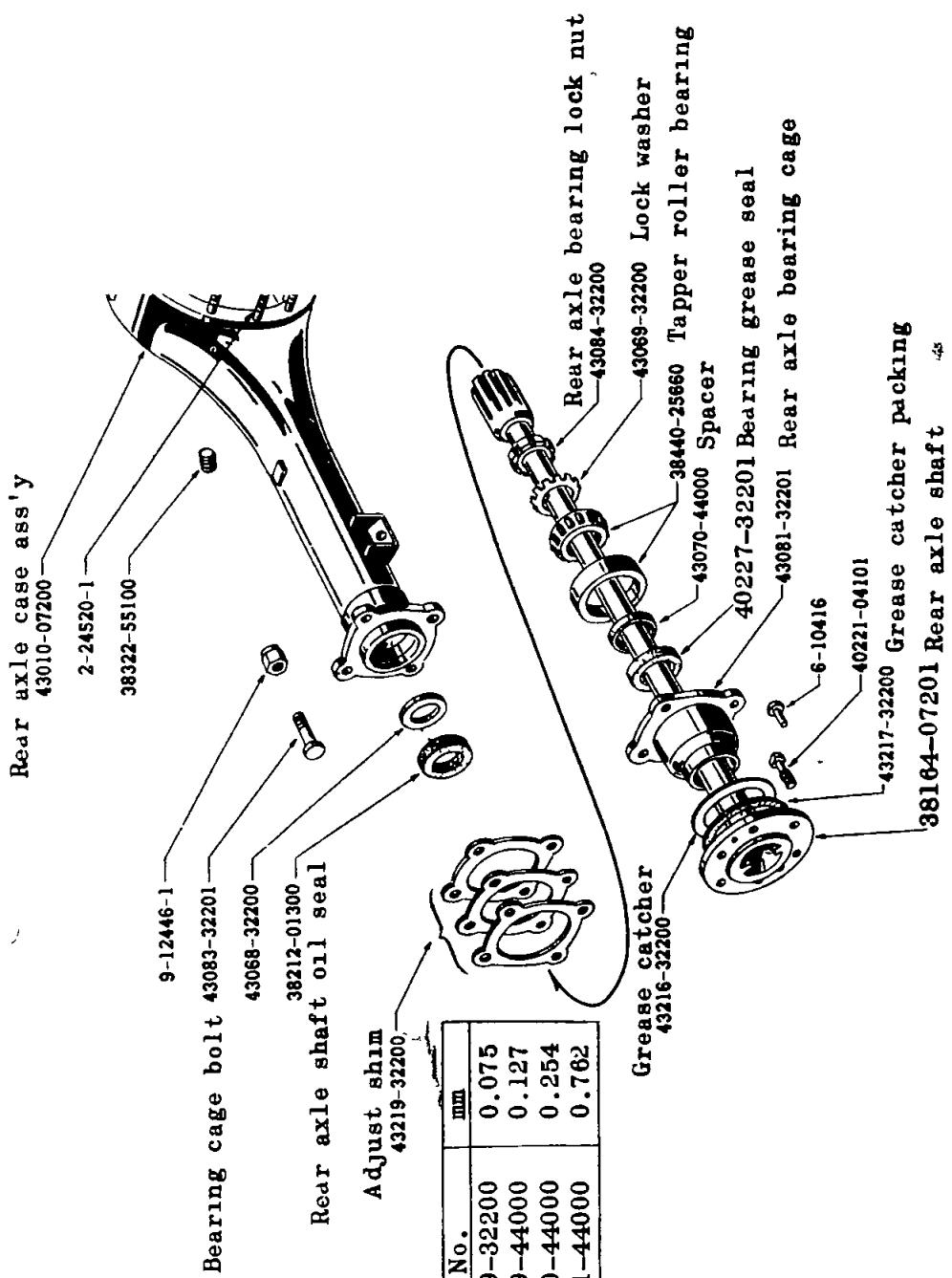
Axle Shaft Removal

Jack up the axle on the blocks. Unscrew and remove the brake drum using a screw driver.

If the brake linings should hold the drum when the hand brake is released, slack off the brake shoe adjuster a few notches

Take off the fix bolts of the brake disc and remove the axle shaft assembly as shown Fig. 14. Tap out with swing hammer holding the wheel stud bolts with the rear axle shaft. Draw out the shaft and disc assembly by gripping it outside of the brake disc.

Referring to Fig 14 assemble to the axle tube with the axle shaft with brake disc assembly (Brake disc, Grease catcher packing, Grease catcher, Bearing cage Grease seal, Spacer tapper roller bearing, Lock washer and Bearing lock nut). In this case, the shaft must be given a regular end play, which is the end play of direction to the spline of shaft by the thickness of adjusting shims inserted at the time of assembling



Part No.	mm
43219-32200	0.075
43219-44000	0.127
43220-44000	0.254
43221-44000	0.762

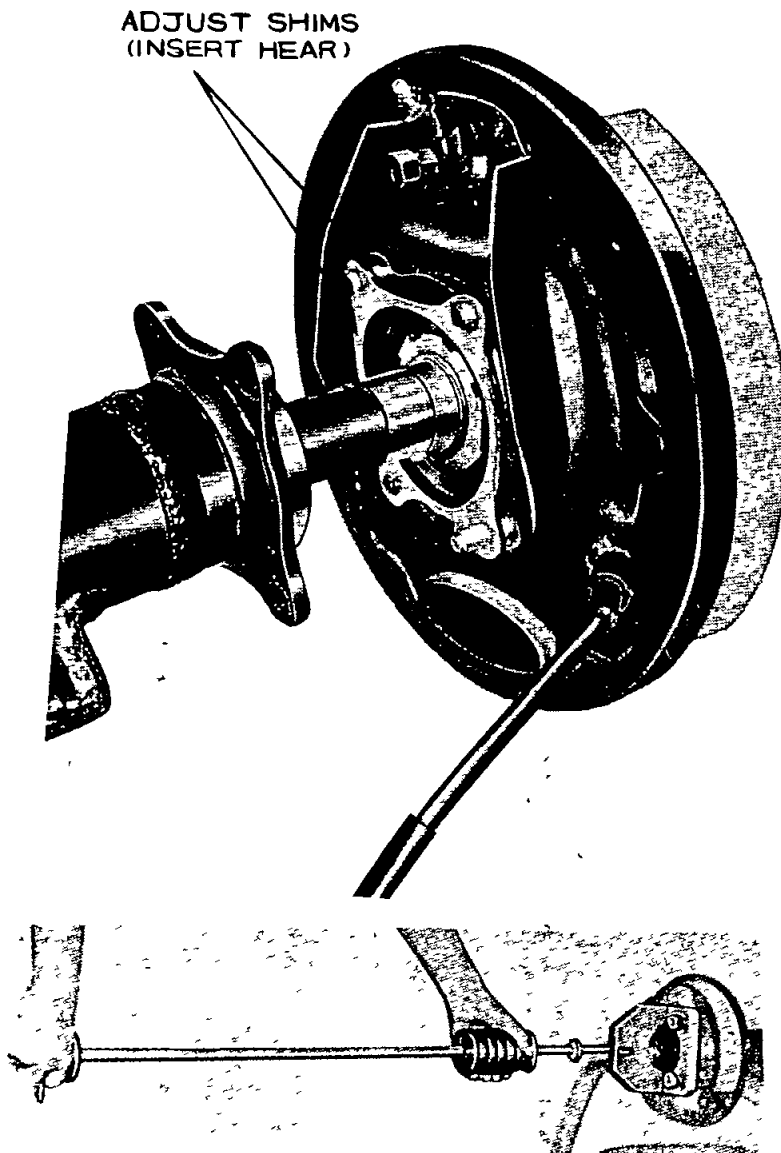


Fig. 14

In adjustment for this end play, select the adjusting shims for one side (Left or Right) at the first

Insert selected shims (standard 1.5 mm) between the axle tube and the shaft assembly fit the end play of axle shaft 0.85-1.10 mm.

Secondary, attach the other side of axle shaft assembly and adjust end play 0.05-0.10 mm by selecting adjust shims

THE INSPECTION WHEN THE CAR STOPS

- (1) Operating the side brake, and setting the revolving of axle shaft, the gear backlash and the defacement of the spline in the housing can be found by inspecting the motion of the propeller shaft as moving it to left and right. Specially in case of the drive pinion comes out and in, the pinion bearing is worn out or the adjustment is necessary
- (2) Another inspection should be carried in a way by tacking up one of the wheels and spin it back and forth
- (3) Holding the tire of the wheels jacked up and spin and move to every direction. When the shock is felt, inspect the degree of tightness and adjust it.
- (4) Inspect and confirm the volume and quality of the oil in the housing

Inspection in Motion

- (1) In case of giving the high metallic noise when speeding up, the backlash is at the least or too much at the drive gear and the drive pinion.
- (2) Giving any abnormal noise in speeding up or slowing down, the drive pinion bearing is worn out or damaged
- (3) It is the bearing that gives the constant humming noise at high speed and the gear that makes a periodic noise at low speed. In case there is any damage of the gear, it must be immediately disassembled and repaired because if it is used as it is, the broken gear cause to break the other gear and another and so forth, finally to the big accident.

BRAKE

GENERAL DATA

Type	operated by foot	Four wheel braking by oil pressure
	operated by hand	Mechanical braking for rear wheels
Inner dia. of master cylinder	19.05 mm (0.77 in)	
Inner dia. of wheel cylinder	Front wheel	Rear wheel
	19.05 mm	19.05 mm
Residual pressure of brake oil	0.5-0.8 kg/sq. cm	

BRAKE DRUM

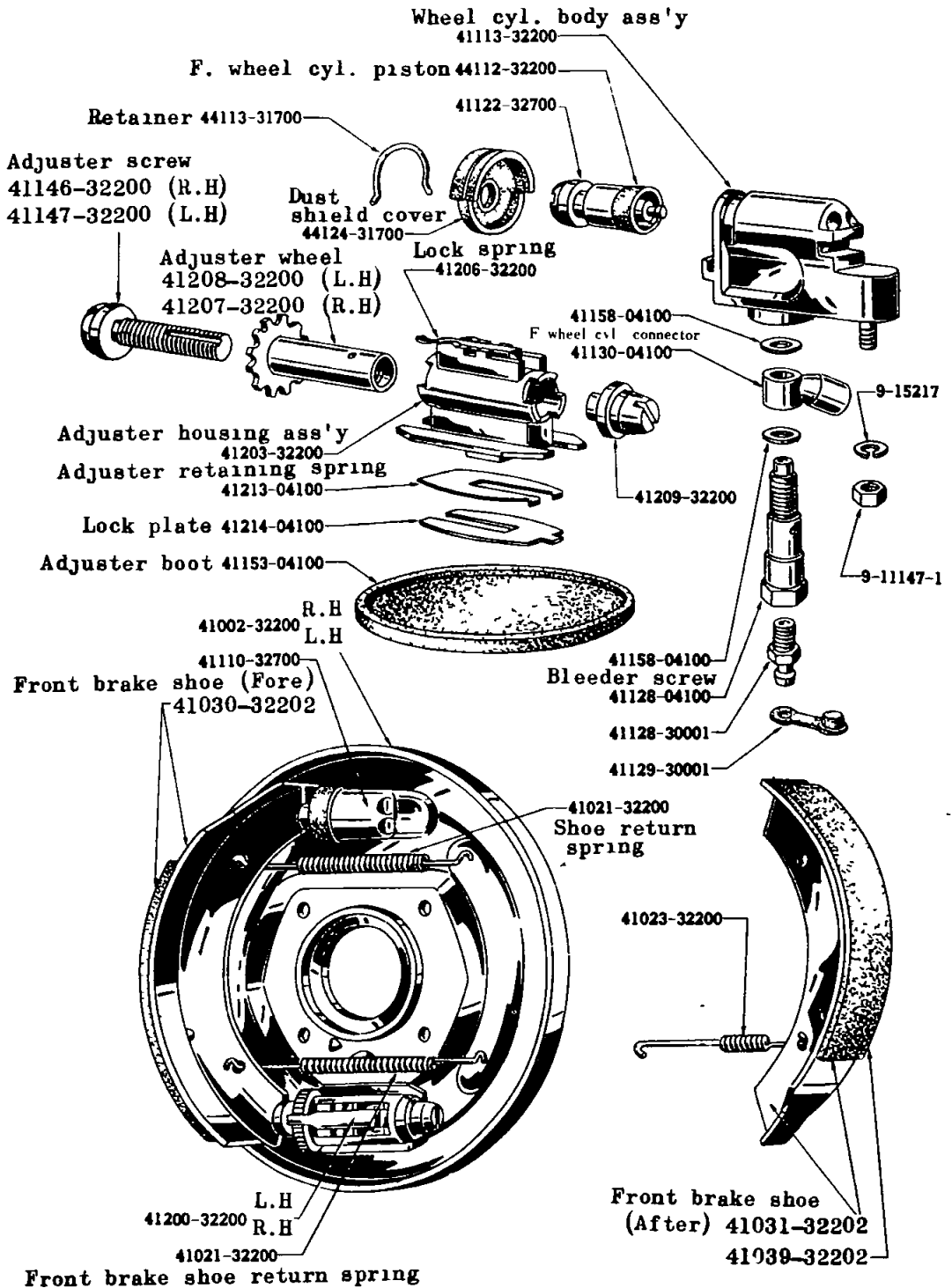
Inner dia. of drum (both front & rear)	254 mm (10 in.)
Degree of real circle of drum	Less than 0.05 mm (0.002 in.)
Amendment limit of dittoed degree	0.20 mm (0.008 in.)
Allowable limit of inner dia. of drum	0.80 x 2 mm (0.032 in. x 2)

BRAKE SHOE

Lining dimension (both front & rear wheel)	
Length x Width x Thickness	244 mm x 45 mm x 4.5 mm
Lining area (per brake shoe)	110 sq cm
Adjustment of shoe clearance (Front & Rear brake)	Fasten adjusting gear notch completely and then make 12 turnings back
Play for pedal	10-14 mm

The brakes on all four wheels are hydraulically operated by foot pedal application, directly coupled to a master cylinder in which the hydraulic pressure of the brake operating fluid is originated. A supply tank cast integrally with the master cylinder provides a reservoir by which the fluid is replenished, and a pipe line consisting of tube, flexible hose and union, inter connected the master cylinder and the wheel cylinders.

COMPONENTS OF FRONT BRAKE



The pressure generated in the master cylinder by application with the foot pedal is transmitted with equal and undiminished force to all wheel cylinders simultaneously. This moves the pistons outwards, which in turn expand the brake shoe thus producing automatic equalisation, and efficiency in direct proportion to the effort supplied at the pedal. When the pedal is released the brake shoe springs return the shoes which then return the wheel cylinder pistons, and therefore the fluid back into the pipe lines and master cylinder.

An independent mechanical linkage actuated by a hand brake, mounted drivers seat side (left or right side), operates the rear wheels by mechanical expanders attached to the rear wheel cylinder bodies.

FRONT BRAKES

The front brakes are operated by each one wheel cylinder

Each wheel cylinder consists of a body containing, spring, spring seats, pistons, piston cups, cylinder cover lock wheel cylinder cover and adjust screw

The shoes are allowed to slide and centralise during the actual braking operation which distributes the braking force equally over the lining area ensuring high efficiency and even lining wear

The brake shoes rest on the dimples formed in the back plate and are held in position by one return spring which connecting with the hole of shoes

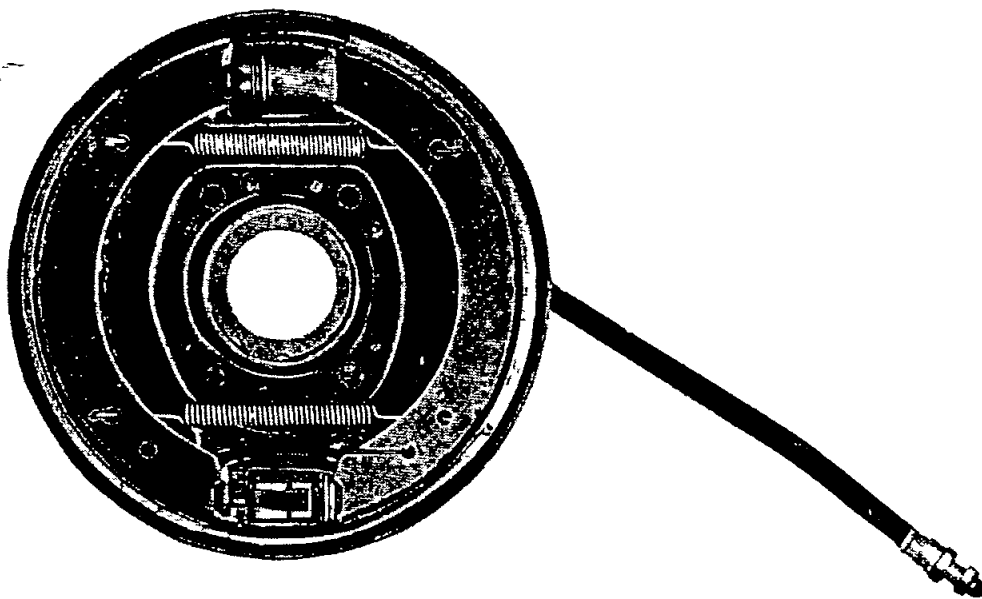


Fig. 1

REAR BRAKES

The rear brake shoes are not fixed but are allowed to slide and centralise with the same effect as in the front brakes. They are hydraulically operated by wheel cylinder and independent hand brake mechanism.

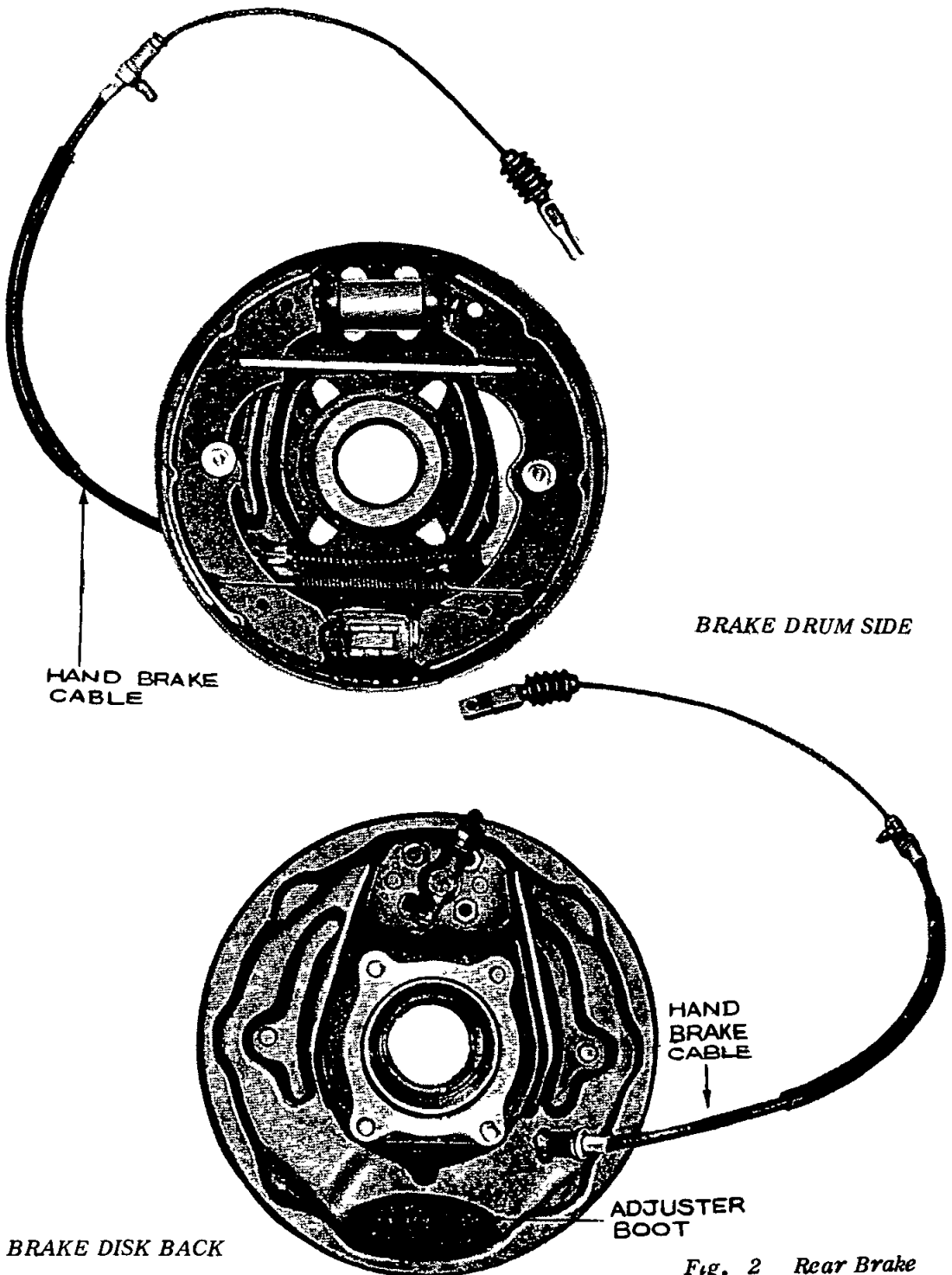


Fig. 2 Rear Brake

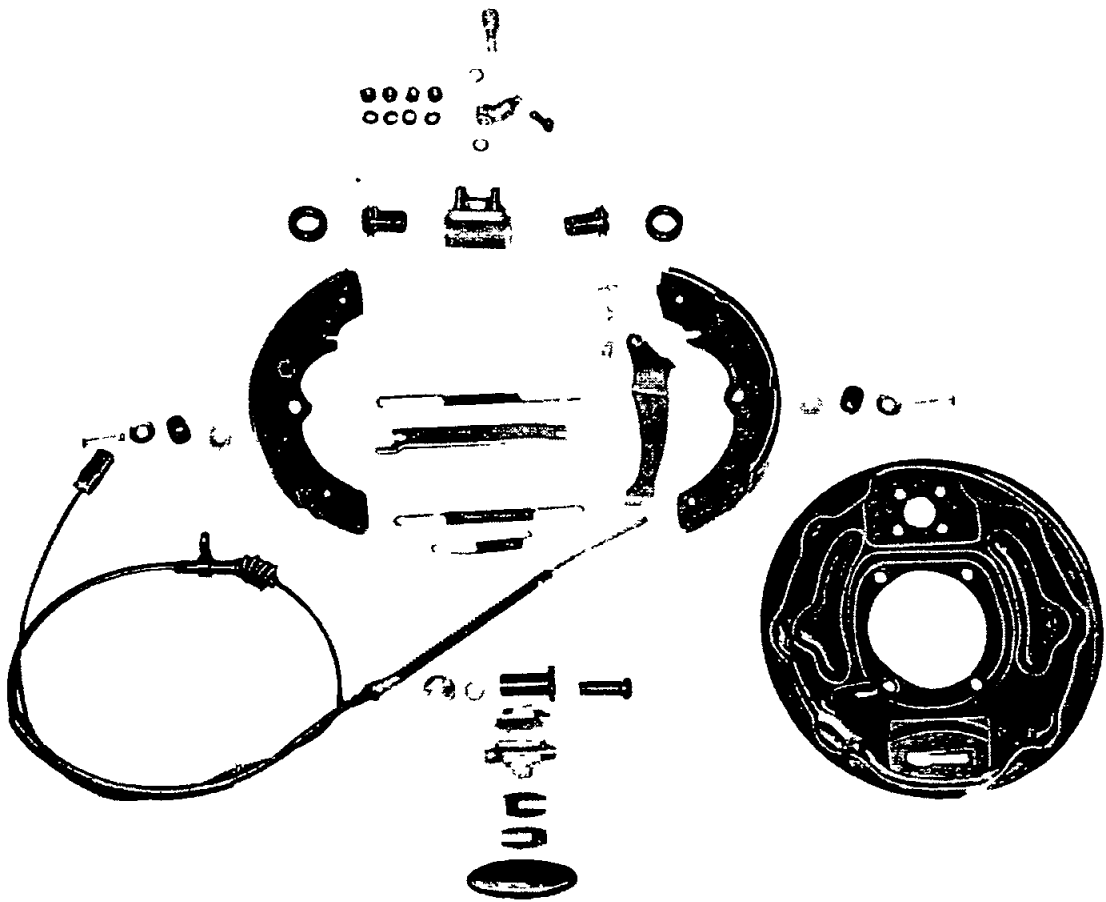


Fig. 3

HAND BRAKE

The hand brake operates on the rear wheels only and is applied by a pull-up type of lever situated along-side the driver's seat. The cable from the control is attached to the toggle lever connected with the rear brake disc. The hand brake linkage is set when leaving the works and should not require any attention under normal maintenance. Only when a complete overhaul is necessary should the hand brake linkage require resetting.

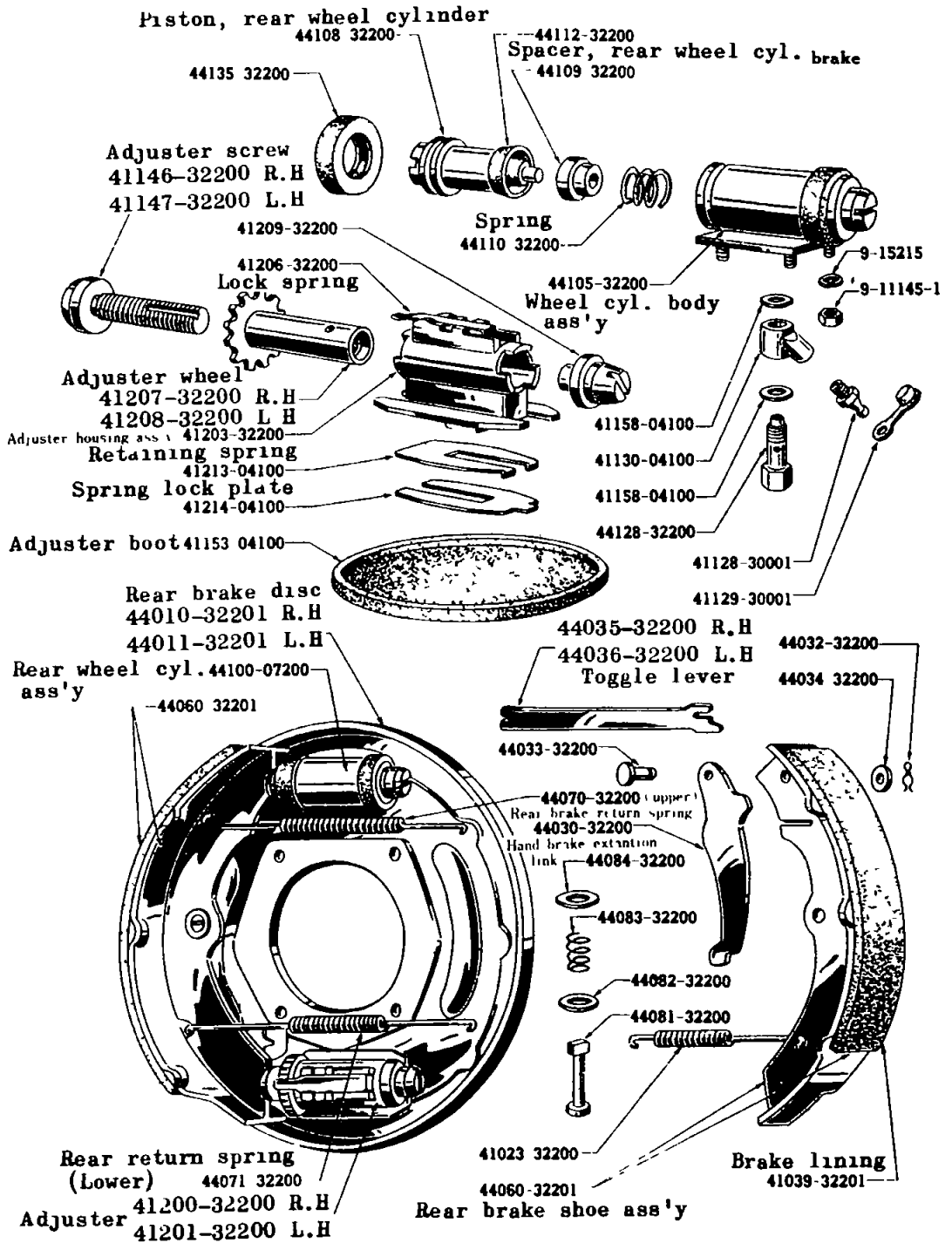
When this is correct the rear shoes should be locked to the drums, the hand brake control just slightly applied and the wire rope set with the slackness just removed, by means of a nut at the center rod of the equalizer drag link.

ADJUSTING BRAKES

Raise the truck and place stand jacks front and rear so that all four wheels rotate freely

Disconnect the parking brake cables at the cross shaft lever. This precaution should be taken to eliminate the possibility of brake shoe drag due to mis-adjusted parking brakes.

COMPONENTS OF REAR BRAKE





Rear Brake Adjustment

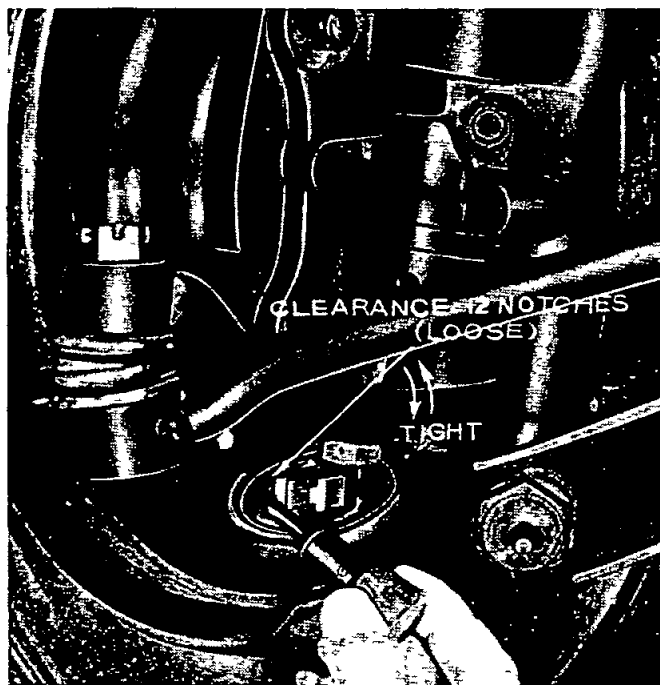


Fig. 4
Front Brake Adjustment

Remove the adjuster boot and insert a screw driver through adjusting hole and engage the teeth on the wheel.

Turn the adjuster wheel down upward direction until the shoe becomes locked on the brake drum, then turn it up (approximately 12 notches) until the wheel turns lightly.

MASTER CYLINDER

This consists of an alloy body with a polished, finished bore, and reservoir with cap.

The inner assembly is made of the push rod, stopper plate ring, piston, secondary cap, return spring, let out valve and check valve seat.

The open end of the cylinder is protected by a rubber boot as shown Fig. 5 disassembling the Brake Master Cylinder.

Disconnect the pressure pipe union from the cylinder and remove the securing bolts, then the master cylinder and fluid reservoir may be withdrawn complete from the car. Remove the filler cap and drain out fluid. Pull back the rubber boot and remove the stopper ring with a pair of long-nosed pliers. The push rod has been removed the piston with the secondary cap will be exposed, therefore remove the piston assembly complete.

The assembly can be separated by taking out other small parts. Examine all parts, especially the rubber primary cap, for wear or distortion and replace with new parts where necessary.

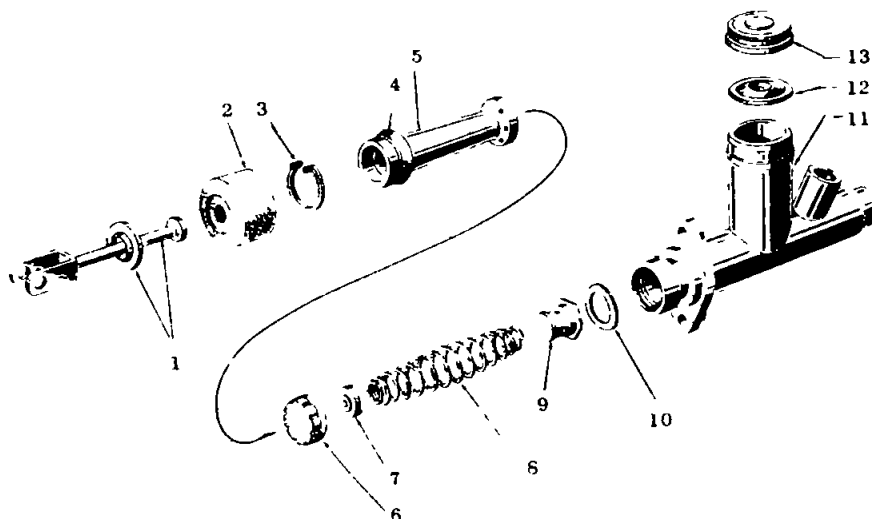


Fig. 5 Components of Brake Master Cylinder

- | | |
|---------------------------------|---------------------------------|
| (1) Push rod assembly | (8) Return spring |
| (2) Master cylinder rubber boot | (9) Let out valve assembly |
| (3) Stopper plate ring | (10) Check valve seat |
| (4) Piston secondary cup | (11) Brake master cylinder body |
| (5) Master cylinder piston | (12) Filler cap gasket |
| (6) Piston primary cup | (13) Filler cap |
| (7) Return spring seat | |

Bleeding the Hydraulic System

Bleeding is necessary any time a portion of the hydraulic system has been disconnected or if the level of the brake fluid has been allowed to fall so low that air has entered the master cylinder. With all the hydraulic connections secure and the supply tank topped up with the fluid, remove the cap from the bleed valve and fit the bleed tube over the bleed valve, immersing the free end of the tube in a clean jar containing a little brake fluid.

Unscrew the bleed valve cap about three-quarters of a turn and then operate the brake pedal with a slow full stroke until the fluid entering the jar is completely free of air bubbles. Then, during a downstroke of the brake pedal, tighten the bleed screw cap sufficiently to seat, remove bleed tube.

This process must now be repeated for each of the other wheel cylinder.

Always keep a careful check on the supply tank during bleeding since it is most important that a full level is maintained.

Should air reach the master cylinder from the supply tank, the whole of the bleeding operation must be repeated.

After bleeding, top up the supply tank to its correct level of approximately three-quarters full. Never use fluid that has been bleed from a brake system for topping up the supply tank, as this brake fluid may be to some extent aereated. Such fluid must be allowed to stand for at least one day before it is used again. This will allow the air bubbles in the fluid time to disperse. Great cleanliness is essential when dealing with any part of the hydraulic system, and especially so where the brake fluid is concerned. Dirty fluid must never be added to the system.

IGNITION SYSTEM

The ignition system is a system which is necessary for igniting the compressed fuel-air mixture within the engine cylinders.

The electric current from the electric power source (battery and generator), flows through ammeter (5) and ignition switch (6), into ignition coil (7).

The low-voltage current through the primary coil (14) is interrupted by contact breaker (9) of the distributor. This charges the magnetic field within the ignition coil intermittently, thus inducing high voltage.

The high voltage current is distributed by the distributor (10) through the high tension cord (16) to the spark plugs installed in the combustion chambers of the cylinder head. The spark plugs are made to spark to ignite the fuel-air mixture in the cylinders.

To diagnose defects of the ignition system, always have this distribution principle in mind and check the low and high voltage circuits separately.

As shown in Fig. 3, the ignition coil has two coils with primary current which is sent through the primary cord is sent and cut, the magnetic field within the primary coil changes and, by mutual induction, a voltage of 10,000 volts or more is created in the secondary coil

At this moment, self-induction voltage in the primary coil causes sparking at the contact points of the distributor contact breaker resulting in a decrease in the induced voltage of the secondary coil and pitting of the contact points.

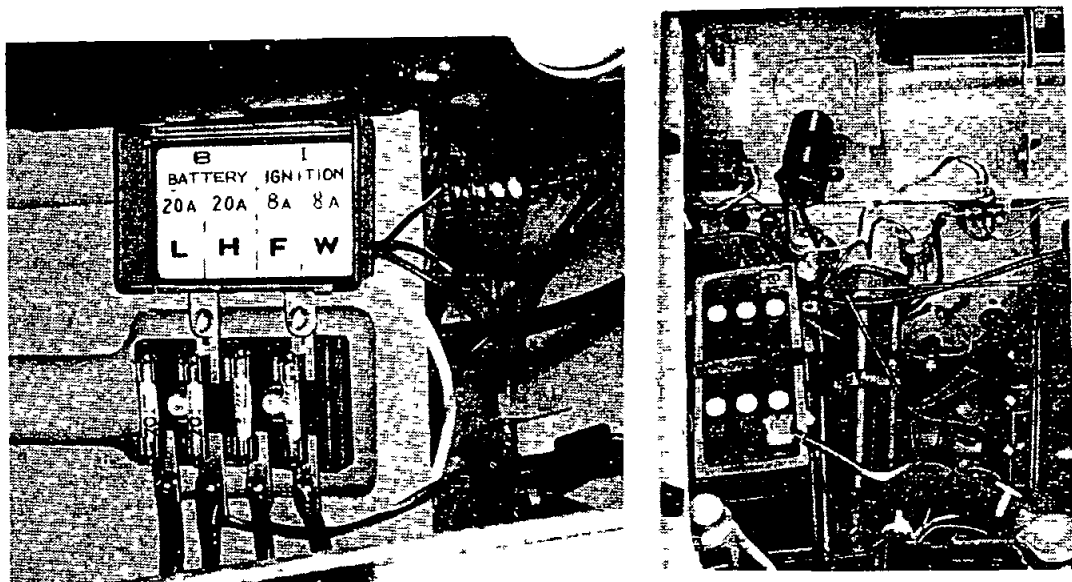


Fig. 1 Ignition System

Therefore, the primary circuit is provided with condenser to prevent drop of secondary voltage and absorb the spark at make-and-break contacts.

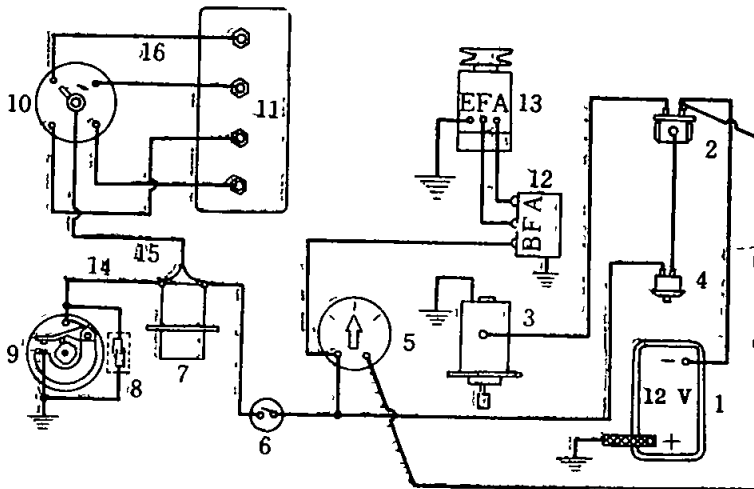


Fig. 2 Wiring Diagram of Ignition System

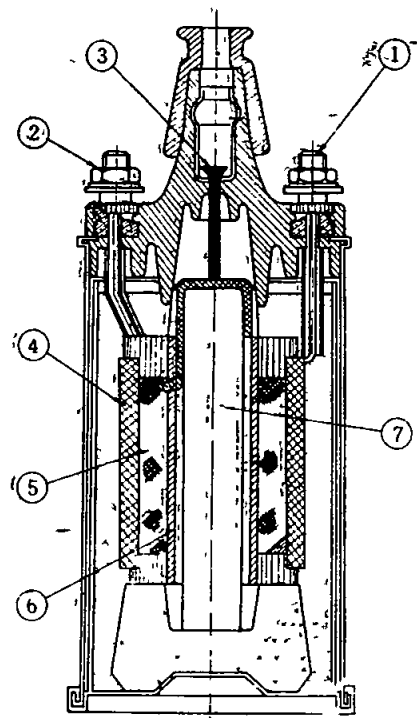
- | | |
|---------------------|------------------------|
| (1) Battery | (9) Distributor |
| (2) Magnetic switch | (10) Distributor cap |
| (3) Starter motor | (11) Cylinder head |
| (4) Starter button | (12) Voltage regulator |
| (5) Ammeter | (13) Generator |
| (6) Ignition switch | (14) Primary cord |
| (7) Ignition coil | (15) Secondary cord |
| (8) Condenser | (16) High-tension cord |

IGNITION COIL

Type	CTZ-01
Primary voltage	12 volts

Fig. 3 Section of Ignition Coil

- | |
|-----------------------------|
| (1) Primary cord terminal |
| (2) Primary cord terminal |
| (3) Secondary cord terminal |
| (4) Primary coil |
| (5) Secondary coil |
| (6) Core (Iron) |



Inspection and Repairs

Most troubles with the ignition coil can be attributed to short-circuit of primary or secondary coils caused by their defective insulation, overheating, or interior damage.

With such a faulty ignition coil, it does not generate sufficient secondary voltage, and the engine will misfire.

But as repairs of troubles are very difficult, except in cleaning terminal connection, replace a defective ignition coil.

Check of functioning of coil

Remove the cap of the distributor and turn the crankshaft until the contact point of the contact arm closes. Contact arm closes.

Then switch on the ignition switch, draw out the secondary cord from the central electrode on the distributor cap and, holding its tip about 6 mm away from a metal portion, of the engine, open and close the point by moving the contact arm by hand.

If bluish-white and strong spark are created between the tip of the cord and the metal portion, the coil may be considered to be all right.

When the sparks are feeble and reddish, or when sparking does not take place unless the gap with the metal portion is extremely reduced, the coil must be defective.

Since these are cases when the condenser and ignition switch are all right, to be exact, employ a coil tester.

To check by means of an ammeter connect the primary coil and battery then measure the current.

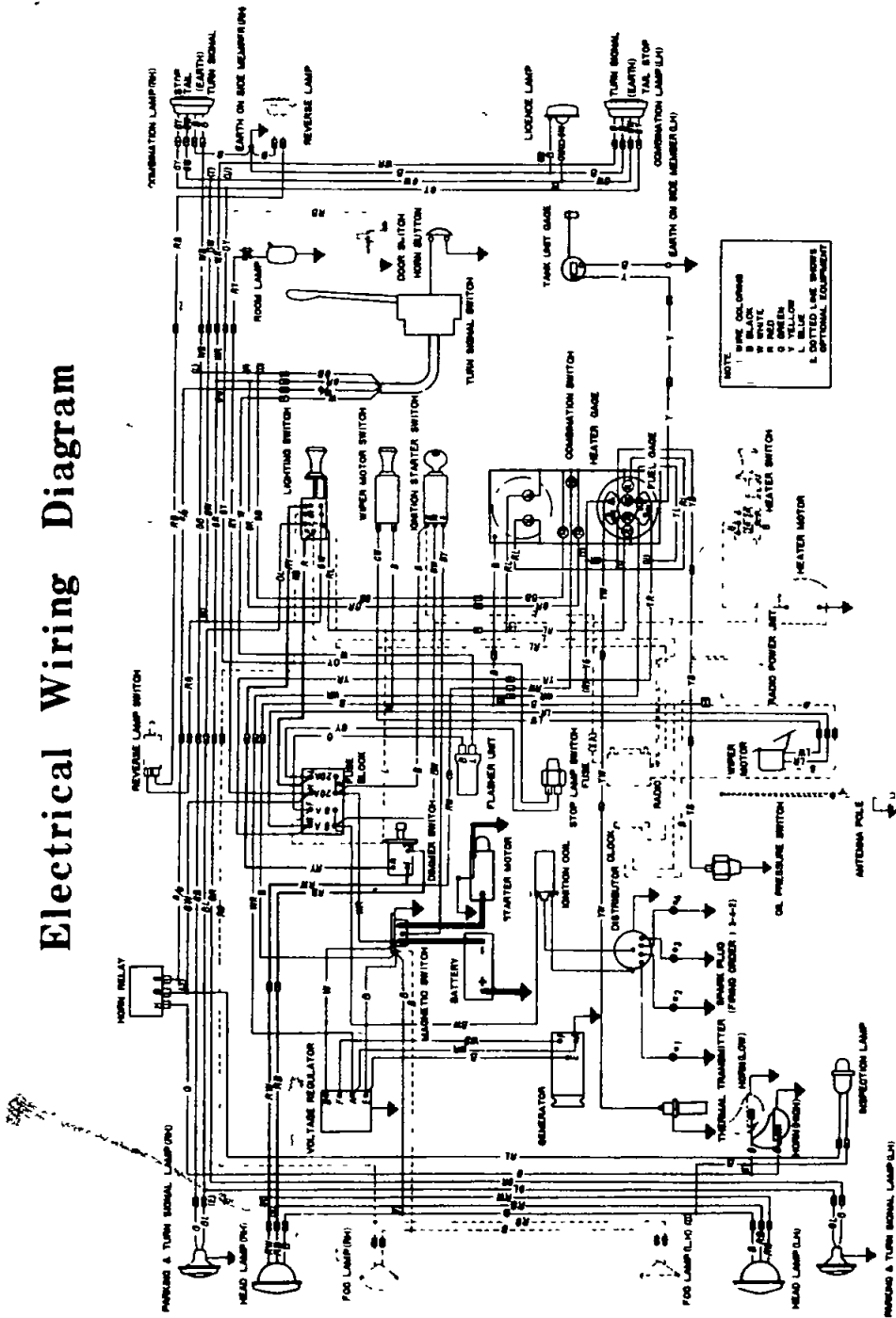
If there is no current at all, this signifies a break in the circuit.

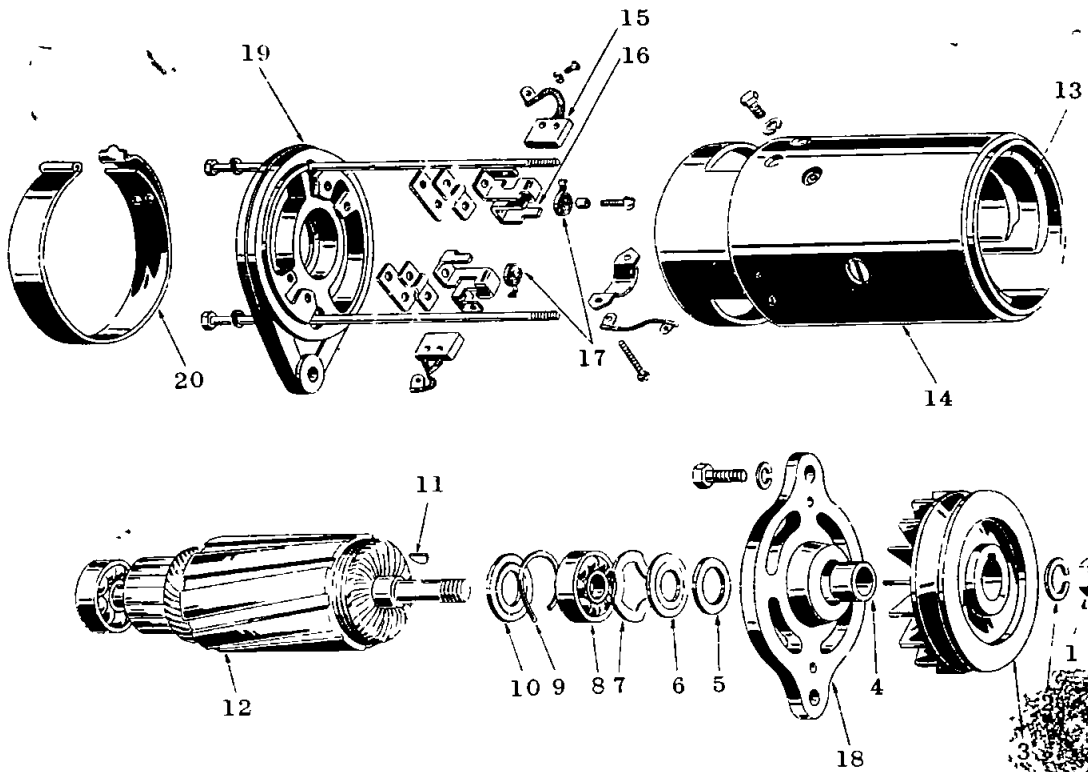
In such cases the coil must be renewed.

For thorough inspection, a coil tester should be employed.

ELECTRICAL SYSTEM

Electrical Wiring Diagram





Generator

- | | | |
|-------------|------------------|-------------------|
| (1) Nut | (8) Ball bearing | (15) Brush |
| (2) Washer | (9) Clip | (16) Brush holder |
| (3) Pulley | (10) Oil cover | (17) Brush spring |
| (4) Spacer | (11) Key | (18) Front cover |
| (5) Packing | (12) Armature | (19) Rear cover |
| (6) Retamer | (13) Field coil | (20) Brush cover |
| (7) Spring | (14) Yoke ass'y | |

GENERATOR

Model	Hitachi G115-53
Voltage	12 volts
Out put	200 watt
Pulley ratio	1.93
Amendment limit of deflection of shaft	0.1 mm (0.004 in.)
Amendment limit of short dimension on commutator	3 mm (0.120 in.)
Shunt V	More than 7A (at 1000 r. p. m.)

Degree of real circle or commutator	0.05 mm (0.002 in.)
Limit of polarized wear on commutator	0.4 mm (0.016 in.)
Motoring test A	6 ~ 8 A (at 950 ~ 1150)

The generator is mounted on the front left side of the engine and is driven by a fan belt at 1.34 times the speed of the crankshaft. As shown in the diagram of the generating system Fig. 1 the generator (-) terminal is grounded to the car body and the (+) circuit line goes through the voltage regulator and ammeter to charge the battery. The generator is a constant-voltage type equipped with a carbon pile type.

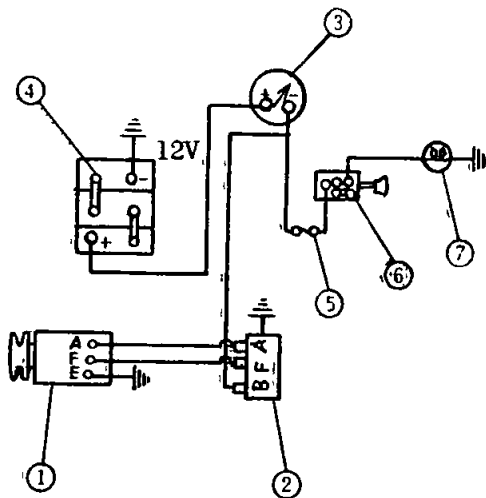


Fig. 1 Diagram of Generating System

- (1) Generator
- (2) Voltage regulator
- (3) Ammeter
- (4) Battery
- (5) Fuse
- (6) Lighting switch
- (7) Lamp

The constant-voltage type generator, when charging, maintains a fixed voltage at the generator terminals regardless of the vehicle speed, that is, over a wide range of engine speeds and also produces an output conforming to the load. In other words, conforming to the state of battery charge, the charging current is automatically regulated, preventing excessive charging or discharging. When the load is increased suddenly, the output will increase correspondingly so that the life of the battery will be prolonged.

Generator Construction

As shown in Fig. 2 the generator is flange mounted, pulley driven type, shunt wound, and ventilated by a fan integral with the pulley. It is a so-called enclosed, ventilated type with the brush part covered with an easily removable band to facilitate inspection and cleaning.

Servicing Generator

Care should be taken to see that the exterior and the interior of the generator always kept clean.

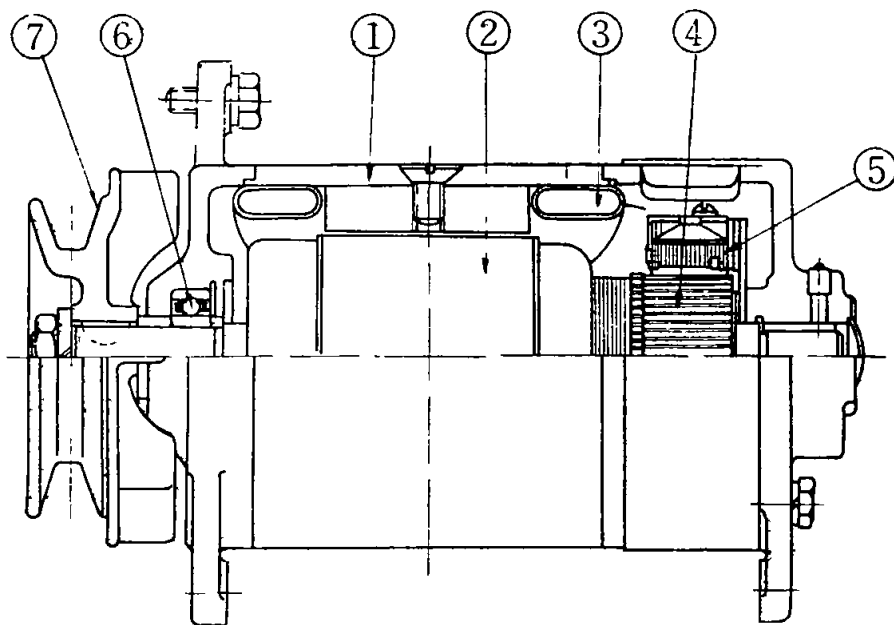


Fig. 2 Generator Sectional View

- | | |
|----------------|-------------------|
| (1) Frame | (5) Brush spring |
| (2) Armature | (6) Ball bearings |
| (3) Field coil | (7) Fan pulley |
| (4) Commutator | |

To disassemble, first remove the drive pulley. Then after removing the band cover, press the brush spring back and pull out the brush from the holder. Then by unscrewing the two through-bolts connecting the end covers, the generator can be disassembled as shown in Fig. 2.

All disassembled parts with the exception of the field coil and the armature coil are washed with gasoline before being inspected and reassembled.

When reassembling, the front bearing, being of the ball bearing type, is filled with magne grease while the rear bearing is lubricated with a few drops of light engine oil.

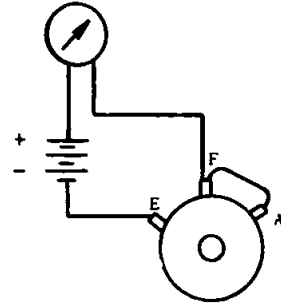
When installing the generator on to the engine, care should be taken to see that the fan belt is properly tensioned.

After installing, all electrical connections are securely tightened and cleaned.

Trouble Shooting

Diagnosis through motoring test.

Before disassembling the generator for inspection, an overall check-up can be made through the motoring test. The constant voltage generator operates together with the voltage regulator, which being a complicated unit, makes it difficult to discover troubles in the generator. Thus, by checking the performance of the generator alone through motoring test makes this an efficient repair operation. For the motoring test, a fully charged battery (12 volts) and about .50 ampere capacity ammeter are required. With the units connected for the tester. The generator is turned as a motor and from the condition of the current and speed, troubles occurring in the generator can be checked.



(A) The generator is in normal condition if the ammeter indicates from 5 to 7 amperes and the generator rotates smoothly with only a faint hum. If the generator fails to rotate, there is trouble in the electrical circuit. The rated currents are 8 amperes at 750 r. p. m.

(B) If the ammeter indicates higher than the rated values, there is a short or grounded connection provided there are no mechanical defects. It should be noted that a fairly large current will flow if the frictional resistance of the rotating parts is great.

If the rotation is irregular, there is a short or ground in the armature, and if the rotation is slow, the trouble may be due to short or ground in the field coils. Furthermore, if the rotation is normal but the ammeter pointer vibrates exceedingly, the trouble will also be due to short or ground in the interior parts.

(C) If the ammeter indicated below the rated values or if the rotation is uneven or slow, there is a defective connection in the interior parts or a high frictional part. In this case, repairs or replacement of defective parts are made.

Diagnosing troubles with a tester.

With the above motoring test, the generator can be checked to see if it is faulty and the troubles approximately located but it would be more advantageous to use a multitype tester shown in Fig. 3.

Furthermore, by using a portable dynamo tester, tests can easily be made without removing the generator from the car.

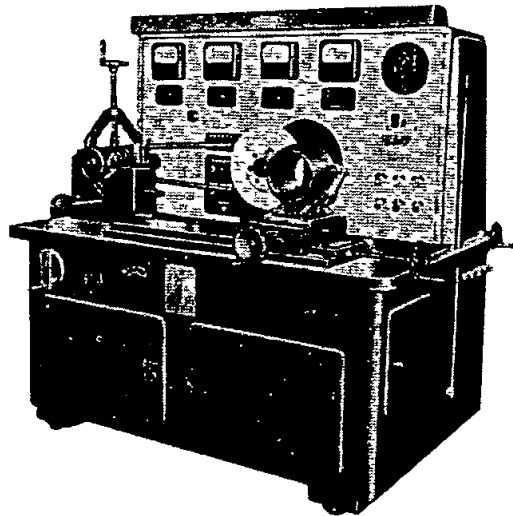


Fig. 3 Generator, Starter motor and Regulator Tester

In making these tests, the A and F terminals of the generator are connected together, the voltmeter is connected between generator A terminal and the ground, and the ammeter is connected between regulator B terminal and the battery. The engine is turned over at medium speed (generator speed about 2,000 rpm.) If the ammeter pointer fails to move, or if current is being generated but when the load is increased to 20 amperes, the voltmeter indicates below 13 volts, the generator is defective and requires repairing.

When the generator is disassembled and the parts are to be inspected, the armature growler is used for this purpose in the following manner.

Testing for Grounding in Field Coil

The ground terminal of the field coil is removed one lead from the growler is grounded while the other lead is contacted with the other field coil terminal.

If the test lamp on the growler lights, the field coil is grounded so that it should be replaced with new coil. If the test lamp fails to light, the field coil is free from grounding

Testing for Shorts in Field Coil

The field coil is placed in series with an ammeter between the positive and negative terminals of a 12 volt electrical source. If the ammeter shows an exceedingly high reading, the field coil is shorted and should be replaced

Rated currents are Hitachi 10 5 amperes.

Lead Wire Test (Circuit Test)

To test the lead wire, that is, the wiring from the plus brush holder to the generator A terminal, the two leads from the growler are contacted with both ends of the lead wire. If the test lamp lights, there are no defects but if it fails to light there is a break in the lead wire, which should be replaced. If one test lead is contacted with one end of the lead wire and the other test lead contacted to the body and the test lamp lights, the lead wire is grounded.

Plus Brush Test

One lead from the growler is grounded and the other lead is contacted with the plus brush holder. If the test lamp lights, the brush holder is grounded and should be replaced.

Testing for Grounding in Armature

To test if the armature is grounded or not, one lead from the growler is contacted with the armature shaft and the other lead with the commutator segment. If the test lamp lights, the armature is grounded and should be replaced.

Testing for Shorts in Armature

To test for shorts in armature coil, the armature is placed on top of the growler and with iron piece held over the armature coil, the armature is rotated by hand.

If the iron piece is attracted to the armature coil, the armature coil is shorted and should be replaced.

Checking Armature Shaft and Bushing

The clearance between the armature shaft and bearing bushing is checked and if the shaft is found to be worn or badly bent, it should be replaced. If there is excessive looseness between the armature and the core becomes non-uniform during rotation so that not only will the output be reduced and the smoothness of rotation be destroyed but this will cause the shaft to bend and cause the parts to touch. The specifications should be referred to and defective parts should be replaced or repaired.

Checking Armature Coil

This is a visual check-up. The connection between the armature coil and the commutator are inspected and all loose or defective soldered connections are corrected.

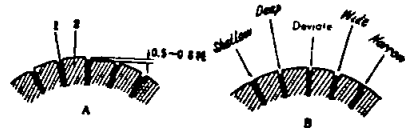
Checking Commutator

When the commutator becomes worn so that the ovality of 0.4 mm. (difference in diameters between the largest and smallest dimensions) is exceeded or the depth of the mica segments from the surface of the commutator becomes less than the allowable limit of 0.2 mm., corrections should be made. When the commutator surface is dirty or rough, or is worn so that it is elliptical or stepped, it will not only result in the brushes contacting poorly and causing decreasing output and further the burning damage on the commutator surface, but will also hasten the wear of the brushes.

If the commutator surface is only oxidized, it can be corrected with No. 00 sandpaper but if it is worn as described above, corrections can be made only by supporting both ends of the armature shaft and machining as shown in Fig. 4.

However, if worn over 3 mm., it should be replaced.

Continued use of a commutator which is worn so that the depth of the segment mica is shallow may result in part of the mica becoming higher than the surface of the commutator. This condition will make the brushes jump and produce sparks to burn and damage the commutator surface. The depth of the mica is corrected by undercutting, the cuts being carefully made with a hacksaw to the condition shown in Fig. 4. The commutator surface is then finished by smoothing it with sandpaper or commutator stone.



A. Correct finish

B. Incorrect finish

(1) Mica insulation

(2) Commutator segment

Fig. 4 Undercutting Commutator

Checking Brush and Brush Spring

(A) If the brush does not seat properly against the commutator surface, corrections are made by reseating. However, if the brush is worn beyond the wear limit or is broken, it should be replaced. To reseal the brush, a piece of sandpaper of about No. 150 fineness is wrapped around the commutator and with the brush installed in the holder over the sandpaper, the holder is revolved. For finishing, sandpaper of about No. 320 rating is used. After reseating, it should be blown with compressed air, and, after cleaning the dust off thoroughly, the brush is wiped with a dry cloth. The max. permissible wear of the brush is 1/3 the length, over which the brush should be replaced.

(B) If the brush spring does not have the proper tension, it should be replaced.

Since the brush spring has considerable effect on the proper contacting between the brush and the commutator, it is necessary to determine the tension by the tester of spring tension with brush installed. A weak spring will increase the electrical resistance, causing sparking and pitting on the commutator, while too strong a spring will hasten wear in the brush and commutator. Thus, when replacing, a good grade brush and correct size spring should be used.

VOLTAGE REGULATOR

On the voltage regulators is the carbon-tile Hitachi Model R123-50 used Hitachi generator.

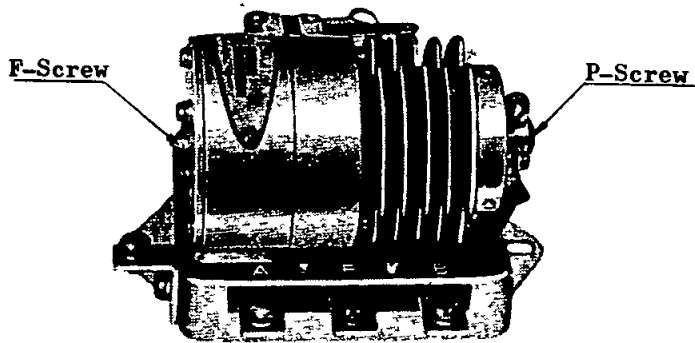


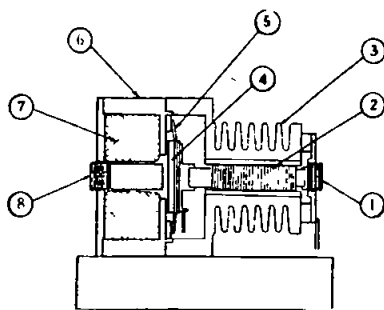
Fig. 1 Hitachi Model CCA Carbon Pile Type-Voltage Regulator

Model	R115-50
Cut-out relay point gap	0.6 - 0.8 mm
No load adjusting voltage	15 - 16 volts, at 2500 r. p. m.
Flux screw locating voltage	12.5 - 13.5 volts, at 2500 r. p. m.
Cut-in voltage	9 - 11 volts, at 2500 r. p. m.
Release current	Less than 5 amps.

Construction and Operation

As shown in the above figure, the regulator consists of the carbon pile, magnet coil, moving core spring, and fixed resistances.

The principal part is the carbon pile which consists of several dozen layers of thin carbon discs. By applying pressure to both ends of the carbon pile as shown in Fig. 1 the resistance will change. The utilization of this characteristic is the carbon pile voltage regulator, the wiring diagram of which is shown in Fig. 2.



- (1) Pile pressure screw
- (2) Carbon pile
- (3) Pile holder
- (4) Moving core
- (5) Compression spring
- (6) Compression spring
- (7) Magnet coil
- (8) Flux adjusting screw

Fig. A Sectional View of Carbon-Pile Regulator

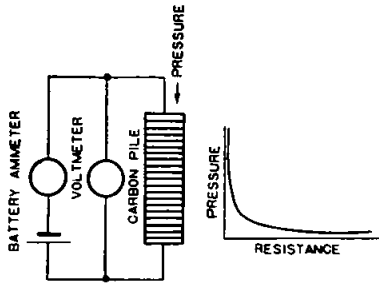


Fig. B Characteristics of Carbon Pile

Without a voltage regulator, the generated voltage will vary with the speed, load and other factors but a carbon pile regulator will maintain constant voltage by the following action.

When used in conjunction with the generator and the voltage becomes high, the current through the magnet coil increases and makes the attractive force greater. This increases the carbon resistance so that the current through the field coil is decreased and also decreases the generated current. Conversely, when the voltage becomes low, the generated current increases. Thus, by properly matching the carbon pile regulator limits the current by means of the current coil, there is no need of specially providing a current cut-out. Also, the coil in series with the field is for improving the charging characteristics at low speed while the fixed resistances are for preventing variations in characteristics due to temperature changes.

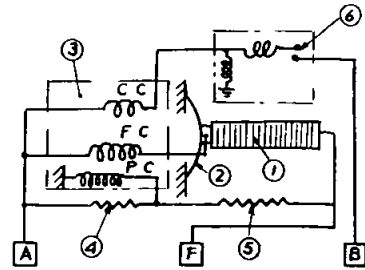
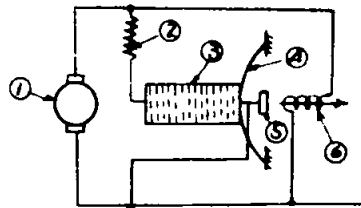


Fig. 2 Wiring Diagram

- (1) Carbon pile
- (2) Spring
- (3) Magnet coil
- (4) Temperature compensating resistance
- (5) Stabilizer
- (6) Cut-out relay

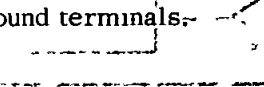
Wiring Precautions



- (1) Generator
- (2) Field coil
- (3) Carbon pile
- (4) Compression spring
- (5) Moving core
- (6) Voltage coil

Fig. 3 Voltage Regulating Principles

In connecting up the generator and the voltage regulator, care should be taken to note the signs on the terminals shown in Fig. 4 to make the connections tight, and to make sure not to forget to connect the ground terminals.



However, caution should be taken not to damage the terminals, screws, and other parts by tightening more than necessary. For wiring, heavy wires are used between A-A and B-B because of large currents flowing between these points and light wire is used between F-F. Care should be taken not to mistake the size of these wires. When the wires have been in service for a long period of time, they are repaired or replaced. In these cases, the same or larger size wires should be used to replace the wires formerly used and wire-to-wire connections should be amply soldered and wound with black tape to preserve the insulation.

Repairs, Adjustments, Inspection

The voltage regulating part of the voltage regulator has been subjected to rigid inspection so that there should be practically no changes while in use and no necessity for adjustments. If trouble should occur, however, the regulator should not be touched without previous preparations, or this will, on the contrary, lead to bigger troubles. Before adjusting, the principles outlined above should be thoroughly understood, and, with a voltmeter and other instruments on hand, adjustments should be made correctly. When adjusting the gap between the adjusting core and the moving core, it is difficult to determine this distance dimensionally so that it is of importance to make this adjustment electrically as shown in Fig. A.

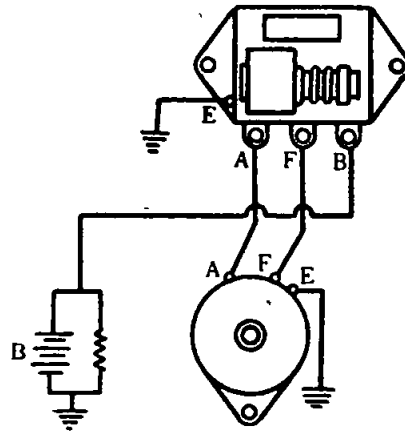


Fig. 4 Wiring Diagram

Adjusting when Voltage Changes after long Period of Service

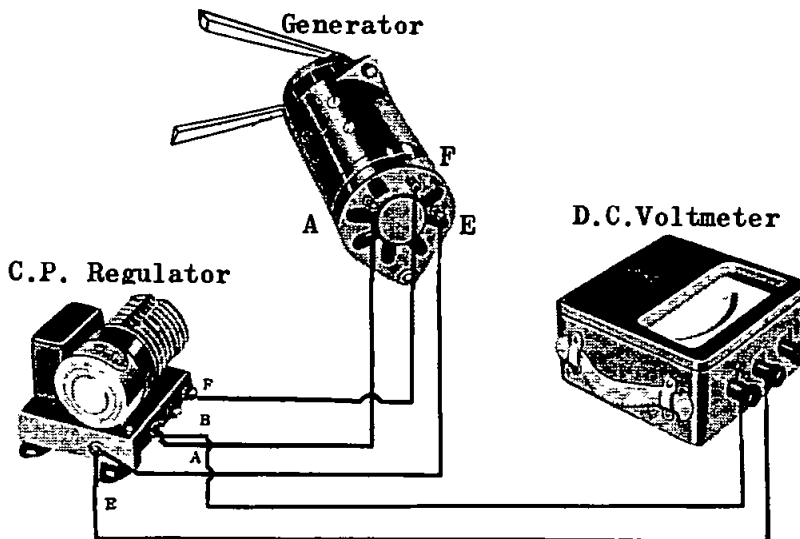
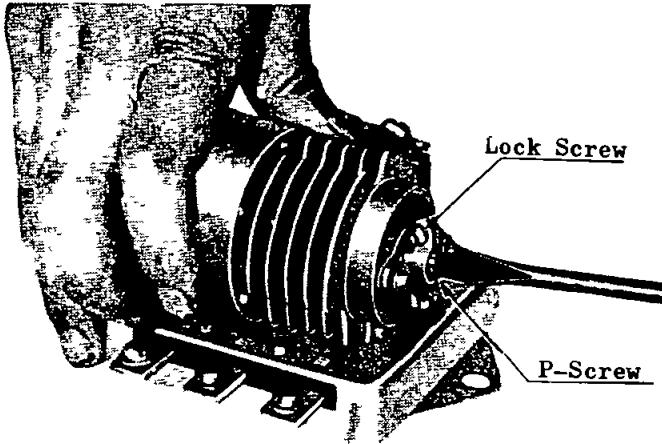


Fig. 5 Wiring During Adjusting

In this case, adjustments are made through the pile compression screw only. As shown in Fig. 5 to the A terminal of the regulator a voltmeter V is connected. Terminal B is connected via an ammeter to the circuit switch of the battery and variable resistance.

With the generator running at no load (battery and resistance circuit cut out) and at rated speed (generator, 2,500 rpm., engine, 1,860 rpm.), the voltmeter is read.

As shown in Fig. 5 tightening the pile compression spring will raise the voltage so that, if the voltage is low, screw in, and, conversely, if the voltage is high, unscrew.



this indicates a resistance in the charging circuit. In this case, check the cut-out relay for such defects as burnt contact points and repair as necessary

To measure the cut-in voltage and cut-out current, connect the voltmeter as shown with the line in Fig. 5 to terminal B, and make measurements through the circuit of terminal B and a fully-charged battery. Measurement of the output is made by reading the voltmeter and ammeter through the variable resistance circuit with the battery circuit cut out. During the measurement of the no-load regulating voltage, the terminal A voltage and terminal B voltage should be practically the same. If these two voltages differ considerably,

Adjusting Regulator After Reassembly

When reassembling, adjustments are made through the adjusting core and the pile pressure screw. The regulator is connected up to the generator at no-load and revolving at specified speed (2,500 rpm.), the adjusting core (F screw) is tightened by turning it in clockwise direction as shown in Fig. 6.

This will cause the voltage to drop at first but it will rise again. This is due to the fact that at first the gap between the F screw and the moving core to increase the contacting resistance of the pile sheets and lower the terminal voltage. As the F screw is tightened further, the gap to the moving core reaches 0 and the terminal voltage shows a minimum value. With further tightening, the flux adjusting screw beginning to push the directly and the voltage rises rapidly. This as the push-up voltage.

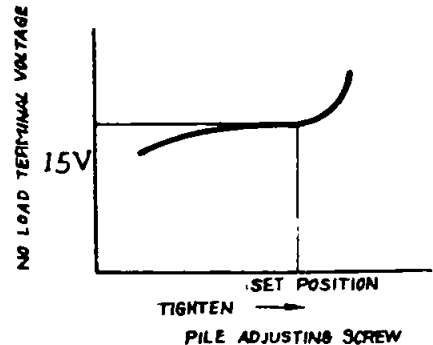


Fig. 6 Position of pile pressure screw and no-load terminal voltage

The voltage is measured by connecting a voltmeter between the A and E terminals as shown in Fig. 8.

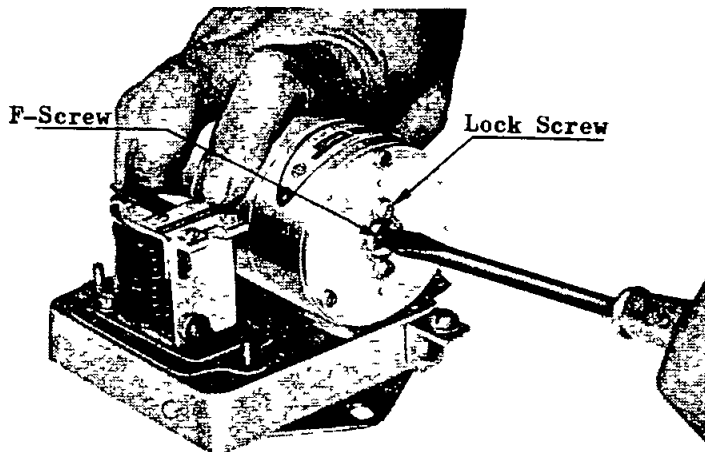


Fig. 7 Adjusting Core

The procedure outlined below should be followed in making necessary adjustments from this stage on.

- (1) With the connections made as shown in Fig. 8 have the generator at no-load (B terminal disconnected) and rotating at specified speed (2,500 rpm.)
- (2) Set the pile pressure screw position.
- (3) Tighten the adjusting core (F screw) and determine the push-up voltage. If the F screw is tightened beyond the push-up voltage (10.5 volts/2,500 rpm.), the voltage rises extremely fast so that care should be taken to tighten as slowly as possible when near the push-up voltage.

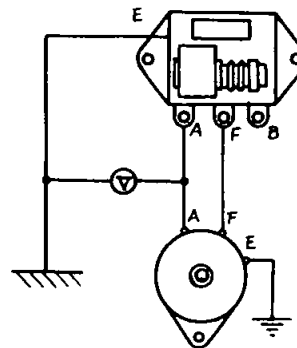


Fig. 8 Wiring hook-up measuring push-up voltage

- (4) If by adjusting the F screw the specified push-up voltage cannot be obtained but is less than 10.5 volts (Case A₂), the F screw is unscrewed back nearly to the no-load voltage and the P screw is slightly tightened. If more than 10.5 volts (Case A₁), the P screw is lightly loosened. Then by following the procedure shown in (iii), the push-up voltage is redetermined.
- (5) When the required voltage is obtained, the P screw is fixed and the pile is given a light shock to settle the piles after which the push-up voltage is rechecked.
- (6) After rechecking, the F screw is unscrewed until the specified no-load voltage (15-16 volts 2,500 rpm.) is shown. The F screw is then fixed.

(7) After the P and F screws are fixed, the generator is stopped. It is then restarted until it reaches the specified speed and the no-load voltage is checked to see that it has the specified value. It is important that before making this test, the pile be given a light shock in order to bring it to a stable condition

When the above adjustments have been completed, the output should automatically conform to the specified value. This is checked by rotating the generator at the specified speed and impressing a load

Checking Cut-Out Relay

The voltage at which the cut-out relay points close is checked. This voltage is determined by slowly increasing the speed of the generator and reading the voltmeter connected as shown in Fig 8 until the points close. The proper cut-in voltage is from 12.7-13.3 volts at 1,250 rpm. If the voltage checked is found to be too high when the points close, the relay adjusting arm shown in Fig. 8 is lowered to weaken the flat spring, and if too low, the adjusting arm is raised to strengthen the spring. However, it should be noted that the proper gap distance of the relay parts are

Relay point gap 0.9 mm
 Arm to core gap (points open) 0.7 - 0.8 mm
 Arm to core gap (points closed) 0.4 - 0.5 mm

The cut-out relay points should be inspected about once in every two months. Burnt, pitted, and other poorly contacting points should be dressed with a fine file, No. 000 sandpaper, or point dresser but points found to be badly worn should be replaced.

After dressing, it will be necessary to readjust the point gap to the correct dimension. If the actuating voltage of the cut-out relay is found to be correct but the meter needle vibrates when the engine is idling, the points will be quickly damaged so that in this case, the idling speed should be lowered by adjusting the engine.

Checking Through Ammeter Indications

(1) Those familiar with the third brush type when changing over to the pile type may think that there is insufficient charging when the ammeter indication is small during daylight. However, there is no need to worry since the battery is fully charged. Reversely, if after driving for several hours during the day and the ammeter pointer still indicates around 15 amperes on the plus side, it shows trouble.

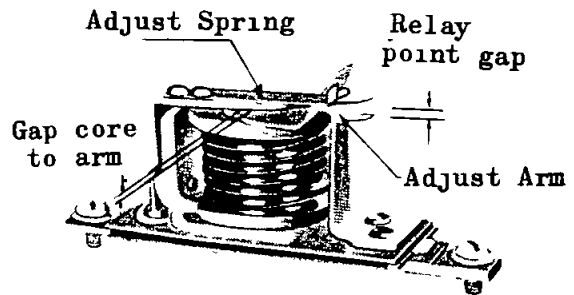


Fig. 9 Cut-out relay upper left shows cut-out relay winding detail

In this case, check the fluid level and specific gravity of the battery. Also check for incorrect wiring and see if any wiring paired immediately.

(2) During night, the ammeter pointer should indicate around 0 when driving at 30 to 40 km. per hour. If the indication is more than minus 10 amperes, check-up should be made in the manner as described in.

(3) During the day, even with the battery fully charged, about 30 amperes charging current may be indicated immediately after operating the starting motor. There is no need to worry since this is to restore the temporarily consumed battery and it will return to the normal charging condition within 5 minutes.

STARTER MOTOR

Voltage	12 volts
Output	(1.0 HP)
Starting current (voltage)	Less than 500 amps. (9.5 volts.)
Lock torque	Over 0.9 kg-m
Type of pinion gear	Bendex type
Number of tooth on pinion gear	9
Number of tooth on ring gear	120
Amendment limit of short dimension on shaft dia (pinion side)	0.1 mm (0.004 in.)
Amendment limit of short dimension of shaft dia. (rear end)	0.1 mm (0.004 in.)
Gap between shaft and bush (pinion side)	0.038-0.095 mm (0.0015-0.0038 in.)
Amendment limit dittoed gap	0.02 mm (0.008 in.)
Gap between shaft and bush (rear end)	0.03-0.076 mm (0.0012-0.0030 in.)
Amendment limit dittoed gap	0.2 mm (0.008 in.)
Amendment limit of deflection on shaft	0.1 mm (0.004 in.)
Amendment limit of short dimension	2 mm (0.08 in.)
Dittoed degree of rear circle	0.05 mm (0.002 in.)
Dittoed limit of polarized wear	0.4 mm (0.016 in.)
Bush length	
Amendment limit	9 mm (0.36 in.)
Brush spring pressure	0.9 kg 0.1

Construction and Operation

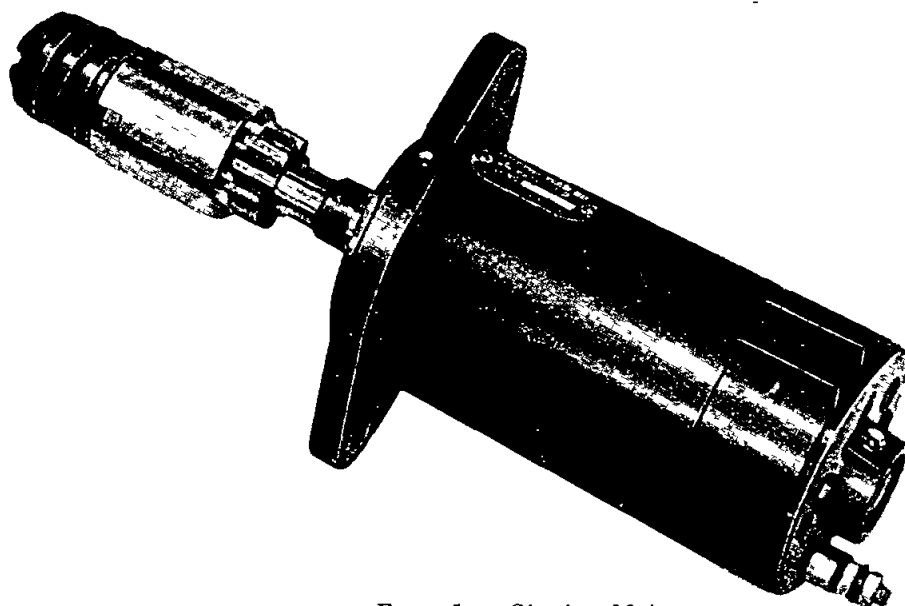


Fig. 1 Starter Motor

The starter motor is a 1.0 horsepower sliding inertia type electric motor for use in starting. The motor when mounted on the engine is on the front right side of the transmission with its pinion gear directly opposite to the ring gear. The construction of the starter motor is similar to that of the generator but differs only in that its armature shaft extends out backwards with a pinion group installed on the end as shown in Fig. 2.

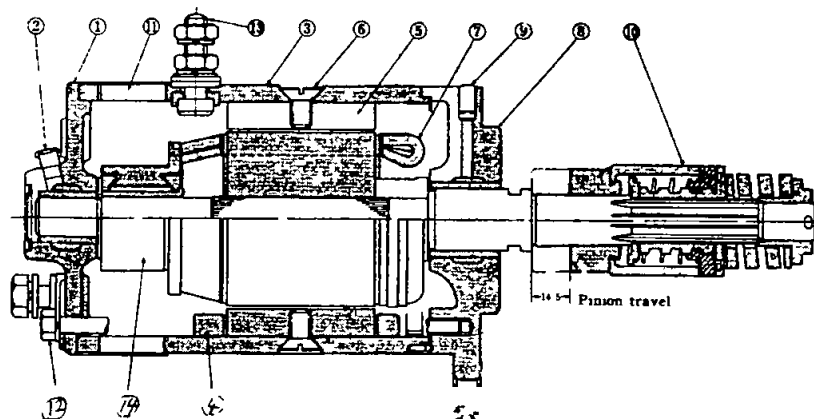


Fig. 2 A Sectional View of Starter Motor

- | | | |
|----------------------------------|-----------------------------|--------------------|
| (1) Bracket
(Commutator side) | (5) Field core | (10) Pinion group |
| (2) Oil cap | (6) Flat head screw | (11) Band |
| (3) Yoke | (7) Armature | (12) Through bolt |
| (4) Field coil | (8) Bracket (Mounting side) | (13) Terminal bolt |
| | (9) Nipple | (14) Commutator |

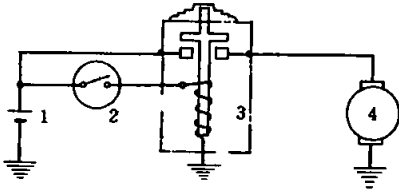


Fig. 3 Starter Connection

- | | |
|--------------------|---------------------|
| (1) Battery | (3) Magnetic switch |
| (2) Starter button | (4) Starter motor |

The connection diagram for the starter is shown in Fig 3. The starter switch is a key type combined with the ignition switch. By turning switch to the right direction, the relay on the magnetic switch moves to permit current to flow to the starter and cause the armature to start turning suddenly. However, the pinion in the pinion group does not turn because of the counter-weight but advances along the screw cut on the pinion shaft and meshes into the ring gear. After advancing about 41 mm, the pinion completes the meshing into the ring gear and drives it with a powerful torque.

The direction in which the pinion moves is from the end of the shaft towards the starter bracket, thus reducing the bending torque. After the engine starts and its speed becomes greater than the no-load speed of the starter, the pinion is kicked back to unmesh and return to its former position.

Operational Precautions

The instructions to be observed when starting the engine are as follows

(1) The starter should be securely mounted on the engine and should not show any looseness.

(2) The starter switch should be operated properly and should be released immediately when the engine starts.

Excepting in extremely cold weather, the engine should normally start within 10 seconds

(3) The starter switch should not be operated when the engine is running. If the engine fails to start, allow time for the pinion to come to rest before turning the starter switch again.

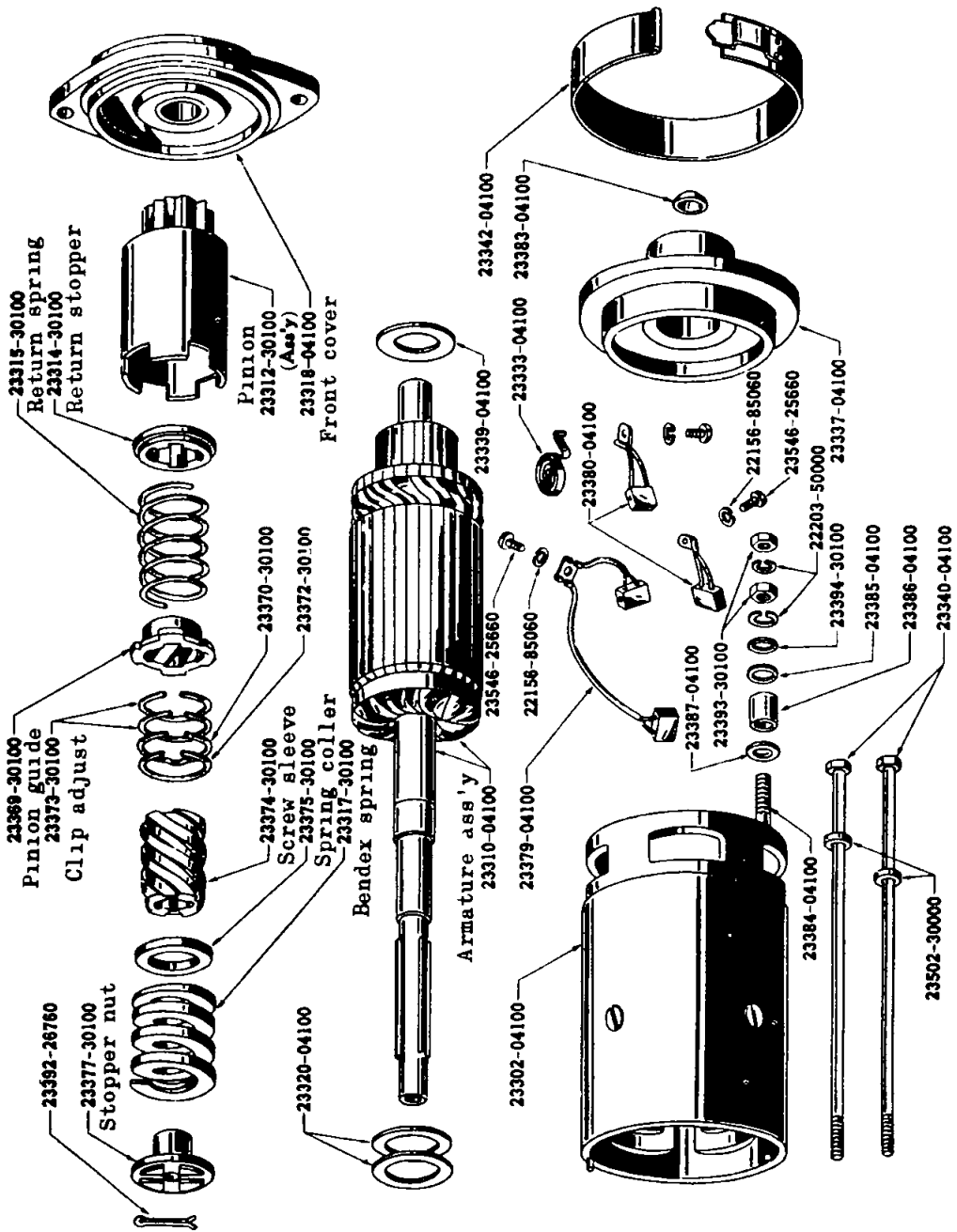
(4) When the engine fails to start after turning the starter key for over 10 seconds, do not continue turning the key time after time but try to save the battery. In this case, check for the cause of the trouble and correct so that the engine will start.

Checking While in Operation

(1) With a fully charged battery and with the lamps lighted, the starter switch is used. If the lamps become dim, especially when the engine does not start, the current is flowing through the starter motor coil but for some reason the armature is not turning. Careful check should be made since the starter pinion may be locked in the flywheel ring gear and unable to return, a trouble usually caused by turning on the starter while the engine is still running.

(2) When the starter switch is turned up and the starter motor fails to turn

STARTER MOTOR



although the lights remain bright, the switch should first be checked. If the switch is in satisfactory condition, then the condition of all the terminal and ground connections of the battery, starter switch and starter are checked. If the switch is in satisfactory condition, then the condition of all the terminal and ground connections of the battery, starter switch and starter are checked. If the starter motor runs but its movement is sluggish, it indicates either a high resistance due to loose connection in the starter circuit or a badly-discharged battery.

(3) If after the above troubles are corrected and the starter fails to operate occasionally and shows defective performance, it is due to internal defects so that in this case, it should be dismantled and checked.

Dismantling and Disassembling

(1) The starter can be dismantled easily by removing the two stud nuts mounting the starter on the engine.

(2) The two stay bolts on the starter rear cover (front end when mounted on the engine) are removed.

(3) After removing the band cover, the brushes and lead wires are removed.

(4) By properly protecting and holding the starter body, the armature shaft is pulled out.

(5) The armature and the front cover are taken out together.

(6) To remove the pinion group from the armature shaft, the cotter pin on the end of the shaft is pulled out and by removing the pinion nut, the pinion group is removed.

Inspecting and Repairing Parts

The same procedure as that for the generator parts is followed, the part being cleaned and inspected after which determinations are made as to whether they can be reused or if repairs or replacements are necessary

(1) The pinion is inspected for defects and if the tooth face is worn or the tooth edge is damaged, the pinion should be replaced. Worn or broken teeth will not only make the gear mesh poorly but will hasten the wear on the opposing gear and also, poorly meshing gears will cause bending in the armature shaft. For this last reason, care should be taken, when inspecting, to also check the fly-wheel and take remedial measures if the ring gear is found worn or damaged. When the pinion is found defective, replaced the entire pinion group.

(2) When inspecting the armature, check the armature to core gap, shaft to bushing clearance, bending in shaft, etc., in the same manner as that for the generator and are corrected to the specified limits, or the armature is replaced. Special attention should be given to the clearance between the armature and the core to see that they are not contacting, and corrosion found on the outside

surface of the armature or the inner surface of the core should be removed by polishing, and the surfaces painted with rust preventive oil.

(3) The armature is inspected and repaired in accordance with the procedures outlined for the generator. Especially to improve or correct the brush contacting condition, the brushes are resealed. At the same time, the brush and brush spring are checked and are corrected or replaced.

(4) The insulation on the wires are carefully inspected and wires found with weak or damaged insulation should be replaced

(5) An armature found with one part especially damaged by burning should be strictly tested by the insulation test

Assembling and Testing Starter

Reassembling is performed by following the reverse procedure for disassembling. All frictional parts are lubricated with mobile oil (SAE 30) while the bearings are coated with a small amount of grease circuit in the magnetic switch and causes the main circuit S_2 in the magnetic circuit to close. Releasing the starter switch button opens the magnetic circuit which also opens S_2 .

(1) Cause for magnetic switch failing to operate can be divided into electrical and mechanical sources

Causes for electrical troubles.

(A) Current failure in magnetic circuit

When the starter switch button is pressed and the current fails to pass through the magnetic circuit, most of the trouble is due to broken soldered connection between the magnetic coil wire and the magnetic switch (+) terminal, and defective ground connection from the coil wire to the magnetic switch body.

(B) Defective contact in main circuit S_2 .

When the magnetic circuit is satisfactory and S_2 is closing but only a small current flowing due to high contact resistance, and the opposite case of switch S_1 opening but S_2 remains closed. In either case, the trouble lies in the faulty moving of the core or roughness of the contacting point surface. Therefore polished the surface well, then the operation will become satisfactory

Causes for mechanical troubles.

Failure to operate is caused in many cases by the guide shaft on the moving core of the magnetic switch main circuit S_2 sticking against the cover hole. Correction can be made in this case by loosening the cover screws (4 pieces) and retightening them so that the shaft moves freely.

(2) Precaution

In removing nuts from the magnetic switch main circuit terminals when installing or removing cables, the lower nut of the double nuts

should be kept in a tightened state while unscrewing. If the lower nut is loose, the terminal bolt may turn together and ground the terminal to the cover and cause damage.

Starter Troubles, Their Causes and Remedies

The following is a list of troubles which can be determined from the state the starter is installed on the engine.

(1) Starter fails to turn.

The engine is checked to see if it can be cranked by hand.

If it cannot be cranked, the engine is at fault and should be checked. If it can be cranked easily, the starter including the wiring should be checked and corrections made accordingly.

Is the battery run down? Check the specific gravity of the battery fluid to see if it is over 1.240 and recharge or replace the battery as found necessary.

All loose battery and ground cables should be cleaned and properly tightened.

(Magneto grease or Gargoyle BRB No. 1). All cord connections are carefully tightened and special attention given to the condition of insulation. The assembly check is made by testing the starter as a single unit using a fully charged battery. Tests are made with a starter motor tester or with the apparatus shown in Fig 4 by which braking torque is measured.

In this case, the normal value should be 0.9 m-kg. To test the starter motor when installed on the engine, the engine is first warmed up. Then with the throttle valve in fully closed position, the starter is actuated.

In addition, if a starter motor tester is used, performance tests can be made easily and accurately.

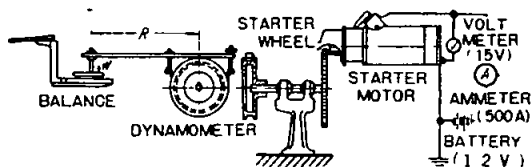


Fig. 4 Torque Testing Apparatus

Construction of Magnetic Switch and Instructions

The magnetic switch is an apparatus when the engine is being started, serves to close the circuit between the battery and the starter motor, and permits a large current to flow and actuate the starter motor. After starting or when the engine is stopped, the switch serves to keep the circuit open. The principles of operation can be seen from Fig 5. Closing the starter switch S_1 allows the current to flow through the magnetic

If there is trouble in the magnetic circuit, it should be corrected.

For improperly contacting starter brushes, the brushes together with the armature should be checked, and corrections or replacement made as found necessary.

If all of the above checks with their corresponding repairs have been made and the starter still fails to operate, the trouble can be assumed to be in the starter itself so that it should be removed from the engine and checked.

This is exceedingly rare but care should be taken to see that the starter pinion is not locked into the flywheel ring gear. Cases like this are usually caused by badly worn gears meshing improperly and if the defect is not too severe, it can be remedied by placing the gear shift lever into fourth speed and rocking the car back and forth to free the gears. If this trouble is frequently repeated, the starter should be dismantled from the engine for checking and repairs.

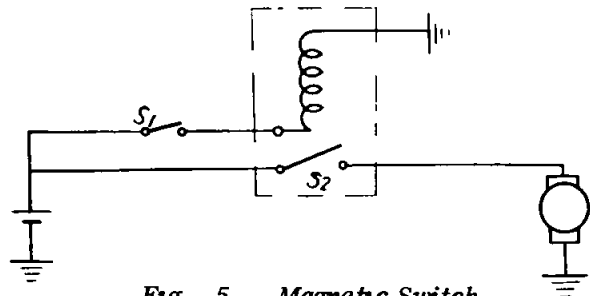


Fig. 5 Magnetic Switch

- (1) Starter turns but its turning power is weak and fails to start the engine.

If the trouble is due to a run down battery, loose terminals, trouble in magnetic switch, worn and sticking brushes, dirty and damaged commutator, etc., the checking, and repairs are made in the same manner as described in the preceding chapters

If the outer surface of the armature is rubbing against the core, the starter should be dismantled, disassembled and repaired

Besides the above, there is the case of the pinion meshing improperly. If the trouble is due to the gear teeth being badly worn, the gears should be replaced but if it is due to the screw guide on the pinion shaft being dirty and not allowing the pinion to advance smoothly and causing improper meshing, the shaft should be cleaned and oiled

- (2) Starter exceedingly noisy when in operation

The flywheel ring gear is checked and if the teeth are deformed, they should be reprimed or the gear replaced.

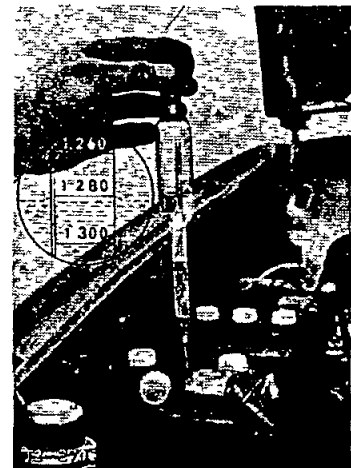
Rattling noise caused by loose starter mounting bolts are corrected by re-tightening the bolts

Noises caused by brushes improperly contacting the armature requires correcting as this condition not only produces noise but will hasten wear on both parts

Noise made by the armature rubbing against the core while in operation is caused by too large a clearance between the armature shaft and the bushing so the worn parts should be replaced. Wear between the shaft and bushing is due to lack of oil so that attention should be given to proper lubrication. Lubricate once every half year using good grade of machine or mobile oil and lubricate the parts through the oil nipples. The amount of oil required is about 0.5 cc for each bracket.

BATTERY

Voltage	12V
Capacity	50AM (20H)
Earth	
Specific gravity of electrolyte	1,280 at 20 C



Level of electrolyte	10 mm Above electrode
Gross weight	About 21 kg

The DATSUN is equipped with one of the above makes of batteries meeting the specifications of the Japanese Standard Type battery. The interior construction consists of 6 cells each having a terminal voltage of 2 volts, the voltage produced between the (+) and (-) terminals being 12 volts, and when installed on the car, the (-) terminal is made the ground.

The battery when installed on the car is located on the right side of the engine room which makes it easy to inspect when the hood is raised. However, there is a tendency to be lax in servicing the battery. Improper care will not only shorten the life of the battery itself but will lower the performance of the car so that care should be taken to always maintain the battery in the best of condition.

The construction of the battery together with the chemical action caused by charging and discharging are shown in Fig. 1. The construction is exceedingly simple, consisting of ebonite cells filled with electrolyte in which are placed chocolate colored positive plates and gray colored negative plates with wooden separators inserted in between plates.

When a load is placed between the positive and negative terminals, the battery will discharge due to the chemical action of the active substances, i. e., lead dioxide in the positive plates, sponge form lead in the negative plates, and dilute sulphuric acid in the electrolyte, occurring within the battery as shown in Fig. 1(A). In this case, the lead dioxide and the sponge form lead react with the dilute sulphuric acid, the lead portion and the sulfate portion combining to form a lead sulfate film on the surfaces of both the positive and the negative plates. Thus, as the discharging continues, the sulphuric acid in the electrolyte becomes more dilute, the specific gravity drops, and the discharge capacity becomes less. If, at this time, a charger is placed between the positive and negative terminals and current forced to flow in the opposite direction to that of discharging the lead sulfate covering the plates will be decomposed to increase the density of the dilute sulphuric acid, raise the specific gravity and restore the battery to its former state. The above is an outline of the discharging and charging principles of the battery. It is requested that these principles be thoroughly understood before servicing the battery.

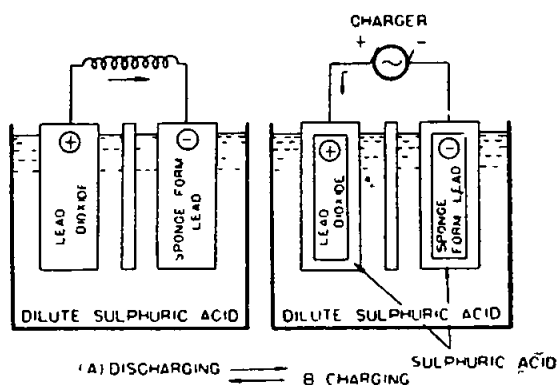


Fig. 1 Chemical Action of Battery

Servicing

(1) External inspection

Rust or corrosion on battery terminals.

Damage in battery case.

Damage in battery posts and improper contact.

It is feasible to check the above points without removing the battery from the car. Care should be taken to keep the battery clean at all times so that any abnormal corrosion of the connections, overflowing of the battery fluid, and other visible troubles can be quickly detected and the cause determined.

(2) Battery electrolyte

Fluid level

Since the battery fluid gradually decreases due to the loss of water caused by evaporation and electrolytic action, the vent plugs in each cell are removed and the fluid level checked. It is important to maintain the fluid level at about 20 to 24 mm above the battery plates. If the fluid level becomes low, the specific gravity will rise due to fluid becoming concentrated, the paste in the exposed part of the plate will become severely concentrated through oxidation, the battery performance will be lowered together with difficulty in recovery and shortening of the battery life. The fluid level should be checked about twice a week during summer (or in hot regions) and about once a week during winter (or in cold regions), and the fluid replenished if found low. If visual caps are used, the fluid can be observed directly from the top without the necessity of removing the vent plugs. As shown in Fig 2, the plug center will appear colored if the fluid level is normal and appear white if the level is low.

Replenishing fluid.

The battery fluid is replenished with distilled water provided the loss is due to water only and not to battery troubles or overflowing. Dilute sulphuric acid is not used in this case. If distilled water is not obtainable, water from city mains or other clean water may have to be used. As city water, in many cases contains iron or purifying agents, a filter such as puric should be used.

After replenishing the battery fluid, the battery should be charged at least 20 minutes in order to allow the fluid to mix thoroughly. This procedure should be specially observed in cold regions due to the fact that if the replenished fluid is slow to stand without mixing, there is a danger of the water separating to the top and freezing. If the fluid level becomes low due to leakage caused by overflowing from vent plug or from damages in battery, the trouble should be corrected first and the fluid replenished or replaced with dilute sulphuric acid made up to the same specific gravity as that in the cell. When the fluid becomes exceedingly dirty, it should be replaced since there are impurities mixed in the fluid. The density of the replenishing or replacing fluid is determined by the specific gravity determination procedure described in the following chapter. A slightly lower specific gravity of 1.260 is used instead of the normal 1.280 (at 20°C). After replenishing, the battery is wiped to remove all traces of spillage and the vent plug crewed in tightly. The plug is cleaned at this time to allow the gas to escape freely from the vent hole.

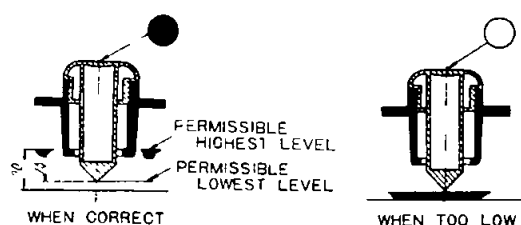


Fig. 2 Checking Fluid Level Through Vent Plug

Specific Gravity

The specific gravity of the battery fluid varies with the state of battery charge, and, when the battery is fully charged, the specific gravity should normally be from 1.270 to 1.290 (at 20°C). By measuring the specific gravity of the battery fluid with a hydrometer.

The state of battery charge can be determined.

The specific gravity is read at the upper part of the graduation as shown in the illustration. The specific gravity varies with the temperature so that the temperature of the fluid is measured and with the use of the following conversion factor, corrections are made to the condition at 20°C in order to determine the actual state of battery charge. If the specific gravity falls below 1.220, the battery should be charged at once until the fully charged state of 1.280 is reached.

Specific gravity when fully charged

1.280 at 20°C

Temperature conversion factor for 1°C

-0.0007

For each 1°C rise in temperature, the specific gravity decreases 0.0007 and reversely, a drop in temperature increases the specific gravity correspondingly.

The reason for using a fluid having specific gravity of 1.260 for replenishing or replacing as mentioned above is to take into consideration the fluid becoming concentrated due to charging and lowering of fluid level in making the fully charged specific gravity about 1.280. Even if a specific gravity of 1.280 is shown when the fluid is at the normal level of about 22 mm above the top of the plates, the fluid level, when it becomes even with the top of the plates, will concentrate the fluid to a specific gravity of over 1.310.

If the specific gravity becomes higher than 1.30, caution should be taken since the life of the battery will be shortened rapidly.

(3) Terminal voltage at each cell.

By the above method of determining specific gravity, the state of battery charge can be determined, but the following methods can also be used to determine the condition of the battery charge.

An tester is used to determine the voltage drop by contacting both terminals of the cell and permitting a large current to flow through the tester.

A battery tester is used to measure the terminal voltage of each cell. By the values measured, the condition of the battery charge can be determined.

A method frequently used to determine the state of battery charge is to place a wire or metal tool across the battery terminals to permit a spark to fly, and making the determination by observing the strength of the spark. This method should absolutely be avoided as there is danger of igniting the gas generated from the battery of near by combustible fumes. The previously described methods and the following chart should be used instead, to determine the condition of the battery.

Terminal voltage	Specific gravity (20°C)	Battery condition
Under 1.75	Under 1.140	Complete discharge
1.80	1.140	Impossible to use
1.85	1.170 - 1.190	1/4 charged
1.95	1.200 - 1.220	1/2 charged
2.00	1.230 - 1.250	3/4 charged
Over 2.10	1.260 - 1.280	Fully charged

Although the internal performance of a battery can be easily determined by making a discharge test with a battery tester, frequent use is not recommended as it will lower the capacity of the battery. It is necessary that tests be made in accordance with the following chart and within 15 seconds.

Determining Repairability

The above completes the instructions on correct use and maintenance of the battery. If the battery is overdischarged, the plates inside the cells will become warped and the surface of the plates will be covered with white lead sulphate. This will plug the many small holes in the wooden separators to increase internal resistance and cause the voltage drop which will make recharging difficult. It will be necessary in this case to repair or replace the plates in the battery.

Charging

Whenever the battery has been repaired, and when the battery fluid has been replaced, and also while the battery is in use and the voltage drops due to large electrical consumption, the generator installed on the car is unable to maintain sufficient charging. In such cases, the battery fluid is replenished or replaced if in faulty condition and the battery charged by connecting it to a battery charger.

(1) Instructions on normal charging procedures

The fluid level is checked to see that it is about 22 mm above the top of the plates (on visible type plugs, it should be up to the normal level indication)

Note The vent plugs on all cells should be removed while charging.

The terminals should be polished to remove all dirt and fluid adhering to the surface.

The (+) of the battery terminal is connected to the (+) direct current terminal of the charger and the (-) terminal of the battery to the (-) terminal of the charger.

The charging is made with a current of 6 to 8 amperes.

As the charging progresses, the battery voltage rises so that the charging current begins to decrease while small bubbles appear and the specific gravity starts rising.

If the charging is continued as is, the charging current being small will make the charging time very long so that the voltage should be adjusted from time to time in order to maintain a steady charging current of 6 to 8 amperes. When the charging progresses so that the voltage in each cell becomes higher than 2.5 volts and the specific gravity over 1.280, gas will be given off vigorously and the fluid will present a milky appearance.

When this condition is reached, the charging current is reduced to about 4 amperes and the charging continued until the specific gravity becomes constant. That is, the charging is continued until three consecutive readings of the terminal voltage and the specific gravity (Corrected to temperature) taken every hour shows a constant value, the charging being made by passing a 20 hour rate current through the battery.

If the temperature should rise higher than 45°C during charging, the current is reduced to one-half or the charging is discontinued for a while until the temperature drops.

The above is the constant current charging method generally used. Initial charging is made by using a low current and long charging time but for ordinary recharging, a current described above is used and the charging completed in about 12 to 16 hours.

The point to be observed in charging is determining the time when the charging should be discontinued. The completion time must be such that there is no overcharging or undercharging. If overcharged more than necessary, the charging current will be used up in decomposing the water in the battery fluid, and not only will the loss be great but this will hasten the aging of the plates due to temperature rise. Efficient charging is attained when the charging is made with the least possible amount of gas being generated. Gas begins to be generated at the time the battery voltage begins its sudden rise from around 2.3 to 2.4 volts.

Therefore, if the electrical source voltage is maintained at 2.3 to 2.4 volts, the battery voltage will be unable to rise higher and the battery can be charged with the least amount of gas being generated. This is the constant voltage charging method, in which an exceedingly large amount of current flows at the start but as the charging progresses, the current decreases, and, when the battery voltage becomes equal to the electrical source voltage, there will be practically no current flowing. However, to adjust the specific gravity after completing the charge, it is necessary to use the constant current charging for this purpose.

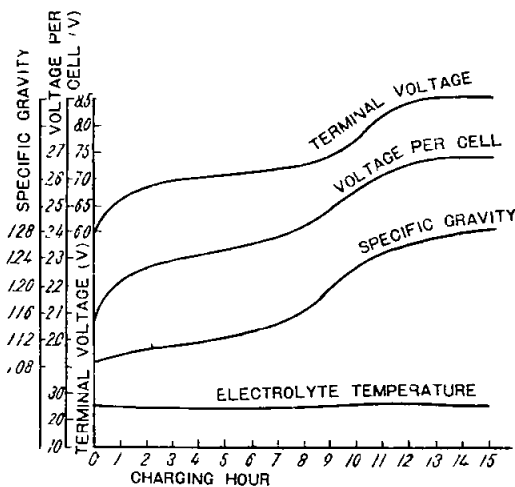


Fig. 3 Constant Current Charging Characteristics

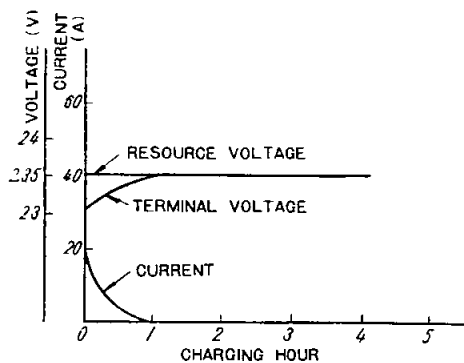


Fig. 4 Constant Voltage Charging Characteristics

(2) Instructions on quick charging

For charging without the necessity of removing the battery from the car and for making the charge in a short time, the quick charger is used. In using the quick charger, there is a tendency to pass a large current to hasten the charging time, but in order to protect the plates and also the life of the battery, the specified current should not be exceeded and the charging current made as small as possible.

Storing Instructions

(1) Even if the battery is not being used, it will self discharge. Therefore, a battery which has not been in use for a long period of time should be checked for its state of charge. If the battery is not to given a full charge at the start and a light maintaining charge every month thereafter

(2) If the battery is not removed from a car which is to be stored, the ground terminal on the battery should be disconnected in order to prevent discharging and fire hazards.

(3) If the battery alone is to be stored, it should be kept in a cool place and away from direct sunlight

(4) When battery fluid overflows and adheres to the surface of the battery, the acid should be neutralized by wiping with alkali solution and the surface wiped to keep it in dry condition