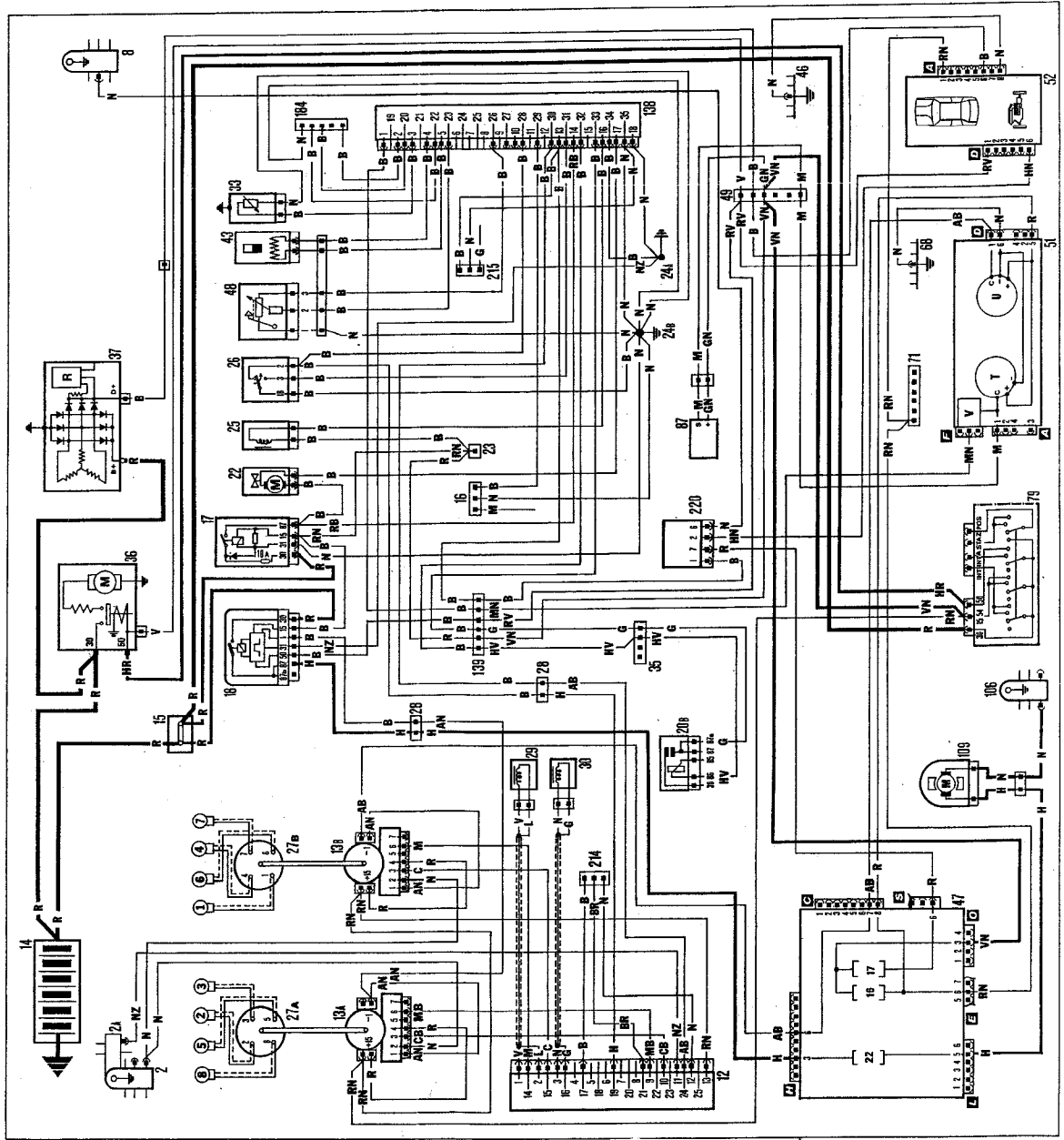
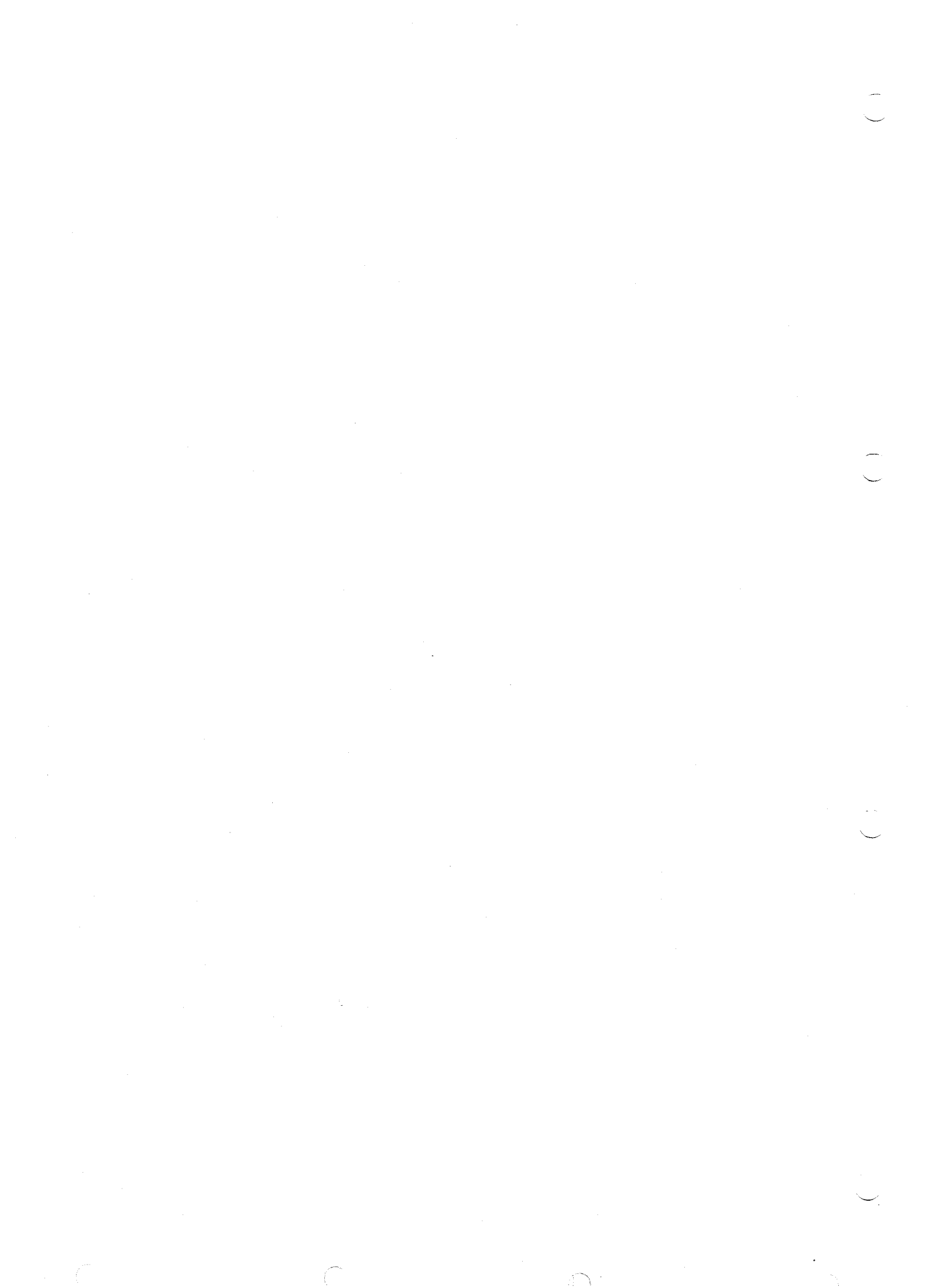
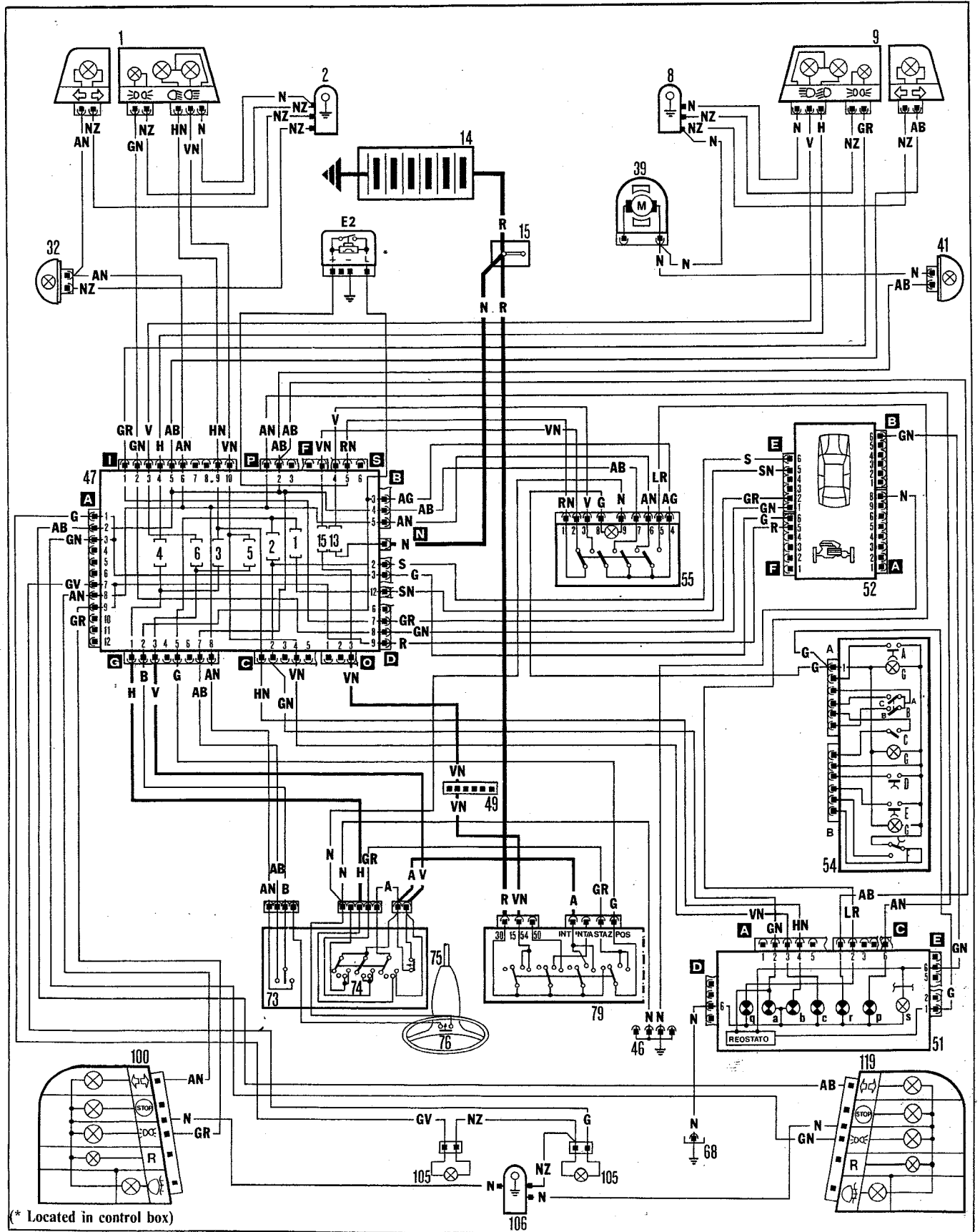


Starting - Recharging - Ignition - KE3-Jetronic fuel injection - Rev counter - Speedometer. (See page 19 for key)



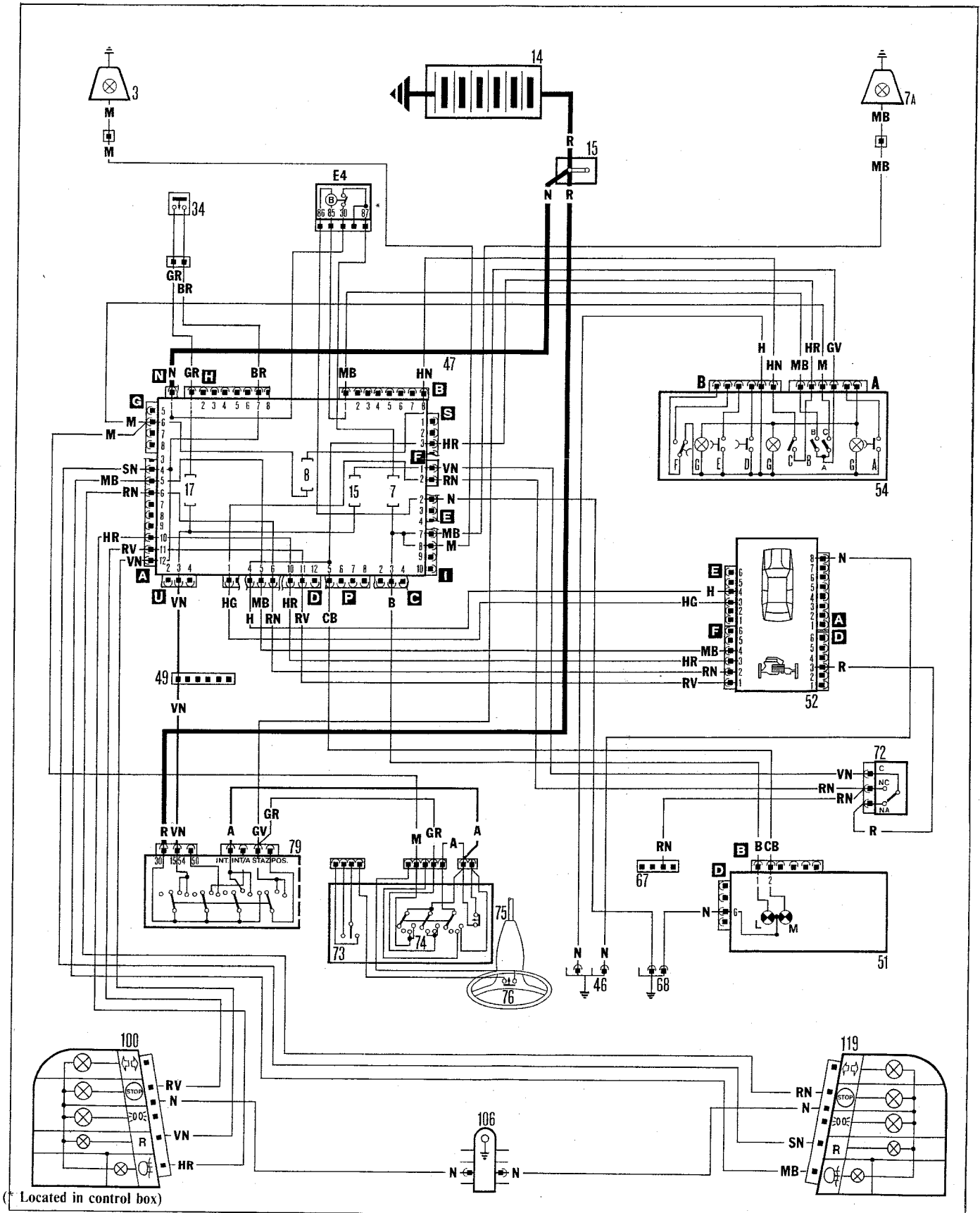


No. plate lights - Side lights and warning light - Dipped headlamps and warning light - Main beam headlamps and warning light - Driving lights - Direction indicators and warning light - Hazard warning lights and warning light - Instrument panel, control panel and Control System display panel light. (See page 19 for key)

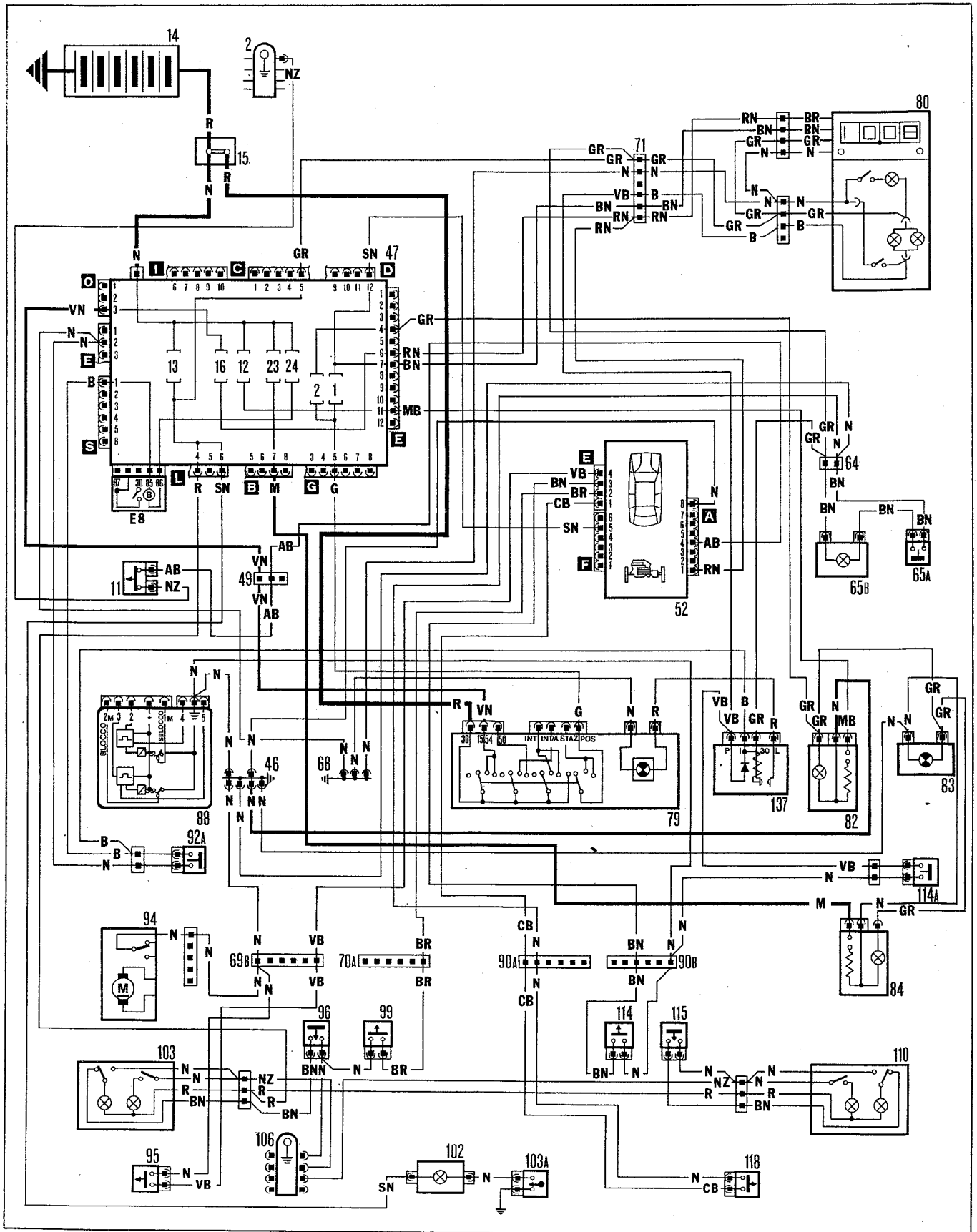


55.

Fog lamps and warning light - Rear fog lamps and warning light - Reversing lights - Stop lights. (See page 19 for key)

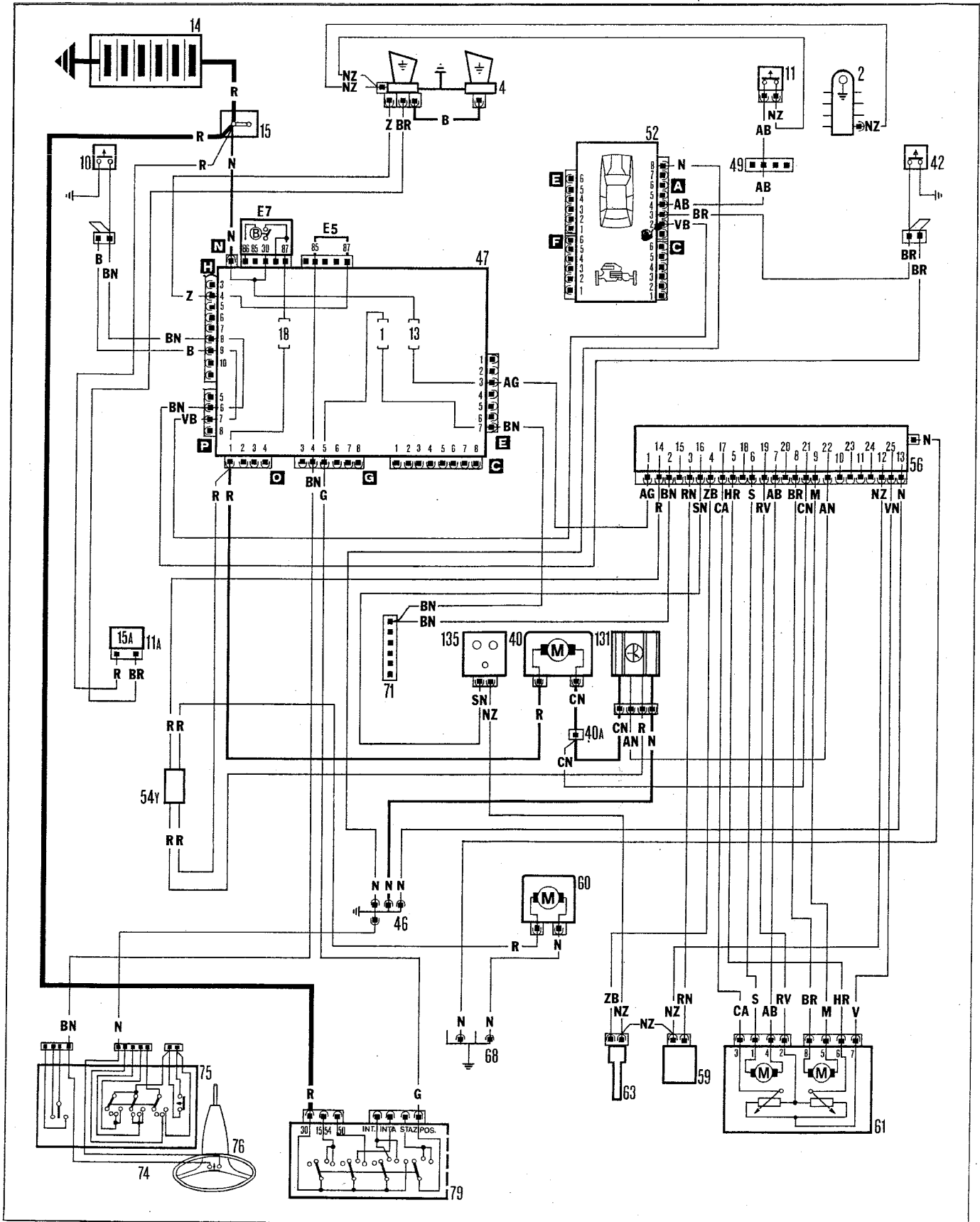


Courtesy lights - Glove compartment light - Luggage compartment light - Front and rear cigar lighter - Digital clock - Ignition switch light. (See page 19 for key)

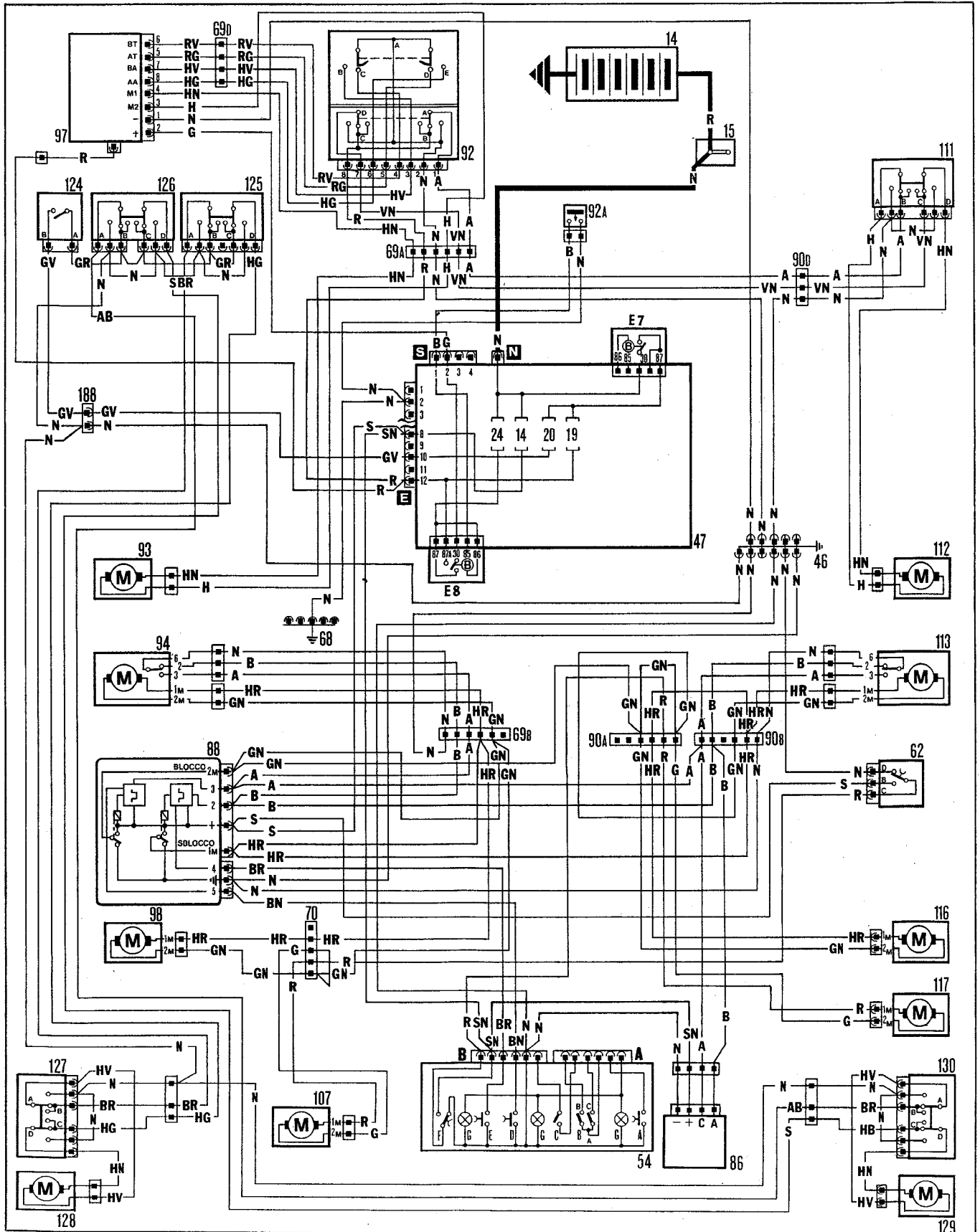


55.

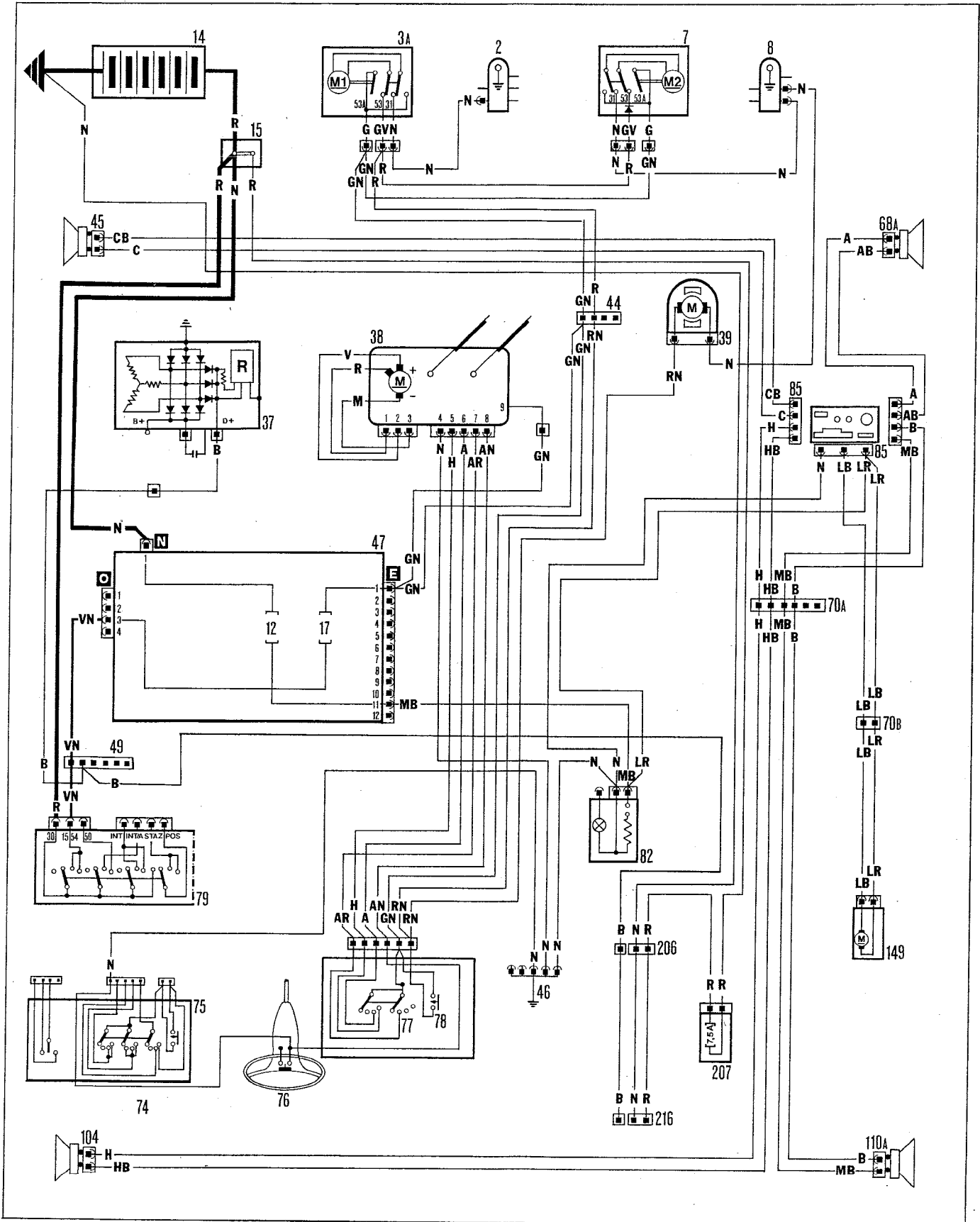
Automatic heater - Horns - Brake fluid level - Front brake pad wear. (See page 19 for key)



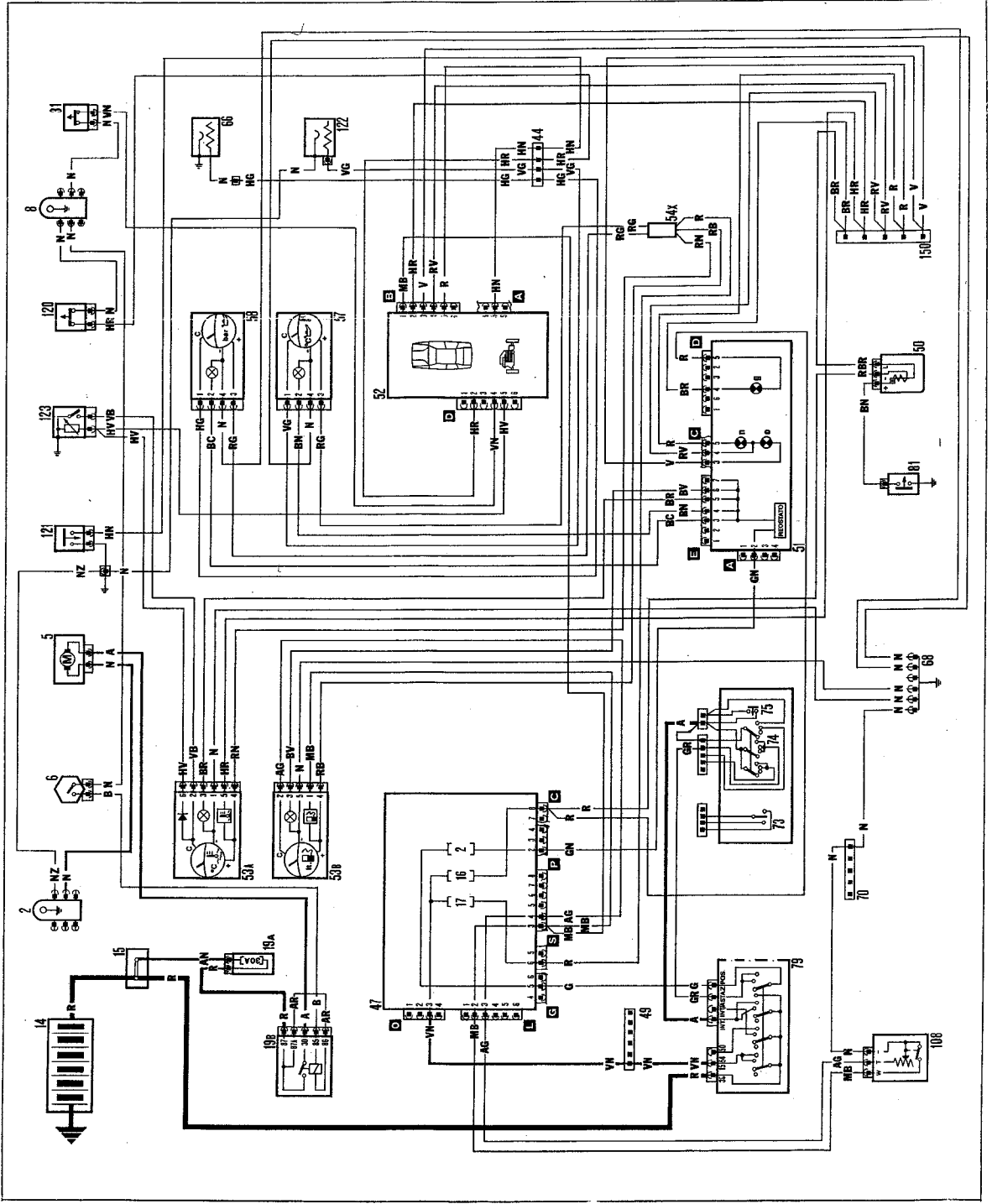
Electric front and rear windows - Central locking for doors, luggage compartment, bonnet and fuel filler cap controlled from a distance. (See page 19 for key)



55. Windscreen wiper - Headlamp wiper - Electric windscreen washer and headlamp washer pump - Radio wiring - Radio telephone wiring. (See page 19 for key)

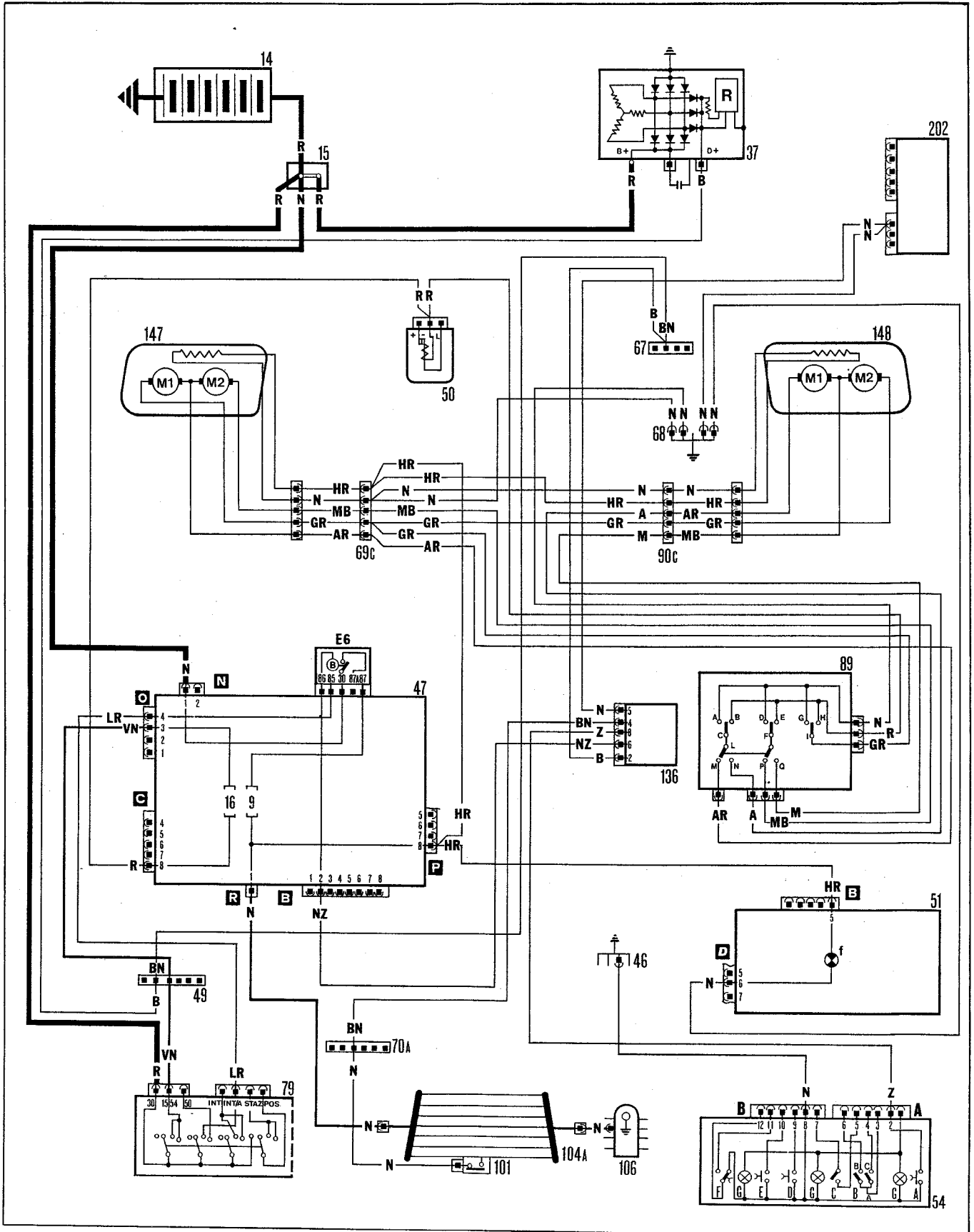


Engine cooling radiator - Fuel gauge and reserve warning light - Coolant temperature gauge and overheating warning light - Insufficient coolant level - Engine oil pressure gauge - Engine oil temperature gauge - Insufficient engine oil pressure - Insufficient engine oil level - Diagnostic socket - Handbrake warning light. (See page 19 for key)



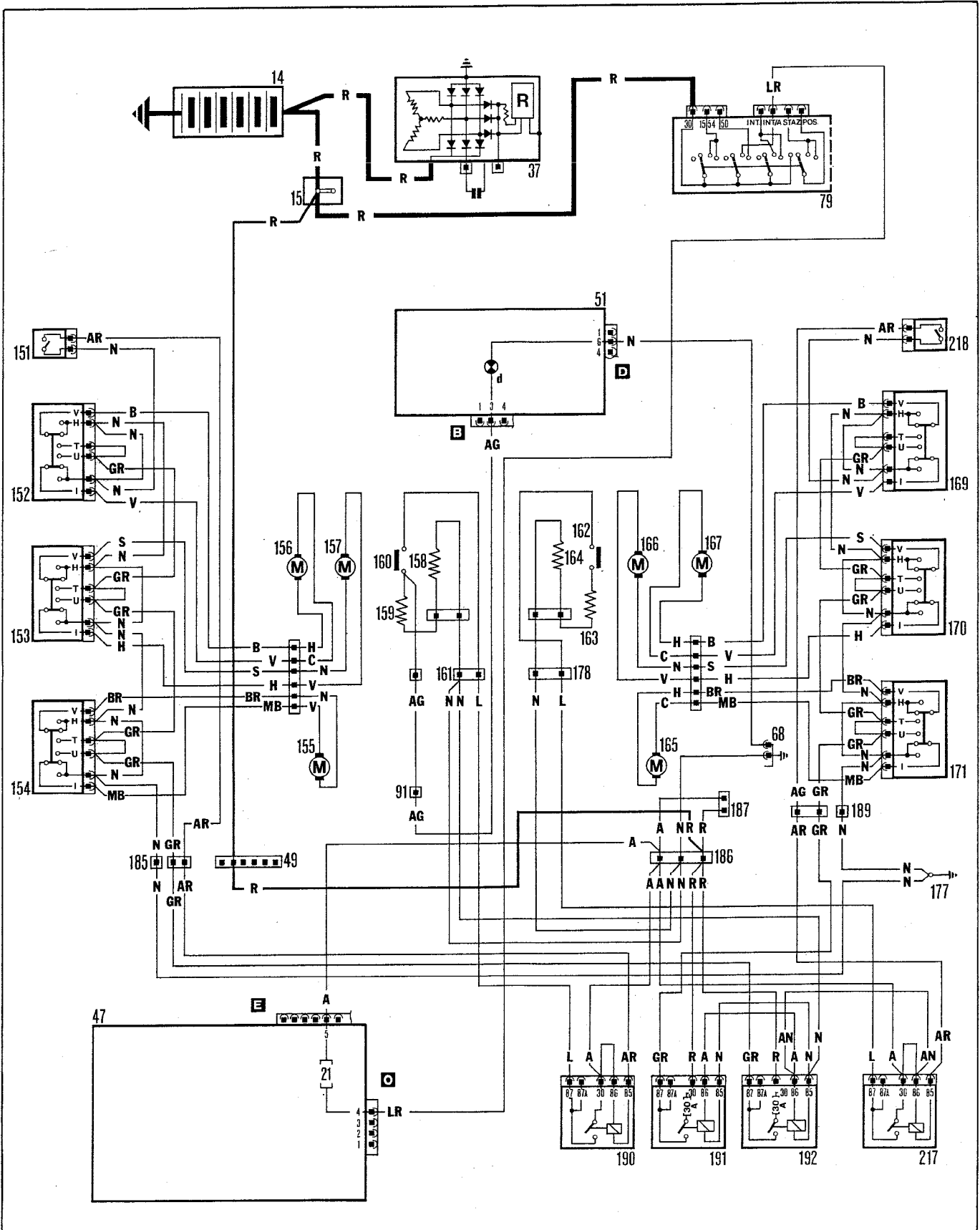


Electrically adjustable external rear view mirrors - Heated rear windscreen. (See page 19 for key)

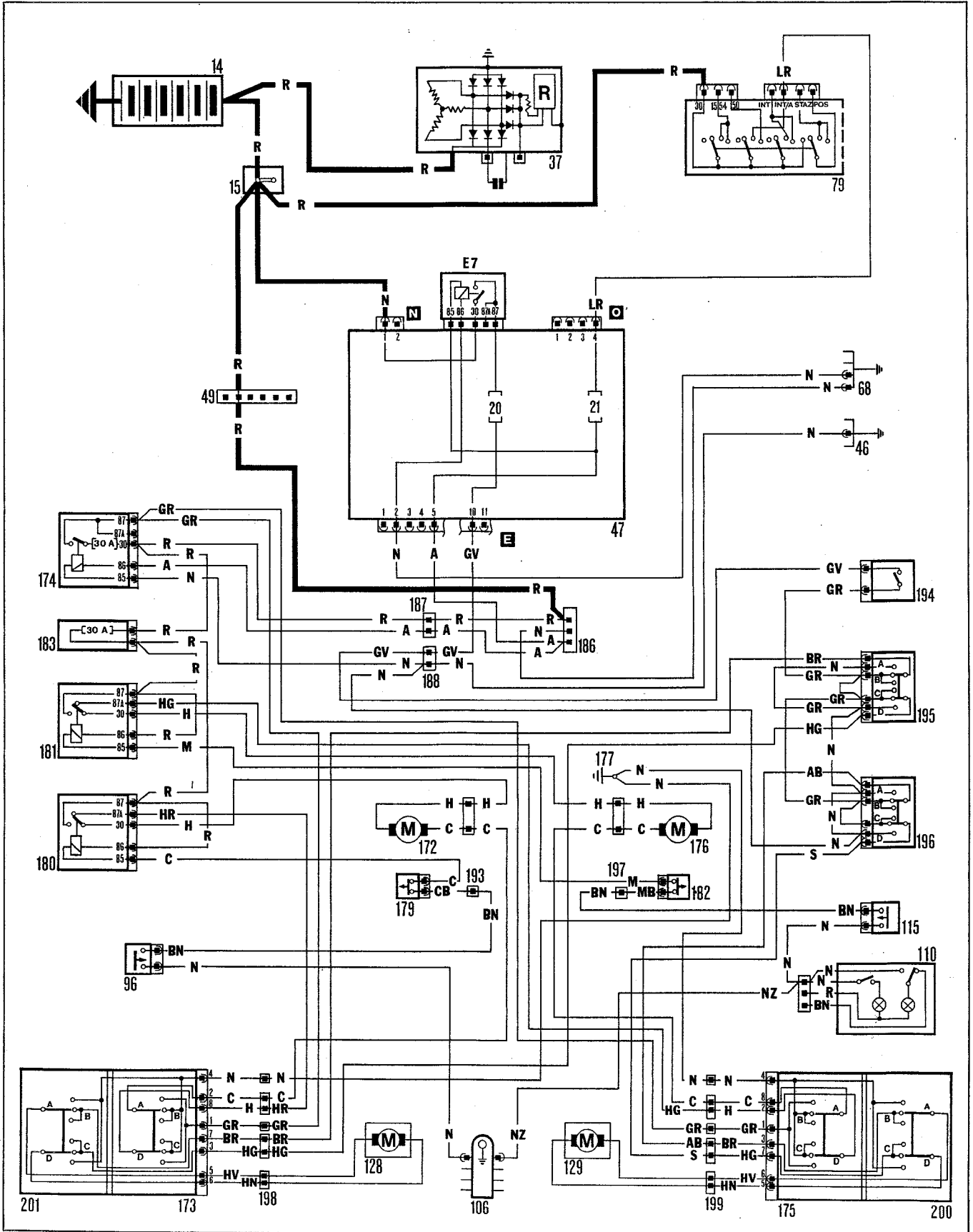


55.

Electrically adjustable heated front seats. (See page 19 for key)

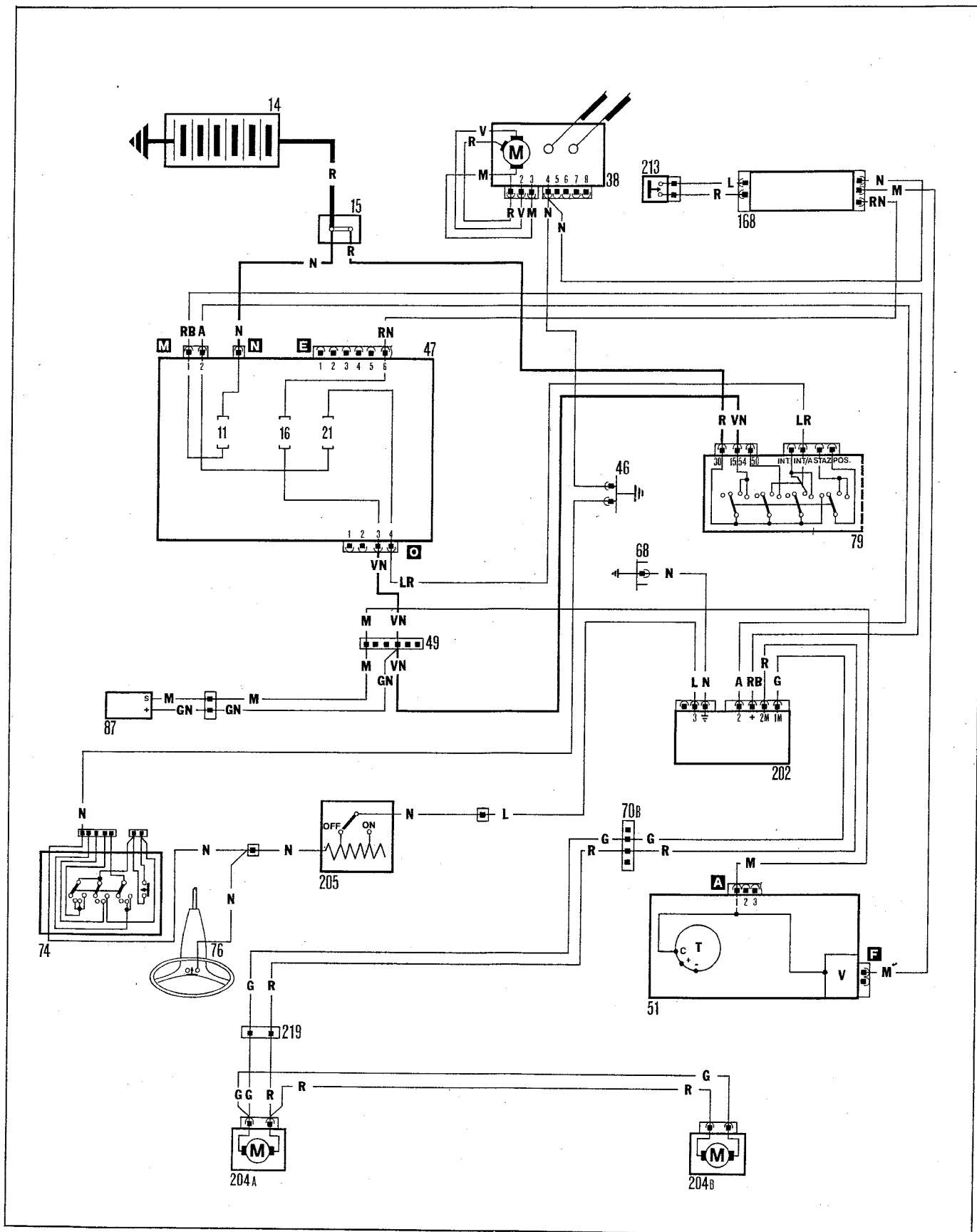


Electrically adjustable rear seats which move back as the doors open - Electric rear windows. (See page 19 for key)

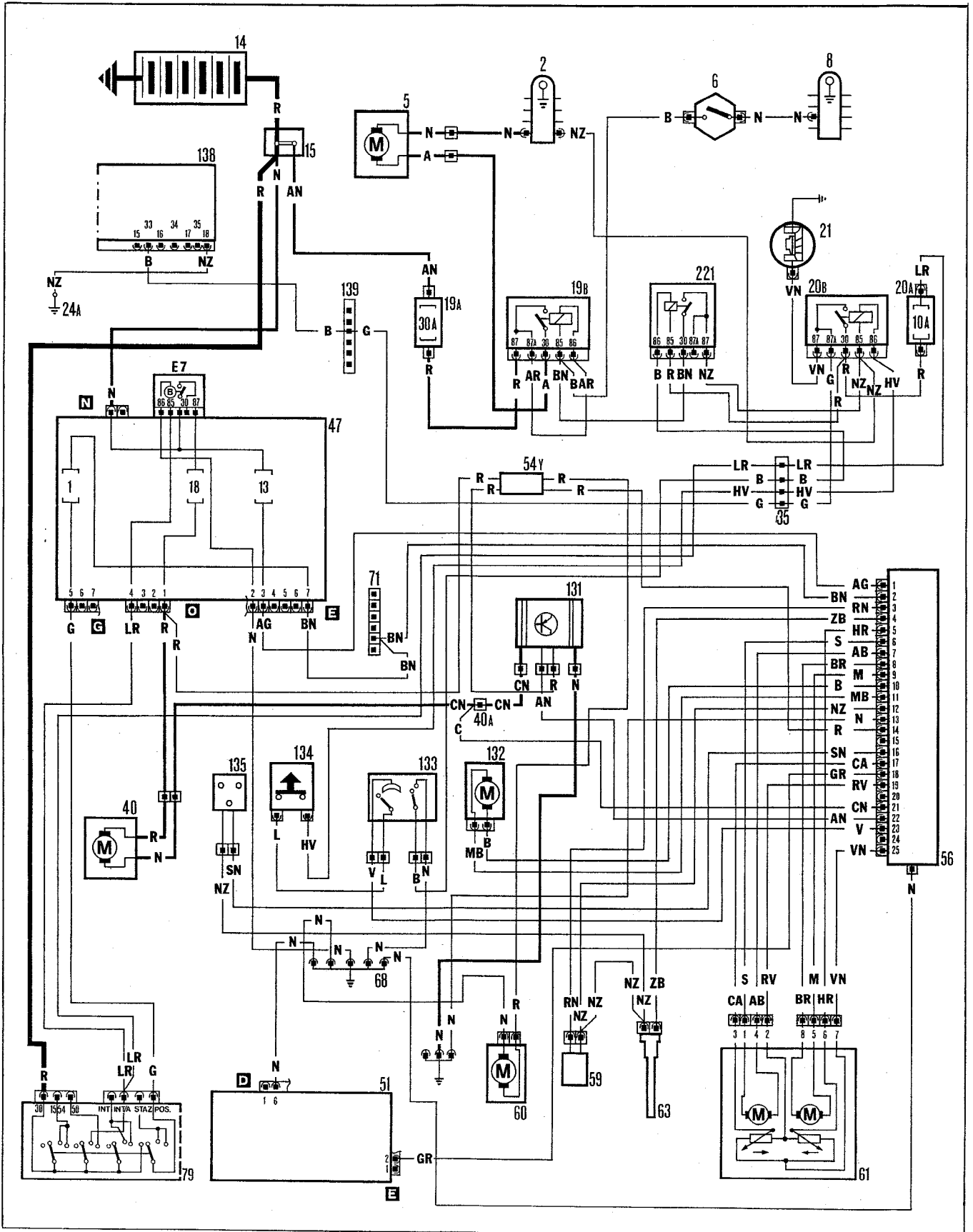


55.

Manually operated spoiler - Automatic device for hardening steering at high speeds (Servotronic). (See page 19 for key)

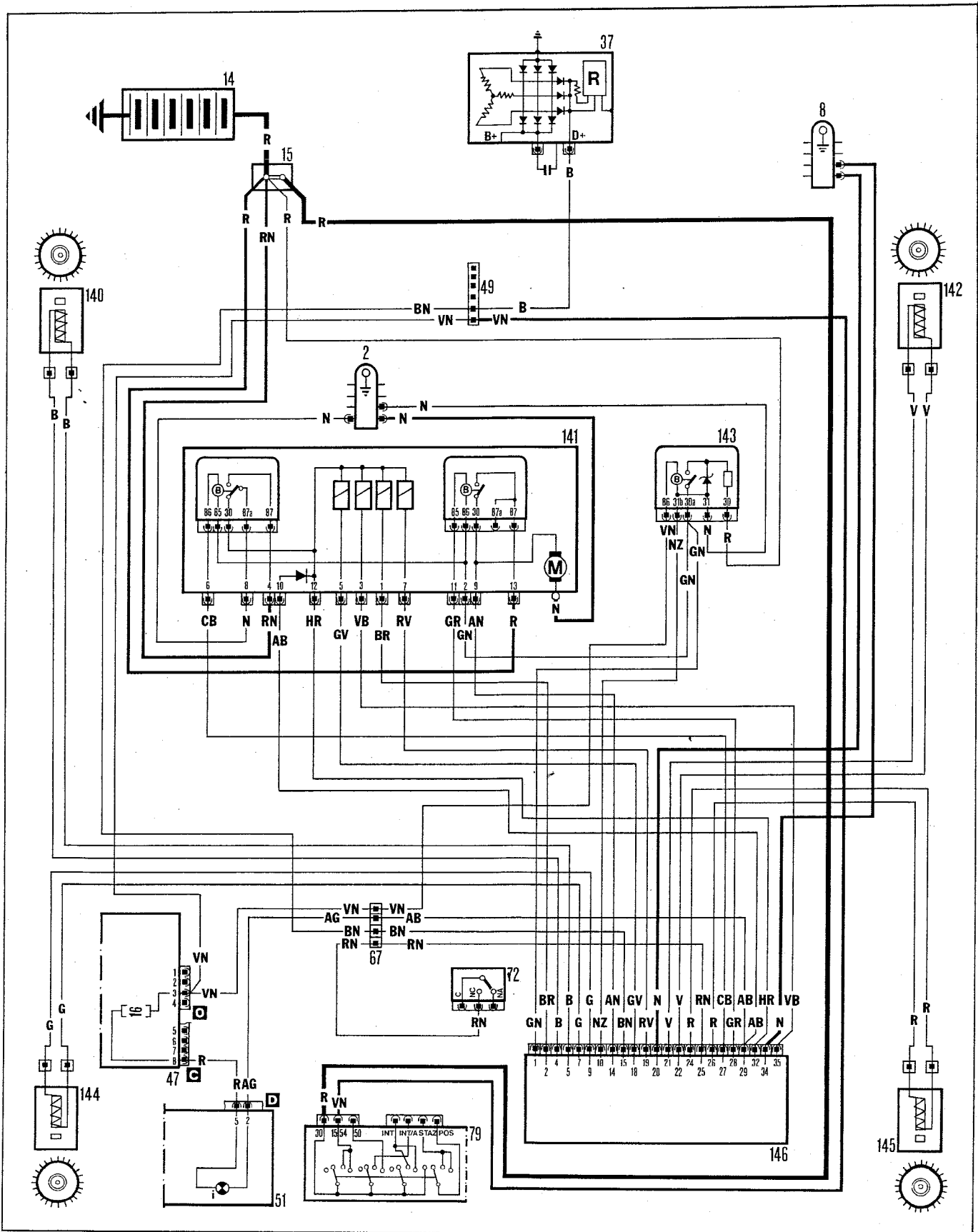


Automatic heating/ventilation system. (See page 19 for key)

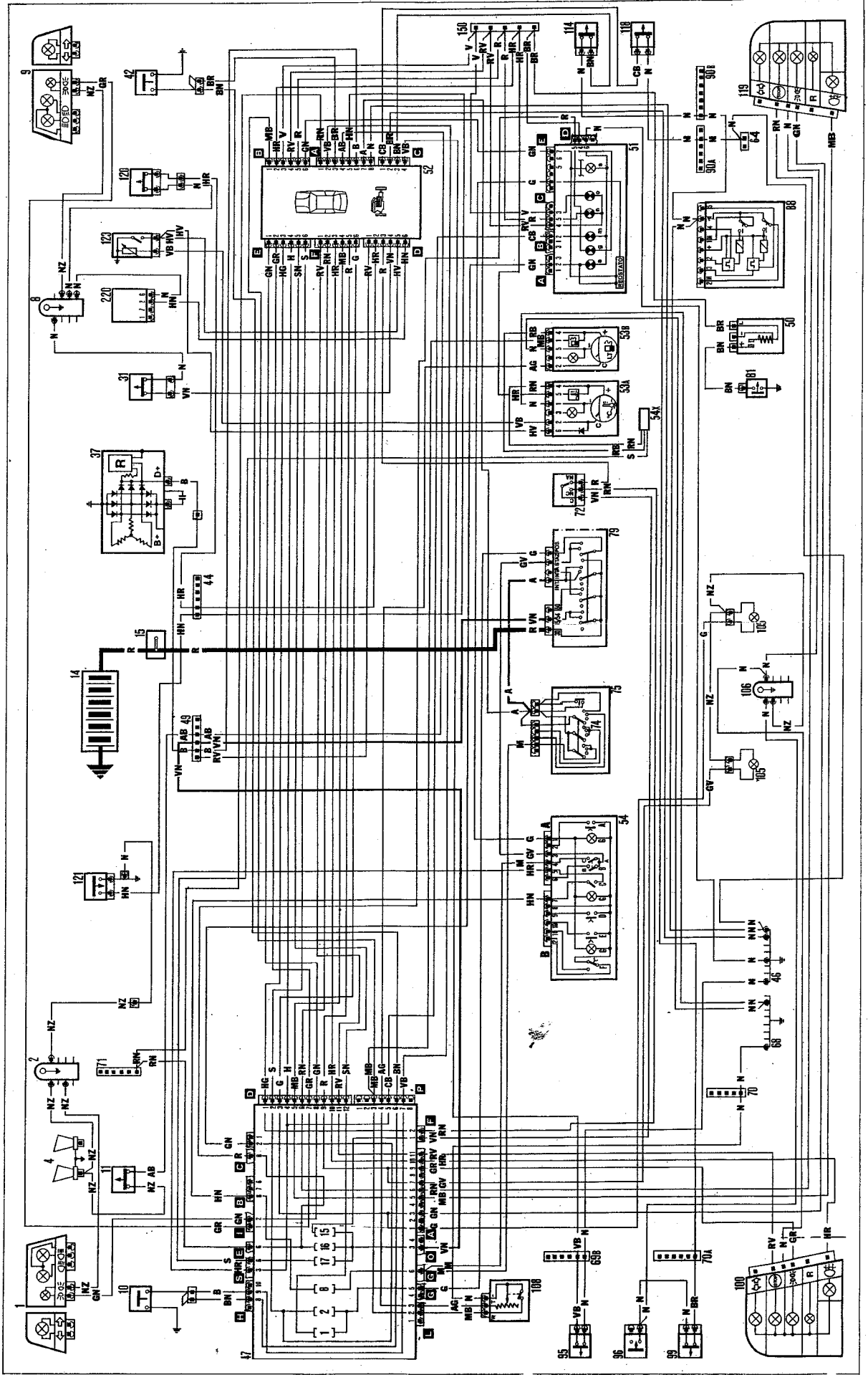


55.

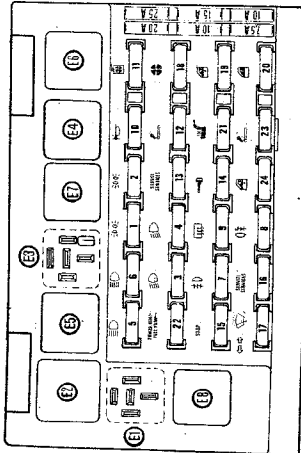
Anti-lock brakes (ABS). (See page 19 for key)



Control System. (See page 19 for key)







RELAYS

- E2 Direction indicators - hazard warning lights
- E3 Automatic transmission (not used)
- E4 Fog lamps
- E5 Horn bridge
- E6 Heated rear windshield
- E7 Switch discharge
- E8 Left front electric window

1. Left front light cluster
2. Left front earth cable loom
- 2A. Left front earth cable loom
3. Left fog lamp
- 3A. Left headlamp wiper
4. Electric horns
5. Radiator cooling fan
6. Thermal switch for radiator cooling fan
7. Right headlamp wiper
- 7A. Right fog lamp
8. Right front earth cable loom
9. Right front light cluster
10. Left front brake pad wear sensor
11. Brake fluid level sensor
- 11A. Fuse box
12. Microplex electronic control unit
- 13A. Ignition coil with power module
- 13B. Ignition coil with power module
14. Battery
15. Connector
16. Wiring for cut-off inhibitor and speed restrictor
17. Overloading protective relay
18. Electric fuel pump supply relay (speedometer relay)
- 19A. Fuse box
- 19B. Radiator cooling fan relay
- 20A. Fuse box
- 20B. Air conditioning compressor; pulley electromagnetic coupling relay

45. Left front speaker
46. Earth cable loom on steering shaft
47. Control box for fuses and relays
48. Potentiometer (on air flow meter)
49. Connection
50. Intermittent device for handbrake warning light
51. Instrument panel
 - a. Side lights warning light
 - b. Dipped headlamps warning light
 - c. Main beam headlamps warning light
 - d. Heated seats warning light
 - e. Safety belts warning light
 - f. Heated rear windshield warning light
 - g. Handbrake warning light
 - h. Catalyst exhaust silencer warning light
 - i. Anti-lock brakes failure warning light
1. Fog lamps warning light
- m. Rear fog lamps warning light
- n. Control system general red warning light
- o. Go ahead signal to start up the car
- p. Left direction indicator warning light
- q. Hazard warning lights warning light
- r. Right direction indicator warning light
- s. Instrument panel light bulbs (no. 6)
- T. Speedometer
- U. Rev counter
- V. Speedometer signal module
52. Control System control module
- 53A. Coolant temperature gauge
- 53B. Fuel gauge
54. Control panel
 - A. Heated rear windshield push button
 - B. Fog lamps switch
 - C. Rear fog lamps switch
 - D. Central locking button
 - E. Central unlocking button
 - F. Button for unlocking fuel filler cap
 - G. Light bulbs
 - 54X. Connector block
 - 54Y. Connector block
55. Hazard warning lights switch
56. Control unit for automatic heater and automatic heating/ventilation system
57. Engine oil temperature gauge
58. Engine oil pressure gauge
59. Car interior temperature sensor
60. Fan for car interior temperature sensor
61. Control unit for car interior air distribution mixture
62. Button for unlocking luggage compartment
63. Air mixture temperature sensor
64. Connection
- 65A. Push button for glove compartment light
- 65B. Glove compartment light
66. Engine oil pressure sender unit
67. Connection

Fuses	Protected circuits	Fuses	Protected circuits
no. 1 * (7.5 A)	Left front and right rear side lights Right no. plate light Digital clock	no. 14 (20 A)	Central locking control unit
no. 2 * (7.5 A)	Right front and left rear side lights Left no. plate light Dimmer Cigar lighter light Ashtray side lights warning light	no. 15 * (10 A)	Brake lights Direction indicators
no. 3 * (10 A)	Left dipped headlamp Dipped headlamp warning light	no. 16 * (7.5 A)	Control unit (Control System) Digital clock Instrument panel Handbrake intermittent device and warning light Servotronic Electrically operated external rear view mirrors
no. 4 * (10 A)	Right dipped headlamp	no. 17 * (20 A)	Reversing lights Windscreen wiper Auto-diagnostic warning light control unit Windscreen washer and headlamp washer electric pump Headlamp wiper Engine oil pressure gauge Engine oil temperature gauge Fuel gauge and reserve warning light Coolant temperature gauge
no. 5 * (10 A)	Left main beam headlamp and warning light		
no. 6 * (10 A)	Right main beam headlamp		
no. 7 * (15 A)	Fog lamp and warning light		
no. 8 * (7.5 A)	Rear fog lamp and warning light	no. 18 * (25 A)	Heater fan Car interior temperature sensor electric fan Automatic heating/ventilation system control unit
no. 9 * (30 A)	Heated rear windshield and warning light Demisting device for external rear view mirrors	no. 19 * (25 A)	Electric front windows Left electric front window electronic control unit
no. 10 (20 A)	Not used	no. 20 * (25 A)	Electric rear windows Sun roof
no. 11 (25 A)	Adjustable spoiler	no. 21 * (15 A)	Heated front seats Adjustable spoiler
no. 12 (10 A)	Front cigar lighter Radio Electric aerial	no. 22 * (15 A)	Electric fuel pump
no. 13 (10 A)	Digital clock Hazard warning lights Courtesy lights Glove compartment light Luggage compartment light	no. 23 (10 A)	Rear cigar lighter
		no. 24 (15 A)	Left electric front window

(* Controlled by ignition)

- 68. Earth cable loom on steering shaft
- 68A. Right front speaker
- 69A. Connection
- 69B. Connection
- 69C. Connection
- 69D. Connection
- 70. Connection
- 70A. Connection
- 70B. Connection
- 71. Connection
- 72. Brake lights switch
- 73. Direction indicators switch
- 74. Switch for side lights, clipped headlamps, main beam headlamps
- 75. Push button for main beam headlamps flasher
- 76. Push button for electric horns
- 77. Windscreen wiper switch
- 78. Push button for windscreen washer and headlamp washer
- 79. Ignition switch with light
- 80. Front courtesy light with digital clock
- 81. Push button for handbrake warning light
- 82. Front cigar lighter
- 83. Ashtray light
- 84. Rear cigar lighter
- 85. Radio
- 86. Infra red rays receiver
- 87. Impulse generator for electronic speedometer
- 88. Central locking control unit
- 89. Control panel for adjusting electrically operated external rear view mirrors
- 90A. Connection
- 90B. Connection
- 90C. Connection
- 90D. Connection
- 91. Connection
- 92. Switches for electric front windows
- 92A. Left front push buttons for front courtesy light
- 93. Left front electric window motor
- 94. Left front central locking motor
- 95. Push button for signalling left front door open
- 96. Push button for left rear courtesy light
- 97. Left front electric window control unit
- 98. Left rear central locking motor
- 99. Push button for signalling left rear door open
- 100. Left rear light cluster
- 101. Humidity sensor
- 102. Luggage compartment 1 light
- 103. Left rear courtesy light 1 with adjustable map reading light
- 103A. Gravity switch for luggage compartment light
- 104. Left rear speaker
- 104A. Heated rear windscreen
- 105. No. plate lights
- 106. Left rear earth cable loom
- 107. Luggage compartment 2 locking motor
- 108. Fuel level gauge

- 109. Electric fuel pump
- 110. Right rear courtesy light with adjustable map reading light
- 110A. Right rear speaker
- 111. Right front electric window switch on right front door
- 112. Right front electric window motor
- 113. Right front central locking motor
- 114. Push button signalling right front door open
- 114A. Right front push button for front courtesy light
- 115. Push button for right rear courtesy light
- 116. Right rear central locking motor
- 117. Fuel filler cap locking motor
- 118. Push button signalling right rear door open
- 119. Right rear light cluster
- 120. Engine oil level sender unit
- 121. Engine oil pressure sender unit
- 122. Engine oil temperature sender unit
- 123. Coolant temperature sender unit and thermal switch for overheating warning light
- 124. Rear electric windows switch on tray
- 125. Left rear electric windows switch on tray
- 126. Right rear electric windows switch on tray
- 127. Left rear electric windows switch
- 128. Left rear electric windows motor
- 129. Right rear electric windows motor
- 130. Right rear electric windows switch
- 131. Car interior fan speed adjuster
- 132. Air recirculation flap motor
- 133. Three stage pressure switch
- 134. Anti-frost thermostat
- 135. Outside air temperature sensor
- 136. Control unit for automatically switching on heated rear windscreen
- 137. Ignition switch light delay device
- 138. Control unit for electronically controlled KE3-Jetronic mechanical fuel injection system
- 139. Connection
- 140. Sensor on left front wheel
- 141. Electrical hydraulic control unit for anti-lock brakes
- 142. Sensor on right front wheel
- 143. Main relay
- 144. Sensor on left rear wheel
- 145. Sensor on right rear wheel
- 146. Anti-lock brakes electronic control unit
- 147. Left external rear view mirror
- 148. Right external rear view mirror
- 149. Electric aerial motor
- 150. Diagnostic socket
- 151. Switch for left front heated seat
- 152. Switch for motor for moving left front seat longitudinally
- 153. Switch for motor for moving left front seat vertically
- 154. Switch for motor for adjusting left front seat backrest
- 155. Motor for adjusting left front seat backrest

- 156. Motor for moving left front seat longitudinally
- 157. Motor for moving left front seat vertically
- 158. Left front seat heated backrest
- 159. Left front seat heated cushion
- 160. Left front heated seat thermal contact
- 161. Connection
- 162. Right front heated seat thermal contact
- 163. Right front seat heated cushion
- 164. Right front seat heated backrest
- 165. Motor for adjusting position of right front seat backrest
- 166. Motor for moving right front seat vertically
- 167. Motor for moving right front seat longitudinally
- 168. Control unit for automatic device for hardening steering at high speeds (Servotronic)
- 169. Switch for motor for moving right front seat longitudinally
- 170. Switch for motor for moving right front seat vertically
- 171. Switch for motor for adjusting right front seat backrest
- 172. Motor for moving left rear seat longitudinally
- 173. Switch for motor for moving left rear seat longitudinally
- 174. Relay for rear seats
- 175. Switch for motor for moving right rear seat longitudinally
- 176. Motor for moving right rear seat longitudinally
- 177. Earth on handbrake fixing
- 178. Connection
- 179. End of travel switch for left rear seat
- 180. Relay for motor for moving left rear seat longitudinally
- 181. Relay for motor for moving right rear seat longitudinally
- 182. End of travel switch for right rear seat
- 183. Fuse box
- 184. Diagnostic socket (not used)
- 185. Connection
- 186. Connection
- 187. Connection
- 188. Connection
- 189. Connection
- 190. Relay for left front heated seat
- 191. Relay for right front seat
- 192. Relay for left front seat
- 193. Connection
- 194. Switch for electric rear windows on tray
- 195. Left rear electric windows switch on tray
- 196. Right rear electric windows switch on tray
- 197. Connection
- 198. Connection

- 199. Connection
- 200. Right rear electric windows switch on right rear armrest
- 201. Left rear electric windows switch on left rear armrest
- 202. Control unit for adjustable spoiler
- 204A. Motor for adjustable spoiler
- 204B. Motor for adjustable spoiler
- 205. Switch for controlling adjustable spoiler
- 206. Connector for radio telephone
- 207. Fuse box for radio telephone
- 208. Earth on bodywork
- 213. Hyd.-electric converter on steering box (Servotronic)
- 214. Diagnostic socket for Microplex electronic ignition system control unit
- 215. Diagnostic socket for KE3-Jetronic injection system control unit
- 216. Connector for radio telephone
- 217. Relay for right front heated seat
- 218. Switch for right front heated seat
- 219. Connectors for adjustable spoiler
- 220. Module for auto-diagnostic warning light
- 221. Radiator fan inhibitor relay with ignition switched off and brake pressure switch contact closed

Cable colour code

A	Light Blue	CN	Orange-Black
B	White	CN	Yellow-Black
C	Orange	GL	Yellow-Blue
G	Yellow	GR	Yellow-Red
H	Grey	GV	Yellow-Green
L	Blue	HG	Grey-Yellow
M	Brown	HN	Grey-Black
N	Black	HR	Grey-Red
R	Red	IB	Blue-White
S	Pink	IG	Blue-Yellow
V	Green	IN	Blue-Black
Z	Violet	IR	Blue-Red
AB	Light Blue-White	IV	Blue-Green
AG	Light Blue-Yellow	MB	Brown-White
AN	Light Blue-Black	MN	Brown-Black
AR	Light Blue-Red	NZ	Black-Violet
AV	Light Blue-Green	RB	Red-White
BG	White-Yellow	RG	Red-Yellow
BL	White-Blue	RN	Red-Black
BN	White-Black	RV	Red-Green
BR	White-Red	SN	Pink-Black
BV	White-Green	VB	Green-White
BZ	White-Violet	VN	Green-Black
CA	Orange-Light Blue	VR	Green-Red
CB	Orange-White		