



Electrical Circuit Diagrams





DEFENDER

2002MY

Electrical Circuit Diagrams

Publication Part No. LRL 0452ENG

Published by Land Rover

© 2001 Land Rover

COLOUR CODES**DRAADKLEURCODES****CODICI COLORI DEI CAVI****CODES DES COULEURS DES FILS****CODIGOS DE COLORES DE LOS CABLES****KABELFARBCODES****CÓDIGOS DAS CORES DOS FIOS**

CODE	COLOUR	CODE	KLEUR	CODE	COULEUR	CODE	FARBE	CODICE	COLORE	CODIGO	COLOR	CÓDIGO	COR
B	BLACK	B	ZWART	B	NOIR	B	SCHWARZ	B	NERO	B	NEGRO	G	PRETO
G	GREEN	G	GROEN	G	VERT	G	GRÜN	G	VERDE	G	VERDE	K	VERDE
K	PINK	K	ROZE	K	ROSE	K	ROSA	K	ROSA	K	ROSA	LG	ROSA
LG	LIGHT GREEN	LG	LICHTGROEN	LG	VERT CLAIR	LG	HELLGRÜN	LG	VERDE CHIARO	LG	VERDE CLARO	N	VERDE CLARO
N	BROWN	N	BRUIN	N	BRUN	N	BRAUN	N	MARRONE	N	MARRON	O	CASTANHO
O	ORANGE	O	ORANJE	O	ORANGE	O	ORANGE	O	ARANCIONE	O	NARANJA	P	LARANJA
P	PURPLE	P	PAARS	P	VIOLET	P	LILA	P	PORPORA	P	PURPURA	R	ROXO
R	RED	R	ROOD	R	ROUGE	R	ROT	R	ROSSO	R	ROJO	S	VERMELHO
S	SLATE (grey)	S	LEIGRIJS	S	GRIS	S	GRAU	S	ARDESIA (grigio)	S	PIZARRO (gris)	U	CINZENTO
U	BLUE	U	BLAUW	U	BLEU	U	BLAU	U	BLU	U	AZUL	W	AZUL
W	WHITE	W	WIT	W	BLANC	W	WEISS	W	BIANCO	W	BLANCO	Y	BRANCO
Y	YELLOW	Y	GEEL	Y	JAUNE	Y	GELB	Y	GIALLO	Y	AMARILLO	Y	AMARELO

CONTENTS

1 POWER DISTRIBUTION	6	20 ENGINE MANAGEMENT SYSTEM	36	44 INTERIOR LAMPS	72
300 Tdi	6	Td5	36	Anti-theft Alarm	72
Td5	9	35 ANTI-LOCK BRAKING SYSTEM (ABS)	40	46 INTERIOR ILLUMINATION	76
2 EARTH DISTRIBUTION	12	38 AIR CONDITIONING	42	47 INSTRUMENTS	78
3 ANTI-THEFT ALARM AND CENTRAL DOOR LOCKING	20	Td5	42	48 CLOCK	82
3 ENGINE IMMOBILISATION	24	300 Tdi	44	48 HORN (S)	84
5 WINDOWS	26	39 HEATER	46	49 ACCESSORY SOCKET	86
6 SEATS	28	40 HEATED FRONT SCREEN	48	49 CIGAR LIGHTER	88
Heated	28	40 HEATED REAR SCREEN	50	50 AUDIO SYSTEMS	90
10 DIAGNOSTIC SOCKET	30	42 WIPERS AND WASHERS	52	60 HEADER JOINTS	92
15 FUEL PUMP	32	Front	52	65 SPLICES AND CENTRE TAPS	98
Td5	32	Rear	53	80 TRAILER SOCKET	106
15 CHARGING AND STARTING	34	43 EXTERIOR LAMPS	54		
Td5	34	Brake and reverse lamps	54		
300 Tdi	35	Head, side, tail and number plate lamps - 300 Tdi	58		
		Head, side, tail and number plate lamps - Td5	62		
		Fog lamps - Rear	66		
		Headlamp levelling	68		
		Direction indicator lamps\hazard warning	69		

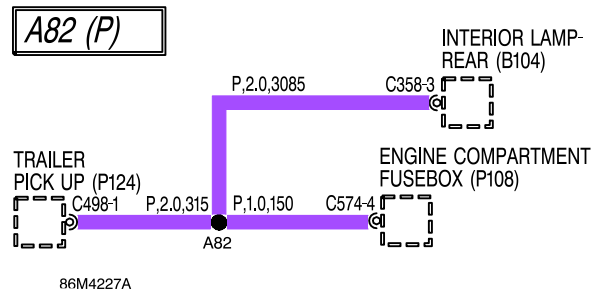
HOW TO USE THE CIRCUIT DIAGRAMS

All of the information in this folder is intended for use with the **Electrical Reference Library booklet**.

The circuit diagrams are presented with Power and Earth distribution first, followed by individual circuits for each electrical system on the car.

Power Distribution

The Power Distribution diagram shows the connections from the battery to the engine and passenger compartment fuseboxes. It also shows the internal circuitry of the fuseboxes.



The fuse box details are followed by independent functionally specific circuits and then a Splices and centre taps section outlining the way in which internal harness splices and centre taps distribute power in the harnesses. This information should be used during diagnosis of electrical faults to check for symptoms in associated circuits and narrow down the search area.

Earth Distribution

The ground distribution section comprises a number of Headers and Splices tables. These are used in a similar manner to those in Power Distribution; to narrow the search area by checking for fault symptoms in associated circuits.

Splices and centre taps

Header and splice tables present the joint(s) and wiring up to the first component. Splices are identified by a number with an alphabetical prefix and the wire colour.

The splice information shown on individual system circuits is not complete. Always refer to the splices circuit for complete information on each splice.

Wire attributes

Additional information (separated by a ',') is shown alongside the wire colour:

Wire gauge - the cross-sectional area of the wire in square millimetres. This is included to help you select the correct wire during harness repair.

Some wires do not have a gauge shown, these wires are of unique construction and will have a three or four letter code printed after the colour code, eg MAB. The code identifies the type of wire for manufacturing purposes. Usually, only the first two characters have significance in service, but in some instances the third character also becomes significant, see table.

Wire type

The following table list the wire type codes together with an explanation of their meaning.

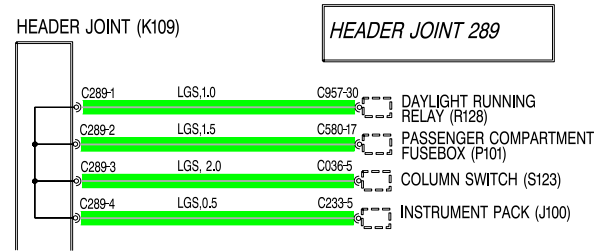
Code	Description
D	Single core DIN wire
F	Single core flexible wire
H	Single core high temperature wire
SA*	Single core resistive wire (0.9 ohms/m)
SB*, SC*, SD*	Single core dual extruded wire
SE*, SF*	Single core fusible wire
MAC, MAD, MAE, MAF, MAG, MAH	Coaxial screened wire
MB*, MO*, MAK	Single core screened wire
MC*, MI*, MP*, MQ*, MAB, MAP	Twin core screened wire
MD*, MJ*, MAM	Twin core ABS sensor wire
ME*, TA*, TB*, MM*, MN*, MU*,MAI	Twisted pair of wires
MF*	Heated oxygen sensor (HO2S) screened wire
MG*	Twin core twisted, screened wire
MH	four core twisted, screened wire
MK*	Three core SRS sensor wire
ML*, MAA, MAR	Four core screened wire
MR*	Six core screened, flexible wire
MS*	Four core screened, flexible wire
MT*	Single core screened, flexible wire
MV*	Twin core flat wire
MW*	Three core round wire
MX*, MY*	Seven core round wire
MZ*	Three core screened, flexible wire
MAJ	Twin core round cable
MAQ, MAU	Three core screened wire
MAS	Single core, double sheath wire
MAT	Double core, double sheath wire
MAL	SRS wire
MAN	Twin core braided, screened wire

HOW TO USE THE CIRCUIT DIAGRAMS

Wire length (Power & Earth Distribution only)

The length of the wire in millimetres. This can be used to locate internal harness splices; look for the shortest wire between the joint and connector. For example, it can be seen that C574-4 is 150mm from joint A82.

Connectors



86M4228A

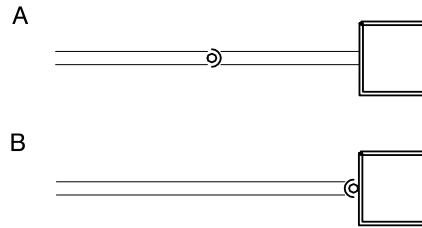
Header joints are identified by their corresponding connector number with a numbered suffix to indicate the pin-out detail of the wire, i.e. C289-1 identifies connector 289, pin number 1. Wire insulation colour is identified in the normal way. Where wires have a predominant colour with a secondary colour stripe, the main colour is identified first, i.e. LGS - Light Green with a Slate stripe.

Line Types



86M4229A

This means the wire connects to another circuit.

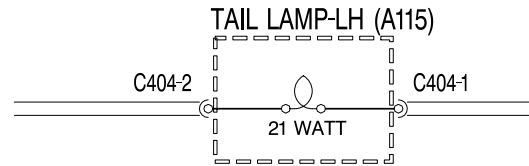


86M4230A

The cup and ball symbol indicates the male and female halves of connector.

- A. Plug on lead (Flylead) wired directly to the component.
- B. Connector plugs directly into component.

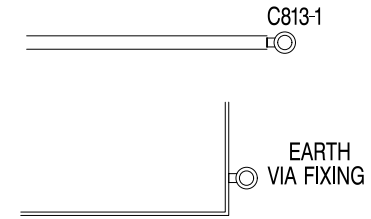
Components



86M4231A

The name or description of the component is shown. A dotted outline indicates that the component is not shown in its entirety.

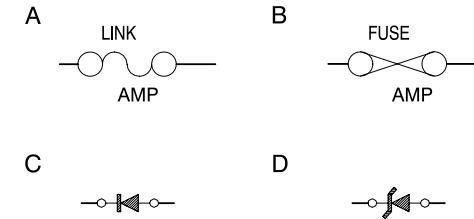
Earth points



86M4232A

Earth points are identified with an eyelet symbol and a connector number, except where components are grounded through their fixings, when only the eyelet is shown.

Fuses and Diodes

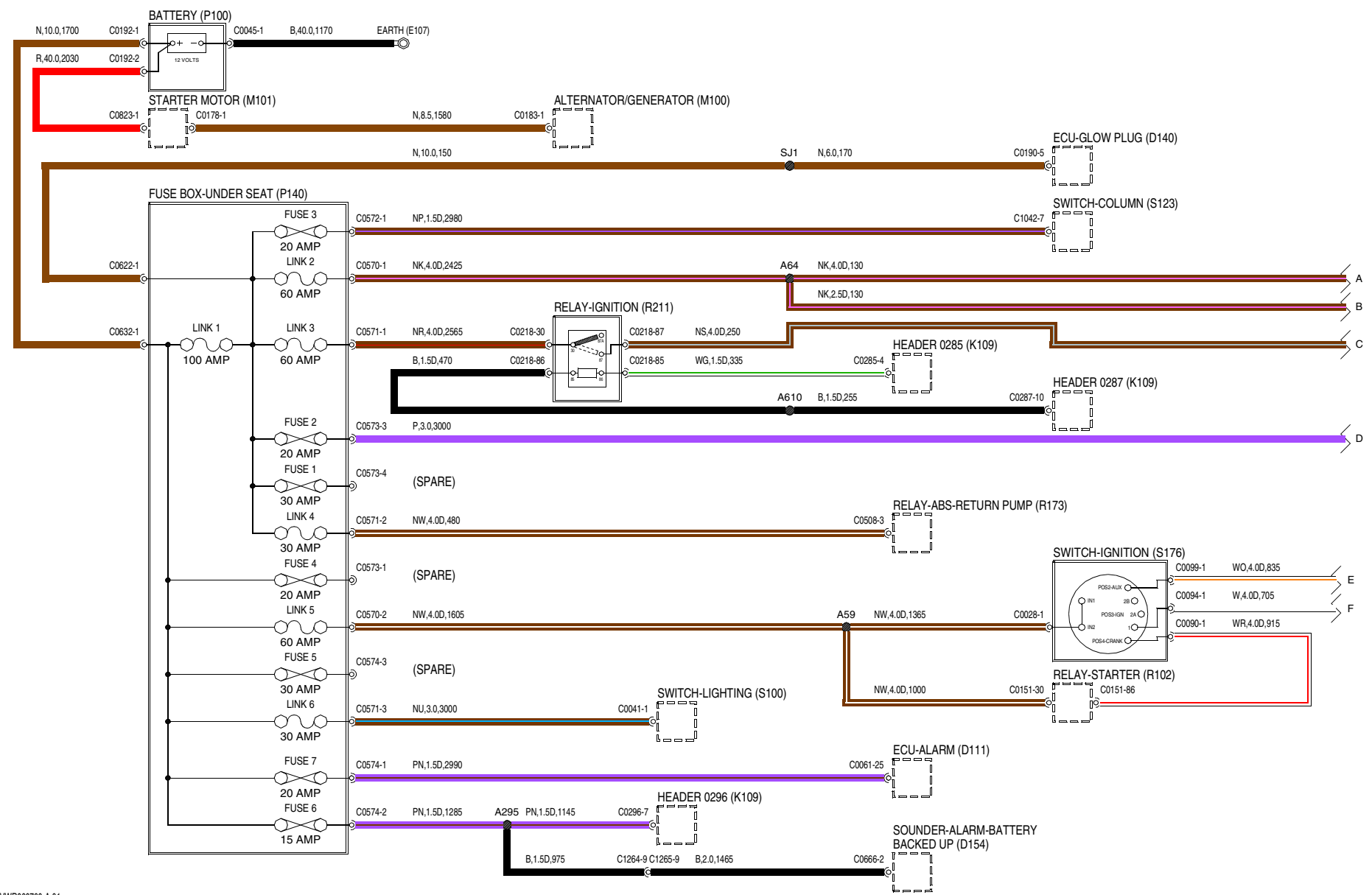


86M4234A

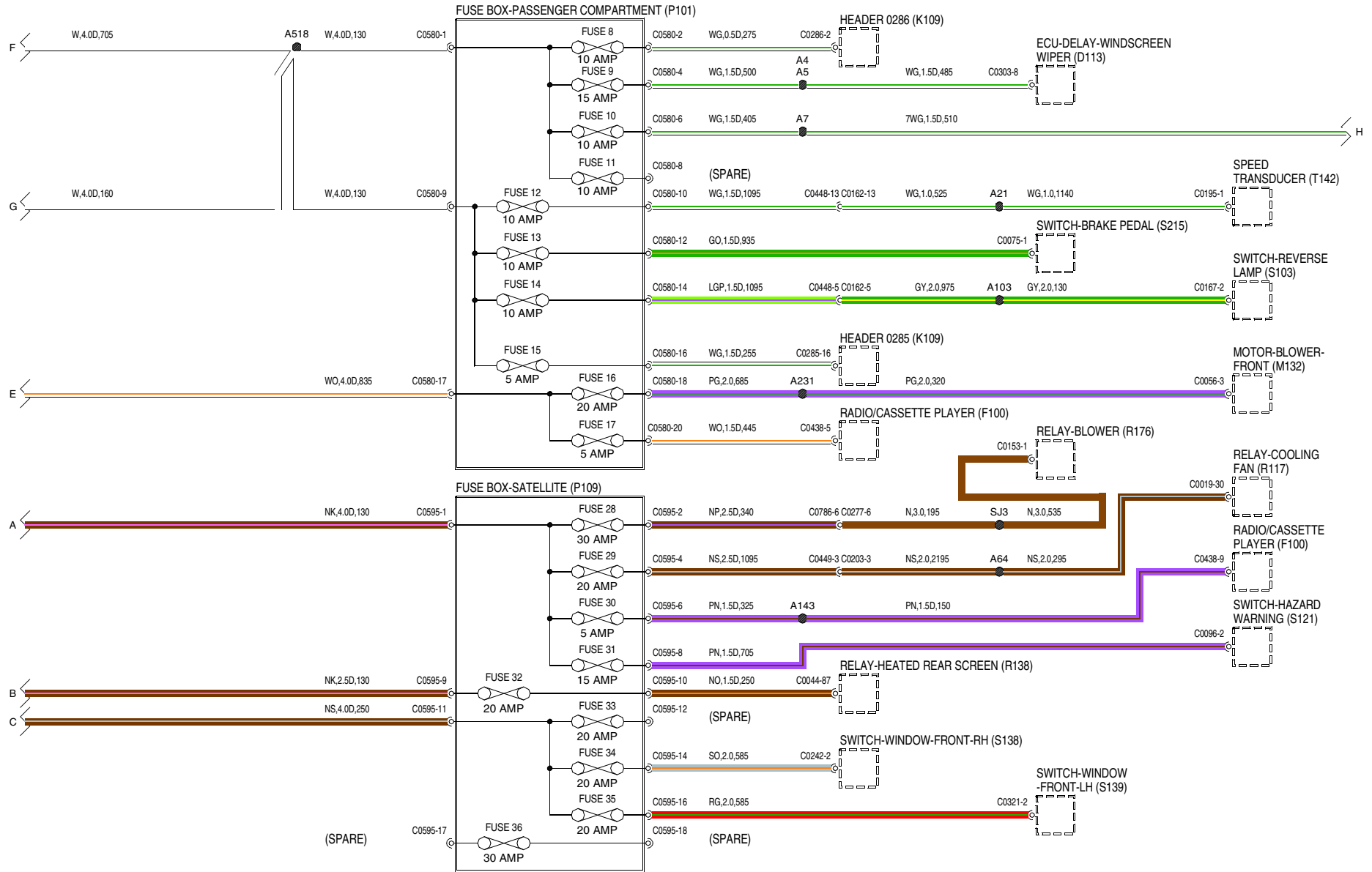
Fusible links (A) and current rated fuses (B) are identified as shown. The direction of the arrow in a Diode symbol (C) indicates the direction of current flow. The Zener diode (D) - prevents current flow until a precise voltage is reached.

1 POWER DISTRIBUTION

300 Tdi



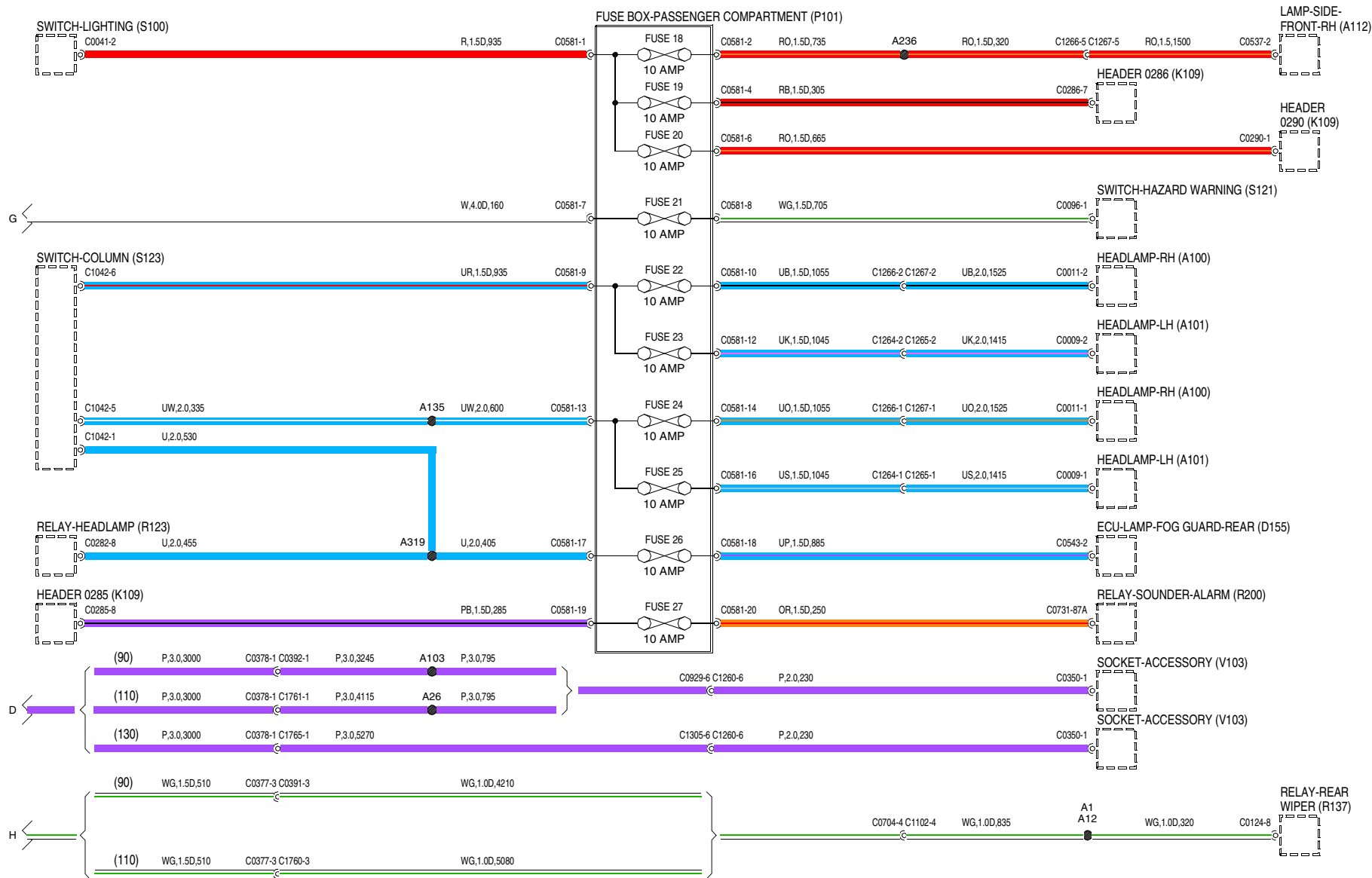
VWR000760-A-01



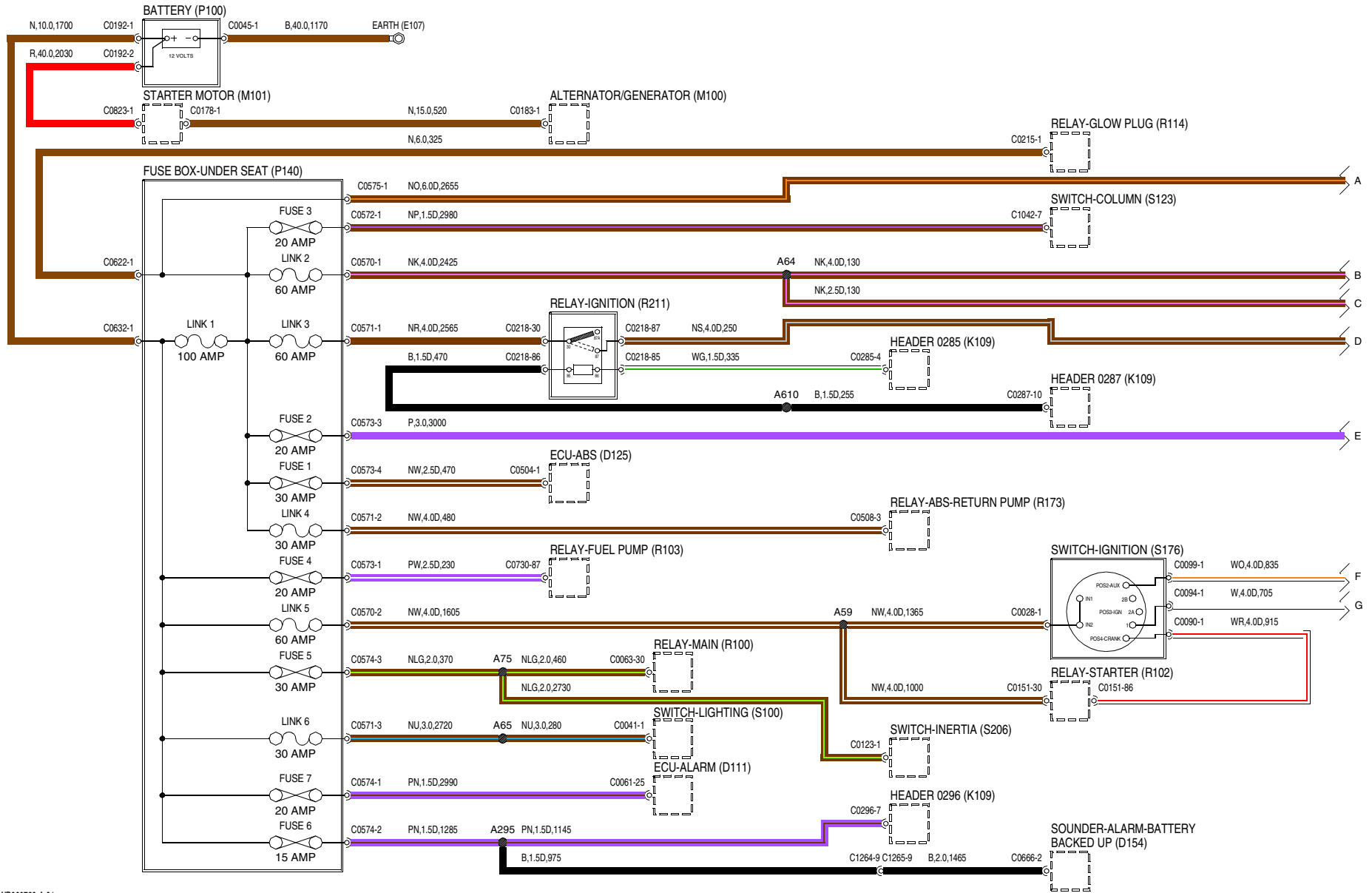
VWR000760-A-02

1 POWER DISTRIBUTION

300 Tdi

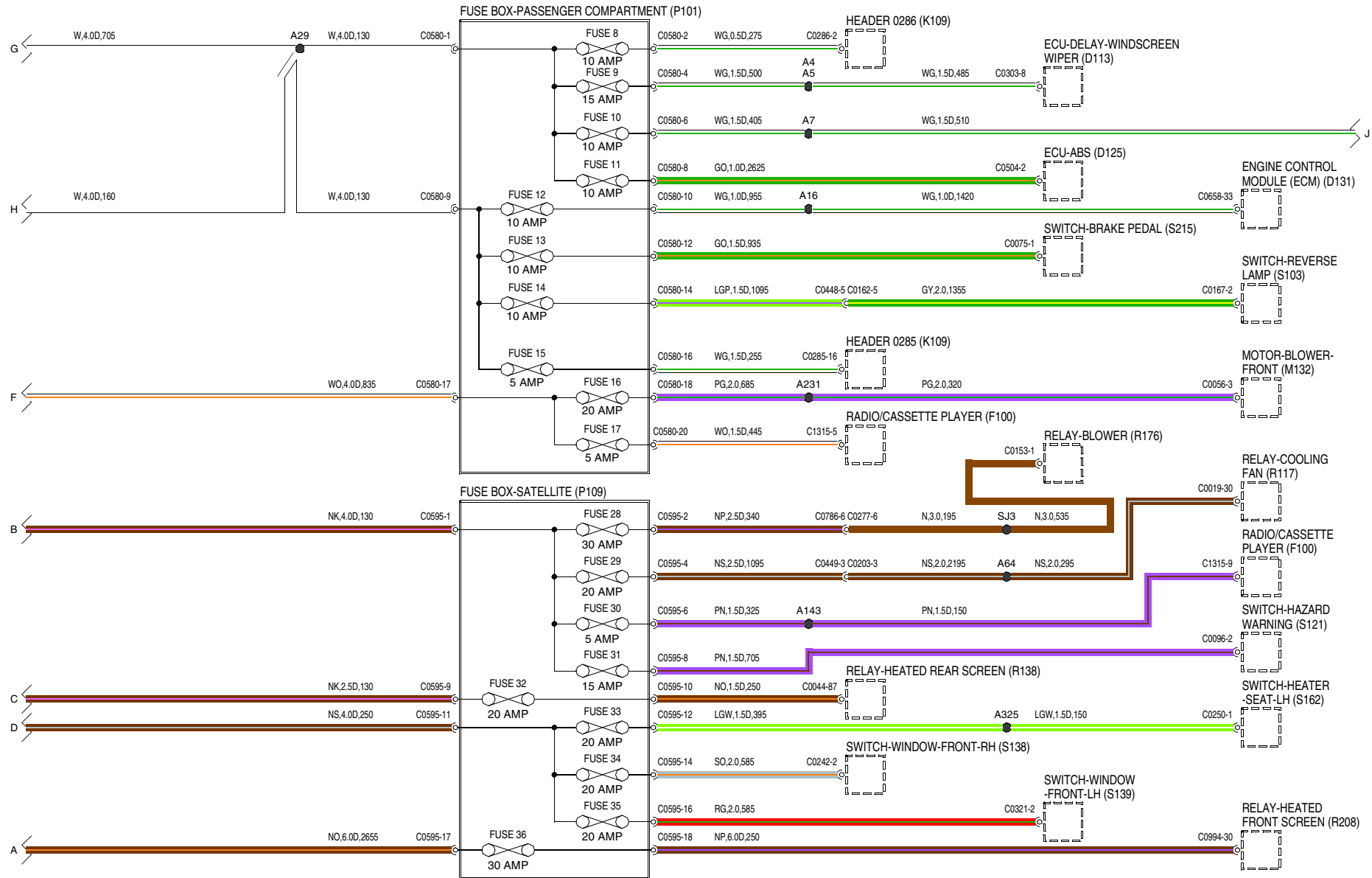


VWR000760-A-03

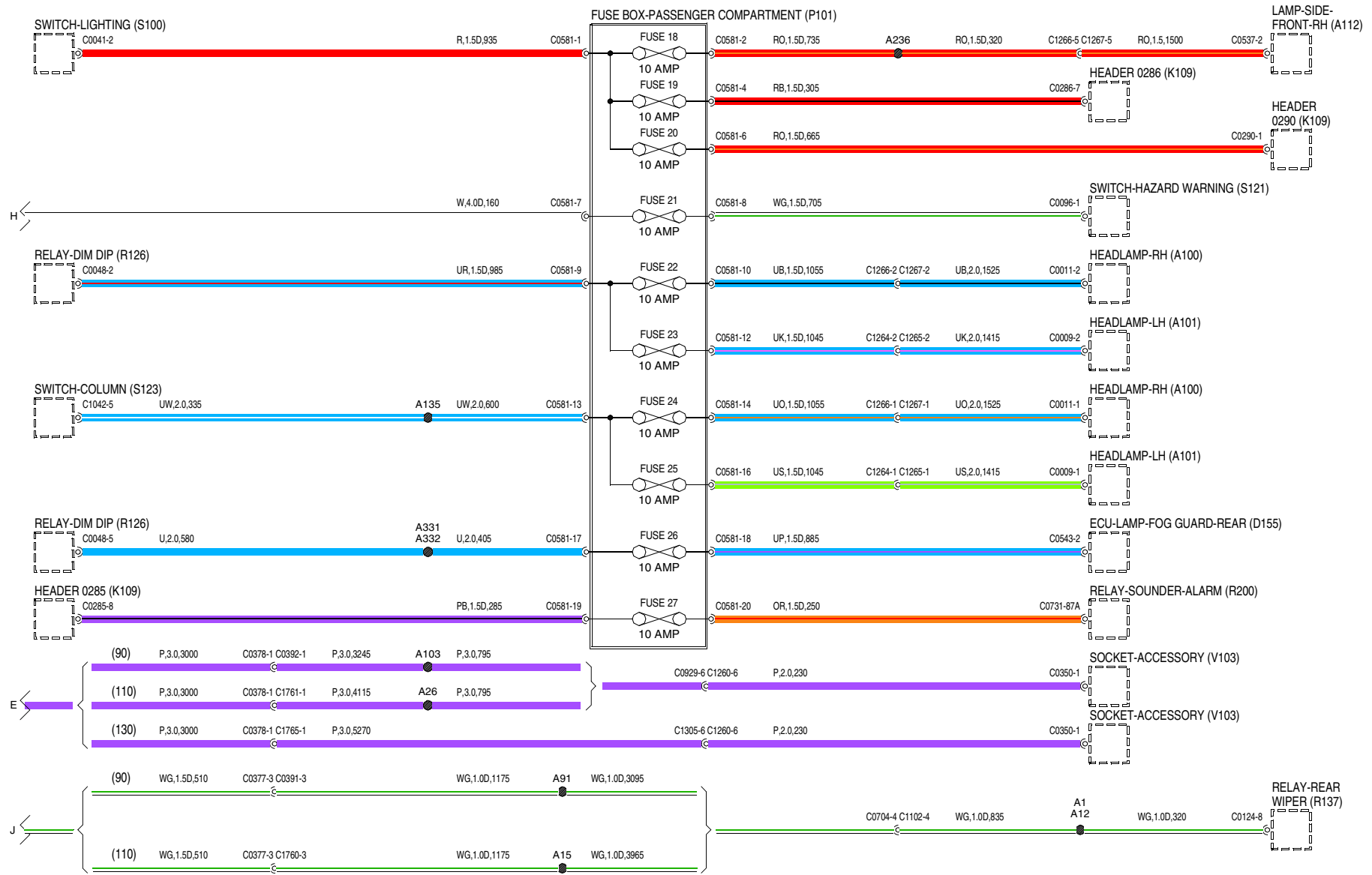


VWR00780-A-01

1 POWER DISTRIBUTION

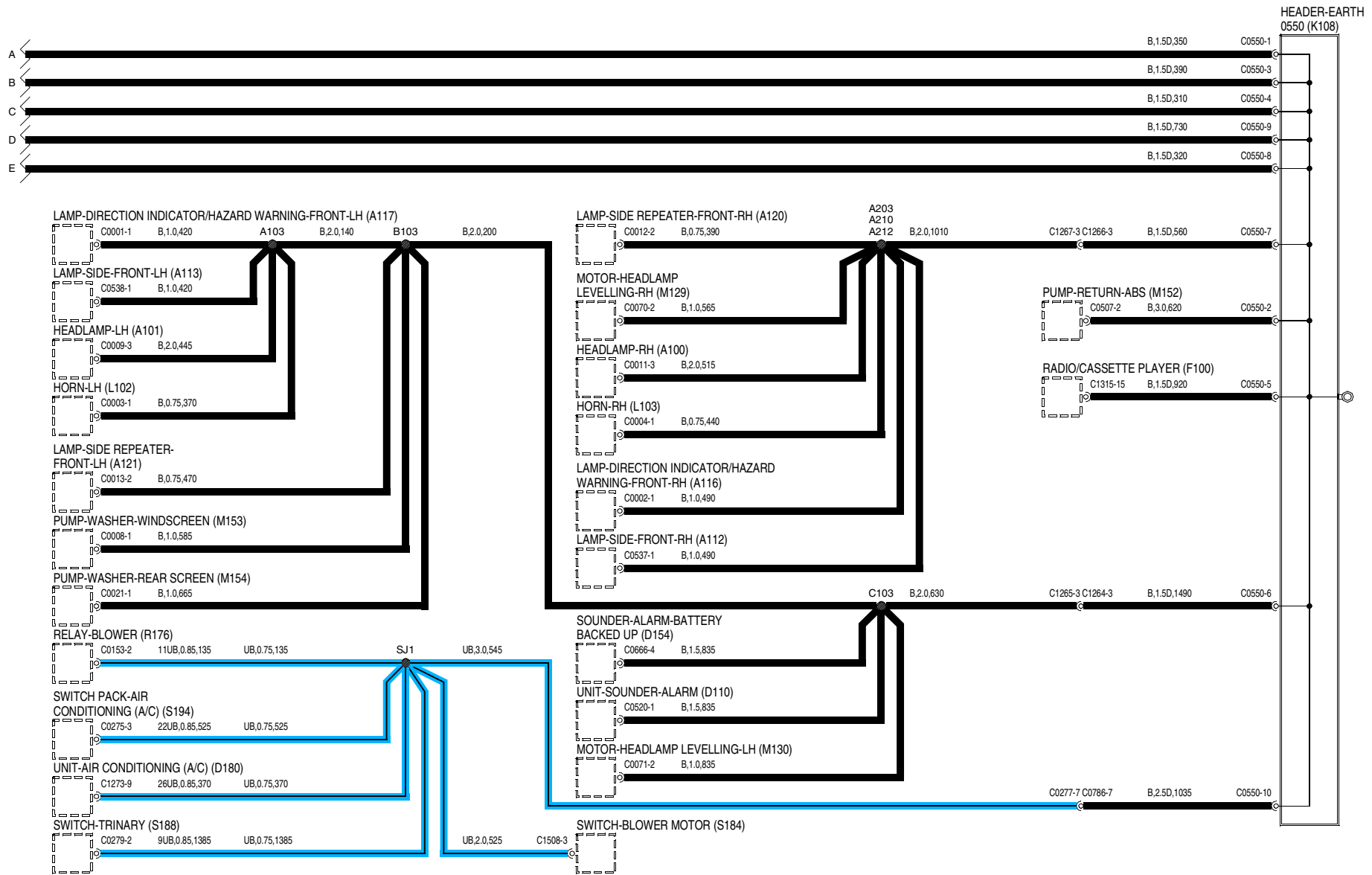


VWR000780-A-02



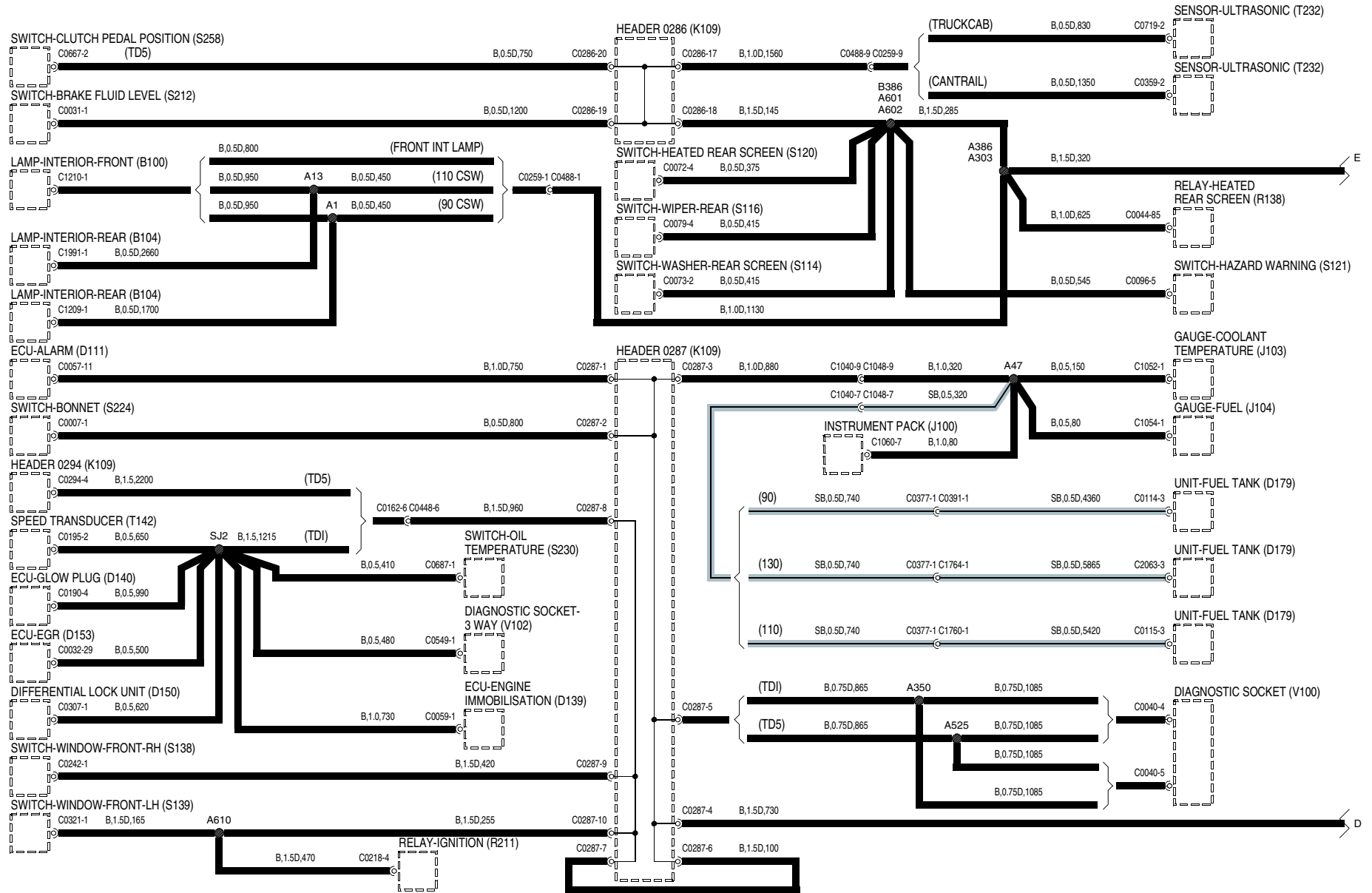
WVR000780-A-03

2 EARTH DISTRIBUTION



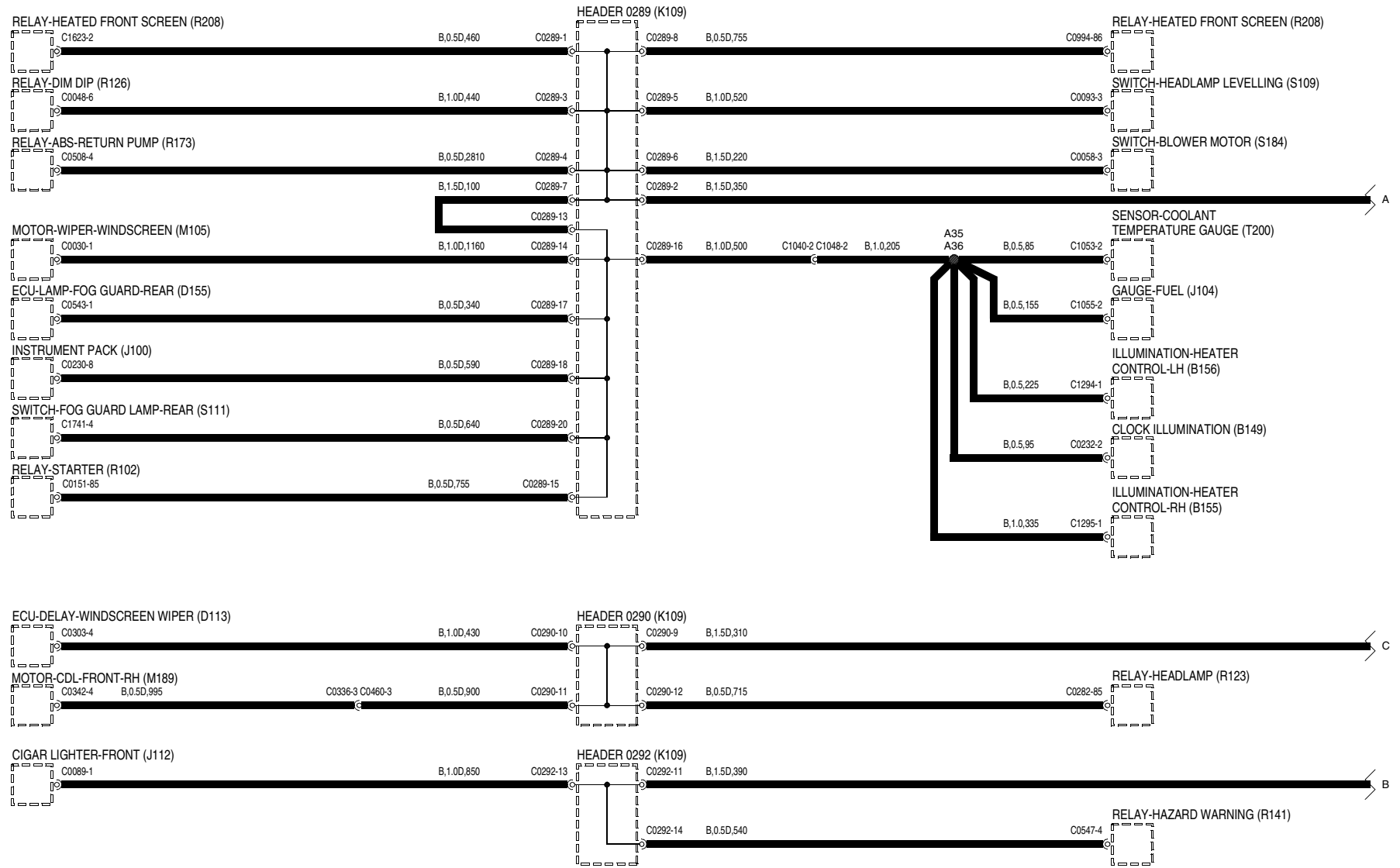
VWR000300-A-01

2 EARTH DISTRIBUTION



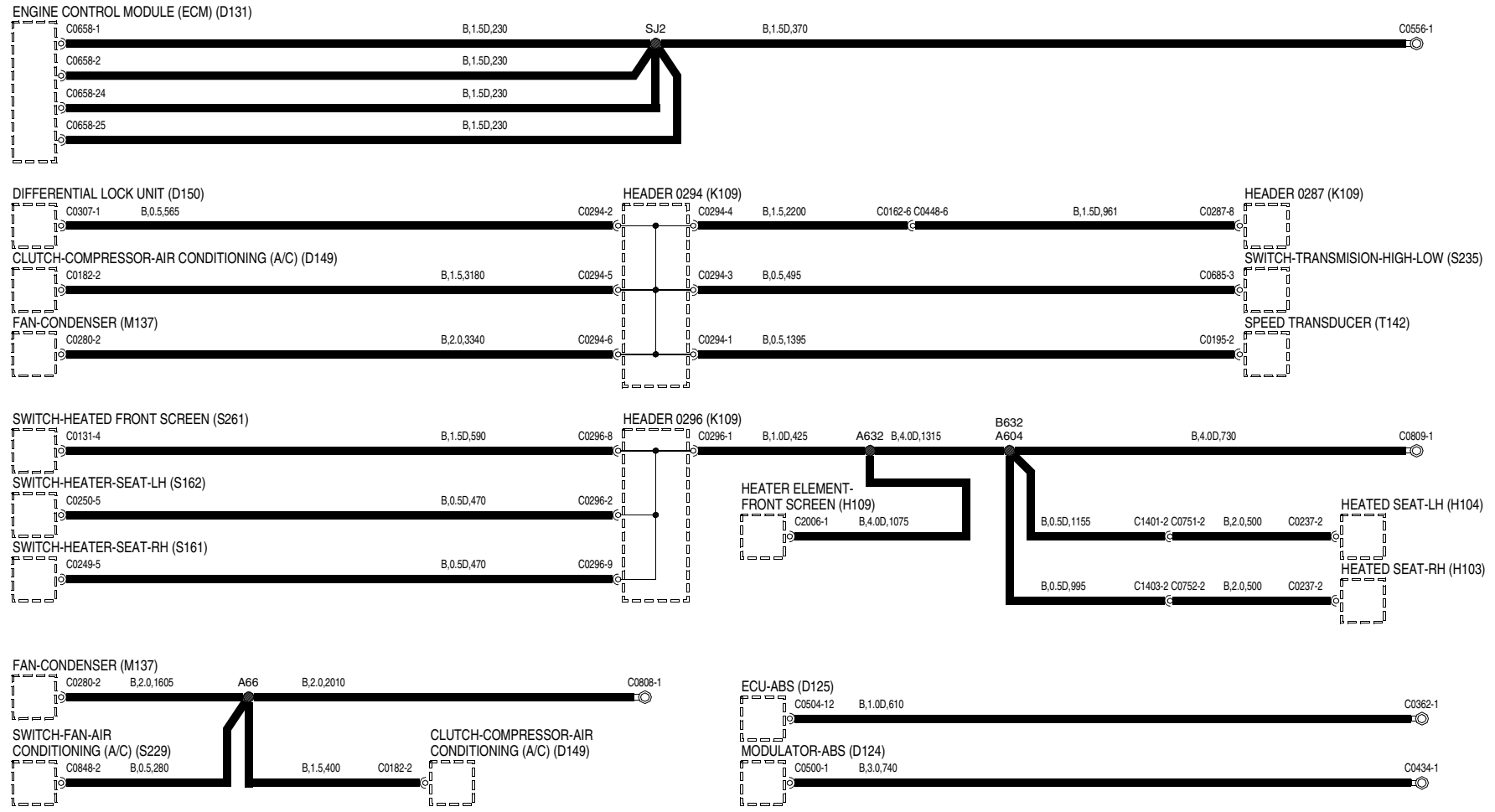
VWR000300-A-02

2 EARTH DISTRIBUTION



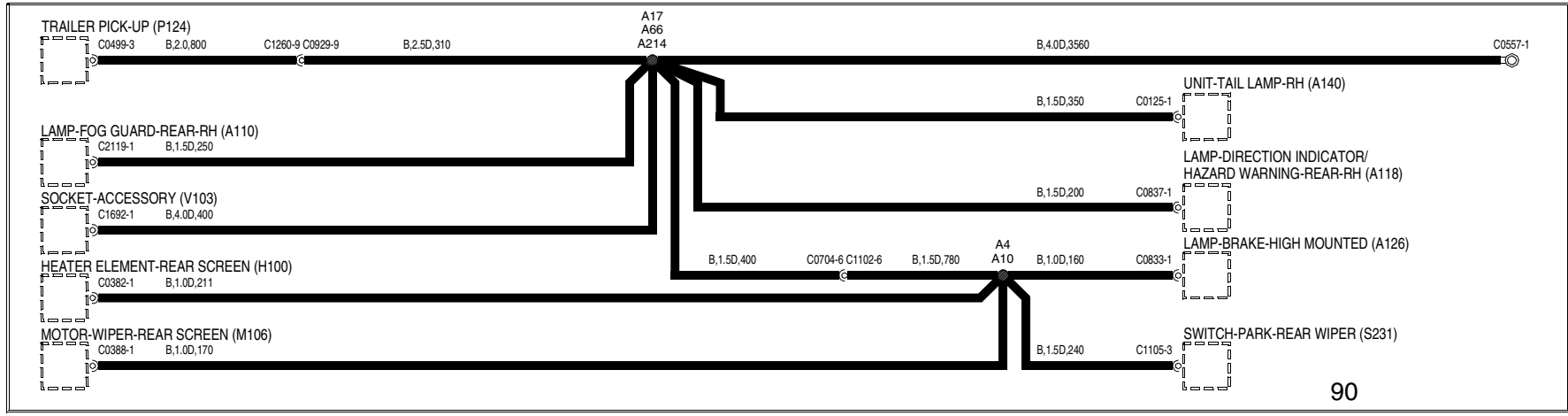
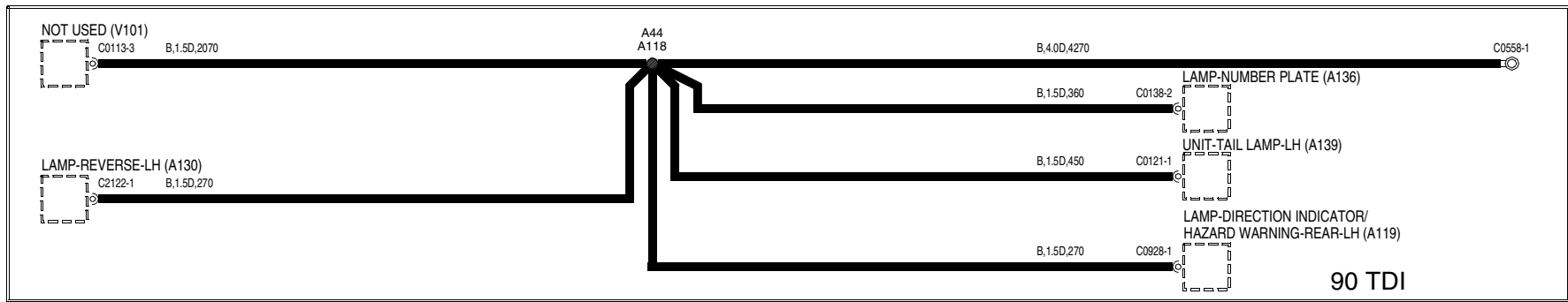
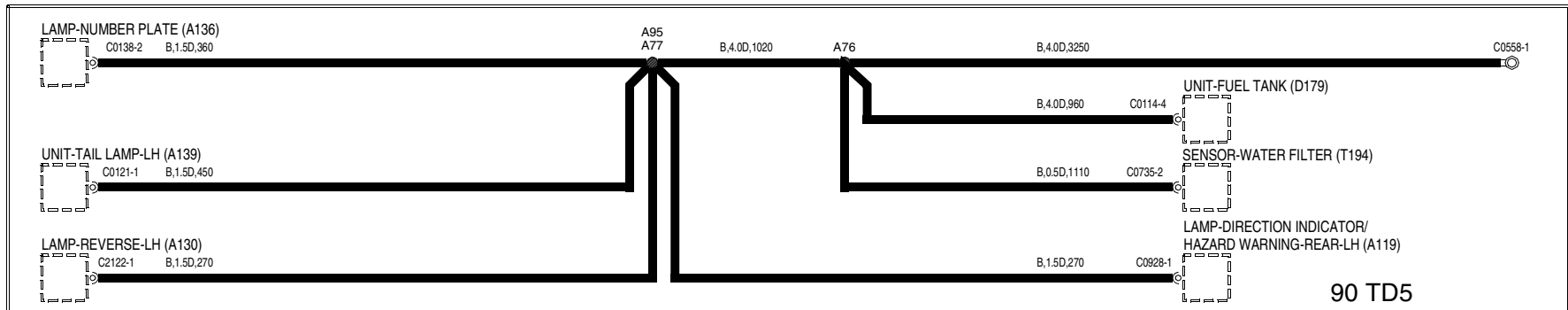
VWR000300-A-03

2 EARTH DISTRIBUTION



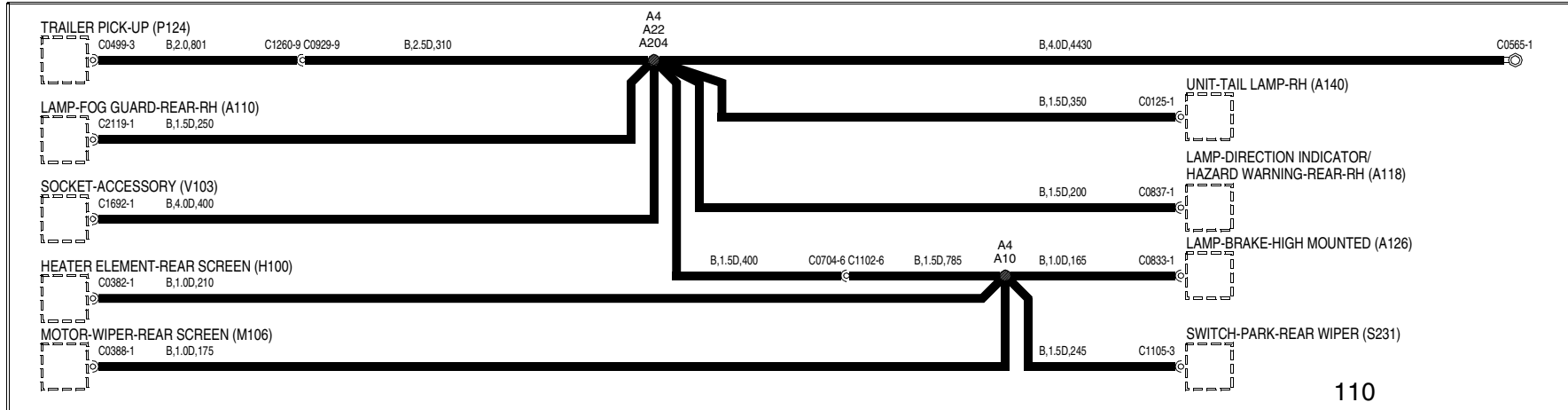
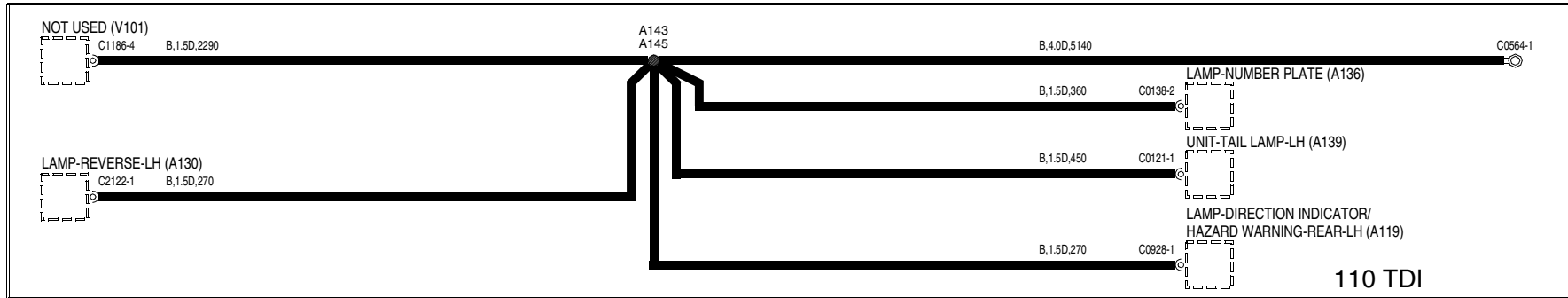
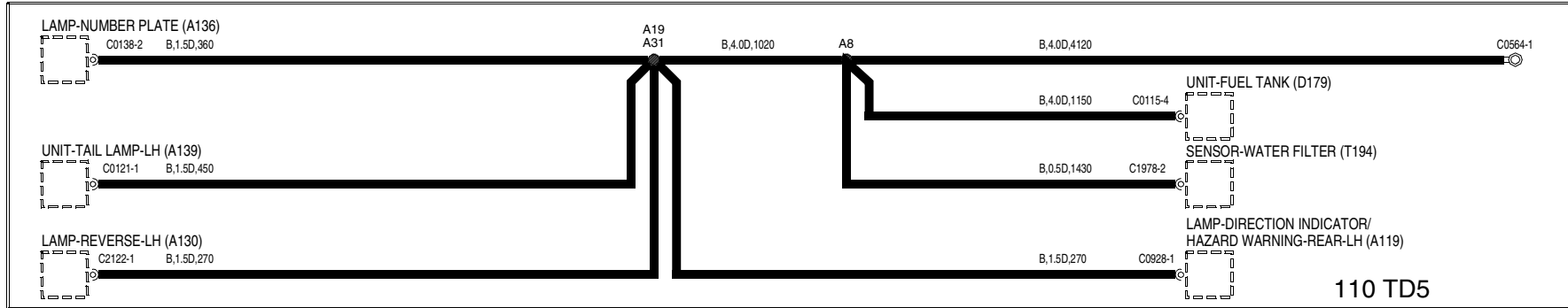
WVR000300-A-04

2 EARTH DISTRIBUTION



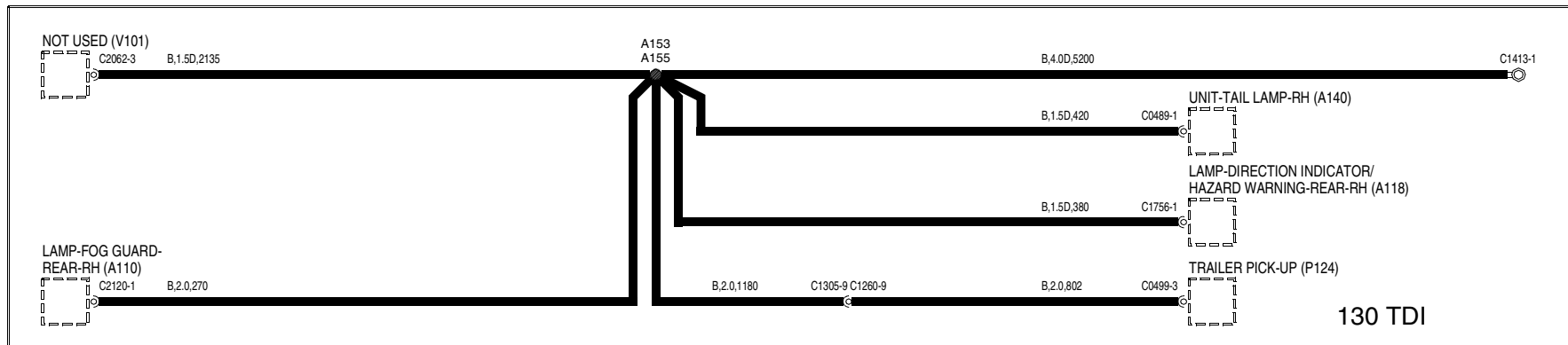
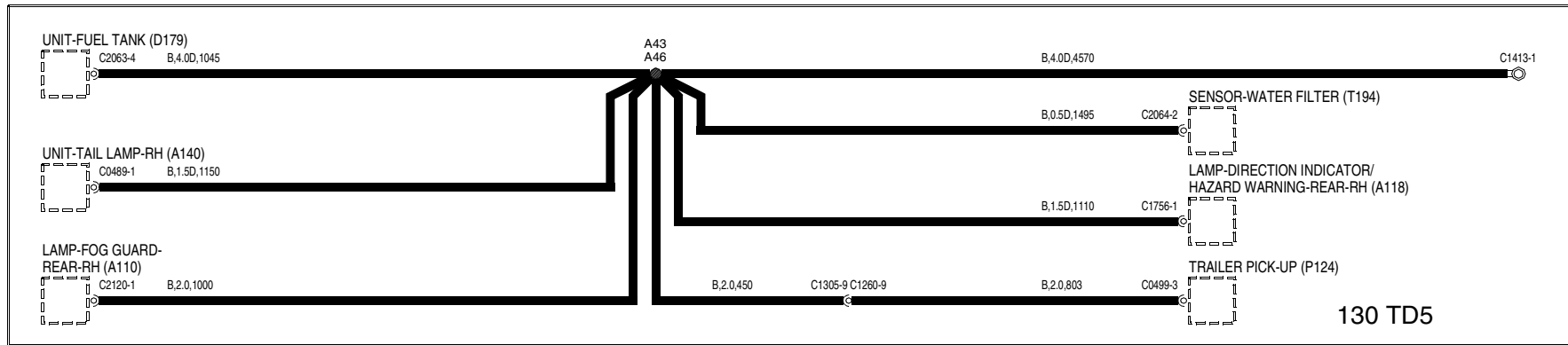
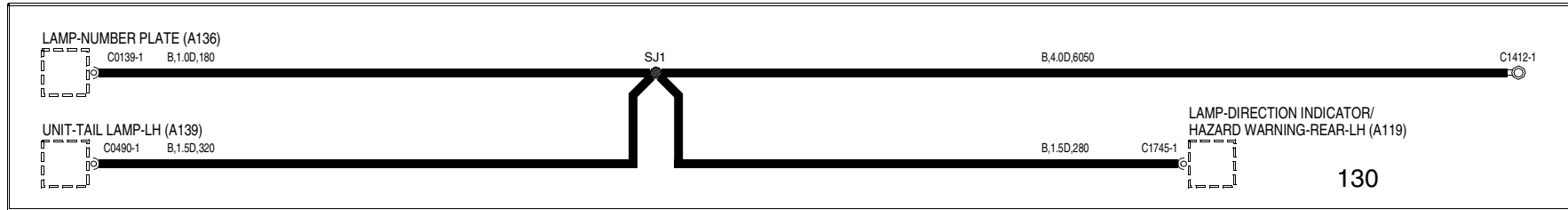
VWR000300-A-05

2 EARTH DISTRIBUTION



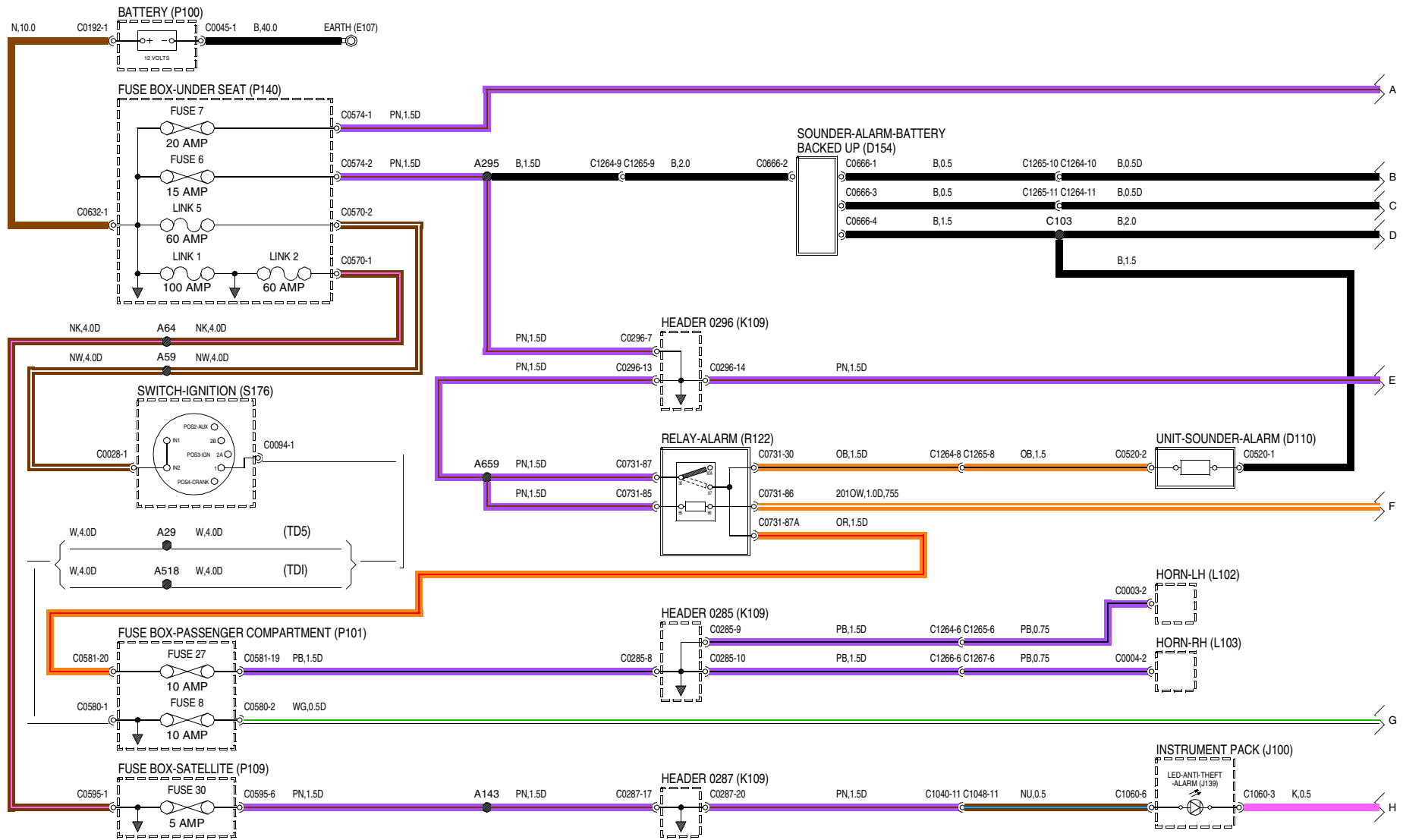
VWR000300-A-06

2 EARTH DISTRIBUTION



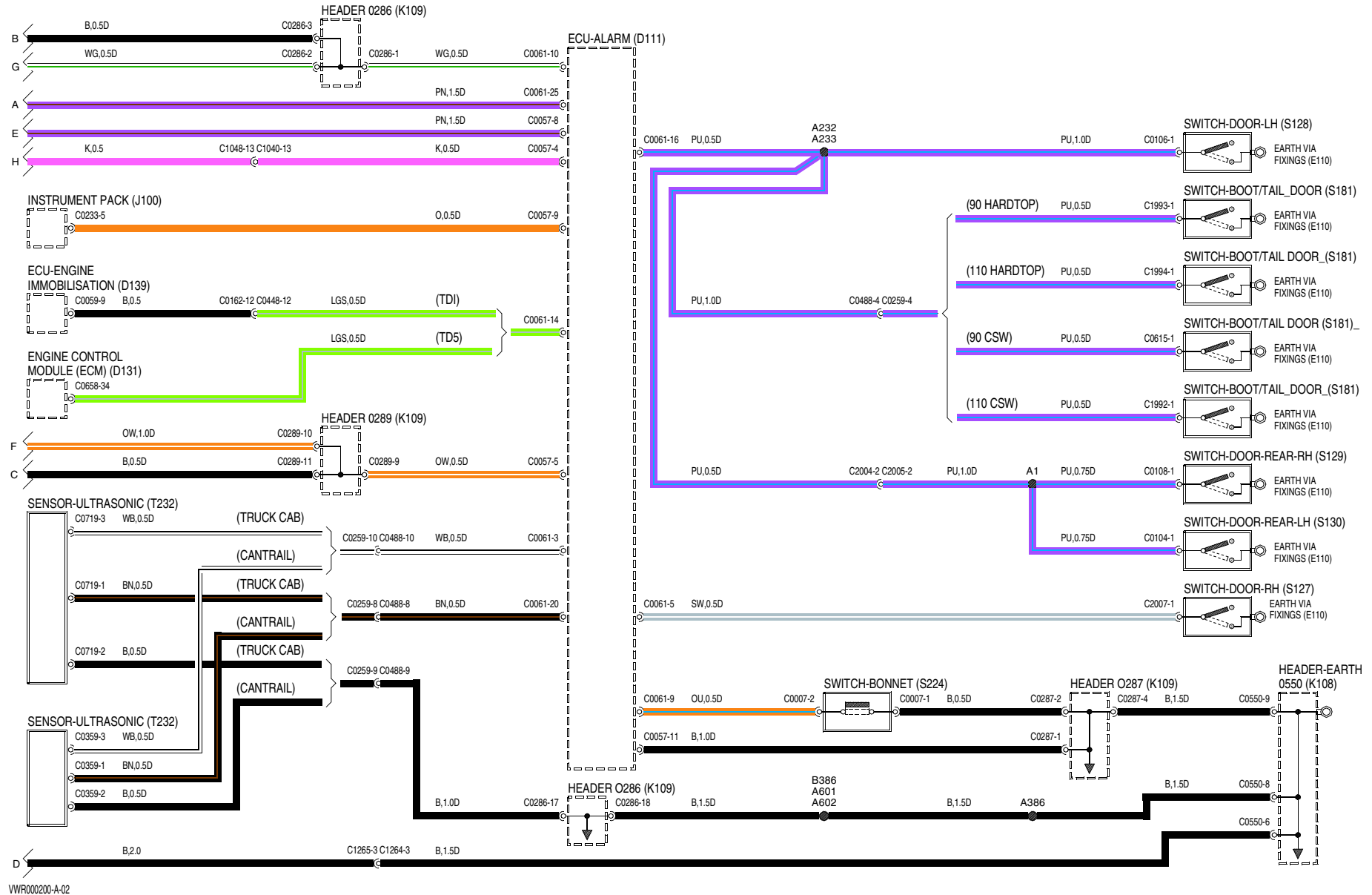
VWR000300-A-07

3 ANTI-THEFT ALARM AND CENTRAL DOOR LOCKING



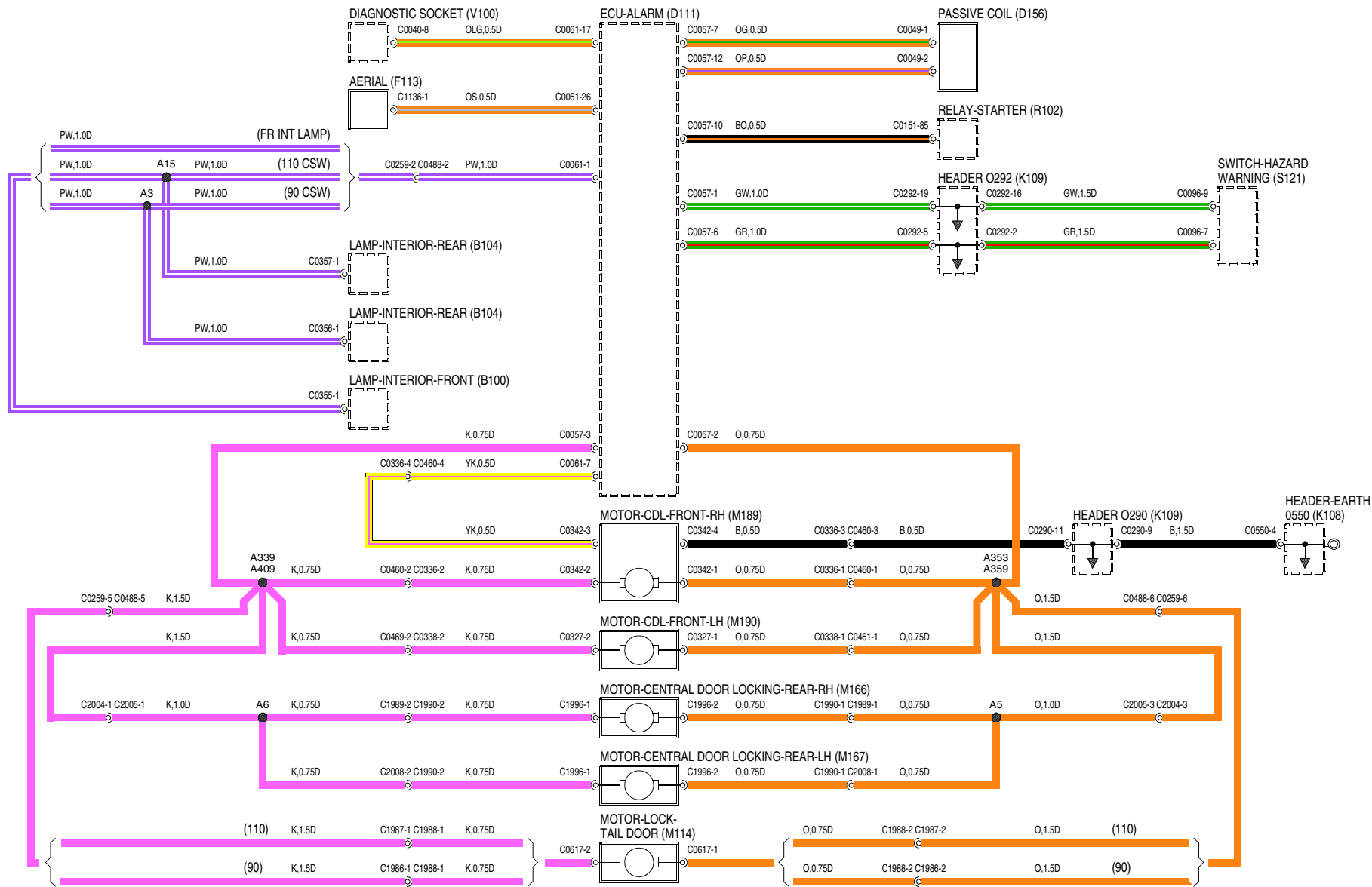
VWR000200-A-01

3 ANTI-THEFT ALARM AND CENTRAL DOOR LOCKING



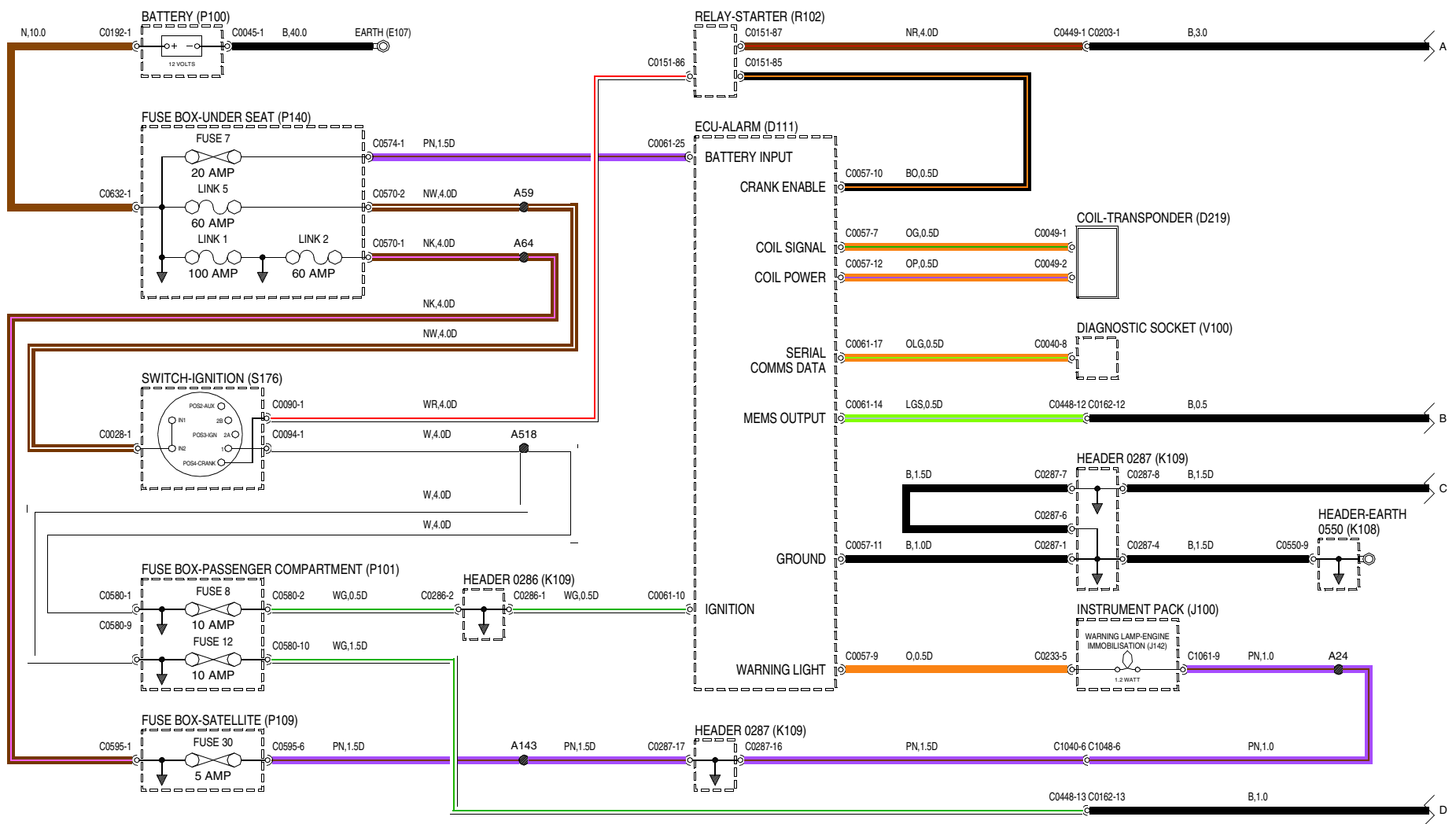
VWR000200-A-02

3 ANTI-THEFT ALARM AND CENTRAL DOOR LOCKING



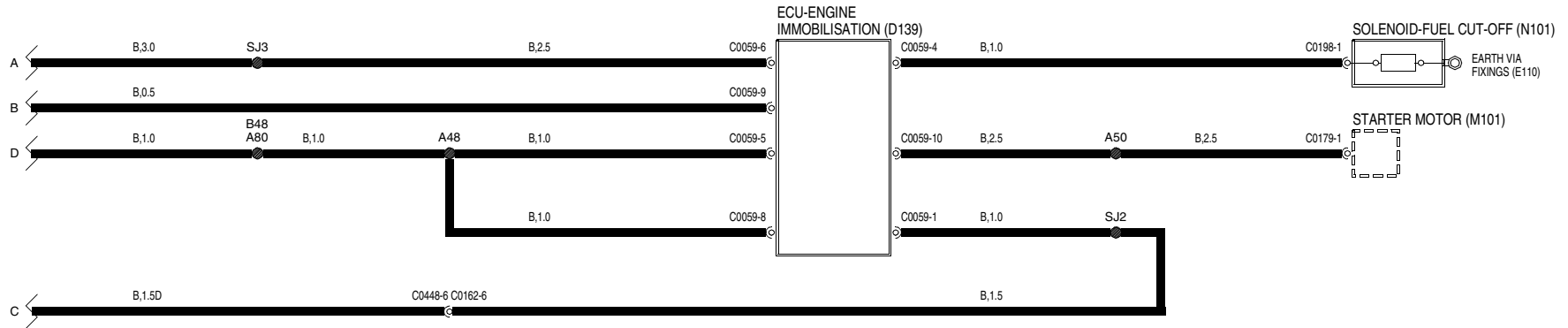
VWR000200-A-03

3 ENGINE IMMOBILISATION



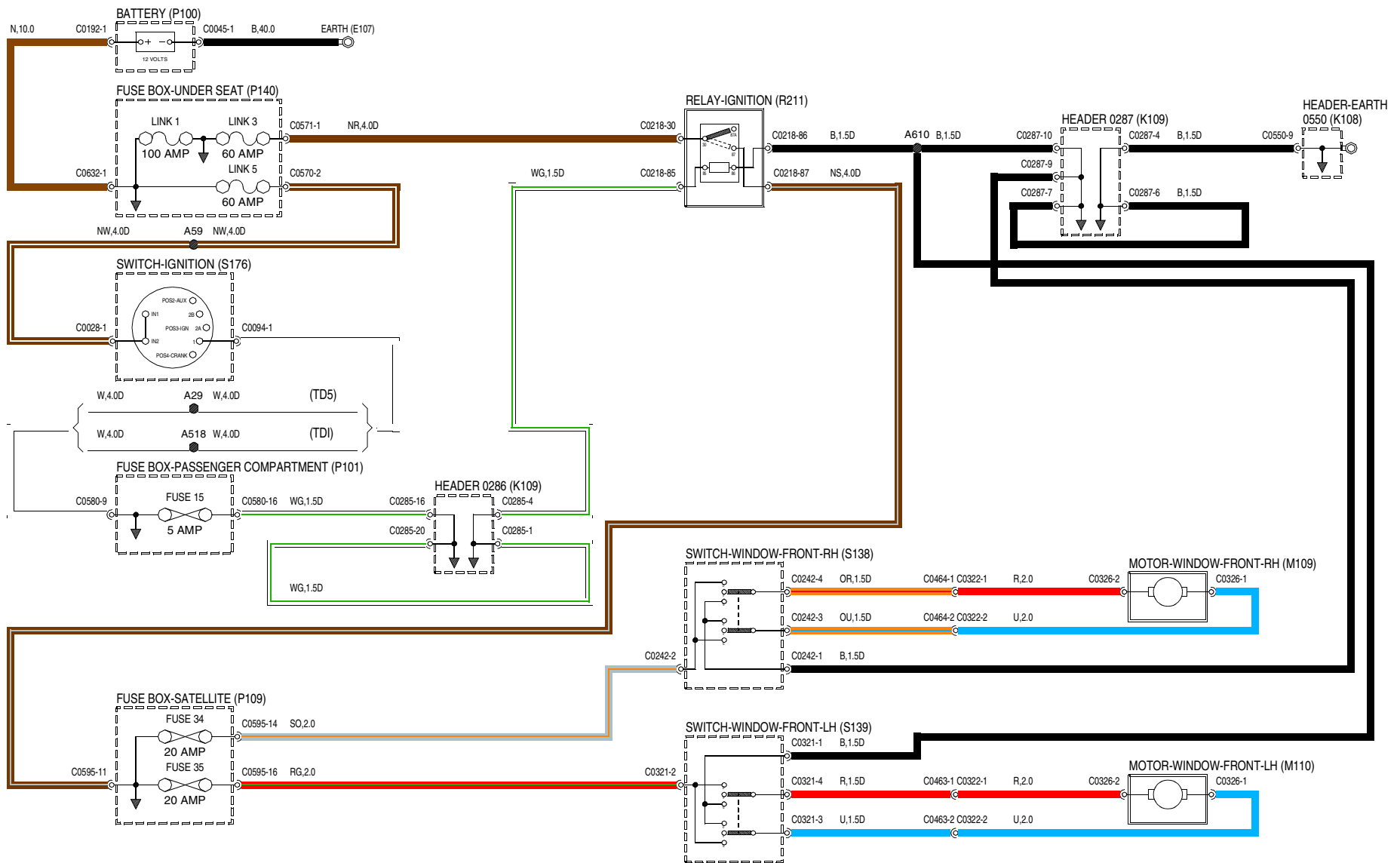
VWR000620-A-01

3 ENGINE IMMOBILISATION



VWR000620-A-02

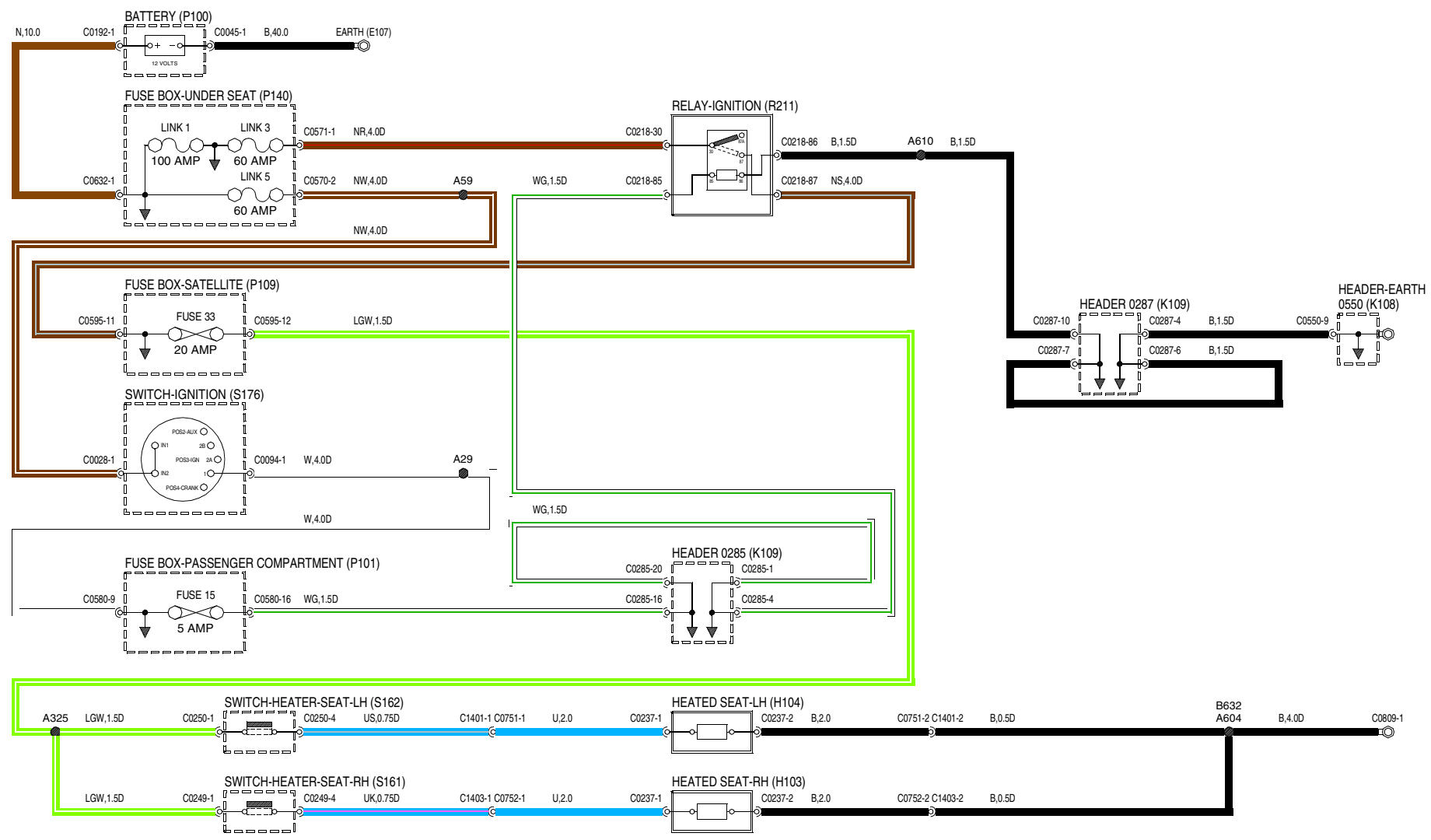
5 WINDOWS



VWR000940-A-01

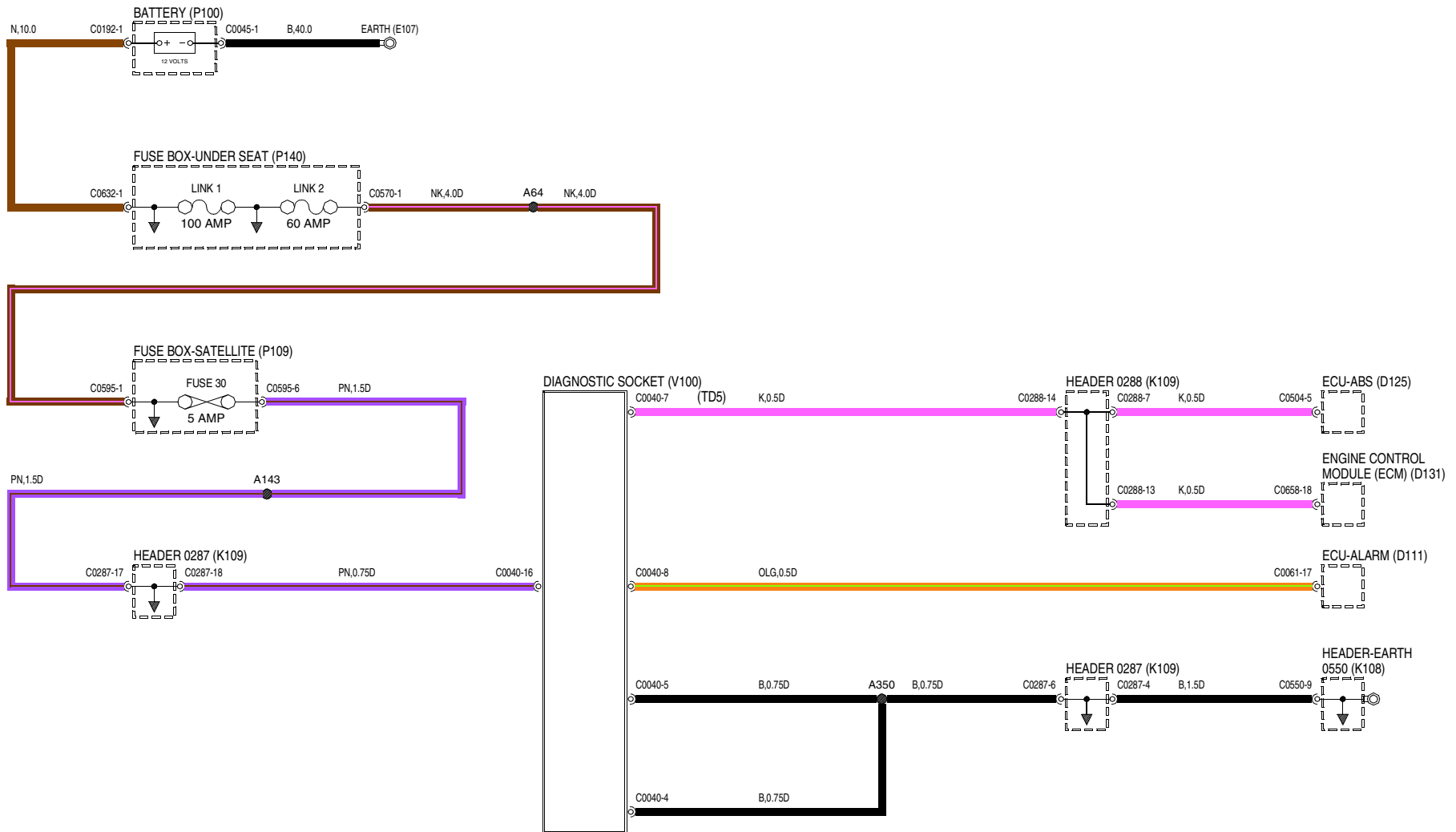
8 SEATS

Heated

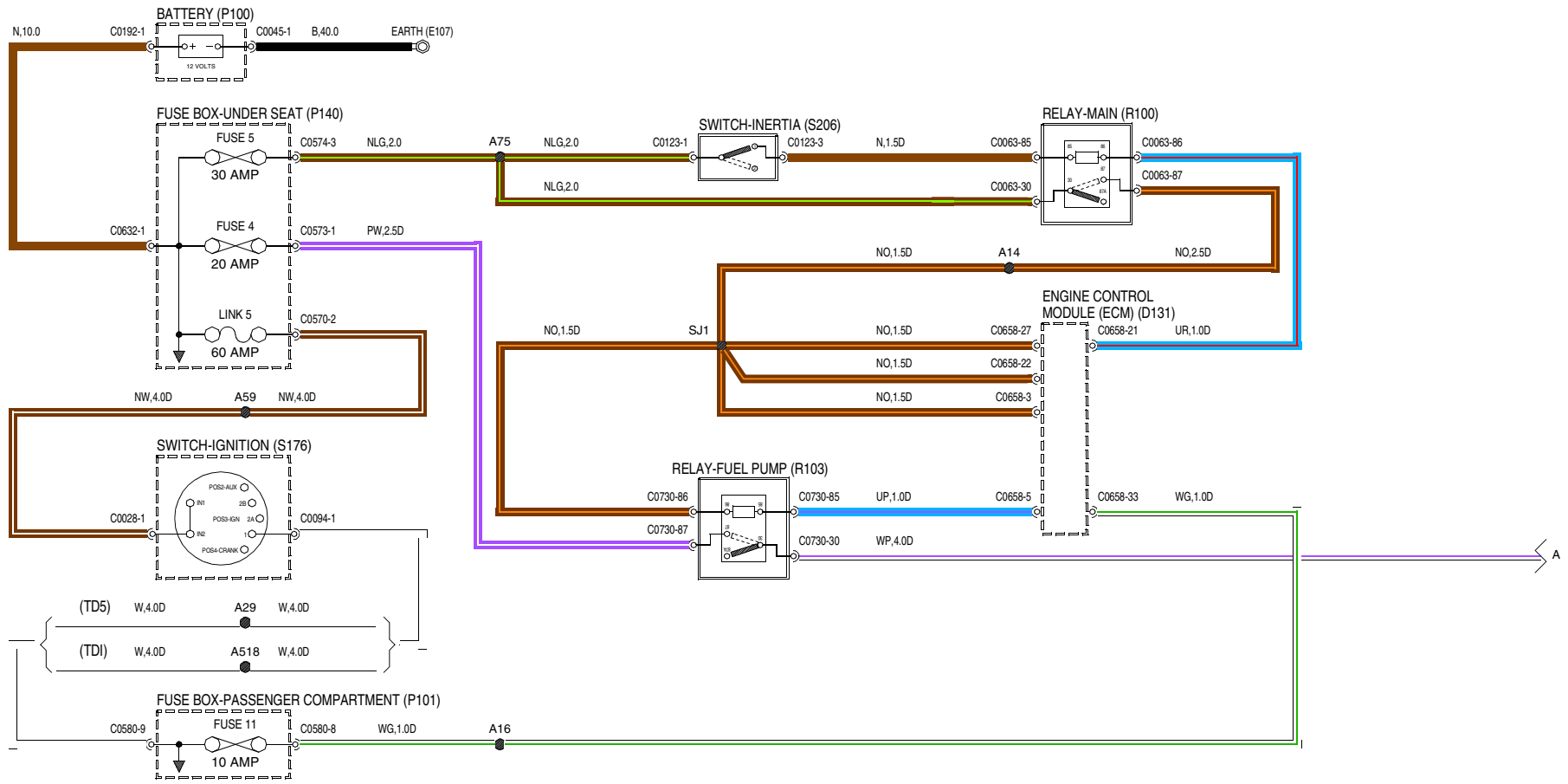


WVR000800-A-01

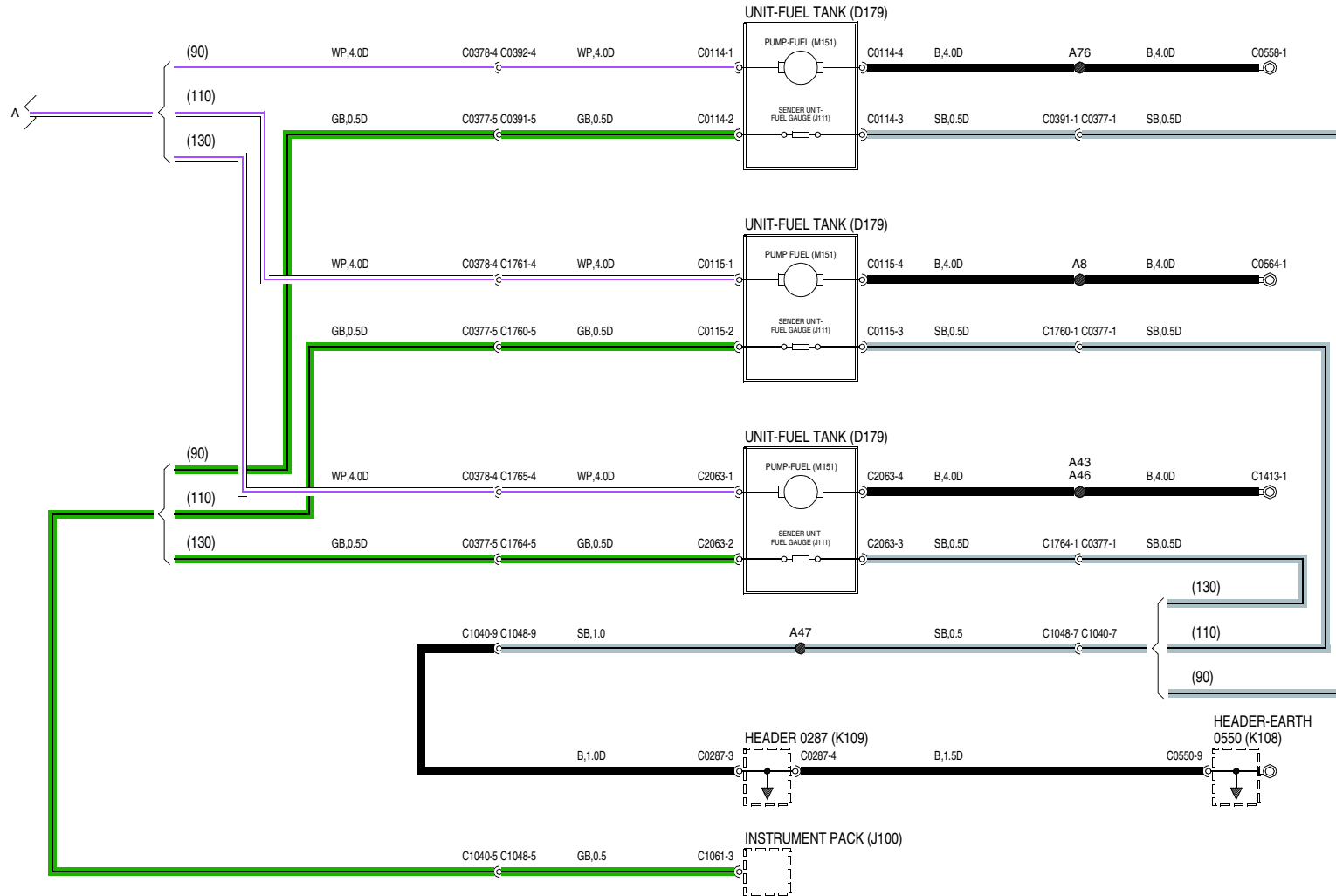
10 DIAGNOSTIC SOCKET



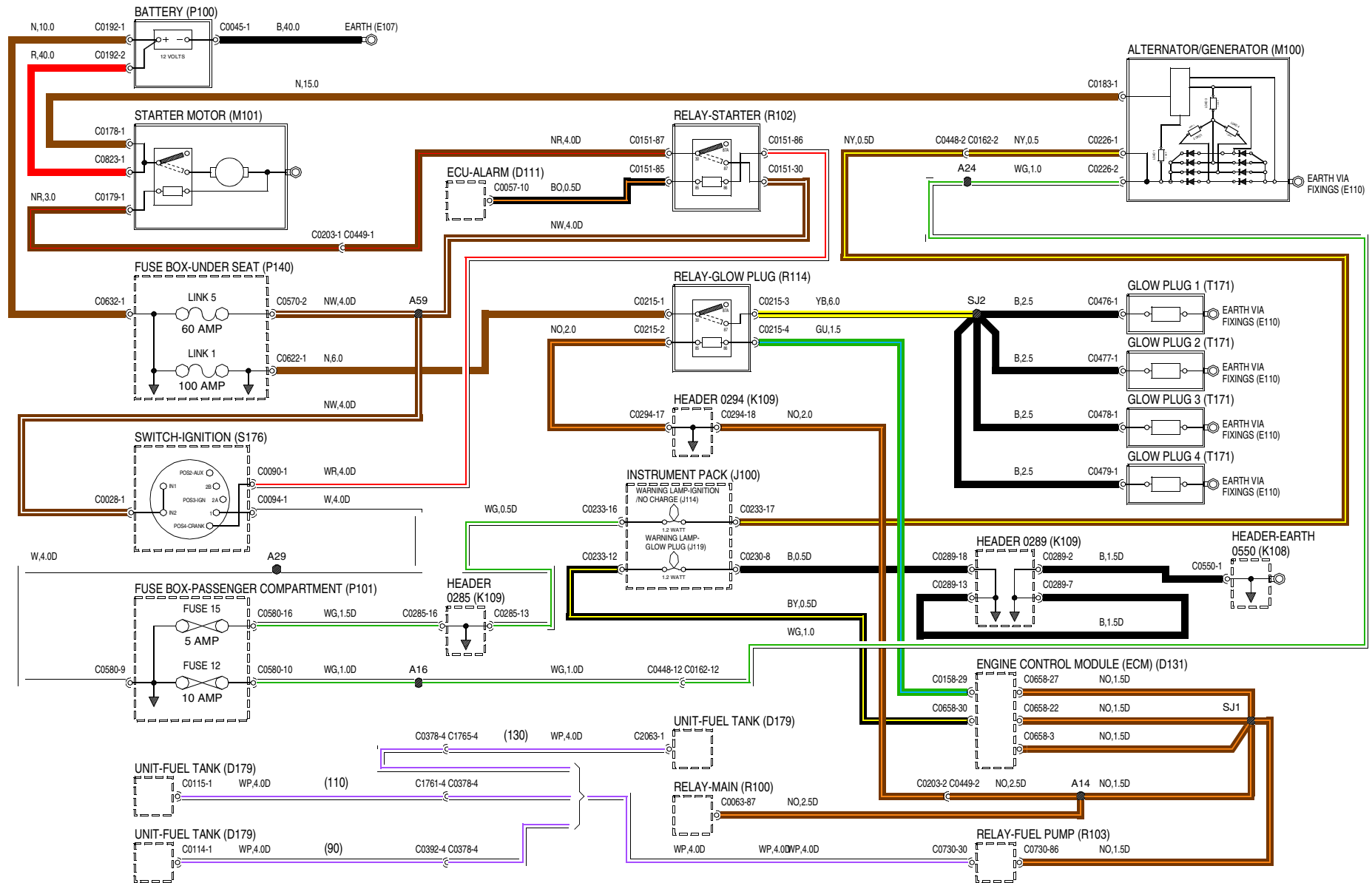
VWR000280-A-01



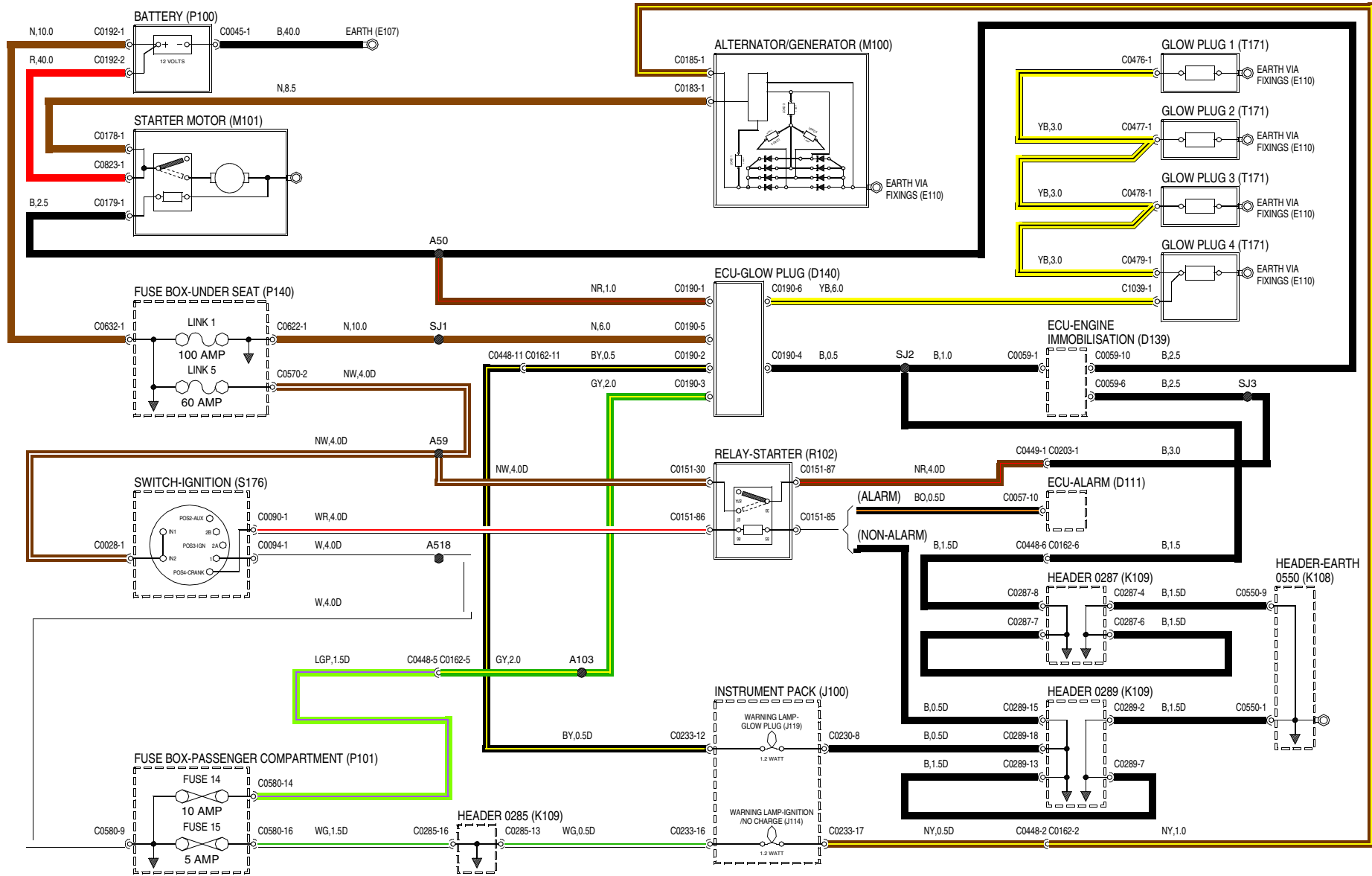
VWR000440-A-01



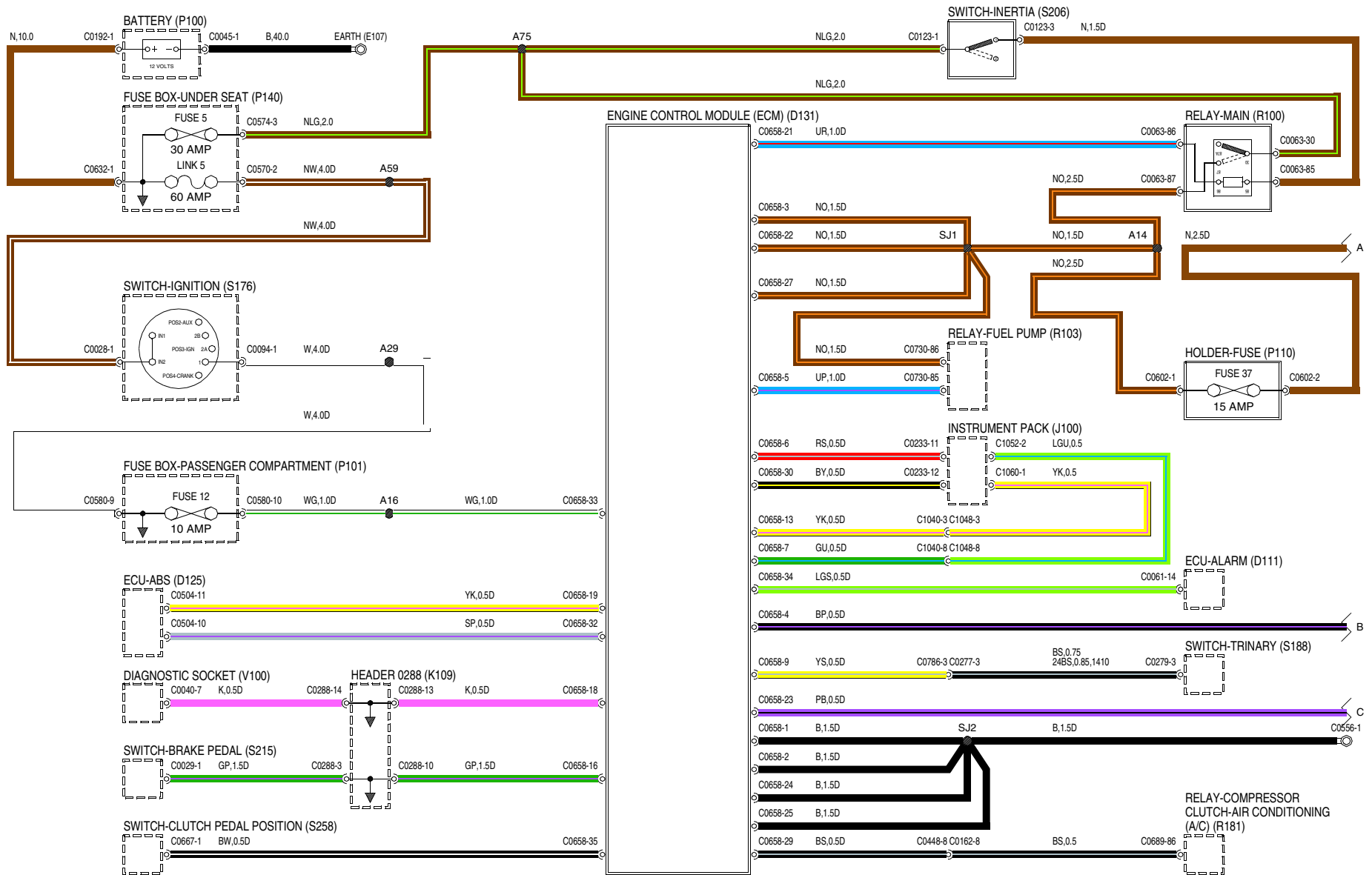
VWR000440-A-02



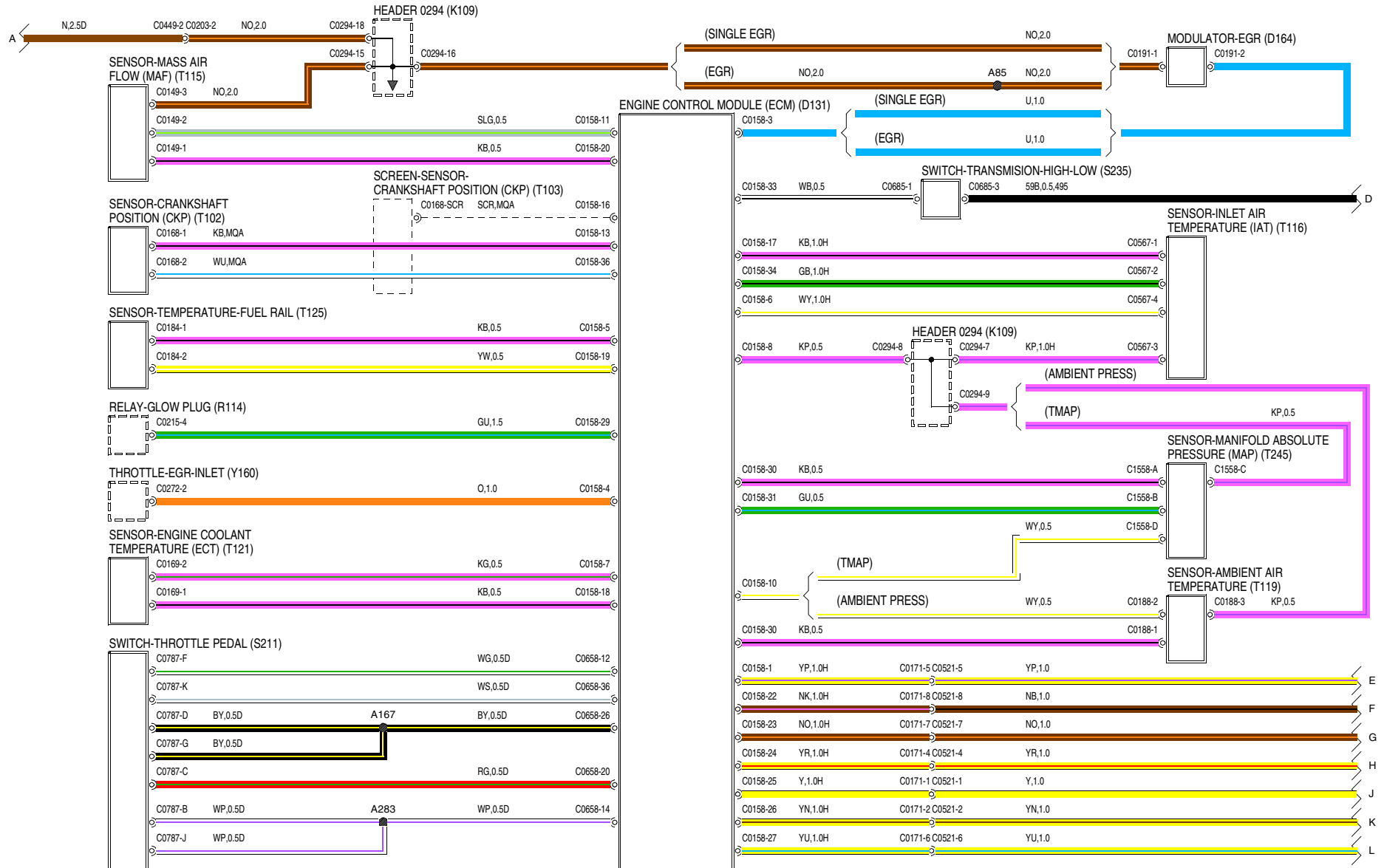
VWR000860-A-01



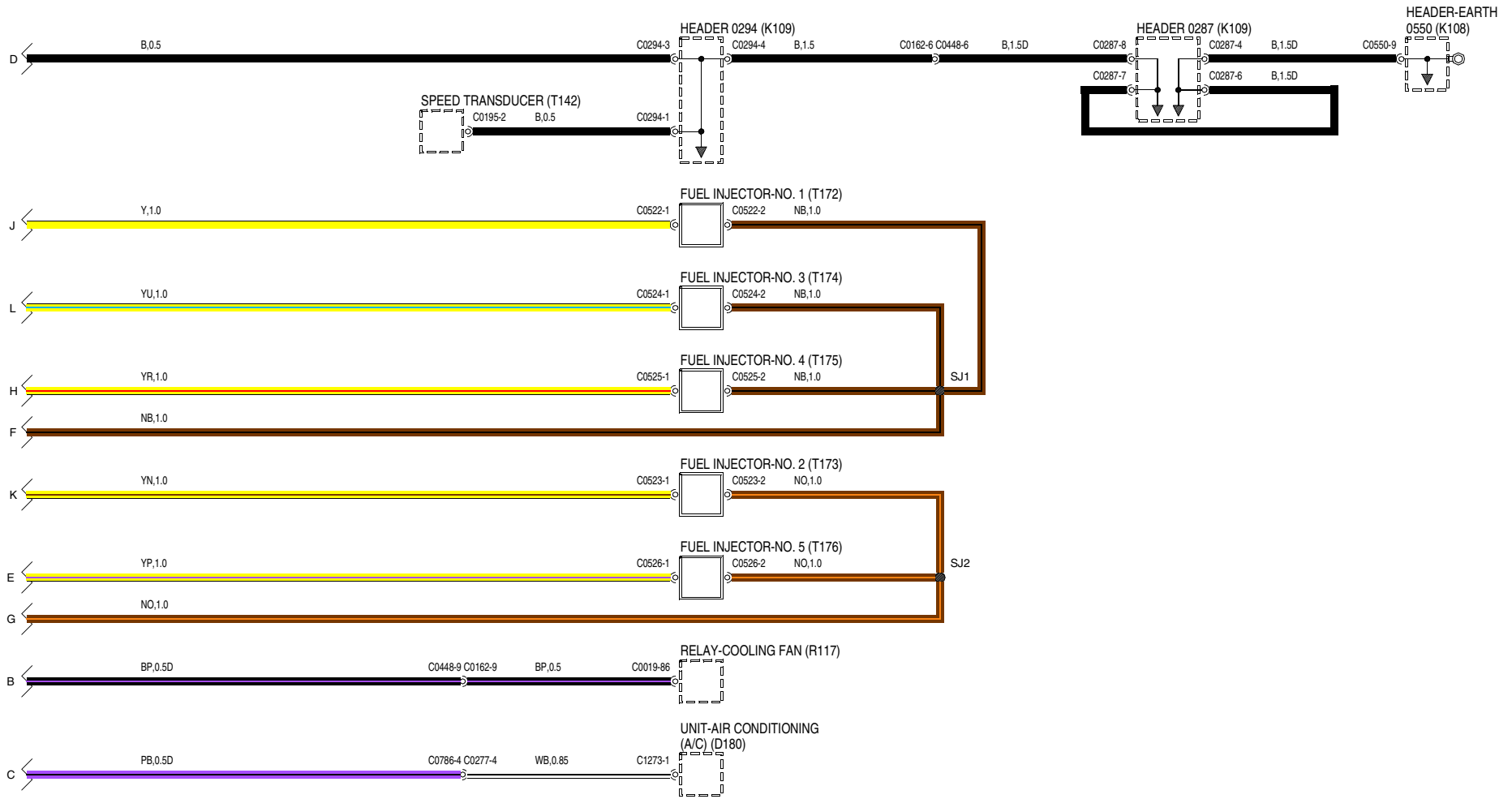
VWR000880-A-01



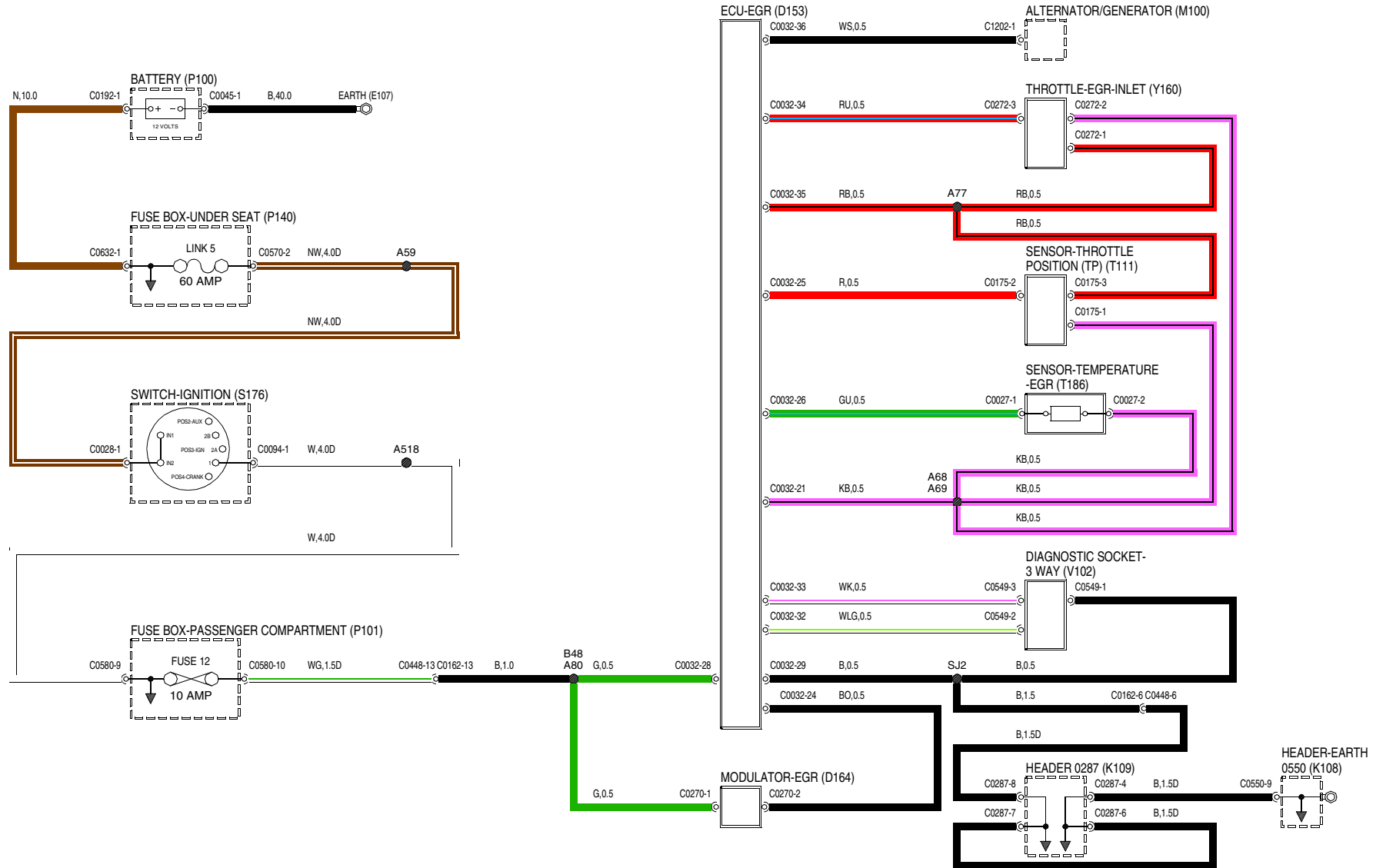
VWR000340-A-01



VWR000340-A-02

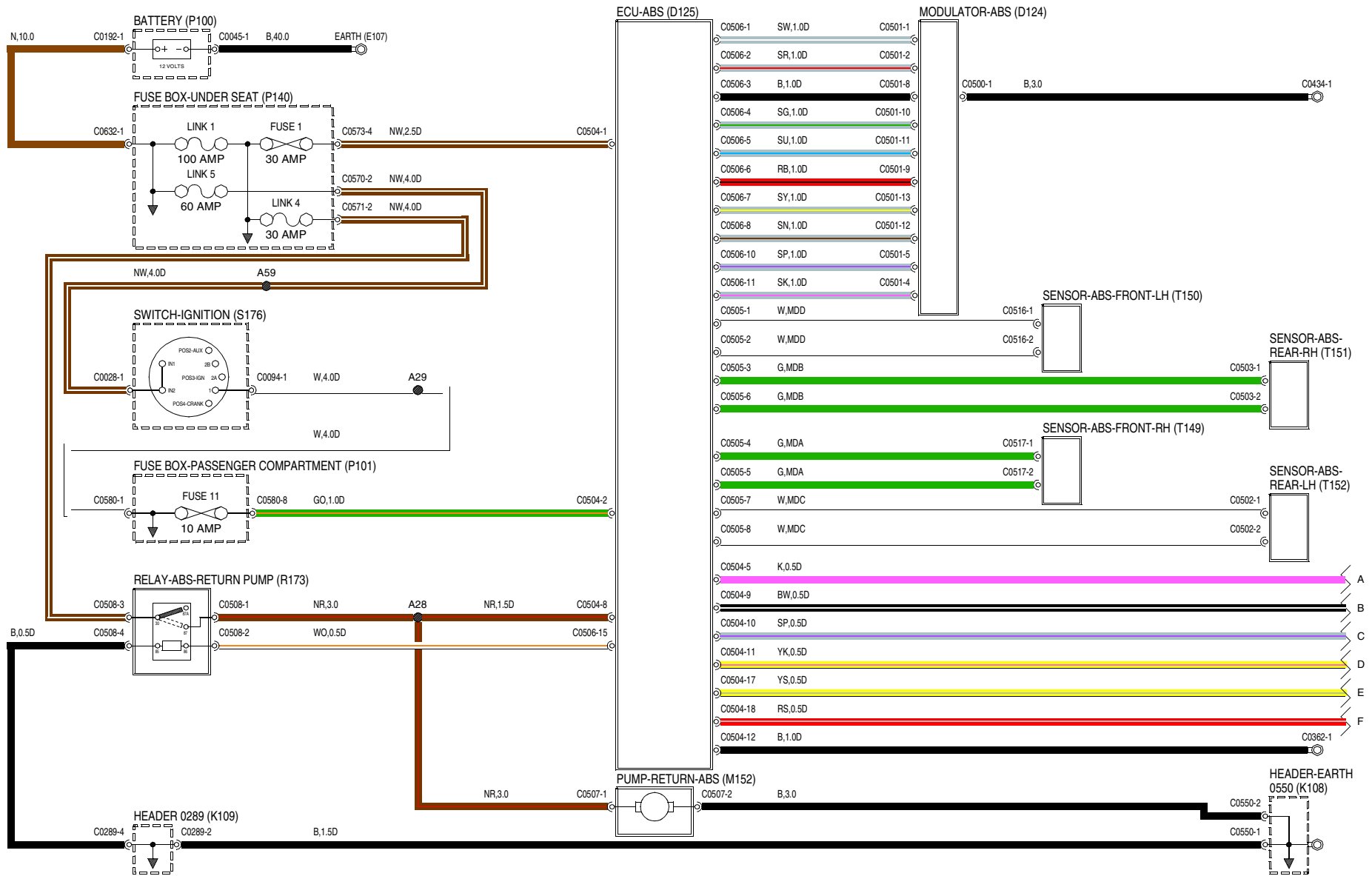


WVR000340-A-03



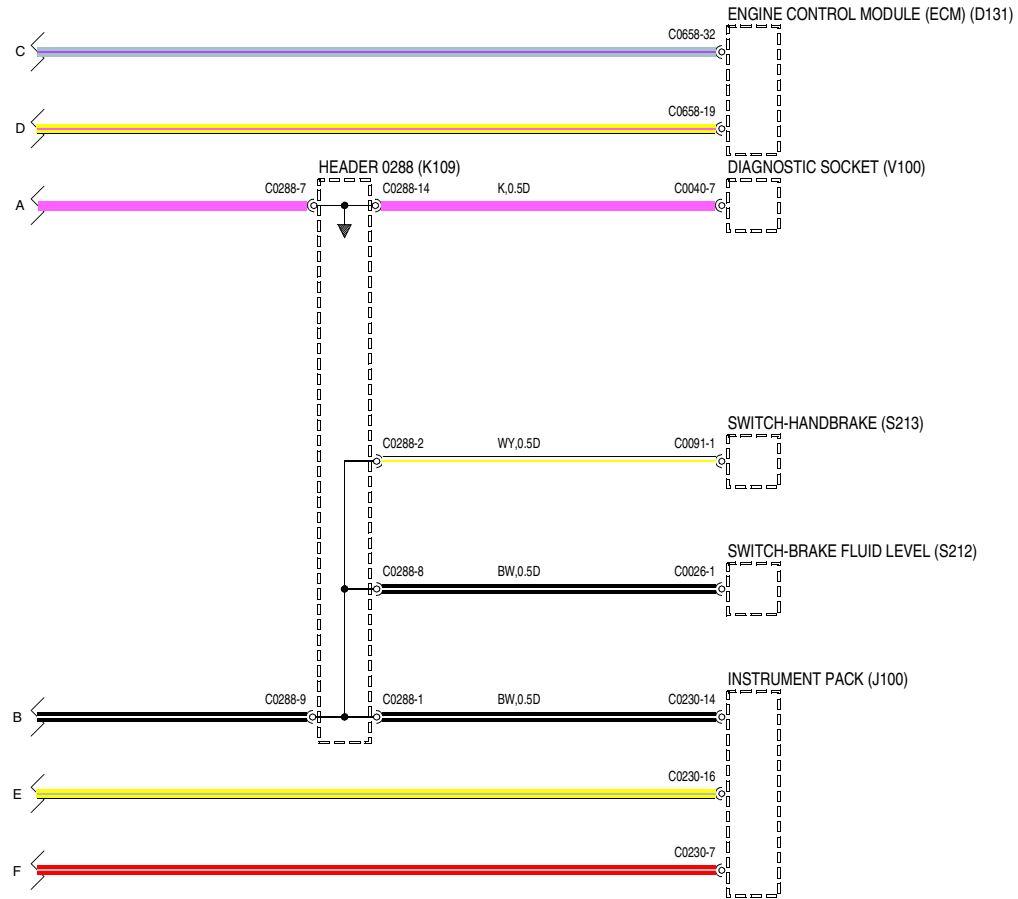
VWR000360-A-01

35 ANTI-LOCK BRAKING SYSTEM (ABS)

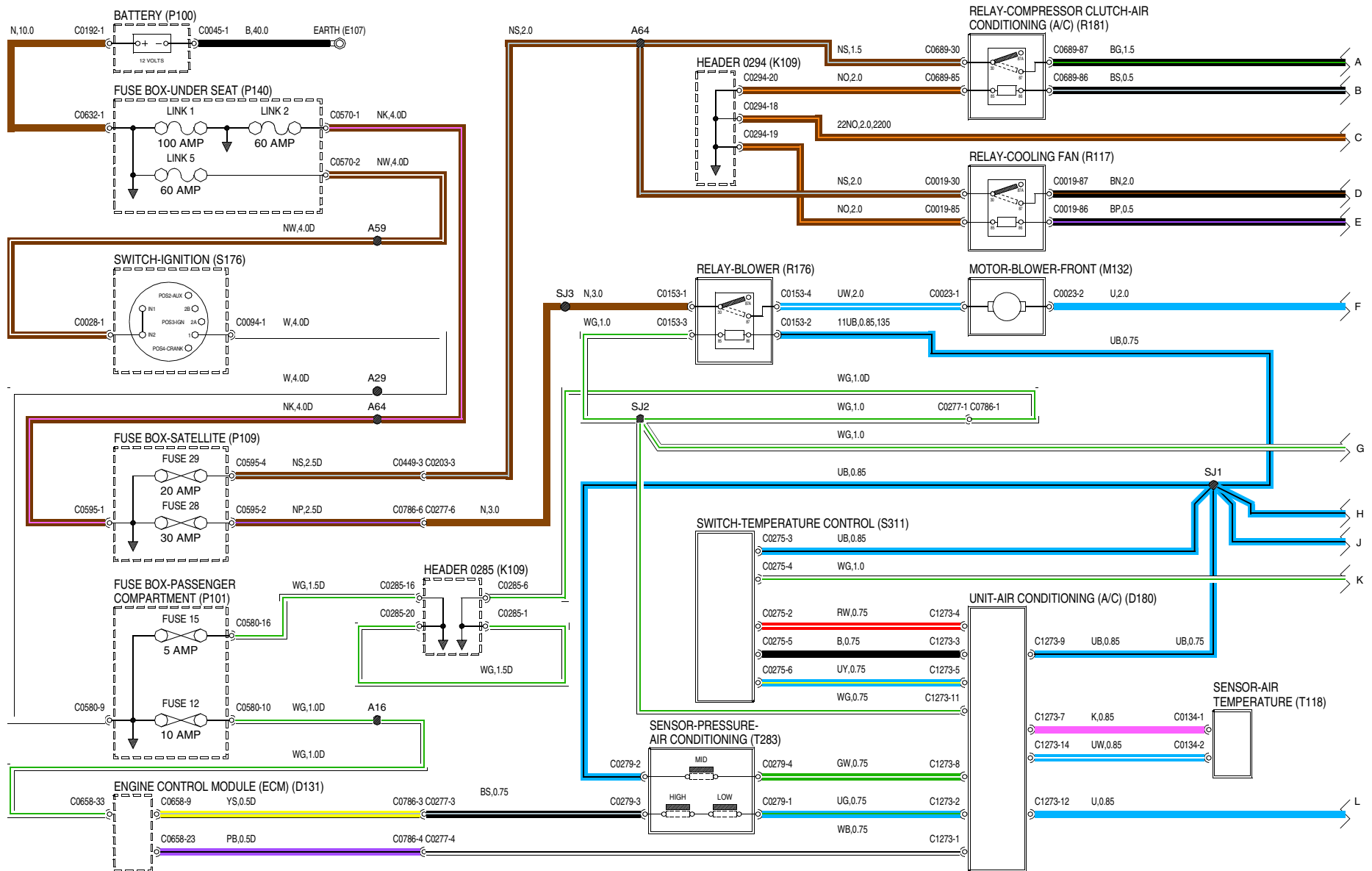


VWR000080-A-01

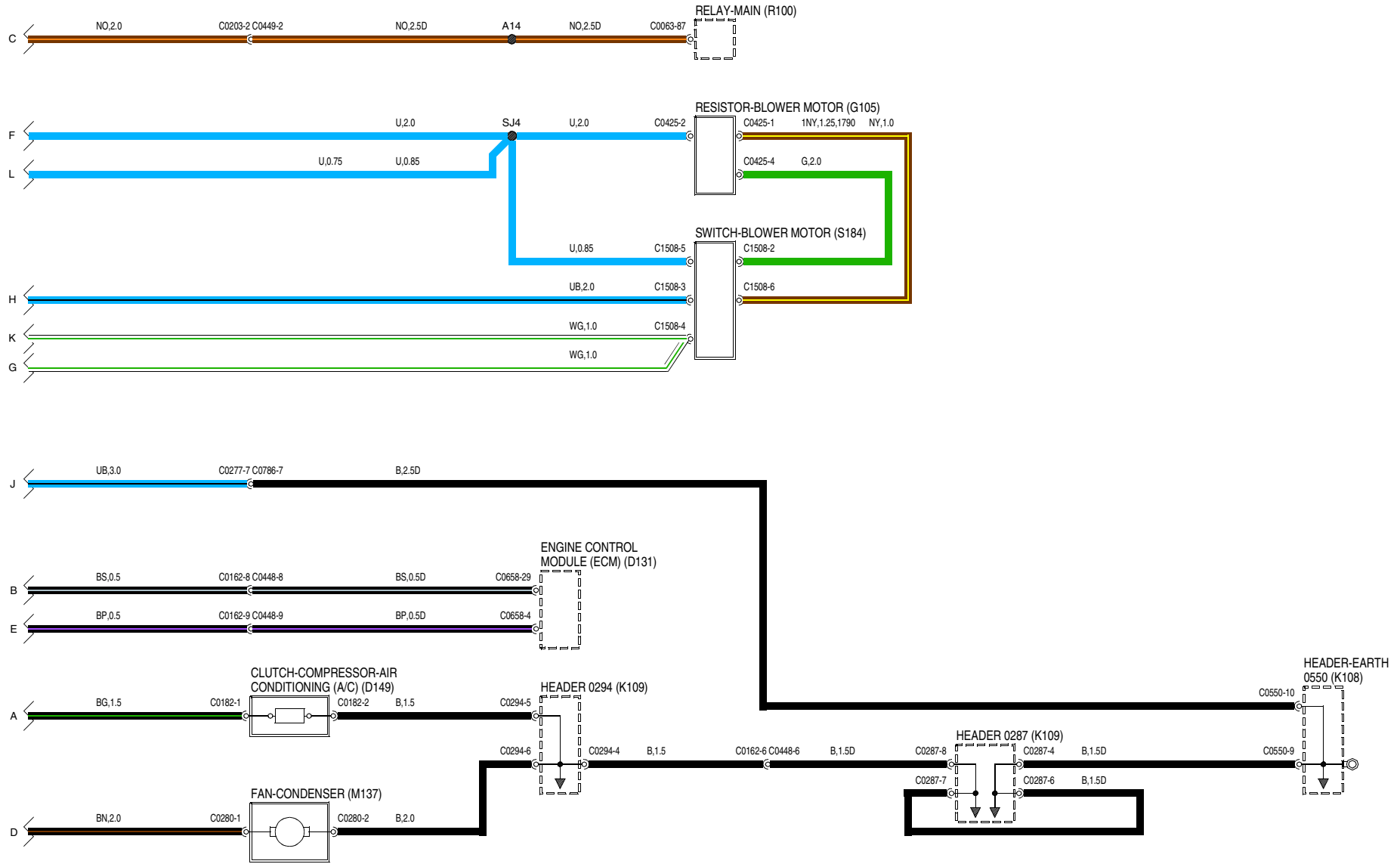
35 ANTI-LOCK BRAKING SYSTEM (ABS)



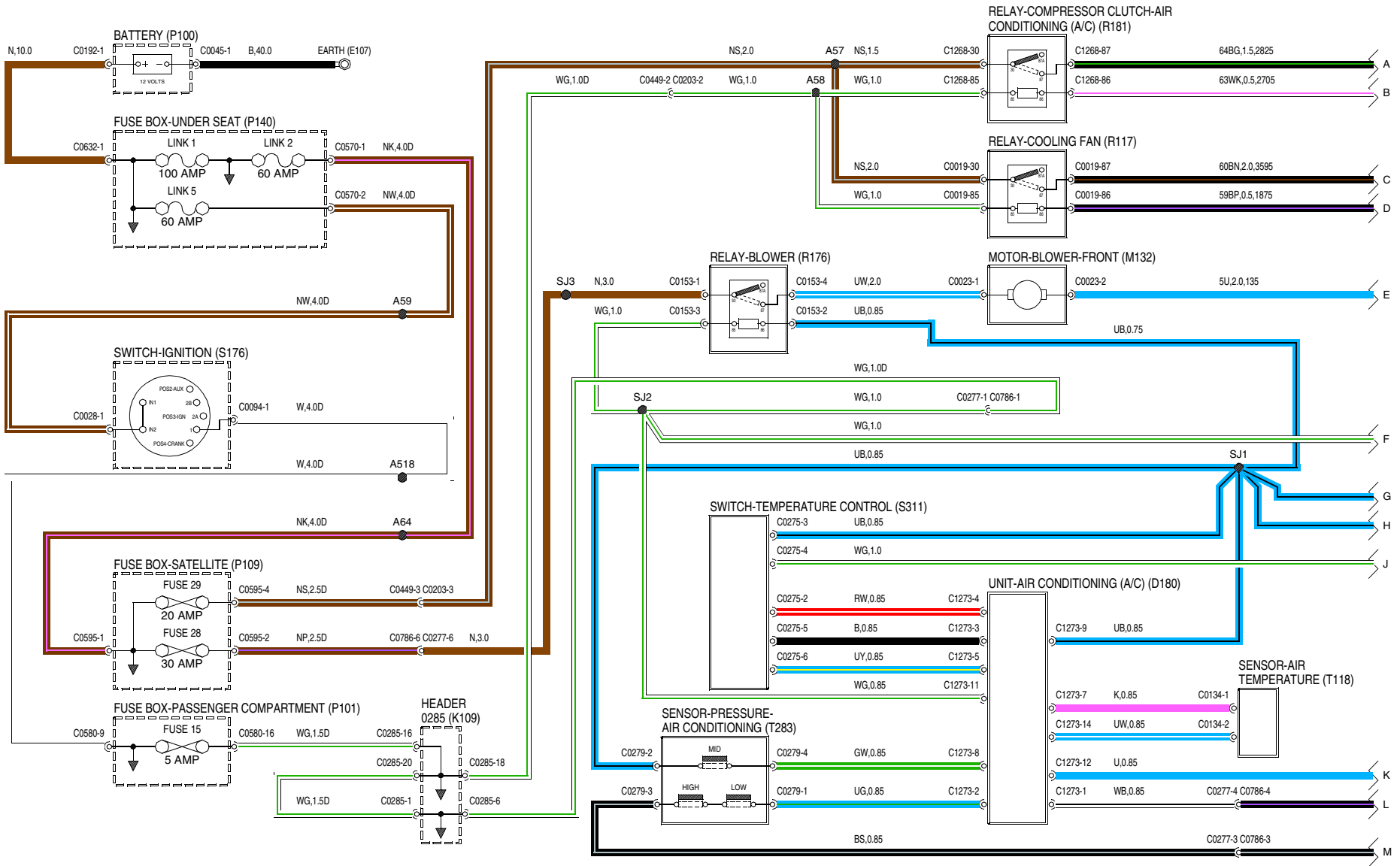
VWR000089-A-02



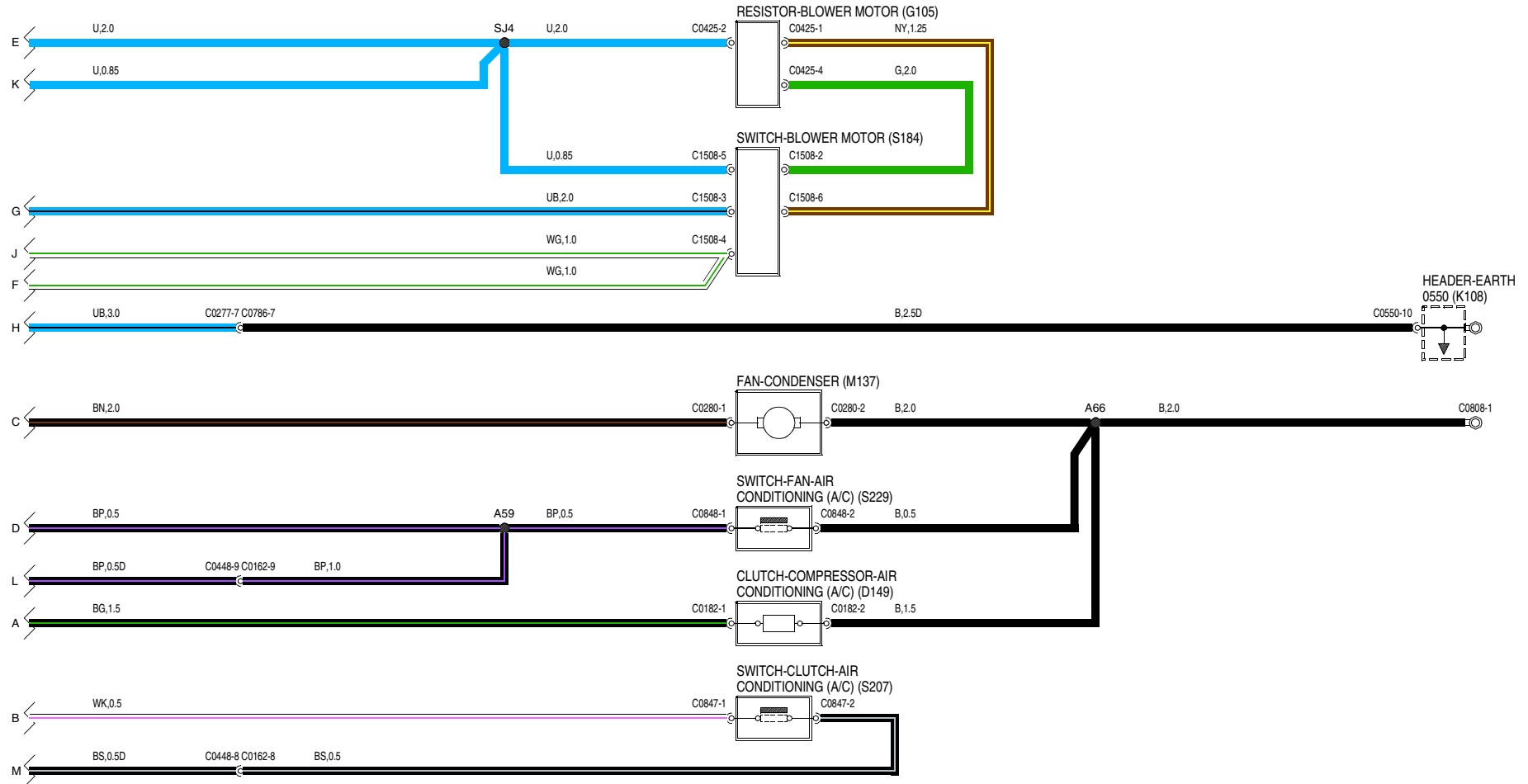
VWR000140-A-01



VWR000140-A-02

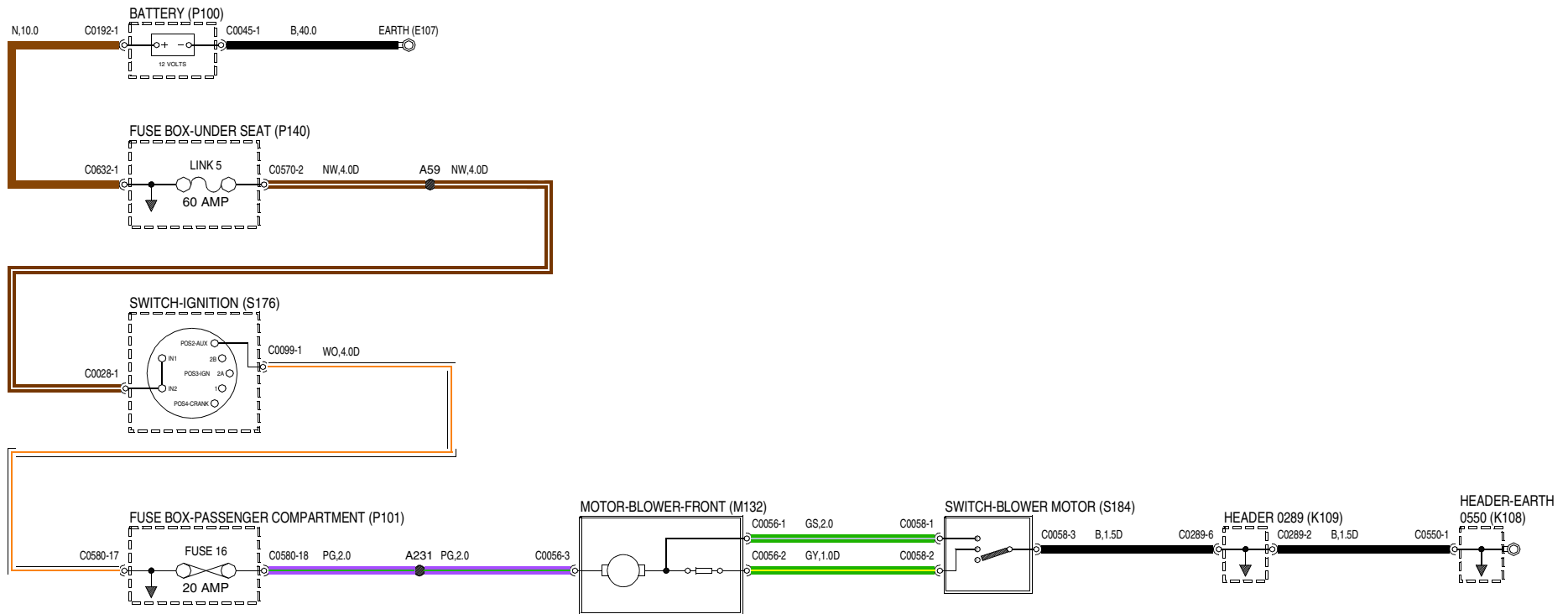


VWR000160-A-01



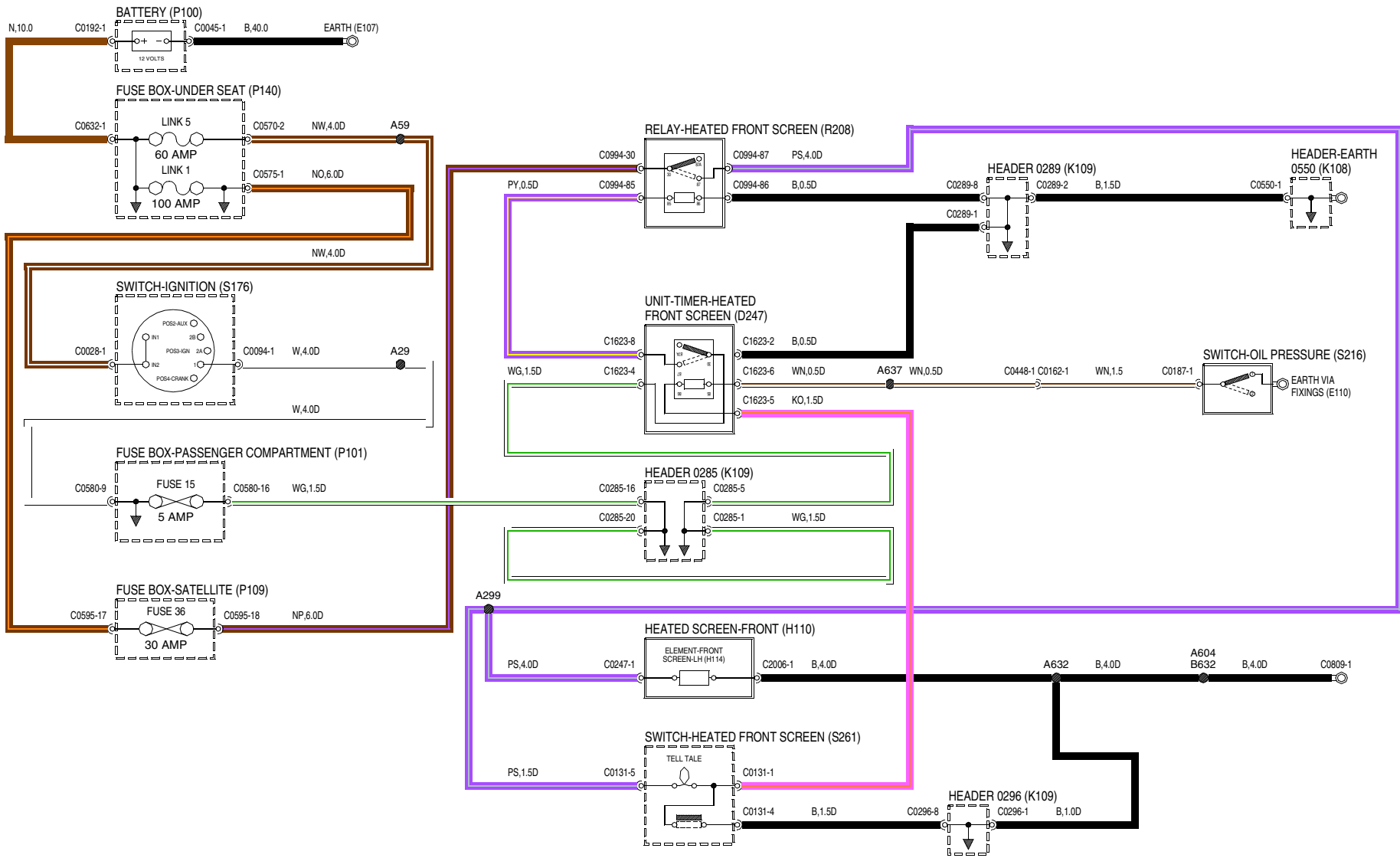
VWR000160-A-02

39 HEATER



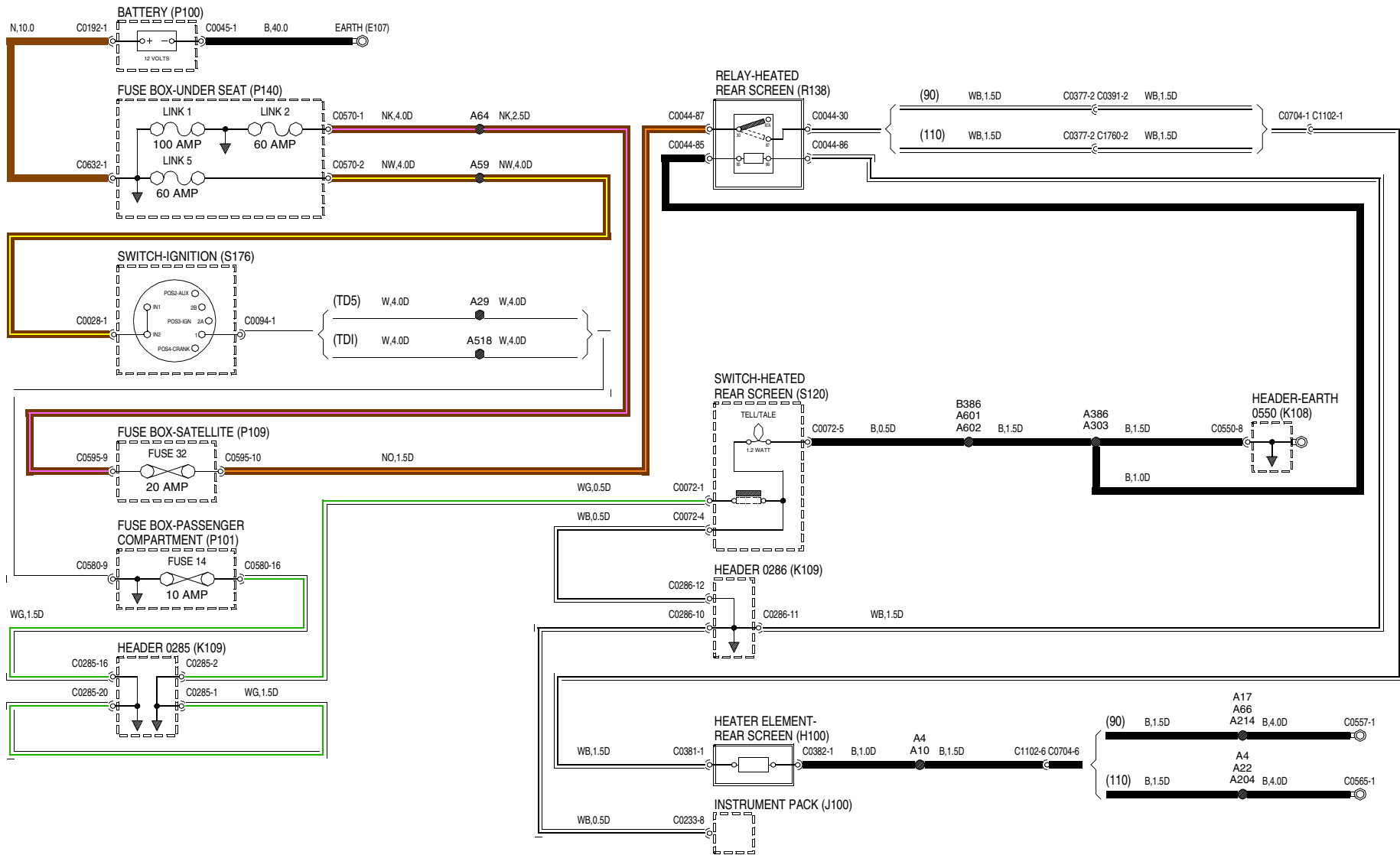
VWR000560-A-01

40 HEATED FRONT SCREEN



VWR000520-A-01

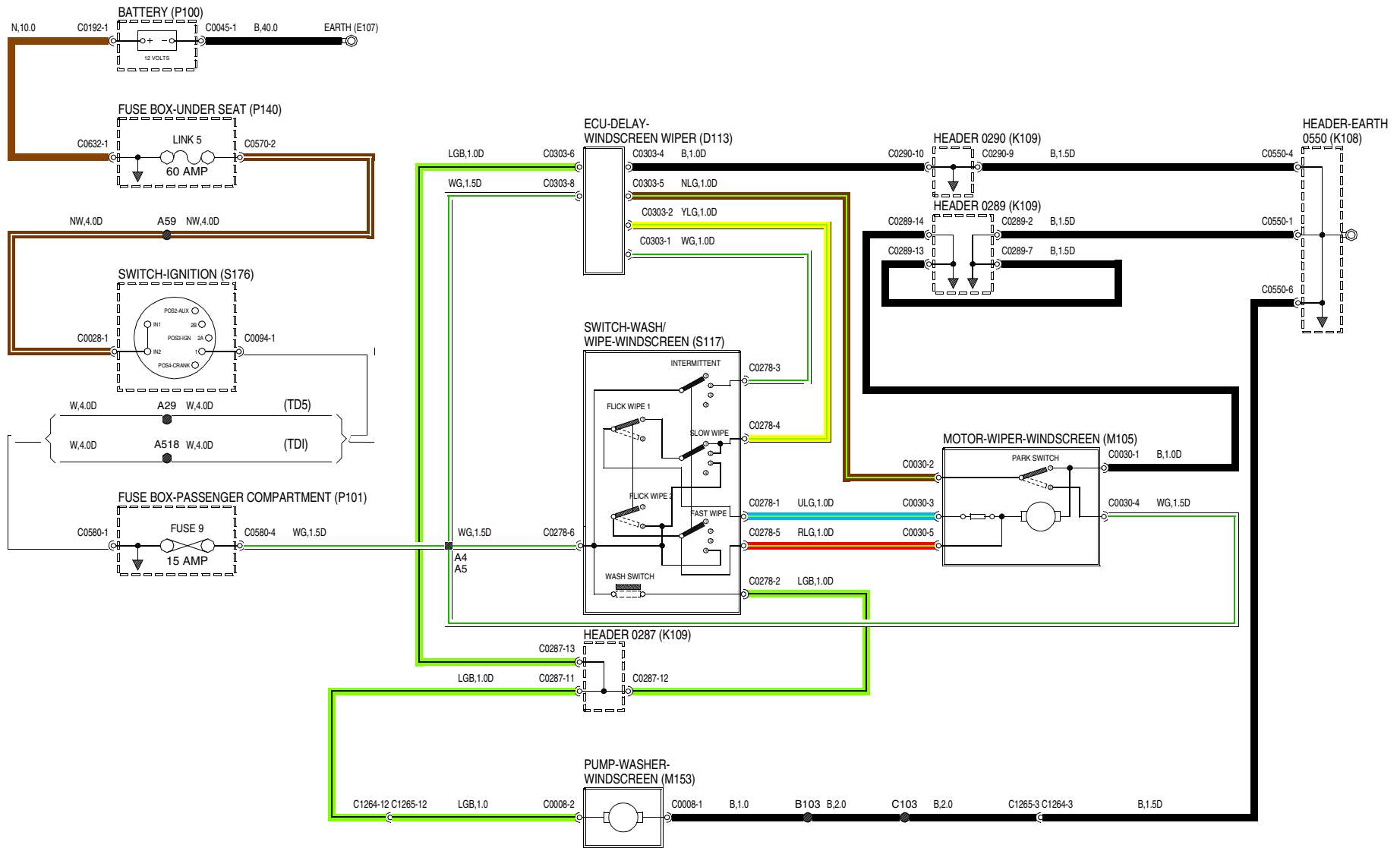
40 HEATED REAR SCREEN



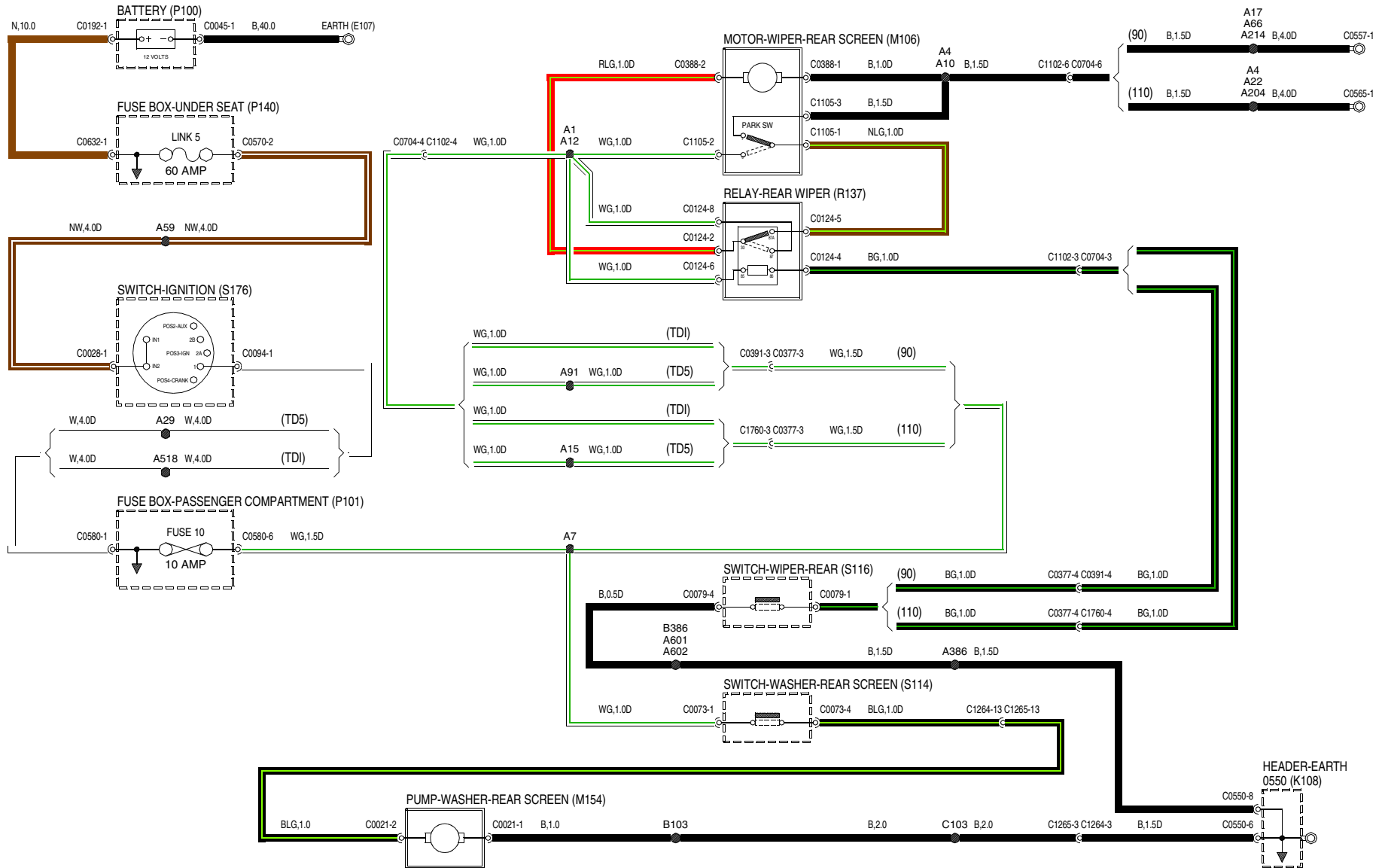
VWR000540-A-01

42 WIPERS AND WASHERS

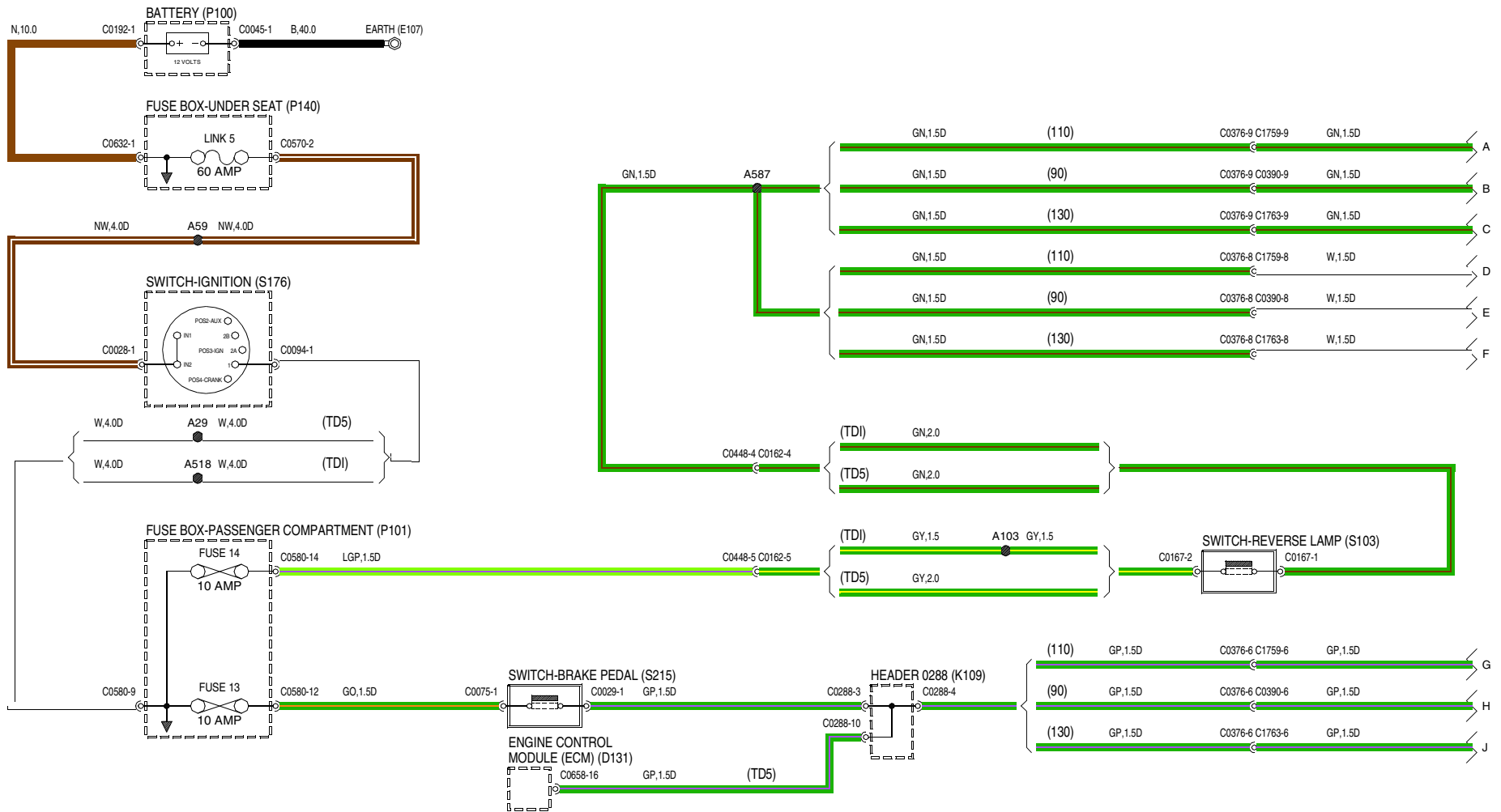
Front



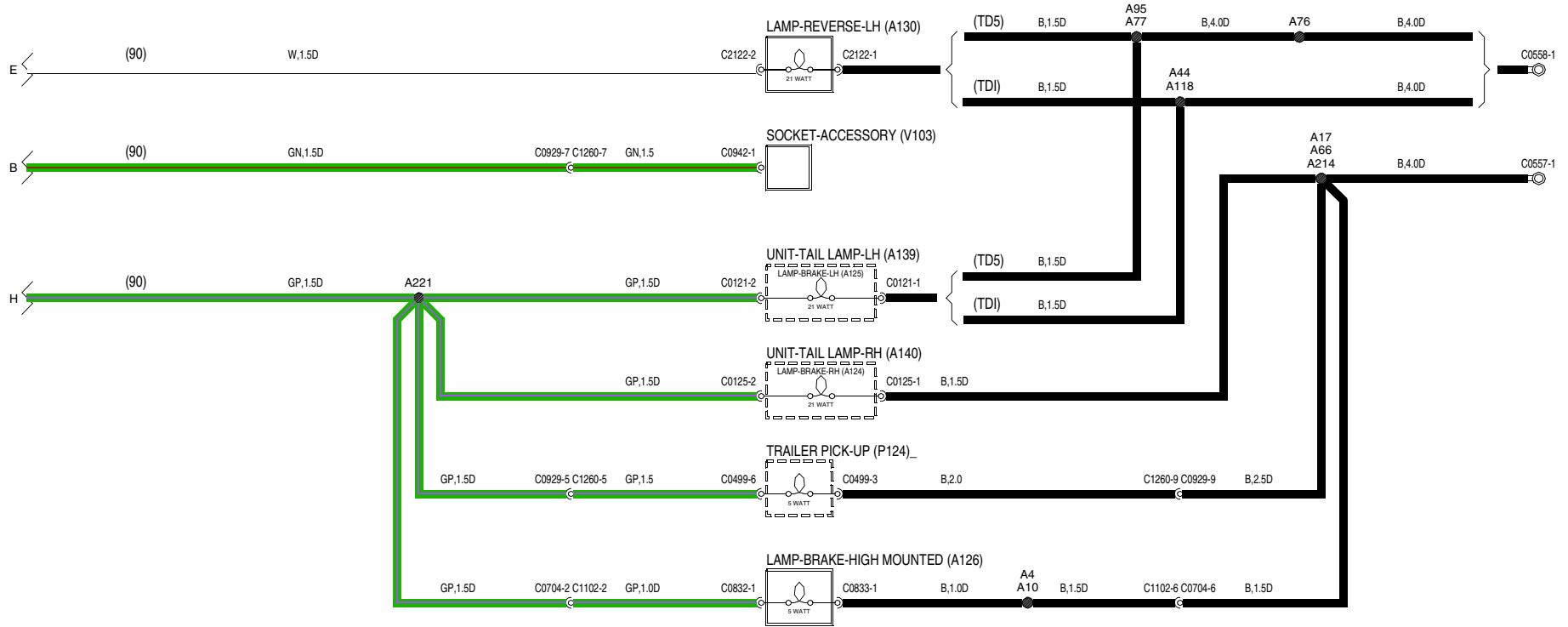
WVR000900-A-01



WVR000920-A-01



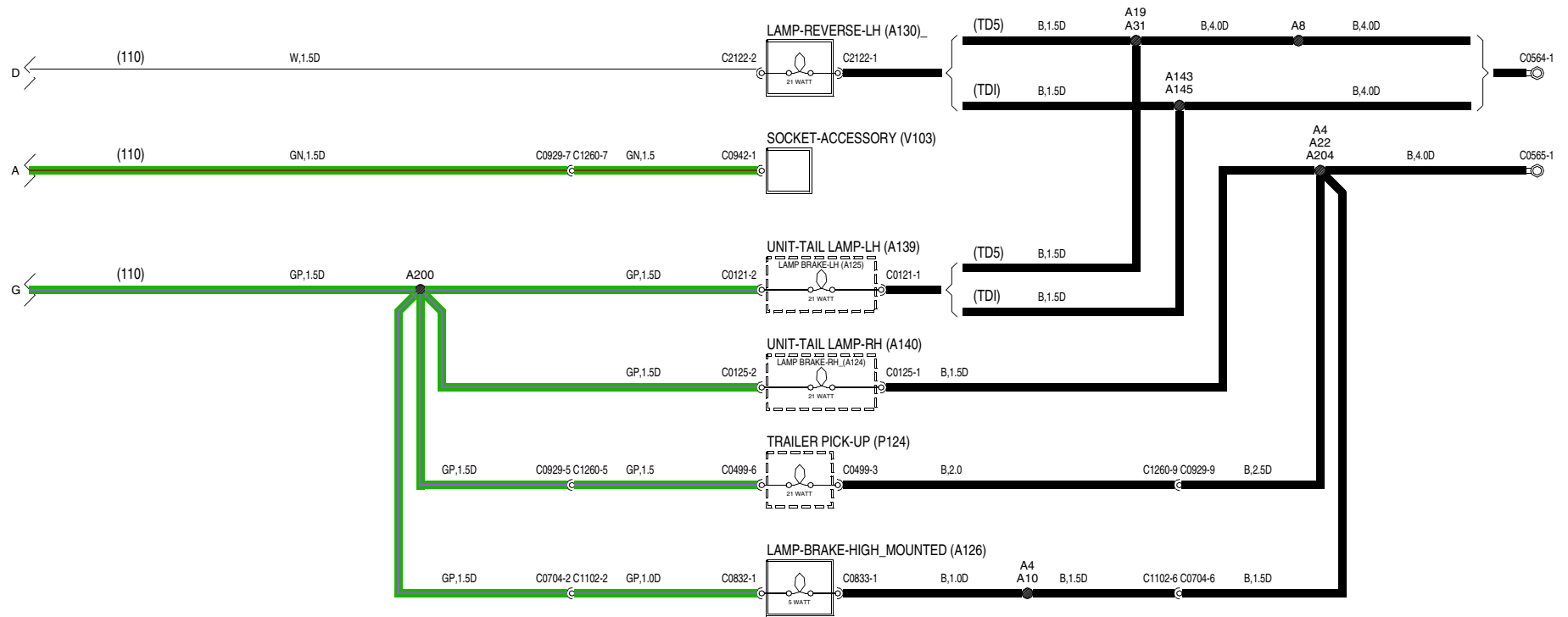
VWR000220-A-01



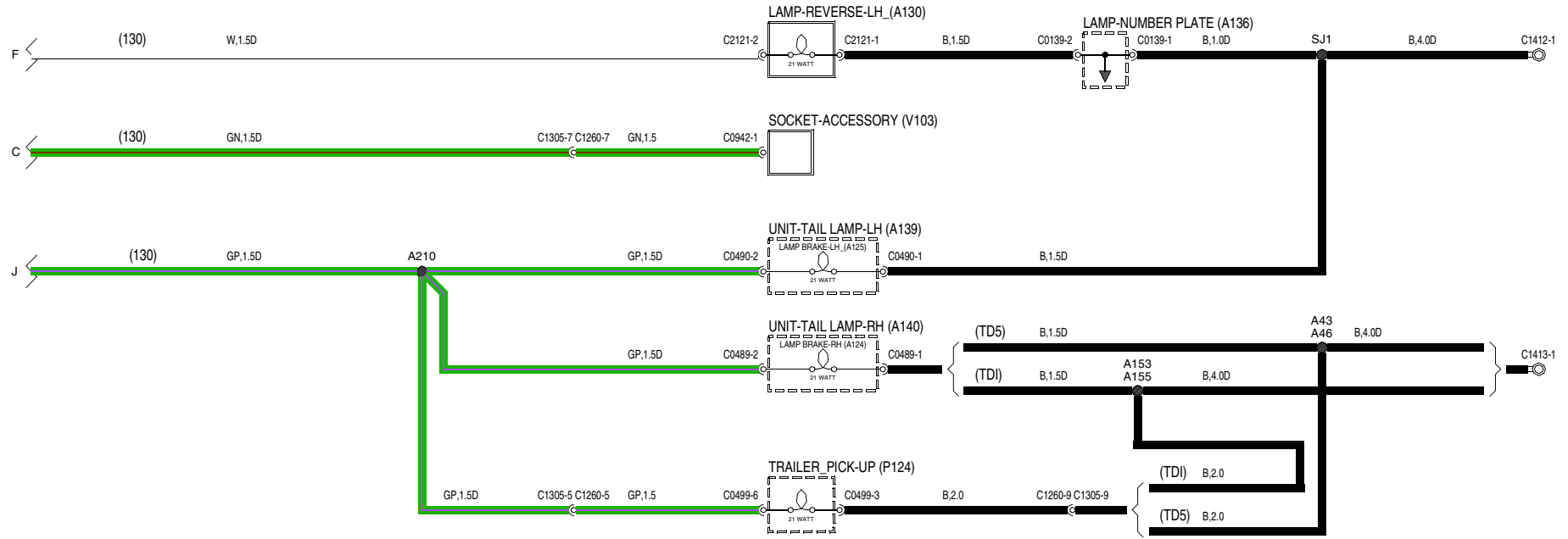
VWR000220-A-02

43 EXTERIOR LAMPS

Brake and reverse lamps



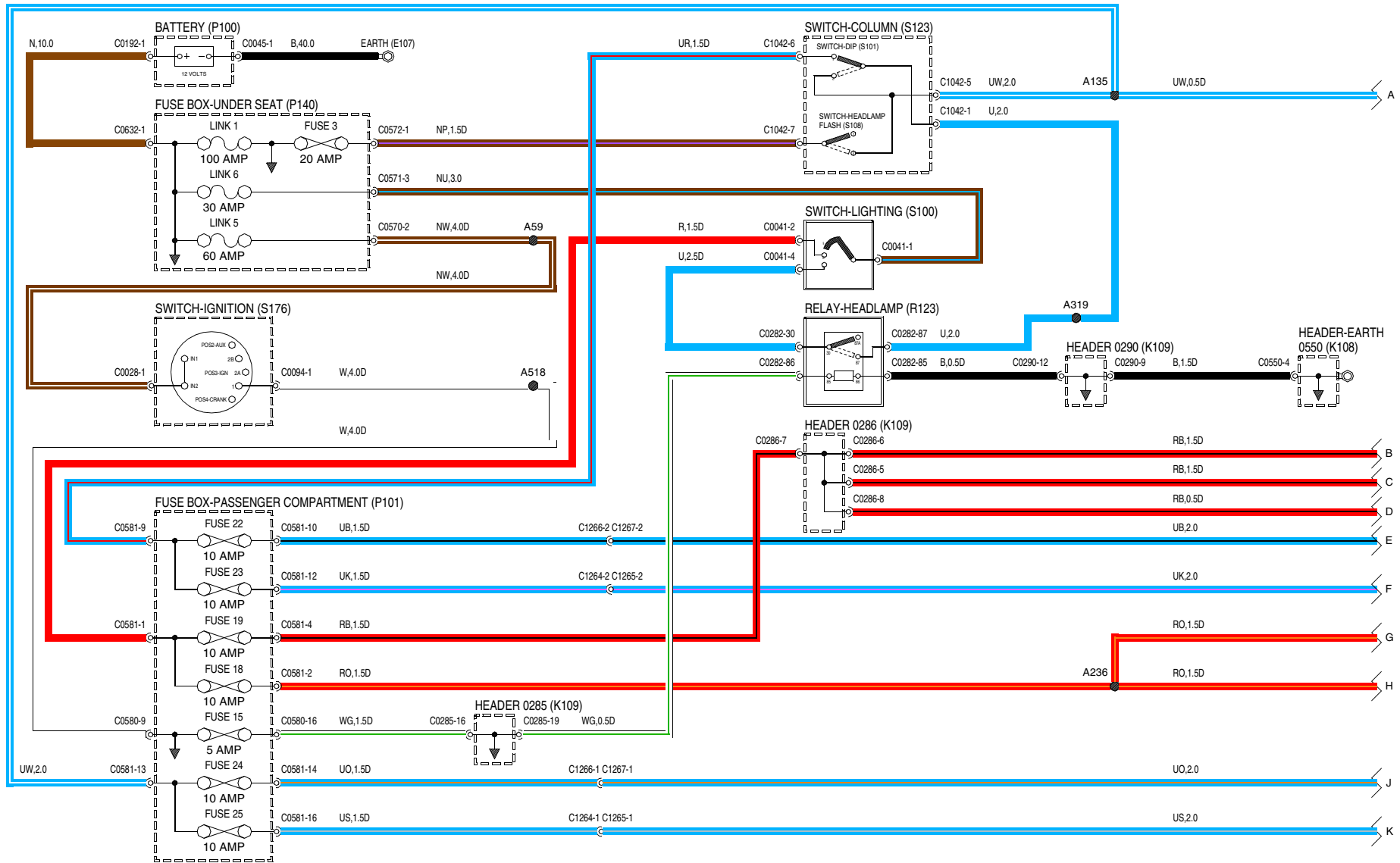
VWR000220-A-03



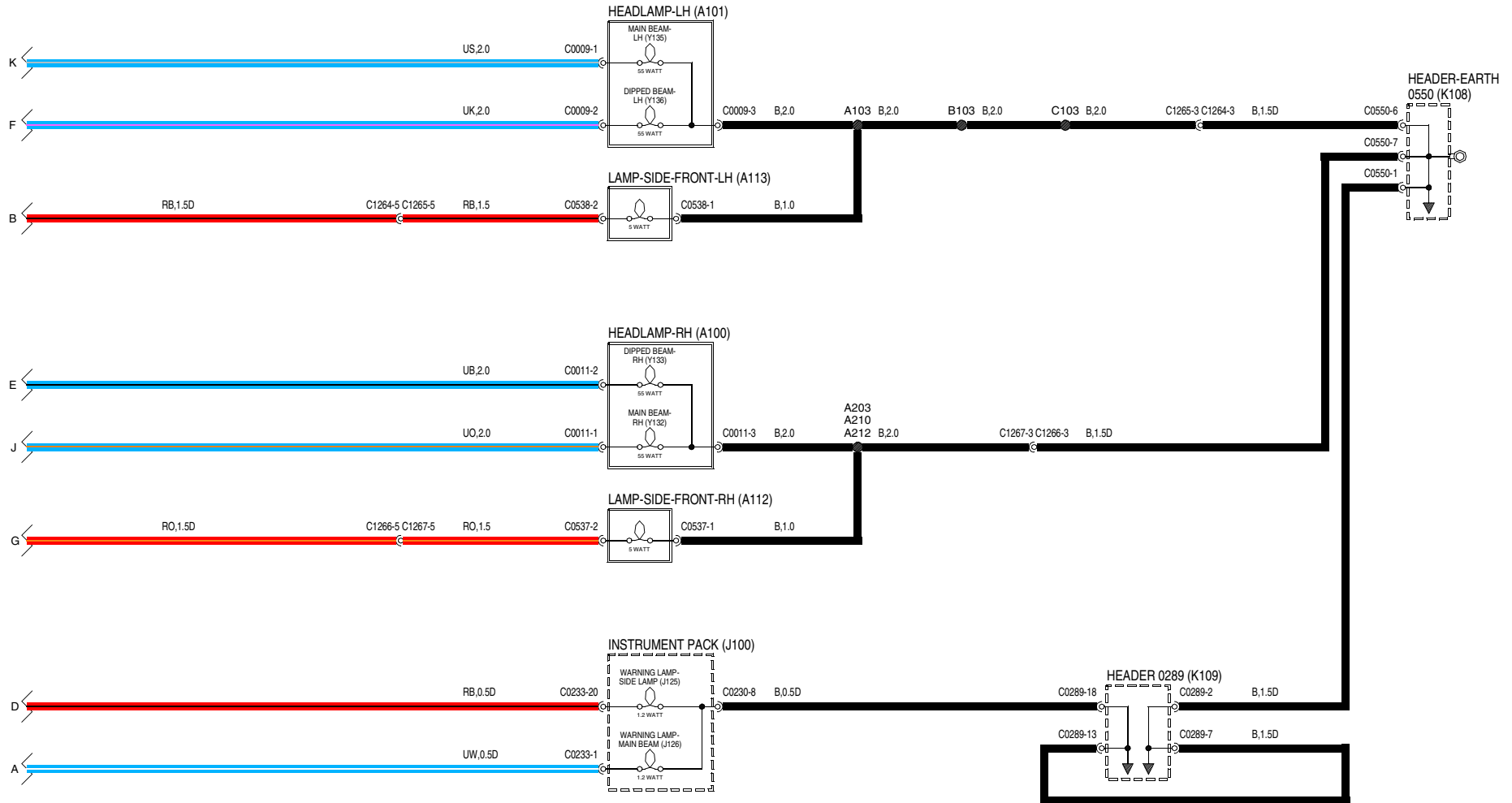
VWR000220-A-04

43 EXTERIOR LAMPS

Head, side, tail and number plate lamps - 300 Tdi



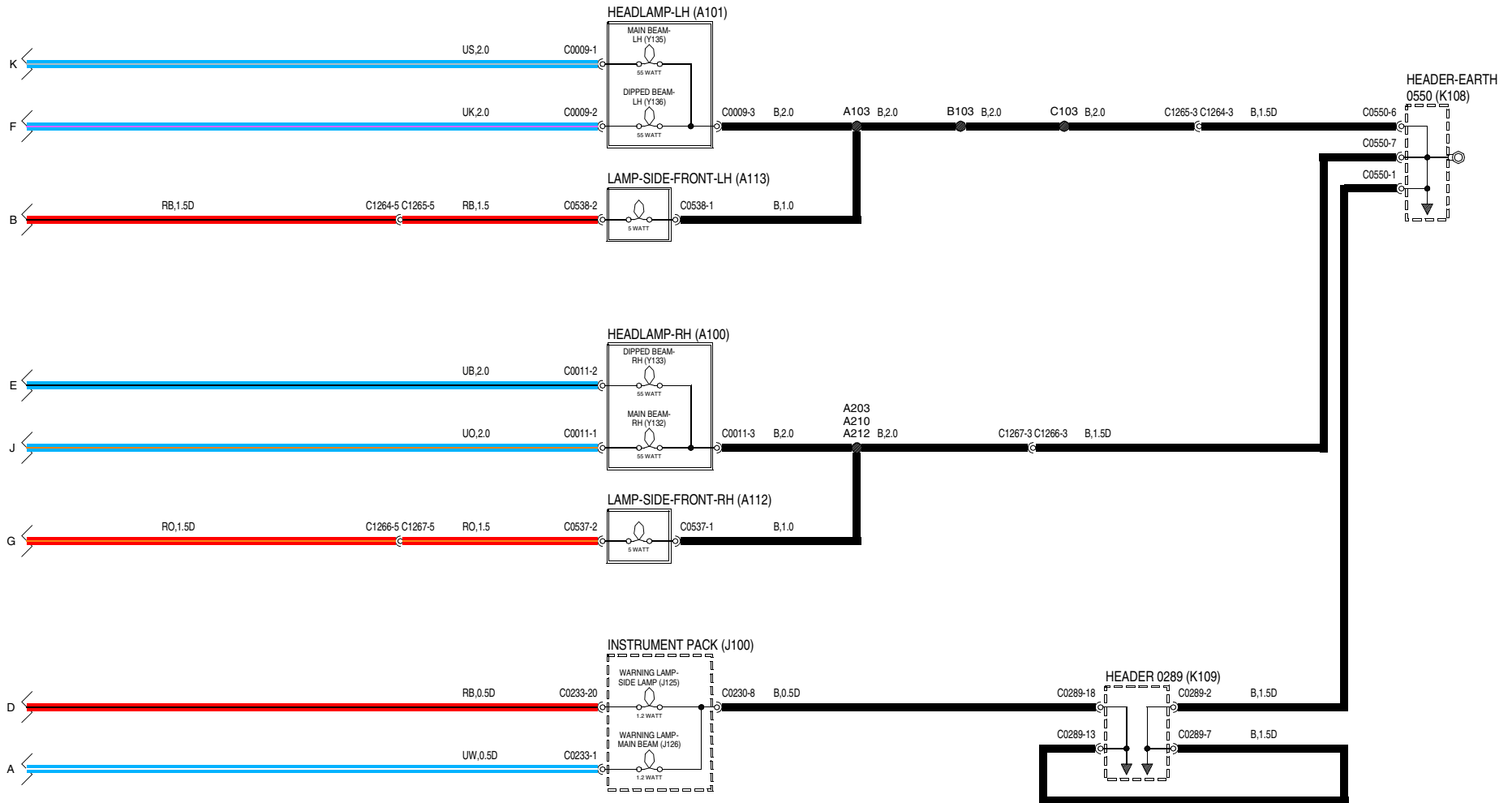
VWR000320-A-01



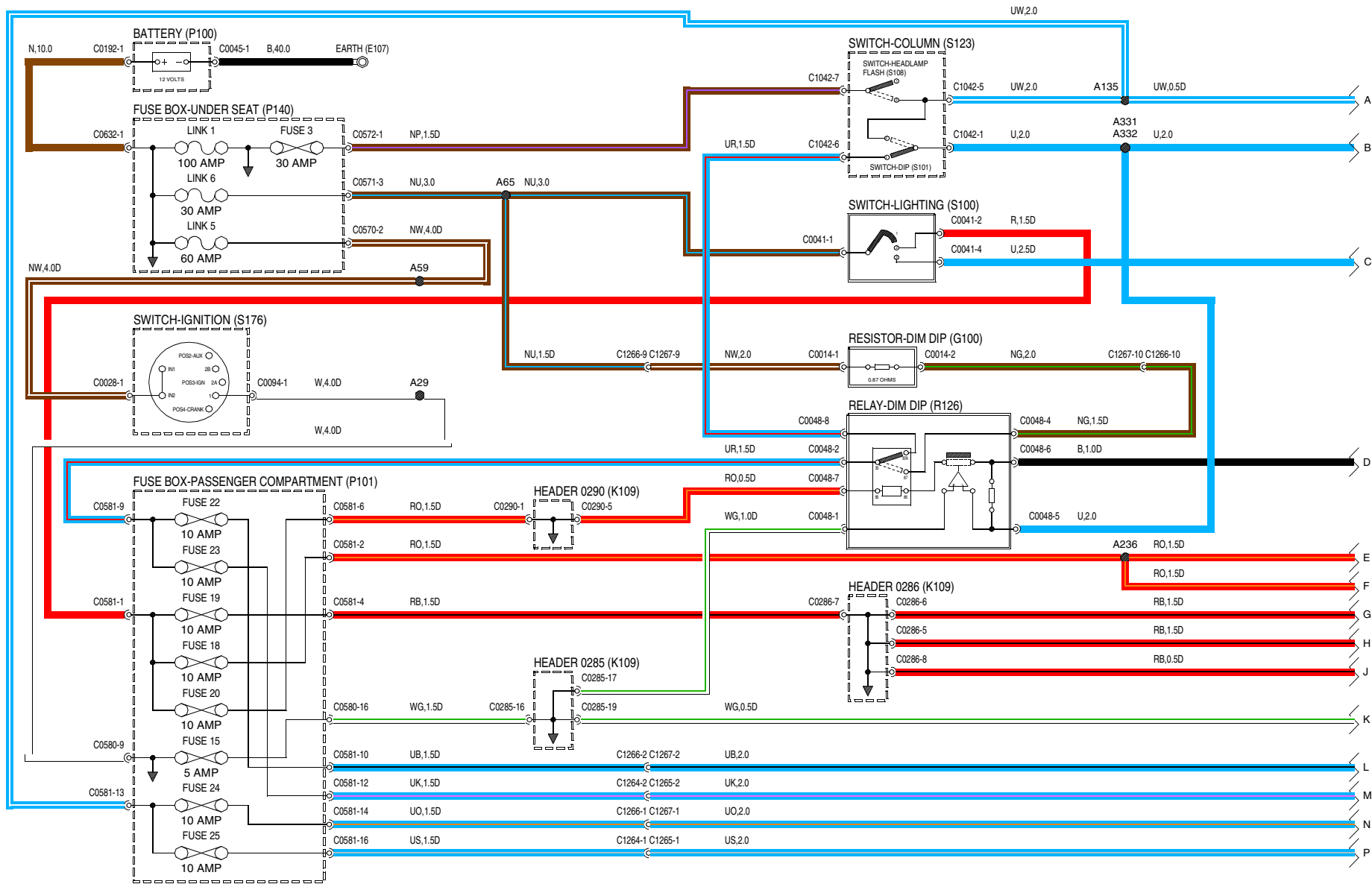
WVR000320-A-02

43 EXTERIOR LAMPS

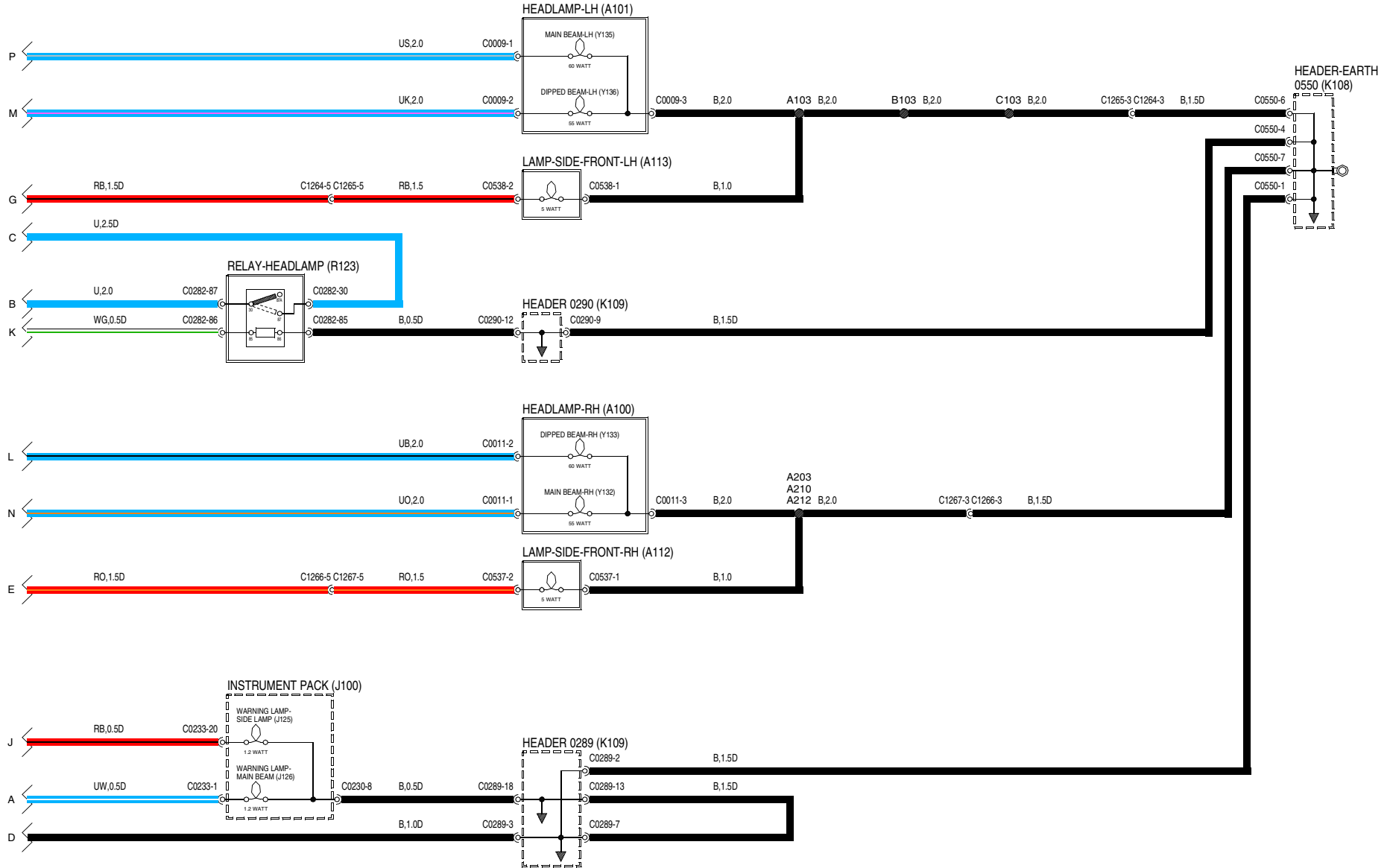
Head, side, tail and number plate lamps - 300 Tdi



VWR000320-A-03



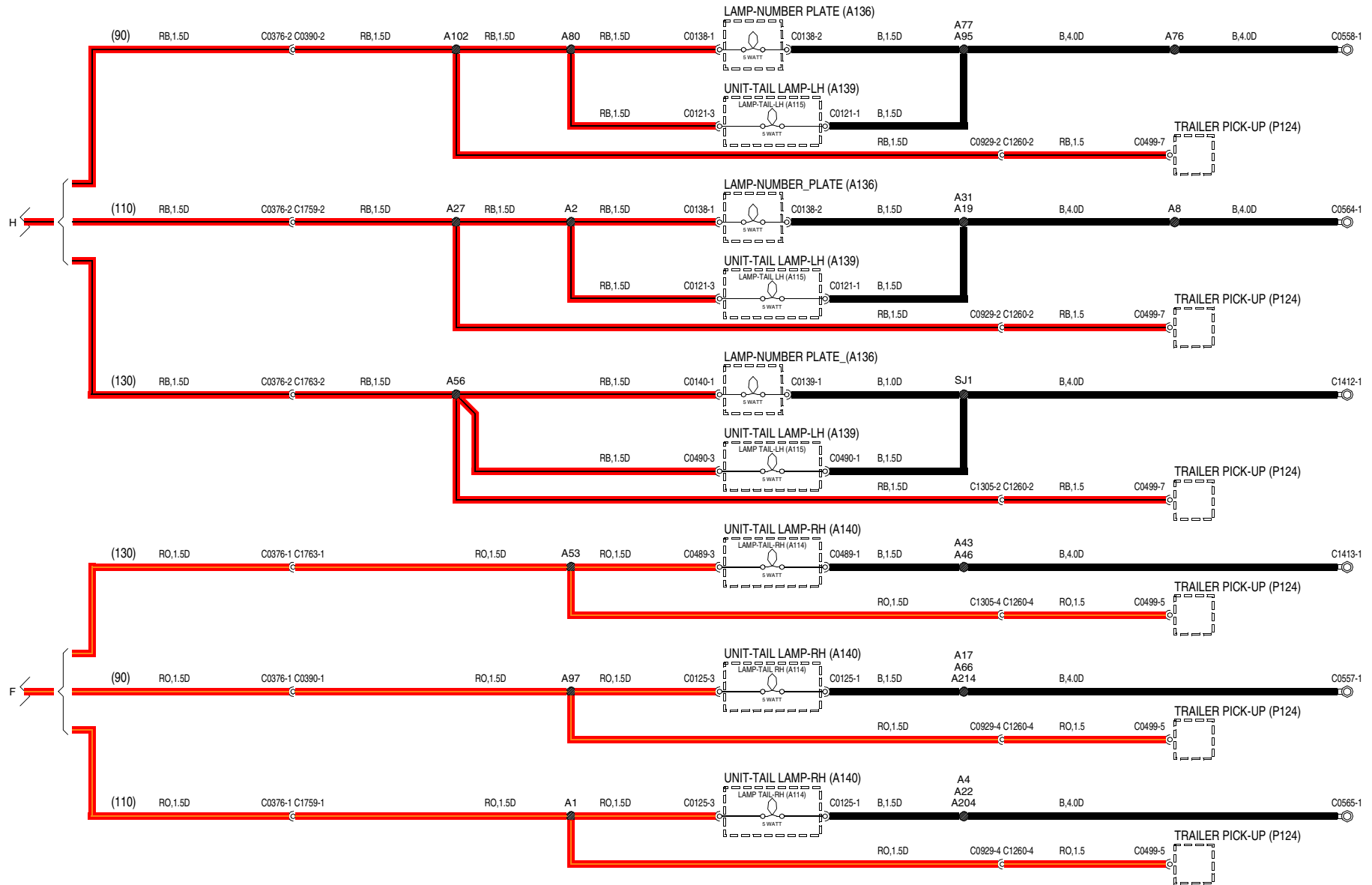
VWR000460-A-01



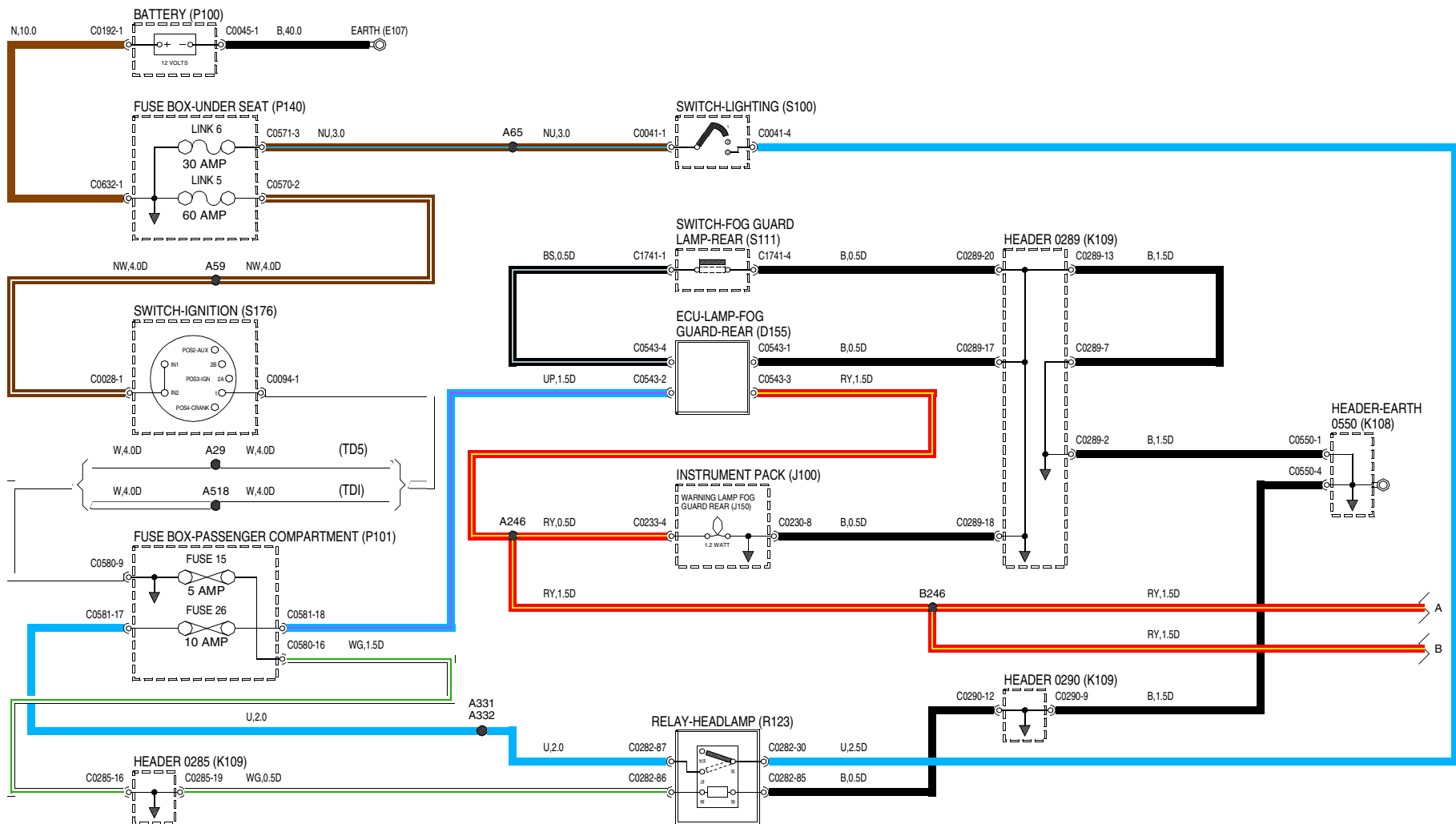
VWR000460-A-02

43 EXTERIOR LAMPS

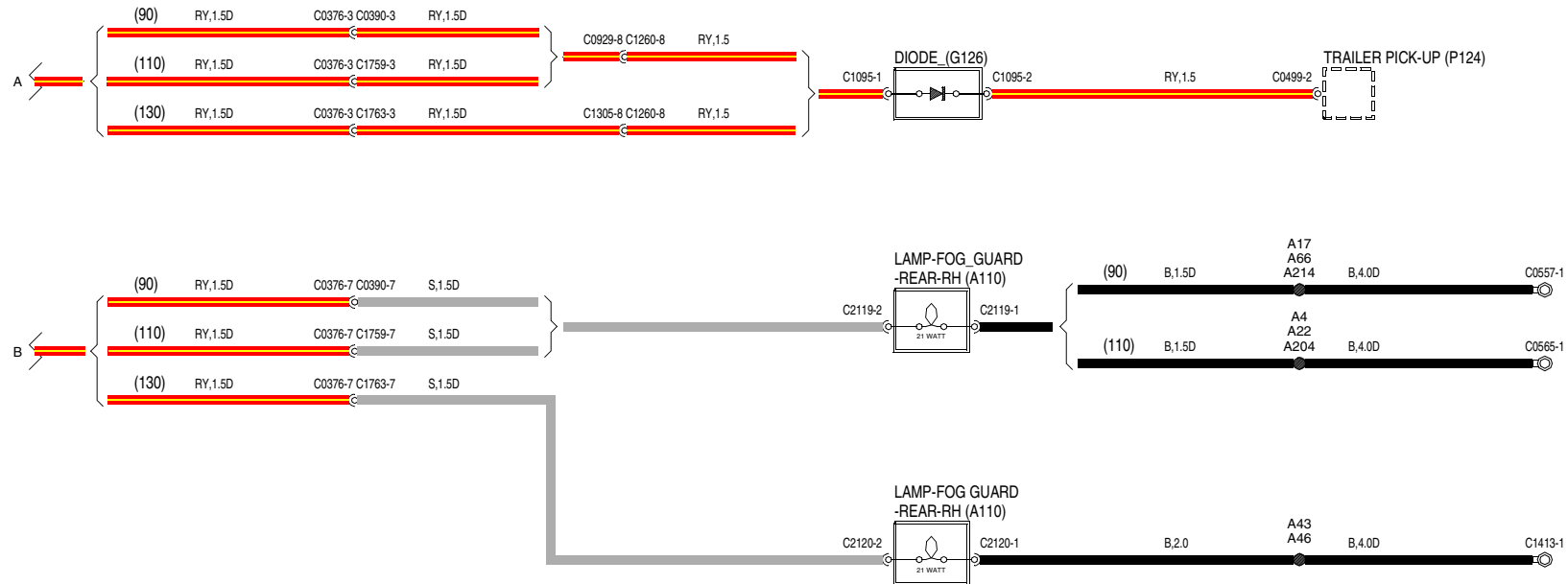
Head, side, tail and number plate lamps - Td5



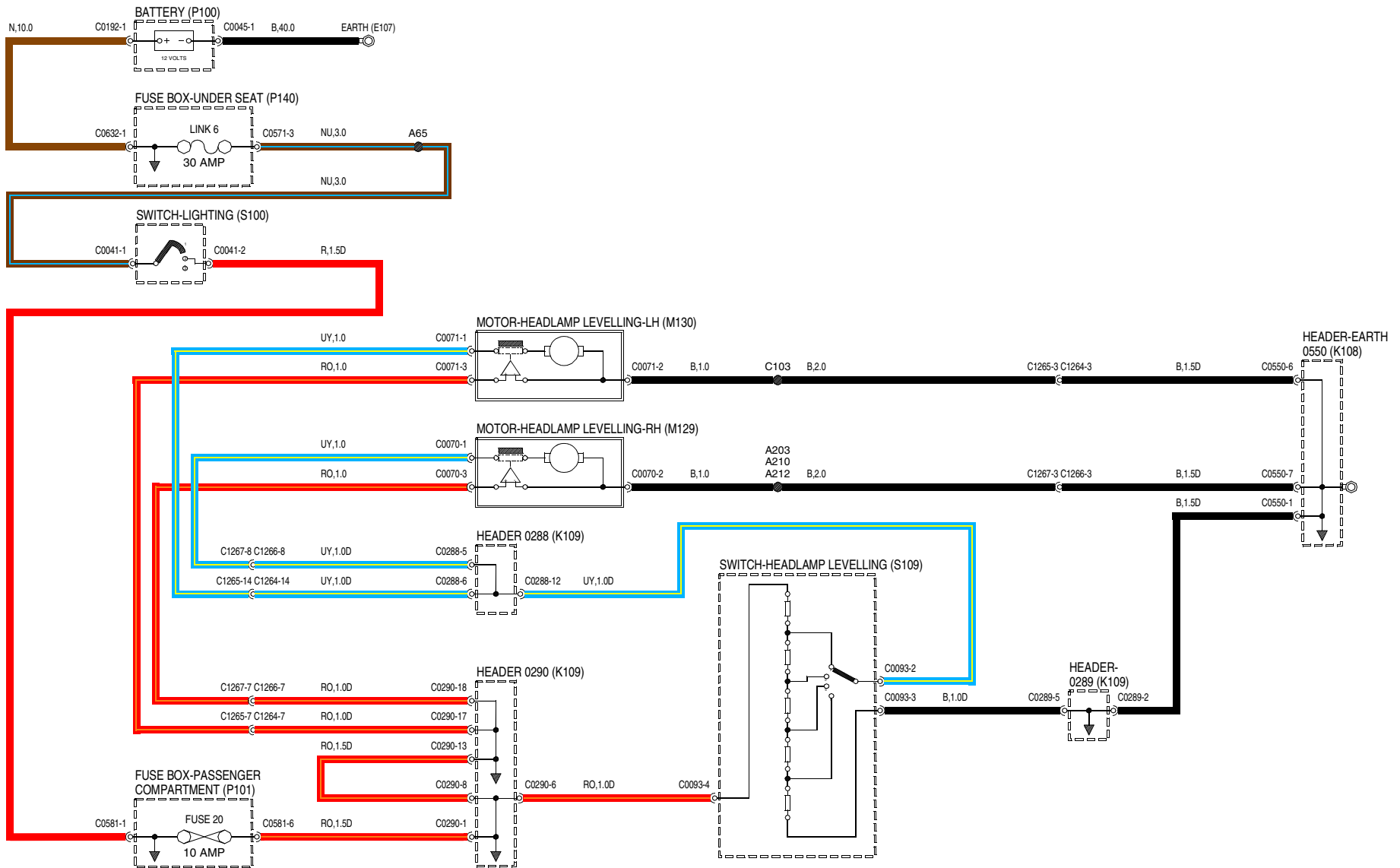
VWR000460-A-03



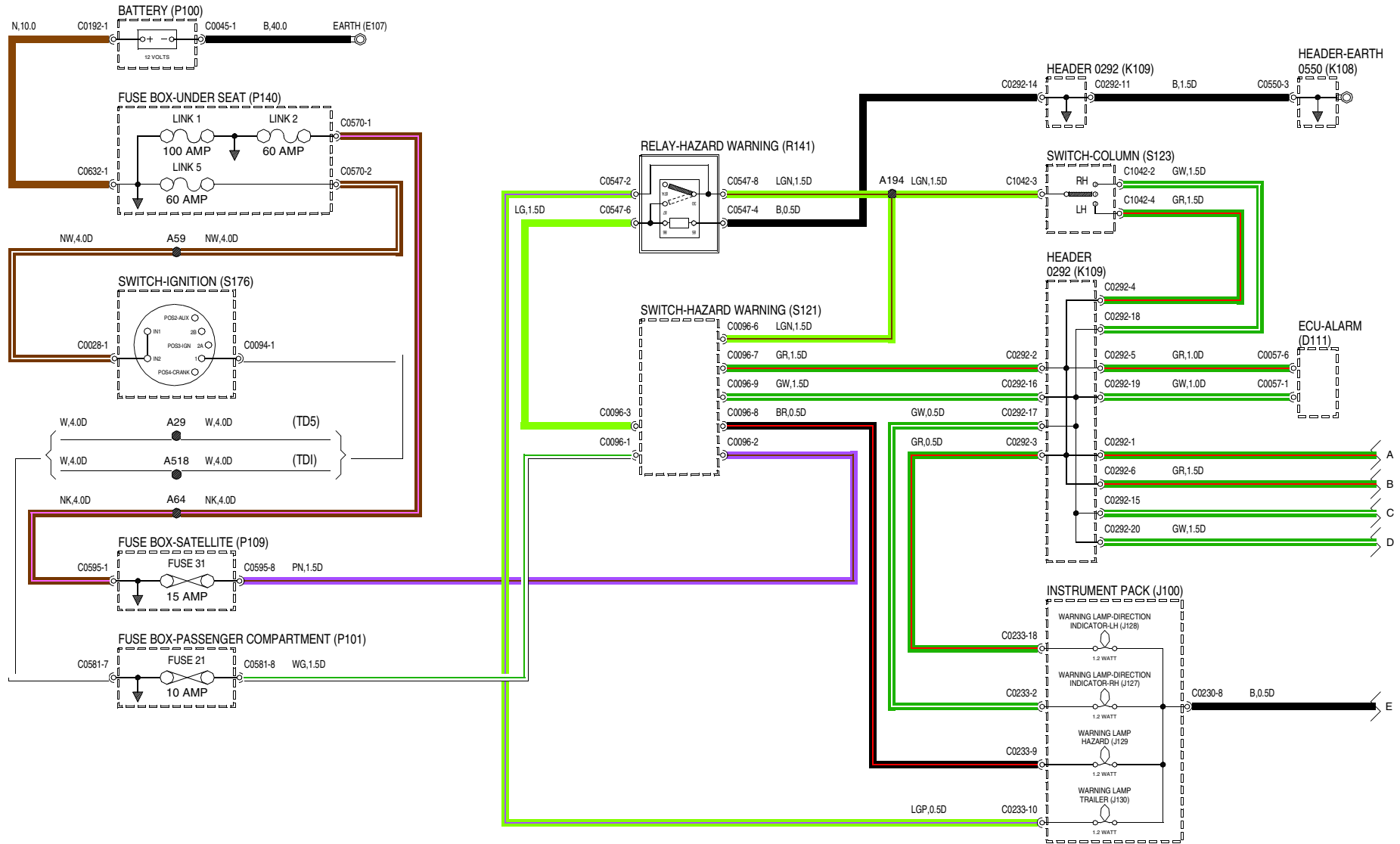
VWR000400-A-01



VWR000400-A-02



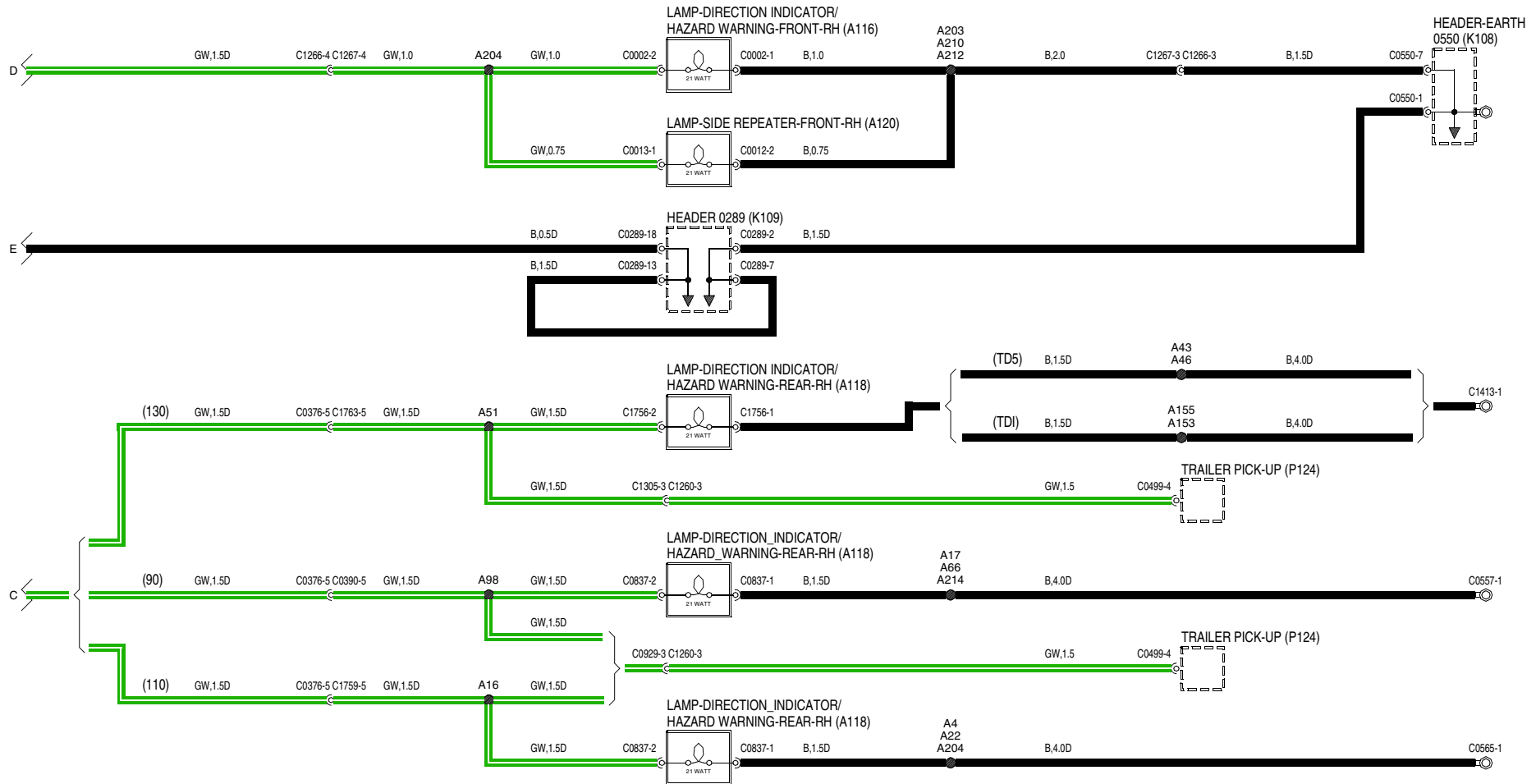
WVR000500-A-01



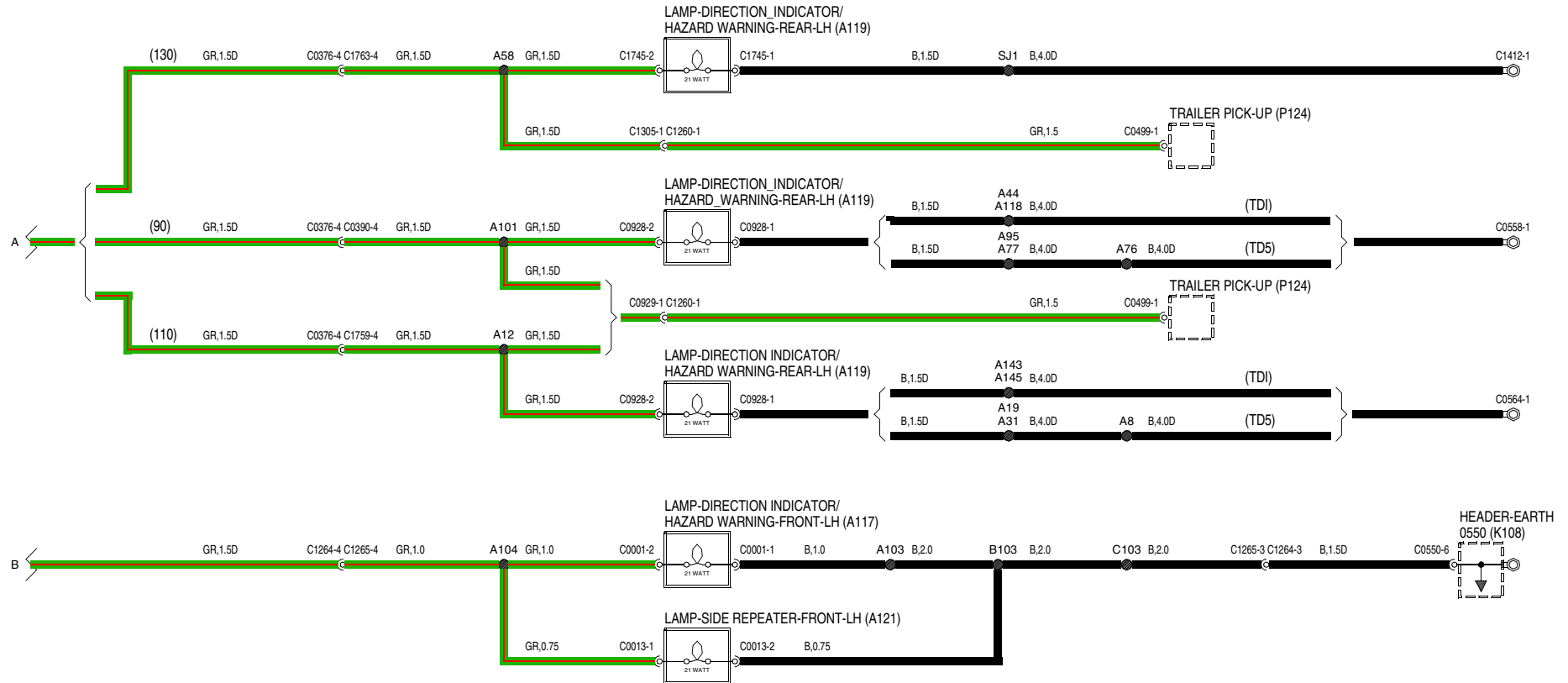
VWR000640-A-01

43 EXTERIOR LAMPS

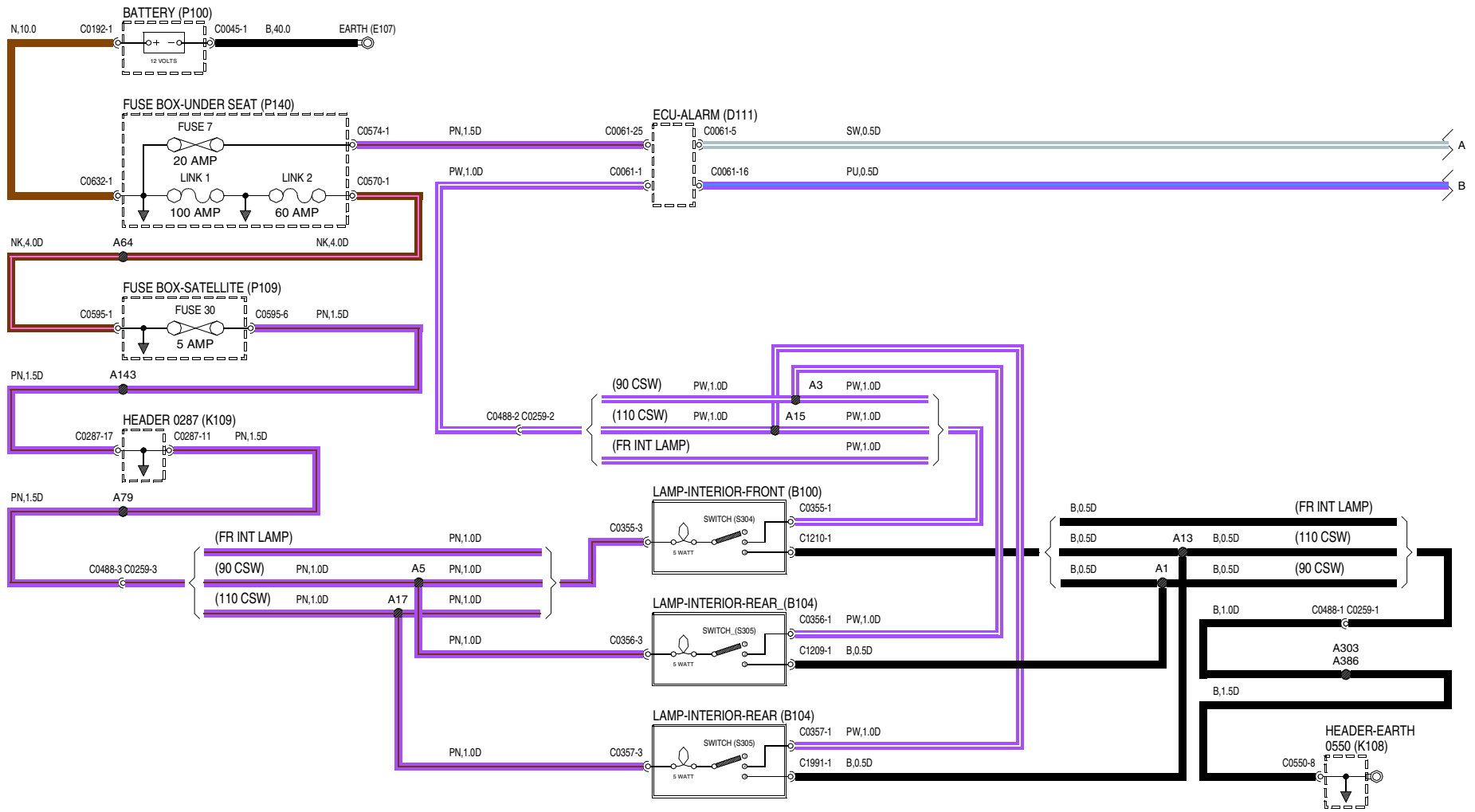
Direction indicator lamps\hazard warning



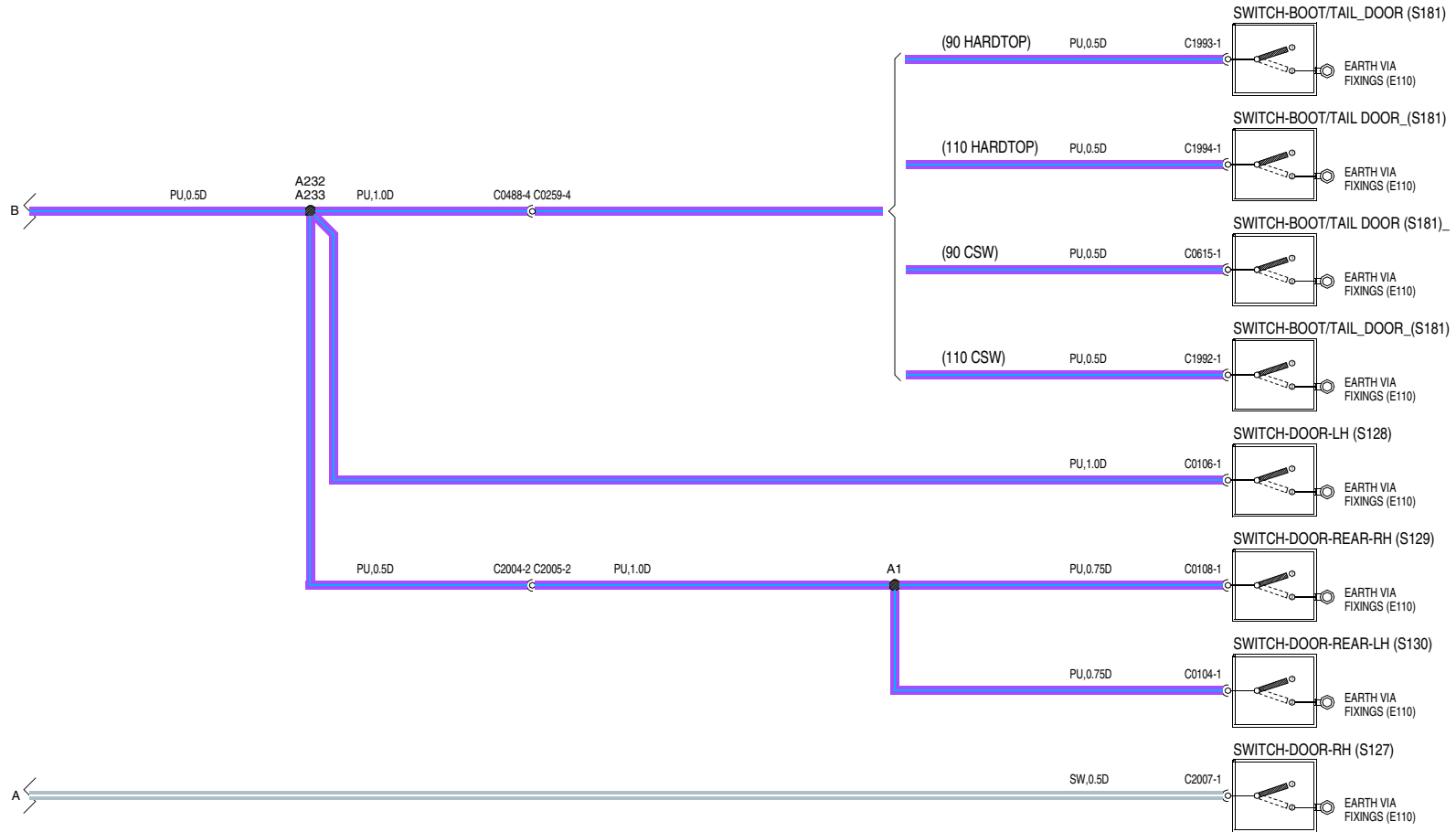
VWR000640-A-02



WVR000640-A-03

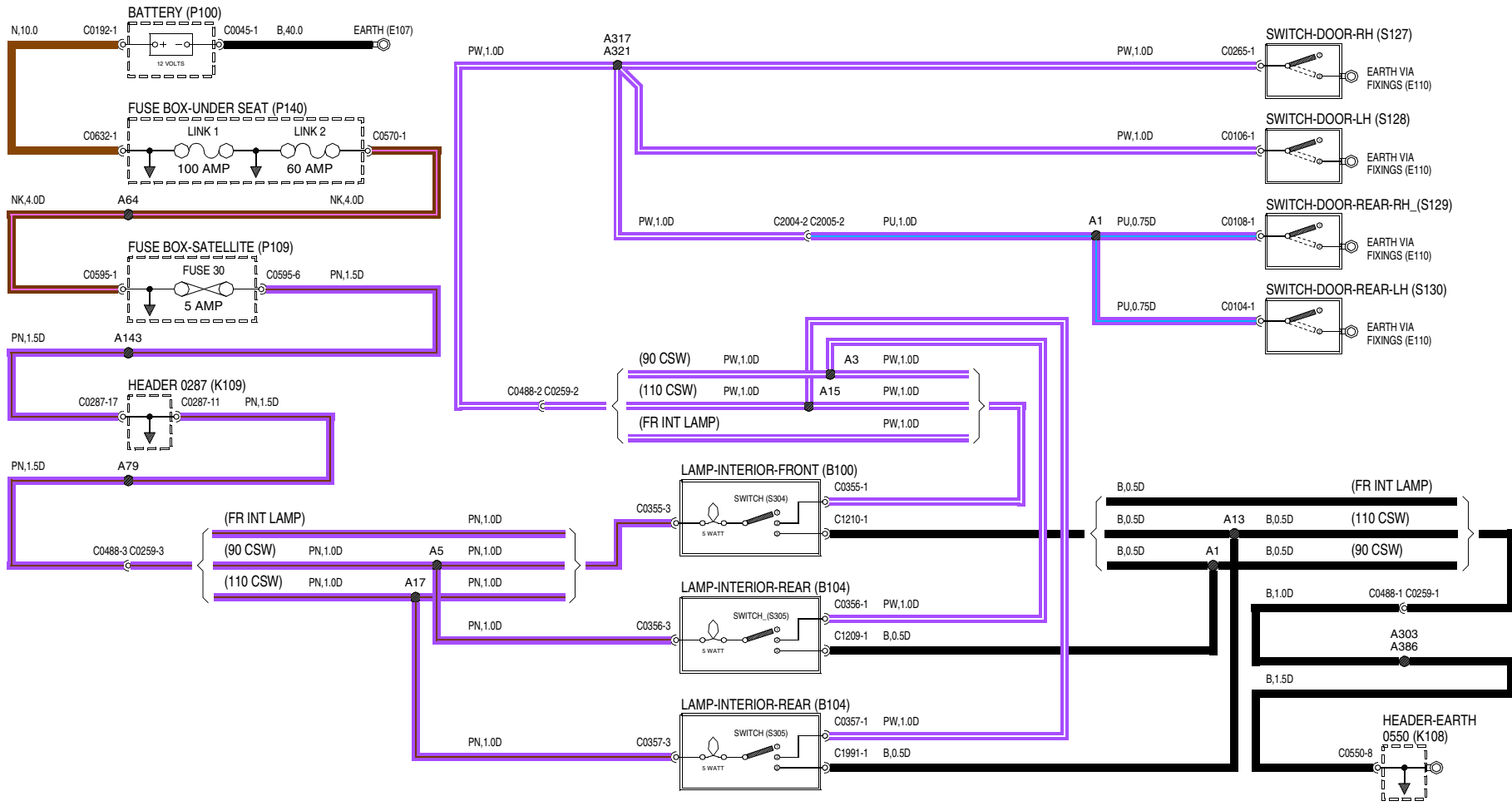


VWR000700-A-01



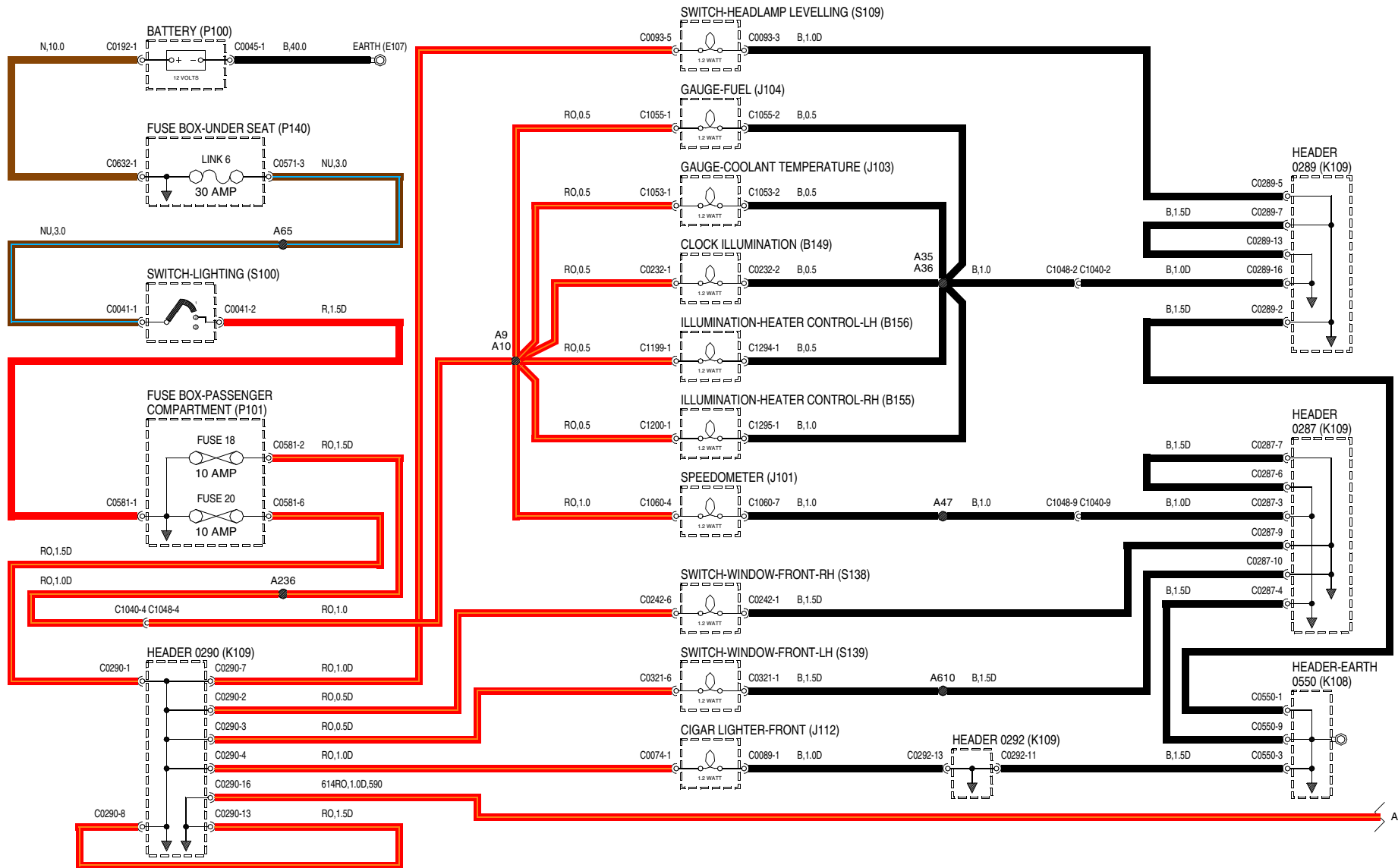
WVR000700-A-02

44 INTERIOR LAMPS



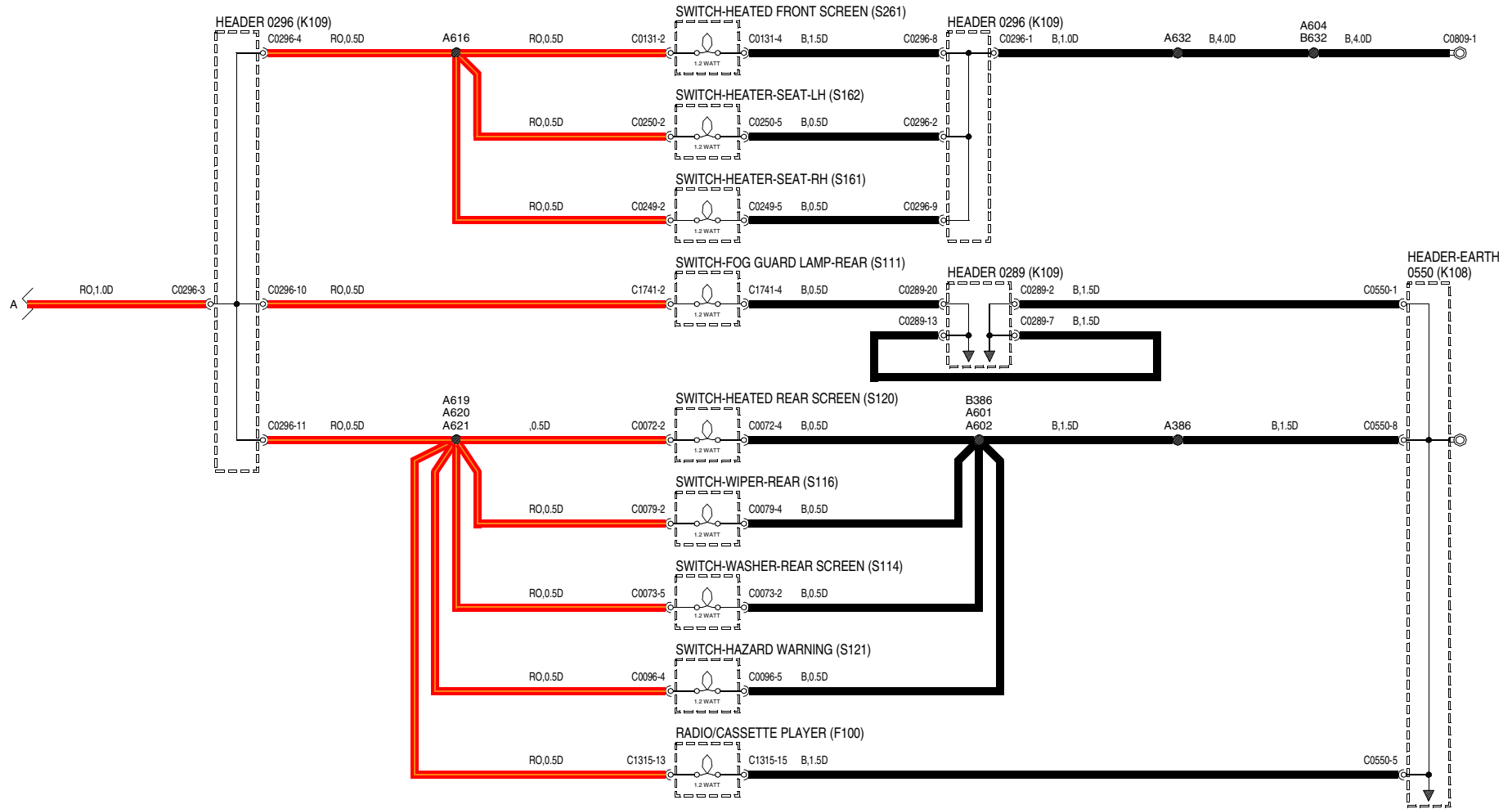
VWR000720-A-01

46 INTERIOR ILLUMINATION



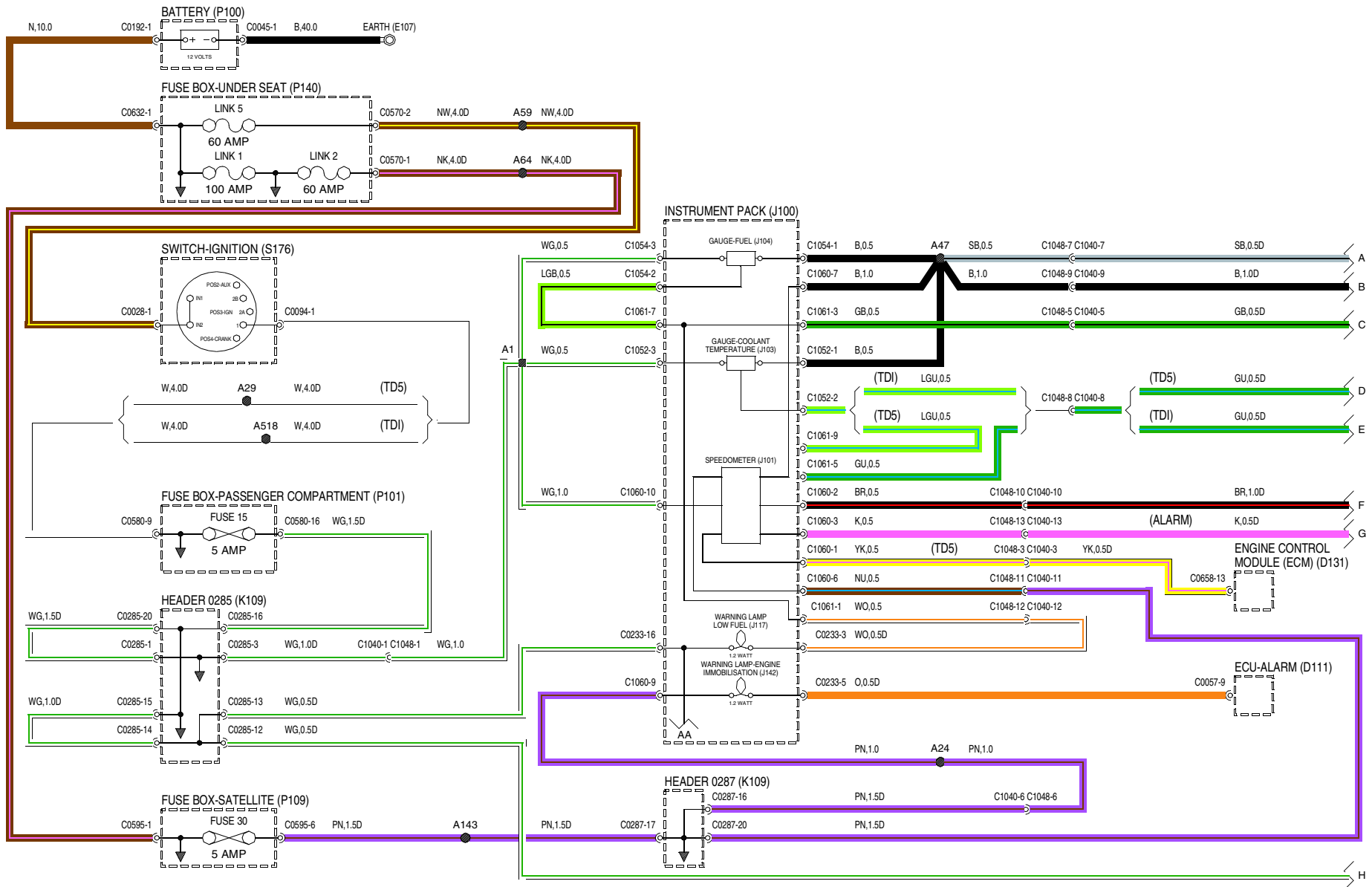
VWR000680-A-01

46 INTERIOR ILLUMINATION

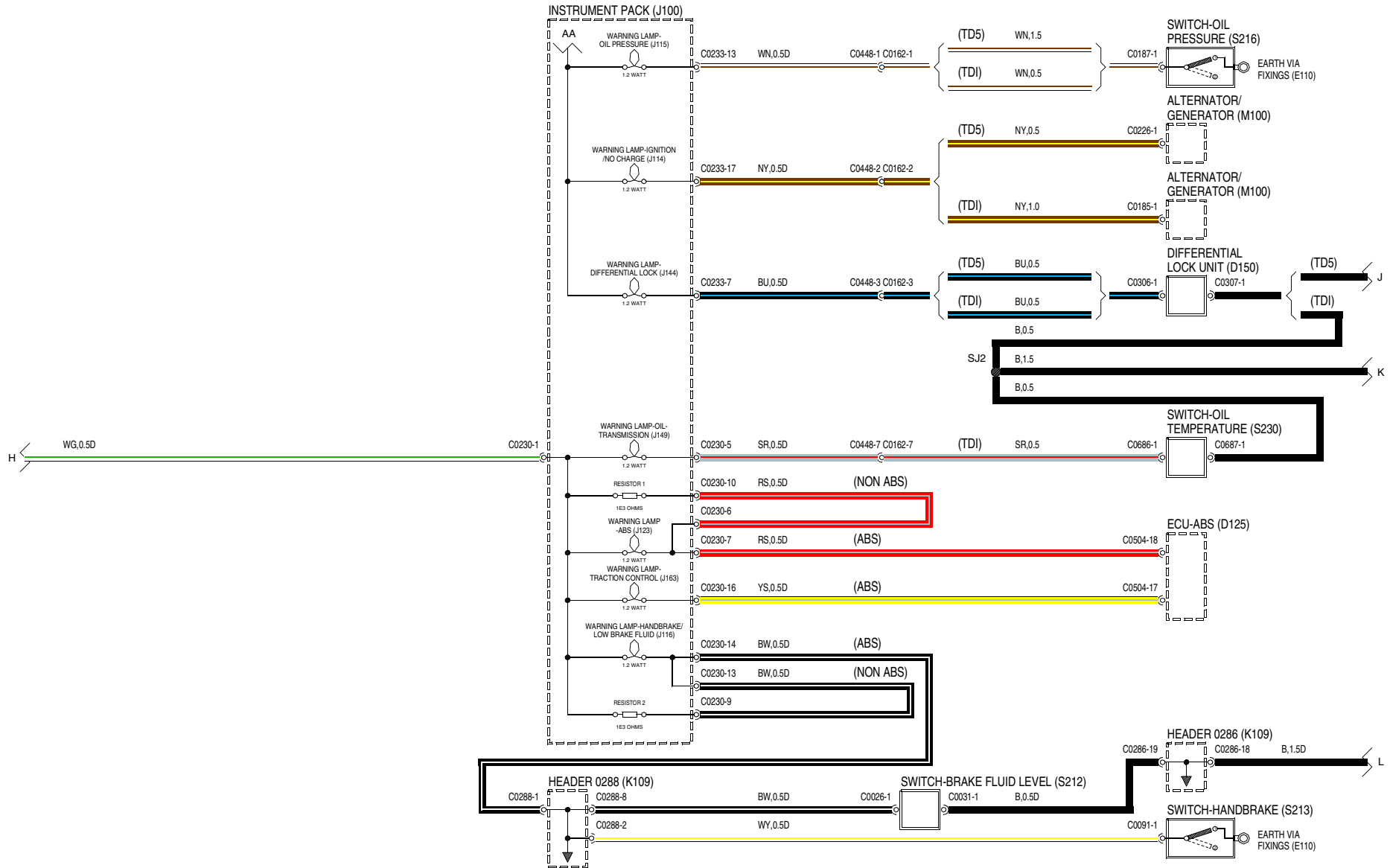


VWR000680-A-02

47 INSTRUMENTS

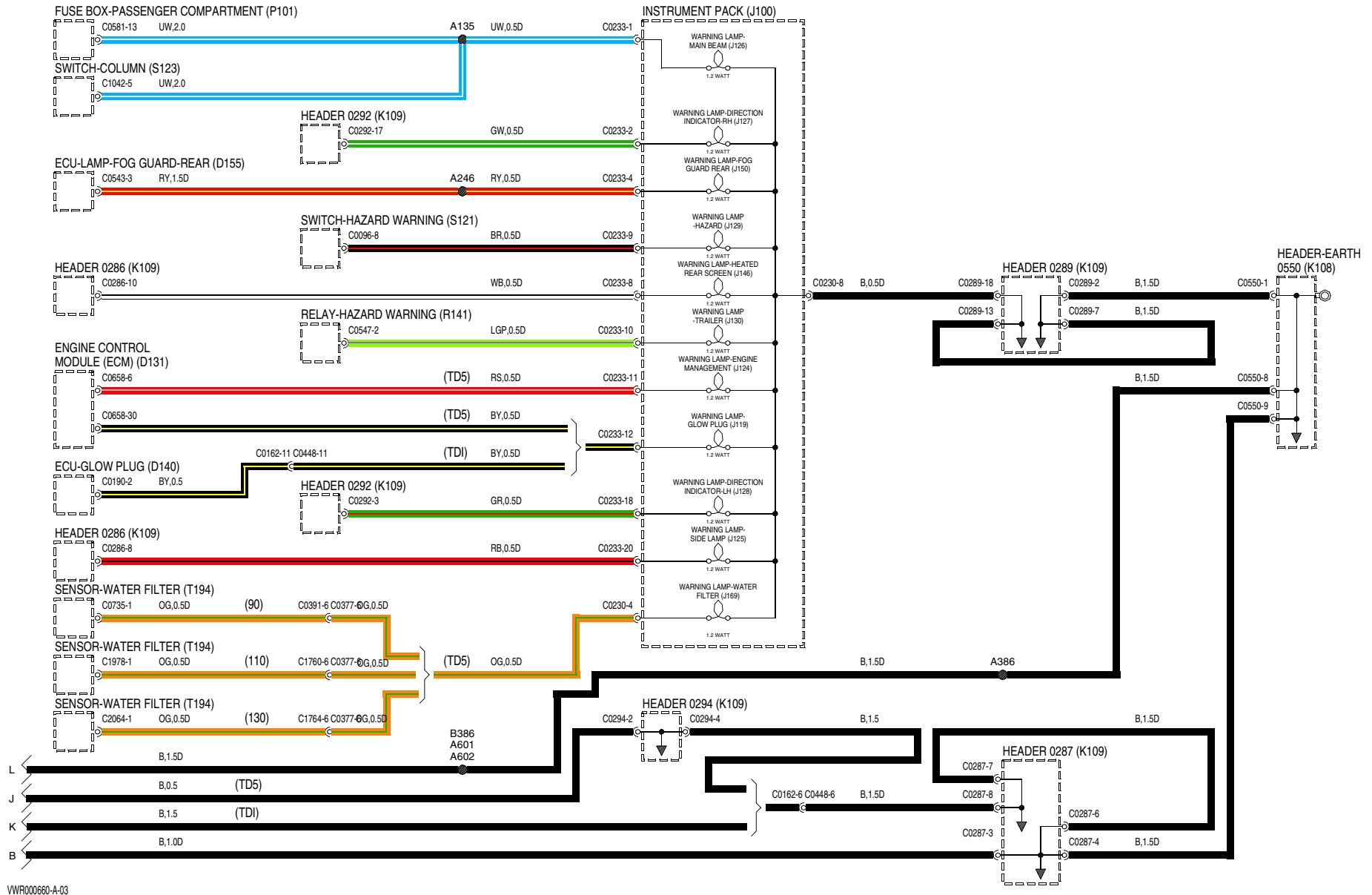


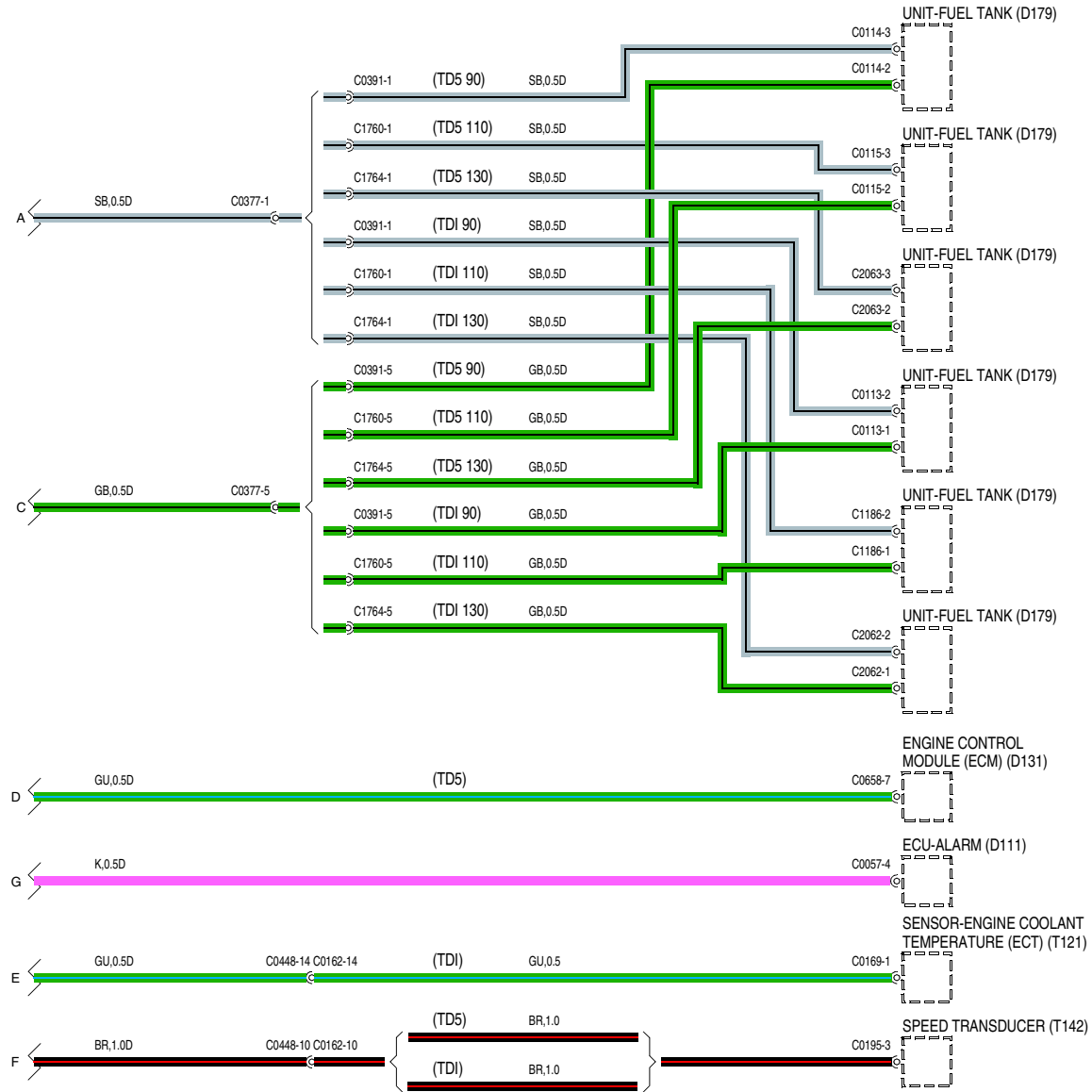
VWR000660-A-01



VWR000680-A-02

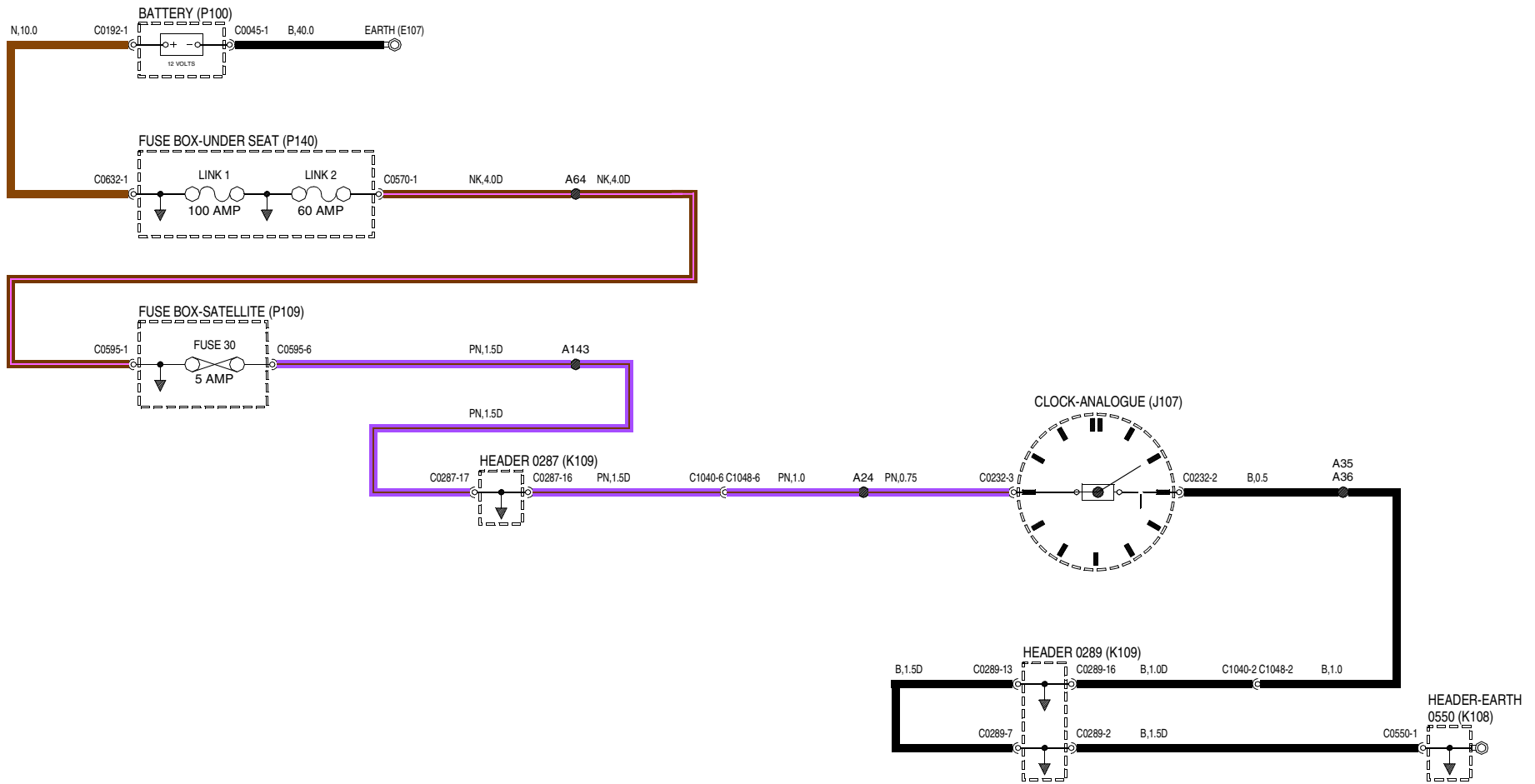
47 INSTRUMENTS





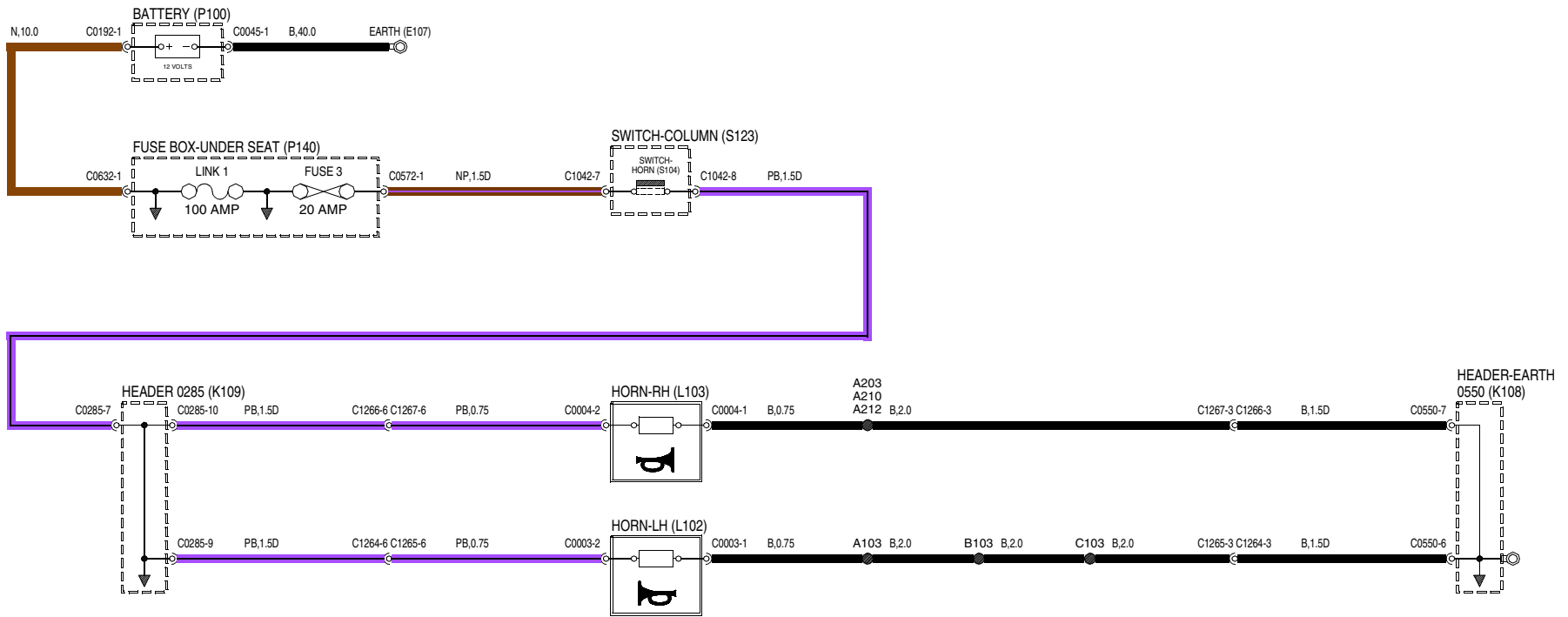
VWR000660-A-04

48 CLOCK



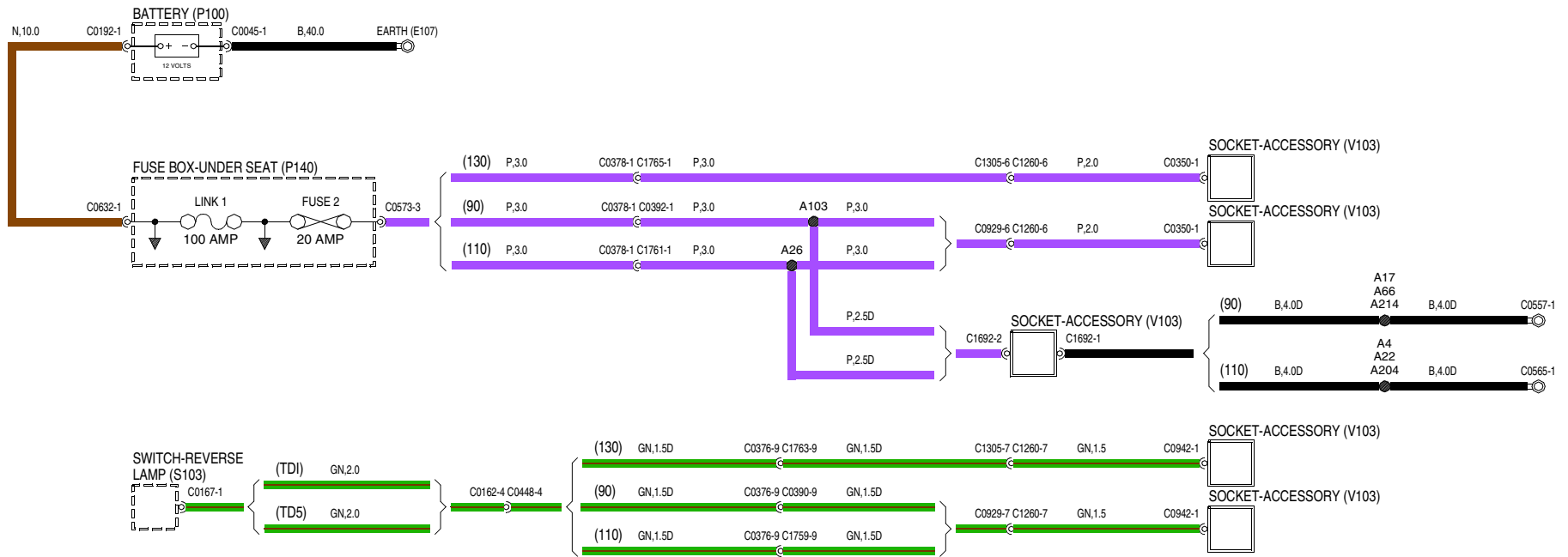
WVR000260-A-01

48 HORN (S)



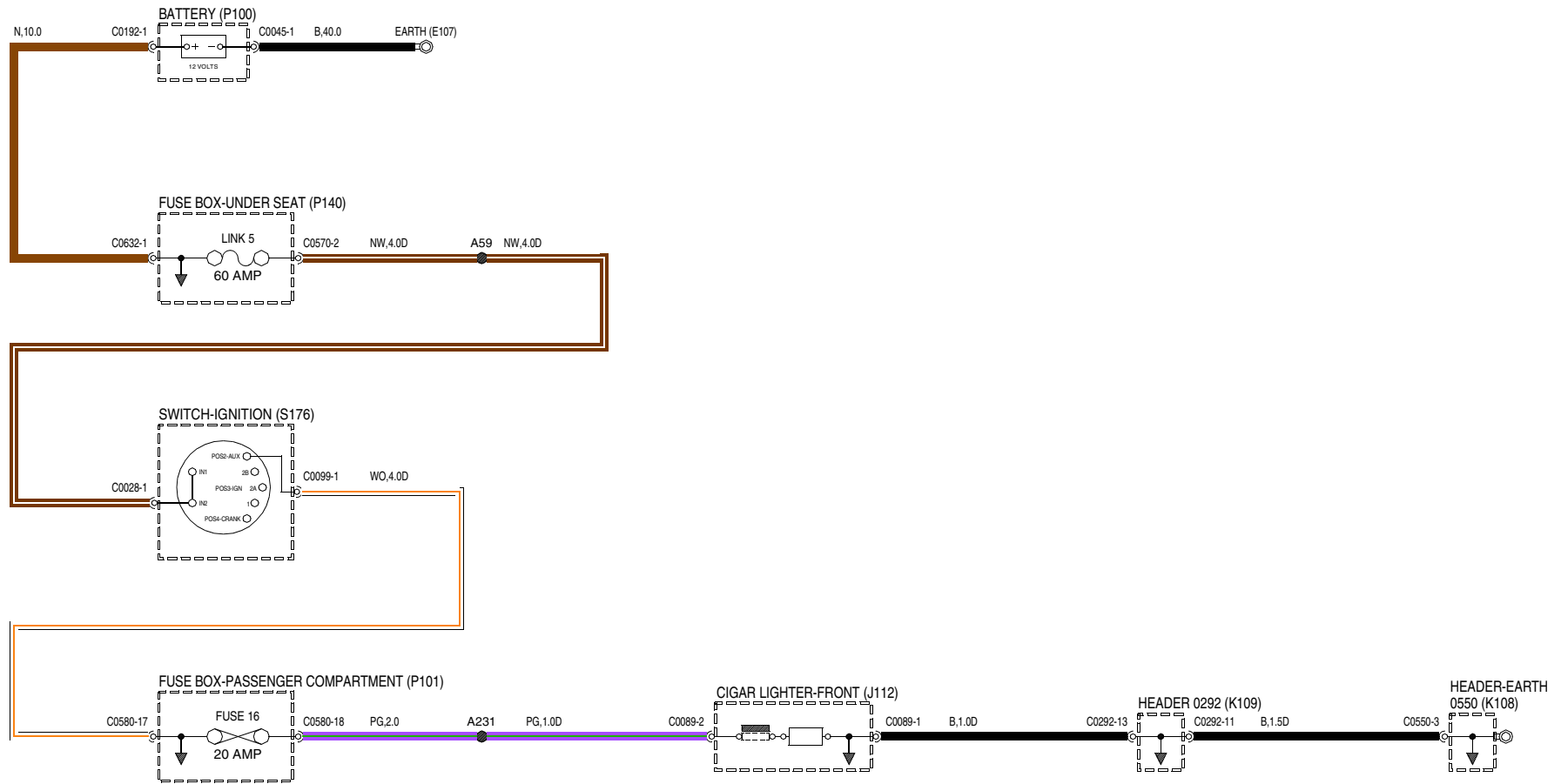
WVR000580-A-01

49 ACCESSORY SOCKET



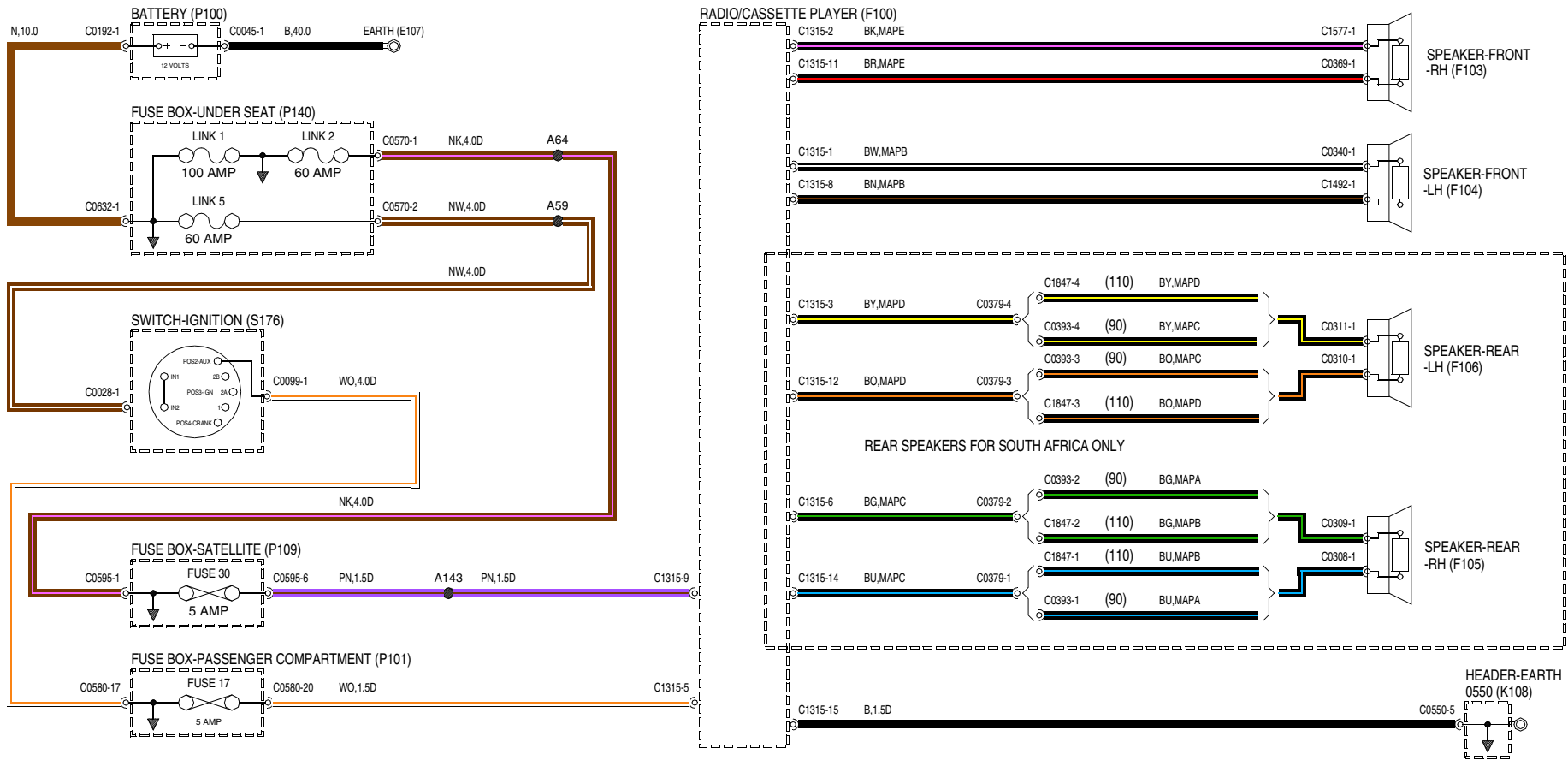
VWR000100-A-01

49 CIGAR LIGHTER



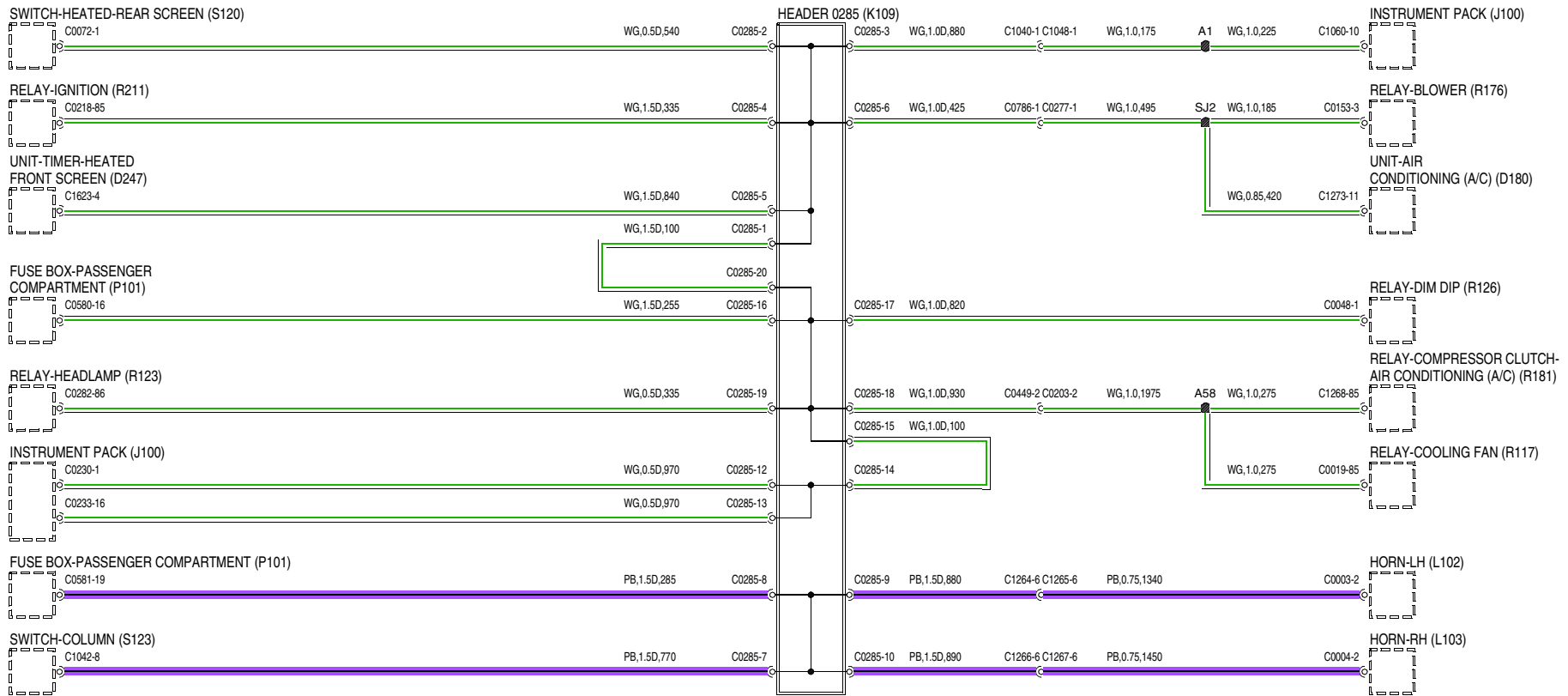
WWR000240-A-01

50 AUDIO SYSTEMS



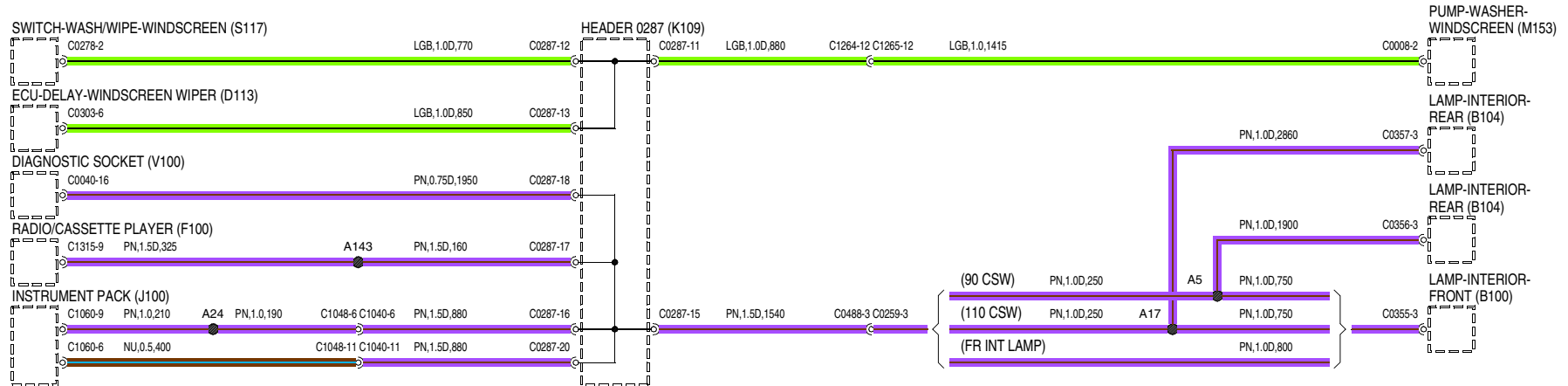
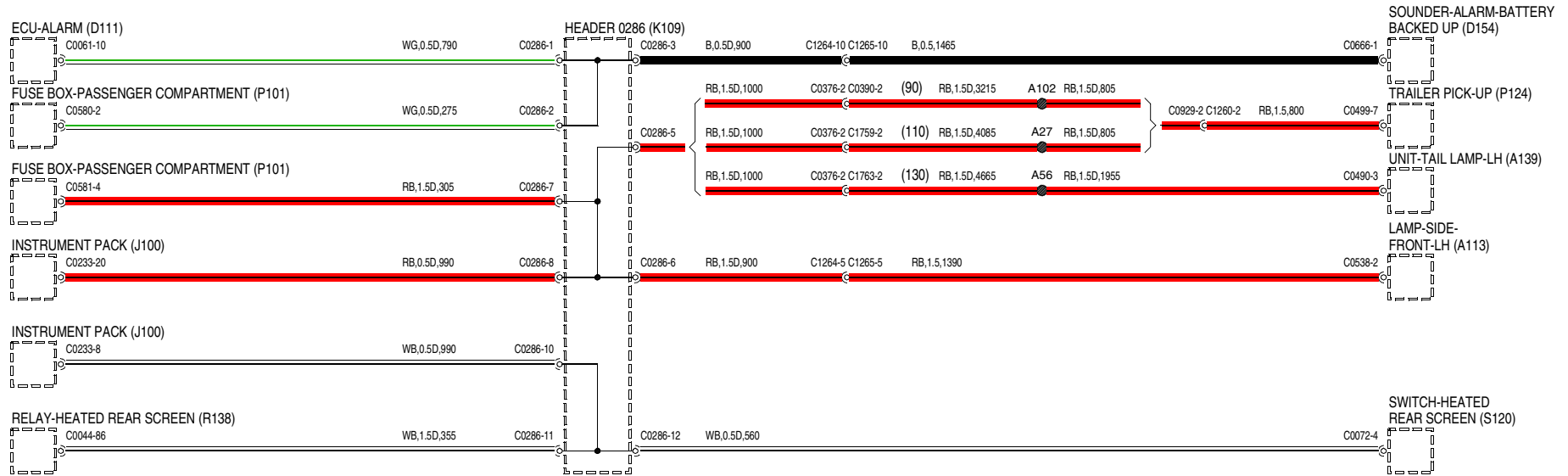
VWR000600-A-01

60 HEADER JOINTS



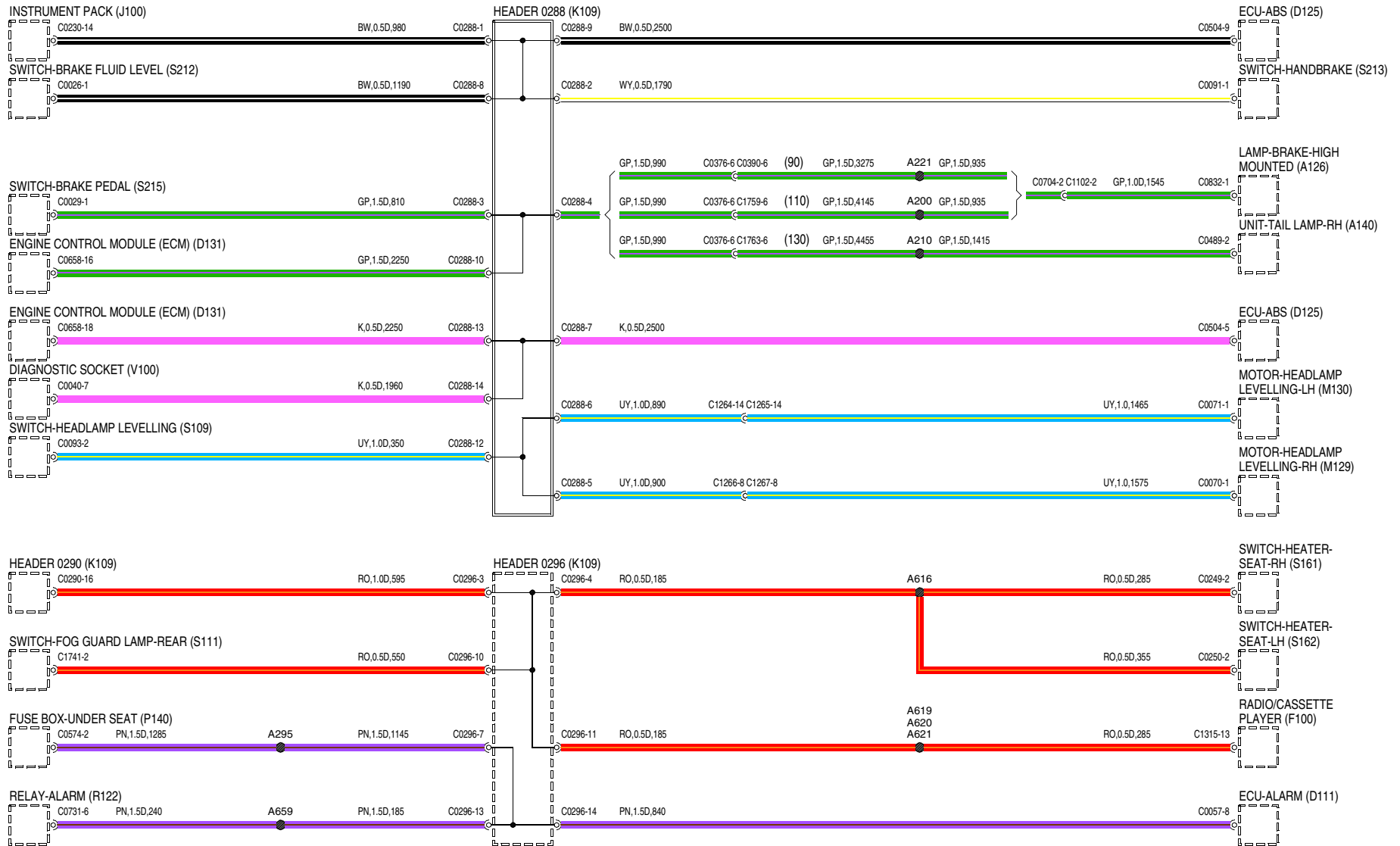
VWR000480-A-01

60 HEADER JOINTS



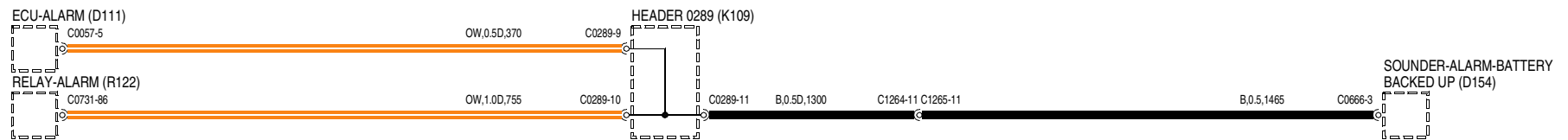
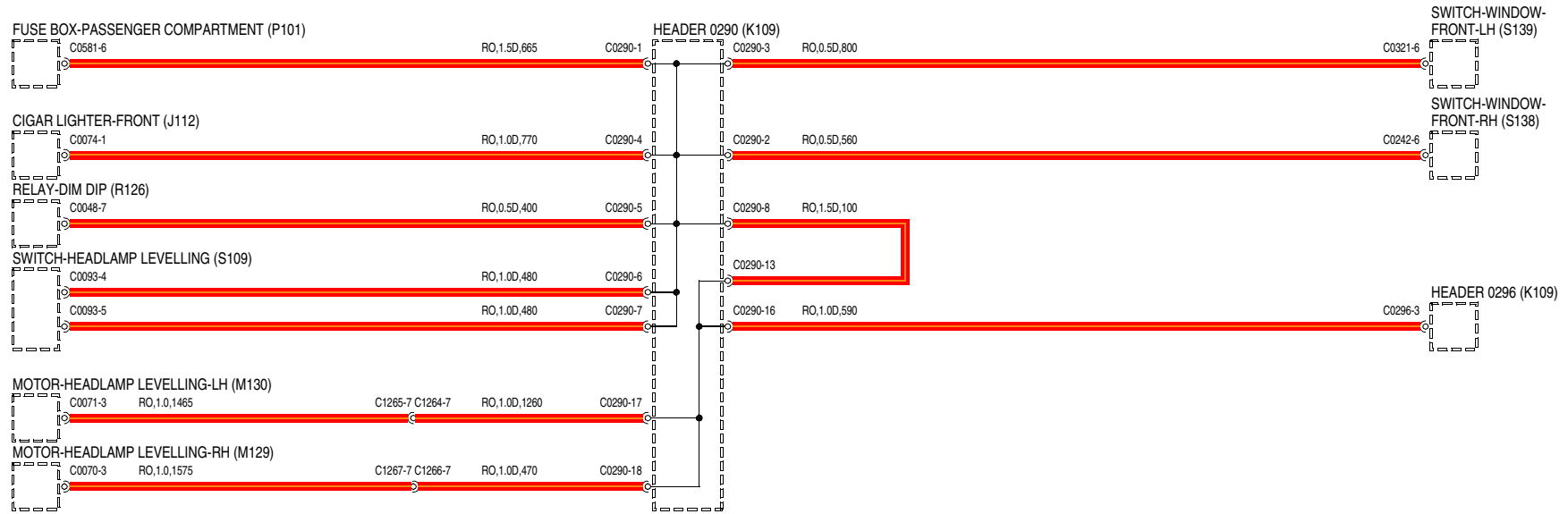
VWR000480-A-02

60 HEADER JOINTS



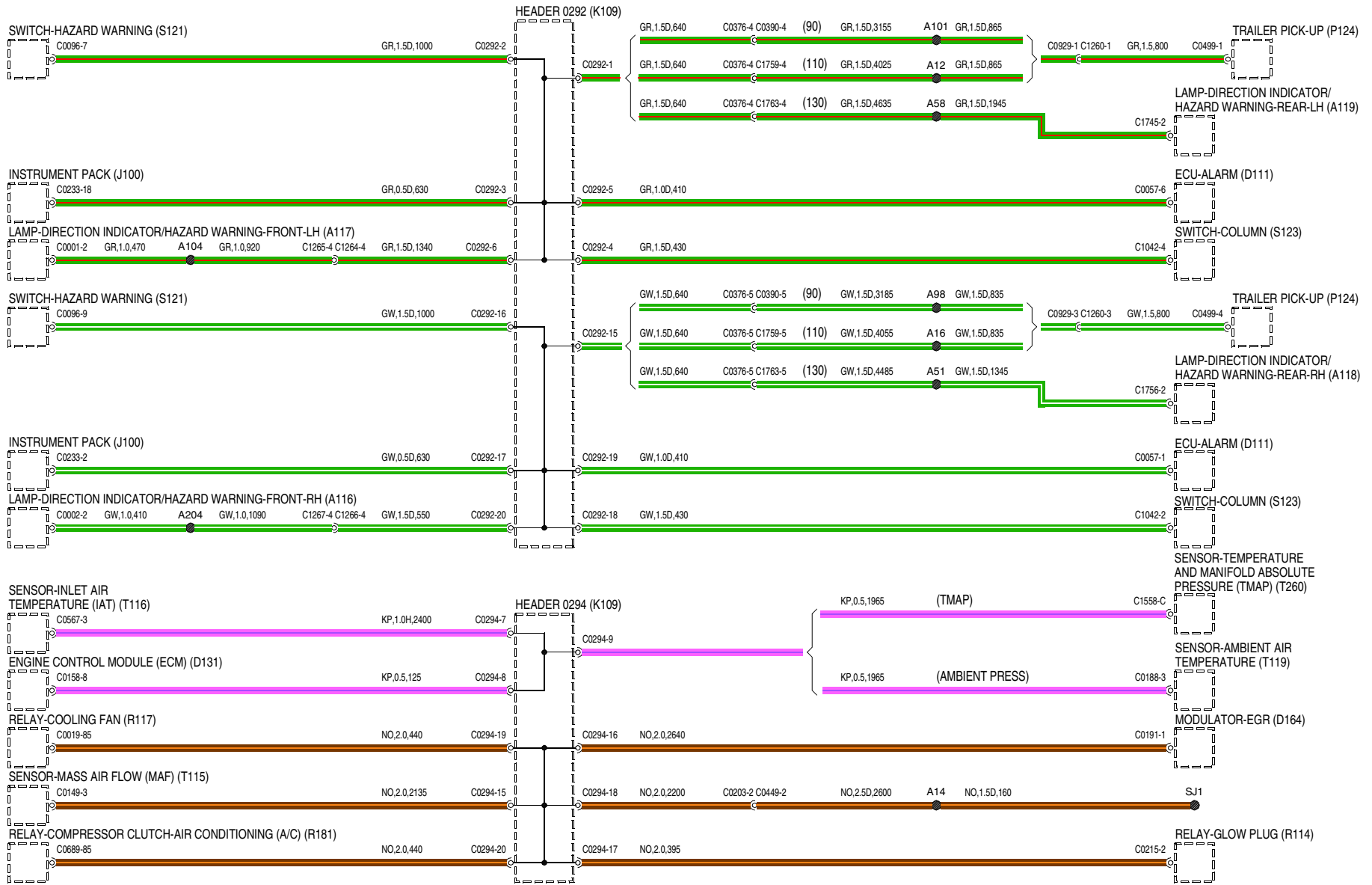
WVR000480-A-03

60 HEADER JOINTS



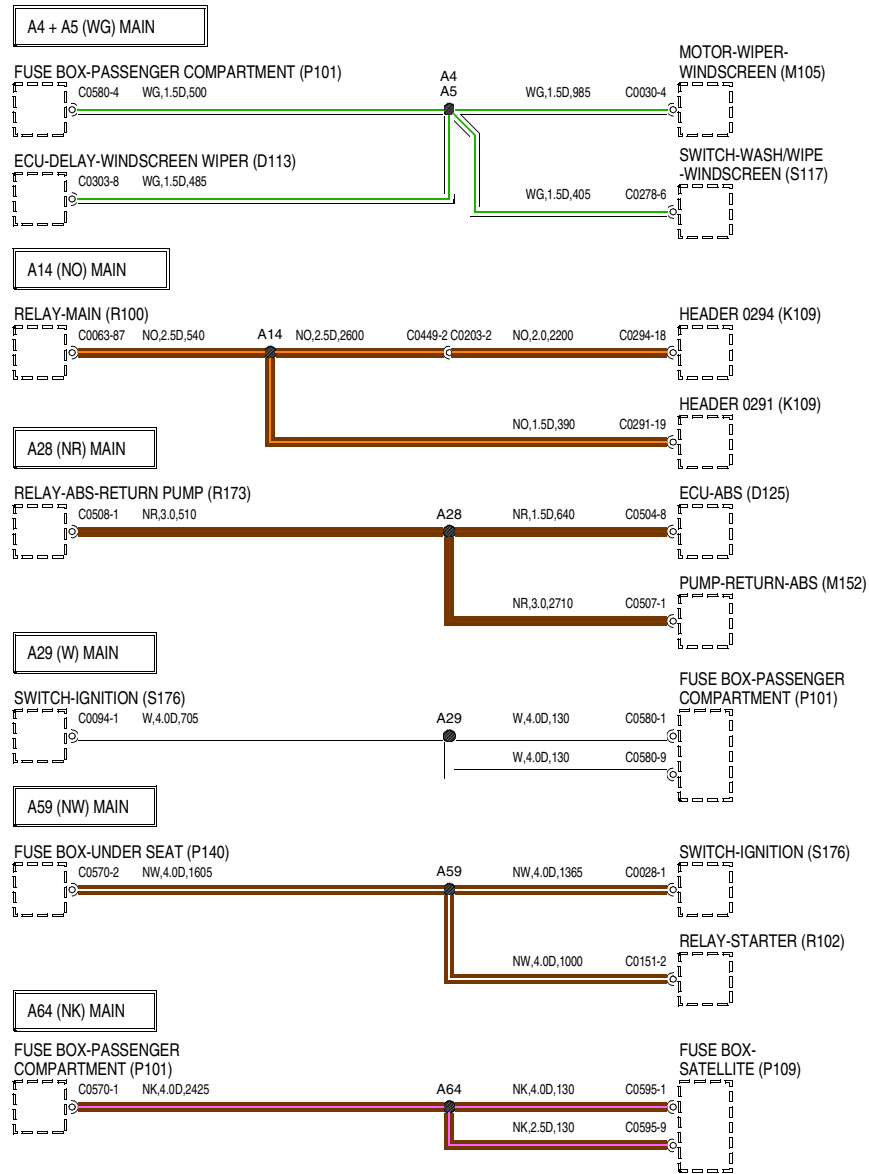
VWR000480-A-04

60 HEADER JOINTS

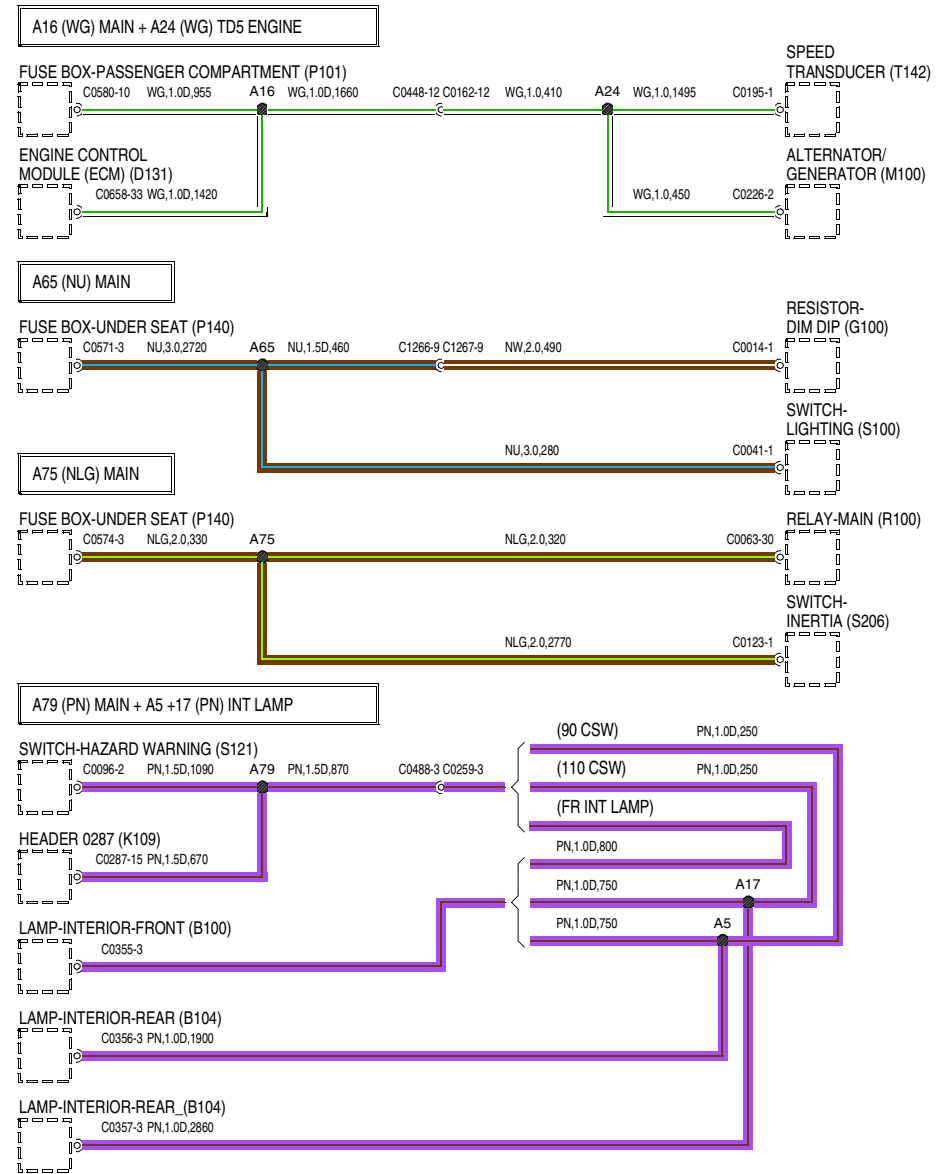


WVR000480-A-05

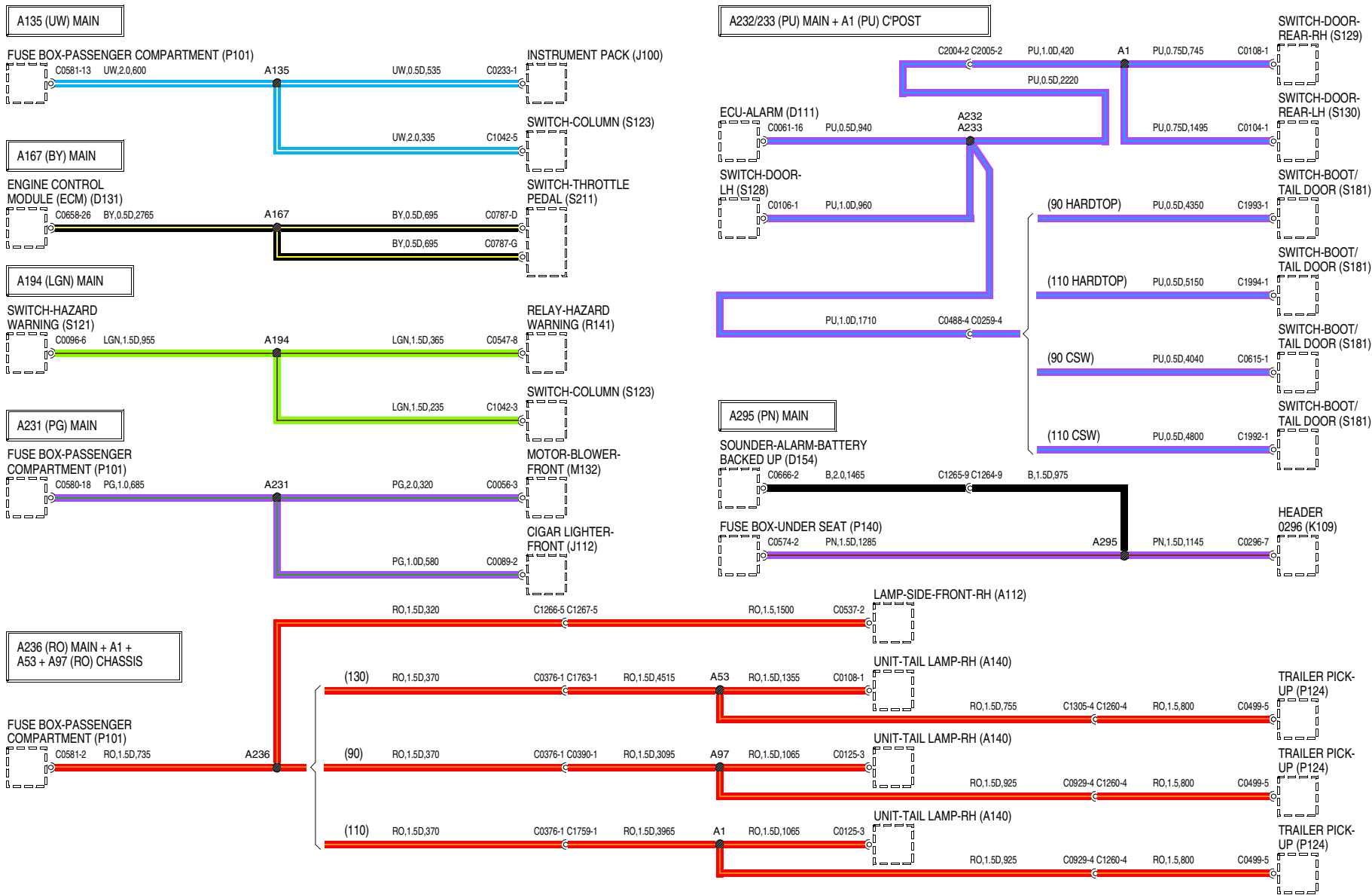
65 SPLICES AND CENTRE TAPS



WWR000820-A-01

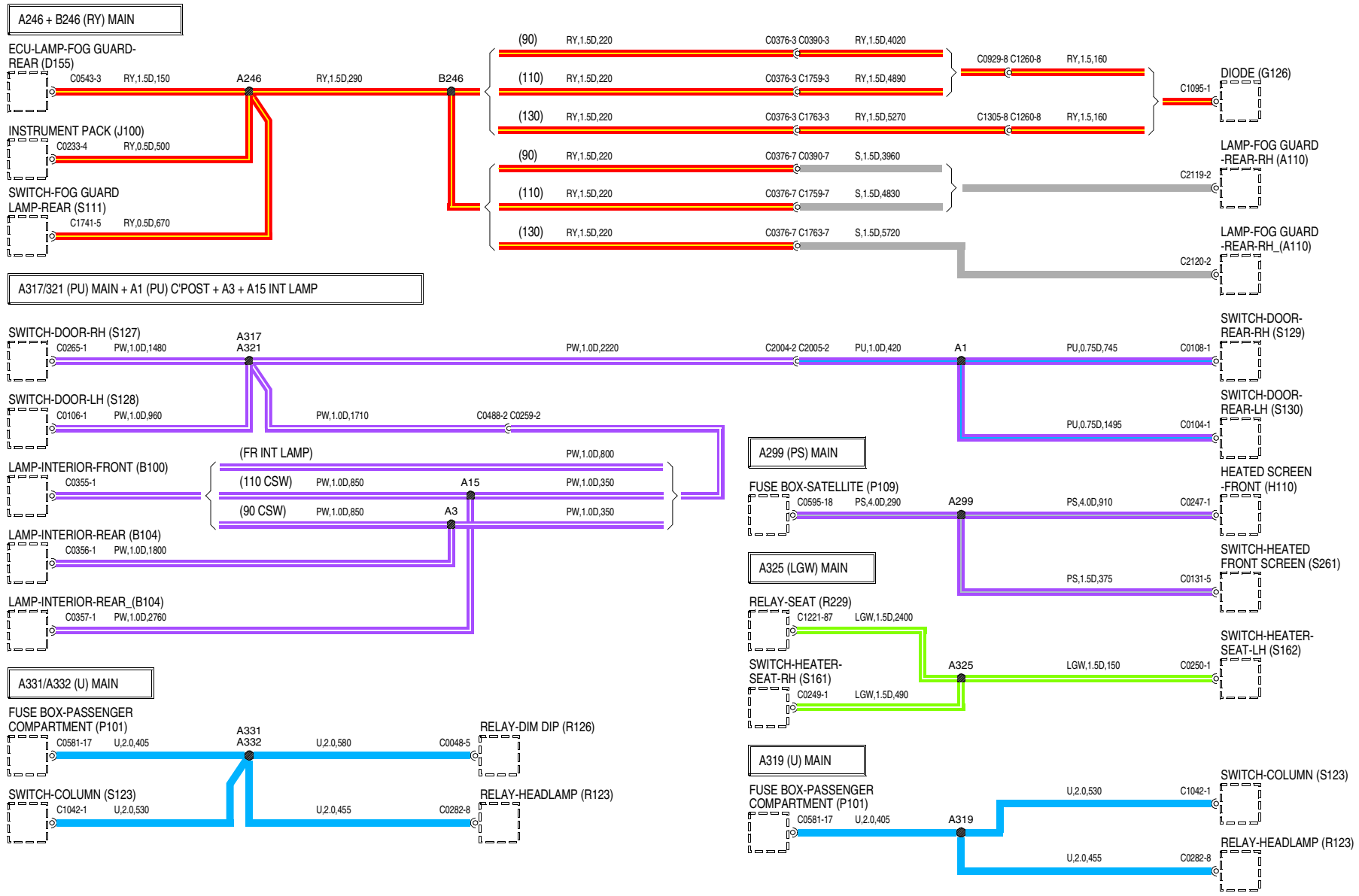


65 SPLICES AND CENTRE TAPS



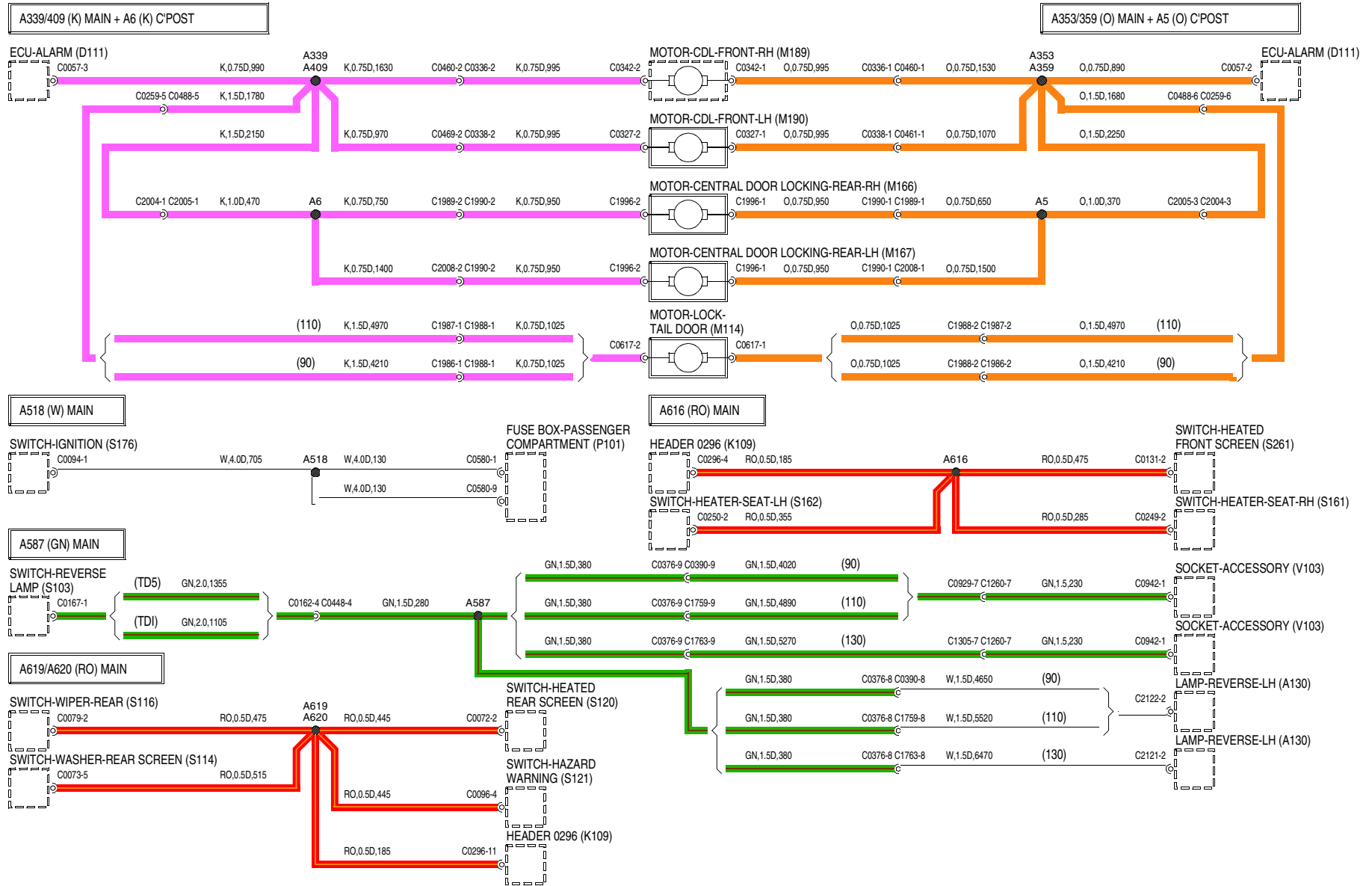
VWR000820-A-02

65 SPLICES AND CENTRE TAPS



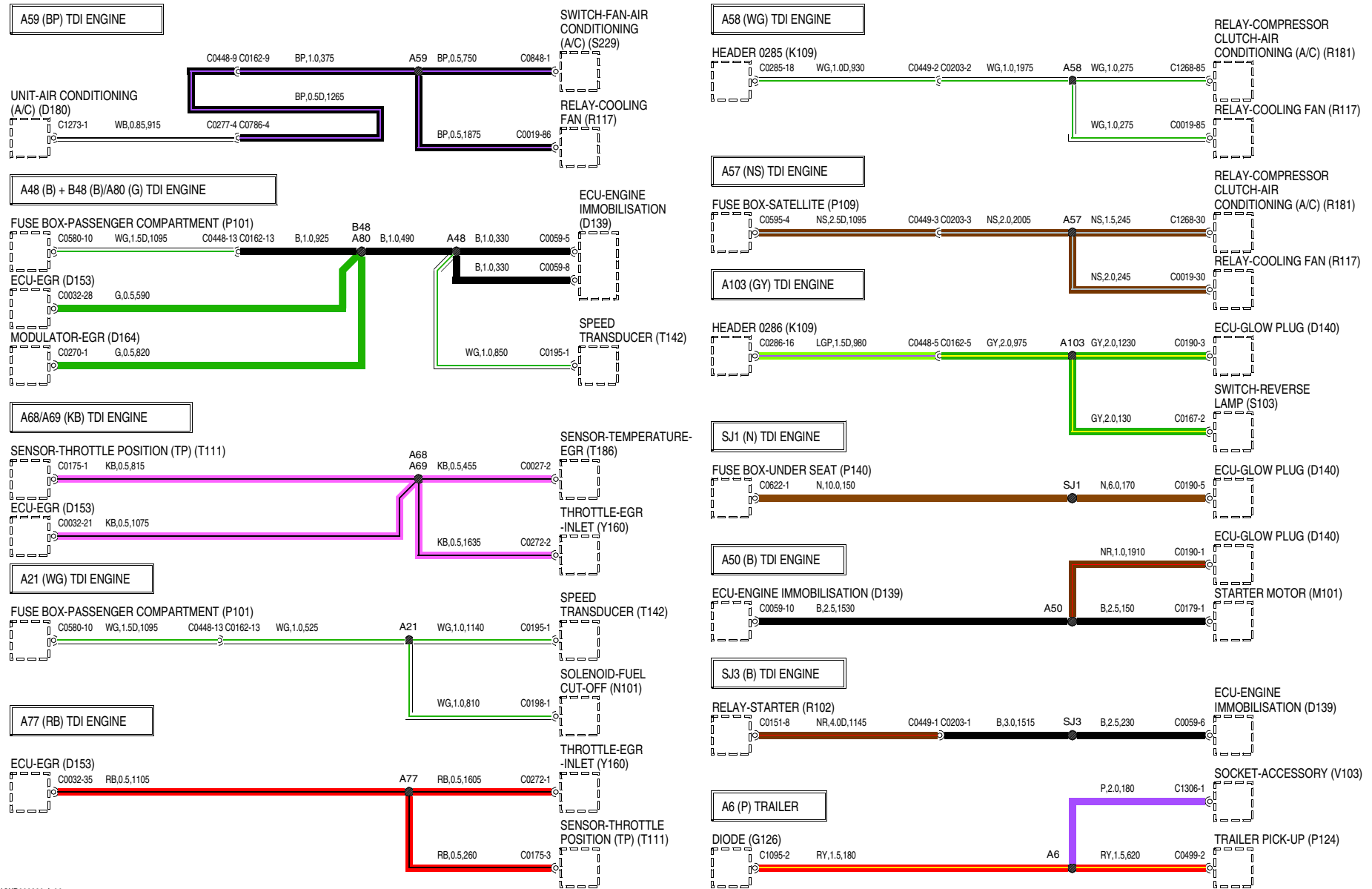
VWR000820-A-03

65 SPLICES AND CENTRE TAPS



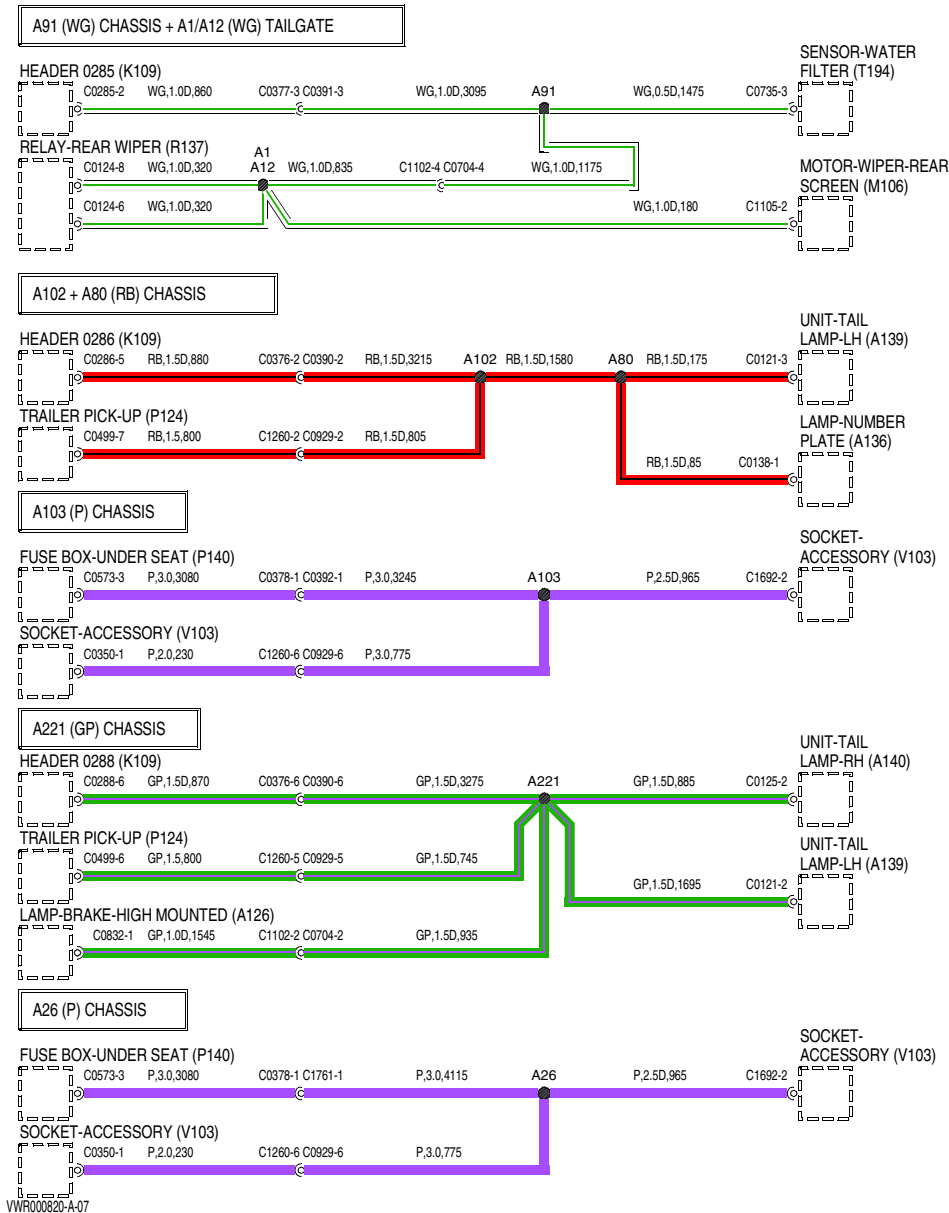
WVR000820-A-04

65 SPLICES AND CENTRE TAPS

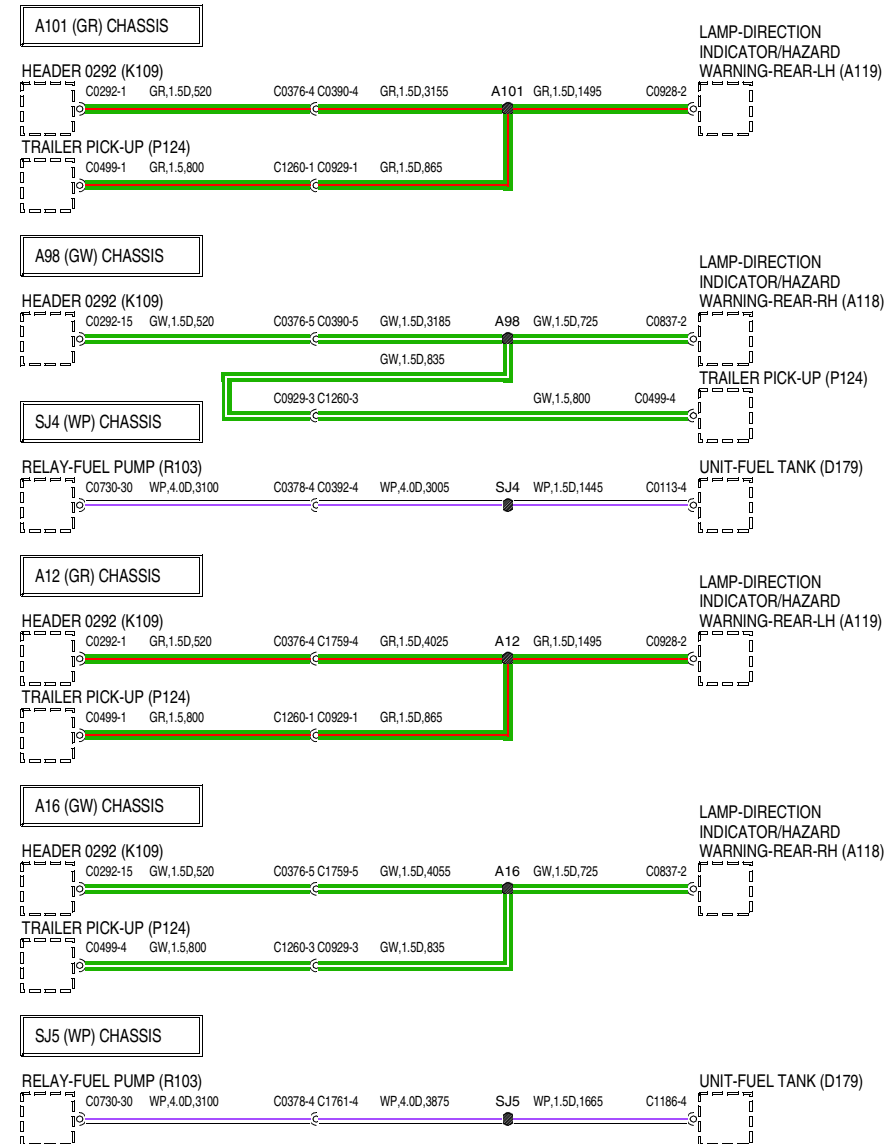


WVR000820-A-06

65 SPLICES AND CENTRE TAPS

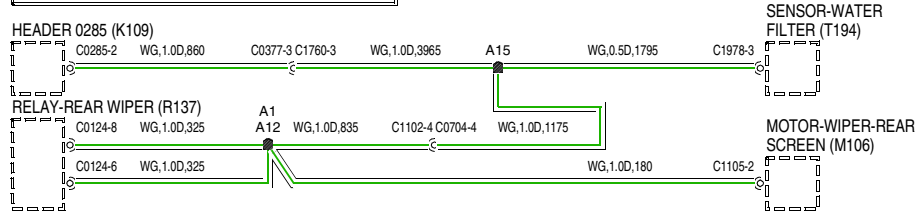


WVR000820-A-07

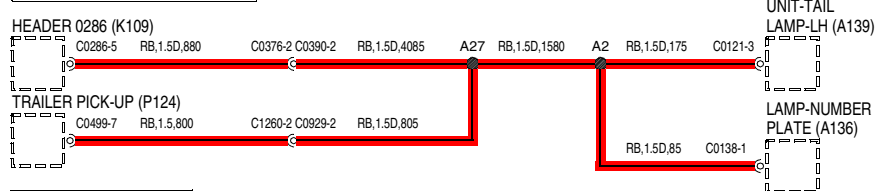


65 SPLICES AND CENTRE TAPS

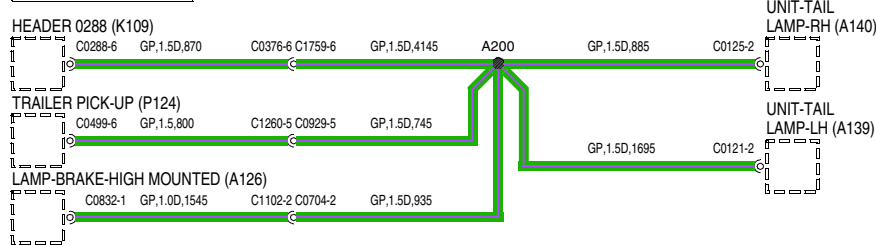
A15 (WG) CHASSIS + A1/A12 (WG) TAILGATE



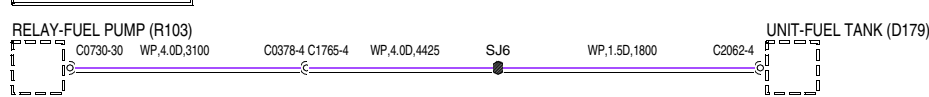
A27 + A2 (RB) CHASSIS



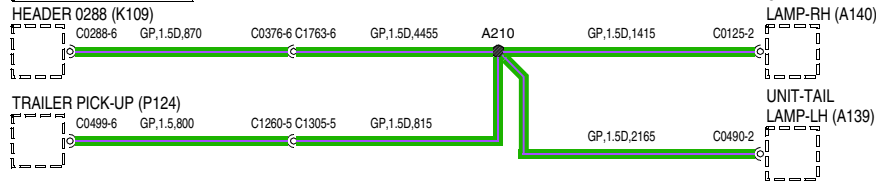
A200 (GP) CHASSIS



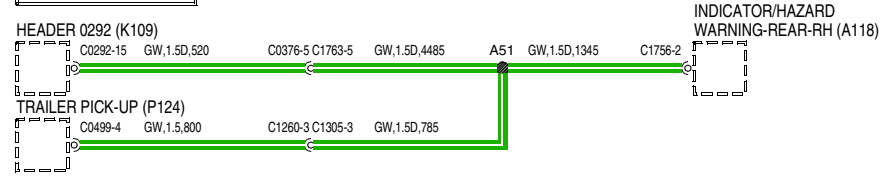
SJ6 (WP) CHASSIS



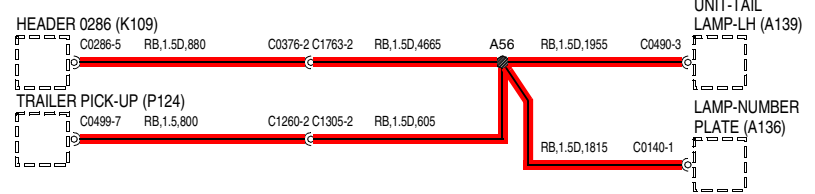
A210 (GP) CHASSIS



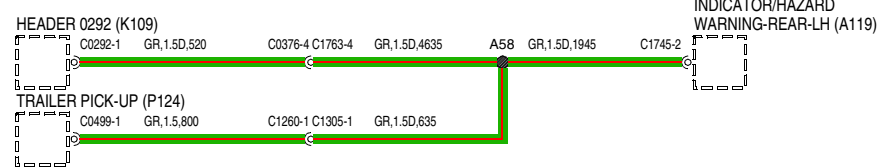
A51 (GW) CHASSIS



A56 (RB) CHASSIS

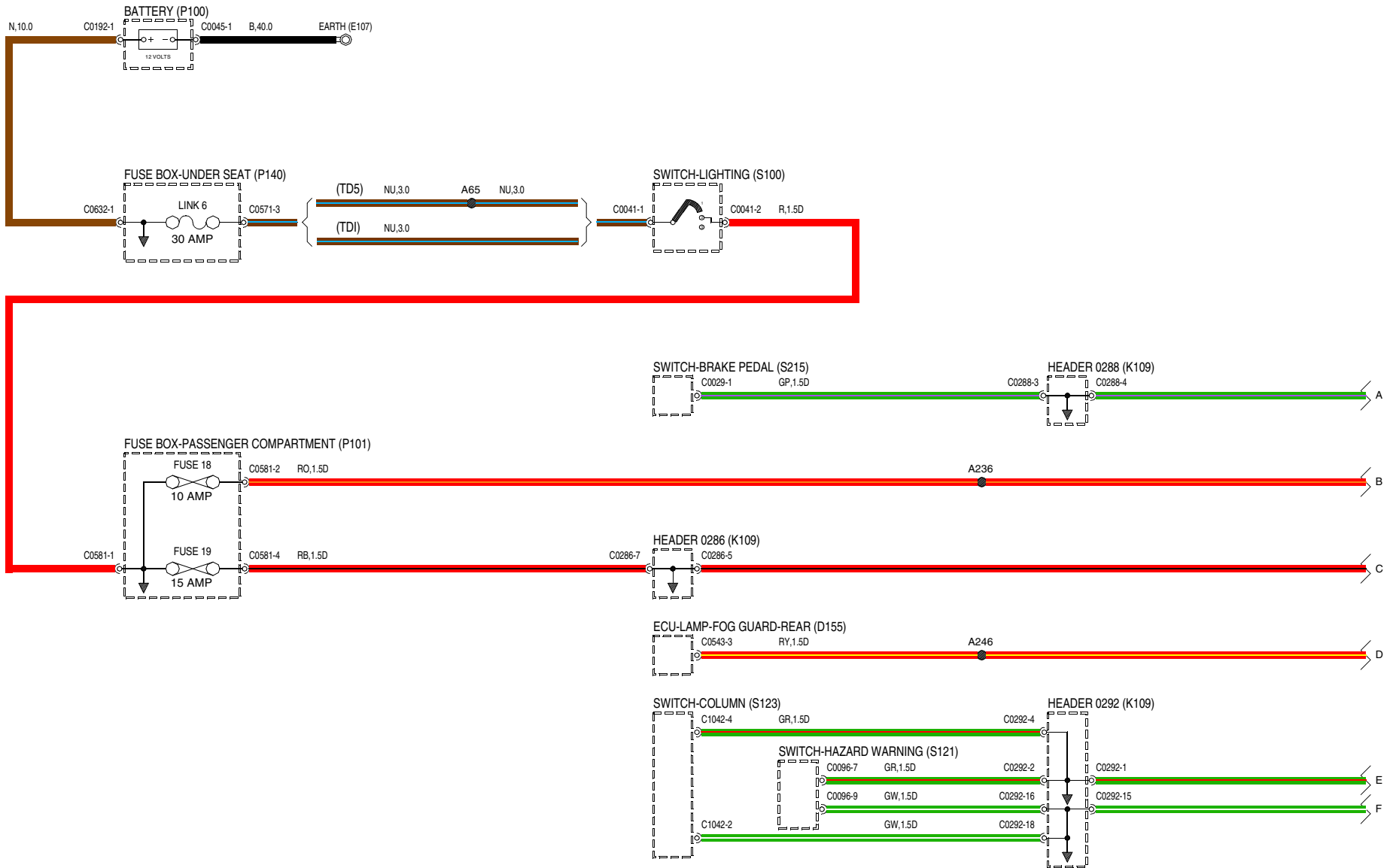


A58 (GR) CHASSIS



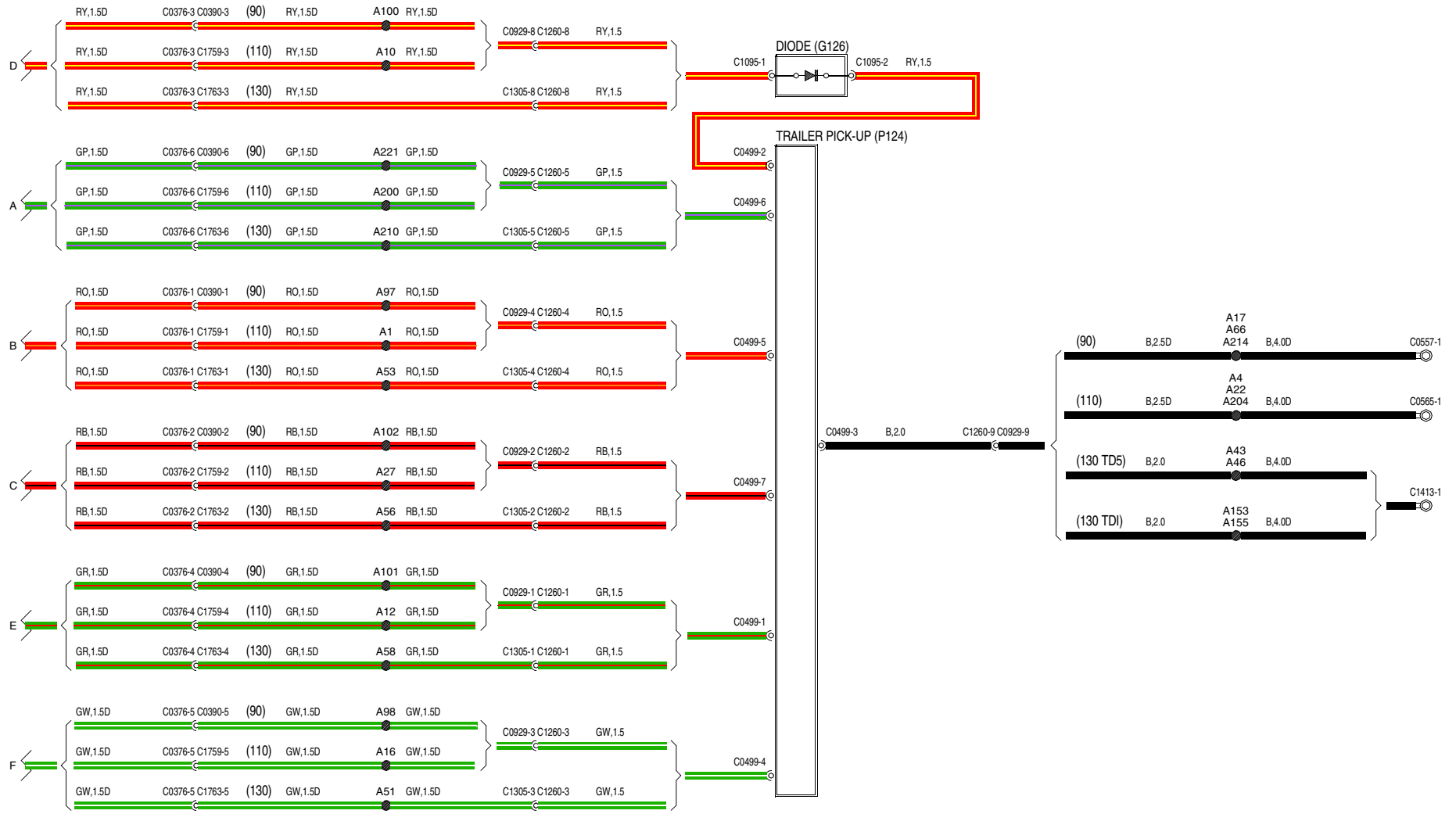
WWR000820-A-08

80 TRAILER SOCKET



VWR000960-A-01

80 TRAILER SOCKET



WVR000960-A-02