

TABLE OF CONTENTS

VEHICLE DETAILS	1
WARRANTY POLICY	2
FUEL RECOMMENDATION	3
BEFORE DRIVING	4
OPERATING YOUR VEHICLE	5
DRIVING TIPS	6
OTHER CONTROLS AND EQUIPMENT	7
VEHICLE LOADING AND TOWING	8
INSPECTION AND MAINTENANCE	9
EMERGENCY SERVICE	10
APPEARANCE CARE	11
GENERAL INFORMATION	12
SPECIFICATION	13

FOREWORD

This manual is an essential part of your vehicle and should remain with the vehicle when resold or otherwise transferred to a new owner or operator. Please read this manual carefully before operating your new MARUTI SUZUKI and review the manual from time to time. It contains important information on safety, operation and maintenance. You are invited to avail the three Free Inspection Services as described in the manual. Three free inspection coupons are attached to this manual. Please show this manual to your dealer while you take your MARUTI SUZUKI for any Service.

To prolong the life of your vehicle and reduce maintenance cost, the periodic maintenance must be carried out according to "PERIODIC MAINTENANCE SCHEDULE" described in "INSPECTION AND MAINTENANCE" section of this manual. It is essential for preventing trouble and accidents to ensure your satisfaction and safety. Daily inspection and care as per "DAILY INSPECTION CHECKLIST" described in the "INSPECTION AND MAINTENANCE" section of this manual is essential for prolonging the life of the vehicle and for safe driving.

0-1

MARUTI SUZUKI INDIA LIMITED believes in conservation and protection of Earth's natural resources. To that end, we encourage every vehicle owner to recycle, trade-in or properly dispose of, as appropriate, used Engine Oil, coolant and other fluids, batteries and tyres etc.

MARUTI SUZUKI INDIA LIMITED

All information in this manual is based on the latest product information available at the time of publication. Due to improvements or other changes, there may be discrepancies between information in this manual and your vehicle. MARUTI SUZUKI INDIA LIMITED reserves the right to make production changes at any time, without notice and without incurring any obligation to make the same or similar changes to vehicles previously built or sold. This vehicle may not comply with standards or regulations of other countries. Before attempting to register this vehicle in any other country, check all applicable regulations and make any necessary modifications.

IMPORTANT

▲WARNING/ ▲CAUTION/ NOTICE/ NOTE

Please read this manual and follow its instructions carefully. To emphasize special information, the symbol and the words **WARNING**, **CAUTION**, **NOTICE** and **NOTE** have special meanings. Pay particular attention to messages highlighted by these signal words:

▲ WARNING

Indicates a potential hazard that could result in death or serious injury.

▲ CAUTION

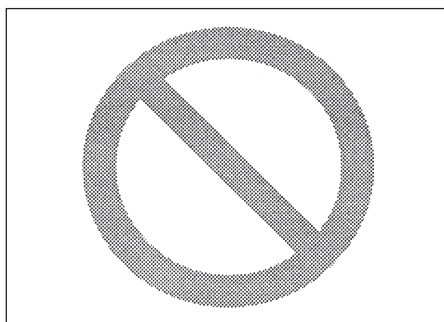
Indicates a potential hazard that could result in minor or moderate injury.

NOTICE

Indicates a potential hazard that could result in vehicle damage.

NOTE:

Indicates special information to make maintenance easier or instructions clearer.



76G-00-001

The circle with a slash in this manual means “Don’t do this” or “Don’t let this happen”.

MODIFICATION WARNING

▲ WARNING

Do not modify your vehicle. Modification could adversely affect safety, handling, performance, or durability and may violate governmental regulations. In addition, damage or performance problems resulting from modification may not be covered under warranty.

NOTICE

Improper installation of mobile communication equipment such as cellular telephones or CB (Citizen’s Band) radios may cause electronic interference with your vehicle’s ignition system, resulting in vehicle performance problems. Consult your MARUTI SUZUKI dealer for advice on installing such mobile communication equipment.

▲ WARNING

Severe damage may be caused by the use of either poor quality fuel and/or lubricants not recommended by MARUTI SUZUKI.

VEHICLE DETAILS

83K

VEHICLE DETAILS

MODEL	CHASSIS NO.	ENGINE NO.	KEY NO.	DATE OF DELIVERY	ODOMETER READING (KM)	BATTERY	
						MAKE	SR. NO./BATCH CODE

OWNER'S NAME & ADDRESS _____
 _____ TEL. NO. _____

ADDRESS/STAMP OF SELLING DEALER	SELLING DEALER CODE
SHOWROOM	
	IMPORTANT INFORMATION TO CUSTOMER
WORKSHOP	<p>Dear Customer For any assistance with regard to our product, please contact General Manager/Works Manager at any of our Dealer or Authorised Service Station. For additional enquiry you may contact our Regional office or Service Division. The Addresses and Phone nos. are given in Service Network booklet provided along with vehicle.</p>

WARRANTY POLICY

Maruti Suzuki India Limited (hereinafter called "Maruti Suzuki"), warrants that each new Maruti Suzuki vehicle distributed in India by Maruti Suzuki and sold by an authorised Maruti Suzuki dealer will be free, under normal use and service, from any defects in material and workmanship at the time of manufacture SUBJECT TO THE FOLLOWING TERMS AND CONDITIONS:

(1) Qualification:

To qualify for this warranty:

- (a) The Maruti Suzuki vehicle must be delivered by Maruti Suzuki authorised dealer and set-up, serviced by Maruti Suzuki authorised dealer/service station.
- (b) The warranty registration card in respect of each vehicle must be completed by the dealer at the time of delivery of the vehicle and dealer should retain the same.

(2) Term:

The term of the warranty shall be twenty four (24) months or 40,000 kilometers (whichever occurs first) from the date of delivery to the first owner.

(3) Maruti Suzuki's Warranty Obligation:

If any defect(s) should be found in a Maruti Suzuki vehicle within the term stipulated above, Maruti Suzuki's only obligation is to repair or replace at its sole discretion any part shown to be defective, with a new part or the equivalent at no cost to the owner for parts or labour, when Maruti Suzuki acknowledges that such a defect is attributable to faulty material or workmanship at the time of manufacture. The owner is responsible for any repair or replacements which are not covered by this warranty.

(4) Limitation:

This warranty shall not apply to:

- (1) Normal maintenance service required other than the three free services, including without limitation, oil and fluid changes, headlight aiming, fastener retightening, wheel balancing, wheel alignment and tyre rotation, cleaning of injectors, adjustments of carburettor, ignition timing, clutch and valve clearance.
- (2) The replacement of normal wear parts including without limitation, bulbs, tyres and tubes, spark plugs, belts, hoses, filters, wiper blades, brushes, contact points, fuses, clutch disc, brake shoes, brake pads, cable and all rubber parts (except oil seal and glass run).
- (3) Any vehicle which has been used for competition or racing.
- (4) Any repairs or replacement required as a result of accidents or collision.
- (5) Any defects caused by misuse, negligence, abnormal use or insufficient care.
- (6) Any vehicle which has been modified or altered, including without limitation, the installation of performance accessories.
- (7) Any vehicle on which parts or accessories not approved by Maruti Suzuki have been used.
- (8) Any vehicle which has not been operated in accordance with the operating instructions in the Maruti Suzuki Owner's Manual.
- (9) Any vehicle which has not received, during the warranty term, the service inspections prescribed in the Maruti Suzuki Owner's Manual.
- (10) Any vehicle which has been assembled, disassembled, adjusted or repaired by other than an Maruti Suzuki authorised dealer/service station.

- (11) Any vehicle which has been used for purposes other than what it was designed for.
- (12) Any damage or deterioration caused by industrial pollution and bird droppings.
- (13) Insignificant defects which do not affect the function of the vehicle including without limitation, sound, vibration and fluid seep.
- (14) Any natural wear and tear including without limitation, aging etc.
- (15) Installation and usage of Domestic LPG Gas/LPG cylinder.
- (16) V-belts, hoses and gas leaks (For Maruti Suzuki AC vehicle).
- (17) Any vehicle retrofitted with LPG / CNG kits.

(5) Extent of Warranty:

This warranty is the entire written warranty given by Maruti Suzuki for Maruti Suzuki vehicles and no dealer or its or his agent or employee is authorised to extend or enlarge this warranty and no dealer or its or his agent or employee is authorised to make any oral warranty on Maruti Suzuki's behalf.

Maruti Suzuki reserves the right to add any improvements or change the design of any model at any time with no obligation to make the same changes on units previously sold.

(6) Warranty Service:

To obtain warranty service, the complete vehicle must be presented at the owner's expenses to any authorised Maruti Suzuki dealer.

(7) Owner's Warranty Responsibilities:

It is responsibility of each owner to:

- (a) Make certain that the warranty registration/PDI card was completed at the time of delivery of the vehicle;
- (b) Have performed, at his own expenses, by an Maruti Suzuki authorised dealer/service station all the service inspections specified in the Maruti Suzuki "Owner's Manual and Service Booklet" and maintain adequate proof that such service inspections have been performed.
- (c) make certain that the Maruti Suzuki authorised dealer/ service station performing the service inspection has certified the work on the "Maintenance Service Record" page in the "Owner's Manual and Service Booklet" and
- (d) Present the Maruti Suzuki "Owner's Manual and Service Booklet" to the authorised Maruti Suzuki dealer whenever requesting service inspections or warranty service.

If the "Owner's Manual and Service Booklet" should be lost or destroyed the owner should consult the authorised Maruti Suzuki dealer from whom the vehicle was purchased for instructions concerning replacement of the "Owner's Manual and Service Booklet".

(8) Disclaimer of Consequential Damage:

Maruti Suzuki assumes no responsibility for loss of vehicle, loss of time, inconvenience or any other indirect incidental or consequential damage resulting from the vehicle not being available to the owner because of any defect covered by this warranty.

(9) Change of Owner

Even if ownership of the vehicle changes, the remaining warranty period is effective for the new owner.

EMISSION WARRANTY

Maruti Suzuki offers the Emission Warranty on all Maruti Suzuki vehicles (apart from the Regular warranty and will run parallel to the regular product warranty) only in four metropolitan cities (**New Delhi, Kolkata, Mumbai and Chennai**) with effect from **July 1st, 2001**.

Terms:

The Emission Warranty will be applicable for **80,000 kms or 3 years** (Which ever comes earlier) from the date of delivery to the first owner. The remaining warranty terms will be valid in case of any change in ownership provided the production of all valid document.

Conditions:

1. Under Emission Warranty, Warranty claims will be admitted for a prima facie examination, in case vehicle fails to meet to the Emission Standard as specified in sub rule (2) of rule no. 115 of Central Motor Vehicles Rules (CMVR), 1989.
2. The warranty claims will only be accepted after examination carried out by Maruti Suzuki or it's dealer which leads to firm conclusions that the
 - a) Original settings have not been tempered in any case.
 - b) Part (as given in Annexure-A) has a manufacturing defect.
 - c) Vehicle is unable to meet the Emission Standards (as given in 1.), inspite of the vehicle having been maintained and used in accordance with the instructions as specified in Owner's Manual and Service Booklet and the used fuel and different oils (Engine oil, Transmission oil, Brake oil etc.) are also as per specification.
3. The method of examination for deciding the warranty of the parts will be at the sole discretion of Maruti Suzuki and it's dealer and results of the examination will be final and binding. If after examination, the warrantable condition is not established, Maruti Suzuki and it's dealer has the right to charge all, or part of the cost of such examination.
4. Under Emission Warranty, the parts (as given in Annexure-A) will be changed free of cost, but the consumables will be charged as per actual.
5. If the part covered under Emission Warranty or the associated parts, are not independently replaceable, on account of these being integral parts a complete assembly, Maruti Suzuki and it's dealer will have the sole discretion to replace entire assembly or by using some of the parts of the system through suitable repair or modifications.

6. Any consequential repairs or replacement of parts which may be found necessary to establish compliance of Emission Warranty, will not be considered under warranty, unless the same is under product warranty. The consumable will be charged as per actual under such repair or replacement.
7. Maruti Suzuki will not be responsible for the cost of transportation of the vehicle to the nearest Maruti Suzuki dealer workshop or any loss due to non-availability of the vehicle during the period of lodging of a warranty claim and examination and/or repair by Maruti Suzuki dealer.
8. Maruti Suzuki will not be responsible for any penalty that may be charged by statutory authorities on account of failure to comply with the EMISSION STANDARDS.
9. Emission Warranty will not be affected on the change of owner, provided all the documents are available.
10. All maintenance actions (as specified in the Owner's Manual and Service Booklet) need to be followed and recorded in the manual for emission warranty.
11. The customer needs to produce the PUC (Pollution Under Control) certificate valid for the period preceding the test during which the failure is discovered. The receipts (for the maintenance of the vehicle as per specification in Owner's Manual and Service Booklet from the date of original purchase of the vehicle) will also be required.

Condition Under which the Emission Warranty is not APPLICABLE

1. In the absence of valid PUC certificate.
2. Vehicle not serviced from Maruti Suzuki authorised workshop as per the schedule specified in the Owner's Manual.
3. Vehicle subjected to abnormal use (accident, motor race, rallies or for the purpose of establishing the records etc.)
4. Use of non MGP (Maruti Genuine Part).
5. Vehicle tampered in an unauthorised manner.
6. Tampering with odometer so that the actual kilometer reading can not be read.
7. Use of adulterated fuel and/or unspecified oils (Engine oil, Transmission oil and Brake oil etc.)

Annexure-A

List of parts covered under Emission Warranty

1. Fuel injection Assembly, Pressure Regulator, Throttle Body Assembly.
2. Electronic Control Module (ECM).
3. Intake Manifold.
4. EGR valve.
5. Distributor and internal parts.
6. Ignitions coil.
7. Canister Assembly.
8. Vapour Liquid Separator.
9. Fuel Tank and Filler Cap.
10. PCV (Positive Crankcase Ventilation) Valve.
11. Oil Filler Cap.
12. Catalytic Convertor.
13. Exhaust manifold.
14. All fuel injection System related SENSORS.
15. High Pressure Fuel Pump.
16. Glow Plug.
17. Glow Plug Controller.
18. Maniverter

FUEL RECOMMENDATION

Petrol Engine

You must use unleaded petrol with an octane number (RON) of 91 or higher.

Diesel Engine

The diesel fuel should be with cetane number (CN) higher than 51 and sulphur content less than 350 ppm (parts per million). Do not use marine diesel fuel, heating oils and so forth.

Petrol/Ethanol blends

Blends of unleaded petrol and ethanol (grain alcohol), also known as gasohol, are commercially available in some areas. Blends of this type may be used in your vehicle if they are no more than 10% ethanol. Make sure this petrol-ethanol blend has octane ratings no lower than those recommended for petrol.

Petrol/Methanol blends

Blends of unleaded petrol and methanol (wood alcohol) are also commercially available in some areas. DO NOT USE fuels containing more than 5% methanol under any circumstances. Fuel system damage or vehicle performance problems resulting from the use of such fuels are not the responsibility of MARUTI SUZUKI and may not be covered under the New Vehicle Warranty.

Fuels containing 5% or less methanol may be suitable for use in your vehicle if they contain cosolvents and corrosion inhibitors.

NOTE:

If you are not satisfied with the driveability or fuel economy of your vehicle when you are using a petrol/alcohol blend, you should switch back to unleaded petrol containing no alcohol.

CAUTION

Be careful not to spill fuel containing alcohol while refueling. If fuel is spilled on the vehicle body, wipe it up immediately. Fuels containing alcohol can cause paint damage, which is not covered under the New Vehicle Limited Warranty.

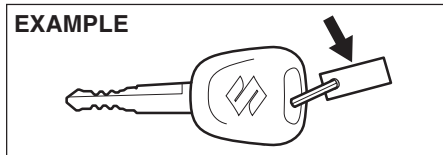
CAUTION

The fuel tank has an air space to allow for fuel expansion in hot weather. If you continue to add fuel after the filler nozzle has automatically shut off or an initial blowback occurs, the air chamber will become full. Exposure to heat when fully fuelled in this manner will result in leakage due to fuel expansion. To prevent such fuel leakage, stop filling after the filler nozzle has automatically shut off, or when using an alternative non automatic system, initial vent blowback occurs.

BEFORE DRIVING

Keys	4-1
Door Locks	4-2
Keyless Entry System Transmitter (if equipped)	4-4
Mirrors	4-13
Heated Rear Window Switch (if equipped)	4-14
Front Seats	4-14
Rear Seats	4-16
Seat Belts and Child Restraint Systems	4-18
Supplemental Restraint System (air bags) (if equipped)	4-24
Instrument Cluster (For Petrol & Diesel)	4-28
Warning and Indicator Lights	4-29
Speedometer/Odometer/Trip meter/Meter Illumination Control	4-34
Tachometer (if equipped)	4-35
Fuel Gauge	4-35
Lighting Control Lever	4-38
Front Fog Light Switch (if equipped)	4-39
Rear Fog Light Switch (if equipped)	4-39
Headlight Leveling Switch	4-39
Turn Signal Control Lever	4-40
Hazard Warning Switch	4-40
Windshield Wiper and Washer Lever	4-40
Rear Window Wiper/Washer Switch (if equipped)	4-41
Tilt Steering Lock Lever (if equipped)	4-42
Horn	4-42

Keys



83K-02-001

Your vehicle comes with a pair of identical keys. Keep the spare key in a safe place. One key can open all of the locks on the vehicle.

The key identification number is stamped on a metal tag provided with the keys or on the keys. Keep the tag (if equipped) in a safe place. If you lose your keys, you will need this number to have new keys made. Write the number below for your future reference.

KEY NUMBER

Immobilizer System

This system is designed to help prevent vehicle theft by electronically disabling the engine starting system.

The engine can be started only with your vehicle's original immobilizer ignition key

which has an electronic identification code programmed into it. The key communicates the identification code to the vehicle when the key is turned to the "ON" position. If you need to make spare keys, visit (contact) your MARUTI SUZUKI authorized dealer. The vehicle must be programmed with the correct identification code for the spare keys. A key made by an ordinary locksmith will not work.



83K-02-002

If the immobilizer system light (1) for petrol engine or service vehicle soon (SVS) light (2) for diesel engine blinks when the ignition switch is in the "ON" position, there may be something wrong with your key or with the immobilizer system. Contact your MARUTI SUZUKI authorized dealer to inspect the system.

NOTE:

- *If you lose your immobilizer ignition key, contact your MARUTI SUZUKI dealer as soon as possible to have the lost one deactivated, then have the new key made by them.*

- *If you own other vehicles with immobilizer keys, keep those keys away from the ignition switch when using your vehicle, or the engine may not be started because they may interfere with your vehicle's immobilizer system.*

CAUTION

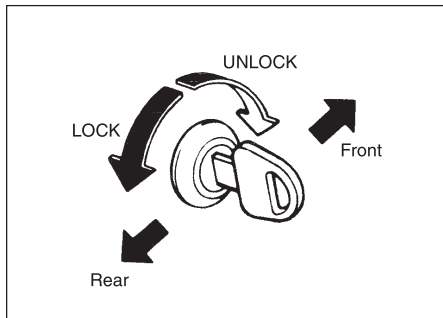
In case of attaching any metal objects to the immobilizer key, it may not start the engine.

The immobilizer key is a sensitive electronic instrument. To avoid damaging the immobilizer key:

- **Do not expose it to impacts, moisture or high temperature such as by leaving it on the dashboard under direct sunlight.**
- **Keep the immobilizer key away from magnetic objects.**

Ignition Key Reminder (if equipped)

A buzzer sounds intermittently to remind you to remove the ignition key if it is in the ignition switch when the driver's door is opened.

Door Locks**Side Door Locks**

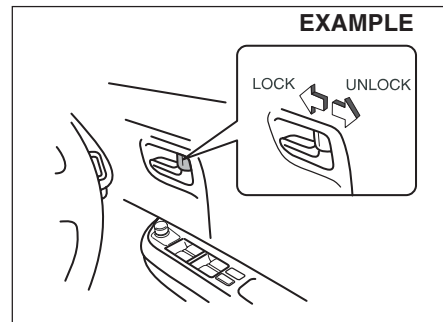
83K-02-003

To lock a front door from outside the vehicle:

- Insert the key and turn the top of the key anti clockwise or
- Turn the lock knob forward and hold the door handle as you close the door.

To unlock a front door from outside the vehicle, insert the key and turn the top of the key clockwise.

To lock a door from outside the vehicle, turn the lock knob forward and close the door.



83K-02-004

To lock a door from inside the vehicle, turn the lock knob forward. Turn the lock knob backward to unlock the door.

NOTE:

Be sure to hold the door handle up when you close a locked front door, as the door will not remain locked.

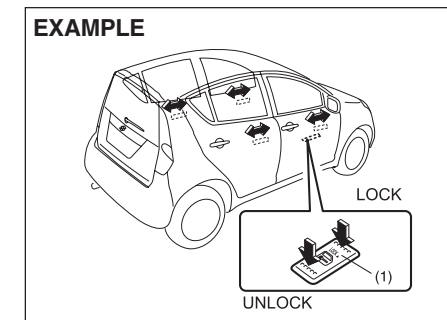
Central Door Locking System**Driver's door (if equipped)**

You can lock and unlock all doors (including the tailgate) simultaneously by using the key in the driver's door lock.

To lock all doors simultaneously, insert the key in the driver's door lock and turn the top of the key anti-clockwise

To unlock all doors simultaneously, insert the key in a driver's door lock and turn the top of the key toward the front of the vehicle twice.

To unlock the driver's door only, insert the key in that door lock and turn the top of the key toward the front of the vehicle once.



83K-02-006

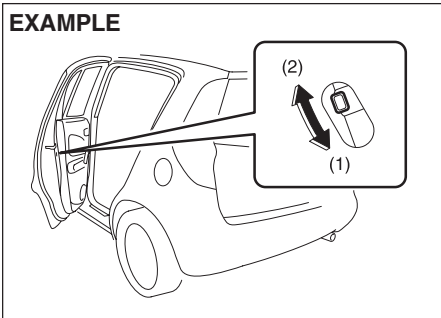
You can also lock or unlock (4 or 5) all doors by depressing the front or rear of the switch (1), respectively.

NOTE:

If your vehicle is equipped with keyless entry system, you can also lock or unlock all doors by operating the transmitter. Refer to "Keyless Entry System Transmitter".

NOTE:
 Individual doors can also be UNLOCKED anytime by using their respective "Door Lock Knob" inside the vehicle. If child proof locks are in locked position, rear doors cannot be opened from inside.

Child-Proof Locks (rear side door)



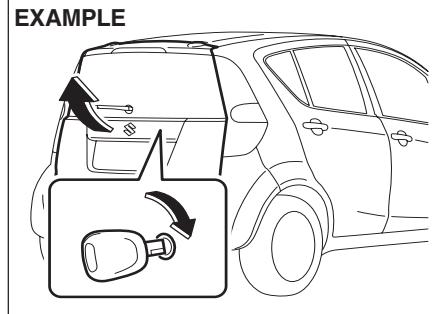
83K-02-007

As illustrated, a child-proof lock is provided for both rear doors. When the lock lever is in position (1), the child-proof lock is locked, and when in position (2), the child-proof lock is unlocked. When the child-proof lock is in the locked position, the rear door cannot be opened from the inside even if the inside door lock is unlocked but can be opened from the outside.

⚠ WARNING

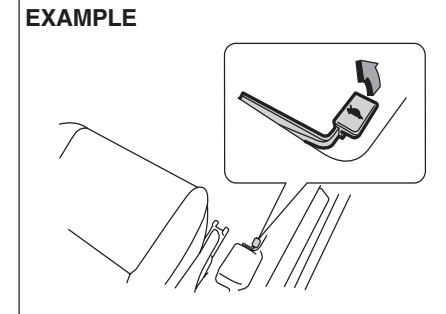
Be sure to place the child-proof lock in the locked position whenever children are seated in the rear.

Manual tailgate unlatch Type1 (if equipped)



83K-02-008

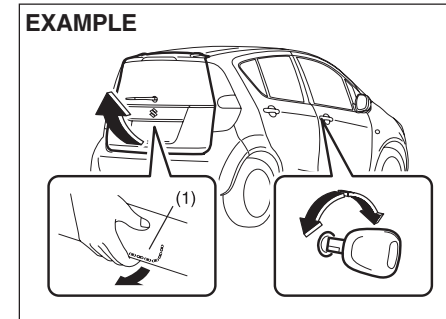
To open the tailgate, insert the key and turn it clockwise to unlatch and lift the tailgate.



83K-02-009

You can also unlatch the tailgate-trunk lid by pulling the release lever (if equipped) located on the outboard side of the driver's seat.

Type2 (if equipped)



83K-02-010

(1) Tailgate handle

BEFORE DRIVING

83K

You can lock and unlock the tailgate by using the key in the driver's door lock.

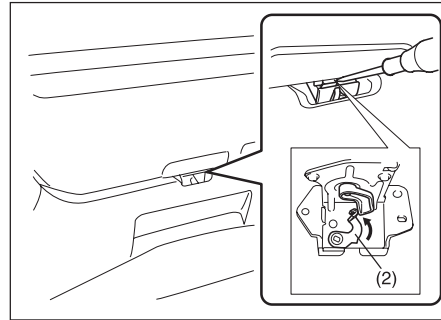
To open the tailgate, pull up and hold the tailgate unlatch handle (1) and lift the tailgate.

⚠ WARNING

Always make sure that the tailgate is closed and latched securely. Completely closing the tailgate helps prevent occupants from being thrown from the vehicle in the event of an accident. Completely closing it also helps keep away exhaust gases from entering the car.

If you can not unlatch the tailgate by pulling up the unlatch handle (1) due to a malfunction, follow the procedures below to unlatch the tailgate from inside the vehicle.

- 1) Fold the rear seat forward for easier access. Refer to "Folding Rear Seats" section for details on how to fold the rear seat forward.



83K-02-011

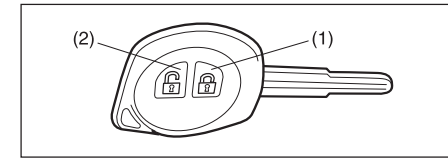
- 2) Push open the tailgate from inside by pushing up on the emergency lever (2) using a flat blade screw driver or the jack handle. The tailgate will be latched again by closing the tailgate simply.

If the tailgate can not be unlatched by pulling up the tailgate unlatch switch (1), have the vehicle inspected by your MARUTI SUZUKI authorized dealer.

⚠ WARNING

- To avoid injury, do not use your finger to push the emergency lever.
- Make sure there is no one near the tailgate when pushing open the tailgate from inside the vehicle.

Keyless Entry System Transmitter (if equipped)



83K-02-012

- (1) "LOCK" button
- (2) "UNLOCK" button

There are two ways to lock or unlock all doors (including the tailgate) simultaneously by operating the transmitter near the vehicle.

Central door locking system

- To lock all doors, push the "LOCK" button (1) once.
- To unlock all other doors, push the "UNLOCK" button (2) once.

The turn signal lights will flash once when the doors are locked.

When the doors are unlocked:

- The turn signal lights will flash twice.
- If the interior light switch is in the middle position, the interior light will turn on for about 15 seconds and then fade out. If you insert the key into the ignition switch during this time, the light will start to fade out immediately.

Be sure the doors are locked after you operate the "LOCK" button. If no door is opened within about 30 seconds after the "UNLOCK" button is operated, the doors will automatically lock again.

NOTE:

- The maximum operating distance of the keyless entry system transmitter is about 5 m (16 ft.), but this can vary depending on the surroundings, especially near other transmitting devices such as radio towers or CB (citizen's band).
- The door locks can not be operated with the transmitter if the ignition switch is in a position other than "LOCK", or the ignition key is inserted in the ignition switch.
- When any door is open, the door locks can be operated only unlock with the transmitter, and the turn signal light will not flash.
- If you lose one of the transmitters, contact your MARUTI SUZUKI authorized dealer as soon as possible for a replacement. Be sure to have your dealer program the new transmitter code in your vehicle's memory so that the old code is erased.

CAUTION

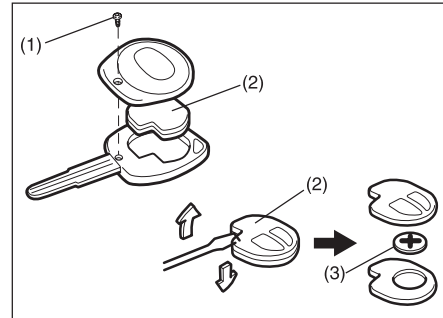
The transmitter is a sensitive electronic instrument. To avoid damaging the transmitter:

- Do not expose it to impacts, moisture or high temperature such as by leaving it on the dashboard under direct sunlight.
- Keep the transmitter away from magnetic objects such as a television.

Replacement of the Battery

If the transmitter gets discharged, replace the battery with a new one.

To replace the battery of the transmitter:



83K-02-013

- 1) Remove the screw (1), and open the transmitter cover.

- 2) Remove the transmitter (2).
- 3) Put the edge of a flat blade screw driver in the slot of the transmitter (2) and pry it open.
- 4) Replace the battery (3) (Lithium disc-type CR1620 or equivalent) so its + terminal faces the "+" mark of the transmitter.
- 5) Close the transmitter and install it into the transmitter holder.
- 6) Close the transmitter cover, install and tighten the screw (1).
- 7) Make sure the door locks can be operated with the transmitter.
- 8) Dispose of the used battery properly according to applicable rules or regulations. Do not dispose of lithium batteries with ordinary household trash.

⚠ WARNING

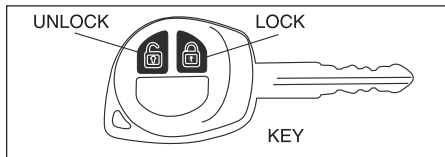
Swallowing a lithium battery may cause serious internal injury. Do not allow anyone to swallow a lithium battery. Keep lithium batteries away from children and pets. If swallowed, contact a physician immediately.

CAUTION

The transmitter is a sensitive electronic instrument. To avoid damaging it, do not expose it to dust or moisture or tamper with internal parts.

Keyless Entry Cum Alarm System (if equipped)

System

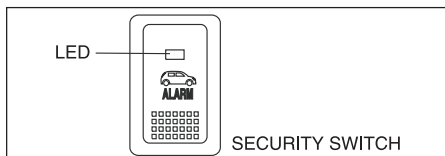


83K-02-015

The Keyless Entry Cum Alarm System has two basic modes of operation.

VALET MODE

When the vehicle is to be given for servicing or Valet parking, turn the system into Valet mode. In Valet mode all the Security features of system will be OFF. The System will work as a Keyless Entry/Exit in this mode.



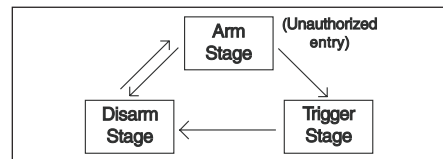
83K-02-016

ALARM MODE

Alarm mode system is in three stages: Arm, Disarm & Trigger stage. The system is

4-6

designed to protect your vehicle from unauthorized entry. The system can be operated in three stages. The First is "Arm Stage", Second is "Trigger Stage" & Third is "Disarm Stage".



83K-02-017

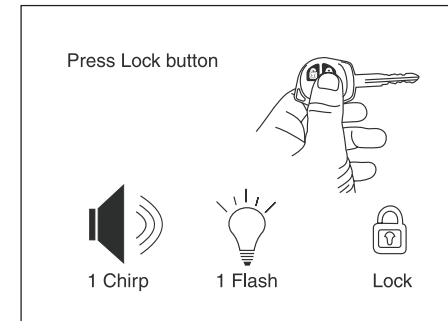
ARM STAGE

In Arm Stage, your vehicle is safe from any unauthorized entry.

- 1) Press and release the Key Lock button.
- 2) One Siren chirp and one indicator light flash will confirm Arm and Lock.
- 3) Doors will get locked and vehicle will get armed.
- 4) Visible theft warning LED on security switch will flash slowly.

NOTE: System will not Arm in following condition:

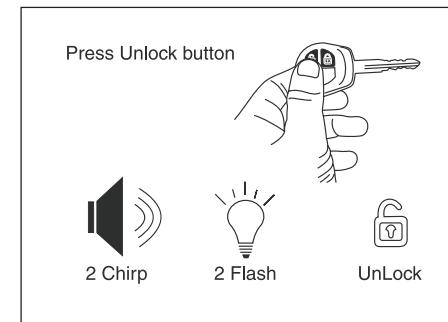
1. If any of door is open (except Bonnet).
2. If System is in Valet Mode.
3. If Key is in key cylinder.



83K-02-018

TRIGGER STAGE

If anybody tries to tamper with the vehicle, the alarm triggers and indicators flashes

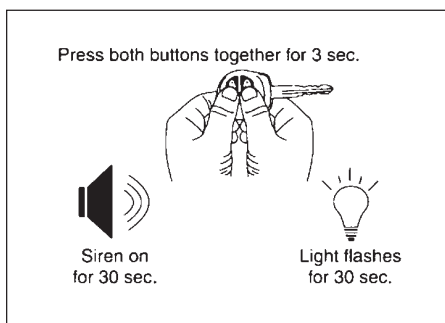


83K-02-019

DISARM STAGE

System should be brought in Disarm Mode

- while you are entering/exiting the vehicle.
- Press and release the Key Unlock button.
 - Two Siren chirp and two indicator light flashes will confirm Disarm and Unlock.
 - Doors will get Unlock and vehicle will get disarmed.
 - Visible theft warning LED on security switch will flash fastly.



83K-02-020

Panic Alarm (Car Locator)

Panic Alarm is designed to bring attention to the vehicle and to locate the vehicle in congested packed parking area.

- Press and hold the Key Lock & Unlock button simultaneously for 3 seconds.

- Panic alarm will be activated and siren will sound and indicator lights will flash for 30 seconds.
- Press and release the Key Lock & Unlock button simultaneously within 30 seconds to cancel the Panic alarm.

General Feature

Mute Lock/Unlock

To Arm/Disarm the vehicle without siren chirps use this function.

- Press and release the Key Lock & Unlock buttons simultaneously.
- Press and release Key Lock or Unlock button for desired function.

Example: To Lock the system without the Siren chirp sound, press and release the Key Lock & Unlock button simultaneously, then press and release the Key Lock button.

Auto Rearm

In case of accidental Unlock/Disarm of vehicle by Key, vehicle will automatically Lock & Arm within 30 sec. without any indication, if no door is opened in this 30 sec.

NOTE : If the vehicle is in Valet Mode system will only Lock the vehicle.

Radio Frequency Lock Out

Key Lock/Unlock/Panic will ceases to function when Key is present in Key cylinder.

Flashing LED Status

The flashing LED always reflects the status of the system as following.

SYSTEM CONDITION	LED STATUS
Disarmed condition	LED does not glow
Armed condition	Slow Flashes of LED

Intrusion Alert

The system gives a report if it has been tampered in your absence.

Diagnostic report	Visual-LED	Sound
Built in shock sensor Triggered	2 Flashes	Four Chirps
Door / Trunk Intrusion	3 Flashes	Four Chirps
Ignition	5 Flashes	Four Chirps

Programmable Features

System have some feature which can be programmed by user according to their choice.

Drive Lock Mode

Drive lock mode can be programmed by SPEED or can be turn OFF. In case of drive lock mode is programmed to SPEED LOCK, all the vehicle doors will lock when vehicle attains the speed of 20 Km/hr. If Drive Lock is programmed to OFF, no door will lock by speed.

NOTE: In case of Speed Lock feature, open & close of Door while driving will cause cancellation of Speed Lock.

Drive Unlock Mode

Drive unlock can be programmed by KEY or can be turn OFF. When programmed to KEY, turning IGN ON-OFF, then removing the key from the key cylinder will unlock all the doors. In case if drive unlock is programmed to OFF then no door will unlock by removing key from key cylinder.

Siren Chirp ON/OFF feature

Siren Chirps are produced whenever System is Arm/Disarm by key. When siren chirp feature disabled, siren will not chirp after Arm/Disarm by Key.

Shock Sensor feature

This is a very important feature of security system, It enables protection of your vehicle against any major impact. If anybody tries to tamper with the vehicle, the alarm triggers. The triggering of the alarm is in two stages, first acting as a warning to the intruder and then at full blast. The sensitivity of impact sensor can be adjusted as desired by the user.

Programming Drive Lock Mode

- a) Open the Driver Door of your vehicle.
- b) With your vehicle key in the key cylinder, turn IGN ON and then switch it OFF.

- c) Press and release the Security switch One time.
- d) Press and hold the Security switch.
- e) One chirp sound confirms entry into Drive Lock programming mode.
- f) Press the Key Lock button (while holding the Security switch), a single chirp sound confirms mode changed to speed lock.
- g) Two-Siren chirp sound confirms Drive lock mode OFF.
- h) Release the Security switch.
- i) Turn the IGN ON.

Programming Drive Unlock Mode

- a) Open the Driver Door of your vehicle.
- b) With your vehicle key in the key cylinder, turn IGN ON and then switch it OFF.
- c) Press and release the Security switch two times.
- d) Press and hold the Security switch.
- e) Two-chirp sound confirms entry into Drive unlock programming mode.
- f) Press the Key Lock button (while holding the Security switch), a single chirp sound confirms the mode changed to key Unlock.
- g) Two-siren chirp sound confirms the mode changed to Drive Unlock mode OFF.
- h) Release the Security switch.
- i) Turn the IGN ON.

Procedure To Program Feature

Feature	1 Chirp	2 Chirps	Default
1. Drive Lock Mode	Speed	OFF	Speed
2. Drive Unlock Mode	Key	OFF	Key
3. Siren chirp ON/OFF	ON	OFF	ON
4. Shock Sensor ON/OFF	ON	OFF	ON

Programming Siren Chirp ON/OFF

- a) Open the Driver Door of your vehicle.
- b) With your vehicle key in the key cylinder, turn IGN ON and then switch it OFF.
- c) Press and release the Security switch Three times.
- d) Press and hold the Security switch.
- e) Three-chirp sound confirms entry into Siren Chirp ON/OFF programming mode.
- f) Press the Key Lock button (while holding the Security switch), a single sound confirms the mode changed to Siren Chirp ON.
- g) Two-Siren chirp sound confirms the mode changed to Siren Chirp OFF.
- h) Release the Security switch.
- i) Turn the IGN ON.

Programming Shock Sensor ON/OFF

- a) Open the Driver Door of your vehicle.
- b) With your vehicle key in the key cylinder, turn IGN ON and then switch it OFF.
- c) Press and release the Security switch Four times.
- d) Press and hold the Security switch.
- e) Four-chirp sound confirms entry into Shock Sensor ON/OFF programming mode.
- f) Press the Key Lock button (while holding the Security switch), a single chirp sound confirms the mode changed to shock sensor ON.
- g) Two-Siren chirp sound confirms the mode changed to shock sensor OFF.
- h) Release the Security switch.
- i) Turn the IGN ON.

Shock Sensor Sensitivity Adjustment via Key**Full Blast Adjustment**

Full Blast can be adjustment in 16 levels as mentioned below.

- a) Press Unlock button on Key to Unlock/Disarm the System.
- b) Press Lock button on Key to Lock/Arm the System.
- c) Within 5 sec press Lock & Unlock button simultaneously for at least 2 sec.

Siren will give long chirp to confirm entry into sensitivity adjustment mode

- i) Press Key Lock button to adjust the sensitivity one step lower. Siren will give one chirp every time lock button is pressed till at level 0 where it will give a long chirp. When adjust to level 0, Full Blast will turn OFF
- ii) Press Key unlock button to adjust the sensitivity one step higher. Siren will give two chirp every time unlock button is pressed till at level 16 where it will give a long chirp.

Pre-warn Adjustment

Pre-warn can be adjusted in 16 levels as mentioned below:

- a) Press Lock button on Key to Lock/Arm the System
- b) Press Unlock button on Key to Unlock/Disarm the System
- c) Within 5 sec press Lock & Unlock button simultaneously for at least 2 sec. Siren will give Long chirp to confirm entry into Sensitivity Adjustment Mode.
 - i) Press Key Lock button to adjust the sensitivity one step lower. Siren will give one chirp every time lock button is pressed till at level 0 where it will give a long chirp. When adjusts to level 0, prewarn will turn OFF.

- ii) Press Key Unlock button to adjust the sensitivity one step higher. Siren will give two Chirp every time Unlock button is pressed till at level 16 where it will give a long chirp.

Programming of Valet Mode

This feature can be programmed as follows:

- i) Close the driver door.
- ii) Turn IGN ON-OFF quickly.
- iii) Press and hold Security switch for 3 sec minimum, LED will turn ON for 1 minute.

Repeat step 1-3 to come out of Valet Mode, 1 Siren chirp sound will indicate Valet Mode OFF.

Program Customer Pincode**(Personalised Pincode)**

The Personalised 4-digit number can be changed from the factory default to ensure Personalised Security.

Pin code entry

- a) Disarm the system.
- b) Open the Driver Door.
- c) Turn IGN ON then OFF.
- d) Within 5 seconds press and release Valet switch 5 times. A short chirp followed by long chirps confirms entry into Pin Code programming mode.

BEFORE DRIVING

83K

- e) Press Lock button on Key, after a single chirp enter the First digit (with in 1-9) by pressing Valet switch (for e.g. to enter 2 press and release Valet switch two times).
- f) Press Lock button on Key, after two chirp enter the Second digit (with in 1-9) by pressing Valet switch.
- g) Press Lock button on Key, after 3-chirps enter the Third digit (with in 1-9) by Pressing Valet switch.
- h) Press Lock button on Key, after 4-chirps enter the Fourth digit (with in 1-9) by pressing Valet switch.

Emergency Disarm by personalised pin code

The Personalised 4- Digit Pin Code acts as a secret Key, to Emergency Disarm the vehicle.

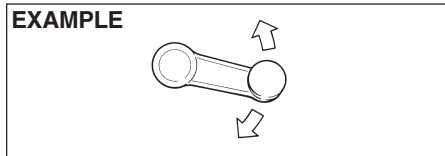
- a) Turn the IGN ON, OFF and then ON.
- b) Enter the First digit (for e. g. to enter 2 press and release Valet switch twice)
- c) Turn the IGN OFF then ON.
- d) Enter the Second digit.
- e) Turn the IGN OFF and then ON.
- f) Enter the Third Digit.
- g) Turn the IGN OFF and then ON
- h) Enter the Last Digit.
- i) Turn the IGN OFF and then ON.
The vehicle will get disarmed.

Troubleshooting

SYMPTOMS	PROBABLE CAUSES	REMEDIES
Transmitter can't activate or deactivate the center lock system or alarm	<ol style="list-style-type: none"> 1. Battery of the transmitter is weak. 2. Transmitter is exposed to water or it is wet. 3. In-line supply fuse for controller is blown in the vehicle. 4. In case if any door is open or door sensor is shorted with the body ground, remote will not activate the central locking/ alarm system. 	<ol style="list-style-type: none"> 1. Replace the battery. 2. Dry the transmitter and fine-tuning may be necessary. 3. Replate the fuse. 4. Check if all doors are properly closed and door switch functioning is O.K.
Control distance of the transmitter becomes nearer (less than 10m)	<ol style="list-style-type: none"> 1. Battery of the transmitter is weak. 2. Strong RF interference. (e.g. Radio Towers, High Voltage Transmission line near by) 	<ol style="list-style-type: none"> 1. Replace the battery. 2. Drive the vehicle away from the particular spot and re-test the control distance.
It is difficult to activate or deactivate the system in certain area using the transmitter.	<ol style="list-style-type: none"> 1. The strong interference caused by excessive RF activity in a particular area 	<ol style="list-style-type: none"> 1. The interference is temporary and only while the vehicle is in that area.
Open door(s), front bonnet not trigger the alarm.	<ol style="list-style-type: none"> 1. The contact point of the door(s), front bonnet of rear boot switch is faulty. 2. The connection of door(s), front bonnet of rear boot switch is loose. 	<ol style="list-style-type: none"> 1. Replace the defective Switch. 2. Make proper connection.
Siren does not sound when alarm is triggered.	<ol style="list-style-type: none"> 1. The connection of the siren wire is loose. 2. Siren is faulty. 	<ol style="list-style-type: none"> 1. Make proper connection. 2. Change the siren.

Windows

**Manual Window Control
(if equipped)**



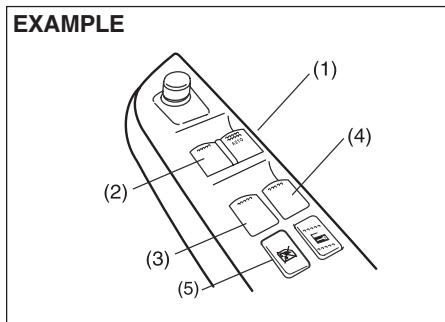
83K-02-021

Raise or lower the door windows by turning the handle located on the door panel.

**Electric Window Controls
(if equipped)**

The electric windows can only be operated when the ignition switch is in the "ON" position.

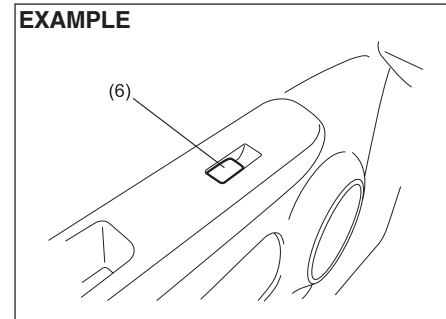
Driver's door



83K-02-022

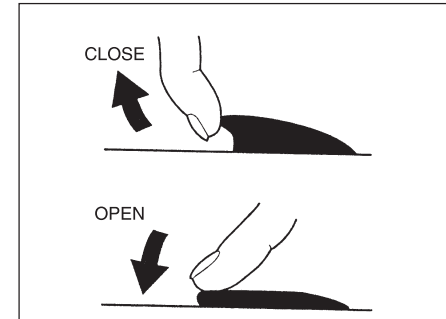
The driver's door has switches (1), (2), (3), (4) to operate the driver's window, the front passenger's window, the rear left window and the rear right window, respectively.

Passenger's door (if equipped)



83K-02-023

The passenger's door has a switch (6) to operate that passenger's window.



83K-02-024

To open a window, push the top part of the switch and to close the window, lift up the top part of the switch.

The driver's window has an "auto-down" feature for added convenience (at toll booths or drive-through restaurants, for example). This means you can open the window without holding the window switch in the "Down" position. Press the driver's window switch completely down and release it. To stop the window before it reaches the bottom, pull the switch up briefly.

Lock switch (if equipped)

The driver's door also has a lock switch (5) for the passenger's windows. When you push in the lock switch, the passenger's windows can not be raised or lowered by operating any of the switches (2), (3), (4)

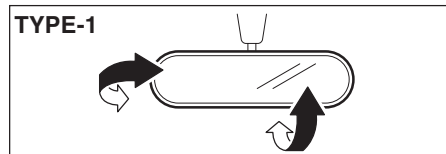
or (6). To restore normal operation, release the lock switch by pushing again.

⚠ WARNING

- You should always lock the passenger's window operation when there are children in the vehicle. Children can be seriously injured if they get part of their body caught by the window during operation.
- To avoid injuring an occupant by window entrapment, be sure no part of the occupant's body such as hands or head is in the path of the electric windows when closing them.
- Always remove the ignition key when leaving the vehicle even if a short time. Also do not leave children alone in a parked vehicle. Unattended children could use the electric window switches and get trapped by the window.

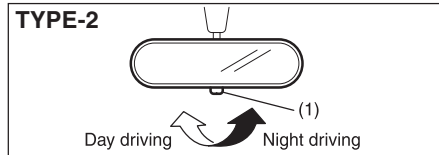
Mirrors

Inside Rearview Mirror



83K-02-026

TYPE-2



83K-02-026A

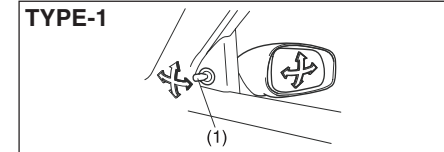
For Type 1 mirrors you can adjust the inside rearview mirror by hand so as to see the rear of your vehicle in the mirror. For Type 2 mirrors adjust the mirror, set the selector tab (1) to the day position, then move the mirror up, down or sideways by hand to obtain the best view. When driving at night, you can move the selector tab to the night position to reduce glare from the headlights of vehicles behind you.

⚠ WARNING

- Always adjust the mirror with the selector set to the day position.
- Only use the night position if it is necessary to reduce glare from the headlights of vehicles behind you. Be aware that in this position you may not be able to see some objects that could be seen in the day position.

Outside Rearview Mirrors

TYPE-1

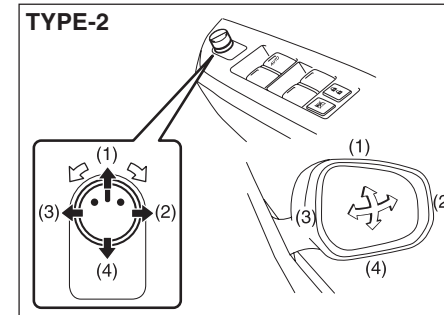


83K-02-027

You can adjust the outside rearview mirrors by hand with the knob (1) located on the driver's or front passenger's door panel (if equipped).

Electric Mirrors (if equipped)

TYPE-2



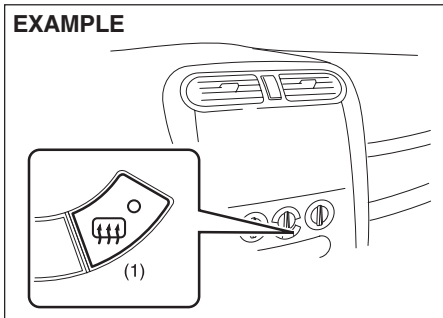
83K-02-027A

The switch to control the electric mirrors is located on the driver's door panel. You can adjust the mirrors when the ignition switch is in the "ACC" or "ON" position. To adjust the mirrors:

- 1) Move the selector switch to the left or right to select the mirror you wish to adjust.
- 2) Press the outer part of the switch that corresponds to the direction in which you wish to move the mirror.
- 3) Return the selector switch to the center position to help prevent unintended adjustment.

⚠ WARNING
 Be careful when judging the size or distance of a vehicle or other object seen in the side convex mirror. Be aware that objects look smaller and appear farther away than when seen in a flat mirror.

Heated Rear Window Switch (if equipped)



When the rear window is misted, push this switch (1) to clear the window.

An indicator light will be lit when the defogger is on. The defogger will work only when the engine is running. To turn off the defogger, push the switch again.

CAUTION
 The heated rear window (if equipped) use a large amount of electricity. Be sure to turn off after the window has become clear.

NOTE:

- The defogger will work only when the engine is running.
- The defogger will automatically turn off after the defogger remains on for 15 minutes to prevent discharging of the battery.

Front Seats

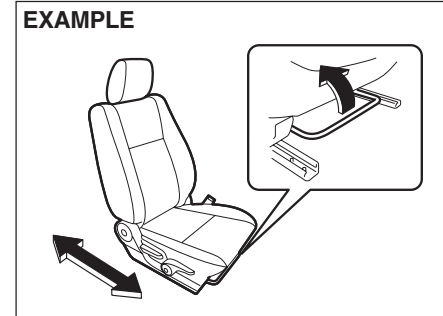
Seat Adjustment

⚠ WARNING
 Never attempt to adjust the driver's seat or seatback while driving. The seat or seatback could move unexpectedly, causing loss of control. Make sure that the driver's seat and seatback are properly adjusted before you start driving.

⚠ WARNING

To avoid excessive seat belt slack, which reduces the effectiveness of the seat belts as a safety device, make sure that the seats are adjusted before the seat belts are fastened.

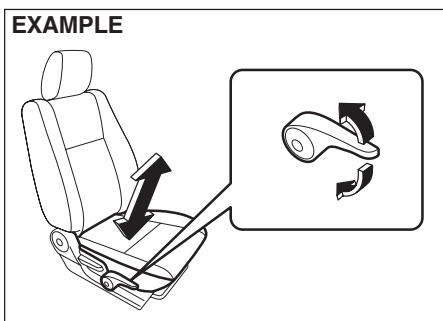
Adjusting Seat Position



83K-02-029

The adjustment lever for each front seat is located under the front of the seat. To adjust the seat position, pull up on the adjustment lever and slide the seat forward or rearward.

After adjustment, try to move the seat forward and rearward to ensure that it is securely latched.

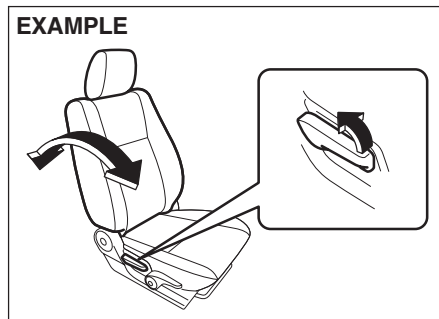
Seat Height Adjuster (if equipped)

83K-02-030

If the driver's seat is equipped with a seat height adjuster lever on the outboard side of the seat, raise or lower the seat by pulling up or down the adjuster lever.

Adjusting Seatbacks**⚠ WARNING**

All seatbacks should always be in an upright position when driving, or seat belt effectiveness may be reduced. Seat belts are designed to offer maximum protection when seatbacks are in the upright position.



83K-02-031

To adjust the seatback angle of front seats, pull up the lever on the outboard side of the seat, move the seatback to the desired position, and release the lever to lock the seatback in place.

Adjustable Head Restraints (if equipped)

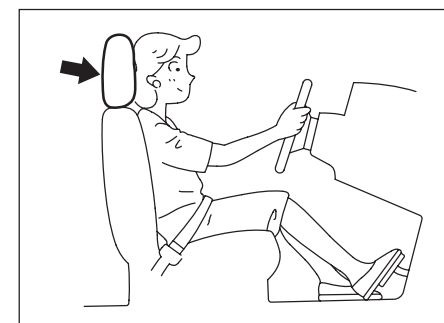
Head restraints are designed to help reduce the risk of neck injuries in the case of an accident.

⚠ WARNING

- Never drive the vehicle with the head restraints removed.
- Do not attempt to adjust the head restraint while driving.

NOTE:

It may be necessary to recline the seatback to provide enough overhead clearance to remove the head restraint.

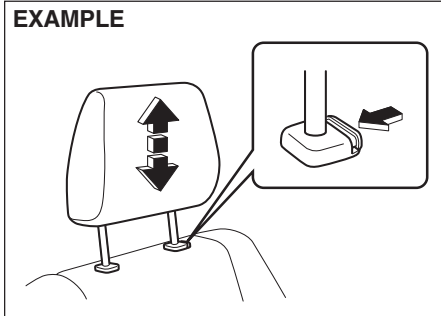


83K-02-032

Adjust the head restraint to the position which places the center of the head restraint closest to the top of your ears. If this is not possible for very tall passengers, adjust the head restraint as high as possible.

Front

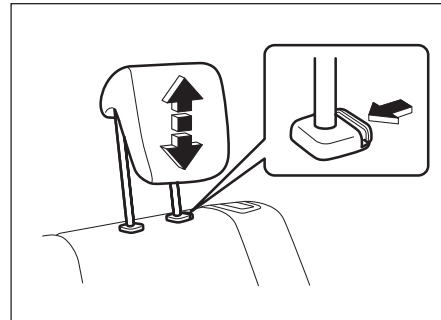
EXAMPLE



83K-02-033

To raise the front head restraint, pull upward on the restraint until it clicks. To lower the restraint, push down on the restraint while holding in the lock lever. If a head restraint must be removed (for cleaning, replacement, etc.), push in the lock lever and pull the head restraint all the way out.

Rear Seats

Adjustable Head Restraints
(if equipped)

83K-02-034

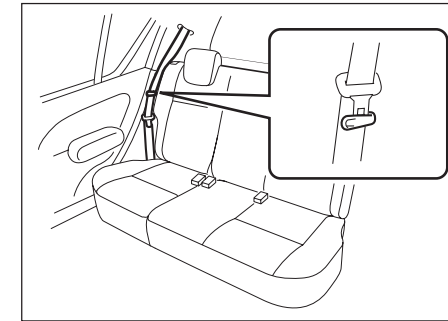
To raise the rear head restraint, pull upward on the restraint until it clicks. To lower the restraint, push down on the restraint while holding in the lock lever. If a head restraint is required to be removed (for cleaning, replacement, etc.), push in the lock lever and pull the head restraint all the way out.

When installing a child restraint system, raise the head restraint to the most upper position.

Folding Rear Seats (if equipped)

The rear seat(s) of your vehicle can be folded forward to provide additional cargo space.

To fold the rear seats forward:



83K-02-035

- 1) Hook the webbing and the latch plate of the outboard lap-shoulder belts in the belt hangers.

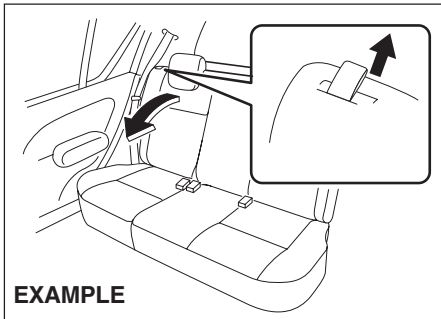
CAUTION

- When you move a seatback, make sure both the latch plate and the belt webbing are hooked in the seat belt hangers so the seat belts are not caught by the seatback, seat hinge, or seat latch. This helps prevent damage to the belt system. →

CAUTION

- When you hook the belt webbing and latch plate into the seat belt hanger, make sure the latch plate is on the obverse side of the belt webbing as shown in the illustration.
- Make sure the belt webbing is not twisted.

2) Lower the adjustable head restraint fully.



83K-02-036

3) For the split seat (if equipped), pull the release lever on the top of each split seat, and fold the seatbacks forward. For the bench seat, pull the both release levers on the top of the bench seat together, and fold the seatback forward.

NOTICE

After folding the rear seatback forward, do not allow any foreign material to enter the lock opening. This may cause damage to the inside of the lock and prevent the seatback from being locked securely.

▲ WARNING

If you need to carry cargo in the passenger compartment with the rear seat back folded forward, be sure to secure the cargo or it may be thrown about, causing injury. Never pile cargo higher than the seatbacks.

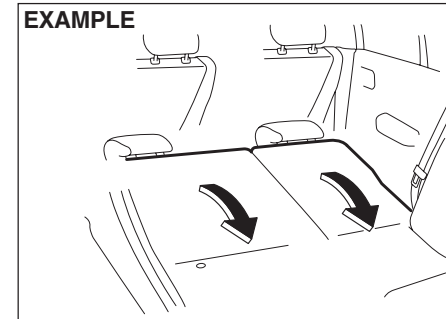
To return the seat to the normal position, follow the procedure below.

CAUTION

When returning the rear seatback to the normal position, be careful that your finger is not caught between the lock and the striker.

▲ WARNING

When returning the rear seatback to the normal position, make sure that there is nothing around the striker. Any foreign materials prevent the seatback from being locked securely.

EXAMPLE

83K-02-037

Raise the seatback until it locks into place. After returning the seat, try moving the seatback to make sure they are securely latched.

CAUTION

Do not put your hand into the rear seatback lock opening, or your finger may get caught and be injured.

NOTICE

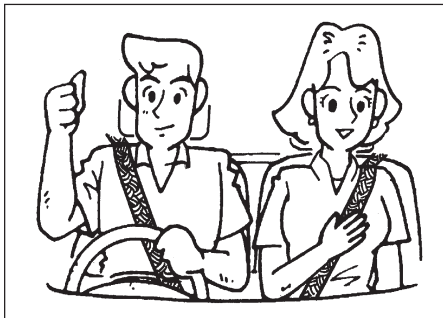
- When returning the rear seatback to the normal position, do not allow any foreign material to enter the lock opening. This may prevent the seatback from being locked securely.



NOTICE

- When returning the rear seatback to the normal position, be sure to handle it carefully by hand to avoid any damage to the lock itself. Do not push it by using some material or by applying excessive force.
- As the lock is designed exclusively for securing the rear seatback, do not use it for any other purpose. Incorrect use of it may cause damage to the inside of the lock and prevent the seatback from being locked securely.

Seat Belts and Child Restraint Systems



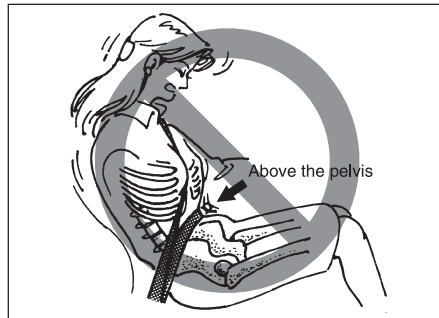
83K-02-038

⚠ WARNING

Wear Your Seat Belts at All Times.

⚠ WARNING

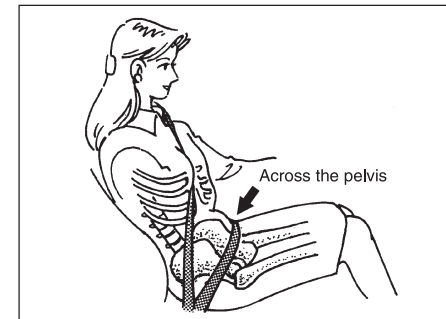
An air bag supplements, or adds to, the frontal crash protection offered by seat belts. The driver and all passengers must be properly restrained by wearing seat belts at all times, whether or not an air bag is mounted at their seating position, to minimize the risk of severe injury or death in the event of a crash.



83K-02-039

⚠ WARNING

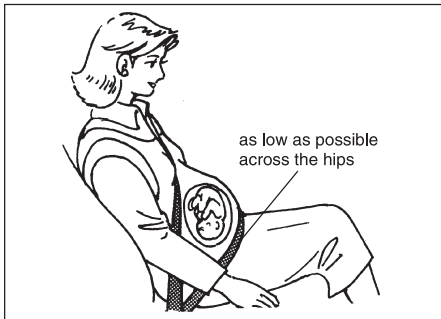
- Never allow persons to ride in the cargo area of a vehicle. In the event of an accident, there is a much greater risk of injury for persons who are not riding in a seat with their seat belt securely fastened.
- Seat belts should always be adjusted as follows:
 - the lap portion of the belt should be worn low across the pelvis, not across the waist.
 - the shoulder straps should be worn on the outside shoulder only, and never under the arm.
 - the shoulder straps should be away from your face and neck, but not falling off your shoulder.



83K-02-040

⚠ WARNING

- Seat belts should never be worn with the straps twisted and should be adjusted as tightly as is comfortable to provide the protection for which they have been designed. A slack belt will provide less protection than one which is snug.
- Make sure that each seat belt buckle is inserted into the proper buckle catch. It is possible to cross the buckles in the rear seat.
- Pregnant women should use seat belts, although specific recommendations about driving should be made by the woman's medical advisor. Remember that the lap portion



83K-02-041

⚠ WARNING

- of the belt should be worn as low as possible across the hips, as shown in the diagram.
- Do not wear your seat belt over hard or breakable objects in your pockets or on your clothing. If an accident occurs, objects such as glasses, pens, etc. under the seat belt can cause injury.
- Never use the same seat belt on more than one occupant and never attach a seat belt over an infant or child being held on an occupant's lap. Such seat belt use could cause serious injury in the event of an accident.
- Periodically inspect seat belt assemblies for excessive wear and damage. Seat belts should be replaced if webbing becomes frayed, contaminated, or damaged in any way. It is essential to replace the entire seat belt assembly after it has been worn in a severe impact, even if damage to the assembly is not obvious.
- Children age 12 and under should ride properly restrained in the rear seat.
- Infants and small children should

**⚠ WARNING**

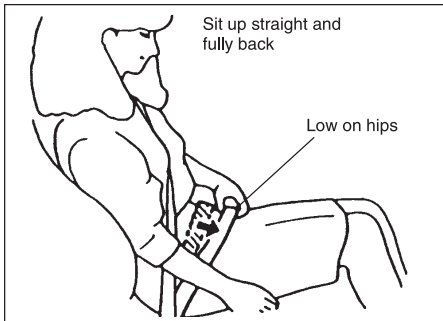
- never be transported unless they are properly restrained. Restraint systems for infants and small children can be purchased locally and should be used. Make sure that the system you purchase meets applicable safety standards. Read and follow all the directions provided by the manufacturer.
- For children, if the shoulder belt irritates the neck or face, move the child closer to the center of the vehicle.
- Avoid contamination of seat belt webbing by polishes, oils, chemicals, and particularly battery acid. Cleaning may safely be carried out using mild soap and water.
- Do not insert any items such as coins, clips, etc. into the seat belt buckles, and be careful not to spill liquids into these parts. If foreign materials get into a seat belt buckle, the seat belt may not work properly.
- All seatbacks should always be in an upright position when driving, or seat belt effectiveness may be reduced. Seat belts are designed to offer maximum protection when seatbacks are in the upright position.

Lap-Shoulder Belt

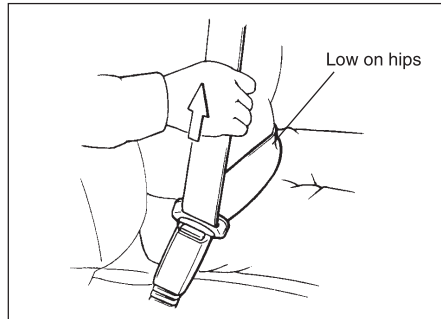
Emergency Locking Retractor (ELR) (if equipped)

The seat belt has an emergency locking retractor (ELR), which is designed to lock the seat belt only during a sudden stop or impact. It also may lock if you pull the belt across your body very quickly. If this happens, let the belt go back to unlock it, then pull the belt across your body more slowly.

Safety reminder



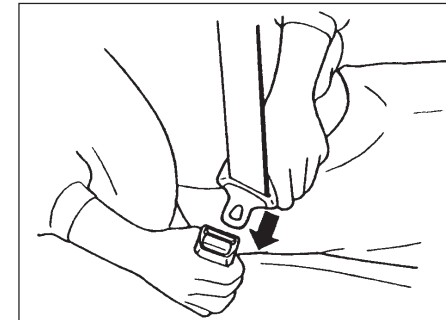
83K-02-042



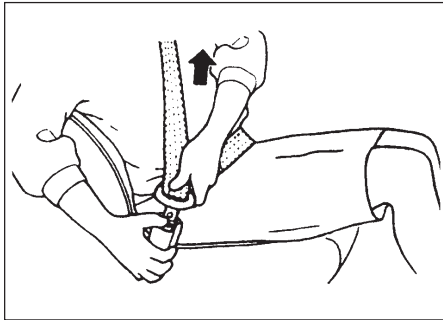
83K-02-043

To reduce the risk of sliding under the belt during a collision, position the lap portion of the belt across your lap as low on your hips as possible and adjust it to a snug fit by pulling the shoulder portion of the belt upward through the latch plate. The length of the diagonal shoulder strap adjusts itself to allow freedom of movement.

All Seat Belts Except Rear Centre

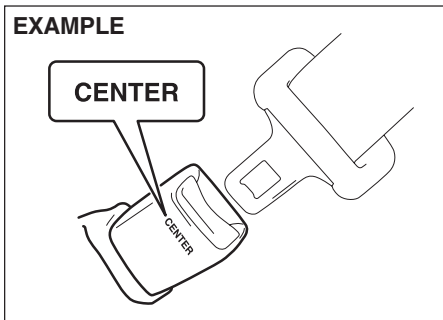


To fasten the seat belt, sit up straight and well back in the seat, pull the latch plate attached to the seat belt across your body and press it into the buckle until you hear a “click”.



83K-02-045

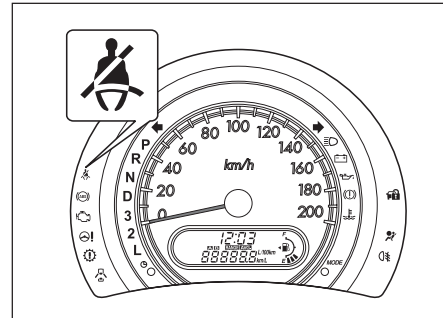
To unfasten the belt, push the red “PRESS” button on the buckle and allow the belt to retract.



83K-02-046

NOTE:

The word “CENTER” is molded into the buckle for the rear center belt. The buckles are designed so a latch plate can not be inserted into the wrong buckle.

Driver’s Seat Belt Reminder (if equipped)

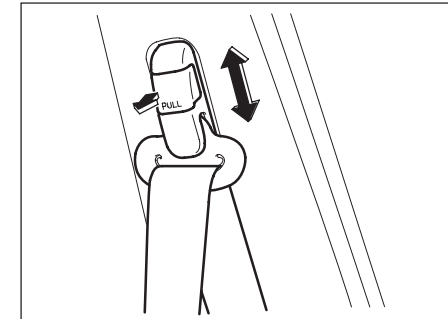
83K-02-047

When the driver doesn’t buckle his or her seat belt, the driver’s seat belt reminder light in the instrument cluster will come on or blink, as a reminder to the driver to buckle his or her seat belt.

The reminder will be automatically cancel when the driver’s seat belt is buckled or the ignition switch is turned off.

⚠ WARNING

It is absolutely essential that the driver and passengers wear their seat belts at all times. Persons who are not wearing seat belts have a much greater risk of injury if an accident occurs. Make a regular habit of buckling your seat belt before putting the key in the ignition.

Shoulder Anchor Height Adjuster (if equipped)

83K-02-048

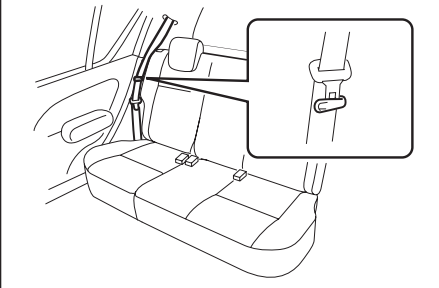
Adjust the shoulder anchor height so that the shoulder belt rides on the center of the outboard shoulder. To adjust the shoulder anchor height, slide the anchor up or down while pushing the lock button. After adjustment, make sure that the anchor is securely locked.

⚠ WARNING

Be sure that the shoulder belt is positioned on the center of the outside shoulder. The belt should be away from your face and neck, but not falling off your shoulder. Misadjustment of the belt could reduce the effectiveness of the safety belt in a crash.

Seat Belt Hanger (if equipped)

EXAMPLE



83K-04-049

CAUTION

- When you move a seatback, make sure both the latch plate and the belt webbing are hooked in the seat belt hangers so the seat belts are not caught by the seatback, seat



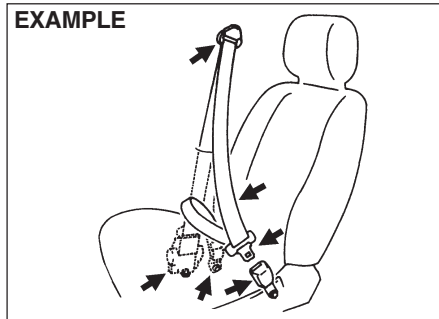
CAUTION



- hinge, or seat latch. This helps prevent damage to the belt system.
- When you hook the belt webbing and latch plate into the seat belt hanger, make sure the latch plate is on the obverse side of the belt webbing as shown in the illustration.
 - Make sure the belt webbing is not twisted.

Seat Belt Inspection

EXAMPLE



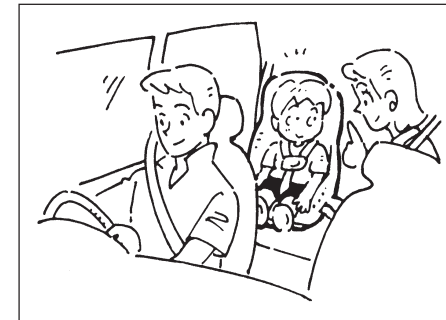
83K-04-050

Periodically inspect the seat belts to make sure they work properly and are not damaged. Check the webbing, buckles, latch plates, retractors, anchorages, and guide loops. Replace any seat belts which do not work properly or are damaged.

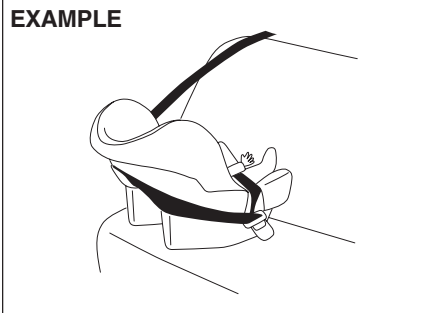
⚠ WARNING

Be sure to inspect all seat belt assemblies after any collision. Any seat belt assembly which was in use during a collision (other than a very minor one) should be replaced, even if damage to the assembly is not obvious. Any seat belt assembly which was not in use during a collision should be replaced if it does not function properly, it is damaged in any way (that is, if the front air bags were activated).

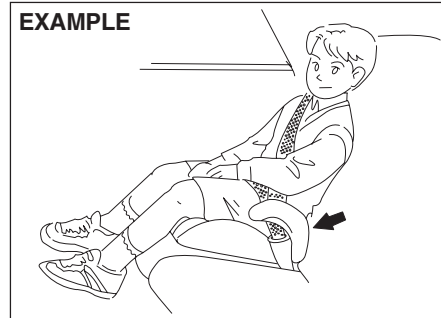
Child Restraint Systems



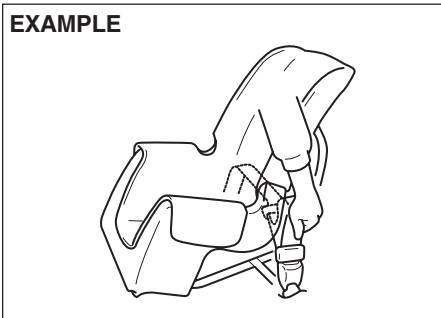
83K-04-051

Infant restraint

83K-04-052

Booster seat

83K-04-054

Child restraint

83K-04-053

MARUTI SUZUKI highly recommends that you use a child restraint system to restrain infants and small children. Many different types of child restraint systems are available; make sure that the restraint system you select meets applicable safety standards.

All child restraint systems are designed to be secured on vehicle seats by either seat belts (lap belts or the lap portion of lap-shoulder belts) or by special rigid lower anchor bars built into the seat. Whenever possible, MARUTI SUZUKI recommends that child restraint systems be installed on the rear seat. According to accident statistics, children are safer when properly restrained on rear seats than front passenger's seat.

NOTE:

Observe any statutory regulation about child restraints.



83K-04-055

⚠ WARNING

If your vehicle is equipped with a front passenger front air bag, do not install a rear-facing child restraint in the front passenger's seat. If the passenger's air bag inflates, a child in a rear-facing child restraint could be killed or seriously injured. The back of a rear-facing child restraint would be too close to the inflating air bag.

⚠ WARNING

If you install a child restraint system on the rear seat, slide the front seat



⚠ WARNING

←
 far enough forward so that the child's feet do not contact the front seatback. This will help avoid injury to the child in the event of an accident.



83K-04-056



83K-04-057

⚠ WARNING

Children could be endangered in a crash if their child restraints are not properly secured in the vehicle. Be sure to secure the child in the restraint system according to the manufacturer's instructions.

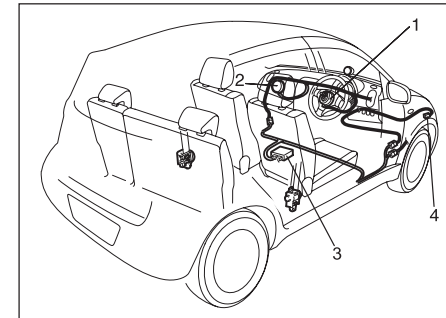
**Supplemental Restraint System (air bags)
 (if equipped)**

⚠ WARNING

This section of the owner's manual describes the protection provided by your MARUTI SUZUKI SUPPLEMENTAL RESTRAINT SYSTEM (air bags). Please read and follow ALL these instructions carefully to minimize your risk of severe injury or death in the event of a collision.

Your vehicle is equipped with a Supplemental Restraint System consisting of the following components in addition to a lap-shoulder belt at each front seating position.

1. Driver's front air bag module
2. Front passenger's front air bag module
3. Air bag controller
4. Forward crash sensor



83K-02-059



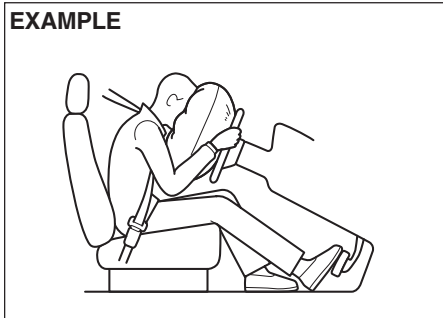
83K-04-060

If the "AIR BAG" light on the instrument cluster does not blink when the ignition switch is first turned to the "ON" position, or the "AIR BAG" light stays on, or comes on while driving, the air bag system may not work properly. Have the air bag system

inspected by a MARUTI SUZUKI authorized dealer as soon as possible.

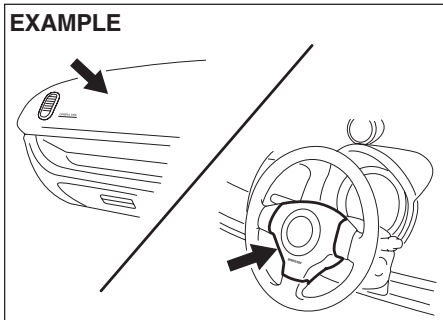
Front Air Bags

EXAMPLE



83K-02-061

EXAMPLE

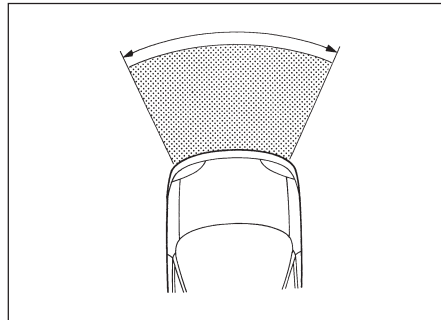


83K-02-062

The driver's front air bag is located behind the center pad of the steering wheel and the front passenger's front air bag is located

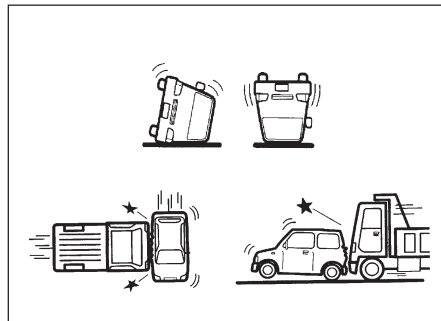
behind the passenger's side of the dashboard. The words "SRS AIRBAG" are molded into the air bag covers to identify the location of the air bags.

Frontal collision range



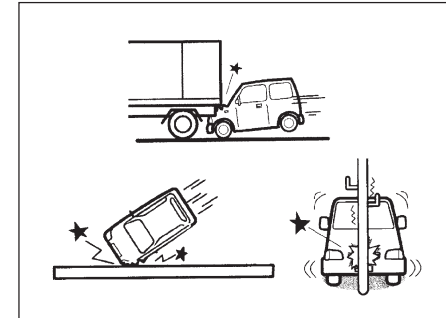
83K-02-063

Front air bags will not inflate



83K-02-064

Front air bags will probably not inflate



83K-02-065

Front air bags are designed to inflate only in severe frontal collisions. They are not designed to inflate in rear impacts, side impacts, rollovers or minor frontal collisions, since they would offer no protection in those types of accidents. Remember, since an air bag deploys only one time during an accident, seat belts are needed to restrain occupants from further movements during the accident.

Therefore, an air bag is NOT a substitute for seat belts. To maximize your protection, ALWAYS WEAR YOUR SEAT BELTS. Be aware that no system can prevent all possible injuries that may occur in an accident.

⚠ WARNING
 An air bag supplements, or adds to, the crash protection offered by seat belts. The driver and all passengers must be properly restrained by wearing seat belts at all times, whether or not an air bag is mounted at their seating position, to minimize the risk of severe injury or death in the event of a crash.



83K-04-066

⚠ WARNING
 Do not install a rear-facing child restraint in the front passenger's seat. If the passenger's front air bag inflates, a child in a rear-facing child restraint could be killed or severely injured. The back of a rear-facing child restraint would be too close to the inflating air bag.

If you must use a front-facing child restraint in the front passenger's seat, be sure to move the front passenger's seat as far back as possible. Please refer to the "Seat Belts and Child Restraint Systems" section in the "BEFORE DRIVING" section for details on securing your child.

Air bag symbol (if equipped)

EXAMPLE

DO NOT place rear-facing child seat on this seat with air bag. DEATH OR SERIOUS INJURY can occur. The BACK SEAT with child restraint is the SAFEST place for children aged 12 and under. Always use SEAT BELTS and child restraints. See the owners manual for further information and explanation.

83K-04-067

You may find this label on the sun visor.

How the system works

In a frontal collision, the crash sensors will detect rapid deceleration and send a signal to the controller. If the controller judges that the deceleration represents a severe frontal crash, the controller will trigger the inflators. The inflators inflate the appropriate air bags with nitrogen or argon gas. The inflated air bags provide a cushion for your head and upper body. The air bag inflates and deflates so quickly that you may not even realize that it has activated. The air bag will neither hinder your view nor make it harder to exit the vehicle.

Air bags must inflate quickly and forcefully in order to reduce the chance of serious or fatal injuries. However, an unavoidable consequence of the quick inflation is that the air bag may irritate bare skin, such as the facial area against a front air bag. Also, upon inflation, a loud noise will occur and some powder and smoke will be released. These conditions are not harmful and do not indicate a fire in the car. Be aware, however, that some air bag components may be hot for a while after inflation.

A seat belt helps keep you in the proper position for maximum protection when an air bag inflates. Adjust your seat as far back as possible while still maintaining control of

the vehicle. Sit fully back in your seat; sit up straight; do not lean over the steering wheel or dashboard. Front occupants should not lean on or sleep against the door. Please refer to the "Front Seat" section, "Seat Belts and Child Restraint Systems" section in this section for details on proper seat and seat belt adjustments.



83K-02-068



83K-02-069

▲ WARNING

- **The driver should not lean over the steering wheel. The front passenger should not rest his or her body against the dashboard, or otherwise get too close to the dashboard. In these situations, the out-of-position occupant would be too close to an inflating air bag, and may suffer severe injury.**
- **Do not attach any objects to, or place any objects over, the steering wheel or dashboard. Do not place any objects between the air bag and the driver or front passenger. These objects may interfere with air bag operation or may be propelled by the air bag in the event of a crash. Either of these conditions may cause severe injury.**

Note that even though your vehicle may be moderately damaged in a collision, the collision may not have been severe enough to trigger the front air bags to inflate. If your car sustains ANY front-end or side damage, have the air bag system inspected by an authorized MARUTI SUZUKI dealer to ensure it is in proper working order.

Your vehicle is equipped with a diagnostic module which records information about the air bag system. If the air bags deploy in a crash, the module records information about overall system status.

Servicing the air bag system

If the air bags inflate, have the air bags and related components replaced by an authorized MARUTI SUZUKI dealer as soon as possible.

If your vehicle ever gets in deep water and the driver's floor is submerged, the air bag controller could be damaged. If it does, have the air bag system inspected by the MARUTI SUZUKI dealer as soon as possible.

Special procedures are required for servicing or replacing an air bag. For that reason, only an authorized MARUTI SUZUKI dealer should be allowed to service or replace your air bags. Please remind anyone who services your vehicle, that it has air bags.

Service on or around air bag components or wiring must be performed only by an authorized MARUTI SUZUKI dealer. Improper service could result in unintended air bag deployment or could render the air bag inoperative. Either of these two conditions may result in severe injury.

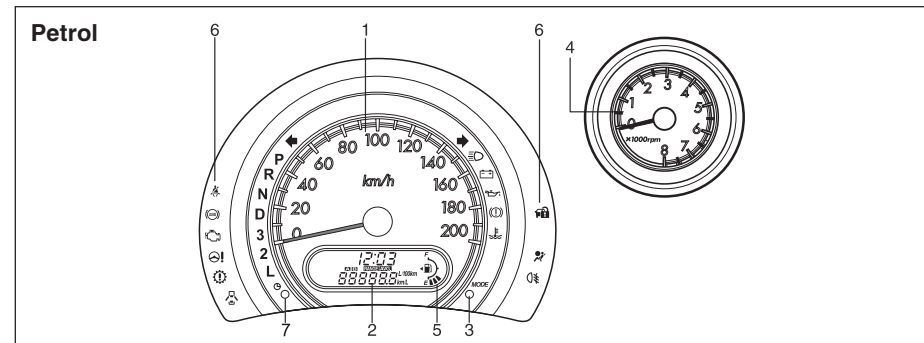
To prevent damage or unintended inflation of the air bag system, be sure the battery is disconnected and the ignition switch has been in the "LOCK" position for at least 90 seconds before performing any electrical service work on your MARUTI SUZUKI. Do not touch air bag system components or wires. The wires are wrapped with yellow tape or yellow tubing, and the couplers are yellow for easy identification.

Scrapping a car that has an uninflated air bag can be hazardous. Contact your MARUTI SUZUKI authorized dealer, body repair shop or scrap yard for help with disposal.

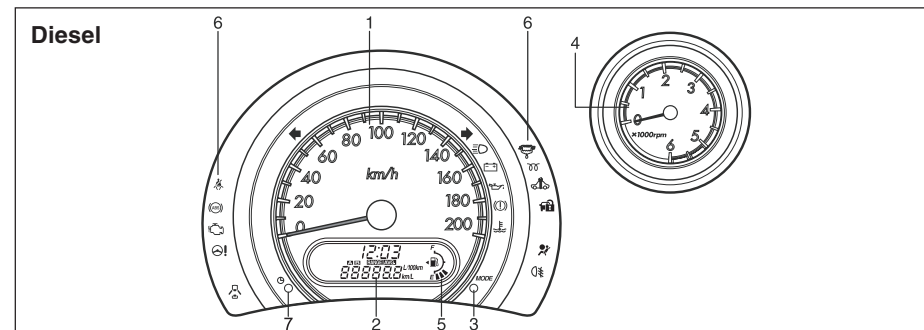
According to accident statistics, children are safer when properly restrained on rear seats than front passenger's seat. Whenever possible, MARUTI SUZUKI recommends that child restraint systems be installed on the rear seat.

Instrument Cluster (For Petrol & Diesel)

- | | |
|-----------------------------|---------------------------------|
| 1. Speedometer | 5. Fuel gauge |
| 2. Display | 6. Warning and indicator lights |
| 3. "MODE" knob | 7. Clock knob |
| 4. Tachometer (if equipped) | |



83K-02-070



83K-02-071

Warning and Indicator Lights

Brake System Warning Light



83K-02-072

For working check of this light, there are following three different type operations depending on the vehicle's specification.

- 1) The light comes on briefly when the ignition switch is turned to the "ON" and/or "START" position.
- 2) The light comes on when the parking brake is engaged with the ignition switch in the "ON" position.
- 3) The light comes on when under either or both of above two conditions.

The light also comes on when the fluid in the brake fluid reservoir falls below the specified level.

The light should go out after starting the engine and fully releasing the parking brake, if the fluid level in the brake fluid reservoir is adequate.

The light also comes on together with the ABS warning light when the rear brake force control function (Proportioning valve function) of the ABS system fails.

If the brake system warning light comes on while you are driving the vehicle, it may mean that there is something wrong with the vehicle's brake system. If this happens, you should:

- 1) Pull off the road and stop carefully.

⚠ WARNING

Remember that stopping distance may be longer, you may have to push harder on the pedal, and the pedal may go down farther than normal.

- 2) Test the brakes by carefully starting and stopping at the side of the road.
 - If you determine that it is safe, drive carefully at low speed to the nearest MARUTI SUZUKI dealer for repairs, or
 - Have the vehicle towed to the nearest MARUTI SUZUKI dealer for repairs.

⚠ WARNING

If any of the following conditions occur, you should immediately ask your MARUTI SUZUKI dealer to inspect the brake system.

⚠ WARNING



- If the brake system warning light does not go out after the engine has been started and the parking brake has been fully released.
- If the brake system warning light does not come on when the ignition switch is turned to the "ON" or "START" position.
- If the brake system warning light comes on at any time during vehicle operation.

NOTE:

Because the disc brake system is self-adjusting, the fluid level will drop as the brake pads become worn. Replenishing the brake fluid reservoir is considered normal periodic maintenance.

Seat Belt Warning Light (if equipped)



83K-02-073

This light blinks as a reminder until the driver's seat belt is buckled.

“AIR BAG” Light (if equipped)

83K-02-074

This light blinks or comes on for several seconds when the ignition switch is turned to the “ON” position so you can check if the light is working.

The light will come on and stay on if there is a problem in the air bag system.

⚠ WARNING

If the “AIR BAG” light does not blink or come on briefly when the ignition switch is turned to the “ON” position, stays on for more than 10 seconds, or comes on while driving, the air bag system may not work properly. Have both systems inspected by an authorized MARUTI SUZUKI dealer.

Anti-Lock Brake System (ABS) Warning Light (if equipped)

83K-02-075

When the ignition switch is turned to the “ON” position, the light comes on briefly so you can check that the light is working.

If the light stays on, or comes on when driving, there may be something wrong with the ABS.

If this happens:

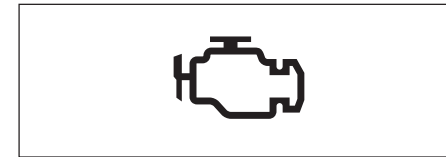
- 1) Pull off the road and stop carefully.
- 2) Turn the ignition switch to “LOCK” and then start the engine again.

If the warning light comes on briefly then turns off, the system is normal. If the warning light still stays on, there is something wrong in the system.

If the light and the brake system warning light stay on, or come on simultaneously when driving, your ABS system is equipped with the rear brake force control function (Proportioning valve function) and there may be something wrong with both the rear brake force control function and anti-lock function of the ABS system.

If one of these happens, have the system inspected by your MARUTI SUZUKI dealer.

If the ABS becomes inoperative, the brake system will function as an ordinary brake system that does not have this ABS system.

Malfunction Indicator Light

83K-02-076

Your vehicle has a computer-controlled emission control system. A malfunction indicator light is provided on the instrument panel to indicate when it is necessary to have the emission control system serviced. The malfunction indicator light comes on when the ignition switch is turned to “ON” position to let you know the light is working and goes out when the engine is started.

If the malfunction indicator light comes on or blinks when the engine is running, there is a damage in the emission control system. Bring the vehicle to your MARUTI SUZUKI dealer to have the damage fixed.

Also, if the light comes on, there may be something wrong with the transaxle system.

Have the system inspected by an authorized MARUTI SUZUKI dealer.

CAUTION

Continuing to drive the vehicle when the malfunction indicator light is on can cause permanent damage to the vehicle's emission control system, and can affect fuel economy and driveability.

Electric Power Steering Light



83K-02-077

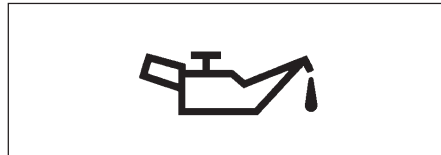
This light comes on when the ignition switch is turned to the "ON" position, and goes off when the engine is started.

If this light comes on while driving, the power steering system may not work properly. Have the system inspected by your MARUTI SUZUKI dealer.

NOTE:

If the power steering system does not work properly, you will feel heavier to steer but you still will be able to steer.

Oil Pressure Light



83K-02-078

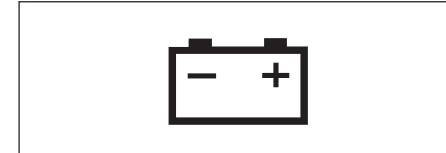
This light comes on when the ignition switch is turned to the "ON" position, and goes out when the engine is started. The light will come on and remain on if there is insufficient oil pressure. If the light comes on when driving, pull off the road as soon as you can and stop the engine.

Check the oil level and add oil if necessary. If there is enough oil, the lubrication system should be inspected by your MARUTI SUZUKI dealer before you drive the vehicle again.

CAUTION

- If you operate the engine with this light on, severe engine damage can result.
- Do not rely on the Oil Pressure Light to indicate the need to add oil. Be sure to periodically check the engine oil level.

Charging Light



83K-02-079

This light comes on when the ignition switch is turned to the "ON" position, and goes off when the engine is started. The light will come on and remain on if there is something wrong with the battery charging system. If the light comes on when the engine is running, the charging system should be inspected immediately by your MARUTI SUZUKI dealer.

High Engine Coolant Temperature Warning Light (red color)



83K-02-080

When the ignition switch is turned to the "ON" position, this light comes on briefly so you can check that the light is working. If this light blinks while driving, it means the engine is running hot. Avoid driving condi-

tions that may lead to actual overheating. If the light stays on without blinking, then the engine is overheating. Follow the instructions in the "If the Engine Overheats" of "EMERGENCY SERVICE" section.

CAUTION
Continuing to drive the vehicle when engine overheating is indicated can result in severe engine damage.

Immobilizer System Light (Petrol)



83K-02-081

This light comes on when the ignition switch is turned to the "ON" position, and goes off when the engine is started. If this light blinks with the ignition switch turned to "ON", there may be something wrong with the immobilizer system. Contact your MARUTI SUZUKI dealer to have the system inspected.

Service Vehicle Soon (SVS) Light (Diesel)



83K-02-082

When the ignition switch is turned to the "ON" position, this light comes on briefly. If this light comes on when the engine is running, there may be something wrong with the engine electronics system. Ask your MARUTI SUZUKI dealer to have the system inspected.

If this light blinks with the ignition switch turned "ON", there may be something wrong with the immobilizer system. Ask your MARUTI SUZUKI dealer to have the system inspected.

Vehicle will not start in this condition.

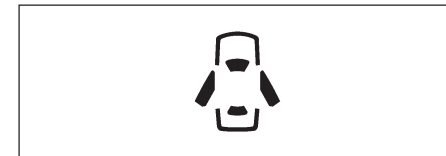
Glow Plug Indicator Light (Diesel)



83K-02-083

If the coolant temperature is cool enough, this light comes on when the ignition switch is turned on and goes out when the glow plug is heated enough for engine starting.

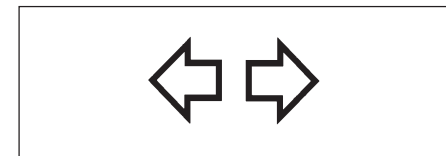
Open Door Warning Light (if equipped)



83K-02-084

This light remains on until all doors (including or excluding the tailgate, depending on specification of vehicle) are completely closed.

Turn Signal Indicators

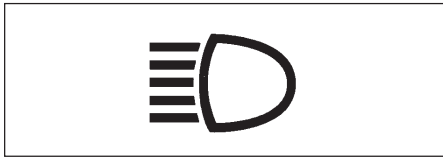


83K-02-085

When you turn on the left or right turn signals, the corresponding green arrow on the instrument panel will flash along with the respective turn signal lights. When you turn on the hazard warning switch, both arrows

will flash along with all of the turn signal lights.

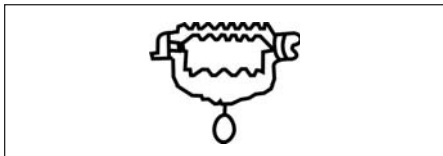
Main Beam (high beam) Indicator Light



83K-02-086

This indicator comes on when headlight main beams (high beams) are turned on.

Water in fuel filter warning light (if equipped) (For diesel only)

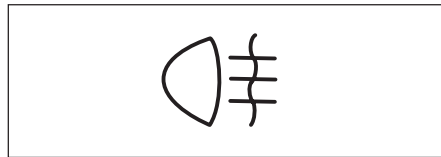


83K-02-087

If this light comes on, and keeps on glowing, get the water drained from the fuel filter.

Rear Fog Light Indicator Light (if equipped)

The rear fog light indicator light comes on when the rear fog light operates.



83K-02-088

Automatic Transmission Warning Light (if equipped)

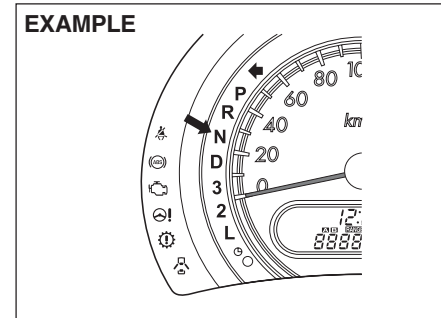


83K-02-088A

This light comes on for several seconds when the ignition switch is turned to the "ON" position so you can check the light is working. If this light comes on, there is the problem with the automatic transmission system. Ask your MARUTI SUZUKI dealer to have the system inspected.

Transmission Selector Position Indicator (if equipped)

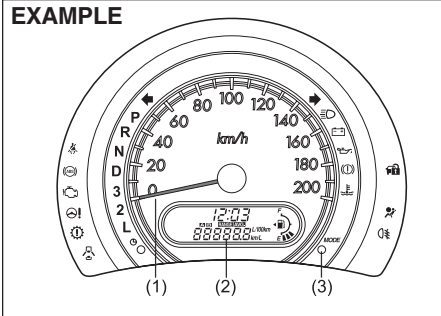
EXAMPLE



83K-02-089

When the ignition switches in the "ON" position, the indicator shows the selector position of automatic transmission.

**Speedometer/Odometer/Trip meter/
Meter Illumination Control**



83K-02-090

- (1) Speedometer
- (2) Display
- (3) "MODE" knob

Speedometer

The speedometer indicates vehicle speed in km/h.

Odometer/Trip meter

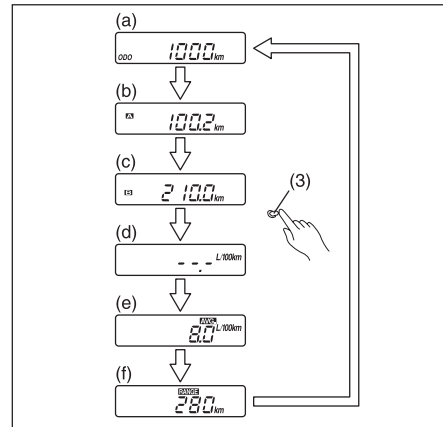
The odometer/trip meter is shown when the ignition switch is in the "ON" position. The odometer records the total distance the vehicle has been driven. The trip meter can be used to measure the distance traveled on short trips or between fuel stops.

NOTE:

When the ignition switch is turned to "ON", the display (2) shows the latest display that the ignition switch was turned to "OFF" last time.

NOTICE

Keep track of your odometer reading and check the maintenance schedule regularly for required services. Increased wear or damage to certain parts can result from failure to perform required services at the proper mileage intervals.

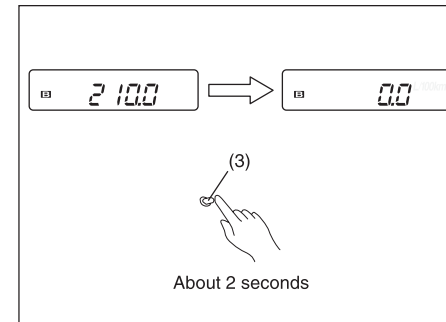


83K-02-091

When the ignition switch is turned to "ON", the display shows three or six types of indication; odometer (a), trip meter A (b), trip meter B (c), and if your vehicle is equipped with the information display, instantaneous fuel consumption (d), average fuel consumption (e), and driving range (f). Push the "MODE" knob (3) quickly to switch the indication among three or six. For the indication (d), (e), or (f), refer to "Information Display" in this section for details.

WARNING

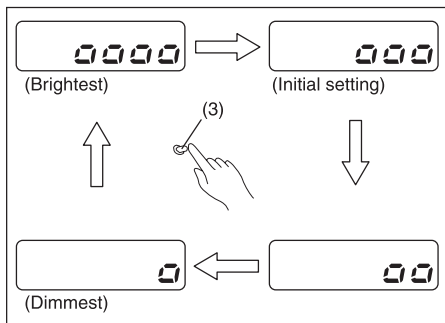
If you attempt to adjust the display while driving, you could lose control of the vehicle. Do not attempt to adjust the display while driving.



83K-02-092

To reset the trip meter to zero, hold the “MODE” knob (3) for more than 2 seconds when the display (2) shows the indication of trip meter (b) or (c).

Meter illumination control



83K-02-092A

When the display shows the indication of trip meter B (c) or driving range (f) if your vehicle is equipped with the information display and the headlights are on, you can change the indication to illumination intensity by pushing the “MODE” knob (3).

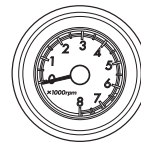
To change the meter illumination brightness, push and hold in the “MODE” knob (3). The indication will change as shown in the illustration. The illumination gets dimmer then returns to the brightest condition after it reaches the dimmest.

NOTE:

When you reconnect the negative (-) terminal to the battery, the brightness of the instrument panel lights will be reinitialized. Readjust the brightness according to your preference.

Tachometer (if equipped) (Petrol)

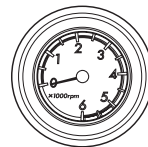
EXAMPLE



83K-02-093

(Diesel)

EXAMPLE



83K-02-094

The tachometer indicates engine speed in revolutions per minute.

CAUTION

Never drive with the engine speed indicator in the red zone or severe engine damage can result. When downshifting to a lower gear, make sure not to operate with excessive revolution speeds of the engine. Refer to “Downshifting maximum allowable speeds” in the “OPERATING YOUR VEHICLE” section.

Fuel Gauge

EXAMPLE



83K-02-095

When the ignition switch is in the “ON” position, this gauge gives an approximate indication of the amount of fuel in the fuel tank. “F” stands for full and “E” stands for empty.

If the fuel meter indicator shows only one segment to “E”, refill the tank as soon as possible.

The mark (1) indicates that the fuel filler door is located on the left side of the vehicle.

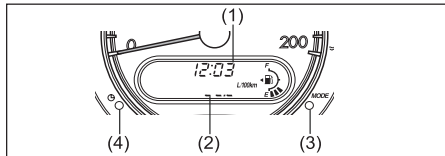
BEFORE DRIVING

83K

NOTE:

- If the last segment blinks, it means that the fuel tank is almost empty.
- The fuel meter indicator varies depending on road conditions (for example, slope or curve) and driving conditions because of fuel moving in the tank.

Information Display



83K-02-095A

- (1) Clock
- (2) Instantaneous fuel consumption/Average fuel consumption/ Driving range
- (3) "MODE" knob
- (4) Clock knob

Clock (1)

The clock is shown when the ignition switch is in the "ON" position.

To set the clock, follow the instructions below.

- Hold in the clock knob (4) for more than 2 seconds. Push the clock knob (4) to advance the minute display while the minute display is flashing. Release the clock knob (4) for 5 seconds to set the

minute display.

- The hour display flash after the minute display is set. Push the clock knob (4) to advance the hour display. Release the clock knob (4) for 5 seconds to set the hour display.

⚠ WARNING

If you attempt to adjust the display while driving, you could lose control of the vehicle.

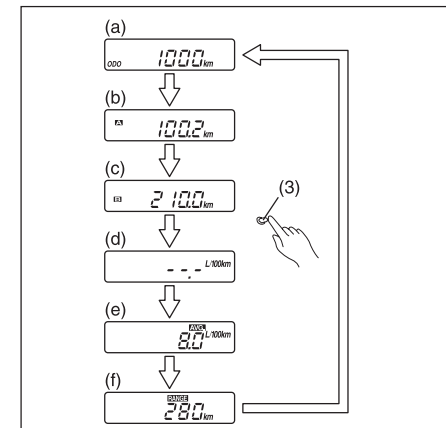
Do not attempt to adjust the display while driving.

NOTE:

When you reconnect the negative (-) terminal to the battery, the clock indication will be reinitialized. Change the indication again to your preference.

Fuel Consumption and Driving Range (2)

This display can be changed to show instantaneous fuel consumption, average fuel consumption, or driving range. Also, the display shows odometer and trip meter.



83K-02-091R

Every time you push the "MODE" knob (3), the display will be changed among the following six displays.

- (a) Odometer
- (b) Trip meter A
- (c) Trip meter B
- (d) Instantaneous fuel consumption (if equipped)
- (e) Average fuel consumption (if equipped)
- (f) Driving range (if equipped)

▲ WARNING

If you attempt to adjust the display while driving, you could lose control of the vehicle.

Do not attempt to adjust the display while driving.

NOTE:

Refer to "Speedometer/ Odometer/ Trip meter" in this section for details of (a), (b), and (c) indication.

Instantaneous fuel consumption (d) (if equipped)

If you selected instantaneous fuel consumption the last time you drove the vehicle, the display indicates "—." when the ignition switch is turned to the "ON" position. Unless the vehicle is moving, the display will indicate "—."

NOTE:

- Depending on the vehicle's specification, the fuel consumption units of initial setting are indicated as L/100km, km/L.
- For "L/100km" or "km/L" setting, the indicated maximum value of instantaneous fuel consumption is 30. No more than 30 will be indicated on the display even if the actual instantaneous fuel consumption is higher.

Average fuel consumption (e) (if equipped)

If you selected average fuel consumption the last time you drove the vehicle, the display shows the last value of average fuel consumption when the ignition switch is turned to the "ON" position. Unless you reset the value of average fuel consumption, the display indicates the value of average fuel consumption which includes average fuel consumption during previous driving.

To reset the value of average fuel consumption, hold in the "MODE" knob (5) for a while when the display shows the average fuel consumption. The display will indicate "—." and then will show a new average fuel consumption value after driving for a short time.

NOTE:

When you reset the indication or reconnect the negative (-) terminal to the battery, the value of average fuel consumption will be shown after driving for a while.

Driving range (f) (if equipped)

If you selected driving range the last time you drove the vehicle, the display shows "—." for a few seconds and then shows the current driving range when the ignition switch is turned to the "ON" position. The driving range shown in the display is

the approximate distance you can drive until the fuel gauge indicates "E" based current driving conditions.

When the low fuel warning light comes on, the display "—" will appear.

If the low fuel warning light comes on, fill the fuel tank immediately regardless of the value of driving range shown in the display. As the driving range after refueling is calculated based on the last driving condition, the value is different each time you refuel.

NOTE:

- If you refuel when the ignition switch is in the "ON" position, the driving range may not indicate the correct value.
- When you reconnect the negative (-) terminal to the battery, the value of driving range will be shown after driving for a while.
- For a new vehicle with low mileage, the driving range may not be shown promptly in the display when beginning to drive. The driving range will be shown after a while.

NOTE:

The values of fuel consumption and driving range shown in the display are affected by conditions such as the following;

BEFORE DRIVING

83K

- road condition
- surrounding traffic condition
- driving condition
- vehicle condition
- when the malfunction indicator light comes on or blinks

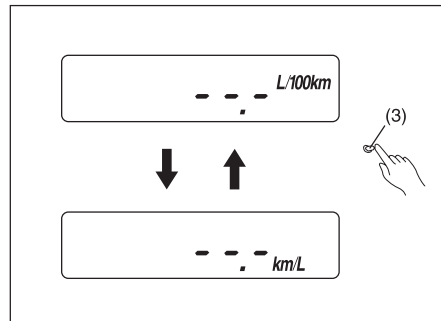
Unit indication of fuel consumption (For “L/100km” or “km/L” setting)

You can change the unit indication of fuel consumption when selecting instantaneous fuel consumption in the display.

You should operate the display before the vehicle moves.

To change the unit indication in the display, hold in the “MODE” knob (3) for more than 2 seconds.

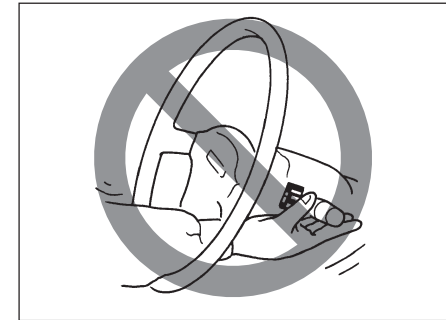
Every time you hold in the “MODE” knob (3) for more than 2 seconds, the unit indication in the display will be changed between the following two displays.



NOTE:

When you reconnect the negative (-) terminal to the battery, the information display will be reinitialized. Readjust the display. If you select driving range, the display will be shown after driving for a while.

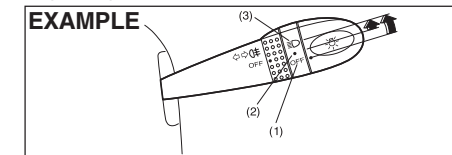
Lighting Control Lever



⚠ WARNING

To avoid possible injury, do not operate controls by reaching through the steering wheel.

Lighting Operation



To turn the lights on or off, twist the knob on the end of the lever. There are three positions:

OFF (1)

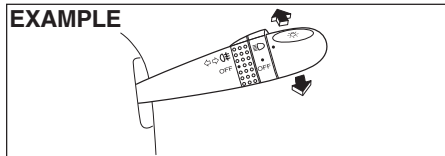
All lights are off.

● (2)

Front parking lights, tail-lights, license plate light and instrument lights are on, but headlights are off.

☰ (3)

Front parking lights, tail-lights, license plate light, instrument lights and head lights are on.



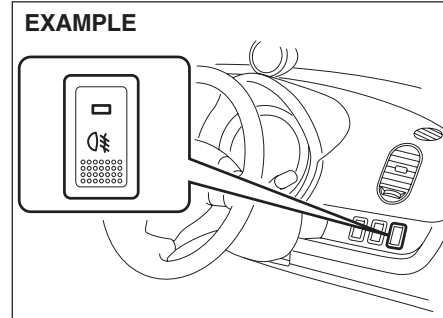
83K-02-098

With the headlights on, push the lever forward to switch to the high beams (main beams) or pull the lever toward you to switch to the low beams. When the high beams (main beams) are on, a light on the instrument panel will come on. To momentarily activate the high beams (main beams) as a passing signal, pull the lever slightly toward you and release it when you have completed the signal.

Lights “On” reminder (if equipped)

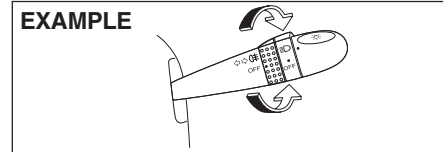
A buzzer/chime sounds to remind you to turn off the lights if they are left on when the ignition key is removed and the driver's door is opened.

51

Front Fog Light Switch (if equipped)**EXAMPLE**

83K-04-099

The front fog light comes on when the fog light switch is pushed in with the head light switch turned to the second and third position. An indicator light above the switch will be lit when the front fog light is on.

Rear Fog Light Switch (if equipped)**EXAMPLE**

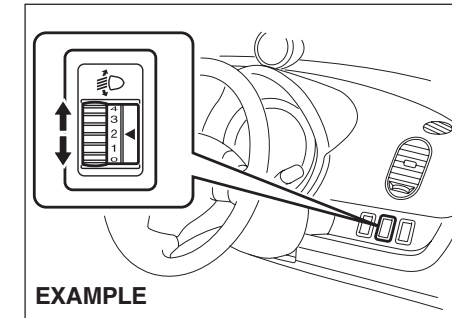
83K-02-100

To turn the rear fog light on, twist the knob as shown in the illustration with the head-

light switch is in the third position. When the rear fog light is on, an indicator light on the instrument cluster will come on. Do not turn the rear fog light switch unless the headlight switch is in the third position.

NOTE:

When the head light switch is returned to the “OFF” position, the rear fog light switch will be cancelled automatically.

Headlight Leveling Switch

83K-02-101

Level the headlight beam according to the load condition of your vehicle by turning this switch. The chart below shows the appropriate switch position for different vehicle-load conditions.

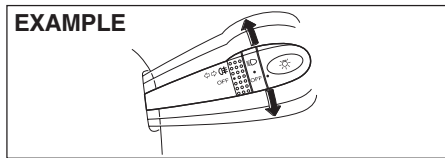
Vehicle Load Condition	Switch Position	
	Petrol	Diesel
Driver only	0	0
Driver + 1 passenger (in front seat)	0	0
Driver + 4 passengers, no cargo	2	2
Driver + 4 passengers, cargo added	3	3
Driver + full cargo	4	4

Turn Signal Control Lever

Turn Signal Operation

With the ignition switch in the “ON” position, move the lever up or down to activate the right or left turn signals.

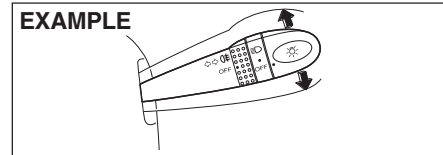
Normal turn signal



83K-02-102

Move the lever all the way upward or downward to signal. When the turn is completed, the signal will cancel and the lever will return to its normal position.

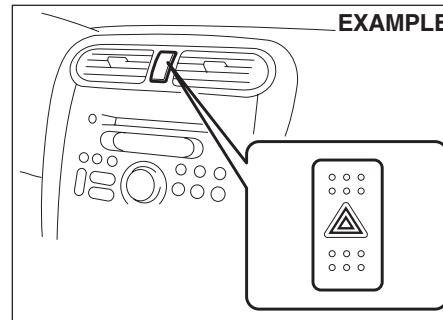
Lane change signal



83K-02-103

Some times, such as when changing lanes, the steering wheel is not turned far enough to cancel the turn signal. For convenience, you can flash the turn signal by moving the lever part way and holding it there. The lever will return to its normal position when you release it.

Hazard Warning Switch



83K-02-104

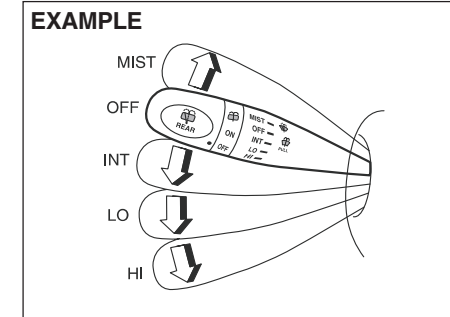
Push in the hazard warning switch to activate the hazard warning lights. All turn sig-

nal lights and both turn signal indicators will flash simultaneously. To turn off the lights, push the switch again.

Use the hazard warning lights to warn other traffic during emergency parking or when your vehicle could otherwise become a traffic hazard.

Windshield Wiper and Washer Lever

Windshield Wipers



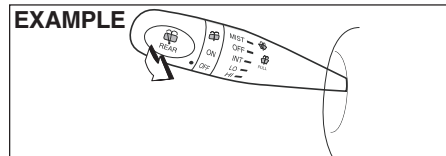
83K-02-105

To turn the windshield wipers on, move the lever down to one of the three operating positions. In the “INT” position (if equipped), the wipers operate intermittently. The “INT” position is very convenient for driving in mist or light rain. In the “LO” position, the wipers operate at a steady low speed. In the “HI”

position, the wipers operate at a steady high speed. To turn off the wipers, move the lever back to the "OFF" position.

Move the lever up and hold it to the "MIST" position, the windshield wipers will turn on continuously at low speed.

Windshield Washer



To spray windshield washer fluid, pull the lever toward you. The windshield wipers will automatically turn on at low speed.

⚠ WARNING

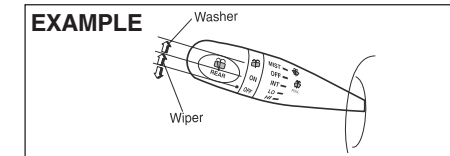
- To prevent windshield icing in cold weather, turn on the defroster to heat the windshield before and during windshield washer use.
- Do not use radiator antifreeze in the windshield washer reservoir. It can severely impair visibility when sprayed on the windshield, and can also damage your vehicle's paint.

CAUTION

To help prevent damage to the windshield wiper and washer system components, you should take the following precautions:

- Do not continue to hold in the lever when there is no windshield washer fluid being sprayed or the washer motor can be damaged.
- Do not attempt to remove dirt from a dry windshield with the wipers or you can damage the windshield and the wiper blades. Always wet the windshield with washer fluid before operating the wipers.
- Clear ice or packed snow from the wiper blades before using the wipers.
- Check the washer fluid level regularly. Check it often when the weather is bad.
- Only fill the washer fluid reservoir 3/4 full during cold weather to allow room for expansion if the temperature falls low enough to freeze the solution.

Rear Window Wiper/Washer Switch (if equipped)



To turn the rear wiper on, twist the rear wiper switch on the end of the lever forward to the "ON" position. To turn the rear wiper off, twist the switch rearward to the "OFF" position.

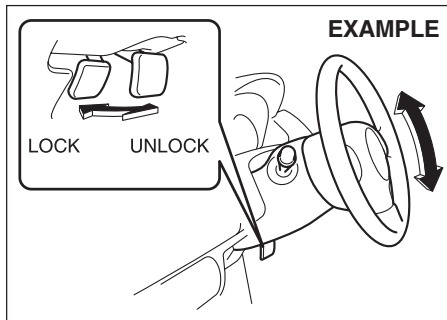
With the rear wiper in the "OFF" position, twist the switch rearward and hold it there to spray window washer fluid.

With the rear wiper in the "ON" position, turn the switch forward and hold it there to spray window washer fluid.

CAUTION

Clear ice or snow from the rear window and rear wiper blade before using the rear wiper. Accumulated ice or snow could prevent the wiper blade from moving, causing damage to the wiper motor.

Tilt Steering Lock Lever (if equipped)



83K-02-108

The lock lever is located under the steering column. To adjust the steering wheel height:

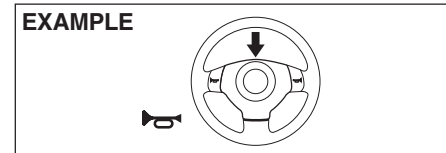
- 1) Pull up the lock lever to unlock the steering column.
- 2) Adjust the steering wheel to the desired height and lock the steering column by push down the lock lever.
- 3) Try moving the steering wheel up and down to make sure it is securely locked in position.

⚠ WARNING

Never attempt to adjust the steering wheel height while the vehicle is moving or you could lose control of the vehicle.

4-42

Horn



83K-02-109

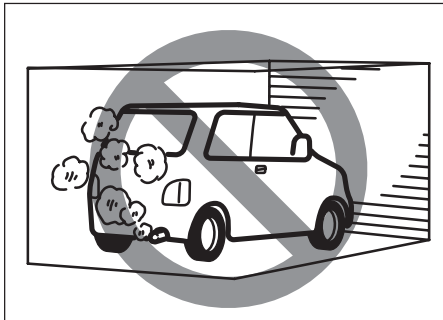
Press the horn button of the steering wheel to sound the horn. The horn will sound with the ignition switch in any position.

54

OPERATING YOUR VEHICLE

Exhaust Gas Warning	5-1
Daily Inspection Checklist	5-1
Engine Oil Consumption	5-2
Ignition Switch	5-2
Parking Brake Lever	5-4
Pedal	5-4
Starting the Engine	5-5
Using the Transmission	5-6
Braking.....	5-9

Exhaust Gas Warning



83K-03-001

⚠ WARNING

Avoid breathing exhaust gases. Exhaust gases contain carbon monoxide, a potentially lethal gas that is colorless and odorless. Since carbon monoxide is difficult to detect by itself, be sure to take the following precautions to help prevent carbon monoxide from entering your vehicle.

- Do not leave the engine running in garages or other confined areas.



⚠ WARNING



- Do not park with the engine running for a long period of time, even in an open area. If it is necessary to sit for a short time in a parked vehicle with the engine running, make sure the air intake selector is set to “FRESH AIR” and the fan is at high speed.
- Avoid operating the vehicle with the tailgate open. If it is necessary to operate the vehicle with the tailgate open, make sure all windows are closed, and the blower is at high speed with the air intake selector set to “FRESH AIR”.
- To allow proper operation of your vehicle’s ventilation system, keep the air inlet grille in front of the windshield clear of snow, leaves, or other obstructions at all times.
- Keep the exhaust tailpipe area clear of snow and other material to help reduce the buildup of exhaust gases under the vehicle. This is particularly important when parked in blizzard conditions.
- Have the exhaust system inspected periodically for damage and leaks. Any damage or leaks should be repaired immediately.

Daily Inspection Checklist

Before Driving



83K-03-002

- 1) Make sure that windows, mirrors, lights, and reflectors are clean and unobstructed.
 - 2) Visually check the tyres for the following points:
 - the depth of the tread groove
 - abnormal wear, cracks and damage
 - loose wheel bolts
 - existence of foreign material such as nails, stones, etc.
- Refer to “Tyres” in “INSPECTION AND MAINTENANCE” section for details.
- 3) Look for fluid and oil leaks.

NOTE:

It is normal for water to drip from the air conditioning system after use.

- 4) Make sure the bonnet is fully closed and latched.
- 5) Check the headlights, turn signal lights, brake lights and horn for proper operation.
- 6) Adjust the seat and adjustable head restraint (if equipped).
- 7) Check the brake pedal and the parking brake lever.
- 8) Adjust the mirrors.
- 9) Make sure that you and all passengers have properly fastened your seat belts.
- 10) Make sure that all warning lights come on as the key is turned to the "ON" or "START" position.
- 11) Check all gauges.
- 12) Make sure that the BRAKE SYSTEM WARNING light turns off when the parking brake is released.

Once a week, or each time you fill your fuel tank, perform the following under-hood checks:

- 1) Engine oil level
- 2) Coolant level
- 3) Brake fluid level
- 4) Windshield washer fluid level
- 5) Battery solution level
- 6) Bonnet latch operation
Pull the Bonnet release handle inside the vehicle. Make sure that you cannot open the Bonnet all the way without releasing

the secondary latch. Be sure to close the Bonnet securely after checking for proper latch operation. See "All latches, hinges & locks" of "CHASSIS AND BODY" in the "Periodic Maintenance Schedule" in the "INSPECTION AND MAINTENANCE" section for lubrication schedule.

▲ WARNING

Make sure the bonnet is fully closed and latched before driving. If it is not, it can fly up unexpectedly during driving, obstructing your view and resulting in an accident.

Once a month, or each time you fill your fuel tank, check the tyre pressure using a tyre pressure gauge. Also check the tyre pressure of the spare tyre.

Engine Oil Consumption

It is normal for the engine to consume some engine oil during normal vehicle operation.

The amount of engine oil consumed depends on the viscosity of the oil, the quality of the oil and the conditions the vehicle is driven under.

More oil is consumed during high-speed driving and when there is frequent acceleration and deceleration. Under high loads, your engine also will consume more oil. A new engine also consumes more oil,

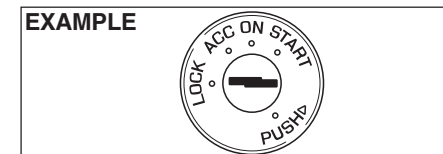
since its pistons, piston rings and cylinder walls have not yet become conditioned. New engines reach the normal level of oil consumption only after approximately 5000 km (3000 miles) driving.

When judging the amount of oil consumption, note that the oil may become diluted and make it difficult to accurately judge the true oil level.

As an example, if a vehicle is used for repeated short trips, and consumes a normal amount of oil, the dipstick may not show any drop in the oil level at all, even after 1000 km (600 miles) or more of driving. This is because the oil is gradually becoming diluted with fuel or moisture, making it appear that the oil level has not changed.

You should also be aware that the diluting ingredients evaporate out when the vehicle is subsequently driven at high speeds, such as on an expressway, making it appear that oil is excessively consumed after high-speed driving.

Ignition Switch



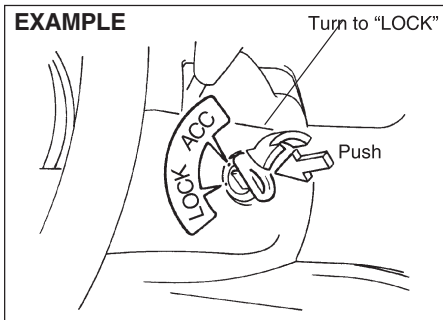
83K-03-003

⚠ WARNING
To avoid possible injury, do not operate controls by reaching through the steering wheel.

The ignition switch has the following four positions:

LOCK

This is the normal parking position. It is the only position in which the key can be removed.



83K-03-004

You must push in the key to turn it to the "LOCK" position. It locks the ignition, and prevents normal use of the steering wheel after the key is removed.

To release the steering lock, insert the key and turn it clockwise to one of the other positions. If you have trouble turning the key

to unlock the steering, try turning the steering wheel slightly to the right or left while turning the key.

ACC

Accessories such as the radio can operate, but the engine is off.

ON

This is the normal operating position. All electrical systems are on.

START

This is the position for starting the engine using the starter motor. The key should be released from this position as soon as the engine starts.

Ignition key reminder (if equipped)

A buzzer sounds intermittently to remind you to remove the ignition key if it is in the ignition switch when the driver's door is opened.



83K-03-005

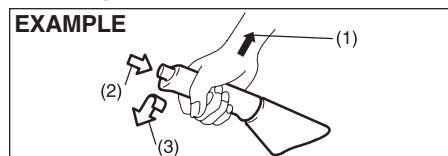
⚠ WARNING

- Never remove the ignition key while the vehicle is moving. The steering wheel will lock and you will not be able to steer the vehicle.
- Always remove the ignition key when leaving the vehicle even if a short time. Also do not leave children alone in a parked vehicle. Unattended children could cause accidental movement of the vehicle or could tamper with power windows. They also could suffer from heat stroke in warm or hot weather. These could result in severe injury or even death.

NOTICE

- Do not use the starter motor for more than 15 seconds at a time. If the engine does not start, wait 15 seconds before trying again. If the engine does not start after several attempts, check the fuel and ignition systems or consult your MARUTI SUZUKI dealer.
- Do not leave the ignition switch in the "ON" position if the engine is not running as the battery will discharge.

Parking Brake Lever



83K-03-006

- (1) To apply
- (2) To release
- (3) To release

The parking brake lever is located between the seats. To apply the parking brake, hold the brake pedal down and pull the parking brake lever all the way up. To release the parking brake, hold the brake pedal down, pull up slightly on the parking brake lever, push the button on the end of the lever with your thumb, and lower the lever to its original position.

⚠ WARNING

- Never drive your vehicle with the parking brake on: rear brake effectiveness can be reduced from overheating, brake life may be shortened, or permanent brake damage may result.
- If the parking brake does not hold the vehicle securely or does not



⚠ WARNING



fully release, have your vehicle inspected immediately by MARUTI SUZUKI authorized dealer.

⚠ WARNING

Always apply the parking brake fully before leaving your vehicle or it may move, causing injury or damage. When parking, make sure the gearshift lever is in 1st gear or "R" (Reverse). Remember, even though the transmission is in gear, you must apply the parking brake fully.

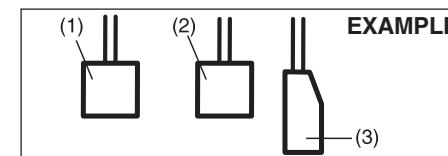
⚠ WARNING

When parking the vehicle on a slope, the following procedure should be used:

- 1) Apply the parking brake.
- 2) Shift the transmission into reverse or first gear.
- 3) With the engine off, get out of the vehicle and put chocks under the wheels.
- 4) Release the parking brake. When you return to your vehicle, you must remember to first apply the parking brake, then remove the wheel chocks.

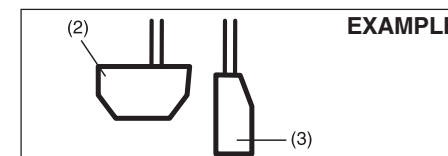
Pedal

Manual transaxle



83K-03-007

Automatic transaxle



83K-03-008

Clutch Pedal (1)

(For manual transaxle)

The clutch pedal is used to disengage the drive to the wheels when starting the engine, stopping, or shifting the gearshift lever. Depressing the pedal disengages the clutch.

⚠ WARNING

Do not drive with your foot resting on the clutch pedal. It could result in excessive clutch wear, clutch damage, or unexpected loss of engine braking.

Brake Pedal (2)

Your SUZUKI vehicle is equipped with front disc brakes and rear drum brakes. Depressing the brake pedal applies both sets of brakes.

You may hear occasional brake squeal when you apply the brakes. This is a normal condition caused by environmental factors such as cold, wet, snow, etc.

⚠ WARNING

If brake squeal is excessive and occurs each time the brakes are applied, you should have the brakes checked by your SUZUKI dealer.

⚠ WARNING

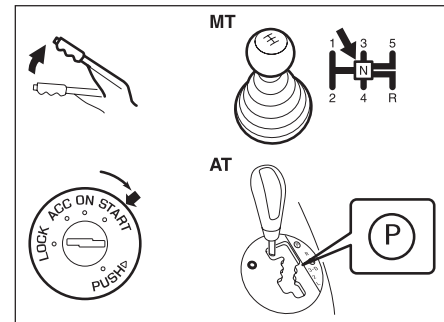
Do not “ride” the brakes by applying them continuously or resting your foot on the pedal. This will result in overheating of the brakes which could cause unpredictable braking action, longer stopping distances, or permanent brake damage.

Accelerator Pedal (3)

This pedal controls the speed of the engine. Depressing the accelerator pedal increases power output and speed.

Starting the Engine

Before Starting the Engine



83K-03-008A

- 1) Make sure the parking brake is set fully.
- 2) Manual transaxle – Shift into “N” (Neutral) and depress the clutch pedal all the way to the floor. Hold the clutch pedal while starting the engine. Automatic transaxle – If the gearshift lever is not in “P” (Park) position, shift into “P” (Park). (if you need to re-start the engine while the vehicle is moving, shift into “N”.)

NOTE:

Automatic transaxle vehicles have a starter interlock device which is designed to keep the starter from operating if the transaxle is in any of the drive positions.

⚠ WARNING

Make sure that the parking brake is set fully and the transaxle is in Neutral before attempting to start the engine.

Starting a Cold and Warm Engine

With your foot off the accelerator pedal, crank the engine by turning the ignition key to “START”. Release the key when the engine starts.

NOTICE

- **Stop turning the starter immediately after the engine has started or the starter system can be damaged.**
- **Do not crank the engine for more than 15 seconds at a time. If the engine doesn’t start on the first try, wait about 15 seconds before trying again.**

If the engine does not start after 15 seconds of cranking, wait about 15 seconds, then press down the accelerator pedal to 1/3 of its travel and try cranking the engine again. Release the key and accelerator pedal when the engine starts.

If the engine still does not start, try holding the accelerator pedal all the way to the floor while cranking. This should clear the engine if it is flooded.

If the engine still does not start, try holding the accelerator pedal all the way to the floor while cranking. This should clear the engine if it is flooded.

(For Diesel Engine Model)

Cold engine

Turn the ignition switch to the "ON" position and wait until the glow plug indicator goes out if it comes on. Crank the engine by turning the ignition key to "START". Release the key when the engine starts.

CAUTION

- Stop turning the starter immediately after the engine has started or the starter system can be damaged.
- Do not crank the engine for more than 15 seconds at a time. If the engine doesn't start on the first try, wait about 15 seconds before trying again.

Warm engine

Crank the engine by turning the ignition key to "START". Release the key when the engine starts.

CAUTION

When stopping the engine with turbocharger:



CAUTION

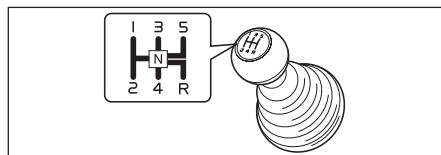


- When stopping the engine after climbing or high speed driving, let the engine idle for about one minute or more (if it is not prohibited) to cool down the turbocharger and engine oil. This is to prevent the engine oil from over-deteriorating. Deteriorated engine oil will damage the bearings of the turbocharger.

Restarting diesel engine after fuel-empty stop

The engine stops and the malfunction indicator light comes on if the engine feels fuel emptiness. To restart the engine, stop the vehicles, hold the ignition key in "ON" position for 5–10 seconds to feed fuel, then perform above engine starting procedure. Have the indicator light turned off by your MARUTI SUZUKI dealer.

Using the Transmission



83K-03-009

Starting off

To start off, push in the clutch pedal and change into 1st gear. After releasing the parking brake, gradually release the clutch. When you hear a change in the engine's sound, slowly press the accelerator while continuing to gradually release the clutch.

Gear Changing

All forward gears are synchronized, which provides for quiet, and easy changing. Always push in the clutch pedal fully before changing gears.

Downshifting maximum allowable speeds

Petrol Engine

Downshifting	Km/h
2nd to 1st	20
3rd to 2nd	54
4th to 3rd	80
5th to 4th	112

Diesel Engine

Downshifting	Km/h
2nd to 1st	24
3rd to 2nd	60
4th to 3rd	92
5th to 4th	125

OPERATING YOUR VEHICLE

83K

NOTE:

You may not accelerate to the maximum allowable speed because of the driving situation and/or the vehicle condition.

CAUTION

When downshifting to a lower gear, make sure not to operate with the speed faster than the maximum allowable speeds for the next lower gear, or severe engine damage can result.

Petrol



83K-03-010

Diesel



83K-03-011

Keep the engine speed so it does not get into the red zone of tachometer.

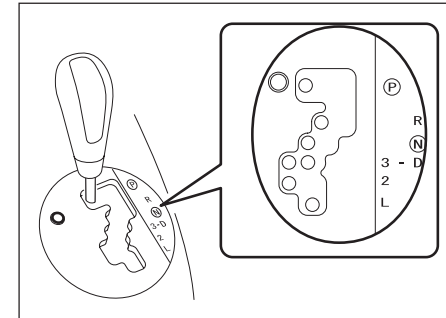
⚠ WARNING

- Reduce your speed and downshift to a lower gear before going down a long or steep hill. A lower gear will allow the engine to provide braking. Avoid riding the brakes or they may overheat, resulting in brake failure.
- When driving on slippery roads, be sure to slow down before changing down. Excessive and or sudden changes in engine speed may cause loss of traction, which could cause you to lose control.
- Make sure that the vehicle is completely stationary before you shift into reverse.

CAUTION

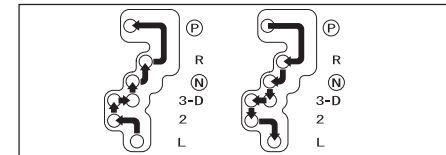
- To help avoid clutch damage, do not use the clutch pedal as a footrest while driving or use the clutch to keep the vehicle stationary on a slope. Depress the clutch fully when shifting.
- When shifting or starting off, do not race the engine. Racing the engine can shorten engine life and affect smooth operation.

4-Speed Automatic Transaxle



83K-03-011A

Gearshift lever



83K-03-011B

⚠ WARNING

Always depress the brake pedal before shifting from "P" (Park) (or "N" (Neutral) if the vehicle is stationary) to a forward or reverse gear, to help prevent the vehicle from moving unexpectedly when you shift.

Use the gearshift lever positions as described below:

P (Park)

Use this position to lock the transaxle when the vehicle is parked or when starting the engine. Shift into Park only when the vehicle is completely stationary.

R (Reverse)

Use this position to reverse the vehicle from stop. Make sure that vehicle is completely stationary before shifting into Reverse.

N (Neutral)

Use this position for starting the engine if the engine stalls and you need to restart it while the vehicle is moving. You may also shift into Neutral and depress the brake pedal to hold the vehicle stationary during idling.

D (Drive)

Use this position for all normal driving. With the gearshift lever in "D" range you can get an automatic downshift by pressing the accelerator pedal. The higher the vehicle speed is, the more you need to press the accelerator pedal to get a downshift.

3 (Low 3)

Use this position for driving on moderate uphill and downhill gradients. The engine braking effect on moderate downhills can be used in this position. The transaxle shifts up only to 3rd gear.

2 (Low 2)

Use this position to provide extra power when climbing hills, or to provide engine braking when going down hills.

L (Low 1)

Use this position to provide maximum power when climbing steep hills or driving through deep snow or mud, or to provide maximum engine braking when going down steep hills.

NOTE:

If you move the gearshift lever to a lower gear while driving faster than the maximum allowable speed for the lower gear, the transaxle will not actually downshift until your speed drops below the maximum speed for the lower gear.

NOTICE

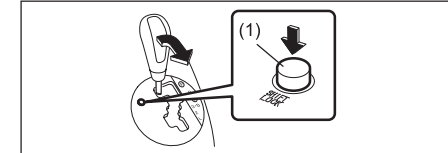
Be sure to take the following precautions to help avoid damage to the automatic transaxle:

- **Make sure that the vehicle is completely stationary before shifting into "P" or "R".**
- **Do not shift from "P" or "N" to "R", "D", "3", "2", or "L" when the engine is running above idle speed.**
- **Do not rev the engine with the transaxle in a drive position ("R", "D", "3", "2", or "L") and the front wheels not moving.**

NOTICE

- **Do not use the accelerator to hold the vehicle on a hill. Use the vehicle's brakes.**

If You Cannot Shift Automatic Transaxle Gearshift Lever Out of "P" (PARK)



83K-03-011C

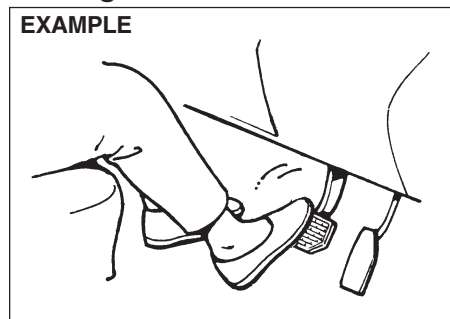
Vehicles with an automatic transaxle have an electrically operated park-lock feature. If the vehicle's battery is discharged, or there is some other electrical failure, the automatic transaxle cannot be shifted out of Park in the normal way. Jump starting may correct the condition. If not, follow the procedure described below. This procedure will permit shifting the transaxle out of Park.

- 1) Be sure the parking brake is firmly applied.
- 2) If the engine is running, stop the engine.
- 3) Make sure the key is in the "ON" or "ACC" position.

- 4) With pushing the release button (1), shift the gearshift lever to the desired position.

This procedure is for emergency use only. If repeated use of this procedure is necessary, or the procedure does not work as described, take the vehicle to your dealer for repair.

Braking



83K-03-012

The distance needed to bring any vehicle to a halt increases with the speed of the vehicle. The braking distance needed, for example, at 60 km/h (37 mph) will be approximately 4 times greater than the braking distance needed at 30 km/h (19 mph). Start to brake the vehicle when there is plenty of distance between your vehicle

and the stopping point, and slow down gradually.

⚠ WARNING

If water gets into the brake drums, brake performance may become poor and unpredictable.

After driving through water or washing the underside of the vehicle, test the brakes while driving at a slow speed to see if they have maintained their normal effectiveness. If the brakes are less effective than normal, dry them by repeatedly applying the brakes while driving slowly until the brakes have regained their normal effectiveness.

Power Assisted Brakes (if equipped)

Your vehicle has power assisted brakes. If power assistance is lost due to a stalled engine or other failures, the system is still fully operational on reserve power and you can bring the vehicle to a complete stop by pressing the brake pedal once and holding it down. The reserve power is partly used up when you depress the brake pedal and reduces each time the pedal is pressed. Apply smooth and even pressure to the pedal. Do not pump the pedal.

⚠ WARNING

Even without reserve power in the brake system, you can still stop the vehicle by pressing the brake pedal harder than normally required. However, the stopping distance may be longer.

Anti-Lock Brake System (ABS) (if equipped)

ABS will help you avoid skidding by electronically controlling braking pressure. It will also help you maintain steering control when braking on slippery surfaces or when braking hard.

The ABS works automatically, so you do not need any special braking technique. Just push the brake pedal down without pumping. The ABS will operate whenever it senses that the wheels are locking up. You may feel the brake pedal moves a little while the ABS is operating.

NOTE:

The ABS will not work if vehicle speed is under about 10 km/h (6 mph).

▲ WARNING

- On some types of loose surfaces (such as gravel, snow-covered roads, etc.) the stopping distance required for an ABS-equipped vehicle may be slightly greater than for a comparable vehicle with a conventional brake system. With a conventional brake system, skidding tyres are able to “plow” the gravel or snow layer, shortening the stopping distance, ABS minimizes this resistance effect. Allow for extra stopping distance when driving on loose surfaces.
- On regular paved roads, some drivers may be able to obtain slightly shorter stopping distances with conventional brake systems than with ABS.
- In both of the above conditions, ABS will still offer the advantage of helping you maintain directional control. However, remember that ABS will not compensate for bad road or weather conditions or poor driver judgment. Use good judgment and do not drive faster than conditions will safely allow.



83K-03-013

- (1) ABS warning light
- (2) Brake system warning light

▲ WARNING

- If the ABS warning light (1) on the instrument panel comes on and stays on while driving, there may be a problem with the ABS system. Ask your MARUTI SUZUKI dealer to inspect the ABS system immediately. If the ABS system becomes inoperative, the brake system will function as an ordinary brake system that has no ABS.
- If the ABS warning light (1) and the Brake system warning light (2) on the instrument panel simultaneously stays on or comes on when driving, both anti-lock function and rear brake force control function (Proportioning valve function) of the ABS system may have failed. If so, the rear wheels may easily skid or the vehicle can even spin in the

▲ WARNING

← worst case when braking on a slippery road or when hard braking even on a dry paved road. Contact your MARUTI SUZUKI dealer to inspect the ABS system immediately. Drive carefully, avoiding hard braking as much as possible.

How the ABS Works

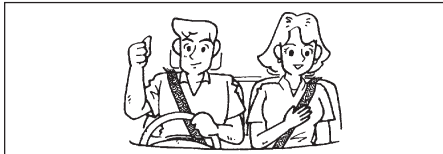
A computer continuously monitors wheel speed. The computer compares the changes in wheel speed when braking. If the wheels slow suddenly, indicating a skidding situation, the computer will change braking pressure several times each second to prevent the wheels from locking. When you start your vehicle after a stop you may hear a momentary motor noise as the system checks itself.

▲ WARNING

The ABS may not work properly if tyres or wheels other than those specified in the owner's manual are used. This is because the ABS works by comparing changes in wheel speed. When replacing tyres or wheels, use only the size and type specified in this owner's manual.

DRIVING TIPS

Running-in	6-1
Catalytic Converter	6-1
Improving Fuel Economy	6-2
Highway Driving	6-3
Driving on Hills	6-3
Driving on Slippery Roads	6-3
Do's and Don'ts for Safe Driving	6-5



83K-04-001

⚠ WARNING

- **Wear Your Seat Belts at All Times, even if air bags are equipped at the front seating positions. The driver and all passengers should be properly restrained at all times, using the seat belts provided. Refer to the "Seat Belts and Child Restraint Systems" section for instructions on proper use of the seat belts.**
- **Never drive while under the influence of alcohol or other drugs. Alcohol and drugs can seriously impair your ability to drive safely, greatly increasing the risk of injury to yourself and others. You should also avoid driving when you are tired, sick, irritated, or under stress.**

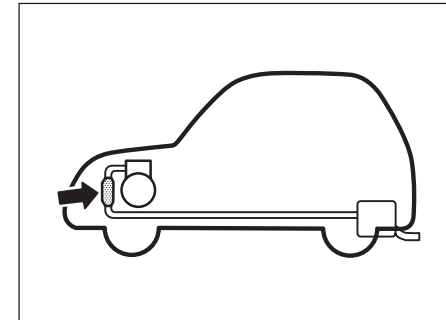
Running-in

CAUTION

The future performance and reliability of the engine depends on the care and restraint exercised during its early life. It is especially important to observe the following precautions during the initial 960 km (600 miles) of vehicle operation.

- **After starting, do not race the engine. Warm it up gradually.**
- **Avoid prolonged vehicle operation at a constant speed. Moving parts will break in better if you vary your speed.**
- **Start off from a stop slowly. Avoid full throttle starts.**
- **Avoid hard braking, especially during the first 320 km (200 miles) of driving.**
- **Do not drive slowly with the transmission in a high gear.**
- **Drive the vehicle at moderate engine speeds.**

Catalytic Converter



83K-04-002

The purpose of the catalytic converter is to minimize the amount of harmful pollutants in your vehicle's exhaust. Use of leaded fuel in vehicles equipped with catalytic converters is prohibited, because lead deactivates the pollutant-reducing components of the catalyst system.

The converter is designed to last the life of the vehicle under normal usage and when unleaded fuel is used. No special maintenance is required on the converter. However, it is very important to keep the engine properly tuned. Engine misfiring, which can result from an improperly tuned engine loose writing etc., may cause overheating of the catalyst. This may result in permanent heat damage to the catalyst and other vehicle components.

CAUTION

To minimize the possibility of catalyst or other vehicle damage:

- Maintain the engine in the proper operating condition.
- In the event of an engine malfunction, particularly one involving engine misfire or other apparent loss of performance, have the vehicle serviced promptly.
- Do not turn off the engine or interrupt the ignition when the transmission is in gear and the vehicle is in motion.
- Do not try to start the engine by pushing or towing the vehicle, or coasting down a hill.
- Do not idle the engine with any spark plug wires disconnected or removed, such as during diagnostic testing.
- Do not idle the vehicle for prolonged periods if idling seems rough or there are other malfunctions.
- Do not allow the fuel tank to get near the empty level.



83K-04-003

WARNING

Be careful where you park and drive; the catalytic converter and other exhaust components can get very hot. As with any vehicle, do not park or operate this vehicle in areas where combustible materials such as dry grass or leaves can come in contact with a hot exhaust system.

Improving Fuel Economy

The following instructions will help you improve fuel economy.

Avoid excessive idling

If you are to wait for more than a minute while you are parked, stop the engine and start it again later. When warming up a cold

engine, do not allow the engine to idle or apply full throttle until the engine has reached operating temperature. Allow the engine to warm up by driving.

Avoid "fast" starts

Fast starts away from lights or stop signs will consume fuel unnecessarily and shorten engine life. Start off slowly.

Avoid unnecessary stops

Avoid unnecessary deceleration and stopping. Try to maintain a slow, steady speed whenever possible. Slowing down and then accelerating again uses more fuel.

Keep a steady cruising speed

Keep as constant a speed as road and traffic conditions will permit.

Keep the air cleaner clean (Petrol engine)**EXAMPLE**

83K-04-004

A dirty air cleaner will cause the fuel system to supply too much fuel to the engine for the amount of air being supplied. The result is waste of fuel due to incomplete combustion.

(Diesel engine)

No cleaning is required. Replace as per periodic maintenance schedule.

Keep weight to a minimum

The heavier the load, the more fuel the vehicle consumes. Take out any luggage or cargo when it is not necessary.

Keep tyre pressures correct

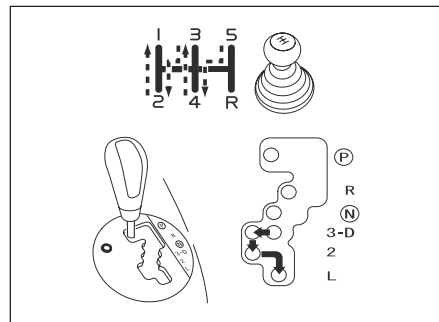
Underinflation of the tyres can waste fuel due to increased running resistance of the tyres. Keep your tyres inflated to the correct pressure shown on the label on the driver's side door pillar.

Highway Driving

When driving at high speeds, pay attention to the following:

- Stopping distance progressively increases with vehicle speed. Apply the brakes far enough ahead of the stopping point to allow for the extra stopping distance.
- On rainy days, "Aquaplaning" can occur. "Aquaplaning" is the loss of direct contact between the road surface and the vehicle's tyres due to a water film forming between them. Steering or braking the vehicle while "Aquaplaning" can be very difficult, and loss of control can occur. Keep speed down when the road surface is wet.
- At high speeds, the vehicle may be affected by side winds. Therefore, reduce

speed and be prepared for unexpected buffeting, which can occur at the exits of tunnels, when passing by a cut of a hill, or when being overtaken by large vehicles, etc.

Driving on Hills

83K-04-005

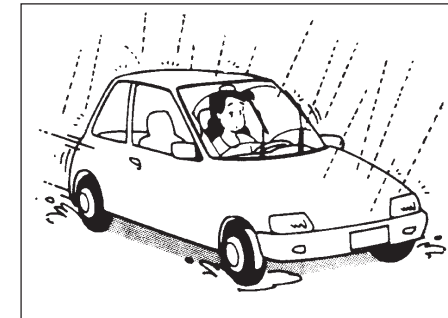
- When climbing steep hills, the car may begin to slow down and show a lack of power. If this happens, you should shift to a lower gear so that the engine will again be operating in its normal power range. Change rapidly to prevent the car from losing momentum.
- When driving down a hill, the engine should be used for braking by moving to next lower gear.

⚠ WARNING

Try not to hold the brake pedal down too long or too often while going down a steep or long hill. This could cause the brakes to overheat, resulting in reduced braking efficiency. Failure to take this precaution could result in loss of vehicle control.

CAUTION

When descending a down hill, NEVER turn the ignition key to the "OFF" position. Emission control system damage may result.

Driving on Slippery Roads

83K-04-006

DRIVING TIPS

83K

Under wet road conditions you should drive at a lower speed than on dry roads due to possible slippage of tyres during braking. When driving on icy, snow-covered, or muddy roads, reduce your speed and avoid sudden acceleration, abrupt braking, or sharp steering movements.

If Your Vehicle Gets Stuck

If your vehicle gets stuck in snow, mud, or sand, follow the directions below:

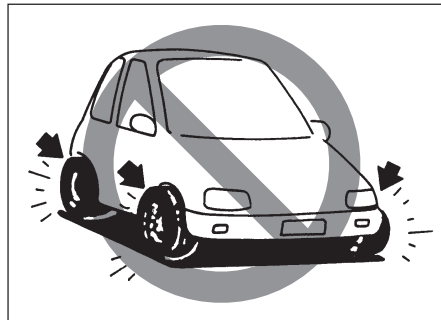
- 1) Change back and forth between first gear and reverse. This will create a rocking motion which may give you enough momentum to free the vehicle. Press gently on the accelerator to keep wheel spinning to a minimum wheel rpm. Remove your foot from the accelerator while changing gear. Do not race the engine. Excessive wheel spin will cause the tyres to dig deeper, making it more difficult to free the vehicle.
- 2) If your vehicle remains stuck after a few minutes of rocking, get another vehicle to pull your vehicle out.

⚠ WARNING

Do not allow anyone to stand near the vehicle when you are rocking it, and do not spin the wheels faster than an indicated 40 km/h (25 mph) on the speedometer. Personal injury and/ or vehicle damage may result from spinning the wheels too fast.

CAUTION

Do not continue rocking the vehicle for more than a few minutes. Prolonged rocking can cause engine overheating or transmission damage.



83K-04-007

DRIVING ON WET ROADS

CAUTION

- When driving on wet roads, avoid driving through large amount of standing water on the road. Large amount of water entering the engine compartment may cause damage to the engine and or electrical components.
- If stuck in deep water, do not start till water level drops
- Water is incompressible substance, water inside the engine is harmful to the engine.

⚠ WARNING

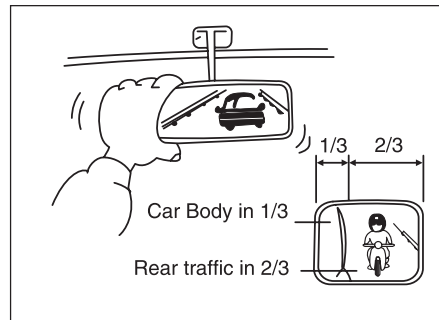
In addition to following the driving tips in this section, it is important to observe the following precautions.

- Make sure your tyres are in good condition and always maintain the specified tyre pressure. Refer to “Tyres” in the “INSPECTION AND MAINTENANCE” section for details.
- Do not use tyres other than those specified by MARUTI SUZUKI. Never use different sizes or types of tyres on the front and rear wheels. For information regarding the specified tyres, refer to the Tyre Information Label located on the driver’s door pillar.
- Never use oversized tyres or special shock absorbers and springs to raise (jack up) your vehicle. This will change the handling characteristics. Oversized tyres may also rub against the fender over bumps, causing vehicle damage or tire failure.
- After driving through water, test the brakes while driving at a slow speed to see if they have maintained their normal effectiveness. If the brakes are less effective than normal, dry them by repeatedly applying the brakes while driving slowly until the brakes have regained their normal effectiveness.

DO’S AND DON’TS FOR SAFE DRIVING

Exercise care in handling your vehicle. Be conscious of not only your own safety but also the safety of others on the road, and thus enjoy the best and most comfortable driving experience.

This section contains basic rules for safe driving. Read it carefully for good understanding of the content so that you can enjoy safe and pleasant driving in your Maruti Suzuki vehicle.



83K-04-008

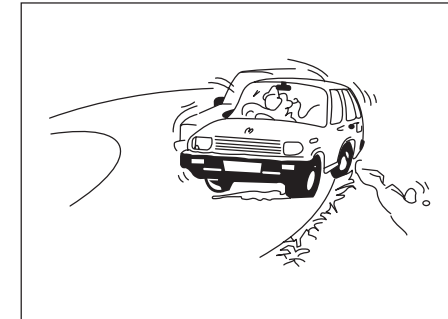
Starting

1. Adjust the driver’s seat for the proper driving posture.
2. Adjust the rear view mirror so as to obtain the best possible rear view.

3. Before moving off, look forward and back to confirm safety.
4. Don’t start quickly, for it is dangerous and wastes fuel.

General driving

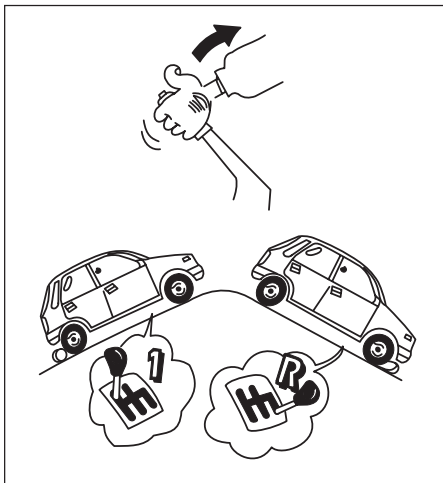
1. Be sure to stop before the stop light and stop sign. When moving into the intersection without any traffic lights or signs, drive slowly to confirm safety.



83K-04-009

2. Always follow other vehicles at a safe distance in order to prevent a rear-end collision, should the vehicle ahead make a sudden stop.
3. Turn ON the turn signal at least 30 meters before making a turn or changing the lane so as not to be hit from behind.

4. Before entering a corner, decelerate to a safe speed. Don't apply brakes during cornering, or a cornering skid may occur.
5. When overtaking other vehicles, watch out for the oncoming vehicle and carefully confirm the safety.
6. Don't attempt zigzag driving which will hinder your control over the vehicle and cause an accident.



83K-04-010

Braking

1. Use the parking brake when parking

your vehicle and shift the gear shift lever into the first gear or reverse gear position for the sake of safety.

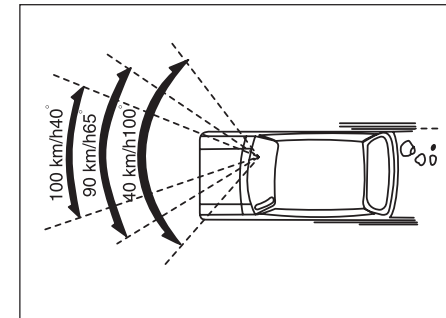
2. Don't use handbraking unless unavoidable. It causes the vehicle to skid and a rearend collision occur. It is especially dangerous when the tyres are worn, for they allow a larger skid. Use foot brake in three stages



83K-04-011

- (1) Warn the vehicle behind you
- (2) Gradually apply the brake.
- (3) Bring the vehicle to a halt.
3. When driving on a downhill, try not to apply the brake but use the engine brake effectively. Overuse of the footbrake may result in total brake failure.
4. Avoid reckless high speed driving and try to drive at a safe speed suitable for the

road conditions while maintaining a constant speed.



83K-04-012

5. The higher the speed, the narrower the driver's visual range becomes. In such a state, it is difficult to anticipate any hazard and the driver feels much fatigued.
6. Never do sharp handling during high speed driving. You will lose your control over your vehicle.
7. When overtaking or changing the lane while driving at a high speed, keep an ample vehicle-to-vehicle distance.

Long distance driving

1. Be sure to perform safety checks before starting a trip.
2. Take rest at certain intervals to prevent an accident which may occur when you are sleepy or tired.



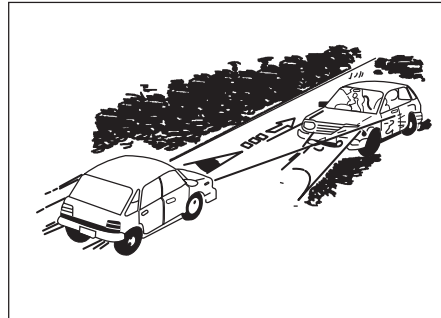
83K-04-013

Night time driving

1. Drive more slowly at night than in the daytime, for the visual range is restricted at night.
2. Don't overtake other vehicles at night. Darkness bothers your sense of speed and hinders your judgement on the vehicle-to-vehicle distance.
3. Don't use the high headlight beam unless its use is inevitable. Its dazzle may blitz the driver of the oncoming vehicle, thus causing an accident.
4. Always keep the window glasses clean. Don't operate the windshield wiper when the windshield glass is dry or the wiper blade and glass may get damaged.



83K-04-014



83K-04-015

MARGIN FOR SAFETY

It is important to allow yourself a margin for safety during driving so that you can cope with erroneous or unexpected driving of

other drivers. For that, observe the following.

- Drive at a safe speed.
- Maintain a sufficient distance between your vehicle and the vehicle ahead.
- Don't force yourself to overtake other vehicles.
- Don't make quick start, hard steering or sudden stops.
- Allow an ample time in the driving schedule.
- Observe traffic rules and regulations.

CONCLUSION

A perfect driver does not exist. The endeavour of every motorist should be to strive for perfection. Safety consciousness not only ensures your safety and the safety of other road users, it also helps reduce the wear and tear on your vehicle, prolongs its life, gives more mileage and ensures a comfortable driving experience.

Follow the do's and don'ts listed, and driving will never be the same again.

OTHER CONTROLS AND EQUIPMENT

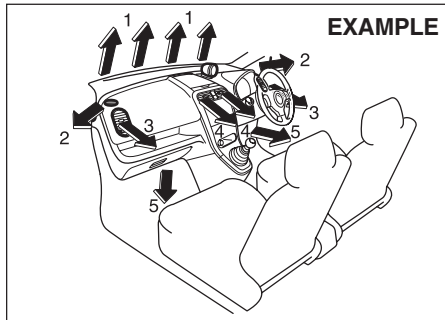
Heating and Air Conditioning System	7-1
Manual Heating and Air Conditioning System	7-1
Radio Antenna	7-4
Remote Audio Controls (if equipped)	7-4
Fuel Filler Cap	7-5
Engine Bonnet	7-6
Sun Visor	7-6
Interior Light Switch	7-7
Accessory Socket (if equipped)	7-7
Assist Grips (if equipped)	7-8
Glove Box	7-8
Instrument Panel Upper Tray	7-8
Cup Holder	7-9
Front Seat Back Pocket (if equipped)	7-9
Underseat Tray (if equipped)	7-9
Shopping Hook (if equipped)	7-10
Luggage Area Cover (if equipped)	7-10
Frame Hooks	7-10

Heating and Air Conditioning System

The type of heating and air conditioning system is:

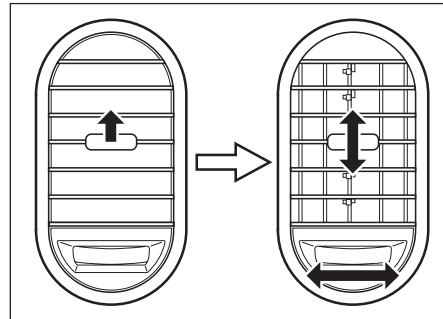
- Manual Heating and Air Conditioning System

Air Outlet



83K-05-001

1. Windshield defroster outlet
2. Side defroster outlet
3. Side outlet
4. Center outlet
5. Front floor outlet

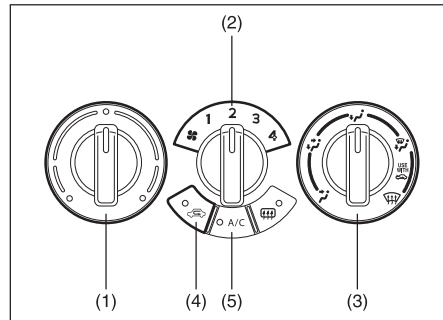


83K-05-002

When "Open", air comes out regardless of the air flow selector position.

Manual Heating and Air Conditioning System

Description of Controls



83K-05-003

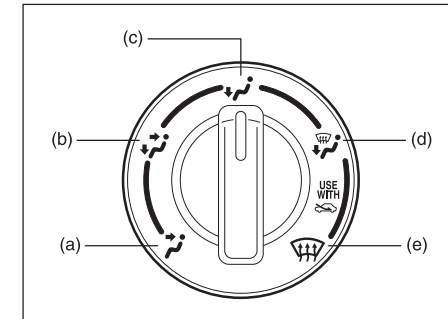
Temperature selector (1)

This is used to select the temperature by turning the selector.

Blower speed selector (2)

This is used to turn on the blower and to select blower speed by turning the selector.

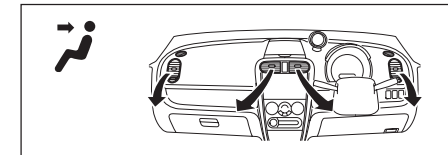
Air flow selector (3)



83K-05-004

This is used to select one of the functions described below.

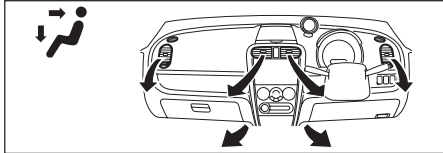
Ventilation (a)



83K-05-005

Temperature-controlled air comes out of the center and side air outlets.

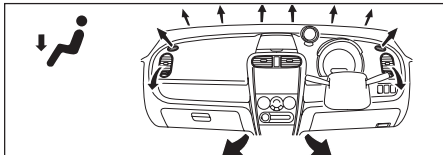
Bi-level (b)



83K-05-006

Temperature-controlled air comes out of the floor outlets and cooler air comes out of the center and side outlets. When the temperature selector (1) is in the fully COLD position or fully HOT position, however, the air from the floor outlets and the air from the center and side outlets will be the same temperature.

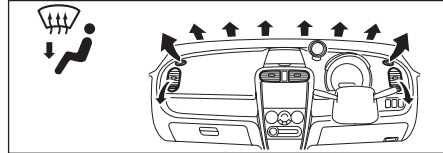
Heat (c)



83K-05-007

Temperature-controlled air comes out of the floor outlets and the side outlets, also comes out of the windscreen demister outlets and the side demister outlets slightly.

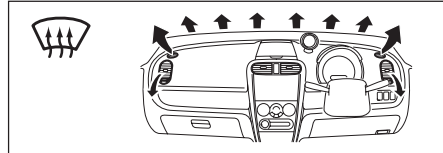
Heat & demist (d)



83K-05-008

Temperature-controlled air comes out of the floor outlets, the windscreen demister outlets, the side demister outlets and the side outlets.

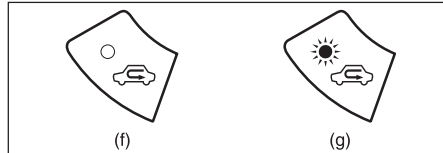
Defrost (e)



83K-05-009

Temperature-controlled air comes out of the windscreen demister outlets, the side demister outlets and the side outlets.

Air intake selector (4)



83K-05-010

This selector is used to select the following modes.

Fresh Air (f)

When this mode is selected, the indicator light will go off and outside air is used.

Recirculated Air (g)

When this mode is selected, the indicator light will come on, outside air is shut off and inside air is recirculated. This mode is suitable when driving through dusty or polluted air such as in a tunnel, or when attempting to quickly cool down the interior.

“FRESH AIR” and “RECIRCULATED AIR” are switched alternately each time the air intake selector is pushed.

NOTE:

If you select “RECIRCULATED AIR” for an extended period of time, the air in the vehicle can become contaminated. Therefore, you should occasionally select “FRESH AIR”.

Air conditioning switch (5)

To turn on the air conditioning system, push in the “A/C” switch and set the blower speed selector to a position other than “OFF”. With this “A/C” switch operation, a indicator light will come on when the airconditioning system is on. To turn off the air conditioning system, push the “A/C” switch again.

During operation of the air conditioner, you may notice slight changes in engine speed.

These changes are normal, the system is designed so that the compressor turns on or off to maintain the desired temperature.

Less operation of the compressor results in better fuel economy.

System Operating Instructions

Natural ventilation

Select "VENTILATION" and "FRESH AIR", the temperature selector to the desired temperature position, and the blower speed selector to "OFF". Fresh air will flow through the vehicle during driving.

Forced ventilation

The control settings are the same as for natural ventilation except you set the blower speed selector to a position other than "OFF".

Normal heating (using outside air)

Select "HEAT" and "FRESH AIR", the temperature selector to the desired temperature position and the blower speed selector to the desired blower speed position. Setting the blower speed selector to a higher blower speed position increases heating efficiency.

Quick heating (using recirculated air)

The control settings are the same as for normal heating except you select "RECIRCULATED AIR". If you use this heating method for an extended period of time, the air in the vehicle can become contaminated

and the windows can become misty. Therefore, use this method only for quick heating and change to the normal heating method as soon as possible.

Cool face / Warm feet

Select "BI-LEVEL" and "FRESH AIR", the temperature selector to the desired temperature position, and the blower speed selector to the desired blower speed position. Unless the temperature selector is in the fully COLD position or fully HOT position, the air that comes out of the center and side outlets will be cooler than the air that comes out of the floor outlets.

Normal cooling

Turn on the "A/C" switch, set the air flow selector to "VENTILATION", the temperature selector to the desired temperature position and the blower speed selector to the desired blower speed position. Setting the blower speed selector to a higher blower speed position increases cooling efficiency. You can switch the air intake selector to either "FRESH AIR" or "RECIRCULATED AIR" as you desire. Choosing "RECIRCULATED AIR" increases cooling efficiency.

Quick cooling (using recirculated air)

The control settings are the same as for normal cooling except you select "RECIRCULATED AIR" and the highest blower speed.

NOTE:

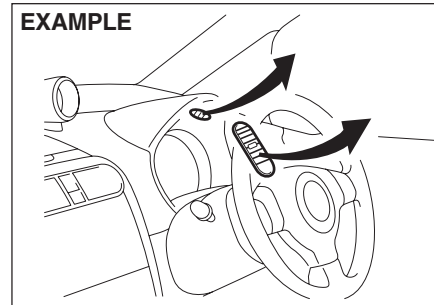
- If your vehicle has been left in the sun with the windows closed, it will cool faster if you open the windows briefly while you operate the air conditioner with the air intake selector at "FRESH AIR" and the blower at high speed.

Dehumidifying

Turn on the "A/C" switch, set the air flow selector to the desired air flow selector position, and select "FRESH AIR", the temperature selector to the desired temperature position, and the blower speed selector to the desired blower speed position.

NOTE:

Because the air conditioner dehumidifies the air, turning it on will help keep the windows clear, even when blowing heated air using the "DEMIST" or "HEAT & DEMIST" functions.



83K-05-011

NOTE:

If you need maximum demisting:

- set the air flow selector to "DEMIST",
- set the blower speed selector to HIGH,
- adjust the temperature selector to the HOT end,
- turn on the "A/C" switch, and
- adjust the side outlets so the air blows on the side windows.

Maintenance

If you do not use the air conditioner for a long period, such as during winter, it may not give the best performance when you start using it again. To help maintain optimum performance and durability of your air conditioner, it needs to be run periodically. Operate the air conditioner at least once a month for one minute with the engine idling. This circulates the refrigerant and oil and helps protect the internal components.

NOTE:

Your vehicle uses the air conditioning refrigerant HFC-134a, commonly called "R-134a". Only R-134a should be used in your vehicle.

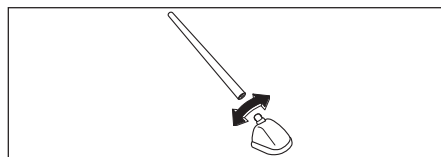
CAUTION

Using the wrong refrigerant may damage your air conditioning system. Use R-134a only. Do not mix or replace the R-134a with other refrigerants.

Audio System (if equipped)

Refer supplementary manual for audio system (if equipped), provided along with the vehicle.

Radio Antenna



83K-05-013

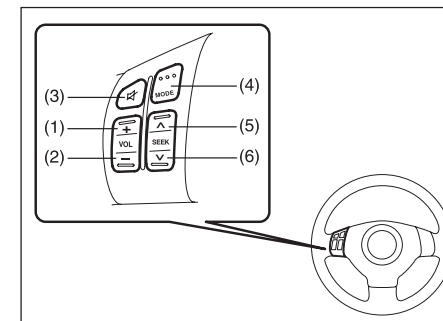
The radio antenna on the roof is removable. To remove the antenna, turn it counterclockwise. To reinstall the antenna, turn it clockwise firmly by hand.

CAUTION

To avoid damage to the radio antenna:

- Remove the antenna when using an automatic car wash.
- Remove the antenna when the antenna hits anything such as a low ceiling in a parking garage or putting a car cover over your car.

Remote Audio Controls (if equipped)



83K-05-014

You can control basic functions of the audio system with the switches on the steering wheel.

To control the volume:

- To increase the volume, push the switch (1).
- To decrease the volume, push the switch (2).
- To mute, push the switch (3).

To select the mode, push the switch (4).

You can also turn on the audio system by pushing the switch (4).

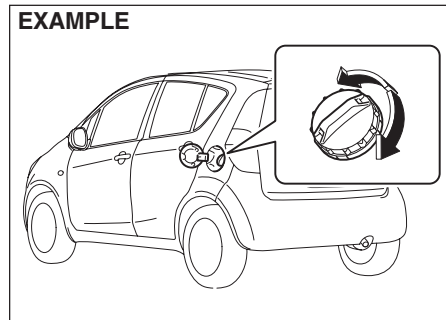
To change the radio station:

- To advance to the next preset station, push the switch (5) briefly.
- To select the previous preset station, push the switch (6) briefly.
- To scan the higher frequency radio station, push and hold the switch (5).
- To scan the lower frequency radio station, push and hold the switch (6).

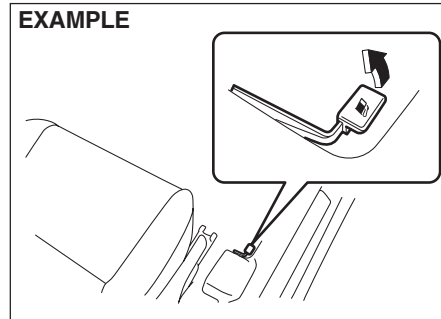
To scan the selection on a CD:

- To advance to the next track on a CD, push the switch (5).
- To select the previous track on a CD, push the switch (6).

Fuel Filler Cap



83K-05-015



83K-05-016

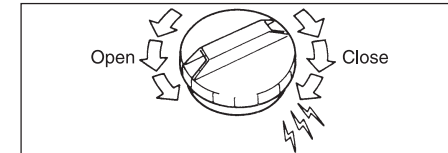
The fuel filler cap is located on the left rear side of the vehicle. The fuel filler lid can be unlocked by pulling up the opener lever located on the outboard side of the driver's seat and locked by simply closing the lid.

⚠ WARNING

Remove the fuel filler cap slowly. The fuel may be under pressure and may spray out, causing injury.

⚠ WARNING

Petrol is extremely flammable. Do not smoke when refueling, and make sure there are no open flames or sparks in the area.



83K-05-017

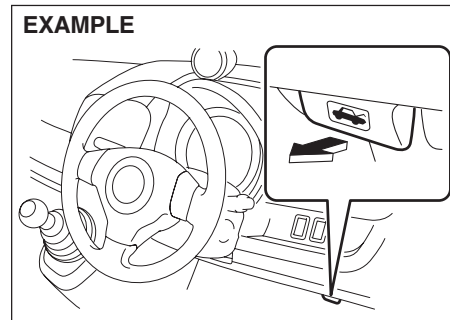
The fuel tank filler cap has a "screw-on ratcheting type" feature.

- To remove, turn the cap counterclockwise. Turn the cap slowly to allow any residual pressure to escape.
- To install, turn the cap clockwise and tighten it securely until a "ratcheting" (clicking) sound is heard. The "ratcheting" sound indicates that the cap is on properly.

⚠ WARNING

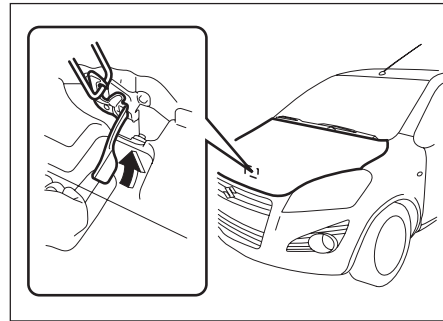
If you need to replace the fuel cap, use a MARUTI genuine cap. Use of an improper cap can result in a malfunction of the fuel system or emission control system. It may also result in fuel leakage in the event of an accident.

Engine Bonnet

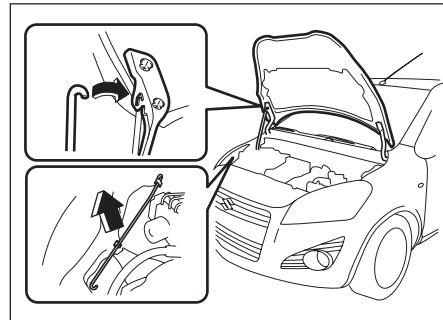


To open the engine bonnet:

- 1) Pull the bonnet release handle located on the outboard side of the driver's side of the instrument panel. This will disengage the engine bonnet lock halfway.



- 2) Push the under-bonnet release lever up with your finger, as shown in the illustration. While pushing the lever, lift up the engine bonnet.



- 3) Continue to lift up the bonnet until it is high enough to support with the prop rod.

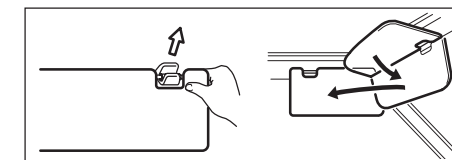
To close the engine bonnet:

- 1) Lift the bonnet up slightly and remove the prop rod from the hole. Put the prop rod back to the holding clip.
- 2) Lower the bonnet close to the bumper, then let it drop down. Make sure the bonnet is securely latched after closing.

⚠ WARNING

Make sure the bonnet is fully closed and latched before driving. If it is not, it can fly up unexpectedly during driving, obstructing your view and resulting in an accident.

Sun Visor



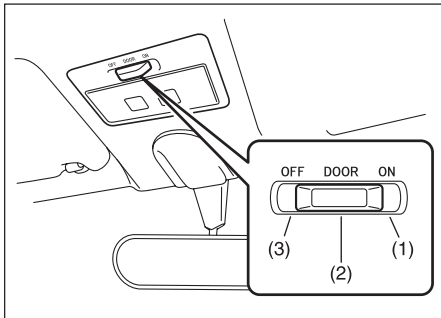
The sun visors can be pulled down to block glare coming through the windshield, or they can be unhooked and turned to the side to

block glare coming through the side window.

CAUTION

When unhooking and hooking a sun visor, be sure to handle it by the hard plastic parts or the sun visor can be damaged.

Interior Light Switch



83K-05-022

This light switch has three positions which function as described below:

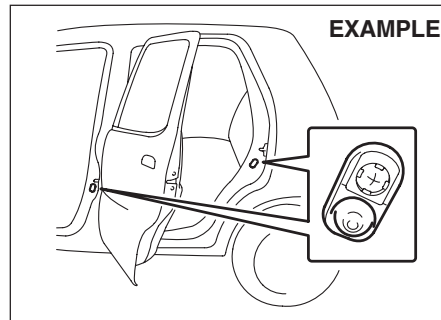
- 1) The light comes on and stays on regardless of whether the door is open or closed.
- 2) The light comes on when the door is opened.

After closing all doors, the light will remain on for about 15 seconds and

81

then fade out. If you insert the key into the ignition switch during that time, the light will start to fade out immediately. After removing the key from the ignition switch, the light will turn on for about 15 seconds and then fade out.

- 3) The light remains off even when the door is opened.

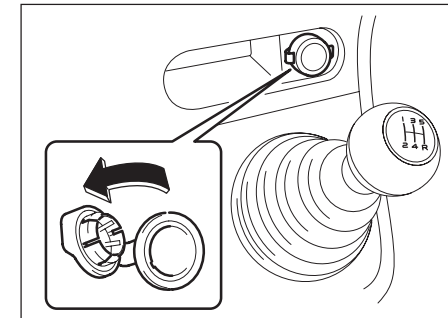


83K-05-023

NOTE:

The number of doors involved in the lighting operation of the interior light depends on the vehicle specification. If there is a switch (rubber projection) at the door opening as shown, the door is involved in the lighting operation. The tailgate is also involved in this operation even without the rubber projection.

Accessory Socket (if equipped)



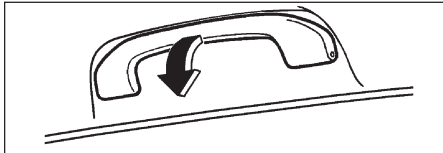
83K-05-024

The accessory socket will work when the ignition switch is in the "ACC" or "ON" position. This socket can be used to provide 12 volt/120 watt power for electrical accessories.

CAUTION

Use of inappropriate electrical accessories can cause damage to your vehicle's electrical system. Make sure that any electrical accessories you use are designed to plug into this type of socket.

Assist Grips (if equipped)



83K-05-027

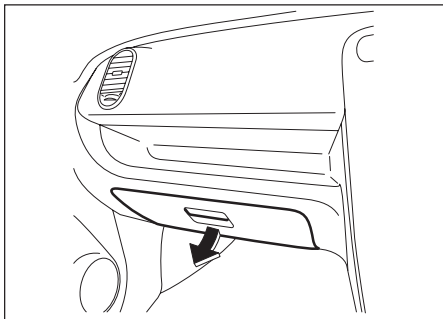
Assist grips are provided for passengers convenience.

CAUTION

To avoid damaging the assist grip and the molded headlining, do not hang down the assist grip.

- Assist grip is not provided above driver's seat.

Glove Box



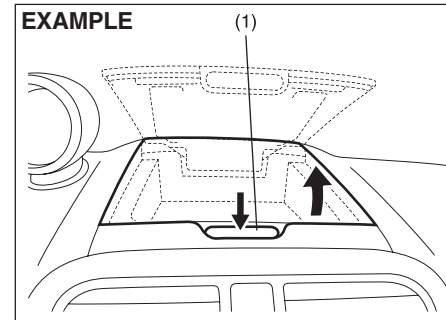
83K-05-028

To open the glove box, pull the latch lever. To close it, push the lid until it latches securely.

⚠ WARNING

Never drive with the glove box lid open. It could cause injury if an accident occurs.

Instrument Panel Upper Tray



83K-05-029

To use the instrument panel upper tray, lift the front edge (1) and open the lid. To close the lid, push the front edge (1). Do not put heavy or sharp items in the upper tray.

⚠ WARNING

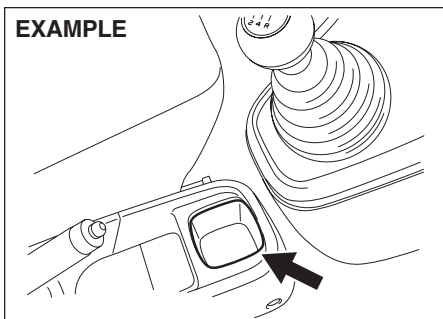
Never drive with the instrument panel upper tray lid open. It could cause injury if an accident occurs.

CAUTION

If you park your vehicle outdoors in direct sunlight or in hot weather, the instrument panel upper tray can get very hot. So, when parking in such conditions:

- Do not leave eyeglasses in the upper tray. The heat may distort plastic lenses or frames.
- Do not leave CDs, CD cases, and other plastic items in the upper tray. The heat may distort them.
- Do not place flammable items, such as a lighter, in the upper tray. The heat may cause a fire.

Cup Holder



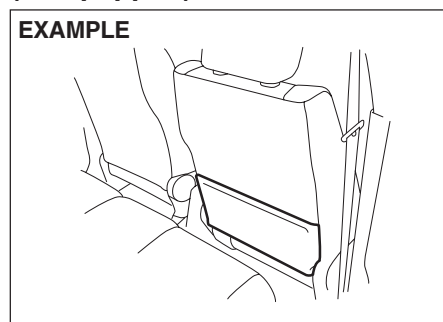
83K-05-030

The cup holder is provided in the center console.

▲ WARNING

Do not use the cup holder to hold cups containing hot liquids, or sharp-edged, hard or breakable objects. Objects in the cup holder may be thrown about during a sudden stop or impact, and could cause personal injury.

Front Seat Back Pocket (if equipped)



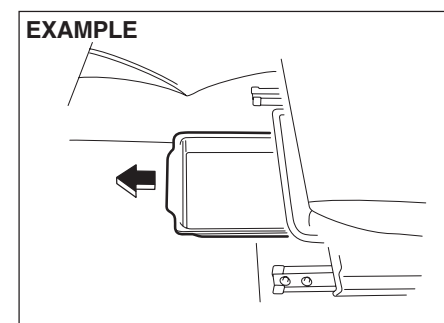
83K-05-031

This pocket is provided for holding light and soft things such as gloves, newspapers or magazines.

▲ WARNING

Do not put hard or breakable objects in the pocket. If an accident occurs, objects such as bottles, cans, etc. can injure the occupants in the rear seat.

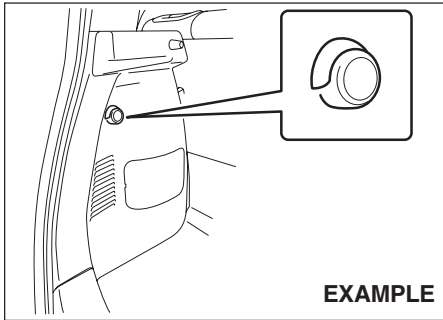
Underseat Tray (if equipped)



83K-05-032

The tray is located under the front passenger's seat. Pull the handle forward to draw out the tray. Be sure to push back in the tray before driving.

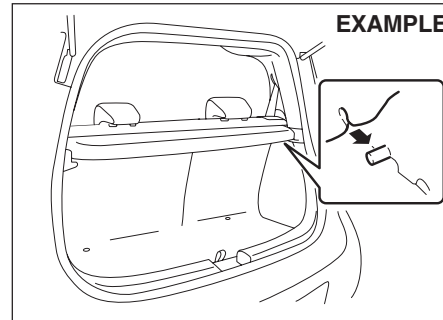
Shopping Hook (if equipped)



83K-05-033

The shopping hooks are located on the both sides of the luggage compartment. You can hang the shopping bag or other suitable objects on the hook. This hook is not designed for large or heavy items.

Luggage Area Cover (if equipped)



83K-05-034

Luggage or other cargo placed in the luggage compartment are hidden from view by a luggage area cover.

⚠ WARNING

Do not carry items on top of the luggage area cover, even if they are small and light. Objects on top of the cover could be thrown about in an accident, causing injury, or could obstruct the driver's rear view.

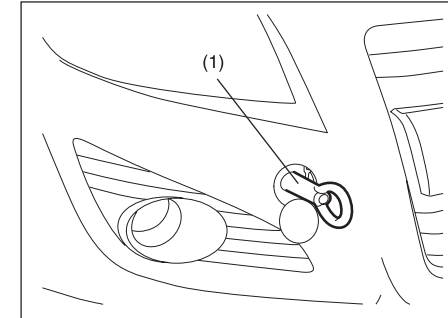
CAUTION

To avoid damaging the luggage area cover:

- Do not push down on it or lean on it.
- Handle it carefully when installing or removing.

Frame Hooks

Front

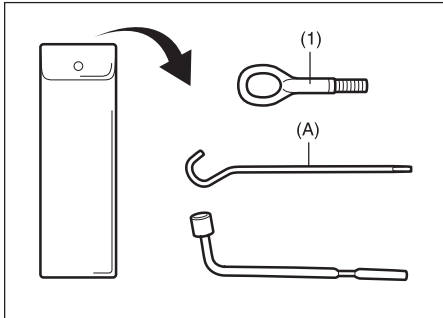


83K-05-035

The towing hook (1) is provided on the front of the vehicle for use in emergency situations.

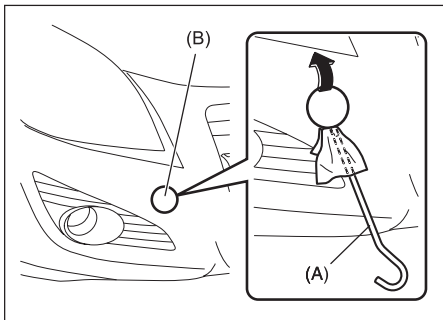
To install the hook (1), follow the procedure below.

(with spare tyre)



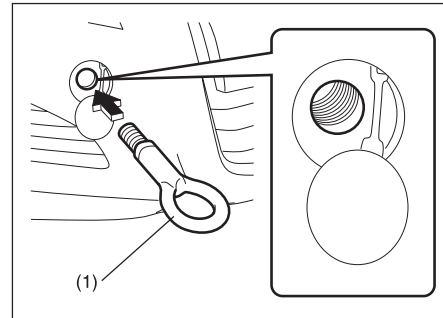
83K-05-036

1) Pick up the towing hook (1) and jack handle (A). The towing hook and jack handle in the storage bag are stowed just under the spare tyre in the luggage compartment.



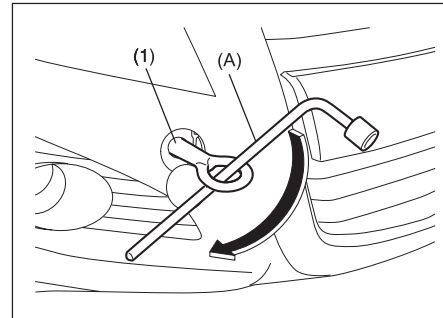
83K-05-037

2) Remove the cover (B) by using a jack handle (A) covered with a soft cloth as shown in the illustration.



83K-05-038

3) Install the towing hook (1) by hand.

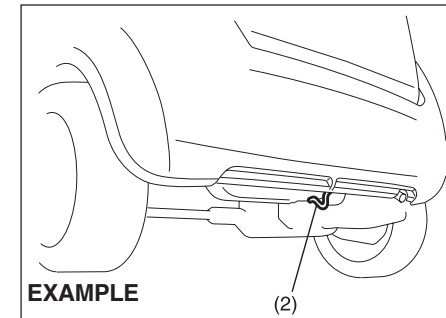


83K-05-039

4) To tighten the towing hook (1), turn it clockwise by using a jack handle (A) until the hook (1) is securely installed.

To remove the towing hook (1), reverse the procedure used to install the towing hook.

Rear



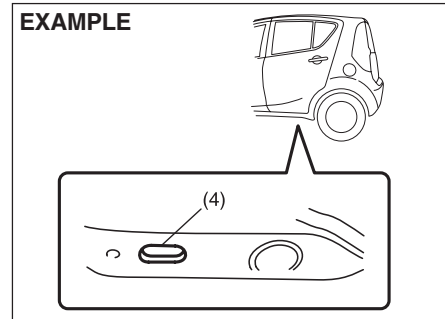
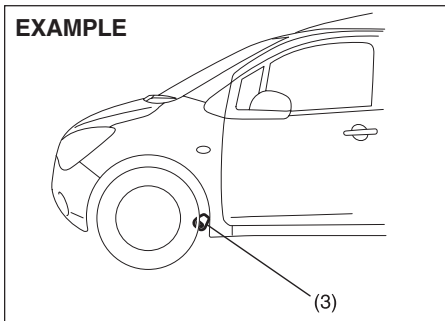
EXAMPLE

83K-05-040

The frame hook (2) is provided on the rear of the vehicle for use in emergency situations.

To tow your vehicle on the road or highway, follow the instruction of "Towing" in "EMERGENCY SERVICE" or "VEHICLE LOADING AND TOWING" section.

⚠ WARNING
Do not use the hooks (1) and (2) to tow (or be towed by) another vehicle on the road or highway. These hooks are designed for use in emergency situations and sea shipping purposes only.



The hooks (3) and frame holes (4) (if equipped) are provided for shipping purposes only.

VEHICLE LOADING AND TOWING

Vehicle Loading

Your vehicle was designed for specific weight capacities. The weight capacities of your vehicle are indicated by the Gross Vehicle Weight Rating (GVWR) and the Gross Axle Weight Rating (GAWR, front and rear). The GVWR and GAWR (front and rear) are listed in the "SPECIFICATIONS" section.

GVWR – Maximum permissible overall weight of the fully loaded vehicle (including all the occupants, accessories and cargo plus the trailer nose weight if towing a trailer).

GAWR – (Front and Rear) Maximum permissible weight on an individual axle.

Actual weight of the loaded vehicle and actual loads at the front and rear axles can only be determined by weighing the vehicle. Compare these weights to the GVWR and GAWR (front and rear). If the gross vehicle weight or the load on either axle exceeds these ratings, you must remove enough weight to bring the load down to the rated capacity.

⚠ WARNING

Never overload your vehicle. The gross vehicle weight (sum of the weights of the vehicle, all the occupants, accessories, cargo plus trailer nose



⚠ WARNING



weight if towing a trailer) must never exceed the Gross Vehicle Weight Rating (GVWR). In addition, never distribute a load so that the weight on either the front or rear axle exceeds the Gross Axle Weight Rating (GAWR).

⚠ WARNING

Always distribute cargo evenly. To avoid personal injury or damage to your vehicle, always secure cargo to prevent it from shifting if the vehicle moves suddenly. Place heavier objects on the floor and as far forward in the cargo area as possible. Never pile cargo higher than the top of the seat backs.

Trailer Towing

Your MARUTI SUZUKI was originally designed to carry people and a normal amount of cargo, not to tow a trailer. MARUTI SUZUKI does not recommend you use your vehicle to tow a trailer if there is not any local regulation about towing capacity permitted (for example, registered or statutory towing capacity). Towing a trailer can adversely affect handling, durability, and fuel economy.

Towing Your Vehicle

Your vehicle may be towed behind another Vehicle (such as a motorhome), provided you use the proper towing method specified for your vehicle. The towing method you must use depends on the specifications of your vehicle: whether it is a manual transmission vehicle or an automatic transmission vehicle.

Use the towing instruction table to select the proper towing method for your vehicle, and carefully follow the corresponding instructions. Be sure to use proper towing equipment designed for recreational towing and make sure that towing speed does not exceed 90 km/h.

⚠ WARNING

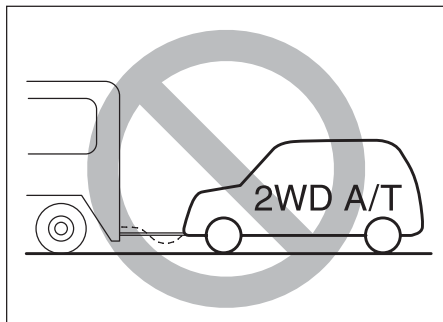
When you tow your vehicle, follow the instructions below to avoid accidents and damage to your vehicle. In addition, be sure to observe government and local requirements regarding vehicle lighting and trailer hitches or tow bars.

⚠ WARNING

A safety chain should always be used when you tow your vehicle.

TOWING INSTRUCTION TABLE

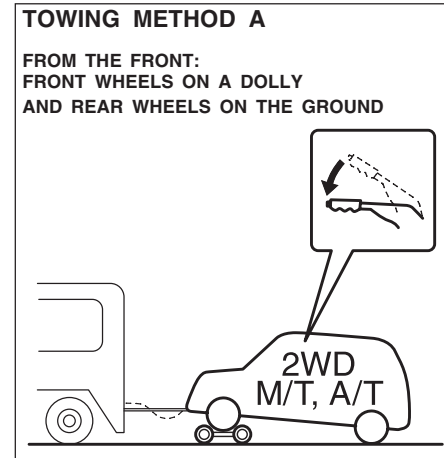
DRIVE TRAIN	TRANSAXLE	TOWING METHOD
2WD	A/T (AUTO)	A
	M/T (MANUAL)	A B



NOTICE
Towing an automatic transaxle vehicle with four wheels on the ground can result in damage to the automatic transaxle.

A: 2WD VEHICLES WITH MANUAL TRANSAXLE OR AUTOMATIC TRANSAXLE

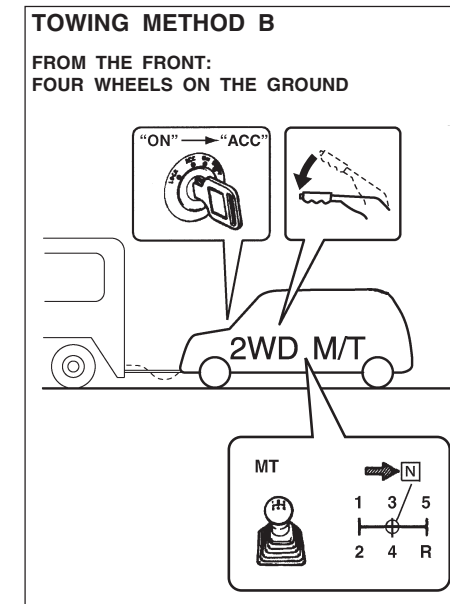
- 1) Secure the front wheels on a towing dolly according to the instructions provided by the dolly manufacturer.
- 2) Release the parking brake.



NOTICE
The steering column is not strong enough to withstand shocks transmitted from the front wheels during towing. Always unlock the steering wheel before towing.

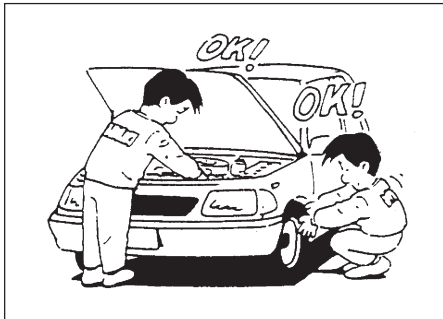
B: 2WD VEHICLES WITH MANUAL TRANSAXLE

- 1) Shift the manual transaxle lever into neutral.
- 2) Turn the ignition key to the "ACC" position to unlock the steering wheel.
- 3) Release the parking brake.



INSPECTION AND MAINTENANCE

Maintenance Schedule	9-1
Drive Belt	9-6
Engine Oil and Filter	9-6
Engine Coolant.....	9-9
Air Cleaner	9-11
Spark Plugs	9-11
Gear Oil	9-13
Clutch Pedal	9-14
Fuel Filter (Diesel engine)	9-14
Brakes	9-15
Steering	9-16
Tyres	9-17
Battery	9-19
Fuses	9-20
Bulb Replacement.....	9-23
Wiper Blades	9-26
Windshield Washer Fluid	9-28
Air Conditioning System	9-29



83K-07-001

⚠ WARNING

You should take extreme care when working on your vehicle to prevent accidental injury. Here are a few precautions that you should be especially careful to observe:

- To prevent damage or unintended activation of the air bag system be sure the battery is disconnected and the ignition switch has been in the "LOCK" position for at least 90 seconds before performing any electrical service work on your vehicle. Do not touch air bag system components and wires. The wires are wrapped with yellow tape or yellow tubing, and the couplers are yellow for easy identification.



⚠ WARNING



- Do not leave the engine running in garages or other confined areas.
- When the engine is running, keep hands, clothing, tools, and other objects away from the fan and drive belt. Even though the fan may not be moving, it can automatically turn on without warning.
- When it is necessary to do service work with the engine running, make sure that the parking brake is applied fully and the transmission is in Neutral.
- Do not touch ignition wires or other ignition system parts when starting the engine or when the engine is running, or you could receive an electric shock.
- Be careful not to touch a hot engine, exhaust manifold and pipes, muffler, radiator and water hoses.
- Do not allow smoking, sparks, or flames around petrol or the battery. Flammable fumes are present.
- Do not get under your vehicle if it is supported only with the portable jack provided in your vehicle.



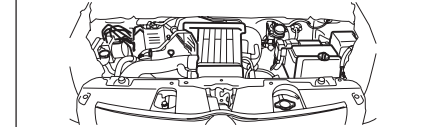
⚠ WARNING



- Be careful not to cause accidental short circuits between the positive and negative battery terminals.
- Keep used oil, coolant, and other fluids away from children and pets. Dispose of used fluids properly; never pour them on the ground, into sewers, etc.

Maintenance Schedule

EXAMPLE



83K-07-002

The following table shows the times when you should perform regular maintenance on your vehicle. This table shows in kilometers and months when you should perform inspections, adjustments, lubrication and other services.

⚠ WARNING

MARUTI SUZUKI recommends that maintenance on your MARUTI SUZUKI vehicle should be performed by MARUTI SUZUKI authorised Dealer/Service Station.

CAUTION

Whenever it becomes necessary to replace parts on your vehicle, it is recommended that you use MARUTI GENUINE PARTS (MGP) only.

Periodic Maintenance Schedule

- “A” : Adjust**
- “C” : Clean**
- “R” : Replace or Change**
- “I” : Inspect, correct or replace if necessary**
- “L” : Lubricate**
- “T” : Tighten to Specified Torque**
- “O” : Rotate**

NOTE:

This table includes services as scheduled up to 80,000 km mileage. Beyond 80,000 km, carry out the same services at the same intervals respectively.

INSPECTION AND MAINTENANCE

83K

Interval: This interval should be judged by odometer reading or months, whichever comes first.			FREE INSPECTION			PERIODIC MAINTENANCE AT COST							
			km (x1000)	1	5	10	20	30	40	50	60	70	80
			months	1	6	12	24	36	48	60	72	84	96
ENGINE													
1-1.	Water pump drive belt (Tension, Wear)	Petrol	-	-	-	-	-	I	-	-	-	R	
1-2.	Engine Coolant (Level, Leakage)		I	I	I	R	I	R	I	R	I	R	
1-3.	Engine oil and engine oil filter		-	-	R	R	R	R	R	R	R	R	
1-4.	Cooling system hoses and connections (Leakage and Damage)		I	I	I	I	I	I	I	I	I	I	
1-5.	Engine bolts (All cylinder head and manifold fixings)		-	-	T	-	T	-	T	-	T	-	
1-6.	Engine Mounting (All cylinder head and manifold fixings)		-	-	T	-	T	-	T	-	T	-	
1-7.	Valve Cleanrance	Petrol	-	-	-	-	I	-	-	I	-	-	
1-8.	Exhaust System (Noise, Leakage etc.)		-	I	-	I	-	-	-	-	-	I	
1-9.	Positive Crank Case Ventilation System (Hoses, Connections and Valve)		-	I	-	I	-	-	-	-	-	I	
1-10.	Exhaust Gas Recirculation Valve	Diesel	-	-	-	-	C	-	-	C	-	-	
IGNITION													
2-1.	Ignition wiring (Damage, Deterioration)		-	-	-	I	-	I	-	I	-	I	
2-2.	Spark Plug (Clean and adjust the gap)	Petrol	-	-	-	-	-	R	-	-	-	R	
FUEL													
3-1.	Air cleaner filter element	Paved-road	Petrol	Clean after every 5,000 KM. Replace after every 40,000KM									
			Diesel	Replace after every 20,000 KM. Cleaning not required									
		Dusty Condition	Petrol	Clean after every 2,500 KM. or as rquired. Replace after every 40,000KM									
			Diesel	Replace after every 20,000 KM. Cleaning not required. More frequent replacement if dust condition is severe.									
3-2.	Fuel tank cap, fuel lines and connections (Leakage and Damage)		-	I	-	-	-	I	-	-	-	I	
3-3.	Fuel Filter (Leakage)	Petrol	-	-	-	-	-	R	-	-	-	R	
3-4.	Fuel Filter and Water Draining	Diesel	I	I	I	R	I	R	I	R	I	R	

INSPECTION AND MAINTENANCE

Interval: This interval should be judged by odometer reading or months, whichever comes first.			FREE INSPECTION			PERIODIC MAINTENANCE AT COST							
			km (x1000)	1	5	10	20	30	40	50	60	70	80
			months	1	6	12	24	36	48	60	72	84	96
CLUTCH AND TRANSMISSION													
4-1.	Clutch Pedal (Play)	Petrol	I	I	I	I	I	I	I	I	I	I	
4-2.	Clutch Fluid (Level, Leakage)	Diesel	I	I	I	R	I	R	I	R	I	R	
4-3.	Clutch Slipping (Dragging or Excess Damage)		I	I	I	I	I	I	I	I	I	I	
4-4.	Manual Transmission/Transfer or Differential Oil (Level, Leakage)		I	I	I	R	I	R	I	R	I	R	
4.5.	Automatic transmission Fluid (Level, Leakage)		Replace at 1,65,000 KM or 11 years whichever comes first										
4.6.	Hose, Automatic transmission fluid		I	I	I	I	I	I	I	I	I	I	
DRIVE SHAFT													
5-1.	Drive shaft boot (boot damage)		-	I	I	I	I	I	I	I	I	I	
BRAKE													
6-1.	Brake Fluid (Level, Leakage)		I	I	I	R	I	R	I	R	I	R	
6-2.	Brake Pedal (pedal - wall clearance)		I	I	I	I	I	I	I	I	I	I	
6-3.	Parking brake lever and cable (Play, damage)		I	I	I	I	I	I	I	I	I	I	
6-4.	Brake disc and pad (Wear)		-	I	I	I	I	I	I	I	I	I	
6-5.	Brake drum and shoes (Wear)		-	-	I	I	I	I	I	I	I	I	
6-6.	Master cylinder/wheel cylinder/caliper (Oil leakage, boot cut) (replace piston and boot kits)		I	I	I	I	I	R	I	I	I	R	
6-7.	Brake hoses and pipes (Leakage, damage)		I	I	I	I	I	I	I	I	I	I	
WHEEL													
7-1.	Tyres (air pressure, abnormal wear, crack and rotation)		I	I&O	I&O	I&O	I&O	I&O	I&O	I&O	I&O	I&O	
7-2.	Wheels (Damage)		I	I	I	I	I	I	I	I	I	I	
7-3.	Front/Rear wheel bearing (Loose, damage)		I	I	I	I	I	I	I	I	I	I	
FRONT / REAR SUSPENSION													
8-1.	Suspension strut (Oil leakage, damage)		I	I	I	I	I	I	I	I	I	I	
8-2.	Suspension arms / Knuckle support (Loose, damage)		-	I	I	I	I	I	I	I	I	I	
8-3.	Rear spring (Damage)		I	I	I	I	I	I	I	I	I	I	
8-4.	Shock absorbers (Oil leakage, damage)		I	I	I	I	I	I	I	I	I	I	
8-5.	All bolts and nuts (Loose)		-	T	T	T	T	T	T	T	T	T	
8-6.	Suspension arms and torsion rods		-	I	I	I	I	I	I	I	I	I	

INSPECTION AND MAINTENANCE

83K

Interval: This interval should be judged by odometer reading or months, whichever comes first.	km (x1000)	FREE INSPECTION			PERIODIC MAINTENANCE AT COST							
		1	5	10	20	30	40	50	60	70	80	
		months	1	6	12	24	36	48	60	72	84	96
STEERING												
9-1.	Steering wheel (Play, loose)		I	I	I	I	I	I	I	I	I	I
9-2.	All rods and arms (Loose, damage, wear)		I	I	I	I	I	I	I	I	I	I
ELECTRICAL												
10-1.	Battery electrolyte (Level, leakage)		I	I	I	I	I	I	I	I	I	I
10-2.	Wiring harness connection (Loose, damage)		-	I	I	I	I	I	I	I	I	I
10-3.	Lightening system (Operation, stains, damage)		I	I	I	I	I	I	I	I	I	I
10-4.	Horn (Operation)		I	I	I	I	I	I	I	I	I	I
10-5.	System Voltage		-	I	I	I	I	I	I	I	I	I
BODY												
11-1.	All chassis bolts and nuts (Tighten)		-	I	T	T	T	T	T	T	T	T
11-2.	All latches, hinges and locks (Function)		I	I&L	I&L	I&L	I&L	I&L	I&L	I&L	I&L	I&L
ROAD TEST												
12-1.	Operation of Brakes, gear shifting and speedometer		I	I	I	I	I	I	I	I	I	I
12-2.	Body and chassis noise		I	I	I	I	I	I	I	I	I	I
AIR CONDITIONER (if equipped)												
13-1.	Check belt tension		I	I	I	I	I	I	I	I	I	I
13-2.	Tighten compressor mounting bolt		-	T	T	T	T	T	T	T	T	T
13-3.	All hose joint (Check, tighten)		I	I	I	I	I	I	I	I	I	I
13-4.	Check functioning of Recirc flap		I	I	I	I	I	I	I	I	I	I
13-5.	Clean condensor with low pressure water		-	C	C	C	C	C	C	C	C	C
13-6.	Check belt for frayed edges		I	I	I	I	I	I	I	I	I	I
13-7.	Check all mounting bolts		I	I	I	I	I	I	I	I	I	I

Drive Belt

⚠ WARNING

When the engine is running, keep hands, hair, clothing, tools, etc. away from the moving fan and drive belts.

(For Petrol Engine Model)

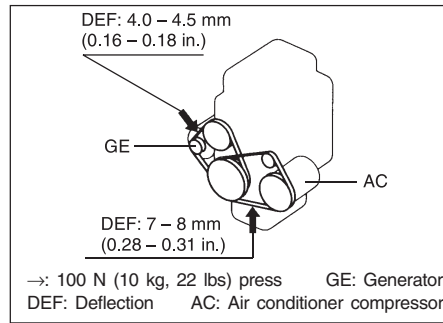
Make sure the drive belt tension is correct. If the belt is too loose, insufficient battery charging, engine overheating, poor power steering, poor air conditioning, or excessive belt wear can result. When you press the belt with your thumb midway between the pulleys, there should be a deflection according to the following chart.

The belts should also be examined to ensure that they are not damaged.

If you need to replace or adjust the belt have it done by your MARUTI SUZUKI dealer.

(For Diesel Engine Model)

The drive belts tension is adjusted automatically.

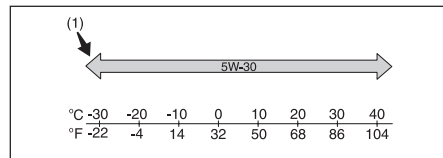


83K-07-003

Engine Oil and Filter

Specified Oil

(For Petrol Engine Model)



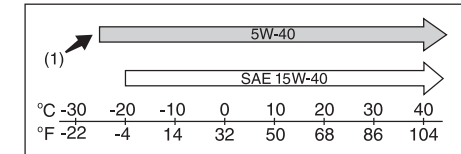
83K-07-005

(1) Preferred

Be sure that the engine oil you use comes under the quality classification of SG+.

The recommended Engine Oil is SG+ 5W-30.

(For Diesel Engine Model)



83K-07-005

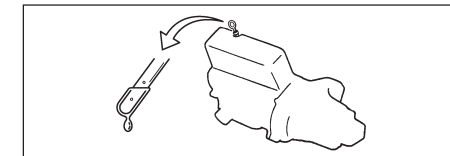
(1) Preferred

Be sure that the engine oil you use comes under the quality classification of ACEA B3. Select the appropriate oil viscosity according to the above chart.

The recommended Engine Oil is CG 5W-40, API -CG4 or above.

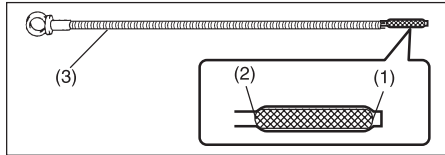
Oil Level Check

(For Petrol Engine Model)



83K-07-006

(For Diesel Engine Model)



83K-07-007

- (1) MIN
- (2) MAX
- (3) Engine oil dipstick

It is important to keep the engine oil at the correct level for proper lubrication of your vehicle's engine. Check the oil level with the vehicle on a level surface. The oil level indication may be inaccurate if the vehicle is on a slope. The oil level should be checked either before starting the engine or at least 5 minutes after stopping the engine.

The handle of the engine oil dipstick is colored yellow for easy identification. Pull out the oil dipstick, wipe oil off with a clean cloth, insert the dipstick all the way into the engine, then remove it again. The oil on the stick should be between the upper and lower limits shown on the stick. If the oil level indication is near the lower limit, add enough oil to raise the level to the upper limit.

CAUTION

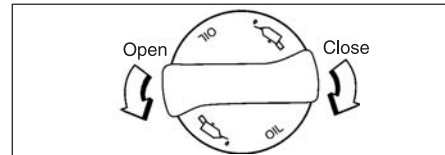
Failure to check the oil level regularly could lead to serious engine trouble due to insufficient oil.

Refilling (Petrol)



83K-07-008

Refilling (Diesel)

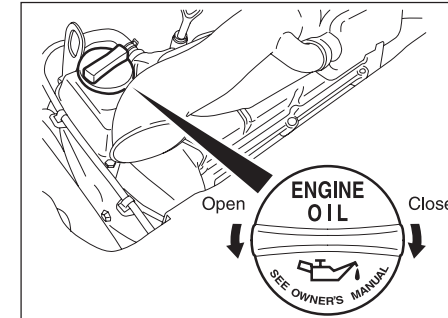


83K-07-009

Remove the oil filler cap and pour oil slowly through the filler hole to bring the oil level to the upper limit on the dipstick. Be careful not to overfill. Too much oil is almost as bad as too little oil. After refilling, start the engine and allow it to idle for about a minute. Stop the engine, wait about 5 minutes and check the oil level again.

Changing Engine Oil and Filter

Drain the engine oil while the engine is still warm.

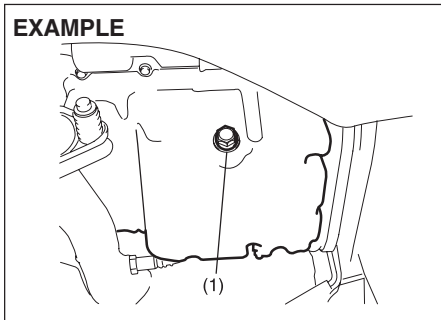


83K-07-010

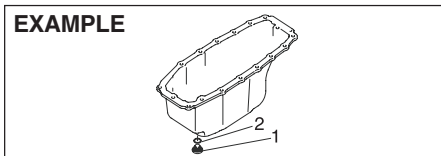
- 1) Remove the oil filler cap.
- 2) Place a drain pan under the drain plug.
- 3) Using a wrench, remove the drain plug and drain out the engine oil.

WARNING

The engine oil temperature may be high enough to burn your fingers when the drain plug is loosened. Wait until the drain plug is cool enough to touch with your bare hands.

For Petrol

83K-07-011

For Diesel

83K-07-012

Tightening torque for drain plug (1):

- **Petrol Engine**
35 Nm (3.5 kg-m, 25.5 lb-ft)
- **Diesel Engine**
20 Nm (2.0 kg-m, 14.5 lb-ft)

NOTE:

Washer (2) should be replaced every time when opened.

97

⚠ WARNING

New and used oil can be hazardous. Children and pets may be harmed by swallowing new or used oil. Keep new, used oil and used oil filters away from children and pets.

Continuous contact with used engine oil may cause (skin) cancer. Brief contact with used oil may irritate skin.

To minimize your exposure to used oil, wear a long-sleeve shirt and moisture-proof gloves (such as dishwashing gloves) when changing oil. If oil contacts your skin, wash thoroughly with soap and water. Launder any clothing or rags if wet with oil.

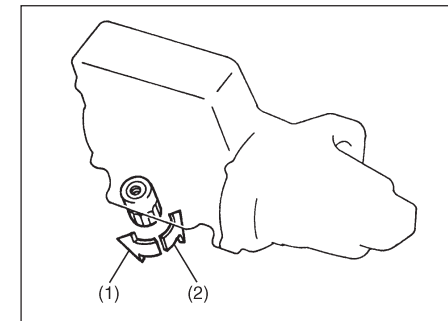
Recycle or properly dispose of used oil and filters.

- 4) Reinstall the drain plug and gasket. Tighten the plug with a wrench to the specified torque.

Replace the Oil Filter

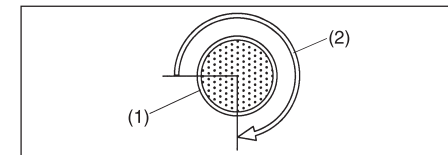
- 1) Using an oil filter wrench, turn the oil filter counterclockwise and remove it.
- 2) Using a clean rag, wipe off the mounting surface on the engine where the new filter will be seated.

- 3) Smear a little engine oil around the rubber gasket of the new oil filter.
- 4) Screw on the new filter by hand until the filter gasket contacts the mounting surface.

(For Petrol Engine Model)

83K-07-013

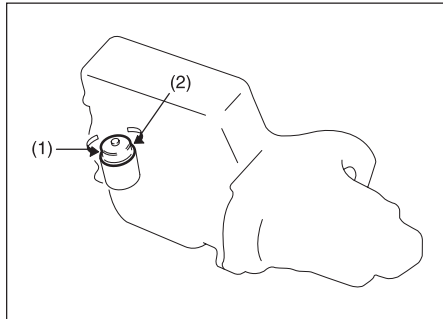
- (1) Loosen
- (2) Tighten

Tightening (viewed from filter top)

83K-07-014

- (1) Oil filter
- (2) 3/4 turn

(For Diesel Engine Model)



83K-07-015

- (1) Loosen
- (2) Tighten

NOTE:

Replace ring along with the new filter never use the old ring in the new filter.

CAUTION

To tighten the oil filter properly, it is important to accurately identify the position at which the filter gasket first contacts the mounting surface.

- 5) Tighten the filter specified turn from the point of contact with the mounting surface (or to the specified torque) using an oil filter wrench.

Tightening torque for oil filter

- Petrol Engine
3/4 turn or
14 Nm (1.4 kg-m, 10.5 lb-ft)
- Diesel Engine
3/4 turn or
25 Nm (2.5 kg-m, 18.1 lb-ft)

CAUTION

To prevent oil leakage, make sure that the oil filter is tight, but do not over-tighten it.

Refill with Oil and Check for Leaks

- 1) Pour oil through the filler hole and install the filler cap.
For the approximate capacity of the oil, refer to the "CAPACITIES" item in the "SPECIFICATIONS" section.
- 2) Start the engine and look carefully for leaks at the oil filter and drain plug. Run the engine at various speeds for at least 5 minutes.
- 3) Stop the engine and wait about 5 minutes. Check the oil level again and add oil if necessary. Check for leaks again.

CAUTION

• When replacing the oil filter, it is recommended that you use a MARUTI genuine replacement filter.

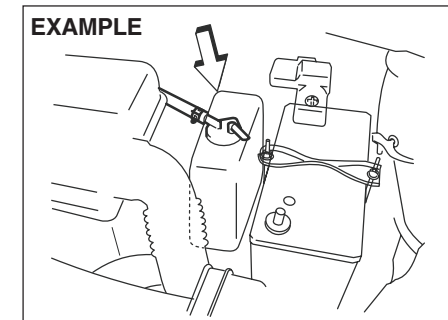
CAUTION

←

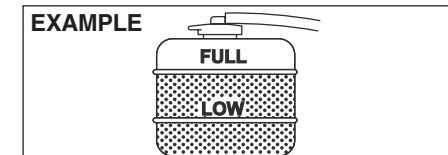
- Oil leaks from around the oil filter or drain plug indicate incorrect installation or gasket damage. If you find any leaks or are not sure that the filter has been properly tightened, have the vehicle inspected by your MARUTI SUZUKI dealer.

Engine Coolant

(For Petrol Engine Model)

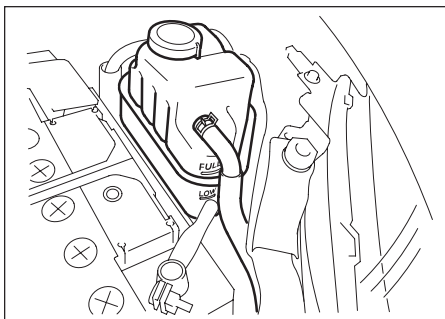


83K-07-016



83K-07-017

(For Diesel Engine Model)



83K-07-018

Selection of Coolant

To maintain optimum performance and durability of your engine, use MARUTI Genuine Coolant or equivalent.

This type of coolant is best for your cooling system as it:

- Helps maintain proper engine temperature.
- Gives proper protection against freezing and boiling.
- Gives proper protection against corrosion and rust.

Failure to use the proper coolant can damage your cooling system. Your MARUTI SUZUKI authorized dealer can help you select the proper coolant.

CAUTION

To avoid damaging your cooling system:

- Always use a high quality ethylene glycol base non-silicate based coolant diluted with distilled water at the correct mixture concentration.
- Make sure that the proper mix is 50/50 coolant to distilled water (Diesel) and 30/70 (For petrol). Concentrations other than this may cause overheating conditions.
- Neither use 100% coolant nor 100% plain water.
- Do not add extra inhibitors or additives. They may not be compatible with your cooling system.
- Do not mix different types of base coolants. Doing so may result in accelerated seal wear and/or the possibility of severe overheating and extensive engine damage.

Coolant Level Check

Check the coolant level at the reservoir tank, not at the radiator. With the engine cool, the coolant level should be between the "FULL" and "LOW" marks.

Adding Coolant

(For Petrol Engine Model)

If the coolant level is below the "LOW" mark, more coolant should be added.

Remove the reservoir tank cap and add coolant until the reservoir tank level reaches the "FULL" mark. Never fill the reservoir tank above the "FULL" mark.

(For Diesel Engine Model)

⚠ WARNING

It is hazardous to remove the reservoir tank cap (degassing tank cap) for Diesel engine when the water temperature is high, because scalding fluid and steam may be blown out under pressure. Wait until the coolant temperature has lowered before removing the cap.

If the coolant level is below the "LOW" mark, more coolant should be added. When the engine is cool, remove the degassing tank cap by turning it anticlockwise slowly to release any pressure. And add coolant until the degassing tank level reaches the "FULL" mark. Never fill the degassing tank above the "FULL" mark.

CAUTION

- The mixture you use should contain 50% concentration of antifreeze.
- If the lowest ambient temperature in your area is expected to be -35°C (-31°F) or below, use higher concentrations up to 60% following \Rightarrow

CAUTION

- ← the instructions on the antifreeze container.
- When putting the cap on the reservoir tank, line up the arrow on the cap and the arrow on the tank. Failure to follow this can result in coolant leakage.

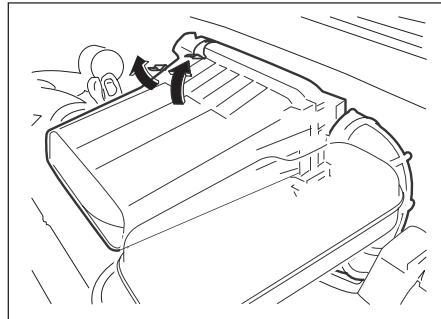
⚠ WARNING

Engine coolant is harmful or fatal if swallowed or inhaled. Do not drink antifreeze or coolant solution. If swallowed, do not induce vomiting. Immediately contact a poison control center or a physician. Avoid inhaling mist or hot vapors; if inhaled, remove to fresh air. If coolant gets in eyes, flush eyes with water and seek medical attention. Wash thoroughly after handling. Solution can be poisonous to animals. Keep out of the reach of children and animals.

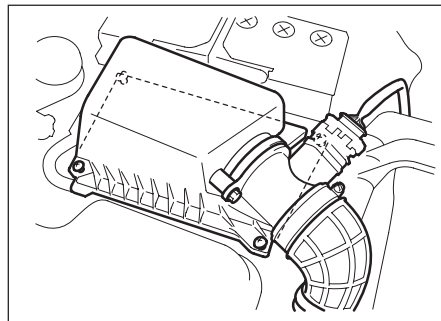
Coolant Replacement

Coolant Replacement work requires technical skill. Do not replace the coolant by yourself. Trust this job to Maruti Suzuki authorised Dealer Workshop or Service Station.

9-11

Air Cleaner**(For Petrol Engine Model)**

83K-07-019

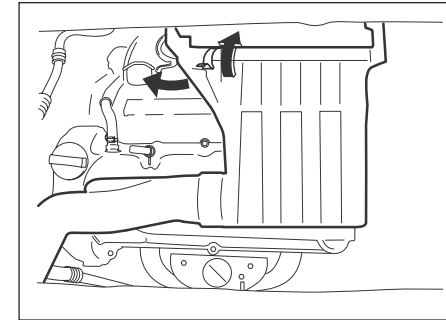
(For Diesel Engine Model)

83K-07-020

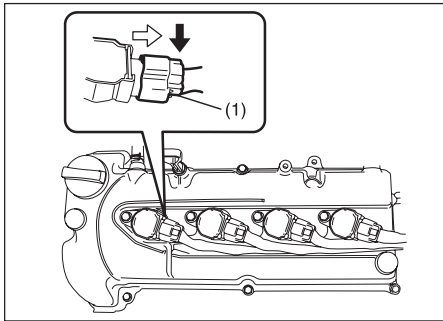
If the air cleaner is clogged with dust, there will be greater intake resistance, resulting

in decreased power output and increased fuel consumption.

Unclamp the side clamps or loosen the screws, and remove the element from the air cleaner case. If it appears to be dirty, replace it with a new one.

Spark Plugs

83K-07-021



83K-07-022

For nickel spark plugs (traditional type):
You should inspect spark plugs periodically for carbon deposits. When carbon accumulates on a spark plug, a strong spark may not be produced. Remove carbon deposits with a wire or pin and adjust the spark plug gap.

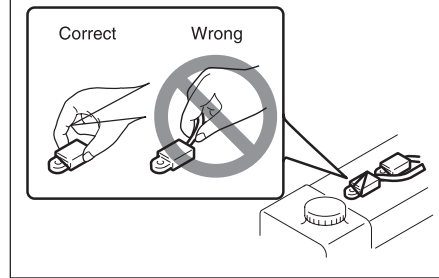
To access the spark plugs:

- 1) Unclamp the air cleaner cover.
- 2) Remove the engine top cover.
- 3) If necessary, disconnect the coupler (1) while pushing the release lever.
- 4) Remove the ignitor bolts.
- 5) Pull the spark plug boots out.

NOTE:

When installation, make sure the wires, couplers, sealing rubber of top cover and washers, are correctly returned in place.

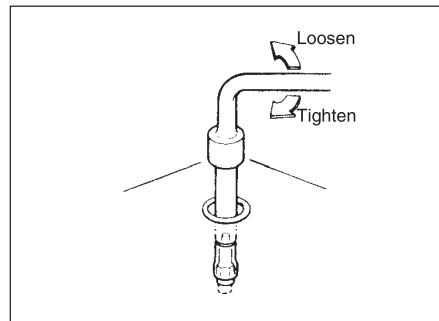
EXAMPLE



83K-07-023

NOTICE

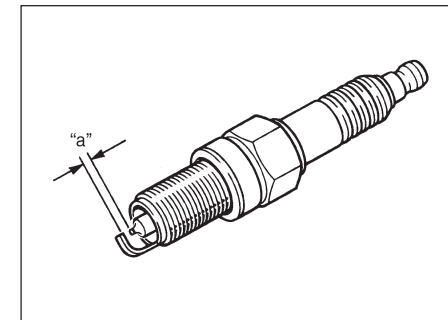
- When pulling the ignition coils out, do not pull on the cable. Pulling on the cable can damage it.



83K-07-024

CAUTION

- When installing the spark plugs, screw them in with your fingers to avoid stripping the threads. Tighten with a torque wrench to 18 Nm (1.83 kg-m, 13.3 lb-ft). Do not allow contaminants to enter the engine through the spark plug holes when the plugs are removed.
- Never use spark plugs with the wrong thread size.



83K-07-025

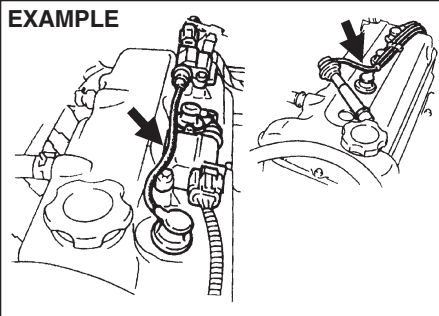
Spark plug gap "a"
1.0 mm +/- 0.05 mm

CAUTION

When replacing spark plugs, you should use the brand and type speci- ➔

CAUTION

←
fied for your vehicle. For the specified spark plugs, refer to the "SPECIFICATIONS" section at the end of this book. It is recommended to trust this job on your MARUTI SUZUKI dealer.

EXAMPLE

83K-07-026

NOTE:

If your engine is equipped with the high-tension cord type ignition wiring and you experience some firing problem of spark plugs, such as, hard engine-starting, misfire etc., the cause may be located not only on spark plugs but also on deteriorated ignition wirings (generally, used for more than 80000 km or five years). If spark plug replacement does not solve the problem, have the

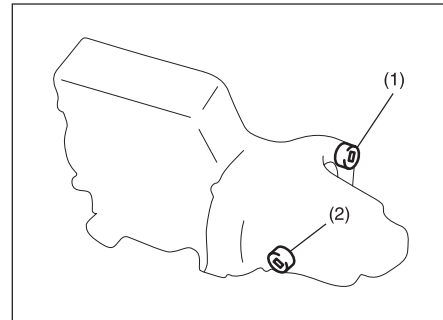
9-13

ignition wiring and other ignition system inspected by your MARUTI SUZUKI dealer.

Gear Oil**Transmission Oil**

When adding gear oil, use gear oil with the appropriate viscosity and grade.

We highly recommend you use:
API GL-4 SAE 75W-90.

Gear Oil Level Check

83K-07-027

- (1) Oil filler and level plug
(for petrol engine model)
- (2) Oil filler and level plug
(for diesel engine model)

To check the gear oil level, use the following procedure:

- 1) Park the vehicle on a level surface with

the parking brake applied. Then, stop the engine.

- 2) Remove the oil filler plug.
- 3) Feel the inside of the hole with your finger. If the oil level comes up to the bottom of the plug hole, the oil level is correct. If so, reinstall the plug.
- 4) If the oil level is low, add gear oil through the oil filler plug hole (1) until the oil level reaches the bottom of the filler hole, then reinstall the plug.

Tightening torque (1):

21 Nm (2.1 kg-m, 15.5 lb-ft)

▲ WARNING

After driving the vehicle, the transmission oil temperature may be high enough to burn your skin. Wait until the oil filler plug is cool enough to touch with your bare hands before inspecting transmission oil.

CAUTION

When tightening the plug, apply the following sealing compound or equivalent to the plug threads to prevent oil leakage.

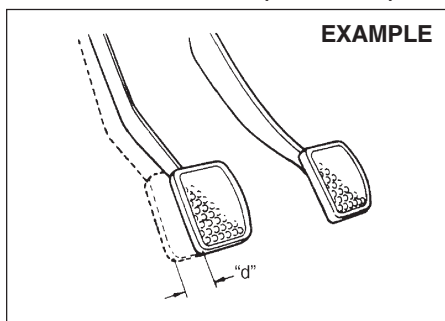
Manual transmission sealant:
SUZUKI Bond No. "1217G"

Gear Oil Change

Since special procedures, materials and tools are required, it is recommended that you trust this job to your MARUTI SUZUKI authorized dealer.

Clutch Pedal

Cable control clutch (For Petrol)



83K-07-028

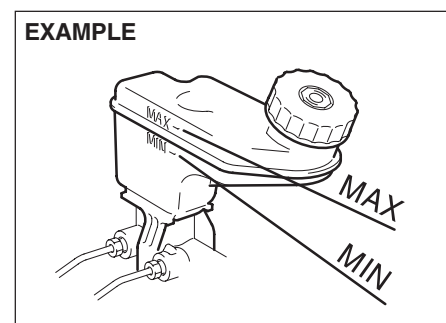
Clutch pedal play "d":

- **Petrol Engine**
11 - 13 mm (0.4 - 0.5 in.)
- **Diesel Engine**
5 - 7 mm (0.2 - 0.27 in.)

Measure the clutch pedal play by moving the clutch pedal with your hand and measuring the distance it moves until you feel slight resistance. The play in the clutch

pedal should be between the specified values. If the play is more or less than the above, or clutch dragging is felt with the pedal fully depressed, have the clutch inspected by your MARUTI SUZUKI dealer.

Fluid Control Clutch (For Diesel)



83K-07-029

Check the clutch pedal for smooth operation and brake fluid level from time to time. If clutch dragging is felt with the pedal fully depressed, have the clutch inspected by your MARUTI SUZUKI dealer. If the brake fluid level is near the "MIN" line, fill it up to the "MAX" line with Maruti Genuine brake fluid.

Automatic Transaxle (AT) Fluid

Specified Fluid

Use an automatic transaxle fluid:
SUZUKI ATF 3317 or Mobil ATF 3309

Fluid Level Check

NOTICE

Driving with too much or too little fluid can damage the transaxle.

You must check the fluid level with the automatic transaxle fluid at normal operating temperature.

To check the fluid level:

- 1) To warm up the transaxle fluid, drive the vehicle for 20 more minutes.

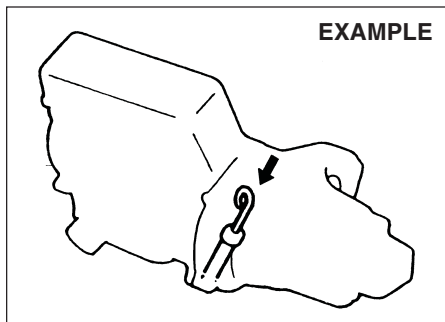
NOTICE

Be sure to use the specified automatic transaxle fluid. Using automatic transaxle fluid other than SUZUKI ATF 3317 or Mobil ATF 3309 may damage the automatic transaxle of your vehicle.

NOTE:

Do not check the fluid level if you have just driven the vehicle for a long time at high speed, if you have driven in city traffic in

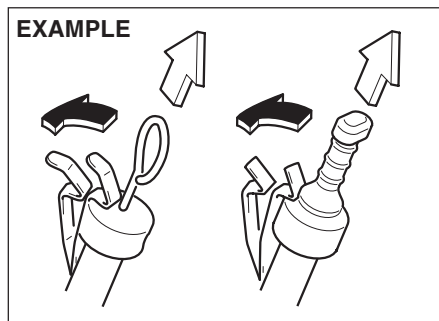
hot weather, or if the vehicle has been pulling a trailer. Wait until the fluid cools down (about 30 minutes), or the fluid level indication will not be correct.



83K-07-029A

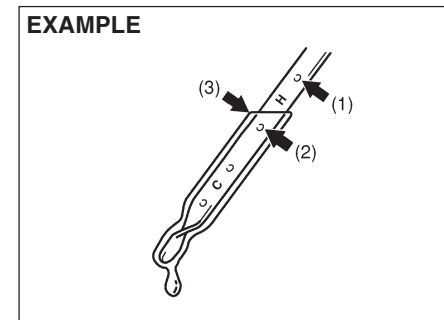
- 2) Park your vehicle on level ground.
- 3) Apply the parking brake and then start the engine in "P" (Park). Let it idle for two minutes and keep it running during the fluid level check.
- 4) With your foot on the brake pedal, move the gearshift lever through each range, pausing for about three seconds in each range. Then move it back to the "P" (Park) position.

⚠ WARNING
 Be sure to depress the brake pedal when moving the gearshift lever, or the vehicle can move suddenly.



83K-07-029B

- 5) The handle of the A/T fluid dipstick is colored red or orange for easy identification. Remove the dipstick, clean it and push it back in until the cap seats. Then pull out the dipstick.
- 6) Check both sides of the dipstick, and read the lowest level. The fluid level should be between the two marks in the "HOT" range on the dipstick.



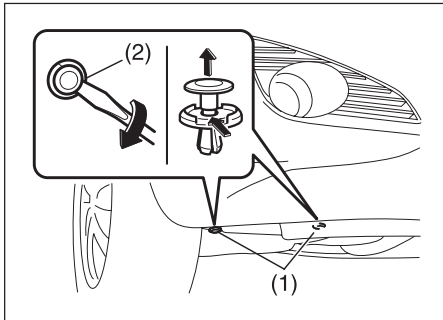
83K-07-029C

- (1) FULL HOT
- (2) LOW HOT
- (3) The lowest point = Fluid level
- 7) Add just enough specified fluid through the dipstick hole to fill the transaxle to the proper level.

NOTICE
 After checking or adding oil, be sure to insert the dipstick securely.

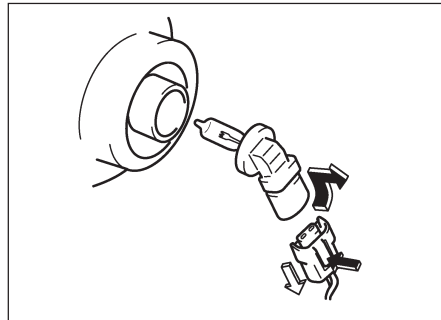
Changing Oil

Since special procedures, materials, and tools are required to change the automatic transaxle oil, it is recommended that you trust this job to your authorized d MARUTI SUZUKI dealer.

Front Fog Light (if equipped)

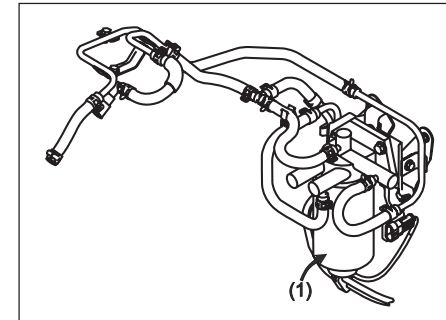
83K-07-029D

- 1) Insert a flat blade screwdriver into the hole (2) and remove the clips (1) by twist the driver as shown in the illustration.



83K-07-029E

- 2) Open the fender cover. Disconnect the coupler with pushing the lock release. Turn the bulb holder counterclockwise and remove it.

Fuel Filter (Diesel engine)

83K-07-030

- (1) Fuel Filter

The fuel filter works as a water sedimentor as well.

Drain water according to the Periodic Maintenance Schedule. To drain water:

- 1) Place a pan or ample rag under the fuel filter drain nozzle.
- 2) Loosen the drain knob. The water will be drained.
- 3) Tighten the drain knob when the water changes to the diesel fuel.
- 4) Tighten the drain knob.

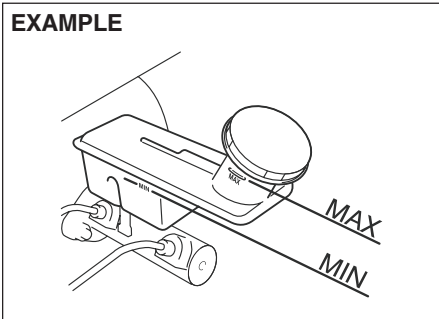
NOTE:

Trust this job to be carried out at Maruti Suzuki authorized dealer.

Brakes

Brake Fluid

EXAMPLE



83K-07-031

Check the brake fluid level by looking at the reservoir in the engine compartment. Check that the fluid level is between the "MAX" and "MIN" lines. If the brake fluid level is near the "MIN" line, fill it up to the "MAX" line with Maruti Genuine brake fluid.

⚠ WARNING

Failure to follow the guidelines below can result in personal injury or serious damage to the brake system.

- If the brake fluid in the reservoir drops below a certain level, the brake warning light on the instrument panel will come on (the engine must be running with the parking

9-17

⚠ WARNING



brake fully disengaged). If the light comes on, immediately contact your MARUTI SUZUKI dealer to inspect the brake system.

- A rapid fluid loss indicates a leak in the brake system which should be inspected by your MARUTI SUZUKI dealer immediately.
- Brake fluid can harm your eyes and damage painted surfaces. Use caution when refilling the reservoir.
- Do not use any fluid other than specified brake fluid. Do not use reclaimed fluid or fluid that has been stored in old or open containers. It is essential that foreign particles and other liquids are kept out of the brake fluid reservoir.

⚠ WARNING

Brake fluid is harmful or fatal if swallowed, and harmful if it comes in contact with skin or eyes. If swallowed, do not induce vomiting. Immediately contact a poison control center or a physician. If brake fluid gets in eyes, flush eyes with water and seek medical attention. Wash thoroughly after handling. Solution can be poisonous



⚠ WARNING



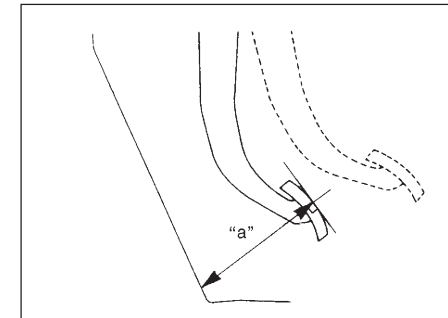
to animals. Keep out of the reach of children and animals.

NOTE:

With disc brakes, the fluid level can be expected to gradually fall as the brake pads wear.

Brake Pedal

Check if the brake pedal stops at the regular height without "spongy" feeling when you depress it. If not, have the brake system inspected by your MARUTI SUZUKI dealer. If you doubt the brake pedal for the regular height, check it as follows:



83K-07-032

Pedal to wall minimum distance "a":
85 mm (3.3 in.)

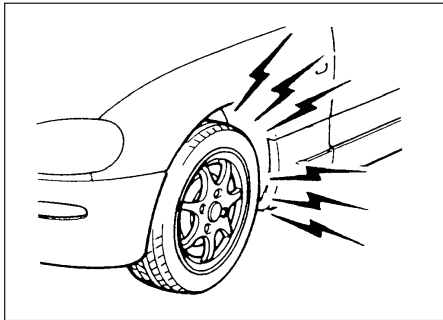
106

With the engine running, measure the distance between the brake pedal and floor carpet when the pedal is depressed with approximately 30 kg (66 lbs) of force. The minimum distance required is as specified. Since your vehicle's brake system is self-adjusting, there is no need for pedal adjustment.

If the pedal to floor wall distance as measured above is less than the minimum distance required, have your vehicle inspected by your MARUTI SUZUKI dealer.

NOTE:

When measuring the distance between the brake pedal and floor wall, be sure not to include the floor mat or rubber on the floor wall in your measurement.



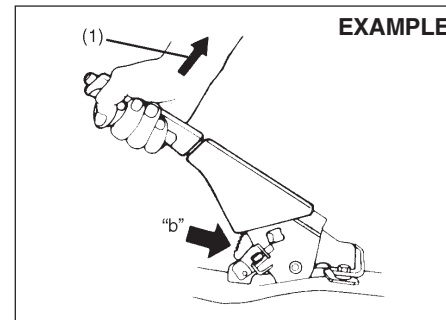
83K-07-033

⚠ WARNING

If you experience any of the following problems with your vehicle's brake system, have the vehicle inspected immediately by your MARUTI SUZUKI dealer.

- Poor braking performance
- Uneven braking (Brakes not working uniformly on all wheels.)
- Excessive pedal travel
- Brake dragging
- Excessive noise

Parking Brake



83K-07-034

Ratchet tooth specification "b":

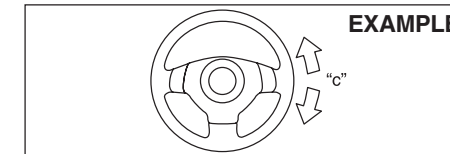
4th – 9th

Lever pull force (1):

200 N (20 kg, 44 lbs)

Check the parking brake for proper adjustment by counting the number of clicks made by the ratchet teeth as you slowly pull up on the parking brake lever to the point of full engagement. The parking brake lever should stop between the specified ratchet teeth and the rear wheels should be securely locked. If the parking brake is not properly adjusted or the brakes drag after the lever has been fully released, have the parking brake inspected and/or adjusted by your MARUTI SUZUKI dealer.

Steering



EXAMPLE

83K-07-035

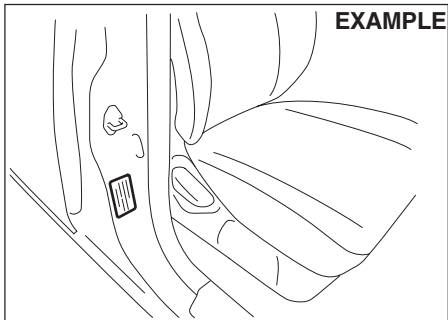
Steering wheel play "c":
0 – 30 mm (0.0 – 1.2 in.)

Check the play of the steering wheel by gently turning it from left to right and measuring the distance that it moves before you feel slight resistance. The play should be between the specified values.

Check that the steering wheel turns easily and smoothly without rattling by turning it all the way to the right and to the left while

driving very slowly in an open area. If the amount of free play is outside the specification or you find anything else to be wrong, an inspection must be performed by your MARUTI SUZUKI dealer.

Tyres



83K-07-036

The front and rear tyre pressure specifications for your vehicle are listed on the Tyre Information Label. Both the front and rear tyres should have the specified tyre pressure.

Tyre Inspection

Inspect your vehicle's tyres at least once a month by performing the following checks:

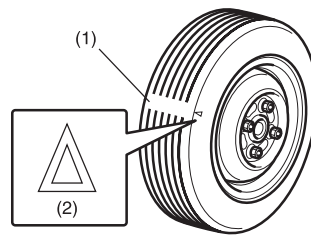
- 1) Measure the air pressure with a tire gauge. Adjust the pressure if necessary. Remember to check the spare tyre, too.

9-19

⚠ WARNING

- Air pressures should be checked when the tyres are cold or you may get inaccurate readings.
- Check the inflation pressure from time to time while inflating the tyre gradually, until the specified pressure is obtained.
- Never underinflate or overinflate the tyres. Underinflation can cause unusual handling characteristics or can cause the rim to slip on the tire bead, resulting in an accident or damage to the tyre or rim. Overinflation can cause the tyre to burst, resulting in personal injury. Overinflation can also cause unusual handling characteristics which may result in an accident.

EXAMPLE



83K-07-037

- (1) Tread wear indicator
- (2) Indicator location mark

- 2) Check that the depth of the tread groove is more than 1.6 mm (0.06 in.). To help you check this, the tyres have molded-in tread wear indicators in the grooves. When the indicators appear on the tread surface, the remaining depth of the tread is 1.6 mm (0.06 in.) or less and the tyre should be replaced.
- 3) Check for abnormal wear, cracks and damage. Any tyres with cracks or other damage should be replaced. If any tyres show abnormal wear, have them inspected by your MARUTI SUZUKI dealer.

⚠ WARNING

Hitting curbs and running over rocks can damage tyres and affect wheel alignment. Be sure to have tyres and wheel alignment checked periodically by your MARUTI SUZUKI dealer.

- 4) Check for loose wheel nuts.
- 5) Check that there are no nails, stones or other objects sticking into the tyres.

⚠ WARNING

- Your MARUTI SUZUKI is equipped with tyres which are all the same type and size. This is important to

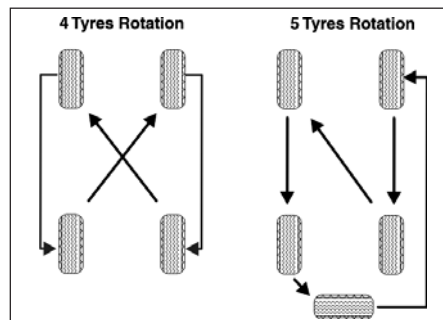
⚠ WARNING

ensure proper steering and handling of the vehicle. Never mix tyres of different size or type on the four wheels of your vehicle. The size and type of tyres used should be only those approved by MARUTI SUZUKI as standard or optional equipment for your vehicle.

- Replacing the wheels and tyres equipped on your vehicle with certain combinations of aftermarket wheels and tyres can significantly change the steering and handling characteristics of your vehicle.
- Therefore, use only those wheel and tyre combinations which are approved by MARUTI SUZUKI for your vehicle.

CAUTION

Replacing the original tyres with tyres of a different size may result in false speedometer or odometer readings. Check with your MARUTI SUZUKI dealer before purchasing replacement tyres that differ in size from the original tyres.

Tire Rotation

83K-07-038

To avoid uneven wear of your tyres and to prolong their life, rotate the tyres as illustrated. Tyres should be rotated as recommended in the periodic maintenance schedule. After rotation, adjust front and rear tyre pressures to the specification listed on your vehicle's Tyre Information Label.

Wheel Balancing

If the vehicle vibrates abnormally on smooth road, have the wheels balanced at Maruti Suzuki authorized workshop.

Wheel Alignment

In case of abnormal tyre wear or pulling towards one side, have the wheel aligned at Maruti Suzuki authorized workshop.

Tubeless Tyres (If equipped)

The vehicle is equipped with Tubeless Tyres. In tubeless tyre, a thin layer of butyl rubber

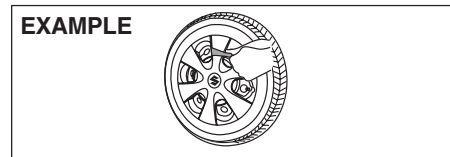
is used for lining the inside of the tubeless tyre. This layer is to prevent air loss and fulfilling the purpose of tube. The air pressure is maintained by the sealing between tyre bead and wheel rim. Tubeless tyres are having advantage of slow air loss and preventing sudden deflation while driving.

Care and maintenance tips for tubeless tyres

1. Always maintain recommended inflation pressure. Driving continuously at low inflation pressure can lead to tyre damage.
2. In case any leakage is found, check for any nail penetration/valve core damage or rim bent. Damaged wheel must not be used.
3. In case tyre has run at low pressure, it must be inspected for any defect.
4. Whenever new tyre is fitted, replace the valve.
5. If continuous high speed driving is required, increase tyres pressure by 5 psi over recommended inflation pressure.
6. Never run the tyre beyond TWI (Tread wear indicator). The tyre is recommended to be replaced when the remaining tread has worn to this point. The indicators are spaced across the tread around the tyre marked by a triangular symbol (TWI).
7. Always prefer tubeless tyre mounting machine. In case of manual mounting-tyre/wheel rim damage may occur.

8. In case of any problem, please get in touch with MARUTI SUZUKI authorised dealer.

Full Wheel Cover (if equipped)



83K-07-039

Insert a piece of cloth between the spokes of the wheel cover and try to pull the cover outward (as shown in figure). Take out the detached wheel cover from the wheel rim. For installation first match the slot at the wheel cover with the air filling nozzle of the wheel. Apply equal pressure at the circumference of the wheel cover to fix it in the wheel rim.

Battery

⚠ WARNING

- Batteries produce flammable hydrogen gas. Keep flames and sparks away from the battery or an explosion may occur. Never smoke when working in the vicinity of the battery.
- When checking or servicing the battery, disconnect the negative cable. Be careful not to cause a

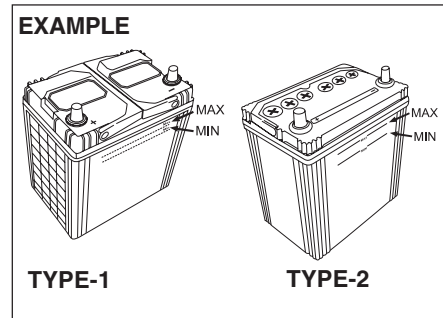
⚠ WARNING

←

short circuit by allowing metal objects to contact the battery posts and the vehicle at the same time.

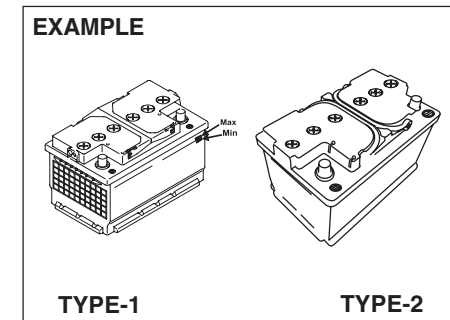
- To avoid harm to yourself or damage to your vehicle or battery, follow the jump starting instructions in the “EMERGENCY SERVICE” section of this manual if it is necessary to jump start your vehicle.

Petrol



83K-07-040-41

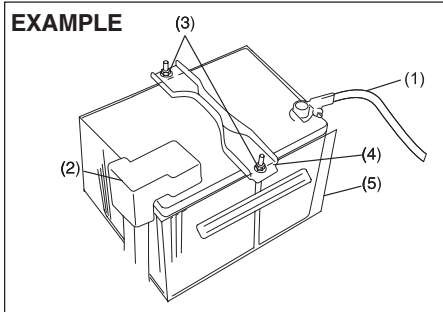
Diesel



83K-07-42

The level of the battery solution must be kept above the line between MAX and MIN. If the level is found to be below the line, add distilled water to bring level above line. You should periodically check the battery, battery terminals, and battery hold down bracket for corrosion. Remove corrosion using a stiff brush and ammonia mixed with water, or baking soda mixed with water. After removing corrosion, rinse with clean water. If your vehicle is not going to be driven for a month or longer, disconnect the cable from the negative terminal of the battery to help prevent discharge.

Replacement of the battery



83K-07-42A

To remove the battery:

- 1) Disconnect the negative cable (1).
- 2) Disconnect the positive cable (2).
- 3) Remove the retainer bolts (3) and remove the retainer (4).
- 4) Remove the battery along with cover assembly (5) (if equipped).

To install the battery:

- 1) Install the battery in the reverse order of removal.
- 2) Tighten the retainer bolt and battery cables securely.

NOTE:

When the battery is disconnected, some of the vehicle's function will be initialized and/or deactivated.

These function are required to reset after the battery is reconnected.

111

Fuses

Your vehicle has three types of fuses, as described below:

Main fuse

The main fuse takes current directly from the battery.

Primary fuses

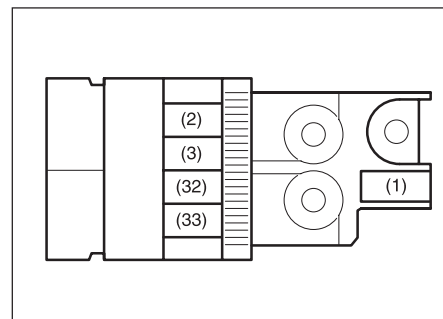
These fuses are between the main fuse and individual fuses, and are for electrical load groups.

Individual fuses

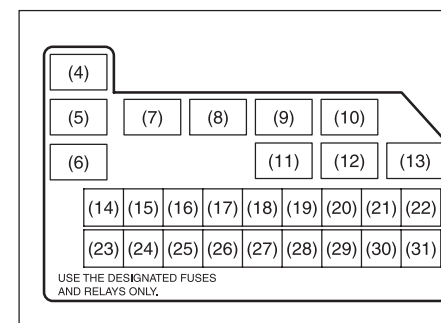
These fuses are for individual electrical circuits.

Fuses in the Engine Compartment

(For Petrol Engine Model)



83K-07-043



83K-07-044

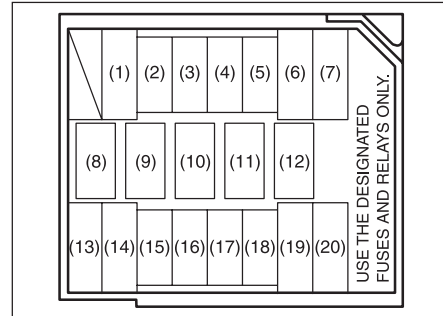
(For Petrol Engine Model)

MAIN FUSE/PRIMARY FUSE		
(1)	80A	All electric load
(2)	50A	Power window, Ignition, Wiper, Starter
(3)	50A	Tail light, Rear defogger, Door lock, Hazard/Horn, Dome
(4)	-	Radiator fan relay #1
(5)	-	Radiator fan relay #2
(6)	-	Radiator fan relay #3
(7)	-	Starting motor relay
(8)	-	Main relay
(9)	-	Blank
(10)	-	Front fog light relay
(11)	-	Fuel pump relay

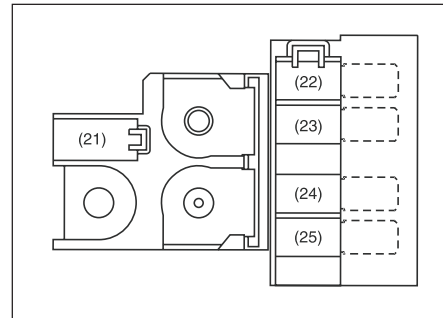
9-22

(12)	–	Air compressor relay
(13)	–	A/T Relay
(14)	30A	Heater fuse
(15)	15A	Fuel injection fuse
(16)	10A	Air compressor fuse
(17)	15A	A/T controller supply
(18)	15A	Brake light switch fuse
(19)	30A	ABS control module fuse
(20)	30A	Starting motor fuse
(21)	–	Blank
(22)	50A	Power steering control module fuse
(23)	30A	Ignition switch fuse
(24)	30A	Radiator fan fuse
(25)	–	Blank
(26)	30A	ABS control module (fuse)
(27)	–	Blank
(28)	–	Blank
(29)	15A	Front fog light fuse
(30)	15A	Headlight (Left) fuse
(31)	15A	Headlight (Right) fuse
(32)	80A	Heater, Air compressor, Power steering
(33)	80A	Radiator fan, Front fog light, Head light

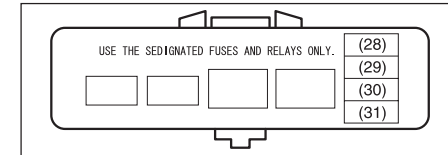
**Fuse in the Engine Compartment
(For Diesel Engine Model)**



83K-07-045



83K-07-046



83K-07-047

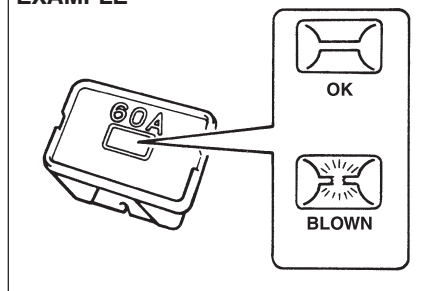
(For Diesel Engine Model)

MAIN FUSE/PRIMARY FUSE		
(1)	30A	Starting motor fuse
(2)	10A	Air compressor fuse
(3)	15A	Fuel pump fuse
(4)	30A	FI fuse
(5)	30A	Heater fuse
(6)	30A	Radiator fan fuse
(7)	50A	Power steering control module fuse
(8)	–	Radiator fan relay #1
(9)	–	Radiator fan relay #2
(10)	–	Radiator fan relay #3
(11)	–	Air compressor relay
(12)	–	Starting motor relay
(13)	30A	ABS control module fuse
(14)	30A	ABS control module fuse
(15)	15A	Brake light switch fuse
(16)	15A	Headlight (Right) fuse
(17)	15A	Headlight (Left) fuse

(18)	15A	Front fog light fuse
(19)	30A	Ignition switch fuse
(20)	50A	Power window, Ignition, Wiper, Starter
(21)	100A	All Electrical Load
(22)	100A	ABS, MIL, Front fog
(23)	100A	EPS, Radiator Fan, Heater, Starter Motor
(24)	50A	Lamp
(25)	100A	Glow
(26)	30A	Blank
(27)	30A	Blank
(28)	–	Blank
(29)	20A	FI fuse
(30)	–	Blank
(31)	10A	FI3 fuse

The main fuse, primary fuses and some of the individual fuses are located in the engine compartment. If the main fuse blows, no electrical component will function. If a primary fuse blows, no electrical component in the corresponding load group will function. When replacing the main fuse, a primary fuse or an individual fuse, use a MARUTI genuine replacement.

To remove a fuse, use the fuse puller provided in the fuse box. The amperage of each fuse is shown in the back of the fuse box cover.

EXAMPLE

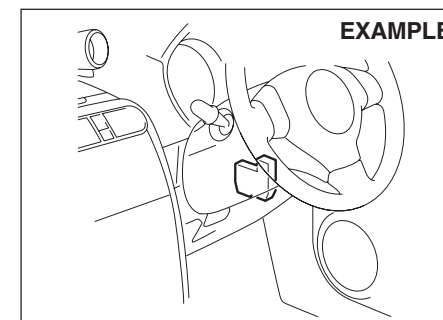
83K-07-048

⚠ WARNING

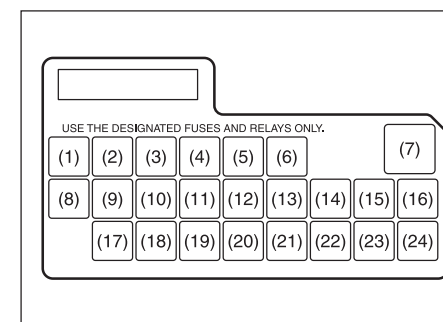
If the main fuse or a primary fuse blows, be sure to have your vehicle inspected by a MARUTI SUZUKI authorized dealer. Always use a Maruti Genuine replacement. Never use a substitute such as a wire even for a temporary repair, or extensive electrical damage and a fire can result.

NOTE:

Make sure that the fuse box always carries spare fuses and fuse puller.

Fuses under the Dash Board

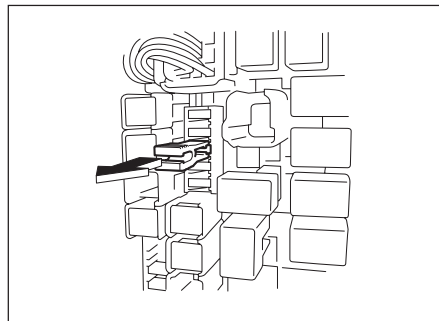
83K-07-049



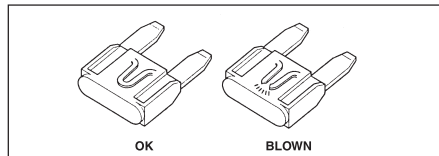
83K-07-050

MAIN FUSE/PRIMARY FUSE		
(1)	–	Blank
(2)	15A	Ignition coil
(3)	10A	Back-up light
(4)	10A	Meter
(5)	15A	Accessory 1
(6)	15A	Accessory 2
(7)	30A	Power window
(8)	15A	Wiper / Washer
(9)	10A	IG1 SIG
(10)	15A	Air bag
(11)	10A	Anti-lock brake system
(12)	10A	Tail light
(13)	–	Blank
(14)	20A	Door lock
(15)	–	Blank
(16)	10A	ST SIG
(17)	10A	Immobilizer
(18)	10A	IG2 SIG
(19)	15A	Rear fog light
(20)	15A	Radio
(21)	20A	Rear defogger
(22)	15A	Horn / Hazard
(23)	–	Blank
(24)	–	Blank

The fuse box is located under the driver's side of the dashboard. Remove the fuse box cover by pushing in at both ends and pulling off the cover. To remove a fuse, use the fuse puller provided in the fuse box.



83K-07-051



83K-07-052

⚠ WARNING
Always be sure to replace a blown fuse with a fuse of the correct amperage. Never use a substitute such as

⚠ WARNING

← aluminum foil or wire to replace a blown fuse. If you replace a fuse and the new one blows in a short period of time, you may have a major electrical problem. Have your vehicle inspected immediately by your MARUTI SUZUKI authorized dealer.

Bulb Replacement

⚠ WARNING

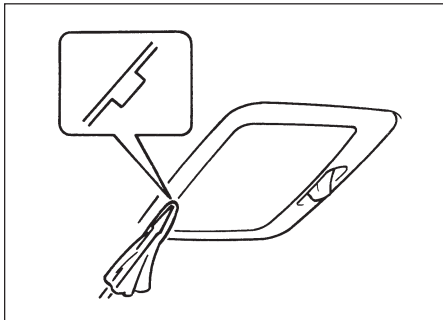
- Light bulbs can be hot enough to burn your finger right after being turned off. This is true especially for halogen headlight bulbs. Replace the bulbs after they become cool enough.
- The headlight bulbs are filled with pressurized halogen gas. They can burst and injure you if they are hit or dropped. Handle them carefully.

CAUTION

The oils from your skin may cause a halogen bulb to overheat and burst when the lights are on. Grasp a new bulb with a clean cloth.

CAUTION

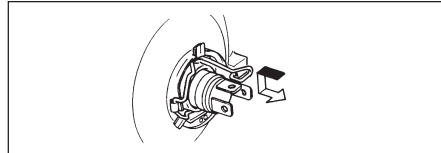
Frequent replacement of a bulb indicates the need for an inspection of the electrical system. This should be carried out by your MARUTI SUZUKI dealer.

Interior Light

83K-07-053

Pull down the lens by using a plane screw driver covered with a soft cloth as shown. To install it, simply push it back in.

The bulb can be removed by simply pulling it out. When replacing the bulb, make sure that the contact springs are holding the bulb securely.

Headlight

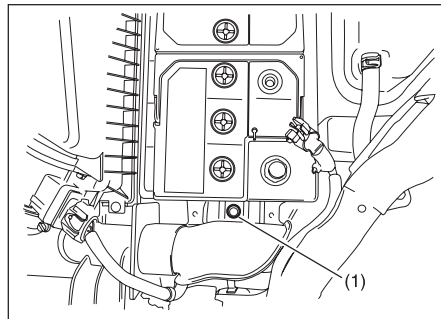
83K-07-054

Remove the sealing rubber. Disconnect the coupler.

Push the retaining spring forward and unhook it. Then remove the bulb. Install a new bulb in the reverse order of removal.

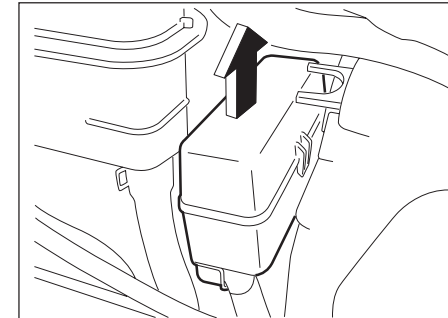
For Diesel Engine Model

To approach the battery side headlight, you need to remove the battery and the fuse box. Follow the instructions below:



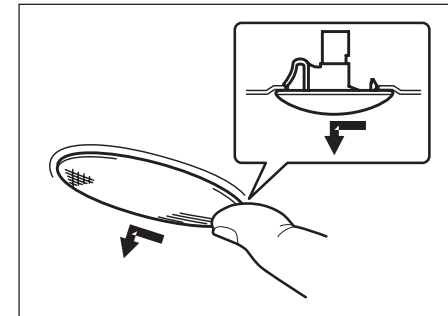
83K-07-055

- 1) Disconnect the both terminals of the battery, then unscrew the bolt (1) and remove the battery.



83K-07-056

- 2) Pull up the fuse box.

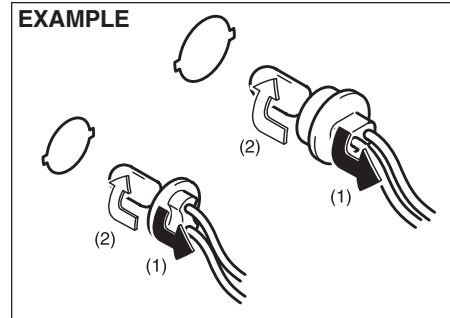
Side Turn Signal Light

83K-07-057

Bulb can be replaced after taking out the side turn lamp.

Other General Lights

Bulb holder

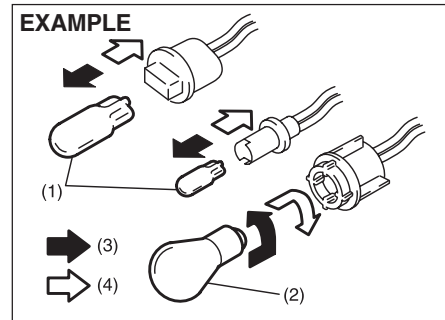


83K-07-058

- (1) Removal
- (2) Installation

To remove a bulb holder from a light housing, turn the holder counterclockwise and pull it out. To install the holder, push the holder in and turn it clockwise.

Bulb



83K-07-059

- (3) Removal
- (4) Installation

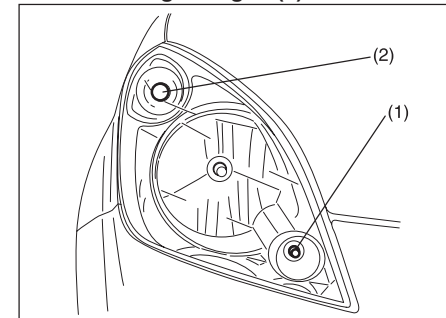
There are two types of bulb, "Full glass type" (1) and "Glass/metal type" (2).

To remove and install a full glass type bulb (1), simply pull out or push in the bulb.

To remove a glass metal type bulb (2) from a bulb holder, push in the bulb and turn it counterclockwise. To install a new bulb, push it in and turn it clockwise.

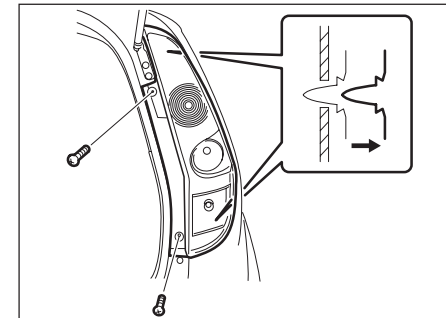
You can access the individual bulb or bulb holders as follows.

**Front Parking light (1)
Front turn signal light (2)**

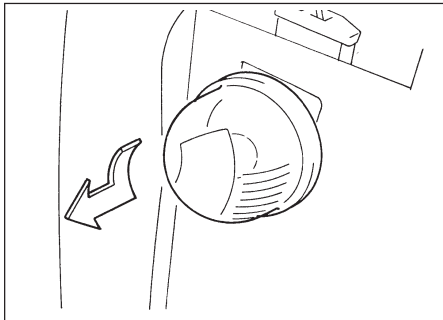


83K-07-060

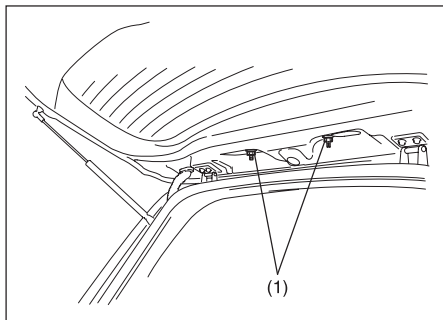
Rear combination light



83K-07-061

License plate light

83K-07-062

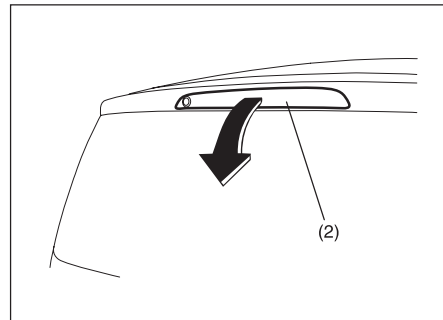
High-mount stop light

83K-07-063

To remove a high-mounted stop light housing the following procedure:

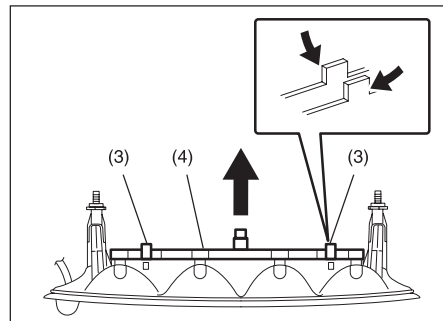
117

- 1) Open the tailgate, and remove the nuts (1) as shown in the illustration.

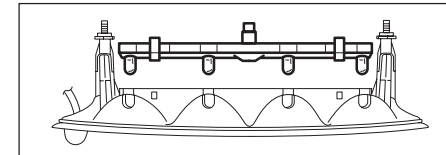


83K-07-064

- 2) Close the tailgate. Remove a high-mounted stop light housing (2) from the tailgate.

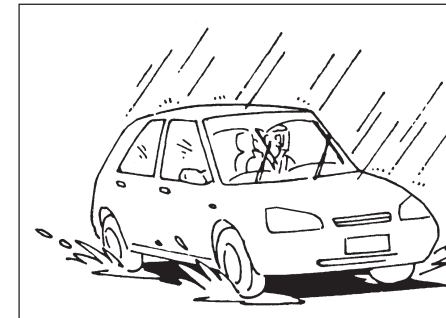


83K-07-065



83K-07-066

- 3) Loosen the two screws (3) as shown in the illustration and remove the bulb holder (4).
- 4) Replace the bulbs.
To install a high-mounted stop light housing in the reverse order of removal.

Wiper Blades

83K-07-067

If the wiper blades become brittle or damaged, or make streaks when wiping, replace the wiper blades.

INSPECTION AND MAINTENANCE

83K

To install new wiper blades, follow the procedures below.

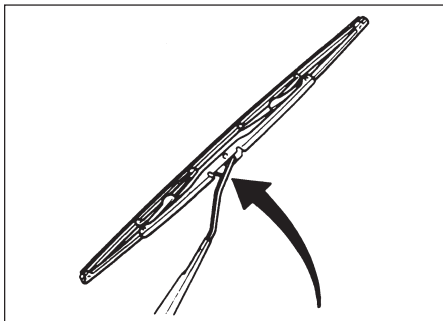
CAUTION

To avoid scratching or breaking of the window, do not let the wiper arm strike the window while replacing the wiper blade.

NOTE:

Some wiper blades may be different from the ones described here depending on vehicle specifications. If so, consult your MARUTI SUZUKI dealer for proper replacement method.

For windshield wipers:

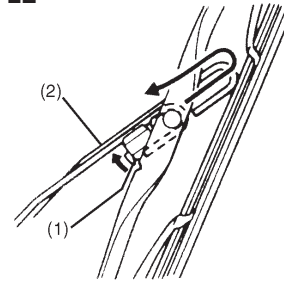


83K-07-068

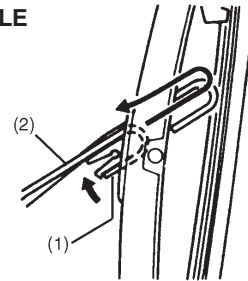
- 1) Hold the wiper arm away from the window.

9-29

EXAMPLE



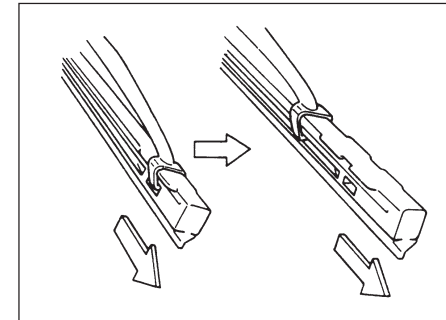
EXAMPLE



83K-07-069

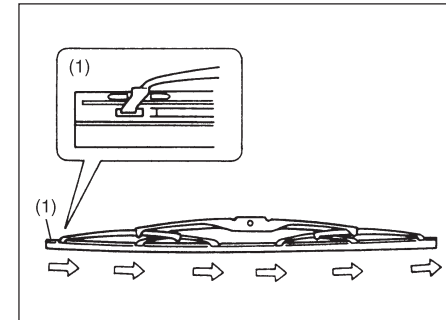
- 2) Squeeze lock (1) towards wiper arm (2) and remove the wiper frame from the arm as shown.
- 3) Unlock the lock end of the wiper blade and slide the blade out as shown.

Removal



83K-07-070

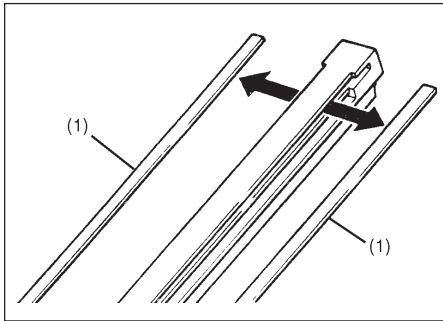
Installation



83K-07-071

- (1) Locked end

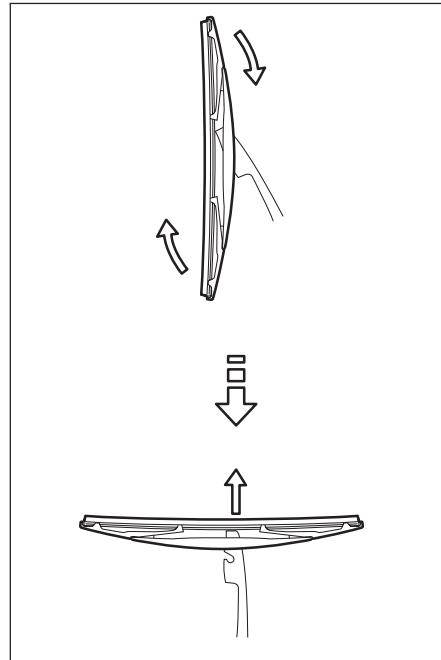
118



83K-07-072

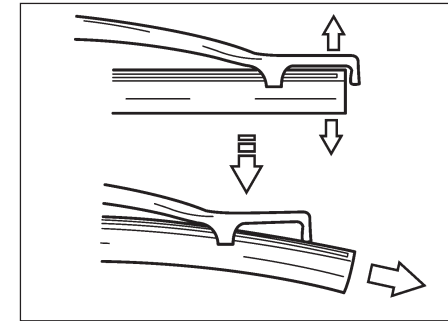
(1) Retainer

- 4) If the new blade is provided without the two metal retainers (1) move them from the old blade to the new one.
- 5) Install the new blade in the reverse order of removal. with the locked end positioned toward the wiper arm. Make sure the blade is properly retained by all the hooks. Lock the blade end into place.
- 6) Reinstall wiper frame to arm, making sure that the lock lever is snapped securely in the arm.

For rear wipers (if equipped)

83K-07-073

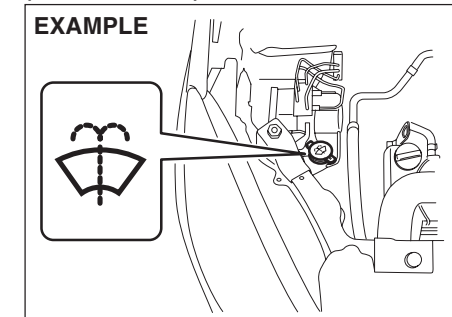
- 1) Hold the wiper arm away from the window.
- 2) Remove the wiper frame from the arm as shown.
- 3) Slide the blade out as shown.



83K-07-074

NOTE:

Do not flex the wiper blade frame end more than necessary. If you do, it can break off.

Windshield Washer Fluid**(Front and rear)**

83K-07-076

9-30

Check that there is washer fluid in the tank. Refill it if necessary. Use a good quality windshield washer fluid, diluted with water as necessary.

⚠ WARNING

Do not use “antifreeze” solution in the windshield washer reservoir. This can severely impair visibility when sprayed on the windshield, and can also damage your vehicle’s paint.

CAUTION

Damage may result if the washer motor is operated with no fluid in the washer tank.

Air Conditioning System

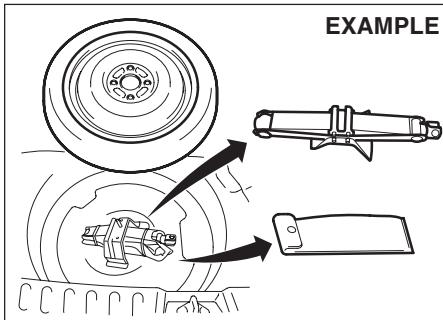
If you do not use the air conditioner for a long period, such as during winter, it may not give the best performance when you start using it again. To help maintain optimum performance and durability of your air conditioner, it needs to be run periodically. Operate the air conditioner at least once a month for one minute with the engine idling. This circulates the refrigerant and oil and helps protect the internal components.

EMERGENCY SERVICE

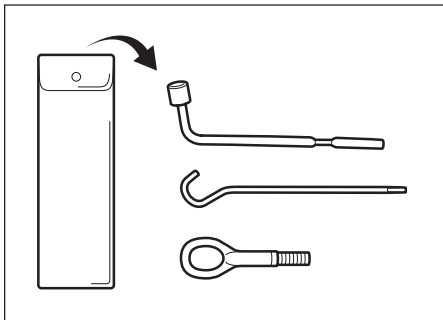
Tire Changing Tool	10-1
Jacking Instructions	10-1
Changing Wheels	10-2
Jump Starting Instructions	10-3
Towing	10-4
If the Starter does not Operate	10-4
If the Engine is Flooded	10-5
If the Engine Overheats	10-5

Tyre Changing Tool

Spare tyre and tyre changing tool



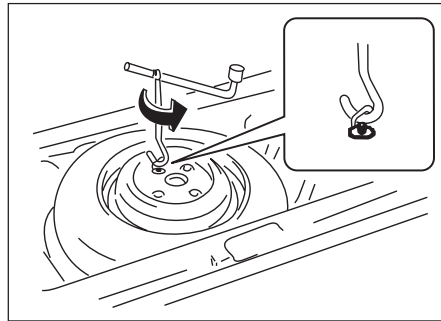
83K-08-001



83K-08-002

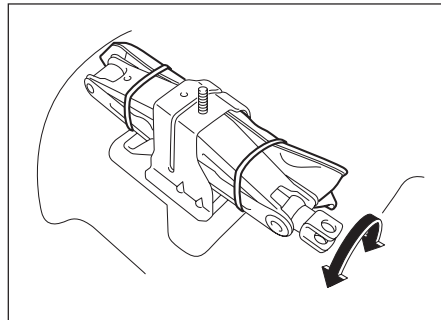
The jack, wheel brace, jack handle (and towing hook) are stowed just under the spare tyre in the luggage compartment.

10-1



83K-08-003

To remove the spare tyre, turn its nut (1) counterclockwise and remove it.



83K-08-004

To remove the jack, turn its shaft counterclockwise and pull the jack out of the storage bracket. To stow the jack, place it in

the storage bracket and turn the shaft clockwise until the jack is securely held in place.

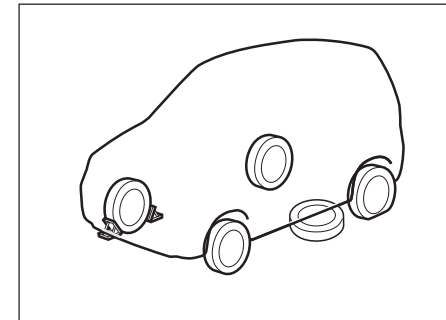
⚠ WARNING

The jack should be used only to change wheels. It is important to read the jacking instructions in this section before attempting to use the jack.

⚠ WARNING

After using the tyre changing tools, be sure to stow them securely or they can cause injury if an accident occurs.

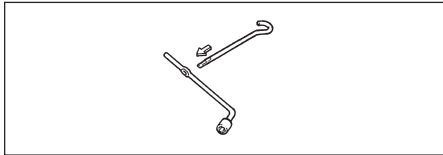
Jacking Instructions



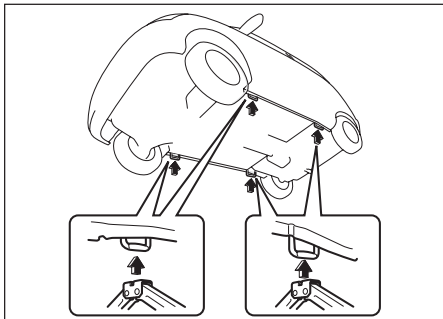
83K-08-005

- 1) Place the vehicle on level, hard ground.

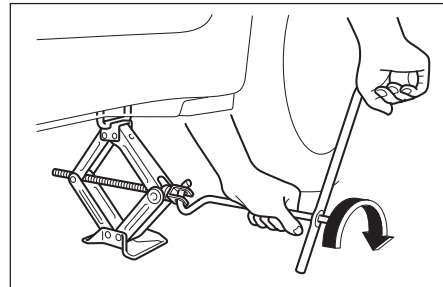
- 2) Set the parking brake firmly and shift into "R" (Reverse).
- 3) Turn on the hazard warning flasher if your vehicle is near traffic.
- 4) Get down all the passengers.
- 5) Block the front and rear of the wheel diagonally opposite of the wheel being lifted.
- 6) Place the spare wheel near the wheel being lifted as shown in the illustration in case that the jack slips.



83K-08-006



83K-08-007



83K-08-008

- 7) Position the jack vertically and raise the jack by turning the jack handle clockwise until the jack head recess fits the jacking point.
- 8) Continue to raise the jack slowly and smoothly until the tyre clears the ground. Do not raise the vehicle more than necessary.

CAUTION

Never jack up the vehicle with passengers inside the vehicle.

WARNING

- Use the jack only to change wheels on level, hard ground.
- Never jack up the vehicle on an inclined surface.
- Never raise the vehicle with the jack in a location other than the specified jacking point (shown in the illustration) near the wheel to be changed. Especially, do not raise the vehicle

WARNING

- ←
- with a jack at a part of the torsion beam which is located under the vehicle body, between rear wheels.
 - Make sure that the jack is raised at least 51 mm (2 inches) before it contacts the suspension arm boss. Use of the jack when it is within 51 mm (2 inches) of being fully collapsed may result in failure of the jack.
 - Never get under the vehicle when it is supported by the jack.
 - Never run the engine when the vehicle is supported by the jack and never allow passengers to remain in the vehicle.

Changing Wheels

To change a wheel, use the following procedure:

- 1) Clear all passengers and luggage from the vehicle.

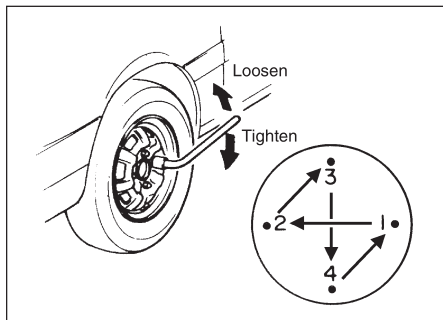
NOTE:

The jack and tools are located under the spare wheel.

- 2) Remove the jack, tools and spare wheel from the vehicle.
- 3) Loosen, but do not remove the wheel nuts.
- 4) Jack up the vehicle.
- 5) Remove the wheel nuts and wheel.
- 6) Before installing the new wheel, clean any mud or dirt off from the surface of

the wheel and hub with a clean cloth. Clean the hub carefully; it may be hot from driving.

- 7) Install the new wheel and replace the wheel nuts with their cone shaped end facing the wheel. Tighten each nut snugly by hand until the wheel is securely seated on the hub.



83K-08-009

Tightening torque for wheel nut
85 Nm (8.5 kg-m, 61.5 lb-ft)

- 8) Lower the jack and fully tighten the nuts in a crisscross fashion with a wrench as shown in the illustration.

⚠ WARNING

Use Maruti genuine wheel nuts and tighten them to the specified torque as soon as possible after changing



⚠ WARNING



wheels. Incorrect wheel nuts or improperly tightened wheel nuts may come loose or fall off, which can result in an accident. If you do not have a torque wrench, have the wheel nut torque checked by a MARUTI SUZUKI authorized dealer.

Jump Starting Instructions

⚠ WARNING

- Never attempt to jump start your vehicle if the battery appears to be frozen. Batteries in this condition may explode or rupture if jump starting is attempted.
- When making jump lead connections, be certain that your hands and the jump leads remain clear from pulleys, belts, or fans.
- Batteries produce flammable hydrogen gas. Keep flames and sparks away from the battery or an explosion may occur. Never smoke when working in the vicinity of the battery.
- If the booster battery you use for jump starting is installed in another vehicle, make sure the two vehicles are not touching each other.



⚠ WARNING



- If your battery discharges repeatedly, for no apparent reason, have your vehicle inspected by a MARUTI SUZUKI authorized dealer.
- To avoid harm to yourself or damage to your vehicle or battery, follow the jump starting instructions below precisely and in order. If you are in doubt, contact your nearest MARUTI SUZUKI authorized workshop.

CAUTION

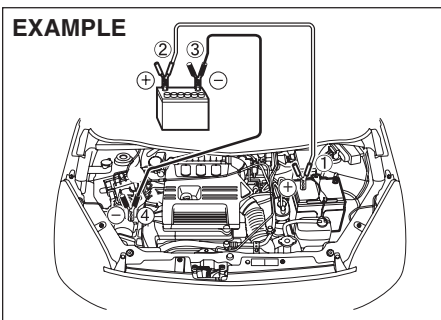
Your vehicle should not be started by pushing or towing. This starting method could result in permanent damage to the catalytic converter and high pressure fuel pump (diesel). Use jump leads to start a vehicle with a weak or flat battery.

When Jump Starting Your Vehicle, Use the Following Procedure:

- 1) Use only a 12 volt battery to jump start your vehicle. Position the good 12 V battery close to your vehicle so that the jump leads will reach both batteries. When using a battery installed on another vehicle, DO NOT LET THE

VEHICLES TOUCH. Apply the parking brakes fully on both vehicles.

- 2) Turn off all vehicle accessories, except those necessary for safety reasons (for example, headlights or hazard lights).



83K-08-010

- 3) Make jump lead connections as follows:
 1. Connect one end of the first jump lead to the positive (+) terminal of the flat battery (1).
 2. Connect the other end to the positive (+) terminal of the booster battery (2).
 3. Connect one end of the second jump lead to the negative (-) terminal of the booster battery (3).
 4. Make the final connection to an unpainted, heavy metal part (i.e. engine mounting stud/nut (4)) of the engine of the vehicle with the flat battery (1).

⚠ WARNING

Never connect the jump lead directly to the negative (-) terminal of the discharged battery, or an explosion may occur.

- 4) If the booster battery you are using is fitted to another vehicle, start the engine of the vehicle with the booster battery. Run the engine at moderate speed.
- 5) Start the engine of the vehicle with the flat battery.
- 6) Remove the jump leads in the exact reverse order in which you connected them.

Towing

If you need to have your vehicle towed, contact a Maruti Suzuki authorised dealer / service stations.

CAUTION

To help avoid damage to your vehicle during towing, proper equipment and towing procedures must be used.

Your vehicle may be towed using either of the following methods.

- 1) From the front, with the front wheels lifted and the rear wheels on the ground. Before towing, make sure that the parking brake is released.
- 2) From the rear, with the rear wheels lifted and the front wheels on the ground,

provided the steering and drivetrain are in operational condition. Before towing, make sure that transmission is in neutral, the steering wheel is unlocked (the ignition key should be in the "ACC" position), and the steering wheel is secured with a clamping device designed for towing service.

CAUTION

The steering column is not strong enough to withstand shocks transmitted from the front wheels during towing always unlock the steering wheel before towing.

If the Starter Does Not Operate

- 1) Try turning the ignition switch to the "START" position with the headlights turned on to determine the battery condition. If the headlights go excessively dim or go off, it usually means that either the battery is flat or the battery terminal contact is poor. Recharge the battery or correct battery terminal contact as necessary.
- 2) If the headlights remain bright, check the fuses. If the reason for failure of the starter is not obvious, there may be a major electrical problem. Have the vehicle inspected by your MARUTI SUZUKI authorized dealer.

If the Engine is Flooded

If the engine is flooded with Petrol, it may be hard to start. If this happens, press the accelerator pedal all the way to the floor and hold it there while cranking the engine. (Do not operate the starter motor for more than 15 seconds).

If the Engine Overheats

The engine could overheat temporarily under severe driving conditions. If the high engine coolant temperature warning light comes on as indication of overheating during driving:

- 1) Turn off the air conditioner, if equipped.
- 2) Take the vehicle to a safe place and park.
- 3) Let the engine run at the normal idle speed for a few minutes until the high engine coolant temperature warning light goes off.

⚠ WARNING

If you see or hear escaping steam, stop the vehicle in a safe place and immediately turn off the engine to let it cool. Do not open the hood when steam is present. When the steam can no longer be seen or heard, open the hood to see if the coolant is still boiling. If it is, you must wait until it stops boiling before you proceed.

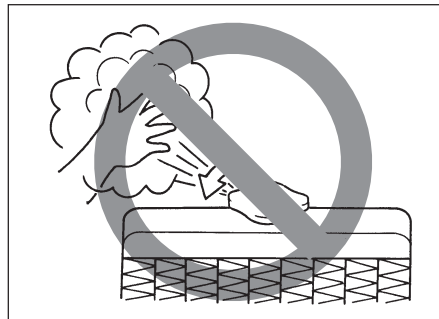
If the high engine coolant temperature warning light does not go off:

- 1) Turn off the engine and check that the

water pump belt and pulleys are not damaged or slipping. If any abnormality is found, contact your Maruti Suzuki authorized workshop / service station.

- 2) Check the coolant level in the reservoir. If it is found to be lower than the "LOW" line, look for leaks at the radiator, water pump, and radiator and heater hoses. If you locate any leaks that may have caused the overheating, do not run the engine until these problems have been corrected and contact your Maruti Suzuki authorized workshop / service station.
- 3) If you do not find a leak, carefully add coolant to the reservoir and then the radiator, if necessary. (Refer to "Engine Coolant" in the "INSPECTION AND MAINTENANCE" section.)

For Petrol



83K-08-011

For Diesel



83K-08-012

⚠ WARNING

- It is hazardous to remove the radiator cap (Petrol) or degassing tank cap (Diesel) when the water temperature is high, because scalding fluid and steam may be blown out under pressure. The cap should only be taken off when the coolant temperature has lowered.
- To help prevent personal injury, keep hands, tools and clothing away from the engine cooling fan and air-conditioner fan (if equipped). These electric fans can automatically turn on without warning.

APPEARANCE CARE

Corrosion Prevention

It is important to take good care of your vehicle to protect it from corrosion. Listed below are instructions for how to maintain your vehicle to prevent corrosion. Please read and follow these instructions carefully.

Important Information About Corrosion

Common causes of corrosion

- 1) Accumulation of road salt, dirt, moisture, or chemicals in hard to reach areas of the vehicle underbody or frame.
- 2) Chipping, scratches and any damage to treated or painted metal surfaces resulting from minor accidents or abrasion by stones and gravel.

Environmental conditions which accelerate corrosion

- 1) Road salt, dust control chemicals, sea air or industrial pollution will all accelerate the corrosion of metal.
- 2) High humidity will increase the rate of corrosion particularly when the temperature range is just above the freezing point.
- 3) Moisture in certain areas of a vehicle for an extended period of time may promote corrosion even though other body sections may be completely dry.

- 4) High temperatures will cause an accelerated rate of corrosion to parts of the vehicle which are not well ventilated to permit quick drying.

This information illustrates the necessity of keeping your vehicle (particularly the underbody) as clean and dry as possible. It is equally important to repair any damage to the paint or protective coatings as soon as possible.

How to Help Prevent Corrosion

Wash your vehicle frequently

The best way to preserve the finish on your vehicle and to help avoid corrosion is to keep it clean with frequent washing. Wash your vehicle at least once during the winter and once immediately after the winter. Keep your vehicle, particularly the underside, as clean and dry as possible. If you frequently drive on salted roads, your vehicle should be washed at least once a month during the winter. If you live near the ocean, your vehicle should be washed at least once a month throughout the year.

For washing instructions, refer to the "Vehicle Cleaning" section.

Remove foreign material deposits

Foreign material such as salts, chemicals, road oil or tar, tree sap, bird droppings and industrial fall-out may damage the finish of your vehicle if it is left on painted surfaces. Remove these types of deposits as quickly as possible. If these deposits are difficult to wash off, an additional cleaner may be required. Be sure that any cleaner you use is not harmful to painted surfaces and is specifically intended for your purposes. Follow the manufacturer's directions when using these special cleaners.

Repair finish damage

Carefully examine your vehicle for damage to the painted surfaces. Should you find any chips or scratches in the paint, touch them up immediately to prevent corrosion from starting. If the chips or scratches have gone through to the bare metal, contact your Maruti Suzuki authorised Dealer.

Keep passenger and luggage compartments clean

Moisture, dirt or mud can accumulate under the floor mats and may cause corrosion. Occasionally, check under these mats to ensure that this area is clean and dry. More frequent checks are necessary if the vehicle is used off road or in wet weather.

Certain cargos such as chemicals, fertilizers, cleaners, salts, etc. are extremely corrosive by nature. These products should be transported in sealed containers. If a spill or leak does occur, clean and dry the area immediately.

Store your vehicle in a dry, well-ventilated area

Do not park your vehicle in a damp, poorly ventilated area. If you often wash your vehicle in the garage or if you frequently drive it in when wet, your garage may be damp. The high humidity in the garage may cause or accelerate corrosion. A wet vehicle may corrode even in a heated garage if the ventilation is poor.

⚠ WARNING
 Do not apply additional undercoating or rust preventive coating on or around exhaust system components such as the catalytic converter, exhaust pipes, etc. A fire could be started if the undercoating substance becomes overheated.

Vehicle Cleaning



83K-09-001

⚠ WARNING
 When cleaning the interior or exterior of the vehicle, NEVER USE flammable solvents such as lacquer thinners, petrol, benzene or cleaning materials such as bleaches or strong household detergents. The materials could cause personal injury or damage to the vehicle.

Cleaning the Interior

Vinyl upholstery

Prepare a solution of soap or mild detergent mixed with warm water. Apply the solution to the vinyl with a sponge or soft cloth and let it soak for a few minutes to loosen dirt.

Rub the surface with a clean, damp cloth to remove dirt and the soap solution. If some dirt still remains on the surface, repeat this procedure.

Fabric upholstery

Remove loose dirt with a vacuum cleaner. Using a mild soap solution, rub stained areas with a clean damp cloth. To remove soap, rub the areas again with a cloth dampened with water. Repeat this until the stain is removed, or use a commercial fabric cleaner for tougher stains. If you use a fabric cleaner, carefully follow the manufacturer's instructions and precautions.

Seat belts

Clean seat belts with a mild soap and water. Do not use bleach or dye on the belts. They may weaken the fabric in the belts.

Vinyl floor mats

Ordinary dirt can be removed from vinyl with water or mild soap. Use a brush to help loosen dirt. After the dirt is loosened, rinse the mat thoroughly with water and dry it in the shade.

Carpets

Remove dirt and soil as much as possible with a vacuum cleaner. Using a mild soap solution, rub stained areas with a clean damp cloth. To remove soap, rub the areas again with a cloth dampened with water. Repeat this until the stain is removed, or

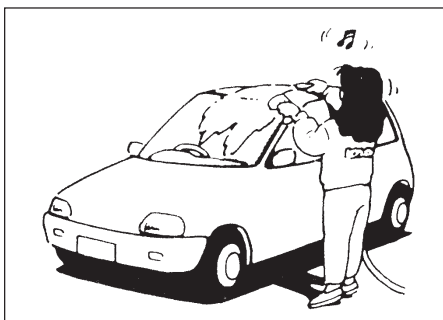
use a commercial carpet cleaner for tougher stains. If you use a carpet cleaner, carefully follow the manufacturer's instructions and precautions.

Cleaning the Exterior

CAUTION

It is important that your vehicle be kept clean and free from dirt. Failure to keep your vehicle clean may result in fading of the paint or corrosion to various parts of the vehicle body.

Washing



83K-09-002

⚠ WARNING

- Never attempt to wash and wax your vehicle with the engine running.
- When cleaning the underside of the body and fender, where there may be sharp-edged parts, you should wear gloves and a long sleeved shirt to protect your hands and arms from being cut.
- After washing your vehicle, carefully test the brakes before driving to make sure they have maintained their normal effectiveness.

When washing the vehicle, park it where direct sunlight does not fall on it and follow the instructions below:

- 1) Flush the underside of body and wheel housings with pressurized water to remove mud and debris. Use plenty of water.

CAUTION

- When washing the vehicle, avoid directing steam or hot water of more than 80°C (176°F) on plastic parts.
- To avoid damaging engine components, do not use pressurized water in the engine compartment.

- 2) Rinse the body to loosen the dirt. Remove dirt and mud from the body exterior with running water. You may use

a soft sponge or brush. Do not use hard materials which can scratch the paint or plastic. Remember that the headlight covers or lenses are made of plastic in many cases.

CAUTION

To avoid damage to the paint or plastic surface, do not wipe the dirt off without ample water. Be sure to follow above procedure.

- 3) Wash the entire exterior with a mild detergent or car wash soap using a sponge or soft cloth. The sponge or cloth should be frequently soaked in the soap solution.

CAUTION

When using a commercial car wash product, observe the cautions specified by the manufacturer. Never use strong household detergents or soaps.

- 4) Once the dirt has been completely removed, rinse off the detergent with running water.
- 5) After rinsing, wipe off the vehicle body with a wet chamois or cloth and allow it to dry in the shade.
- 6) Check carefully for damage to painted surfaces. If there is any damage, "touch-

up” the damage following the procedure below:

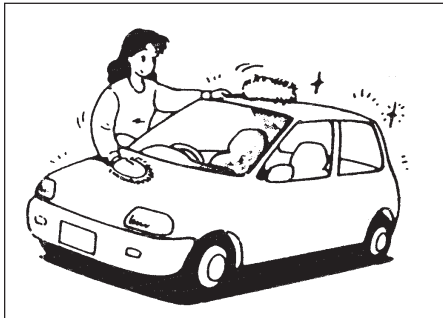
1. Clean all damaged spots and allow them to dry.
2. Stir the paint and “touch-up” the damaged spots lightly using a small brush.
3. Allow the paint to dry completely.

CAUTION

If you use an automatic car wash, make sure that your vehicle body parts doesn't get damaged. If you are in doubt, contact your Maruti Suzuki authorised Dealer / Service station.

and beautify the paint.

- Only use waxes and polishes of good quality.
- When using waxes and polishes, observe the precautions specified by the manufacturers.

Waxing

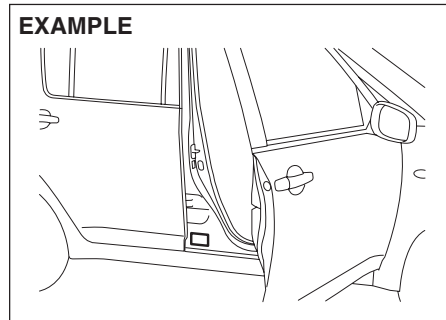
83K-09-003

After washing the vehicle, waxing and polishing are recommended to further protect

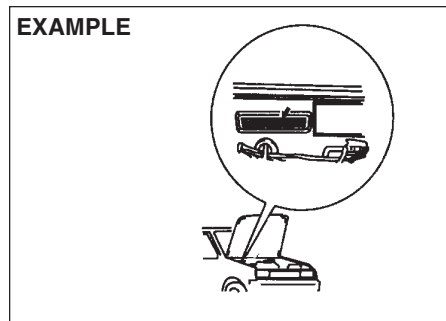
GENERAL INFORMATION

Vehicle Identification

Chassis Serial Number



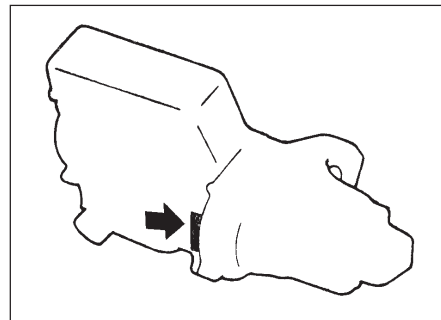
83K-10-001



83K-10-002

The chassis and/or engine serial numbers are used to register the vehicle. They are also used to assist your dealer when ordering or referring to special service information. Whenever you have occasion to consult your MARUTI SUZUKI authorized dealer, remember to identify your vehicle with this number. Should you find the number difficult to read, you will also find it on the identification plate.

Engine Serial Number



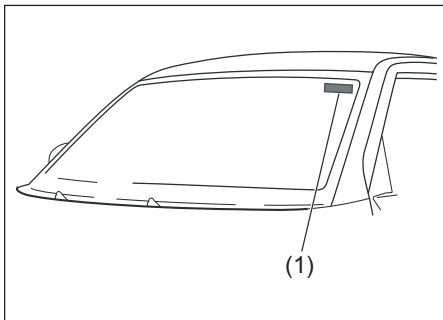
83K-10-003

The engine serial number is stamped on the cylinder block as shown in the illustration.

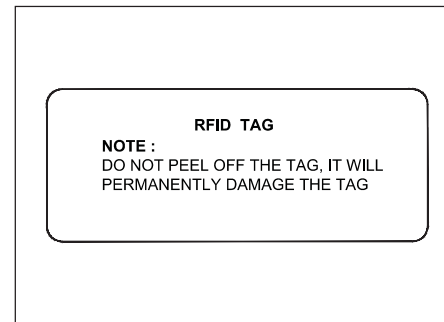
Radio frequency identification (RFID) tag (if equipped)

As per Ministry of Road Transport and Highways, the Radio frequency identification (RFID) tag (1) is mandatory for each vehicle for the purpose of electronic toll collection or any other purpose as may be defined by the Government of India.

In case of any damage to RFID tag or replacement of front windscreen, please contact your nearest Maruti Suzuki Authorized workshop.



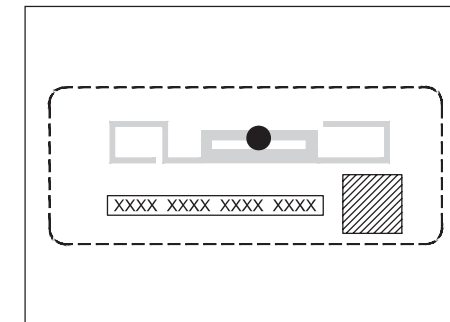
As seen from inside of the vehicle



Note:

The picture shown is for indicative purpose only. Internal structure of actual device mounted on vehicle may be different.

As seen from outside of the vehicle



Note:

The picture shown is for indicative purpose only. Internal structure of actual device mounted on vehicle may be different.

Note:

- RFID tag needs to be registered by government authorized agency (if applicable).
- Any attempt to remove the tag from the windscreen will result in permanent damage to the tag.
- Use of chemical cleaners to clean the windscreen area where the tag is mounted can damage the tag.
- Use of any sharp objects on the tag can damage the tag.

SPECIFICATIONS

NOTE:

M/T: Manual Transmission

A/T: Automatic Transmission

Specifications are subject to change without notice.

ITEM: Dimensions		UNIT: mm	Petrol		Diesel
			A/T	M/T	M/T only
Overall length			3775	3775	3775
Overall width			1680/1687	1680/1687	1680/1687
Overall height			1620	1620	1620
Wheelbase			2360	2360	2360
Track	front	165 tyre	1470	1470	1470
		185 tyre	-	1460	1460
	rear	165 tyre	1480	1480	1480
		185 tyre	-	1470	1470
Ground clearance			170	170	170

ITEM: Mass (weight)		UNIT: kg	Petrol		Diesel
			AT	MT	M/T only
Curb mass (weight)			1035	990~1030	1075~1125
Gross vehicle mass (weight) rating			1430	14300	1520
Gross axle mass (weight) rating	front		800	800	835
	rear		800	800	800

SPECIFICATIONS

83K

ITEM: Engine	Petrol	Diesel
Type	K12M	D13A
Number of cylinders	4	4
Bore	73.0 mm	69.6 mm
Stroke	71.5 mm	82.0 mm
Piston displacement	1197 cm ³	1248 cm ³
Compression ratio	10.0 : 1	17.6 : 1

ITEM: Electrical		
Standard spark plug	Iridium plug NGK KR6A-10	
Battery	Petrol	34B20R
	Diesel	DIN 65
Fuses	See "INSPECTION AND MAINTENANCE" section.	

ITEM: Lights		WATTAGE	BULB No.
Headlight		12V 60/55W	H4
Turn signal light	front	12V 21W	WY21W
	rear	12V 21W	PY21W
Side turn signal light		12V 5W	WY5W
Clearance light		12V 5W	W5W
Brake/tail light		12V 21/5W	P21/5W
License plate light		12V 5W	W5W
Reversing light		12V 21W	P21W
Interior light		12V 10W	-
Front fog light		12V 35W	H8
Rear fog light		12V 21W	P21W
High mount stop light		12V 5W	W5W

ITEM: Steering	Petrol	Diesel
Toe-in	Front (0 - 12') / Rear (-5' - 25')	Front (0 - 12') / Rear (-5' - 25')
Camber angle	Front (-1° - 1°) / Rear (-2° - 0°)	Front (-1° - 1°) / Rear (-2° - 0°)
Caster angle	Front (5° 06' ± 2°) / Rear (-)	Front (5° 06' ± 2°) / Rear (-)

SPECIFICATIONS

83K

ITEM: Wheel and Suspension						
Tire Size			165/80R14 85S / 85T		185/70R14 88S	
Rim Size			14X5J		14X5.5J	
Tire Pressure (kg/cm ²)	Petrol	MT	Front	Rear	Front	Rear
		AT	2.3	2.3	2.0	2.0
	Diesel	MT	2.5	2.3	—	—
			2.2	2.0	2.2	2.0

ITEM: Capacities (approx.)			
Coolant (including reservoir tank)	Petrol	M/T	4.27 L
		A/T	4.9 L
	Diesel	M/T	5.9 L
Fuel tank			43 L
Engine oil	Petrol/Diesel		3.1 L (with filter)
Transmission oil	M/T	Petrol	2.2 L
		Diesel	2.6 L
	A/T	2.7 L (5.6 L when overhauling)	