

# Wiring Diagram

How to use this wiring diagram . . . . .	50 : 2 (O)	Headlights cleaner . . . . .	50 : 22 (E)
Symbol in this wiring diagram . . . . .	50 : 5 (O)	Tail lights . . . . .	50 : 22 (E)
Parts index . . . . .	50 : 6 (PI)	Illumination lights . . . . .	50 : 22 (E)
Electrical wiring schematic . . . . .	50 : 8 (W-1)	Glove box light . . . . .	50 : 22 (E)
[For 12A Engine]		Front & rear side marker lights . . . . .	50 : 22 (E)
Electrical wiring schematic . . . . .	50 : 9 (W-2)	Storage box lights . . . . .	50 : 22 (E)
[For 13B Engine]		License lights . . . . .	50 : 22 (E)
Starting system [For 12A Engine] . . . . .	50 : 10 (A-1)	Turn & hazard flasher lights . . . . .	50 : 24 (F)
Sub-zero motor [For 12A Engine] . . . . .	50 : 10 (A-1)	Horn . . . . .	50 : 24 (F)
Charging system [For 12A Engine] . . . . .	50 : 10 (A-1)	Back-up lights . . . . .	50 : 24 (F)
Hot start motor [For 12A Engine] . . . . .	50 : 10 (A-1)	Stop lights . . . . .	50 : 24 (F)
Over drive system (For A/T) . . . . .	50 : 10 (A-1)	Air conditioner . . . . .	50 : 26 (G-1)
[For 12A Engine]		Air conditioner [For U.S.A. air con.] . . . . .	50 : 28 (G-2)
Kick down solenoid (For A/T) . . . . .	50 : 10 (A-1)	Lights off reminder buzzer . . . . .	50 : 30 (H)
[For 12A Engine]		Door lock cylinder & ignition key . . . . .	50 : 30 (H)
Starting system [For 13B Engine] . . . . .	50 : 12 (A-2)	cylinder lights	
Charging system [For 13B Engine] . . . . .	50 : 12 (A-2)	Ignition key reminder buzzer . . . . .	50 : 30 (H)
Sub-zero motor [For 13B Engine] . . . . .	50 : 12 (A-2)	Interior & spot lights . . . . .	50 : 30 (H)
Emission control system . . . . .	50 : 14 (B-1)	Auto clock . . . . .	50 : 30 (H)
[For 12A Engine]		Luggage compartment light . . . . .	50 : 30 (H)
Fuel pump [For 12A Engine] . . . . .	50 : 14 (B-1)	Seat belt warning buzzer . . . . .	50 : 30 (H)
Ignition system [For 12A Engine] . . . . .	50 : 14 (B-1)	Glass hatch release solenoid . . . . .	50 : 32 (I)
E.G.I. & emission control system . . . . .	50 : 16 (B-2)	Fuel-door release solenoid . . . . .	50 : 32 (I)
[For 13B Engine]		Power window . . . . .	50 : 32 (I)
Ignition system [For 13B Engine] . . . . .	50 : 16 (B-2)	Remote control mirror . . . . .	50 : 32 (I)
Fuel pump [For 13B Engine] . . . . .	50 : 16 (B-2)	Cigarette lighter . . . . .	50 : 32 (I)
Meters & warning lights . . . . .	50 : 18 (C)	Audio system . . . . .	50 : 34 (J)
Wiper & washer . . . . .	50 : 20 (D)	Power antenna . . . . .	50 : 34 (J)
Rear window defroster . . . . .	50 : 20 (D)	Cruise control system . . . . .	50 : 36 (K)
Headlights . . . . .	50 : 22 (E)	Power steering control solenoid . . . . .	50 : 36 (K)
Front parking lights . . . . .	50 : 22 (E)	Common connector list . . . . .	50 : 37 (X)
Headlights retractable system . . . . .	50 : 22 (E)		

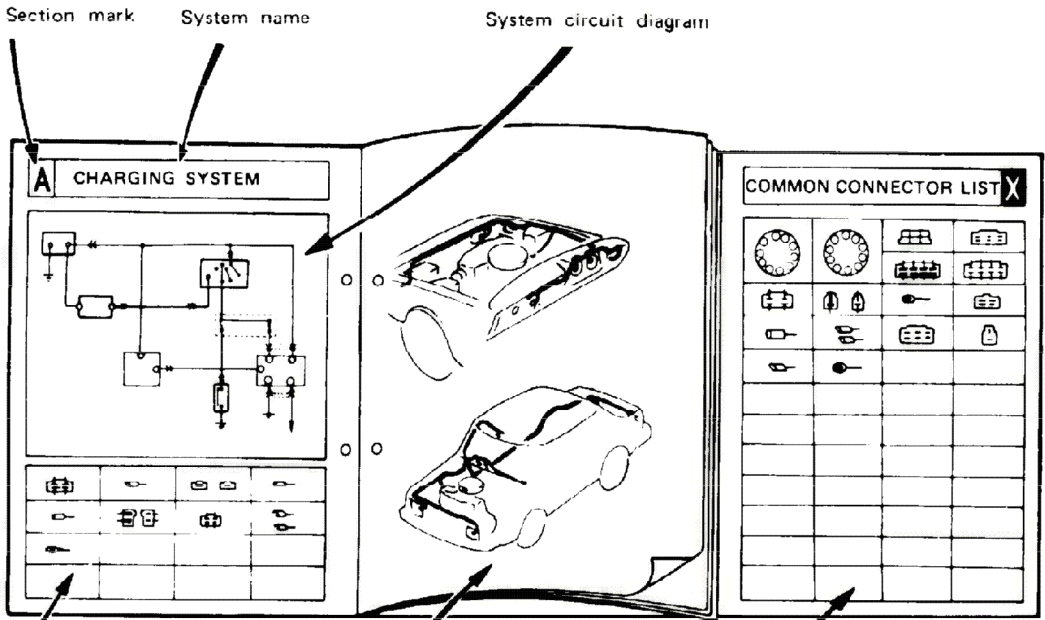
# 50-0 HOW TO USE THIS WIRING DIAGRAM

## HOW TO USE THIS WIRING DIAGRAM

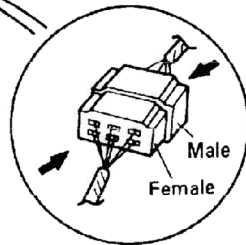
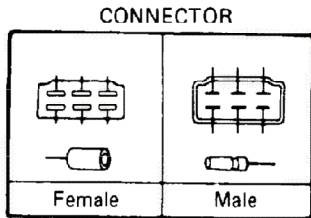
The complete electrical system is divided into charging system, ignition system, etc.

Each system is shown on both right and left pages as described below.

When reading the wiring diagram, following should be noted:



- Connector diagram identifies the exclusive applicable connectors for the circuit.
- Right page illustrates the actual location of each connector and the routing diagram of the harness.
- The last page, "Section X", illustrates common connectors related to each system.

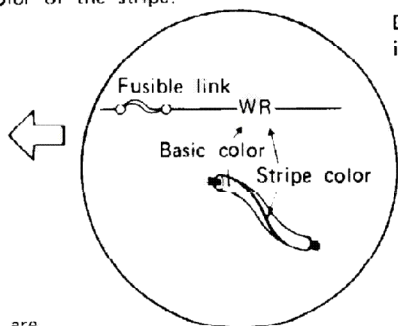


Way to look at Connector

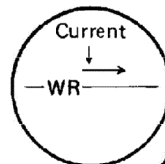
## WIRING COLOR CODE

Wiring color code is indicated with alphabetical letter/s. The first letter indicates the basic color of the wire, and second letter (if any) indicates that the color of the stripe.

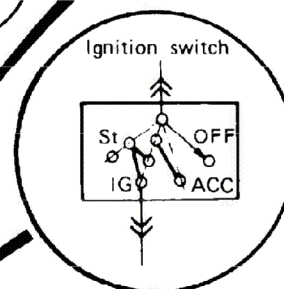
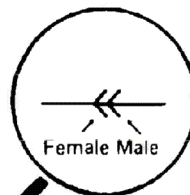
CODE	COLOR	CODE	COLOR
B	Black	Lg	Light green
Br	Brown	O	Orange
G	Green	R	Red
L	Blue	Y	Yellow
Lb	Light blue	W	White



Direction of current is shown by the arrow

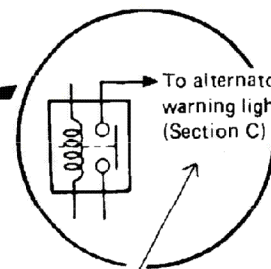
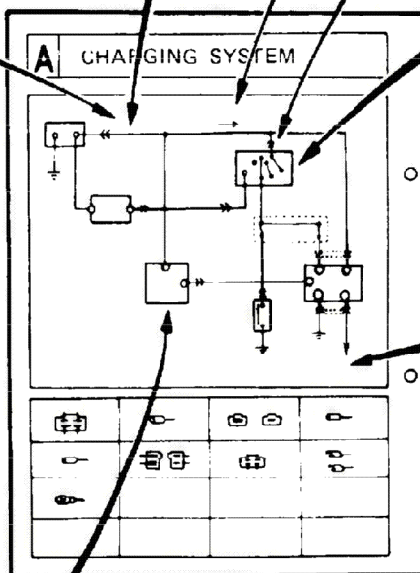
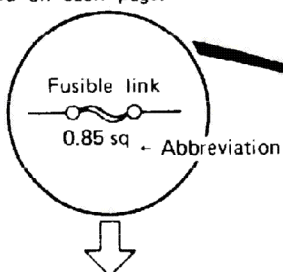


## CONNECTOR



Circuit is shown with the ignition switch off.

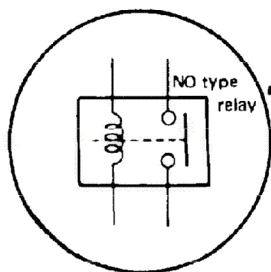
The same fusible link and fuses are indicated on each page.



Legend in the parenthesis ( ) indicates the reference section.

## ABBREVIATIONS USED IN THIS BOOKLET

Abbr.	Term	Abbr.	Term
St	Start	A	Ampere
IG	Ignition	W	Watt
ACC	Accessory	R	Resistance
AS	Auto stop	Tr	Transistor
INT	Intermittent	M	Motor
Lo	Low	SW	Switch
Mi	Middle	Sq	Square per millimeter
Hi	High	A/T	Automatic transmission
R.H.	Right hand	M/T	Manual transmission
L.H.	Left hand	NO	Normal opened
F.R	Front right	NC	Normal closed
F.L	Front left		
R.R	Rear right		
R.L	Rear left		
V	Volt		



The relays and switches are identified as NC (normal closed), or NO (normal opened), to indicate their normal position when they are not in operation.

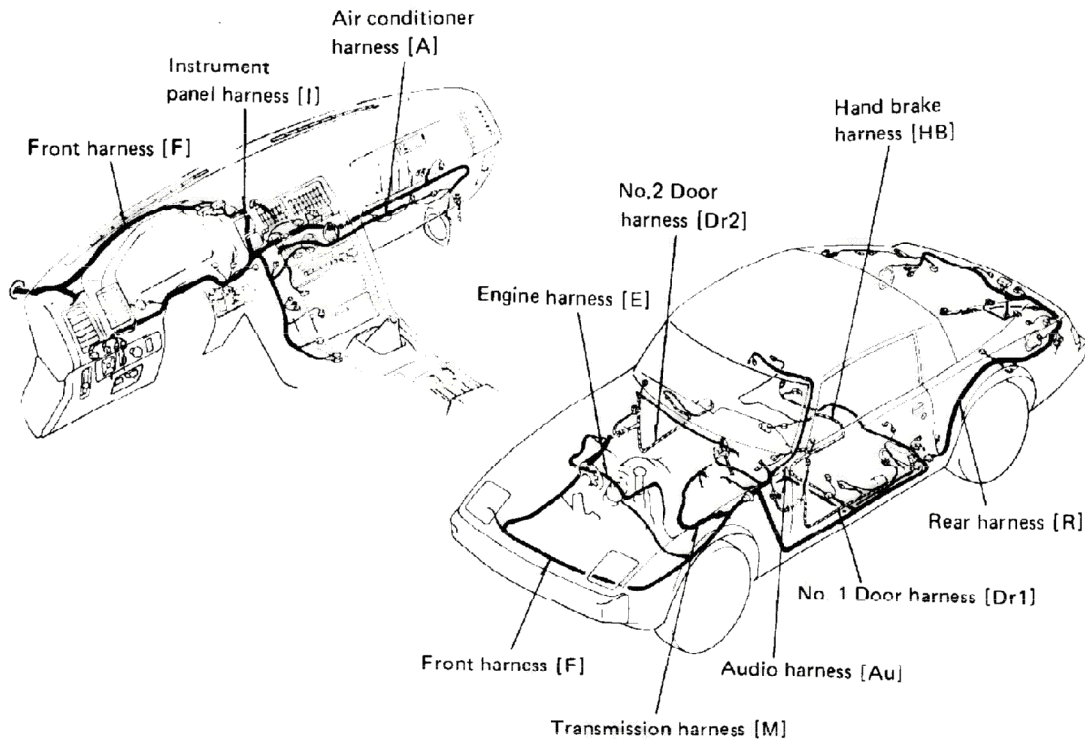
	Relay		Switch	
	NO type relay	NC type relay	NO switch	NC switch
Not in operation				
In operation				

# 50-0 HOW TO USE THIS WIRING DIAGRAM

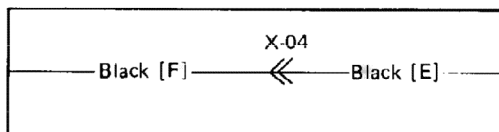
## HARNESS SYMBOLS

Each harness is distinguished by a symbol to indicate to which harness belong a wiring and connector in circuit diagrams and connector charts.

DESCRIPTION OF HARNESS	SYMBOL	DESCRIPTION OF HARNESS	SYMBOL
Front harness	[F]	Hand brake harness	[HB]
Engine harness	[E]	No. 1 Door harness	[Dr1]
Instrument panel harness	[I]	No. 2 Door harness	[Dr2]
Rear harness	[R]	Audio harness	[Au]
Transmission harness	[M]	Air conditioner harness	[A]

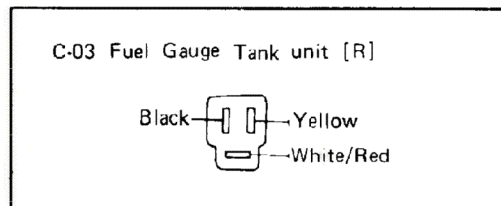


### EXAMPLE OF CIRCUIT DIAGRAM



- \* It is seen from the above that the male-side black line of the X-04 shows the engine harness and the female-side black line shows the front harness.
- \* It is seen from the above that the X-04 connector is a connector connecting the engine and the front.

### EXAMPLE OF CONNECTOR


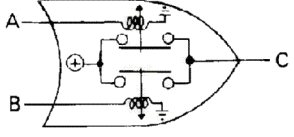
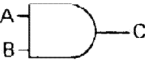
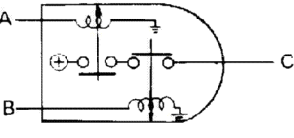
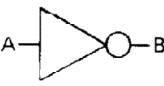
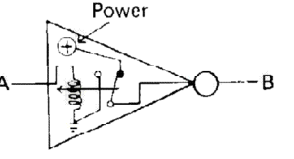

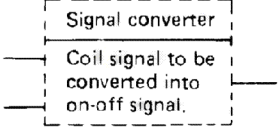


- \* It is seen from the above that this connector (C-03) is on the Rear harness.

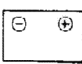
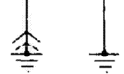





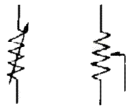
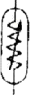


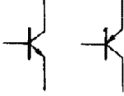
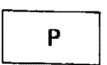

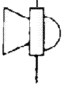
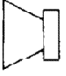




**SYMBOLS IN THIS WIRING DIAGRAM**

**LOGICAL SYMBOLS**

The logical symbols are of four kinds : OR, AND, INV. (Inverter), PROCESS.  
The circuit operation can be easily read by understanding these symbols.

<p>OR</p> 	<p>In case of input to either A or B, an output comes out from C. When A and B are off (0V), C is off (0V). When either A or B is on (12V), C is on (12V). This can be simply shown in the relay circuit on the right-hand side.</p>	
<p>AND</p> 	<p>In case of input to both A and B, an output comes out from C. When A and B are on (12V), C is on (12V). When either A or B is off (0V), C is off (0V). This can be simply shown in the relay circuit on the right-hand side.</p>	
<p>INV. (Inverter)</p> 	<p>In case of input to A, B is grounded. When A is off (0V), B is on (12V). When A is on (12V), B is off (0V). This can be simply shown in the relay circuit on the right-hand side.</p>	
<p>PROCESS</p> 	<p><b>PROCESS</b> makes a simplified representation of complicated functions of the circuit. Functions mainly used: 1. Detection of signals 2. Conversion of signals The process of the full transistor ignition control unit is as shown in the right-hand figure.</p>	

**GRAPHIC SYMBOLS**

				
Battery	Ground	Fuse	Fusible link	Motor
				
Coil solenoid	Resistance	Variable resistance	Thermister	Diode
				
Condenser	Transistor	Pump	Lamp	Horn
				
Speaker	Cigar lighter	Heater	Illuminated Diode	Zener Diode



PI

PARTS INDEX

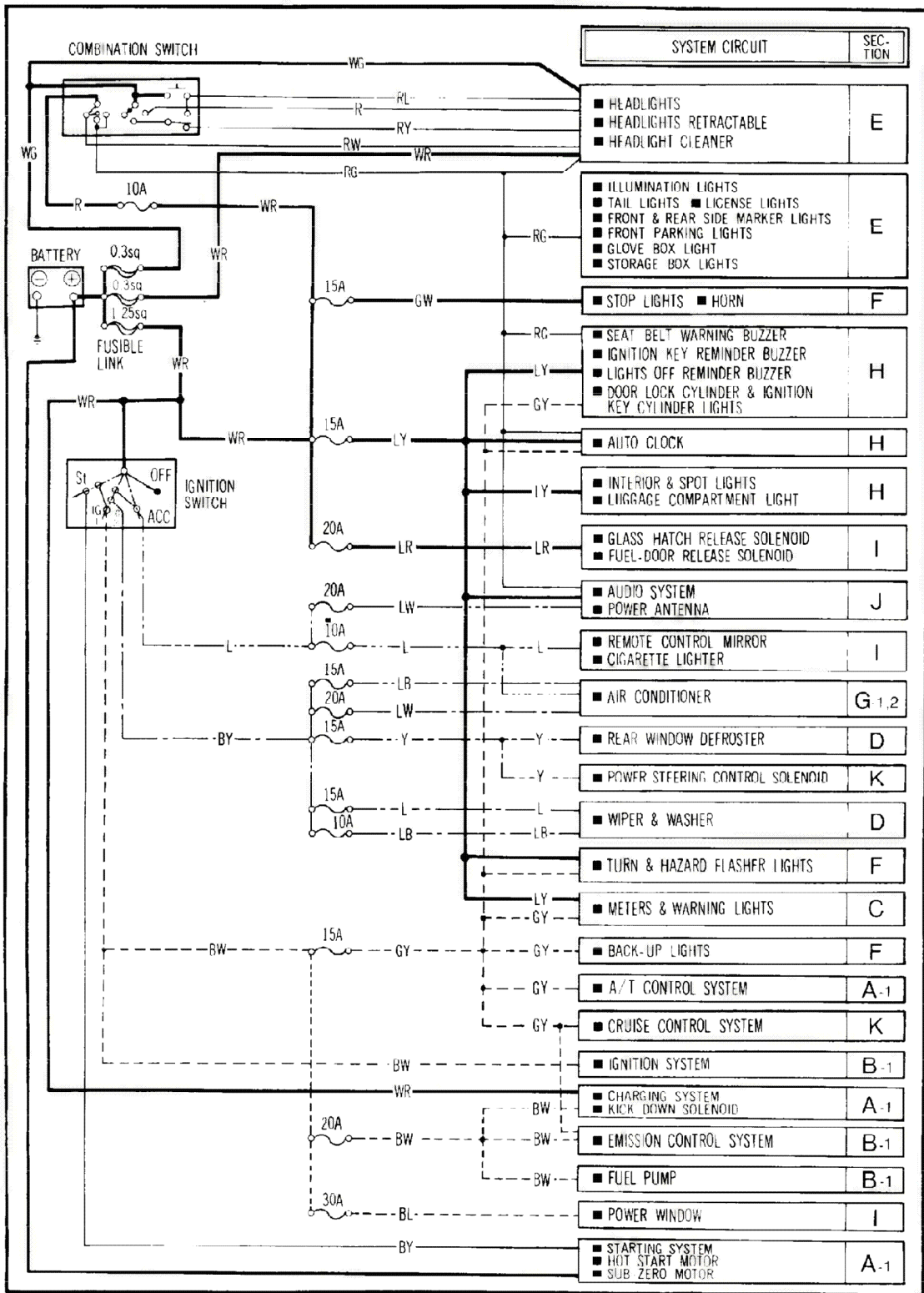
PARTS	SECTION	PARTS	SECTION
Actuator solenoid valve . . . . .	K	Fresh-Rec control motor. . . . .	G-1, G-2
A.C.V. . . . . .	B-2	Front amp. . . . .	I
A.C.V. relay . . . . .	B-2	Front combination light . . . . .	E, F
Air con. solenoid valve . . . . .	B-1	Front side marker light. . . . .	E
Air con. switch . . . . .	G-1, G-2	Front speaker . . . . .	J
Air flow meter . . . . .	B-2	Front warning temp. switch. . . . .	G-1, G-2
Air supply valve . . . . .	B-2, G-1, G-2	Fuel-door release solenoid. . . . .	I
Air temp. sensor . . . . .	B-2	Fuel-door release switch . . . . .	I
Air vent solenoid valve . . . . .	B-1	Fuel gauge tank unit . . . . .	C
Alternator . . . . .	A-1, A-2	Fuel pump. . . . .	B-1, B-2
A.P.L. solenoid valve . . . . .	B-1	Fuel pump cut relay. . . . .	B-1
A/T control unit . . . . .	A-1	Fusible link . . . . .	A-1 ~ K
Auto clock . . . . .	H		
		Glass hatch release solenoid. . . . .	I
Back-up light switch. . . . .	F	Glass hatch release switch . . . . .	I
Battery . . . . .	A-1 ~ K	Glove box light . . . . .	E
Blower control switch . . . . .	G-1, G-2	Glove box light switch . . . . .	E
Blower motor. . . . .	G-1, G-2		
Brake fluid level switch. . . . .	C	Headlight. . . . .	E
Brake light warning checker. . . . .	C	Headlight cleaner motor . . . . .	E
		Heat hazard sensor. . . . .	B-1, B-2
Carburetor heater . . . . .	B-1	Horn. . . . .	F
Central processing unit . . . . .	D, F, H	Horn relay . . . . .	F
Check connector . . . . .	B-1	Horn switch . . . . .	F
Choke & check relay . . . . .	A-1, A-2	Hot start motor. . . . .	A-1
Choke switch & magnet . . . . .	B-1	Hot start relay . . . . .	A-1
Cigarette lighter . . . . .	I		
Circuit opening relay . . . . .	B-2	ID. richer solenoid valve . . . . .	B-1
Cluster switch. . . . .	D, E, F	Igniter . . . . .	B-1, B-2
Clutch switch . . . . .	B-1, B-2	Ignition coil . . . . .	B-1, B-2
Combination meter . . . . .	C	Ignition key cylinder light. . . . .	H
Combination switch		Ignition key reminder switch . . . . .	H
Coast switch. . . . .	K	Ignition switch . . . . .	A-1, K
Light switch . . . . .	E	Illumination light	
Resume switch . . . . .	K	Ashtray . . . . .	E
Waher switch . . . . .	D	Bower fan switch. . . . .	E
Wiper switch. . . . .	D	Cigarette lighter . . . . .	E
Condenser . . . . .	B-1, B-2	Select lever. . . . .	E
Control unit . . . . .	B-2	Temp. control switch . . . . .	E
Coolant level sensor. . . . .	C	Inhibitor switch . . . . .	A-1, F
Coolant level unit . . . . .	C	Injector . . . . .	B-2
Cruise control main switch . . . . .	K	Instrument panel light control . . . . .	E
Cruise control unit. . . . .	K	Interior & spot light. . . . .	H
Diode . . . . .	A-1, E, G-1, G-2, K	Kick down relay . . . . .	A-1
Door lock cylinder light . . . . .	H	Kick down solenoid . . . . .	A-1
Door switch . . . . .	H	Kick down switch . . . . .	A-1
Door handle switch . . . . .	H		
		License light. . . . .	E
E.G.I. & emission control unit . . . . .	B-2	Luggage compartment light . . . . .	H
Electric tuner & stereo deck . . . . .	J	Luggage compartment light switch . . . . .	H
Emission control unit. . . . .	B-1		
Equalizer. . . . .	J	Magnet clutch. . . . .	G-1, G-2
		Main relay . . . . .	B-2
Fail check connector . . . . .	B-2	Mode control motor. . . . .	G-1, G-2

<b>PARTS INDEX</b>	<b>PI</b>
--------------------	-----------

PARTS	SECTION	PARTS	SECTION
Mode control unit . . . . .	G-1, G-2	Seat belt switch. . . . .	H
Neutral switch . . . . .	B-1, B-2	Setting connector . . . . .	B-2
No. 1 air con. relay . . . . .	G-1, G-2	Short connector . . . . .	B-1
No. 2 air con. relay . . . . .	G-1, G-2	Short connector of fuel pump . . . . .	B-2
No. 2 M. A. B. valve . . . . .	B-1	Shutter solenoid valve . . . . .	B-1
No. 1 water temp. switch . . . . .	B-1	Side marker light. . . . .	E
No. 2 water temp. switch . . . . .	B-1	Speaker cord . . . . .	J
Oil level sensor . . . . .	.C	Starting motor . . . . .	A-1, A-2
Oil pressure gauge unit . . . . .	.C	Stereo deck . . . . .	J
Oscillator. . . . .	.C	Stop light. . . . .	.F
O <sub>2</sub> sensor. . . . .	B-1, B-2	Stop light checker . . . . .	.F
O <sub>2</sub> sensor check connector . . . . .	B-2	Stop light switch . . . . .	.F
Over drive cancel solenoid. . . . .	A-1	Stop switch . . . . .	K
Over drive switch. . . . .	A-1	Storage box light. . . . .	E
Over top switch. . . . .	B-2	Storage box light switch . . . . .	E
Parking brake switch . . . . .	.C	Sub-zero motor. . . . .	A-1, A-2
Port air switching valve . . . . .	B-1	Sub-zero sensor. . . . .	A-1, A-2
Power antenna motor. . . . .	J	Switching solenoid valve . . . . .	B-1, B-2
Power antenna relay. . . . .	J	Tail light . . . . .	E
Power steering control solenoid . . . . .	K	Thermo sensor . . . . .	B-1
Power steering control unit . . . . .	K	Throttle sensor . . . . .	B-1, B-2
Power steering oil pressure switch. . . . .	G-1, G-2	Transmission oil pressure switch. . . . .	.C
Power window motor. . . . .	I	Turn & hazard flasher light . . . . .	.F
Power window switch. . . . .	I	Turn switch . . . . .	.F
P.R.C. . . . .	B-2	Vacuum control solenoid valve. . . . .	B-1, B-2
Rear amp. . . . .	J	Vacuum pressure sensor . . . . .	B-2
Rear combination light. . . . .	F, E	Vacuum switch . . . . .	B-1, B-2
Rear side marker light . . . . .	E	Vacuum switch solenoid . . . . .	B-2
Rear speaker. . . . .	J	Variable resistor . . . . .	B-2
Rear washer motor . . . . .	D	V.S.V. . . . .	B-2
Rear wiper motor . . . . .	D	Washer fluid level sensor . . . . .	.C
Rear window defroster . . . . .	D	Washer motor . . . . .	D
Refrigerant pressure switch . . . . .	G-1, G-2	Water temp. sensor . . . . .	B-2
Relief solenoid valve . . . . .	B-1, B-2	Water temp. switch . . . . .	B-2
Remote control mirror . . . . .	I	Water temp. gauge unit. . . . .	.C
Remote control mirror switch . . . . .	I	Wiper motor. . . . .	D
Resistor. . . . .	G-1, G-2		
Retractable headlight motor . . . . .	E		

# 50 WIRING DIAGRAM

W	-1	For 12A Engine	<b>ELECTRICAL WIRING SCHEMATIC</b>	————— CURRENT FROM BATTERY
				- - - - - CURRENT FROM IG1 TERMINAL OF IGNITION SWITCH
				· · · · · CURRENT FROM IG2 TERMINAL OF IGNITION SWITCH
				————— CURRENT FROM ACC TERMINAL OF IGNITION SWITCH
				————— OTHERS



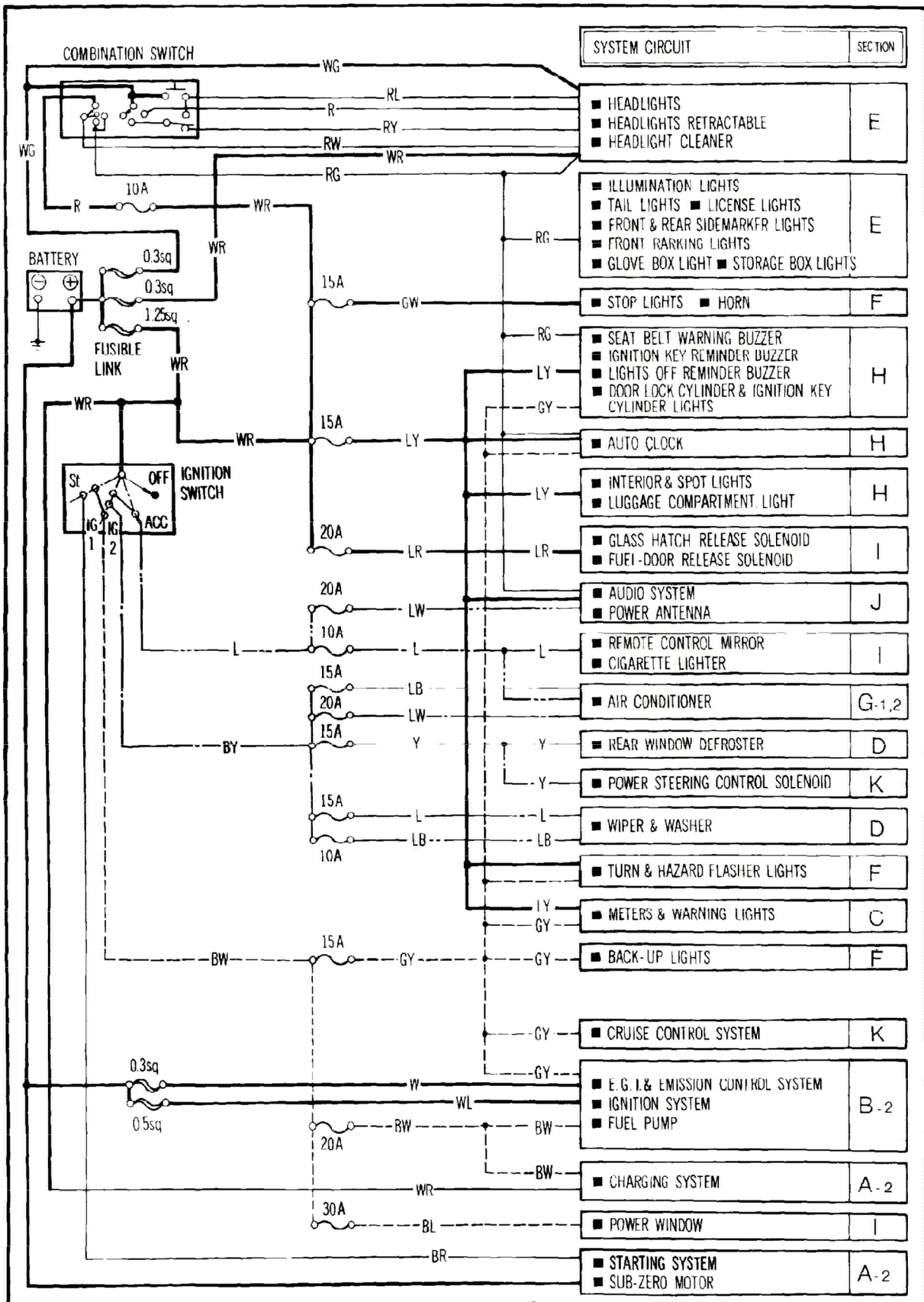


For 13B Engine

**ELECTRICAL WIRING SCHEMATIC**

——— CURRENT FROM BATTERY  
 - - - - - CURRENT FROM IG1 TERMINAL OF IGNITION SWITCH  
 - · - · - CURRENT FROM IG2 TERMINAL OF IGNITION SWITCH  
 - · - · - CURRENT FROM ACC TERMINAL OF IGNITION SWITCH  
 - - - - - OTHERS

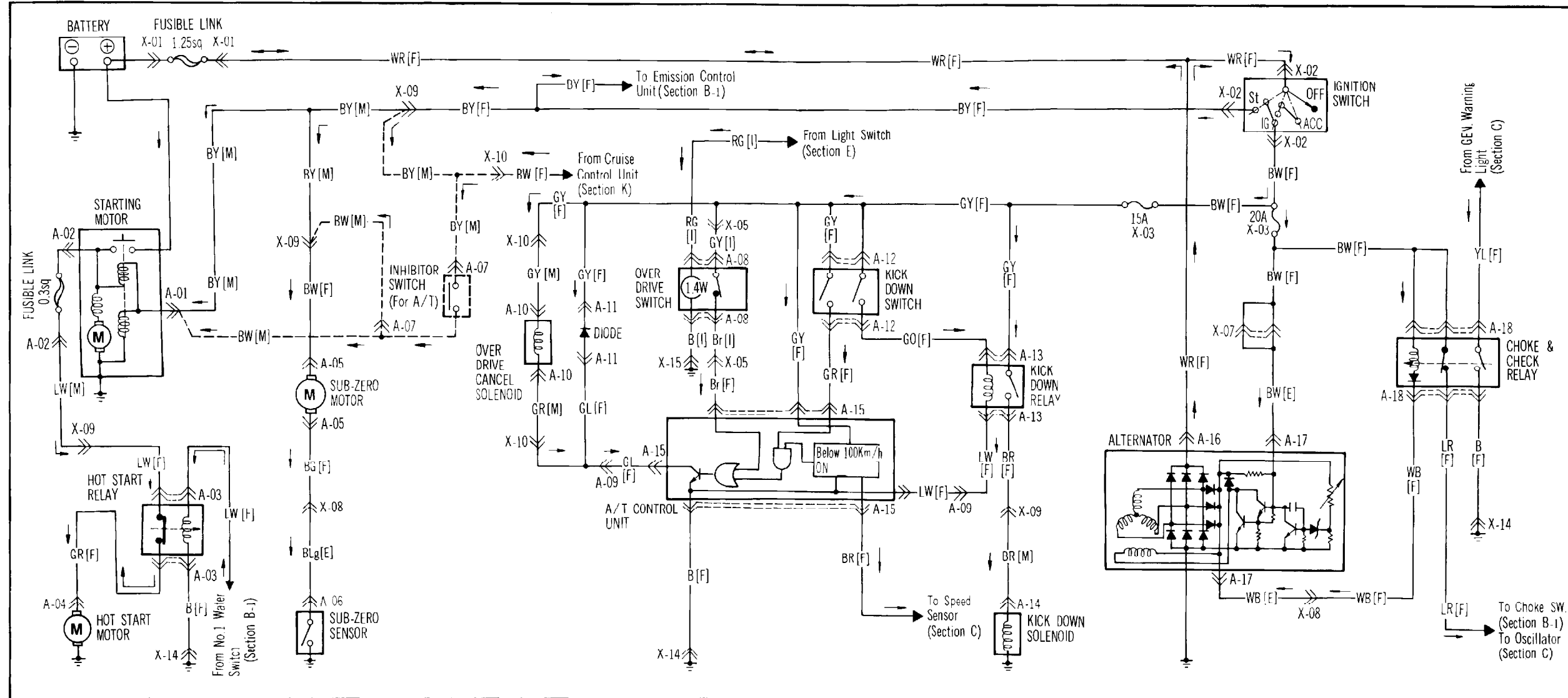
**W-2**



A-1

For 12A Engine

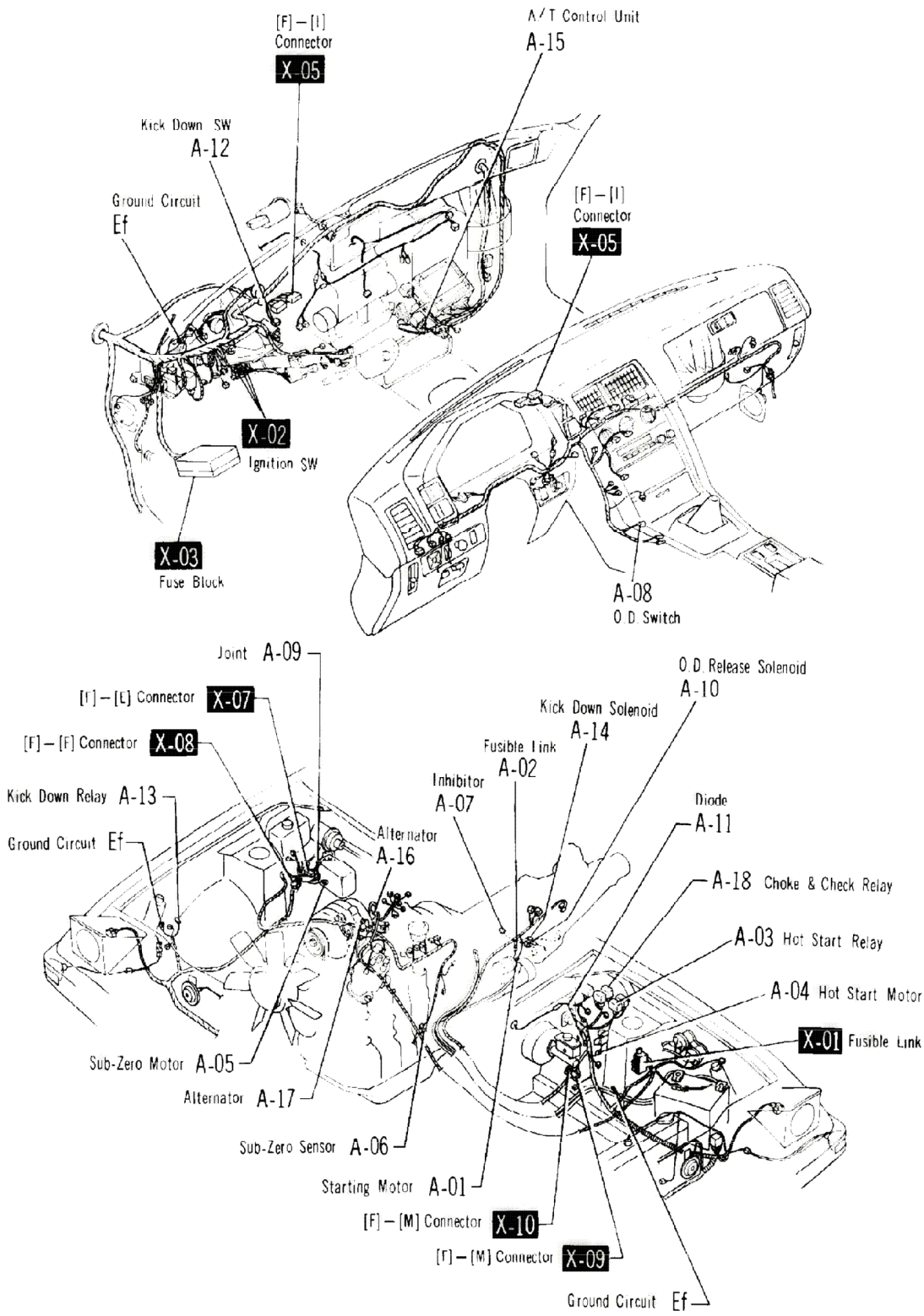
- STARTING SYSTEM
- SUB-ZERO MOTOR
- A/T CONTROL SYSTEM (For A/T)
- CHARGING SYSTEM
- HOT START MOTOR
- KICK DOWN SOLENOID (For A/T)



A-01 Starting Motor[M]  BY ← BW For A/T	A-02 Fusible Link[M]  0.3sq LW	A-03 Hot Start Relay[F]  GR LW B LW	A-04 Hot Start Motor[F]  GR	A-05 Sub-Zero Motor[F]  BW BG	A-06 Sub-Zero Sensor[E]  BLg	A-07 Inhibitor Switch[M] (For A/T)  GY BY RW BW	A-08 Over Drive Switch['] (For A/T)  RG GY B Br
A-09 Joint Connector[F]  YG LW GL YG	 YG GL LW	A-10 Over Drive Release Solenoid[M] (For A/T)  GR GY	A-11 Diode[F]  GL GY	A-12 Kick Down Switch[F] (For A/T)  GR GY GO GY	A-13 Kick Down Relay[F] (For A/T)  GY GO BR LW	A-14 Kick Down Solenoid[M] (For A/T)  BR	A-15 A/T Control Unit[F] (For A/T)  GR BR Br LW GL GY B
A-16 Alternator[F]  WR	A-17 Alternator[E]  BW WB	A-18 Choke & Check Relay[F]  B LR YL BW WB BW					

Note: ✕ ... Not Used

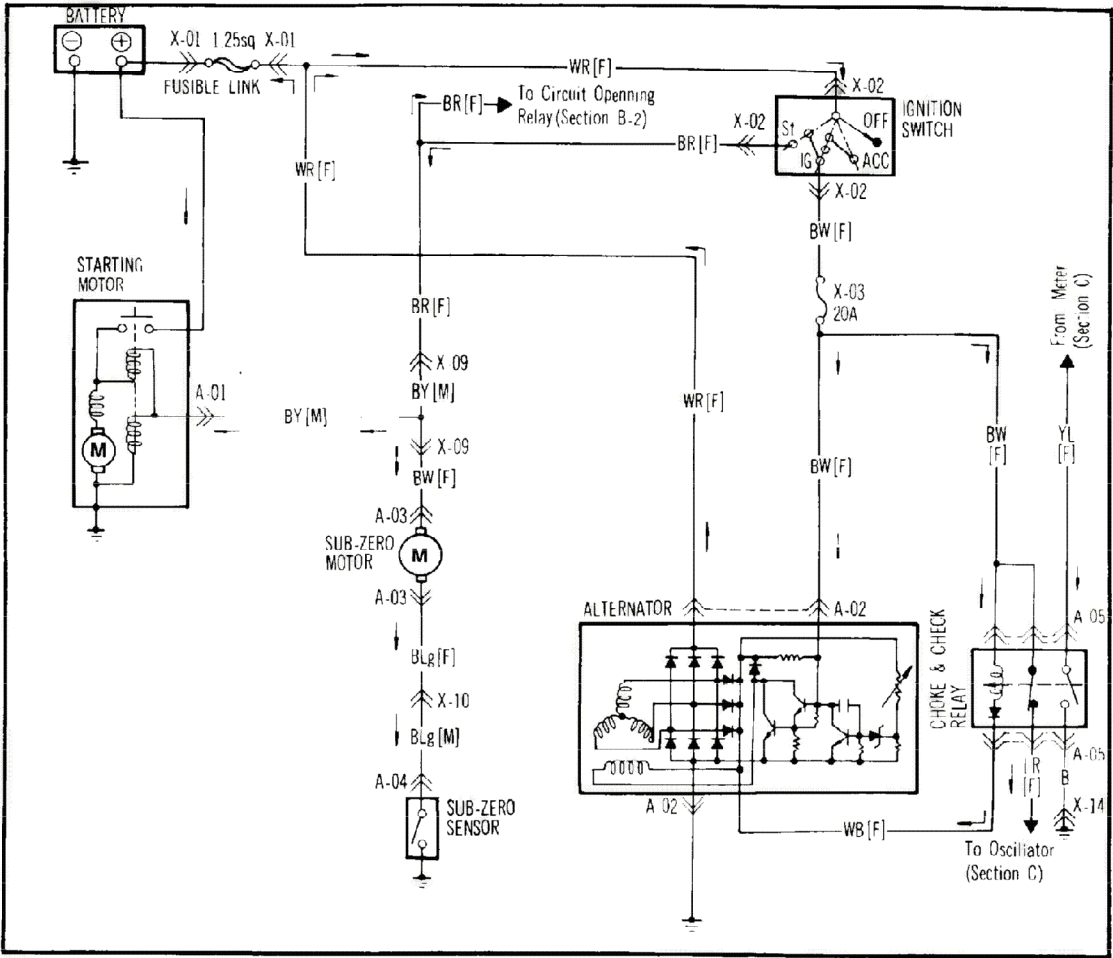
# WIRING DIAGRAM 50-A-1

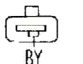

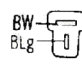
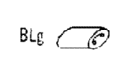
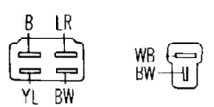


# 50 WIRING DIAGRAM

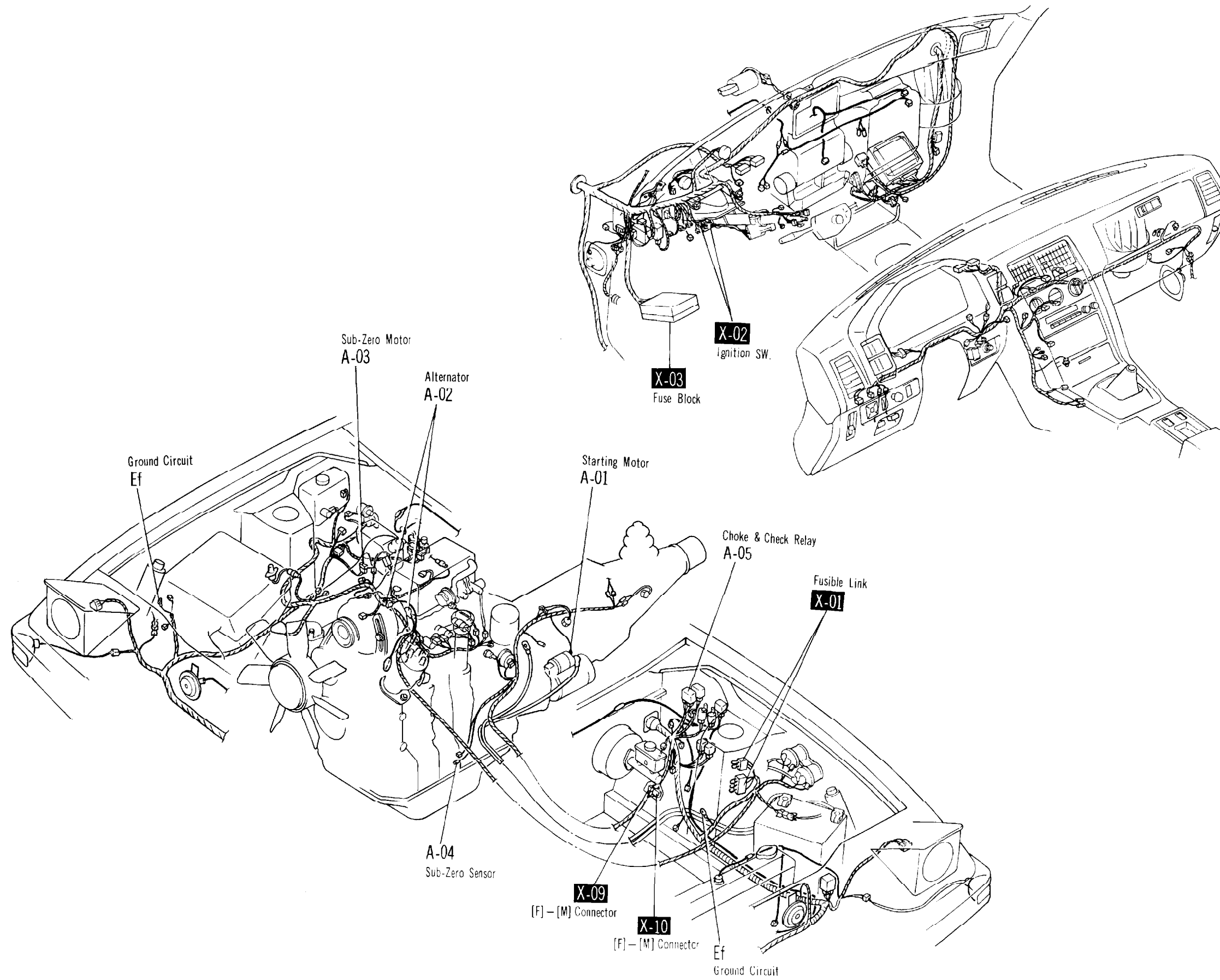
## A-2 For 13B Engine

- STARTING SYSTEM
- CHARGING SYSTEM
- SUB-ZERO MOTOR



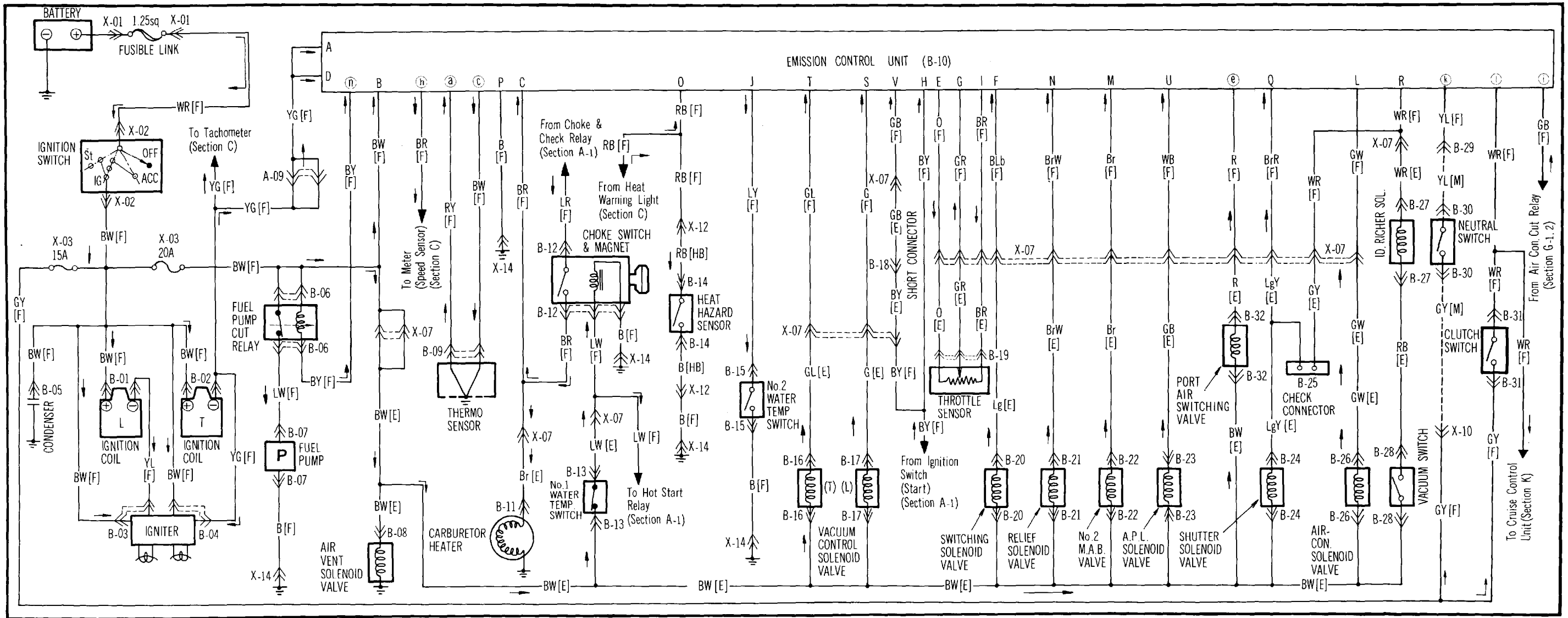
<p>A-01 Starting Motor [M]</p> 	<p>A-02 Alternator [F]</p> 	<p>A-03 Sub-Zero Motor [F]</p> 	<p>A-04 Sub-Zero Sensor [M]</p> 
<p>A-05 Choke &amp; Check Relay [F]</p> 			

Note: ✕ ... Not Used



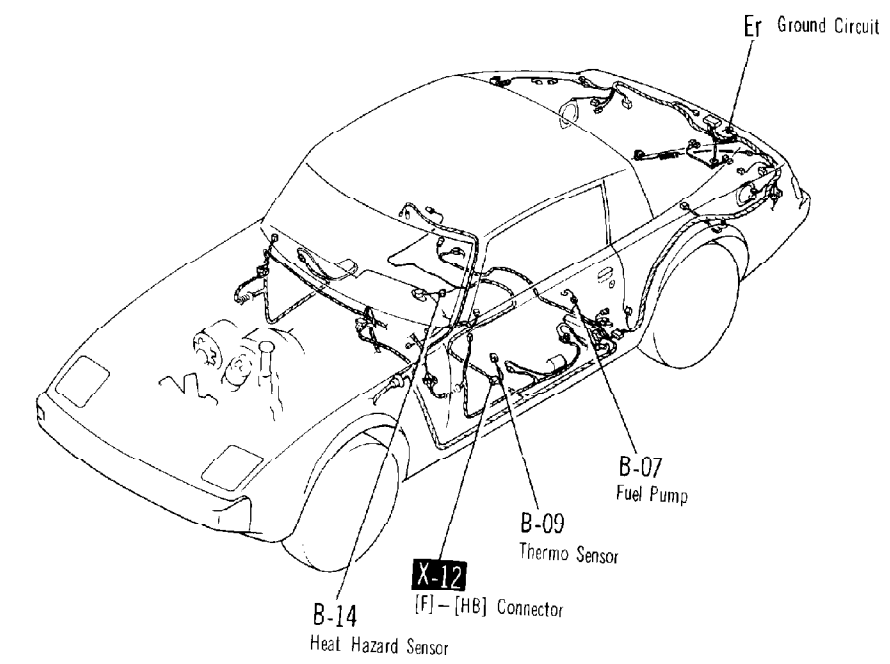
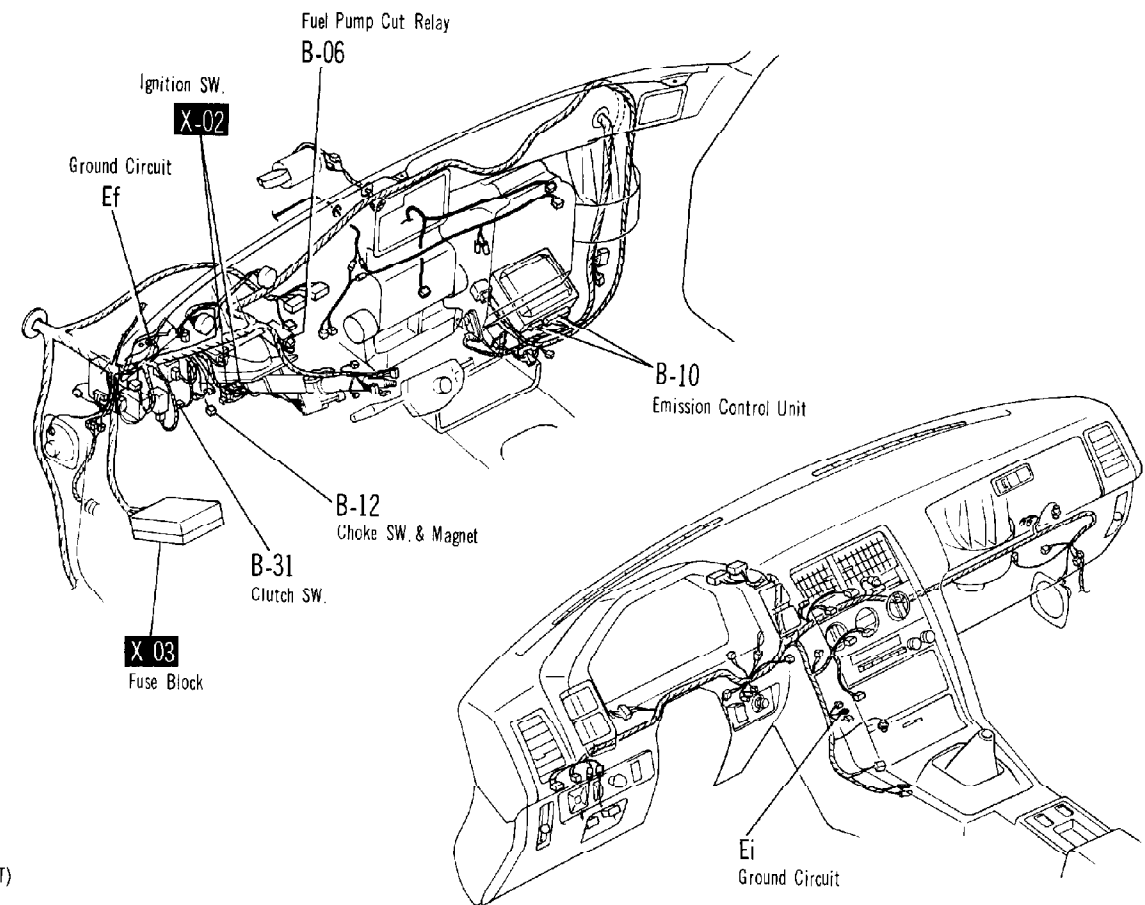
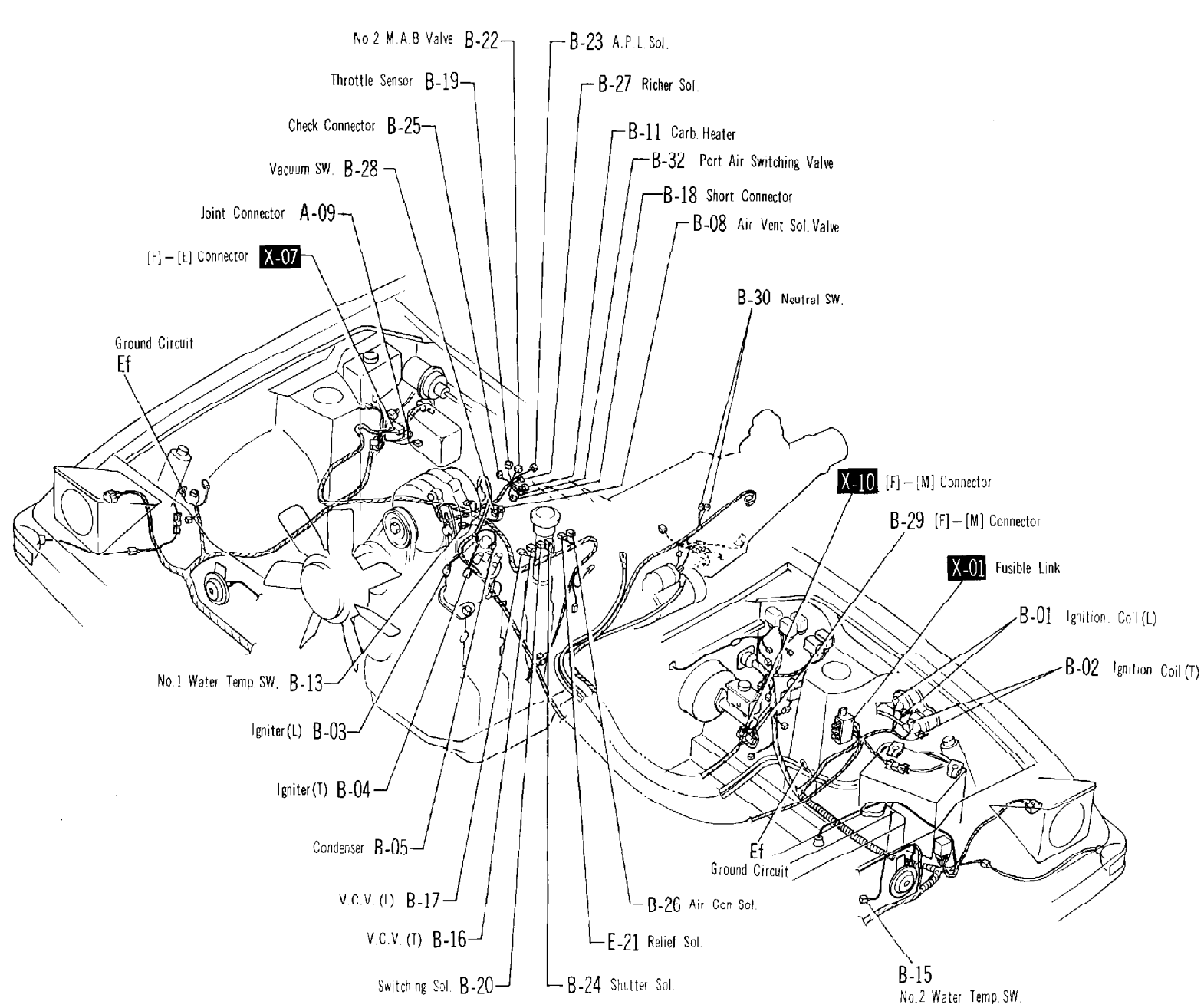


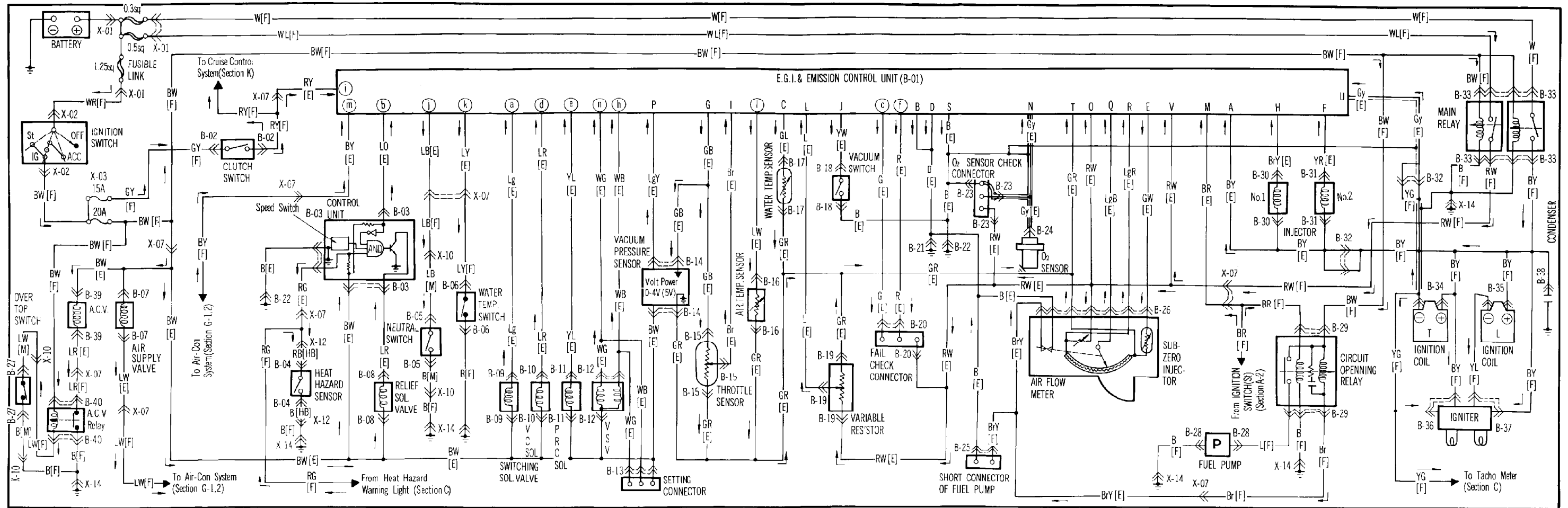
**B-1** For 12A Engine ■ EMISSION CONTROL SYSTEM ■ IGNITION SYSTEM ■ FUEL PUMP



B-01 Ignition Coil(L)[F] BW YL	B-02 Ignition Coil(T)[F] BW YG	B-03 Igniter(L)[F] YL BW	B-04 Igniter(T)[F] YG BW	B-05 Condenser[F] BW	B-06 Fuel Pump Cut Relay[F] BY X LW BW BW X	B-07 Fuel Pump[F] LW B	B-08 Air Vent Solenoid Valve[E] BW	B-09 Thermo Sensor[F] RY BW								
B-10 Emission Control Unit[F] WB G BrR RB Br BR GR O BR YG GB GL WR B BrW GW LY BY BLb YG BW BY WR X BR X X X		B-11 Carburetor Heater[E] Br	B-12 Choke Switch & Magnet[F] X X BR X B LR LW	B-13 No.1 Water Temp. Switch[E] LW BW	B-14 Heat Hazard Sensor[HB] RB B	B-15 No.2 Water Temp. Switch[F] B LY	B-16 Vacuum Control Solenoid Valve (T)[E] BW GL (Green)	B-17 Vacuum Control Solenoid Valve (L)[E] BW G (Brown)	B-18 Short Connector[E] BY GB	B-19 Throttle Sensor[E] BR O GR	B-20 Switching Solenoid Valve[E] BW Lg (Gray)	B-21 Relief Solenoid Valve[E] BW BrW (Blue)	B-22 No.2 M.A.B. Valve[E] BW Br (Orange)	B-23 A.P.L. Solenoid Valve[E] GB BW	B-24 Shutter Solenoid Valve[E] BW LgY (Yellow)	B-25 Check Connector[E] LgY GY
B-26 Air-Con. Solenoid Valve[E] BW GW (White)	B-27 I.D. Richer Solenoid Valve[E] WR RB	B-28 Vacuum Switch[E] RB BW	B-29 Connector Between Front[F] and Mission Harness[M] (For M/T) YL YL	B-30 Neutral Switch[M] (For M/T) GY YL	B-31 Clutch Switch[F] (For M/T) GY WR	B-32 Port Air Switching Valve[E] R BW	A-09 Joint Connector[F] X YG LW GL YG	A-09 Joint Connector[F] YG X YG GL LW								

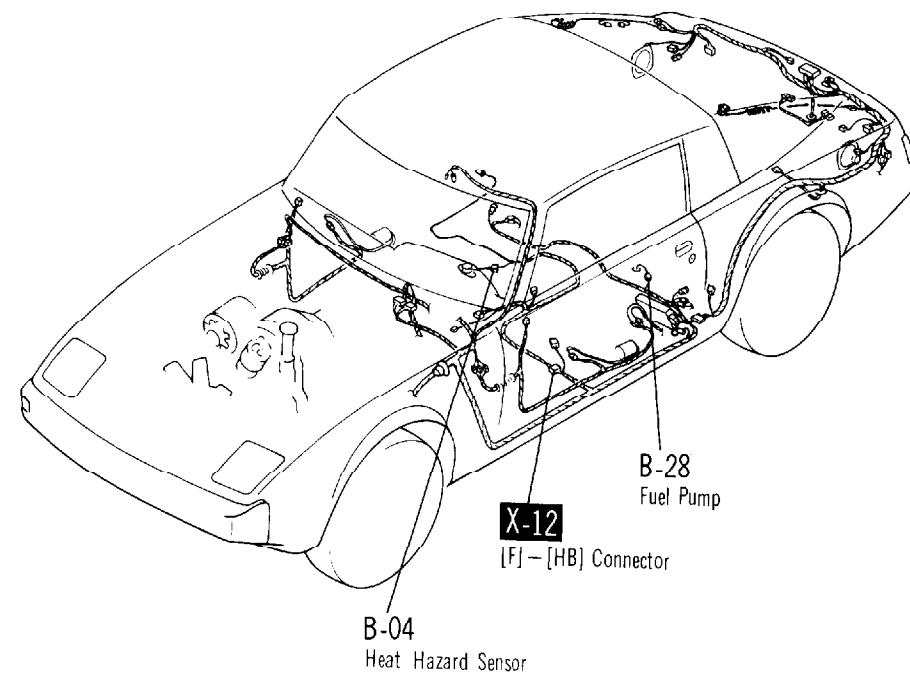
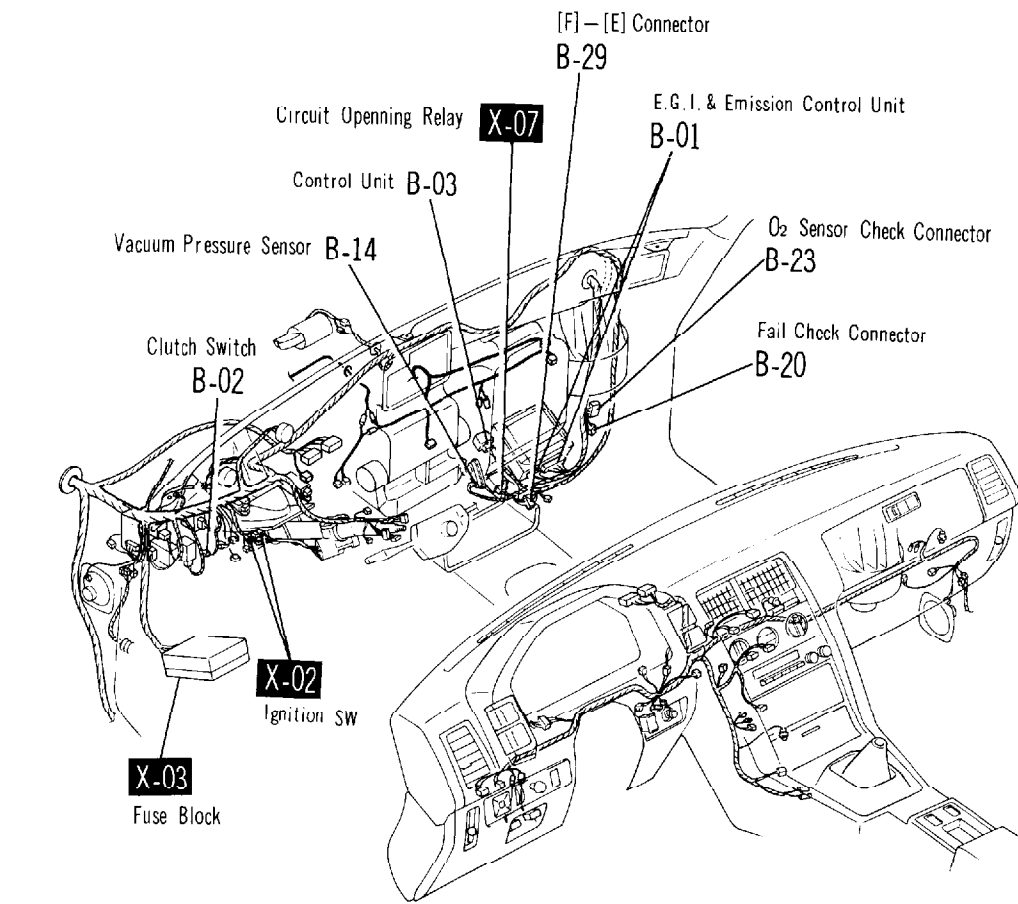
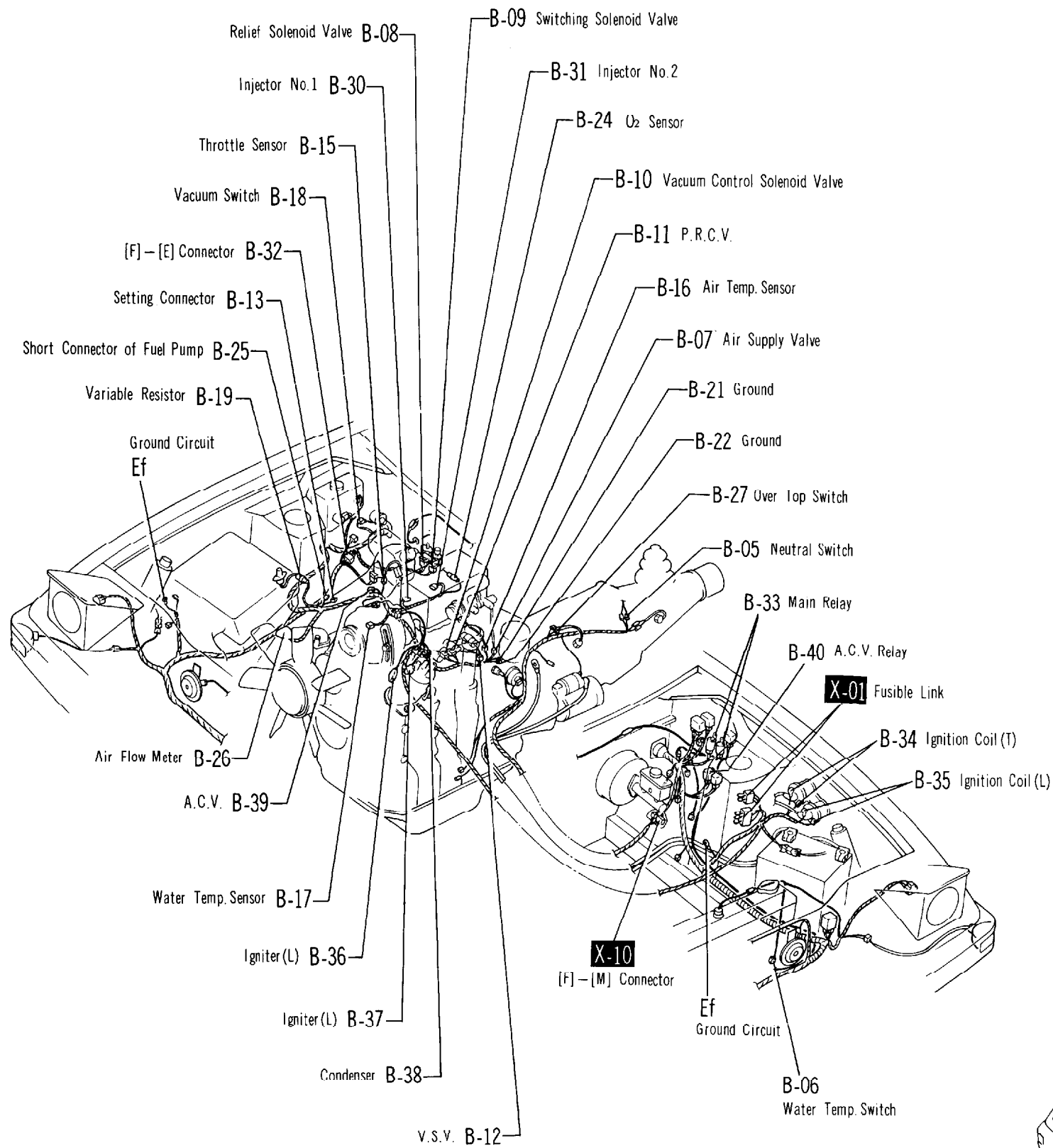
Note: X...Not Used



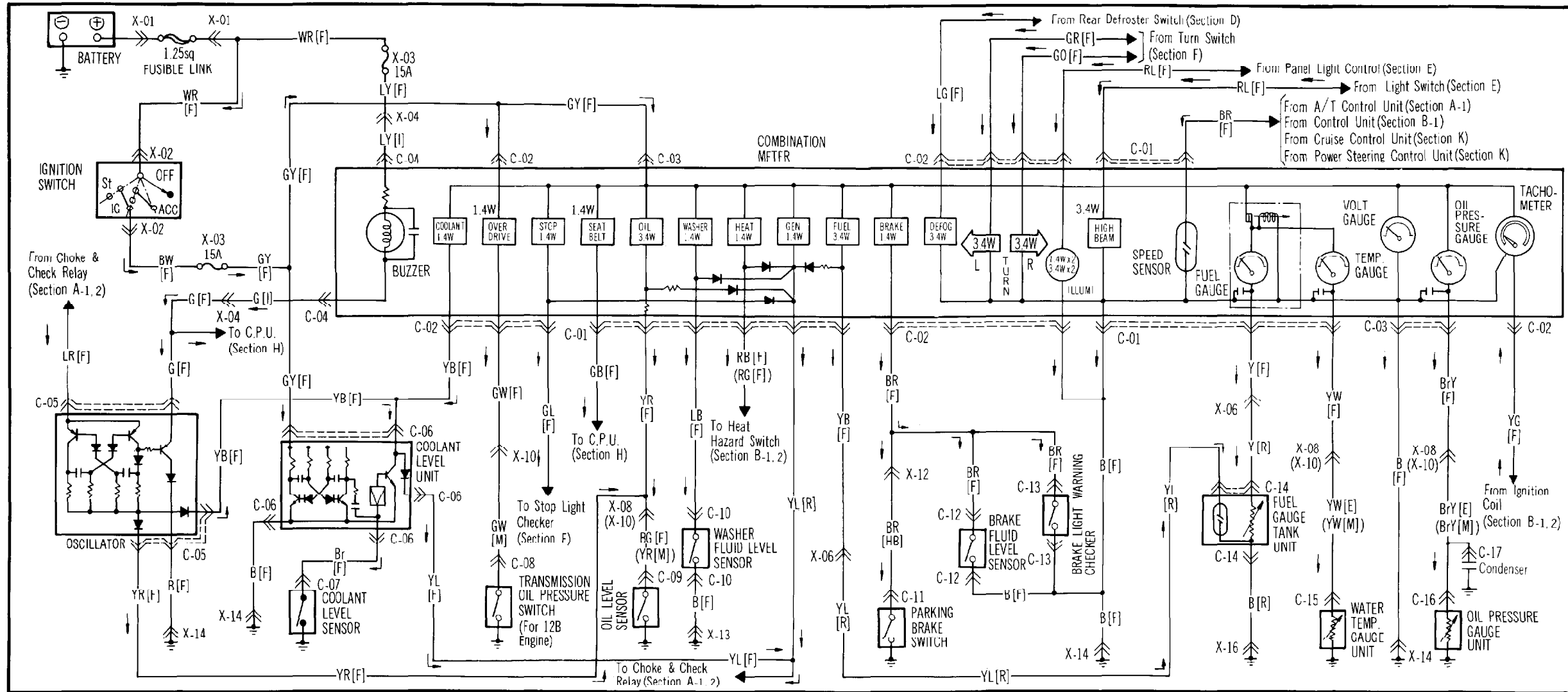


<p><b>B-01 E.G.I. &amp; Emission Control Unit [E]</b></p>	<p><b>B-02 Clutch Switch [F]</b></p>	<p><b>B-03 Control Unit [E]</b></p>	<p><b>B-04 Heat Hazard Sensor [HB]</b></p>	<p><b>B-05 Neutral Switch [M]</b></p>	<p><b>B-06 Water Temp. Switch [F]</b></p>	<p><b>B-07 Air Supply Valve [E]</b></p>	<p><b>B-08 Relief Solenoid Valve [E] (Blue)</b></p>	<p><b>B-09 Switching Solenoid Valve [E] (Gray)</b></p>		
<p><b>B-10 Vacuum Control Solenoid Valve [F] (Green)</b></p>	<p><b>B-11 P.R.C.V. [E] (Orange)</b></p>	<p><b>B-12 V.S.V. [E]</b></p>	<p><b>B-13 Setting Connector [E]</b></p>	<p><b>B-14 Vacuum Pressure Sensor [E]</b></p>	<p><b>B-15 Throttle Sensor [E]</b></p>	<p><b>B-16 Air Temp. Sensor [E]</b></p>	<p><b>B-17 Water Temp. Sensor [E]</b></p>	<p><b>B-18 Vacuum Switch [E]</b></p>	<p><b>B-19 Variable Resistor [E]</b></p>	<p><b>B-20 Fail check Connector [E]</b></p>
<p><b>B-21 Ground [E]</b></p>	<p><b>B-22 Ground [E]</b></p>	<p><b>B-23 O<sub>2</sub> Sensor Check Connector [E]</b></p>	<p><b>B-24 O<sub>2</sub> Sensor [E]</b></p>	<p><b>B-25 Short Connector of Fuel Pump [E]</b></p>	<p><b>B-26 Air Flow Meter [E]</b></p>	<p><b>B-27 Over Top Switch [M]</b></p>	<p><b>B-28 Fuel Pump [F]</b></p>	<p><b>B-29 Circuit Opening Relay [F]</b></p>	<p><b>B-30 Injector No. 1 [E]</b></p>	
<p><b>B-31 Injector No. 2 [E]</b></p>	<p><b>B-32 Connector Between Front [F] and Engine [E] (Blue)</b></p>	<p><b>B-33 Main Relay [F]</b></p>	<p><b>B-34 Ignitor Coil (T) [F]</b></p>	<p><b>B-35 Ignitor Coil (L) [F]</b></p>	<p><b>B-36 Ignitor (T) [F]</b></p>	<p><b>B-37 Ignitor (L) [F]</b></p>	<p><b>B-38 Condenser</b></p>	<p><b>B-39 A.C.V. [E]</b></p>	<p><b>B-40 A.C.V. Relay [F]</b></p>	

Note: X...Not Used



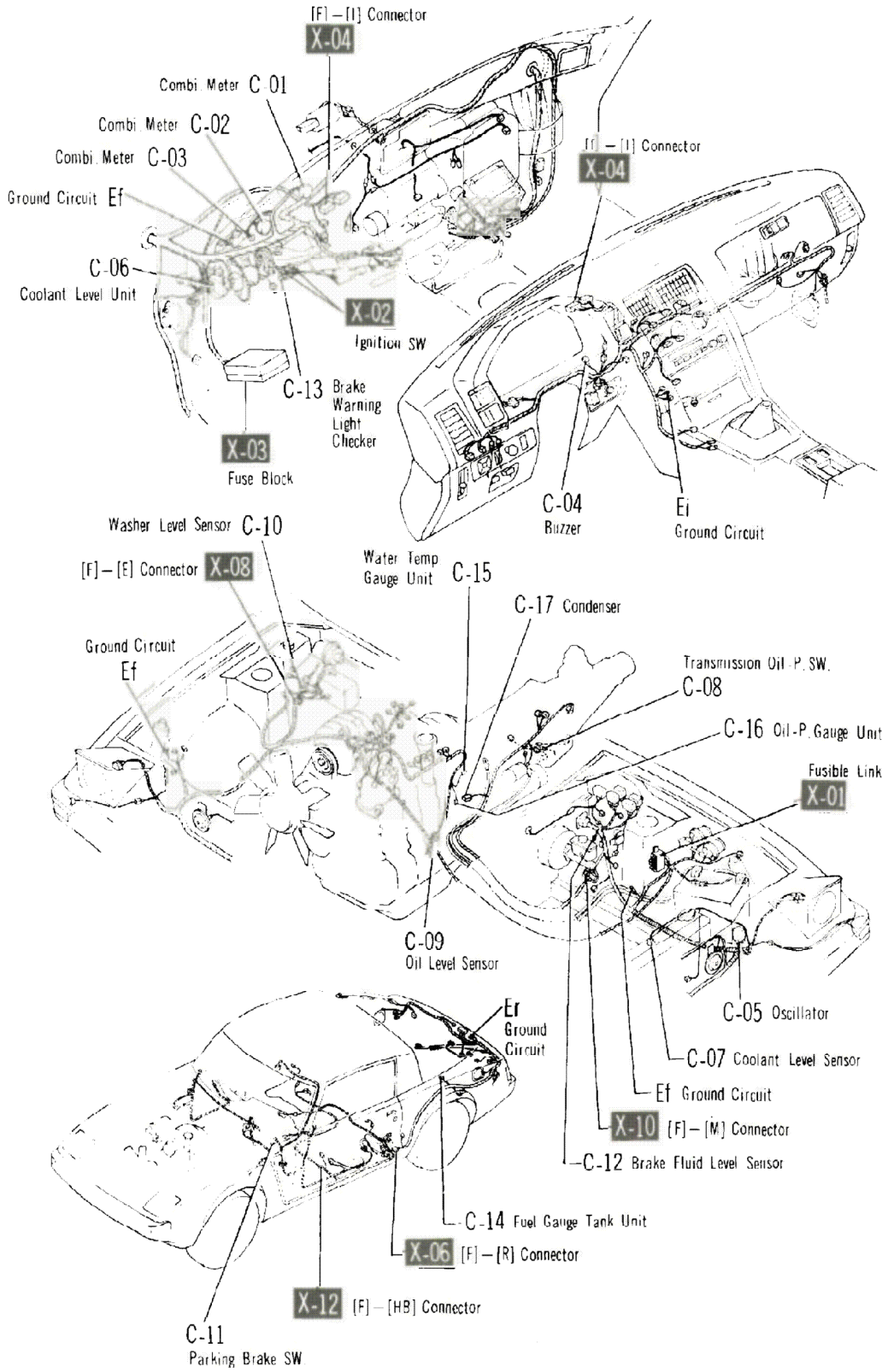
**C** METERS & WARNING LIGHTS



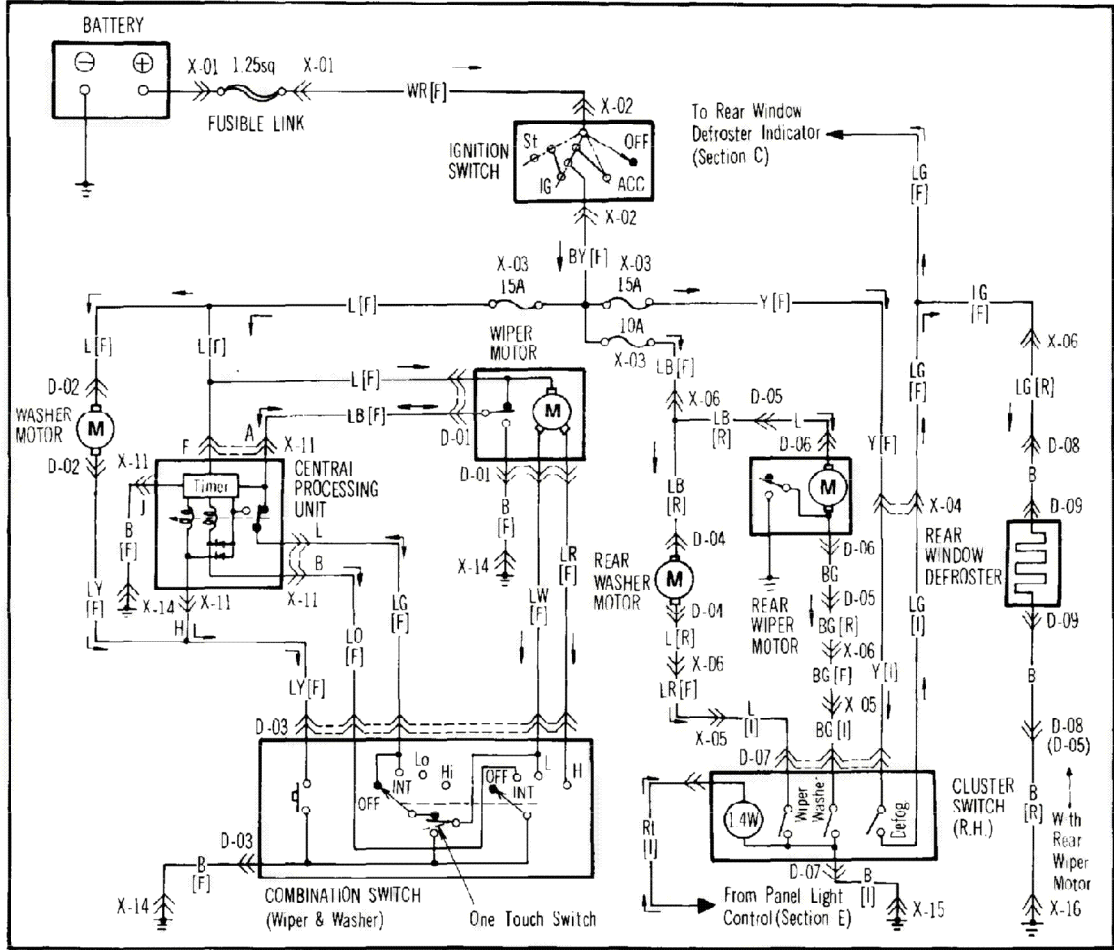
<p>C-01 Combination Meter [F]</p>	<p>C-02 Combination Meter [F]</p>	<p>C-03 Combination Meter [F]</p>	<p>C-04 Buzzer [I]</p>	<p>C-05 Oscillator [F]</p>	<p>C-06 Coolant Level Unit [F]</p>		
<p>C-11 Parking Brake Switch [HB]</p>	<p>C-12 Brake Fluid Level Sensor [F]</p>	<p>C-13 Brake Warning Light Checker (In Ignition Switch) [F]</p>	<p>C-14 Fuel Gauge Tank Unit [R]</p>	<p>C-15 Water Temp Gauge Unit [E]</p>	<p>C-16 Oil Pressure Gauge Unit [E]</p>	<p>C-17 Condenser [M]</p>	

Note: ✕...Not Used, ( )...For 13B Engine

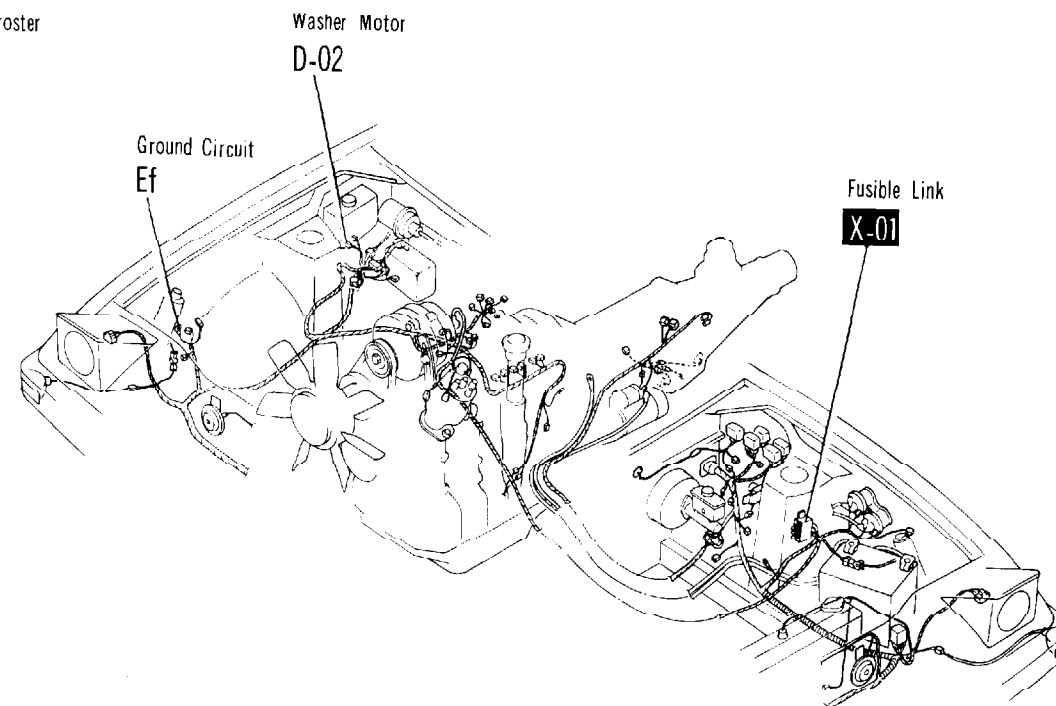
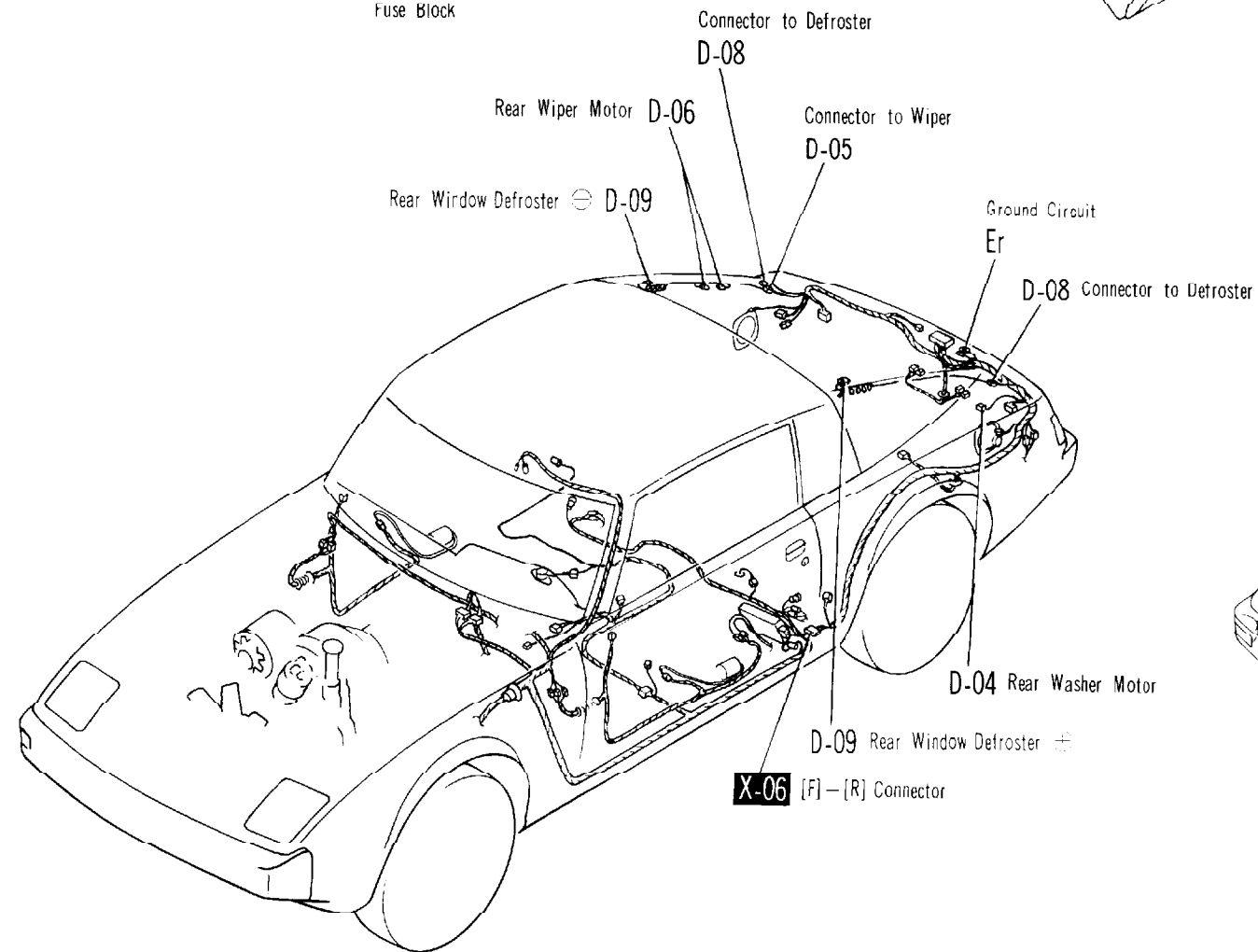
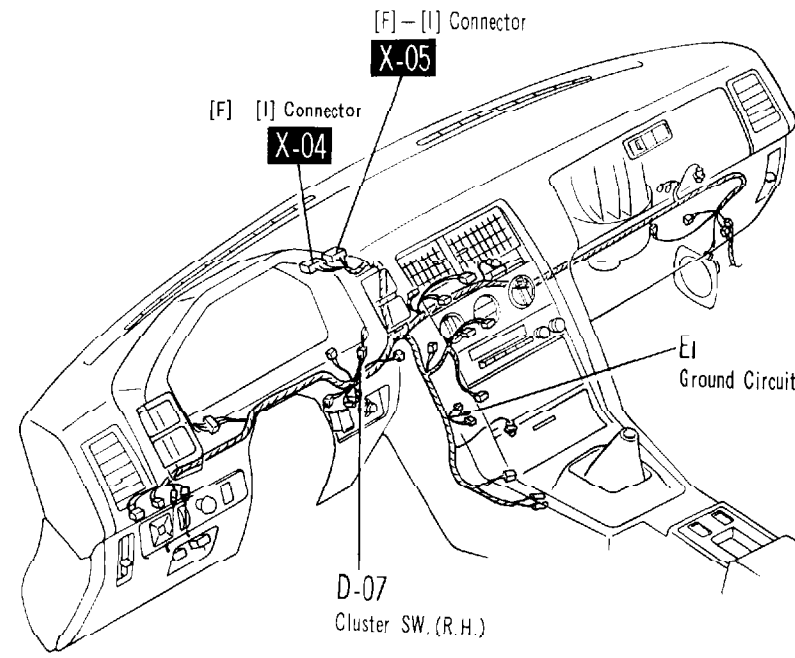
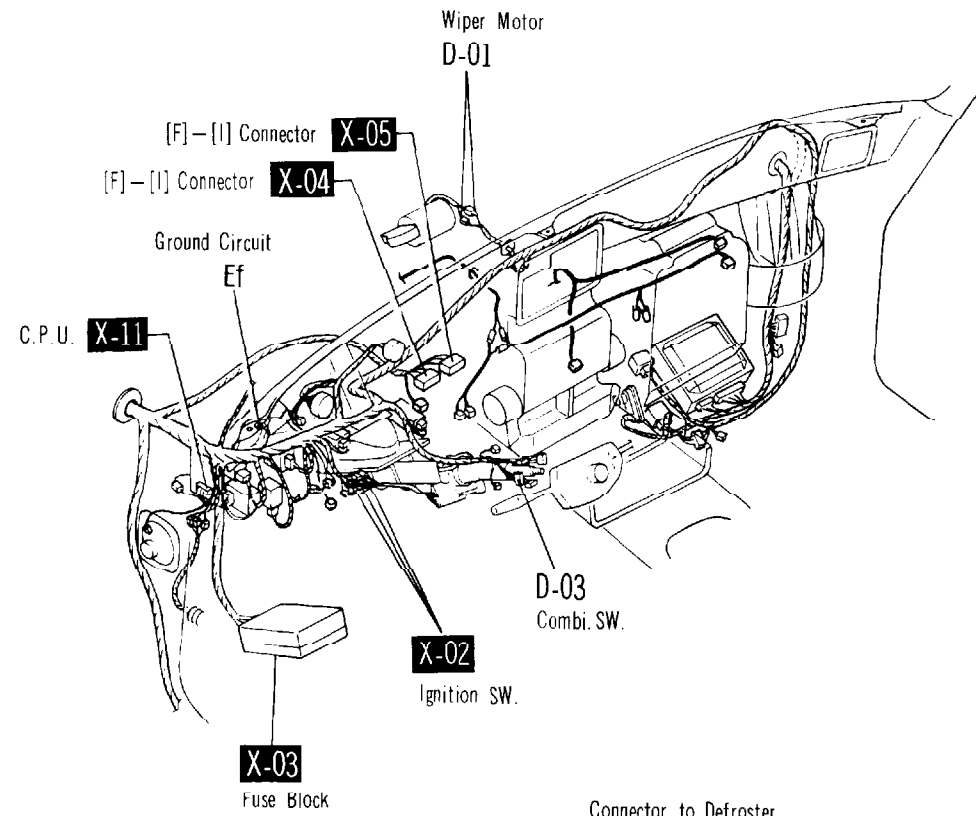




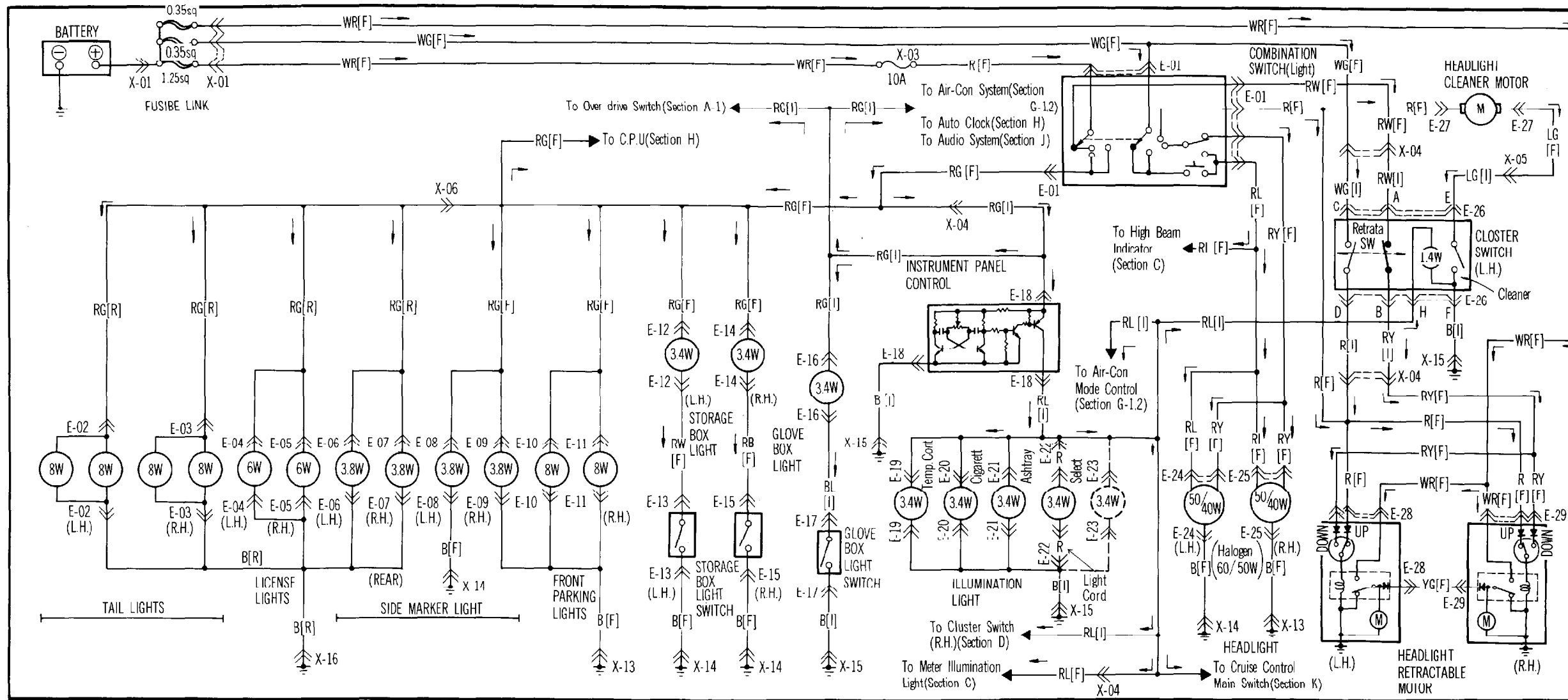
**D** ■ WIPER & WASHER ■ REAR WINDOW DEFROSTER



<p>D-01 Wiper Motor [F]</p>	<p>D-02 Washer Motor [F]</p>	<p>D-03 Combination Switch [F]</p>	<p>D-04 Rear Washer Motor [R]</p>
<p>D-05 Connector to Wiper Motor [R]</p>	<p>D-06 Rear Wiper Motor</p>	<p>D-07 Cluster Switch (R.H.) [I]</p>	<p>D-08 Connector to Rear Window Defroster [R]</p>
<p>D-09 Rear Window Defroster</p>			

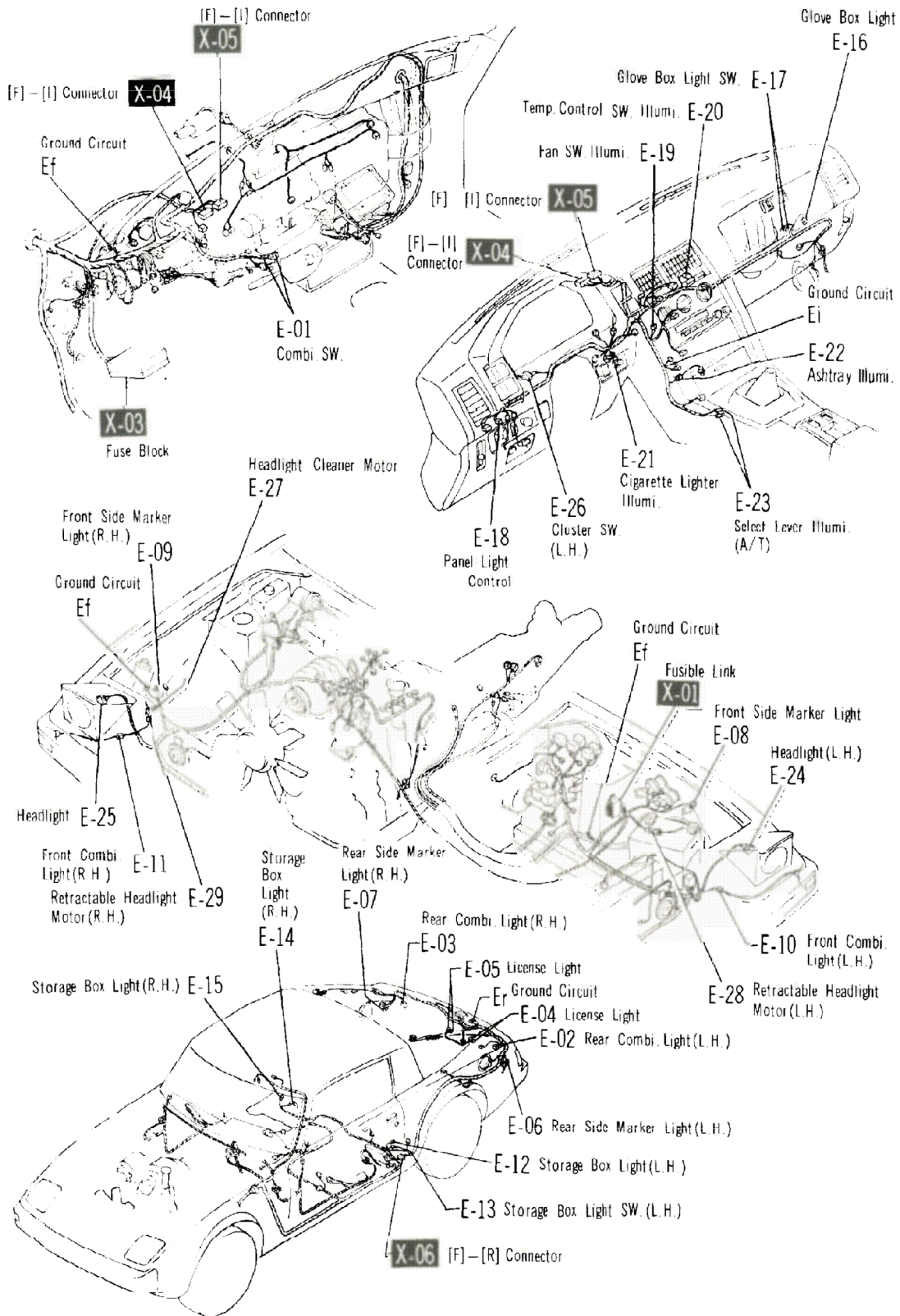


**E** ■ HEADLIGHTS ■ HEADLIGHT RETRACTABLE SYSTEM ■ HEADLIGHT CLEANER ■ ILLUMINATION LIGHTS ■ GLOVE BOX LIGHT ■ FRONT PARKING LIGHTS ■ TAIL LIGHTS ■ REAR SIDE MARKER LIGHTS ■ FRONT & REAR SIDE MARKER LIGHTS ■ STORAGE BOX LIGHTS ■ LICENSE LIGHTS



E-01 Combination Switch[F] 	E-02 Rear Combination Light(L.H.)(R) 	E-03 Rear Combination Light(R.H.)(R) 	E-04 License Light(L.H.)(R) 	E-05 License Light(R.H.)(R) 	E-06 Rear side marker Light(L.H.)(R) 	E-07 Rear side marker Light(R.H.)(R) 	E-08 Front side marker Light(L.H.)(F) 
E-09 Front side marker Light(R.H.)(F) 	E-10 Front Combination Light(L.H.)(F) 	E-11 Front Combination Light(R.H.)(F) 	E-12 Storage Box Light(L.H.)(F) 	E-13 Storage Box Light Switch(L.H.)(F) 	E-14 Storage Box Light(R.H.)(F) 	E-15 Storage Box Light Switch(R.H.)(F) 	E-16 Glove Box Light[I] 
E-17 Glove Box Light Switch[I] 	E-18 Instrument Panel Light Control[I] 	E-19 Blower Fan Switch Illumination Light [I] 	E-20 Temp Control Switch Illumination Light[I] 	E-21 Cigarette Lighter Illumination Light [I] 	E-22 Ashtray Illumination Light[I] 	E-23 Select Lever Illumination Light [I] (For A/T) 	E-24 HeadLight(L.H.)(F) 
E-25 HeadLight(R.H.)(F) 	E-26 Cluster Switch(L.H.)(I) 	E-27 HeadLight Cleaner Motor[F] 	E-28 Retractable HeadLight Motor(L.H.)(F) 	E-29 Retractable Headlight Motor(R.H.)(F) 			

Note: ✕...Not Used

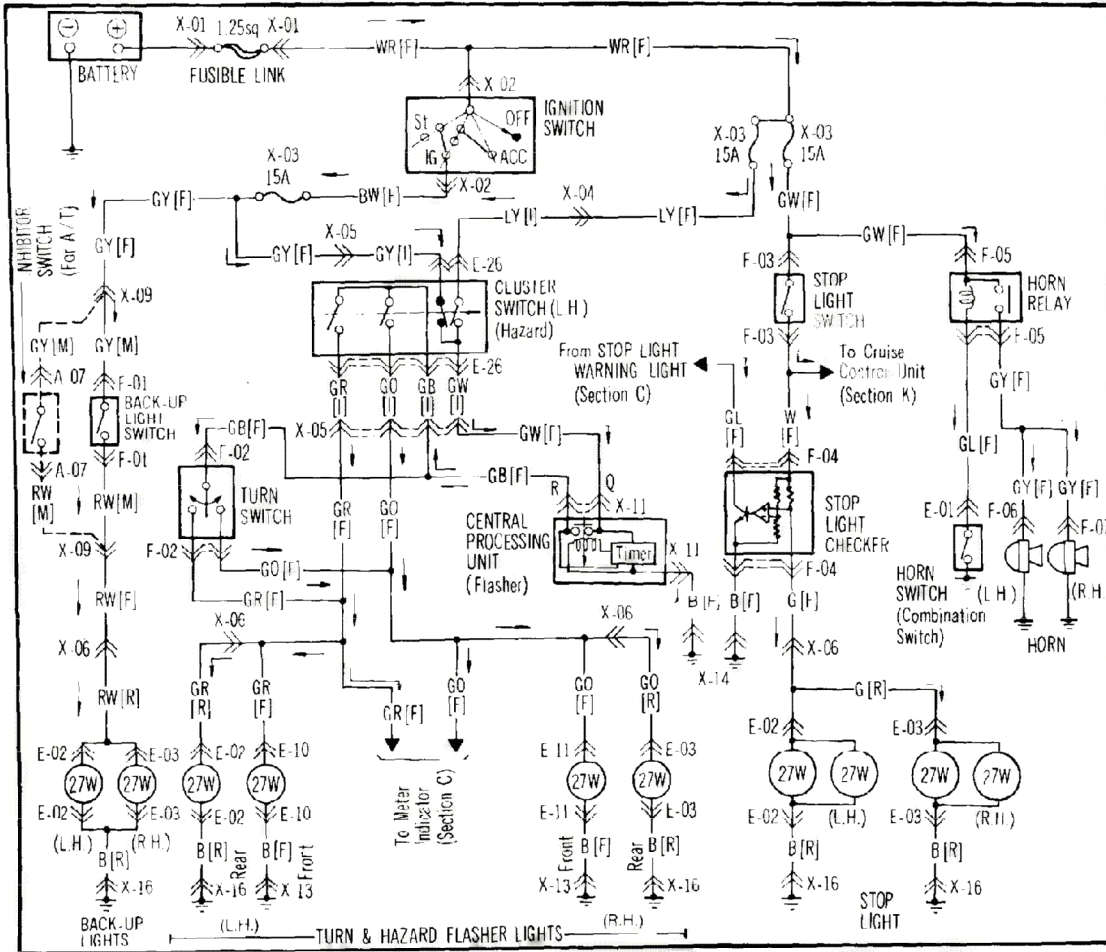




# 50 WIRING DIAGRAM

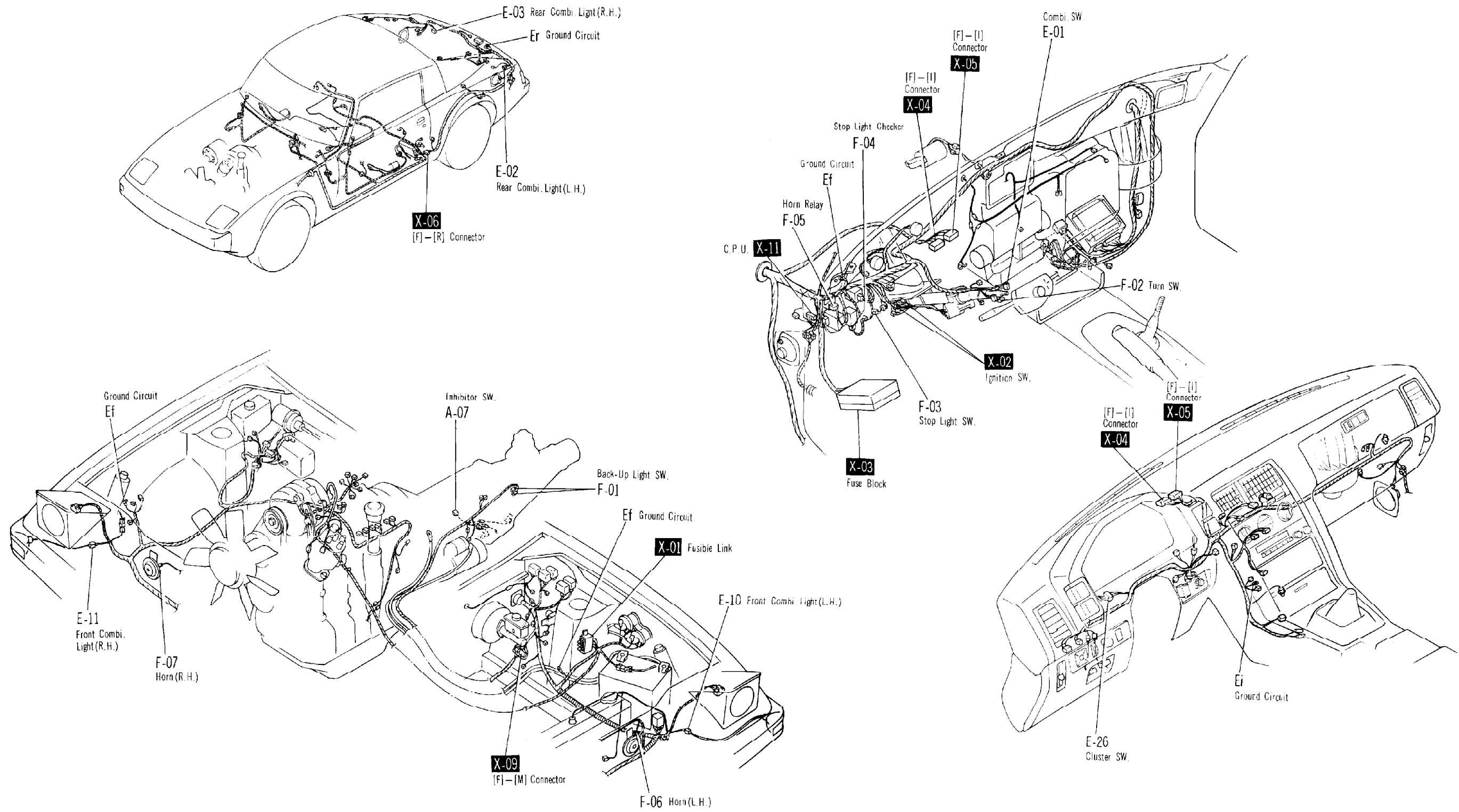
## F

■ TURN & HAZARD FLASHER LIGHTS ■ HORN  
 ■ BACK-UP LIGHTS ■ STOP LIGHTS

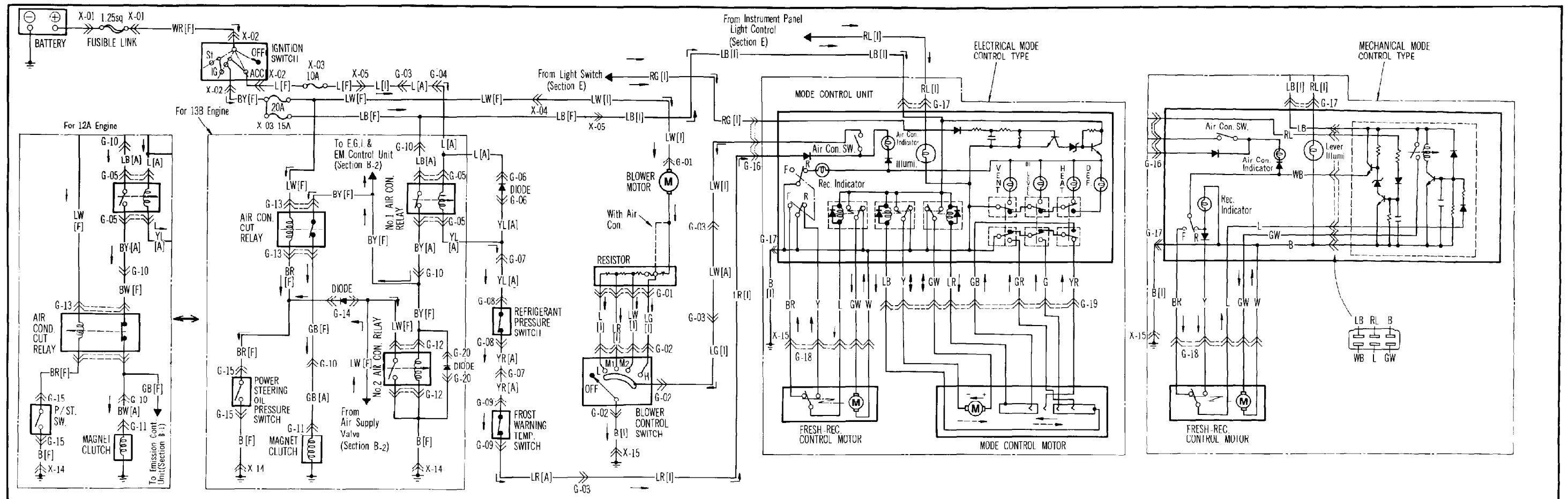


<p>F-01 Back-Up Light Switch [M]</p>	<p>F-02 Turn Switch [F]</p>	<p>F-03 Stop Light Switch [F]</p>	<p>F-04 Stop Light Checker [F]</p>
<p>F-05 Horn Relay [F]</p>	<p>F-06 Horn (L.H.) [F]</p>	<p>F-07 Horn (R.H.) [F]</p>	<p>A-07 Inhibitor Switch [M] (For A/T)</p>
<p>F-01 Combination Switch [F]</p>	<p>E-02 Rear Combination Light (L.H.) [R]</p>	<p>E-03 Rear Combination Light (R.H.) [R]</p>	<p>E-10 Front Combination Light (L.H.) [F]</p>
<p>E-11 Front Combination Light (R.H.) [F]</p>	<p>E-26 Cluster Switch (L.H.) [I]</p>		

Note ✕ ... Not Used

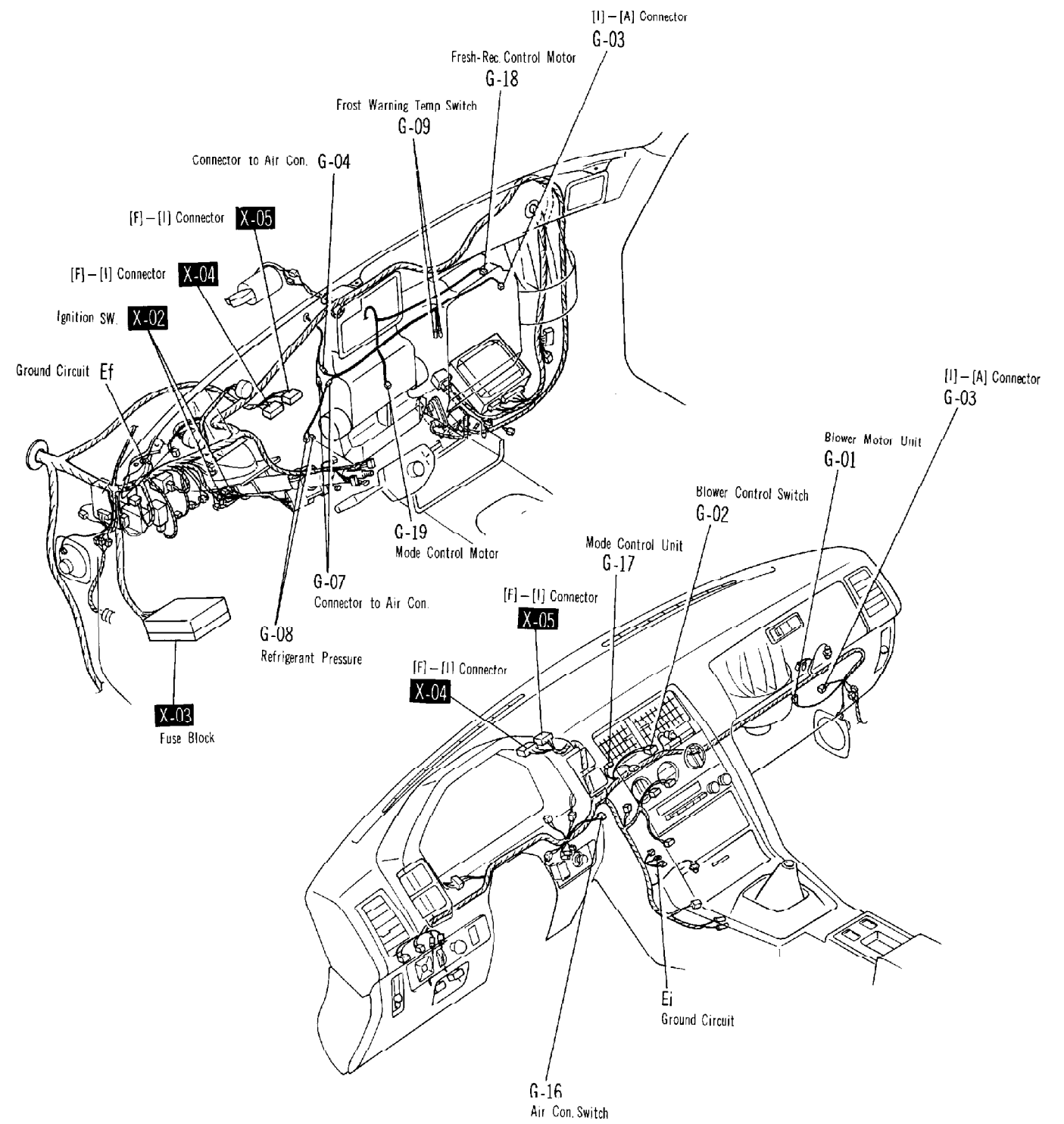
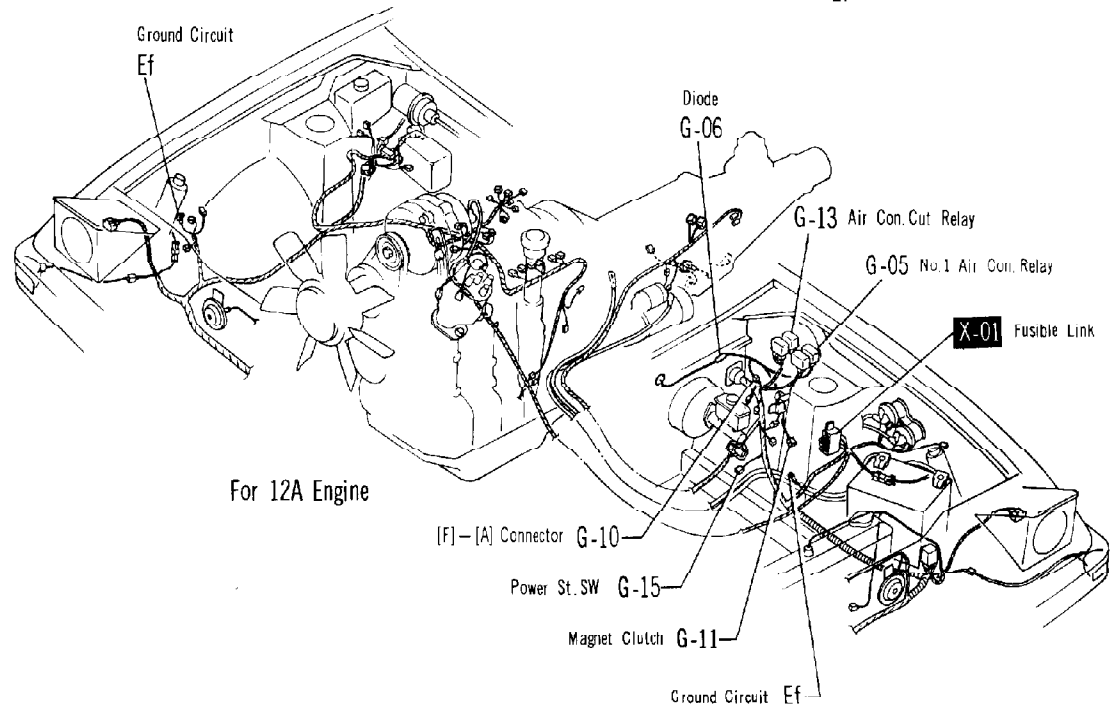
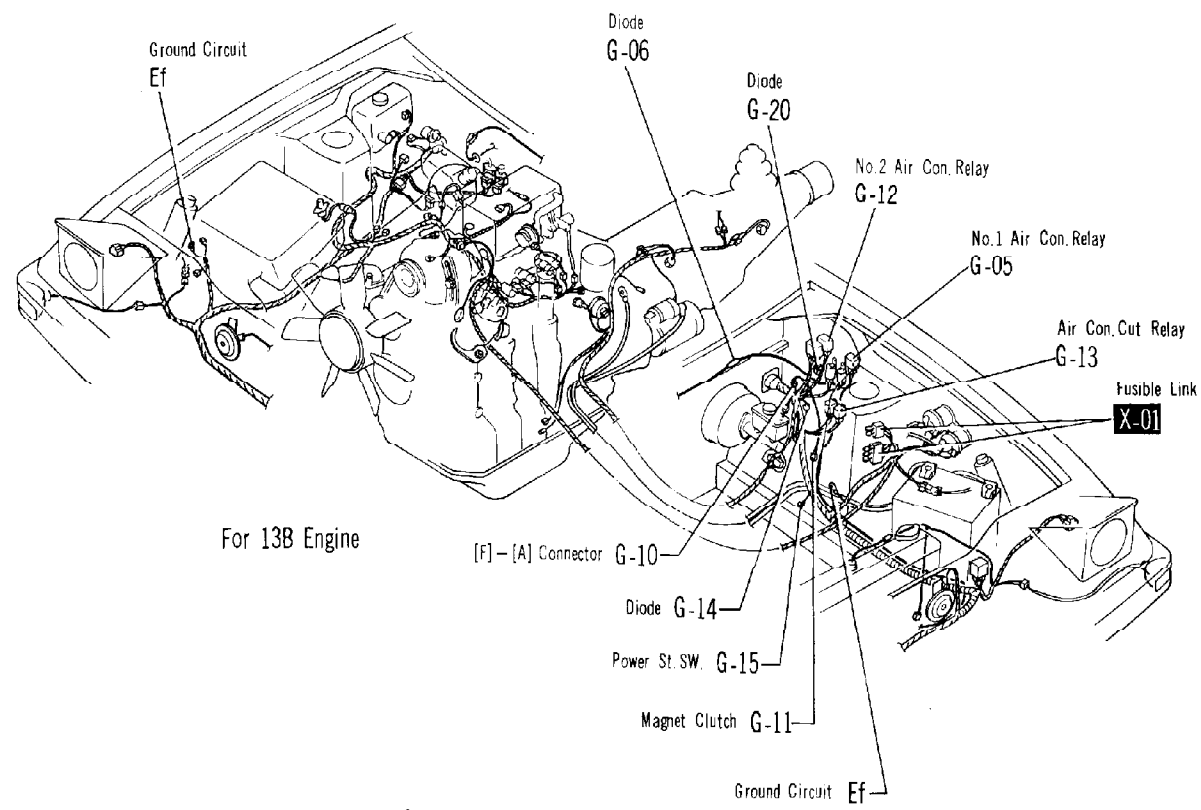


**G-1** ■ AIR CONDITIONER

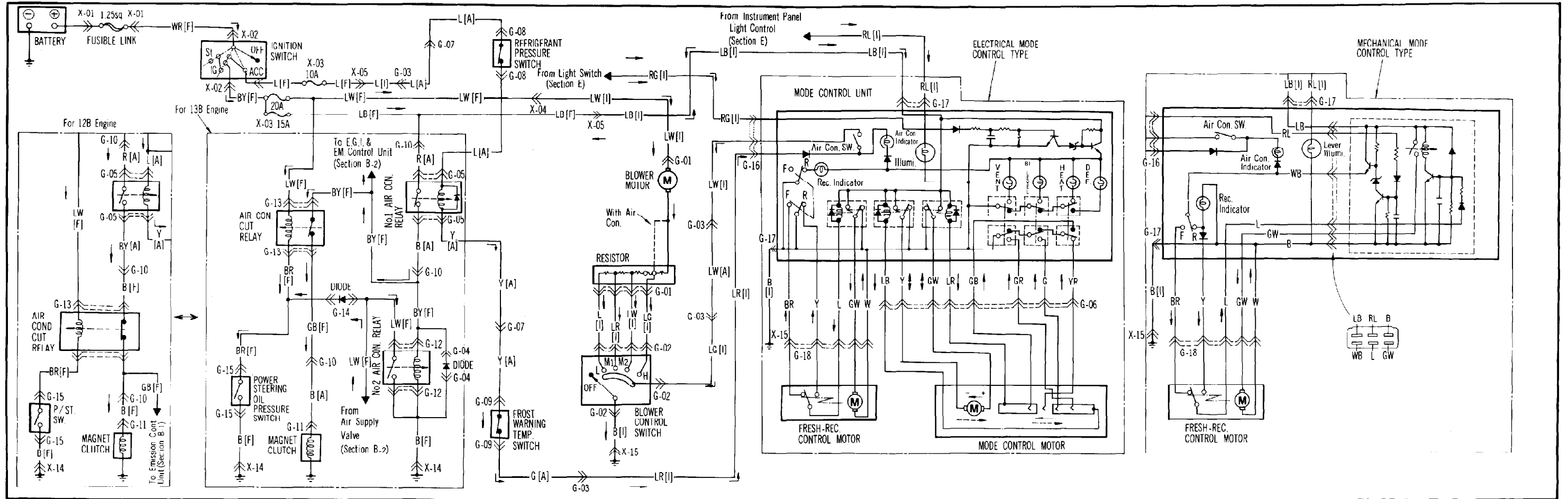


G-01 Blower Motor Unit [I] 	G-02 Blower Control Switch [I] 	G-03 Connector Between Instrument Panel [I] And Air Con. Harness [A] 	G-04 Connector of Air Con. Harness [A] 	G-05 No.1 Air Con. Relay [A] 	G-06 Diode [A] 	G-07 Connector of Air Con. Harness [A] 	G-08 Refrigerant Pressure Switch [A] 	G-09 Frost Warning Temp. Switch [A] 	G-10 Connector Between Front [F] And Air Con. Harness [A] 	G-11 Magnet Clutch [A] 
G-12 No.2 Air Con. Relay [F] (For 13B Engine) 	G-13 Air Con. Cut Relay [F] (For 13B Engine) [BW] ← 12A Engine 	G-14 Diode [F] (For 13B Engine) 	G-15 Power Steering Oil Pressure Switch [F] 	G-16 Air Con. Switch [I] 	G-17 Mode Control Unit [I] 	G-18 Fresh-Rec Control Motor 	G-19 Mode Control Motor 	G-20 Diode [F] (For 13B Engine) 		

Note: ✕ ... Not Used



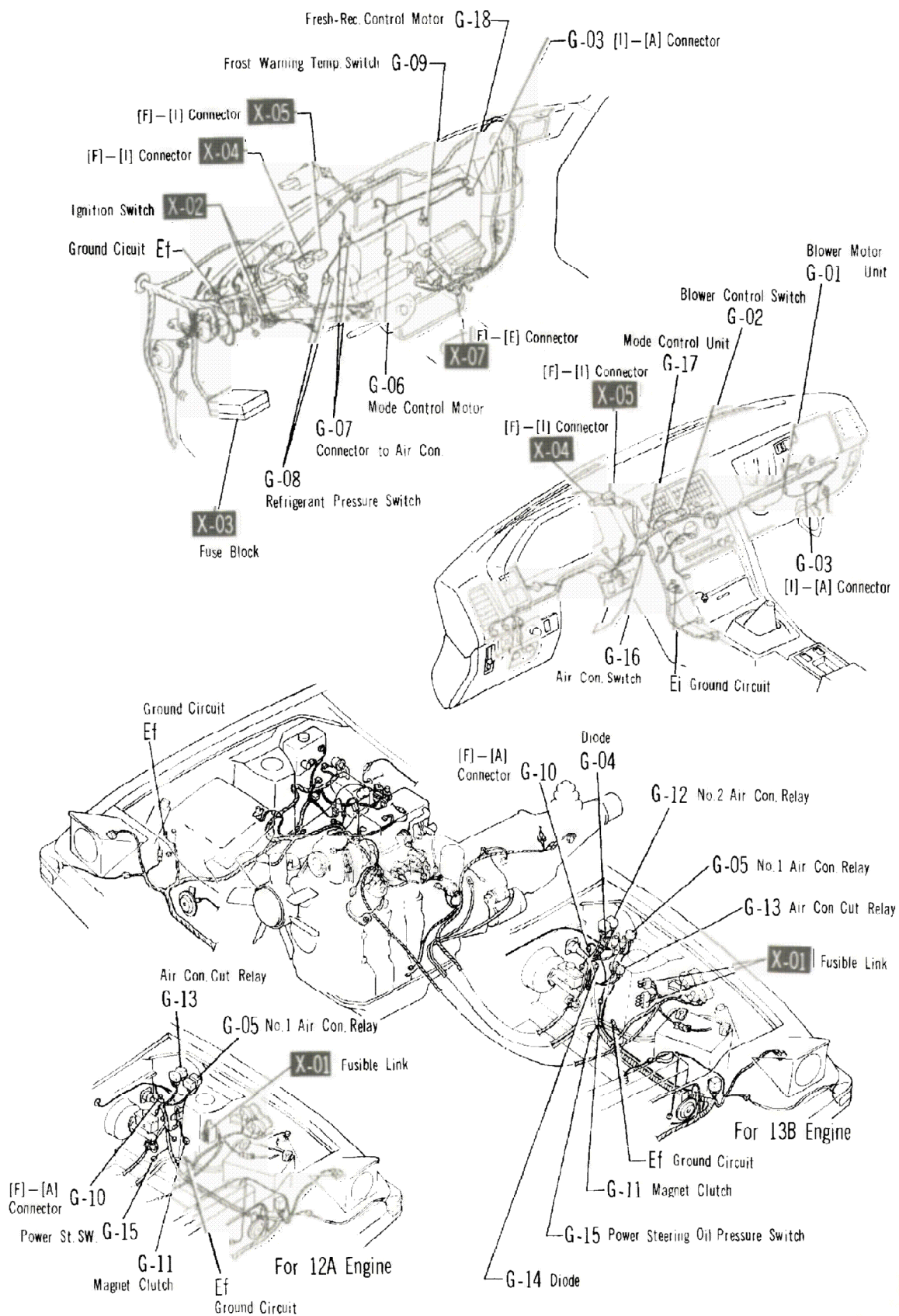
**G-2** For U.S.A. AIR-CON. ■ AIR CONDITIONER



<p>G-01 Blower Motor Unit [I]</p>	<p>G-02 Blower Control Switch [I]</p>	<p>G-03 Connector Between Instrument Panel [I] And Air Con. Harness [A]</p>	<p>G-04 Diode [F] (For 13B Engine)</p>	<p>G-05 No.1 Air Con. Relay [A]</p>	<p>G-06 Mode Control Motor</p>	<p>G-07 Connector of Air Con. Harness [A]</p>	<p>G-08 Refrigerant Pressure Switch [A]</p>	<p>G-09 Frost Warning Temp. Switch [A]</p>	<p>G-10 Connector Between Front [F] And Air Con. Harness [A]</p>	<p>G-11 Magnet Clutch [A]</p>
<p>G-12 No.2 Air Con. Relay [F] (For 13B Engine)</p>	<p>G-13 Air Con. Cut Relay [F]</p>	<p>G-14 Diode [F] (For 13B Engine)</p>	<p>G-15 Power Steering Oil Pressure Switch [F]</p>	<p>G-16 Air Con. Switch [I]</p>	<p>G-17 Mode Control Unit [I]</p>	<p>G-18 Fresh-Rec. Control Motor</p>				

Note: ✕ Not Used  
50 : 28

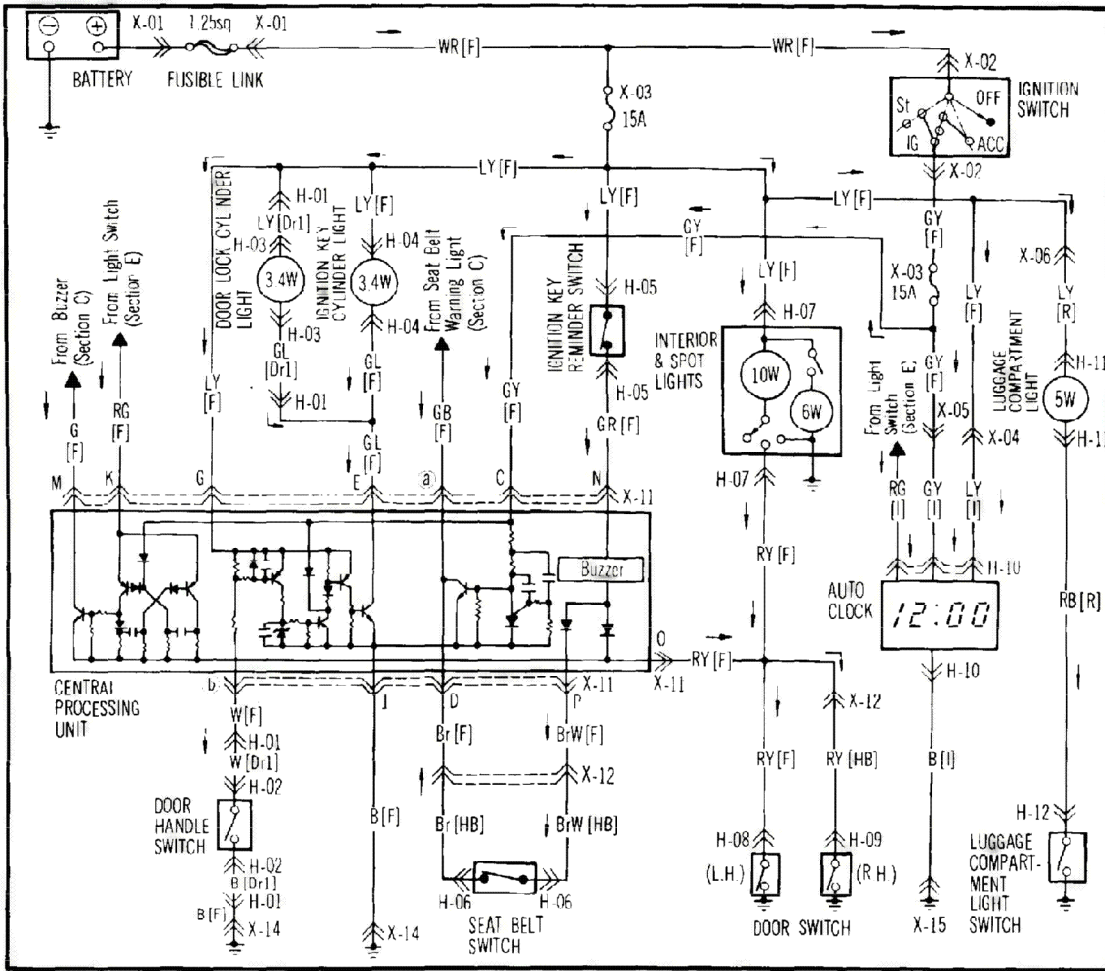




# 50 WIRING DIAGRAM

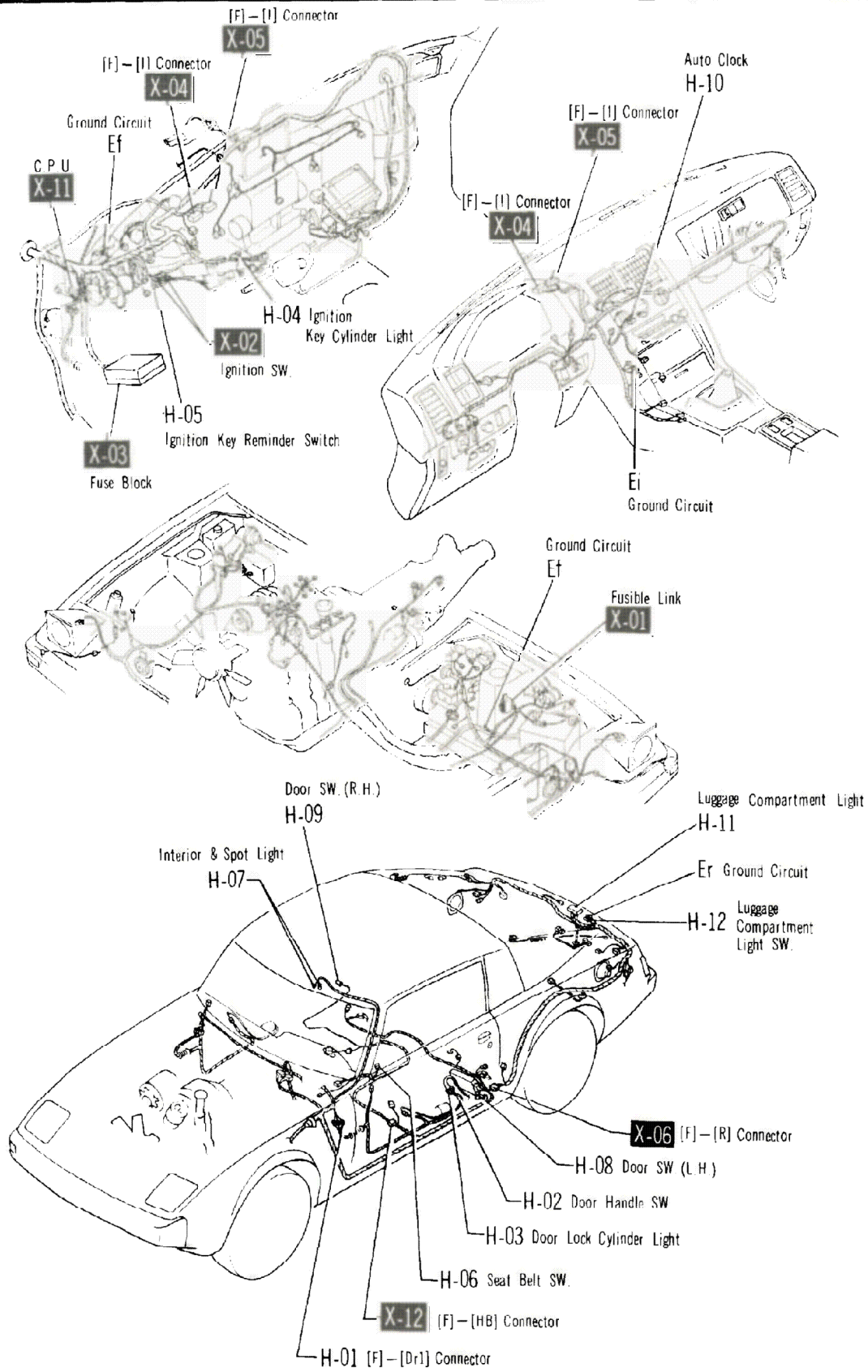
## H

- LIGHTS OFF REMINDER BUZZER    ■ DOOR LOCK CYLINDER & IGNITION KEY CYLINDER LIGHTS
- IGNITION KEY REMINDER BUZZER    ■ INTERIOR & SPOT LIGHTS
- AUTO CLOCK    ■ LUGGAGE COMPARTMENT LIGHT    ■ SEAT BELT WARNING BUZZER



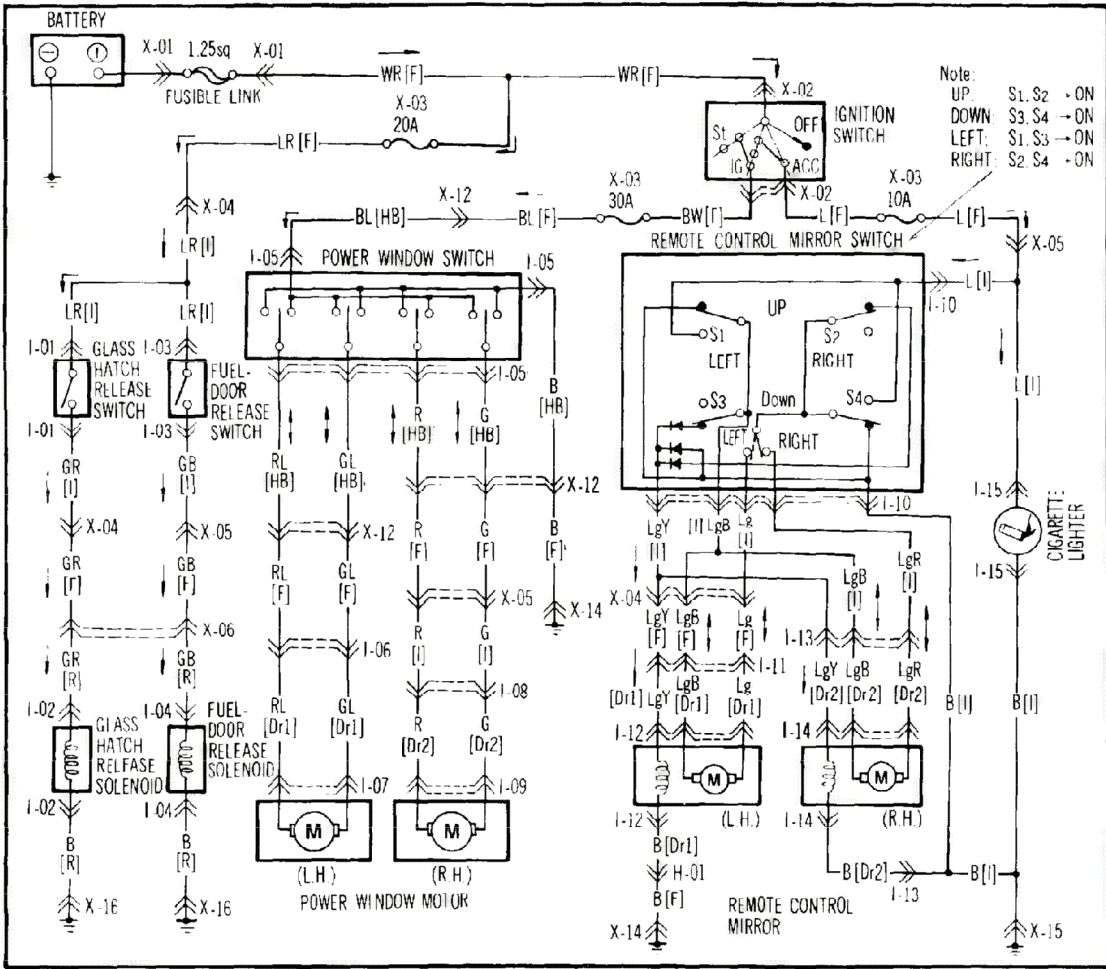
<p>H-01 Connector Between Front And No.1 Door Harness</p> <p>W LY W [Dr1]</p>	<p>H-02 Door Handle Switch [Dr1]</p>	<p>H-03 Door Lock Cylinder Light [Dr1]</p>	<p>H-04 Ignition Key Cylinder Light [F]</p>
<p>H-05 Ignition Key Reminder Switch [F]</p>	<p>H-06 Seat Belt Switch [HB]</p>	<p>H-07 Interior &amp; Spot Light [F]</p>	<p>H-08 Door Switch (L.H.) [F]</p>
<p>H-09 Door Switch (R.H.) [HB]</p>	<p>H-10 Auto Clock [I]</p>	<p>H-11 Luggage Compartment Light [R]</p>	<p>H-12 Luggage Compartment Light Switch [R]</p>

Note \*... Not Used



# 50 WIRING DIAGRAM

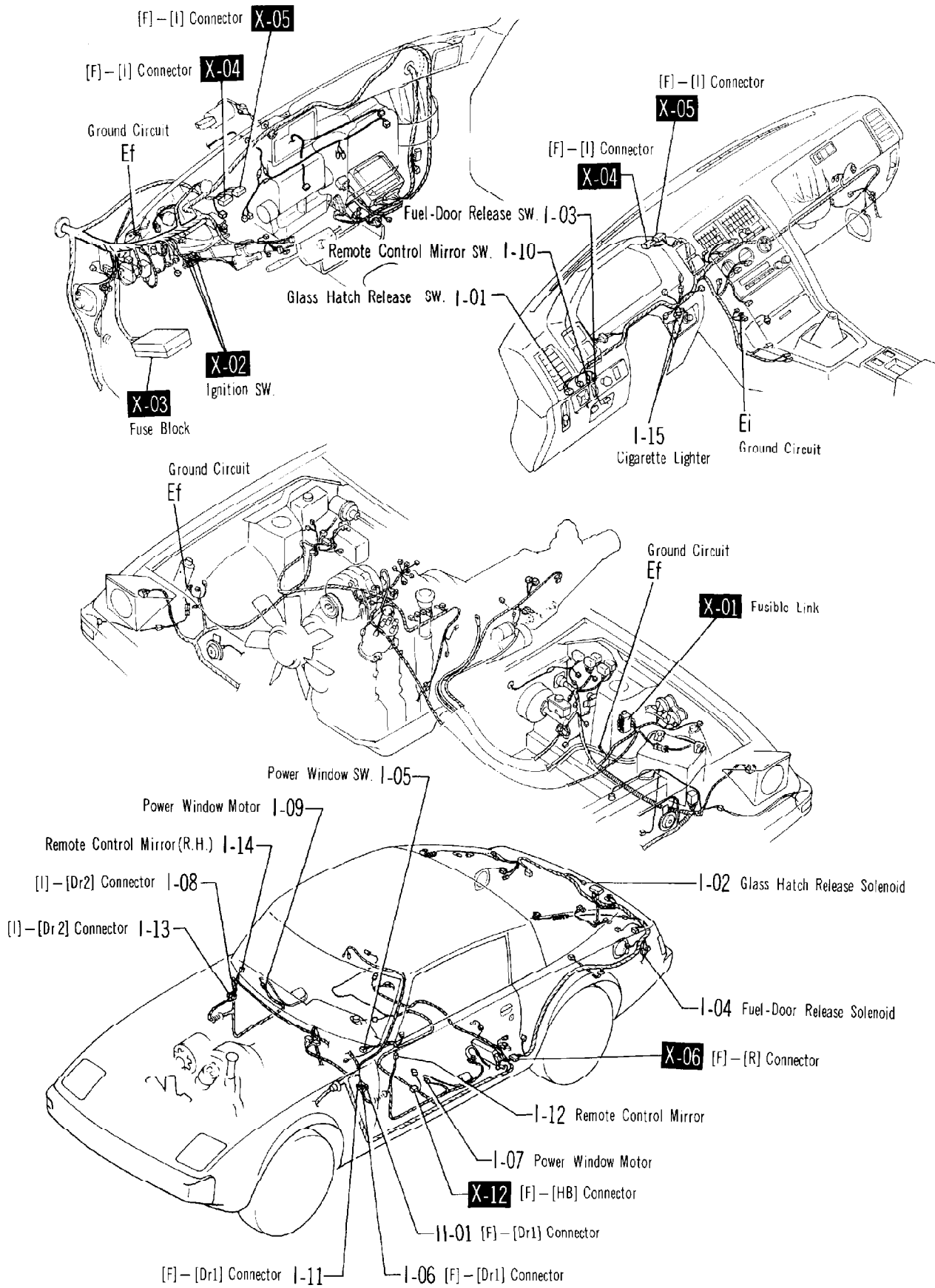
- GLASS HATCH RELEASE SOLENOID ■ FUEL-DOOR RELEASE SOLENOID
- POWER WINDOW ■ REMOTE CONTROL MIRROR
- CIGARETTE LIGHTER



1-01 Glass Hatch Release Switch [I] 	1-02 Glass Hatch Release Solenoid [R] 	1-03 Fuel-Door Release Switch [I] 	1-04 Fuel-Door Release Solenoid [R] 
1-05 Power Window Switch [HB] 	1-06 Connector Between Front And No.1 Door Harness 	1-07 Power Window Motor (L.H.) [Dr1] 	1-08 Connector Between Instrument Panel And No.2 Door Harness 
1-09 Power Window Motor (R.H.) [Dr2] 	1-10 Remote Control Mirror Switch [I] 	1-11 Connector Between Front And No.1 Door Harness 	1-12 Remote Control Mirror (L.H.) [Dr1] 
1-13 Connector Between Instrument Panel And No.2 Door Harness 	1-14 Remote Control Mirror (R.H.) [Dr2] 	1-15 Cigarette Lighter [I] 	

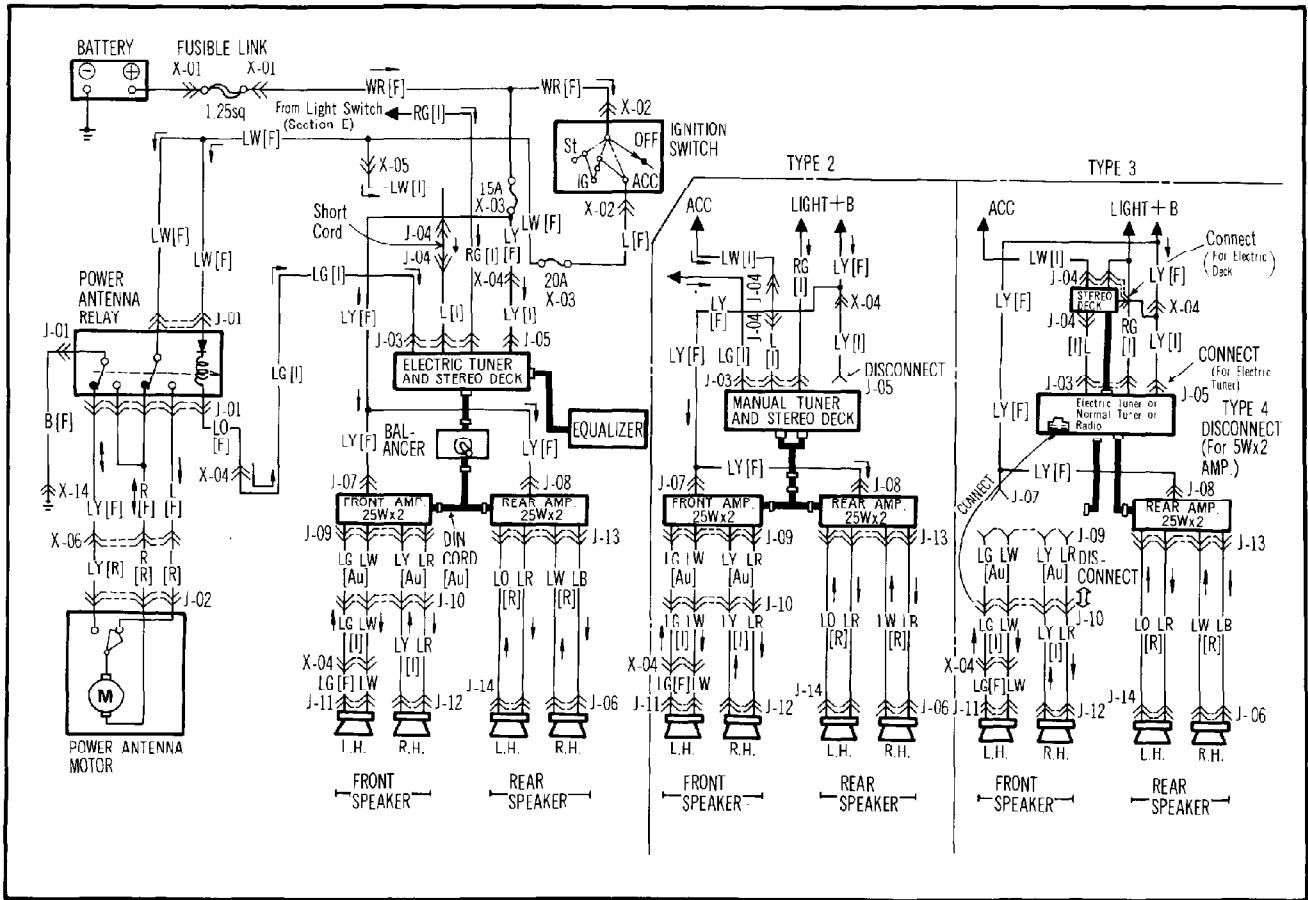
Note: ✖ --- Not Used





J

■ AUDIO SYSTEM ■ POWER ANTENNA

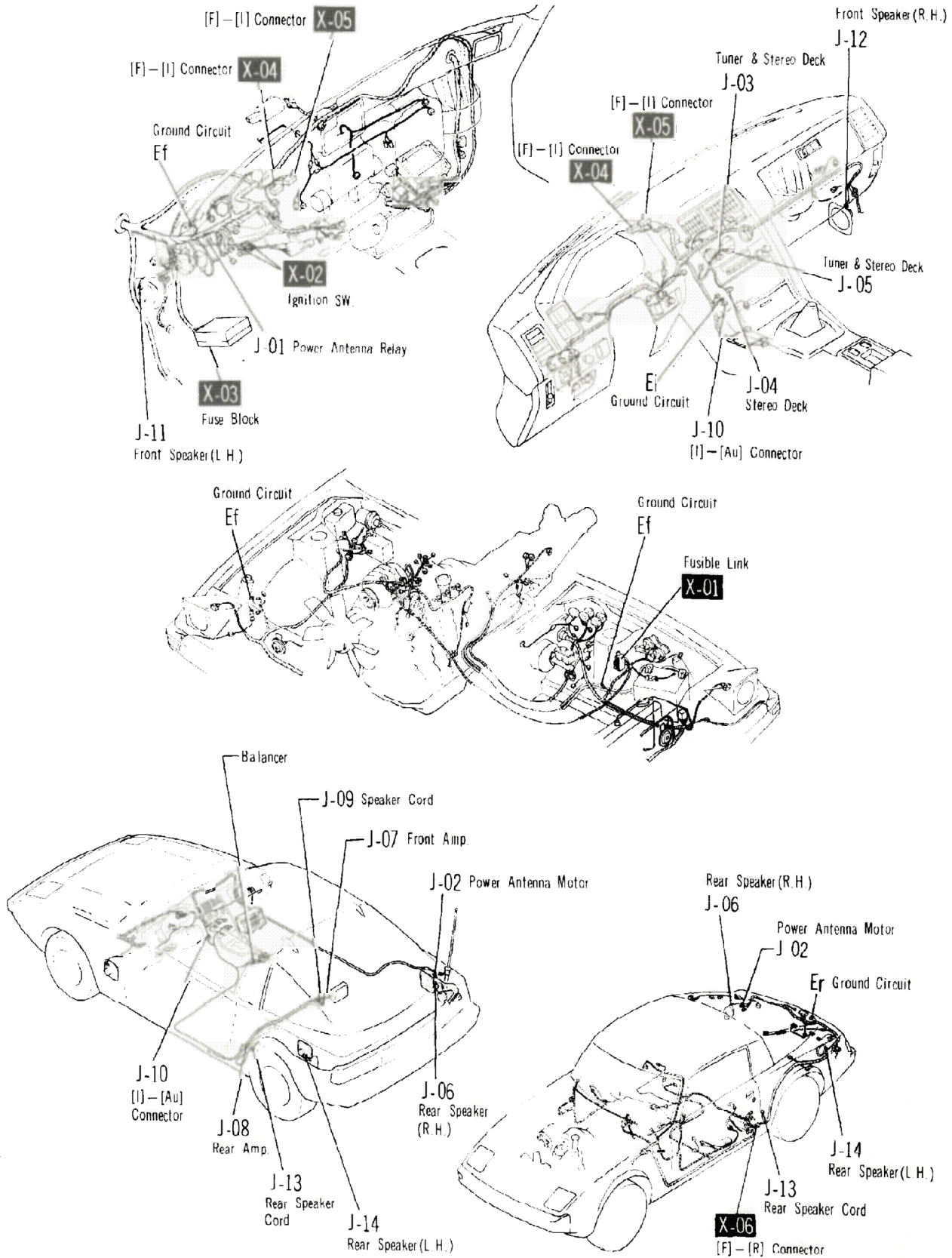


<p>J-01 Power Antenna Relay [F]</p>	<p>J-02 Power Antenna Motor [R]</p>	<p>J-03 Tuner &amp; Stereo Deck [I]</p>	<p>J-04 Stereo Deck [I] (For Type 3,4)</p>	<p>J-05 Tuner &amp; Stereo Deck [I]</p>
<p>J-06 Rear Speaker Cord [R]</p>	<p>J-07 Front Amp. [F]</p>	<p>J-08 Rear Amp. [F]</p>	<p>J-09 Speaker Cord [Au]</p>	<p>J-10 Connector Between Instrument Panel [I] And Audio Harness [Au]</p>
<p>J-11 Front Speaker (L.H.) [F]</p>	<p>J-12 Front Speaker (R.H.) [I]</p>	<p>J-13 Rear Speaker Cord [R]</p>	<p>J-14 Rear Speaker (L.H.) [R]</p>	

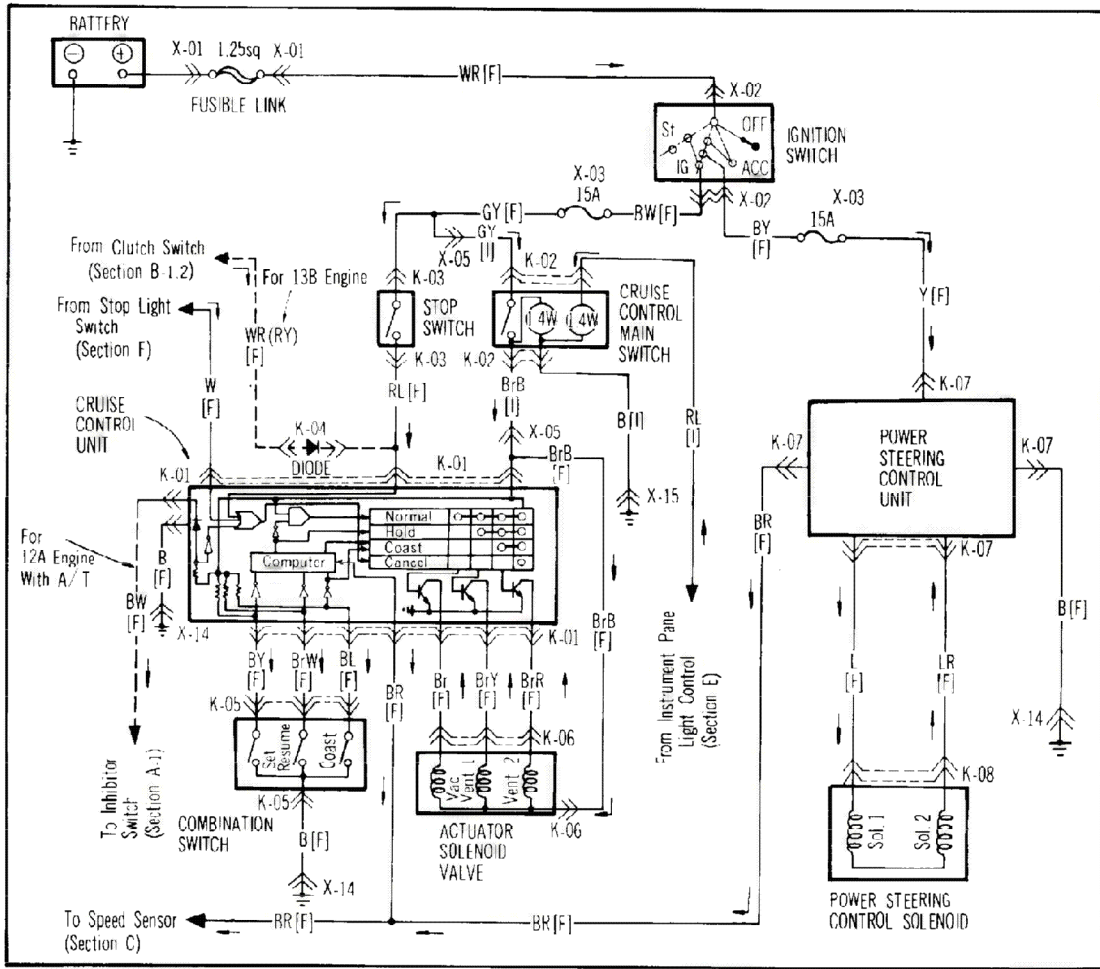
Note: ✕ ... Not Used



# WIRING DIAGRAM 50-J

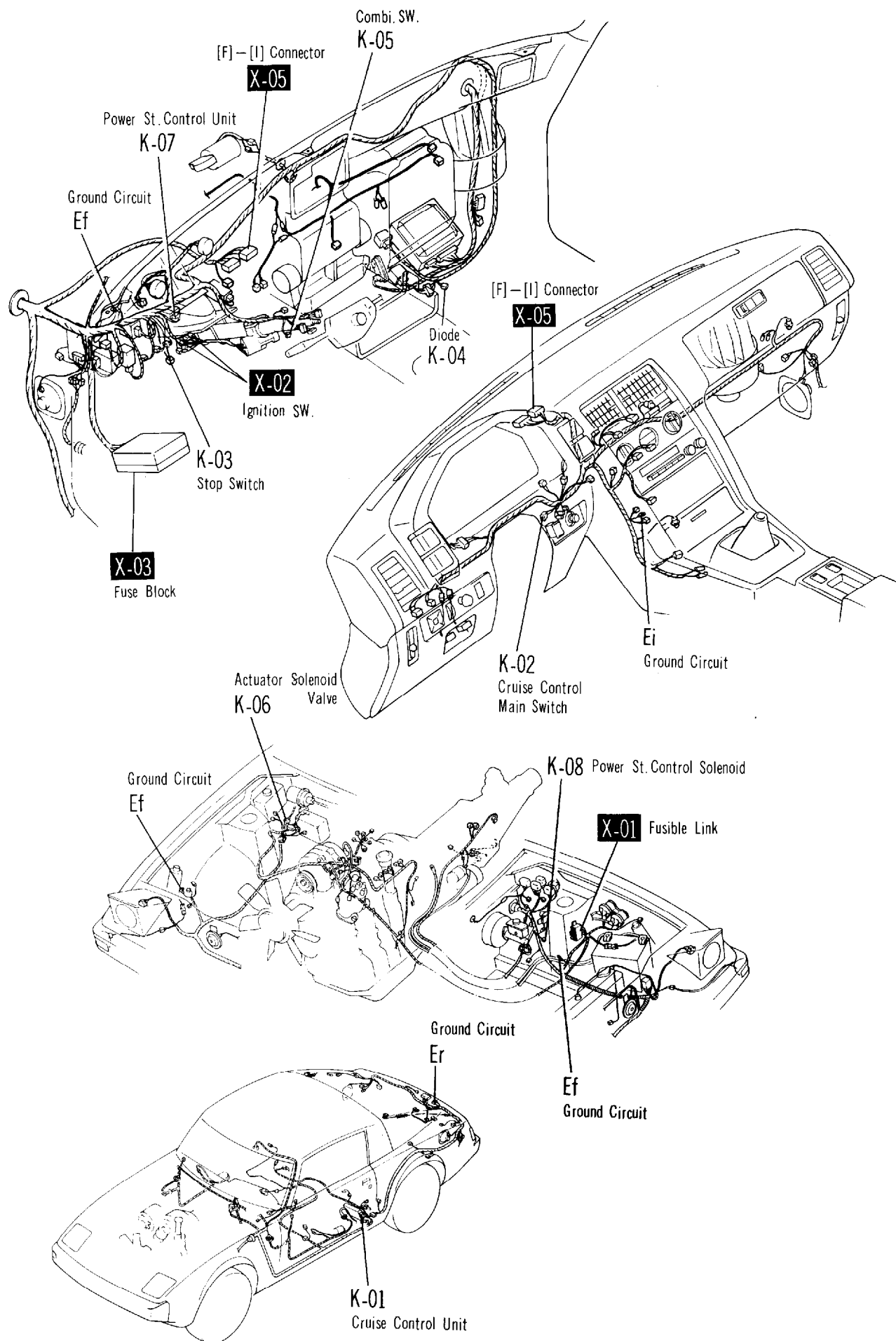


**K** ■ CRUISE CONTROL SYSTEM  
 ■ POWER STEERING CONTROL SOLENOID



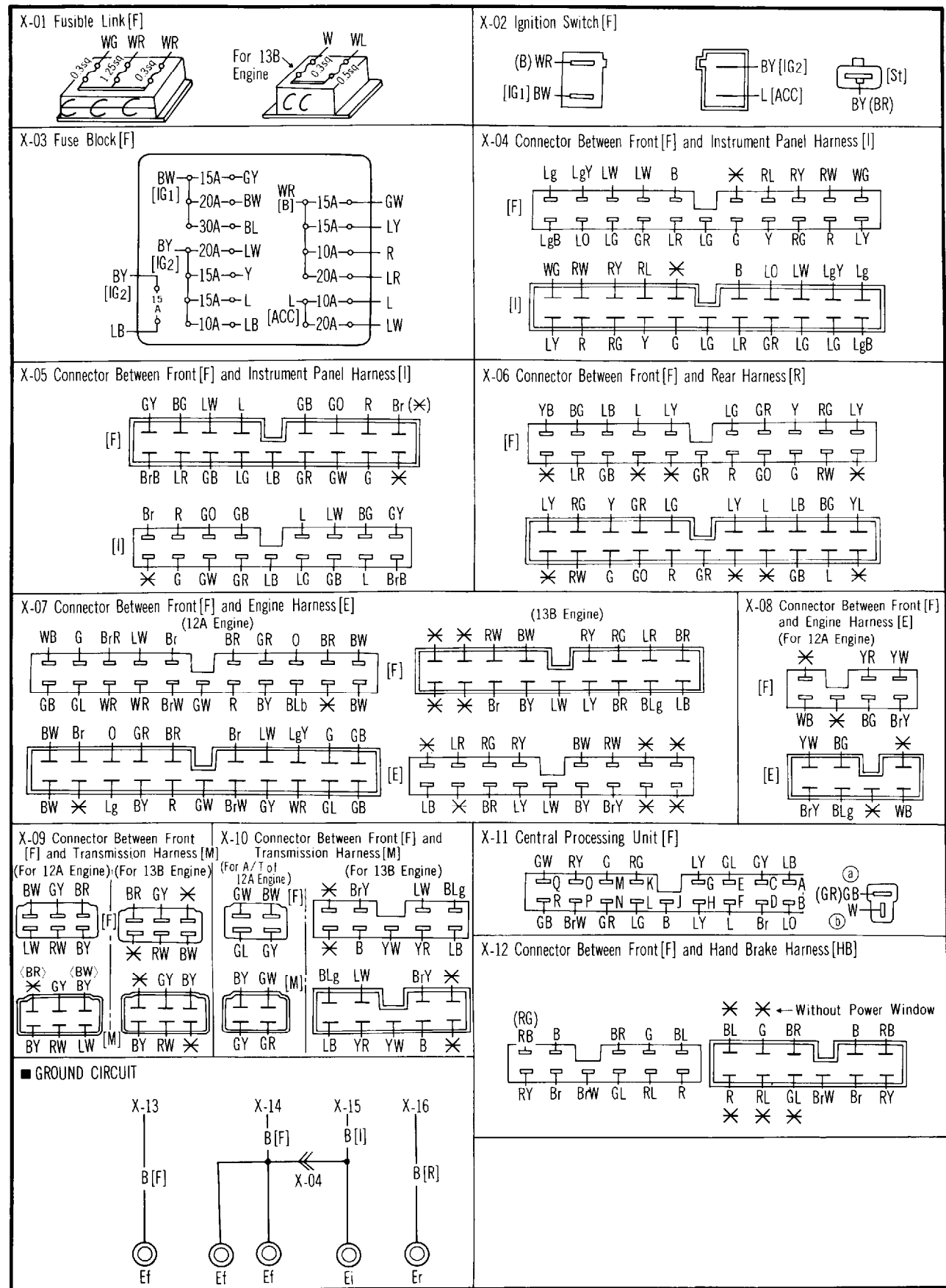
<p><b>K-01 Cruise Control Unit</b></p> <p>For 12A Engine With A/T: B, BrW, BY, W, BL, BR, BrB, Br</p> <p>For 13B Engine: RL, BrR, BrY, BrB, Br</p>	<p><b>K-02 Cruise Control Main Switch [I]</b></p> <p>B, GY, BrB, RL</p>	<p><b>K-03 Stop Switch [F]</b></p> <p>GY, RL</p>
<p><b>K-04 Diode [F]</b></p> <p>( ) For 13B Engine</p> <p>(RY) WR, RL</p>	<p><b>K-05 Combination Switch [F]</b></p> <p>BY, BrW, BL, B</p>	<p><b>K-06 Actuator Solenoid Valve [F]</b></p> <p>BrB, BrR, BrY, Br</p>
<p><b>K-08 Power Steering Control Solenoid [F]</b></p> <p>LR</p>	<p><b>K-07 Power Steering Control Unit [F]</b></p> <p>Y, B, LR, BR</p>	

Note: ✕ ... Not Used  
 50 : 36



COMMON CONNECTOR LIST

Note: Wiring Color  
 ( ) ...For 13B Engine  
 ( ) ...For A/T  
 \* ...Not Used



Note: \* ...Not Used