



Electrical Circuit Diagrams

*Elektrische
Circuitdiagrammen*

Schémas Électriques

Elektrische Schaltpläne

Schema di Circuiti

*Esquemas de Circuitos
Eléctricos*

*Diagramas dos Circuitos
Eléctricos*



created using
**BCL easyPDF
Printer Driver**

[Click here](#) to purchase a license to remove this image

CONTENTS

ELECTRICAL CIRCUIT DIAGRAMS

RCL0261ENG

POWER DISTRIBUTION.....	1.1	AIR CONDITIONING AND COOLING FANS		HORNS	48.1
EARTH DISTRIBUTION	2.1	K & T Series	38.1	CLOCK	48.2
ANTI-THEFT ALARM AND ENGINE IMMOBILISATION	3.1	VVC	38.2	CIGAR LIGHTER	49.1
CENTRAL DOOR LOCKING	4.1	L Series (Rover ECM)	38.3	IN-CAR ENTERTAINMENT	50.1
WINDOWS	5.1	L Series (Bosch ECM)	38.4		
SUNROOF	6.1	HEATER BLOWER	39.1		
DOOR MIRRORS	7.1	COOLING FANS	39.2		
DIAGNOSTIC SOCKET.....	10.1	HEATED REAR WINDOW	40.1		
CHARGING AND STARTING		HEATED SEATS	41.1		
K -Series & VVC	15.1	WIPERS AND WASHERS			
L-Series (Rover ECM)	15.2	RHD	42.1		
L-Series (Bosch ECM)	15.3	LHD	42.2		
ENGINE MANAGEMENT SYSTEM		Power wash	42.3		
K Series (MEMS)	20.1	EXTERIOR LAMPS			
VVC (MEMS)	20.3	Brake/Reverse lamps	43.1		
L-Series (Rover ECM)	20.5	Lights on alarm	43.2		
L-Series (Bosch ECM)	20.7	Headlamp levelling	43.3		
FUEL PUMP AND INERTIA SWITCH.....	30.1	Head, side, tail and number plate lamps.....	43.4		
ANTI-LOCK BRAKES (ABS).....	35.1	Fog lamps - RHD	43.5		
SUPPLEMENTARY RESTRAINT SYSTEM (SRS).....	36.1	Fog lamps - LHD	43.6		
SEAT BELT WARNING	37.1	Daylight running lamps - LHD	43.7		
		INDICATORS AND HAZARDS	44.1		
		INTERIOR LAMPS	45.1		
		INTERIOR ILLUMINATION			
		RHD	46.1		
		LHD	46.2		
		INSTRUMENTS	47.1		

**THE CIRCUITS CONTAINED WITHIN THIS PUBLICATION ARE ONLY VALID FOR 1998 MY VEHICLES:
FROM VIN 267264**

COLOUR CODES**DRAADKLEURCODES****CODES DES COULEURS DES FILS****KABELFARBCODES****CODICI COLORI DEI CAVI****CÓDIGOS DE COLORES DE LOS CABLES****CÓDIGOS DAS CORES DOS FIOS**

CODE COLOUR	CODE KLEUR	CODE COULEUR	CODE FARBE	CODICE COLORE	CODIGO COLOR	CÓDIGO COR
B BLACK	B ZWART	B NOIR	B SCHWARZ	B NERO	B NEGRO	B PRETO
G GREEN	G GROEN	G VERT	G GRÜN	G VERDE	G VERDE	G VERDE
K PINK	K ROZE	K ROSE	K ROSA	K ROSA	K ROSA	K ROSA
LG LIGHT GREEN	LG LICHTGROEN	LG VERT CLAIR	LG HELLGRÜN	LG VERDE CHIARO	LG VERDE CLARO	LG VERDE CLARO
N BROWN	N BRUIN	N BRUN	N BRAUN	N MARRONE	N MARRON	N CASTANHO
O ORANGE	O ORANJE	O ORANGE	O ORANGE	O ARANCIONE	O NARANJA	O LARANJA
P PURPLE	P PAARS	P VIOLET	P LILA	P PORPORA	P PURPURA	P ROXO
R RED	R ROOD	R ROUGE	R ROT	R ROSSO	R ROJO	R VERMELHO
S SLATE (grey)	S LEIGRIJS	S GRIS	S GRAU	S ARDESIA (grigio)	S PIZARRA (gris)	S CINZENTO
U BLUE	U BLAUW	U BLEU	U BLAU	U BLU	U AZUL	U AZUL
W WHITE	W WIT	W BLANC	W WEISS	W BIANCO	W BLANCO	W BRANCO
Y YELLOW	Y GEEL	Y JAUNE	Y GELB	Y GIALLO	Y AMARILLO	Y AMARELO

HOW TO USE THE CIRCUIT DIAGRAMS

All of the information in this folder is intended for use with the Electrical Reference Library on TestBook.

The circuit diagrams are presented with Power and Ground distribution first, followed by individual circuits for each electrical system on the car.

Wiring between connectors and components shown in the diagrams represents the actual wiring as it exists on the vehicle. A chart is provided, giving colour codes for the wiring colour identification.

Power Distribution

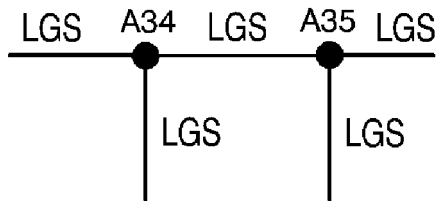
The Power Distribution diagram shows the connections from the battery to the engine and passenger compartment fuseboxes. It also shows the internal circuitry of both the passenger and engine compartment fuseboxes.

Earth Distribution

The earth distribution diagram shows the individual earth points and all the circuits affected by them.

SYMBOLS USED IN THE CIRCUIT DIAGRAMS

Wire colour



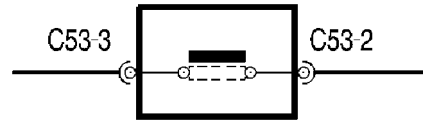
86M3823A

Wire insulation is either all one colour, or is one predominant colour with a stripe in a second colour. Wire colours are identified by a letter code, the main colour is identified first. LG/S = Light green / Slate stripe.

Sealed joints

Each sealed joint is identified by a number with an alphabetical character prefix. These can be used to identify where a sealed joint appears on more than one circuit and assists in understanding the relationships between circuits.

Connectors



86M3824A

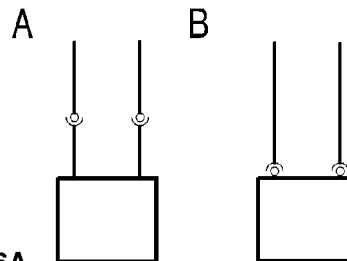
The connector number has two parts; the first part is the connector identifier i.e. C53, the second part is the pin number, i.e. C53-3 which indicates that the particular wire is connected to pin number 3. Should be used in conjunction with the Connector Detail section of the Electrical Reference Library.

Line types



86M3825A

This means the wire connects to another circuit or component.



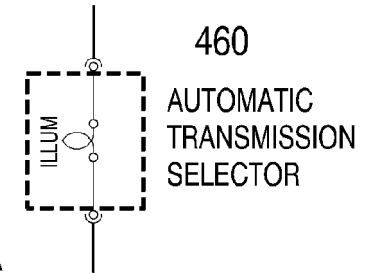
86M3826A

Connector - Direction of the 'symbol' indicates male and female halves of connector.

A. Plug on lead (Flylead) wired directly to the component.

B. Connector plugs directly into component.

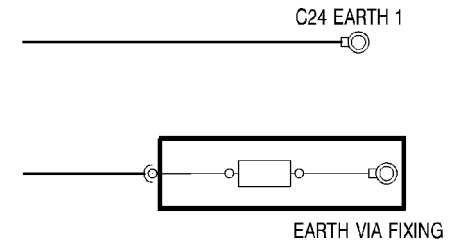
Components



86M3827A

Name or description - appears next to the component.

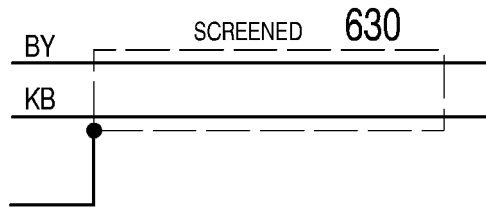
Earth points



86M3829A

An eyelet symbol drawn within a box and without a connector number indicates that a component is earthed by its fixing. All other earth terminals are shown with a connector number, and these are either earth points or earth headers. The location of earth headers can be determined using the connector number and referring to the Earth Points and Headers section of the Electrical Reference Library.

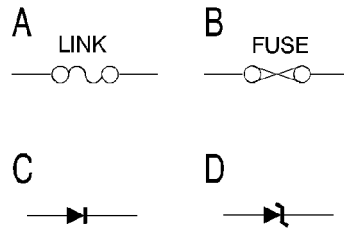
HOW TO USE THE CIRCUIT DIAGRAMS



86M3830A

Identifies Radio Frequency Interference (RFI) shielded wire. The shielding is always connected to earth.

Fuses and Diodes



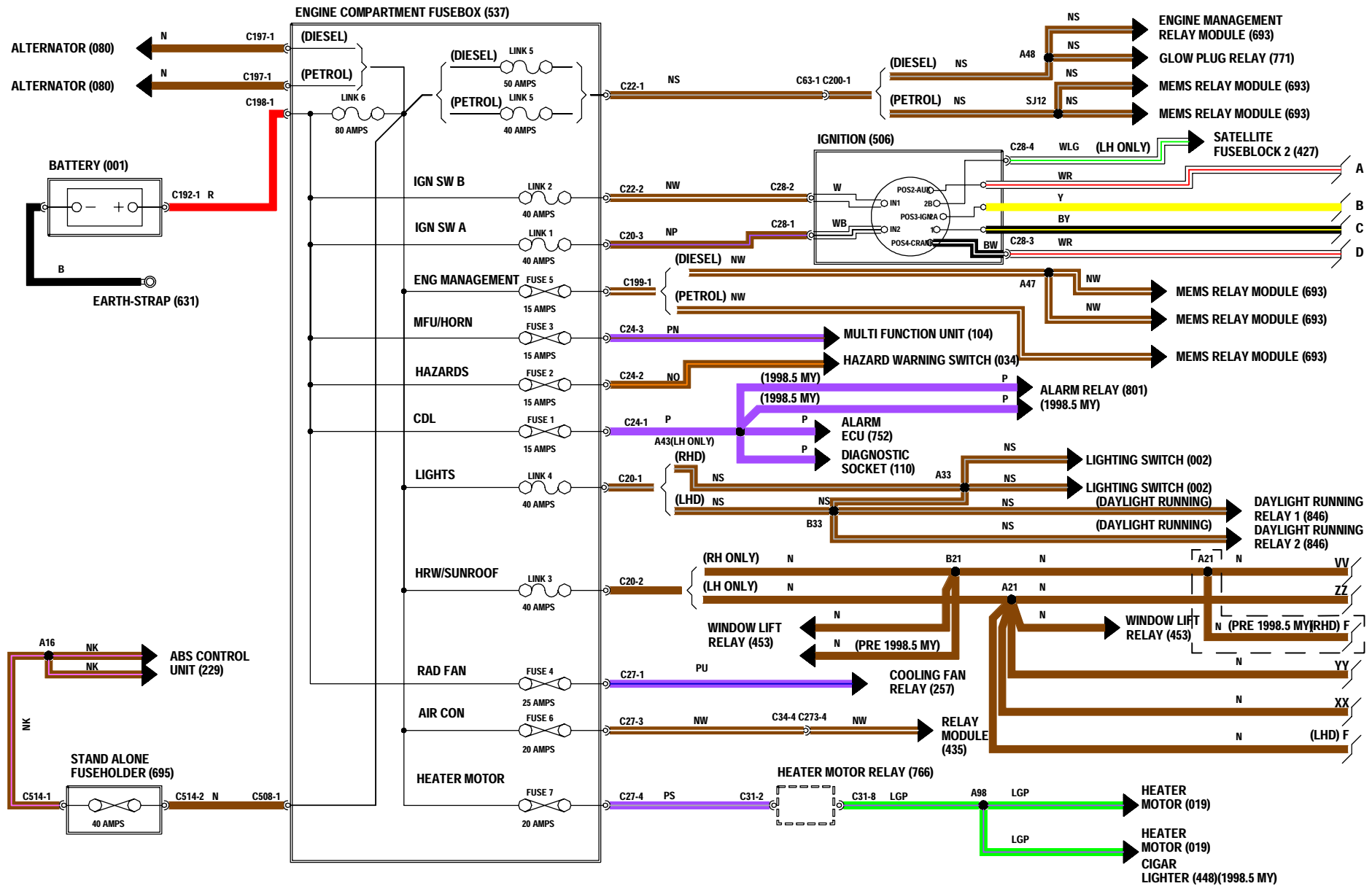
86M3831A

Fusible links (A) and current rated fuses (B) are drawn as shown.

Diode (C) current flow is in the direction of the arrow. Zener type diode (D) - prevents current flow until a precise voltage is reached.

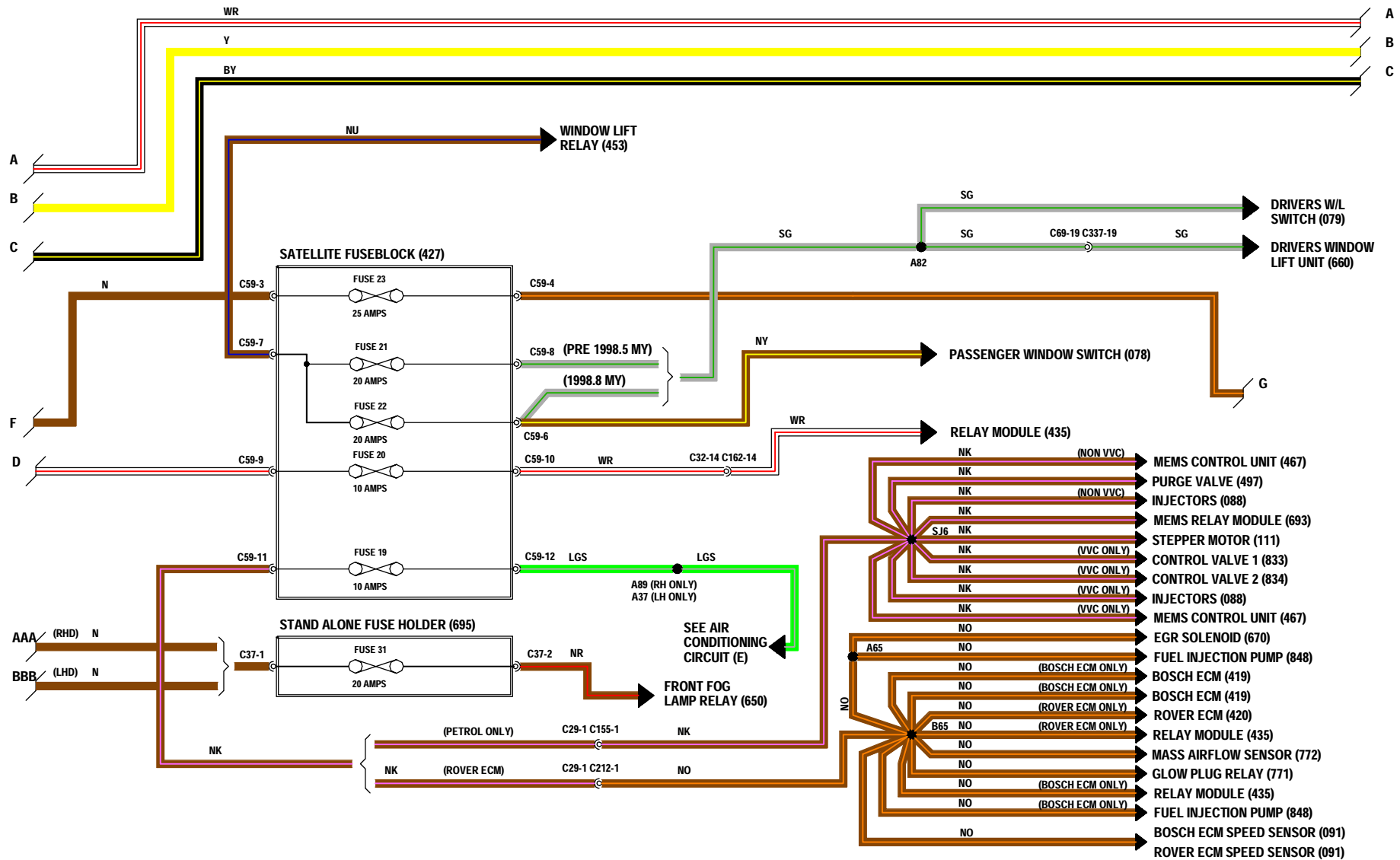
POWER DISTRIBUTION

LHD / RHD



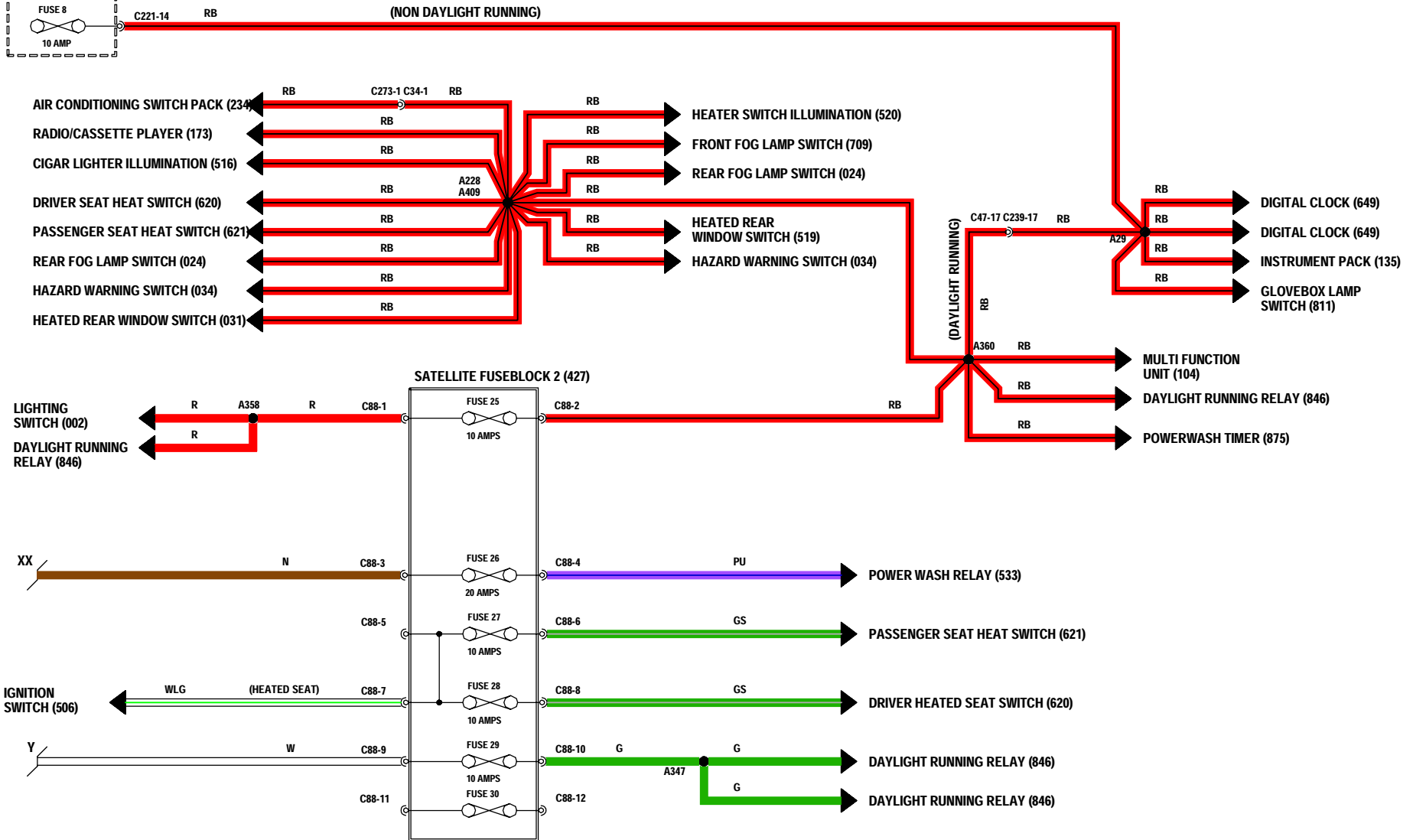
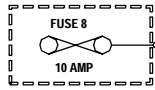
POWER DISTRIBUTION

RHD / LHD

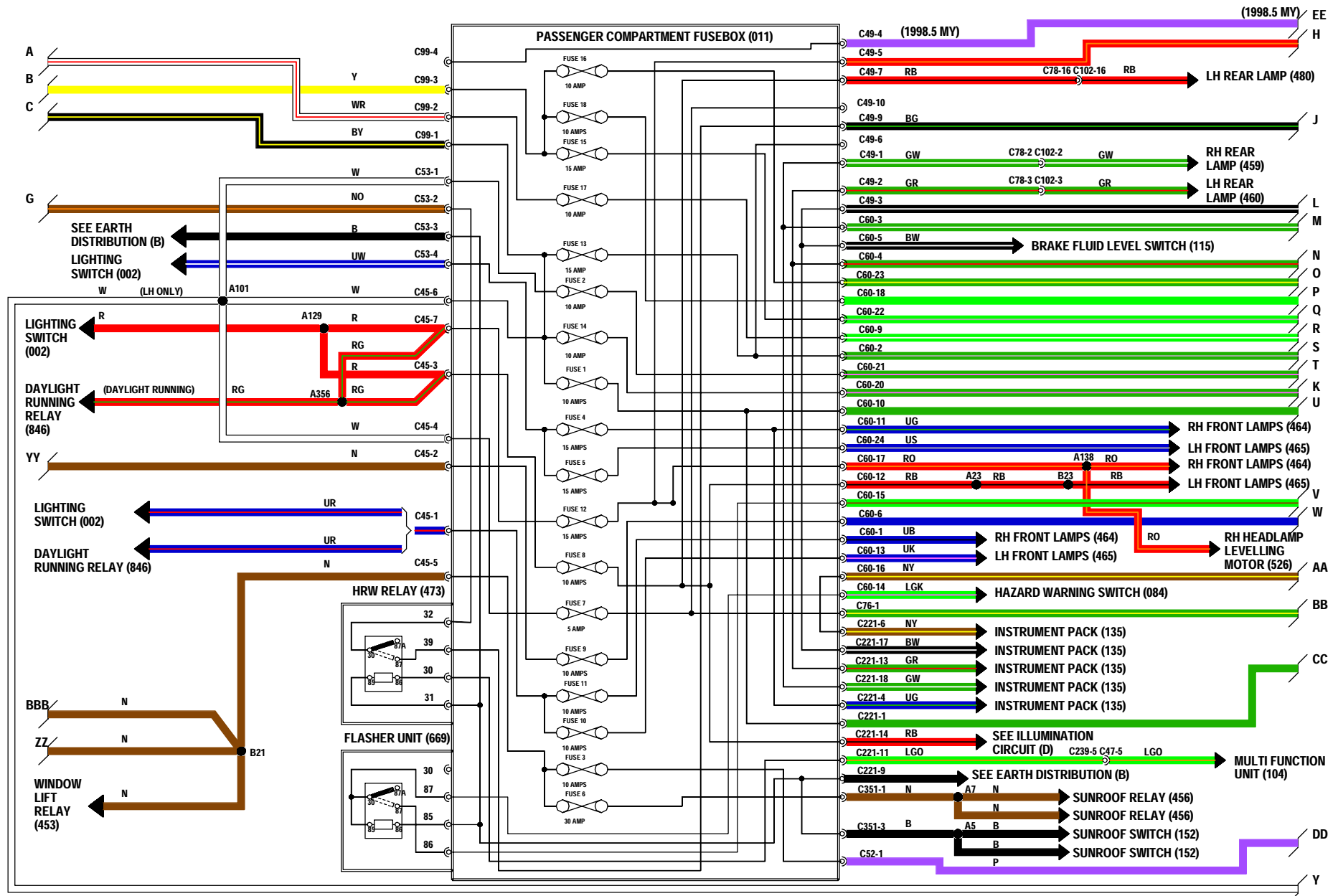


POWER DISTRIBUTION LHD

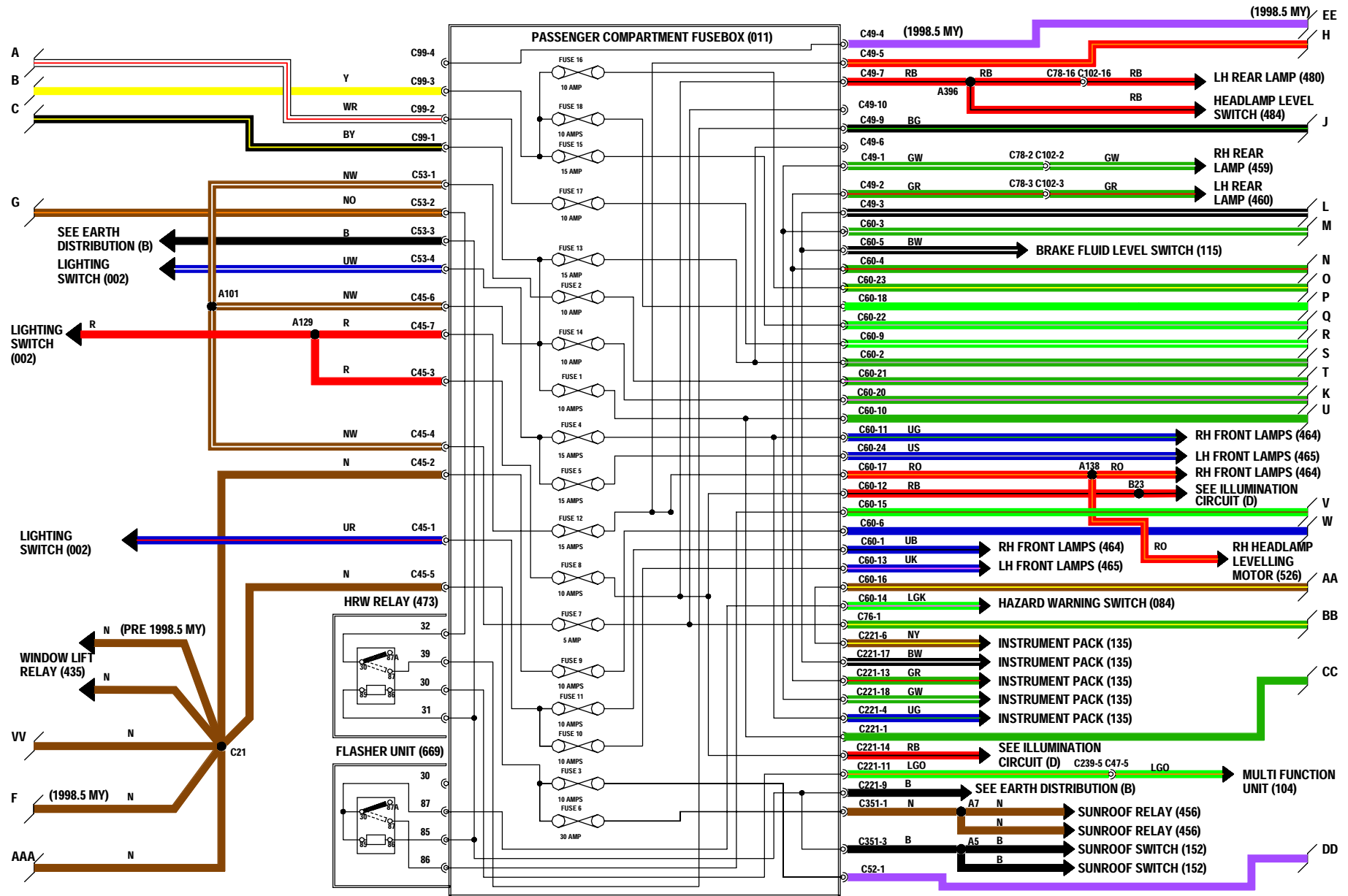
PASSENGER COMPARTMENT FUSEBOX (011)



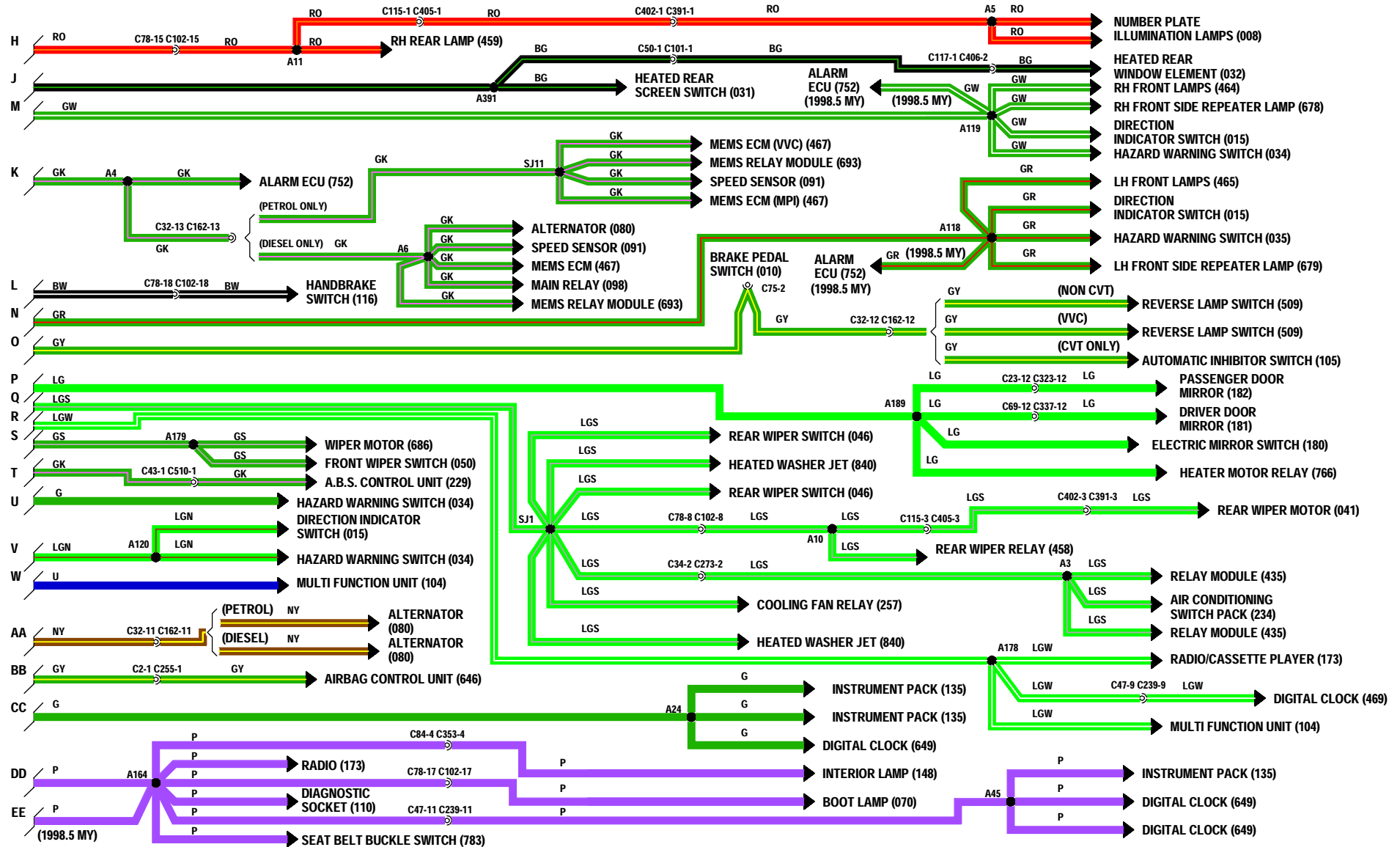
POWER DISTRIBUTION LHD



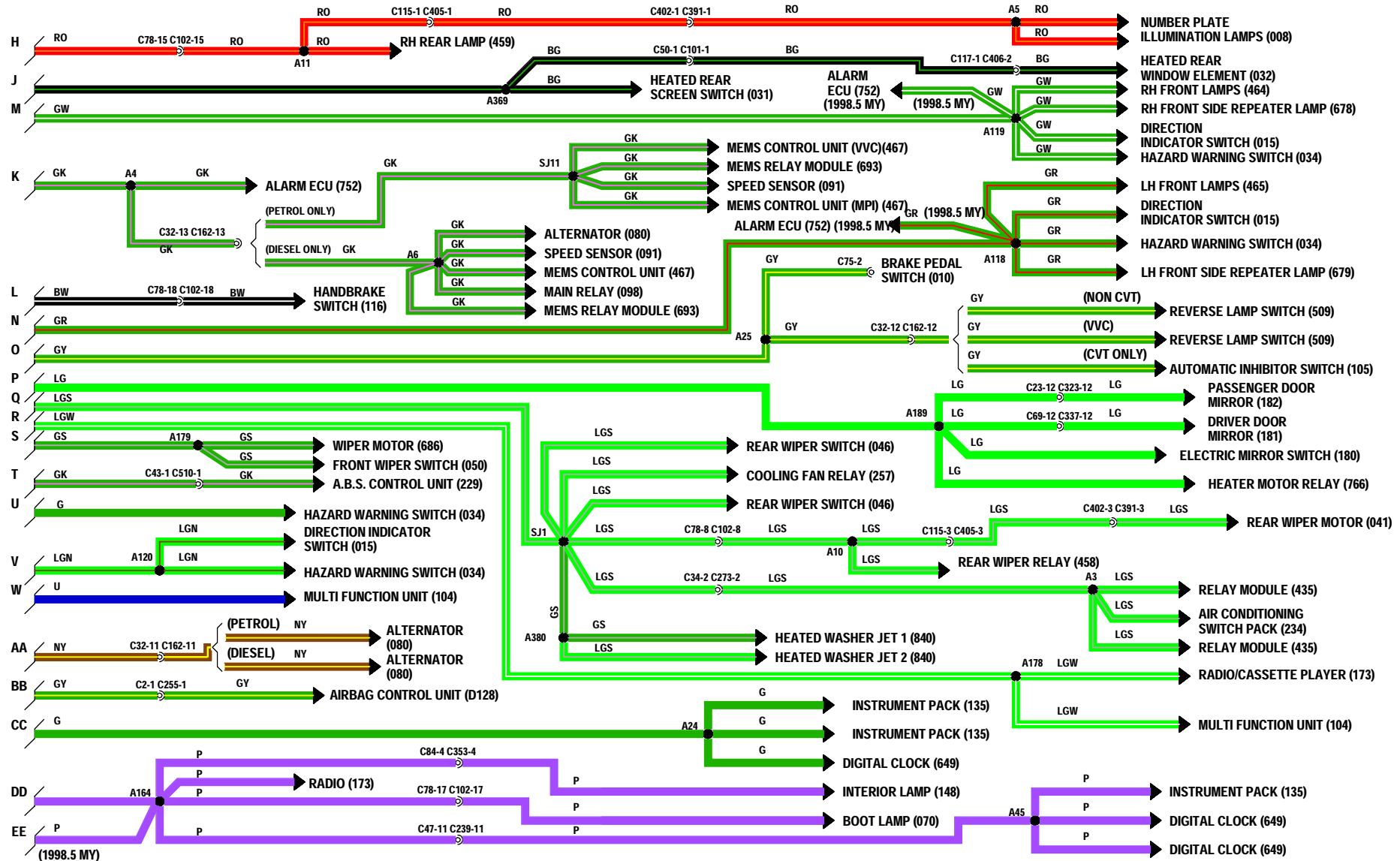
POWER DISTRIBUTION RHD



POWER DISTRIBUTION RHD

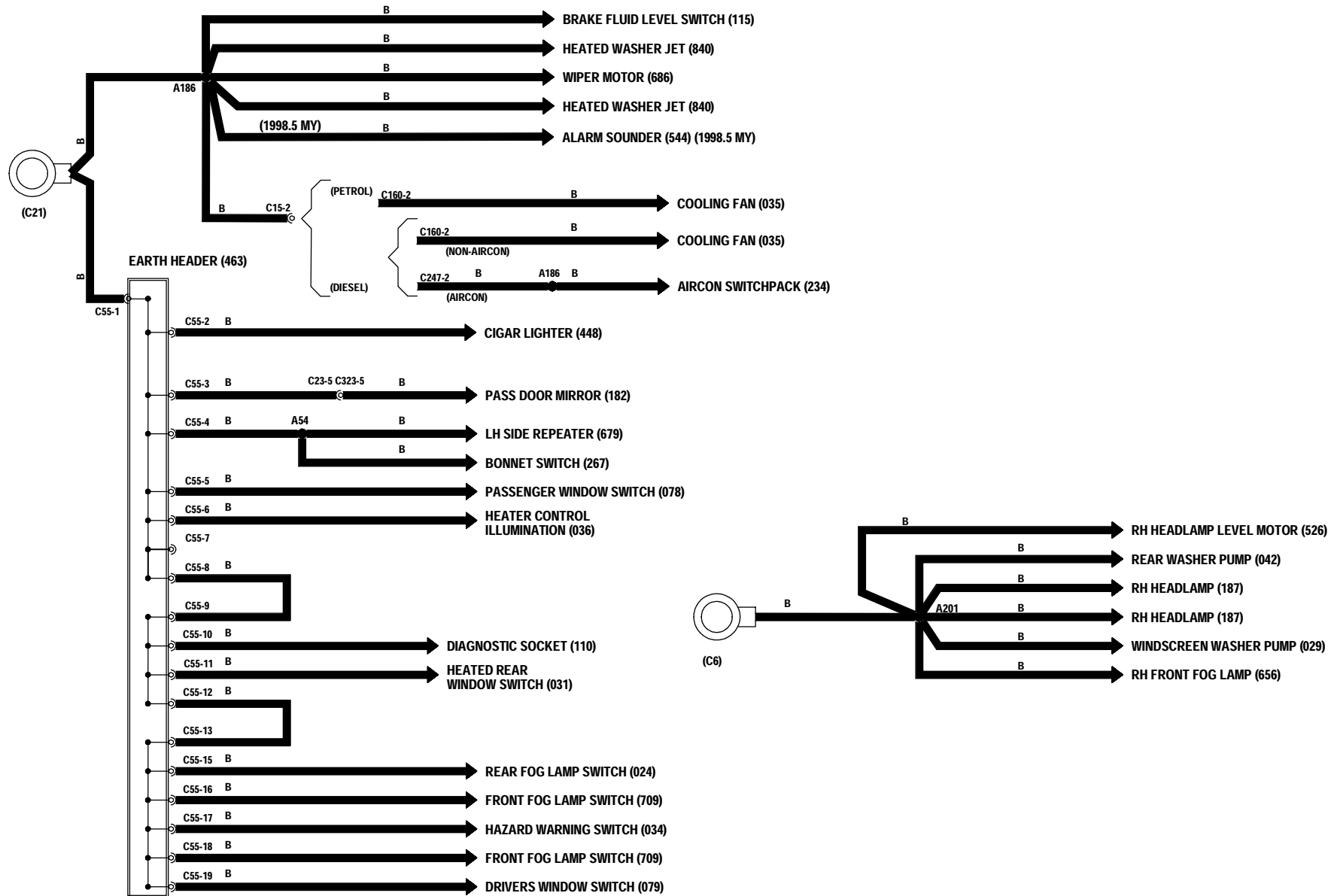


POWER DISTRIBUTION LHD



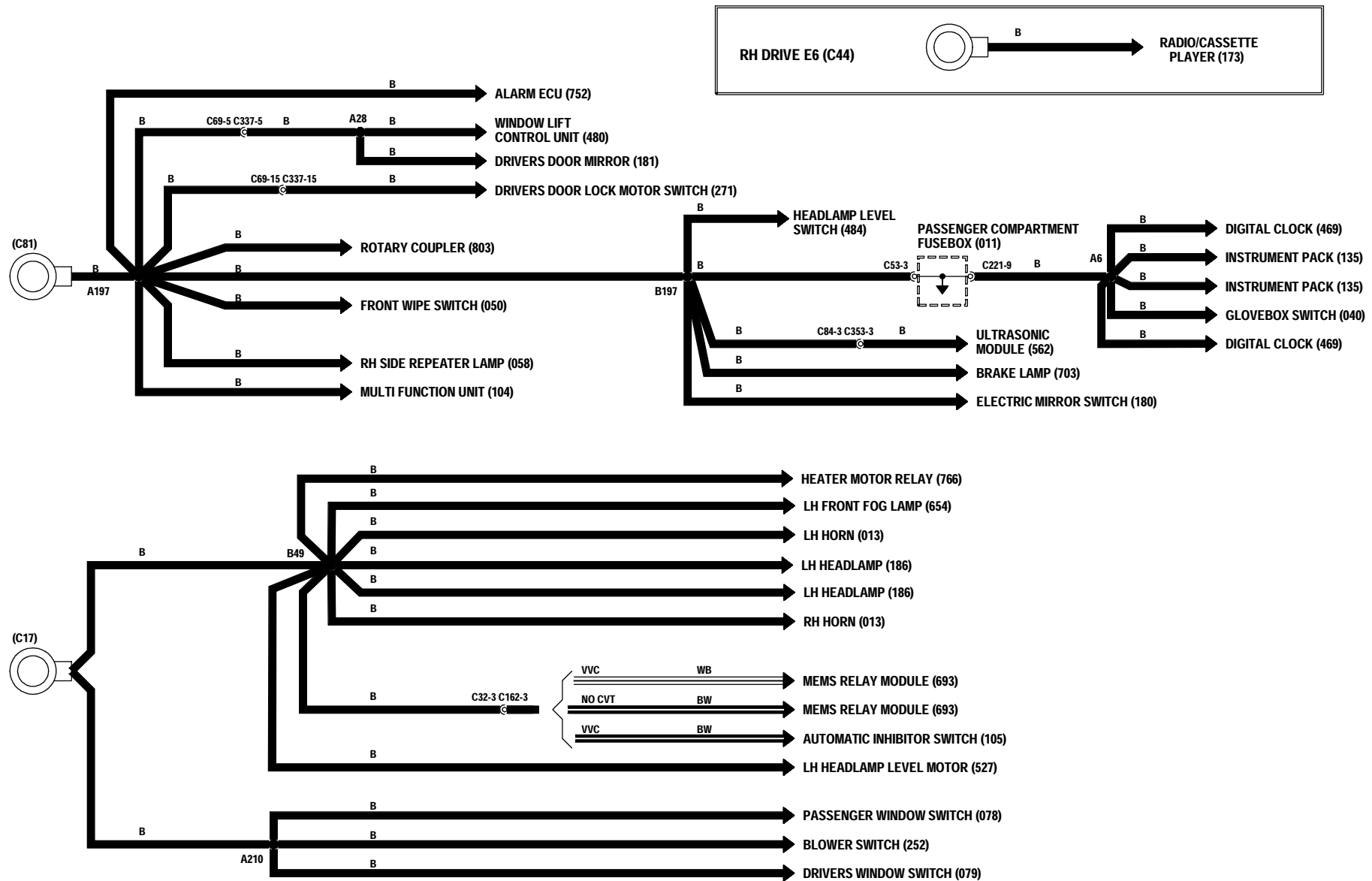
EARTH DISTRIBUTION

RHD



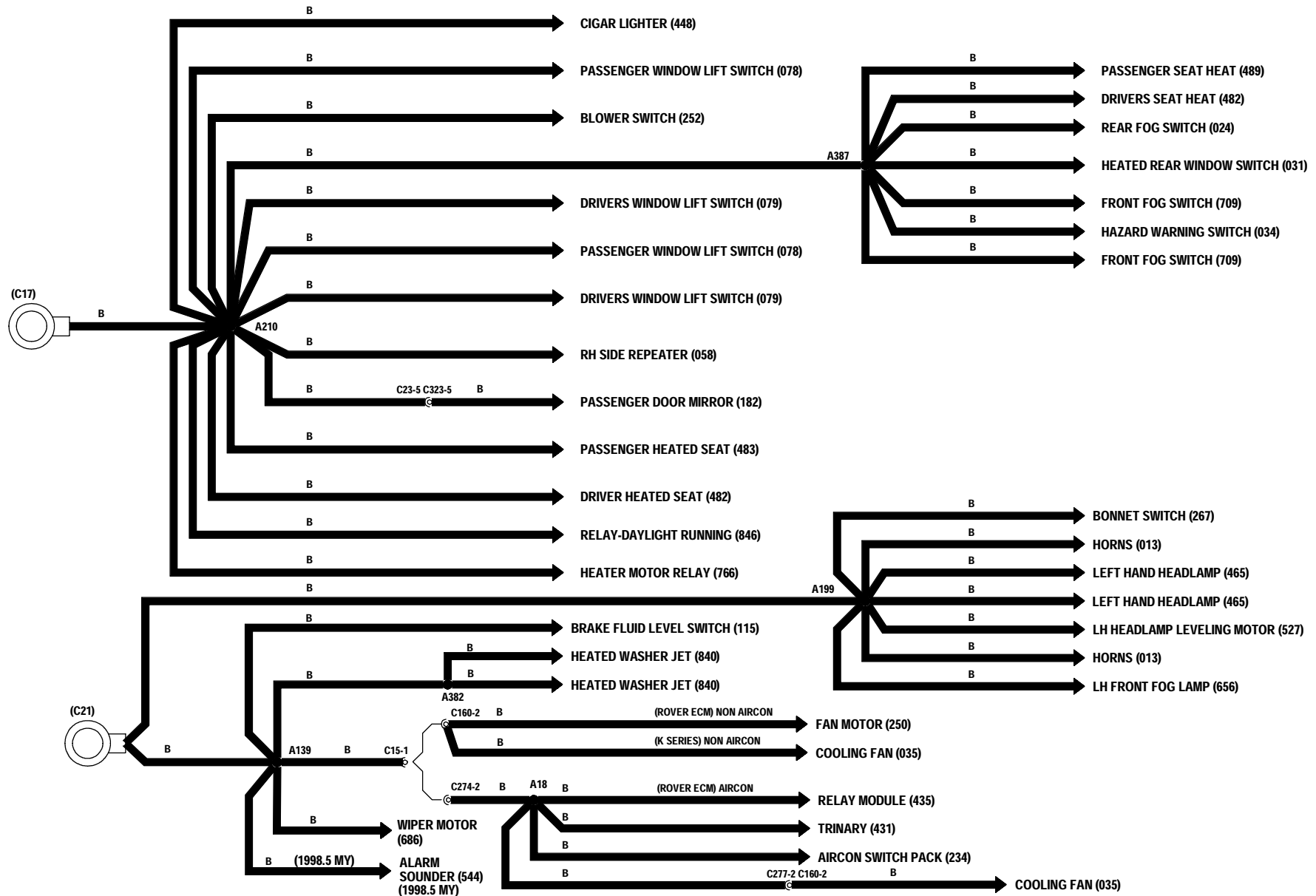
EARTH DISTRIBUTION

RHD



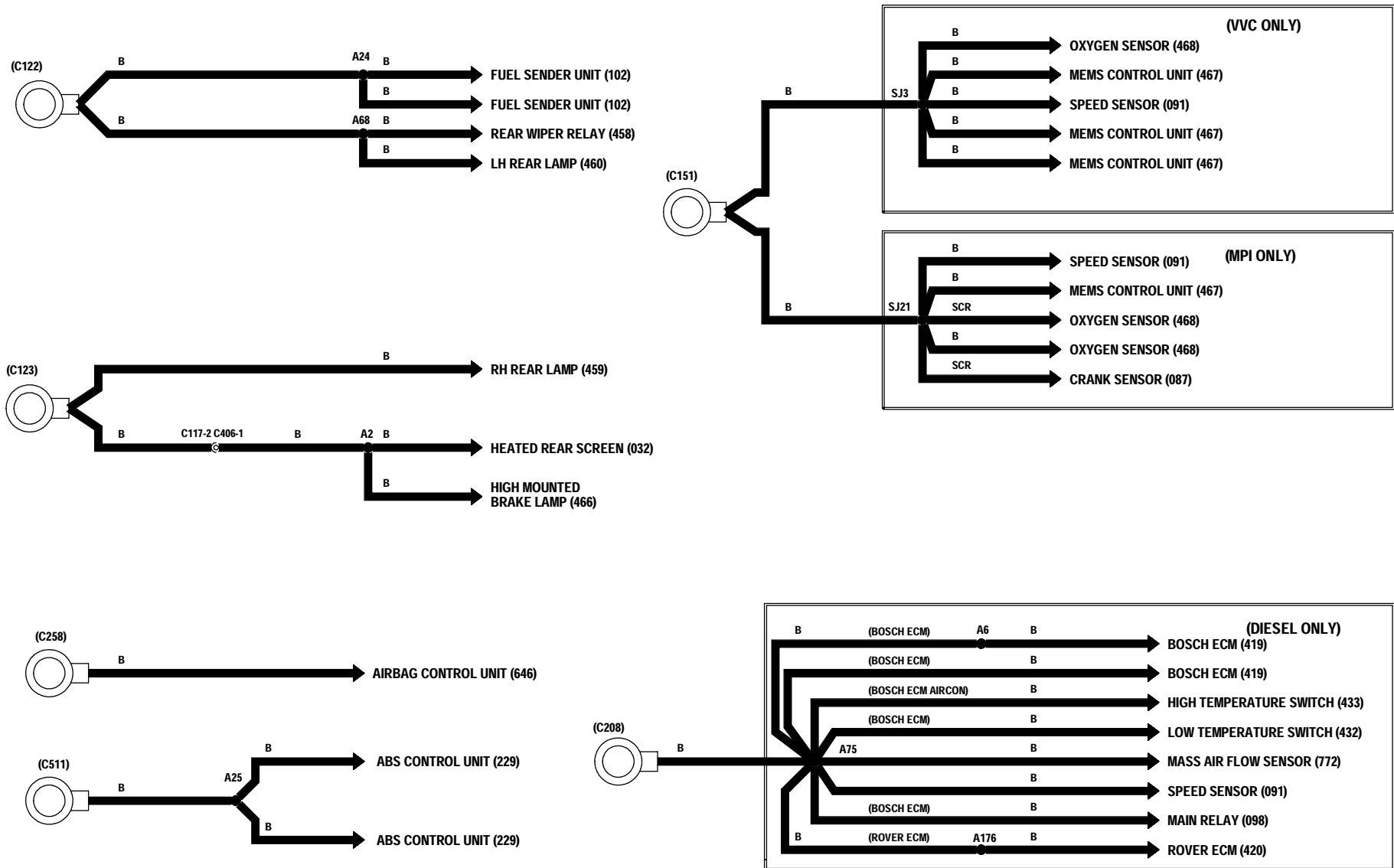
EARTH DISTRIBUTION

LHD



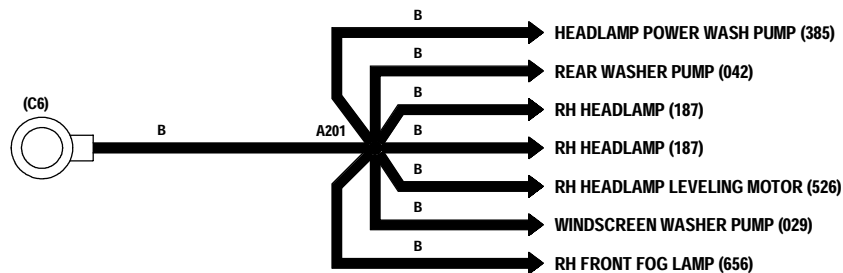
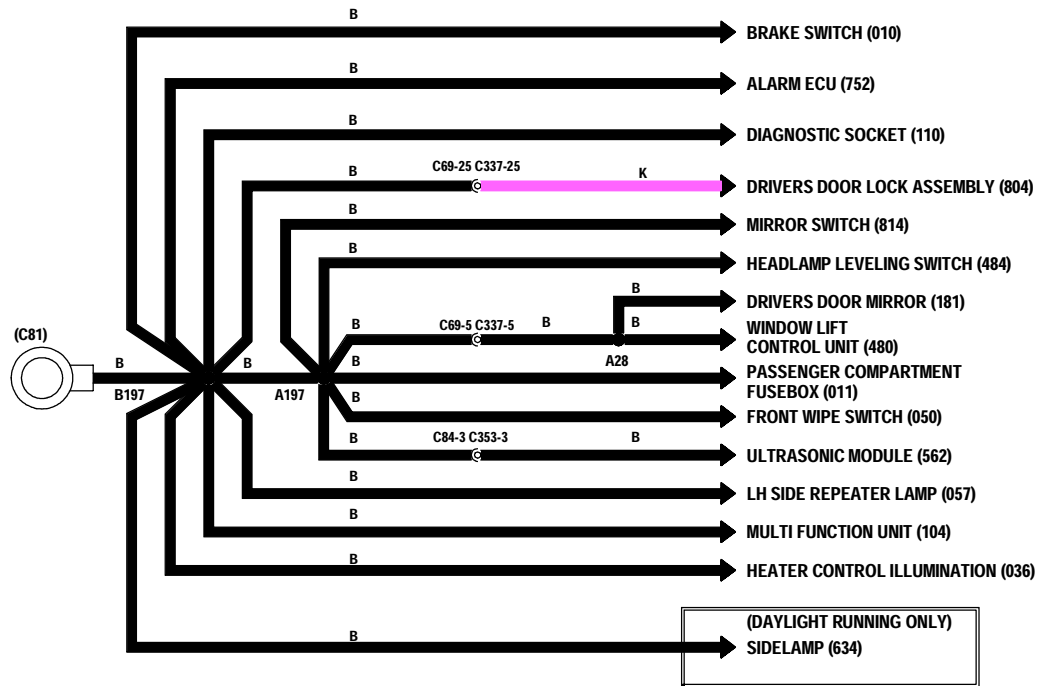
EARTH DISTRIBUTION

RHD / LHD

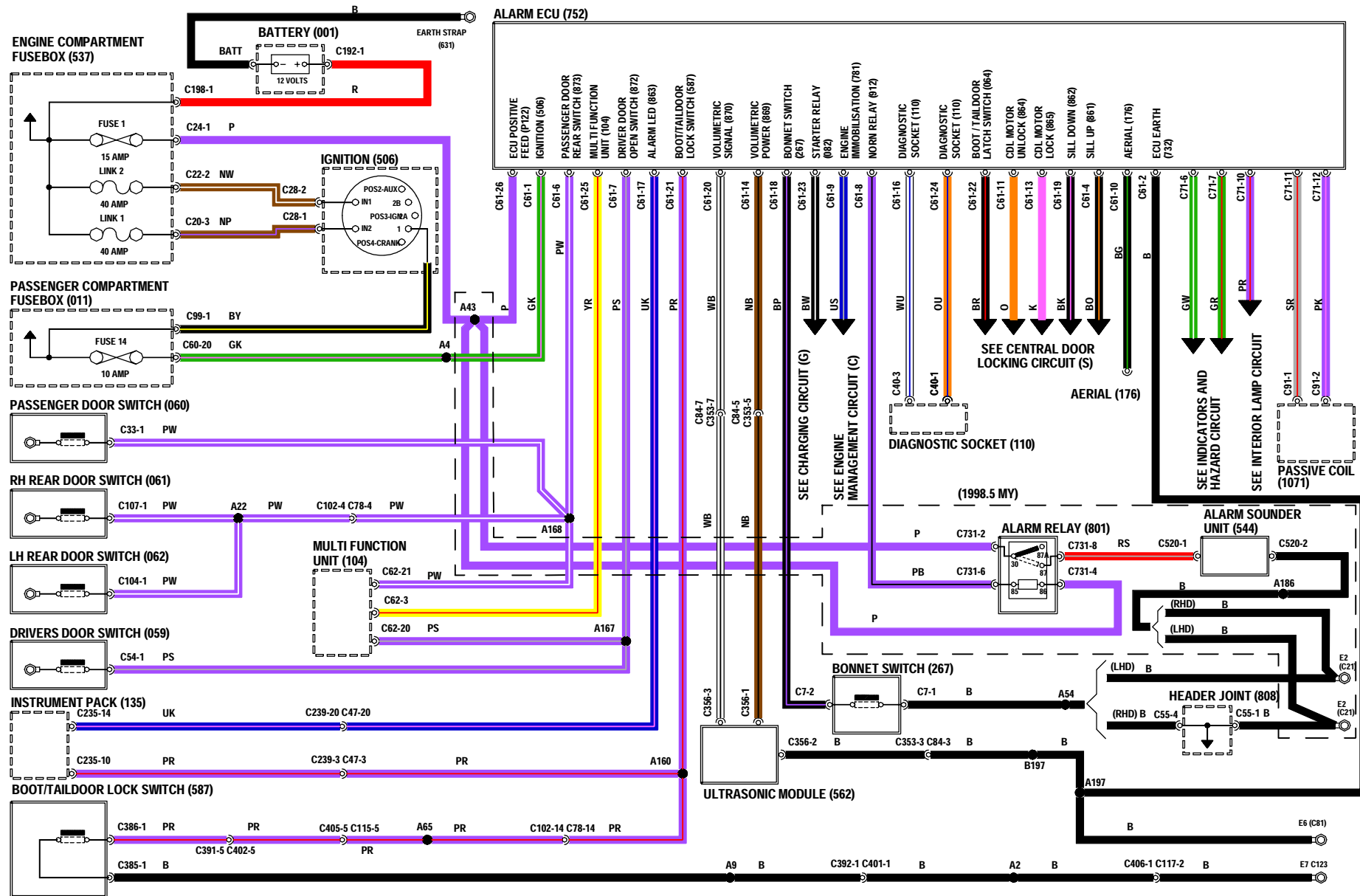


EARTH DISTRIBUTION

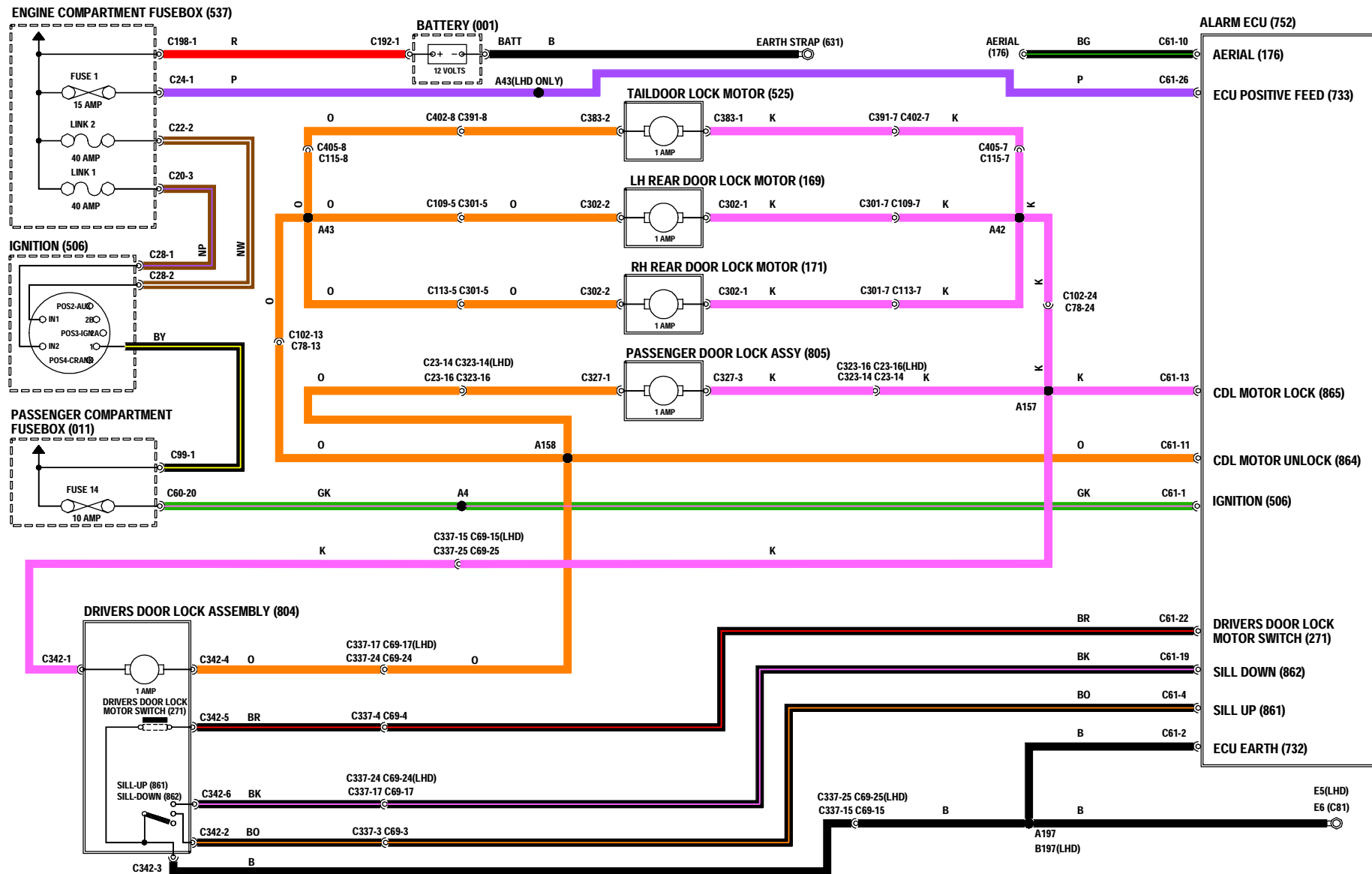
LHD



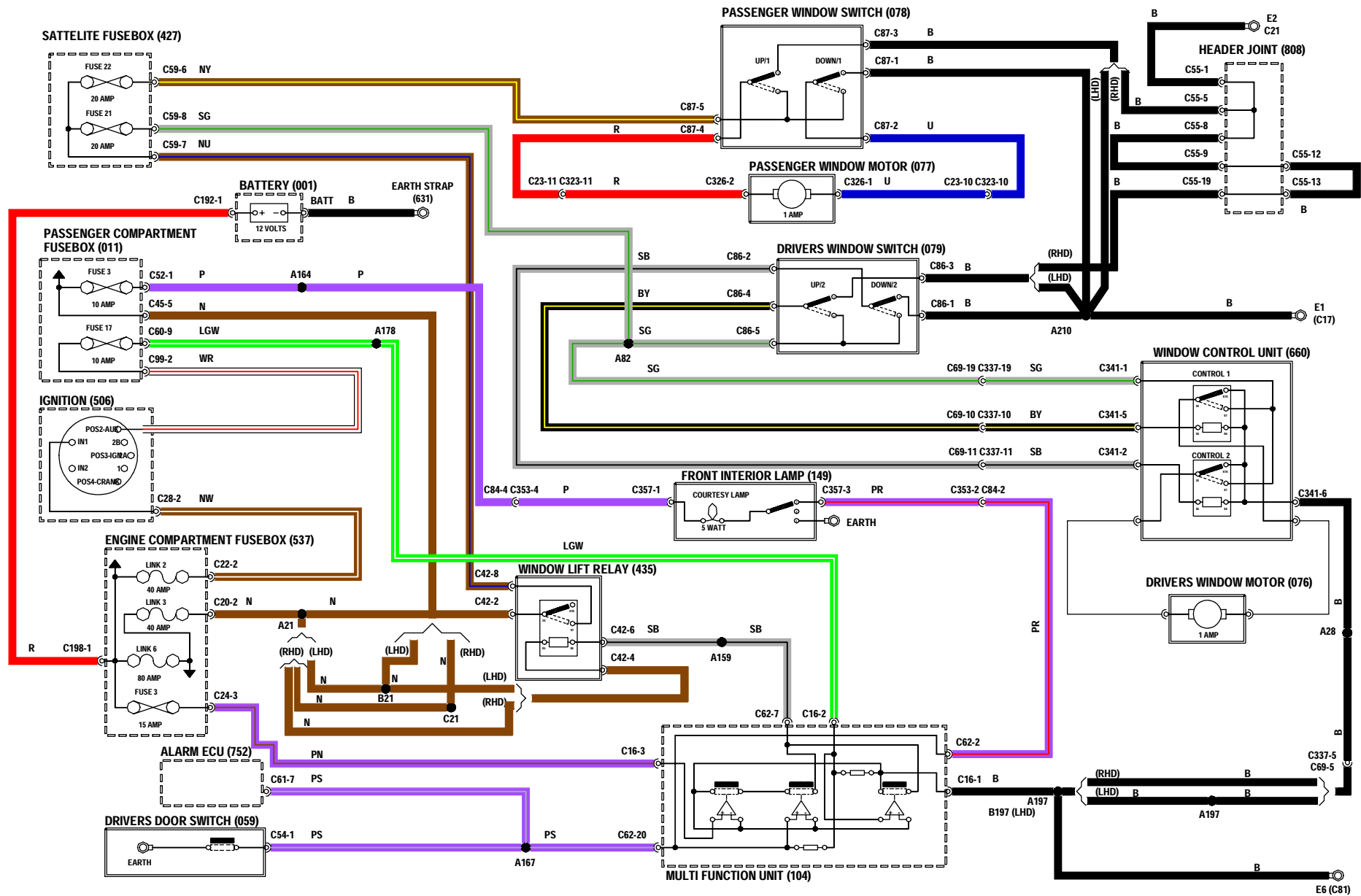
ANTI-THEFT ALARM AND ENGINE IMMOBILISATION



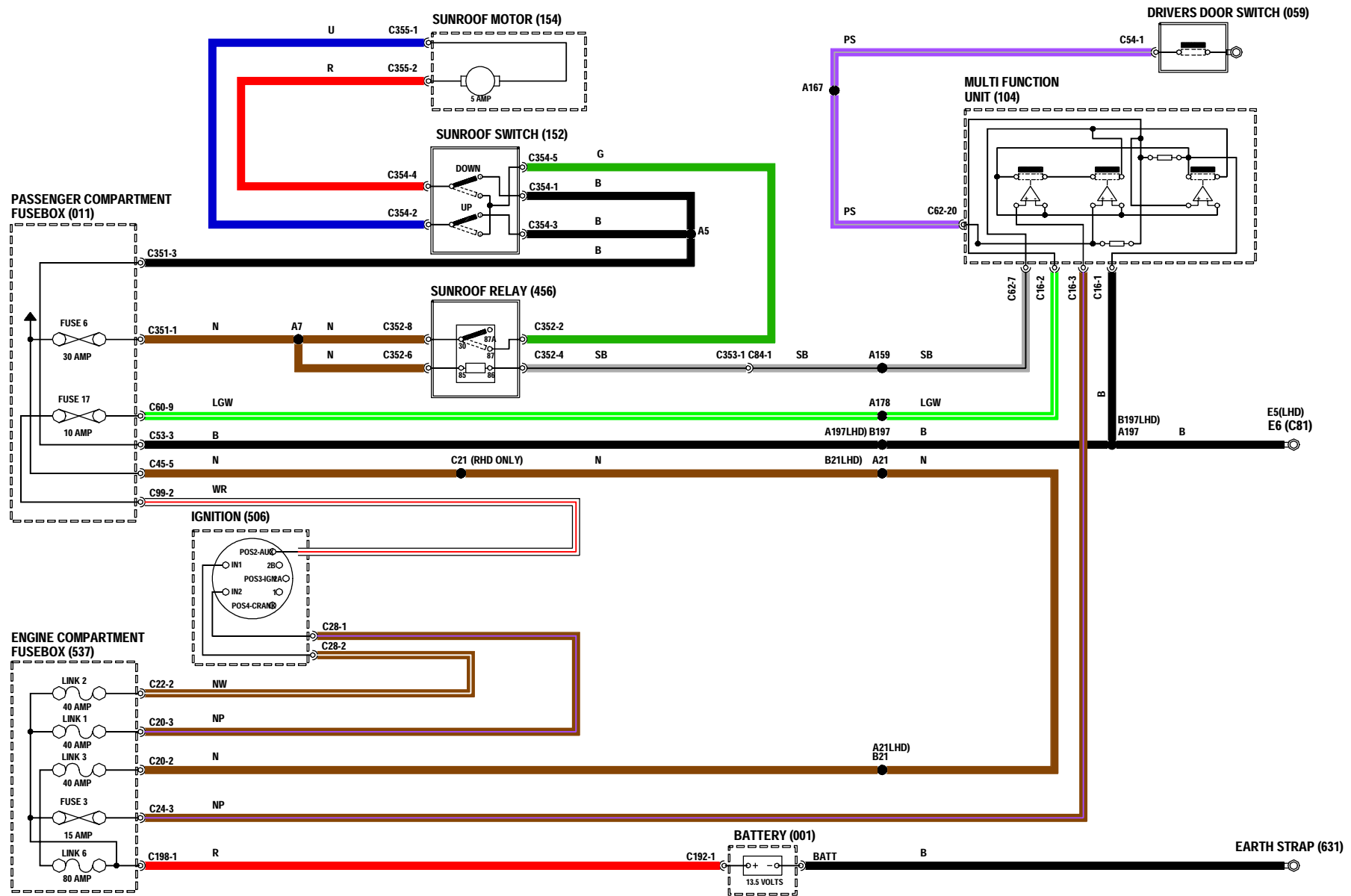
CENTRAL DOOR LOCKING



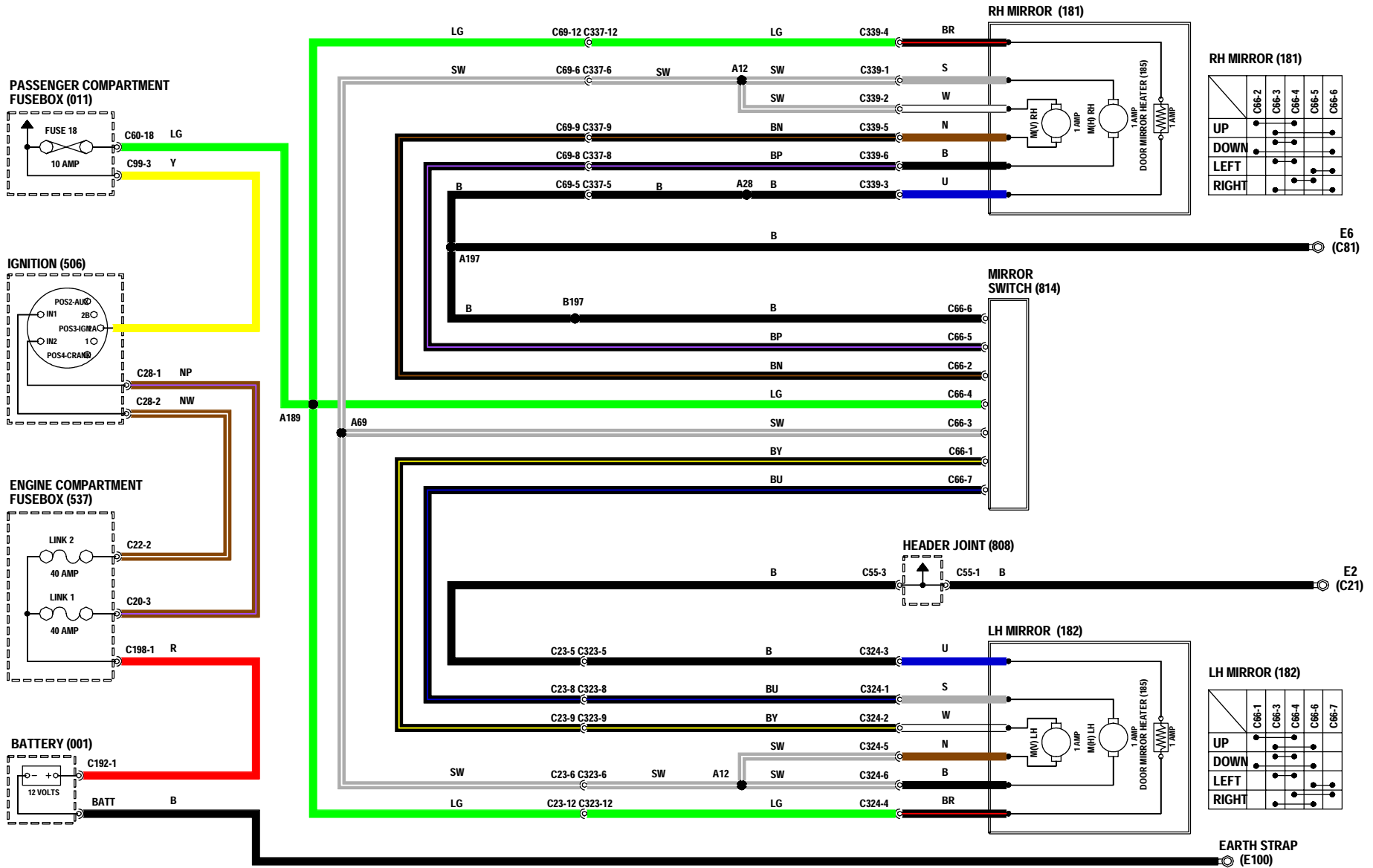
WINDOWS



SUNROOF

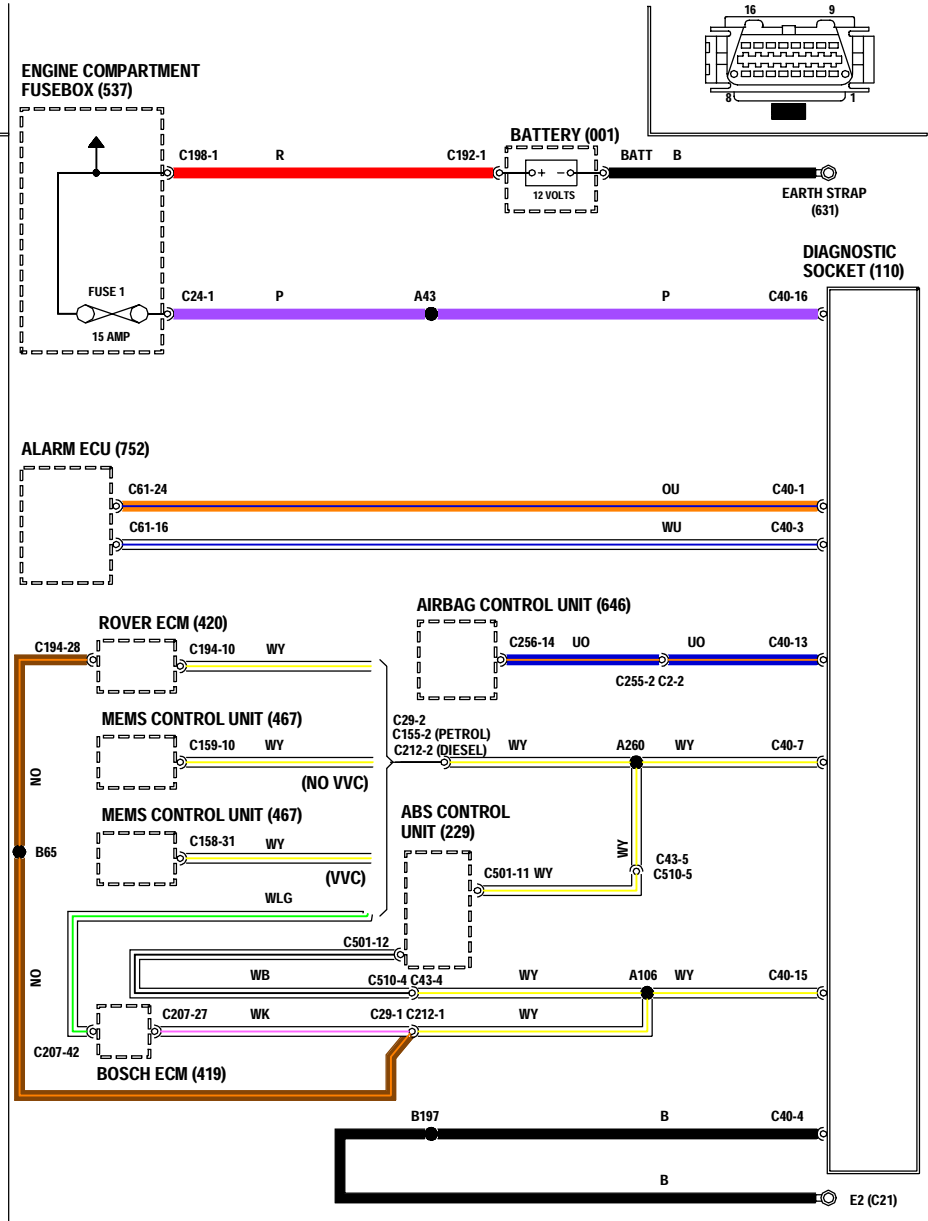
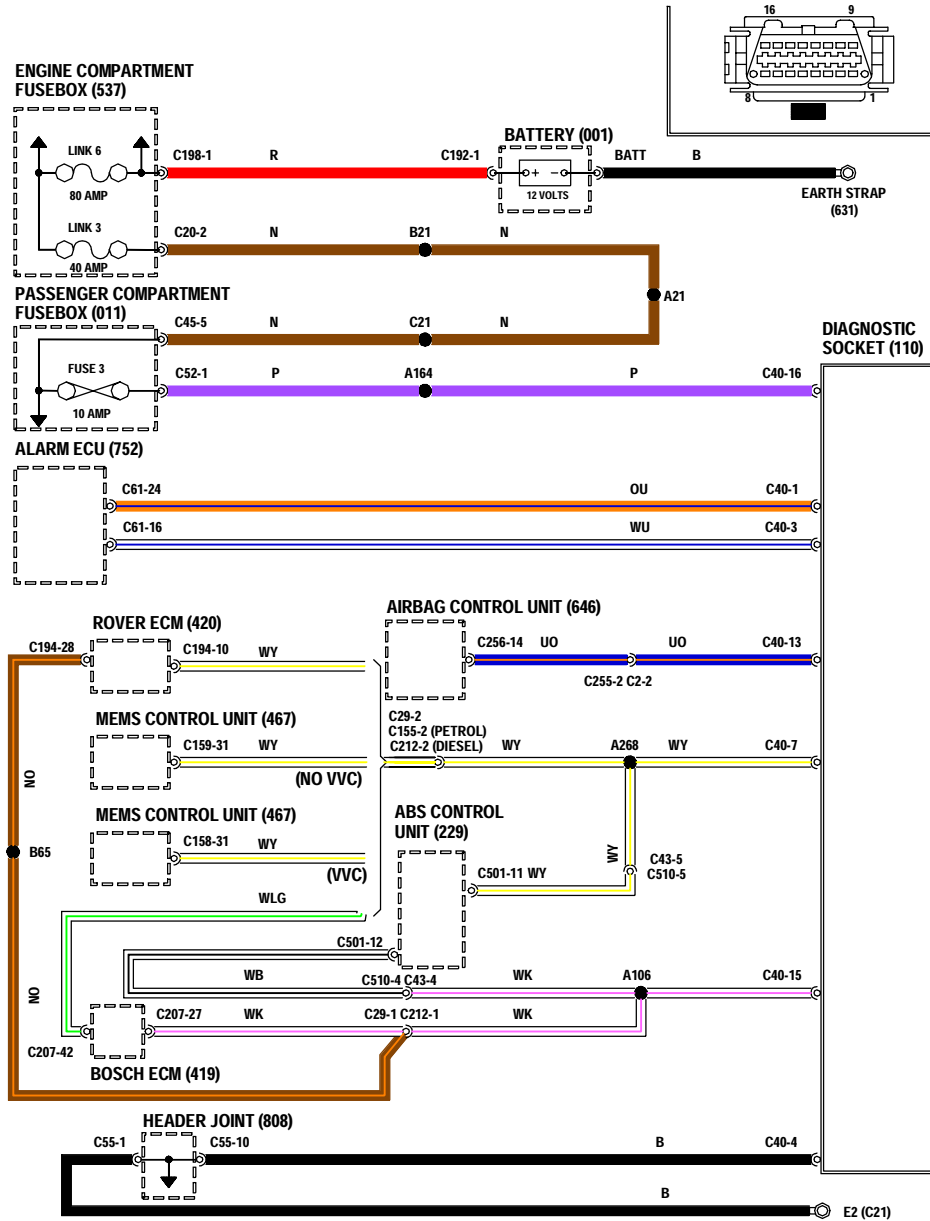


DOOR MIRRORS

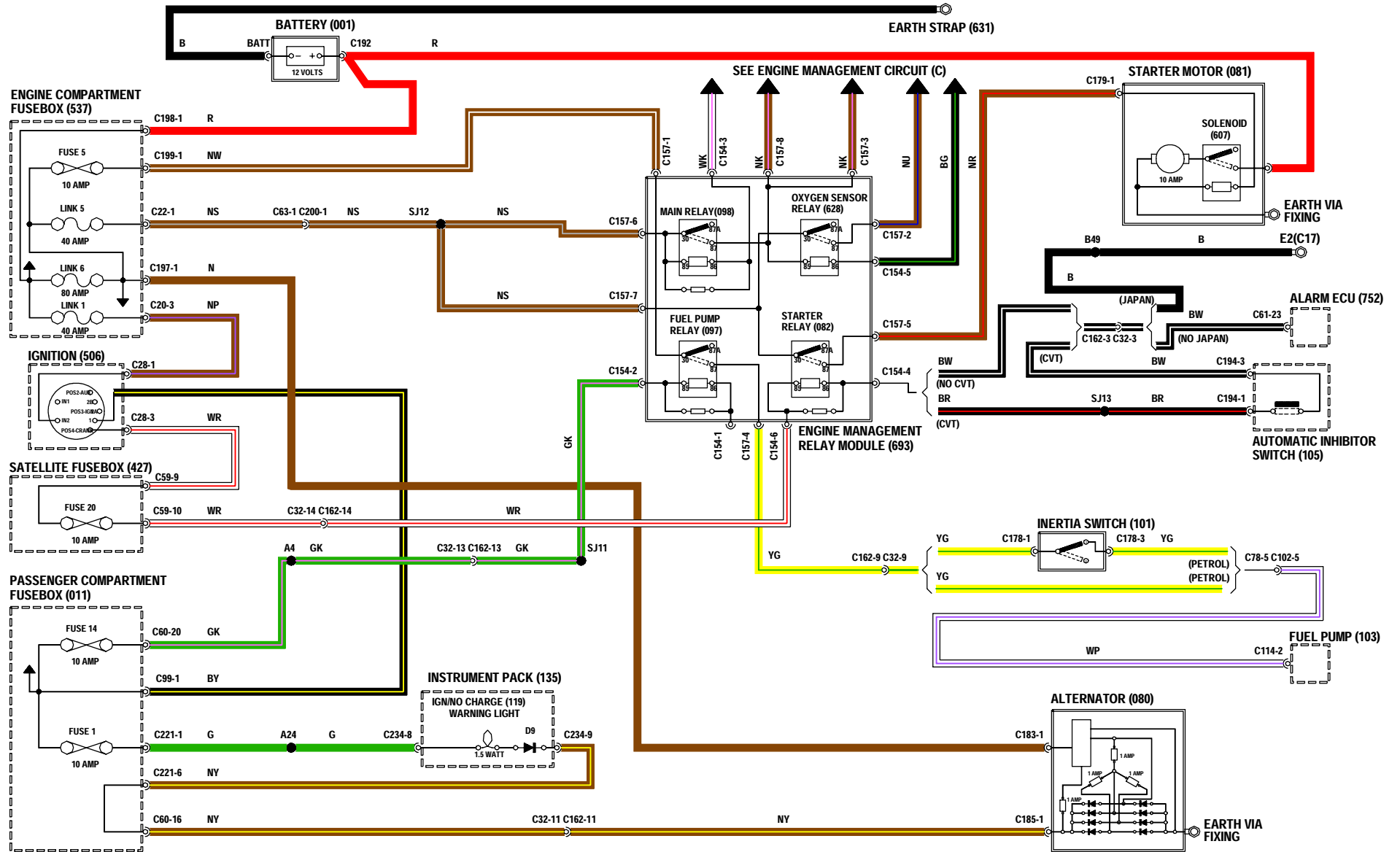


DIAGNOSTIC SOCKET RHD ONLY

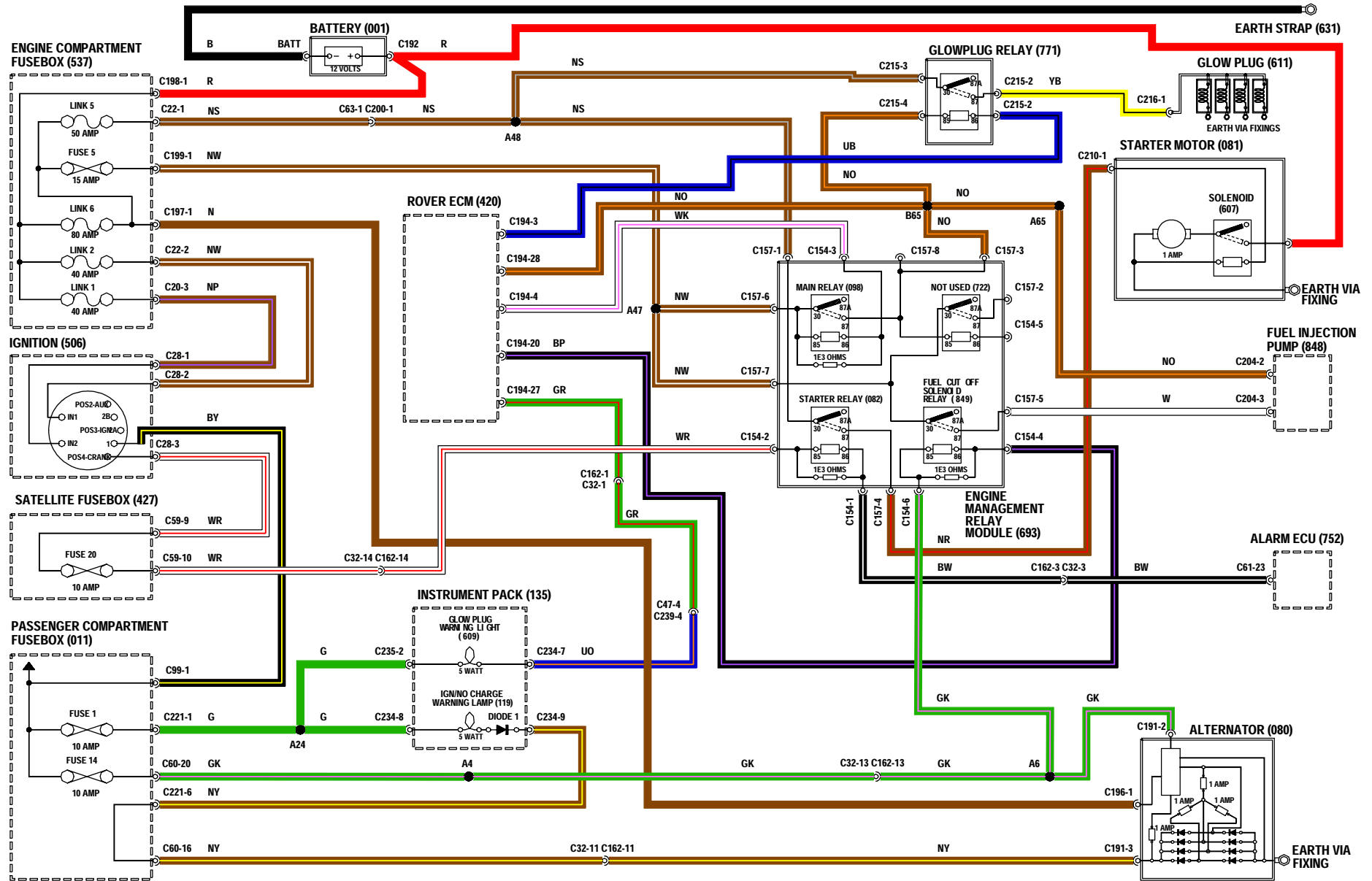
DIAGNOSTIC SOCKET LHD ONLY



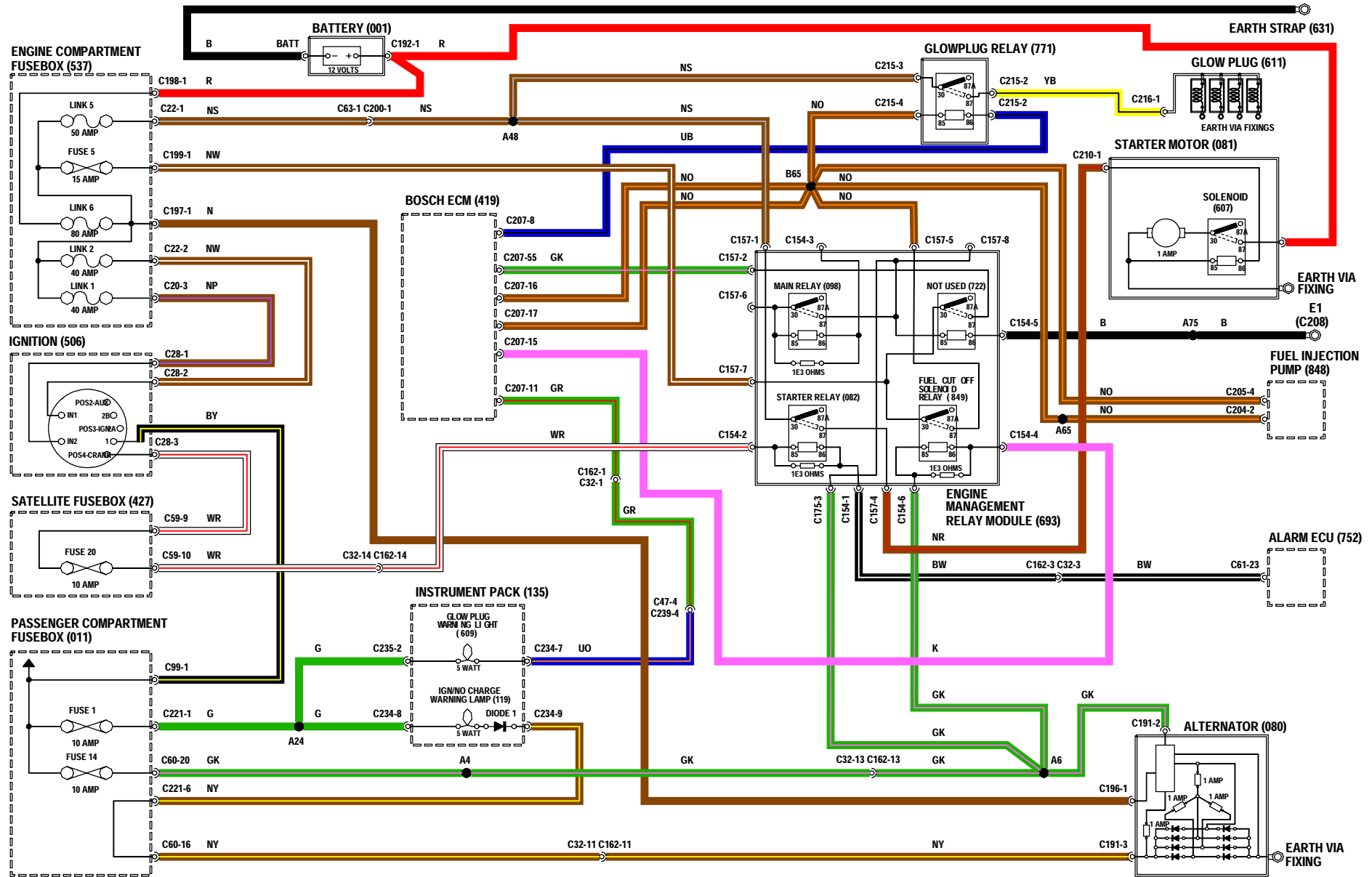
CHARGING AND STARTING K-SERIES & VVC



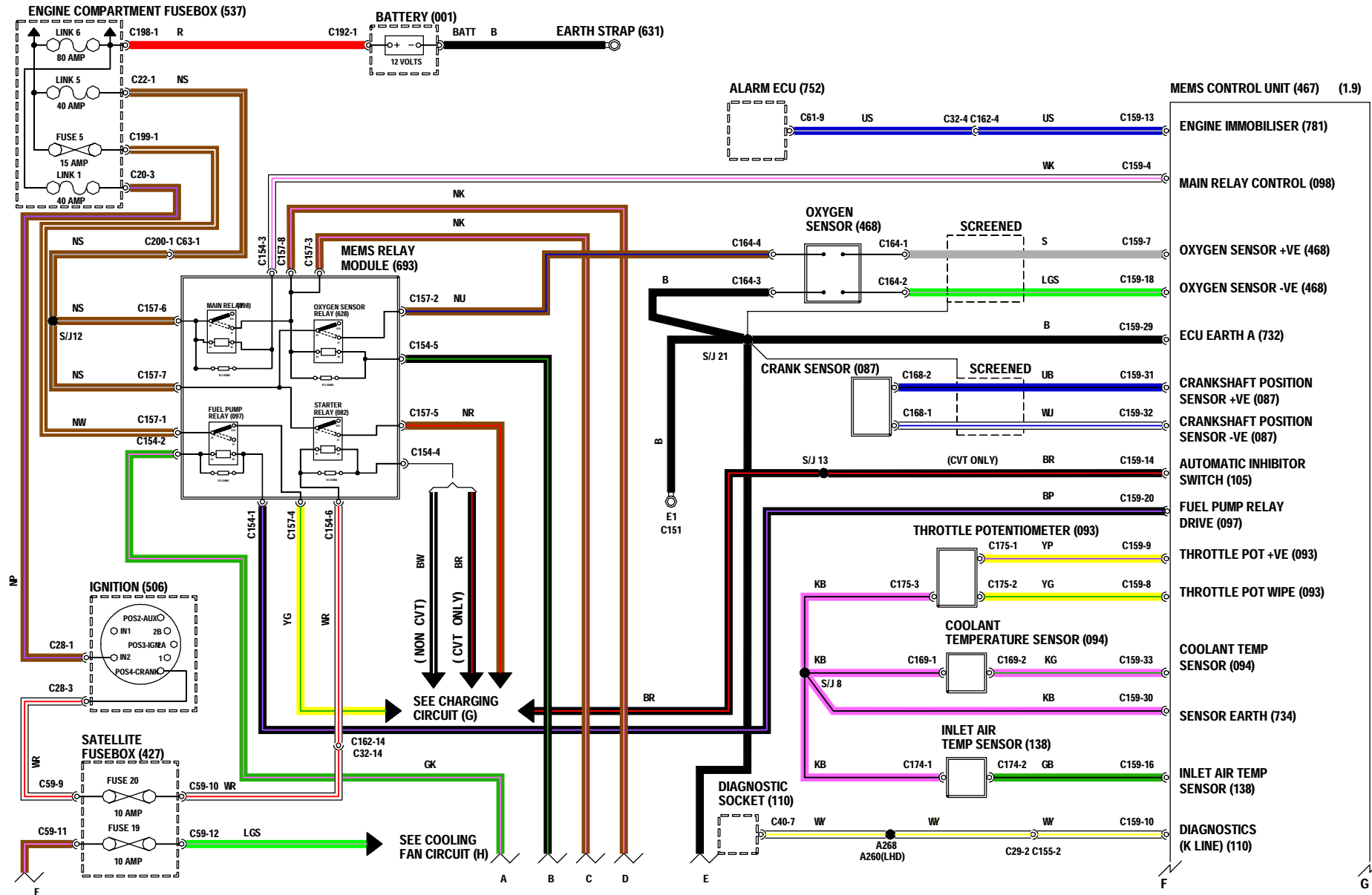
CHARGING AND STARTING L-SERIES (ROVER ECM)



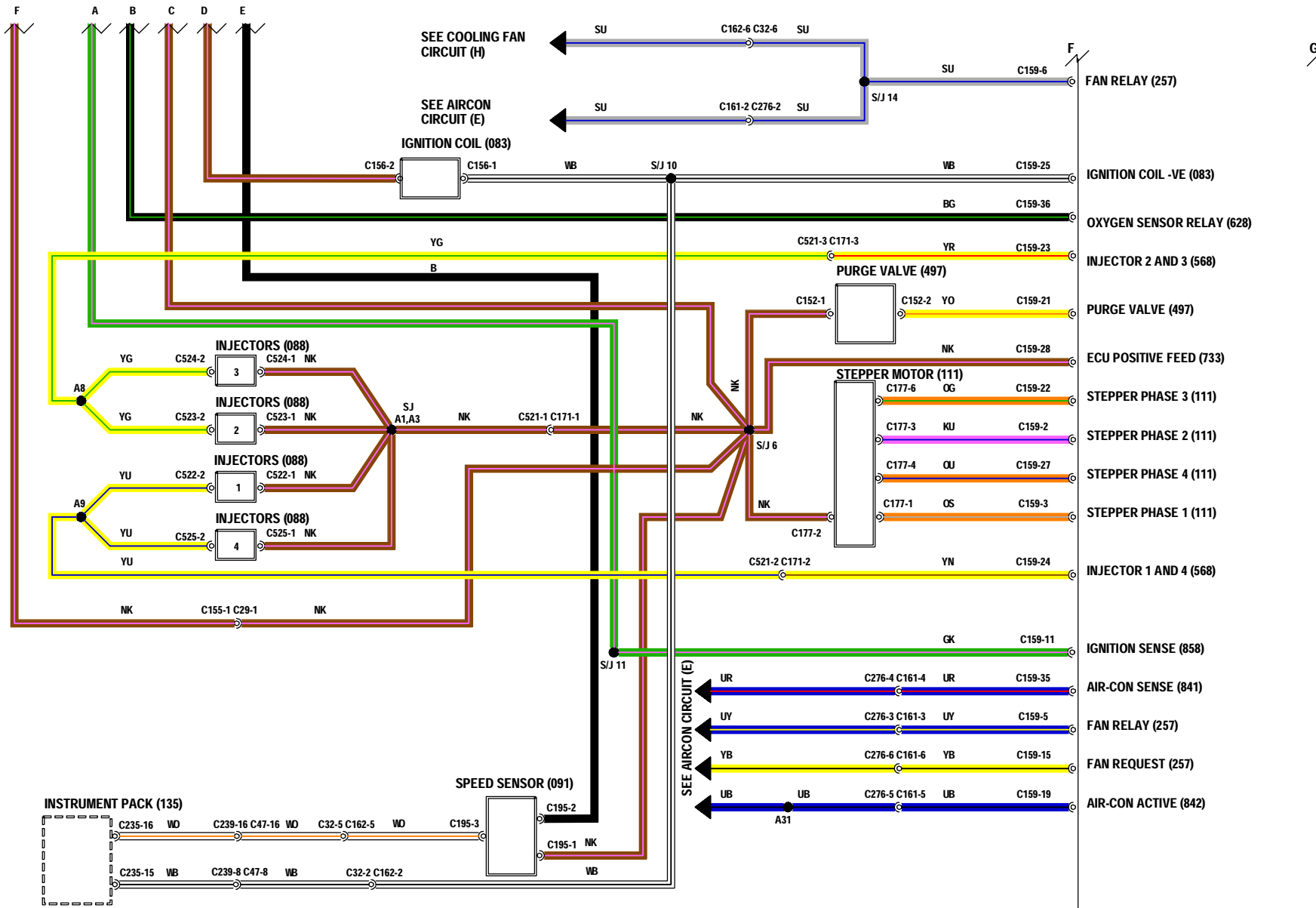
CHARGING AND STARTING L-SERIES (BOSCH ECM)



ENGINE MANAGEMENT SYSTEM K-SERIES (MEMS)

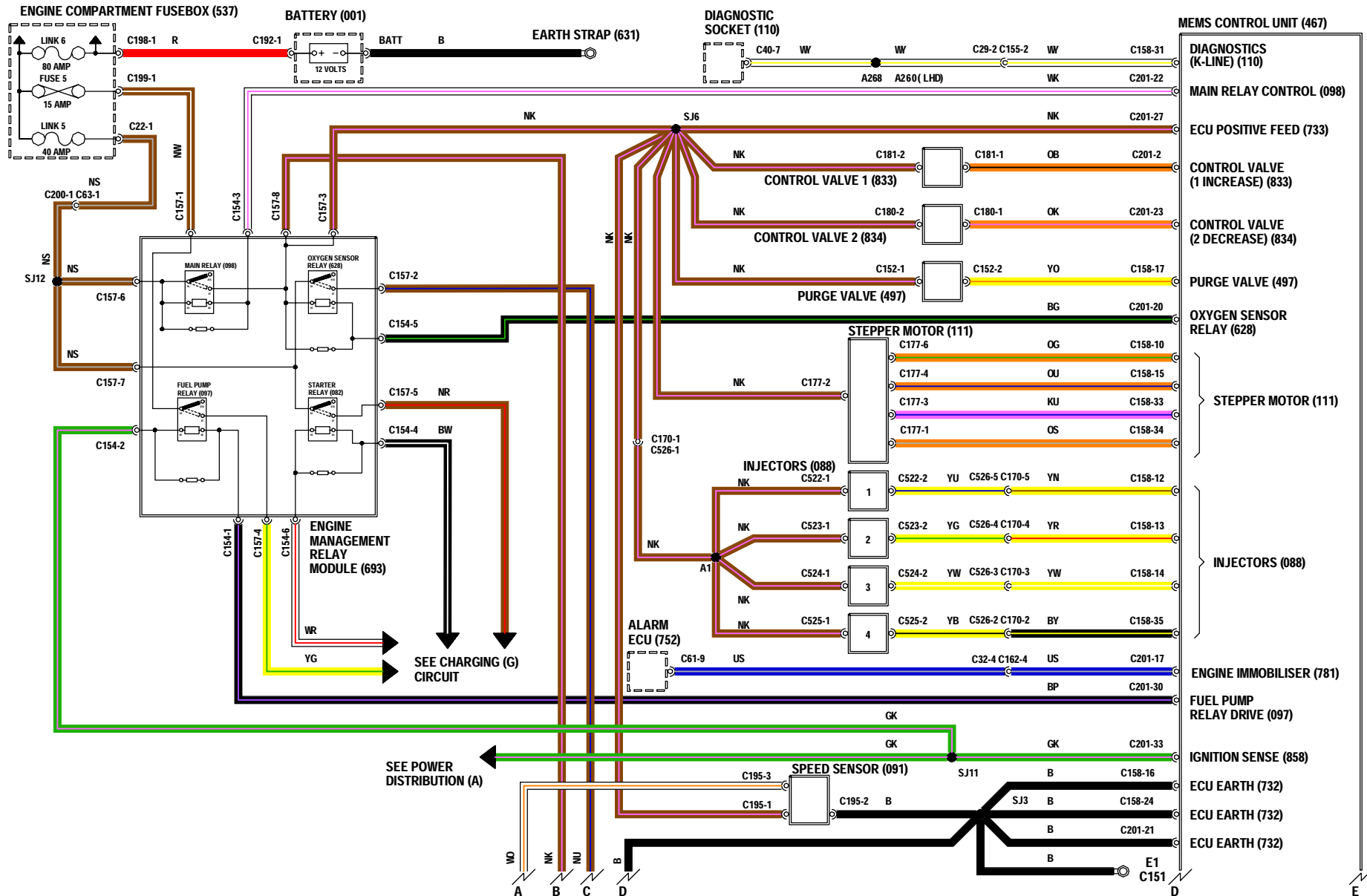


ENGINE MANAGEMENT SYSTEM K-SERIES (MEMS)



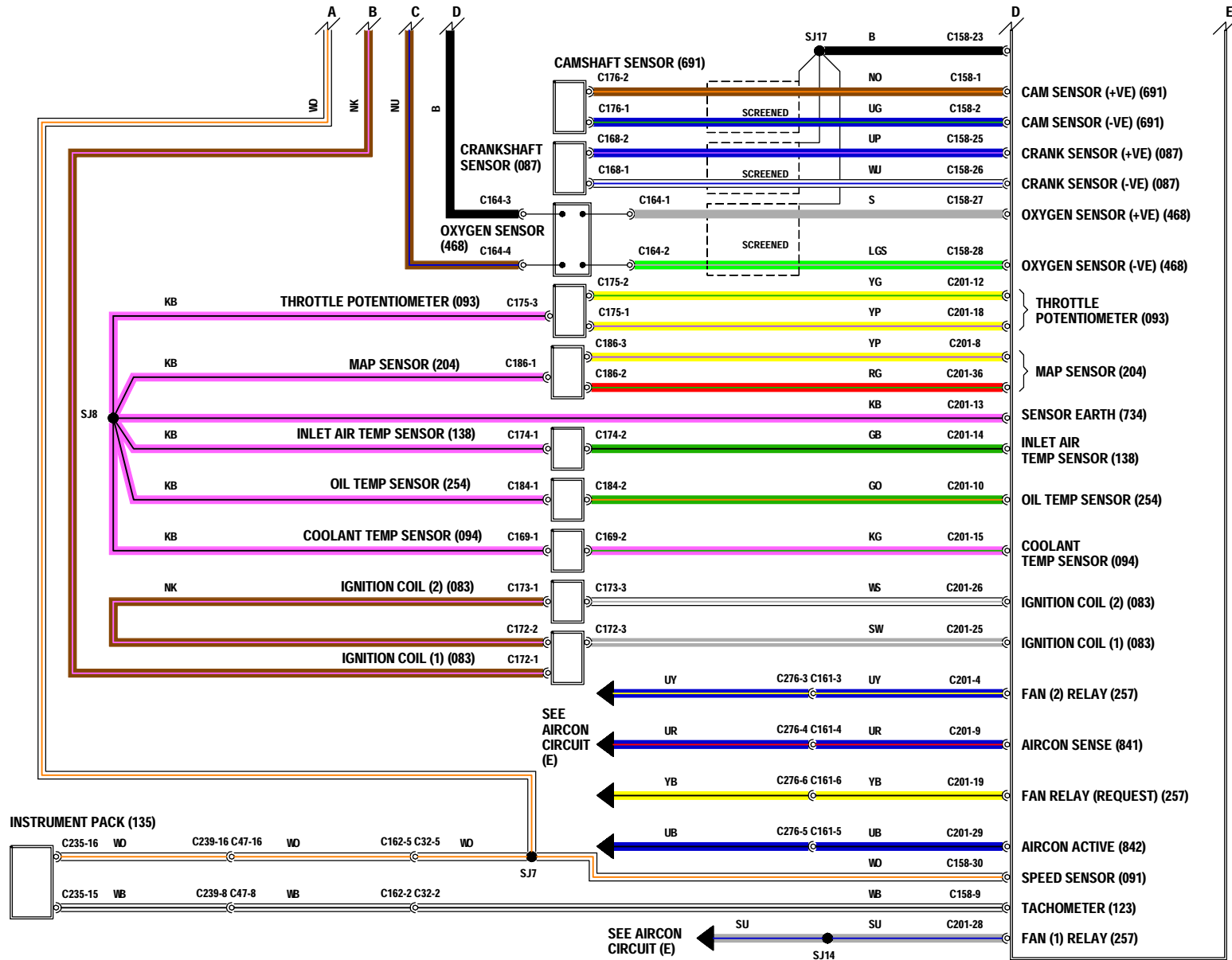
ENGINE MANAGEMENT SYSTEM

VVC (MEMS)

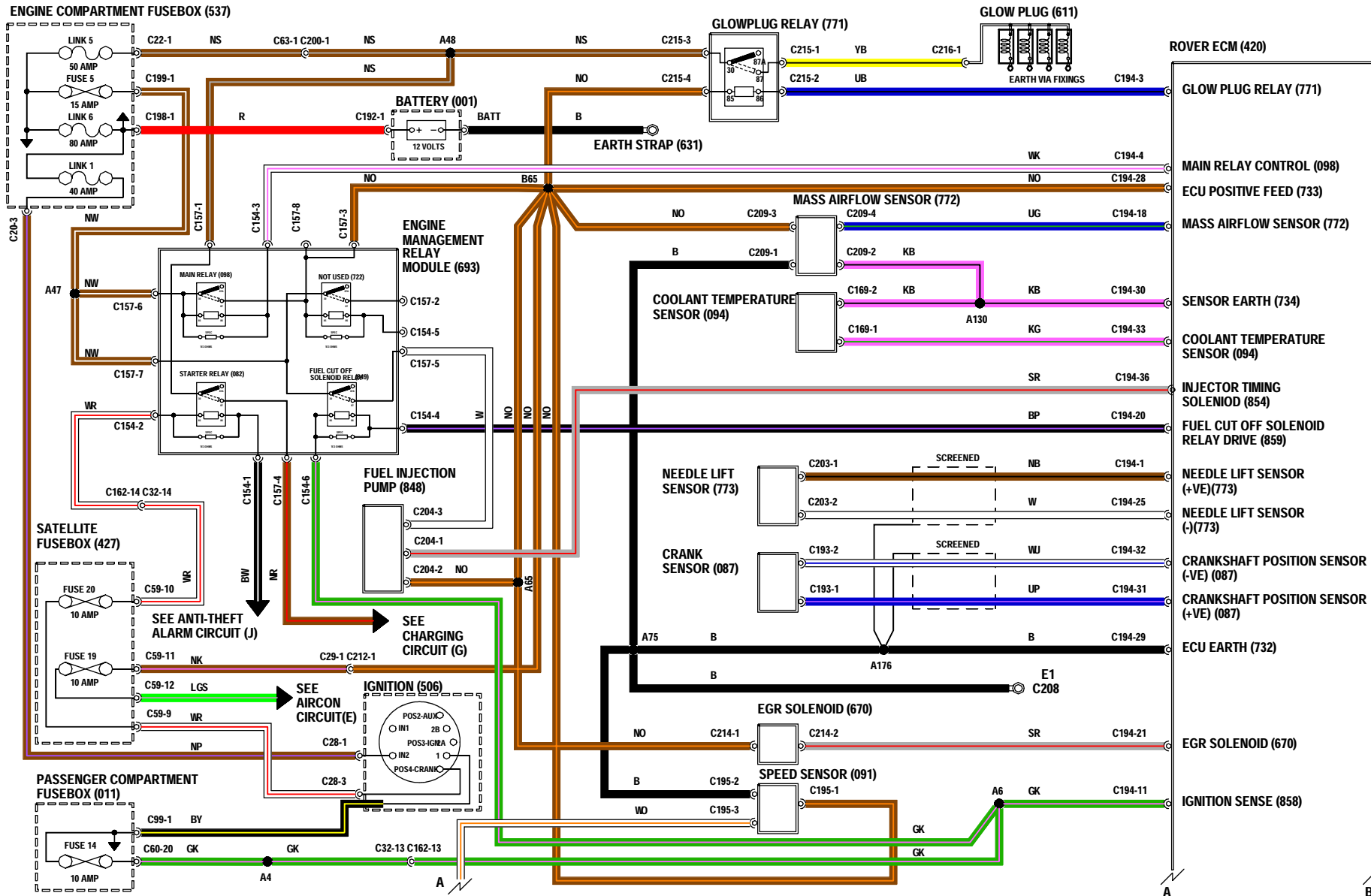


ENGINE MANAGEMENT SYSTEM

VVC (MEMS)

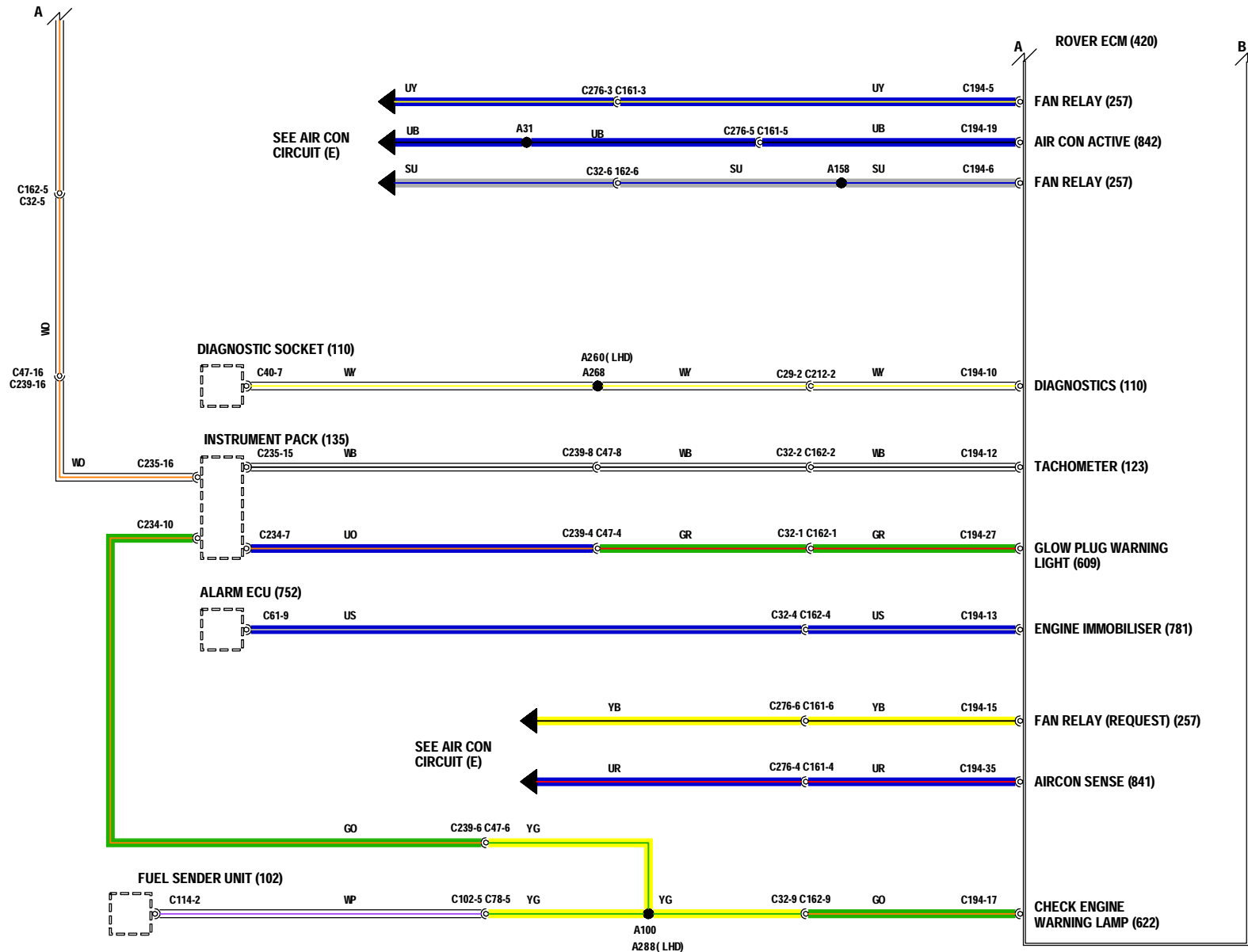


ENGINE MANAGEMENT SYSTEM L-SERIES (ROVER ECM)



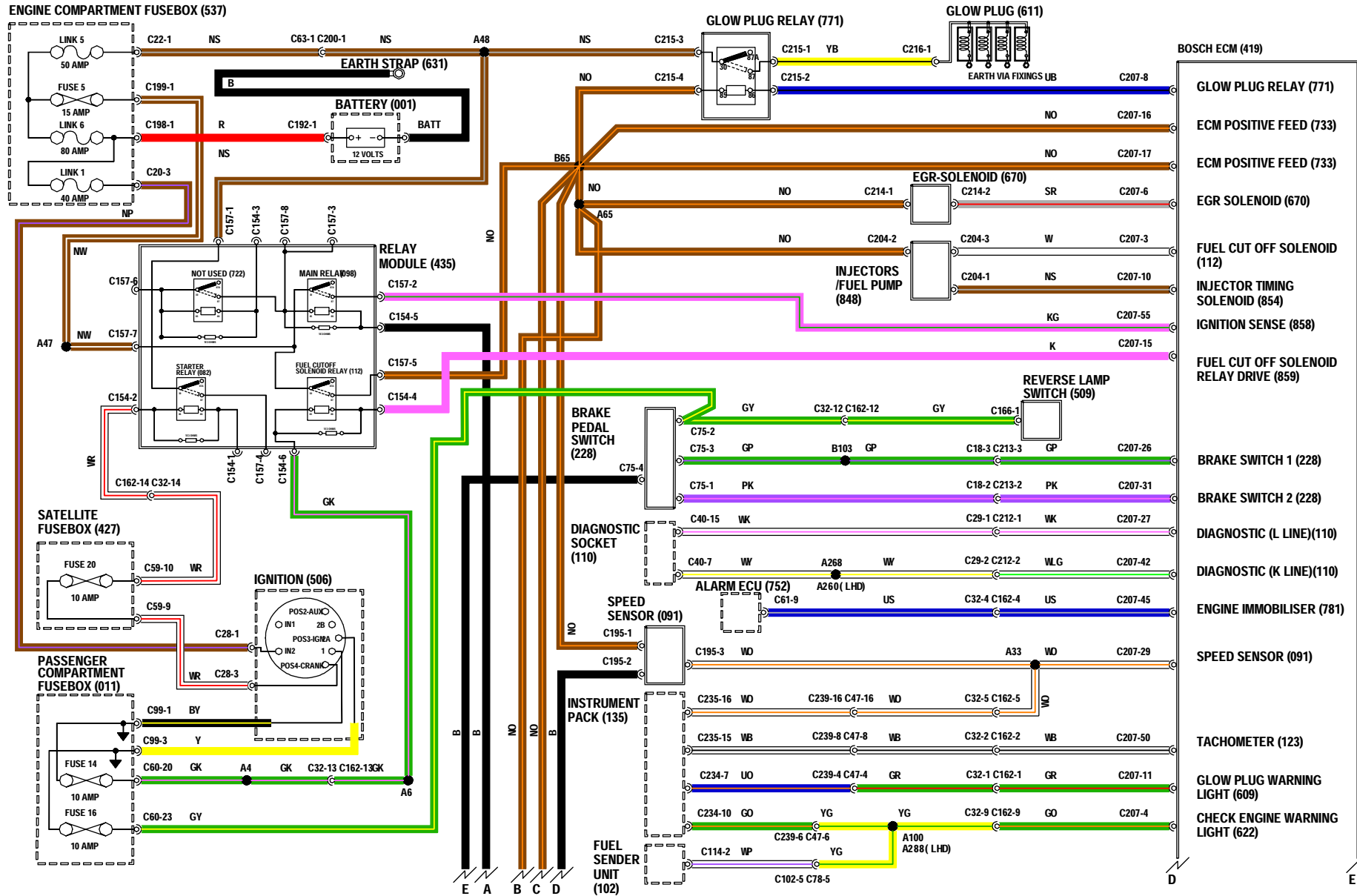
ENGINE MANAGEMENT SYSTEM

L-SERIES (ROVER ECM)

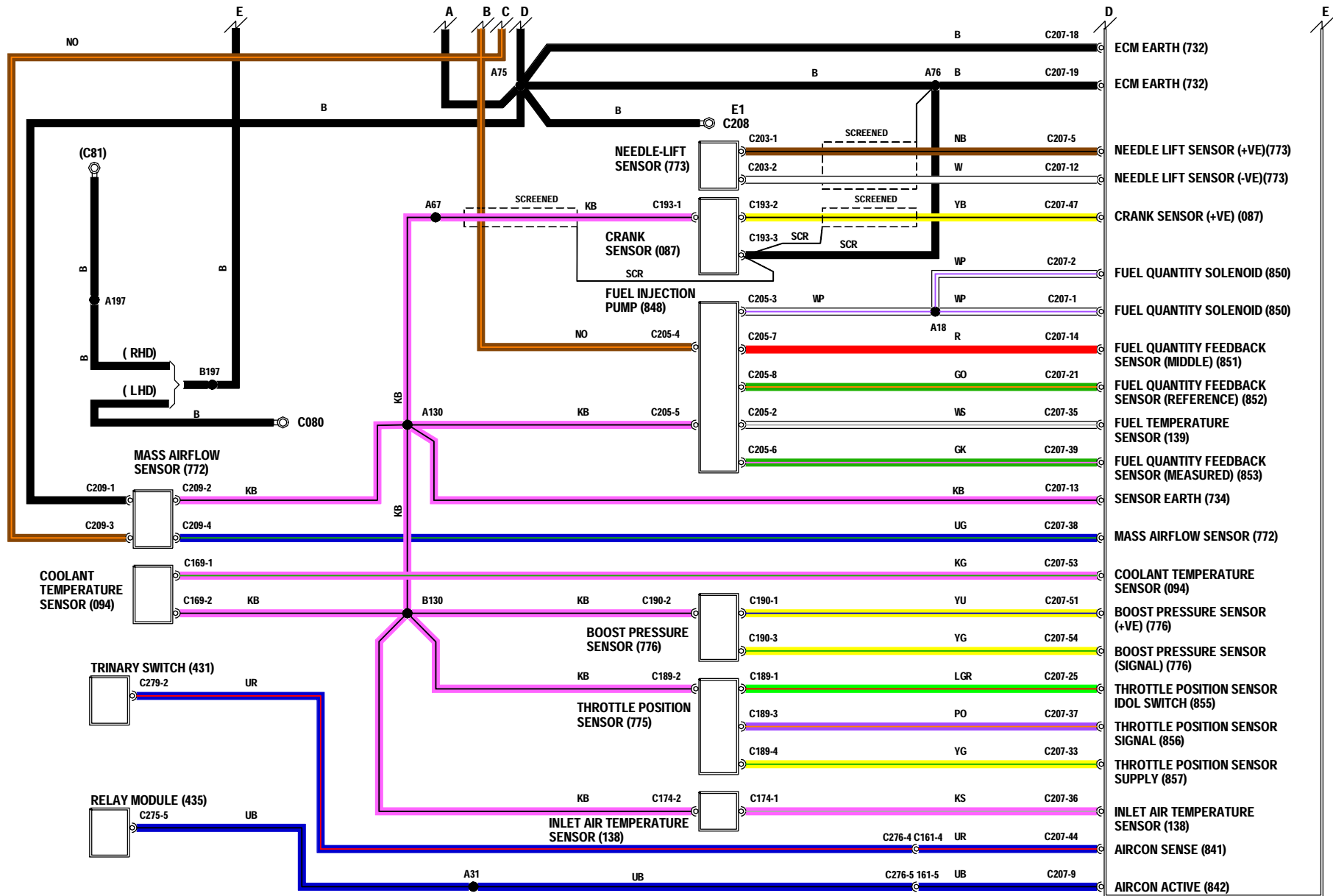


ENGINE MANAGEMENT SYSTEM

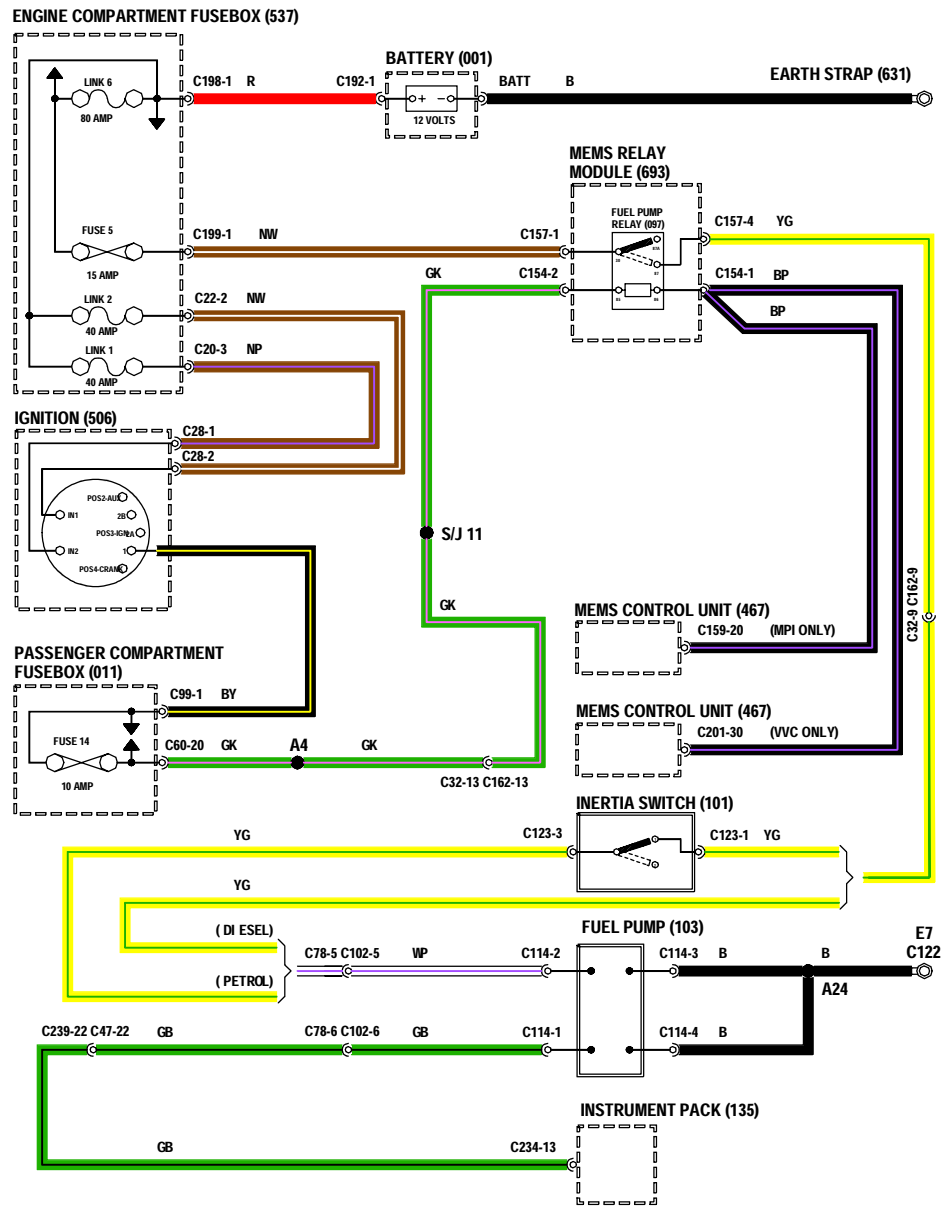
L-SERIES (BOSCH ECM)



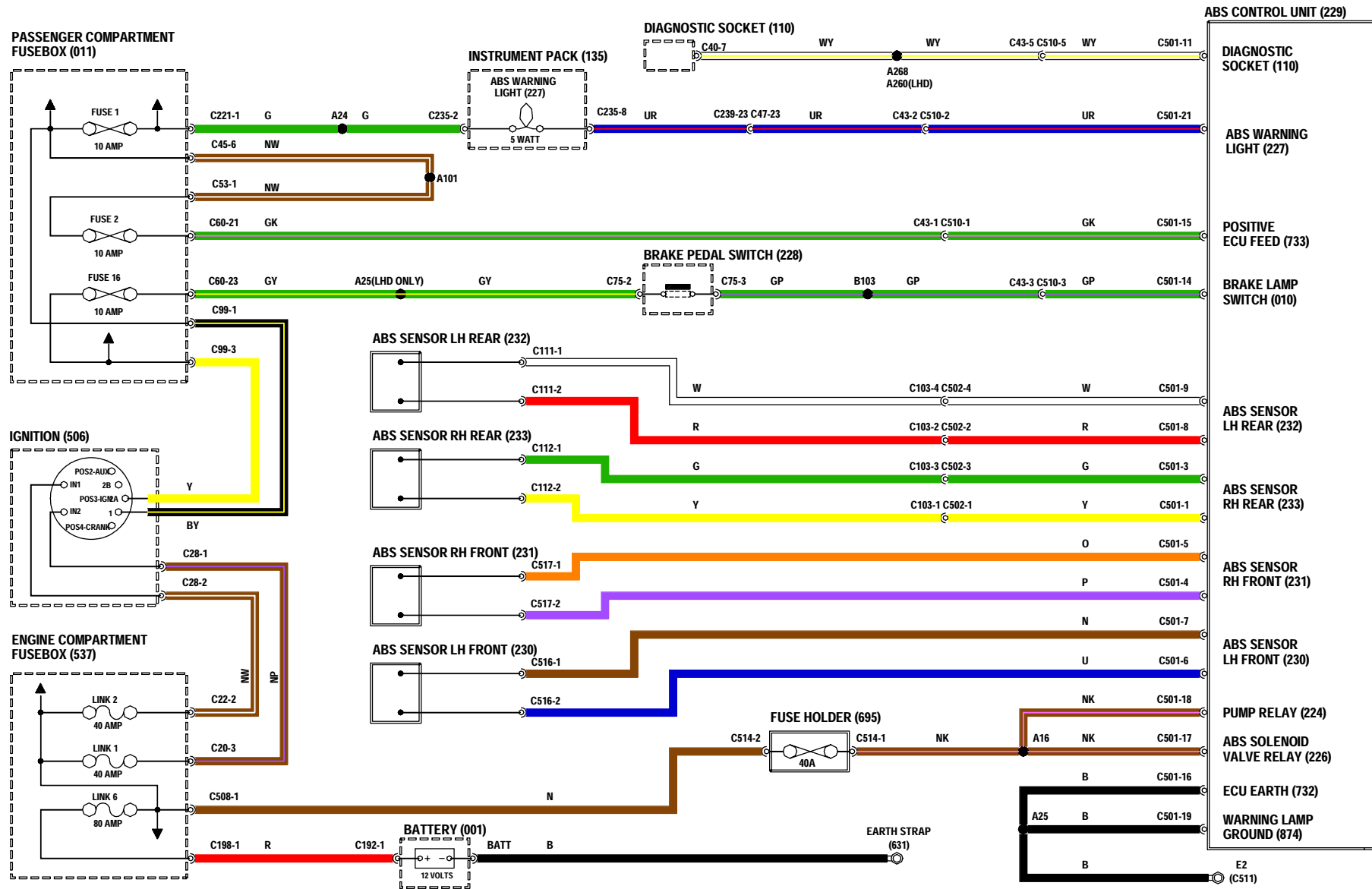
ENGINE MANAGEMENT SYSTEM L-SERIES (BOSCH ECM)



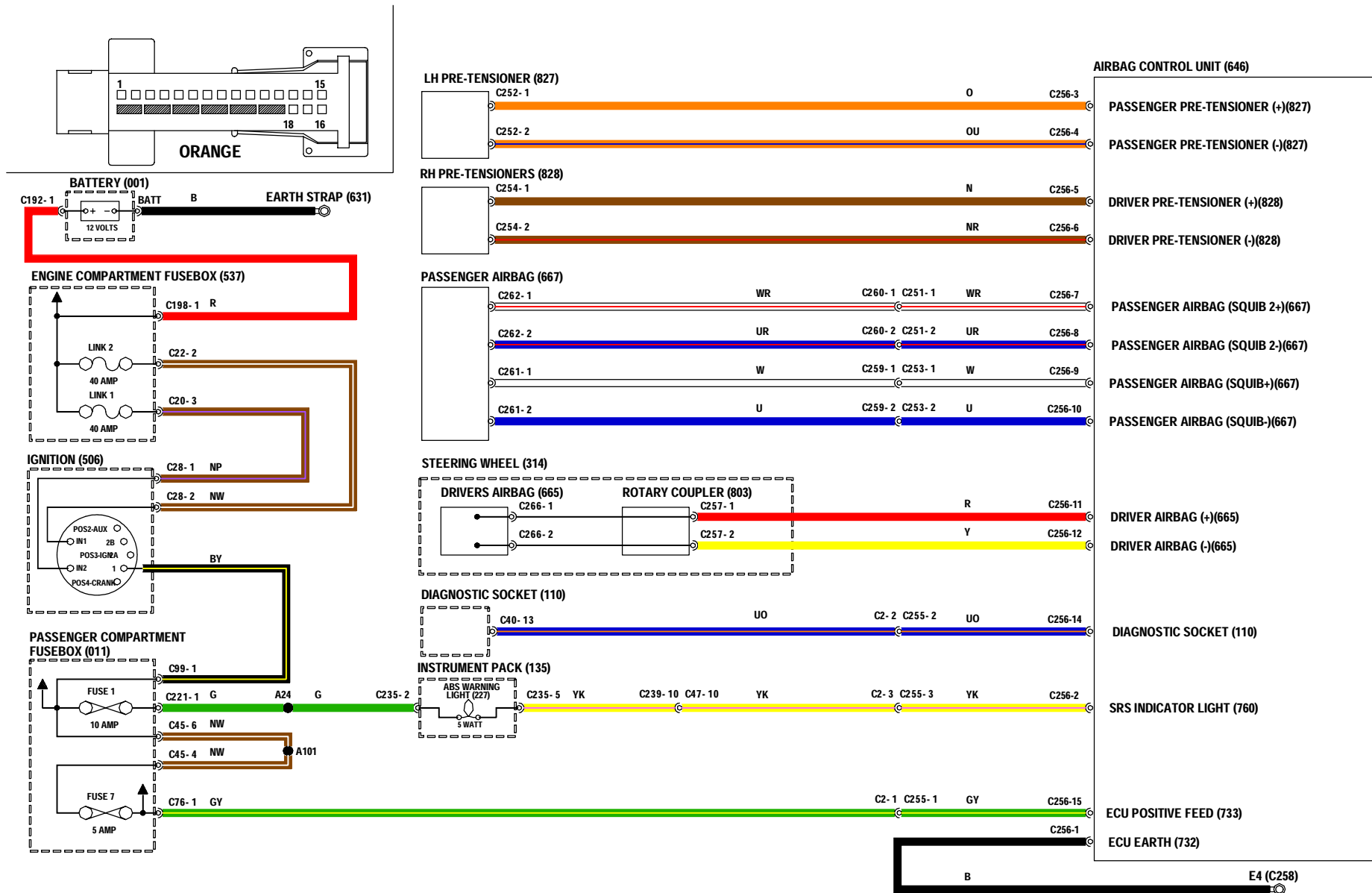
FUEL PUMP AND INERTIA SWITCH



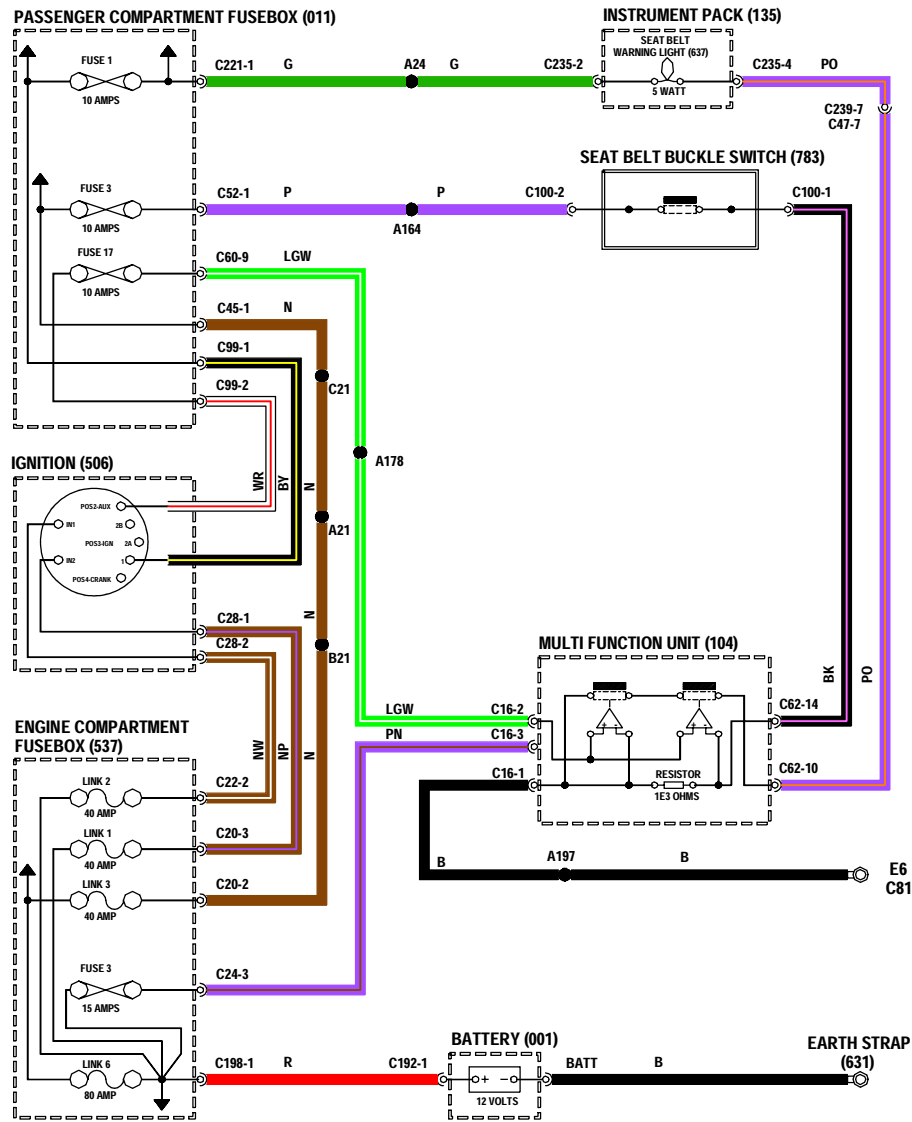
ANTI-LOCK BRAKES (ABS)



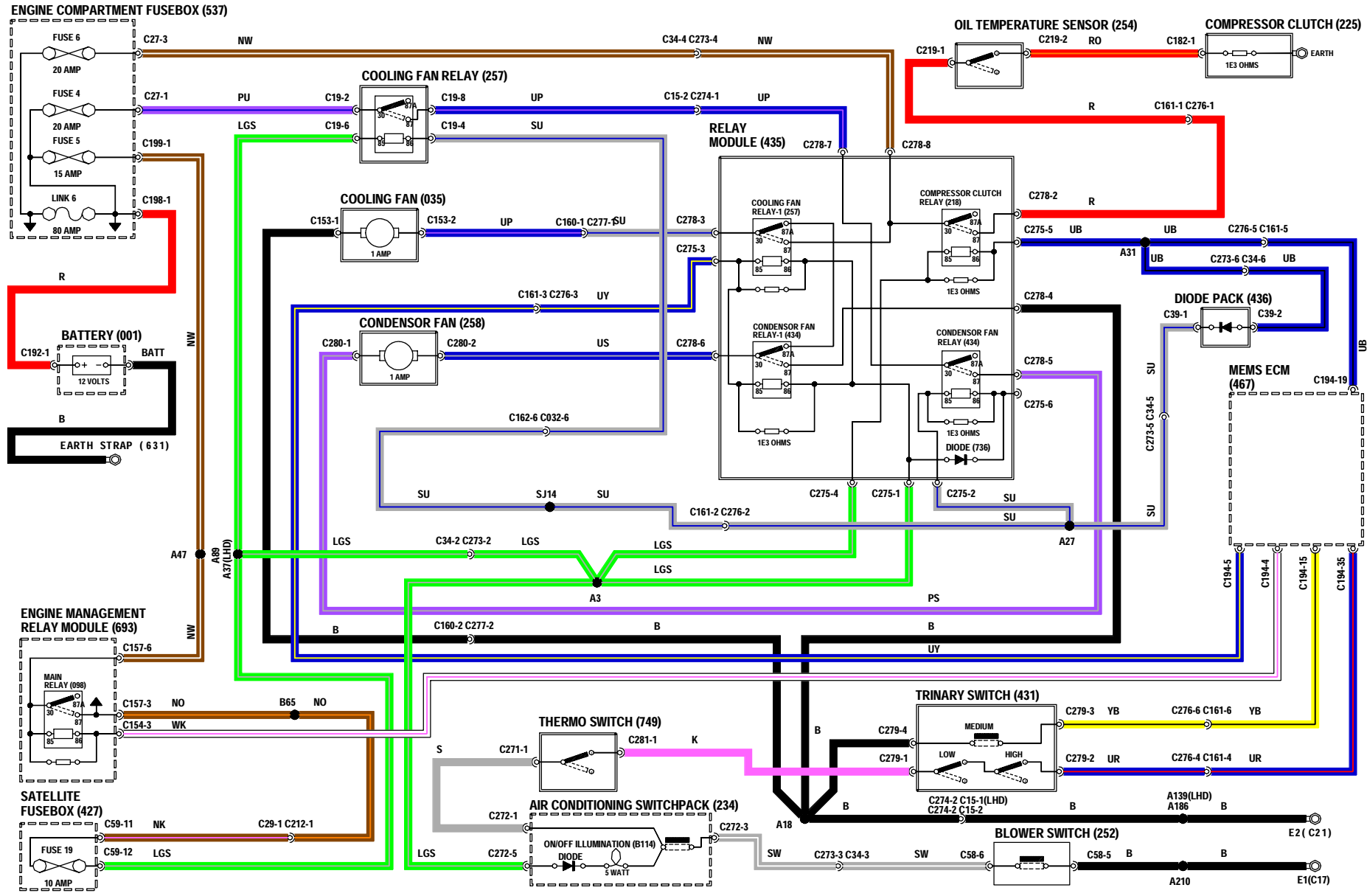
SUPPLEMENTARY RESTRAINT SYSTEM (SRS)



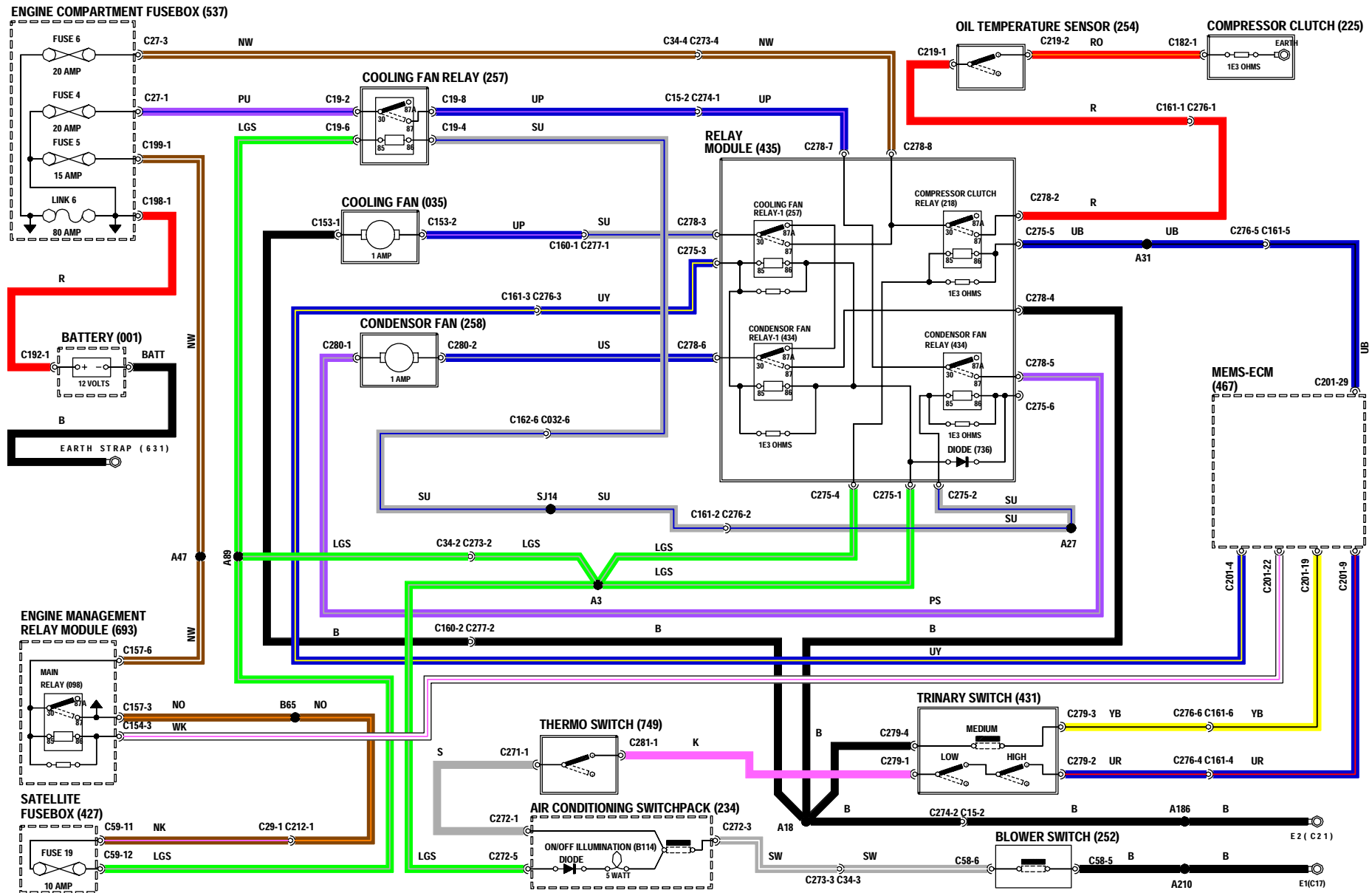
SEAT BELT WARNING



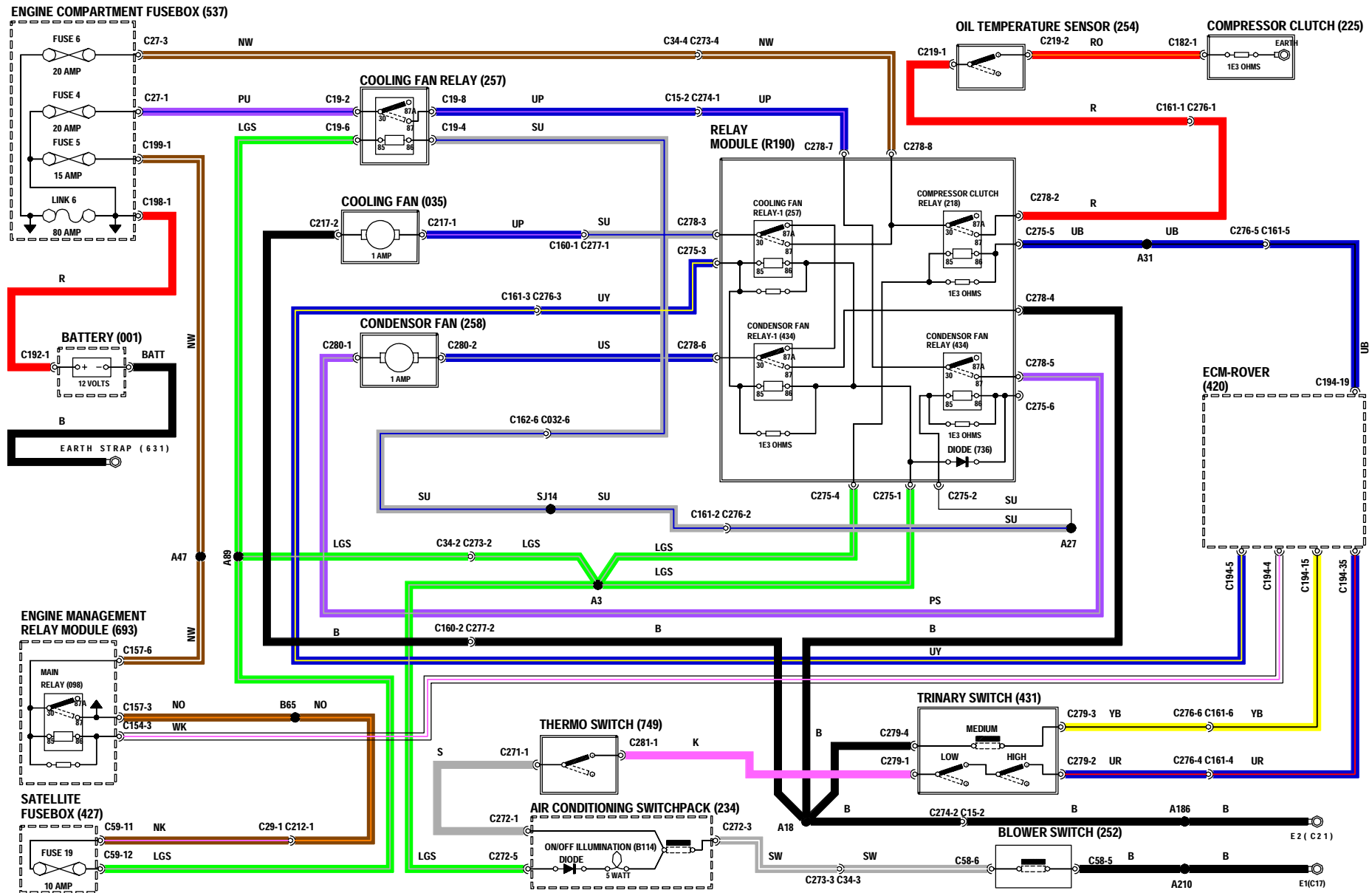
AIR CONDITIONING AND COOLING FANS K SERIES (MPI)



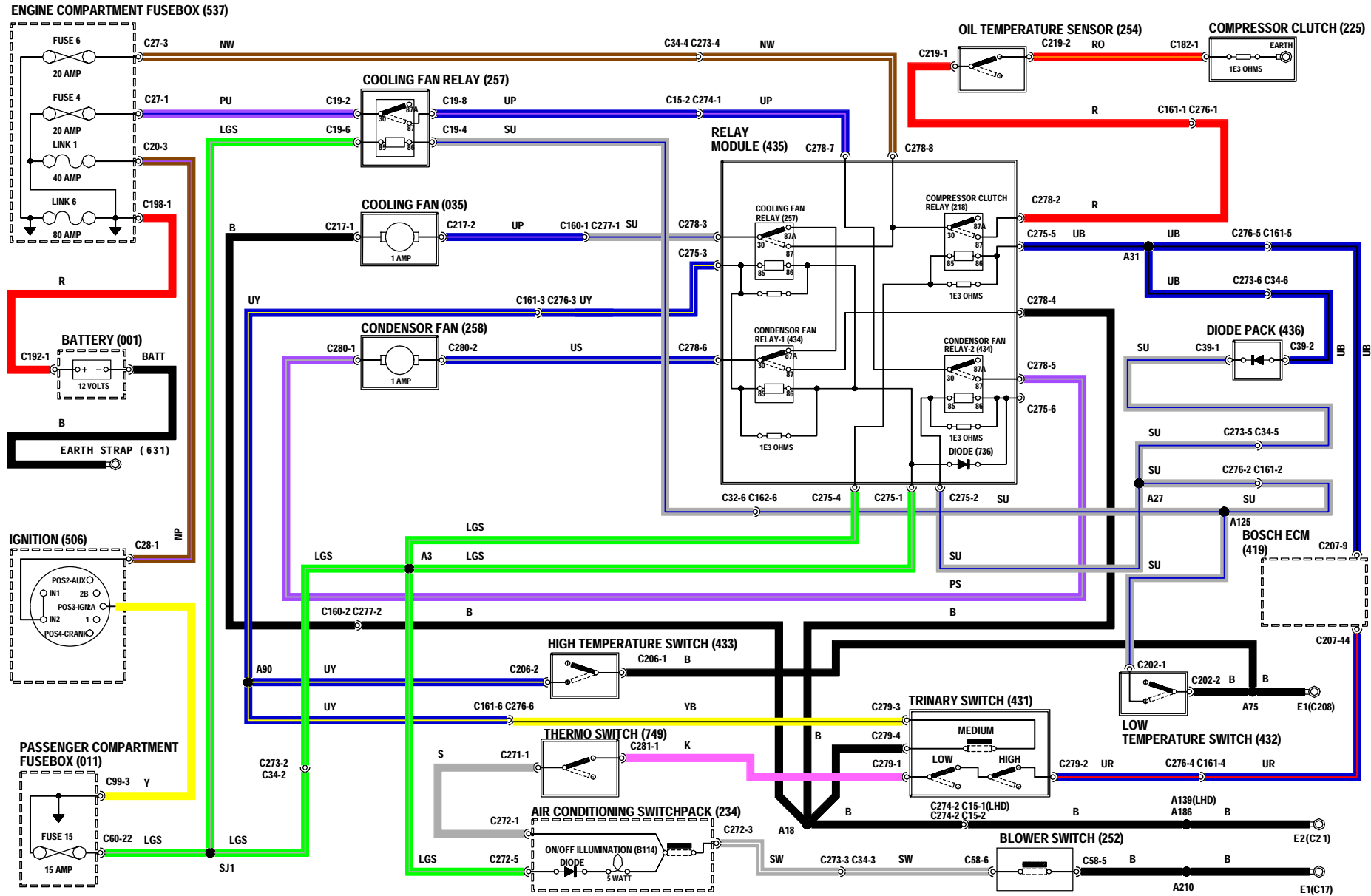
AIR CONDITIONING AND COOLING FANS K SERIES (VVC)



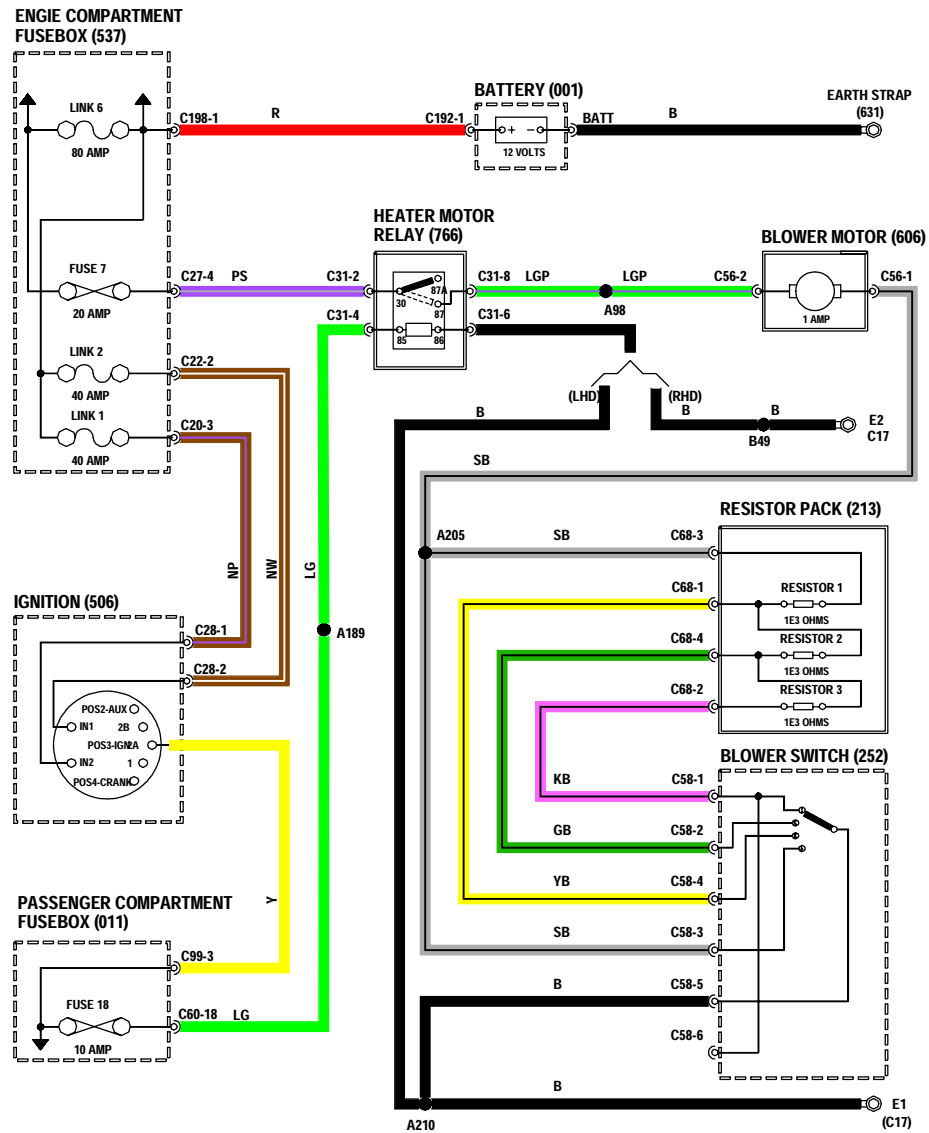
AIR CONDITIONING AND COOLING FANS L SERIES (ROVER ECM)



AIR CONDITIONING AND COOLING FANS L-SERIES (BOSCH ECM)

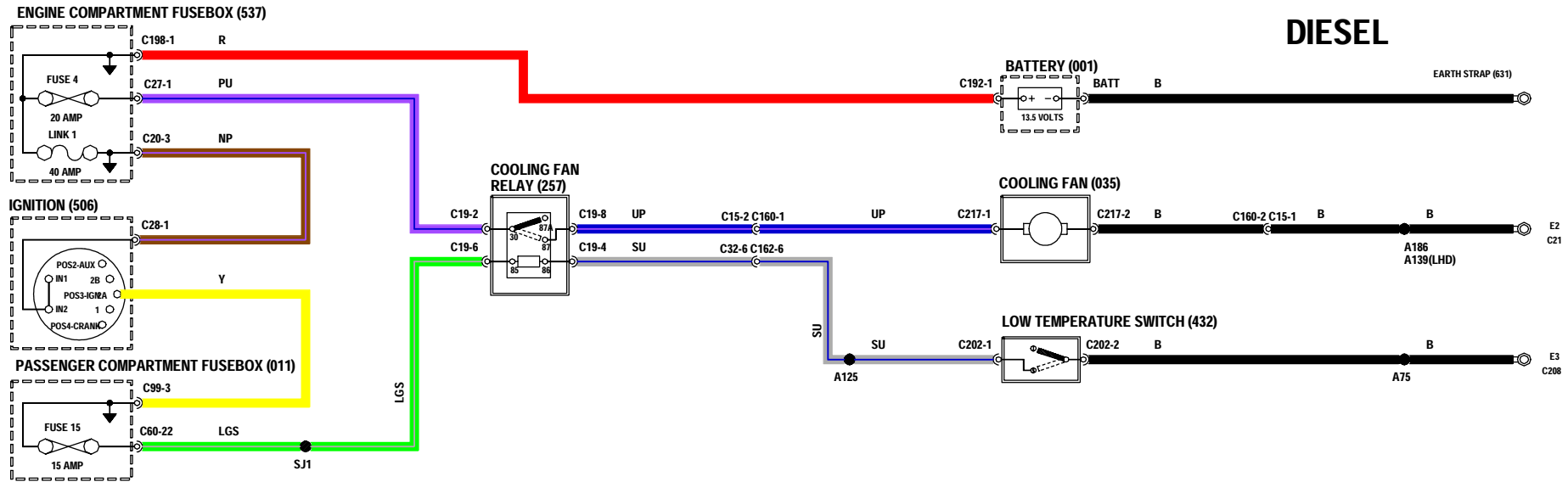


HEATER BLOWER

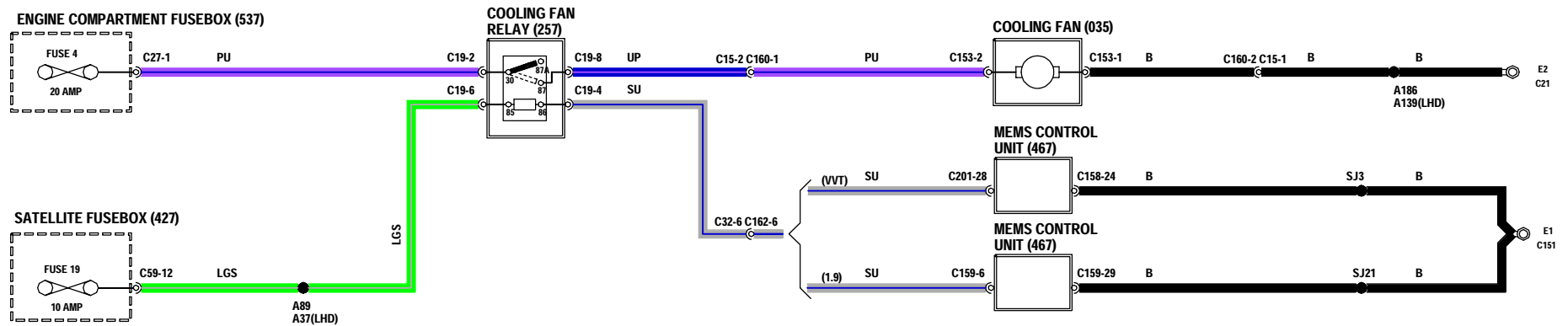


COOLING FANS

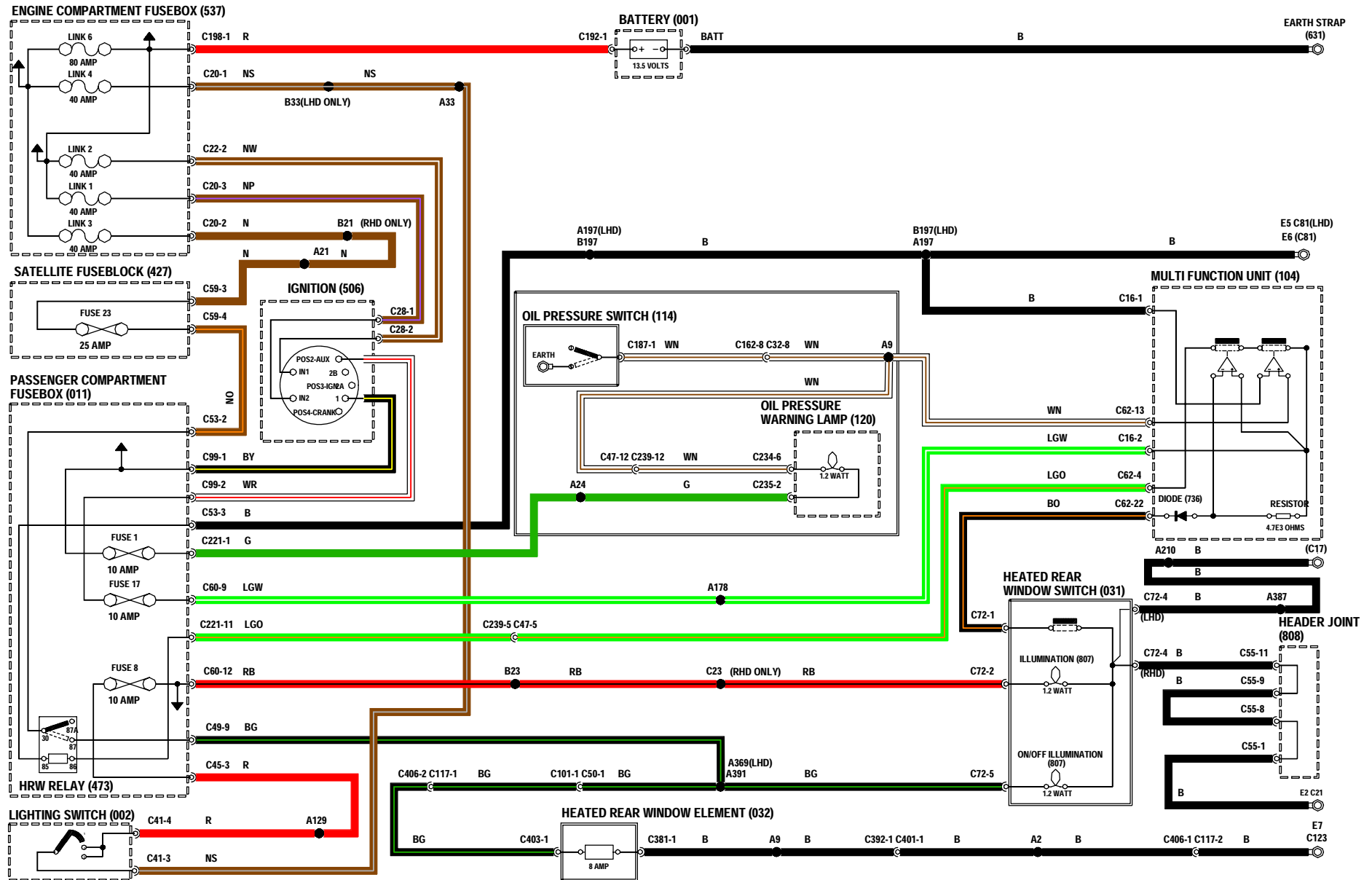
DIESEL



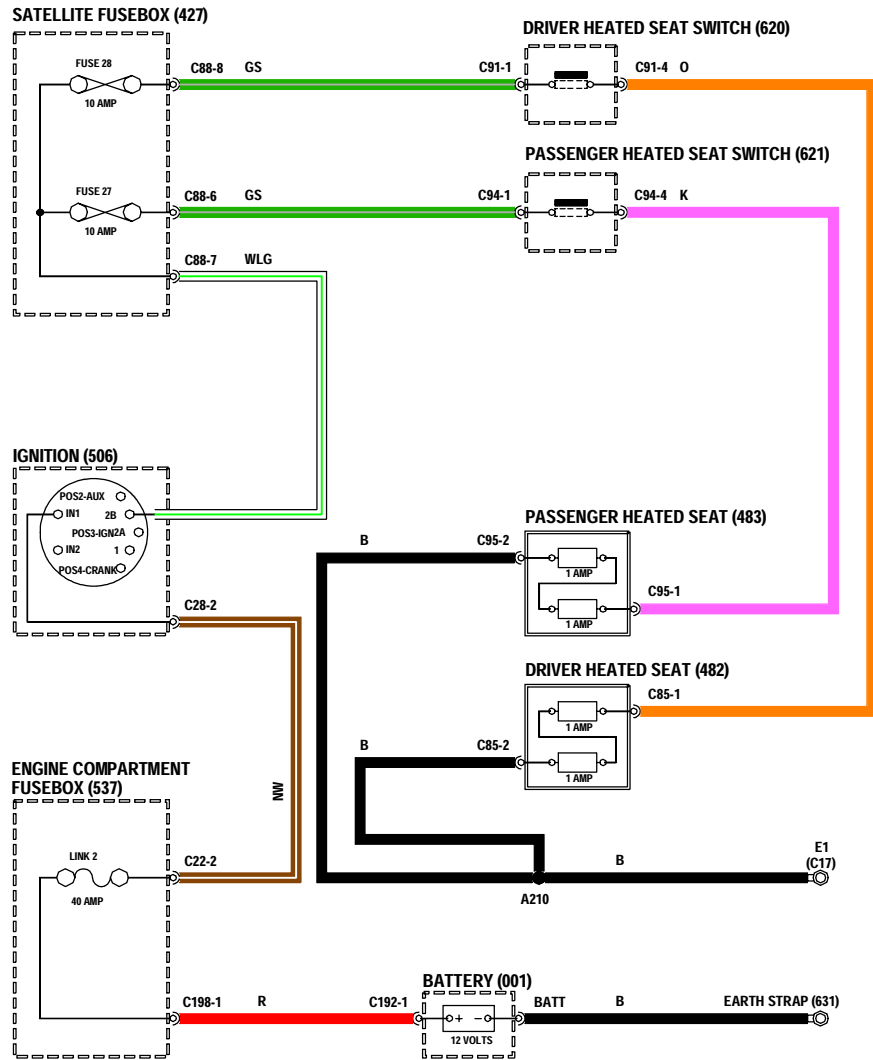
PETROL



HEATED REAR WINDOW

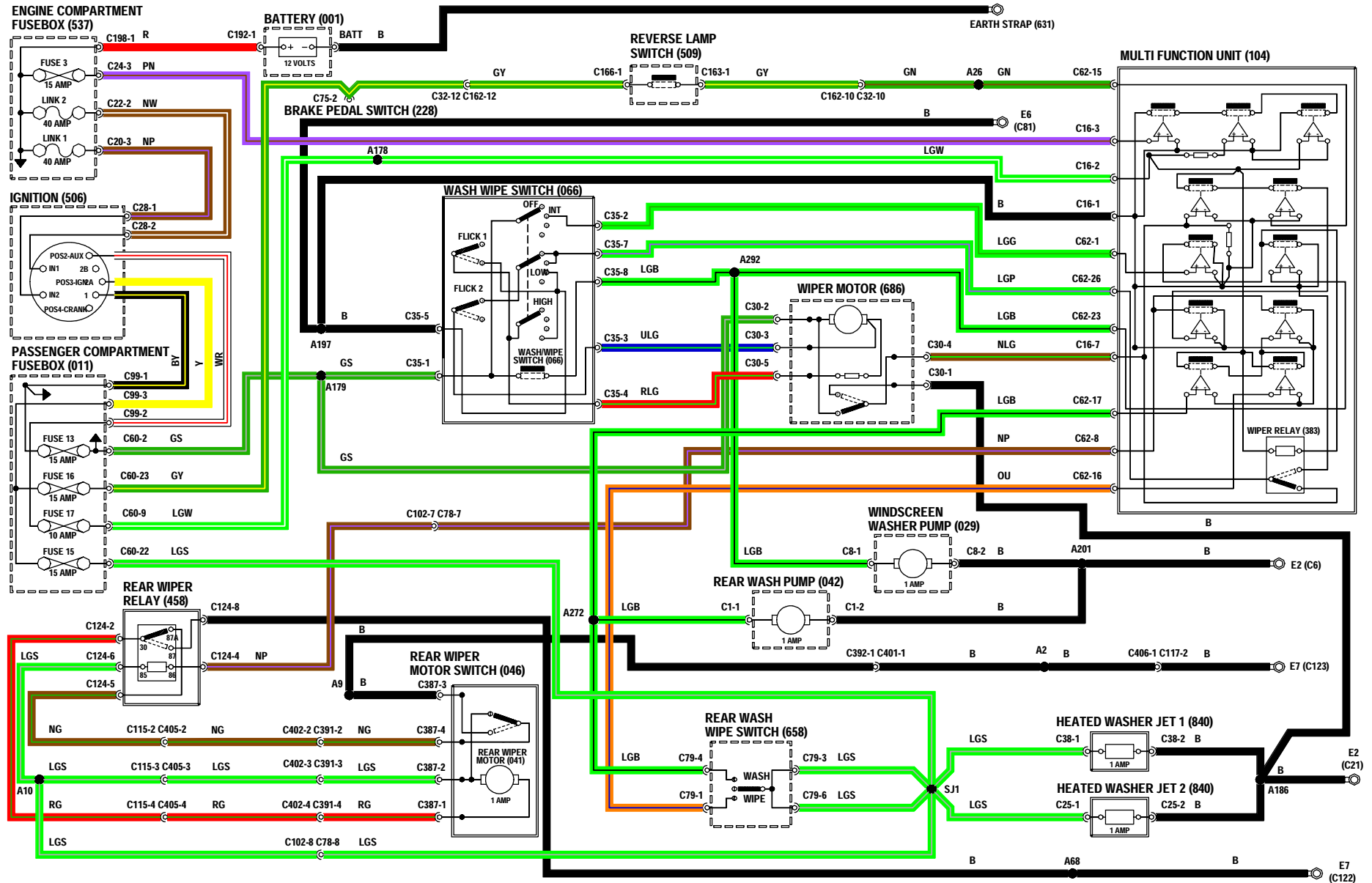


HEATED SEATS

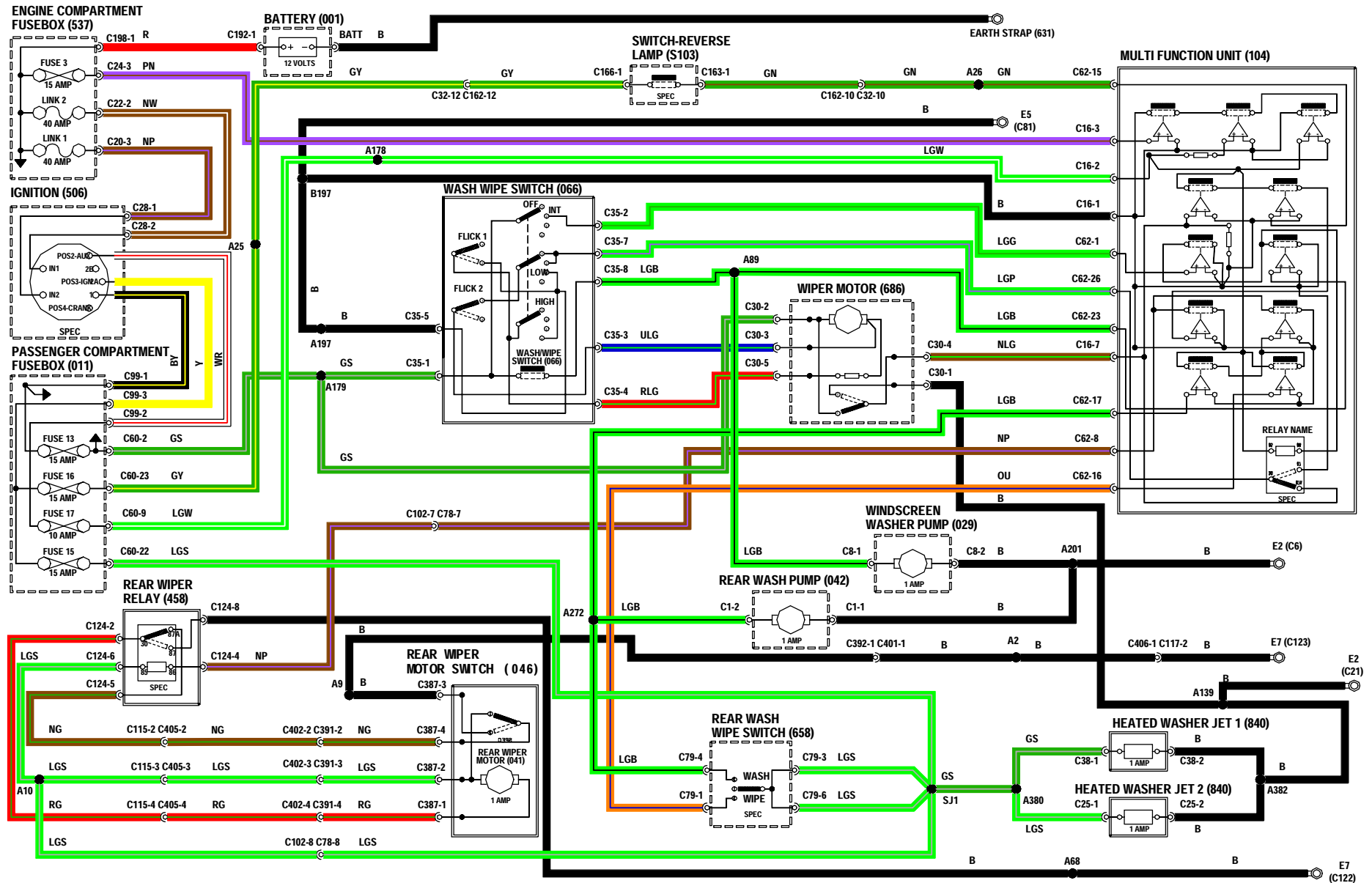


WIPERS AND WASHERS

RHD

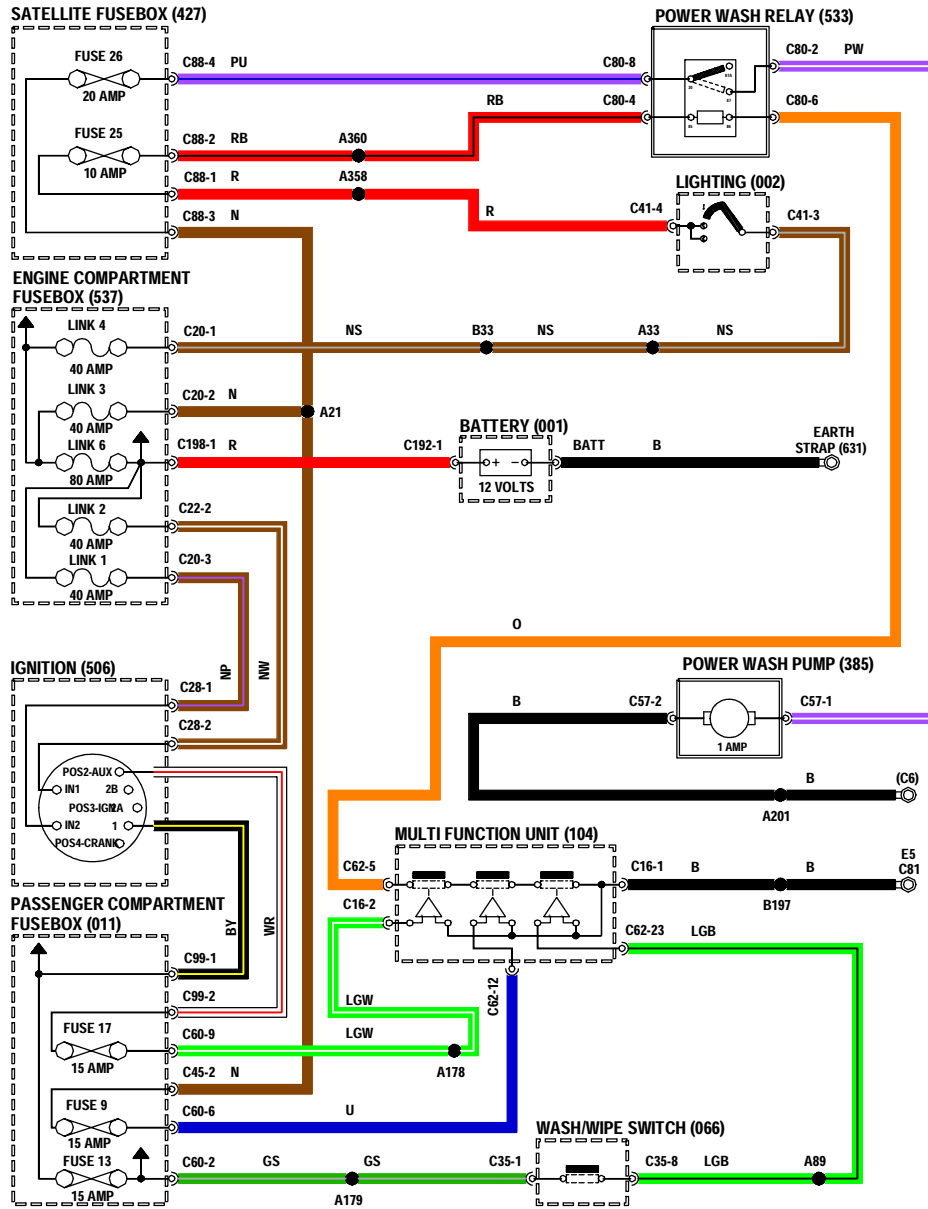


WIPERS AND WASHERS LHD

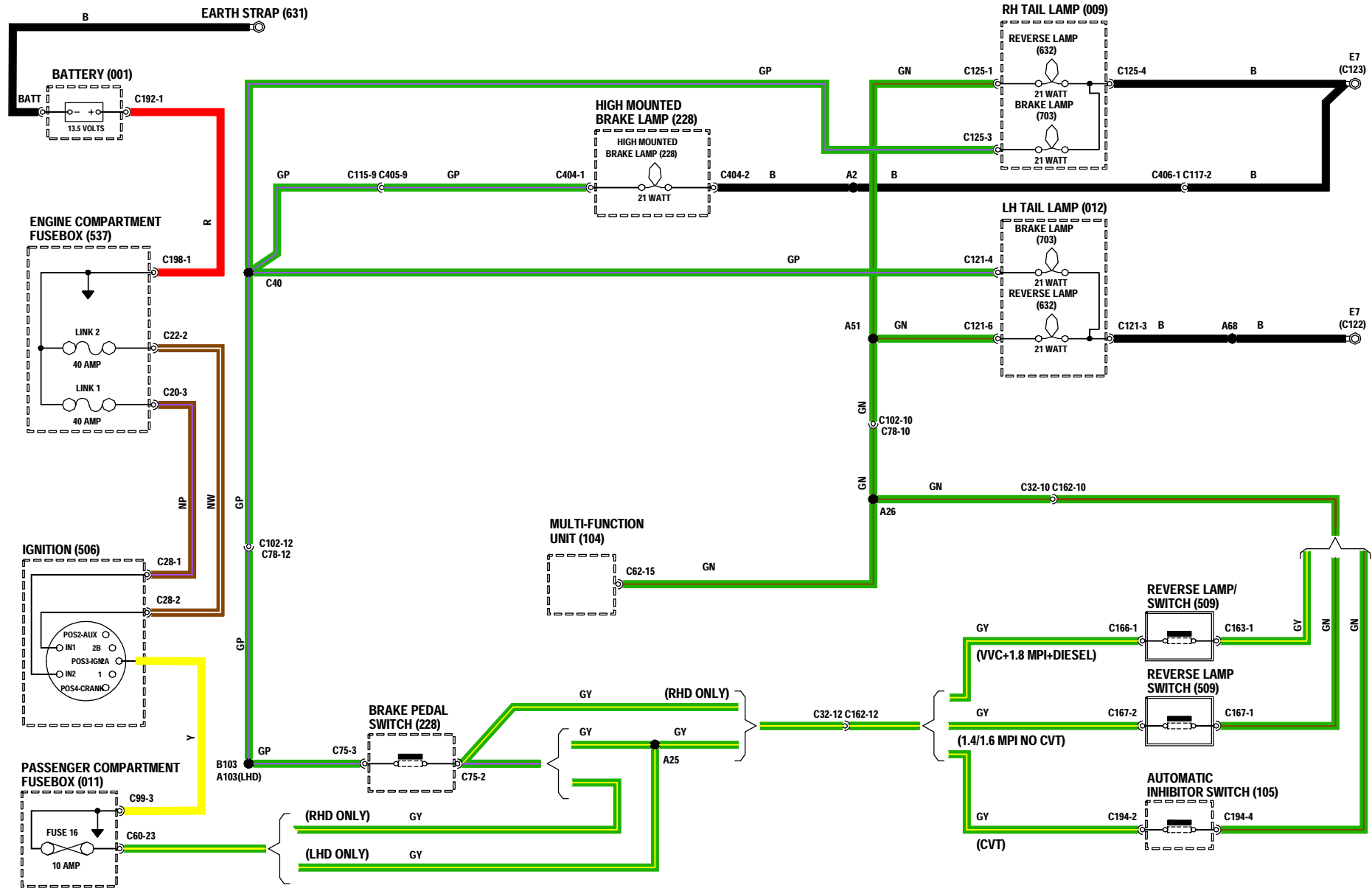


WIPERS AND WASHERS

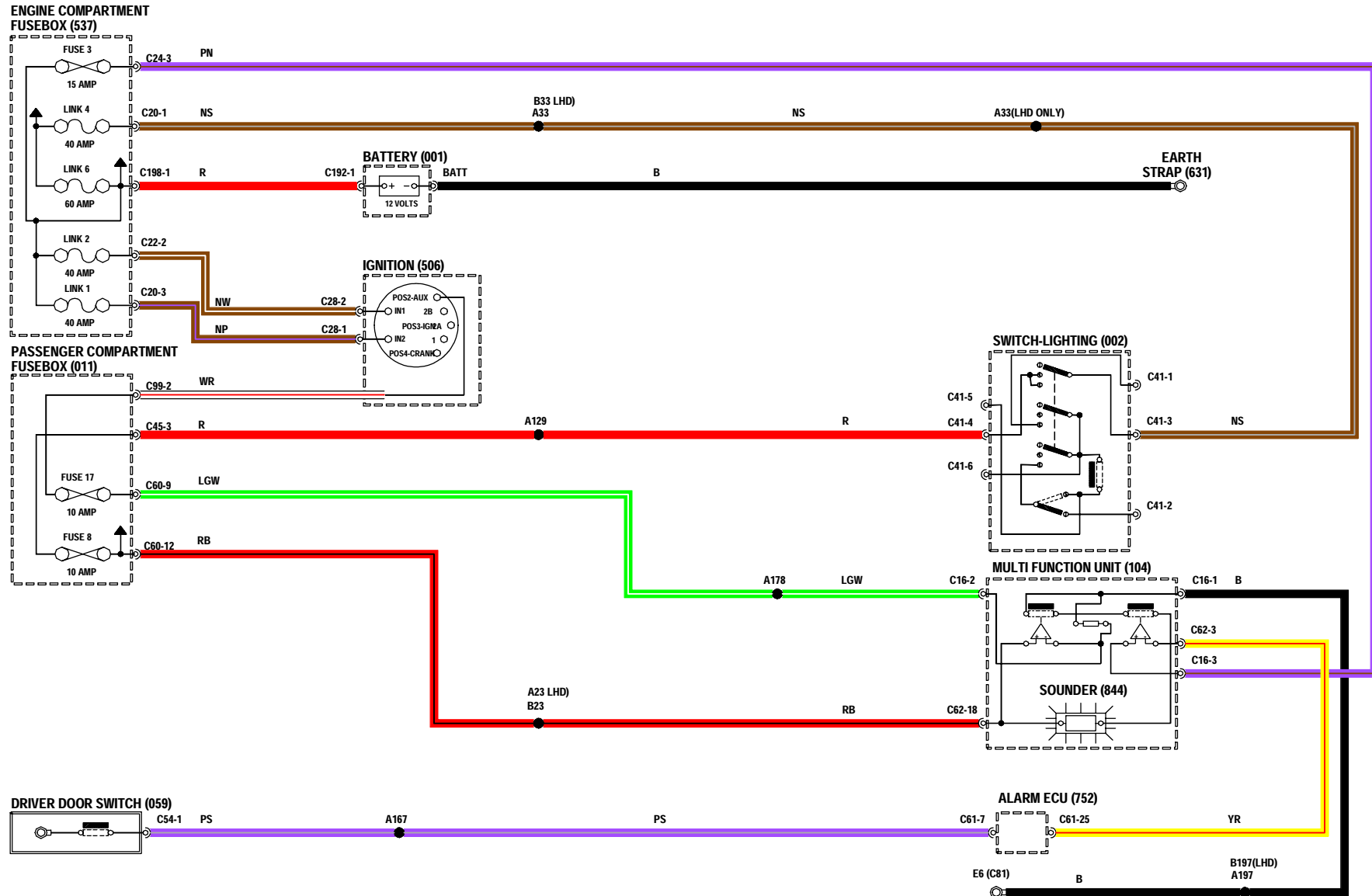
POWER WASH



EXTERIOR LAMPS BRAKE / REVERSE LAMPS

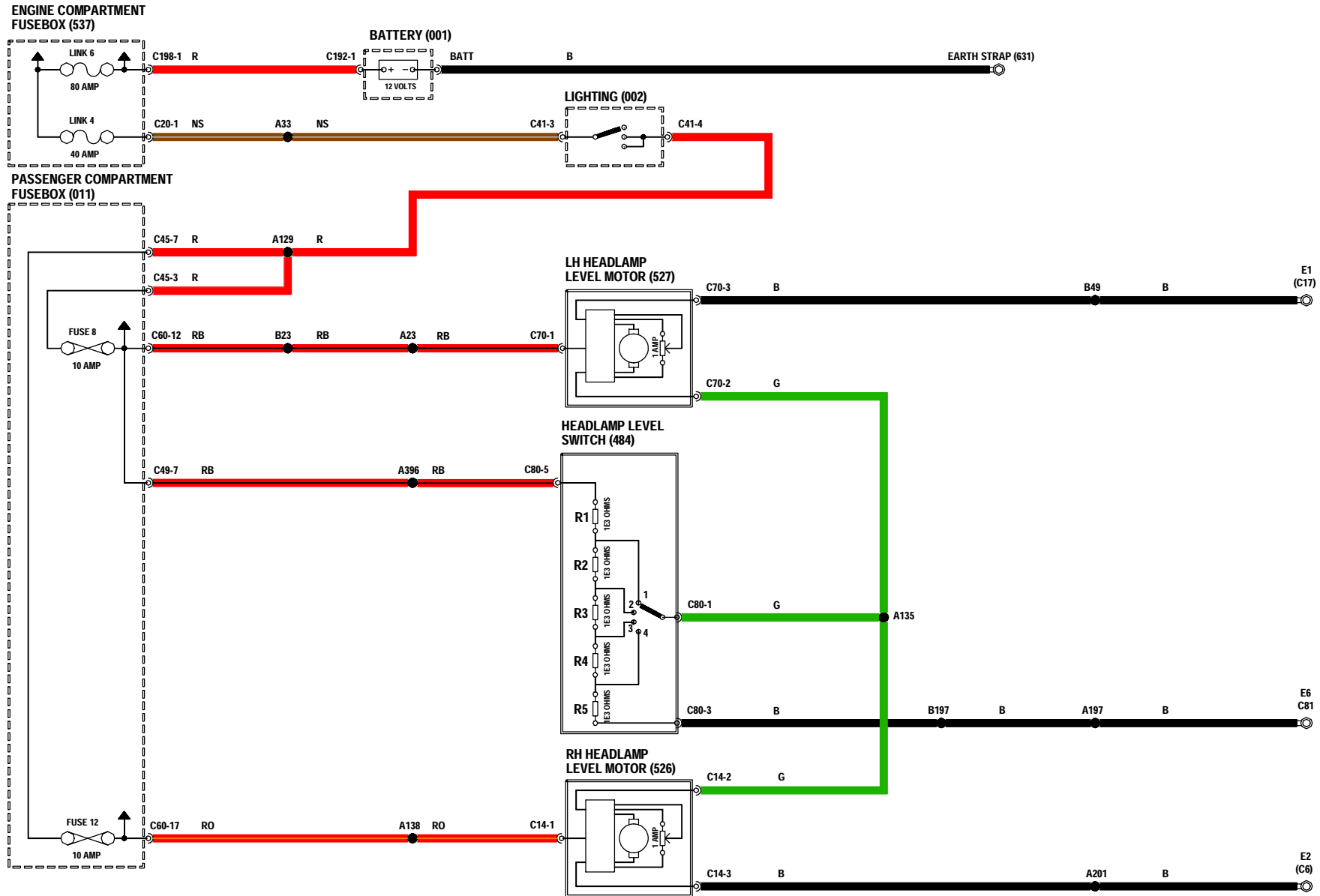


EXTERIOR LAMPS LIGHTS ON ALARM

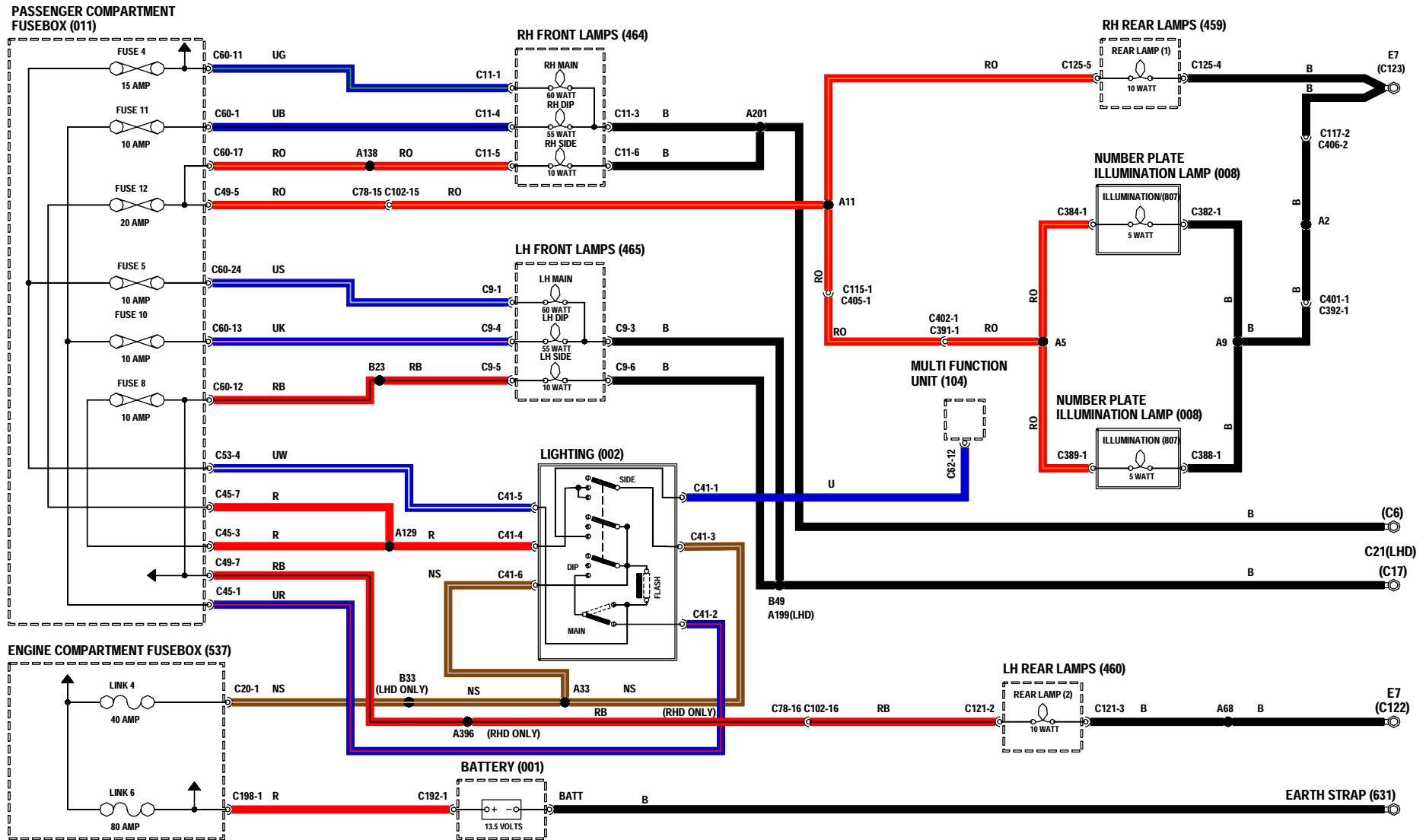


EXTERIOR LAMPS

HEADLAMP LEVELLING

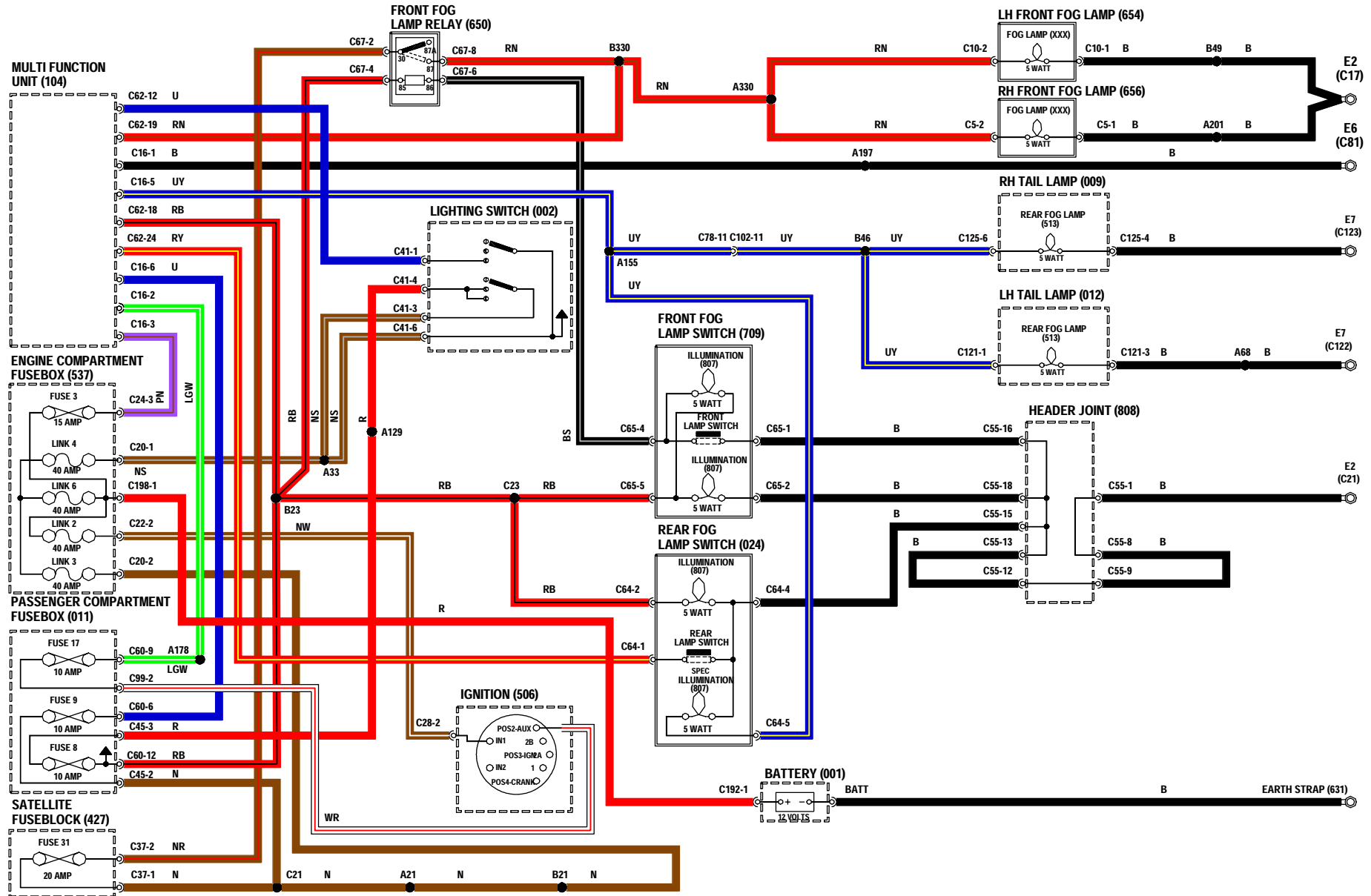


EXTERIOR LAMPS HEAD / SIDE LAMPS

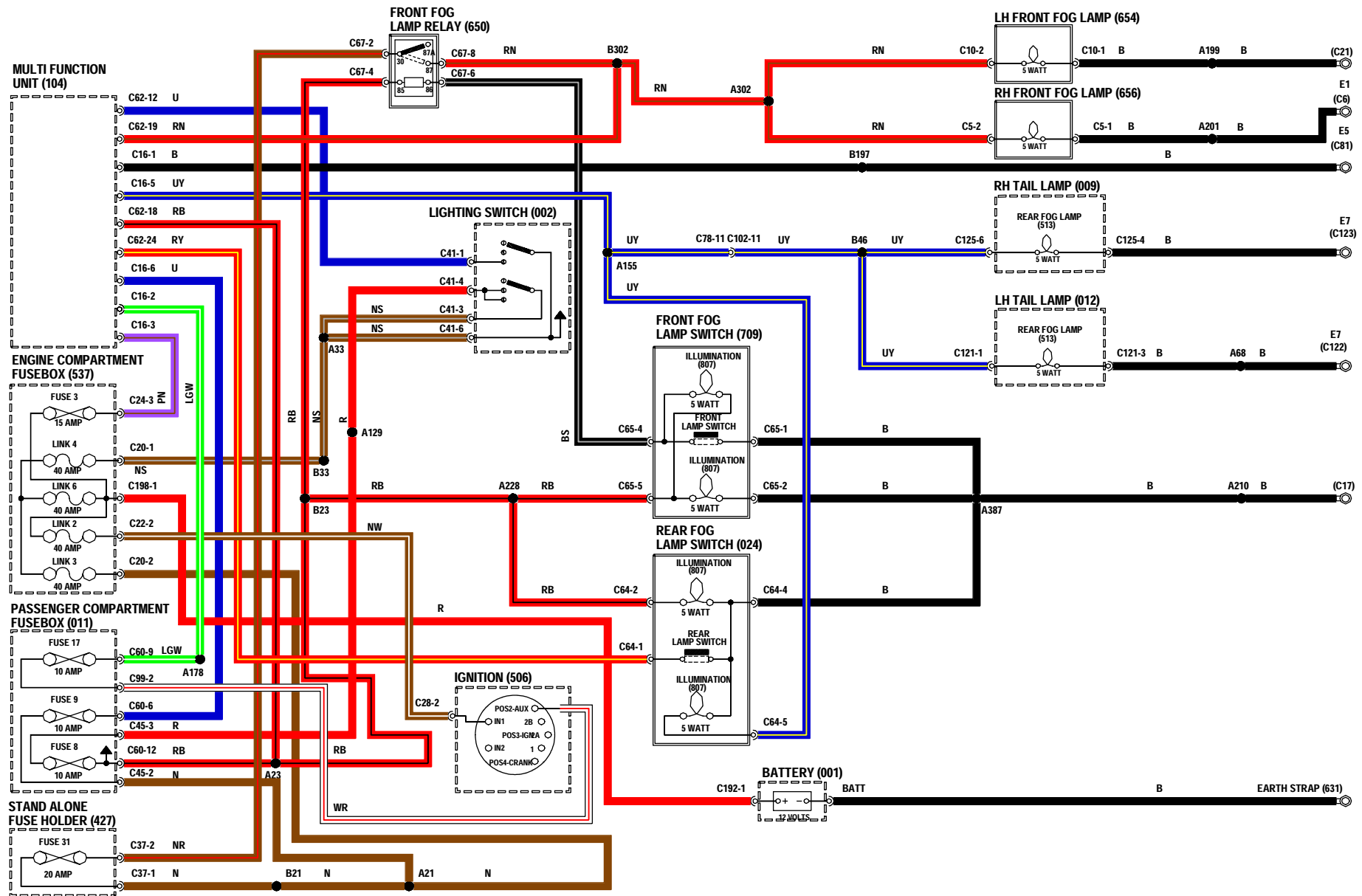


EXTERIOR LAMPS

FOG LAMPS RHD

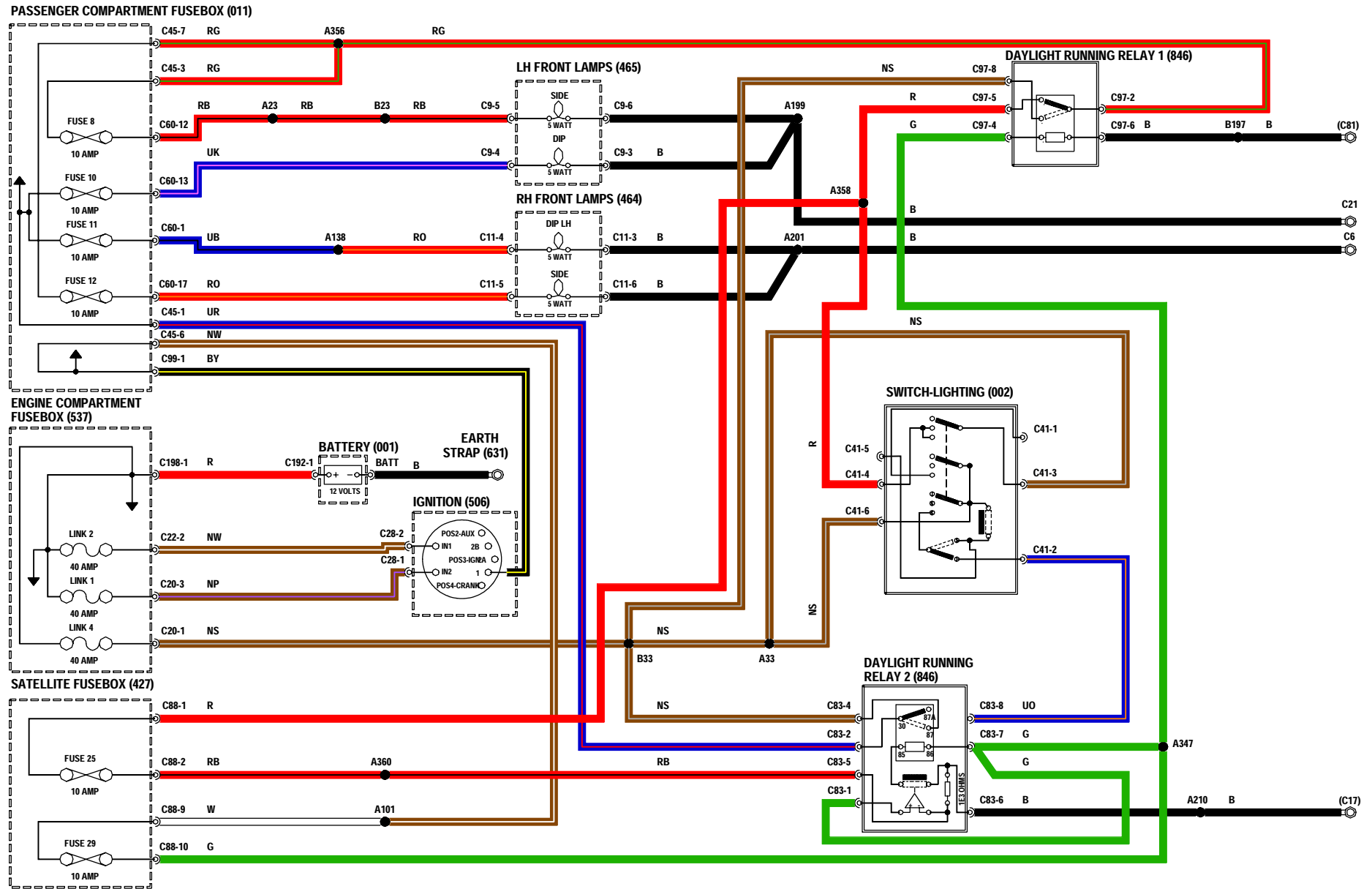


EXTERIOR LAMPS FOG LAMPS LHD

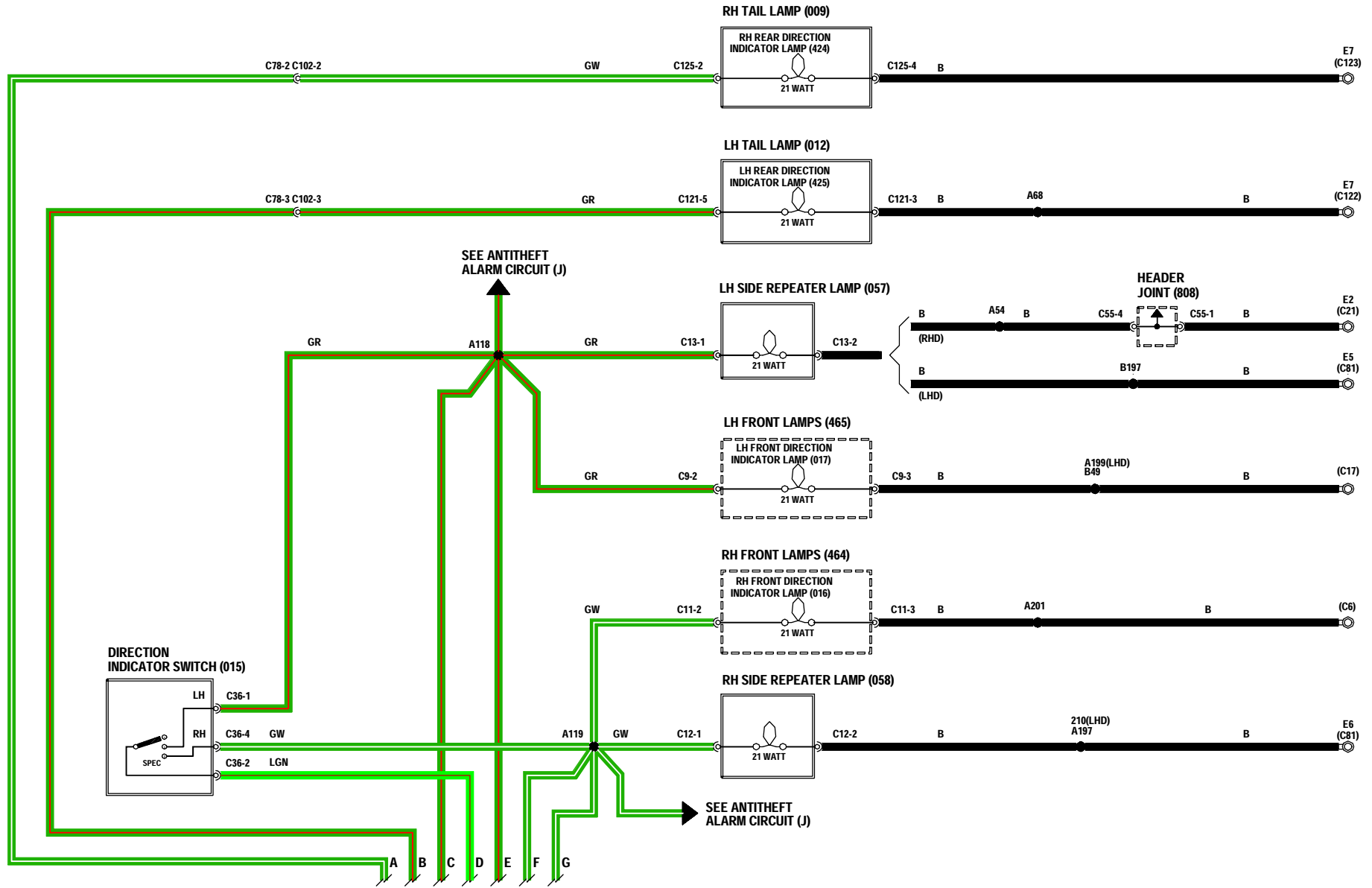


EXTERIOR LAMPS

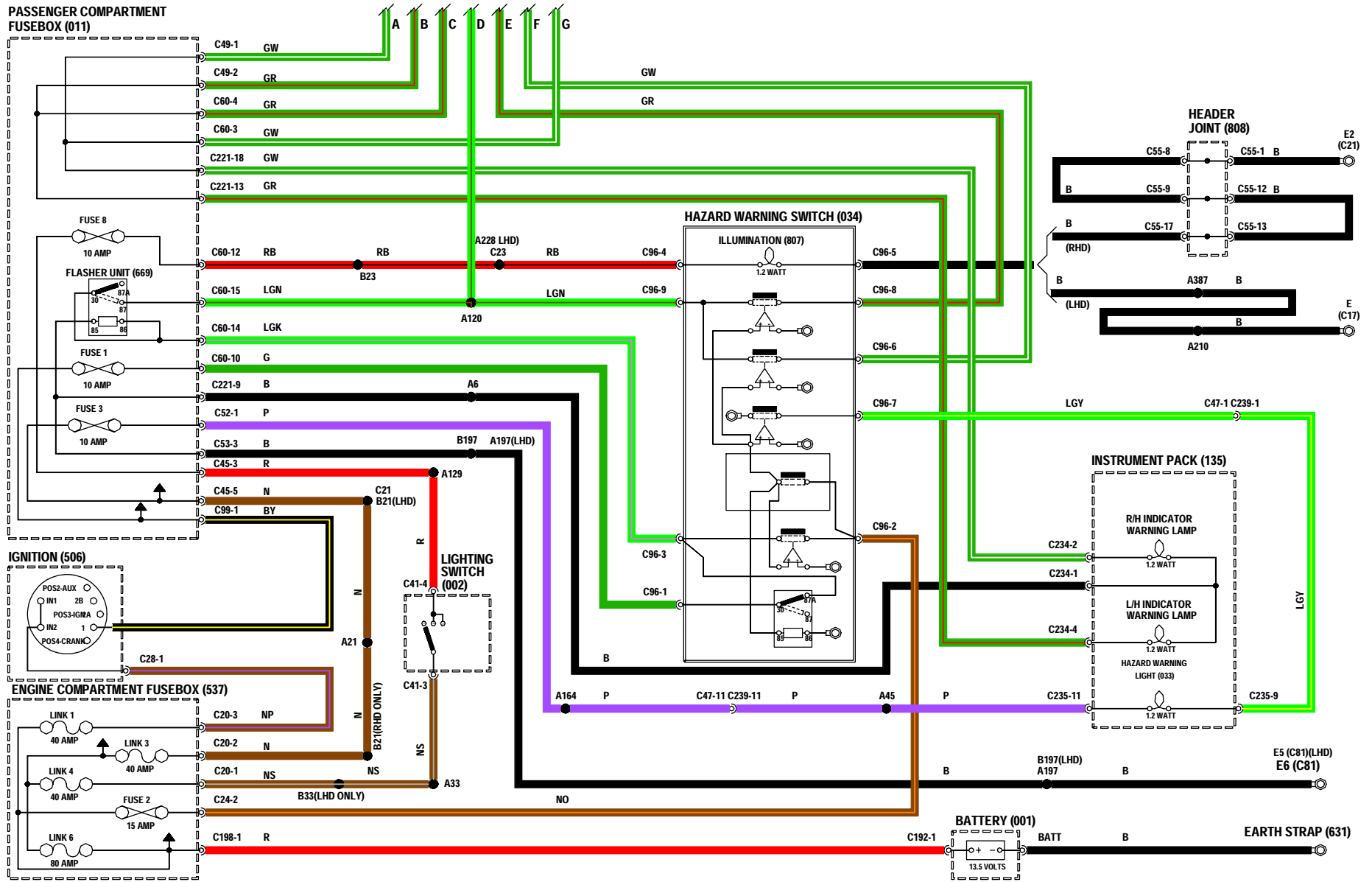
DAYLIGHT RUNNING LAMPS LHD



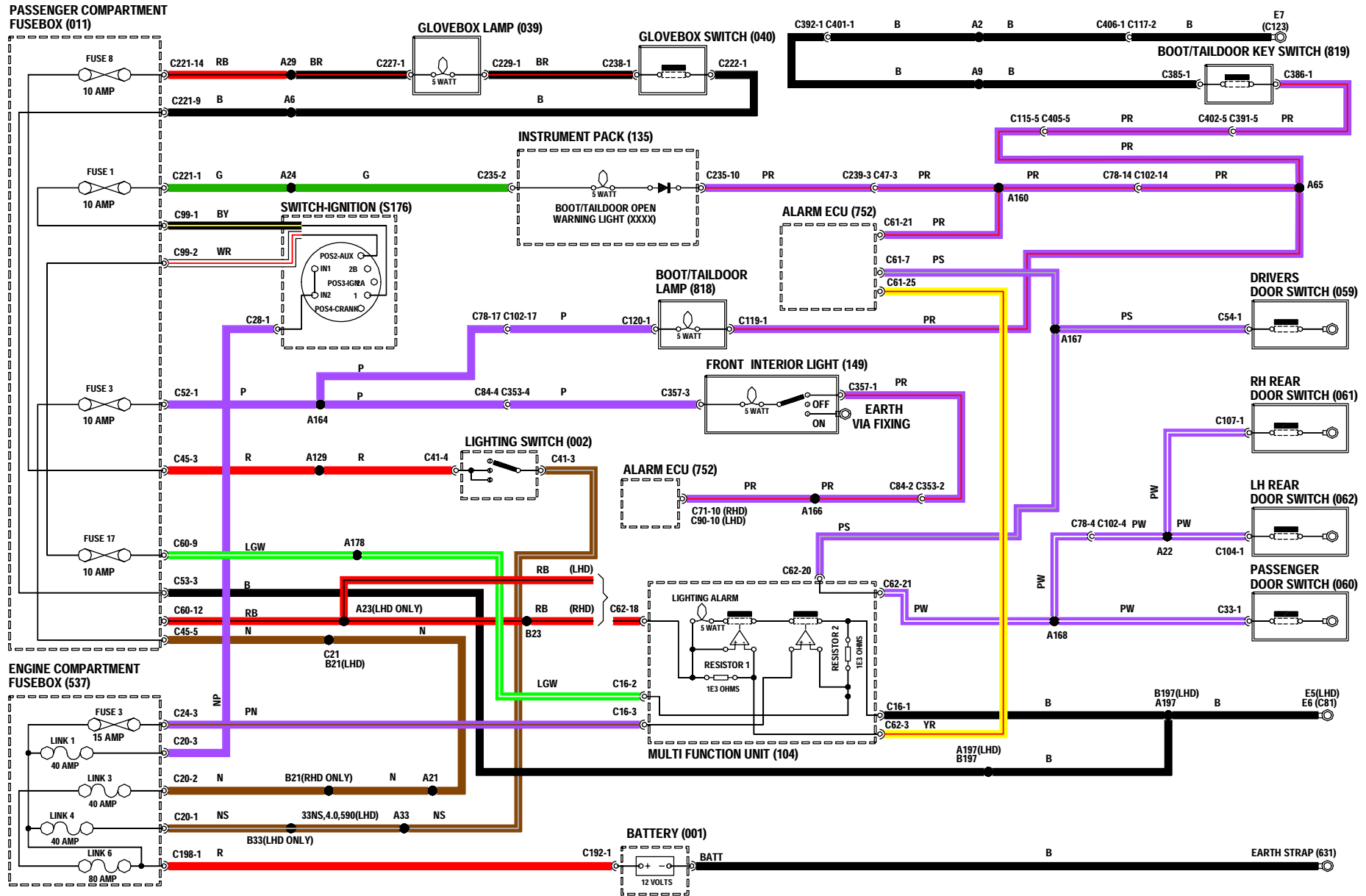
INDICATORS AND HAZARDS



INDICATORS AND HAZARDS

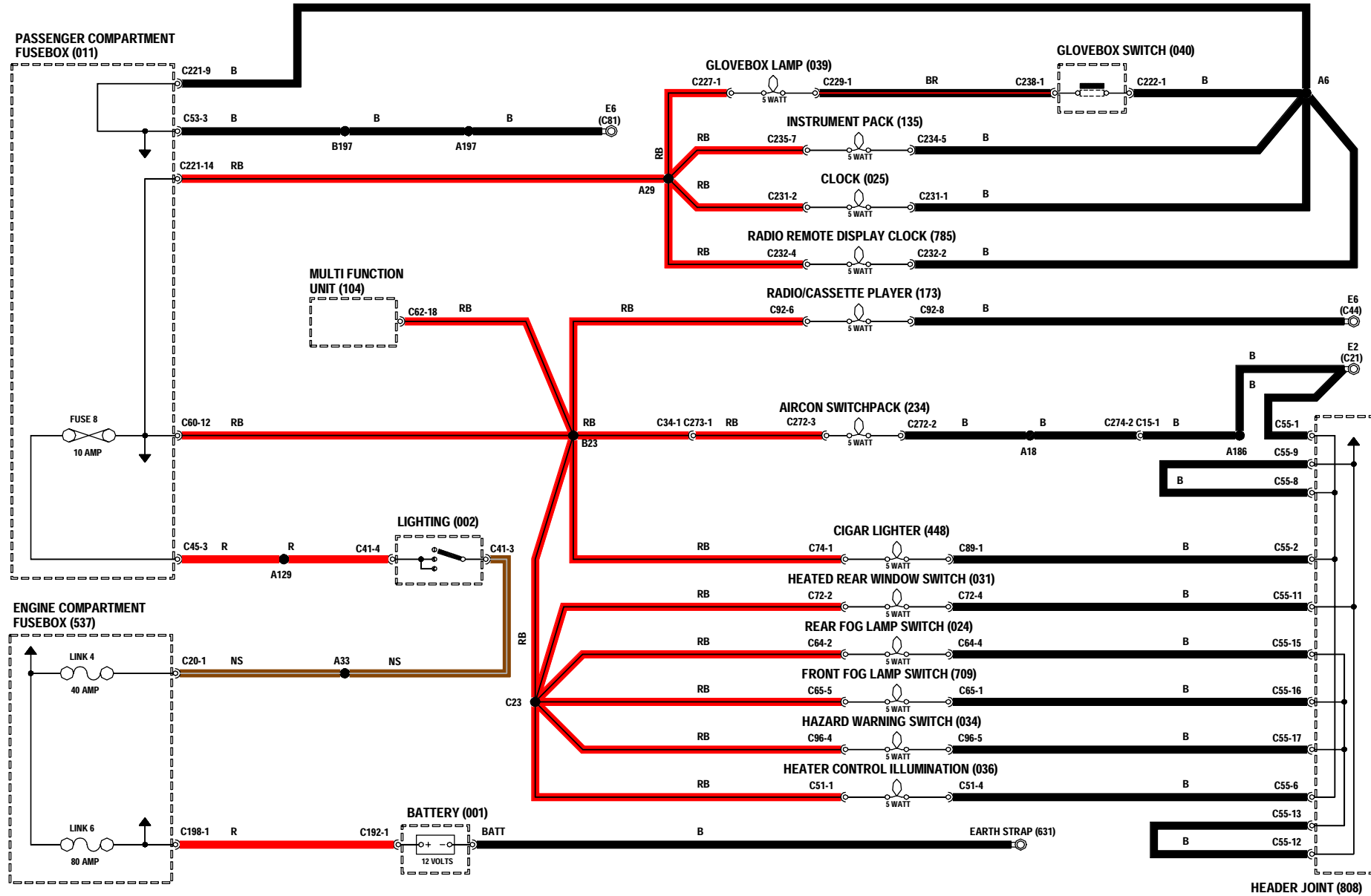


INTERIOR LAMPS

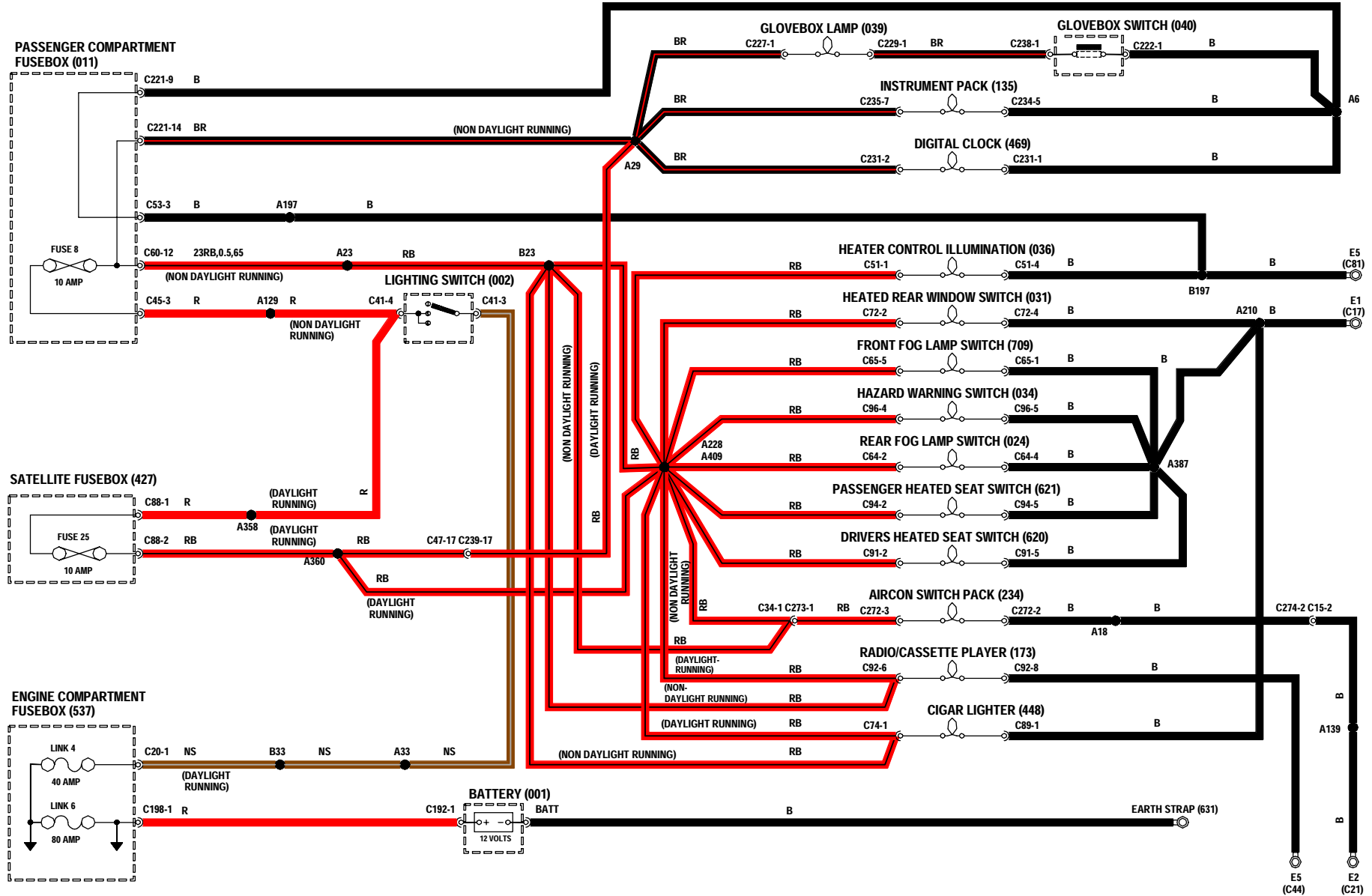


INTERIOR ILLUMINATION

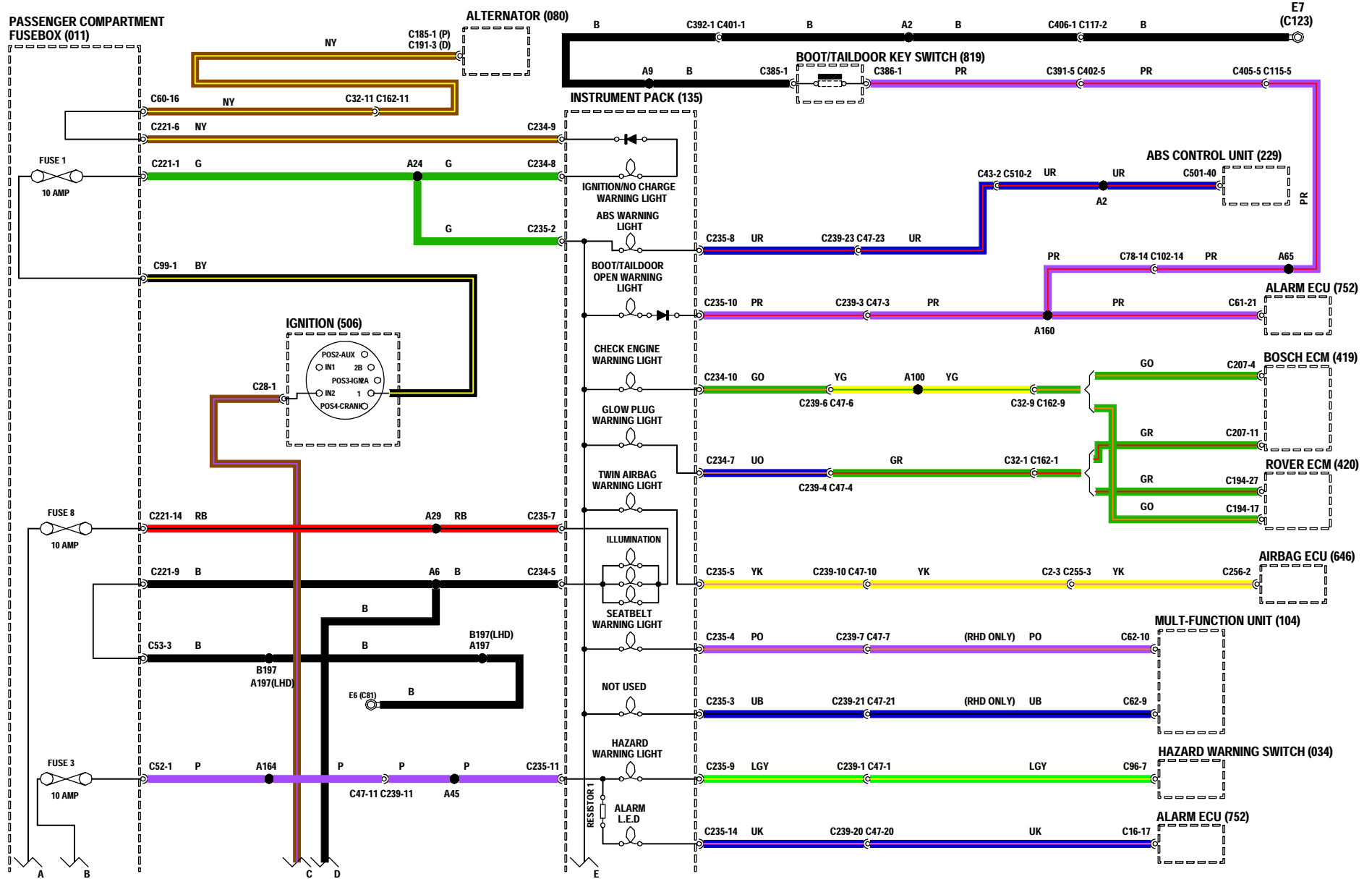
RHD



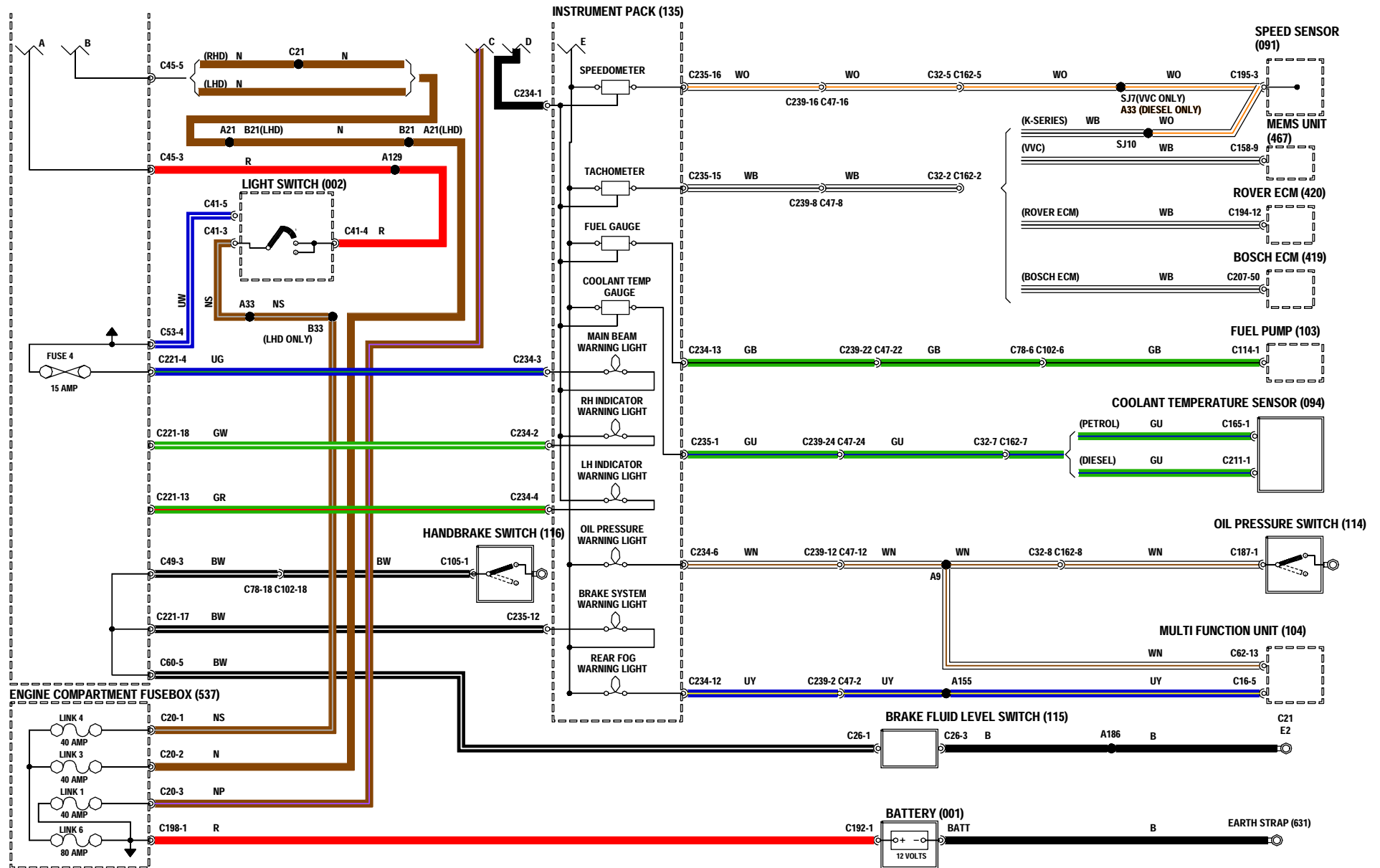
INTERIOR ILLUMINATION LHD



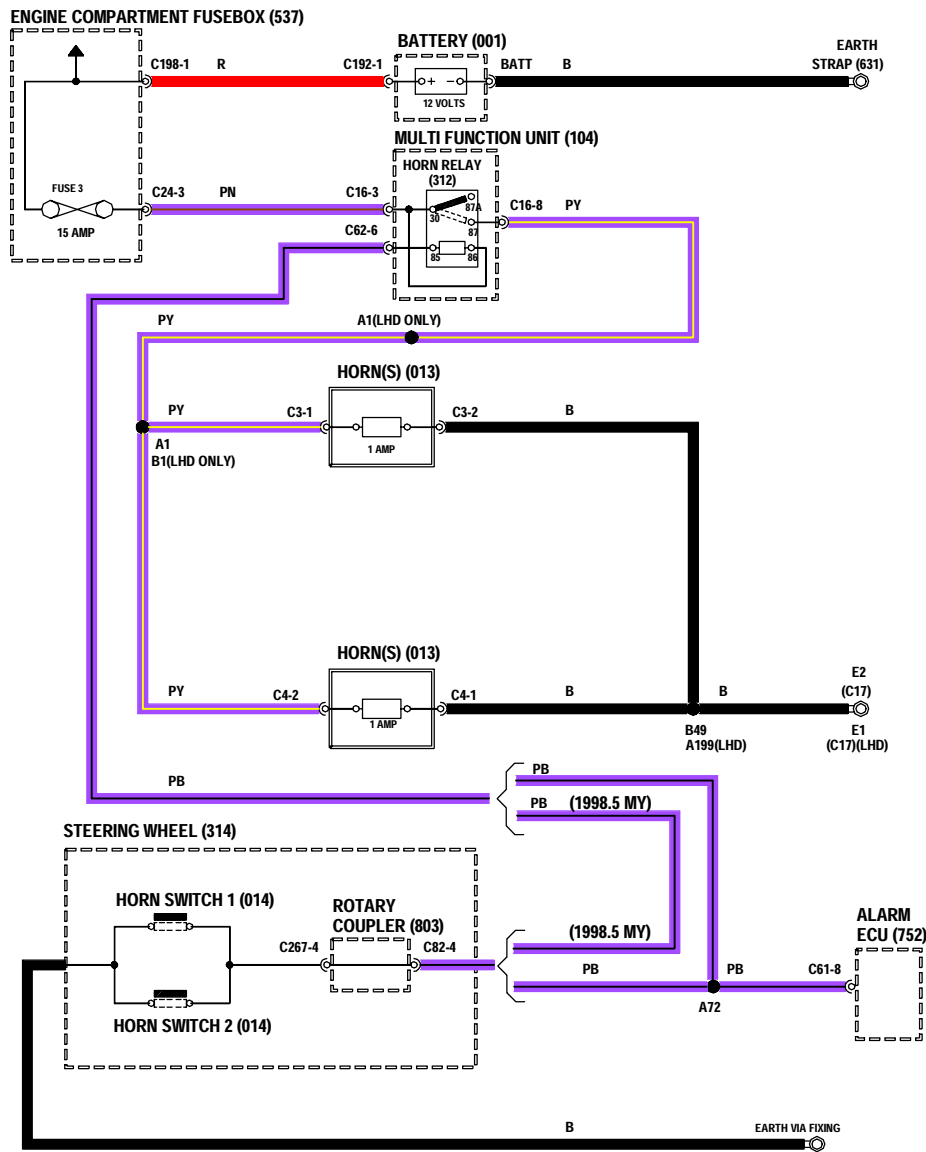
INSTRUMENTS



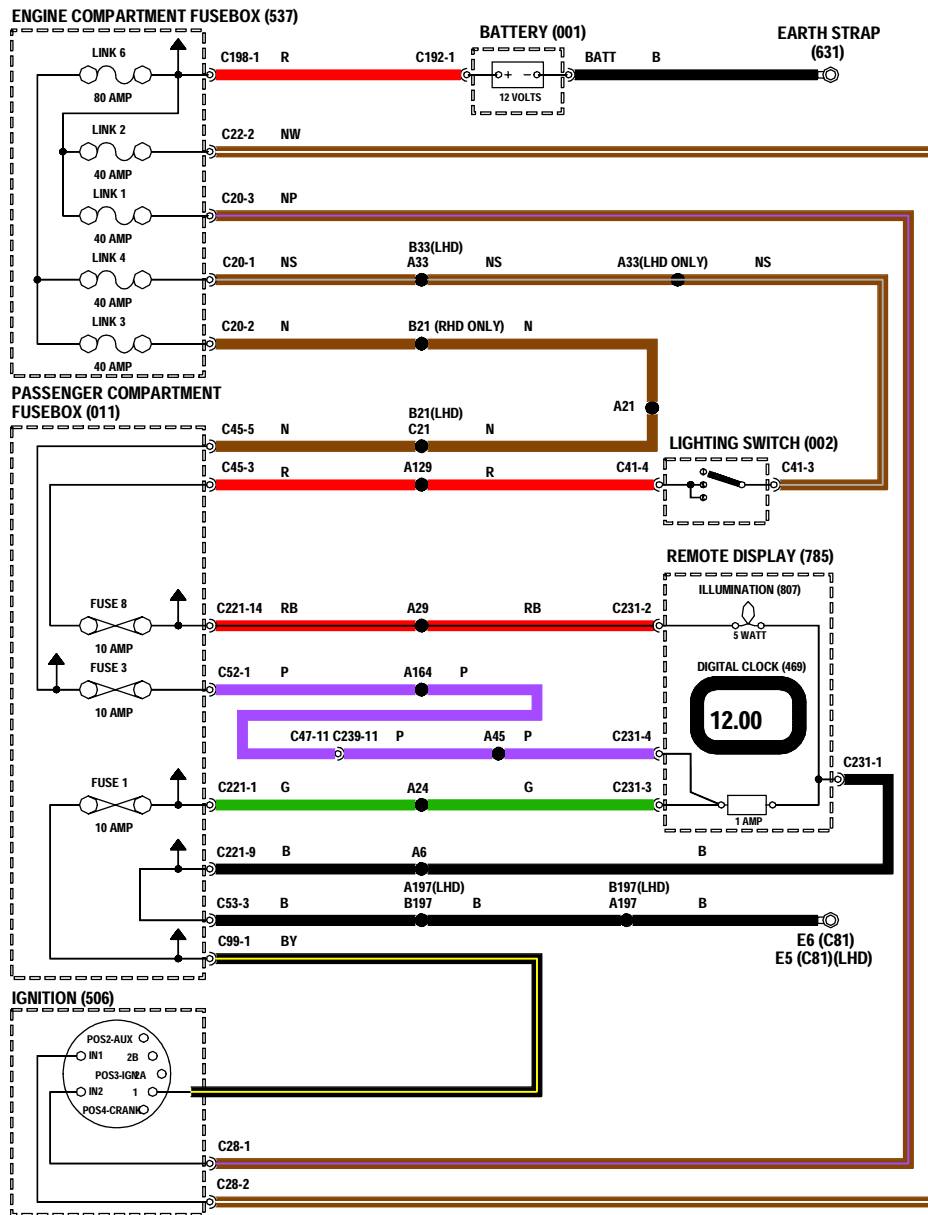
INSTRUMENTS



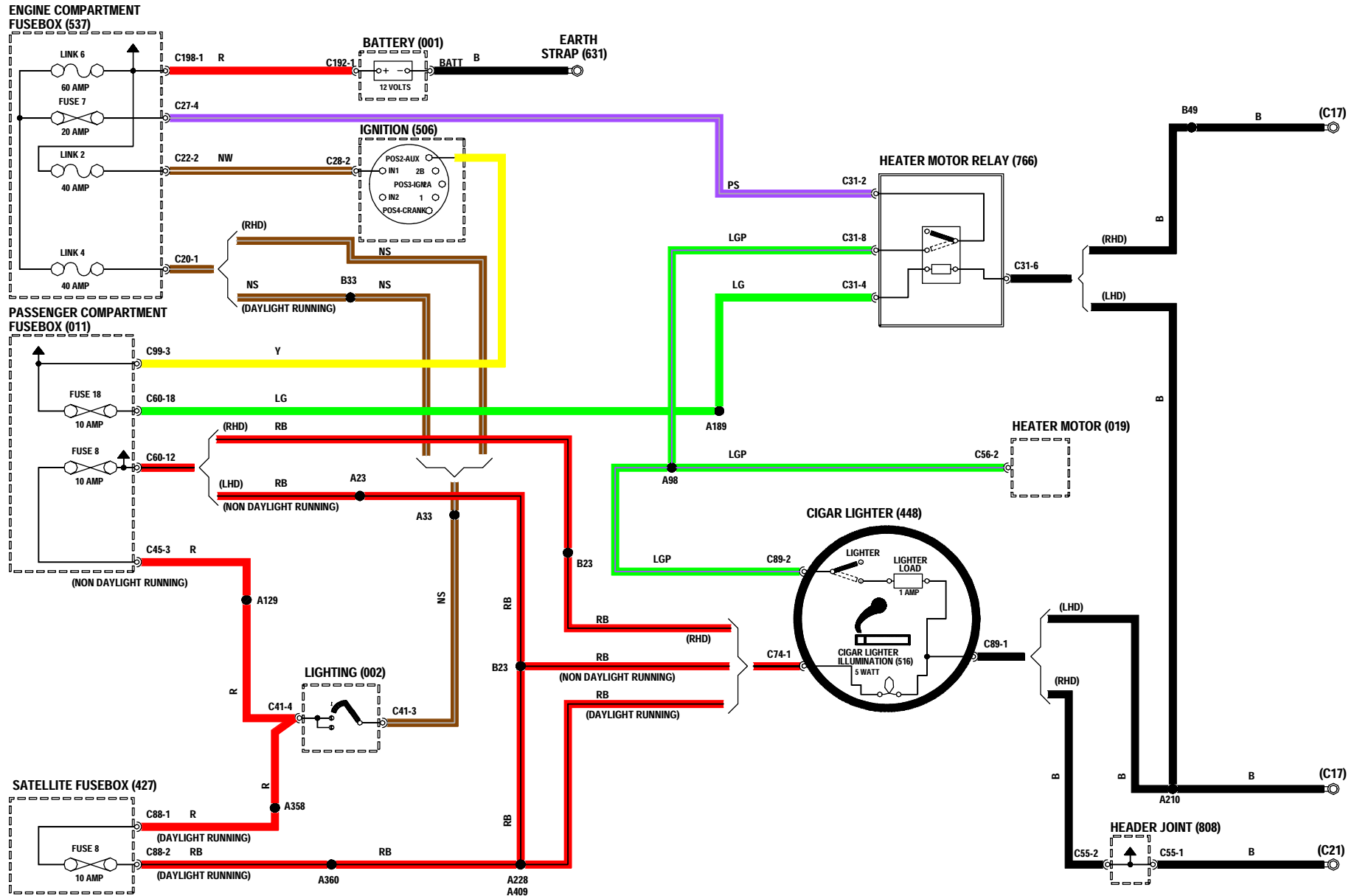
HORNS



CLOCK



CIGAR LIGHTER



IN-CAR ENTERTAINMENT

