

SYSTEM WIRING DIAGRAMS

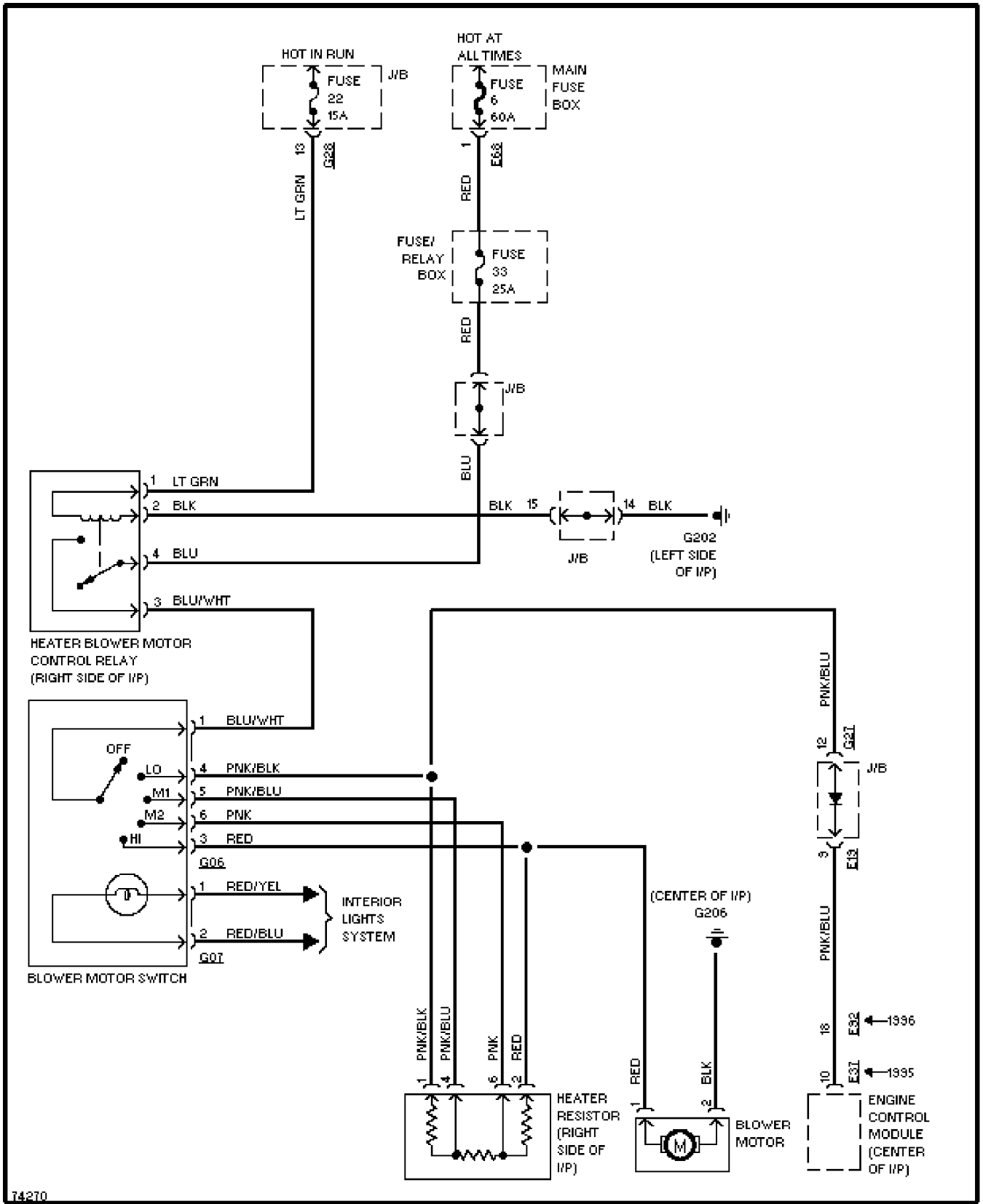
Article Text (p. 2)

1996 Suzuki Esteem

For

Copyright © 1998 Mitchell International

Tuesday, April 06, 1999 08:11AM



74270
Heater Circuit

ANTI-LOCK BRAKES

SYSTEM WIRING DIAGRAMS

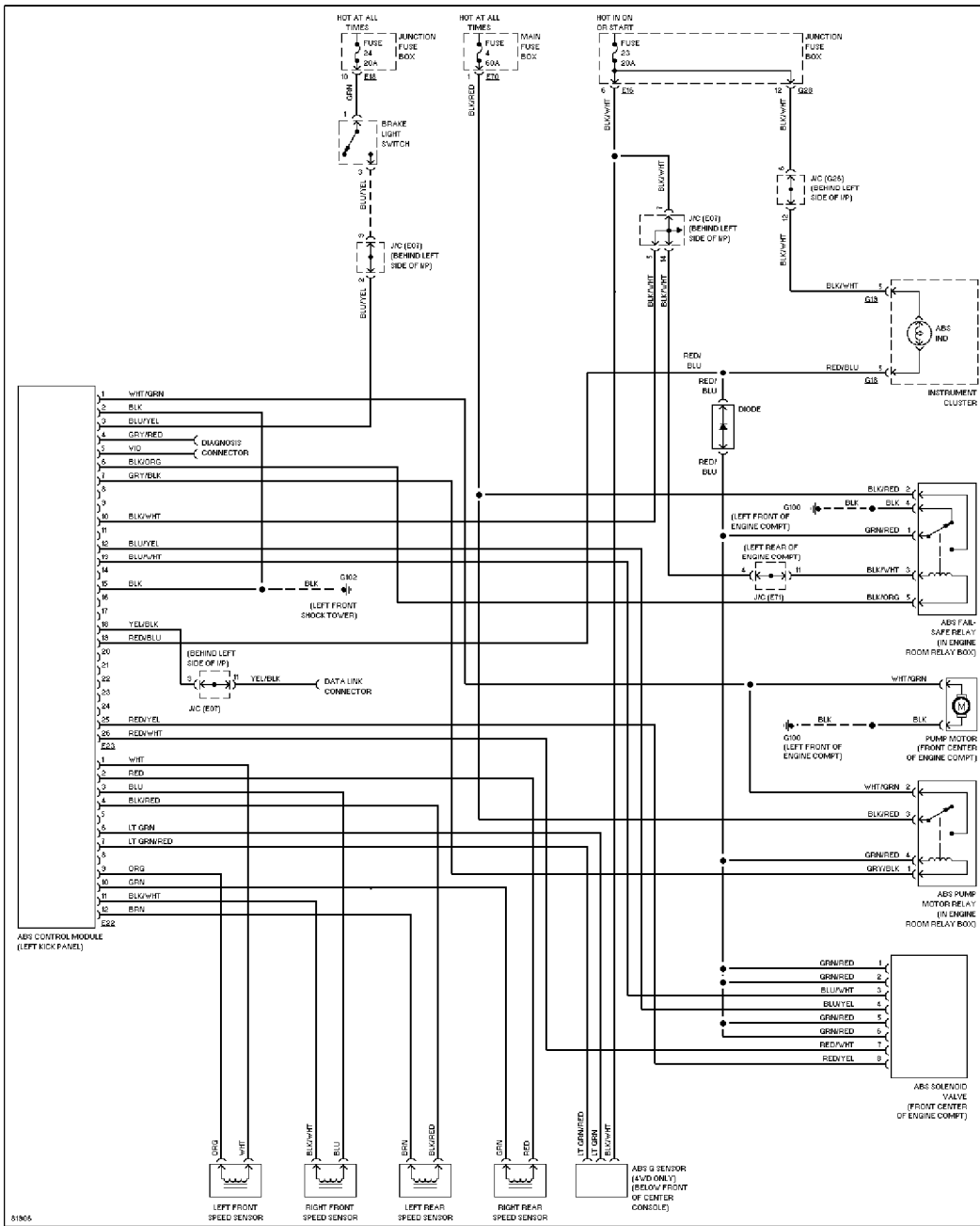
Article Text (p. 3)

1996 Suzuki Esteem

For

Copyright © 1998 Mitchell International

Tuesday, April 06, 1999 08:11AM



Anti-lock Brake Circuits

COMPUTER DATA LINES

SYSTEM WIRING DIAGRAMS

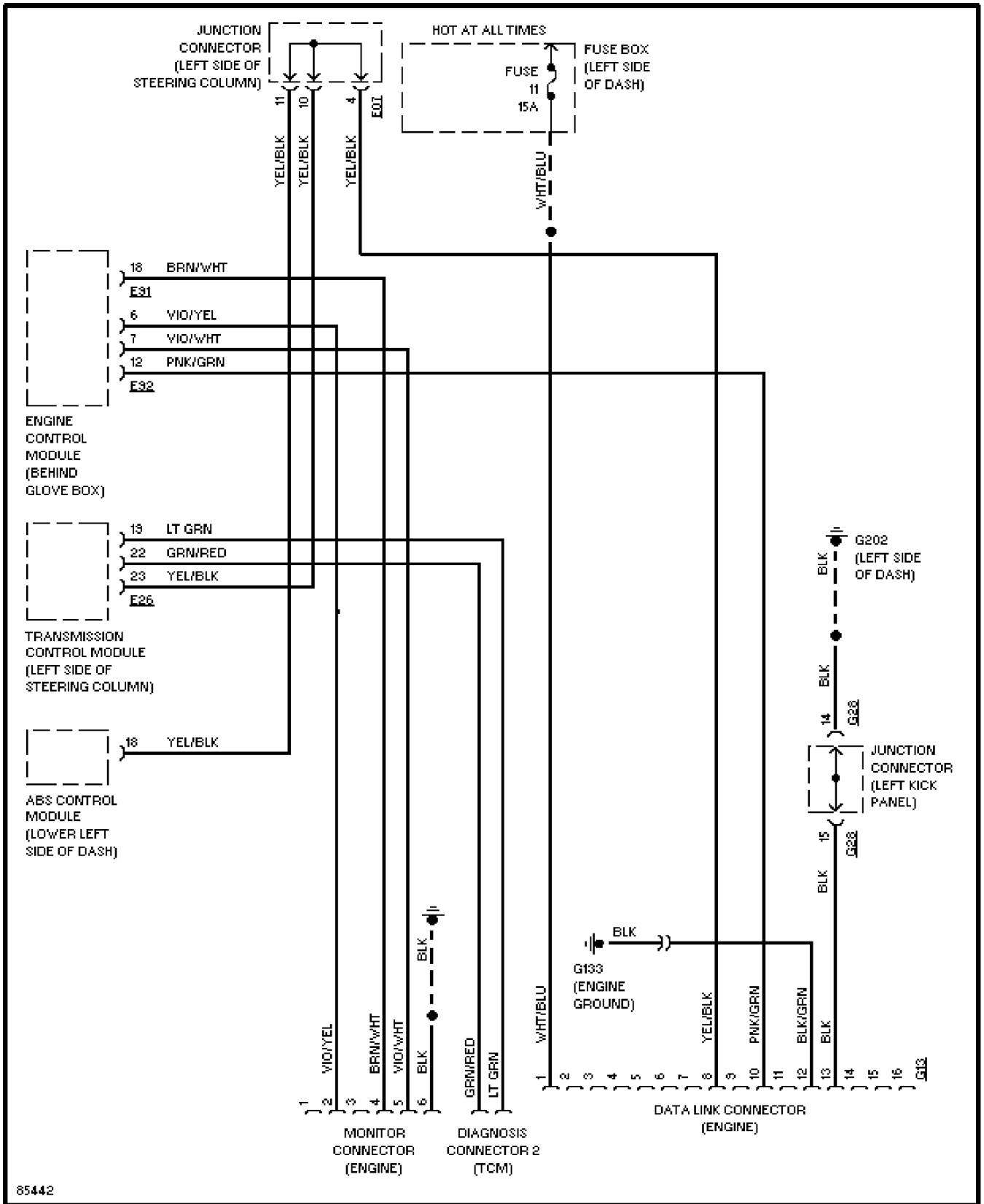
Article Text (p. 4)

1996 Suzuki Esteem

For

Copyright © 1998 Mitchell International

Tuesday, April 06, 1999 08:11AM



85442

Computer Data Lines

COOLING FAN

SYSTEM WIRING DIAGRAMS

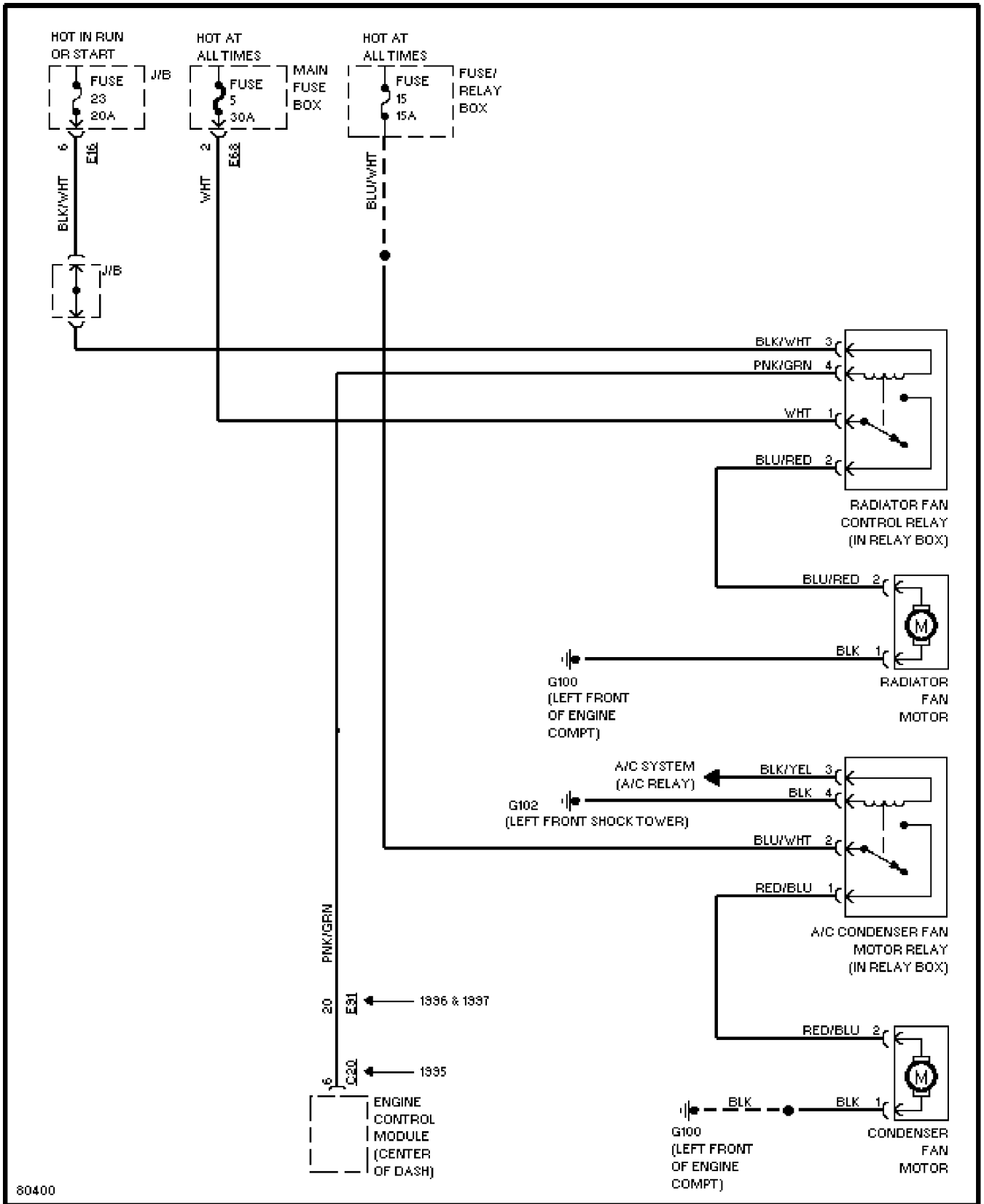
Article Text (p. 5)

1996 Suzuki Esteem

For

Copyright © 1998 Mitchell International

Tuesday, April 06, 1999 08:11AM



Cooling Fan Circuit

CRUISE CONTROL

SYSTEM WIRING DIAGRAMS

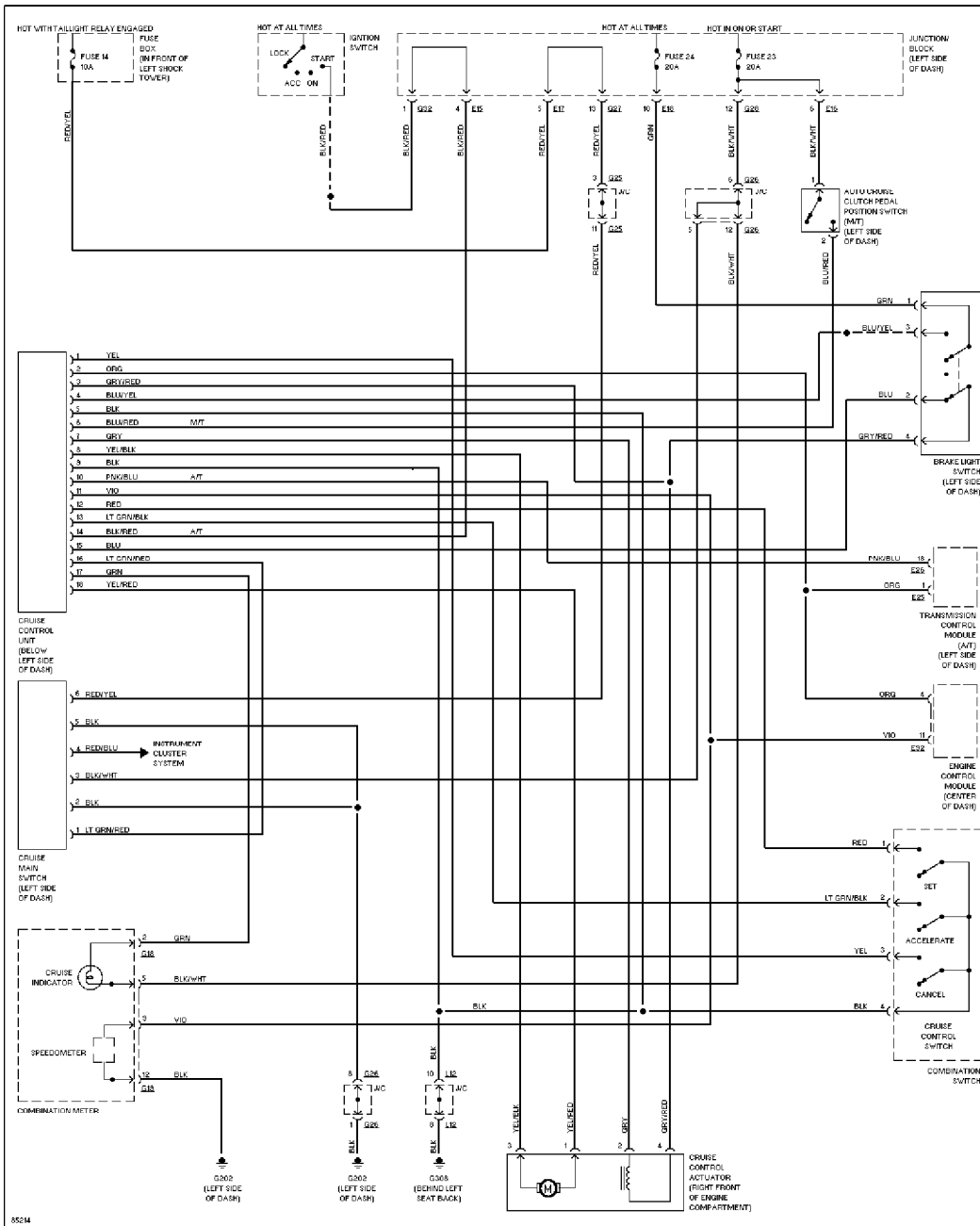
Article Text (p. 6)

1996 Suzuki Esteem

For

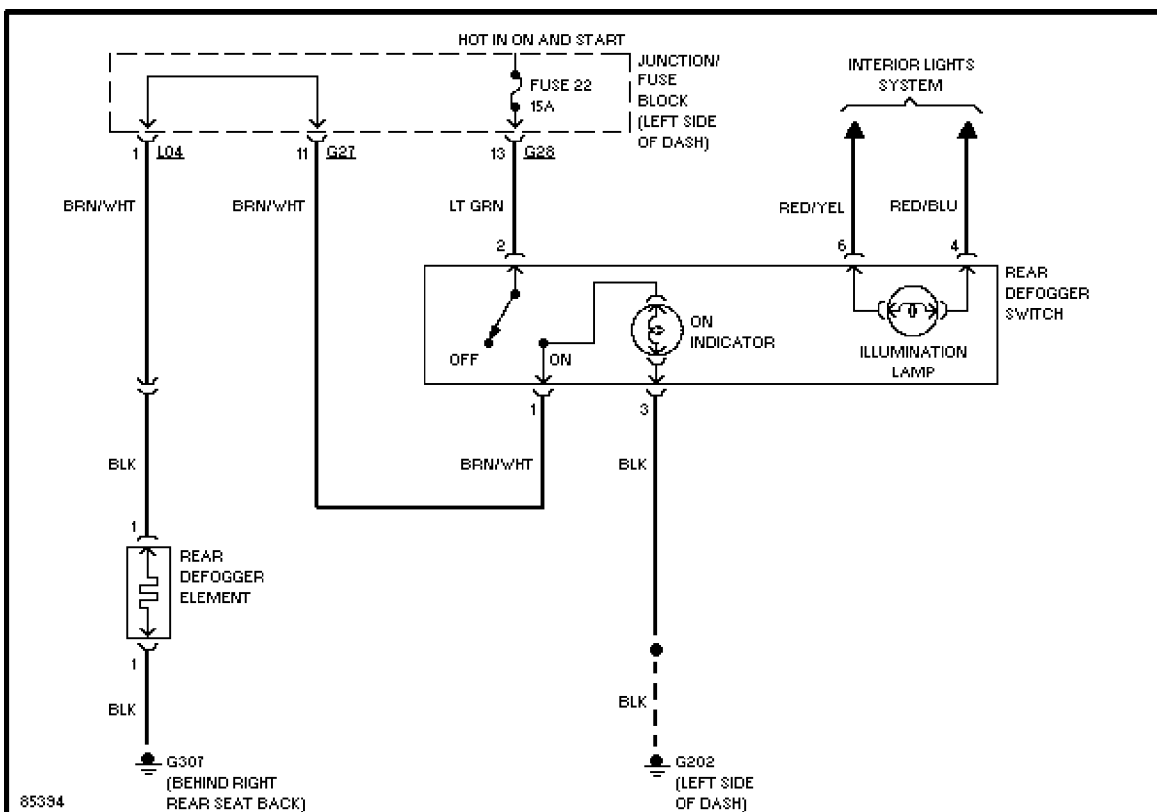
Copyright © 1998 Mitchell International

Tuesday, April 06, 1999 08:11AM



Cruise Control Circuit

DEFOGGERS



Defogger Circuit

SYSTEM WIRING DIAGRAMS

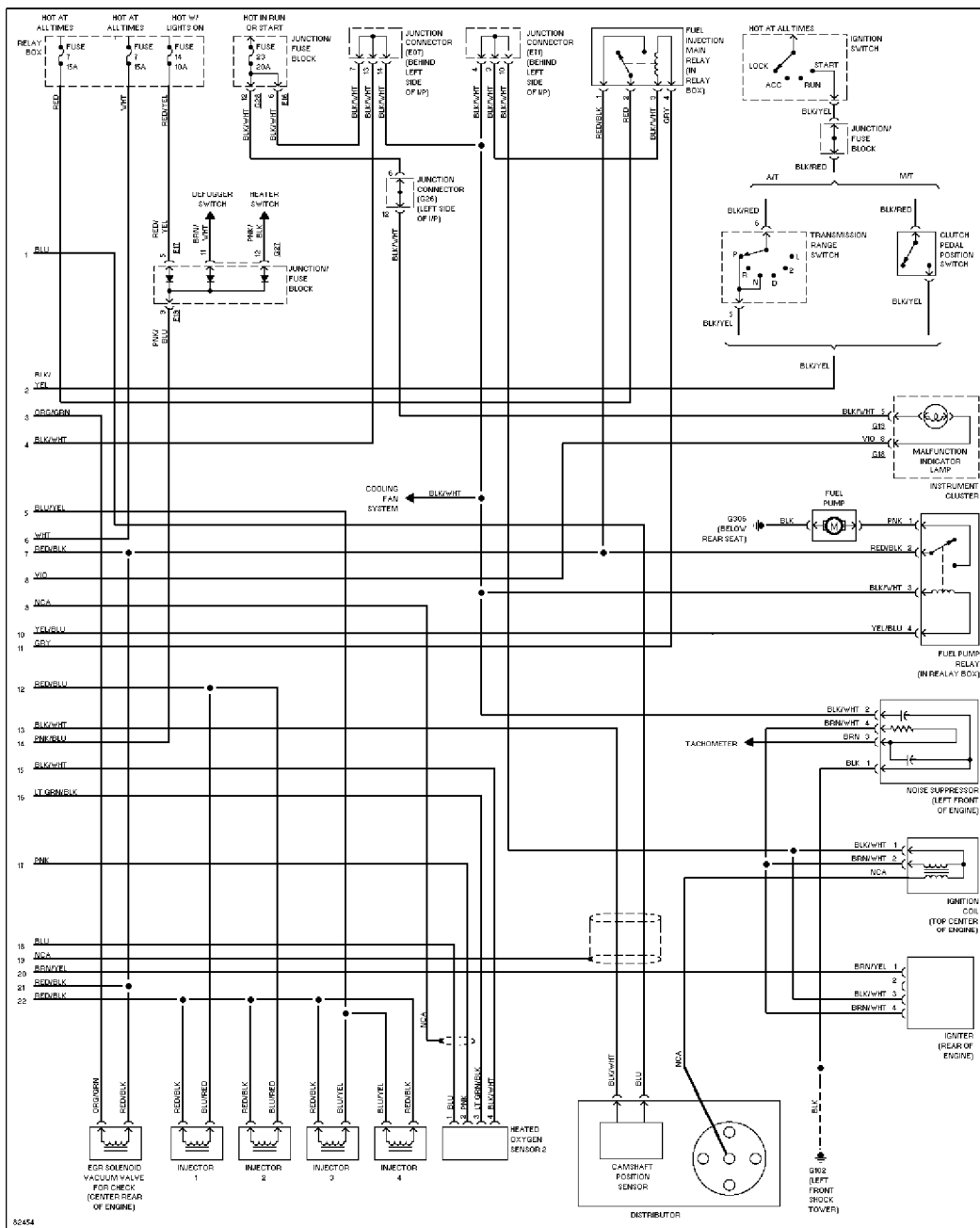
Article Text (p. 8)

1996 Suzuki Esteem

For

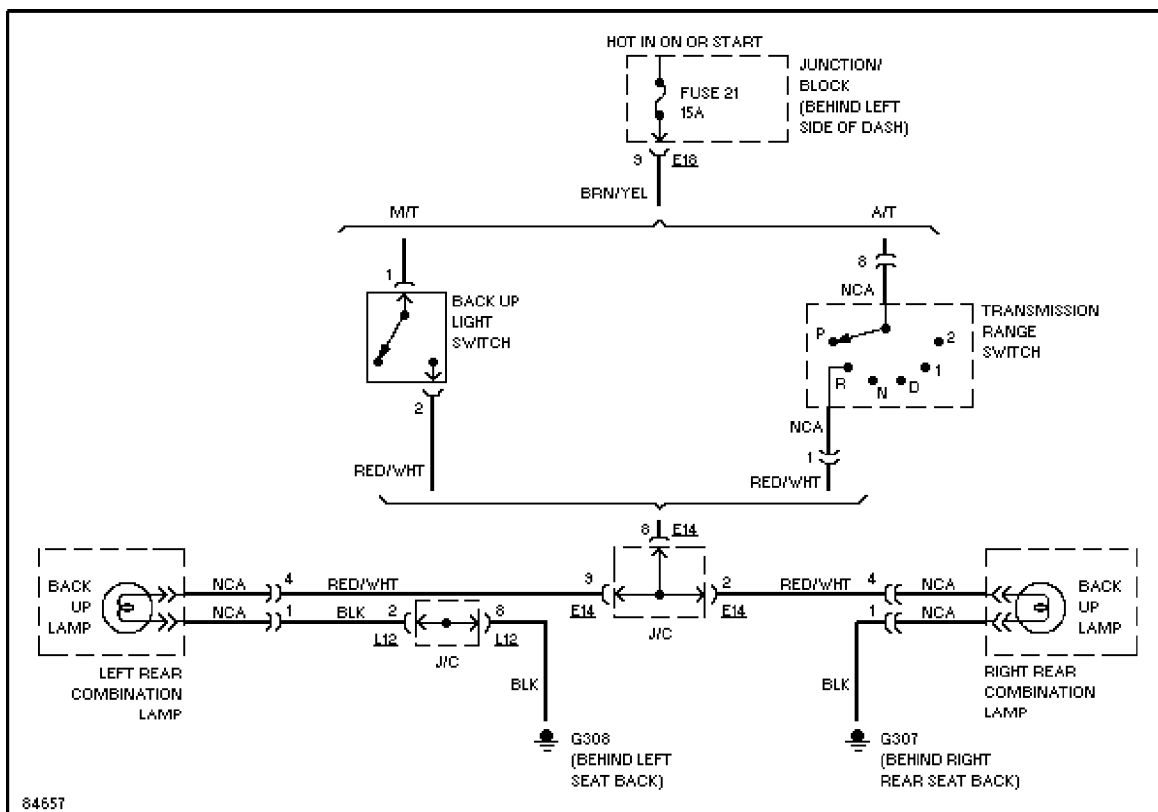
Copyright © 1998 Mitchell International

Tuesday, April 06, 1999 08:11AM



1.6L, Engine Performance Circuits (2 of 2)

EXTERIOR LIGHTS



Back-up Lamps Circuit

SYSTEM WIRING DIAGRAMS

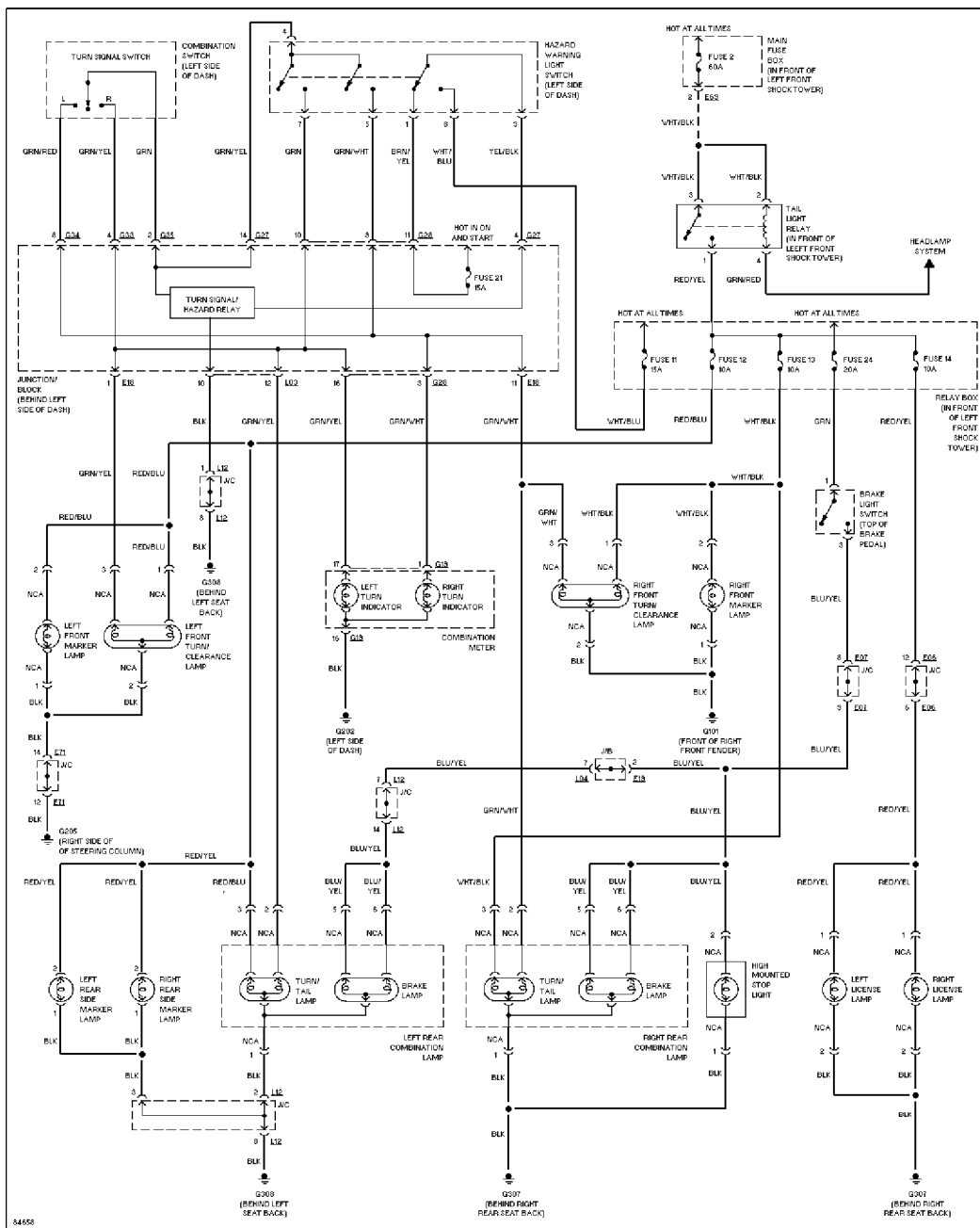
Article Text (p. 9)

1996 Suzuki Esteem

For

Copyright © 1998 Mitchell International

Tuesday, April 06, 1999 08:11AM



Exterior Lamps Circuit

GROUND DISTRIBUTION

SYSTEM WIRING DIAGRAMS

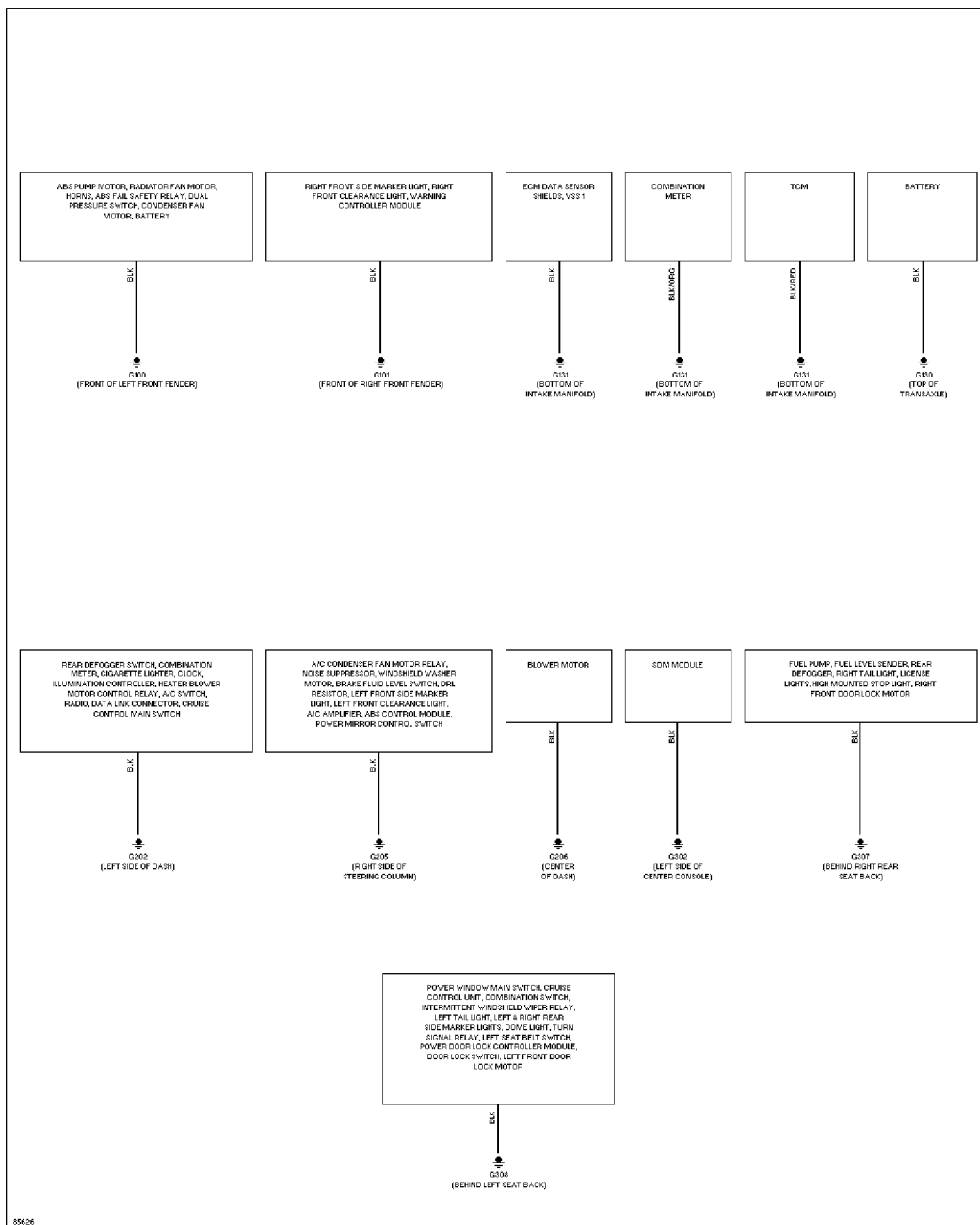
Article Text (p. 10)

1996 Suzuki Esteem

For

Copyright © 1998 Mitchell International

Tuesday, April 06, 1999 08:11AM



Ground Distribution Circuit

HEADLIGHTS

SYSTEM WIRING DIAGRAMS

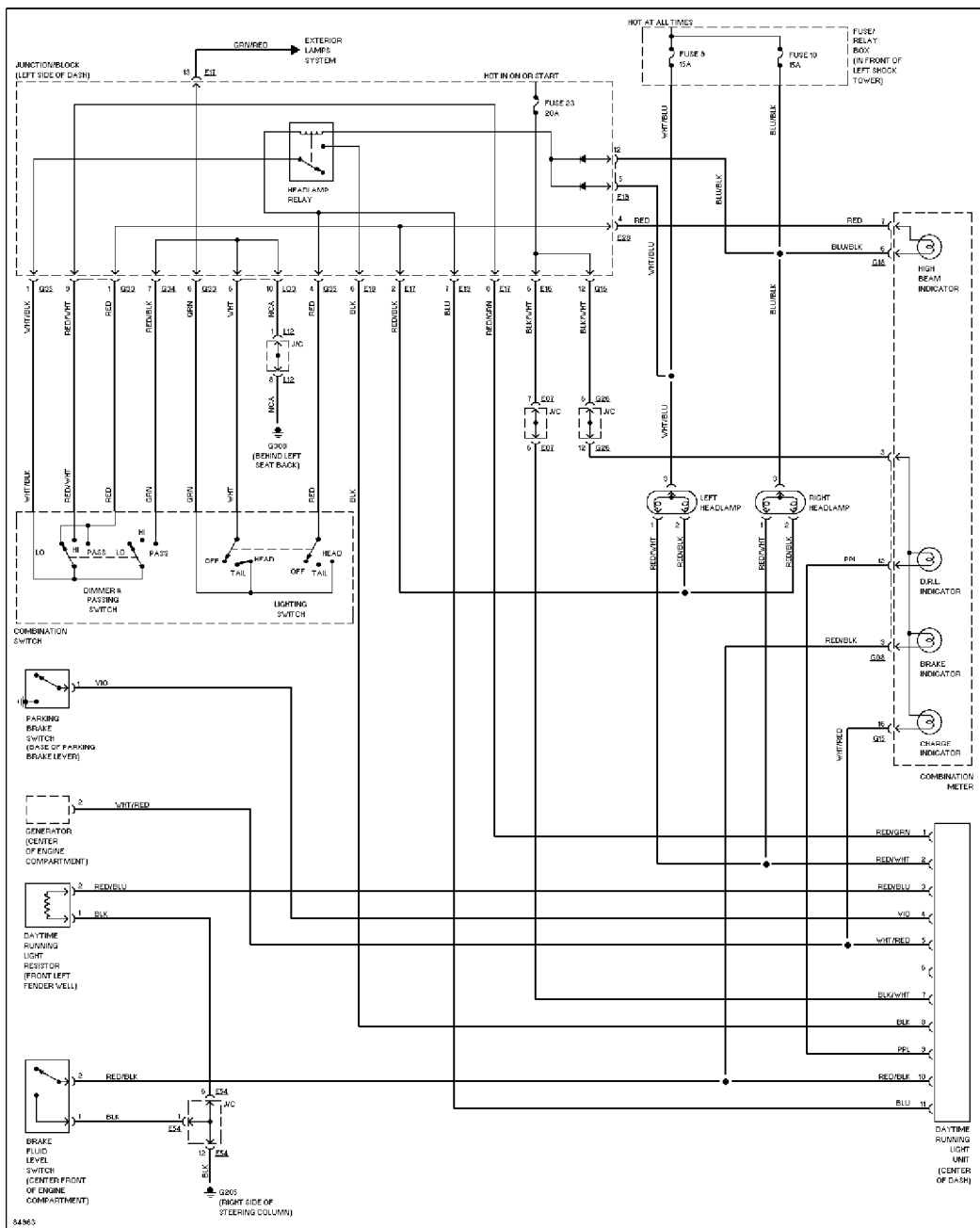
Article Text (p. 11)

1996 Suzuki Esteem

For

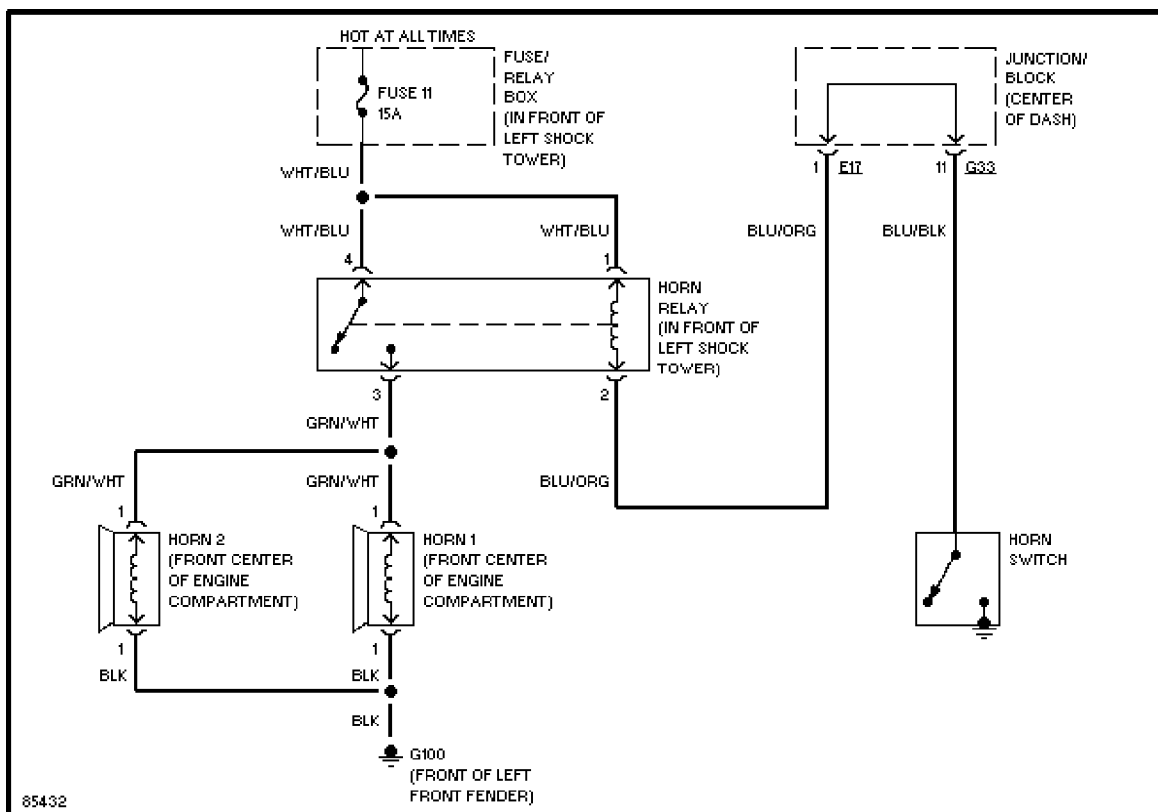
Copyright © 1998 Mitchell International

Tuesday, April 06, 1999 08:11AM



Headlight Circuit

HORN



Horn Circuit

SYSTEM WIRING DIAGRAMS

Article Text (p. 12)

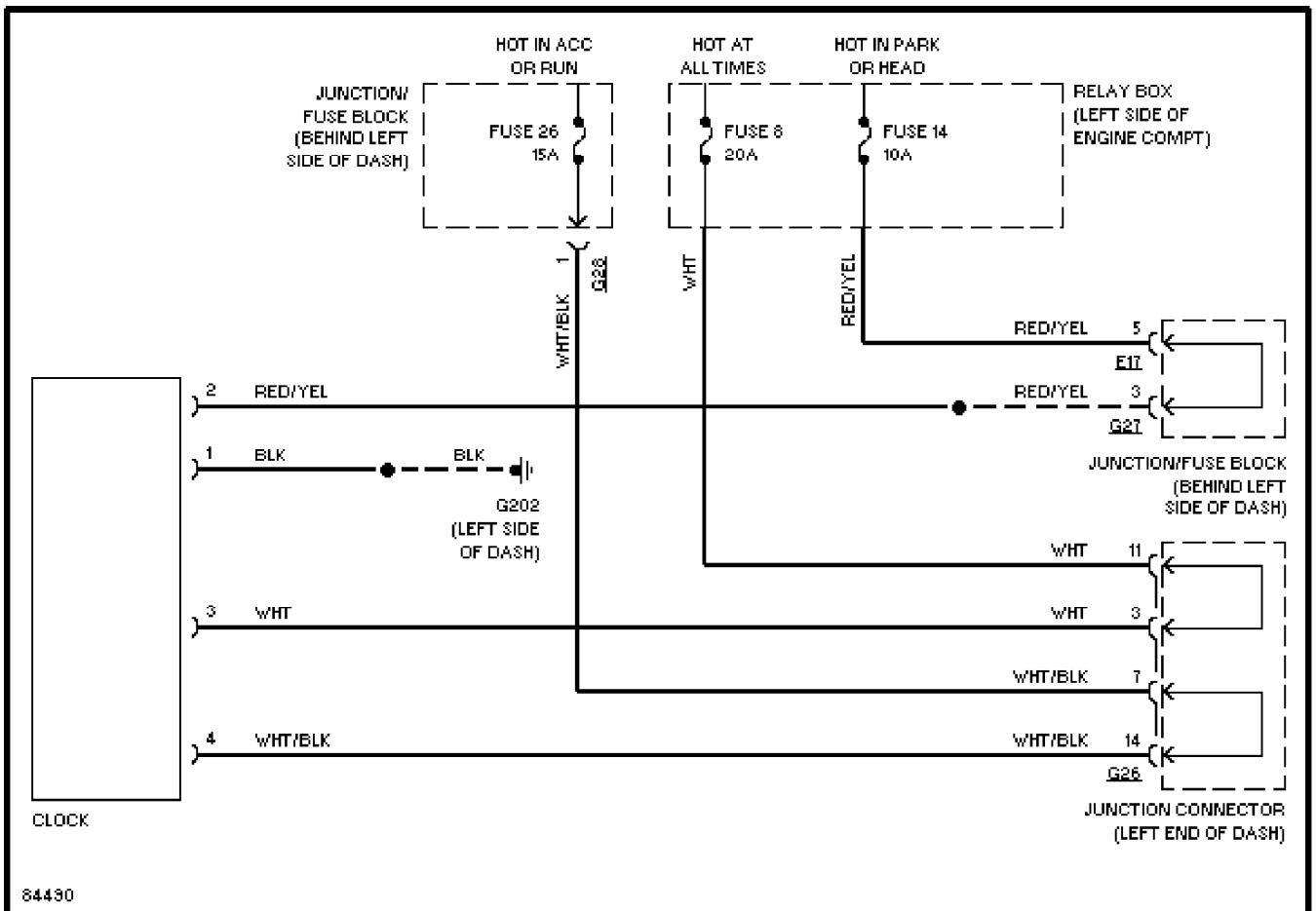
1996 Suzuki Esteem

For

Copyright © 1998 Mitchell International

Tuesday, April 06, 1999 08:11AM

INSTRUMENT CLUSTER



Clock Circuit

SYSTEM WIRING DIAGRAMS

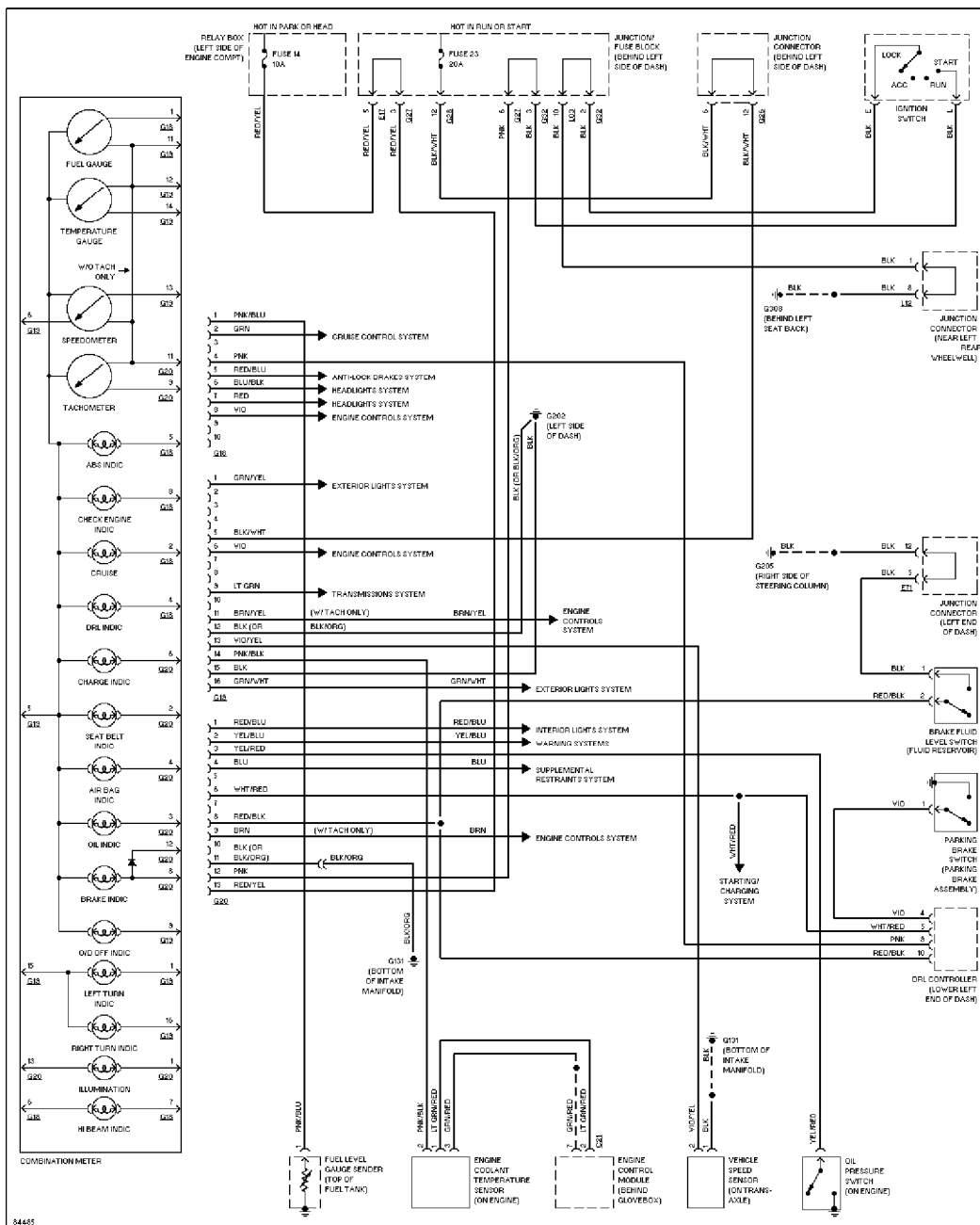
Article Text (p. 13)

1996 Suzuki Esteem

For

Copyright © 1998 Mitchell International

Tuesday, April 06, 1999 08:11AM



Instrument Cluster Circuit

INTERIOR LIGHTS

SYSTEM WIRING DIAGRAMS

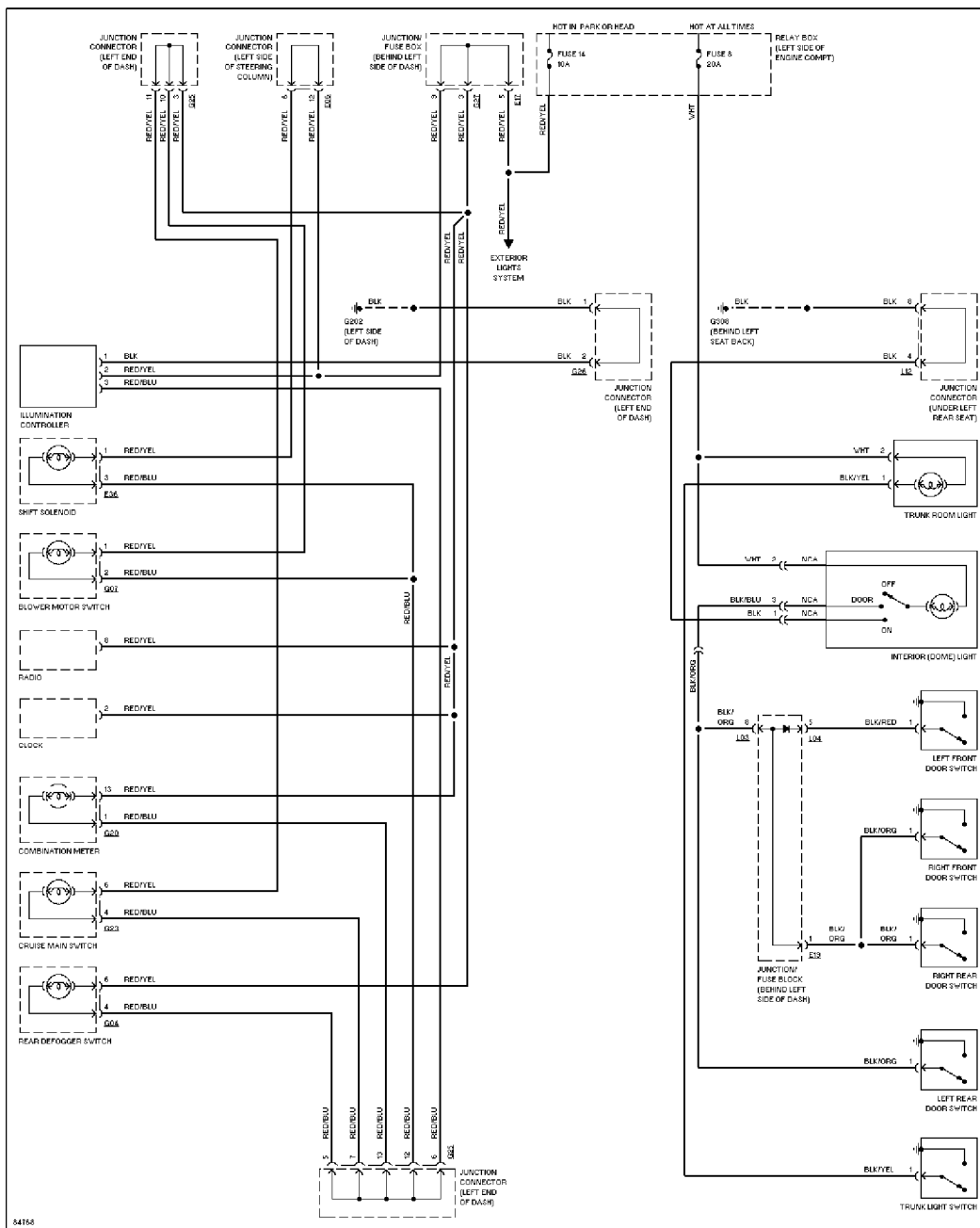
Article Text (p. 14)

1996 Suzuki Esteem

For

Copyright © 1998 Mitchell International

Tuesday, April 06, 1999 08:11AM



Interior Light Circuit

POWER DISTRIBUTION

SYSTEM WIRING DIAGRAMS

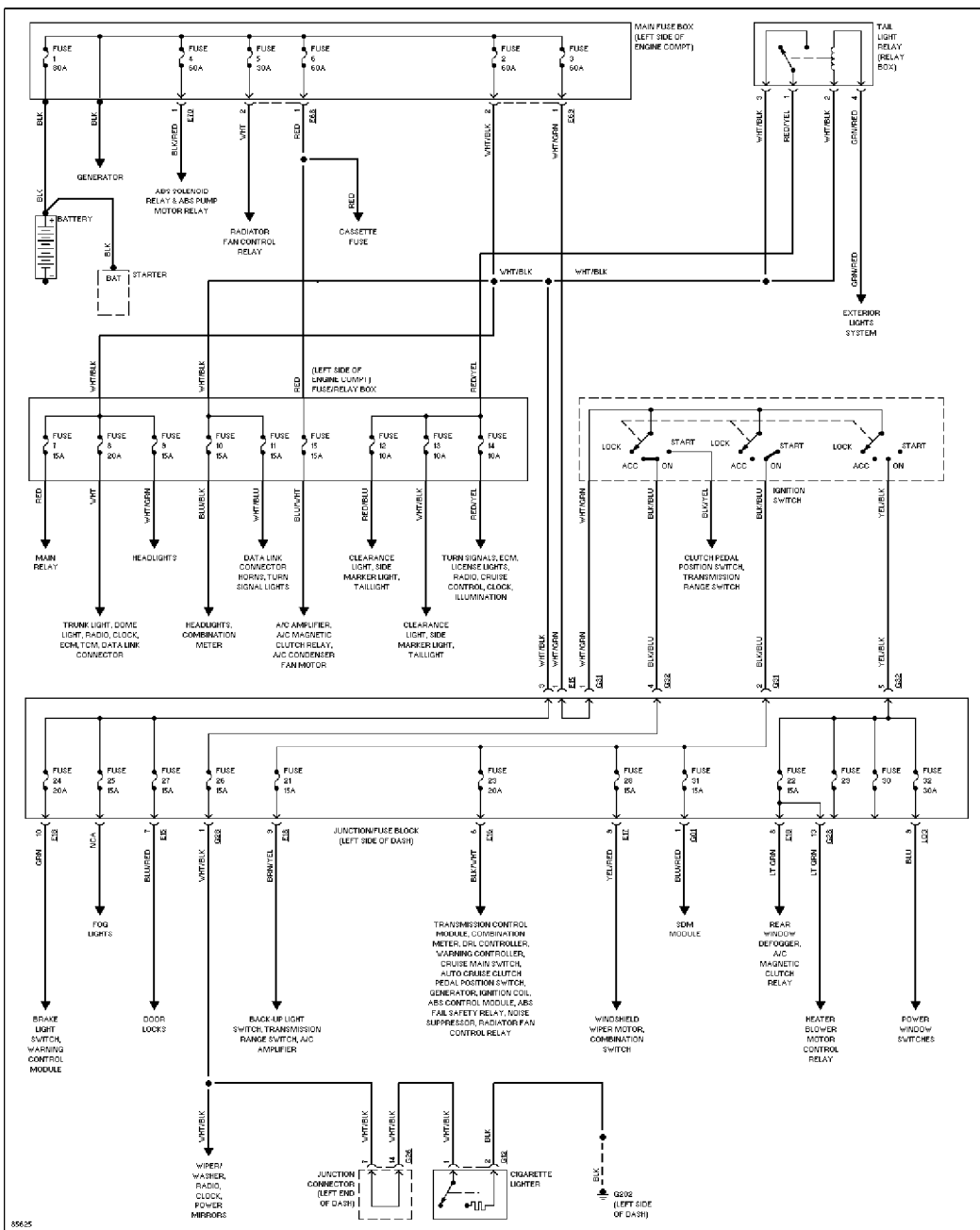
Article Text (p. 15)

1996 Suzuki Esteem

For

Copyright © 1998 Mitchell International

Tuesday, April 06, 1999 08:11AM



Power Distribution Circuit

POWER DOOR LOCKS

SYSTEM WIRING DIAGRAMS

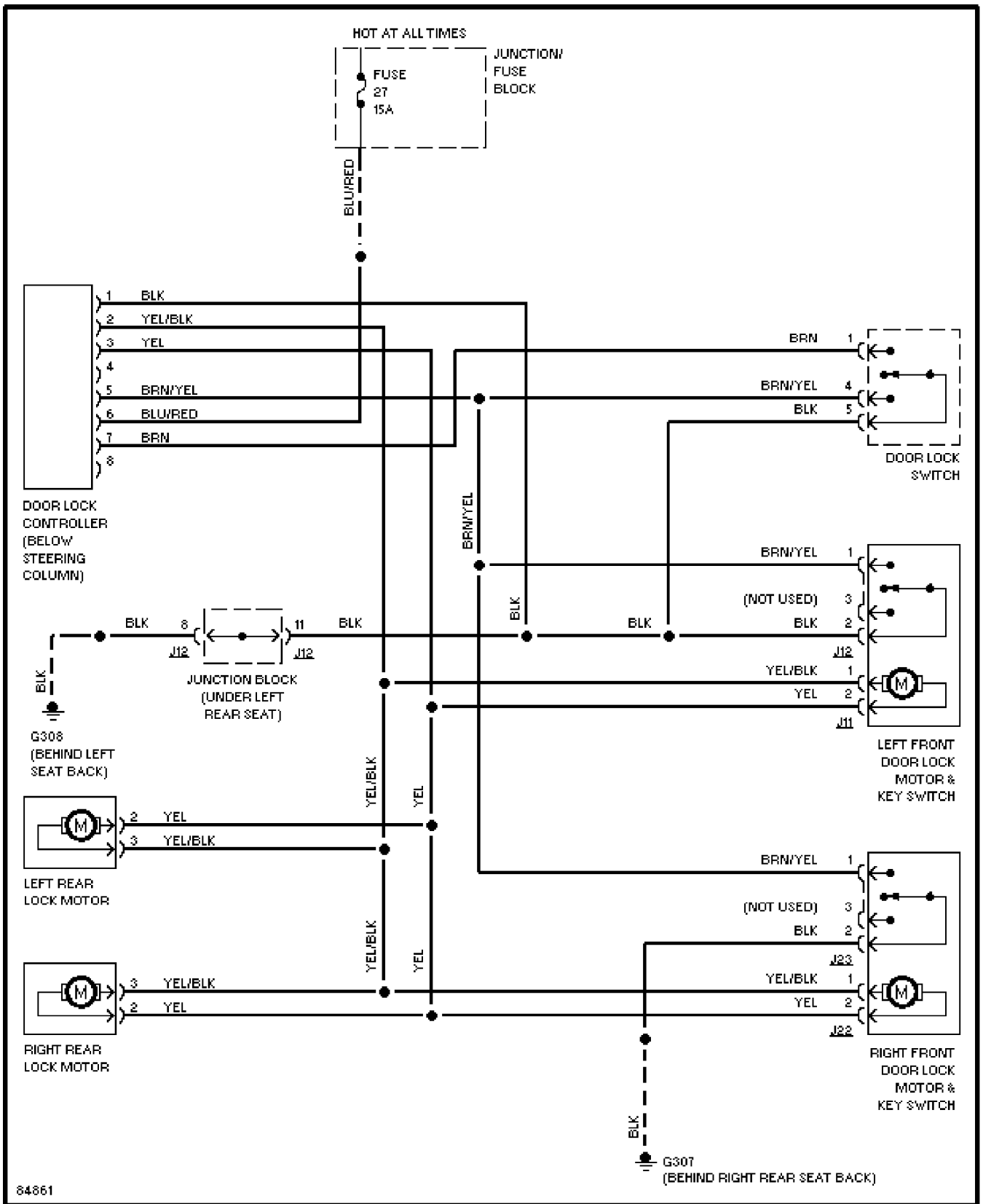
Article Text (p. 16)

1996 Suzuki Esteem

For

Copyright © 1998 Mitchell International

Tuesday, April 06, 1999 08:11AM



Power Door Lock Circuit

POWER MIRRORS

SYSTEM WIRING DIAGRAMS

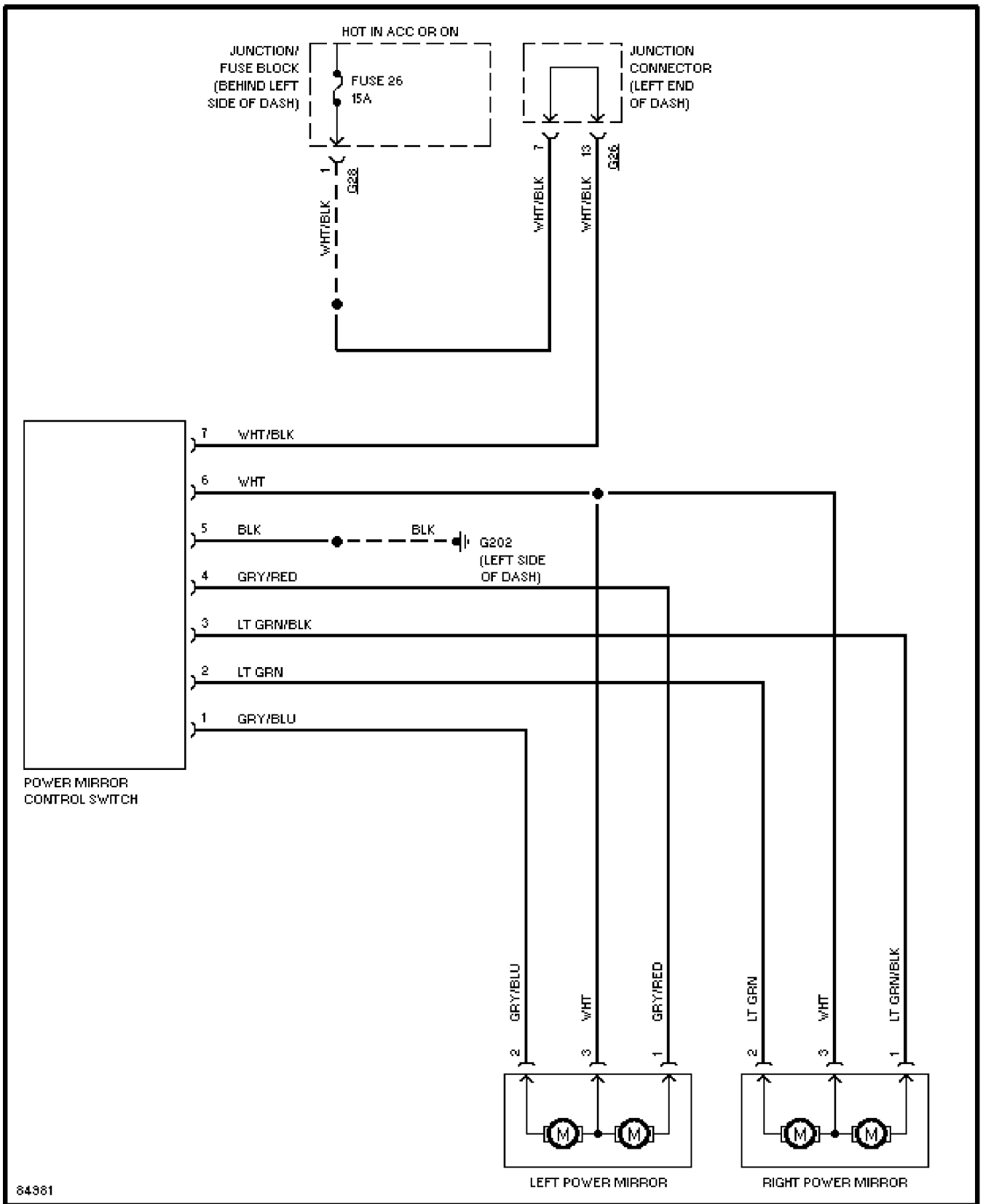
Article Text (p. 17)

1996 Suzuki Esteem

For

Copyright © 1998 Mitchell International

Tuesday, April 06, 1999 08:11AM



Power Mirror Circuit

POWER WINDOWS

SYSTEM WIRING DIAGRAMS

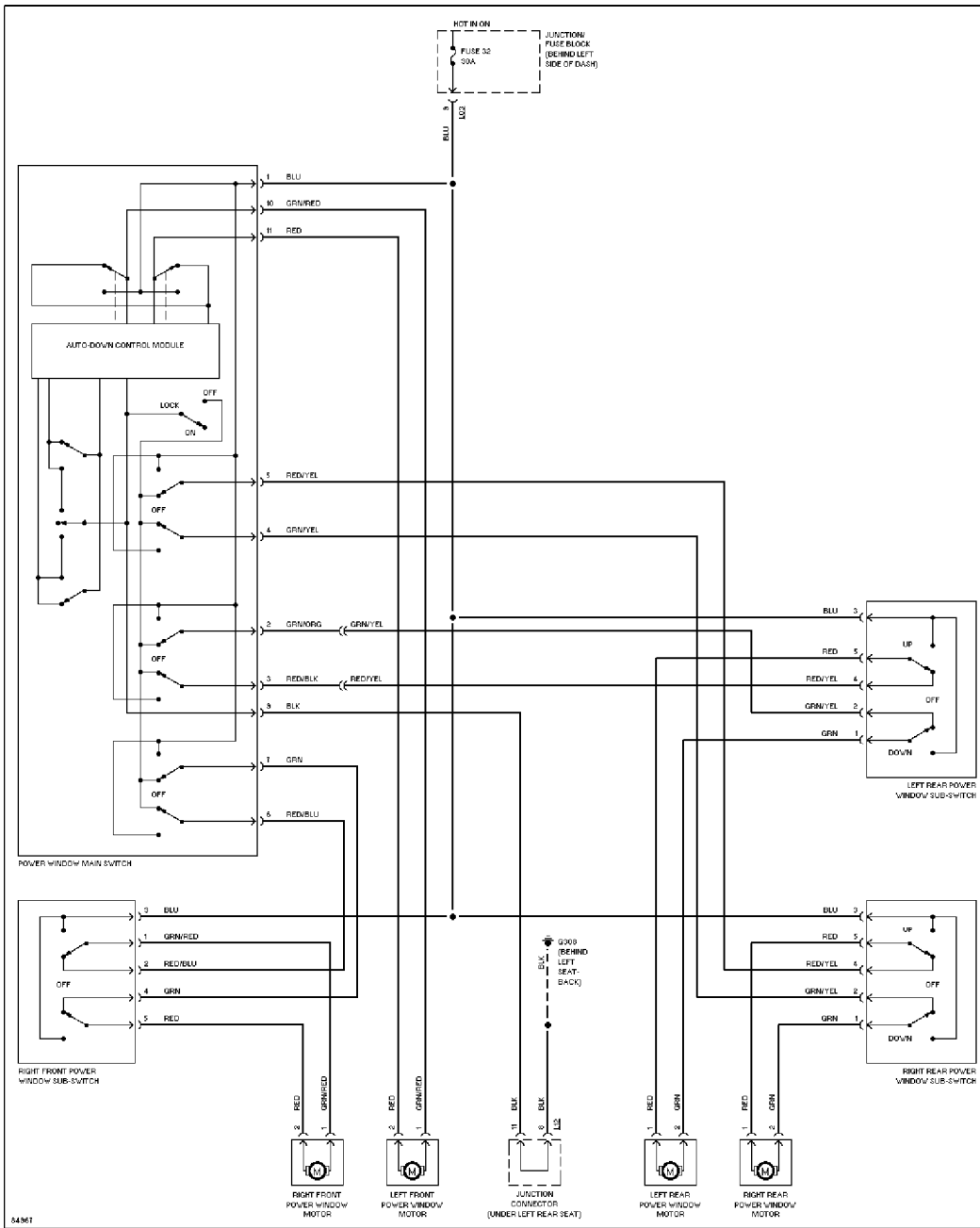
Article Text (p. 18)

1996 Suzuki Esteem

For

Copyright © 1998 Mitchell International

Tuesday, April 06, 1999 08:11AM



Power Window Circuit

SHIFT INTERLOCKS

SYSTEM WIRING DIAGRAMS

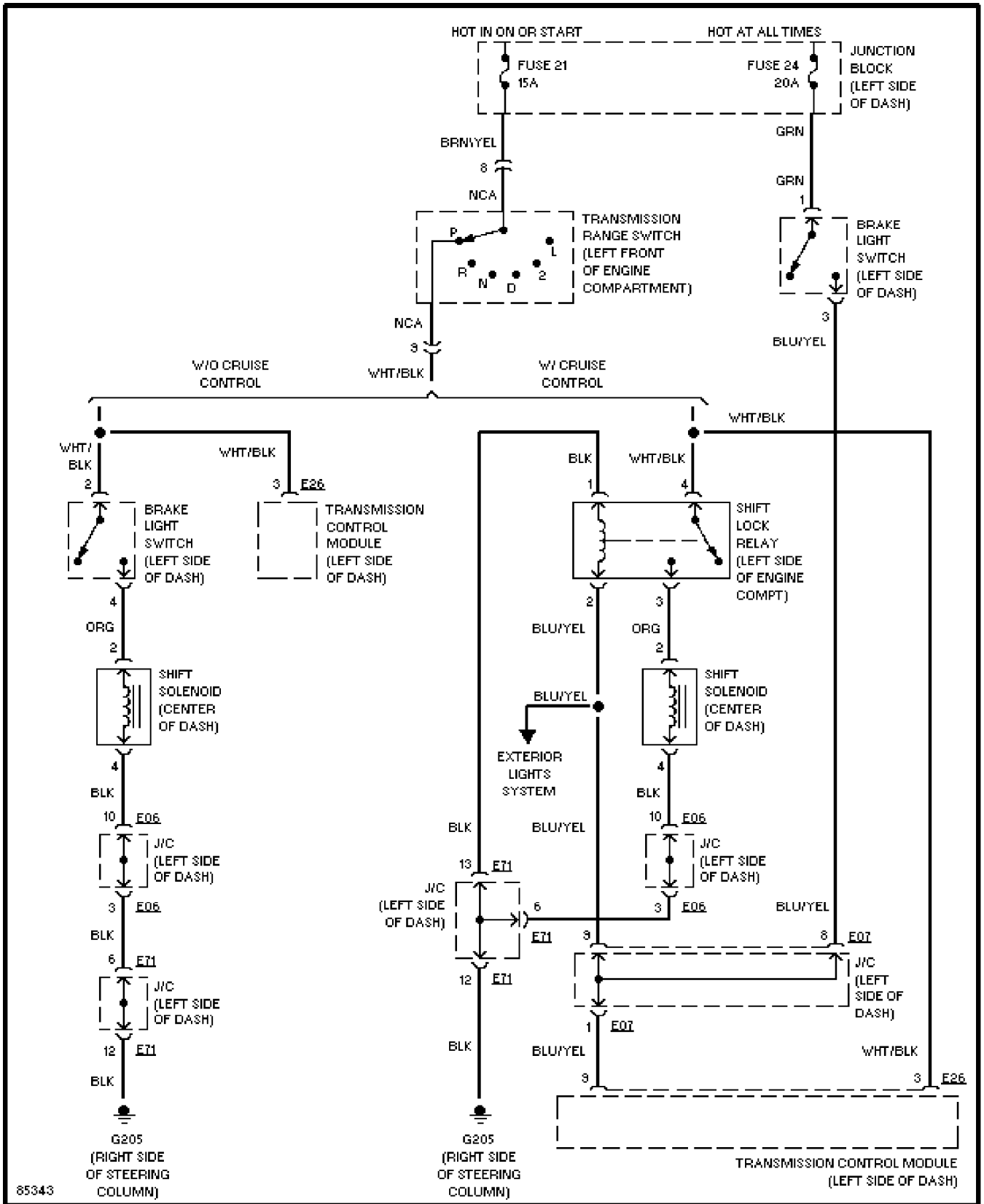
Article Text (p. 19)

1996 Suzuki Esteem

For

Copyright © 1998 Mitchell International

Tuesday, April 06, 1999 08:11AM



Shift Interlock Circuit

STARTING/CHARGING

SYSTEM WIRING DIAGRAMS

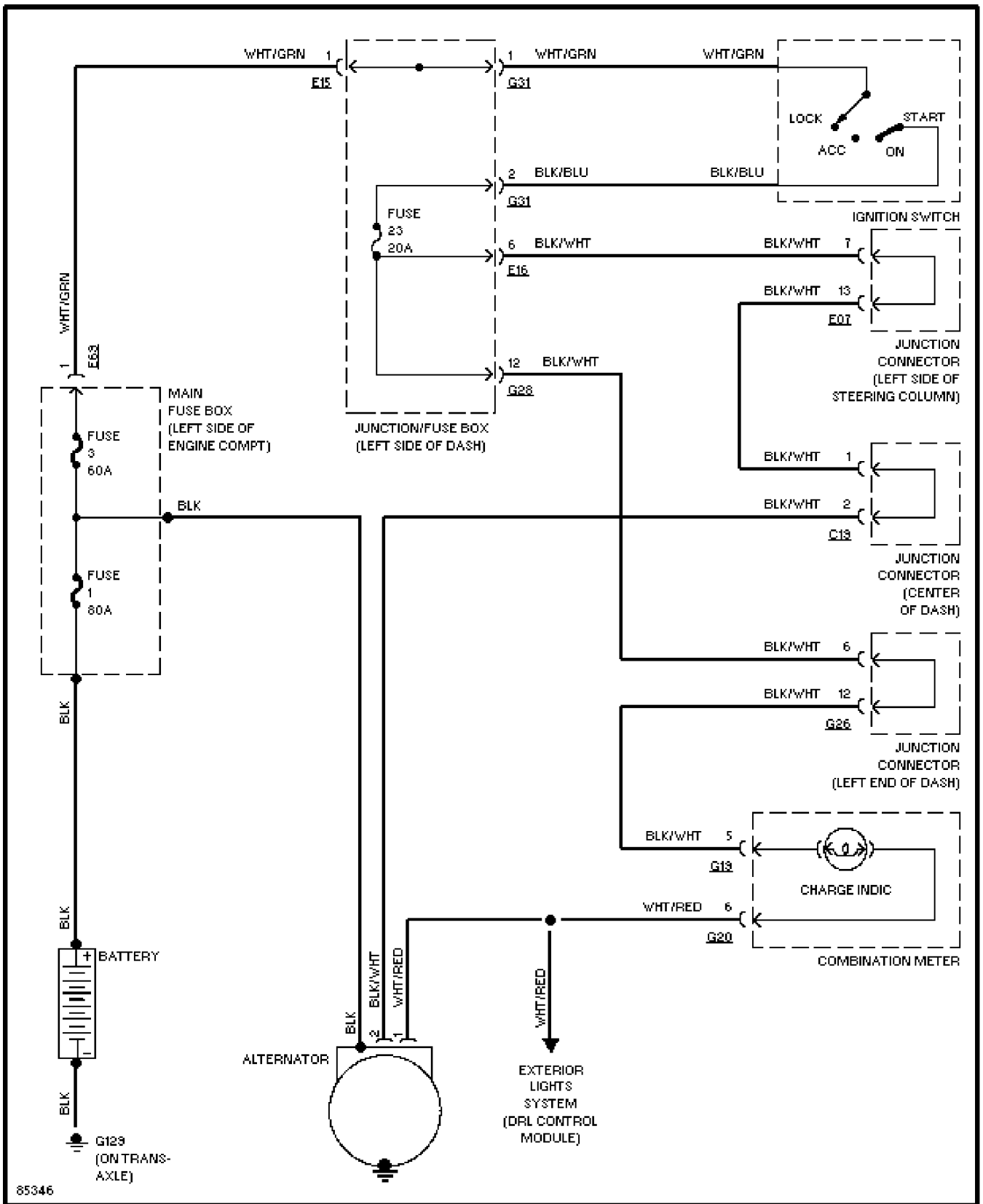
Article Text (p. 20)

1996 Suzuki Esteem

For

Copyright © 1998 Mitchell International

Tuesday, April 06, 1999 08:11AM



Charging Circuit

SYSTEM WIRING DIAGRAMS

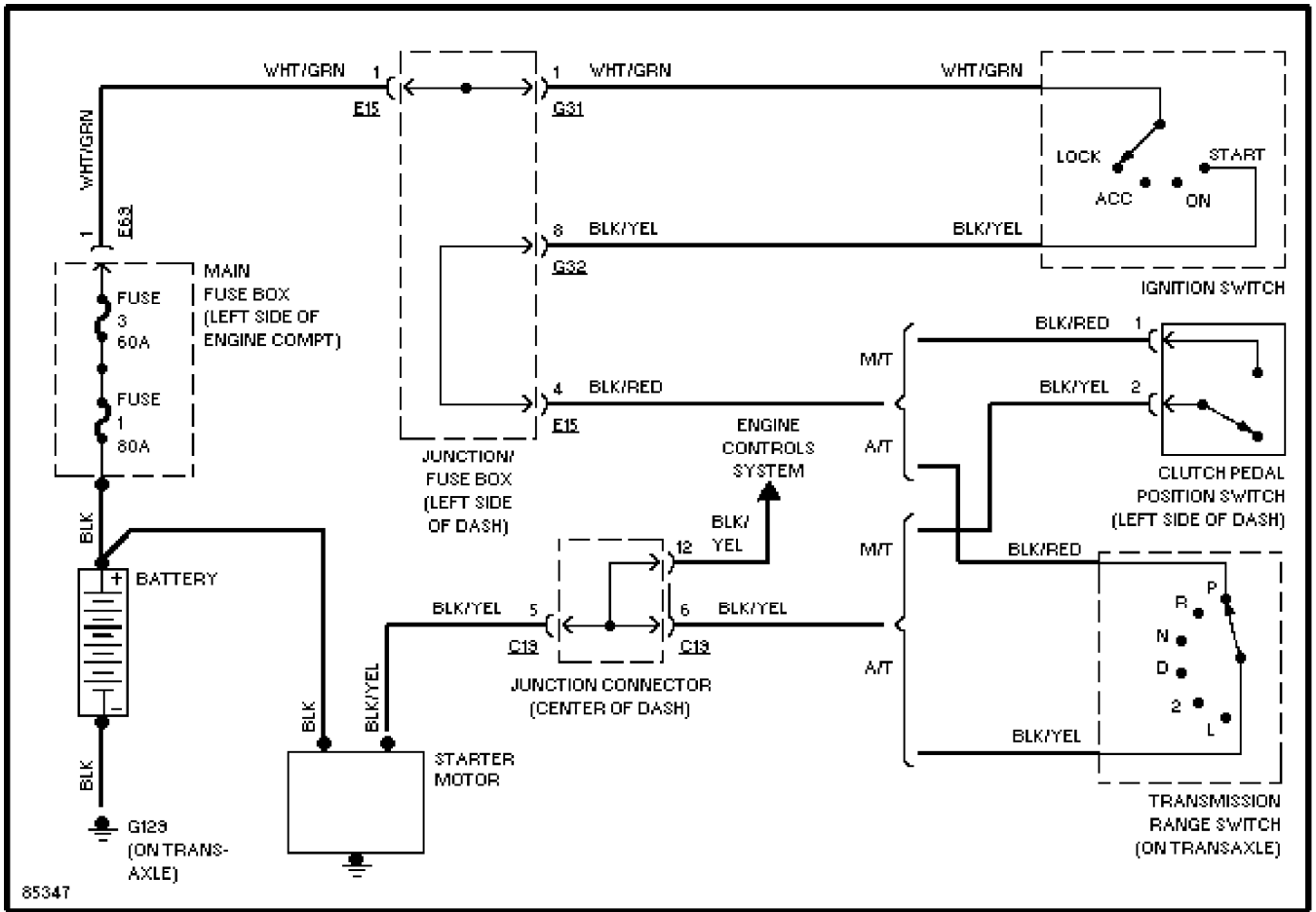
Article Text (p. 21)

1996 Suzuki Esteem

For

Copyright © 1998 Mitchell International

Tuesday, April 06, 1999 08:11AM



Starting Circuit

SUPPLEMENTAL RESTRAINTS

SYSTEM WIRING DIAGRAMS

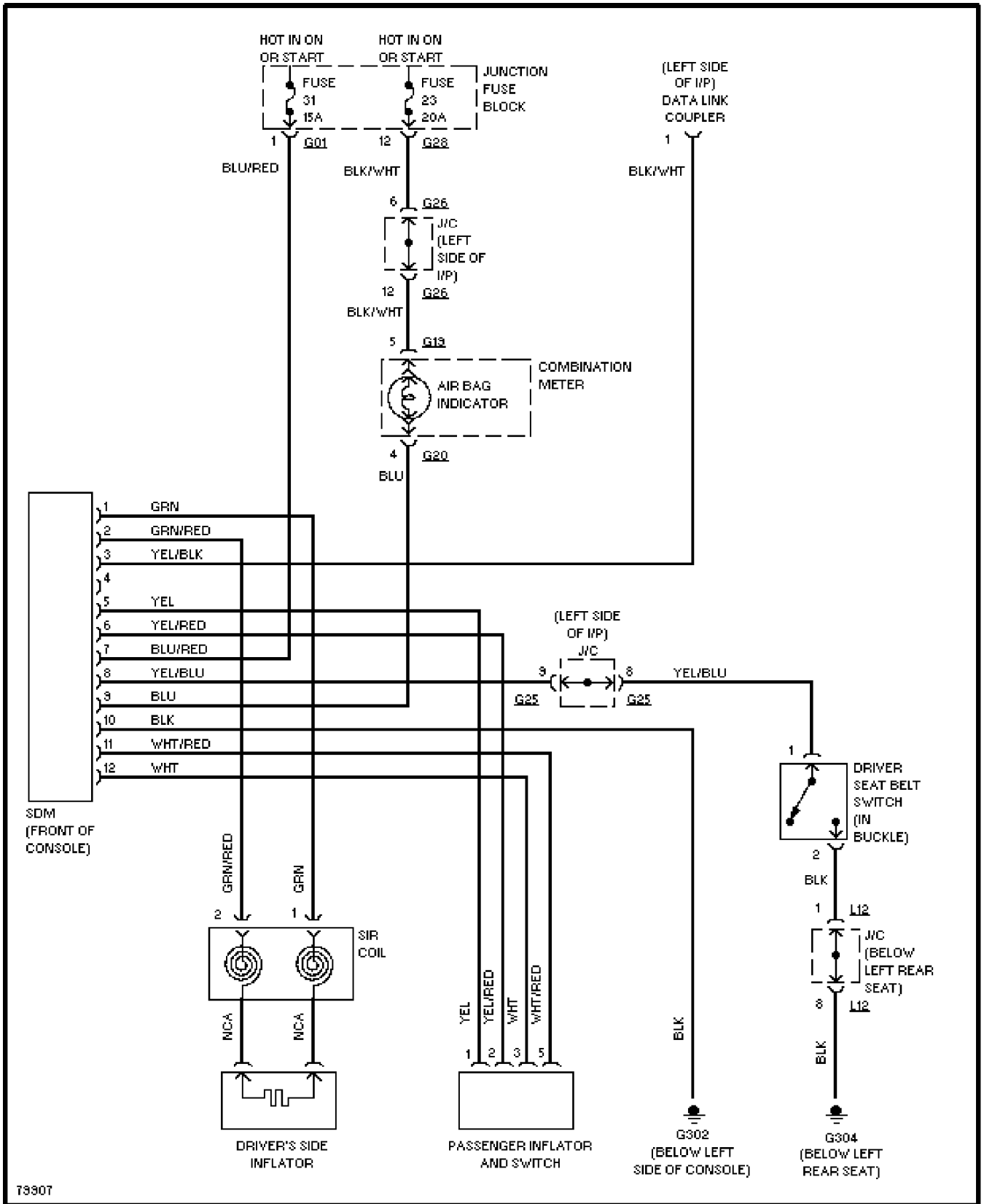
Article Text (p. 22)

1996 Suzuki Esteem

For

Copyright © 1998 Mitchell International

Tuesday, April 06, 1999 08:11AM



73307

Supplemental Restraint Circuit

TRANSMISSION

SYSTEM WIRING DIAGRAMS

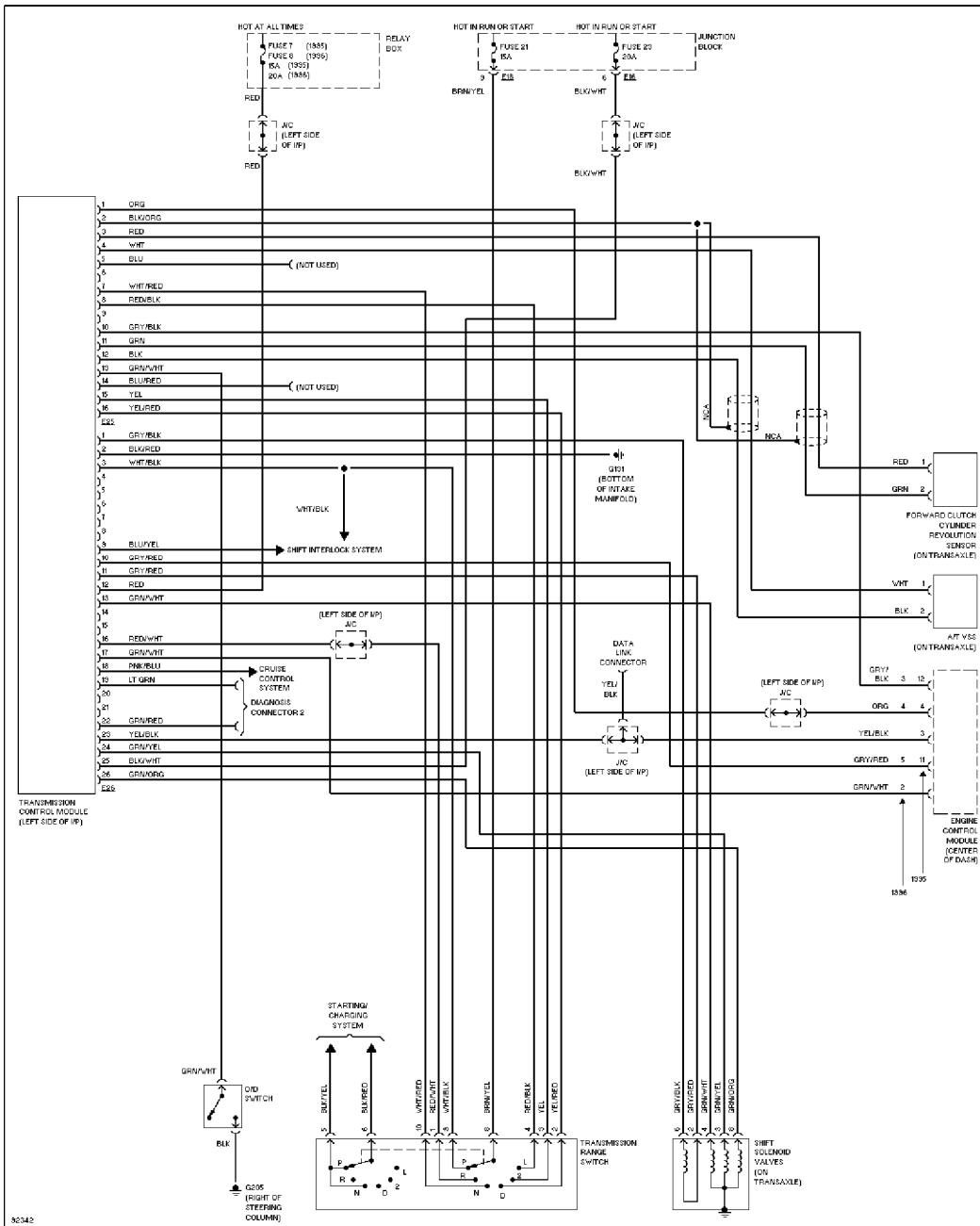
Article Text (p. 23)

1996 Suzuki Esteem

For

Copyright © 1998 Mitchell International

Tuesday, April 06, 1999 08:11AM



Transmission Circuit

WARNING SYSTEMS

SYSTEM WIRING DIAGRAMS

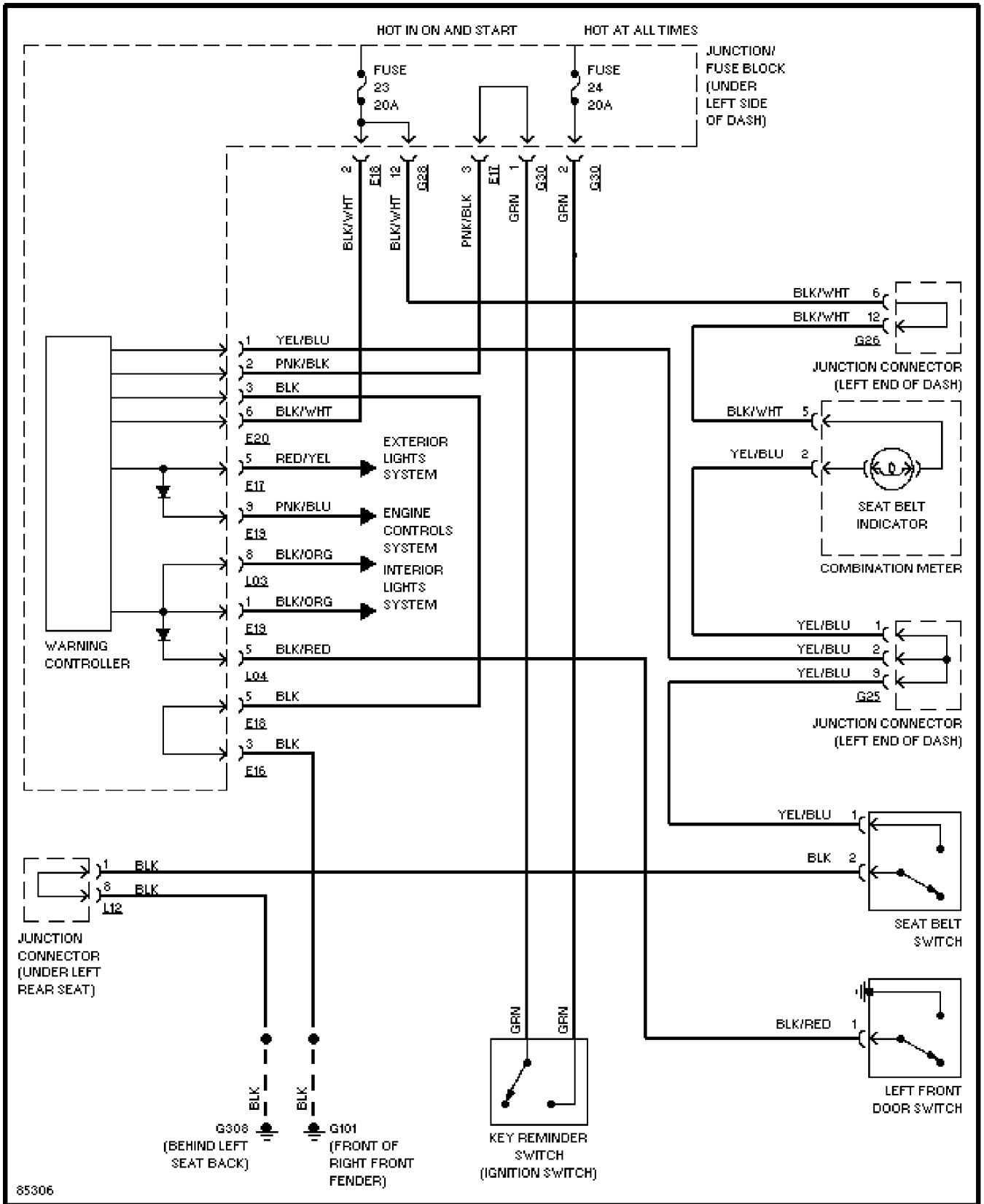
Article Text (p. 24)

1996 Suzuki Esteem

For

Copyright © 1998 Mitchell International

Tuesday, April 06, 1999 08:11AM



Warning System Circuits

WIPER/WASHER

SYSTEM WIRING DIAGRAMS

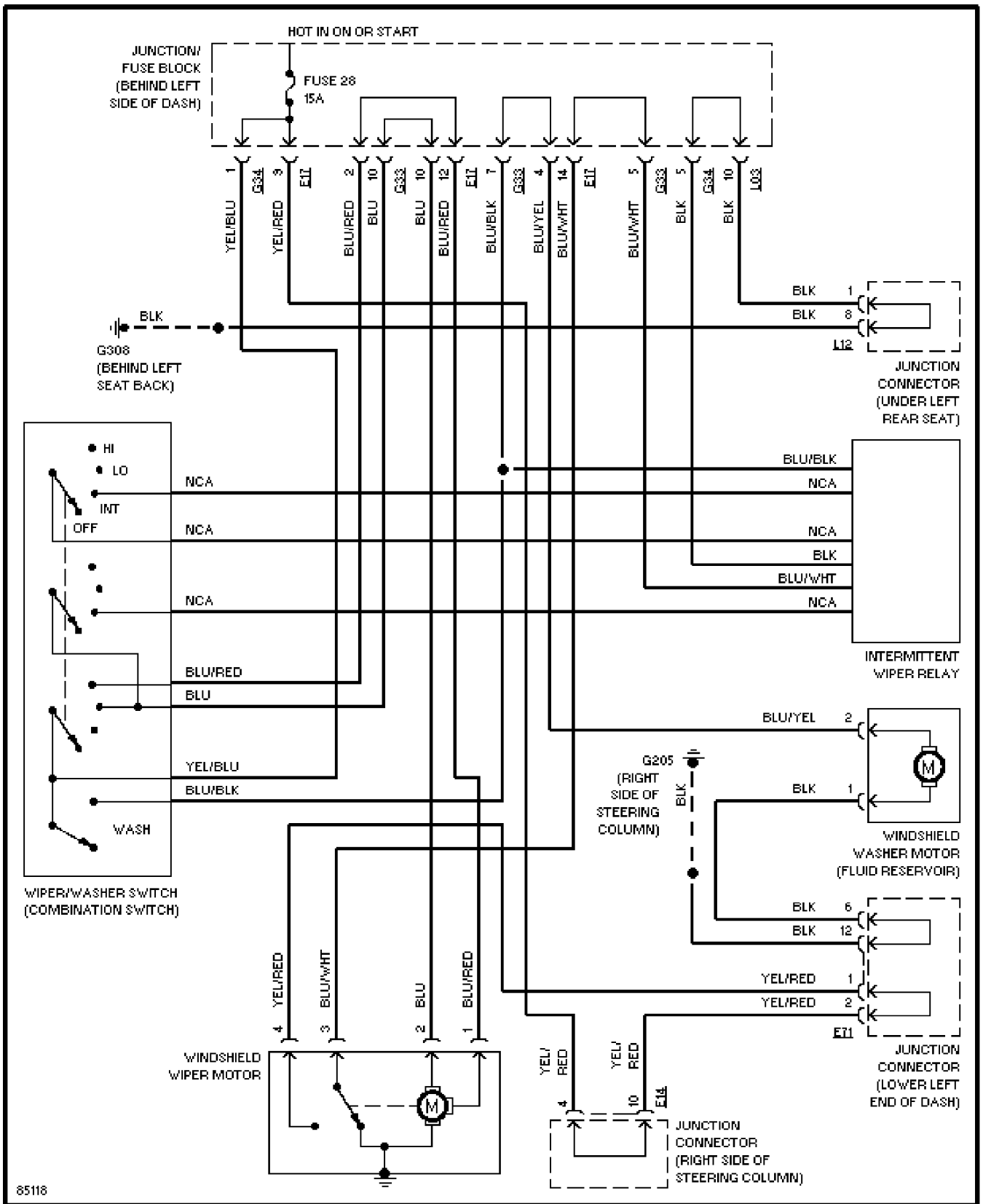
Article Text (p. 25)

1996 Suzuki Esteem

For

Copyright © 1998 Mitchell International

Tuesday, April 06, 1999 08:11AM



Wiper/Washer Circuit

END OF ARTICLE