



Original DeTomaso Pantera Parts

DETOMASO PANTERA PARTS AND ACCESSORIES

INFORMATION SECTION

This catalog contains all of the replacement parts and accessories available from DeTomaso Modena S.p.A. for the 1971 Pantera to the present 1985 model GT5-S. All body, chassis, soft trim and factory personal accessories are included.

Engine external parts manufactured directly by DeTomaso are included. All 351-C Ford engine parts are not shown in this catalog.

TEXT

CHASSIS SECTION

The chassis section is designed to start at a group of related parts and continue through that group by sections. For example, the suspension consists of wheels, hubs and brakes (front), followed by wheels, hubs and brakes (rear). The next sections contain the remaining parts of the suspension; brakes, park brake and complete suspension text.

BODY SECTION

The body section follows the same type of pattern. First, all body parts external followed by internal parts from front to rear. The next area of the body section is devoted to the doors (external), doors (internal), then the remaining body parts, shields, accessories, bumpers, etc.

SOFT TRIM

This section contains all interior trim parts, and components of the vehicle that are installed by the factory. This includes tools, jack, spare tire, owner's manuals and service tools.

FACTORY ACCESSORIES

This group is designed to show the factory personal accessories such as patches, umbrellas, key chains, model cars including all of the unique gauges, switches, lenses, etc. In addition, the major performance accessories (brake kits, sway bars, engine accessories) are illustrated.

ILLUSTRATIONS

All illustrations are directly across from the text. Illustration numbers all coincide with the part description in the text.

CATALOG MODEL DESCRIPTIONS

This catalog covers many different Pantera models. The difference in the parts for the various types is determined by the text. The text is designed to allow one to differentiate the parts through simple terms.

EXAMPLE

Section 1, Illustration 1; Part needed is a lug nut. According to the illustration the number for the lug nut is #26. In the text one discovers that there are, in fact, 3 types of lug nuts:

- Type 1 Lug Nut (Chrome)
- Type 2 Lug Nut (with Factory "T")
- Type 3 Lug Nut (Black)

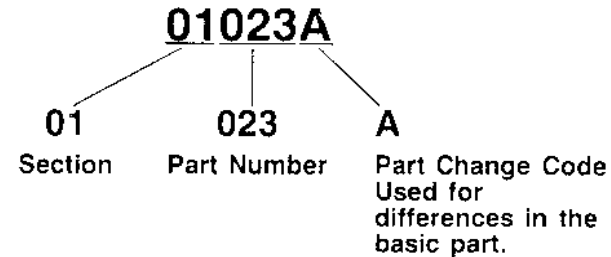
From this sample you can determine which of the above applies to your car.

PART NUMBERS

The part number has been designed to simplify parts ordering. All numbers are divided into the section, part number and part change letter.

EXAMPLE

The part number for the lug nut is designed as follows:



Lug Nut (Chrome)	01023A
Lug Nut (w/Factory "T")	01023B
Lug Nut (Black)	01023C

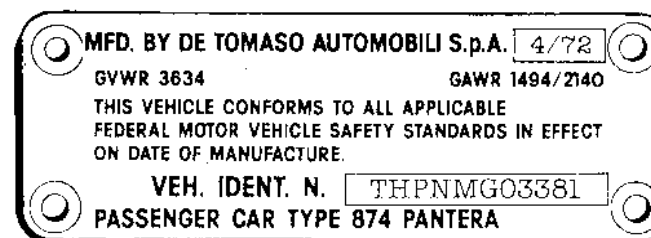
USEFUL INFORMATION

Pantera automobiles have been classified by year and model design. 1971-1974 Production Years are determined by serial number groups. 1975-1985 Production Years are determined by DeTomaso factory production. The following charts are useful in determining your vehicle origin.

Serial Number	Year	Description
Before #2293	1971	Small bumpers, square type
2293-4268	1972	Small bumpers, round type
4269-4839	1972½	Rubber 1 piece front bumper, early dash
4840-5899	1973	Rubber 1 piece front bumper, early dash
5900-7380	1974	Rubber bumper, late dash
7381-8999	1975-1980	Various differences*
9000-9149	1980	Complete chassis revision
9150-9374	May, 1980	GT5 Pantera (fiberglass flares)
9375	Nov, 1984	GT5-S (all steel Pantera)

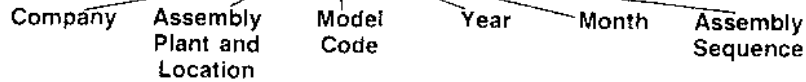
*Information available from factory/through your dealer by chassis number

I.D. PLATE ON L. REAR ¼ POST



SERIAL NUMBER

THPNMG03381



T = DeTomaso **M** = 1972 (L = 1971, N = 1973, P = 1974)
H = Modena Italy **G** = April
PN = Pantera **O3381** = 3381th Unit Built

Valid to Chassis Number 7380

MONTH CODES

Month Code	1971 Calendar Code L	1972 Calendar Code M	1973 Calendar Code N	1974 Calendar Code P
A		March	July	
B		January	May	
C	January	May	September	September
D	March	July	November	November
E	April	August	December	December
G		April	August	
H				June
J	September		January	May
K	February	June	October	October
L	May	September		January
M	November		March	July
P	December		April	August
R		February	June	
S	July	November		March
T	August	December		April
U	October		February	
Y	June	October		February

MAJOR CHANGES IN PRODUCTION

From Serial Number 9000 a major production change was established. All chassis under body components are different in the catalogue text. These parts are referred to as (After #9000).

Serial Number 9150—First GT5 Pantera (1980)

Serial Number 9375—First GT5-S Pantera (1984)

All additional parts changes noted by serial number.

EXTERIOR PAINT CODES

The charts below list the paint codes for 1971/74 Panteras

1971

CODE	COLOR	SUPPLIERS (FIELD FORMULA)						
		ACME	Ditzler	Du Pont	Martin-Senour	Rinsch Mason	Rogers	Sherwin-Williams
V108	Red	3-91032	71947	38800L	99-21488	PT007	8-91032	J5-4682
V109	Bronze Metallic	3-91001	23652	38801L	99-21492	PT002	8-91009	J5-4685
V204	White	3-90998	8896	38802L	99-21487	PT006	8-90998	J5-4680
V305	Medium Green	3-91035	44533	38803L	99-21489	PT003	8-91035	J5-4684
V306	Aqua Green Metal.	3-91002	44534	Not avail.	99-21715	Not avail.	8-91002	J5-5611
V307	Light Blue	3-91034	44535	38805L	99-21490	PT008	8-91034	J5-4681
V406	Medium Blue	3-90999	14314	38806L	99-21486	PT001	8-90999	J5-4683
V502	Yellow	3-91033	81945	38807L	99-21485	PT004	8-91033	J5-4678
V503	Beige Metallic	3-91000	23651	Not avail.	99-21716	PT005	8-91000	J5-5612
V613	Silver Metallic	3-91031	8926	Not avail.	99-21491	Not avail.	8-91031	J5-4679

1972/74

CODE	COLOR	SUPPLIERS (FIELD FORMULA)				
		Ditzler	Du Pont	Glidden	Italver	
	Blue	14622	43167	169 A 24	8039493	
	Green	44845	43168	169 G 25	Not avail.	
	Orange	60726	43166	169 R 23	8039495	
	Red (exc. GTS)	72049	38800	169 R 6	Not avail.	
	Dark Red (GTS)	72121	43750	166 R 83	Not avail.	
	Silver (exc. GTS)	33089	38809	167 E 5	Not avail.	
				167 E 2	Not avail.	
	Silver (GTS)	8951	43748	196 E 15	Not avail.	
				196 T 1		
	White	0866	38802	168 W 1	2421841	
	Yellow (exc. GTS)	82110	38807	Not avail.	2409062	
	Yellow Gold (GTS)	82208	43749	Not avail.	2469103	
	Black (GTS)	33199				

● 1972 ○ 1973 ■ Silver □ Clear

Paint color information from chassis number 7380 is available from the factory by special order. Your dealer will supply this information by request.

SOFT TRIM CODES

DeTomaso Pantera automobiles with leather interiors from 1980 with serial number 9000 and above use the following color codes:

INTERIOR LEATHER

- A-White F-Burgundy
- B-Cream G-Blue
- C-Beige H-Black
- D-Saddle I-Gray
- E-Brown

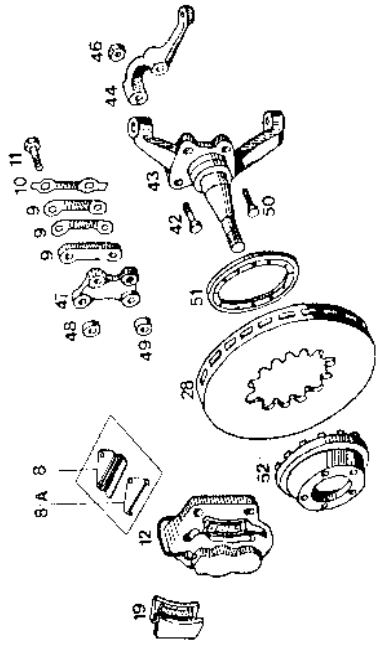
CARPET

- A-Black
- B-Blue
- C-Brown
- D-Red

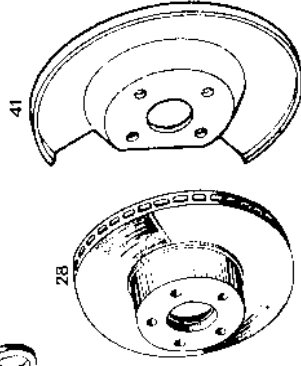
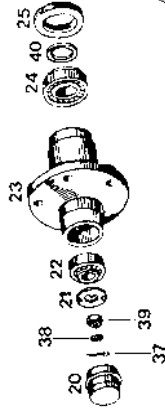
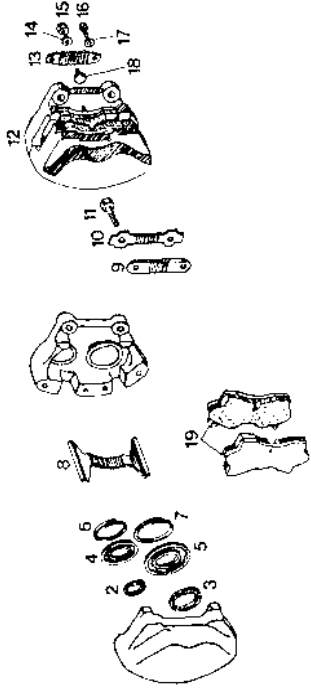


Original DeTomaso Pantera Parts

SECTION 1 ILLUSTRATION 1

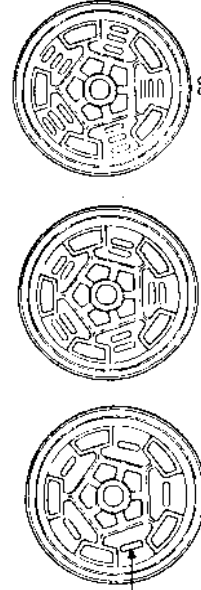
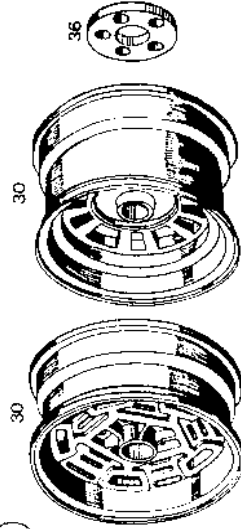
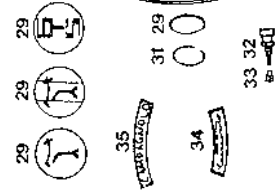


GT4 & 5 BRAKE SYSTEM AND RELATED PARTS



1ST SERIES

2ND SERIES



POSITION A

SECTION 1 ILLUSTRATION 1

Original DeTomaso Pantera Parts



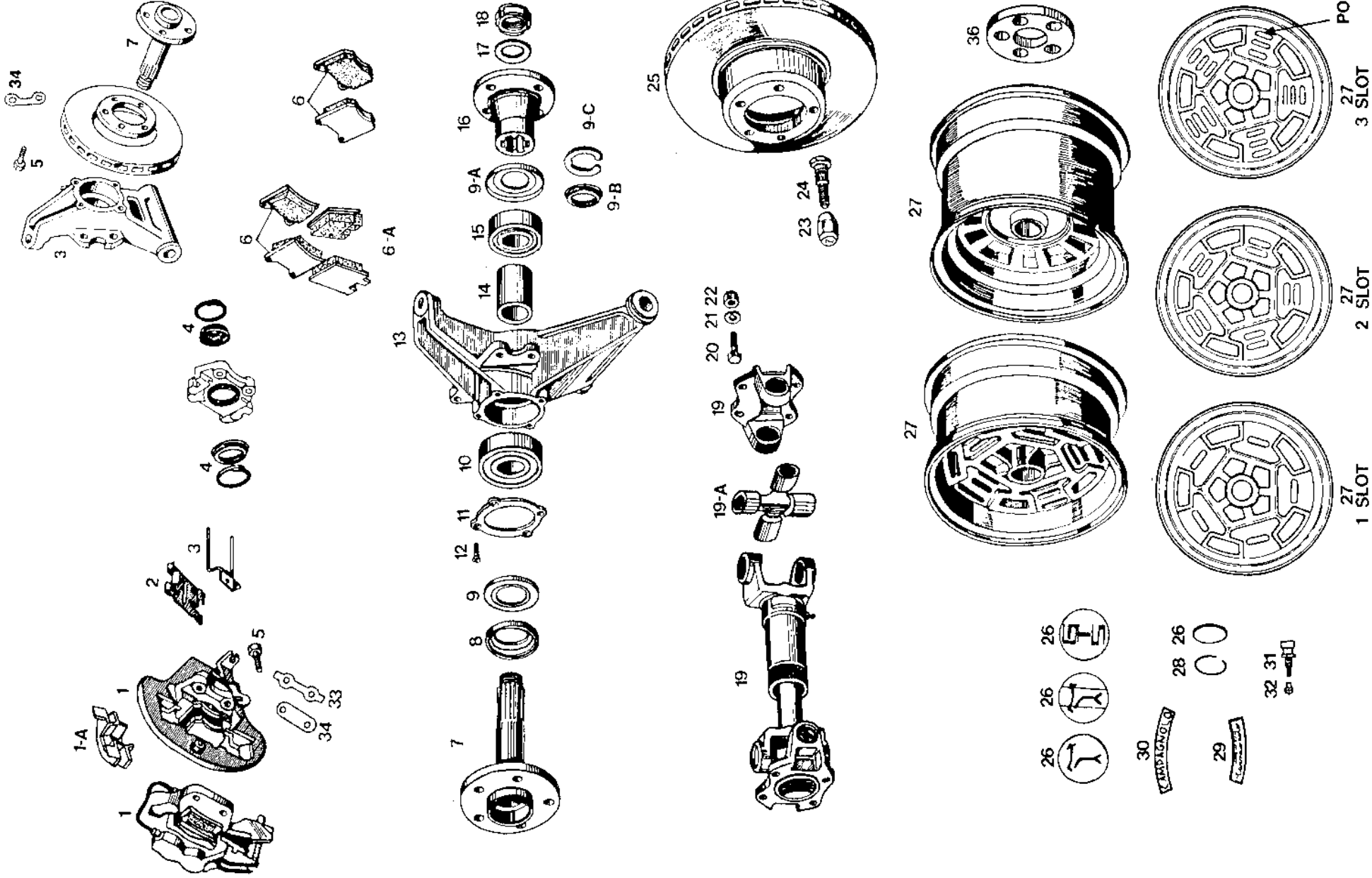
ILLUSTRATION #	DESCRIPTION	PART #
2-7	Caliper Rebuild Kit 1971 - Stock Brakes 4 Piston Caliper	01001A
2-7	Caliper Rebuild Kit GT5 Brakes 3 Piston Caliper	01001B
8	Spring Brake Pad Anti-Rattle	01002A
8	Spring Brake Pad Anti-Rattle GT5	01002B
8A	Retainer Front Brake Pads GT5	01047A
9	Spacer Shim Caliper to Spindle	01003A
9	Spacer Shim Caliper to Spindle GT5 0.5mm	01003B
9	Spacer Shim Caliper to Spindle GT5 1mm	01003C
9	Spacer Caliper Holder to Caliper GT5	01042A
10	Retainer Front Caliper Lock Tab	01004A
10	Retainer Front Caliper Lock Tab GT5	01004B
11	Bolt (Caliper to Spindle) M12 x 1.25 x 35	01005A
11	Bolt Caliper to Bracket GT5 7/16-20 x 1 5/8	01005B
12	Caliper Assembly 4 Piston Front RH	01006A
12	Caliper Assembly 4 Piston Front LH	01007A
12	Caliper Assembly RH GT5 3 Piston	01006B
12	Caliper Assembly LH GT5 3 Piston	01007B
13	Bracket Brake Line Attaching	01008A
14	Washer - M8	01009A
15	Nut - M8 x 1.25 ELN	01010A
16	Bolt - M6 x 1.0 x 10	01011A
17	Washer - M6 Lock Washer	01012A
18	Bolt - M8 x 1.25 x 15	01013A
19	Brake Pad Set 4 Pieces	01014A
19	Brake Pad Set 4 Pieces GT5	01014B
20	Cap Front Hub Dust	01015A
21	Washer Spindle Nut	01016A
22	Bearing Outer Cone & Roller	01017A
22	Bearing Outer Race	01018A
23	Hub Front Wheel	01019A
24	Bearing Inner Cone & Roller	01020A
24	Bearing Inner Race	01021A
25	Seal Front Hub Grease	01022A
26	Lug Nut Chrome	01023A
26	Lug Nut w/Factory T	01023B
26	Lug Nut Black	01023C
27	Stud Front & Rear 2-7/32" Length	01024A
27	Stud Front & Rear GT5 2-13/16" Length	01024B
28	Rotor Front (Nonvented)	01025A
28	Rotor Front (Vented)	01025B
28	Rotor Front Vented GT5	01025C
29	Wheel Center Emblem Blue with White Crest	01026A
29	Wheel Center Emblem GTS Black	01026B
29	Wheel Center Emblem Black Plastic with Raised "T"	01026C
30	Wheel Front 7" w/1 Slot in Position A	01027A
30	Wheel Front 7" w/2 Slots in Position A	01027B
30	Wheel Front 7" w/3 Slots in Position A	01027C
30	Wheel Front 10" GT4 & 5 Spoke Type	01027D
31	Retainer Wheel Center Emblem	01028A
32	Valve Stem w/Cap Aluminum	01029A
33	Cap Valve Stem Knurled	01029B
34	Wheel Decal Campagnolo Gold	01030A

35	Wheel Decal Campagnolo Black	01030B
36	Spacer Front & Rear Wheel GT4 & 5	01031A
37	Cotter Pin 1/8" x 1-1/2"	01032A
38	Nut Micro Lock	01033A
39	Spindle Nut RH Crimp Style	01034A
39	Spindle Nut LH Crimp Style	01034B
39	Spindle Nut RH Used w/#37 & 38	01034C
39	Spindle Nut LH Used w/#37 & 38	01034D
40	Shield Wheel Bearing Inner	01035A
41	Shield Front Brake Splash	01036A
42	Bolt Front Spindle Arm - No Hex Head M10 x 1.0 x 50	01037A
42	Bolt Front Spindle Arm - w/ Hex Head M10 x 1.5 x 50	01037B
42	Bolt Spindle Arm to Spindle GT5 Allen Head M12 x 1.25 x 50	01005C
43	Spindle Shaft RH R/B 2nd Series	01038A
43	Spindle Shaft LH R/B 2nd Series	01038B
43	Spindle R&LH 2nd Series Drilled	01038C
43	Spindle GT5 R&LH	01038D
44	Support Spindle RH R/B 2nd Series	01039A
44	Support Spindle LH R/B 2nd Series	01039B
44	Spindle Arm RH	01039C
44	Spindle Arm LH	01039D
44	Spindle Arm RH GT5	01039E
44	Spindle Arm LH GT5	01039F
45	Washer (Spring Type 10mm)	01040A
46	Nut Spindle Arm M10 x 1.0 for 01037A	01041A
46	Nut Spindle Arm Bolt M10 x 1.5 ELN for 01037B	01041B
46	Nut Spindle Arm Bolt GT5 M12 x 1.25 ELN	01041C
47	Caliper Holder GT5	01043A
48	Spacer Caliper Holder to Spindle GT5 9/32"	01044A
49	Spacer Caliper Holder to Spindle GT5 1/2"	01044B
50	Bolt Caliper Holder to Spindle GT5 Hex Head M12 x 1.25 x 50	01005D
51	Retainer Ring Rotor to Housing GT5	01045A
52	Housing Front Rotor GT5	01046A



Original DeTomaso Pantera Parts

SECTION 1 ILLUSTRATION 2



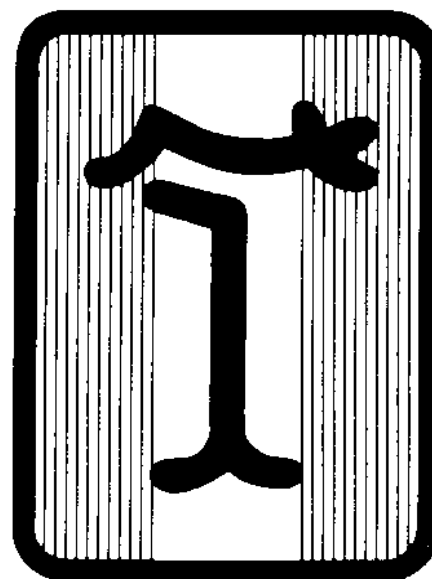
SECTION 1 ILLUSTRATION 2

ILLUSTRATION #	DESCRIPTION	PART #
1A	Caliper Guide (Nylon)	01006D
1	Caliper Assembly RH Single Piston	01006C
1	Caliper Assembly RH 3 Piston GT5	01006E
1	Caliper Assembly LH Single Piston	01007C
1	Caliper Assembly LH 3 Piston GT5	01007D
2	Spring Clip Brake Pad Anti-Rattle	01002B
3	Retainer Rear Brake Lining	01048A
3	Retainer Pin GT5 Rear Pads	01048B
4	Caliper Rebuild Kit w/o Piston Single Piston	01001C
4	Caliper Rebuild Kit w/o Piston GT5	01001D
4	Caliper Rebuild Kit w/Piston RH Single Piston	01001E
4	Caliper Rebuild Kit w/Piston LH Single Piston	01001F
5	Bolt Caliper to Upright M10 x 1.5 x 35m	01005E
5	Bolt Caliper to Upright GT5 Allenhead M12 x 1.25 x 35	01005B
6	Brake Pad Set Single Piston	01014C
6	Brake Pad Set 3 Piston GT5	01014D
6A	Brake Pad Set Park Brake GT5	01014E
7	Rear Axle Shaft RH Stamped "D"	01200A
7	Rear Axle Shaft RH GT5	01200B
7	Rear Axle Shaft LH Stamped "S"	01201A
7	Rear Axle Shaft LH GT5	01201B
8	Spacer Axle Shaft Outer	01202A
8	Spacer Axle Shaft Outer GT5	01202B
9	Shield Outer Bearing	01203A
9A	Shield Inner Bearing	01203B
9B	Shield (Seal Inner Bearing GT5)	01203C
9C	Snap Ring GT5 Hub Carrier (Inner Bearing)	01203D
10	Bearing Assembly Outer	01204A
10	Bearing Assembly Outer GT5	01204B
11	Retainer Wheel Bearing Outer	01205A
11	Retainer Wheel Bearing Outer GT5	01205B
12	Screw Retainer to Hub M6 x 16	01206A
13	Hub Carrier	01207A
13	Hub Carrier GT5 RH	01207B
13	Hub Carrier GT5 LH	01207C
14	Spacer Rear Axle Shaft Inner	01208A
14	Spacer Rear Axle Shaft Inner GT5	01208B
15	Bearing Assembly Inner	01209A
15	Bearing Assembly Inner GT5	01209B
16	Flange Rear Axle Shaft Inner	01210A
17	Washer Axle Nut	01211A
18	Nut RH Axle	01212A
18	Nut LH Axle	01213A
19	Drive Shaft w/U Joints	01214A
19A	U-Joint w/Zerk	01214B
20	Bolt Drive Shaft Flange 7/16 x 20 x 1-1/4	01215A
21	Lock Washer M-11	01216A
22	Nut Axle Flange Bolt 7/16 x 20 ELN	01217A
23	See Illustration 1	
24	See Illustration 1	
25	Rotor Rear Non-Vented	01025D
25	Rotor Rear Vented	01025E

Original DeTomaso Pantera Parts



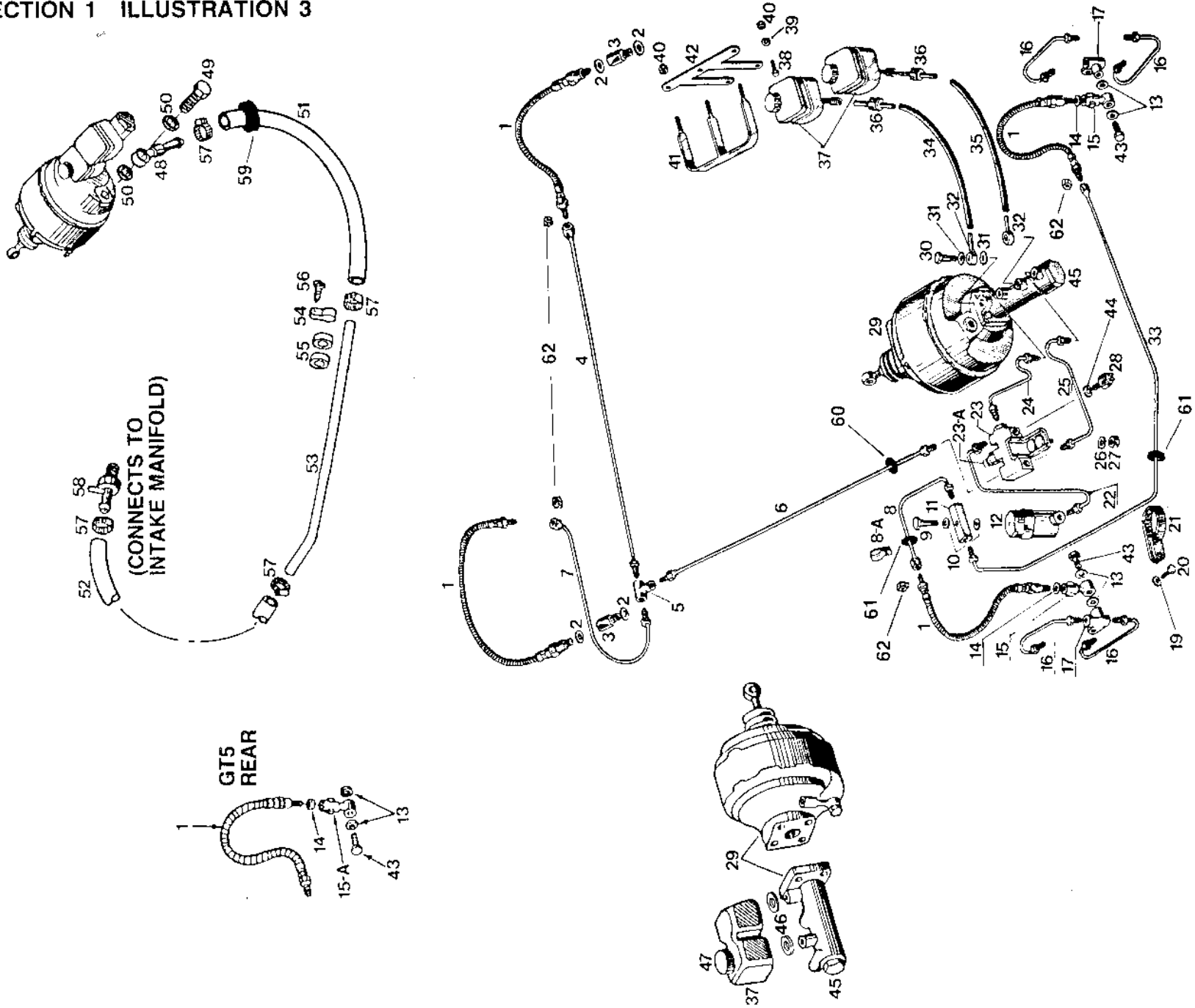
25	Rotor Rear Vented GT5	01025F
26	See Illustration 1	
27	Wheel Rear 8" 1 Slot in Position A	01027E
27	Wheel Rear 8" 2 Slot in Position A	01027F
27	Wheel Rear 8" 3 Slot in Position A	01027G
27	Wheel 10" GT5 2 Slot in Position A	01027H
27	Wheel 13" GT5 Spoke Type	01027I
28	Retainer Wheel Center Emblem	01028A
29	Wheel Decal Campagnolo Gold	01030A
30	Wheel Decal Campagnolo Black	01030B
31	Valve Stem w/Cap Aluminum	01029A
32	Cap Valve Stem (Knurled)	01029B
33	Retainer Rear Caliper Lock Tab	01004C
33	Retainer Rear Caliper Lock Tab GT5	01004D
34	Spacer Rear Caliper to Support	01003D
34	Spacer Rear Caliper to Support GT5 0.5mm	01003E
34	Spacer Rear Caliper to Support GT5 1.0mm	01003F
34	Spacer Rear Caliper to Support GT5 5mm	01003G





Original DeTomaso Pantera Parts

SECTION 1 ILLUSTRATION 3



SECTION 1 ILLUSTRATION 3

Original DeTomaso Pantera Parts

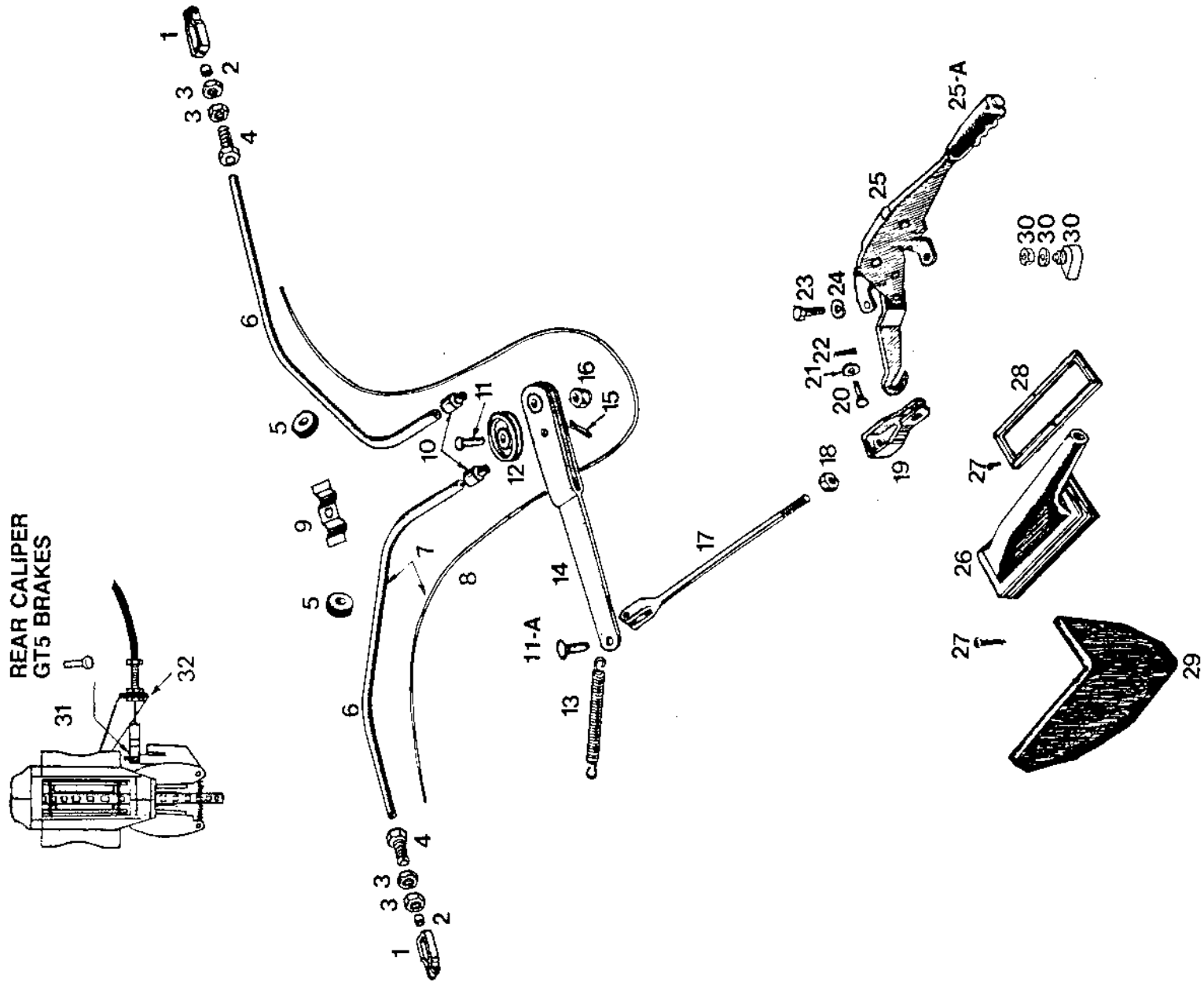


ILLUSTRATION #	DESCRIPTION	PART #
1	Hose Front & Rear Brakes Rubber	01300A
1	Hose Front & Rear Brakes Braided Steel	01300B
1	Hose Rear Brakes GT5 w/15A 1 Piece	01300C
2	Gasket	01301A
3	Fitting Flex Line to Rear Caliper	01302A
3	Fitting Flex Line to Rear Caliper GT5	01302B
4	Brake Line ("T" to LR Caliper)	01303A
5	Fitting Brake Line "T" Rear	01304A
6	Brake Line Differential Valve to "T" Rear	01305A
6	Brake Line Differential Valve to Rear "T" (From #9000)	01305B
7	Brake Line "T" to R Rear Caliper	01306A
8	Brake Line Pressure Control Valve to RF Caliper (Used w/#11)	01307A
8	Brake Line Pressure Control Valve to RF Caliper (Used w/2nd Series Valve)	01307B
8A	Clp Brake Line to Floor	01307C
9	Bolt Connector to Valve	01308A
10	Gasket	01301B
11	Connector Brake Tube Straight	01309A
12	Valve Assembly Pressure Control Used with #11 1st Series	01310A
12	Valve Assembly Pressure Control 2nd Series	01310B
12	Valve Assembly Pressure Control Adjustable	01310C
13	Gasket Outer 7/16" ID	01301B
14	Gasket Inner 13/32" ID	01301A
14	Gasket	01301A
15	Fitting Flex Line to Front Caliper	01302B
15A	Fitting Flex Line to Rear Caliper GT5	01302C
16	Brake Line Front Caliper	01311A
16	Brake Line Flex Line to Caliper Front GT5	01311B
16	Brake Line Caliper Transfer GT5	01311C
17	Fitting Caliper "T"	01304A
19	Lock Washer 6mm	01312A
20	Bolt Valve Bracket M6 x 1 x 25mm	01313A
21	Bracket Valve to Fenderwell Used w/#01310A Valve	01314A
21	Bracket Valve to Fenderwell Used w/#01310B Valve	01314B
22	Brake Line Differential Valve to Pressure Control Valve	01315A
22	Brake Line Differential Valve to Pressure Control Valve From #9000	01315B
23	Valve Assembly Brake Pressure Differential	01316A
23	Valve Assembly Brake Pressure Differential From #9000	01316B
23A	Switch Brake Pressure Differential	01317A
24	Brake Line Pressure Differential Valve to Rear Master Cylinder w/Apron MTD Reservoir	01318A
24	Brake Line Pressure Differential Valve to Rear Master Cylinder w/Cylinder MTD Reservoir	01318B
24	Brake Line Pressure Differential Valve to Rear Master Cylinder w/Cylinder MTD Reservoir From #9000	01318C
25	Brake Line Pressure Differential Valve to Front Master Cylinder w/Apron MTD Reservoir	01319A
25	Brake Line Pressure Differential Valve to Front Master Cylinder w/Master Cylinder MTD Reservoir	01319B
25	Brake Line Pressure Differential Valve to Front Master Cylinder w/Cylinder MTD Reservoir From #9000	01319C
26	Lock Washer 5/16"	02014A
27	Nut 5/16 x 18	01320A
28	Switch Brake Lights	01321A
29	Brake Booster w/M Cylinder (Apron Mounted Reservoir 22mm)	01322A
29	Brake Booster w/M Cylinder (Cylinder Mounted Reservoir 23mm)	01322B
29	Brake Booster w/M Cylinder GT5 (25mm Master Cylinder)	01322C
30	Bolt Master Cylinder Inlet Fitting	01323A
31	Gasket	01301C
32	Fitting Master Cylinder Hose Connection	01324A
33	Brake Line Pressure Control Valve to LF Caliper (Used w/#11)	01325A
33	Brake Line Pressure Control Valve to LF Caliper (Used w/2nd Series Valve)	01325B
34	Hose Reservoir to Master Cylinder Rear	01326A
35	Hose Reservoir to Master Cylinder Front	01326B
36	Fitting Brake Reservoir	01327A
37	Reservoir Apron Mounted	01328A
37	Reservoir Master Cylinder Mounted	01328B
37	Reservoir Master Cylinder Mounted GT5	01328C
38	Bolt Bracket to Fender Apron 3/8 x 16 x 7/8	01329A
39	Lock Washer 3/8	01330A
40	Nut 3/8" Bracket to Fenderwell	01331A
40	Nut 5mm x .90 Bracket to Bracket	01331B
41	Bracket Front	01332A
42	Bracket Rear	01332B
43	Bolt Flex Line Fitting to "T" Front Caliper	01333A
43	Bolt Flex Line to Rear Caliper GT5 3 Piston Caliper	01333A
44	Gasket Stoplight Switch 7/16" ID	01301B
45	Master Cylinder w/Apron MTD Reservoir 22mm	01334A
45	Master Cylinder w/Cylinder MTD Reservoir 23mm	01334B
45	Master Cylinder w/Cylinder MTD Reservoir 25mm GT5	01334C
46	Seal Reservoir to Master Cylinder	01335A
47	Cap Reservoir	01336A
48	Check Valve (Brake Booster)	01337A
49	Bolt Check Valve to Booster	01338A
50	Gasket Check Valve to Booster	01301D
51	Hose Booster to Tube 18"	01339A
52	Hose Manifold to Tube 5"	01339B
53	Tube Brake Booster to Rear (Steel)	01341A
54	Clamp Booster Tube to Body	01341A
55	Grommet Booster Tube to Body	01342A
56	Screw Booster Tube Clamp to Body #8 x 1/2"	01343A
57	Clamp Brake Booster Hose	01344A
58	Fitting Booster Hose to Manifold	01345A
59	Grommet Booster Hose to Body	01346A
60	Grommet Brake Line to Body (Front to Rear)	01347A
61	Grommet Brake Line to Body (L&R Front)	01348A
62	Nut Brake Hose to Body	01349A



Original DeTomaso Pantera Parts

SECTION 1 ILLUSTRATION 4

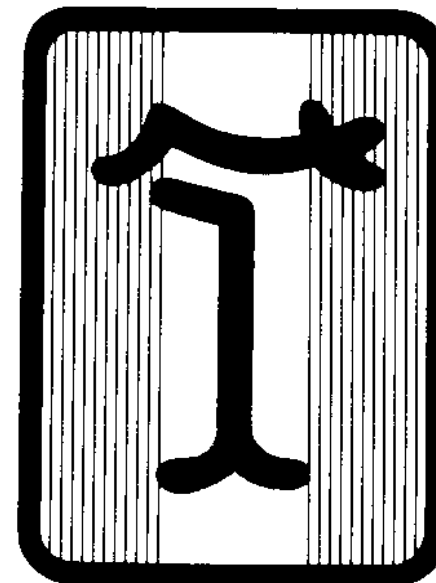


SECTION 1 ILLUSTRATION 4

Original DeTomaso Pantera Parts



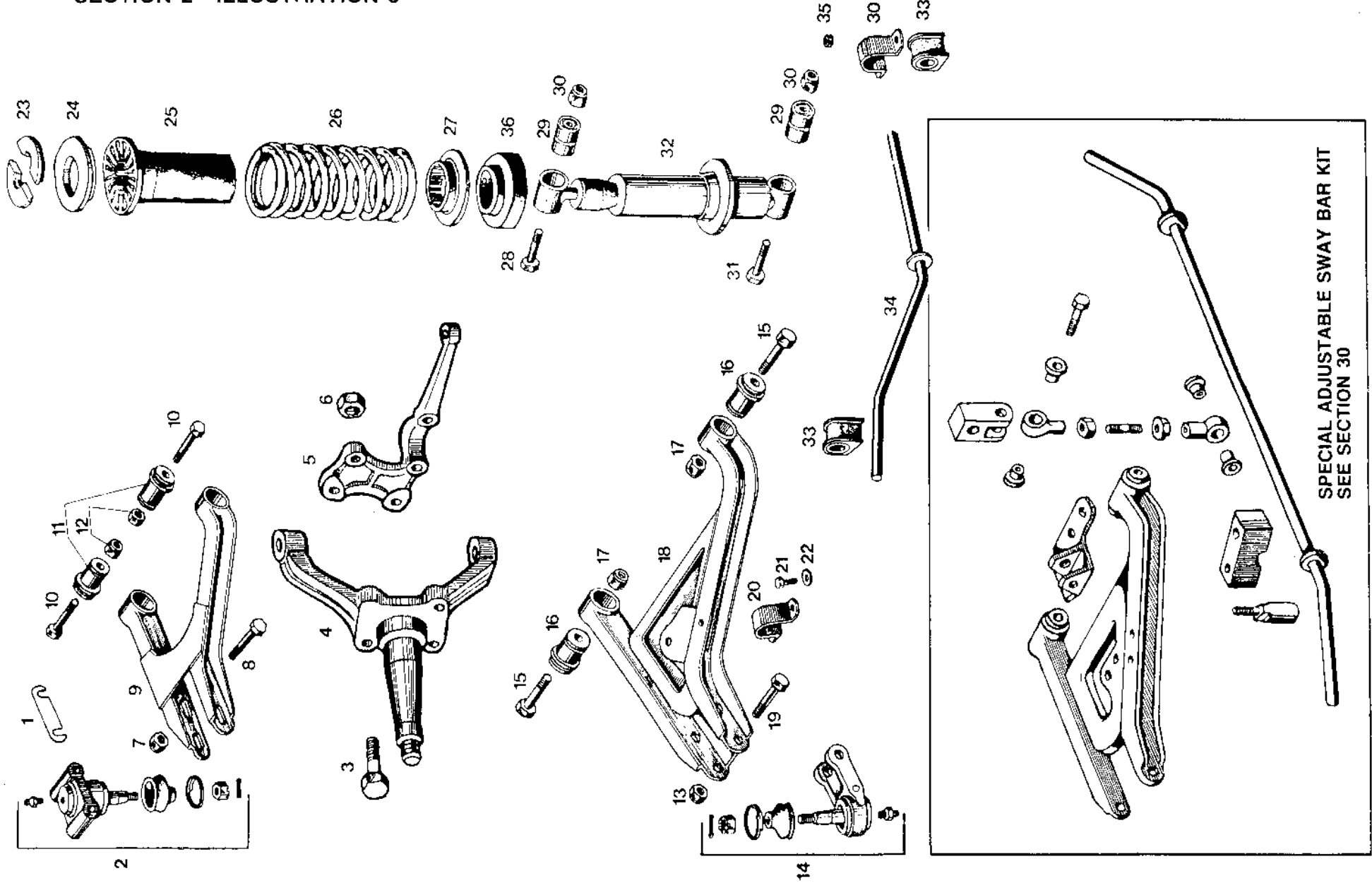
ILLUSTRATION #	DESCRIPTION	PART #
1	Clevis Park Brake Caliper End	01400A
1	Clevis Park Brake Caliper End GT5	01400B
2	Sleeve Park Brake Cable End	01401A
3	Nut Park Brake Cable Fitting M10 x 1.5	01402A
4	Fitting Park Brake Cable	01403A
5	Grommet Park Brake Cable at Inner Fender	01404A
6	Housing Park Brake Cable RH	01405A
6	Housing Park Brake Cable LH	01405B
7	Cable Assembly Park Brake Complete (Parts #1, 2, 3, 4, 6, 8, 10)	01406A
7	Cable Assembly Park Brake Complete Group 3	01406B
7	Cable Assembly park Brake Complete (Parts #1, 2, 3, 4, 6, 8, 10) GT5 From #9170	01406C
8	Cable (Inner) Park Brake (For 01406A Cable Assembly Only)	01407A
9	Bracket Park Brake to Transaxle	01408A
10	Cable Shield End	01409A
11	Pin Park Brake Cable Pulley	01410A
11A	Pin - Hod to Equalizer	01410B
12	Pulley Park Brake Cable	01411A
13	Spring Park Brake Lever	01412A
14	Lever Park Brake Equalizer	01413A
14	Lever Park Brake Equalizer GT5 from #9170	01413B
15	Clip Park Brake Pulley Pin	01414A
16	Nut Equalizer Lever to Body M10 x 1.5 ELN	01037B
17	Rod Control to Equalizer	01415A
17	Rod Control to Equalizer GT5 w/Park Brake on Driver's Side	01416B
18	Nut Park Brake Rod Jamb M8 x 1.25	01417A
19	Clevis Park Brake Rod	01418A
20	Pin Park Brake Control	01419A
21	Washer M8	01009A
22	Clip	01414A
23	Bolt Park Brake Control Mounting M8 x 1.25 x 20	02013A
24	Lock Washer 8mm	02014A
25	Control Assembly Park Brake Handle	01420A
25	Control Assembly Park Brake Handle From #9170	01420B
25A	Grip Park Brake Control	01421A
26	Boot Park Brake Control	01422A
27	Screw Boot Retainer Plate M4.2 x 13 Metal Coarse	01423A
28	Retainer Plate Park Brake Lever Boot	01424A
29	Trim Cover Park Brake Control Steel w/Trim	25020A
29	Trim Cover Park Brake Control Plastic 73-74 Console	25020B
29	Trim Cover GT5 w/Control on Left Side of Console	25020C
30	Switch Park Brake Warning 2 Terminal	01426A
30	Switch Park Brake Warning 3 Terminal	01426B
31	Pin Park Brake Cable End GT5	01427A
32	Bracket Park Brake Cable Mounting RH GT5	01428A
32	Bracket Park Brake Cable Mounting LH GT5	01428B





Original DeTomaso Pantera Parts

SECTION 2 ILLUSTRATION 5

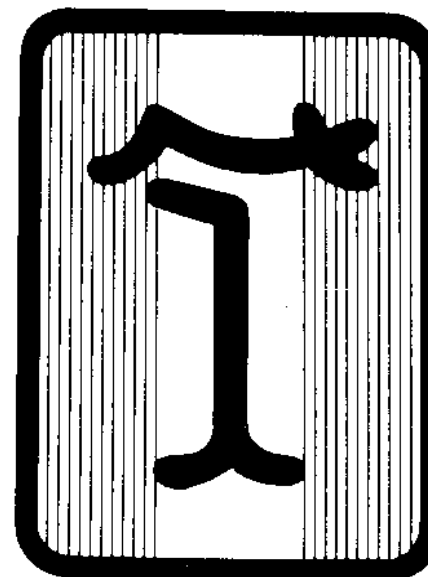


SECTION 2 ILLUSTRATION 5

Original DeTomaso Pantera Parts



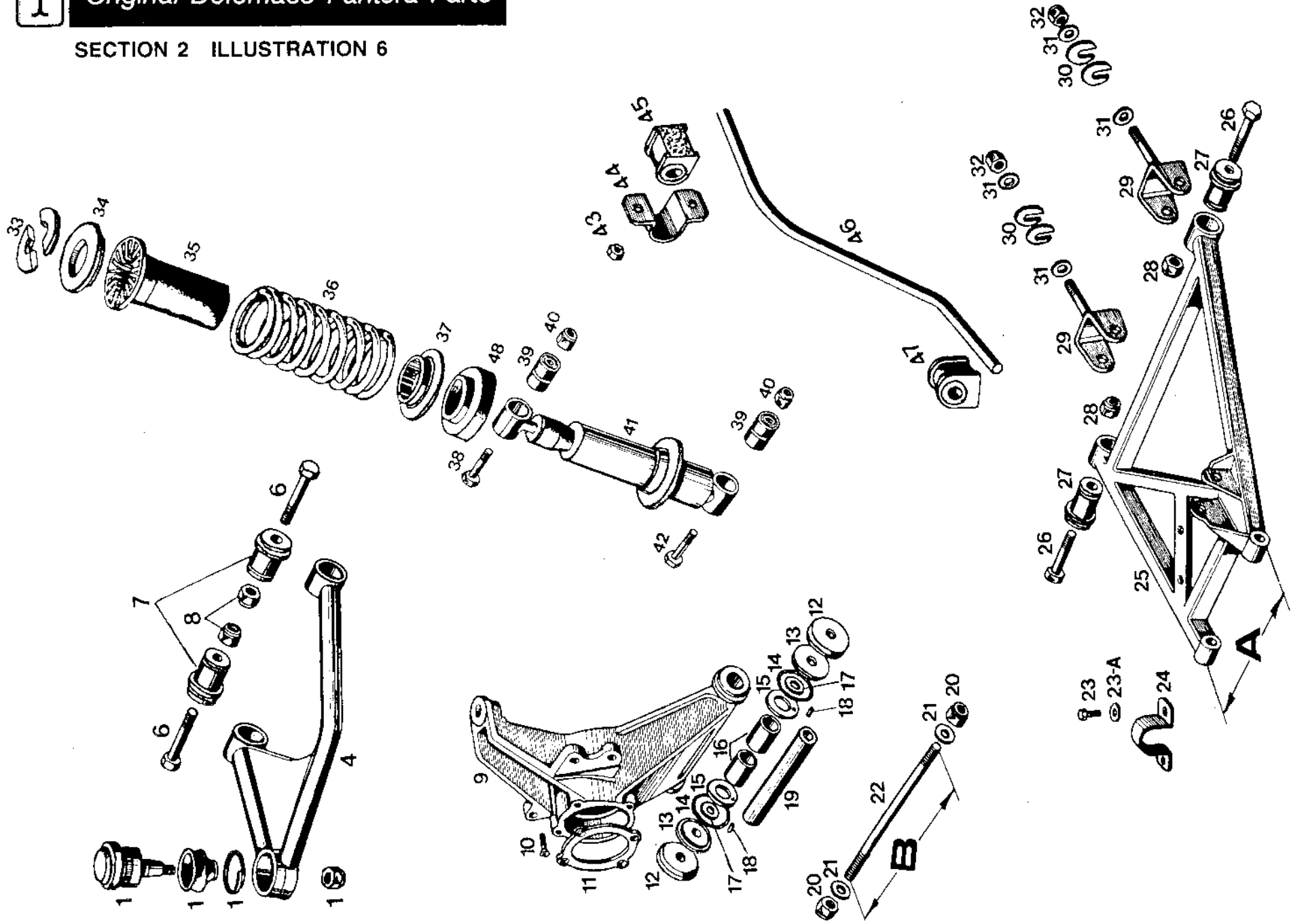
ILLUSTRATION #	DESCRIPTION	PART #
1	Shim Front Alignment 3/64"	02002A
1	Shim Front Alignment 5/32"	02002B
2	Ball Joint Upper	02001A
3	See Section 1, Illustration #1	
4	See Section 1, Illustration #1	
5	See Section 1, Illustration #1	
6	See Section 1, Illustration #1	
7	Nut, Upper Ball Joint M10 x 1.5 ELN	02003A
8	Bolt, Upper Ball Joint M10 x 1.5 x 90mm	02004A
9	A-Arm Upper RH w/o Adjustable Caster N/R	
9	A-Arm Upper RH with Adjustable Caster	02005A
9	A-Arm Upper LH w/o Adjustable Caster N/R	
9	A-Arm Upper LH with Adjustable Caster	02006A
10	Bolt A-Arm to Chassis 12M x 1.75 x 80mm	02007A
11	Bushing (A-Arm)	02008A
12	Nut A-Arm Bolt 12mm x 1.75 ELN	02009A
13	Nut Lower A-Arm Ball Joint M10 x 1.5 ELN	02003A
14	Ball Joint Lower	02001B
15	Bolt A-Arm to Chassis 12M x 1.75 x 80mm	02007B
16	Bushing (A-Arm)	02008A
17	Nut A-Arm Bolt 12mm x 1.75 ELN	02009A
18	A-Arm Lower RH	02010A
18	A-Arm Lower LH	02011A
19	Bolt (Lower Ball Joint Outer) M10 x 1.5 x 80mm	02004A
20	Bracket Sway Bar to A-Arm	02012A
21	Bolt Sway Bar Bracket M8 x 1.25 x 20	02013A
22	Lock Washer 8mm	02014A
23	Retainer Spring to Shock	02015A
24	Retainer Ring Spring to Shock	02016A
25	Insulator Spring Upper	02017A
26	Spring Front Coil	02018A
26	Spring Front Coil GT5	02018B
27	Insulator Spring Lower	02017B
28	Bolt Shock to Chassis 12M x 1.75 x 80mm	02007A
29	Bushing (Shock)	02008B
30	Nut Shock Bolt 12mm x 1.75 ELN	02009A
31	Bolt Shock to A-Arm M12 x 1.75 x 80mm	02007A
32	Shock Absorber Front	02023A
32	Shock Absorber GT5 Front	02023B
33	Bushing Sway Bar Mounting	02019A
34	Sway Bar Front	02020A
35	Nut Bracket to Chassis M8 x 1.25 ELN	01010A
36	Spacer Spring to Shock	02022A
36	Spacer Spring to Shock GT5	02022B





Original DeTomaso Pantera Parts

SECTION 2 ILLUSTRATION 6



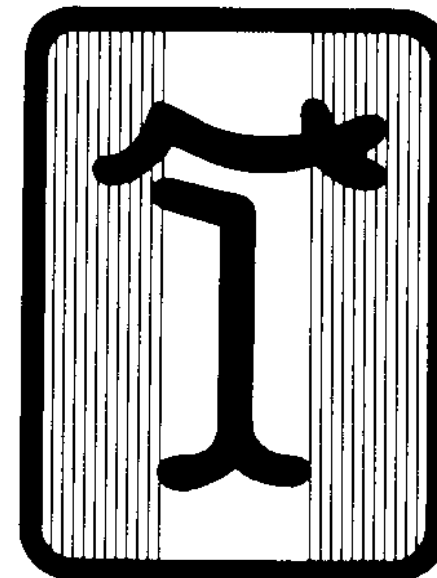
SECTION 2 ILLUSTRATION 6

Original DeTomaso Pantera Parts



ILLUSTRATION #	DESCRIPTION	PART #
1	Ball Joint Upper	02100A
4	A-Arm Upper RH	02101A
4	A-Arm Upper LH	02102A
6	Bolt A-Arm to Chassis M12 x 1.75 x 80mm	02007A
7	Bushing A-Arm	02008A
8	Nut A-Arm Bolt 12mm x 1.75 ELN	02009A
9	Hub Carrier	01207A
9	Hub Carrier GT5 RH	01207B
9	Hub Carrier GT5 LH	01207C
10	Screw Retainer to Hub M6 x 1 x 16mm	01206A
11	Retainer Wheel Bearing Outer	01205A
11	Retainer Wheel Bearing Outer GT5	01205B
12	Shield Rear Lower Shaft	02103A
12	Shield GT5	02103B
13	Washer Lower Support Shaft Outer	02104A
14	Seal Lower Support Shaft	02105A
15	Washer Lower Support Shaft Inner	02106A
16	Bushing Lower Support Shaft	02107A
17	Washer (Center) 5/8 ID x 15/16 OD	02108A
18	Pin Hub Carrier to Washer	02109A
19	Spacer Lower Support Shaft	02110A
20	Nut Lower Support Shaft M14 x 1.5 ELN	02111A
21	Washer Lower Support Shaft M15	02112A
22	Shaft Lower Support 10-1/2" Long	02113A
22	Shaft 11" Replaced by 02113A	
23	Bolt Sway Bar Bracket M8 x 1.25 x 20mm	02013A
23A	Lock Washer 8mm	02014A
24	Bracket Sway Bar to A-Arm	02012A
25	A-Arm Lower RH "A" Dimension 9"	02114A
25	A-Arm Lower LH "A" Dimension 9"	02115A
25	A-Arm Lower "A" Dimension 9 1/2" Replaced by Above	
26	Bolt A-Arm to Chassis M12 x 1.75 x 80mm	02007A
27	Bushing A-Arm	02008A
28	Nut A-Arm Bolt 12mm x 1.75 ELN	02009A
29	Support Lower Arm to Frame	02116A
30	Shim Rear Alignment 1/32"	02117A
30	Shim Rear Alignment 3/64"	02117B
30	Shim Rear Alignment 7/64"	02117C
31	Washer Lower Support to Frame M14	02118A
32	Nut Lower Support M14 x 1.5 ELN	02111A
33	Retainer Spring to Shock	02015A
34	Retainer Ring Spring to Shock	02016A
35	Insulator Spring Upper	02017A
36	Spring Assembly Rear Coil	02119A
36	Spring Assembly Rear Coil GT5	02119B
37	Insulator Spring Lower	02017B
38	Bolt Shock to Chassis 12mm x 1.75 x 80mm	02007A
39	Bushing Shock	02008B
40	Nut Shock Bolt 12mm x 1.75 ELN	02009A
41	Shock Absorber Rear	02120A
41	Shock Absorber Rear GT5	02120B
42	Bolt Shock to A-Arm M12 x 1.75 x 75mm	02007B

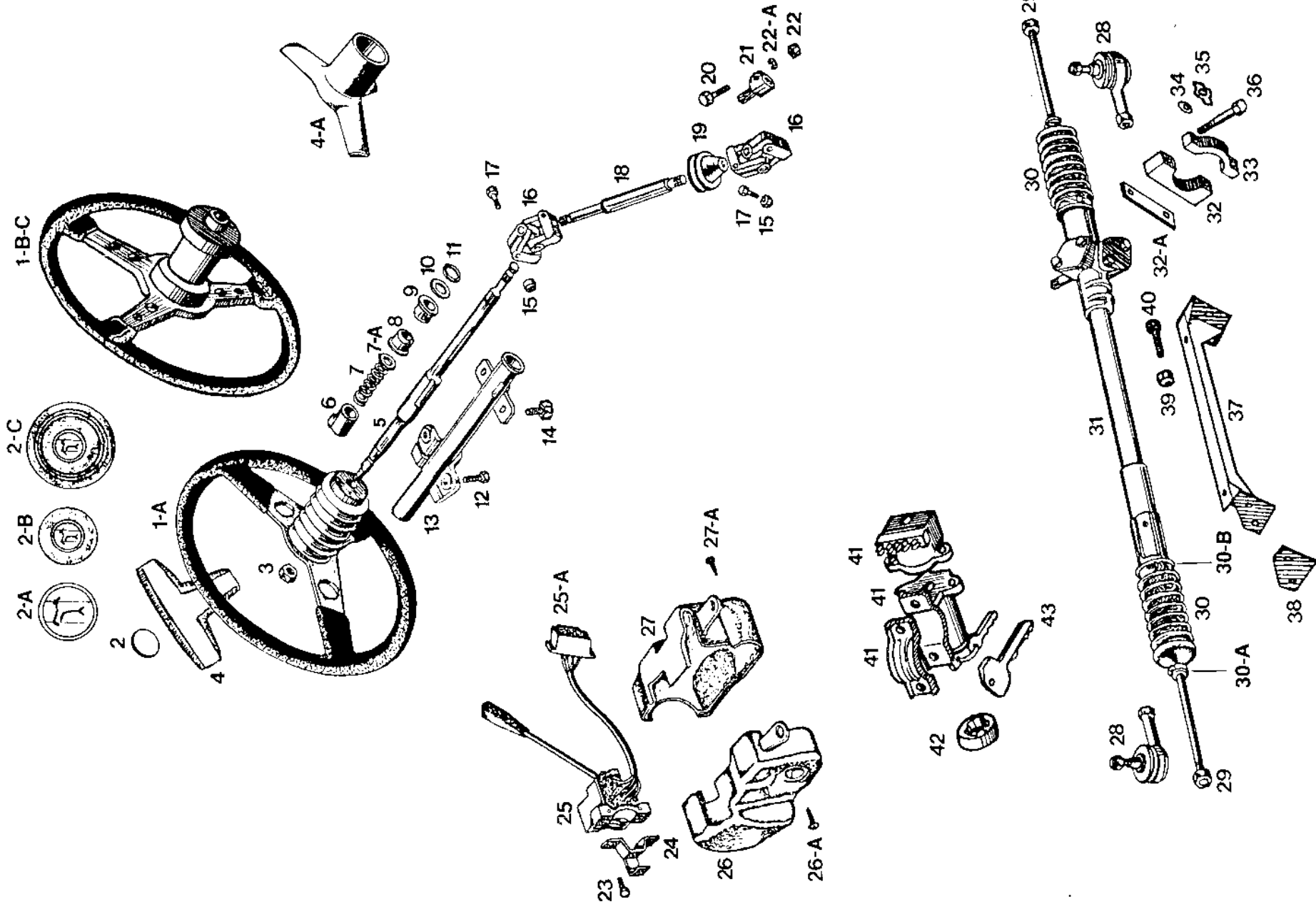
43	Nut Bracket to Chassis M8 x 1.25 ELN	01010A
44	Bracket Sway Bar to Chassis	02012A
45	Bushing Sway Bar (Center Split)	02019B
46	Sway Bar Rear	02121A
47	Bushing Sway Bar (Side Split)	02019C
48	Spacer Rear Spring 5/8"	02022B
48	Spacer Rear Spring GT5 1-1/16"	02022C





Original DeTomaso Pantera Parts

SECTION 3 ILLUSTRATION 7



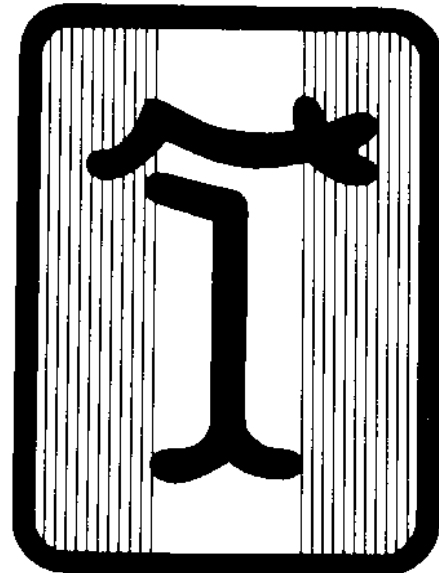
SECTION 3 ILLUSTRATION 7

Original DeTomaso Pantera Parts



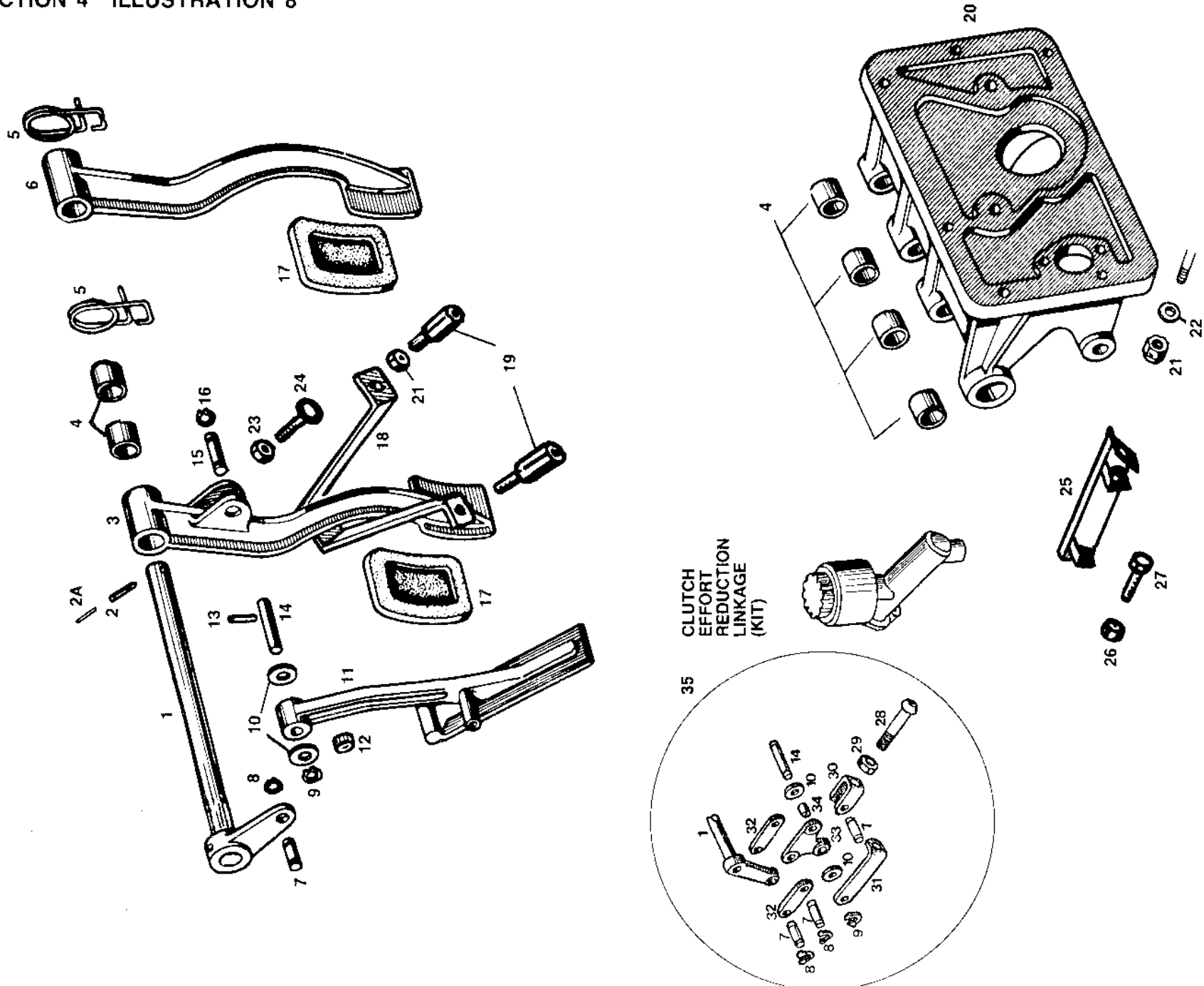
ILLUSTRATION #	DESCRIPTION	PART #
1A	Steering Wheel 71-74 Except GTS	03001A
1B	Steering Wheel 74 GTS Black 3 Spoke w/GHIA Crest	03001B
1C	Steering Wheel GTS Black Leather 3 Spoke DeTomaso Logo	03001C
1C	Steering Wheel GTS with Choice of Color (Special Order)	03001D
2A	Emblem Steering Wheel Center Early 1971 (Gold Trim w/DeTomaso Logo)	03002A
2B	Emblem Steering Wheel Center 71-74 Except GTS (Black w/DeTomaso Logo)	03002B
2C	Emblem Steering Wheel Center GTS Not Replaced	
2C	Emblem GT5 Black Plastic Snap in Type w/Logo	03002C
3	Nut Steering Wheel Retaining 9/16 x 18 ELN	03003A
4	Pad Steering Wheel Upper (Rubber)	03004A
4A	Trim Steering Wheel Lower (Plastic)	03004B
5	Shaft Steering Column Upper	03005A
6	Cam Turn Signal Canceling	03006A
7	Spring Steering Column Upper Bearing	03007A
7A	Spacer Steering Shaft Spring	03008A
8	Bearing Steering Column Upper	03009A
9	Bearing Steering Column Lower	03010A
10	Washer Lower Bearing	03011A
11	Retaining Spring	03012A
12	Bolt Steering Column to Dash M8 x 1.25 x 20mm Allen Head	03013A
13	Tube Steering Column	03014A
13	Tube Steering Column GT5-S From #9395 (w/New Type Ignition Switch #03038B)	03014B
14	Bolt Steering Column to Dash M8 x 1.25 x 16mm	01013A
15	Nut Steering Column Joint M8 x 1.25 ELN	01010A
16	Joint (Universal) Steering Shaft	03015A
17	Bolt Steering Column Joint M8 x 1.25 x 35	03016A
18	Shaft Steering Column Lower w/Slip Joint	03017A
19	Boot Steering Shaft at Floor	03018A
20	Bolt Steering Shaft Coupler 1/4" x 28 x 1-1/2"	03019A
21	Coupler Steering Gear Input Shaft	03020A
22	Nut Steering Shaft Coupler 1/4 x 28	03021A
22A	Lock Washer 1/4"	03022A
23	Screw Bracket to Turn Signal Switch 10 - 24 x 1/2"	03023A
24	Bracket Turn Indicator Upper Column	03024A
25	Switch Assembly Turn Indicator	03025A
25A	Connection Turn Signal Switch Wires	03025B
26	Trim Steering Column RH for Ignition Switch	03026A
26	Trim Steering Column RH for Ignition Switch (From #9395) GT5-S	03026C
26A	Screw Sheet Metal #10 x 3/4"	03026B
27	Trim Steering Column LH for Turn Signal Switch	03027A
27	Trim Steering Column LH for Ignition Switch (From #9395) GT5-S	03027C
27A	Screw Countersunk Phillips 8 - 32 x 5/16	03027B
28	Tie Rod End with Nut	03028A
29	Nut Tie Rod Jamb to Steering Rack 1/2" x 20	03029A
30	Boot Steering Rack End Seal	03030A
30A	Clamp Steering Rack Boot (Outer)	03030B
30B	Clamp Steering Rack Boot (Inner)	03030C
31	Steering Rack Assembly	03031A

32	Bracket Steering Rack Mounting Upper (A-Dimension 25mm)	03032A
32	Bracket Steering Rack Mounting Upper (A-Dimension 33.7mm) Replaced by Above	
32A	Spacer Steering Rack Mounting	03033A
33	Bracket Steering Rack Mounting Lower	03034A
34	Washer Flat 8mm	01009A
34	Washer Lock 8mm	02014A
35	Lock Tab (N/R-Replaced by Lock Washer)	
36	Bolt Steering Rack Mounting M8 x 1.25 x 70mm	03035A
36	Bolt Steering Rack Mounting Used w/Spacer #32A M8 x 1.25 x 80mm	03035B
37	Reinforcement Steering Rack Mounting	03036A
38	Spacer Steering Gear Reinforcement	03037A
39	Nut M8 x 1.25 ELN	01010A
40	Bolt M8 x 1.25 x 20mm	02013A
41	Ignition Switch & Lock	03038A
41	Ignition Switch & Lock (From #9395) GT5-S	03038B
42	Bezel Ignition Switch (Black Plastic)	03039A
43	Key Ignition (Blank)	03040A
43	Key Ignition (Blank) for Switch GT5-S (From #9395)	03040B





SECTION 4 ILLUSTRATION 8

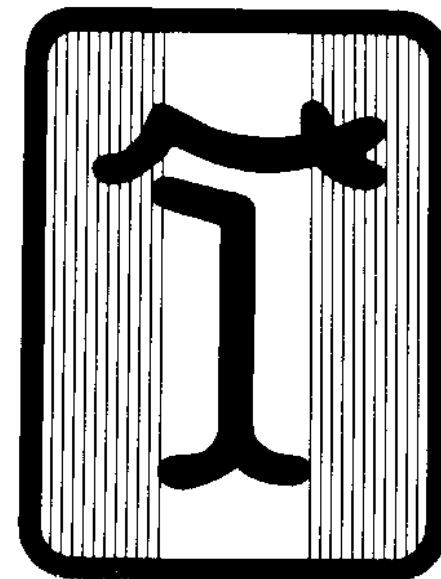


SECTION 4 ILLUSTRATION 8

Original DeTomaso Pantera Parts



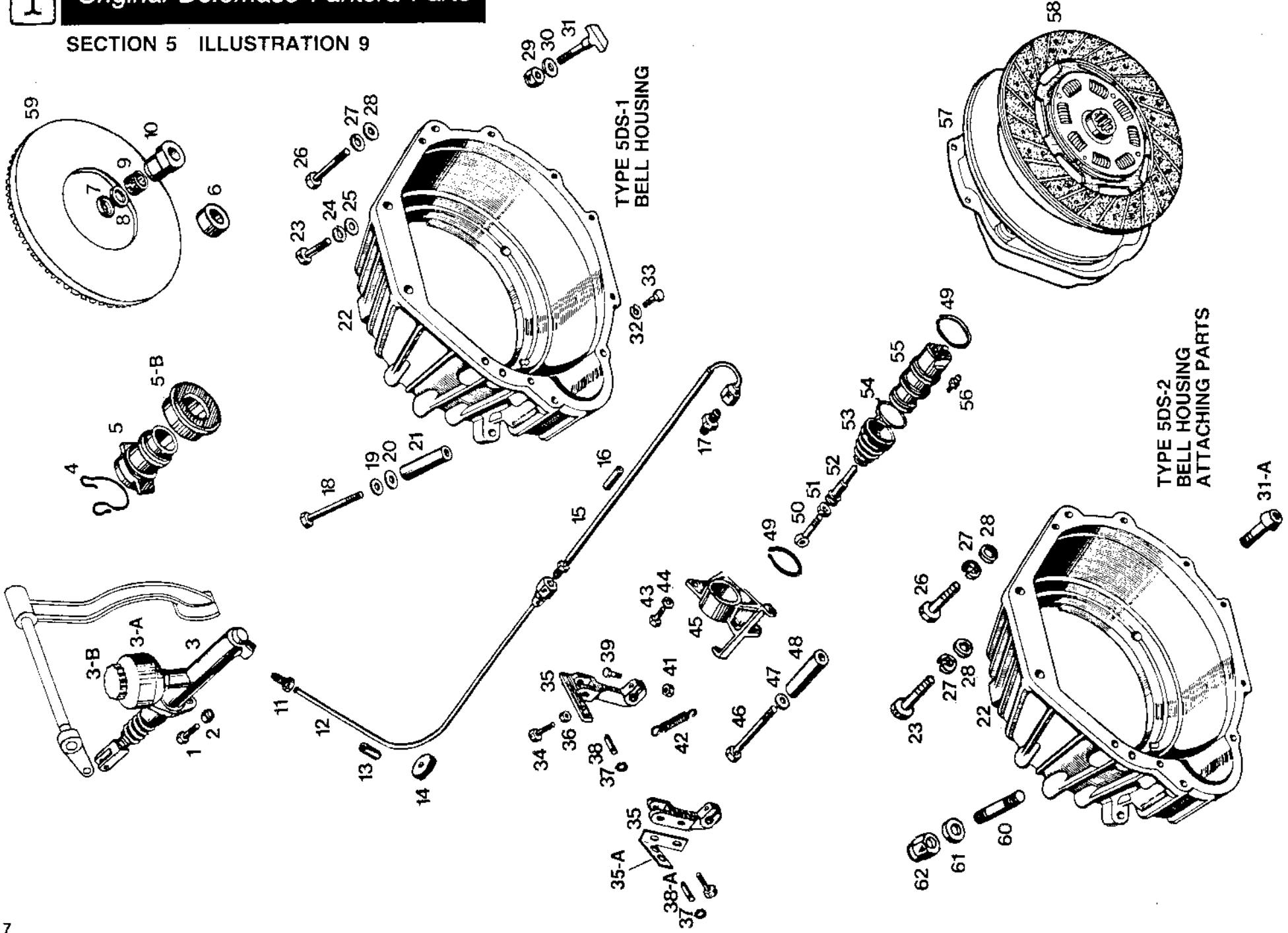
ILLUSTRATION #	DESCRIPTION	PART #
1	Shaft Brake & Clutch Pedal Support	04001A
1	Shaft Brake & Clutch Pedal Support w/Effort Reduction Kit	04001B
2	Pin Clutch Pedal to Shaft Outer	04002A
2A	Pin Clutch Pedal to Shaft Inner	04002B
3	Pedal Brake	04003A
4	Bushing Brake Pedal & Shaft Mounting	04004A
5	Spring Brake & Clutch Pedal Retracting	04005A
6	Pedal Clutch	04006A
7	Pin Clutch Master Cylinder to Shaft	04007A
8	Snap Ring Clutch Linkage Pins	04008A
9	Snap Ring Throttle Pedal Shaft	04009A
10	Washer Throttle Pedal	04010A
11	Pedal Throttle	04011A
12	Bearing Throttle Pedal	04012A
13	Pin Throttle Pedal Shaft Retaining	04013A
14	Shaft Throttle Pedal	04014A
14	Shaft Throttle Pedal Used w/Clutch Effort Reduction Kit	04014B
15	Pin Brake Pedal to Booster	04015A
16	Snap Ring Brake Pedal Pin	04009A
17	Pad Brake & Clutch Pedal	04016A
18	Bracket Brake Pedal Return Stop	04017A
19	Stud Brake Pedal Return Bracket Mounting	04018A
20	Bracket Pedal Support	04019A
20	Bracket Pedal Support GT5 (Used w/Booster #01322C)	04019B
21	Nut M8 x 1.25 ELN	01010A
22	Washer M8	01009A
23	Nut Brake Pedal Stop Jamb M8 x 1.25	01417A
24	Stop (Brake Pedal Return)	04020A
25	Bracket Throttle Travel Stop	04021A
26	Nut Throttle Pedal Stop Bolt (Jamb) M8 x 1.25	01417A
27	Bolt Throttle Pedal Stop M8 x 1.25 x 20mm	02013A
27	Bolt Throttle Pedal Stop M8 x 1.25 x 30mm	04022A
28	Rod Clutch Master Cylinder Push (w/o Effort Reduction Kit)	04023A
28	Rod Clutch Master Cylinder Push (w/Effort Reduction Kit) Length 60mm	04023B
29	Nut Clutch Master Cylinder Push Rod (Jamb) 8M x 1.25	01417A
30	Clevis Clutch Master Cylinder Push Rod (w/o Effort Reduction Kit) Length 50mm	04024A
30	Clevis Clutch Master Cylinder Push Rod (w/Effort Reduction Kit) Length 30mm	04024B
31	Bracket Throttle Pedal Pin Support (w/Effort Reduction Kit)	04025A
32	Link Clutch Shaft to Bell Crank	04026A
33	Bell Crank (Effort Reduction Kit)	04027A
34	Bearing Bell Crank to Shaft	04012A
35	Kit Clutch Effort Reduction	04028A
35	Kit Clutch Effort Reduction w/o #1 Shaft	04028B





Original DeTomaso Pantera Parts

SECTION 5 ILLUSTRATION 9



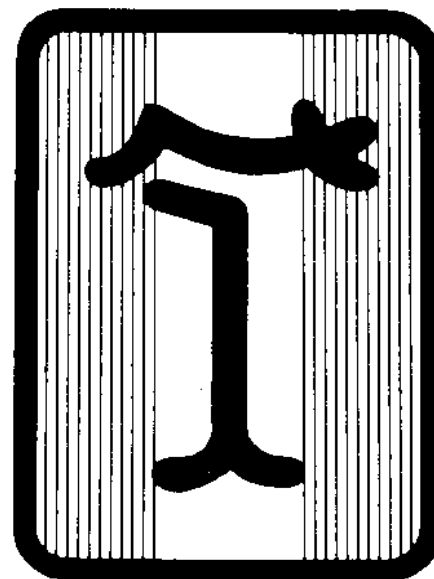
SECTION 5 ILLUSTRATION 9

Original DeTomaso Pantera Parts



ILLUSTRATION #	DESCRIPTION	PART #
1	Bolt Clutch Master Cylinder to Support	05001A
2	Nut Clutch Master Cylinder to Support M8 x 1.25 ELN	01010A
3	Clutch Master Cylinder w/o Effort Reduction Kit	05002A
3	Clutch Master Cylinder with Effort Reduction Kit	05002B
3A	Reservoir Clutch Master Cylinder	05003A
3B	Cap Clutch Master Cylinder Reservoir	01336A
4	Retainer Hub to Fork	05004A
5	Hub Clutch Release Bearing	05005A
5B	Bearing Assembly Clutch Release	05006A
6	Pilot Bearing 1-Piece Design Type 2 Transaxle	05007A
7	Retainer Pilot Bearing Type 1 Transaxle	05008A
8	Felt Seal Pilot Bearing Type 1 Transaxle	05009A
9	Pilot Bearing Type 1 Transaxle (Roller Cage Type)	05007B
10	Adaptor Pilot Bearing to Crankshaft Type 1	05010A
11-12	Tube Clutch Master Cylinder to Rear Tube	05011A
13	Insulator (Fabricate from Bulk Hose)	
14	Grommet Front Trunk Floor to Tube	05012A
15	Tube Clutch Slave Cylinder to Front Tube (Red)	05013A
16	Insulator (Fabricate from Bulk Hose)	
17	Fitting Clutch Slave Cylinder to Tube	05014A
18	Bolt Transaxle to Bell Housing 7/16 x 20 x 4"	05015A
19	Lock Washer M11	01216A
20	Flat Washer 7/16"	05016A
21	Spacer Transaxle to Bell Housing 60mm	05017A
22	Bell Housing Type 1 w/2 Inspection Holes at Top	05018A
22	Bell Housing Type 2 w/1 Inspection Hole Left Top Side	05018B
23	Bolt Bell Housing to Block 7/16 - 14 x 1-3/4"	05019A
24	Lock Washer 7/16"	05020A
25	Flat Washer 7/16"	05021A
26	Bolt 7/16 - 14 x 2-1/2"	05022A
27	Lock Washer 7/16"	05020A
28	Flat Washer 7/16"	05021A
29	Nut Transaxle to Bell Housing (Lower) Type 1 M12 x 1.25	05022A
30	Flat Washer M12	05023A
31	Transaxle Attaching Bolt Type 1	05024A
31A	Transaxle Attaching Bolt Lower (Type 2) M10 x 1.5 x 40 Allen Head	05025A
32	Lock Washer 8mm	02014A
33	Bolt Motor Plate to Bell Housing M8 x 1.25 x 12	05026A
34	Bolt Clutch Free Travel Adj. M6 x 1 x 25mm	01313A
35	Lever Clutch Arm 1 Piece 1st Series Replaced by 2 Piece Design	
35	Lever Clutch Arm (2 Piece Design)	05027A
35A	Bracket Clutch Adjustment & Return Spring	05027B
36	Nut M8	05028A
37	Clip	04009A
38	Pin Clutch Lever to Slave Cylinder 31mm Long	05029A
38A	Pin Clutch Lever to Slave Cylinder (Used w/2 Piece Bracket) 36mm Long	05029B
39	Bolt Clutch Lever Retaining M8 x 1.25 x 35mm	03016A
41	Nut Clutch Lever Retaining M8 x 1.25 ELN	01417A
42	Spring Clutch Return	05030A

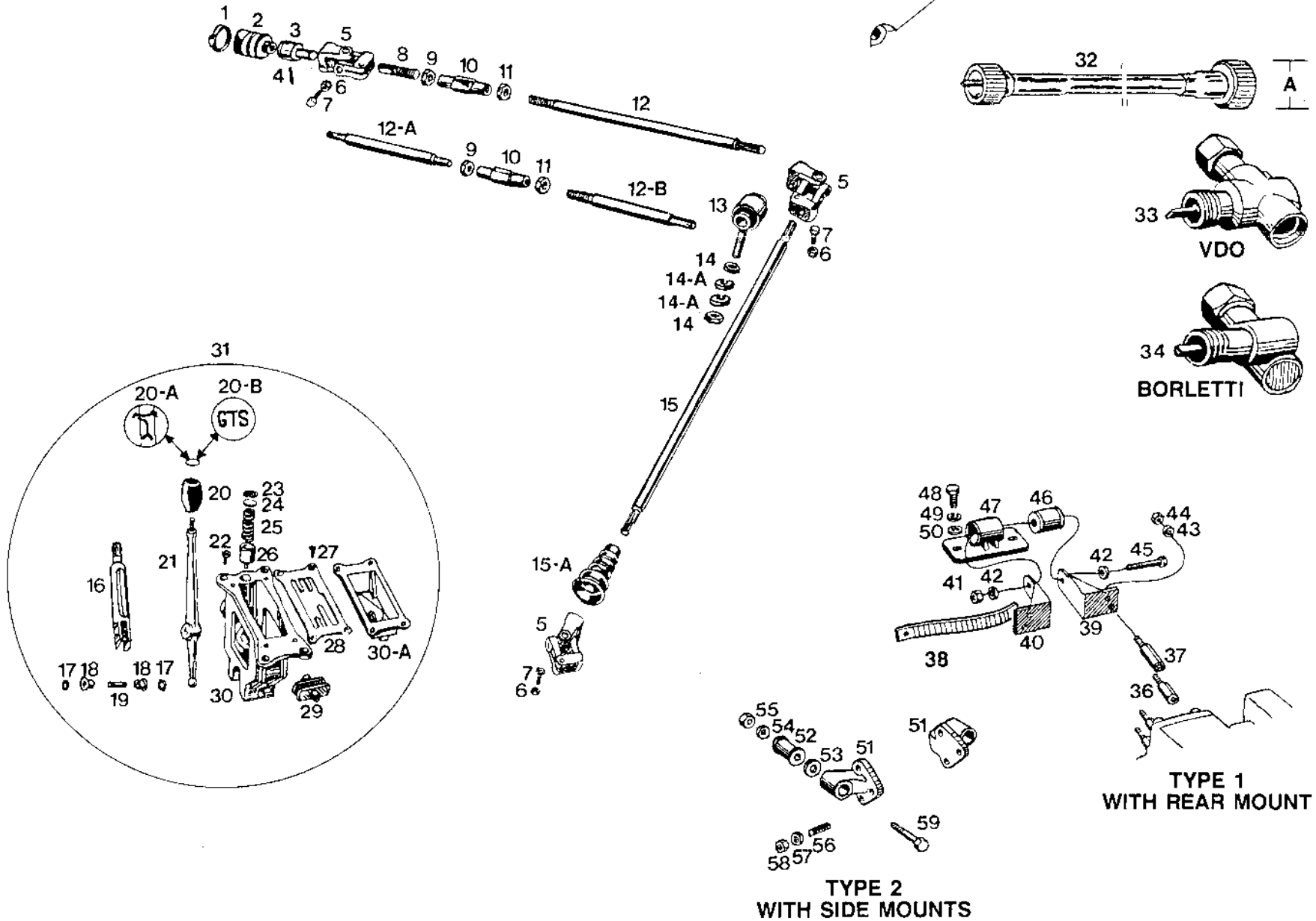
43	Bolt Slave Cylinder Bracket to Bell Housing M8 x 1.25 x 20mm	02013A
44	Lock Washer M8	02014A
45	Bracket Clutch Slave Cylinder to Bell Housing Type 1	05031A
45	Bracket Clutch Slave Cylinder to Bell Housing Type 2	05031B
46	Bolt Slave Cylinder Bracket to Engine 7/16 x 14 x 5-1/2"	05032A
47	Lock Washer 7/16"	05020A
48	Spacer Slave Cylinder Bracket to Bell Housing (75mm)	05033A
49	Snap Ring Slave Cylinder Retaining	05034A
50	Rod Slave Cylinder Threaded w/Eye	05035A
51	Nut Slave Cylinder Rod Jamb M8 x 1.25	01417A
52	Plunger Clutch Slave Cylinder	05036A
50-56	Clutch Slave Cylinder Assembly	05037A
56	Bleed Screw w/Cap Clutch Slave Cylinder	05038A
57	Clutch Pressure Plate Type 1 Transaxle	05039A
57	Clutch Pressure Plate Type 2 Transaxle	05039B
58	Clutch Disc Type 1 Transaxle	05040A
58	Clutch Disc Type 2 Transaxle	05040B
59	Flywheel & Ring Gear Assembly	05041A
60	Stud Bell Housing to Transaxle Type 2 M10 x 1.5 x 60	05042A
61	Flat Washer M10	05043A
62	Nut Bell Housing to Transaxle Type 2 M10 x 1.5 ELN	02003A





Original DeTomaso Pantera Parts

SECTION 6 ILLUSTRATION 10



SECTION 6 ILLUSTRATION 10

Original DeTomaso Pantera Parts

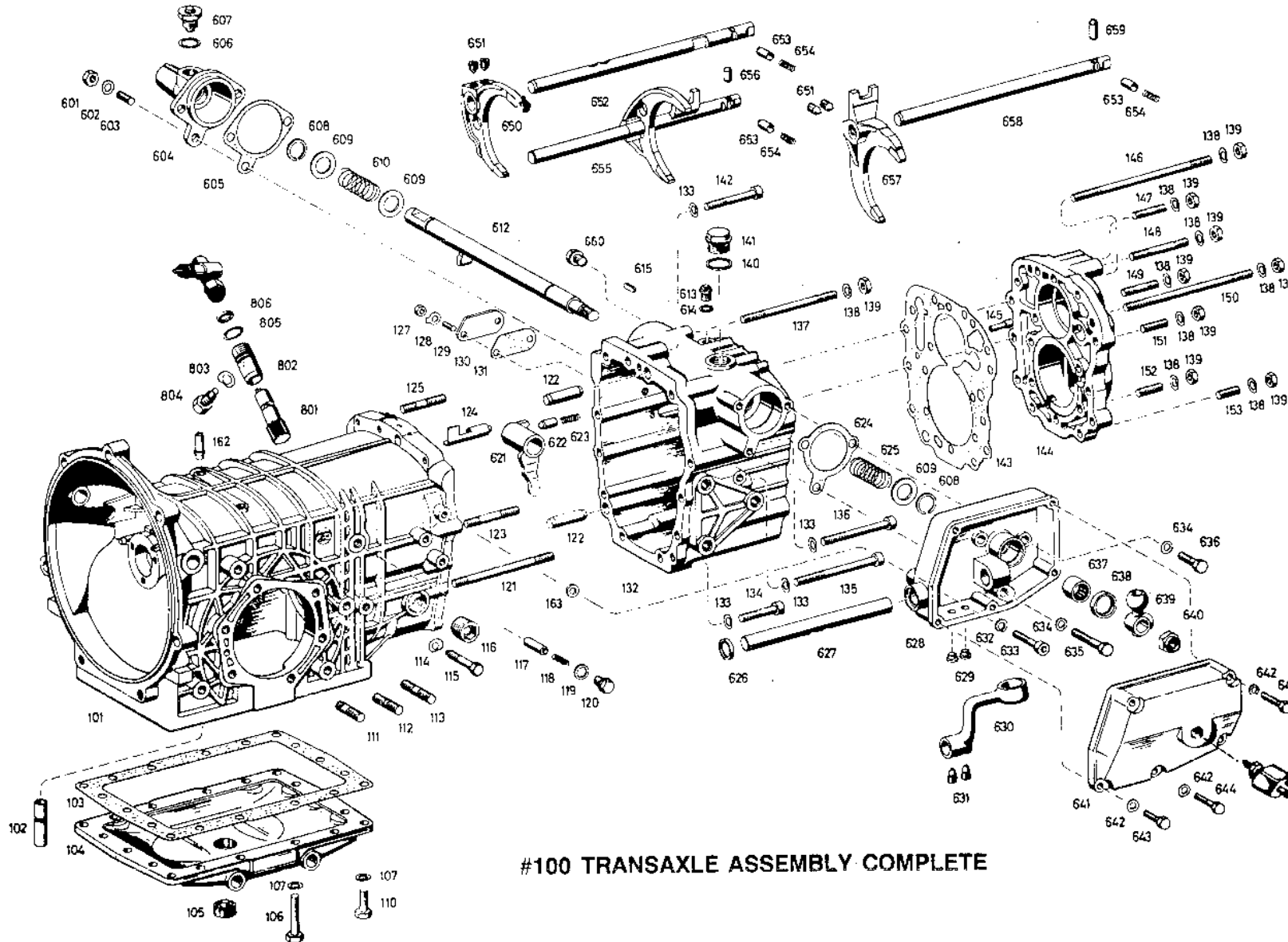


ILLUSTRATION #	DESCRIPTION	PART #
1	Clamp Shift Boot Retainer	06001A
2	Boot Shift Shaft at Transaxle	06002A
3	Connector (U-Joint to Transmission)	06003A
4	Pin Connector to Transaxle	06003B
5	Joint Assembly Gearshift Universal	03015A
6	Nut M8 x 1.25 ELN	01010A
7	Bolt U-Joint Retaining M8 x 1.25 x 35mm	03016A
8	Connector Not Available	
9	Nut (Jamb) Shift Rod Connector	06004A
10	Connector Shift Rod Adjusting	06005A
11	Nut (Jamb) Shift Rod Connector	06006A
12	Shift Rod Rear (Not Replaced)	
12A	Shift Rod Rear Section	06007A
12B	Shift Rod Rear (Front) Section	06008A
13	Shift Rod Center Support to Frame	06009A
14	Nut Shift Rod Support	06010A
14A	Lock Washer Shift Rod Support	06011A
15	Shift Rod Front	06012A
15A	Boot Shift Rod at Firewall	06013A
16	Shift Rod Gearshift to U-Joint	06014A
17	Snap Ring Gearshift Lever Retaining Pin	04009A
18	Bushing Gearshift Lever	06015A
19	Pin Gearshift Lever Pivot	06016A
20	Knob Gearshift Black	06017A
20A	Emblem Gearshift Knob DeTomaso Crest (Blue & White)	06018A
20B	Emblem Gearshift Knob GTS Black w/White Letters	06018B
21	Gearshift Lever	06019A
22	Bolt Gearshift Housing to Body M8 x 1.25 x 15 (Allen C.S.)	06020A
23	Snap Ring Gearshift Detent Retaining	06021A
24	Retainer Gearshift Detent Spring	06022A
25	Spring Gearshift Detent	06023A
26	Detent Gearshift Locating	06024A
27	Bolt Gearshift Gate to Housing (Chrome) M6 x 1.0 x 15mm (Allen C.S.)	06025A
28	Gate Gearshift Selector	06026A
29	Pad Gearshift Lever	06027A
30	Housing Gearshift Control	06028A
30A	Boot Gearshift at Console	06029A
31	Gearshift Assembly Complete Assembled (w/o #20-20A-22-26-30A)	06030A
32	Speedometer Cable Assembly V.D.O. A = 20mm	06031A
32	Speedometer Cable Assembly Borletti A = 15.5mm	06031B
33	Adapter Speedometer Angle Drive V.D.O. Ratio 1:1 for ZF Transaxle 103 100 1058 and 103 100 2001 with Speedometer Indicator Ratio 1610 REV = 1 mile	06032A
33	Adapter Speedometer Angle Drive V.D.O. Ratio 1.1:1 for ZF Transaxle 103-100 1059/060/061 Speedometer Indicator Ratio 1210 REV = 1 mile	06032B
34	Adapter Speedometer Angle Drive Borletti Marked 50-0806 (Not Available)	
34	Adapter Speedometer Angle Drive Borletti Marked 50-0804 for ZF Transaxle 103-100-1058 and 1031-002-001 Speedometer Indicator 1610 REV = 1 mile	06032C

35	Switch Back Up Lights	06033A
36	Adapter Bolt (Mount to Transaxle) 36mm Long	06034A
37	Adapter Bolt (Mount to Transaxle) 46mm Long	04018A
38	Ground Cable Transaxle to Body	06035A
39	Support Bracket LH	06036A
40	Support Bracket RH	06037A
41	Nut Support Bracket Bolt M12 x 1.75 ELN	02009A
42	Flat Washer M12	06039A
43	Lock Washer M8	01009A
44	Nut M8 x 1.25	01010A
45	Bolt M12 x 1.75 x 90mm	06040A
46	Insulator Transaxle Rear Mount	06041A
47	Bracket Rear Mount to Body	06042A
48	Bolt M10 x 1.5 x 25mm	06043A
49	Lock Washer M10	06044A
50	Flat Washer M10	05043A
51	Support Bracket RH & LH w/Side Mount	06045A
52	insulator Transaxle Side Mount RH & LH	06046A
53	Shim Insulator to Support 1.5mm Thick	06047A
53	Shim Insulator to Support 4mm Thick	06047B
54	Flat Washer M12	06039A
55	Nut M12 x 1.75 ELN	02009A
56	Stud Support Bracket to Transaxle M10 x 1.5 x 40mm	06049A
57	Washer Support Bracket M10 (Spring Washer)	06050A
58	Nut M10 x 1.5 ELN	02003A
59	Bolt Side Mount to Chassis M12 x 1.75 x 100mm	06051A



SECTION 7 ILLUSTRATION 11



#100 TRANSAXLE ASSEMBLY COMPLETE

See Sec. 6 Illus. 10

SECTION 7 ILLUSTRATION 11, 12, 13

Original DeTomaso Pantera Parts



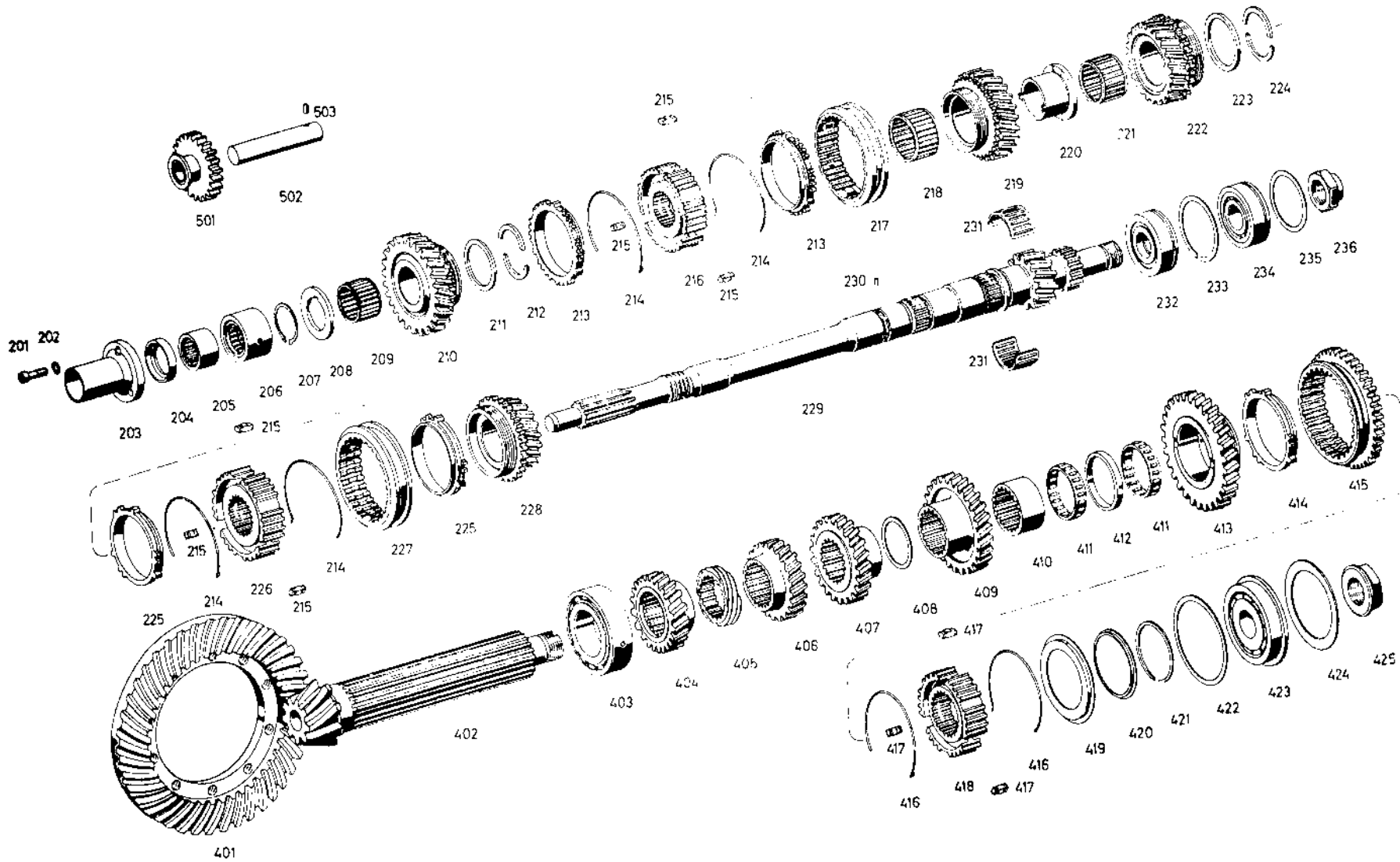
ILLUSTRATION #	DESCRIPTION	PART #
GEARBOX HOUSING GROUP		
100	Transaxle Assembly Type 1	07100A
100	Transaxle Assembly Type 2	07100B
101	Gear Housing	07101A
102	Pipe	07102A
103	Gasket	07103A
104	Cover	07104A
105	Drain Plug	07105A
106	Screw	07106A
107	Spring Washer	07107A
108	Nut	07108A
110	Screw	07110A
111	Stud	07111A
112	Stud	07112A
113	Stud	07113A
114	Spring Washer	07114A
115	Screw	07115A
116	Drain Plug	07116A
117	Securing Peg	07117A
118	Compression Spring	07118A
119	Ring	07119A
120	Drain Plug	07120A
121	Stud	07121A
122	Dowel	07122A
123	Stud	07123A
124	Oil Pipe	07124A
125	Stud	07125A
126	Breather	07126A
127	Nut	07127A
128	Lock Washer	07128A
129	Stud	07129A
130	Cover	07130A
131	Gasket	07131A
132	Gearbox Cover	07132A
133	Spring Washer	07133A
134	Cylindrical Screw	07134A
135	Cylindrical Screw	07135A
136	Cylindrical Screw	07136A
137	Stud	07137A
138	Spring Washer	07138A
139	Nut	07139A
140	Ring	07140A
141	Drain Plug	07141A
142	Cylindrical Screw	07142A
143	Gasket	07143A
144	Rear Cover	07144A
145	Oil Pipe	07145A
146	Stud	07146A
147	Stud	07147A
148	Stud	07148A
149	Stud	07149A
150	Stud	07150A

151	Stud	07151A
152	Stud	07152A
153	Stud	07153A
154	Angled Elbow	07154A
155	Nut	07155A
156	Ring	07156A
157	Top Cap	07157A
158	Ring	07158A
159	Shim	07159A
160	Cover Plate	07160A
161	Ball	07161A
162	Breather Pipe	07162A
163	Shim	07163A
164	Nut	07164A
165	Stud	07165A
166	Spring Washer	07166A
INPUT SHAFT GROUP		
201	Cylindrical Screw	07201A
202	Spring Washer	07202A
203	Guiding Tube	07203A
204	Shaft Seal	07204A
205	Needle Bearing	07205A
206	Needle Bearing	07206A
207	Circlip	07207A
208	Thrust Washer	07208A
209	Needle Cage	07209A
210	5th Gear Cpl.	07210A
211	Thrust Washer	07211A
212	Split Shim	07212A
213	Synchro Ring (Steel)	07213A
214	Synchro Spring	07214A
215	Pressure Piece	07215A
216	Synchrombody	07216A
217	Sliding Sleeve	07217A
218	Needle Cage	07218A
219	4th Gear Cpl.	07219A
220	Bearing Bush	07220A
221	Needle Cage	07221A
222	3rd Gear Cpl.	07222A
223	Thrust Washer	07223A
224	Split Shim	07224A
225	Synchro Ring (Steel)	07225A
226	Synchrombody	07226A
227	Sliding Sleeve	07227A
228	2nd Gear Cpl.	07228A
229	Input Shaft	07229A
230	Dowel	07230A
231	Needle Cage	07231A



Original DeTomaso Pantera Parts

SECTION 7 ILLUSTRATION 12





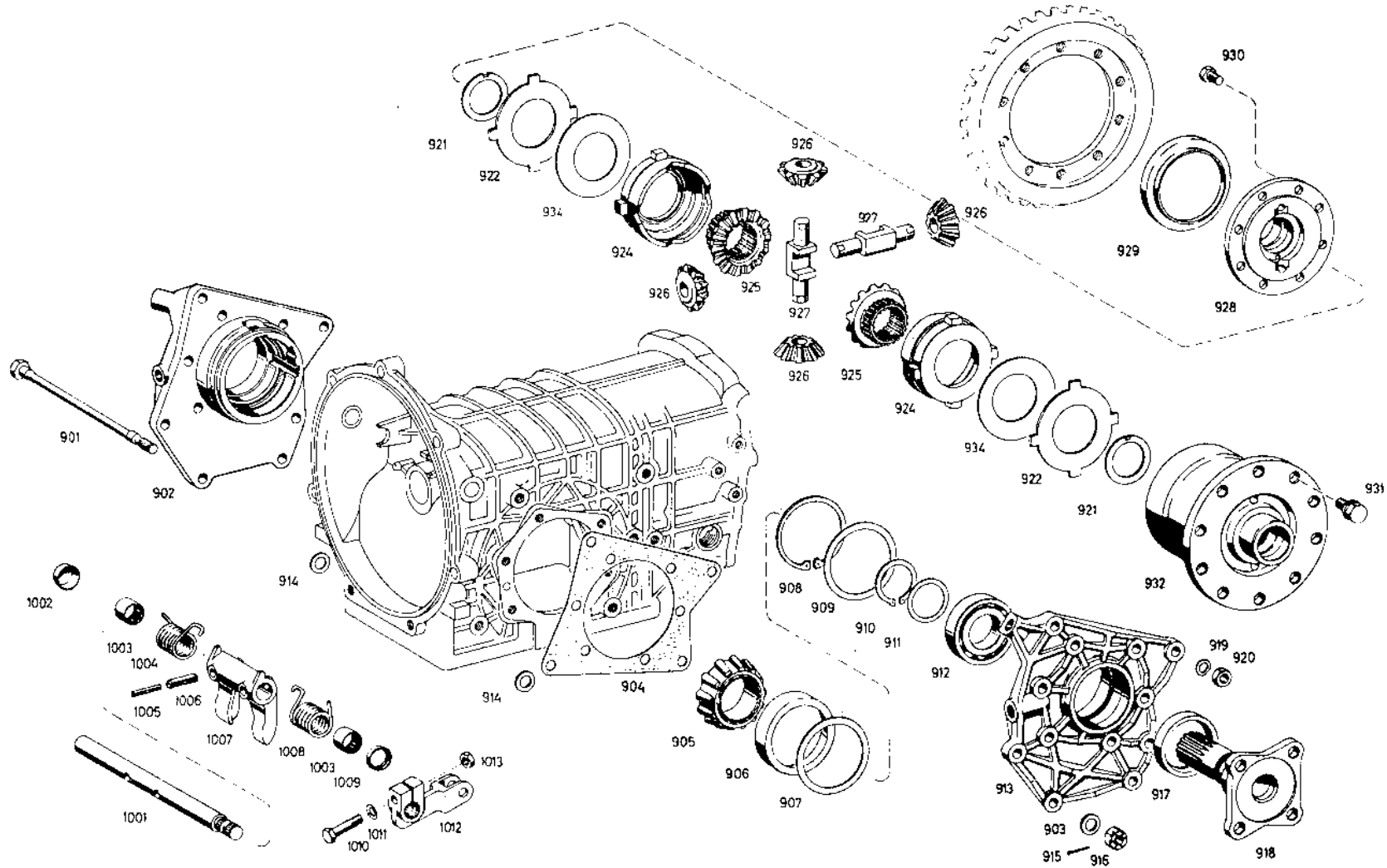
232	Roller Bearing	07232A
233	Spring Ring	07233A
234	Angular Contact Ball Brg.	07234A
235	Shim	07235A
236	Nut	07236A
OUTPUT SHAFT GROUP		
401-402	Ring & Pinion Ratio 3.56-1	07401A
401-402	Ring & Pinion Ratio 3.78-1	07401B
401-402	Ring & Pinion Ratio 4.00-1	07401C
401-402	Ring & Pinion Ratio 4.22-1	07401D
401-402	Ring & Pinion Ratio 4.62-1	07401E
401-402	Ring & Pinion Ratio 5.25-1	07401F
403	Roller Bearing	07403A
404	5th Gear	07404A
405	Speedo Worm	07405A
406	4th Gear	07406A
407	3rd Gear	07407A
408	Spacer	07408A
409	2nd Gear	07409A
410	Inner Ring	07410A
411	Needle Cage	07411A
412	Ring	07412A
413	1st Gear	07413A
414	Synchro Ring	07414A
415	Reverse Gear Sliding Sleeve	07415A
416	Synchro Spring	07416A
417	Pressure Piece	07417A
418	Synchrobody Cpl.	07418A
419	Locating Plate	07419A
420	Circlip	07420A
421	Spring Ring	07421A
422	Spacer	07422A
423	Angular Contact Ball Brg.	07423A
424	Spacer	07424A
425	Nut	07425A
REVERSE GEAR ASSEMBLY GROUP		
501	Reverse Idler Gear Cpl.	07501A
502	Reverse Idler Shaft	07502A
503	Dowel	07503A
GEARCHANGE GROUP		
601	Nut	07601A
602	Spring Washer	07602A
603	Stud	07603A
604	Mounting Bracket	07604A
605	Gasket	07605A
606	Ring	07606A
607	Interlock Peg	07607A
608	V-Ring	07608A
609	Shim	07609A
610	Compression Spring	07610A
612	Gearshift Operating Shaft Cpl.	07612A
613	Plug	07613A

614	Ring	07614A
615	Spring	07615A
621	R. Gear Selector Lever Cpl.	07621A
622	Detent Bolt	07622A
623	Compression Spring	07623A
624	Gasket	07624A
625	Compression Spring	07625A
626	Oil Seal	07626A
627	Gearshift Operating Shaft	07627A
628	Selector Housing Cpl.	07628A
629	Plug	07629A
630	Selector Arm	07630A
631	Grub Screw	07631A
632	Spring Ring	07632A
633	Cylindrical Screw	07633A
634	Spring Washer	07634A
635	Screw	07635A
636	Screw	07636A
637	Needle Bearing	07637A
638	Shaft Seal	07638A
639	Selector Finger	07639A
640	Nut	07640A
641	Selector Cover	07641A
642	Spring Washer	07642A
643	Screw	07643A
644	Screw	07644A
645	Screw	07645A
650	4th + 5th Gear Selector Fork	07650A
651	Grub Screw	07651A
652	4th + 5th Gear Selector Rail	07652A
653	Selector Pad	07653A
654	Cylindrical Screw Compression Spring	07654A
655	2nd + 3rd Gear Selector Rail	07655A
656	Locking Bar	07656A
657	1st Gear Selector Fork	07657A
658	1st Gear Selector Rail	07658A
659	Locking Bar	07659A
660	Drain Plug	07660A
SPEEDO DRIVE GROUP		
801	Speedo Shaft Type 1 Transaxle	07801A
801	Speedo Shaft Type 2 Transaxle	07801B
802	Speedo Pinion Bush	07802A
803	Shim	07803A
804	Screw	07804A
805	Ring	07805A
806	Shaft Seal	07806A



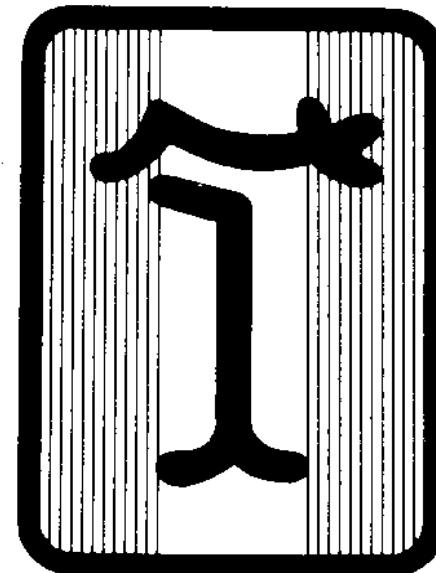
Original DeTomaso Pantera Parts

SECTION 7 ILLUSTRATION 13





DIFFERENTIAL GROUP		
901	Tension Bolt	07901A
902	Right Flange	07902A
903	Shim	07903A
904	Gasket	07904A
905	Bearing Inner Ring	07905A
906	Bearing Outer Ring	07906A
907	Fitted Shim	07907A
908	Circlip	07908A
909	Fitted Shim	07909A
910	Circlip	07910A
911	Fitted Shim	07911A
912	Ball Bearings	07912A
913	Left Flange	07913A
914	Spacer	07914A
915	Split Pin	07915A
916	Crown Nut	07916A
917	Shaft Seal	07917A
918	Output Drive Axle	07918A
919	Spring Washer	07919A
920	Nut	07920A
921	Thrust Washer	07921A
922	Outer Disc	07922A
923	Inner Disc	07923A
924	Pressure Ring	07924A
925	Side Gear	07925A
926	Pinion Gear	07926A
927	Cross Shaft	07927A
928	Housing Cover	07928A
929	Cap	07929A
930	Cylindrical Screw	07930S
931	Screw	07931A
932	Differential Housing Cpl.	07932A
934	Crown Wheel	07934A
CLUTCH WITHDRAWAL GROUP		
1001	Clutch Withdrawal Shaft	07961A
1002	Cover	07962A
1003	Needle Bearing	07963A
1004	Return Spring	07964A
1005	Roll Pin	07965A
1006	Roll Pin	07966A
1007	Clutch Withdrawal Fork	07967A
1008	Return Spring	07968A
1009	Oil Seal	07969A
1010	Screw	07970A
1011	Spring Washer	07971A
1012	Clutch Lever	07972A
1013	Nut	07973A

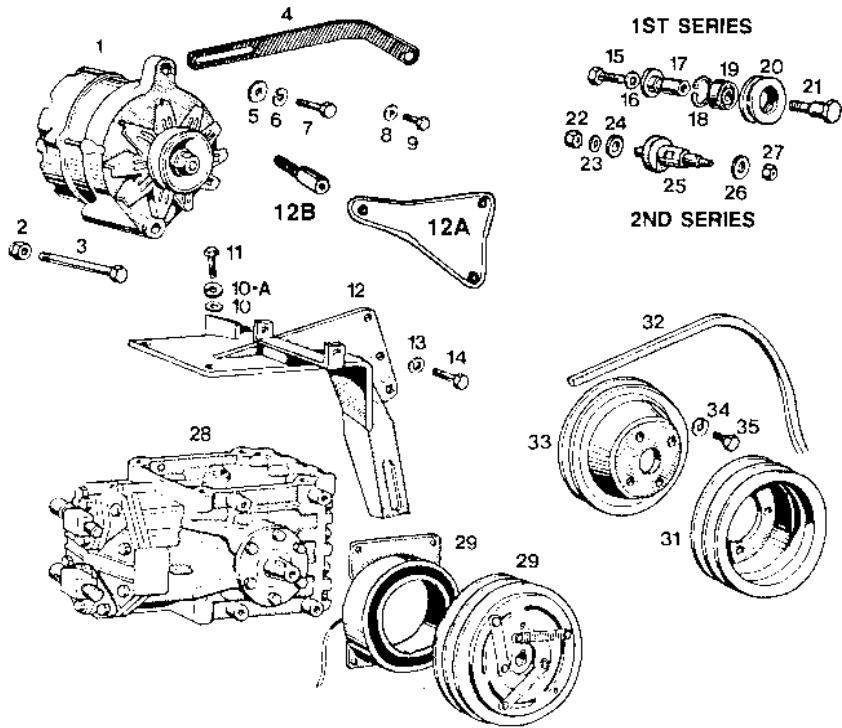




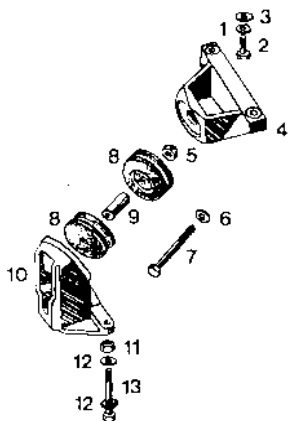
Original DeTomaso Pantera Parts

SECTION 8 ILLUSTRATION 14

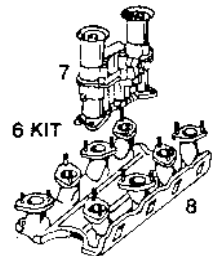
GROUP 1



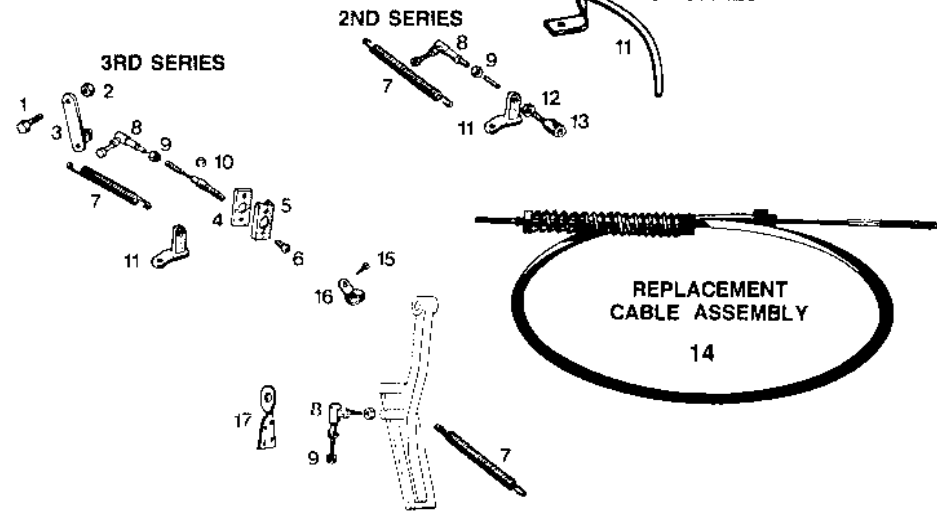
GROUP 2



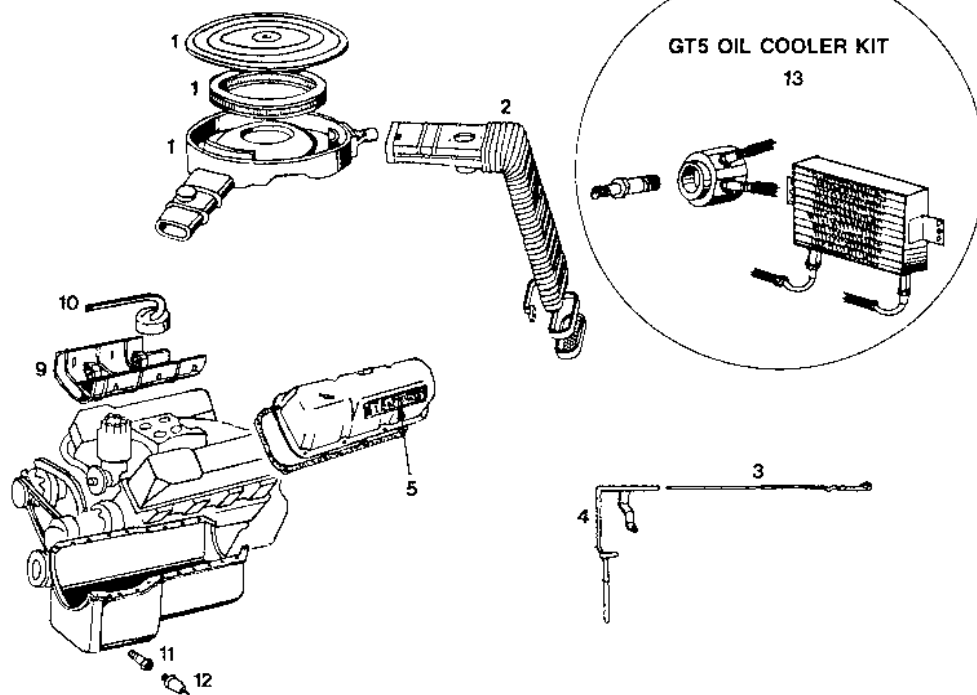
6 KIT



GROUP 3



GROUP 4



REPLACEMENT
CABLE ASSEMBLY

14

GT5 OIL COOLER KIT

13

SECTION 8 ILLUSTRATION 14

Original DeTomaso Pantera Parts



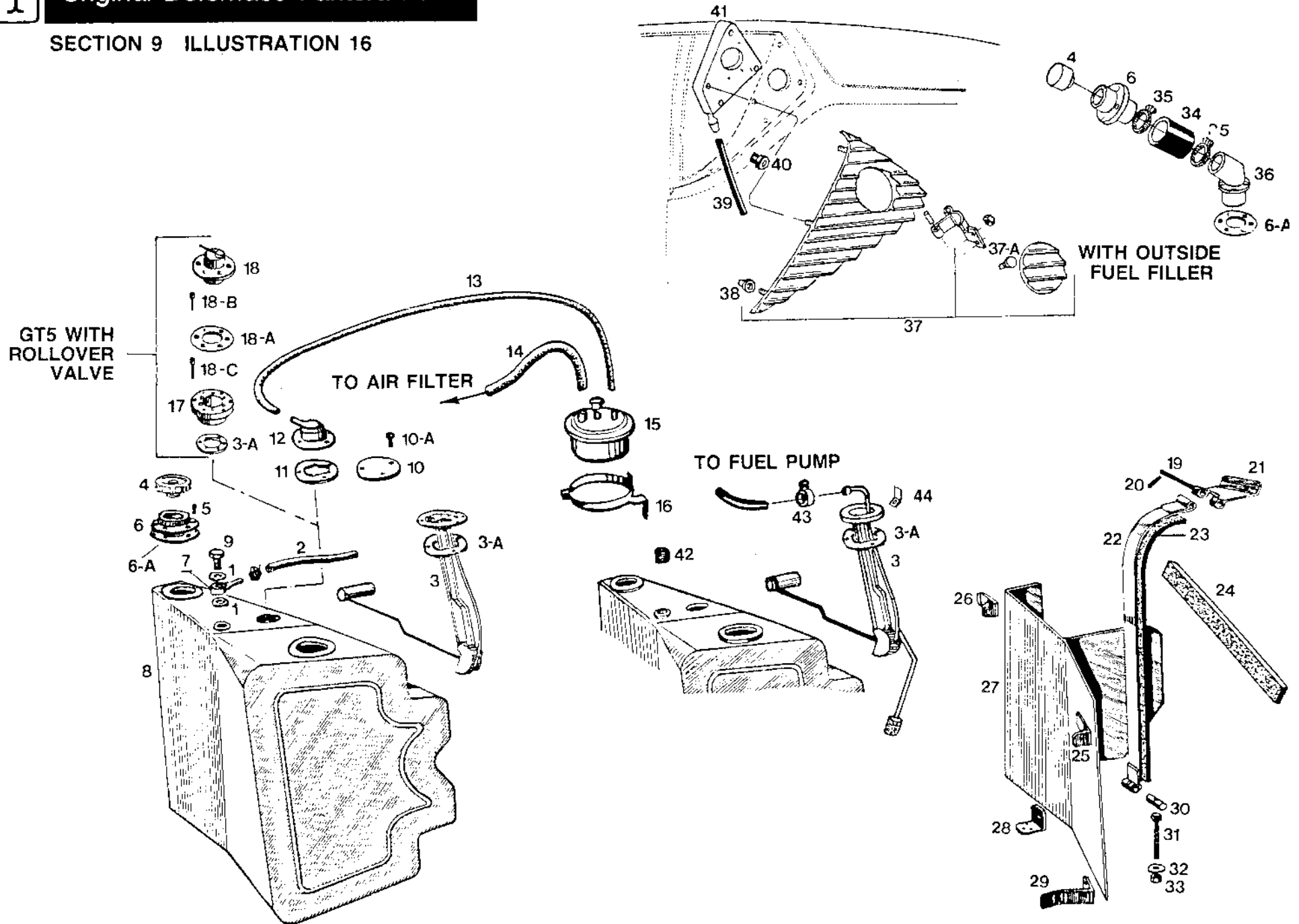
ILLUSTRATION #	DESCRIPTION	PART #
Group 1 Front Engine Drive Accessories		
1	Alternator Assembly 61 Amp	08100A
2	Nut Alternator Retaining Bolt 7/16 - 20 ELN	08101A
3	Bolt Alternator Retaining 7/16 - 20 x 4 SAE	05015A
4	Arm Alternator Adjusting	08102A
4	Arm Alternator Mounting Used w/Australian Engine	08102B
5	Flat Washer 3/8"	08103A
6	Lock Washer 3/8"	08104A
7	Bolt Arm to Alternator 3/8 x 16 x 1"	08105A
8	Lock Washer 3/8"	08104A
9	Bolt Arm to Water Pump 3/8" x 16 x 1"	08106A
10	Flat Washer 3/8"	08103A
10A	Lock Washer 3/8"	08104A
11	Bolt Compressor to Bracket 3/8 - 16 x 1-1/4 USS	08107A
12	Bracket A.C. Compressor Mounting (1st Series)	08108A
12	Bracket A.C. Compressor Mounting (2nd Series)	08108B
12	Bracket A.C. Compressor Mounting (Used w/Australian Engine)	08108C
12A	Bracket Alternator Mounting (Used w/Australian Engine)	08108D
12B	Spacer Alternator Mounting (Used w/Australian Engine)	08108E
13	Lock Washer 5/16"	02099A
14	Bolt Bracket to Engine 5/16 - 18 x 1-1/4 USS	08109A
15	Bolt Idler Pulley Shaft to Bracket M12 x 1.5 x 30mm	08110A
16	Flat Washer M12	08111A
17	Shaft Idler Pulley 1st Series	08112A
18	Snap Ring	08113A
19	Bearing Assembly Air Conditioner Idler	08114A
20	Pulley Air Conditioner Idler	08115A
21	Bolt Idler Pulley Retaining	08116A
22	Nut Idler Pulley Shaft to Bracket M12 x 1.75	08117A
23	Lock Washer M12	05023A
24	Flat Washer M12	08118A
25	Shaft Idler Pulley 2nd Series	08119A
26	Flat Washer M12	06039A
27	Nut Idler Pulley Retainer M12 x 1.75 ELN	02009A
28	Compressor Assembly Air Conditioner (York Type)	08120A
29	Clutch Assembly Air Conditioner Compressor	08121A
31	Pulley Crankshaft Outer	08122A
32	Bolt Alternator	08123A
32	Belt Air Conditioner	08123B
33	Pulley Water Pump	08122B
34	Lock Washer 5/16"	02014A
35	Bolt-Pulley to w/Pump 5/16 - 24 x 3/4 SAE	08124A
Group 2 Engine Mount to Chassis		
1	Lock Washer 7/16"	05021A
2	Bolt 7/16 - 14 x 1-1/2 USS	08200A
3	Flat Washer 7/16"	01216A
4	Bracket Engine Mount on Engine L & R	08201A
5	Nut Engine Mount Bolt M12 x 1.75 ELN	02009A
6	Washer Engine Mount Bolt M12 Flat	06039A
7	Bolt Engine Mount Connecting M12 x 1.75 x 90	06040A
8	Insulator Engine Mount	08202A
9	Spacer Engine Mount Insulator	08203A

10	Bracket Engine Mount on Chassis RH	08204A
10	Bracket Engine Mount on Chassis LH	08204B
11	Nut Engine Bracket on Chassis M12 x 1.75 ELN	02009A
12	Flat Washer Engine Mount on Chassis Lower M12	08205A
12	Flat Washer Engine Mount on Chassis Upper M12	06039A
13	Bolt Engine Mount to Chassis M12 x 1.75 x 130mm	08206A
Group 3 Throttle Cable & Brackets		
1	Bolt Throttle Arm to Carburetor	08300A
2	Nut	08301A
3	Arm Throttle Cable to Carburetor Adaptor	08302A
4	Seal Cable to Firewall 3rd Series	08303A
5	Retainer Throttle Cable Seal to Firewall	08304A
6	Screw Retainer to Firewall	08305A
7	Spring Throttle and Pedal Return	01412A
8	Joint Assembly Throttle Cable End w/Ball & Clip	08306A
9	Nut Throttle Cable to Joint M5 x .8	09034B
10	Clip Throttle Cable to Bracket 3rd Series	08307A
11	Bracket Throttle Cable to Engine 1st Series	08308A
11	Bracket Throttle Cable to Engine 2nd Series with Threaded Hole	08308B
11	Bracket Throttle Cable to Engine 3rd Series	08308C
12	Nut Jamb Type Fitting to Bracket 2nd Series	08309A
13	Fitting Throttle Cable to Bracket 2nd Series	08310A
14	Throttle Cable 1st & 2nd Replaced by 3rd Series	08311A
14	Throttle Cable Assembly w/Spring 3rd Series	08311B
14	Throttle Cable GT5 from #9000	08311C
15	Screw	08312A
16	Clamp Throttle Cable to Console	08313A
17	Bracket Throttle Cable to Console (Required to Convert 1st & 2nd Series Steel Tube to 3rd Series Flex Cable)	08314A
Group 4 Engine Accessories		
1	Air Cleaner Assembly	08400A
2	Pickup Tube Fresh Air 1974 Typical	08401A
3	Dipstick Engine Oil 3/8 - 5/8" Long	08402A
4	Dipstick Tube (Extended Type)	08403A
5	Emblem DeTomaso on Valve Cover	08404A
6	Kit Webber Carb & Manifold DeTomaso	08405A
7	Carburetor Webber	08406A
8	Manifold Webber Carburetors	08407A
9	Windage Tray Engine Crankshaft	08408A
10	Oil Pan w/Pickup Tube 10 Quart	08409A
11	Fitting - Oil Temperature Sender	08410A
12	Sender - Oil Temperature	08411A
13	Oil Cooler Kit - Complete	08412A



Original DeTomaso Pantera Parts

SECTION 9 ILLUSTRATION 16



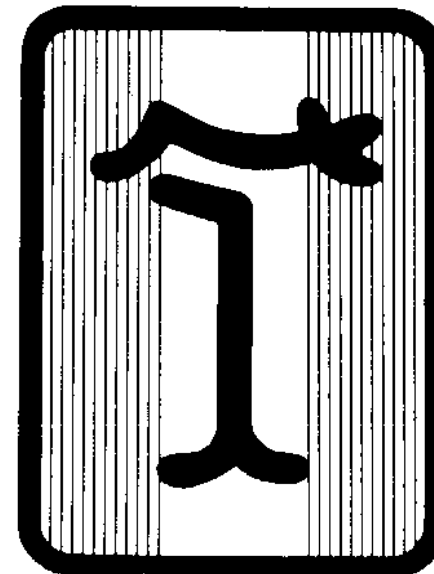
SECTION 9 ILLUSTRATION 16

Original DeTomaso Pantera Parts



ILLUSTRATION #	DESCRIPTION	PART #
1	Gasket Fuel Pickup Adapter	09001A
2	Hose Fuel Tank to Fuel Pump Braided Steel	09002A
3	Sending Unit w/o Fuel Pickup (Not Replaced)	
3	Sending Unit with Fuel Pickup	09003A
3A	Gasket Sending Unit to Tank	09004A
4	Cap Fuel Tank Non-Locking	09005A
4	Cap Fuel Tank Locking	09005B
5	Bolt Fuel Filler Base to Tank M6 x 1.0 x 16	09006A
6	Base Fuel Filler at Tank & External Fuel Filler	09007A
6A	Gasket Fuel Filler Base to Tank	09008A
7	Fitting Fuel Tank Pickup Tube	09009A
8	Tank Assembly Fuel U.S.A. Type 21 Gallon (Requires Sending Unit w/Pickup Tube) Aluminum	09010A
8	Fuel Tank GT5 Aluminum Requires Fuel Rollover Valve #17 & 18	09010B
9	Bolt Fuel Pickup Tube Adapter	09011A
10	Plate Vapor Separator Block Off	09012A
10A	Rivet Vapor Separator to Tank	09013A
11	Gasket Vapor Separator	09004B
12	Separator Fuel Vapor	09014A
13	Hose Vapor Separator to Carbon Cannister	09015A
14	Hose Carbon Cannister Vent	09016A
15	Cannister Assembly Fuel Vapor Storage 71/72	09017A
15	Cannister Assembly Fuel Vapor Storage 73	09017B
15	Cannister Assembly Fuel Vapor Storage 74	09017C
16	Bracket Cannister to Body	09018A
17	Adapter Fuel Rollover Valve to Tank GT5	09019A
18	Rollover Valve GT5	09020A
18A	Gasket Rollover Valve to Adapter	09021A
18B	Bolt Rollover Valve to Adapter M5 x .80 x 14	09022A
18C	Bolt Adapter to Tank M4 x .70 x 30 Allen Head	09022B
19	Pin Fuel Tank Strap to Bracket Upper	09023A
20	Retainer Pin to Bracket	09024A
21	Bracket Fuel Tank Strap to Body	09025A
22	Strap Fuel Tank Retaining	09026A
23	Insulator Fuel Tank Strap	09027A
24	Insulator Fuel Tank to Body (Thin Style)	09028A
24	Insulator Fuel Tank to Body (Thick Style)	09028B
25	Fuel Tank Shield Bracket Upper Front	09029A
26	Fuel Tank Shield Bracket Upper Rear	09029B
27	Shield Fuel Tank	09030A
27	Shield Fuel Tank w/External Fuel Filler	09030B
28	Fuel Tank Shield Bracket Lower Rear	09029C
29	Fuel Tank Shield Bracket Lower Front	09029D
30	Pin Fuel Tank Strap Lower	09031A
31	Bolt Fuel Tank Strap to Body M6 x 1.0 x 60mm	09032A
32	Flat Washer Fuel Tank Strap Bolt M6	09033A
33	Nut Fuel Tank Strap Bolt M6 x 1.0 ELN	09034A
34	Hose Fuel Tank to Neck w/External Fuel Filler	09035A
35	Clamp Fuel Tank Fill Hose	09036A
36	Base Fuel Filler at Tank w/External Fuel Filler--45°	09037A
37	Ornament External Fuel Filler w/Trap Door	09038A
37A	Bumper Fuel Filler Door Stop	09039A

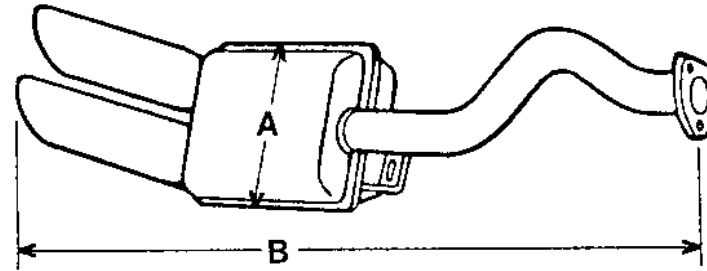
38	Retainer Ornament to Body (Plastic)	09040A
39	Hose Fuel Overflow w/External Fuel Filler	09041A
40	Nut Ornament to Body	09042A
41	Housing Fuel Filler Neck to 1/4 Panel	09043A
42	Plug Fuel Tank Outlet Line	09044A
43	Clamp Fuel Hose	09045A
44	Ground Tab	09046A





Original DeTomaso Pantera Parts

SECTION 10 ILLUSTRATION 17



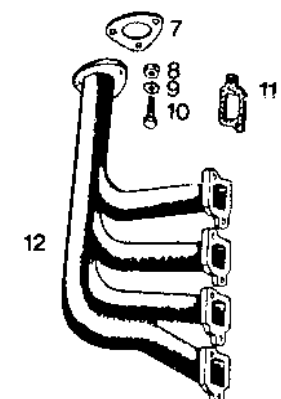
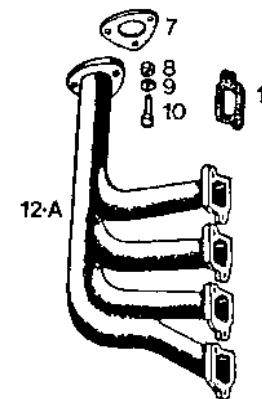
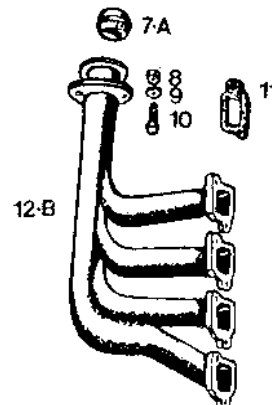
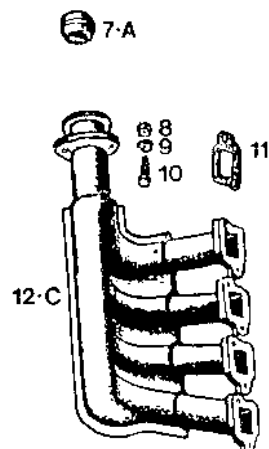
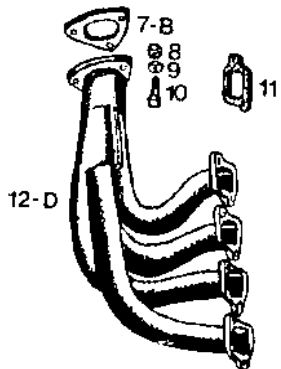
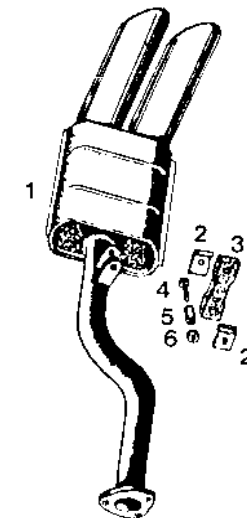
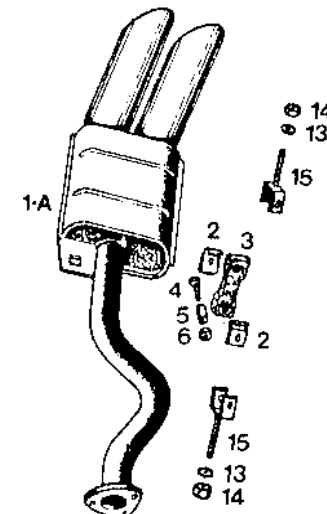
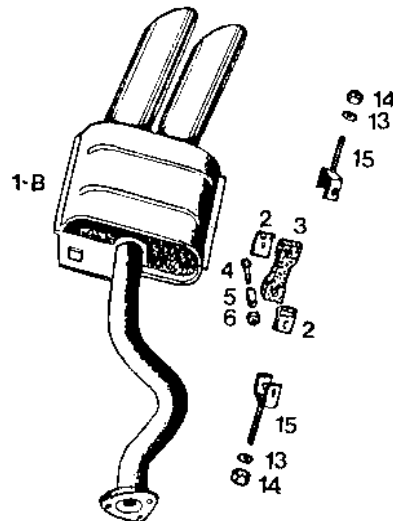
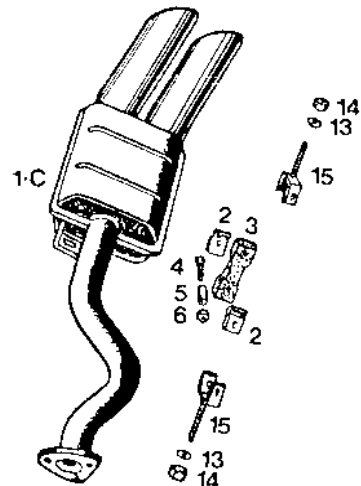
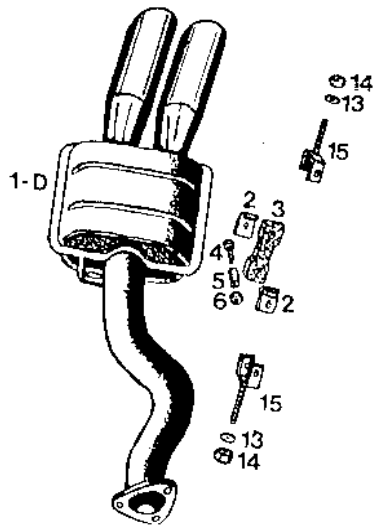
GTS + GT5
EXHAUST

4TH SERIES
ONE PIECE REAR BUMPER

3RD SERIES
TWO PIECE REAR BUMPER

2ND SERIES
TWO PIECE REAR BUMPER

1ST SERIES
TWO PIECE REAR BUMPER



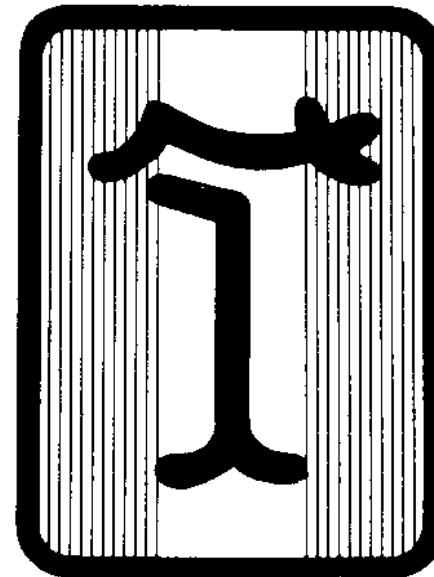
A = 9-7/16
B = 39-13/16

A = 8"
B = 38"

SECTION 10 ILLUSTRATION 17



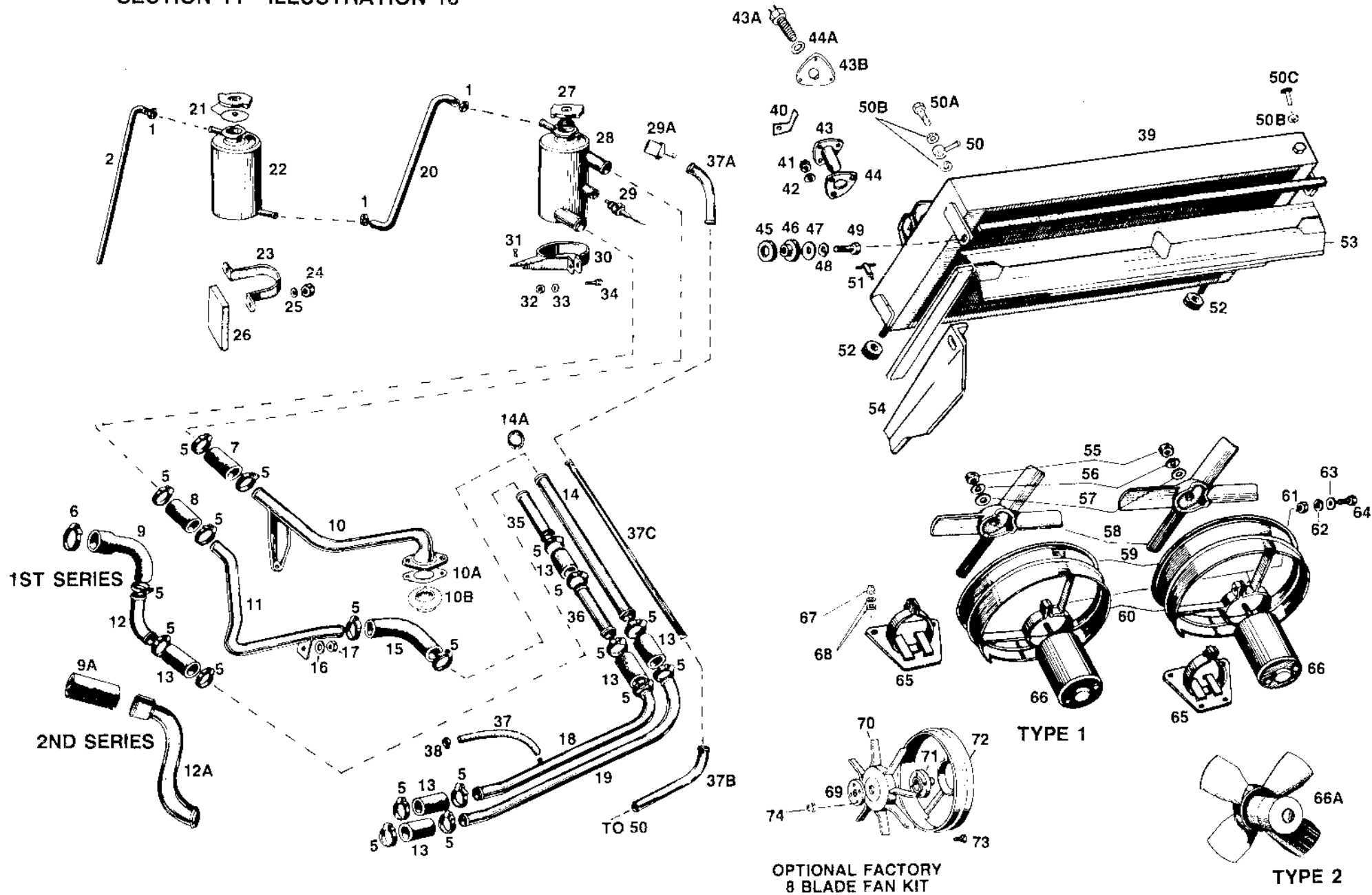
ILLUSTRATION #	DESCRIPTION	PART #
1	Muffler & Tailpipe RH 1st Series Uses Flat Gasket #7	10001A
1	Muffler & Tailpipe LH 1st Series Uses Flat Gasket #7	10002A
1A	Muffler & Tailpipe RH 2nd Series Uses Flat Gasket #7	10003A
1A	Muffler & Tailpipe LH 2nd Series Uses Flat Gasket #7	10004A
1B	Muffler & Tailpipe RH 3rd Series Uses Donut Gasket #7A	10005A
1B	Muffler & Tailpipe LH 3rd Series Uses Donut Gasket #7A	10006A
1C	Muffler & Tailpipe RH 4th Series Uses Donut Gasket #7A	10007A
1C	Muffler & Tailpipe LH 4th Series Uses Donut Gasket #7A	10008A
1D	Muffler & Tailpipe RH GTS - GT5 w/Larger O.D. Tailpipe	10009A
1D	Muffler Group 3 w/o Baffles RH	10009B
1D	Muffler & Tailpipe LH GTS - GT5 w/Larger O.D. Tailpipe	10010A
1D	Muffler Group 3 w/o Baffles LH	10010B
NOTE:	Exhaust System w/Catalytic Converter for Emissions See Section 8 Illustration #15	
2	Retainer Muffler Support	10011A
3	Muffler Support Strap	10012A
4	Bolt Muffler Support Strap M8 x 1.25 x 40mm	10013A
5	Spacer Muffler Support	10014A
6	Nut Muffler Support M8 x 1.25	01010A
7	Gasket Manifold to Tailpipe 2" ID Flat	10015A
7A	Gasket Manifold to Tailpipe Donut Type	10015B
7B	Gasket Manifold to Tailpipe 2-7/16" ID Flat	10015C
8	Nut Manifold Flange M8 x 1	10016A
9	Lockwasher Manifold Flange M8	02014A
10	Bolt M8 x 1 x 30	10017A
11	Gasket Manifold to Cylinder Head	10018A
12	Manifold RH 1st Series	10019A
12	Manifold LH 1st Series	10020A
12A	Manifold RH 2nd Series	10021A
12A	Manifold LH 2nd Series	10022A
12B	Manifold RH 3rd Series (Replaced by 4th Series)	
12B	Manifold LH 3rd Series (Replaced by 4th Series)	
12C	Manifold RH 4th Series	10023A
12C	Manifold LH 4th Series	10024A
12D	Manifold RH GTS - GT5	10025A
12D	Manifold LH GTS - GT5	10026A
NOTE:	Exhaust System w/Catalytic Converter for Emissions See Section 8 Illustration #15	
13	Washer Muffler Support M10 Spring Type	06050A
14	Nut Muffler Support Bracket M10 x 1.5	01402A
15	Bracket Muffler Support	10027A





Original DeTomaso Pantera Parts

SECTION 11 ILLUSTRATION 18



SECTION 11 ILLUSTRATION 18

Original DeTomaso Pantera Parts



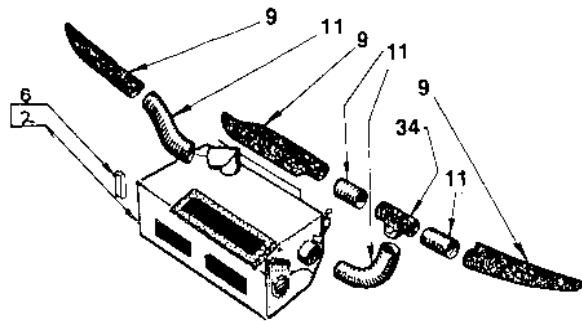
ILLUSTRATION #	DESCRIPTION	PART #
1	Clamp Overflow Hose	09045A
2	Hose Overflow	11001A
5	Clamp Radiator Hose	11002A
6	Clamp Radiator Hose to Water Pump	11003A
7	Hose 1-3/8" x 7-7/8"	11004A
8	Hose 1-3/8" x 5-1/2"	11004B
9	Hose 90° Water Pump to Pipe 1st Series	11005A
9A	Hose Straight 1-3/4" x 5"	11005A
10	Pipe Thermostat to Pressure Tank w/Bracket	11007A
10A	Gasket Thermostat to Block	11008A
10B	Thermostat 180°F	11009A
10B	Thermostat 192°F	11009B
11	Pipe Lower Pressure Tank to Center Tube	11010A
12	Pipe Lower Water Pump 1st Series	11011A
12A	Pipe Lower Water Pump (Fix Type Around Shifter Rod)	11011B
13	Hose 1-3/8" x 4"	11004C
14	Pipe Center Under Car 61-1/2" Long	11012A
14A	Grommet Coolant Pipe to Body	11013A
15	Hose 90°	11014A
16	Washer M8	01009A
17	Nut M8 x 1.25 ELN	01010A
18	Pipe Upper Radiator Front	11015A
19	Pipe Lower Radiator Front	11016A
20	Hose Pressure Tank to Overflow Tank	11017A
21	Cap Expansion Tank	11018A
22	Tank Expansion	11019A
23	Strap Expansion Tank Retaining	11020A
24	Nut M6 x 1.0	11020B
25	Flat Washer M6	11020C
26	Pad Expansion Tank Mounting	11021A
27	Cap Pressure Tank	11022A
28	Tank Pressure	11023A
29	Sending Unit Water Temperature	11024A
29A	Fitting Bleed Hose to Tank 74 Pantera	11024B
30	Bracket Pressure Tank Mounting	11025A
31	Rivet Bracket to Body (Deleted) Welded M4	
32	Nut M6 x 1 ELN	11026A
33	Flat Washer M6	01312A
34	Bolt M6 x 1 x 25mm	01313A
35	Pipe Center Under Car 25" Long	11027A
36	Pipe Center Under Car 37" Long	11028A
37	Hose Radiator Bleed Upper Pipe to Radiator 18"	11029A
37A	Hose Radiator Bleed Pressure Tank to Tube 74 Pantera 44"	11029B
37B	Hose Radiator Bleed Tube to Radiator 74 Pantera 46"	11029C
37C	Tube Radiator Bleed Center Under Car from Serial #5899	11030A
38	Clamp Bleed Hose	09045A
39	Radiator Assembly	11031A
39	Radiator Assembly (w/Screw in Sensors)	11031B
40	Tab (Sensor Ground Connector)	09046A
41	Nut M4 x .70	11032A
42	Lock Washer M4	11032B
43	Sensor 70°C 158°F Primary Fan (Upper)	11033A

43	Sensor 85°C 185°F Secondary Fan (Lower)	11033B
43A	Sensor 60°C Hexagon Threaded Type	11033C
43A	Sensor 77°C Hexagon Threaded Type	11033D
43B	Adaptor (For Sensors #43A to Old Style Radiator)	11033E
44	Gasket Sensor to Radiator	11034A
44A	Gasket (For Hexagon Type Sensor)	11034B
45	Grommet Radiator Mounting Side Ring	11035A
46	Grommet Radiator Mounting (Step Type w/Sleeve)	11035B
47	Flat Washer M8	11036A
48	Lock Washer M8	02014A
49	Bolt M8 x 1.25 x 40mm	10013A
50	Fitting (Banjo) Blood Hose to Radiator	11037A
50A	Bolt (Banjo Fitting) to Radiator	11038A
50B	Gasket Bleed Bolt & Fitting to Radiator	11039A
50C	Bleed Screw Thumb Type	11038B
51	Drain Valve	11040A
52	Grommet Radiator Mounting Lower	11035C
53	Deflector Radiator Upper Air w/Seal	11041A
54	Deflector Radiator RH w/Seal	11042A
54	Deflector Radiator LH w/Seal	11043A
55	Nut Fan to Motor 1/4 - 28 ELN	03021A
56	Lock Washer (Deleted)	
57	Flat Washer 1/4"	03021B
58	Fan 4 Blade Plastic Type 1	11044A
59	Gasket Fan Shroud to Radiator	11045A
60	Shroud Assembly w/4 Blade Fan Type 1	11046A
61	Nut Fan Shroud to Motor M6 x 1	09034A
62	Lock Washer M6	01012A
63	Flat Washer M6	01312A
64	Bolt M6 x 1 x 20mm	11047A
65	Bracket Fan Mounting w/4 Blade Fan Type 1	11048A
65	Bracket Fan Mounting w/Type 2 Fan Motor Assembly GT5	11048B
66	Fan Motor Type 1	11049A
66A	Motor & Fan Assembly GT5 Type 2 Complete	11049B
67	Nut M5 x .8 ELN	09034B
68	Grommet & Washer Fan Mounting Bracket to Body	11050A
69	Spacer Fan Mounting—8 Blade	11051A
70	Fan—8 Blade	11052A
71	Hub Fan to Motor—8 Blade	11053A
72	Shroud Assembly—8 Blade Fan	11054A
73	Bolt-Fan Hub M6 x 1 x 12mm	20224A
74	Nut-Fan Hub M6 x 1 ELN	11026A

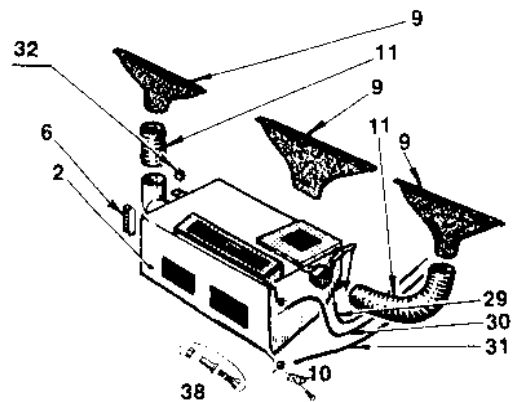


Original DeTomaso Pantera Parts

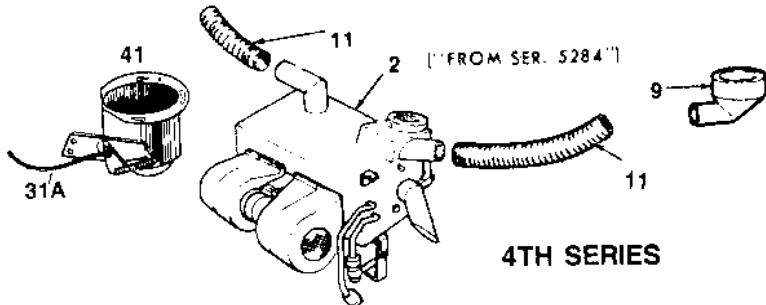
SECTION 12 ILLUSTRATION 19



1ST SERIES

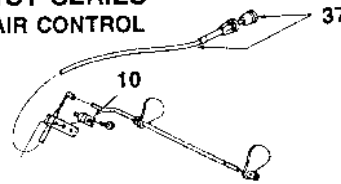


2ND SERIES

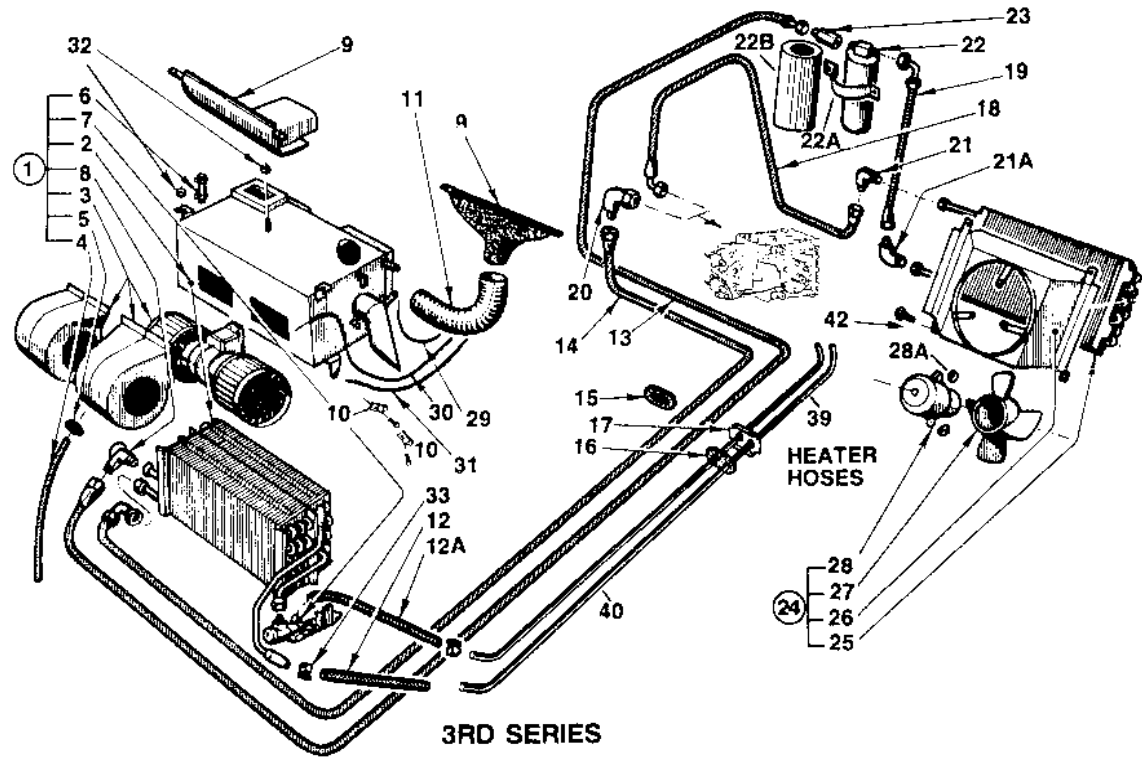
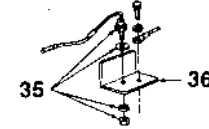


4TH SERIES

1ST SERIES
AIR CONTROL



1ST SERIES
DIODE AND MOUNTING



3RD SERIES

HEATER
HOSES

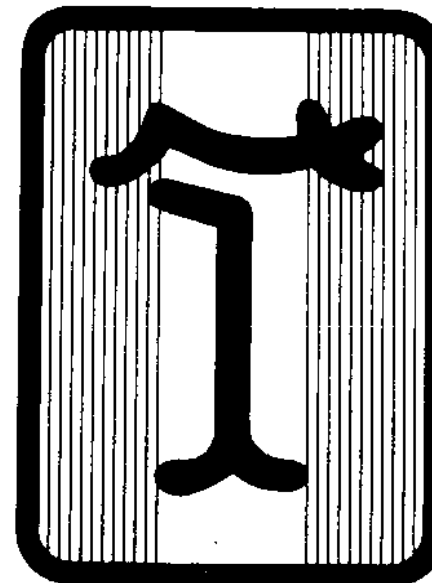
SECTION 12 ILLUSTRATION 19

Original DeTomaso Pantera Parts



ILLUSTRATION #	DESCRIPTION	PART #
1	A.C. Evaporator & Heater Assembly w/Motor 1st Series	12001A
1	A.C. Evaporator & Heater Assembly w/Motor 2nd Series	12001B
1	A.C. Evaporator & Heater Assembly w/Motor 3rd Series	12001C
1	A.C. Evaporator & Heater Assembly w/Motor 4th Series	12001D
2	Core Assembly Air Conditioner Evaporator w/3 Center Air Vents	12002A
2	Core Assembly Air Conditioner Evaporator w/2 Center Air Vents	12002B
3	Blower Motor Assembly w/Housing 1st 2nd 3rd Series	12003A
3	Blower Motor Assembly w/Housing 4th Series	12003B
4	Hose Air Conditioner Evaporator Drain	12004A
5	Grommet AC Drain Hose at Floor	12005A
6	Resistor Blower Motor Before #5285	12006A
6	Resistor Blower Motor After #5285	12006B
7	Valve Heater Hot Water	12007A
8	Valve Assembly Air Conditioner Expansion	12008A
9	Defroster Air Outlet Lower 1st Series RH	12009A
9	Defroster Air Outlet Lower 1st Series LH	12009B
9	Defroster Air Outlet Lower 1st Series Center	12009C
9	Defroster Air Outlet Lower LH & RH 2nd Series	12009D
9	Defroster Air Outlet Lower Center 2nd Series	12009E
9	Defroster Air Outlet Lower LH 3rd Series	12009F
9	Defroster Air Outlet Lower RH 3rd Series	12009G
9	Defroster Air Outlet Lower 45° 4th Series	12009H
9	Defroster Air Outlet Lower RH 90° 4th Series	12009I
10	Clip Heater Cable Retaining	12010A
11	Hose Defroster (Per Foot)	12011A
12	Hose Heater Underdash (Heater Core to Tube)	12012A
12A	Hose Heater Under Dash (Hot Water Valve to Tube)	12012B
13	Hose Air Conditioner (Drier to Evaporator)	12013A
14	Hose Air Conditioner (Compressor to Evaporator)	12014A
15	Grommet Air Conditioner Hoses to Firewall	12015A
16	Insulation Heater Tubes at Body	12016A
17	Retainer Heater Tubes at Body	12017A
18	Hose Air Conditioner (Compressor to Condenser)	12018A
19	Hose Air Conditioner (Drier to Condenser)	12019A
20	Fitting 90° Compressor to Hose (1st Series)	12020A
21	Fitting AC Pressure Hose to Condenser (1st Series)	12020B
22	Drier Assembly Air Conditioner	12021A
22A	Bracket AC Drier Retaining	12021B
22B	Insulator AC Drier to Bracket (Foam)	12021C
23	Valve Assembly AC Drier	12022A
24	Condenser Assembly w/Motor 1st & 2nd Series	12023A
24	Condenser Assembly w/Motor 3rd & 4th Series	12023B
25	Condenser Core Before #1910 1st & 2nd Series	12024A
25	Condenser Core After #1910 3rd & 4th Series	12024B
26	Shroud AC Condenser 1st Series R/B 2nd Series	12025A
26	Shroud AC Condenser 2nd Series	12025B
26	Shroud AC Condenser 3rd Series R/B 4th Series	12025C
26	Shroud AC Condenser 4th Series	12025D
27	Fan AC Condenser	12026A
28	Motor Assembly AC Condenser w/Fan All Series	12027A
28A	Spacer AC Condenser Motor to Bracket	12028A
29	Cable Assembly Defroster	12029A

30	Cable Assembly Floor/Dash Door	12030A
31	Cable Assembly Heater Hot Water	12031A
31A	Cable Assembly Fresh Air Pickup Duct 4th Series	12031B
32	Nut AC Evaporator to Dash M6 x 1.0	11020B
33	Clamp Heater Hose	01344A
34	Defroster Hose "T" 1st Series	12009J
35	Switch AC "De Ice" 1st & 2nd Series	12032A
36	Bracket AC Switch to Condenser	12033A
37	Cable & Knob Cowl Vent Air 1st Series	12034A
38	Bolt Sleeve & Nut (Cable End Pivot)	12035A
39	Hose (Heater) Engine to Body w/90°	12036A
40	Tube Heater Hot Water (Fabricate)	12037A
41	Valve Fresh Air Pickup to Evaporator (4th Series)	12038A
42	Bolt-Condenser Fan Shroud to Body M6 x 20mm	12039A

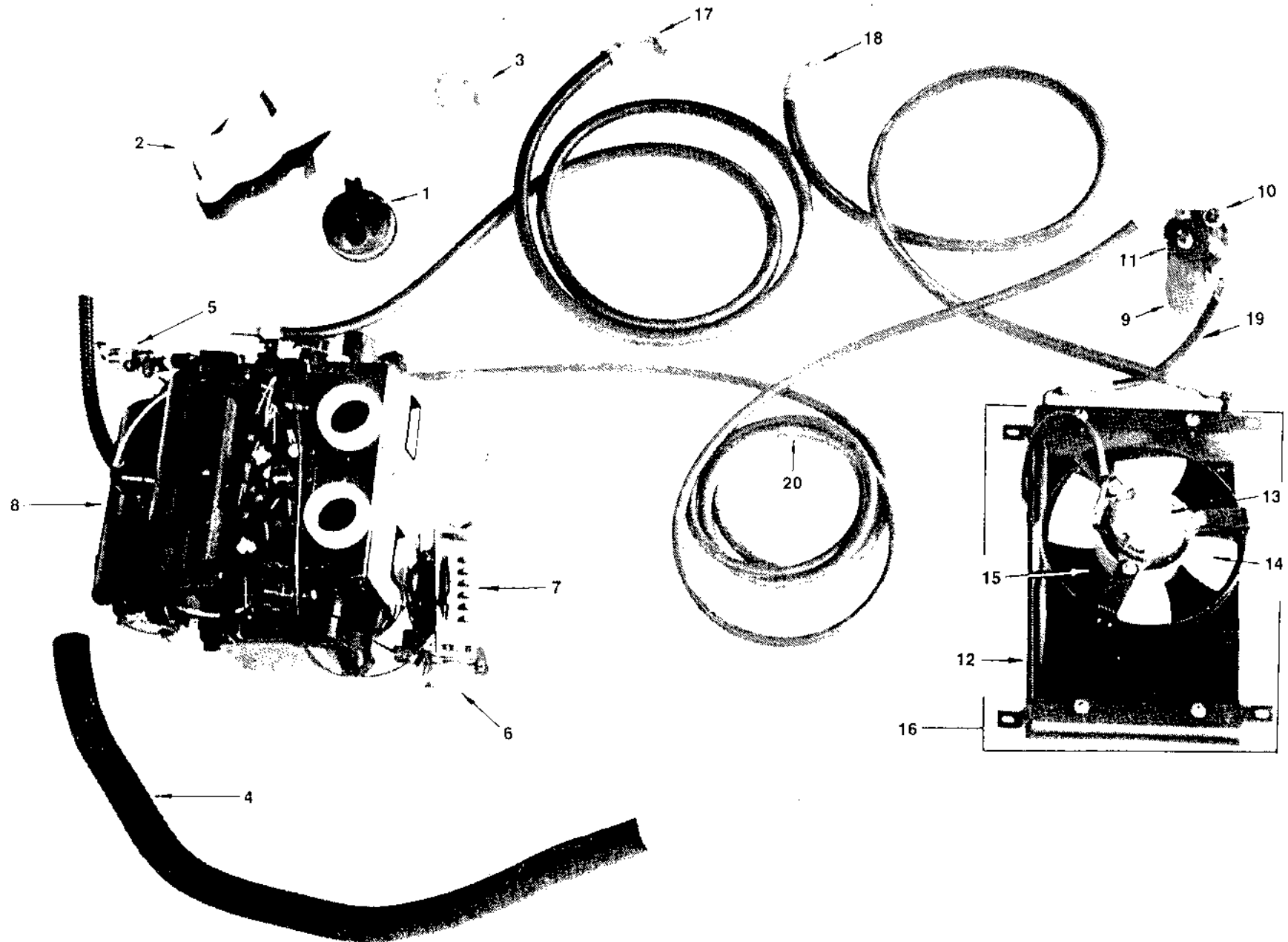




Original DeTomaso Pantera Parts

SECTION 12 ILLUSTRATION 20

21



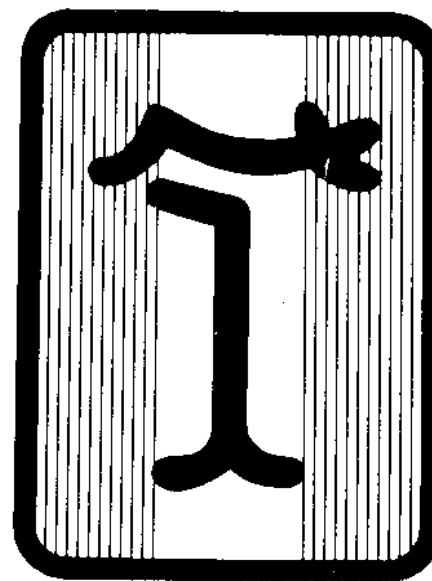
SECTION 12 ILLUSTRATION 20

Original DeTomaso Pantera Parts



ILLUSTRATION #	DESCRIPTION	PART #
1	Vacuum Reservoir	12100A
2	Insulation Expansion Valve	12101A
3	Insulation (Foam Type)	12102A
4	Defroster Hose 40mm	12011B
5	Valve Assembly Heater Hot Water (Vacuum Operated)	12077B
6	Switch Air Conditioner Thermostat	14016F
7	Control Assembly Heater & Air Conditioner Complete	14019E
7	Control Assembly Heater & Air Conditioner w/o A.C. Temp. Switch	14019F
8	Evaporator Case Assembly w/Blower Motor	12001E
9	Drier Assembly Air Conditioner w/Sensors	12021B
10	Sensor Low Pressure	12103A
11	Sensor High Pressure	12103B
12	Shroud Air Conditioner Condensor	12025E
13	Motor Condensor Fan	12027B
14	Fan Assembly Air Conditioner Condensor	12026B
15	Condensor Core Assembly	12024C
16	Condensor Assembly Complete w/Motor	12023C
17	Hose Air Conditioner Compressor to Evaporator	12014B
18	Hose Air Conditioner Compressor to Condensor	12018B
19	Hose Air Conditioner Drier to Condensor	12019C
20	Hose Air Conditioner Drier to Evaporator	12013B
21	Air Conditioner Assembly Complete #1-20	12104A

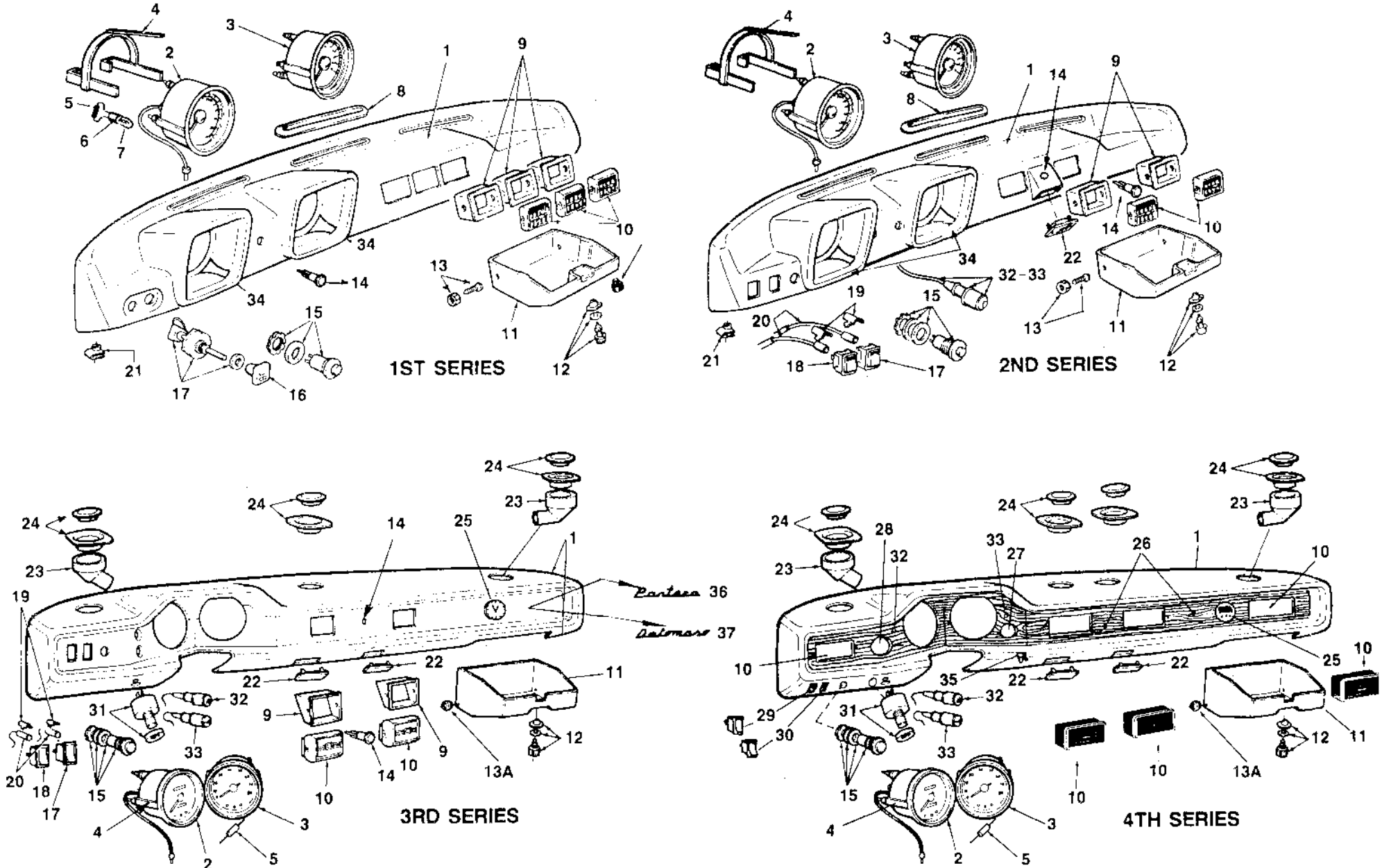
NOTE: Heater Blower Motor Serviced Only as #8 Assembly.





Original DeTomaso Pantera Parts

SECTION 13 ILLUSTRATION 21



SECTION 13 ILLUSTRATION 21

Original DeTomaso Pantera Parts



ILLUSTRATION #	DESCRIPTION	PART #
1	Instrument Panel 1st Series w/3 Center Outlets	13001A
1	Instrument Panel 2nd Series w/2 Center Outlets	13001B
1	Instrument Panel 3rd Series Original Simulated Leather	13001C
1	Instrument Panel 3rd Series Leather Covered	13001D
1	Instrument Panel 3rd Series Leather w/Wood	13001E
1	Instrument Panel 3rd Series Leather w/Wood & Gauges	13001F
NOTE:	Specify Interior Color: Choice A-White, B-Cream, C-Beige, D-Saddle, E-Brown, F-Burgundy, G-Blue, H-Black, I-Grey. Recommend all Light Color Dashes to have Dark Top to Prevent Glare from Windshield	
1	Instrument Panel GT5 w/4 AC Outlets Leather	13001G
1	Instrument Panel GT5 w/4 AC Outlets Leather w/Wood	13001H
1	Instrument Panel GT5 w/4 AC Outlets Leather w/Wood w/Gauges	13001I
2	Speedometer M.P.H. (ID. 1200 Rev = 1 Mile)	13002A
2	Speedometer M.P.H. (ID. 1610 Rev = 1 Mile)	13002B
2	Speedometer Kilometer & M.P.H. (ID. 1 Rev = 1.36M)	13002C
2	Speedometer Kilometer & M.P.H. (ID. 1 Rev = 1.33M)	13002D
3	Tachometer	13003A
4	Retainer Speedometer & Tach to Dash 1st & 2nd Series	13004A
4	Retainer Speedometer & Tach to Dash 3rd & 4th Series	13004B
5	Resistor Alternator Charging (On Alt. Bulb Socket)	13005A
6	Socket Instrument Gauges Single Terminal (Illumination)	13006A
6	Socket Instrument Gauges Dual Terminal (Illumination)	13006B
7	Bulb 3W Instrument Gauges	13007A
8	Defroster Outlet Bezel 1st & 2nd Series	13008A
9	Housing A/C Register to Dash 1st & 2nd Series	13009A
9	Housing A/C Register to Dash 3rd Series (Plastic)	13009B
10	Register A/C & Heater 1st, 2nd & 3rd Series	13010A
10	Register A/C & Heater 4th Series	13010B
11	Glove Box 1st Series Before Serial #1286	13011A
11	Glove Box 2nd Series from #1286 to #5284	13011B
11	Glove Box 3rd & 4th Series	13011C
12	Latch & Knob Assembly Glove Box	13012A
13	Hinge Kit Glove Box Door 1st & 2nd Series	13013A
13A	Bushing Glove Box 3rd & 4th Series	13013B
14	Light Assembly Seat Belt Warning (Fasten Seat Belts)	13014A
14A	Bulb Seat Belt Warning Light	13014B
15	Switch Emergency Flasher (Replaces 1st Series Switch Before Body Service #50220)	13015A
15A	Bulb Emergency Flasher Indicator	13014B
16	Knob (Wipe & Wash) 1st Series	13016A
17	Switch (Wiper & Wash) Turn Style	13017A
17	Switch Wiper (Rocker Style) Chrome Bezel	13017B
17	Switch Wiper w/Symbol Black Bezel	13017C
18	Switch Windshield Washer Chrome Bezel (Wash)	13018A
18	Switch Windshield Washer Black Bezel (w/Symbol)	13018B
19	Retainer Light Socket to Wiper and Wash Switch	13019A
20	Socket & Wire Windshield Wiper & Wash Switch	13020A
20A	Bulb Wipe & Wash Switch 2W	13020B
21	Clip Instrument Panel to Dash	13021A
22	Lamp Assembly Console Illumination	13022A
22A	Bulb Console Illumination Lamp 3W Green Tint	13022B

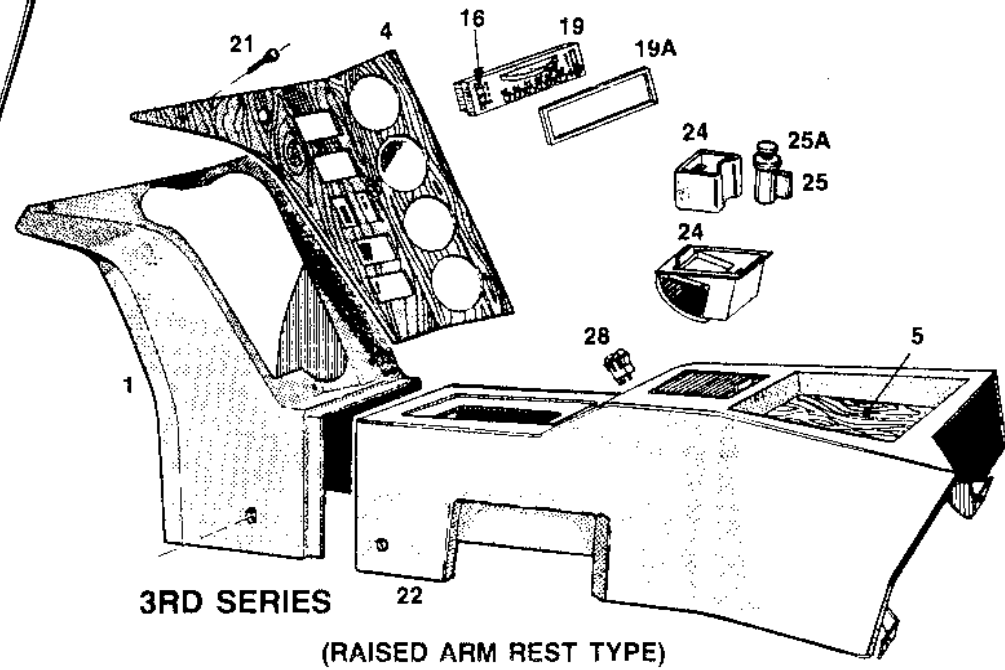
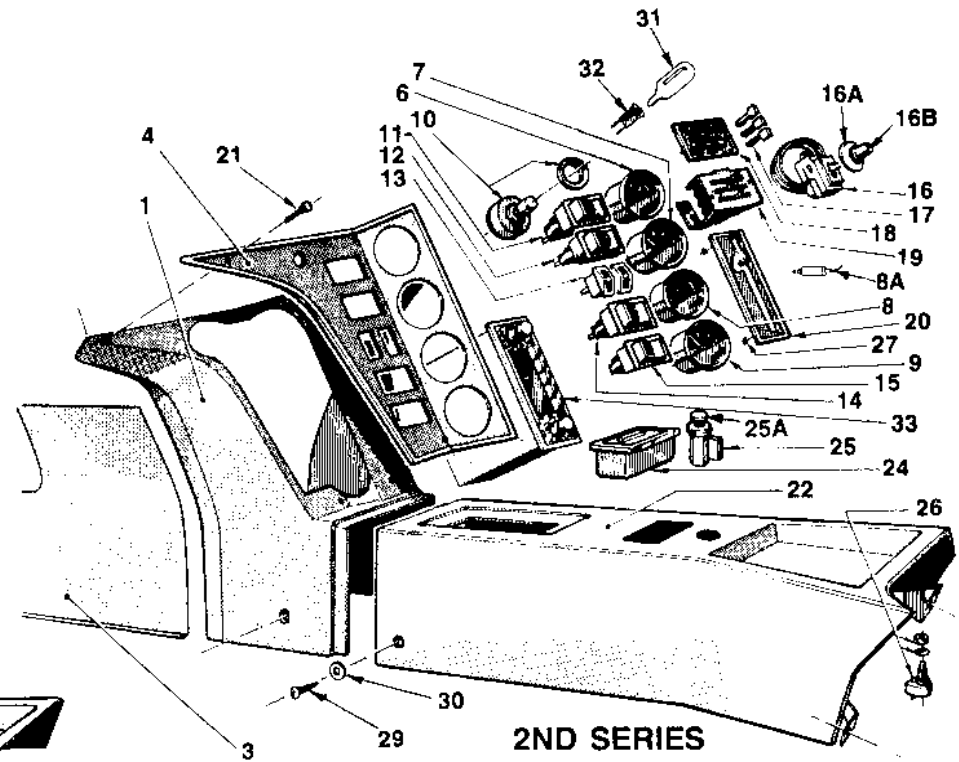
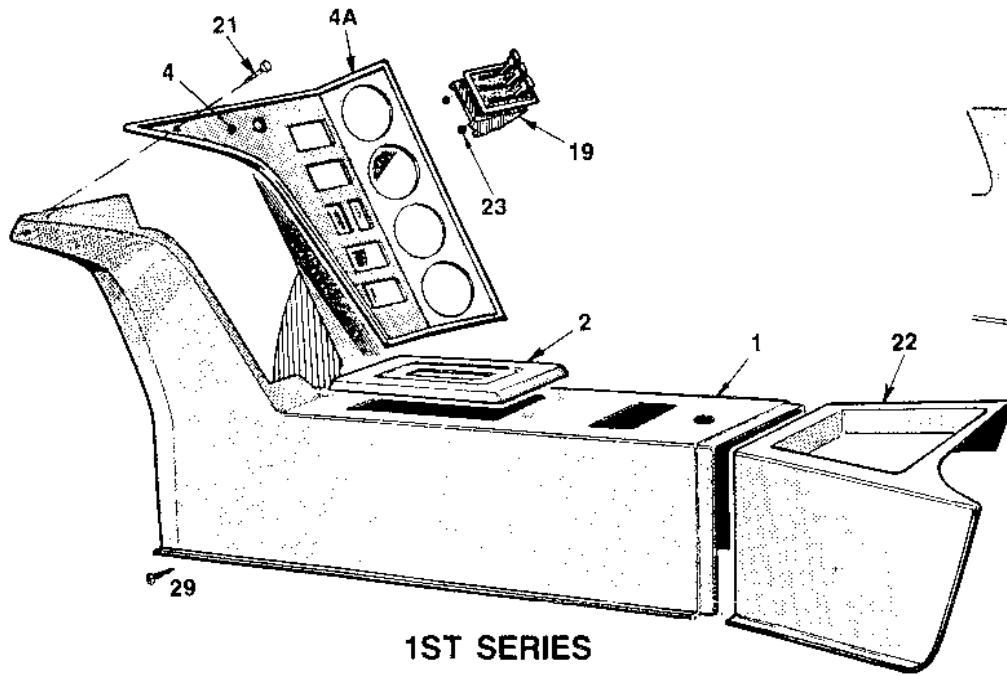
23	Defroster Air Outlet Lower 45°	12009H
23	Defroster Air Outlet Lower 90°	12009I
24	Defroster Nozzle w/Flaps (Upper)	13023A
24	Defroster Nozzle Retainer to Dash	13023B
24A	Defroster Nozzle w/Flaps Center GT5 w/4 Upper Outlets	13023C
25	Clock 74 GTS (Replaced by Below)	14009D
25	Clock 84 GT5 Digital	14009E
26	Wood Insert 3rd Series w/o Gauge Openings (See Note A)	13024A
26	Wood Insert 3rd Series w/Gauge Openings (See Note A)	13024B
26	Wood Insert 4th Series w/o Gauge Openings (See Note A)	13024C
26	Wood Insert 4th Series w/Gauge Openings (See Note A)	13024D
27	Gauge Oil Pressure (Oil and Oil)	14009B
28	Gauge Oil Temperature (Oil F.) Chrome Bezel	14009F
28	Gauge Oil Temperature (Oil F.) Black Bezel	14009G
29	Switch Rear Fog Lamp (Yellow)	13025A
30	Switch Front Driving Lights (Green)	13026A
31	Rheostat Dash Lights	13027A
32	Lamp Assembly Emergency Brake Warning (Red)	13028A
32	Lamp Assembly Emergency Brake Warning (Red) w/o Chrome Bezel GT5	13028C
32A	Bulb Emergency Brake Warning Light	13028B
33	Lamp Assembly Brake Pad & Fluid Level (Amber)	13029A
33	Lamp Assembly Brake Pad & Fluid Level (Amber) w/o Chrome Bezel GT5	13029B
33A	Bulb Brake Pad Wear Indicator	13029B
34	Housing Tachometer & Speedometer Black Plastic	13030A
35	Switch Electric Mirrors 4th Series	13031A
36	Pantera Script for Dash	13032A
37	DeTomaso Script for Dash	13033A

NOTE A: 3rd & 4th Series Dash w/o Wood Insert Specify Serial # and Interior Color Code Shown Above. Leather Insert #26 Available Special Order Only.



Original DeTomaso Pantera Parts

SECTION 14 ILLUSTRATION 22



SECTION 14 ILLUSTRATION 22

ILLUSTRATION #	DESCRIPTION	PART #
1	Console Front Section 1st Series	14007A
1	Console Front Section 2nd Series	14007B
1	Console Front Section 2nd Series w/Leather	14007C
1	Console Front Section Leather GT5 w/vacuum Heater	14007D
1	Console Front Section Leather GT5 w/Vacuum Heater	14007E
2	Trim Shift Gate to Console	14007A
3	Kick Panel RH 1st Series Black Plastic	14003A
3	Kick Panel LH 1st Series Black Plastic	14003B
3	Kick Panel RH 2nd Series Black Plastic	14003C
3	Kick Panel LH 2nd Series Black Plastic	14003D
3	Kick Panel RH 3rd Series w/Leather	14003E
3	Kick Panel LH 3rd Series w/Leather	14003F
4	Gauge Panel 1st Series Before #1285	14004A
4	Gauge Panel 1st Series #1285 to #1524	14004B
4	Gauge Panel 2nd Series after #5284 w/Leather Chrome Bezel (RR) # 4004D	14004C
4	Gauge Panel 2nd Series w/o Chrome Plastic	14004D
4	Gauge Panel GT5 3rd Series w/o Wood	14004E
4	Gauge Panel GT5 3rd Series w/Wood	14004F
4A	Bezel Gauge Panel Chrome Trim 1st Series	14004G
5	Wood Inset GT5 3rd Series	14005A
6	Ammeter Chrome Bezel (Amps) 75A	14006A
6	Ammeter Black Bezel (Amps) 50A	14006B
6	Ammeter Black Bezel (Amps) 30A	14006C
7	Gauge Fuel Chrome Beze (Fuel)	14007A
7	Gauge Fuel Chrome Bezel (Fuel & Benzina)	14007B
7	Gauge Fuel Back Bezel (Fuel)	14007C
7	Gauge Fuel Back Bezel (Benzina)	14007D
8	Gauge Water Temperature 230° (Water °F) Chrome Bezel	14008A
8	Gauge Water Temperature 260° (Water °F) Chrome Bezel	14008B
8	Gauge Water Temperature 230° (Acqua °C) Water °F) Chrome Bezel	14008C
8	Gauge Water Temperature 230° (Water °F) Black Bezel	14008D
8	Gauge Water Temperature 110°C (Acqua °C) Black Bezel	14008E
8A	Resistor Temperature Gauge Use with 260° Gauge	14008F
9	Gauge Oil Pressure 100 & 120 lbs Chrome Bezel	14009A
9	Gauge Oil Pressure 100 & 120 Chrome Bezel	14009B
9	Gauge Oil Pressure 100 & 120 Pressure Black Bezel	14009C
9	Gauge Oil Pressure 100 & 120 Pressure Chrome Bezel	14009E
9	Gauge Oil Pressure 100 & 120 Pressure Chrome Bezel	14009E
10	Recessed Dash Lights	14009A
11	Switch Headlights w/Symbol Chrome Bezel	14019A
11	Switch Headlights (Lights) Chrome Bezel	14019B
11	Switch Headlights w/Symbol GT5 Black Bezel	14019C
12	Switch Cooling Fan - Position Below #2787 Chrome Bezel	14019A
12	Switch Heater Fan w/Symbol Chrome Bezel	14019A
12	Switch Heater Fan (Fan-Off-H) Chrome Bezel	14019B
12	Switch Heater w/Symbol Black Bezel	14019C
12	Switch Rear Glass Heater GT5 Black Bezel	14019D
12	Switch Power Window	14019A
13	Switch Power Window GT5 (Black Bezel)	14019B
14	Switch Heater Fan w/Symbol 1st Series Chrome Bezel	14019A
14	Switch Courtesy w/Symbol Chrome Bezel	14019A
14	Switch Courtesy (Courtesy) Chrome Bezel	14019B

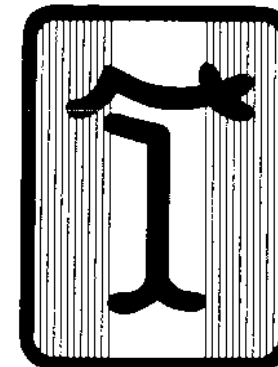
Original DeTomaso Pantera Parts



14	Switch Wiper w/Symbol GT5 Black Bezel	14017D
15	Switch Courtesy w/Symbol 1st Series Chrome Bezel	14014A
15	Switch (Blank) Non Function Chrome Bezel	14015A
15	Switch Windshield Washer w/Symbol GT5 Black Bezel	14019B
16	Switch Air Conditioner Thermostat 1st Series Replaced by B	14016A
16	Switch Air Conditioner Thermostat	14016B
16	Switch Air Conditioner Thermostat w/Vacuum Type Control Assembly	14016F
16A	Bezel Air Conditioner Switch to Console	14016C
16B	Knob Air Conditioner Switch 71-74	14016D
16D	Knob Air Conditioner Switch GT5 w/o Vacuum Heater	14016E
17	Lever Heater Control Plastic Chrome	14017A
17	Lever Heater Control Black w/Red Center	14017B
17	Bezel Heater Control (Plastic)	14017A
17	Control Assembly Heater w/Cables 1st Series	14017A
17	Control Assembly Heater w/Cables 2nd Series	14017B
17	Control Assembly Heater w/Cables 73-74 Replaced by D	14017C
17	Control Assembly Heater w/Cables 1970-02	14017D
17	Control Assembly Heater and AC w/Vacuum (Push Button Type)	14017E
17	Bezel for Vacuum Type Heater & AC Switch	14017F
17	Radio Radio Back Off w/Design Chrome	14023A
17	Radio Radio Back Off Black Plastic GT5	14023B
21	Screw Instrument Panel to Console (Chrome Type Chrome) M5 x 80 x 20	14021A
21	Screw Instrument Panel to Console (Phillips) Black M5 x 80 x 17	14021B
21	Screw Instrument Panel to Console (Phillips) Chrome	14021C
22	Console Rear Section 1st Series	14022A
22	Console Rear Section 2nd Series	14022B
22	Console Rear Section 2nd Series Leather	14022C
22	Console Rear Section GT5 w/o Arm Rest Leather	14022D
22	Console Rear Section GT5 with Arm Rest Leather	14022E
23	N.I. Heater Control to Dash	55047A
24	Ash Tray	14023A
24	Ash Tray GT5 Outer Trim (Sliding Type)	14023B
24	Ash Tray GT5 Inner Receptacle	14023C
25	Cigar Lighter Socket w/Light Long Type (2-1/8" Element)	14024A
25	Cigar Lighter Socket w/Light Short Type (1-3/4" Element)	14024B
25	Bulk Cigar Lighter Socket	14024C
25A	Cigar Lighter Knob & Element Long 2-1/8	14025A
25A	Cigar Lighter Knob & Element Short 1-3/4	14025B
25A	Cigar Lighter Assembly Complete Long Style	14025C
25A	Cigar Lighter Assembly Complete Short Style	14025D
25A	Cigar Lighter Assembly Complete GT5 w/o Long Ash Tray	14025E
26	Switch Park Brake Warning Terminal	01426A
26	Switch Park Brake Warning Terminal	01426B
27	N.I. Radio Back Off Tray	14021A
28	Switch Power Window GT5	14019A

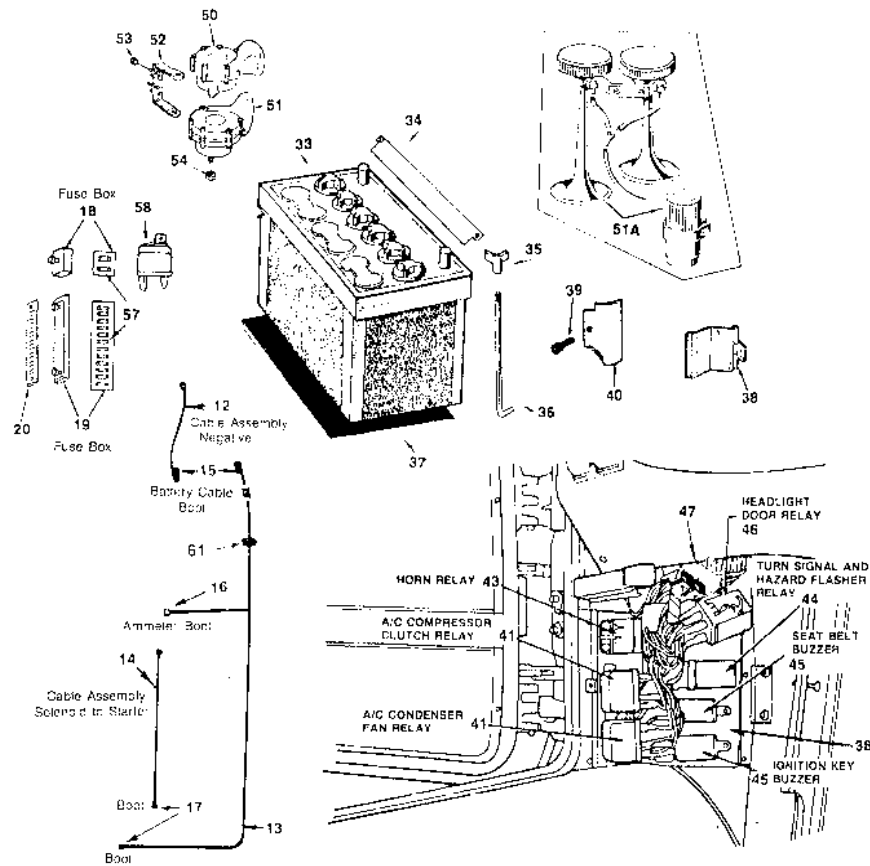
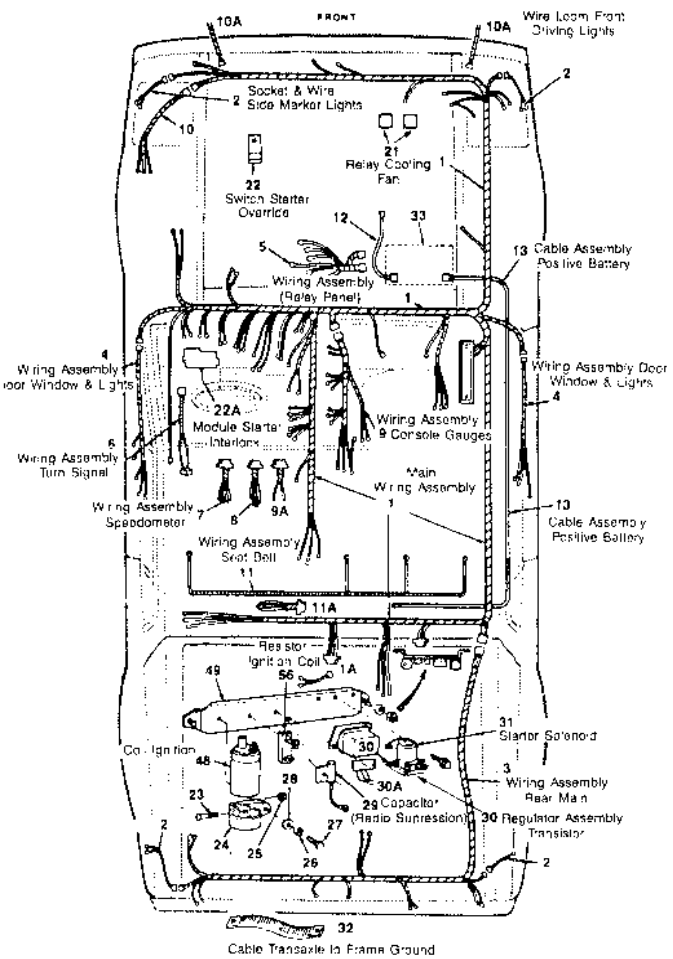
29	Screw Console to Body 1st Series (Counter Sink Phillips)	25016A
29	Screw Console to Body 2nd Series (Round Head Phillips)	14029A
32	Washer 2nd Series	14029B
31	Bulb Instrument Gauges	13007A
32	Socket Instrument Gauges Single Terminal	13006A
32	Socket Instrument Gauges Double Terminal	13006B
33	Radio (Non Factory Part)	

NOTE: Switch Location in Gauge Panel Varies by Model, Year, and Optional Gauges in Dash.
NOTE: When Ordering Interior Trim Parts Covered in Leather Specify Color Code: A-White, B-Cream, C-Beige, D-Saddle, E-Brown, F-Burgundy, G-Blue, H-Black, I-Gray.

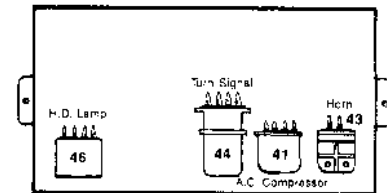


Original DeTomaso Pantera Parts

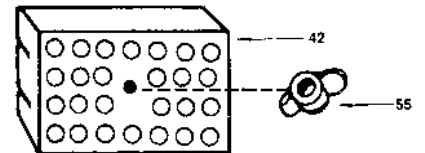
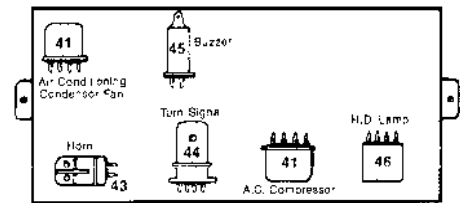
SECTION 15 ILLUSTRATION 23



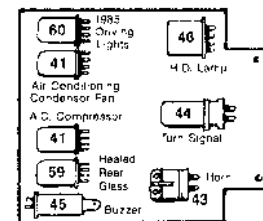
FIRST SERIES



RELAY PANEL RIGHT SIDE UNDER DASH VIEW FROM BELOW W/O FAN RELAYS



GT-5 RELAY PANEL



SECTION 15 ILLUSTRATION 23

Original DeTomaso Pantera Parts



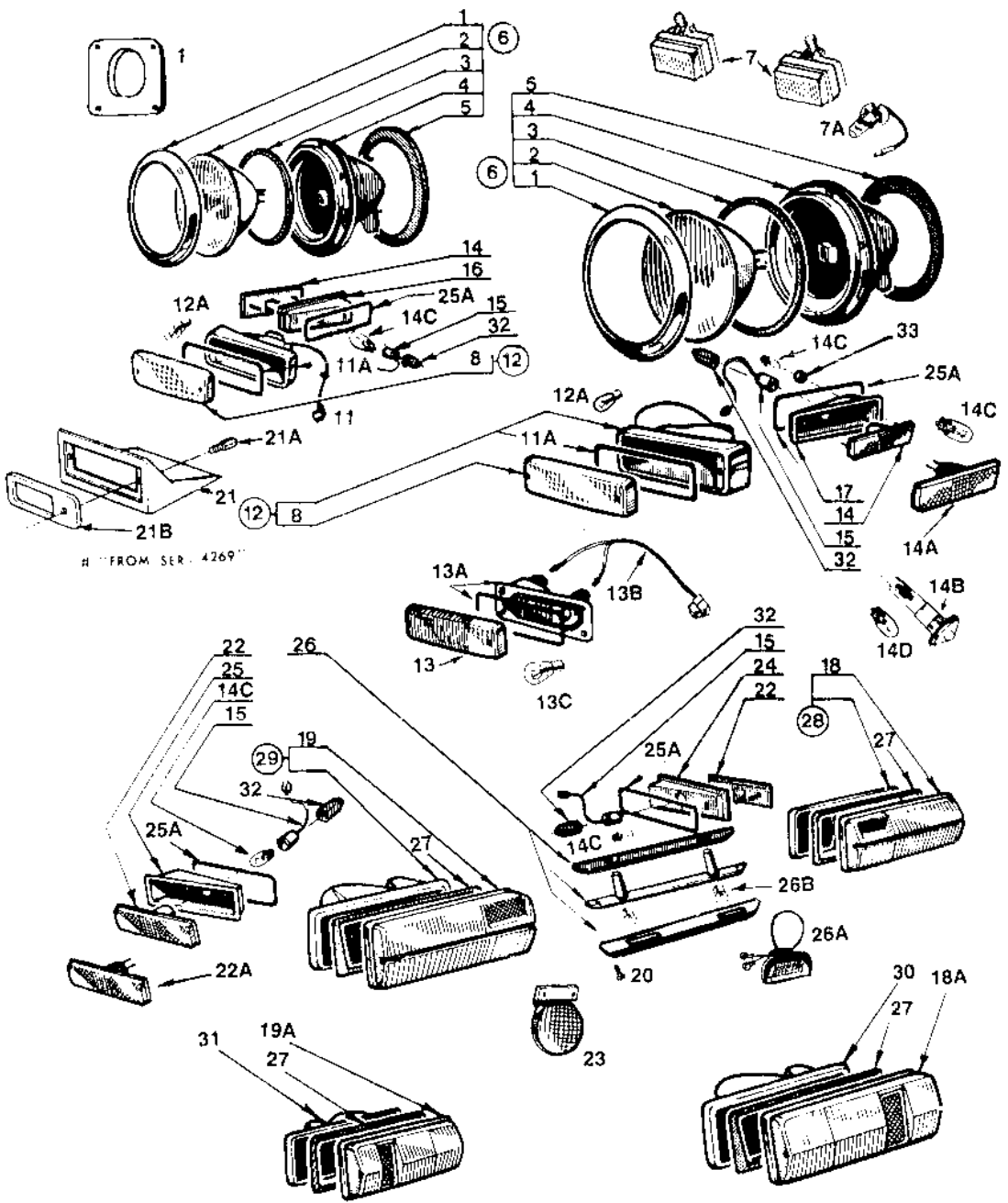
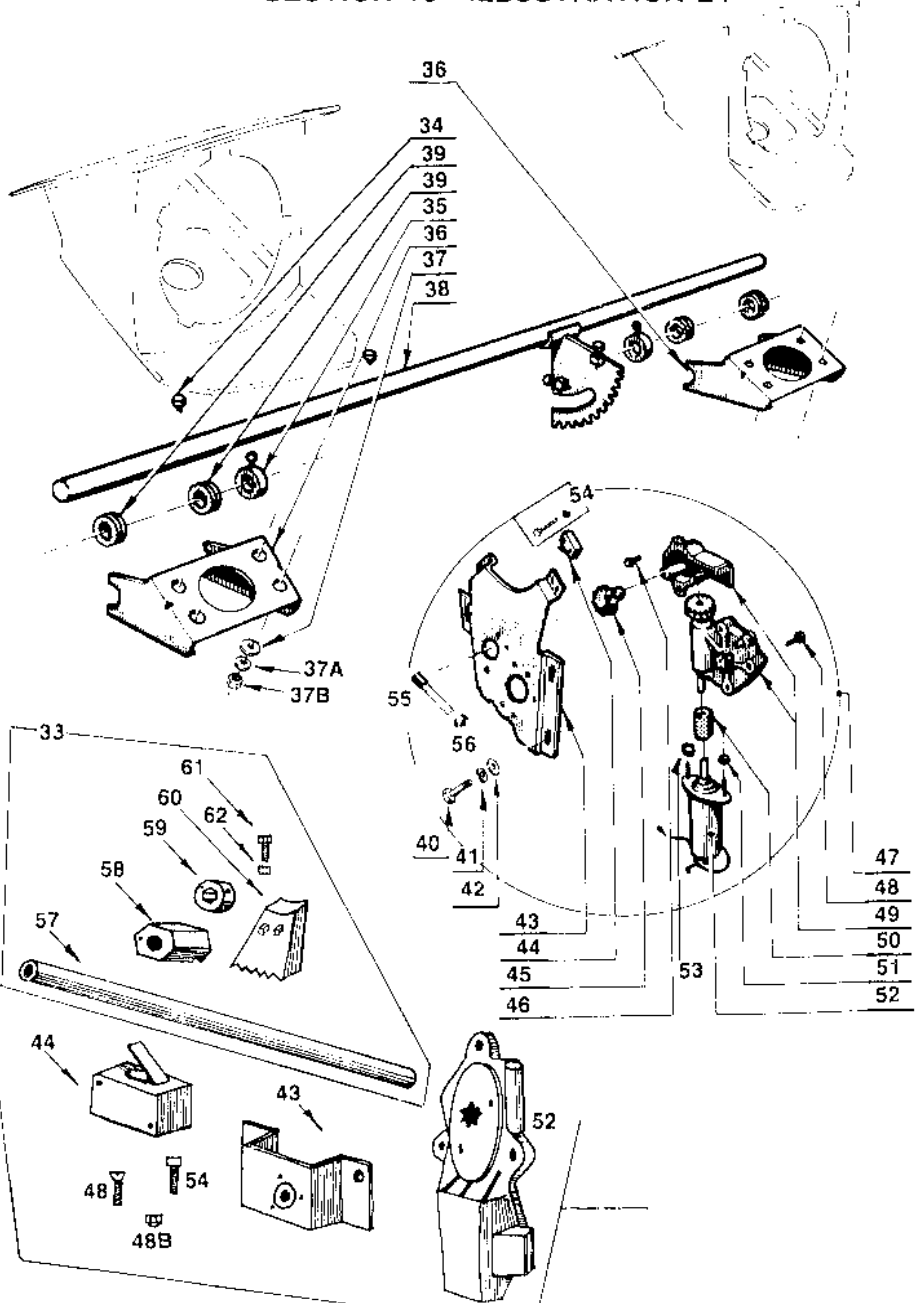
ILLUSTRATION #	DESCRIPTION	PART #
1	Wiring Assembly Main 71 Identification (2.37-20656)	15001A
1	Wiring Assembly Main 72 Identification (3.6.65.0100)	15001B
1	Wiring Assembly Main 72 Identification (3.6.65.0126)	15001C
1	Wiring Assembly Main 72-73 Identification (3.6.65.0131)	15001D
1	Wiring Assembly Main 73 Identification (3.6.65.0142)	15001E
1	Wiring Assembly Main 74 Identification (3.5.53.014B) to Service #52599	15001F
1	Wiring Assembly Main 74 After Service #52599	15001G
1	Wiring Assembly Main 1982 GT5 w/o Vacuum Heater	15001H
1	Wiring Assembly Main 1984 GT5 with Vacuum Heater	15001I
1A	Wire Harness (Engine Electrical) from #9000	15001J
2	Socket & Wire Side Marker Lights 71-74	15002A
3	Wiring Assembly Rear Main	15003A
3	Wiring Assembly Rear Main GT5 After #9000	15003B
4	Wiring Assembly Door Window & Lights	15004A
4	Wiring Assembly Door Window & Lights w/Electric Mirrors & Door Locks GT5	15004B
5	Wiring Assembly (Relay Panel) 71 w/Fan Relay Under Dash RH	15005A
5	Wiring Assembly (Relay Panel) 71/72 w/o Fan Relay Under Dash RH	15005B
5	Wiring Assembly (Relay Panel) 72 (Identification 3.6.65.0132)	15005C
5	Wiring Assembly (Relay Panel) 72 (Identification 3.6.65.0129)	15005D
5	Wiring Assembly (Relay Panel) 72/Up w/Relays L. Side Dash	15005E
6	Wiring Assembly Turn Signal Jumper to Body Service #50220	15006A
6	Wiring Assembly Turn Signal Jumper After Body Service #50220	15006B
7	Wiring Assembly Speedometer	15007A
8	Wiring Assembly Tachometer	15008A
9	Wiring Assembly Console Gauges & Illumination Before #5284	15009A
9	Wiring Assembly Console Gauges & Illumination After #5284	15009B
9A	Wire Loom (Optional Gauges)	15009C
10	Wiring Assembly Headlight to Main Wire Loom	15010A
10A	Wire Loom Front Driving Lights GT5—GT5-S	15010B
11	Wiring Assembly Seat Belt Warning	15011A
11A	Wiring Harness to Heated Rear Glass	15011B
12	Cable Assembly Negative	15012A
13	Cable Assembly Positive Battery in Front	15013A
13	Cable Assembly Positive Battery in Rear	15013B
13	Cable Assembly Positive Battery Below Front Trunk Floor	15013C
14	Cable Assembly Solenoid to Starter	15014A
15	Boot Battery Cable End 90°R at Battery	15015A
15	Boot Battery Cable End 90°L at Battery	15015B
16	Boot Ammeter and Solenoid Wires	15016A
17	Boot Starter Cable and Solenoid	15017A
18	Fuse Box (Power Window) Complete	15018A
19	Fuse Box (Main) Complete	15019A
19	Fuse Box (Main) Complete GT5 After #9000	15019B
20	Plate Fuse Identification English	15020A
20	Plate Fuse Identification Italian	15020B
21	Relay Cooling Fan (Identification SIPEAT-5210/2F)	15021A
21	Relay Cooling Fan 84 GT5	15021B
22	Switch Starter Override	15022A
22A	Module Starter Interlock	15022B
23	Bolt Coil Bracket 10-24 x 1-1/2	15023A

24	Bracket Coil Mounting	15024A
25	Nut Coil Bracket 10-24	15025A
26	Lock Washer 6mm	01012A
27	Bolt M6 x 1 x 16mm Coil Bracket to Support	15026A
28	Flat Washer 6mm	15027A
29	Capacitor (Radio Suppression)	15028A
30	Regulator Assembly Transistor	15029A
30A	Wire Assembly Regulator to Alternator	15030A
31	Starter Solenoid	15031A
32	Cable Transaxle to Frame Ground	06035A
33	Battery (12V Maintenance Free)	15032A
34	Battery Hold Down 1st Series Replaced by B	15033A
34	Battery Hold Down 15-7/8" Long	15033B
35	Nut Battery Hold Down Stud	15034A
36	Stud Battery Hold Down	15035A
37	Pad Battery to Floor	15036A
38	Panel Relay Mounting Before #3442	15037A
38	Panel Relay Mounting #3442 to Service #50220	15037B
38	Panel Relay Mounting LH Location	15037C
39	Screw Relay Panel Cover Thumb Type	15038A
40	Cover Relay Panel Trim LH	25017B
41	Relay Air Conditioning (Identification SIPEAT-5170)	15039A
41	Relay Air Conditioning GT5 from #9000	15021B
42	Cover Relay Panel	15040A
43	Relay Horns (Identification FIAMM 12V TBC)	15041A
43	Relay Horns GT5 After #9000	15021A
44	Flasher Turn Signal Before #3442 4 Terminal	15042A
44	Flasher Turn Signal After #3442 3 Terminal	15042B
45	Buzzer (Ignition & Seat Belt Warning)	15043A
46	Relay Headlamp Before Serial #5900	15044A
46	Relay Headlamp After Serial #5900	15044B
47	Circuit Breaker Headlamp Relay Feed	15045A
48	Coil Ignition 12V	15046A
49	Bracket Ignition Coil & Resistor Support	15047A
50	Horn Assembly (High Pitch)	15048A
51	Horn Assembly (Low Pitch)	15048B
51A	Horn Kit (Air Type) GT5	15048C
52	Bracket Horns to Front Wall	15049A
53	Nut Horn Bracket to Front Wall M6 x 1.0	11020B
54	Nut Horn to Bracket M6 x 1.0	11020B
55	Nut Relay Cover to Panel (Wing Type)	15034A
56	Resistor Ignition Coil 4 Terminal	15010A
56	Resistor Ignition Coil 2 Terminal	15050B
57	Fuse 8 Amp	15051A
57	Fuse 15 Amp	15051B
57	Fuse 25 Amp	15051C
57	Fuse 30 Amp	15051D
58	Relay Power Door Locks	15052A
59	Relay Rear Heated Glass	15021B
60	Relay Front Driving Lights 85 GT5-S	15021B
61	Grommet Battery Cable to Floor	15053A



Original DeTomaso Pantera Parts

SECTION 16 ILLUSTRATION 24



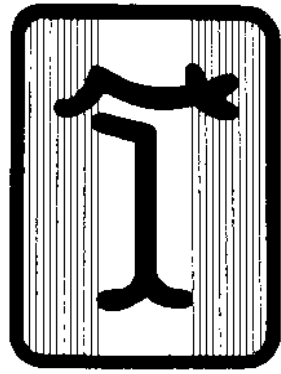
SECTION 16 ILLUSTRATION 24

ILLUSTRATION #	DESCRIPTION	PART #
1	Bezel Headlamp Trim Chrome	16001A
2	Bezel Headlamp Trim Plastic GTS RH	16001B
3	Bezel Headlamp Trim Plastic GTS LH	16001C
4	Bulb Headlamp	16002A
5	Seal Headlamp to Housing	16003A
6	Housing Headlamp w/o Bulb	16004A
7	Housing Assembly with Bulb	16004B
8	Gasket Housing to Bracket	16005A
9	Headlamp Assembly Complete w/2-#5	16006A
10	Headlamp Assembly Complete GTS	16006B
11	Driving Lights—GTS—Spot Beam (White)	16007A
12	Driving Lights—GTS—Spot Beam (Amber)	16007B
13	Driving Lights—GTS—Fog Beam (White)	16007C
14	Driving Lights—GTS—Fog Beam (Amber)	16007D
15A	Bulb Driving Light (Clear)	16008A
16	Lens Park Light (W/In)	16008B
17	Lens Park Light (Amber)	16008C
18	Wire Assembly—Park Light to Main Harness	16009A
19	Gasket Park Lamp	16010C
20	Park Light Assembly RH & LH w/Amber Lens	16012A
21A	Bulb Park Light	16012B
22	Lens 2 Color Park Light GTS RH	16013A
23	Lens 2 Color Park Light GTS LH	16013B
24A	Body Assembly 2 Color Park Light GTS RH	16013C
25A	Body Assembly 2 Color Park Light GTS LH	16013D
26	Wire Assembly 2 Color Park Light to Main Harness	16013E
27	Bulb Turn Signal GTS w/2 Color Park Light	16014C
28	Bulb Park Light GTS w/2 Color Park Light	16014G
29	Lens Front Side Marker (Amber)	16014A
30	Lens & Socket Front Side Marker GTS Rectangular (Amber)	16014B
31	Lens & Socket Front Side Marker GTS Round	16014C
32	Bulb for Side Marker #14 & 14A	16025A
33	Bulb for Side Marker #14B	16025B
34	Socket & Wire Side Marker	16026A
35	Bezel Side Marker RH Front Cast to #1651	16024A
36	Bezel Side Marker RH Front Plastic from #1651	16024B
37	Bezel Side Marker LH Front Cast to #1651	16024C
38	Bezel Side Marker LH Front Plastic from #1651	16024D
39	Lens Assembly Tailight RH (Red w/White Backup)	16015A
40	Lens Assembly Tailight RH (Red & Amber w/White Backup)	16015B
41A	Lens Assembly Tailight RH 3 Vertical Color	16015C
42	Lens Assembly Tailight LH (Red w/White Backup)	16015A
43	Lens Assembly Tailight LH (Red & Amber w/White Backup)	16015B
44	Lens Assembly Tailight LH 3 Vertical Color	16015C
45	Screw—License Plate (Hex) to Body Chrome	16018A
46	Housing Park Light to Body RH	16019A
47	Housing Park Light to Body LH	16019B
48	Gasket Park Light Body to Housing LH/RH	16020A
49	Lens Rear Side Marker (Red)	16022A
50	Lens & Socket Rear Side Marker GTS Rectangular (Red)	16022B
51	Rear Fog Light GTS	16023A
52	Bezel Side Marker Rear Rear Cast to #1651	16024A

Original DeTomaso Pantera Parts 

24	Bezel Side Marker RH Rear Plastic from #1651	16024B
25	Bezel Side Marker LH Rear Cast to #1651	16024C
26	Bezel Side Marker LH Rear Plastic from #1651	16024D
27A	Socket Side Marker Rear to Body	16025A
28	License Plate Light Assembly	16026A
29	License Plate Light Assembly GTS	16026B
30	Bulb License Plate Light for #26	16013C
31	Bulb License Plate Light for #26A	16013H
32	Gasket Rear Lens to Body RH	16027A
33	Gasket Rear Lens to Body LH	16027B
34	Tailight Assembly Complete RH Specialty Lens Color	16028A
35	Tailight Assembly Complete LH Specialty Lens Color	16028B
36	Tail Light Assembly Complete RH 3 Vertical Color	16029A
37	Tail Light Assembly Complete LH 3 Vertical Color	16029B
38	Body Side Marker Light Socket	16030A
39	Body Side Marker Socket to Body	16030B
40	Bumper Headlamp Door to Body	16031A
41	Lock Ring Headlamp Shaft Register	16034A
42	Bracket Headlamp Bracket to Shaft R+&LH	16035A
43	Flat Washer 4mm (Body Type)	09033A
44	Lock Washer 6mm	01012A
45	Nut 6mm	11029B
46	Shaft Assembly Headlamp w/Gear Before Series #1851	16036A
47	Shaft Assembly Headlamp w/Gear After Series #1851	16036B
48	Shaft Assembly Headlamp w/Gear GTS from #9306	16036C
49	Bushing Headlamp Shaft to Body	16037A
50	Roll Headlamp Motor Bracket to Body M6 x 1.0 x 20	20021A
51	Lock Washer Headlamp Motor Bracket to Body M6	01022A
52	Flat Washer Headlamp Motor Bracket to Body M6	16037B
53	Bracket Headlamp Motor to Body	16038A
54	Bracket Headlamp Motor to Body GTS from #9306	16038B
55	Switch Assembly Headlamp Cover L/R	16039A
56	Knob Headlamp Motor Overhaul	16040A
57	Roll Headlamp Overhaul to Bracket	16041A
58	Headlamp Motor & Bracket Assembly	16042A
59	Headlamp Motor & Bracket Assembly GTS from #9306	16042B
60	Bolt Headlamp Gear Box	16043A
61	Bolt Headlamp Motor & Gear to Bracket from #9306	16043B
62	Nut Headlamp Motor & Gear to Bracket from #9306	16055A
63	Gear Assembly Headlamp Drive	16044A
64	Coupling Headlamp Motor to Gear	16045A
65	Motor Assembly Headlamp	16046A
66	Motor & Gear Assembly Headlamp GTS from #9306	16046B
67	Insulation Headlamp Motor to Bracket	16047A
68	Spring Limit Switch in Bracket (Hex Head)	16048A
69	Spring Limit Switch in Bracket (Hex Head)	16048B
70	Stop Bolt Headlamp Limit Adjusting	16049A
71	Nut Headlamp Limit Adjusting Bolt	11025B

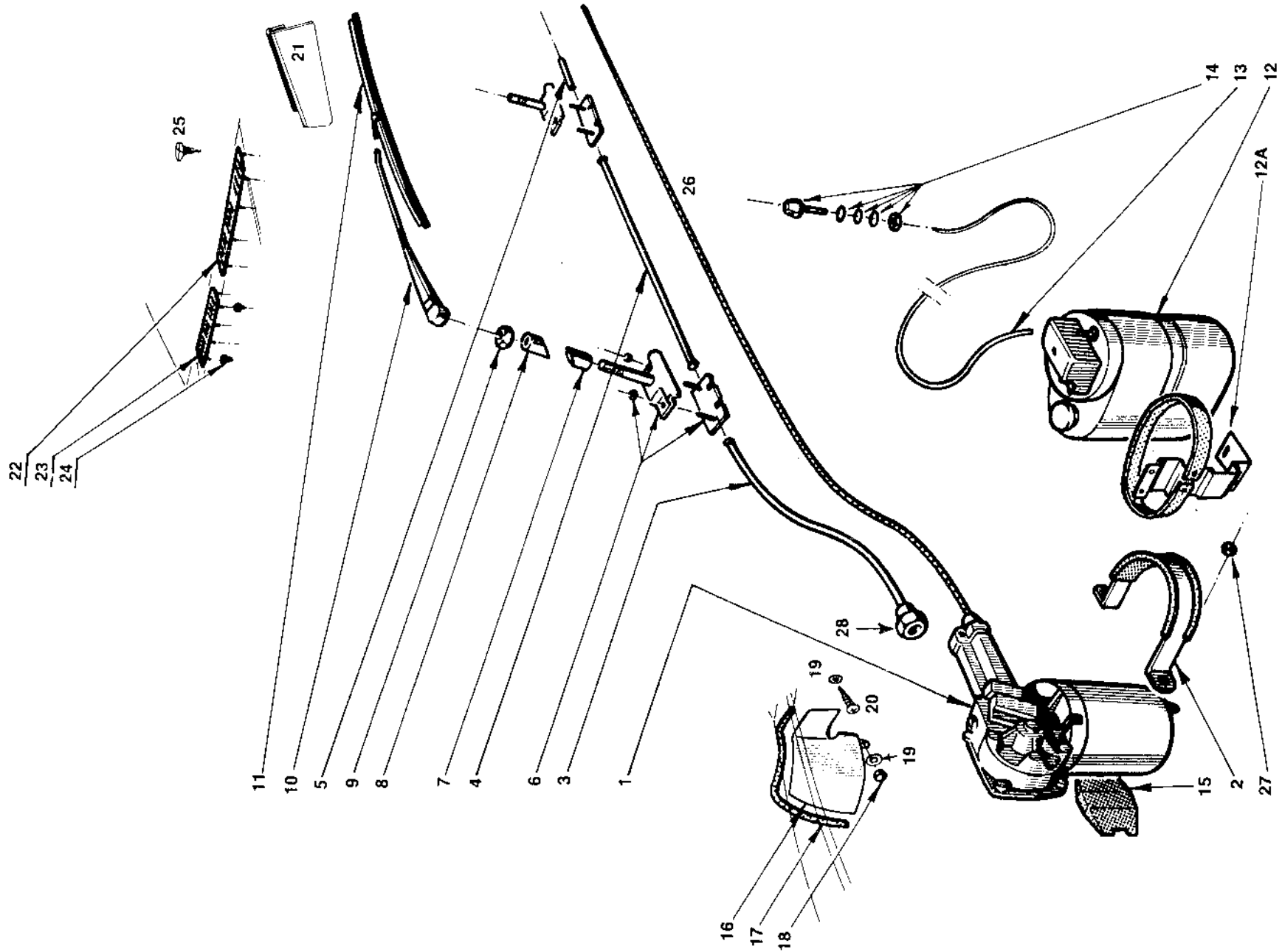
57	Right Headlamp Pivot from #9306	16036C
58	Roll Headlamp Shell Drive from #9306	16050A
59	Index Headlamp Gear to Shaft from #9306	16051A
60	Gear Headlamp Shell from #9306	16052A
61	Bolt Headlamp Index Bolt M6 x 15	16053A
62	Nut Headlamp Index (Set) 6mm	16054A





Original DeTomaso Pantera Parts

SECTION 17 ILLUSTRATION 25

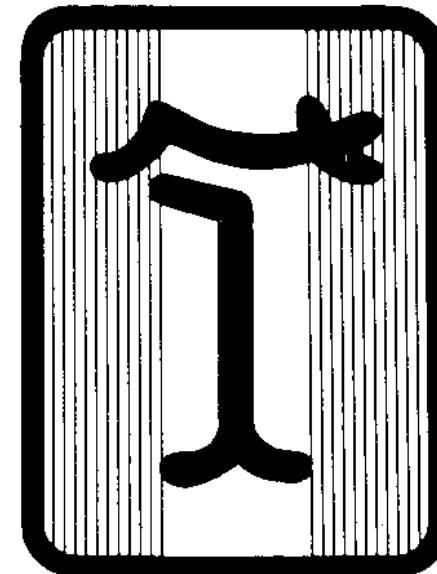


SECTION 17 ILLUSTRATION 25

Original DeTomaso Pantera Parts



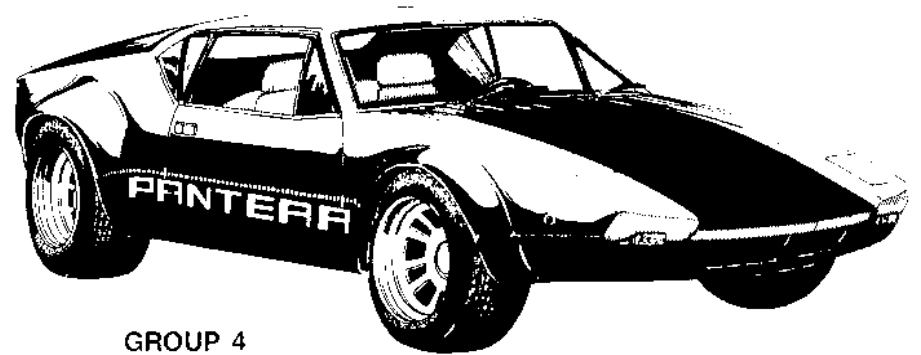
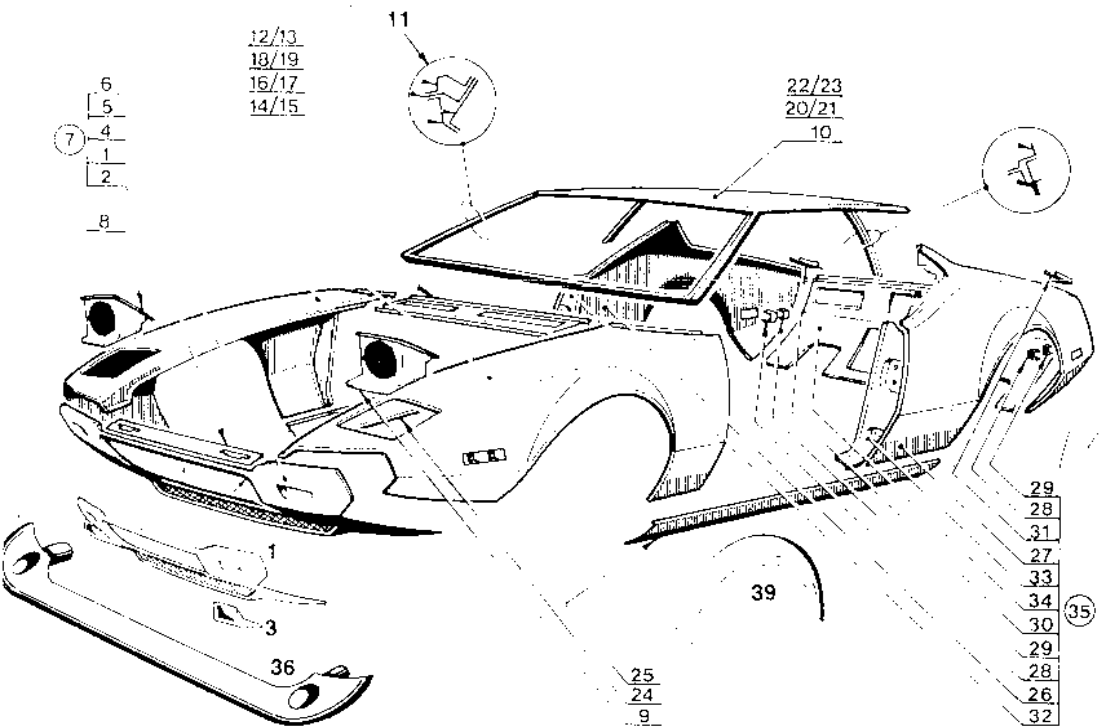
ILLUSTRATION #	DESCRIPTION	PART #
1	Wiper Motor and Gear Assembly LH Park	17001A
1	Wiper Motor and Gear Assembly RH Park	17001B
2	Strap Wiper Motor Retaining w/Rubber on Strap	17002A
3	Tube Wiper Motor to Pivot LH Park	17003A
3	Tube Wiper Motor to Pivot RH Park	17003B
4	Tube Pivot to Pivot	17004A
5	Tube Pivot to End	17005A
6	Pivot Assembly	17006A
7	Spacer (Lower)	17007A
8	Spacer (Upper)	17008A
9	Nut Wiper Pivot Shaft	17009A
10	Arm Wiper (Output) Bright Finish (LH Park)	17010A
10	Arm Wiper (Output) Black Finish (LH Park)	17010B
10	Arm Wiper (Output) Black Finish RH Side (RH Park)	17010C
10	Arm Wiper (Output) Black Finish LH Side 18" Long (RH Park)	17010D
11	Blade Assembly LH Park Bright Finish	17011A
11	Blade Assembly LH Park Black Finish GT5	17011B
11	Blade Assembly RH Park Black Finish	17011C
12	Reservoir & Pump Windshield Washer w/Bracket #12A	17012A
12A	Bracket Pump to Body	17012B
13	Hose Washer Pump to Spritzer 52" Long	17013A
14	Spritzer Windshield Washer	17014A
15	Pad Wiper Motor Mounting	17015A
16	Shield Wiper Motor Splash	17016A
16	Shield Wiper Motor Splash GT5	17016B
16	Shield Wiper Motor Splash GT5-S	17016C
17	Weatherstrip Wiper Motor Splash Shield	17017A
18	Nut Splash Shield Retaining M6 x 1.0	11020B
19	Flat Washer Splash Shield Retaining (Body Type)	09033A
20	Screw Wiper Shield Retaining (Sheet Metal Type #8 x 1/2")	17017B
21	Deflector Wiper Arm Chrome	17018A
21	Deflector Wiper Arm Black	17018B
22	Cowl Air Inlet LH with Screws (LH Park)	17019A
22	Cowl Air Inlet LH w/Pins (LH Park)	17019B
22	Cowl Air Inlet LH w/Pins (RH Park) R/B 17019D	17019C
22	Cowl Air Inlet LH w/Screws (RH Park)	17019D
23	Cowl Air Inlet RH w/Screws (LH Park)	17020A
23	Cowl Air Inlet RH w/Pins (LH Park)	17020B
23	Cowl Air Inlet RH w/Pins (RH Park) R/B 17020D	17020C
23	Cowl Air Inlet RH w/Screws (RH Park)	17020D
24	Clip Wiper Cowl Retaining	09040A
25	Screw Wiper Cowl Retaining	25016A
26	Wiper Cable LH Park	17021A
26	Wiper Cable RH Park	17021B
27	Nut Wiper Motor to Body M6 x 1.0	11020B
28	Nut Wiper Tube to Motor	17022A



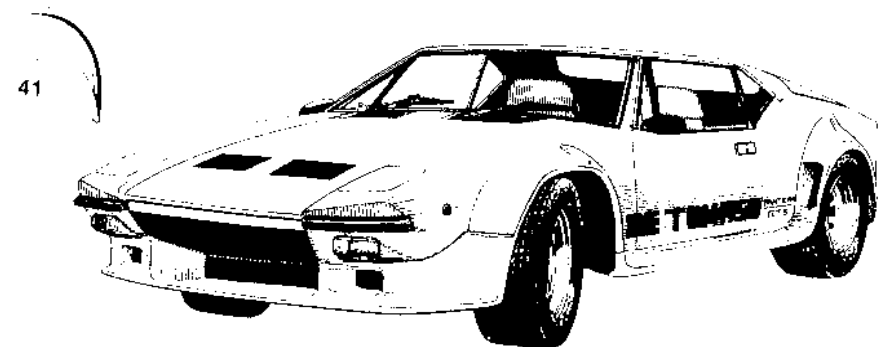


Original DeTomaso Pantera Parts

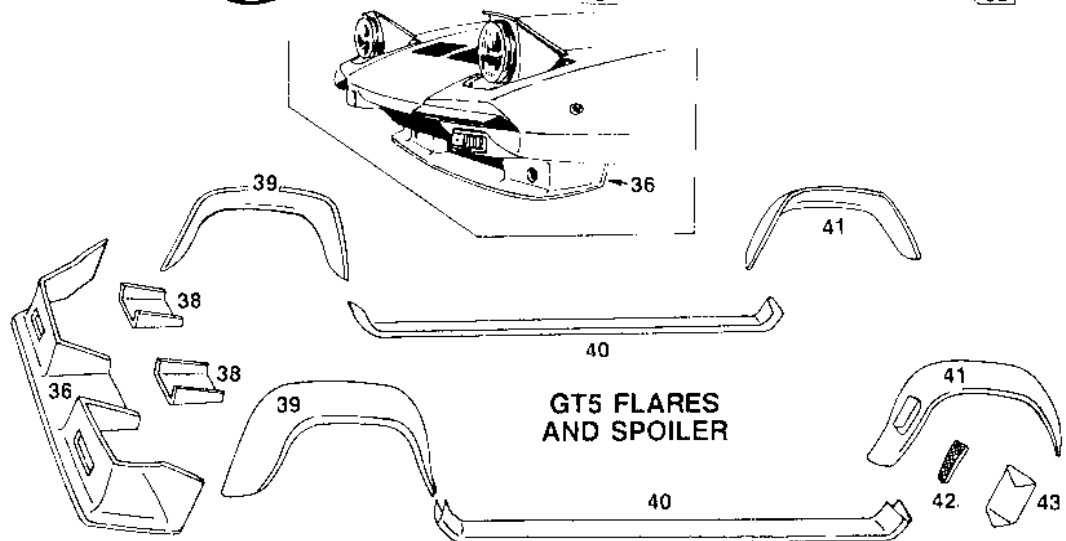
SECTION 18 ILLUSTRATION 26



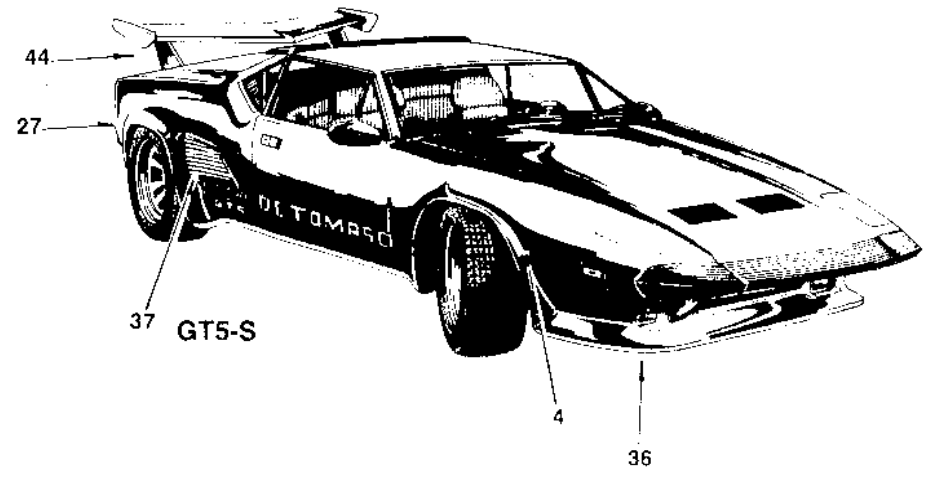
GROUP 4



GT5



GT5 FLARES AND SPOILER



GT5-S

SECTION 18 ILLUSTRATION 26

Original DeTomaso Pantera Parts



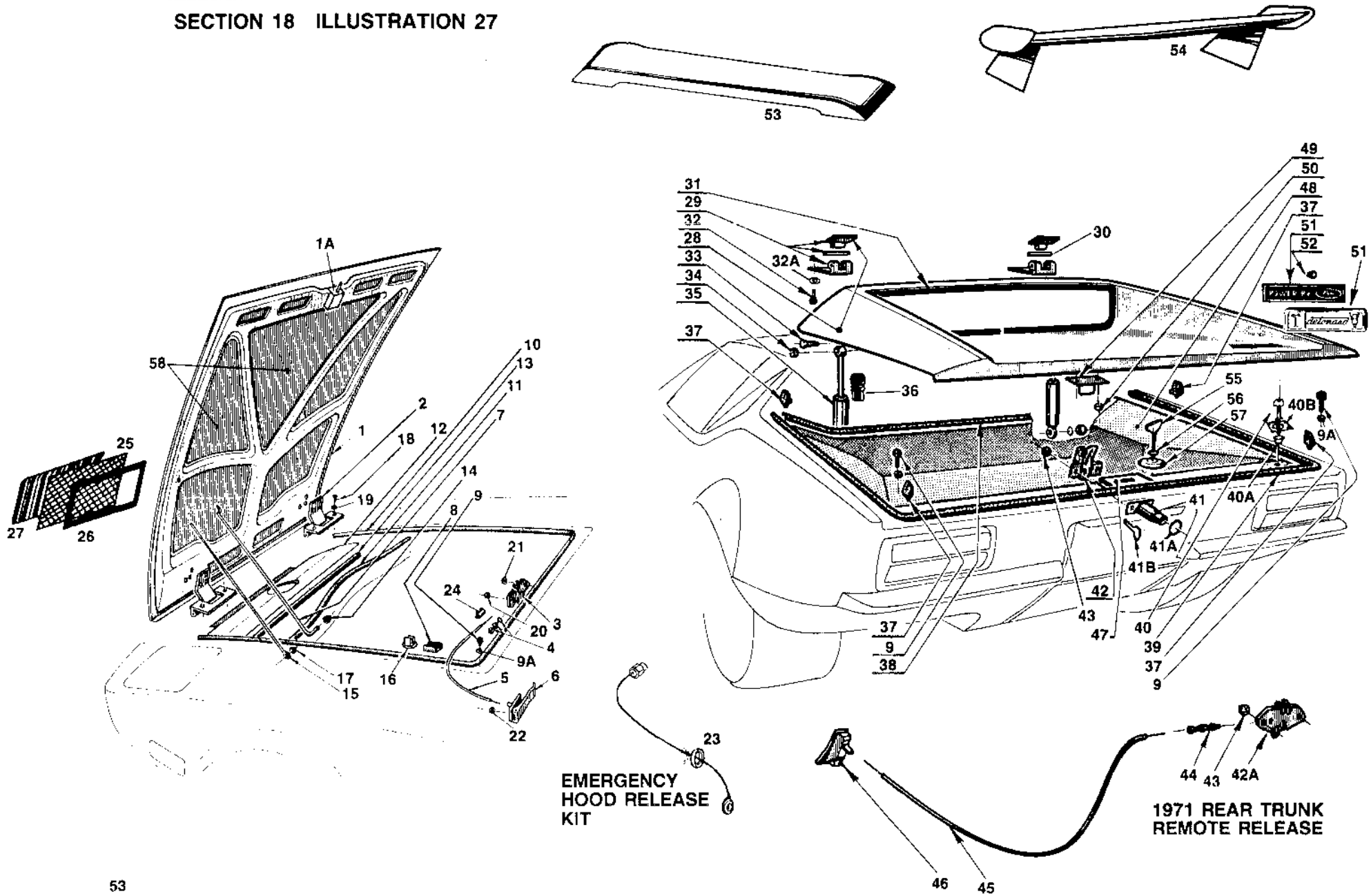
ILLUSTRATION #	DESCRIPTION	PART #
1	Front Body Panel w/Park Light in Bumper	18001A
1	Front Body Panel w/1-Piece Rubber Bumper	18001B
1	Front Body Panel GT5 (European) Small Bumpers	18001C
1	Front Body Panel GT5-S w/Spoiler (Steel)	18001D
2	Cover Front Upper Crossmember	18002A
3	Housing Park Lamp to Body RH	16019A
3	Housing Park Lamp to Body LH	16019B
4	Fender RF w/Park Light in Bumper Before #2729	18003A
4	Fender RF (L Model w/1-Piece Bumper) from #2729	18003B
4	Fender RF GT5 w/o Side Marker	18003C
4	Fender w/Steel Flare GT5-S 1985 RF	18003D
5	Fender LF w/Park Light in Bumper Before #2729	18004A
5	Fender LF (L Model w/1-Piece Bumper) from #2729	18004B
5	Fender LF GT5 w/o Side Marker	18004C
5	Fender w/Steel Flare GT5-S 1985 LF	18004D
6	Cowl Windshield Wiper Upper (Steel)	18005A
7	Front Body Assembly (Serviced by Individual Parts)	18006A
8	Headlamp Bucket RH Before #2729	18007A
8	Headlamp Bucket RH After #2729	18007B
9	Headlamp Bucket LH Before #2729	18008A
9	Headlamp Bucket LH After #2729	18008B
10	Roof Assembly w/12-23 Posts	18009A
11	Roof w/Shield Pillar Complete RH	18010A
11	Roof w/Shield Pillar Complete LH	18010B
12	Windshield Pillar Post Skin Outer RH	18011A
13	Windshield Pillar Post Skin Outer LH	18011B
14	Windshield Pillar Post Skin Inner RH	18012A
15	Windshield Pillar Post Skin Inner LH	18012B
16	Windshield Pillar Post Inner to Drip Rail RH	18013A
17	Windshield Pillar Post Inner to Drip Rail LH	18013B
18	Windshield Pillar Post Reinforcement RH	18014A
19	Windshield Pillar Post Reinforcement LH	18014B
20-23	Roof Side Pillar Post RH	18015A
20-23	Roof Side Pillar Post LH	18015B
24	Rocker Panel Outer RH w/Bracket	18016A
24	Rocker Panel Outer RH GT5 from #9000	18016
25	Rocker Panel Outer LH w/Bracket	18017A
25	Rocker Panel Outer LH GT5 from #9000	18017B
26	Rear 1/4 Panel RH European w/o Side Marker	18018A
26	Rear 1/4 Panel RH U.S.A. w/Side Marker	18018B
26	Rear 1/4 Panel GT5-S w/Flare Steel RH	18018C
27	Rear 1/4 Panel LH European w/o Side Marker	18019A
27	Rear 1/4 Panel LH U.S.A. w/Side Marker w/o Fuel Filler	18019B
27	Rear 1/4 Panel LH U.S.A. w/Side Marker w/Fuel Filler	18019C
27	Rear 1/4 Panel LH GT5-S w/Flare Steel	18019D
28	Side Marker Bracket to Body 5/8" Deep	18020A
29	Side Marker Bracket to Body 1" Deep	18020B
30	Rear 1/4 Corner RH Upper	18021A
31	Rear 1/4 Corner LH Upper	18021B
32	Door Latch Pillar Post Skin RH	18022A
32	Door Latch Pillar Post Skin RH GT5	18022B
33	Door Latch Pillar Post Skin LH	18023A

33	Door Latch Pillar Post Skin LH GT5	18023B
34	Rear Body Panel U.S.A. w/2-Piece Bumpers 13-1/4" License Plate Opening	18024A
34	Rear Body Panel U.S.A. w/1-Piece Rear Bumper 13-1/4" License Plate Opening	18024B
34	Rear Body Panel GT5-GT5-S 20" License Plate Opening	18024C
35	Rear Body Assembly Not Replaced	
36	Spoiler Front GT5 Fiberglass (Flat)	18025A
36B	Spoiler Front GT5 Fiberglass (w/Angle)	18025B
36C	Spoiler Front GT5 Fiberglass	18025C
37	Grille Rear 1/4 Air Intake GT5-S RH	18030B
37	Grille Rear 1/4 Air Intake GT5-S LH	18030C
38	Air Scoop RH GT5	18026A
38	Air Scoop LH GT5	18026B
39	Flare RF GT5 (Fiberglass)	18027A
39	Flare LF GT5 (Fiberglass)	18027B
39	Flare RF GT4 (Fiberglass)	18027C
39	Flare LF GT4 (Fiberglass)	18027D
39	Flare RF GT5 (Fiberglass)	18027E
39	Flare LF GT5 (Fiberglass)	18027F
40	Skirt RH GT5 (Fiberglass)	18028A
40	Skirt LH GT5 (Fiberglass)	18028B
41	Flare RR GT5 (Fiberglass)	18029A
41	Flare LR GT5 (Fiberglass)	18029B
41	Flare RR GT4 (Fiberglass)	18029C
41	Flare LR GT4 (Fiberglass)	18029D
41	Flare RR GT5 (Fiberglass)	18029E
41	Flare LR GT5 (Fiberglass)	18029F
42	Screen GT5 Rear Flare	18030A
43	Screen Holder (Deflector) GT5 Rear	18031A
44	Wing Assembly Rear Deck Lid GT5	18032A
44	Wing Assembly Rear Deck Lid GT5-S	18032B



Original DeTomaso Pantera Parts

SECTION 18 ILLUSTRATION 27



SECTION 18 ILLUSTRATION 27

Original DeTomaso Pantera Parts



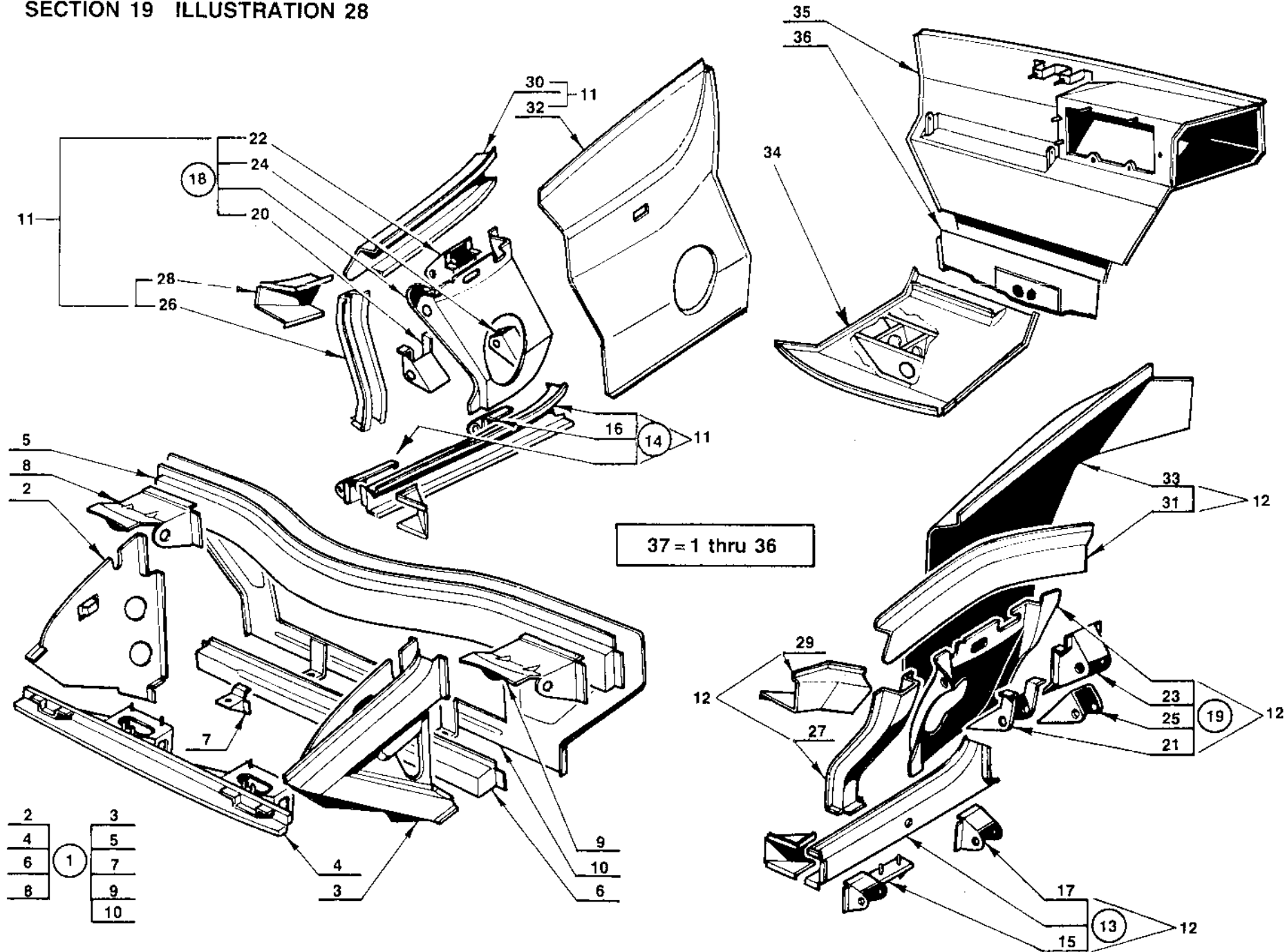
ILLUSTRATION #	DESCRIPTION	PART #
1	Hood Assembly w/o Holes for Vents	18100A
1	Hood Assembly w/Holes for Vents	18100B
1A	Hood Pin Assembly	18101A
2	Hinge Assembly Front Hood	18102A
3	Latch Front Hood	18103A
4	Fitting Hood Cable to Body	18104A
5	Cable Assembly Front Hood Release	18105A
5	Cable Assembly Front Hood Release GT5 Outer	18105B
5	Cable Assembly Front Hood Release GT5 Inner	18105C
6	Handle Front Hood Release	18106A
7	Hood Prop 1st Series Replaced by #15	
8	Retainer Hood Prop (U-Shaped Rubber)	18107A
9	Bumper Front & Rear	18108A
9A	Nut Hood Bumper Jamb M6 x 1.0	11020B
10	Weatherstrip Front Hood Opening	18109A
11	Weatherstrip Front Hood Opening Front Trunk Front	18109B
12	Deflector Radiator Upper Air	11041A
13	Weatherstrip Deflector to Radiator w/#12 Only	
14	Hood Prop Rod Retainer 1st Series Deleted	
15	Hood Prop (Chrome)	18110A
16	Retainer Hood Prop to Body (Nylon)	18111A
17	Nut Hood Rod to Body (Chrome Acorn Type)	18112A
18	Bolt Hood Hinge to Body and Hood M8 x 1.25 x 25mm	18113A
19	Flat Washer Hood Hinge Bolt M8	18113B
20	Nut Hood Latch to Body M6 x 1.0	11020B
21	Flat Washer Hood Latch to Body M6	18114A
22	Nut Hood Release Handle to Body M5 x 8	16033A
23	Kit Emergency Hood Release	18115A
24	Clamp Hood Cable	18116A
25	Screen Hood Grille	18117A
26	Bezel Hood Grille	18118A
27	Grille Front Hood (Vent)	18119A
28	Deck Lid Rear Before #1285 (Flat Center)	18120A
28	Deck Lid Rear #1285 to #2638 Replaced by #18120C	18120B
28	Deck Lid Rear from #2638	18120C
29	Hinge Assembly Rear Deck Lid	18121A
30	Pin Rear Deck Lid Hinge	18122A
31	Deck Lid Trim RH to Car #1285 (Metal)	18123A
31	Deck Lid Trim LH to Car #1285 (Metal)	18123B
31	Deck Lid Trim Center Cap to Car #1285 (Metal)	18123C
31	Deck Lid Trim from #1285 Thin Style 3/8"	18123D
31	Deck Lid Trim Thick Style GTS 5/8"	18123E
32	Bolt Deck Lid Hinge to Roof M8 x 1.25 x 25mm	18113A
32A	Flat Washer Deck Lid Bolt M8	18113B
33	Bolt Deck Lid Shock (Allen Type) M10 x 1.25 x 35mm	18124A
33	Bolt Deck Lid Shock (10mm Hex) M6 x 1 x 35mm	18124B
34	Spacer Deck Lid Shock Used w/Bolt #18124B	18125A
35	Shock Rear Deck Lid Support	18126A
36	Boot Deck Lid Shock (Deleted w/New Shock)	18127A
37	Bumper Not Used	
38	Weatherstrip Rear Trunk (Front)	18128A
39	Weatherstrip Rear Trunk Opening on Body	18128B

40	Retainer Rear Trunk Liner Allen Bolt & Washer	18129A
40	Retainer Rear Trunk Liner (Dzus Fastener)	18129B
40A	Plug Assembly Dzus Fastener Plate (Dust)	18129C
40B	Plate Dzus Fastener Retaining	18129D
41	Lock and Key Rear Trunk	18130A
41A	Grommet Trunk Lock	18131A
41B	Key Blank Rear Trunk Lock & Doors	18132A
42	Latch Rear Deck Lid on Body	18133A
42	Latch Rear Deck Lid on Body GT5 (From #9000)	18133B
42A	Latch Rear Deck Lid w/Remote Release	18103A
43	Nut Latch to Body M6 x 1mm	11020B
44	Fitting Cable to Body	18134A
45	Cable Assembly	18135A
46	Handle Assembly Remote Trunk Release	18136A
47	Cover Assembly Trunk Latch Before #1285	18137A
48	Trunk Assembly to Car #1285	18138A
48	Trunk Assembly from #1285 to Service #50103	18138B
48	Trunk Assembly from Service #50103	18138C
48	Trunk Assembly 84 GT5 w/o Carpet From #9000	18138D
48	Trunk Assembly GT5 w/Carpet (Black) From #9000	18138E
49	Striker Rear Deck Lid #1285 to 2640	18139A
49	Striker Rear Deck Lid #2640 to #4930 R/B 18139C	18139B
49	Striker Rear Deck Lid from #4930	18139C
50	Nut Striker to Deck Lid M6 x 1mm	11020B
51	Emblem Rear Deck Lid (Power by Ford)	18140A
51	Emblem Rear Deck Lid (DeTomaso V8)	18140B
52	Nut (Barrel Type) Emblem to Deck Lid	18141A
53	Spoiler Rear Deck Lid	18142A
54	Wing Assembly 83-84 GT5 (Aluminum & Steel)	18032A
54	Wing Assembly 85 GT5-S (Carbon Fiber)	18032B
55	Wing Bolt Spare Tire Retainer	18143A
56	Washer Spare Tire Retainer	18144A
57	Plate Spare Tire Retainer	18145A
58	Liner Set Front Hood (Quilted)	18146A
58	Liner Set Rear Deck Lid (Quilted)	18146B



Original DeTomaso Pantera Parts

SECTION 19 ILLUSTRATION 28



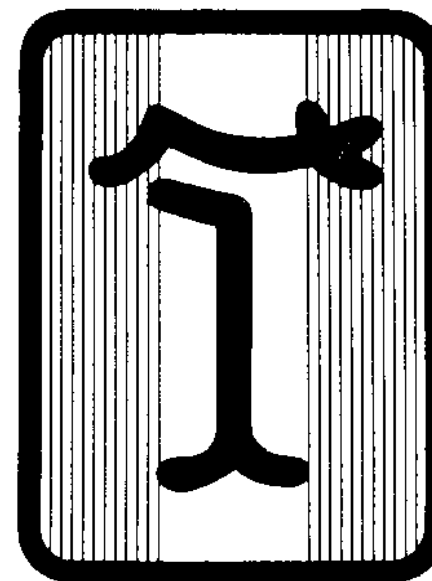
SECTION 19 ILLUSTRATION 28

Original DeTomaso Pantera Parts



ILLUSTRATION #	DESCRIPTION	PART #
1	Front Nose Assembly with 1 through 10 (See Note)	19001A
1	Front Nose Assembly with 1 through 10 from #9000	19001B
2	Front Support RH	19002A
2	Front Support RH from #9000	19002B
3	Front Support LH	19003A
3	Front Support LH from #9000	19003B
4	Fan Support Crossmember	19004A
5	Front Wall Crossmember Upper Before #9000	19005A
6	Radiator Crossmember Lower with #7	19006A
7	Bracket Radiator Support Lower	19007A
8	Bracket Headlamp Shaft Support RH	19008A
9	Bracket Headlamp Shaft Support LH	19009A
10	Front Wall Before #9000	19010A
11	Front Suspension Inner Wheel House Complete RH	19011A
11	Front Suspension Inner Wheel House Complete RH from #9000	19011C
12	Front Suspension Inner Wheel House Complete LH	19011B
12	Front Suspension Inner Wheel House Complete LH from #9000	19011D
13	Front Lower Frame Rail Assembly LH from #9000	19015A
14	Front Lower Frame Rail Assembly RH from #9000	19016A
34	Floor Assembly Front Trunk	19012A
35	Dash Panel LH Drive	19013A
35	Dash Panel GT5 w/Battery Under Front Trunk	19013B
36	Crossmember Front Trunk Floor (w/#37 Only)	
37	Front Under Body Assembly from #9000 (#1-36)	19014A

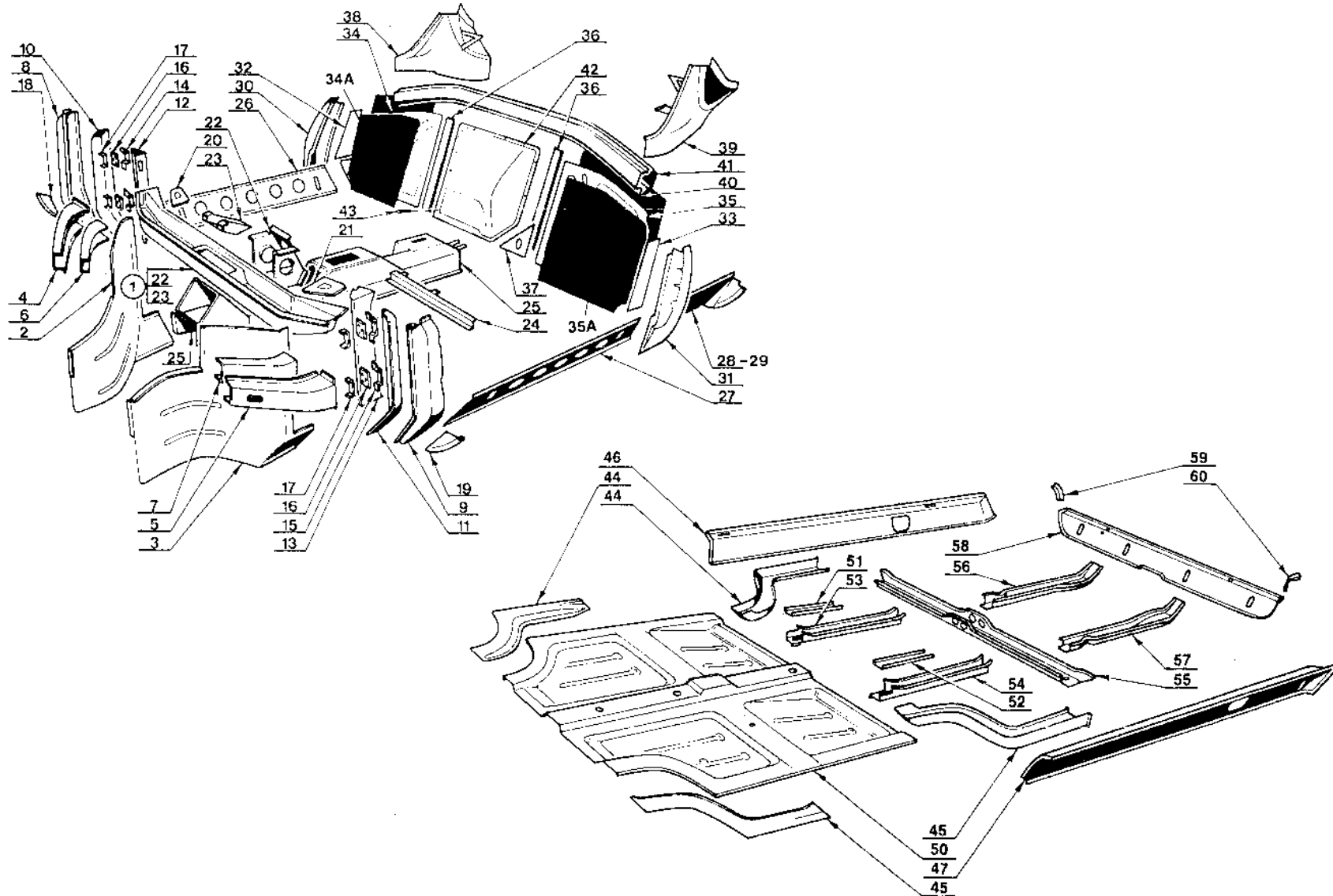
NOTE: #1 Front Nose Assembly includes Headlamp Shaft, Gear, Bushings and Brackets.





Original DeTomaso Pantera Parts

SECTION 19 ILLUSTRATION 29



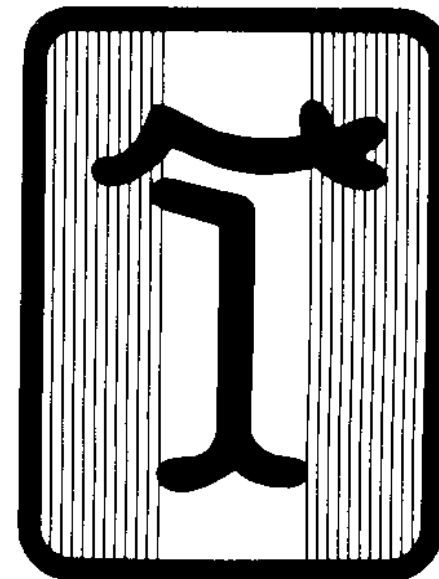
SECTION 19 ILLUSTRATION 29

Original DeTomaso Pantera Parts



ILLUSTRATION #	DESCRIPTION	PART #
1	Cowl Windshield Wiper Lower Before #5284	19100A
1	Cowl Windshield Wiper Lower After #5284	19100B
1	Cowl Windshield Wiper Lower w/Fresh Air Pickup	19100C
2	Apron Inner Fender RH	19101A
3	Apron Inner Fender LH	19102A
4	Brace Fender Apron RH Outer	19103A
5	Brace Fender Apron LH Outer	19104A
6	Brace Fender Apron RH Inner	19105A
7	Brace Fender Apron LH Inner	19106A
8	Door Hinge Post Assembly RH (#8-10-12-14-16-17)	19107A
9	Door Hinge Post Assembly LH (#9-11-13-15-16-17)	19108A
12	Pillar Post Inner w/Dash Support Bracket RH	19108B
13	Pillar Post Inner w/Dash Support Bracket LH	19108C
18	Plate Door Pillar Post to Inner Rocker RH	19109A
19	Plate Door Pillar Post to Inner Rocker LH	19109B
20	Cowl Air Intake Box Cover RH	19110A
21	Cowl Air Intake Box Cover LH	19110B
22	Bracket Steering Column Support	19111A
23	Bracket Heater Plenum Support	19112A
24	Brace Steering Column Support to Fender Apron	19113A
25	Console Inner Structure (Steel)	19114A
26	Panel Inner Rocker Reinforcement RH	19115A
27	Panel Inner Rocker Reinforcement LH	19116A
28	Panel Inner Rocker Rear Reinforcement RH	19117A
29	Panel Inner Rocker Rear Reinforcement LH	19118A
30	Pillar Post Door Latch RH	19119A
31	Pillar Post Door Latch LH	19120A
32	Pillar Inner Panel RH w/#30 Only	
33	Pillar Inner Panel LH w/#31 Only	
34	Firewall RH	19121A
34A	Insulation Firewall RH Engine Side	19122A
34A	Insulation Firewall RH Pass Side	19122B
35	Firewall LH	19123A
35A	Insulation Firewall LH Engine Side	19124A
35A	Insulation Firewall LH Pass Side	19124B
36	Firewall Pillar R & L	19125A
37	Plate Shift Rod (Firewall Panel)	19126A
40	Firewall Upper Crossmember Front	19127A
41	Firewall Upper Crossmember Rear	19127B
42	Firewall Center Section (Removable) before #2000	19128A
42	Firewall Center Section (Removable) from #2000	19128B
43	Screw Firewall Center Retaining Slotted Head M5 x .80 x 20mm	19129A
43	Bolt Firewall Center Retaining Hex Head M5 x .80 x 25mm	19129B
44	Reinforcement Floor Pan Front RH	19130A
45	Reinforcement Floor Pan Front LH	19131A
46	Rocker Inner w/Seat Belt Hole RH	19132A
46	Inner Rocker Assembly after #9000 RH (w/#26 & 28)	19132B
47	Rocker Inner w/Seat Belt Hole LH	19133A
47	Inner Rocker Assembly After #9000 LH (w/#27 & 29)	19133B
50	Floor Assembly	19134A
51	Reinforcement Front Center Floor Brace RH	19135A
52	Reinforcement Front Center Floor Brace LH	19136A

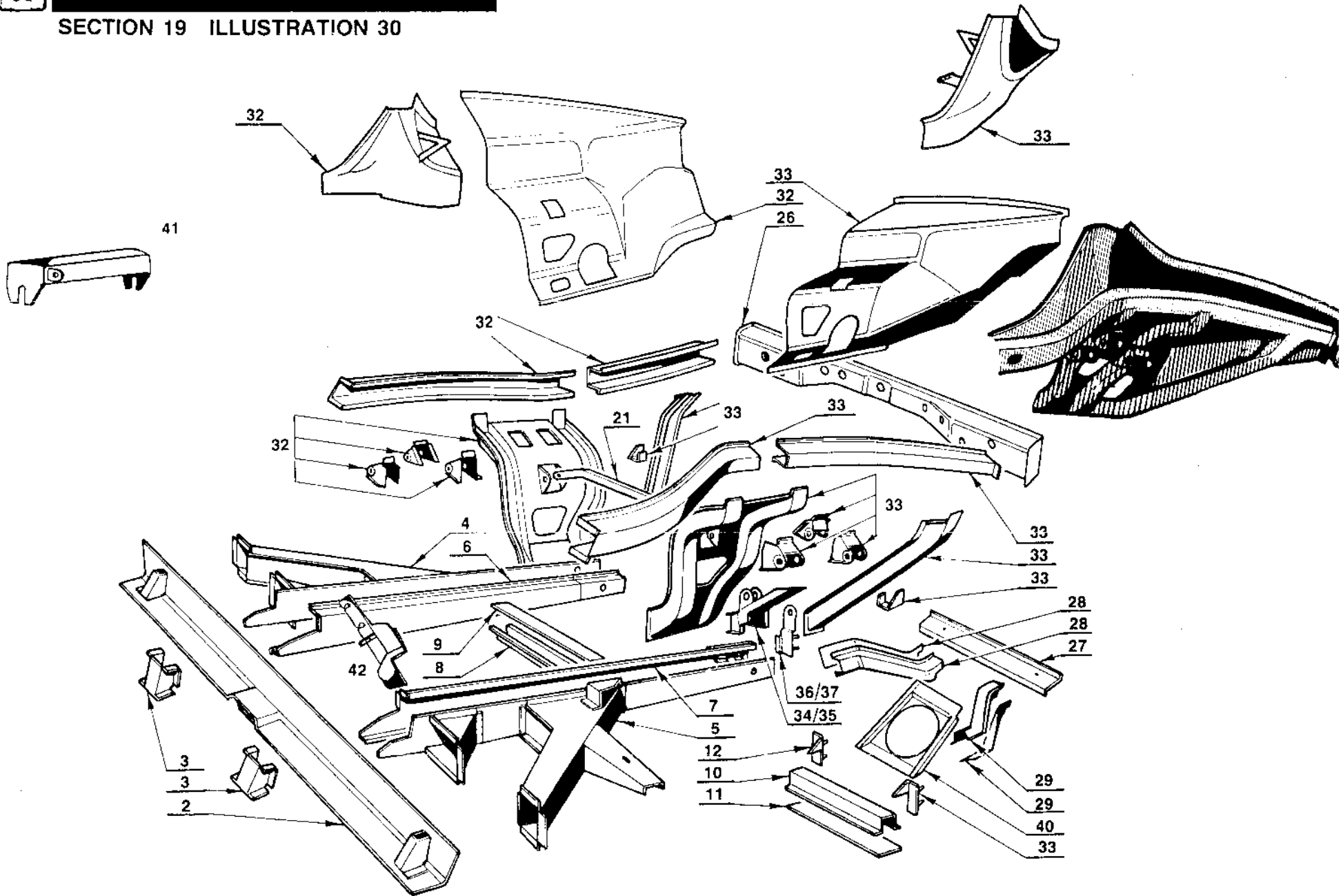
53	Brace Front Floor Center RH	19137A
54	Brace Front Floor Center LH	19138A
55	Crossmember Floor Center	19139A
56	Brace Front Floor Rear RH	19140A
57	Brace Front Floor Rear LH	19141A
58	Crossmember Upper Rear Floor	19142A
59	Reinforcement Upper Rear Floor Crossmember RH	19143A
60	Reinforcement Upper Rear Floor Crossmember LH	19144A





Original DeTomaso Pantera Parts

SECTION 19 ILLUSTRATION 30

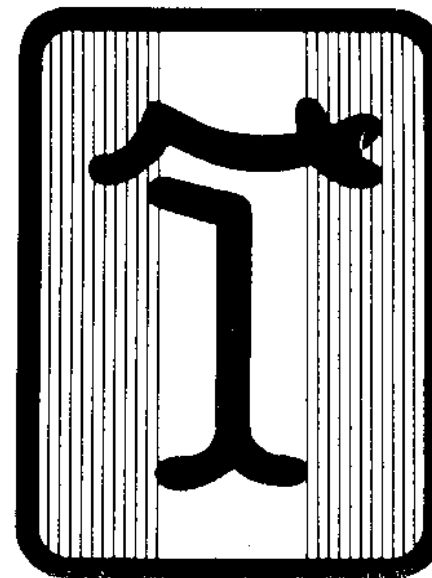


SECTION 19 ILLUSTRATION 30

Original DeTomaso Pantera Parts



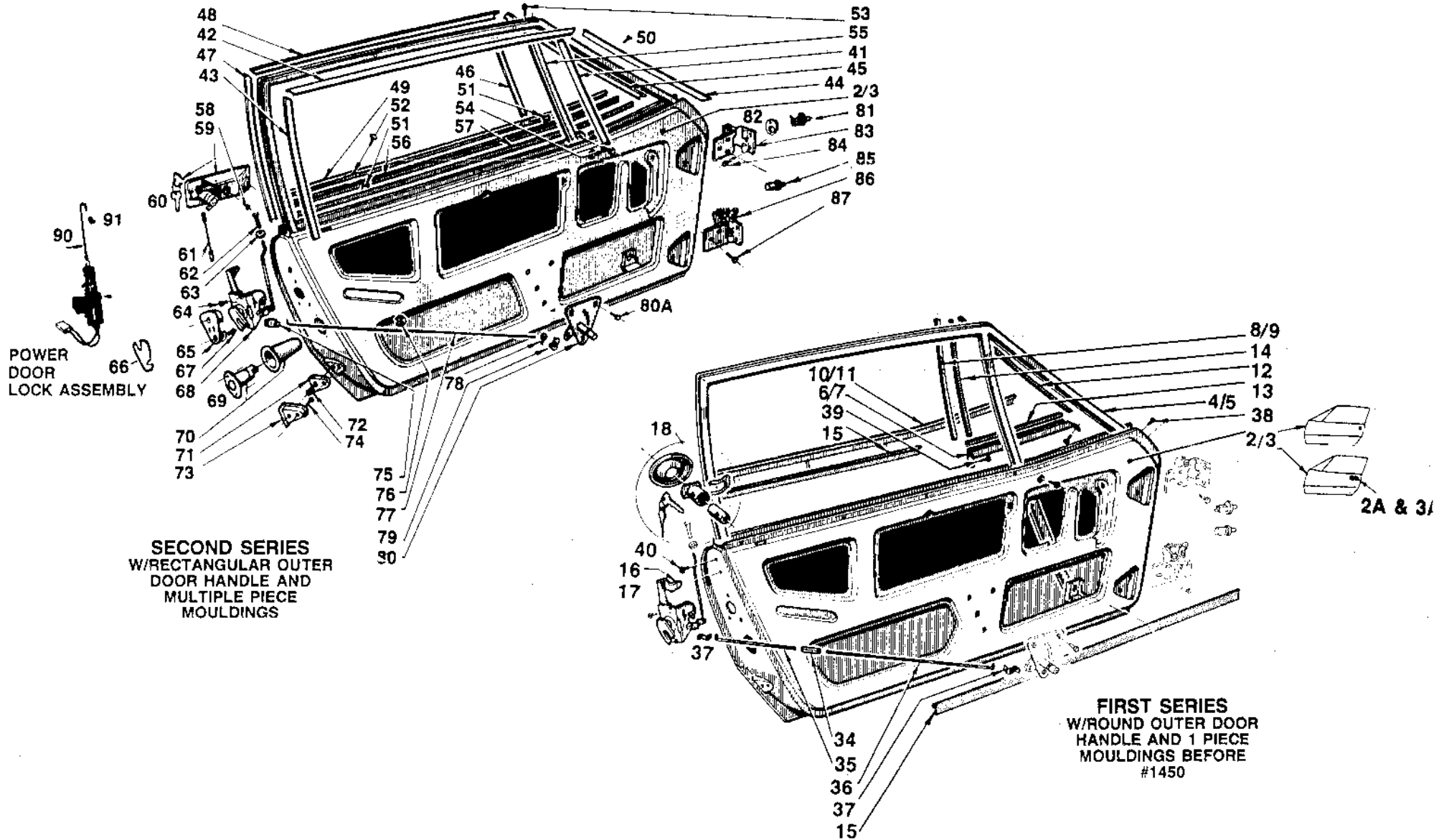
ILLUSTRATION #	DESCRIPTION	PART #
2	Crossmember Floor Rear Lower	19200A
3	Reinforcement	19201A
4	Engine Support Member RH	19202A
4	Engine Support Assembly RH w/#6	19202B
4	Engine Support Member RH from #9000	19202C
5	Engine Support Member LH	19203A
5	Engine Support Assembly LH w/#7	19203B
5	Engine Support Member LH from #9000	19203C
6	Frame Rail Inner RH (w/#4 only)	19204A
7	Frame Rail Inner LH (w/#5 only)	19205A
8	Crossmember Engine Support Lower	19206A
9	Crossmember Engine Support Upper	19207A
10	Crossmember Rear Lower Upper	19208A
11	Crossmember Rear Lower Lower	19209A
12	Bracket Rear Stabilizer RH w/o Transaxle Side Mount	19210A
13	Bracket Rear Stabilizer LH w/o Transaxle Side Mount	19211A
21	Crossmember Rear Upper Removable (Above Transaxle)	19212A
26	Crossmember Rear Tail Light Upper	19213A
26	Crossmember Rear Tail Light Upper GT5 (From #9000)	19213B
27	Crossmember Rear Body Panel Lower	19214A
27	Crossmember Rear Body Panel Lower from #9000	19214B
28	Brace Inner Fender to Crossmember RH	19215A
29	Brace Inner Fender to Crossmember LH	19216A
32	Rear Wheel House Inner RH	19217A
32	Rear Wheel House Inner RH GT5 (From #9000)	19217B
33	Rear Wheel House Inner LH	19218A
33	Rear Wheel House Inner LH GT5 (From #9000)	19218B
34-35	Crossmember Rear Frame Lower Complete w/Transaxle Side Mounts	19219A
36	Bracket Rear Stabilizer RH w/Transaxle Side Mount	19221A
37	Bracket Rear Stabilizer LH w/Transaxle Side Mount	19222A
40	Reinforcement Rear Lower to Car #252B	19223A
41	Crossmember Engine Support Lower (Removable)	19224A
42	Bracket Emergency Brake Lever (Removable)	19225A





Original DeTomaso Pantera Parts

SECTION 20 ILLUSTRATION 31



SECTION 20 ILLUSTRATION 31

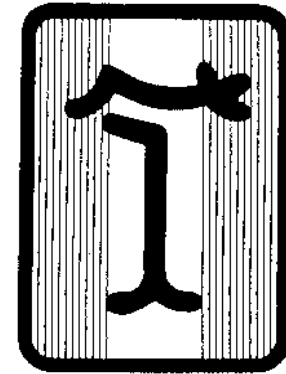
Original DeTomaso Pantera Parts



ILLUSTRATION #	DESCRIPTION	PART #
2	Door Assembly RH w/Round Outside Handle	20001A
2	Door Assembly RH w/Rectangular Outside Handle	20001B
2	Door Assembly RH GTS from #9000	20001C
2A	Door Skin RH Outer w/Rectangular Outer Handle	20001D
3	Door Assembly LH w/Round Outside Handle	20002A
3	Door Assembly LH w/Rectangular Outside Handle	20002B
3	Door Assembly LH GTS from #9000	20002C
3A	Door Skin LH Outer w/Rectangular Outer Handle	20002D
4	Door Upper Window Frame RH Before #1450	20003A
5	Door Upper Window Frame LH Before #1450	20003A
6	Channel Lower Front RH Before #1450	20005A
7	Channel Lower Front LH Before #1450	20005A
8	Channel Vertical RH Before #1450	20007A
9	Channel Vertical LH Before #1450	20008A
10	Moulding (Outer) at Belt RH Before #1450	20009A
11	Moulding (Outer) at Belt LH Before #1450	20010A
12	Weather Strip Vent Window Front Before #1450	20011A
13	Weather Strip Vent Window Lower Before #1450	20012A
14	Weather Strip Vent Window Rear Before #1450	20013A
15	Fell Door Glass Outer (Car Whisker)	20014A
16	Latch Assembly w/Round Door Handle RH	20015A
17	Latch Assembly w/Round Door Handle LH	20016A
18	Lock Sub-Keys-Round Handle	20017A
34	Connect Door Latch Rod	20019A
35	Rod Door Latch Release Rear	20019A
36	Rod Door Latch Release Front	20019B
37	Retainer Door Latch Rod to Release Control	20020A
38	Bolt M6 x 10 x 20mm	20021A
39	Screw M6 x 80 x 7mm	20022A
40	Bolt M6 x 10 x 15mm	20022B
END OF 1ST SERIES SPECIAL PARTS		
41	Moulding (Inner) Vent Post RH Bright Finish	20023A
41	Moulding (Inner) Vent Post RH Black Finish	20023B
41	Moulding (Inner) Vent Post LH Bright Finish	20024A
41	Moulding (Inner) Vent Post LH Black Finish	20024B
42	Moulding (Inner) Upper RH Bright Finish	20025A
42	Moulding (Inner) Upper RH Black Finish	20025B
42	Moulding (Inner) Upper LH Bright Finish	20026A
42	Moulding (Inner) Upper LH Black Finish	20026B
43	Moulding (Inner) Rear RH Bright Finish	20027A
43	Moulding (Inner) Rear RH Black Finish	20027B
43	Moulding (Inner) Rear LH Bright Finish	20028A
43	Moulding (Inner) Rear LH Black Finish	20028B
44	Moulding (Inner) Front RH Bright Finish	20029A
44	Moulding (Inner) Front RH Black Finish	20029B
44	Moulding (Inner) Front LH Bright Finish	20030A
44	Moulding (Inner) Front LH Black Finish	20030B
45	Moulding (Outer) Front RH Bright Finish	20031A
45	Moulding (Outer) Front RH Black Finish	20031B
45	Moulding (Outer) Front LH Bright Finish	20032A
45	Moulding (Outer) Front LH Black Finish	20032B
46	Moulding (Outer) Vent Post RH Bright Finish	20033A

46	Moulding (Outer) Vent Post RH Black Finish	20033B
46	Moulding (Outer) Vent Post LH Bright Finish	20034A
46	Moulding (Outer) Vent Post LH Black Finish	20034B
47	Moulding (Outer) Rear RH Bright Finish	20035A
47	Moulding (Outer) Rear RH Black Finish	20035B
47	Moulding (Outer) Rear LH Bright Finish	20036A
47	Moulding (Outer) Rear LH Black Finish	20036B
48	Moulding (Outer) Upper RH Bright Finish	20037A
48	Moulding (Outer) Upper RH Black Finish	20037B
48	Moulding (Outer) Upper LH Bright Finish	20038A
48	Moulding (Outer) Upper LH Black Finish	20038B
49	Moulding (Outer) Lower at Belt RH Bright Finish	20039A
49	Moulding (Outer) Lower at Belt LH Bright Finish	20039B
49	Moulding (Outer) Lower at Belt LH Black Finish	20040A
50	Panel Inner Moulding to Door	20040B
50	Screw Inner Moulding to Door (Counter Sink)	20041A
51	Cap Door Glass Fell to Door	20042A
51	Cap Door Glass Fell to Door Outer	20043A
52	Screw Vent Post to Door Frame (Upper) M6 x 10 x 8mm	20044A
53	Bolt Vent Post to Door (Lower) M6 x 10 x 15mm	20045A
54	Post Vent Window RH	20046A
55	Post Vent Window LH	20047A
55	Fell Door Glass Outer (Car Whisker)	20048A
57	Fell Door Glass Inner (Car Whisker)	20049A
58	Bolt Door Handle to Door M6 x 80 x 10mm	20050A
59	Lock Set Complete (Door Handles and Rear Trunk Key)	20051A
	Rectangular	20051A
60	Key Blank Door & Rear Trunk	18132A
61	Rod Outside Door Handle to Latch R&L	20057A
62	Knob Door Lock	20057B
63	Grommet Door Lock Knob to Door Panel	20057C
64	Screw Door Latch to Door M6 x 10 x 10mm	20052A
65	Striker Door Latch RH	20053A
65	Striker Door Latch LH	20054A
66	Screw Door Latch Striker	20055A
67	Bolt Door Striker M6 x 125 x 25mm	20056A
68	Latch Assembly w/Rectangular Door Handle RH After #1450	20015B
68	Latch Assembly w/Rectangular Door Handle LH After #9000 GTS	20016C
68	Latch Assembly w/Rectangular Door Handle LH After #1450	20016B
69	Latch Assembly w/Rectangular Door Handle LH After #9000 GTS	20016C
69	Lamp Assembly Door (Rear) Red Lens w/Chrome Bazel	20037A
69	Lamp Assembly Door (Rear) GTS Red Lens w/Chrome Bazel	20037B
70	Rod Door Lamp (Used with Lamp 20037A)	20038A
71	Bumper Lower Door Stop	20069A
72	Bolt Door Bumper M6 x 10 x 15mm	20060A
73	Striker RH Chrome	20061A
73	Striker RH & LH GTS Chrome from #9000	20061B

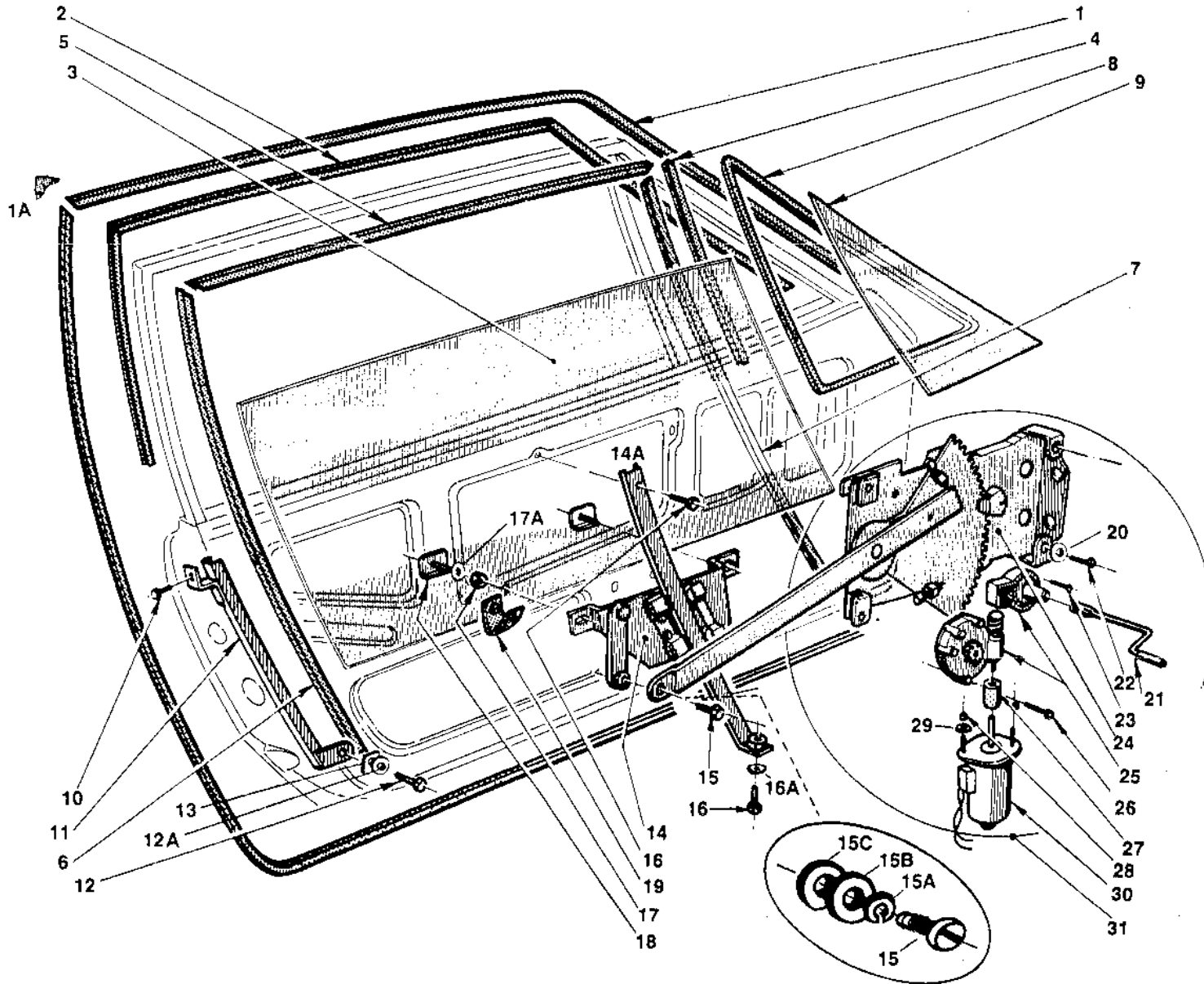
70	Striker LH Chrome	20062A
74	Screw Striker to Body M6 x 80 x 7mm	20027A
75	Retainer Door Latch Rod to Latch End	20020B
76	Guide Door Latch Rod	20063A
77	Rod Door Latch to Remote Control	20019C
78	Link (Door Latch Rod Adjuster)	20064A
79	Retainer Door Latch Rod at Inner Handle	20020C
80	Control Assembly Door Latch Remote RH	20065A
80	Control Assembly Door Latch Remote LH	20066A
80A	Bolt Remote Control to Door M5 x 80 x 10mm	20067A
81	Switch Courtesy Light on Door Post	20067A
82	Gasket Courtesy Switch to Post	20068A
83	Hinge Door Upper R&L	20069A
84	Bolt Door Hinge to Door Post M6 x 10 x 15mm	20070A
85	Switch Door & Seat Belt Warning	20071A
86	Hinge Door Lower RH	20072A
86	Hinge Door Lower LH	20073A
87	Bolt Door Hinge to Door M6 x 125 x 25mm	18111A
88	Washer Door Hinge Bolt to Door	18113B
89	Motor Power Door Lock RH GTS	20078A
89	Motor Power Door Lock LH GTS	20078A
90	Rod Power Door Lock Motor to Latch RH	20079A
90	Rod Power Door Lock Motor to Latch LH	20079B
91	Clip Rod to Latch	20080A





Original DeTomaso Pantera Parts

SECTION 20 ILLUSTRATION 32



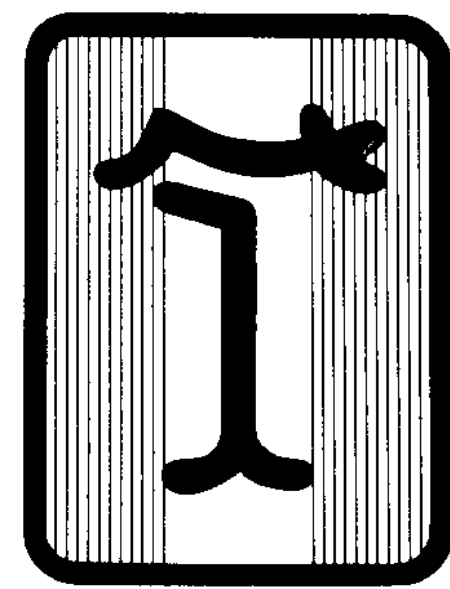
SECTION 20 ILLUSTRATION 32

Original DeTomaso Pantera Parts



ILLUSTRATION #	DESCRIPTION	PART #
1	Weatherstrip Door Opening on Body R & L	20200A
1A	Corner Cap Door Opening Weatherstrip	20201A
2	Weatherstrip Door Top RH	20202A
2	Weatherstrip Door Top LH	20203A
3	Glass Door RH (Tinted)	20204A
3	Glass Door LH (Tinted)	20205A
4	Felt Door Glass Run Front	20206A
5	Felt Door Glass Run Upper	20206B
6	Felt Door Glass Run Rear	20206C
7	Glass Run Front Before #1450	20207A
8	Weatherstrip Door Vent Window	20208A
9	Glass Door Vent Window RH (Tinted)	20209A
9	Glass Door Vent Window LH (Tinted)	20210A
10	Screw Glass Run to Door Rear Upper (Chrome)	20211A
11	Glass Run Rear RH Metal	20212A
11	Glass Run Rear LH Metal	20213A
12	Bolt Glass Run to Door Lower M6 x 1 x 10mm	20214A
12A	Flat Washer 6mm	11020C
13	Spacer Glass Run to Door	20215A
14	Bracket Assembly Door Glass RH	20216A
14	Bracket Assembly Door Glass LH	20217A
14A	Track Assembly Door Glass RH	20216B
14A	Track Assembly Door Glass LH	20217B
15	Bolt Regulator to Arm	20211A
15A	Spring Washer	20218A
15B	Washer Steel	20219A
15C	Washer Fiber	20220A
16	Bolt Track to Door M6 x 1 x 12mm	20214A
16A	Flat Washer 6mm	11020C
17	Nut Glass Retainer M6 x 1	11020B
17A	Flat Washer 6mm	11020C
18	Retainer Door Glass to Bracket	20221A
19	Insulator Door Glass to Retainer	20222A
19	Insulator Door Glass to Retainer from #9000	20222B
20	Flat Washer M6	11020C
21	Handle Emergency Window Crank	20223A
22	Bolt Regulator to Door M6 x 1 x 12mm	20224A
23	Bolt Gear Box to Regulator M4 x .70 x 25mm	20224B
24	Regulator without Gear RH	20225A
24	Regulator without Gear RH GT5 (From #9000)	20225B
24	Regulator without Gear LH	20226A
24	Regulator without Gear LH GT5 (From #9000)	20226B
25	Gear Kit Complete RH	20227A
25	Gear Kit RH GT5 Serviced w/Regulator Assembly Only	
25	Gear Kit Complete LH	20228A
25	Gear Kit LH GT5 Serviced w/Regulator Assembly Only	
26	Bolt Gear Box to Regulator	16042A
27	Coupling Gear Box to Motor	20229A
28	Nut Window Motor to Regulator M5 x .08	16033A
29	Insulator Power Window Motor to Bracket	16047A
30	Motor Power Window (Before #9000)	16046A
31	Regulator w/Motor & Gear w/o #21 RH	20232A

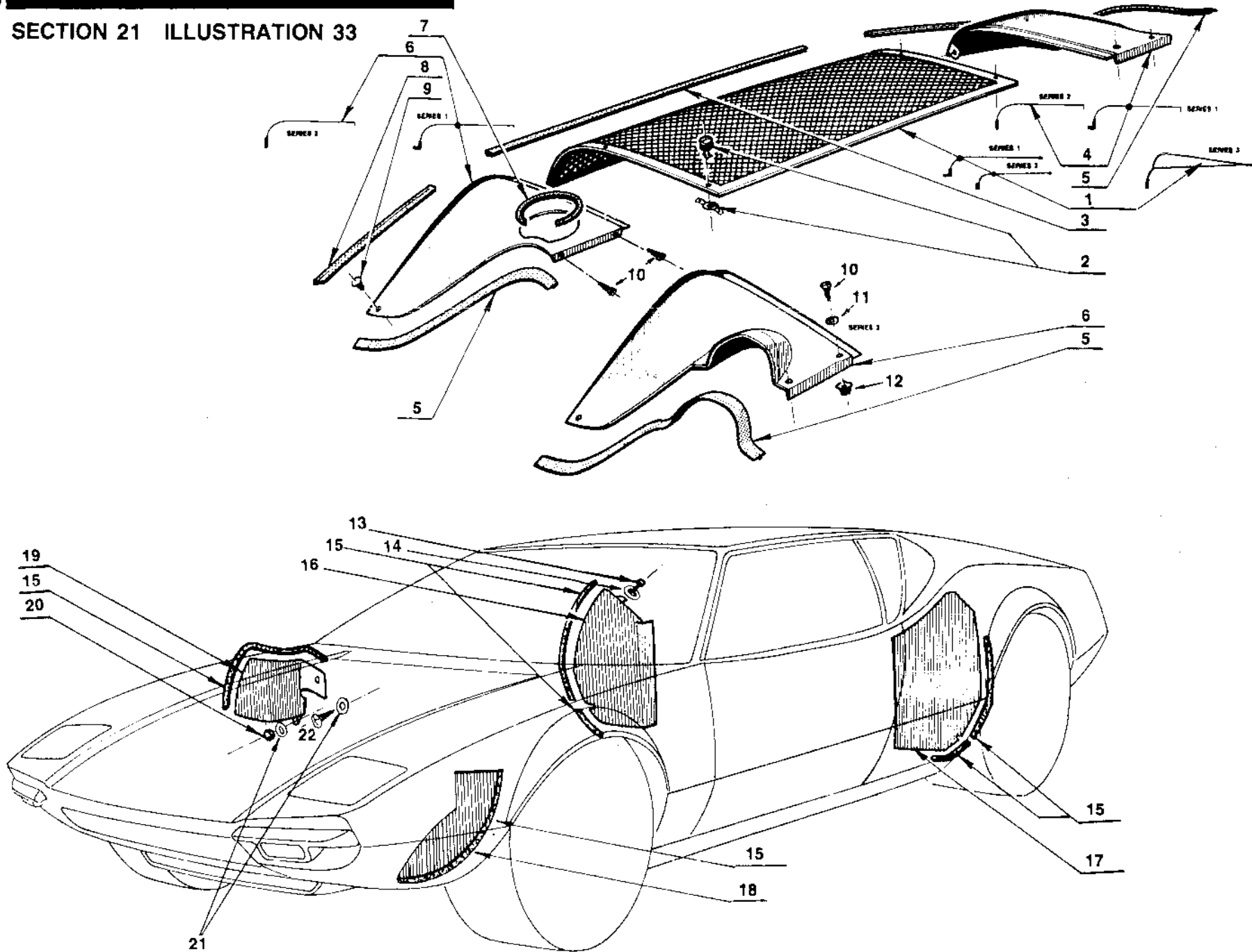
31	Regulator with Motor GT5 RH (From #9000)	20232B
31	Regulator w/Motor & Gear w/o #21 LH	20233A
31	Regulator with Motor GT5 LH (From #9000)	20233B





Original DeTomaso Pantera Parts

SECTION 21 ILLUSTRATION 33

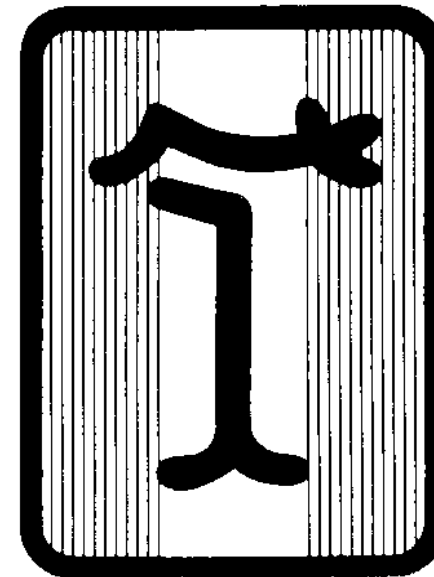


SECTION 21 ILLUSTRATION 33

Original DeTomaso Pantera Parts



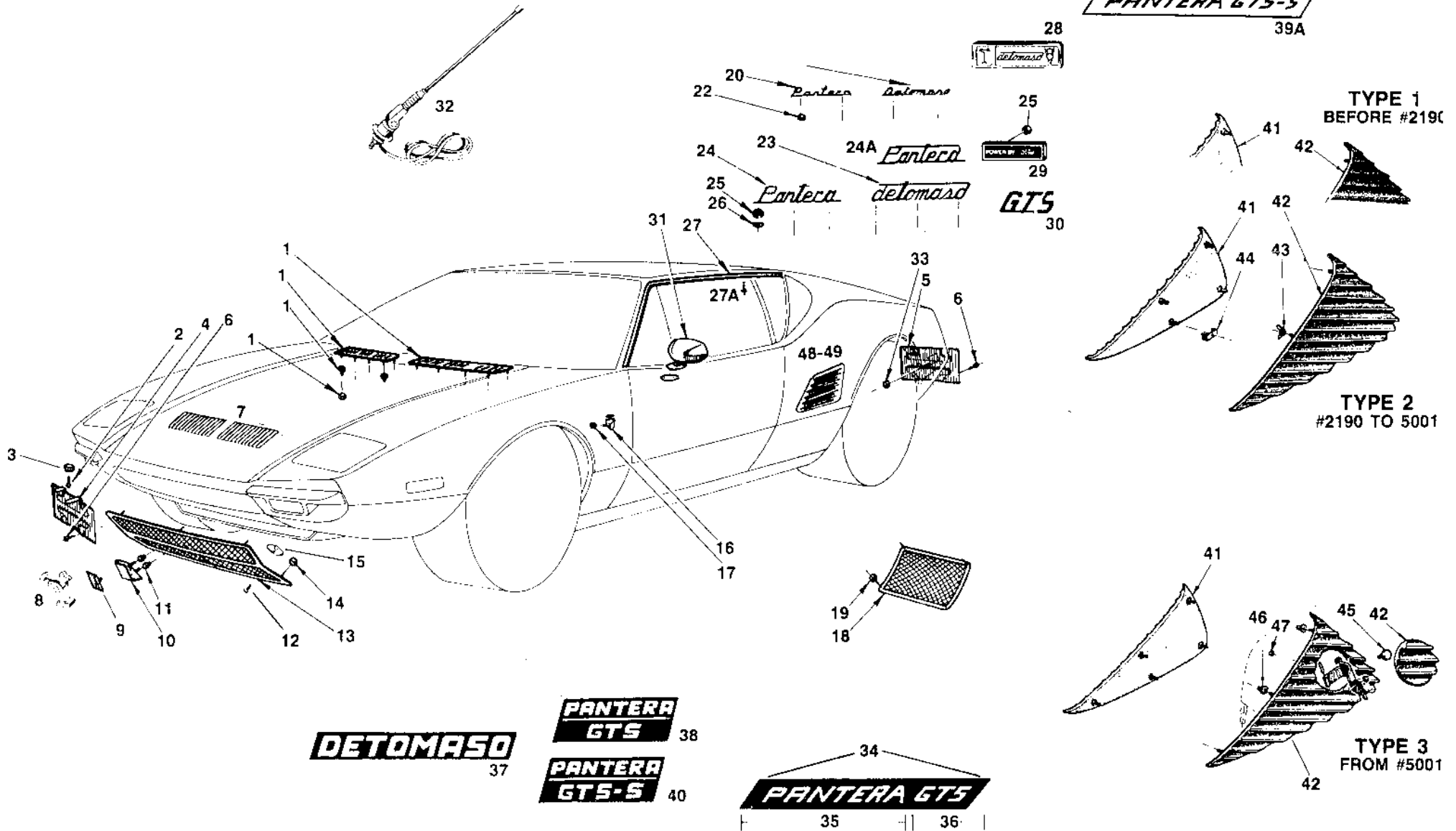
ILLUSTRATION #	DESCRIPTION	PART #
1	Grille Center Over Engine Before #1285 N/R	21001A
1	Grille Center Over Engine From #1285 to #2002 1st Series	21001B
1	Grille w/o Fuel Filler 2nd Series	21001C
1	Grille w/External Fuel Filler (Center Raised) 3rd Series	21001D
2	Fastener Grille to Shield (Dzus Type)	18129B
3	Weather Strip Center	21001A
4	Shield Engine Cover RH 1st Series	21003A
4	Shield Engine Cover RH 2nd Series	21003B
4	Shield Engine Cover RH 3rd Series w/Access Hole	21003C
4	Shield Engine Cover RH GT5 (From #9000)	21003D
5	Weather Strip Shield to Body R&L	21004A
6	Shield Engine Cover LH 1st Series	21005A
6	Shield Engine Cover LH 2nd Series	21005B
6	Shield Engine Cover LH 3rd Series w/External Fuel Filler	21005C
6	Shield Engine Cover LH GT5 (From #9000)	21005D
7	Irim Fuel Filler Opening & Access Hole	21006A
8	Weather Strip Shield Front R&L	21007A
9	Plug	21008A
10	Screw Shield to Bracket (On Side) #6 x 3/4 Sheet Metal	21009A
10	Screw Shield to Bracket Used w/Anchor (On Top)	21009B
11	Flat Washer	14029B
12	Anchor Used w/Top Screws On Shields	21009C
13	Bolt Splash Shield to Body M6 x 1.0 x 12	20224A
14	Flat Washer Body Type	09033A
15	Weather Strip Shield to Body RR	21010A
15	Weather Strip Shield to Body LR	21010A
15	Weather Strip Shield to Body R&L Front	21010C
15	Weather Strip Wiper Cover to Body	17017A
16	Shield 1/4 Panel Splash RH	21011A
16	Shield 1/4 Panel Splash GT5 RH	21011B
16	Shield 1/4 Panel Splash RH GT5-S	21011C
17	Shield 1/4 Panel Splash LH w/External Fuel Filler	21012A
17	Shield 1/4 Panel Splash GT5	21012B
17	Shield 1/4 Panel Splash LH GT5-S	21012C
18	Shield Front Fender Splash	21013A
18	Shield Front Fender Splash GT5 RH	21013B
18	Shield Front Fender Splash GT5 LH	21013C
18	Shield Front Fender Splash GT5-S RH	21013D
18	Shield Front Fender Splash GT5-S LH	21013E
19	Shield Wiper Motor Splash	17016A
19	Shield Wiper Motor Splash GT5 (From #9000)	17016B
19	Shield Wiper Motor Splash GT5-S	17016C
20	Nut Splash Shield Retaining M6 x 1.0	11020B
21	Flat Washer Splash Shield Retaining Body Type	09033A
22	Screw Wiper Shield Retaining Sheet Metal #8 x 1/2"	17017B





Original DeTomaso Pantera Parts

SECTION 22 ILLUSTRATION 34



SECTION 22 ILLUSTRATION 34

Original DeTomaso Pantera Parts



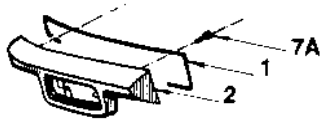
ILLUSTRATION #	DESCRIPTION	PART #
1	Wiper Cowls (See Section 17 Illustration 25)	
2	Bolt License Plate Bracket to Bumper M5 x .80 x 12mm	22001A
3	Nut License Plate Bracket to Bumper M5 x .80	01331B
4	Bracket Front License Plate Small Bumpers (Europe)	22002A
4	Bracket Front License Plate Small Bumpers (U.S.A.)	22002B
4	Bracket Front License Plate 1 Piece Front Rubber Bumper	22002C
5	Bracket Rear License Plate (Europe)	22003A
5	Bracket Rear License Plate (U.S.A.)	22003B
6	Screw License Plate to Bracket (Chrome Phillips)	22004A
7	Hood Grilles (See Section 18, Illustration #27)	
8	Emblem DeTomaso T Front Grille 3"	22005A
8	Emblem DeTomaso T Front Grille 3-3/4"	22005B
9	Emblem DeTomaso Crest (Blue & White) on Grille	22006A
10	Bezel Emblem to Grille	22007A
11	Nut Emblem to Bezel M4 x .70	11032A
11	Nut Bezel to Grille M4 x .70	11032A
12	Screw Grille to Body (Counter Sunk Sheet Metal)	22009A
13	Grille Radiator Opening w/Studs	22010A
13	Grille Radiator Opening w/o Studs	22010B
14	Nut Grille Fastening for 22010A Grille M4 x .70	11032A
15	Clip Grille Fastening for 22010B Grille	13021A
16	Emblem Ghia Crest	22011A
17	Nut Emblem to Body M3 x .60	22012A
18	Grille Air Conditioner Condenser	22013A
19	Nut Grille to Body M5 x .80	01331B
20	Pantera Script (Small) w/Nuts	13032A
21	DeTomaso Script (Small) w/Nuts	13033A
22	Nut Emblem to Body	13033B
23	DeTomaso Script	22014A
24	Pantera Script	22015A
24A	Pantera Script w/Connecting Bar	22015B
25	Nut Pantera & DeTomaso Emblem/Barrel Type	18141A
26	Clip Emblem to Body	22016A
27	Moulding Roof Drip Rail RH Bright Finish	22017A
27	Moulding Roof Drip Rail RH Black Finish	22017B
27A	Pop Rivet (Bright Finish)	22017C
27A	Pop Rivet (Black Finish)	22017D
27	Moulding Roof Drip Rail LH Bright Finish	22018A
27	Moulding Roof Drip Rail LH Black Finish	22018B
28	Emblem DeTomaso V8 Rear Deck Lid	18140B
29	Emblem Power by Ford Rear Deck Lid	18140A
30	Emblem GTS and GT5 Rear	22019A
31	Mirror Outside Rear View LH Chrome Rectangular	22020A
31	Mirror RH Electrical GT5	22020B
31	Mirror LH Electrical GT5	22020C
31	Mirror RH Manual GT5	22020D
31	Mirror LH Manual GT5	22020E
32	Antenna Roof Mount Bright Finish	22021A
32	Antenna Roof Mount Black Finish	22021B
33	Nut Rear License Plate Bracket to Body M5 x .80	16033A
34	Stripe Pantera GTS (1 Side) White 74 GTS	22022A
35	Stripe Pantera Black (1 Side)	22023A

35	Stripe Pantera Gold (1 Side)	22023B
35	Stripe Pantera Silver (1 Side)	22023C
35	Stripe Pantera Red (1 Side)	22023D
35	Stripe Pantera White (1 Side)	22023E
35	Stripe Pantera Sky Blue (1 Side)	22023F
35	Stripe Pantera Yellow (1 Side)	22023G
35	Stripe Pantera Blue (1 Side)	22023H
35	Stripe Pantera Brown (1 Side)	22023I
35	Stripe Pantera Green (1 Side)	22023J
36	Stripe GTS Black (1 Side)	22024A
36	Stripe GTS Gold (1 Side)	22024B
36	Stripe GTS Silver (1 Side)	22024C
36	Stripe GTS Red (1 Side)	22024D
36	Stripe GTS White (1 Side)	22024E
37	Stripe DeTomaso White (1 Side)	22025A
37	Stripe DeTomaso Black (1 Side)	22025B
37	Stripe DeTomaso Gold (1 Side)	22025C
37	Stripe DeTomaso Silver (1 Side)	22025D
38	Stripe Pantera GT5 White (1 Side)	22026A
38	Stripe Pantera GT5 Black (1 Side)	22026B
38	Stripe Pantera GT5 Gold (1 Side)	22026C
38	Stripe Pantera GT5 Silver (1 Side)	22026D
39	Stripe Pantera GT5 White Rear Deck Lid	22027A
39	Stripe Pantera GT5 Black Rear Deck Lid	22027B
39	Stripe Pantera GT5 Gold Rear Deck Lid	22027C
39	Stripe Pantera GT5 Silver Rear Deck Lid	22027D
39A	Stripe Pantera GT5-S White Rear Deck Lid	22032A
39A	Stripe Pantera GT5-S Black Rear Deck Lid	22032B
39A	Stripe Pantera GT5-S Gold Rear Deck Lid	22032C
39A	Stripe Pantera GT5-S Silver Rear Deck Lid	22032D
40	Stripe Pantera GT5-S White (1 Side) 1/4 Panel	22033A
40	Stripe Pantera GT5-S Black (1 Side) 1/4 Panel	22033B
40	Stripe Pantera GT5-S Gold (1 Side) 1/4 Panel	22033C
40	Stripe Pantera GT5-S Silver (1 Side) 1/4 Panel	22033D
41	Ornament Roof Side RH Type 1	22028A
41	Ornament Roof Side RH Type 2	22028B
41	Ornament Roof Side RH Type 3	22028C
42	Ornament Roof Side LH Type 1	22029A
42	Ornament Roof Side LH Type 2 w/o Fuel Filler	22029B
42	Ornament Roof Side LH w/Fuel Filler (Assembly Only)	09038A
43	Nut Ornament to Body (Wing Type)	22030A
44	Bracket Ornament to Body	22031A
45	Bumper Fuel Filler Door Stop	09039A
46	Retainer Ornament to Body (Plastic)	09040A
47	Nut Ornament to Body M5 x .80	09042A
48	Grille Air Intake GT5-S RH	18030B
49	Grille Air Intake GT5-S LH	18030C

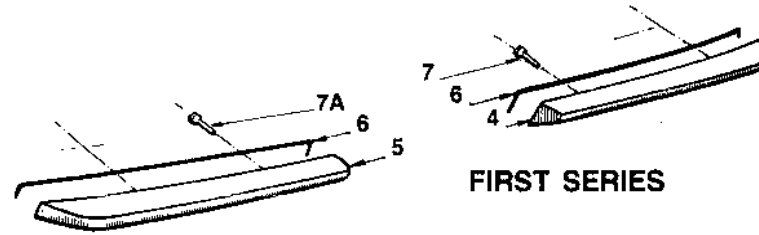
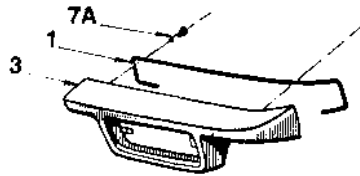


Original DeTomaso Pantera Parts

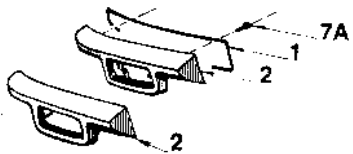
SECTION 23 ILLUSTRATION 35



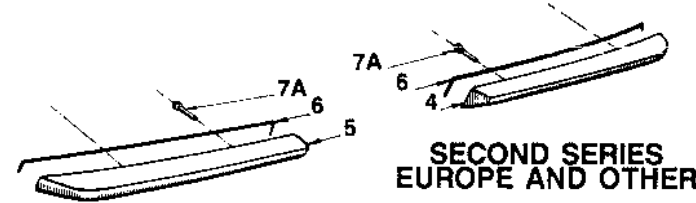
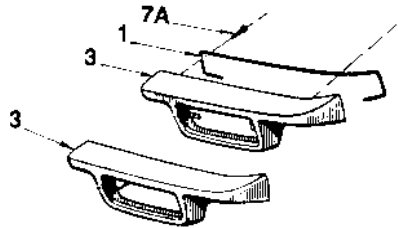
FIRST SERIES



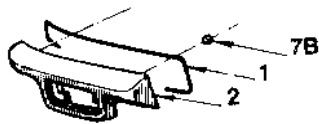
FIRST SERIES



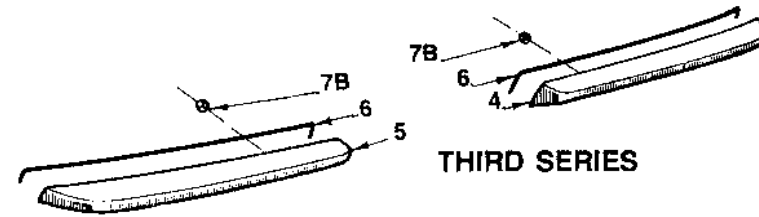
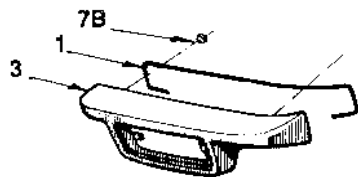
SECOND SERIES
EUROPE AND OTHER



SECOND SERIES
EUROPE AND OTHER

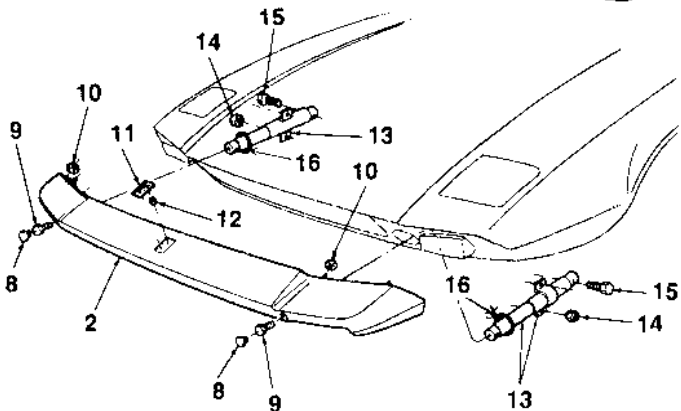


THIRD SERIES

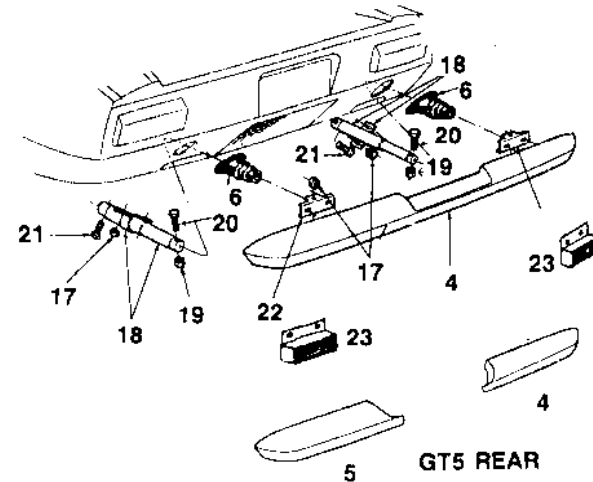


THIRD SERIES

NOTE: WHEN ORDERING,
SPECIFY THE COUNTRY.



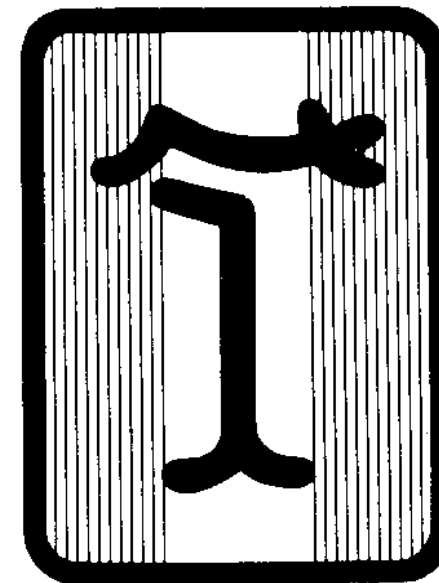
GT5 FRONT



GT5 REAR

SECTION 23 ILLUSTRATION 35

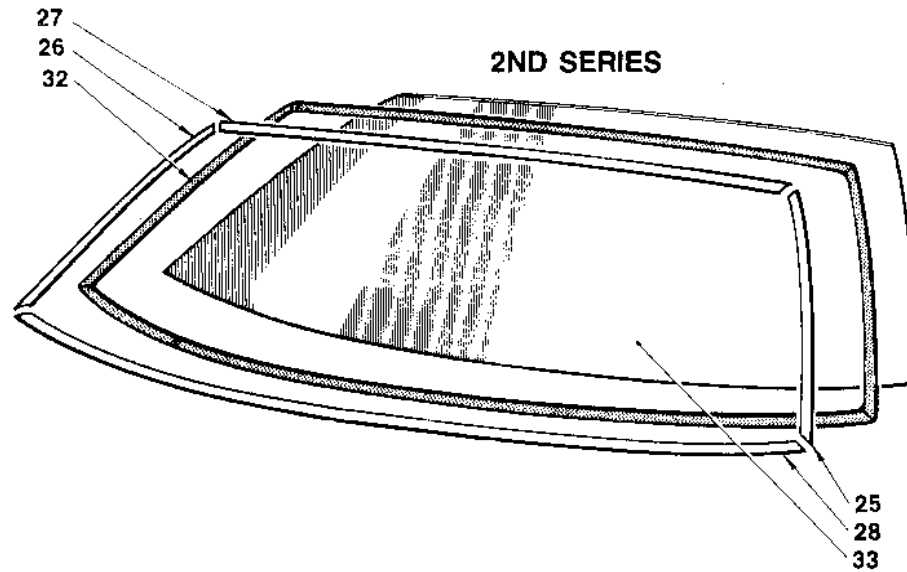
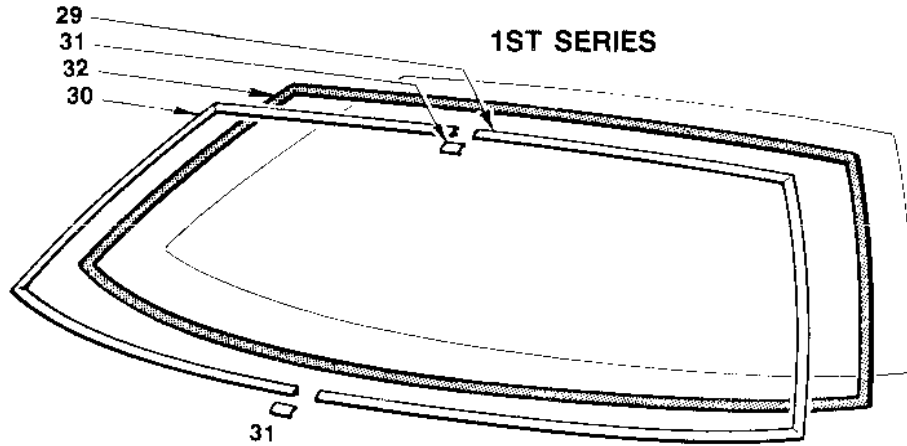
ILLUSTRATION #	DESCRIPTION	PART #
1	Gasket Front Bumper to Body	23001A
2	Bumper Front RH w/Square Inboard Corner 1st Series	23002A
2	Bumper Front RH (Europe) w/Sqaure Inboard Corner 2nd Series	23002B
2	Bumper Front RH w/Round Inboard Corner 3rd Series	23002C
2	Bumper Front 1 Piece Rubber	23002D
2	Bumper Front GT5 (Europe) w/o Park Light RH Fiberglass	23002E
2	Bumper Front RH GT5 Black w/Round Corner	23002F
2	Bumper Front RH w/o Park Lamp Chrome	23002G
3	Bumper Front LH w/Square Inboard Corner 1st Series	23003A
3	Bumper Front LH (Europe) w/Square Inboard Corner 2nd Series	23003B
3	Bumper Front LH w/Round Inboard Corner 3rd Series	23003C
3	Bumper Front GT5 (Europe) w/o Park Light LH Fiberglass	23003D
3	Bumper Front LH GT5 Black w/Rouond Corner	23003E
3	Bumper Front LH w/o Park Lamp Chrome	23003F
4	Bumper Rear RH w/Square Inboard Corner 1st Series	23004A
4	Bumper Rear RH (Europe) w/Square Inboard Corner 2nd Series	23004B
4	Bumper Rear RH w/Round Inboard Corner 3rd Series	23004C
4	Bumper Rear 1 Piece Black	23004D
4	Bumper Rear 1 Piece Chrome	23004E
4	Bumper Rear GT5 (Europe) RH Fiberglass	23004F
4	Bumper Right Rear Black w/Round Corner	23004G
5	Bumper Rear LH w/Square Inboard Corner 1st Series	23005A
5	Bumper Rear LH w/Square Inboard Corner 2nd Series	23005B
5	Bumper Rear LH w/Round Inboard Corner 3rd Series	23005C
5	Bumper Rear GT5 (Europe) LH Fiberglass	23005D
5	Bumper Left Rear Black w/Round Corner	23005E
6	Gasket Rear Bumper to Body	23001A
6	Seal Rear Bumper to Body w/Isolators	23001B
7A	Bolt Bumper to Body M8 x 1.25 x 35mm	03016A
7B	Nut Bumper to Body M6 x 1	11020B
8	Cap Front Bumper Bolt Hole	23006A
9	Bolt Bumper to Isolator M8 x 1.25 x 25mm	18113A
10	Nut Front Bumper to Body M5 x .80	16033A
11	Emblem DeTomaso Crest (Blue & White)	22006A
11	Emblem Ghia Crest 74 GT5	22006B
12	Nut Emblem to Bumper M4 x .70	11032A
13	Isolator Front Bumper to Body	23007A
14	Nut Isolator to Body M8 x 1.25	23008A
15	Bolt Isolator to Body	23009A
16	Seal Isolator to Body	23001C
17	Nut Isolator to Body M8 x 1.25	23008A
18	Isolator Rear Bumper to Body	23007B
18	Bracket Rear Bumper to Body from #9000	23007C
19	Nut Bracket to Isolator M14 x 1.5	23008A
20	Bolt Bracket to Isolator M14 x 1.5 x 65mm	23010A
21	Bolt Isolator to Body	23009A
22	Bracket Bumper to Isolator L & R	23011A
23	Reflector Rear Bumper	23012A



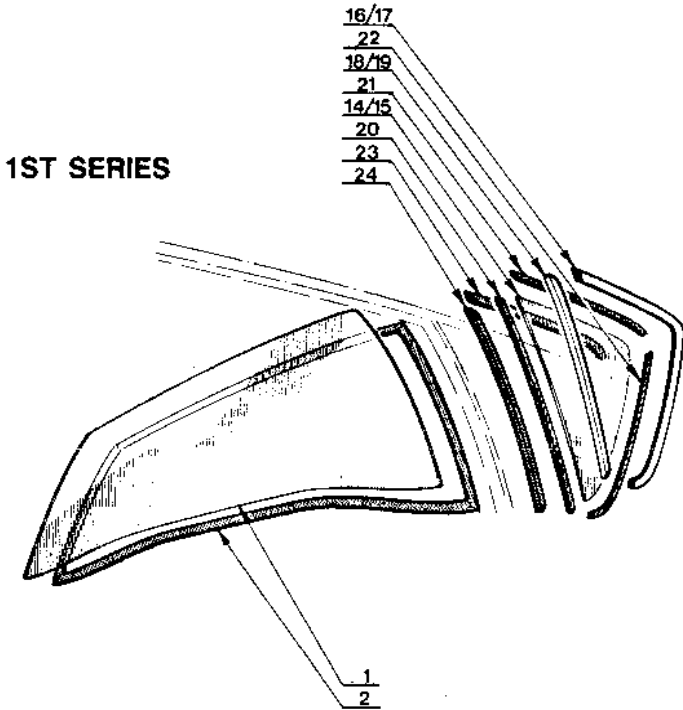


Original DeTomaso Pantera Parts

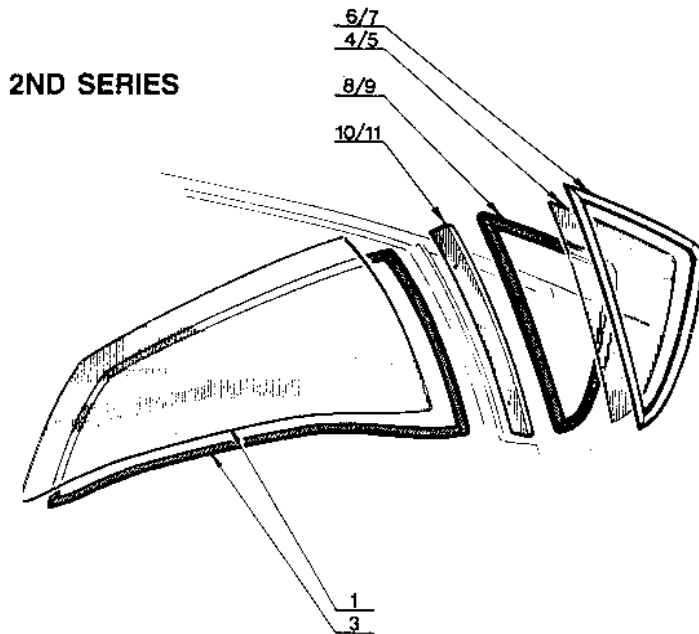
SECTION 24 ILLUSTRATION 36



1ST SERIES



2ND SERIES

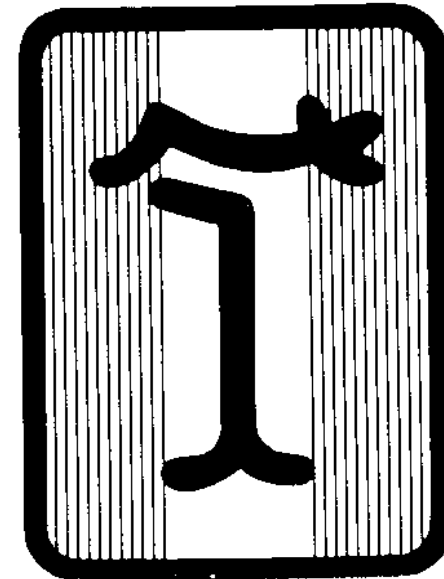


SECTION 24 ILLUSTRATION 36

Original DeTomaso Pantera Parts



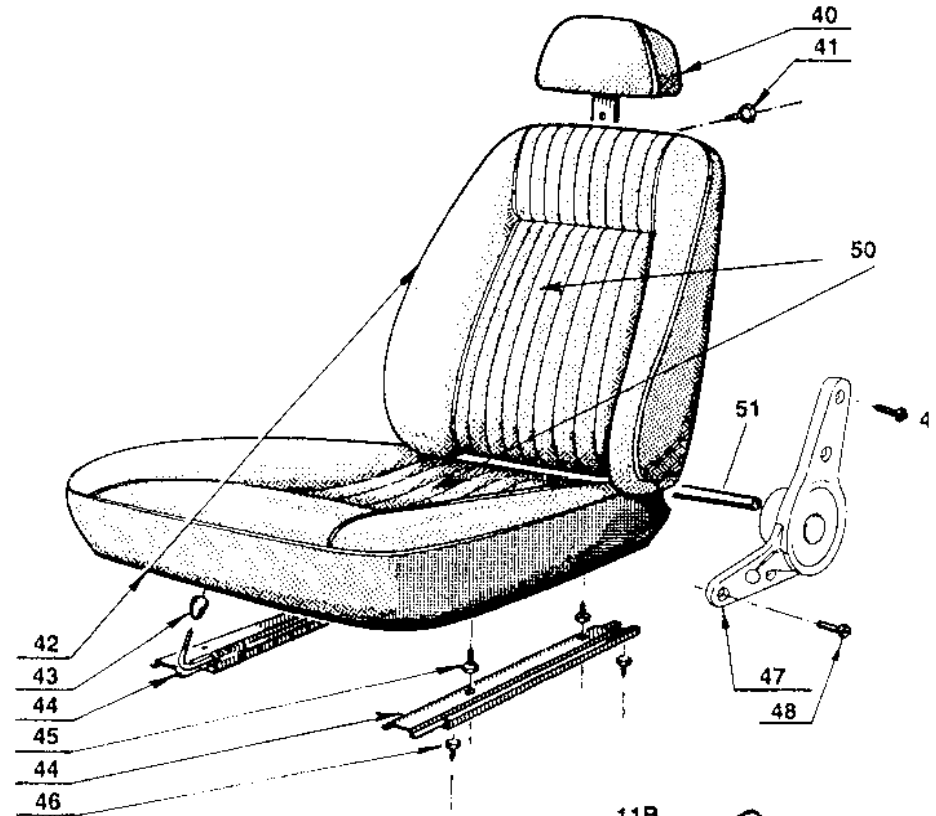
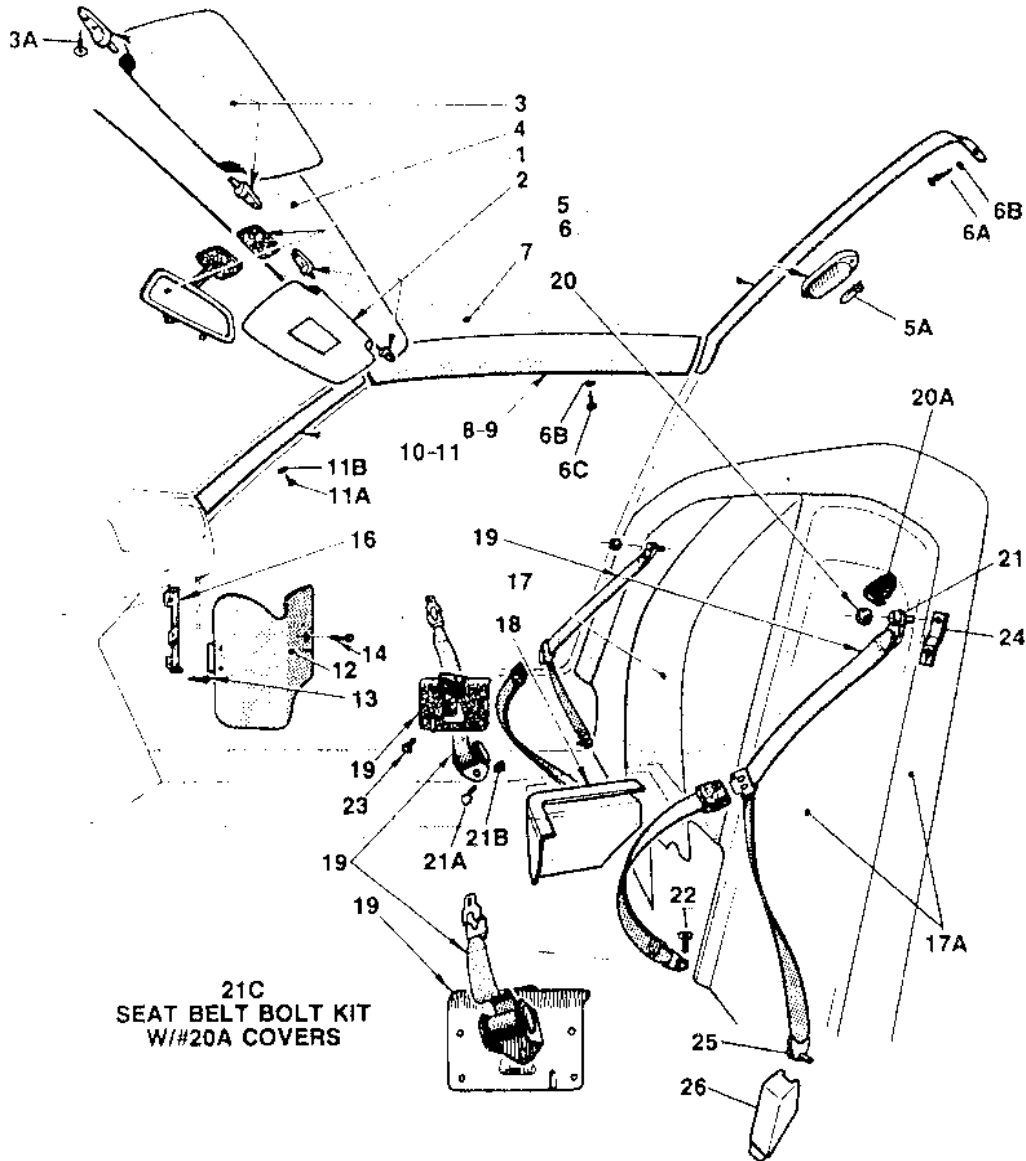
ILLUSTRATION #	DESCRIPTION	PART #
1	Glass Rear Window Before #2001 1st Series	24001A
1	Glass Rear Window After #2001 2nd Series	24001B
1	Glass Rear Window w/Heated Wires 2nd Series	24001C
2	Weatherstrip Rear Glass Before #2001 Replaced by "B"	24002A
3	Weatherstrip Rear Glass After #2001	24002B
4	Glass 1/4 Window RH (Tinted)	24003A
5	Glass 1/4 Window LH (Tinted)	24004A
6	Moulding 1/4 Window 1 Piece RH Bright Finish 2nd Series	24005A
6	Moulding 1/4 Window 1 Piece RH Black Finish 2nd Series	24005B
7	Moulding 1/4 Window 1 Piece LH Bright Finish 2nd Series	24006A
7	Moulding 1/4 Window 1 Piece LH Black Finish 2nd Series	24006B
8	Weatherstrip 1/4 Window RH	24007A
9	Weatherstrip 1/4 Window LH	24008A
10	Moulding Roof Pillar RH Bright Finish	24009A
10	Moulding Roof Pillar RH Black Finish	24009B
11	Moulding Roof Pillar LH Bright Finish	24010A
11	Moulding Roof Pillar LH Black Finish	24010B
14	Glass 1/4 Window RH Not Tinted	24003B
15	Glass 1/4 Window LH Not Tinted	24004B
16	Moulding 1/4 Window Rear RH 1st Series	24011A
17	Moulding 1/4 Window Rear LH 1st Series	24012A
18	Moulding 1/4 Window Front RH 1st Series	24013A
19	Moulding 1/4 Window Front LH 1st Series	24014A
20	Channel 1/4 Window Glass Front	24015A
21	Channel 1/4 Window Glass Upper	24015B
22	Channel 1/4 Window Glass Rear	24015C
23	Weatherstrip Upper 1/4 Glass	24016A
24	Weatherstrip Front 1/4 Glass	24016B
25	Moulding Windshield LH Bright Finish 2nd Series	24017A
25	Moulding Windshield LH Black Finish 2nd Series	24017B
26	Moulding Windshield RH Bright Finish 2nd Series	24018A
26	Moulding Windshield RH Black Finish 2nd Series	24018B
27	Moulding Windshield Upper Bright Finish 2nd Series	24019A
27	Moulding Windshield Upper Black Finish 2nd Series	24019B
28	Moulding Windshield Lower Bright Finish 2nd Series	24020A
28	Moulding Windshield Lower Black Finish 2nd Series	24020B
29	Moulding Windshield LH Bright Finish 1st Series	24021A
30	Moulding Windshield RH Bright Finish 1st Series	24022A
31	Cover Windshield Moulding Joint	24023A
32	Weatherstrip Windshield w/2 Piece Moulding 1st Series	24024A
32	Weatherstrip Windshield w/4 Piece Moulding 2nd Series	24024B
33	Windshield Tinted	24025A
33	Windshield GT5 Tinted w/Green Band	24025B



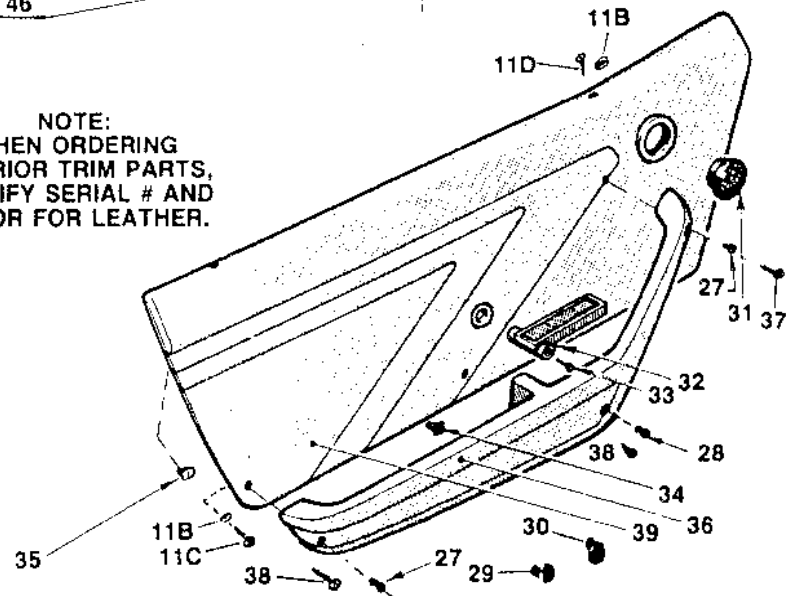


Original DeTomaso Pantera Parts

SECTION 25 ILLUSTRATION 37



NOTE:
WHEN ORDERING
INTERIOR TRIM PARTS,
SPECIFY SERIAL # AND
COLOR FOR LEATHER.



#52
COMPLETE LEATHER
INTERIOR ASSEMBLY

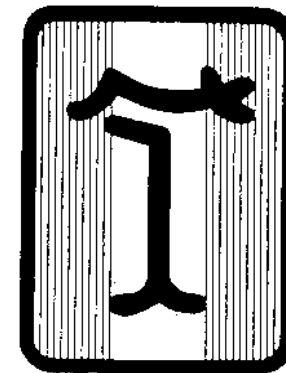
SECTION 25 ILLUSTRATION 37

Original DeTomaso Pantera Parts 

SECTION 25 ILLUSTRATION #	DESCRIPTION	PART #
1	Mirror Inside Rear View	25001A
1	Mirror Inside Rear View (Bonded on w/Shield)	25001B
1	Mirror Base Bonded Type Mirror	25001C
2	Visor RH with Brackets (White) Replaced by B	25002A
2	Visor RH with Brackets (Gray)	25002B
3	Visor LH with Brackets (White) Replaced by B	25003A
3	Visor LH with Brackets (Gray)	25003B
3A	Screw Visor to Roof (Chrome)	25004A
4	Bow Headliner Front	25005A
5	Lamp Assembly Courtesy on Roof	25006B
5	Lamp Assembly Courtesy on Roof w/Switch	25007A
5A	3x3 Courtesy Lamp on Roof	25007A
6	Bow Headliner Rear	25008A
6A	Screw Headliner Bow to Roof Chrome (1-1/4" Long)	25009A
6B	Bezel Headliner Bow to Roof Chrome	25010A
6C	Screw Headliner Bow to Roof Chrome (3/4" Long)	25009B
7	Headliner Assembly	25011A
8	Bow Headliner RH	25012A
9	Bow Headliner LH	25013A
10	Moulding w/Shield Post Inner RH Simulated Black Leather	25014A
10	Moulding w/Shield Post Inner RH Leather GT5	25014B
11	Moulding w/Shield Post Inner LH Simulated Black Leather	25015A
11	Moulding w/Shield Post Inner LH Leather GT5	25015B
11A	Screw Moulding to Post Back	25015A
11B	Bezel Black	25017A
11C	Screw Door Panel to Door Black (3/4" Long)	25016A
11D	Screw Door Panel to Door Black (1/2" Long)	25016B
12	Cover with Hinge Fast Box with Trim RH	25017A
12	Cover with Hinge Relay Panel with Trim LH	25017B
13	Screw Hinge to Inner Fender #8 x 1/2" Round Head	25053A
14	Screw Trim Cover "Thumb" type	25038A
15	Bracket Trim Panel Hinge	25018A
17	Cover Assembly Firewall Before #2000	25019A
17	Cover Assembly Firewall from #2000 to #228A	25019B
17	Cover Assembly Firewall from #228A to Body #5164C	25019C
17	Cover Assembly Firewall after Body #5164C w/Seat belt Retractor	25019D
17	Cover Assembly Firewall (As above #C) Leather	25019E
17	Cover Assembly Firewall GT5 Leather	25019F
17A	Leather only for GT5 Cover	25019G
18	Trim Cover Park Brake Control Steel w/Trim	25020A
18	Trim Cover Park Brake Control Plastic 79-74 Console	25020B
18	Trim Cover GT5 w/Console on L Side Console	25020C
19	Seat Belt Assembly 71 RH & LH	25021A
19	Seat Belt Assembly RH w/out Rear Retractor	25021B
19	Seat Belt Assembly LH w/out Rear Retractor	25021C
19	Seat Belt Assembly RH w/Rear Retractor	25021D
19	Seat Belt Assembly LH w/Rear Retractor	25021E
20	Cap Shoulder Harness Bolt (Round type)	25022A
20A	Cap Shoulder Harness Bolt 74-85 Style	25022B
21	Bolt Shoulder Harness to Firewall	25023A
21A	Bolt Seat Belt to Side Plate	25024A

21B	Nut Seat Belt to Side Plate	25025A
21C	Kit Seat Belt Bolt w/Covers	25025C
22	Bolt Seat Belt to Floor	25023B
23	Bolt Seat Belt Plate to Floor (Round Phillips)	25026A
24	Retainer Shoulder Harness Storage	25027A
25	Bolt Shoulder Harness Retractor to Body	25028A
26	Cover Shoulder Harness Retractor	25029A
27	Plug Arm Rest Trim (Shower) Rubber	09639A
28	Plug Arm Rest Trim (Long) Rubber	25029F
29	Plug Arm Rest Trim Flat Plastic	25029B
29	Plug Arm Rest Trim GT5 Flat with Leather	25029C
30	Plug Arm Rest Trim Angle Plastic	25029D
30	Plug Arm Rest Trim GT5 Angle with Leather	25029E
31	Plug Emergency Window Access	25030A
31	Plug Emergency Window Access GT5 w/Leather	25030B
32	Handle Door (Inner) RH Black	25031A
32	Handle Door (Inner) RH GT5 w/Leather	25031B
32	Handle Door (Inner) LH Black	25032A
32	Handle Door (Inner) LH GT5 w/Leather	25032B
33	Screw Door Handle Retainer	25033A
34	Anchor Arm Rest Screw to Door (Square Plastic)	25034A
35	Clip Door Panel to Door	25035A
36	Arm Rest RH w/Rubber Type Plugs	25036A
36	Arm Rest RH w/Plastic Type Plugs	25036B
36	Arm Rest RH GT5 with Leather	25036C
36	Arm Rest LH w/Rubber Type Plugs	25037A
36	Arm Rest LH w/Plastic Type Plugs	25037B
36	Arm Rest LH GT5 w/Leather	25037C
37	Screw Arm Rest to Door MS x 1 x 40mm	25038A
38	Screw Arm Rest to Door Sheet Metal Type	25038B
39	Door Panel RH Before #1450	25039A
39	Door Panel RH from #1450	25039B
39	Door Panel RH w/Leather GT5	25039C
39	Door Panel RH w/Leather w/Wood GT5	25039D
39	Door Panel LH Before #1450	25040A
39	Door Panel LH from #1450	25040B
39	Door Panel LH w/Leather GT5	25040C
39	Door Panel LH w/Leather w/Wood GT5	25040D
40	Headrest	25041A
40	Headrest Leather GT5	25041B
41	Knob Headrest Adjustment	25042A
41	Knob Headrest Adjustment from #900C	25042B
42	Seat Assembly RH (71) Non Perforated	25043A
42	Seat Assembly RH with Perforations	25043B
42	Seat Assembly RH Europe (Specify Country)	25043C
42	Seat Assembly RH Leather GT5	25043D
42	Seat Assembly LH (71) Non Perforated	25044A
42	Seat Assembly LH with Perforations	25044B

42	Seat Assembly LH Europe (Specify Country)	25044C
42	Seat Assembly LH Leather GT5	25044D
43	Knob Seat Track Adjustment	25045A
44	Track Assembly RH w/o Latch (14-3/4" Long)	25046A
44	Track Assembly RH w/o Latch (17-3/4" Long)	25046B
44	Track Assembly RH w/Latch (14-3/4" Long)	25046C
44	Track Assembly LH w/o Latch (14-3/4" Long)	25046D
44	Track Assembly LH w/o Latch (17-3/4" Long)	25046E
44	Track Assembly LH w/Latch (14-3/4" Long)	25046F
44	Track Assembly LH w/Latch (17-3/4" Long)	25046G
45	Bolt Seat Track to Seat	25047A
45	Bolt Seat Track to Floor	25048B
47	Seal Back Mechanism RH Back	25049A
47	Seal Back Mechanism LH Black	25049B
47	Seal Back Mechanism RH Passenger Seat w/Lever Chrome	25049C
47	Seal Back Mechanism RH Driver Seat w/Lever Chrome	25049D
47	Seal Back Mechanism LH Driver Seat w/Lever Chrome	25049E
47	Seal Back Mechanism LH Driver Seat w/Lever Chrome	25049F
48	Bolt Mechanism to Seat Lower MS x 1.25 x 15mm	25050A
49	Bolt Mechanism to Seat Upper MS x 1.25 x 30mm	25050B
50	Cover with Perforations (GT5 Seat)	25051A
51	Seat Seat Mechanism Pivots	25052A
NOTE	When Ordering Trim Parts Covered in Leather Specify Color Code: A-White, B-Cream, C-Belge, D-Saddle, E-Brown, F-Burgundy, G-Blue, H-Black, I-Gray	
52	Leather Interior w/Wood Complete w/o Gauges and Switches	25053A
52	Leather Interior w/Wood Complete with Gauges and Switches	25053B

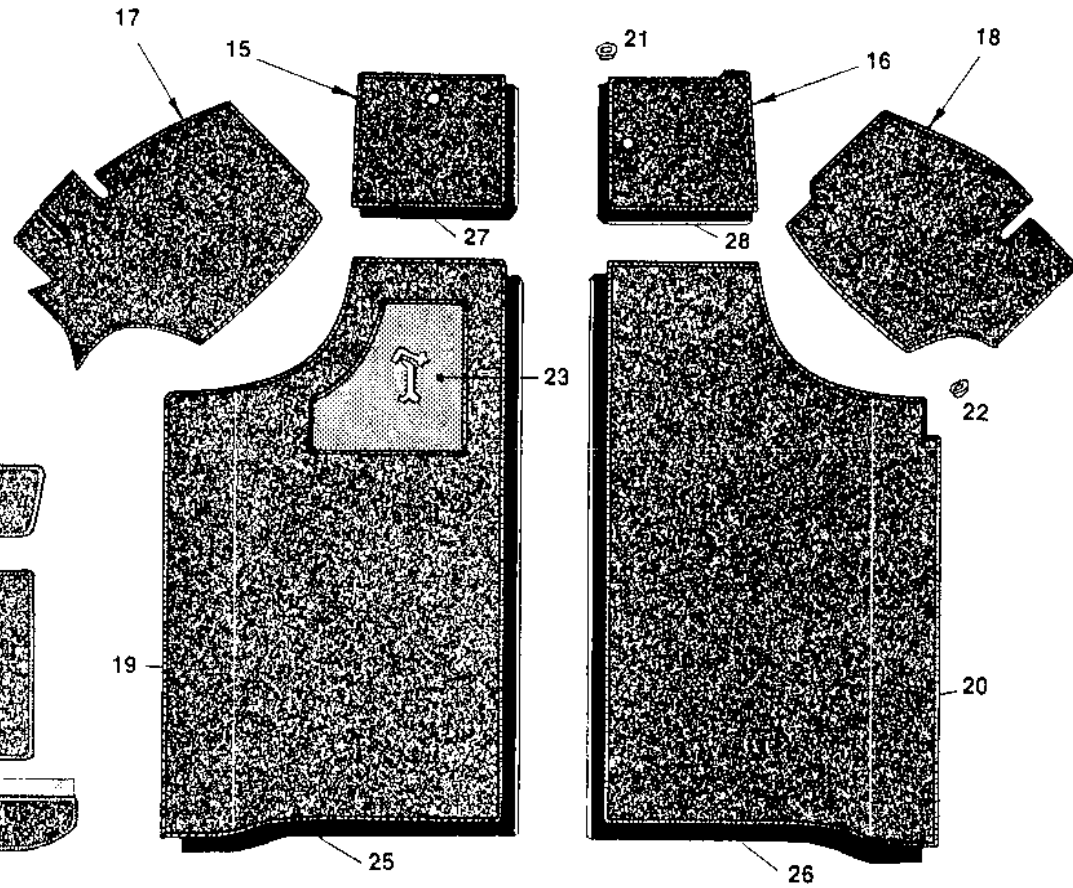
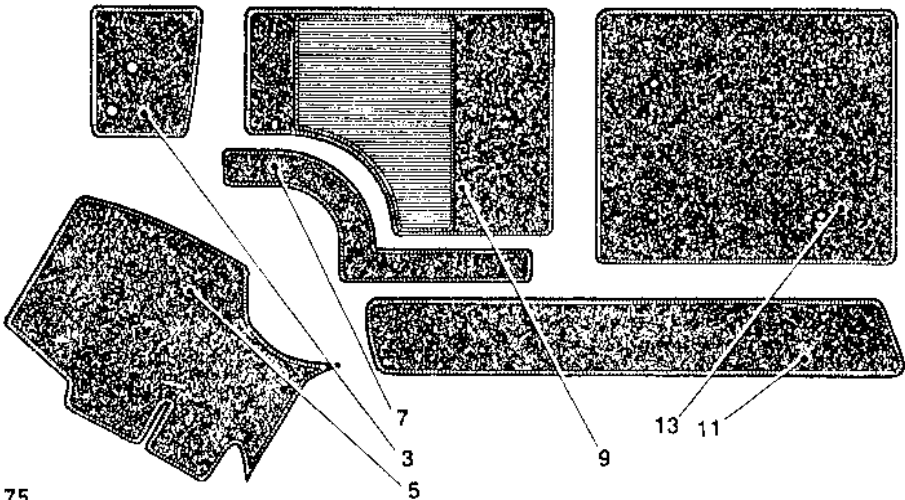
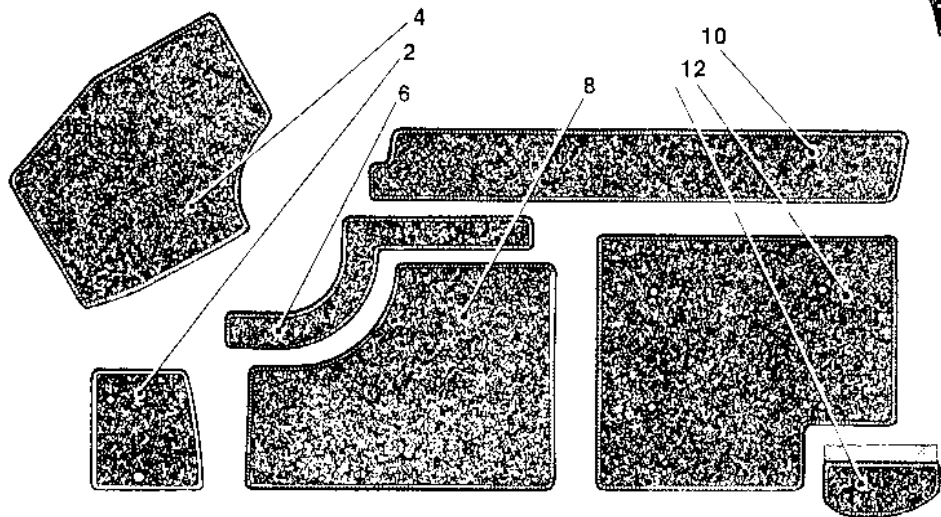




Original DeTomaso Pantera Parts

SECTION 25 ILLUSTRATION 38

1ST SERIES



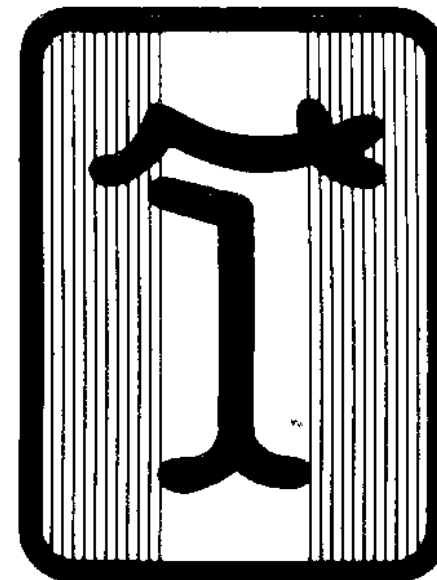
2ND SERIES

SECTION 25 ILLUSTRATION 38



ILLUSTRATION #	DESCRIPTION	PART #
2	Carpet RF on Firewall 1st Series	25101A
3	Carpet LF on Firewall 1st Series	25102A
4	Carpet RH Wheel Well 1st Series	25103A
5	Carpet LH Wheel Well 1st Series	25104A
6	Carpet RH Front 1st Series	25105A
7	Carpet LH Front 1st Series	25106A
8	Carpet RH Floor 1st Series	25107A
9	Carpet LH Floor 1st Series	25108A
10	Carpet RH Inner Rocker 1st Series	25109A
11	Carpet LH Inner Rocker 1st Series	25110A
12	Carpet RH Rear 1st Series	25111A
13	Carpet LH Rear 1st Series	25112A
14	Carpet Emergency Brake 1st Series	25113A
15	Carpet LH Firewall 2nd Series	25114A
15	Carpet LH Firewall GT5 from #9000	25114B
16	Carpet RH Firewall 2nd Series	25115A
16	Carpet RH Firewall GT5 from #9000	25115B
17	Carpet LH Fender Well 2nd Series	25116A
17	Carpet LH Fender Well GT5 from #9000	25116B
18	Carpet RH Fender Well 2nd Series	25117A
18	Carpet RH Fender Well GT5 from #9000	25117B
19	Carpet LH Floor w/Pad 2nd Series	25118A
19	Carpet LH Floor w/Pad GT5 from #9000	25118B
20	Carpet RH Floor 2nd Series	25119A
20	Carpet RH Floor GT5 from #9000	25119B
21	Plug Firewall RH & LH A-Arm Nut Access	25120A
22	Plug Floor Lower R & L	25121A
23	Pad Left Floor Heel w/Raised DeTomaso "T" Black	25122A
23	Pad Left Floor Heel w/Raised DeTomaso "T" Brown	25122B
24	Carpet Set Complete GT5 from #9000 Specify Color	25123A
25	Insulation LH Floor Carpet 2nd Series	25124A
26	Insulation RH Floor Carpet 2nd Series	25125A
27	Insulation LH Firewall Carpet 2nd Series	25126A
28	Insulation RH Firewall Carpet 2nd Series	25127A

NOTE: When Ordering Carpet Specify Serial Number of Chassis
 Color Codes Factory Colors For Carpet GT5 From #9000
 A Black
 B Blue
 C Brown
 D Red

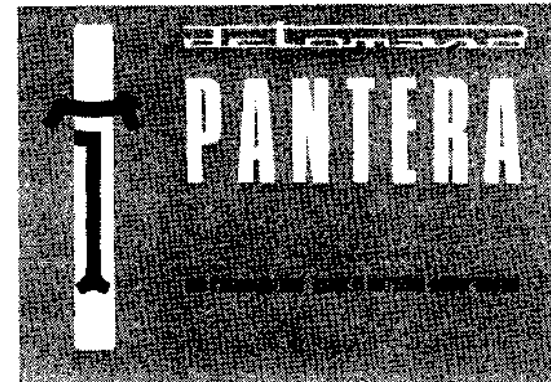
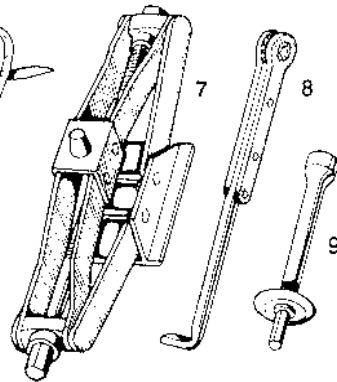
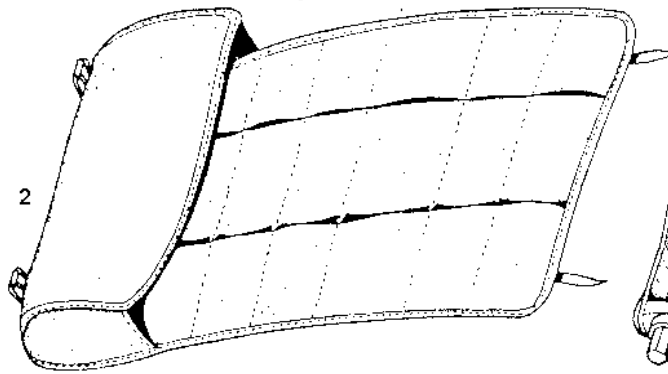
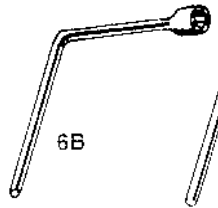
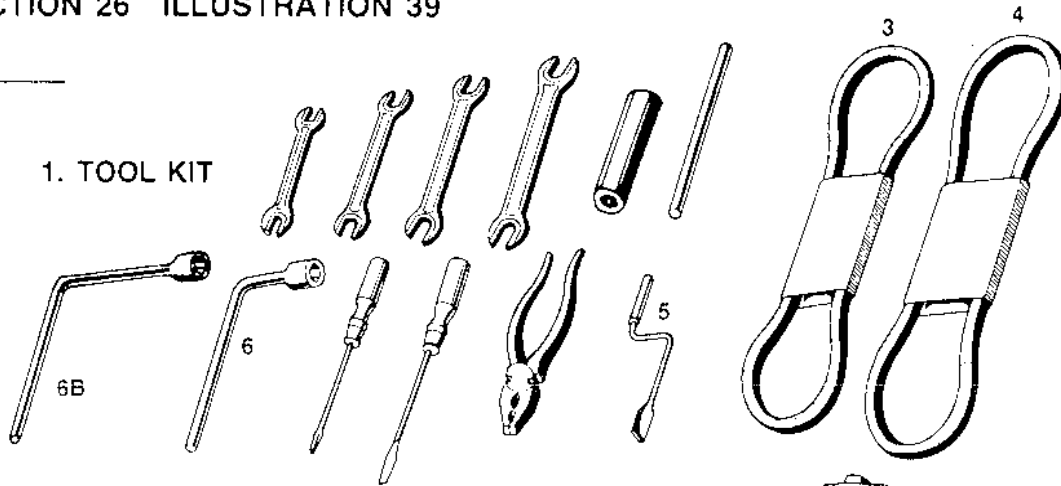




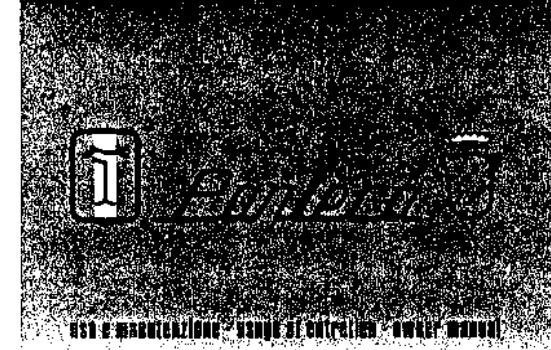
Original DeTomaso Pantera Parts

SECTION 26 ILLUSTRATION 39

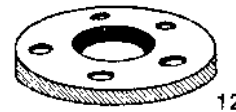
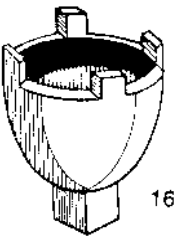
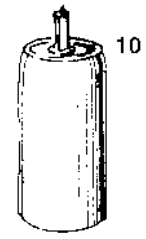
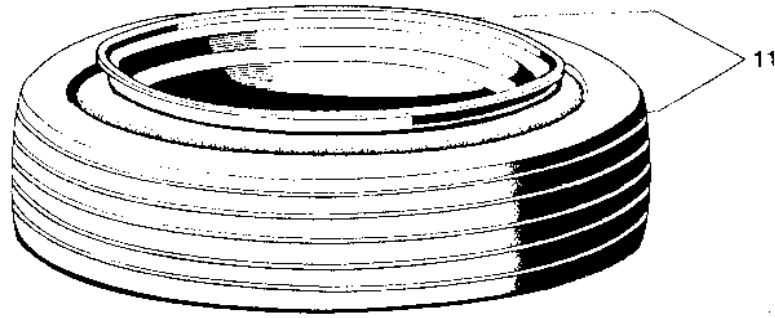
1. TOOL KIT



13



14



12

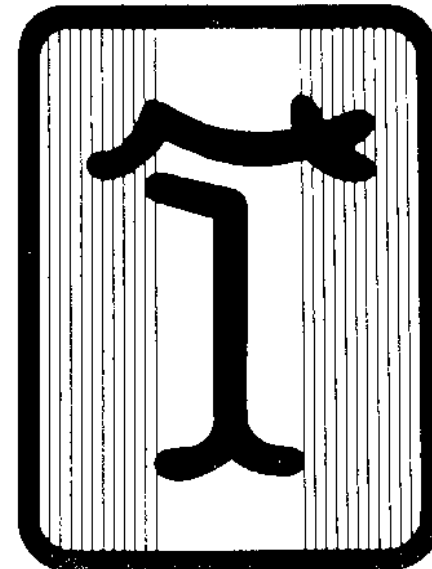
77

17

SECTION 26 ILLUSTRATION 39

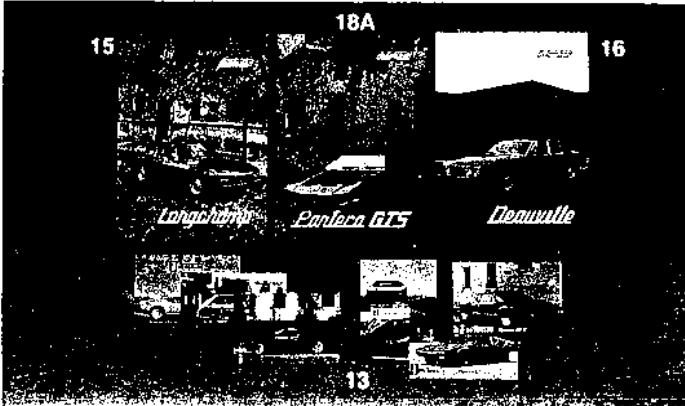
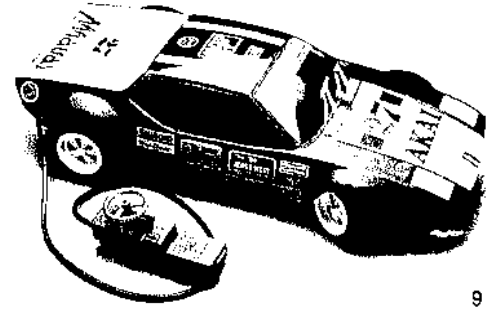
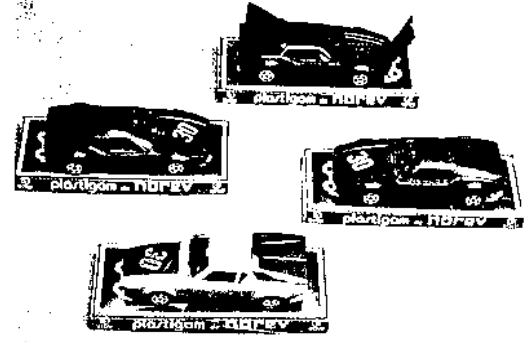
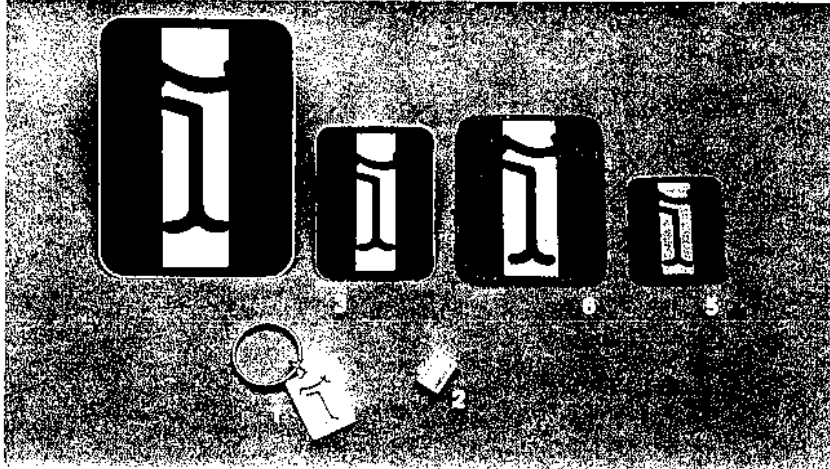
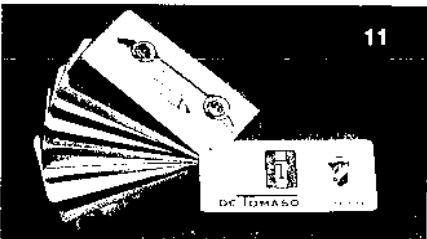
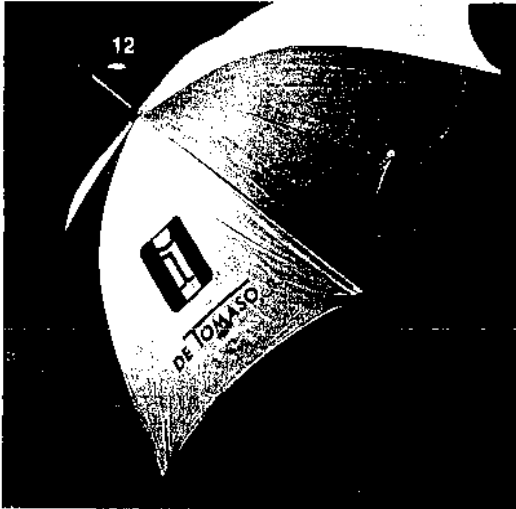


ILLUSTRATION #	DESCRIPTION	PART #
1	Tool Kit with Belts	26001A
1	Tool Kit without Belts	26001B
2	Tool Bag	26002A
3	Belt Air Conditioner	08123B
4	Belt Alternator & Water Pump	08123A
5	Handle Emergency Window Crank	20223A
6	Lug Wrench with Extension Handle	26003A
6B	Lug Wrench (for GT5 10" and 13" Wheel)	26003B
7	Jack Assembly	26004A
8	Handle Jack (Ratchet Type)	26005A
9	Extension Jack Handle	26006A
10	Cannister Spare Tire Inflator	26007A
11	Tire & Wheel Assembly Space Saver Spare w/7" Wheel Replaced by Below	26008A
11	Tire & Wheel Assembly Space Saver Spare w/5-1/2" Wheel	26008B
12	Spacer For Use with GT5 - GT5-S Suspension	26009A
13	Owners Manual Blue Cover 1971	26010A
14	Owners Manual Red Cover 72/Up	26010B
14	Owners Manual Red Cover From #9000	26010C
16	Socket Axle Nut Rear	26011A
17	Press Ball Joint Remova	26012A



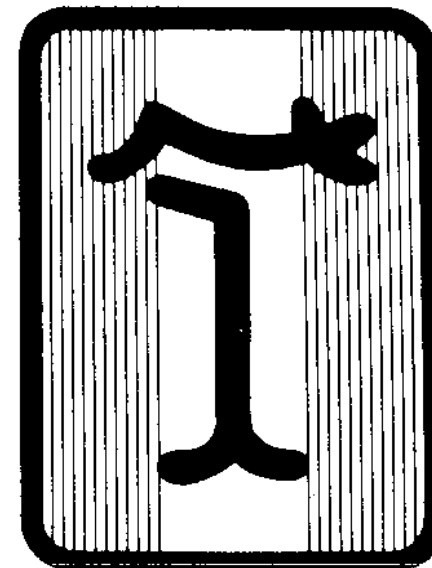
Original DeTomaso Pantera Parts

SECTION 27 ILLUSTRATION 40



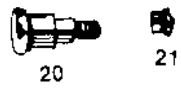
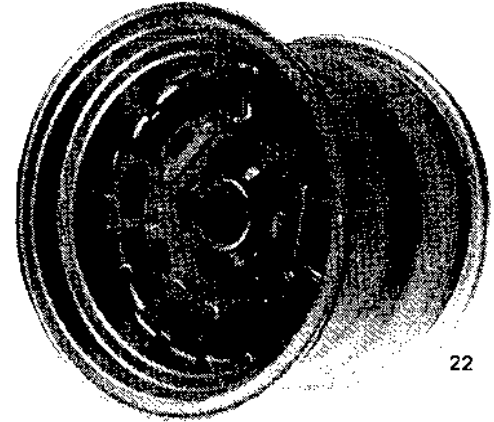
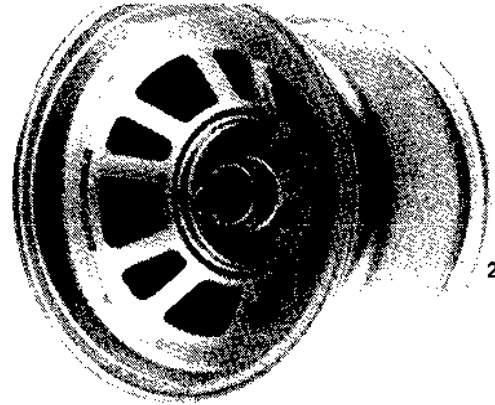
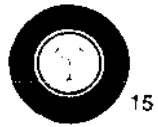
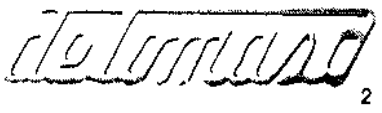
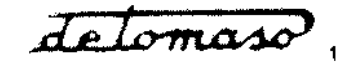
SECTION 27 ILLUSTRATION 40

ILLUSTRATION #	DESCRIPTION	PART #
1	Key Chain (Gold)	27001A
2	Lapel Clip	27002A
3	Decal 2" x 2-3/4"	27003A
4	Decal 3-3/8" x 4-1/2"	27003B
5	Patch DeTomaso Logo w/Black Border 1-3/4" x 2"	27004A
6	Patch DeTomaso Logo w/Yellow Border 2-3/4" x 3-1/4"	27004B
7	Model Car 3-3/4" Long (Red) Assembled	27005A
7	Model Car 3-3/4" Long (Blue) Assembled	27005B
7	Model Car 3-3/4" Long (Green) Assembled	27005C
7	Model Car 3-3/4" Long (Yellow) Assembled	27005D
8	Model Car Kit 1/24th Scale w/Electric Motor & Light (Green) 7" Long	27006A
9	Model Car Electric w/Remote Control Cable Overall Length 24-1/2" (Red & White) Assembled	27007A
10	Leather Samples GT5-GT5-S Interior	27008A
11	Paint Samples Pantera	27009A
12	Umbrella (White) w/Wood Handle	27010A
12	Umbrella (Blue & White) w/Wood Handle	27010B
13	Post Cards Set of Six Different	27011A
14	Pantera Factory Sales Brochure	27012A
15	Long Champ Factory Sales Brochure	27012B
16	Deauville Factory Sales Brochure	27012C
17	Owners Manual Blue Cover 1971	26010A
18	Owners Manual Red Cover 1972-Up	26010B
18A	Owners Manual GT5 from #9000	26010C
19	Sign DeTomaso 20" x 28" Plastic	27013A
20	Sign 29" x 41" Plastic Lighted	27013B
21	Poster as Pictured or Currently Available	27014A
22	Parts Catalogue 71-85	27015A



Original DeTomaso Pantera Parts

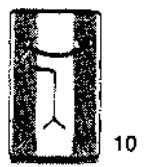
SECTION 28 ILLUSTRATION 41



20



21



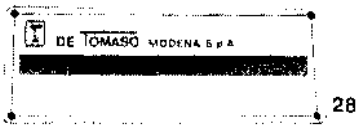
10



26



12



28



14



27



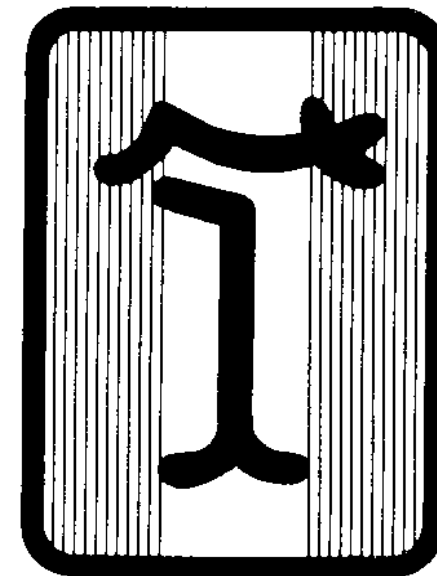
24



25

SECTION 28 ILLUSTRATION 41

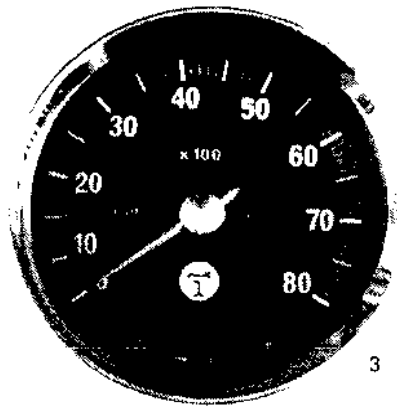
ILLUSTRATION #	DESCRIPTION	PART #
1	DeTomaso Script 4-1/2" x 3/4"	13033A
2	DeTomaso Script 6" x 1-1/4"	22014A
3	Pantera Script 4" x 3/4"	13032A
4	Pantera Script 5-3/4" x 1-3/8"	22015A
5	Pantera Script w/Bar Connecting Letters P to A (to Replace Pantera Script on Rear of Car to Match DeTomaso Script) 6" x 1-3/8"	22016B
6	Emblem Power by Ford	18140A
7	DeTomaso V8 Emblem	18140B
8	DeTomaso Logo 2-1/2" x 3-1/2" Front Grille	22005A
9	DeTomaso Logo 3" x 4-1/8" Front Grille	22005B
10	DeTomaso Emblem Front Grille 1-3/8" x 2-1/4"	22006A
11	DeTomaso Emblem Front Grille 7/8" x 1-3/8"	22006B
12	Ghia Emblem	22011A
13	GTS-GT5 Emblem 1-1/4" x 3-3/8"	22019A
14	Plaque DeTomaso 2-3/16" x 9-1/2"	08404A
15	Emblem Steering Wheel (Black)	03002B
16	Emblem Steering Wheel (Blue/White w/Gold Trim)	03002A
17	Wheel Center Emblem (Blue & White)	01026A
18	Wheel Center Emblem GTS-GT5	01026B
19	Wheel Center Emblem (Black) Plastic w/Raised DeTomaso Logo	01026C
20	Valve Stem with Cap (Aluminum)	01029A
21	Cap Valve Stem	01029B
22	Wheel 10" GTS	01027H
23	Wheel 10" GT5-GT5-S	01027D
23	Wheel 13" GT5-GT5-S	01027I
24	Wheel Decal Campagnolo Gold Script	01030B
25	Wheel Decal Campagnolo Black Printed	01030A
26	Stripe Kits Text See Section 22—#34-40	
27	Tire Pirelli 225-50-15	28001A
27	Tire Pirelli 285-50-15	28001B
27	Tire Pirelli 285-40-15	28001C
27	Tire Pirelli 285-40-15 Rally	28001D
27	Tire Pirelli 345-35-15	28001E
27	Tire Pirelli 345-35-15 Rally	28001F
27	Tire Good Year Arriva C60-15	28001G
27	Tire Good Year Arriva H60-15	28001H
28	Identification Plate (Over Booster)	28002A



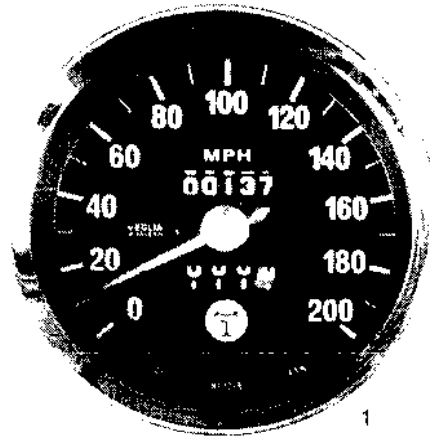


Original DeTomaso Pantera Parts

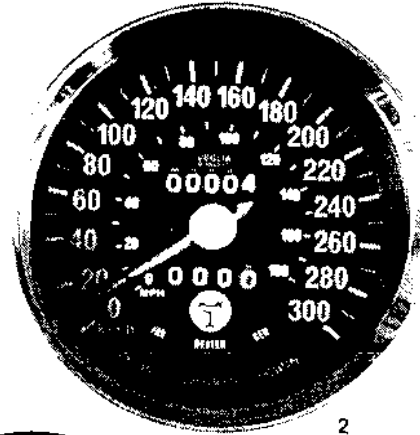
SECTION 29 ILLUSTRATION 42



3



1



2



4



5



6



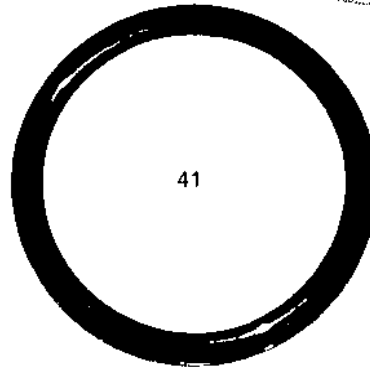
7



8



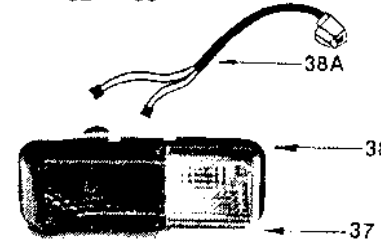
9



41



34



38A

38

37



10



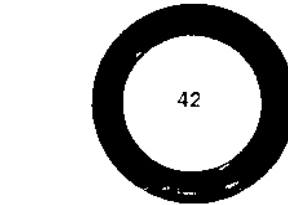
11



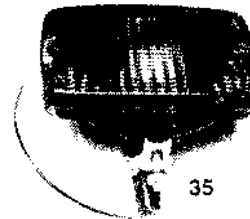
12



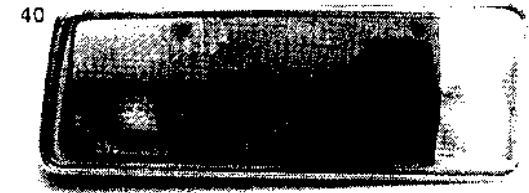
13



42



35



40



14



15



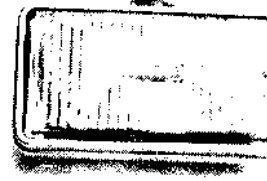
16



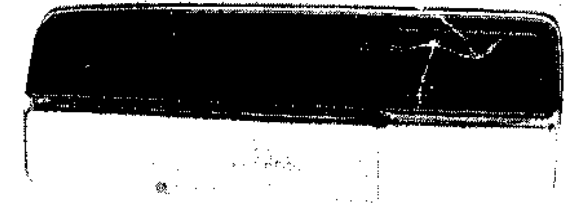
17



36



39



21



22



23



24



25



26



27



28



29



30



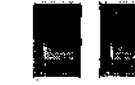
29A



30A



31



32

33

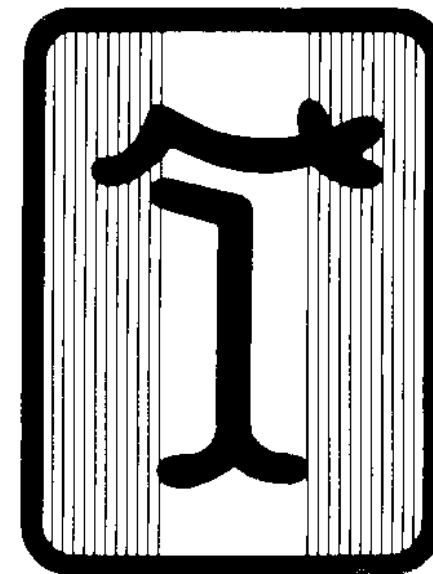
SECTION 29 ILLUSTRATION 42

ILLUSTRATION #	DESCRIPTION	PART #
1	Speedometer MPH 1200 Rev = 1 MLE	13002A
1	Speedometer MPH 1610 Rev = 1 MLE	13002B
2	Speedometer Kilometer + MPH	13002C
3	Tachometer	13003A
4	Oil Gauge Chrome Bezel Stock	14009A
5	Oil Gauge Oil Olio GT5 Chrome Bezel	14009B
6	Oil Gauge Olio Black Bezel	14009C
7	Oil Temp. F° Chrome Bezel	14009F
8	Oil Temp. F° Black Bezel	14009G
9	Fuel Gauge Chrome Bezel	14007A
10	Fuel Gauge Fuel & Benzina GT5 Chrome Bezel	14007B
11	Fuel Gauge Black Bezel	14007C
12	Benzina Black Bezel	14007D
13	Water Temp. 230° Chrome Bezel	14008A
14	Water Temp. 260° Chrome Bezel	14008B
15	Water Temp. Water Acqua GT5 Chrome Bezel	14008C
16	Water Temp. 230° Black Bezel	14008D
17	Water Temp. Acqua Black Bezel	14008E
18	Ammeter Chrome Bezel	14006A
19	Amps Black Bezel	14006B
20	Ampere Black Bezel	14006C
20A	Clock Digital GT5	14009E
21	Switch Headlamp w/Symbol Chrome Bezel	14010A
22	Switch Headlamp (Lights) Chrome Bezel	14010B
23	Switch Headlamp w/Symbol GT5 Black Bezel	14010C
24	Switch Heater w/Symbol Chrome Bezel	14012A
25	Switch Heater (Fan Off-Hi) Chrome Bezel	14012A
26	Switch Heater w/Symbol GT5 Black Bezel	14012B
27	Switch Courtesy w/Symbol Chrome Bezel	14014A
28	Switch Courtesy (Courtesy) Chrome Bezel	14014B
29	Switch Wiper Chrome Bezel	13017C
29A	Switch Wiper Chrome Bezel	13017B
30	Switch Washer GT5 Black Bezel	13018B
31	Switch Heater Rear Glass GT5	14012D
32	Switch Driving Lights GT5 (Green)	13026A
33	Switch Rear Fog Lamp (Yellow)	13025A
34	Reflector Rear Bumper GT5 R&L	23012A
35	Back Up & Rear Fog Lamp GT5	16023A
36	Spot Lamp GT5 (White)	16007A
36	Spot Lamp GT5 (Amber)	16007B
36	Fog Lamp GT5 (White)	16007C
36	Fog Lamp GT5 (Amber)	16007D
37	Lens RH 2 Color Park Light	16013A
37	Lens LH 2 Color Park Light	16013B
38	Body RH 2 Color Park Light	16013C
38	Body LH 2 Color Park Light	16013D
38A	Wire Assembly 2 Color Park Light to Main Loom	16013E
39	Lens European Tail Light (Amber) RH	16016B
39	Lens European Tail Light (Amber) LH	16017B
40	Lens European GTS 3 Color Vertical RH	16016C
40	Lens European GTS 3 Color Vertical LH	16017C
40	Lens & Body European 3 Color Vertical RH	16030A

Original DeTomaso Pantera Parts



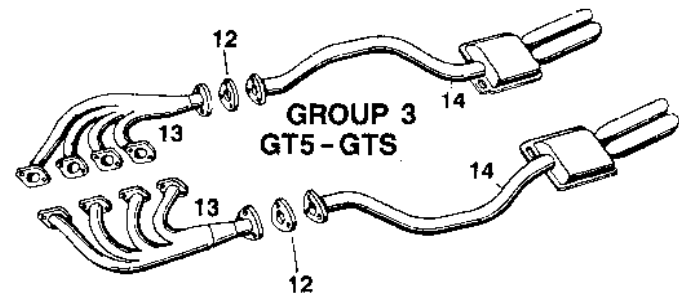
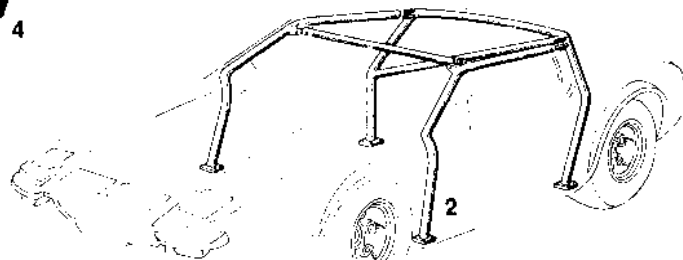
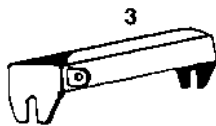
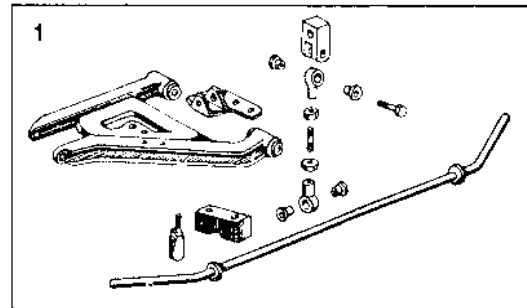
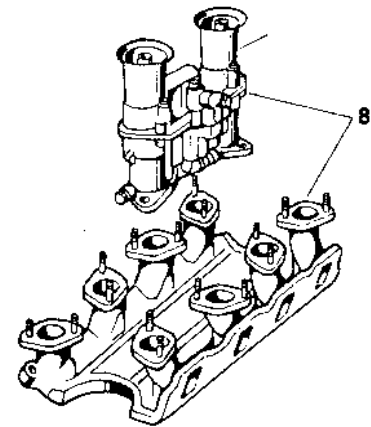
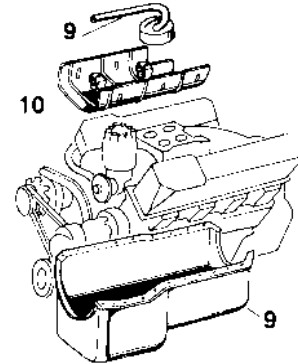
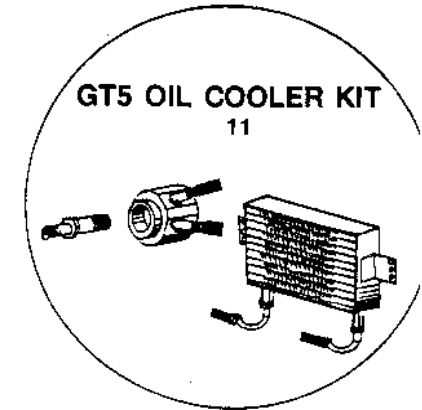
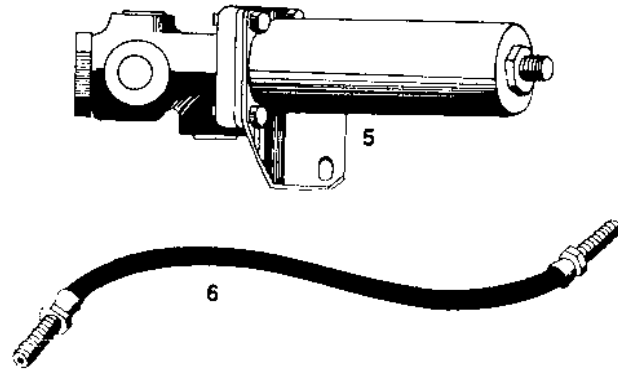
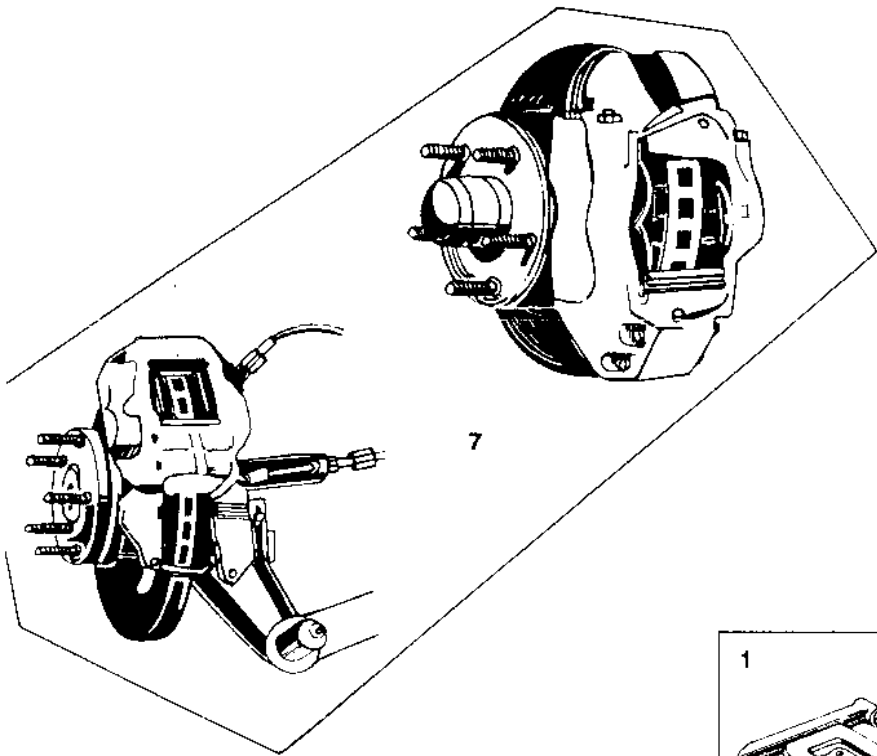
40	Lens & Body European 3 Color Vertical LH	16031A
41	Bezel (Black) for Speedometer & Tachometer	13002E
42	Bezel (Black) for All Gauges	14009H





Original DeTomaso Pantera Parts

SECTION 30 ILLUSTRATION 43



SECTION 30 ILLUSTRATION 43

Original DeTomaso Pantera Parts



ILLUSTRATION #	DESCRIPTION	PART #
1	Sway Bar Kit Adjustable Front & Rear Complete	30001A
2	Roll Bar Assembly	30002A
3	Crossmember Engine Support Lower (Removable)	19224A
4	Bracket Emergency Brake Lever (Removable)	19225A
5	Valve Assembly Brake Pressure Control Adjustable	01310C
6	Hose Front & Rear Brakes Braided Steel	01300B
7	Brake Kit GT5 Short Studs w/o A-Arms	30003A
7	Brake Kit GT5 Short Studs with A-Arms	30003B
7	Brake Kit GT5 Long Studs w/o A-Arms	30003C
7	Brake Kit GT5 Long Studs with A-Arms	30003D
8	Kit Weber Carburetors & Manifold with Linkage	08405A
9	Oil Pan 10qt. with Pickup Tube	08409A
10	Windage Tray Engine Crankshaft	08408A
11	Kit Oil Cooler GT5 Complete	08412A
12	Gasket Manifold to Muffler GTS Exhaust	10015C
13	Manifold RH GTS Exhaust	10025A
13	Manifold LH GTS Exhaust	10026A
14	Muffler RH GTS Exhaust	10009A
14	Muffler RH Group 3 (w/o Baffles)	10009B
14	Muffler LH GTS Exhaust	10010A
14	Muffler LH Group 3 (w/o Baffles)	10010B
15	Air Horn Kit	30004A

