



RILEY MOTOR CLUB

BMC

SPARES LIST

Includes:

One-Point-Five

4/68 and 4/72

Elf, 1100 and 1300



Date of Issue: May 2016

Notes :

This edition of the Riley Motor Club BMC Spares Catalogue represents all items that are available to members at the time this list was produced – 1st May 2016. Riley Motor Club spares are sold only to members and are covered by the Club's worldwide product liability insurance.

Some of the items listed exist as single or second-hand examples, and as such, once sold it may be impossible to obtain further examples. There may be a very few items listed which state that the item is unobtainable at a particular date or that do not have a price listed against them – they are not available at the time this list was published, but we have continued to list them hoping to source further supplies. Please ask us, as we may have obtained further stock in the meantime.

If you cannot find the part you require in our list, please ask, as we may be able to acquire the part for you specially, or know of someone that can help you.

When ordering items, you may use an order form, e-mail or telephone (01926-770606) whichever you prefer.

When ordering items by e-mail, please include the Part Number and Description and tell us your Membership Number and the model and year of your car. We will contact you by e-mail to tell you which parts we are able to supply and any that are out of stock. We will also tell you the cost of post and packing and the total value of your order, so that you can arrange for payment.

We accept payment by cheque (made out to Riley Motor Club Spares Ltd.) or by credit or debit card (not American Express) to the address and telephone number at the bottom of this page. If you pay by cheque and we have not dealt with you previously, we may choose to let you cheque clear through the banking system before sending your order.

We are happy to supply overseas members with parts in our catalogue, but please remember that overseas shipping costs can be very high not only because of the weight of items, but also their size eg. a 500gm trim costs 26 GBP to send within the EU because it was over 600mm long. Outside of the EU we have to list the contents of each parcel complete with value and weight, which can mean that overseas members also have to pay import duty in their own country.

If you find that you have ordered a part in error, we are happy for you to return it to us for credit, so long as it has not been fitted to a car - it must be clean and in perfect condition.

We can have panels made to order but in some cases will need a pattern to work from - it doesn't matter if it is dented or rusted, so long as we can tell what size and shape the finished article needs to be. Remember, the carriage charge for panels is likely to be a minimum of £16 to a UK address as larger parts have to be sent by carrier, being too big for Royal Mail.

As updated versions of this list become available, you will be able to download them from the Riley Motor Club website. If you do not have a computer of your own, your local library should be able to download and print a copy for you, or failing that, please contact the address below and we can arrange for a printed copy to be made available.

Riley Motor Club Spares Ltd.,
84 Farmer Ward Road,
Kenilworth,
Warwickshire
CV8 2DN

Telephone: 01926-770606 (overseas 00441926-770606)
e-mail : spares@rileymotorclub.org

1st May 2016

Riley Motor Club
BMC Spares List May 2016
for the following models

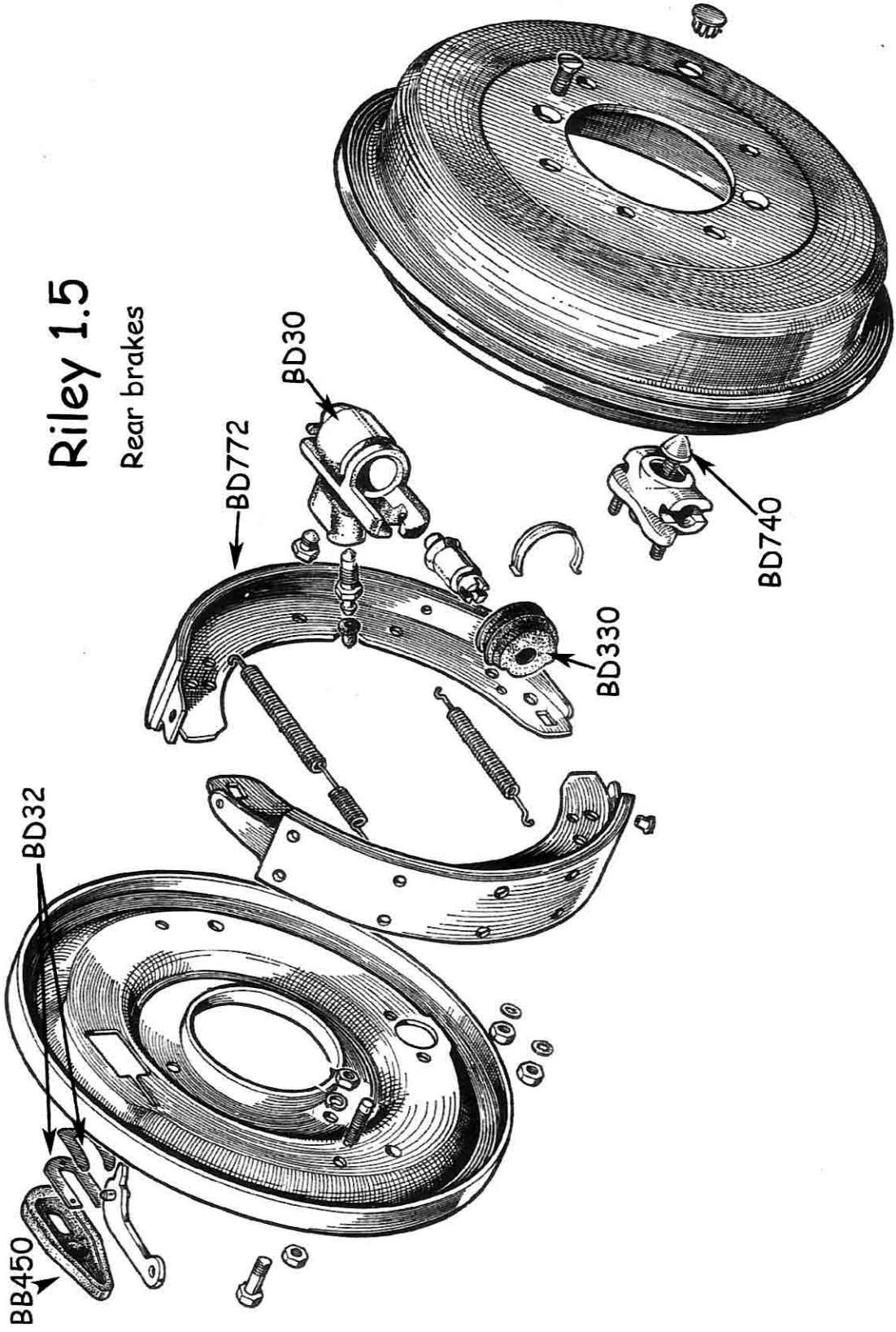
One-Point-Five, Elf, 11/1300 Kestrel, 4/68 & 4/72

Air Ducting Hose	7	Cooling System	1
Bearings	6	Decal & Chassis Plates	9
Body panels - Second hand	9	Dynamo & Starter	6
Body Panels - New Elf	9	Electrical Miscellaneous	7
Body Panels - New 1.5	9	Engine & Gearbox Mountings	1
Body panels - New 4/68 & 4/72	10	Exhaust Systems	2
Brake Hose	4	Fan Belts	1
Brake Master Cylinders	3	Filters	2
Brake M/C Repair Kits	3	Fuel System	2
Brake - Miscellaneous	4	Gaskets	1
Brake Pipe Sets	4	Ignition	6
Brake Wheel Cylinders	3	Instruments	9
Brake W/C Repair Kits	3	Lamps	7
Brake Shoes	3	Miscellaneous	6
Bright Parts	8-9	Oil Seals	5
Cables	2	Rubber Extrusions	8
Carpet Sets	7	Rubber Mouldings	4
Clevis Pins	4	Steering & Suspension	5
Clutch	2-3	Trim	8
Clutch Hose	3	Wiper & Washer	7

Part No	Description	Model	Price each
FAN BELTS			
BA20	Standard 10x900 (1.5 17755 onwards)	1.5, 4/68, 4/72	£ 4.20
BA21	Larger 10x925 (1.5 to 17754)	1.5, 4/68, 4/72	£ 4.20
BA50	Standard	Elf. 1100/1300 to 1970	£ 4.20
COOLING SYSTEM			
BB20	Radiator bottom hose	1.5	£ 5.80
BB60	Radiator top hose	1.5	£ 5.80
BB30	Bottom Hose	Elf	£ 10.50
BB40	Bypass Hose. - cylinder head to block	Elf, 1100/1300	£ 1.80
BB50	Heater Hose. 1/2" bore (Same as RM)	per foot	£ 1.80
BB70	Bottom Hose	4/68 & 4/72	£ 21.60
BB80	Top Hose	Elf, 1100	£ 3.00
BB90	Top Hose	1300	£ 5.25
BB100	Top Hose	4/68 & 4.72	£ 3.70
BE80	Thermostat gasket	1.5	£ 1.00
BS34	Water pump	1.5 & 4/72 1961-67	£ 46.00
BS40	Water pump	Elf 1961 - 6/68	£ 17.70
BS41	Water pump	Elf 7/68 - 1969	£ 16.40
BS50	Radiator thermostat	All BMC please state model	£ 4.90
BS60	Radiator cap (please state pressure)	Elf 1100/1300 1.5 (plus RM 1.1/2 & 2.1/2)	£ 4.95
BS168	Brass drain tap 1/4 BSP (Same as RM)	1.5	
BS169	Brass drain tap 3/8 BSP (Same as RM)	1.5	
BS170	Heater control	1.5	£ 19.70
BS171	Heater control	Elf	£ 18.95
BS61	Thermostat housing (Gasket to fit = BE80)	1.5	£ 27.00
BS62	Thermostat housing (Gasket to fit = BE80)	Elf	£ 11.10
ENGINE & GEARBOX MOUNTINGS			
BB120	Engine mounting front set - substitute (per pair)	1.5	£ 24.00
BB130	Engine mounting	4/68 & 4/72 early	£ 5.00
BB140	Engine mounting	4/ 72 late	
BB190	Engine mounting	Elf - auto	£ 9.20
BB200	Engine mounting	Elf	£ 3.60
BB150	Gearbox mounting	1.5 From 10701(RHD) & 10729(LHD)	£ 4.50
BB180	Gearbox mounting	1.5 To 10700 (RHD) & 10728 (LHD)	£ 5.35
		4/68 & 4/72	
BB181	Gearbox mounting (Rear of extension to body)	Elf Kestrel	£ 6.80
GASKETS			
BE10	Decoke set	1.5	£ 34.00
BE20	Bottom end set	1.5	£ 18.20
BE50	Rocker cover gasket	1.5 & (4/68 4/72 to 1965)	£ 1.80
BE55	Rocker cover rubber bush (2 per set)	1.5	£ 2.60
BE70	Exhaust manifold to block gasket	1.5 4/68 4/72	£ 3.20
BE75	Engine side cover gasket (2 per engine, price each)	1.5	£ 0.95
BE150	Sump gasket	1.5	£ 2.20
BE195	Timing cover gasket	1.5	£ 1.70
BE25	Bottom end set	4/68 & 4/72 1966-68	£ 11.60
BE30	Decoke set	4/68. 4/72	£ 18.50
BE33	Decoke set	Elf & 1100	£ 17.00
BE34	Decoke set	1300 1967-69	£ 7.50
BE31	Head gasket	4/68 & 4/72	£ 11.70
BE36	Bottom end set	Elf	£ 9.00
BE37	Bottom end set	Elf & 1100 to 1965	£ 9.00
BE38	Bottom end set	1100 & 1300 1966 onwards	£ 9.00
BE39	Differential housing	1.5	£ 0.90
BE40	Rocker cover gasket	Elf & 1100/1300	£ 0.70
BE41	Gearbox Front Cover	1.5	£ 0.65
BE42	Gearbox Side Cover	1.5	£ 0.65
BE43	Gearbox Extension	1.5	£ 0.65
BE44	Gearbox Remote	1.5	£ 0.60
BE60	Exhaust manifold gasket	Elf & 1100/1300	£ 0.80
BE80	Thermostat gasket	1.5	£ 1.00
BE90	Water pump gasket	Elf. 1100/1300	£ 0.60
BE100	Water pump gasket	Elf. 1100 to 1965	£ 0.40
BE115	Water pump gasket	1.5 4/68 early 4/72	£ 0.85
BE194	Timing cover gasket	Elf, 1100/1300 4/68	£ 5.50
BE190	Axle flange	1.5	£ 0.75
BE180	Sump plug washer	1.5	£ 0.40
BE181	Sump plug washer	Elf	£ 0.95
BE200	Carb to Air Cleaner gasket (2 per car)	1.5	£ 0.60
BE201	Carb Gasket (6 per car)	1.5	£ 0.60
BE121	Oil filter "O" ring	1.5	£ 0.20

Riley 1.5

Rear brakes

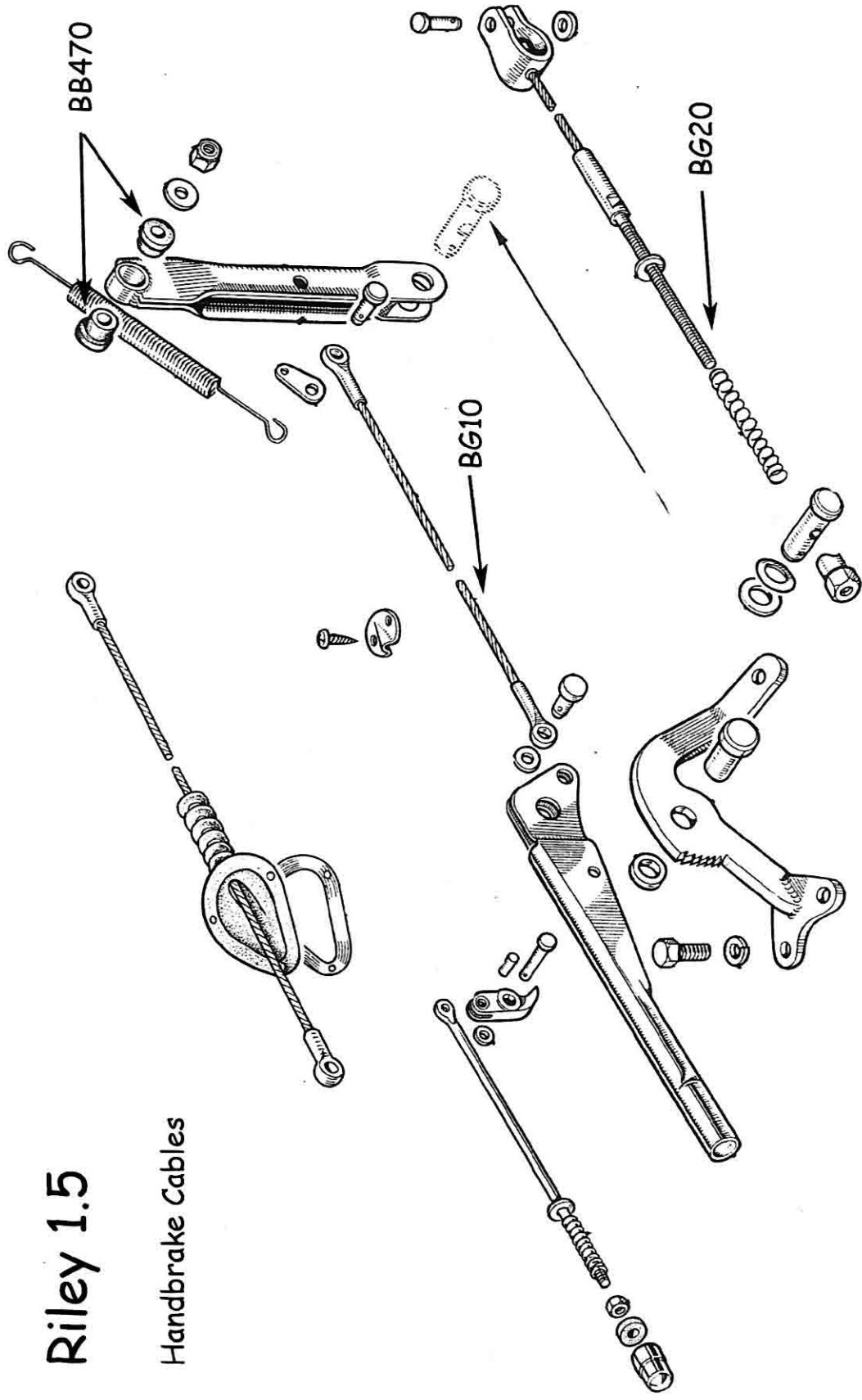


Part No	Description	Model	Price each
FILTERS			
BH10	Oil filter	1.5 4/68 & 4/72	£ 6.65
BH20	Oil filter - Canister	1100/1300	£ 3.50
BH21	Oil filter - Cartridge	Elf 1100 1300	£ 3.30
H50	Oil filter (same as 2.6) - Cartridge	Elf Automatic	£ 4.40
BH30	Air filter	Elf. 1100/1300	£ 4.00
BH40	Air filter	1100	£ 4.00
BH50	Air filter	1300 two per car	£ 4.00
EXHAUST SYSTEM			
As of May 2016 we regret that we are unable to supply any exhaust systems.			
Unfortunately our long term supplier was taken over and closed down, and as yet we have been unable to secure the services of a new supplier.			
BK86	Exhaust mounting support strap	Elf	£ 1.00
BK87	Exhaust mount - tail pipe	Elf	£ 1.00
BK88	Exhaust mount	Elf	£ 1.00
BK90	Rubber bonded - bobbin	Elf 4/72	£ 2.00
BK91	Rubber bonded exhaust mount - rear (Also P/F & 2.6)	4/72	£ 3.80
BK92	Exhaust Clamp - 1.3/8"	Elf	£ 1.50
BK93	Exhaust Mount - Tailpipe strap & Loop	Elf	£ 1.40
FUEL SYSTEM			
W201	SU Jet Needle (Standard AD)	1.5	£ 9.20
W500	Service kit	Elf	£ 12.50
W501	Jet assembly	Elf	£ 7.50
W540	Jet assembly	1.5	£ 7.50
W507	Jet assembly	1100 1300 1965-66 & 1968-69	£ 7.50
W508	Jet assembly	1100 1300 1967 Only	£ 12.50
W560	Service kit	4/68 4/72	£ 61.65
W541	Gasket pack	1.5	£ 12.65
W502	Gasket pack	Elf 1100 1300(1965-6 & 1968-68)	£ 10.00
W170	Throttle spindle kit	1.5 4/68	£ 10.00
W506	Throttle spindle kit	1100/1300 1967 Only	£ 10.00
W505	Throttle spindle kit	Elf 11/1300 (not Kestrel 1967)	£ 10.00
W503	Piston spring	All SU carbs	£ 4.00
W504	Filter	All SU carbs	£ 4.00
W561	Throttle linkage	4/68 4/72	£ 4.00
W542	Rebuild kit	1.5	£ 57.35
W296	Float kit	1.5 4/68 4/72	£ 20.50
W297	Float Bowl Grommet	1.5 4/68 4/72	£ 1.25
W222	Needle & Seat kit	1.5 4/68 4/72	£ 10.80
W300	SU Electric fuel pump complete	All except late 4/68	£ 78.50
W301	Gasket Tank Sender Unit	1.5	£ 1.00
W303	Brass Fuel Pipes (1 off Tank to Pump; 1 off Pump to engine bay) can be supplied to order.	1.5	£ 60.00
W304	Fuel pipe (6.5 inches armoured rubber) with Jubilee clips	1.5	£ 6.20
CABLES			
BG55	Choke cable	1.5	£ 19.35
BG60	Speedo cable	1.5	£ 30.25
BG61	Speedo cable	4/68 1959/61	£ 15.00
BG80	Speedo cable	Elf.	£ 15.00
BG90	Speedo cable	1100/1300	£ 15.00
BG70	Rev counter cable	1.5 4/68 4/72	£ 17.40
BG75	Rev counter cable	Early 4/72	£ 10.00
BG100	Throttle Cable	Elf	£ 11.00
BG101	Throttle Cable	1.5	£ 11.95
BG110	Throttle cable	1100/1300	£ 5.00
BG170	Choke cable	Elf	£ 7.50
CLUTCH			
BD100	Master cylinder (You may need to use old pushrod)	1.5	£ 94.50
BD120	Master cylinder	4/72.	£ 60.00
BD121	Master cylinder	Elf	£ 56.00
BD122	Master cylinder	1100/1300	
BD550	Master cylinder repair kit	1.5	£ 4.50
BD590	Master cylinder repair kit	4/68 & 4/72 1961 onward starting chassis No: RHS3/14393	£ 4.00

Part No	Description	Model	Price each
BD630	Master cylinder repair kit	Elf 1961/69 old type	£ 5.70
BD660	Master cylinder repair kit	1100/1300 early.(one cup+one ring)	£ 4.10
BD665	Master cylinder repair kit	1100/1300 late (2 ring seals)	£ 4.10
BD130	Slave cylinder - Exchange only - £100 Surcharge	1.5	£ 77.20
BD140	Slave cylinder	4/68.	£ 25.00
BD150	Slave cylinder	4/72.	£ 40.00
BD151	Slave cylinder	Elf	£ 6.00
BD560	Slave cylinder repair kit	1.5	£ 5.70
BD600	Slave cylinder repair kit	4/68 & 4/72 1959/61	£ 3.50
		to chassis No: RHS3/14393	
BD610	Slave cylinder repair kit	4/68 & 4/72 1961 onwards from chassis No: RHS3/14394	£ 3.50
BD670	Slave cylinder repair kit	11/1300	£ 4.00
BS93	Cover assembly. exchange only	Elf Mk.1, 2, 3	£ 40.00
BS100	Friction plate. exchange only - 10 spline	1.5 4/68	£ 20.00
BS103	Clutch Kit - Complete - 10 Spline (1.5 Mk. 1 & 2)	1.5 4/68	£ 210.00
BS104	Clutch Kit - Complete - 23 Spline (1.5 Mk. 3 from Engine No. 15RB-U-H-17443 onwards)	1.5	£ 210.00
BS110	Release bearing	1.5 4/68 4/72	£ 14.00
	CLUTCH HOSE		
BD280	Clutch hose	1.5	£ 9.25
BD290	Clutch hose	4/68 & 4/72	£ 8.50
BD300	Clutch hose	Elf	£ 7.00
BD310	Clutch hose	1100/1300	£ 7.00
	BRAKES SHOES		
BD771	Brake shoes Front. - axle set of 4 (exchange only)	1.5	£ 64.80
BD772	Brake shoes Rear. - axle set of 4 (exchange only)	1.5	£ 64.80
BD773	Brake shoes Rear. - axle set (exchange only)	4/68 4/72	£ 39.00
BD774	Brake shoes Front. - axle set (exchange only)	4/72	£ 29.00
BD775	Brake shoes Rear. - axle set (exchange only)	1100/1300	£ 29.00
BD776	Brake shoes Front. - axle set (exchange only)	Elf	£ 29.00
	BRAKE WHEEL CYLINDERS		
BD10	Wheel cylinder - front LH (exchange only) £100 surcharge	1.5	£ 65.00
BD20	Wheel cylinder - front RH (exchange only)	1.5	£ 50.00
BD30	Wheel cylinder - rear (Body only - use old piston)	1.5	£ 16.80
BD31	Wheel cylinder - rear complete	1.5	£ 49.00
BD40	Front LH. (exchange only)	4/68 & 4/72	£ 45.00
BD50	Front RH. (exchange only)	4/68 & 4/72	£ 45.00
BD60	Rear	4/68 & 4/72	£ 21.00
BD61	Front	Elf 1961/62	£ 20.00
BD61/R	Front - right hand	Elf 1962/66	£ 20.00
BD61/L	Front - left hand	Elf 1962/66	£ 20.00
BD64/A	Rear	Elf 1962/66	£ 20.00
BD64/B	Rear	Elf 1966/69	£ 20.00
BD65	Rear	1100 + Elf 1963-4	£ 29.70
BD66	Rear	1300	£ 13.75
	BRAKE MASTER CYLINDERS		
BD70	Master cylinder (use old push rod)	1.5	£ 74.00
BD80	Master cylinder	4/68.	£ 55.00
BD93	Master cylinder	1100 / 1300	£ 40.00
	WHEEL CYLINDER - REPAIR KITS		
	Sufficient for one complete axle		
BD320	Wheel cylinder repair kit - front (2 per wheel req'd) price per axle set	1.5	£ 14.00
BD330	Wheel cylinder repair kit - rear (1 per wheel req'd) price per axle set	1.5	£ 5.00
BD340	Front (4 Cylinders per set)	4/68 & 4/72	£ 9.00
BD350	Rear (2 Cylinders per set)	4/68 & 4/72	£ 5.00
BD400	Front - price each	Elf MkIII 1967 onwards	£ 1.90
BD410	Rear - price each	Elf MkIII 1967 onwards	£ 3.70
	BRAKE MASTER CYLINDER - REPAIR KITS		
BD460	Master cylinder repair kit	1.5	£ 6.70
BD470	Master cylinder repair kit	4/68 & 4/72 1959/61	£ 6.60
BD480	Master cylinder repair kit	4/68 & 4/72 1961/70	£ 6.60
		from chassis No: RHS1/2435	
BD510	Master cylinder repair kit	Elf MkII & III 1963 onwards	£ 5.00

Riley 1.5

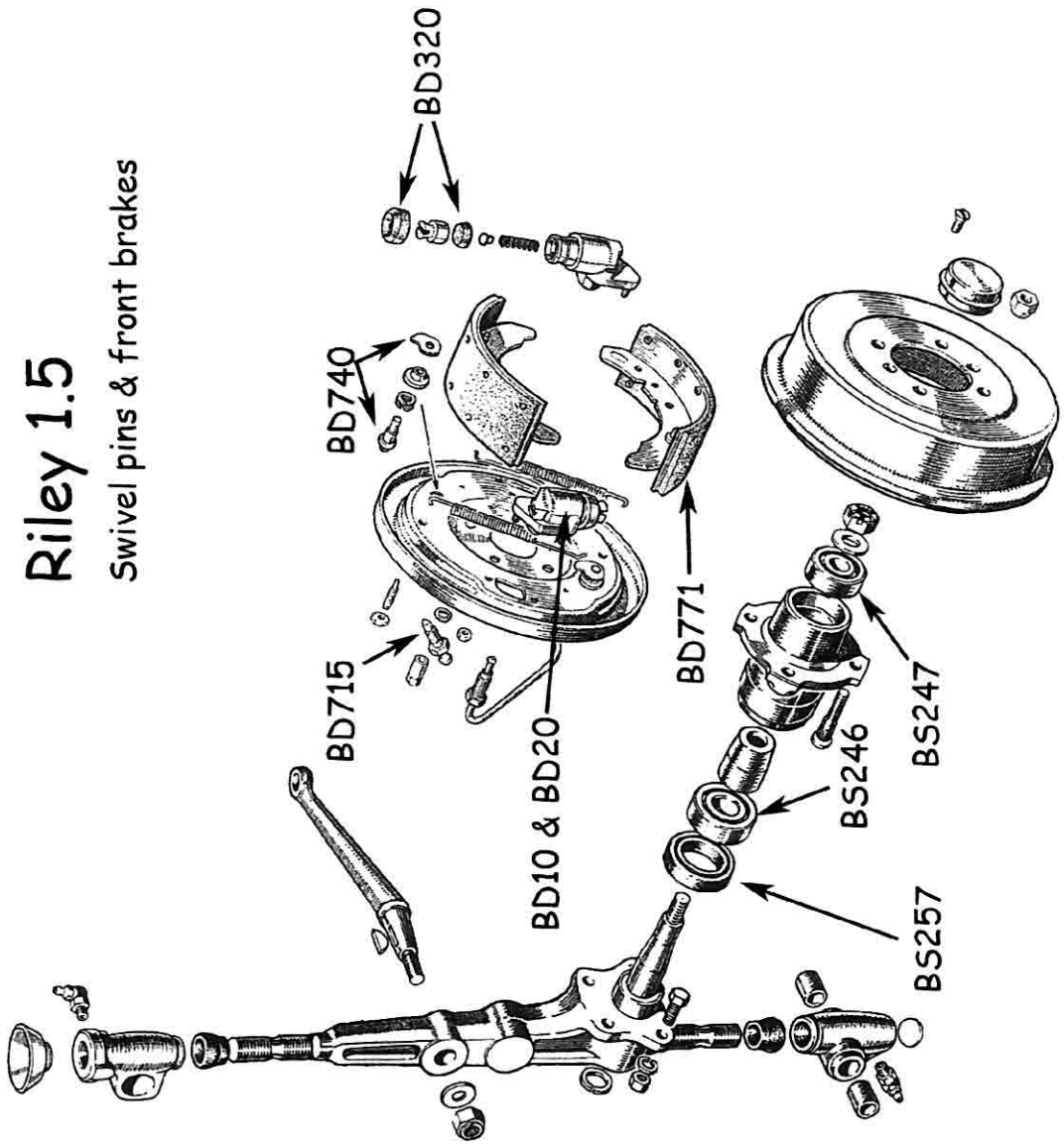
Handbrake Cables



Part No	Description	Model	Price each
BRAKE HOSE			
BD170	Front and rear (3 on car) price each	1.5	£ 8.60
BD180	Front & rear	4/68 1959/61	£ 7.20
BD190	Front	4/72 1961 onwards	£ 9.80
BD200	Rear	4/72 1961 onwards	£ 10.05
BD210	Front	Elf Mkl & II 1961/67	£ 5.00
BD220	Front	Elf MkIII 1967 onwards	£ 6.95
BD230	Rear	Elf all models	£ 6.95
BD240	Front	1100 Mkl 1965/67	£ 7.50
BD250	Front	1100 Mkl & 1300	£ 8.10
BD270	Rear	1300 1968/70	£ 8.35
BRAKES - MISCELLANEOUS			
BG10	Handbrake front cable (lever to relay)	1.5	£ 15.60
BG20	Handbrake cable (relay to balance lever)	1.5	£ 17.95
BB470	Rubber bush - handbrake balance lever - per pair	1.5	£ 4.50
BG30	Handbrake cable. RH long rear	1.5	£ 17.90
BG40	Handbrake cable. LH short	1.5	£ 17.60
BG120	Handbrake cable	4/68 7 4/72	£ 17.50
BG130	Handbrake cable - dry suspension	Elf to chassis No: RA2S2 639908	£ 9.50
BG140	Handbrake cable - hydroelastic	Elf from chassis No:RA2S2 639909	£ 12.00
BD150	Handbrake cable	1100 1300	£ 10.20
BD32	Wheel cylinder retaining plate & spring (2 parts) - rear	1.5	£ 5.25
BD33	Brake drum retaining screw (2 per wheel) Price per 2	Elf 1100 1300	£ 1.00
BD34	Brake drum retaining screw - Rear (2 per wheel) Price per 2 1/4 x 5/8 CSK - also rear shaft to hub screw (BS281)	1.5	£ 1.00
BD35	Brake drum retaining screw - Front (2 per wheel) Price per 2	1.5	£ 1.00
BD36	Brake shoe return spring set - front axle set	1.5 4/68 4/72	£ 16.20
BD37	Brake shoe return springs - rear axle set	1.5	£ 10.35
BD38	Brake balance valve - exchange	Elf	£ 60.00
BB450	Dust cover - rear back plate	1.5	£ 3.30
BD715	Bleed nipple	1.5	£ 2.00
BD730	Brake adjuster kit MPK1	Elf	£ 10.00
BD740	Brake adjuster kit MPK2 (Front Only)	1.5, 4/68 4/72	£ 12.30
BD750	Brake adjuster kit MPK3	1100 1300 Mk.1 brake drums	£ 10.00
BD760	Brake adjuster rear wheel MPK5	1.5	£ 10.80
BD770	Brake adjuster rear wheel MPK6	11/1300	£ 11.00
	Brake bleed screw	Elf	£ 1.50
BRAKE PIPE SETS			
BD110	Brake pipe set GB6524	1.5	£ 56.95
BD120	Brake pipe set GB5001	Elf	£ 33.00
BD130	Brake pipe set GB5004	1100 1300 1963/67	£ 37.00
BD140	Brake pipe set GB5005	1100 1300 1968/70	£ 37.00
BD150	Brake pipe set GB5010	4/68 1959/60	£ 32.00
BD160	Brake pipe set GB5011	4/68 1961	£ 32.00
BD170	Brake pipe set GB5012	4/72 1962/70	£ 32.00
CLEVIS PINS			
BS230	Clevis pins - various sizes <i>State overall length & dia. - split pin hole is approx 1/16" from end</i>		£ 0.55
RUBBER MOULDINGS			
BB110	Clutch lever/bell housing boot	1.5	£ 4.75
BB477	Gearbox steady - top hat rubber bush (2 per set) price per set	1.5	£ 3.70
BB478	Buffer - gearbox steady	1.5	£ 1.95
BB490	Pedal rubber - brake & clutch	1.5	£ 10.25
BB510	Pedal rubber - brake & clutch	4/68 4/72	£ 3.50
BB520	Pedal rubber - brake & clutch	Elf 11/1300	£ 1.50
BB530	Pedal rubber - accelerator	1.5	£ 2.70
BB600	Gear lever gaiter	1.5	£ 7.00
BB640	Gear lever gaiter	1100/1300	£ 11.35
BB560	Petrol tank filler Grommet	1.5	£ 10.50
BB570	Petrol tank filler hose	1.5	£ 19.45
BB590	Petrol tank filler rubber moulding	Elf (also fits RM)	£ 10.00
B655	Steady Arm Bush	Elf	£ 2.50
BB670	Bonnet Hinge Rubber (Pair)	1.5 Mk 2 & 3	£ 35.00
BB680	Bonnet buffer. front & rear	1.5	£ 2.50
BB690	Sheet rubber 1/16 in thick - 48" wide - price per sq.ft.	Various	£ 1.00
BF40	Ridged rubber boot matting - 42" wide price per running foot	Various	£ 4.00
BF41	Sponge rubber 1/4 in thick - 42" wide - price per sq.ft.	Various	£ 2.70
BB700	Dip stick boot	1.5	£ 2.60
BB710	Front seat diaphragm	1.5 & Elf	£ 39.65
BB800	Door hinge rubber	Elf Mk3	£ 5.10

Riley 1.5

Swivel pins & front brakes

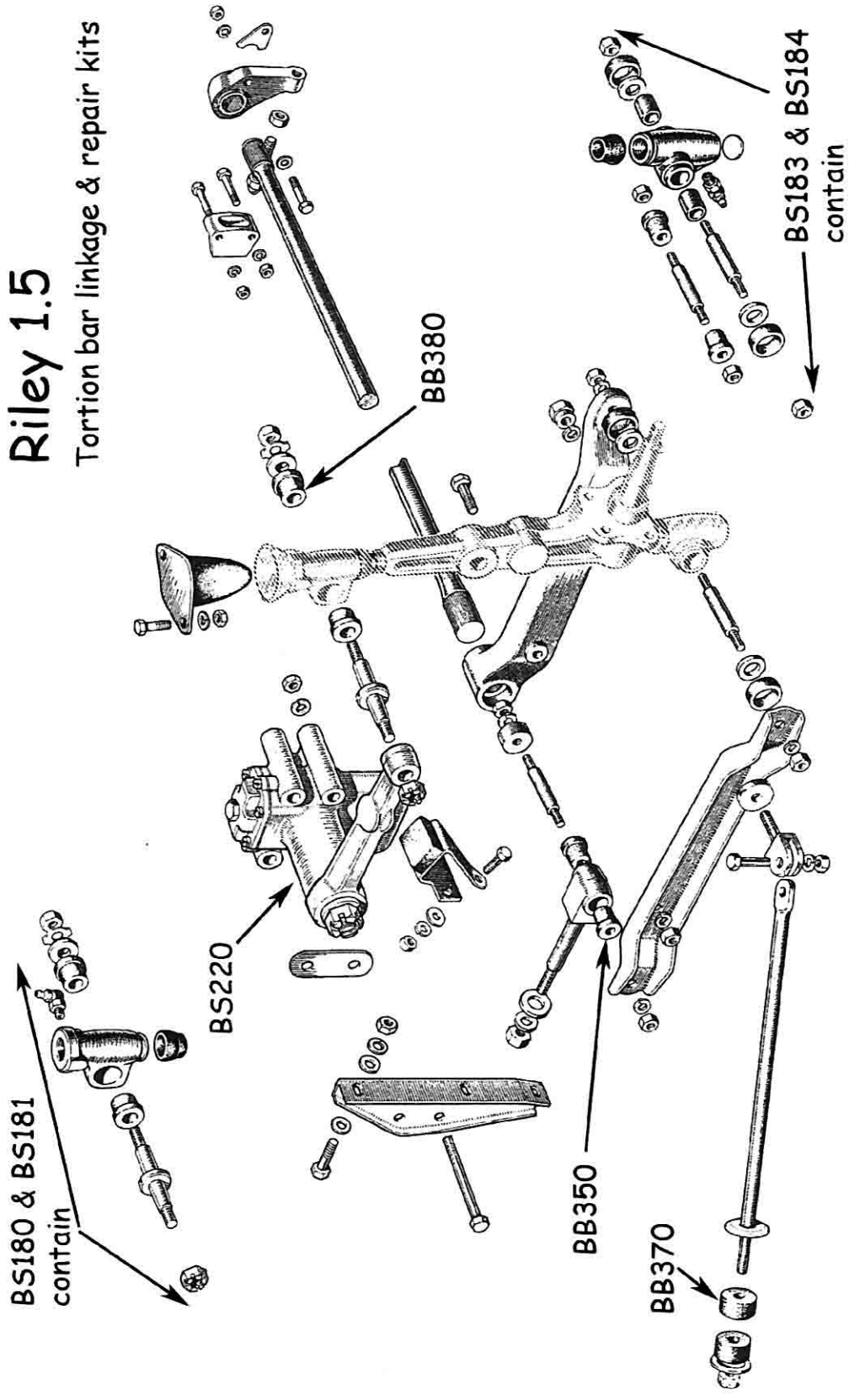


See Tortion Bar
illustration for
top & bottom
repair kits

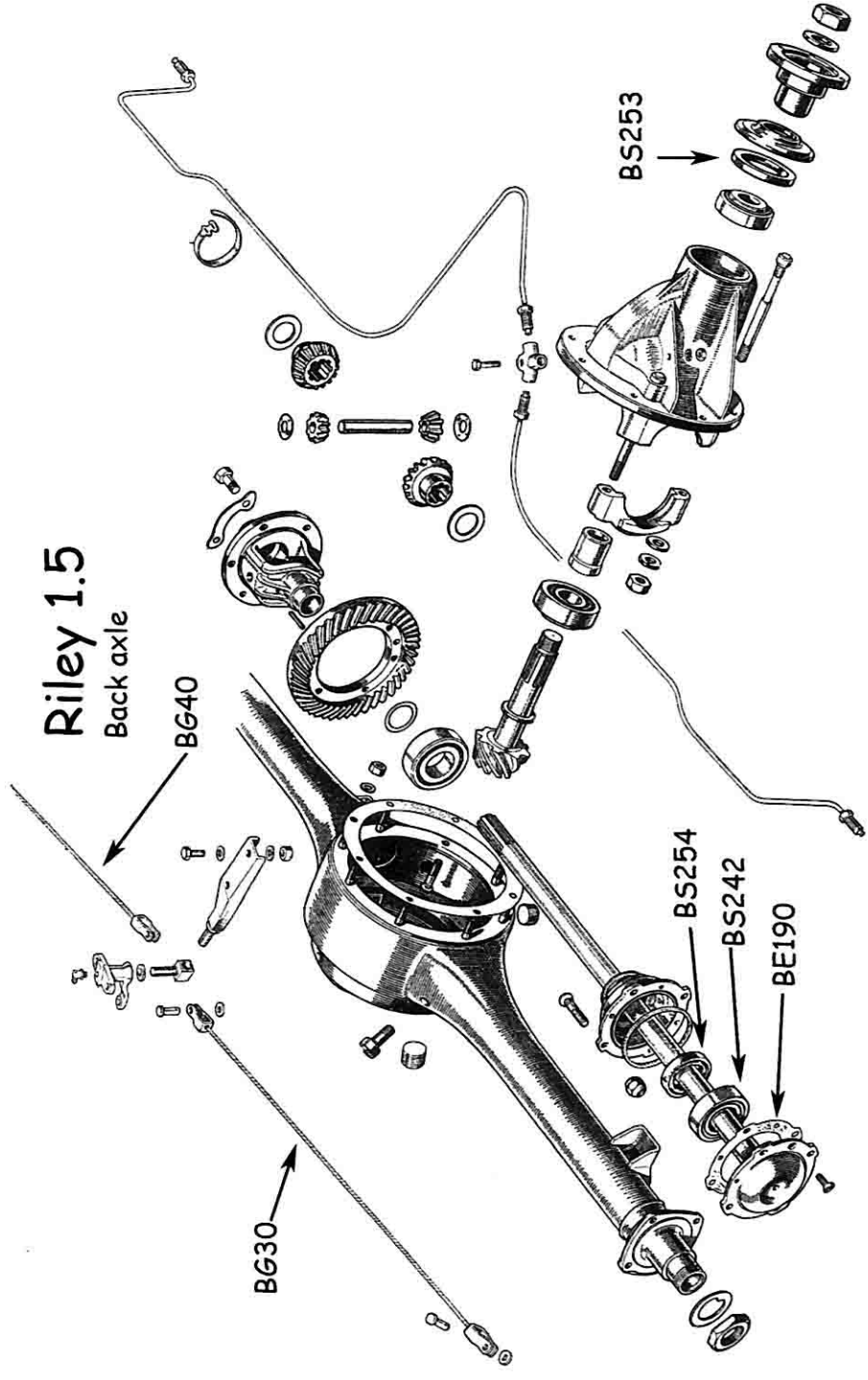
Part No	Description	Model	Price each
STEERING AND SUSPENSION			
BB310	Steering rack Gaiter - per pair	1.5	£ 11.30
BB320	Steering rack Gaiter - per pair	Elf	£ 7.50
BB321	Front Suspension Knuckle Joint	Elf	£ 3.80
BB331	Trackrod end dust cover	1.5	£ 3.35
BB345	King pin dust seal	1.5	£ 1.50
BB350	Rubber bush - lower pivot arm & rear spring eye	1.5	£ 0.50
BB365	Sealing Ring - Front suspension lower arm	1.5	£ 1.00
BB370	Rubber bush - Tie bar	1.5	£ 2.40
BB371	Rubber bush - Tie bar	Kestrel 1100/1300	£ 1.20
BB372	Seal - Roller Joint	Kestrel 1100/1300	£ 16.85
BB380	Rubber bush - Pivot pin (top of king pin) 2 per side price each	1.5	£ 1.90
BB445	Front suspension - bracket & rebound rubber	1.5	£ 12.50
BB410	Bump stop - part unobtainable @ April 2015	1.5	
BB420	Bump stop - rear	4/68 4/72	£ 5.00
BB446	Rear axle buffer	1.5	£ 8.70
BB447	Rear spring seat	1.5	£ 1.30
BB448	Bump stop	Elf - Hydrolastic - Front	£ 16.00
BB449	Bump stop	Elf - Hydrolastic - rear	£ 11.50
BB451	Rear Hydrolastic Return Spring - felt washer	Elf - Hydrolastic - rear	£ 1.55
BB452	Rear Hydrolastic Return Spring - plain washer	Elf - Hydrolastic - rear	£ 0.26
BB453	Rear Hydrolastic Return Spring - circlip	Elf - Hydrolastic - rear	£ 0.20
BR10	Track rod ends (per pair)	1.5	£ 21.50
BR30	Track rod ends (per pair)	4/72	£ 21.50
BS180	Front suspension kit	Kestrel 1100/1300	£ 54.00
BS181	Top trunion kit RH	1.5	£ 36.50
BS182	Top trunion kit LH	1.5	£ 36.50
BS183	Bottom trunion kit RH	1.5	£ 36.50
BS184	Bottom trunion kit LH	1.5	£ 36.50
BS185	Swivel housing bush (king pin)	1.5	£ 1.00
BS187	Trunion Kit - Full (Top&bottom,left and right)	4/68 & 4/72	£ 150.00
BS188	Wishbone bush (4 per car) price each	4/68 & 4/72	£ 1.20
BS189	Anti-roll bar link bush (8 per car) price each	4/68 & 4/72	£ 1.20
BR181	Anti-roll bar bush (8 per car)	4/72	£ 1.90
BS190	Castelated Hub Nut - N/S/F (LH thread)	1.5	£ 3.65
BS191	Castelated Hub Nut - O/S/F (RH thread)	1.5	£ 3.65
BS192	Swivel Pin - Complete Leg - second hand pair	1.5	£ 80.00
BS205	Rear spring, rear shackle pin & nuts	1.5	£ 4.00
BS270	Rear axle "U" bolt	1.5	£ 6.00
BS276	Rear spring location plate	4/68 4/72	£ 1.75
BS277	Rear axle "U" bolt	4/68 4/72	£ 8.50
BS278	Rear spring location plate	1.5	£ 6.50
BS279	Rear spring front pin	1.5	£ 6.10
BS280	Rear spring shackle plate	1.5	£ 5.00
BS281	Rear shaft to hub screw (1/4 x 5/8 CSK) see BD34 hub screw	1.5	£ 0.50
BS287	Rear spring locking plate - front	1.5	£ 3.30
BS220	Shock absorber - front LH (Exchange only)	1.5	£ 34.00
BS220A	Shock absorber - front RH (Exchange only)	1.5	£ 34.00
BS221	Shock absorber - rear LH (Exchange only)	1.5	£ 32.50
BS221A	Shock absorber - rear RH (Exchange only)	1.5	£ 32.50
BS222	Shock absorber arm (dog bone shape) - rear pair new	1.5	£ 42.00
BX99	Steering rack (Second hand)	1.5	£ 45.00
BB355	Steering rack pinion	1.5	£ 12.00
OIL SEALS			
BS250	Front gearbox	1.5 4/68 4/72	£ 5.20
BS252	Rear gearbox extension	1.5	£ 7.50
BS253	Rear axle pinion	1.5 4/68 4/72	£ 6.20
BS254	Rear hub	1.5	£ 6.90
BS257	Rear hub (Elf) Front hub (1.5)	Elf & 1.5	£ 5.40
BR250	Rear hub	4/68 & 4/72	£ 4.50
BR251	Front hub	4/68 & 4/72	£ 3.50
BR252	Rear hub & Front hub outer (also Elf front hub)	1100 1300 Elf	£ 4.00
BS258	Speedo drive (same as Z131 on RM list)	1.5 4/68 4/72	£ 4.00
Z117	Steering rocker shaft (See RM list)	4/68 4/72 (1959-69)	£ 5.00
BS261	O' Ring - Large dia 1.5 Half shaft	1.5	£ 1.20
BS262	O' Ring Oil Filter Mounting	1.5	£ 0.95
BS263	Rubber seal or oil filter bolt	1.5 Elf	£ 0.65
BR254	Clutch plate	Elf (1961-63)	£ 4.00
BR255	Diff. cover	Elf, Kestrel 1100 Mk 1&2, 1300	£ 5.50
BS260	Timing cover	1.5	£ 7.70
	Bevel pinion	1.5	£ 7.50
BM12	Valve stem O' ring	1300	£ 0.50
BM13	Valve stem O' ring (Set of 8)	1.5 4/68 4/72	£ 2.00
	Oil Gauge Flexi Pipe	1.5	£ 9.50

Riley 1.5

Tortion bar linkage & repair kits



Part No	Description	Model	Price each
BEARINGS			
BS242	Rear hub	1.5	£ 12.45
BS246	Front hub - inner	1.5 october 1958 onwards	£ 26.35
BS247	Front hub - outer	1.5	£ 23.00
BR240	Front hub - inner	4/68 & 4/72	£ 24.00
BR240A	Front hub - outer	4/68 & 4/72	£ 20.40
BR241	Rear hub	4/68 & 4/72	£ 8.50
BR245	Inner hub - rear	1300	£ 8.50
BR260	Differential Carrier - 2 per car	1.5	£ 19.95
BR261	Differential Nose	1.5	£ 27.30
BR262	Rear Pinnion Outer	1.5	£ 27.00
	Tab washer- wheel bearing	1.5	£ 2.00
BS248	Front wheel bearing retaining washer	1.5	£ 4.50
MISCELLANEOUS			
BB170	Right angle breather hose	1.5	£ 9.95
BS43	Timing chain kit	1300	£ 17.50
BS44	Timing chain kit	Elf	£ 15.00
BS45	Timing chain	1.5 4/68 4/72	£ 15.00
BS46	Timing Chain Tensioner	1.5	£ 6.75
BS70	Locktab - Big End	1.5	£ 0.75
BS71	Locktab - Flywheel	1.5	£ 1.70
BS72	Lock Washer - Crankshaft	1.5, Elf	£ 0.75
BS73	Cylinder Head Nut	1.5 / Elf	£ 0.85
BS74	Lock Tab - cam Gear	1.5	£ 1.50
BS75	First Motion Spigot Bearing	1.5	£ 1.85
BS76	Lock Tab - Timing Chain Tensioner	1.5	£ 0.70
BS150	Core plugs - state size	All models	£ 0.40
BM40	Valve spring set	1.5 4/68 4/72	£ 13.50
BM41	Big End Con. Rod Bearings (Standard Only)	1.5	£ 45.00
	Piston set +40	4/72	£ 100.00
	Piston set - std	4/72	£ 100.00
BM20	Exhaust valve	1.5 4/68 4/72	£ 8.55
BM11	Inlet valve	Elf 848cc	£ 7.50
BM10	Inlet valve	1.5 4/68 4/72	£ 7.70
BM30	Inlet valve guide	1.5 4/68 4/72	£ 3.20
BM31	Exhaust valve guide	1.5 4/68 4/73	£ 6.00
BM60	Tappet adjuster	1.5	£ 1.00
BX10	Grease nipples (Hardy spicer joints)	various	£ 0.50
BX19	Wheel Nut	1.5	£ 1.65
BX20	Wheel studs - front	1.5	£ 1.80
BX30	Wheel studs - rear	1.5	£ 1.80
BX31	Drive Couplings - (Rubber X)	Elf	£ 28.00
BS225	Felt steering column bush	1.5	£ 3.00
BX40	Gear lever bush - round with cut out	Elf	£ 3.75
BX41	Gear lever bush - nylon cup	Elf	£ 3.75
BX50	Woodruff key - crankshaft gear	1.5 4/68 4/72	£ 1.00
BX60	Prop shaft universal joint	1.5	£ 10.00
BX70	Oil pump	Elf	£ 10.00
BX80	Window winder mechanism - RH rear	1.5	£ 15.00
B190	Cork ring - lower fulcrum pin (outer)	4/68 / 4/72	£ 0.30
BX110	Distributor drive spindle	1.5	£ 5.00
BX111	Speedo pinion bush	1.5	£ 10.00
BX112	Oil filler cap - metal	1.5	£ 6.80
IGNITION			
BH90	Contact breaker points	1.5	£ 3.00
BH100	Rotor arm (Black)	1.5 4/68 4/72 Elf Kestrel	£ 2.00
BH101	Rotor arm (Red) High Quality	1.5 4/68 4/72 Elf Kestrel	£ 7.40
BH110	Spark plug	1.5	£ 3.00
BH120	Distributor condenser	1.5	£ 3.20
BH121	Distributor (new)	1.5	£ 250.00
BH122	Vacuum Advance Pipe (with fuel trap)	1.5	£ 32.00
BH130	Distributor cap	1300 4/72	£ 10.00
BH140	Distributor cap	1.5	£ 13.60
BH145	Ignition coil (push in)	Various	£ 10.00
BH145A	Ignition Coil (screw in)	1.5	£ 15.20
BH146	Ignition Coil - Sports (Push Fit) - for electronic Ignition	Various	£ 22.70
BH147	Push fit end kit	Various	£ 1.50
BH170	Ignition leads	1.5 4/72 4/68 Elf Kestrel	£ 10.00
DYNAMO & STARTER			
J533	Control box. Lucas screw connections	1.5	£ 40.00
J534	Control box. Lucas screw connections	Elf & late 1300	£ 40.00
BJ331	Starter Solenoid	Elf	£ 20.00
BJ332	Starter Solenoid	1.5	£ 21.50
BJ280	Dynamo brush set	All models	£ 5.50
BJ330	Starter brush set	All models	£ 4.50
BB160	Rubber boot - solenoid terminal	All models	£ 1.10



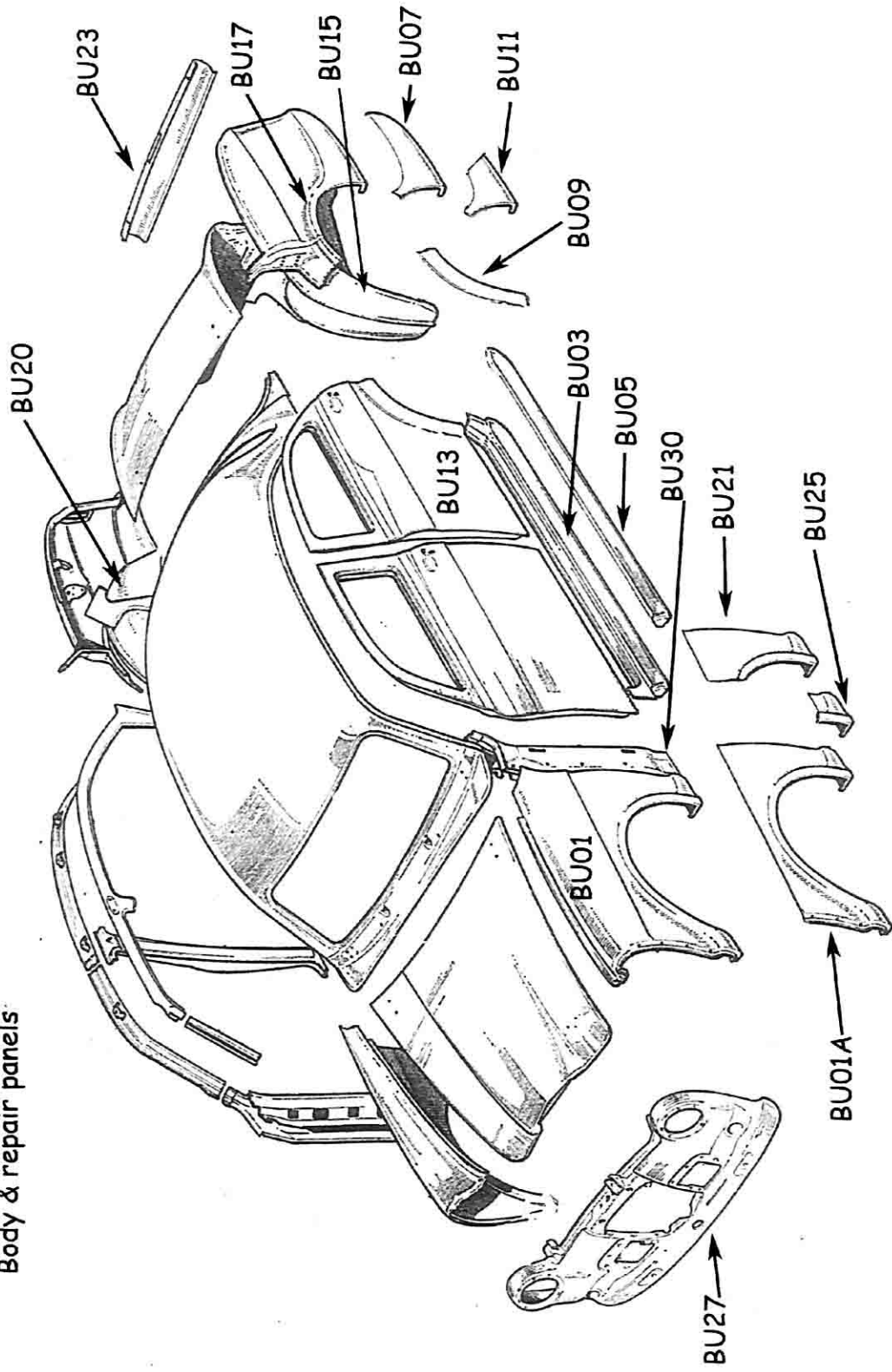
Riley 1.5
Back axle

Part No	Description	Model	Price each
ELECTRICAL - MISCELLANEOUS			
BD760	Brake light switch	1.5	£ 4.90
BD765	Brake light switch	Elf 1100/1300 4/68 4/72	£ 5.00
BJ135	Temperature sender unit	1.5 4/68 4/72	£ 14.00
BJ136	Temperature sender unit	1100/1300	£ 3.50
BJ184	Dip switch (foot operated)	1.5	£ 25.60
BJ185	Dip switch (foot operated)	Elf Mk.I & II	£ 12.90
BJ206	Reverse light switch - gearbox fitting	Various models	£ 5.85
BJ270	Green lens for flasher stalk	Various models	£ 2.50
BJ265	Bulb for flasher stalk	1.5 plus other models	£ 0.50
BJ248	Festoon bulb for interior light	1.5 plus other models	£ 0.61
BJ251	Courtesy light switch	1.5	£ 1.50
	Headlight switch - pull on on	1.5 (and Pathfinder)	£ 33.50
BX120	Switch knobs (assorted)	Various models	£ 1.00
	Headlamp gaskets	Various models	£ 1.50
BX130	Bulb holders - assorted	Various models	£ 2.00
BJ320	Flasher unit	1.5	£ 6.40
BJ321	Flasher unit	4/68 4/72	£ 4.10
BJ322	Flasher unit	Elf 1100/1300 4/68 4/72	£ 3.40
BJ323	Fuse box - two position (hexagonal)	1.5	£ 27.00
	Indicator stalk	4/72	£ 35.00
	Indicator stalk	Various models	£ 35.00
LAMPS - Note these are mainly secondhand			
BJ299	Rear light assembly	1.5 MkIII	£ 40.00
BJ300	Rear light assembly - complete	Elf	£ 35.00
BJ300B	Rear light lens - red	Elf	£ 7.50
BJ300C	Rear light lens - orange	Elf	£ 7.50
	Front side & indicator lens & chrome trim	1100/1300	£ 15.00
	Rear lamp lens	1100/1300	£ 7.50
	Rear lamp lens & chrome trim	1100/1300	£ 12.50
	Rear lamp lens	various	£ 7.50
BJ304A	Front flasher lens (secondhand)	1.5 MkIII	£ 3.50
BJ306	Rear light lens - part unobtainable @ May 2016	1.5 Mki & II	
BJ306A	Rear indicator lens	1.5 Mk1 & Mk2	£ 7.50
BJ307	Rear light - red lens	1.5 MkIII	£ 8.50
BJ308	Rear light - amber lens	1.5 MkIII	£ 8.50
BJ345	Number plate light - chrome	Elf	£ 5.00
BJ350	Chrome csk screws for BJ345 (No.10 UNF) - per pair	Elf	£ 1.50
BJ344	Number plate light - glass insert	Elf	£ 14.15
BJ343	Number plate light - gasket	Elf	£ 1.45
	Front indicator & side light	4/68 4/72	£ 35.00
	Rear light complete	4/72	£ 35.00
BJ001	Headlamp bowl 7"	All BMC models	£ 11.00
BJ001B	7" Halogen Headlamp	All BMC models	£ 26.25
BJ002A	Headlamp Rim fixing clip (one bottom of bowl)	All BMC models	£ 2.50
BJ002B	Spire nut fixing for headlamp to wing	All BMC models	£ 0.25
BJ002C	Chrome screw for headlamp cowl (one underside)	All BMC models	£ 0.55
BJ02	Headlamp Gasket (2 adj. late - not pointed top)	1.5 Elf	£ 6.50
BJ03	Headlamp Gasket (3 adj. early - not pointed top)	1.5	£ 6.50
BJ04	Headlamp Gaskets	4/68 & 4/72	£ 6.50
	Interior lamp	Various models	£ 7.50
WIPER & WASHER			
BJ10	Wiper blade - 11" spoon fitting	1.5	£ 12.85
BJ20	Wiper blade - 12" bayonet (5.2mm)	4/68 4/72 1100 1300	£ 7.35
BJ30	Wiper blade - 10" bayonet (5.2mm)	Elf	£ 7.15
BJ40	Wiper blade - 11" bayonet (7mm)	1300 Mk2 Kestrel	£ 7.35
BJ50	Wiper arm - spoon fitting (5.2mm)	1.5	£ 14.50
BJ60	Wiper arm - bayonet fitting (5.2mm)	Elf, Kestrel, 4/68 to May 1960	£ 11.80
BJ70	Wiper arm - bayonet fitting (5.2mm)	4/68 from June 1960 & 4/72	£ 10.00
BV220	Washer jet - single (chrome) non-std	Various	£ 4.50
BV230	Washer jet - double (chrome) non-std	Various	£ 5.00
BV345	Wiper box nut	Elf	£ 1.00
	Washer bottle	Elf	£ 5.00
	Washer plunger	various	£ 10.00
	Windscreen wiper motor (RHD)	4/68 4/72	£ 35.00
	Windscreen wiper motor (LHD)	4/68 4/72	£ 35.00
CARPET SETS			
	Available for all models - price on application	State colour	
AIR DUCTING HOSE			
BS330	1.1/2" dia - ducting to windscreen vents - per foot	Various	£ 4.25
BS340	2.1/2" dia - bulkhead to eyeball vents - per foot	Elf Mk.3	£ 4.50
BS350	3" dia - Front intake to bulkhead - per foot	Elf Mk.3	£ 5.00
BS360	4" dia - under bonnet - per 27 inch length	1.5	£ 18.60
BS361	Metal Band to fit 4" Dia Air Hose (2 per car) price each	1.5	£ 3.20

Part No	Description	Model	Price each
TRIM			
BF10	Plush edge trim - green <i>per metre</i>	All models	£ 9.45
	Plush edge trim - red <i>per metre</i>		£ 9.45
	Plush edge trim - maroon <i>per metre</i>	Note: 14mtrs for complete 1.5	£ 9.45
	Plush edge trim - grey <i>per metre</i>		£ 9.45
	Plush edge trim - dark blue <i>per metre</i>		£ 9.45
	Plush edge trim - brown <i>per metre</i>		£ 9.45
	Plush edge trim - beige <i>per metre</i>		£ 9.45
	Plush edge trim - biscuit <i>per metre</i>		£ 9.45
BF71	Clips for the above <i>per 10</i>	All models	£ 1.30
BF38	Door panel fixing clip <i>each</i>	All models	£ 0.20
BF50	Over rider protection trim <i>per foot</i>	1.5 & Elf	£ 0.60
BF60	Window weather strip - allow 1 mtr per window - price per metre	1.5	£ 8.20
	Two per window Rear = 16 1/4" Front= 14 1/2" RM takes 2.5 mtrs (4x625)		
BF60A	Clips for Window contour strip - price per car set of 20	1.5	£ 3.05
BF60B	Same shape as BF60A but bigger - price per car set of 20	1.5	£ 5.45
BF70A	Clip for WWStrip inner - 16 per car (price each)	4/68 4/72	£ 0.55
BF70B	Clip for WWStrip outer - 12 per car (price each)	4/68 4/72	£ 0.35
F220	Rubber "U" section. (1/4" glass) <i>per foot</i>	1.5 (See RM list)	£ 1.15
F221	Window lift channel - 11.5" length - will require alteration prior to fitting. Use F220 fitted inside	1.5	£ 13.05
BF95	Single window channel. - flexible. <i>per metre</i>	1.5	£ 5.40
BF96	Single window channel. - rigid <i>per metre</i>	1.5	£ 8.20
	Door surround rubber seal (black only) (11'6" per door) per foot	Elf	£ 1.30
BF130	Arm rest 'U' bolt washer	1.5	£ 0.20
BF30	Chrome wing edge trim (<i>price per metre 4m per side</i>)	Elf	£ 2.00
BF42	Grill trim - black (price per foot) 60" req. for a 1.5	Elf 1.5	£ 0.75
BF97	Double rigid window channel (<i>per metre</i>)	various	£ 8.00
BV320	Radiator grill slat fixing clip & screw (<i>price per 25</i>)	Elf 1.5	£ 4.50
RUBBER EXTRUSIONS			
<i>Some rubbers may be slightly more difficult to fit than originals due slight size differences.</i>			
<i>Some screen rubbers will need to have new plastic filler strip and some can retain the original metal filler strip. If in doubt please ask</i>			
BC10	Windscreen rubber (incl. filler strip) - front (11' per car)	1.5	£ 26.15
BC20	Windscreen rubber (incl. filler strip) - rear (11' per car)	1.5	£ 33.40
BC70	Door seal rubber - inner. (Ramsey) <i>per metre</i>	1.5 (See RM list C190)	£ 6.00
BC81	Door seal rubber - outer. 11' front door : 10' rear door <i>per foot</i>	1.5 4/68 4/72	£ 1.40
BC100	Boot seal rubber (13' per car) <i>per foot</i>	1.5 4/68 4/72	£ 1.60
BC030	Windscreen rubber - front (Endless)	Elf	£ 14.85
BC035	Windscreen rubber - rear (Endless)	Elf	£ 15.10
BC036	Filler strip (use with BC30 & BC35) <i>per foot</i>	Elf	£ 0.60
BC60	Windscreen rubber - front, (<i>price per car</i>)	Late 4/68 & 4/72	£ 76.50
BC90	Boot seal rubber <i>per foot</i>	Elf	£ 1.00
BC110	Rear bonnet seal (3 feet per car) <i>price each</i>	Elf	£ 3.30
	Door pocket trim <i>per foot</i>	Elf	£ 2.20
BC140	Rear opening light rubber	Elf	£ 12.00
BRIGHT PARTS & LOCKS			
BV40	Wing & boot name 'Riley' (thick style)	1.5 MkII & III	£ 15.50
BV50	Wing & boot name 'One Point Five' (thick style)	1.5 MkII & III	£ 22.50
BV55	Boot name - "Riley 4/72"	4/72	£ 10.00
BV280	Plastic badge fixing large <i>each</i>	Various models	£ 0.10
BV281	Plastic badge fixing small <i>each</i>	Various models	£ 0.10
BV325	Hub cap. chrome plated (less badge)	1.5 & 4.72	£ 21.90
BV160	Rim bellisher 14"	1.5	£ 29.95
BV160A	Rim bellisher 14" (x4)	1.5	£ 110.00
BV164	Bonnet spear	1.5	£ 58.95
BV165	Bonnet spear	Elf	£ 50.00
BV180	Petrol filler cap. - non lock	1.5	£ 8.50
BV291	Clip & Rivet for bulkhead & side trim (per 10) (41 per car)	Elf	£ 4.50
BV292	Door surround trim clips - per door set (two types of clip)	Elf	£ 3.90
BV420	Wing spear	1.5	£ 89.30
BV430	Door spear	1.5	£ 60.65
BV450	Boot handle & lock - chrome (not original - similar)	1.5	£ 35.20
BV451	Boot handle lock (lock only not handle - with 2 keys)	1.5	£ 20.00
BX208	Boot lock	Elf Mk1 & Mk2	£ 20.00
BX201	Boot lock	Elf Mk3	£ 20.00
BX200	Boot lock gasket	Elf	£ 0.40
BV240	Bumper bolt 1/4" dia - chrome	Elf	£ 1.05
BV250	Bumper bolt 5/16" dia - chrome	1.5	£ 0.90
BV290	Waist strip clip + pop rivet BV310 <i>price per 10</i>	1.5	£ 4.10
BX209	Interior window handle	1.5	£ 5.00
BX210	Interior window handle escucheon	1.5	£ 2.00
BX211	Interior door handle	1.5	£ 5.00
BX205	Door lock complete	1.5	£ 21.00

Riley 1.5

Body & repair panels



Part No	Description	Model	Price each
BX204	Interior door handle	4/68	£ 10.00
BX202	Door handle gasket per pair	Elf Mk3	£ 1.00
BX203	Door handle screws (two per handle) per pair	Elf Inner & Outer handle 1100 & 1300 inner handle	£ 0.20
BX206	Door Lock Barrel & Keys	1.5	£ 16.80
BX215	Door Lock Barrel & Keys	Elf Mk.3	£ 14.00
BV331	Wave + Plain washer for BV330	various	£ 0.80
BX212	Boot handle gasket	1.5	£ 0.70
BX213	Door handle gaskets - 2 parts	1.5	£ 1.50
BX214	Door lock gasket	1.5	£ 0.45
DECALS & CHASSIS PLATES			
BV263	Rocker cover decal 'Riley' - metal plate	1.5	£ 3.50
BV360	Rocker cover decal 'Riley' - plastic	1.5	£ 2.50
BV361	Tudor Washer bottle decal	BMC	£ 2.00
BV362	Rocker Cover "Westlake Patents"	BMC	£ 3.50
BV364	Coopers air filter - decal	BMC	£ 1.55
BV365	Chassis plate (Driver's door post) - metal plate	1.5	£ 7.00
BV367	Trico washer bottle & wipers - decal	various	£ 7.00
BV368	Bulkhead Patents Westlake - metal plate	1.5	£ 7.00
BV369	Rocker cover patents - silver plastic decal	various	£ 2.50
BV370	Commission Number - plate	1.5	£ 2.65
BV371	Bulkhead Fisholow plate	1.5	£ 7.00
BV372	Smiths heater - metal plate	various	£ 3.35
BV373	Lucas Coil - plastic decal	various	£ 1.75
BV374	"caution" heater - metal plate	various	£ 4.20
INSTRUMENTS (second hand)			
various			
BODY PANELS - SECOND HAND			
We have limited number of secondhand body panels (mainly bonnets & boots) - Please ask.			
NEW BODY PANELS are made to order, usually with a 12-14 week delivery time. Please note that the price quoted below is only a guide, we will be able to obtain an accurate quotation for you at the time of ordering. Please note that most panels are of such a size that they cannot be sent via Royal Mail and have to be sent by carrier at a price of approximately £16 per parcel weighing up to 10kg.			
BODY PANELS - NEW - ELF			
BUE01	Front panel	Elf	£ 378.25
BUE02	Rear Valance	Elf	£ 209.15
BODY PANELS - NEW - 1.5 (Please see illustration)			
BU01	Front wing complete - LH	1.5	£ 633.45
BU02	Front wing complete - RH	1.5	£ 633.45
BU01A	Front wing lower half (to trim) - LH	1.5	£ 182.45
BU02A	Front wing lower half (to trim) - RH	1.5	£ 182.45
BU03	Outer sill complete - LH	1.5	£ 160.90
BU04	Outer sill complete - RH	1.5	£ 160.90
BU05	Skin sill - LH	1.5	£ 65.65
BU06	Skin sill - RH	1.5	£ 65.65
BU07	Rear wing rear section - LH	1.5	£ 90.45
BU08	Rear wing rear section - RH	1.5	£ 90.45
BU09	Rear door skin arch repair - LH	1.5	£ 42.10
BU10	Rear door skin arch repair - RH	1.5	£ 42.10
BU11	Rear wing rear section (front 8" from arch) - LH	1.5	£ 49.80
BU12	Rear wing rear section (front 8" from arch) - RH	1.5	£ 49.80
BU13	Rear door skin lower half - LH	1.5	£ 79.15
BU14	Rear door skin lower half - RH	1.5	£ 75.65
BU15	Rear inner arch outer section front - LH	1.5	£ 55.65
BU16	Rear inner arch outer section front - RH	1.5	£ 55.65
BU17	Rear wing wheelarch - LH	1.5	£ 41.75
BU18	Rear wing wheelarch - RH	1.5	£ 41.75
BU19	Rear inner arch outer section rear - LH	1.5	£ 84.25
BU20	Rear inner arch outer section rear - RH	1.5	£ 84.25
BU21	Front wing repair 9" wide - LH	1.5	£ 105.30
BU22	Front wing repair 9" wide - RH	1.5	£ 105.30
BU23	Rear valance	1.5	£ 103.50
BU25	Front wing repair rear section lower - LH	1.5	£ 50.10
BU26	Front wing repair rear section lower - RH	1.5	£ 50.10
BU27	Front lower valance complete with brackets	1.5	£ 187.50
BU29	Front wing attachment panel - RH	1.5	£ 69.00
BU30	Front wing attachment panel - LH	1.5	£ 69.00
BU31	Door Glass Contour Strip - Front - 2 pieces	1.5	£ 8.10
BU32	Door Glass Contour Strip - Rear - 2 pieces	1.5	£ 8.10
	Front Inner Wing Box Section (Takes rebound rubber)	1.5	

Part No	Description	Model	Price each
	BODY PANELS - NEW - 4/68 & 4/72		
BU601	Front wing complete - LH	4/68, 4/72	£ 922.25
BU602	Front wing complete - RH	4/68, 4/72	£ 922.25
BU605	Rear Wing lower half - LH	4/68, 4/72	£ 200.50
BU606	Rear Wing lower half - RH	4/68, 4/72	£ 200.50
BU607	Rear door skin repair - LH	4/68, 4/72	£ 90.75
BU608	Rear door skin repair - RH	4/68, 4/72	£ 90.75
BU609	Front door skin repair - LH	4/68, 4/72	£ 90.75
BU610	Front door skin repair - RH	4/68, 4/72	£ 90.75
BU611	Front wing outer arch - LH	4/68, 4/72	£ 90.75
BU612	Front wing outer arch - RH	4/68, 4/72	£ 90.75
BU613	Front wing rear section - LH	4/68, 4/72	£ 85.00
BU614	Front wing rear section - RH	4/68, 4/72	£ 85.00
BU615	Rear wing rear section - LH	4/68, 4/72	£ 118.35
BU616	Rear wing rear section - RH	4/68, 4/72	£ 118.35
BU621	Repair sill with jacking point - LH	4/68, 4/72	£ 85.00
BU622	Repair sill with jacking point - RH	4/68, 4/72	£ 85.00
BU621A	Repair sill no jacking point - LH	4/68, 4/72	£ 43.75
BU621B	Repair sill no jacking point - RH	4/68, 4/72	£ 43.75
BU625	Front floor - LH	4/68, 4/72	£ 80.15
BU626	Front floor - RH	4/68, 4/72	£ 80.15
BU630	Front valance	4/68, 4/72	£ 210.25
BU631	Headlamp ring	4/68, 4/72	£ 29.90
BU632	Front wing top rail	4/68, 4/72	£ 70.10
BU633	Front valance top plate	4/68, 4/72	£ 85.00
BU635	Inner sill - LH	4/68, 4/72	£ 35.60
BU636	Inner sill - RH	4/68, 4/72	£ 35.60
BU637	Front chassis outrigger - LH	4/68, 4/72	£ 63.20
BU638	Front chassis outrigger - RH	4/68, 4/72	£ 63.20
BU639	Boot lid repair bottom 10"	4/68, 4/72	£ 67.80
BU650	Jacking tubes	4/68, 4/72	£ 50.53
BU651	Inner sill in two parts - LH	4/68, 4/72	£ 47.15
BU652	Inner sill in two parts - RH	4/68, 4/72	£ 47.15
BU653	Front wing nose section 3" - RH	4/68, 4/72	£ 145.95
BU654	Front wing nose section 3" - LH	4/68, 4/72	£ 145.95
BU655	Rear outer arches - RH	4/68, 4/72	£ 70.10
BU656	Rear outer arches - LH	4/68, 4/72	£ 70.10
BU657	Front outriggers as original - RH	4/68, 4/72	£ 56.90
BU658	Front outriggers as original - LH	4/68, 4/72	£ 56.90
BU659	Rear outriggers - LH	4/68, 4/72	£ 35.60
BU660	Rear outriggers - RH	4/68, 4/72	£ 35.60
BU661	Front wing stiffener - LH	4/68, 4/72	£ 57.45
BU662	Front wing stiffener - RH	4/68, 4/72	£ 57.45
BU663	4 piece front cross member assembly	4/68, 4/72	£ 70.10
BU664	Clip front bezel headlamp	4/68, 4/72	£ 14.90
BU665	Rear wheel arch front section - LH	4/68, 4/72	£ 87.10
BU666	Rear wheel arch front section - RH	4/68, 4/72	£ 87.10
BU667	Jacking point cover	4/68, 4/72	£ 31.80