

We have pleasure in presenting the Spare Parts Catalogue for '**RE 4 STROKE PETROL, LPG, CNG**' Vehicles. This catalogue has been specially designed to assist you in selecting the correct parts for procurement to maintain 100% availability.

The Bajaj spares are subjected to the stringent quality control standards to ensure longer life of the vehicle. It is therefore necessary that only the Genuine Bajaj Spares are used.

In a continual efforts Service Circulars. You are requested to make necessary corrections in the Parts Catalogue as per the circulars so as to keep your catalogue up-to-date. This will ensure the appropriate and speedy delivery of the Spare Parts as the order placed will bear the latest part numbers.

In case, if you need any technical assistance contact the concerned Regional Office or write to us on the following address :

Bajaj Auto Limited to improve Performance and Efficiency of the vehicles, Specifications, Diagrams, Illustrations and Part Numbers can change without notice. Consequently, the description in this Spare Parts Catalogue cannot therefore be final and binding on us.

The modifications / alterations which are carried out after the issue of this catalogue, will be conveyed to you through out

Service Department - 3WH
Bajaj Auto Ltd.
Akurdi, Pune 411 035 India
Phone : 020-27406278
Fax : 020-27407385
E-mail : service@bajajauto.co.in

All information contained in this manual is based on the latest product information at the time of publication. Bajaj Auto Limited accepts no liability for any inaccuracies or omissions in this publication, although every possible care has been taken to make it as complete and accurate as possible. All procedures and specifications subject to change without prior notice. The right is reserved to make such changes at any time without prior notice and without incurring an obligation to make such changes to product manufactured previously. Contact your authorized Bajaj Dealer for the latest information on product improvements incorporated after this manual was issued.

DOC. NO.: 71110277

REV. 01. July 07

Instructions for using the Catalogue

RE 4 STROKE
AUTORIKSHA

1. How to Read the Catalogue : Open the catalogue and from the pictorial index locate the group in which the part you want to find is present. Turn over to the concerned page number (as given by pictorial index). Now find out the figure of the part you wish to order. Write down the part number against that particular figure number from the text.

In case, if you have the part number and you need the other details, the part index can be used. The part index (at the end of the catalogue) will give you the figure and page number of the part you wish to order.

2. How to Order Spare Parts : The part number and the description of the part required should be invariably mentioned in the order as per the catalogue text.

The latest part number as conveyed through our service circulars should only appear on the order. In case of ordering painted components, colour shade of the components should be mentioned.

The quantity shown against the part number is the quantity per vehicle for that group so that particular quantity should be multiplied by the number of sets required.

3. Part Number System: We have used 8 digit system for part numbers. The model or hardware item is indicated by first two digits or alphanumeric, the next two or four digits indicate main group and the last four or two digits indicate serial number in main group or serial number or subgroup of fastener respectively. Thus the part numbers will be indicated by 2-2-4 or 2-4-2 digit system. Understanding this system will enable you to identify the spare parts easily.

4. Abbreviations : The following abbreviations are used in this catalogue.

assly.	Assembly	V	Volts
N.I.	Not illustrated	W	Watts
C'case	Crankcase	accl.	Accelerator
Cyl	Cylinder	Comp.	Complete
o/s.	Over size	Fr	Front
Std.	Standard	L	Length
A/t.	Alternate	Rr	Rear
R.H.	Right hand	Hex.	Hexagonal
L.H.	Left hand	AR	As required

Index

RE 4 STROKE
AUTORIKSHA

No.	Description	Page No.
1	Engine & Crankcase Clutch Side	1&2
2	Crank Case Magneto Side	3
3	Clutch Cover	4&5
4	Cylinder / Piston Assembly	6
5	Crank Shaft Assembly	7
6	Cylinder Head	8
7	Valve	9
8	Cam Sahft And Chain Tensioner	10
9	Clutch Plate Assly	11
10	Clutch Housing Comp	12
11	Clutch Lever Assly	13&14
12	Main Shaft	15
13	Gear Transmission	16
14	Selector Switch	17
15	Selector Gear Assly / Starting Mechanism	18&19
16	Selector Gear Assly. / Starting Mech. (De-comp.)	20&21
17	Differential Assembly	22
18	Differential Cover	23
19	Sector Complete - Revere Gear	24
20	Cowling	25&26
21	Silencer Assembly	27&28
22	Engine Mounting	29&30
23	Magneto Assembly	31
24	Spark Plug And H.T. Coil	32
25	Carburettor (Kehin)	33&34
25a	Carburettor (for CNG /LPG Vehicle)	35&36
25b	Carburettor (Ucall)	37&38
26	Air Filter Complete	39&40
26a	Air Filter Complete (Foam Type)	41&42
27	Pump Assly Oil & Oil Strainer	43
28	Fuel Tank Assembly	44&45
28a	Fuel Tank Assly. (plastic)	46&47
28b	Fuel Tank Assly.	48&49
28c	Fuel Tank Assly. (plastic)	50
29	Front Brake Linkage	51
29a	Front Brake Shoe (antidrive)	52
29b	Wheel Cylinder (front)	53
30	Rear Brake Assembly	54
31	Trailing Arm Assembly	55
32	Propeller Shaft / Flanges	56

No.	Description	Page No.
33	Frame Meter Drive Unit	57
34	Wheel Assembly	58
35	Master Cylinder Assembly	59&60
35a	Tandem Master Cylinder (antidrive)	61to64
36	Brake Pedal	65
36a	Brake Pedal (antidrive)	66
36b	R.P. Valves & Brake Pipe (antidrive)	67
37	Wheel Cylinder / Brake Pipe	68
37a	Brake Pipe (antidrive)	69
37b	Wheel Cylinder (Rear)	70
38	Hand Brake Comp.	71&72
39	Chassis / Steering Cover/ Grommet	73&74
40	Tool Box	75&76
41	Front Mudguard / Head Lamp Hsg.	77
41a	Front Mudguard / Head Lamp Hsg. (antidrive)	78
42	Front Wheel Hub / Axle Assly	79&80
42a	Front Wheel Hub / Axle Assly (antidive)	81
42a	Front Wheel Hub / Axle Assly (antidive)	82
43	Front Suspension	83
44	Front Shock Absorber	84
44a	Front Shock Absorber (antidive)	85&86
45	Rear Shock Absorber	87
46	Steering Column	88&89
46a	Steering Column (antidive)	90
47	Handle Bar	91&92
48	Handle Bar Sleeves	93
48a	Handle Bar Sleeves	94&95
49	Reverse Gear Control Lever Assly	96
50	Choke Lever Assly	97
51	Control Cables	98&99
52	Speedometer & Indicator	100
53	Wiring Harness & H.I. Assly (antidive)	101-103

Index

RE 4 STROKE
AUTORIKSHA

No.	Description	Page No.
54	Front Light Assembly (CMVR)	104
54a	Tail Lamp Assly (CMVR)	105
55	Switches / Horns Cabin Light	106-107
56	Electrical Equipment	108-109
57	Battery & Fuse Box Assly	110-112
58	Starter Motor	113-114
58a	Starter Motor	115
59	Passenger Body & Rear Door	116-118
60	Rear Mudguard Bumper & Mudflap	119
61	Hood & Frame Assly / Packing	120-121
62	Windshield & Wiper Motor	122-123
63	Seat Assembly	124-125
64	Tool Kit & Mirror	126
65	CNG Cylinder	127-128
66	Valve of CNG Cylinder (for CNG Only)	129
67	Mixer Unit & Hose (Vanaz Kit)	130
68	Relay & Solenoid Petrol & Gas (Vanaz Kit)	131-132
69	2nd Stage CNG Regulator (Vanaz Kit)	133-134
70	2nd Stage CNG Regulator II (Vanaz Kit)	135-136
71	1st Stage Reduction Unit (Vanaz Kit)	137-138
72	LPG Cylinder	139
73	Refilling Unit (Lovato Kit)	140
74	Mixer Assly. & Manifold Assly. (Lovato Kit)	141
75	Vapour Box (Lovato Kit)	142
76	Multifunction Valve (Lovato Kit)	143-145
77	Regulator (Lovato Kit)	146-147
78	Regulator T60 Assly. (Minda Kit)	148-149
79	Regulator T60 Assly. (Minda Kit)	150
80	Power Valve Assly. (Minda Kit)	151-152
81	HPR Assly. (Minda Kit)	153-154
82	Regulator T 60 Assly. (Minda Kit)	155
83	Power Valve (Minda Kit)	156
84	Multi Valve Assly (Minda Kit)	157-158
85	Regulator - Vanaz Kit	159-161

No.	Description	Page No.
86	Multi Valve - Vanaz Kit	162-163
87	Filter- Vanaz Kit	164
88	Hose Assly.- Vanaz Kit	165
89	Filler Valve- Vanaz Kit	166

Pictorial Index

RE 4 STROKE
AUTORIKSHA

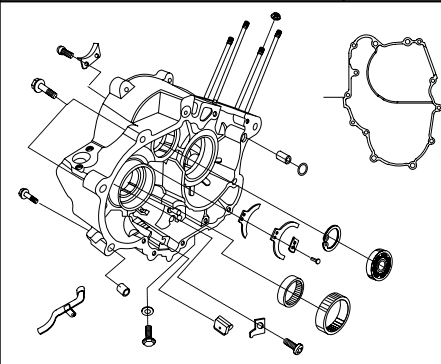
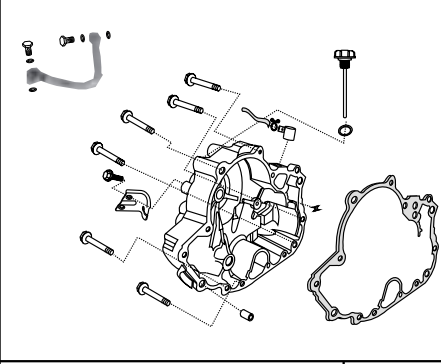
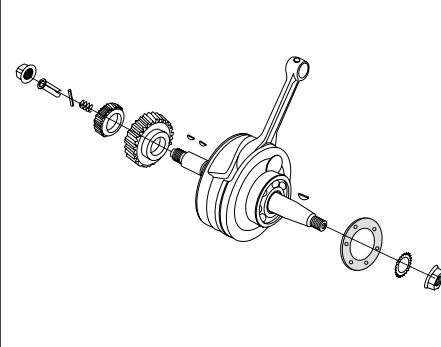
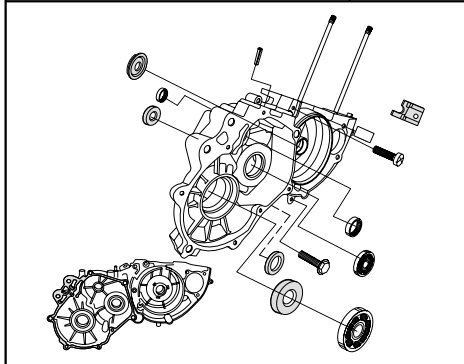
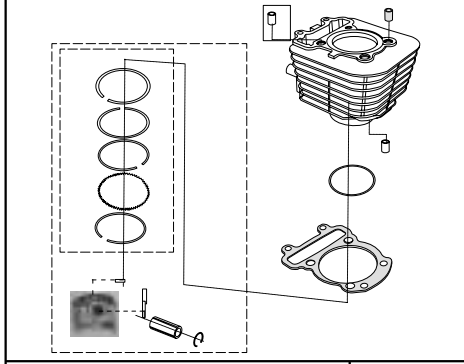
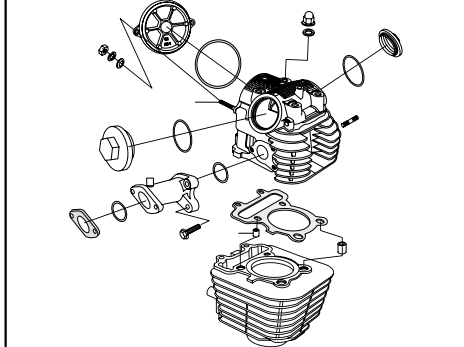
PLATE NO. : 1	PAGE NO.:
ENGINE AND CRANKCASE CLUTCH SIDE	1 & 2
	
PLATE NO. : 3	PAGE NO.:
CLUTCH COVER	4 & 5
	
PLATE NO. : 5	PAGE NO.:
CRANKSHAFT ASSEMBLY	7
	

PLATE NO. : 2	PAGE NO.:
CRANKCASE MAGNETO SIDE	3
	
PLATE NO. : 4	PAGE NO.:
CYLINDER/PISTON ASSLY.	6
	
PLATE NO. : 6	PAGE NO.:
CYLINDER HEAD	8
	

Pictorial Index

RE 4 STROKE AUTORIKSHA

PLATE NO. : 7	PAGE NO.:
VALVE	9

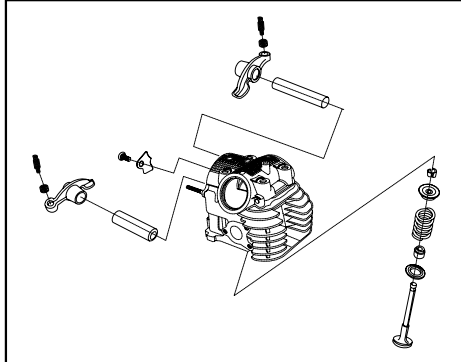


PLATE NO. : 9	PAGE NO.:
CLUTCH PLATE ASSLY.	11

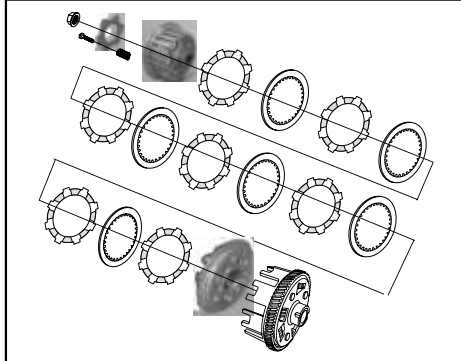


PLATE NO. : 11	PAGE NO.:
CLUTCH LEVER ASSEMBLY	13 & 14

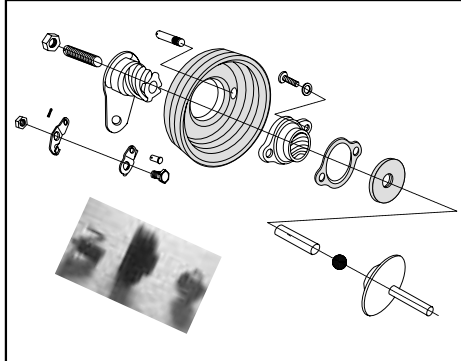


PLATE NO. : 8	PAGE NO.:
CAMSHAFT AND CHAIN TENSIONER	10

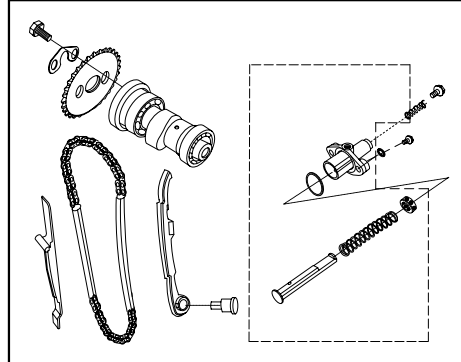


PLATE NO. : 10	PAGE NO.:
CLUTCH HOUSING COMPLETE	12

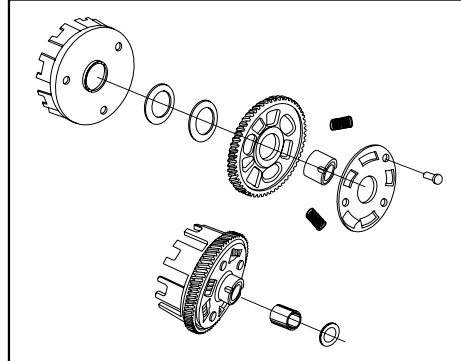
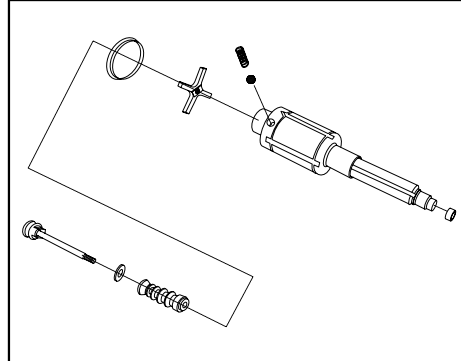


PLATE NO. : 12	PAGE NO.:
MAIN SHAFT	15



Pictorial Index

RE 4 STROKE AUTORIKSHA

PLATE NO. : 13	PAGE NO.:
GEAR TRANSMISSION	16

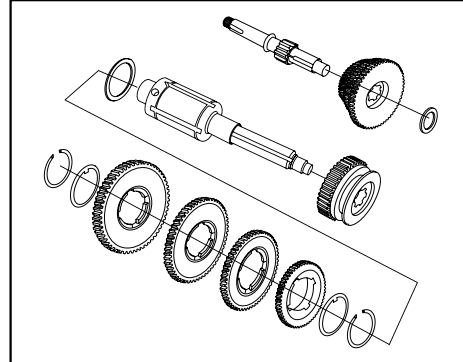


PLATE NO. : 15	PAGE NO.:
SECTOR GEAR ASSLY/ STARTING MECHANISM	18 & 19

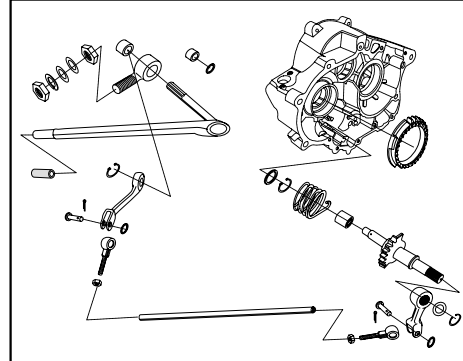


PLATE NO. : 17	PAGE NO.:
DIFFERENTIAL ASSLY.	22

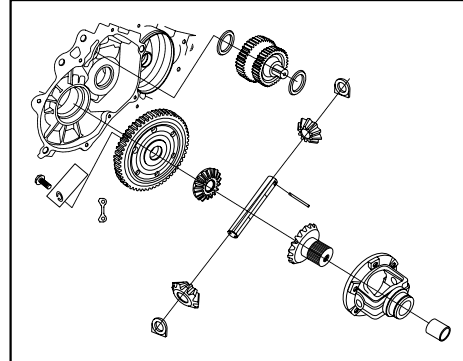


PLATE NO. : 14	PAGE NO.:
SECTOR ASSEMBLY	17

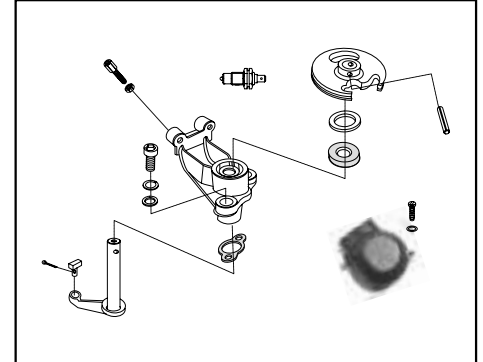


PLATE NO. : 16	PAGE NO.:
SECTOR GEAR ASSLY/ STARTING MECHANISM (DECOMPRESSION)	20 & 21

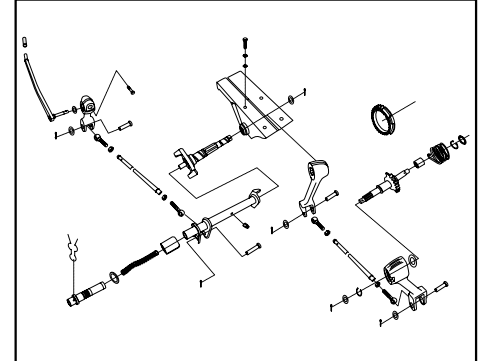
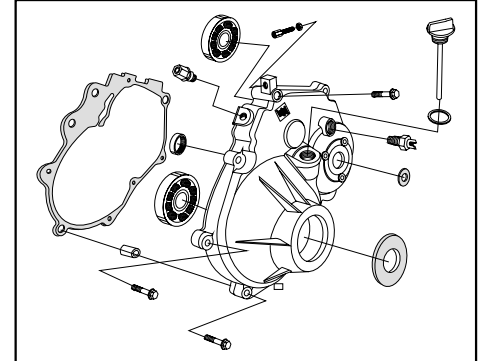


PLATE NO. : 18	PAGE NO.:
DIFFERENTIAL COVER	23



Pictorial Index

RE 4 STROKE
AUTORIKSHA

PLATE NO. : 19
SECTOR COMP - REVERSE GEAR

PAGE NO.:
24

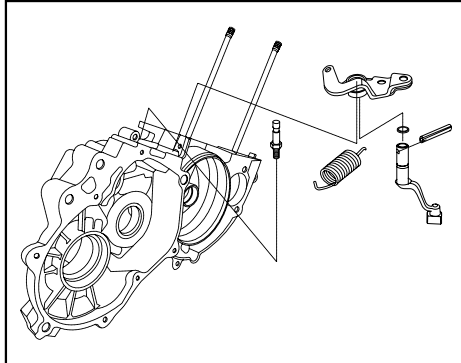


PLATE NO. : 21
SILENCER ASSEMBLY

PAGE NO.:
27 & 28

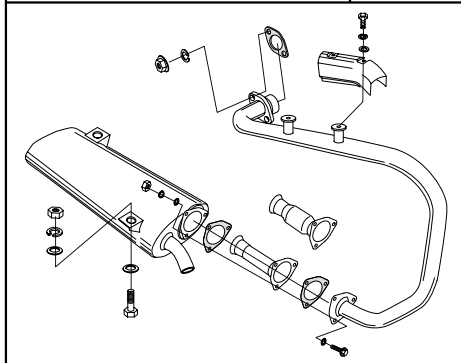


PLATE NO. : 23
MAGNETO ASSEMBLY

PAGE NO.:
31

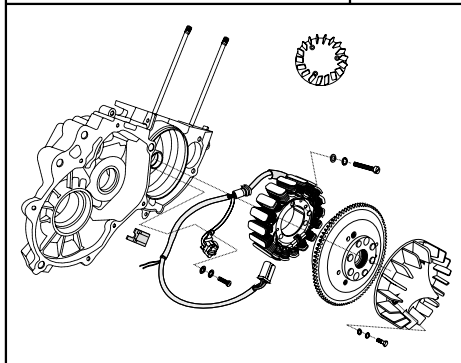


PLATE NO. : 20
COWLING

PAGE NO.:
25 & 26

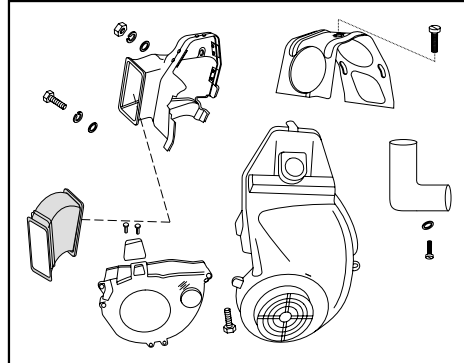


PLATE NO. : 22
ENGINE MOUNTING

PAGE NO.:
29 & 30

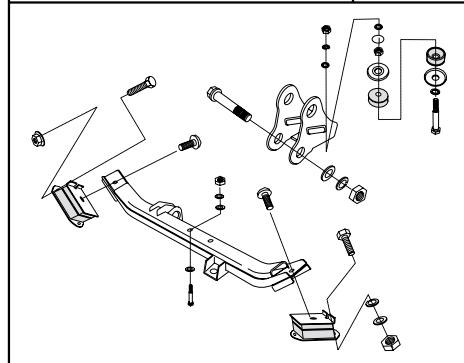
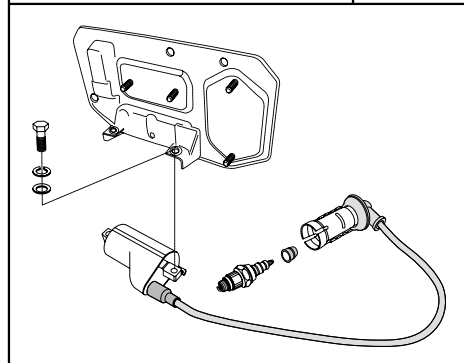


PLATE NO. : 24
SPARK PLUG AND H. T. COIL

PAGE NO.:
32



Pictorial Index

RE 4 STROKE
AUTORIKSHA

PLATE NO. : 25
CARBURETTOR (KEDHIN)

PAGE NO.:
33 & 34

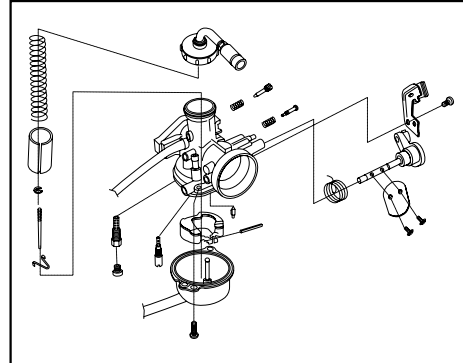


PLATE NO. : 25B
CARBURETTOR (UCAL)

PAGE NO.:
37 & 38

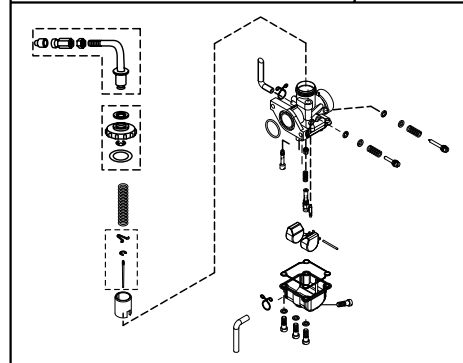


PLATE NO. : 26A
AIR FILTER COMPLETE (FOAM TYPE)

PAGE NO.:
41 & 42

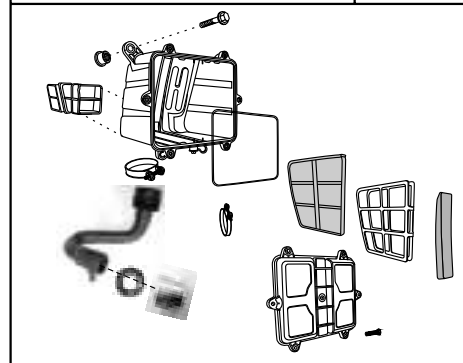


PLATE NO. : 25A
CARBURETTOR
(FOR CNG VEHICLE ONLY)

PAGE NO.:
35 & 36

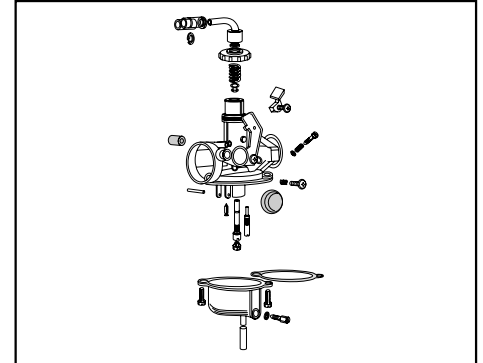


PLATE NO. : 26
AIR FILTER COMPLETE

PAGE NO.:
39 & 40

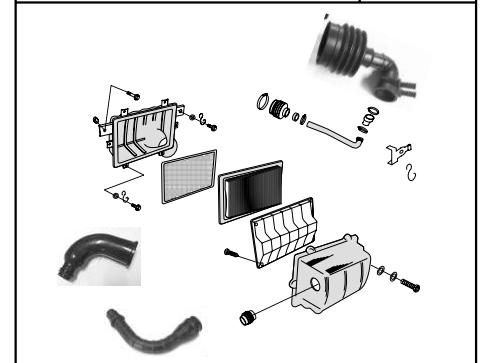
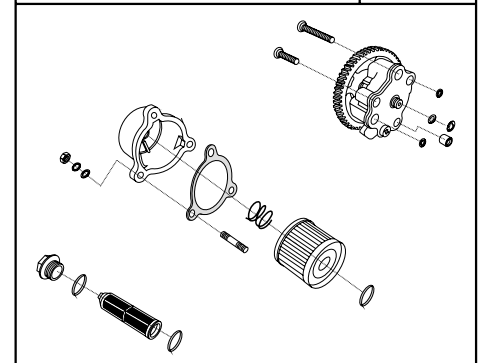


PLATE NO. : 27
Oil pump assly & oil strainer

PAGE NO.:
43



Pictorial Index

RE 4 STROKE
AUTORIKSHA

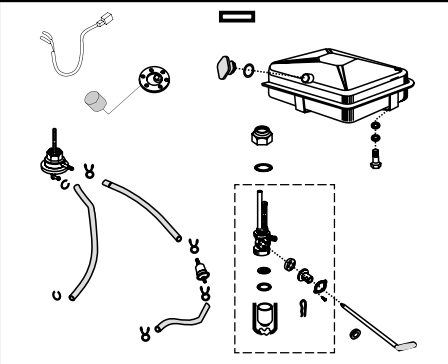
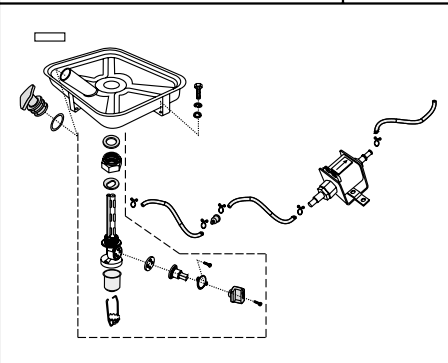
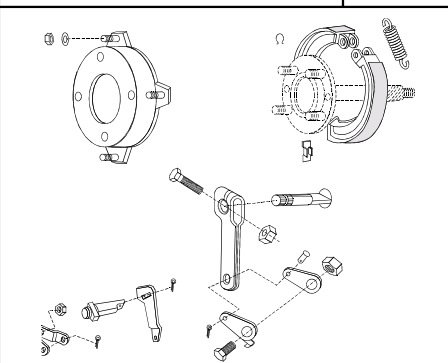
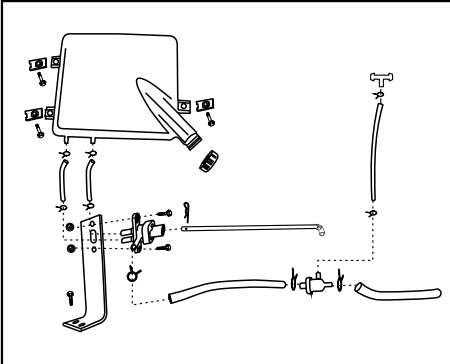
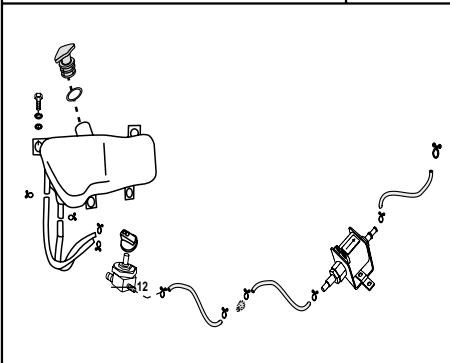
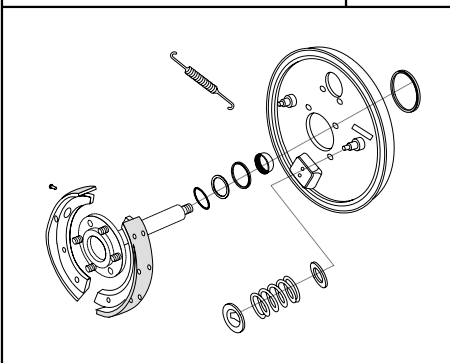
PLATE NO. : 28 FUEL TANK	PAGE NO.: 44 & 45
	
PLATE NO. : 28B FUEL TANK ASSEMBLY	PAGE NO.: 48 & 49
	
PLATE NO. : 29 FRONT BRAKE LINKAGE	PAGE NO.: 51
	

PLATE NO. : 28A FUEL TANK (PLATIC) ASSEMBLY	PAGE NO.: 46 & 47
	
PLATE NO. : 28C FUEL TANK ASSEMBLY	PAGE NO.: 50
	
PLATE NO. : 29A FRONT BRAKE SHOE (ANTIDRIVE)	PAGE NO.: 52
	

Pictorial Index

RE 4 STROKE
AUTORIKSHA


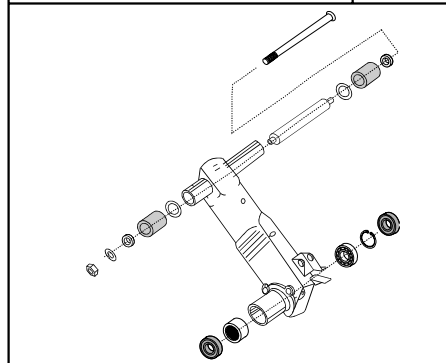
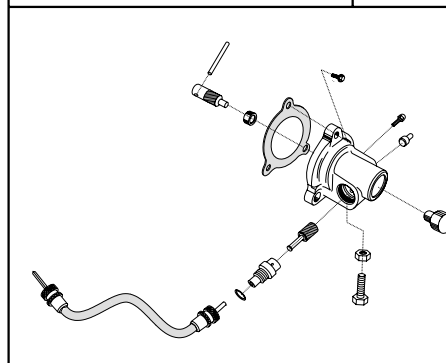
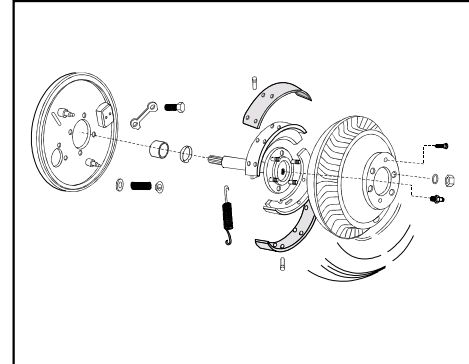
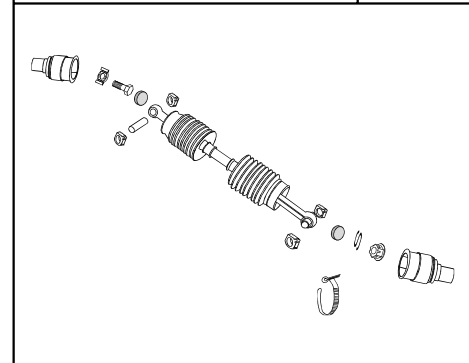
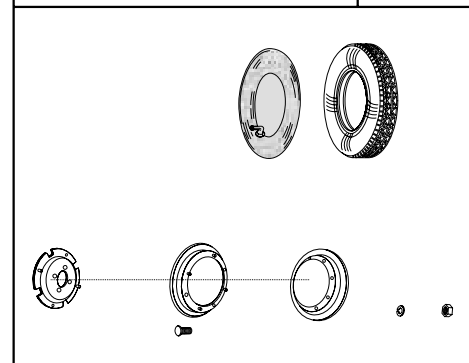
PLATE NO. : 29B WHEEL CYLINDER (FRONT)	PAGE NO.: 53
	
PLATE NO. : 31 TRAILING ARM ASSEMBLY	PAGE NO.: 55
	
PLATE NO. : 33 FRAME METER DRIVE UNIT	PAGE NO.: 57
	

PLATE NO. : 30 REAR BRAKE ASSEMBLY	PAGE NO.: 54
	
PLATE NO. : 32 PROPELLER SHAFT / FLANGES	PAGE NO.: 56
	
PLATE NO. : 34 WHEEL ASSEMBLY	PAGE NO.: 58
	

Pictorial Index

RE 4 STROKE
AUTORIKSHA

PLATE NO. : 35 MASTER CYLINDER ASSEMBLY	PAGE NO.: 59 & 60
--	----------------------

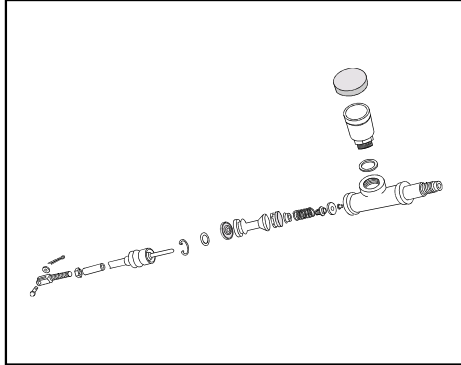


PLATE NO. : 36 BRAKE PEDAL	PAGE NO.: 65
-------------------------------	-----------------

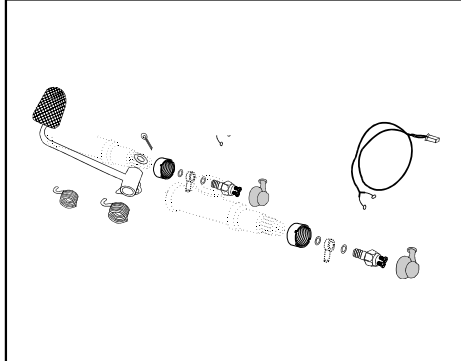


PLATE NO. : 36B R.P. VALVES & BRAKE PIPE (ANTIDRIVE)	PAGE NO.: 67
---	-----------------

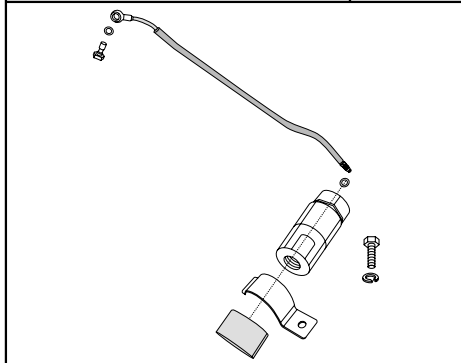


PLATE NO. : 35A TANDEM MASTER CYLINDER (ANTIDRIVE)	PAGE NO.: 61/62/63/64
---	--------------------------

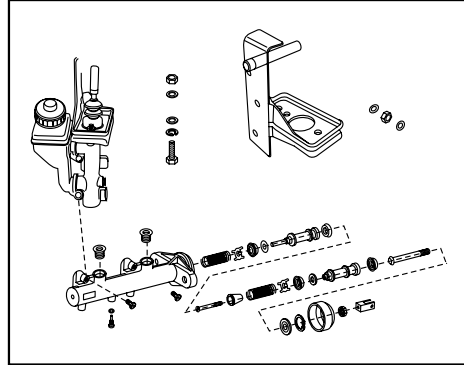


PLATE NO. : 36A BRAKE PEDAL (ANTIDRIVE)	PAGE NO.: 66
--	-----------------

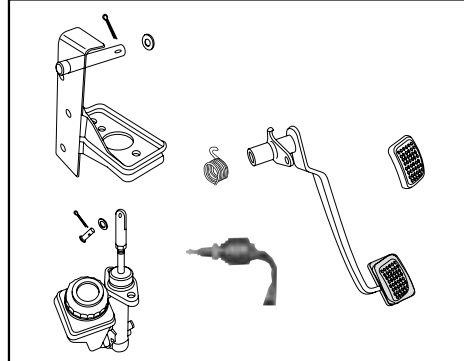
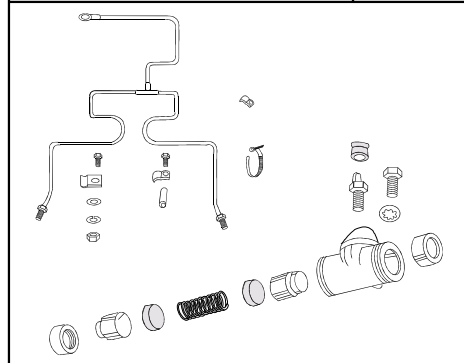


PLATE NO. : 37 WHEEL CYLINDER /BRAKE PIPE	PAGE NO.: 68
--	-----------------



Pictorial Index

RE 4 STROKE
AUTORIKSHA

PLATE NO. : 37A BRAKE PIPE (ANTIDIVE)	PAGE NO.: 69
--	-----------------

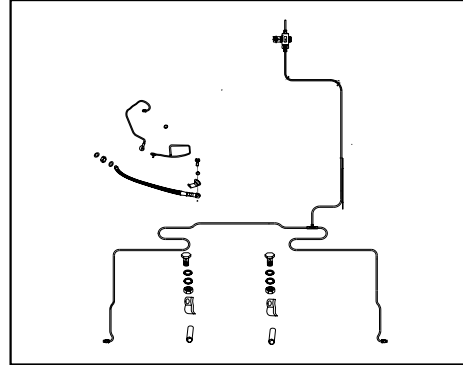


PLATE NO. : 38 HAND BRAKE COMP.	PAGE NO.: 71 & 72
------------------------------------	----------------------

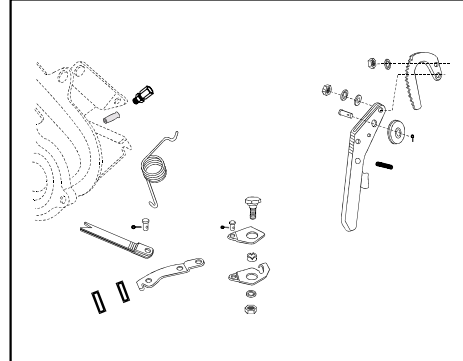


PLATE NO. : 40 TOOL BOX	PAGE NO.: 75 & 76
----------------------------	----------------------

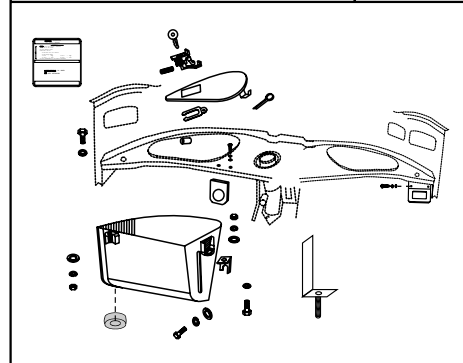


PLATE NO. : 37B WHEEL CYLINDER (REAR)	PAGE NO.: 70
--	-----------------



PLATE NO. : 39 CHASSIS / STEERING COVER / GROMMET	PAGE NO.: 73 & 74
--	----------------------

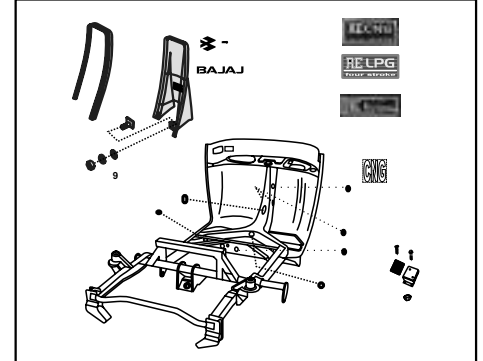
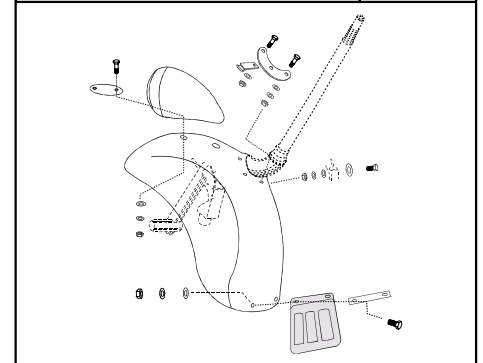


PLATE NO. : 41 FRONT MUDGUARD / HEAD LAMP HSG.	PAGE NO.: 77
---	-----------------



Pictorial Index

RE 4 STROKE
AUTORIKSHA

PLATE NO. : 41A
FRONT MUDGUARD / HEAD LAMP HSG.
(ANTIDRIVE) PAGE NO.:
78

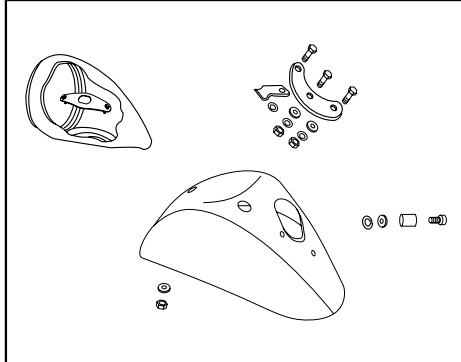


PLATE NO. : 42A
FRONT WHEEL HUB / AXLE ASSLY
(ANTIDRIVE) PAGE NO.:
81 & 82

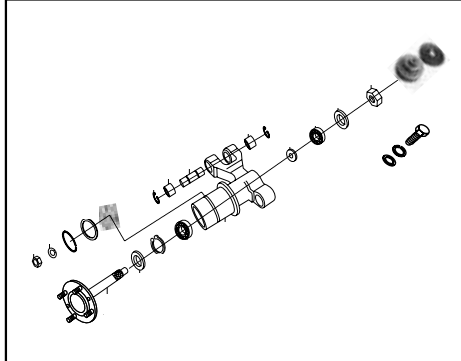


PLATE NO. : 44
FRONT SHOCK ABSORBER PAGE NO.:
84

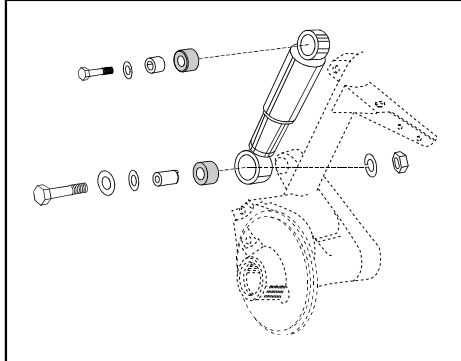


PLATE NO. : 42
FRONT WHEEL HUB /AXLE ASSLY. PAGE NO.:
79 & 80

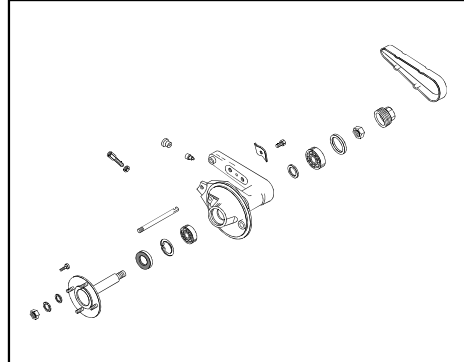


PLATE NO. : 43
FRONT SUSPENSION PAGE NO.:
83

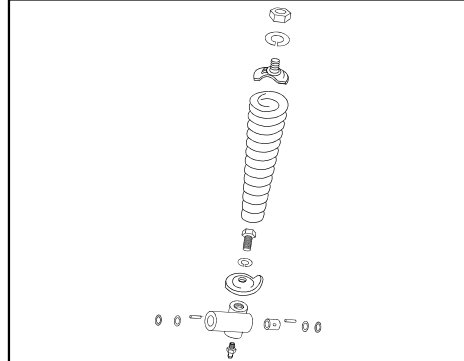
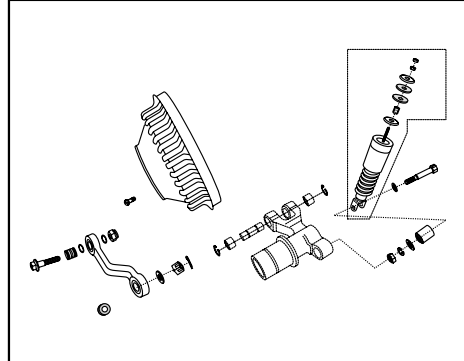


PLATE NO. : 44A
FRONT SHOCK ABSORBER (ANTIDRIVE) PAGE NO.:
85 & 86



Pictorial Index

RE 4 STROKE
AUTORIKSHA

PLATE NO. : 45
REAR SHOCK ABSORBER PAGE NO.:
87

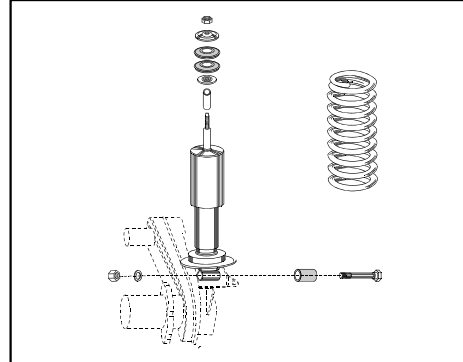


PLATE NO. : 46A
STEERING COLUMN (ANTIDIVE) PAGE NO.:
90

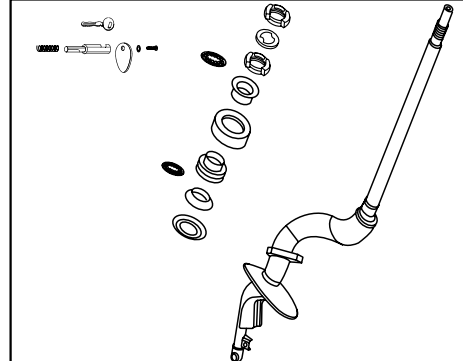


PLATE NO. : 48
HANDLE BAR SLEEVES PAGE NO.:
93

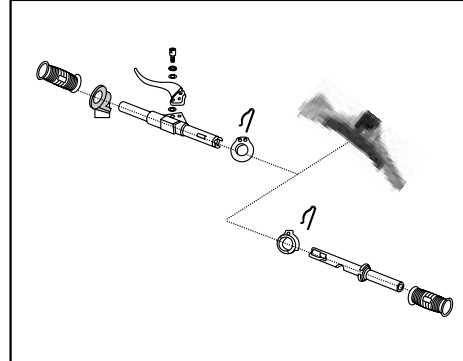


PLATE NO. : 46
STEERING COLUMN PAGE NO.:
88 & 89

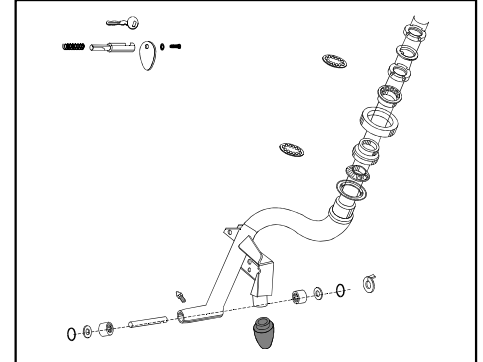


PLATE NO. : 47
HANDLE BAR PAGE NO.:
91 & 92

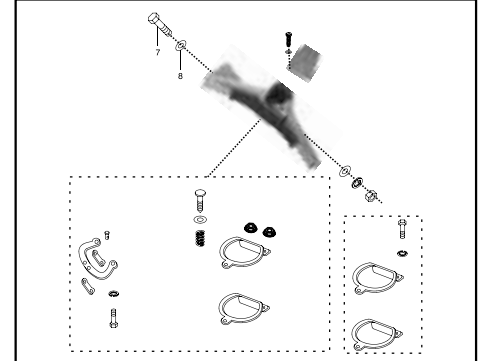
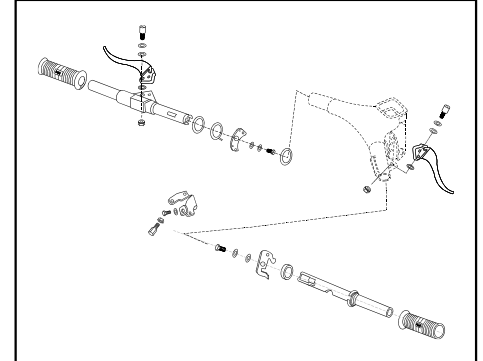


PLATE NO. : 48A
HANDLE BAR SLEEVES PAGE NO.:
94 & 95



Pictorial Index

RE 4 STROKE
AUTORIKSHA

PLATE NO. : 49	PAGE NO.:
REVERSE GEAR CONTROL LEVER ASSLY	96

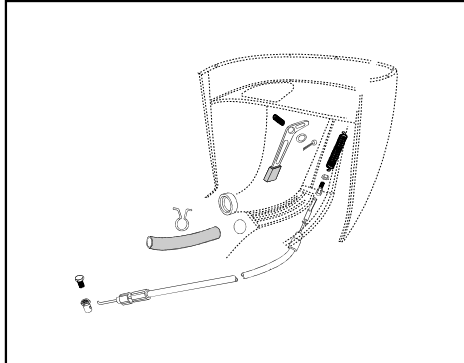


PLATE NO. : 51	PAGE NO.:
CONTROL CABLES	98 & 99

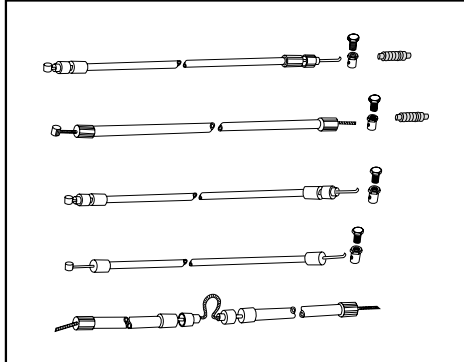


PLATE NO. : 53	PAGE NO.:
WIRING HARNESS & H.L. ASSLY (ANRIDRIVE)	101/102/103

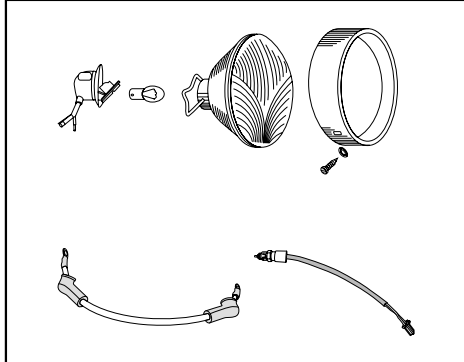


PLATE NO. : 50	PAGE NO.:
CHOCK LEVER ASSLY	97

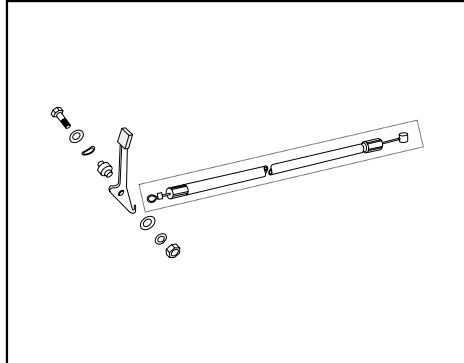


PLATE NO. : 52	PAGE NO.:
SPEEDOMETER & INDICATOR	100

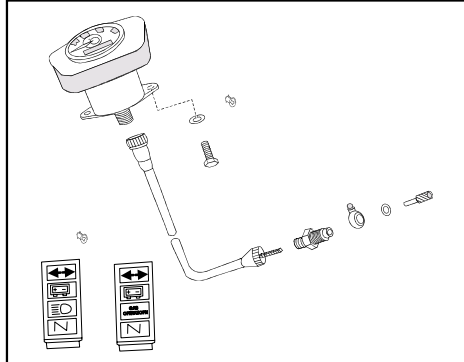
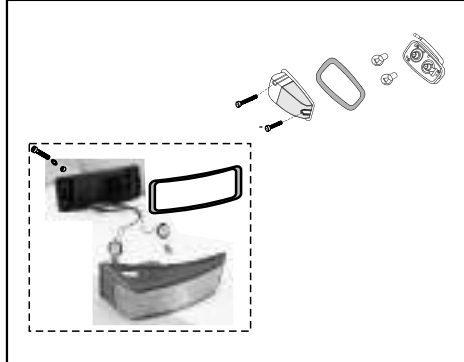


PLATE NO. : 54	PAGE NO.:
FRONT LIGHT ASSEMBLY (CMVR)	104



Pictorial Index

RE 4 STROKE
AUTORIKSHA

PLATE NO. : 54A	PAGE NO.:
TAIL LAMP ASSLY (CMVR)	105

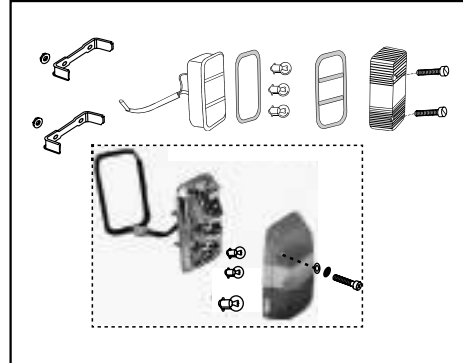


PLATE NO. : 56	PAGE NO.:
ELECTRICAL EQUIPMENT	108 & 109

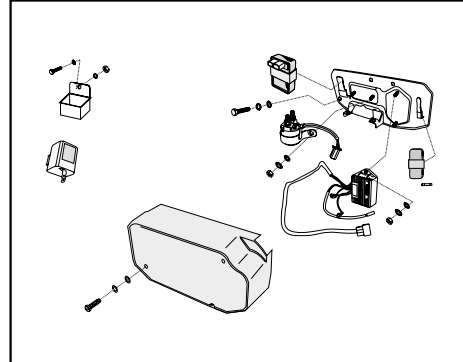


PLATE NO. : 58	PAGE NO.:
STARTER MOTOR	113 & 114

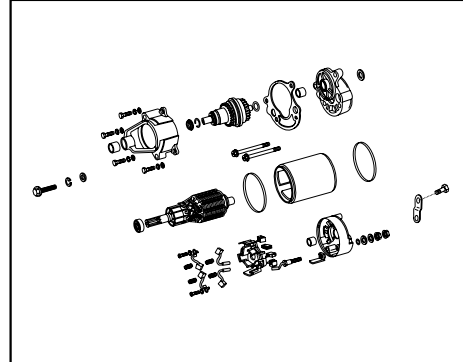


PLATE NO. : 55	PAGE NO.:
SWITCHES / HORNS CABIN LIGHT	106 & 107

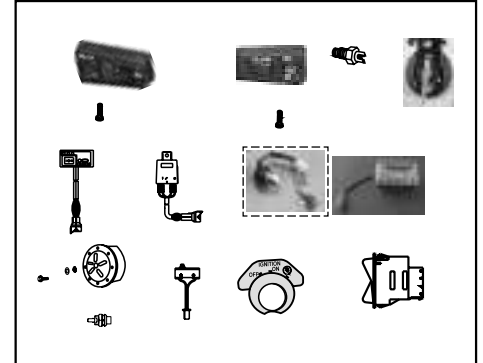


PLATE NO. : 57	PAGE NO.:
BATTERY AND FUSE BOX ASSLY	110/111/112

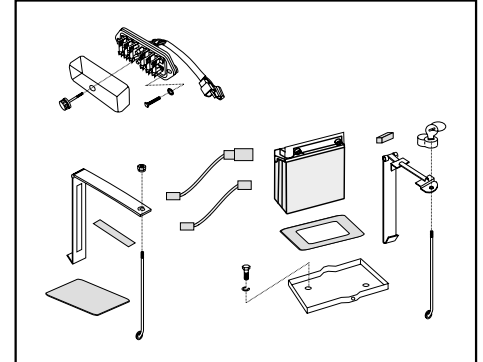
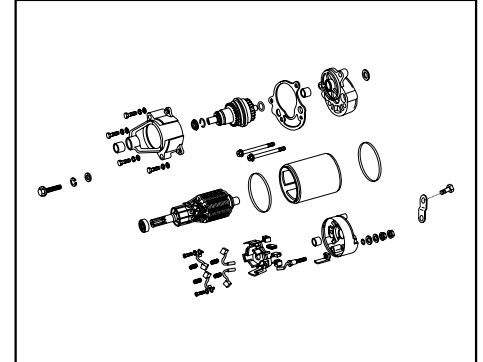


PLATE NO. : 58A	PAGE NO.:
STARTER MOTOR	115



Pictorial Index

RE 4 STROKE
AUTORIKSHA

PLATE NO. : 59	PAGE NO.:
PASSENGER BODY & REAR DOOR	116/117/118

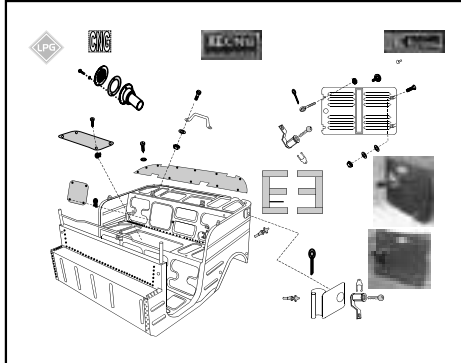


PLATE NO. : 61	PAGE NO.:
HOOD & FRAME ASSLY / PACKING	120 & 121

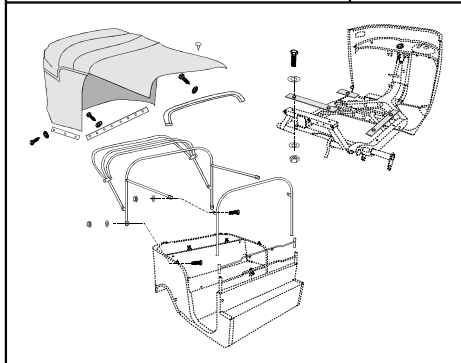


PLATE NO. : 63	PAGE NO.:
SEAT ASSLY	124 & 125

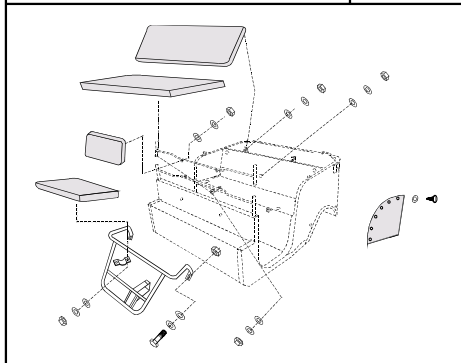


PLATE NO. : 60	PAGE NO.:
REAR MUDGUARD BUMPER & MUDFLAP	119

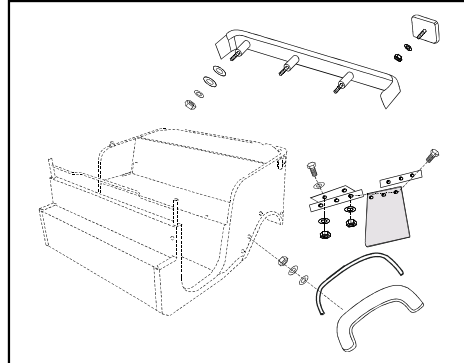


PLATE NO. : 62	PAGE NO.:
WINDSHIELD & WIPER MOTOR	122 & 123

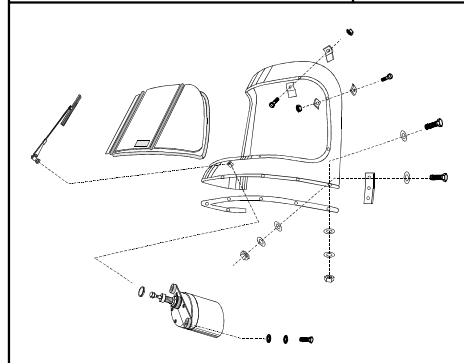
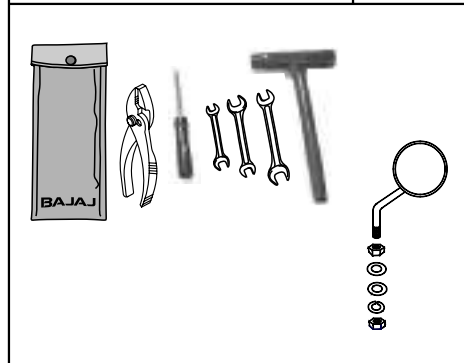


PLATE NO. : 64	PAGE NO.:
TOOL KIT & MIRROR	126



Pictorial Index

RE 4 STROKE
AUTORIKSHA

PLATE NO. : 65	PAGE NO.:
CNG CYLINDER	127 & 128

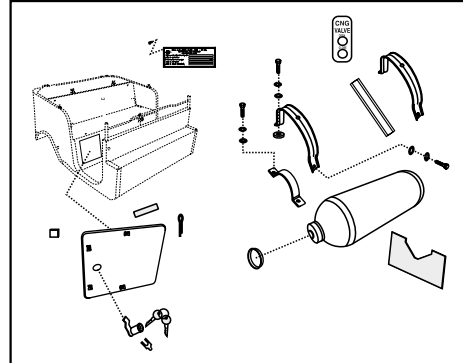


PLATE NO. : 67	PAGE NO.:
MIXER UNIT & HOSE (VANAZ KIT)	130

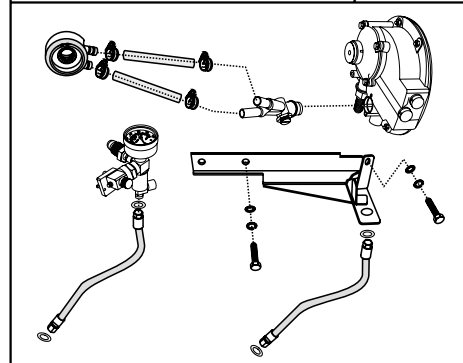


PLATE NO. : 69	PAGE NO.:
2ND STAGE CNG REGULATOR (VANAZ)	133 & 134

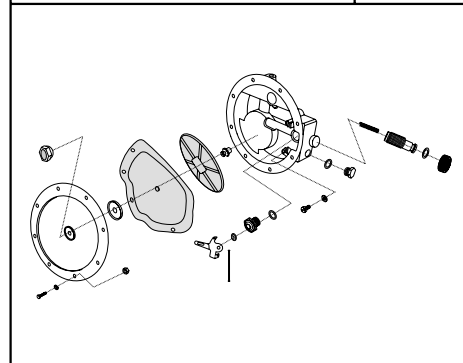


PLATE NO. : 66	PAGE NO.:
VALVE OF CNG CYLINDER (FOR CNG)	129

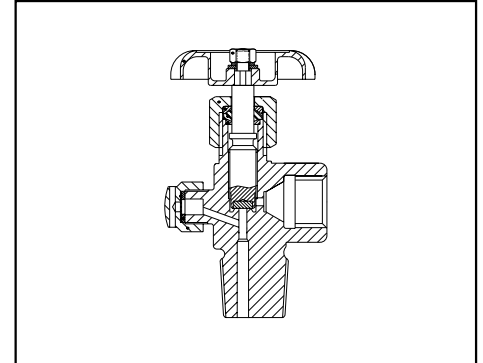


PLATE NO. : 68	PAGE NO.:
RELAY & SOLENOID PETROL & GAS (VANAZ)	131 & 132

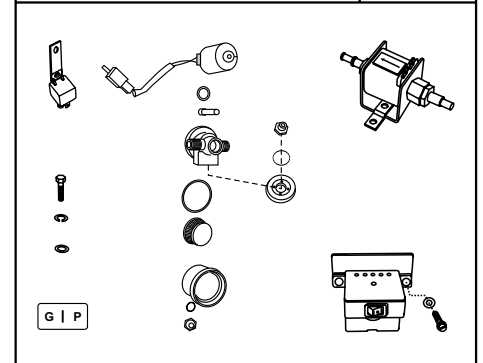
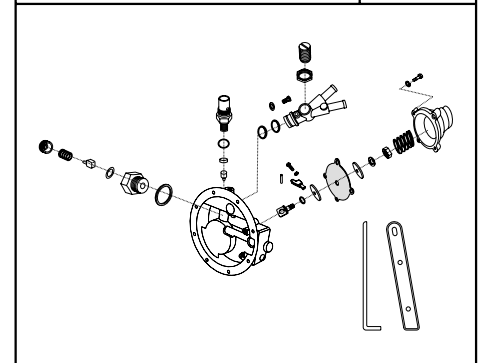


PLATE NO. : 70	PAGE NO.:
2ND STAGE CNG REGULATOR II VANAZ	135 & 136



Pictorial Index

RE 4 STROKE
AUTORIKSHA

PLATE NO. : 71	PAGE NO.:
1ST STAGE REDUCTION UNIT (VANAZ)	137 & 138

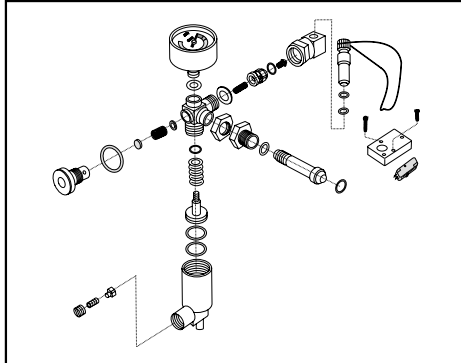


PLATE NO. : 73	PAGE NO.:
REFILLING UNIT (LOVATO KIT)	140

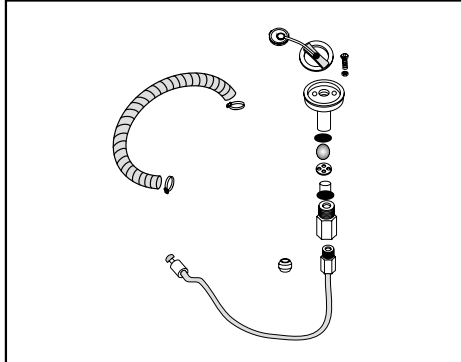


PLATE NO. : 75	PAGE NO.:
VAPOR BOX (LOVATO KIT)	142

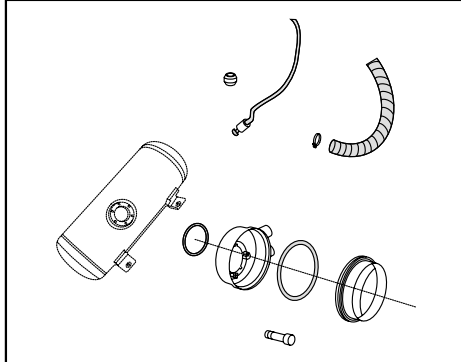


PLATE NO. : 72	PAGE NO.:
LPG CYLINDER	138

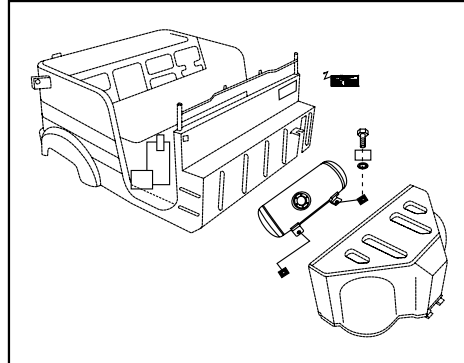


PLATE NO. : 74	PAGE NO.:
MIXER ASSLY. & MANIFOLD ASSLY.	141

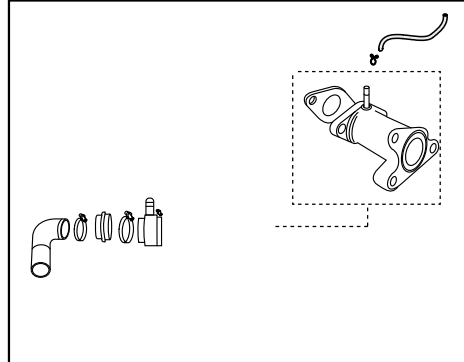
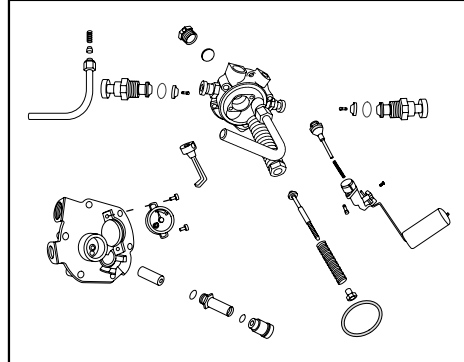


PLATE NO. : 76	PAGE NO.:
MULTIFUNCTION VALVE (LOVATO KIT)	143/144/145



Pictorial Index

RE 4 STROKE
AUTORIKSHA

PLATE NO. : 77	PAGE NO.:
REGULATOR (LOVATO KIT)	146 & 147

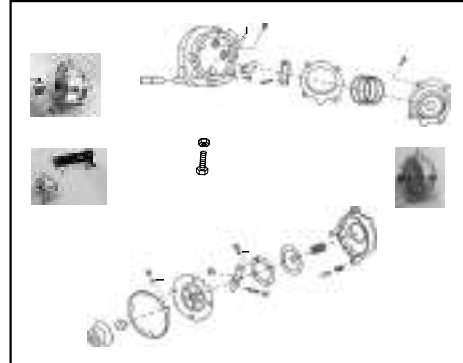


PLATE NO. : 79	PAGE NO.:
REGULATOR T60 ASSLY. (MINDA KIT)	150

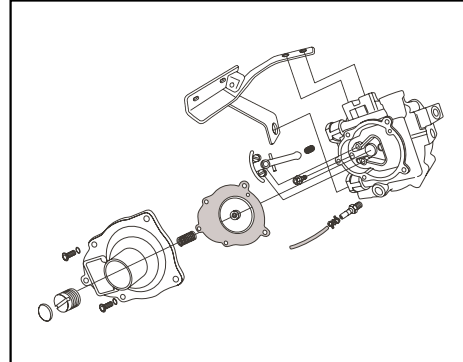


PLATE NO. : 81	PAGE NO.:
HPR ASSLY (MINDA KIT)	153 & 154

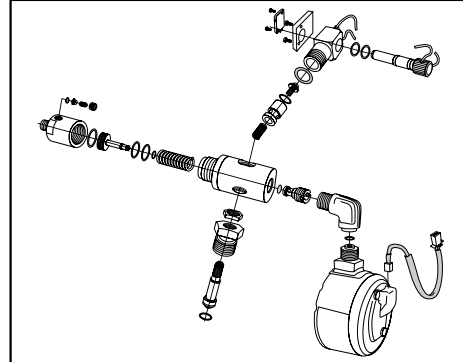


PLATE NO. : 78	PAGE NO.:
2nd STAGE CNG REGULATOR - II (FOR CNG VEHICLE ONLY)	148 & 149

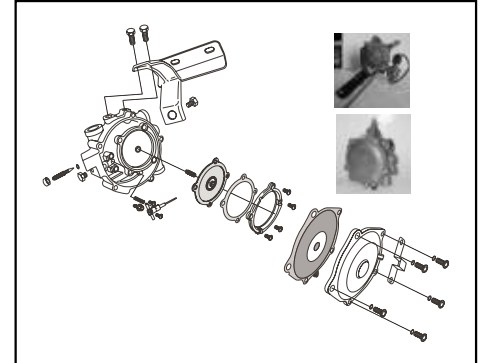


PLATE NO. : 80	PAGE NO.:
POWER VALVE ASSLY. (MINDA KIT)	151 & 152

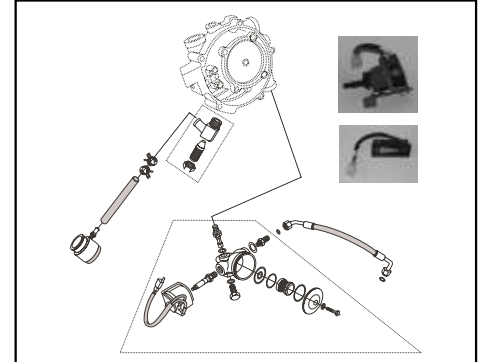
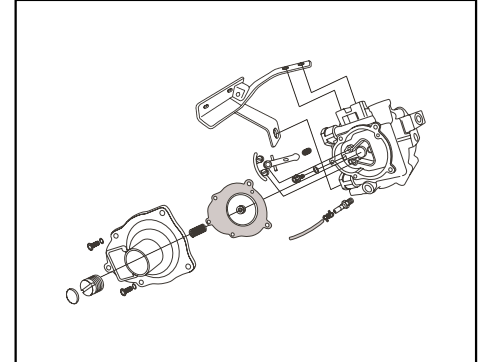


PLATE NO. : 82	PAGE NO.:
REGULATOR T60 ASSLY.	155



Pictorial Index

RE 4 STROKE
AUTORIKSHA

PLATE NO. : 83
POWER VALVE (MINDA KIT)

PAGE NO.:
156

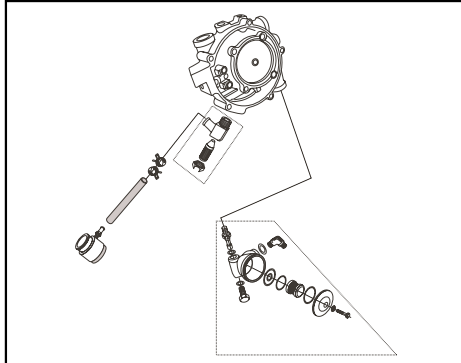


PLATE NO. : 85
REGULATOR - VANAZ KIT

PAGE NO.:
159/160/161

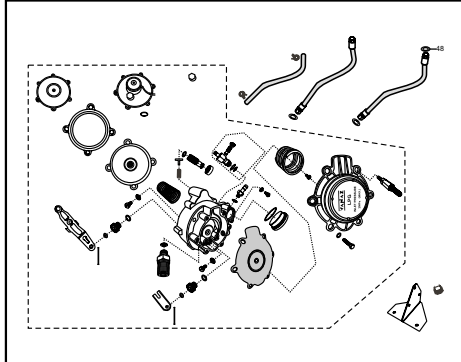


PLATE NO. : 87
FILTER VANAZ KIT

PAGE NO.:
164

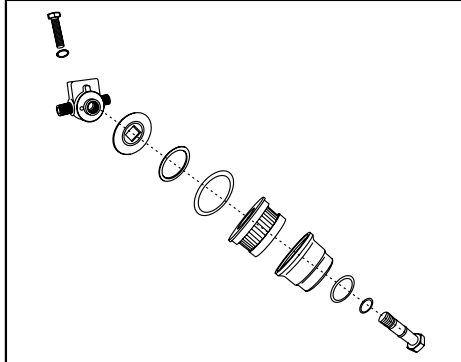


PLATE NO. : 84
MULTI VALVE ASSLY (MINDA KIT)

PAGE NO.:
157 & 158

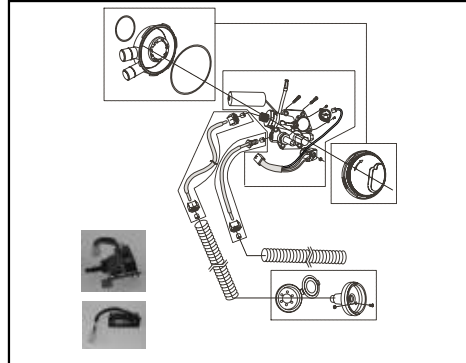


PLATE NO. : 86
MULTI VALVE - VANAZ KIT

PAGE NO.:
162 & 163

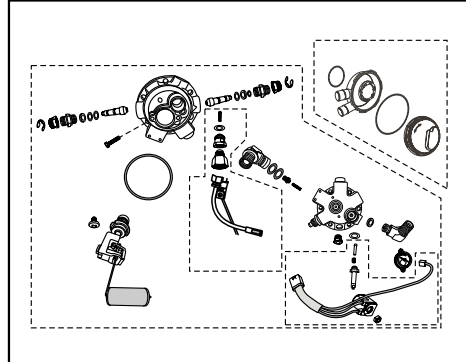
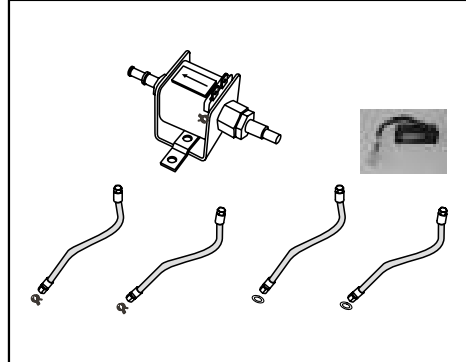


PLATE NO. : 88
HOSE ASSLY (VANAZ KIT)

PAGE NO.:
165

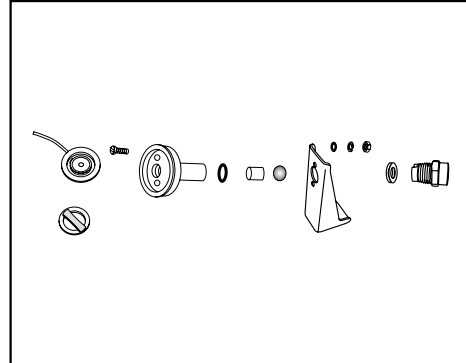


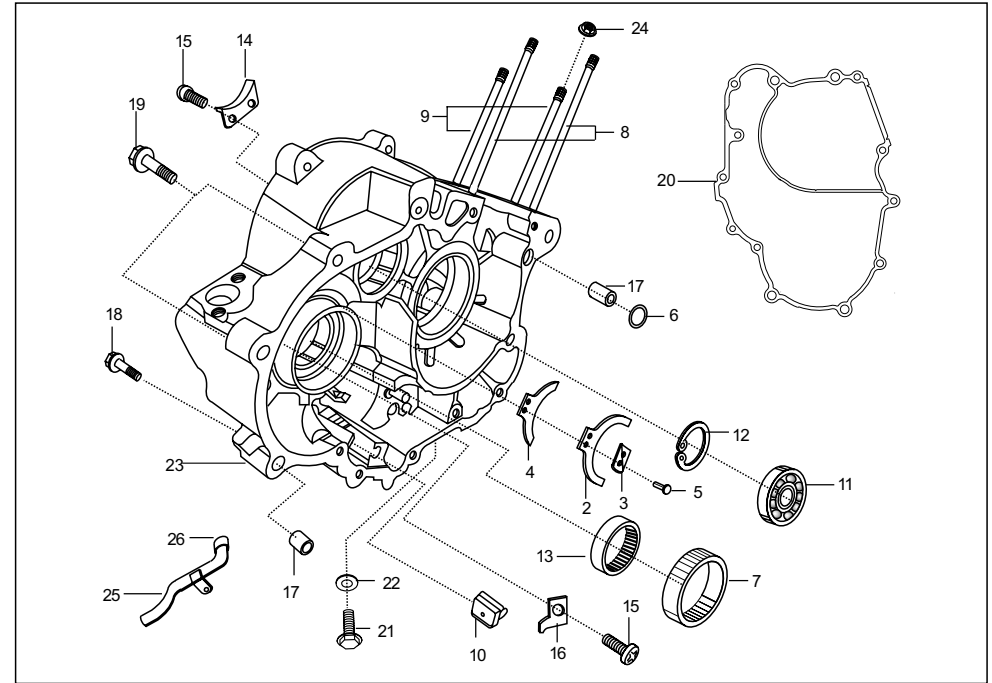
Pictorial Index

RE 4 STROKE
AUTORIKSHA

PLATE NO. : 89
FILTER VALVE - VANAZ KIT

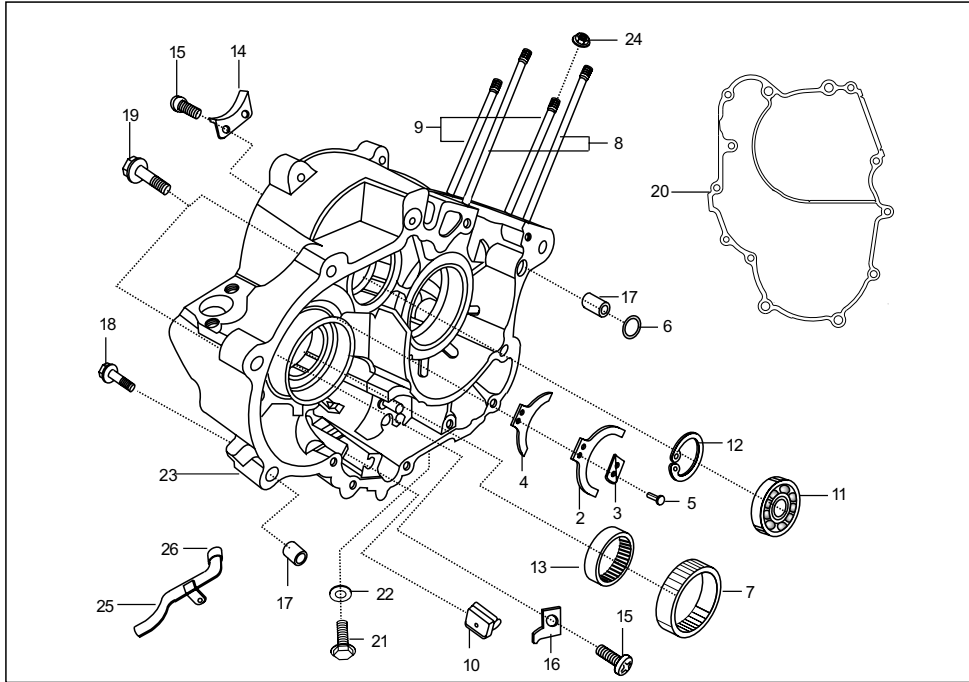
PAGE NO.:
166





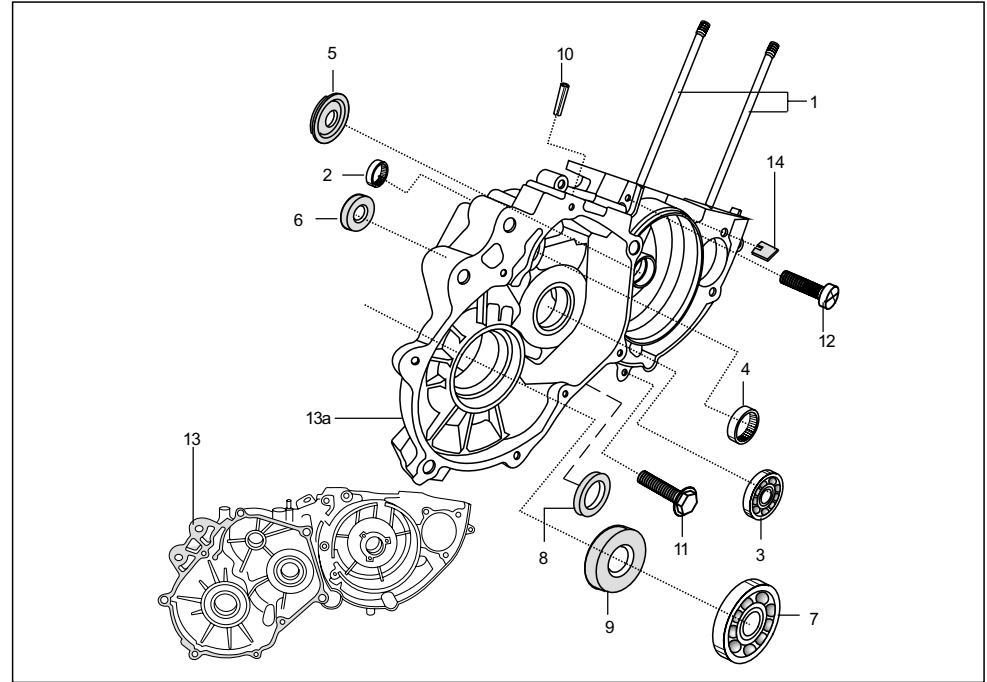
No.	Part No.	Description	Qty/Veh.			Remarks
			AA	AF	AM	
1	AA 1014 64	Engine Assly. comp.	1	1	1	For Mitsuba motor
2	AA 1011 23	Spring plate upper	1	1	1	
3	AA 1012 49	Spacer pad - hand start	1	1	1	
4	AA 1011 24	Spring plate lower	1	1	1	
5	39 0508 09	Rivet	2	2	2	
6	39 1013 21	'O' ring	1	1	1	
7	AA 1011 45	Bush starter gear	1	1	1	
8	39 1719 05	Stud (Long)	2	2	2	
9	39 0682 05	Stud (Short)	2	2	2	
10	AA 1011 43	Rubber pad	1	1	1	
11	39 1214 20	Ball bearing	1	1	1	
12	21 1704 19	Circlip	1	1	1	
13	03 1003 35	Needle roller bearing	1	1	1	
14	AA 1010 04	Guide chain metallic	1	1	1	
15	39 0745 01	Scrow pan cross - M6	1	1	1	

AA - RE 4S PETROL
AF - RE 4S CNG
AM - RE 4S LPG



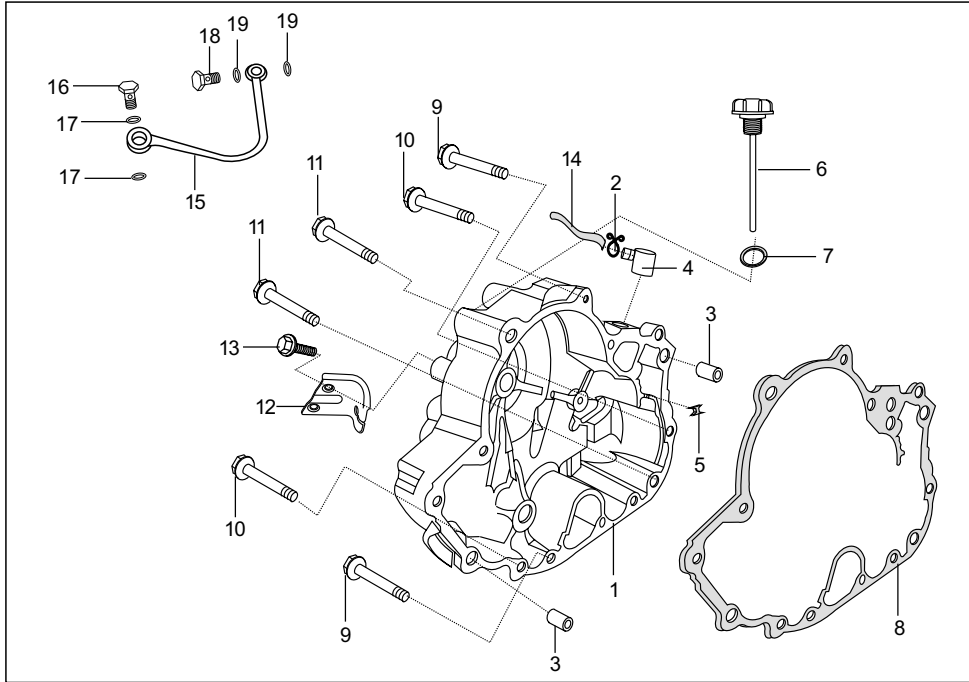
No.	Part No.	Description	Qty/Veh.			Remarks
			AA	AF	AM	
16	AB 1010 14	Guide starter gear	1	1	1	
17	39 1000 06	Hollow dowel pin	2	2	2	
18	39 1075 04	Bolt flanged small	6	6	6	
19	39 1676 04	Bolt flanged small	6	6	6	
20	AA 1013 28	Gasket (Crankcase)	1	1	1	
21	28 1011 41	Oil plug	1	1	1	
22	39 1796 11	Plain washer	1	1	1	
23	AA 1010 03	Crank case clutch side	1	1	1	
24	39 1630 15	Nut flange	2	2	2	
25	AA 1012 21	Tube assly.	1	1	1	
26	28 1010 80	Rubber bush	1	1	1	

AA - RE 4S PETROL
AF - RE 4S CNG
AM - RE 4S LPG



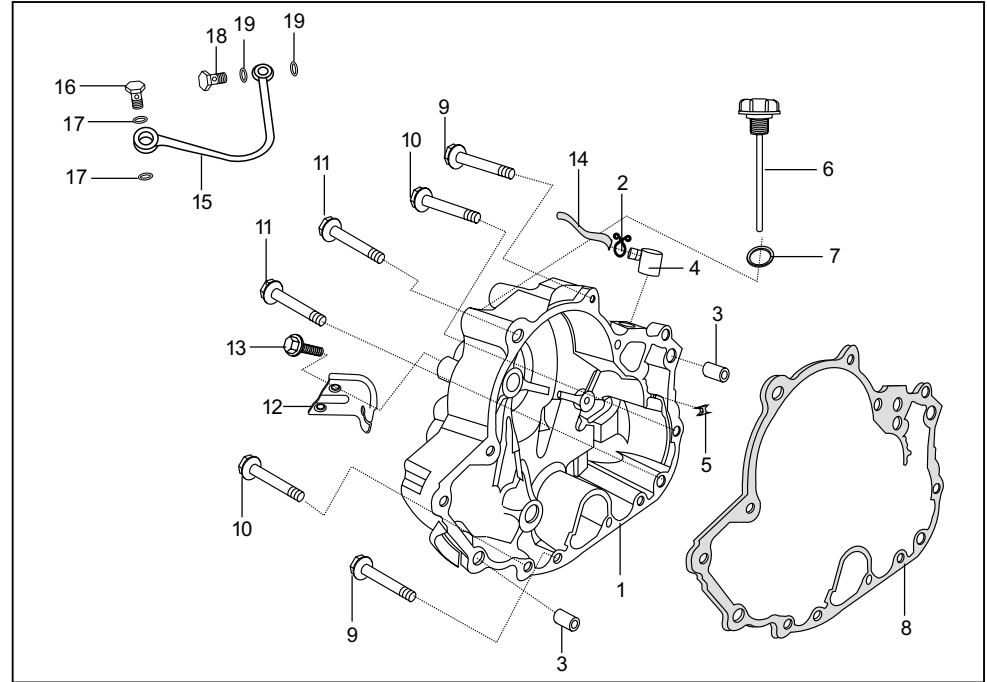
No.	Part No.	Description	Qty/Veh.			Remarks
			AA	AF	AM	
1	39 1719 05	Stud	2	2	2	
2	39 2528 20	Needle roller bearing	1	1	1	From April.03
	30 1010 10	Needle bearing	1	1	1	Upt March.03
3	39 1324 20	Ball bearing	1	1	1	
4	39 1435 20	Needle roller bearing	1	1	1	
5	39 1715 19	Oil seal	1	1	1	
6	39 1716 19	Oil seal (Main Shaft)	1	1	1	
7	24 1301 05	Ball bearing (Differential)	1	1	1	
8	39 1917 19	Oil seal	1	1	1	For starting handle sector gear
9	39 1870 19	Oil seal(Differential)	1	1	1	
10	39 0427 06	Spring type straight pin	1	1	1	
11	39 1075 04	Flanged bolt	1	1	1	
12	39 0747 01	Screw	1	1	1	
13	AN 1010 33	Crankcase magneto side	1	1	1	From 14.09.2007
	AA 1013 70	Crankcase magneto side	1	1	1	Upto 13.09.2007
	AA 1010 05	Crankcase magneto side	1	1	1	
14	AB 1010 85	Rubber grommet	1	1	1	

AA - RE 4S PETROL
AF - RE 4S CNG
AM - RE 4S LPG



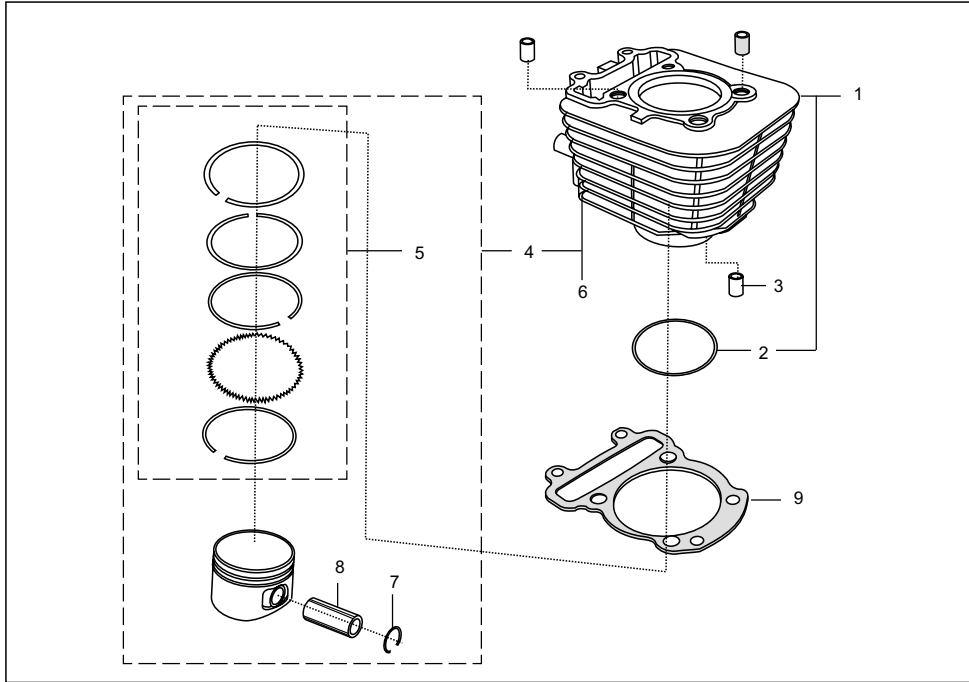
No.	Part No.	Description	Qty/Veh.			Remarks
			AA	AF	AM	
1	AA 1015 60	Clutch cover	1	1	1	From 10.01.2008 Upto 09.01.2008
	AA 1014 66	Clutch cover	1	1	1	
	AA 1013 96	Spring clip	1	1	1	
2	39 1000 06	Hollow dowel pin	2	2	2	
3	39 1000 06	Hollow dowel pin	2	2	2	
4	AB 1010 84	Breather w/ o pipe	1	1	1	
5	AB 1010 38	Grommet breather	1	1	1	
6	AA 1010 76	Dip stick clutch cover	1	1	1	
7	39 1537 21	'O' ring	1	1	1	
8	AA 1010 77	Gasket clutch cover	1	1	1	
9	39 1065 04	Bolt flanged small(40long)	5	5	5	
10	39 1963 04	Bolt(65 long)	4	4	4	
11	39 1721 04	Flanged bolt (88 long)	3	3	3	
12	AA 1013 37	Bracket for clutch cable	1	1	1	
13	39 1062 04	Bolt flanged small	2	2	2	
14	AN 1010 83	Breather tube assly	1	1	1	From 28.07.2007 Upto 27.07.2007
	AF 1010 07	Rubber tube - Breather	1	1	1	
15	AA 1014 68	Pipe complete banjo	1	1	1	

AA - RE 4S PETROL
AF - RE 4S CNG
AM - RE 4S LPG



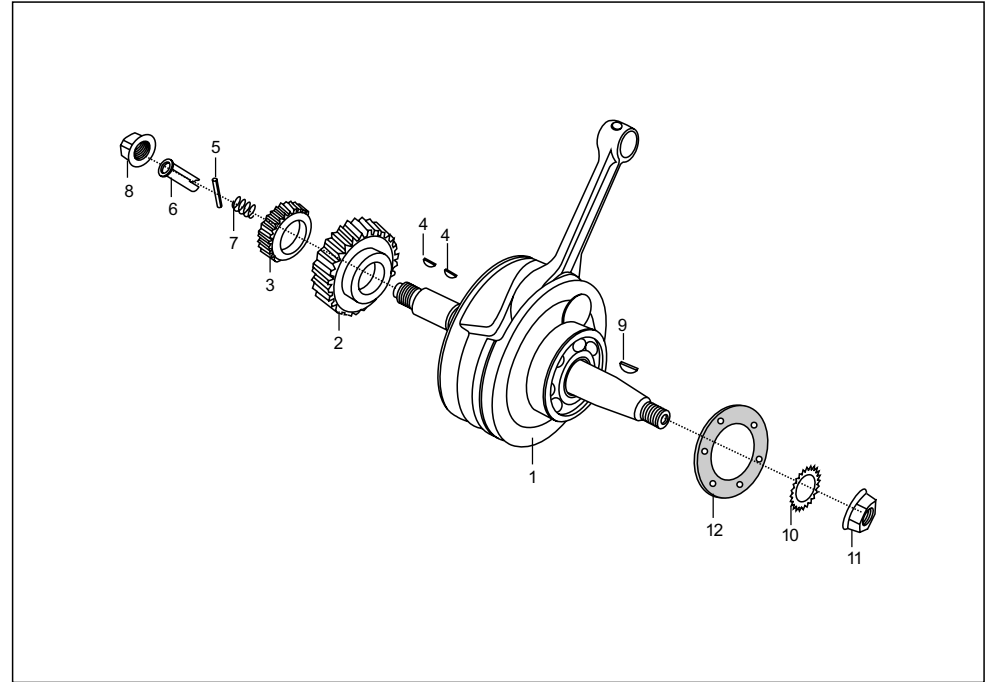
No.	Part No.	Description	Qty/Veh.			Remarks
			AA	AF	AM	
16	DD 1210 07	Bolt-banjo	1	1	1	
17	31 1210 06	Gasket	2	2	2	
18	AA 1014 75	Bolt-banjo	1	1	1	
19	39 1727 11	Gasket	2	2	2	

AA - RE 4S PETROL
AF - RE 4S CNG
AM - RE 4S LPG



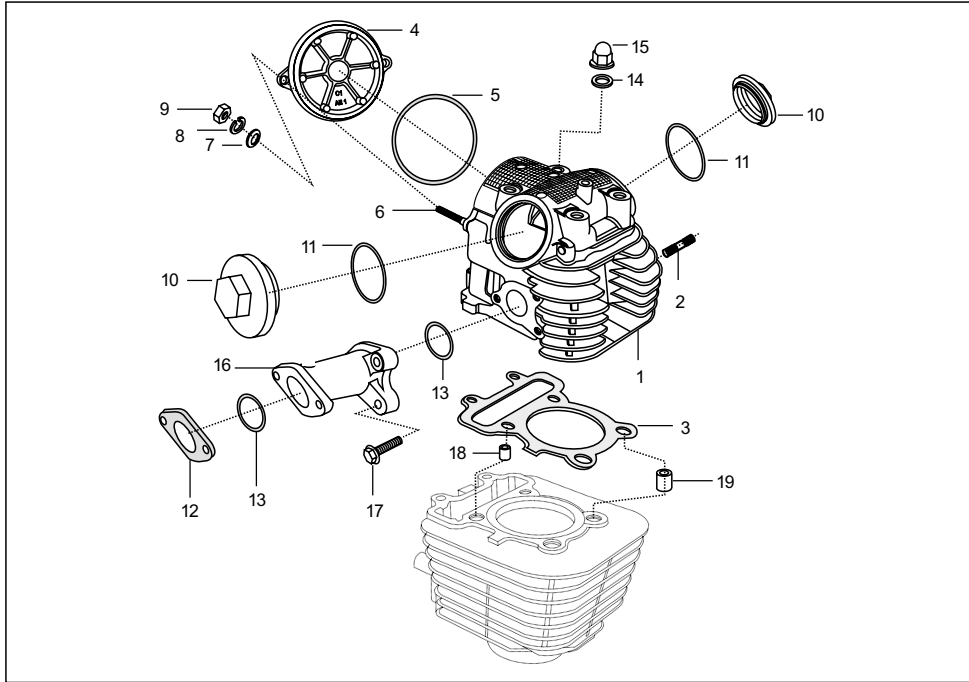
No.	Part No.	Description	Qty/Veh.			Remarks
			AA	AF	AM	
1	AA 1013 71	Cylinder block with liner (std)	1	1	1	Upto Aug.03
2	39 1543 21	'O' ring	1	1	1	
3	39 1000 06	Hollow dowel pin	2	2	2	
4	AA 1014 47	Piston assly (std)	1	1	1	
5	AA 1014 48	Piston ring set (std)	1	1	1	
6	AA 1014 46	Cyl. block & piston assly (std)	1	1	1	
7	39 1478 17	Wire circlip	2	2	2	
8	AA 1010 25	Pin piston	1	1	1	
9	AA 1010 13	Block gasket	1	1	1	

AA - RE 4S PETROL
AF - RE 4S CNG
AM - RE 4S LPG



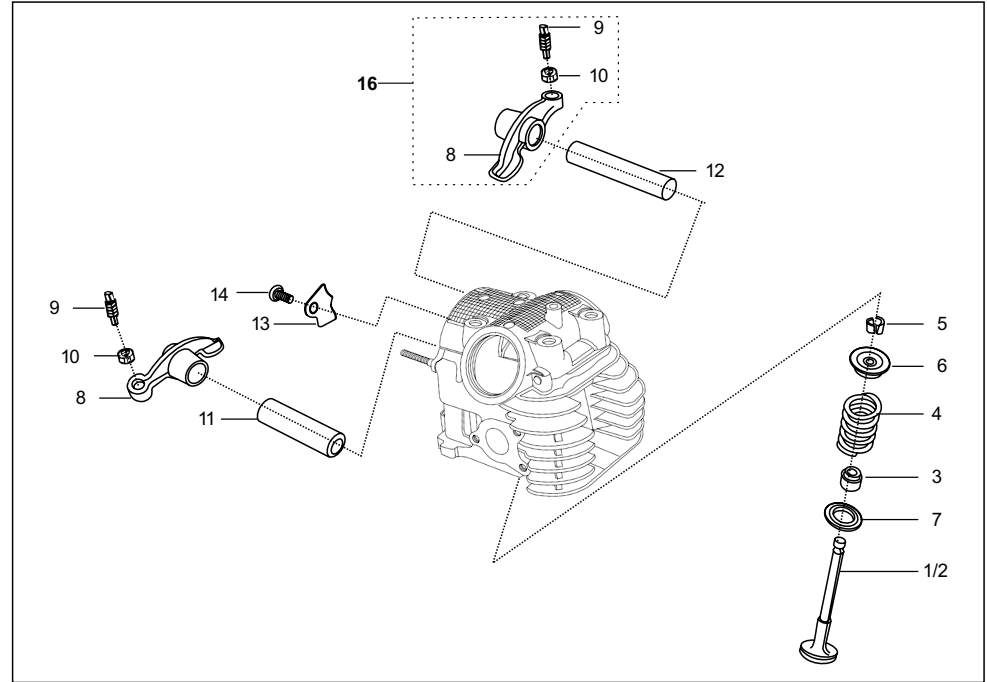
No.	Part No.	Description	Qty/Veh.			Remarks
			AA	AF	AM	
1	AN 1010 72	Crank shaft assly	1	1	1	For Sintering route
2	AA 1010 31	Primary pinion	1	1	1	
3	AA 1014 24	Oil pump drive gear	1	1	1	
4	31 1011 73	Key woodruff	2	2	2	
5	39 1927 07	Roller pin	1	1	1	
6	AA 1011 38	Plunger oil	1	1	1	
7	AA 1011 39	Spring plunger	1	1	1	
8	39 1885 15	Nut	1	1	1	
9	AA 1013 45	Woodruff key	1	1	1	
10	01 1006 12	Fan disc washer	1	1	1	
11	39 1053 15	Nut	1	1	1	N.I.
12	28 1011 10	Damper spring	1	1	1	
13	AA 1014 99	Kit connecting rod	1	1	1	

AA - RE 4S PETROL
AF - RE 4S CNG
AM - RE 4S LPG



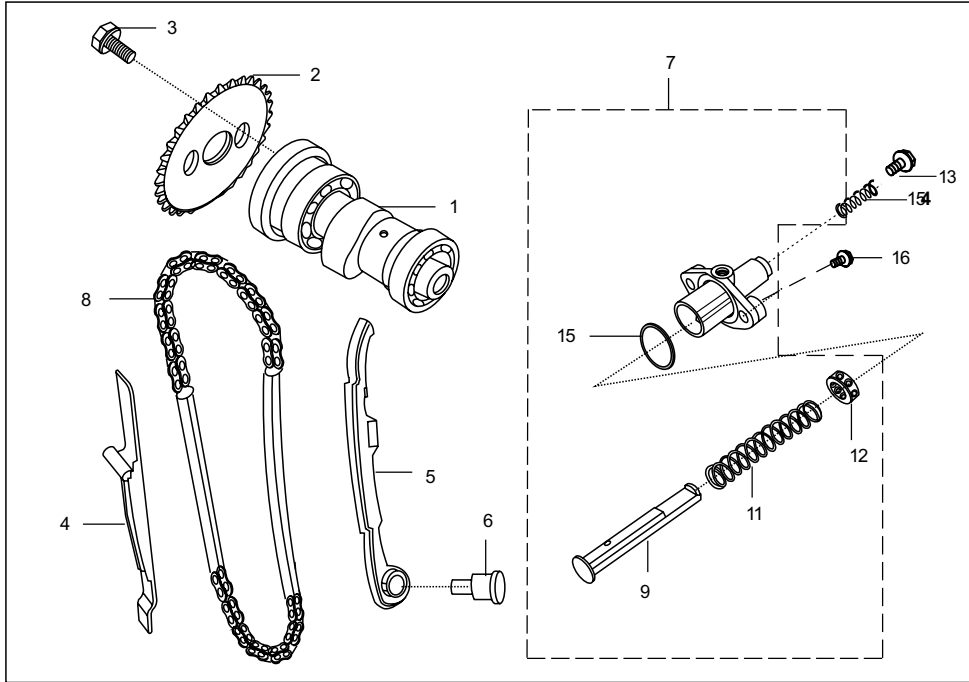
No.	Part No.	Description	Qty/Veh.			Remarks
			AA	AF	AM	
1	AA 1012 42	Cylinder head assly	1	1	1	
2	59 0500 01	Stud	2	2	2	For silencer
3	AA 1011 62	Head gasket	1	1	1	
4	28 1011 19	Cam shaft cover	1	1	1	
5	39 1264 21	'O' ring	1	1	1	
6	39 1871 05	Stud	2	2	2	For camshaft cover
7	39 0219 11	Plain washer	2	2	2	
8	39 1826 12	Spring washer	2	2	2	
9	39 0834 15	Hex nut	2	2	2	
10	13 1010 31	Cap	2	2	2	
11	39 1263 21	'O' ring	2	2	2	
12	AB 1010 59	Insulator	1	1	1	
13	39 1283 21	'O' ring	2	2	2	
14	39 1612 11	Plain Washer	4	4	4	
15	LC F000 01	Domed cap nut	4	4	4	
16	AA 1012 44	Manifold assly	1	1	1	
17	39 1674 04	Flanged bolt	3	3	3	
18	39 1000 06	Hollow dowel	2	2	2	
19	28 1011 18	Bush (Cylinder head gasket)	1	1	1	

AA - RE 4S PETROL
AF - RE 4S CNG
AM - RE 4S LPG



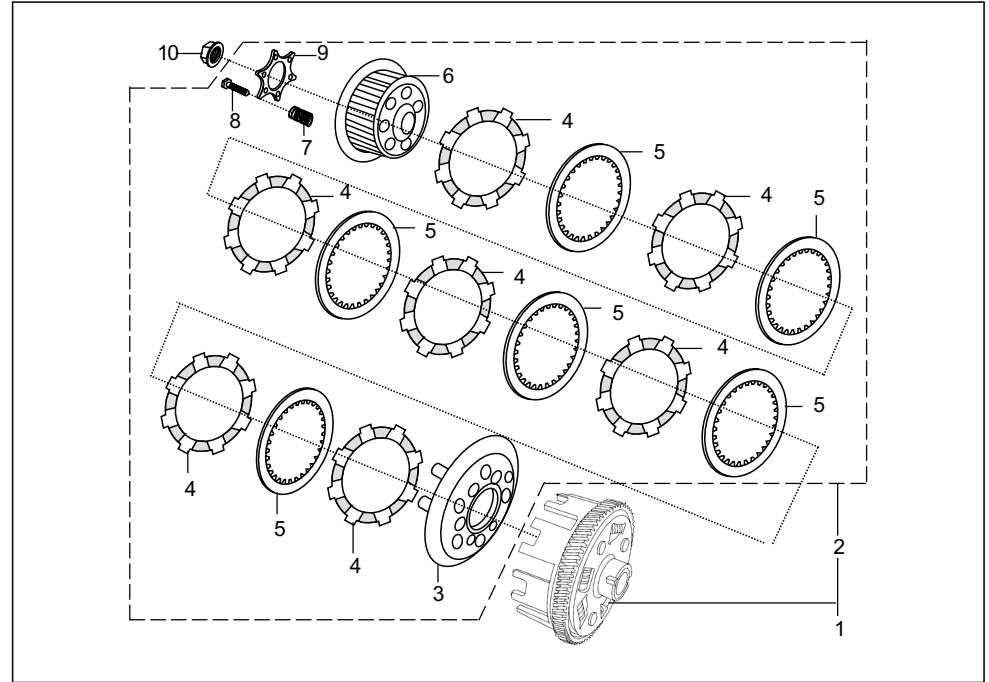
No.	Part No.	Description	Qty/Veh.			Remarks
			AA	AF	AM	
1	13 1010 22	Valve Intake	1	1	1	
2	13 1010 23	Valve exhaust	1	1	1	
3	39 1035 19	Seal oil	2	2	2	
4	31 1010 22	Spring engine valve	2	2	2	
5	31 1010 19	Collet	4	4	4	
6	31 1010 18	Retainer valve spring	2	2	2	
7	28 1011 29	Seat spring	2	2	2	
8	31 1010 20	Arm rocker	2	2	2	
9	39 1024 01	Screw	2	2	2	
10	39 0973 15	Nut	2	2	2	
11	AA 1011 37	Rocker Arm shaft	1	2	2	For Intake
12	13 1010 24	Rocker Arm shaft	1	2	2	For exhaust
13	28 1010 57	Stopper	1	1	1	
14	39 0702 01	Screw pan cross	1	1	1	
15	28 1011 25	Valve guide	2	2	2	N.I.
16	31 1012 35	Rocker arm with nut & screw	1	1	1	

AA - RE 4S PETROL
AF - RE 4S CNG
AM - RE 4S LPG



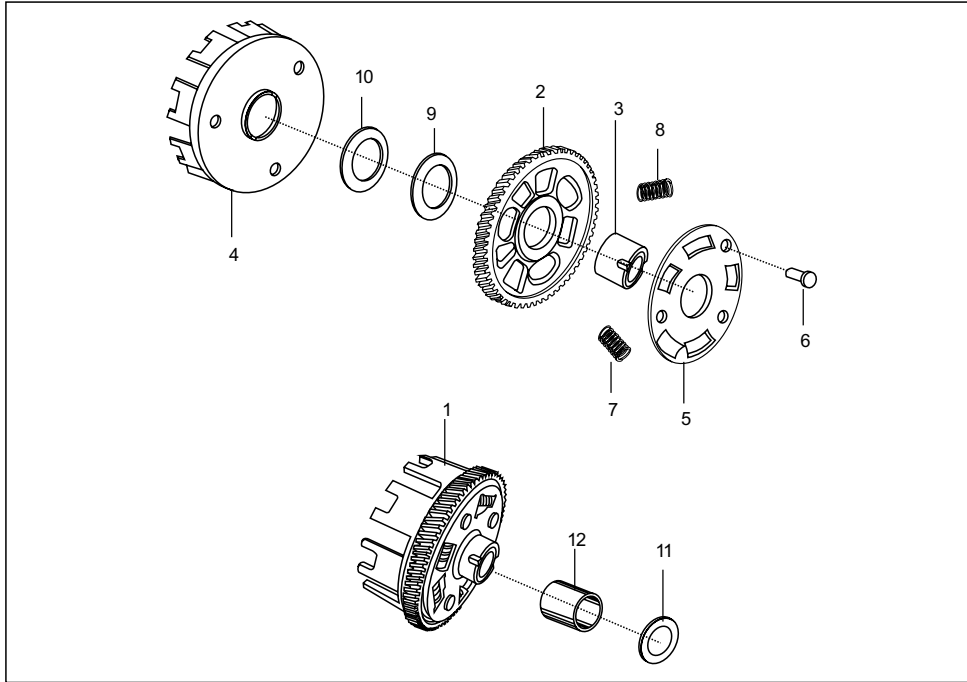
No.	Part No.	Description	Qty/Veh.			Remarks
			AA	AF	AM	
1	AA 1012 28	Camshaft assly	1	1	1	
2	28 1011 67	Sprocket camshaft	1	1	1	
3	39 1079 01	Hex.head screw	2	2	2	
4	AA 1010 15	Guide chain (N.T.Side)	1	1	1	
5	AA 1011 34	Guide chain - T.S.	1	1	1	
6	AA 1011 35	Pin guide chain*	1	1	1	
7	AA 1015 16	Tensioner assly	1	1	1	
8	AA 1010 17	Timing chain	1	1	1	
9	31 1010 28	Push rod	1	1	1	
10	31 1012 39	Thread sealent (L222)	1	1	1	N.I.
11	31 1010 30	Spring	1	1	1	
12	31 1011 20	Retainer	1	1	1	
13	39 1049 04	Bolt	1	1	1	
14	AA 1015 31	Tension spring	1	1	1	
15	39 1014 21	Ring 'O'	1	1	1	
16	39 1674 04	Flange bolt	2	2	2	

AA - RE 4S PETROL
AF - RE 4S CNG
AM - RE 4S LPG



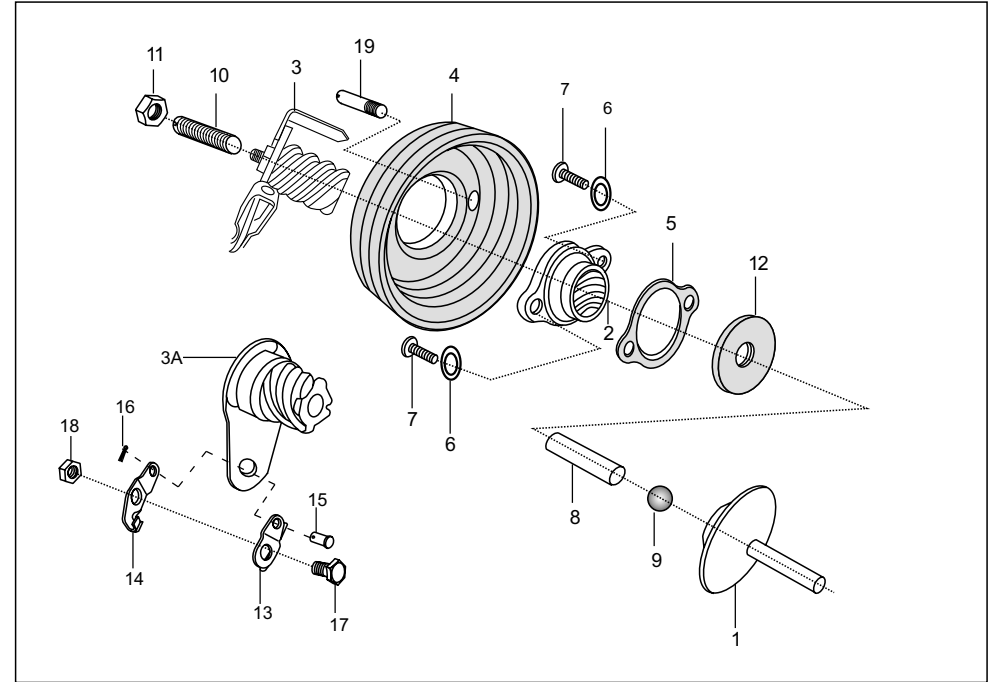
No.	Part No.	Description	Qty/Veh.			Remarks
			AA	AF	AM	
1	AA 1014 69	Clutch comp	1	1	1	From Dec.03
	AA 1010 62	Clutch comp	1	1	1	Upto Nov.03
2	AA 1014 70	Clutch plate assly	1	1	1	For AA 1014 69
	AA 1010 66	Clutch plate assly	1	1	1	For AA 1010 62
3	AA 1014 71	Wheel clutch	1	1	1	For AA 1014 69
	AA 1012 05	Wheel clutch	1	1	1	For AA 1010 62
4	AA 1014 78	Plate friction	7	7	7	For AA 1014 69
	AA 1012 10	Plate friction	7	7	7	For AA 1010 62
5	AA 1014 72	Plate clutch	6	6	6	For AA 1014 69
	AA 1012 11	Plate clutch	6	6	6	For AA 1010 62
6	AA 1014 73	Hub clutch	1	1	1	For AA 1014 69
	AA 1012 06	Hub clutch	1	1	1	For AA 1010 62
7	AA 1013 64	Spring clutch	6	6	6	For AA 1014 69
8	39 0980 04	Hex bolt	6	6	6	For AA 1010 62
9	AA 1014 74	Holder clutch	1	1	1	For AA 1014 69
	AA 1011 57	Holder clutch	1	1	1	For AA 1010 62
10	39 1938 15	Nut	1	1	1	

AA - RE 4S PETROL
AF - RE 4S CNG
AM - RE 4S LPG



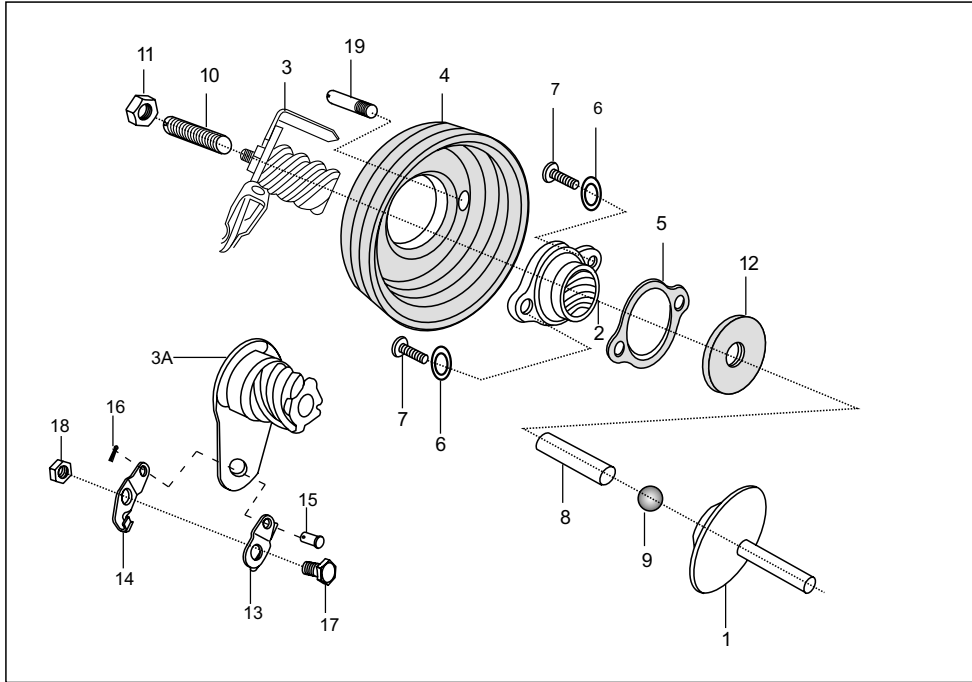
No.	Part No.	Description	Qty/Veh.			Remarks
			AA	AF	AM	
1	AA 1010 63	Clutch housing assly	1	1	1	Not to service only for ref.
2	AA 1010 65	Gear primary helical	1	1	1	
3	AA 1010 09	Bush gear primary	1	1	1	
4	AA 1012 07	Housing clutch	1	1	1	
5	AA 1011 42	Holder	1	1	1	
6	39 1033 09	Rivet	3	3	3	
7	AA 1014 00	Spring damper A	3	3	3	
8	AA 1014 01	Spring damper B	2	2	2	
9	31 1011 41	Spring (Beleville washer)	1	1	1	
10	39 1057 11	Plain washer	1	1	1	
11	39 2008 11	Plain washer	1	1	1	
12	AA 1012 13	Collar	1	1	1	

AA - RE 4S PETROL
AF - RE 4S CNG
AM - RE 4S LPG



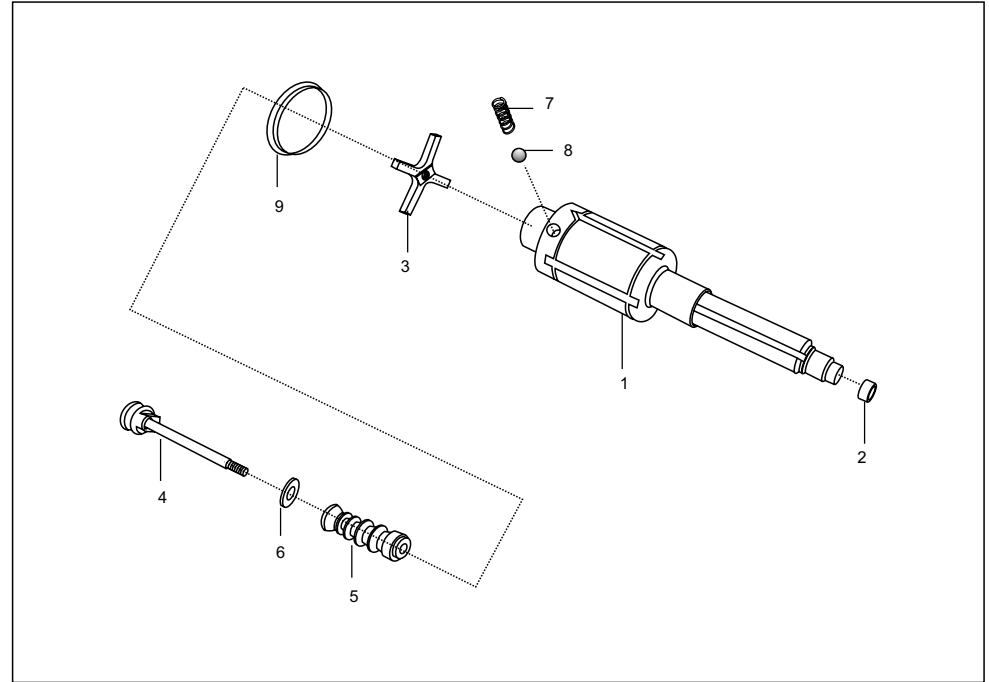
No.	Part No.	Description	Qty/Veh.			Remarks
			AA	AF	AM	
1	AA 1010 73	Rod push	1	1	1	
2	AA 1014 79	Release clutch outer	1	1	1	From Dec.03
	30 1011 21	Release clutch outer	1	1	1	Upto Nov.03
3	AA 1014 81	Inner clutch release assly.	1	1	1	From Dec.03
3a	AA 1013 40	Inner clutch release assly.	1	1	1	Upto Nov.03
4	AA 1014 84	Bellow	1	1	1	From Dec.03
	AB 1010 58	Bellow	1	1	1	Upto Nov.03
5	AA 1014 91	Gasket release	1	1	1	
	30 1011 15	Gasket release	1	1	1	
6	39 0198 11	Plain washer	2	2	2	
7	39 2038 04	Hex head bolt	2	2	2	
8	AA 1011 68	Dowel pin (Clutch release)	1	1	1	
9	30 1011 97	Ball steel	1	1	1	
10	39 1441 01	Screw set	1	1	1	
11	39 0793 15	Hex. lock nut	1	1	1	
12	39 1744 19	Oil seal	1	1	1	
13	01 1501 09	Front brake link	1	1	1	
14	05 1510 13	Front brake link	1	1	1	
15	03 1501 11	Pin	1	1	1	Upto Aug.01(For integral cable)

AA - RE 4S PETROL
AF - RE 4S CNG
AM - RE 4S LPG



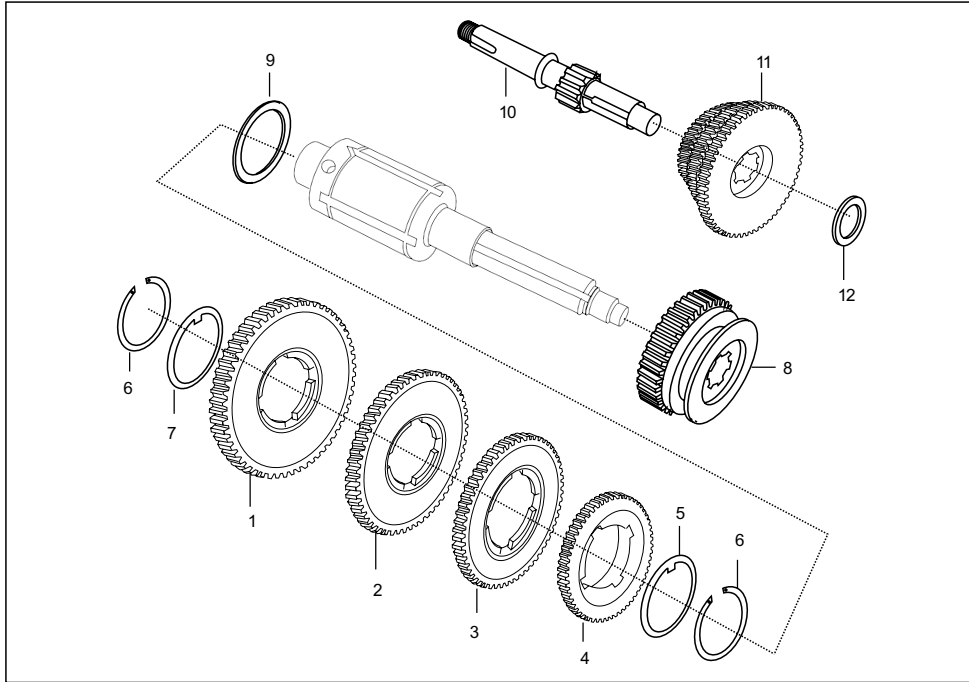
No.	Part No.	Description	Qty/Veh.			Remarks
			AA	AF	AM	
16	39 0784 08	Split pin	1	1	1	
17	01 1501 12	Bolt	1	1	1	
18	39 0299 15	Hex.nut	1	1	1	
19	AB1011 00	Arrestor pin	1	1	1	

AA - RE 4S PETROL
AF - RE 4S CNG
AM - RE 4S LPG

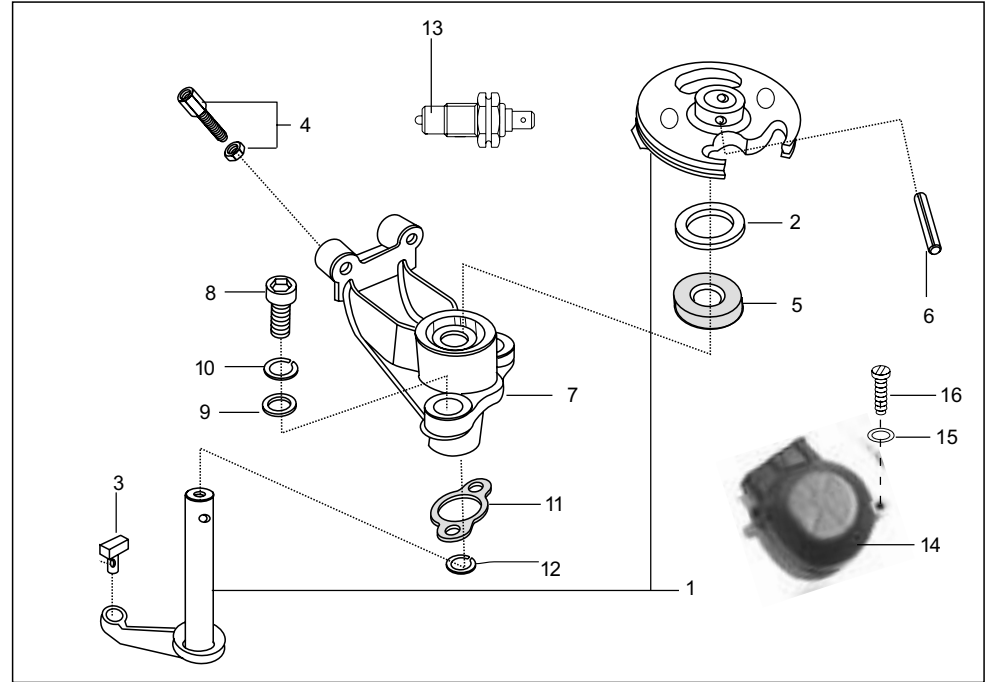


No.	Part No.	Description	Qty/Veh.			Remarks
			AA	AF	AM	
1	AA 1010 48	Main shaft	1	1	1	
2	AA 1012 95	Drive bush	1	1	1	
3	AB 1010 67	Cross	1	1	1	
4	AA 1010 54	Guide stem	1	1	1	
5	AA 1011 08	Gear selector	1	1	1	
6	39 0213 11	Plain washer	1	1	1	
7	28 1010 38	Spring	2	2	2	
8	01 1801 23	Steel ball	2	2	2	
9	AA 1010 61	Cup gear shifter	1	1	1	

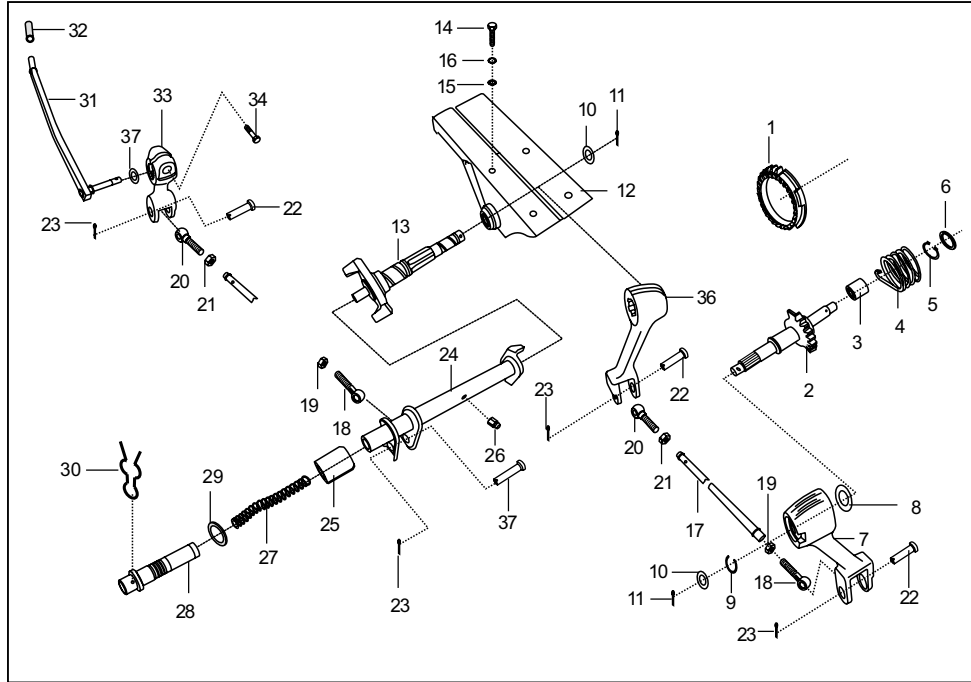
AA - RE 4S PETROL
AF - RE 4S CNG
AM - RE 4S LPG



No.	Part No.	Description	Qty/Veh.			Remarks
			AA	AF	AM	
1	AA 1010 50	1st speed gear	1	1	1	
2	AA 1010 51	2nd speed gear	1	1	1	
3	AA 1010 52	3rd speed gear	1	1	1	
4	AA 1010 53	4th speed gear	1	1	1	
5	15 1011 71	Spacer ring	1	1	1	
6	21 1007 11	Circlip	2	2	2	
7	01 1007 11	Shoulder ring No. 1	1	1	1	
	01 1007 12	Shoulder ring No. 2	1	1	1	
	01 1007 13	Shoulder ring No. 3	1	1	1	Selective
	01 1007 14	Shoulder ring No. 4	1	1	1	
	01 1007 15	Shoulder ring No. 5	1	1	1	
8	AA 1015 55	Reverse control gear	1	1	1	From 14.09.2007
	AA 1010 56	Reverse control gear	1	1	1	Upto 13.09.2007
9	AA 1010 55	Thrust washer	1	1	1	
10	AA 1013 92	Multiple gear shaft	1	1	1	From April.03
	AA 1012 08	Multiple gear shaft	1	1	1	Upto March.03
11	AA 1010 46	Multiple gear	1	1	1	
12	AA 1011 56	Thrust washer (M.G.Shaft)	1	1	1	

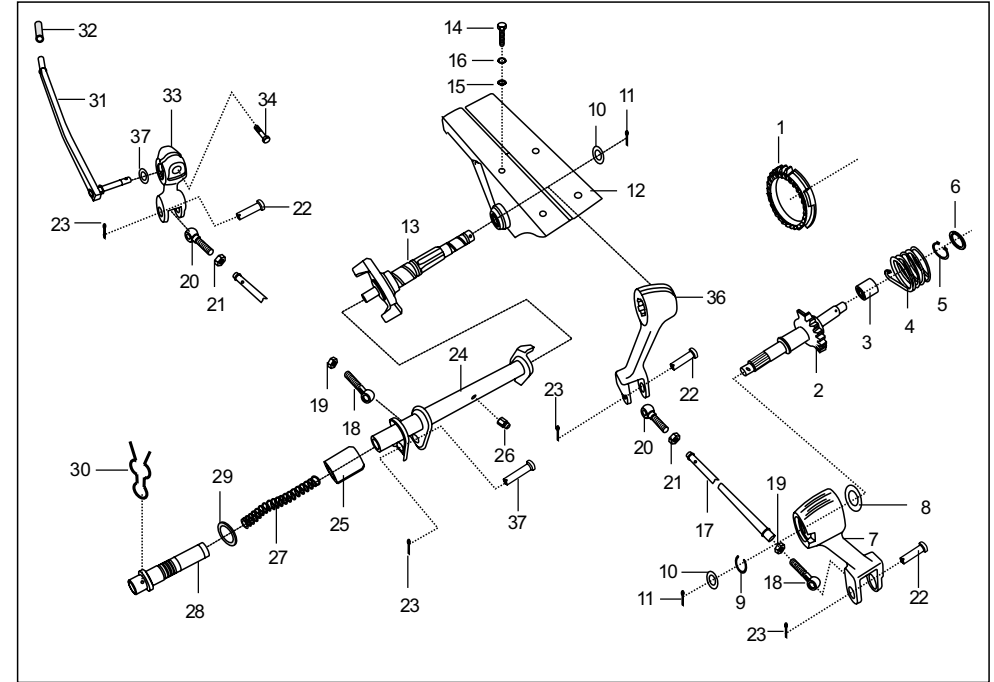


No.	Part No.	Description	Qty/Veh.			Remarks
			AA	AF	AM	
1	AA 1012 61	Sector with lever	1	1	1	
2	39 0550 11	Plain washer*	1	1	1	
3	BA 1321 41	Slider block	1	1	1	
4	05 1010 83	Adjuster with nut*	2	2	2	
5	39 1046 19	Seal oil	1	1	1	
6	39 0426 06	Spring type straight pin	1	1	1	
7	AA 1012 60	Flange (Gear shifter)	1	1	1	
8	39 1197 04	Bolt socket	2	2	2	
9	39 0219 11	Plain washer	2	2	2	
10	39 1826 12	Spring washer	2	2	2	
11	AA 1010 84	Gasket sector flange	1	1	1	
12	39 0804 11	Plain washer	2	2	2	
13	AA 2010 41	Switch neutral	1	1	1	
14	AA 1012 58	Cover (Gear shifter)	1	1	1	
15	39 0197 11	Plain washer	2	2	2	
16	39 0758 01	Screw pan cross	2	2	2	



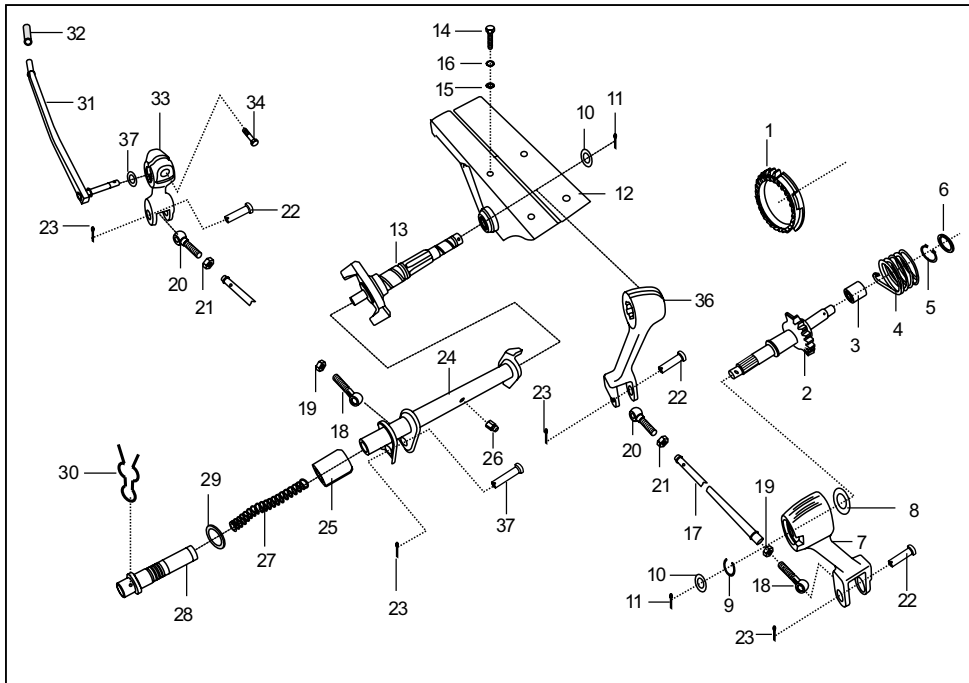
No.	Part No.	Description	Qty/Veh.			Remarks
			AA	AF	AM	
1	AA 1011 22	Starter gear	1	1	1	
2	AA 1012 86	Sector gear assly.	1	1	1	From Feb.00
	AA 1011 18	Sector gear assly.	1	1	1	Upto Jan 00
3	AA 1012 15	Guide spring	1	1	1	
4	AA 1012 09	Torsional spring	1	1	1	
5	30 1010 53	Circlip	1	1	1	
6	AA 1011 56	Thrust washer	1	1	1	
7	AA 1012 88	Lever engine side (H. S.)	1	1	1	From Feb. 00
	AA 1011 28	Lever engine side (H. S.)	1	1	1	Upto Jan. 00
8	39 2175 11	Plain washer	1	1	1	
9	39 2176 17	Wire circlip	1	1	1	
10	39 0240 11	Plain washer	2	2	2	
11	39 0799 08	Pin cotter	2	2	2	
12	AA 1012 97	Support assly.comp. (H.S.)	1	1	1	
13	AA 1012 89	Spindle assly.	1	1	1	
14	39 0435 01	Screw hex.head	4	4	4	
15	39 0200 11	Plain washer	4	4	4	

AA - RE 4S
PETROL
AF - RE 4S CNG

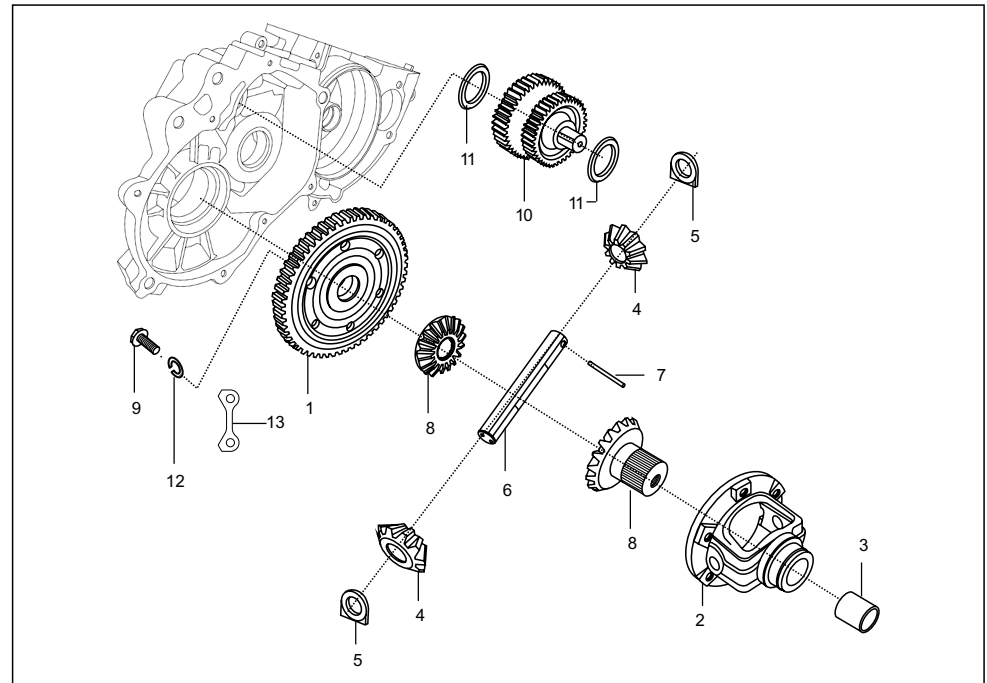


No.	Part No.	Description	Qty/Veh.			Remarks
			AA	AF	AM	
16	39 1828 12	Spring washer	4	4	4	
17	AA 1012 93	Connecting tube - I	1	1	1	From Feb. 00
18	24 1011 21	Eye bolt / bush assly. LH	2	2	2	
19	24 1014 19	Hex.nut LH thread	2	2	2	
20	24 1011 22	Eye bolt / bush assly. RH	2	2	2	
21	39 0296 15	Hex. nut	2	2	2	
22	24 1014 22	Pin	3	3	3	
23	39 0146 08	Split pin	4	4	4	
24	AA 1012 91	Starting tube assly.	1	1	1	From Feb. 00
	AA 1011 30	Starting handle assly	1	1	1	Upto Jan. 00
25	22 1014 23	Plug	1	1	1	
26	23 1613 05	Grease nipple	1	1	1	
27	21 1014 27	Spring	1	1	1	
28	AA 1012 77	Pin for lever support	1	1	1	
29	03 1801 16	'O' ring	1	1	1	
30	21 1014 29	Spring clip	1	1	1	

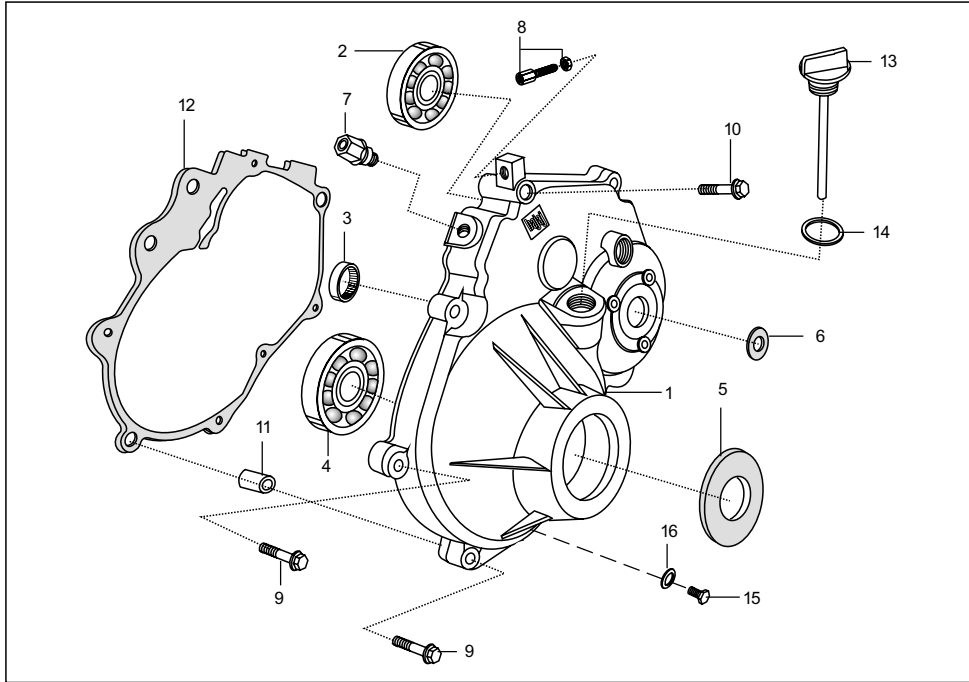
AA - RE 4S
PETROL
AF - RE 4S CNG



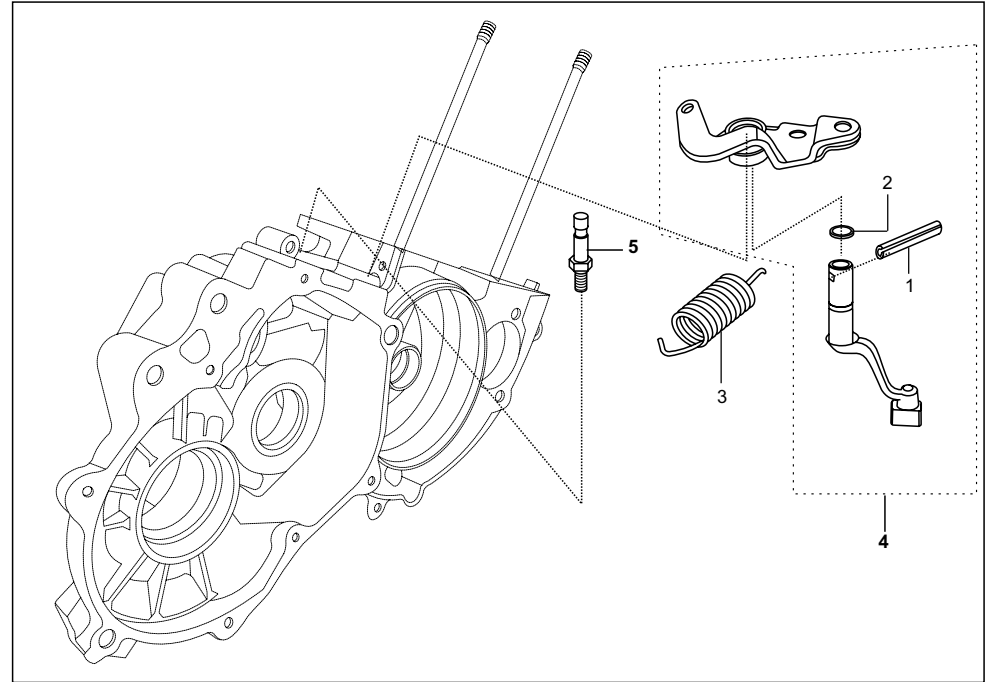
No.	Part No.	Description	Qty/Veh.			Remarks
			AA	AF	AM	
31	24 1011 77	Starting handle/pin	1	1	1	
32	22 1011 15	Starting handle grip	1	1	1	
33	AA 1013 29	Lever driver side	1	1	1	From Feb. 00
	AA 1011 27	Lever driver side	1	1	1	Up to Jan. 00
34	39 1389 04	'D' bolt	1	1	1	
35	24 1014 21	Pin	1	1	1	
36	AA 1013 30	Lever	1	1	1	
37	24 1014 14	Washer	1	1	1	
38	24 1613 39	Cap eye bolt Connecting tube	1	1	1	N.I.
39	24 1015 72	Nylon bush	1	1	1	N.I.
40	AA 1610 50	Bush Sintered Bronze	1	1	1	Upto Jan. 00



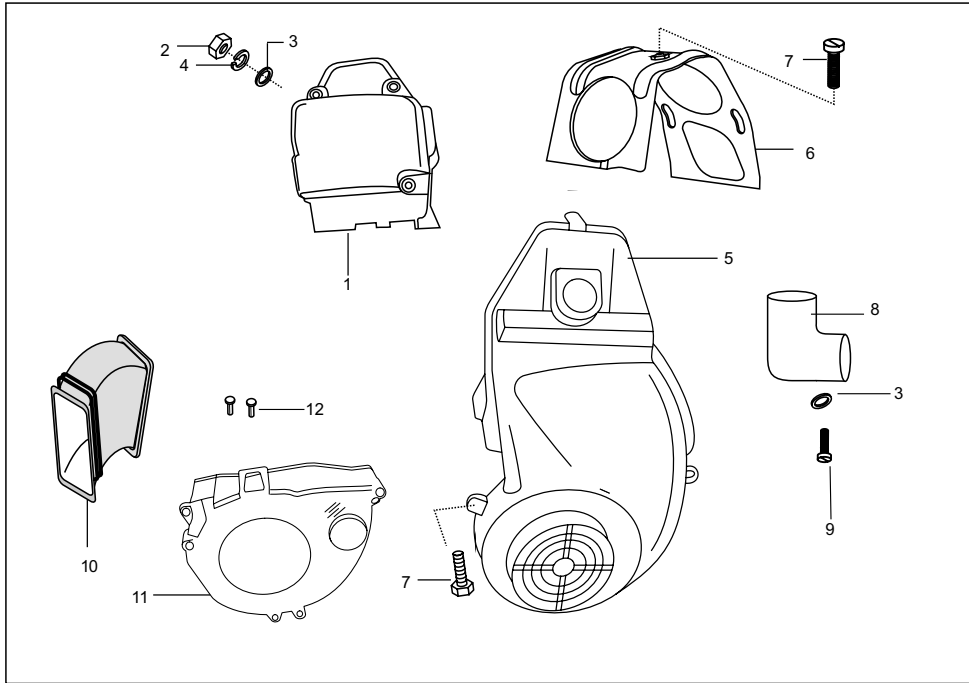
No.	Part No.	Description	Qty/Veh.			Remarks
			AA	AF	AM	
1	AA 1310 02	Differential gear	1	1	1	
2	AA 1310 33	Satellite gear Hsg. assly	1	1	1	
3	24 1301 11	Bush bevel gear housing	1	1	1	
4	22 1310 18	Satellite gear	2	2	2	
5	22 1310 14	Spacer	2	2	2	
6	24 1310 32	Bevel gear pin	1	1	1	
7	24 1301 13	Pin	1	1	1	
8	24 1310 09	Bevel gear	2	2	2	
9	39 0435 01	Screw hexagon head	6	6	6	
10	AA 1010 57	Idler gear	1	1	1	
11	AA 1010 58	Thrust washer (Idler gear)	2	2	2	
12	39 0265 12	Spring washer	6	6	6	
13	22 1703 45	Lock plate	3	3	3	



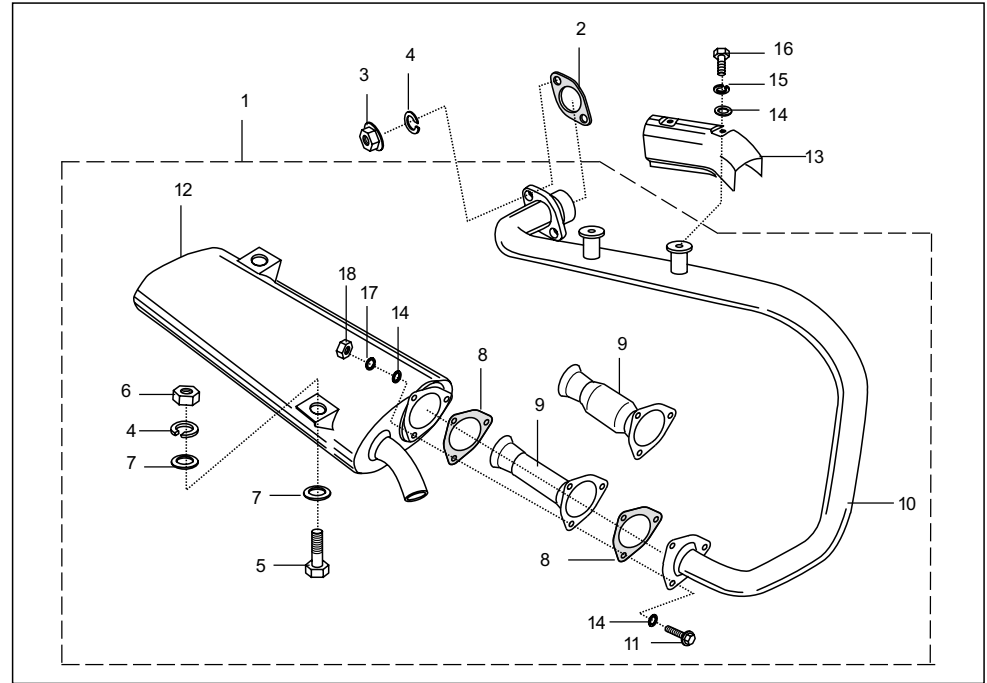
No.	Part No.	Description	Qty/Veh.			Remarks
			AA	AF	AM	
1	AA 1310 14	Differential cover	1	1	1	
2	30 1510 39	Bearing ball	1	1	1	
3	39 1435 20	Needle roller bearing	1	1	1	
4	24 1301 05	Ball bearing	1	1	1	
5	39 1870 19	Oil seal	1	1	1	
6	39 1869 19	Oil seal	1	1	1	
7	05 1010 51	Breather assly	1	1	1	
8	05 1510 12	Adjuster with nut	1	1	1	
9	39 1075 04	Bolt flanged	7	7	7	
10	39 1759 04	Bolt flanged	1	1	1	
11	39 1000 06	Hollow dowel pin	2	2	2	
12	AA 1310 16	Gasket - Differential cover	1	1	1	
13	AA 1310 17	Dipstick - Differential	1	1	1	
14	39 1537 21	'O' ring	1	1	1	
15	35 1010 60	Oil plug	1	1	1	
16	39 1585 11	Washer oil plug	1	1	1	



No.	Part No.	Description	Qty/Veh.			Remarks
			AA	AF	AM	
1	39 0426 06	Spring type straight pin	1	1	1	
2	AN 1010 85	Seal rubber	1	1	1	
3	AN 1310 22	Tension spring	1	1	1	
4	AN 1011 16	Sect. Comp. Rev. Control	1	1	1	
5	AA 1310 31	Pin for tension spring	1	1	1	



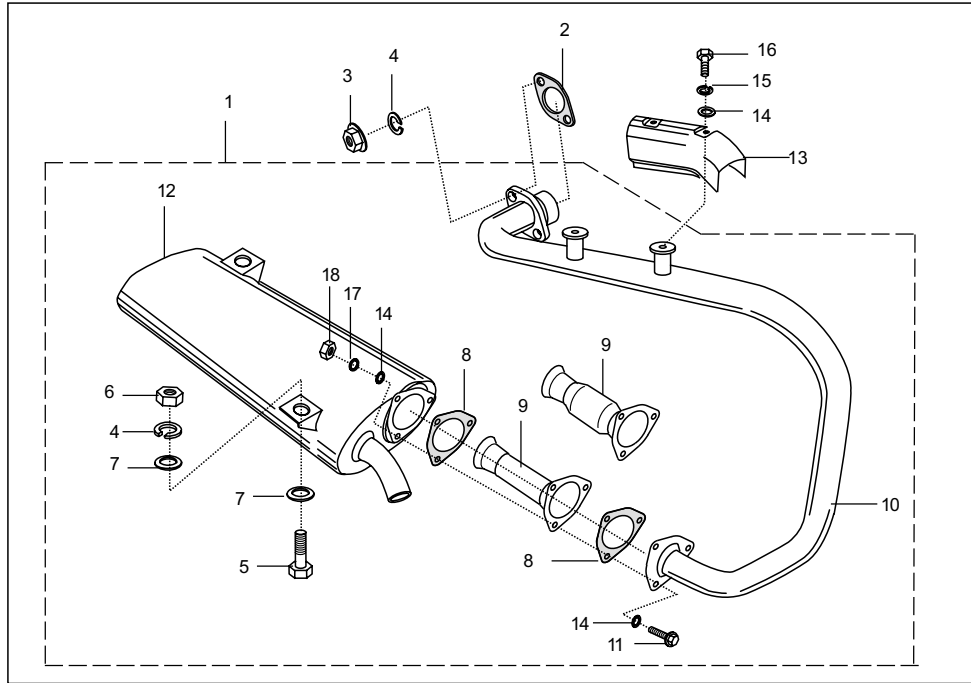
No.	Part No.	Description	Qty/Veh.			Remarks
			AA	AF	AM	
1	AA 1011 50 AB 1010 45	Cowling clutch side	1	1	1	From 28.07.2007 Upto 27.07.2007
2	39 0834 15	Hex. nut	2	2	2	
3	39 0219 11	Plain washer	2	2	2	
4	39 1826 12	Spring washer	2	2	2	
5	AA 1013 85 AB 1010 47	Fancover complete	1	1	1	From Sept.03 Upto July.03
6	AA 1012 62	Central cover	1	1	1	For Decompression Mech.
7	39 0747 01	Bolt	7	7	7	
8	AA 1013 22	Elbow for fan cover	1	1	1	From June.01
9	39 0209 11	Plain washer	3	3	3	For elbow
10	AA 1014 96	Duct	1	1	1	Upto 27.07.2007
11	AA 1015 12	Internal cowling comp.	1	1	1	
12	39 1132 09	Rivet	2	2	2	For TDC grommet



No.	Part No.	Description	Qty/Veh.			Remarks
			AA	AF	AM	
1	AA 1015 52	Silencer assly.comp	1	-	-	Left routine
	AA 1015 17	Silencer assly.comp	1	-	-	Right routine
	AF 1010 11	Silencer assly.comp	--	1	1	Left routine
	AF 1010 02	Silencer assly.comp	--	1	1	Right routine
2	13 1011 65	Gasket	1	1	1	
3	DB 1010 52	Nut flanged	2	2	2	
4	39 1829 12	Spring washer	2	2	2	
5	39 0080 04	Hexagoan head bolt	1	1	1	
6	39 0312 15	Hex. nut	2	2	2	
7	39 0201 11	Plain washer	4	4	4	
8	AA 1012 83	Gasket	2	2	2	
9	AA 1013 98	Hot tube assly.	--	1	1	
10	AA 1015 35	Exhaust tube assly.	1	-	-	For AA101552
	AA 1015 28	Exhaust tube assly.	1	--	--	For AA101517
	AF 1010 14	Exhaust tube assly.	-	1	1	For AF101011
11	39 1552 04	Flanged bolt	3	3	3	

Plate No.21 : SILENCER ASSEMBLY

**RE 4 STROKE
AUTORIKSHA**

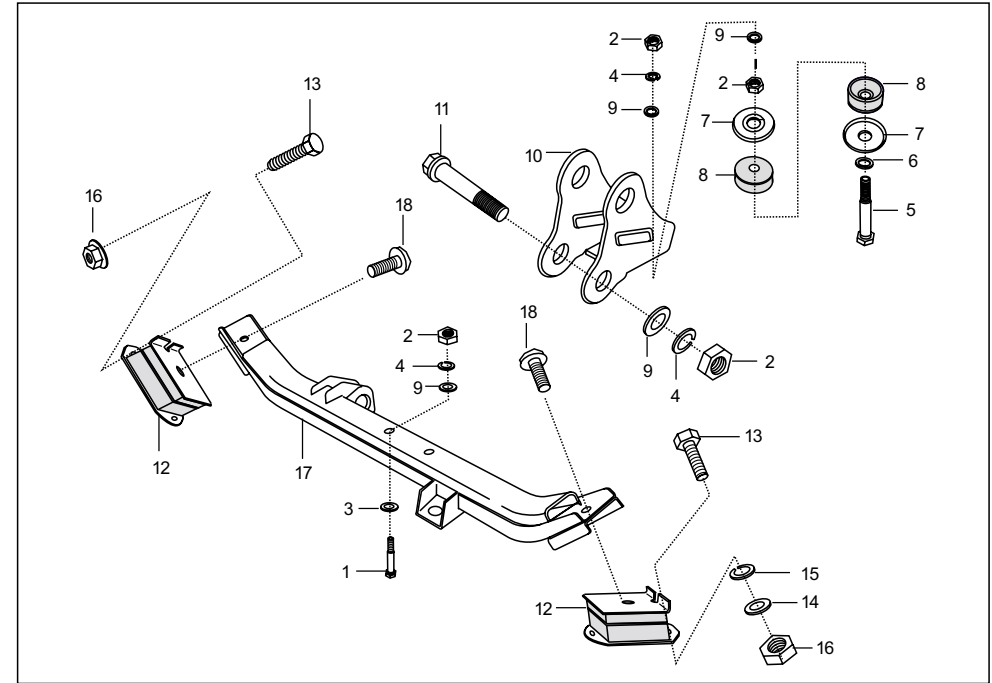


No.	Part No.	Description	Qty/Veh.			Remarks
			AA	AF	AM	
12	AF 1010 12	Muffler assly.comp.	--	1	1	For AF101011
	AA 1012 68	Muffler assly.comp.	-	1	1	For AF101002
13	AA 1013 60	Silencer shield comp.	1	1	1	
14	39 0711 11	Plain washer	8	8	8	
15	39 0263 12	Spring washer	2	2	2	
16	39 0897 04	Bolt	2	2	2	From Jan.02
17	39 1826 12	Spring washer	3	3	3	
18	39 0834 15	Hex.nut	3	3	3	

**AA - RE 4S
PETROL
AF - RE 4S CNG**

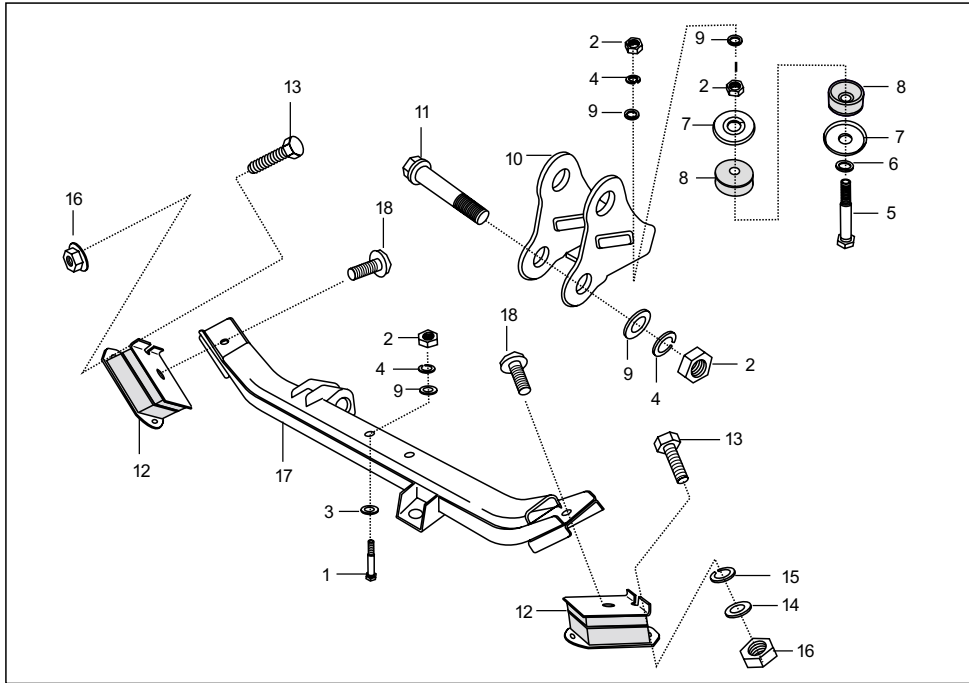
Plate No.22 : ENGINE MOUNTING

**RE 4 STROKE
AUTORIKSHA**



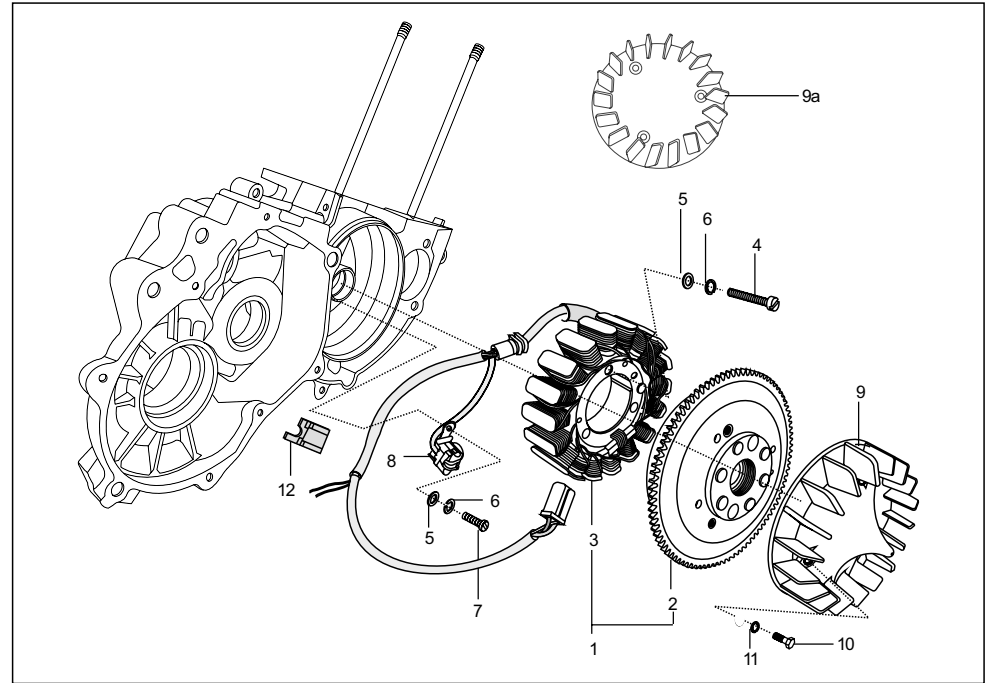
No.	Part No.	Description	Qty/Veh.			Remarks
			AA	AF	AM	
1	39 2393 04	Hexagon bolt	2	2	2	
2	39 0296 15	Hex nut	6	6	6	
3	39 0201 11	Plain wahser	2	2	2	
4	39 1829 12	Spring washer	2	2	2	
5	24 1610 03	Hex bolt	1	1	1	
6	39 0251 11	Plain washer	1	1	1	
7	21 1604 17	Reinforcement plate	2	2	2	
8	24 1609 24	Rubber plug	2	2	2	
9	39 0248 11	Plain washer	6	6	6	
10	AA 1011 94	Bracket front mounting	1	1	1	
11	39 0083 04	Bolt	2	2	2	
12	BA 1021 60	Rubber isolator (GB)	2	2	2	
13	39 1079 01	Hex screw	4	4	4	For rubber isolator
14	39 0198 11	Plain Washer	4	4	4	
15	39 0263 12	Spring washer	4	4	4	

**AA - RE 4S
PETROL
AF - RE 4S CNG**



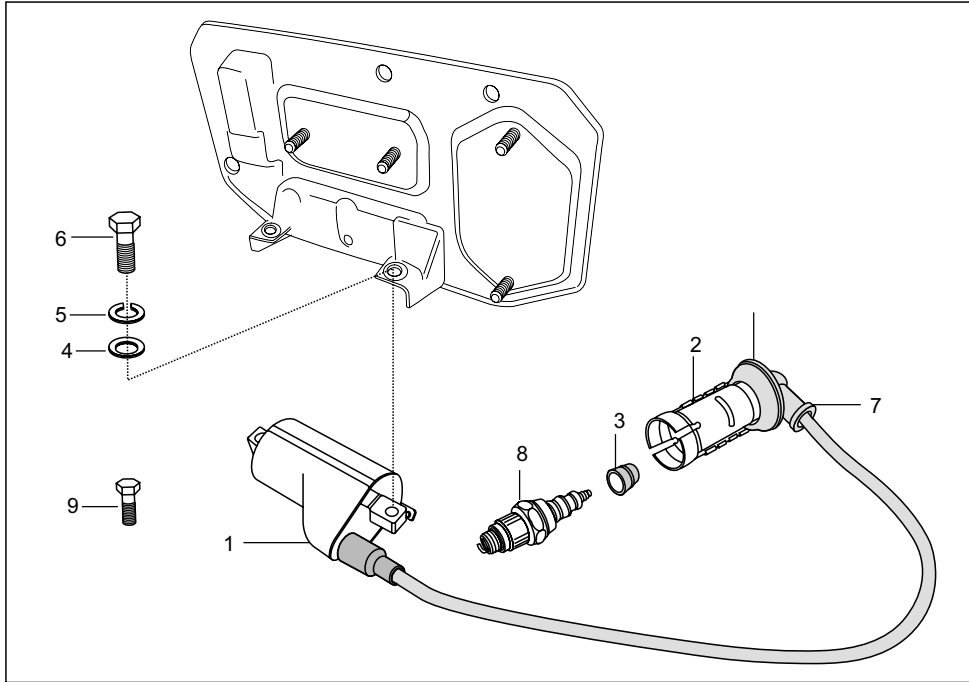
No.	Part No.	Description	Qty/Veh.			Remarks
			AA	AF	AM	
16	39 0834 15	Flange nut	4	4	4	For rubber isolator
17	AA 1610 73	Engine mounting member rear	1	1	1	
18	30 1010 82	Flange Bolt	2	2	2	For engine mtg. member

AA - RE 4S
PETROL
AF - RE 4S CNG

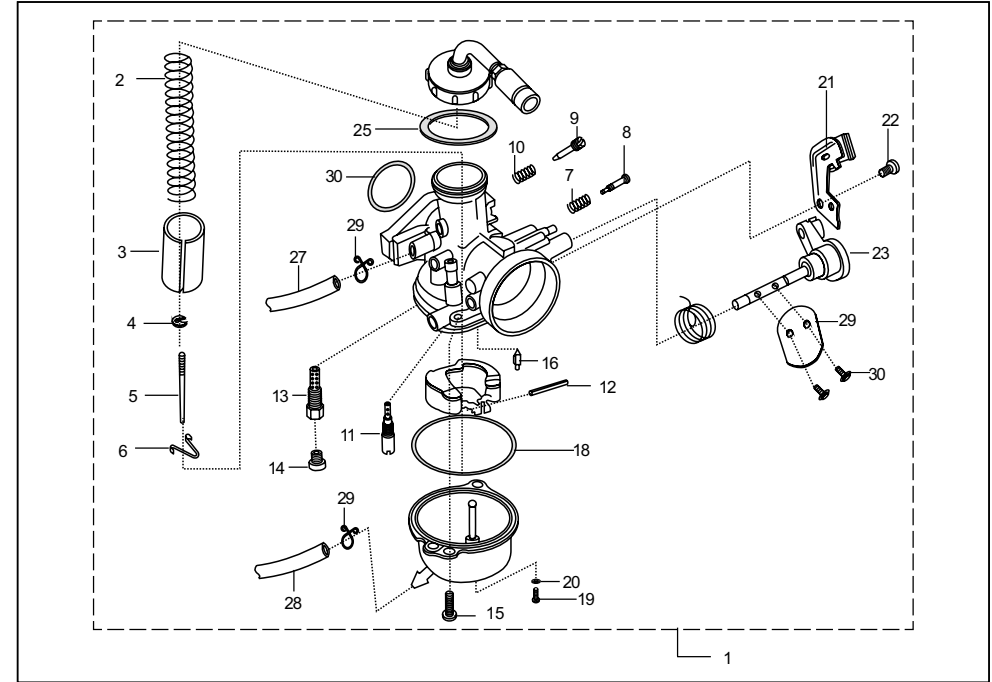


No.	Part No.	Description	Qty/Veh.			Remarks
			AA	AF	AM	
1	AA 1110 71	Magneto assly	1	1	1	For Mitsuba motor
2	AA 1110 72	Rotor assly	1	1	1	For Mitsuba motor
	AA 1110 50	Rotor assly	1	1	1	
3	AA 1110 51	Stator assly	1	1	1	
4	01 1103 67	Screw	3	3	3	Stator Mounting
5	39 0197 11	Plain wahser	5	5	5	Stator plate & pulser coil mtg.
6	39 0262 12	Spring washer	5	5	1	Stator plate & pulser coil mtg.
7	39 0761 01	Screw pan cross	2	2	2	Pulser coil mounting.
8	AA 1110 52	Pulser coil assly.	1	1	1	AEL make
9	AA 1013 84	Fan	1	1	1	For Mitsubha motor
10	39 1075 04	Bolt Flange small	3	3	3	
11	39 1826 12	Spring washer	3	3	3	
12	AA 1012 20	Grommet for pickup	1	1	1	

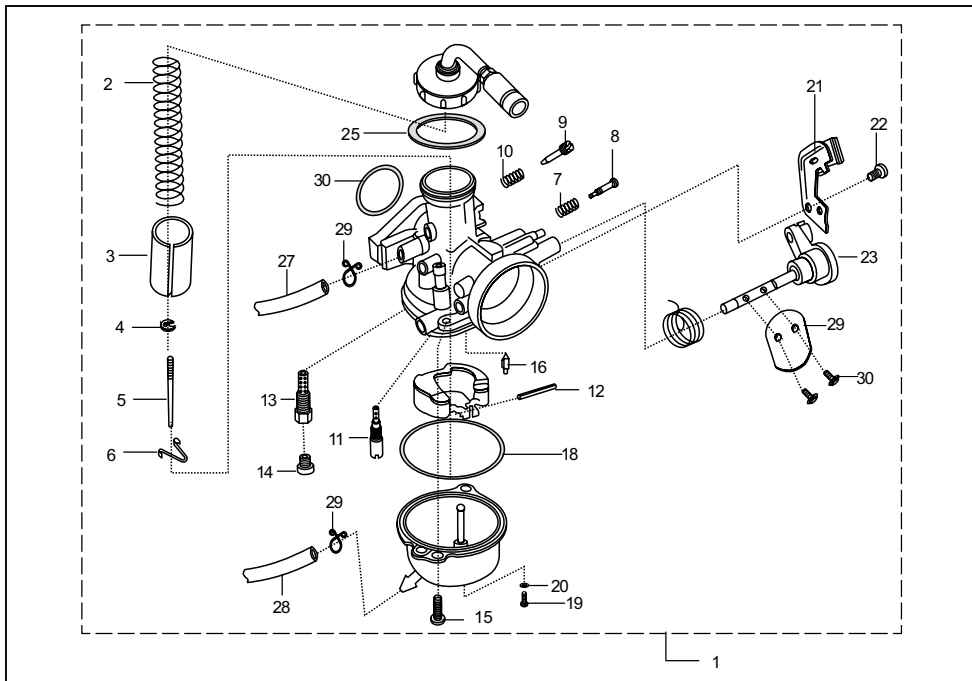
AA - RE 4S
PETROL
AF - RE 4S CNG



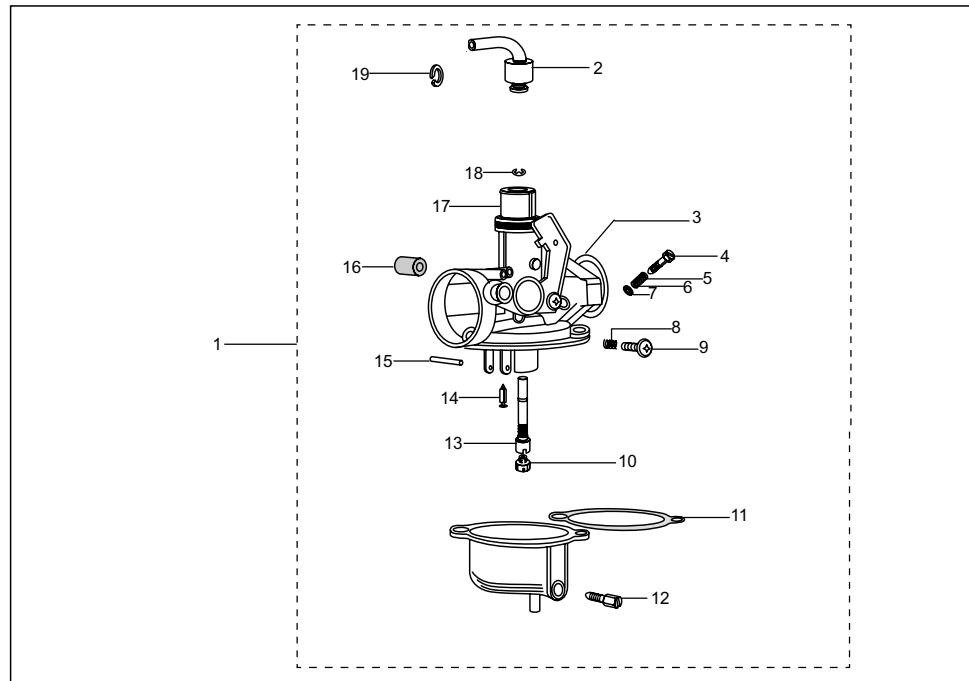
No.	Part No.	Description	Qty/Veh.			Remarks
			AA	AF	AM	
1	AF 1110 10	H. T. Coil assly	1	--	1	From April.03 Upto March.03
	AF 1110 12	H. T. Coil assly C-Core	--	1	--	
	AF 1110 09	H. T. Coil	--	1	--	
2	AA 1110 74	Spark plug cap	1	1	1	with 1k resistive
	AA 1110 60	Spark plug cap	1	1	1	Non resistive
3	AA 1110 76	Grommet spark plug cap	1	1	1	
4	39 0197 11	Plain washer	2	1	1	
5	39 0262 12	Spring washer	2	1	1	
6	39 0408 04	Bolt	2	2	2	
7	AA 1110 77	Cap (H.T.Cable)	1	1	1	
8	AA 1110 58	Spark plug	1	1	1	
9	39 0897 04	Bolt hex head	1	1	1	For H.T.Coil earthing



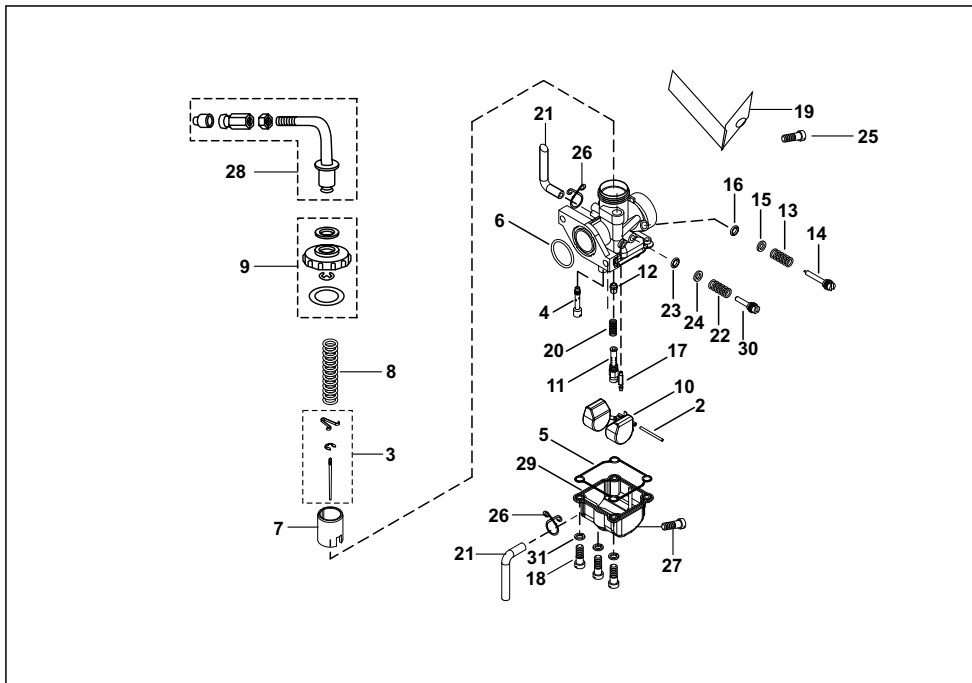
No.	Part No.	Description	Qty/Veh.			Remarks
			AA	AF	AM	
1	AA 1210 90	Carburettor	1	--	--	
	AF 1211 89	Carburettor	--	1	1	
2	28 1210 28	Spring compression	1	1	1	
3	AB 1210 22	Valve throttle	1	1	1	
4	28 1210 30	Plate needle clip	1	1	1	
5	AB 1210 23	Needle jet	1	1	1	
6	28 1210 32	Clip bar	1	1	1	
7	28 1210 37	Spring compression(idle screw)	1	1	1	
8	AB 1210 24	Screw adjust(idle screw)	1	1	1	
9	AB 1210 25	Screw stop(air screw)	1	1	1	
10	28 1210 34	Spring compression	1	1	1	
11	AB 1210 26	Jet comp. Slow	1	1	1	
12	28 1210 40	Pin arm	1	1	1	
13	AB 1210 27	Holder needle jet	1	1	1	
14	AB 1210 28	Jet main	1	--	--	
15	DD 1210 28	Jet main	--	1	1	
	28 1210 43	Screw washer	2	2	2	
16	28 1210 44	Valve complete float	1	1	1	
17	28 1210 45	Jet needle	1	1	1	N.I.



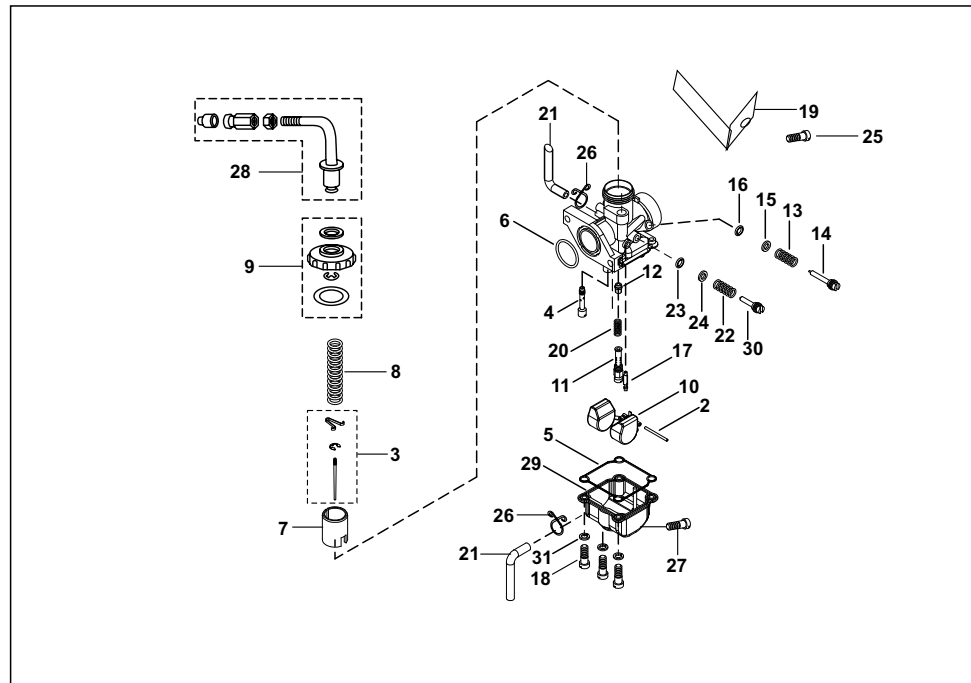
No.	Part No.	Description	Qty/Veh.			Remarks
			AA	AF	AM	
18	28 1210 46	Gasket float chamber	1	1	1	
19	28 1210 47	Drain screw	1	1	1	
20	28 1210 48	'O' ring - drain screw	1	1	1	
21	28 1210 49	Adjuster	1	1	1	Upto Aug.03.
22	28 1210 50	Hex.nut	1	1	1	Upto Aug.03
23	AB 1210 29	Plate assly.	1	1	1	
24	AB 1210 30	Screw	1	1	1	
25	28 1210 51	Gasket top	1	1	1	
26	28 1210 52	Dust cap, choke	1	1	1	
27	AB 1210 32	Rubber pipe, air vent	1	1	1	
28	AB 1210 31	Rubber pipe, over flow	1	1	1	
29	28 1210 55	Clip, rubber pipe	2	2	2	
30	28 1210 56	'O' ring, mounting face	1	1	1	
31	AB 1210 31	Plate stay	1	1	1	
32	AB 1210 30	Screw	2	2	2	



No.	Part No.	Description	Qty/Veh.			Remarks
			AA	AF	AM	
1	AF 1211 85	Carburettor (Spaco)	--	1	1	
2	CR 1210 53	Cap	--	1	1	
3	AF 1213 05	"O" ring for flange	--	1	1	NBR hardness 70
4	AF 1212 85	Air adjuster	--	1	1	
5	CR 1210 52	Spring	--	1	1	
6	CR 1210 28	Washer	--	1	1	Cr.st.strip
7	CR 1210 29	"O" ring	--	1	1	Nitrile rubber
8	AF 1212 99	Spring	--	1	1	
9	AF 1213 00	Adjuster throttle	--	1	1	
10	AF 1212 97	Main jet	--	1	1	No.68
11	AF 1213 04	Gasket for FCC	--	1	1	
12	33 1210 36	Drain plug	--	1	1	
13	AF 1213 12	Housing	--	1	1	
14	AF 1213 01	Needle Jet holder	--	1	1	
15	AF 1212 95	Float valve	--	1	1	
16	AF 1212 96	Arm pin float	--	1	1	
17	AF 1212 98	Plug	--	1	1	
18	AF 1212 94	Throttle valve	--	1	1	Type 40
19	AF 1213 08	Circlip	--	1	1	
20	CR 1210 26	Clip	--	1	1	



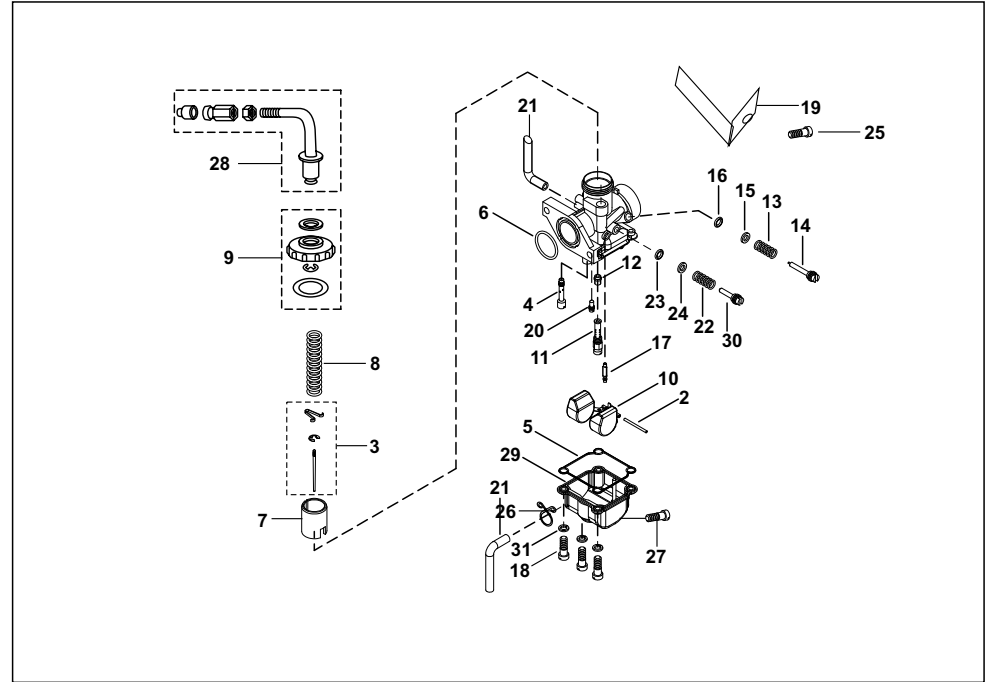
No.	Part No.	Description	Qty/Veh.			Remarks
			AA	AF	AM	
1	AA 1210 97	Carburettor comp.	1	--	--	Flange type
2	24 1210 69	Pin float	1	--	--	
3	16 1211 38	Needle assly	1	--	--	
4	AA 1211 05	Jet pilot	1	--	--	
5	24 1213 61	Seal	1	--	--	
6	31 1210 80	'O' ring	1	--	--	
7	24 1213 62	Piston valve	1	--	--	
8	DD 1210 47	Spring throttle valve	1	--	--	
9	24 1213 64	Mixing Cap assly.	1	--	--	
10	24 1213 65	Float	1	--	--	
11	AA 1211 04	Main jet	1	--	--	
12	24 1213 68	Needle jet	1	--	--	
13	GH 1210 21	Spring idle adjst.	1	--	--	
14	24 1213 69	Adjuster	1	--	--	
15	24 1213 70	Ring	1	--	--	



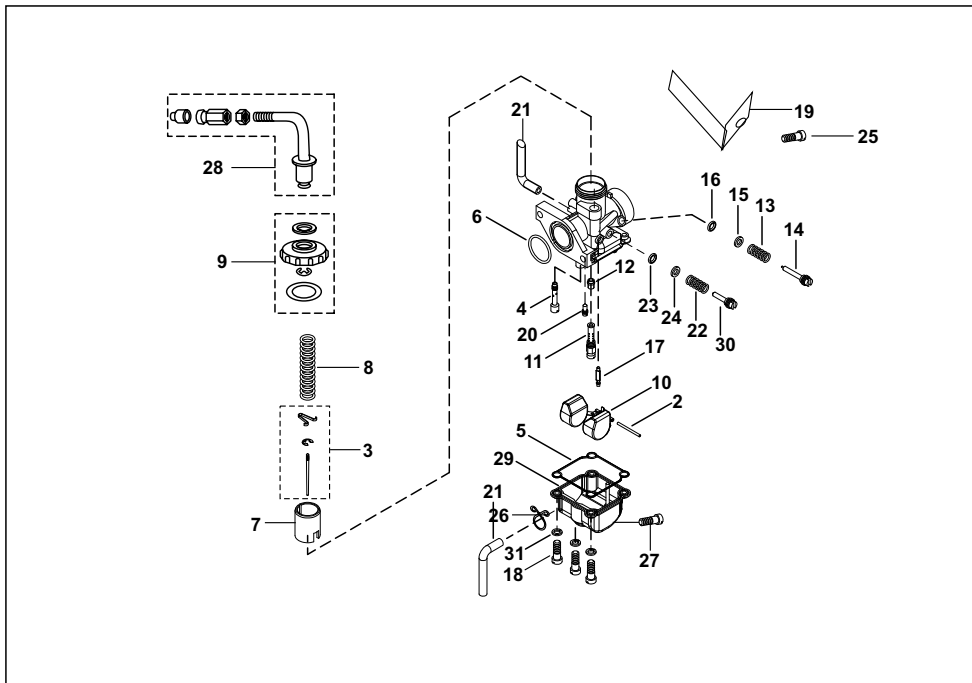
No.	Part No.	Description	Qty/Veh.			Remarks
			AA	AF	AM	
16	DD 1210 52	Washer	1	--	--	Flange type
17	DP 1210 53	Jet needle	1	--	--	
18	CB 1210 46	Screw	3	--	--	
19	24 1213 74	Bracket	1	--	--	
20	24 1213 75	Spring	1	--	--	
21	AA 1211 06	Hose	1	--	--	
22	DD 1210 89	Spring	1	--	--	
23	16 1210 32	Washer	1	--	--	
24	24 1210 62	'O' ring	1	--	--	
25	24 1213 81	Screw	1	--	--	
26	24 1213 83	Hose clip	1	--	--	
27	24 1210 86	Screw drain	1	--	--	
28	24 1213 84	Guide cable assly	1	--	--	
29	24 1214 04	Body carburettor ucal	1	--	--	
30	AA 1211 03	Screw air	1	--	--	



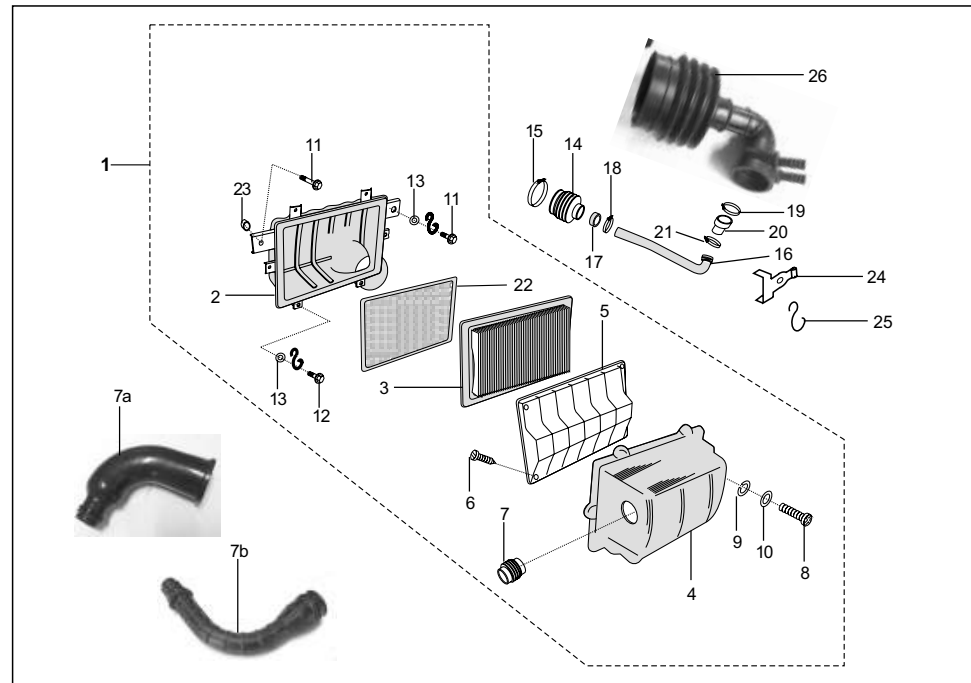
No.	Part No.	Description	Qty/Veh.			Remarks
			AA	AF	AM	



No.	Part No.	Description	Qty/Veh.			Remarks
			AA	AF	AM	
1	24 1212 32	Carburettor comp.	--	1	1	Flange type
2	24 1210 69	Pin float	--	1	1	
3	16 1211 38	Needle assly	--	1	1	
4	24 1213 60	Jet pilot	--	1	1	
5	24 1213 61	Seal	--	1	1	
6	31 1210 80	'O' ring	--	1	1	
7	24 1213 62	Piston valve	--	1	1	
8	DD 1210 47	Spring throttle valve	--	1	1	
9	24 1213 64	Mixing Cap assly.	--	1	1	
10	24 1213 65	Float	--	1	1	
11	24 1213 67	Main jet	--	1	1	
12	24 1213 68	Needle jet	--	1	1	
13	GH 1210 21	Spring idle adjst.	--	1	1	
14	24 1213 69	Adjuster	--	1	1	
15	24 1213 70	Ring	--	1	1	



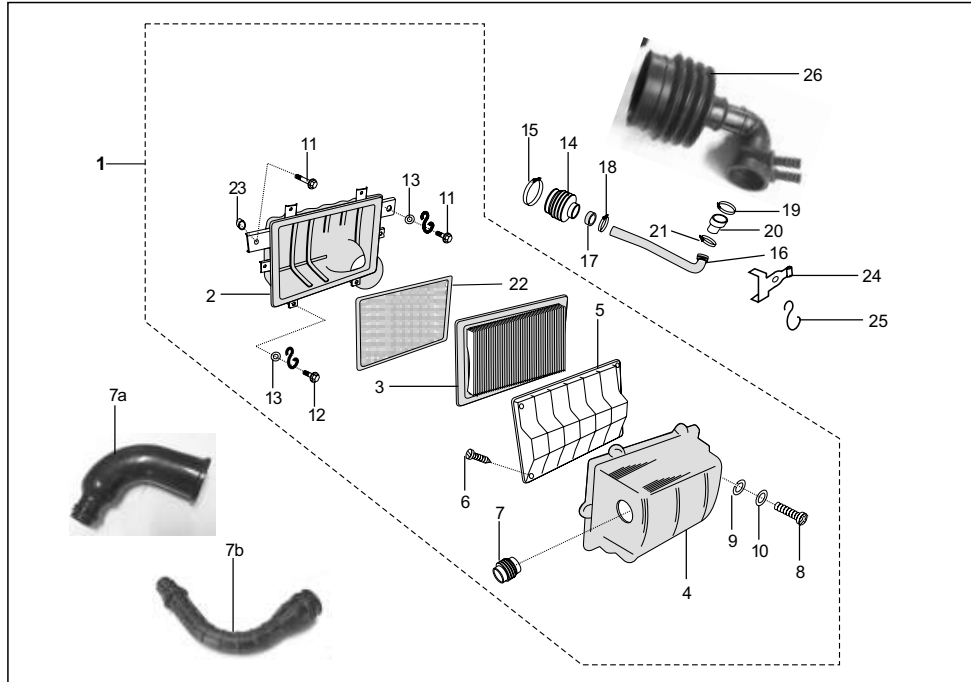
No.	Part No.	Description	Qty/Veh.			Remarks
			AA	AF	AM	
16	DD 1210 52	Washer	--	1	1	
17	24 1213 71	Jet needle	--	3	3	
18	CB 1210 46	Screw	--	3	3	
19	24 1213 74	Bracket	--	1	1	
20	24 1213 75	Spring	--	1	1	
21	24 1213 78	Hose	--	2	2	
22	DD 1210 89	Spring	--	1	1	
23	16 1210 32	Washer	--	1	1	
24	24 1210 62	'O' ring	--	1	1	
25	24 1213 81	Screw	--	1	1	
26	24 1213 83	Hose clip	--	1	1	
27	24 1210 86	Screw drain	--	1	1	
28	CR 1210 80	Guide cable assly	--	1	1	
29	24 1214 04	Body carburettor ucal	--	1	1	
30	24 1210 65	Screw air	--	1	1	



No.	Part No.	Description	Qty/Veh.			Remarks
			AA	AF	AM	
1	AA 1210 53	Air filter comp	1	1	1	
2	AA 1210 54	Air filter housing	1	1	1	
3	AA 1210 56	Element filter	1	1	1	
4	AA 1210 55	Cover	1	1	1	
5	AA 1210 57	Separator	1	1	1	
6	39 1687 02	Cross rec.pan head screw	5	5	5	
7a	AA 1210 81	Hose pipe	1	--	--	From Sept.03
7b	AF 1211 88	Hose pipe	--	1	1	From Sept.03
7	AA 1210 35	Duct (Entry)	1	1	1	Upto Aug.03
8	39 0748 01	Screw pan cross	6	6	6	
9	39 1826 12	Spring washer	6	6	6	
10	39 0219 11	Plain washer	6	6	6	
11	39 1941 04	Hex. bolt with flange	2	2	2	
12	39 1940 04	Hex. bolt with flange	1	1	1	
13	39 1180 11	Plain washer	3	3	3	
14	AA 1210 89	Bellow intake	1	1	1	
15	AA 1210 43	Clamp (bellow)	1	1	1	
16	AF 1210 13	Duct	--	1	1	Upto March 02

Plate No.26 : AIR FILTER COMPLETE

**RE 4 STROKE
AUTORIKSHA**

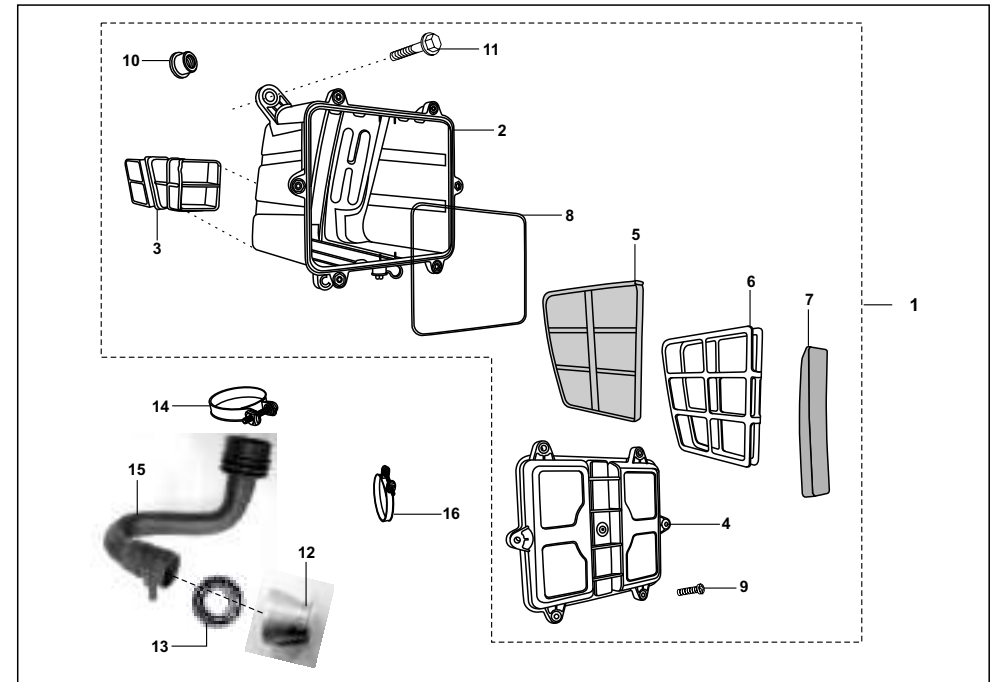


No.	Part No.	Description	Qty/Veh.			Remarks
			AA	AF	AM	
17	AA 1210 50	Rubber bush	1	1	1	Upto March.02
18	AA 1210 71	Clamp (Duct Carburettor)	1	1	1	Upto March.02
19	AB 1210 17	Clamp (Intake Duct)	1	1	1	Upto March 02
20	28 1210 25	Sleeve (carburettor)	1	--	--	
	AF 1210 22	Sleeve (carburettor)	--	1	1	Upto March.02
21	28 1210 09	Clamp (Duct carburettor)	1	1	1	Upto March.02
22	AA 1210 61	Flame arrester	1	1	1	
23	AA 1210 65	Spacer (Air filter mounting)	1	1	1	
24	AA 1210 67	Clip for breather	1	1	1	
25	AA 1910 19	Hook for fuel pipe	1	1	1	
26	AF 1211 48	Integral duct assly comp.	--	1	--	From Apr. 02
27	AM 1210 69	Bush	--	1	1	
28	AM 1210 60	Hose with bush intake assly	--	1	1	

AA - RE 4S
PETROL
AF - RE 4S CNG

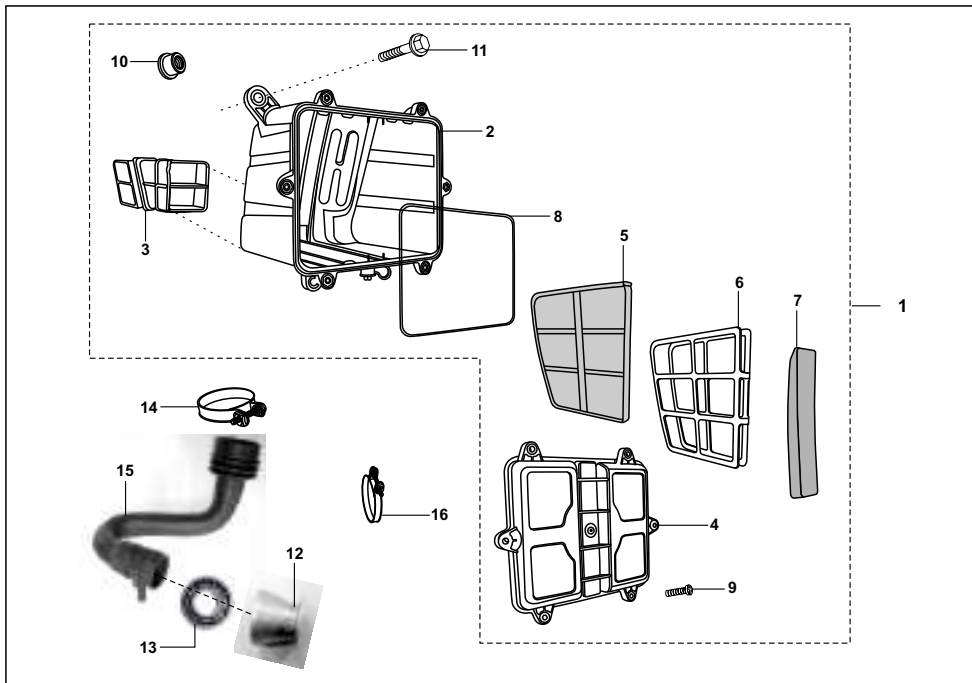
Plate No.26A : AIR FILTER COMPLETE (FOAM TYPE)

**RE 4 STROKE
AUTORIKSHA**

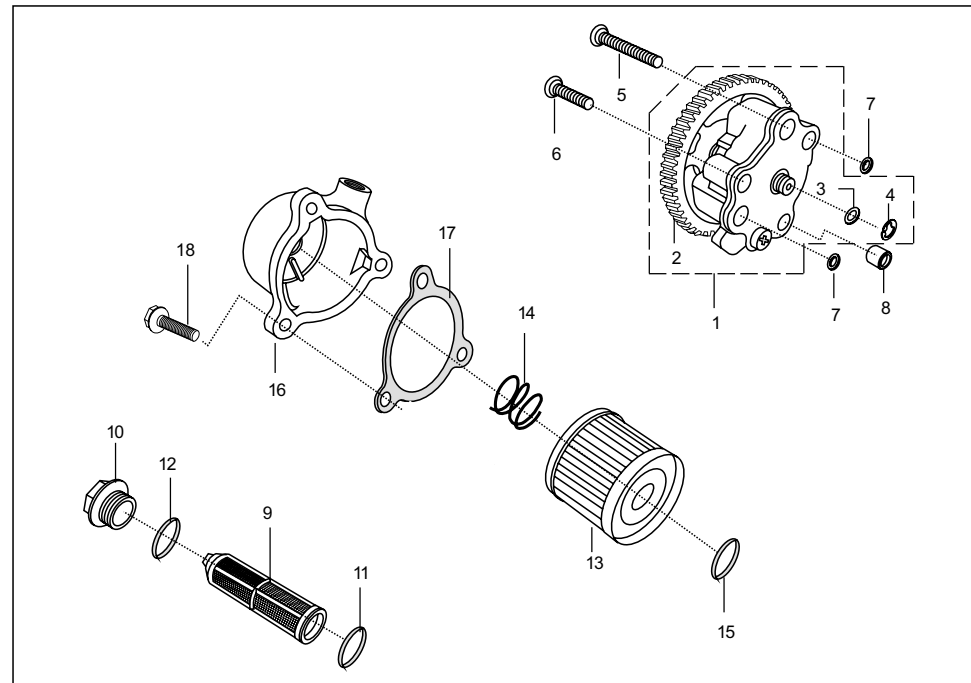


No.	Part No.	Description	Qty/Veh.			Remarks
			AA	AF	AM	
1	AA 1211 16	Air filter complete	1	1	--	
	AM 1211 00	Air filter complete	--	--	1	
2	AP 1210 09	Case air filter	1	1	1	
3	AP 1210 10	Duct in air filter	1	1	1	
4	AP 1210 47	Cover air filter	1	1	1	
5	AP 1211 32	Element air filter	1	1	1	
6	AP 1211 25	Holder element A	1	1	1	
7	AP 1211 26	Holder element B	1	1	1	
8	AP 1211 24	'T' Seal	1	1	1	
9	39 1766 01	Screw M5	8	8	8	
10	AP 1210 57	Spacer	3	3	3	
11	39 1945 04	Flange bolt	5	5	5	
12	AM 1210 77	Mixture tube (venturi)	--	1	1	
13	AM 1210 78	Insert for bellow	--	1	1	
14	AP 1210 64	Clamp	1	1	1	
15	AF 1213 94	Duct assly	--	1	1	
	AA 1210 98	Duct assly	1	--	--	

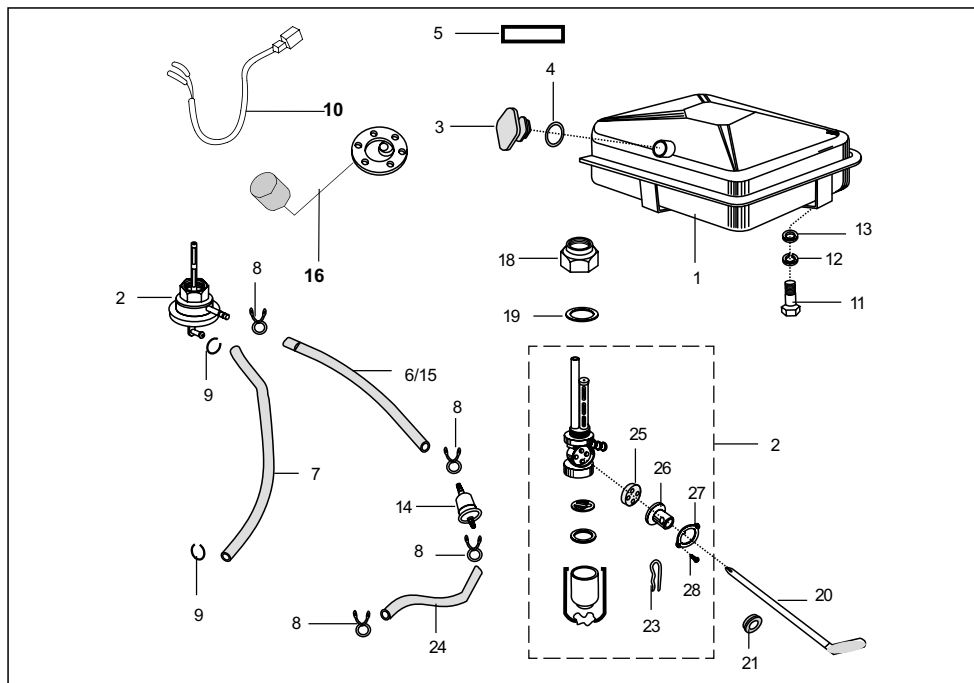
AA - RE 4S
PETROL
AF - RE 4S CNG



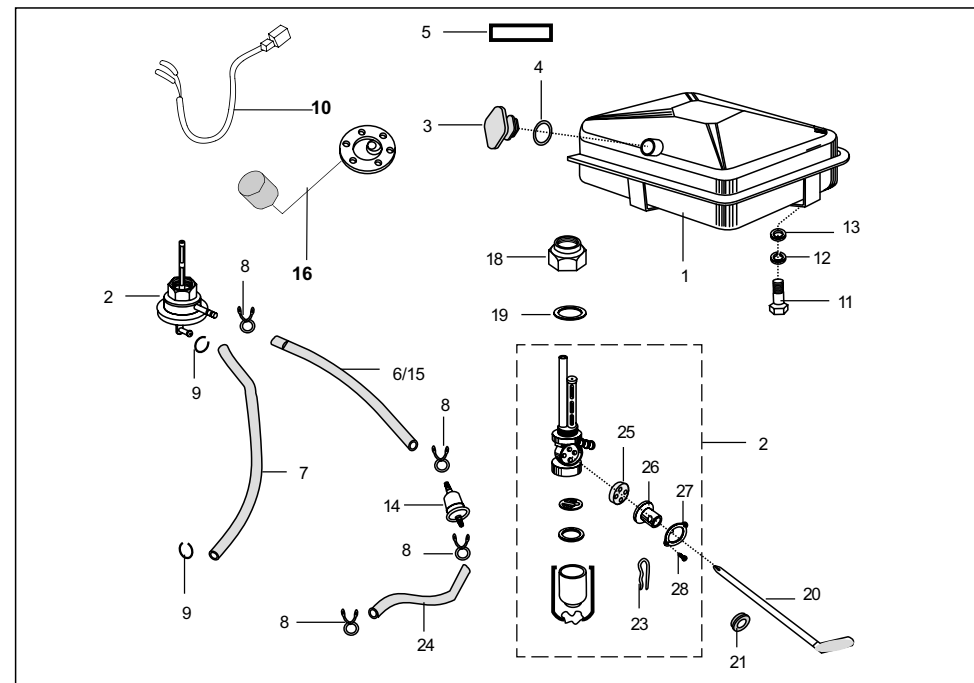
No.	Part No.	Description	Qty/Veh.			Remarks
			AA	AF	AM	
16	AP 1210 17	Clamp intake duct	1	1	1	
17	AP 2310 21	Assly plate air intake	1	1	1	N.I.
18	39 1224 11	Plain washer	4	4	4	for AP 2310 31
19	39 1943 04	Bolt Flange	4	4	4	for AP 2310 31



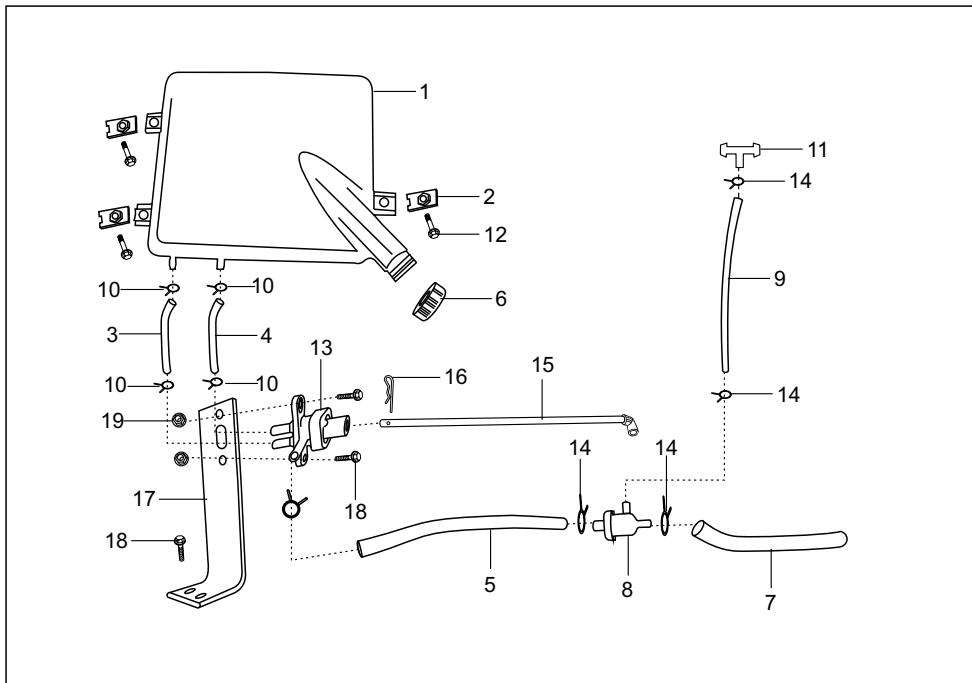
No.	Part No.	Description	Qty/Veh.			Remarks
			AA	AF	AM	
1	AA 1210 60	Pump assly oil	1	1	1	
2	AA 1210 59	Gear oil pump	1	1	1	
3	39 1575 11	Plain washer	1	1	1	
4	39 0855 17	Circlip	1	1	1	
5	39 0730 01	Screw pan cross	1	1	1	
6	39 0746 01	Screw pan cross	2	2	2	
7	39 1013 21	'O' ring	2	2	2	
8	39 0999 06	Hollow dowel pin	1	1	1	
9	AA 1015 48	Oil strainer	1	1	1	
10	28 1010 22	Cap strainer	1	1	1	
11	59 2100 22	'O' ring, Strainer	1	1	1	
12	39 1657 21	'O' ring, Cap	1	1	1	
13	AA 1210 06	Oil filter with gasket	1	1	1	
14	AN 1210 81	Spring oil filter	1	1	1	From 10.01.2008
	AA 1210 07	Spring oil filter	1	1	1	Upto 09.01.2008
15	39 1738 21	'O' ring , Oil filter	1	1	1	
16	AA 1211 12	Oil filter cover	1	1	1	From 10.1.2008
	AA 1210 09	Oil filter cover	1	1	1	Upto 09.01.2008
17	AA 1210 10	Gasket, Oil filter	1	1	1	
18	39 1673 04	Flange bolt	3	3	3	



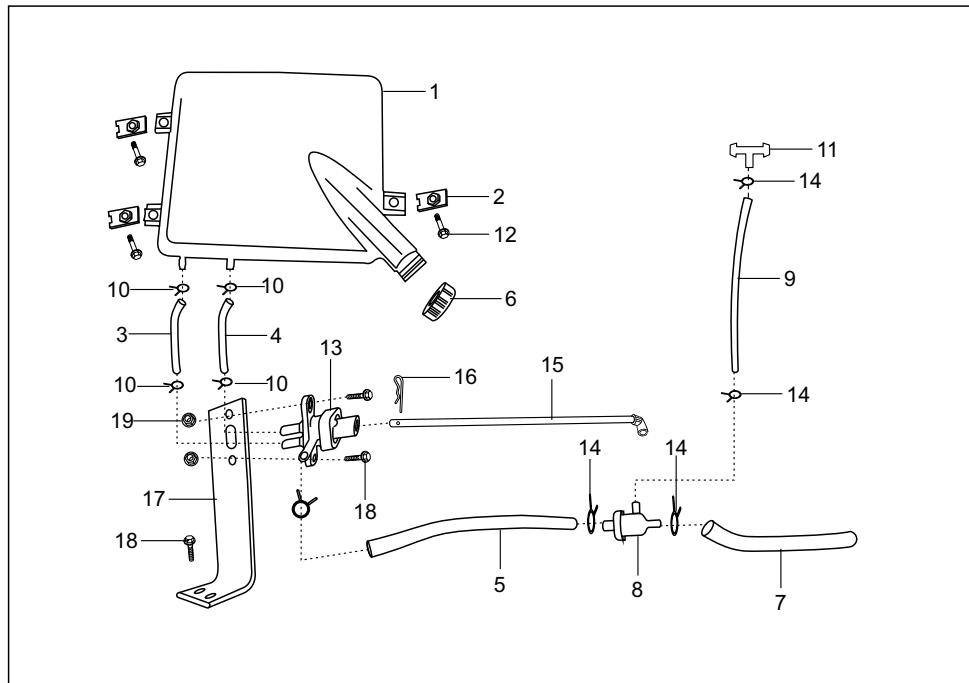
No.	Part No.	Description	Qty/Veh.			Remarks
			AA	AF	AM	
1	AA 1410 02	Fuel tank assly.	1	--	--	With auto fuel cock arr.
	AA 1410 11	Fuel tank assly.	1	--	--	With mann. fuel cock arr.
2	28 1410 15	Fuel cock assly.	1	--	--	With auto fuel cock arr.
	AA 1410 18	Fuel cock assly.	1	--	--	With mann. fuel cock arr.
3	AA 1410 08	Cap fuel tank	1	--	--	
4	24 1401 15	'O' ring	1	--	--	
5	28 1410 21	Label - Fuel tank	1	--	--	
6	AA 1410 05	Fuel pipe (carburettor side)	1	--	--	For auto fuel cock
7	AA 1410 06	Vaccum pipe	1	--	--	For auto fuel cock
8	33 1410 07	Clamp cock outlet	2	--	--	
9	30 1210 18	Ring snap	2	--	--	
10	BA 2010 40	Cable assly (fuel tank unit)	1	--	--	
11	39 1941 04	Hex head screw	3	--	--	Fixing fuel tank complete
12	39 1828 12	Spring washer	3	--	--	Fixing fuel tank complete
13	39 1180 11	Plain washer	3	--	--	Fixing fuel tank complete
14	AB 1210 19	Inline fuel filter	1	--	--	
15	AA 1410 04	Fuel pipe (Tank side)	1	--	--	For mann.fuel cock



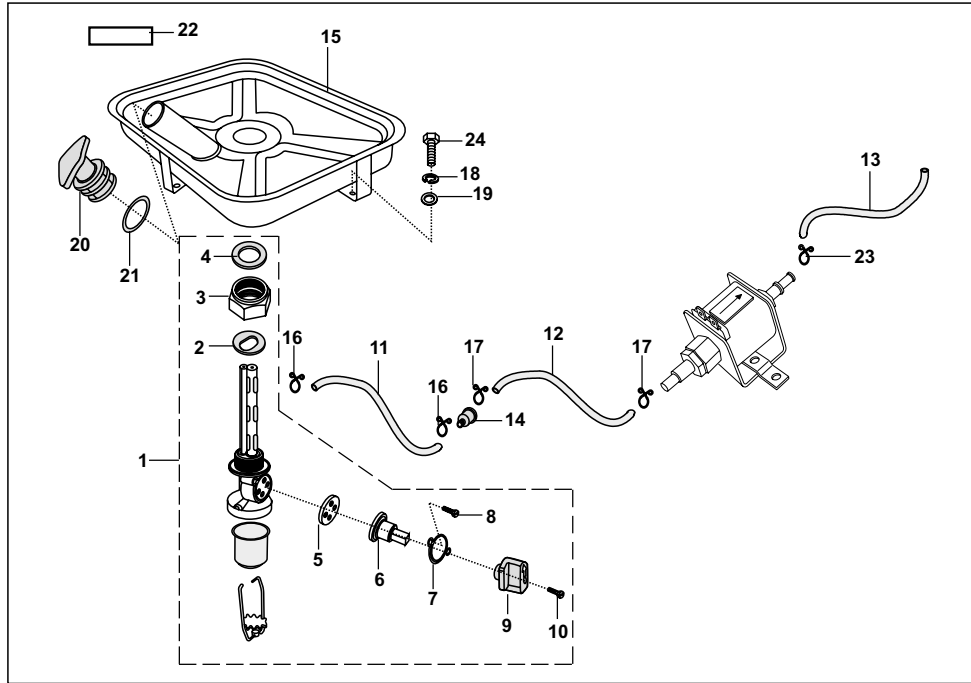
No.	Part No.	Description	Qty/Veh.			Remarks
			AA	AF	AM	
16	BA 2010 45	Float switch (Tank unit fuel)	1	--	--	
17	AA 1910 19	Hook	1	--	--	(holding fuel & vac. pipe (N.I.)
18	24 1401 10	Adaptor nut	1	--	--	
19	24 1401 11	Gasket	1	--	--	
20	24 1410 55	Petrol cock lever	1	--	--	
21	01 1402 29	Grommet	1	--	--	
22	01 1402 27	Tube	1	--	--	N.I.
23	01 1402 28	Spring clip	1	--	--	
24	AB 1410 01	Fuel pipe - 1	--	1	1	From Feb. 05
25	01 1402 20	Gasket	1	--	--	
26	07 1402 03	Control valve	1	--	--	
27	01 1402 22	Pressure plate	1	--	--	
28	39 0005 01	Screw	2	--	--	
29	39 0294 15	Hex nut	3	--	--	From Dec. 01 Fixing fuel tank comp.(N.I)



No.	Part No.	Description	Qty/Veh.			Remarks
			AA	AF	AM	
1	24 1410 90	Fuel tank plastic	1	--	--	
2	24 1612 97	Clip nut	3	--	--	
3	24 1410 98	Fuel pipe tank to cock (blue)	1	--	--	
4	24 1410 97	Fuel pipe tank to cock (gray)	1	--	--	
5	24 1411 04	Fuel tube cock to filter	1	--	--	
6	CS 1410 06	Cap fuel tank	1	--	--	
7	24 1411 05	Fuel tube filter to carbu.	1	--	--	
8	24 1411 09	Fuel filter	1	--	--	
9	24 1411 15	Breather tube	1	--	--	
10	33 1410 07	Clamp	5	--	--	
11	BA 1220 05	T joint	1	--	--	
12	39 1556 04	Bolts for fuel tank mtg.	3	--	--	
13	24 1410 70	Fuel cock assly.	1	--	--	
14	BA 1220 03	Fuel pipe clip	4	--	--	
15	24 1410 69	Lever fuel cock	1	--	--	

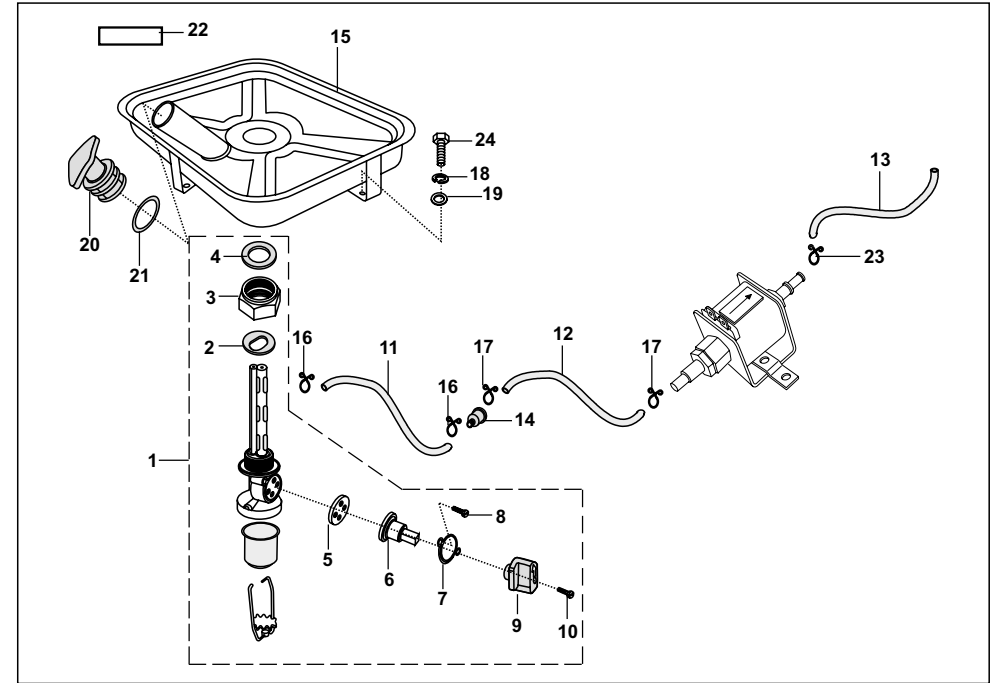


No.	Part No.	Description	Qty/Veh.			Remarks
			AA	AF	AM	
16	24 1410 91	Clip spring	1	--	--	
17	24 1613 24	Bracket fuel cock mtg.	1	--	--	
18	39 1673 04	Flange bolt M6	4	--	--	For mtg. fuel cock on bkt.
19	39 0798 15	Flange nut	2	--	--	For mtg. fuel cock on bkt.
20	AP 2310 14	Bkt rear Fuel tank mtg.	1	--	--	N.I.
21	39 2140 04	Flange bolt	2	--	--	For AP231014



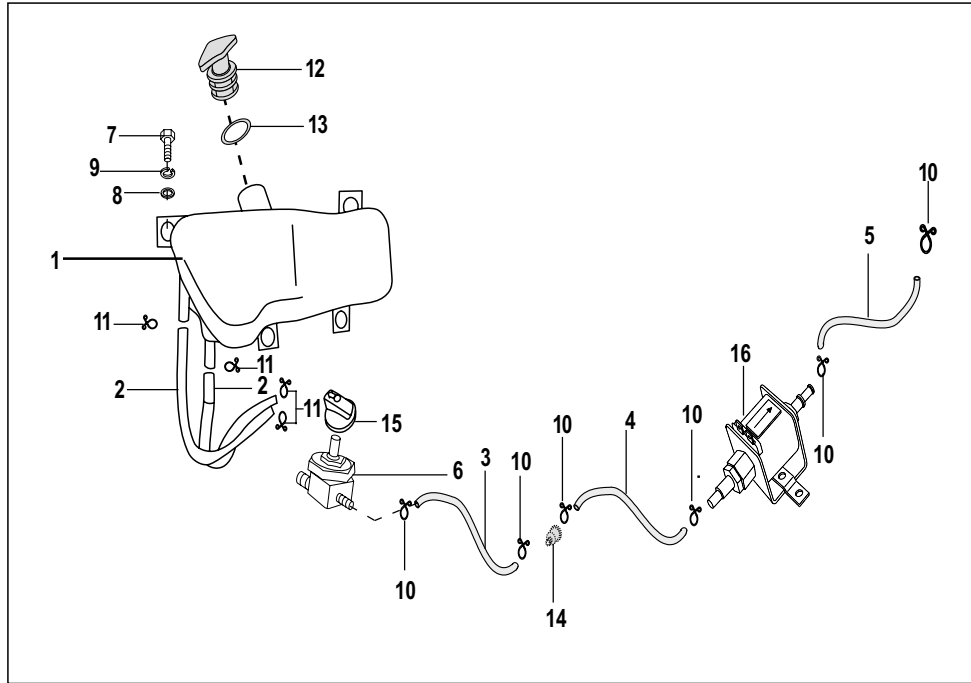
No.	Part No.	Description	Qty/Veh.			Remarks
			AA	AF	AM	
1	AF 1410 15	Fuel cock assly.	--	1	--	Upto May.04
2	24 1401 11	Gasket	--	1	--	
3	24 1401 10	Adapter nut	--	1	--	
4	39 0206 11	Plain washer	--	1	--	
5	01 1402 20	Gasket	--	1	--	
6	22 1410 21	Fuel cock lever	--	1	--	
7	01 1402 22	Pressure plate	--	1	--	
8	39 0005 01	Screw	--	2	--	
9	22 1410 22	Knob for fuel cock lever	--	1	--	
10	39 0546 01	Screw	--	1	--	
11	AB 1410 01	Fuel pipe I Tank to filter	--	1	--	
12	AF 1410 46	Fuel pipe I Filter to solenoid	--	1	--	
13	AF 1410 07	Fuel pipe II Solenoid to carb.	--	1	--	
14	DD 1210 13	Filter fuel	--	1	--	
15	AF 1410 13	Fuel tank assly.	--	1	--	Upto May.04

AA - RE 4S PETROL
AF - RE 4S CNG
AM - RE 4S LPG



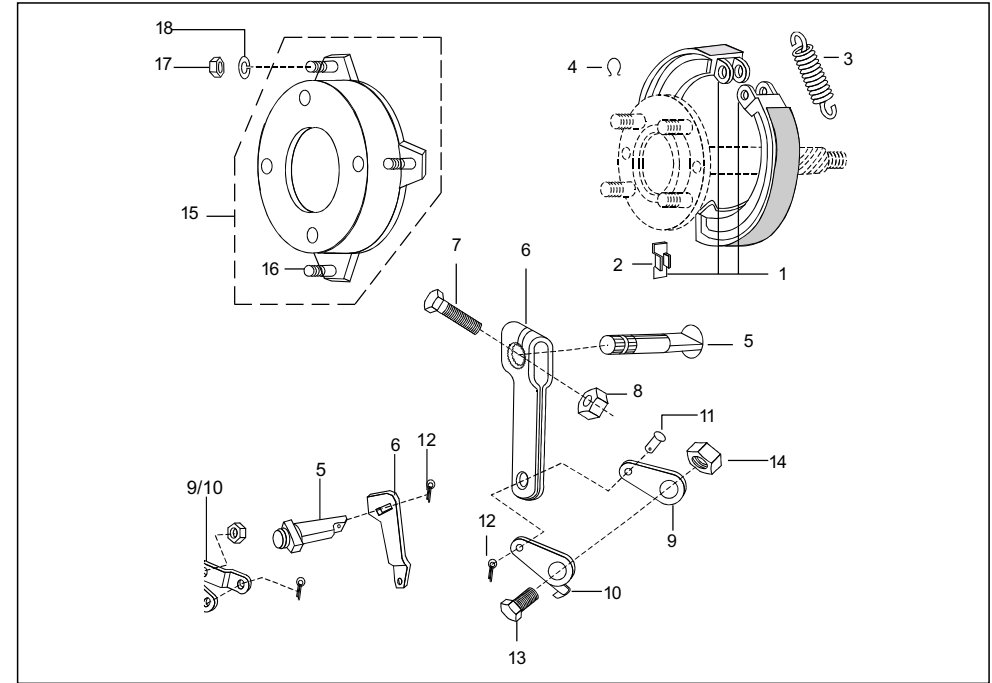
No.	Part No.	Description	Qty/Veh.			Remarks
			AA	AF	AM	
16	33 1410 07	Clamp	--	2	--	
17	BA 1220 03	Pipe clip	--	2	--	
18	39 0265 12	Spring washer	--	3	--	
19	39 1180 11	Plain washer	--	3	--	
20	AA 1410 08	Cap fuel tank	--	1	--	
21	24 1401 15	'O' ring	--	1	--	
22	28 1410 21	Label fuel tank	--	1	--	
23	30 1210 18	Pin snap	--	2	--	
24	39 1515 01	Hex. head screw	--	3	--	

AA - RE 4S PETROL
AF - RE 4S CNG
AM - RE 4S LPG

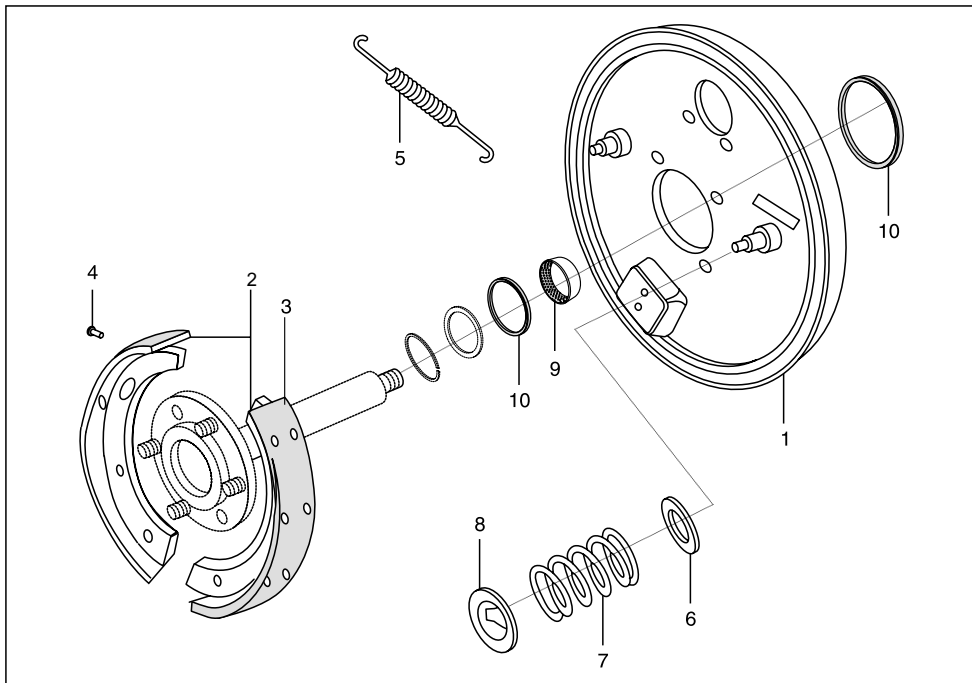


No.	Part No.	Description	Qty/Veh.			Remarks
			AA	AF	AM	
1	AJ 1410 01 24 1410 94	Plastic petrol tank comp. Fuel tank	--	1	1	From June 04 to 09.09.07 Common with 2S CNG/LPG
2	AA 1410 16	Fuel pipe	--	2	2	
3	AJ 1410 03	Fuel pipe	--	1	1	cock to fuel filter
4	AF 1410 46	Fuel pipe	--	1	1	Filter to solenoid
5	AJ 1410 04	Fuel pipe	--	1	1	solenoid to caburator
6	18 1410 44	Petrol cock assly/nut	--	1	1	From June 04
7	39 0078 04	Hexagon head bolt	--	4	4	
8	39 0211 11	Plain washer	--	4	4	
9	39 0263 12	Spring washer	--	4	4	
10	34 1410 16	Clamp (Cock)	--	6	6	
11	34 1410 17	Clamp (outlet)	--	4	4	
12	AA 1410 08 CS 1410 06	Cap for tank Cap Fuel tank	--	1	1	
13	24 1401 15	"O" Ring	--	1	1	
14	AB 1210 19	Fuel filter	--	1	1	
15	18 1410 35	Petrol cock knob	--	1	1	
16	AF 2010 23	Solenaid petrol	--	1	1	

AA - RE 4S PETROL
AF - RE 4S CNG
AM - RE 4S LPG

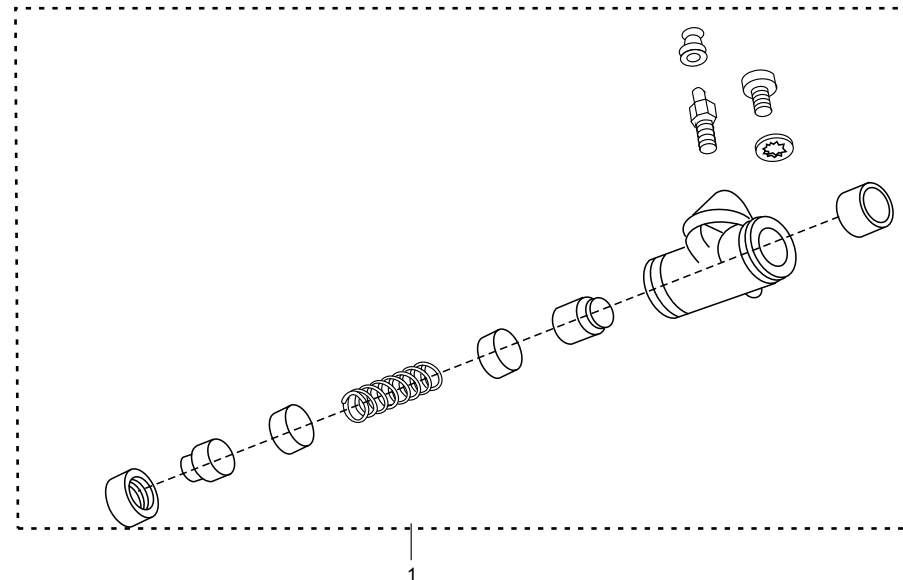


No.	Part No.	Description	Qty/Veh.			Remarks
			AA	AF	AM	
1	22 1510 36	Front brake shoe assly.	1	1	--	Upto July.01
2	22 1510 39	Wear pad	2	2	--	
3	22 1510 40	Extension spring	2	2	--	
4	01 1502 09	Spring lock	2	2	--	
5	22 1510 66	Brake cam assly	1	1	--	
6	05 1510 17	Front brake actuating lever	1	1	--	
7	39 0775 04	Bolt	1	1	--	
8	39 0798 15	Nut	1	1	--	
9	01 1501 09	Front brake link	1	1	--	
10	05 1510 13	Front brake link	1	1	--	
11	03 1501 11	Pin	1	1	--	
12	39 0151 08	Split pin	1	1	--	
13	01 1501 12	Bolt	1	1	--	
14	39 0299 15	Nut	1	1	--	
15	22 1510 41	Front brake drum assly	1	1	--	
16	39 1140 04	Bolt brake drum	4	4	--	
17	39 0694 15	Hex.nut	4	4	--	
18	39 0265 12	Spring washer	4	4	--	



No.	Part No.	Description	Qty/Veh.			Remarks
			AA	AF	AM	
1	AB 151035	Shoe hold disc complete	1	1	1	From Aug.01
2	22 1502 35	Front brake shoe assly. comp	2	2	2	
3	22 1502 39	Liner	2	2	2	
4	39 0182 09	Rivet-flat head	16	16	16	
5	22 1502 40	Return Spring	2	2	2	
6	22 1502 41	Plain washer	2	2	2	
7	22 1502 42	Spring	2	2	2	
8	22 1502 43	Special washer	2	2	2	
9	BA 1510 41	Bearing bush	1	1	1	
10	AB 1710 30	Grease seal	2	2	2	

AA - RE 4S
PETROL
AF - RE 4S CNG



No.	Part No.	Description	Qty/Veh.			Remarks
			AA	AF	AM	
1	24 1510 99	Wheel cylinder assly	1	1	1	For Auto adj. br.system
	AB 1510 90	Wheel cylinder assly(dia.22.22)	1	1	1	
2	24 1511 07	Major kit	1	1	1	for 24151099
	AB 1510 92	Major kit	1	1	1	From May.02 for AB151090
	AB 1510 58	Major kit	1	1	1	For 22 mm dia. Upto Apr 02
3	24 1511 08	Minor kit	1	1	1	For 24151099
	AB 1510 93	Minor kit	1	1	1	From May 02 for AB151090
	AB 1510 59	Minor kit	1	1	1	For 22 mm dia. Upto Apr 02

AA - RE 4S
PETROL
AF - RE 4S CNG