

# **DeLorean**

## **Parts Manual**



**Engine**  
**Emission/Fuel Systems**  
**Electrical Systems**  
**Transmission**  
**Suspension/Steering**  
**Brakes/Wheels**  
**Heating/Air Conditioning**  
**Frame/Body**

# Engine

---

0	SECTION	GENERAL WARNINGS AND CAUTION LABELS
	SUBSECTION	
	1 / 2 GROUP	

FIG.	PART NUMBER	DESCRIPTION	QTY	REMARKS
1	106091	FANS MAY START	1	FRONT OF FRAME
2	106093	BATTERY GASES	1	BATTERY COVER
3	106094	BATTERY ACCESS	1	BATTERY COVER
4	106092	MODULE INTERCHANGE	1	R.H. ELECTRONIC CHASSIS
5	110741	HIGH ALTITUDE	1	ENGINE COVER
6	106090	NEGATIVE GROUND	2	BATTERY COVER AND ENGINE COVER
7	108722	COOLANT TANK	1	EXPANSION BOTTLE
8	110096	DMC LOGO	1	ON AIR CLEANER PAN
9	108717	JUMP STARTING	1	FIREWALL COMPARTMENT COVER
10	110810	A.C.U. WARNING	1	COMPRESSOR
11	105068	BRAKE FLUID WARNING	1	LUGGAGE COMPARTMENT
12	105200	UNLEADED GASOLINE	1	DASHBOARD FASCIA L.H.
13	108621	WASHER BOTTLE	1	LUGGAGE COMPARTMENT L.H. SIDE
14	108716	JACKING POINTS	1	JACK STOWAGE COVER

DO NOT REPRODUCE

**WARNING**  
RADIATOR FANS  
MAY START AT ANY  
TIME

**WARNING**  
BATTERIES PRODUCE EXPLOSIVE GASSES  
KEEP SPARKS, FLAME, CIGARETTES  
AWAY



**BATTERY ACCESS**

**WINDSHIELD WASHER RESERVOIR**  
USE WATER OR DILUTED METHANOL  
DO NOT FILL WITH OIL, GASOLINE,  
OR ANY OTHER OIL BASE MATERIAL

**CAUTION**  
DO NOT INTERCHANGE  
MODULES  
SEE HAND BOOK

**UNLEADED  
GASOLINE ONLY**

**WARNING:** Never use  
any gasoline containing  
lead. Only EC93 or lead  
free unleaded gasoline.

VEHICLE EMISSION CONTROL INFORMATION UPDATE  
**DMC**  
DELOREAN MOTOR CO. LTD.  
THIS VEHICLE HAS BEEN EQUIPPED TO IMPROVE EMISSION CONTROL PERFORMANCE WHEN OPERATED  
AT YOUR ALTITUDE. FOR FURTHER INFORMATION SEE SERVICE INSTRUCTIONS.

**IMPORTANT:** Use only FREON 12<sup>®</sup>  
or ARCTON 12<sup>®</sup> mixed with  
SUNISO 68S or TEXACO CAPELLA<sup>®</sup>  
as a refrigerant.  
Recommended operating charge:  
2.50lbs. of FREON 12<sup>®</sup> or  
ARCTON 12<sup>®</sup> mixed with 1.8 cu lbs.  
of SUNISO 68S or TEXACO  
CAPELLA<sup>®</sup>  
Compressor manufactured by:  
Sanyo, Iwatsuki, Japan.

**JUMP LEAD STARTING**

**NEGATIVE GROUND**

**IMPORTANT**  
See owners handbook  
for SAFETY instructions.



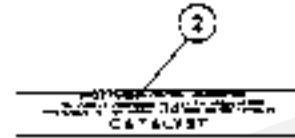
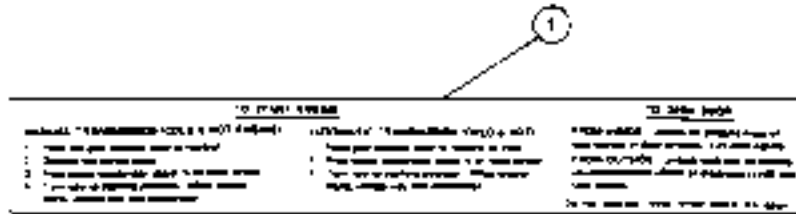
**IMPORTANT**  
THIS VEHICLE IS  
NEGATIVE GROUND

**DANGER HOT WATER - REMOVE CAP SLOWLY**  
**COOLANT FILLER TANK**  
FILL WITH 50% WATER - 50% ANTIFREEZE  
CONTAINING CORROSION INHIBITOR

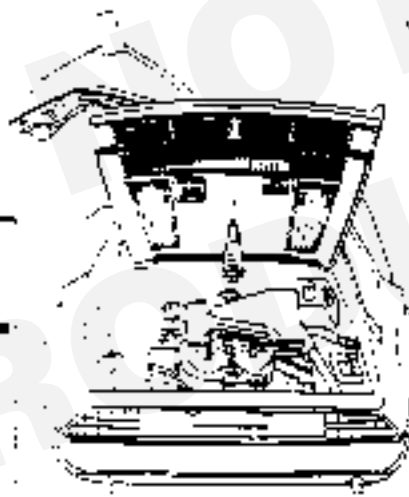
0	SECTION	GENERAL IDENTIFICATION PLATES
	SUBSECTION	
	1 3 GROUP	

FIG.	PART NUMBER	DESCRIPTION	QTY	REMARKS
1	108715	ENGINE START/DOOR	1	
2	105197	CATALYST	1	UP TO VIN 10000 ) UNDERSIDE OF
	110571	CATALYST	1	FROM VIN 10001 ) ENGINE COVER
3	105198	TIRE LOAD	1	INSIDE GLOVEBOX
4	105199	EM CON INFORMATION	1	UP TO VIN 10000
	110570	EM CON INFORMATION	1	FROM VIN 10001
5	105241	VACUUM HOSE ROUTING	1	UP TO VIN 10000
	110588	VACUUM HOSE ROUTING	1	FROM VIN 10001

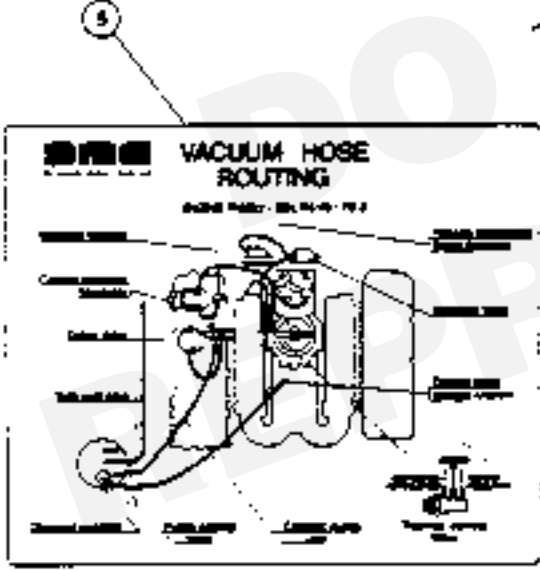
DO NOT  
REPRODUCE



VEHICLE CAPACITY FRONT		VEHICLE CAPACITY REAR
...	...	...
VEHICLE WEIGHT		...
...	...	...
VEHICLE SPEED		...
...	...	...



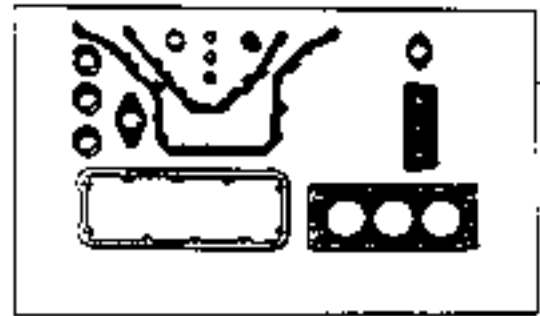
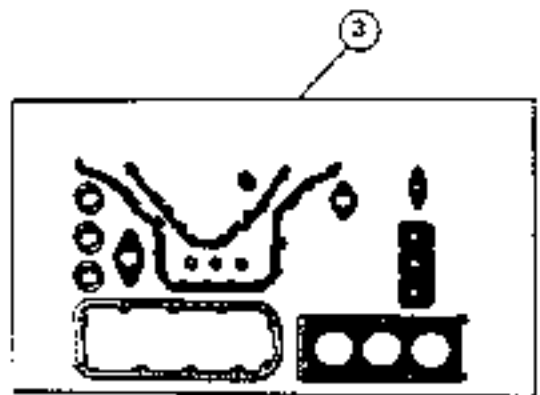
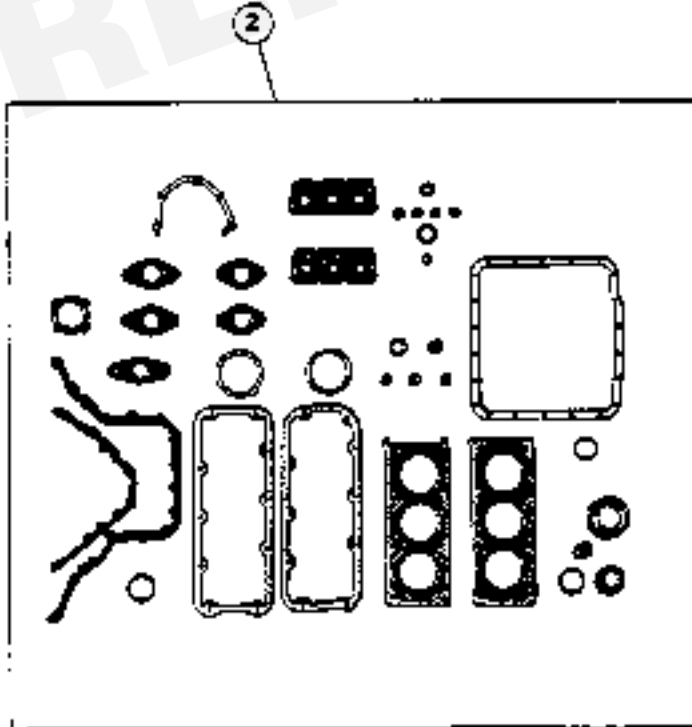
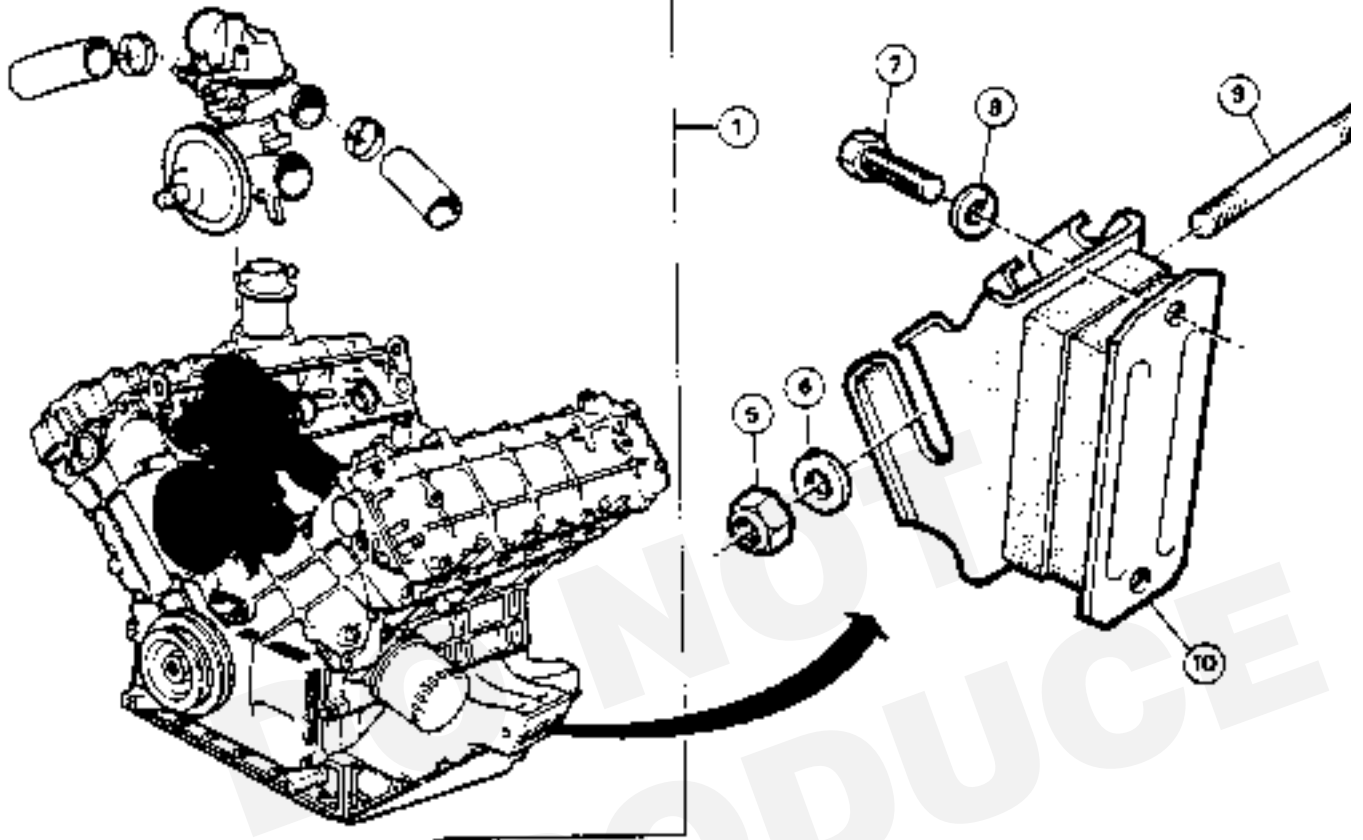
VEHICLE DESIGN CONTROL INFORMATION	
...	...
...	...
...	...
...	...
...	...
...	...
...	...



SECTION		ENGINE		
SUBSECTION		BASIC ENGINE/GASKETS/MOUNTINGS		
1	1	0	GROUP	
FIG.	PART NUMBER	DESCRIPTION	QTY	REMARKS
1	102854	BASIC ENGINE	1	
2	102565	• GASKET KIT	1	ENGINE OVERHAUL
3	102566	• GASKET KIT - CYL 123	1	CYL HEAD OVERHAUL
4	102567	• GASKET KIT - CYL 456	1	CYL HEAD OVERHAUL
5	SP10026	NYLOC NUT M10	4	
6	SP10835	LARGE WASHER M10	4	
7	SP10009	SCREW M8	4	
8	SP10032	WASHER M8	4	
9	100904	STUD M10	2	
10	100778	ENGINE MT BRACKET	2	

DO NOT REPRODUCE

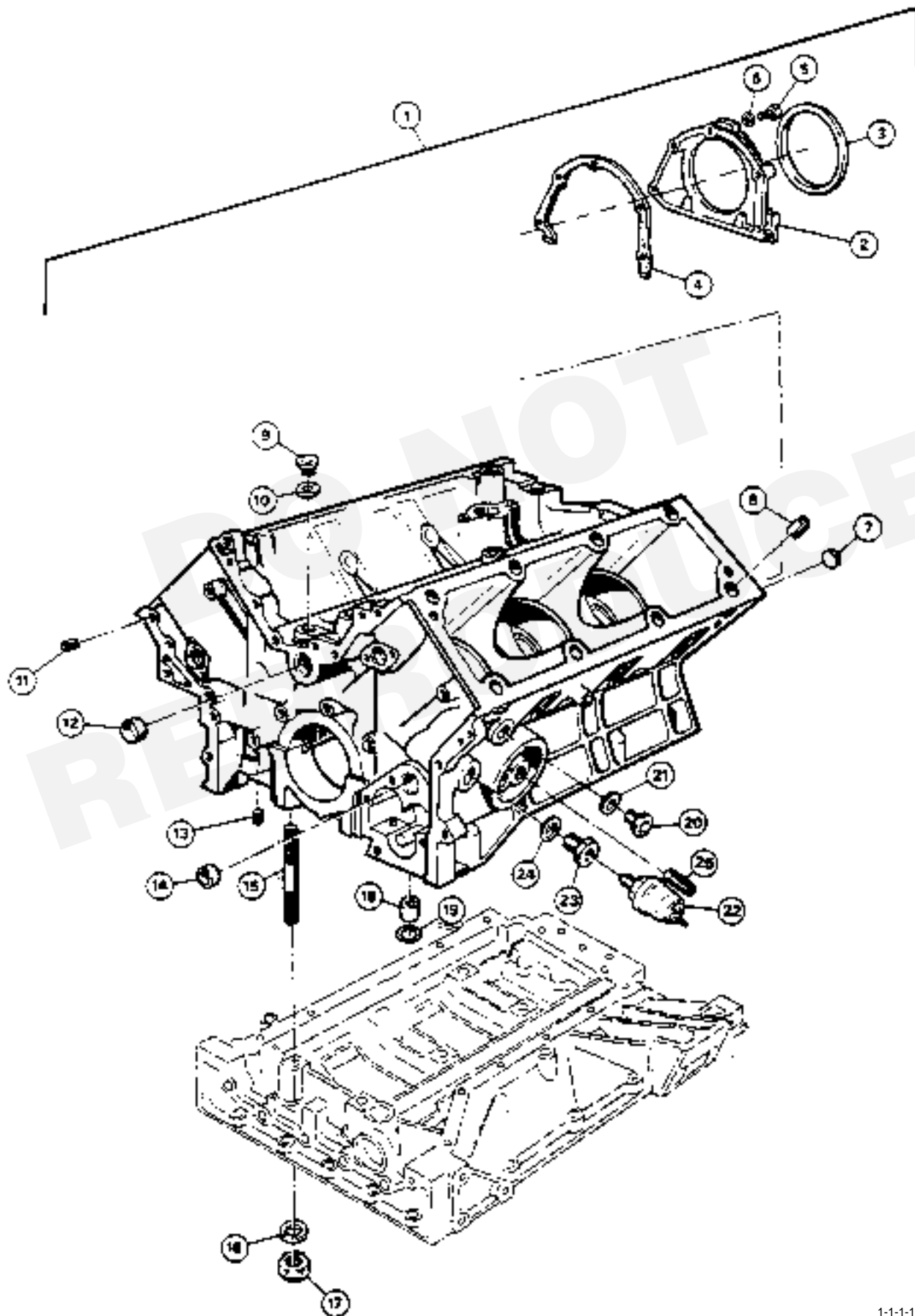
CYLINDERS 123 AND 456 ARE LH AND RH BANKS RESPECTIVELY WHEN VIEWED FROM THE FLYWHEEL END OF THE ENGINE.





1 SECTION		ENGINE BLOCK		
1 SUBSECTION				
1 GROUP				
FIG.	PART NUMBER	DESCRIPTION	QTY	REMARKS
1	102001	CYLINDER BLOCK ASSY	1	
2	102023	BRACKET PLATE	1	
3	102024	SEALING RING 100 x 13	1	PART OF 1-1-0 (GSKT KIT) FIG. 2
4	102022	GASKET - REAR	1	PART OF 1-1-0 (GSKT KIT) FIG. 2
5	102025	SCREW M7 x 100	5	
6	102026	SPRING WASHER M7	5	
7	102004	PLUG 14-5	1	
8	102008	SPRING PIN 16-14	4	
9	102010	PLUG M18 x 150	3	
10	102461	SEALING WASHER M18	3	PART OF 1-1-0 (GSKT KIT) F1
11	102007	SPRING PIN 8-18	4	
12	102003	PLUG M25	1	
13	102463	PLUG M12 x 150	1	
14	102002	PLUG M22	1	
15	102006	STUD M12 x 150 - 12-	8	
16	102020	WASHER M12	8	
17	101021	NUT M12 x 150	8	
18	102613	LOCATING BUSH	1	
19	102009	'O' RING SEAL	1	
20	103815	PLUG COOLANT DRAIN	3	
21	102101	SEALING WASHER	3	PART OF 1-1-0 (GSKT KIT) FIG. 2
22	102763	OIL PRESSURE SENDER	1	
23	102821	SENDER ADAPTOR	1	
24	102013	SEALING WASHER	1	PART OF 1-1-0 (GSKT KIT) FIG. 2
25	102115	ADAPTOR - OIL FILTER	1	SEE SUBSECTION 2 GROUP 0
		OIL PUMP ASSEMBLY	1	SEE SUBSECTION 2 GROUP 0

NOTE: FIG. 22 IS FOR OIL PRESSURE GAUGE  
REFER TO SECTION 1 - SUBSECTION 2, GROUP 0  
(OIL PUMP) FOR SENSOR, FIG. 3 TO WARNING LIGHT.



1 SECTION		ENGINE		
1 SUBSECTION		CRANKSHAFT/PISTON ASSEMBLY		
1 2 GROUP				
FIG.	PART NUMBER	DESCRIPTION	QTY	REMARKS
1	102612	CONN ROD BEARING SET	1	SIX PAIRS PER SET
2	102620	PISTON SERVICE SET	6	
3	102621	• PISTON RING SET	6	
4	102614	CYL LINER SPACER		0.07 TO 0.10MM THICK ) 6 OF EACH
	102615	CYL LINER SPACER		0.08 TO 0.12MM THICK) IN GASKET
	102616	CYL LINER SPACER		0.10 TO 0.14MM THICK) KIT 102565
	102617	CYL LINER SPACER		0.13 TO 0.16MM THICK) (SEE 1-1-0)
5	102043	CONN ROD ASSEMBLY	6	
6	101045	• CONN ROD SCREW	12	
7	102568	THRUST WASHER-CRANKSHAFT		2.30 TO 2.35MM THICK) TWO
	102609	THRUST WASHER-CRANKSHAFT	1	2.40 TO 2.45MM THICK) PAIRS
	102610	THRUST WASHER-CRANKSHAFT		2.45 TO 2.50MM THICK) PER
	102611	THRUST WASHER-CRANKSHAFT		2.50 TO 2.55MM THICK) SET
8	102608	MAIN BEARING SHELL SET	1	
9	102041	CRANKSHAFT	1	
10	102509	WOODRUFF KEY	2	CRANKSHAFT NOSE

ENGINE  
CRANKSHAFT/PISTON ASSEMBLY

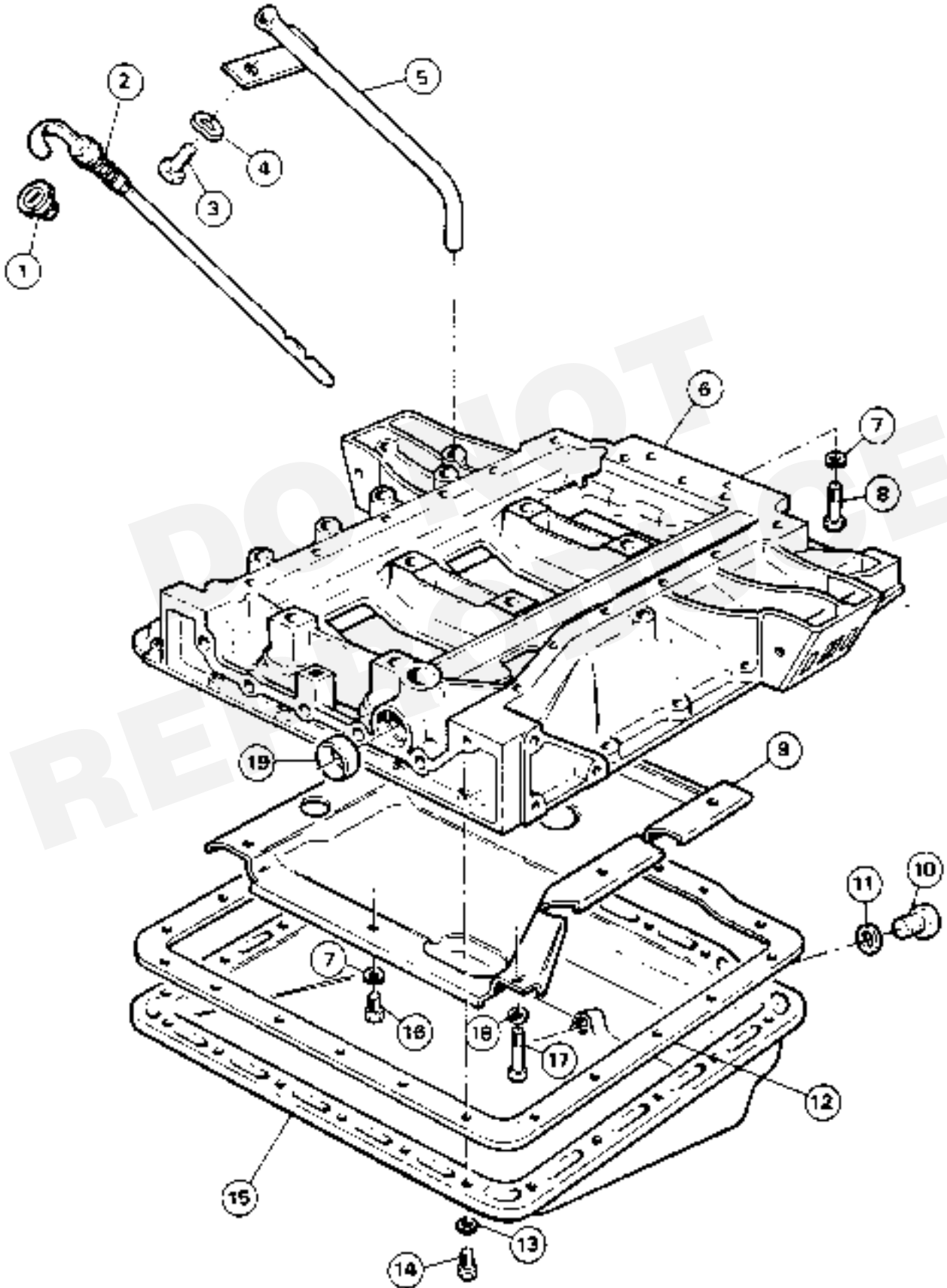
<b>1</b>	SECTION
	SUBSECTION
<b>1</b>	<b>2</b> GROUP

DO NOT  
REPRODUCE

1 SECTION		ENGINE		
1 SUBSECTION		CRANKCASE/OIL PAN/DIPSTICK		
1 3 GROUP				
FIG.	PART NUMBER	DESCRIPTION	QTY	REMARKS
1	102111	SEAL, DIPSTICK	1	
2	102109	DIPSTICK	1	
3	102475	SCREW M8 x 125	1	
4	102035	WASHER M8	1	
5	102858	GUIDE TUBE, DIPSTICK	1	
6	102031	CRANKCASE	1	
7	101048	WASHER M7	1	
8	101047	SCREW M7	2	
9	102033	DEFLECTOR, OIL	1	
10	103815	DRAIN PLUG, MAGNETIC	1	
11	102101	SEALING WASHER	1	
12	102102	GASKET, OIL PAN	1	
13	102618	SPRING WASHER M7	22	
14	102198	SCREW M7	22	
15	102032	OIL PAN	1	
16	102554	SCREW M7	1	
17	102034	SCREW M8	12	
18	102035	SPRING WASHER M8	12	
19	102003	PLUG 25	1	

ENGINE  
CRANKCASE/OIL PAN/DIPSTICK

SECTION  
1  
SUBSECTION  
1  
GROUP  
3

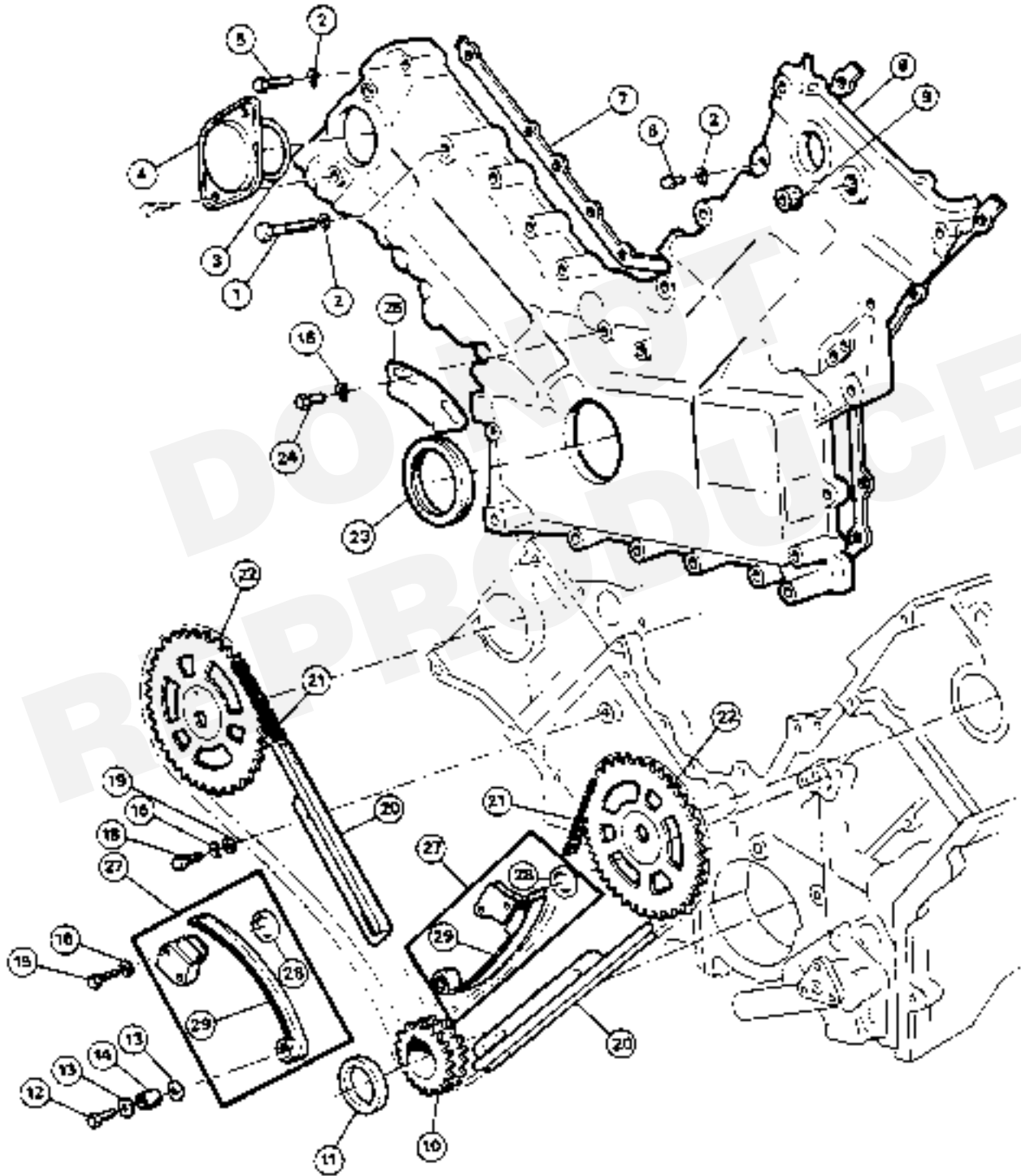


1-1-3-12-18-81

1 SECTION		ENGINE		
1 SUBSECTION		TIMING CHAINS		
1 4 GROUP				
FIG.	PART NUMBER	DESCRIPTION	QTY	REMARKS
1	102148	SCREW M7	1	
2	101048	WASHER	25	
3	102820	SEAL - 'O' RING	1	PART OF 102565 (GASKET KIT 1-1-0)
4	102194	COVER PLATE	1	
5	102199	SCREW M7	19	
6	102198	SCREW M7	5	
7	102197	GASKET - TIMING GEAR	1	PART OF 102556, 102566 & 102567 (GASKET KIT 1-1-0)
8	102192	COVER - TIMING GEAR	1	
9	102196	PLUG 3/8"	1	
10	102056	SPROCKET-CRANKSHAFT	1	
11	102058	SPACER SLEEVE	1	
12	102221	SCREW M7	2	
13	102222	WASHER M7	4	
14	102220	SPACER SLEEVE	2	
15	102217	SCREW M6	4	
16	102218	WASHER SPRING M6	4	
18	102274	SCREW M6	4	
19	102228	WASHER M6	4	
20	102857	CHAIN GUIDE	2	
21	102214	CHAIN-TIMING	2	
22	102209	TIMING SPROCKET	2	
23	102573	LIP SEAL	1	PART OF 102565 (GASKET KIT 1-1-0)
24	102761	SCREW	2	
25	101061	WASHER-SPRING	2	
26	102762	TMG PLATE-IGNITION	1	
27	102605	CHAIN TENSIONER SET	2	
28	102215	FILTER	2	
29	102219	CHAIN TENSIONER	2	

ENGINE  
TIMING CHAINS

SECTION  
1  
SUBSECTION  
1  
4 GROUP



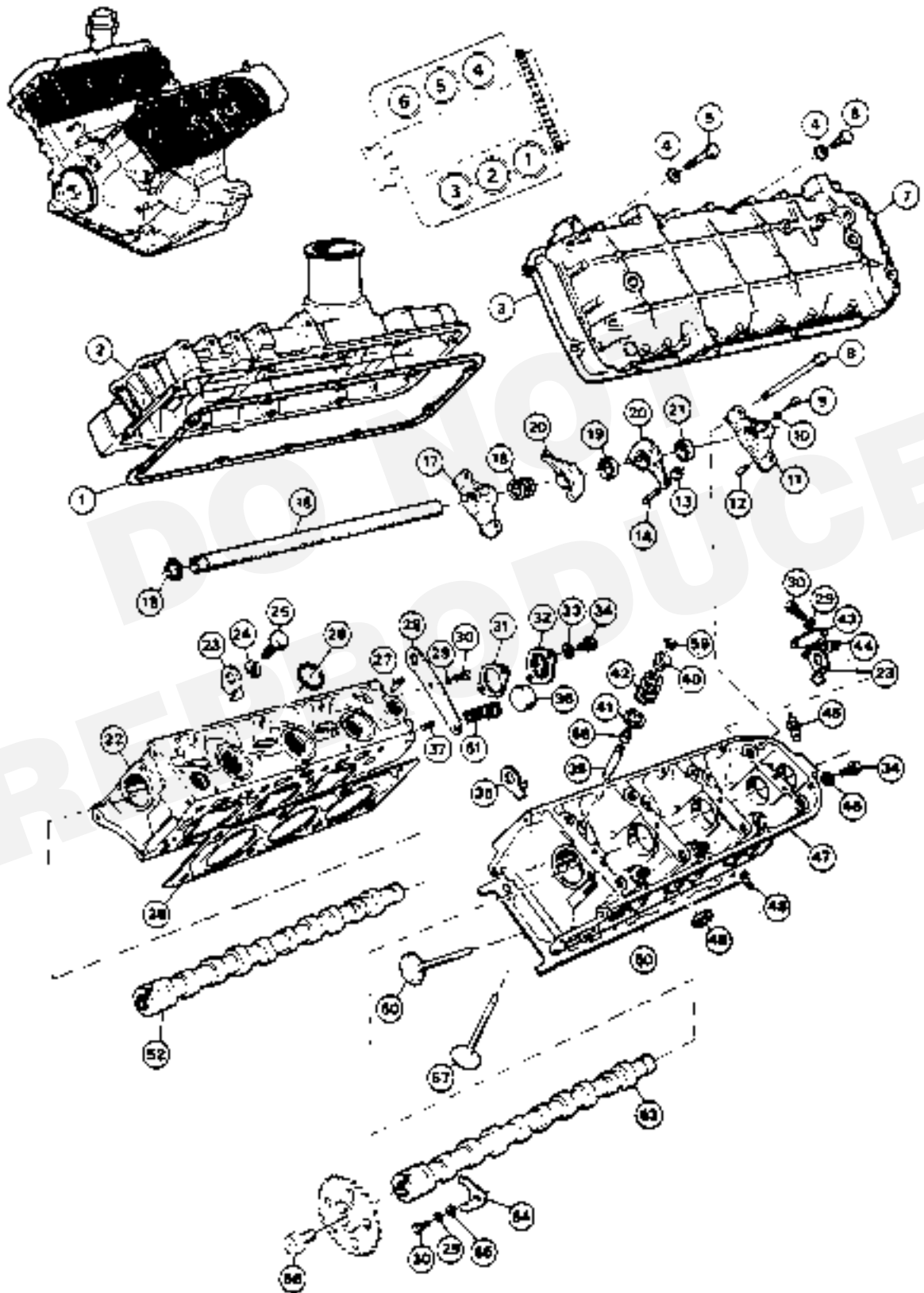


1	SECTION		ENGINE	
	1	SUBSECTION	CYLINDER HEAD/VALVE TRAIN	
		5	GROUP	
FIG.	PART NUMBER	DESCRIPTION	QTY	REMARKS
1	102256	GSKT-RKR CVR CYL 456	1	PART OF 102565 & 102567 GASKET KITS (1-1-0)
2	102252	COVER-RKR CYL 456	1	
3	102249	GSKT RKR CVR CYL 123	1	PART OF 102565 & 102566 GASKET KITS (1-1-0)
4	102250	WASHER-SPRING M7	20	
5	102251	SCREW M7	10	
6	102198	SCREW M7	10	
7	102248	COVER RKR CYL 123	1	
8	102178	SCREW-CYLINDER HEAD	16	
9	102246	SCREW-LOCK	2	
10	102218	WASHER-SPRING	2	
11	102234	SHAFT RET-ROCKER ARM	4	
12	102235	LOCATING DOWEL	4	
13	102629	COLLAR-ROCKER ARM	12	
14	102241	SCREW-ROCKER ARM ADJ	12	
15	102247	WIRE RING	2	
16	102231	OM; AMD EXJ-RKR SFT	2	
17	102233	ROCKER ARM SHAFT RET	4	
18	102243	SPRING-ROCKER ARM	6	
19	102244	SPACER SLEEVE	6	THICKNESS 5.35 MM
20	102236	ROCKER ARM	12	
21	102245	SPACER SLEEVE	6	THICKNESS 8.22 MM
22	102173	CYL HEAD 456 ASSY	1	PARTS 'A' INCLUDED
23	102185	LIFTING UNIT	2	
24	102035	WASHER-SPRING M8	3	
25	102187	SCREW M8	3	
26	102168	'O' RING SEAL	6	PART OF 102565, 3 OFF IN 102566 & 102567 GASKET KITS (1-1-0)
27	102177	STUD M7	1	
28	102188	LIFTING UNIT	1	
29	101048	WASHER-SPRING	6	
30	103029	BOLT	6	
31	102170	GASKET	2	PART OF 102565, 1 OFF IN 102566 & 102567 GASKET KITS (1-1-0)
32	102169	COVER-CYL HEAD ROCKER	2	
33	101061	WASHER-SPRING	4	
34	102274	SCREW M6	5	
35	102186	LIFTING UNIT	1	
36	102159	PLUG 36	2	
37	102176	NIPPLE	1	
38	102175	GSKT-CYL HEAD-CYL 456	1	

CYLINDERS 123 AND 456 ARE LH AND RH BANKS RESPECTIVELY  
WHEN VIEWED FROM THE FLYWHEEL END OF THE ENGINE

ENGINE  
CYLINDER HEAD/VALVE TRAIN

SECTION  
1  
SUBSECTION  
1  
GROUP  
5

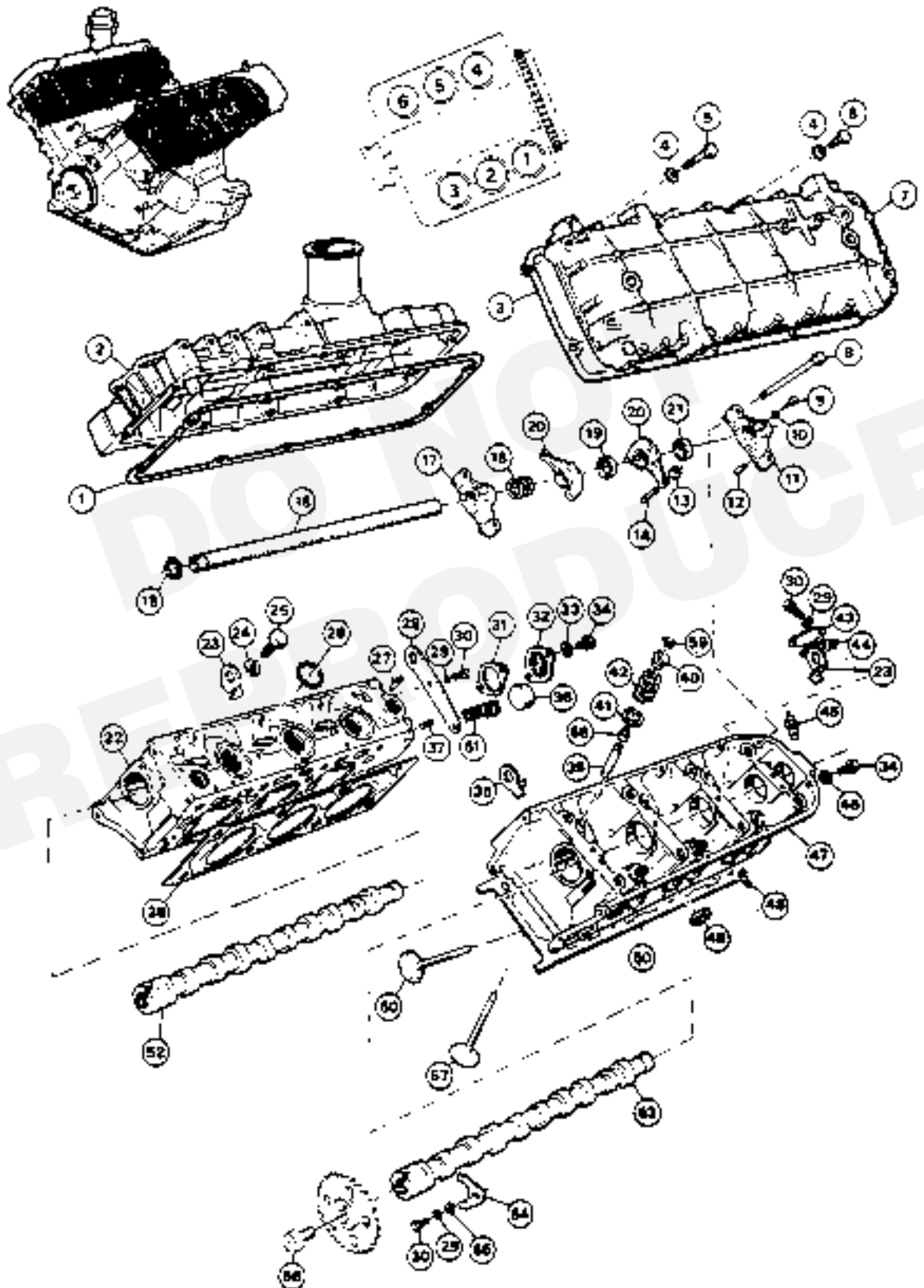


1 SECTION		ENGINE		
1 SUBSECTION		CYLINDER HEAD/VALVE TRAIN		
1 5 GROUP				
FIG.	PART NUMBER	DESCRIPTION	QTY	REMARKS
39	102163	VALVE GUIDE	12	13.10 MM DIA
	102624	VALVE GUIDE	12	
40	102181	VALVE SPRING RET	12	
41	102183	WASHER M21	12	
42	102184	VALVE SPRING	12	
43	102143	F/PUMP BLANKING PLT	1	
44	102414	F/PUMP GASKET	1	PART OF 102565 & 102566 GASKET KITS (1-1-0)
45	102450	TEMPERATURE SENSOR	1	
46	102195	'O' RING SEAL	1	PARTS OF 102565 GASKET KIT (1-1-0)
47	102157	CYL HEAD 123 ASSY	1	PARTS 'B' INCLUDED
48	102167	STUD M7	12	
49	102160	PLUG 27MM	6	
50	102166	GSKT CYL HD-CYL 123	1	PART OF 102565 & 102566 GASKET KITS (1-1-0)
51	SP10278	CABLE CLIP	1	
52	102706	CAMSHAFT-CYL 456	1	
53	102707	CAMSHAFT-CYL 123	1	
54	102206	CAMSHAFT THRUST PLT	2	
55	102208	WASHER M7	2	
56	102213	TMG SPROCKET SCREW	2	
57	102628	. INLET VALVE ASSY	2	COMPRISES THREE VALVES PER SET
58	102165	. VALVE STEM SEAL	6	PART OF 102565, 102566 & 102567 GASKET KITS (1-1-0)
59	102182	. VALVE KEEPER	12	
60	102627	EXHAUST VALVE ASSY	2	COMPRISES THREE VALVES PER SET

CYLINDERS 123 AND 456 ARE LH AND RH BANKS RESPECTIVELY  
WHEN VIEWED FROM THE FLYWHEEL END OF THE ENGINE

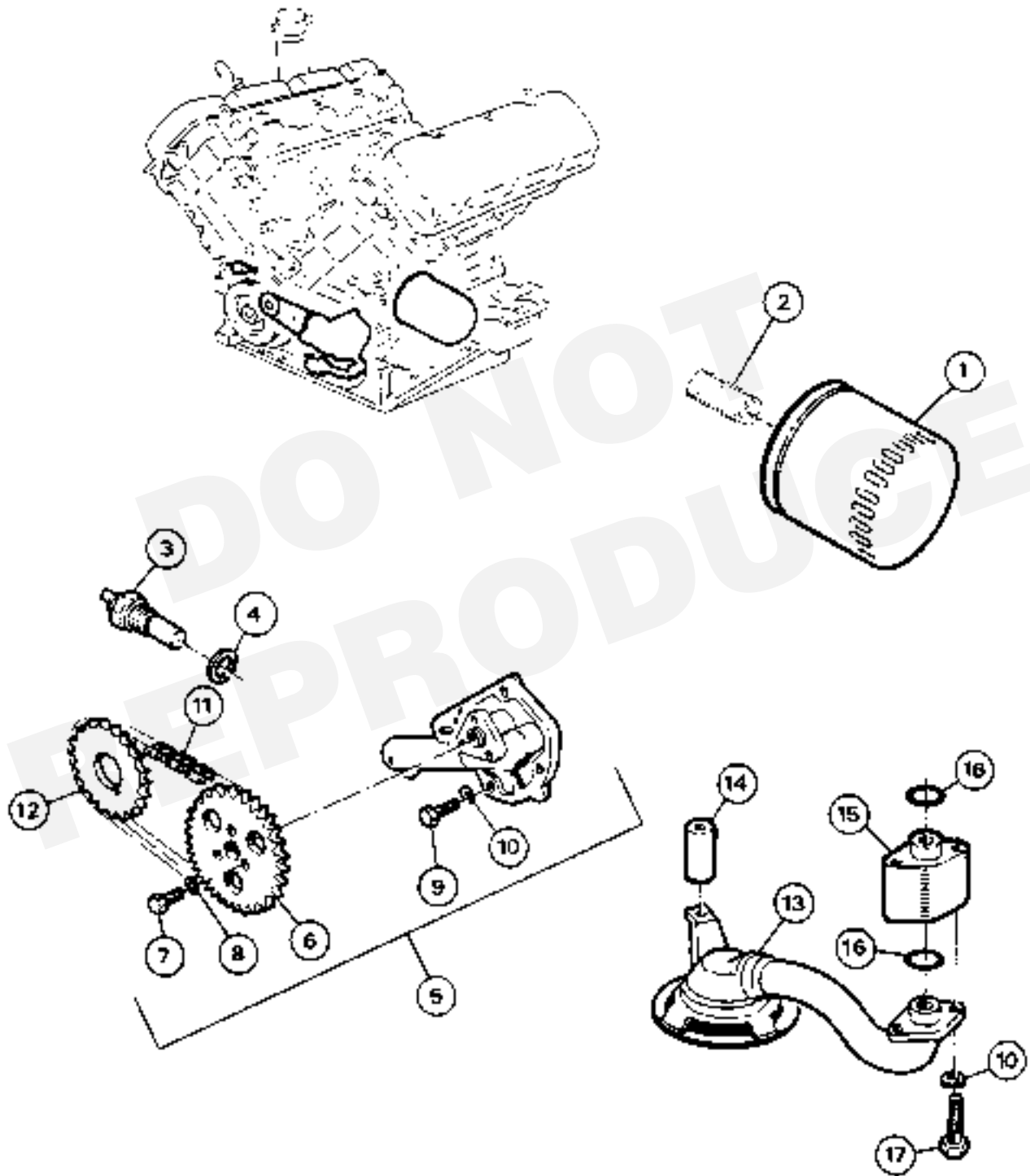
ENGINE  
CYLINDER HEAD/VALVE TRAIN

SECTION  
1  
SUBSECTION  
1  
5 GROUP



1 SECTION		ENGINE		
2 SUBSECTION		OIL PUMP/FILTER		
0 GROUP				
FIG.	PART NUMBER	DESCRIPTION	QTY	REMARKS
1	102114	OIL FILTER	1	
2	102115	OIL FILTER ADAPTOR	1	PART OF CYLINDER BLOCK ASSY (1-1-1)
3	102462	OIL PRESSURE SENSOR	1	
4	102461	SEALING WASHER	1	
5	102622	OIL PUMP ASSEMBLY	1	PART OF CYLINDER BLOCK ASSY (1-1-1)
6	102081	. OIL PUMP DRVN SPKT	1	
7	102082	. SCREW M6	3	
8	102228	. WASHER M6	3	
9	102198	. SCREW M7	4	
10	101048	. WASHER M7	7	
11	102229	OIL PUMP DRIVE CHAIN	1	
12	102057	OIL PUMP DRIVE SPKT	1	
13	102084	OIL PUMP STRAINER	1	
14	101046	STRAINER BRKT SPACER	1	
15	102096	STRAINER PIPE SPACER	1	
16	102009	'O' RING SEAL	2	
17	103706	SCREW M7	3	

NOTE: ITEM 3 RELATES TO OIL PRESSURE WARNING LIGHT.  
REFER TO CYLINDER BLOCK (1-1-1) FOR SENDER (ITEM 22)  
TO OIL PRESSURE GAGE

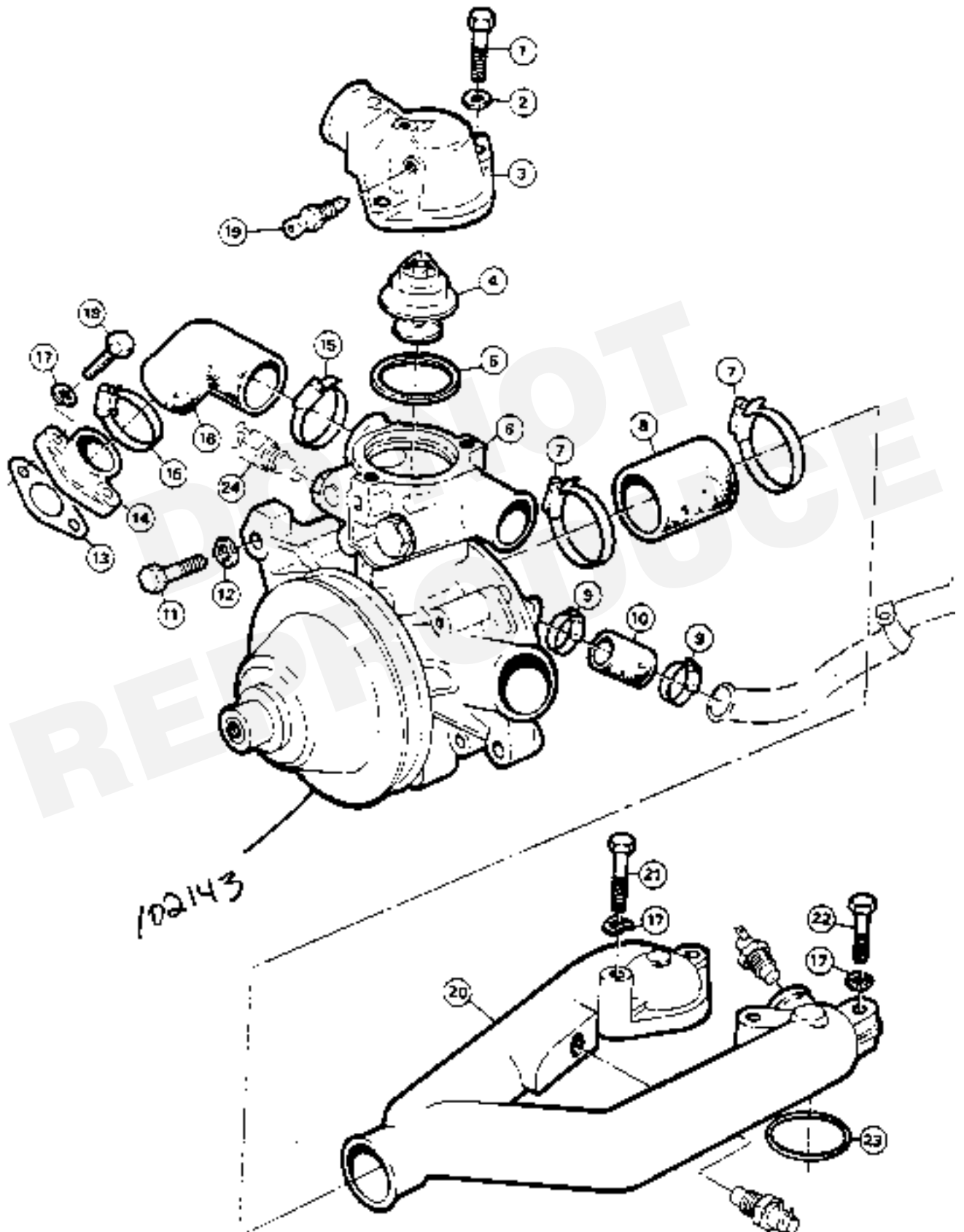


<b>1</b>	SECTION	ENGINE COOLING SYSTEM WATER PUMP
	SUBSECTION	
	<b>3</b> / <b>0</b> GROUP	

FIG.	PART NUMBER	DESCRIPTION	QTY	REMARKS
1	102191	SCREW M7	2	
2	102026	WASHER-SPRING M7	2	
3	102140	COVER-THERMOSTAT	1	
4	102709	THERMOSTAT	1	
5	102156	. GASKET THERMOSTAT	1	
6	102119	WATER PUMP ASSEMBLY	1	
7	102150	TERRY CLIP	2	
8	102149	WATER HOSE	1	
9	SP10350	TERRY CLIP	2	
10	102481	WATER HOSE	2	
11	102142	SCREW M8	3	
12	102035	WASHER-SPRING M8	3	
13	102152	GASKET	2	
14	102151	OUTLET PIPE FLANGE	2	
15	102150	HOSE CLAMP	2	
16	102153	WATER OUTLET HOSE	2	
17	101048	WASHER	4	
18	102198	SCREW M7	4	
19	102141	SCREW-BLEED	1	
20	102147	WATER DIST PIPE	1	
21	102148	SCREW M7	2	
22	102107	SCREW M7	2	
23	102146	SEAL-'O' RING	2	
24	102143	WATER PUMP PULLEY		

ENGINE COOLING SYSTEM  
WATER PUMP

SECTION  
1  
SUBSECTION  
3  
GROUP  
0



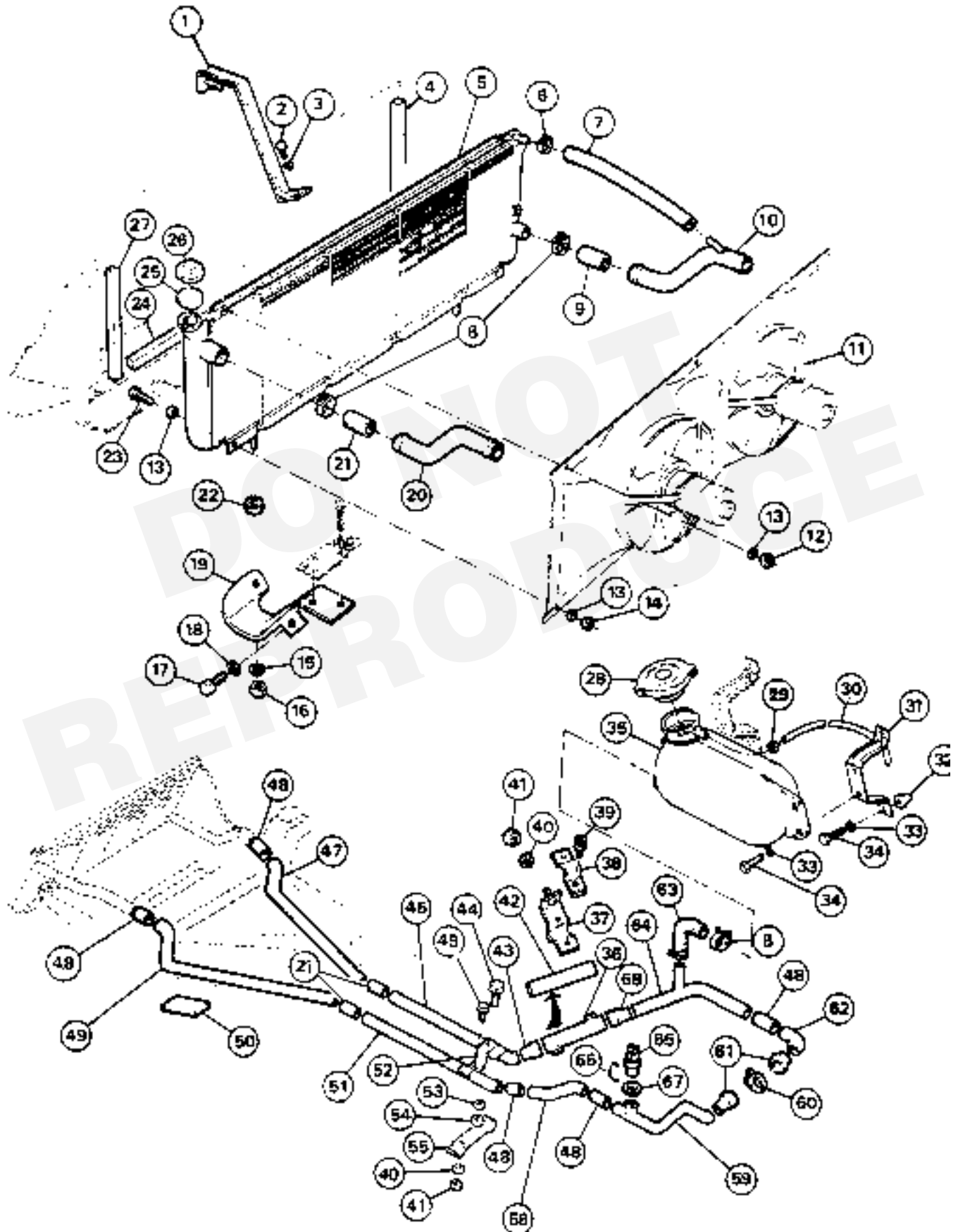


1	SECTION		ENGINE RADIATOR/PIPING	UP TO VIN 1233
	3	SUBSECTION		
		1 GROUP		
FIG.	PART NUMBER	DESCRIPTION	QTY	REMARKS
1	106850	RADIATOR STAY	1	
	106851	RADIATOR STAY LH	1	
2	SP10204	SCREW M6	2	
3	SP10252	SPRING WASHER M6	2	
4	106871	SEAL	1	
5	100486	RADIATOR	1	
6	SP10348	HOSE CLIP	3	
7	100502	AIR BLEED CONN HOSE	2	
8	SP10352	HOSE CLIP	26	
9	106822	HOSE-RAD CONNECTOR	1	
10	105992	FRONT WATER PIPE RH	1	
11	100415	FANS	2	
12	SP10851	NYLOC NUT M5	2	
13	SP10111	WASHER M5	2	
14	SP10106	NYLOC NUT M5	4	
15	SP10835	EXTRA LARGE WA M10	2	
16	SP10026	NYLOC NUT M10	2	
17	SP10103	SCREW M8	2	
18	S010035	SPRING WASHER M8	2	
19	105805	RAD SUPT BRACKET LH	1	
	105806	RAD SUPT BRACKET RH	1	
20	105988	FRONT WATER PIPE LH	1	
21	100506	HOSE CONN	3	
22	101365	RAD MOUNTING RUBBER	4	
23	SP10100	SCREW M5	4	
24	106872	SEAL	1	
25	109136	SEAL, RADIATOR CAP	1	
26	109135	CAP, RADIATOR	1	
27	106870	SEAL	1	
28	101977	. HD BOTTLE CAP	1	
29	SP10348	HOSE CLIP	3	
30	100502	AIR BLEED CONN HOSE	2	
31	105779	BRACKET	2	
32	SP10613	RIVNUT M6	4	
33	SP10252	SPRING WASHER	4	
34	SP10016	SCREW M6	8	
35	101944	HEADER BOTTLE ASSY		
36	100448	OIL COOLER	1	
37	108142	OIL COOLER SUPT BRKT	1	
38	106151	OIL COOLER CLAMP	1	
39	SP10454	SEMS SCREW M5	2	
40	SP10031	WASHER M6	2	
41	SP10024	NYLOC NUT M6	2	
42	105995	REPL OIL COOLER PIPE	1	
43	105994	HOSE, INTERMEDIATE	1	

ENGINE  
RADIATOR/PIPING

UP TO VIN 1233

SECTION  
SUBSECTION  
1 GROUP



1-3-1-2-4-82

<b>1</b>	SECTION	ENGINE RADIATOR/PIPING	UP TO VIN 1233
	SUBSECTION		
	<b>3</b> / <b>1</b> GROUP		

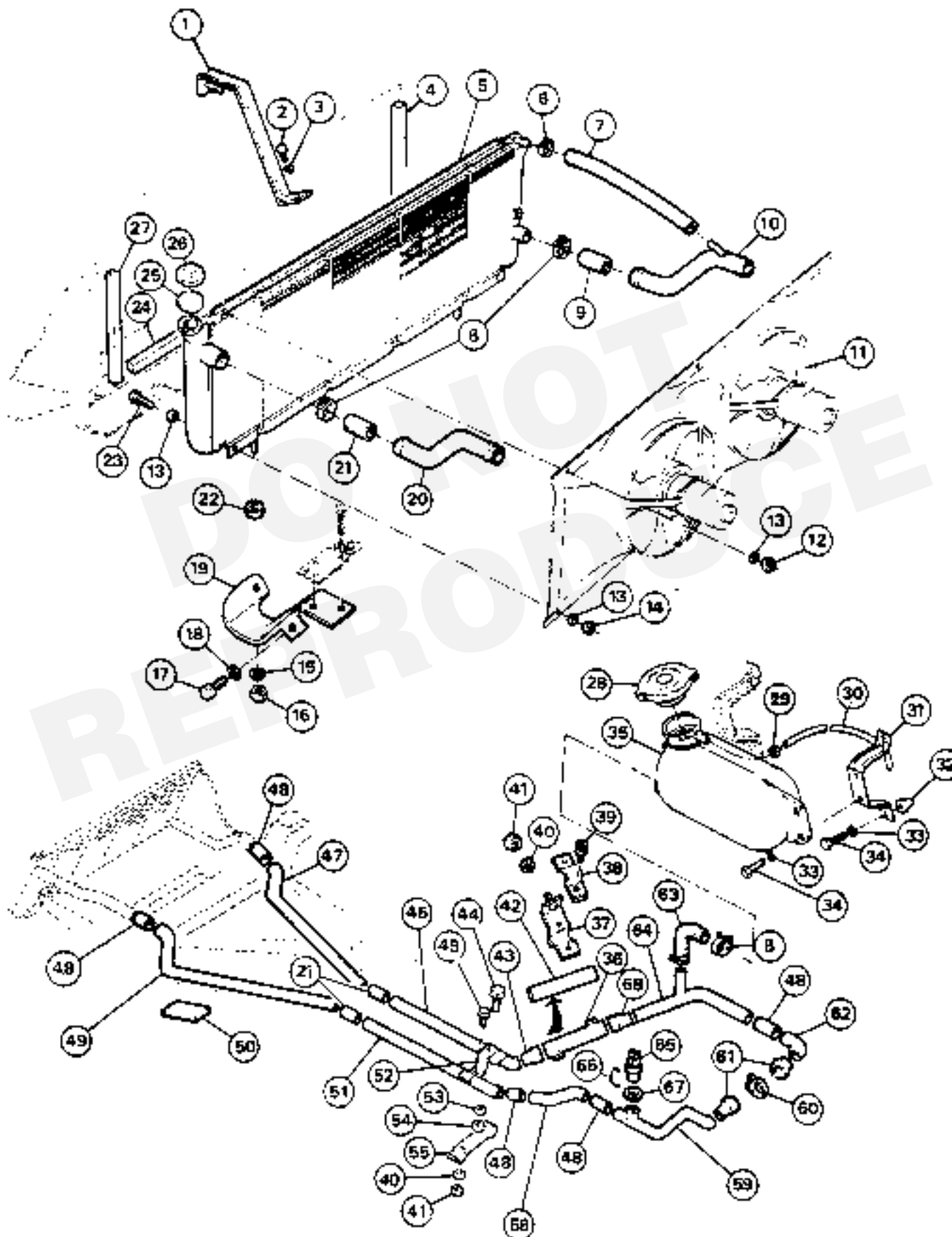
FIG.	PART NUMBER	DESCRIPTION	QTY	REMARKS
44	SP10018	SCREW M10	1	
45	SP10015	SCREW M6	8	
46	105993	MAIN WATER RAIL RH	1	
47	105990	'S' PIPE RH	1	
48	106033	WATER HOSE	4	
49	105989	'S' PIPE	1	
50	106711	PACKING	2	
51	100493	MAIN WATER RAIL LH	1	
52	106819	WATER PIPE BRACKET	1	
53	SP10033	WASHER M10	1	
54	SP10026	NUT NYLOC M5	4	
55	106820	WATER PIPE STRAP	1	
58	101595	WATER PIPE REAR LH	1	
59	101943	WATER PIPE ENGINE LH	1	
60	SP10353	HOSE CLIP	2	
61	100507	HOSE PUMP CONNECTOR	2	
62	105997	WATER PIPE ENGINE RH	1	
63	106031	WATER BOTTLE CONN	1	
64	105446	WATER PIPE REAR ENGINE	1	
65	100816	THERMOSTAT SWITCH	1	
66	108633	CLIP, RETAINING	1	
67	106959	THERMOSTAT BUSH	1	
68	106821	HOSE CONNECTOR	1	

ENGINE  
RADIATOR/PIPING

UP TO VIN 1233

1

SECTION  
SUBSECTION  
3 / 1 GROUP



<b>1</b>	SECTION	ENGINE RADIATOR/PIPING	FROM VIN 1234
	SUBSECTION		
	<b>3</b> 1 GROUP		

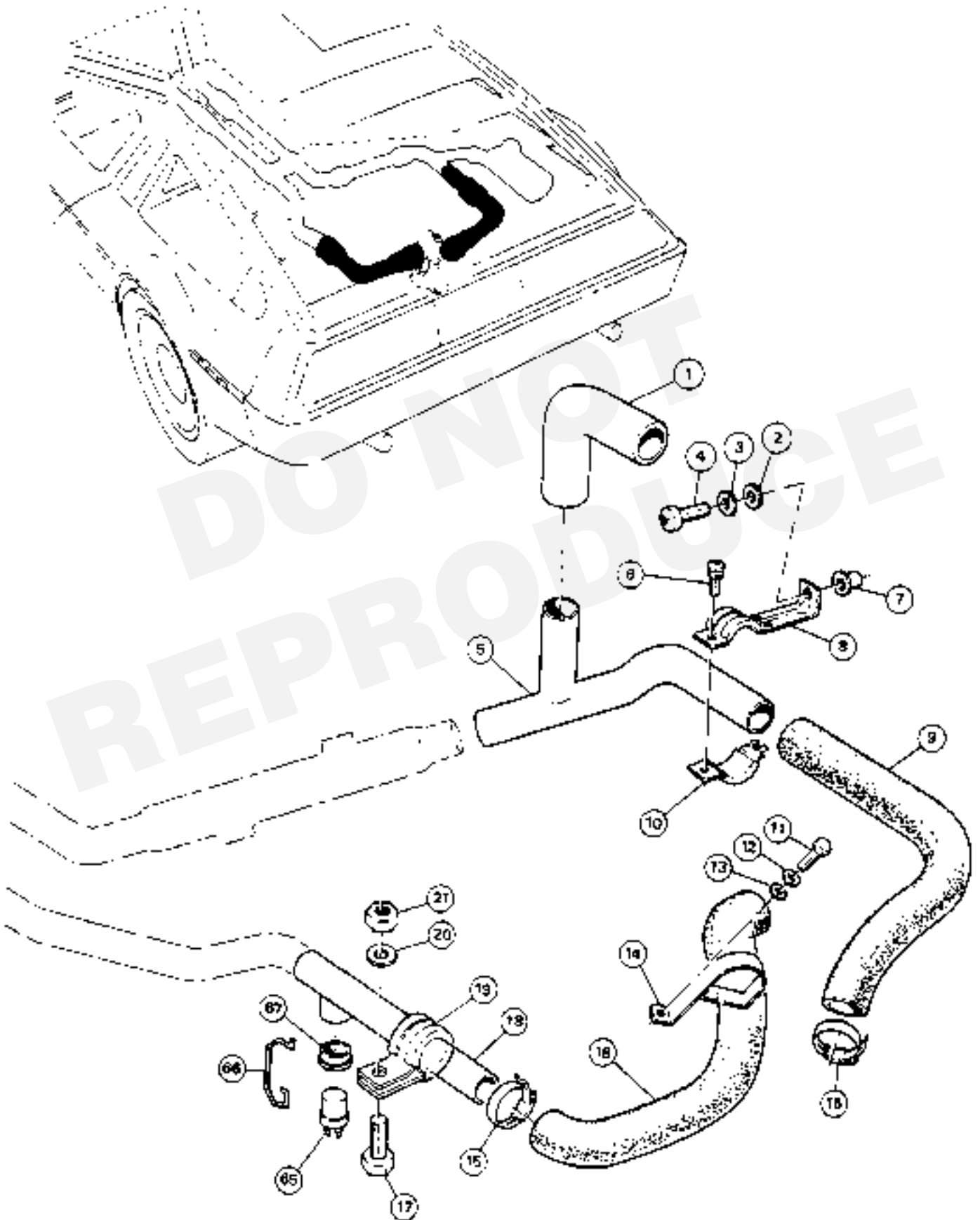
FIG.	PART NUMBER	DESCRIPTION	QTY	REMARKS
1	108679	HOSE-HEADER TANK CONN	1	
2	SP10031	WASHER M6	1	
3	SP10252	SPRING WASHER M6	2	
4	SP10015	SCREW M6	8	
5	108678	WATER PIPE REAR RH	1	
6	SP10454	. SEMS-SCREW M5	1	
7	SP10613	RIVNUT M6	4	
8	108680	MOUNTING BRACKET	1	
9	108676	HOSE-WATER PUMP RH	1	
10	108713	CLIP	1	
11	SP10001	SCREW M8	1	
12	SP10252	SPRING WASHER	1	
13	SP10032	WASHER M8	1	
14	108682	'Q' CLIP	1	
15		HOSE CLIP	2	
16	108675	HOSE-WATER PUMP LH	1	
17	SP10009	SCREW M8	1	
18	110131	WATER PIPE REAR LH	1	
19	110113	'P' CLAMP ASSY	1	
20	SP10032	WASHER M8	2	
21	SP10025	NUT M8	1	
22	100816	THERM ENVELOPE SW	1	
23	108633	THERM CLIP	1	
24	106959	THERM SEALING BUSH	1	

ENGINE  
RADIATOR/PIPING

FROM VIN 1234

1

SECTION  
SUBSECTION  
1 GROUP

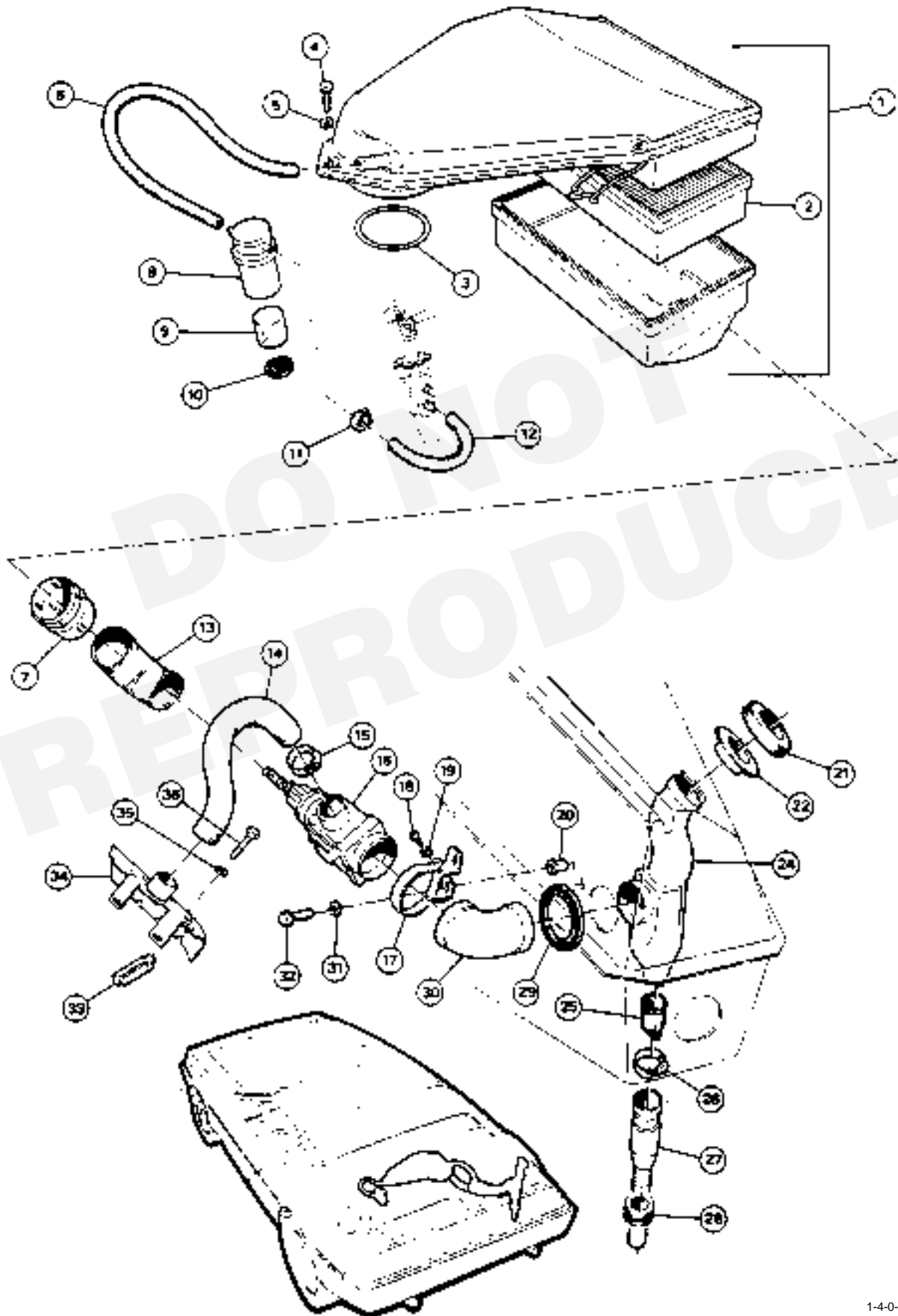


1-3-1-1-15-82

SECTION		ENGINE AIR INLET SYSTEM		
SUBSECTION		AIR CLEANER ASSEMBLY		
1	4	0	GROUP	
FIG.	PART NUMBER	DESCRIPTION	QTY	REMARKS
1	101058	AIR FILTER ASSEMBLY	1	
2	102575	. AIR FILTER ELEMENT	1	
3	101059	. 'O' RING	1	
4	SP10005	. SCREW M6		
5	SP10252	. WASHER-SPRING M6	3	
6	101062	. HOSE	1	
7	101096	. ADAPTOR-AIR CLEANER	1	
8	102145	OIL FILLER CVR	1	
9	102418	FILTER CARTRIDGE	1	
10	102420	OIL FILLER CVR BOTTOM	1	
11	102356	HOSE CLIP	1	
12	102537	HOSE	1	
13	105927	INL DUCT-AIR CLEANER	1	
14	105926	INL DUCT-TEMP SENSOR	1	
15	SP10353	HOSE CLIP	2	
16	105952	SHUTTER-AIR INLET	1	
17	105837	SUPT ASSY INL DUCT	1	
18	SP10209	. SCREW M4	1	
19	SP10251	. WASHER M4	1	
20	SP10613	RIVNUT M6	2	
21	106693	RING SEAL	2	ONE SEAL FITS ON LH PONTOON
22	106694	PIPE EXT-INL SYSTEM	1	
24	105831	ENGINE INL DUCT PRIM	1	
25	105833	INL DUCT NON-RTN VLV	1	
26	SP10353	HOSE CLIP	1	
27	105834	INL DUCT WATER OTLT	1	
28	SP10358	GROMMET	1	
29	108131	EDGE STRIP	1	
30	105832	ENGINE INL DUCT SECD	1	
31	SP10031	WASHER M6	2	
32	SP10041	SCREW M6	2	
33	106044	MANIFOLD ASSY BRKT	2	
34	106108	EXH MANIF STOVE	1	
35	SP10503	WASHER M5	2	
36	SP10688	SCREW M5	2	

ENGINE AIR INLET SYSTEM  
AIR CLEANER ASSEMBLY

SECTION  
1  
SUBSECTION  
4  
GROUP  
0

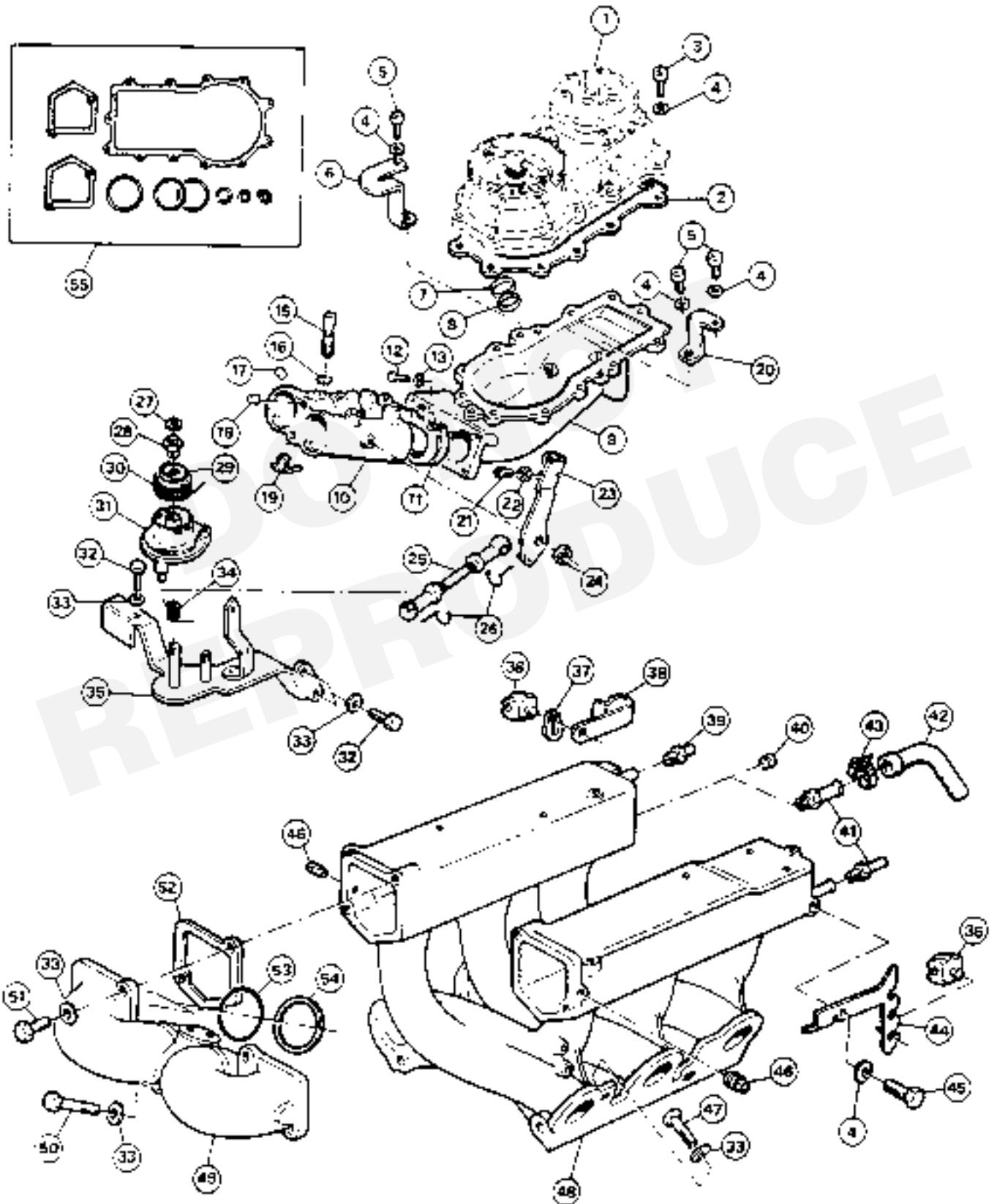




SECTION		ENGINE		
SUBSECTION		AIR INDUCTION SYSTEM		
1	4	1	GROUP	
FIG.	PART NUMBER	DESCRIPTION	QTY	REMARKS
1	102789	MIXTURE CONTROL UNIT	1	REFER TO 2-2-0
2	102489	GASKET-MIX CONN UNIT	1	PART OF 102574 GASKET KIT (FIG 3)
3	102490	SCREW M6	12	
4	101061	SPRING WASHER M6	18	
5	102317	SCREW M6	4	
6	102776	LWR HOUSING BRKT RH	1	
7	102294	SEAL TIGHTENING CUP	1	
8	102293	'O' RING	1	
9	102771	MIX UNIT LWR HSG	1	
10	102850	THROTTLE VALVE ASSY	1	
11	102772	GSKT-LWR HSG/T/V	1	
12	102317	SCREW M6	8	
13	102228	WASHER M6	16	
15	102391	PLUG	3	
16	102393	'O' RING	3	
17	102292	PLUG	1	
18	102004	PLUG	1	
19	102313	NIPPLE	1	
20	102777	LWR HOUSING BRKT LH	1	
21	102310	SCREW M5	2	
22	102557	NUT M5	2	
23	102780	LEVE R	1	
24	102311	LOCKNUTM8	1	
25	102555	QUADRANT M8	1	
26	102564	SAFETY RET RING	2	
27	102544	CIRCLIP	1	
28	102541	QUADRANTSPDL GUIDE	2	
29	102545	GOV CON QUADRANT	1	AUTOMATIC ONLY
30	102543	QUADRANT RTN SPRING	1	
31	102782	THROTTLE CONTROL	1	
32	102554	SCREW M7	3	
33	101048	WASHER M7	12	
34	102542	QUADRANT RTN SPRING	1	
35	102781	BOBBIN	1	
36	102276	PLASTIC CLIP	4	
37	102275	SPARK PLUG WIRE BRKT	1	
38	102493	CLIP	1	
39	102267	NIPPLE	1	
40	102269	PLUG	1	MANUAL ONLY
41	102268	THREADED NIPPLE	1	ONE OFF MANUAL, TWO OFF AUTO
42	102270	VACUUM HOSE	1	
43	102271	HOSE CLIP	1	
44	102272	HOOK BRACKET	1	
45	102274	SCREW M6	1	

ENGINE  
AIR INDUCTION SYSTEM

SECTION  
1  
SUBSECTION  
4  
GROUP  
1



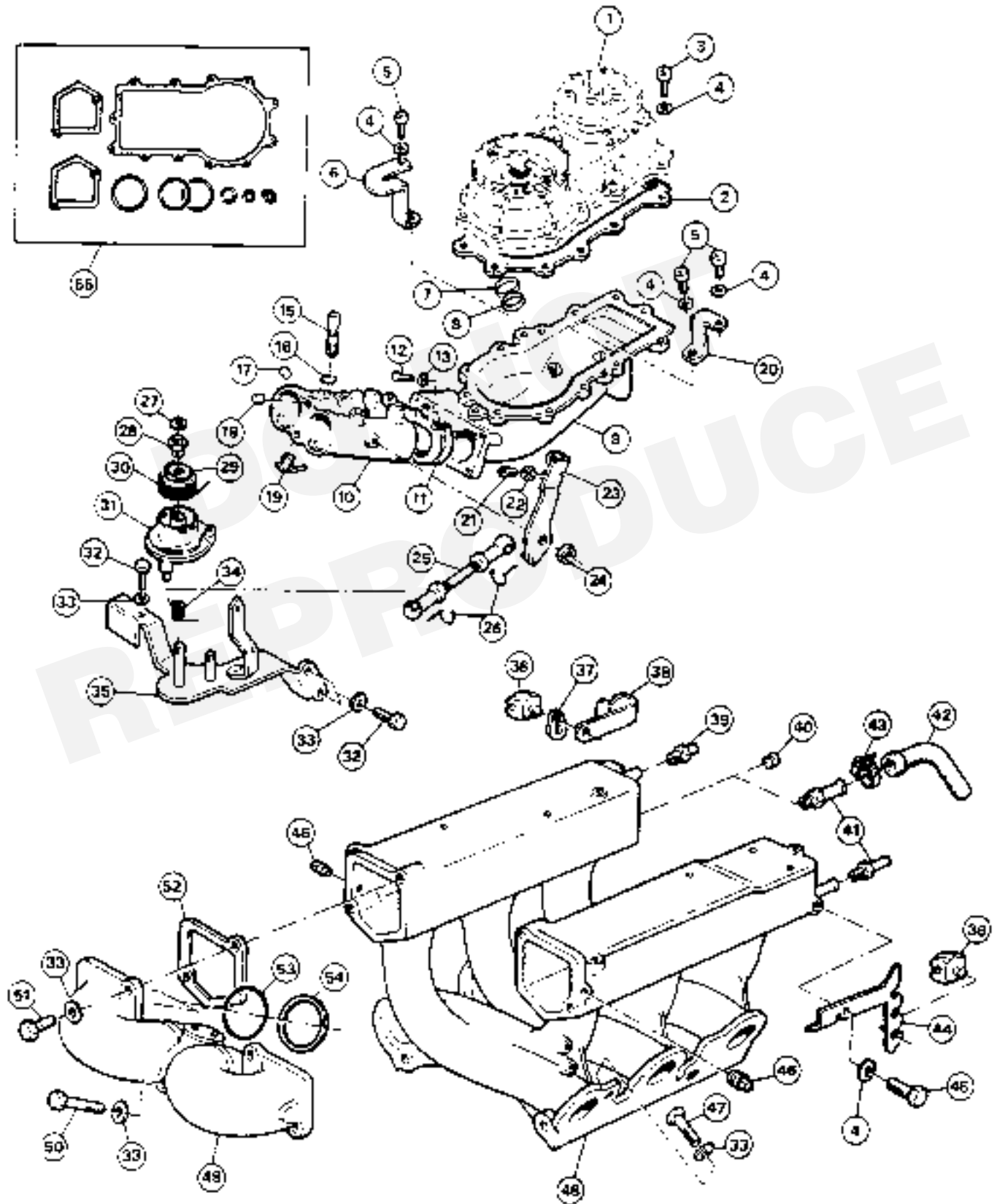
<b>1</b>	SECTION	ENGINE AIR INDUCTION SYSTEM
	SUBSECTION	
	4 / 1 GROUP	

FIG.	PART NUMBER	DESCRIPTION	QTY	REMARKS
141				
46	102266	PLUG	2	
47	102191	SCREW M7	4	
48	102260	INLET MANIFOLD	1	
49	102279	INTER INLET MANIFOLD	1	PART 'A' INCLUDED
50	102286	SCREW M7	1	
51	102198	SCREW M7	4	
52	102284	INLET MANIFOLD GSKT'	2	PART OF 102574 GASKET KIT (FIG 55)
53	102283	'O' RING	2	PART OF 102574 GASKET KIT EFIG 55)
54	102282	BACK UP RING	2	
55	102574	GASKET KIT		

DO NOT REPRODUCE

ENGINE  
AIR INDUCTION SYSTEM

SECTION  
1  
SUBSECTION  
4  
GROUP  
1

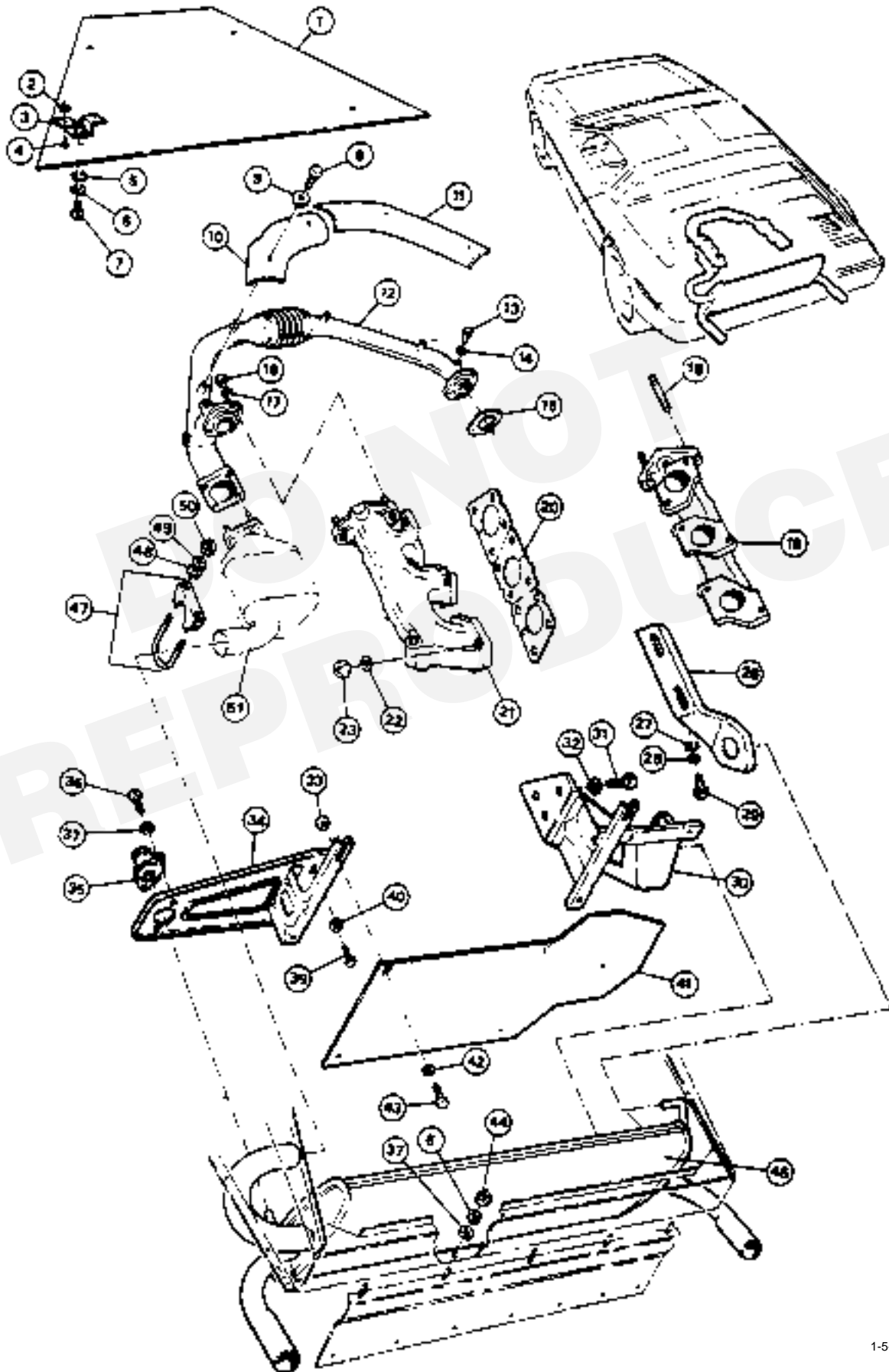


1-4-1-12-22-81

1	SECTION	ENGINE EXHAUST SYSTEM		
	SUBSECTION	MUFFLER/HEAT SHIELDS		
	5 0 GROUP			
FIG.	PART NUMBER	DESCRIPTION	QTY	REMARKS
1	105918	HEATSHIELD UNDERBODY	1	
2	SP10251	POP RIVET WASHER	8	
3	106949	BRACKET-MOUNTING	4	
4	SP10680	POP RIVET	8	
5	SP10507	WASHER-EXTRA LARGE M6	4	UP TO VIN 2458
	SP10647	WASHER EXTRA LARGE M6	4	FROMVIN 2459
6	SP10252	WASHER-SPRING M6	4	
7	SP10041	SCREW M6	4	
8	SP10833	SCREW M6	4	
9	SP10263	WASHER-LARGE M6	4	
10	108485	HEATSHIELD LH	1	
11	105060	HEATSHIELD RH	1	
12	100418	FRONTPIPE	1	UP TO VIN 10000
	110576	FRONT PIPE	1	FROM VIN 10001
13	108245	BOLT	2	
14	108246	SEALING WASHER	2	
15	100928	GASKET	2	
16	SP10170	NUT-AERO M10	4	
17	SP10262	WASHER M10	4	
18	102259	STUD	4	
19	102258	EXH MANIFOLD 123	1	
20	102263	EXH MANIFOLD GASKET	2	PART OF 102565,102566 & 102567
21	102257	EXH MANIFOLD 456	1	GASKET KIT (1-1-0)
22	102265	WASHER	12	
23	102441	NUT	12	
26	108200	MT BRKT RH TOP	1	
27	SP10259	WASHER M7	2	
28	SP10049	WASHER-SPRING M7	2	
29	SP10226	SCREW M7	2	
30	105154	MUFF MT BR KT RH	1	
31	SP10009	SCREW M8	3	
32	SP10032	WASHER M8	3	
33	SP10024	NYLOCNUT M6	2	
34	105153	MUFF MT BRKT LH	1	
35	105148	RUBBER MOUNTING	3	
36	SP10705	SCREW M6	6	
37	SP10031	WASHER M6	6	
39	SP10205	SCREW M10	2	
40	SP10033	WASHER M10	2	
41	106931	H/SHLD-ALT & CRKSFT	1	
42	SP10256	WASHER-LARGE M6	7	
43	SP10041	SCREW M6	5	
44	SP10030	NUT M6	5	
45	100420	MUFFLER -TAILPIPE	1	UPTOVIN 10000
	110194	MUFFLER - TAILPIPE	1	FROM VIN 10001

ENGINE EXHAUST SYSTEM  
MUFFLER/HEAT SHIELDS

SECTION  
1 5  
SUBSECTION  
0  
GROUP



1-5-0-1-15-82

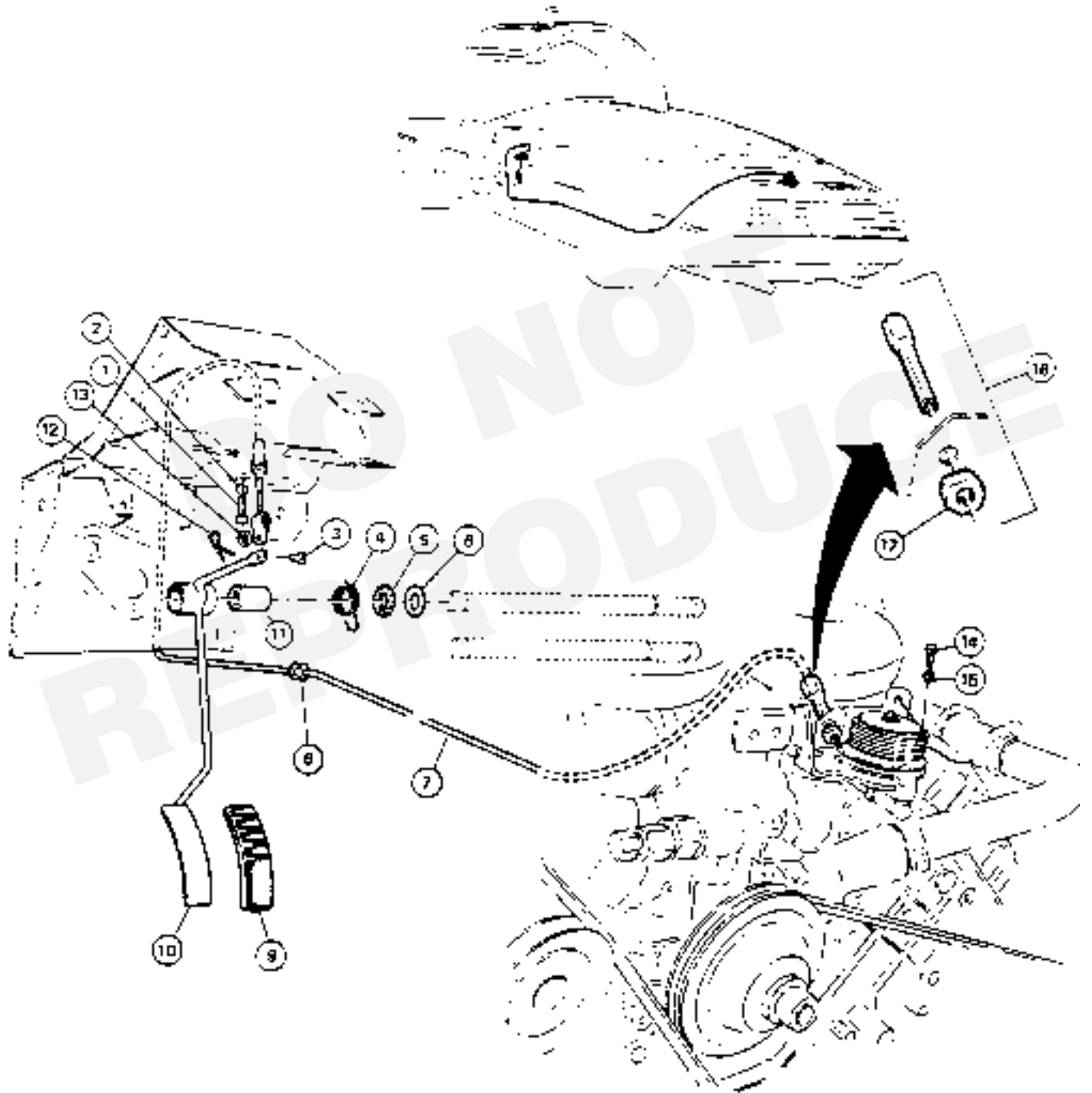
<b>1</b>	SECTION	ENGINE THROTTLE LINKAGE PEDAL/CABLE
	SUBSECTION	
<b>6</b>	<b>0</b>	

FIG.	PART NUMBER	DESCRIPTION	QTY	REMARKS
1	SP10225 *	BOLT M6	1	
2	SP10069 *	LOCKNUT M6	1	
3	SP10823	CLEVIS PIN	1	
4	105983 *	SPRING-RETURN	1	
5	100366 *	WASHER-FELT	1	
6	100364	WASHER	1	
7	100485	THROTTLE CABLE	1	
8	108140	GROMMET	1	
9	108205 *	RUBBER	1	
10	108112 *	ACCELERATOR PED ASSY	1	
11	108111 *	BUSH	1	
12	SP10124 *	'R' CLIP	1	
13	SP10111 *	WASHER	1	
14	SP10440	SCREW M5	1	
15	SP10106	NYLOC NUT M5	1	
16	108516	THROTTLE ABUTMENT	1	
17	SP10145	LOCKNUT M8	1	

\*INCLUDED IN PEDAL BOX ASSEMBLY (SEE 6-6-0)

ENGINE  
THROTTLE LINKAGE PEDAL/CABLE

SECTION  
1  
SUBSECTION  
6  
GROUP  
0



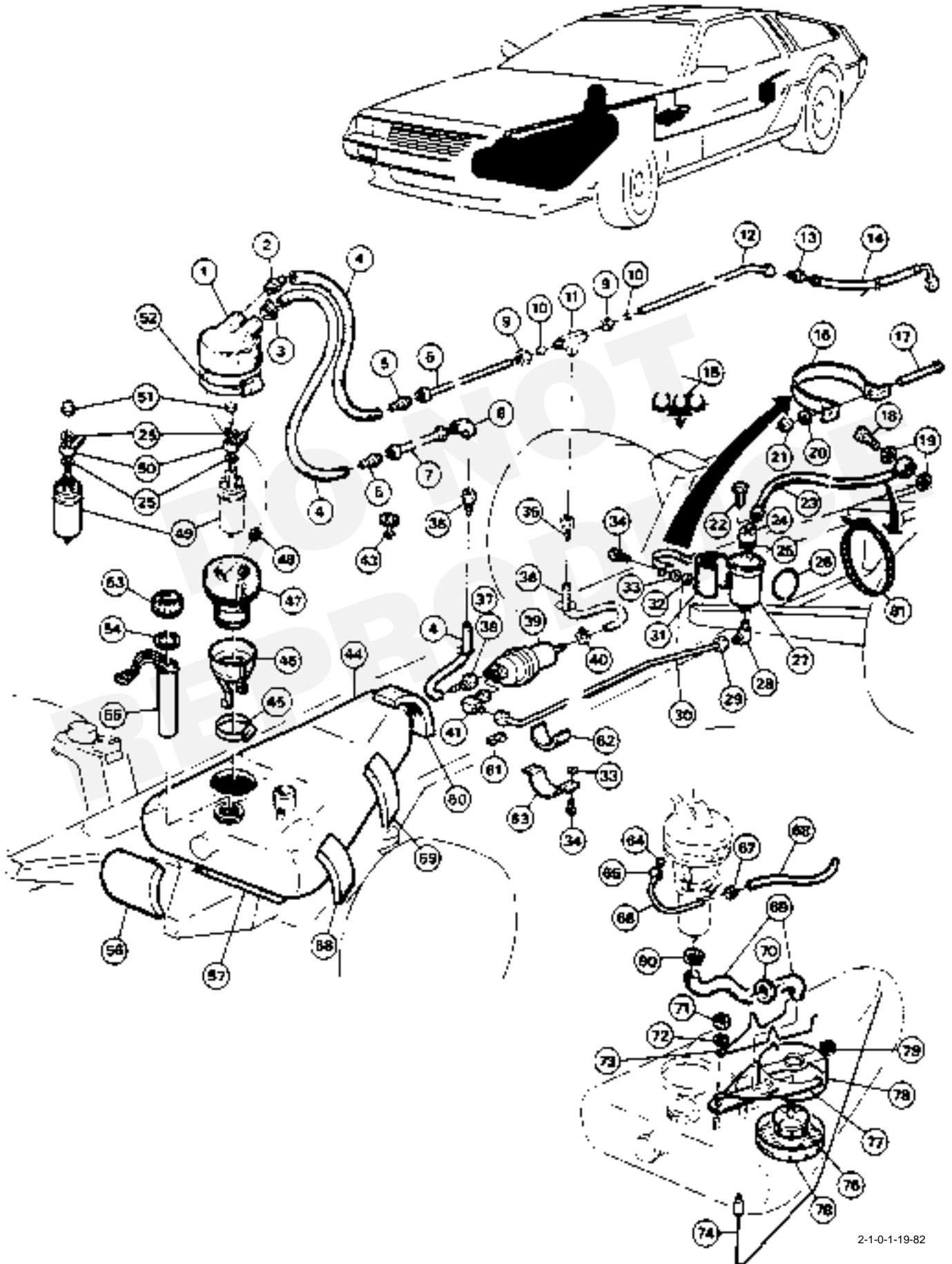


# Emission/Fuel Systems

---

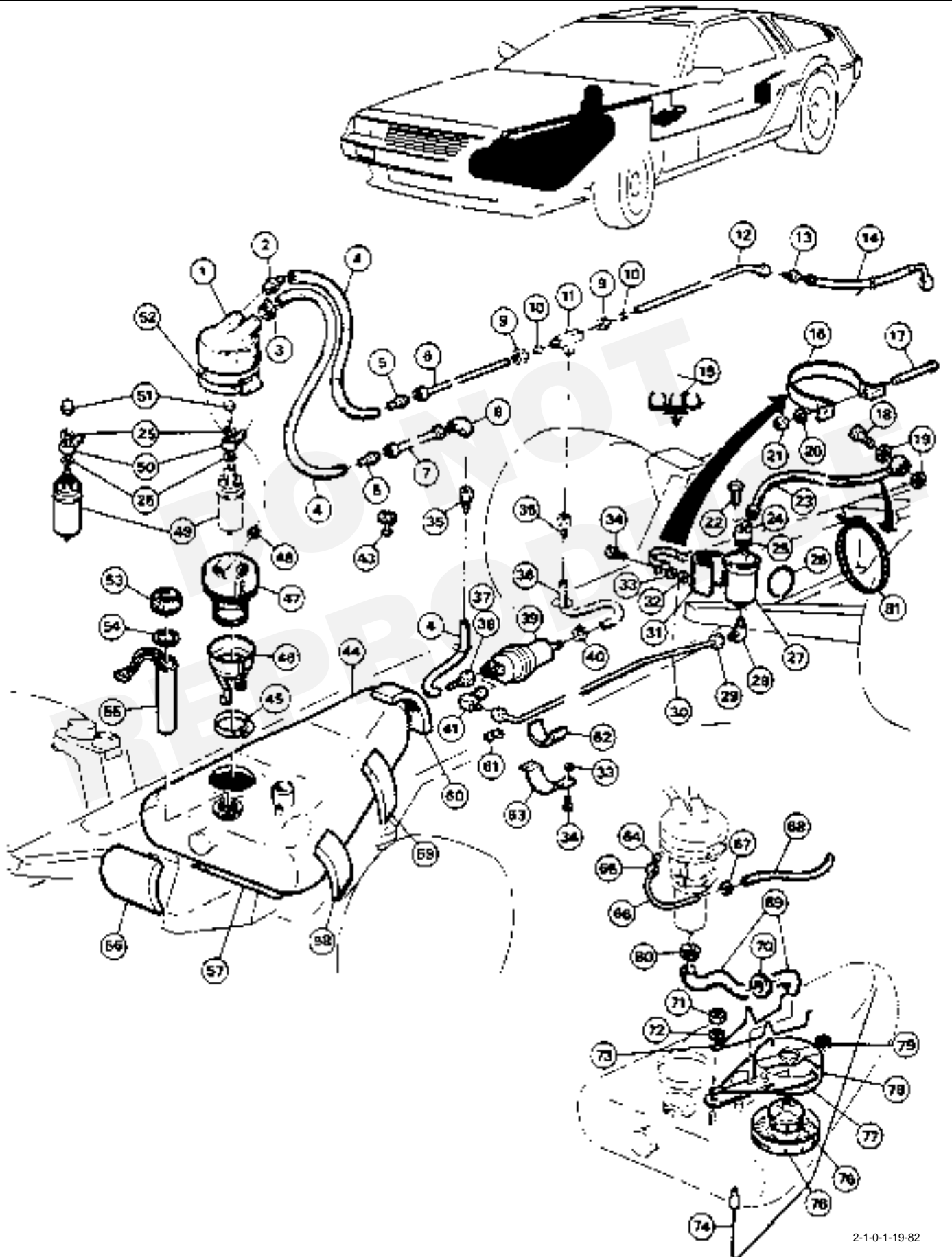
SECTION		FUEL AND EMISSION SYSTEM		
SUBSECTION		TANK/HOSES/PUMP/ACCUMULATOR/ETC.		
2	1	0	GROUP	
FIG.	PART NUMBER	DESCRIPTION	QTY	REMARKS
1	106684	FUEL PUMP COVER SEAL	1	
2	106982	FIR TREE CONNECTOR	3	
3	SP10348	HOSE CLAMP	3	
4	106979	HOSE-FUEL RTN & FEED	3	
5	106982	FIR TREE	2	
6	106998	TUBE FUEL RTN FRONT	1	
7	106983	TUBE FUEL FEED FRONT	1	
8	106985	90° EQUAL ELBOW	1	
9	106981	SWIVEL NUT	9	
10	106980	BULK RING	8	
11	106996	EQUAL TEE PIECE	1	
12	106995	TUBE-FUEL RTN REAR	1	
13	106994	ADAPTOR INSERT	1	
14	102359	FUEL PIPE	1	
15	SP10844	TRIPLE PIPE CLIP	2	
16	100849	FUEL FILTER CLAMP	1	
17	SP10742	SCREW M4	1	
18	102369	HOLLOW SCREW	1	
19	102360	GASKET	2	
20	SP10251	WASHER M4	2	
21	SP10166	NYLOC NUT M4	1	
22	106992	BANJO BOLT	1	
23	102365	FUEL HOSE	1	
24	106993	BANJO BODY	1	
25	106977	WASHER-SEALING	3	
26	SP10815	EDGE STRIP	1	
27	100523	FUEL FILTER	1	
28	106990	90° STANDARD ELBOW	1	
29	106991	TUBE NUT (SPECIAL)	1	
30	106989	TUBE-FUEL FEED REAR	1	
31	106685	PACKING	1	
32	SP10024	NYLOC NUT M6	2	
33	SP10031	WASHER M6	6	
34	SP10015	SCREW M6	6	
35	106984	STD FIR TREE INSERT	2	
36	106997	FLEXIBLE FUEL PIPE	1	
37	106986	NUT-SWIVEL M16	1	
38	106987	SPL FIR TREE INSERT	1	
40	SP10573	HOSE CLIP	1	
41	106988	90° SPECIAL ELBOW	1	
43	SP10392	DOUBLE PIPE CLIP	7	
44	101013	FUEL TANK	1	

FIGURES 2, 64 AND 65 ARE INTERCONNECTED



SECTION		FUEL AND EMISSION SYSTEM		
SUBSECTION		TANK/HOSES/PUMP/ACCUMULATOR/ETC.		
2	1	0	GROUP	
FIG.	PART NUMBER	DESCRIPTION	QTY	REMARKS
45	SP10356	HOSE CLIP	1	
46	101644	SUPPORT RING	1	
47	101391	FtPUMP SEALING RING	1	
48	SP10830	HOSE BAND	2	
49	100521	FUEL PUMP	1	UP TO VIN 10000
	110085	FUEL PUMP	1	FROMVIN 10001
50	106978	FUEL PUMP BANJO BODY	1	UP TO VIN 10000
	110594	FUEL PUMP BANJO BODY	1	FROM VIN 10001
51	106976	BANJO SCREW	1	UP TO VIN 10000
	110589	BANJO (NUT)	1	FROM VIN 10001
52	SP10388	HOSE CLIP	1	
53	105161	SCREW CAP	1	
54	100923	SEALING RING	1	
55	105183	PETROL GA TUBE	1	UP TO VIN 5237
	110555	PETROL GA TUBE	1	FROM VIN 5238
56	106686	PACKING - F/TNK FRONT	2	
57	106689	PACKING - F/TNK BOTTOM	1	
58	106711	PACKING - F/TNK SIDE	1	
59	106687	PACKING - F/TNK SIDES	5	
60	106688	PACKING - F/TNK REAR	2	
61	SP10427	SWIVEL CLIP	1	
62	101000	PACKING	1	
63	101389	RETAINER	1	
64	106981	OLIVE - BULK RING		
65	106981	SWIVEL NUTM14 x 15		
66	105020	STEEL TUBE - FUEL RTN	1	
67	SP10573	HOSE CLIP	1	
68	106286	HOSE FUEL RTN LOWER	1	
69	106287	HOSE-FUEL SPLY-PMP	1	
70	106318	'U' SECTPIPE SEAL	1	GROMMET
71	SP10030	NUT PLAIN M6	1	
72	SP10252	WASHER-SPRING M6	1	
73	108905	SPRING, RETAINER	1	
74	106683	BREATHER TUBE	1	
76	101643	FILTER-FUEL PUMP	1	
77	108683	SPRING, RETAINER OUTER	1	
78	106241	BAFFLE-FUEL TANK	1	AFTER VIN 4782 USE 110155 ASSY
79	SP10728	EDGE CLIP	1	
80	SP10349	HOSE CLIP	2	
81	SP10764	CABLE TIE	2	

FIGURES 2, 64 AND 65 ARE INTERCONNECTED

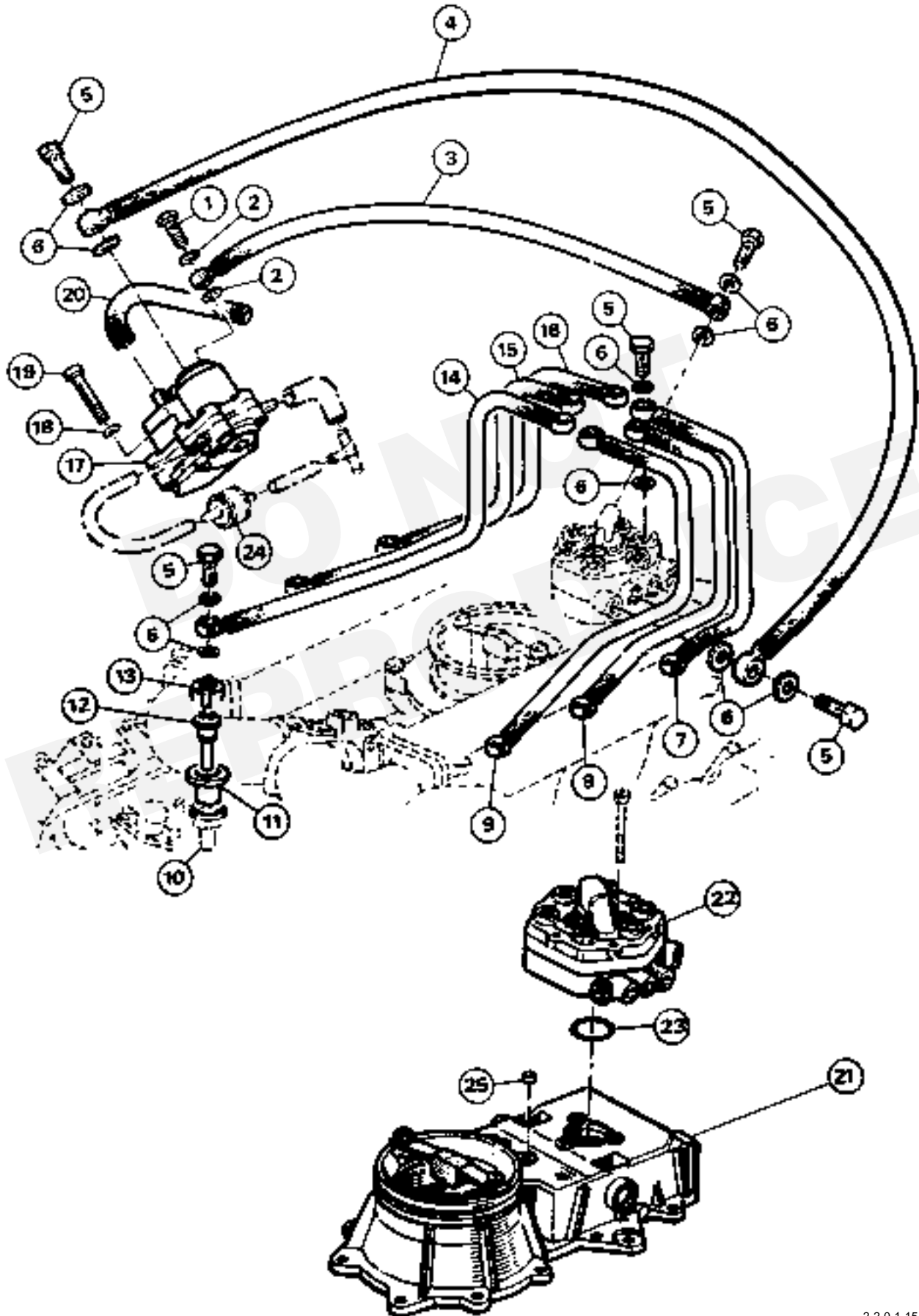


SECTION		FUEL AND EMISSION SYSTEMS		
SUBSECTION		FUEL INJECTION SYSTEM		
2	2/0	GROUP		
FIG.	PART NUMBER	DESCRIPTION	QTY	REMARKS
1	102351	HOLLOW SCREW	1	
2	102352	SEALING WASHER	2	PART OF GASKET KIT 102565 (1-1-0)
3	102348	FUEL PIPE		
4	102357	FUEL PIPE		
5	102343	HOLLOW SCREW	15	
6	102344	SEALING WASHER	30	PART OF GASKET KIT 102565 (1-1-0) 16 OFF PART OF GASKET KIT 102574 (1-4-1 ) (ITEM 55) 12 OFF PART OF GASKET KITS 102566 AND 102567 (1-1-0)
7	102318	INJECTION PIPE CYL 1*	1	
8	102323	INJECTION PIPE CYL 2*	1	
9	102327	INJECTION PIPE CYL 3*	1	
10	102345	INJECTOR SUPPORT	6	PART OF CYL HEAD ASSY (1-1-5)
11	102631	INJECTOR SLEEVE	6	
12	102742	INJECTOR	6	
13	102346	INJECTOR CLIP	6	
14	102339	INJECTION PIPE CYL 6*	1	
15	102335	INJECTION PIPE CYL5*	1	
16	102331	INJECTION PIPE CYL4*	1	
17	102353	WARM UP REGULATOR	1	
18	101061	SPRING WASHER M6	2	
19	102354	SCREW M6	2	
20	102335	HOSE	1	
21	102789	MIXTURE CONTROL UNIT	1	
22	102807	FUEL DISTRIBUTOR	1	
23	102855	'O' RING SEAL	1	
24	102410	VACUUM DELAY VALVE	1	REFER TO FIG 36 ON 2-4-0
25	102392	PLUG,TAMPER PROOF	1	SEE BELOW

\*CYLINDERS 1,2,3 & 4,5,6 ARE LH AND RH BANKS RESPECTIVELY WHEN VIEWED FROM THE FLYWHEEL END OF THE ENGINE

NOTE - FIG 25 IS ALSO SHOWN IN 1-4-1 FOR DIFFERENT APPLICATION

2-2-0-1-15-82

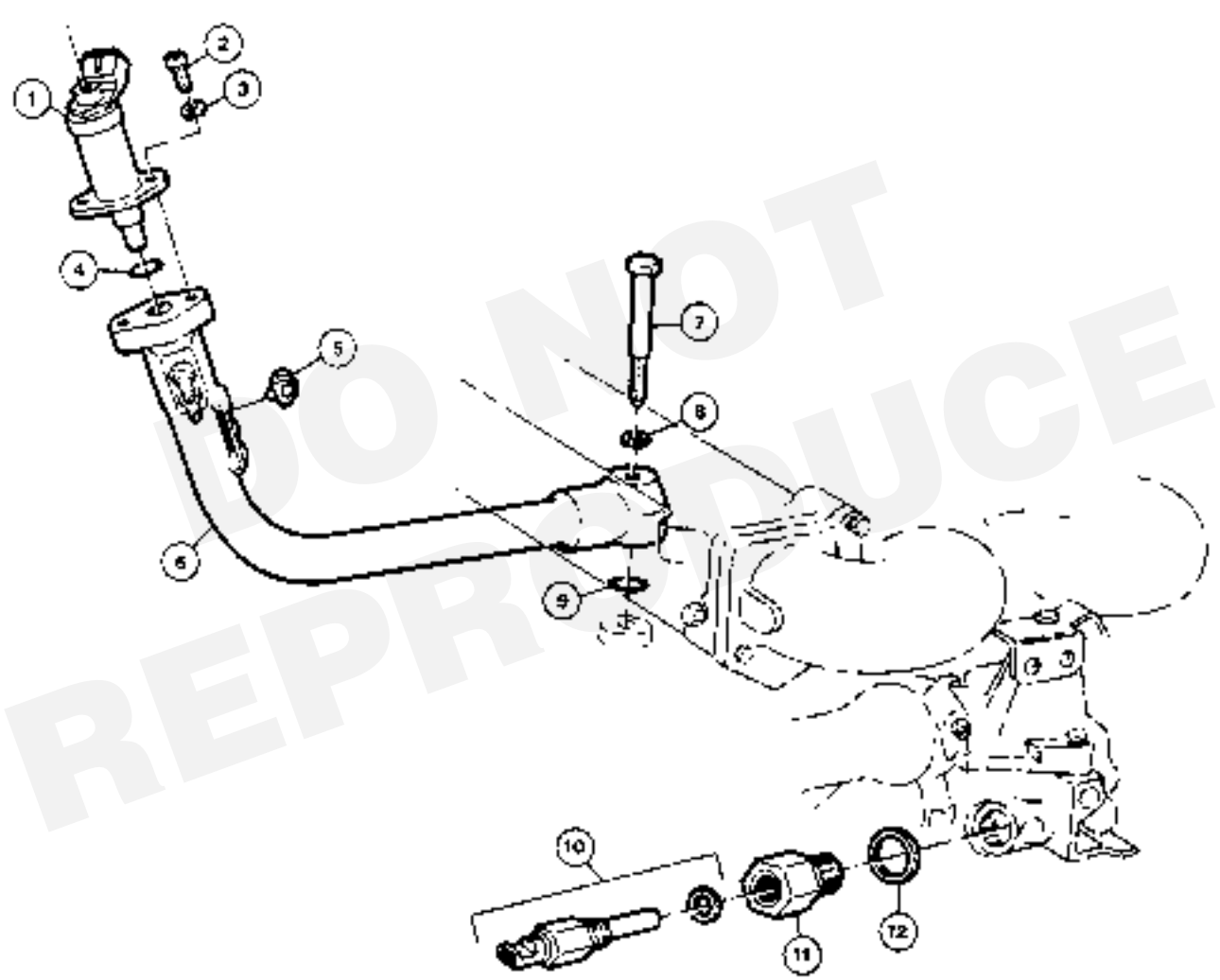


2	SECTION	FUEL AND EMISSION SYSTEMS FUEL ENRICHMENT COMPONENTS
	SUBSECTION	
	GROUP	

FIG.	PART NUMBER	DESCRIPTION	QTY	REMARKS
1	102372	COLD START VALVE	1	
2	102317	SCREW M6	2	
3	101061	SPRING WASHER M6	2	
4	102373	'O' RING	1	PART OF 102574 GASKET KIT
(1-4-1 ITEM 55)				
5	102276	PLASTIC CLIP	1	
6	102374	AUXILIARY AIR PIPE	1	
7	102380	SCREW M6	1	
8	102381	SEALING WASHER	1	PART OF 102574 GASKET KIT
(1-4-1 ITEM 55)				
9	102382	'O' RING	1	
10	102125	TEMPERATURE SWITCH	1	
11	102122	SCREWED ADAPTOR	1	FITTED TO WATER PUMP
12	102011	SEALING WASHER	1	

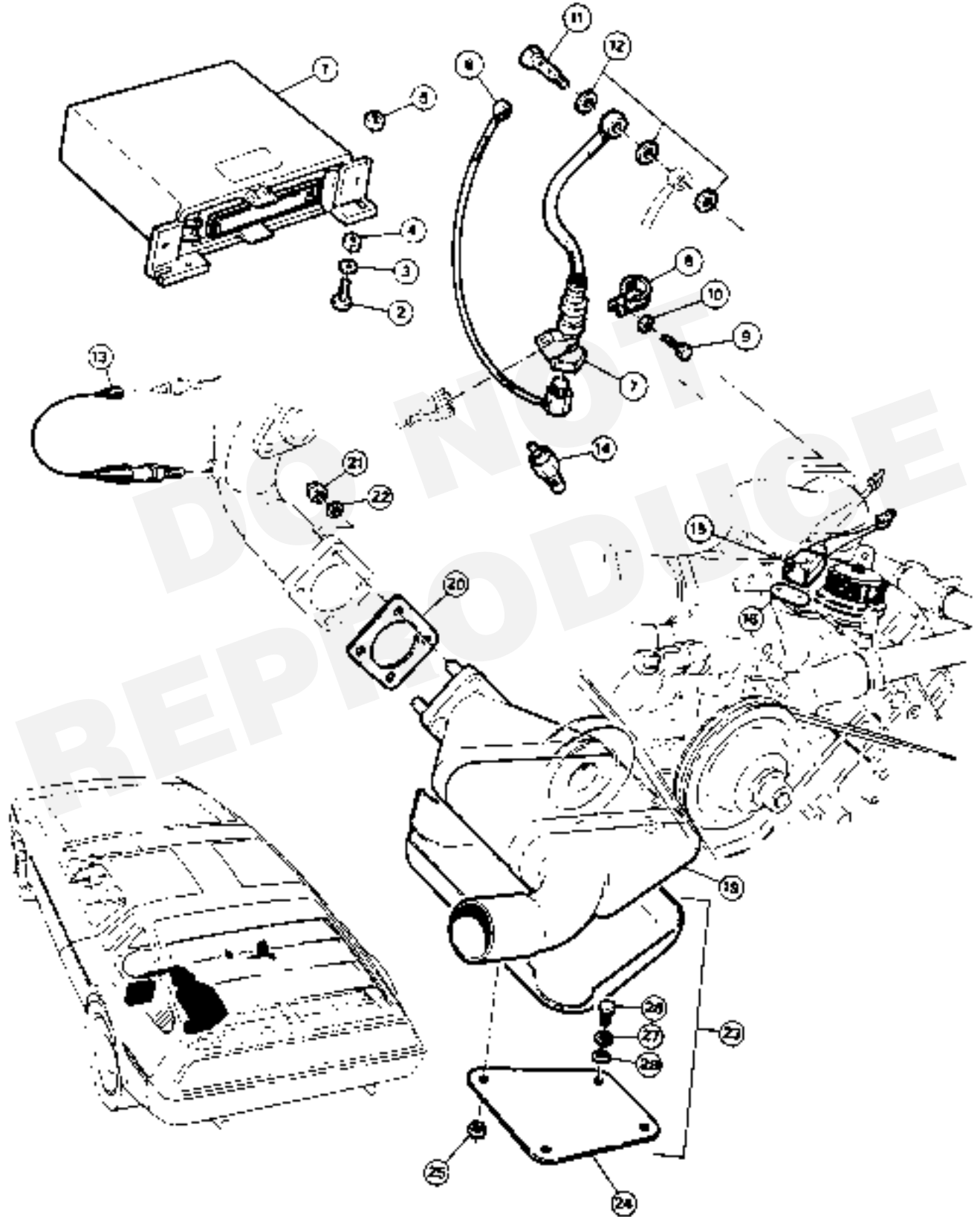
DO NOT REPRODUCE





2	SECTION	FUEL AND EMISSION SYSTEMS LAMBDA SYSTEM – PROBE/E.C.U./CATALYST
	SUBSECTION	
	3 / 0 GROUP	

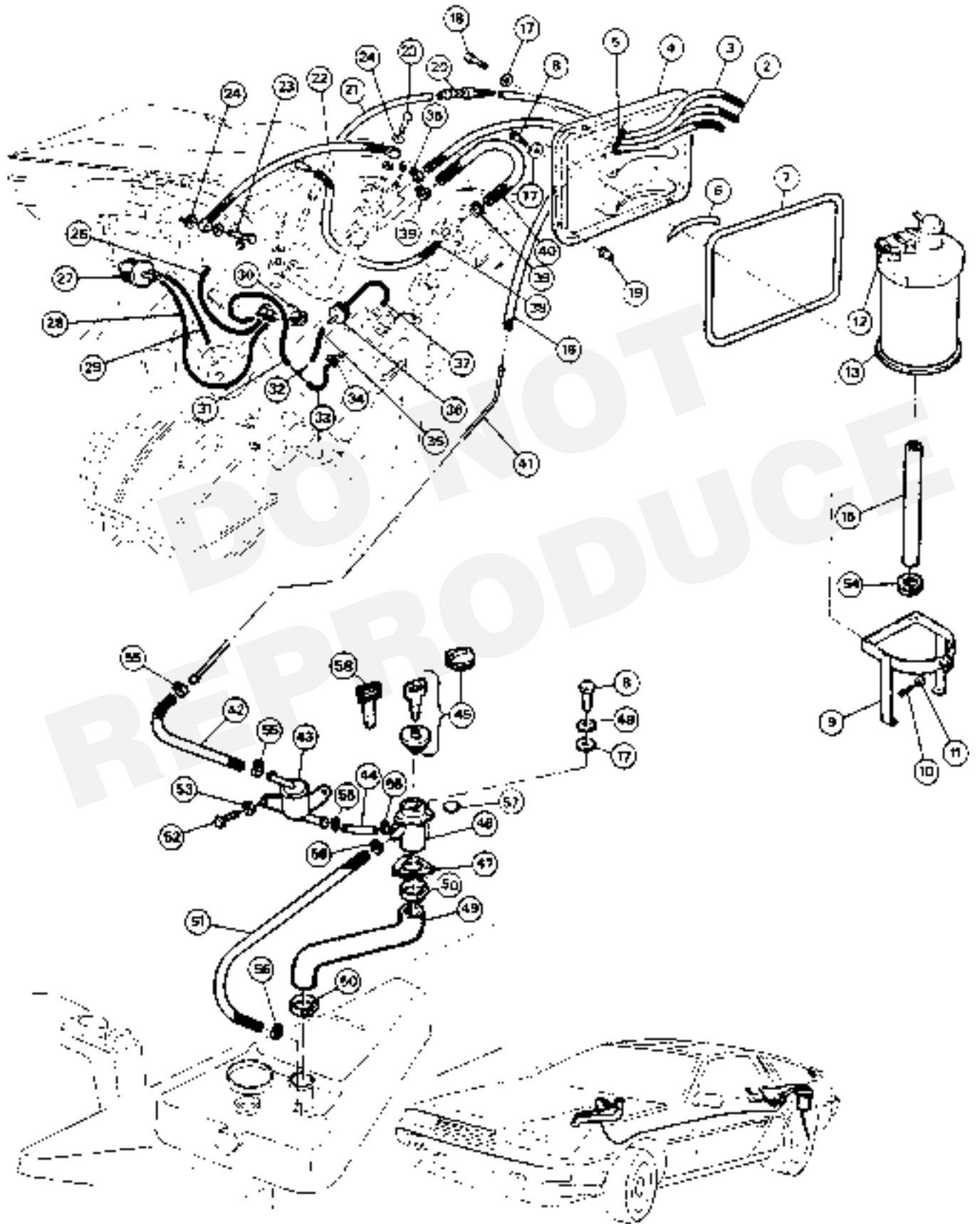
FIG.	PART NUMBER	DESCRIPTION	QTY	REMARKS
1	101068	ELECTRIC CON UNIT	1	
2	SP10688	SCREW M5	2	
3	SP10503	EXTRA LARGE WA M5	6	
4	SP10173	NUT M5	2	
5	SP10106	NYLOC NUT M5	2	
6	102400	FUEL PIPE	1	
7	102395	FREQUENCY VALVE	1	
8	102398	CLAMP	1	
9	102082	SCREW M6	1	
10	102399	SHAKERY WASHER	1	
11	102359	HOLLOW SCREW	1	
12	102360	SEALING RINGS	3	
13	101069	LAMBDA PROBE	1	
14	102478	TEMPERATURE SWITCH	1	
15	102748	MICROSWITCH	1	
16	102786	SECURING PLATE	1	
19	100419	CATALYTIC CONVERTOR	1	
20	100929	GASKET	1	
21	SP10170	AERONUT M10	4	
22	SP10262	WASHER M10	4	
23	106010	HEATSHIELD	1	
24	106009	. MOUNTING BRKT	1	
25	SP10183	. AERONUT M6	2	
26	SP10223	SCREW M10	2	
27	SP10036	SPRING WASHER M10	2	
28	SP10033	WASHER M10	2	



SECTION		FUEL AND EMISSION SYSTEMS		
SUBSECTION		EVAPORATIVE CONTROL SYSTEM		
2	4	0	GROUP	
FIG.	PART NUMBER	DESCRIPTION	QTY	REMARKS
2	105929	PIPE, PURGE LINE	1	
3	105932	PIPE, PURGE SIGNAL	1	
4	105710	BEZEL	1	
5	SP10370	GROMMET	3	
6	105563	. PAD CANISTER SUPPORT	2	
7	105561	. GASKET	1	
8	SP10041	SCREW M6 x 16	2	
9	101111	BRACKET, CARBON CAN	1	
10	SPIO199	. SCREW M4	1	
11	SP10251	. WASHER M4	1	
12	101112	CAP, BLANKING	1	
13	101109	CARBON CANISTER	1	
15	105933	HOSE, CANISTER DRAIN	1	
16	105930	HOSE-VENT/ROLL VALVE	1	
17	SP10031	WASHER M6	4	
18	SP10015	SCREW M6 x 20	4	
19	SP10613	RIVNUT AL M6	4	
20	106782	CONNECTOR, HOSE	1	
21	102712	HOSE, CONN/ENGINE	1	
22	102370	FUEL PIPE	1	
23	102343	BOLT, HOLLOW	2	
24	102344	SEAL,WASHER	4	PART OF 102565 GASKET KIT (1-1-4)
26	102713	HOSE, VACUUM	1	
27	101116	SOLENOID, VACUUM	1	
28	102714	HOSE-SOL/THERM VALVE	1	
29	102715	HOSE-SOL/VAC ADVANCE	1	
30	102405	VALVE, THERMAL CONTROL	1	
31	102716	HOSE VALVE TEE PIECE	1	
32	102406	TEE CONNECTOR	1	
33	102409	HOSE-TEE/PRESS REG	1	
34	102717	CLAMP, HOSE	1	
35	102718	HOSE-TEE /VAC DELAY	1	
36	102410	VALVE-VACUUM DELAY	1	
37	102719	HOSE-DELAY/CON REG	1	
38	101062	HOSE-OIL FILL/AIRCL	1	SEE 1-4-0
39	102356	CLAMP, HOSE	2	SEE 1-4-0
40	102537	HOSE-OIL FILL/VALVE	1	
41	105414	TUBE, EXPANSION	1	
42	101649	HOSE-EXP/ROLL OVER	1	

FUEL AND EMISSION SYSTEMS  
EVAPORATIVE CONTROL SYSTEM

SECTION  
2  
SUBSECTION  
4  
GROUP  
0



2-4-0-1-14-82

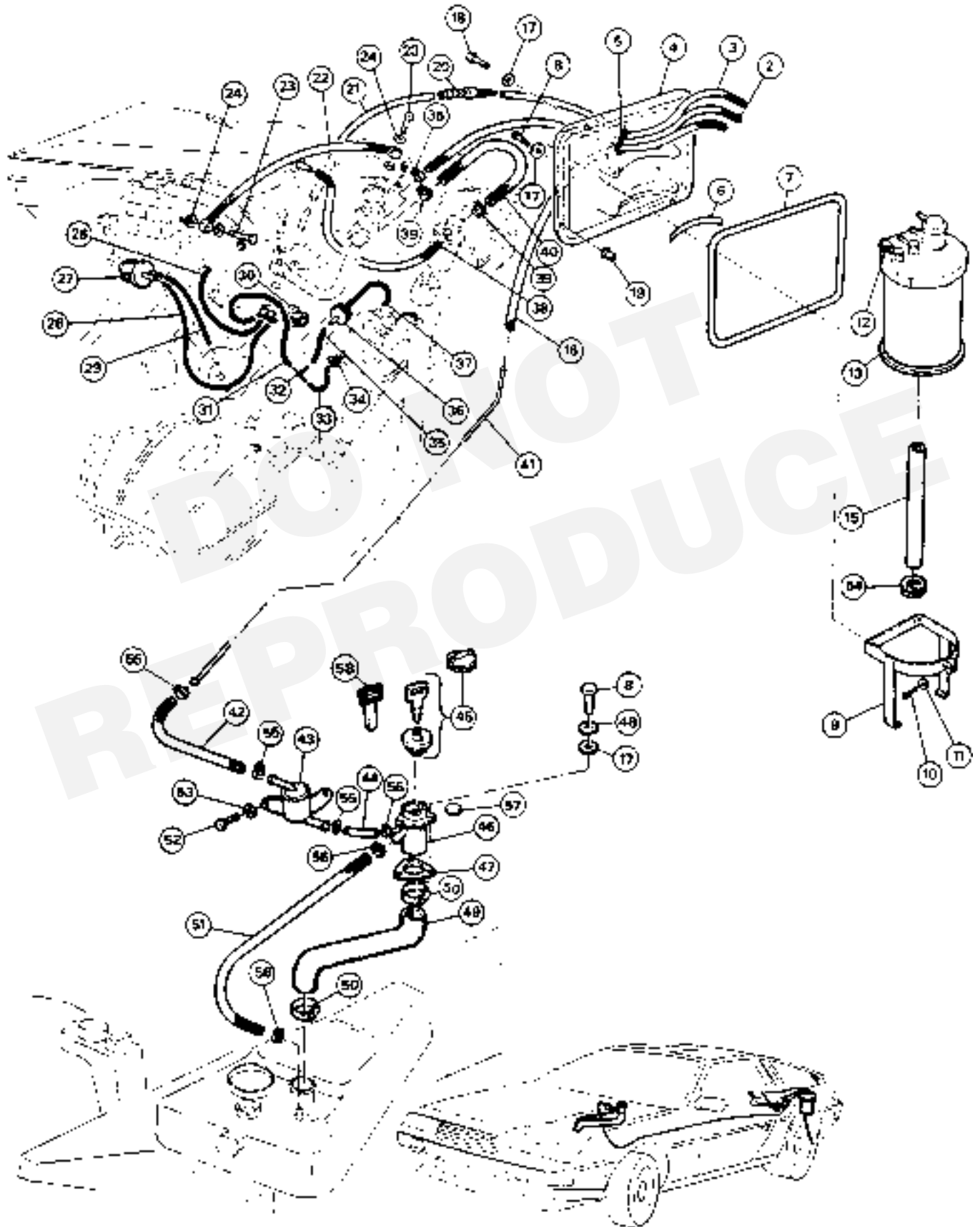
SECTION		FUEL AND EMISSION SYSTEMS		
SUBSECTION		EVAPORATIVE CONTROL SYSTEM		
2	4	0	GROUP	
FIG.	PART NUMBER	DESCRIPTION	QTY	REMARKS
43	101402	ROLL OVER VALVE	1	
44	101648	HOSE-ROLL VLV/FUEL	1	*SEE NOTE UNDER
	108743	HOSE-ROLLVALVE	1	DOES NOT REQUIRE HOSE CLIP
45	105137	GAS CAPC/W KEYS	1	UP TO VIN 4128
	110129	GAS CAP	1	NOW LOCKING, FROM VIN 4129
46	101394	GAS FILLER	1	
47	101567	GASKET	1	
48	SP10252	SPRING WASHER M6	3	
49	101562	PIPE-GAS FILLER	1	
50	SP10354	HOSE CLIP	2	
51	101563	VENT HOSE-FILLER TANK	1	
52	SP10194	SCREW M5	2	
53	SP10111	WASHER M5	2	
	SP10659	RIVNUT M5	2	*NOT ILL SEE NOTE UNDER
54	SP10368	GROMMET	1	
55	SP10346	CLAMP, HOSE	4	
56	SP10349	CLAMP, HOSE	2	
57	108492	GROMMET, DRAIN	1	FROM VIN 633
58	109100	KEY BLANK	A/R	IGNITION, CUBBY BOX AND GAS CAP

\*FIGURE 44 - REQUIRES HOSE CLIPS SP10346 - 2 OFF WHEN STOCKS USED UP, REPLACE WITH 108743.

\*NOTE SP10659 IS RIVNUT LOCATED IN G.R.P. BODYSHELL FOR SECURING ROLL OVER VALVE-

FUEL AND EMISSION SYSTEMS  
EVAPORATIVE CONTROL SYSTEM

SECTION  
2 / 4  
SUBSECTION  
0 / 0  
GROUP



2-4-0-1-14-82

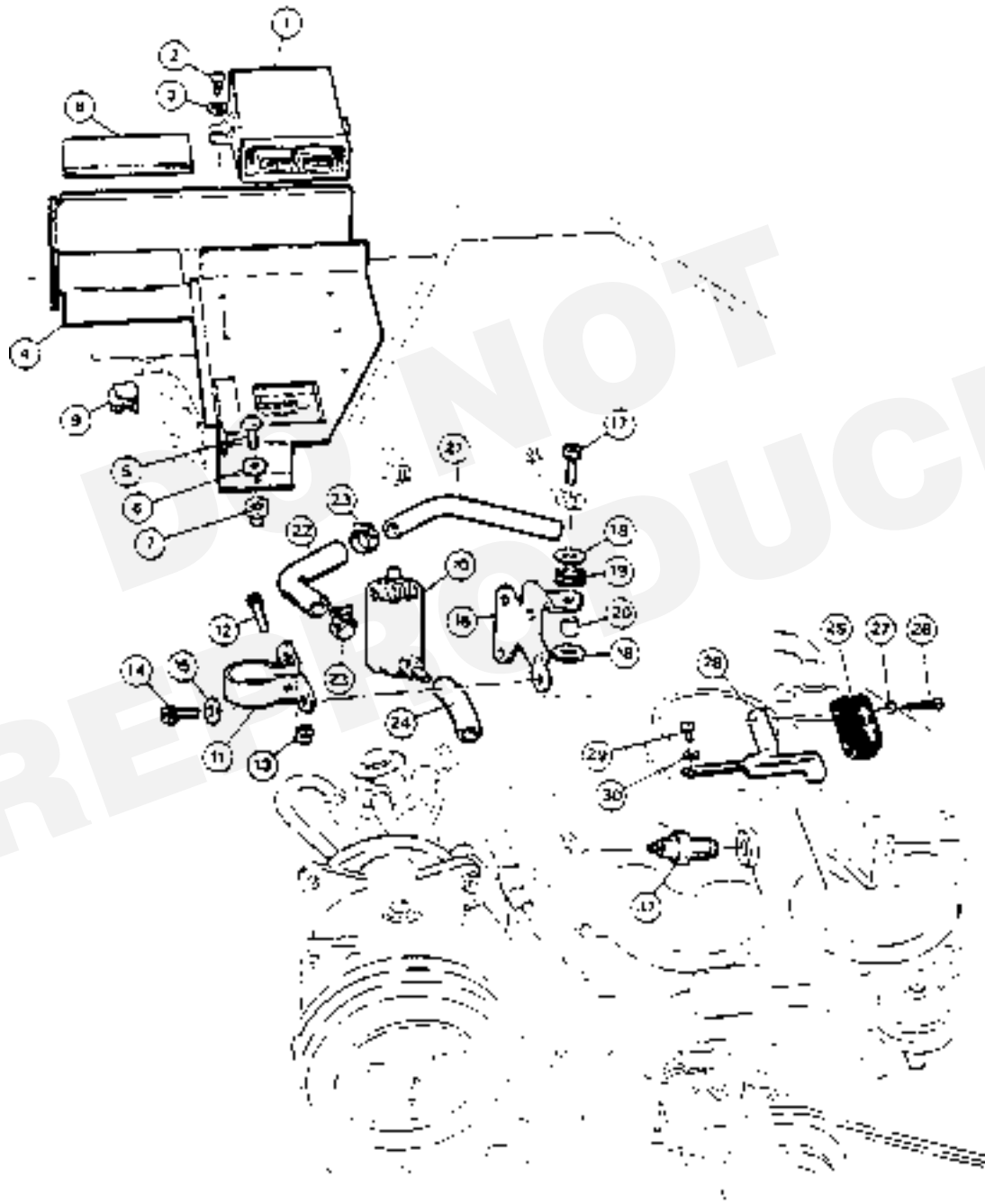
2	SECTION	IDLE SPEED CONTROL SYSTEM MOTOR/E.C.U./MICROSWITCH
	SUBSECTION	
	5 / 0 GROUP	

FIG.	PART NUMBER	DESCRIPTION	QTY	REMARKS
1	106896	IDLE SPEED E.C.U.	1	
2	SP10133	SCREW N8	2	
3	SP10111	WASHER M5	2	
4	106825	ELCT COMPONENT CHAS	1	
5	SP10194	SCREW M5	2	
6	SP10111	WASHER M5	2	
7	SP10611	RIVNUT M5	2	
8	108154	PAD	1	
9	SP10727	EDGE CLIP	2	
10	102502	IDLE/LOW SPEED MOTOR	1	
11	102765	CLAMP	1	
12	102769	SCREW	1	
13	102692	NUT	1	
14	102276	SCREW M6	2	
15	102764	WASHER M6	2	
16	102505	SUPPoRT	1	
17	102490	SCREW M6	3	
18	102766 *	LARGE WASHER	6	
19	102767 *	GROMMET	3	
20	102768 *	SLEEVE	3	
21	102503	AUXILIARY AIR PIPE	1	
22	102504	HOSE (MOTOR PIPE)	1	
23	102822	HOSE CLIP	2	
24	102524	HOSE (MOTOR-VALVE)	1	
25	102778	MICROSWITCH	1	IDLE SPEED
26	102783	SCREW	2	
27	102788	WASHER	2	
28	102779	BRACKET	1	
29	102171	SCREW	2	
30	101061	WASHER	2	
31	102480	CONSTANT IDLE SWITCH	1	THERMISTER



IDLE SPEED CONTROL SYSTEM  
MOTOR/E.C.U./MICROSWITCH

SECTION  
2 / 5  
SUBSECTION  
0  
GROUP



# Electrical Systems

---

3

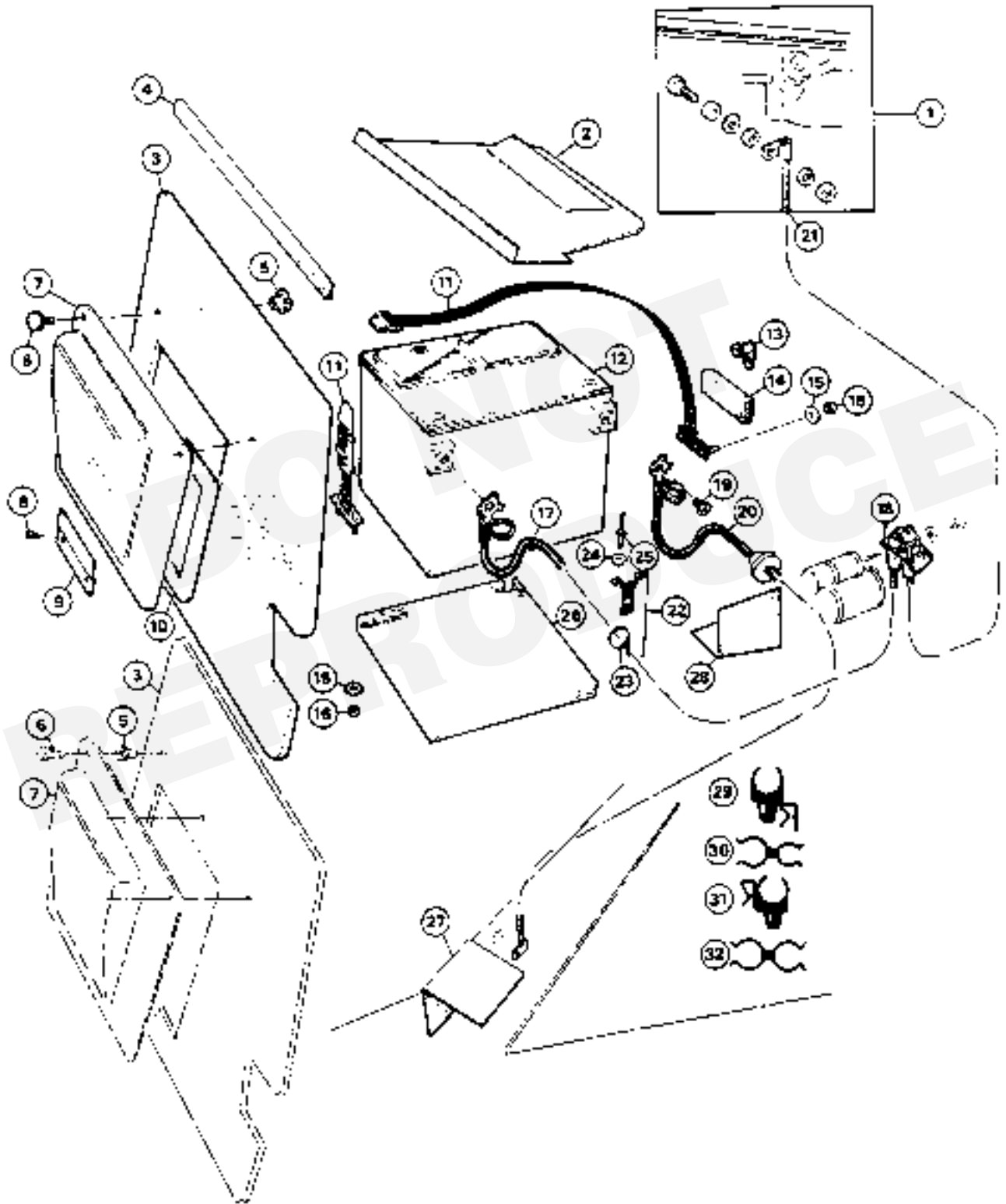
SECTION

SUBSECTION

1 0 GROUP

ELECTRICAL  
BATTERY

FIG.	PART NUMBER	DESCRIPTION	QTY	REMARKS
1	108347	POST TERMINAL	1	
2	106168	COVER, TOP	1	
3	106192	REAR BULKHEAD ASSY	1	UP TO VIN 4239
	110118	REAR BULKHEAD ASSY	1	FROM VIN 4240
4	108308	PAD	1	
5	SP10167	NUT, SPIROL M4	1	UP TO VIN 4239
	SP10850	NUT, T	3	FROM VIN 4240
6	SP10232	SCREW M4	3	UP TO VIN 4239
	SP10597	SCREW M4	3	FROM VIN 4240
7	106167	COVER	1	UP TO VIN 4239
	110117	COVER	1	FROM VIN 4240
8	SP10133	SCREW M8	2	
9	106252	BATTERY CVR LOC PLATE	1	
10	106774	GASKET	1	
11	108120	BATTERY STRAP	1	
12	106065	BATTERY	1	
13	108107	VENT	1	
14	106802	PAD	1	
15	SP10507	WA EXTRA LARGE M6	4	
16	SP10024	NUT NYLOC M6	4	
17	106263	BAT POS CABLE ASSY	1	
18	106739	. BAT POS CABLE BOOT	1	
19	105792	. SCREW	1	
20	106262	BAT NEG CABLE ASSY	1	
21	108315	JUMP START LEAD	1	
22	108316	BAT CABLE SUPT ASSY	1	
23	SP10764	. CABLE TIE	1	
24	SP10506	WASHER M3	2	
25	SP10376	POP RIVET	2	
26	106732	PAD RUBBER	1	
27	106711	PAD-RUBBING	1	
28	108211	PAD-RUBBING	1	
29	SP10400	PIPE CLIP	1	
30	SP10428	PIPE CLIP	1	
31	SP10427	PIPE CLIP	1	
32	SP10426	PIPE CLIP	1	



3

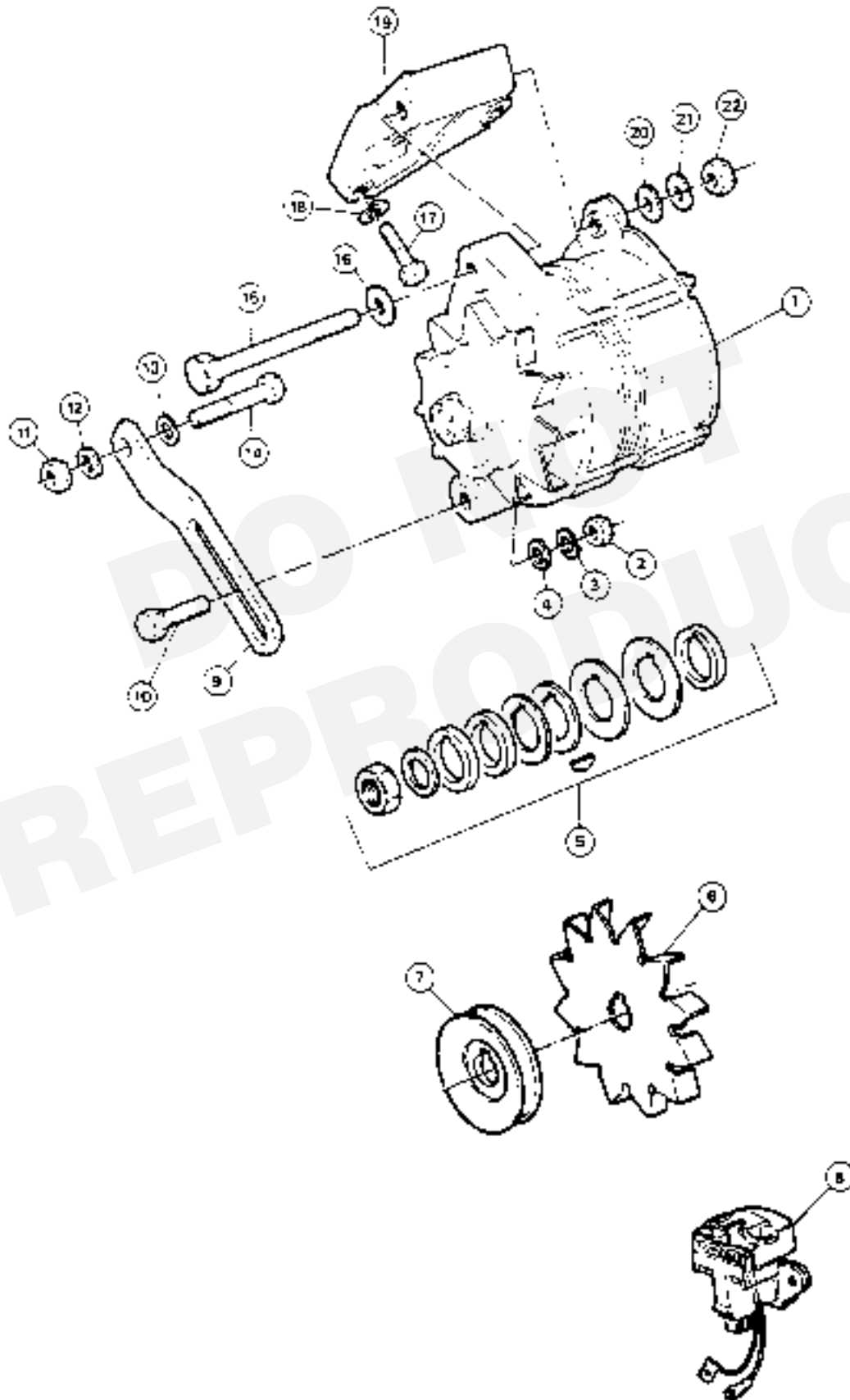
SECTION

SUBSECTION

2 / 0 GROUP

ELECTRICAL  
ALTERNATOR - DUCELLIER

FIG.	PART NUMBER	DESCRIPTION	QTY	REMARKS
1	102425	ALTERNATOR	1	TO VIN #4539
2	102441	NUT M7	1	
3	SP10049	LOCK WASHER	1	
4	102439	WASHER M7	1	
5	102647	SPACER SET	1	
6	102648	FAN	1	
7	102649	PULLEY	1	
3	102643	VOLTAGE REGULATOR	1	
9	102434	BELT TENS REG BRKT	1	
10	102191	SCREWM7	1	
11	102437	NUT M8	1	
12	102035	SPRING WASHER M8	1	
13	102699	WASHER M8	1	
14	102006	SCREW M8	1	
15	102429	SCREW M10	1	
16	102430	WASHER M10	1	
17	102427	SCREW M8	3	
18	102428	LOCK WASHER M8	3	
19	102426	ALTERNATOR BRACKET	1	
20	102431	WASHER M10	1	
21	102432	TOOTHED WASHER M10	1	
22	102433	NUT M10	1	
23	108560	SUPPRESSOR	1	NOT I LL



3

SECTION

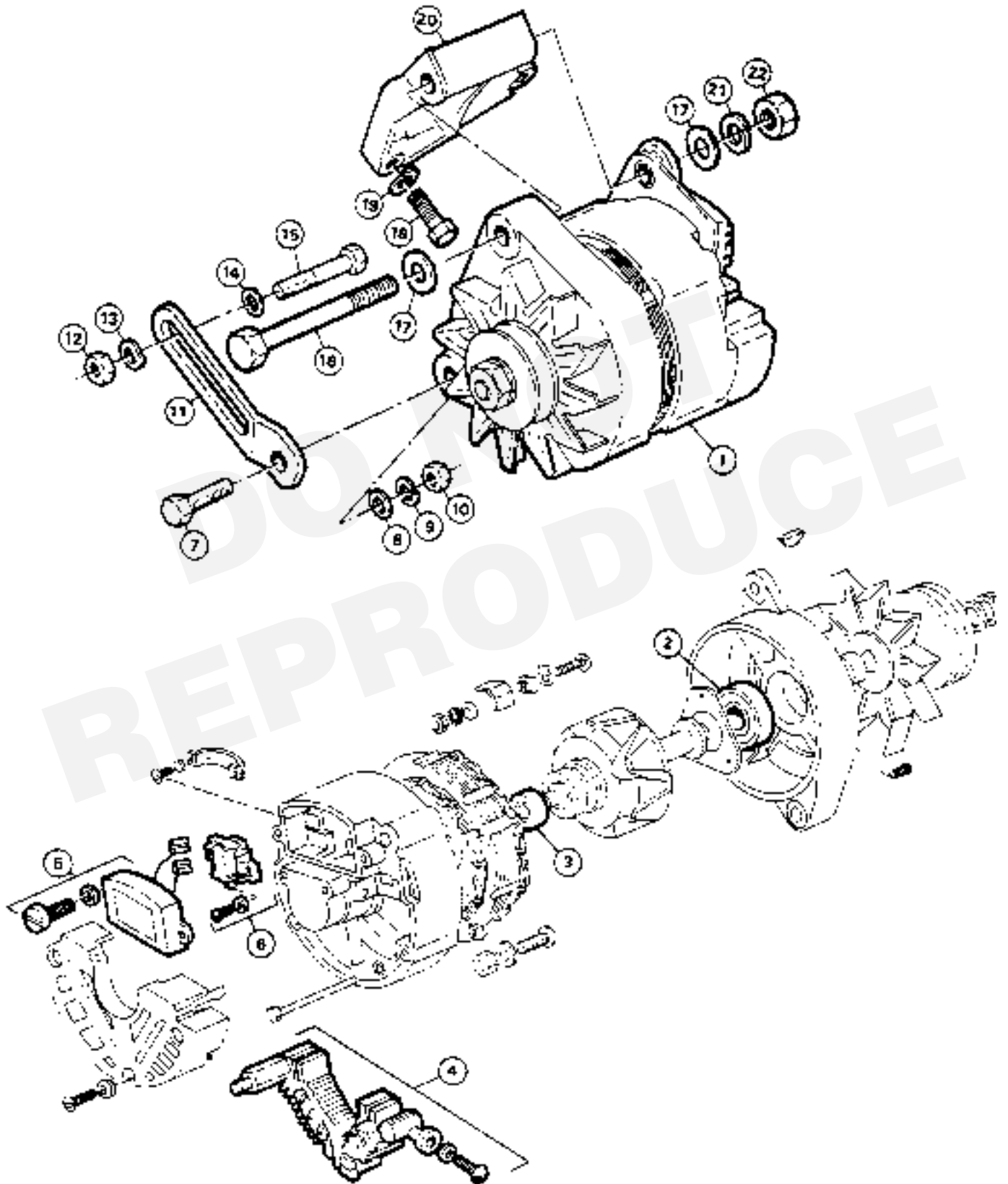
SUBSECTION

2 / 0 GROUP

ELECTRICAL  
ALTERNATOR/MOTOROLA

FIG.	PART NUMBER	DESCRIPTION	QTY	REMARKS
320				
1	110101	ALTERNATOR	1	FROM VIN #4539
2	102839	BEARING--FRONT	1	
3	102838	BEARING--REAR	1	
4	102831	DIODE CARRIER	1	
5	102833	REGULATOR	1	
6	102832	BRUSH CARRIER	1	
7	SP10048	SCREW M7 x 30	1	
8	SP10259	WASHER M7	3	
9	SP10049	SPRING WASHER M7	1	
10	SP10790	PLAIN NUT M7	1	
11	110102	BKT_BELT TENS REG	1	
12	SP10037	PLAIN NUT M8	1	
13	SP10035	SPRING WASHER M8	1	
14	SP10032	WASHER M8	2	
15	SP10782	BOLT--M8 x 45	1	
16	SP10011	BOLT--M10 x 150	1	
17	SP10033	WASHER M10	2	
18	102427	SCREW M8	3	
19	102428	LOCK WASHER M8	3	
20	102426	ALTERNATOR BRACKET	1	
21	SP10036	SPRING WASHER M10	1	
22	SP10028	PLAIN NUT M10	1	

3-2-0-1-19-82

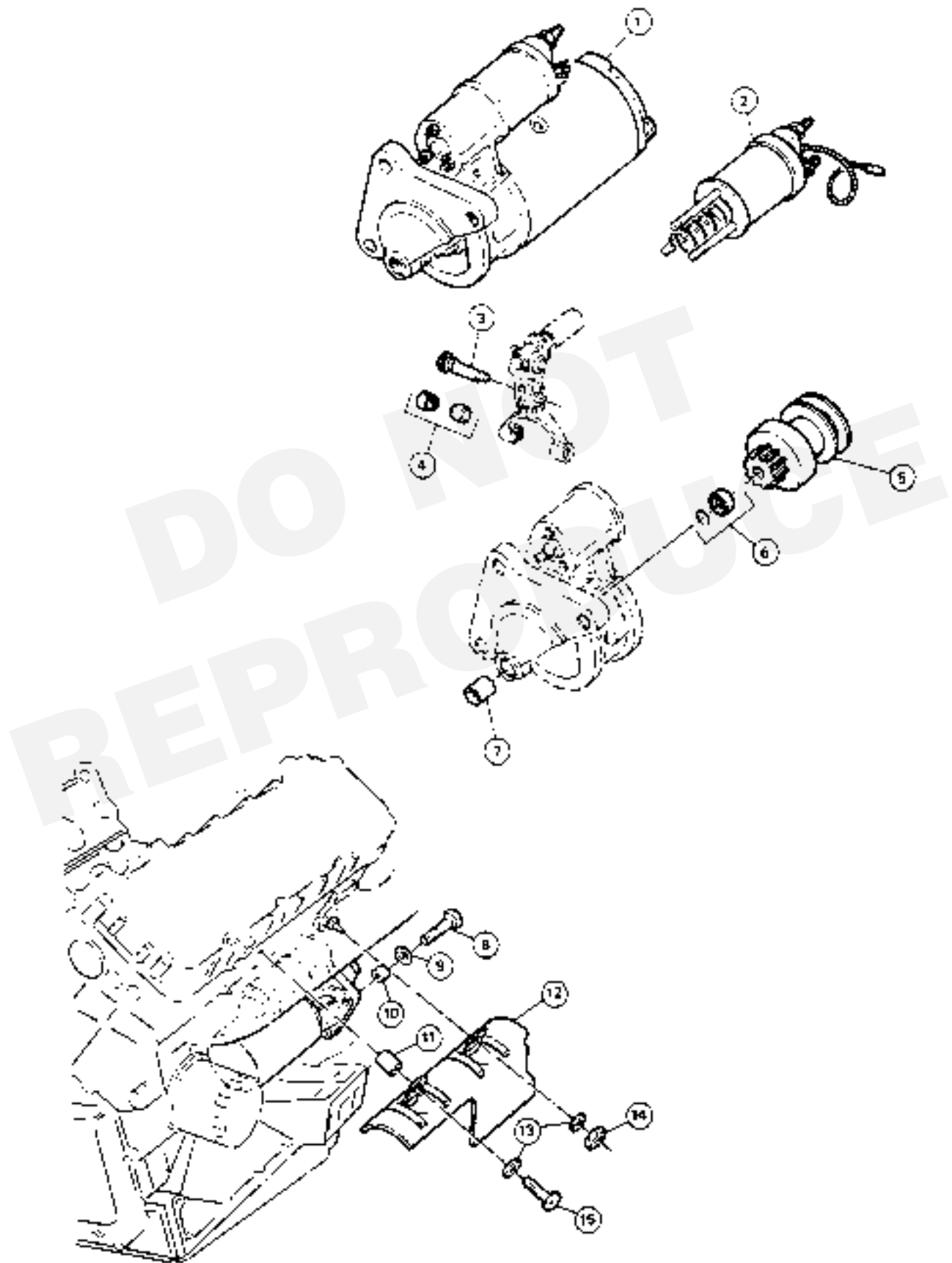




<b>3</b>	SECTION	ELECTRICAL STARTER/SOLENOID
	SUBSECTION	
	3 / 0 GROUP	

FIG.	PART NUMBER	DESCRIPTION	QTY	REMARKS
1	101044	STARTER	1	
2	102564	SOLENOID	1	
3	102664	BOLT	1	
4	102661	BUSH SET	1	
5	102652	ROLLER CLUTCH DRIVE	1	
6	102653	JUMP RING & CUP	1	
7	102663	BEARING BUSH	2	
8	101049	SCREW M8	3	
9	101050	SPRING WASHER M8	3	
10	101051	CENTERING RING	1	
11	101046	SPACER	1	
12	101045	HEATSHIELD	1	
13	SP10891	SHAKEPROOF WASHER M7	2	
14	SP10790	NUT M7	1	
15	SP10789	SCREW M7	1	

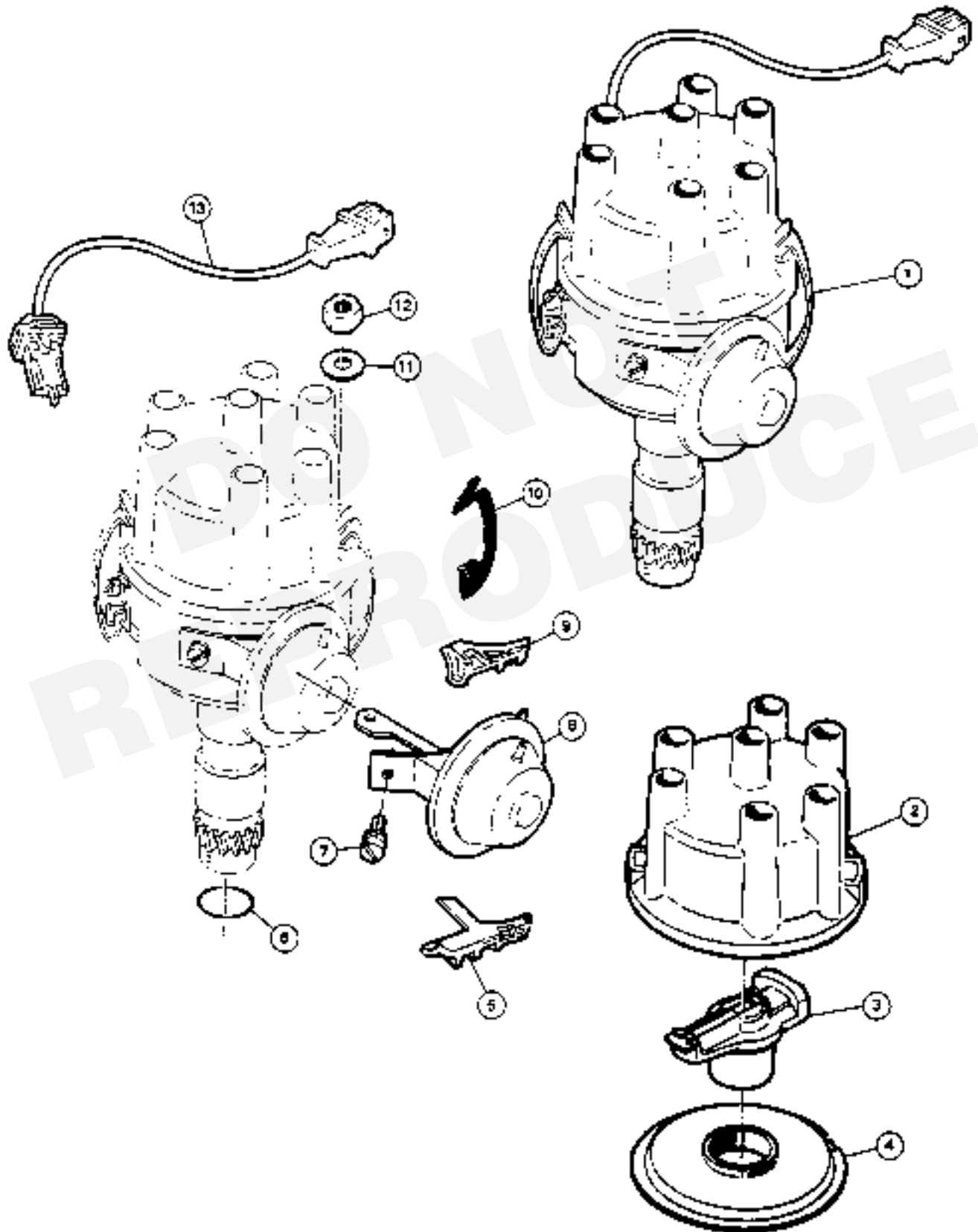
DO NOT REPRODUCE



3	SECTION	ELECTRICAL DISTRIBUTOR
	SUBSECTION	
	4 / 0 GROUP	

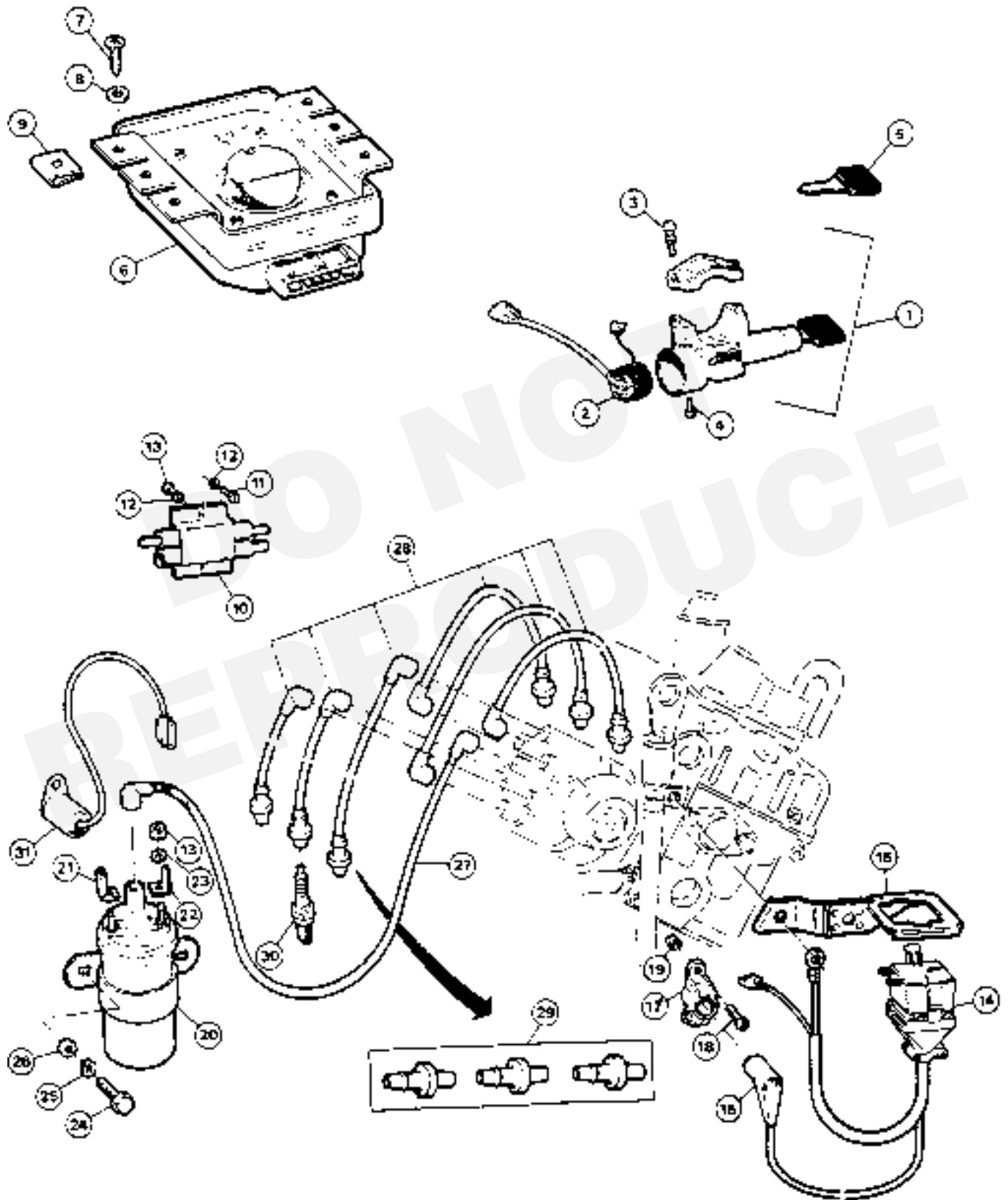
FIG.	PART NUMBER	DESCRIPTION	QTY	REMARKS
1	102751	DISTRIBUTOR, ASSY		
2	102606	. CAP, DISTRIBUTOR		
3	102604	. ROTOR		
4	102691	. COVER		
5	102686	. SUPPORT, LOWER ADV. ARM	1	
6	102423	. 'O' RING	1	
7	102687	. SCREW, SEMS	4	
8	102684	. VACUUM ADVANCE UNIT	1	
9	102685	. SUPPORT, UPPER ADV. ARM	1	
10	102690	. CLIP, RETAINER	2	
11	102424	. WASHER M7	1	
12	102441	. NUT M7	1	
13	102688	FLY LEAD, TACHO	1	

DO NOT REPRODUCE

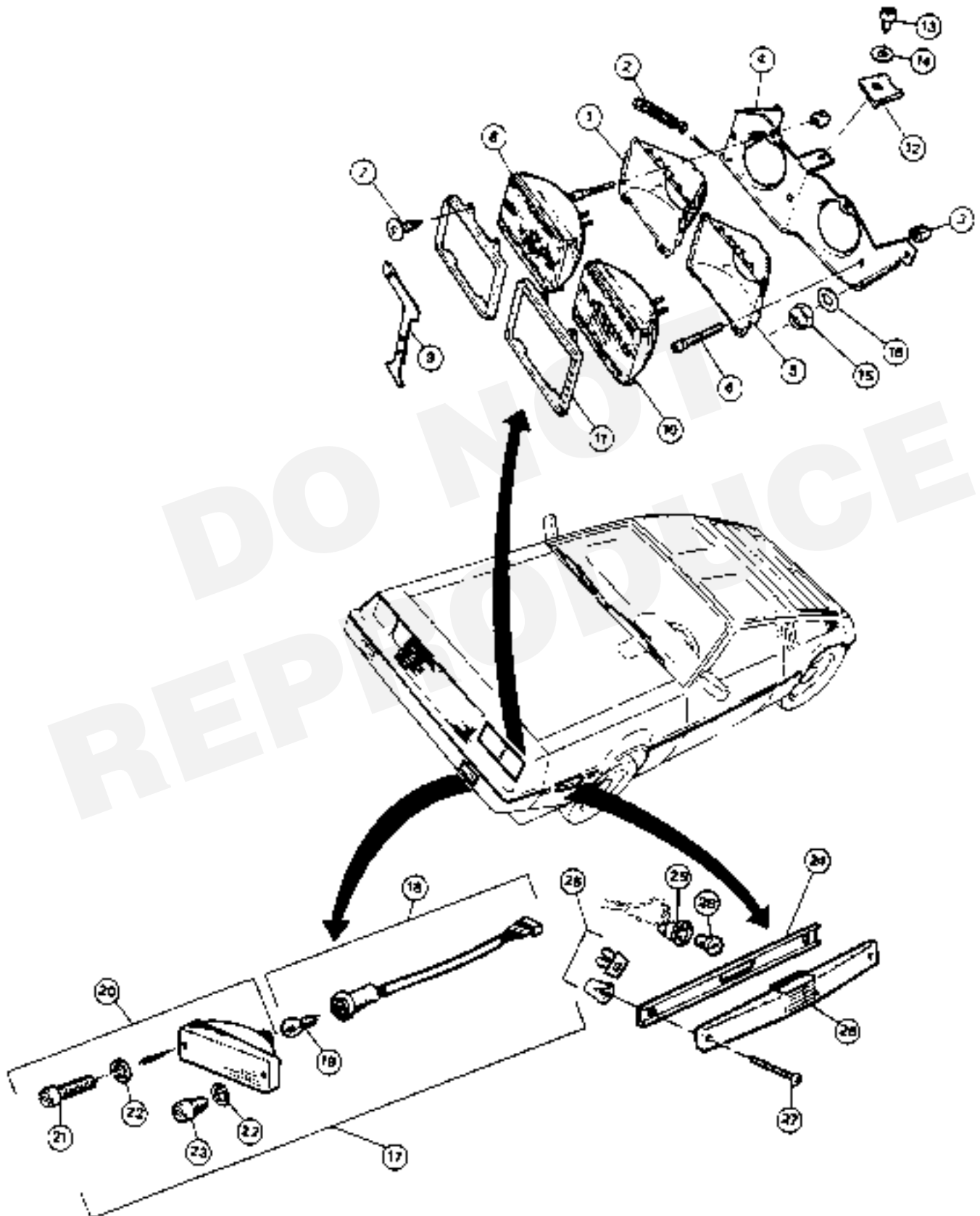


SECTION		ELECTRICAL			
SUBSECTION		IGNITION COMPONENTS			
3	4	1	GROUP		
FIG.	PART NUMBER	DESCRIPTION	QTY	REMARKS	
1	100823	STRG CLM LOCK ASSY	1	108003 COMPLETE ENGINE & DOOR	
2	106679	. IGNITION SWITCH	1		
3	109101	. SHEAR BOLT	2		
4	109102	. SWITCH RET SCREW	1		
5	109100	KEY BLANK	A/R		
6	101055	IGNITION MODULE	1		
7	SP10133	SCREW N8	4		
8	SP10111	WASHER M5	4		
9	SP10720	'U' NUT N8	4		
10	101054	RESISTANCE	1		
11	SP10440	SCREW M5 x 12	2		
12	SP10101	SPRING WASHER M5	2		
13	SP10173	NUT M5	2		
14	101065	DIAGNOSTIC OUTLET	1		
15	102694	LEAD & PICK UP	1		
16	108627	SUPPORT, DIAG OUTLET	1		
17	101067	PICK-UPSUPPORT	1		} PART OF PROTECTING PLATE } 101075 SEE 4-1-1
18	SP10453	SCREW M4	1		
19	SP10166	NYLOC NUT M4	1		
20	101052	COIL	1		
21	SP10410	FEMALE RECEIVER	1		
22	SP10409	MALE BLADE	1		
23	SP10269	TOOTHED WASHER	2		
24	SP10103	SCREW M8	2		
25	SP10035	SPRING WASHER M8	2		
26	SP10032	WASHER M8	2		
27	106907	H/T KING LEAD	1		UP TO VIN 10304
	110700	H/T KING LEAD (SCREENED)	1		FROM VIN 10305
28	102702	PLUG LEADS, SET	1		
29	102703	. SUPPRESSION KIT	2		
30	102443	SPARK PLUG			
31	108561	SUPPRESSOR, COIL	1	2.2 MICRO FARADS	

\* USE SUPPORT 102695 AND SCREW 102696 IN PLACE OF 101067 UNTIL STOCK EXHAUSTED

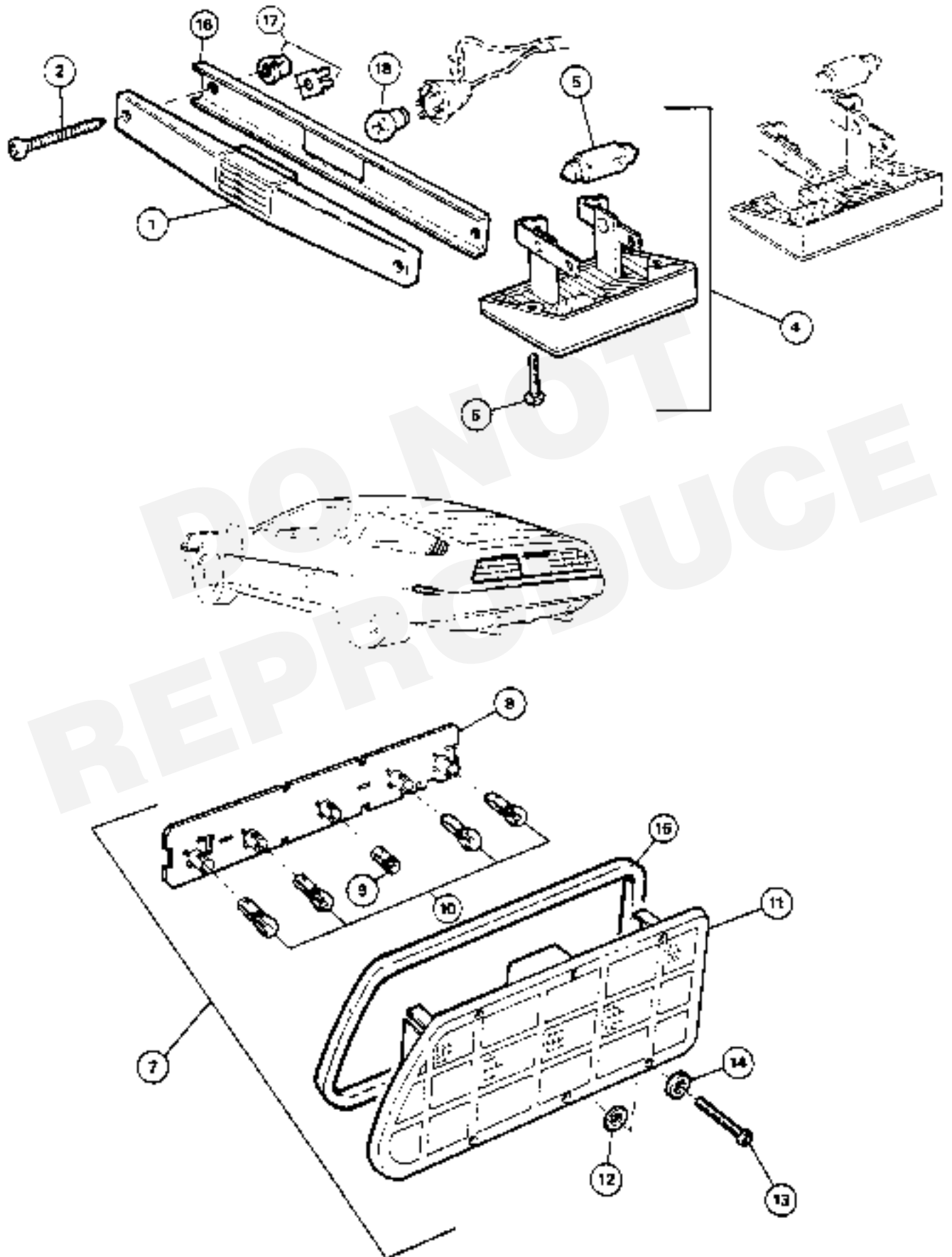


SECTION		ELECTRICAL		
SUBSECTION		LIGHTING SYSTEM - FRONT		
3	5	0	GROUP	
FIG.	PART NUMBER	DESCRIPTION	QTY	REMARKS
1	101016	BACK CAN INNER LH	1	
	101015	BACK CAN INNER RH	1	
2	101204	SPRING TENSIONER	4	
3	101203	NUT-ADJUSTING	4	
4	101369	HEADLAMP BRKT LH	1	
	101368	HEADLAMP BRKT RH	1	
5	101018	BACK CAN OUTER LH	1	
	101017	BACK CAN OUTER RH	1	
6	101202	SCREW-ADJUSTING	4	
7	SP10080	SCREW N8	16	
8	101316	SEALBEAM HIGH/LOW	2	
9	101601	HDLMP GAP FINISH LH	1	
	101602	HDLMP GAP FINISH RH	1	
10	101315	SEAL BEAM HIGH	2	
11	100634	BEZEL	4	
12	SP10169	NUT-SPIRE	2	
13	SP10080	SCREW N8	2	
14	SP10667	WASHER M5	2	
15	SP10676	NUT AERO	4	
16	SP10508	WASHER	4	
17	100784	FRT TURN/SIDE LP ASSY	2	
18	106268	. BULB HLDR HARN ASSY	2	
19	SP10065	..BULB	2	
20	108057	. LENS/HOUSING ASSY	2	
21	SP10067	..SCREW M4	2	
22	101302	..WASHER-RUBBER	4	
23	SP10066	..SCREW M4	2	
24	108138	GASKET	2	
25	SP10804	CAPTIVE NUT	4	FROM VIN 710
	SP10718	M3 SPIROL NUT	4	UP TO VIN 709
26	100788	SIDE MKR FRONT	2	
27	SP10114	SCREW N4	4	FROM VIN 710
	SP10093	SCREW M3	4	UP TO VIN 709
28	SP10306	BULB	2	PART OF HEADLAMP HARNASS (3-7-2)

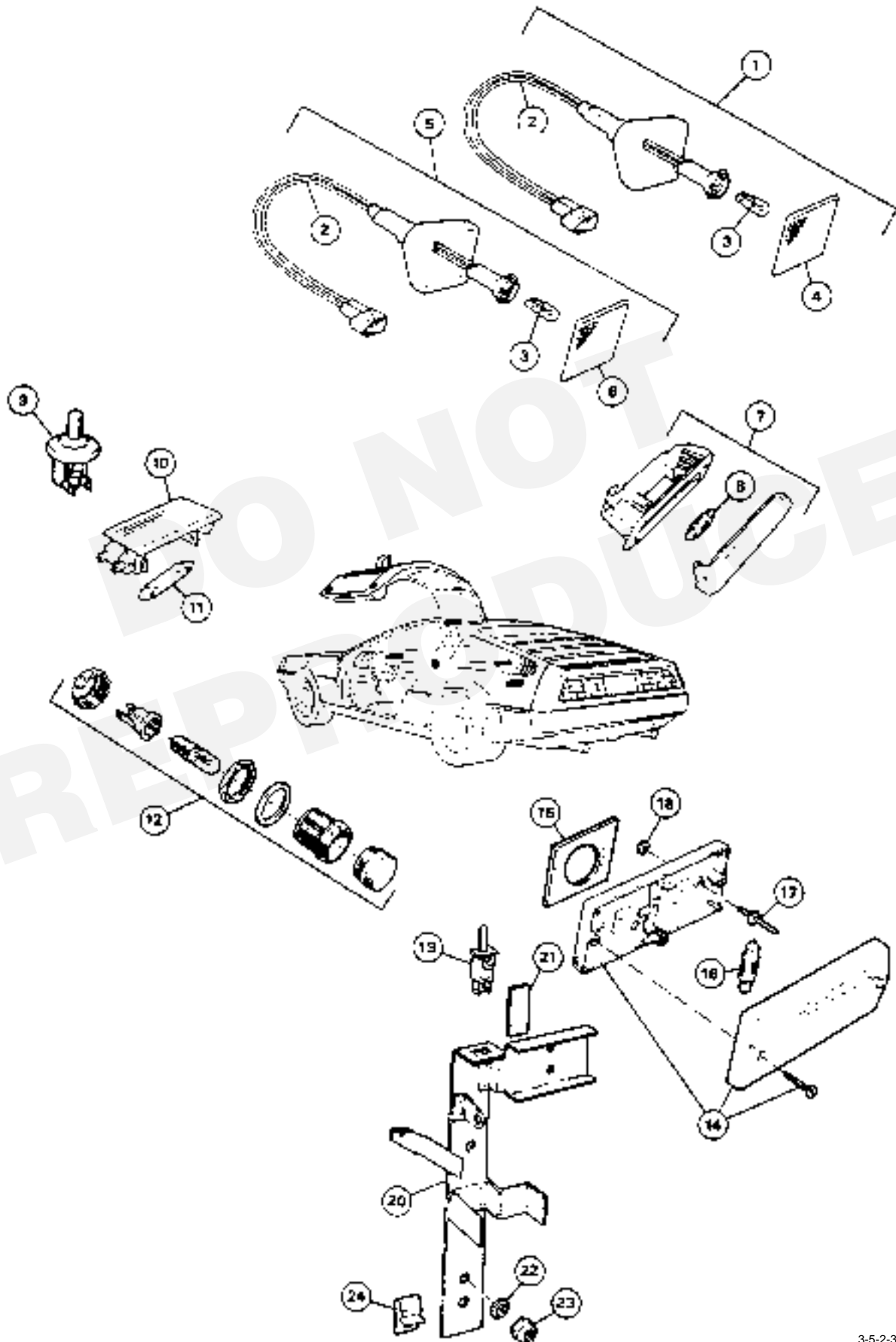




SECTION		LIGHTING SYSTEM		
SUBSECTION		REAR		
GROUP				
<b>3</b>	<b>5</b>	<b>1</b>		
FIG.	PART NUMBER	DESCRIPTION	QTY	REMARKS
1	100790	SIDE MARKER REAR	2	
2	SP10093	SCREW M3	4	UP TO VIN 709
2	SP10114	SCREW-PAN HEAD	4	FROM VIN 710
4	100438	NUMBER PLT LAMP ASSY	2	
5	SP10305	. BU LB	2	
6	SP10193	. SCREW-PAN HEAD	4	
7	100436	RR LAMP ASSEMBLY RH	1	
	100437	RR LAMP ASSEMBLY LH	1	
8	101488	. CIRCUIT BOARD	2	
9	SP10076	. BULB 5W TYPE R19-5	2	TAIL LIGHT
10	SP10077	. BULB 21W TYPE P25-1	8	STOP/INDICATOR/REVERSING LIGHT
11	108358	. RR LAMP LENS RH	1	
	108359	. RR LAMP LENS LH	1	
12	101486	. WASHER-RUBBER	12	
13	106272	. SCREW	12	
14	101485	. WASHER	12	
15	101489	. GASKET	2	
16	108138	GASKET	2	
17	SP10804	CAPTIVE NUT	4	FROM VIN 710
	SP10718	SPIROL NUT M3	4	UP TO VIN 709
18	SP10306	BULB	2	PART OF TAIL-LIGHT HARNESS (3-7-3)



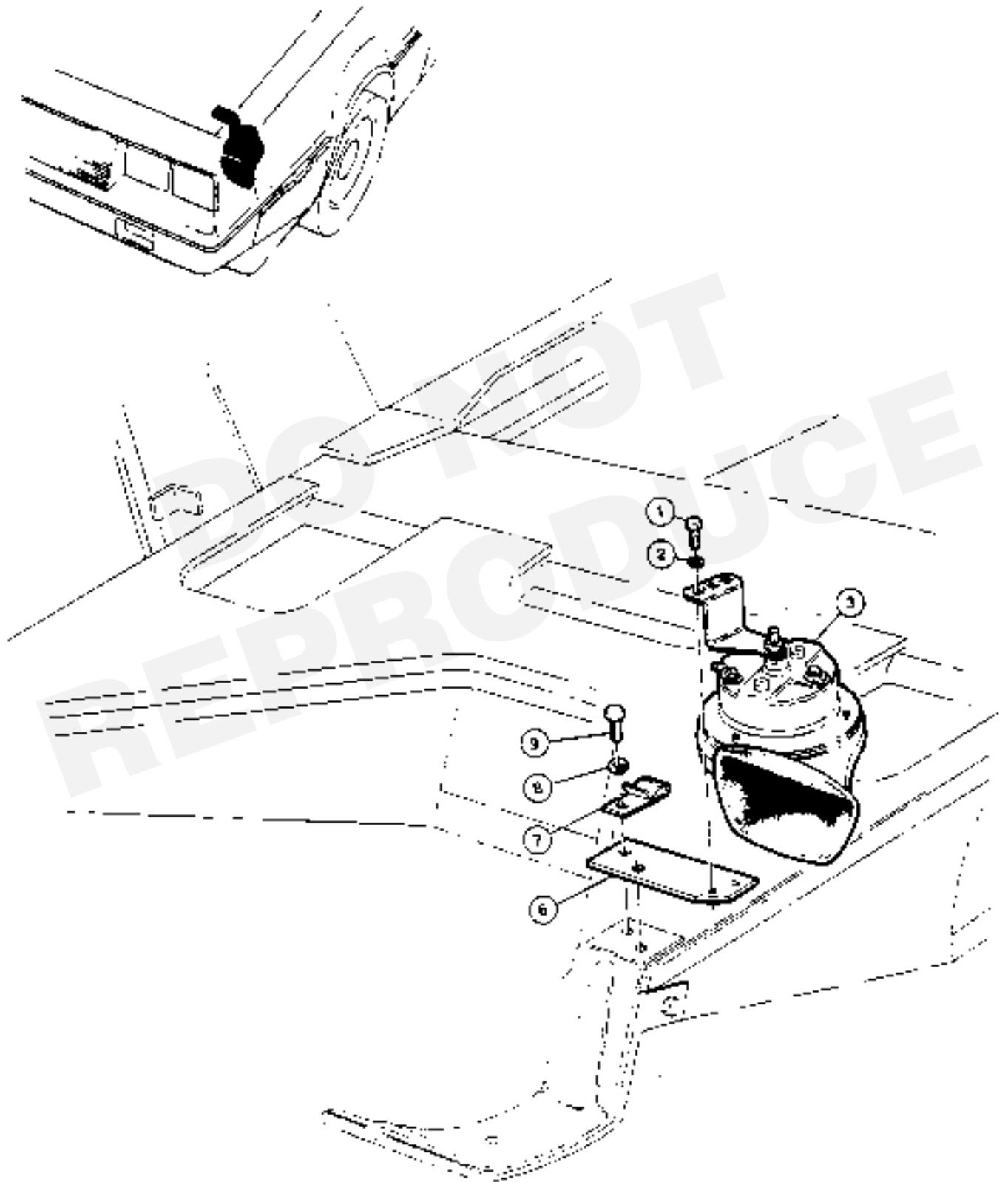
SECTION		INTERIOR/DOOR LIGHTING SYSTEM		
3	SUBSECTION			
	5	2	GROUP	
FIG.	PART NUMBER	DESCRIPTION	QTY	REMARKS
1	100531	RED DR LIGHT ASSY	2	
2	105081	. BODY & HARNESS	6	
3	SP10303	. BULB	6	
4	105080	. RED DR LIGHT LENS	2	
5	100530	AMBER DR LIGHT ASSY	4	
6	105079	. AMBER DR LIGHT LENS	4	
7	100540	INTR LIGHT-FRT HD	2	
8	SP10305	. BULB	2	
9	101169	LIGHT SWITCH	1	PART OF BONNET ASSY (SEE 8-4-4)
10	100440	CTSY LIGHT LUG-BAY	1	PART OF BONNET ASSY (SEE 8-4-4)
11	SP10304	BULB	1	
12	101216	GLOVE BOX LP	1	
14	100439	CTSY LIGHT-ENG BAY	1	
15	106817	GASKET	1	
16	SP10304	BULB	1	
17	SP10276	POP RIVET	2	
18	SP10253	POP RIVET WASHER	2	
19	101629	LIGHT SWITCH	1	
20	105888	LIGHT SWITCH BRKT	1	
21	SP10421	BONDING STRIP	1	
22	SP10256	WASHER M6	2	
23	SP10030	NUT M6	2	
24	SP10420	CABLE CLIP	1	



<b>3</b>	SECTION	ELECTRICAL HORNS
	SUBSECTION	
	6 / 0 GROUP	

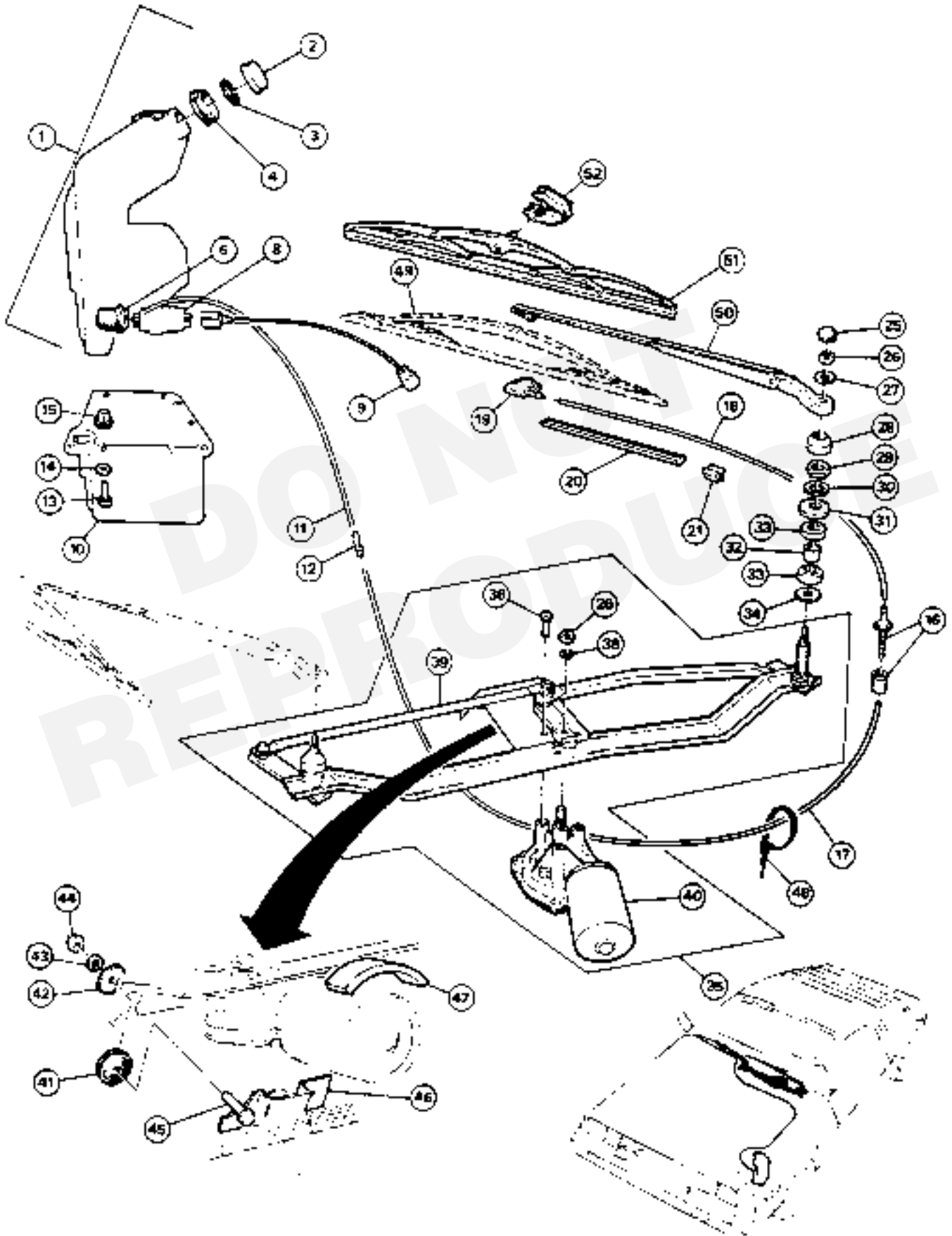
FIG.	PART NUMBER	DESCRIPTION	QTY	REMARKS
1	SP10204	SCREW M6	4	
2	SP10252	WASHER SPRING M6	4	
3	100465	ASSY HORN LOW NOTE	1	
	100466	ASSY HORN HIGH NOTE	1	
6	108144	HORN MT PLATE RH	1	
	108143	HORN MT PLATE LH	1	
7	106731	CABLE CLIP	1	
8	SP10035	WASHER-SPRING M8	4	
9	SP10103	SCREW M8	4	

DO NOT REPRODUCE



3	SECTION	ELECTRICAL WINDSHIELD WIPERS/WASHERS
	SUBSECTION	
	6 / 1 GROUP	

FIG.	PART NUMBER	DESCRIPTION	QTY	REMARKS
1	100545	WA BOTTLE & MOTOR	1	
	109094	. WASHER BOTTLE ASSY	1	
2	105954	.. CONTAINER CAP	1	
3	105955	.. DIAPHRAGM GASKET	1	
4	105957	.. FILLER NECK GROMMET	1	
6	105959	.. EXP LEAK ADPT	1	
8	101637	. 12V HEAVY DUTY MOTOR	1	
9	105958	. WSWA HARNESS	1	
10	106087	CONTAINER MT COVER	1	
11	105963	PIPE	1	
12	105960	IN-LINE CONNECTOR	1	
13	SP10100	SCREW M5	8	
14	SP10117	WASHER M5	8	
15	SP10611	RIVNUT M5	8	
16	108250	BLKH FITTING	1	
17	105964	PIPE	1	
18	105965	PIPE	1	
19	100806	WIPER ARM JET	1	
20	108035	PIPE RET EXTRUSION	1	
21	SP10759	CLIP	1	
25	105658	CAP	2	
26	105642	NUT	2	
27	105657	WASHER-SPRING	2	
28	105656	SEAL	2	
29	105647	NUT	2	
30	105655	WASHER	2	
31	105654	PLATE WASHER	2	
32	105652	BEARING SLEEVE	2	
33	105653	STOP-RUBBER	4	
34	105651	WASHER-SHIM	2	
35	100544	WPR MOTOR/LNKG ASSY	1	
38	105644	. SCREW MOUNTING	3	
38	105641	. WASHER SPRING	1	
39	109099	. LINKAGE	1	
40	105639	. WS WIPER MOTOR	1	
41	105650	. RUBBER MOUNTING	2	
42	SP10757	LARGE WASHER	2	
43	SP10031	WASHER M6	2	
44	SP10183	AERONUT M6	2	
46	SP10017	SCREW	2	
46	105559	MAIN HARNESS SUPT BRKT	1	
47	106802	PAD	2	

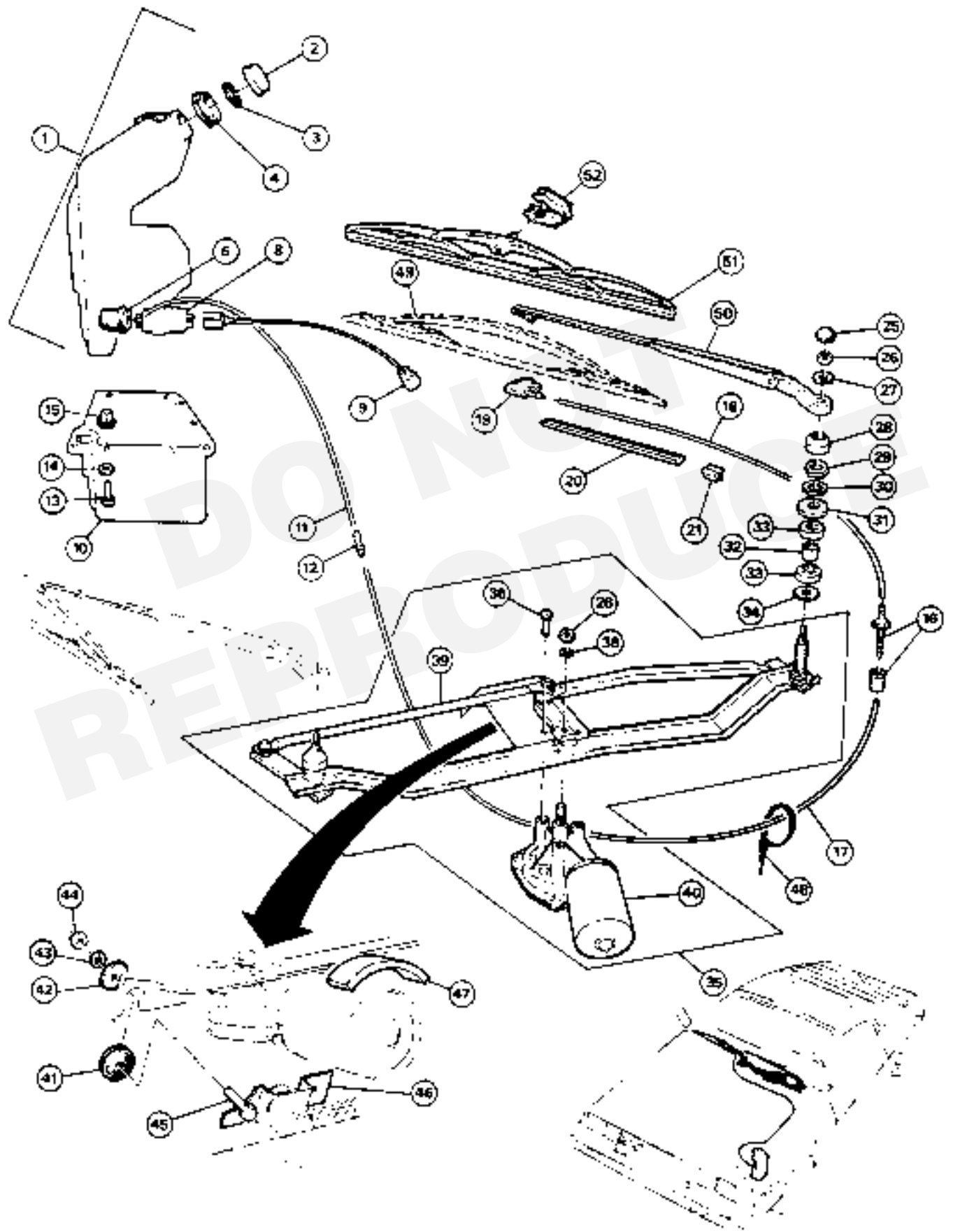




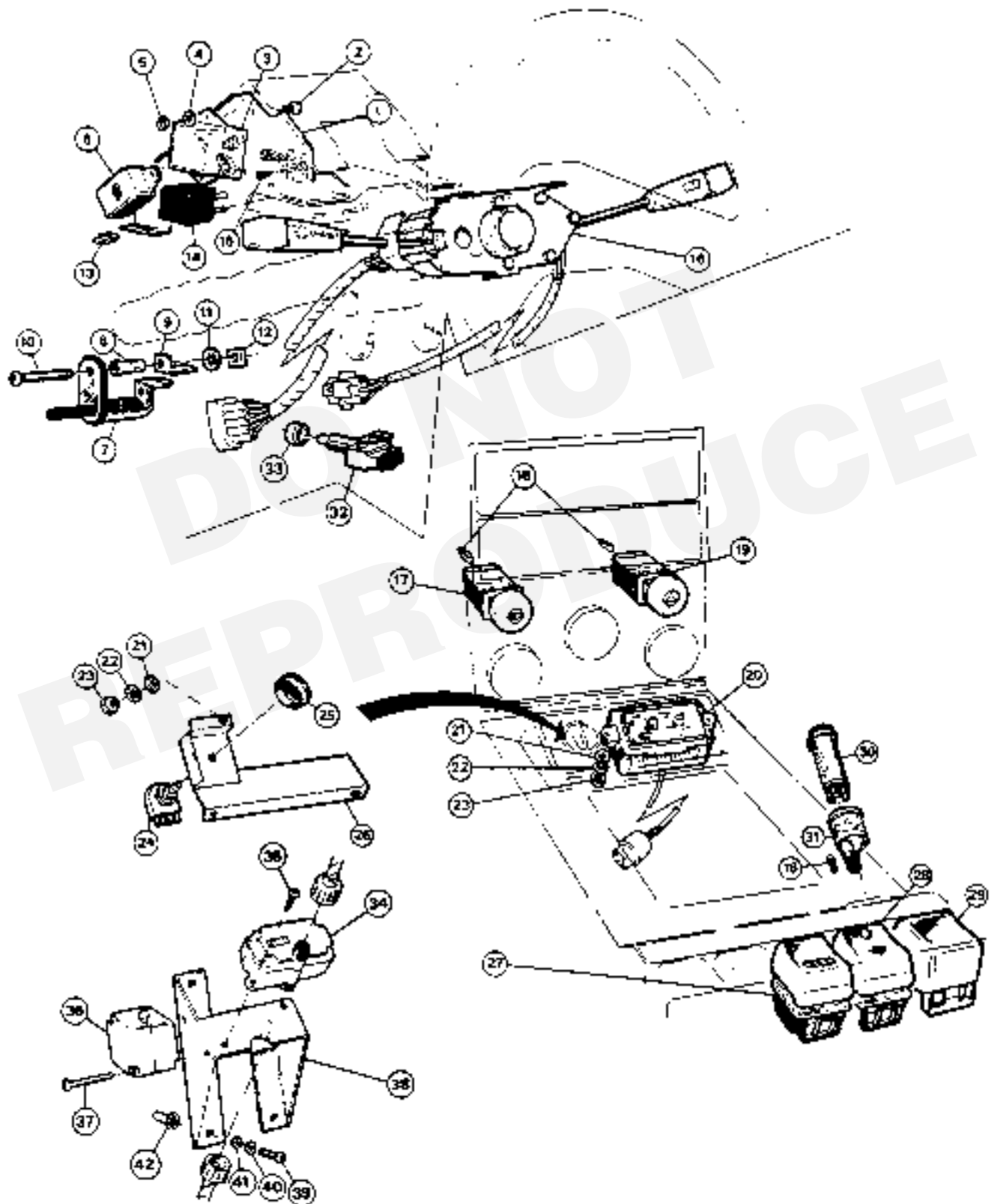
<b>3</b>	SECTION	ELECTRICAL WINDSHIELD WIPERS/WASHERS
	SUBSECTION	
	<b>6</b> / <b>1</b> GROUP	

FIG.	PART NUMBER	DESCRIPTION	QTY	REMARKS
48	SP10399	'C' STRAP	2	
49	100809	WIPER BLADE	2	
50	105665	WIPER ARM	2	

DO NOT REPRODUCE



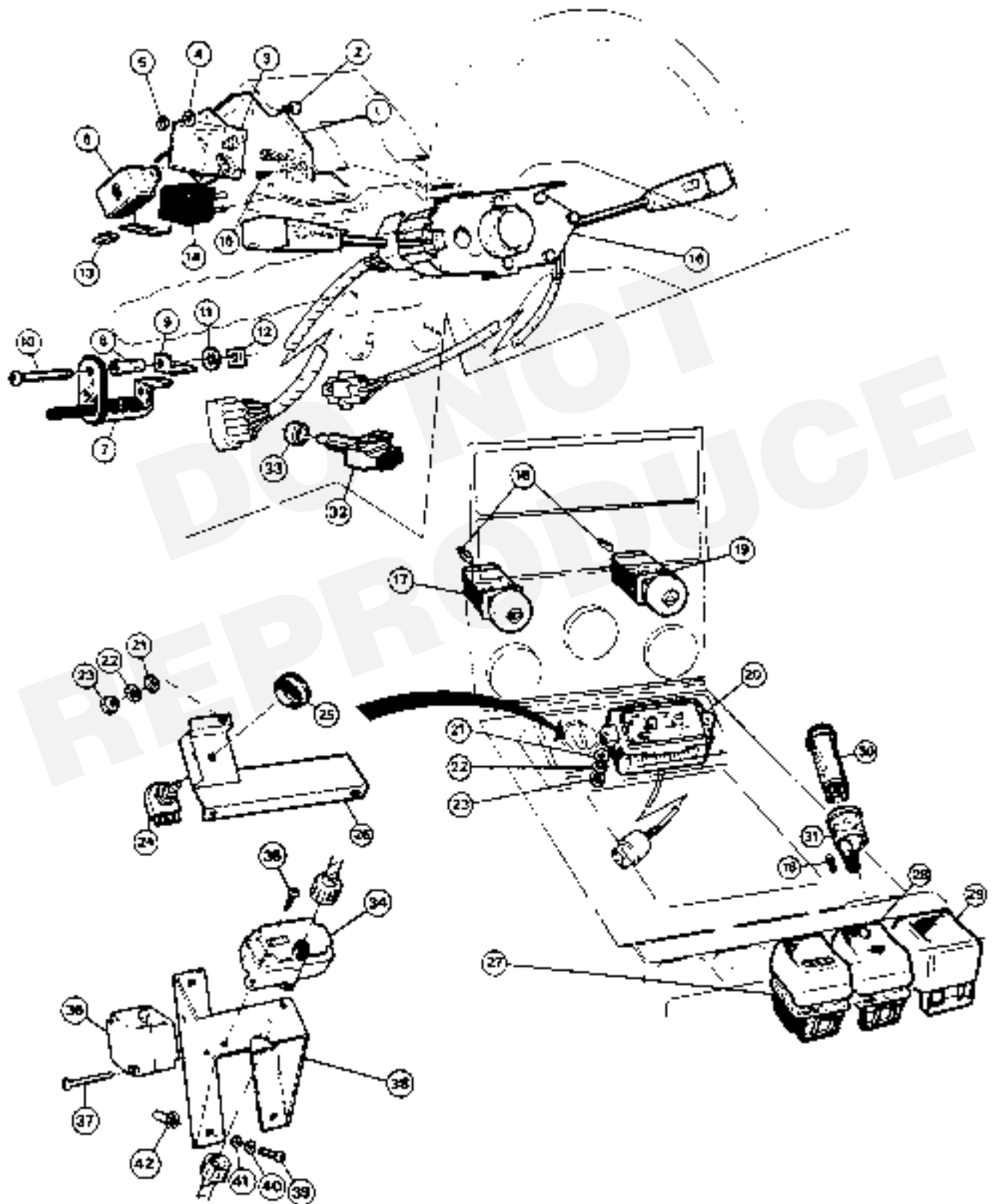
SECTION		ELECTRICAL		
SUBSECTION		COMBINATION SWITCHES ETC.		
3	6	2	GROUP	
FIG.	PART NUMBER	DESCRIPTION	QTY	REMARKS
1	105076	WIPER CON PLATE	1	
2	SP10100	SCREW M5	3	
3	105176	WIPE/WASH CON	1	
4	SP10101	WASHER-SPRING M5	3	
5	SP10173	NUT M5	3	
6	100464	SEAT BELT WRNG UNIT	1	
7	108244	CTSY LIGHT SW	1	ALSO IN 3-5-2
8	SP10739	SLEEVE	1	ALSO IN 3-5-2
9	SP10740	TERMINAL	1	ALSO IN 3-5-2
10	SP10737	SCREW M3	1	ALSO IN 3-5-2
11	SP10736	ISW M3	1	ALSO IN 3-5-2
12	SP10738	PRESS NUT M3	1	ALSO IN 3-5-2
13	SP10411	EDGE CLIP	2	
14	100708	FLASHER/HAZARD U	1	
15	SP10136	SCREW N6	1	
16	100952	DI & WPR SWITCH	1	
17	108388	LIGHTS MASTER SWITCH	1	
18	SP10301	. BULB	1	
19	105660	HAZ WRNG SWITCH	1	
18	SP10301	. BULB	1	
20	101581	CLOCK	1	UP TO VIN 6158
21	SP10251	. WASHER M4	2	UP TO VIN 6158
22	SP10266	. ISW M4	2	UP TO VIN 6158
23	SP10162	. NUT M4	2	UP TO VIN 6158
24	100814	RHEOSTAT	1	
25	106775	RHEOSTAT CON KNOB	1	
26	106319	RHEOSTAT BRACKET	1	
21	SP10251	WASHER M4	3	
22	SP10266	ISW M4	3	
23	SP10162	NUT M4	3	
27	101638	HEATED RR WDO SW	1	
28	101177	WDO LIFT SWITCH	2	
29	105610	DUMMY SWITCH	2	
30	108288	CIGAR LIGHTER	1	
31	108501	ILLUMINATED RING	1	
18	SP10301	. BULB	1	
32	100820	STOP LAMP MICROSWITCH	1	
33	SP10783	SPACER	1	
34	101606	SERVICE COUNTER	1	
35	SP10441	SCREW N10	2	
36	100815	INERTIA SWITCH	1	
37	SP10442	SCREW N10	2	
38	106767	MOUNTING BRACKET	1	
39	SP10697	SCREW M6	2	



<b>3</b>	SECTION	ELECTRICAL COMBINATION SWITCHES ETC.
	SUBSECTION	
	<b>6</b> / <b>2</b> GROUP	

FIG.	PART NUMBER	DESCRIPTION	QTY	REMARKS
40	SP10031	WASHER M6	2	
41	SP10252	WASHER-SPRING M6	2	
42	SP10678	RIVNUT M6	2	

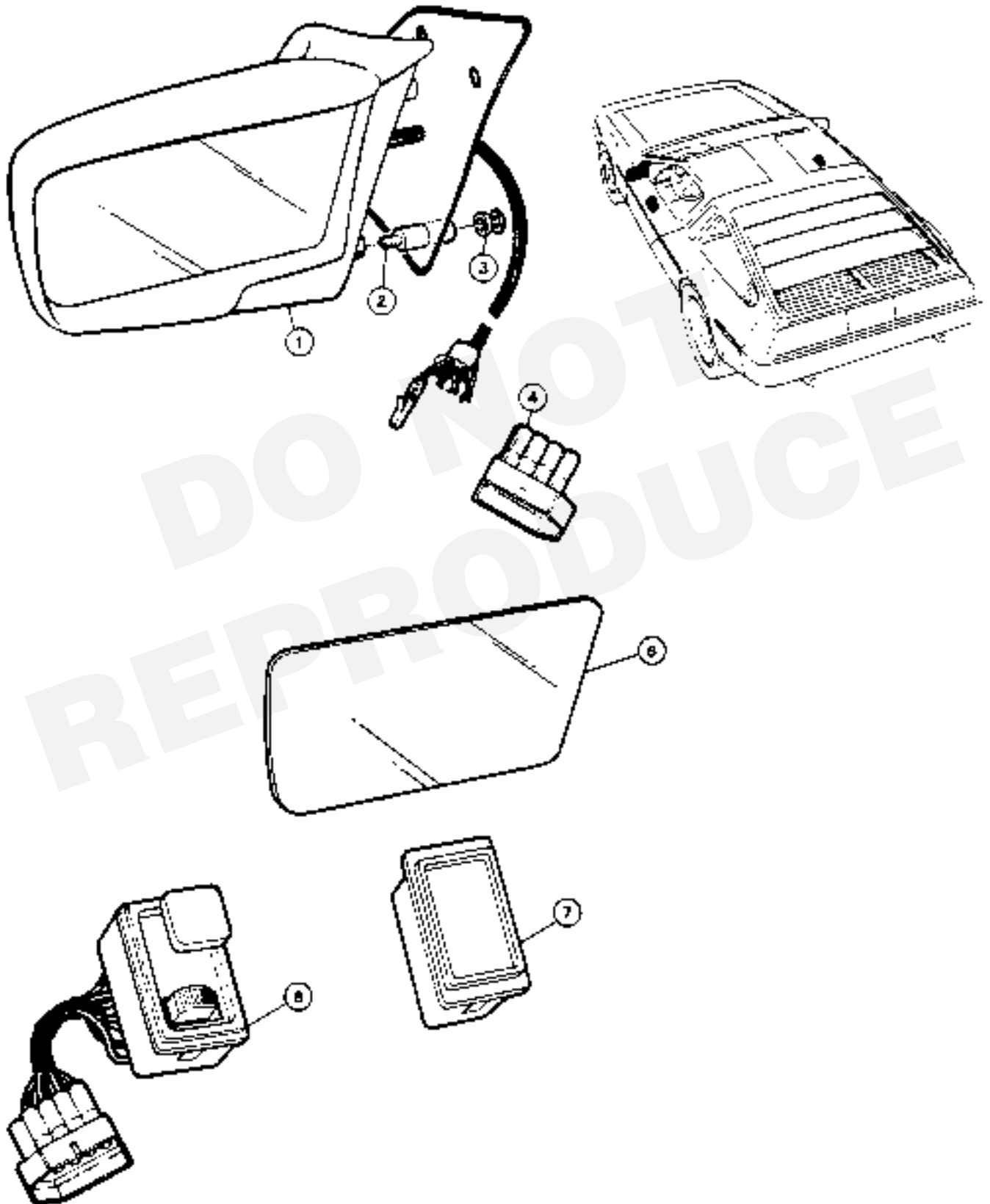
DO NOT REPRODUCE



<b>3</b>	SECTION	ELECTRICAL ELECTRICAL MIRRORS
	SUBSECTION	
	GROUP	

FIG.	PART NUMBER	DESCRIPTION	QTY	REMARKS
1	100586	REAR VIEW MIRROR RH	1	UP TO VIN 5929
	110418	REAR VIEW MIRROR RH	1	FROM VIN 5930
	100587	REAR VIEW MIRROR LH	1	UP TO VIN 5929
	110419	REAR VIEW MIRROR LH	1	FROM VIN 5930
2		SPACER	4	UP TO VIN 5929
3	SP10455	SEMS SCREW M6	6	
4	109147	CONNECTOR BLOCK	2	
6		MIRROR GLASS RH	1	UP TO VIN 5929
		MIRROR GLASS RH	1	FROM VIN 5930
		MIRROR GLASS LH	1	UP TO VIN 5929
		MIRROR GLASS LH	1	UP TO VIN 5930
7	106249	MIRROR DUMMY SWITCH	1	
8	105085	MIRROR SW ADJUSTER	1	

DO NOT REPRODUCE





<b>3</b>	SECTION	ELECTRICAL POWER DOOR LOCKS
	SUBSECTION	
	<b>6</b> <b>4</b> GROUP	

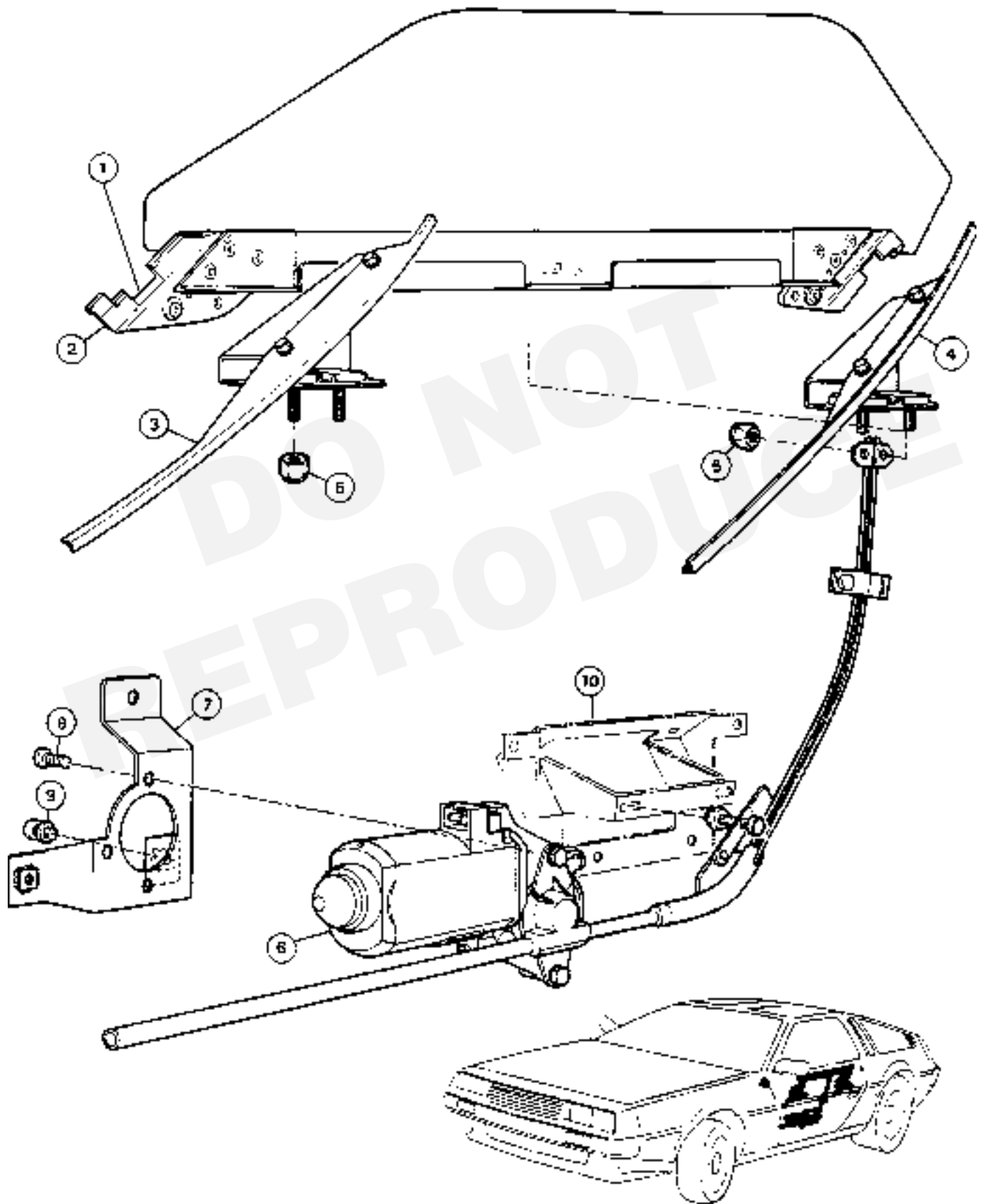
FIG.	PART NUMBER	DESCRIPTION	QTY	REMARKS
<p style="font-size: 48px; opacity: 0.3; transform: rotate(-20deg);">DO NOT REPRODUCE</p>				

DO NOT  
REPRODUCE

<b>3</b>	SECTION	ELECTRICAL POWER WINDOWS
	SUBSECTION	
	6 / <b>5</b> GROUP	

FIG.	PART NUMBER	DESCRIPTION	QTY	REMARKS
1	106207	GLASS/CARRIER ASSY LH	1	
	106208	GLASS/CARRIER ASSY RH	1	
3	105935	GUIDE FRONT LH	1	
	105936	GUIDE FRONT RH	1	
4	105937	GUIDE REAR LH	1	
	105938	GUIDE REAR RH	1	
5	SP10183	AERONUT M6	12	
6	110072	LIFT MOTOR/TUBE ASSY RH	1	
	110073	LIFT MOTOR/TUBE ASSY LH	1	
7	108306	WINDOW MOTOR BRKT RH	1	
	108307	WINDOW MOTOR BRKT	1	
8	SP10463	SCREW M6	6	
9	SP10455	SEMS SCREW	8	
10	106036	HANDLE SUPT BRKT RH	1	SEE 8-4-1
	106037	HANDLE SUPT BRKT LH	1	SEE 8-4-1

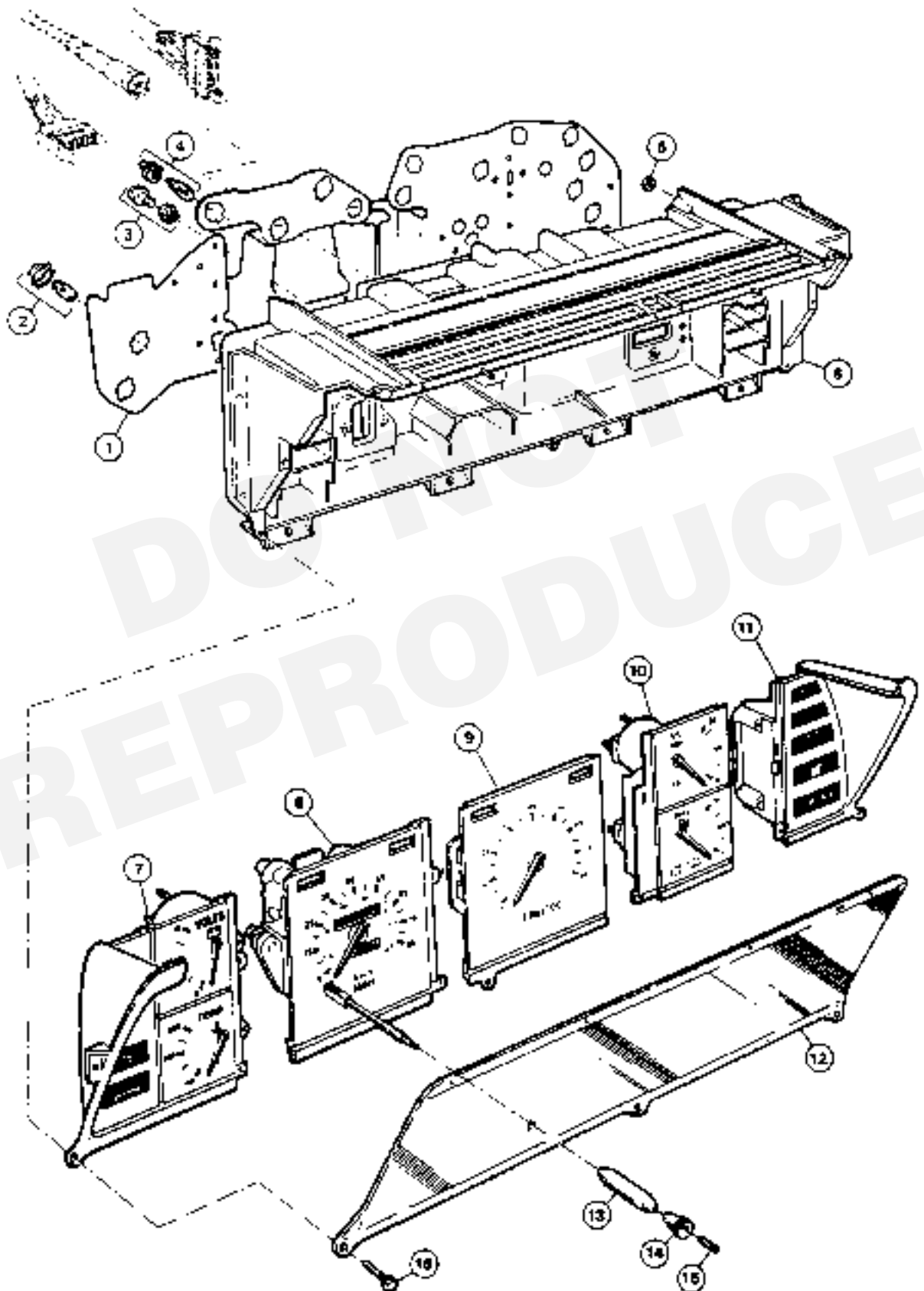
DO NOT REPRODUCE



<b>3</b>	SECTION	ELECTRICAL INSTRUMENT CLUSTER
	SUBSECTION	
	6 GROUP	

FIG.	PART NUMBER	DESCRIPTION	QTY	REMARKS
	100548	INSTRUMENT CLUSTER	1	
1	105851	PRINTED CIRCUIT	1	
2	105859	LAMP/SOCKET	11	
3	105867	SCREW/BUSH	2	
4	105874	LAMP/SOCKET ASSY	5	
5	105871	N UT	21	
6	105849	CASE	1	
7	105870	GA/TT V-TEMP	1	
8	105862	SPEEDOMETER	1	
9	105868	TACHOMETER	1	
10	105869	FUEL/OIL GAGE	1	
11	105854	WARNING LIGHT	1	
12	105848	LENS	1	
13	105855	SPACER-KNOB	1	
14	105865	KNOB RESET	1	
15	105866	NUT	1	
16	105873	SCREW	13	

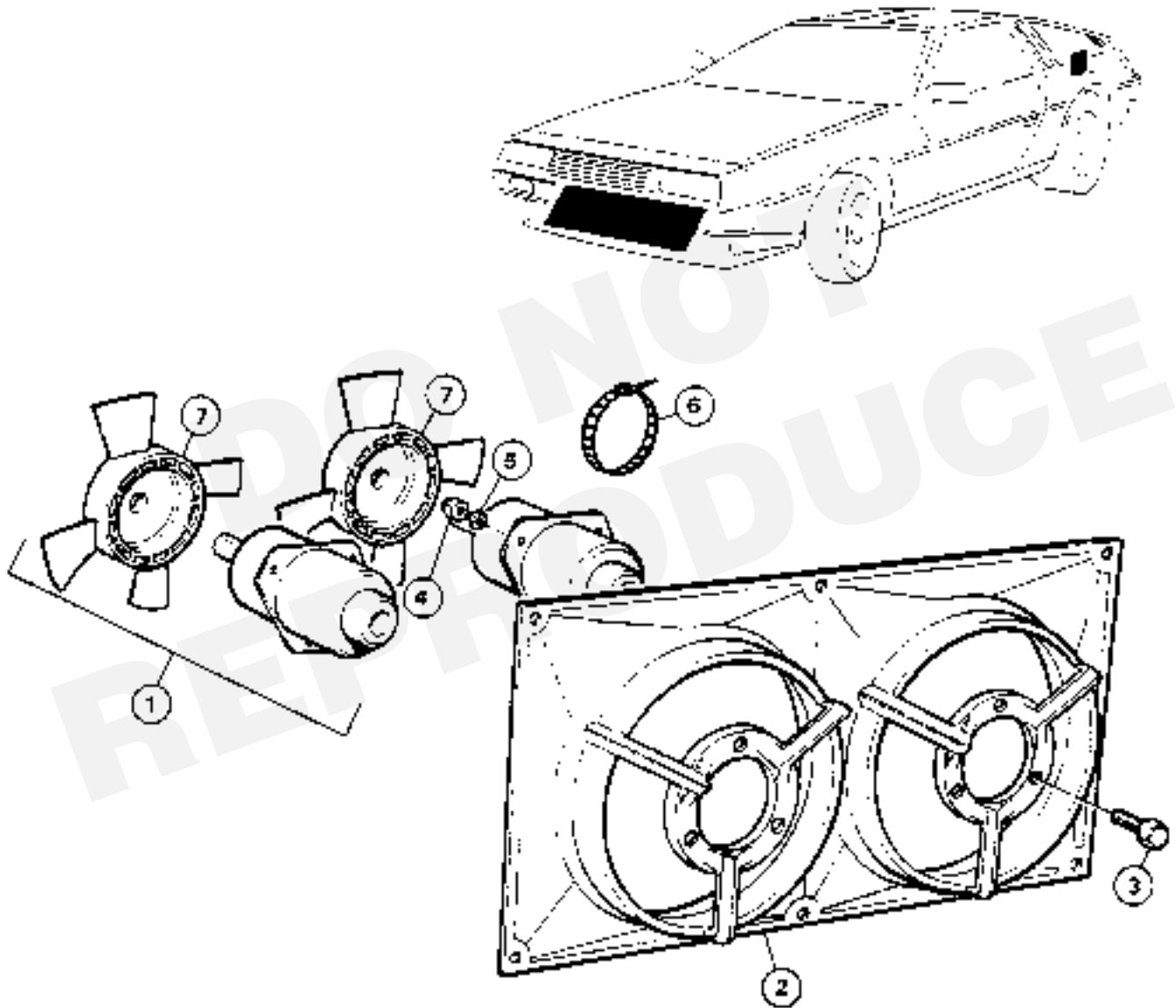
DO NOT REPRODUCE



<b>3</b>	SECTION	ELECTRICAL COOLING FANS
	SUBSECTION	
	<b>6</b> / <b>7</b> GROUP	

FIG.	PART NUMBER	DESCRIPTION	QTY	REMARKS
1	100415	COOLING FAN/MOTOR	2	
2	100487	FAN COWLING	1	
3	SP10009	SCREW M8	6	
4	SP10025	NUT M8 NYLOC	6	
5	SP10047	WASHER M8, SHAKEPROOF	2	
6	SP10399	'C' STRAP BAND CLAMP	2	SECURES HARNESS TO FAN MOTOR
7	101633	FAN BLADE	2	

DO NOT REPRODUCE

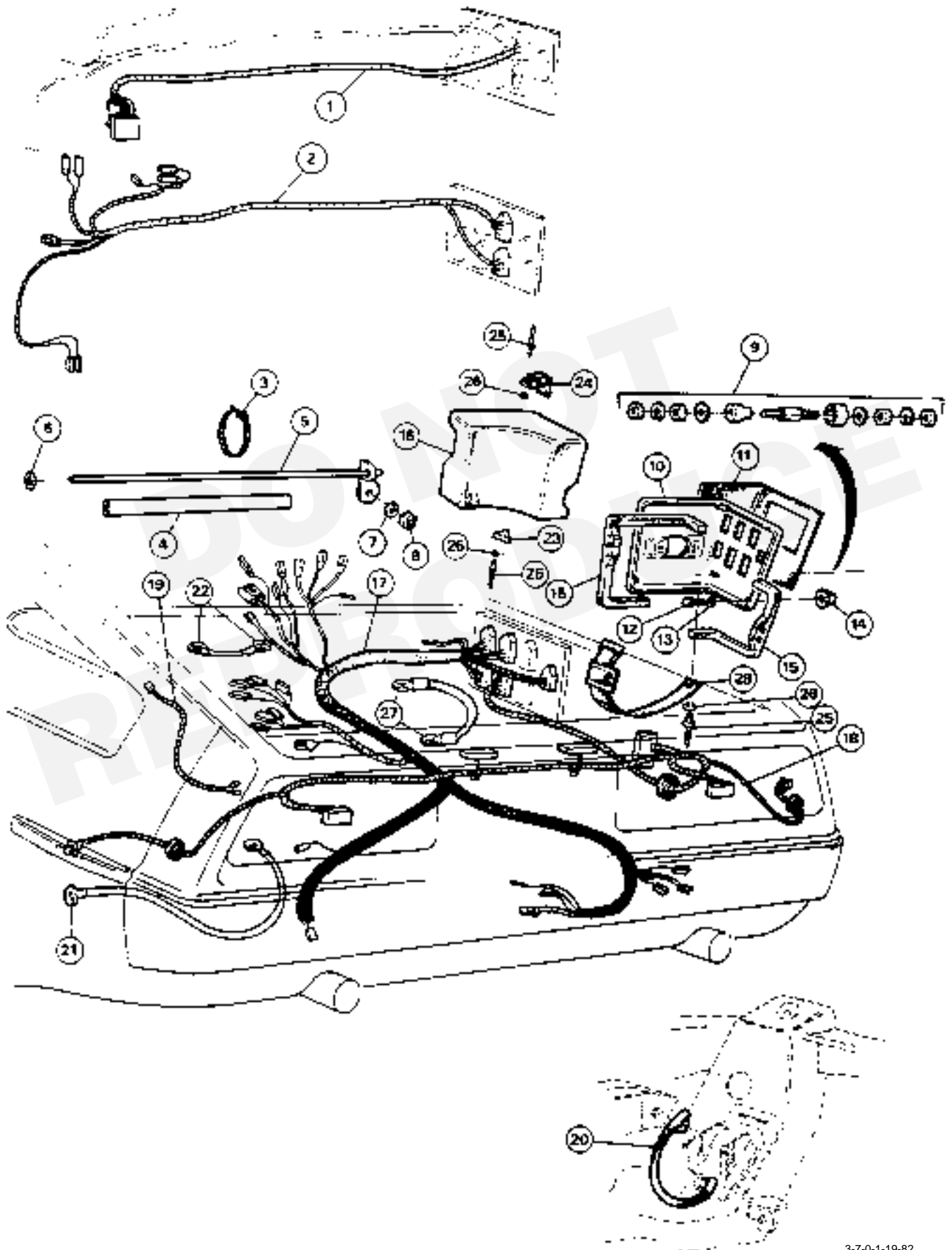




SECTION		ELECTRICAL		
SUBSECTION		REAR HARNESS		
3	7	0	GROUP	
FIG.	PART NUMBER	DESCRIPTION	QTY	REMARKS
1	105469	GEARBOX JUMPER	1	AUTOMATIC ONLY
2	101409	RR HARNESS ENG BAY	1	
3	SP10399	'C' STRAP	3	
4	106170	ZIP-ON TUBING	1	
5	106828	SUPPORT BAR	1	
6	SP10722	LOCKRING	1	
7	SP10256	WASHER M6	1	
8	SP10030	NYLOC NUT M6	1	
9	106288	BINDING POST	1	
10	108263	ENG BAY BLKH PLATE	1	
11	105970	BACK SEAL	1	
12	SP10100	SCREW M5	6	
13		WASHER M5	6	
14	SP10659	RIVNUT M5	6	
15	106039	FRONT SEAL	1	
16	105905	COVER	1	UP TO VIN 11672
	110227	COVER	1	FROM VIN 11673
17	100534	ENGINE HARNESS	1	UP TO VIN 5349
	110185	ENGINE HARNESS	1	FROM VIN 5350
18	101992	TAIL-LIGHT HARNESS	1	
19	106116	REVERSE HARNESS	1	
20	105162	GROUND BRAID	1	
21	108568	RR WING GROUND BRAID	1	
22	108571	ENG RESISTANCE BKT	1	
23	106188	LATCH COVER	1	UP TO VIN 11672
24	SP10374	DZUS FASTENER COVER	1	UP TO VIN 11673
25	SP10130	POPRIVET	4	UP TO VIN 11672
			1	FROM VIN 11673
26	SP10253	POPRIVET WASHER	4	UP TO VIN 11672
			1	FROM VIN 11673
27	110093	LEAD	1	
28	108997	STRAP COVER RET	1	FROM VIN 11673

ELECTRICAL  
REAR HARNESS

SECTION  
3  
SUBSECTION  
7  
0 GROUP



3-7-0-1-19-82

**3**

SECTION

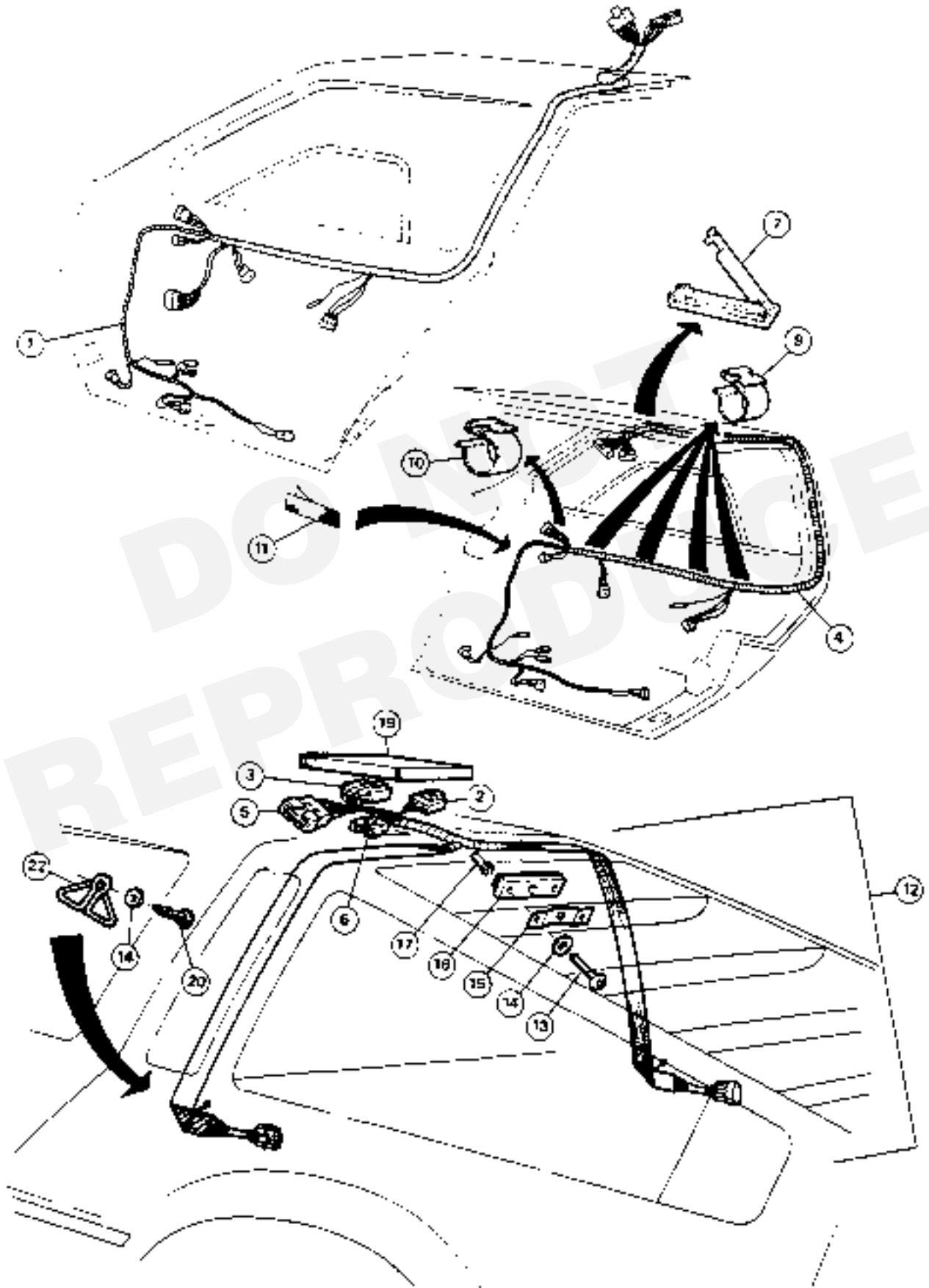
SUBSECTION

**7** / **1** GROUPELECTRICAL  
ROOF HARNESS

FIG.	PART NUMBER	DESCRIPTION	QTY	REMARKS
1	101407	DOOR HARNESS LH	1	
2	108497	. RECEPTACLE 8-WAY	2	
3	108499	. RECEPTACLE 10-WAY	2	
4	101408	DOOR HARNESS RH	1	
5	108500	. BLADE 10-WAY	2	
6	108498	. BLADE 8-WAY	2	
7	SP10741	CABLE CLIP	2	
9	SP10728	EDGE CLIP	8	
10	SP10379	EDGE CLIP	2	
11	SP10421	BONDING STRIP	22	
12	101990	'B' POST HARNESS	1	
13	SP10237	SCREW M5	2	
14	SP10111	WASHER M5	4	
15	108297	HARNESS CLAMP	1	
16	108299	CLAMP PAD	1	
17	SP10611	RIVNUT M5	2	
19	106712	SEAL	1	
20	SP10215	SCREW N10	2	
22	106818	CABLE CLIP	2	

ELECTRICAL  
ROOF HARNESS

SECTION  
SUBSECTION  
7 / 1 GROUP



3-7-1-3-9-82

**3**

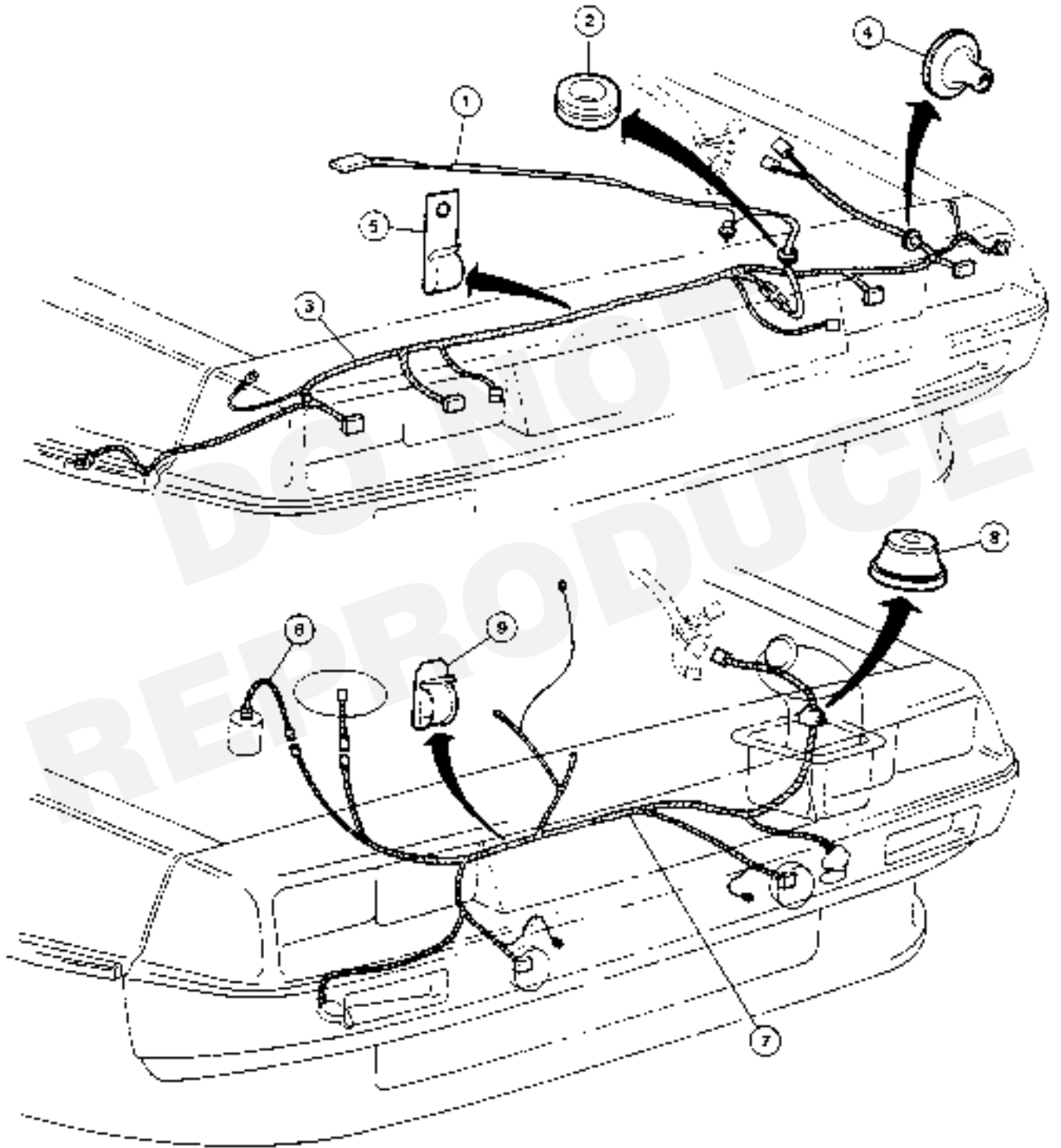
SECTION

SUBSECTION

**7** / **2** GROUPELECTRICAL  
FRONT HARNESS

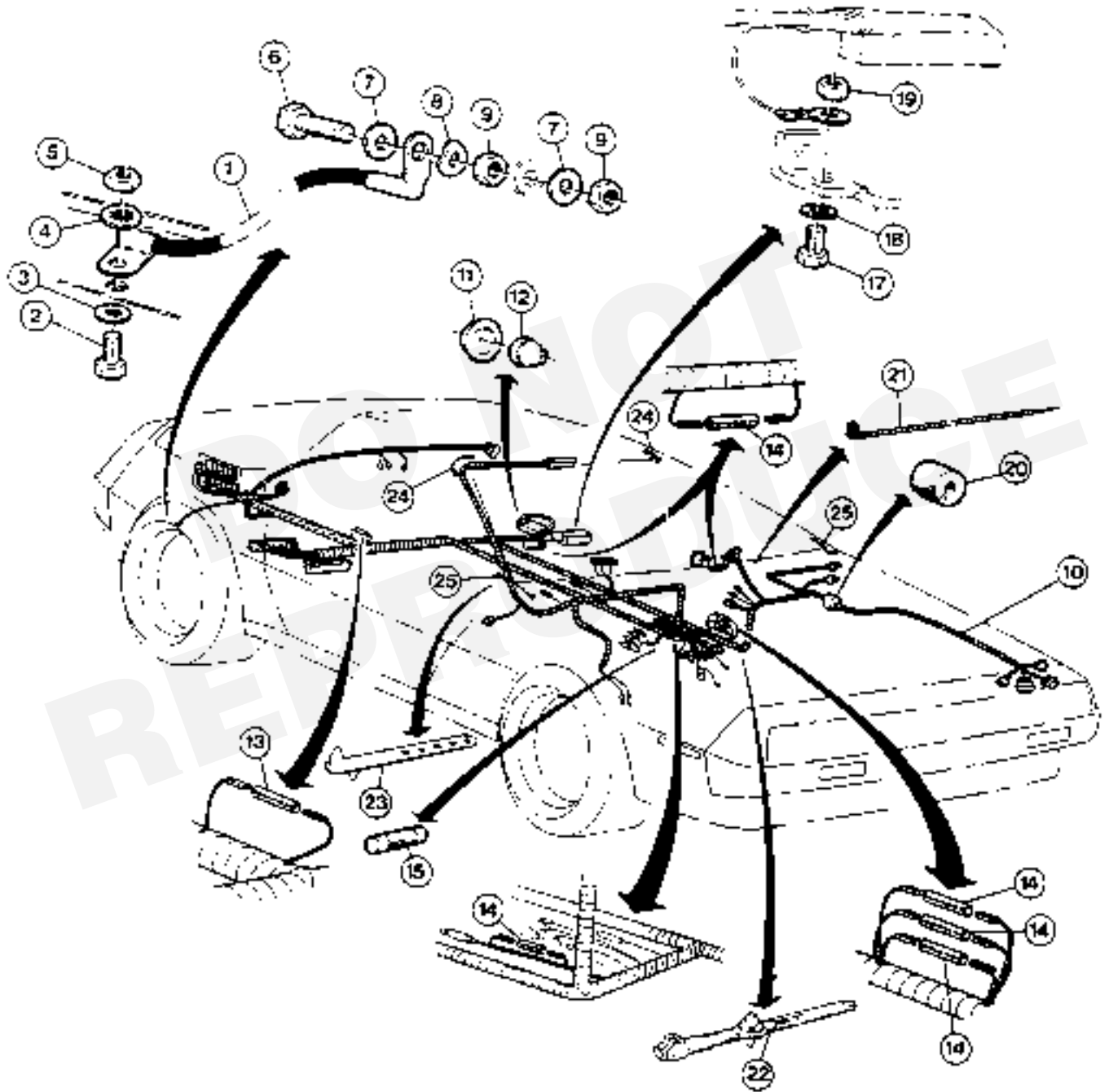
FIG.	PART NUMBER	DESCRIPTION	QTY	REMARKS
1	105553	HOOD COURTESY LIGHT	1	PART OF BONNET ASSY 100567
2	SP10337	. GROMMET	1	
3	100536	HEADLAMP HARNESS	1	
4	105185	. DIAPHRAGM GROMMET	1	
5	106731	CABLE CLIP	2	
6	106740	HARNESS, FUEL PUMP	1	
7	108599	HARNESS, FRAME	1	
8	105513	. GROMMET	1	
9	SP10550	CABLE CLIP	2	

DO NOT  
REPRODUCE



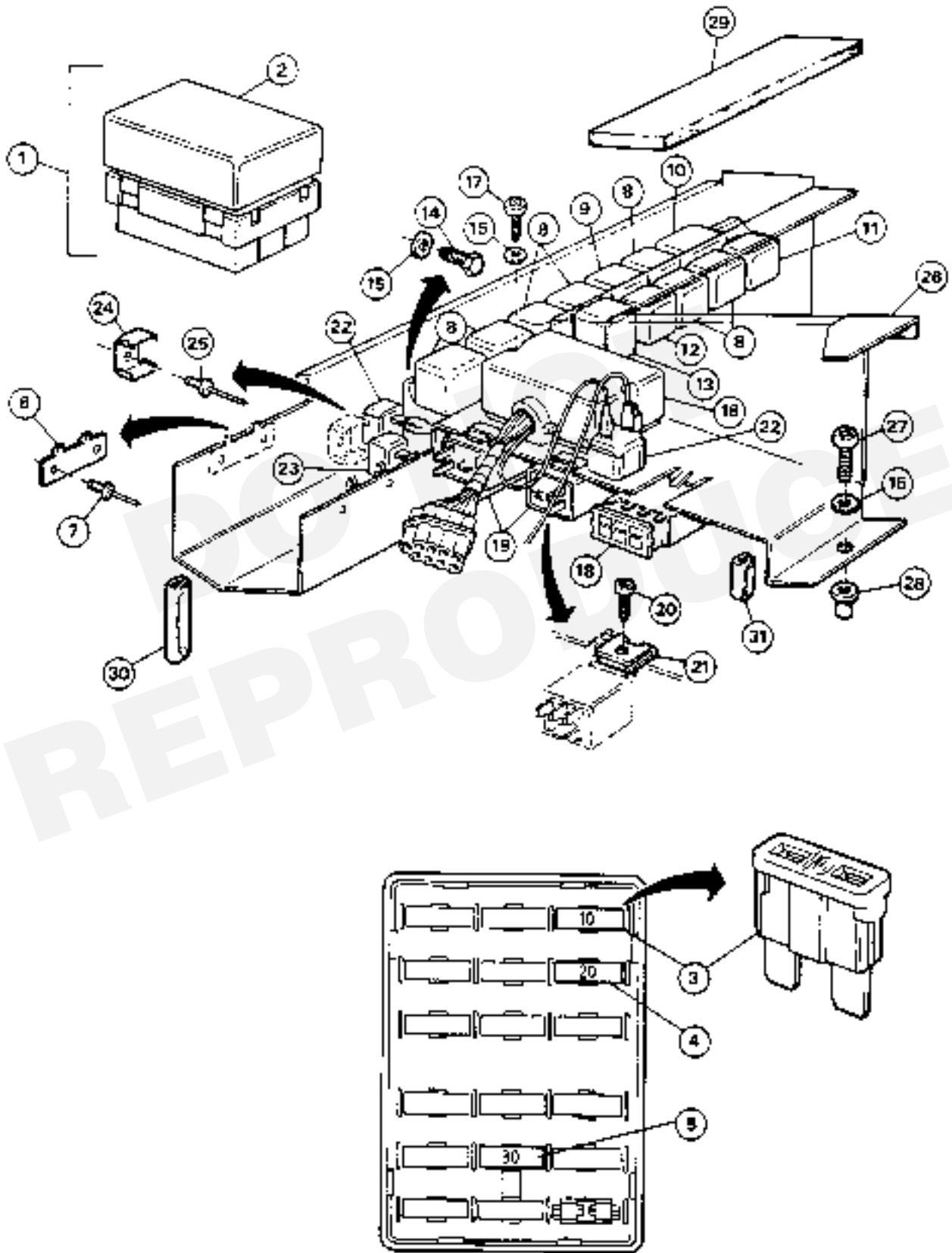
3	SECTION	ELECTRICAL MAIN HARNESS
	SUBSECTION	
	7 / 3 GROUP	

FIG.	PART NUMBER	DESCRIPTION	QTY	REMARKS
1	106293	FRAME GROUND CABLE	1	
2	SP10103	SCREW M8	1	
3	SPI0032	WASHER M8	1	
4	SP10047	TOOTHED WASHER M8	1	
5	SP10037	NUT M8	1	
6	SP10017	SCREW M6	1	
7	SP10031	WASHER M6	2	
8	101061	SPRING WASHER M6	1	
9	SP10030	NUT M6	2	
10	100535	MAIN HARNESS	1	
11	SP10337	. GROMMET	1	
12	106291	. GROMMET	2	
13	110066	. DIODE 3 AMP-A75-297	2	
14	110061	. DIODE 1 AMP-A75-294	6	
15	SP10309	. FUSE 5 AMP	2	
17	SP10775	SCREW M6	1	
18	SP10031	WASHER M6	1	
19	SP10030	NUT M6	1	
20	105969	MAIN HARNESS BUNG	2	
21	SP10399	CABLE TIE	2	
22	SP10429	CABLE TIE	1	
23	SP10551	CABLE TIE	3	
24	108352	GROUND BRAID	2	
25	108353	GROUND BRAID	2	





SECTION		ELECTRICAL		
SUBSECTION		FUSE BOX/RELAYS		
3	7	4	GROUP	
FIG.	PART NUMBER	DESCRIPTION	QTY	REMARKS
1	106912	FUSE BOX ASSEMBLY	1	
2	110520	FUSE BOX COVER	1	
3	106100	FUSE 10 AMP	10	
4	106102	FUSE 20 AMP	7	
5	106104	FUSE 30 AMP	1	
6	106846	FUSE BOX CLIP	2	
7	SP10128	POP RIVET	4	
8	106269	CHANGEOVER RELAY	7	
9	100817	LAMP DELAY UNIT	1	
10	106046	FAN FAILURE WRNG UNIT	1	
11	105525	RESISTOR, LIGHT INTEN	1	
12	101071	RELAY LAMBDA PROBE	1	
13	108164	RELAY TIME INTERVAL	1	
14	SP10745	SCREW N8	5	
15	SP10111	WASHER M5	5	
16	101421	PULSE UNIT	1	
17	SP10711	SCREW N8	2	
15	SP10111	WASHER M5	2	
18	101064	RELAY, FUEL PUMP	1	
19	108165	RELAY, HEAVY DUTY	2	
20	SP10726	SCREW N10	2	
21	SP10725	'U' NUT	2	
22	106085	CIRCUIT BREAKER 25 AMP	2	
23	106086	CIRCUIT BREAKER 35 AMP	1	
24	100783	CIRCUIT BREAKER CLIP	3	
25	SP10277	POP RIVET	3	
26	106826	FRAME-ELECTRONIC CMP	1	
27	SP10194	SCREW M5	2	
15	SP10111	WASHER M5	2	
28	SP10611	RIVNUT M5	2	
29	108154	PAD	1	
30	108155	EDGE PROTECTION STRIP	1	
31	108156	EDGE PROTECTION STRIP	1	



**3**

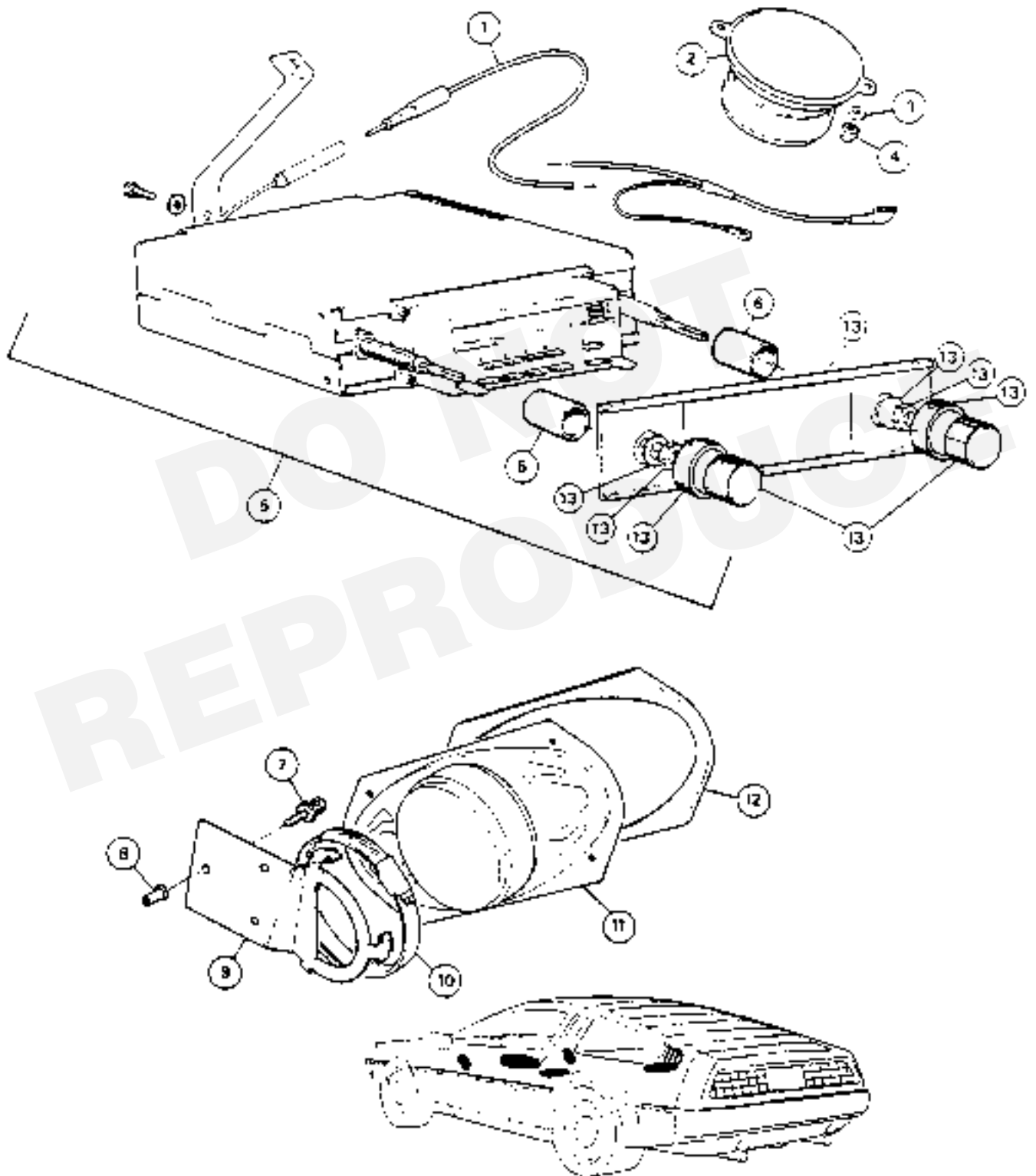
SECTION

SUBSECTION

**8** / **0** GROUPELECTRICAL  
AUDIO SYSTEM

FIG.	PART NUMBER	DESCRIPTION	QTY	REMARKS
1	100547	CO-AXIAL FLY LEAD	1	
2	100794	LOUDSPEAKER FRONT	2	
3	SP10251	WASHER M4	4	
4	SP10166	NUT NYLOC M4	4	
5	100441	AM/FM CASSETTE RADIO	1	
6	SP10733	SPACER, NYLON	2	
7	SP10454	SEMS SCREW M5	6	
8	SP10692	RIVNUT M5	6	
9	106720	BRACKET RR SPEAKER RH	1	
	106721	BRACKET RR SPEAKER LH	1	
10	SP10356	BAND CLAMP, SPEAKER	2	
11	100795	SPEAKER REAR	2	
12	108217	SPEAKER REAR, GASKET	2	
13		FACIA & KNOB SET	1	

3-8-0-1-19-82



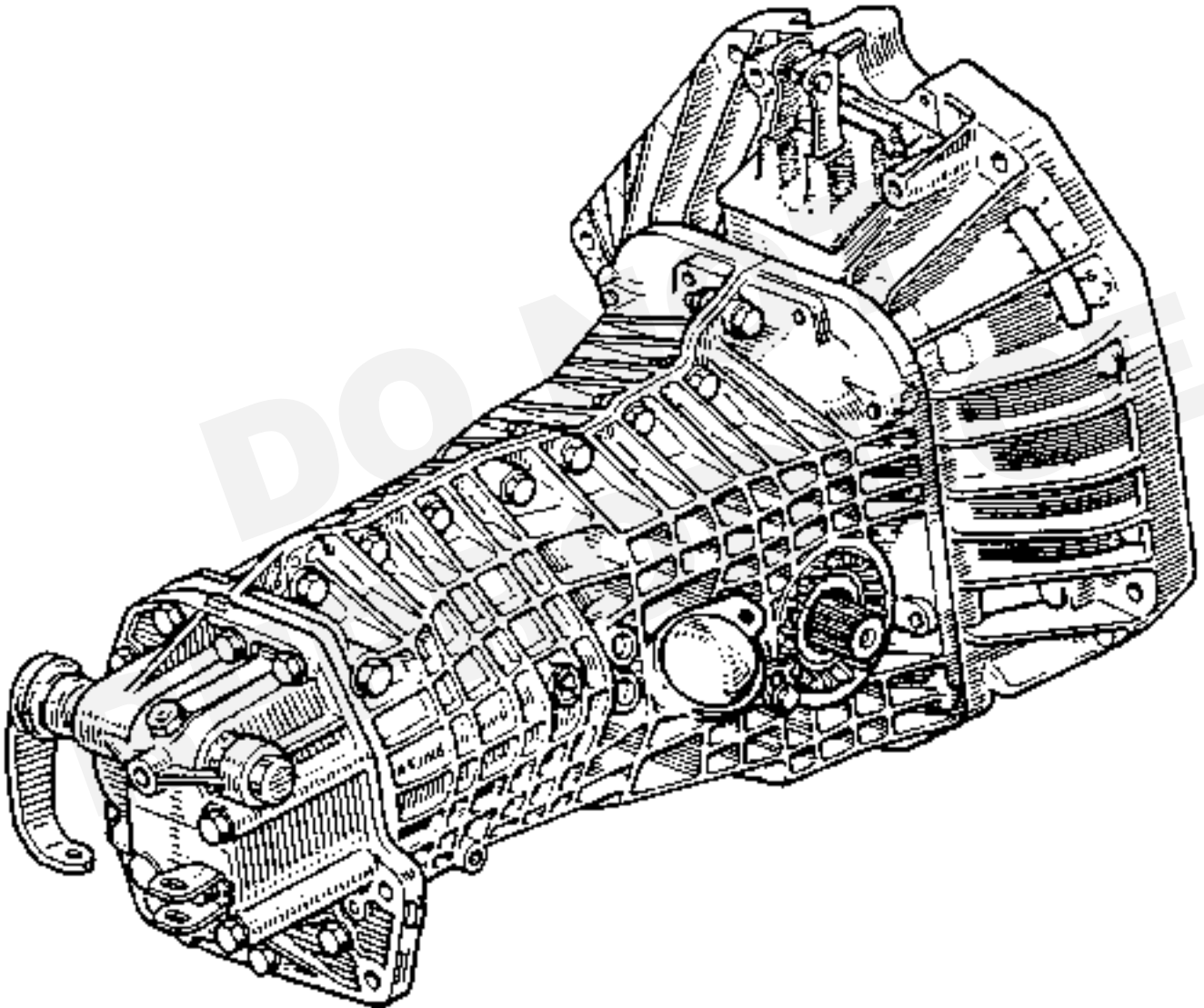
# Transmission

---

<b>4</b>	SECTION	MANUAL TRANSMISSION ASSY
	SUBSECTION	
	<b>1</b> / <b>0</b> GROUP	

FIG.	PART NUMBER	DESCRIPTION	QTY	REMARKS
	100104	MAN GEARBOX ASSY	1	COMPRISES ITEMS FROM SECTIONS 4:1:1, 4:1:2, 4:1:3, 4:1:4, 4:3:0, EXCEPT THOSE MARKED *

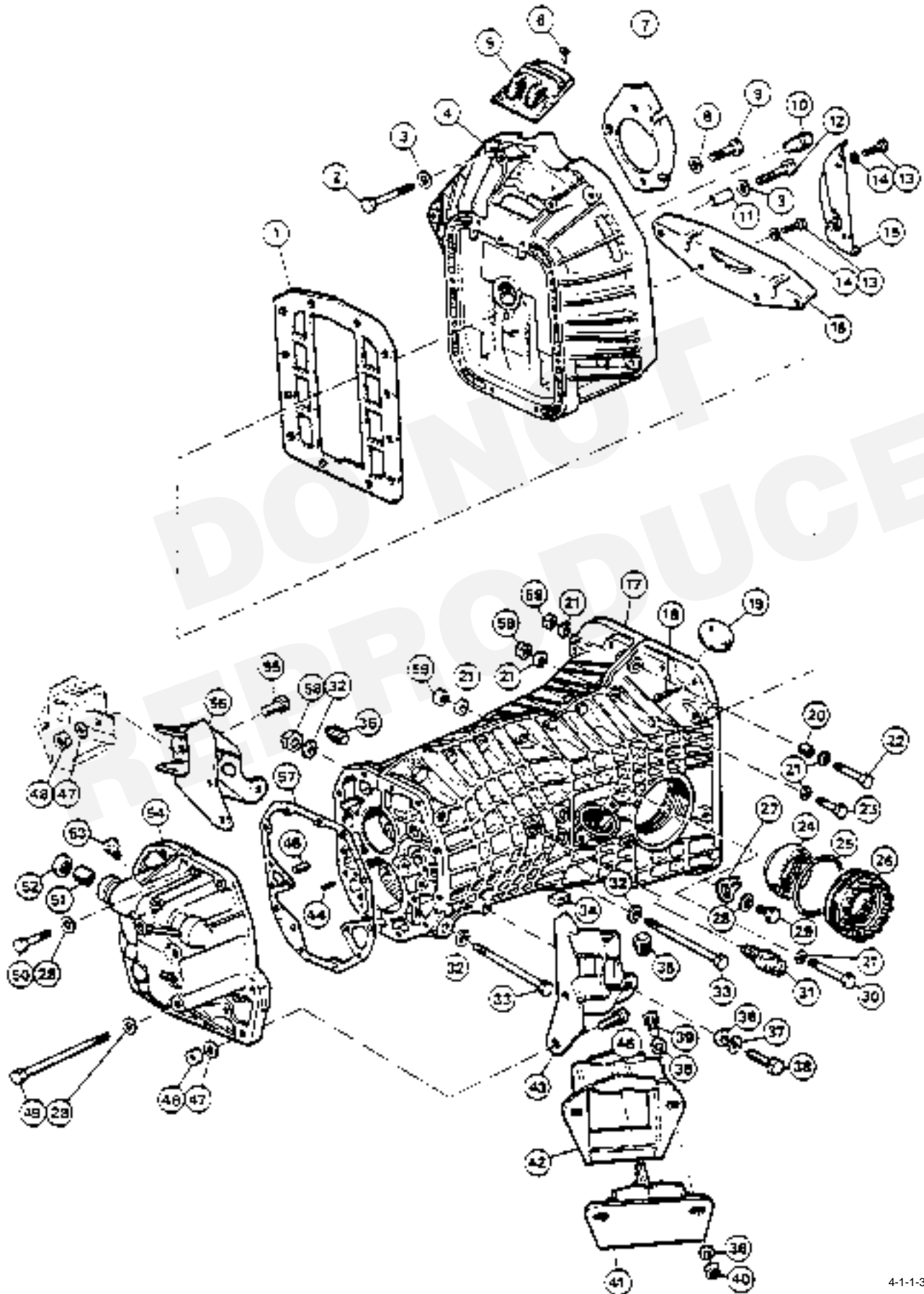
DO NOT REPRODUCE



4	SECTION		MANUAL TRANSMISSION GEARBOX CASING	
	1	SUBSECTION		
		1		
FIG.	PART NUMBER	DESCRIPTION	QTY	REMARKS
1	103001	GASKET	1	
2	101078	SCREW M10	4	AUTOMATIC ALSO
3	103025	WASHER M10	8	
4	103022	CLUTCH CASE ASSEMBLY	1	PART A INCLUDED
5	103151	STOPPER	1	
6	103148U	RIVET	2	
7	101074	PROTECTING PLATE	1	AUTOMATIC ALSO
8	101079	WASHER SPRING M10	8	
9	103149	SCREW M10	8	
10	103147	FORK CLU RELEASE PIV	1	KIT A
11	103542	LOCATING RING	2	
12	103024	SCREW M10	4	
13	101084	SCREW M7	6	AUTOMATIC ALSO INCL PICK UP SUP.
14	101076	WASHER LOCKING	6	AUTOMATIC ALSO 101067 SCREW
15	101075	PROTECTING PLATE	1	AUTOMATIC ALSO SP10453 & NUT
16	101073	FLYWHL PROTR PLATE	1	AUTOMATIC ALSO SP10166 SEE (3.41)
17	103002	GEARBOX CASING	1	369-08
18	103047	BREATHER	1	
19	104215	BLANKING PLATE	1	
20	101051	LOCATING RING	2	
21	103007	WASHER M8	32	
22	103006	SCREW M8	2	
23	103011	SCREW M8	13	
24	104216	LIP SEAL	1	KIT B OR 103044
25	103013	'O' RING SEAL	1	KIT B
26	103802	DIFF ADJ SCREW ASSY	1	PARTS 'B' INCLUDED
27	103045	SCREW RETAINER	1	
28	101050	WASHER SPRING M8	12	
29	102475	SCREW M8	1	
30	103012	BOLT	1	
31	106332	REVERSE SWITCH	1	
32	101095	WASHER SPRING	6	
33	103008	SCREW M10	4	
34	103051	MAGNET RETAINER	1	
35	103016	PLUG	2	
36	SP10032 *	WASHER M8	10	
37	SP10035 *	WASHER SPRING M8	2	
38	SP10002 *	SCREW M8	2	
39	SP10009 *	SCREW M8	4	
40	SP10025 *	NUT NYLOC M8	4	
41	100901 *	RUB GEARBOX MT	2	
42	100902 *	GEARBOX RUB SUPT BRKT	2	
43	106341 *	MOUNTING BRACKET LH	1	
44	103003	ROLL PIN	2	
46	103004	ROLL PIN	1	
46	SP10004 *	SCREW M10	4	FROM VIN 600

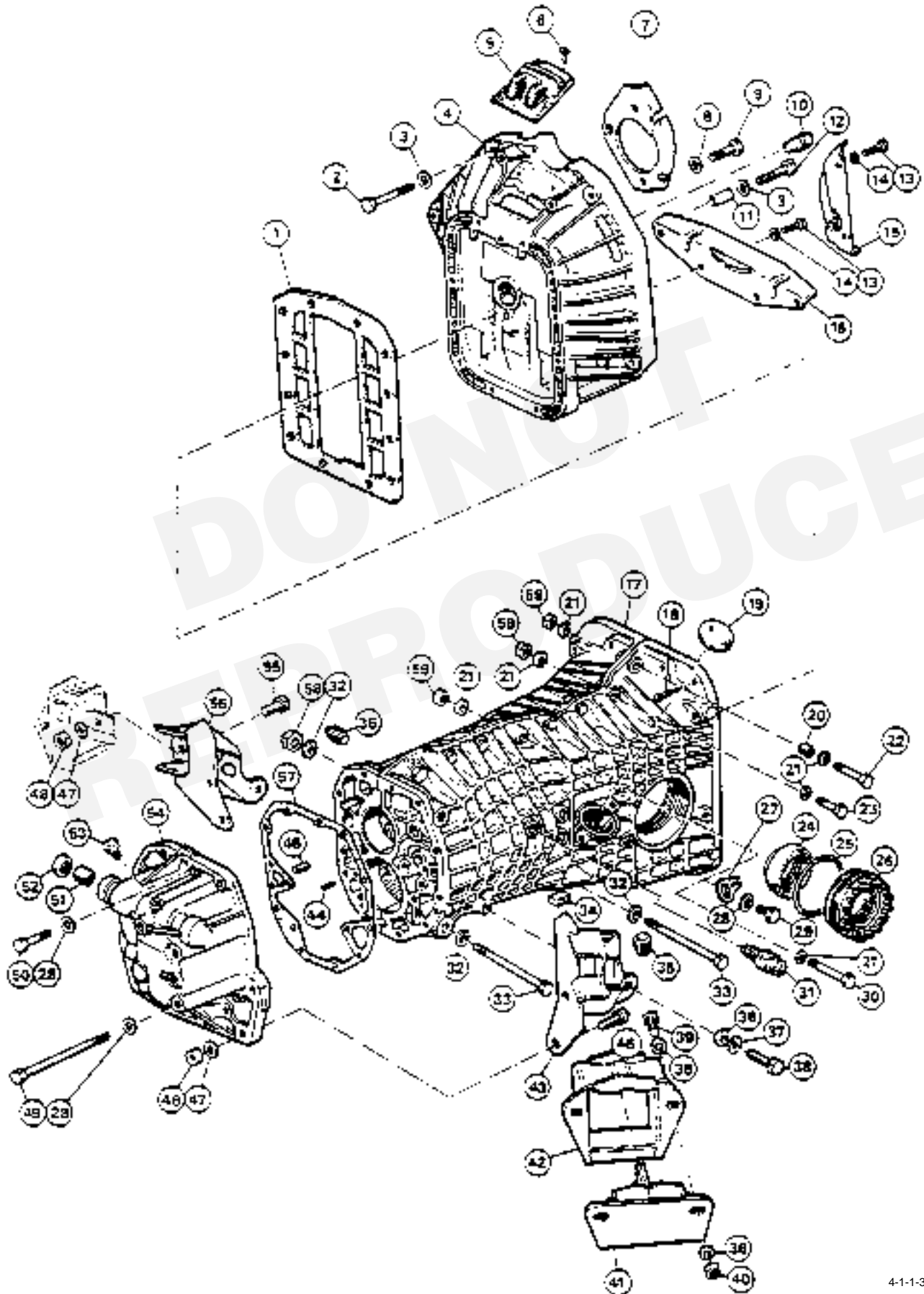
\*NOT INCLUDED IN MANUAL GEARBOX (SEE 4-1-0)



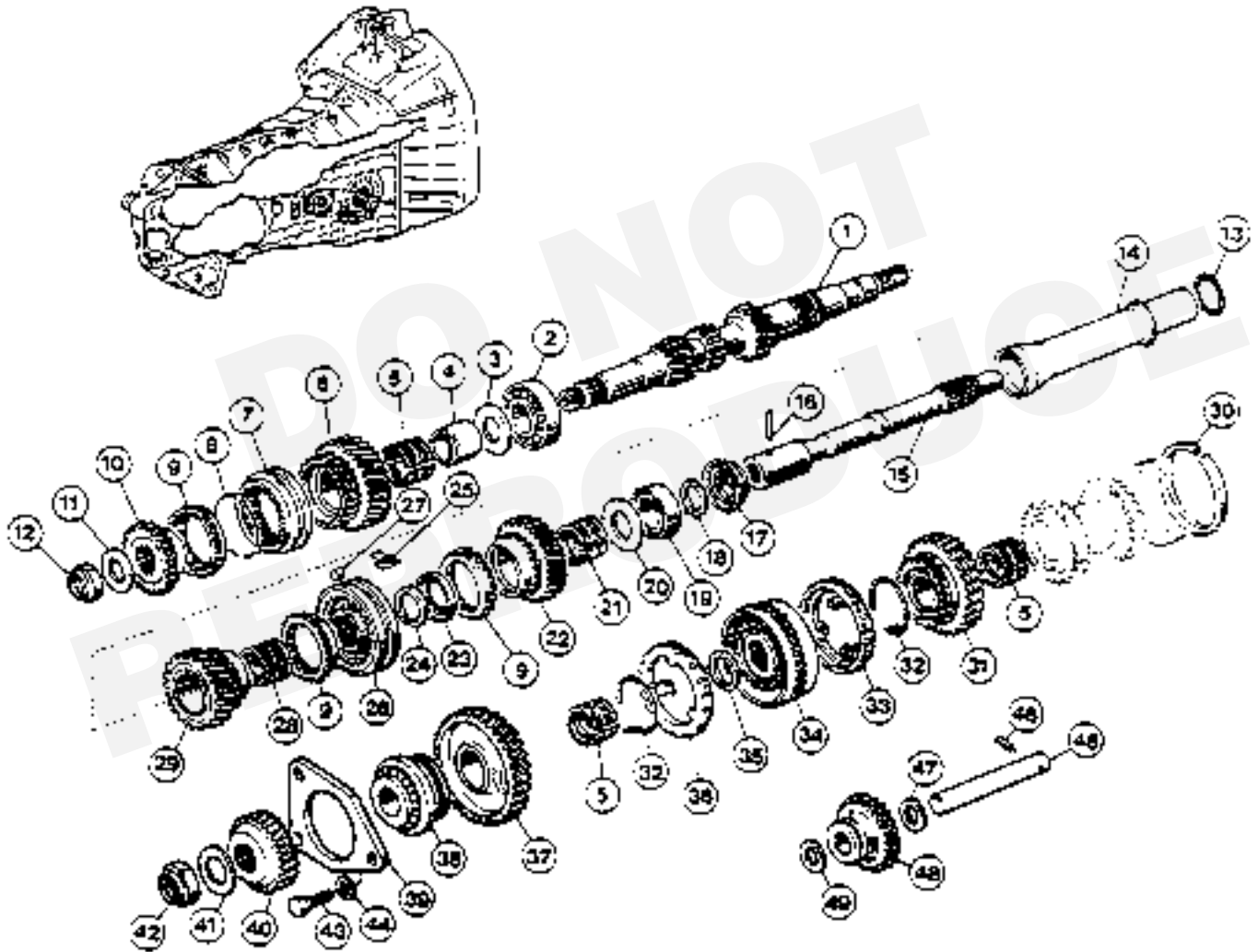


4		SECTION	MANUAL TRANSMISSION	
1		SUBSECTION	GEARBOX CASING	
1		GROUP		
FIG.	PART NUMBER	DESCRIPTION	QTY	REMARKS
47	SP10033 *	WASHER M10	6	FROM VIN 600
48	SP10020 *	NUT NYLOC M10	6	FROM VIN 600
49	103167	SCREW M8	2	369-08 MODEL
	109602	SCREW M8		369-03 MODEL
50	103011	SCREW M8	9	369-08 MODEL
	109602	SCREW M8	9	369-03 MODEL
51	103019	BUSH	2	
52	103049	LIP SEAL	1	
53	103060	PLUG		
5,	103048	REAR COVER AISSY	1	PARTS 'C' INCL & PLUG 103042 (4-1.4) INCLUDED
55	SP10018 *	SCREW M10	2	
56	100342	MOUNTING BRACKET RH	1	
57	103000	GASKET	1	
58	103010	NUT M10	2	
59	102437	NUT M8	16	
47	SP10033	WASHER M10	2	UP TO VIN 599
48	SP10026	NYLOC NUT M10	2	UP TO VIN 599
46	SP10002	M8 BOLT	4	UP TO VIN 599
47	SP10032	WASHER M8	4	UP TO VIN 599
48	SP10025	NYLOC NUT M8	4	UP TO VIN 599

\* NOT INCLUDED IN MANUAL GEARBOX (SEE 4-1-0)



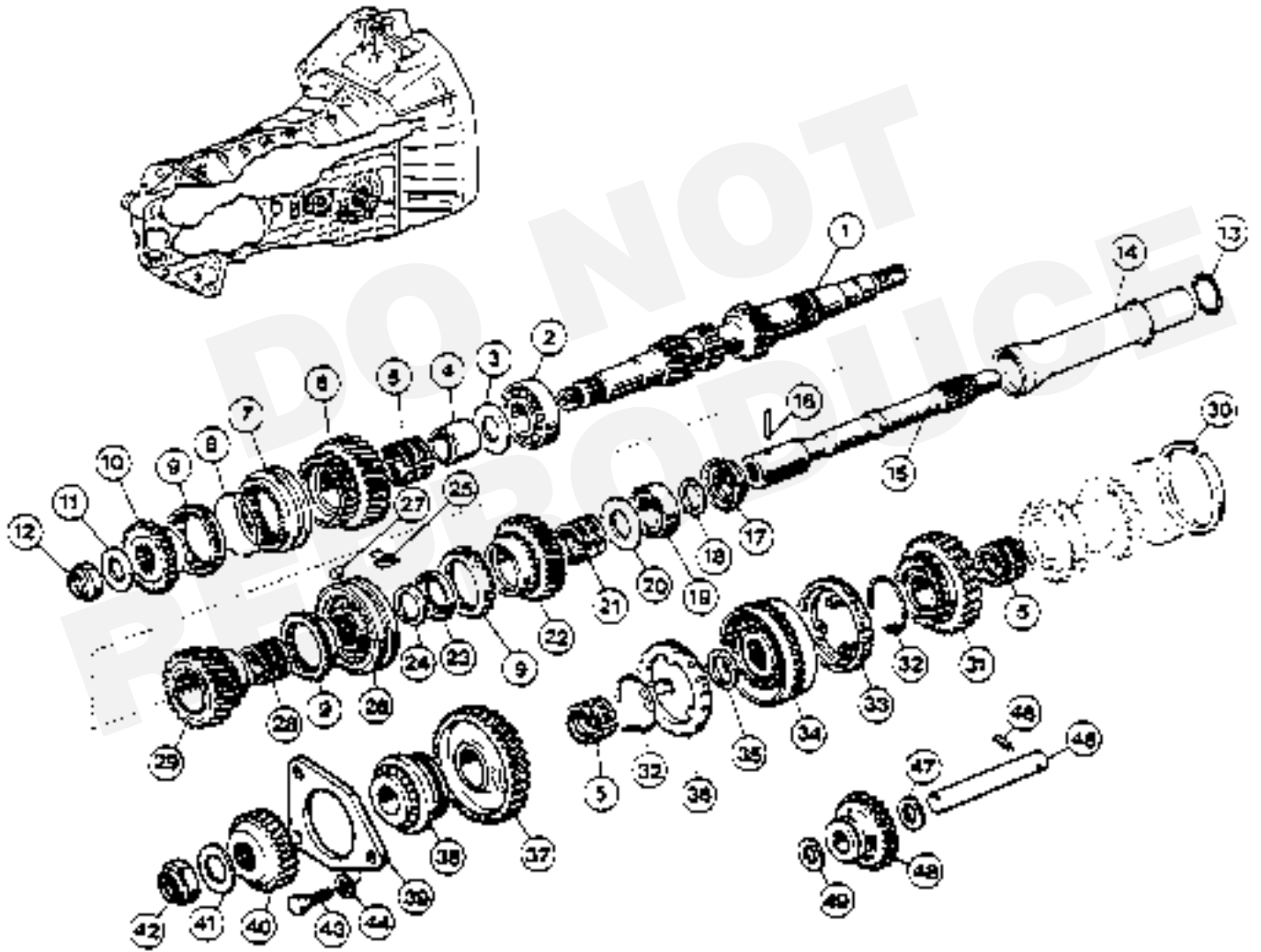
4	SECTION		MANUAL TRANSMISSION GEARS	
	1	SUBSECTION		
		2		
FIG.	PART NUMBER	DESCRIPTION	QTY	REMARKS
1	103056	SHAFT PRIMARY	1	
2	103031	BEARING	1	
3	103093	WASHER	1	
4	103094	RING-INNER	1	
5	101095	NEEDLE CAGE	3	
6	103096	DRIVE GEAR 5th SPEED	1	369-08
	109605	DRIVE GEAR 5th SPEED	1	369-03
7	103097	SLDG GEAR 5th HUB	1	369-08
	109600	SLDG GEAR 5th HUB	1	369-03
8	103098	SYNCHRONISING SPRING	1	
9	103059	LOCK RING SYN-MESH	3	
10	103099	DOG 5th GEAR	1	369-08
	109607	DOG 5th GEAR	1	369-03
11	103100	WASHER	1	
12	103101	LOCKNUT	1	
13	103103	'O' RING SEAL	1	
14	103102	GUIDE TUBE-WDR PAD	1	369-08
	109608	GUIDE TUBE-WDR PAD		369-08
15	103071	SHAFT CLUTCH	1	369-08
	109604	SHAFT CLUTCH		369-03
16	103092	ROLL PIN	1	
17	103177	LIPSEAL	1	
18	103178	STOP RING	1	
19	103068	ROLLER BRG-CYLINDER		
20	103067	WASHER BRG-THRUST	1	
21	103057	NEEDLE CAGE	1	
22	103068	DRIVE GEAR 4th SPEED	1	
23	103064	WASHER-SPLINED	1	
24	103063	CIRCLIP	1	
2S	103081	SYNCHRONISING SPRING	3	
25	103080	SLDG GEAR 3rd, 4th	1	
27	103062	ROLLER-SYN UNIT	3	
28	103065	NEEDLE CAGE	1	
29	103058	DRIVE GEAR 2nd SPEED	1	
30	103104	STOP RING	1	
31	103105	IDLER 2nd GEAR	1	
32	103108	SYNCHRONISING SPRING	2	
33	103107	SYN CONE-SECONDARY	1	
34	103108	SLDG GEAR 1st, 2nd	1	
35	103109	STOP RING	1	
38	103110	SYN CONE 1st	1	
37	103111	DRIVE GEAR 1st SPEED	1	
38	103188	ROLLER BRG CONICAL	1	369-08
	109809	ROLLER BRG-CONICAL	1	369-03
39	103113	SECURING STOP PLATE	1	169-08
	109610	SECURING STOP PLATE	1	160-03



<b>4</b>	SECTION	MANUAL TRANSMISSION GEARS
	SUBSECTION	
	1 2 GROUP	

FIG.	PART NUMBER	DESCRIPTION	QTY	REMARKS
40	103074	FIXED GEAR 5th	1	369-08
	109611	FIXED GEAR 5th	1	
41	103075	WASHER-SPRING	1	
42	103076	NUT PRIMARY SHAFT	1	
43	103189	SCREW M10	4	
44	101095	WASHER-SPRING	4	
45	103078	REVERSE GEAR SPINDLE	1	
46	103077	PIN-CYLINDRICAL	1	
47	103079	WASHER	1	
48	103080	REVERSE GEAR	1	
49	103081	WASHER	1	

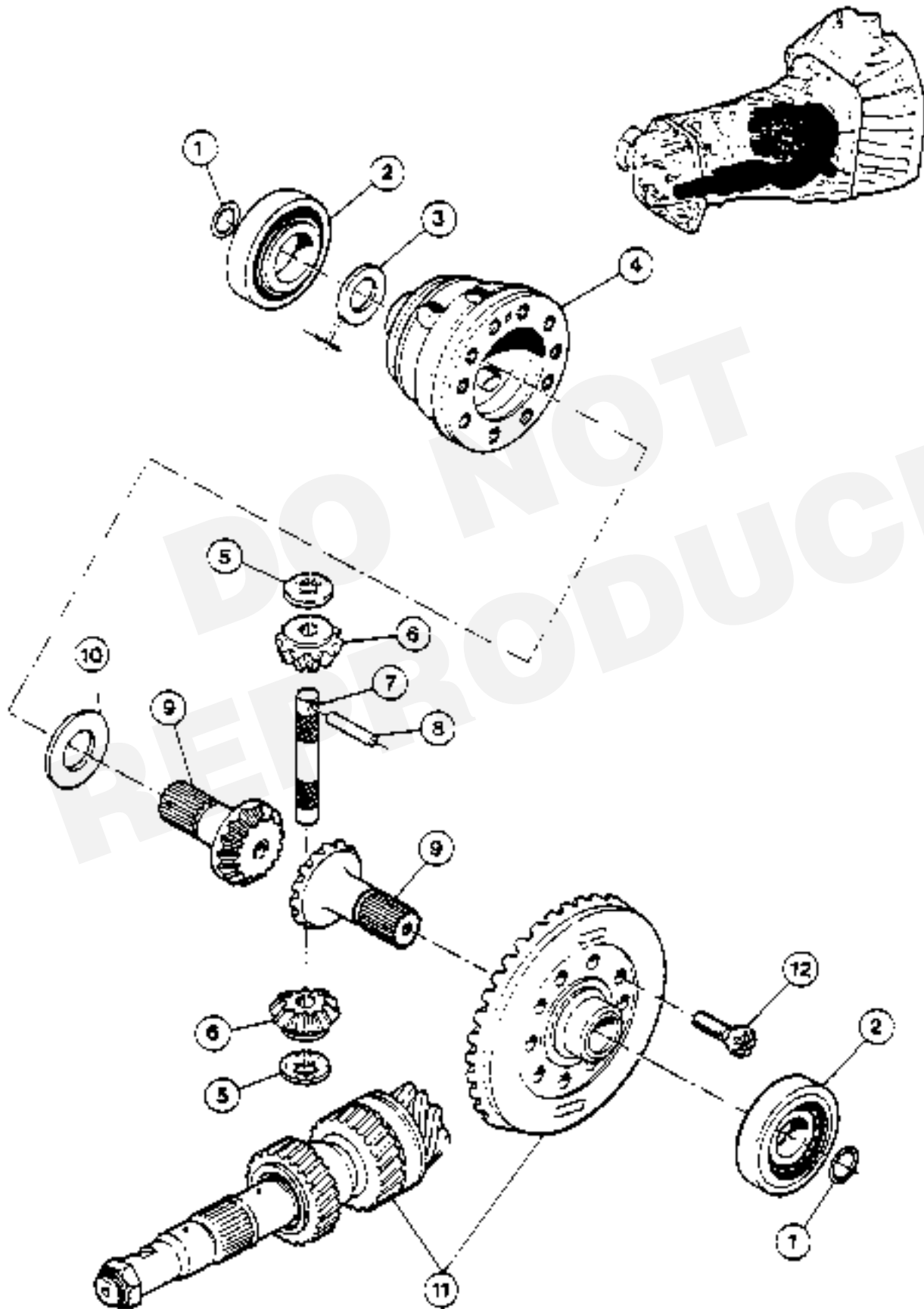
DO NOT REPRODUCE



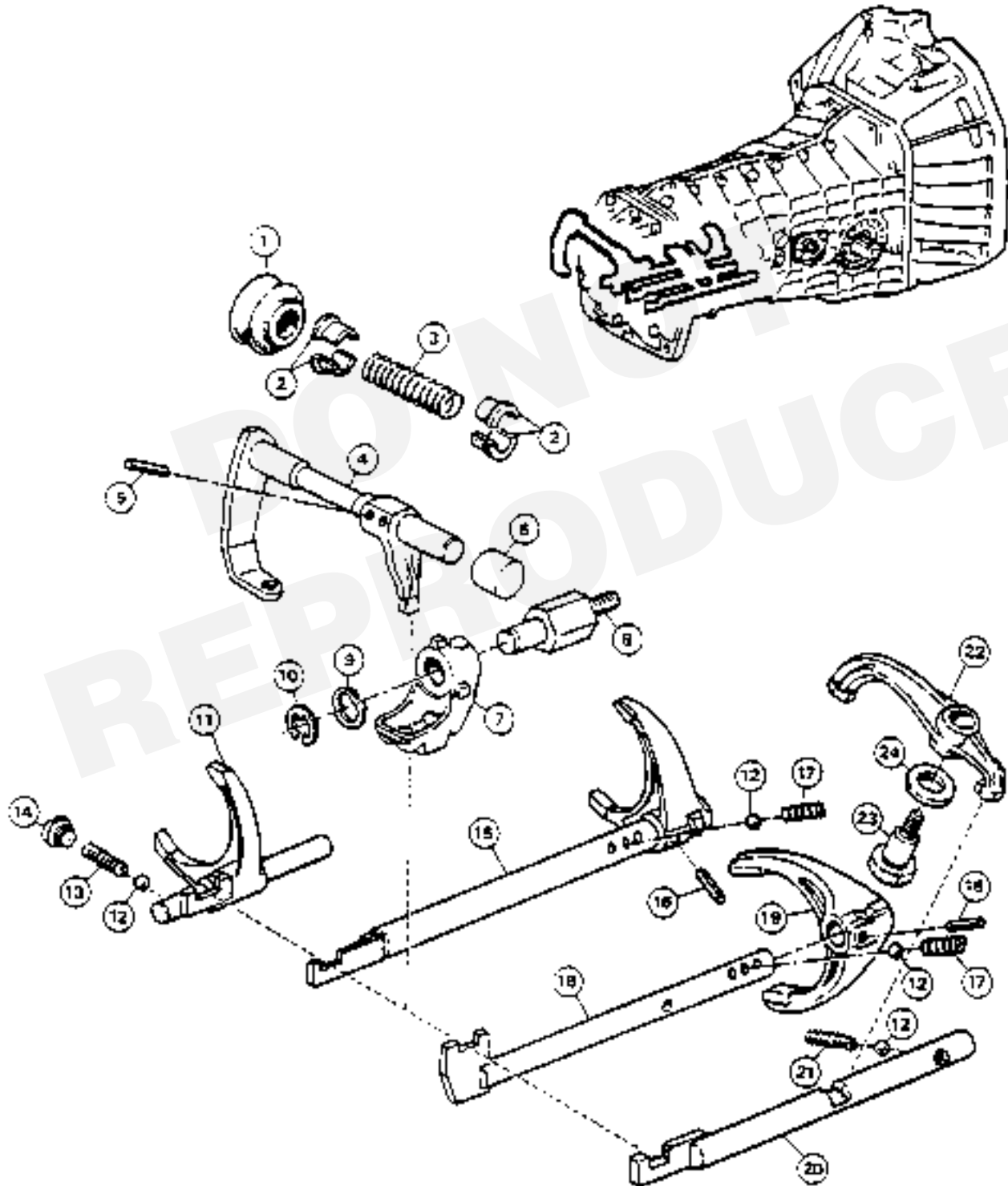
<b>4</b>	SECTION	MANUAL TRANSMISSION FINAL DRIVE
	SUBSECTION	
	1 / 3 GROUP	

FIG.	PART NUMBER	DESCRIPTION	QTY	REMARKS
1	103120	SEAL, O RING	2	
2	103119	BEARING CONICAL ROLLER	2	
3	103207	WASHER 12 mm THICK		
3	103208	WASHER 1.3 mm THICK		
3	103209	WASHER 1.4 mm THICK		
3	103210	WASHER 1.5 mm THICK	1	SELECT AS REQUIRED
3	103211	WASHER 1.6 mm THICK		
3	103212	WASHER 1.7 mm THICK		
4	103196	CASE, DIFFERENTIAL	1	
5	103203	WASHER, CONCAVE	2	
6	103202	GEAR, SPIDER	2	
7	103204	SPINDLE, SPIDER GEAR	1	
8	103114	PIN, RETAINING	1	
9	103199	GEAR, SIDE	2	
10	103201	WASHER, THRUST	1	
11	102756	CROWN WHEEL/PINION SET	1	
12	103205	. SCREW M12	10	

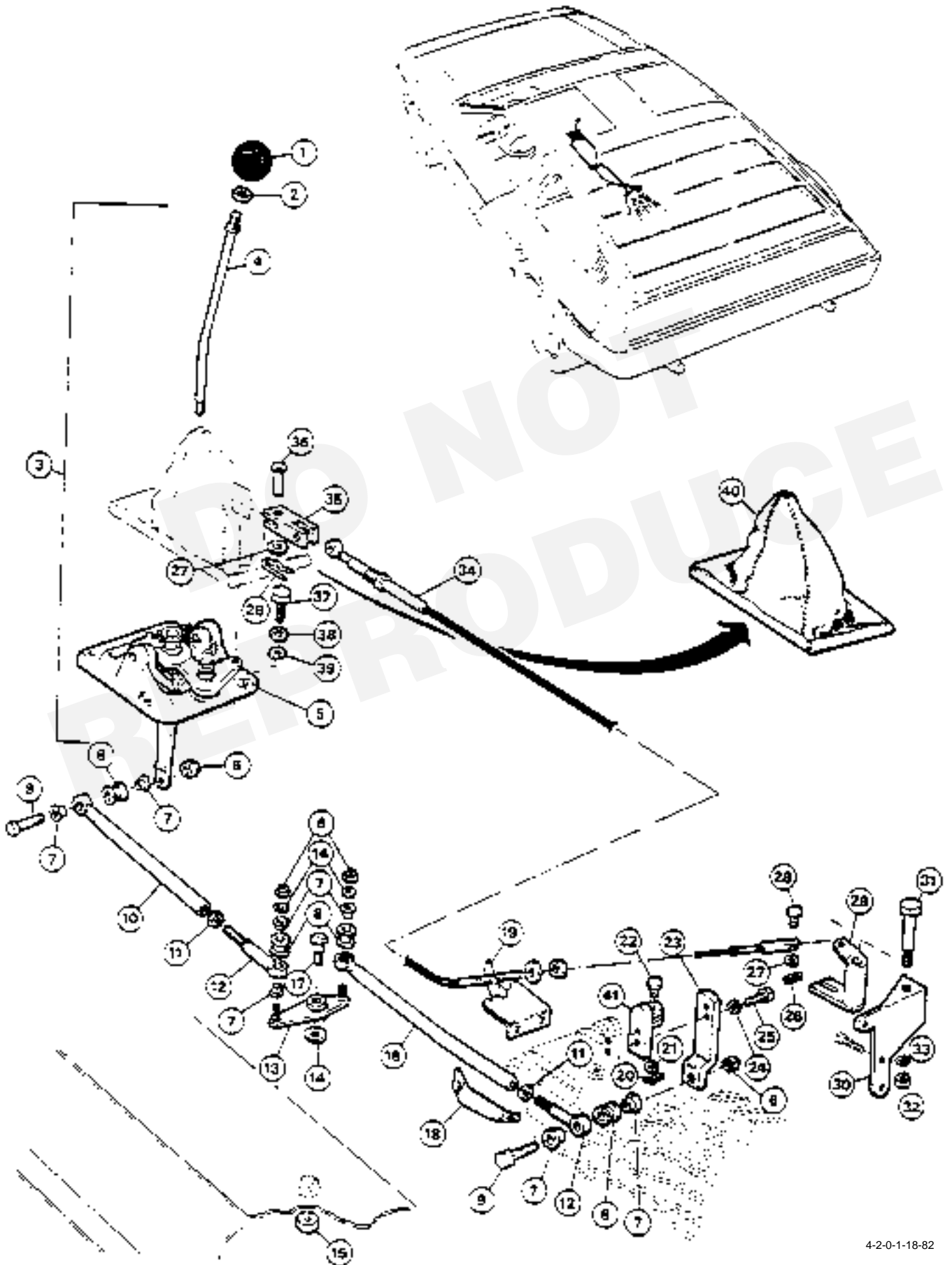




SECTION		TRANSMISSION		
SUBSECTION		SHIFT MECHANISM - INTERNAL		
4				
1				
4				
FIG.	PART NUMBER	DESCRIPTION	QTY	REMARKS
1	103131	BELLOWS	1	
2	103132	HALF BUSHING	4	
3	103244	PRESSURE SPRING	1	
4	103130	CONTROL SHAFT ASSY	1	
5	103195	ROLL PIN	1	PART OF COVER ASSY (4-1-1)
6	103042	PLUG		
7	103127	TIPPER LOCK	1	FOR 369-08 (1981 MODEL)
	109612	TIPPER LOCK		FOR 369-08 (1980 MODEL)
8	103128	TIPPER LOCK PIN	1	
9	103037	SPRING WASHER	1	
10	103038	CIRCLIP	1	
11	103232	5th GEARSHIFT BAR	1	FOR 369-08 (1981 MODEL)
	109613	5th GEARSHIFT BAR		FOR 369-03 (1980 MOOEL)
5	103195	ROLL PIN	1	
12	103123	BALL OUT OF STANDARD	1	
13	103236	PRESSURE SPRING	1	
14	103040	PLUG M12 x 175	1	
15	103222	3rd/4th GEARSHIFT BAR	1	
16	103219	ROLL PIN	1	
12	103123	BALL OUT OF STANDARD	1	
17	103221	PRESSURE SPRING	1	
18	103215	1st/2nd GEARSHIFT BAR	1	
19	103214	1st/2nd SHIFT FORK	1	
16	103219	ROLL PIN	1	
12	103123	BALL OUT OF STANDARD	1	
17	103221	PRESSURE SPRING	1	
20	103121	REV GEARSHIFT BAR	1	
12	103123	BALL OUT OF STANDARD	1	
21	103122	PRESSURE SPRING	1	
22	103124	REV GEAR INVERTOR	1	
23	103230	HINGE PIN	1	
24	103229	SPRING WASHER	1	



4	SECTION	TRANSMISSION		
	SUBSECTION	MANUAL - SHIFT LINKAGE		
	2 / 0 GROUP			
FIG.	PART NUMBER	DESCRIPTION	QTY	REMARKS
1	101284	GEARKNOB	1	
2	106148	NUT	1	
3	105811	GEARCHANGE ASSEMBLY	1	
4		GEARLEVER	1	
5		SELECTOR ASSY	1	
6	SP10025	NYLOC NUT M8	4	
7	100776	BEARING	8	
8	100775	BUSH, RUBBER	4	
9	105844	PIVOT BOLT	2	
10	100270	FRONT GEARCHANGE TUBE	1	
11	SP10072	LOCKNUT M10	2	
12	100316	CRCHGE TU8E CONN EYE	2	
13	100549	RELAY LEVER	1	
14	SP10032	WASHER M8	3	
15		WELD NUT	1	
16	100269	REAR GRCHGE TUBE	1	
17	110183	PIVOT BOLT	1	
18	108597	STIFFENER	1	
19	106653	CROSSGATE MT BRACKET	1	
20	SP10818	PATTERN SPRING	1	
21	SP10111	WASHER M5	1	
22	106719	CLEVIS PIN	1	
23	108295	DROP ARM EXTENSION	1	
24	SP10035	SPRING WASHER M8	2	
25	SP10103	SCREW M8	2	
211	SP10124	RETAINING CLIP	1	
27	SP10111	WASHER M5	1	
28	SP10126	CLEVIS PIN	1	
29	10665S2	CROSSGATE LEVER	1	
30	100273	CROSSGATE MT BRACKET	1	
31	100280	PIVOT BOLT	1	
32	SP10187	BINX NUT M8	1	FROM VIN 800
33		WASHER	1	
34	101363	CROSSGATE CABLE	1	
35	100314	CLEVIS	1	
31	SP10375	CLEVIS PIN	2	
37	SP10015	SCREW MII	4	
38	SP10252	SPRING WASHER M6	4	
39	SP10031	WASHER M6	4	
40	100688	GEAR LEVER GAITER	1	
41	155783	CLEVIS MT CROSSGATE	1	



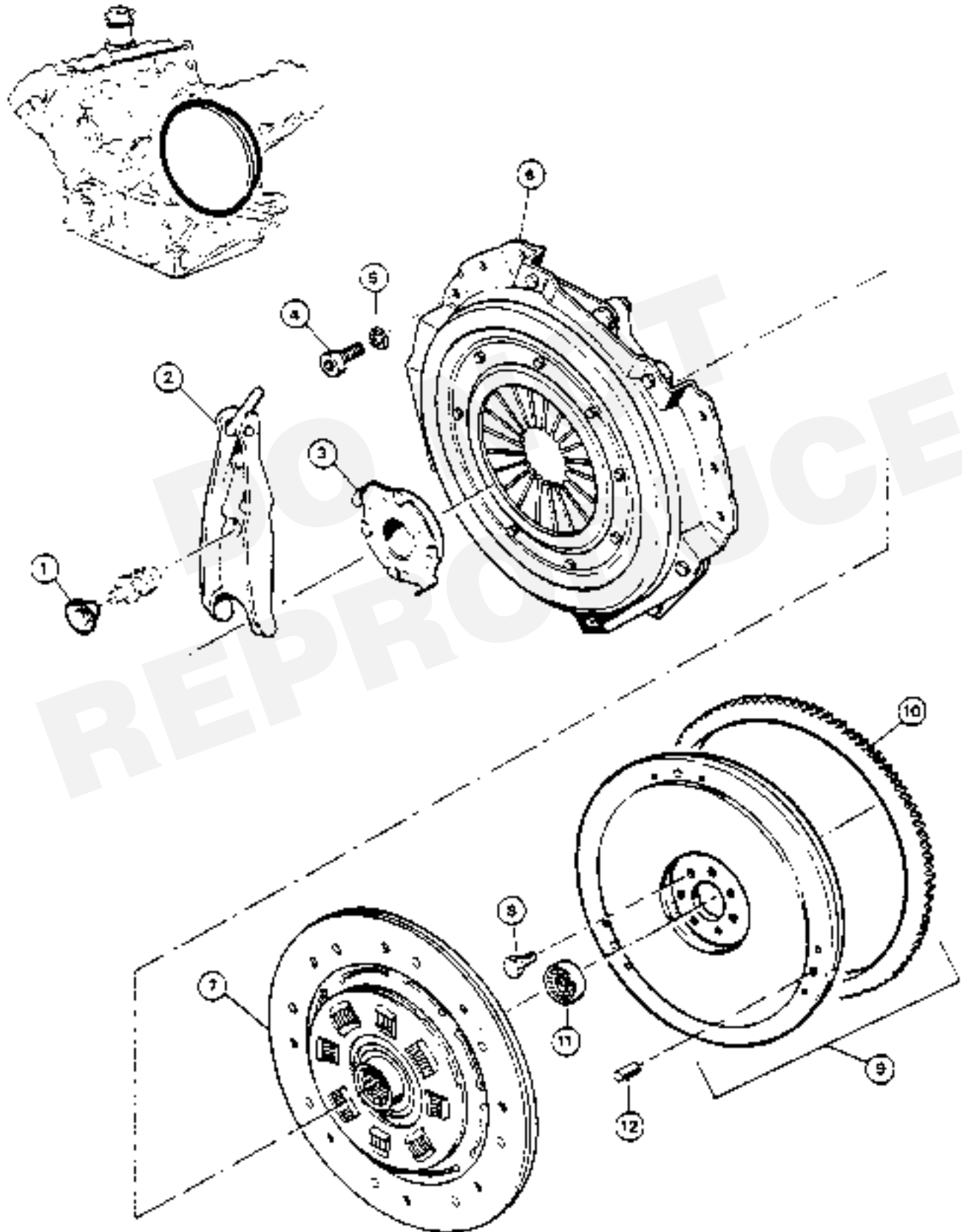
SECTION		MANUAL TRANSMISSION		
SUBSECTION		FLYWHEEL/CLUTCH		
4	3	0	GROUP	
FIG.	PART NUMBER	DESCRIPTION	QTY	REMARKS
1	103251	SEAL CAP	1	
2	103134	CLUTCH RLS FORK	1	369-08
	109614	CLUTCH RLS FORK		369-03
3	103245	BEARING CLU RELEASE	1	369-08
	109615	BEARING CLU RELEASE		369-03
4	102593	SCREW	6	
5	102594	WASHER- SPRING	6	
6	102753	CLUTCH PRESS PLATE	1	
7	102512	CLUTCH PLATE	1	369-08
	109600	CLUTCH PLATE		369-03
8	102064	SCREW M9	7	
9	102060	FLYWHEEL ASSEMBLY	1	
10	102062	. STARTER RING GEAR	1	
11	102569	CLU SHAFT SPIGOT BRG	1	
12	102063	ROLL PIN	3	

DO NOT REPRODUCE

**NOT INCLUDED IN MANUFACTURING GEARBOX ASSEMBLY (SEE 4:1:0)**

MANUAL TRANSMISSION  
FLYWHEEL/CLUTCH

SECTION  
4 3 0  
SUBSECTION  
GROUP



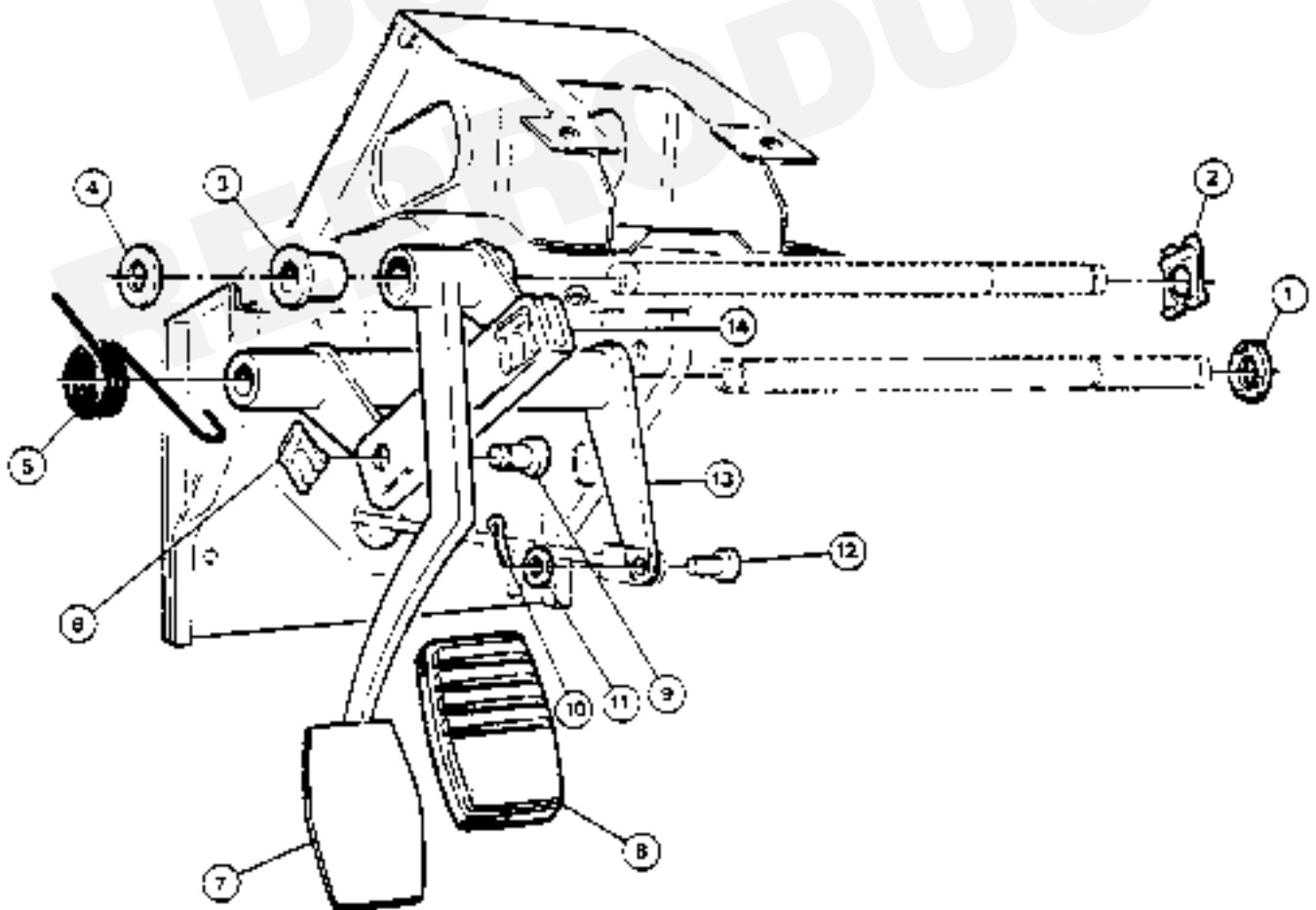
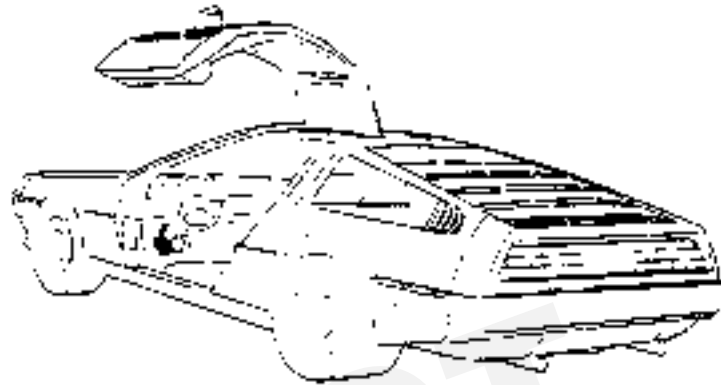
<b>4</b>	SECTION	CLUTCH PEDAL LINKAGE
	SUBSECTION	
	GROUP	

FIG.	PART NUMBER	DESCRIPTION	QTY	REMARKS
1	100366 *	FELT WASHER	1	
2	SP10166 *	SAFETY CLIP	4	
3	100365 *	BUSH-CROSS SFT BRKT	4	
4	100364 *	WASHER	2	
5	1003B7 *	CLU PEDAL RETURN SPR	1	
6	SP10115 *	BAYONET CLIP	2	
7	100350 *	CLUTCH PEDAL	1	
8	101660 *	RUBBER PAD	1	
9	100359 *	PIVOT BIN	2	
10	SP10677	SPLIT PIN	1	
11	SP10032	PLAIN WASHER M8	1	
12	106061	CLEVIS PIN	1	
13	100353 *	CLUTCH REL SHAFT	1	
14	101688 *	LINK	1	

DO NOT REPRODUCE

\* INCLUDED IN PEDAL BOX ASSEMBLY (SEE 6:6:0)



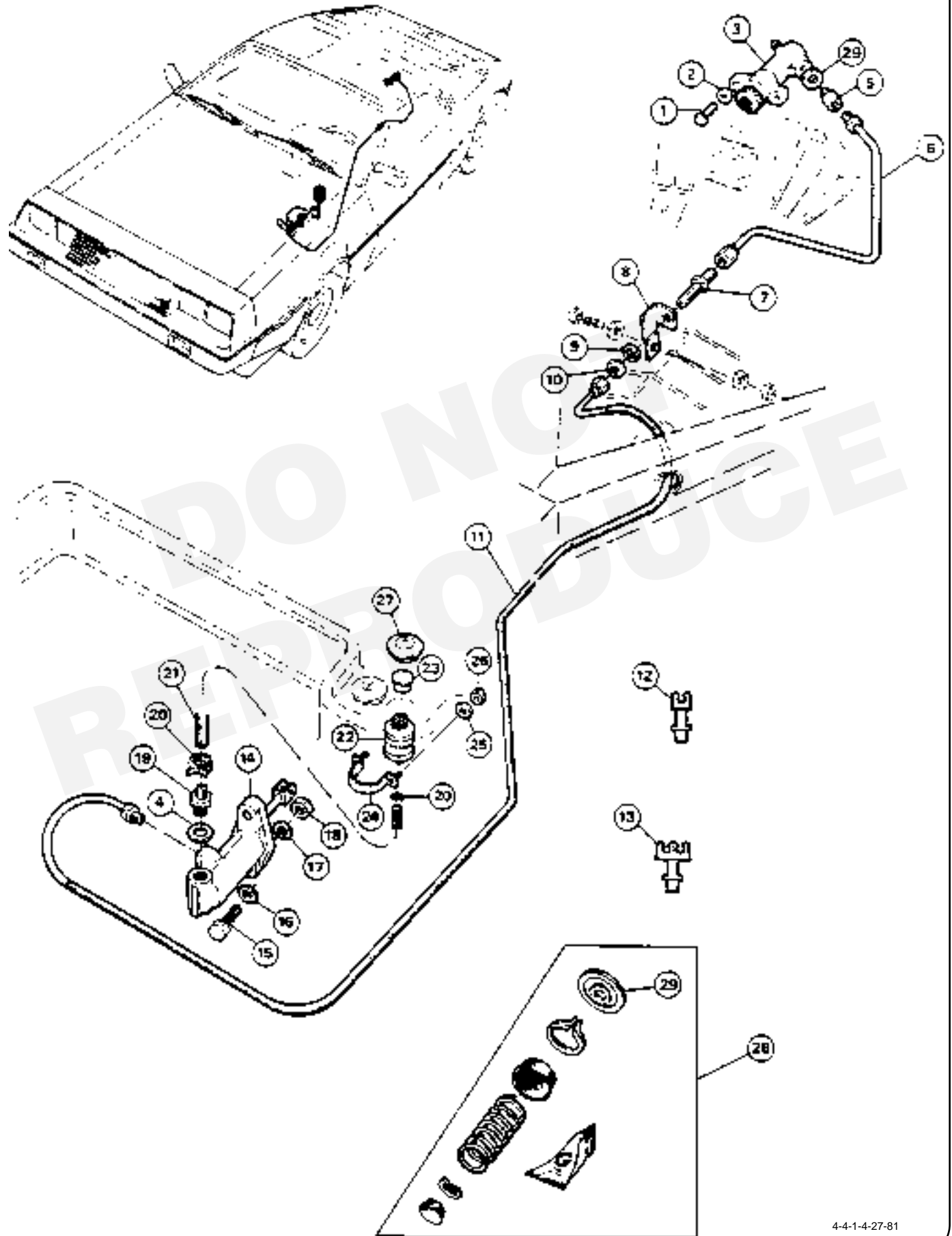


<b>4</b>	SECTION	TRANSMISSION CLUTCH HYDRAULICS
	SUBSECTION	
	<b>4</b> / <b>1</b> GROUP	

FIG.	PART NUMBER	DESCRIPTION	QTY	REMARKS
1	SP10048	SCREW M7	2	
2	SP10049	SPRING WASHER M7	2	
3	100843	SLAVE CYUNDER	1	
4	SP10258	PLASTIC WASHER	1	
5	105464	ADAPTOR	1	
6	106773	CLUTCH PIPE	1	
7	106898	BULKHEAD CONNECTOR	1	
8	106320	SUPPORT BRACKET	1	
9	106900	SHAKEPROOF WA M12	1	
10	106899	NUT M12	1	
11	108637	CLUTCH PIPE	1	
12	SP10393	SINGLE PIPE CLIP	1	
13	SP10392	DOUBLE PIPE CLIP	1	
14	100462	MASTER CYLINDER	1	
15	SP10636	SCREW M10	2	
16	SP10637	WASHER M10	2	
17	SP10033	WASHER M10	2	
18	SPI0020	NYLOC NUT M10	2	
lg	108469	ADAPTOR	1	
20	SP10830	HOSE BAND	2	
21	106753	HOSE (RESVR-MAS CYL)	1	
22	106759	CLUTCH RESERVOIR	1	
23	106901	CLUTCH FLD RESVR CAP	1	
24	105889	CLUTCH RESVR MT BRKT	1	
25	SP10111	WASHER M5	2	
26	SP10106	NYLOC NUT M5	2	
27	106678	PLUG	1	
28	109043	CLUTCH SERVICE KIT	1	
29	106997	COPPER WASHER	1	

TRANSMISSION  
CLUTCH HYDRAULICS

SECTION  
4  
SUBSECTION  
4  
1 GROUP



4-4-1-4-27-81

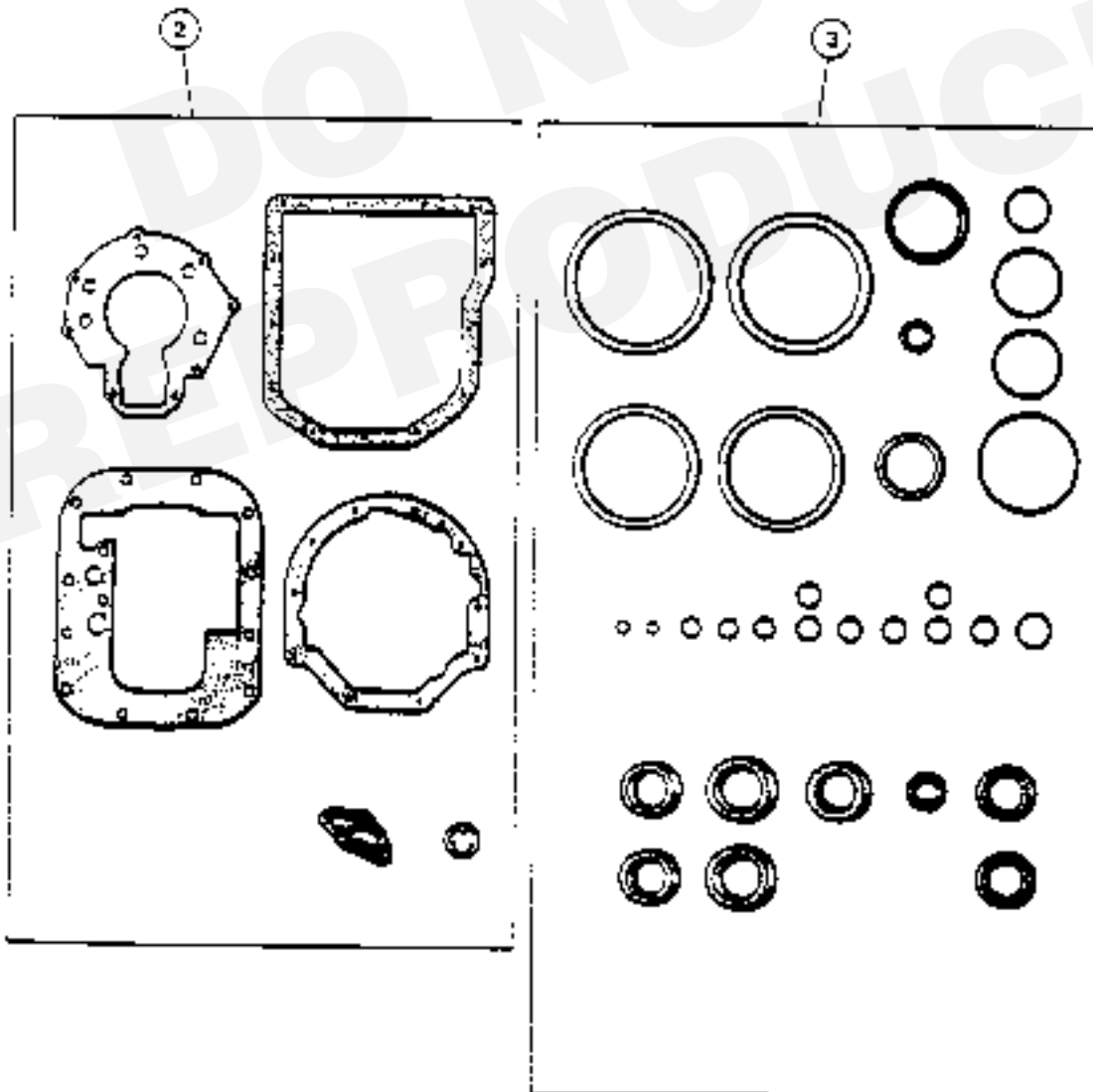
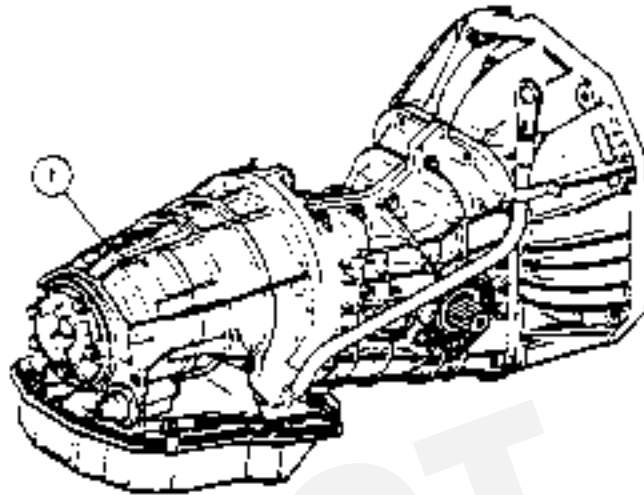
<b>4</b>	SECTION	AUTOMATIC TRANSMISSION ASSY GASKET SETS
	SUBSECTION	
	<b>5</b> / <b>0</b> GROUP	

FIG.	PART NUMBER	DESCRIPTION	QTY	REMARKS
1	100105	AUTO GEARBOX ASSY	1	<b>COMPRISES ITEMS FROM SECTIONS            4:5:1, 4:5:2, 4:5:3, 4:5:4, 4:5:5, 4:5:6,            4:5:7 &amp; 4:6:0 EXCEPT THOSE MARKED *</b>
2	103500	GASKET KIT	1	
3	103501	'O' RING KIT	1	

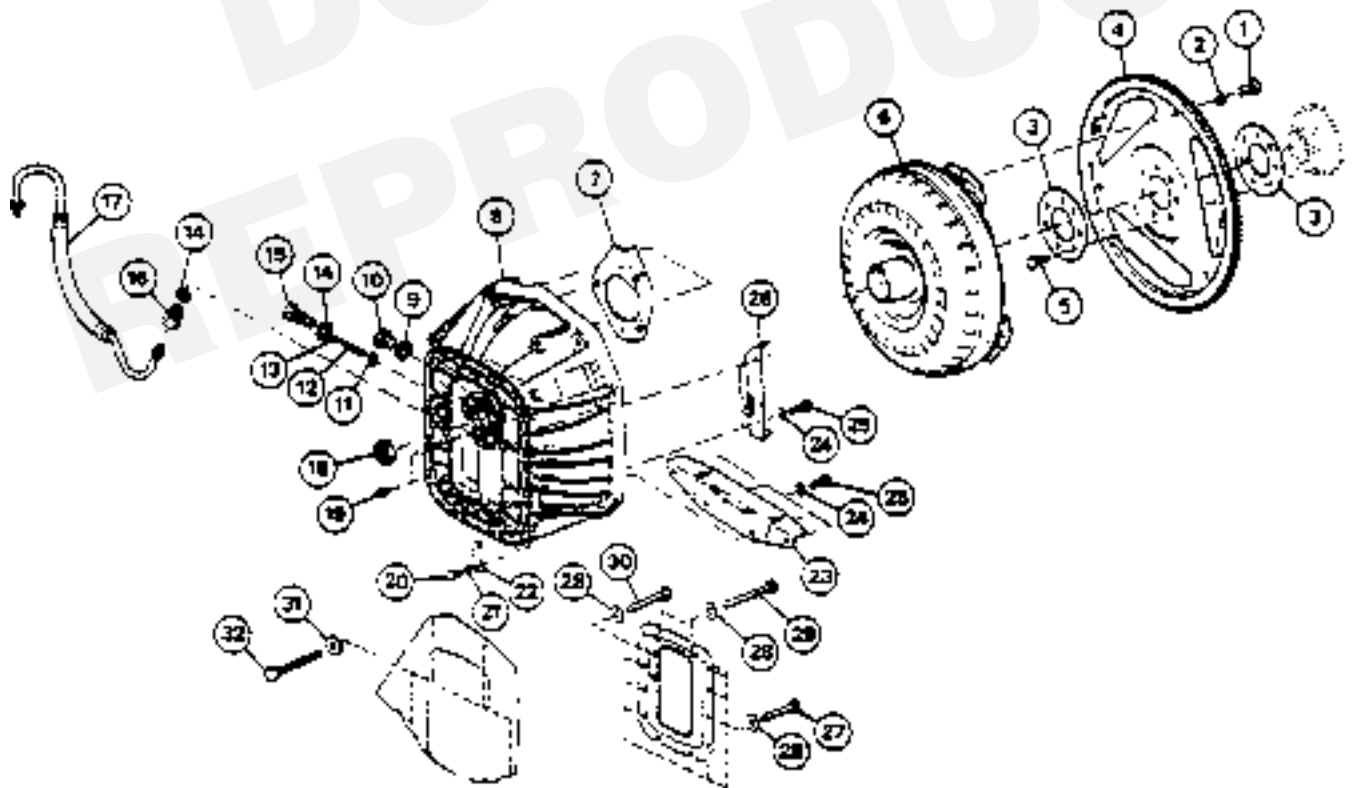
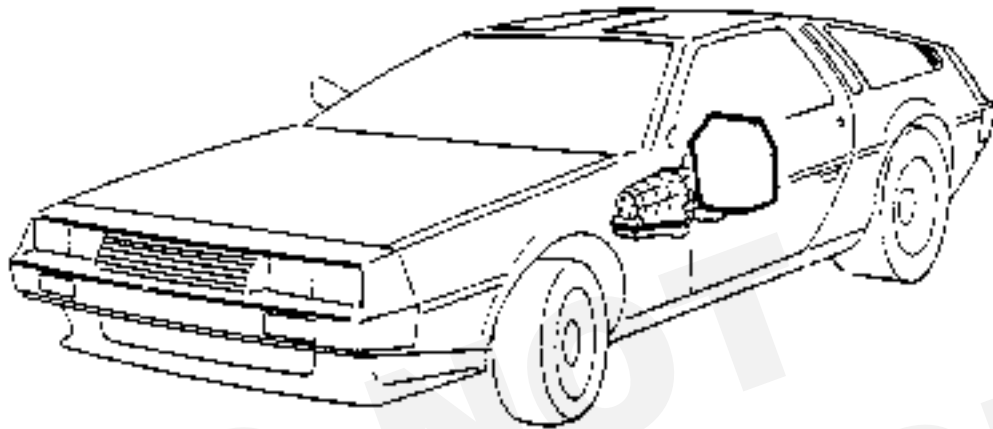
DO NOT REPRODUCE

AUTOMATIC TRANSMISSION ASSY  
GASKET SETS

SECTION  
4 5 SUBSECTION  
0 GROUP



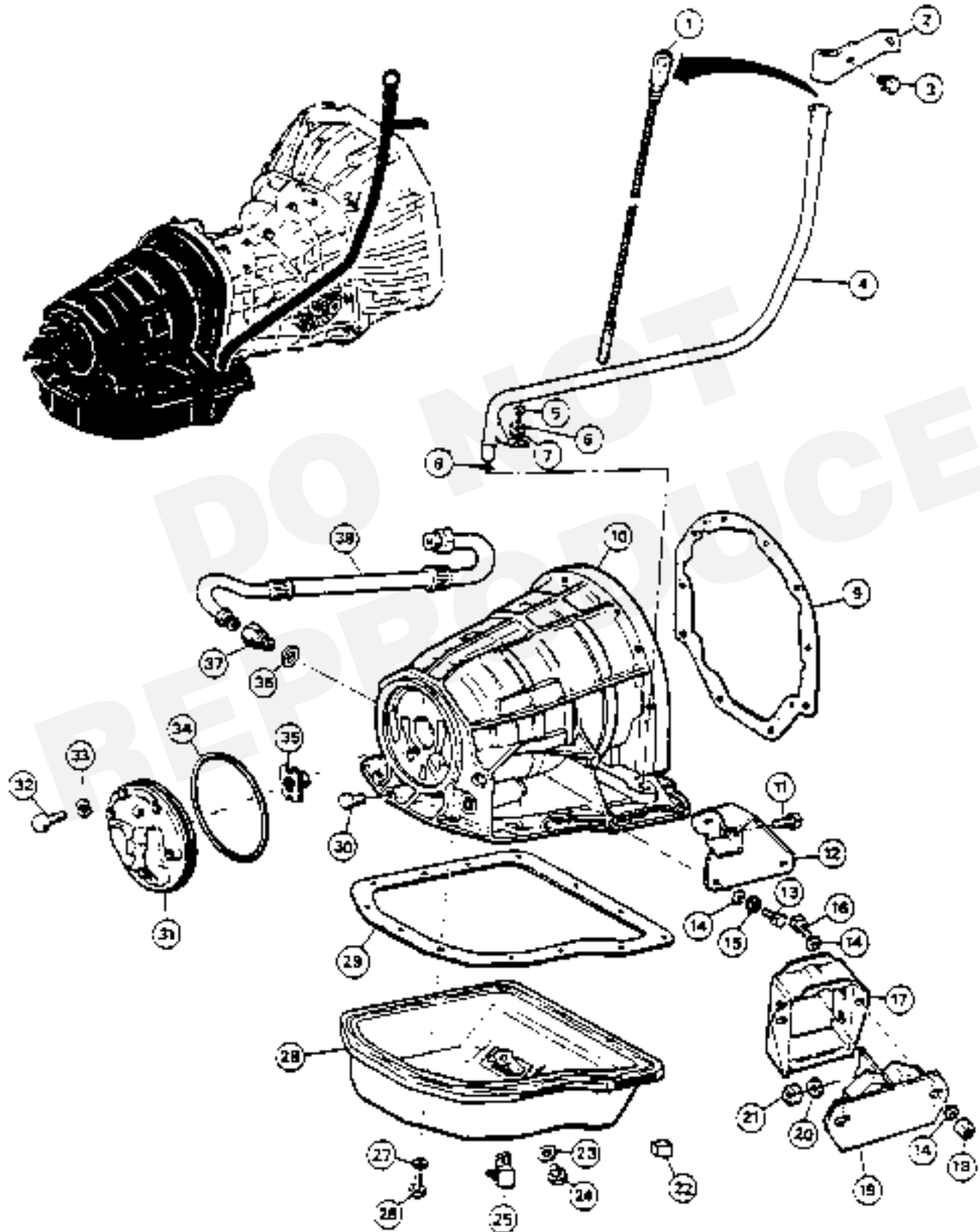
SECTION		AUTOMATIC TRANSMISSION		
SUBSECTION		TORQUE CONVERTOR/CASING		
4	5	1	GROUP	
FIG.	PART NUMBER	DESCRIPTION	QTY	REMARKS
1	SP10223 *	SCREW	3	
2	101093 *	WASHER-SPRING	3	
3	102068 *	FLANGE-START RNGR	2	
4	102065 *	STARTER RING GEAR	1	
5	102069 *	SCREW M9 x 100	7	
6	103753	CONVERTOR	1	
7	101074 *	PROTECTION PLATE	1	
8	103834	CONVERTOR CASE	1	
9	102101	SEAL	1	
10	103815	MAGN DRAIN PLUG	1	
11	103828	WASHER	1	
12	103535	SPRING	1	
13	103536	BALL 7.938 MM DIA	1	
14	103513	SEAL	2	
15	103538	CHECK VALVE	1	
16	103512	TAPER PIPE	1	
17	108493 *	PIPE-OIL DELIVERY	1	
18	103543	LIP SEAL	1	
19	103542	CENTERING RING	2	
20	103547	SCREW	1	
21	101076	TOOTHED WASHER	1	
22	103546	BRACKET	1	
23	101073 *	PROTECTION PLATE	1	
24	101076 *	TOOTHED WASHER	6	
25	101084 *	SCREW	6	
26	101075 *	PROTECTION PLATE	1	INCLUDES PICK-UP SUPPORT 101067, SCREW SP10453 & NUT SP10166 (SEE 3-4-1)
27	103149	SCREW M10	10	
28	101095	WASHER-SPRING	14	
29	103545	SCREW M10	2	
30	103024	SCREW M10	2	
31	101079 *	WASHER M10	4	
32	101078 *	SCREW M10	4	



SECTION		TRANSMISSION		
SUBSECTION		AUTO CASE/PUMPS/SEALS		
4	5	2	GROUP	
FIG.	PART NUMBER	DESCRIPTION	QTY	REMARKS
1	110134 *	DIPSTICK	1	
2	108628 *	DIPSTICK UPPER BRKT	1	
3	SP10457 *	SEMS SCREW M5	1	
4	106770 *	DIPSIICK TU8E	1	
5	SP10437 *	SCREW M7	1	
6	SP10049*	SPRING WASHER M7	1	
7	SP10259 *	WASHER M7	1	
8	102009 *	'O' RING	1	OR SP10709
9		GASKET	1	PART OF KIT 103500 (4-5-0)
10	103838	MECHANISM CASE ASSY	1	PART 'A' INCLUDED
11	SP10018 *	SCREW M10	2	
12	106335 *	G/BX MT BRACKET LH	1	
	106336 *	G/BX MT BRACKET RH	1	
13	SP10002 *	SCREW M8	6	
14	SP10032 *	WASHER M8	14	
15	SPI0035 *	SPRING WASHER M8	6	
16	SP10001	SCREW M8	4	
17	100902 *	G/BX RUB SUPT BRACKET	2	
18	SP10025 *	NYLOC NUT M8	4	
19	100901 *	G/BX RUBBER MOUNTING	2	
20	SP10033 *	WASHER M10	2	
21	SP10026 *	NYLOC NUT M10	2	
22	103051	RETAINING MAGNET	1	
23	102101	SEAL	1	
24	103815	MAGN DRAIN PLUG	1	
25	103517	SUPPORT LUG	1	
26	102554	SCREW M7	13	
27	103837	SPRING WASHER M7	13	
28	103514	LOWER PAN	1	
29	103516	GASKET	1	ALSO PART OF KIT 103500 (4-5-0)
30	103503	BOLT	1	A
31	103505	OIL PUMP HOUSING	1	
32	102107	SCREW M7	6	
33	101048	WASHER M7	6	
34	103506	'O' RING	1	
35	103504	DRIVER	1	
36	103513	SEAL	1	
37	103512	TAPER PIPE	1	
38	101793 *	OIL RETURN PIPE	1	

\* NOT INCLUDED IN AUTOMATIC TRANSMISSION ASSEMBLY (SEE 4-5-0)

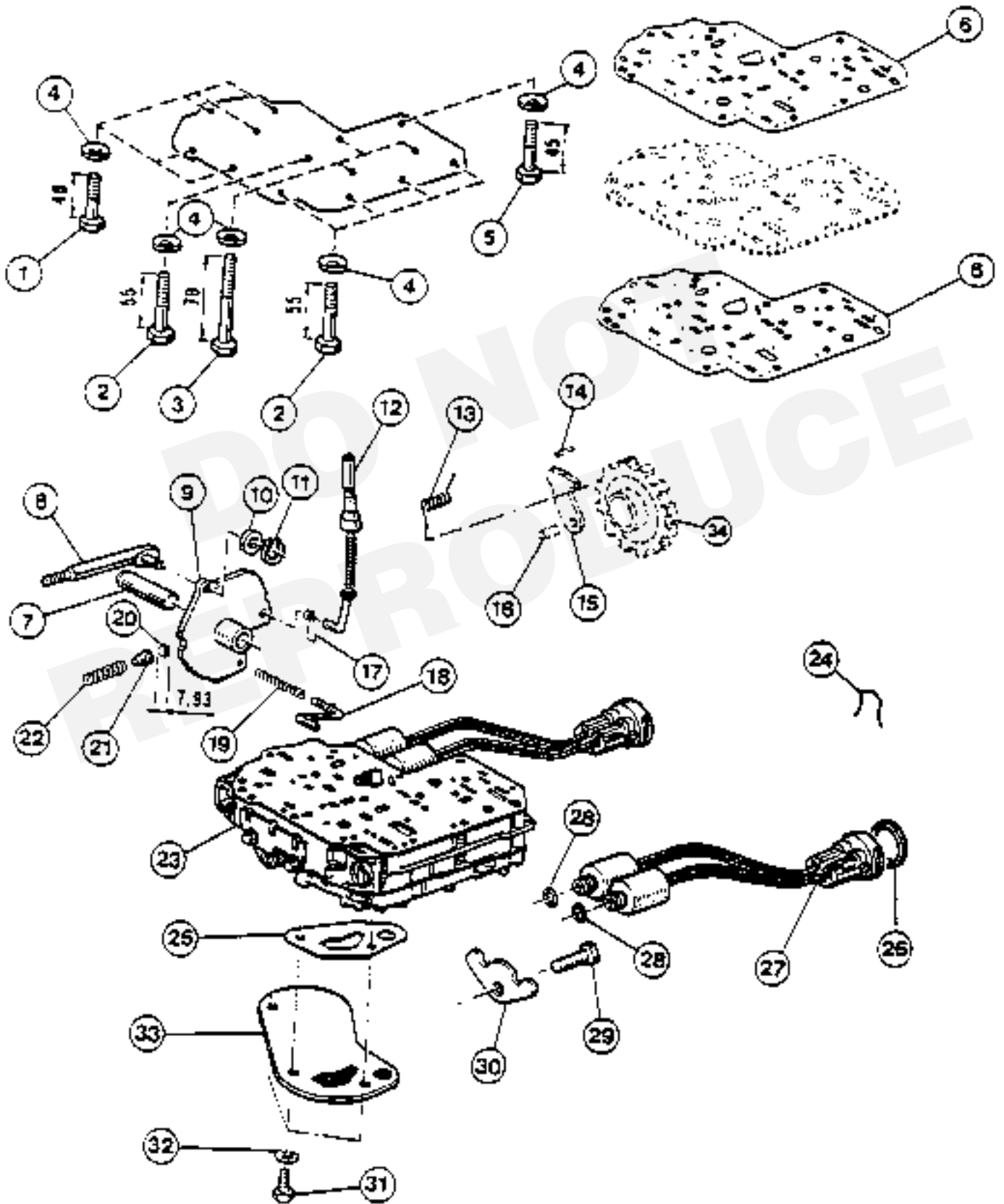




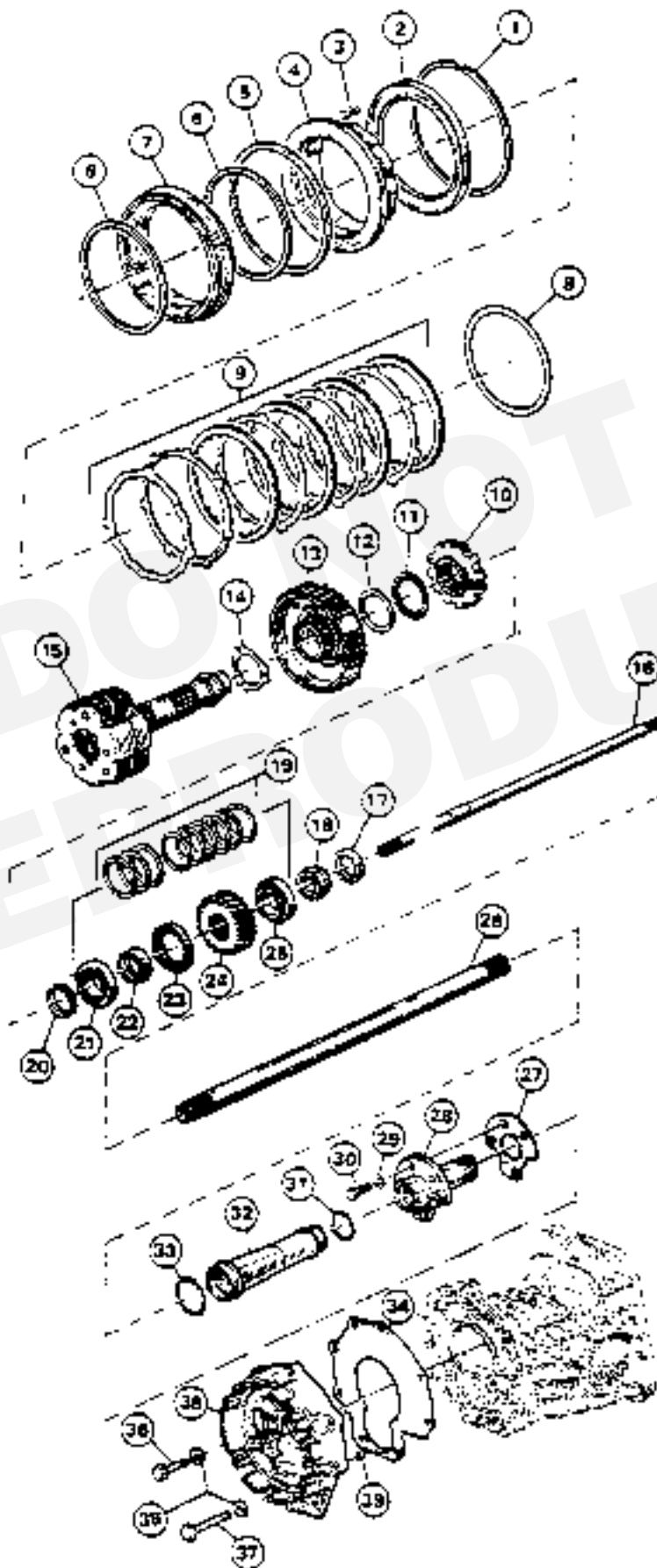
SECTION		TRANSMISSION		
SUBSECTION		VALVE BODY/INTERNAL LINKAGE		
4	5	3	GROUP	
FIG.	PART NUMBER	DESCRIPTION	QTY	REMARKS
1	102199	SCREW M7	5	
2	102148	SCREW M7	5	
3	103708	SCREW M7	3	
4	103529	WASHER M7	14	
5	103706	SCREW M7	1	
6	104172	PAPER GASKET	2	
7	103715	ROLLU PIN M12-55	1	
8	103998	ROD	1	A
9	103995	CON QUADRANT ASSY	1	PARTS 'A' INCLUDED
10	103999	SPACER	1	A
11	104000	CIRCLIP	1	A
12	103716	PARKING LINK	1	
13	103722	ARM RETURN SPRING	1	
14	103721	PIN FOR SPRING	1	
15	103719	PARKING ARM	1	
16	103720	PARKING PIN	1	
17	103717	RETAINING SPRING	1	
18	103709	CONTROL ROD	1	PART 'C' INCLUDED
19	103710	SPRING	1	C
20	103536	BALL 7.938	1	5/16 IN
21	103712	DAMPER	1	
22	103711	SPR-PRESS TYPE 19	1	
23	103693	HYD SEQUENCE DIST	1	
24	103699	CLIP	1	B
25	103703	FILTER GASKET	1	
2B	103698	'O' RING	1	
27	104003	SOLENOID VLV ASSY	1	PARTS 'B' INCLUDED
28	103697	SOL VALVE SEAL RING	2	B
29	102274	SCREW M6	1	
30	103700	MOUNTING PLATE	1	
31	102554	SCREW M6	3	
32	101048	WASHER MII	3	
33	103702	FILTER	1	
34		PARKING WHEEL	1	REFER TO 4-5-4

TRANSMISSION  
VALVE BODY/INTERNAL LINKAGE

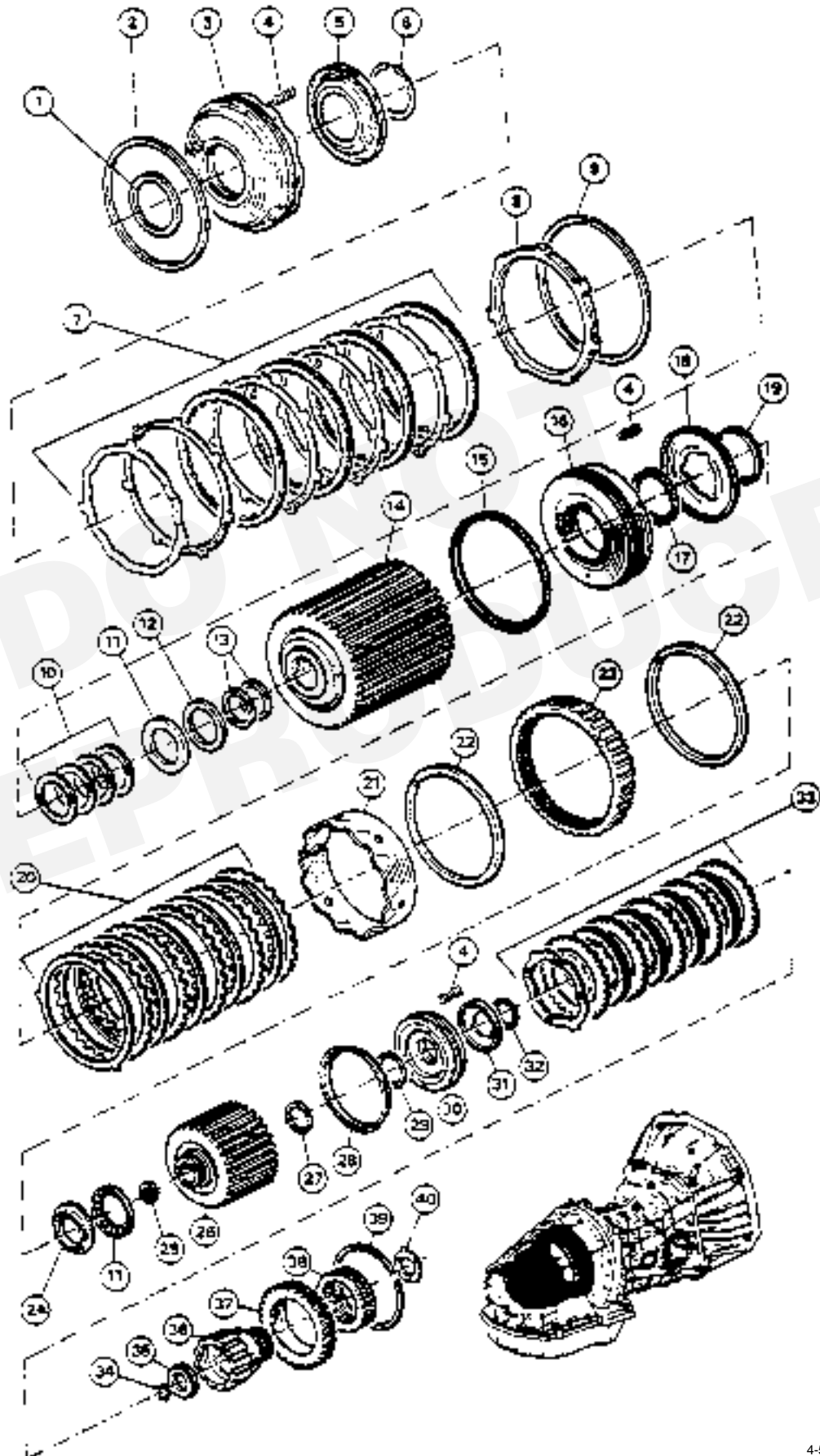
SECTION 4  
SUBSECTION 5  
GROUP 3



SECTION		AUTOMATIC TRANSMISSION		
SUBSECTION		PLANETARY CARRIER/BRAKE B2		
4	5	4	GROUP	
FIG.	PART NUMBER	DESCRIPTION	QTY	REMARKS
1	103603	STOP RING	1	
2	103949	CUP F2	1	
3	103591	RETURN SPRING	24	
4	103599	PISTON F2	1	
5	103601	GASKET	1	
6	103600	GASKET	2	
7	103G37	SUPPORT PISTON	1	
8	103944	FEELER GA 0.30 MM THK		
	103946	FEELER GA 0.60 MM THK	1	
	103946	FEELER GA 0.90 MM THK	1	
9	103594	SET OF BRAKE DISCS	1	
10	103569	PARKING WHEEL	1	
11	1035ii8	NEEDLE THRUST BRG	1	
12	103567	COUNTERPLATE	1	
13	103566	HUB F2	1	
14	103565	THRUST WASHER	1	
15	103564	PLNT WHL HOLDING SFT	1	
16	103579	PUMP SHAFT	1	
17	103578	LIP SEAL	1	
18	103884	NUT FOR SPIDER CARR	1	
19	103571	SET OF SHIMS	2	
20	103570	SPACER	1	
21	103572	TAPER ROLLER BEARING	1	
22	103573	SEALING RING	1	
23	103574	LIP SEAL	1	
24	103878	CLUTCH GEAR	1	
25	103576	TAPER ROLLER BEARING	1	
26	103580	TURBINE SHAFT	1	
27	103866	GASKET	1	
28	103861	STATOR SHAFT	1	
29	103865	SPRING RING M10	4	
30	103864	SCREW M10	4	
31	103583	'O' RING	1	
32	103581	BELL AND SPIGOT	1	
33	103582	'O' RING	1	
34	104219	GASKET	1	PART OF KIT 103500
35	103526	BRAKE CASE	1	
36	103530	SCREW M7	6	
37	103528	SCREW M7	2	
38	103529	WASHER	8	
39	1035Z7	CENTERING RING	2	



4	SECTION		AUTOMATIC TRANSMISSION	
	5	SUBSECTION	BRKAE B1/CLUTCH C1/CLUTCH C2	
		5	GROUP	
FIG.	PART NUMBER	DESCRIPTION	QTY	REMARKS
1	103589	GASKET	1	
2	103590	GASKET	1	
3	103588	PISTON B1 REVERSE	1	
4	103591	SPRING PISTON RETURN	58	A- 12 OFF ONLY INCLUDED IN 103620
5	103592	CUP B1	1	
6	103593	STOP RING	1	
7	103594	BRAKE DISCS B2/8VSET	1	
8	103595	PRESSURE PLATE BI	1	
9	103596	STOP RING	1	
10	103635	SPACER KIT	1	
11	103618	B8RG NEEDLE THRUST	2	
12	103967	COUNTER PLATE	1	
13	103637	RING	2	
14	103966	CLUTCH C2	1	
15	103613	SEAL, LIP	1	A
16	103608	PISTON	1	
17	103612	LIP SEAL	1	A
18	103610	CUP	1	
19	103611	CIRCLIP	1	
20	103614	CLUTCH DISCS C2/SET	1	PARTS 'A' INCLUDED
21	103615	SPACER	1	
22	103616	CIRCLIP	2	
23	104220	TOOTHED RING	1	
24	103617	COUNTER PLATE	1	
25	103619	HUB RING	1	B
26	103620	CLUTCH C1I	1	PARTS 'B' INCLUDED
27	103621	RING	1	B
28	1036Z6	LIP SEAL	1	C
29	103625	SEAL	1	C
30	103622	C1 PISTON ASSY	1	KIT B. PARTS 'C' INCLUDED
31	103623	C1 CUP	1	B
32	103624	STOP RING	1	B
33	103627	CLUTCH DISCS CISET	1	B
34	103628	SNAP RING	1	B
35	103629	BRG NEEDLE THRUST	1	B
36	103632	INPUT GEAR HUB	1	B
37	103630	OTR TRACK FREEWHEEL	1	B
38	103631	FREEWHEEL	1	B
39	103633	RETAINING RING	1	B
40	103634	THRUST WASHER	1	



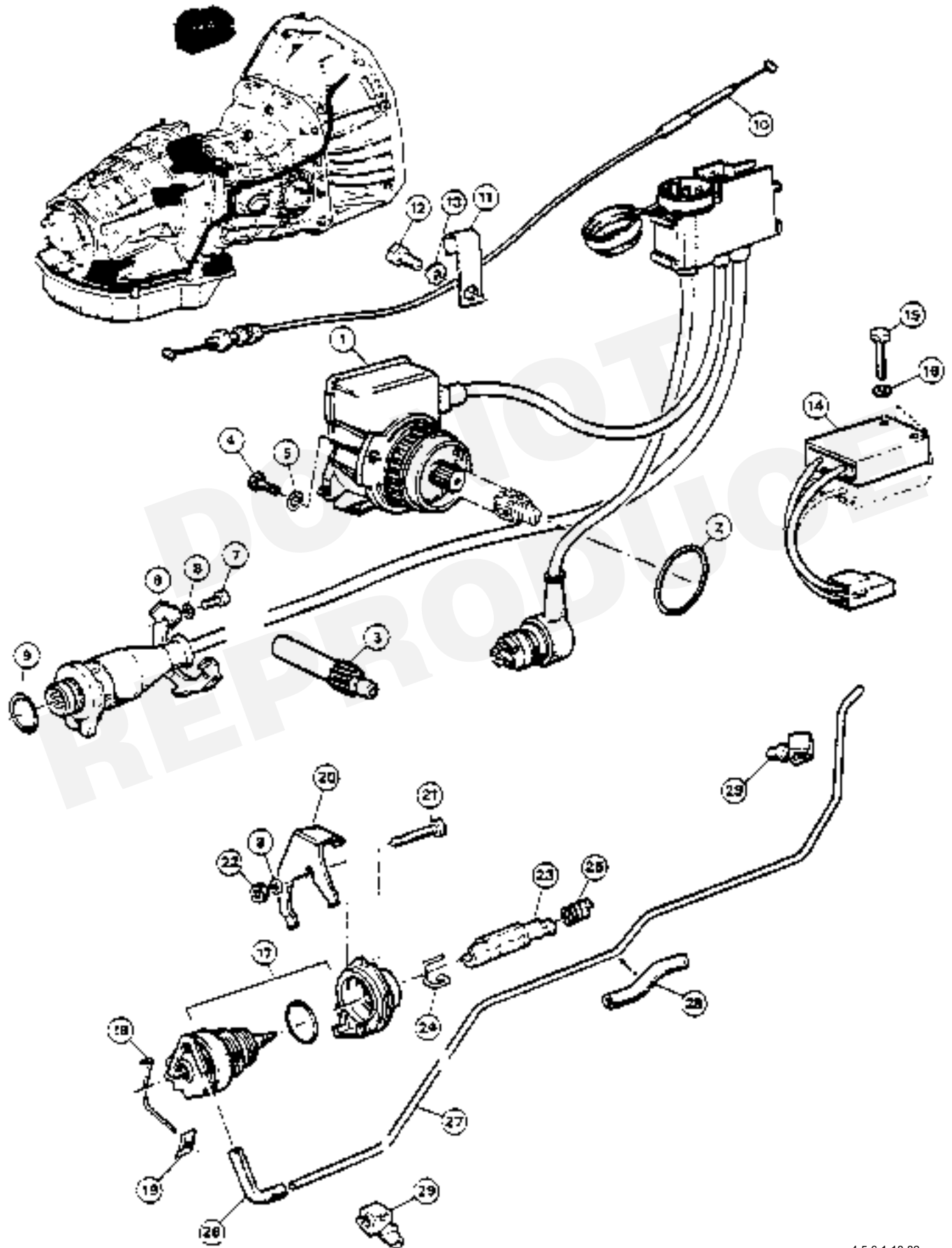
4 SECTION		TRANSMISSION		
5 SUBSECTION		COMPUTER/MODULATOR		
6 GROUP				
FIG.	PART NUMBER	DESCRIPTION	QTY	REMARKS
1	104218	COMPARATIVE GOV ASSY	1	
2	103726	. 'O' RING	1	
3	103725	SPINDLE GEAR	1	
4	103029	BOLT	2	
5	103728	SPRING WASHER M8	2	
6	104202	CLAMP	1	
7	102554	SCREW M7	2	
8	104095	SPRING WASHER M7	3	
9	103732	'O' RING	1	
10	101094 *	GOV GEAR BOX CABLE	1	
11	SP10378 *	SPRING CLIP	1	
t2	SP10226 *	SCREW M7	1	
13	101076 *	TOOTHED WASHER	1	
14	102785 *	MICROSWITCH	1	KICKDOWN ON ENGINE
15	102775 *	SCREW	2	SEE 2-3-0 ITEM 17
16	102787 *	WASHER	2	SEE 2-3-0 ITEM 18
17	104179	VACUUM CAPSULE	1	
18	104201	. ADJUSTING FASTENER	1	
19	104202	. PUSH ON FASTENER	1	
20	104203	ADAPTOR HOLDING LUG	1	
21	102251	SCREW M7	1	
22	102441	NUT M7	1	
23	102819	CON VALVE/SLEEVE ASSY	1	
24	104207	. HOLDING FASTENER	1	
25	103737	. RETURN SPRING	1	
25	101290 *	VACUUM ELBOW UNION	1	
27	101089 *	VACUUM PIPE	1	
28	101090 *	SLEEVE	1	
29	SP10543	PIPE CLIP	2	

\* NOT INCLUDED IN AUTOMATIC TRANSMISSION ASSY (SEE 4-5-0)



TRANSMISSION  
COMPUTER/MODULATOR

SECTION  
4 5  
SUBSECTION  
6 GROUP

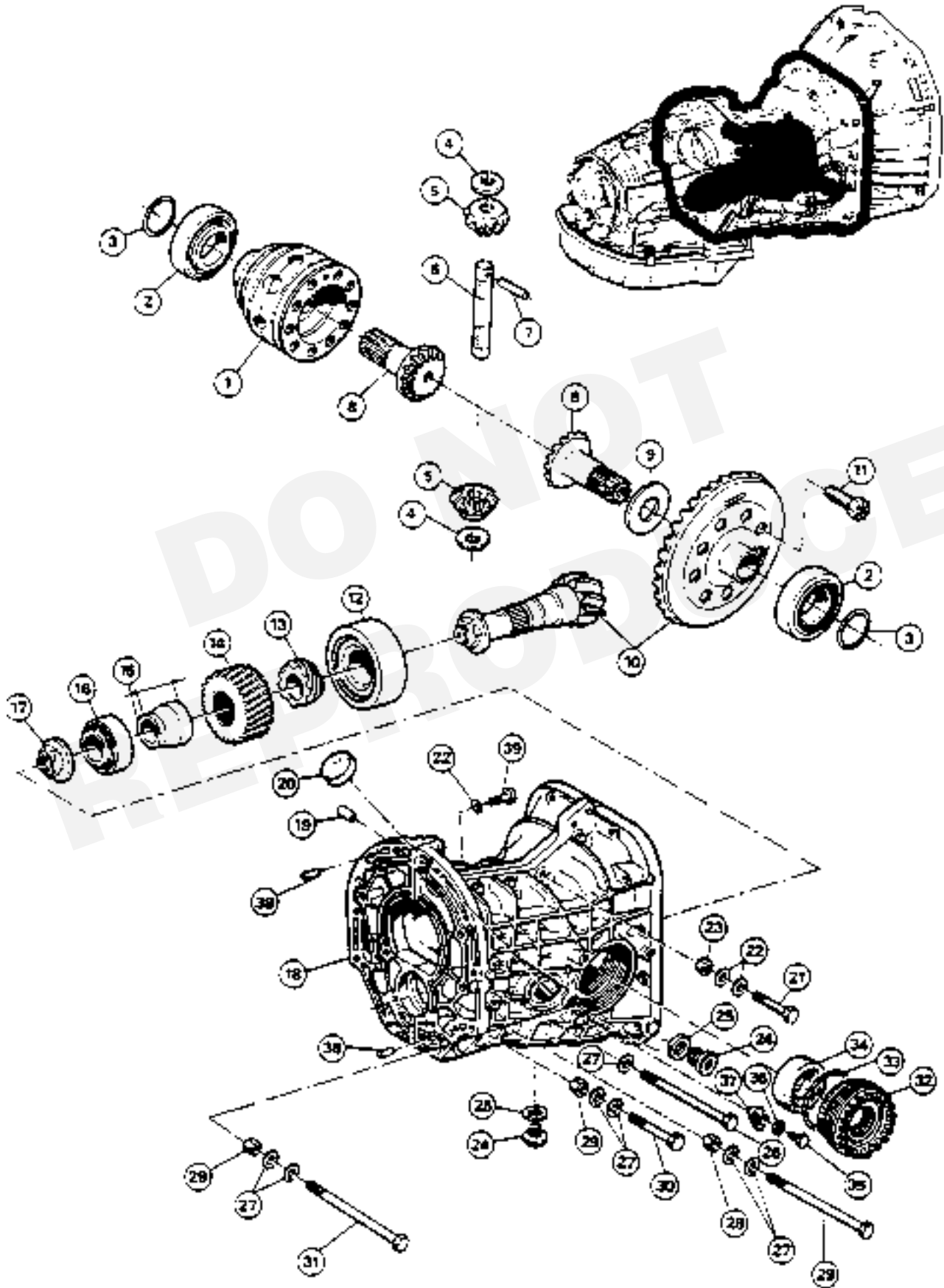


4-5-6-1-18-82

SECTION		AUTOMATIC TRANSMISSION		
SUBSECTION		FINAL DRIVE		
4	5	7	GROUP	
FIG.	PART NUMBER	DESCRIPTION	QTY	REMARKS
1	103911	DIFFERENTIAL CASE	1	
2	103119	CONICAL RLR BEARING	2	
3	103691	'O' RING	2	
4	103203	THRUST SPIDER	2	SPIDER GEAR
5	103202	SPIDER GEAR	2	
6	103204	SPIDER GEAR SPINDLE	1	
7	103114	CYLINDRICAL PIN	1	
8	103199	FINAL DRIVE GEAR	2	
9	103201	THRUSTWASHER	1	SIDE GEAR
10	102813	CROWN WHEEL Et PINION	1	MATCHED
11	103205	SCREW M12	10	
12	103640	TAPER ROLLER BEARING	1	
13	103885	GOV CONTROL GEAR	1	
14	103886	SECONDARY GEAR	1	
15	103643	SPACER 17.90MM THICK		SPECIFY THICKNESS, ONE ONLY REQUIRED PER GEARBOX
	103644	SPACER 17.95MM THICK		
	103645	SPACER 18.00MM THICK		
	103646	SPACER 18.05MM THICK		
	103647	SPACER 18.10MM THICK		
	103648	SPACER 18.15MM THICK		
	103649	SPACER 18.20MM THICK		
	103650	SPACER 18.25MM THICK		
	103651	SPACER 18.30MM THICK		
	103652	SPACER 18.35MM THICK		
	103653	SPACER 18.40MM THICK		
	103654	SPACER 18.45MM THICK		
	103655	SPACER 18.50MM THICK		
	103656	SPACER 18.55MM THICK		
	103657	SPACER 18.60MM THICK		
	103658	SPACER 18.65MM THICK		
	103659	SPACER 18.70MM THICK		
	103682	SPACER 18.75MM THICK		
	103683	SPACER 18.80MM THICK		
	103684	SPACER 18.86MM THICK		
	103685	SPACER 18.90MM THICK		
	103686	SPACER 18.96MM THICK		
	103687	SPACER 19.00MM THICK		
16	103688	TAPER ROLLER BEARING	1	
17	103689	DRIVE GEAR NUT	1	
18	104217	GEARBOX CASE ASSY	1	
19	101051	. RING DOWEL	2	
20	103814	. PLUG 35	1	
21	102142	. SCREW M8	10	
22	103007	. WASHER M8	20	
23	102437	. NUT M8	10	
24	103815	. MAGNETIC DRAIN PLUG	2	

AUTOMATIC TRANSMISSION  
FINAL DRIVE

SECTION  
4 5  
SUBSECTION  
7 GROUP



4-5-7-8-14-81

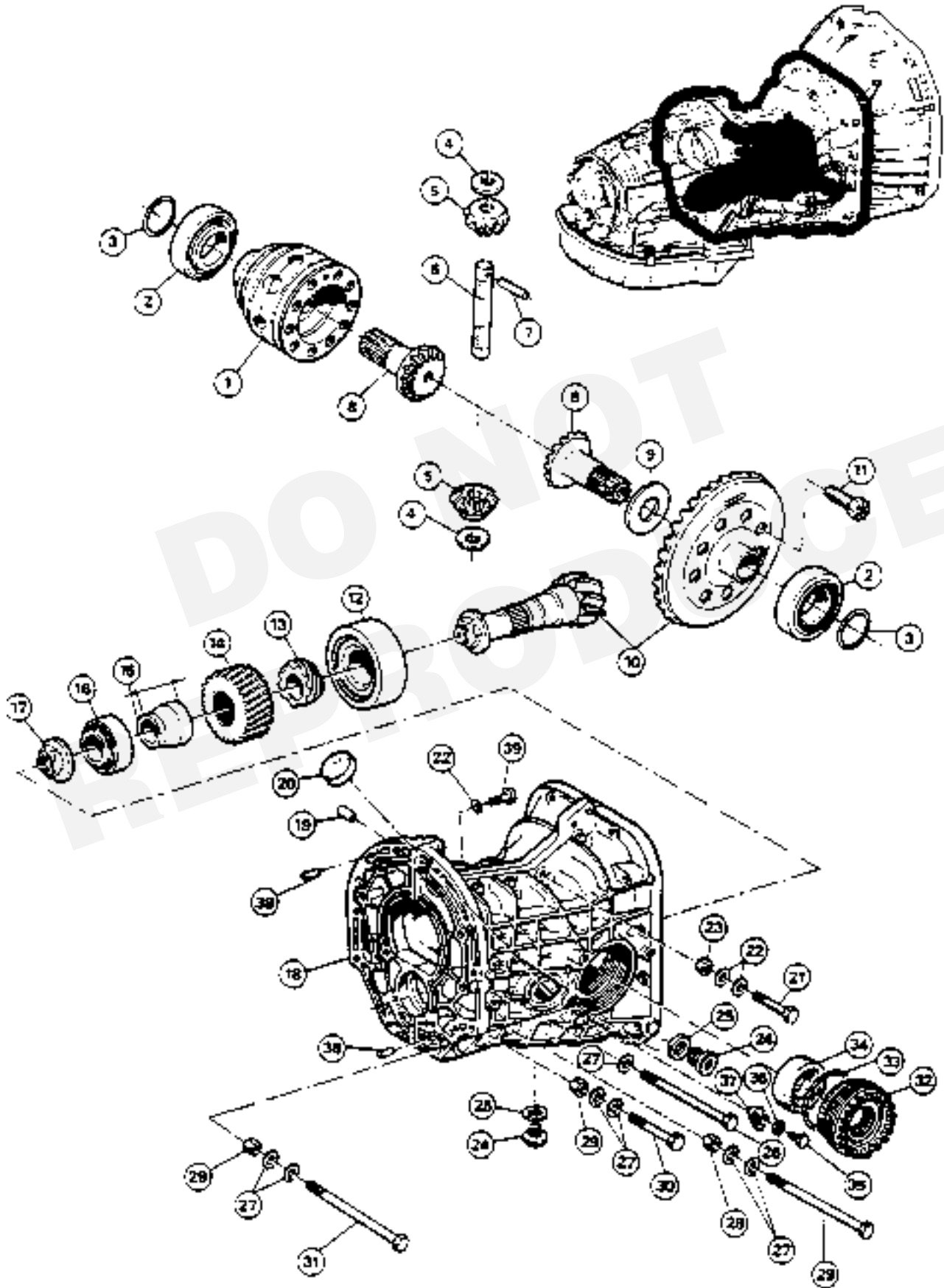
<b>4</b>	SECTION	AUTOMATIC TRANSMISSION FINAL DRIVE
	SUBSECTION	
	GROUP	

FIG.	PART NUMBER	DESCRIPTION	QTY	REMARKS
25	102101	. SEAL	2	
26	103525	. SCREW M10	1	
27	101095	. SPRING WASHER M10	7	
28	103523	. SCREW M10	1	
29	102433	. NUT M10	3	
30	103524	. SCREW M10	1	
31	103522	. SCREW M10	1	
32	103802	DIFF ADJ SCREW ASSY	2	
33	103013	. 'O' RING	2	
34	103044	. LIP SEAL	2	OR 104216
35	102475	SCREW M8	2	
36	101050	SPRING WASHER M8	2	
37	103045	SCREW RETAINER	2	
38	103003	CYLINDRICAL PIN	2	
39	102427	SCREW M8	8	
22	103007	WASHER M8	8	

DO NOT REPRODUCE

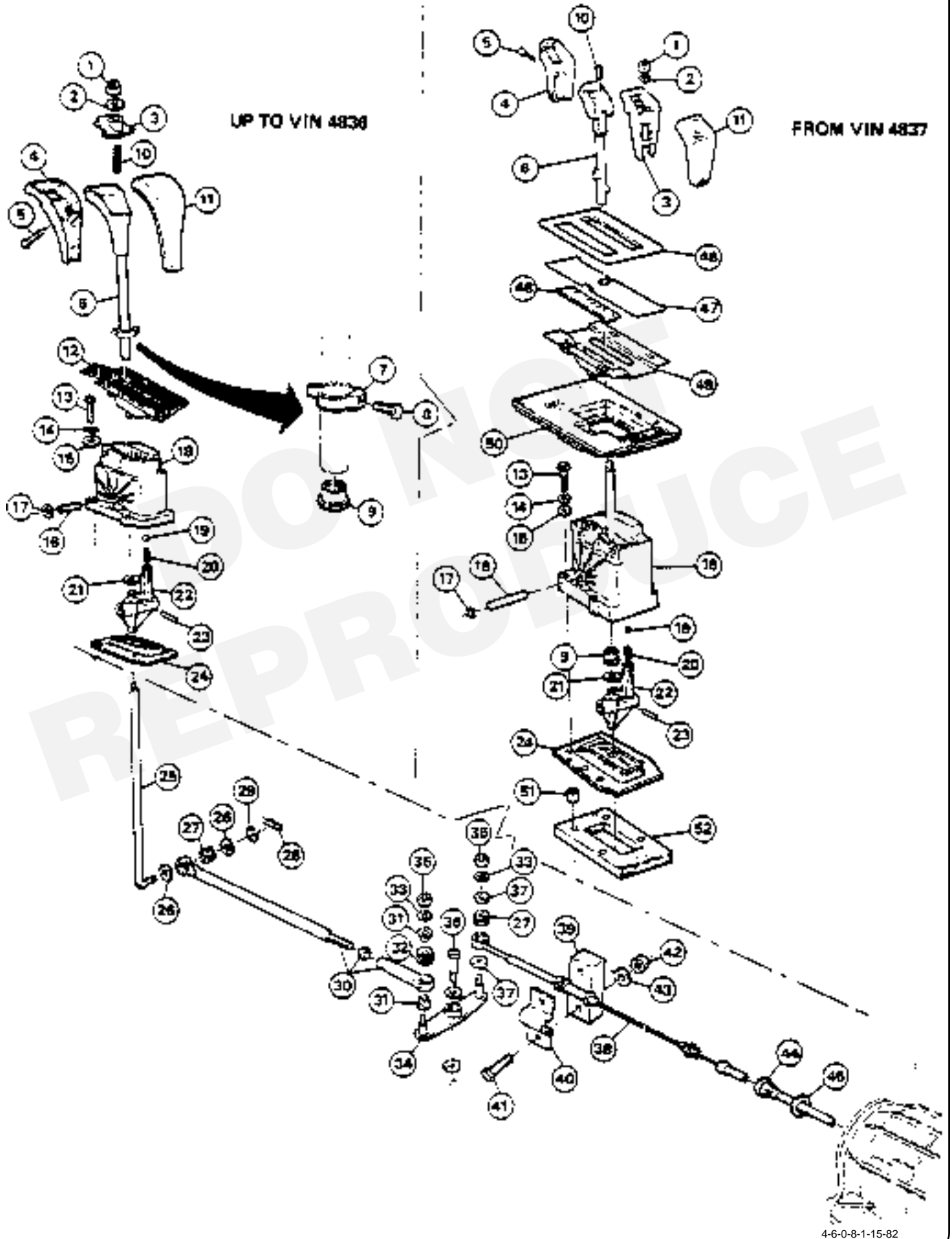
AUTOMATIC TRANSMISSION  
FINAL DRIVE

SECTION  
4 5 7  
SUBSECTION  
7 GROUP



4-5-7-8-14-81

4	SECTION		TRANSMISSION	
	6	SUBSECTION	AUTO-SHIFT LINKAGE	
		0	GROUP	
FIG.	PART NUMBER	DESCRIPTION	QTY	REMARKS
1	SP10106 *	NUT M5	1	
2	SP10117 *	LARGE WASHER M5	1	
3	101397 *	KNOB MOUNTING BRKT	1	UP TO VIN 4836
	110107 *	KNOB MOUNTING BRKT	1	FROM VIN 4837
4	101918 *	LOWER CASE	1	UP TO VIN 4838
	110106	LOWER CASE	1	FROM VIN 4837
5	SP10114 *	SCREW N4	2	
6	101399 *	BAULK LEVER	1	UP TO VIN 4831
	110095	BAULK LEVER	1	FROM VIN 4837
7	108309 *	PAWL RING	1	UP TO VIN 4838
8	SP10768 *	SCREW M4	1	UP TO VIN 4836
9	101920 *	BUSH	1	
10	101919 *	SPRING	1	
11	100557 *	UPPER CASING	1	UP TO VIN 4838
	110103	UPPER CASING	1	FROM VIN 4837
12	106347 *	AUTOMATIC QUADRANT	1	UP TO VIN 4838
13	SP10225 *	BOLT M6	4	UP TO VIN 4838
	SP10016	BOLT M6	4	FROM VIN 4837
14	SP10252 *	SPRING WASHER M6	4	
15	SP10031 *	WASHER M6	4	
16	105428 *	SPINOLE	2	
17	105429 *	SPRING CLIP	2	
18	105427 *	HOUSING	1	
19	105432 *	BALL BEARING	1	
20	105434 *	SPRING	1	
21	105430 *	RUBBER WASHER	1	
22	105435 *	PIVOT	1	
23	105436 *	LOCKING PIN	1	
24	105437 *	GAITER	1	
	110184 *	GAITER	1	
25	105431 *	ROD	1	
26	106362 *	WASHER	2	
27	106361 *	BUSH	2	
28	106360 *	RETAINING PIN	1	UP TO VIN 1750
29	SP10578 *	CIRCLIP	1	FROM VIN 1751
30	101864 *	FRONT GEARCHANGE TUBE	1	
31	100776 *	BEARING	2	
32	100775 *	BUSH	1	
33	SP10032 *	WASHER M8	4	
34	100824 *	RELAY LEVER	1	
35	SP10025 *	NYLOC NUT M8	2	
36	100277 *	PIVOT BOLT	1	
37	SP10033 *	HEAVY SERIES WA M10	2	
38	100558 *	CABLE	1	
39	101923	SUPPORT BRACKET	2	
40	101924 *	CLAMP, G/SHIFT CABLE	2	



<b>4</b>	SECTION	TRANSMISSION AUTO-SHIFT LINKAGE
	SUBSECTION	
	<b>6</b> / <b>0</b> GROUP	

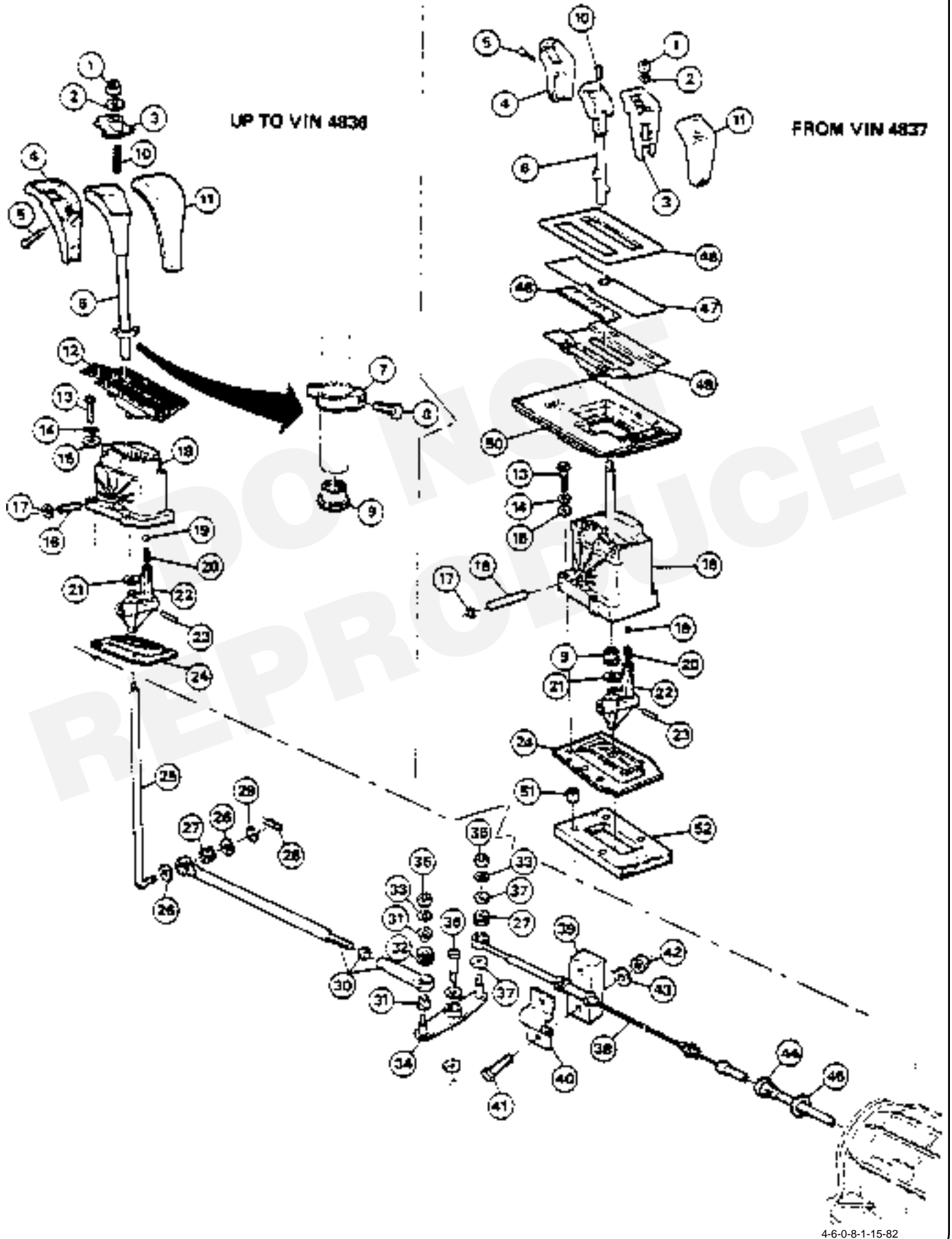
FIG.	PART NUMBER	DESCRIPTION	QTY	REMARKS
41	SP10198 *	80LT M6	2	UP TO VIN 786
	SP10807 *	SEMS SCREW M6	2	FROM VIN 787
42	SP10024*	NYLOC NUT M6	2	UP TO VIN 786
43	SP10031	WASHER M6	2	UP TO VIN 786
44	104002	END FITTING G/SHIFT	1	
45	102481	SEAL	1	
46	100689	QUADRANT TOP PLATE	1	FROM VIN 4837 ONLY
47	110083	SLIDE- AUTO QUADRANT	1	FROM VIN 4837 ONLY
48	105546	OECAL PLATE	1	FROM VIN 4837 ONLY
49	110082	QUADRANT LOWER PLATE	1	FROM VIN 4837 ONLY
50	110184	GAITER	1	FROM VIN 4837 ONLY
51	SP10473	SPACER	1	FROM VIN 4837 ONLY
52	110080	SEALING PAD	1	FROM VIN 4837 ONLY

DO NOT REPRODUCE



TRANSMISSION  
AUTO-SHIFT LINKAGE

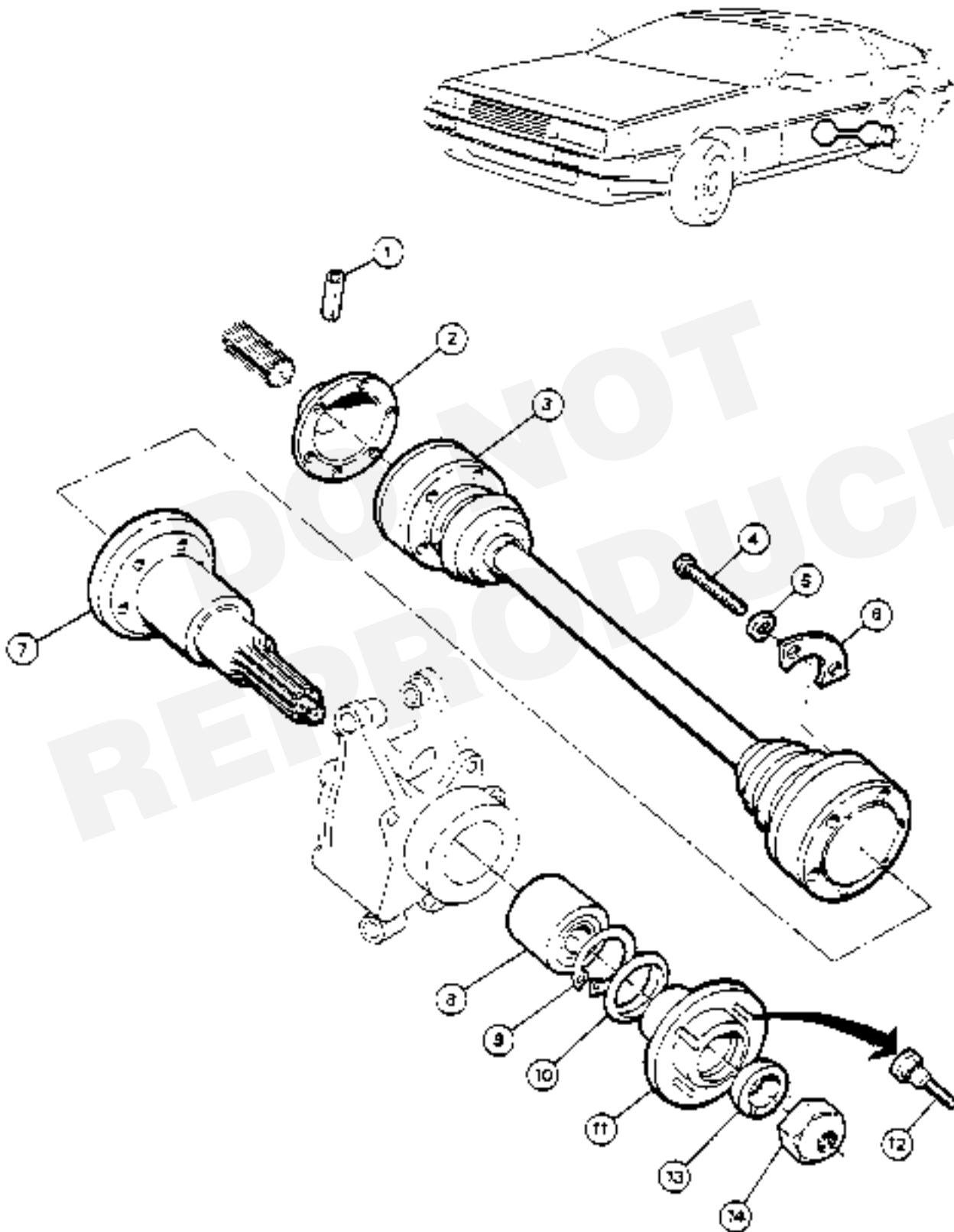
SECTION  
4  
SUBSECTION  
6  
GROUP  
0



4	SECTION	TRANSMISSION DRIVE AXLES
	SUBSECTION	
	7 0 GROUP	

FIG.	PART NUMBER	DESCRIPTION	QTY	REMARKS
1	SP10090	ROLL PIN	2	
2	100171	DRIVE FLANGE	2	UP TO VIN 2679 FROM VIN 2680
	110539	DRIVE FLANGE	2	
3	100169	INTER DRIVE SHAFT	2	
4	SP10013	BOLT M10	24	
5	SP10036	SPRING WASHER M10	24	
6	100919	TWO HOLE LOCK STRIP	12	
7	108545	RR OUTBOARD D/SHAFT	2	
8	100973	REAR HUB BEARING	2	
9	SP10053	CIRCLIP	2	
10	100255	REAR HUB FLINGER	2	
It	101040	HUB ASSY C/W STUDS	2	
12	106117	. WHEEL STUD	8	
13	101721	HUB RETENTION CONE	2	
14	108514	NUT	2	

DO NOT REPRODUCE



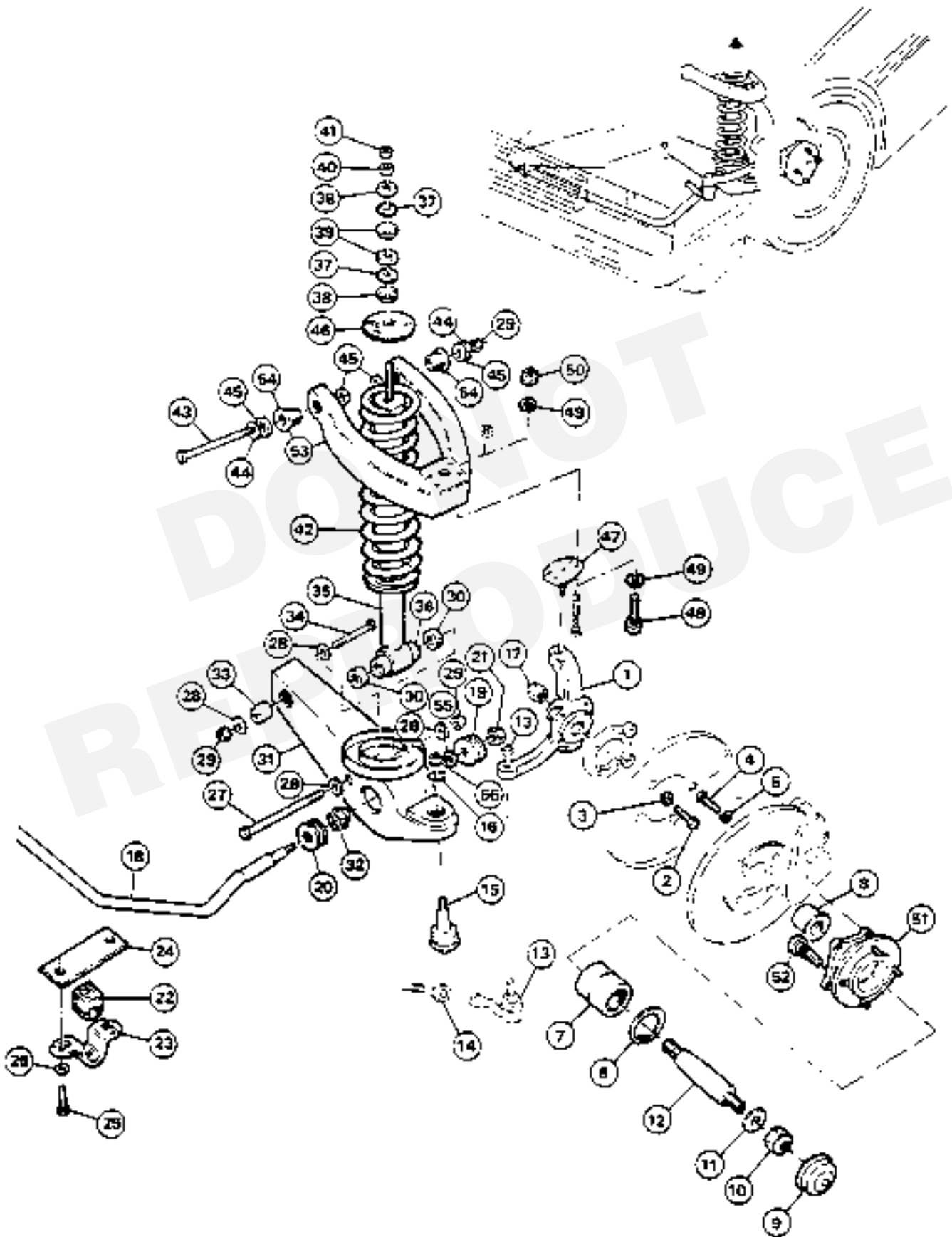
# Suspension/Steering

---

5	SECTION		SUSPENSION AND STEERING FRONT SUSPENSION	
	1	SUBSECTION		
		0		
FIG.	PART NUMBER	DESCRIPTION	QTY	REMARKS
1	100089	FRONT UPRIGHT LH	1	
	100090	FRONT UPRIGHT RH	1	
2	106180	BOLT	8	
3	SP10032	WASHER M8	8	
4	SP10219	SCREW M8	8	
5	SP10035	SPRING WASHER M8	8	
6	SP10052	CIRCLIP, INTERNAL	2	
7	100404	BEARING, FRONT WHEEL	2	
8	100025	SPACING SHIELD	2	
9	105104	DUST SHIELD	2	
10	108514	NUT, STUB AXLE	3	BOTH ENDS OF RH AXLE FRONT END ONLY OF LH AXLE
11	110580	WASHER SPECIAL	2	
12	100161	STUB AXLE LH	1	
	100162	STUB AXLE RH	1	
13		TRACK ROD END	2	SEE IN 5-2-0
14		NUT (TIE ROD)	2	SEE IN 5-2-0
15	109266	BALL JOINT, LOWER	2	
16	SP10391	CIRCLIP	2	
17	105027	NUT, SPEEDO DRIVE	1	LEFT HAND SIDE ONLY
18	100233	ANTI-ROLL BAR	1	(STABILIZER)
19	101591	WASHER, SNUB	2	12.5MM PLAIN BORE
20	101289	WASHER, SNUB	8	16MM BORE CHAMBERED
21	SPIW27	NUT, NYLOC M12	2	
22	108998	BUSH CLAMP	2	
23	100774	MOUNT ANTI-ROLL BAR	2	
24	106960	CLAMP SPACER	2	
25	SPI0018	SCREW M10	4	
26	SP10036	SPRING WASHER M10	4	
27	101341	BOLT	2	
28	SPI0058	WASHER 1/2" PLAIN	8	
29	SP10059	NUT, NYLOC 1/2" UNF	6	
30	100478	SPACER	4	
31	105177	LOWER LINK	2	
32	108912	BUSH, ANTI-ROLL BAR	4	2 HALVES PER SIDE
33	100154	BUSH	2	
34	IW477	BOLT	2	
35	108588	DAMPER, FRONT ASSY	2	OR 108587
36	109080	. BUSH, BONDED	4	
37	109081	. BUSH	4	
38	109082	. RETAINING WASHER	4	
39	109083	. CUP WASHER	4	
40	109084	. NUT	2	
41	109085	. LOCKNUT	2	
42	100413	COILSPRING FRONT	2	
43	100479	BOLT, WISHBONE PIVOT	2	

THE FRONT DISC IS SHOWN IN:  
SECTION 6 SUBSECTION 1 GROUP 0

NOTE: COMMENTS IN REMARKS COLUMN FOR FIGURES 10 AND 20, WHICH ARE RELATED ITEMS.



**5**

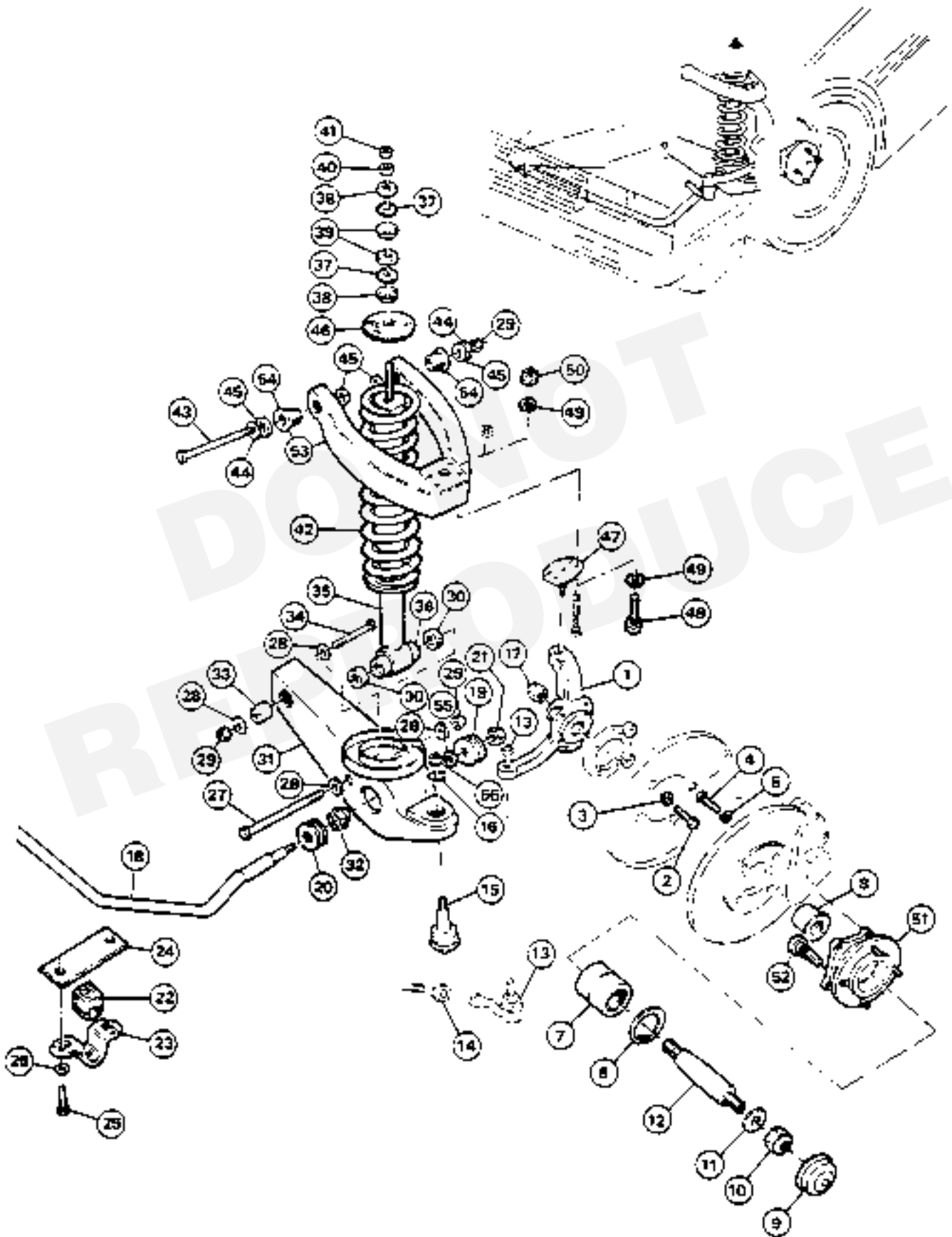
SECTION

SUBSECTION

**1** / **0** GROUPSUSPENSION AND STEERING  
FRONT SUSPENSION

FIG.	PART NUMBER	DESCRIPTION	QTY	REMARKS
44	100480	SNUBWASHER	8	
45	SP10505	WASHER 1/2" LARGE	4	
46	100286	ISOLATOR, SPRING	2	
47	109271	BALLJOINT, UPPER	2	
48	SP10822	SCREW M6	8	
49	SP10031	WASHER M6	16	
50	SP10819	NUT, NYLOC M6	8	
51	100400	FRONT HUB ASSY	2	INCLUDES STUDS
52	106117	. WHEEL STUD	8	
53	106940	WISHBONE/BUSH ASSY	2	
54	100156	. BUSH, WISHBONE	4	
55	108636	SNUBBER WASHER	4	
56	SP10877	SLOTTED NUT	4	

5-1-0-10-9-81



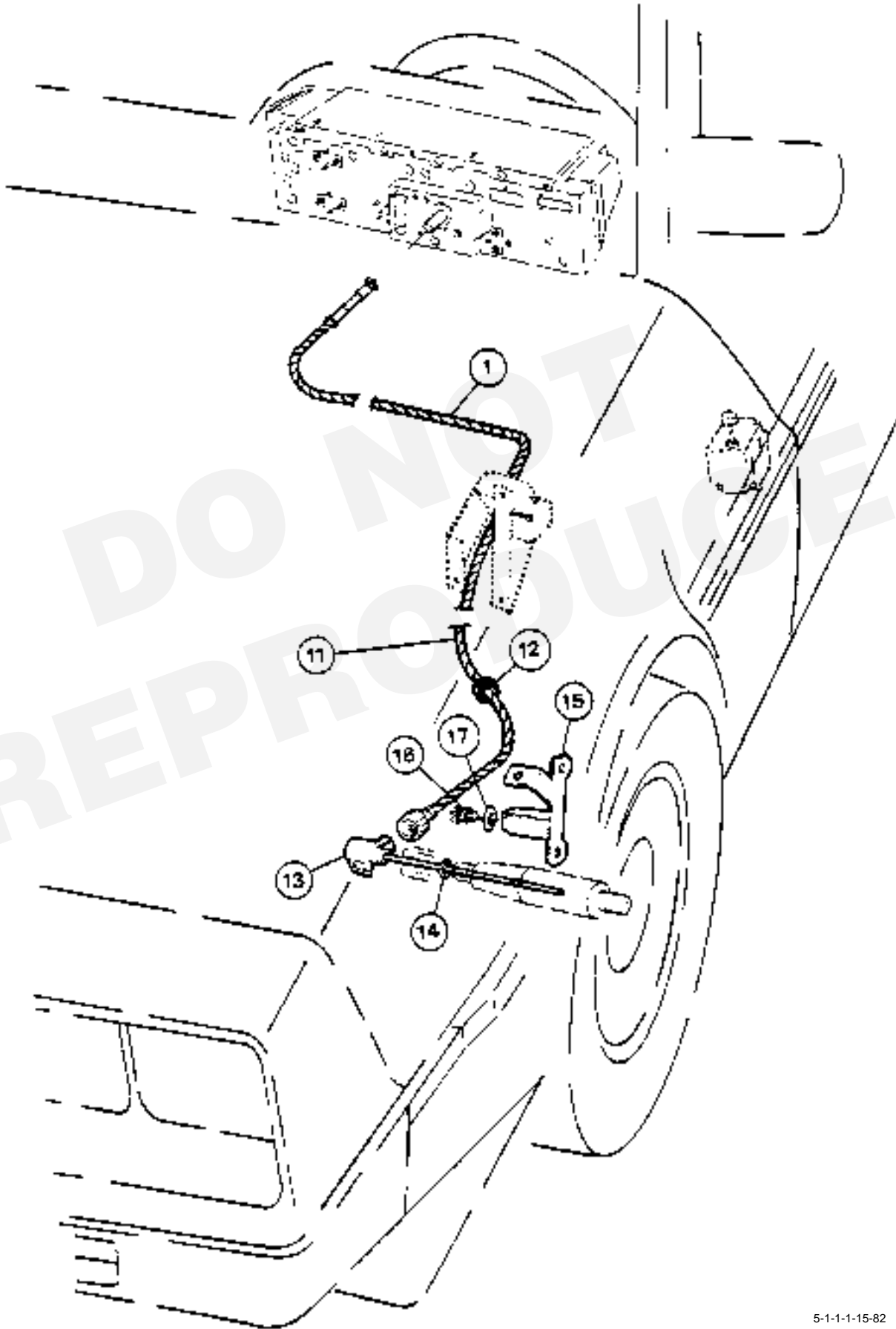


<b>5</b>	SECTION	SPEEDOMETER DRIVE
	SUBSECTION	
	GROUP	

<b>1</b>	<b>1</b>
----------	----------

FIG.	PART NUMBER	DESCRIPTION	QTY	REMARKS
1	101604	SPEEDO CABLE UPPER	1	
11	101412	SPEEDO CABLE LOWER	1	UP TO VIN 5178 FROM VIN 5179
	111412	SPEEDO CABLE LOWER	1	
12	106291	GROMMET	1	
13	106130	SPEEDO RH ANGLE DR	1	
14	106938	SPEEDO DR RET RING	1	
15	106646	PIPE AND CABLE BRKT	1	
16	SP10396	. PIPE CLIP	1	
17	SP10032	. WASHER M8	1	

DO NOT REPRODUCE



**5**

SECTION

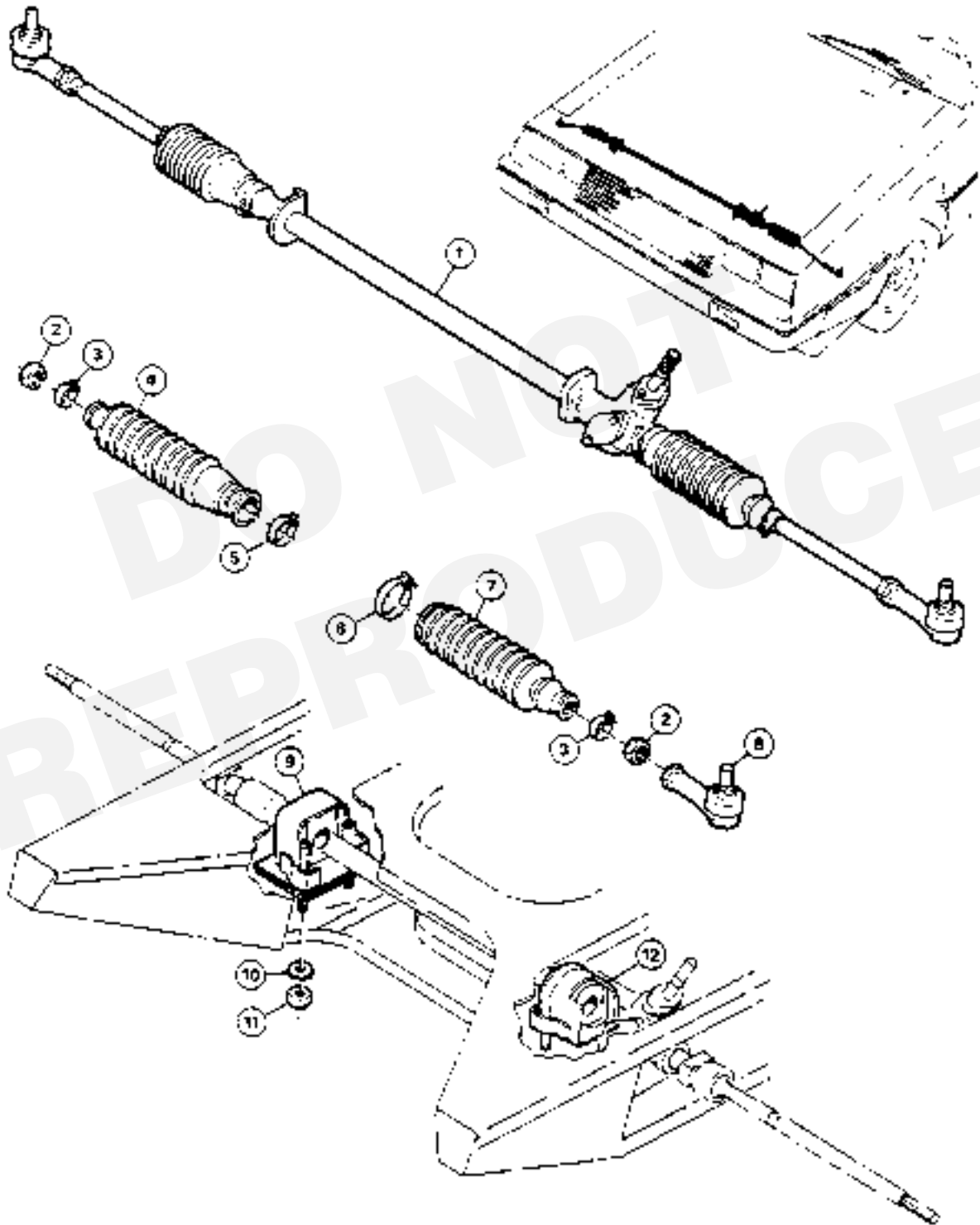
SUBSECTION

**2** / **0** GROUPSUSPENSION AND STEERING  
STEERING RACK ASSEMBLY

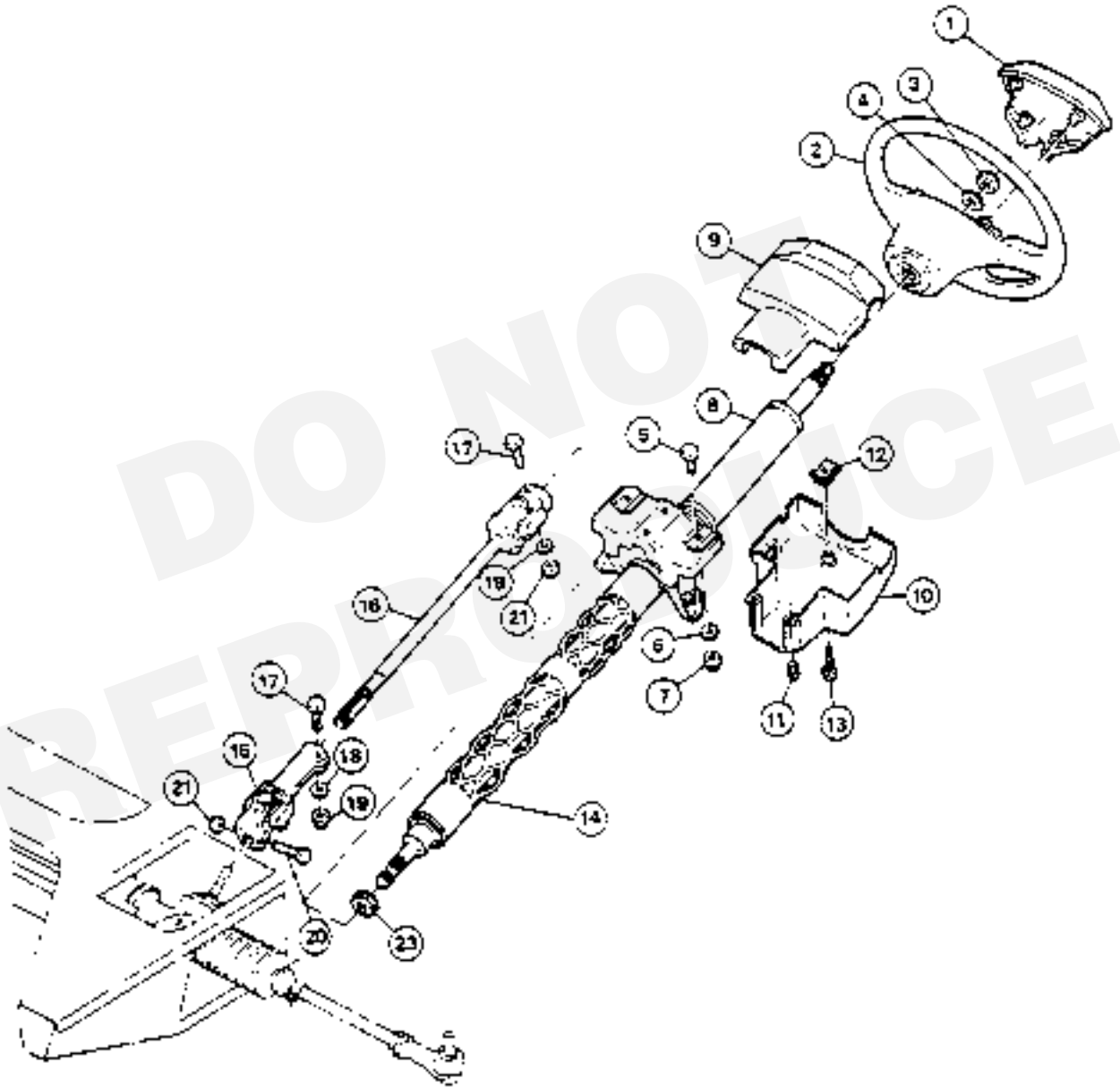
FIG.	PART NUMBER	DESCRIPTION	QTY	REMARKS
1	100345	RACK ASSEMBLY	1	UP TO VIN 1750
	108754	RACK ASSEMBLY	1	FROM VIN 1751
2	109073	NUT	2	
3	109058	HOSE CLAMP OUTER	2	
4	109062	BELLOWS RH		
5	109060	HOSE CLAMP INNER RH		
6	109059	HOSE CLAMP INNER LH		
7	109061	BELLOWS LH		
8	109071	TRACK ROD END	2	ALSO IN 5-1-0
9	110089	MOUNTING ASSY LH		
10	SP10623	WASHER M8	4	
11	SPIW25	NUT, M8 NYLOC	4	
12	110078	MOUNTING ASSY RH		

**NOTE: RACK ASSEMBLY IS INTERCHANGEABLE**

5-2-0-11-6-81



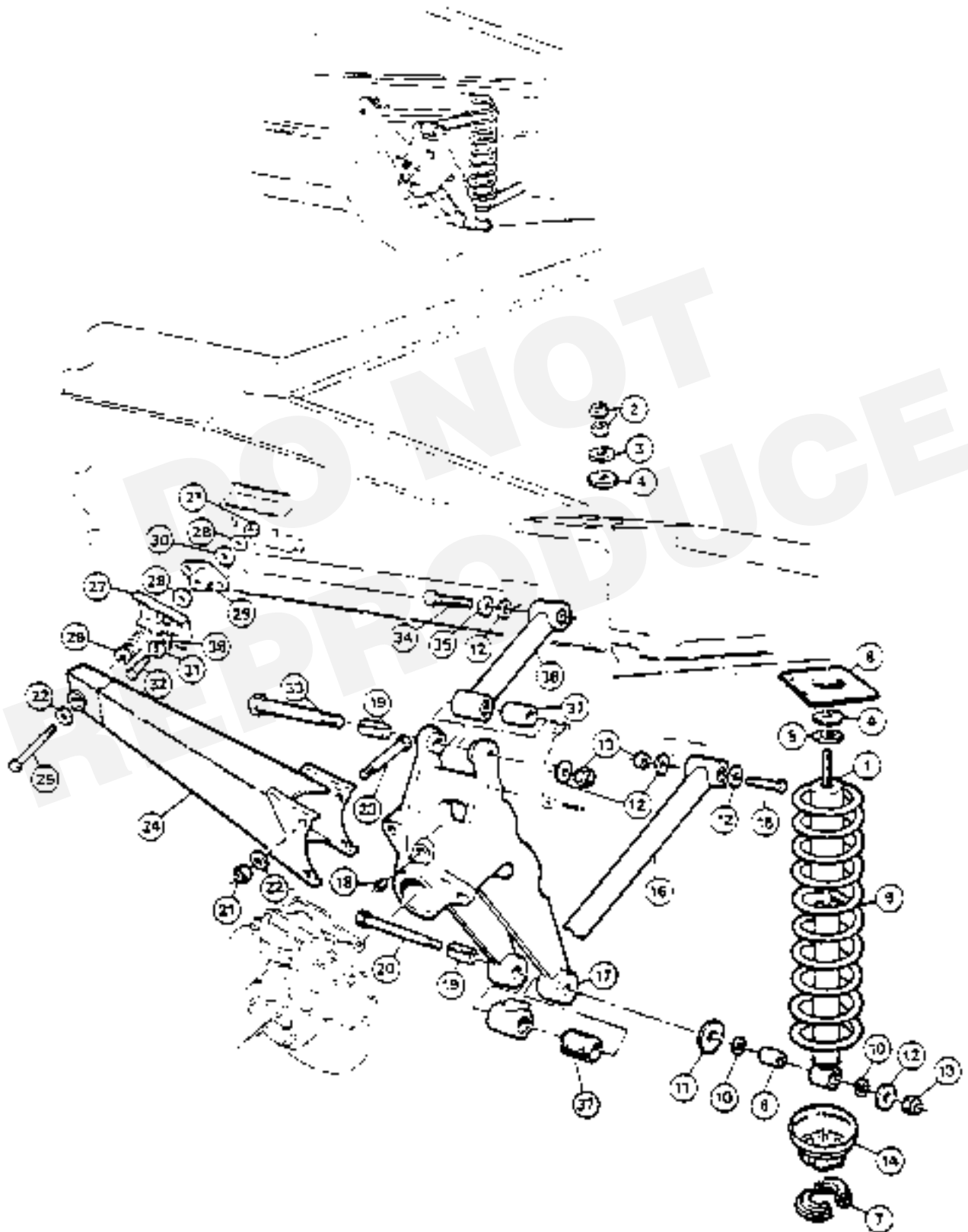
SECTION		SUSPENSION AND STEERING		
SUBSECTION		STEERING COLUMN		
5	2	1 GROUP		
FIG.	PART NUMBER	DESCRIPTION	QTY	REMARKS
1	101036	CENTRE PAD. STRG WHL	1	
2	100412	STEERING WHEEL	1	
3	SP10771	LOCKNUT M14	1	
4	SP10772	WASHER M14	1	
5	SP10018	SCREW M10	2	
6	SP10033	WASHER M10	2	
7	SP10026	NYLOC NUT M10	2	
8	106939	STEERING COLUMN	1	
9	101986	UPPER CANOPY	1	
10	101987	LOWER CANOPY	1	
11	SP10108	SCREW M4	4	
12	SP10169	CAPTIVE SPIRE NUT	1	
13	SP10711	SCREW-SELF TAPPING N8	1	
14	108036	LOWER COLUMN ASSY	1	
15	100839	. UNIVERSAL JOINT	1	
16	100840	. INTR STRG COLUMN	1	
17	SP10110	. SCREW N8	1	
18	SP10032	. WASHER M8	1	
19	SP10025	. NYLOC NUT M8	1	
17	SP10110	SCREW M8	1	
18	SP10032	WASHER M8	1	
19	SP10025	NYLOC NUT M8	1	
20	106955	BOLT M8	1	
21	SP10187	BINX NUT M8	1	
18	SP10032	WASHER M8	1	
23	101994	BUSH	1	INCLUDED IN PEDAL BOX ASSEMBLY (SEE 6-6-0)



SECTION		SUSPENSION AND STEERING		
SUBSECTION		REAR SUSPENSION		
5	3	0	GROUP	
FIG.	PART NUMBER	DESCRIPTION	QTY	REMARKS
1	100408	REAR DAMPER ASSY	2	
2	109085	. LOCK NUT	4	
3	109088	. RETAINING WASHER	2	
4	109087	. BUSH	4	
5	109089	. WASHER-SUPPORT	2	
6	109086	. BONDED BUSH	2	
7		SPLIT SUPT COLLAR	4	NOT SERVICED
8	101213	REAR SPRING ISOLATOR	2	
9	100414	REAR SPRING	2	
10	110584	WASHER	4	
11	SP10776	WASHER LARGE	2	
12	SP10058	WASHER	10	
13	SP10059	NYLOC NUT	6	
14	101205	REAR SPRING PLATFORM	2	
15	101259	FULCRUM BOLT	2	
16	101042	LOWER LINK ASSY	2	
37	100154	. BUSH	4	ALSO USED IN TOP LINK
17	100469	REAR HUB CARRIER LH	1	
	100470	REAR HUB CARRIER RH	1	
18	SP10413	. HELI COIL	4	
19	100481	SPLIT SPACER	4	
20	100482	PIVOT BOLT	2	
21	SP10178	NYLOC NUT M12	6	
22	SP10868	WASHER M12	6	
23	106884	BOLT M12	4	
24	100231	RADIUS ARM LH	1	
	100232	RADIUS ARM RH	1	
25	106883	BOLT M12	2	
26	106680	WASHER-SHIM	A/R	MAX 5 PER SIDE
27	106708	REINFORCING PLATE	2	
28	101935	WASHER-SNUB	4	
29	106716	RADIUS ARM BUSH	2	
30	106962	WASHER-SNUB	2	
31	SP10035	WASHER-SPRING M8	4	
32	SP10219	SCREW M8	4	
33	100735	PIVOT BOLT	2	
34	101259	FULCRUM BOLT	2	
35	SP10074	WASHER-SPRING	2	
36	101041	TOP LINK ASSY	2	
37	100154	. BUSH TOP LINK	8	ALSO USED IN LOWER LINK
38	SP10032	WASHER M8	4	

SUSPENSION AND STEERING  
REAR SUSPENSION

SECTION  
5  
SUBSECTION  
3  
GROUP  
0



5-3-0-4-27-81



# Brakes/Wheels

---

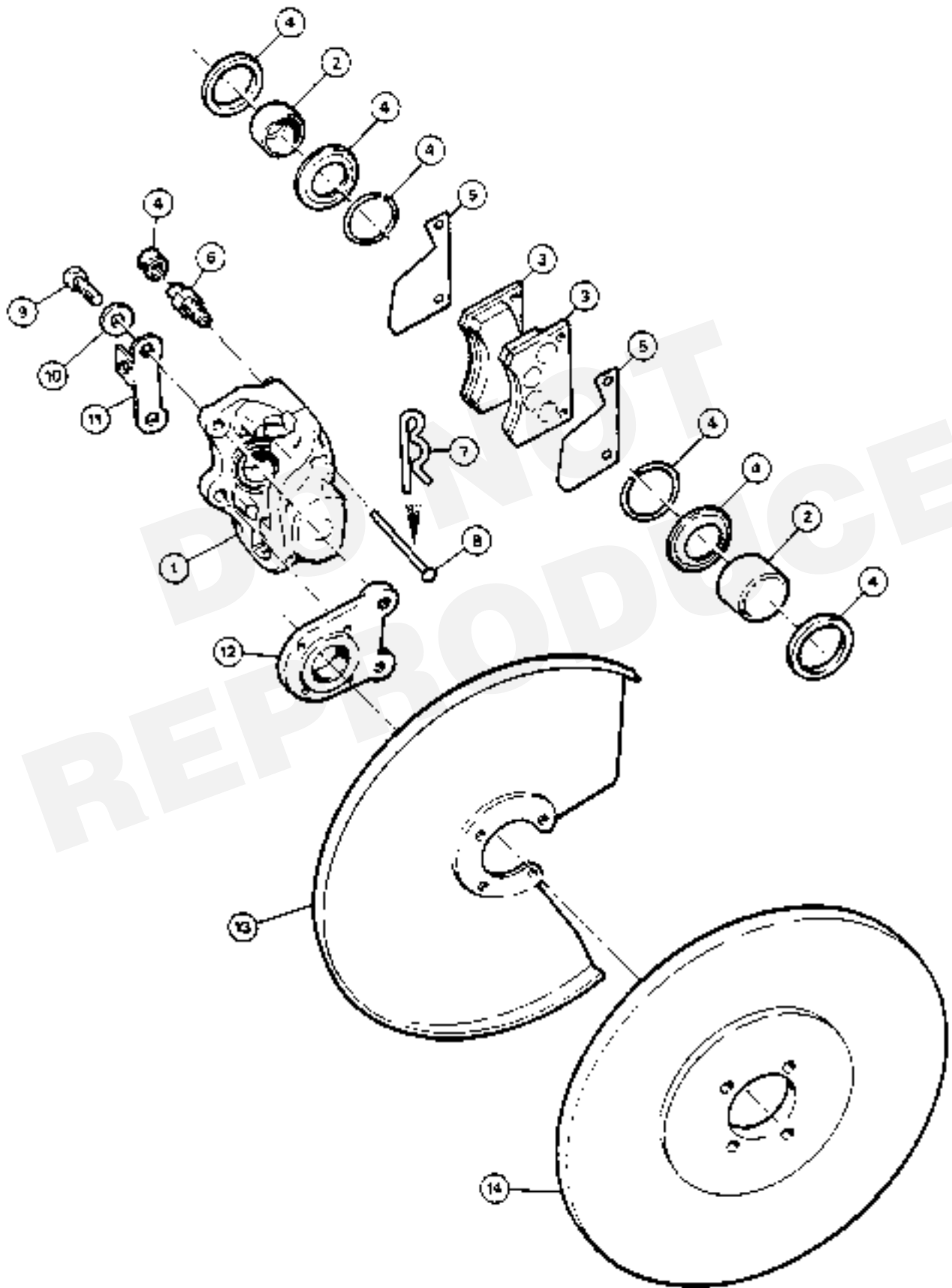
<b>6</b>	SECTION	BRAKES AND WHEELS FRONT BRAKES
	SUBSECTION	
	GROUP	

FIG.	PART NUMBER	DESCRIPTION	QTY	REMARKS
1	100042	CALIPER LH ASSY	1	
	100043	CALIPER RH ASSY	1	
2	109001	. FRONT CALIPER PISTON	4	
3	109005	. SET OF BRK DISC PADS	4	
4	109000	. CALIPER SERVICE KIT	2	
5	109098	. ANTI SQUEAL SHIM	4	
6	109002	. BLEED SCREW	2	
7	109004	. PIN RETAINING CLIP	4	
8	109003	. PAD RETAINING PIN	4	
9	101262	SCREW M12	4	
10	SP10118	SPRING WASHER M12	4	
11	106646	BRAKE PIPE BRKT RH	1	
12	100097	CAUPER BRACKET	2	
13	100264	DUST SHIELD RH	1	
	100265	DUST SHIELD LH	1	
14	100095	FRONT DISC	2	

DO NOT REPRODUCE

BRAKES AND WHEELS  
FRONT BRAKES

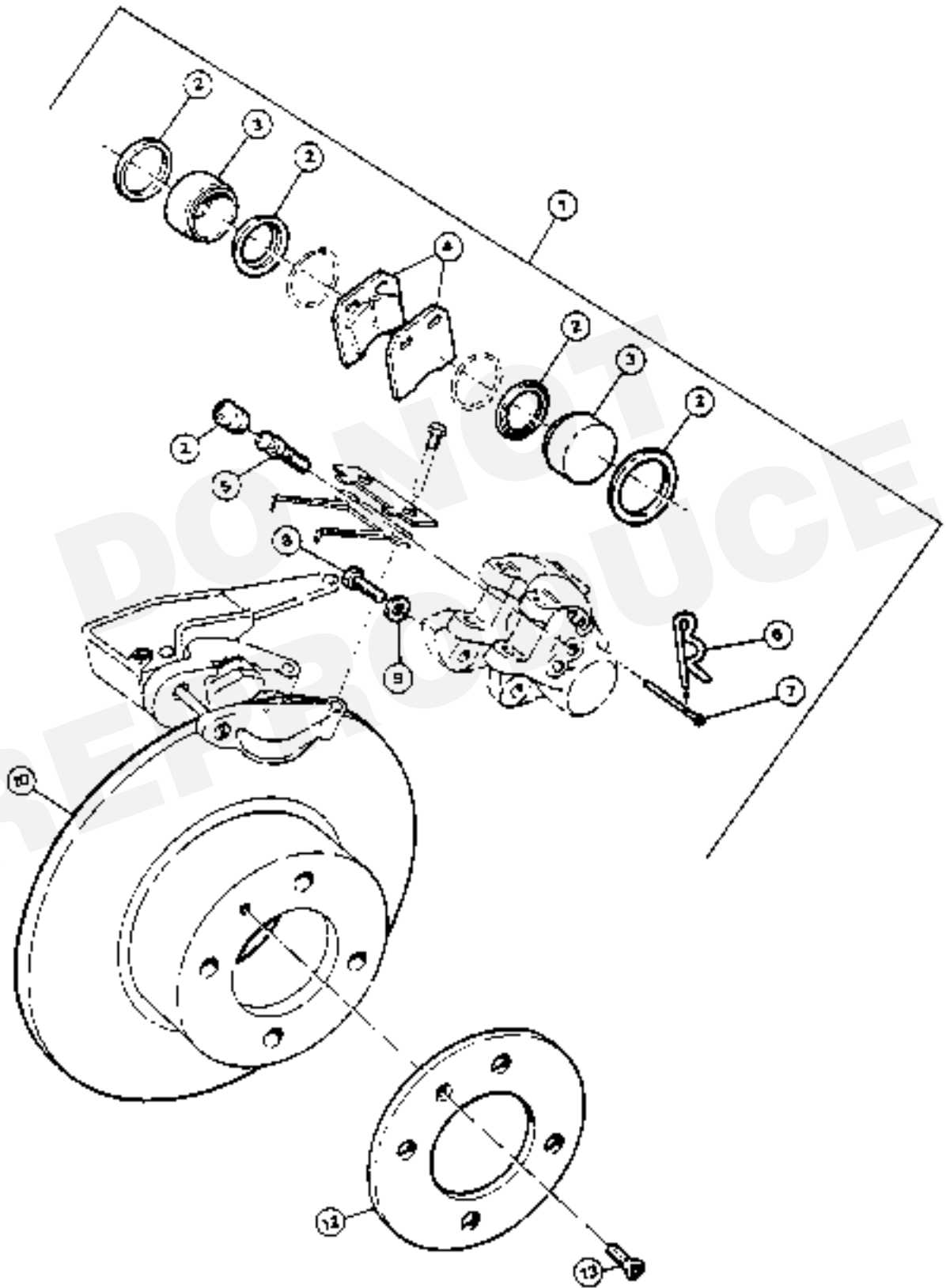
SECTION  
6  
SUBSECTION  
1  
GROUP  
0



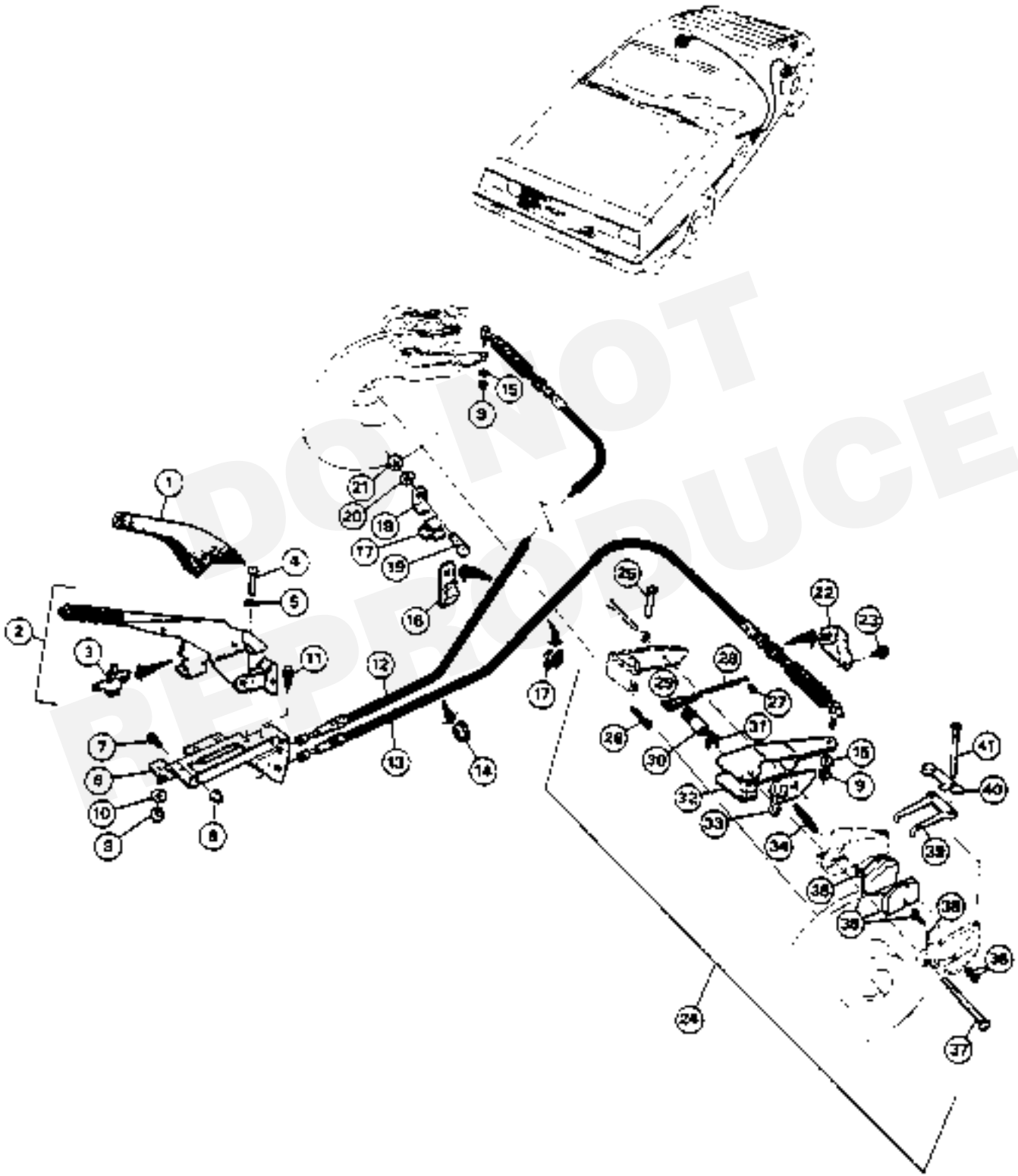
<b>6</b>	SECTION	BRAKES AND WHEELS REAR BRAKES
	SUBSECTION	
	GROUP	

FIG.	PART NUMBER	DESCRIPTION	QTY	REMARKS
1	100044	CALIPER REAR LH ASSY	1	
	100045	CALIPER, REAR RH ASSY	1	
2	109006	SERVICE KIT REAR CALIPER	2	
3	109007	PISTON, REAR CALIPER	4	
4	109012	PAD SET, REAR	4	
5	109008	BLEED SCREW, REAR CALIPER	2	
6	109011	RETAINING CLIP, PAD	4	
7	109010	PIN, PAD RETAINING	4	
8	101936	BOLT 7/16" UNF	4	
9	SP10500	WASHER, PLAIN 7/16"	4	
10	100252	DISC, REAR	2	
12	110154	ADAPTOR PLATE	2	
13	SP10649	SCREW, CROSSHEAD C/SUNK	2	

DO NOT REPRODUCE



SECTION		BRAKES AND WHEELS		
SUBSECTION		PARKING BRAKE		
6	2	1 GROUP		
FIG.	PART NUMBER	DESCRIPTION	QTY	REMARKS
1	101671	PRK BRAKE SLEEVE	1	
2	105452	PRK BRAKE ASSY	1	
3	100822	. WARNING LIGHT SW	1	
4	SP10103	SCREW M8	2	
5	SP10035	SPRING WASHER M8	2	
6	101962	PRK BRAKE MT BRKT	1	UP TO VIN 629
	108579	PRK BRAKE MT BRKT	1	FROM VIN 630
7	SP10670	SEMS SCREW M6	3	UP TO VIN 629
	SP10670	SEMS SCREW M6	2	FROM VIN 630
8	SP10678	RIVNUT M6	3	UP TO VIN 629
	SP10678	RIVNUT M6	2	FROM VIN 630
9	SP10024	NYLOC NUT M6	2	UP TO VIN 629
	SP10024	NYLOC NUT M6	5	FROM VIN 630
10	SP10507	EXTRA LARGE WA M6	2	UP TO VIN 629
	SP10507	EXTRA LARGE WA M6	3	FROM VIN 630
11	SP10674	SEMS SCREW M6	2	UP TO VIN 629
	SP10674	SEMS SCREW M6	1	FROM VIN 630
12	101964	PRK BRK CABLE ASSY RH	1	
13	101965	PRK BRK CABLE ASSY LH	1	
14	106291	. GROMMET	2	
15	SP10031	. WASHER M6	2	
16	106731	CABLE CLIP	1	MANUAL ONLY
17	SP10379	CABLE CLIP	1	
	SP10379	CABLE CLIP	1	AUTOMATIC ONLY
18	105948	CABLE CLIP SUPPORT	1	AUTOMATIC ONLY
19	SP10018	SCREW M10	1	AUTOMATIC ONLY
20	SP10036	SPRING WASHER M10	1	AUTOMATIC ONLY
21	SP10028	NUT M10	1	AUTOMATIC ONLY
22	101952	PRK BRAKE BRKT RH	1	
	101953	PRK BRAKE BRKT LH	1	
23	SP10455	SEMS SCREW M6	2	
24	109013	PRK BRAKE ASSY LH	1	
	109014	PRK BRAKE ASSY RH	1	
25	109020	. PIVOT PIN	2	
26	SP10829	. SPLIT PIN 1.6 x 25	2	CUT TO SUIT
27	109027	. SPRING ANCHOR	2	
28	109026	. SPRING	2	
29	109025	. PAWL	2	
30	109024	. ADJUSTING NUT	2	
31	109023	. FRICTION SPRING	2	
32	109021	. PRK BRAKE LEVER LH	1	
	109022	. PRK BRAKE LEVER RH	1	
33	109033	. INNER COVER PLATE	2	
34	109031	. RETURN SPRING	2	

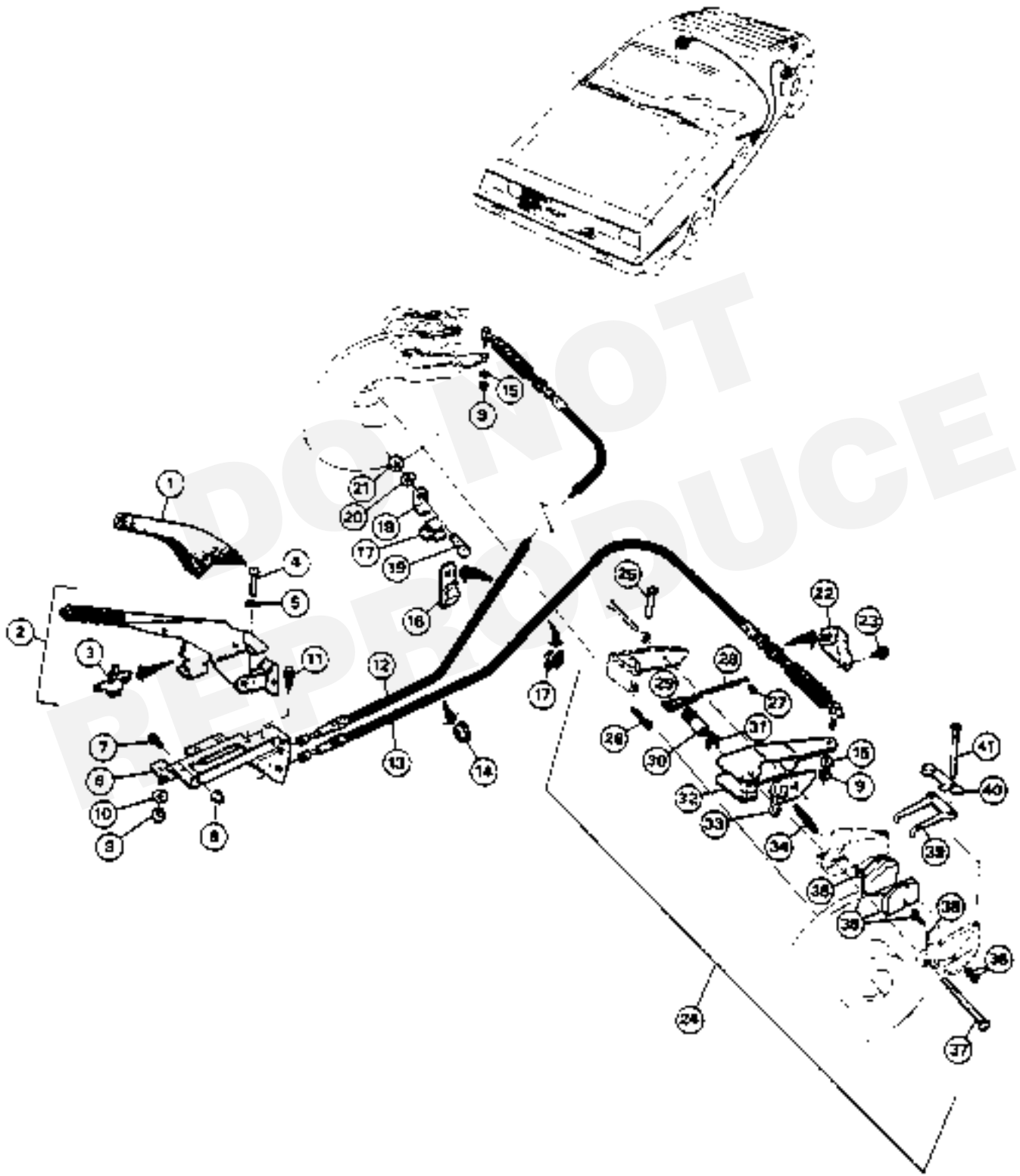


<b>6</b>	SECTION	BRAKES AND WHEELS PARKING BRAKE
	SUBSECTION	
	2 / 1 GROUP	

FIG.	PART NUMBER	DESCRIPTION	QTY	REMARKS
35	109032	. SPRING POST	2	
36	109037	. PRK BRAKE PAD SET	2	
37	109018	. ADJUSTER BOLT	2	
38	SP10479	. SPLIT PIN	2	
39	109034	. RETRACTION PLATE	2	
40	109035	. TAB WASHER	2	
41	109036	. HINGE BOLT	4	

DO NOT REPRODUCE





**6**

SECTION

SUBSECTION

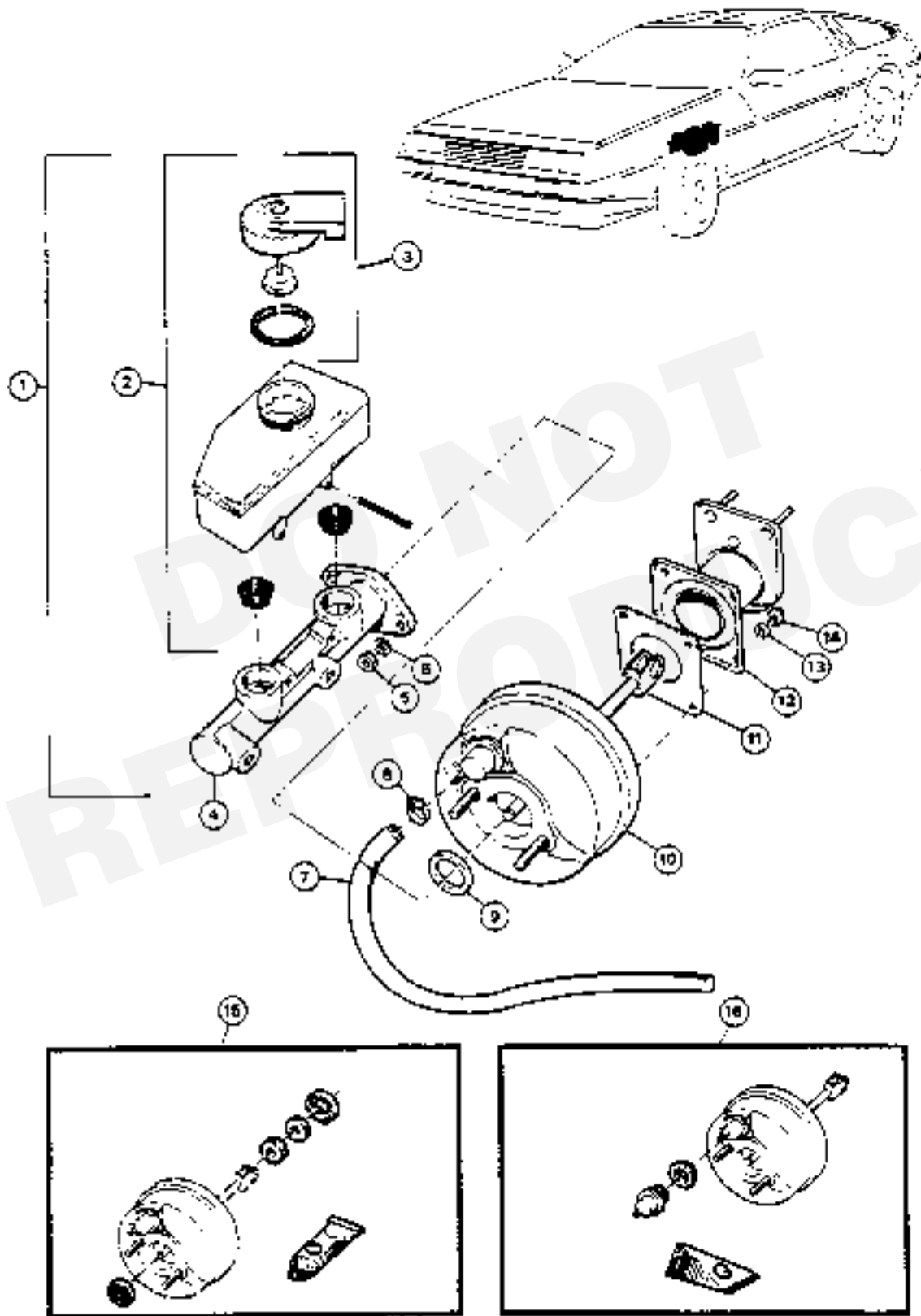
**3**

GROUP

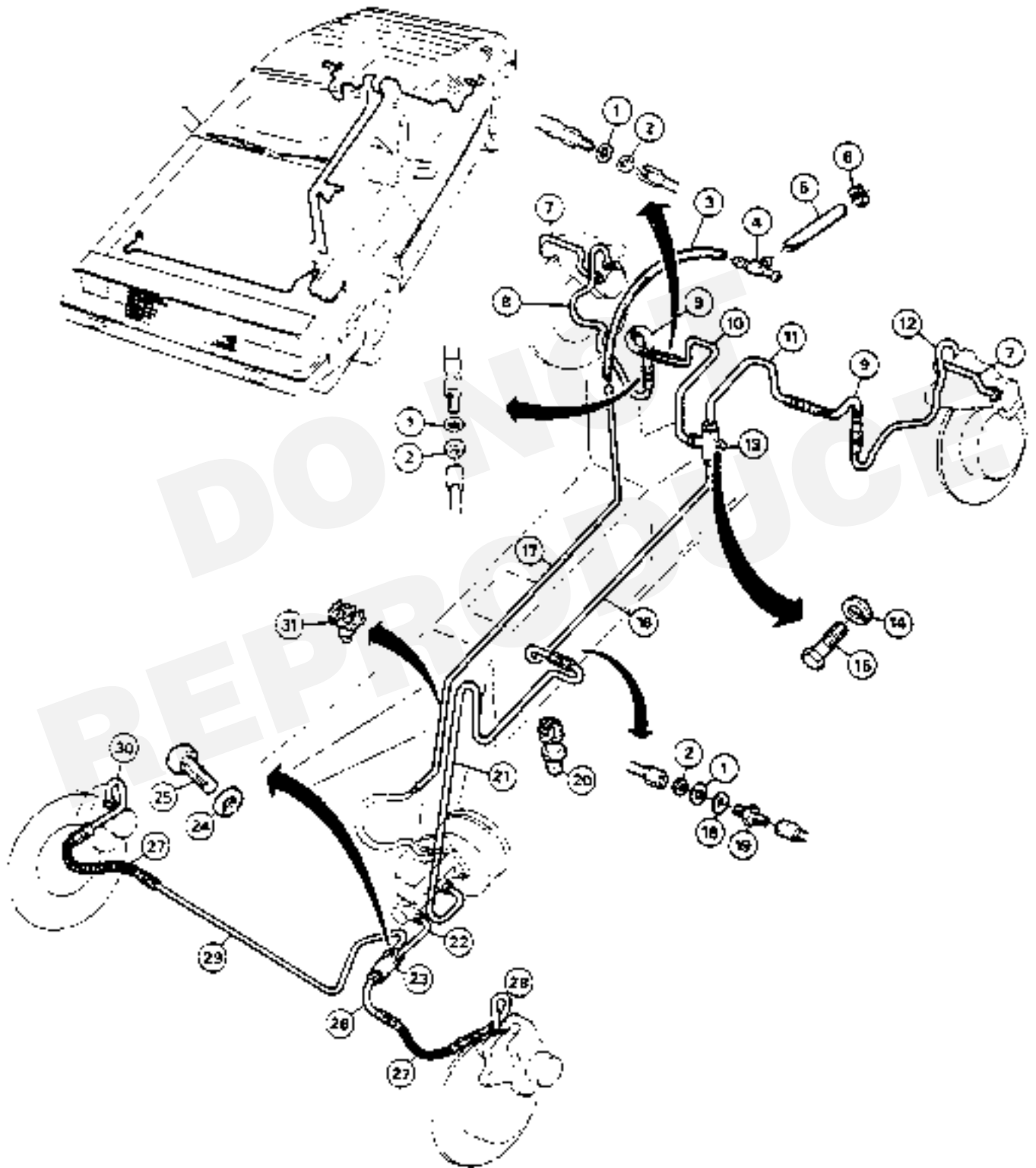
**0**BRAKES AND WHEELS  
MASTER CYLINDER/POWER UNIT

FIG.	PART NUMBER	DESCRIPTION	QTY	REMARKS
1	105543	MASTER/CYL RESERVOIR ASSY	1	
2	109042	. RESVR/LEVEL INDICATOR	1	
3	109041	..FLUID LEVEL INDICATOR	1	
4	109040	. MASTER CYLINDER ASSY	1	
5	SP10028	NUT M10	2	
6	SP10036	SPRING WASHER M10	2	
7	106746	VACUUM HOSE	1	ALSO SHOWN ON 7-3-0
8	SP10348	HOSE CLIP	1	ALSO SHOWN ON 7-3-0
9	105544	SEALING WASHER	1	
10	105542	POWER/SERVO UNIT	1	
11	101401	GASKET	1	
12	100289	BRACKET, SERVO	1	
13	SP10032	WASHER M8	4	
14	SP10025	NYLOC NUT M8	4	
15	109038	SERVO, KIT	1	
1b	109039	CHECK VALVE, KIT	1	

6-3-0-10-30-81



SECTION		BRAKES AND WHEELS		
SUBSECTION		BRAKE LINES/HOSES		
6	3	1 GROUP		
FIG.	PART NUMBER	DESCRIPTION	QTY	REMARKS
1	100516	WASHER	9	
2	100517	LOCK NUT	9	
3	100842	HOSE, VACUUM	1	
4	106747	TEE-PIECE	1	
5	106746	HOSE	1	
6	SP10348	HOSE CLIP	1	
7	109009	BRIDGE PIPE	2	
8	108468	PIPE/REAR CALIPER RH	1	
9	100460	HOSE REAR BRAKES	2	
10	100455	PIPE-RR HOSE/TEE RH	1	
11	100456	PIPE RR HOSE/TEE LH	1	
12	108469	PIPE REAR CALIPER LH	1	
13	106904	TEE PIECE, REAR	1	
14	SP10035	SPRING WASHER M8	1	
15	SP10001	BOLT M8	1	
16	101656	PIPE TEE/UNION	1	
17	100416	PIPE VACUUM	1	
18	SP10033	WASHER M10	1	
19	101655	CONNECTOR, BULKHEAD M10	1	
20	SP10402	PLASTIC CLIP	14	
21	100454	PIPE-UNION/MASTER/CYL	1	
22	100453	PIPE, MASTER CYL/TEE	1	
23	100461	TEE PIECE, FRONT	1	
24	SP10252	SPRING WASHER	2	
25	SP10017	BOLT	2	
26	100452	PIPE-HOSE/FRONT TEE	1	
27	100459	HOSE-FRONT	2	
28	100450	PIPE-FR CALIPER/HOSE	1	
29	100451	PIPE-FR TEE-HOSE RH	1	
30	100449	PIPE-FR CLPR/HOSE RH	1	
31	SPI0392	CLIP, SIZE 5 DOUBLE	2	



**6**

SECTION

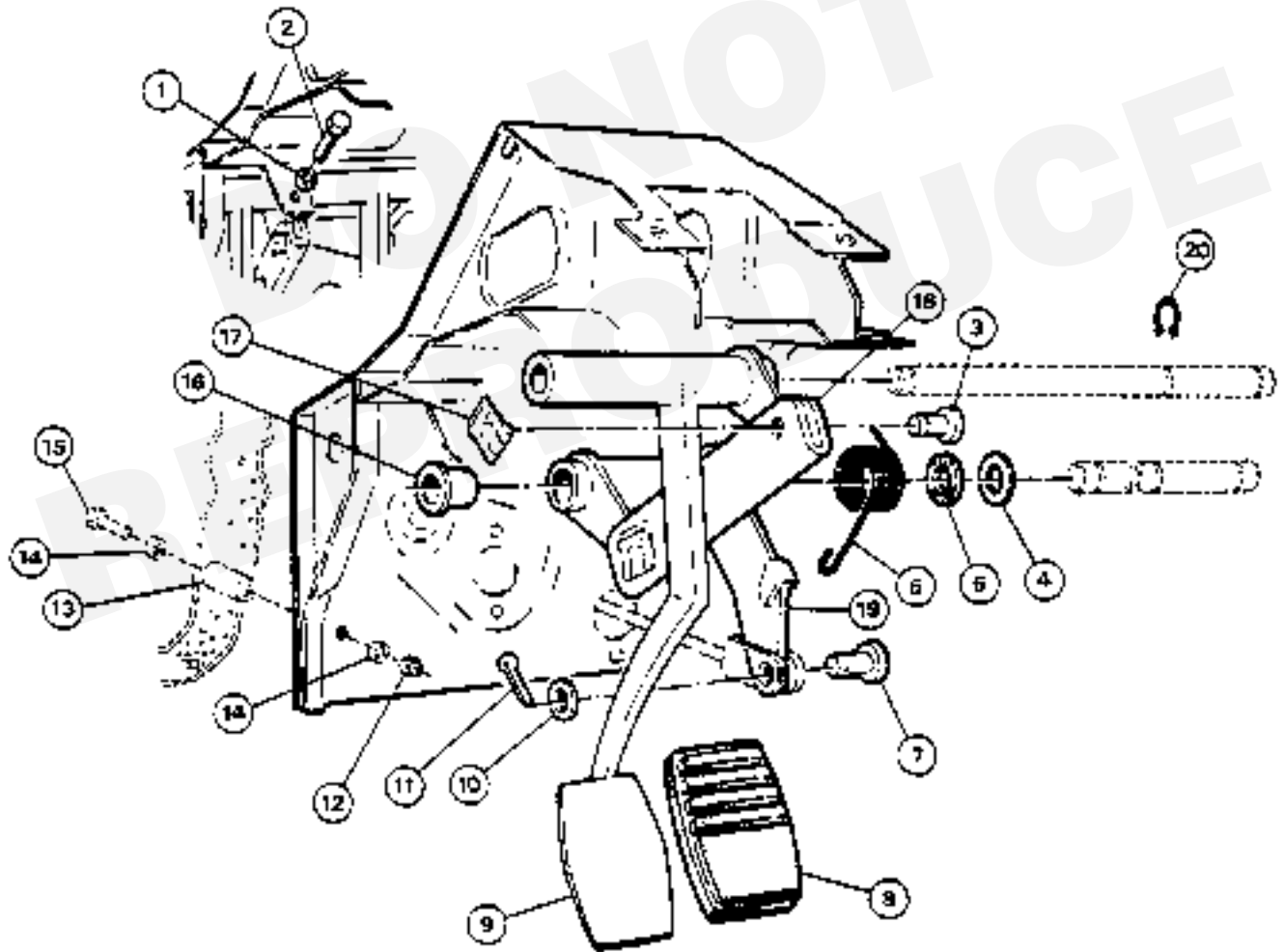
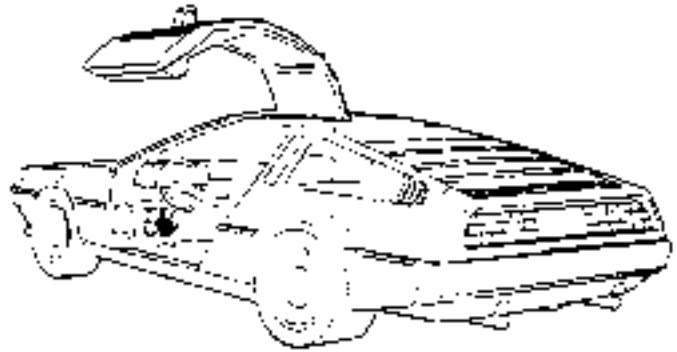
SUBSECTION

**3** / **2** GROUPBRAKES AND WHEELS  
BRAKE PEDAL/LINKAGE (MANUAL)

FIG.	PART NUMBER	DESCRIPTION	QTY	REMARKS
1	SP10069 *	LOCKNUT M6	2	
2	SP10015 *	SCREW M6	2	
3	100539 *	PIN-PIVOT	2	
4	100364 *	WASHER	1	
5	100366 *	WASHER-FELT	1	
6	100368 *	SPRING-RETURN	1	
7	106062	PIN-CLEVIS	1	
8	101660 *	RUBBER PEDAL	1	
9	100351 *	BRAKE PEDAL	1	
10	SP10058	WASHER 1/2"	1	
11	SP10092	PIN SPLIT	1	
12		NYLOC NUT M8	5	REFER TO 6-6-0
13		DISTANCE PIECE	5	REFER TO 6-6-0
14		EXTRA LARGE WA M8	3	REFER TO 6-6 0
15		BOLT M8	1	REFER TO 6-0-0
16	100365 *	BUSH	4	
17	SP10115 *	CLIP BAYONET	2	
18	101688 *	LINK	1	
19	100375 *	BRAKE REL SHAFT	1	
20	SP10664 *	CIRCLIP	1	

\* INCLUDED IN PEDAL BOX ASSEMBLY (SEE 6-6-0)

6-3-2-9-4-81



**6**

SECTION

SUBSECTION

**3** / **3** GROUPBRAKES AND WHEELS  
BRAKE PEDAL/LINKAGE (AUTO)

FIG.	PART NUMBER	DESCRIPTION	QTY	REMARKS
1	SP10015 *	SCREW M6	1	
2	SP10069 *	LOCKNUT M6	1	
3	SP10664 *	C1RCLIP	1	
4	100364 *	WASHER	2	
5	100366 *	WASHER-FELT	1	
6	100368 *	SPRING-RETURN	1	
7	100359 *	PIN-PIVOT	2	
8	106062	PIN-CLEVIS	1	
9	SP10058	WASHER 1/2"	1	
10	SP10092	PIN-SPLIT	1	
11	101661 *	RUBBER PEDAL	1	
12	101659 *	BRAKE PEDAL	1	
13		NYLOC NUT M8	5	REFER TO 6-6-0
14		WA-EXTRA LARGE M8	3	REFER TO 6-6-0
15		BOLT M8	1	REFER TO 6-6-0
16	SP10115 *	CLIP-BAYONET	2	
17	100365 *	BUSH	4	
18	SP10383	PLUG	2	FOR CLUTCH RESERVOIR MOUNTING BRACKET HOLES
19	101688 *	LINK	1	
20	100375 *	BRAKE RELAY SHAFT	1	
21	SP10116*	SAFETY CLIP	4	

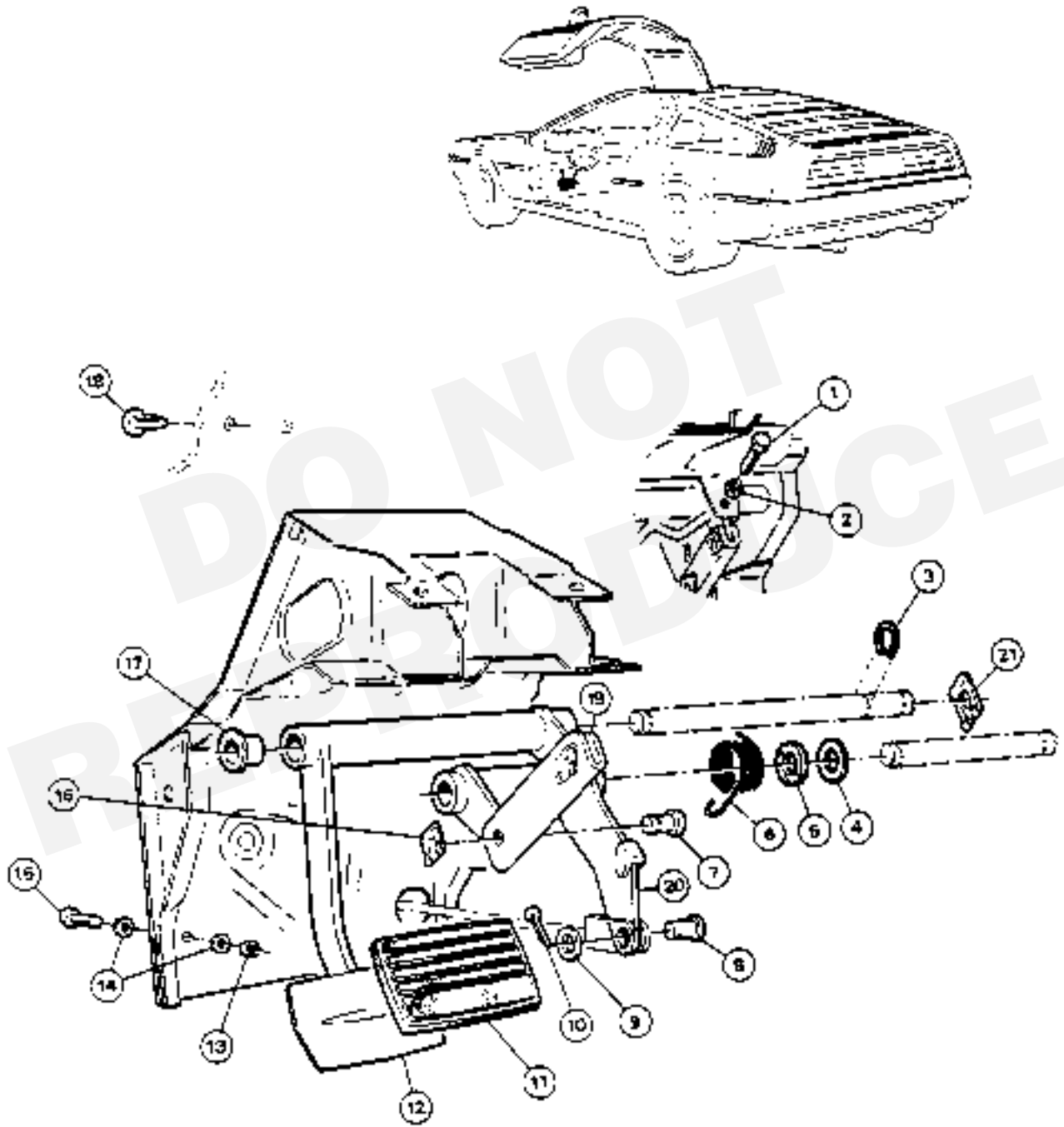
\* INCLUDED IN PEDAL BOX ASSEMBLY (SEE 6-6-0)

6-3-3-6-12-81



BRAKES AND WHEELS  
BRAKE PEDAL/LINKAGE (AUTO)

SECTION  
6  
SUBSECTION  
3  
GROUP  
3

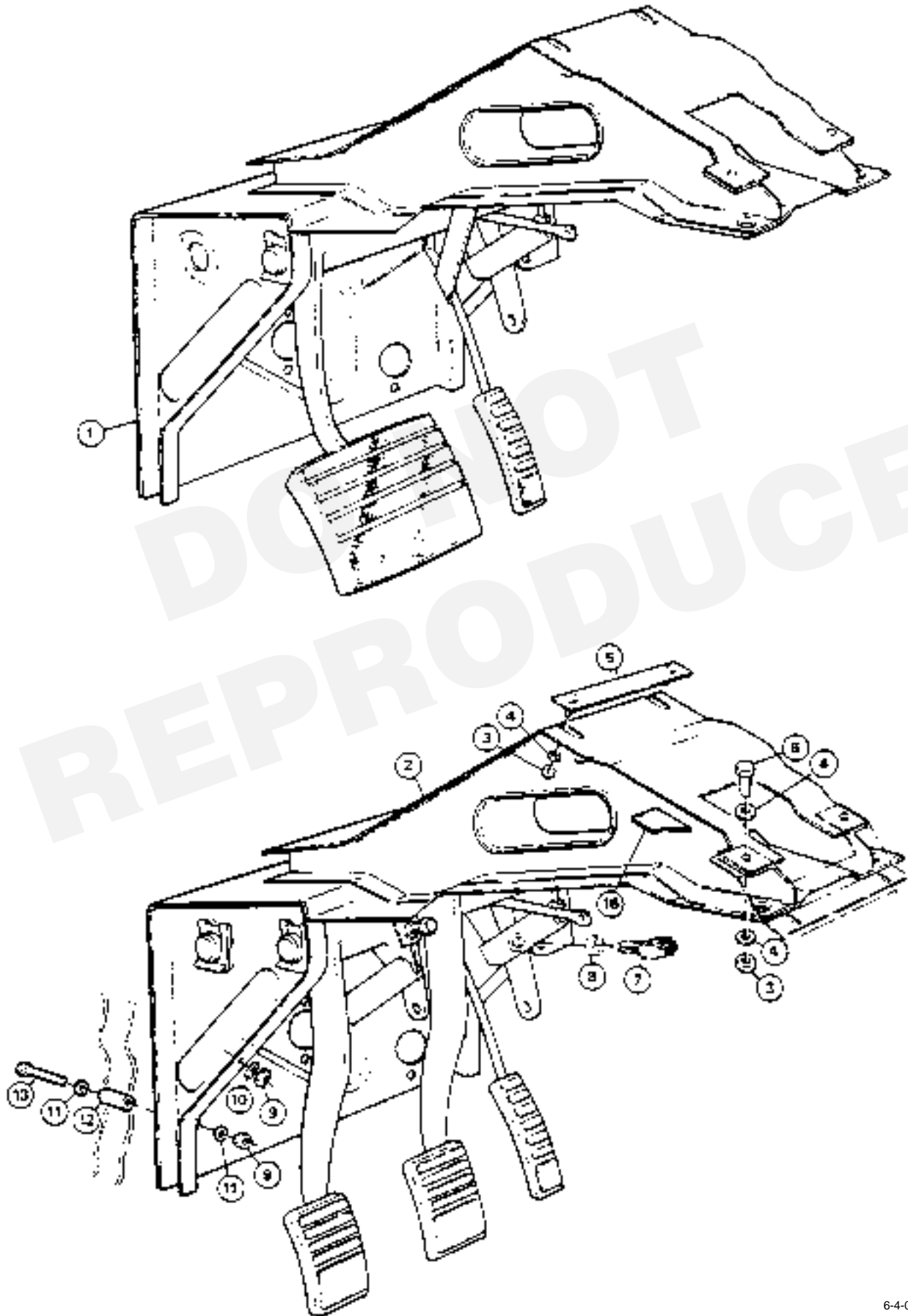


<b>6</b>	SECTION	BRAKES AND WHEELS PEDAL BOX
	SUBSECTION	
	GROUP	

FIG.	PART NUMBER	DESCRIPTION	QTY	REMARKS
1	101657	PED BOX AUTO ASSY	1	
2	100483	PED BOX MAN ASSY	1	
3	SP10106	NUT M5	4	
4	SP10111	WASHER M5	6	
5	101996	FIXING PLATE	1	
6	SP10113	SCREW M5	2	
7	100820	STOP LAMP MICROSW	1	SEE 3-6-2
8	SP10783	NYLON SPACER	1	SEE 3-6-2
9	SP10025	NUT M8	5	
10	SP10032	WASHER M8	4	
11	SP10765	EXTRA LARGE WA M8	3	
12	105226	DISTANCE PIECE	5	
13	SP10628	BOLT M8	1	
16	108210	PAD	1	

DO NOT REPRODUCE

**FOR PEDAL BOX ASSEMBLY, SERVICEABLE COMPONENTS, ARE MARKED \* IN SECTIONS 1:6:0, 4:4:0, AND 6:3:2.**

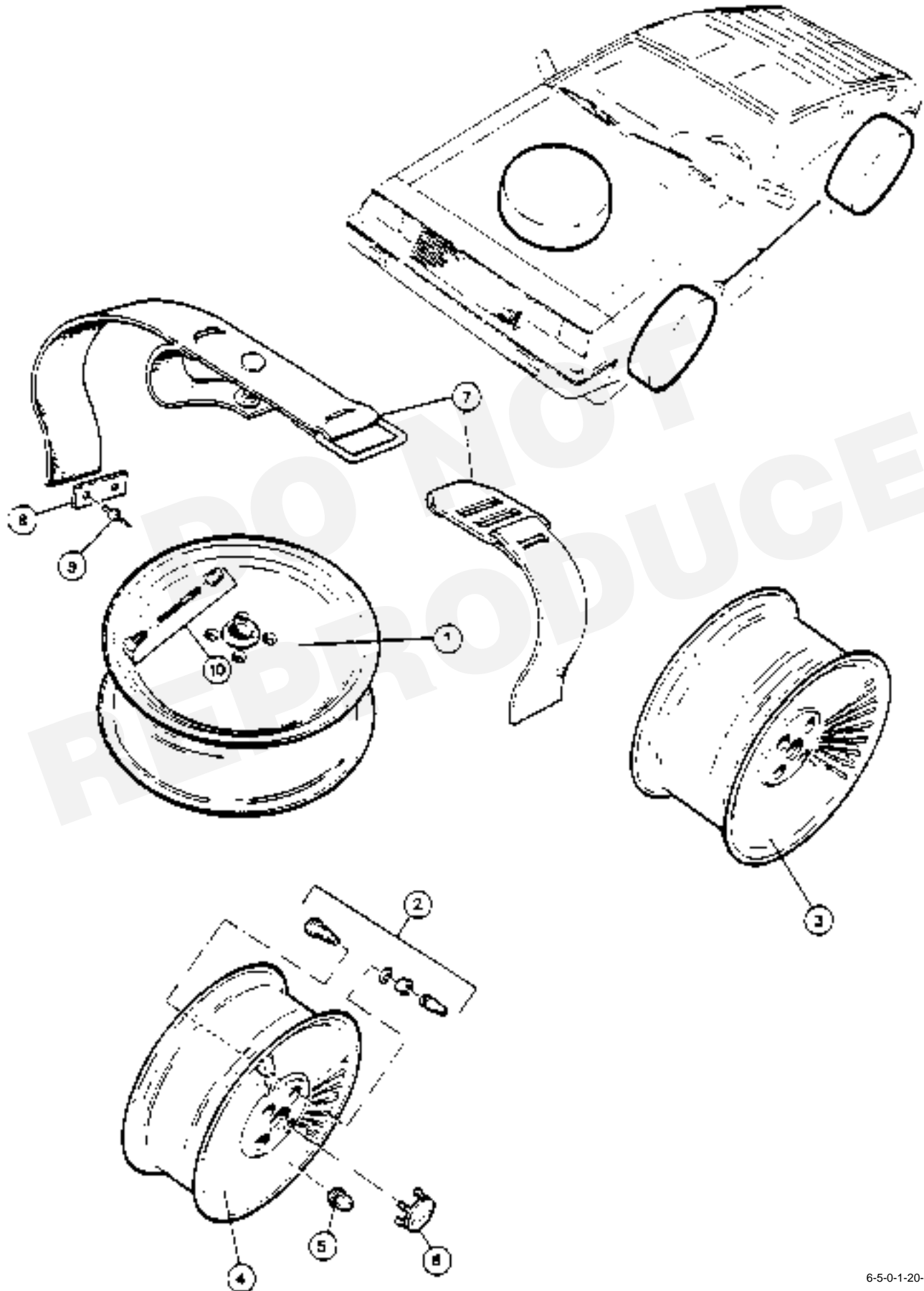


<b>6</b>	SECTION	BRAKES AND WHEELS WHEELS
	SUBSECTION	
	GROUP	

FIG.	PART NUMBER	DESCRIPTION	QTY	REMARKS
1	100528	SPARE WHEEL 4 x 15	1	
2	108527	VALVE ASSY. FRONT/REAR	4	
3	100427	WHEEL REAR (GREY) 8 x 15	2	UP TO VIN 1883
	108702	WHEEL REAR (SILVER) 8 x15	2	FROM VIN 1884
4	100426	WHEEL FRONT (GREY)	2	UP TO VIN 1883
	108701	WHEEL FRONT (SILVER)	2	FROM VIN 1884
5	100181	NUT, WHEEL	16	
6	108738	CAP, EMBLEM	4	
7	106654	STRAP, RETAINING	1	
8	106945	SECURING PLATE	1	
9	SP10712	POP RIVET	4	
10	100430	VALVE ASSY, SPARE	1	

**NOTE: COLOUR CODE ON WHEELS CHANGED FROM 1115 TO 659**

SPARE TIRE-125 x 70 x 15-PART NUMBER 100529  
 FRONT TIRE-195 x 60 x HR 14-PART NUMBER 100428  
 REAR TIRE-235 x 60 x 15 HR-PART NUMBER 100429



# Heating/Air Conditioning

---

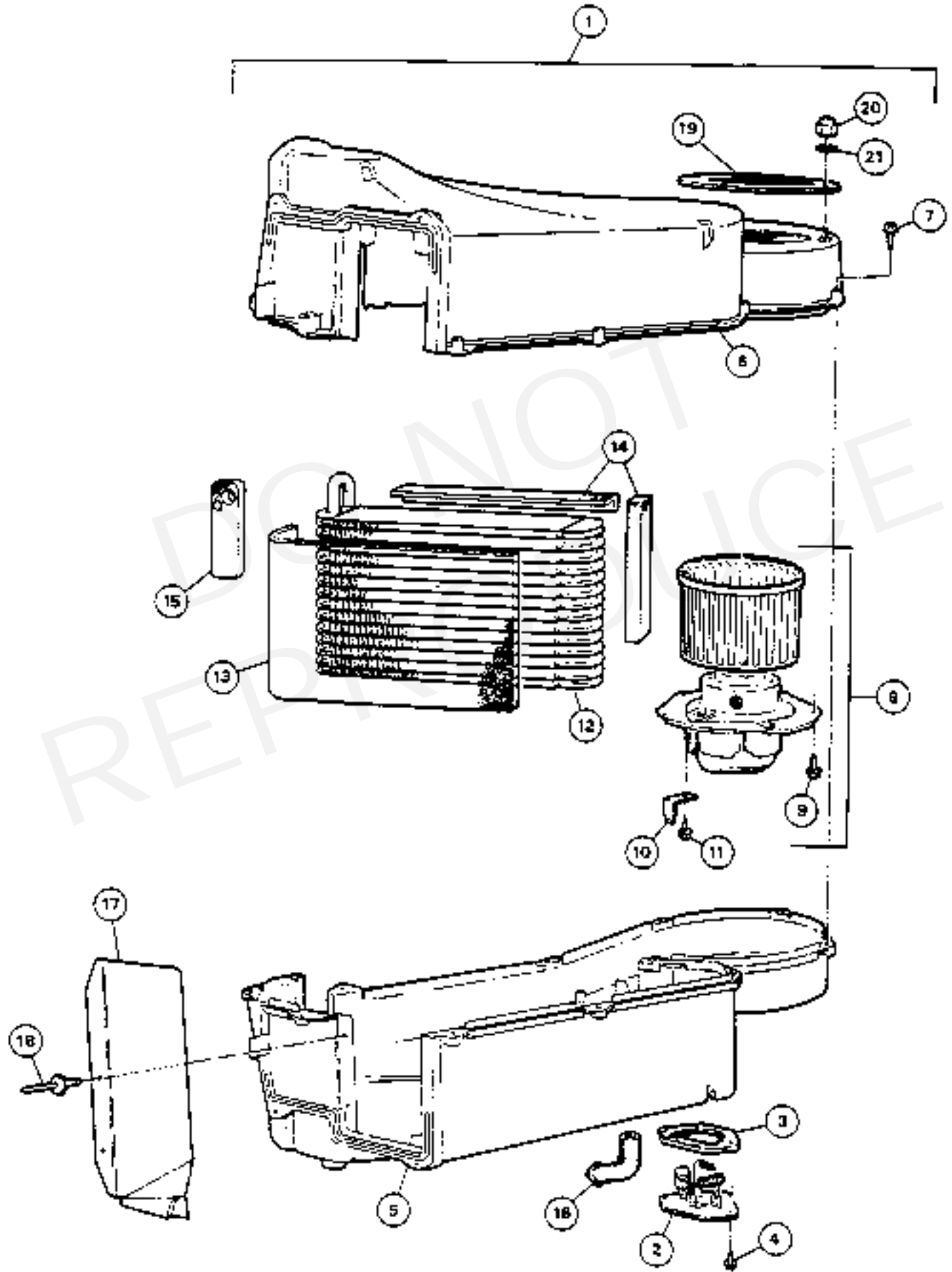
<b>7</b>	SECTION	AIR CONDITIONING UNIT EVAPORATOR
	SUBSECTION	
	GROUP	

FIG.	PART NUMBER	DESCRIPTION	QTY	REMARKS
	<b>100705</b>	<b>AIC UNIT</b>	<b>1</b>	<b>COMPRISES EVAPORATOR/BLOWER ASSY AND HEATER ASSY</b>
1	109115	..EVAP/BLOWER ASSY	1	
2	101275	..RESISTORS	1	
3	109121	..GASKET	1	
4	*	..SCREW	2	
5	101270	..LOWER EVAP CASING	1	
6	101269	..UPPER EVAP CASING	1	
7	*	..SCREW	1	
8	101273	..MOTOR & FAN ASSY	1	
9	*	..SCREW	5	
10	109116	..TERMINAL	1	
11	*	..SCREW	1	
12	*	..EVAP CORE	1	SEE 7-2-0
13	109119	..FILTER	1	
14	109118	..CORE SEAL	1	
15	109117	..TUBE SEAL	1	
16	109125	..MOTOR COOLING TUBE	1	
17	109124	..BAFFLE	1	
18	-	..RIVET	3	
19	IO5221	SEAL	1	
20	SP10106	NYLOC NUT M55	3	
21	SP10117	LARGE WASHER M5	3	

**\* BULLETIN TO FOLLOW RE PART NUMBERS**

AIR CONDITIONING UNIT  
EVAPORATOR

SECTION  
7  
SUBSECTION  
1  
GROUP  
0



7-1-0-1-18-82

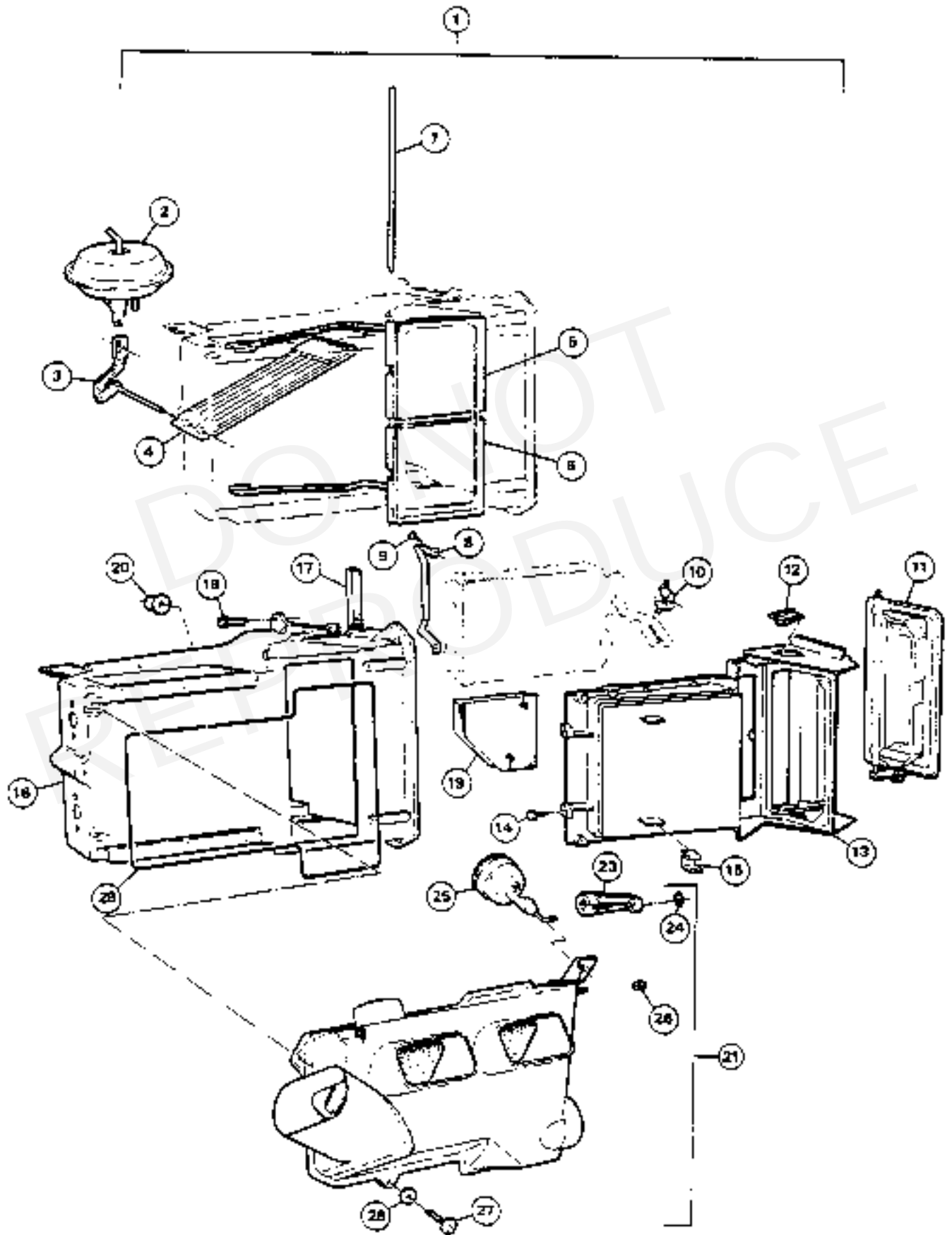


7		SECTION	AIR CONDITIONING UNIT	
1		SUBSECTION	HEATER	
1		GROUP		
FIG.	PART NUMBER	DESCRIPTION	QTY	REMARKS
		<b>A/IC UNIT</b>	<b>1</b>	<b>SEE 7-1-0</b>
1	109104	. HEATER ASSY	1	
2	101279	..ACTUATOR	3	
3	109106	..SHAFT, LEVER & LINK	1	
4	101278	..VALVE	1	
5	101277	..UPR VALVE & LINK	1	
6	109107	..LWR VALVE & LINK	1	
7	109112	..SHAFT	1	
8	109110	..STRAP	1	
9	*	..SCREW	2	
10	109109	..CLAMP	1	
11	101276	..VALVE & TRUNNION	1	
12	109108	..RET SHAFT CLIP	2	
13	109111	..TEMP VLV HOUSING	1	
14	*	..SCREW	2	
15	109113	..CLIP	1	
16	101268	..CASE	1	
17	109114	..SEAL	1	
18	*	..SCREW	4	
19	109103	..TUBE SEAL	1	
20	109105	..SPACER	1	
21	101367	<b>AIC ADAPTOR ASSY</b>	<b>1</b>	
23	105068	. LEVER	1	
24	SP10419	. SPIRE FIXING	1	
25	101752	. VACUUM ACTUATOR	1	
26	SP102S3	. POP RIVET WASHER	3	
27	SP10711	SCREW N8	2	
28	SP10503	LARGE WASHER M5	2	
29	108302	SEAL	1	

\* BULLETIN TO FOLLOW RE PART NUMBERS

AIR CONDITIONING UNIT  
HEATER

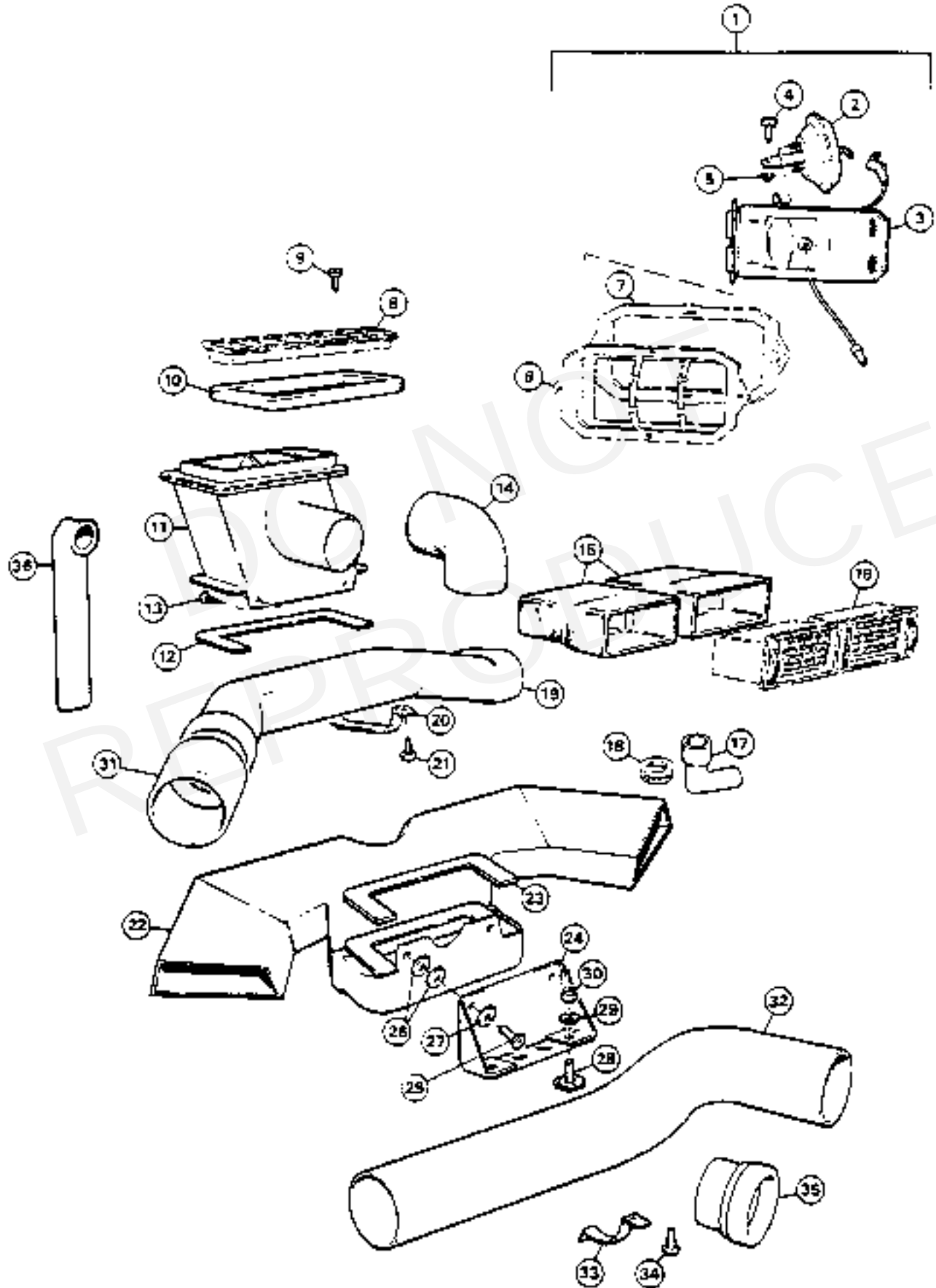
SECTION  
7 / 1 SUBSECTION  
1 / 1 GROUP



7-1-1-20-82

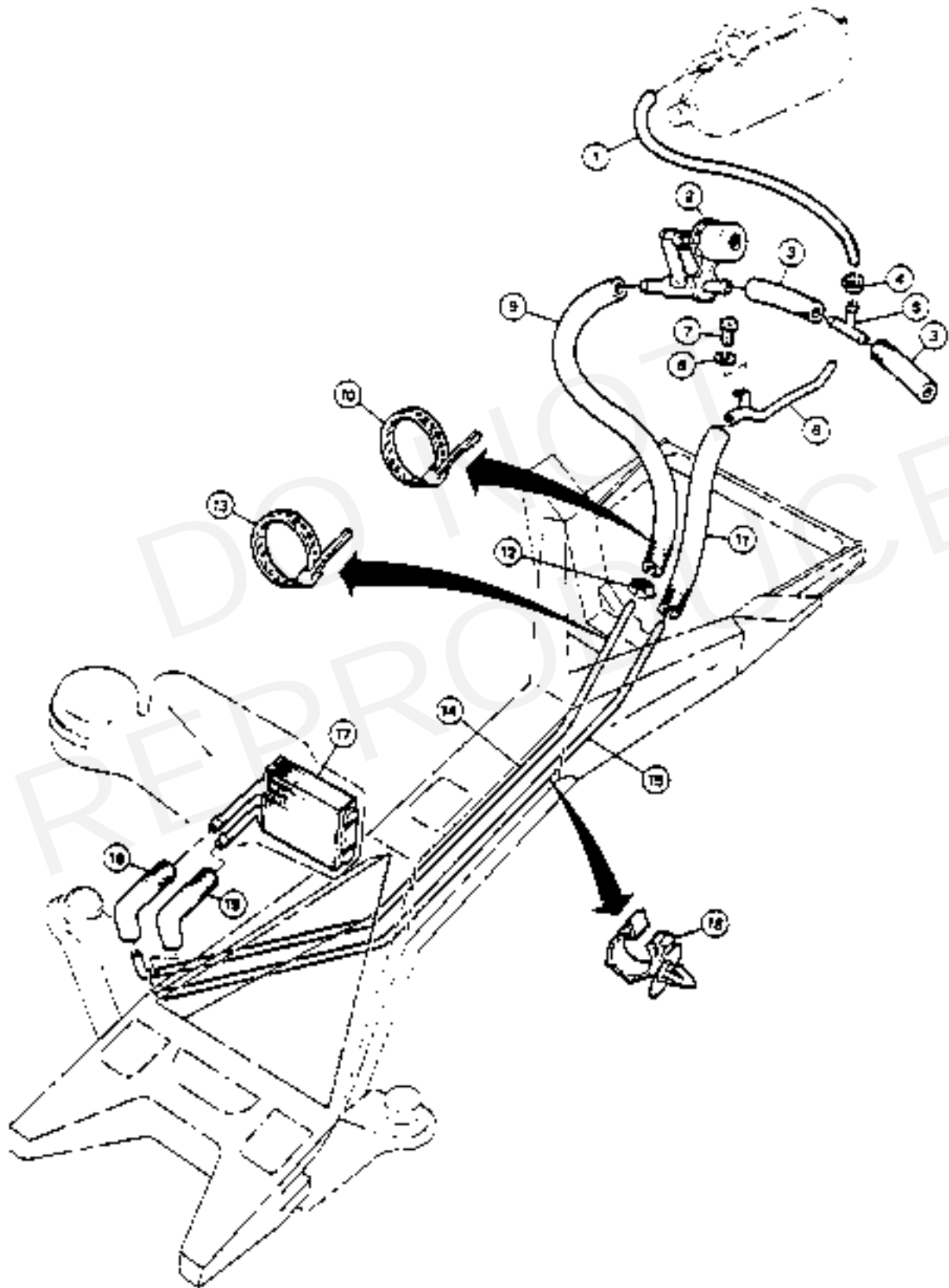
7 SECTION		AIR CONDITIONING UNIT		
1 SUBSECTION		AIR DUCTING		
2 GROUP				
FIG.	PART NUMBER	DESCRIPTION	QTY	REMARKS
1	I00745	AIR INLET ASSY	1	
2	109128	. ACTUATOR	1	
3	109130	. VALVE	1	
4	109127	. PIVOT	1	
5	*	. SPIRE FIXING	1	
6	109126	. FRAME	1	
7	109129	. GASKET	1	
8	I00762	SCREEN DEMIST VENT	3	
9	SP10465	SCREW N8	6	
10	105224	ADAPTOR UPPER SEAL	1	
11	110271	DEMIST ADAPTOR	1	
12	105223	ADAPTOR LOWER SEAL	1	
13	SP10135	N8 SCREW	2	
14	101460	DEMIST DUCT	1	
15	101697	HOSE	2	
16	100706	CENTRE CONSOLE VENT	1	
17	105909	DRAIN TUBE	1	
18	SP10389	GROMMET	1	
19	101379	DOOR DUCTING	1	
20	105212	SUPPORT BRACKET	1	
21	SP10431	SCREW N6	2	
22	100757	HEATER OUTLET	1	
23	105222	HEATER OUTLET SEAL	1	
24	105026	SUPPORT BRACKET	1	
25	SP10711	SCREW N8	2	
26	SP10507	LARGE WASHER M6	4	
27	SP10503	LARGE WASHER M6	2	
28	SP10811	BIG HEAD STUD M6	2	
29	SP10031	WASHER M6	2	
30	SP10024	NYLOC NUT M6	2	
31	106065	DOOR VENT DUCTING	2	
32	106056	DOOR VENT DUCTING	1	
33	105211	SUPPORT STRAP	2	
34	SP10432	SCREW N8	2	
35	105215	DOOR ADAPTOR	2	
36	101957	PLENUM DRAIN TUBE	1	

\* BULLETIN TO FOLLOW RE PART NUMBER



<b>7</b>	SECTION	AIR CONDITIONING UNIT HEATING SYSTEM
	SUBSECTION	
	GROUP	

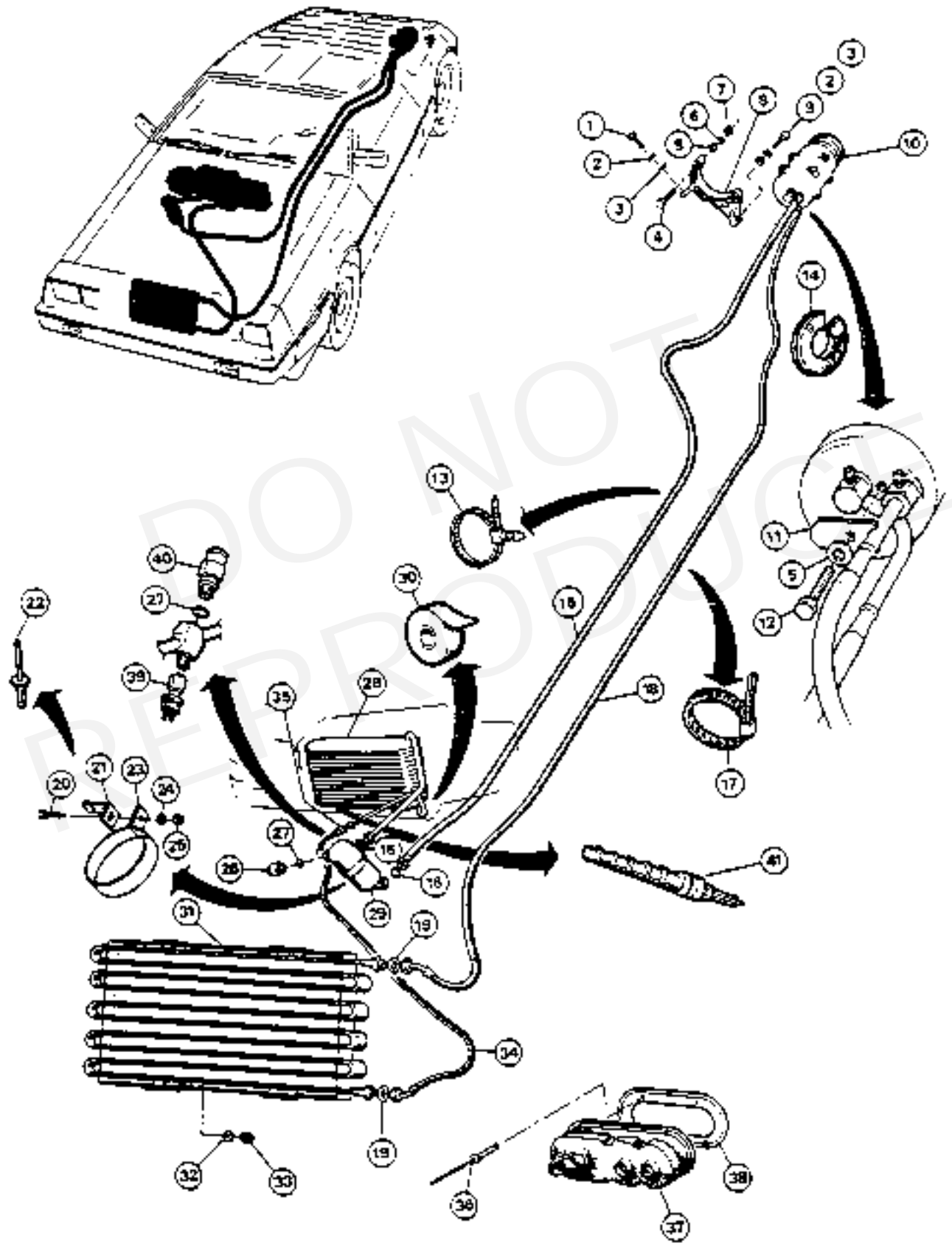
FIG.	PART NUMBER	DESCRIPTION	QTY	REMARKS
1	101760	BLEED HOSE	1	
2	100763	WATER VALVE	1	
3	101754	HEATER HOSE	2	
4	SP10348	HOSE CLIP	2	
5	106786	BLEED ADAPTOR	1	
6	102482	WATER RETURN PIPE	1	
7	104173	SCREW M7	1	
8	101048	WASHER M7	1	
9	101757	HEATER HOSE	1	
10	SP10841	PIPE STRAP	1	
11	101759	HEATER HOSE	1	
12	SP10849	HOSE CLIP	12	
13	SP10399	PIPE STRAP	1	
14	101755	TUBE, HEATER FEED	1	
15	101758	TUBE, HEATER RETURN	1	
16	SP10381	'P' CLIP	6	
17	101271	HEATER CORE	1	
18	108612	HOSE	1	
19	108613	HOSE	1	



SECTION		AIR CONDITIONING UNIT		
SUBSECTION		REFRIGERATIVE SYSTEM		
7	2	0	GROUP	
FIG.	PART NUMBER	DESCRIPTION	QTY	REMARKS
1	SP10001	SCREW M8	2	
2	SP10035	WASHER-SPRING M8	4	
3	SP10032	WASHER M8	4	
4	SP10779m	BOLT M10	6	
5	SP10033	WASHER M10	7	
6	SP10036	WASHER-SPRING M10	6	
7	SP10028,	NUT M10	6	
8	100718	BRACKET MOUNTING	2	
g	SP10782	BOLT M8	2	
10	100746	COMPRESSOR	1	
11	105845	CLAMP	1	
12	SP10446	3/8" UNF BOLT	1	
13	SP10382	PIPE STRAP	11	
14	SP10763	EDGE FINISHER	1	
15	100750	HOSE ACUML CMPR	1	COMPLETE WITH SPREADER VALVE
16	106869	. 'O' RING	1	
17	SP10841	CABLE TIE	1	
18	100748	HOSE OTLT LINE	1	COMPLETE WITH SPREADER VALVE
19	106868	. 'O' RING	1	
20	SP10015	SCREW M6	1	
21	106013	BRACKET	1	
22	SP10130	POP RIVETS	2	
23	106012	BRACKET-ACCUMULATOR	1	
24	SP10031	WASHER M6	1	
25	SP10024	NYLOC NUT M6	1	
26	100744	LOW PRESSURE SWITCH-I	1	
27	106867	'O' RING	2	
28	101272	EVAPORATOR	1	
29	100743	ACCUMULATOR	1	
16	106869	. 'O' RING	1	
30	106781	NO DRIP TAPE	AR	
31	106327	CONDENSER	1	
32Z	SP10117	WASHER-LARGE M5	4	
33	SP10106	NYLOC NUT M5	4	
34	106919	HOSE CNDSR EVAP	1	
19	106868	. 'O' RING	1	
35	106867	. 'O' RING	1	
17	SP10841	CABLE TIE	1	
36	SP10130	POP RIVET	4	
37	105847	GAITER	1	
38	105846	GAITER RET RING	1	
39	106917	HI PRESS CUT-OUT SW	1	
40	106918	PRESSURE RELIEF VLV	1	
41	109122	ORIFICE TUBE	1	

AIR CONDITIONING UNIT  
REFRIGERATIVE SYSTEM

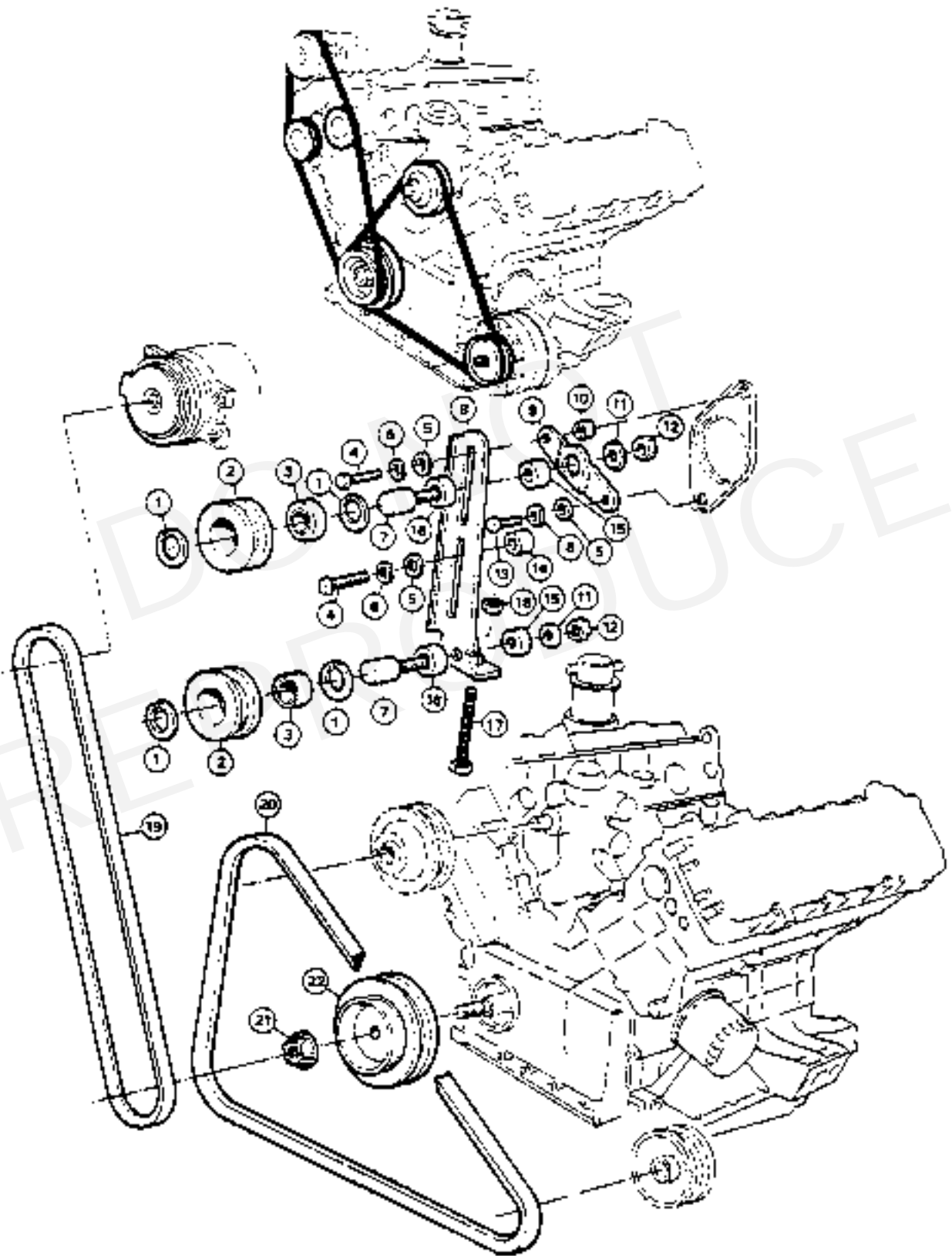
SECTION  
7  
SUBSECTION  
2  
GROUP  
0





<b>7</b>	SECTION	AIR CONDITIONING UNIT PULLEYS/DRIVE BELTS
<b>X</b>	SUBSECTION	
<b>X</b>	GROUP	

FIG.	PART NUMBER	DESCRIPTION	QTY	REMARKS
1	SP10376	CIRCLIP-INTERNAL	4	
2	101463	PULLEY-ADJUSTER	2	
3	105638	BEARING	2	
4	SP10048	SCREW M7	2	
5	SP10849	WASHER M7	3	
6	101048	WASHER SPRING M7	3	
7	105470	PULLEY SPINDLE	2	
8	100772	PULLEY MOUNTING BRKT	1	
9	100773	PULLEY MOUNTING BRKT	1	
10	106161	SPACER	1	
11	SP10034	WASHER Mt2	2	
12	SP10806	LOCKNUT M12	2	
13	SP10445	SCREW M7	1	
14	106162	SPACER	1	
15	106257	REAR SPACER	2	
16	105471	SPACER	2	
17	SP10216	SCREW M8	1	
18	SP10037	NUT M8	1	
19	105505	DRIVE BELT	1	
20	102442	DRIVE BELT	1	
21	102474	CRKSFT PULLEY NUT	1	
22	102469	CRKSFT PULLEY	1	

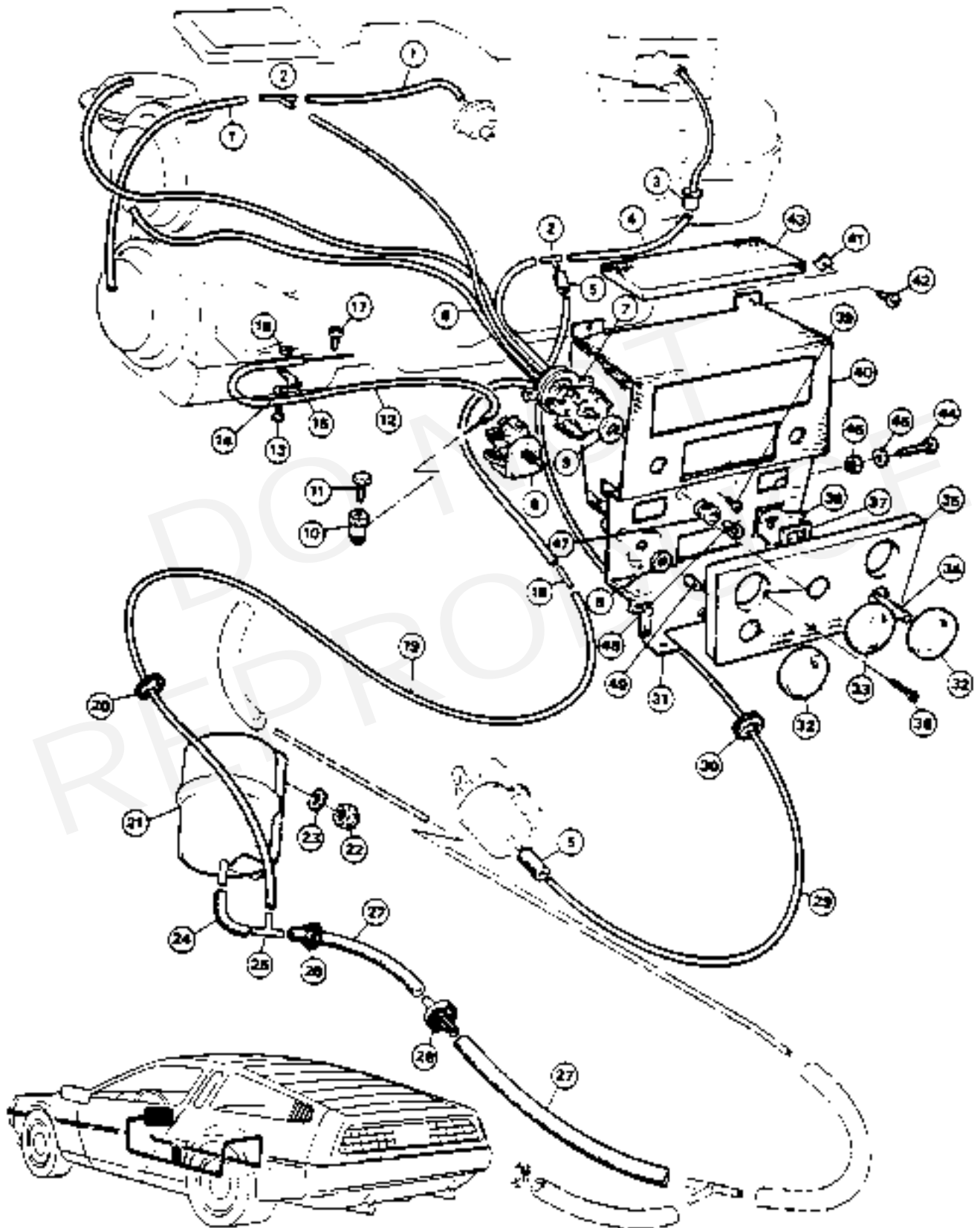


SECTION		AIR CONDITIONING UNIT		
SUBSECTION		ELECTRICAL/MECHANICAL CONTROLS		
7	3	0	GROUP	
FIG.	PART NUMBER	DESCRIPTION	QTY	REMARKS
1	106210	VACUUM HOSE	2	
2	105912	TEE-PIECE	2	
3	106212	STGHT REDUCING SOC	1	
4	106209	VACUVUM HOSE	1	
5	106211	CONNECTING SLEEVE	2	
6	105049	VACUUM HOSE	1	
7	100752	MODE CONTROL SWITCH	1	
8	100753	TEMPERATURE SWITCH ASSY	1	
9	108260	SPACER	1	
10	105911	TRUNNION	1	
11	SP10778	SCREW N8	1	
12	100754	HEATER CABLE	1	
13	SP10453	SCREW M4	1	
14	SP10254	WASHER SPRING M4	1	
15	105910	CABLE CLAMP	1	
16	SP10162	NUT M4	1	
17	SP10433	SCREW M3	1	
18	106782	STGHT REDUCING SOC	1	
19	106783	VACUUM PIPE	1	
20	106291	GROMMET	1	
21	100764	VACUUM RESERVOIR	1	
22	SP10177	5/16 UNF NYLOC NUT	2	
23	SP10032	WASHER M8	2	
24	106784	VACUUM HOSE ELBOW	1	
25	106787	TEE-PIECE	1	
26	SP10405	GROMMET	1	
27	106785	VACUUM HOSE	2	
28	106780	NON-RETURN VALVE	1	
29	101750	VACUUM PIPING	1	
30	SP10406	GROMMET	1	
31	108372	EDGING STRIP	3	
32	101360	TEMP SEL/SP KNOB	2	
33	101359	MODE CONTROL KNOB	1	
34	108484	SPINDLE	1	
35	105186	FASCIA PANEL	1	UP TO VIN 1963
	108920	FASCIA PANEL	1	FROM VIN 1964
36	SP10138	SCREW-COUNTERSUNK N4	1	
37	100984	SPACER-8LOWER SWITCH	1	
38	100755	FAN SPEED SWITCH	1	
39	SP10134	SCREW N4	1	
40	106639	RDO VENT & SW MT PLT	1	
41	SP10702	CAPTIVE NUT	2	
42	SP10133	SCREW N8	2	
43	108529	ENERGY ABSORBING PAD	1	

PARTS SHOWN IN PHANTOM—APPEAR IN 6-3-0

AIR CONDITIONING UNIT  
ELECTRICAL/MECHANICAL CONTROLS

SECTION  
7 3 0  
SUBSECTION  
0  
GROUP



7-3-0-12-1-81

<b>7</b>	SECTION	AIR CONDITIONING UNIT ELECTRICAL/MECHANICAL CONTROLS
	SUBSECTION	
<b>3</b>	<b>0</b>	

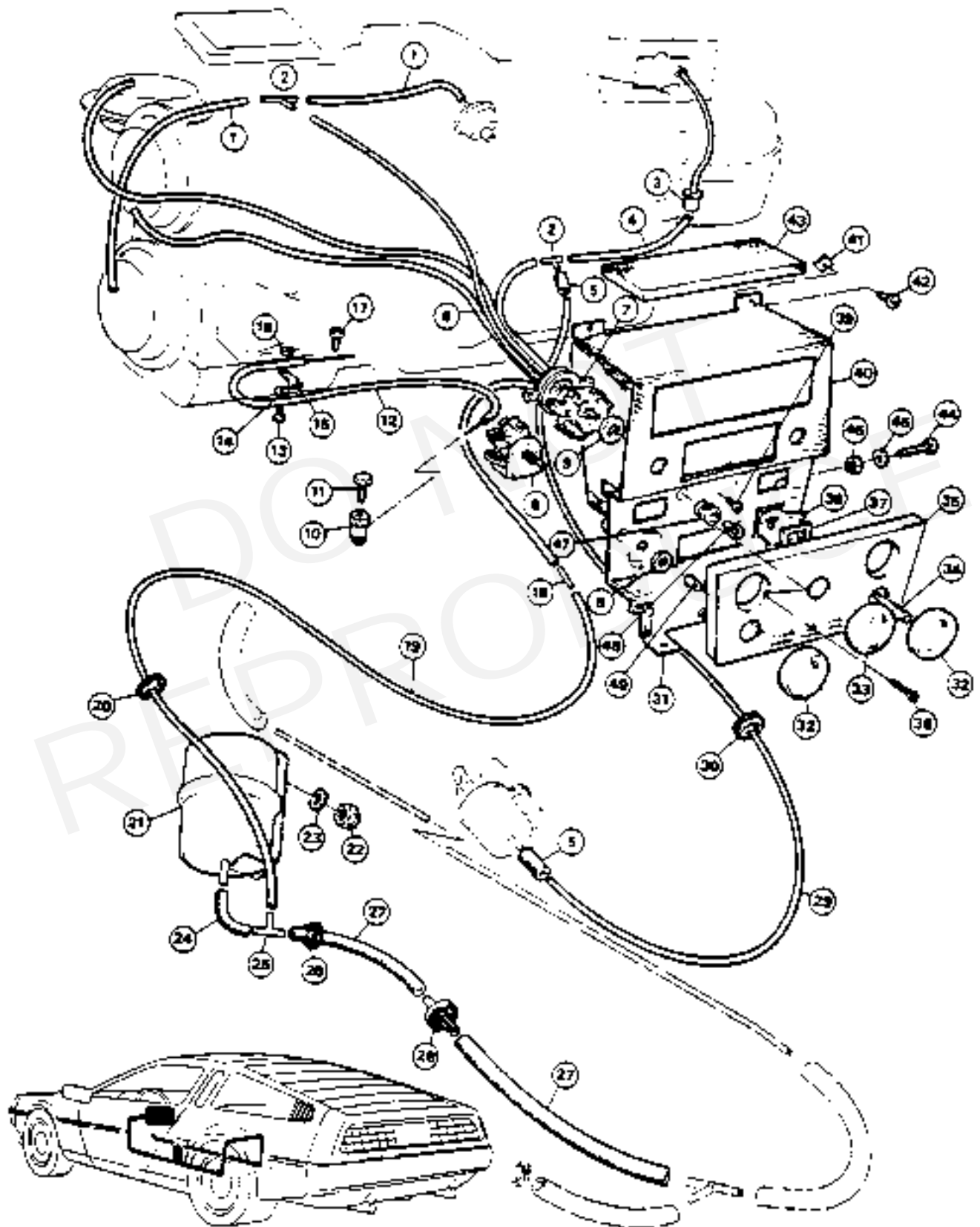
FIG.	PART NUMBER	DESCRIPTION	QTY	REMARKS
44	SP10197	SCREW M4	1	PART OF MAIN HARNESS (SEE 3-7-3)
45	SP10251	WASHER M4	1	
46	SP10162	NUT M4	2	
47	106165	LIGHT TUBE	4	
48	SP10307	BULB	4	
49	SP10310	BULB		

DO NOT REPRODUCE

**PARTS SHOWN IN PHANTOM – APPEAR IN 6-3-0**

AIR CONDITIONING UNIT  
ELECTRICAL/MECHANICAL CONTROLS

SECTION  
7 3 0  
SUBSECTION  
0  
GROUP



7-3-0-12-1-81

# Frame/Body

---

**8**

SECTION

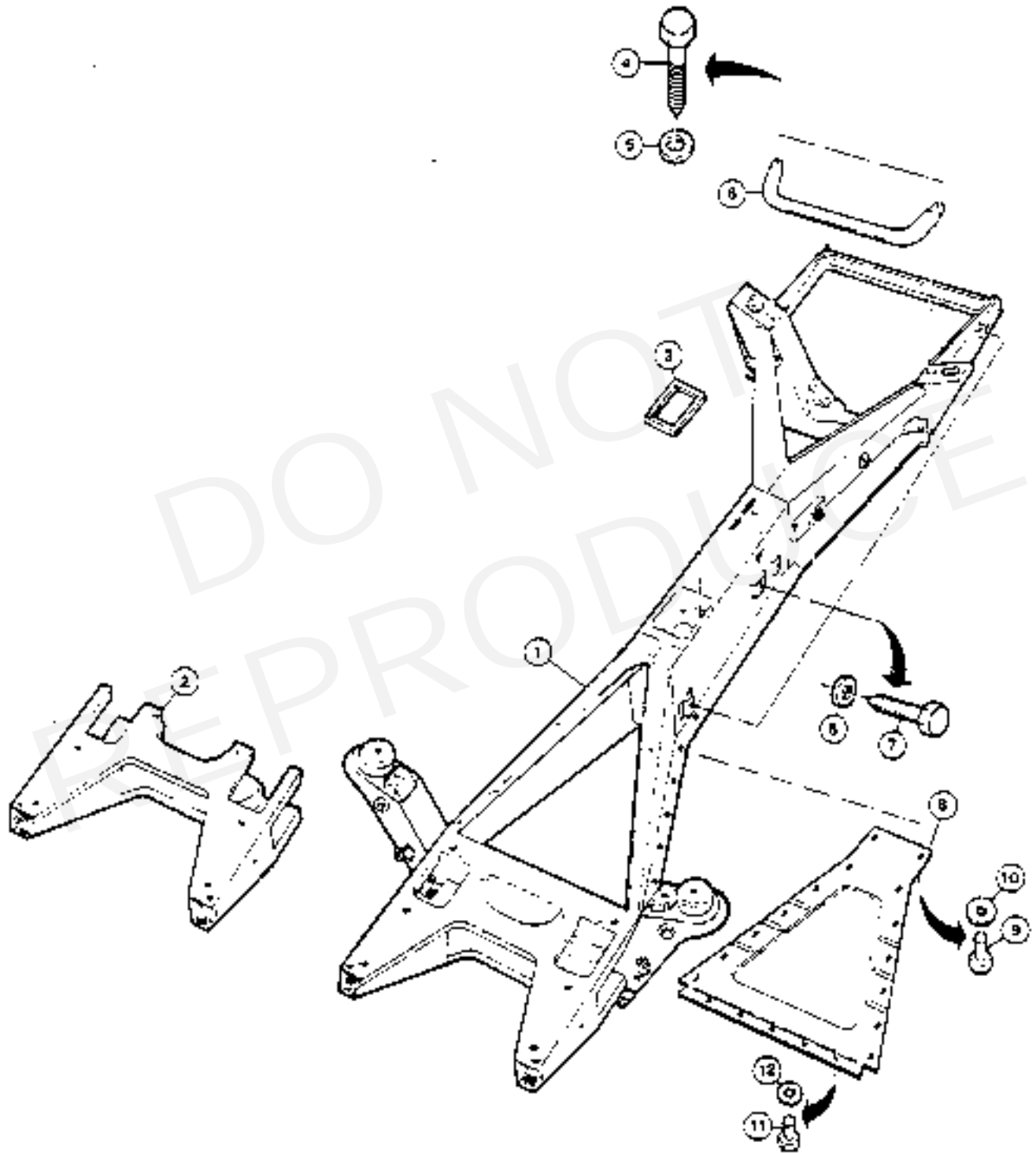
SUBSECTION

**1** / **0** GROUPFRAME/BODY  
FRAME

FIG.	PART NUMBER	DESCRIPTION	QTY	REMARKS
1	108273	MANUAL FRAME	1	
	108274	AUTOMATIC FRAME	1	
2	105289	FRONT CRUMPLE TUBES	1	
3	105558	SEAL	1	
4	SP10591	BODY MTG BOLT M10 x 45	4	
5	SP10033	WASHER M10	10	
6	108330	CROSSBRACE	1	
7	SP10590	BODY MTG BOLT M10 x 35	6	
8	101716	F/TNK CLOSING PLATE	1	
9	SP10803	SCREW M8	14	
10	SP10032	WASHER M8	14	
11	SP10041	SCREW M6	5	
12	SP10031	WASHER M6	5	

8-1-0-1-19-82





**8**

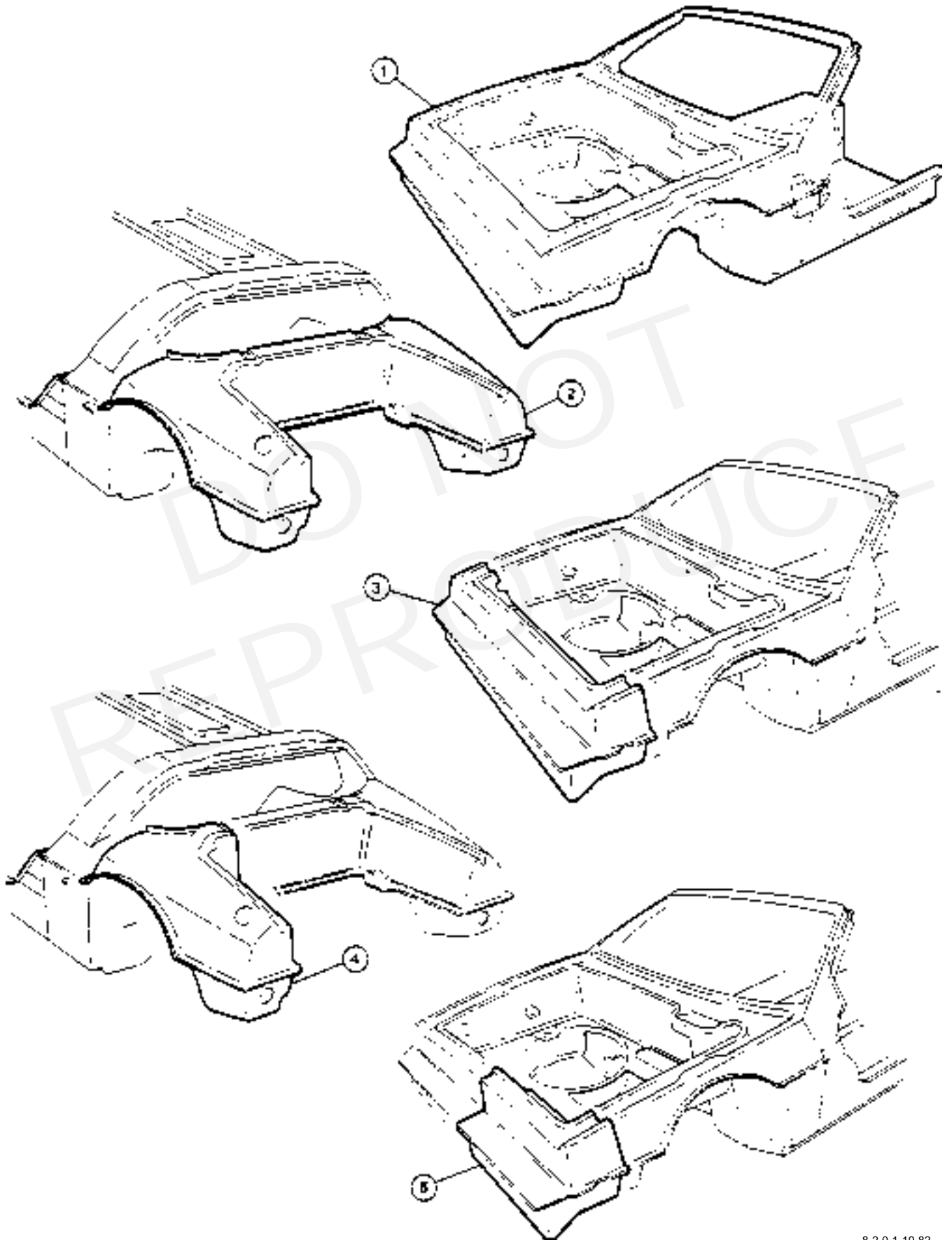
SECTION

SUBSECTION

**2** / **0** GROUPFRAME/BODY  
FIBREGLASS BODY

FIG.	PART NUMBER	DESCRIPTION	QTY	REMARKS
1	109990	FORWARD HALF BODY	1	
2	109997	REAR BODY SHORT	1	
3	109993	SHORT FRONT BODY	1	
4	109998	PONTOON BODY REAR RH	1	
	109999	PONTOON BODY REAR LH	1	
5	109995	SHORT FRONT BODY LH	1	
	109996	SHORT FRONT BODY RH	1	

DO NOT  
REPRODUCE



**8**

SECTION

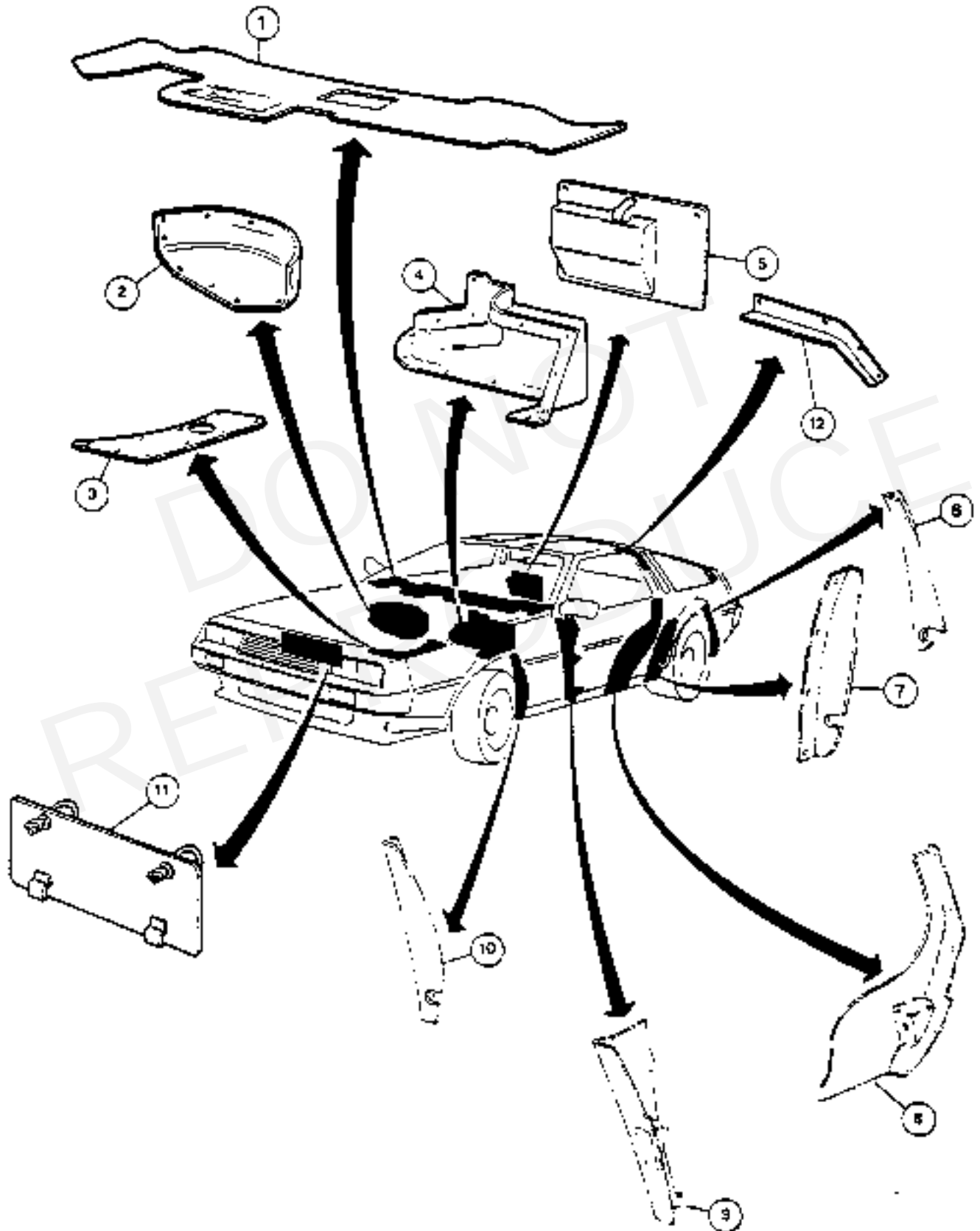
SUBSECTION

2 / 1 GROUP

FRAME/BODY

PLASTIC MOULDINGS/INFILL PANELS

FIG.	PART NUMBER	DESCRIPTION	QTY	REMARKS
1	101293	DEMIST RAIL PNL	1	
2	105168	F/TNK INSP CVR	1	
3	106004	BRK SERVO ACC	1	
4	106002	FUEL FILLER CLSG PNL	1	
5	106168	BATTERY COMP CVR	1	
6		RR WHL RR PNL RH	1	REFER TO 8-3-1
		RR WHL RR PNL LH	1	REFER TO 8-3-1
7		RR WHL FRT PNL RH	1	REFER TO 8-3-1
		RR WHL FRT PNL LH	1	REFER TO 8-3-1
8		LWR RR INFILL PNL RH	1	REFER TO 8-3-0
		LWR RR INFILL PNL LH	1	REFER TO 8-3-0
9		FRT FDR INFILL PNL RH	1	REFER TO 8-3-0
		FRT FDR INFILL PNL LH	1	REFER TO 8-3-0
10		FRT WHL PNL RH	1	REFER TO 8-3-1
		FRT WHL PNL LH	1	REFER TO 8-3-1
11	108234	JACK STOWAGE COVER	1	
12		UPR RR INFILL PNL RH	1	REFER TO 8-3-0
		UPR RR INFILL PNL LH	1	REFER TO 8-3-0



**8**

SECTION

SUBSECTION

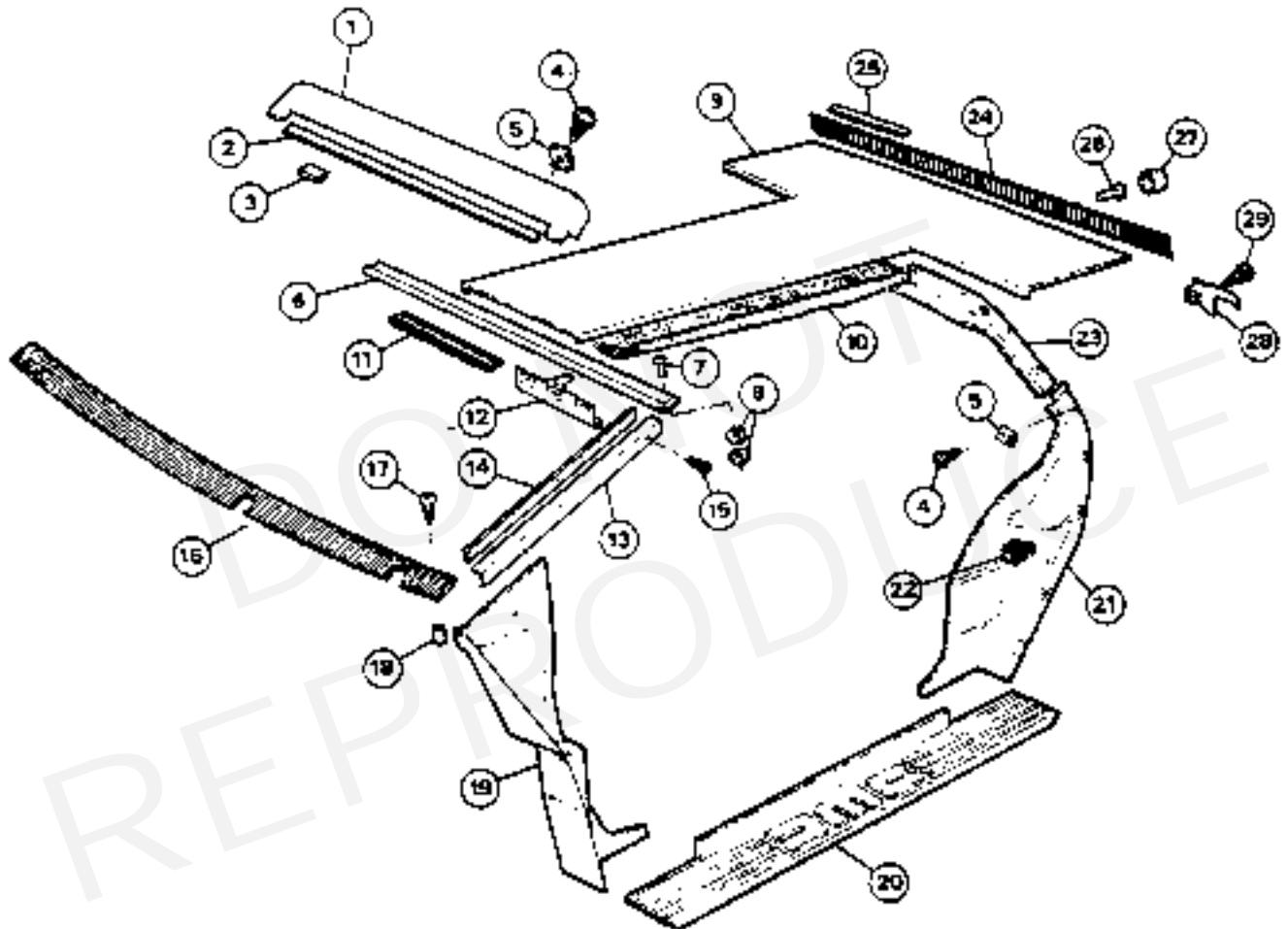
**3** / **0** GROUP

FRAME/BODY

STAINLESS PANELS/DOOR FRAME

FIG.	PART NUMBER	DESCRIPTION	QTY	REMARKS
1	101418	HEADER PANEL	1	
2	106852	RET ROOF STRIP	1	
3	108282	HDR MOUNTING PAD	2	
4	SP10646	SCREW N10	28	
5	105501	'U' CLIP	28	
6	105010	FRT HDR RETAINER	1	
7	SP10641	SCREW N8	8	
8	SP10111	WASHER M5	4	
9	100204	ROOF PANEL	1	
10	106722	ROOF SUPT ASSY	1	
11	106657	ROOF PANEL FRT RET	1	
12	101790	INFILL PANEL RH	1	
	101791	INFILL PANEL LH	1	
13	I00673	A POST OTR FIN LH	1	
	100674	A POST OTR FIN RH	1	
14	108584	PAD	2	
15	SP10430	SCREW N8	6	
16	105047	SCUTTLE FINISHER	1	
17	SP10694	SCREW N8	5	
18	108322	SPACER	5	
19	100962	FRT FENDER INFILL PANEL RH	1	
	1100963	FRT FENDER INFILL PANEL LH	1	
20	100698	TREAD PLATE RH	1	
	100699	TREAD PLATE LH	1	
21	105744	LWR RR INFILL PANEL RH	1	
	105745	LWR RR INFILL PANEL LH	1	
22	110728	STRIKER PIN GROMMET	4	
23	105742	UPR RR INFILL PANEL RH	1	
	105743	UPR RR INFILL PANEL LH	1	
24	105721	RR SCR N UPR FIN	1	
25	108687	STRIP CUSHION	3	
26	SP10107	SCREW M4	3	
27	106115	UNICAP M4	3	
28	106717	R/Q CORNER FIN LH	1	
	106718	R/Q CORNER FIN RH	1	
29	SPIO448	SCREW N8	2	

8-3-0-1-18-82



8

SECTION

SUBSECTION

3 / 1 GROUP

FRAME/BODY

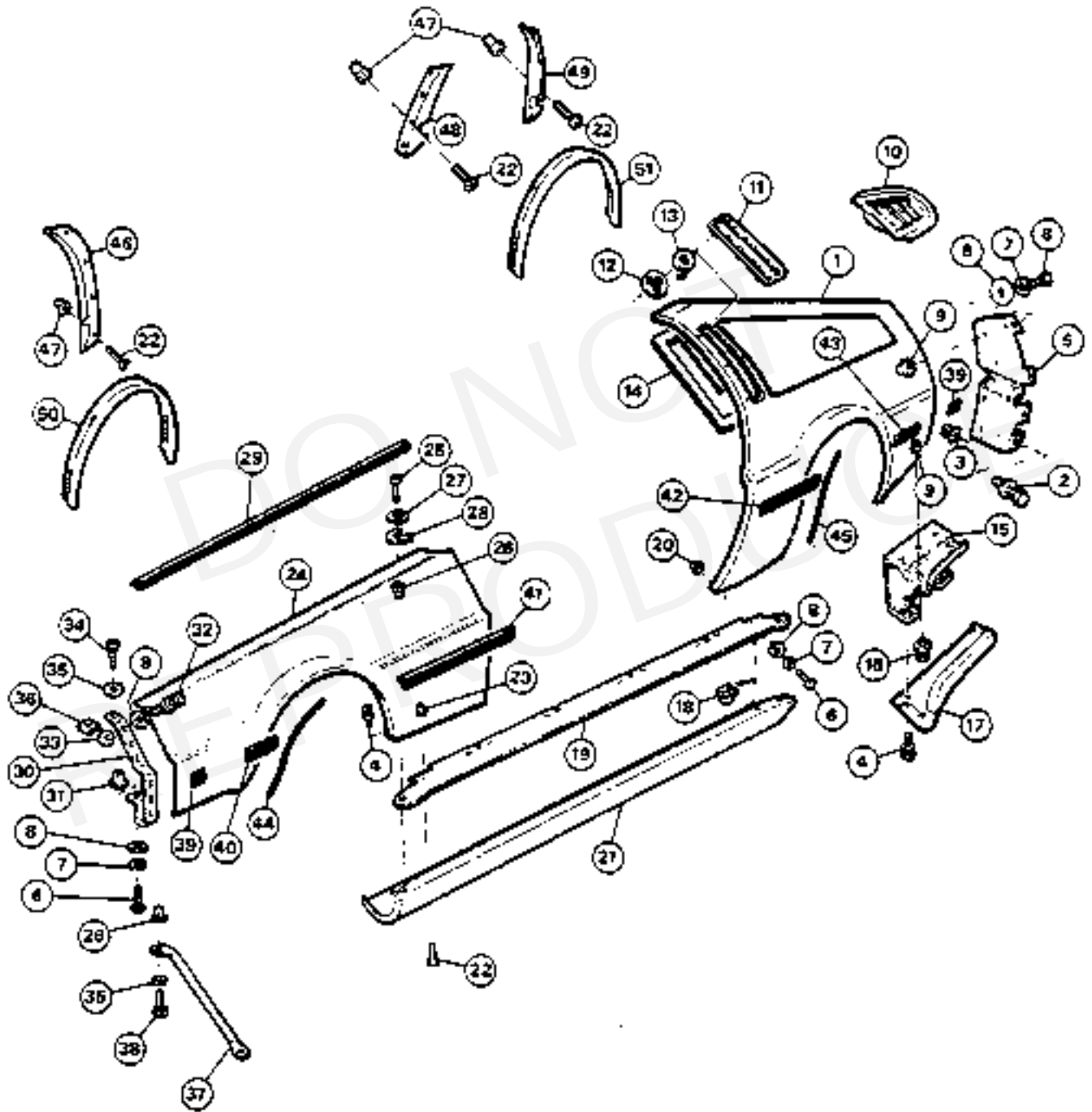
STAINLESS PANELS FENDER/REAR QUARTER PANEL

FIG.	PART NUMBER	DESCRIPTION	QTY	REMARKS
1	108128	RR QUARTER PANEL RH	2	
	108129	RR QUARTER PANEL LH	1	
2	SP10701	SEMS SCREW N8	8	
3	SP10700	PANEL NUT	8	
4	SP10661	SEMS SCREW M5	16	
5	110053	RR QTR BRKT LH	1	
	110052	RR QTR BRKT RH	1	
6	SP10277	SCREW M6	36	
7	SP10509	SPRING WASHER M6	36	
8	SP10508	WASHER M6	40	
9	SP10774	RIVNUT M6	14	
10	105514	INDUCTION GRILL RH	1	
	105515	INDUCTION GRILL LH	1	
11	100369	RR QTR LOUVRE LH	1	
	100370	RR QTR LOUVRE RH	1	
12	SP10695	PNL FSTN PUSH NUT	6	
13	SP10696	NYLON WASHER	6	
14	108535	GASKET LH	1	
	108536	GASKET RH	1	
15	108080	RR VALANCE BRKT RH	1	
	108081	RR VALANCE BRKT LH	1	
16	SP10775	SEMS SCREW M6	6	
17	100703	VALANCE LH	1	
	1100704	VALANCE RH	1	
18	SP10691	PIN RETAINER	30	
19	108463	ROCKER SUPT PNL LH	1	
	108464	ROCKER SUPT PNL RH	1	
20	SP10617	RIVNUT M6	26	
21	110582	ROCKER OTR PNL RH	1	
	110583	ROCKER OTR PNL LH	1	
22	SP10689	SCREW M5	46	
23	SP10612	RIVNUT M5	24	
24	100207	FENDER FRONT LH	1	
	100208	FENDER FRONT RH	1	
25	SP10634	SCREW M5	16	
26	SP10797	RIVNUT M5	18	
27	SP10770	EXTRA LARGE WA M5	16	
28	SP10639	'C' WASHER M6	32	
29	108247	FINISHING STRIP	2	
30	105403	F/FDR ATCH BRKT LH	1	
	105404	F/FDR ATCH BRKT RH	1	
31	SP10617	RIVNUT M6 STAINLESS	2	
32	SP10460	SEMS SCREW M6	4	
33	SP10676	AERONUT M6	4	



FRAME/BODY  
STAINLESS PANELS FENDER/REAR QUARTER PANEL

SECTION  
8  
SUBSECTION  
3  
1 GROUP



8

SECTION

SUBSECTION

3 / 1 GROUP

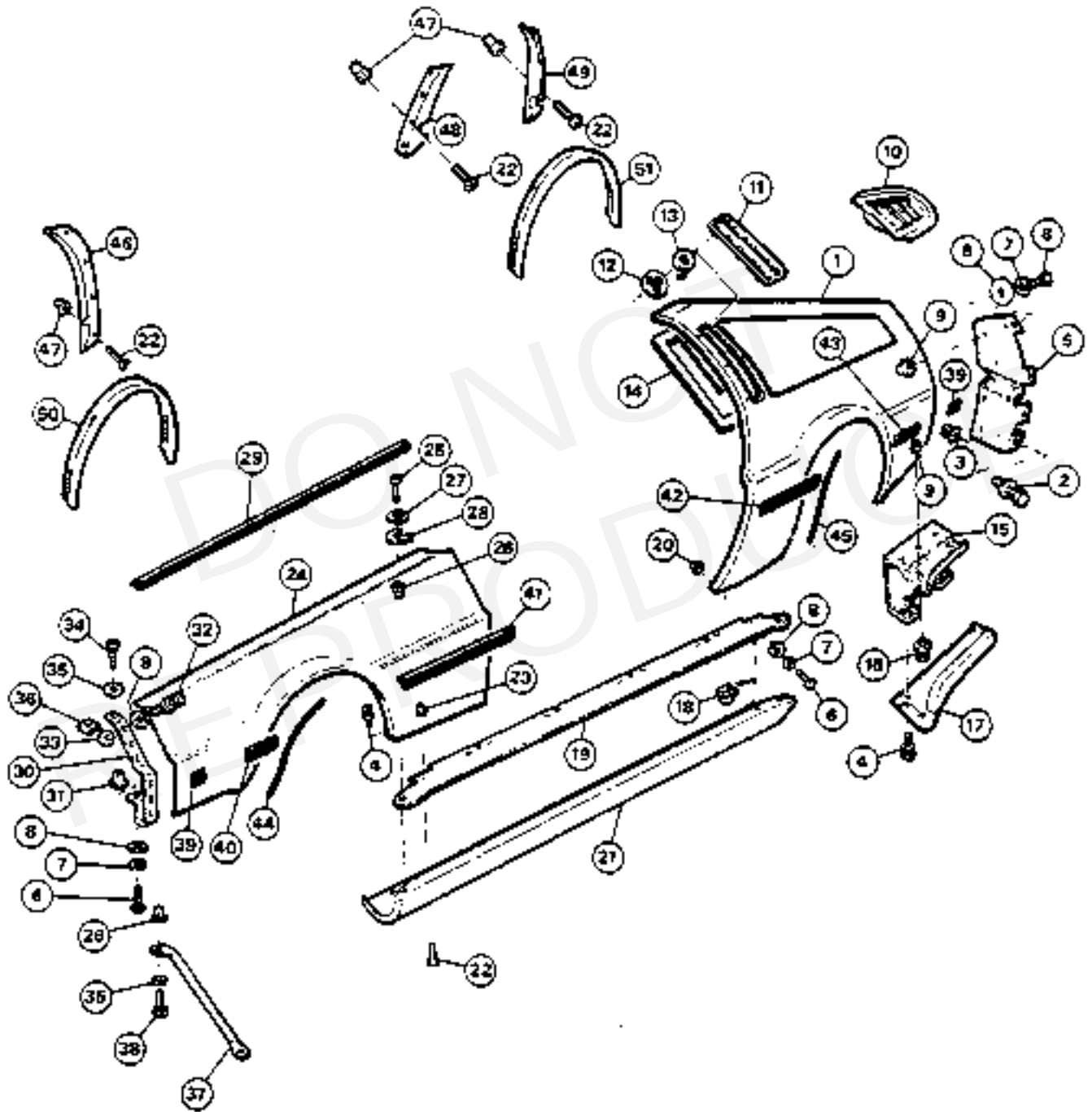
FRAME/BODY

STAINLESS PANELS FENDER/REAR QUARTER PANEL

FIG.	PART NUMBER	DESCRIPTION	QTY	REMARKS
34	SP10080	SCREW N8	4	
35	SP10667	WASHER M5	4	
36	SP10169	CAPTIVE NUT	4	
37	108692	STAY	2	
38	SP10634	SCREW M5	2	
35	SP10667	WASHER M5	2	
39	101742	R/STRIP SEGMENT	4	
40	100636	FRT R/STRIP F/FDR RH	1	
	100637	FRT R/SN11P F/FDR LH	1	
41	100638	RR R/STRIP F/FDR RH	1	
	100639	RR R/STRIP F/FDR LH	1	
42	100644	FRT R/STRIP R/Q RH	1	
	100646	FRT R/STRIP R/Q LH	1	
43	100646	RR R/STRIP R/Q RH	1	
	100647	RR R/STRIP R/Q LH	1	
44	108668	EDGE FINISHER FRT	2	
45	108669	EDGE FINISHER RR	2	
46	101784	FRT WHL PNL RH	1	ALSO IN 8-2-1
	101786	FRT WHL PNL LH	1	ALSO IN 8-2-1
47	SP10611	RIVNUT M6	24	
48	101786	RR WHL FRT PNL RH	1	ALSO IN 8-2-1
	101787	RR WHL FRT PNL LH	1	ALSO IN 8-2-1
49	101788	RR WHL RR PNL RH	1	ALSO IN 8-2-1
	101789	RR WHL RR PNL LH	1	ALSO IN 8-2-1
50	110156	W/ARCH SEAL STRIPSI~IP FRT	2	
51	110157	W/ARCH SEAL STRIP RR	2	

FRAME/BODY  
STAINLESS PANELS FENDER/REAR QUARTER PANEL

SECTION  
8  
SUBSECTION  
3  
1 GROUP



**8**

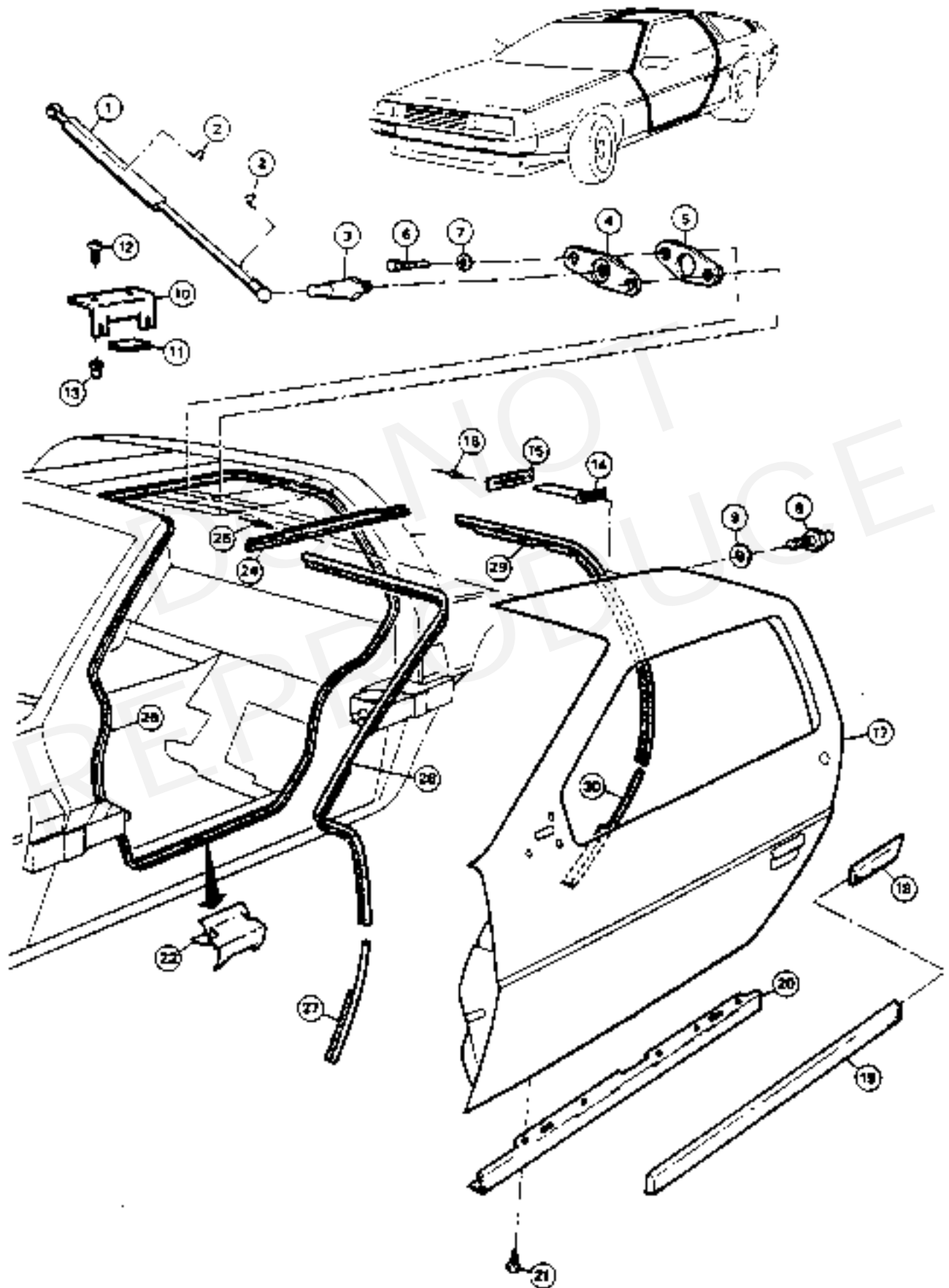
SECTION

SUBSECTION

4 / 0 GROUP

FRAME/BODY  
DOORS/STRUTS/SEALS

FIG.	PART NUMBER	DESCRIPTION	QTY	REMARKS
1	100592	GAS STRUT	2	
2	108110	SAFETY CLIP	4	
3	105629	RETAINER	2	
4	108653	GAS STRUT RET PLATE	2	
5	108655	BACKING PLATE	2	
6	SP10015	SCREW M6	4	
7	SP10031	WASHER M6	4	
8	106696	CONNECTOR	2	
9	SP10033	WASHER M10	2	
10	108297	CLAMP	2	
11	108299	CLAMPING PAD	4	
12	SP10194	SCREW M5	8	
13	SP10611	RIVNUT M5	8	
14	110127	SLEEVE	2	
15	105722	CLAMPING PLATE	2	
16	SP10277	POP RIVET	4	
17	108494	DOOR WELDED RH	1	
	108495	DOOR WELDED LH	1	
18	100642	RR RUBBING STRIP RH	1	
	100643	RR RUBBING STRIP LH	1	
19	100640	FR RUBBING STRIP RH	1	
	100641	FR RUBBING STRIP LH	1	
20	108285	DR SILL SEAL ASSY LH	1	
	108286	DR SILL SEAL ASSY RH	1	
21	SP10827	SCREW N12	10	
22	SP10497	EDGE CLIPS	46	NOT ILL
24	106967	DOOR ROOF SEAL LH	1	
	106968	DOOR ROOF SEAL RH	1	
25	SP10780	POP RIVET	16	
26	110044	SEAL DOOR	1	
27	108984	SEAL OUTER FRT RH LWR	1	
	108985	SEAL OUTER FRT LH LWR	1	
28	108982	SEAL OUTER FRT RH UPR	1	
	108983	SEAL OUTER FRT LH UPR	1	
29	108986	SEAL OUTER RR RH UPR	1	
	108987	SEAL OUTER RR LH UPR	1	
30	108988	SEAL OUTER RR RH LWR	1	
	108989	SEAL OUTER RR LH LWR	1	



8

SECTION

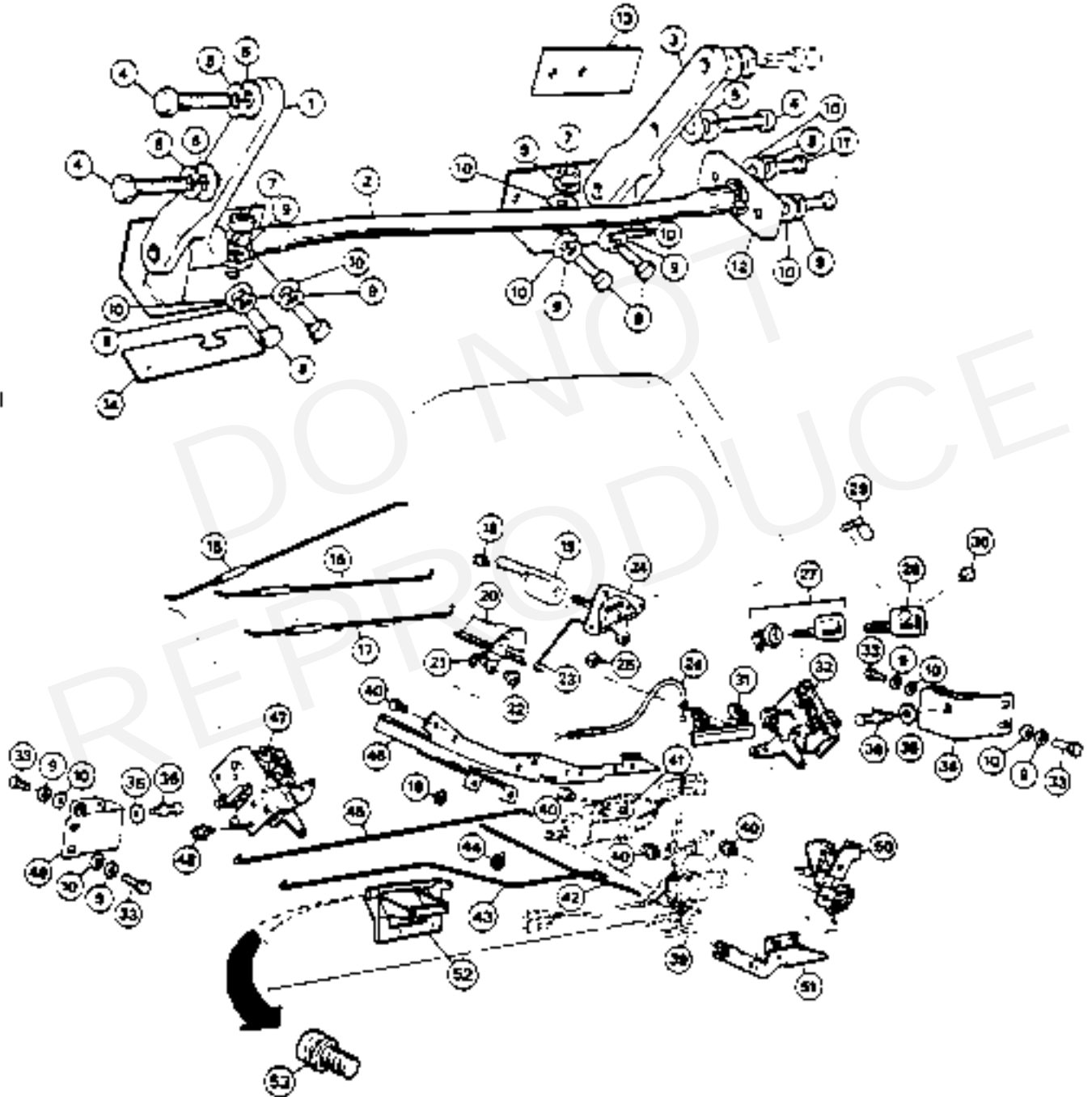
SUBSECTION

4 / 1 GROUP

FRAME/BODY  
DOOR MECHANISM

FIG.	PART NUMBER	DESCRIPTION	QTY	REMARKS
1	105106	DOOR HINGE FRONT RH	1	
	105107	DOOR HINGE FRONT LH	1	
2	100931	TORSION BAR LH	1	
	100932	TORSION BAR RH	1	
3	105108	DOOR HINGE REAR LH	1	
	105109	DOOR HINGE REAR RH	1	
4	SP10004	SCREW M10	6	
5	SP10036	WASHER-SPRING M10	6	
6	SP10033	WASHER M10	6	
7	SP10731	NUT M8	4	
8	SP10788	SCREW M8	8	
9	SP10035	WASHER-SPRING M8	32Z	
10	SP10032	WASHER M8	32	
11	SP10103	SCREW M8	4	
12	105006	TORSION BAR RET PLATE	2	
13	108487	SHIMPLATE-DR HINGE RF	4	
14	105453	SHIMPLATE-DRIVE HINGE	A/R	(12 OFF MAX PER CAR)
15	106015	ROD, DOOR LOCK LH	1	EXT KEY LOCK TO BELLCRANK
	106016	ROD, DOOR LOCK RH	1	EXT KEY LOCK TO BELLCRANK
16	101747	LINK, DOOR LOCK RLS	2	BELLCRANK TO REAR LATCH
17	106021	ROD, DOOR LOCK LH	1	BELLCRANK TO REAR LATCH
	106022	ROD, DOOR LOCK RH	1	BELLCRANK TO REAR LATCH
18	SP10457	SCREW, M5 x 10	14	
19	100583	DOOR HANDLE, INNER LH	1	
	100584	DOOR HANDLE, INNER RH	1	
20	105032	SWITCH, DOOR LOCK	2	
Z1	108615	. RET CLIP, CONTROL ROD	2	
22	108616	. BUSHING, . PIVOT	2	
23	101749	DOOR LATCH, REM CON	2	INTERIOR RELEASE TO BELLCRANK
24	101430	ROCKER SW DOOR LOCK	2	
25	SP10183	NUT, M6	4	
26	101422	CABLE, DOOR LOCK	22	
27	101419	LOCK, . DOOR LH	1	UP TO VIN
	101420	LOCK, DOOR RH	1	UP TO VIN
	110192	LOCKSET, DOOR	1	FROM VIN
28	106244	KEY, ILLUMINATING	A/R	UP TO VIN
	109100	KEY	A/R	FROM VIN
29	109132	BULB/IHOLDER	1	UP TO VIN
30	109133	BATTERY, KEY	1	UP TO VIN
31	100579	DOOR HANDLE, EXTERIOR	2	
32	101665	LATCH ASSY, DOOR LH	2	
33	SP10001	BOLT M8 x 30	4	
34	105568	STRIKER MT BRKT RH	1	
	105569	STRIKER MT BRKT LH	1	

8-4-1-3-10-82



**8**

SECTION

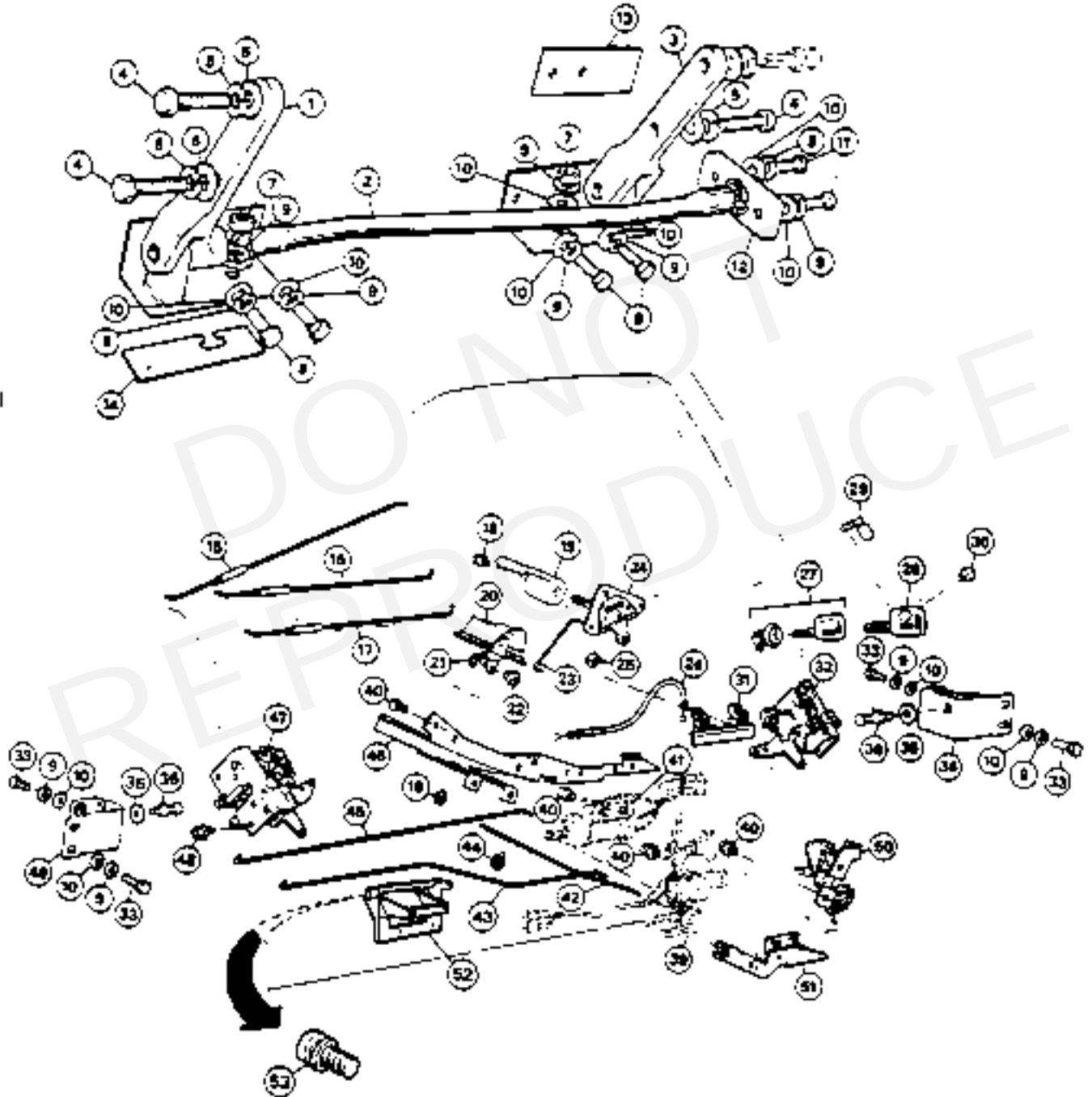
SUBSECTION

4 / 1 GROUP

FRAME/BODY  
DOOR MECHANISM

FIG.	PART NUMBER	DESCRIPTION	QTY	REMARKS
35	105597	WASHER, STRIKER	4	WHEN STOCK IS USED UP REPLACE WITH 108711
36	IIW68	STRIKER, DOOR LOCK	4	
39	100852	BELLCRANK RH, DR LOCK	1	
	100853	BELLCRANK LH, DR LOCK	1	
40	SP10460	SCREW M6 X 12	22	
41	100860	SOLENOID DR LOCK RH	1	
	100861	SOLENOID DR LOCK LH	1	
42	106018	ROD, DOOR LOCK RH	2	INTERIOR SWITCH TO BELLCRANK
43	106019	ROD, DOOR LOCK LH	1	BELLCRANK TO FRONT LATCH
	106020	ROD, DOOR LOCK RH	1	BELLCRANK TO FRONT LATCH
44U	SP10706	CLIP	2	
45	108050	ROD LINK, DOOR RH	1	BELLCRANK TO FRONT LATCH
	108051	ROD LINK, DOOR LH	1	BELLCRANK TO FRONT LATCH
46	105227	ARM REST SUB ASSY LH	1	
	105228	ARM REST SUB ASSY RH	1	
47	101666	LATCH, DOOR RH	2	USED-FRONT OF ONE DOOR AND REAR OF OTHER DOOR
	101665	LATCH, DOOR LH	2	USED-REAR OF ONE DOOR AND FRONT OF OTHER DOOR
48	SP10455	SCREW M6 X 12	12	
49	105679	STKR MT BRKT, FRT LH	1	
	105680	STKR MT BRKT, FRT RH	1	
50	100864	BELLCRANK DR RLS RH	1	
	100865	BELLCRANK DR RLS LH	1	
51	106067	CARR SUPT BRKT RR LH	1	
	106068	CARR SUPT BRKT RR RH	1	
52	106036	HANDLE SUPT BRKT RH	1	UP TO VIN 5992
	110222	HANDLE SUPT BRKT RH	1	FROM VIN 5993
	106037	HANDLE SUPT BRKT LH	1	UP TO VIN 5992
	110223	HANDLE SUPT BRKT LH	1	FROM VIN 5993
53	SP10455	SCREW-SEMS M6	8	





8

SECTION

SUBSECTION

4 / 2 GROUP

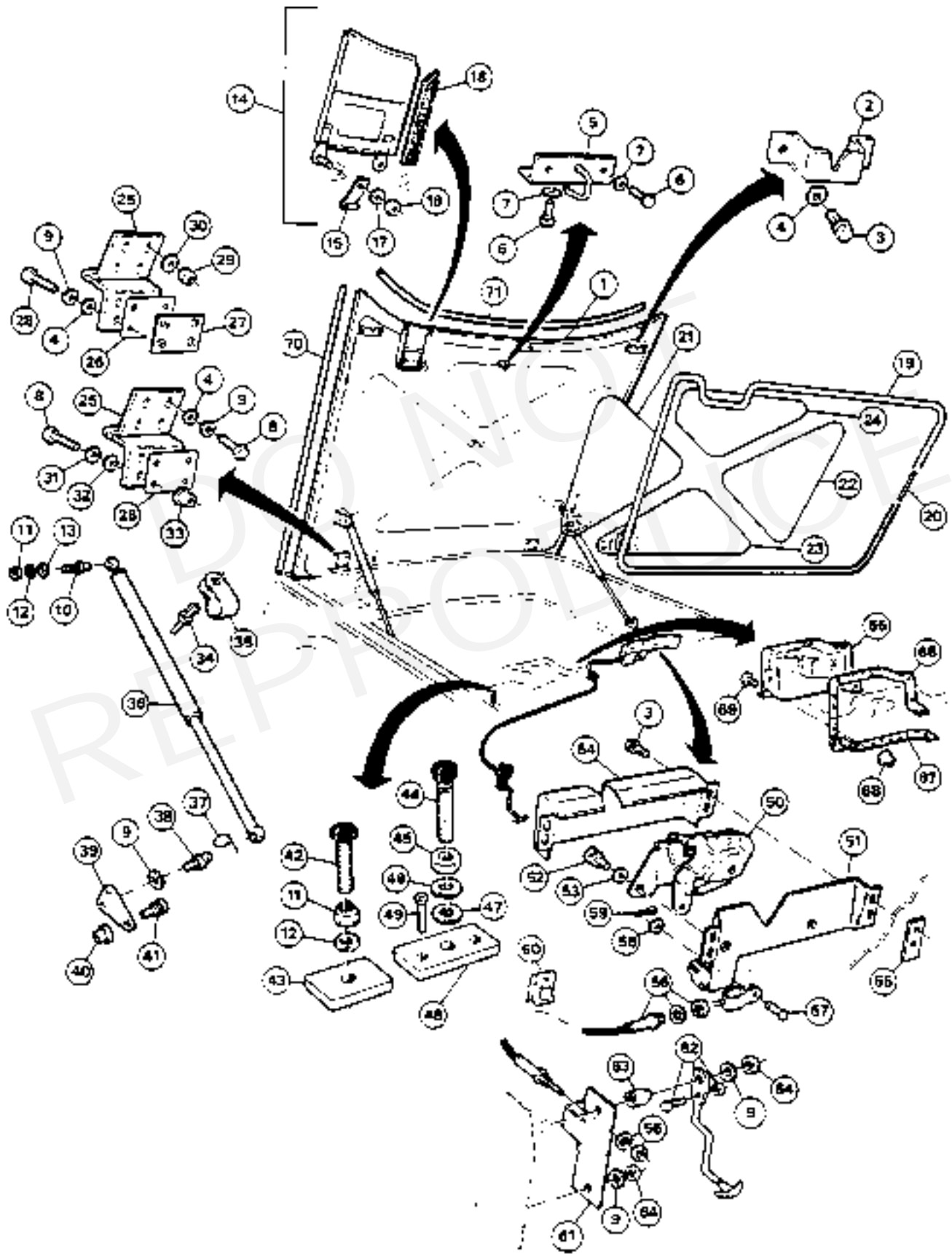
FRAME/BODY

LUGGAGE COMPARTMENT COVER

FIG.	PART NUMBER	DESCRIPTION	QTY	REMARKS
1	109096	BASIC BONNET ASSEMBLY	1	UP TO VIN SERVICE
	109134	BASIC BONNET ASSEMBLY	1	FROM VIN BULLETIN TO VIN 10000
	109245	BASIC BONNET ASSEMBLY	1	FROM VIN TO FOLLOW
2	106630	. INTRUSION BRACKET	2	
3	SP10674	. SEMS SCREW M6	4	
4	SP10031	. WASHER M6	4	
5	106643	. STAPLE	1	
6	SP10542	. SCREW M4	4	
7	SP10251	. WASHER M4	4	
8	SP10227	. SCREW M6	8	UP TO VIN 1301
9	SP10252	. SPRING WASHER M6	8	UP TO VIN 1301
10	108313	. STRUT CONNECTOR	2	
11	SP10037	. NUT M8	2	
12	SP10035	. SPRING WASHER M8	2	
13	SP10032	. WASHER M8	2	
14	100526	FUEL FLAP ASSEMBLY	1	UP TO VIN
15	101560	. SPRING	2	UP TO VIN
16	SP10657	LOCKNUT M4	2	UP TO VIN
17	SP10658	WASHER M4	2	UP TO VIN SERVICE BULLETIN
18	105603	BUMP STOP, LONG	1	UP TO VIN TO FOLLOW
	106797	BUMP STOP, SHORT	1	UP TO VIN
19	100539	HOOD SEAL	1	UP TO VIN
	108737	HOOD SEAL	1	FROM VIN
20	108486	HOOD SEAL PLUG	1	
21	108541	CARPET LH	1	
22	108542	CARPET RH	1	
23	108543	CARPET, FRONT	1	
24	108544	CARPET, REAR	1	
25	100570	HINGE	2	
26	108314	FRICITION PAD	2	
27	108583	HOOD HINGE BACK PLATE	2	FROM VIN 1302
28	SP10015	SCREW M6	8	FROM VIN 1302
29	SP10024	NYLOC NUT M6	8	FROM VIN 1302
30	SP10256	WASHER M6	8	FROM VIN 1302
31	SP10509	SPRING WASHER M6	8	FROM VIN 1301
32	SP10508	WASHER M6	8	UP TO VIN 1301
33	SP10609	RIVNUT Mff	8	UP TO VIN 1301
35	SP10390	'P' CLIP	1	
34	SP10282	BETA RIVET	1	
36	105063	NON LOCK GAS STRUT	2	
37	108109	SAFETY CLIP	4	
38	106697	STRUT CONNECTOR	2	
39	105260	GAS STRUT MT BRACKET	2	
41	SP10454	SEMS SCREW M5	6	

FRAME/BODY  
LUGGAGE COMPARTMENT COVER

SECTION  
8  
SUBSECTION  
4  
2 GROUP



8-4-2-1-18-82

**8**

SECTION

SUBSECTION

4 / 2 GROUP

FRAME/BODY

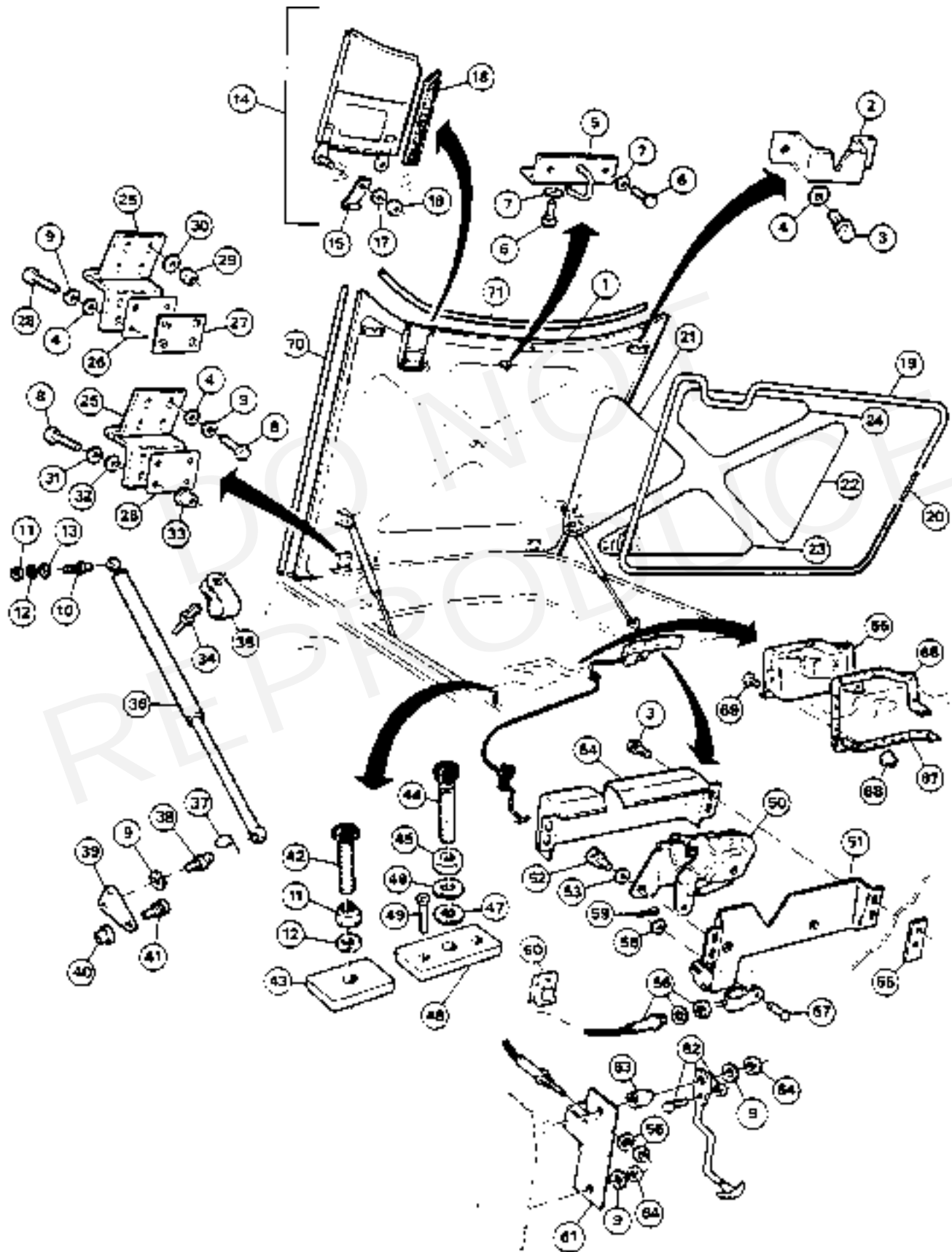
LUGGAGE COMPARTMENT COVER

FIG.	PART NUMBER	DESCRIPTION	QTY	REMARKS
40	SP10611	RIVNUT M5	6	
42	106631	HOOD BUMPER STOP	2	UP TO VIN
43	108043	SECURING BLOCK	2	UP TO VIN
44	110186	BUFFER	2	FROM VIN
45	108764	LOCK NUT	2	FROM VIN
46	SP10036	SPRING WASHER M10	2	FROM VIN
47	108765	WASHER	2	FROM VIN
48	110097	SECURING BLOCK	2	FROM VIN
49	SP10649	COUNTERSUNK SCREW M4	2	
50	100571	BONNET LOCK	1	
51	106644	HOOD LATCH BRACKET	1	
52	SP10456	SEMS SCREW M6	2	
53	SP10507	LARGE WASHER M6	2	
54	106944	LATCH COVER	1	
55	106638	SECURING PLATE	2	
56	100572	CABLE	1	
57	SP10823	CLEVIS PIN	1	
58	SP10111	WASHER M5	2	
59	SP10124	PATTERN SPRING	1	
60	SP10668	CABLE CLIP	2	
61	101165	HOOD RELEASE BRACKET	1	
62	108589	HOOD RELEASE LEVER	1	
63	106941	SHOULDERED SPACER	1	
64	SP10030	NUT M6	2	
65	106002	FUEL FILL CLSG PNL	1	SEE 8-2-1
66	108909	GASKET-UPPER	1	
67	108910	GASKET-LOWER	1	
68	SP10611	RIVNUT M5	14	
69	SP10194	SCREW M5 x 16	14	
70	111388	EDGING STRIP	2	
71	111389	EDGING STRIP		

8-4-2-1-20-82

FRAME/BODY  
LUGGAGE COMPARTMENT COVER

SECTION  
8  
SUBSECTION  
4  
2 GROUP



8-4-2-1-18-82

**8**

SECTION

SUBSECTION

4 / 3 GROUP

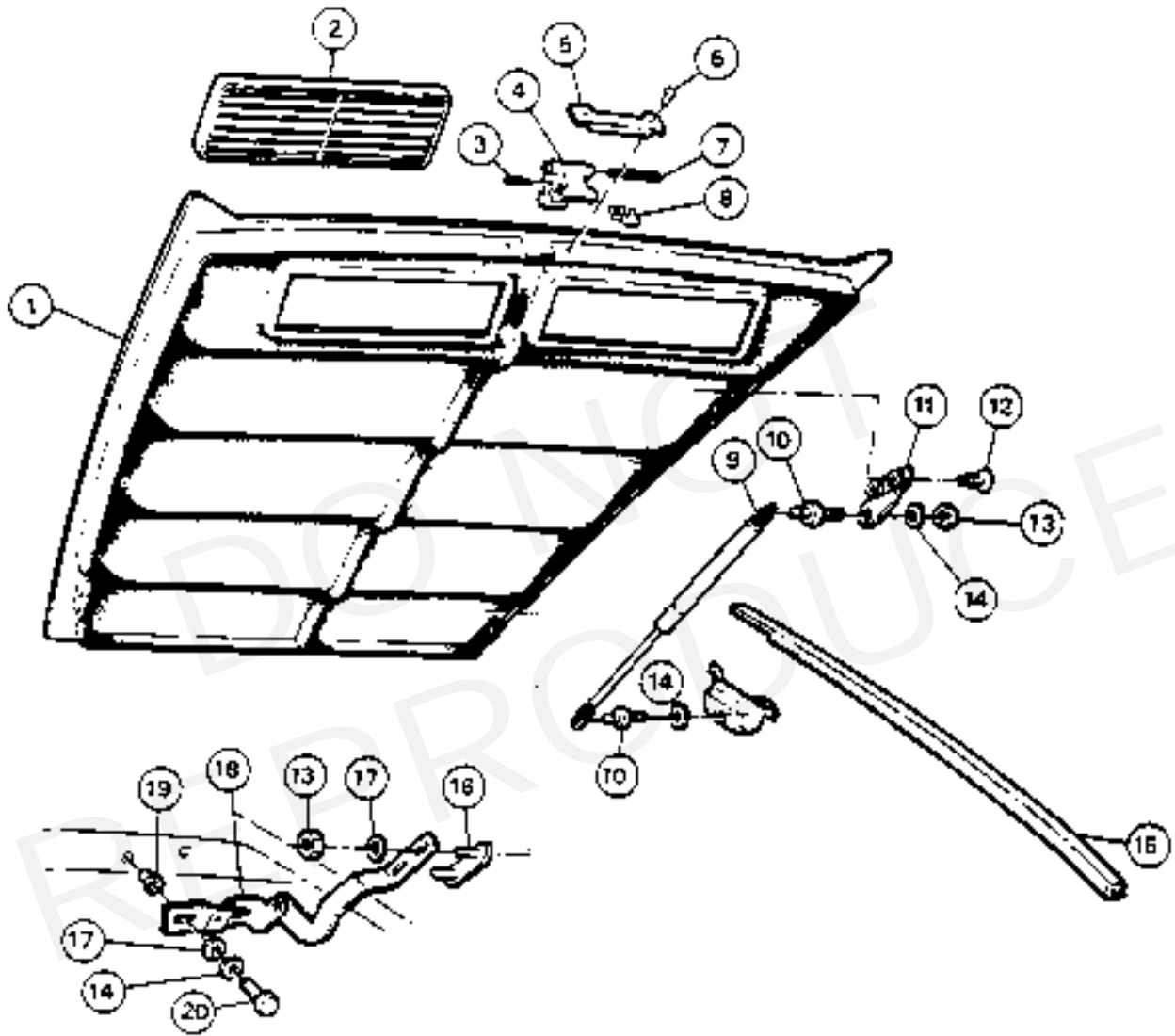
FRAME/BODY

ENGINE COMPARTMENT COVER (UPPER)

FIG.	PART NUMBER	DESCRIPTION	QTY	REMARKS
1	100594	LOUVRE	1	
2	105516	LOUVRE PANEL GRILL	2	
3	SP10679	STEEL TENSION PIN	1	
4	106080	LATCH	1	
5	106359	LUV LATCH CVR PLT	1	
6	SP10276	POP RIVET	2	
7	SP10813	STEEL TENSION PIN	1	
8	106079	SPRING	1	
9	108209	NON-LOCK GAS STRUT	2	
10	106697	GAS STRUT CONN	4	
11	105972	GAS STRUT BRKT RH	1	
	105973	GAS STRUT BRKT LH	1	
12	SP10051	SCREW M6	4	
13	SP10684	NUT M8	6	
14	SP10035	SPRING WASHER M8	8	
15	108720	SUPPORT BUFFER RH	1	
	108721	SUPPORT BUFFER LH	1	
16	106964	PLATE & STUD	2	
17	SP10032	WASHER M8	8	
18	101568	HINGE RH	1	
	101569	HINGE LH	1	
19	SP10758	RIVNUT M8	4	
20	SP10686I	SCREW M8	1	

FRAME/BODY  
ENGINE COMPARTMENT COVER (UPPER)

SECTION  
8  
SUBSECTION  
4  
GROUP  
3



**8**

SECTION

SUBSECTION

**4** / **4** GROUP

FRAME/BODY

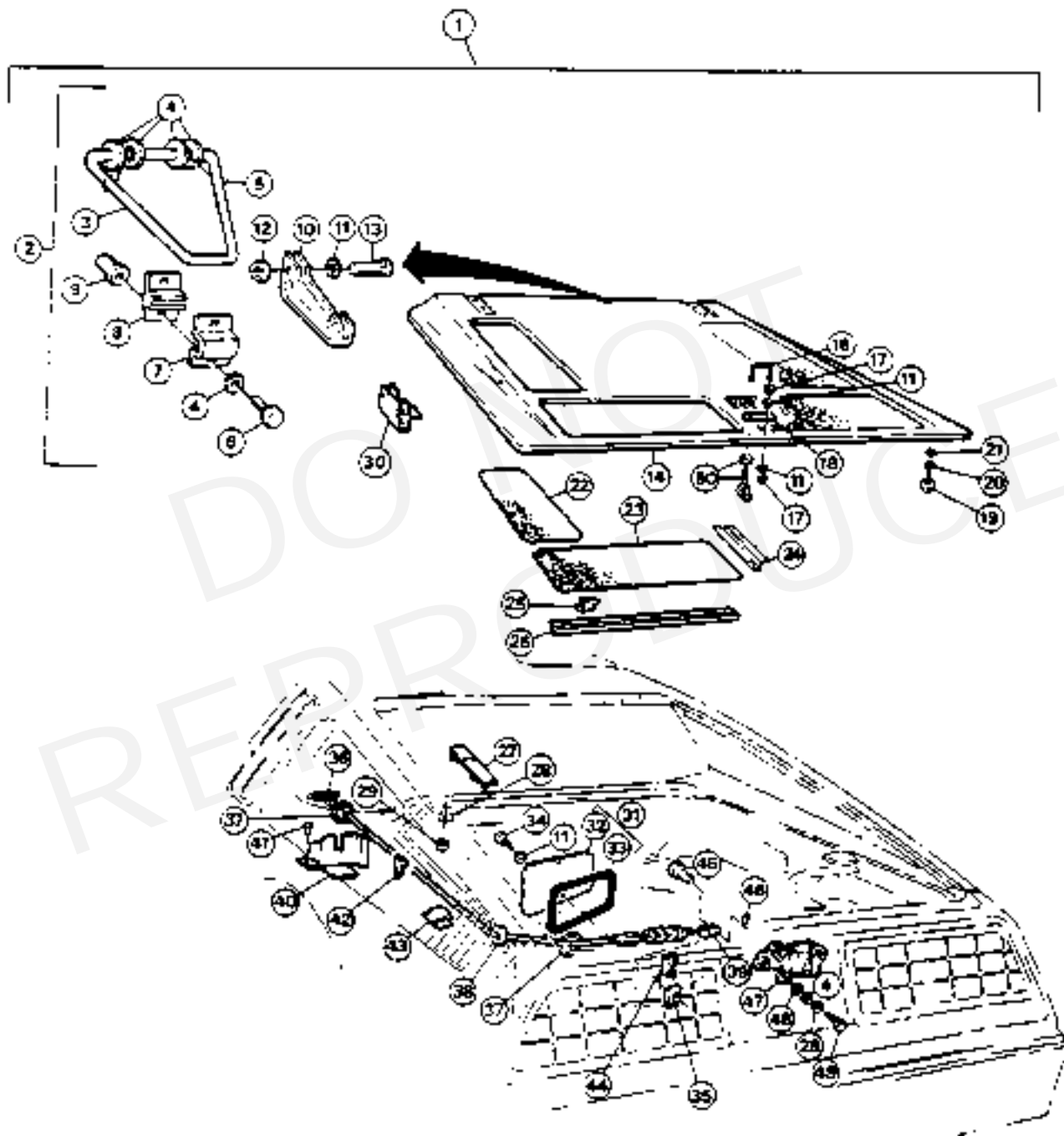
ENGINE COMPARTMENT COVER (LOWER)

FIG.	PART NUMBER	DESCRIPTION	QTY	REMARKS
1	108088	ENGINE CVR ASSY	1	
2	106363	. ENGINE CVR STAY ASSY	1	
3	106355	..STAY	1	
4	SP10252	..WASHER M6	16	
5	106354	..SPRING	1	
6	SP10781	..SCREW M6.	2	
7	106357	..UPPER PIV BLOCK	1	
8	106358	..LWR PIV BLOCK	1	
9	SP10613	..RIVNUT M6	2	
10	106356	..SLIDING BLOCK	1	
11	SP10251	..WASHER M4	6	
12	SP10166	..NYLOC NUT M4	2	
13	SP10197	..SCREW M4	2	
14	100593	. ENG COMPT CVR	1	
16	106083	. STRIKER BAR	1	
17	SP10685	. NUT M4	4	
18	106799	. COVER PLATE	1	
19	106801	. BUFFER	2	
20	SP10078	. NUT M5	2	
21	SP10111	. WASHER M5	2	
22	105604	. ENGINE CVR GRILL FRT RH	1	
	105605	. ENGINE CVR GRILL FRT LH	1	
23	105606	. ENGINE CVR GRILL RR RH	1	
	105607	. ENGINE CVR GRIU RR LH	1	
24	108465	. RET ENG CVR GRILL	1	
25	SP10672	. EDGE CUP	48	
26	106388	. RET STRIP 486 LG	4	
	106389	. RET STRIP 300 LG	2	
	106390	. RET STRIP 248 LG	2	
	106391	. RET STRIP 218 LG	4	
	106392	. RET STRIP 145 LG	6	
27	101542	. HINGE	2	
28	SP10252	. SPRING WASHER M6	10	
29	SP10690	. NUT M6	8	
30	SP10843	. LGT SW ACTUATOR	1	
31	106776	ACCESS PANEL ASSY	1	
32	1067771	. ACCESS PANEL	1	
33	106778	. GASKET	1	
34	SP10133	SCREW N8	2	
35	SP10702	SPIRE CAPTIVE NUT	2	
36	106804	CVR RELEASE CABLE	1	
37	106291	. GROMMET	2	
38	108140	. GROMMET	1	
39	106810	CLEVIS	1	



FRAME/BODY  
ENGINE COMPARTMENT COVER (LOWER)

SECTION  
8  
SUBSECTION  
4  
GROUP  
4



**8**

SECTION

SUBSECTION

**4** / **4** GROUP

FRAME/BODY

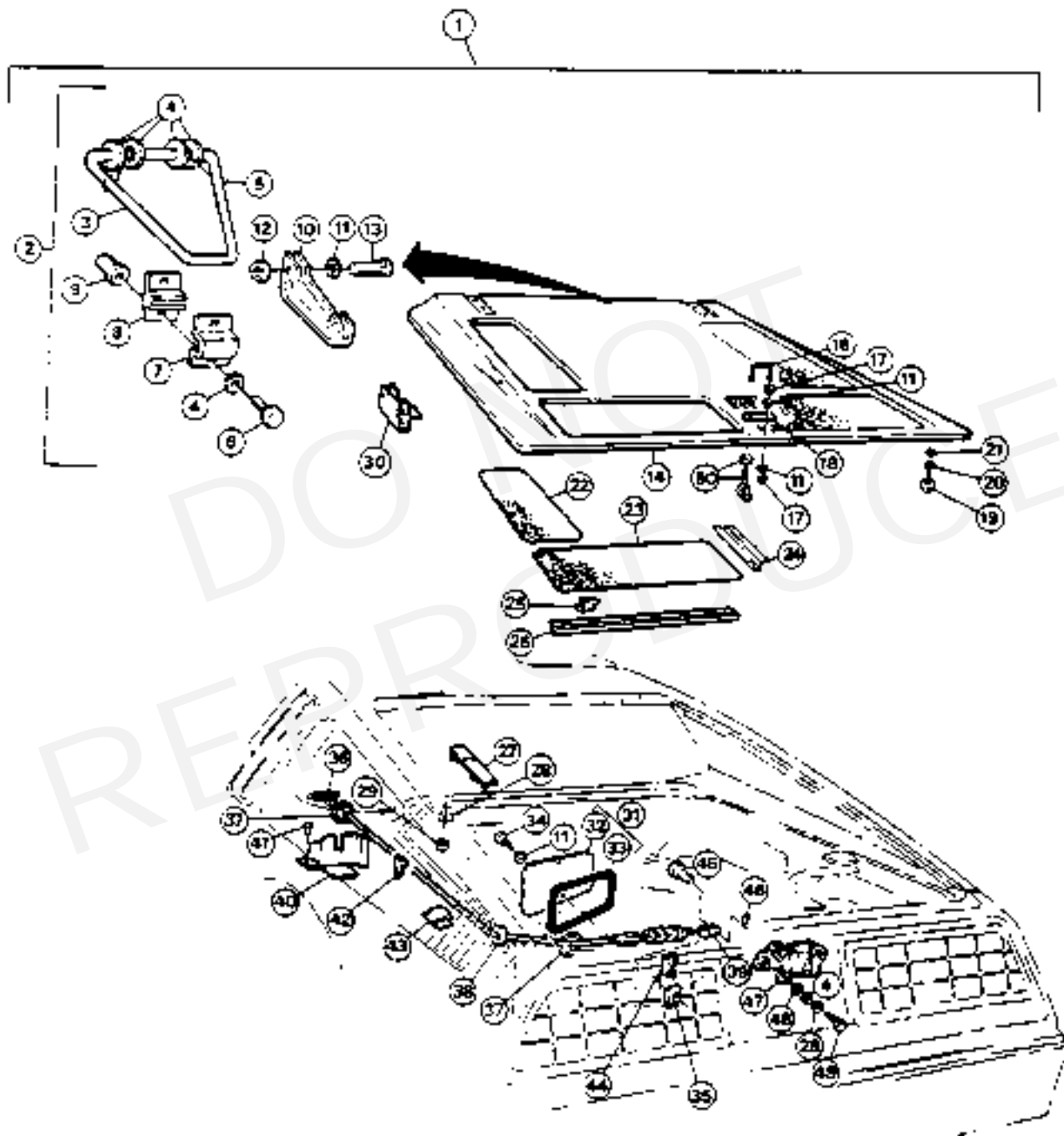
ENGINE COMPARTMENT COVER (LOWER)

FIG.	PART NUMBER	DESCRIPTION	QTY	REMARKS
40	106710	MOUNTING BRACKET	1	
41	SP10680	POP RIVET	2	
42	SP10668	CABLE CLIP	3	
43	SP10784	EDGE CLIP	1	
44	SP10704	CABLE SLIP ANCHOR	1	
45	SP10838	CLEVIS PIN	1	
46	SP10839	PATTERN SPRING	1	
47	101574	LOCK & LATCH	1	
48	SP10507	LARGE WASHER M6	2	
49	SP10675	SCREW M6	2	

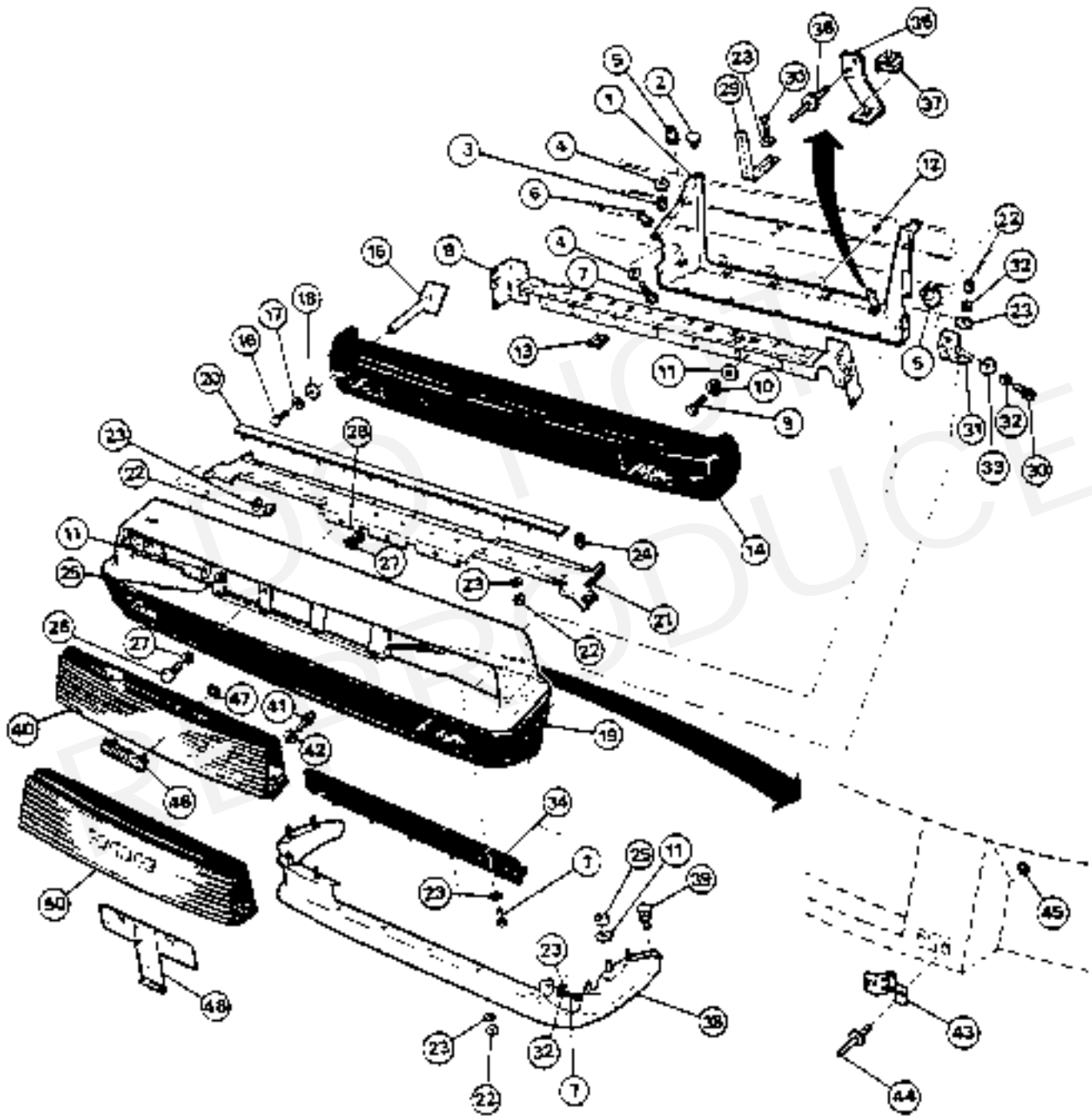
DO NOT  
REPRODUCE

FRAME/BODY  
ENGINE COMPARTMENT COVER (LOWER)

SECTION  
8  
SUBSECTION  
4  
GROUP  
4



SECTION		FRAME/BODY		
SUBSECTION		FRONT BUMPER/GRILLE		
8	5	0	GROUP	
FIG.	PART NUMBER	DESCRIPTION	QTY	REMARKS
1	105506	RADIATOR DUCT	1	
2	SP10250	BIG HEAD STUD M6	2	
3	SP10024	NYLOC NUT M6	2	
4	SP10031	WASHER M6	2	
5	SP10614	RIVNUT M6	2	
6	SP10678	RIVNUT M6	2	
7	SP10041	SCREW M6	4	
8	108098	FRT END SUPT PANEL	1	
9	SP10227	SCREW M6	14	
10	SP10509	SPRING WASHER M6	14	
11	SP10508	WASHER M6	14	
12	SP10774	RIVNUT M6	14	
13	SP10169	CAPTIVE SPIRE NUT	9	
14	100598	FRONT BUMPER	1	
15	101435	MOUNTING	2	
16	SP10009	SCREW M8	2	
17	SP10035	SPRING WASHER M8	2	
18	SP10032	WASHER M8	2	
19	100310	FRONT END FASCIA (LIGHT GLOSS)	1	UP TO VIN
	110122	FRONT END FASCIA (DARK GLOSS)	1	FROM VIN
20	106321	FR FASCIA RET STRIP	1	UP TO VIN
	110218	FR FASCIA RET STRIP	1	FROM VIN
21	105678	FR FASCIA REINF PNL	1	
22	SP10030	NUT M6	15	
23	SP10256	LARGE WASHER M6	15	
24	SP10459	SEMS SCREW N8	9	
25	SP10676	AERONUT M6	2	
26	SP10201	SCREW M4	3	
27	SP10251	WASHER M4	6	
28	SP10162	NUT M4	3	
29	105664	FRT FASCIA MID SUPT	1	
30	SP10005	SCREW M6	2	
31	105189	FRT LWR BRKT LH	2	
	105190	FRT LWR BRKT RH	2	
32	SP10252	SPRING WASHER M6	4	
33	SP10507	EXTRA LARGE WA M6	4	
34	101628	RAD/S/ GUARD GRILLE	1	
35	108466	FRT FASCIA BRKT	5	
36	SP10273	POP RIVET	10	
37	SP10158	SPIRE NUT RET	5	
38	100632	SPOILER	1	
39	SP10662	SEMS SCREW M5	2	
40	100344	GRILLE	1	UP TO VIN SERVICE BULLETIN TO FOLLOW



**8**

SECTION

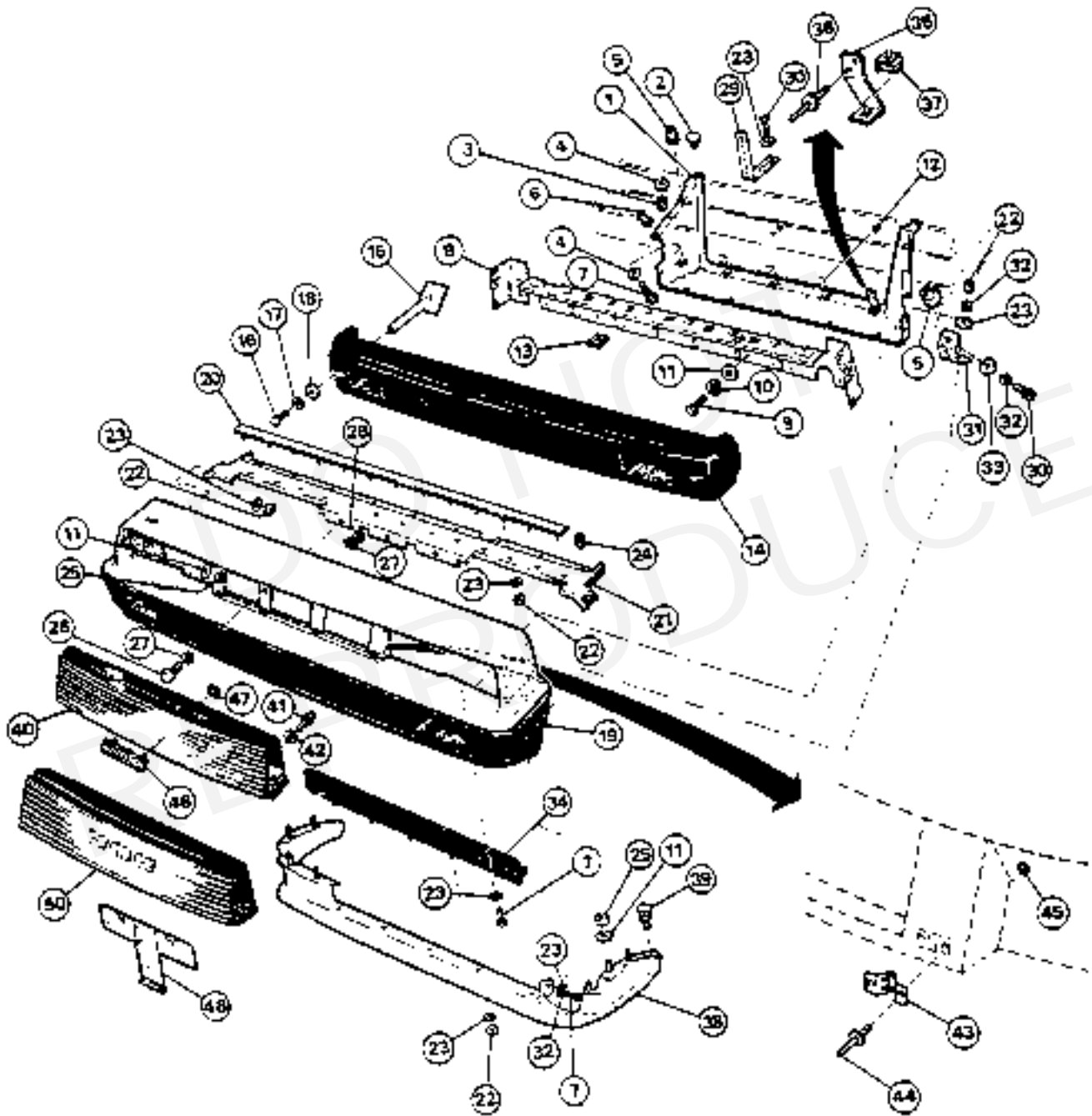
SUBSECTION

**5** / **0** GROUPFRAME/BODY  
FRONT BUMPER/GRILLE

FIG.	PART NUMBER	DESCRIPTION	QTY	REMARKS
41	SP10673	BALL STUD	8	UP TO VIN
	SP10673	BALL STUD	4	FROM VIN
42	SP10111	WASHER M5	8	UP TO VIN
	SP10111	WASHER M5	4	FROM VIN
43	SP10333	SPRING LATCH	8	UP TO VIN
	SP10333	STRING LATCH	4	FROM VIN
44	SP10129	POP RIVET	16	UP TO VIN
	SP10129	POP RIVET	8	FROM VIN
45	SP10094	SPRING WASHER M3	16	UP TO VIN
	SP10094	SPRING WASHER M3	8	FROM VIN
46	108511	DMC EMBLEM	1	UP TO VIN
47	SP10418	SPIRE FIX	3	UP TO VIN
48	108025	FT LIC PLT BRKT		
50	110581	GRILLE	1	FROM VIN

SERVICE 8ULLETIN  
TO FOLLOW

DO NOT REPRODUCE



**8**

SECTION

SUBSECTION

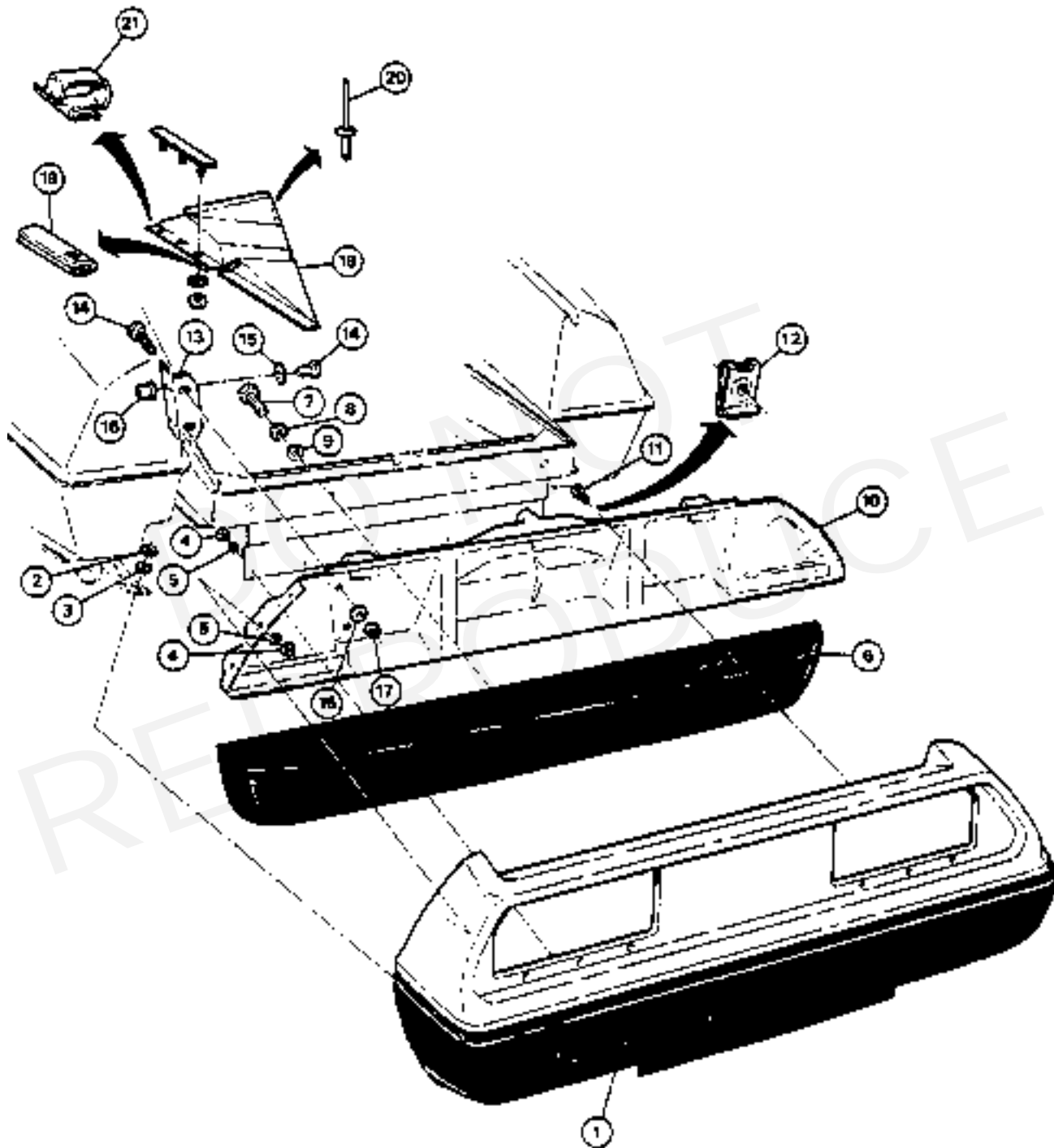
**5** / **1** GROUP

FRAME/BODY

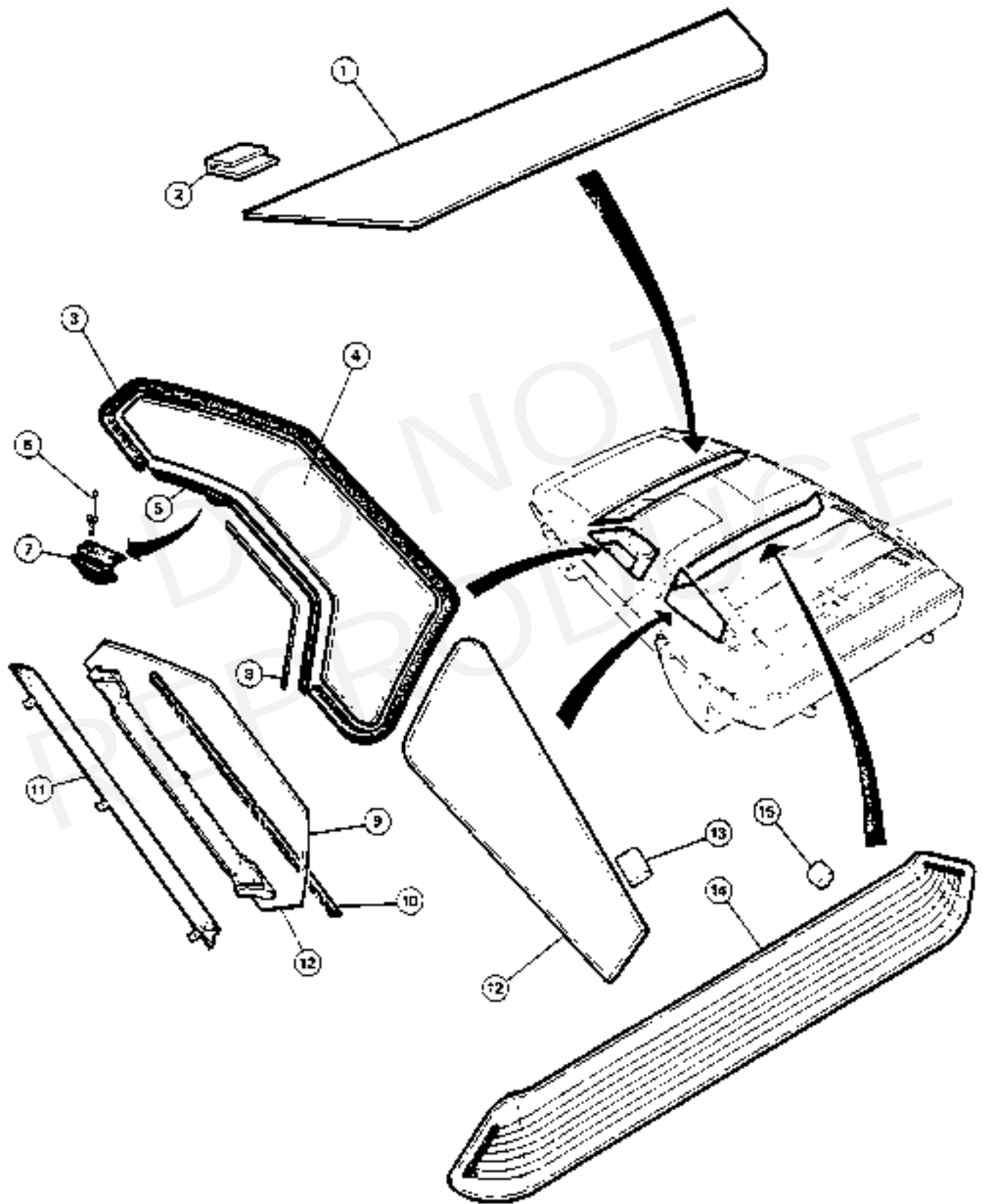
REAR BUMPER/FASCIA/DEFLECTION PLATES

FIG.	PART NUMBER	DESCRIPTION	QTY	REMARKS
1	100311	REAR FASCIA	1	
2	SP10699	NUT M6	2	
3	SP10263	WASHER M6	2	
4	SP10030	NUT M6	13	
5	SP10031	WASHER M6	13	
6	100599	REAR BUMPER	1	
7	SP10698	SCREW M12 -	4	
8	SP10118	SPRING WASHER M12	4	
9	SP10034	WASHER M12	4	
10	101477	RR CLOSING PANEL	1	
11	SP10546	SCREW M10	9	
12	SP10547	CAPTIVE NUT	9	
13	101546	RR CLOSING PNL BRKT	2	
14	SP10002	SCREW M8	8	
15	SP10730	WASHER M8	12	
16	SP10615	RIVNUT M8	4	
17	SP10025	NYLOC NUT M8	4	
18	106733	AIR DEFL PLATE LH	1	
	106734	AIR DEFL PLATE RH	1	
19	SP10763	EDGE STRIP	1	
20	SP10292	POP RIVET	6	
21	SP10553	EDGE CLIP	10	





SECTION		FRAME/BODY		
SUBSECTION		GLASS SECTIONS		
8	6	0	GROUP	
FIG.	PART NUMBER	DESCRIPTION	QTY	REMARKS
1	100623	GLASS FRONT-SECTION	1	
	110076	GLASS FRONT-SECTION	1	
2	110253	SCREEN SPACER	8	
3	108533	FIXED GLASS FIN LH	1	
	108534	FIXED GLASS FIN RH	1	
4	105554	DOOR FIXED GLASS RH	1	
	105555	DOOR FIXED GLASS LH	1	
5	105942	DROP GLA DIV CHAN RH	1	
	105943	DROP GLA DIV CHAN LH	1	
6	SP10845	. POP RIVET	2	QUANTITY PER ASSEMBLY
7	106292	. GLASS STA8 GUIDE	1	QUANTITY PER ASSEMBLY
8	101726	GLASS RUN CHANNEL	2	
9	106207	GLASS & CARR LH	1	
	106208	GLASS &~ CARR RH	1	
10	106063	INTR DROP GLASS SEAL	2	
11	106128	OUTER WIPE SEAL LH	1	
	106129	OUTER WIPE SEAL RH	1	
12	105786	RR QUARTER GLASS RH	1	
	105787	RR QUARTER GLASS LH	1	
13	106612	SPACING BLOCK	16	
14	100624	GLASS-REAR SCREEN	1	
15	106611	SPACING BLOCK	8	



8

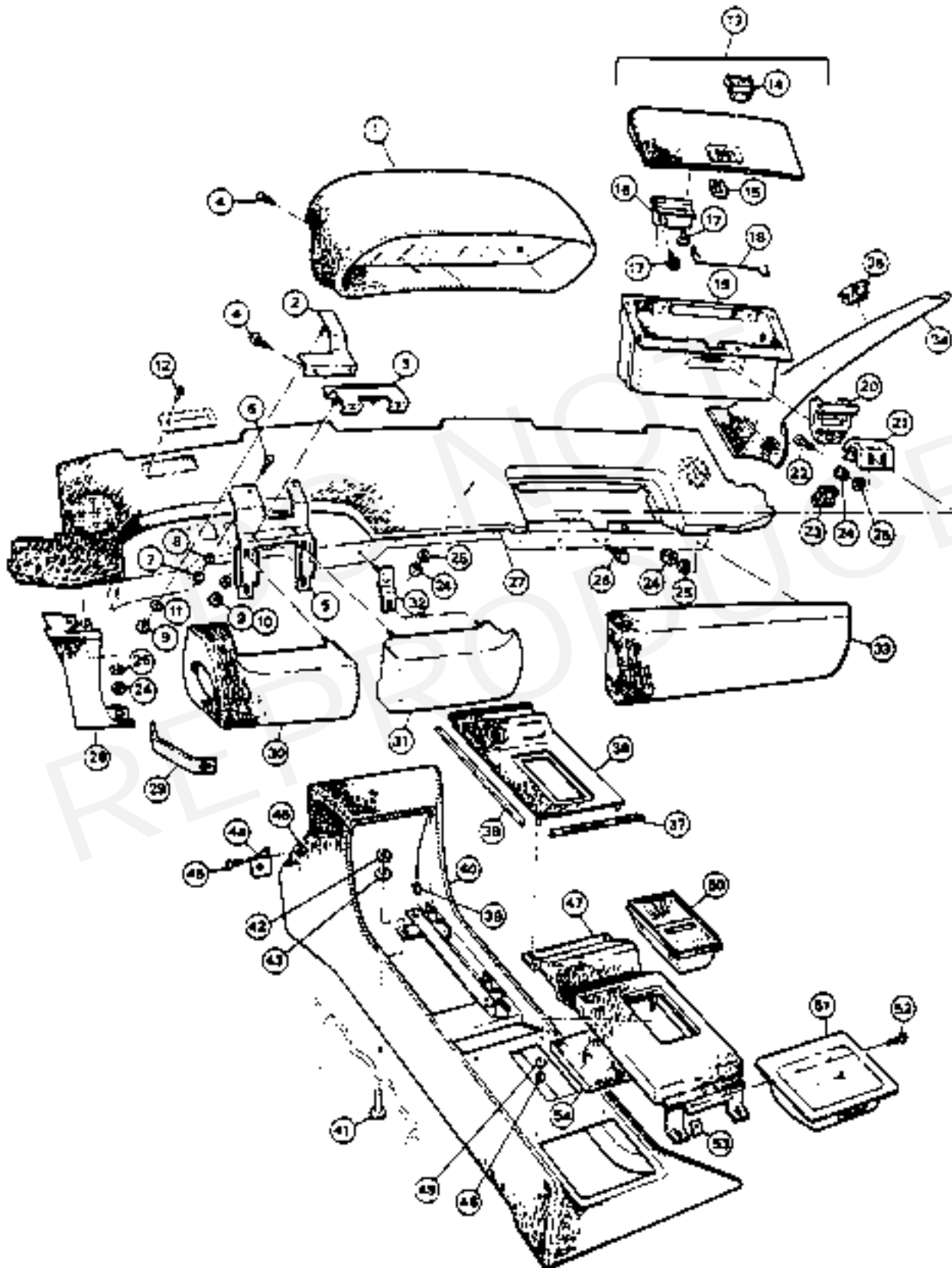
SECTION

SUBSECTION

7 0 GROUP

FRAME/BODY  
DASHBOARD/CONSOLE

FIG.	PART NUMBER	DESCRIPTION	QTY	REMARKS
1	101854	BINNACLE I(BLACK CAR)	1	FOR GREY CAR 110436
2	106625	BINNACLE BRKT OTR RH	1	
	106627	BINNACLE BRKT OTR LH	1	
3	106623	BCLE BRKT CENTER RR	1	
4	SP10430	SCREW N8	8	
5	106622	8CLE BRKT CENTER FRT	1	
6	SP10113	SCREW M5	2	
7	SP10106	NYLOC NUT M5	2	
8	SP10111	WASHER M5	2	
9	SP10166	NYLOC NUT M4	2	
10	SP10251	WASHER M4	2	
11	SP10117	WASHER M5	4	
12	SP10297	POP RIVET	2	
13	101321	GLOVE BOX LID ASSY (BLACK CAR)	1	FOR GREY CAR 110438
14	108555	. CATCH	1	
15	108556	. CLIP	1	
16	100668	. HINGE	2	
17	SP10432	. SCREW N8	4	
18	108935	. TORSION BAR	1	
19	101329	GLOVE BOX	1	
20	108557	CATCH PLT STRIKER	1	
21	108558	CATCH PLT BRKT	1	
22	SP10430	SCREW N8	1	
23	SP10169	CAPTIVE NUT	1	
24	SP10024	NYLOC NUT M6	6	
25	SP10031	WASHER M6	6	
26	SP10041	SCREW M6	2	
27	105443	INST PANEL FASCIA (BLACK CAR)	1	FOR GREY CAR 110440
	SP10252	SPRING WA M6	4	NOT ILL
	SP10030	NUT	4	NOT ILL
28	105736	END PANEL FASCIA RH (BLACK CAR)	1	FOR GREY CAR 110442
	105737	END PANEL FASCIA LH (BLACK CAR)	1	FOR GREY CAR 110443
29	105283	BRACKET LH		
	105284	BRACKET RH		
	108706	GAITER, STEERING COLUMN	1	NOT ILL-FROM VIN 1346
30	108594	FR ROLL DRIVER OTR (BLACK CAR)	1	FOR GREY CAR 110462
31	108592	FR ROLL DRIVER INNER (BLACK CAR)	1	FOR GREY CAR 110460
32	105139	BRACKET	1	



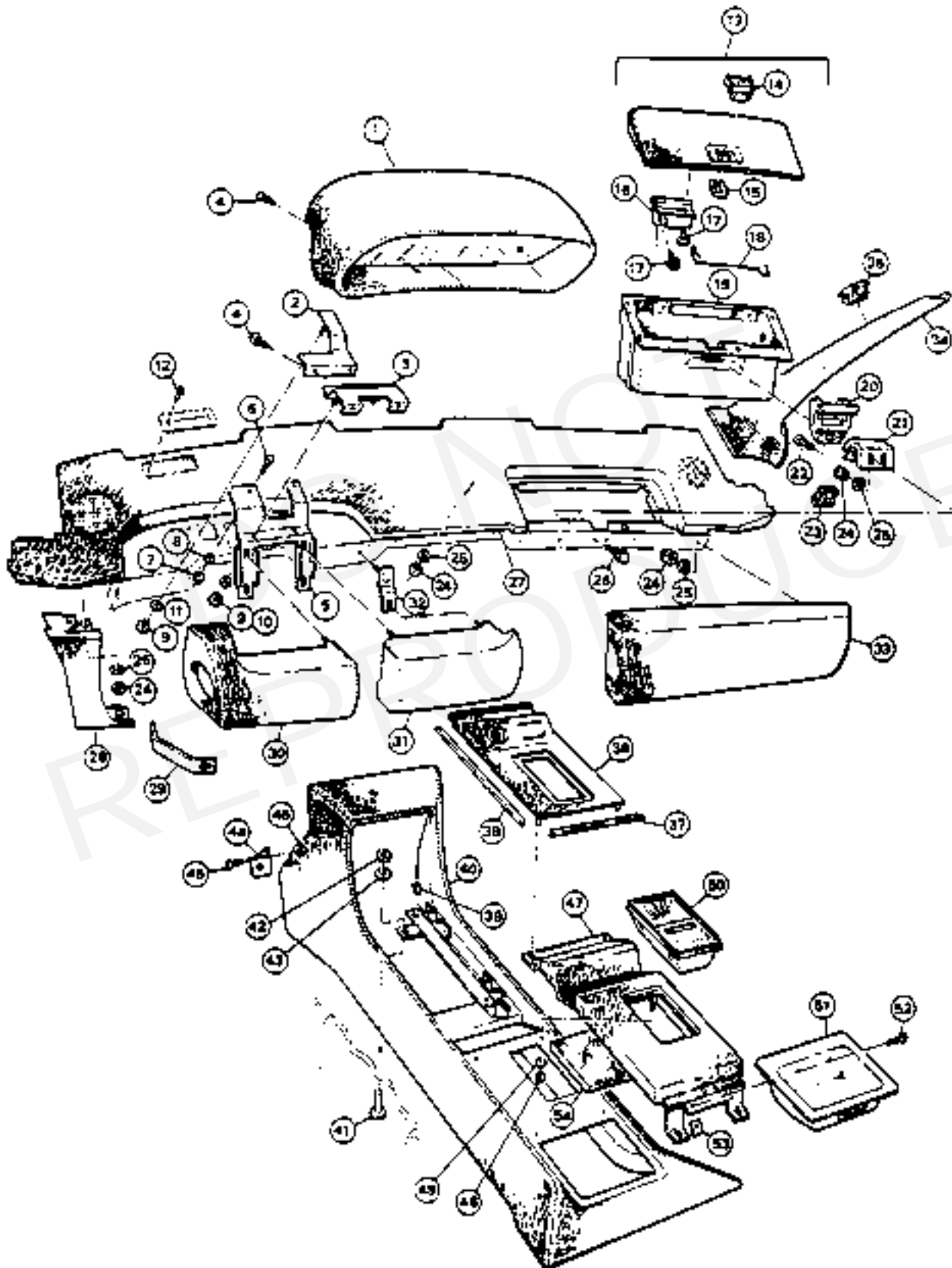
**8**

SECTION

SUBSECTION

**7** / **0** GROUPFRAME/BODY  
DASHBOARD/CONSOLE

FIG.	PART NUMBER	DESCRIPTION	QTY	REMARKS
33	108590	FRONT ROLL PASS (BLACK CAR)	1	FOR GREY CAR 110458
34	110034	'A' POST TRIM RH (BLACK CAR)	1	FOR GREY CAR 110454
	1 10035	'A' POST TRIM LH (BLACK CAR)	1	FOR GREY CAR 110455
35	196910	STUD RET CLIP	4	
36	108240	FRONT PANEL	1	UP TO VIN 6158
	110325	FRONT PANEL	1	FROM VIN 6159
37	108272	EDGING STRIP	1	
38	106798	EDGING STRIP	2	
39	SP10557	EMBLEM CLIP	4	
40	100683	CON CNSL TRM (BLACK CAR)	1	FOR GREY CAR 110446
41	SP10341	BIG HEAD STUD M6	6	
42	SP10030	NUT M6	6	
43	SP10042	SHAKEPROOF WASHER M6	6	
44	108095	BRACKET LH	1	
	108096	BRACKET RH	1	
45	SP10135	SCREW N8	2	
46	SP10132	SPIRE NUT	2	
47	108239	ARMREST CON CNSL (BLACK CAR)	1	FOR GREY CAR 110523
48	SP10162	NUT M4	4	
49	SP10254	SPRING WASHER M4	4	
50	108748	ASH TRAY	1	
51	108232	CENTER CONSOLE TRAY (BLACK CAR)	1	FOR GREY CAR 110521
52	SP10431	SCREW N6	2	
53	SP10766	SPIRE CAPTIVE NUT N6	2	
54	108904	FOAM PAD		



**8**

SECTION

SUBSECTION

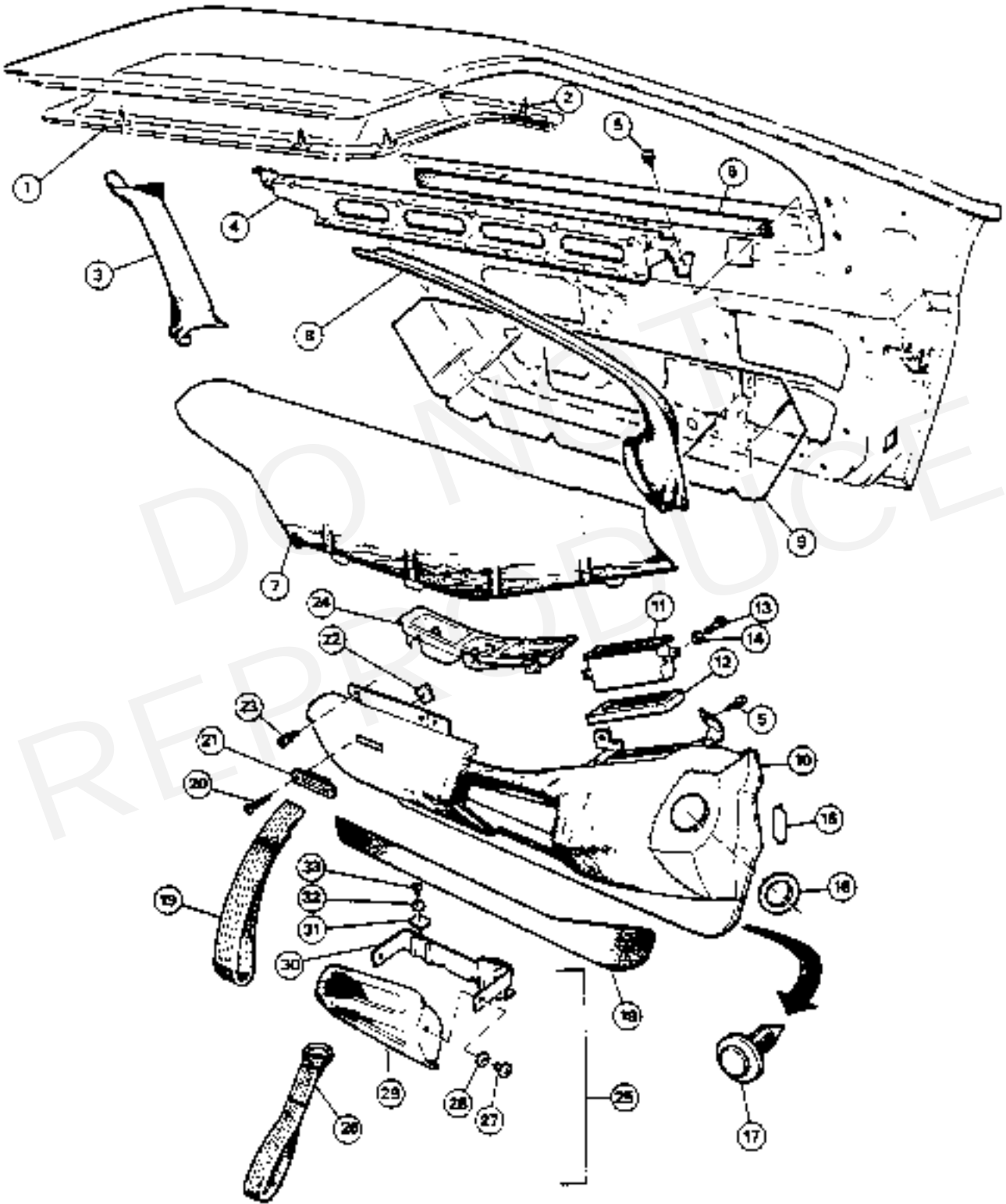
**7** / **1** GROUP

FRAME/BODY

DOOR TRIM

FIG.	PART NUMBER	DESCRIPTION	QTY	REMARKS
1	110063	TRIM PAD UPPER LH	1	
	110062	TRIM PAD UPPER RH	1	
2	SP10671	FIR TREE (KEY HOLE)		
3	101878	TRIM PAD 'B' POST RH (BLACK CAR)	1	FOR GREY CAR 110500
	101879	TRIM PAD 'B' POST LH (BLACK CAR)	1	FOR GREY CAR 110501
4	108318	SUPT BRACKET LOWER RH		
	108319	SUPT BRACKET LOWER LH		
5	SP10462	SEMS SCREW N12	18	
6	106063	SEAL-DROP/GLS-INTERIOR	2	SEE 8-6-0
7	110174	TRIM PAD, LOWER RH (BLACK CAR)	1	FOR GREY CAR 110504
	110175	TRIM PAD, LOWER LH (BLACK CAR)	1	FOR GREY CAR 110505
8	101876	TRIM PAD 'A' POST RH (BLACK CAR)	1	FOR GREY CAR 110494
	101877	TRIM PAD 'A' POST LH (BLACK CAR)	1	FOR GREY CAR 110495
9	106368	PANEL SEALING RH		
	106369	PANEL SEALING LH		
10	110169	ARMREST ASSY LH (BLACK CAR)	1	UP TO VIN 5992
	110168	ARMREST ASSY RH (BLACK CAR)	1	UP TO VIN 5992
	110169	ARMREST ASSY LH (BLACK CAR)	1	FROM VIN 5993
	110168	ARMREST ASSY RH (BLACK CAR)	1	FROM VIN 5993
	110509	ARMREST ASSY LH (GREY CAR)	1	UP TO VIN 5992
	110508	ARMREST ASSY RH (GREY CAR)	1	UP TO VIN 5992
	110249	ARMREST ASSY LH (GREY CAR)	1	FROM VIN 5993
	110250	ARMREST ASSY RH (GREY CAR)	1	FROM VIN 5993
11	100761	. VENT OUTLET	2	
12	106265	. SEAL	2	
13	SP10457	. SEMS SCREW M5	4	
14	SP10117	. WASHER, LARGE M5	4	
15	108169	. STRIKER, PLATE	4	
16	1055I9	. RETAINING RING	2	
17	SP10715	. FIRTREE(ROUND HOLD)	2	





**8**

SECTION

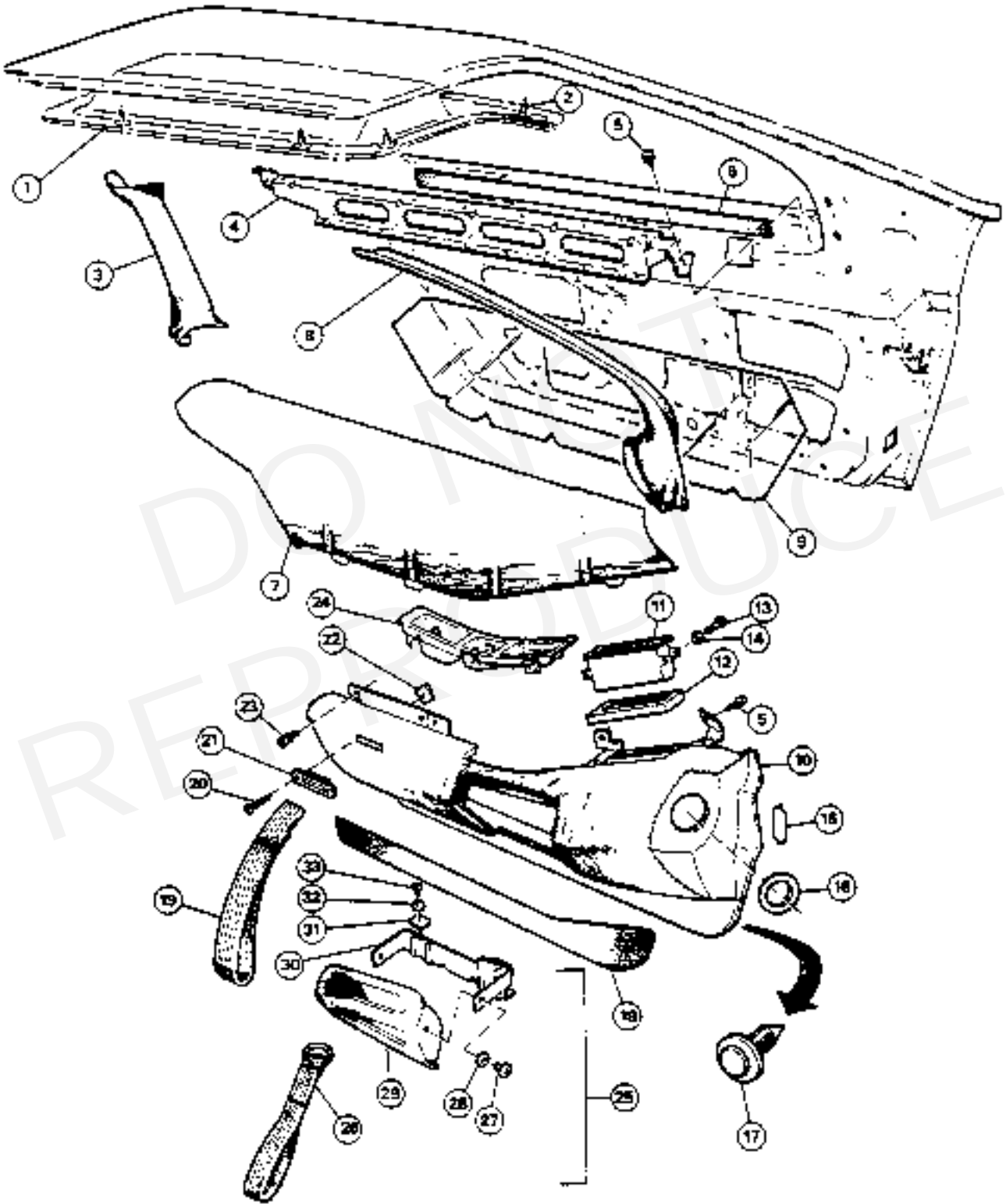
SUBSECTION

**7** / **1** GROUP

FRAME/BODY

DOOR TRIM

FIG.	PART NUMBER	DESCRIPTION	QTY	REMARKS
18	108082	. DOOR CARPET RH (BLACK CAR)	1	UP TO VIN 10578
	108083	. DOOR CARPET LH (BLACK CAR)	1	UP TO VIN 10578
	110380	. DOOR CARPET RH (BLACK CAR)	1	FROM VIN 10579
	110381	. DOOR CARPET LH (BLACK CAR)	1	FROM VIN 10579
	11136	. DOOR CARPET RH (GREY CAR)	1	UP TO VIN 10578
	111337	. DOOR CARPET LH (GREY CAR)	1	UP TO VIN 10578
	110336	. DOOR CARPET RH (GREY CAR)	1	FROM VIN 10579
	110337	. DOOR CARPET LH (GREY CAR)	1	FROM VIN 10579
19	110308	. PULL STRAP (BLACK CAR)	2	FROM VIN 5993
	110309	. PULL STRAP (GREY CAR)	2	FROM VIN 5993
20	SP10105	. N4 X 13 SCREW SIT	4	FROM VIN 5993
21	101539	. BEZEL	2	FROM VIN 5993
22	SP10476	. SPIRE FIX	4	FROM VIN 5993
23	SP1040	SEMS SCREW M6	20	
24	101888	ESCUTCHEON RH	1	
	101889	ESCUTCHEON LH		
25	108473	GRAB HANDLE ASSY LH (BLACK CAR)	1	FOR GREY CAR 110513
	108474	GRAB HANDLE ASSY RH (BLACK CAR)	1	FOR GREY CAR 110512
26	108658	. PULL STRAP (BLACK CAR)	2	UP TO VIN 5992
	111024	. PULL STRAP (GREY CAR)	2	
27	SP10463	. SCREW M6	4	
28	SP10252	. SPRING WASHER M6	4	
29	108061	. GRAB HANDLE LH (BLACK CAR)	1	FOR GREY CAR 111029
	108062	. GRABHANDLE RH (BLACK CAR)	1	FOR GREY CAR 111028
30	105090	. BRKT. GRAB HANDLE RH		
	105091	. BRKT. GRAB HANDLE LH		
31	108208	FRICITION PAD	4	
32	SP10256	WASHER PLAIN	8	
33	SP10465	SEMS SCREW M6	10	

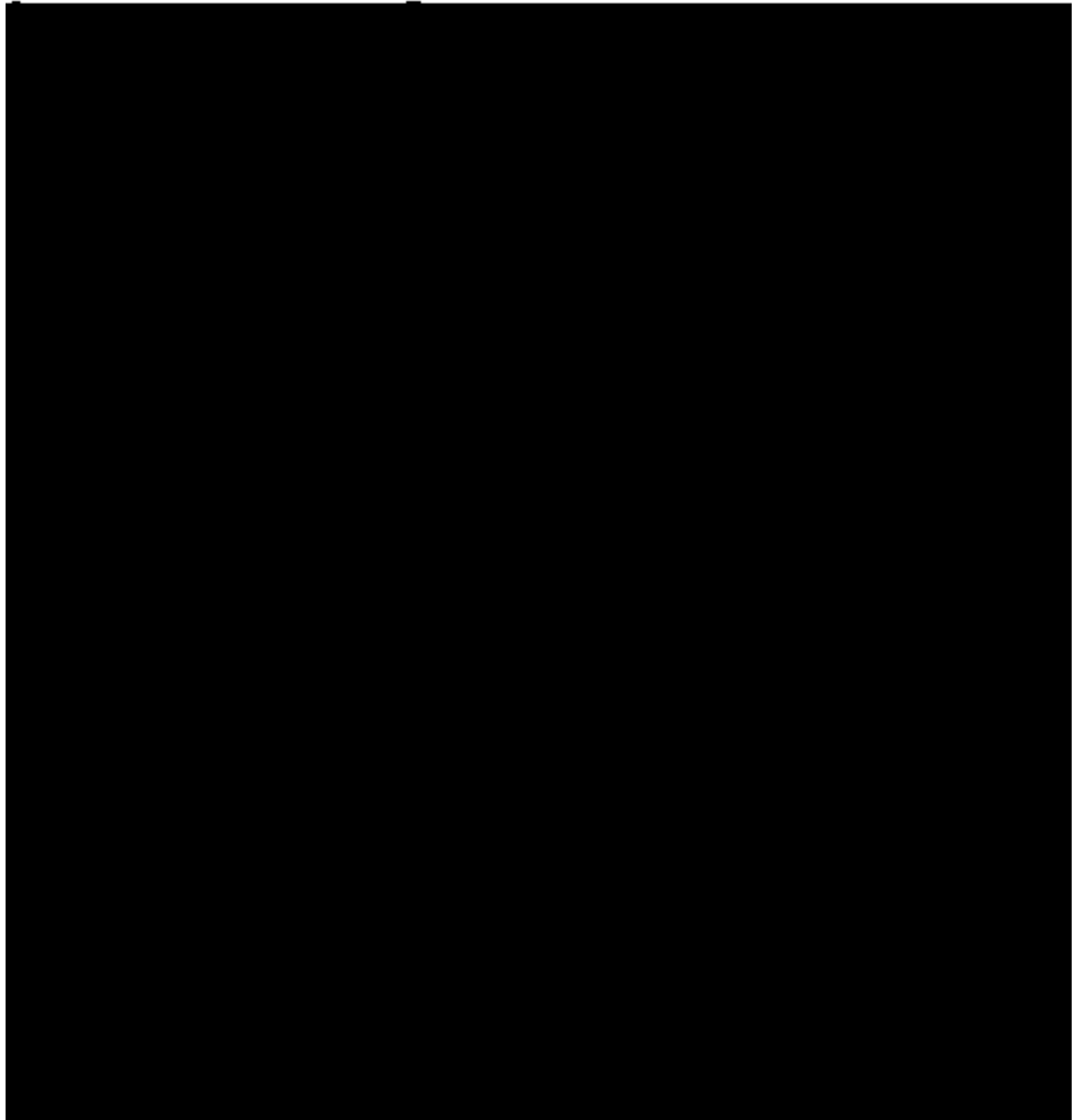


SECTION		FRAME/BODY		
SUBSECTION		CARPETS		
8	7	2	GROUP	
FIG.	PART NUMBER	DESCRIPTION	QTY	REMARKS
1	108084	CARPET RR ARCH RH (BLACK CAR)	1	UP TO VIN 10578
	110468	CARPET RR ARCH RH (GREY CAR)	1	UP TO VIN 10578
	110344	CARPET RR ARCH RH	1	FROM VIN 10579
2	108204	RR BULKHEAD ASSY (BLACK CAR)	1	UP TO VIN 10578
	110852	RR BULKHEAD ASSY (GREY CAR)	1	UP TO VIN 10578
	109251	RR BULKHEAD ASSY	1	FROM VIN 10579
3	108085	CARPET RR ARCH LH (BLACK CAR)	1	UP TO VIN 10578
	110469	CARPET RR ARCH LH (GREY CAR)	1	UP TO VIN 10578
	110345	CARPET RR ARCH LH	1	FROM VIN 10579
4	105529	CARPET STORAGE COMPT (BLACK CAR)	1	UP TO VIN 10578
	110476	CARPET STORAGE COMPT (GREY CAR)	1	UP TO VIN 10578
	110333	CARPET STORAGE COMPT	1	FROM VIN 10579
5	108004	CARPET STORAGE LID (BLACK CAR)	1	UP TO VIN 10578
	110484	CARPET STORAGE LID (GREY CAR)	1	UP TO VIN 10578
	109248	CARPET STORAGE LID	1	FROM VIN 10579
6	108070	CARPET PARKING BRAKE COVER	1	UP TO VIN 10578
	110478	CARPET PARKING BRAKE COVER (GREY CAR)	1	UP TO VIN 10578
	110352	CARPET PARKING BRAKE COVER	1	FROM VIN 10579
7	SP10687	PANEL BLITTON	2	
8	108069	CARPET DOOR SILL LH	1	UP TO VIN 10578
	110473	CARPET DOOR SILL LH (GREY CAR)	1	UP TO VIN 10578
	110337	CARPET DOOR SILL LH	1	FROM VIN 10579
9	108077	CARPET. FLOOR LH (BLACK CAR)	1	UP TO VIN 105
	110465	CARPET FLOOR LH (GREY CAR)	1	UP TO VIN 10578
	110341	CARPET FLOOR LH	1	FROM VIN 10579
10	101917	CARPET LUGGAGE COMPT		
11	108076	CARPET FLOOR RH (BLACK CAR)	1	UP TO VIN 105
	110464	CARPET FLOOR RH (GREY CAR)	1	UP TO VIN 10578
	110340	CARPET FLOOR RH	1	FROM VIN 10579

FRAME/BODY  
CARPETS

8

SECTION  
SUBSECTION  
7 / 2 GROUP



8-7-2-11-6-81

**8**

SECTION

SUBSECTION

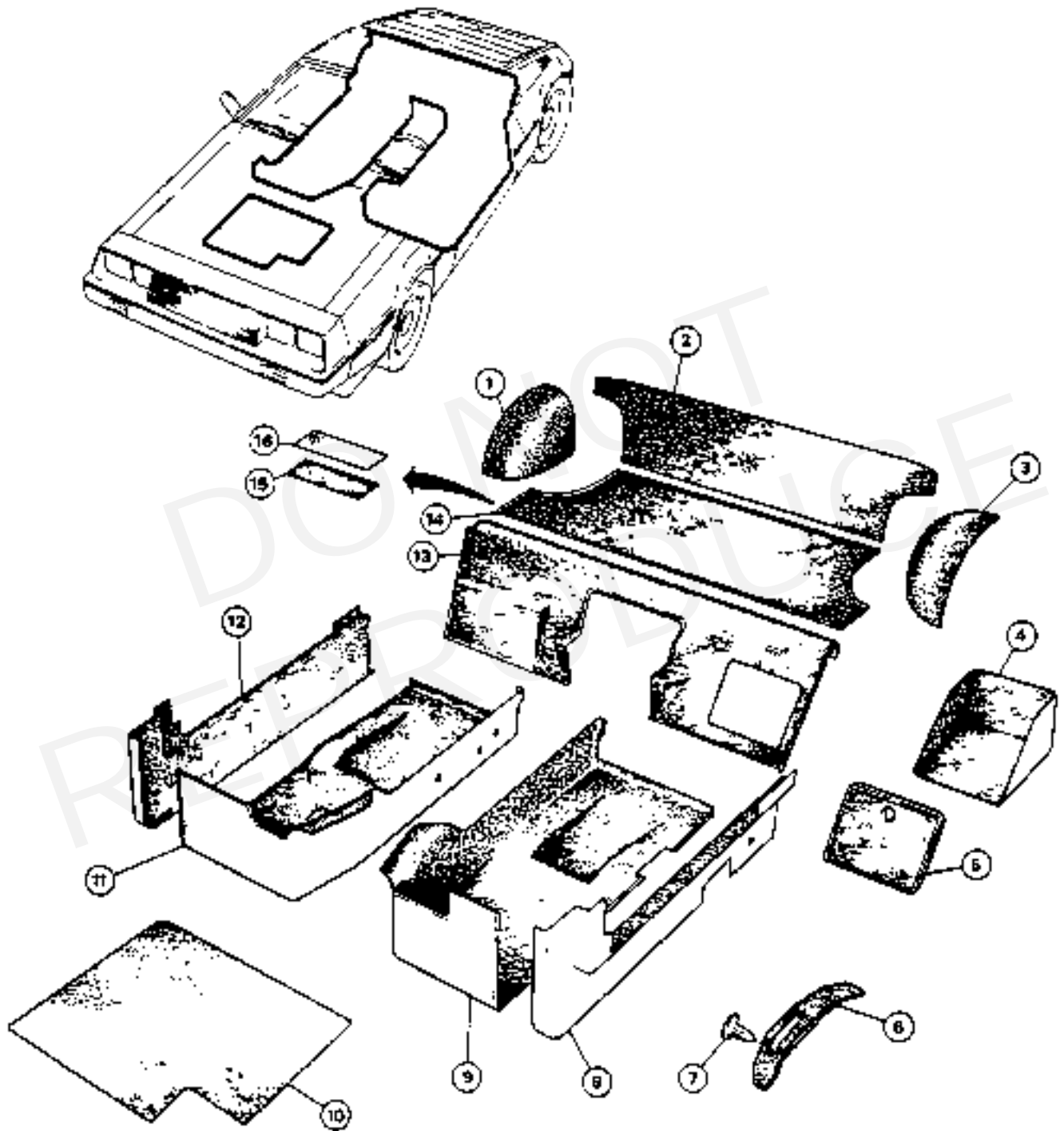
**7** / **2** GROUP

FRAME/BODY

CARPETS

FIG.	PART NUMBER	DESCRIPTION	QTY	REMARKS
12	108068	CARPET DOOR SILL RH (BLACK CAR)	1	UP TO VIN 10578
	110473	CARPET DOOR SILL RH (GREY CAR)	1	UP TO VIN 10578
	110337	CARPET DOOR SILL RH	1	FROM VIN 10579
13	108075	CARPET,. DECK BOARD (BLACK CAR)	1	UP TO VIN 10578
	110480	CARPET, DECK BOARD (GREY CAR)	1	UP TO VIN 10578
14	110355	CARPET, DECK BOARD	1	FROM VIN 10579
	108067	CARPET,. SHELF (BLACK CAR)	1	UP TO VIN 10578
	110482	CARPET, SHELF (GREY CAR)	1	UP TO VIN 10578
15	110357	CARPET SHELF	1	FROM VIN 10579
15	106289	STRIP VELCRO, HOOK	1	
16	106290	STRIP VELCRO, LOOP	1	

8-7-2-1-8-82



8

SECTION

SUBSECTION

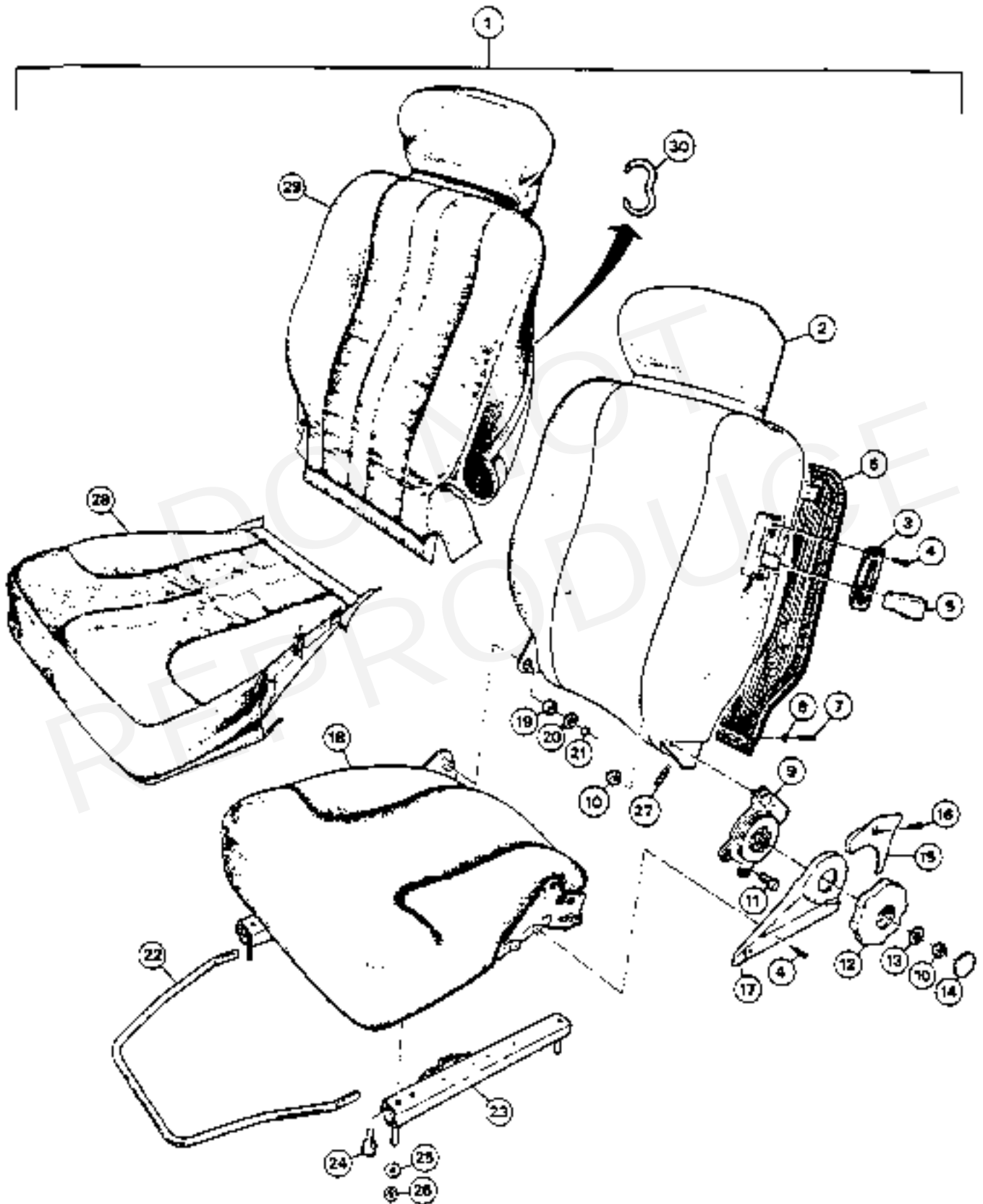
7 3 GROUP

FRAME/BODY

SEATS

FIG.	PART NUMBER	DESCRIPTION	QTY	REMARKS
1	100600	SEAT ASSY RH (BLACK CAR)	1	GREY CAR 110516
	100601	SEAT ASSY LH (BLACK CAR)	1	GREY CAR 110517
2	10t624	. SQUAB ASSY RH (BLACK CAR)	1	GREY CAR 111266
	101625	. SQUAB ASSY LH (BLACK CAR)	1	GREY CAR 111267
3	101539	..TILT LEVEL TRIM	2	
4	SP10192	..M2.5 SCREW	4	
5	101540	..TILT LEVEL KNOB RH	1	
	101541	..TILT LEVEL KNOB LH	1	
6	105271	..TRIM PANEL (BLACK CAR)	2	GREY CAR 109255
7	SP1017	..N6 C/SUNK SCREW	4	
8	SP10174	..SCREW CUP	4	
9	105170	..TILT MECHANISM RH	1	
	105171	..TILT MECHANISM LH	1	
10	SP10145	..M8 LOCKNUT	4	
11	SP10103	. M8 SCREW	4	
12	100829	. KNOB	2	
13	SP10765	. M8 WASHER	2	
14	101215	. KNOB INSERT	2	
15	105738	. UPPER SHIELD RH	1	
	105739	. UPPER SHIELD LH	1	
16	SP10796	. M3 SCREW	2	
17	10Q955	. LOWER SHIELD LH	1	
	100956	. LOWER SHIELD RH	1	
18	101622	. CUSHION RH (BLACK CAR)	1	GREY CAR 111258
	101623	. CUSHION LH (BLACK CAR)	1	GREY CAR 111259
19	105539	. PIVOT BEARING	2	
20	SP10062	. M14 WASHER	2	
21	SP10338	. CIRCLIP	2	
22	100622	. SLIDE RELEASE BAR	2	
23	105254	. SLIDE RH	2	
	105255	. SLIDE LH	2	
24	SP10085S	. M8 CAP SCREW	8	
25	SP10730	M8 LARGE WASHER	8	
26	SP10025	M8 NYLOC NUT	8	
27	108925	TENSION SPRING	2	
28	100619	CUSHION COVER (BLACK CAR)	2	GREY CAR 109261
29	100618	SQUAB COVER (BLACK CAR)	2	GREY CAR 109260

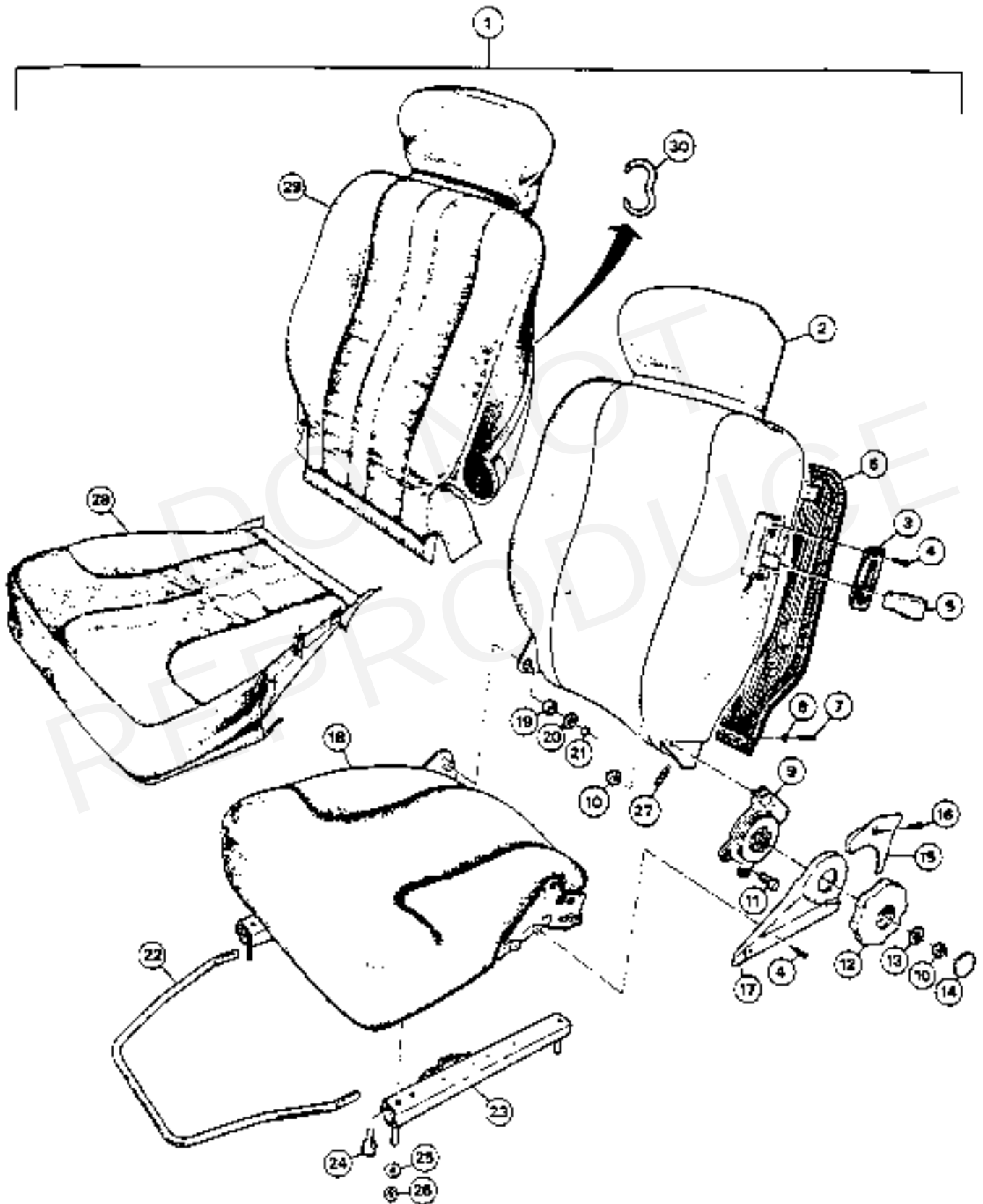




<b>8</b>	SECTION	FRAME/BODY SEATS
	SUBSECTION	
	7 / 3 GROUP	

FIG.	PART NUMBER	DESCRIPTION	QTY	REMARKS
30	101526	HOG RING	A/R	
31	SP10765	M8 WASHER	16	NOT ILL
32	105238	BOBBIN 10MM MALE	8	NOT ILL
33	105239	BOBBIN 10MM FEMALE	8	NOT ILL

DO NOT REPRODUCE



**8**

SECTION

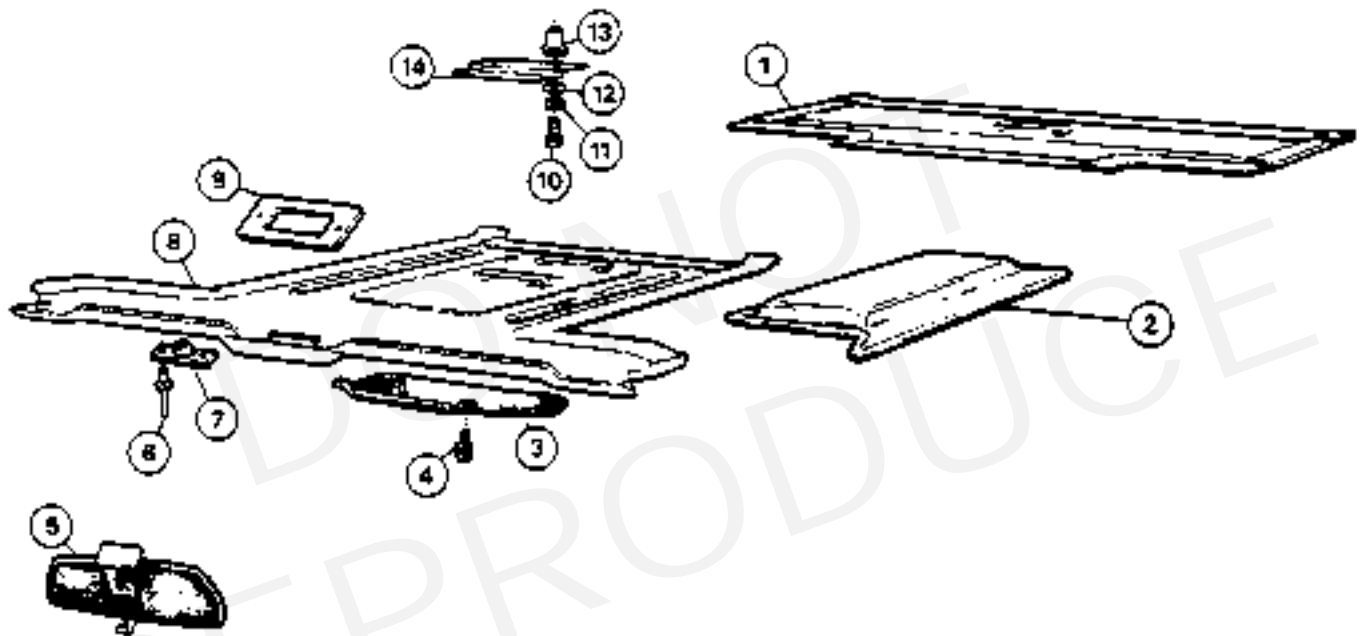
SUBSECTION

**7** / **4** GROUP

FRAME/BODY

ROOF TRIM

FIG.	PART NUMBER	DESCRIPTION	QTY	REMARKS
1	105192	REAR HEADLINING	1	UP TO VIN 1791
	110060	REAR HEADLINING	1	FROM VIN 1792
2	105753	DOOR HEADLINING LH	1	UP TO VIN 1791
	110063	DOOR HEADLINING LH	1	FROM VIN 1792
	105754	DOOR HEADLINING RH	1	UP TO VIN 1791
	110062	DOOR HEADLINING RH	1	FROM VIN 1792
3	100696	SUNVISOR RH	1	UP TO VIN 1791
	110216	SUNVISOR RH	1	FROM VIN 1792
	100697	SUNVISOR LH	1	UP TO VIN 1791
	110217	SUNVISOR LH	1	FROM VIN 1792
4	SP10454	SEMS SCREW M5	4	
5	101976	INTERIOR MIRROR	1	
6	SP10276	POP RIVET	8	
7	105280	SUNVISOR RETAINER	4	
8	105191	FRONT HEADLINING	1	UP TO VIN 1791
	110059	FRONT HEADLINING	1	FROM VIN 1792
9	108746	ADAPTOR,. CTSY LAMP	1	
10	SP10015	SCREW M6	6	
11	SP10252	SPRING WASHER M6	6	
12	SP10031	WASHER M6	6	
13	SP10614	RIVNUT M6	6	
14	105044	RETAINING BRACKET	3	



8

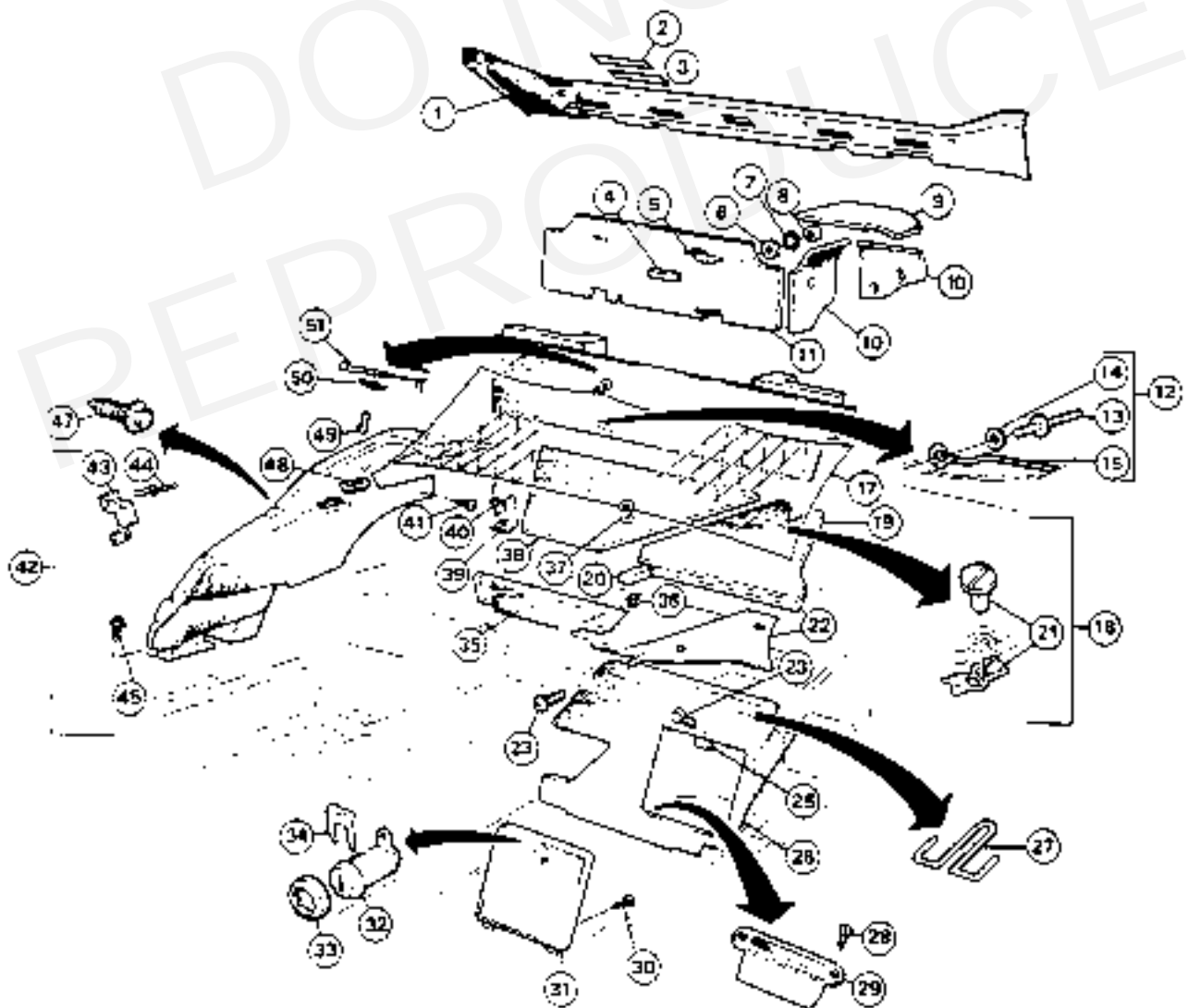
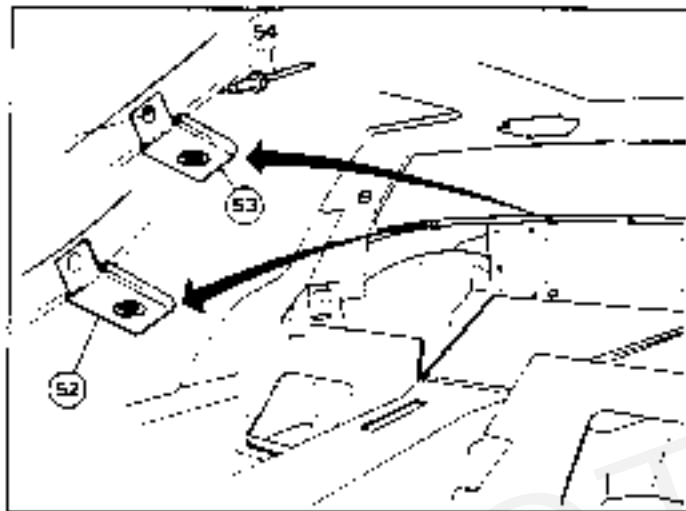
SECTION

SUBSECTION

7 5 GROUP

FRAME/BODY  
GENERAL INTERIOR TRIM

FIG.	PART NUMBER	DESCRIPTION	QTY	REMARKS
1	106201	TRIM BOARD TOP (BLACK CAR)	1	FOR GREY CAR 110486
2	106289	. STRIP VELCRO HOOK	1	SEE ALSO 3-7-2
3	106290	. STRIP VELCRO LOOP	1	SEE ALSO 8-7-2
4	108233	PAD, ACCOUST1C SUPT	2	
5	105986	SUPT BRKT BOARD RR	2	
6	SP10647	WASHER, LARGE M6	1	
7	SP10042	WASHER, SEPARATED	1	
3	SP10030	NUT M6	1	
9	106953	PONTOON ROOF INSL LH	1	
	106954	PONTOON ROOF INSL RH	1	
10	100653	PONTOON WALL INSL LH	1	
	106862	PONTOON WALL INSL RH	1	
11	106861	REAR WALL INSL PAD	1	
12	108204	VERTICAL TRIMBOARD (BLACK CAR)	1	UP TO VIN 10578
	110852	VERTICAL TRIMBOARD (GREY CAR)	1	UP TO VIN 10578
	110357	VERTICAL TRIMBOARD	1	FROM VIN 10579
13	SP10805	. POP RIVET	4	
14	SP10253	. POP RIVET WASHER	4	
15	106803	. REAR BOARD HOOK	2	
17	101454	LUGGAGE NET ASSY	1	
13	106913	RR DECKBOARD ASSY LH	1	
	106914	RR DECKBOARD ASSY RH	1	
19	106176	. REAR DECKBOARD RH	1	
	106177	. REAR DECKBOARD LH	1	
20	108308	. PAD	2	
21	SP110522	. DZUS FASTENER	1	
22	108040	INTR SHELF TRIMPAD	2	
23	SP10714	COUNTERSUNK SCREW M4	5	
25	108540	STRIKER PLATE	1	
26	106193	REAR BLKH ASSY UH		
27	108053	LUG NET PANEL HOOK	5	
28	SPI10138	COUNTERSUNK SCREW N4	4	
29	106816	PEG LOCATING MLDG	2	
30	SP10431	SCREW N6	4	
31	108004	CUBBYBOX LID (BLACK CAR)	1	UP TO VIN 10678 SEE 8-7-2
	110484	CUBBYBOX LID (GREY CAR)	1	UP TO VIN 10578 SEE 8-7-2
	111218	CUBBYBOX LID	1	FROM VIN 10579 SEE 8-7-2
32	101440	LOCK	1	
33	106815	BEZEL	1	



**8**

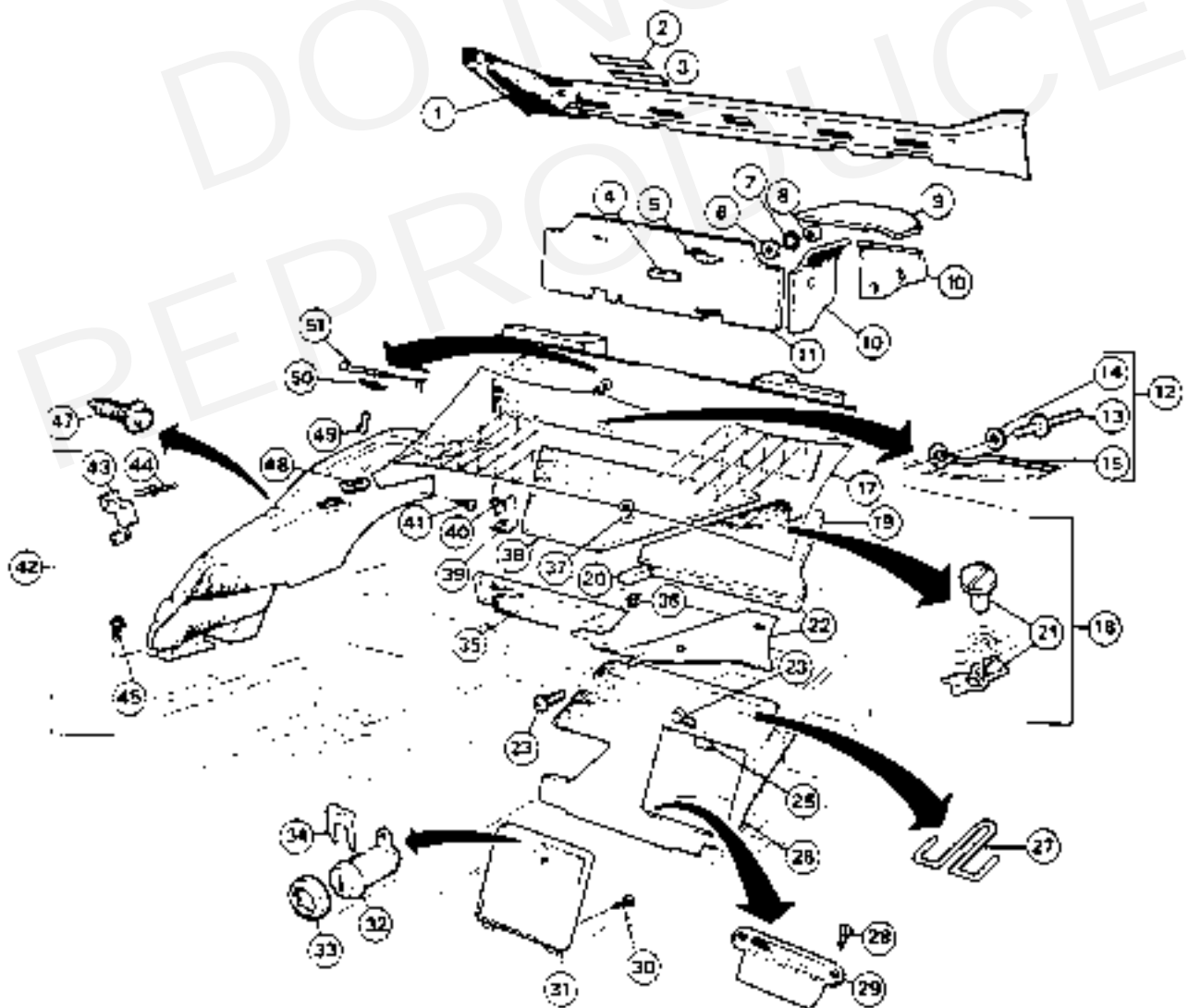
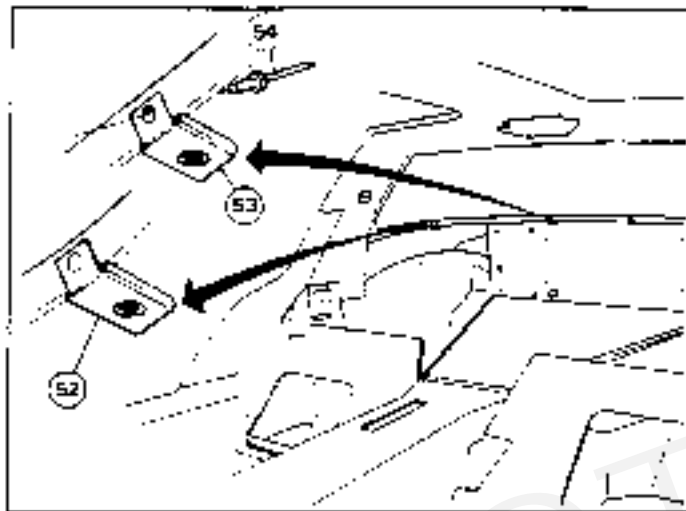
SECTION

SUBSECTION

**7** **5** GROUPFRAME/BODY  
GENERAL INTERIOR TRIM

FIG.	PART NUMBER	DESCRIPTION	QTY	REMARKS
34	SP10817	RETAINING CLIP	1	
35	108606	RR BLKH CENTRE BOARD	1	
36	SP10850	. TEE NUT M4	4	
37	108481	HOOK	5	PART OF ITEM 17
38	101351	RR TNL INSL PAD		
39	106690	REAR QTR TRIM BRKT	2	
40	SP10681	POP RIVET	4	
41	SP10135	SCREW N8	2	
42	110171	TRIM PNL & ARMREST LH (BLACK CAR)	1	UP TO VIN 6092
	110677	TRIM PNL & ARMREST RH (BLACK CAR)	1	FROM VIN 6093
	110170	TRIM PNL & ARMREST RH (BLACK CAR)	1	UP TO VIN 6092
	110676	TRIM PNL & ARMREST RH (BLACK CAR)	1	FROM VIN 6093
	110429	TRIM PNL & ARMREST LH (GREY CAR)	1	UP TO VIN 6092
	110251	TRIM PNL & ARMREST LH (GREY CAR)	1	FROM VIN 6093
	110428	TRIM PNL ARMREST RH (GREY CAR)	1	UP TO VIN 6092
	110252	TRIM PNL & ARMREST RH (GREY CAR)	1	FROM VIN 6093
43	106692	RR QTR TRIM BRKT	2	
44	SP10682	POP RIVET	4	
45	SP10448	SCREW N8	6	
47	SP10671	PANEL FASTENER	6	
48	106615	SEAT BELT BEZEL	2	
49	SP10697	SCREW M6	4	
50	106856	CLIP WASHER	4	
51	106854	LUG NET INNER CLIP	2	
	106855	LUG NET OUTER CLIP	2	
52	106857	LUG NET OUTER BRKT	2	
53	106858	LUG NET INNER BRKT	2	
54	SP10079	POP RIVET	4	

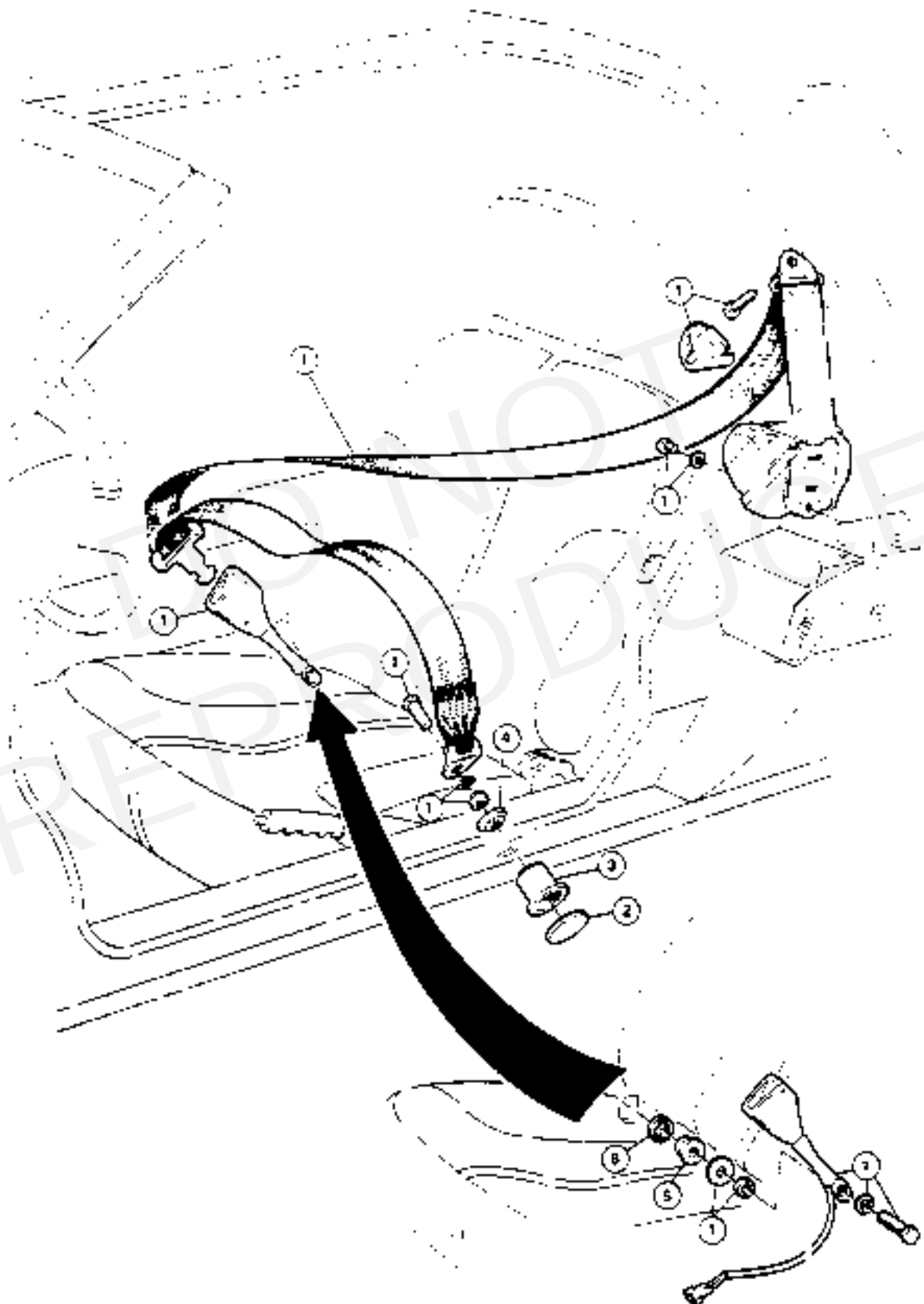




<b>8</b>	SECTION	FRAME/BODY SEAT BELTS
	SUBSECTION	
	7 / 6 GROUP	

FIG.	PART NUMBER	DESCRIPTION	QTY	REMARKS
1	100701	SEAT BELT KIT LH		
	100702	SEAT BELT KIT RH		
2	106915	SEAL CAP	4	PART OF BODY SHELL 8-2-0
3	101872	MT CUP ST BELT FIXING	4	PART OF BODY SHELL 8-2-0
4	101873	MOUNTING CUP WASHER	4	PART OF BODY SHELL 8-2-0
5	106005	SPACER	2	
6	108127	RUBBER SEAL RING	2	

DO NOT REPRODUCE



# Accessories

---

<b>9</b>	SECTION	ACCESSORIES TOOL KIT
	SUBSECTION	
	GROUP	

FIG.	PART NUMBER	DESCRIPTION	QTY	REMARKS
1	110036	JACK	1	
2	110038	WRENCH, WHEEL NUT	1	
3	110033	JACK BAG	1	
4	110037	HANDLE JACK	1	
5	1 10039	SLEEVE JACK HANDLE	1	
6	108607	RATCHET, JACK TYPE 1	1	
7	106164	JACK TYPE I	1	

DO NOT REPRODUCE

