



ASPIRE

Your satisfaction is our #1 goal. If you have questions or concerns with your vehicle, we suggest you follow these steps:

1. Contact your Sales Representative or Service Advisor at your selling/servicing dealership.
2. If the inquiry or concern remains unresolved, contact the Sales Manager or Service Manager at the dealership.
3. If the inquiry or concern cannot be resolved at the dealership level, please contact the Ford Customer Assistance Center.

In the United States:

Ford Motor Company
Customer Assistance Center
300 Renaissance Center
P.O. Box 43360
Detroit, MI 48243
1-800-392-3673 (FORD)
TDD for the hearing impaired: 1-800-232-5952

In Canada:

Customer Assistance Centre
Ford Motor Company of Canada, Limited
P.O. Box 2000
Oakville, Ontario L6J 5E4
1-800-565-3673 (FORD)

Outside the U.S. or Canada:

FORD MOTOR COMPANY
Worldwide Operations
1555 Fairlane Drive
Fairlane Business Park #3
Allen Park, MI 48101
Telephone: (313) 594-4857
Fax: (313) 390-0804



All rights reserved. Reproduction by any means, electronic or mechanical, including photocopying, recording, or by any information storage and retrieval system or translation in whole or part is not permitted without written authorization from Ford Motor Company.

Copyright © 1996 Ford Motor Company

Table of Contents

Introduction	1
Instrumentation	7
Electronic Sound Systems	19
Controls and Features	31
Seating and Safety Restraints	57
Starting	93
Driving	105
Roadside Emergencies	121
Maintenance and Care	145
Capacities and Specifications	199
Reporting Safety Defects (U.S. Only)	209
Customer Assistance	211
Accessories	223
Quick Index	233
Index	243
Service Station Information -- 1.3L Engine	260

Introduction

Ford's Commitment to You

At Ford Motor Company, excellence is the continuous commitment to achieve the best result possible. It is dedication to learning what you want, determination to develop the right concept, and execution of that concept with care, precision, and attention to detail. In short, excellence means being the standard by which others are judged.

Our Guiding Principles

- Quality comes first.** For your satisfaction, the quality of our products and services must be our number one priority.
- You are the focus of everything we do.** Our work must be done with you in mind, providing better products and services than our competition.
- Continuous improvement is essential to our success.** We must strive for excellence in everything we do: in our products — in their safety and value — and in our services, our human relations, our competitiveness, and our profitability.
- Employee involvement is our way of life.** We are a team. We must treat one another with trust and respect.
- Dealers and suppliers are our partners.** We must maintain mutually beneficial relationships with dealers, suppliers, and our other business associates.

- ❑ **Integrity is never compromised.** Our conduct worldwide must be pursued in a manner that is socially responsible and commands respect for its integrity and for its positive contributions to society.

NOTES and WARNINGS

NOTES give you additional information about the subject matter you are referencing.

WARNINGS remind you to be especially careful in those areas where carelessness can cause damage to your vehicle or personal injury to yourself, your passengers or other people. Please read all **WARNINGS** carefully.

WARNING

Finding Information in This Guide

After you have read this guide once, you will probably return to it when you have a specific question or need additional information. To help you find specific information quickly, you can use the Quick Index, Table of Contents, or the Index.

The **Quick Index** at the end of the book provides a page number following each item which indicates where detailed information can be found.

To use the **Index**, turn to the back of the book and search in the alphabetical listing for the word that best describes the information you need. If the word you chose is not listed, think of other related words and look them up. We have designed the Index so that you can find information under a technical term.

Canadian Owners — French Version

French Owner Guides can be obtained from your dealer or by writing to Ford Motor Company of Canada, Limited, Service Publications, P.O. Box 1580, Station B, Mississauga, Ontario L4Y 4G3.

Your Maintenance Schedule and Record Booklet

The *Maintenance Schedule* booklet lists the services that are most important for keeping your vehicle in good condition. A record log is also provided to help you keep track of all services performed.

About the Warranties

Your vehicle is covered by three types of warranties: **Basic Vehicle Warranty**, **Extended Warranties** on certain parts, and **Emissions Warranties**.

Read your *Warranty Information Booklet* carefully to find out about your vehicle's warranties and your basic rights and responsibilities.

If you lose your *Warranty Information Booklet*, you can get a new one free of charge. Contact any Ford or Lincoln-Mercury dealer, or refer to the addresses and phone numbers on the first page of this Owner's Guide.

Ford Extended Service Plan

More Protection for Your Vehicle

You can get more protection for your new car or light truck by purchasing a Ford Extended Service Plan (Ford ESP). Ford ESP is the only extended service program with the Ford name on it and the only service contract backed by Ford Motor Company.

Ford ESP is an optional service contract, backed and administered by Ford. It provides:

- protection against repair costs after your Bumper to Bumper Warranty expires;
- and
- other benefits during the warranty period (such as: reimbursement for rentals; coverage for certain maintenance and wear items).

You may purchase Ford ESP from any participating Ford Motor Company dealer. There are several Ford ESP plans available in various time-and-mileage combinations. Each plan can be tailored to fit your own driving needs, including reimbursement benefits for towing and rental. (In Hawaii, rules vary. See your dealer for details.)

When you purchase Ford ESP, you receive peace-of-mind protection throughout the United States and Canada, provided by a network of more than 5,100 participating Ford Motor Company dealers.

NOTE: Repairs performed outside the United States and Canada are not eligible for ESP coverage.

This information is subject to change, ask your dealer for complete details about Ford ESP coverage.

Federal Highway Administration Regulation

Regulations such as those issued by the Federal Highway Administration or issued pursuant to the Occupational Safety and Health Act (OSHA), and/or state and local laws and regulations may require additional equipment for the way you intend to use the vehicle. It is the responsibility of the registered owner to determine the applicability of such laws and regulations to your intended use for the vehicle, and to arrange for the installation of required equipment. Your Ford dealer has information about the availability of many items of equipment which may be ordered for your vehicle.

Breaking Your Vehicle In

Your new vehicle goes through an adjustment or break-in period during the first 1,000 miles (1,600 km) that you drive it. During the break-in period, you need to pay careful attention to how you drive your vehicle.

Avoid sudden stops. Because your vehicle has new brake linings, you should take these steps:

- Watch traffic carefully so that you can anticipate when to stop.
- Begin braking well in advance.
- Apply the brakes gradually.

The break-in period for new brake linings lasts for 100 miles (160 km) of city driving or 1,000 miles (1,600 km) of highway driving.

Use only the type of engine oil that Ford recommends. See *Engine oil recommendations* in the Index. Do not use special “break-in” oils.

Things to Know About Using This Guide

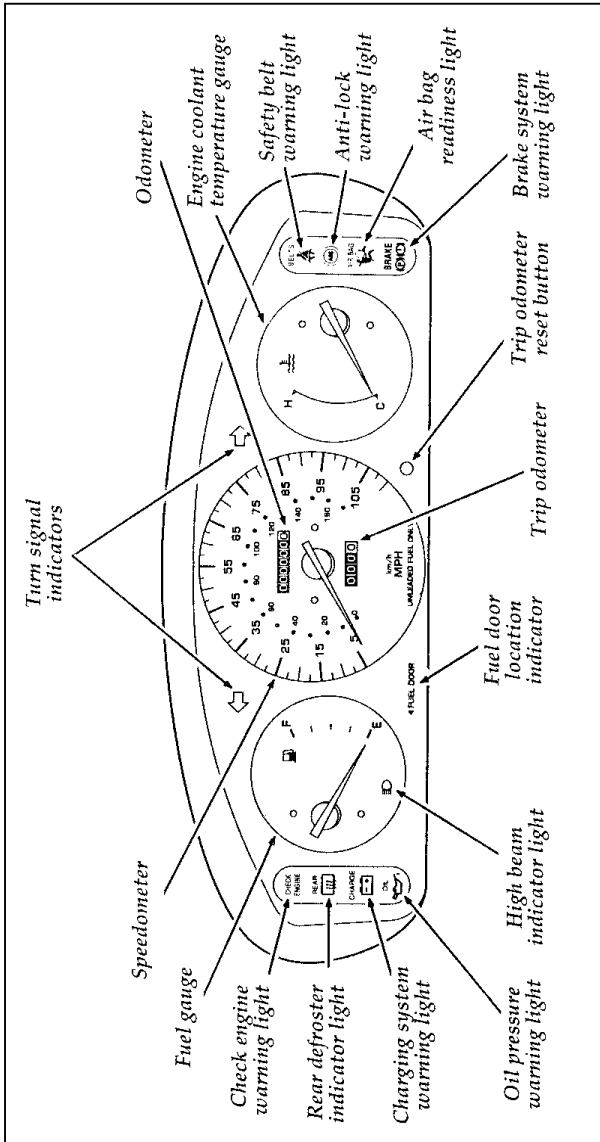
Congratulations on the purchase of your new vehicle. This guide has information about the equipment and the options for your new vehicle. You may not have bought all of the options available to you. If you do not know which information applies to your vehicle, talk to your dealer.

This guide describes equipment and gives specifications for equipment that was in effect when this guide was approved for printing. Ford may discontinue models or change specifications or design without any notice and without incurring obligation.

Instrumentation

The warning lights and gauges alert you to possible problems with your vehicle. The following section details what each of these indicators means.

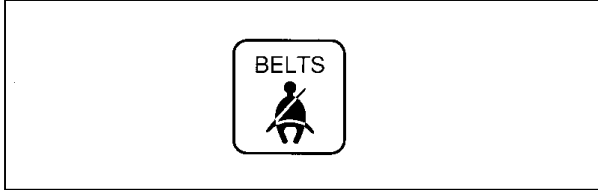
In your vehicle, the warning lights and gauges are grouped together on the instrument panel. We call this grouping a cluster. Your vehicle has a standard cluster.



The standard cluster

Indicator Lights and Chimes

Safety Belt Warning Light and Chime

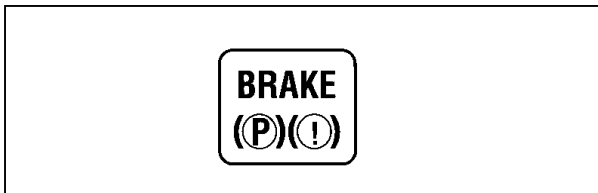


Safety belt light

This warning light and chime remind you to fasten your safety belt under the following conditions:

- If the safety belt is not buckled when the ignition is turned to the ON position, the chime will turn on for four (4) to eight (8) seconds and the light will illuminate for at least 60 seconds.
- If the safety belt is buckled while the light is on and the chime is sounding, both the light and chime will turn off.
- If the safety belt is buckled before the ignition is turned to the ON position, neither the light nor the chime will come on.

Brake System Warning Light



Brake system and parking brake light

This light illuminates for a few seconds when you turn the ignition key to START or ON. It normally goes off shortly after the engine starts and after you release the parking brake. However, it may stay on for up to 60 seconds. If the light doesn't illuminate after the engine is started, stays on for longer than 60 seconds, or illuminates after you have fully released the parking brake, have the hydraulic brake system checked.

To test the brake warning light, release the parking brake and turn the ignition key to the START position. The brake warning light should illuminate until the key is released.

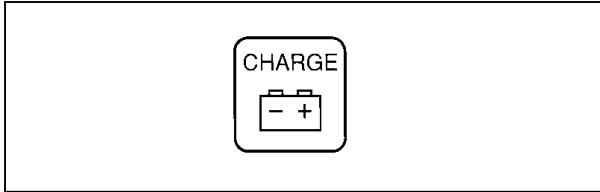
This light will also illuminate if the parking brake does not release fully. If it does stay on **after** the parking brake is fully released, it means there may be a brake problem. Pull off the road and stop carefully. You may notice that the pedal is harder to push, the pedal may go closer to the floor, or it may take longer to stop the vehicle. Try the brakes again after you have stopped.

Your vehicle has a divided brake system. If one part isn't working, the other part can still work and stop the vehicle. For good braking, you need both systems working well.

WARNING
The BRAKE light indicates that the brakes may not be working properly. Have the brakes checked immediately.

Charging System Light

This light indicates that your battery is not being charged and that you need to have the electrical system checked.



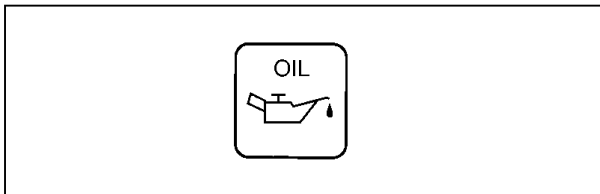
Charging system light

This light illuminates every time you turn the ignition to the ON or START position (engine off). The light should go off when the engine starts and the alternator begins to charge.

If the light stays on or illuminates when the engine is running, have the electrical system checked as soon as possible.

Engine Oil Pressure Warning Light

This light indicates low oil pressure, not low oil level. However, if the engine's oil level is low, it could affect the oil pressure. This light illuminates every time the ignition key is turned to ON or START, but it normally turns off when the engine starts.



Engine oil pressure light

If the light stays on or illuminates while the engine is running:

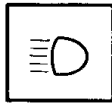
1. Pull off the road as soon as safely possible.
2. **Shut off the engine immediately.** Continued operation could cause severe engine damage.
3. Check the engine oil level. Make sure the car is on level ground.
4. Add oil to the full mark on the dipstick before you drive your car again. Do not overfill. Do not operate the engine when the oil light is on. For more information about adding oil, see *Engine oil recommendations* in the Index.

WARNING

Do not rely on the oil light to tell you when the oil is low. Have the oil checked often. It is possible for damage to occur if an engine is operated with a low oil level.

High Beam Light

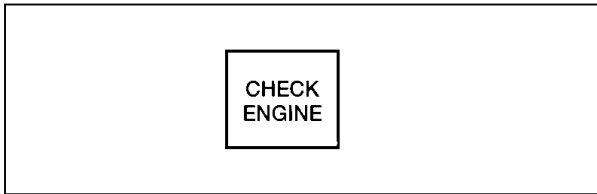
This light illuminates when the headlamps are turned to high beam or when you flash the lights. If your vehicle is equipped with daytime running lights and you have your headlamps on your high beam telltale will not illuminate when you flash the lights.



High beam light

Check Engine Warning Light

This light illuminates when the electronic engine control system is not working properly. This is the computer system that controls the operating conditions of the engine.



Check engine warning light

This light illuminates briefly when you turn the ignition to the ON position, but should turn off when the engine starts. If the light does not illuminate when you turn the ignition to the ON position or if it illuminates and stays on when you are driving, have your vehicle serviced as soon as possible. This indicates a possible problem with one of the engine's emission control systems. **You do not need to have your vehicle towed in.**

If the light flashes briefly while you are driving, it means that the condition is no longer present.

Air Bag Readiness Light

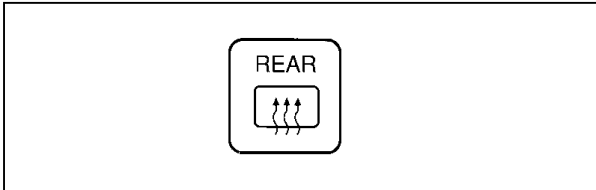
This light illuminates for six seconds when the ignition is turned to the ON position. If the light fails to illuminate, continues to flash, remains on, or if a series of five beeps is heard, have the system serviced as soon as possible.



Air bag readiness light

Rear Window Defroster Indicator Light (If equipped)

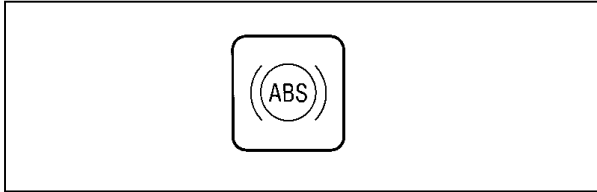
When the rear window defroster is activated, the indicator light in the instrument cluster illuminates. After the rear window is clear, push the defroster switch to turn off the defroster. The light in the cluster goes out.



Rear window defroster indicator light

Anti-lock Brake System Warning Light (If equipped)

When the ignition switch is turned to the ON position, the anti-lock brake system warning light illuminates. When the engine is started, the Anti-lock Brake System (ABS) control unit determines if all components of the system are operating correctly. The warning light could remain on up to 60 seconds.



Anti-lock brake system light

WARNING
If the anti-lock brake system warning light remains on or comes on while driving, have the braking system checked by a qualified service technician as soon as possible.

NOTE: If a fault occurs in the anti-lock system, and the brake warning light is not lit, the anti-lock system is disabled but normal brake function remains operational.

NOTE: If your vehicle must be jump-started because of a low battery, the Anti-Lock Brake System warning light could remain on. This is due to low battery voltage and does not indicate a malfunction in the system. Under these circumstances, you should drive your vehicle only after the battery has had time to charge and the light has gone out.

After starting the engine, check all the warning lights to make sure that they are off. If any one of them is still lit, it indicates a situation that needs your attention. When you release the parking brake, the brake warning light should go off.

Ignition Key Chime

If the driver or passenger door is open while the key is still in the ignition, a warning chime sounds.

Headlamps On Chime

This chime will sound when a door is opened while the headlamps or parking lamps are on.

Gauges

Fuel Gauge

The fuel gauge displays approximately how much fuel you have in the fuel tank.

The ignition must be turned off while putting fuel in the tank in order to get a correct fuel gauge reading after the ignition is turned on.

The fuel gauge indicator may vary slightly while the vehicle is in motion. This is the result of fuel movement within the tank. You can get a more accurate reading with the vehicle on smooth, level ground.

Engine Coolant Temperature Gauge

This gauge indicates the temperature of the engine coolant, not the coolant level. If the coolant is not at its proper level or mixture, the gauge indication will not be accurate.

The pointer normally moves from C (cold) into the normal band as your vehicle warms up. Under most driving conditions, the pointer should stay in the normal band. If you are driving in heavy traffic or on an extended grade in hot weather, the pointer may reach to the top of the normal band.

If, under any circumstances, the pointer moves above the normal band, the engine is overheating and continued operation may cause engine damage.

If your engine overheats:

1. Pull off the road as soon as safely possible.
2. Turn off the engine.
3. Let the engine cool.
4. Check the coolant level following the instructions on checking and adding coolant to your engine. (See *Engine coolant* in the Index.) If you do not follow these instructions, you or others could be injured.
5. Refer to *Adding Engine Coolant* in the *Maintenance and Care* chapter. Add as much coolant as your engine needs. If the engine continues to overheat, have the cooling system serviced.

Speedometer

The speedometer tells you how many miles (kilometers) per hour your vehicle is moving.

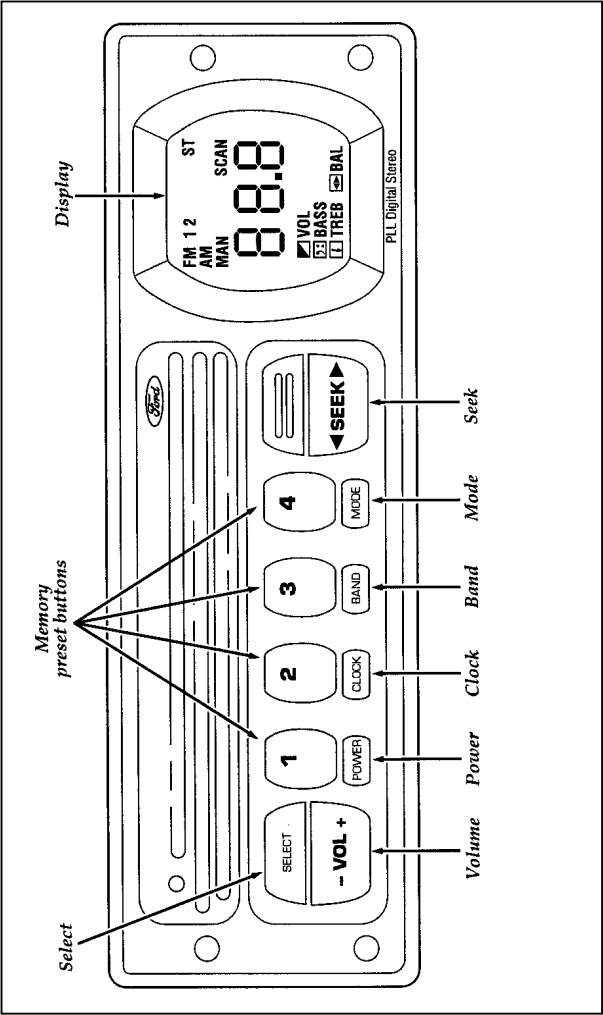
Odometer

The odometer tells you the total number of miles (kilometers) your vehicle has been driven.

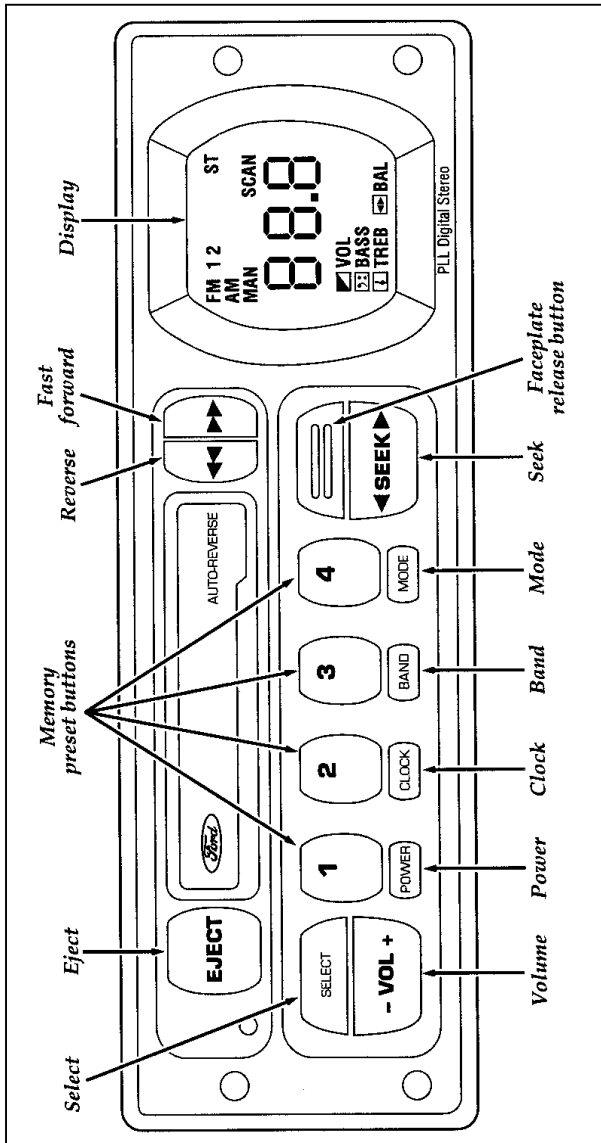
Trip Odometer

The trip odometer records the distance of individual trips. Before each trip, set the trip odometer to zero by pushing the reset button.

Electronic Sound Systems



Electronic Stereo Radio



Electronic Stereo Radio with Cassette

Electronic Stereo and Stereo Cassette Radios

Using the Controls on Your New Radio

How to turn the radio on and adjust the volume

Press the "POWER" button to turn the radio on. Press it again to turn it off.

Press the right (+) side of the "VOL" button to increase the volume. Press the left (-) side of the button to decrease the volume.

If the volume is set above a certain level when the ignition is turned off, the volume level will reset to a "nominal" listening level when the ignition switch is turned back on.

Selecting the AM or FM frequency band

Push the "BAND" button to select the desired frequency band. Pushing the button more than once will alternate between AM, FM1 and FM2. These functions are used with the station memory buttons described under *How to tune radio stations*.

How to tune radio stations

There are four ways for you to tune in a particular station. You can manually locate a station, "SEEK" to the next station, "SCAN" for listenable stations, or select the station using the memory preset buttons, which you can set to any desired frequency.

Using the manual mode to tune your radio

You can change the frequency up or down one increment at a time by first pressing the mode button until "MAN" appears above the frequency display. Then, press either the right (▶) or left (◀) side of the "SEEK" button.

Using the "SEEK" function

The "SEEK" function allows you to automatically select listenable stations up or down the frequency band. This is the default mode of the "SEEK" button. If the radio has been changed to another mode, press the mode button until "SEEK" appears above the frequency display. Then press the right (▶) side of the "SEEK" button to select the next listenable station up the frequency band. Press the left (◀) side of the "SEEK" button to select the next listenable station down the frequency band. By holding the button down, listenable stations can be passed over to reach the desired station.

Using the "SCAN" function

To enter scan mode, press the mode button until "SCAN" appears above the frequency display. Press the right (▶) side of the "SEEK" button and the radio will begin scanning up the frequency band, stopping on each listenable station for approximately a five-second sampling. This continues until you press the "MODE" button once again. Press the left (◀) side of the "SEEK" button to activate the SCAN function down the frequency band.

Setting the Station Memory Preset buttons

Your radio is equipped with 4 station memory buttons. The buttons can be used to select up to 4 preset AM stations and 8 preset FM stations (4 in FM1 and 4 in FM2).

Follow the easy steps below to set these buttons to the desired frequencies:

1. Select a band, then select a frequency.
2. Press one of the memory preset buttons and hold the button until the sound returns. That station is now held in memory on that button.
3. Follow the two steps above for each station memory preset button you want to set.

Adjusting the tone balance and speaker output of your radio

- Increasing or decreasing the bass response

Push the "SELECT" button repeatedly until the display reads "BASS." Push the right (+) side of the "VOL" button to increase bass, and push the left (-) side to decrease bass.

- Increasing or decreasing treble response

Push the "SELECT" button repeatedly until the display reads "TREB." Push the right (+) side of the "VOL" button to increase treble, and push the left (-) side to decrease treble.

- Adjusting speaker balance

Balance control allows you to adjust the sound distribution between the right and left speakers. Push the "SELECT" button repeatedly until the display reads "BAL." Push the right (+) side of the "VOL" button to shift the sound to the right speaker, and push the left (-) side to shift the sound to the left speaker.

Adjusting speaker fader

Fade control allows you to adjust the sound distribution between the front and rear speakers. Push the "SELECT" button repeatedly until the display reads "FADE." Push the right (+) side of the "VOL" button to shift the sound to the front speakers, and push the left (-) side to shift the sound to the rear speakers.

Using the Controls of Your Cassette Tape Player (If equipped)


How to insert a tape

Insert a cassette (with the open edge to the right) firmly into the tape door opening, making sure the cassette is completely in and "seated."


How to locate a desired track on the tape

NOTE: The tape track or side number indicated in the display does not necessarily correspond to the tape track or side number on the cassette label. It is used only to indicate when the tape mechanism reverses tracks.

Fast forwarding the tape

Push the right  button to fast forward the tape. The radio will play while the tape is in fast forward.

Rewinding the tape

Push the left  button to rewind the tape. The radio will play while the tape is rewinding.

- How to change the side of the tape being played

The alternate track (other side) of the tape can be selected at any time by pushing both fast-wind buttons (◀◀ and ▶▶) at the same time. The number in the display will alternate between 1 and 2.

How to eject the tape

To stop the tape and eject the cassette, press the "EJECT" button. The radio will resume playing.

How to remove the faceplate (Cassette radio only)

Your cassette radio is equipped with a detachable, theft-deterrent faceplate.

- Removing the faceplate

Slide the release button downward. The release button is located just above the "SEEK" button. The faceplate will spring out slightly. Grasp the faceplate and remove.

- Reinstalling the faceplate

Insert the left side of the faceplate into the radio bezel, then rotate and "click" the right side into place. If radio/cassette were on before the faceplate was removed, they will resume playing.

Tips on caring for the cassette player and tapes

In order to keep your cassette tape player performing the way it was meant to, read and follow these simple precautions:

- Using a Ford Cassette Cleaning Cartridge or equivalent to clean the tape player head after 10-12 hours of play will help maintain the best playback sound and proper tape operation.
- Only cassettes that are 90 minutes long or less should be used. Tapes longer than 90 minutes are thinner and subject to breakage or may jam the tape player mechanism.
- Protect cassettes from exposure to direct sunlight, high humidity and extreme heat or cold. If they are exposed to extreme conditions, allow them to reach a moderate temperature before playing.
- If a tape is loose inside the cassette, tighten it before playing by putting your finger or a pencil into one of the holes and turning the hub until the tape is tight.
- Loose labels on cassette tapes can become lodged in the mechanism. Remove any loose label material before inserting a cassette.
- Do not leave a tape in the cassette tape player when not in use. High heat in the vehicle can cause the cassette to warp.

Clock Operation

How to view the clock mode

Press the "CLOCK" button to alternate the frequency and time in the display. In the clock mode, pressing any radio function will automatically display the radio frequency for approximately ten seconds before changing back to the clock mode.

How to set the clock

1. Turn the radio on.
2. Press and hold in the "CLOCK" button. Press the "SEEK" button left (◀) to advance the hours and right (▶) to advance the minutes.

NOTE: The clock displays 12-hour time with no AM/PM indications.

NOTE: If the vehicle's battery is disconnected, the clock will need to be reset.

Common Radio Reception Conditions

Several conditions prevent FM reception from being completely clear and noise-free, such as the following:

1. Distance/Strength

The strength of the FM signal is directly related to the distance the signal must travel. The listenable range of an average FM signal is approximately 25 miles (40 kilometers). Beyond this distance, the radio is operating in a fringe area and the signal becomes weaker.

NOTE: Always make sure your antenna is fully extended to the maximum length for proper reception. If your antenna is not fully extended, you may experience signal loss while traveling in fringe reception areas.

2. Terrain

The terrain (hilly, mountainous, tall buildings) of the area over which the signal travels may prevent the FM signal from being noise-free.

If there is a building or large structure between the antenna and station, some of the signal “bends” around the building, but certain spots receive almost no signal. Moving out of the “shadow” of the structure will allow the station to return to normal.

When the radio waves are reflected off objects or structures, the reflected signal cancels the normal signal, causing the antenna to pick up noise and distortion. Cancellation effects are most prominent in metropolitan areas, but also can become quite severe in hilly terrain and depressed roadways.

To minimize these conditions, a stereo/mono blend circuit has been incorporated into this system. This feature automatically switches a weak stereo signal to a clearer monaural signal, which improves the quality of reception.

Several sources of static are normal conditions on AM frequencies. These can be caused by power lines, electric fences, traffic lights and thunderstorms.

Another reception phenomenon is **Strong Signal Capture and Overload**. This can occur when listening to a weak station and when passing another broadcast tower. The close station may capture the more distant station, although the displayed frequency does not change. While passing the tower, the station may switch back and forth a few times before returning to the original station.

When several broadcast towers are present (common in metropolitan areas), several stations may overload the receiver, resulting in considerable station changing, mixing and distortion.

Automatic gain control circuitry for both AM and FM bands has been incorporated into this system to reduce strong signal capture and overload.

All About Radio Frequencies

The Federal Communications Commission (FCC) and the Canadian Radio Telecommunications Commission (CRTC) establish the frequencies that AM and FM radio stations may use for their broadcasts. The allowable frequencies are, AM: 530, 540...1600, 1610 kHz in 10 kHz steps; FM: 87.9, 88.1...107.7, 107.9 MHz in 0.2 MHz steps.

Not all frequencies will be assigned to a given area. This radio will tune to each of these frequencies using manual tune and no fine tuning is necessary as radio stations may not use other frequencies.

Some FM radio stations advertise a “rounded-off” frequency which is not the frequency they actually broadcast on. For example, a radio station that is assigned a frequency of 98.7 MHz may call itself “Radio 99” even though 99.0 MHz is not an allowable FM broadcast frequency.

Important Warranty and Service Information

Warranty

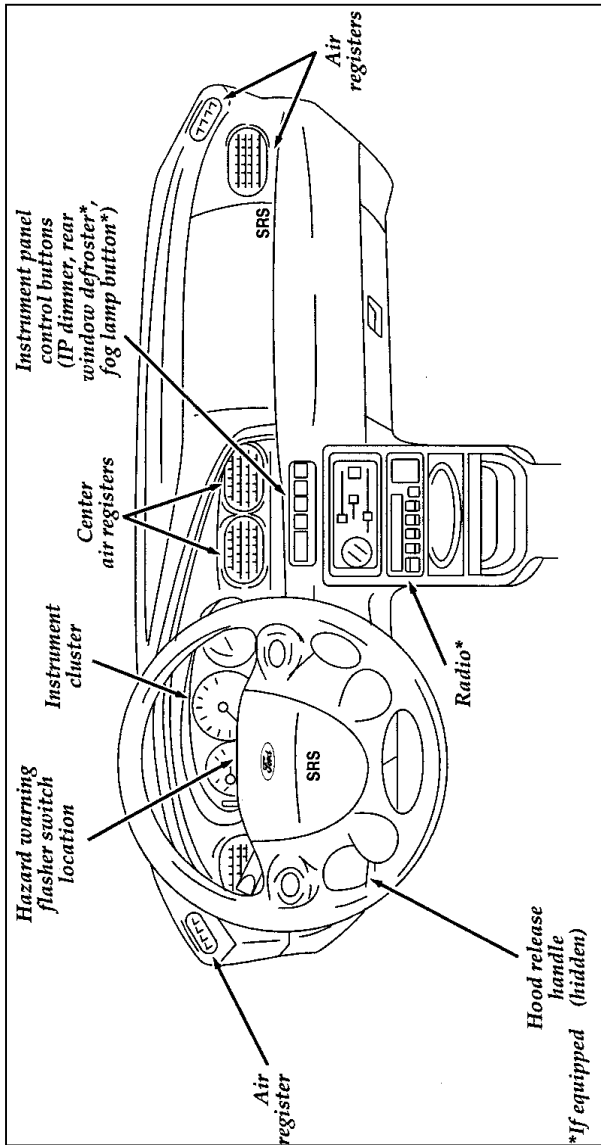
Your sound system is warranted for three years or 36,000 miles (60,000 kilometers), whichever comes first. Consult your vehicle warranty booklet for further information. Ask your dealer for a copy of this limited warranty.

Service

At Ford, we stand behind our audio systems with a comprehensive service and repair program. If anything should go wrong with your Ford audio system, return to your dealer for service. There is a nationwide network of qualified Ford authorized repair centers to assist you.

Controls and Features

The main controls for the climate control system, clock, and radio are on the instrument panel.



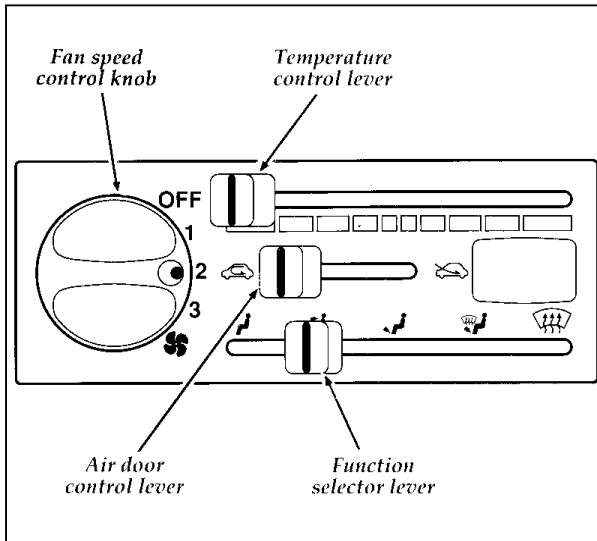
Instrument panel

The Climate Control Systems

Heating Only System (Without Air Conditioning)

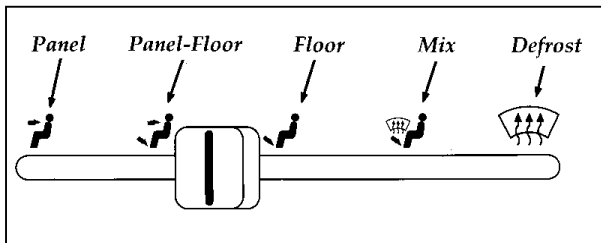
Function selector

The heater controls in your vehicle use levers to control air direction and temperature. Fan speed is controlled by a separate knob in the control panel. The function selector lever lets you control the direction of airflow.





Heating only system control panel


The symbols above the function selector lever tell you where the air is being directed when the lever is set to that position on the heater control panel.





Function selector lever

 is for defrosting the windows only. Air will be directed out the defroster vents at the base of the windshield and side window defogger vents.


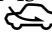
 (Mix) lets you direct air through the defrosters and through the floor outlets.

 (Floor) directs air only to the floor.

 (Panel-Floor) directs air to the floor, and out the instrument panel vents. You can “aim” the air coming from the vents by moving the instrument panel vents.

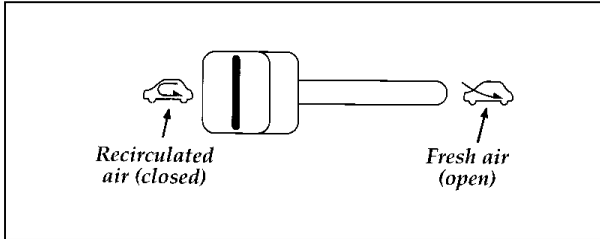
 (Panel) directs air out of the instrument panel vents only.

Air door control lever

The air door control lever lets you choose outside air or recirculated air from inside the passenger area. Moving the lever to the  symbol closes the door and inside air is recirculated. Moving the lever to the  symbol opens the door and outside air is drawn in. Use the fresh air position for most conditions.

When the air door control lever is in the recirculate position (far left), window fogging can occur. Use the recirculate position only to improve air conditioning performance when fresh air cooling is inadequate, or for short periods to try to keep out odors from the outside.

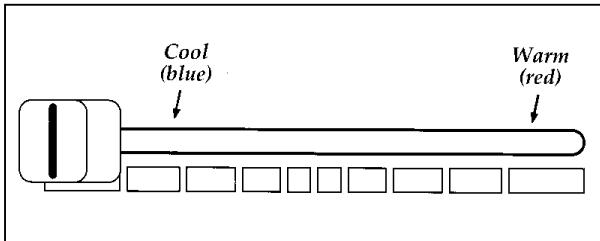
NOTE: Do not use the recirculate position when window fogging occurs.



Air door control lever

Temperature control lever

The air temperature can be adjusted by moving the lever into the red area for warm air or into the blue area for unheated air.






Temperature control lever

Fan

☼ Fan speed can be controlled by turning the fan speed control knob from OFF through 3 (high speed).




Turning on the heat

1. Move the temperature control lever all the way into the red area.
2. Move the function selector lever to direct air to the  (floor).



3. Leave the air door control lever in the  (fresh air) position or the windows may fog up in cold weather.
4. Set the  (fan speed) to the desired speed.

As the interior warms up, select a slower fan speed or move the temperature control lever toward the blue area to keep a comfortable setting.

Defrosting the windshield and side windows




1. Set the temperature control lever all the way to the right in the red area.
2. Set the function selector lever to the  (defrost) position.
3. Set the air door control lever to the  (fresh air) position.
4. Set the  (fan speed) to the highest speed. The fan speed can be adjusted to maintain fog free windows after they are cleared.

Heating and defrosting at the same time




1. Set the desired temperature and fan speed.
2. Move the function selector lever to the  (mix) position and move the air door control lever to the  (fresh air) position.

Ventilating your vehicle with outside air

On mild days, you may want to ventilate your vehicle with outside air. To open the vents:

1. Move the function selector lever to the  (panel) position.
2. Move the air door control lever to the  (fresh air) position.
3. Set the  (fan speed) as desired.

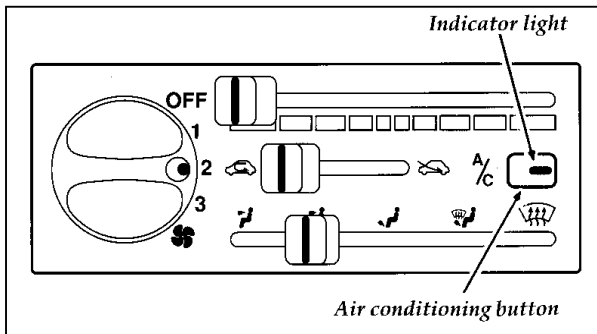
Tips for Controlling the Temperature in Your Vehicle

- To vary the temperature inside your vehicle, move the temperature selector toward the red area for warmer air and toward the blue area for cooler air.
- If you drive with the fan off and the windows closed, the windows may fog up. To prevent fogging:
 1. Set the function selector lever to the  (defrost) position.
 2. Set the desired temperature.
 3. Set the  (fan speed) to the desired position.
 4. Always use the  (fresh air) position on the air door control lever.
- Do not put objects under the front seats that will interfere with the flow of air to the back seats.
- Remove any snow, ice, or leaves from the area below the windshield on the outside of your vehicle. They could block the air intake.

Air Conditioning System (If equipped)




Air distribution is controlled the same way as in the heater system described above.

The air conditioner switch is located on the climate control panel. To turn on the air conditioner, push the A/C button. An indicator light will come on. To turn off the air conditioner, push the button again. The fan must also be on for the A/C to operate.






Air conditioning system control panel

To get maximum cooling from the air conditioner:

1. Move the function selector lever to the  (panel) position.
2. Set the temperature control lever all the way to the blue area.
3. Close the air door by moving the air door control lever to the  (recirculate) position.
4. Push the A/C button.
5. Set the  (fan speed) on its highest setting.

When maximum air conditioning is not needed, using outside air instead of recirculated air can be quieter, but it is less efficient. To cool your vehicle with outside air:


1. Move the function selector lever to the  (panel) position.
2. Set the temperature control lever all the way in the blue area.
3. Set the air door control lever to the  (fresh air) position.
4. Push the A/C button.
5. Set the  (fan speed) as desired.

Defrosting the windshield

You can clear a fogged windshield more quickly by pushing the A/C button to the ON position after completing steps 1 through 3 of the *Defrosting the Windshield and Side Windows*. After the windshield is clear, push the A/C button off.

Tips for better fuel economy

On mild days, ventilate with outside air. You will get better fuel economy without using the air conditioning.

On hot days, close the air door  when using the air conditioner. The air conditioner works harder to cool outside air than recirculated air.

Air conditioning operation

If your vehicle has been parked with the windows closed during hot weather, drive for a few minutes with the windows open and the air conditioner on. This forces most of the warm air out of the vehicle.

Sometimes you may notice slight engine surging if you have the air conditioner on. This is normal, as the system is designed to cycle the compressor on and off to maintain desired cooling. The reduced compressor operation should benefit fuel economy.

On some vehicles with air conditioning, wide-open throttle acceleration will temporarily cut off the air conditioning.

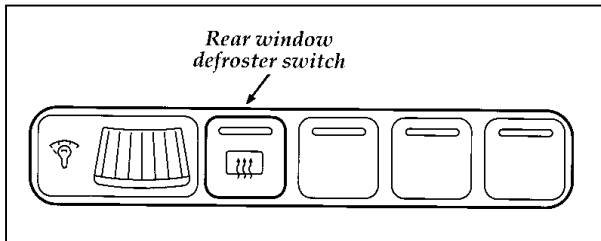
Since the air conditioner removes a lot of moisture from the air during operation, it is normal for water to drip on the pavement under the air conditioner drain after you have stopped the vehicle.

Engine Idle Speed Control System

Genuine Ford air conditioning (either factory-installed or dealer-installed) has an engine idle speed control system that compensates for engine speed loss that may occur when the air conditioning compressor is running. This idle speed control holds the engine idle essentially constant, regardless of whether the air conditioning system is on or off.


If an aftermarket air conditioner is installed, an engine idle speed control system must be installed. Otherwise, the engine may not operate satisfactorily at idle speed and low engine speed, or the engine may stall.

Rear Window Defroster (If equipped)



Rear window defroster switch

The defroster for the rear window clears frost, fog, or thin ice from both the inside and outside of the rear window.

To operate the defroster, push the  (defroster) switch on the instrument panel to the right of the steering wheel. The indicator light on the instrument cluster comes on. When the window is clear, push the defroster switch again to turn it off.

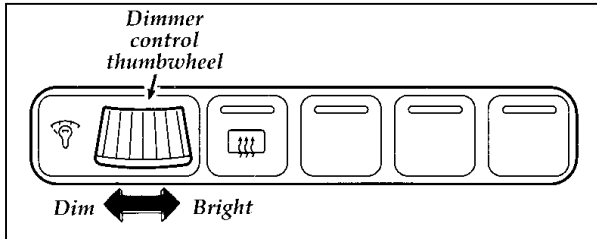
NOTE: Never use sharp instruments or window cleaners with abrasives to clean the inside of your rear window. If you do, you may damage the heating elements that are bonded to the inside of the rear window and cause damage to the rear window defroster.

Interior Lights

Lighting Up the Interior and Instrument Panel

With the parking lamps or headlamps on, the brightness of the instrument panel lighting can be adjusted.

To brighten or dim the instrument panel lighting, rotate the dimmer control thumbwheel as desired.



Dimmer control thumbwheel

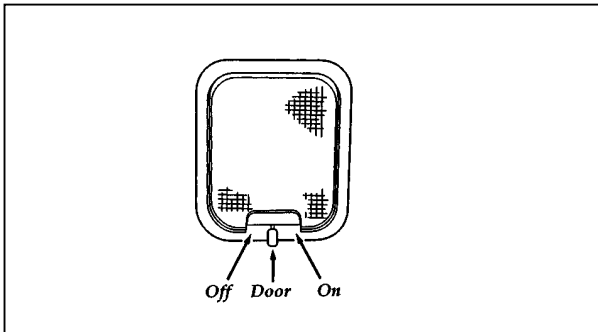
The dimmer control thumbwheel is located to the right of the steering wheel on the instrument panel.

Interior Courtesy Lamp

Your vehicle is equipped with an interior courtesy lamp with a three-position switch.

- OFF-light will not turn on
- DOOR-light will turn on when the door is open

ON-light is always on in this position



Interior courtesy lamp

Do not leave the dome light on for long periods of time when the engine is not running, or the battery may discharge.

Radio

For information about the radio in your vehicle, refer to the *Electronic Sound Systems* chapter in this Owner Guide.

Radio Antenna

The radio antenna is mounted near the top of the windshield on the driver's side of the vehicle. The antenna can be extended by pulling it upward away from its base. To retract the antenna, push it in toward its base.

NOTE: To receive the best reception, the antenna must be fully extended. If the antenna is not fully extended, the result may be weak or noisy radio reception.

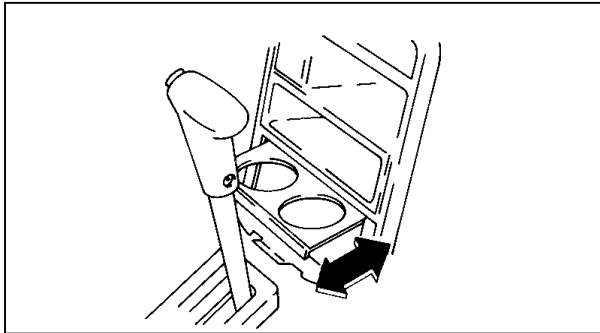
NOTE: The radio antenna must be pushed in prior to entering a car wash. If you do not push in the antenna before entering a car wash it could result in damage to the antenna, antenna base, or vehicle.

Clock Controls on Electronic Radios

The electronic radios have a built-in clock. For complete operating instructions, refer to the *Electronic Sound Systems* chapter in this Owner Guide.

Cupholders

Your vehicle has cupholders located just above the ashtray in the center of the instrument panel.



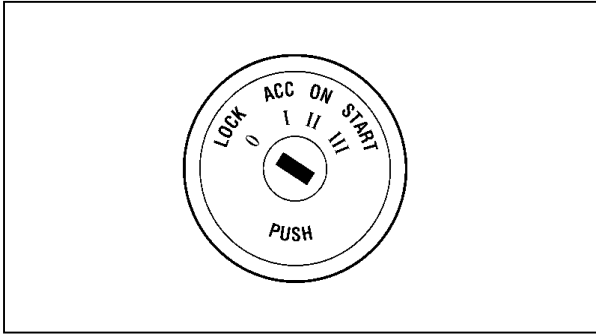
Cupholders

NOTE: Do not place heavy objects in the cupholders.

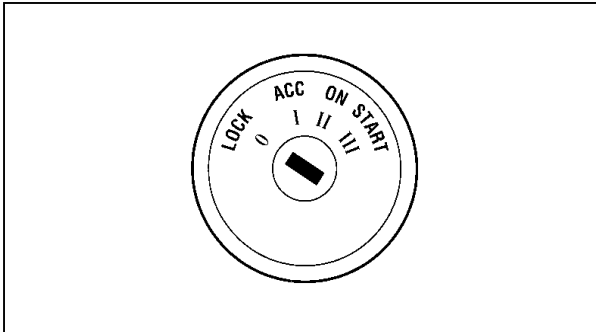
Ignition

Understanding the Positions of the Ignition

The ignition has four positions. They are: LOCK, ACC, ON, and START.



Ignition lock cylinder (manual transaxle)



Ignition lock cylinder (automatic transaxle)

LOCK locks the steering wheel. It also locks the gearshift lever in P (Park) (automatic transaxle).

LOCK is the only position that allows you to remove the key. The LOCK feature helps to protect your vehicle from theft.

If your key is stuck in the LOCK position and will not turn, move your steering wheel left or right until the key turns freely.

If your vehicle has a manual transaxle, you must push the key toward the steering column to rotate the switch to the LOCK position.

ACC (accessory) allows some of your vehicle's electrical accessories such as the radio and the windshield wipers to operate while the engine is not running.

ON allows you to test your vehicle's warning lights (except the brake system warning light) to make sure they work before you start the engine. The key returns to the ON position once the engine is started and remains in this position while the engine runs.

START cranks the engine. Release the key once the engine starts so that you do not damage the starter. The key should return to ON when you release it. The START position also allows you to test the brake warning light.

Hazard Flasher Switch

The hazard flasher switch is located on the top of the steering column. For more information, refer to *Hazard Flasher* in the *Roadside Emergencies* chapter.

The Turn Signal Lever

You can use the turn signal lever on the left side of the steering column to:

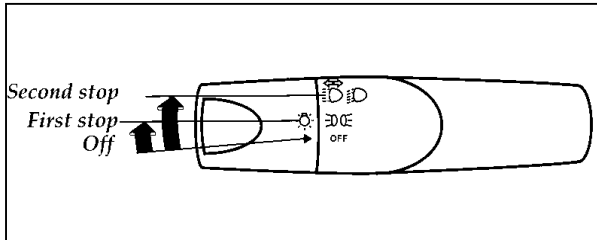
- operate the headlamps and parking lamps
- operate the turn signals and cornering lamps
- turn the high beams on/off
- flash the lamps

Headlamps and Parking Lamps

To turn the parking lamps or headlamps on, twist the knob at the end of the turn signal lever.

FIRST STOP — Turning the knob to the first stop will turn on the license plate lamps, parking lamps, side marker lamps, tail lamps, and instrument panel lamps.

SECOND STOP — Turning the knob to the second stop will turn on the headlamps, license plate lamps, parking lamps, side marker lamps, tail lamps, and instrument panel lamps.



Headlamp and parking lamp control

Daytime Running Light System

(Canadian vehicles only)

In Canada, the lights illuminate during daytime operation. The Daytime Running Light system (DRL) automatically illuminates when the ignition switch is turned to the ON position. The daytime running lights are switched off under the following conditions:

- when the headlamps are switched on
- when the parking brake is applied
- when the flash-to-pass system is used

WARNING

The Daytime Running Light (DRL) system will not illuminate the tail lamps and parking lamps. Turn on your headlamps at dusk. Failure to do so may result in a collision.

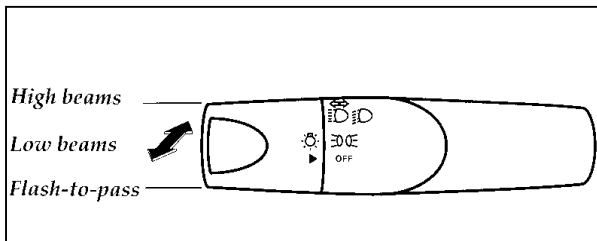
High Beams and Flashing the Lamps

To turn on the high beams, turn the headlamp control knob to the headlamp ON position and push the turn signal lever away from you until it latches. When the high beams are ON, the high beam indicator light on the instrument panel comes on.

To turn off the high beams, pull the lever toward you until it latches. The high beam indicator light turns off.

Flashing the Lights

To flash the headlamps, pull the lever toward you for a moment and then release it. The headlamps will flash whether the headlamp knob is in the on or off position.



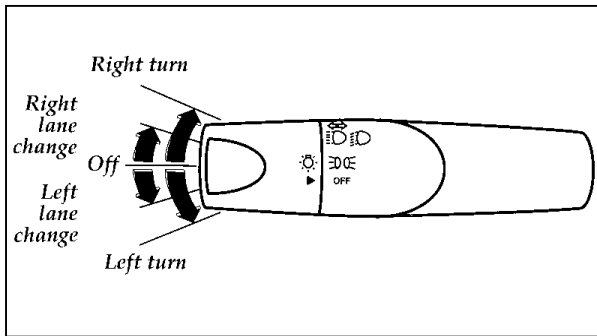
High beam and flash-to-pass operation

Turn Signals

Move the lever up to signal a right turn. Move it down to signal a left turn. The corresponding indicator light in the instrument cluster will flash.

If the turn signal stays on after you turn, move the lever back to the center off position.

For lane changes, move the lever far enough to signal but not to latch. The lever will return to the OFF position when you release it.



Turn signal

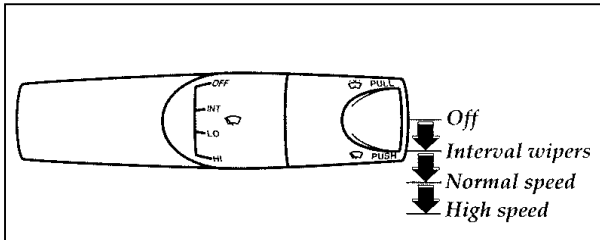
Windshield Wipers and Washer

To operate the windshield wipers and washers, make sure your ignition key is turned to the ON position.

The windshield wipers can be operated by moving the control lever. The standard wipers have two speeds and the optional wipers have three speeds.

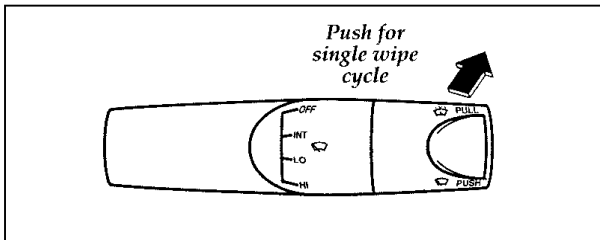
To operate the standard wipers, pull the lever down to the first stop (LO). For high speed operation, pull the lever down to the second stop (HI).

The optional wipers have a third position which provides intermittent wiper operation. For preset interval intermittent wiper operation, pull the lever down to the first stop (INT). For normal operation pull the lever down to the second stop (LO), or for high operation pull the lever down to the third stop (HI).



Windshield wiper control lever

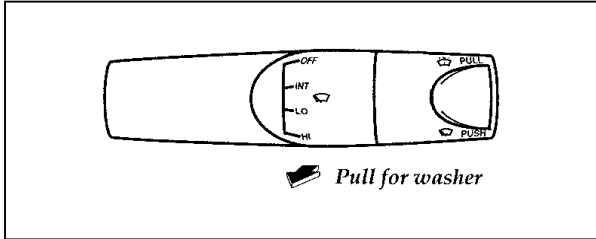
ONE-TOUCH WIPER SWITCH (If equipped) — For one wiping cycle, push the lever away from you and release it with the lever in the OFF position. The ignition switch must be in the ON position for this operation.



One-touch wiper switch

Windshield Washer

To clean the windshield, turn the wiper switch on and pull the lever toward you. Washer fluid is sprayed until the lever is released. When the windshield is clean, turn the wiper switch to OFF.



Windshield washer control

If the washer does not work, check the washer fluid level and fill it if it is low. See the *Maintenance and Care* chapter in the Owner Guide. If there is fluid in the reservoir, consult your nearest authorized Ford dealer.

Do not try to clean the windshield when the washer fluid container is empty or activate the washers at any time for more than 15 seconds continuously. This could damage the washer pump system.

WARNING

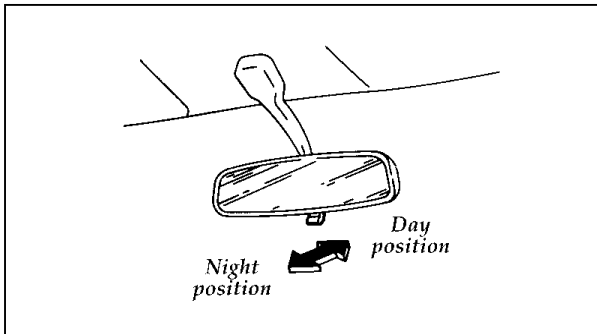
Always warm up the windshield with the defroster before you use the washer fluid. In freezing weather, the washer solution may freeze on the windshield and obscure your vision.

For information about refilling the washer fluid or replacing your windshield wiper blades, see *Windshield washer fluid and Wipers* in the Index.

Mirrors

Rearview Mirror

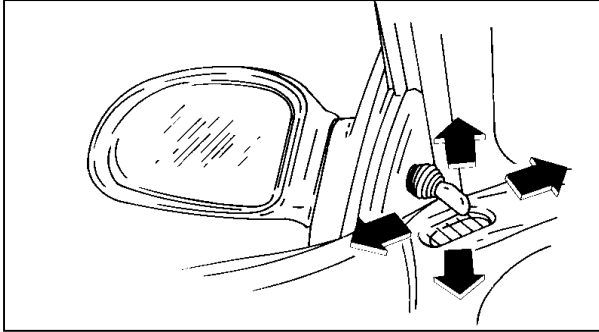
You can tilt the mirror from day to night position to reduce the glare from the headlamps of vehicles behind you. Move the tab toward you for the night position and away from you for the day position.



The day/night rearview mirror

Side View Mirrors

Your vehicle has left-hand and right-hand side view mirrors. The mirrors can either be adjusted manually or remotely with the control levers, depending on the type your vehicle has. The mirror heads can be folded rearward to prevent damage when using an automatic car wash.



Manual side view mirror

Some models come with a convex side view mirror on the right-hand side. This mirror gives you a wider view of the lanes on your right and behind you.

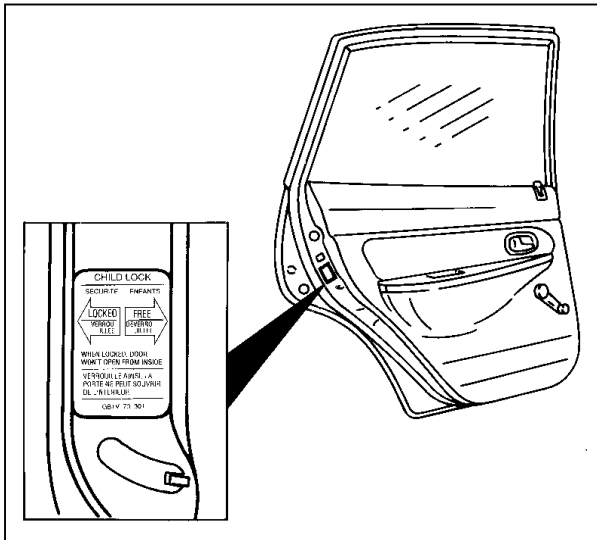
WARNING

The right side view mirror makes objects appear smaller and farther away than they actually are.

Doors

Childproof Locks for the Rear Doors (If equipped)

In addition to standard locks, your vehicle has childproof locks for the rear doors. If you set these locks, the rear doors cannot be opened from the inside of the vehicle. The doors can still be opened from the outside when the lock knobs are raised.



Child lock levers for the rear doors

To set the childproof lock on each rear door, open the rear door.

Find the lever at the black label with the word LOCKED in white letters. Move the lever up.

To release the childproof lock, open the rear door from the outside and move the lever down.

Storage Compartments

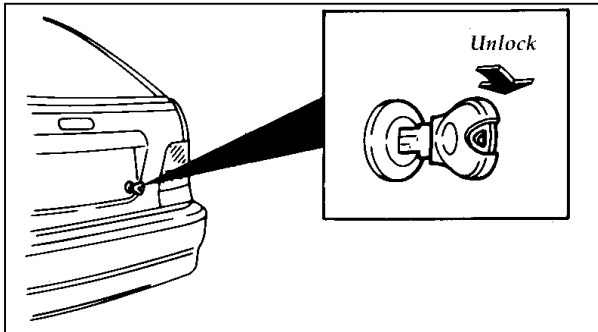
Your vehicle may have several small storage compartments:

- two map pockets on the door panels (if equipped)
- a glove compartment (non-locking)
- a storage bin in the center console

Hatchback

Opening and Closing the Hatchback

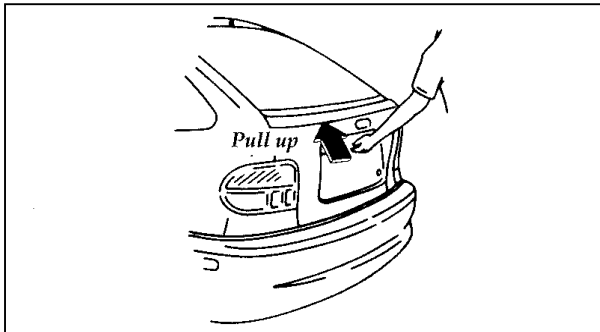
1. Put the key into the lock on the hatchback lid.



Unlocking the hatchback lid with the key

2. Turn the key to the right until a click is audible and then pull up on the handle (above the license plate) until the hatchback lid opens.
3. Remove the key before you close the hatchback lid.
4. Using both hands, shut the hatchback completely. Do not slam it.

5. Pull up on the hatchback to make sure it is securely latched.



Lifting the hatchback lid

To prevent premature wear or damage to the hatchback lift cylinders and attaching hardware, the hatchback must be fully closed before you drive your vehicle.

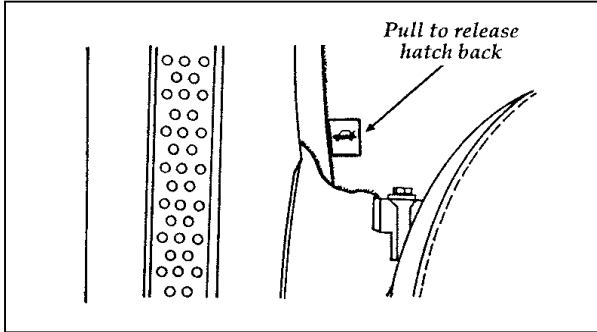
WARNING

If you drive with the hatchback lid open, you will draw dangerous exhaust fumes into your vehicle.

If you must drive like this, keep the vents open so outside air comes into the vehicle.

Remote Control (if equipped)

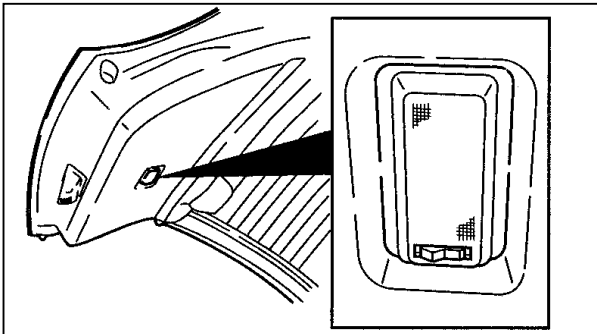
Your vehicle may have a remote control release that allows you to open the hatchback from inside your vehicle. To release the hatchback, pull up on the release lever located on the floor between the driver's seat and the door.



Luggage compartment lamp

Luggage compartment lamp (If equipped)

The luggage compartment hatchback has a lamp for your convenience. It has two positions, On or Off.



Luggage compartment lamp

Seating and Safety Restraints

Seats

WARNING

Never adjust the driver's seat or seatback when the vehicle is moving.

WARNING

Always drive and ride with your seatback upright and the lap belt snug and low across the hips.
--

WARNING

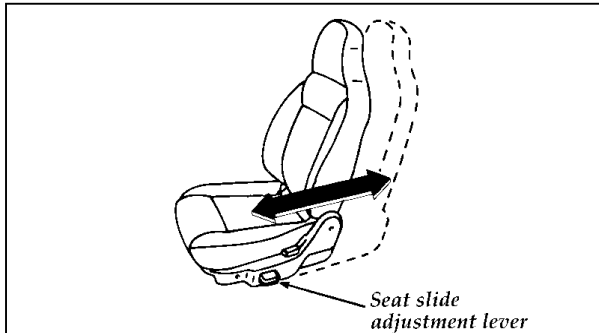
Children should always ride with the seatback in the fully upright position.

Adjusting the Seats

In the front seats, you can move the whole seat forward or backward or tilt the back of the seat forward or backward.

To move the seat forward or backward:

1. Make sure nothing is placed under the front seats. Such items may interfere with the seat lock mechanism.
2. Find the seat slide adjustment lever located on the outside of the seat.
3. Pull the lever up and hold it.
4. Slide the seat to the position you desire.
5. Release the lever and make sure the seat has locked in place.

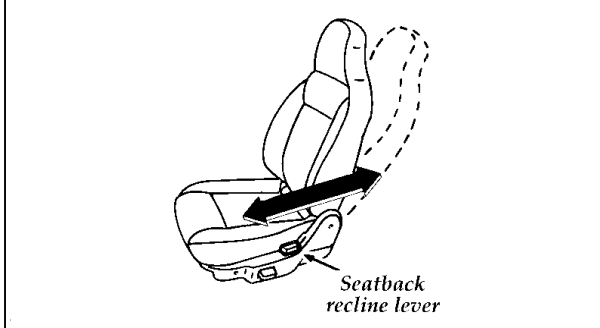


Seat slide adjustment lever

Seatback Recline

To recline the seatback:

1. Find the seatback recline lever located on the outside of the seat, toward the rear.
2. Lean forward slightly and lift up on the lever.
3. Lean back on the seat and adjust the back of the seat to the position you desire.
4. Release the lever and make sure the seatback is locked in place. (The lever **MUST** return to its original position for the seatback to lock.)



The lever used to recline the back of the seat

Rear Seat Access (2 door models)

To gain access to the rear seat:

1. Locate the seatback recline lever. The lever is located on the outside of the seat cushion.
2. Raise the seatback recline lever to tilt the seatback forward. Raise the seat slide adjustment lever and move the seat forward if extra room is needed. The seatback should automatically lock when returned to its upright position. Make sure the seatback is locked in place.

WARNING

Check to see that the seat and seatback are latched securely in position. Keep floor area free of objects that would prevent proper seat engagement. Never attempt to adjust the seat while the vehicle is in motion.

Using the Folding Rear Seat (If equipped)

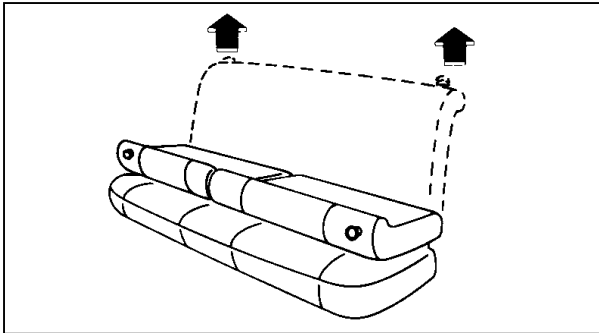
Your vehicle may be equipped with a full-folding or split-folding rear seat. In either case, you can fold down the seatback (or seatbacks) to provide extra cargo space. If you have the rear safety belts routed through the rear safety belt guides on either side of the seats, the safety belts will not be trapped when the seats are returned to their upright positions.

To fold down the rear seatback:

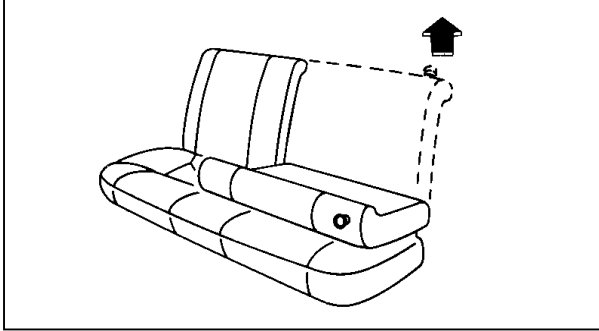
1. Pull up on the release knob(s) located in the upper corner(s) of the seatback. The split-folding rear seat has one knob for each seatback. The full-folding rear seat has two knobs, which must both be raised at the same time to lower the entire seatback.
2. Pull the seatback forward until it is flat.

To raise the rear seatback:

1. Push the seatback upward until it locks in place.
2. Make sure the seatback is firmly locked by pushing forward and backward on it.



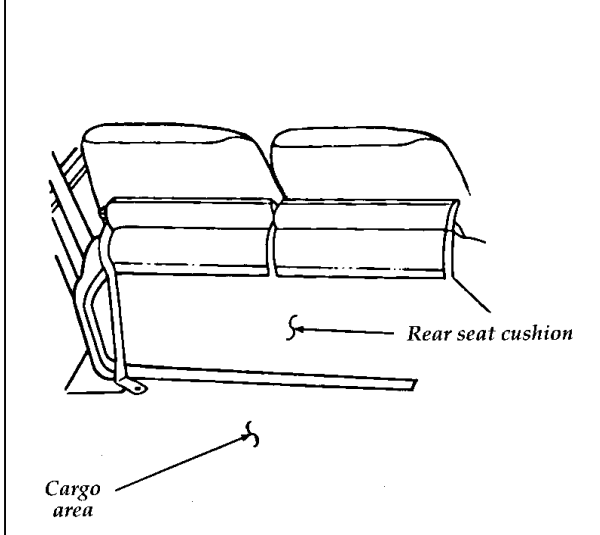
Folding down the full-folding rear seatback



Folding down the split-folding rear seatback

Fold-up rear seat cushion (if equipped)

If your vehicle is equipped with the fold-up rear seat cushion, the rear seat cushion can also be raised after you fold down the seatback(s) to provide even more cargo space. After you pull up the release knobs and fold the seatback(s) forward, lift up the entire seat and push it forward. When you return the seat cushion to its unfolded position, reposition the rear safety belts so that they can be used by rear seat passengers.



Folding up the rear seat cushion

WARNING

Cargo should always be secured to prevent it from shifting and causing damage to the vehicle or harm to the passengers.

WARNING

Do not remove the floor carpet in your vehicle. Emission controls cause high exhaust temperatures under the floor.

NOTE: When returning the folding seats to the upright position, remember to return rear shoulder belts to their proper position. Routing the safety belt webbing through the rear safety belt guides will help keep belts from being trapped behind or under the seats.

Important Safety Belt Information

The use of safety belts helps to restrain you and your passengers in case of a collision. In most states and in Canada, the law requires their use.

Safety belts provide best restraint when:

- the seatback is upright
- the occupant is sitting upright (not slouched)
- the lap belt is snug and low on the hips
- the shoulder belt is snug against the chest
- the knees are straight forward

To help you remember to fasten your safety belt, a warning light may come on and a chime may sound. See *Safety Belt Warning Light and Chime* in the *Instrumentation* chapter.

See the following sections in this chapter for directions on how to properly use these safety belts. Also see *Safety Restraints for Children* in this chapter for special instructions about using safety belts for children.

WARNING
Always drive and ride with your seatback upright and the lap belt snug and low across the hips.

WARNING

Each seating position in your vehicle has a specific safety belt assembly which is made up of one buckle and one tongue that are designed to be used as a pair. 1) Use the shoulder belt on the outside shoulder only. Never wear the shoulder belt under the arm. 2) Never swing it around your neck over the inside shoulder. 3) Never use a single belt for more than one person.

WARNING

Never drive or ride with a twisted or jammed safety belt. If you cannot untwist or unjam the safety belt, see the nearest qualified technician immediately.

WARNING

Children should always ride with the seatback in the fully upright position.

WARNING

Never let a passenger hold a child on his or her lap while the vehicle is moving. The passenger cannot protect the child from injury in a collision.

WARNING

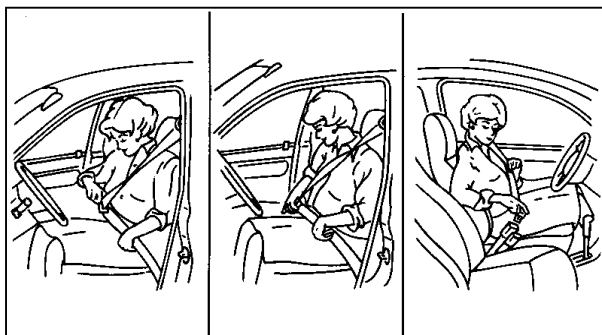
Lock the doors of your vehicle before driving to lessen the risk of the door coming open in a collision.

Combination Lap and Shoulder Belts

While your vehicle is in motion, the combination lap and shoulder belt adjusts to your movement. However, if you brake hard, turn hard, or if your vehicle receives an impact of 5 mph (8 km/h) or more, the lap/shoulder belt locks and helps reduce your forward movement.

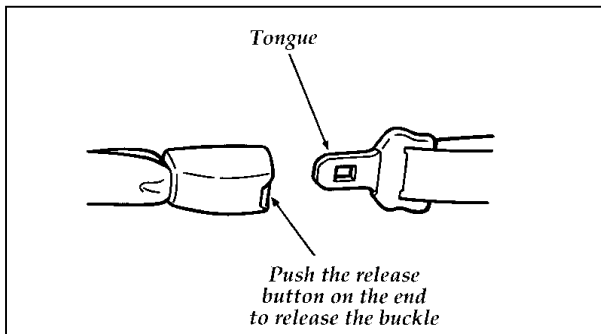
After you get into your vehicle, close the door and lock it. Then adjust the seat to the position that suits you best.

To fasten the belt, pull the combination lap/shoulder belt from the retractor so that the shoulder portion of the belt crosses your shoulder and chest. Be sure the belt is not twisted. If it is, remove the twist. Insert the belt tongue into the proper buckle until you hear a snap and feel it latch. Make sure the tongue is securely fastened to the buckle by pulling on the tongue.



Fastening the safety belt

NOTE: Be sure to read and understand *Important Safety Belt Information* in this chapter.



Unfastening the combination lap/shoulder belts — front and rear outboard seating positions

While the belt retracts, guide the tongue to its original position to prevent it from striking you or the vehicle.

Passenger Seat Lap/Shoulder Belt Retractors (Dual Locking Modes)

Your vehicle is equipped with a dual locking mode retractor on the shoulder belt portion of the combination lap/shoulder safety belt for passengers.

Dual locking mode retractors operate in two ways:

Vehicle sensitive (emergency) locking mode

In this operating mode, the shoulder belt retractor will allow the occupant freedom of movement, locking tight only on hard braking, hard cornering, or impacts of approximately 5 mph (8 km/h) or more. The retractor can also be made to lock by pulling on the belt.

Automatic locking mode

In this operating mode, the shoulder belt retractor will be automatically locked and will remain locked when the combination lap/shoulder safety belt is buckled, and does not allow the occupant freedom of movement. This mode provides the following:

- A tight lap/shoulder belt on the occupant.
- Child safety seat installation.

WARNING
Rear-facing child seats or infant carriers should never be placed in the front seats.

This mode **must be used** when installing a child safety seat on the front passenger seat and rear outboard seats where dual locking retractors are provided.

To switch the retractor from the emergency locking mode to the automatic locking mode, perform the following steps:

1. Buckle the lap/shoulder combination belt.
2. Grasp the shoulder portion of the belt and pull downward until all of the belt is extracted and, when allowed to retract, a clicking sound is heard. At this time, the belt retractor is in the automatic locking mode (child restraint mode).
3. A clicking sound will continue to be heard as the belt is allowed to retract. This indicates that the retractor is in the automatic locking mode.

NOTE: When the combination lap/shoulder belt is unbuckled and allowed to retract completely, the retractor will switch to the vehicle sensitive (emergency) locking mode. See the detailed instructions under *Safety Seats for Children* in this chapter.

Safety Belt Extension Assembly

For some people, the safety belt may be too short even when it is fully extended. You can add about eight inches (20 cm) to the belt length with a safety belt extension assembly (part number 611C22). Safety belt extensions are available at no cost from your dealer.

WARNING
Failure to follow these instructions will affect the performance of the safety belts and increase the risk of personal injury.

Safety Belt Maintenance

Check the safety belt systems periodically to make sure that they work properly and are not damaged.

All safety belt assemblies, including retractors, buckles, front seat belt buckle support assemblies (slide bar) (if equipped), shoulder belt height adjusters (if equipped), child safety seat tether bracket assemblies (if equipped), and attaching hardware, should be inspected after any collision. Ford recommends that all safety belt assemblies used in vehicles involved in a collision be replaced. However, if the collision was minor and a qualified technician finds that the belts do not show damage and continue to

operate properly, they do not need to be replaced. Safety belt assemblies not in use during a collision should also be inspected and replaced if either damage or improper operation is noted.

Air Bag Supplemental Restraint System (SRS)

Important Air Bag Precautions

Your vehicle is equipped with a supplemental restraint system designed to work with the safety belts to help protect you and your right front seat passenger in the event of a collision. The Air Bag Supplemental Restraint System is primarily designed to reduce certain upper body injuries.

WARNING
All occupants of the vehicle, including the driver, should always wear their safety belts, failure to do so may increase the risk of personal injury in the event of a collision.

WARNING
Do not place objects or mount equipment on or near the air bag covers that may come into contact with an inflating air bag. Failure to follow these instructions may increase the risk of personal injury in the event of a collision.

WARNING
Do not attempt to service, repair, or modify the air bag Supplemental Restraint System or its fuses. See your Ford or Lincoln-Mercury dealer.

WARNING

If you are close to an inflating air bag, it could seriously injure you. Position your seat such that it is as far back from the steering wheel as possible but still allows you to properly control the vehicle.
--

Children and Air Bags

NOTE: For additional important safety information on the proper use of seat belts, child seats, and infant seats, please read the entire Safety Restraints chapter in this owner guide.

WARNING

Children should always wear their safety belts. Failure to follow these instructions may increase the risk of personal injury in the event of a collision.

WARNING

Rear-facing child seats or infant carriers should never be placed in the front seats.
--

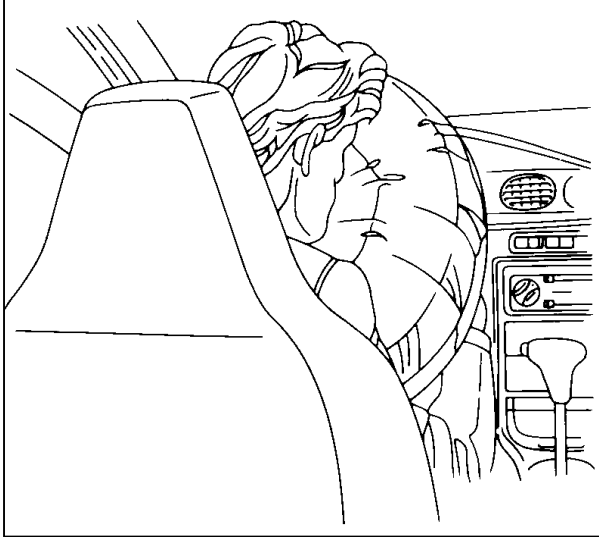
In rear-facing infant seats, the infant's head is closer to the air bag. The force of the rapidly inflating air bag could push the top of the rear-facing seat against the vehicle seatback or center armrests (if so equipped), or center console (if so equipped). **REAR-FACING INFANT CARRIERS MUST ALWAYS BE SECURED IN THE REAR SEAT**, and other child safety seats and infant seats should be secured in the rear seat whenever possible.

How Does the Air Bag Supplemental Restraint System Work?

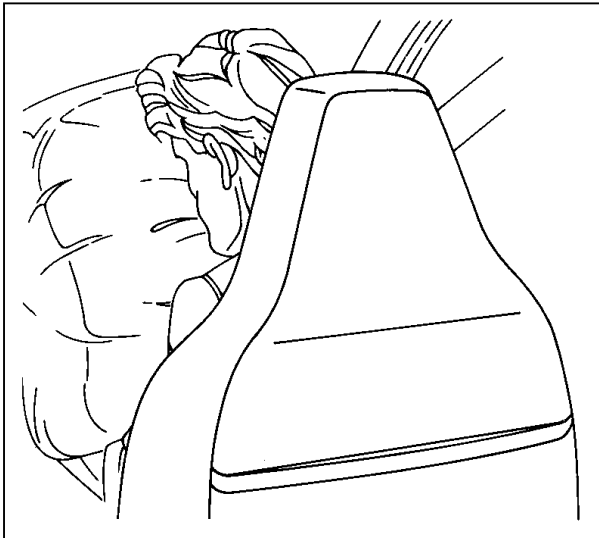
The Air Bag Supplemental Restraint System is designed to activate when the vehicle is in a collision similar to hitting a fixed barrier head on at 8-14 mph (13-23 km/h). The fact that the air bags did not inflate in a collision does not mean that something is wrong with the system. Rather, it means the forces were not of the type sufficient to cause activation.

If the vehicle is in a moderate or severe frontal collision, the system is activated and the air bags inflate rapidly. After the air bag inflates, it will quickly deflate. After the air bag deployment, you may notice a smoke-like, powdery residue or smell the burnt propellant. This is normal. The residue may consist of cornstarch or talcum powder (which is used to lubricate the air bag) or sodium compounds, such as sodium carbonates (e.g. baking soda) that result from the combustion process that inflates the air bag. Small amounts of sodium hydroxide may be present which may irritate the skin and eyes, but none of the residue is toxic. The Air Bag Supplemental Restraint System will reduce, but not eliminate all injuries in an accident.

WARNING
Several air bag system components get hot after inflation. Do not try to touch them after inflation.



Inflated driver air bag



Inflated passenger air bag

WARNING

The air bag will inflate only once. The system is designed to function on a one-time-only basis. If the air bag is inflated, THE AIR BAG WILL NOT FUNCTION AGAIN AND MUST BE REPLACED IMMEDIATELY. If the air bag is not replaced, this will increase the risk of injury in a subsequent collision.

The Air Bag Supplemental Restraint System consists of:

- driver and passenger air bag modules (which include the inflators and air bags),
- one or more impact and safing sensors,
- a system diagnostic module,
- a readiness light and tone,
- and the electrical wiring which connects the components.

The diagnostic module monitors its own circuits, the air bag electrical system, the air bag readiness light, the air bag power and the air bag inflators.

Determining if System Is Operational

The Air Bag Supplemental Restraint System uses a readiness light and a tone to indicate the condition of the system. The readiness light is in the instrument cluster. When you turn the ignition key to ON, this light will illuminate for approximately six (6) seconds and then turn off. This indicates that the system is operating normally. NOTE: Routine maintenance of the air bag system is not required.

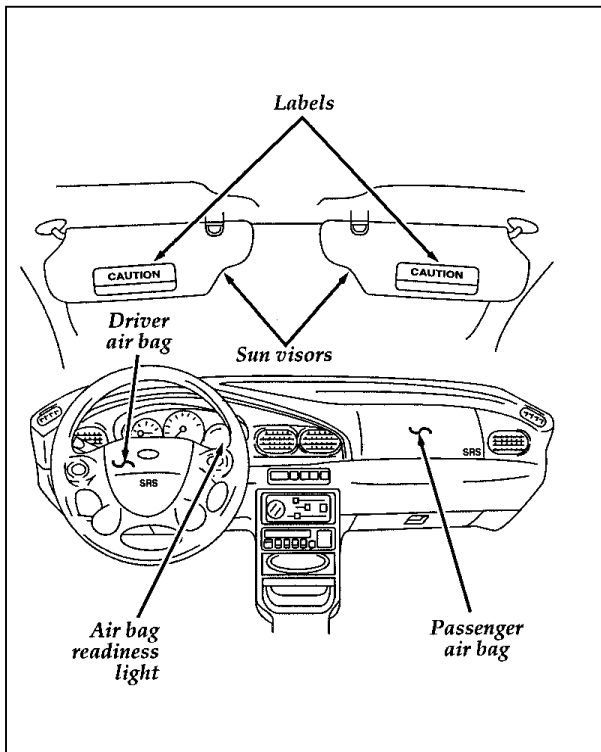
A problem with the system is indicated by one or more of the following:

- the readiness light will either flash or stay lit,
- the readiness light will not light immediately after ignition is turned on,
- a group of five beeps will be heard. The tone pattern will repeat periodically until the problem and light are repaired.

If any of these things happen, even intermittently, have the Air Bag Supplemental Restraint System serviced at your Ford or Lincoln-Mercury dealer immediately. Unless serviced, the system may not function properly in the event of a collision.

Disposal of Air Bags and Air Bag Equipped Vehicles

For disposal of air bags or air bag equipped vehicles, see your local Ford or Lincoln-Mercury dealer. Air bags **MUST BE** disposed of by qualified personnel.



Location of air bags and warning labels

Safety Restraints for Children

In the U.S. and Canada, you are required by law to use safety restraints for children. If small children ride in your vehicle — this generally includes children who are four years old or younger and who weigh 40 pounds (18 kg) or less — you must put them in safety seats that are made specially for children. Safety belts alone do not provide maximum protection for these children. Check your local and state laws for specific requirements.

WARNING

Never let a passenger hold a child on his or her lap while the vehicle is moving. The passenger cannot protect the child from injury in a collision.

WARNING

To prevent the risk of injury, make sure children sit where they can be properly restrained.

WARNING

It is extremely dangerous to ride in a cargo area, inside or outside of a vehicle. In a collision, people riding in these areas are more likely to be seriously injured or killed. Do not allow people to ride in any area of your vehicle that is not equipped with seats and safety belts. Be sure everyone in your vehicle is in a seat and using a safety belt properly.

When possible, put children in the rear seat of your vehicle. Accident statistics suggest that children are safer when properly restrained in the rear seating positions than in the front seating positions.

WARNING

Carefully follow all of the manufacturer's instructions included with the safety seat you put in your vehicle. If you do not install and use the safety seat properly, the child may be injured in a sudden stop or collision.

WARNING

Safety belts and seats can become hot in a vehicle that has been closed up in sunny weather; they could burn a small child. Check seat covers and buckles before you place a child anywhere near them.

WARNING

Do not leave children, unreliable adults, or pets unattended in your vehicle.

Safety Seats for Children

Use a safety seat that is recommended for the size and weight of the child. Always follow the safety seat manufacturer's instructions when installing and using the safety seat.

Ford recommends the use of a child safety seat having a top tether strap. Install the child safety seat in a seating position which is capable of providing a tether anchorage. For more information on top tether straps see *Attaching Safety Seats With Tether Straps* in this chapter.

When installing a child safety seat, be sure to use the correct safety belt buckle for that seating position, and make sure the tongue is securely fastened in the buckle. For a shoulder/lap belt combination with a sliding tongue, make sure the retractor is in the automatic locking mode.

Your vehicle is equipped with a right front passenger air bag. Air bags deploy with great force, faster than the blink of an eye. Front passengers, especially children and small adults, must never sit on the front edge of the seat, stand near the glove compartment of the

instrument panel, or lean over near the air bag cover when the vehicle is moving. All occupants should sit with their backs against the seatback, move the seat to the most rearward position if possible and use the safety belts. Children weighing less than 40 lbs. (18 kg) always should use child or infant seats.

WARNING

When using forward-facing child seats move the passenger seat as far back from the instrument panel as possible. Never secure rear-facing child seats or infant carriers in the front seat.

The force of the rapidly inflating passenger air bag could push the top of the rear-facing seat against the vehicle seatback, armrests or console. Rear-facing infant seats must always be secured in the rear seat.

All child restraint systems are designed to be secured in vehicle seats by lap belts or by the lap portion of a lap-shoulder belt.

WARNING

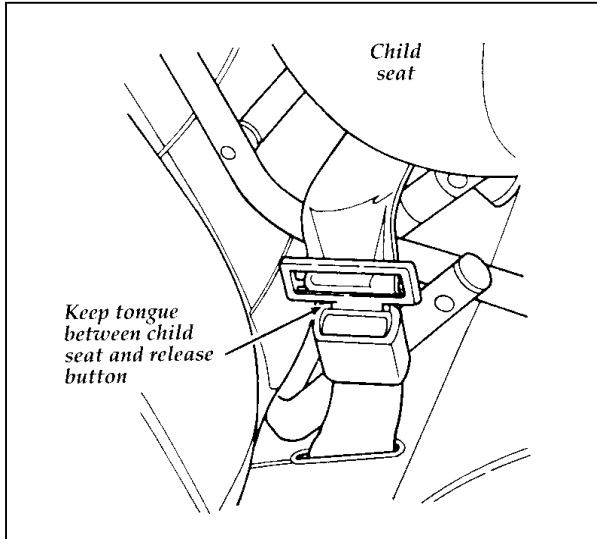
If you do not properly secure the safety seat, the child occupying the seat may be injured during a collision or sudden stop. An unsecured safety seat could also injure other passengers.

WARNING

Carefully follow all of the manufacturer's instructions included with the safety seat you put in your vehicle. If you do not install and use the safety seat properly, the child may be injured in a sudden stop or collision.

WARNING

Always keep the buckle release button pointing upward and away from the child seat, with the tongue between the child seat and the release button as shown in the following illustration.



Safety belt buckle placement for child seats

Using the Dual Locking Mode Retractor When Installing a Child Safety Seat

Your vehicle is equipped with a dual locking mode retractor on the shoulder belt portion of the front passenger seat and both rear seats. The automatic locking mode **must be used** when installing a child seat or infant carrier in the front passenger seat or rear seats.

WARNING

Carefully follow all of the manufacturer's instructions included with the safety seat you put in your vehicle. If you do not install and use the safety seat properly, the child may be injured in a sudden stop or collision.

If you choose to install a child safety seat in the front seat, move the seat as far back as possible.

1. Position the child seat on the passenger seat of the vehicle.
2. Pull down on shoulder belt, then grasp shoulder belt and lap belt together. See Figure 1.

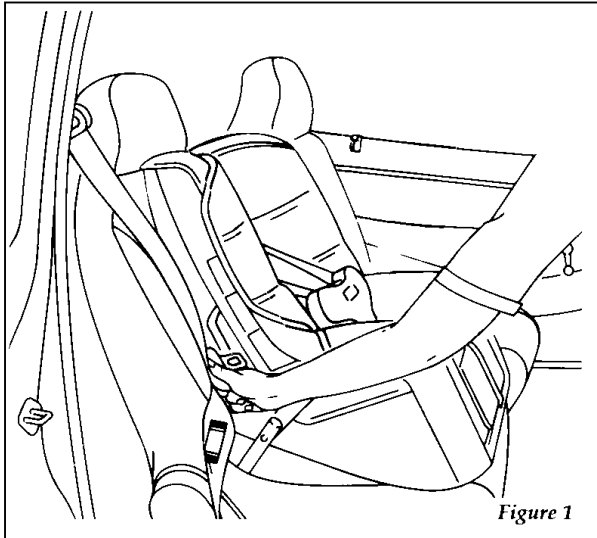
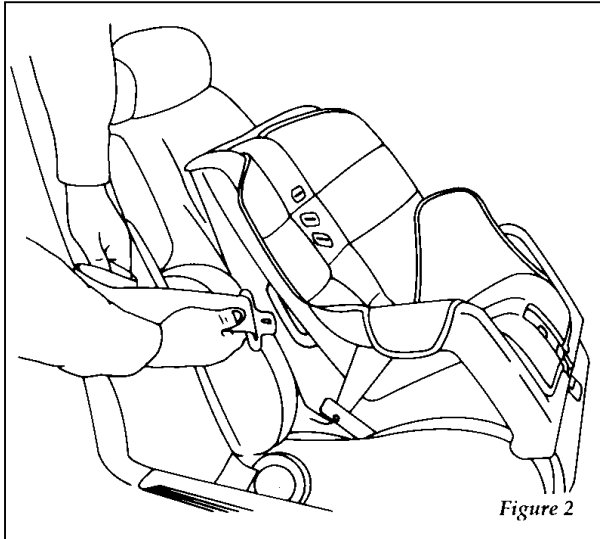


Figure 1

Grasping the shoulder and lap belt together

3. While holding the shoulder and lap belt portions together, route the tongue through the child seat according to the child seat manufacturer's instructions. See Figure 2. Be sure the belt webbing is not twisted, and insert the tongue into the buckle. See Figure 3.



Routing the lap/shoulder belt

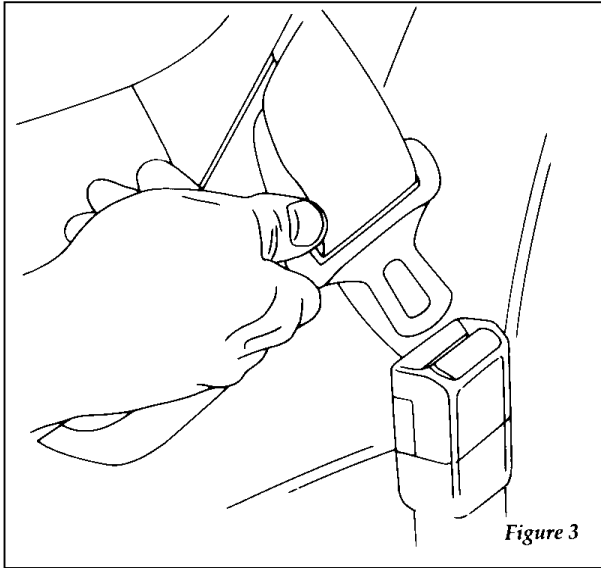


Figure 3

Buckling the belt

WARNING

Failure to follow all instructions on the proper use of child seats or the vehicle restraint systems can result in serious injury or death in the event of a sudden stop or collision.

4. Grasp the shoulder portion of the belt and pull downward until all of the belt is extracted and a click is heard. At this time, the retractor is in the automatic locking mode (child seat restraint mode). See Figure 4.

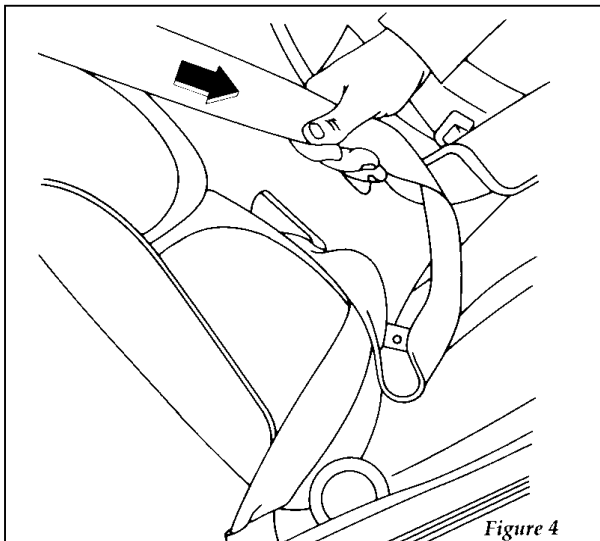


Figure 4

Setting the retractor to automatic locking mode

5. Allow the belt to retract. Pull up on the shoulder webbing. A clicking sound will be heard as the belt retracts. This indicates the retractor is in the automatic locking mode. Push down on the child seat while you pull up on the belt to remove any slack in the belt. See Figures 5 and 6.

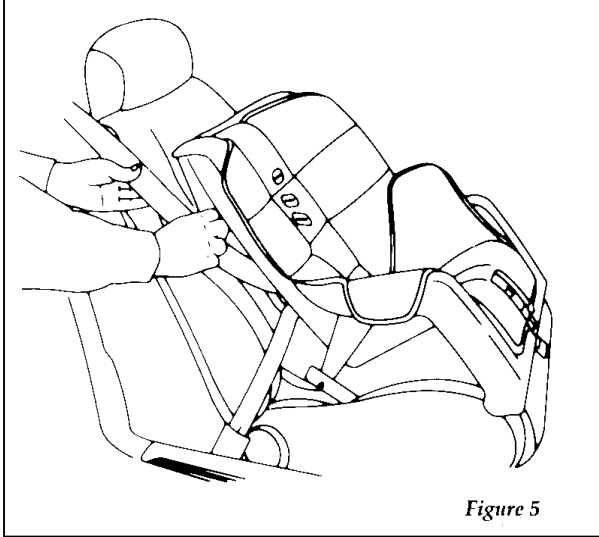


Figure 5

Checking that the seat is secure

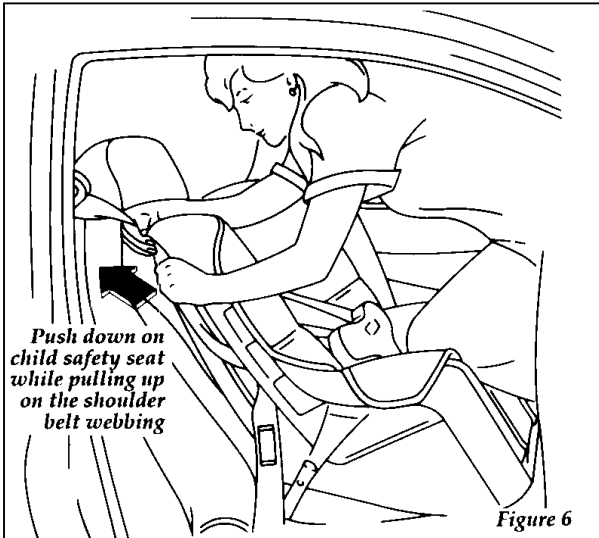
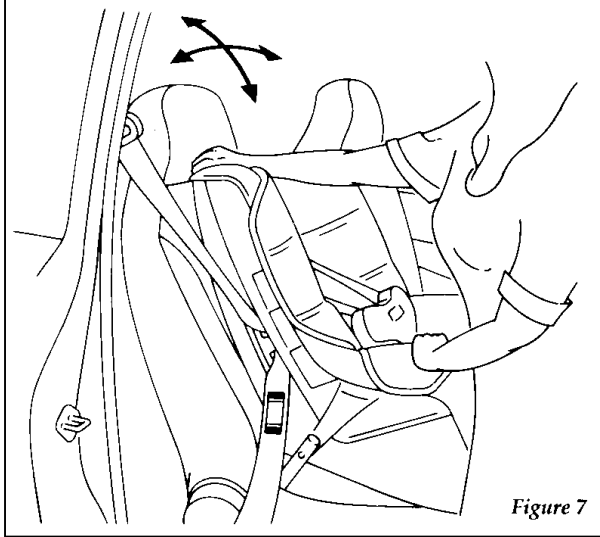


Figure 6

Removing slack from the belt



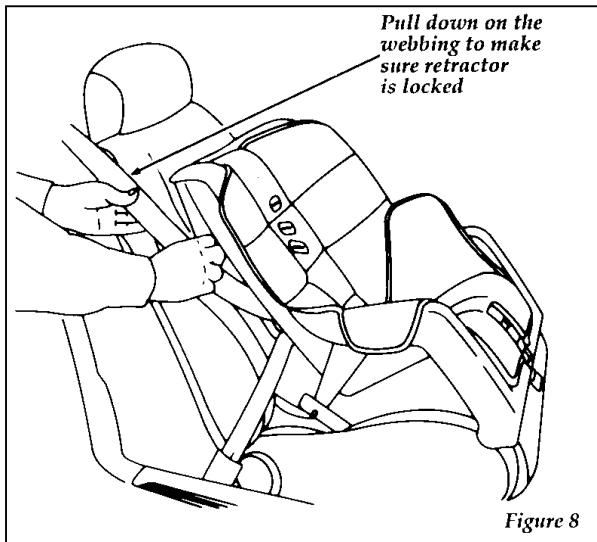
Removing slack from the belt

WARNING

Rear-facing child seats or infant carriers should never be placed in the front seats.

6. Before placing the child in the child seat, forcibly tilt the seat from side to side, and tug it forward to make sure that the seat is securely held in place. See Figure 7.

7. Double-check that the retractor is in the automatic locking mode. Try to pull more belt out of the retractor. If you cannot, the belt is in the automatic locking mode. See Figure 8.



Checking that retractor is in automatic locking mode

8. Check to make sure that the child seat is properly secured prior to each use. If the retractor is not locked, repeat steps 4 through 7.

NOTE: To remove the retractor from the automatic lock mode, unbuckle the belt and allow the seat belt to retract fully to its stowed position and the retractor will automatically switch back to the vehicle sensitive locking mode for normal adult usage.

Attaching Safety Seats With Tether Straps

Some manufacturers make safety seats that include a tether strap that goes over the back of the vehicle seat and attaches to an anchoring point. Other manufacturers offer the tether strap as an accessory. Contact the manufacturer of your child safety seat for information about ordering a tether strap.

Front Seats

To install a tether from a child safety seat in the front seat:

1. Buckle the lap/shoulder belt in the right rear seat.
2. Pull all the stored belt out of the rear seat retractor to switch the retractor to automatic locking mode.
3. Let the retractor wind up the slack from the lap/shoulder belt.
4. Install the child safety seat in the front seat. Refer to the previous section on *Installing Safety Seats*. Hook the tether strap hook around the webbing near the center of the shoulder portion of the locked lap/shoulder belt.
5. Tighten the tether strap.

Rear Seats

If you use a tethered safety seat on one of the rear seats, you can anchor the strap to the appropriate tether anchor directly behind that seat position.

Tether Anchorage Hardware

All vehicles built for sale in Canada include a tether anchor hardware kit for use with Canadian child safety seats.

Vehicles built for sale in the USA **do not** include the tether anchor hardware kit, but it can be obtained at no charge from any Ford or Lincoln-Mercury dealer.

Your vehicle has two tether attachment locations in the luggage compartment. To access the tether attachment locations, you must pry off the caps.

Be sure to follow the child safety seat manufacturer's instructions.

WARNING
Tighten the anchor according to specifications. Otherwise, the safety seat may not be properly secured and the child may be injured in a sudden stop or collision.

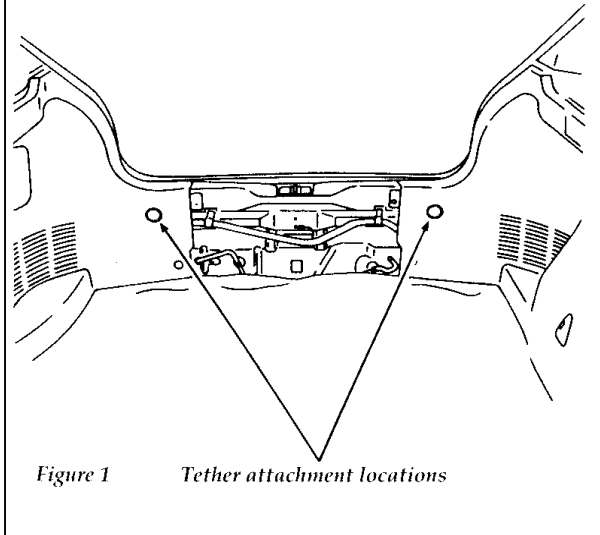


Figure 1 Tether attachment locations

Installing and positioning the anchor bracket

Install the hardware for anchoring the tether following the instructions in the tether anchorage hardware kit. When attaching the anchor bracket to the anchor, position the anchor bracket straight up.

Safety Belts for Children

Children who are too large for child safety seats should always wear safety belts. (See instructions with your child seat, or contact its manufacturer, to determine maximum size of child that will safely fit in the seat.)

WARNING
If safety belts are not properly worn and adjusted as described, the risk of serious injury to the child in a collision will be much greater.

If the shoulder belt portion of one of the lap and shoulder belts can be positioned so that it does not cross or rest in front of the child's face or neck, the child should wear the lap and shoulder belt. Moving the child closer to the center of the vehicle may help provide a good shoulder belt fit.

To improve the fit of lap and shoulder belts on children who have outgrown child safety seats, Ford recommends use of a belt-positioning booster seat that is labelled as conforming to all Federal motor vehicle safety standards. Belt-positioning booster seats raise the child and provide a shorter, firmer seating cushion that encourages safer seating posture and better fit of lap and shoulder belts on the child. A belt-positioning booster should be used if the shoulder belt rests in front of the child's face or neck, or if the lap belt does not fit snugly on both thighs, or if the thighs are too short to let the child sit all the way back on the seat cushion when the lower legs hang over the edge of the seat cushion. You may wish to discuss the specific needs of your child with your pediatrician.

WARNING
Do not use a belt-positioning booster with a lap-only belt.

Lap belts and the lap belt portion of lap and shoulder belts should always be worn snugly and below the hips, touching the child's thighs.

Starting

Fuel-Injected Engines

When starting a fuel-injected engine, **the most important thing to remember is to avoid pressing down on the accelerator before or during starting.** Only use the accelerator when you have problems getting your vehicle started. See *Starting Your Engine* in this chapter for details about when to use the accelerator while you start your vehicle.

Starting Your Vehicle

Preparing to Start Your Vehicle

WARNING
Do not start your vehicle in a closed garage or in other enclosed areas. Exhaust fumes can be toxic. Always open the garage door before you start the engine.

Before you start your vehicle, do the following:

1. Make sure all occupants in the vehicle buckle their safety belts. See *Safety Restraints* in the Index for more details.
2. Make sure the headlamps and other accessories are turned off when starting.

3. **If you have an automatic transaxle**, make sure that the gearshift is in P (Park) and the parking brake is set before you turn the key.

If you have a manual transaxle, make sure that the parking brake is fully set, push the clutch pedal to the floor, and put the gearshift into Neutral before you turn the key. **(Remember, the starter will operate only if the clutch pedal is pushed all the way to the floor.)**

Before you start your vehicle, you should test the warning lights on the instrument panel to make sure that they work. Refer to the *Instrumentation* chapter.

Starting Your Engine

To start your engine:

1. Follow the steps under *Preparing to Start Your Vehicle* at the beginning of this section.
2. Keep your foot on the brake pedal and turn the ignition key to the ON position.
3. DO NOT depress the accelerator pedal when starting your engine. DO NOT use the accelerator while the vehicle is parked.
4. Turn the key to the START position (cranking) until the engine starts. Allow the key to return to the ON position after the engine has started.

If you have difficulty in turning the key, rotate the steering wheel slightly because it may be binding.

For a cold engine:

- At temperatures **10°F (-12°C) and below:** If the engine does not start in **fifteen (15) seconds** on the first try, turn the key to OFF, wait approximately ten (10) seconds so you do not flood the engine, then try again.
- At temperatures **above 10°F (-12°C):** If the engine does not start in **five (5) seconds** on the first try, turn the key to OFF, wait approximately ten (10) seconds so you do not flood the engine, then try again.

For a warm engine:

- Do not hold the key in the START position for more than **five (5) seconds** at a time. If the engine does not start within five (5) seconds on the first try, turn the key to the OFF position. Wait a few seconds after the starter stops, then try again.

Whenever you start your vehicle, release the key as soon as the engine starts. Excessive cranking could damage the starter.

After starting, allow the engine to idle for a few seconds before driving away.

NOTE: Automatic transaxle equipped vehicles have an interlock that prevents you from shifting out of P (Park) unless your foot is on the brake pedal.

If the engine does not start after two attempts:

1. Turn the ignition key to the OFF position.
2. Press the accelerator all the way to the floor and hold it.
3. Turn the ignition key to the START position.
4. Release the ignition key when the engine starts.
5. Release the accelerator gradually as the engine speeds up.

If the engine still does not start, the fuel pump shut-off switch may have been triggered. For directions on how to reset the switch see *Fuel Pump Shut-Off Switch* in the index.

A computer system controls the engine's idle speed. When you start your vehicle, the engine's idle speed normally runs high. These faster engine speeds will make your vehicle coast slightly faster than its normal idle speed. It should, however, slow down after a short time. If it does not, have the idle speed checked.

If the engine idle speed does not slow down automatically, do not allow your vehicle to idle for more than 10 minutes. Have the vehicle checked.

WARNING
Extended idling at high engine speeds can produce very high temperatures in the engine and exhaust system, creating the risk of fire or other damage.

WARNING

Do not park, idle, or drive your vehicle in dry grass or other dry ground cover. The emission system heats up the engine compartment and exhaust system, which can start a fire.

**Using the Engine Block Heater
(If equipped)**

Engine block heaters are strongly recommended if you live in a region where temperatures reach -10°F (-23°C) or below. An engine block heater warms the engine coolant, which improves starting, warms up the engine faster, and allows the heater-defrost system to respond quickly.

To turn the heater on, simply plug it into a grounded 110-volt outlet. Ford recommends that you use a 110-volt circuit that is protected by a ground fault circuit interrupter.

WARNING

To prevent electrical shock, do not use your heater with ungrounded electrical systems or two-pronged (cheater) adapters.

For best results, plug the heater in at least three hours before you start your vehicle. Using the heater for longer than three hours will not damage the engine, so you can plug it in at night to start your vehicle the following morning.

Shift-lock System (If equipped)

For your safety, the automatic transaxle has a shift-lock system, which prevents shifting the transaxle out of the P (Park) position without depressing the brake pedal when the ignition key is in the ON position.

To shift the transaxle out of the P (Park) position:

1. Depress and hold the brake pedal.
2. Start the engine.
3. Push in the thumb lock button and move the gearshift lever.
4. See *Emergency Override System* later in this section for more information.

NOTE: When the ignition key is in the ACC or LOCK position, the transaxle cannot be shifted from the P (Park) position. If the brake pedal is repeatedly depressed and released when the ignition is in the ON position and the selector lever is in the P (Park) position, a chattering near the gearshift lever may be heard. This is not a malfunction.

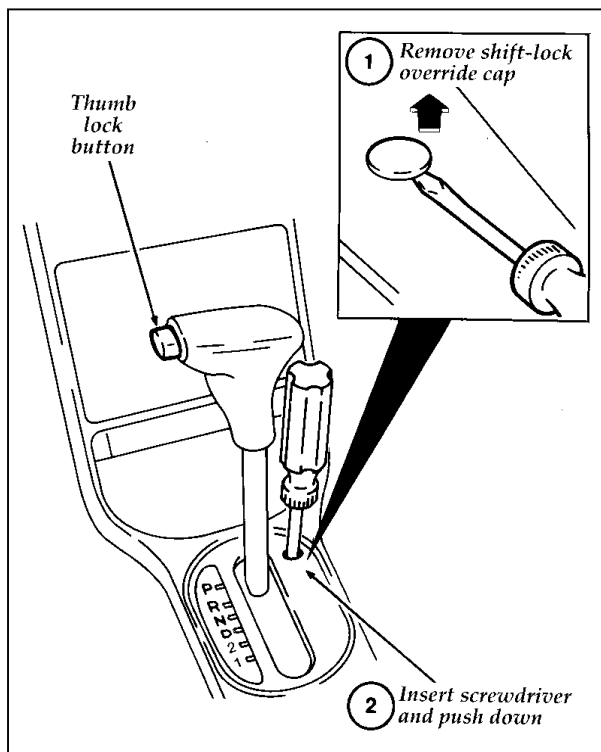
NOTE: Your vehicle's gearshift lever is securely latched in P (Park) if you cannot move it without pushing in the thumb button. Keep the brake pedal depressed while moving your gearshift lever.

To make the system more effective, the ignition key cannot be removed unless the gearshift selector lever is in the P (Park) position.

Emergency Override System

Your vehicle has a cap covering the override mechanism for the shift-lock feature. If you have to use the override procedure to move the gearshift lever out of the P (Park) position, follow these instructions:

1. Remove the shift-lock override cap with a 1" or longer screwdriver.
2. Insert the screwdriver into the shift-lock override opening and push the screwdriver handle down.



Operating the shift-lock override mechanism

3. Push and hold the thumb button.
4. Move the gearshift lever.

If you need to shift out of P (Park) by using the alternate procedure described above, it is possible that a fuse has blown and that your brakelamps may also not be functional. Please refer to the chapter titled *Roadside Emergencies* in this Owner Guide for instructions on checking and replacing fuses.

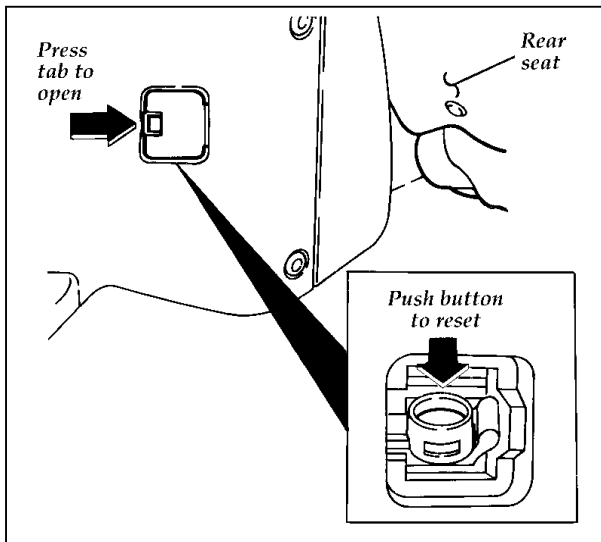
WARNING
DO NOT DRIVE YOUR VEHICLE UNTIL YOU VERIFY THAT THE BRAKELAMPS ARE WORKING.

If the Engine Cranks but Does Not Start or Does Not Start After a Collision

If the engine cranks but does not start or does not start even after a small collision, the fuel pump shut-off switch may have been activated. The shut-off switch is a device intended to stop the fuel pump when your vehicle has been involved in a major jolt.

Once the shut-off switch is activated, you must reset the switch by hand before you can start your vehicle.

The reset switch on your vehicle is located in a small compartment on the left side of the luggage compartment.



The location of the fuel pump shut-off switch (U.S. vehicle shown — Canadian vehicles similar)

WARNING

If you see or smell fuel, do not reset the switch or try to start your vehicle. Have all the passengers get out of the vehicle and call the local fire department or a towing service.

If your engine cranks but does not start after a collision or major jolt:

1. Turn the key in the ignition to the LOCK position.
2. Check under the vehicle for leaking fuel.
3. If you do not see or smell fuel, remove the door covering the fuel pump shut-off switch compartment by pressing the tab toward the rear seat. Push down the red reset button on the fuel pump shut-off switch.

4. Attempt to start your vehicle. If the vehicle starts, let it run a few seconds, then turn the key to the LOCK position.
5. Check under the vehicle again for leaking fuel. **If you see or smell fuel, do not start your vehicle again.** If you do not see or smell fuel, you can try to start your vehicle again.

Guarding Against Exhaust Fumes

Carbon monoxide, although colorless and odorless, is present in exhaust fumes. Take precautions to avoid its dangerous effects.

WARNING
Do not start your vehicle in a closed garage or in other enclosed areas. Exhaust fumes can be toxic. Always open the garage door before you start the engine.

WARNING
If you smell exhaust fumes inside your vehicle, have your dealer inspect your vehicle immediately. Do not drive if you smell exhaust fumes.


Have the exhaust and body ventilation systems checked whenever:

- your vehicle is raised for service
- the sound of the exhaust system changes
- your vehicle has been damaged in a collision

Improve your ventilation by keeping all air inlet vents clear of snow, leaves, and other debris.

If you must allow your engine to idle for long periods of time, be sure you are in an open area and open the windows at least one inch (25 mm). Also, adjust the heating or air conditioning to bring in outside air.

If you are using the heater, set the fan speed on 1, 2, or 3 with the function lever on the position of your choice and the air door control lever in the fresh (outside air) position.

If you are using the air conditioner, set the fan speed on 1, 2, or 3 with the function lever in the position of your choice. Set the air door control lever in the  (outside air) position.

Removing the Key From the Ignition

1. Put the gearshift selector lever in P (Park) (automatic transaxle) or 1 (First) (manual transaxle).
2. Set the parking brake fully.
3. Push the key in (manual transaxle) and turn it to the LOCK position.
4. Remove the key.

WARNING

Always set the parking brake fully and make sure that the gearshift is securely latched in P (Park) (automatic transaxle) or in 1 (First) (manual transaxle).
--

WARNING

Do not leave children, unreliable adults, or pets unattended in your vehicle.
--

Driving

Brakes

Applying the Brakes

Your vehicle is equipped with a power front disc/rear drum brake system that adjusts automatically as the brake pads and linings wear.

If power assist is lost you can still stop your vehicle by applying greater force to the brake pedal than you normally would. The stopping distance, however, is longer.

When the engine is not running or has stalled, the power assist is interrupted. The reserve brake power is partially depleted each time the brake pedal is applied and released. Do not pump the brake pedal when the power assist has been interrupted, unless it is necessary to maintain steering control on slippery surfaces.

Apply the brake pedal gradually. Use the “squeeze” technique — push on the brake pedal with a steadily increasing force. This allows the wheels to continue to roll while you are slowing down, which lets you steer properly.

Extreme braking can make the wheels lock and slide, causing you to lose control of the steering. If you lock the wheels, release the brake pedal and repeat the “squeeze” technique.

Do not drive with your foot resting on the brake pedal; you will wear out the linings and increase your vehicle’s stopping distance. Brake rotor damage may also eventually occur.

NOTE: If you are driving down a long or steep hill, shift to a lower gear and do not apply your brakes continuously. If you apply your brakes continuously, they may overheat and become less effective.

Occasional brake noise is normal and does not indicate a performance concern with the vehicle's brake system. In normal operation, automotive brake systems may emit occasional or intermittent squeal or groan noises when the brakes are applied. Such noises are usually heard during the first few brake applications in the morning; however, they may be heard at any time while braking and can be aggravated by environmental conditions such as cold, heat, moisture, road dust, salt or mud. If a "metal-to-metal" or "continuous grinding" sound is present while braking, the brake linings may be worn-out and should be inspected by a qualified service technician.

Anti-lock Brake System (ABS) (If equipped)

On vehicles equipped with an antilock braking system (ABS), a noise from the hydraulic pump motor and pulsation in the pedal may be observed during ABS braking events. Pedal pulsation coupled with noise while braking under panic conditions or on loose gravel, wet or snowy roads is normal and indicates proper functioning of the vehicle's antilock brake system. If the vehicle has continuous vibration or shudder while braking, felt mainly in the steering wheel, the vehicle most likely needs service.

The Anti-lock Brake System (ABS) prevents the brakes from locking up. Whenever your wheels start to lock during maximum braking, the

system automatically releases and re-applies the front wheel brakes independently and the rear brakes as a set. You can feel the system working when the brake pedal pulses.

Despite this improvement in braking, you should continue to be careful in all driving situations, especially when driving on extremely slippery road surfaces. Maximum braking on roads with loose surfaces such as snow or gravel, uneven pavement, or alternating patches of slippery and dry surfaces, may reduce the directional control of your vehicle, even with the Anti-lock Brake System. When driving under normal conditions, the braking action is the same as with standard brakes.

Problems in the Anti-lock Brake System will cause the Anti-lock Brake Warning Light to illuminate, which indicates the system has a problem. Normal braking is not affected unless the brake warning light is also on.

Each time the ignition key is turned to the ON position, the Anti-lock Brake System functions through one test cycle.

NOTE: If your vehicle must be jump-started because of a low battery, the Anti-Lock Brake System warning light could remain on. This is due to low battery voltage and does not indicate a malfunction in the system. Under these circumstances, you should drive your vehicle only after the battery has had time to charge and the light has gone out.

NOTE: You might hear a chattering sound from the Anti-lock Brake System each time the vehicle is started or during driving. This is normal.

Ford Motor Company has not found any detrimental effects of popular mobile radio transmitting equipment installed on vehicles equipped with the Anti-lock Brake System if normal radio installation practices are rigidly followed. However, if after installing mobile radio transmitting equipment, the Anti-lock Brake System light comes on at any time other than immediately after turning the key to the ON position or during a sudden stop, have your mobile radio dealer inspect the radio installation. Proper radio installation procedures to be followed are published by the radio manufacturer.

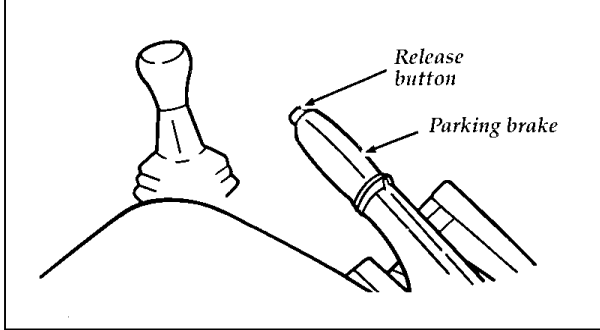
Parking Brake

The parking brake should be used whenever you park your vehicle.

If the brakes don't operate while the vehicle is in motion, you can make an emergency stop with the parking brake, however, the stopping distance will be much greater than normal.

The parking brake lever is located between the front seats. To set the parking brake, put your foot on the brake pedal while pulling the parking brake handle fully and firmly upward.

To release the parking brake, put your foot on the brake pedal, pull the handle upward and push the button. Then lower the handle to the released position while holding the button in.



Parking brake (handbrake)

WARNING

To prevent personal injury, do not release the parking brake while outside the vehicle.

WARNING

Always set the parking brake fully and make sure that the gearshift is securely latched in P (Park) (automatic transaxle) or in 1 (First) (manual transaxle).

Always check the Brake Warning Light each time you start your engine. Driving with the parking brake on will cause the brakes to wear out quickly and will reduce the fuel economy.

WARNING

If the parking brake is fully released, but the Brake System light remains on, have the brakes checked immediately. They may not be working properly.

The parking brake is not designed to stop a moving vehicle, but you can use the parking brake to stop your vehicle in an emergency if

the normal brakes fail. However, since the parking brake applies only the rear brakes, the stopping distance will increase greatly and the handling of your vehicle will be adversely affected.

Steering Your Vehicle (If equipped with power steering)

Your vehicle may be equipped with power steering. Power steering uses energy from the engine to help steer your vehicle.

If the amount of effort needed to steer your vehicle changes at a constant vehicle speed, have the power steering system checked. If the power steering system breaks down (or if the engine is turned off), you can steer the vehicle manually but it takes more effort.

Never hold the steering wheel to the extreme right or left for more than five seconds if the engine is running. This can damage the power steering pump.

Transaxle Operation

Procedures for driving your vehicle will vary depending on which type of *transaxle* your vehicle has. You may be familiar with the term "transmission." We use *transaxle* because it is a more accurate term for vehicles that have front-wheel drive.

Your vehicle has one of two types of transaxles:

- an automatic three-speed
- a manual five-speed

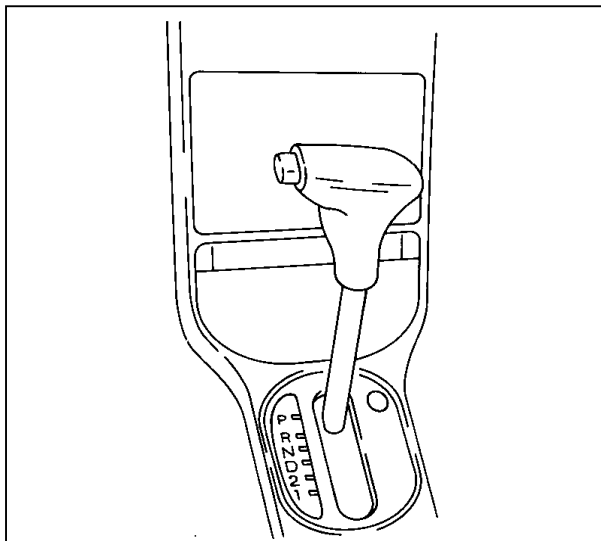
Driving With an Automatic Transaxle (If equipped)

Putting Your Vehicle in Gear

The automatic transaxle provides fully automatic operation in D (Drive). For manual control, start in 1 (First) or 2 (Second) and then shift manually.

Your vehicle is equipped with an Electronic Powertrain Control Module that limits engine and/or vehicle speeds with a cut-out mode to promote durability.

Using a Console-Mounted Gearshift



Automatic console-mounted gearshift lever

Your automatic transaxle vehicle has a console-mounted shift selector lever. You must step on the brake pedal, start the engine, and then push in the thumb button to move the shift selector lever to the position you choose.

WARNING
Hold the brake pedal down while you move the gearshift lever from position to position. If you do not hold the brake pedal down, your vehicle may move unexpectedly and injure someone.

NOTE: If the gearshift selector lever will not move with the key on and the brake pedal depressed refer to *Shift-lock system* in the Index.

Once the gearshift is secure in the desired position, release the brake pedal and use the accelerator as necessary.

Backing Up

With the gearshift in the R (Reverse) position, the vehicle will move backward. You should always come to a complete stop before shifting into or out of R (Reverse).

Driving

When to use D (Drive)

This is the normal driving position for your vehicle. As your vehicle picks up speed the transaxle will automatically upshift. The transaxle will automatically downshift as speed decreases.

When to use 1 (First)

Do not go faster than 40 mph (64 km/h) in this gear. You can upshift from 1 (First) into 2 (Second) or D (Drive) at any speed.

When to use 2 (Second)

Manually shift to 2 (Second) when driving in heavy, slow moving traffic, when climbing hills, for braking on steep hills, or for starting on slick surfaces. Do not go faster than the posted speed limit in this gear.

Parking

Always come to a complete stop before you shift into P (Park). Make sure that the gearshift is securely latched in P (Park). This locks the transaxle and prevents the front wheels from rotating.

WARNING

Always set the parking brake fully and make sure the gearshift is latched in P (Park). Turn off the ignition whenever you leave your vehicle.
--

WARNING

Never leave your vehicle unattended while it is running.

You can tell the gearshift is securely latched when the thumb button has popped out. In this position the gearshift selector lever cannot be moved unless the button is pushed in.

WARNING

Hold the brake pedal down while you move the gearshift lever from position to position. If you do not hold the brake pedal down, your vehicle may move unexpectedly and injure someone.
--

Driving With a Manual Transaxle (If equipped)

Using the Clutch

After the engine starts, allow it to idle for a few seconds. Then, hold your right foot on the brake pedal, push the clutch pedal to the floor with your left foot, and move the shift selector lever into 1 (First) or R (Reverse).

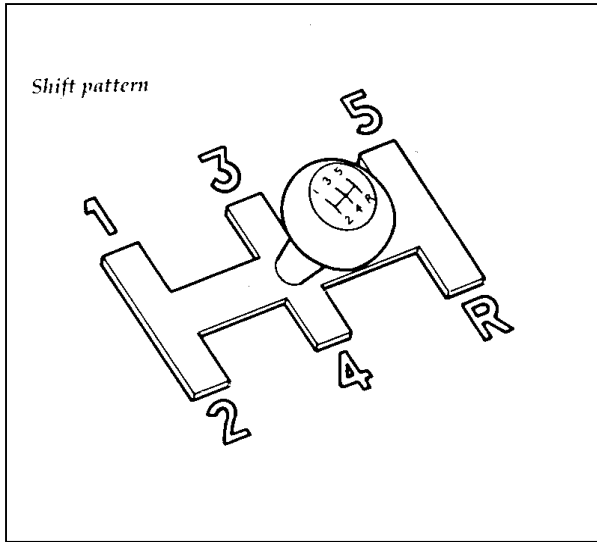
To move the vehicle, lift your right foot off the brake pedal and slowly release the clutch pedal. (You need to press down slowly on the accelerator at the same time you release the clutch pedal.)

Do not drive with your foot resting on the clutch pedal and do not use the clutch to hold your vehicle at a standstill while waiting on a hill. These actions will seriously reduce clutch life.

Driving with your foot resting on the clutch may cause the vehicle to jerk sharply when pressing or removing your other foot from the accelerator.

Shifting the Gears

The gearshift for a manual transaxle is mounted on the floor. The gearshift can be in one of seven possible positions, as shown.



Shift pattern

Always push the clutch pedal all the way in when you shift. You should upshift according to the speeds given in the chart later in this chapter.

Sometimes, you will upshift at higher speeds. For example, you may want to stay in a lower gear to gain more power for passing or for climbing a hill. However, you must stay within the allowable range when you upshift or downshift.

Backing up

To shift into R (Reverse):

1. Bring your vehicle to a **complete** stop.
2. Push the clutch pedal in all the way to the floor and hold it. If you do not hold the clutch pedal in all the way, you may hear a grinding noise when you shift.
3. Put the gearshift in Neutral and wait at least 3 seconds before shifting into R (Reverse) to prevent a grinding noise. Do not release the clutch.
4. Then push the gearshift all the way to the right and pull it down into R (Reverse).

When in 5 (Fifth) gear, you can engage R (Reverse) only by moving the gearshift to Neutral before you shift into R (Reverse). This is a special lockout feature that protects you from accidentally shifting into R (Reverse) when you downshift from 5 (Fifth) gear.

5. Once R (Reverse) is engaged, slowly release the clutch pedal from the floor.

If R (Reverse) is not engaged, continue to push the clutch pedal in while you put the gearshift back into Neutral. Then, release the clutch pedal for a moment and repeat steps 2 through 5.

Upshifting

Most of the time, you should upshift at the following speeds:

Upshifts When Accelerating Normally		
When shifting from:	...You should usually shift at this speed for best fuel economy:	
First to Second	13 mph	21 km/h
Second to Third	23 mph	37 km/h
Third to Fourth	32 mph	51 km/h
Fourth to Overdrive (Fifth)	45 mph	72 km/h

Cruising Speed		
When shifting from:	...You should shift at or below this speed for best fuel economy:	
First to Second	11 mph	18 km/h
Second to Third	18 mph	29 km/h
Third to Fourth	28 mph	45 km/h
Fourth to Overdrive (Fifth)	37 mph	59 km/h

For better fuel economy, shift at these speeds.

Downshifting

When you slow down or climb a steep hill, always downshift before the engine starts to lose power. Downshifting reduces the chance of stalling and gives your vehicle better acceleration to increase speed again.

When you drive down steep hills, downshifting helps you keep a safe speed and helps prevent unnecessary wear on the brakes.

When you come to a stop, do not downshift through each gear. Disengage the clutch and use the brake as necessary. Downshifting through the gears decreases your vehicle's fuel economy.

Parking

To park your vehicle, shift into 1 (First), set the parking brake fully, and turn off the ignition.

WARNING
Do not park your vehicle in Neutral, it may move unexpectedly and injure someone. Use 1 (First) gear and set the parking brake fully.

Driving With a Heavy Load

There are limits to the amount of weight your vehicle can carry. The total weight of your vehicle, plus the weight of the passengers and cargo, should never be more than the Gross Vehicle Weight Rating (GVWR). Also, the weight that your vehicle carries over the front axle and rear axle should never be more than the Gross Axle Weight Rating (GAWR) for the respective axle.

You can find your vehicle's GVWR and GAWR on the Safety Compliance Certification Label on the left door lock pillar.

The weight limits of your vehicle's tires affect the GVWR or GAWR limitations. Usage of replacement tires with higher weight limits than originals does not increase GVWR or GAWR. Usage of lower capacity replacement tires may lower GVWR and GAWR limitations.

Trailer Towing

Do not use your vehicle for towing a trailer.

Towing Behind Another Vehicle — Recreational Vehicle

Towing an automatic transaxle (ATX) equipped vehicle behind another vehicle, such as a Recreational Vehicle (RV), is not recommended unless a front wheel dolly or trailer is used. Do not tow your ATX equipped vehicle with the front wheels on the ground or transaxle damage may occur.

Towing a manual transaxle (MTX) equipped vehicle behind another vehicle, such as a Recreational Vehicle (RV), is allowed only if it is towed forward. The parking brake must be released, the gearshift must be in Neutral, the ignition key must be in the ACC position, the battery must be disconnected to eliminate battery drain, and the steering wheel unlocked. You may tow your MTX equipped vehicle only in a forward direction with the front wheels on the ground without damage to the transaxle.

Do not tow your manual transaxle equipped vehicle at a speed faster than 55 mph (88 km/h). The maximum towing distance is unlimited.

WARNING

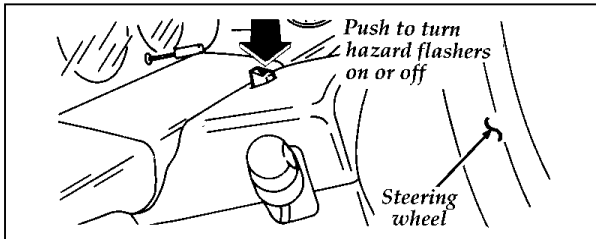
Never use a tow bar that attaches to the bumper when you tow your vehicle. This could damage the bumper and cause an accident.

Roadside Emergencies

Hazard Flasher

To alert other drivers to hazardous situations, press the hazard flasher switch on the top of the steering column. All the turn signals will flash on and off at the same time. The flashers will also operate while the brake pedal is applied. To turn the flashers off, press the switch again.

The flashers work whether your vehicle is running or not. The flashers will work for up to two hours when the battery is fully charged and in good condition. They will not drain the battery excessively unless they are left on for an extended period of time.



Hazard flasher switch

If the Engine Cranks but Does Not Start or Starting After a Collision

If the engine cranks but does not start or if you have had a collision, the fuel pump shut-off switch may have been triggered. The shut-off switch is a device that stops the fuel pump when your vehicle has been involved in a substantial jolt.

For information on how to check and reset the fuel pump shut-off switch, see *Fuel pump shut-off switch* in the Index.

Fuses

Fuses protect your vehicle's electrical system from overloading. If electrical parts in your vehicle are not working, the system may have been overloaded and blown a fuse. Before you replace or repair any electrical parts, check the appropriate circuit protectors.

The following charts tell you which fuses protect each electrical part of your vehicle. If a fuse blows, all the parts of your vehicle that use the circuit will not work.

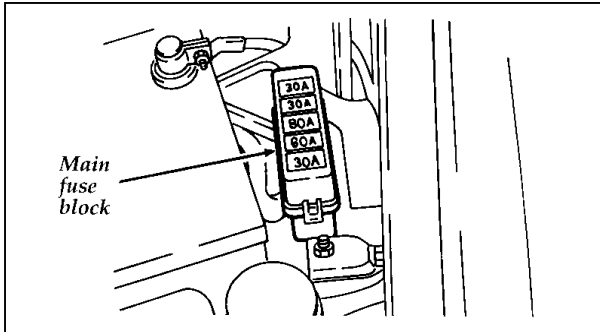
Once you have determined which fuses to check, follow the procedures under *Checking and replacing fuses* later in this chapter.

Your vehicle has a main fuse block under the hood and a regular fuse box mounted in the instrument panel behind a cover.

Main fuse block

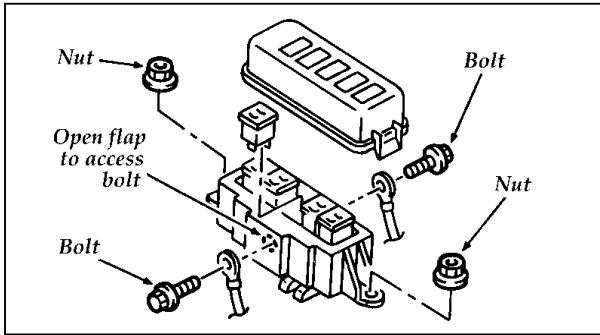
NOTE: Ford recommends that the high amperage fuses in the main fuse block be replaced by a qualified technician.

If the 80 Amp. fuse is blown, it must be replaced. To remove the main fuse block and replace the fuse:



Main fuse block location

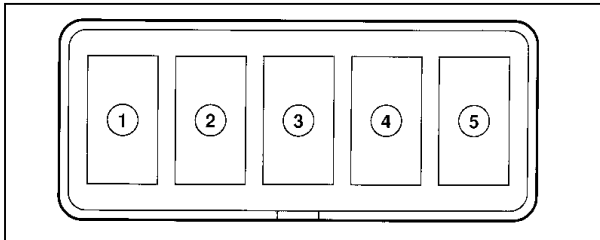
1. Disconnect the negative battery cable.
2. Remove the nuts on either end.
3. Lift the fuse block and open the flaps on the side of the fuse block.
4. Remove the bolts on either side of the block.
5. Replace the fuse with a new one of the same rating.



Removing fuse block

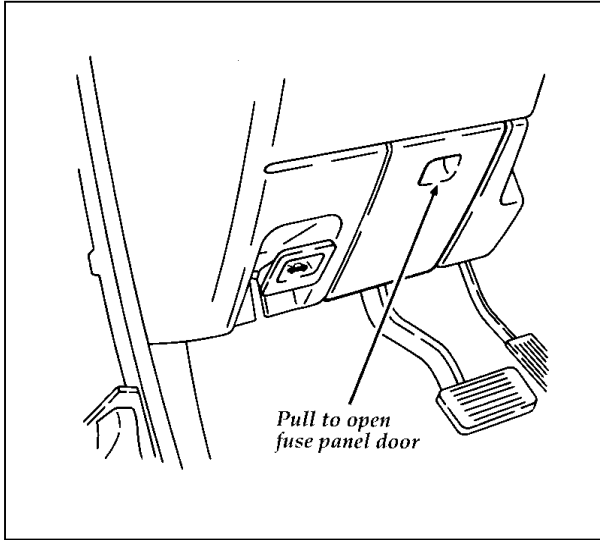
To install the fuse block:

1. Place the fuse block cover back in position and fasten the bolts on both sides.
2. Attach the nuts on both ends of the fuse block.
3. Connect the negative battery cable.

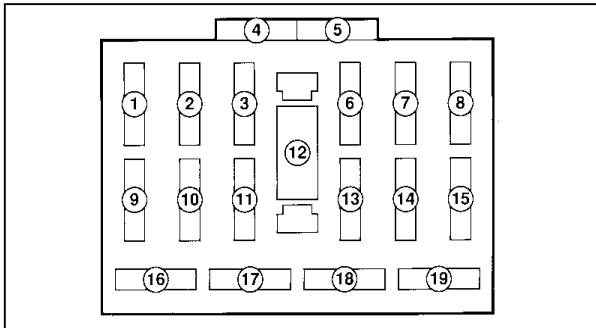


Main fuse block

Fuse Location	Fuse Name	Fuse Rating	Protected Component
1	COOLING FAN	30 amp	Cooling fan motor, Condenser fan motor, Magnetic clutch
2	ABS	60 amp	Anti-lock Braking System
3	MAIN	80 amp	Air bag diagnostic monitor, Anti-lock Brake System control unit, Anti-lock Brake System relay, Audio system, Backup lamp, Brake system unit, Blower motor relay, Cargo lamp, Central processing unit, Cigarette lighter, Cooling fan relay, Daytime Running Lamps relay, Flasher unit, Front side marker lamp, Front wiper and washer, Hazard lamp, Horn, Ignition coil, Illumination (A/C switch, Panel, Rear defroster switch, upshift indicator), Instrument cluster warning lights (air bag readiness, anti-lock brake system, brake system, charging, check engine, fuel, oil pressure, rear defroster, safety belt, tachometer), Interior lamp, License plate lamp, Powertrain control module, Rear defroster, Rear defroster relay, Rear wiper and washer, Tail lamp, Tail lamp relay, Turn signal lamp, Stop lamp
4	EGI INJ	30 amp	Air bag diagnostic monitor, Powertrain Control Module
5	HEAD	30 amp	Headlamps



Instrument panel fuse cover



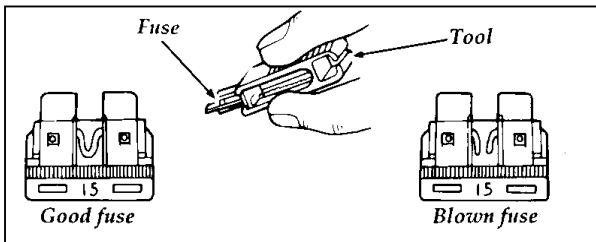
Fuse panel in the instrument panel

Fuse Location	Fuse Name	Fuse Rating	Protected Component
1	ENGINE	10 amp	Air bag system, Anti-lock Brake System, Anti-lock Brake System relay, Blower motor relay, Cooling fan relay, Ignition main relay
2	METER	15 amp	Back-up lamps, Central processing unit, Flasher unit, Instrument cluster warning lights (Air bag readiness, anti-lock brake, brake system, charging, check engine, oil pressure, safety belt, rear defroster, upshift), Instrument cluster gauges (fuel, shift-lock actuator, tachometer, turn signal indicator), Turn signals lamps, Rear defroster relay
3	DEFOG	20 amp	Rear window defroster
4	—	20 amp	Spare fuse
5	—	15 amp	Spare fuse
6	—	—	—
7	F. FOG	15 amp	Front fog lamps
8	—	—	—
9	—	—	—
10	WIPER	20 amp	A/C switch, A/C relay, Blower motor unit relay, Condenser fan motor, Daytime running lamps system, Front windshield wipers and washer
11	—	—	—
12	BLOWER	30 amp Circuit Breaker	Climate control blower motor
13	HAZARD	15 amp	Hazard warning flashers
14	STOP	15 amp	Anti-lock Brake System unit, Brakelamps, Cargo lamp, Horn

Fuse Location	Fuse Name	Fuse Rating	Protected Component
15	TAIL	15 amp	Front side marker lamps, Instrument panel illumination, License plate lamps, Parking lamps, Tail lamps, Turn signal lamp
16	CIGAR	15 amp	Audio system, Cigarette lighter
17	—	—	—
18	—	—	—
19	ROOM	10 amp	Audio system, Back-up lamps, Central processing unit, Interior courtesy lamp, Powertrain control module

Checking and Replacing Fuses

1. Find the fuse panel and remove the cover.
2. Find the position of the fuse you want to check.
3. To remove the fuse, use the fuse puller provided (located on the cover of the interior fuse panel).



Fuse puller tool and fuse

4. Look through the transparent side of the fuse to see if the metal wire inside is separated. If it is, replace the fuse with one of the same amperage only. You can use the amp rating number on the fuse as well as the color to identify the correct replacement.

WARNING

Always replace a fuse with one that has the specified amperage rating. Using a fuse with a higher amperage rating can cause severe wire damage and could start a fire.

5. Reinstall the fuse puller on the inside of the fuse panel cover.
6. Install the fuse panel cover.

Even after you replace a fuse, it may continue to blow if you do not find what caused the overload. If the fuse continues to blow, have your electrical system checked.

The following chart indicates the colors and amperage ratings of standard fuses.

NOTE: Some of your vehicle's components may be protected by a fuse link. Ford recommends that fuse links be replaced by a qualified technician.

Fuse Rating	Color
10 amp	Red
15 amp	Blue
20 amp	Yellow
30 amp	Light Green
30 amp fuse link	Pink
40 amp	Green
60 amp fuse link	Yellow
80 amp fuse link	Black
100 amp fuse link	Blue

Changing a Tire

If you get a flat tire while you are driving, do not apply the brake heavily. Instead, gradually decrease the speed. Hold the steering wheel firmly and slowly move to a safe place on the side of the road. Park on a level spot, turn off the ignition, set the parking brake, and turn on the hazard flashers.

The Temporary Spare Tire

You may have a high pressure temporary spare tire. This spare tire is smaller than a regular tire and is designed for emergency use only. Use it only when you get a flat tire and replace it as soon as you can. This spare tire is marked with the words "TEMPORARY USE ONLY" so that you can easily identify it.

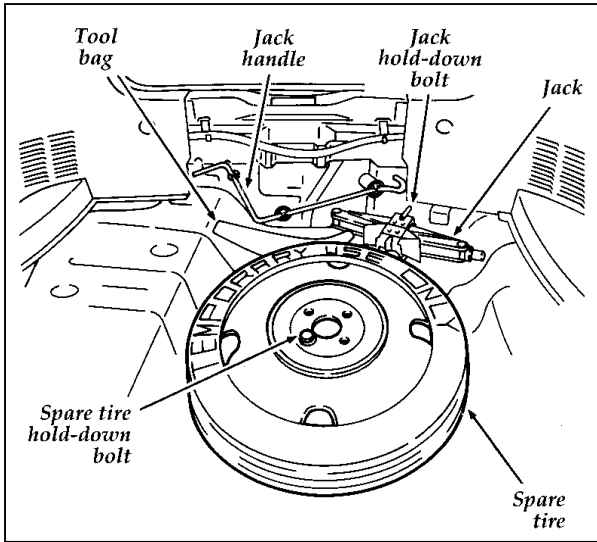
WARNING
If you use the temporary spare tire continuously or do not follow these precautions, the tire could fail, causing you to lose control of the vehicle, possibly injuring yourself or others.

**When you drive with the temporary spare tire,
DO NOT:**

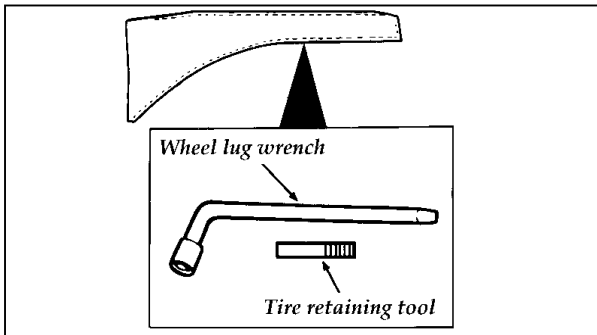
- exceed 50 mph (80 km/h) under any circumstances.
- load your vehicle so that it is heavier than the maximum vehicle load rating listed on the tire decal.
- use tire chains on this tire.
- try to repair the temporary spare tire or remove it from its wheel.
- use the wheel for any other type of vehicle.
- drive through an automatic car wash with this tire. Because the temporary spare tire is smaller than a conventional tire, it reduces the ground clearance. Your vehicle may get caught in the rails and it could be damaged.

Spare Tire Location

The spare tire and tools are stored in the rear luggage compartment, under the carpet and floorboard.



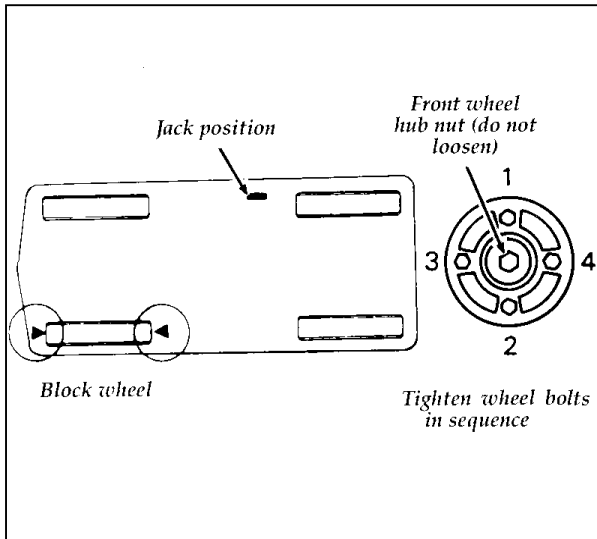
The location of the temporary spare tire and jacking equipment



The tool kit in the spare tire compartment

Preparing to Change the Tire

1. Make sure that your vehicle will not move or roll. If you have an automatic transaxle, put the gearshift in P (Park). If you have a manual transaxle, put the gearshift in 1 (First). Set the parking brake and block the wheel that is diagonally opposite the tire that you are changing.



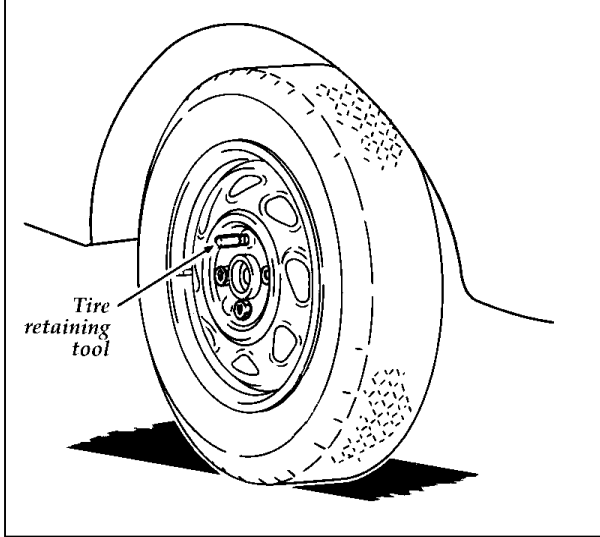
Blocking the wheel diagonally opposite the tire being changed

When one of the front wheels is off the ground, the transaxle alone will not prevent the vehicle from moving or slipping off the jack, even if the vehicle is in P (Park) or 1 (First). To prevent the vehicle from moving when you change one of the front tires, put a block behind the wheel that is diagonally opposite to the tire.

WARNING

If the vehicle slips off the jack, you or someone else could be seriously injured.

2. Get out the spare tire and jack.
Remove the wheel lug wrench from the tool kit. To remove the spare tire, turn the hold-down bolt counterclockwise with the wheel lug wrench. To remove the jack, turn the jack hold-down bolt counterclockwise. Remove the tire retaining tool from the tool kit.
3. Remove the wheelcover with the tapered end of a wheel nut wrench. Insert the handle of the wrench and twist it against the inner wheelcover flange. Remove any chrome nuts or plastic caps covering the wheel lug bolts.
4. Remove the top lug bolt and insert the tire retaining tool in its place. This will hold the tire in place when the other lug bolts are removed.



Tire retaining tool

NOTE: Be sure to thread the retaining tool until no threads on the retaining tool are visible.

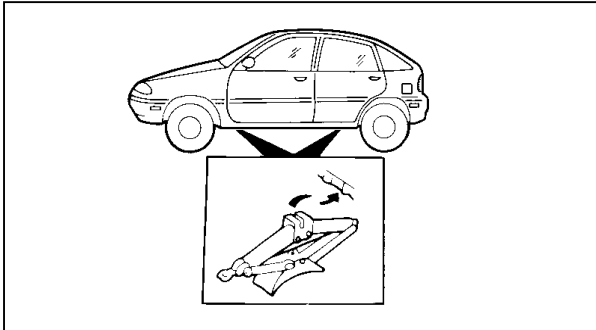
5. Loosen the wheel lug bolts by turning the handle of the wrench one half turn counterclockwise. Do not remove the wheel lug bolts until you raise the tire off the ground.

Removing and Replacing the Tire

1. Find the jacking location near the door of the tire that you are changing. Position the jack and turn the handle of the jack clockwise until the wheel is completely off the ground.

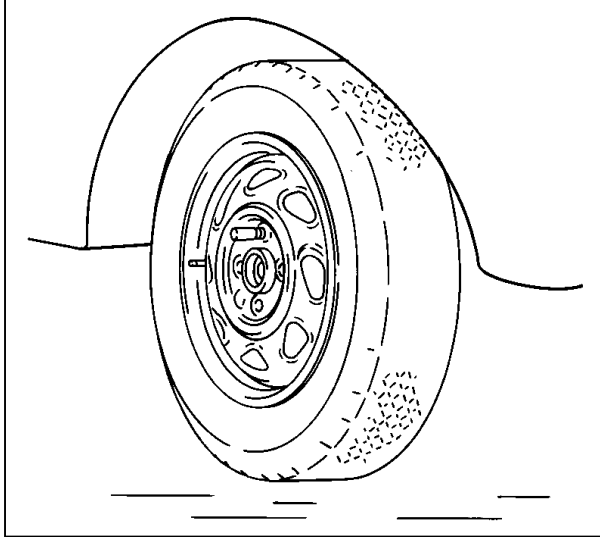
WARNING

To lessen the risk of personal injury, do not put any part of your body under the vehicle while changing a tire. Do not start the engine when your vehicle is on the jack. The jack is only meant for changing the tire.



Jack mounting position

2. Remove the wheel lug bolts by using the lug wrench. Never loosen the hub nuts. See the illustration following Step 1 *Preparing to Change the Tire* if you are not sure where to find the wheel bolts.
3. Replace the flat tire with the spare tire. Keep the retaining tool in place.



Positioning spare tire

4. Replace the wheel lug bolts, but do not fully tighten them until you lower the vehicle. If you do, you could force the vehicle off the jack.
5. Remove the retaining tool and replace it with the final lug bolt.

Your vehicle is built with metric (12 mm) threads on the wheel hubs and lug bolts. Make certain, during wheel removal, the same bolts removed are reinstalled, or if replaced, bolts with metric threads and the same chamfer configuration are used.

WARNING

Installation of an English thread lug bolt into a metric hub will not properly secure the wheel to the hub. Damaged lug bolts may result in wheel separation and possible injury.

6. Lower the vehicle by turning the jack handle counterclockwise.
7. Remove the jack and fully tighten the wheel lug bolts in the order shown in the illustration under Step 1.
8. Put the tire, jack, retaining tool and wrench away.
9. Secure the conventional tire where the spare was stored with the bolt provided.
10. Unblock the wheels.

Jump-Starting Your Vehicle

Your vehicle's battery may become discharged ("die") if you leave the lights or any electrical equipment on after you turn the engine off. If this happens, you may be able to jump-start from a booster battery to start your vehicle.

WARNING

The gases around the battery can explode if exposed to flames, sparks, or lit cigarettes. An explosion could result in injury or vehicle damage.

WARNING

To protect yourself when charging a battery, always shield your face and eyes. Make sure that you can breathe fresh air.

WARNING

Applying too much pressure on the ends when lifting a battery could cause acid to spill. Lift the battery with a carrier or with your hands on the opposite corners.

WARNING

Batteries contain sulfuric acid which burns skin, eyes, and clothing.

If the acid touches someone's skin, eyes, or clothing, immediately flush the area with water for at least 15 minutes. If someone swallows the acid, have him or her drink lots of milk or water first, then Milk of Magnesia, a beaten egg, or vegetable oil. Call a doctor immediately.

WARNING

Do not push-start your vehicle. You could damage the catalytic converter. For further information, see *Jumper Cables* in the Index.

To avoid damaging your vehicle or your battery, and to avoid injury to yourself, follow these directions for preparing your vehicle to jump-start and connecting the jumper cables in the order they are given. If in doubt, call for road service.

Preparing Your Vehicle

1. Your vehicle has a 12-volt starting system, so you need to use a 12-volt jumper system. You will damage your starting motor, ignition system, and other electrical parts if you connect them to a 24-volt power supply (either two 12-volt batteries in series or a 24-volt generator set).

2. Do not disconnect the battery of the disabled vehicle. You could damage the vehicle's electrical system.
3. Park the booster vehicle close to the hood of the disabled vehicle. **Make sure the vehicles do not touch each other.** Set the parking brake on both vehicles and stay clear of the engine cooling fan and other moving parts.
4. Check all battery terminals and remove any excessive corrosion before you attach the jumper cables.
5. Turn on the heater fan in both vehicles. Press the DEFROST button. Turn off all other switches and gauges.

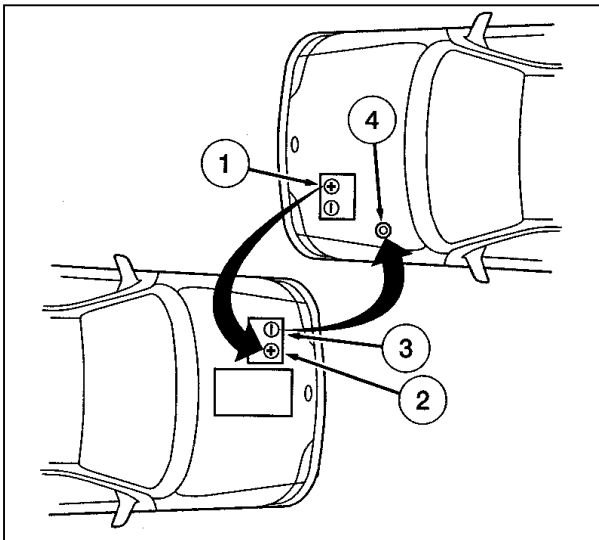
Connecting the jumper cables

1. Connect one end of the first jumper cable to the positive (+) terminal of the discharged battery. (You can connect either jumper cable to the positive (+) terminal, as long as you use the same cable for both positive terminals.) Most jumper cables have a red cable and a black cable. The red cable is generally used for the positive terminals and the black for the negative ones.
2. Connect the other end of the first cable to the positive (+) terminal of the booster battery.
3. Connect one end of the second cable to the negative (–) terminal of the booster battery — NOT to the discharged battery.

4. Connect the other end of that cable to a good metallic surface on the engine or frame of the disabled vehicle. The following illustration shows where you can find a metallic surface.

WARNING

Do not connect the end of the second cable to the negative (-) terminal of the battery to be jumped. A spark may cause an explosion of the gases that surround the battery.



The sequence for connecting the jumper cables

Jump-Starting

1. Make sure that the jumper cables are not in the way of moving engine parts, then start the booster vehicle. Run the engine at a moderate speed.
2. Let the discharged battery charge for a few minutes and then start the disabled vehicle. It may take a couple of tries before the vehicle starts. If the vehicle does not start after several attempts, there may be a different problem.
3. When both vehicles are running, let them idle for a few minutes to charge the discharged battery.

Removing jumper cables

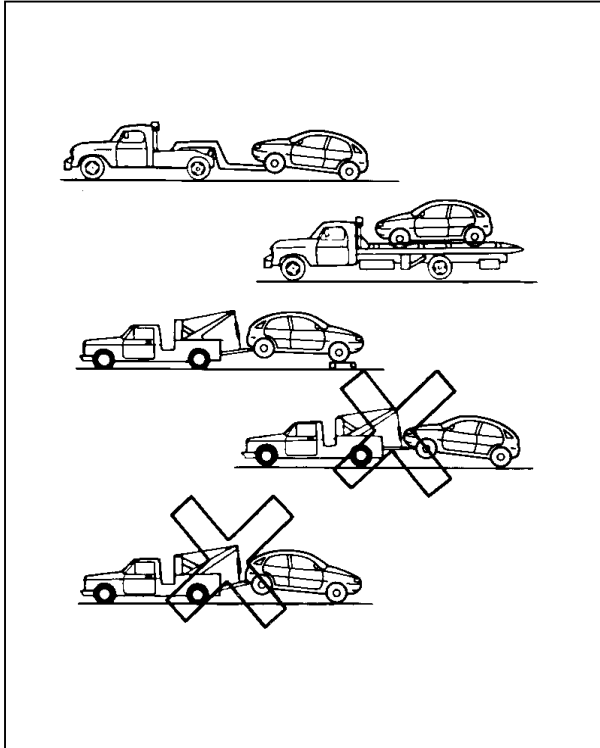
1. **Always remove the jumper cables in the reverse order.** Remove the negative (–) end of the jumper cable from the metallic surface on the engine or frame of the disabled vehicle.
2. Remove the negative (–) cable from the booster battery.
3. Remove the positive (+) cable from the booster battery.
4. Remove the other end of the positive (+) cable from the discharged battery.

After the vehicle is started, let it idle for a while to let the engine “relearn” its idle conditions. Drive it around for a while with all electrical accessories turned off to let the battery recharge. Driveability may be deteriorated slightly until all drive modes are “relearned.” **You may need to use a battery charger to fully recharge the battery.**

If you need to replace your battery, see *Battery* in the *Maintenance and Care* chapter.

Towing Your Vehicle

If you need to have your vehicle towed, contact a professional towing service or, if you are a member, your roadside assistance center. Suggested towing options include wheel lift towing or flat bed towing.



The proper towing procedures

When calling for a tow truck, tell the operator what kind of vehicle you have. A towing manual is available from Ford Motor Company for all authorized tow truck operators. Have your tow truck driver refer to this manual for the proper hook-up and towing procedures for your vehicle.

Towing With the Back Wheels Off the Ground

If it is necessary to tow your vehicle from the rear (with the rear wheels off the ground), a dolly must be placed under the front tires to prevent transaxle damage.

Do not use your vehicle's steering column lock to secure the wheels in a straight-ahead position. Always use a steering wheel clamping device designed for towing service.

Refer to *Towing behind another vehicle* —*recreational vehicle* in the Index for information on towing behind an RV.

Maintenance and Care

Service Made Easy

Ford has two goals for servicing your vehicle.

1. When we can, we design parts that do not need to be serviced.
2. We want to make servicing your vehicle as easy as possible. To help you:
 - We highlight do-it-yourself items in yellow in the engine compartment so that you can find them easily.
 - When possible, we design parts that can be replaced without tools.
 - We give you a Maintenance Schedule that makes tracking routine service for your vehicle easy. The maintenance schedule is located in the *Maintenance Schedule* booklet.

This chapter tells you about the basic parts that you need to check and service regularly.

If your vehicle needs professional servicing, your dealership can provide the parts and service required. Check your *Warranty Information Booklet* to find out which parts and services are covered. Also see the *Customer Assistance* chapter of this Owner Guide.

Ford Motor Company recommends that the Owner Maintenance Checks listed in the *Maintenance Schedule* booklet be performed for the proper operation of your vehicle. In addition to the conditions listed in the *Owner Maintenance Checklist*, be alert for any unusual noise,

vibration, or other indication that your vehicle may need service. If you do notice something unusual, see that your vehicle is serviced promptly.

Use only recommended fuels, lubricants, fluids, and service parts that meet Ford Motor Company specifications. Motorcraft parts are designed and built to provide the best performance in your vehicle. Using these parts for replacement is your assurance that Ford-built quality stays in your vehicle.

NOTE: Always dispose of used automotive fluids in a responsible manner. Follow your community's standards for disposing of these types of fluids. Call your local recycling center to find out about recycling automotive fluids.

Precautions When Servicing Your Vehicle

Be especially careful when inspecting or servicing your vehicle. Here are some general precautions for your safety:

- Do not work on a hot engine. The engine cooling fan may come on unexpectedly. Always turn the engine off and let it cool.

WARNING
The cooling fan is automatic and may come on at any time. Always disconnect the negative terminal of the battery before working near the fan.

- If you must work with the engine running, avoid wearing loose clothing or jewelry that could get caught in moving parts. Take appropriate precautions with long hair.

- Do not work on a vehicle in an enclosed space with the engine running, unless you are sure you have enough ventilation.
- Never get under a vehicle while it is supported only by a jack. If you must work under a vehicle, use safety stands.
- Keep all lit cigarettes and other smoking materials away from the battery and all fuel-related parts.

Working with the engine off:

1. Set the parking brake fully and make sure the gearshift is securely latched in P (Park) (automatic transaxle) or 1 (First) gear (manual transaxle).
2. Remove the key from the ignition after you turn the engine off.
3. Block the wheels. This will prevent your vehicle from moving unexpectedly.

Working with the engine on:

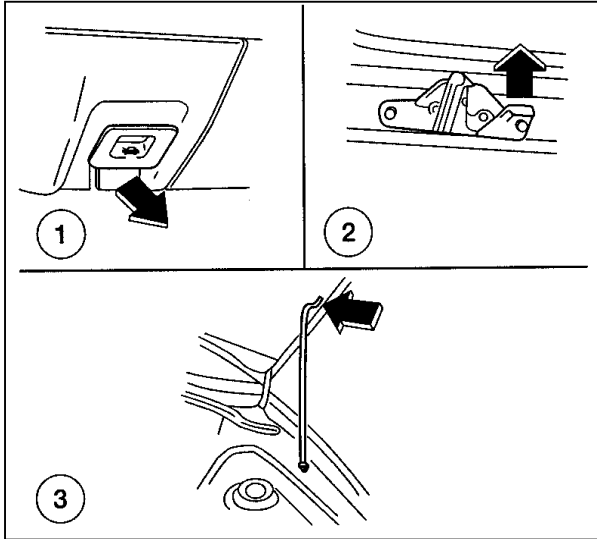
1. Set the parking brake fully and make sure the gearshift is securely latched in P (Park) (automatic transaxle) or Neutral (manual transaxle).
2. Block the wheels. This will prevent your vehicle from moving unexpectedly.

WARNING
Do not start your engine with the air cleaner removed and do not remove it while the engine is running.

Opening the Hood

1. Inside the vehicle, pull the hood release handle located under the bottom left corner of the instrument panel.
2. Go to the front of the vehicle and release the auxiliary latch that is located under the hood at the center of the vehicle.
3. Lift the hood and set the prop rod in the hole in the hood.

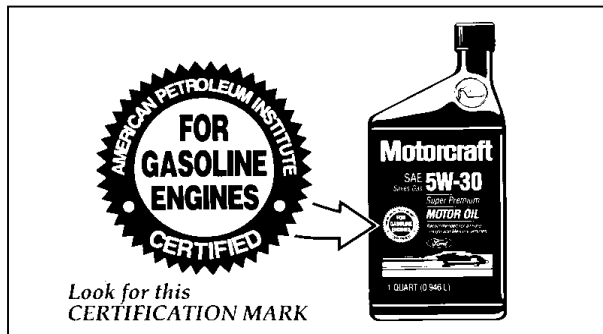
When you close the hood, make sure the prop rod is in its retainer and that the hood latches securely.



Hood release handle, hood latch and prop rod

Engine Oil Recommendations

We recommend using Motorcraft oil or an equivalent oil meeting Ford Specification WSS-M2C153-F and displaying the American Petroleum Institute CERTIFICATION MARK on the front of the container.



The API Certification Mark

Never use:

- “Non-Detergent” oils
- Oils labeled API SA, SB, SC, SD, SE, SF or SG
- Additional engine oil additives, oil treatments or engine treatments

Engine oils with an **SAE 5W-30** viscosity are **PREFERRED** for your vehicle. They provide the best engine performance, fuel economy and engine protection for all climates down to -15°F (-25°C).

Synthetic engine oils which are **CERTIFIED** and of the preferred viscosity may be used in your engine. The engine oil and oil filter must still be changed according to the maintenance schedule.

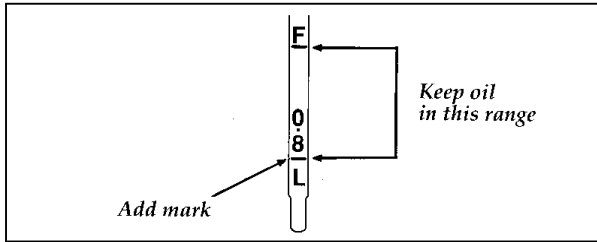
NOTE: Ford production and aftermarket (Motorcraft) oil filters are designed for added engine protection and long life. If a replacement oil filter is used that does not meet Ford material and design specifications, startup engine noises or knock may be experienced. It is recommended you use the appropriate "Motorcraft" oil filter (or another brand meeting Ford specifications) for your engine application.

Checking and Adding Engine Oil

Since the proper amount of engine oil is important for safe engine operation, check the oil using the dipstick each time you put fuel in your vehicle. Remember the engine must be off, the oil must be warm and the vehicle must be parked on level ground.

Checking the engine oil level:

1. Turn the engine off after it has warmed up and allow a few minutes for the engine oil to drain back into the oil pan.
2. Set the parking brake fully and make sure the gearshift is securely latched in P (Park) or 1 (First).
3. Open the hood. Protect yourself from engine heat.
4. Locate the dipstick (highlighted in yellow) and carefully pull it out of the engine.
5. Wipe the dipstick clean and put it back into position, making sure it is fully seated.



Engine oil dipstick

- Carefully pull the dipstick out again. If the oil level is at or below the "L" line, add engine oil as necessary. If the oil level is beyond the letter "F", engine damage or high oil consumption may occur and some oil must be removed from the engine.

NOTE: The distance between the L (low) and F (full) marks on the dipstick represents 1.06 qts (1.0 liter).

- Put the dipstick back in and make sure it is fully seated.

It may be necessary to add some oil between oil changes. Make sure you use a CERTIFIED engine oil of the preferred viscosity. Your vehicle's warranty coverage may not apply if engine damage is caused by the use of improper engine oil.

Add engine oil through the oil filler cap highlighted in yellow. To add oil, remove the filler cap and use a funnel to pour oil into the opening. Be careful not to overfill the engine. Recheck the oil level after you finish adding oil.

Changing the Engine Oil and the Oil Filter

Change the engine oil and oil filter per the following, whichever occurs first.

<p>5,000 MILES (8,000 KM) OR 6 MONTHS NORMAL SCHEDULE</p> <hr/>
<p>3,000 MILES (5,000 KM) OR 3 MONTHS SEVERE DUTY SCHEDULE</p> <p>EXTENSIVE IDLING TRAILER TOWING DRIVING IN SEVERE DUST POLICE, TAXI, OR DELIVERY</p>

Oil change intervals

Refer to the *Maintenance Schedule* booklet for additional information.

NOTE: Always dispose of used automotive fluids in a responsible manner. Follow your community's standards for disposing of these types of fluids. Call your local recycling center to find out about recycling automotive fluids.

<p>WARNING</p>
<p>Continuous contact with USED motor oil has caused cancer in laboratory mice.</p>

Protect your skin by washing with soap and water.

Brake Fluid

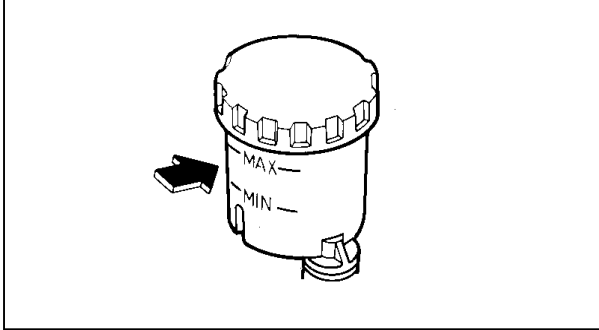
Under normal circumstances, your vehicle should not use up brake fluid rapidly. However, expect the level of the brake fluid to slowly fall as you put more mileage on your vehicle and the brake pads wear.

Check the brake fluid at least once a year. You can do this by looking at the fluid level in the plastic reservoir on the master cylinder. The fluid level should be at or near the MAX mark.

WARNING

Brake fluid is toxic.

If brake fluid contacts eyes, flush eyes with running water for 15 minutes. Get medical attention if irritation persists. If taken internally, drink water and induce vomiting. Get medical attention immediately.



Brake fluid level

If the fluid is low, carefully clean and remove the cap from the reservoir. Fill the reservoir to the MAX line with Ford High Performance DOT 3 Brake Fluid C6AZ-19542-AB, or equivalent DOT 3 fluid meeting Ford specification ESA-M6C25-A.

WARNING

If you use a brake fluid that is not DOT 3, you will cause permanent damage to your brakes.

Do not fill the reservoir above the MAX line.

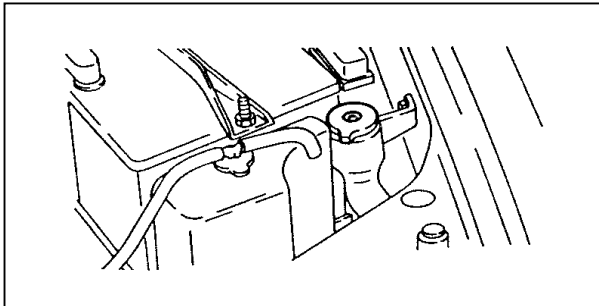
If you find that the fluid level is excessively low — below the seam or ridge on the outside of the plastic reservoir — have the brake system inspected.

WARNING

Do not let the reservoir for the master cylinder run dry. This may cause the brakes to fail.

Windshield Washer Fluid

Check the level of the windshield washer fluid every time you stop for fuel. The reservoir for the windshield washer fluid is located in the engine compartment.



Front windshield washer fluid reservoir

WARNING

Do not put windshield washer fluid in the container for the engine coolant.

Use specially formulated windshield washer fluid rather than plain water, because specially formulated washer fluids contain additives that dissolve road grime. For safety reasons, washer fluids containing an appropriate antifreeze such as methanol should be used in freezing weather (temperatures below 32°F [0°C]). State or local regulations on Volatile Organic Compounds (VOCs) may restrict use of the most common antifreeze, methanol. Washer fluids containing non-methanol antifreeze agents should be used only if they provide cold weather protection without damaging the vehicle's paint finish, wiper blades, and windshield washer system.

Engine Coolant

Checking the Engine Coolant

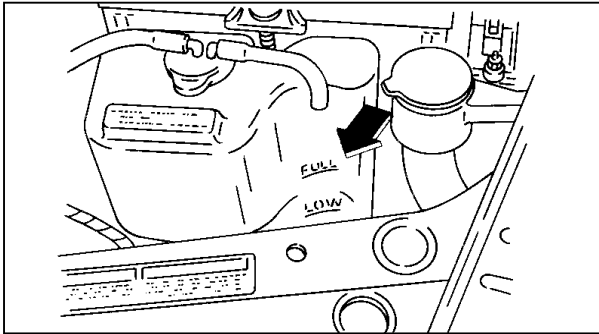
NOTE: Be sure to read and understand *Precautions When Servicing Your Vehicle* at the beginning of this chapter.

WARNING
<p>The cooling fan is automatic and may come on at any time. Always disconnect the negative terminal of the battery before working near the fan.</p>

Your vehicle's coolant protects your engine from overheating in the summer and from freezing in the winter. Check the level of the coolant at least once a month. Simply look at the engine coolant reservoir located in the engine compartment. To locate the reservoir, see the diagram of your vehicle's engine under *Engine Type* in the *Capacities and Specifications* chapter.

- If the engine is hot, the reservoir should be filled with engine coolant to the FULL mark, and the radiator should be full.

- ❑ If the engine is cold, the reservoir should be filled with engine coolant to just above the LOW mark, and the radiator should be full.



Engine coolant recovery reservoir

Adding Engine Coolant

WARNING

Do not put engine coolant in the container for the windshield washer fluid.

If sprayed to clean the glass, engine coolant or antifreeze could make it difficult to see through the windshield.

When the engine is cool, add a 50/50 mixture of engine coolant and water to the engine coolant recovery reservoir — **DO NOT ADD DIRECTLY TO THE RADIATOR**. Add straight water only in an emergency, but you should replace it with a 50/50 mixture of coolant and distilled water as soon as possible.

Check the coolant level in the coolant recovery reservoir the next few times you drive the vehicle. If necessary, add enough of a 50/50 mixture of coolant and water to bring the liquid level to the fill line on the reservoir.

WARNING

Never remove the coolant recovery cap while the engine is running or hot.
--

If you must remove the coolant recovery cap, follow these steps to avoid personal injury caused by escaping steam or engine coolant:

1. Before you remove the cap, turn the engine off and let it cool.
2. When the engine is cool, wrap a thick cloth around the cap and turn it slowly, counterclockwise to the first stop.
3. Step back while the pressure releases.
4. When you are sure that all the pressure has been released, use the cloth to press the cap down, turn it counterclockwise, and remove it.

Use **Ford Premium Engine Coolant E2FZ-19549-AA** (in Canada, Motorcraft CXC-8-B) or an equivalent premium engine coolant that meets Ford Specification ESE-M97B44-A. Ford Premium Engine Coolant is an optimized formula that will protect all metals and rubber elastomers used in Ford cooling systems for 4 years or 50,000 miles (80,000 km).

Do not use alcohol or methanol antifreeze or any engine coolants mixed with alcohol or methanol antifreeze. Do not use supplemental coolant additives in your vehicle. These additives may harm your engine cooling system. **The use of an improper coolant may void the warranty of your vehicle's engine cooling system.**

Recycled Engine Coolant

Ford Motor Company recommends that Ford and Lincoln-Mercury dealers use recycled engine coolant produced by Ford-approved processes. Not all coolant recycling processes produce coolant which meets Ford specification ESE-M97B44-A, and use of such coolant may harm engine and cooling system components.

Always dispose of used automotive fluids in a responsible manner. Follow your community's regulations and standards for recycling and disposing of automotive fluids.

Coolant Refill Capacity

To find out how much fluid your vehicle's cooling system can hold, see *Refill capacities for fluids* in the Index.

Have your dealer check the engine cooling system for leaks if you have to add more than a quart (liter) of engine coolant per month.

Severe Winter Climate

If you drive in extremely cold climates (less than -34°F [-36°C]), it may be necessary to increase the coolant concentration above 50%. Refer to the chart on the coolant container to ensure the coolant concentration in your vehicle is such that the coolant will not freeze at the temperature level in which you drive during winter months. Never increase the engine coolant concentration above 60%. Leave a 50/50 mixture of engine coolant and water in your vehicle year-round in non-extreme climates.

Engine Coolant Drain and Flush

The proper procedures to completely drain and flush the engine cooling system can be found in the Service Manual for your vehicle or you can see your dealer. See the order form located before this chapter. Follow these recommended procedures to ensure that your vehicle has the specified engine level and 50/50 mixture of cooling system fluid and water.

Checking Hoses

Check all engine and heater system hoses and hose connections for deterioration, leaks, and loose hose clamps as specified in the *maintenance schedule*. Repair or replace with Motorcraft hoses or equivalent as necessary.

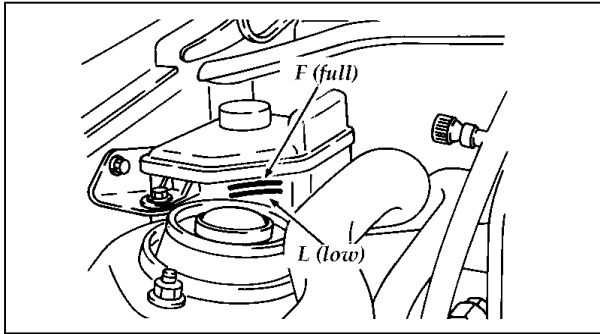
Power Steering Fluid

Check the level of the power steering fluid at least twice a year (i.e., every Spring and Fall).

Checking and Adding Power Steering Fluid

1. Start the engine and let it run until the power steering fluid reaches normal operating temperature. The power steering fluid will be at the right temperature when the engine coolant temperature gauge in the instrument cluster is near the center of the normal operating temperature range.
2. While the engine idles, turn the steering wheel back and forth several times. Make sure that the cap assembly is installed at this time.
3. Turn the engine off.

4. Check the fluid level on the reservoir. The fluid level should be at the F (Full) line on the reservoir.



Where to check the power steering fluid

5. If the power steering fluid is low, add fluid in small amounts, continuously checking the level, until you reach the F (Full) line. Do not overfill.

If the power steering fluid is low, do not drive your vehicle for a long period of time before adding fluid. This can damage the power steering pump.

If you must check the power steering fluid before it reaches normal operating temperature, make sure that the fluid reaches the "L" (LOW) line range in the reservoir. The reading will only be accurate if the fluid temperature is approximately 70° to 100°F (21° to 38°C).

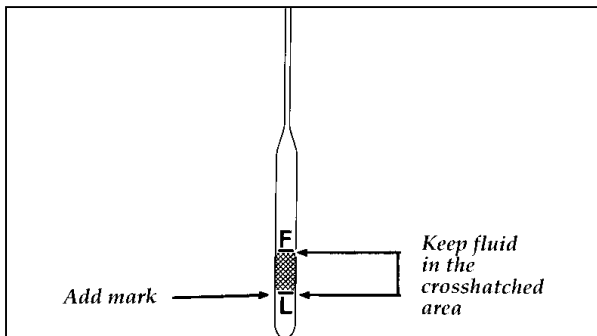
Automatic Transaxle Fluid

Under normal circumstances, you do not need to check the fluid level of the transaxle, since your vehicle does not use up transaxle fluid. Refer to the *Maintenance Schedule* booklet for replacement intervals. However, if the transaxle is not working properly — for instance, the transaxle may slip or shift slowly, or you may notice some sign of fluid leakage — the fluid level should be checked.

Checking the Automatic Transaxle Fluid

With the vehicle on a level surface and the brake pedal fully applied, start the engine and move the gearshift selector through all of the gears. Allow sufficient time for each position to engage. Securely latch the gearshift selector in the P (Park) position. Fully set the parking brake and leave the engine running.

Pull the dipstick out and wipe the indicator end clean. Put the dipstick back into the filler tube and make sure it is fully seated; otherwise, you will not get an accurate reading. Pull the dipstick out and read the fluid level.



Automatic transaxle fluid dipstick

The fluid level must be above the “L” mark. If it is not, you should not drive your vehicle until more fluid is added. Ideally, the fluid level should be within the specified area of the dipstick.

If you must add transaxle fluid in an emergency, use only MERCON® fluid, such as Motorcraft MERCON® Multi-Purpose ATF. Add the fluid in 1/2-pint increments until you raise the fluid level to within the crosshatched area on the dipstick. Never overfill the transaxle. If the fluid level gets too high, remove the excess fluid as soon as possible; otherwise, you could damage the transaxle.

NOTE: Always dispose of used automotive fluids in a responsible manner. Follow your community’s standards for disposing of these types of fluids. Call your local recycling center to find out about recycling automotive fluids.

Manual Transaxle Fluid

The lubricant level and quality should not deteriorate under normal use. However, you should periodically have your Ford Dealer check the fluid level during regular oil changes.

Battery

The Motorcraft maintenance-free battery normally does not require additional water during its life of service. However, for severe service usage or in high temperature climates, check your battery electrolyte level, at least every 24 months or 24,000 miles (40,000 km). Keep the electrolyte in each cell up to the “level” indicator. Do not overfill the battery cells.

For longer, trouble-free operation, keep the top of the battery clean and dry. Also, make certain the battery cables are always tightly fastened to the battery terminals.

If you see any corrosion on the battery cables or terminals, remove the cables from the terminal(s) and clean with a wire brush. You can neutralize the acid with a solution of baking soda and water. Reinstall the cables when you are done cleaning them, and apply a small quantity of grease to the top of each battery terminal to help prevent corrosion.

Battery Replacement

If your original equipment battery requires replacement while under warranty, it will be replaced with a Motorcraft service battery, identical in design technology. Like the original equipment battery, it should not require water addition during its normal life of service; however, for severe service usage or in high temperature climates, check your battery electrolyte level, at least every 24 months or 24,000 miles (40,000 km). Do not overfill the battery cells.

NOTE: If your battery has a cover/shield, make sure it is re-installed after the battery is replaced.

If the electrolyte level in your battery gets low, you can add plain tap water to the battery, as long as you do not use hard water (water with a high mineral or alkali content). If possible, however, try to only fill the battery cells with distilled water. If the battery needs water often, have the charging system checked.

Help Us Protect Our Environment

Ford Motor Company strongly recommends that used lead-acid batteries be returned to an authorized recycling facility for disposal.



Battery recycling symbol

WARNING

The gases around the battery can explode if exposed to flames, sparks, or lit cigarettes. An explosion could result in injury or vehicle damage.

WARNING

To protect yourself when charging a battery, always shield your face and eyes. Make sure that you can breathe fresh air.

WARNING

Batteries contain sulfuric acid which burns skin, eyes, and clothing.

If the acid touches someone's skin, eyes, or clothing, immediately flush the area with water for at least 15 minutes. If someone swallows the acid, have him or her drink lots of milk or water first, then Milk of Magnesia, a beaten egg, or vegetable oil. Call a doctor immediately.

WARNING

Batteries contain sulfuric acid which burns skin, eyes, and clothing.
--

WARNING

Applying too much pressure on the ends when lifting a battery could cause acid to spill. Lift the battery with a carrier or with your hands on the opposite corners.

Wiper Blades

Check the windshield wiper blades at least twice a year. Also check them whenever they seem less effective than usual. Substances such as tree sap and some hot wax treatments used by commercial car washes reduce the effectiveness of wiper blades.

If the blades do not wipe properly, clean both the windshield and the wiper blades. Use undiluted windshield washer solution or a mild detergent. Rinse thoroughly with clear water. Do not use fuel, kerosene, paint thinner, or other solvents to clean your wiper blades. These will damage your blades.

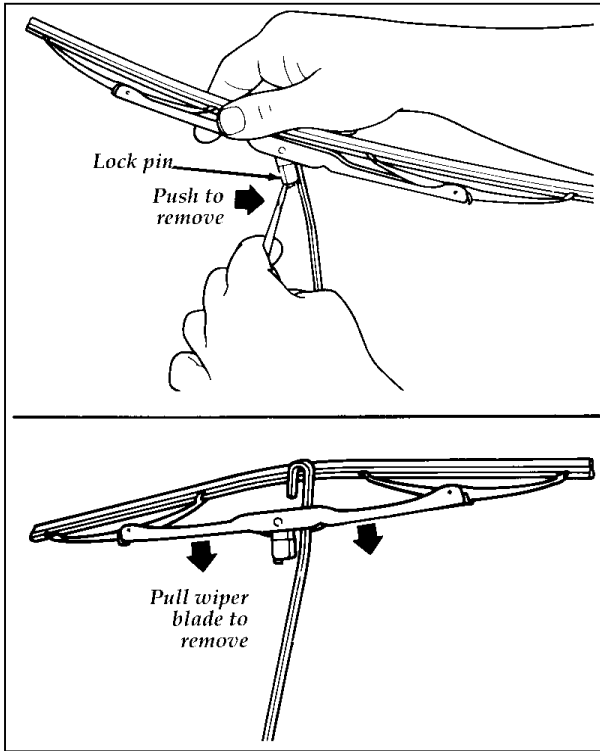
To make reaching the wiper blades easy, simply turn the ignition to the ACC position and turn your wipers on. Wait for them to reach a vertical position and turn the ignition to the OFF position. Do not move the wipers manually. Manually moving the wipers across the windshield may damage them.

Wiper blade replacement

If the wipers still do not work properly after you clean them, you may need to replace the wiper blade assembly. When replacing the wiper blade assembly always use a Motorcraft part or equivalent.

To replace the wiper blades:

1. Pull the wiper arm away from the windshield and into the lock position.
2. Turn the blade at an angle from the wiper arm. Push the lock pin with a screwdriver to release the blade and pull the wiper blade down toward the windshield to remove it from the arm.
3. Attach a new wiper blade to the wiper arm and press it into place until you hear it click.



Replacing the wiper blades

Tires

Look at your tires each time you fill your fuel tank. If one tire looks lower than the others, check the pressure in all of them. Always follow these precautions:

- Use an accurate tire pressure gauge.
- Check the tire pressure when tires are cold, after the vehicle has been parked for at least one hour or has been driven less than 3 miles (5 km).

- Make sure the weight of your load is evenly distributed.
- Adjust tire pressure to recommended specifications found on the Safety Compliance Certification Label.

If you do not take these precautions, your tires may fail or go flat.

Ford Motor Company recommends obeying posted speed limits.

WARNING
Driving too fast for conditions creates the possibility of loss of vehicle control. Driving at very high speeds for extended periods of time may result in damage to vehicle components.

At least once a month, check the pressure in all your vehicle's tires, including the spare. Use an accurate tire pressure gauge. Check the tire pressure when tires are cold, after the vehicle has been parked for at least one hour or has been driven less than 3 miles (5 km). You can find proper cold pressure and load limits of recommended size tires on the Safety Compliance Certification Label.

WARNING
Improperly inflated tires can affect vehicle handling and can fail suddenly, possibly resulting in loss of vehicle control.

Tire Inspection and Maintenance

Inspect the tire treads and remove stones, nails, glass or other objects that may be wedged in the tread grooves. Check for holes or cuts that may permit air to leak from the tire and make the necessary repairs.

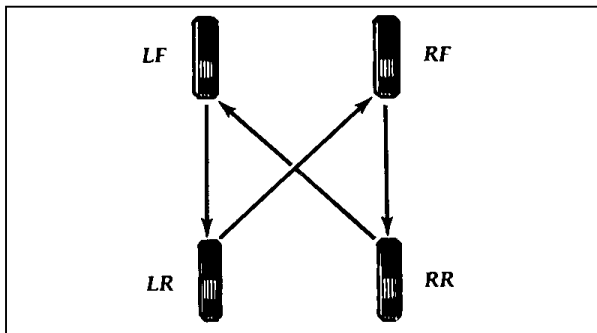
Inspect the tire sidewalls for cuts, bruises and other damage. If you suspect internal damage to the tire, have it removed and checked. You may need to repair or replace it.

Tire Rotation

Because your vehicle's front and rear tires perform different jobs, they often wear differently. To make sure your tires wear evenly and last longer, rotate them as indicated in the following diagram.

Do not include the spare tire as part of your rotation.

For tire rotation intervals, see the *Maintenance Schedule* booklet. If you notice the tires wearing unevenly, have them checked.

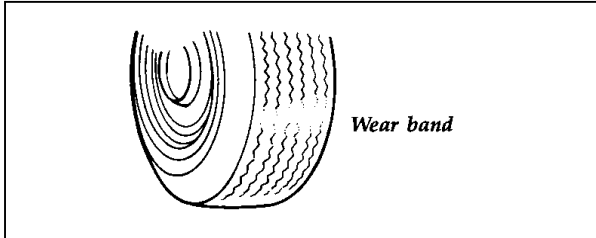


Rotating the tires

Replacing the Tires

We recommend you use all weather tires when you replace your tires.

Replace any tires that show wear bands. When your tire shows a wear band, it has only 1/16 inch (2 mm) of tread left.



A worn-out tire

Because your vehicle's tires may wear unevenly, you may need to replace them before a wear band appears across the entire tread.

WARNING

When replacing full size tires, never mix radial, bias-belted, or bias-type tires. Use only the tire sizes that are listed on the tire pressure decal. Make sure that all tires are the same size, speed rating, and load-carrying capacity. Use only the tire combinations recommended on the decal. If you do not follow these precautions, your vehicle may not drive properly and safely.

Tires that are larger or smaller than your vehicle's original tires may also affect the accuracy of your speedometer.

Wheel and Tire Matching

See an authorized tire dealer for proper servicing procedures. Wheels and tires must be properly removed, matched and remounted to maintain the best possible ride.

Information About Tire Quality Grades

New vehicles are fitted with tires that have their Tire Quality Grade (described below) molded into the tire's sidewall. These Tire Quality Grades are determined by standards that the United States Department of Transportation has set.

Tire Quality Grades apply to new pneumatic tires for use on passenger cars. They do not apply to deep tread, winter-type snow tires, space-saver or temporary use spare tires, tires with nominal rim diameters of 10 to 12 inches or limited production tires as defined in Title 49 Code of Federal Regulations Part 575.104(c)(2).

U.S. Department of Transportation — Tire quality grades: The U.S. Department of Transportation requires Ford to give you the following information about tire grades exactly as the government has written it.

Treadwear

The treadwear grade is a comparative rating based on the wear rate of the tire when tested under controlled conditions on a specified government test course. For example, a tire graded 150 would wear one and one-half (1 1/2) times as well on the government course as a tire graded 100. The relative performance of tires depends upon the actual conditions of their use, however, and may depart significantly from the norm due to variations in driving habits, service practices and differences in road characteristics and climate.

Traction A B C

The traction grades, from highest to lowest, are A, B, and C, and they represent the tire's ability to stop on wet pavement as measured under controlled conditions on specified government test surfaces of asphalt and concrete. A tire marked C may have poor traction performance.

WARNING
The traction grade assigned to this tire is based on braking (straightahead) traction tests and does not include cornering (turning) traction.

Temperature A B C

The temperature grades are A (the highest), B, and C, representing the tire's resistance to the generation of heat and its ability to dissipate heat when tested under controlled conditions on a specified indoor laboratory test wheel. Sustained high temperature can cause the material of the tire to degenerate and reduce tire life, and excessive temperature can lead to sudden tire failure. The grade C corresponds to a level of performance which all passenger car tires must meet under the Federal Motor Vehicle Safety Standard No. 109. Grades B and A represent higher levels of performance on the laboratory test wheel than the minimum required by law.

WARNING

The temperature grade for this tire is established for a tire that is properly inflated and not overloaded. Excessive speed, underinflation, or excessive loading, either separately or in combination, can cause heat buildup and possible tire failure.

Snow Tires and Chains

The tires on your vehicle have all-weather treads that provide traction in rain or snow. However, during the winter months in some climates, you may need to use snow tires and occasionally chains for your tires.

WARNING

Snow tires must be the same size and grade as the tires you currently have on your vehicle.

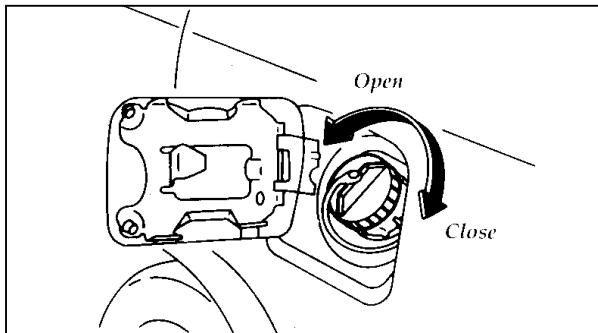
Use chains on the tires only in an emergency or if the law requires them where you live. If you choose to use chains on your vehicle's tires, be aware of the following:

- Local regulations may prohibit or restrict the use of tire chains. Investigate the laws and regulations in your area before installing chains.
- Tire chains may scratch or chip aluminum wheels. **IT IS RECOMMENDED THAT TIRE CHAINS ARE INSTALLED ON STEEL WHEELS ONLY.** Be sure to remove wheel covers (if equipped) from steel rims before using tire chains to avoid scratches or damage.

- Put the chains on the front tires tightly with the ends held down securely. Retighten the chains after driving 1/2 mile (1 km). Follow the chain manufacturer's instructions.
- Do not drive faster than 30 mph (48 km/h) or the chain manufacturer's recommended speed limit, whichever is lower. Avoid bumps, holes and sharp turns. If you can hear the chains rub or bang against your vehicle, remove the chains to prevent damage to your vehicle.
- Tire chains may affect vehicle handling. Drive carefully and avoid hard braking.
- Do not use chains on temporary spare tires. They may damage the vehicle and the tire.

Filling the Fuel Tank

Your fuel hatch door is located on the driver's side. To open the fuel door, simply pull the hatch open.



Fuel hatch and fuel cap

If you lose the fuel cap, replace it with an authorized Motorcraft or equivalent part.

WARNING

If you do not use the proper fuel cap, the pressure in the fuel tank can damage the fuel system or cause it to work improperly in a collision.

NOTE: If you replace your fuel cap with an aftermarket fuel filler cap, the customer warranty may be void for any damage to the fuel tank and/or fuel system.

WARNING

The fuel system may be under pressure. If the fuel cap is venting vapor or if you hear a hissing sound, wait until it stops before completely removing the cap.

A venting fuel tank is not an abnormal condition. It may be caused by:

- too volatile a fuel for the weather conditions.
Service stations sometimes sell winter grade fuel in the summer.
- extended periods of idling with the engine RPM increased above the normal idle range.
- parking the vehicle in full sunlight for extended periods on extremely hot days.

WARNING

Do not overfill the fuel tank. The pressure in an overfilled tank may cause leakage and lead to fuel spray and fire.

Before you fill your vehicle with fuel, extinguish all lit cigarettes, other smoking materials, and any open flames.

To fill the tank properly:

1. Remove the fuel cap. Proceed to add fuel to the tank only if your vehicle is on level ground.
2. Make sure that you pump unleaded fuel and put the nozzle all the way inside the fuel filler pipe. The fuel tank is normally full after three automatic shutoffs of the nozzle.
3. If you spill any fuel on the body of your vehicle, clean it off immediately. The fuel may dull or soften the paint if you do not wash it off.
4. Replace the fuel cap tightly when you are finished. Turn it clockwise until you hear at least three clicks.
5. Push the fuel door closed.

Choosing the Right Fuel

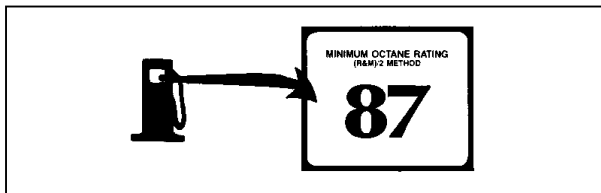
Use only UNLEADED FUEL. The use of leaded fuel is prohibited by law and could damage your vehicle. The damage may not be covered by your warranty.

Your vehicle was not designed to use fuel containing manganese-based additives such as MMT. Additionally, vehicles certified to California emission standards (indicated on the underhood Vehicle Emissions Control Information label) are designed to operate on California reformulated gasolines. If California reformulated gasoline is not available when you refuel, your vehicle can be operated on non-California fuels. However, even though your engine will perform adequately on other

gasolines, the performance of the emission control devices and systems may be adversely affected. Repair of damage caused by using a fuel that your vehicle was not designed for may not be covered by your warranty.

Octane recommendation

Your vehicle is designed to use regular gasoline with an (R+M)/2 octane rating of 87. We do not recommend gasolines labeled as “regular” in high altitude areas that are sold with octane ratings of 86 or even less.



Typical octane rating label

Do not be concerned if your vehicle sometimes knocks lightly. However, if it knocks heavily under most driving conditions on the recommended octane fuel, see your dealer or a qualified service technician to prevent any engine damage.

Fuel quality

If you are experiencing starting, rough idle or hesitation problems try a different brand of fuel. If the condition persists, see your dealer or a qualified service technician.

The American Automobile Manufacturers Association (AAMA) issued a gasoline specification to provide information on high quality fuels that optimize the performance of your vehicle. We recommend the use of gasolines that meet the AAMA specification if they are available.

It should not be necessary to add any aftermarket products to your fuel tank if you continue to use a high-quality fuel.

Clean air

Ford approves the use of gasolines to improve air quality, including reformulated gasolines, that contain oxygenates such as a maximum of 10% ethanol or 15% MTBE. There should be no more than 5% methanol with cosolvents and additives to protect the fuel system.

Safety Information Relating to Automotive Fuels

WARNING
Automotive fuels can cause serious injury or death if misused or mishandled.

- Turn vehicle off when refueling.
- Do not smoke when refueling. Fuels are extremely flammable.
- Do not siphon any fuel by mouth.

WARNING
Gasoline or gasoline blended with methanol can cause blindness and possible death when swallowed. If any fuel is swallowed, call a physician or poison control center immediately.

- Avoid breathing vapors while refueling.
- If fuel is splashed on the skin, wash with soap and water.
- If fuel is splashed in the eyes, remove contact lenses (if worn), flush with water for 15 minutes, and seek medical attention.

Gasoline and gasoline blends may contain small amounts of carcinogens, such as benzene. Long-term exposure to unleaded gasoline vapors has caused cancer in laboratory animals.

If you are taking the medication “Antabuse” or other forms of disulfiram for the treatment of alcoholism, vapor or skin contact with a gasoline-methanol blend may cause the same kind of adverse reaction as drinking an alcoholic beverage. In sensitive individuals, serious personal injury or sickness could result. Consult a physician promptly if you experience an adverse reaction.

Running Out of Fuel

NOTE: Avoid running out of fuel because this situation may have an adverse effect on modern powertrain components.

You may need to crank the engine several times before the fuel system starts to pump fuel from the tank to the engine.

Fuel Economy

Fuel economy is an estimate of the efficiency of your vehicle and can be calculated as Miles Per Gallon (MPG) or Liters Per 100 Kilometers (L/100K). Do not calculate the fuel economy during your vehicle’s break-in period. This would not be an accurate estimate of how much fuel your vehicle will normally use.

To calculate fuel economy:

1. Fill the tank completely and record the initial odometer reading.
2. Every time you buy fuel record the amount (in gallons or liters) purchased.

3. After at least three to five tankfuls, fill the fuel tank and record the final odometer reading.
4. Divide the total number of miles that you have driven by the total number of gallons that your vehicle has used. In metric, multiply the number of liters used by 100 and divide the answer by the number of kilometers traveled. This will give you the number of liters used per 100 km.

Comparisons With Environmental Protection Agency (EPA) and Transport Canada (TC) Fuel Economy Estimates

EPA fuel economy figures are obtained from laboratory tests under simulated road conditions and may not reflect the actual conditions you experience or your style of driving. The EPA fuel economy estimate is not a guarantee that you will achieve the fuel economy shown.

Improving Fuel Economy

Fuel economy is affected by a number of variables which can reduce efficiency. You can improve fuel economy by understanding these variables and minimizing their effect.

The following decrease fuel economy:

- Lack of regular, scheduled maintenance
- Excessive speed
- Rapid acceleration and excessive speed
- Driving with your foot on the brake
- Sudden stops
- Using speed control in hilly terrain
- Extended use of the A/C, defroster, rear window defroster and other accessories

- Underinflated tires
- Heavy loads
- Aftermarket add-ons such as bike, ski or luggage racks, bug deflectors, etc.

NOTE: During extended periods of vehicle storage (60 days or more) fuel may deteriorate due to oxidation. This can damage rubber and other polymers in the fuel system and may also clog small orifices.

Emission Control System

Your vehicle is equipped with a catalytic converter which enables your vehicle to comply with applicable exhaust emission requirements.

WARNING
<p>Exhaust leaks may result in the entry of harmful and potentially lethal fumes into the passenger compartment. Under extreme conditions excessive exhaust temperatures could damage the fuel system, the interior floor covering, or other vehicle components, possibly causing a fire.</p>

To make sure that the catalytic converter and the other emission control parts continue to work properly:

- Use only unleaded fuel.
- Avoid running out of fuel.
- Do not turn off the ignition while your vehicle is moving, especially at high speeds.
- Have the services listed in your *Maintenance Schedule* booklet performed according to the specified schedule.

WARNING

Do not park, idle, or drive your vehicle in dry grass or other dry ground cover. The emission system heats up the engine compartment and exhaust system, which can start a fire.

Watch for fluid leaks, strange odors, smoke, loss of oil pressure, the charge warning light, the check engine light, or the temperature warning light. These sometimes indicate that the emission system is not working properly.

Do not make any unauthorized changes to your vehicle or engine. Changes that cause more unburned fuel to reach the exhaust system can increase the temperature of the engine or exhaust system.

In general, maintenance, replacement, or service of the emissions control devices or systems in your new Ford Motor Company vehicle or engine may be performed at your expense by any automotive repair establishment or individual using automotive parts equivalent to those which your vehicle or engine was originally equipped.

If other than Ford or Motorcraft or Ford authorized remanufactured parts are used for maintenance, replacement, or for the service of components affecting emissions control, the owner should be assured that such parts are warranted by their manufacturer to be equivalent to genuine Ford Motor Company parts in performance and durability. Please consult your warranty information booklet for complete warranty information.

By law, anyone who manufactures, repairs, services, sells, leases, trades vehicles, or supervises a fleet of vehicles is not permitted to intentionally remove an emission control device or prevent it from working. In some of the United States and in Canada, vehicle owners may be liable if their emission control device is removed or is prevented from working.

Never use a metal exhaust collector when you service your vehicle. If the metal collector contacts any of your vehicle's plastic trim or bumper parts they could melt or deform.

Do not drive your vehicle if it does not operate properly. See your dealer if the engine runs on for more than five seconds after you shut it off or if it misfires, surges, stalls, or backfires.

Information about your vehicle's emission control system is on the Vehicle Emission Control Information decal located on or near the engine. This decal identifies engine displacement and gives some tune-up specifications.

How to Prepare Your Vehicle for Inspection/Maintenance (I/M) Testing

In some localities it may become a legal requirement to pass an Inspection/Maintenance (I/M) test of the On-Board Diagnostic (OBD) II system. If your "Check Engine" light is on, reference the "Check Engine" light description under the Warning Lights and Gauges section. Your vehicle may not pass an I/M test with the Check Engine light on. If the vehicle's powertrain system or its battery has just been serviced, the OBD II system is reset to a not ready for for I/M testing condition. To prepare for I/M testing, additional mixed city and highway driving to complete the check of the OBD II system is necessary.

The driving modes required to reach the ready condition consist of a minimum of 30 minutes of city and highway driving as described below:

- 20 minutes of driving in stop and go city-type traffic with at least four idle periods.
- 10 minutes of driving on an expressway or highway.

Before completing the above driving modes, the engine must be warmed up and at operating temperature. Once started, the vehicle must not be turned off during the above driving modes. If the vehicle owner is unable to meet the I/M requirements by using these driving patterns, an authorized service center can perform a detailed OBD II drive cycle as it would any other type of repair work.

Lights and Bulb Replacement

It is a good idea to check the operation of the following lights frequently:

- headlamps
- high mount brakelamp
- tail lamps
- brakelamps
- hazard flasher
- turn signals
- side markers
- license plate lamps
- fog lamps

The alignment of your headlamps should be checked if:

- oncoming motorists frequently signal you to turn off your vehicle's high beams when you do not have the high beams on
- the headlamps do not seem to give you enough light to see clearly at night
- the headlamp beams are pointed substantially away from a position slightly down and to the right

Headlamp Bulb

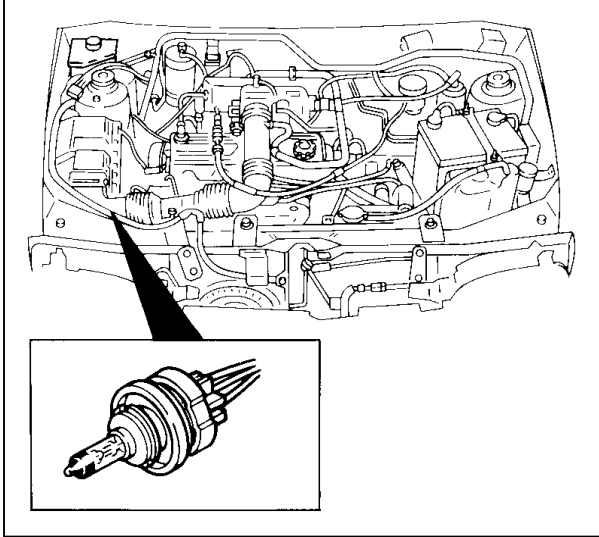
The headlamps on your vehicle use replaceable bulbs. When the lamp burns out, simply replace the bulb, rather than the whole lamp.

WARNING
Handle a halogen headlamp bulb carefully and keep out of children's reach. Grasp the bulb only by its plastic base and do not touch the glass. The oil from your hand could cause the bulb to break the next time the headlamps are operated.

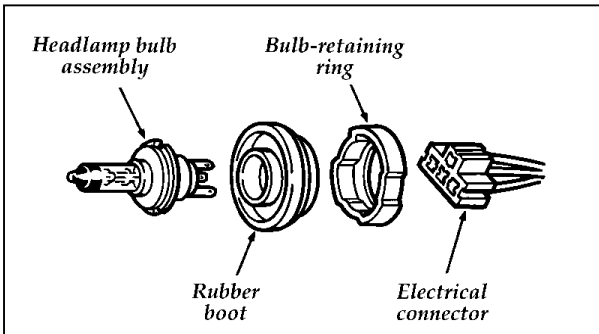
Do not remove the burned-out bulb unless you can immediately replace it with a new one. If a bulb is removed for an extended period of time, contaminants may enter the headlamp housing and affect its performance.

Removing the headlamp bulb

1. Make sure that the headlamp knob is in the OFF position.
2. Lift the hood and find the bulb in the headlamp socket.
3. Remove the electrical connector from the bulb housing by pushing the locking tabs on either side and pulling out the connector.
4. Remove the retaining ring by turning it 1/8 of a turn to free it from the socket. Then slide the ring off. **Keep the ring.** You must use it again to hold the new bulb in place.
5. Remove the rubber boot. Save it because you'll need it to cover the new bulb.
6. Release the metal retaining clip that holds the bulb in place.
7. Carefully remove the bulb assembly from its socket by gently pulling the assembly rearward without turning.



Headlamp bulb assembly location



Headlamp bulb assembly removal

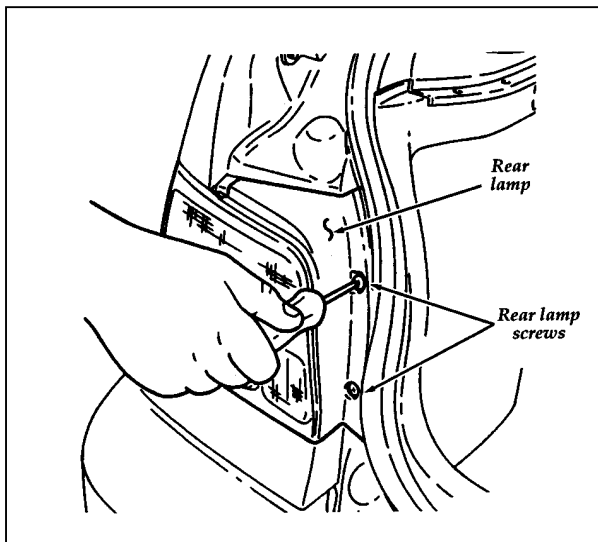
Installing the headlamp bulb

1. Insert the glass end of the bulb assembly into the socket.
2. Secure the bulb assembly in place with the metal retaining clip.
3. Attach the rubber boot over the bulb assembly.
4. Slip the bulb retaining ring over the boot and bulb assembly. Lock the ring into the socket by rotating it clockwise until you feel a "stop".
5. Push the electrical connector into the rear of the bulb assembly until it locks into position.
6. Turn the headlamps on and make sure they work properly. If the headlamp was correctly aligned before you changed the bulb, you should not need to align it again.

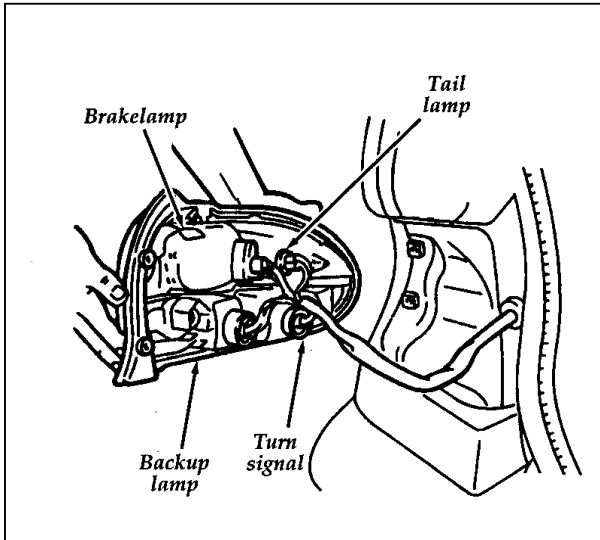
Rear Lamp Bulbs

To replace a bulb:

1. Raise the liftgate.
2. Remove the two lamp screws.



3. Press the rear lamp toward the outside of the vehicle to disengage it from the body.
4. Pull the rear lamp away from the body to expose the lamp bulb sockets.



5. Turn the socket counterclockwise to remove it from the lens.
6. Remove the bulb from the socket by pushing it in and turning it counterclockwise.
7. Install the bulb by pushing it into the socket and turning it clockwise.
8. Install the socket by pushing it into its housing and turning it clockwise.
9. Replace the rear lamp.

High-Mount Brakelamp Bulbs

To replace the high-mount brakelamp bulb, refer to the instructions below or take your vehicle to your Ford dealer or a qualified technician.

To remove the high-mount brakelamp:

1. Disconnect the negative battery cable.
2. Raise the hatchback.
3. Gently pull the hatchback trim panel away from the hatchback.
4. Disconnect the luggage compartment lamp electrical connector (if equipped) and lay the trim panel aside.
5. Rotate the high-mount lamp socket counterclockwise and remove it from the housing.
6. Carefully remove the bulb by gently pulling it straight from the socket.

To install a bulb:

1. Firmly install the replacement bulb into the socket.
2. Place the socket assembly in the high-mount stoplamp housing and turn clockwise to lock into position.
3. Position the hatchback trim panel and connect the luggage compartment lamp electrical connector (if equipped).
4. Insert the trim panel retaining clips into the locating holes in the hatchback and push each clip firmly into position.
5. Close the hatchback and reconnect the negative battery cable.

Cleaning Your Vehicle

Washing and Polishing Your Vehicle

Wash the outside of your vehicle, including the underside, with a mild detergent.

DO NOT:

- Wash your vehicle with hot water
- Wash your vehicle while it sits in direct sunlight
- Wash your vehicle while the body is hot

Pollen, bird droppings and tree sap can damage the paint, especially in hot weather. Wash your vehicle as often as necessary to keep it clean.

Take similar precautions if your vehicle is exposed to chemical industrial fallout.

Paint damage resulting from fallout is not related to a defect in paint materials or workmanship and therefore is not covered by warranty. Ford, however, believes that continual improvement in customer satisfaction is a high priority. For this reason, Ford has authorized its dealers to repair, at no charge to the owner, the surfaces of new vehicles damaged by environmental fallout within 12 months or 12,000 miles (20,000 km) of purchase, whichever comes first. Customers may be required to bring their vehicle in for inspection by a Ford representative.

Polish your vehicle to remove harmful deposits and protect the finish.

Cleaning Chrome and Aluminum Parts

Wash chrome and aluminum parts with a mild detergent. Do not use steel wool, abrasive cleaners, fuel or strong detergents.

Cleaning Plastic Parts

Some of your vehicle's exterior trim parts are plastic. Clean with a tar and road oil remover if necessary. Use a vinyl cleaner for routine cleaning.

Do not clean plastic parts with thinners, solvents or petroleum-based cleaners.

If you have your vehicle rustproofed, remove oversprayed rustproofing with a tar and road oil remover. If rustproofing is not removed from plastic and rubber parts, it can cause deterioration.

Cleaning the Wheels

Wash the wheels with the same detergent you use to wash your vehicle's body. Do not use acid-based wheel cleaners, steel wool, abrasives, fuel, or strong detergents. These substances will damage protective coatings. Use tar and road oil remover to remove grease and tar.

NOTE: Before going to a car wash, find out if the brushes are abrasive.

Cleaning the Exterior Lamps

Do not use dry paper towel, chemical solvents or abrasive cleaner to clean the lamps, as they may cause scratches or crack the lights.

Cleaning the Engine

A clean engine is more efficient because the engine is able to cool properly. A build up of grease and dirt acts as an insulator, keeping the engine warmer than normal.

- Extreme care must be used if a power washer is used to clean the engine. The high pressure fluid could penetrate sealed parts and assemblies causing damage or malfunctions.
- In order to avoid possible cracking of the engine block or fuel injection pump, do not spray a hot engine or injection pump with cold water.
- The alternator, distributor and air intake must be covered. Covering these components will help prevent water damage.

Never wash or rinse the engine while it is running. Water getting into the engine may cause internal damage.

Cleaning the Seats

Vinyl

Wipe the surface with a damp, soft cloth, then dry and buff with a dry, soft cloth.

Fabric

Remove dust and loose dirt with a whisk broom or a vacuum cleaner. Remove fresh spots immediately. Follow the directions that come with the cleaner.

NOTE: Before using any cleaner, test it on a small, hidden area of fabric. If the fabric's color or texture is adversely affected by a particular cleaner, do not use it.

Cleaning the Safety Belts

Clean the safety belts with any mild soap solution that is recommended for cleaning upholstery or carpets. Do not bleach or dye the belt webbing because this may weaken it.

Cleaning the Instrument Panel Lens

Clean the instrument panel lens with a soft cloth and a glass cleaner, such as Ford Ultra-Clear Spray Glass Cleaner, or equivalent. Do not use paper towel or an abrasive cleaner to clean the lens as these may cause scratches.

Vehicle Storage

Maintenance Tips

If you plan on storing your vehicle for an extended period of time (60 days or more), refer to the following maintenance recommendations to ensure your vehicle stays in good operating condition.

General

- Store all vehicles in a dry, ventilated place.
- Protect from sunlight, if possible.
- If vehicles are stored outside, they require regular maintenance to protect against rust and damage.

Body

- Wash vehicle thoroughly to remove dirt, grease, oil, tar or mud from exterior surfaces, rear wheel housing and underside of front fenders.
- Periodically wash vehicles stored in exposed locations.
- Touch-up raw or primed metal to prevent rust.
- Cover chrome and stainless steel parts with a thick coat of auto wax to prevent discoloration. Re-wax as necessary when the vehicle is washed.
- Lubricate all hood, door and trunk lid hinges and latches with a light grade oil.
- Cover interior soft trim to prevent fading.
- Keep all rubber parts free from oil and solvents.

Engine

- Start engine every 15 days. Run at fast idle until it reaches normal operating temperature.
- With your foot on the brake, shift through all the gears while the engine is running.

Fuel system

- Fill fuel tank with high-quality unleaded fuel until the first automatic shutoff of the fuel pump nozzle.

NOTE: During extended periods of vehicle storage (60 days or more), fuel may deteriorate due to oxidation. This can damage rubber and other polymers in the fuel system and may also clog small orifices.

Ford Gas Stabilizer should be added whenever actual or expected storage periods exceed 60 days. Follow the instructions on the label. The vehicle should then be operated at idle speed to circulate the additive throughout the fuel system.

A volatile corrosion inhibitor added to the fuel system will protect the fuel system's inner surfaces from corrosion. Follow the instructions packaged with the product.

Cooling system

- Protect against freezing temperatures.

Battery

- Check and recharge as necessary.
- Keep connections clean and covered with a light coat of grease.

Brakes

- Make sure brakes and parking brake are fully released.

Tires

- Maintain recommended air pressure.

Miscellaneous

- Make sure all linkages, cables, levers and clevis pins under vehicle are covered with grease to prevent rust.
- Move vehicles at least 25 feet (10 m) every 15 days to lubricate working parts to prevent corrosion.

Capacities and Specifications

Refill Capacities, Motorcraft Parts, and Lubricant Specifications

Motorcraft Parts

Component	Ford Part Number
Air Filter	FA1064
Battery	BX-35
Fuel Filter	FG871
Oil Filter	FL810
PCV Valve	EV141
Spark Plug*	AGS32C II
* Refer to Vehicle Emission Control Information (VECI) decal, located on the underside of the hood, for gap specifications.	

Bulb Specifications

FRONT

	Function	Wattage	SAE trade number
1	Headlamps	60/55	E7GZ-13N021-A
2	Front turn signal lamps	27	1156
3	Side marker lamps	5	194

REAR

	Function	Wattage	SAE trade number
1	Rear turn signal lamps	27	1156
2	Brakelamps and tail lamps	27	1157
3	Back-up lamps	27	1156
4	License plate lamps	5	168
5	Luggage compartment lamp	5	E7GZ-13466-D
6	High-mount brakelamp	27	921
7	Rear side marker lamp	3.4	194

INTERIOR

	Function	Wattage	SAE trade number
	Interior courtesy lamp	10	E7GZ-13466-H

Refill Capacities (Approximate)

Component	U.S.	Metric
Cooling System*	6.3 qts.	6.0 liters
Engine Oil with filter change	3.6 qts.	3.4 liters
Fuel Tank	10.0 gals.	38 liters
Power Steering	4.0 pts.	1.9 liters
Radiator Filler Cap	11 to 15 psi	74 to 103 kPa
Transaxles Automatic overdrive	6.0 qts.	5.7 liters
5-Speed manual	5.2 qts.	4.9 liters
* Add 50/50 mixture to the "Full" mark in Coolant Recovery Reservoir when the engine is hot or to the "Low" mark for a cold engine.		

Lubrication Specifications

The transaxle and steering systems in your vehicle are filled at the factory with high-quality, long-lasting lubricants or fluids that do not require periodic draining or refilling except under severe-duty conditions. However, when refilling or adding is required, it should be with the proper lubricant or fluid meeting Ford technical specifications. See the *Maintenance Schedule* booklet for instructions on maintaining proper fluid levels.

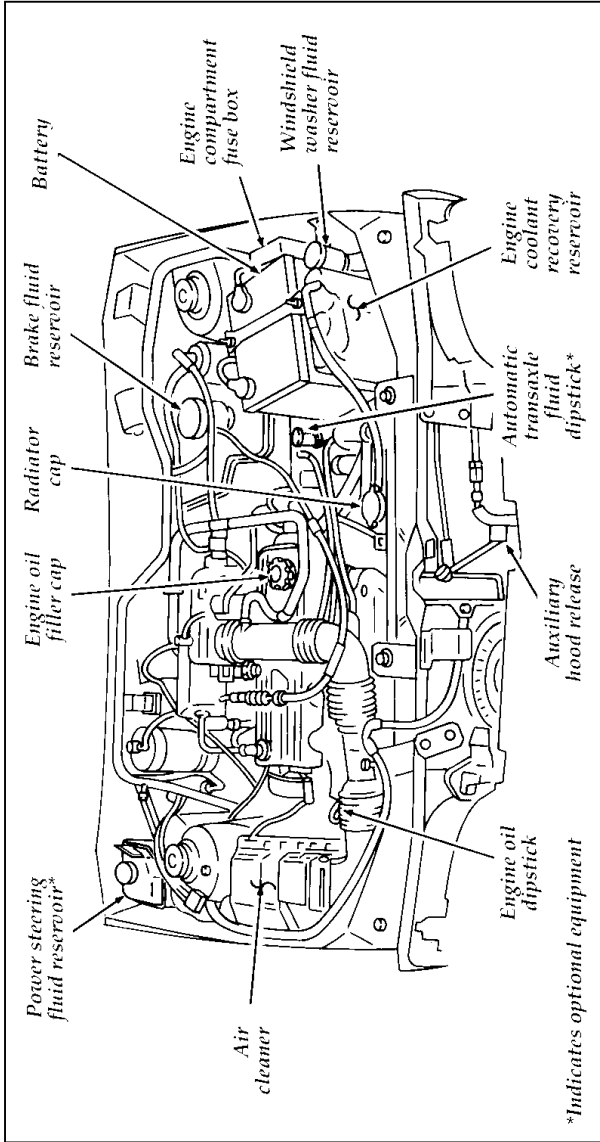
Lubricant Specification Charts

Fluid	Ford Part Name or Equivalent	Ford Part Number	Ford Specification
Brake Fluid	High Performance DOT 3 Brake Fluid	C6AZ-19542-AB	ESA-M6C25-A
Constant Velocity Joints; Outboard	Motorcraft CV Joint Grease	E2FZ-19590-B	ESP-MIC187-A
Constant Velocity Joints; Inboard	Motorcraft CV Joint Grease (High Temp)	E43Z-19590-A	ESP-MIC207-A
Engine Coolant	Ford Premium Cooling System Fluid	E2FZ-19549-AA	ESE-M97B44-A
Engine Oil	Motorcraft Motor Oil 5W30 Super Premium	X0-5W30-QSP	WSS-M2C-153-F with Certification Mark
Grease; Hinges and Latches	Multi-Purpose Grease Spray	F5AZ-19G209-AA	ESR-M1C159-A
Power Steering Fluid	Motorcraft Ford Type "F" ATF and Power Steering Fluid	XT-1-QF	ESW-M2C33-F
Transaxle Fluid	Motorcraft MERCON®	XT-2-QDX	MERCON®
Wheel Bearings Lubricant; Rear	Motorcraft Premium Long-Life Grease	XG-1-C	ESA-M1C75-B
Windshield Washer Fluid	Ultra-Clear Windshield Washer Concentrate	C9AZ-19550-AB or BB	ESR-M17P5-A

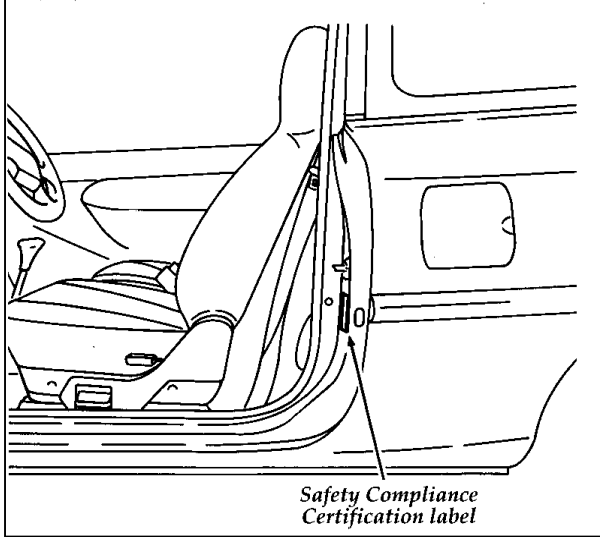
Your Engine Type

Your vehicle has a 1.3L (81 CID), fuel injected, overhead cam, four-cylinder engine.

The following page shows you a diagram of the engine and where to find items you should regularly service.



The 1.3L engine



Safety Compliance Certification label location

The label contains the name of the manufacturer, the month and year of manufacture, the certification statement and the Vehicle Identification Number. The label also contains Gross Vehicle Weight Rating and Gross Axle Weight Ratings, wheel and tire data and information codes for additional vehicle data. For further information about the Safety Compliance Certification Label and the information contained on it, refer to the Index.

Reporting Safety Defects (U.S. Only)

Reporting Safety Defects (U.S. Only)

If you believe that your vehicle has a defect which could cause a crash or could cause injury or death, you should immediately inform the National Highway Traffic Safety Administration (NHTSA) in addition to notifying Ford Motor Company.

If NHTSA receives similar complaints, it may open an investigation, and if it finds that a safety defect exists in a group of vehicles, it may order a recall and remedy campaign. However, NHTSA cannot become involved in individual problems between you, your dealer, or Ford Motor Company.

To contact NHTSA, you may either call the Auto Safety Hotline toll-free at 1-800-424-9393 (or 366-0123 in the Washington, D.C. area) or write to: NHTSA, U.S. Department of Transportation, 400 Seventh Street, Washington D.C. 20590. You can also obtain other information about motor vehicle safety from the Hotline.

Customer Assistance

Roadside Assistance

Ford Motor Company has set up a 24-hour, seven-day-a-week hotline with trained operators who put you in touch with the help you need if you experience a problem with your vehicle. This complimentary service is provided to you throughout your warranty period of 3 years or 36,000 miles (60,000 km), whichever comes first. To purchase Roadside Assistance coverages beyond this period (available through Ford Auto Club in the United States or Ford and Lincoln-Mercury dealers in Canada), contact your Ford or Lincoln-Mercury dealer. Additional Roadside Assistance coverage is unavailable in Puerto Rico and the Virgin Islands.

Roadside Assistance will cover the following:

- Mount your spare if you have a flat tire.
- Jump-start your battery if it is dead.
- Unlock your vehicle if you are locked out.
- Bring you fuel if you run out.
- Tow your vehicle if you are stranded. Even non-warranty related tows, like accidents or getting stuck in mud or snow, are covered (some exclusions apply, such as impound towing and repossession).

How to use Roadside Assistance

Your Roadside Assistance identification card can be found in the Owner Guide portfolio in your glove compartment. Complete the card and place it in your wallet for quick reference.

To receive roadside assistance in the United States call 1-800-241-FORD (in Canada call 1-800-665-2006).

Should you need to arrange for roadside assistance yourself, Ford Motor Company will reimburse the reasonable cost. To obtain information about reimbursement call 1-800-241-FORD (in Canada call 1-800-665-2006).

If You Have a Service Problem

Ford Motor Company has authorized Ford and Lincoln-Mercury dealerships that can service your vehicle for you. This chapter tells you how to get service or maintenance for your vehicle.

Service/Maintenance Concerns (U.S. or Canada)

Ford recommends taking your vehicle to your selling dealer who wants to ensure your continued satisfaction. You may, however, take your vehicle to any authorized Ford or Lincoln-Mercury dealer. In most cases, your dealer will be able to resolve your concern.

If you are not satisfied with the service you received from your dealership's service department, talk to the service manager at the dealership, or if you still are not satisfied, talk to the owner or general manager of the dealership. In most cases, you will have your concern resolved at this level.

If you are away from home when your vehicle needs to be serviced, or if you need more help than the dealer gave you, contact the Ford Customer Assistance Center to find an authorized dealership that may be able to help.

To process your request, the Ford Customer Assistance Center needs the following information:

- your telephone number (both business and home)
- the name of the dealer and the city where the dealership is located
- the year and make of your vehicle
- the date purchased
- the current mileage on your vehicle
- your Vehicle Identification Number (VIN) listed on your vehicle ownership license

*Ford Motor Company
Customer Assistance Center
300 Renaissance Center
P.O. Box 43360
Detroit, Michigan 48243
1-800-392-3673 (FORD)
TDD for the hearing impaired: 1-800-232-5952*

If you live in Canada and have any questions or concerns that the dealership cannot answer, contact the Customer Assistance Centre.

*Customer Assistance Centre
Ford Motor Company of Canada, Limited
P.O. Box 2000
Oakville, Ontario L6J 5E4
1-800-565-3673 (FORD)*

If you still have a complaint involving a warranty dispute, you may wish to contact the Dispute Settlement Board (U.S. only) or the Canadian Motor Vehicle Arbitration Plan (CAMVAP) in Canada.

A warranty dispute must be submitted to the Dispute Settlement Board before taking action under the Magnuson-Moss Warranty Act, or to the extent allowed by state law, before pursuing replacement or repurchase remedies provided by certain state laws. This dispute handling procedure is not required prior to enforcing state created rights or other rights which are independent of the Magnuson-Moss Warranty Act or state replacement or repurchase laws.

The Dispute Settlement Board (U.S. only)

The Dispute Settlement Board is:

- an independent, third-party arbitration program for warranty disputes
- available free to owners and lessees of qualifying Ford Motor Company vehicles

The Dispute Settlement Board may not be available in all states. Ford Motor Company reserves the right to change eligibility limitations, modify procedures and/or discontinue this service without notice and without incurring obligations.

What Kinds of Cases Does the Board Review?

The Board reviews all warranty performance complaints on Ford, Mercury and Lincoln cars and Ford and Mercury light trucks under the new vehicle limited warranty that have not been resolved by either a dealer or Ford Motor Company, except those involving:

- a non-Ford product
- a non-Ford dealership
- a vehicle sales transaction
- request for reimbursement of consequential expenses. Expenses incidental to the warranty complaint being reviewed are eligible for consideration
- items not covered by the new vehicle limited warranty
- items covered by a service contract
- alleged liability claims
- property damage where the damage is significant when compared to the economic loss alleged under the warranty dispute
- cases currently in litigation
- vehicles not used primarily for family, personal or household purposes (except in states where the Dispute Settlement Board is required to review commercial vehicles)

Complaints involving vehicles in which applicable new vehicle limited warranties have expired at receipt of your application are not eligible. Eligibility may differ according to state law. For example, see the unique brochures for California and Wisconsin purchasers/lessees.

How does the Board Work?

The Board consists of:

- three consumer representatives
- a Ford or Lincoln/Mercury dealer

Consumer candidates for Board membership are recruited and trained by an independent consulting firm. Dealers are chosen because of their business leadership qualities.

What the Board needs

To have your case reviewed you must complete the application in the DSB brochure and mail it to the address provided on the application form.

Your application is reviewed and, if it is determined to be eligible, you will receive an acknowledgment indicating:

- the file number assigned to your application
- the toll-free phone number of the DSB's independent administrator

Your dealership and a Ford Motor Company representative are asked to submit statements at this time.

To review your case properly, the Board needs the following information:

- legible copies of all documents and maintenance or repair orders relevant to the case
- the year, make, model and Vehicle Identification Number (VIN) listed on your vehicle ownership license
- the date of repair(s) and mileage at the time of occurrence(s)
- the current mileage

- the name of the dealer who sold or serviced the vehicle
- a brief description of your unresolved concern
- a brief summary of the action taken with the dealer and Ford Motor Company
- the names (if known) of all the people you contacted at the dealership
- a description of the action you expect to resolve your concern

Should your case NOT qualify for review, a letter of explanation will be mailed to you.

Oral presentations

If the involved vehicle is within 36 months and 36,000 miles of the warranty start date, you have the right to make an oral presentation before the Board. Indicate your choice to do so on the application. Oral presentations may also be requested by the Board.

Making a decision

Board members will review all available information related to the complaint, including oral presentations, if necessary. They then arrive at a fair and impartial decision, decided by a simple majority vote.

Because the Board usually meets only once a month, some cases may take longer than 30 days to be reviewed. The Board makes every effort to resolve each case within 40 days of receiving the consumer application form.

After a case is reviewed, the Board mails you a decision letter. The Board also provides a form on which to accept or reject the Board's decision. The decisions of the Board are binding on the dealer and Ford, but not on consumers who may elect to pursue other remedies available to them under state and federal law. Decisions of the Board may be presented as evidence by any party in subsequent legal proceedings that may be initiated, where allowed by law.

To Request a DSB Brochure/Application

For a brochure/application, speak to your dealer or write to the Board at the following address:

Dispute Settlement Board
PO Box 5120
Southfield, MI 48086-5120

Ford of Canada Customer Assistance

Ford Motor Company of Canada, Limited

If you live in Canada and have any questions or concerns that the dealership cannot answer, contact the Customer Assistance Centre.

*Customer Assistance Centre
Ford Motor Company of Canada, Limited
P.O. Box 2000
Oakville, Ontario L6J 5E4
1-800-565-3673 (FORD)*

Please have the following information available when contacting the Customer Assistance Centre:

- your telephone number (both business and home)
- your Vehicle Identification Number (VIN) listed on your owner card and/or your vehicle ownership license.
- the year and make of your vehicle
- the date purchased
- the name of the dealer and the city where the dealership is located
- the current mileage on your vehicle.

Mediation/Arbitration Program (Canada Only)

In those cases where you continue to feel that the efforts by Ford and the dealer to resolve a factory-related vehicle service concern have been unsatisfactory, Ford of Canada participates in an impartial third party mediation/arbitration program administered by the Canadian Motor Vehicle Arbitration Plan (CAMVAP).

The CAMVAP program is a straight-forward and relatively speedy alternative to resolve a disagreement when all other efforts to produce a settlement have failed. This procedure is without cost to you and is designed to eliminate the need for lengthy and expensive legal proceedings.

In the CAMVAP program, impartial third-party Arbitrators conduct hearings at mutually convenient times and places in an informal environment. These impartial Arbitrators review the positions of the parties, make decisions and,

where appropriate, render awards to resolve disputes. CAMVAP decisions are fast, fair and final as the arbitrator's award is binding on both you and Ford of Canada.

CAMVAP services are available in all territories and provinces, except Quebec. For more information, without charge or obligation, call your CAMVAP Provincial Administrator directly at 1-800-207-0685.

Getting Help Outside the U.S. and Canada

Before you export your vehicle to a foreign country, contact the appropriate foreign embassy or consulate to make sure local regulations do not prevent you from registering your vehicle. Officials at the embassy can also help you decide whether you should import your vehicle to that country.

Officials at the embassy or consulate can tell you where to get unleaded fuel. If you cannot get unleaded fuel or can get only fuel with an anti-knock index that is lower than your vehicle needs, contact a district or owner relations office before you leave the U.S. or Canada.

Use of leaded fuel in your vehicle without a proper conversion may damage the effectiveness of your emissions control system and may cause engine knocking or serious engine damage. Ford Motor Company is not responsible for any damage that is caused by use of improper fuel.

You may also have difficulty importing your vehicle back into the U.S. if you use leaded fuel.

If your vehicle must be serviced while you are traveling or living in Central or South America, the Caribbean, or the Middle East, contact the nearest Ford dealership. If the dealership cannot help you, write to:

*FORD MOTOR COMPANY
WORLDWIDE EXPORT OPERATIONS
1555 Fairlane Drive
Fairlane Business Park #3
Allen Park, Michigan 48101 U.S.A.
Telephone: (313) 594-4857
Fax: (313) 390-0804*

If you are in other foreign countries, contact the nearest Ford dealership. If the dealership cannot help you, they can direct you to the appropriate Ford affiliate office.

If you buy your vehicle in North America and then relocate outside of the U.S. or Canada, register your Vehicle Identification Number and new address with Ford Motor Company Export Operations.

Accessories

Ford Accessories for Your Vehicle

Ford has many fine products available from your dealer to clean your vehicle and protect its finishes. For best results, use the following, or products of equivalent quality:

- Ford or Motorcraft Custom Clear Coat Polish
- Ford Custom Silicone Gloss Polish
- Ford Custom Vinyl Protectant or Motorcraft Vinyl Conditioner and Cleaner
- Ford Deluxe Leather and Vinyl Cleaner (U.S. Only)
- Ford Extra Strength Spot and Stain Remover (U.S. Only)
- Ford Extra Strength Tar and Road Oil Remover
- Ford Extra Strength Upholstery Cleaner (U.S. Only)
- Ford Extra Strength Whitewall Tire Cleaner
- Ford or Motorcraft Multi-Purpose Cleaner
- Ford Premium Car Wash Concentrate or Motorcraft Car Wash

A wide selection of accessories is available through your local authorized dealer. These fine accessories have been engineered specifically to fulfill your automotive needs. They are custom designed to complement the style and aerodynamic appearance of your Ford-built vehicle. In addition, each accessory is made from high quality materials and meets or exceeds Ford's rigid engineering and safety specifications. That is why Ford brand accessories are warranted for up to 12 months or 12,000 miles (20,000 km), whichever comes first. See your dealer for complete warranty information and accessory availability.

Safety, Comfort, and Convenience

Travel

- Bike rack
- Center armrest
- Heavy-duty battery
- Luggage carrier for the roof
- Mini mask front end cover
- Multi-sport removable rack and adaptors
- Ski rack
- Soft luggage cover
- Speed control
- Sport hood cover

Comfort and convenience

- Air conditioner
- Carpeted floor mats
- Cargo retention net
- Engine block heater (Standard in Canada)
- Universal floor mats

Protection and Appearance

- Cleaners
- Door edge guards
- Lubricants
- Rear wing
- Splash guards
- Super Seal anti-corrosion treatment (U.S. only)
- Super Seal fabric protector (U.S. only)
- Super Seal undercoating (U.S. only)
- Touch-up paints
- Vehicle security system
- Waxes

NOTE: When adding accessories, equipment, passengers, and luggage to your vehicle, do not exceed the total weight capacity of the vehicle or of the front or rear axle (GVWR, GAWR as shown on the Safety Compliance Certification Label). Consult your dealer for specific weight information.

NOTE: The Federal Communications Commission (FCC) or the Canadian Radio Telecommunications Commission (CRTC) regulates the use of mobile communications systems — such as two-way radios, telephones, and theft alarms — that are equipped with radio transmitters. Any such equipment installed in your vehicle should comply with FCC or CRTC regulations and should be installed only by a qualified technician.

NOTE: Mobile communications systems may harm the operation of your vehicle, particularly if they are not properly designed for automotive use or are not properly installed. For example, when operated, such systems may cause the engine to stumble or stall. In addition, such systems may themselves be damaged or their operation affected by operating your vehicle. (Citizens band [CB] transceivers, garage door openers, and other transmitters whose power output is 5 watts or less will not ordinarily affect your vehicle's operation.)

NOTE: Because we have no control over the installation, design, or manufacture of such systems, Ford cannot assume responsibility for any adverse effects or damage that may result if you use this equipment.

**FOR INFORMATION ON
ORDERING SERVICE
PUBLICATIONS, CONTACT:**

**U.S. RESIDENTS
CALL
HELM, INCORPORATED
1-800-782-4356**

**Monday - Friday 8:00 A.M. - 6:30 P.M. EST
For Credit Card Holder Orders Only**

**CANADIAN RESIDENTS
CALL
Ford Motor Company of Canada, Ltd.
1-800-387-4966**

**Monday - Friday 8:00 A.M. - 6:30 P.M. EST
For Credit Card Holder Orders Only**

All rights reserved. Reproduction by any means, electronic or mechanical including photocopying, recording or by any information storage and retrieval system or translation in whole or part is not permitted without written authorization from Ford Motor Company.

Copyright © 1996 Ford Motor Company

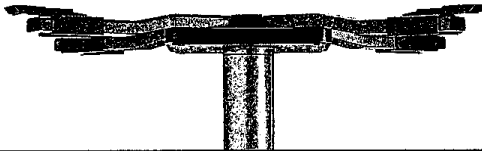
**YOU FOUND
THE RIGHT PLACE.**



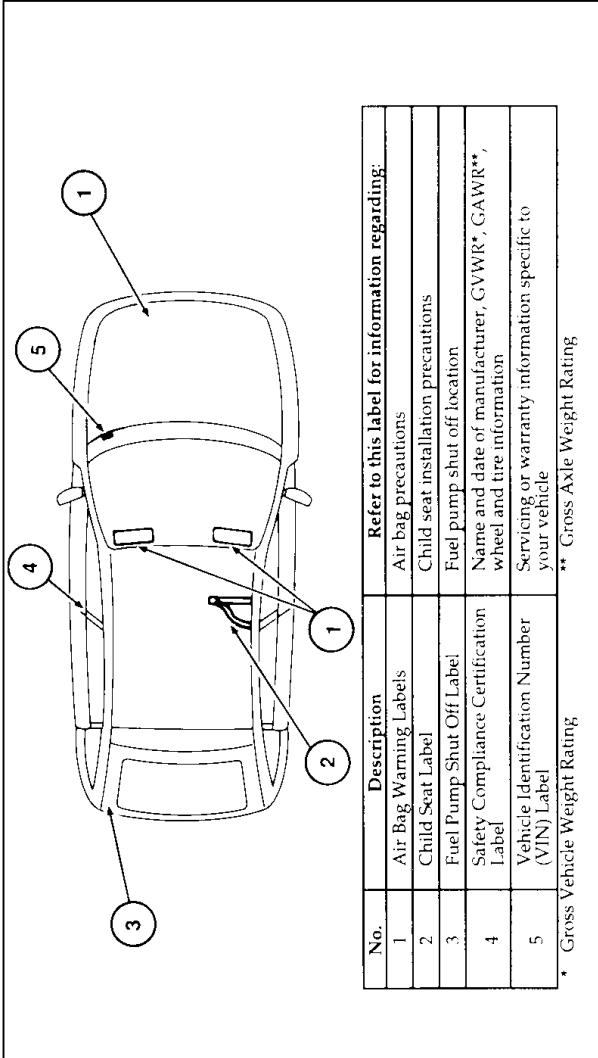
**Quality Care is more
than automotive service.**

**It's our goal to make you so
happy with your vehicle
and our service, you'll want
to come back. For service.
And your next vehicle.**

**Quality Care.
It's at your dealer.**



© 1995 Ford Motor Company



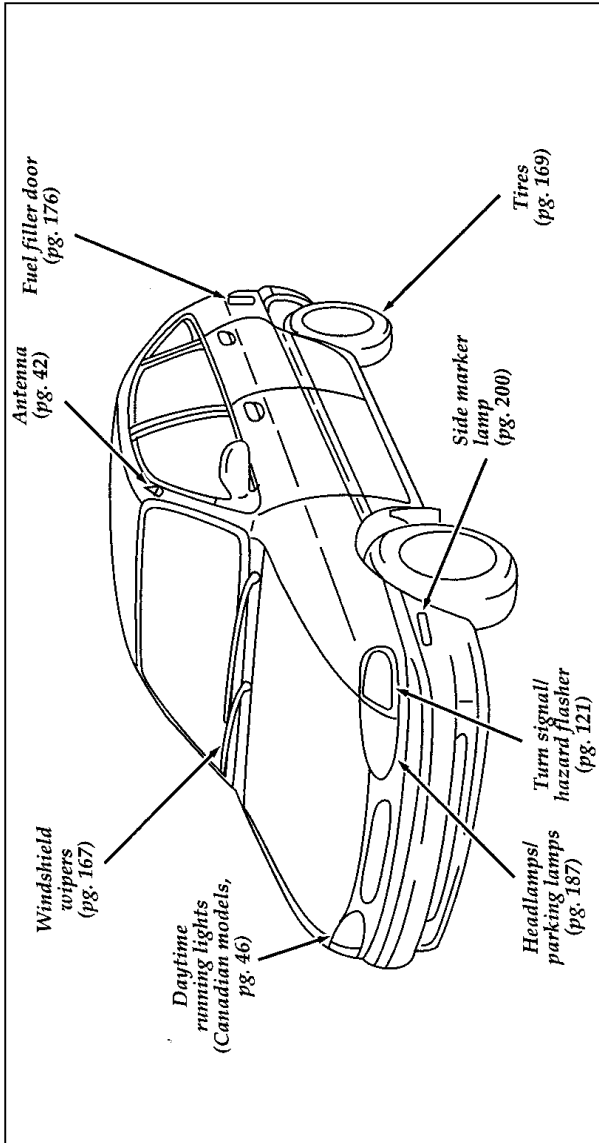
Quick Index Label Location

No.	Description	Refer to this label for information regarding:
1	Air Bag Warning Labels	Air bag precautions
2	Child Seat Label	Child seat installation precautions
3	Fuel Pump Shut Off Label	Fuel pump shut off location
4	Safety Compliance Certification Label	Name and date of manufacturer, GVWR*, GAWR**, wheel and tire information
5	Vehicle Identification Number (VIN) Label	Servicing or warranty information specific to your vehicle

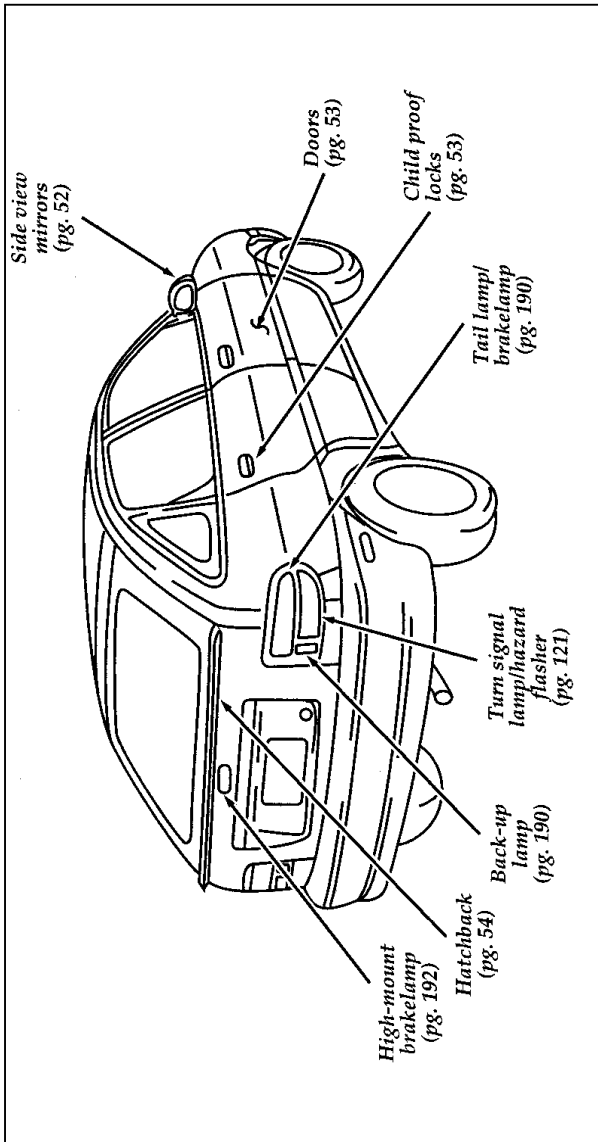
* Gross Vehicle Weight Rating

** Gross Axle Weight Rating

Q U I C K I N D E X

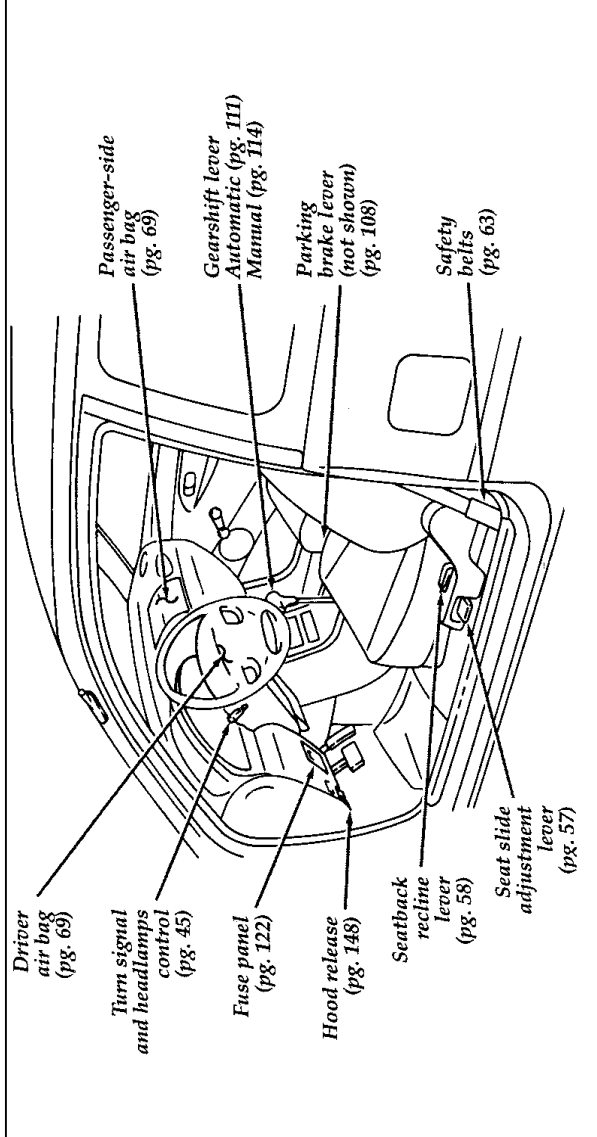


Front Exterior View — 4-door model (2-door similar)

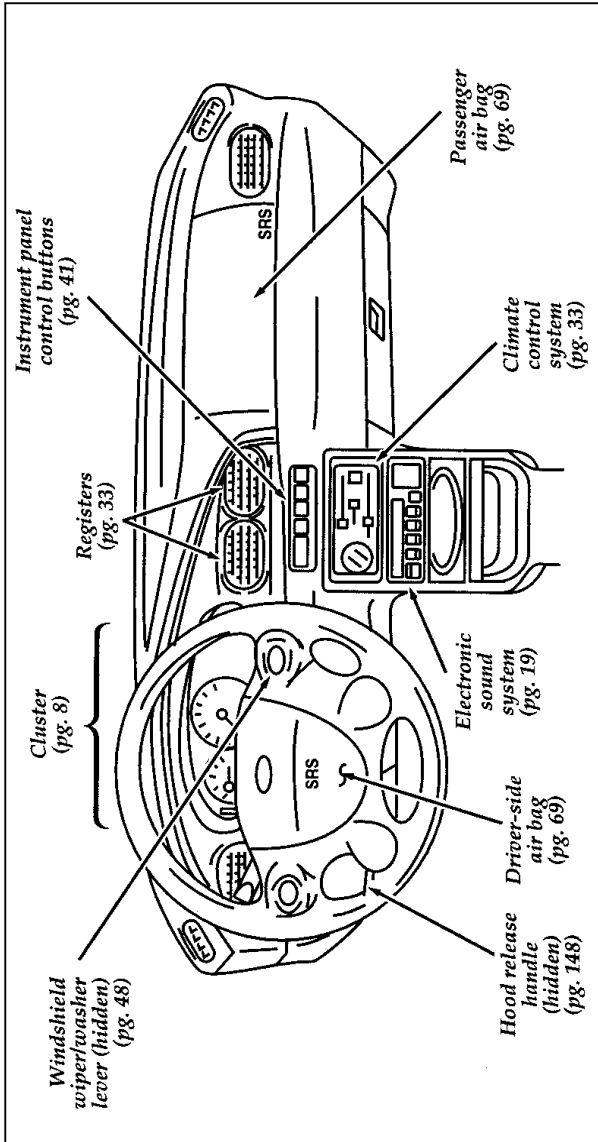


Rear Exterior View — 4-door model (2-door similar)

**Q
U
I
C
K
I
N
D
E
X**

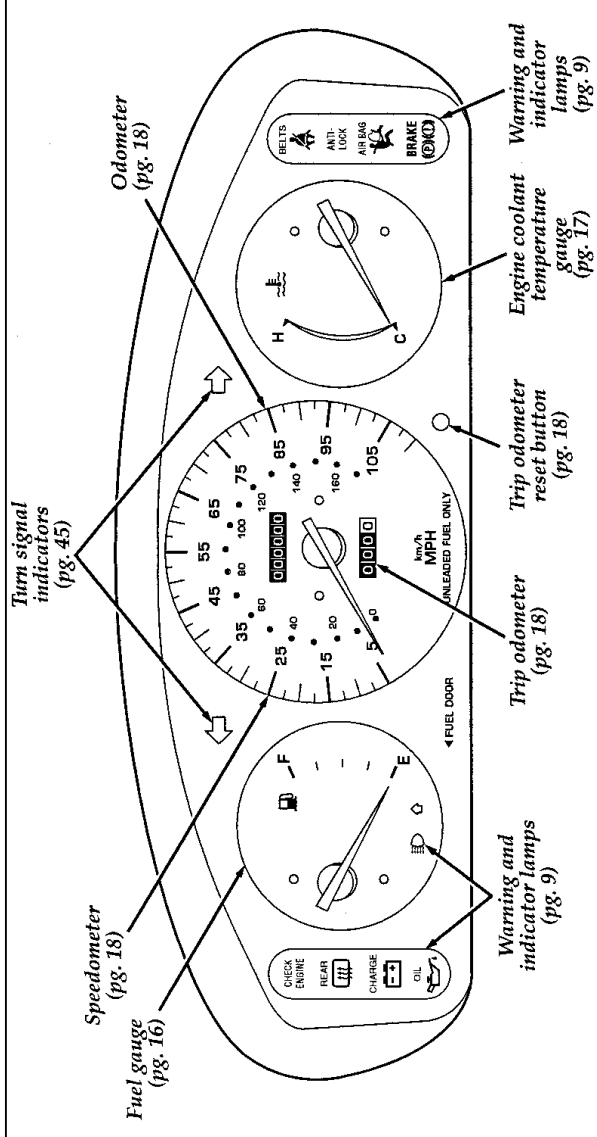


Entrance View

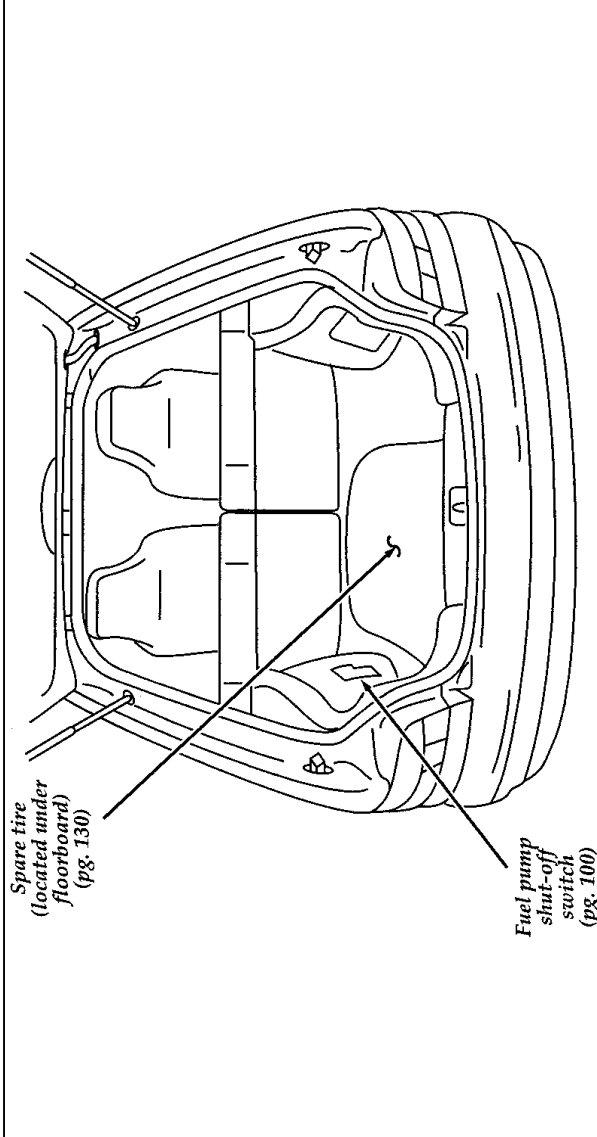


**Q
U
I
C
K
I
N
D
E
X**

Instrument Panel

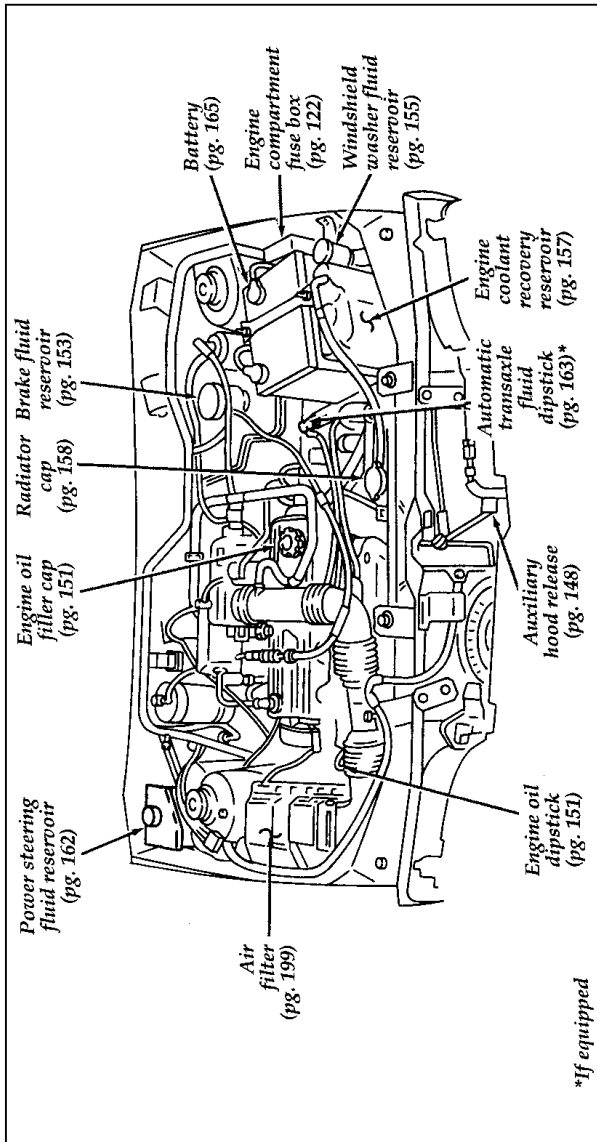


Instrument Cluster — Standard



**Q
U
I
C
K
I
N
D
E
X**

Hatchback



Engine Compartment

Index

A

- ABS warning light (see Anti-lock
brake system) 15
- Accessory position on the ignition 44
- Additives, engine oil 149
- Air bag supplemental restraint system . . . 69, 78
 - and child safety seats 77–78
 - description 69, 71
 - driver air bag 69, 71
 - indicator light 14
 - operation 71
 - passenger air bag 71
 - service and information labels 71, 75
 - tone generator 74
- Air cleaner filter, specifications 199
- Antenna, radio (see Electronic
sound system) 19, 27, 42
- Antifreeze (see Engine coolant) 155
- Anti-lock brake system (ABS)
 - description 105
 - see also Brake 105
 - warning light 15
 - warninig light 9
- Appeals (see Dispute settlement board) . . . 214
- Assistance (see Customer assistance) 211
- Audio system (see Electronic
sound system) 19
- Autolamp system (see Headlamps) 46
- Automatic transaxle
 - fluid, adding 161
 - fluid, checking 161
- Automatic transmission
 - driving an automatic overdrive 112
 - fluid, adding 161

B

Backing up	112, 116
Basic vehicle warranty	3
Battery	162
acid, treating emergencies	139, 164–165
charging system warning light	11
disconnecting	142
how to service	162
jumping a disabled battery.	138
maintenance-free	162
proper disposal, recycling	164
replacement, specifications	199
servicing	162
voltage gauge.	11
when storing your vehicle	197
Brake fluid	152
brake warning light	9
checking and adding	152
description	152
Brakelamp	191
bulb replacement	191
high-mount brakelamp	191
Brakes	105
adjustment	105
anti-lock	105
anti-lock brake system (ABS)	
warning light.	15
applying the brakes	105
brake warning light	9
fluid, checking and adding.	152
fluid, refill capacities	152
front disc.	105
if brakes do not grip well	105
master cylinder	152
new brake linings.	5
noise.	105
parking	108
power braking	105
servicing	152
when storing your vehicle	198

Break-in period	5
Brights (high beams)	12
Bulbs, replacing.	184
halogen	185
headlamps	185
high-mount brakelamp	191

C

Canada, customer assistance	218
Canada, warranty information	3
Canadian Motor Vehicle Arbitration Plan (CAMVAP).	219
Carbon monoxide in exhaust.	102
Car seats for children (see Child safety seats)	77
Cassette tape player (see Electronic sound system)	21
Catalytic converter	181
Chains, tires	173
Changing a tire	130
Charging system warning light.	11
Child safety restraints	
child safety belts	90
child safety seats	77
Child safety seats	77
and air bags	77-78
attaching with tether straps	87
automatic locking mode (retractor)	67, 77
in front seat	77-78
in rear outboard seat	77
in rear seat.	77
tether anchorage hardware	87
Chime	
key in ignition	16
safety belt	9
Circuit breakers, see also fuses	122
Cleaning your vehicle	192
chrome and aluminum parts.	193
engine compartment	194
exterior	192

Cleaning your vehicle (continued)	
exterior lamps	193
fabric	194
headlamps	193
instrument panel	193
instrument panel lens	195
interior.	194
plastic parts	193
polishing.	192
rear windows.	41
rustproofing	193
safety belts	195
tail lamps	193
upholstery and interior trim	194
washing	192
waxing.	192
wheels	193
windows	41
Climate control system.	33
Clock.	27
Clutch	114
fluid reservoir	152
operation while driving	114
recommended shift speeds	117
shifting the gears	115
Cold engine starting.	95
Combination lap and shoulder belts.	63, 65
Controls, mirrors	51
Convenience kit in cargo area	132
Coolant (see Engine coolant)	155
checking and adding	155
drain and flush	159
preparing for storage	197
temperature gauge	17
warnings.	155
Cooling fan.	146
Crankcase emission filter.	199
Customer Assistance Center, Ford (U.S.).	213
Customer Assistance Centre, Ford of Canada	214, 218

D

Daytime running light system	46
Defects, reporting	209
Dipstick	150
automatic transaxle fluid	161
engine oil	150
power steering fluid	159
Disabled vehicle (see Towing)	143
Doors	53
Driving under special conditions	
heavy load	118
towing a trailer	119

E

Electrical system, fuses	122, 128
Electronic radio with cassette (see Electronic sound system)	21
Electronic sound system	
antenna	42
atenna	42
radio reception	27
tuning the radio	21
warranty and service information	30
Electronic stereo cassette radio (see Electronic sound system)	21
Electronic stereo radio (see Electronic sound system)	21
Emergencies, roadside	
assistance	211
battery acid spills	139, 165
fuel	178
jump-starting	138
towing	143
Emergency brake (parking brake)	108
Emission control system	181
catalytic converter	181
emissions warranty	3, 181
Engine	
check engine warning light	13
does not start	96, 100

Engine (continued)	
fuel injected engine, starting	93–94
fuel pump shut-off switch	100
preparing to start	93
starting	94
starting after a collision	100
storing your vehicle	195, 197
Engine block heater	97
Engine coolant	155
checking and adding	155
checking hoses	159
disposal	146, 152, 162
drain and flush	159
preparing for storage	197
proper solution	146, 152, 162
recovery reservoir	155
temperature gauge	17
Engine coolant temperature gauge	17
description	17
mechanical	17
Engine coolant temperature	
guage:electronic	17
Engine fan	146
Engine:idle speed control.	96
Engine knocking.	177
Engine oil	149
changing oil and oil filter	150, 152
checking and adding	150
check oil warning light	11
dipstick	150
disposal	146, 152, 162
engine oil pressure warning light.	11
filter, specifications	199
low oil warning light	11
specifications	149
synthetic oil	149
“break-in” oils	5
viscosity	149
Exhaust fumes	102
Extended Service Plan, Ford	4

F

Fan	146
engine fan, avoiding injury	146
Federal Communications Commission.	29
Federal Highway Administration	
Regulation	5
Flashers, hazard.	45, 121
Flashing the lights.	47
Flat tire	130
Ford Customer Assistance Center.	213
Ford Extended Service Plan	4
Ford Motor Company of Canada	218
Ford of Canada Customer Assistance	
Centre	218
Foreign registration	220
French owner guides, how to obtain	3
Fuel	174
calculating fuel economy	179
choosing the right fuel	176
comparisons with EPA fuel	
economy estimates	180
filling your vehicle with fuel.	174
filter, specifications	199
fuel filler door release lever	174
fuel gauge	16
improving fuel economy	180
octane rating	176–177
quality.	176–177
running out of fuel	179
safety information relating to	
automotive fuels	178
storing your vehicle.	197
treating emergencies	178
Fuel cap	174
removing	174
replacing.	174–175
Fuel filler door	174
remote release	174
Fuel filter, specifications	199

Fuel gauge	16
Fuel pump shut-off switch	
engine does not start	100
starting after a collision	100
Fuse panels	122
instrument panel	128
Fuses	
charts	122, 128
checking and replacing	128

G

Gas cap (see Fuel cap)	174
Gas mileage (see Fuel economy)	176, 179
Gasoline (see Fuel).	174
Gauges, Electronic	
engine coolant temperature gauge	17
fuel gauge	16
odometer.	18
speedometer	18
Gauges, Mechanical	
engine coolant temperature gauge	17
fuel gauge	16
odometer.	18
speedometer	18
trip odometer.	18
GAWR (Gross Axle Weight Rating)	
definition.	118
driving with a heavy load	118
Gearshift	
automatic operation	111
column-mounted	111
downshifting	117
floor-mounted	115
locking the gearshift.	44
positions	111, 115
shifting the gears	111, 115
upshifting	117
Gearshift:shifting the gears	111, 115

GVWR (Gross Vehicle Weight Rating). . .	118
definition	118
driving with a heavy load.	118

H

Hazard flashers	45, 121
Headlamps	
aiming.	184–185
checking alignment	185
cleaning	193
daytime running lights	46
flashing	47
replacing bulbs	184–185
High beams, indicator light	12
High-mount brakelamp	191
description	191
replacing the bulb	191
Hood	148
latch location.	148
release lever	148
working under the hood	146
Hoses, checking.	159

I

Identification Number, Vehicle (VIN)	206, 213
Idle	
relearning	142, 146
speed	96
Ignition	
chime	16
positions of the ignition	44
Infant seats (see Safety seats).	77
Instrument panel	31
cleaning	195
lighting up panel and interior	41
Interval wipers	48

J

Jack	132
operation.	133, 136
positioning	133, 136
storage.	132
Jump-starting your vehicle	
attaching cables.	140
disconnecting cables.	142

K

Keys

key in ignition chime	16
positions of the ignition	44
stuck in lock position	44

L

Lamps

checking	184
daytime running light system	46
dome lamps	41
flashing the lamps.	47
hazard flashers	45, 121
high-mount brakelamp	191
instrument panel, dimming	41
interior lamps.	41
replacing bulbs	184
Lane change indicator (see Turn signal)	45, 48

Lights, warning and indicator

air bag.	14
anti-lock brakes (ABS).	15
brake	9
charging system.	11
check engine	13
engine oil pressure	11
hazard warning light	45, 121
high beam	12
low oil.	11
oil pressure.	11
safety belt	9

Lights, warning and indicator (continued)	
service engine soon	13
turn signal indicator	45, 48
Load limits	118
GAWR.	118
GVWR.	118
trailer towing.	119
Lug nuts	133
standard	136
tightening sequence.	133

M

Maintenance schedule and record (see separate Maintenance Schedule and Record booklet)	3
Maintenance (see Servicing)	145
Maintenance (see servicing)	145
Manual transaxle	
backing up (reverse)	116
clutch	114
shifting gears.	115
shift speeds	117
Manual transmission	
backing up (reverse)	116
clutch	114
shifting gears.	115
shift speeds	117
Map pockets	54
Master cylinder, brakes	152
Mileage, calculating fuel economy	179
Mirrors.	51
rearview	51
side view mirrors.	51
side view mirrors (manual)	52
Motorcraft parts.	199

N

National Highway Traffic Safety Administration	209
New vehicle break-in	5

O

Octane rating	176–177
Odometer.	18
description	18
trip odometer.	18
Oil filter	152, 199
Oil (see Engine oil)	149
Oil viscosity	149
On-board diagnostic (OBD II) system	183
Overseas offices	220

P

Parking brake	108
operation.	108
warning light.	9
Parts (see Motorcraft Parts).	199
PCV valve, specifications.	199
Power features, mirrors	51
Power steering	
dipstick	159
fluid, checking and adding.	159
servicing	110
Prop rod, hood	148

R

Radio (see Electronic sound systems)	19
Regulations, National Highway Traffic Safety Administration	209
Reporting safety defects	209
Restraints, safety (see Safety restraints)	
adult.	57, 63
infant	77
Roadside assistance	211

Roadside emergencies	121
Rotating the tires	169

S

Safety belts (see Safety restraints).	63
Safety Compliance Certification Label	206
Safety defects, reporting	209
Safety information relating to	
automotive fuels	178
Safety restraints	
adjusting the safety belts	65
automatic locking mode	67
automatic locking mode (retractor)	67
cleaning the safety belts	195
extension assembly	68
for adults	63
for infants	77
for pregnant women	57, 63
lap and shoulder belts	63, 65
maintenance	68
proper use	63
replacement	68
warning light and chime	9
Safety seats for children	77
and air bags	67, 70, 77–78, 85
attaching with tether straps	87
automatic locking mode (retractor)	67, 77
in front seat	77
in rear outboard	77
in rear seat.	77
tether anchorage hardware	87
Seat belts (see Safety restraints).	63
Seats.	57
child safety seats	77
cleaning upholstery	194
reclining the seat	58
Serial number (VIN).	206, 213
Service concerns	212

Servicing your vehicle	145
precautions when servicing	146
servicing when you tow	143
Shift positions (see Gearshift).	111, 115
Shoulder and lap belts (see Safety restraints)	63, 65
Shoulder belts (see Safety restraints).	65
Side mirrors	51
adjusting	52
Snow tires and chains	173
Spare tire	130
changing the tire	130, 133
conventional spare	132
finding the spare	132
removing the spare tire	132
storing the flat tire	132, 136
temporary spare	130
Spark plugs, specifications	199
Speedometer	18
Starting your vehicle preparing to start your vehicle	93
starting a cold engine	95
starting after a collision	100
starting a warm engine	95
starting your vehicle if the battery is disabled	138
Steering wheel, locking.	44
Storage compartments	54
map pockets	54
Storing your vehicle	195
Supplemental air bag readiness light	14
Supplemental Restraint System (SRS)	69

T

Tail lamps bulb replacement	184
cleaning	193
Temperature control (see Climate control)	33
Tether anchor installation (see Child restraints)	87

Tires	167
changing	130
checking the pressure	167–168
cleaning	193
inspection and maintenance	167, 169
replacing	170
rotating	169
snow tires and chains	173
spare tire	132
storing your vehicle	198
tire grades	170–171
treadwear	170–171
wear bands	170
wheel and tire matching	171
Towing a trailer (see Trailer towing)	119
Towing your vehicle	143
using wheel dollies	143
with a tow truck	143
Trailer towing	119
calculating maximum trailer weight	119
Transaxle	
automatic operation	111
fluid, checking and adding (automatic)	161
Transaxle control switch	112
Transmission, automatic operation	111
Transmission control switch	112
Trip odometer	18
Tune-up specifications (VECI)	183
Turn signal	45
indicator lights	48
lever	45, 48

U

- Upshift speeds 117
- Used engine oil, disposal. 146, 152, 162

V

- Variable interval wipers 48
- VECI (Vehicle Emission Control Information)
 - decals 183
- Vehicle Identification Number (VIN) 206, 213
- Vehicle loading, understanding loading
 - information. 118
- Vehicle storage 195
- Ventilating your vehicle
 - (see Climate control) 33
- Viscosity (see Engine oil). 149
- Voltmeter (see Battery voltage gauge) 11

W

- Warm engine, starting 95
- Warning chimes
 - key in ignition 16
 - safety belt 9
- Warranties 3
 - basic. 3
 - Canada. 3
 - radio. 30
- Warranty Information Booklet 3
- Washer fluid 48
- Weight limits (GAWR, GVWR) 118
- Wheel and tire matching 171
- Wheel dollies (see Towing). 143

Wheels	171
cleaning	193
covers	133, 136
inspection and maintenance	167
lug nuts	133
replacement	171
Windshield, washing	48
Windshield washer fluid and wipers	48
checking and replacing wiper blades	165
operation	48
reservoir	154
specifications	155
variable interval wipers	48
Windshield wipers and washer.	48
Wrecker towing.	143

Service Station Information -- 1.3L Engine

Engine Size & Type	1.3 Liter 8V (2 valves per cylinder), Fuel Injected, 4 Cylinder, 81 Cubic Inch Displacement (CID)
Fuel	REGULAR UNLEADED FUEL RECOMMENDED Octane 87 or higher
Fuel Tank Capacity	10 gallons (38 liters)
Engine Oil	Use only engine oil displaying the American Petroleum Institute Certification Mark. SAE 5W-30 is preferred.
Engine Oil Capacity	3.6 quarts (3.4 liters) with filter change
Engine Coolant Capacity	6.3 quarts (6.0 liters)
Tire Size & Pressure	For tire pressure, see label on the passenger's door pillar.
Brake Fluid	Use only brake fluid that meets Ford's Specification ESA-M6C25-A.
Power Steering Fluid	Use only power steering fluid that meets Ford's Specification ESW-M2C33-F.
Automatic and Manual Transaxle Fluid	Motocraft MERCON [®] fluid (ATF)
Hood Release	Pull the handle under the left side of the instrument panel.