

# ARISUN

ARISUN (BI-FUEL ENGINE)

## Owner's Manual

Revere Owner

This Owner's Manual is prepared to provide you knowledge of optimized use of the vehicle and includes important safety, performance and maintenance tips.

Kindly please keep this Owner's Manual in your vehicle and try your best to keep and maintain it.



In The Name of God



**ARISUN**  
**BI-FUEL ENGINE**  
**OWNER'S MANUAL**

---

## REVERE BUYER

We're thankful for choosing Iran Khodro product and we congratulate you for this good selection. We hope this new vehicle contributes in happy moments of your life. This Owner's Manual will help you in appropriate use of the vehicle and manner of driving with it. Therefore, it is strictly recommended to keep this Owner's Manual always in your vehicle's dashboard. For easier use, the present manual is divided in different sections, each is related to a different aspect of driving and your vehicle's maintenance procedures. We recommend you to study each section with high attention in order to get familiar with your vehicle's equipment and capacities.

**Before driving:** This section includes adjustment of seats, safety belts, heating and ventilation system control, and also all tips required for your welfare before starting to drive.

**Driving:** In this section, the operations of buttons, equipment, and cares during driving are described.

**Vehicle Maintenance:** Includes information about the checks you should carry out regularly.

**Note:** Please refer to maintenance and warranty services manual to get informed of the manner of vehicle maintenance, regulations & conditions of warranty services and performance of regular services.

**Technical emergencies:** Help solve some of unavoidable small emergencies occurring occasionally like replacing belts, fuses and wheels. Technical data: It includes some technical information about engine, dimensions, capacities and weights. Further, the consumable materials shall be prepared by IKCO authorized dealers. (You shall make use of the approved brands and packages prepared by ISACO.)



**CAUTION:** Negligence of special orders indicated in warning boxes with above mark may result in serious damage and will endanger the health of vehicle's driver or passengers.



**WARNING:** Negligence of special orders indicated in caution boxes with above mark will result in accident or damage of the vehicle.

**ATTENTION:** In case of negligence of safety considerations indicated after the word "ATTENTION", there will be probability of serious damage to your vehicle.

**Important Point:** The equipment of each vehicle will vary according to its model. Therefore some information of this manual may not be true about your vehicle. For any more information, you can consult with IKCO authorized dealer.

**Reminder:** Information about other varieties of this product have been mentioned in this manual and denoted by asterisk (\*).

## TABLE OF CONTENTS

---

<b>YOUR VEHICLE AT A GLANCE</b>	<b>1</b>
<b>BEFORE DRIVING</b>	<b>2</b>
<b>DRIVING</b>	<b>3</b>
<b>VEHICLE MAINTENANCE</b>	<b>4</b>
<b>TECHNICAL EMERGENCIES</b>	<b>5</b>
<b>TECHNICAL INFORMATION</b>	<b>6</b>
<b>ALPHABETIC TABLE OF CONTENTS</b>	<b>7</b>

---

## OVERVIEW

VEHICLE DOOR LOCKING & UNLOCKING .....	20
SEATS.....	23
SAFETY BELTS .....	24
DRIVING .....	26
HEATING & VENTILATION .....	27
INTERIOR EQUIPMENT .....	31
RADIO/CD OPERATION .....	32
SAFETY BELT * .....	43
AIRBAG * .....	45
INSTRUMENT PANEL DISPLAY INDICATORS .....	50
DIGITAL DISPLAY GUIDE .....	57
STARTING .....	58
INDICATOR LEVER AND SNOW WIPER LEVER .....	59
VEHICLE MAINTENANCE .....	62
ENGINE COMPARTMENT .....	63
APPLICABLE INSTRUCTIONS (REPLACING WHEELS, STARTING VEHICLE IN EMERGENCY SITUATIONS, VEHICLE TOWING, REPLACING FUSES, & REPLACING LAMPS) .....	84
VEHICLE TOWING .....	86
TECHNICAL INFORMATION .....	95
VEHICLE DIMENSIONS .....	98

\*If installed on your vehicle

---

# 1 YOUR VEHICLE AT A GLANCE

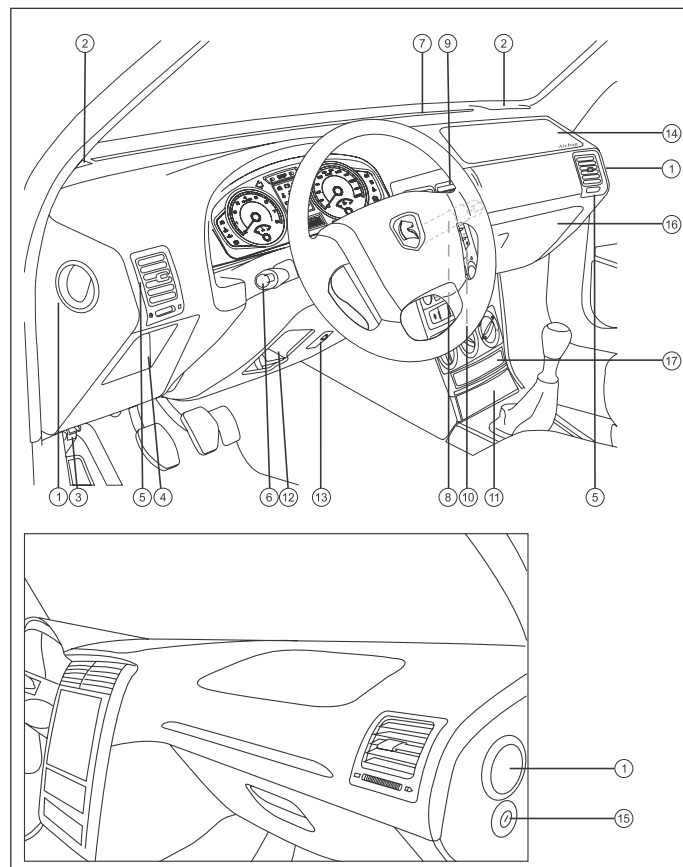
DOORS LOCKING & UNLOCKING .....	8	LAMPS .....	13
WINDOW REGULATORS .....	9	HEATING & VENTILATION .....	14
SEATS .....	9	ENGINE HOOD OPENING & CLOSING.....	18
INDICATOR LEVER .....	10		

## YOUR VEHICLE AT A GLANCE

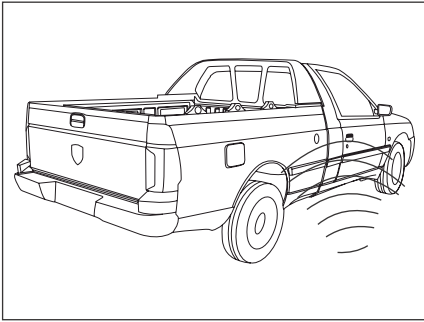
1

### Dashboard

1. Air vents towards front side doors
2. Left speaker location
3. Engine hood release handle
4. Fuse box
5. Side adjustable air vent
6. Horn, front lamp button and indicator lever
7. Windshield defrosting and defogging air vent
8. Snow wiper and windshield washer button
9. Middle adjustable air vent
10. Radio installation place
11. Ashtray
12. Air vent towards side doors
13. Right speaker location
14. Steering wheel angle adjusting lever \*
15. Lamp height adjusting button \*
16. Dashboard box
17. Inner case of dashboard

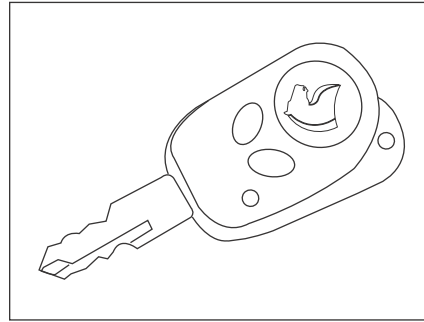


\*If installed on your vehicle



### **Doors Locking & Unlocking**

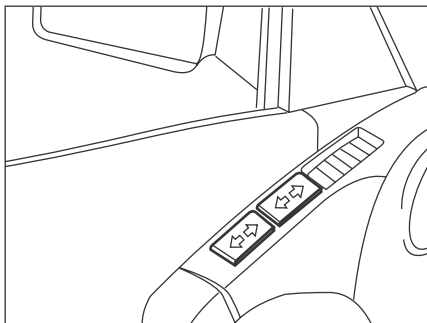
Doors can be locked/unlocked simultaneously by means of key (switch) from outside of the vehicle, or by means of locking button of front doors designed within the vehicle.



### **By means of remote control**

Mechanism of this device is similar to that of key (switch). You shall hold the remote control towards its receiver designed on top of the interior mirror and press the relevant button of remote control, in order to perform the expected function.





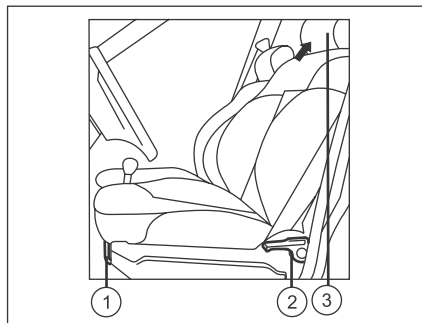
### Electric window regulator

#### 1. Electric function – Driver's window:

The window is adjustable to up and down directions by pressing the button in relevant direction. Release the button when the window is adjusted in the place you wish.

#### 2. Electric function – Passenger's window up/down adjusting button

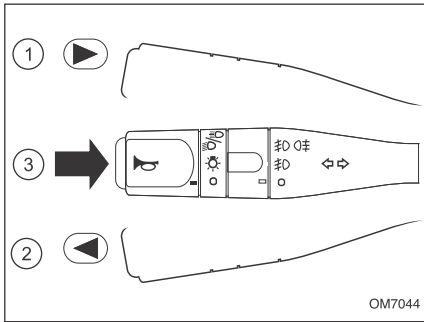
This button is designed on left door. Also, there is an adjusting key for the window of this door on the right door.



### Seats

#### Front seats manual adjustment

1. Seats fore-and aft adjustment: Push the locker handle up and move the seat as much as the seat is located in your favorite position, then release the handle to make it locked in this position.
2. Backrest inclination adjustment: Press the lever and move the backrest until it reaches to your favorite position.
3. Headrest adjustment: Pull the headrest up to adjust its height.



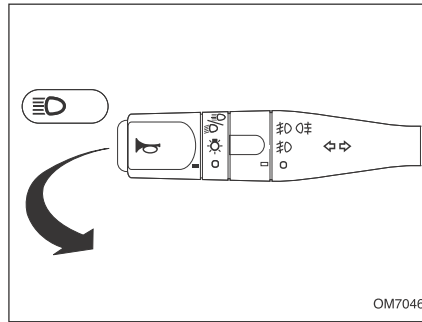
### Left and Right indicator lamps

Positions 1 & 2: Before turning to left, pull the lever downwards, and before turning to right, pull the lever upwards. (The green warning lamp will blink according to turning direction on the instrument panel display.)

In case of knocking once on the left or right indicator, the indicator lamp will be activated and will go out after 4 flashings. (Number of flashers are adjustable with diagnostic instrument.)\*

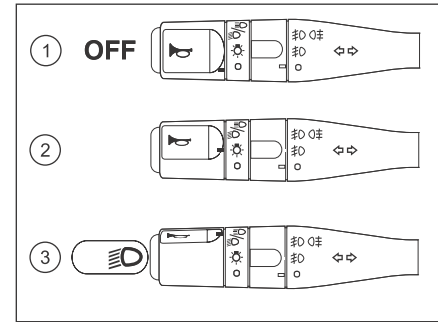
### Horn

Position 3: In order to make horn, press the button designed at the end of indicator lever.



### Low and High Beams

In order to shift through low and high beams, pull the lever completely towards the steering wheel (in this mode, the blue indicator lamp of high beam will be turned on). In order to make a signal with main lamps (lighting), pull the lever near the steering wheel and release it.



### Lamps button

Position 1: All lamps OFF.

Position 2: Position lamps, tail lamps, and instrument panel display lamps.

Position 3: Headlamps ON.

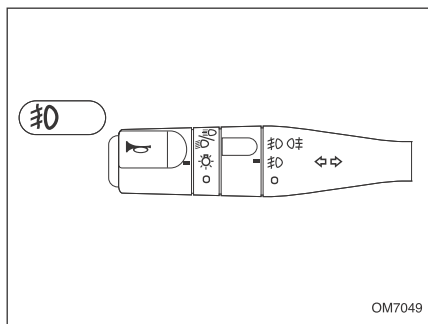
### Warning Beep

It warns the driver when he leaves the vehicle and the headlamps are ON, it will beep when the driver's door is opened and the switch is OFF.



### Warning

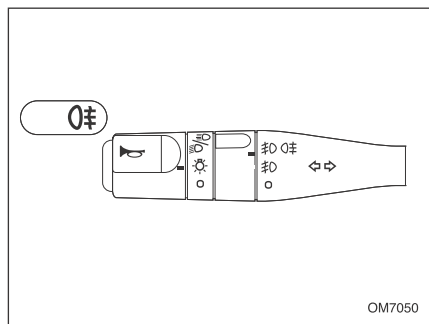
Before starting to drive at night: Ensure the appropriate functioning of electric equipment and adjust the vehicle lamps. (In case of overloading) generally, ensure that the lamps are not covered. (Dirt, mud, snow or any other object are not covering the lamps.)



### Front Fog Lamps

In order to turn on the front fog lamps, turn the middle part of indicator lever one step upwards. When the fog lamps are turned on, the relevant indicator lamp will emerge on the instrument panel display.

These lamps are able to be turned on only when the main headlamps or positions lamps are turned on.



### Rear Fog Lamps

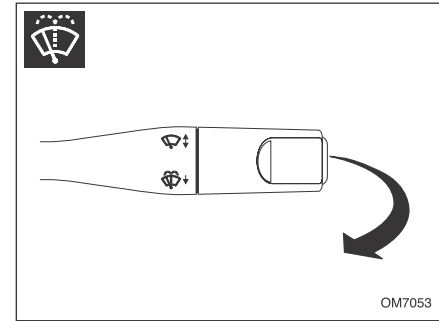
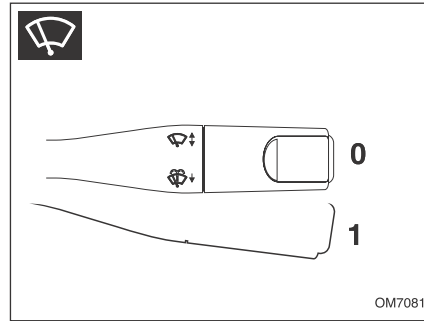
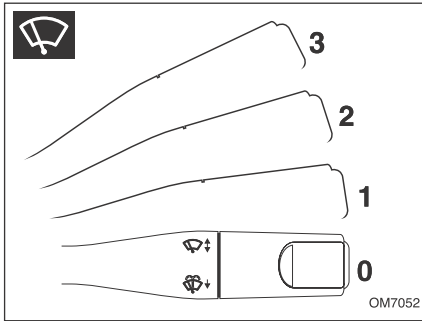
In order to turn on the rear fog lamps, turn the middle part of indicator lever two step upwards. When the fog lamps are turned on, the relevant indicator lamp will emerge on the instrument panel display.

These lamps are able to be turned on providing that:

- The main headlamps or position lamps are turned on.
- The side lamps or front fog lamps (if existing) are turned on.

Pay attention to make use of fog lamps **only** when the scope of vision is limited, because in ordinary vision conditions, it will annoy other drivers.

\*If installed on your vehicle



### Snow Wiper

The snow wipers and windshield washer are controlled by the lever designed on right side of steering wheel providing that the switch is OPEN.

0- OFF

1- Intermittent snow wiper\* (The interval between two movements of snow wiper is dependent on the vehicle's speed.)

2- Low speed

3- High speed

### Single-step wiping (just one cycle)

For just one movement of snow wiper, pull the lever downwards just once and then release it. By holding the lever downwards, the snow wiper will move continuously.

### Windshield Washing

In order to wash the windshield, pull the lever towards yourself. By pulling the lever once, the snow wipers will move three times, as long as you hold the lever, the windshield washer will keep on functioning.

By pulling the lever, the water spraying will be started, and after water spraying, the snow wipers will start to move for 0.7 second. As long as you hold the lever, the function of water spraying and washing will keep on without any stop, but immediately after releasing the lever, the snow wipers will stop after three moves. At most after 3 seconds from stop, the complementary fourth movement of snow wiper for cleaning the windshield completely will function.\*



### Warning

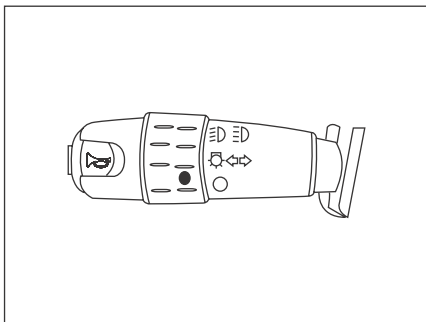
In time of freezing, ensure the snow wiper blades are not frozen. (Risk of overheating of snow wiper motor.) Check the status of blades. When the blades performance is weak, you shall replace them. (approximately once a year.)

Clean the front windshield regularly, In case you turn off the vehicle engine before turning off the motor of snow wiper (Mode 0), the wiper blades will stop in their current position.

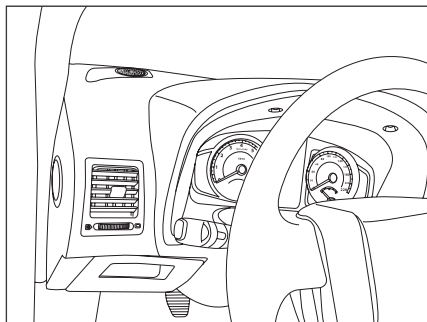
After powering on the vehicle engine, it is enough to set the snow wiper lever in 0 mode, to return the wiper blades in STOP position.

When you want to open the engine hood, please ensure that the snow wiper blade is in 0 mode (STOP). (Risk of injury).

\*If installed on your vehicle



In order to shift to low beam mode, pull the indicator lamp once again towards the steering wheel.




### Lamps – Horn

#### Warning Signals

**1- Horn:** Press the end of the indicator lever inwards.

**2- High Beam Signaling:** Pull the indicator lever towards the steering wheel.

#### 3- Indicator Lamps:

-  **Right side:** Pull the indicator lever upwards.

- **Left side:** Pull the indicator lever downwards.


#### - Overtaking or Pathway shift situation:

Shortly pull the indicator lamp on desired direction.

- Complete pathway shift: For complete turning, pull the indicator lever to the end, towards the desired direction.

-The indicator lever will return to its initial position automatically as a result of turning of steering wheel.

### 4- Flasher lamp

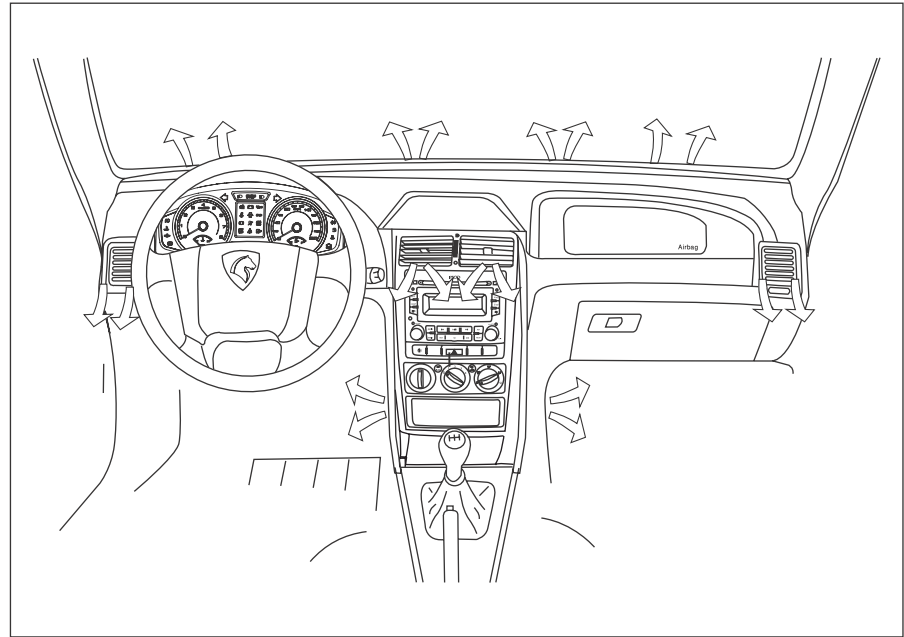
 Flasher lamp button is designed on the Radio playback device.

### Warning Beep

It warns the driver when he leaves the vehicle and the headlamps are ON, it will beep when a door is opened and the switch is OFF.

## Air ventilation – Heating Air Ventilation System

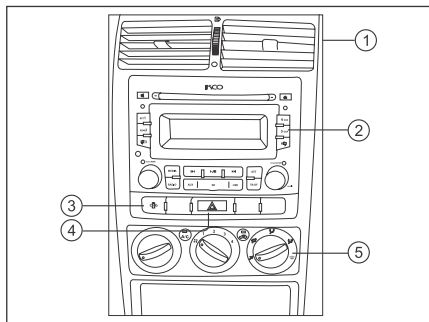
- 1- Defrosting and defogging the glasses.
- 2- Side air vents.
- 3- Middle air vents.
- 4- Front passenger foot air vents.



1

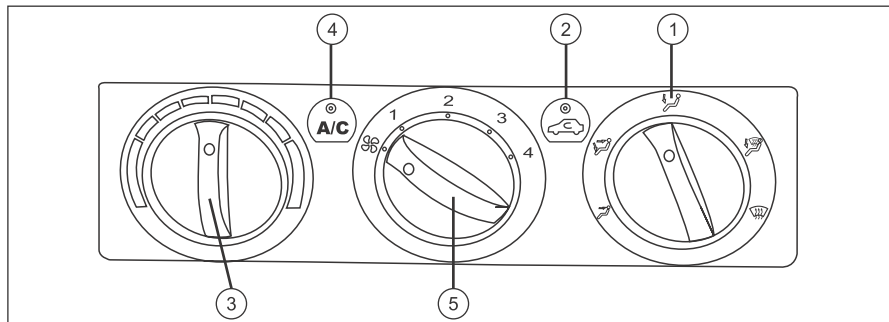
## YOUR VEHICLE AT A GLANCE

1



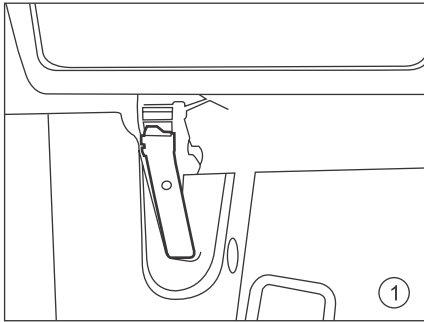
### Audio system, Heating and Ventilation

- 1- Air vent
- 2- Audio system
- 3- Fuel consumption status shift to CNG button
- 4- Hazard warning lamp button (Flasher)
- 5- Heating and ventilation adjustment panel



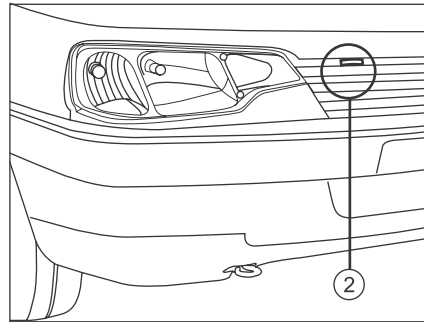
### Ventilation, Heating and Air Distribution

1. Air vent adjustment knob
2. Interior Air Circulation Button
3. Temperature adjustment knob
4. A/C switch
5. Air fan speed adjustment knob

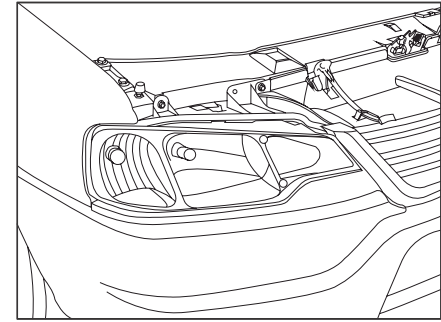


**Opening engine hood**

1- From inside the cabin (driver's side), pull the lock releasing handle of engine hood, the engine hood will move slightly upwards in this mode.



2- Pull the safety handle of engine hood, then move up the engine hood.



**Closing engine hood**

Put the engine hood strut in hinge place again, then move the engine hood down and release the engine hood from 30 cm height in order to close it.





---

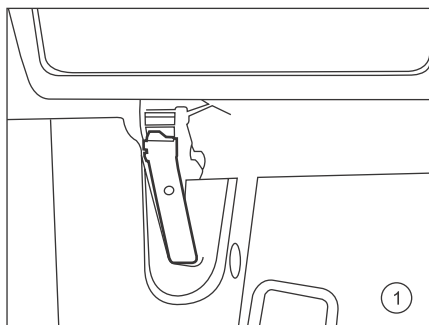
# 2 BEFORE DRIVING

CONFIDENTIAL CODE CARD .....	19	STEERING WHEEL .....	26
DOORS LOCKING & UNLOCKING .....	20	HEATING & VENTILATION .....	27
IMMOBILIZER SYSTEM .....	22	INTERIOR EQUIPMENT .....	31
ELECTRIC WINDOW REGULATOR .....	23	OPERATION OF RADIO/CD .....	32
SEATS.....	23	CNG FUEL SYSTEM* .....	35
MIRRORS.....	24	SAFETY BELT .....	43
SAFETY CONSIDERATIONS .....	24	AIRBAG .....	45

\*If installed on your vehicle

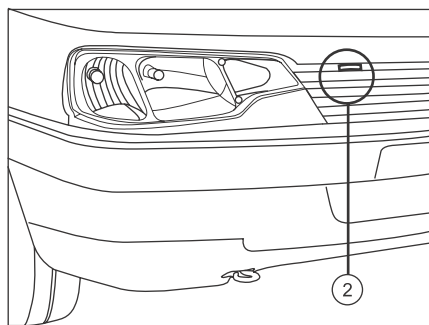
## DOORS LOCKING & UNLOCKING

2

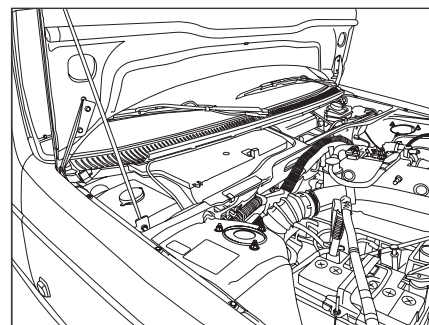


### Doors Locking & Unlocking Engine Hood

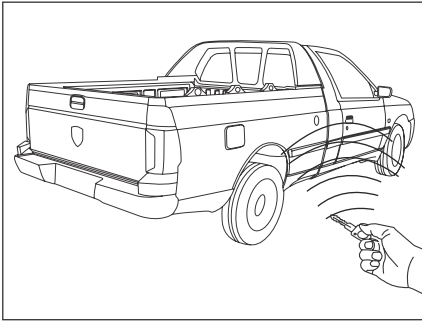
1- From inside the vehicle, pull the engine hood releasing handle toward yourself, to release its hinge.



2- From outside the vehicle, put the engine hood releasing handle toward yourself to release the safety hinge of the lock. Make use of strut to hold the engine hood opened.



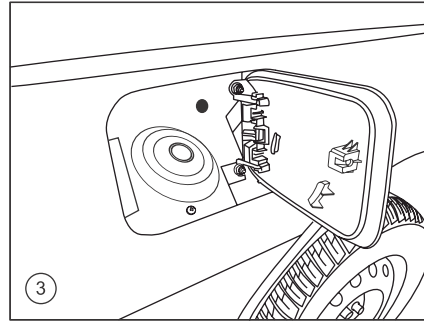
For closing the engine hood, move down the strut, and release the engine hood from approximately 30 cm height, now ensure that the engine hood is completely locked.



### By means of Remote Control

The function of this device is similar to that of the key. In order to function with this device, hold it in line with its receiver designed on top of the interior mirror and press its button.

This device works with two 3V batteries. You shall replace the batteries if the device LED does not function.

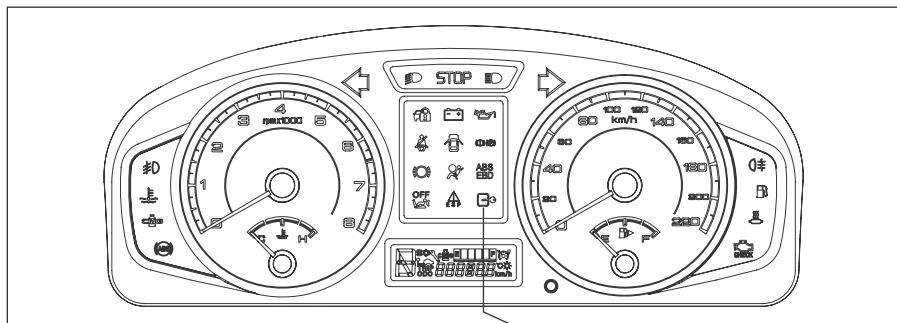


### Fuel tank cap

After inserting the switch in the fuel tank cap and turning it, take action to open the fuel tank cap and perform the refueling action. It is necessary to mention that, you will not be able to take out the switch from fuel tank cap till you put the lip in its appropriate place and lock it.

## DOORS LOCKING & UNLOCKING

2

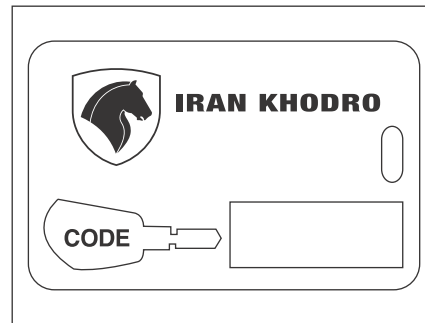


Flashing Indicator

### Immobilizer System

These keys will check the engine after some moments from engine powering OFF, and by this means will prevent engine powering ON with any key except the main key (Main Switch).

Each key has an electronic segment which has a special code. When the key is inserted in locks core, the key code will be diagnosed and starting will be possible. If the key does not have code, or if it has a code which does not conform with the code saved in system memory, the engine start will be function.



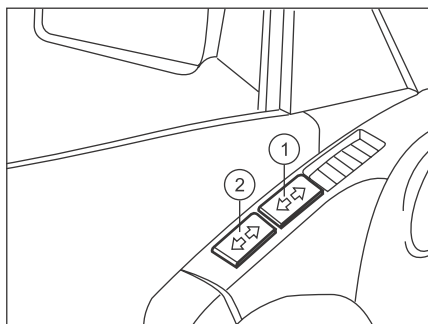
### Confidential Code Card

This card includes an identification code which the authorized dealer needs it when working on system.

This code is covered by a label, which can be removed in order to access to the code.

The ID card of your vehicles shall be kept in a safe place, and you shall never put it in your vehicle.

Existence of a flashing indicator lamp on the front panel (as the image) when the vehicle is powered OFF, will be indicate installation of this system on your vehicle.



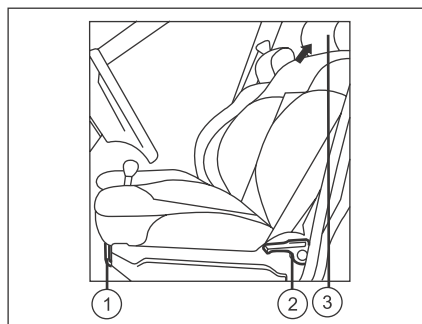
### Electric window regulator

#### 1. Electric function – Driver's key:

The window is adjustable to up and down directions by pressing the button in relevant direction. Release the button when the window is adjusted in the place you wish.

#### 2. Electric function – Passenger's key up/down adjusting button

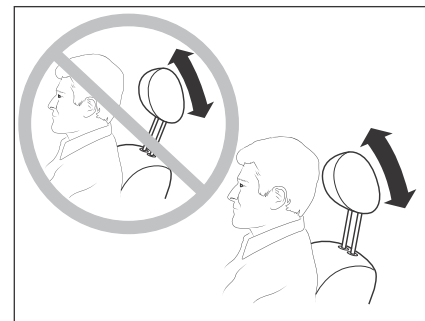
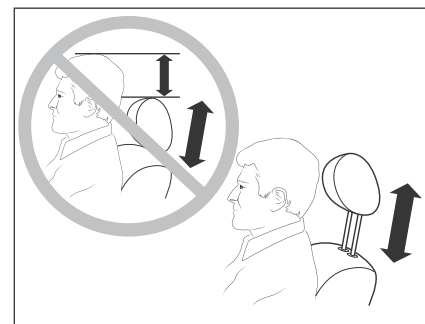
This button is designed on left door. Also, there is an adjusting key for the window of this door on the right side.



### Seats

#### Manual Adjustment of Seats:

1. Moving the seat forward or backward: Push the locker handle up and move the seat as much as the seat is located in your favorite positions, then release the handle to make it locked in this position.
2. Backrest inclination adjustment: Hold the lever up and move the backrest until it reaches to your favorite position.
3. Headrest adjustment: Pull up the headrests to adjust their height.

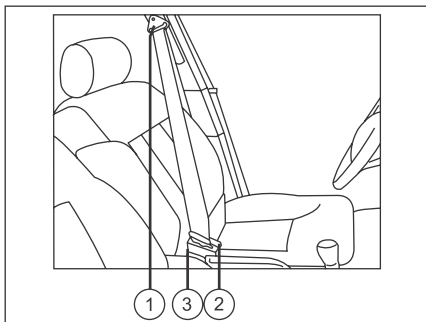


#### Warning

In order to decrease the possible physical damage and ensure the safety of driver and front passenger, it is necessary to comply with the above images in respect with adjustment of headrest height and position of head to the headrest.

## SAFETY CONSIDERATIONS

2



### Safety Belts

#### Safety Considerations

- Regularly check the status of hooks of safety belts.
- After each accident, check the reliance and connection points of safety belts.
- If it is required to replace the safety belt, you shall make use of standard spare safety belt produced by the same manufacturer.
- Never try to change the place of safety belts' installation.
- Safety belts are able to be adjusted for children below 6 years-old, seating on high chair for children.

#### Safety Belt Adjustment

1- In order to adjust the height of front seat belts, pull out its adjusting handle slightly, move the upper hook of safety belt from its related sliding rails, then release the locking handle in desired place to lock it.

### Fastening Seat Belt

**2- Pulley Belts:** Smoothly pull out the belt in a way that its pulley is not locked, then, insert the latch plate into the buckle. At severe brake or sudden acceleration, and in slopes and severe turns, the safety belt will be locked.

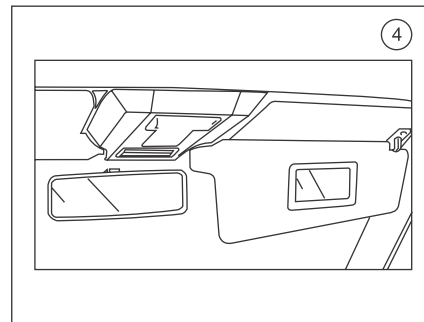
### 3- Release of safety belt

Press the red color button.



#### CAUTION

Never allow infants and children to seat on the foot of passengers. There are risks of severe damages specially when the children are seating on your foot. Never make use of one safety belt to fasten two persons simultaneously.



### Mirrors

#### Interior Rearview Mirror

4- Interior rearview mirror is adjustable for two modes of driving at day and driving at night.

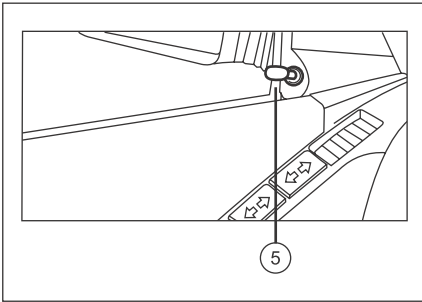
#### ATTENTION

Avoid putting extra and thick foot pad beneath the driver's feet, because non-standard foot pad will impede complete course of clutch pedal and ease of gear shift.



#### CAUTION

- Avoid adjusting the seat during vehicle movement.
- Safety belts will have their complete function when the inclination of backrest to vertical line is approximately 25 degrees.
- Taking into consideration that the headrest is a safety tool, always ensure its existence and its appropriate position in its place.



**Side Rearview Mirrors**

Before adjusting, put the mirror from outside into the normal position.

5- Manual mirror adjustment: This shall be done by related lever designed in the vehicle.



**CAUTION**

There shall remain no object on vehicle flooring (front driver's side), because in severe brake condition, these objects may move beneath pedals and impede appropriate using of pedals.



**CAUTION**

Never leave alone the vehicle in which there are a child (or pet) and key card. Actually, the child (or pet) is able to activate the windows regulators and cause sticking some parts of body (neck, arm, hand, etc.) between the window which will result serious damages. In case of sticking by the window, immediately press the relevant button on adverse direction to eliminate the problem.

**Vehicle Safety**

Remove the plate of vehicle key code from the switch and keep it in a safe place. After removing the switch, turn the steering wheel till it locks.

Making use of the safety belt is a mandatory based on regulations.

No change shall be applied in safety belts' position.

**Brake**

Never drive the car in slopes with vehicle engine in OFF mode, the brake booster will not function in this mode.

On wet roads, incoherence of wheel on the road, and also delay on brake performance due to wet conditions, will cause vehicle slippery and will increase brake distance. Regularly check the brake fuel level.

**Tires**

Regularly check the tire inflation pressure. High differential of inflation pressure of tires will affect the returning function of steering wheel.

**Headlamp and Indicator Lamps**

Regularly check to ensue headlamps and indicator lamps are functioning appropriately and are clean, and also check their light angle to be adjusted in correct and appropriate height.



**CAUTION**

When your vehicle's engine is powered on, never park it in places in which there is possibility of touching flammable materials like grass or leaf with hot exhaust of the vehicle.



**CAUTION**

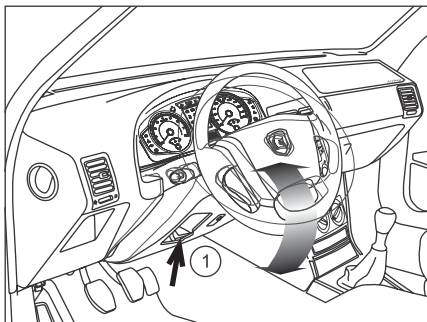
- Avoid parking the vehicle in lonely places.
- Avoid parking the vehicle in dark places.
- Never leave vehicle's deeds or documents, or spare switch within the vehicle.
- If you have parking lot, always use it and put out vehicle switch.
- Always ensure automatic closing of both windows before completely leaving the vehicle stop place.



**CAUTION**

Objects in the mirror are farther than they appear.





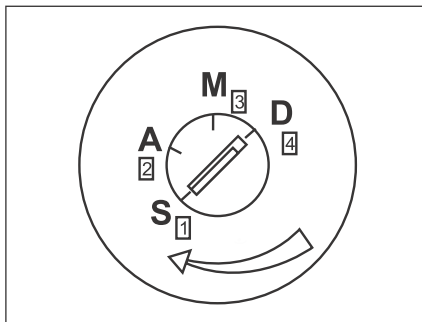
**Steering Wheel Adjustment**

1- In order to adjust the height of steering wheel:

Pull the handle outwards to release its lock.  
 Move the steering wheel upwards or downwards as much as you wish.  
 After adjustment, pull the handle to lock it.

**ATTENTION**

When you felt your vehicle engine is not functioning well (Sputter Functioning), stop the vehicle immediately, take action to eliminate the problem in the place or tow the vehicle with another vehicle to the authorized repair workshop.  
 Otherwise, there is the possibility of fire from Catalystr.



**Unlocking steering wheel**

Smoothly move the steering wheel, turn the key in the switch.

**Engine Switch**

It has four positions:

- 1- Position S:** Switch is OFF.
- 2- Position A:** Electric equipment are connected, ignition circuit is disconnected. In this mode, battery charge warning lamp is turned on.
- 3- Position M: Engine starting:** The ignition circuit is ON.  
 The following warning lamps will be turned on in this mode:  
 -Engine oil pressure low level lamp  
 -Coolant system liquid overheat lamp  
 -Battery charge lamp

- Engine malfunction warning lamp
- Emergency STOP lamp
- Brake oil low level or parking brake involvement lamp

**4- Position D:** We take action to start the engine.



**CAUTION**

- Never try to adjust the steering wheel during driving, this action is seriously dangerous.
- Perform steering wheel adjustment only when the vehicle is in STOP position, due to safety considerations.

## Ventilation – Heating Ventilation System

- 1- Windows defrosting and defogging
- 2- Side air vents
- 3- Middle air vents
- 4- Front passenger's front foot air vents

### Defogging

A) When the weather is so cold and for better defrosting of windows:

- In adjustment panel, select front windshield mode.
- Set the temperature adjustment knob in red mode.
- Set the fan speed knob in Max. mode.

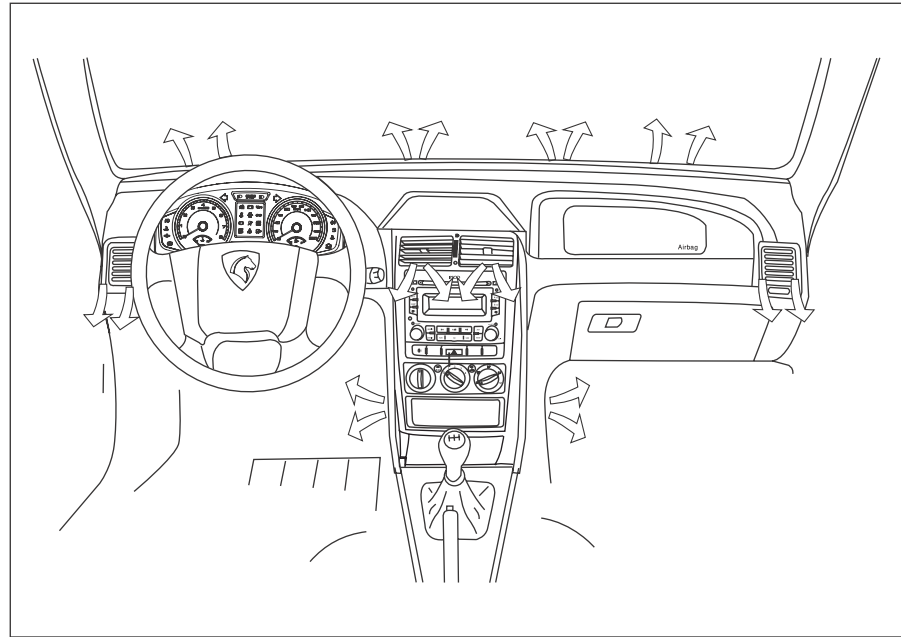
By this action you increase the windshield temperature and avoid fogging on the windshield.

B) When the weather is favorable but the humidity is high:

- Set the temperature adjustment knob in blue mode.
- Set the ventilation system in internal air circulation mode.
- Press the A/C button.
- Set the fan speed in Min. mode.

By this action, you decrease internal humidity and prevent fogging on the windshield.

Making use of any of above methods or combination of them depends on your convenience during driving. Sometimes, opening one of the side windows for 2 cm is also useful.

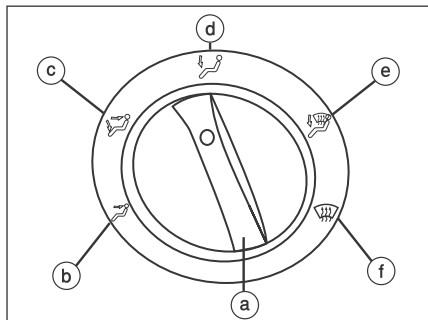


### CAUTION

- In order to prevent fouling of heater, make use of distilled water (in the radiator).
- Power ON the vehicle A/C at least once a 15 days for 10 minutes. (Even in winter)
- In order to power OFF the vehicle A/C, first depress the A/C button, then power OFF the engine after some seconds.
- Never dismantle the cooling fluid circuit, this fluid is so harmful for eyes and skin.

## HEATING & VENTILATION

2



### Ventilation – Heating & Air Distribution

#### 1- Air vent adjustment knob

a- Air distribution adjustment knob

b- To central and side vents

c- To central and passenger's foot vents

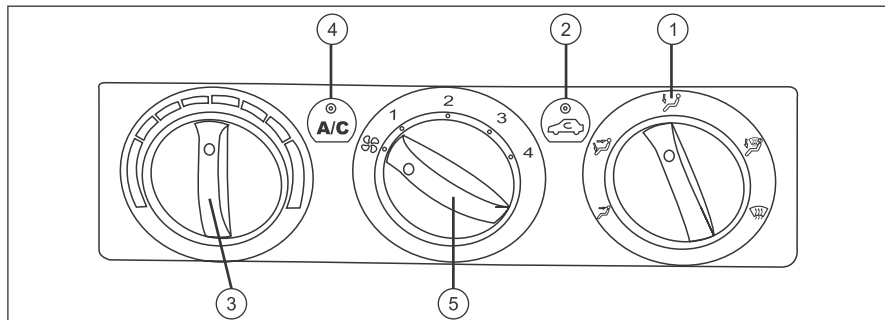
d- To passenger's foot vent


e- To windshield and foot vents

f- to windshield (glass defrosting and defogging)

for immediate action of side glasses defogging and defrosting, set the fan speed knob and temperature knob to their Max. mode. In order to enjoy fresh air in the vehicle and appropriate air distribution, always check to ensure there is no barrier in the way of external air vent intakes located beneath the front windshield and also air vents located beneath the seats.

#### 2- Internal air circulation switch



a- Press  button to turn off the lamp, the external air intake will be opened and the external air will be entered to the vehicles.

Uses:

-In cold weather of winter and at the time of using the heater in order to better ventilation when there is no smoke or fog.

-Windshield defogging in cold and rainy seasons.

-In case of need for fresh air

#### Internal air circulation

b- Press the abovementioned button (the lamp will be turned ON), the external air intake will be blocked and only the internal air within the vehicle will be circulated.

This mode is used only for the following purposes:

- Preventing adverse external air intake (dust,

unpleasant smell, etc.)

-Instant heating and cooling of the cabin

- Better performance of A/C system.

**3- Temperature adjustment knob**

8- Temperature adjustment

- Blue: Cold air
- Red: Hot air

In order to keep the air temperature of vehicle cabin as balanced, perform the following action when the external air temperature is between -5 to +5 degrees centigrade:

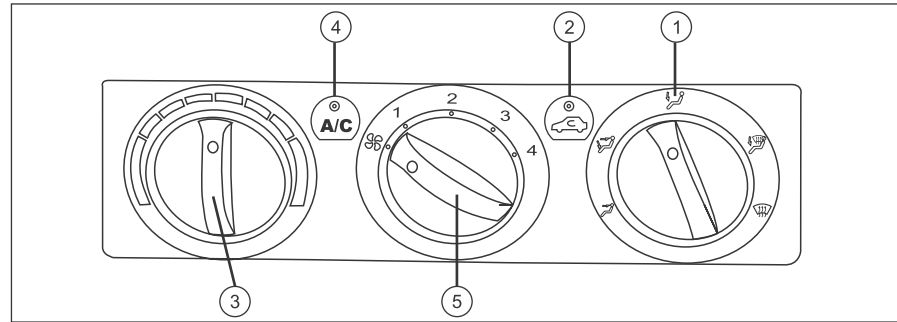
- Set the air temperature knob (8) in middle part of red area.
- Set the air distribution knob (1) between the modes of front windshield vent and side and middle vents. (f in 26 page)

**4- A/C switch**

A/C power ON/OFF switch.

**5- Fan speed adjustment knob**

Turn the fan speed adjustment knob to set the air volume as you favor. The air volume is adjustable from 1 to 4.

**ATTENTION**

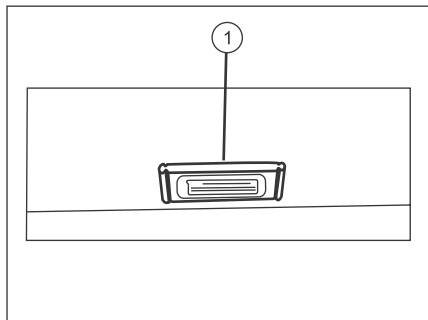
- If the A/C system lost its cooling power, it shall not be used.
- In order to maintain the A/C system performance, it is necessary to turn on the A/C system even in cold seasons, once or twice a month, each for the period of 5 to 10 minutes.
- In spring, before restarting the A/C system, the A/C system gas and coolant liquid level shall be rechecked by IKCO authorized dealer.

**Warning**

A/C system of this vehicle is equipped with R-134 a gas.

## INTERIOR EQUIPMENT

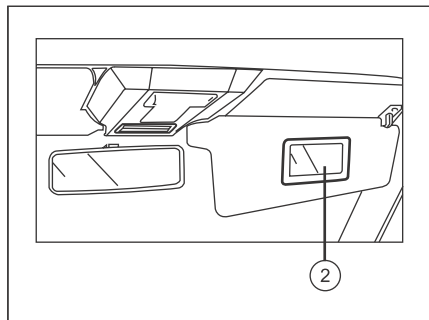
2



### Interior Equipment

#### 1. Front roof lamp: It has 3 positions.

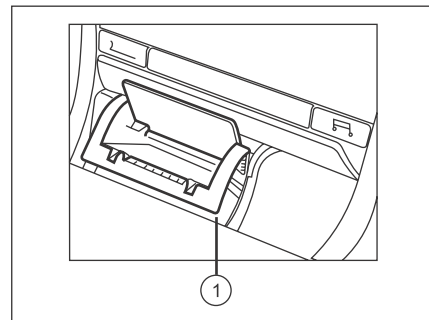
- Towards front: Always ON.
- Middle position: The lamp will turn on/off at time of front doors opening/closing.
- Towards rear: OFF.



**2- Cosmetic mirror:** The right sun visor is equipped with a cosmetic mirror on the back.

#### 3- Clock

Please refer to audio system adjustment user's Manual to adjust the time.



#### 1- Ashtray

By pressing the button, the cover and cap of ashtray will be opened. In order to empty it, pull the ashtray outwards by the side handle of ashtray.

### Internal equipment (Arisun door)

Electric Window Regulator	Front windows	●
	Ventilation Window	○
	Rear Window	○
Electric Seat		○
A/C	Sanden	
Allowed Speed Warning Beep	Over 20 Km/h	
Cruise Control		○
Alarm System		○
Anti-theft System	Immobilizer	



### CAUTION

Ashtrays are high risk in respect of fire. Avoid pouring paper chad or other flammable materials into it.

**Precautions**

Ensure connection of negative terminal of speaker to the negative terminal of connector. Avoid connection of positive and negative terminals of speaker to each other, or to device body.

In case of need for fuse replacement, ensure the fuse ampere. Making use of a fuse with high ampere will cause the possibility of serious damage to the device.

Ensure that no external object or small parts is entered to the device, in case of entrance, it will cause disorder in device performance, electric shock or the laser beam radiation.

Adjust the device volume in a manner that external voices, especially warning voices (horn of other vehicles, etc.) are audible for you.

Before operating any complex action on the device, stop the vehicle.

In case of encountering any failure or problem, avoid dismantling or adjusting the device by yourself without presence of specialists. Please refer to IKCO authorized dealers in order to eliminate the problem.

**Tips of Using CD**

Making use of damages CD or dusty CD will result in sound staccato.

Do not touch the CD surface, make use of CD edged to transfer it.

Avoid attaching any kind of label, seal, etc., on both surface sides of CD.

Avoid putting the CD on expose of direct sunlight or its overheating.

Make use of soft cloth to clean the CD, move the cloth from center to sides of CD surface to clean the dirt.

In case the panel or display is dirty, make use of silk cloth and natural cleaner materials in order to clean it. Making use of hard cloths and chemicals like alcohol may cause in serious damage and scratch on its surface.

Your device may not be able to play CDs on surface of which a label is attached, therefore, before inserting CD into the slot, take action to remove the label.

This device does not support 8cm (3-inch) CDs.

Avoid inserting 3-inch CDs which were put into 8cm to 12cm CD converters, or warp CDs. If used, the device will not be able to remove the CD.

Fog and dust in the frame of CD may cause damage to CD and scratch on its surface. Therefore, perform a regular cleaning action for your CD frames in determined intervals.

## INSTRUCTIONS FOR USING THE SOUND SYSTEM

2

### 1- Short press: Power ON

- Pressing and holding for more than 2 seconds: Power OFF
- Turning knob: Volume adjustment

### 2- In RADIO mode:

- Short press: Memory No. 2
  - Pressing and holding: Registering current frequency in Memory No. 3
- In CD/USB/SD mode:
- Short press: Selecting previous folder in MP3/WMA files
  - Pressing and holding: Selecting 10 previous file in current folder

### 3- In RADIO mode:

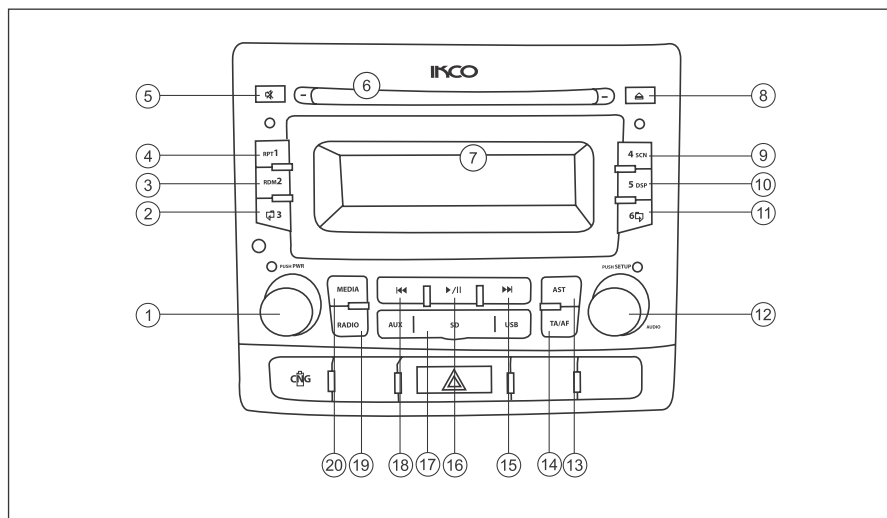
- Short press: Memory No. 2
  - Pressing and holding: Registering current frequency in Memory No. 2
- In CD/USB/SD mode:
- Random playback of tracks

### 4- In RADIO mode:

- Short press: Memory No. 1
- Pressing and holding: Registering current frequency in Memory No. 1

### In CD/USB/SD mode:

- Repeating current playing file/folder



**5- Mute****6- Disk slot****7- Display****8- Disk eject button****9- In RADIO mode:**

-Briefly pressing: Memory No. 4  
 -Pressing and holding: Registering current frequency in Memory No. 4  
 In CD/USB/SD mode:  
 -Short playing of audio files (10 second playing)

**10- In RADIO mode:**

-Briefly pressing: Memory No. 5  
 -Pressing and holding: Registering current frequency in Memory No. 5  
 In CD/USB/SD mode:  
 -Displaying details of audio file with MP3/WMA format

**11- In RADIO mode:**

-Briefly pressing: Memory No. 6  
 -Pressing and holding: Registering current frequency in Memory No. 6

**In CD/USB/SD mode:**

-Briefly pressing: Selecting next folder in MP3/WMA files

-Pressing and holding: Selecting 10 next files in current folder

**12- Briefly pressing: Selecting audio setting**

-Pressing and holding: Entering to system setting

**- In CD/USB/SD mode:**

Selecting Previous/Next track

**13- Briefly pressing: Radio stations automatic searching and saving**

-Pressing and holding: Introducing button of radio stations (10 seconds playing)

**14- Briefly pressing: TA activation/inactivation**

-Pressing and holding: AF activation/inactivation

**15- In RADIO mode:**

-Briefly pressing: Automatic search of radio stations in direction of frequency increase

**In CD/USB/SD mode:**

-Briefly pressing: Selecting next track

-Pressing and holding: Seeking forwards in currently playing track

**16- Briefly pressing: Track playback/pause**

-Pressing and holding: Selecting first track

**17- CD/USB/SD cover****18- In RADIO mode:**

Briefly pressing: Automatic search of radio stations in direction of frequency decrease

**In CD/USB/SD mode:**

-Briefly pressing: Selecting previous track  
 -Pressing and holding: Seeking backwards in currently playing track

**19- Radio band selection****20- Audio source selection**

**(CD/USB/SD/AUX IN)**



## SAFETY BELTS

2

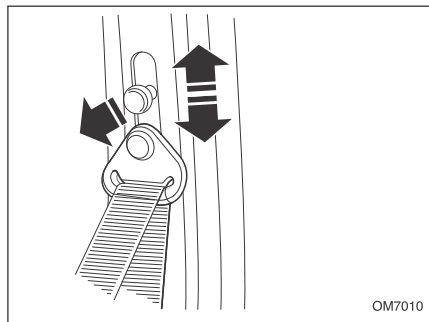


### Fastening Safety Belt

Slowly pass the safety belt through your shoulder and chest and ensure that it is not twisted. Insert the metal latch plate of belt into the buckle, and ensure its locking by hearing a “click” sound. By performing this action in right safety belt on driver’s side, the warning indicator lamp on the digital instrument panel display will be turned OFF.

### Releasing Safety Belt

Press the red button designed on the safety belt’s lock. The safety belts are designed in a way that they involve body skeleton (pelvis, chest, and shoulders), and will have their usefulness and safety functions only when the seat is positioned approximately near the vertical position.



### Front seats safety belt height adjustment

In order to adjust the height of safety belt, pull out the height adjustment button of the safety belt, and move it upwards/downwards for one or several steps. Children are recommended to take only rear seats in respect of safety considerations.

#### CAUTION

Safety belts will have their usefulness and safety functions only when the seat is positioned approximately near the vertical position. Never allow front passengers to use front seats with high inclination in seats backrest. By performing this action in right safety belt on driver’s side, the warning indicator lamp on the digital instrument panel display will be turned OFF.

### Safety belt equipped with pre-tensioner system\*

At time of front collision, safety on front seats is more optimized due to existence of safety belts equipped with pre-tensioner mechanism, and by this mechanism at time of collision, the amount of force burdened on passenger’s chest will be decreased.

Safety belt equipped with pre-tensioner mechanism will functions just once at time of activation of Airbags, after that, the safety belts shall be replaced as soon as possible by IKCO authorized dealers.

#### CAUTION

In case of installation the seat cover for the second time, be careful that the seat cover clamps is not prevented for moving of driver’s seat regulation rods.

#### CAUTION

-In order to avoid weakening the efficiency of safety belt, after fastening seat belt, in order to prevent damaging to shoulder, always put the belt on the shoulder and ensure that the seat backrest is adjusted properly in appropriate position.  
-Avoid entering of external particles especially adhesives in the lock, which will result in malfunctioning of safety belt lock.

\*If installed on your vehicle

**Safety TIPS about safety belts**

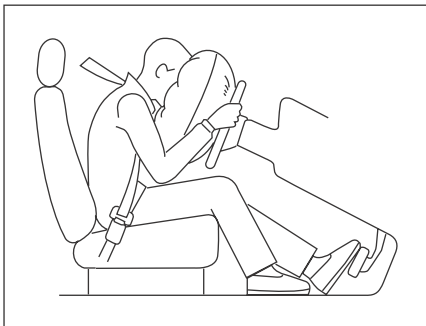
Your vehicle's safety belts are designed for sized of matured persons and only for using one person. Always ensure fastening the safety belts of all passengers and pay attention to the following warnings:

- Never allow the passengers to adjust their seat backrest in a way that it is highly inclined. Safety belts have their complete function providing that backrest inclination angle is 25 degrees in comparison to vertical line.
- Adjust your safety belts in a way that they are not loosen. During driving, never try to drag the safety belt from your body. In order for appropriate performance, the safety belts shall always be in complete contact with your body.
- Lower belt of the safety belt shall not pass through your stomach, its appropriate place of passing is from the pelvis part. The belt shall pass through shoulder and chest diagonally without burdening load to the neck.
- Pick out hard, sharp, or fragile objects like pencil, key, glasses and the like from your clothes before fastening seat belt. Take care that the belts are not twisted and there is no barrier in their way.
- Replace the belts which lost their function and sensitivity in hard collisions or worn out ones.
- Make use of safety belts to fix the object on the seats, if possible. In collisions, throwing of not fixed objects on the seats in vehicle cabin may result in serious injuries.
- In most of the countries, all passengers of vehicle are obliged to fasten their safety belts, except for situations where a person is excluded from this action due to having medical certificate.
- Pregnant women shall pass their safety belt diagonally through shoulder, breasts, and one side of embryo. In case of having any doubt, consult with your physician.
- New design safety belts are equipped with pre-tensioner system in order to control the amount of power burdened on passenger's chest in possible collisions.\*

\*If installed on your vehicle

## AIRBAG\*

2



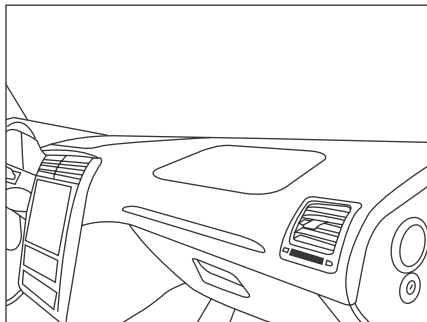
### AIRBAG

If your vehicle is equipped with AIRBAG, further to making use of safety belt, new design of this system has AIRBAG module for driver and passenger.

When the start switch is in ON mode, indicator light of AIRBAG

will be turned on instrument panel display and will flash for 6 times.

In case this lamp stays turned on after this 6 flashes, this indicates an error in AIRBAG, which the vehicle owner shall refer to IKCO authorized dealer as soon as possible, and troubleshoot this error.



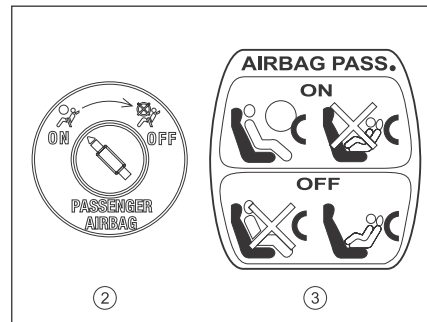
### Passenger's AIRBAG

Inactivation switch of AIRBAG is designed on side part of dashboard.

1- Making use of key, you can turn the inactivation switch clockwise, to inactivate passenger's AIRBAG.

2- In case the AIRBAG switch is in activation mode (ON), seriously avoid putting the child seat (back to front) on the front seat.

3- In case of activation of passenger's AIRBAG in this position, there is possibility of death or serious damage for the child seating on that seat.



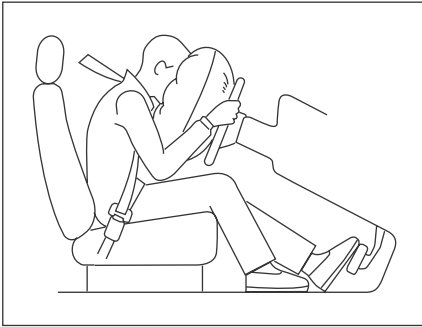
### CAUTION

-In order to obtain more safety, always fasten the safety belts of front seats, therefore, the Airbag will have the best performance in case of activation.




### CAUTION

-In case the Airbag functions for one time, all of its components and parts shall be replaced as soon as possible by IKCO authorized dealer.



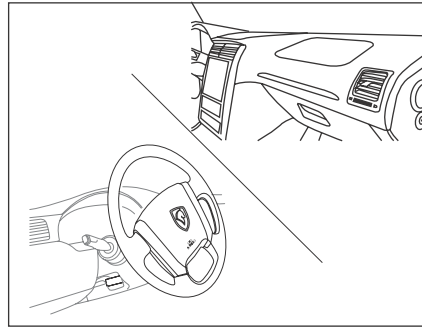
## AIRBAG

Your vehicle is equipped with AIRBAG further to being equipped with safety belt with pretensioner mechanism. When the start switch is in ON mode, the indicator lamp of AIRBAG on the instrument panel display will be turned ON  and will flash for 6 times. In case this lamp stays turned on after this 6 flashes, it indicates an error in AIRBAG system.

Driver's AIRBAG is designed behind the central cover of steering wheel and the words "SRS AIRBAG" are inserted on it in order for the purpose of information of vehicle's being equipped with AIRBAG.

### - Passenger's AIRBAG

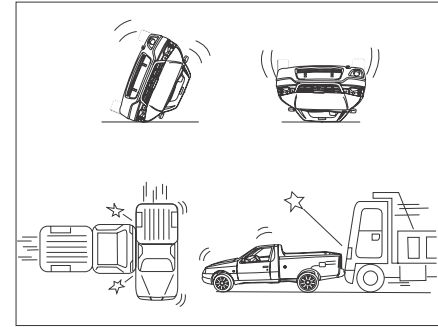
The passenger's AIRBAG is designed on the upper right side of dashboard and the words "SRS AIRBAG" are inserted on it.



The AIRBAG in vehicle is designed in a way that it only functions at the time of severe frontal collision, and this is not designed for reaction in case of encountering with collisions arising from rear or side accidents or overturning of vehicle, or trivial accidents. Actually, this safety system is designed for protection, safety and damage decreasing purposes for the vehicle's driver and its passenger in severe accidents.

The AIRBAG is able to function just one time in one accident, and it will fill and empty greatly rapidly that even you may not be informed of its activation. Activation of AIRBAG neither limits your vision, nor it is such hard that disables you to exit from the vehicle.

It is necessary to know that no system is able to protect passengers from all possible damages of one accident.



## CAUTION

-In case for any reason the warning lamp of AIRBAG did not turned OFF on vehicle's instrument panel display after 6 flashes, the vehicle's owner shall immediately refer to the nearest IKCO authorized dealer and let the specialist to check and control the AIRBAG system. Needless to say that otherwise, responsibility of occurring any happening due to negligence and delay on referring to authorized dealer, shall be borne with revere owner of the vehicle.



**AIRBAG repair and maintenance**

If the AIRBAG functions for one time, all of its parts and components shall be replaced as soon as possible by IKCO authorized dealer.

In order to prevent AIRBAG malfunctioning or untimely functioning, unplug the battery electricity terminal at least for 90 seconds before performing electrical repairs on the vehicle, and put the start switch on LOCK position.

Dismantling vehicles whose AIRBAG did not function is a dangerous task. Refer to IKCO authorized dealers to inactivate the activation charges of pre-tensioner system and AIRBAG.

The AIRBAG has its maximum protection effect when the safety belt keeps your body in appropriate position. Therefore, always adjust your seat in the aftermost position, seat straight and lean in the seat’s backrest.

Never lean in the steering wheel and vehicle door.



**CAUTION**

-Only the belt which are tightened to the limit on the passenger’s body will have required efficiency.

-In order to obtain more safety, always keep the safety belts of front seat as fastened, therefore, the AIRBAG will have its best performance at time of activation.

-Never fix the child safety seat on front passenger’s seat cause the possibility of death or serious injury for the child (seating back to front) will be so high. In case you have no way but using this front passenger’s seat, you shall inactivate the AIRBAG of front passenger by inactivation switch of AIRBAG designed on side part of dashboard, and in this mode, the AIRBAG inactivation indicator lamp of front passenger on the instrument panel display will be turned on.





### Passenger Air Bag Label

This label is on the side part of the glove box and it means that if the air bag arming key is in ON position, do not install rear facing child restraint in the front passenger's seat. It is dangerous for passenger sitting on the front seat while air bag arming key is in OFF position. Arm the air bag to protect the front passenger as soon as taking out the child restraint from front passenger's seat.

Make sure that the front passenger air bag's disarming light on instrument cluster to be off.



### CAUTION

- Any type of repairs and operations on the passenger's safety system (pre-tensioner, AIRBAG, electronic control unit (ECU), wiring, etc.), or making repeated use of this system in another vehicle, even if they are similar, is strictly prohibited.
- Certainly make use of the standard steering wheel manufactured by the company and in no way replace it.
- Covering the AIRBAG on steering wheel is strictly prohibited.
- Never attach any tool (pin, logo, watch, mobile phone holder, etc.) on the AIRBAG.
- Applying any change on AIRBAG system is prohibited.
- Check all the instruments of passenger's safety after accident.
- In order to guarantee appropriate performance, and avoid sudden activation of AIRBAG and occurring damage, only the trained personnel of IKCO authorized dealers are allowed to perform any repair or manipulation on the pre-tensioner system or AIRBAG.
- Activation or inactivation of passenger's AIRBAG shall be performed only when the vehicle engine is powered OFF.\*
- In case of occurring any error in activation/inactivation switch of front passenger's AIRBAG, fixing child safety seat on the front seat in the position of back to road is strictly prohibited. \*
- Non-use of safety belts by front passengers, will result in physical damage in case of AIRBAG activation.



---

# 3 DRIVING

INDICATOR LAMPS OF INSTRUMENT PANEL DISPLAY .....	50
LAMPS AND INDICATORS .....	51
DIGITAL DISPLAY GUIDE .....	57
STARTING AND DRIVING .....	58
ENGINE POWERING ON .....	58
SNOW WIPER AND GLASS WASHER.....	59

\*If installed on your vehicle



## INDICATORS OF THE INSTRUMENT PANEL DISPLAY

---

### Indicator lamps and gauges (Below photo)

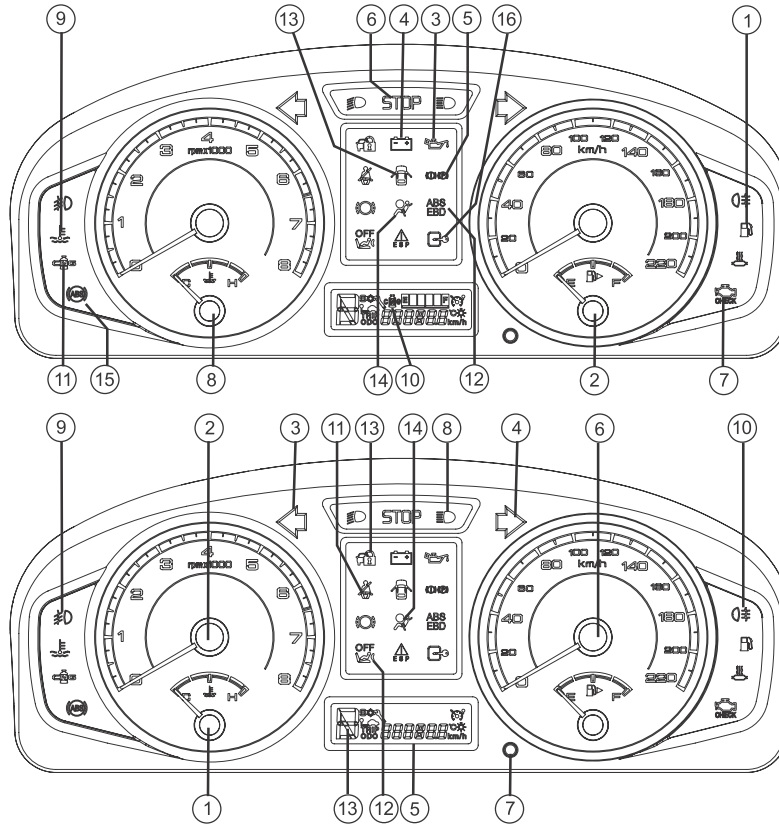
- 1- Low beam indicator
- 2- Tachometer
- 3- Left turn indicator lamp
- 4- Right turn indicator lamp
- 5- Engine digital Instrument panel display involvement warning lamp
- 6- Speedometer
- 7- Button of Change mode, reset, and instrument panel luminance adjustment
- 8- High beam indicator
- 9- Front fog lamp
- 10- Rear fog lamp
- 11- Driver's safety belt
- 12- Passenger's AIRBAG inactivation warning lamp\*
- 13- Alarm system indicator\*

### Instrument Panel Gauges and Signs Display Warning Lamps and Indexes (Above photo)

- 1- Minimum fuel level warning lamp
- 2- Fuel gauge
- 3- Engine oil pressure warning lamp
- 4- Battery charging warning lamp
- 5- Low brake fluid level or parking brake involvement warning lamp
- 6- Emergency stop warning lamp
- 7- Malfunction warning lamp
- 8- Cooling system fluid temperature gauge
- 9- Cooling system high water temperature warning lamp
- 10- CNG mode indicator lamp\*
- 11- CNG fuel level digital gauge on instrument panel\*
- 12- ABS/EBD brake indicator lamp\*
- 13- Door ajar warning lamp
- 14- AIRBAG activation indicator lamp
- 15- ABS warning lamp\*
- 16- Immobilizer indicator lamp

\*If installed on your vehicle

## INDICATORS OF THE INSTRUMENT PANEL DISPLAY



\*If installed on your vehicle

## INDICATORS OF THE INSTRUMENT PANEL DISPLAY

---

**Fuel gauge:** When the switch is OFF, the pointer is located on zero, and by opening switch, the pointer will show the fuel level in tank. When the fuel level in tank is low (approximately 7 liters), the minimum fuel level warning lamp will turn on. In this case, refuel as soon as possible, the capacity of fuel tank is 52 liters.

**Tachometer:** The tachometer shows the engine rotation per minute (RPM). In order to prevent damaging to engine, never allow the tachometer pointer to stay in red color range for a long time.

3

**Speedometer:** This shows the engine speed in kilometer per hour.

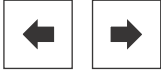
**Coolant liquid thermometer:** This pointer shows the temperature of engine coolant liquid. When the engine reaches to normal working temperature, the indicator pointer located lower than the midline of the graded plate, and will remain in this range as long as the engine keeps on working in normal conditions. If the indicator pointer reaches to red color range, it means overheating of coolant liquid, which will cause damaging to engine. In such situation, and by observing safety points, STOP the vehicle, and take action to eliminate this problem with assistance of skilled persons.

**Possible reasons:**

- Error in cooling fan; check the fuses and replace them if necessary.
- Leakage in cooling system; wait until the engine cools, then, check the coolant liquid level.
- Error in performance of water pump.

**Change mode and reset button:** This button is used to show different modes in digital display and resetting information in related mode.

**Turn Indicator Lamps – Green**



Direction of turn indicator lamps (left turn and right turn) is marked with arrows. In turning left or right, these indicator lamps will flash simultaneously with turn indicator lamps. In case of using flasher (warning lamps in emergencies), both arrows will function simultaneously. In case one of the indicator lamps flashed very quickly, it means malfunctioning of one of lamps of that direction.

**TIP:** This mode will occur when one of the turn indicator lamps of front or back is not functioning. In case one of the side turn indicator lamps is not functioning, it will have no impact on the flashing speed of arrows.

**⚠ Important attention:**

If vehicle speed deceleration (severe brake) occurs for any reason, the warning system will turn on flasher automatically for 10 seconds, this action is deemed as speed deceleration warning action.\*



**Front lamps low beam – Green**

This indicator lamp will be turned on when using low beam.



**Front lamps high beam – Blue**

This indicator lamp will be turned on when using high beam.



**Front fog lamp – Green\***

This indicator lamp will be turned on when using front fog lamp.



**Rear fog lamp – Orange**

This indicator lamp will be turned on when using rear fog lamp.

\*If installed on your vehicle

## WARNING LAMPS

STOP

### Emergency STOP command – Red

By turning on this indicator lamp, STOP the vehicle and power OFF engine, then, immediately call authorized dealer or repair workshop.



### CAUTION

If the STOP lamp turns on for any reason, the driver shall not continue driving, and in case of driving continuation, any damage shall be borne by the vehicle owner.

3



### Engine malfunction warning lamp – Orange

When the engine malfunction system diagnoses an error, this warning indicator lamp will be turned on. When the switch is in second position (OPEN mode), this lamp will be turned on showing system analyzing, which will be turned off after the engine is powered OFF. In case an error occurs in engine during vehicle movement, this lamp will be turned on again.

TIP: If the indicator is turned on and vehicle functions normally, you shall refer to authorized dealer. You can keep on driving in this mode.

If the indicator turns on and the vehicle does not function normally, avoid driving at high speed, and refer to authorized repair workshop immediately.



### Engine oil pressure warning lamp – Red

By positioning the switch in second mode, this indicator lamp will be turned on showing the lamp is functioning well, and will be turned off when the engine powers on. In case engine oil pressure warning lamp stays turned on after the engine is powered on, or if it turns on during vehicle movement, the engine is exposing to risk of serious damage, and shows that the engine oil level is not enough or lack of engine oil is lubrication system, in this case, you shall **STOP the vehicle** immediately observing safety points, and power OFF the engine. Before driving again, please seek help from Emdad Khodro Center.



### Battery charging warning lamp – Red

By positioning the switch in second mode, this indicator lamp will be turned on showing the lamp is functioning well, and will be turned off when the engine powers on. In case battery charging warning lamp stays turned on after the engine is powered on, or if it turns on during vehicle movement, it shows that an error has occurred in battery charging system. Refer to authorized repair workshop as soon as possible to eliminate this error.



**Door ajar warning lamp – Red**

If this lamp is on, it indicates that at least one door is not closed appropriately. This indicator function even when the engine is powered off. Avoid driving when this indicator lamp is on.



**Brake warning – Red**

This indicator lamp will be lighted when powering on vehicle for a few seconds, then, it will be turned off. This also will be lighted when the parking brake is raised or when the brake fluid level is low.

In case the brake system warning indicator lamp did not light at time of starting vehicle, or stays on, or stays on when the parking brake is released, immediately refill the brake fluid reservoir, and if it stays on when the brake fluid reservoir is filled and parking brake is released, transfer the vehicle taking into consideration safety points as soon as possible to authorized repair workshop in order to check and eliminate this fault.



**Driver's safety belt – Red\***

By locking the latch plate of driver's safety belt into its buckle and hearing click sound, we ensure its locking. By performing this action, the related indicator lamp on the instrument panel display will go out.



**ABS EBD ABS warning brake – Orange\***

At time of powering on the vehicle, this indicator lamp will be on and then off several seconds later. If the warning lamp does not turn on when powering on the vehicle, or stays on after powering on the engine, this suggests a fault in ABS system. If so, transfer the vehicle taking into consideration safety points as soon as possible to authorized repair workshop in order to check and eliminate this fault.



**Driver's AIRBAG warning lamp – Red\***

This indicator lamp will flash for 6 times by powering on the vehicle, then it shall go out, and in case this lamp stays on, it suggests a fault in AIRBAG system and you shall refer to authorized dealer, otherwise, the responsibility of that shall be borne with the vehicle owner.



**Passenger AIRBAG inactivation warning lamp – Orange**

If this lamp is on it suggests inactivation mode of passenger's AIRBAG. As long as the passenger's AIRBAG is inactivated, this lamp will stay on, in case the warning lamp alights in flashing mode, you shall call one of the IKCO authorized dealers.

## WARNING LAMPS

---



### **Minimum fuel level warning lamp – Orange\***

There is a warning lamp next to the fuel gauge. If this warning lamp turns on, it suggests that less than 7 liters fuel is remained in the fuel tank. In this case, you shall take action for refueling as soon as possible.



### **Coolant liquid overheating warning lamp – Red\***

Coolant liquid overheating warning lamp is designed next to coolant liquid temperature gauge. If the pointer of cooling system is Located in red area, and this warning lamp turns on, immediately stop the vehicle (without powering off the engine) and seek help from an authorized expert.



### **Alarm system – Red**

This indicator lamp's turning on and off means that alarm system of vehicle is active.



### **CNG fuel status indicator lamp – Green\***

In case of activation of CNG fuel, this indicator lamp turns on, and at time of changing fuel status from gasoline to CNG (fuel shift), this indicator will function in the form of flashing.



### **Immobilizer indicator lamp - Red**

This indicator lamp will flash once a second, after turning off the vehicle, which indicates that the immobilizer system of vehicle is active.

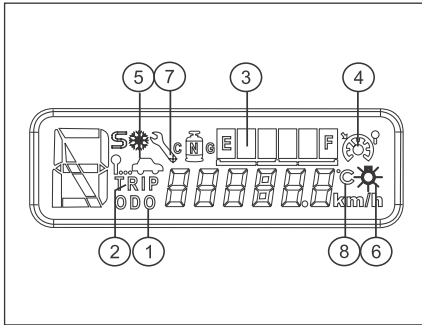


### **Passenger AIRBAG fault warning lamp – Orange\***

In case of turning off the passenger AIRBAG, this lamp will alight.

If this lamp is on it suggests inactivation mode of passenger's AIRBAG. As long as the passenger's AIRBAG is inactivated, this lamp will stay on, in case the warning lamp alights in flashing mode, you shall call one of the IKCO authorized dealers.

\*If installed on your vehicle



### Digital display guide

This display is located on lower part of instrument panel display (at lower part of speedometer), and will show you the following information by pressing the button which is known as Reset button and Change Mode button.

Briefly pressing the change mode button will result in change mode, and pressing and holding this button for 2 seconds will reset the information in related mode. (the information are able to be reset.)

### Resettable information

1- This mode which is visible immediately after opening the vehicle switch, is related to displaying the total distance travelled by the vehicle from the time of delivery of vehicle

in Km, and is not resettable. (If it is set to be in this manner previously, otherwise, this mode will be visible when the switch is OFF.)

2- This mode shows the distance travelled by vehicle from the time you reset it by pressing the reset button (in Km), pressing and holding reset button for 2 seconds in this mode will reset the trip amount.

3- This indicator on LCD will show the amount of CNG on pressure in tank and consists of 6 black tapes, and all of 6 tapes are alighted in case of complete CNG pressure, and by decreasing the CNG pressure, the number of alighted black tapes will decrease. Low CNG pressure in the tank will emerge by flashing the first tape on LCD, and the last tape will go out by finishing the CNG pressure.\*

4- Turning on/off of this indicator lamp will show the activation/inactivation mode of cruise control system.\*

5- This mode of display show the average speed from the time you reset it by pressing the adjustment button. Pressing and holding reset button for 2 seconds in this mode will result in resetting the amount of speed.\*

6- This mode indicates the luminance of instrument panel , and by change

mode button, the amount of luminance is adjustable. Pressing and holding change mode button for 2 seconds will make the this sign start to flashing. In this mode, by each pressing the button, one of the signs will turn on and luminance of instrument panel will increase.


To exit this mode, press and hold the related button for 2 seconds.\*

7- The service indicator lamp will alight on the LCD in case of alighting one of the lamps of ABS, brake pad, or AIRBAG.\*

8- External air temperature display\*

### Lamps – Horns

#### 1- Rear fog lamp

 This lamp will alight only when the headlamps (low or high beams), or front fog lamp, is ON.



#### Warning

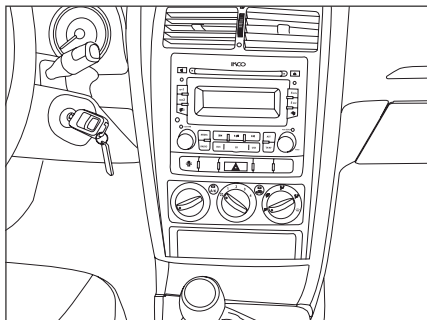
If the **STOP** lamp turns on for any reason, the driver shall not continue driving, and in case of driving continuation, any damage shall be borne by the vehicle owner.

\*If installed on your vehicle



## POWERING ON ENGINE

3



### Powering on engine

**1- Position D:** Starting – Immediately release the switch after engine powers on. In this mode, you shall not pull the accelerator pedal.

When the engine powers on, the following warning lamps will go out.

- Engine oil low pressure warning lamp.
- Cooling system liquid overheating.
- Battery charging.
- Diagnostic instrument.
- Emergency STOP.
- Engine oil low level warning lamp (if the parking brake lever is released) or parking brake involvement.

\*If installed on your vehicle

### Useful suggestions

Powering on engine: Never power on your vehicle engine in closed areas, because the smoke of exhaust has deadly gas of carbon monoxide. Before starting, adjust the gear shift lever in neutral (N) mode and raise the parking brake lever. Turn the switch, and pay attention that surely both lamps of engine oil warning lamp and battery charging lamp are turned on, then take action to start the engine, and after powering on the engine, it is better to move the vehicle in gear 1 mode, and make use of heavy vehicle for a few time.

### TIP

In case your vehicle is locked making use of remote switch, and you take action to unlock the vehicle by means of mechanical switch, the alarm system activates in this mode, which will result in activation of alarm.\*

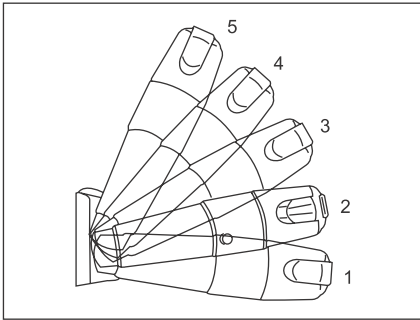
### ATTENTION

Pull down the clutch pedal to the limit in order to ease in powering on the engine in temperatures below zero.



### Caution

-When the vehicle is at driving mode, avoid powering off the vehicle or taking out the switch, because the steering wheel will lock in this mode and its steering will be impossible.  
-Seriously avoid starting the vehicle engine and keeping it powered on for long times in roofed areas.



### Windshield washer and snow wiper

#### Front windshield

#### Snow wiper lever positions:

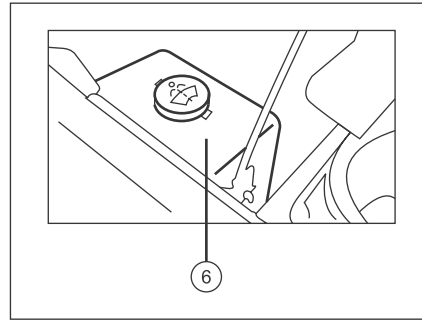
**1- Normal wiping speed:** (until the snow wiper lever remains in this state by hand pressure.)

#### 2-STOP

**3-Intermittent move of snow wiper**

**4- Normal wiping speed**

**5- Quick wiping speed**



### 6-Windshield washer reservoir

Regularly check the level of windshield washer liquid reservoir. In order to prevent sedimentation of nozzle heads, always make use of special windshield liquid.



#### Warning

-Never make use of anti-freeze and water to fill the windshield washer liquid reservoir. This action will be damaging for vehicle painting.



---

# 4 VEHICLE MAINTENANCE

MAINTENANCE .....	62	FUEL CONSUMPTION TIPS .....	71
ENGINE COMPARTMENT .....	63	MECHANICAL STATUS OF VEHICLE .....	74
QUALITATIVE SUGGESTIONS FOR WASHING PROCESS...	64	SAFETY CARE .....	75
CAPACITIES .....	66	BATTERY .....	76
REPLACING OIL .....	67	TIRES .....	78

## VEHICLE MAINTENANCE

4

### Vehicle body maintenance Preventive measures at time of manufacturing

- Making use of appropriate plate with special cover for surfaces which are exposed of more damage.
  - Protective shield beneath the vehicle body skeleton.
  - Soaking the vehicle body in electrophoresis laver for initial lining color.
  - Insulation work special for internal parts of fenders.
  - A protective layer against painting scratches on external layer of doors thresholds.
- The above measures shall be completed through vehicle maintenance according to manner of its use.

### Corrosion

Small scratches on the painting shall be immediately repaid in order to prevent any kind of corrosion.

### Oily stains

Mud, oil, birds or insects droppings, or burned oil will damage the vehicle painting. Wash the stains regularly with water without trying to wear away. In order to clean a tar stain, make use of appropriate solvent to prevent damaging to painting or plastic parts.

### Severe heat or cold

Do not wash the vehicle under severe exposure of sunlight or severe cold weather. In winter, you shall not park the vehicle in areas with inappropriate ventilation or with temperature upper than 18 degrees centigrade.

### Washing

Regularly wash the vehicle, especially if you park it under the trees or drive in polluted areas, or if you use it near the sea, in snow weathers, or salt applied roads.

### Lubricating

Regularly lubricate the locks and hinges of engine hood and those of side doors.

Interior parts of vehicle

### - Seats:

In order to clean the stains on seats surfaces, make use of standard cleaning agents.

### - Dashboard

There is no need to make use of cover in order to maintain the dashboard, because it has appropriate resistance against sunlight, heat and cold. In order to clean oily stains and other pollutions of dashboard, only make use of standard cleaning agents.

### Vehicle's internal parts maintenance Cleaning

**Clothing parts:** apply dry-cleaning.

**Plaster parts:** In order to clean dashboard cover, internal cover of doors, and ceiling, only make use of warm water and soap or industrial alcohol, and making use of gasoline is not at all recommended.

**Wooden parts:** Only make use of warm water and soap, and avoid making use of cleaning agents containing alcohol or carbohydrates.

**Safety belts:** Only make use of warm water with soap, and take care not to touch metal parts. No cleaning agent or chemicals are allowed to be used.

### Cleaning stains from vehicle trims Dirty stains, chocolate, sugars and sweats, syrup and juice

To clean these materials from the plastic upholstery or leather ones, you can make use of soapy water. Fabric upholstery shall be cleaned by warm soapy water in addition to ammonia solution 25% or vinegar.

**Vomit stain or foodstuffs:** These stains shall immediately be cleaned with water, or its better to clean them with white vinegar.

**Blood stain:** Only make use of cold water to clean it.

**Ink stain, pen ink, or auto-pen ink:** for each upholstery, alcohol 90% or trichloroethylene shall be used.

**Tar or oil stain:** To clean every type of upholstery, you shall make use of turpentine or white alcohol.

**Engine oil stain:** To clean all types of upholstery, you can make use of gasoline, industrial alcohol, alcohol 90%, or methanol.

**Tar stain:** Make use of gasoline or turpentine oil to clean such stains.



### Warning

- Clean any type of stain on fabric surfaces only by carpet shampoo and sponge.
- Blue tapes on the exterior surface of side mirrors, glasses, front fenders, etc., shall be removed. In case of staying for long time, they will cause problem.

**Engine compartment**

**Alternator – fan belt**

The alternator charges the battery by means of a closed circuit transistor relay, which maintenance is neither possible nor necessary. Alternator bearings were under continuous lubrication during assembly, and that's why they do not need repeated lubrication.

**ATTENTION**

In order to make possible using more electrical parts, 80 ampere alternator is installed on the vehicle, therefore, pay attention to use a 80 ampere type of alternator when it is needed to replace it.

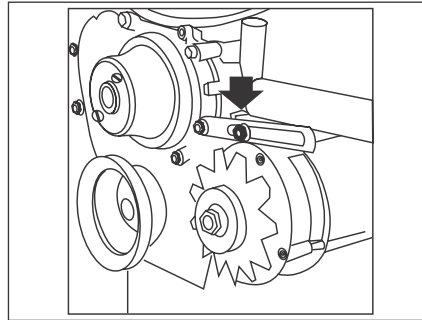
**Tuning the elongation of fan belt**

Appropriate elongation of fan belt is obtained when its total amount of moving is 16 mm.

To tune the belt elongation, first loosen the nuts and bolts of alternator as shows in figure, and move the alternator until belt elongation adjusts appropriately to its correct amount for the vehicle.

Then fasten the bolts, then run the engine for a few minutes to run the belt for a while. Then power it off, and test the belt elongation again. This action shall be done every 8000 kilometers. Qualitative tips on vehicle washing process

1. In normal conditions, it is recommended to wash the vehicle once a week.
2. As much as possible, perform vehicle washing process in the shadow.
3. Pay attention to start vehicle washing process

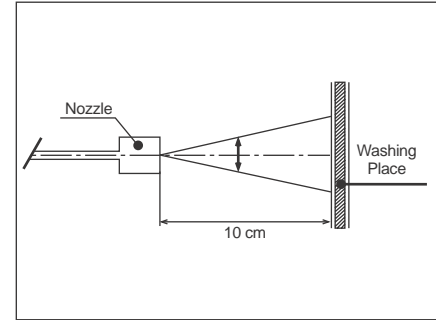


at least half an hour after stopping the vehicle.

4. At time of vehicle washing/drying, it is recommended not to wear sharp, cutting or rough clothes or tools which may cause damaging to vehicle painting. It is recommended to wear plastic gloves during vehicle washing. Further, in order to protect vehicle body during washing, make use of lukewarm or cold water. Never make use of hot water. Also, it is recommended to use only waxes and polishing materials which are not at all corrosive.

5. During vehicle washing/drying, you shall not stand on the door thresholds or force out on the vehicle roof or body. Also, it is recommended to use leather or cotton fabrics in order to clean, polish and to avoid scratching on vehicle body.

6. For the brake fogs are so corrosive, to wash the vehicle, the wheels shall be washed first, and after replacing the fabric or water bucket, you can wash the other parts of vehicle from up to down. Also, in case of using aluminum



rings and chrome metal plates, a smooth and clean fabric soaked into water and soap is recommended to be used for washing. It is necessary to be mentioned that, the ring surfaces as like the painted surfaces of vehicle body are sensitive, and it is recommended not to use severe chemicals, chemical agents, acid agents, and corrosive materials like polishing materials. Chrome polishing materials shall only be applied to polish the chrome metal plates on the aluminum rings.

**ATTENTION**

Whenever you felt your engine is functioning faulty (faulty run), immediately stop the vehicle and take action to eliminate the problem at place or two the vehicle by means of another vehicle to an authorized repair workshop to eliminate this fault. Otherwise, risk of firing from the part of catalyzer exists.

## VEHICLE MAINTENANCE

7. Maximum water temperature for vehicles washing is 60 degrees centigrade, maximum pressure is 65 bar, distance of water nozzle and place of washing is 10 cm, and water shall be sprayed at 25 degrees angle. This angle is actually the angle which is created by water exit from nozzle in two sides of longitudinal axis (along the water exit), as you see in above picture.

4

### 8- Specifications of appropriate water for vehicle washing

It shall has low alkaline power (PH=9-7).

- Contains appropriate lubricant to protect the shining layer against any scratch and spiral effect. Liquid washers are preferred.
- Without materials affecting on the vehicle after being dried.
- Containing shining agents to keep glossiness and dry quickly.

9- Regarding vehicles with metallic painting and two layer paintings, making use of automatic vehicle washes applying circular brushes for washing is not very recommended.

10- In case of seeing any stain, like birds droppings , trees gums, etc., due to possibility of their penetration into body painting, it is recommended to take required action immediately for washing and eliminating stain from painting surface.

### Locks and tires

- Lubricate the doors locks with graphite-bearing oil.
- Grease the doors with paraffin.

### Air inlet vent into the vehicle

Take care that external air inlet vent (at lower part of windshield) not to be blocked by snow, ice or leaf.

### Parking brake

Avoid making use of parking brake to park the vehicle for a long time in freezing weather. In such situations, put an object on front of wheels, or park the vehicle at position of reverse gear or gear one.

### Battery

Regularly check the battery charging status on winter.

### Lamps and indicator lamps

Check the headlamps and other lamps in respect of cleanliness and appropriate functioning.



### Warning

During driving, take care that parking brake is completely raised, (brake off indicator), because, the risk of brake pads overheating exists.

### Vehicle body

At the end of winter, wash the vehicle completely and pay required care to wash lower parts of vehicles body and fenders.

Regular balancing and replacing oil of different sections of vehicle is a major factor to reinforce strength and increase their lifetime, and that's why, the determined intervals of checking oils shall be exactly observed. Another important point is that you shall use and add the oils exactly according to determined amount and type of oils, otherwise, severe faults and damages may inflicted on the vehicle. Taking into consideration different weather conditions and air temperature, please study the table of locally produced oil which are appropriate to be applied for different parts of vehicle.

### ATTENTION

Between engine oil replacing intervals and regular services, take care to check and measure engine oil by means of special index every 400 kilometer for more reliability.

### REMINDER

Applying inappropriate brake fluid will damage different rubber parts of brake system. Brake fluid will remove the vehicle body painting. Pay required attention when you are willing to use it.

## VEHICLE MAINTENANCE

Capacity	Type of fluid	Vehicle section
Without filter 3.97 liter With filter 4.5 liter	10w40/20w50	Engine
2.40 liter	SAE75W140/SAE80W90	Gearbox
1.2 liter	85W90/EPS90	Differential
0.55 liter	DOT 4	Brake
0.50 liter	Dexron II, III	Hydraulic steering wheel

4

Type of fluid	Vehicle section
Multi-purpose grease grade II (Grease)	Battery fittings
Engine oil	Tubes, handles and locks
Multi-purpose grease grade II	Front wheels hub
Multi-purpose grease grade II	Restoring springs of parking brake

Electric parts	
0.9 KV / 12 V	Start
80 A / 12 V	Alternator
60 AH / 12 V	Battery

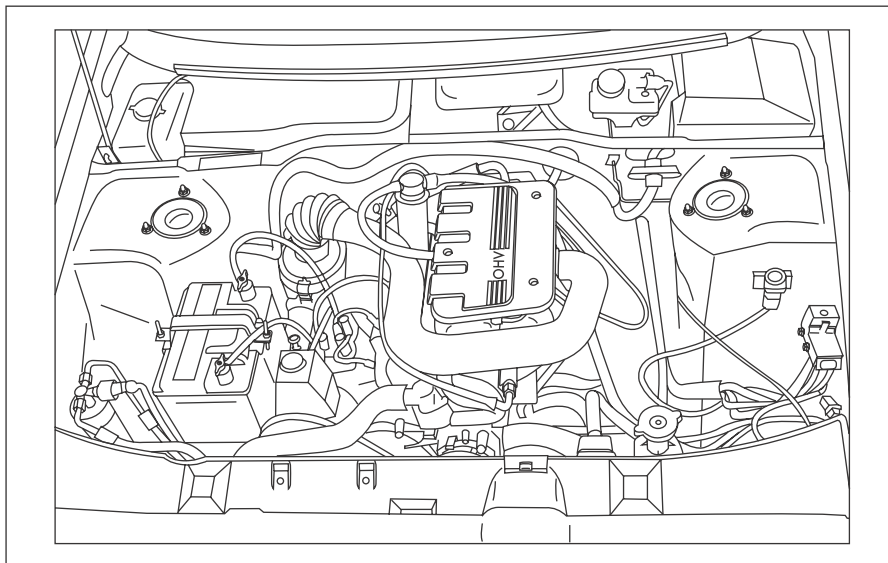


## VEHICLE MAINTENANCE

### Capacities

Engine oil (without filter)	3.97 L
Oil filter	0.56 L
Gearbox fluid	2.4 L
Differential fluid	1.2 L
Brake fluid	0.550 L
Gasoline tank	52 L
Cooling system with heater	6.6 L
Windshield washer reservoir capacity	2.7 L
Hydraulic steering wheel	0.5 L

4



**Replacing engine oil**

Taking into consideration the quality of introduced oil, amount of kilometer for replacing oil is recommended each 6000 kilometers in normal conditions and each 4000 kilometers in hard conditions.\*

**Checking engine oil level**

Level of engine oil shall be checked regularly and its shortage shall be procured between the intervals of oil replacing.

Level of engine oil is measured while the vehicle is parked on a level ground and also the engine is cold, by means of the engine oil dipstick on which there are two limit marks appropriately.

Mark H: High limit marking

Mark L: Low limit marking

**Oils checking and replacing**

Level of engine oil shall not be upper than the H marking, or lower than the L marking. If the engine oil is located on L marking, the amount of 1 liter oil shall be added to reach to H marking, and if it is between these two limit markings, the required amount of engine oil shall be added, also take care that the engine oil level shall not exceed the H marking.

**Burned oil**

- Avoid any long contact of burned oil with body skin.
- Never pour the burned oil on water channels or on the ground.
- In order to ensure appropriate and long performance of the vehicle engine, no additive shall be added to engine oil.

**Gearbox fluid checking**

The fluid exists in the gearbox at time of new vehicle delivery shall be checked according to service table in determined intervals.

The gearbox fluid is not required to be replaced, and you shall just check the level of fluid in each step of service.



**Caution**

Hydraulic steering wheel fluid is very toxic and shall be kept in closed container, out of reach of children. If you eat it unintentionally, refer to the physician as soon as possible.



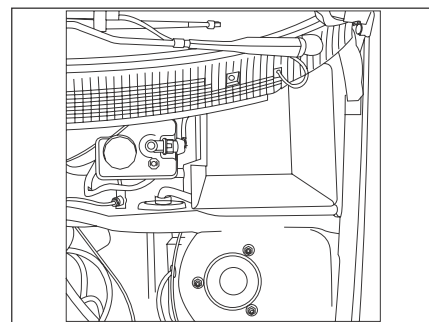
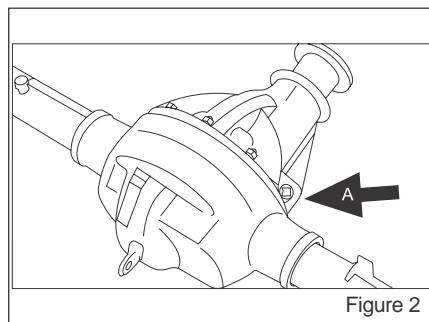
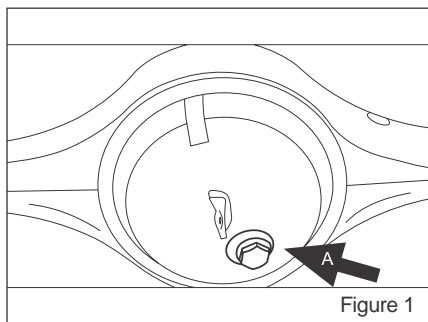
**Warning**

Never mix the oil with other additives, this action may inflict severe damage to vehicle engine.

\*Short and repeated stops during vehicle use, driving at heavy traffics, trailer towing, long driving at high speed, short distances with cold engine in low temperature, hot weather in temperatures over than 30 degrees centigrade, freezing weather often in temperatures lower than 15 degrees centigrade, foggy climate, and also making use of inappropriate oil or fuel.

## VEHICLE MAINTENANCE

4



### Differential fluid checking

At time of delivery of new vehicle, its differential is filled with fluid. In each step of regular services, the differential fluid shall be checked. For this purpose, at first park the vehicle on a balanced and level ground, at then, completely clean around the differential fluid release bolt, unscrew the bolt of cap of A channel, and check the fluid level. Correct amount of fluid in differential is when it is filled up to thread of abovementioned bolt. (Figures 1 & 2)



### Caution

- Brake fluid is severely toxic, and shall be kept in closed container, out of reach of children. In case of eating brake fluid, you shall immediately refer to physician.
- Avoid contact of brake fluid with hand and eyes. In case of contact with the skin, wash the relevant place with plenty of water, and in case of contact with eyes, refer to the physician after washing.
- Take care not to pour brake fluid on hot engine due to existence of firing possibility.

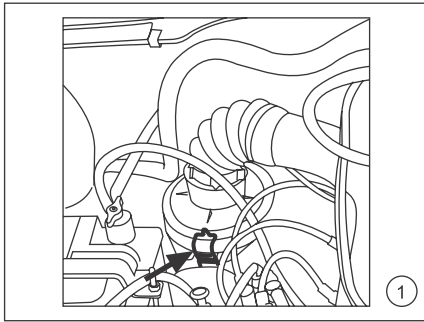
### Front wheels grease checking

After 8000 kilometers driving, grease application shall be done for the hubs of front wheels. For this purpose, you shall take out hub lid and clean it completely, the check the ball bearings and fill them with grease.

### Engine oil checking

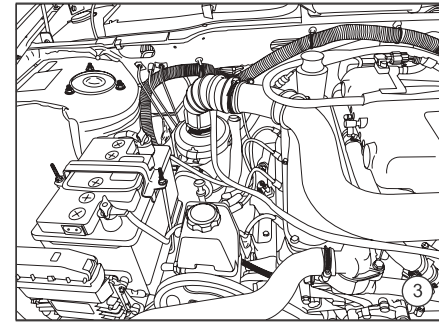
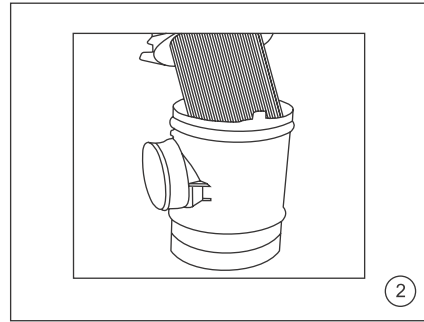
The brake fluid shall be poured in a reservoir located on front and in the engine place near to steering rod. Check the brake fluid in such reservoir once a 1600 kilometers, and fill the reservoir if required up to 12 mm left to upper level of reservoir. Adding fluid shall be done at long intervals, and if fluid reduces down in a significant amount, this suggests brake system fluid leakage, and its place shall immediately be determined and repaired.

Take care that air ventilator in brake fluid reservoir is not blocked, because its blockage will result of brake fluid leakage. Brake fluid use in ARISUN shall have at least DOT4 standard.



**Air filter replacing (Figures 1&2)**

In order for ease of air filter replacing, the compartment of air filter is fixed on the vehicle body, and for replacing the air filter, it is enough just to unscrew its two metal clamps fixed on it.



**Fluid steam ventilation filter and diffused gases of carter chamber**

Returning the diffused gases of carter chamber is done by means of a forked-duct, 2 plastic separate ducts to air inlet tube, and by a nozzle to air manifold. (Figure 3)

## BATTERY SERVICE AND MAINTENANCE

### Do you Know...

The main task of gasoline filter in vehicles is to refine and absorb the particles and impurities of gasoline, and help to optimize fuel combustion in vehicle's engine cylinder.

Usually, in interior structure of gasoline filter, the special papers with tiny holes are used, which will be blocked by passing time due to absorption of gasoline particles.

Blockage of gasoline filter holes will reduce its efficiency, and will cause disorder in engine combustion process and will increase unwanted fuel consumption.

Therefore, according to following items:

- Existing environmental and road conditions
- Better fuel combustion in engine
- Not to apply unwanted and unnecessary force on gasoline pump
- Not to increase fuel consumption

take action to replace gasoline filter for injector vehicles and install standard filter, **at most after each 20000 kilometers.** Making use of standard filters approved by IKCO industrial group is necessary. It is recommended to avoid replacing gasoline filter in miscellaneous repair workshops, some of personnel are not familiar with manner of plugging and unplugging instant connection circuit connected to

gasoline filter, and perform this action as much as possible in authorized repair workshops and authorized IKCO dealers, who are benefiting from special tools and trained personnel.

### Fuel consumption Tips

In order to reduce fuel consumption and obtain the least fuel consumption amount for your vehicle, pay attention to following items:

- Always ensure engine health, by performing regular checks and observing vehicle maintenance rules (on-time replacing of air filter) based on the information inserted on Owner's manual.
- Make use of appropriate tire for the vehicle (based on Owner's Manual) and always adjust tire's inflation pressure.
- Drive with patience and avoid unnecessary acceleration and deceleration during driving.
- Avoid driving at high speed on roads. Minimum fuel consumption (appropriate) is obtained in fixed speed of 90 Km/h.
- Take out extra loads from the vehicle.
- In long-term stops, power off your vehicle.

- Adjust your urban travels in a manner that not to be driving at rush hours or heavy traffic roads.
- Park your vehicle in appropriate place in different seasons of year (roofed areas, shadow places).
- During driving on steep slope, make use of appropriate heavy gear, in a way that there is no need to pull the accelerator pedal.

### Fuel saving

Thermal Protective plate of exhaust manifold

For the purpose of removing effects of thermal radiations of exhaust manifold to throttle and air manifold set, a protective plate is designed between air manifold and exhaust.

### Fuel consumption

Fuel consumption is not just depends on vehicle designing, but is also depends on vehicle maintenance manner. In case of complying with the following tips, you will be able to reduce fuel consumption significantly.

**Tip:** Blocked air filter will reduce engine power. If the vehicle is used in unpaved road, please shorten the interval of filter replacement.

**Engine and gearbox Running-in (Sealing)**

Gradual running-in of a new engine and drive transmission system (gearbox and differential) is of high important in the vehicle, which shall be under complete care of the driver, because in this case, you can be ensured that different components of vehicles in a long-term period will have their most efficiency at lowest cost. It shall be added that, lubrication process of different parts is of special importance not only about the engine and gearbox, but also in other parts of chassis including wheels bearings and other driving parts of a vehicle. This process shall be completed through a gradual manner during first 3000 km of driving.

It shall be considered that during running-in period, no extra load shall be inflicted on the engine, for example driving at 4th gear at low speed on uphill roads. In these cases, lower speed gears (heavier gears) shall be used. Showing patience for a new vehicle in running-in period (sealing) is of great important both at driving mode and idle mode.

At first 800 kilometers of driving, the maximum speed shall be observed as following:

Gear 1: 15 Km/h.

Gear 2: 30 Km/h.

Gear 3: 50 Km/h.

Gear 4: 65 Km/h.

Gear 5: 80 Km/h.

From 800 kilometers of driving up to 1600 kilometers, the vehicle speed shall not exceed the following numbers, and after that, increasing speed can be done gradually:

Gear 1: 20 Km/h.

Gear 2: 40 Km/h.

Gear 3: 60 Km/h.

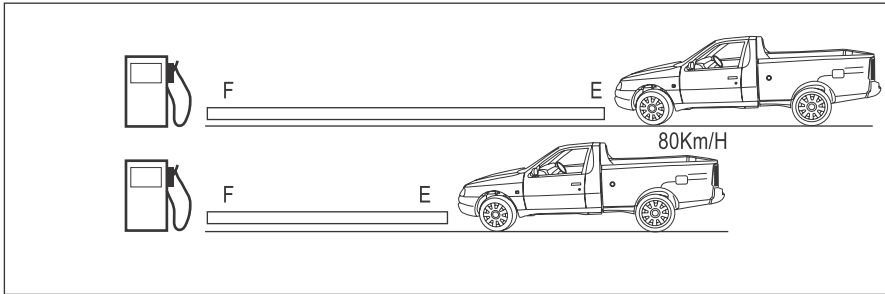
Gear 4: 80 Km/h.

Gear 5: 90 Km/h.

After finishing the first 800 kilometer driving, drive to IKCO authorized repair workshop for performing free service and checking, the sheet of free service and list minutes will be delivered to you at time of vehicle delivery. All of IKCO authorized repair workshop will take action to perform required service by presenting free service sheet, providing that the abovementioned card is sealed and signed by IKCO.

**ATTENTION: Never drive at neutral gear in steep slopes, whether the engine is powered ON or OFF.**

## VEHICLE MAINTENANCE



4

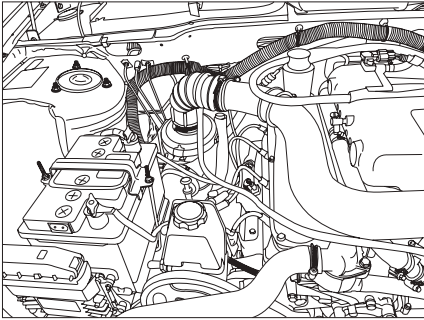
### A- Vehicle Maintenance

- Service and maintenance of vehicle materials in recommended intervals and replacing the consumables timely, (oil, etc.) and regular check of parts effective in fuel consumption.
- Engine adjustment according to recommendations of vehicle manufacturer.
- Filler-making of spark plugs correctly.
- Replace air filter in determined intervals in service and maintenance section.
- Adjust tires inflation pressure. (When the tires inflation pressure is low, friction of tires with road level will be increased and fuel consumption will be more.)
- Making use of standard recommended tires.

### B- Manner of driving

- By predicting traffic speed, avoid sudden brakes.
- Shift the gear smoothly, and do this shift when the engine is reached to balanced speed.
- Do not drive at high speed. The best fuel consumption is reached in gear 5 at the speed of 90 Km/h.
- Increasing the speed will increase the fuel consumption. (fuel consumption in traveling 100 Km at speed of 90 Km/h, is approximately 7.6 liters.) after overheating if water temperature higher than normal limit, drive slowly and avoid unnecessary acceleration.
- Warm up the engine in first initial kilometers of traveling gradually by driving at balanced speed.
- Driving with high acceleration will increase the fuel consumption. It is better to drive at low speed.

- In heavy gear (1 and 2), avoid high acceleration. Make use of highest gear of engine without putting force to engine. Reduce the need for using brakes by keeping in safe distance with front vehicle.
- By predicting traffic changes, you will be able to adjust vehicle speed with traffic by releasing accelerator pedal and without using brake.
- Turn off electrical equipment when there is really no need to them.
- Preferably make use of air vents instead of lowering windows.
- Travel with planning.
- Do not make use of vehicle in short travels if possible.
- Driving in the city has the highest fuel consumption.
- Make use of beltway roads in traveling and avoid entering cities and encountering traffic as a result.

**Mechanical status of engine**

Maladjustment and malfunctioning of engine will increase fuel consumption.

**Ignition system:**

Distance of ignition mouth shall be check, and replaced if necessary.

**Fueling system:**

Fueling system includes injectors, fuel rail, gasoline pump fuel tubes and gasoline filter shall be check for existence of any leakage.

**ATTENTION:**

In order to prevent high rpm, injection of fuel to engine will be cut off in rpms higher than 5500.

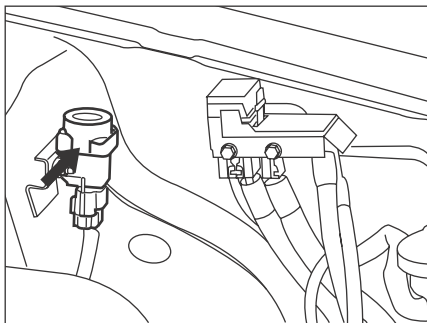
**Gasoline:**

Gasoline quality is not also effective in the amount of fuel consumption, but also in long time, it is effective on the mechanical status and engine performance.

**Filling gasoline tank:**

Gasoline tank shall be filled just when the vehicle engine is powered off. If you filled the tank and observe that the nozzle is cutting off, stop refueling.





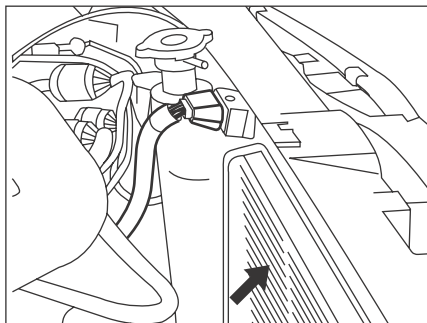
### Safety considerations

#### Ignition System of ARISUN Injection Engine

Ignition system of ARISUN injection engine is of Double Ignition Coil.

Cause the voltage in electronic ignition systems is higher than common mechanical systems, always when you want to work with these systems ensure that main switch is OFF, or battery connection cable is unplugged.

Testing these kind of systems shall only be done by specialists.



### Inertia Switch or Safety Switch

A safety switch is designed in ARISUN injection engine to cut off fuel flow at times of severe collision or vehicle reversal.

There is a ball in this switch which cuts off the electricity current supply of gasoline pump by applying impact or vehicle reversal. In case for any reason the abovementioned switch is out of stimulus mode (being cut off), it shall be returned to initial mode by being briefly pressed on top of it, otherwise, the engine will not be able to be powered ON.

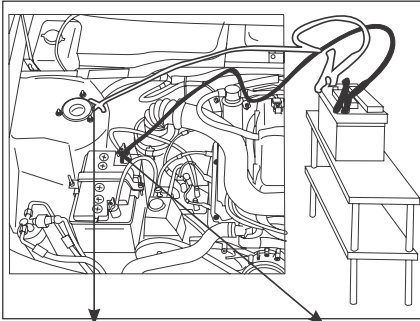
### Cooling System

This system is equipped with radiator and 2 electric fans. The first fan speed will be activated in heat of 86 degrees centigrade and the second fan speed will be activated in 91 degrees centigrade.

The radiator and its expansion tank are in an integrated manner and the functions of system water filling or shortage reimbursing are done by radiator cap.

#### ATTENTION:

In case each part of cooling system (except for radiator cap) is opened, the filler-making action shall be done against by authorized dealer, according to relevant instruction.



Connect the negative terminal of emergency battery to metal body of vehicle.

Connect the positive terminal of emergency battery to positive terminal of breakdown vehicle battery.

### Battery charging

The vehicle with low charge battery can be powered on by means of another 12 V battery. For this action, act as following order:

1. Put the main switch in OFF mode, and make use of firm cables and clamps for connection.
2. Connect the positive terminal of emergency battery to positive terminal of breakdown battery, and connect the negative terminal of emergency battery to negative terminal of battery or body of breakdown vehicle by means of cable clamps. (parallel connection)
3. After powering on the breakdown vehicle, immediately disconnect the cable clamps of emergency battery from the breakdown battery.



#### Caution

The acid existing in battery is a corrosive and poisoning chemical, pay attention to following items in case of its leakage:

- In case of its pouring on cloth or skin, immediately take off polluted cloth and wash the skin of contacting point with plenty of water, then, refer to physician.
- In case of its contact with eyes, immediately wash the eyes for 15 minutes with clean water, and quickly refer to physician.
- Drinking battery acid may be fatal in case of negligence in taking immediate medical action.
- The battery under charging rises up explosive hydrogen, therefore, put away any ignition and fire from engine compartment.

During working in engine compartment, in order for your safety, take off your bracelet and ornaments, never allow negative terminals of battery to have contact with vehicle's metal tools and parts.



#### WARNING

- Avoid **powering on** vehicle engine when the vehicle battery is suspicious of freezing.
- Ensure that **both** battery voltages are the same (12 V). the connection cables with insulated clamps are suitable for use in 12 V batteries.
- Never **disconnect** the cables of empty battery from it when you are trying to perform battery-to-battery connection.
- Never connect the positive terminal of battery to negative terminal, and ensure that the connection cables stay away from moving parts of engine.
- Adding non-standard electrical equipment will damage the vehicle electric system and battery, and will void the warranty of these parts.



#### WARNING

- Avoid charging the battery when it is connected to vehicle. This action may inflict serious damage to vehicle's electric system.
- If the battery caps are able to be opened, it is better to check level of water and battery acid on monthly basis, to check whether they are up to Max. level marked on battery body, and add distilled water in case of shortage of water or battery acid.
- In case the vehicle is not used for more than 6 days, it shall be powered on at least one time and stay powered on for one hour.

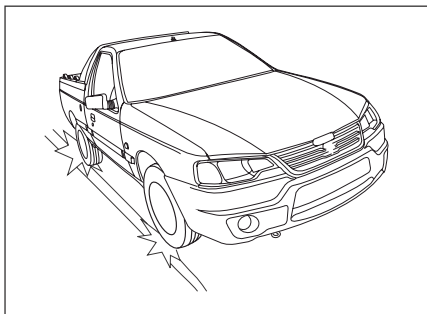


#### CAUTION

- The sulfuric acid in the battery is corrosive. If this chemical contacted with your skin, immediately wash that. The charged battery or battery under charging will rise up hydrogen which is extremely flammable. Never approximate fire flame to it. (Danged of explosion).
- Be careful to connect the cables correctly to prevent damaging of vehicle charging system.
- Avoid charging the battery which is suspicious of freezing.
- At time of battery charging, put away from it any ignition or fire. (The charged battery or battery under charging will rise up hydrogen which is extremely flammable).
- After charging the battery before connecting it to the car, an hour wait to get out of it and the risk of ignition of flammable gas is low.
- Never throw out breakdown batteries in the nature, give them to organization which are responsible for collection and recycling these kinds of batteries.

## VEHICLE MAINTENANCE

4



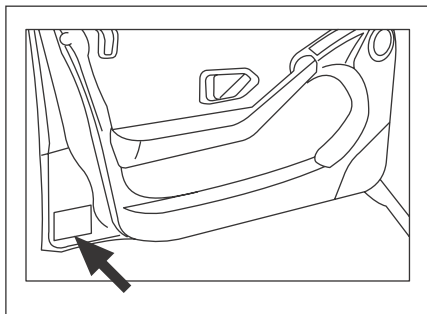
### Tires

#### Tires Inflation pressure

Tires inflation pressure shall be checked when the tires are cold, because warm tires have extra inflation pressure.

Never deflate extra inflation pressure of warm tires. In order to be informed of correct amount of tires inflation pressure, refer to the label attached in the vehicle on driver's side. Adjusting tires inflation pressure will have the following advantages:

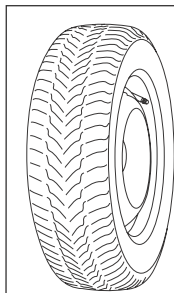
- More dominance on vehicle driving.
- Softer and more accurate steering vehicles driving and turning.
- Savings fuel consumption; the smallest tire deformation will increase circular friction in road.
- Greater durability of tire.
- Insufficient inflation pressure of tires will increase circular friction of tire and will increase fuel consumption.



### Tubeless tires

These kinds of tires shall be always installed on wheels without hub (FH), equipped with special air valve. Tubeless tires they shall not be at all installed on ordinary rings.

In case the tubeless tires are repaired or replaced, it is recommended to replace their air valve.



### Caution

There is danger of wearing or separation of tire tread in tires with insufficient inflation pressure, which will result in deflating or explosion of tire. In case of insufficient inflation pressure, lots of forces are put on them, and they will be overheated.

#### Collision with street curbs

There are dangers of deformation, cutting or bulging of tire cover which will be increased gradually and will result in instant deflation or explosion of tire.

#### Falling into the pit

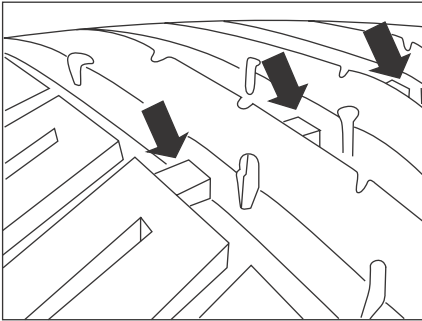
There are dangers of ring deformation, or damage of tire. These kind of impacts will often cause cutting of internal cover of tire which is not visible from outside, and its amount will be increased by traveling distance and will cause cover tearing. Cover tearing will result in unusual wearing of tire treads in one part of tire and may lead to instant air deflation or tire explosion.



### WARNING

Insufficient inflation pressure will cause emergence of corrosion before normal time and unnatural warming up of tires and also will cause several consequences in respect of safety considerations.

- Inappropriate performance in road
  - Risk of explosion or removal of tire tread.
- Wheels inflation pressure will depend on weight and speed of vehicle. Adjust inflation pressure according to use conditions.
- Pay attention that removal or inappropriate fastening of wheel air valve may cause inflation pressure deflation. Always make use of air valve similar to initial air valve and fasten it completely.

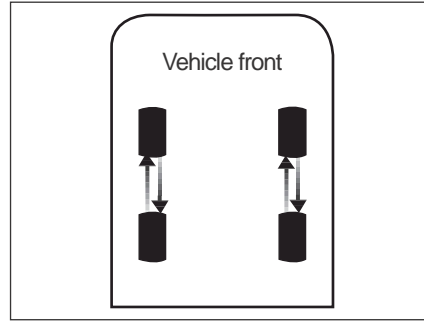


### Tire wearing indicator

Tires installed on the vehicle have indicators which are located on several points of tire circumference between the treads. When just 1.6 mm of tires treads are remaining, it shows that tires are worn out. In this case, the indicators are emerged and tires shall be replaced in this time.

### Tires inflation pressure

Tires inflation pressure shall be checked once a month when the tires are cold. Insufficient inflation pressure will cause overheating and will reduce life of tire. Over inflation pressure will also have some negative effects on vehicle convenience and driving.



### Tires size

Size of your vehicle's tire is inserted on its body like a phrase as following: "R15 185/65", of which "185" shows tire width in mm, "65" shows the ratio of height to tire width, "R" shows radial structure, and "15" shows ring diameter in inch.

### Tires rotation in vehicle

In front-wheel vehicles, wearing of front tires is more than rear tires due to brake, drive, and steering wheel forces. Therefore, in order to balance the wearing of tires, it is recommended to relocate the tires after each 10,000 km travels.

Note 1: First rotation of tires is of high importance.

Note 2: Above method is not recommended for tires in which the rotation direction is important.



### CAUTION

- Faulty tires are dangerous. Avoid driving with faulty, worn out, flat, or over inflated tires.
- Always make use of tires with radial design of the same type and same material for front and rear wheels of the vehicle. Do not make use of tires with cross designs. Your vehicle's rims are tubeless, therefore, do not make use of tubed tires.
- Never drive with worn out, ruptured, rusty and not-adjusted inflation tires. Tires with insufficient inflation pressures will rapidly wear out and will cause increase in fuel consumption and decrease in steering.

## VEHICLE MAINTENANCE

4

### Winter Measures

The vehicle has approved antifreeze fluid at time of delivery. This fluid protects the system up to -15 degrees centigrade (in some countries up to -35 degrees centigrade). Whereas the antifreeze fluid contains anti-boil and anti-corrosion, therefore, it is necessary for cooling system to have antifreeze fluid in all seasons of the year. check the level of antifreeze fluid and add fluid if necessary.

the following table shows the ratio of antifreeze existing in cooling system.

50% antifreeze	46% antifreeze	40% antifreeze	35% antifreeze	27% antifreeze
-35 °C	-30 °C	-25 °C	-20 °C	-15 °C

Type of antifreeze: Make use of standard antifreeze liquid.

### Winter tires

Two types of tires can be used in winters:

1. Icebreaker tire: it is used in rear wheels.
2. Tire with wheel chain: wheel chain shall be used in rear wheels.

#### CAUTION

- If the snow wiper blades are stopped due to plenty of ice or snow, or their movement become slow, the snow wiper lever shall immediately be returned to initial position and power off its motor to avoid its failure. Then, you shall take action to remove ice and snow from beneath of the wiper blades.

### Front windshield snow wiper

Before applying snow wiper, remove the windshield ice by means of heater warmth. In order to use the windshield washer, pull the snow wiper lever towards the steering wheel. It is better to take care that each time you refill the windshield washer reservoir, wash its inside to avoid blockage of reservoir hole due to gathering of dust and dirt. further, in winters, in order to avoid freezing of water inside the windshield washer reservoir, you can make use of Isopropanol solution.



#### WARNING

In time of freezing, ensure that the snow wiper blades are not frozen (the risk of snow wiper motor overheating). check the status of blades. When the performance of blades reduces, you shall replace them. (approximately once a year) Regularly clean the vehicle's front windshield.

In case before stopping the snow wipers (mode O) you power off the engine, the snow wiper blades will stop in their current position. After powering on the engine, it is enough to put the snow wiper level in O mode, you see the wipers blades will return to their stop mode.

### Regular Maintenance and Service

Regular services programs are inserted at the end of this owner's manual clearly. In order to benefit from common warranty of Iran Khodro Company, performing subject services up to 20000 km initial traveling in warranty validity period is necessary and inevitable, because otherwise, occurrence of any failure will be deemed as carelessness and negligence of driver, which will naturally void the obligations of manufacturing company. intervals of regular services are described in aforementioned program, and wage of these services depends on work quantity and the consumable tools and materials are excluded from it.

in case of using the vehicle in hard conditions, and also driving in polluted, foggy and dirty environments, replacing engine oil, oil filter, air filter, gasoline pump and other parts influenced by adverse conditions and environment, shall be done in intervals shorter than what determined in services program. To determine the intervals of this kind of checks, it is recommended to consult with one of IKCO authorized repair workshops. Regular services shall be performed in one of IKCO authorized repair workshops, without any exception, and seal of that repair workshop shall be appended in special place determined in this booklet.

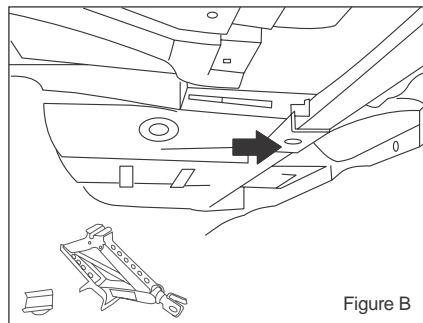
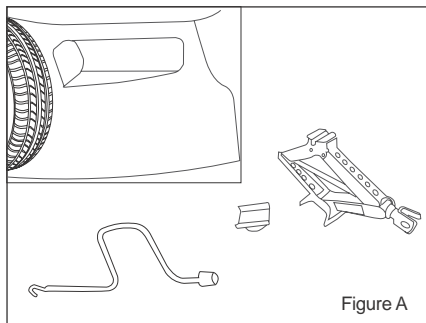
---

# 5 TECHNICAL EMERGENCIES

WHEELS REPLACEMENT .....	84
WHEEL JACK AND WRENCH IN ARISUN VEHICLE .....	84
VEHICLE TOWING.....	86
FUSES .....	87
LAMPS REPLACEMENT .....	90

\*If installed on your vehicle

## WHEELS REPLACEMENT



5

### Wheels Replacement

Park the vehicle on a firm and level ground and while you pulled up parking brake, shifted the gear lever in 1st gear or reverse gear, and placed the cushion block under the wheel required to be replaced, take action to replace the wheel.

#### 1. Spare tire

- Taking off the spare tire from behind the pickup seat: Open the flange bolt and take off the spare tire from cabin wall. Take off the jack bag, and pick the jack and wheel wrench from related place.

#### 2. Blocking the wheels

- Block the wheel on diagonal side of flat tire. Block the front wheels from front, and rear wheels from back.

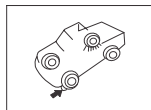
#### 3. Remove the wheel

- loosen the wheel bolts.

To apply jack on vehicle's rear side, first put the special jack adaptor on the jack, and then put the jack beneath the chassis, in front of rear wheel as shown in figure B, then lift the jack, now unscrew the wheel bolts completely and remove the wheel.

#### Jack and wheel wrench

Set of jack and wheel wrench together with cushion block, and jack head adaptor are placed in a special bag behind the driver's seat.



#### 4. Fit the spare tire

Fit the spare tire and tighten the wheel bolts manually as much as possible.

- Loosen the jack and take it out from beneath the vehicle.
- Tighten wheel bolts with wheel wrench completely.
- Fit the wheel hubcap on the wheel rim in a way the air valve is available from related gap. For fitting, hit firmly all around the hubcap with hand to fit it.
- Place the flat tire into the spare tire container.
- Put the spare tire fastening clamp on its related place and tightly fasten the holder bolt of spare tire.

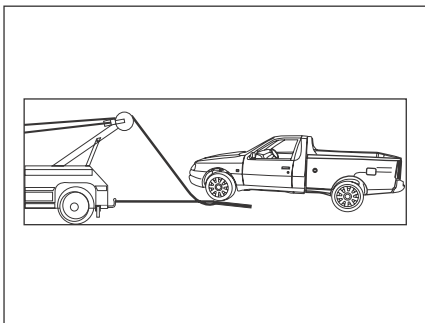


### CAUTION

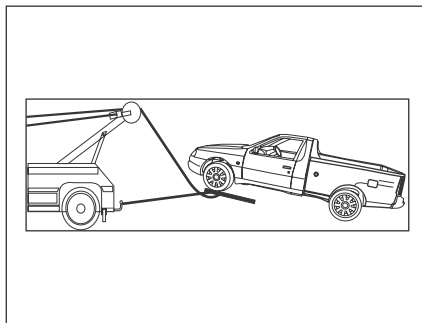
- It is possible the spare tire inflations pressure is not adjusted, drive with care and slowly, and check its inflation pressure as soon as possible. Also check that the wheel bolt are fastened appropriately and are tightened completely.
- Repair the flat tire very soon to be able to install it on the vehicle if you need it.
- Never make use of jack to worn beneath the vehicle.
- Jack is used for wheels replacement, and in no way it shall be used for other operations like repair or access beneath the vehicle.
- If life span of spare tire has passed a lot, present it to one of authorized dealers to be checked and to be ensured of its appropriate status for using without any risk.
- Always immediately after wheel replacement, take action to adjust its inflation pressure and ensure tightness of wheel bolts.
- In case of flat tire, replace the wheel as soon as possible.
- A flat tire shall surely be checked (and if possible repaired) by a specialist.
- Park your vehicle on a level and not slippery (example: parking on ceramic shall be avoided) and firm ground (if necessary make use of a cushion block of jack), and turn on flasher lamps.
- Pull up the parking brake, shift the gear from neutral mode (put the gear shift lever on 1st, reverse, or P gear for automatic transmission), ask all passengers to take out of the vehicle, and guide them to go a place far from vehicles traffic.
- Max. allowed weight for jack in 800 Kg. (Do not exceed this limit)



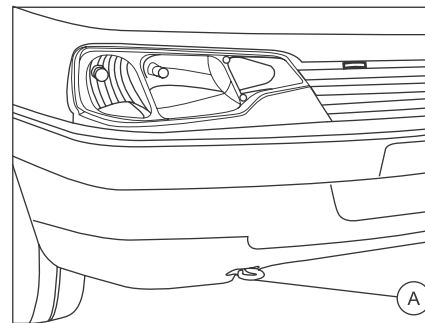
## VEHICLE TOWING



**5** **Vehicle pulling (towing)**  
**A) Without lifting up wheels**



**B) From front:** Joint the towing rode to towing ring.  
**In case of lifting up front wheels**  
Method of towing from front of vehicle



**C) Method of towing from rear of vehicle**



### Caution

- Avoid removing start switch or putting it on OFF position, when you are towing the vehicle on four wheels, because it will cause locking of steering wheel. It is recommended to put the start switch on A position.
- We advise you to make use of a firm and fixed rode for towing. In case of using rope or cable (when it is legally allowed), the towed vehicle shall have braking ability. (its engine shall be able to be powered on).
- The vehicle which is not able to be moved to drove shall not be towed.
- In order to avoid vehicle's damaging, you shall avoid severe braking or sudden acceleration.
- Anyway it is recommended to not exceed 25 km/h speed.
- Towing vehicles shall always be heavier than towed vehicle.
- Towed vehicles shall not have passenger.
- Remind that when the vehicle engine is powered OFF, the brake booster is not functioning and more force shall be put on brake pedal for braking.

**Fuse box**

**F1:** RADIO/CD player after switch power supply

**F2:** No use

**F3:** ABS modulator after switch power supply – ECU after switch power supply

**F4:** light of rear left and right position lamp, and rear license plate lamp – light signal of relay emerging that lamps are remained turned on

**F5:** Base 4, three-purpose key and ECU feedback to powering on cooler for running fan – reel of yellow relay of heater fan – HEATING/VENTILATION power supply – reel of relay of compressor cut off.

**F6:** AIRBAG power supply

**F7:** Horn relay contact – front fog lamp relay contact – horn relay reel

**F8:** F15, F25 fuses entrance shunt

**F9:** Front position lamps

**F10:** No use

**F11:** No use

**F12:** Reverse gear lamp – Instrument

panel after switch power supply - Immobilizer after switch power supply – Diag. after switch power supply - ABS warning relay power supply

**F13:** No use

**F14:** MAIN FUSE, main power supply of indicator lever including lamps, indicators, and fog lamp

**F15:** Front ceiling lamp power supply – Central lock power supply

**F16:** Lighter power supply

**F17:** No use

**F18:** Rear fog lamp

**F19:** Lighting lamps power supply

**F20:** No use

**F21:** Yellow relay contact of Heater fan

**F22:** No use

**F23:** A/C switch power supply

**F24:** Snow wiper motor – snow wiper lever – Snow power unit power supply, and glass washer pump

**F25:** Instrument panel permanent power supply – RADIO/CD player permanent

power supply – Diag. permanent power supply

**F26:** Flasher unit permanent power supply – RADIO/CD player panel buttons power supply

**F27:** No use

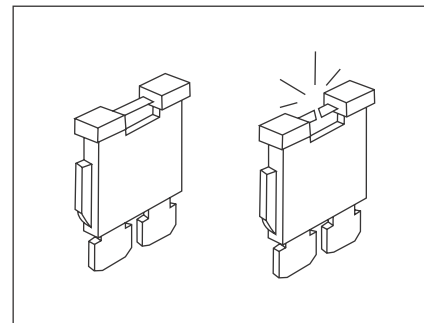
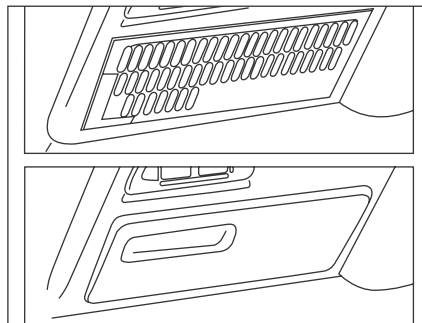
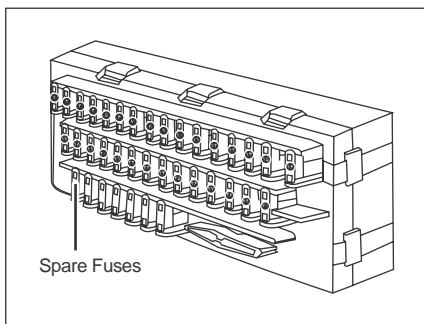
**F28:** Brake lamps – front window regulator relay reel - RADIO/CD player panel after switch power supply

**F29:** Front window regulator relay contact

**F30:** Map reading lamp power supply – Steering wheel circuit power supply - relay emerging that lamps are remained turned on

**Fuses**  
 Fuse box is located beneath the dashboard on left side of driver's side and 6 spare fuses together with special clamp of fuse replacement is placed in this box. Pull the fuse box towards front to open it.

## FUSES



5

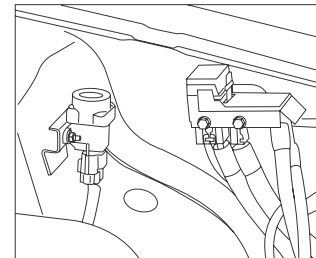
### Wiring of 8-line socket

#### Socket A:

1. Spare
2. Spare
3. Spare
4. Battery positive connection
5. Electric antenna
6. position lamp positive connection
7. electric equipment positive connection
8. negative connection of body

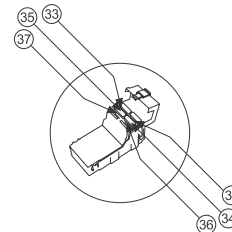
#### Socket B:

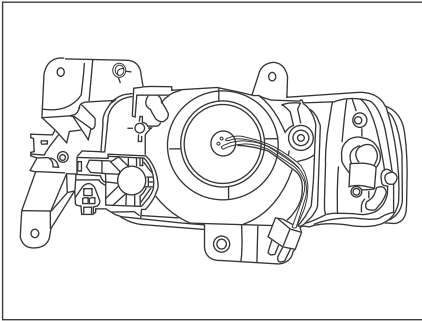
1. Positive connection of right rear speaker
2. Negative connection of right rear speaker
3. Positive connection of right front speaker
4. Negative connection of right front speaker
5. Positive connection of left front speaker
6. Negative connection of left front speaker
7. Positive connection of left rear speaker
8. Negative connection of left rear speaker



#### Warning

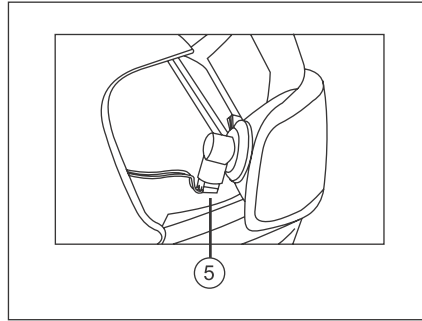
Any manipulation or changing of fuel power supply systems (ECU, wiring, fuel circuit, injector, protective cap, etc.) is strictly forbidden due to the risk may endangering you. (Except by specialists of after-sales services network).





### Lamp replacement Headlights bulb

- 1- Open Frame LED: To remove the large size bulb of headlights, do rotate the plastic caps counter clockwise.
2. Opening lamp bulb: To remove the small and large lamps of front lamps, push the holder spring from the bulb.
3. Small lamp (5w): Remove wires head, turn the lamp bulb for 1/4 circle, and remove it.  
Replace the faulty lamp.
4. High and low beams lamps of headlamp (H4: 55/60w): Push the spring clamps and replace the lamp. Pay attention that the lamp holder to be fitted in correct position. Make use of a dry cloth to hold the lamp.



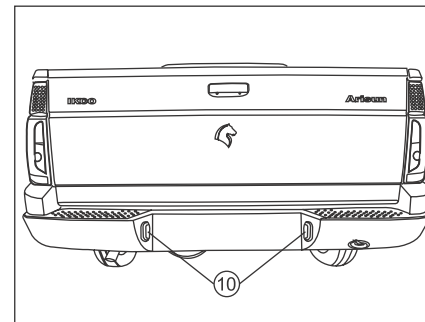
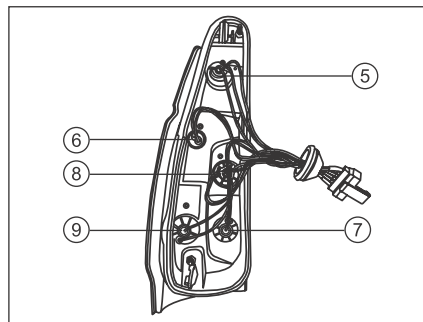
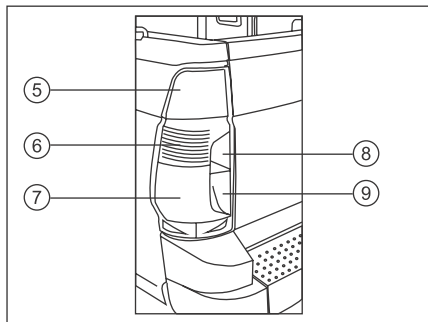
5. Indicator lamps (21w): separate the holder spring, and remove the indicator lamp. Turn the lamp bulb counterclockwise and replace the lamp.



### CAUTION

- Check the performance of all external lamps before starting to drive.  
When you want to replace any lamp, turn off the lamp switch to avoid short circuit.
- Lamps are in vacuum tubes, and they may break at time of replacing and cause injury.

## LAMPS REPLACEMENT

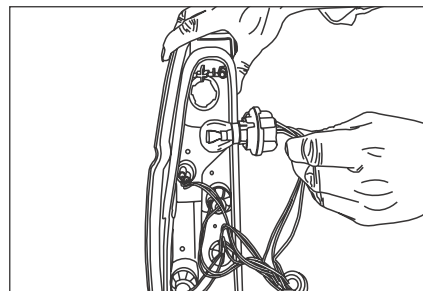


### 5

#### Rear lamps

5. Brake and hazard lamp: Two-contact lamp. (Small lamp 5w; brake lamp 21w).
6. Retro-reflector – small light lamp: 5w
7. Fog light lamp: 21w
8. Indicator light lamp: 21w
9. Reverse gear light lamp: 21w
10. License plate light lamp: 5w

Opening: In order to replace the interior lamps of rear lamp, first open the access gate of lamp designed in vehicle cabin, then by opening the lamp by 2 not, remove the lamp from the bulb. In order to remove the lamp, turn the related connector counterclockwise (left side) for 1.4 circle, and remove the connector. Reinstall in the reverse order.



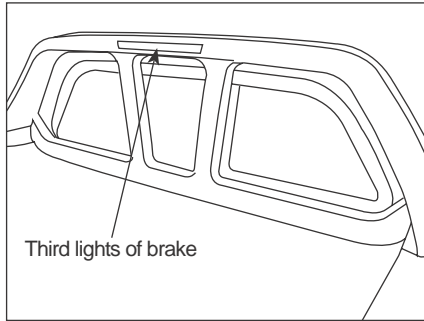
In order to replace rear license plate lamp, open the plastic cover of lamp. It is recommended to have a required set of lamp and fuse as spare parts, in the vehicle.

#### Warning

Recommended to have always a needed spare set of bulb and fuse with you in the car.

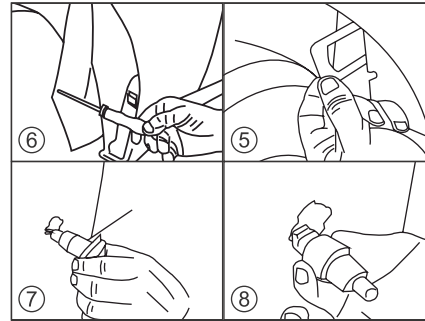
#### CAUTION

Before starting to drive at night: Ensure appropriate functioning of electric equipment, and adjust the vehicle lamps. (In case of transferring loads more than usual times). Generally, pay attention that the lamps are not covered (dirt, mud, snow or any other object is not covering them.)



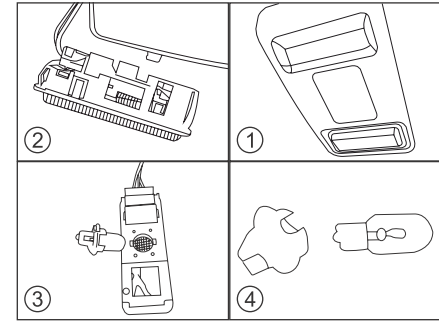
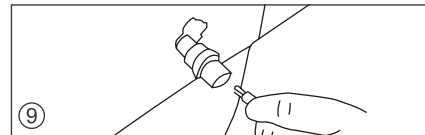
**Replacement of the lamps of the third lights of brake on Guard Protector the load room**

Due to the need to open a large number of parts in case of failure the third lights of brake, refer to authorized dealers.



**Indicator Lights above the Mud Shield (5 watt)**

- 1- By separating the plastic pin on the bottom and screws available ( within the limits of the tires), remove the mud shield. (6)
- 2- Remove the thorns metal of the Indicator Lights which is sliding. (5)
- 3- By rotating the Indicator Lights, remove it from its place. (7)
- 4- By rotating end section of the lights to anti clockwise, remove the bulb base. (8)
- 5- Replace the bulb. (9)



**Replacement of Lighting bulbs for cabin interior (5 watts) (Figure 1)**

1. Using a small screwdriver should release the two sided thorns, and then remove the lighting bulbs. (2)
- 2- By rotating lamp base to left, remove the bulb base. (3)
- 3- Replace the bulb. (4)

**5**



---

# 6 TECHNICAL INFORMATION

CAUTIONS LABELS .....	94
TECHNICAL INFORMATION OF ENGINE .....	95
WEIGHTS.....	95
VEHICLE DIMENSIONS .....	96
AIR POLLUTION CONTROL SYSTEM .....	99



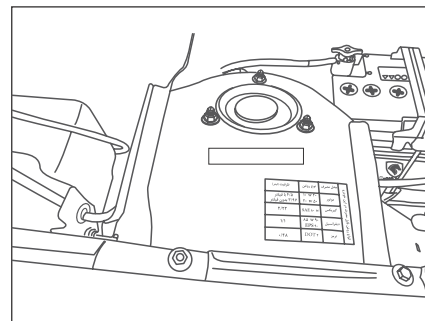
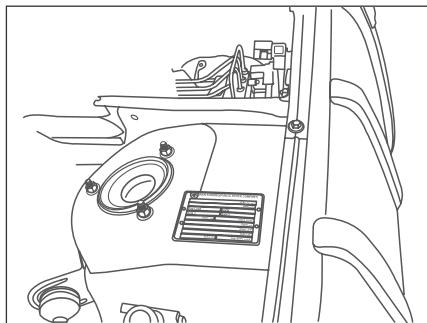
## CAUTIONS LABELS AND PLATES

### Vehicle Specifications Label

#### 1. Body number

#### 2. Specifications plate including:

- Engine number
- Body number
- Color number
- Model



#### Tip:

Because of safety and technical, installation the racks on the roof of the car and, any changing should be avoided.

In case of installation the racks on the roof of car or, any changing, recommended to observe the followings:

1-The total weight of accessories and load should not be exceeded of the defined range.

Gasoline: total weight of accessories + weight = 680 kg

Gas: total weight of accessories + weight of the load = 600 kg

2- Any changes that leads to change the center of gravity of the vehicle, is avoided.

3- Be sure the below connections are used in the vehicle.

Load room connections to the chassis, the load hook connections on the load room and .....

4. Locating of parts such as the fuel tank filler pipe, and the gas nozzle and rear hazard lights .... and related fittings, must be on the basis of the primary definition of the vehicle.

5- If the connections of paragraph 3 is not used, it is necessary, for new connection, use the proper parts.

#### ATTENTION

Please present the information inserted in specifications plate, together with other information about owner, delivery date, and vehicle's traveled distance kilometer, in all of your communications with Iran Khodro Company and other institutes.

## TECHNICAL INFORMATION OF VEHICLE

	General Spec.	Gasoline	CNG
<b>Weights (kg)</b>	Total unloaded vehicle weight	1150	1240
	Weight on front axle	670	710
	Weight on rear axle	555	630
	Max. allowed weight of vehicle	1980	1990
	Max. load weight with 2 passengers	830	750
	<b>General Spec.</b>	Sedan	
<b>Brake</b>	Front brake	Hydraulic Disk	Disk
	Rear brake	Hydraulic Drum	Drum
<b>ARISUN Brake</b>	•	Self-adjustment	
	o	ABS	Drum
	Disk equipped with single piston – self-adjustment	Front	
	Drum equipped with self-adjustment drums	Rear	
<b>Spring Structure</b>	Front spring	First spring with telescopic shock absorber	First spring with telescopic shock absorber
	Rear spring	Spring bars	Spring bars
	Rear shock absorber spring	Telescopic	Telescopic
<b>Steering Wheel</b>	Hydraulic	Type of steering wheel	Mechanical (shoulder gear)
		Vehicle rotation diameter (m)	5.25
	ARISUN	Size	Steering wheel system
		R1465/185i	Hydraulic

	General Spec	Sedan
<b>Gearbox</b>	Gear differential ratio	4/2:1
	Type of gearbox – Manual	5 front gear – 1 reverse gear
	Max. speed on 1st gear	46 km/h
	Max. speed of 2nd gear	74 km/h
	Max. speed of 3rd gear	100 km/h
	Max. speed of 4th gear	124 km/h
	Max. speed of 5th gear	160 km/h
<b>Power Transmission System of ARISUN</b>	Clutch	Dry clutch single plate CP 3800
	Gearbox	Manual 5 speed gearbox
	Drive shaft	2 parts with fixed speed joints
<b>Differential</b>	Type of differential	Hypoid
	Pinion gear ratio to crown wheel	4/2:1
<b>Electric System</b>	Type of battery	12V, 9 plate, 60 a/h
	Type of alternator	80 a – VALEO
	Type of start	12V - 0.9 KW
<b>Cooling System</b>	Opening temp. of thermostat	78 degrees centigrade
<b>Tire</b>	Dimensions	185/65 R15
	Inflation pressure in cold mode*	Psi                      Bar
	Front wheel	35                      2/4
	Rear wheel	43                      3/0

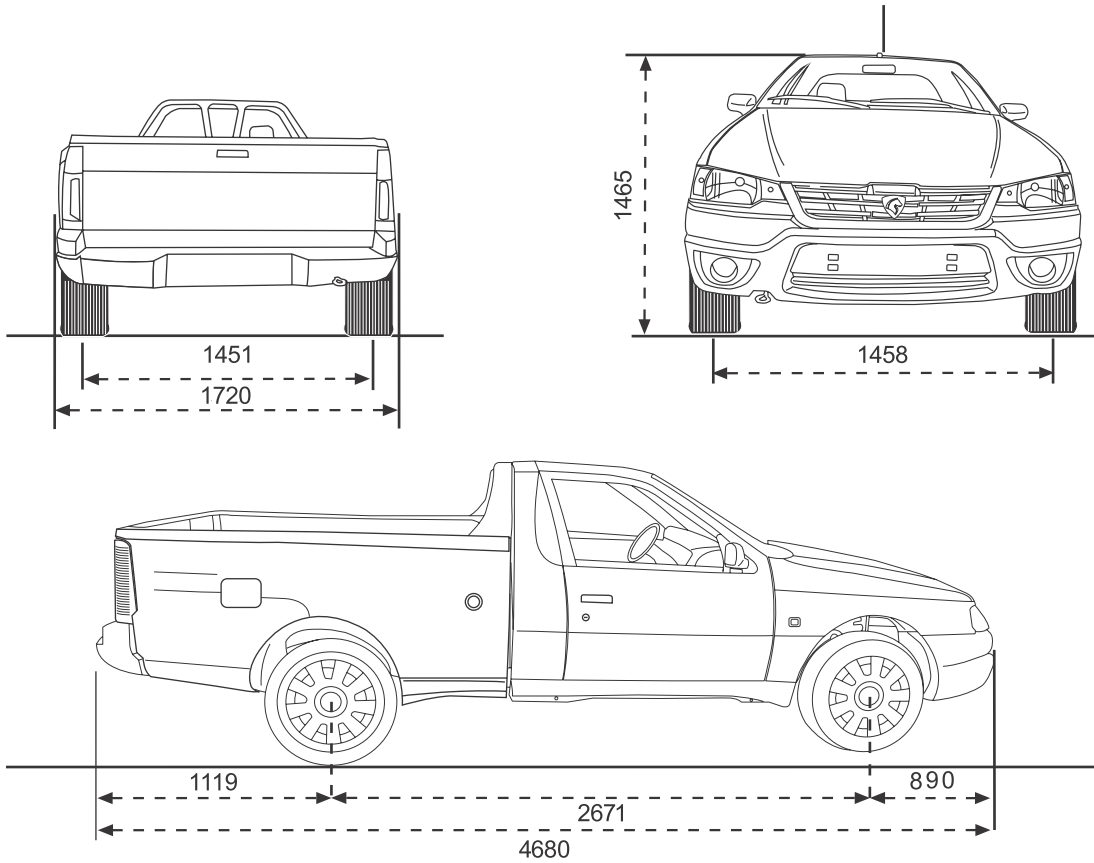
## TECHNICAL INFORMATION OF ENGINE

Exterior Dimension of ARISUN Body	
Transverse distance of front wheels	1478 mm
Transverse distance of rear wheels	1471 mm
Longitudinal distance of wheels	2671 mm
Total width of vehicle	1694 mm
Total length of vehicle	4408 mm
Total height of vehicle	1410 mm

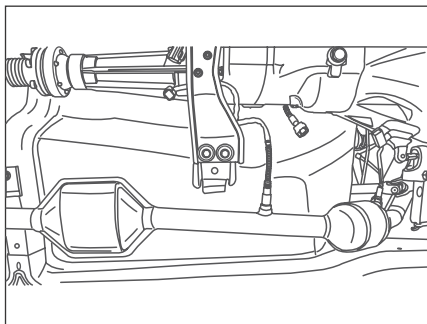
Performance Specifications of ARISUN	
Maximum speed	160 Km/h
Average fuel consumption inside the city	LIT@100km 11/5
Average fuel consumption outside the city	LIT@100km 6.65
Average combined fuel consumption	LIT@100km 8.45
Emission standard	Euro 4
0 to 100 acceleration	12.7 seconds

	General Spec.	ARISUN	
Bi-fuel engine	Engine position	Front – linear	
	Cylinder QTY.	4	
	Piston diameter and course	70.8x87.3	
	Engine capacity	1696	
Engine	Engine position	Front - linear	
	Cylinder QTY.	4	
	Piston diameter and course	70.8x87.3	
	Engine capacity	1696	
	Compression ratio	10.8:1	
	Max. power	64 kw in rpm 5250	
	CNG mode	58 Kw	
	Max. Torque	140 nm in rpm 3000	
	CNG mode	128 nm in rpm 3000	
	Fuel	Main fuel: CNG	Bi-fue
		Octane 95-87 gasoline	
	Valve QTY.	8	
	Fuel injection system	Multiple injection system	
Combustion system	Electronic		
Cylinder block material	Cast iron		
Cylinder head material	Aluminum alloys		

# TECHNICAL SPECIFICATIONS OF VEHICLE



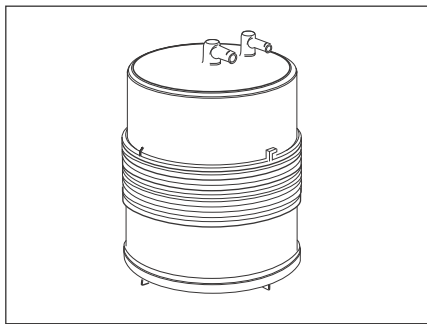
## EMISSION CONTROL SYSTEM



### Emission Control System

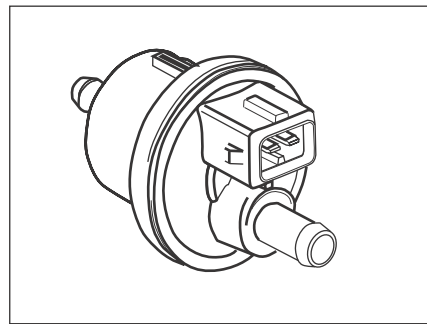
Your vehicle is equipped with an Emission Control System, in the level of EURO IV standard regarding vehicle pollutants.

Catalyzer converter: In order to convert the pollutants emitted from the engine to gases with minimum emission, a catalyzer converter or catalyst is used. From among important factors in damage or failure of catalyst is the lead existing the fuel, therefore, making use of unleaded gasoline is necessary for this vehicle.



### Absorbent can

The absorbent can contains coal in order to absorb gasoline steam and then transfer the steams to manifold of engine air inlet.



### Drain valve

Installation of this valve in the way of gasoline steams causes controlling gasoline steams entrance into manifold of engine air inlet.

---

# **7** ALPHABETIC TABLE OF CONTENTS

## ALPHABETIC TABLE OF CONTENTS

<b>A</b>		<b>E</b>		<b>J</b>	
Approach in case of CNG leakage	42	Emission Control System	89	Jack And Wheel Wrench in ARISUN Vehicle	70
Airbag Service and Maintenance	47	Engine Oil Replacement	67		
Air Filter Replacement	70	Engine Oil Check	69		
Air Ventilation and Heater	27	Engine Compartment	63	<b>L</b>	
Airbag	45			Lamps Replacement	78
		<b>F</b>		Lamps and Indicators	51
<b>B</b>		Fuel Consumption Tips	71	Lamps and Horns	57
Battery Charging	76	Fuel Tank Cap	21	Locks and Rubbers	64
Bi-fuel / CNG Fuel Burning Vehicles Specification	35	Fastening Safety Belt	43		
		Front Wheels Grease Check	69	<b>M</b>	
		Fuel Saving	71	Mirrors	22
		Fuses	87		
<b>C</b>				<b>P</b>	
Cooling System	75	<b>G</b>		Powering on by CNG Fuel	41
Child Safety	24	Gearbox Fluid Check	67	Powering on Engine	58
Capacities	66			Power Window Regulator	23
Cooler	30	<b>H</b>		Passenger Airbag	45
Confidential Code Card	22	Heating and Ventilation System	29	Parts Deployed in Engine Compartment	36
Contents Quick Review	4			Passenger AIRBAG Label	48
CNG Parts Introduction	37	<b>I</b>			
CNG Refueling Performance Steps	38	Indicator Lever	59	<b>R</b>	
		Inertia Switch or Safety Switch	75	RADIO/CD Player Instruction	32
<b>D</b>		Immobilizer System	22	Refueling Performance Steps	38
Driving with CNG Fuel	41	Interior Equipment of ARISUN Vehicle	31		
Differential Fluid Check	68	Instrument Panel Display Indicators	50	<b>S</b>	
Doors Locking and Unlocking	20			Seats	23

## ALPHABETIC TABLE OF CONTENTS

---

Steering Wheel Replacement	26	Wheels Replacement	70
Safety Belt Height Adjustment	43	Weights	85
Safety Tips regarding Belts	44	Windshield Washer Reservoir	59
Safety Belts	24		
Safety Considerations	75	Y	
		Your Vehicle at a Glance	5
<b>T</b>			
Technical Information	81		
Tires	78		
Technical Emergencies	83		
<b>U</b>			
Unlocking Steering Wheel	26		
<b>V</b>			
Vehicle Towing	86		
Vehicle Dimensions	86		
Vehicle Safety	25		
Vehicle Specifications Plate	82		
Vehicle Technical Specification	98		
Vehicle Maintenance	73		
Vehicle Mechanical Status	74		
<b>W</b>			
Windshield Washer and Snow Wiper	5		
Windshield Washer	59		
Winter Measures	67		



The Road Calls You...



**IRAN KHODRO Company (Public Joint Stock)**

Gate No. 1, Iran Khodro Blvd,  
KM.14 Karaj Makhsous Rd,  
Shahid Lashgari Highway, Tehran, IRAN  
Postal Code : 1389913657  
Tel: (+9821) 48901  
Fax: (+9821) 44934000-1  
SMS Centre: (+98)30003  
E-mail: [info@ikco.ir](mailto:info@ikco.ir)  
[www.ikco.ir](http://www.ikco.ir)