

SECTION **EC**

ENGINE CONTROL SYSTEM

CONTENTS

MR			
SERVICE INFORMATION	15	AUTOMATIC SPEED CONTROL DEVICE (ASCD)	33
INDEX FOR DTC	15	System Description	33
U1000-U1010	15	Component Description	34
P0011-P0075	15	CAN COMMUNICATION	35
P0101-P0128	15	System Description	35
P0130-P0223	16	EVAPORATIVE EMISSION SYSTEM	36
P0300-P0420	16	Description	36
P0441-P0463	17	Component Inspection	38
P0500-P0643	17	Removal and Installation	39
P0705-P0845	18	How to Detect Fuel Vapor Leakage	40
P0850-P1574	18	ON BOARD REFUELING VAPOR RECOVERY (ORVR)	42
P1610-P1615	19	System Description	42
P1715-P1805	19	Diagnosis Procedure	42
P2100-P2A00	19	Component Inspection	44
PRECAUTIONS	21	POSITIVE CRANKCASE VENTILATION	47
Precaution for Supplemental Restraint System (SRS) "AIR BAG" and "SEAT BELT PRE-TENSIONER"	21	Description	47
Precaution for Procedure without Cowl Top Cover... ..	21	Component Inspection	47
On Board Diagnosis (OBD) System of Engine and CVT	21	NVIS (NISSAN VEHICLE IMMOBILIZER SYSTEM-NATS)	49
Precaution	22	Description	49
PREPARATION	25	ON BOARD DIAGNOSTIC (OBD) SYSTEM	50
Special Service Tool	25	Introduction	50
Commercial Service Tool	25	Two Trip Detection Logic	50
ENGINE CONTROL SYSTEM	27	Emission-related Diagnostic Information	51
Schematic	27	Malfunction Indicator Lamp (MIL)	66
Multiport Fuel Injection (MFI) System	27	OBD System Operation Chart	69
Electronic Ignition (EI) System	30	BASIC SERVICE PROCEDURE	75
Fuel Cut Control (at No Load and High Engine Speed)	30	Basic Inspection	75
AIR CONDITIONING CUT CONTROL	32	Idle Speed and Ignition Timing Check	79
Input/Output Signal Chart	32	Procedure After Replacing ECM	80
System Description	32	VIN Registration	81
		Accelerator Pedal Released Position Learning	81
		Throttle Valve Closed Position Learning	81

Idle Air Volume Learning	81	CONSULT-III Reference Value in Data Monitor	
Fuel Pressure Check	83	Mode	149
TROUBLE DIAGNOSIS	86	On Board Diagnosis Logic	149
Trouble Diagnosis Introduction	86	DTC Confirmation Procedure	149
DTC Inspection Priority Chart	90	Wiring Diagram	150
Fail-Safe Chart	91	Diagnosis Procedure	151
Symptom Matrix Chart	92	Component Inspection	152
Engine Control Component Parts Location	97	Removal and Installation	153
Vacuum Hose Drawing	103	DTC P0037, P0038 HO2S2 HEATER	154
Circuit Diagram	104	Description	154
ECM Harness Connector Terminal Layout	106	CONSULT-III Reference Value in Data Monitor	
ECM Terminal and Reference Value	106	Mode	154
CONSULT-III Function (ENGINE)	113	On Board Diagnosis Logic	154
Generic Scan Tool (GST) Function	121	DTC Confirmation Procedure	154
CONSULT-III Reference Value in Data Monitor ...	123	Wiring Diagram	156
TROUBLE DIAGNOSIS - SPECIFICATION		Diagnosis Procedure	157
VALUE	127	Component Inspection	158
Description	127	Removal and Installation	159
Testing Condition	127	DTC P0075 IVT CONTROL SOLENOID	
Inspection Procedure	127	VALVE	160
Diagnosis Procedure	127	Component Description	160
TROUBLE DIAGNOSIS FOR INTERMITTENT		CONSULT-III Reference Value in Data Monitor	
INCIDENT	135	Mode	160
Description	135	On Board Diagnosis Logic	160
Diagnosis Procedure	135	DTC Confirmation Procedure	160
POWER SUPPLY AND GROUND CIRCUIT ..	136	Wiring Diagram	161
Wiring Diagram	136	Diagnosis Procedure	162
Diagnosis Procedure	137	Component Inspection	163
Ground Inspection	140	Removal and Installation	164
DTC U1000, U1001 CAN COMMUNICATION		DTC P0101 MAF SENSOR	165
LINE	142	Component Description	165
Description	142	CONSULT-III Reference Value in Data Monitor	
On Board Diagnosis Logic	142	Mode	165
DTC Confirmation Procedure	142	On Board Diagnosis Logic	165
Wiring Diagram	143	DTC Confirmation Procedure	165
Diagnosis Procedure	143	Overall Function Check	166
DTC U1010 CAN COMMUNICATION	144	Wiring Diagram	168
Description	144	Diagnosis Procedure	169
On Board Diagnosis Logic	144	Component Inspection	171
DTC Confirmation Procedure	144	Removal and Installation	172
Diagnosis Procedure	144	DTC P0102, P0103 MAF SENSOR	173
DTC P0011 IVT CONTROL	145	Component Description	173
Description	145	CONSULT-III Reference Value in Data Monitor	
CONSULT-III Reference Value in Data Monitor		Mode	173
Mode	145	On Board Diagnosis Logic	173
On Board Diagnosis Logic	146	DTC Confirmation Procedure	173
DTC Confirmation Procedure	146	Wiring Diagram	175
Diagnosis Procedure	147	Diagnosis Procedure	176
Component Inspection	148	Component Inspection	178
Removal and Installation	148	Removal and Installation	179
DTC P0031, P0032 A/F SENSOR 1 HEATER.	149	DTC P0112, P0113 IAT SENSOR	180
Description	149	Component Description	180
		On Board Diagnosis Logic	180
		DTC Confirmation Procedure	180
		Wiring Diagram	181

Diagnosis Procedure	181	CONSULT-III Reference Value in Data Monitor	
Component Inspection	183	Mode	208
Removal and Installation	183	On Board Diagnosis Logic	208
DTC P0117, P0118 ECT SENSOR	184	DTC Confirmation Procedure	208
Component Description	184	Wiring Diagram	210
On Board Diagnosis Logic	184	Diagnosis Procedure	211
DTC Confirmation Procedure	185	Removal and Installation	213
Wiring Diagram	186	DTC P0132 A/F SENSOR 1	214
Diagnosis Procedure	186	Component Description	214
Component Inspection	188	CONSULT-III Reference Value in Data Monitor	
Removal and Installation	188	Mode	214
DTC P0122, P0123 TP SENSOR	189	On Board Diagnosis Logic	214
Component Description	189	DTC Confirmation Procedure	214
CONSULT-III Reference Value in Data Monitor		Wiring Diagram	216
Mode	189	Diagnosis Procedure	217
On Board Diagnosis Logic	189	Removal and Installation	219
DTC Confirmation Procedure	189	DTC P0133 A/F SENSOR 1	220
Wiring Diagram	190	Component Description	220
Diagnosis Procedure	191	CONSULT-III Reference Value in Data Monitor	
Component Inspection	192	Mode	220
Removal and Installation	193	On Board Diagnosis Logic	220
DTC P0125 ECT SENSOR	194	DTC Confirmation Procedure	220
Description	194	Wiring Diagram	222
On Board Diagnosis Logic	194	Diagnosis Procedure	223
DTC Confirmation Procedure	194	Removal and Installation	226
Diagnosis Procedure	195	DTC P0137 HO2S2	227
Component Inspection	195	Component Description	227
Removal and Installation	196	CONSULT-III Reference Value in Data Monitor	
DTC P0127 IAT SENSOR	197	Mode	227
Component Description	197	On Board Diagnosis Logic	227
On Board Diagnosis Logic	197	DTC Confirmation Procedure	227
DTC Confirmation Procedure	197	Overall Function Check	228
Diagnosis Procedure	198	Wiring Diagram	229
Component Inspection	198	Diagnosis Procedure	230
Removal and Installation	199	Component Inspection	232
DTC P0128 THERMOSTAT FUNCTION	200	Removal and Installation	233
On Board Diagnosis Logic	200	DTC P0138 HO2S2	234
DTC Confirmation Procedure	200	Component Description	234
Diagnosis Procedure	200	CONSULT-III Reference Value in Data Monitor	
Component Inspection	200	Mode	234
Removal and Installation	201	On Board Diagnosis Logic	234
DTC P0130 A/F SENSOR 1	202	DTC Confirmation Procedure	235
Component Description	202	Overall Function Check	236
CONSULT-III Reference Value in Data Monitor		Wiring Diagram	237
Mode	202	Diagnosis Procedure	238
On Board Diagnosis Logic	202	Component Inspection	241
DTC Confirmation Procedure	202	Removal and Installation	242
Overall Function Check	203	DTC P0139 HO2S2	243
Wiring Diagram	204	Component Description	243
Diagnosis Procedure	205	CONSULT-III Reference Value in Data Monitor	
Removal and Installation	207	Mode	243
DTC P0131 A/F SENSOR 1	208	On Board Diagnosis Logic	243
Component Description	208	DTC Confirmation Procedure	243
		Overall Function Check	244
		Wiring Diagram	245

Diagnosis Procedure	246	Removal and Installation	284
Component Inspection	248		
Removal and Installation	249		
DTC P0171 FUEL INJECTION SYSTEM		DTC P0335 CKP SENSOR (POS)	285
FUNCTION	250	Component Description	285
On Board Diagnosis Logic	250	CONSULT-III Reference Value in Data Monitor	
DTC Confirmation Procedure	250	Mode	285
Wiring Diagram	252	On Board Diagnosis Logic	285
Diagnosis Procedure	253	DTC Confirmation Procedure	285
		Wiring Diagram	286
		Diagnosis Procedure	287
		Component Inspection	290
		Removal and Installation	290
DTC P0172 FUEL INJECTION SYSTEM		DTC P0340 CMP SENSOR (PHASE)	291
FUNCTION	256	Component Description	291
On Board Diagnosis Logic	256	CONSULT-III Reference Value in Data Monitor	
DTC Confirmation Procedure	256	Mode	291
Wiring Diagram	258	On Board Diagnosis Logic	291
Diagnosis Procedure	259	DTC Confirmation Procedure	291
		Wiring Diagram	292
		Diagnosis Procedure	293
		Component Inspection	295
		Removal and Installation	296
DTC P0181 FTT SENSOR	262	DTC P0420 THREE WAY CATALYST FUNC-	297
Component Description	262	TION	297
On Board Diagnosis Logic	262	On Board Diagnosis Logic	297
DTC Confirmation Procedure	262	DTC Confirmation Procedure	297
Wiring Diagram	263	Overall Function Check	298
Diagnosis Procedure	263	Diagnosis Procedure	298
Component Inspection	265		
Removal and Installation	265	DTC P0441 EVAP CONTROL SYSTEM	301
		System Description	301
DTC P0182, P0183 FTT SENSOR	266	On Board Diagnosis Logic	301
Component Description	266	DTC Confirmation Procedure	301
On Board Diagnosis Logic	266	Overall Function Check	302
DTC Confirmation Procedure	266	Diagnosis Procedure	302
Wiring Diagram	267		
Diagnosis Procedure	267	DTC P0442 EVAP CONTROL SYSTEM	306
Component Inspection	269	On Board Diagnosis Logic	306
Removal and Installation	269	DTC Confirmation Procedure	306
		Diagnosis Procedure	307
DTC P0222, P0223 TP SENSOR	270	DTC P0443 EVAP CANISTER PURGE VOL-	313
Component Description	270	UME CONTROL SOLENOID VALVE	313
CONSULT-III Reference Value in Data Monitor		Description	313
Mode	270	CONSULT-III Reference Value in Data Monitor	
On Board Diagnosis Logic	270	Mode	313
DTC Confirmation Procedure	270	On Board Diagnosis Logic	314
Wiring Diagram	271	DTC Confirmation Procedure	314
Diagnosis Procedure	272	Wiring Diagram	315
Component Inspection	273	Diagnosis Procedure	316
Removal and Installation	274	Component Inspection	319
		Removal and Installation	319
DTC P0300 - P0304 MULTIPLE CYLINDER		DTC P0444, P0445 EVAP CANISTER PURGE	
MISFIRE, NO. 1 - 4 CYLINDER MISFIRE	275	VOLUME CONTROL SOLENOID VALVE	320
On Board Diagnosis Logic	275	Description	320
DTC Confirmation Procedure	275	CONSULT-III Reference Value in Data Monitor	
Diagnosis Procedure	276	Mode	320
DTC P0327, P0328 KS	281		
Component Description	281		
On Board Diagnosis Logic	281		
DTC Confirmation Procedure	281		
Wiring Diagram	282		
Diagnosis Procedure	283		
Component Inspection	284		

On Board Diagnosis Logic	321	DTC P0455 EVAP CONTROL SYSTEM	356	
DTC Confirmation Procedure	321	On Board Diagnosis Logic	356	A
Wiring Diagram	322	DTC Confirmation Procedure	356	
Diagnosis Procedure	323	Diagnosis Procedure	357	
Component Inspection	325	DTC P0456 EVAP CONTROL SYSTEM	362	EC
Removal and Installation	325	On Board Diagnosis Logic	362	
DTC P0447 EVAP CANISTER VENT CONTROL VALVE	326	DTC Confirmation Procedure	363	C
Component Description	326	Overall Function Check	363	
CONSULT-III Reference Value in Data Monitor Mode	326	Diagnosis Procedure	364	
On Board Diagnosis Logic	326	DTC P0460 FUEL LEVEL SENSOR	369	D
DTC Confirmation Procedure	326	Component Description	369	
Wiring Diagram	327	On Board Diagnosis Logic	369	
Diagnosis Procedure	328	DTC Confirmation Procedure	369	E
Component Inspection	330	Diagnosis Procedure	369	
DTC P0448 EVAP CANISTER VENT CONTROL VALVE	332	Removal and Installation	370	
Component Description	332	DTC P0461 FUEL LEVEL SENSOR	371	F
CONSULT-III Reference Value in Data Monitor Mode	332	Component Description	371	
On Board Diagnosis Logic	332	On Board Diagnosis Logic	371	
DTC Confirmation Procedure	332	Overall Function Check	371	G
Wiring Diagram	334	Diagnosis Procedure	372	
Diagnosis Procedure	335	Removal and Installation	372	
Component Inspection	336	DTC P0462, P0463 FUEL LEVEL SENSOR ..	373	H
DTC P0451 EVAP CONTROL SYSTEM PRESSURE SENSOR	338	Component Description	373	
Component Description	338	On Board Diagnosis Logic	373	
CONSULT-III Reference Value in Data Monitor Mode	338	DTC Confirmation Procedure	373	I
On Board Diagnosis Logic	338	Diagnosis Procedure	373	
DTC Confirmation Procedure	338	Removal and Installation	374	
Diagnosis Procedure	339	DTC P0500 VSS	375	J
Component Inspection	340	Description	375	
DTC P0452 EVAP CONTROL SYSTEM PRESSURE SENSOR	341	On Board Diagnosis Logic	375	
Component Description	341	DTC Confirmation Procedure	375	K
CONSULT-III Reference Value in Data Monitor Mode	341	Overall Function Check	376	
On Board Diagnosis Logic	341	Diagnosis Procedure	376	
DTC Confirmation Procedure	341	DTC P0506 ISC SYSTEM	377	L
Wiring Diagram	343	Description	377	
Diagnosis Procedure	344	On Board Diagnosis Logic	377	
Component Inspection	347	DTC Confirmation Procedure	377	M
DTC P0453 EVAP CONTROL SYSTEM PRESSURE SENSOR	348	Diagnosis Procedure	377	
Component Description	348	DTC P0507 ISC SYSTEM	379	N
CONSULT-III Reference Value in Data Monitor Mode	348	Description	379	
On Board Diagnosis Logic	348	On Board Diagnosis Logic	379	
DTC Confirmation Procedure	348	DTC Confirmation Procedure	379	
Wiring Diagram	350	Diagnosis Procedure	379	O
Diagnosis Procedure	351	DTC P0605 ECM	381	
Component Inspection	355	Component Description	381	
DTC P0455 EVAP CONTROL SYSTEM	356	On Board Diagnosis Logic	381	P
On Board Diagnosis Logic	356	DTC Confirmation Procedure	381	
DTC Confirmation Procedure	356	Diagnosis Procedure	382	
Diagnosis Procedure	357	DTC P0643 SENSOR POWER SUPPLY	383	
DTC P0456 EVAP CONTROL SYSTEM	362	On Board Diagnosis Logic	383	
On Board Diagnosis Logic	362	DTC Confirmation Procedure	383	
DTC Confirmation Procedure	363	Wiring Diagram	384	
Overall Function Check	363			
Diagnosis Procedure	364			
DTC P0460 FUEL LEVEL SENSOR	369			
Component Description	369			
On Board Diagnosis Logic	369			
DTC Confirmation Procedure	369			
Diagnosis Procedure	369			
Removal and Installation	370			
DTC P0461 FUEL LEVEL SENSOR	371			
Component Description	371			
On Board Diagnosis Logic	371			
Overall Function Check	371			
Diagnosis Procedure	372			
Removal and Installation	372			
DTC P0462, P0463 FUEL LEVEL SENSOR ..	373			
Component Description	373			
On Board Diagnosis Logic	373			
DTC Confirmation Procedure	373			
Diagnosis Procedure	373			
Removal and Installation	374			
DTC P0500 VSS	375			
Description	375			
On Board Diagnosis Logic	375			
DTC Confirmation Procedure	375			
Overall Function Check	376			
Diagnosis Procedure	376			
DTC P0506 ISC SYSTEM	377			
Description	377			
On Board Diagnosis Logic	377			
DTC Confirmation Procedure	377			
Diagnosis Procedure	377			
DTC P0507 ISC SYSTEM	379			
Description	379			
On Board Diagnosis Logic	379			
DTC Confirmation Procedure	379			
Diagnosis Procedure	379			
DTC P0605 ECM	381			
Component Description	381			
On Board Diagnosis Logic	381			
DTC Confirmation Procedure	381			
Diagnosis Procedure	382			
DTC P0643 SENSOR POWER SUPPLY	383			
On Board Diagnosis Logic	383			
DTC Confirmation Procedure	383			
Wiring Diagram	384			

Diagnosis Procedure	385	DTC Confirmation Procedure	419
DTC P0850 PNP SWITCH	388	Wiring Diagram	420
Component Description	388	Diagnosis Procedure	421
CONSULT-III Reference Value in Data Monitor		Component Inspection	425
Mode	388	DTC P1574 ASCD VEHICLE SPEED SEN-	427
On Board Diagnosis Logic	388	SOR	427
DTC Confirmation Procedure	388	Component Description	427
Overall Function Check	389	On Board Diagnosis Logic	427
Wiring Diagram	390	DTC Confirmation Procedure	427
Diagnosis Procedure	391	Diagnosis Procedure	427
DTC P1148 CLOSED LOOP CONTROL	393	DTC P1715 INPUT SPEED SENSOR (PRIMA-	429
On Board Diagnosis Logic	393	RY SPEED SENSOR)	429
DTC P1217 ENGINE OVER TEMPERATURE. 394		Description	429
System Description	394	CONSULT-III Reference Value in Data Monitor	
CONSULT-III Reference Value in Data Monitor		Mode	429
Mode	395	On Board Diagnosis Logic	429
On Board Diagnosis Logic	396	DTC Confirmation Procedure	429
Overall Function Check	396	Diagnosis Procedure	429
Wiring Diagram	398	DTC P1805 BRAKE SWITCH	431
Diagnosis Procedure	400	Description	431
Main 13 Causes of Overheating	404	CONSULT-III Reference Value in Data Monitor	
Component Inspection	405	Mode	431
DTC P1225 TP SENSOR	406	On Board Diagnosis Logic	431
Component Description	406	DTC Confirmation Procedure	431
On Board Diagnosis Logic	406	Wiring Diagram	432
DTC Confirmation Procedure	406	Diagnosis Procedure	433
Diagnosis Procedure	406	Component Inspection	434
Removal and Installation	407	DTC P2100, P2103 THROTTLE CONTROL	435
DTC P1226 TP SENSOR	408	MOTOR RELAY	435
Component Description	408	Component Description	435
On Board Diagnosis Logic	408	CONSULT-III Reference Value in Data Monitor	
DTC Confirmation Procedure	408	Mode	435
Diagnosis Procedure	408	On Board Diagnosis Logic	435
Removal and Installation	409	DTC Confirmation Procedure	435
DTC P1421 COLD START CONTROL	410	Wiring Diagram	436
Description	410	Diagnosis Procedure	437
On Board Diagnosis Logic	410	DTC P2101 ELECTRIC THROTTLE CON-	439
DTC Confirmation Procedure	410	TROL FUNCTION	439
Diagnosis Procedure	410	Description	439
DTC P1564 ASCD STEERING SWITCH	412	On Board Diagnosis Logic	439
Component Description	412	DTC Confirmation Procedure	439
CONSULT-III Reference Value in Data Monitor		Wiring Diagram	440
Mode	412	Diagnosis Procedure	441
On Board Diagnosis Logic	412	Component Inspection	444
DTC Confirmation Procedure	413	Removal and Installation	444
Wiring Diagram	414	DTC P2118 THROTTLE CONTROL MOTOR..	445
Diagnosis Procedure	415	Component Description	445
Component Inspection	417	On Board Diagnosis Logic	445
DTC P1572 ASCD BRAKE SWITCH	418	DTC Confirmation Procedure	445
Component Description	418	Wiring Diagram	446
CONSULT-III Reference Value in Data Monitor		Diagnosis Procedure	447
Mode	418	Component Inspection	448
On Board Diagnosis Logic	418	Removal and Installation	448

DTC P2119 ELECTRIC THROTTLE CONTROL ACTUATOR	449	ASC D BRAKE SWITCH	482	A
Component Description	449	Component Description	482	
On Board Diagnosis Logic	449	CONSULT-III Reference Value in Data Monitor Mode	482	EC
DTC Confirmation Procedure	449	Wiring Diagram	483	
Diagnosis Procedure	450	Diagnosis Procedure	484	
DTC P2122, P2123 APP SENSOR	451	Component Inspection	488	
Component Description	451	ASC D INDICATOR	490	C
CONSULT-III Reference Value in Data Monitor Mode	451	Component Description	490	
On Board Diagnosis Logic	451	CONSULT-III Reference Value in Data Monitor Mode	490	D
DTC Confirmation Procedure	451	Wiring Diagram	491	
Wiring Diagram	452	Diagnosis Procedure	491	
Diagnosis Procedure	453	ELECTRICAL LOAD SIGNAL	493	E
Component Inspection	455	CONSULT-III Reference Value in Data Monitor Mode	493	
Removal and Installation	455	Diagnosis Procedure	493	F
DTC P2127, P2128 APP SENSOR	456	FUEL INJECTOR	495	G
Component Description	456	Component Description	495	
CONSULT-III Reference Value in Data Monitor Mode	456	CONSULT-III Reference Value in Data Monitor Mode	495	H
On Board Diagnosis Logic	456	Wiring Diagram	496	
DTC Confirmation Procedure	457	Diagnosis Procedure	497	
Wiring Diagram	458	Component Inspection	499	
Diagnosis Procedure	459	Removal and Installation	499	I
Component Inspection	461	FUEL PUMP	500	J
Removal and Installation	462	Description	500	
DTC P2135 TP SENSOR	463	CONSULT-III Reference Value in Data Monitor Mode	500	K
Component Description	463	Wiring Diagram	501	
CONSULT-III Reference Value in Data Monitor Mode	463	Diagnosis Procedure	502	
On Board Diagnosis Logic	463	Component Inspection	504	
DTC Confirmation Procedure	463	Removal and Installation	504	L
Wiring Diagram	464	IGNITION SIGNAL	505	
Diagnosis Procedure	465	Component Description	505	
Component Inspection	466	Wiring Diagram	506	
Removal and Installation	467	Diagnosis Procedure	509	M
DTC P2138 APP SENSOR	468	Component Inspection	512	
Component Description	468	Removal and Installation	513	N
CONSULT-III Reference Value in Data Monitor Mode	468	REFRIGERANT PRESSURE SENSOR	514	
On Board Diagnosis Logic	468	Component Description	514	
DTC Confirmation Procedure	469	Wiring Diagram	515	
Wiring Diagram	470	Diagnosis Procedure	516	O
Diagnosis Procedure	471	Removal and Installation	518	
Component Inspection	474	MIL AND DATA LINK CONNECTOR	519	P
Removal and Installation	474	Wiring Diagram	519	
DTC P2A00 A/F SENSOR 1	475	SERVICE DATA AND SPECIFICATIONS (SDS)	521	
Component Description	475	Fuel Pressure	521	
CONSULT-III Reference Value in Data Monitor Mode	475	Idle Speed and Ignition Timing	521	
On Board Diagnosis Logic	475	Calculated Load Value	521	
DTC Confirmation Procedure	475	Mass Air Flow Sensor	521	
Wiring Diagram	477	Intake Air Temperature Sensor	521	
Diagnosis Procedure	478			
Removal and Installation	481			

Engine Coolant Temperature Sensor	521	Component Inspection	546
Air Fuel Ratio (A/F) Sensor 1 Heater	521	Removal and Installation	547
Heated Oxygen sensor 2 Heater	522	How to Detect Fuel Vapor Leakage	548
Crankshaft Position Sensor (POS)	522		
Camshaft Position Sensor (PHASE)	522	ON BOARD REFUELING VAPOR RECOVERY (ORVR)	550
Throttle Control Motor	522	System Description	550
Fuel Injector	522	Diagnosis Procedure	550
Fuel Pump	522	Component Inspection	552
QR			
SERVICE INFORMATION	523	POSITIVE CRANKCASE VENTILATION	555
INDEX FOR DTC	523	Description	555
U1000-U1010	523	Component Inspection	555
P0011-P0075	523		
P0101-P0128	523	NVIS (NISSAN VEHICLE IMMOBILIZER SYSTEM-NATS)	557
P0130-P0159	524	Description	557
P0171-P0223	524		
P0300-P0430	525	ON BOARD DIAGNOSTIC (OBD) SYSTEM ...	558
P0441-P0463	525	Introduction	558
P0500-P0643	526	Two Trip Detection Logic	558
P0705-P0850	526	Emission-related Diagnostic Information	559
P1148-P1574	527	Malfunction Indicator Lamp (MIL)	575
P1610-P1615	527	OBD System Operation Chart	578
P1715-P1805	527		
P2100-P2A03	528	BASIC SERVICE PROCEDURE	584
PRECAUTIONS	529	Basic Inspection	584
Precaution for Supplemental Restraint System (SRS) "AIR BAG" and "SEAT BELT PRE-TENSIONER"	529	Idle Speed and Ignition Timing Check	588
Precaution for Procedure without Cowl Top Cover	529	Procedure After Replacing ECM	589
On Board Diagnosis (OBD) System of Engine and CVT	529	VIN Registration	590
Precaution	530	Accelerator Pedal Released Position Learning ...	590
		Throttle Valve Closed Position Learning	590
		Idle Air Volume Learning	590
		Fuel Pressure Check	592
PREPARATION	533	TROUBLE DIAGNOSIS	594
Special Service Tool	533	Trouble Diagnosis Introduction	594
Commercial Service Tool	533	DTC Inspection Priority Chart	598
ENGINE CONTROL SYSTEM	535	Fail-Safe Chart	599
Schematic	535	Symptom Matrix Chart	600
Multiport Fuel Injection (MFI) System	535	Engine Control Component Parts Location	605
Electronic Ignition (EI) System	538	Vacuum Hose Drawing	611
Fuel Cut Control (at No Load and High Engine Speed)	538	Circuit Diagram	612
AIR CONDITIONING CUT CONTROL	540	ECM Harness Connector Terminal Layout	614
Input/Output Signal Chart	540	ECM Terminal and Reference Value	614
System Description	540	CONSULT-III Function (ENGINE)	621
AUTOMATIC SPEED CONTROL DEVICE (ASCD)	541	Generic Scan Tool (GST) Function	630
System Description	541	CONSULT-III Reference Value in Data Monitor Mode	631
Component Description	542	TROUBLE DIAGNOSIS - SPECIFICATION VALUE	635
CAN COMMUNICATION	543	Description	635
System Description	543	Testing Condition	635
EVAPORATIVE EMISSION SYSTEM	544	Inspection Procedure	635
Description	544	Diagnosis Procedure	635
		TROUBLE DIAGNOSIS FOR INTERMITTENT INCIDENT	643
		Description	643

Diagnosis Procedure	643	On Board Diagnosis Logic	672	
POWER SUPPLY AND GROUND CIRCUIT ...	644	DTC Confirmation Procedure	672	A
Wiring Diagram	644	Wiring Diagram	673	
Diagnosis Procedure	645	Diagnosis Procedure	674	
Ground Inspection	649	Component Inspection	675	EC
		Removal and Installation	676	
DTC U1000, U1001 CAN COMMUNICATION		DTC P0101 MAF SENSOR	677	
LINE	650	Component Description	677	C
Description	650	CONSULT-III Reference Value in Data Monitor		
On Board Diagnosis Logic	650	Mode	677	
DTC Confirmation Procedure	650	On Board Diagnosis Logic	677	D
Wiring Diagram	651	DTC Confirmation Procedure	677	
Diagnosis Procedure	651	Overall Function Check	678	
		Wiring Diagram	679	E
DTC U1010 CAN COMMUNICATION	652	Diagnosis Procedure	680	
Description	652	Component Inspection	682	F
On Board Diagnosis Logic	652	Removal and Installation	683	
DTC Confirmation Procedure	652			
Diagnosis Procedure	652	DTC P0102, P0103 MAF SENSOR	684	
		Component Description	684	G
DTC P0011 IVT CONTROL	653	CONSULT-III Reference Value in Data Monitor		
Description	653	Mode	684	
CONSULT-III Reference Value in Data Monitor		On Board Diagnosis Logic	684	H
Mode	653	DTC Confirmation Procedure	684	
On Board Diagnosis Logic	654	Wiring Diagram	686	I
DTC Confirmation Procedure	654	Diagnosis Procedure	687	
Diagnosis Procedure	655	Component Inspection	689	J
Component Inspection	656	Removal and Installation	690	
Removal and Installation	656			
		DTC P0112, P0113 IAT SENSOR	691	
DTC P0031, P0032, P0051, P0052 A/F SEN-		Component Description	691	K
SOR 1 HEATER	657	On Board Diagnosis Logic	691	
Description	657	DTC Confirmation Procedure	691	L
CONSULT-III Reference Value in Data Monitor		Wiring Diagram	692	
Mode	657	Diagnosis Procedure	692	M
On Board Diagnosis Logic	657	Component Inspection	694	
DTC Confirmation Procedure	657	Removal and Installation	694	
Wiring Diagram	658			
Diagnosis Procedure	661	DTC P0117, P0118 ECT SENSOR	695	
Component Inspection	662	Component Description	695	N
Removal and Installation	663	On Board Diagnosis Logic	695	
		DTC Confirmation Procedure	696	O
DTC P0037, P0038, P0057, P0058 HO2S2		Wiring Diagram	697	
HEATER	664	Diagnosis Procedure	697	P
Description	664	Component Inspection	699	
CONSULT-III Reference Value in Data Monitor		Removal and Installation	699	
Mode	664			
On Board Diagnosis Logic	664	DTC P0122, P0123 TP SENSOR	700	
DTC Confirmation Procedure	664	Component Description	700	
Wiring Diagram	666	CONSULT-III Reference Value in Data Monitor		
Diagnosis Procedure	669	Mode	700	
Component Inspection	671	On Board Diagnosis Logic	700	
Removal and Installation	671	DTC Confirmation Procedure	700	
		Wiring Diagram	701	
DTC P0075 IVT CONTROL SOLENOID		Diagnosis Procedure	702	
VALVE	672	Component Inspection	704	
Component Description	672	Removal and Installation	704	
CONSULT-III Reference Value in Data Monitor				
Mode	672	DTC P0125 ECT SENSOR	705	

Description	705	Diagnosis Procedure	742
On Board Diagnosis Logic	705	Removal and Installation	745
DTC Confirmation Procedure	705	DTC P0137, P0157 HO2S2	746
Diagnosis Procedure	706	Component Description	746
Component Inspection	706	CONSULT-III Reference Value in Data Monitor	
Removal and Installation	707	Mode	746
DTC P0127 IAT SENSOR	708	On Board Diagnosis Logic	746
Component Description	708	DTC Confirmation Procedure	746
On Board Diagnosis Logic	708	Overall Function Check	747
DTC Confirmation Procedure	708	Wiring Diagram	748
Diagnosis Procedure	709	Diagnosis Procedure	751
Component Inspection	709	Component Inspection	753
Removal and Installation	710	Removal and Installation	754
DTC P0128 THERMOSTAT FUNCTION	711	DTC P0138, P0158 HO2S2	755
On Board Diagnosis Logic	711	Component Description	755
DTC Confirmation Procedure	711	CONSULT-III Reference Value in Data Monitor	
Diagnosis Procedure	711	Mode	755
Component Inspection	711	On Board Diagnosis Logic	755
Removal and Installation	712	DTC Confirmation Procedure	756
DTC P0130, P0150 A/F SENSOR 1	713	Overall Function Check	757
Component Description	713	Wiring Diagram	758
CONSULT-III Reference Value in Data Monitor		Diagnosis Procedure	761
Mode	713	Component Inspection	765
On Board Diagnosis Logic	713	Removal and Installation	766
DTC Confirmation Procedure	713	DTC P0139, P0159 HO2S2	767
Overall Function Check	714	Component Description	767
Wiring Diagram	715	CONSULT-III Reference Value in Data Monitor	
Diagnosis Procedure	718	Mode	767
Removal and Installation	720	On Board Diagnosis Logic	767
DTC P0131, P0151 A/F SENSOR 1	721	DTC Confirmation Procedure	767
Component Description	721	Overall Function Check	768
CONSULT-III Reference Value in Data Monitor		Wiring Diagram	769
Mode	721	Diagnosis Procedure	772
On Board Diagnosis Logic	721	Component Inspection	774
DTC Confirmation Procedure	721	Removal and Installation	775
Wiring Diagram	723	DTC P0171, P0174 FUEL INJECTION SYS-	
Diagnosis Procedure	726	TEM FUNCTION	776
Removal and Installation	728	On Board Diagnosis Logic	776
DTC P0132, P0152 A/F SENSOR 1	729	DTC Confirmation Procedure	776
Component Description	729	Wiring Diagram	778
CONSULT-III Reference Value in Data Monitor		Diagnosis Procedure	781
Mode	729	DTC P0172, P0175 FUEL INJECTION SYS-	
On Board Diagnosis Logic	729	TEM FUNCTION	785
DTC Confirmation Procedure	729	On Board Diagnosis Logic	785
Wiring Diagram	731	DTC Confirmation Procedure	785
Diagnosis Procedure	734	Wiring Diagram	787
Removal and Installation	736	Diagnosis Procedure	790
DTC P0133, P0153 A/F SENSOR 1	737	DTC P0181 FTT SENSOR	793
Component Description	737	Component Description	793
CONSULT-III Reference Value in Data Monitor		On Board Diagnosis Logic	793
Mode	737	DTC Confirmation Procedure	793
On Board Diagnosis Logic	737	Wiring Diagram	794
DTC Confirmation Procedure	737	Diagnosis Procedure	794
Wiring Diagram	739	Component Inspection	

Removal and Installation	796	
DTC P0182, P0183 FTT SENSOR	797	
Component Description	797	
On Board Diagnosis Logic	797	
DTC Confirmation Procedure	797	
Wiring Diagram	798	
Diagnosis Procedure	798	
Component Inspection	800	
Removal and Installation	800	
DTC P0222, P0223 TP SENSOR	801	
Component Description	801	
CONSULT-III Reference Value in Data Monitor		
Mode	801	
On Board Diagnosis Logic	801	
DTC Confirmation Procedure	801	
Wiring Diagram	802	
Diagnosis Procedure	803	
Component Inspection	805	
Removal and Installation	805	
DTC P0300 - P0304 MULTIPLE CYLINDER		
MISFIRE, NO. 1 - 4 CYLINDER MISFIRE	806	
On Board Diagnosis Logic	806	
DTC Confirmation Procedure	806	
Diagnosis Procedure	807	
DTC P0327, P0328 KS	812	
Component Description	812	
On Board Diagnosis Logic	812	
DTC Confirmation Procedure	812	
Wiring Diagram	813	
Diagnosis Procedure	814	
Component Inspection	815	
Removal and Installation	815	
DTC P0335 CKP SENSOR (POS)	816	
Component Description	816	
CONSULT-III Reference Value in Data Monitor		
Mode	816	
On Board Diagnosis Logic	816	
DTC Confirmation Procedure	816	
Wiring Diagram	817	
Diagnosis Procedure	818	
Component Inspection	821	
Removal and Installation	821	
DTC P0340 CMP SENSOR (PHASE)	822	
Component Description	822	
CONSULT-III Reference Value in Data Monitor		
Mode	822	
On Board Diagnosis Logic	822	
DTC Confirmation Procedure	822	
Wiring Diagram	823	
Diagnosis Procedure	824	
Component Inspection	826	
Removal and Installation	827	
DTC P0420, P0430 THREE WAY CATALYST		
FUNCTION	828	A
On Board Diagnosis Logic	828	
DTC Confirmation Procedure	828	
Overall Function Check	829	EC
Diagnosis Procedure	829	
DTC P0441 EVAP CONTROL SYSTEM	832	
System Description	832	C
On Board Diagnosis Logic	832	
DTC Confirmation Procedure	832	
Overall Function Check	833	D
Diagnosis Procedure	833	
DTC P0442 EVAP CONTROL SYSTEM	837	
On Board Diagnosis Logic	837	E
DTC Confirmation Procedure	837	
Diagnosis Procedure	838	F
DTC P0443 EVAP CANISTER PURGE VOL-		
UME CONTROL SOLENOID VALVE	844	
Description	844	G
CONSULT-III Reference Value in Data Monitor		
Mode	844	
On Board Diagnosis Logic	845	H
DTC Confirmation Procedure	845	
Wiring Diagram	846	
Diagnosis Procedure	847	
Component Inspection	850	I
Removal and Installation	850	
DTC P0444, P0445 EVAP CANISTER PURGE		
VOLUME CONTROL SOLENOID VALVE	851	J
Description	851	
CONSULT-III Reference Value in Data Monitor		
Mode	851	K
On Board Diagnosis Logic	852	
DTC Confirmation Procedure	852	
Wiring Diagram	853	L
Diagnosis Procedure	854	
Component Inspection	856	
Removal and Installation	856	M
DTC P0447 EVAP CANISTER VENT CON-		
TROL VALVE	857	
Component Description	857	N
CONSULT-III Reference Value in Data Monitor		
Mode	857	
On Board Diagnosis Logic	857	O
DTC Confirmation Procedure	857	
Wiring Diagram	858	
Diagnosis Procedure	859	P
Component Inspection	860	
DTC P0448 EVAP CANISTER VENT CON-		
TROL VALVE	862	
Component Description	862	
CONSULT-III Reference Value in Data Monitor		
Mode	862	
On Board Diagnosis Logic	862	

DTC Confirmation Procedure	862	Removal and Installation	902
Wiring Diagram	864		
Diagnosis Procedure	865	DTC P0462, P0463 FUEL LEVEL SENSOR ...	903
Component Inspection	866	Component Description	903
DTC P0451 EVAP CONTROL SYSTEM		On Board Diagnosis Logic	903
PRESSURE SENSOR	868	DTC Confirmation Procedure	903
Component Description	868	Diagnosis Procedure	903
CONSULT-III Reference Value in Data Monitor		Removal and Installation	904
Mode	868	DTC P0500 VSS	905
On Board Diagnosis Logic	868	Description	905
DTC Confirmation Procedure	868	On Board Diagnosis Logic	905
Diagnosis Procedure	869	DTC Confirmation Procedure	905
Component Inspection	870	Overall Function Check	906
		Diagnosis Procedure	906
DTC P0452 EVAP CONTROL SYSTEM		DTC P0506 ISC SYSTEM	907
PRESSURE SENSOR	871	Description	907
Component Description	871	On Board Diagnosis Logic	907
CONSULT-III Reference Value in Data Monitor		DTC Confirmation Procedure	907
Mode	871	Diagnosis Procedure	907
On Board Diagnosis Logic	871	DTC P0507 ISC SYSTEM	909
DTC Confirmation Procedure	871	Description	909
Wiring Diagram	873	On Board Diagnosis Logic	909
Diagnosis Procedure	874	DTC Confirmation Procedure	909
Component Inspection	877	Diagnosis Procedure	909
DTC P0453 EVAP CONTROL SYSTEM		DTC P0603 ECM POWER SUPPLY	911
PRESSURE SENSOR	878	Component Description	911
Component Description	878	On Board Diagnosis Logic	911
CONSULT-III Reference Value in Data Monitor		DTC Confirmation Procedure	911
Mode	878	Wiring Diagram	912
On Board Diagnosis Logic	878	Diagnosis Procedure	913
DTC Confirmation Procedure	878	DTC P0605 ECM	915
Wiring Diagram	880	Component Description	915
Diagnosis Procedure	881	On Board Diagnosis Logic	915
Component Inspection	885	DTC Confirmation Procedure	915
DTC P0455 EVAP CONTROL SYSTEM	886	Diagnosis Procedure	916
On Board Diagnosis Logic	886	DTC P0643 SENSOR POWER SUPPLY	917
DTC Confirmation Procedure	886	On Board Diagnosis Logic	917
Diagnosis Procedure	887	DTC Confirmation Procedure	917
DTC P0456 EVAP CONTROL SYSTEM	892	Wiring Diagram	918
On Board Diagnosis Logic	892	Diagnosis Procedure	919
DTC Confirmation Procedure	893	DTC P0850 PNP SWITCH	922
Overall Function Check	893	Component Description	922
Diagnosis Procedure	894	CONSULT-III Reference Value in Data Monitor	
DTC P0460 FUEL LEVEL SENSOR	899	Mode	922
Component Description	899	On Board Diagnosis Logic	922
On Board Diagnosis Logic	899	DTC Confirmation Procedure	922
DTC Confirmation Procedure	899	Overall Function Check	923
Diagnosis Procedure	899	Wiring Diagram	924
Removal and Installation	900	Diagnosis Procedure	925
DTC P0461 FUEL LEVEL SENSOR	901	DTC P1148, P1168 CLOSED LOOP CON-	TROL
Component Description	901		928
On Board Diagnosis Logic	901	On Board Diagnosis Logic	928
Overall Function Check	901		
Diagnosis Procedure	902		

DTC P1217 ENGINE OVER TEMPERATURE. 929	Description	964	
System Description	CONSULT-III Reference Value in Data Monitor Mode	929	A
CONSULT-III Reference Value in Data Monitor Mode	On Board Diagnosis Logic	930	
On Board Diagnosis Logic	DTC Confirmation Procedure	930	EC
Overall Function Check	Diagnosis Procedure	930	
Wiring Diagram		932	
Diagnosis Procedure	DTC P1805 BRAKE SWITCH 966	934	C
Main 12 Causes of Overheating	Description	939	
Component Inspection	CONSULT-III Reference Value in Data Monitor Mode	939	
	On Board Diagnosis Logic	966	D
DTC P1225 TP SENSOR 941	DTC Confirmation Procedure	966	
Component Description	Wiring Diagram	941	E
On Board Diagnosis Logic	Diagnosis Procedure	941	
DTC Confirmation Procedure	Component Inspection	941	
Diagnosis Procedure		942	
Removal and Installation	DTC P2100, P2103 THROTTLE CONTROL MOTOR RELAY 970	942	F
	Component Description	943	
DTC P1226 TP SENSOR 943	CONSULT-III Reference Value in Data Monitor Mode	943	G
Component Description	On Board Diagnosis Logic	943	
On Board Diagnosis Logic	DTC Confirmation Procedure	943	H
DTC Confirmation Procedure	Wiring Diagram	943	
Diagnosis Procedure	Diagnosis Procedure	943	
Removal and Installation		944	
	DTC P2101 ELECTRIC THROTTLE CONTROL FUNCTION 974	945	I
DTC P1421 COLD START CONTROL 945	Description	945	
Description	On Board Diagnosis Logic	945	J
On Board Diagnosis Logic	DTC Confirmation Procedure	945	
DTC Confirmation Procedure	Wiring Diagram	945	
Diagnosis Procedure	Diagnosis Procedure	945	K
	Component Inspection	945	
	Removal and Installation	945	
DTC P1564 ASCD STEERING SWITCH 947		947	L
Component Description	DTC P2118 THROTTLE CONTROL MOTOR . 980	947	
CONSULT-III Reference Value in Data Monitor Mode	Component Description	947	
On Board Diagnosis Logic	On Board Diagnosis Logic	947	M
DTC Confirmation Procedure	DTC Confirmation Procedure	947	
Wiring Diagram	Wiring Diagram	949	
Diagnosis Procedure	Diagnosis Procedure	950	N
Component Inspection	Component Inspection	952	
	Removal and Installation	952	
DTC P1572 ASCD BRAKE SWITCH 953		953	O
Component Description	DTC P2119 ELECTRIC THROTTLE CONTROL ACTUATOR 985	953	
CONSULT-III Reference Value in Data Monitor Mode	Component Description	953	
On Board Diagnosis Logic	On Board Diagnosis Logic	953	P
DTC Confirmation Procedure	DTC Confirmation Procedure	954	
Wiring Diagram	Diagnosis Procedure	955	
Diagnosis Procedure	Component Inspection	956	
Component Inspection	Removal and Installation	960	
		983	
DTC P1574 ASCD VEHICLE SPEED SENSOR 962		983	
Component Description	DTC P2122, P2123 APP SENSOR 987	962	
On Board Diagnosis Logic	Component Description	962	
DTC Confirmation Procedure	CONSULT-III Reference Value in Data Monitor Mode	962	
Diagnosis Procedure	On Board Diagnosis Logic	962	
	DTC Confirmation Procedure	962	
DTC P1715 INPUT SPEED SENSOR (PRIMARY SPEED SENSOR) 964	Wiring Diagram	964	
		987	

Diagnosis Procedure	989	CONSULT-III Reference Value in Data Monitor	
Component Inspection	991	Mode	1028
Removal and Installation	991	Wiring Diagram	1029
DTC P2127, P2128 APP SENSOR	992	Diagnosis Procedure	1029
Component Description	992	ELECTRICAL LOAD SIGNAL	1031
CONSULT-III Reference Value in Data Monitor		CONSULT-III Reference Value in Data Monitor	
Mode	992	Mode	1031
On Board Diagnosis Logic	992	Diagnosis Procedure	1031
DTC Confirmation Procedure	993	FUEL INJECTOR	1033
Wiring Diagram	994	Component Description	1033
Diagnosis Procedure	995	CONSULT-III Reference Value in Data Monitor	
Component Inspection	997	Mode	1033
Removal and Installation	998	Wiring Diagram	1034
DTC P2135 TP SENSOR	999	Diagnosis Procedure	1035
Component Description	999	Component Inspection	1037
CONSULT-III Reference Value in Data Monitor		Removal and Installation	1037
Mode	999	FUEL PUMP	1038
On Board Diagnosis Logic	999	Description	1038
DTC Confirmation Procedure	999	CONSULT-III Reference Value in Data Monitor	
Wiring Diagram	1000	Mode	1038
Diagnosis Procedure	1001	Wiring Diagram	1039
Component Inspection	1003	Diagnosis Procedure	1040
Removal and Installation	1003	Component Inspection	1042
DTC P2138 APP SENSOR	1004	Removal and Installation	1042
Component Description	1004	IGNITION SIGNAL	1043
CONSULT-III Reference Value in Data Monitor		Component Description	1043
Mode	1004	Wiring Diagram	1044
On Board Diagnosis Logic	1004	Diagnosis Procedure	1047
DTC Confirmation Procedure	1005	Component Inspection	1050
Wiring Diagram	1006	Removal and Installation	1051
Diagnosis Procedure	1007	REFRIGERANT PRESSURE SENSOR	1052
Component Inspection	1010	Component Description	1052
Removal and Installation	1010	Wiring Diagram	1053
DTC P2A00, P2A03 A/F SENSOR 1	1011	Diagnosis Procedure	1054
Component Description	1011	Removal and Installation	1056
CONSULT-III Reference Value in Data Monitor		MIL AND DATA LINK CONNECTOR	1057
Mode	1011	Wiring Diagram	1057
On Board Diagnosis Logic	1011	SERVICE DATA AND SPECIFICATIONS	
DTC Confirmation Procedure	1011	(SDS)	1059
Wiring Diagram	1013	Fuel Pressure	1059
Diagnosis Procedure	1016	Idle Speed and Ignition Timing	1059
Removal and Installation	1019	Calculated Load Value	1059
ASCD BRAKE SWITCH	1020	Mass Air Flow Sensor	1059
Component Description	1020	Intake Air Temperature Sensor	1059
CONSULT-III Reference Value in Data Monitor		Engine Coolant Temperature Sensor	1059
Mode	1020	Air Fuel Ratio (A/F) Sensor 1 Heater	1059
Wiring Diagram	1021	Heated Oxygen sensor 2 Heater	1060
Diagnosis Procedure	1022	Crankshaft Position Sensor (POS)	1060
Component Inspection	1026	Camshaft Position Sensor (PHASE)	1060
ASCD INDICATOR	1028	Throttle Control Motor	1060
Component Description	1028	Fuel Injector	1060
		Fuel Pump	1060

INDEX FOR DTC

< SERVICE INFORMATION >

[MR]

SERVICE INFORMATION

INDEX FOR DTC

U1000-U1010

INFOID:000000001849716

EC

DTC*1		Items (CONSULT-III screen terms)	Reference page
CONSULT-III GST*2	ECM*3		
U1000	1000*4	CAN COMM CIRCUIT	EC-142
U1001	1001*4	CAN COMM CIRCUIT	EC-142
U1010	1010	CONTROL UNIT(CAN)	EC-144

*1: 1st trip DTC No. is the same as DTC No.

*2: This number is prescribed by SAE J2012.

*3: In Diagnostic Test Mode II (Self-diagnostic results), this number is controlled by NISSAN.

*4: The troubleshooting for this DTC needs CONSULT-III.

P0011-P0075

INFOID:000000001903473

DTC*1		Items (CONSULT-III screen terms)	Reference page
CONSULT-III GST*2	ECM*3		
P0011	0011	INT/V TIM CONT-B1	EC-145
P0031	0031	A/F SEN1 HTR (B1)	EC-149
P0032	0032	A/F SEN1 HTR (B1)	EC-149
P0037	0037	HO2S2 HTR (B1)	EC-154
P0038	0038	HO2S2 HTR (B1)	EC-154
P0075	0075	INT/V TIM V/CIR-B1	EC-160

*1: 1st trip DTC No. is the same as DTC No.

*2: This number is prescribed by SAE J2012.

*3: In Diagnostic Test Mode II (Self-diagnostic results), this number is controlled by NISSAN.

P0101-P0128

INFOID:000000001903472

DTC*1		Items (CONSULT-III screen terms)	Reference page
CONSULT-III GST*2	ECM*3		
P0101	0101	MAF SEN/CIRCUIT-B1	EC-165
P0102	0102	MAF SEN/CIRCUIT-B1	EC-173
P0103	0103	MAF SEN/CIRCUIT-B1	EC-173
P0112	0112	IAT SEN/CIRCUIT-B1	EC-180
P0113	0113	IAT SEN/CIRCUIT-B1	EC-180
P0117	0117	ECT SEN/CIRC	EC-184
P0118	0118	ECT SEN/CIRC	EC-184
P0122	0122	TP SEN 2/CIRC-B1	EC-189
P0123	0123	TP SEN 2/CIRC-B1	EC-189
P0125	0125	ECT SENSOR	EC-194

INDEX FOR DTC

< SERVICE INFORMATION >

[MR]

DTC*1		Items (CONSULT-III screen terms)	Reference page
CONSULT-III GST*2	ECM*3		
P0127	0127	IAT SENSOR-B1	EC-197
P0128	0128	THERMSTAT FNCTN	EC-200

*1: 1st trip DTC No. is the same as DTC No.

*2: This number is prescribed by SAE J2012.

*3: In Diagnostic Test Mode II (Self-diagnostic results), this number is controlled by NISSAN.

P0130-P0223

INFOID:000000001903471

DTC*1		Items (CONSULT-III screen terms)	Reference page
CONSULT-III GST*2	ECM*3		
P0130	0130	A/F SENSOR1 (B1)	EC-202
P0131	0131	A/F SENSOR1 (B1)	EC-208
P0132	0132	A/F SENSOR1 (B1)	EC-214
P0133	0133	A/F SENSOR1 (B1)	EC-220
P0137	0137	HO2S2 (B1)	EC-227
P0138	0138	HO2S2 (B1)	EC-234
P0139	0139	HO2S2 (B1)	EC-243
P0171	0171	FUEL SYS-LEAN-B1	EC-250
P0172	0172	FUEL SYS-RICH-B1	EC-256
P0181	0181	FTT SENSOR	EC-262
P0182	0182	FTT SEN/CIRCUIT	EC-266
P0183	0183	FTT SEN/CIRCUIT	EC-266
P0222	0222	TP SEN 1/CIRC-B1	EC-270
P0223	0223	TP SEN 1/CIRC-B1	EC-270

*1: 1st trip DTC No. is the same as DTC No.

*2: This number is prescribed by SAE J2012.

*3: In Diagnostic Test Mode II (Self-diagnostic results), this number is controlled by NISSAN.

P0300-P0420

INFOID:000000001903470

DTC*1		Items (CONSULT-III screen terms)	Reference page
CONSULT-III GST*2	ECM*3		
P0300	0300	MULTI CYL MISFIRE	EC-275
P0301	0301	CYL 1 MISFIRE	EC-275
P0302	0302	CYL 2 MISFIRE	EC-275
P0303	0303	CYL 3 MISFIRE	EC-275
P0304	0304	CYL 4 MISFIRE	EC-275
P0327	0327	KNOCK SEN/CIRC-B1	EC-281
P0328	0328	KNOCK SEN/CIRC-B1	EC-281
P0335	0335	CKP SEN/CIRCUIT	EC-285
P0340	0340	CMP SEN/CIRC-B1	EC-291
P0420	0420	TW CATALYST SYS-B1	EC-297

INDEX FOR DTC

[MR]

< SERVICE INFORMATION >

*1: 1st trip DTC No. is the same as DTC No.

*2: This number is prescribed by SAE J2012.

*3: In Diagnostic Test Mode II (Self-diagnostic results), this number is controlled by NISSAN.

P0441-P0463

INFOID:000000001903469

DTC*1		Items (CONSULT-III screen terms)	Reference page
CONSULT-III GST*2	ECM*3		
P0441	0441	EVAP PURG FLOW/MON	EC-301
P0442	0442	EVAP SMALL LEAK	EC-306
P0443	0443	PURG VOLUME CONT/V	EC-313
P0444	0444	PURG VOLUME CONT/V	EC-320
P0445	0445	PURG VOLUME CONT/V	EC-320
P0447	0447	VENT CONTROL VALVE	EC-326
P0448	0448	VENT CONTROL VALVE	EC-332
P0451	0451	EVAP SYS PRES SEN	EC-338
P0452	0452	EVAP SYS PRES SEN	EC-341
P0453	0453	EVAP SYS PRES SEN	EC-348
P0455	0455	EVAP GROSS LEAK	EC-356
P0456	0456	EVAP VERY SML LEAK	EC-362
P0460	0460	FUEL LEV SEN SLOSH	EC-369
P0461	0461	FUEL LEVEL SENSOR	EC-371
P0462	0462	FUEL LEVL SEN/CIRC	EC-373
P0463	0463	FUEL LEVL SEN/CIRC	EC-373

*1: 1st trip DTC No. is the same as DTC No.

*2: This number is prescribed by SAE J2012.

*3: In Diagnostic Test Mode II (Self-diagnostic results), this number is controlled by NISSAN.

P0500-P0643

INFOID:000000001903468

DTC*1		Items (CONSULT-III screen terms)	Reference page
CONSULT-III GST*2	ECM*3		
P0500	0500	VEH SPEED SEN/CIRC*4	EC-375
P0506	0506	ISC SYSTEM	EC-377
P0507	0507	ISC SYSTEM	EC-379
P0605	0605	ECM	EC-381
P0643	0643	SENSOR POWER/CIRC	EC-383

*1: 1st trip DTC No. is the same as DTC No.

*2: This number is prescribed by SAE J2012.

*3: In Diagnostic Test Mode II (Self-diagnostic results), this number is controlled by NISSAN.

*4: When the fail-safe operations for both self-diagnoses (P0500 and P0720) occur, the MIL illuminates.

INDEX FOR DTC

< SERVICE INFORMATION >

[MR]

P0705-P0845

INFOID:000000001903467

DTC*1		Items (CONSULT-III screen terms)	Reference page
CONSULT-III GST*2	ECM*3		
P0705	0705	PNP SW/CIRC	CVT-60
P0710	0710	ATF TEMP SEN/CIRC	CVT-65
P0715	0715	INPUT SPD SEN/CIRC	CVT-70
P0720	0720	VEH SPD SEN/CIR AT*4	CVT-75
P0740	0740	TCC SOLENOID/CIRC	CVT-83
P0744	0744	A/T TCC S/V FNCTN	CVT-88
P0745	0745	L/PRESS SOL/CIRC	CVT-90
P0746	0746	PRS CNT SOL/A FCTN	CVT-95
P0776	0776	PRS CNT SOL/B FCTN	CVT-97
P0778	0778	PRS CNT SOL/B CIRC	CVT-99
P0840	0840	TR PRS SENS/A CIRC	CVT-109
P0845	0845	TR PRS SENS/B CIRC	CVT-115

*1: 1st trip DTC No. is the same as DTC No.

*2: This number is prescribed by SAE J2012.

*3: In Diagnostic Test Mode II (Self-diagnostic results), this number is controlled by NISSAN.

*4: When the fail-safe operations for both self-diagnoses (P0500 and P0720) occur, the MIL illuminates.

P0850-P1574

INFOID:000000001903466

DTC*1		Items (CONSULT-III screen terms)	Reference page
CONSULT-III GST*2	ECM*3		
P0850	0850	P-N POS SW/CIRCUIT	EC-388
P1148	1148	CLOSED LOOP-B1	EC-393
P1217	1217	ENG OVER TEMP	EC-394
P1225	1225	CTP LEARNING-B1	EC-406
P1226	1226	CTP LEARNING-B1	EC-408
P1421	1421	COLD START CONTROL	EC-410
P1564	1564	ASCD SW	EC-412
P1572	1572	ASCD BRAKE SW	EC-418
P1574	1574	ASCD VHL SPD SEN	EC-427

*1: 1st trip DTC No. is the same as DTC No.

*2: This number is prescribed by SAE J2012.

*3: In Diagnostic Test Mode II (Self-diagnostic results), this number is controlled by NISSAN.

INDEX FOR DTC

< SERVICE INFORMATION >

[MR]

P1610-P1615

INFOID:000000001903464

DTC*1		Items (CONSULT-III screen terms)	Reference page
CONSULT-III GST*2	ECM*3		
P1610	1610	LOCK MODE	BL-169
P1611	1611	ID DISCORD, IMM-ECM	
P1612	1612	CHAIN OF ECM-IMMU	
P1614	1614	CHAIN OF IMMU-KEY	
P1615	1615	DIFFERENCE OF KEY	

*1: 1st trip DTC No. is the same as DTC No.

*2: This number is prescribed by SAE J2012.

*3: In Diagnostic Test Mode II (Self-diagnostic results), this number is controlled by NISSAN.

P1715-P1805

INFOID:000000001903465

DTC*1		Items (CONSULT-III screen terms)	Reference page
CONSULT-III GST*2	ECM*3		
P1715	1715	IN PULY SPEED	EC-429
P1740	1740	LU-SLCT SOL/CIRC	CVT-132
P1777	1777	STEP MOTR CIRC	CVT-138
P1778	1778	STEP MOTR FNC	CVT-142
P1805	1805	BRAKE SW/CIRCUIT	EC-431

*1: 1st trip DTC No. is the same as DTC No.

*2: This number is prescribed by SAE J2012.

*3: In Diagnostic Test Mode II (Self-diagnostic results), this number is controlled by NISSAN.

P2100-P2A00

INFOID:000000001903463

DTC*1		Items (CONSULT-III screen terms)	Reference page
CONSULT-III GST*2	ECM*3		
P2100	2100	ETC MOT PWR-B1	EC-435
P2101	2101	ETC FNCTN/CIRC-B1	EC-439
P2103	2103	ETC MOT PWR	EC-435
P2118	2118	ETC MOT-B1	EC-445
P2119	2119	ETC ACTR-B1	EC-449
P2122	2122	APP SEN 1/CIRC	EC-451
P2123	2123	APP SEN 1/CIRC	EC-451
P2127	2127	APP SEN 2/CIRC	EC-456
P2128	2128	APP SEN 2/CIRC	EC-456
P2135	2135	TP SENSOR-B1	EC-463
P2138	2138	APP SENSOR	EC-468
P2A00	2A00	A/F SENSOR1 (B1)	EC-475

*1: 1st trip DTC No. is the same as DTC No.

*2: This number is prescribed by SAE J2012.

INDEX FOR DTC

< SERVICE INFORMATION >

[MR]

*3: In Diagnostic Test Mode II (Self-diagnostic results), this number is controlled by NISSAN.

PRECAUTIONS

< SERVICE INFORMATION >

[MR]

PRECAUTIONS

Precaution for Supplemental Restraint System (SRS) "AIR BAG" and "SEAT BELT PRE-TENSIONER"

INFOID:000000001903477

The Supplemental Restraint System such as "AIR BAG" and "SEAT BELT PRE-TENSIONER", used along with a front seat belt, helps to reduce the risk or severity of injury to the driver and front passenger for certain types of collision. This system includes seat belt switch inputs and dual stage front air bag modules. The SRS system uses the seat belt switches to determine the front air bag deployment, and may only deploy one front air bag, depending on the severity of a collision and whether the front occupants are belted or unbelted. Information necessary to service the system safely is included in the "SUPPLEMENTAL RESTRAINT SYSTEM" and "SEAT BELTS" of this Service Manual.

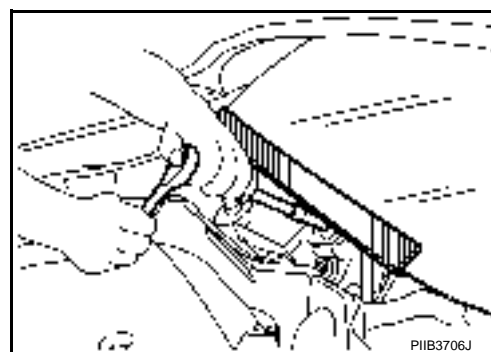
WARNING:

- To avoid rendering the SRS inoperative, which could increase the risk of personal injury or death in the event of a collision which would result in air bag inflation, all maintenance must be performed by an authorized NISSAN/INFINITI dealer.
- Improper maintenance, including incorrect removal and installation of the SRS, can lead to personal injury caused by unintentional activation of the system. For removal of Spiral Cable and Air Bag Module, see the "SUPPLEMENTAL RESTRAINT SYSTEM".
- Do not use electrical test equipment on any circuit related to the SRS unless instructed to in this Service Manual. SRS wiring harnesses can be identified by yellow and/or orange harnesses or harness connectors.

Precaution for Procedure without Cowl Top Cover

INFOID:000000001903478

When performing the procedure after removing cowl top cover, cover the lower end of windshield with urethane, etc.



On Board Diagnosis (OBD) System of Engine and CVT

INFOID:000000001849720

The ECM has an on board diagnostic system. It will light up the malfunction indicator lamp (MIL) to warn the driver of a malfunction causing emission deterioration.

CAUTION:

- Be sure to turn the ignition switch OFF and disconnect the battery ground cable before any repair or inspection work. The open/short circuit of related switches, sensors, solenoid valves, etc. will cause the MIL to light up.
- Be sure to connect and lock the connectors securely after work. A loose (unlocked) connector will cause the MIL to light up due to the open circuit. (Be sure the connector is free from water, grease, dirt, bent terminals, etc.)
- Certain systems and components, especially those related to OBD, may use a new style slide-locking type harness connector. For description and how to disconnect, refer to [PG-61](#).
- Be sure to route and secure the harnesses properly after work. The interference of the harness with a bracket, etc. may cause the MIL to light up due to the short circuit.
- Be sure to connect rubber tubes properly after work. A misconnected or disconnected rubber tube may cause the MIL to light up due to the malfunction of the EVAP system or fuel injection system, etc.
- Be sure to erase the unnecessary malfunction information (repairs completed) from the ECM and TCM (Transmission control module) before returning the vehicle to the customer.

PRECAUTIONS

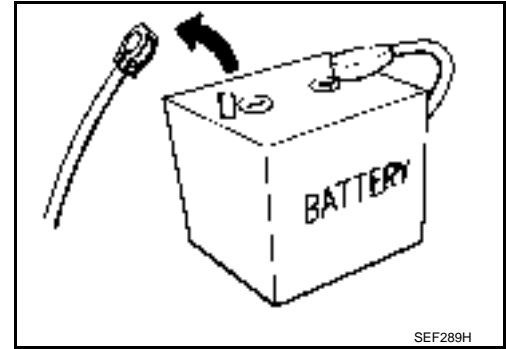
< SERVICE INFORMATION >

[MR]

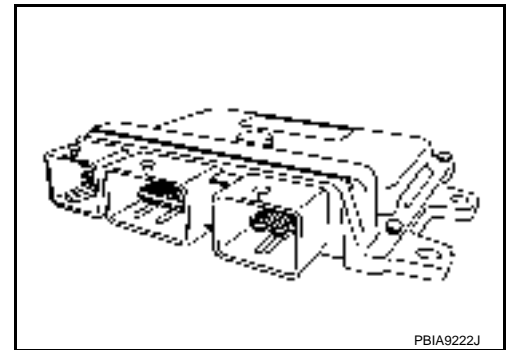
Precaution

INFOID:000000001849721

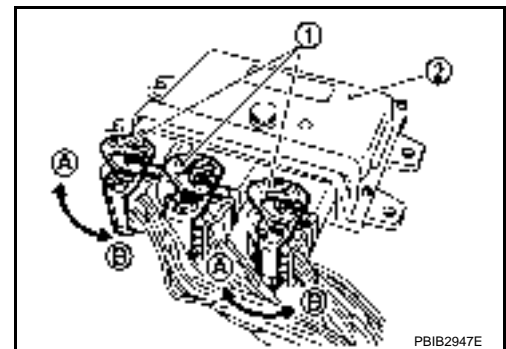
- Always use a 12 volt battery as power source.
- Do not attempt to disconnect battery cables while engine is running.
- Before connecting or disconnecting the ECM harness connector, turn ignition switch OFF and disconnect negative battery cable. Failure to do so may damage the ECM because battery voltage is applied to ECM even if ignition switch is turned OFF.
- Before removing parts, turn ignition switch OFF and then disconnect negative battery cable.



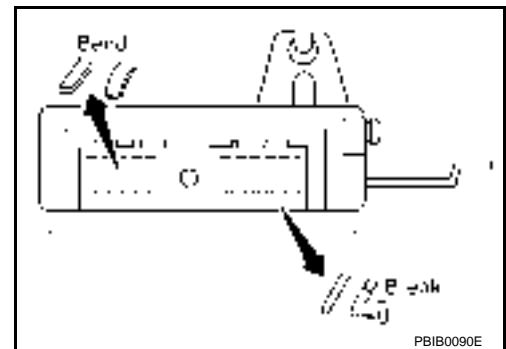
- Do not disassemble ECM.
- If battery cable is disconnected, the memory will return to the initial ECM values.
The ECM will now start to self-control at its initial values. Engine operation can vary slightly when the cable is disconnected. However, this is not an indication of a malfunction. Do not replace parts because of a slight variation.
- If the battery is disconnected, the following emission-related diagnostic information will be lost within 24 hours.
 - Diagnostic trouble codes
 - 1st trip diagnostic trouble codes
 - Freeze frame data
 - 1st trip freeze frame data
 - System readiness test (SRT) codes
 - Test values



- When connecting ECM harness connector, fasten (B) it securely with a lever (1) as far as it will go as shown in the figure.
 - ECM (2)
 - Loosen (A)



- When connecting or disconnecting pin connectors into or from ECM, take care not to damage pin terminals (bend or break).
Make sure that there are not any bends or breaks on ECM pin terminal, when connecting pin connectors.
- Securely connect ECM harness connectors.
A poor connection can cause an extremely high (surge) voltage to develop in coil and condenser, thus resulting in damage to ICs.
- Keep engine control system harness at least 10 cm (4 in) away from adjacent harness, to prevent engine control system malfunctions due to receiving external noise, degraded operation of ICs, etc.
- Keep engine control system parts and harness dry.

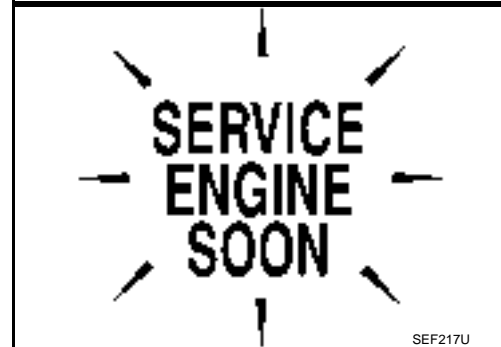


PRECAUTIONS

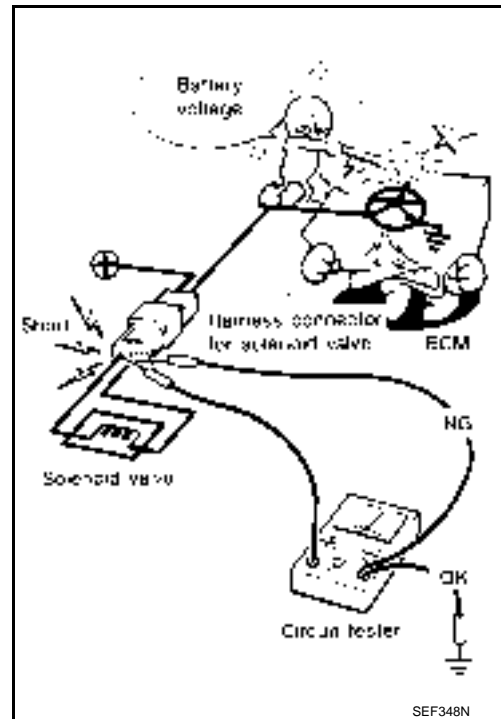
[MR]

< SERVICE INFORMATION >

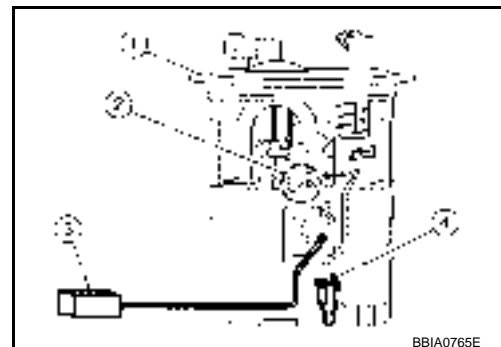
- Before replacing ECM, perform "ECM Terminals and Reference Value" inspection and make sure ECM functions properly. Refer to [EC-106, "ECM Terminal and Reference Value"](#).
- Handle mass air flow sensor carefully to avoid damage.
- Do not disassemble mass air flow sensor.
- Do not clean mass air flow sensor with any type of detergent.
- Do not disassemble electric throttle control actuator.
- Even a slight leak in the air intake system can cause serious incidents.
- Do not shock or jar the camshaft position sensor (PHASE), crankshaft position sensor (POS).
- After performing each TROUBLE DIAGNOSIS, perform DTC Confirmation Procedure or Overall Function Check. The DTC should not be displayed in the DTC Confirmation Procedure if the repair is completed. The Overall Function Check should be a good result if the repair is completed.



- When measuring ECM signals with a circuit tester, never allow the two tester probes to contact. Accidental contact of probes will cause a short circuit and damage the ECM power transistor.
- Do not use ECM ground terminals when measuring input/output voltage. Doing so may result in damage to the ECM's transistor. Use a ground other than ECM terminals, such as the ground.



- Do not operate fuel pump when there is no fuel in lines.
- Fuel level sensor unit and fuel pump (1)
- Fuel pressure regulator (2)
- Fuel level sensor (3)
- Fuel tank temperature sensor (4)
- Tighten fuel hose clamps to the specified torque.



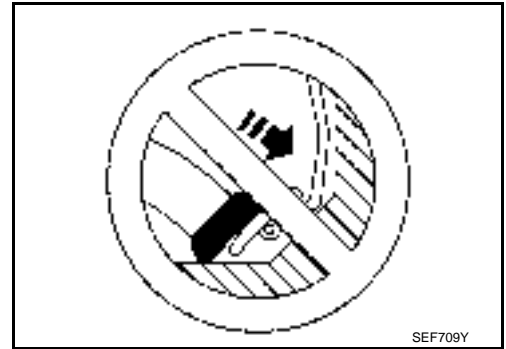
A
EC
C
D
E
F
G
H
I
J
K
L
M
N
O
P

PRECAUTIONS

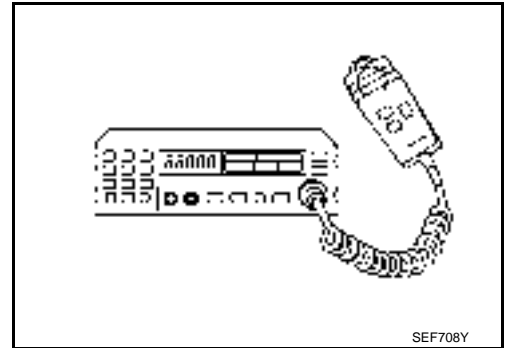
< SERVICE INFORMATION >

[MR]

- Do not depress accelerator pedal when starting.
- Immediately after starting, do not rev up engine unnecessarily.
- Do not rev up engine just prior to shutdown.



- When installing C.B. ham radio or a mobile phone, be sure to observe the following as it may adversely affect electronic control systems depending on installation location.
 - Keep the antenna as far as possible from the electronic control units.
 - Keep the antenna feeder line more than 20 cm (8 in) away from the harness of electronic controls. Do not let them run parallel for a long distance.
 - Adjust the antenna and feeder line so that the standing-wave ratio can be kept smaller.
 - Be sure to ground the radio to vehicle body.



PREPARATION

< SERVICE INFORMATION >

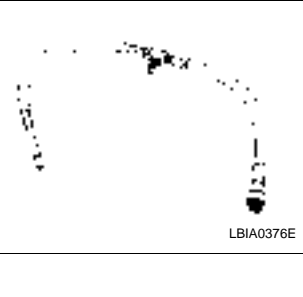
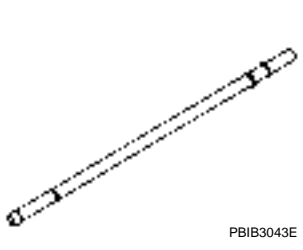

[MR]

PREPARATION

Special Service Tool

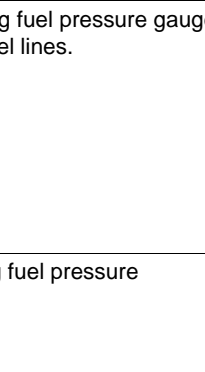

INFOID:000000001849722

The actual shapes of Kent-Moore tools may differ from those of special service tools illustrated here.

Tool number (Kent-Moore No.) Tool name	Description
(J-44321) Fuel pressure gauge Kit  LEC642	Checking fuel pressure
(J-44321-6) Fuel pressure adapter  LBIA0376E	Connecting fuel pressure gauge to quick connector type fuel lines.
KV10118400 Fuel tube adapter  PBIB3043E	Measuring fuel pressure

Commercial Service Tool

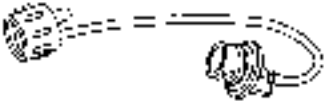
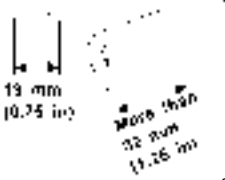


INFOID:000000001849723

Tool number (Kent-Moore No.) Tool name	Description
Leak detector i.e.: (J-41416)  S-NT703	Locating the EVAP leak
EVAP service port adapter i.e.: (J-41413-OBD)  S-NT704	Applying positive pressure through EVAP service port

PREPARATION

< SERVICE INFORMATION >

[MR]

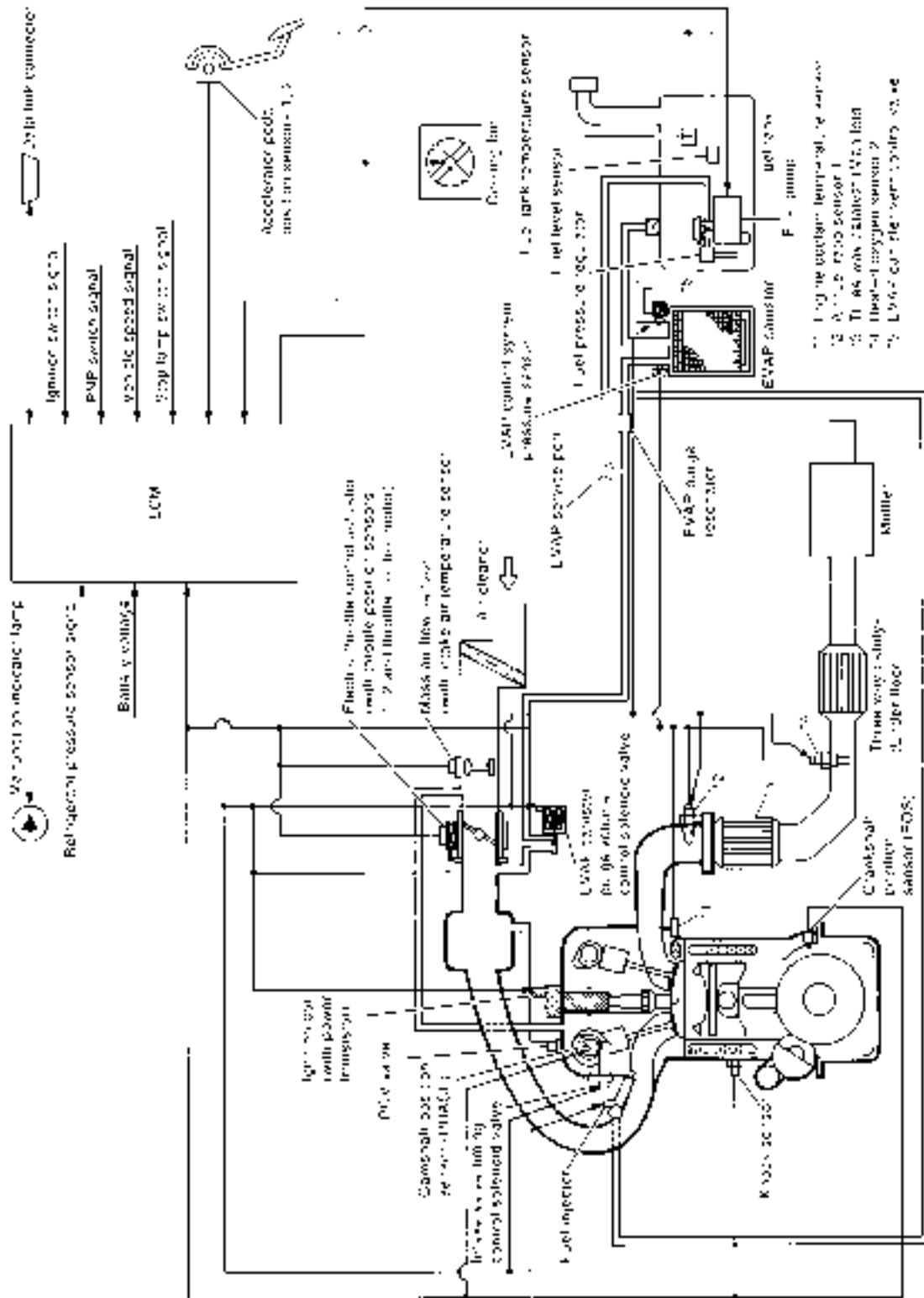
Tool number (Kent-Moore No.) Tool name	Description
Fuel filler cap adapter i.e.: (MLR-8382) <div style="text-align: center;">  <p>S-NT815</p> </div>	Checking fuel tank vacuum relief valve opening pressure
Socket wrench <div style="text-align: center;">  <p>S-NT705</p> </div>	Removing and installing engine coolant temperature sensor
Oxygen sensor thread cleaner i.e.: (J-43897-18) (J-43897-12) <div style="text-align: center;">  <p>AEM488</p> </div>	Reconditioning the exhaust system threads before installing a new oxygen sensor. Use with anti-seize lubricant shown below. a: 18 mm diameter with pitch 1.5 mm for Zirconia Oxygen Sensor b: 12 mm diameter with pitch 1.25 mm for Titania Oxygen Sensor
Anti-seize lubricant i.e.: (Permatex™ 133AR or equivalent meeting MIL specification MIL-A-907) <div style="text-align: center;">  <p>S-NT779</p> </div>	Lubricating oxygen sensor thread cleaning tool when reconditioning exhaust system threads.

< SERVICE INFORMATION >

ENGINE CONTROL SYSTEM

Schematic

INFOID:000000001849724



JMBIA0865GB

Multiport Fuel Injection (MFI) System

INFOID:000000001849725

INPUT/OUTPUT SIGNAL CHART

A
EC
C
D
E
F
G
H
I
J
K
L
M
N
O
P

ENGINE CONTROL SYSTEM

< SERVICE INFORMATION >

[MR]

Sensor	Input Signal to ECM	ECM function	Actuator
Crankshaft position sensor (POS)	Engine speed*3	Fuel injection & mixture ratio control	Fuel injector
Camshaft position sensor (PHASE)	Piston position		
Mass air flow sensor	Amount of intake air		
Engine coolant temperature sensor	Engine coolant temperature		
Air fuel ratio (A/F) sensor 1	Density of oxygen in exhaust gas		
Throttle position sensor	Throttle position		
Accelerator pedal position sensor	Accelerator pedal position		
Park/neutral position (PNP) switch	Gear position		
Battery	Battery voltage*3		
Knock sensor	Engine knocking condition		
EPS control unit	Power steering operation*2		
Heated oxygen sensor 2*1	Density of oxygen in exhaust gas		
Air conditioner switch	Air conditioner operation*2		
Wheel sensor	Vehicle speed*2		

*1: This sensor is not used to control the engine system under normal conditions.

*2: This signal is sent to the ECM through CAN communication line.

*3: ECM determines the start signal status by the signals of engine speed and battery voltage.

SYSTEM DESCRIPTION

The amount of fuel injected from the fuel injector is determined by the ECM. The ECM controls the length of time the valve remains open (injection pulse duration). The amount of fuel injected is a program value in the ECM memory. The program value is preset by engine operating conditions. These conditions are determined by input signals (for engine speed and intake air) from the crankshaft position sensor (POS), camshaft position sensor (PHASE) and the mass air flow sensor.

VARIOUS FUEL INJECTION INCREASE/DECREASE COMPENSATION

In addition, the amount of fuel injected is compensated to improve engine performance under various operating conditions as listed below.

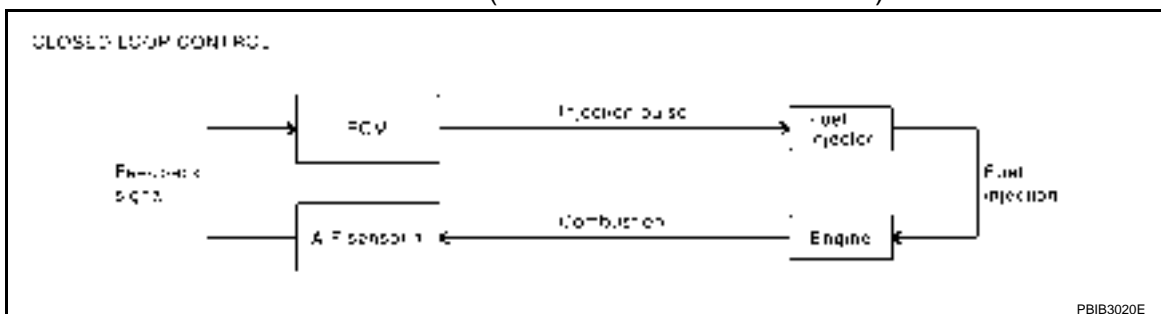
<Fuel increase>

- During warm-up
- When starting the engine
- During acceleration
- Hot-engine operation
- When selector lever is changed from N to D (CVT models)
- High-load, high-speed operation

<Fuel decrease>

- During deceleration
- During high engine speed operation

MIXTURE RATIO FEEDBACK CONTROL (CLOSED LOOP CONTROL)



The mixture ratio feedback system provides the best air/fuel mixture ratio for driveability and emission control. The three way catalyst (manifold) can then better reduce CO, HC and NOx emissions. This system uses air

< SERVICE INFORMATION >

fuel ratio (A/F) sensor 1 in the exhaust manifold to monitor whether the engine operation is rich or lean. The ECM adjusts the injection pulse width according to the sensor voltage signal. For more information about air fuel ratio (A/F) sensor 1, refer to [EC-208](#). This maintains the mixture ratio within the range of stoichiometric (ideal air/fuel mixture).

This stage is referred to as the closed loop control condition.

Heated oxygen sensor 2 is located downstream of the three way catalyst (manifold). Even if the switching characteristics of air fuel ratio (A/F) sensor 1 shift, the air/fuel ratio is controlled to stoichiometric by the signal from heated oxygen sensor 2.

Open Loop Control

The open loop system condition refers to when the ECM detects any of the following conditions. Feedback control stops in order to maintain stabilized fuel combustion.

- Deceleration and acceleration
- High-load, high-speed operation
- Malfunction of air fuel ratio (A/F) sensor 1 or its circuit
- Insufficient activation of air fuel ratio (A/F) sensor 1 at low engine coolant temperature
- High engine coolant temperature
- During warm-up
- After shifting from N to D (CVT models)
- When starting the engine

MIXTURE RATIO SELF-LEARNING CONTROL

The mixture ratio feedback control system monitors the mixture ratio signal transmitted from air fuel ratio (A/F) sensor 1. This feedback signal is then sent to the ECM. The ECM controls the basic mixture ratio as close to the theoretical mixture ratio as possible. However, the basic mixture ratio is not necessarily controlled as originally designed. Both manufacturing differences (i.e., mass air flow sensor hot wire) and characteristic changes during operation (i.e., fuel injector clogging) directly affect mixture ratio.

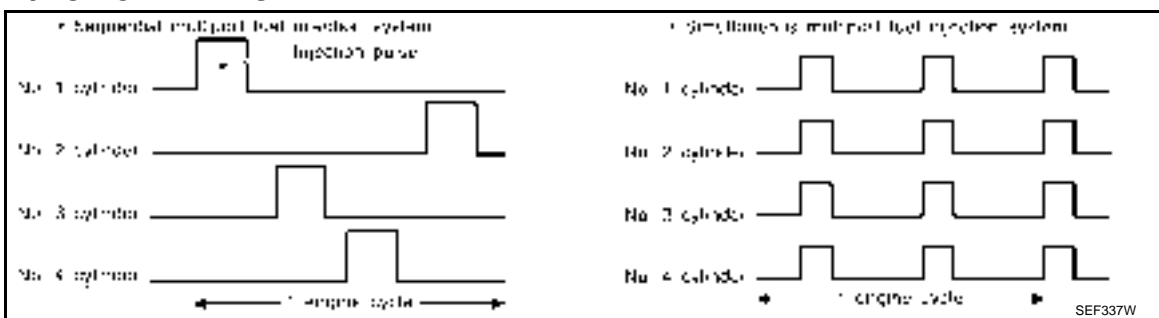
Accordingly, the difference between the basic and theoretical mixture ratios is monitored in this system. This is then computed in terms of "injection pulse duration" to automatically compensate for the difference between the two ratios.

"Fuel trim" refers to the feedback compensation value compared against the basic injection duration. Fuel trim includes short term fuel trim and long term fuel trim.

"Short term fuel trim" is the short-term fuel compensation used to maintain the mixture ratio at its theoretical value. The signal from air fuel ratio (A/F) sensor 1 indicates whether the mixture ratio is RICH or LEAN compared to the theoretical value. The signal then triggers a reduction in fuel volume if the mixture ratio is rich, and an increase in fuel volume if it is lean.

"Long term fuel trim" is overall fuel compensation carried out long-term to compensate for continual deviation of the short term fuel trim from the central value. Such deviation will occur due to individual engine differences, wear over time and changes in the usage environment.

FUEL INJECTION TIMING



Two types of systems are used.

Sequential Multiport Fuel Injection System

Fuel is injected into each cylinder during each engine cycle according to the firing order. This system is used when the engine is running.

Simultaneous Multiport Fuel Injection System

Fuel is injected simultaneously into all four cylinders twice each engine cycle. In other words, pulse signals of the same width are simultaneously transmitted from the ECM.

The four fuel injectors will then receive the signals two times for each engine cycle.

This system is used when the engine is being started and/or if the fail-safe system (CPU) is operating.

ENGINE CONTROL SYSTEM

[MR]

< SERVICE INFORMATION >

FUEL SHUT-OFF

Fuel to each cylinder is cut off during deceleration, operation of the engine at excessively high speeds or operation of the vehicle at excessively high speeds.

Electronic Ignition (EI) System

INFOID:000000001849726

INPUT/OUTPUT SIGNAL CHART

Sensor	Input Signal to ECM	ECM function	Actuator
Crankshaft position sensor (POS)	Engine speed*2 Piston position	Ignition timing control	Power transistor
Camshaft position sensor (PHASE)			
Mass air flow sensor	Amount of intake air		
Engine coolant temperature sensor	Engine coolant temperature		
Throttle position sensor	Throttle position		
Accelerator pedal position sensor	Accelerator pedal position		
Battery	Battery voltage*2		
Knock sensor	Engine knocking		
Park/neutral position (PNP) switch	Gear position		
Wheel sensor	Vehicle speed*1		

*1: This signal is sent to the ECM through CAN communication line.

*2: ECM determines the start signal status by the signals of engine speed and battery voltage.

SYSTEM DESCRIPTION

Firing order: 1 - 3 - 4 - 2

The ignition timing is controlled by the ECM to maintain the best air-fuel ratio for every running condition of the engine. The ignition timing data is stored in the ECM.

The ECM receives information such as the injection pulse width and camshaft position sensor (PHASE) signal. Computing this information, ignition signals are transmitted to the power transistor.

During the following conditions, the ignition timing is revised by the ECM according to the other data stored in the ECM.

- At starting
- During warm-up
- At idle
- At low battery voltage
- During acceleration

The knock sensor retard system is designed only for emergencies. The basic ignition timing is programmed within the anti-knocking zone, if recommended fuel is used under dry conditions. The retard system does not operate under normal driving conditions. If engine knocking occurs, the knock sensor monitors the condition. The signal is transmitted to the ECM. The ECM retards the ignition timing to eliminate the knocking condition.

Fuel Cut Control (at No Load and High Engine Speed)

INFOID:000000001849727

INPUT/OUTPUT SIGNAL CHART

Sensor	Input Signal to ECM	ECM function	Actuator
Park/neutral position (PNP) switch	Neutral position	Fuel cut control	Fuel injector
Accelerator pedal position sensor	Accelerator pedal position		
Engine coolant temperature sensor	Engine coolant temperature		
Crankshaft position sensor (POS) Camshaft position sensor (PHASE)	Engine speed		
Wheel sensor	Vehicle speed*		

*: This signal is sent to the ECM through CAN communication line.

SYSTEM DESCRIPTION

ENGINE CONTROL SYSTEM

< SERVICE INFORMATION >

[MR]

If the engine speed is above 2,000 rpm under no load (for example, the shift lever position is P or N (CVT), Neutral (M/T) and engine speed is over 2,400 rpm) fuel will be cut off after some time. The exact time when the fuel is cut off varies based on engine speed.

Fuel cut will be operated until the engine speed reaches 1,500 rpm, then fuel cut will be cancelled.

NOTE:

This function is different from deceleration control listed under [EC-27. "Multiport Fuel Injection \(MFI\) System"](#).

A

EC

C

D

E

F

G

H

I

J

K

L

M

N

O

P

AIR CONDITIONING CUT CONTROL

< SERVICE INFORMATION >

[MR]

AIR CONDITIONING CUT CONTROL

Input/Output Signal Chart

INFOID:000000001849728

Sensor	Input Signal to ECM	ECM function	Actuator
Air conditioner switch	Air conditioner ON signal* ¹	Air conditioner cut control	Air conditioner relay
Accelerator pedal position sensor	Accelerator pedal position		
Crankshaft position sensor (POS) Camshaft position sensor (PHASE)	Engine speed* ²		
Engine coolant temperature sensor	Engine coolant temperature		
Battery	Battery voltage* ²		
Refrigerant pressure sensor	Refrigerant pressure		
EPS control unit	Power steering operation* ¹		
Wheel sensor	Vehicle speed* ¹		

*1: This signal is sent to the ECM through CAN communication line.

*2: ECM determines the start signal status by the signals of engine speed and battery voltage.

System Description

INFOID:000000001849729

This system improves engine operation when the air conditioner is used.

Under the following conditions, the air conditioner is turned off.

- When the accelerator pedal is fully depressed.
- When cranking the engine.
- At high engine speeds.
- When the engine coolant temperature becomes excessively high.
- When operating power steering during low engine speed or low vehicle speed.
- When engine speed is excessively low.
- When refrigerant pressure is excessively low or high.

AUTOMATIC SPEED CONTROL DEVICE (ASCD)

< SERVICE INFORMATION >

[MR]

AUTOMATIC SPEED CONTROL DEVICE (ASCD)

System Description

INFOID:000000001849730

INPUT/OUTPUT SIGNAL CHART

Sensor	Input signal to ECM	ECM function	Actuator
ASCD brake switch	Brake pedal operation	ASCD vehicle speed control	Electric throttle control actuator
Stop lamp switch	Brake pedal operation		
ASCD clutch switch (M/T models)	Clutch pedal operation		
ASCD steering switch	ASCD steering switch operation		
Park/neutral position (PNP) switch	Gear position		
Combination meter	Vehicle speed*		
TCM (CVT models)	Powertrain revolution*		

*: This signal is sent to the ECM through CAN communication line.

BASIC ASCD SYSTEM

Refer to Owner's Manual for ASCD operating instructions.

Automatic Speed Control Device (ASCD) allows a driver to keep vehicle at predetermined constant speed without depressing accelerator pedal. Driver can set vehicle speed in advance between approximately 40 km/h (25 MPH) and 144 km/h (89 MPH).

ECM controls throttle angle of electric throttle control actuator to regulate engine speed.

Operation status of ASCD is indicated by CRUISE indicator and SET indicator in combination meter. If any malfunction occurs in ASCD system, it automatically deactivates control.

NOTE:

Always drive vehicle in safe manner according to traffic conditions and obey all traffic laws.

SET OPERATION

Press MAIN switch. (The CRUISE indicator in combination meter illuminates.)

When vehicle speed reaches a desired speed between approximately 40 km/h (25 MPH) and 144 km/h (89 MPH), press SET/COAST switch. (Then SET indicator in combination meter illuminates.)

ACCELERATE OPERATION

If the RESUME/ACCELERATE switch is depressed during cruise control driving, increase the vehicle speed until the switch is released or vehicle speed reaches maximum speed controlled by the system.

And then ASCD will keep the new set speed.

CANCEL OPERATION

When any of following conditions exist, cruise operation will be canceled.

- CANCEL switch is pressed
- More than two switches at ASCD steering switch are pressed at the same time (Set speed will be cleared)
- Brake pedal is depressed
- Clutch pedal is depressed or gear position is changed to the neutral position (M/T models)
- Selector lever is changed to N, P, R position (CVT models)
- Vehicle speed decreased to 13 km/h (8 MPH) lower than the set speed

When the ECM detects any of the following conditions, the ECM will cancel the cruise operation and inform the driver by blinking indicator lamp.

- Engine coolant temperature is slightly higher than the normal operating temperature, CRUISE lamp may blink slowly.

When the engine coolant temperature decreases to the normal operating temperature, CRUISE lamp will stop blinking and the cruise operation will be able to work by pressing SET/COAST switch or RESUME/ACCELERATE switch.

- Malfunction for some self-diagnoses regarding ASCD control: SET lamp will blink quickly.

If MAIN switch is turned to OFF during ASCD is activated, all of ASCD operations will be canceled and vehicle speed memory will be erased.

COAST OPERATION

When the SET/COAST switch is depressed during cruise control driving, decrease vehicle set speed until the switch is released. And then ASCD will keep the new set speed.

AUTOMATIC SPEED CONTROL DEVICE (ASCD)

< SERVICE INFORMATION >

[MR]

RESUME OPERATION

When the RESUME/ACCELERATE switch is depressed after cancel operation other than depressing MAIN switch is performed, vehicle speed will return to last set speed. To resume vehicle set speed, vehicle condition must meet following conditions.

- Brake pedal is released.
- Clutch pedal is released (M/T models)
- Selector lever is in other than P and N positions (CVT models)
- Vehicle speed is greater than 40 km/h (25 MPH) and less than 144 km/h (89 MPH)

Component Description

INFOID:000000001849731

ASCD STEERING SWITCH

Refer to [EC-412](#).

ASCD BRAKE SWITCH

Refer to [EC-418](#) and [EC-482](#).

ASCD CLUTCH SWITCH

Refer to [EC-418](#) and [EC-482](#).

STOP LAMP SWITCH

Refer to [EC-418](#), [EC-431](#) and [EC-482](#).

ELECTRIC THROTTLE CONTROL ACTUATOR

Refer to [EC-435](#), [EC-439](#), [EC-445](#) and [EC-449](#).

ASCD INDICATOR

Refer to [EC-490](#).

CAN COMMUNICATION

System Description

INFOID:000000001849732

CAN (Controller Area Network) is a serial communication line for real time application. It is an on-vehicle multiplex communication line with high data communication speed and excellent error detection ability. Many electronic control units are equipped onto a vehicle, and each control unit shares information and links with other control units during operation (not independent). In CAN communication, control units are connected with 2 communication lines (CAN H line, CAN L line) allowing a high rate of information transmission with less wiring. Each control unit transmits/receives data but selectively reads required data only.

A

EC

C

D

E

F

G

H

I

J

K

L

M

N

O

P

EVAPORATIVE EMISSION SYSTEM

< SERVICE INFORMATION >

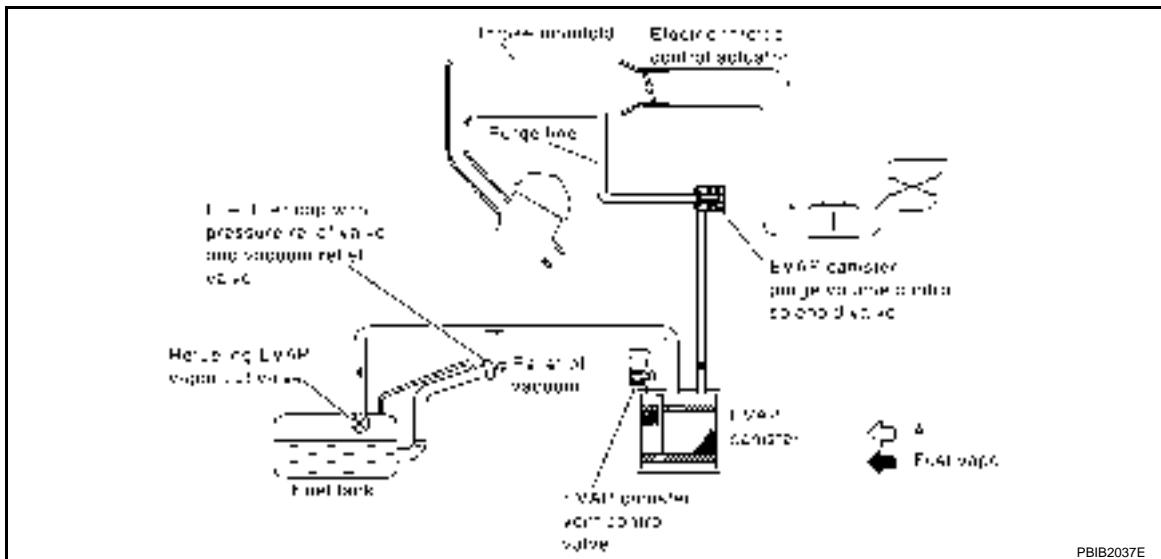
[MR]

EVAPORATIVE EMISSION SYSTEM

Description

INFOID:000000001849733

SYSTEM DESCRIPTION



The evaporative emission system is used to reduce hydrocarbons emitted into the atmosphere from the fuel system. This reduction of hydrocarbons is accomplished by activated charcoals in the EVAP canister.

The fuel vapor in the sealed fuel tank is led into the EVAP canister which contains activated carbon and the vapor is stored there when the engine is not operating or when refueling to the fuel tank.

The vapor in the EVAP canister is purged by the air through the purge line to the intake manifold when the engine is operating. EVAP canister purge volume control solenoid valve is controlled by ECM. When the engine operates, the flow rate of vapor controlled by EVAP canister purge volume control solenoid valve is proportionally regulated as the air flow increases.

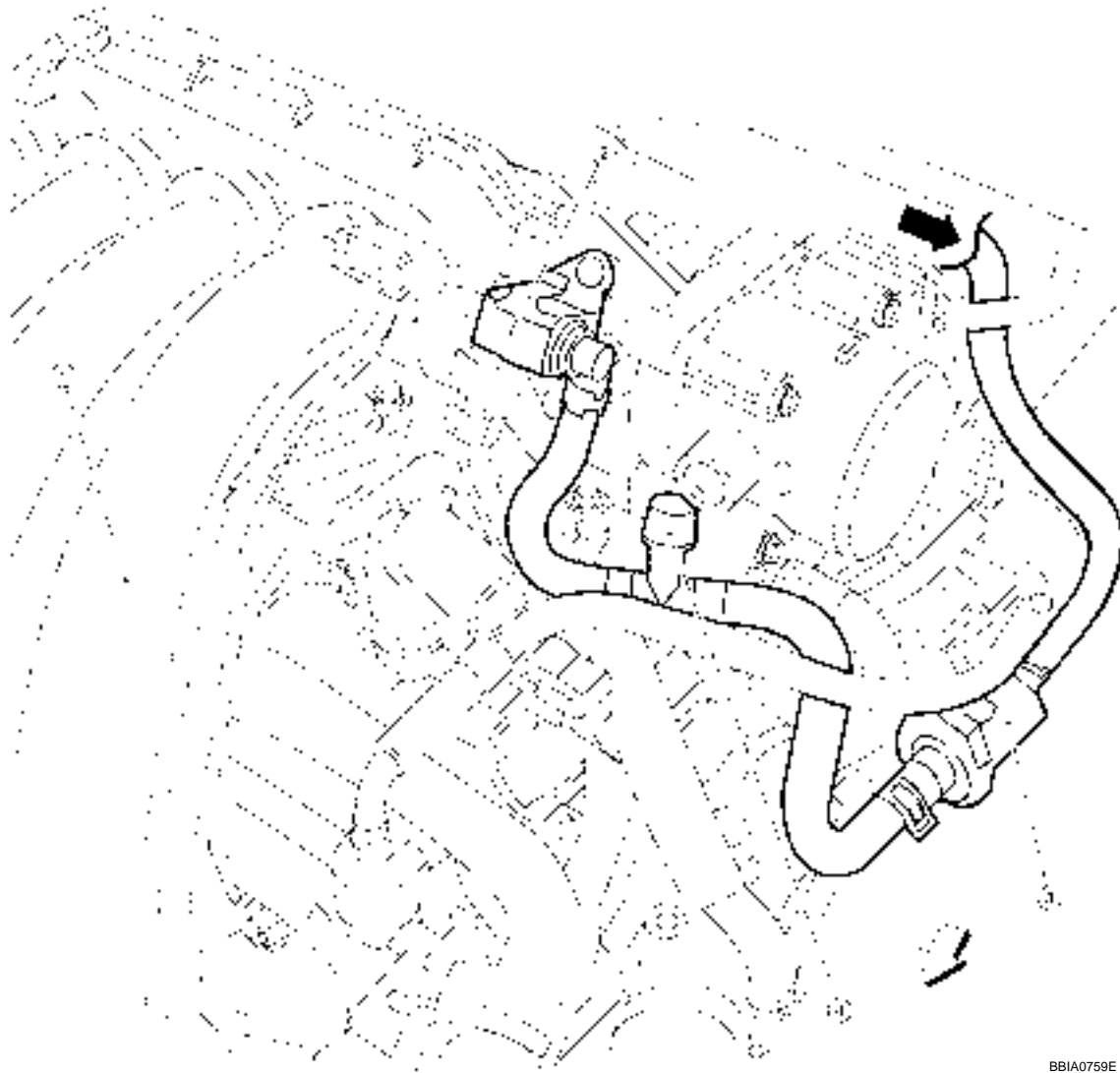
EVAP canister purge volume control solenoid valve also shuts off the vapor purge line during decelerating and idling.

EVAPORATIVE EMISSION LINE DRAWING

EVAPORATIVE EMISSION SYSTEM

< SERVICE INFORMATION >

[MR]



↔: Vehicle front

→: From next page

1. Intake manifold

2. EVAP canister purge volume control solenoid valve

3. EVAP purge resonator

4. EVAP service port

NOTE: Do not use soapy water or any type of solvent while installing vacuum hose or purge hoses.

A

EC

C

D

E

F

G

H

I

J

K

L

M

N

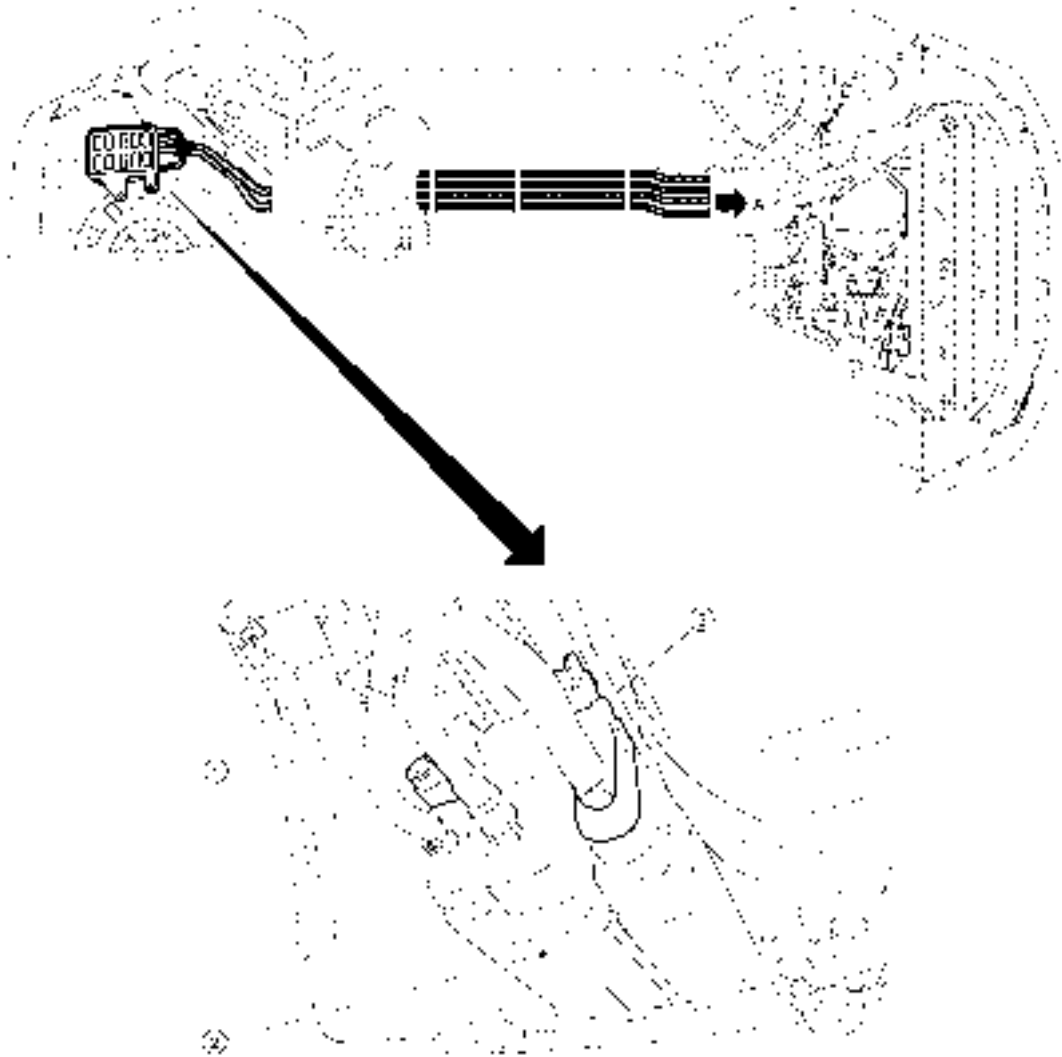
O

P

EVAPORATIVE EMISSION SYSTEM

< SERVICE INFORMATION >

[MR]



BBI A0746E

← To previous page

1. EVAP control system pressure sensor 2. EVAP canister 3. EVAP canister vent control valve

NOTE: Do not use soapy water or any type of solvent while installing vacuum hose or purge hoses.

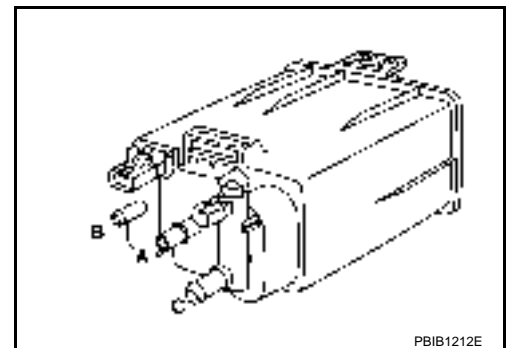
Component Inspection

INFOID:000000001849734

EVAP CANISTER

Check EVAP canister as follows:

1. Block port **B**.
2. Blow air into port **A** and check that it flows freely out of port **C**.
3. Release blocked port **B**.
4. Apply vacuum pressure to port **B** and check that vacuum pressure exists at the ports **A** and **C**.
5. Block port **A** and **B**.
6. Apply pressure to port **C** and check that there is no leakage.



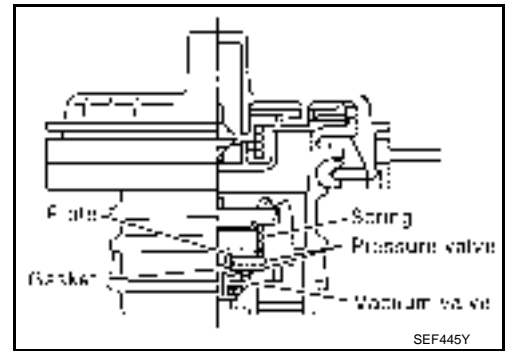
FUEL TANK VACUUM RELIEF VALVE (BUILT INTO FUEL FILLER CAP)

EVAPORATIVE EMISSION SYSTEM

< SERVICE INFORMATION >

[MR]

1. Wipe clean valve housing.



2. Check valve opening pressure and vacuum.

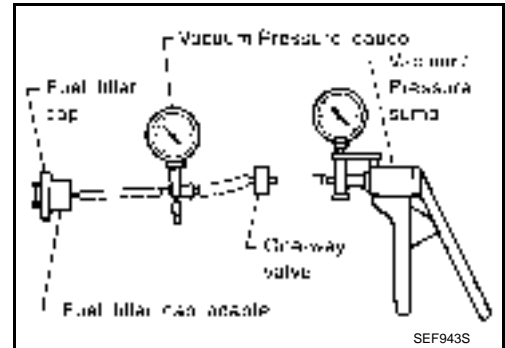
Pressure: 15.3 - 20.0 kPa
(0.156 - 0.204 kg/cm², 2.22 - 2.90 psi)

Vacuum: -6.0 to -3.4 kPa
(-0.061 to -0.035 kg/cm², -0.87 to -0.48 psi)

3. If out of specification, replace fuel filler cap as an assembly.

CAUTION:

Use only a genuine fuel filler cap as a replacement. If an incorrect fuel filler cap is used, the MIL may come on.



EVAP CANISTER PURGE VOLUME CONTROL SOLENOID VALVE

Refer to [EC-325](#), "Component Inspection".

FUEL TANK TEMPERATURE SENSOR

Refer to [EC-269](#), "Component Inspection".

EVAP CANISTER VENT CONTROL VALVE

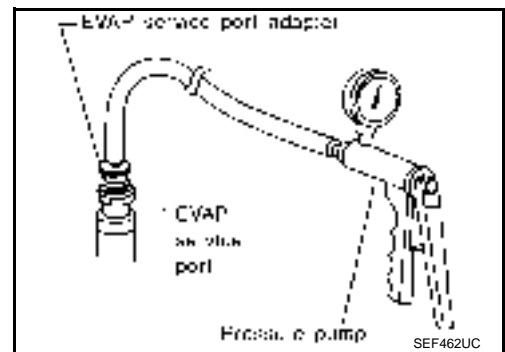
Refer to [EC-330](#), "Component Inspection".

EVAP CONTROL SYSTEM PRESSURE SENSOR

Refer to [EC-347](#), "Component Inspection".

EVAP SERVICE PORT

Positive pressure is delivered to the EVAP system through the EVAP service port. If fuel vapor leakage in the EVAP system occurs, use a leak detector to locate the leak.



Removal and Installation

EVAP CANISTER

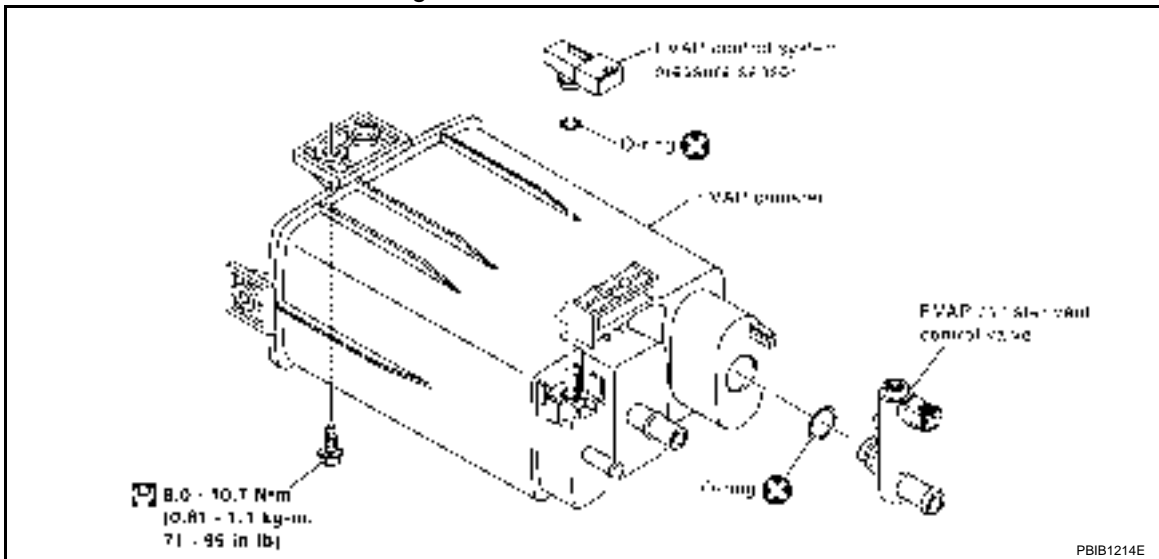
INFOID:000000001849735

EVAPORATIVE EMISSION SYSTEM

< SERVICE INFORMATION >

[MR]

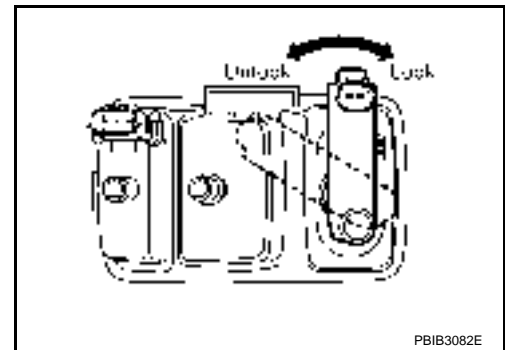
Tighten EVAP canister as shown in the figure.



EVAP CANISTER VENT CONTROL VALVE

1. Turn EVAP canister vent control valve counterclockwise.
2. Remove the EVAP canister vent control valve.

Always replace O-ring with a new one.



How to Detect Fuel Vapor Leakage

INFOID:000000001849736

CAUTION:

- Never use compressed air or a high pressure pump.
- Do not exceed 4.12 kPa (0.042 kg/cm², 0.6 psi) of pressure in EVAP system.

NOTE:

- Do not start engine.
- Improper installation of EVAP service port adapter to the EVAP service port may cause a leak.

WITH CONSULT-III

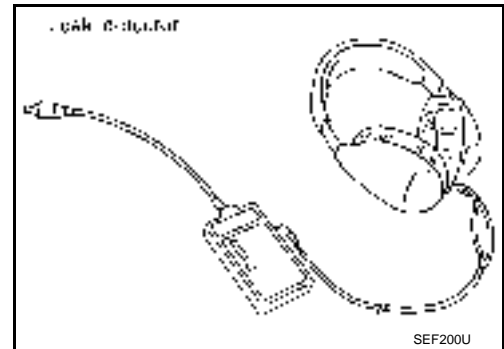
1. Attach the EVAP service port adapter securely to the EVAP service port.
2. Also attach the pressure pump and hose to the EVAP service port adapter.
3. Turn ignition switch ON.
4. Select the "EVAP SYSTEM CLOSE" of "WORK SUPPORT MODE" with CONSULT-III.
5. Touch "START". A bar graph (Pressure indicating display) will appear on the screen.
6. Apply positive pressure to the EVAP system until the pressure indicator reaches the middle of the bar graph.
7. Remove EVAP service port adapter and hose with pressure pump.

EVAPORATIVE EMISSION SYSTEM

< SERVICE INFORMATION >

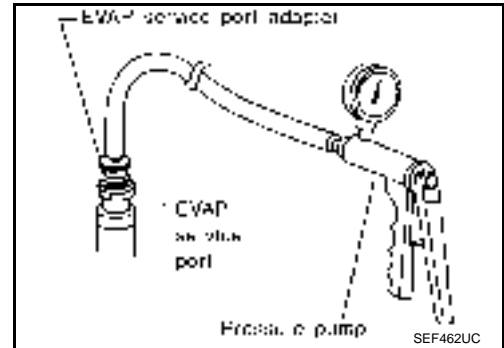
[MR]

8. Locate the leak using a leak detector. Refer to [EC-36, "Description"](#).

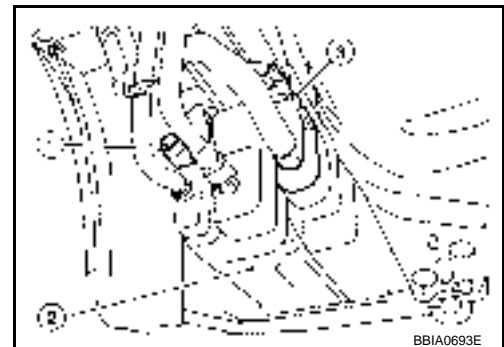


⌘ WITHOUT CONSULT-III

1. Attach the EVAP service port adapter securely to the EVAP service port.
2. Also attach the pressure pump with pressure gauge to the EVAP service port adapter.



3. Apply battery voltage to the terminal of EVAP canister vent control valve (3) to make a closed EVAP system.
 - This illustration is a view from under vehicle
 - EVAP control system pressure sensor (1)
 - EVAP canister (2)



4. To locate the leak, deliver positive pressure to the EVAP system until pressure gauge points reach 1.38 to 2.76 kPa (0.014 to 0.028 kg/cm², 0.2 to 0.4 psi).
5. Remove EVAP service port adapter and hose with pressure pump.
6. Locate the leak using a leak detector. Refer to [EC-36, "Description"](#).

ON BOARD REFUELING VAPOR RECOVERY (ORVR)

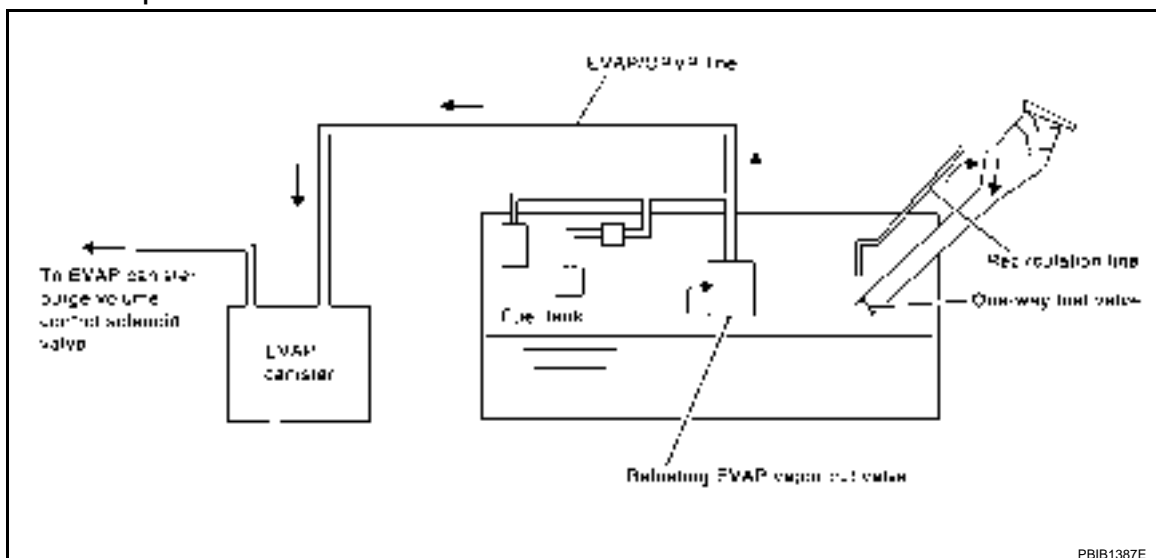
< SERVICE INFORMATION >

[MR]

ON BOARD REFUELING VAPOR RECOVERY (ORVR)

System Description

INFOID:000000001849737



From the beginning of refueling, the air and vapor inside the fuel tank go through refueling EVAP vapor cut valve and EVAP/ORVR line to the EVAP canister. The vapor is absorbed by the EVAP canister and the air is released to the atmosphere.

When the refueling has reached the full level of the fuel tank, the refueling EVAP vapor cut valve is closed and refueling is stopped because of auto shut-off. The vapor which was absorbed by the EVAP canister is purged during driving.

WARNING:

When conducting inspections below, be sure to observe the following:

- Put a "CAUTION: FLAMMABLE" sign in workshop.
- Do not smoke while servicing fuel system. Keep open flames and sparks away from work area.
- Be sure to furnish the workshop with a CO₂ fire extinguisher.

CAUTION:

- Before removing fuel line parts, carry out the following procedures:
 - Put drained fuel in an explosion-proof container and put lid on securely.
 - Release fuel pressure from fuel line. Refer to [EC-83. "Fuel Pressure Check"](#).
 - Disconnect negative battery cable.
- Always replace O-ring when the fuel gauge retainer is removed.
- Do not kink or twist hose and tube when they are installed.
- Do not tighten hose and clamps excessively to avoid damaging hoses.
- After installation, run engine and check for fuel leaks at connection.
- Do not attempt to top off the fuel tank after the fuel pump nozzle shuts off automatically. Continued refueling may cause fuel overflow, resulting in fuel spray and possibly a fire.

Diagnosis Procedure

INFOID:000000001849738

SYMPTOM: FUEL ODOR FROM EVAP CANISTER IS STRONG.

1. CHECK EVAP CANISTER

1. Remove EVAP canister with EVAP canister vent control valve and EVAP control system pressure sensor attached.
2. Weigh the EVAP canister with EVAP canister vent control valve and EVAP control system pressure sensor attached.

The weight should be less than 1.9 kg (4.2 lb).

OK or NG

- OK >> GO TO 2.
- NG >> GO TO 3.

2. CHECK IF EVAP CANISTER SATURATED WITH WATER

ON BOARD REFUELING VAPOR RECOVERY (ORVR)

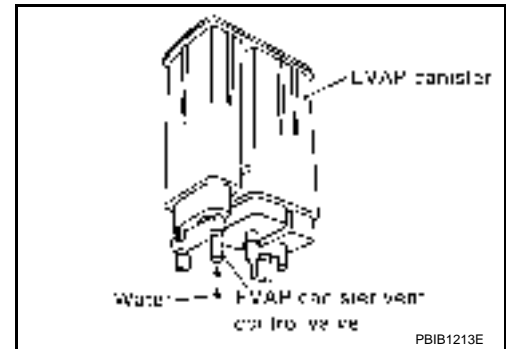
[MR]

< SERVICE INFORMATION >

Does water drain from the EVAP canister?

Yes or No

- Yes >> GO TO 3.
- No >> GO TO 5.



3.REPLACE EVAP CANISTER

Replace EVAP canister with a new one.

>> GO TO 4.

4.DETECT MALFUNCTIONING PART

Check the EVAP hose between EVAP canister and vehicle frame for clogging or poor connection.

>> Repair or replace EVAP hose.

5.CHECK REFUELING EVAP VAPOR CUT VALVE

Refer to [EC-44. "Component Inspection"](#).

OK or NG

- OK >> **INSPECTION END**
- NG >> Replace refueling EVAP vapor cut valve with fuel tank.

SYMPTOM: CANNOT REFUEL/FUEL ODOR FROM THE FUEL FILLER OPENING IS STRONG WHILE REFUELING.

1.CHECK EVAP CANISTER

1. Remove EVAP canister with EVAP canister vent control valve and EVAP control system pressure sensor attached.
2. Weigh the EVAP canister with EVAP canister vent control valve and EVAP control system pressure sensor attached.

The weight should be less than 1.9 kg (4.2 lb).

OK or NG

- OK >> GO TO 2.
- NG >> GO TO 3.

2.CHECK IF EVAP CANISTER SATURATED WITH WATER

Does water drain from the EVAP canister?

Yes or No

- Yes >> GO TO 3.
- No >> GO TO 5.



3.REPLACE EVAP CANISTER

Replace EVAP canister with a new one.

ON BOARD REFUELING VAPOR RECOVERY (ORVR)

[MR]

< SERVICE INFORMATION >

>> GO TO 4.

4. DETECT MALFUNCTIONING PART

Check the EVAP hose between EVAP canister and vehicle frame for clogging or poor connection.

>> Repair or replace EVAP hose.

5. CHECK VENT HOSES AND VENT TUBES

Check hoses and tubes between EVAP canister and refueling EVAP vapor cut valve for clogging, kink, looseness and improper connection.

OK or NG

OK >> GO TO 6.

NG >> Repair or replace hoses and tubes.

6. CHECK FILLER NECK TUBE

Check recirculation line for clogging, dents and cracks.

OK or NG

OK >> GO TO 7.

NG >> Replace filler neck tube.

7. CHECK REFUELING EVAP VAPOR CUT VALVE

Refer to [EC-44. "Component Inspection"](#).

OK or NG

OK >> GO TO 8.

NG >> Replace refueling EVAP vapor cut valve with fuel tank.

8. CHECK FUEL FILLER TUBE

Check filler neck tube and hose connected to the fuel tank for clogging, dents and cracks.

OK or NG

OK >> GO TO 9.

NG >> Replace fuel filler tube.

9. CHECK ONE-WAY FUEL VALVE-I

Check one-way valve for clogging.

OK or NG

OK >> GO TO 10.

NG >> Repair or replace one-way fuel valve with fuel tank.

10. CHECK ONE-WAY FUEL VALVE-II

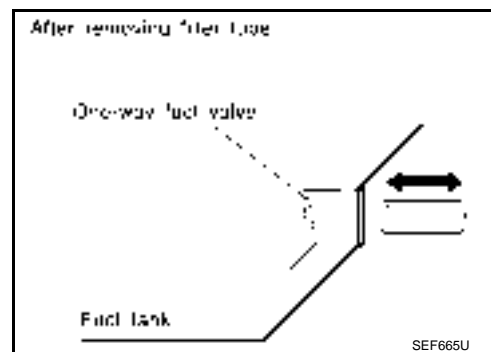
1. Make sure that fuel is drained from the tank.
2. Remove fuel filler tube and hose.
3. Check one-way fuel valve for operation as follows.
When a stick is inserted, the valve should open, when removing stick it should close.

Do not drop any material into the tank.

OK or NG

OK >> **INSPECTION END**

NG >> Replace fuel filler tube or replace one-way fuel valve with fuel tank.



Component Inspection

REFUELING EVAP VAPOR CUT VALVE

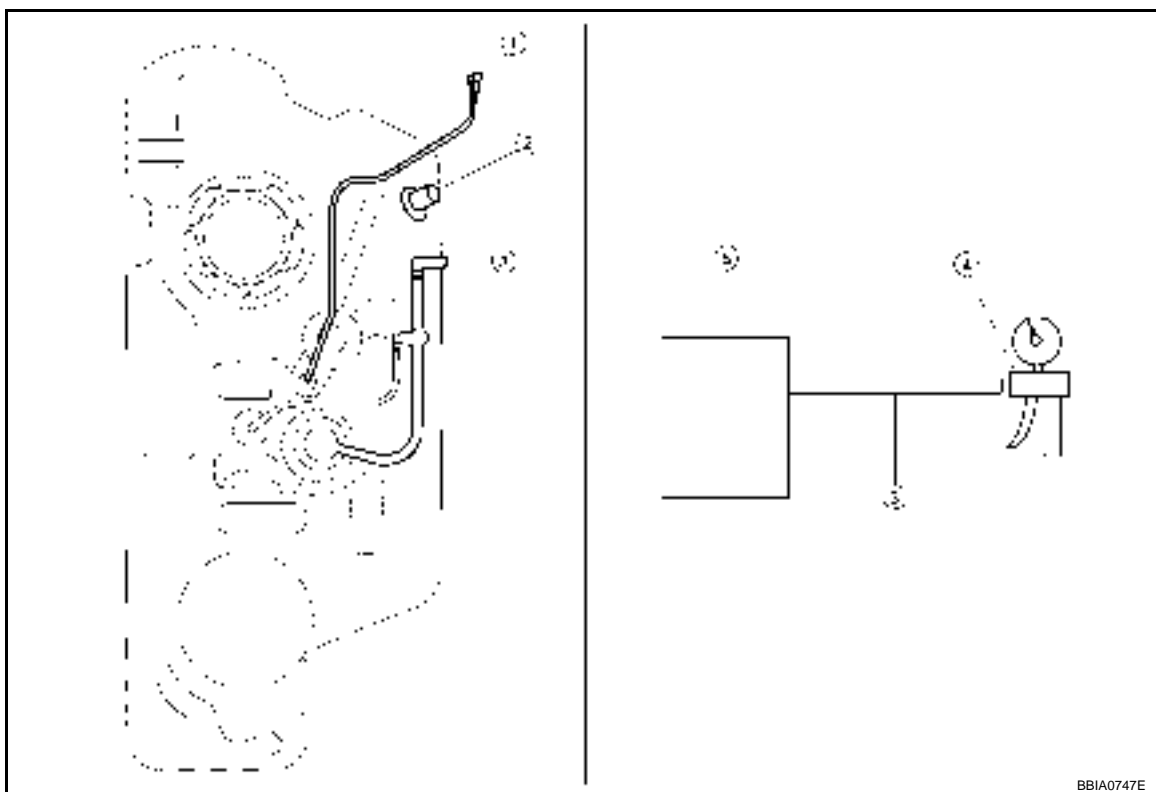
With CONSULT-III

ON BOARD REFUELING VAPOR RECOVERY (ORVR)

< SERVICE INFORMATION >

[MR]

1. Remove fuel tank. Refer to [FL-9](#).
2. Drain fuel from the tank as follows:
 - a. Remove fuel feed hose located on the fuel gauge retainer.
 - b. Connect a spare fuel hose, one side to fuel gauge retainer where the hose was removed and the other side to a fuel container.
 - c. Drain fuel using "FUEL PUMP RELAY" in "ACTIVE TEST" mode with CONSULT-III.
3. Check refueling EVAP vapor cut valve for being stuck to close as follows.
Blow air into the refueling EVAP vapor cut valve (from the end of EVAP/ORVR line hose), and check that the air flows freely into the tank.
4. Check refueling EVAP vapor cut valve for being stuck to open as follows.
 - a. Connect vacuum pump to hose end.
 - b. Remove fuel gauge retainer with fuel gauge unit.
Always replace O-ring with new one.
 - c. Put fuel tank upside down.
 - d. Apply vacuum pressure to hose end [-13.3 kPa (-100 mmHg, -3.94 inHg)] with fuel gauge retainer remaining open and check that the pressure is applicable.



- | | | |
|-------------------------------|----------------|-------------------|
| 1. Recirculation line | 2. Filler tube | 3. EVAP/ORVR line |
| 4. Vacuum/pressure handy pump | 5. Fuel tank | |

✕ Without CONSULT-III

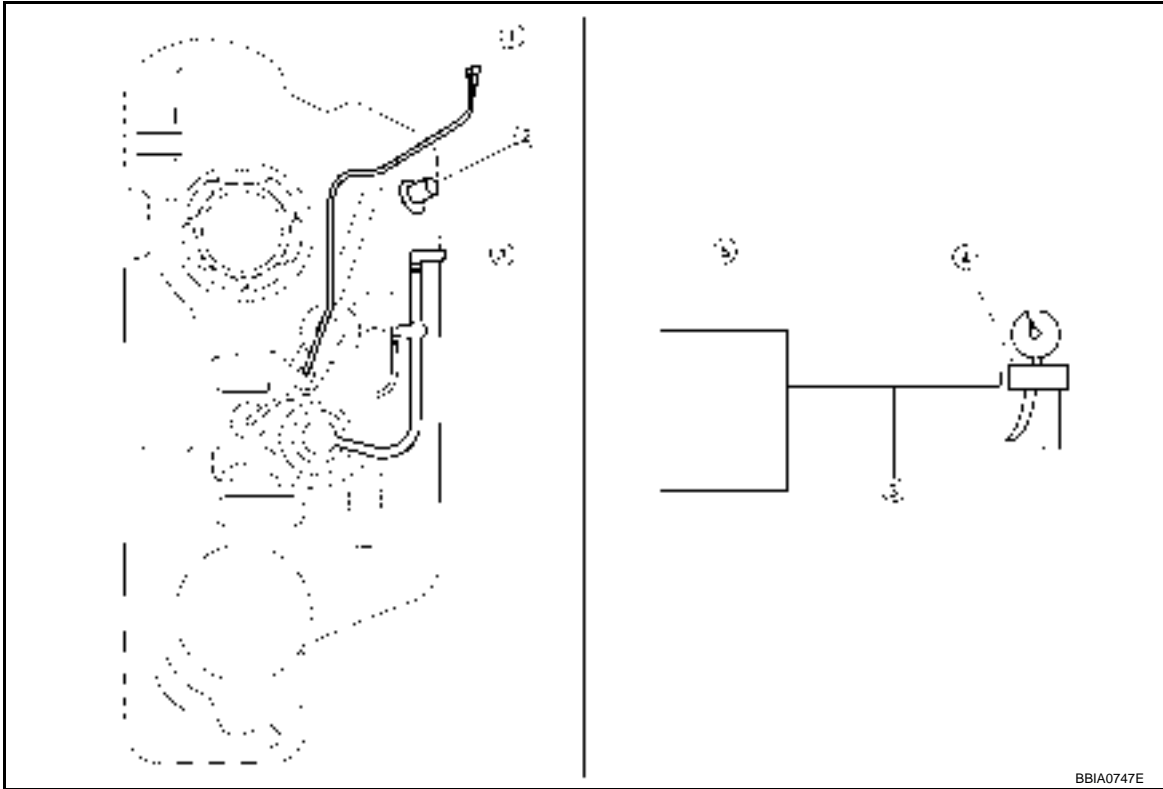
1. Remove fuel tank. Refer to [FL-9](#).
2. Drain fuel from the tank as follows:
 - a. Remove fuel gauge retainer.
 - b. Drain fuel from the tank using a handy pump into a fuel container.
3. Check refueling EVAP vapor cut valve for being stuck to close as follows.
Blow air into the refueling EVAP vapor cut valve (from the end of EVAP/ORVR line hose), and check that the air flows freely into the tank.
4. Check refueling EVAP vapor cut valve for being stuck to open as follows.
 - a. Connect vacuum pump to hose end.

ON BOARD REFUELING VAPOR RECOVERY (ORVR)

[MR]

< SERVICE INFORMATION >

- b. Remove fuel gauge retainer with fuel gauge unit.
Always replace O-ring with new one.
- c. Put fuel tank upside down.
- d. Apply vacuum pressure to hose end [-13.3 kPa (-100 mmHg, -3.94 inHg)] with fuel gauge retainer remaining open and check that the pressure is applicable.



B8IA0747E

- | | | |
|-------------------------------|----------------|-------------------|
| 1. Recirculation line | 2. Filler tube | 3. EVAP/ORVR line |
| 4. Vacuum/pressure handy pump | 5. Fuel tank | |

POSITIVE CRANKCASE VENTILATION

< SERVICE INFORMATION >

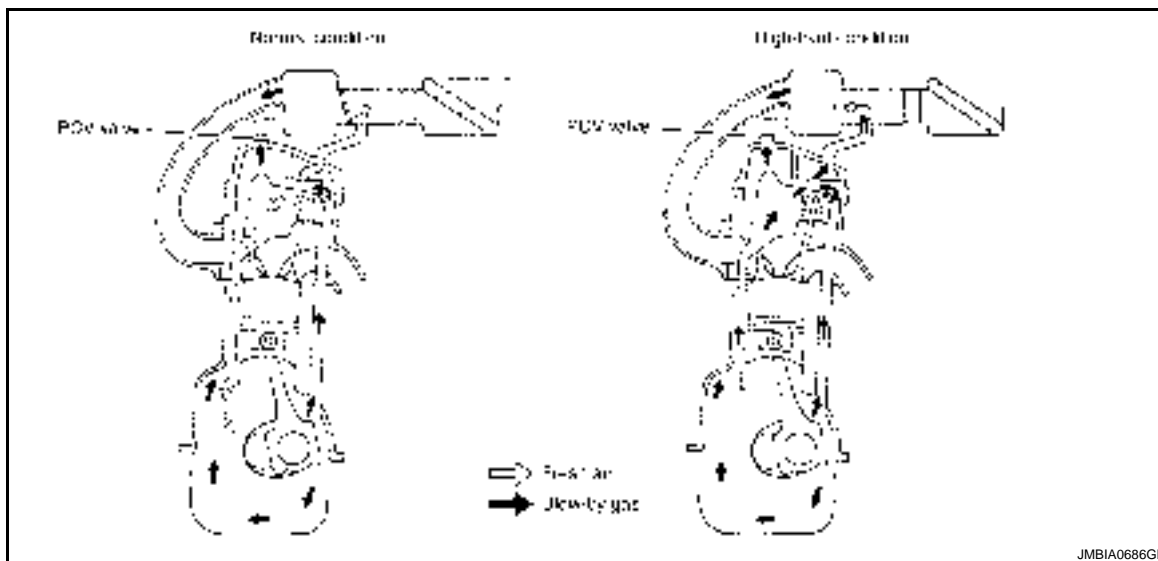
[MR]

POSITIVE CRANKCASE VENTILATION

Description

INFOID:000000001849740

SYSTEM DESCRIPTION

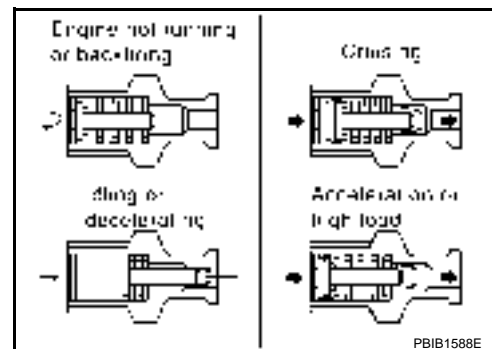


This system returns blow-by gas to the intake manifold.

The positive crankcase ventilation (PCV) valve is provided to conduct crankcase blow-by gas to the intake manifold. During partial throttle operation of the engine, the intake manifold sucks the blow-by gas through the PCV valve. Normally, the capacity of the valve is sufficient to handle any blow-by and a small amount of ventilating air. The ventilating air is then drawn from the air inlet tubes into the crankcase. In this process the air passes through the hose connecting air inlet tubes to rocker cover.

Under full-throttle condition, the manifold vacuum is insufficient to draw the blow-by flow through the valve. The flow goes through the hose connection in the reverse direction.

On vehicles with an excessively high blow-by, the valve does not meet the requirement. This is because some of the flow will go through the hose connection to the air inlet tubes under all conditions.

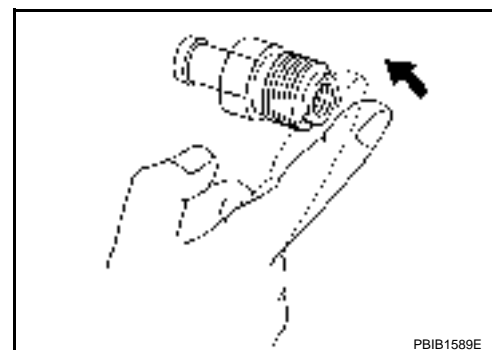


Component Inspection

INFOID:000000001849741

PCV (POSITIVE CRANKCASE VENTILATION) VALVE

With engine running at idle, remove PCV valve from rocker cover. A properly working valve makes a hissing noise as air passes through it. A strong vacuum should be felt immediately when a finger is placed over valve inlet.



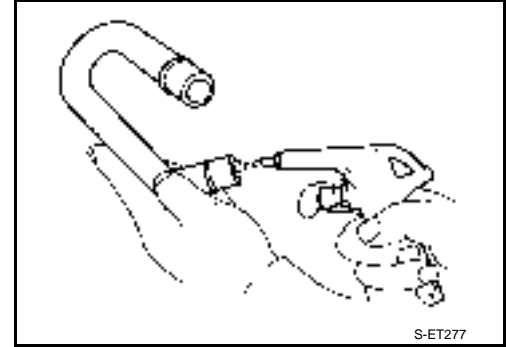
POSITIVE CRANKCASE VENTILATION

< SERVICE INFORMATION >

[MR]

PCV VALVE VENTILATION HOSE

1. Check hoses and hose connections for leaks.
2. Disconnect all hoses and clean with compressed air. If any hose cannot be freed of obstructions, replace.



NVIS (NISSAN VEHICLE IMMOBILIZER SYSTEM-NATS)

< SERVICE INFORMATION >

[MR]

NVIS (NISSAN VEHICLE IMMOBILIZER SYSTEM-NATS)

Description

INFOID:000000001849742

- If the security indicator lights up with the ignition switch in the ON position or “NATS MALFUNCTION” is displayed on “SELF-DIAG RESULTS” screen, perform self-diagnostic results mode with CONSULT-III using NATS program card. Refer to [BL-169](#).
- Confirm no self-diagnostic results of NVIS (NATS) is displayed before touching “ERASE” in “SELF-DIAG RESULTS” mode with CONSULT-III.
- When replacing ECM, initialization of NVIS (NATS) system and registration of all NVIS (NATS) ignition key IDs must be carried out with CONSULT-III using NATS program card. Therefore, be sure to receive all keys from vehicle owner. Regarding the procedures of NVIS (NATS) initialization and all NVIS (NATS) ignition key ID registration, refer to CONSULT-III Operation Manual, IVIS/NVIS.

A

EC

C

D

E

F

G

H

I

J

K

L

M

N

O

P

ON BOARD DIAGNOSTIC (OBD) SYSTEM

< SERVICE INFORMATION >

[MR]

ON BOARD DIAGNOSTIC (OBD) SYSTEM

Introduction

INFOID:000000001849743

The ECM has an on board diagnostic system, which detects malfunctions related to engine sensors or actuators. The ECM also records various emission-related diagnostic information including:

Emission-related diagnostic information	Diagnostic service
Diagnostic Trouble Code (DTC)	Service \$03 of SAE J1979
Freeze Frame data	Service \$02 of SAE J1979
System Readiness Test (SRT) code	Service \$01 of SAE J1979
1st trip Diagnostic Trouble Code (1st Trip DTC)	Service \$07 of SAE J1979
1st trip Freeze Frame data	
Test values and Test limits	Service \$06 of SAE J1979
Calibration ID	Service \$09 of SAE J1979

The above information can be checked using procedures listed in the table below.

×: Applicable —: Not applicable

	DTC	1st trip DTC	Freeze Frame data	1st trip Freeze Frame data	SRT code	SRT status	Test value
CONSULT-III	×	×	×	×	×	×	—
GST	×	×	×	—	×	×	×
ECM	×	×*	—	—	—	×	—

*: When DTC and 1st trip DTC simultaneously appear on the display, they cannot be clearly distinguished from each other.

The malfunction indicator lamp (MIL) on the instrument panel lights up when the same malfunction is detected in two consecutive trips (Two trip detection logic), or when the ECM enters fail-safe mode.

(Refer to [EC-91, "Fail-Safe Chart"](#).)

Two Trip Detection Logic

INFOID:000000001849744

When a malfunction is detected for the first time, 1st trip DTC and 1st trip Freeze Frame data are stored in the ECM memory. The MIL will not light up at this stage. <1st trip>

If the same malfunction is detected again during the next drive, the DTC and Freeze Frame data are stored in the ECM memory, and the MIL lights up. The MIL lights up at the same time when the DTC is stored. <2nd trip> The "trip" in the "Two Trip Detection Logic" means a driving mode in which self-diagnosis is performed during vehicle operation. Specific on board diagnostic items will cause the ECM to light up or blink the MIL, and store DTC and Freeze Frame data, even in the 1st trip, as shown below.

×: Applicable —: Not applicable

Items	MIL				DTC		1st trip DTC	
	1st trip		2nd trip		1st trip displaying	2nd trip displaying	1st trip displaying	2nd trip displaying
	Blinking	Lighting up	Blinking	Lighting up				
Misfire (Possible three way catalyst damage) — DTC: P0300 - P0304 is being detected	×	—	—	—	—	—	×	—
Misfire (Possible three way catalyst damage) — DTC: P0300 - P0304 is being detected	—	—	×	—	—	×	—	—
One trip detection diagnoses (Refer to EC-51, "Emission-related Diagnostic Information" .)	—	×	—	—	×	—	—	—
Except above	—	—	—	×	—	×	×	—

When there is an open circuit on MIL circuit, the ECM cannot warn the driver by MIL lighting up when there is malfunction on engine control system.

ON BOARD DIAGNOSTIC (OBD) SYSTEM

< SERVICE INFORMATION >

[MR]

Therefore, when electrical controlled throttle and part of ECM related diagnoses are continuously detected as NG for 5 trips, ECM warns the driver that engine control system malfunctions and MIL circuit is open by means of operating fail-safe function.

The fail-safe function also operates when above diagnoses except MIL circuit are detected, and demands the driver to repair the malfunction.

Engine operating condition in fail-safe mode	Engine speed will not rise more than 2,500 rpm due to the fuel cut
--	--

Emission-related Diagnostic Information

INFOID:000000001849745

EMISSION-RELATED DIAGNOSTIC INFORMATION ITEMS

×: Applicable —: Not applicable

Items (CONSULT-III screen terms)	DTC*1		SRT code	Trip	MIL lighting up	Reference page
	CONSULT-III GST*2	ECM*3				
CAN COMM CIRCUIT	U1000	1000*4	—	1 (CVT) 2 (M/T)	× (CVT) — (M/T)	EC-142
CAN COMM CIRCUIT	U1001	1001*4	—	2	—	EC-142
CONTROL UNIT(CAN)	U1010	1010	—	1 (CVT) 2 (M/T)	× (CVT) — (M/T)	EC-144
NO DTC IS DETECTED. FURTHER TESTING MAY BE REQUIRED.	P0000	0000	—	—	Flashing*5	EC-66
INT/V TIM CONT-B1	P0011	0011	—	2	×	EC-145
A/F SEN1 HTR (B1)	P0031	0031	—	2	×	EC-149
A/F SEN1 HTR (B1)	P0032	0032	—	2	×	EC-149
HO2S2 HTR (B1)	P0037	0037	—	2	×	EC-154
HO2S2 HTR (B1)	P0038	0038	—	2	×	EC-154
INT/V TIM V/CIR-B1	P0075	0075	—	2	×	EC-160
MAF SEN/CIRCUIT-B1	P0101	0101	—	2	×	EC-165
MAF SEN/CIRCUIT-B1	P0102	0102	—	1	×	EC-173
MAF SEN/CIRCUIT-B1	P0103	0103	—	1	×	EC-173
IAT SEN/CIRCUIT-B1	P0112	0112	—	2	×	EC-180
IAT SEN/CIRCUIT-B1	P0113	0113	—	2	×	EC-180
ECT SEN/CIRC	P0117	0117	—	1	×	EC-184
ECT SEN/CIRC	P0118	0118	—	1	×	EC-184
TP SEN 2/CIRC-B1	P0122	0122	—	1	×	EC-189
TP SEN 2/CIRC-B1	P0123	0123	—	1	×	EC-189
ECT SENSOR	P0125	0125	—	2	×	EC-194
IAT SENSOR-B1	P0127	0127	—	2	×	EC-197
THERMSTAT FNCTN	P0128	0128	—	2	×	EC-200
A/F SENSOR1 (B1)	P0130	0130	—	2	×	EC-202
A/F SENSOR1 (B1)	P0131	0131	—	2	×	EC-208
A/F SENSOR1 (B1)	P0132	0132	—	2	×	EC-214
A/F SENSOR1 (B1)	P0133	0133	×	2	×	EC-220
HO2S2 (B1)	P0137	0137	×	2	×	EC-227
HO2S2 (B1)	P0138	0138	×	2	×	EC-234
HO2S2 (B1)	P0139	0139	×	2	×	EC-243
FUEL SYS-LEAN-B1	P0171	0171	—	2	×	EC-250

ON BOARD DIAGNOSTIC (OBD) SYSTEM

< SERVICE INFORMATION >

[MR]

Items (CONSULT-III screen terms)	DTC*1		SRT code	Trip	MIL lighting up	Reference page
	CONSULT-III GST*2	ECM*3				
FUEL SYS-RICH-B1	P0172	0172	—	2	×	EC-256
FTT SENSOR	P0181	0181	—	2	×	EC-262
FTT SEN/CIRCUIT	P0182	0182	—	2	×	EC-266
FTT SEN/CIRCUIT	P0183	0183	—	2	×	EC-266
TP SEN 1/CIRC-B1	P0222	0222	—	1	×	EC-270
TP SEN 1/CIRC-B1	P0223	0223	—	1	×	EC-270
MULTI CYL MISFIRE	P0300	0300	—	2	×	EC-275
CYL 1 MISFIRE	P0301	0301	—	2	×	EC-275
CYL 2 MISFIRE	P0302	0302	—	2	×	EC-275
CYL 3 MISFIRE	P0303	0303	—	2	×	EC-275
CYL 4 MISFIRE	P0304	0304	—	2	×	EC-275
KNOCK SEN/CIRC-B1	P0327	0327	—	2	—	EC-281
KNOCK SEN/CIRC-B1	P0328	0328	—	2	—	EC-281
CKP SEN/CIRCUIT	P0335	0335	—	2	×	EC-285
CMP SEN/CIRC-B1	P0340	0340	—	2	×	EC-291
TW CATALYST SYS-B1	P0420	0420	×	2	×	EC-297
EVAP PURG FLOW/MON	P0441	0441	×	2	×	EC-301
EVAP SMALL LEAK	P0442	0442	×	2	×	EC-306
PURG VOLUME CONT/V	P0443	0443	—	2	×	EC-313
PURG VOLUME CONT/V	P0444	0444	—	2	×	EC-320
PURG VOLUME CONT/V	P0445	0445	—	2	×	EC-320
VENT CONTROL VALVE	P0447	0447	—	2	×	EC-326
VENT CONTROL VALVE	P0448	0448	—	2	×	EC-332
EVAP SYS PRES SEN	P0451	0451	—	2	×	EC-338
EVAP SYS PRES SEN	P0452	0452	—	2	×	EC-341
EVAP SYS PRES SEN	P0453	0453	—	2	×	EC-348
EVAP GROSS LEAK	P0455	0455	—	2	×	EC-356
EVAP VERY SML LEAK	P0456	0456	×*6	2	×	EC-362
FUEL LEV SEN SLOSH	P0460	0460	—	2	×	EC-369
FUEL LEVEL SENSOR	P0461	0461	—	2	×	EC-371
FUEL LEVL SEN/CIRC	P0462	0462	—	2	×	EC-373
FUEL LEVL SEN/CIRC	P0463	0463	—	2	×	EC-373
VEH SPEED SEN/CIRC*7	P0500	0500	—	2	×	EC-375
ISC SYSTEM	P0506	0506	—	2	×	EC-377
ISC SYSTEM	P0507	0507	—	2	×	EC-379
ECM	P0605	0605	—	1 or 2	— or ×	EC-381
SENSOR POWER/CIRC	P0643	0643	—	1	×	EC-383
PNP SW/CIRC	P0705	0705	—	2	×	CVT-60
ATF TEMP SEN/CIRC	P0710	0710	—	1	×	CVT-65
INPUT SPD SEN/CIRC	P0715	0715	—	2	×	CVT-70
VEH SPD SEN/CIR AT*7	P0720	0720	—	2	×	CVT-75
TCC SOLENOID/CIRC	P0740	0740	—	2	×	CVT-83

ON BOARD DIAGNOSTIC (OBD) SYSTEM

< SERVICE INFORMATION >

[MR]

Items (CONSULT-III screen terms)	DTC*1		SRT code	Trip	MIL lighting up	Reference page
	CONSULT-III GST*2	ECM*3				
A/T TCC S/V FNCTN	P0744	0744	—	2	×	CVT-88
L/PRESS SOL/CIRC	P0745	0745	—	2	×	CVT-90
PRS CNT SOL/A FCTN	P0746	0746	—	1	×	CVT-95
PRS CNT SOL/B FCTN	P0776	0776	—	2	×	CVT-97
PRS CNT SOL/B CIRC	P0778	0778	—	2	×	CVT-99
TR PRS SENS/A CIRC	P0840	0840	—	2	×	CVT-109
TR PRS SENS/B CIRC	P0845	0845	—	2	×	CVT-115
P-N POS SW/CIRCUIT	P0850	0850	—	2	×	EC-388
CLOSED LOOP-B1	P1148	1148	—	1	×	EC-393
ENG OVER TEMP	P1217	1217	—	1	×	EC-394
CTP LEARNING-B1	P1225	1225	—	2	—	EC-406
CTP LEARNING-B1	P1226	1226	—	2	—	EC-408
COLD START CONTROL	P1421	1421	—	2	×	EC-410
ASCD SW	P1564	1564	—	1	—	EC-412
ASCD BRAKE SW	P1572	1572	—	1	—	EC-418
ASCD VHL SPD SEN	P1574	1574	—	1	—	EC-427
LOCK MODE	P1610	1610	—	2	—	BL-169
ID DISCORD IMM-ECM	P1611	1611	—	2	—	BL-169
CHAIN OF ECM-IMMU	P1612	1612	—	2	—	BL-169
CHAIN OF IMMU-KEY	P1614	1614	—	2	—	BL-169
DIFFERENCE OF KEY	P1615	1615	—	2	—	BL-169
IN PULY SPEED	P1715	1715	—	2	—	EC-429
LU-SLCT SOL/CIRC	P1740	1740	—	2	×	CVT-132
STEP MOTR CIRC	P1777	1777	—	1	×	CVT-138
STEP MOTR FNC	P1778	1778	—	2	×	CVT-142
BRAKE SW/CIRCUIT	P1805	1805	—	2	—	EC-431
ETC MOT PWR-B1	P2100	2100	—	1	×	EC-435
ETC FNCTN/CIRC-B1	P2101	2101	—	1	×	EC-439
ETC MOT PWR	P2103	2103	—	1	×	EC-435
ETC MOT-B1	P2118	2118	—	1	×	EC-445
ETC ACTR-B1	P2119	2119	—	1	×	EC-449
APP SEN 1/CIRC	P2122	2122	—	1	×	EC-451
APP SEN 1/CIRC	P2123	2123	—	1	×	EC-451
APP SEN 2/CIRC	P2127	2127	—	1	×	EC-456
APP SEN 2/CIRC	P2128	2128	—	1	×	EC-456
TP SENSOR-B1	P2135	2135	—	1	×	EC-463
APP SENSOR	P2138	2138	—	1	×	EC-468
A/F SENSOR1 (B1)	P2A00	2A00	—	2	×	EC-475

*1: 1st trip DTC No. is the same as DTC No.

*2: This number is prescribed by SAE J2012.

*3: In Diagnostic Test Mode II (Self-diagnostic results), this number is controlled by NISSAN.

*4: The troubleshooting for this DTC needs CONSULT-III.

*5: When the ECM in the mode of displaying SRT status, MIL may flash. For the details, refer to "How to Display SRT Status".

< SERVICE INFORMATION >

*6: SRT code will not be set if the self-diagnostic result is NG.

*7: When the fail-safe operations for both self-diagnoses occur, the MIL illuminates.

DTC AND 1ST TRIP DTC

The 1st trip DTC (whose number is the same as the DTC number) is displayed for the latest self-diagnostic result obtained. If the ECM memory was cleared previously, and the 1st trip DTC did not reoccur, the 1st trip DTC will not be displayed.

If a malfunction is detected during the 1st trip, the 1st trip DTC is stored in the ECM memory. The MIL will not light up (two trip detection logic). If the same malfunction is not detected in the 2nd trip (meeting the required driving pattern), the 1st trip DTC is cleared from the ECM memory. If the same malfunction is detected in the 2nd trip, both the 1st trip DTC and DTC are stored in the ECM memory and the MIL lights up. In other words, the DTC is stored in the ECM memory and the MIL lights up when the same malfunction occurs in two consecutive trips. If a 1st trip DTC is stored and a non-diagnostic operation is performed between the 1st and 2nd trips, only the 1st trip DTC will continue to be stored. For malfunctions that blink or light up the MIL during the 1st trip, the DTC and 1st trip DTC are stored in the ECM memory.

Procedures for clearing the DTC and the 1st trip DTC from the ECM memory are described in "HOW TO ERASE EMISSION-RELATED DIAGNOSTIC INFORMATION".

For malfunctions in which 1st trip DTCs are displayed, refer to "EMISSION-RELATED DIAGNOSTIC INFORMATION ITEMS". These items are required by legal regulations to continuously monitor the system/component. In addition, the items monitored non-continuously are also displayed on CONSULT-III.

1st trip DTC is specified in Service \$07 of SAE J1979. 1st trip DTC detection occurs without lighting up the MIL and therefore does not warn the driver of a malfunction. However, 1st trip DTC detection will not prevent the vehicle from being tested, for example during Inspection/Maintenance (I/M) tests.

When a 1st trip DTC is detected, check, print out or write down and erase (1st trip) DTC and Freeze Frame data as specified in Work Flow procedure Step 2, refer to [EC-86, "Trouble Diagnosis Introduction"](#). Then perform DTC Confirmation Procedure or Overall Function Check to try to duplicate the malfunction. If the malfunction is duplicated, the item requires repair.

How to Read DTC and 1st Trip DTC

DTC and 1st trip DTC can be read by the following methods.

▮ WITH CONSULT-III

▮ WITH GST

CONSULT-III or GST (Generic Scan Tool) Examples: P0340, P0850, P1148, etc.

These DTCs are prescribed by SAE J2012.

(CONSULT-III also displays the malfunctioning component or system.)

▮ NO TOOLS

The number of blinks of the MIL in the Diagnostic Test Mode II (Self-Diagnostic Results) indicates the DTC. Example: 0340, 0850, 1148, etc.

These DTCs are controlled by NISSAN.

- **1st trip DTC No. is the same as DTC No.**
- **Output of a DTC indicates a malfunction. However, GST or the Diagnostic Test Mode II do not indicate whether the malfunction is still occurring or has occurred in the past and has returned to normal. CONSULT-III can identify malfunction status as shown below. Therefore, using CONSULT-III (if available) is recommended.**

DTC or 1st trip DTC of a malfunction is displayed in SELF-DIAGNOSTIC RESULTS mode of CONSULT-III. Time data indicates how many times the vehicle was driven after the last detection of a DTC.

If the DTC is being detected currently, the time data will be [0].

If a 1st trip DTC is stored in the ECM, the time data will be [1t].

FREEZE FRAME DATA AND 1ST TRIP FREEZE FRAME DATA

The ECM records the driving conditions such as fuel system status, calculated load value, engine coolant temperature, short term fuel trim, long term fuel trim, engine speed, vehicle speed, absolute throttle position, base fuel schedule and intake air temperature at the moment a malfunction is detected.

Data which are stored in the ECM memory, along with the 1st trip DTC, are called 1st trip freeze frame data. The data, stored together with the DTC data, are called freeze frame data and displayed on CONSULT-III or GST. The 1st trip freeze frame data can only be displayed on the CONSULT-III screen, not on the GST. For details, see [EC-113, "CONSULT-III Function \(ENGINE\)"](#).

Only one set of freeze frame data (either 1st trip freeze frame data or freeze frame data) can be stored in the ECM. 1st trip freeze frame data is stored in the ECM memory along with the 1st trip DTC. There is no priority for 1st trip freeze frame data and it is updated each time a different 1st trip DTC is detected. However, once freeze frame data (2nd trip detection/MIL on) is stored in the ECM memory, 1st trip freeze frame data is no

ON BOARD DIAGNOSTIC (OBD) SYSTEM

< SERVICE INFORMATION >

[MR]

longer stored. Remember, only one set of freeze frame data can be stored in the ECM. The ECM has the following priorities to update the data.

Priority	Items	
1	Freeze frame data	Misfire — DTC: P0300 - P0304 Fuel Injection System Function — DTC: P0171, P0172
2		Except the above items (Includes CVT related items)
3	1st trip freeze frame data	

For example, the EGR malfunction (Priority: 2) was detected and the freeze frame data was stored in the 2nd trip. After that when the misfire (Priority: 1) is detected in another trip, the freeze frame data will be updated from the EGR malfunction to the misfire. The 1st trip freeze frame data is updated each time a different malfunction is detected. There is no priority for 1st trip freeze frame data. However, once freeze frame data is stored in the ECM memory, 1st trip freeze data is no longer stored (because only one freeze frame data or 1st trip freeze frame data can be stored in the ECM). If freeze frame data is stored in the ECM memory and freeze frame data with the same priority occurs later, the first (original) freeze frame data remains unchanged in the ECM memory.

Both 1st trip freeze frame data and freeze frame data (along with the DTCs) are cleared when the ECM memory is erased. Procedures for clearing the ECM memory are described in "EMISSION-RELATED DIAGNOSTIC INFORMATION ITEMS".

SYSTEM READINESS TEST (SRT) CODE

System Readiness Test (SRT) code is specified in Service \$01 of SAE J1979.

As part of an enhanced emissions test for Inspection & Maintenance (I/M), certain states require the status of SRT be used to indicate whether the ECM has completed self-diagnosis of major emission systems and components. Completion must be verified in order for the emissions inspection to proceed.

If a vehicle is rejected for a State emissions inspection due to one or more SRT items indicating "INCMP", use the information in this Service Manual to set the SRT to "CMPLT".

In most cases the ECM will automatically complete its self-diagnosis cycle during normal usage, and the SRT status will indicate "CMPLT" for each application system. Once set as "CMPLT", the SRT status remains "CMPLT" until the self-diagnosis memory is erased.

Occasionally, certain portions of the self-diagnostic test may not be completed as a result of the customer's normal driving pattern; the SRT will indicate "INCMP" for these items.

NOTE:

The SRT will also indicate "INCMP" if the self-diagnosis memory is erased for any reason or if the ECM memory power supply is interrupted for several hours.

If, during the state emissions inspection, the SRT indicates "CMPLT" for all test items, the inspector will continue with the emissions test. However, if the SRT indicates "INCMP" for one or more of the SRT items the vehicle is returned to the customer untested.

NOTE:

If MIL is ON during the state emissions inspection, the vehicle is also returned to the customer untested even though the SRT indicates "CMPLT" for all test items. Therefore, it is important to check SRT ("CMPLT") and DTC (No DTCs) before the inspection.

SRT Item

The table below shows required self-diagnostic items to set the SRT to "CMPLT".

SRT item (CONSULT-III indication)	Performance Priority*	Required self-diagnostic items to set the SRT to "CMPLT"	Corresponding DTC No.
CATALYST	2	Three way catalyst function	P0420
EVAP SYSTEM	2	EVAP control system purge flow monitoring	P0441
	1	EVAP control system	P0442
	2	EVAP control system	P0456
HO2S	2	Air fuel ratio (A/F) sensor 1	P0133
		Heated oxygen sensor 2	P0137
		Heated oxygen sensor 2	P0138
		Heated oxygen sensor 2	P0139

ON BOARD DIAGNOSTIC (OBD) SYSTEM

[MR]

< SERVICE INFORMATION >

*: If completion of several SRTs is required, perform driving patterns (DTC confirmation procedure), one by one based on the priority for models with CONSULT-III.

SRT Set Timing

SRT is set as "CMPLT" after self-diagnosis has been performed one or more times. Completion of SRT is done regardless of whether the result is OK or NG. The set timing is different between OK and NG results and is shown in the table below.

Self-diagnosis result		Example					
		Diagnosis	Ignition cycle				
			← ON →	OFF	← ON →	OFF	
All OK	Case 1	P0400	OK (1)	— (1)	OK (2)	— (2)	
		P0402	OK (1)	— (1)	— (1)	OK (2)	
		P1402	OK (1)	OK (2)	— (2)	— (2)	
		SRT of EGR	"CMPLT"	"CMPLT"	"CMPLT"	"CMPLT"	
	Case 2	P0400	OK (1)	— (1)	— (1)	— (1)	
		P0402	— (0)	— (0)	OK (1)	— (1)	
		P1402	OK (1)	OK (2)	— (2)	— (2)	
		SRT of EGR	"INCMP"	"INCMP"	"CMPLT"	"CMPLT"	
NG exists	Case 3	P0400	OK	OK	—	—	
		P0402	—	—	—	—	
		P1402	NG	—	NG	NG	NG (Consecutive NG)
		(1st trip) DTC	1st trip DTC	—	1st trip DTC	DTC (= MIL "ON")	
		SRT of EGR	"INCMP"	"INCMP"	"INCMP"	"CMPLT"	

OK: Self-diagnosis is carried out and the result is OK.

NG: Self-diagnosis is carried out and the result is NG.

—: Self-diagnosis is not carried out.

When all SRT related self-diagnoses showed OK results in a single cycle (Ignition OFF-ON-OFF), the SRT will indicate "CMPLT". → Case 1 above

When all SRT related self-diagnoses showed OK results through several different cycles, the SRT will indicate "CMPLT" at the time the respective self-diagnoses have at least one OK result. → Case 2 above

If one or more SRT related self-diagnoses showed NG results in 2 consecutive cycles, the SRT will also indicate "CMPLT". → Case 3 above

The table above shows that the minimum number of cycles for setting SRT as "INCMP" is one (1) for each self-diagnosis (Case 1 & 2) or two (2) for one of self-diagnoses (Case 3). However, in preparation for the state emissions inspection, it is unnecessary for each self-diagnosis to be executed twice (Case 3) for the following reasons:

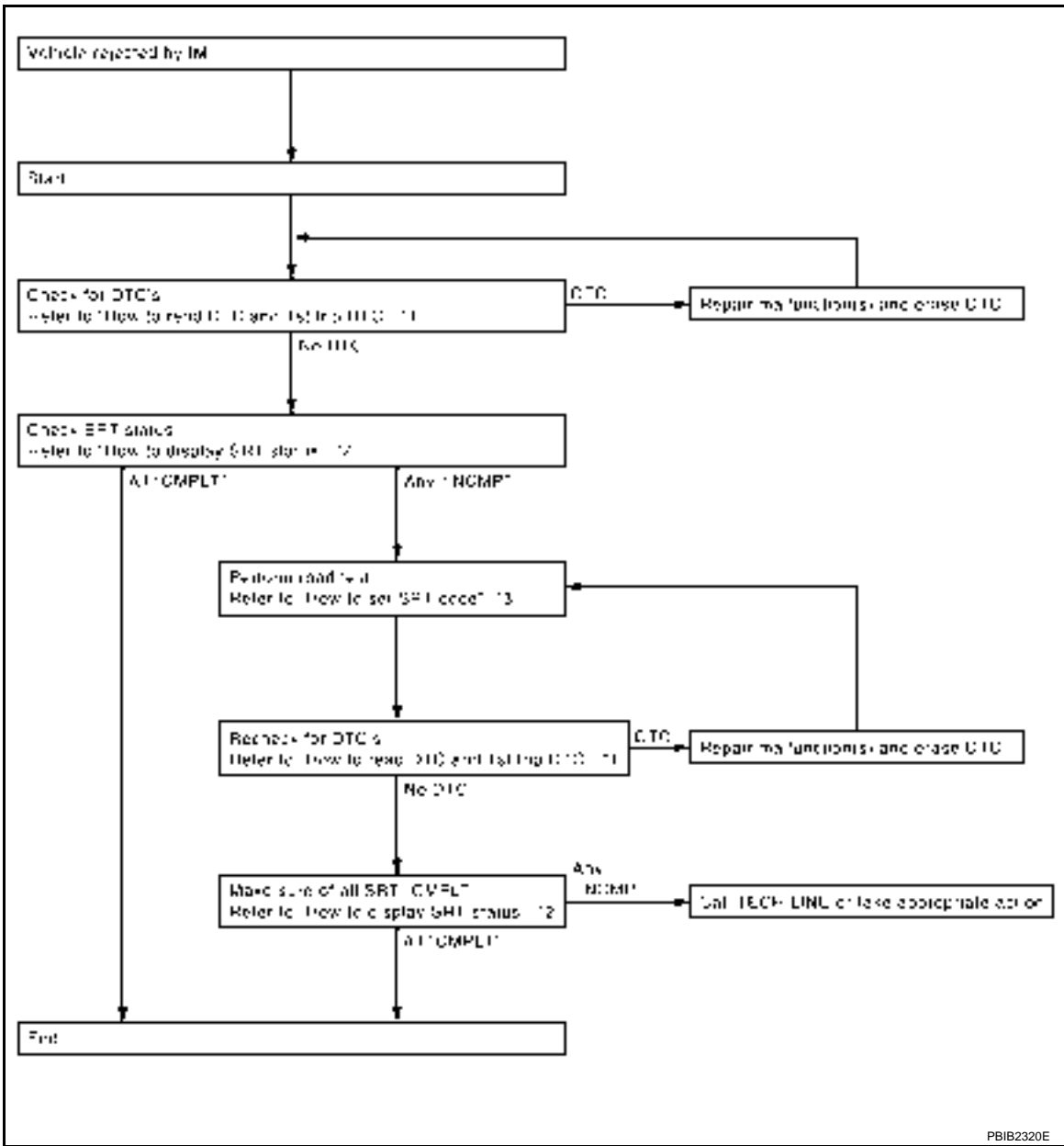
- The SRT will indicate "CMPLT" at the time the respective self-diagnoses have one (1) OK result.
- The emissions inspection requires "CMPLT" of the SRT only with OK self-diagnosis results.
- When, during SRT driving pattern, 1st trip DTC (NG) is detected prior to "CMPLT" of SRT, the self-diagnosis memory must be erased from ECM after repair.
- If the 1st trip DTC is erased, all the SRT will indicate "INCMP".

NOTE:

SRT can be set as "CMPLT" together with the DTC(s). Therefore, DTC check must always be carried out prior to the state emission inspection even though the SRT indicates "CMPLT".

SRT Service Procedure

If a vehicle has failed the state emissions inspection due to one or more SRT items indicating "INCMP", review the flowchart diagnostic sequence on the next page.



*1 "How to Read DTC and 1st Trip DTC" *2 "How to Display SRT Status"

*3 "How to Set SRT Code"

How to Display SRT Status

WITH CONSULT-III

Selecting "SRT STATUS" in "DTC CONFIRMATION" mode with CONSULT-III.

For items whose SRT codes are set, a "CMPLT" is displayed on the CONSULT-III screen; for items whose SRT codes are not set, "INCMP" is displayed.

NOTE:

Though displayed on the CONSULT-III screen, "HO2S HTR" is not SRT item.

WITH GST

Selecting Service \$01 with GST (Generic Scan Tool)

NO TOOLS

A SRT code itself can not be displayed while only SRT status can be.

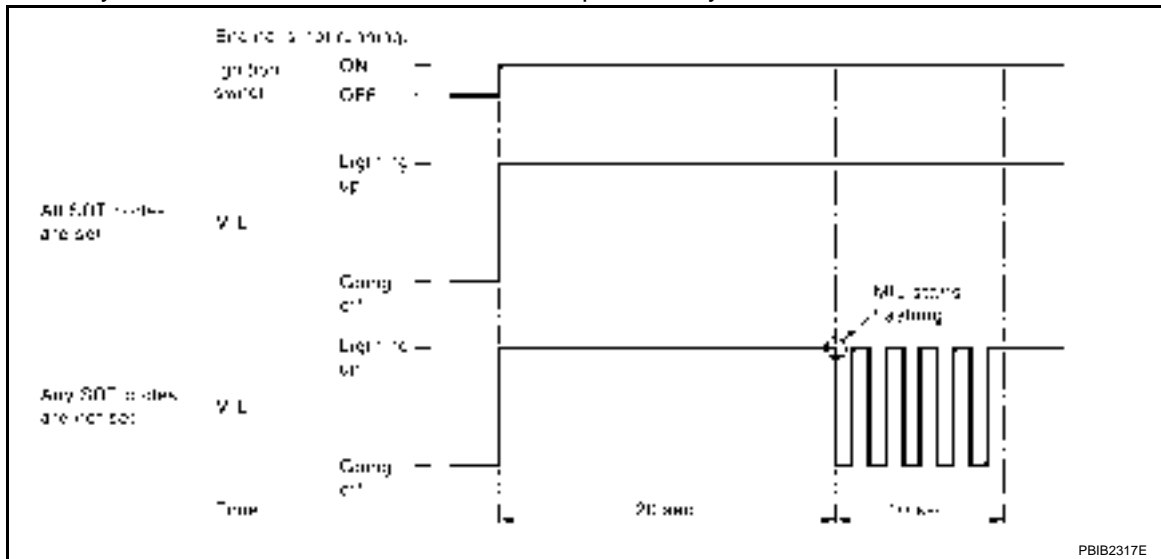
1. Turn ignition switch ON and wait 20 seconds.
2. SRT status is indicated as shown below.
 - When all SRT codes are set, MIL lights up continuously.

ON BOARD DIAGNOSTIC (OBD) SYSTEM

< SERVICE INFORMATION >

[MR]

- When any SRT codes are not set, MIL will flash periodically for 10 seconds.



How to Set SRT Code

To set all SRT codes, self-diagnosis for the items indicated above must be performed one or more times. Each diagnosis may require a long period of actual driving under various conditions.

WITH CONSULT-III

Perform corresponding DTC Confirmation Procedure one by one based on Performance Priority in the table on "SRT Item".

WITHOUT CONSULT-III

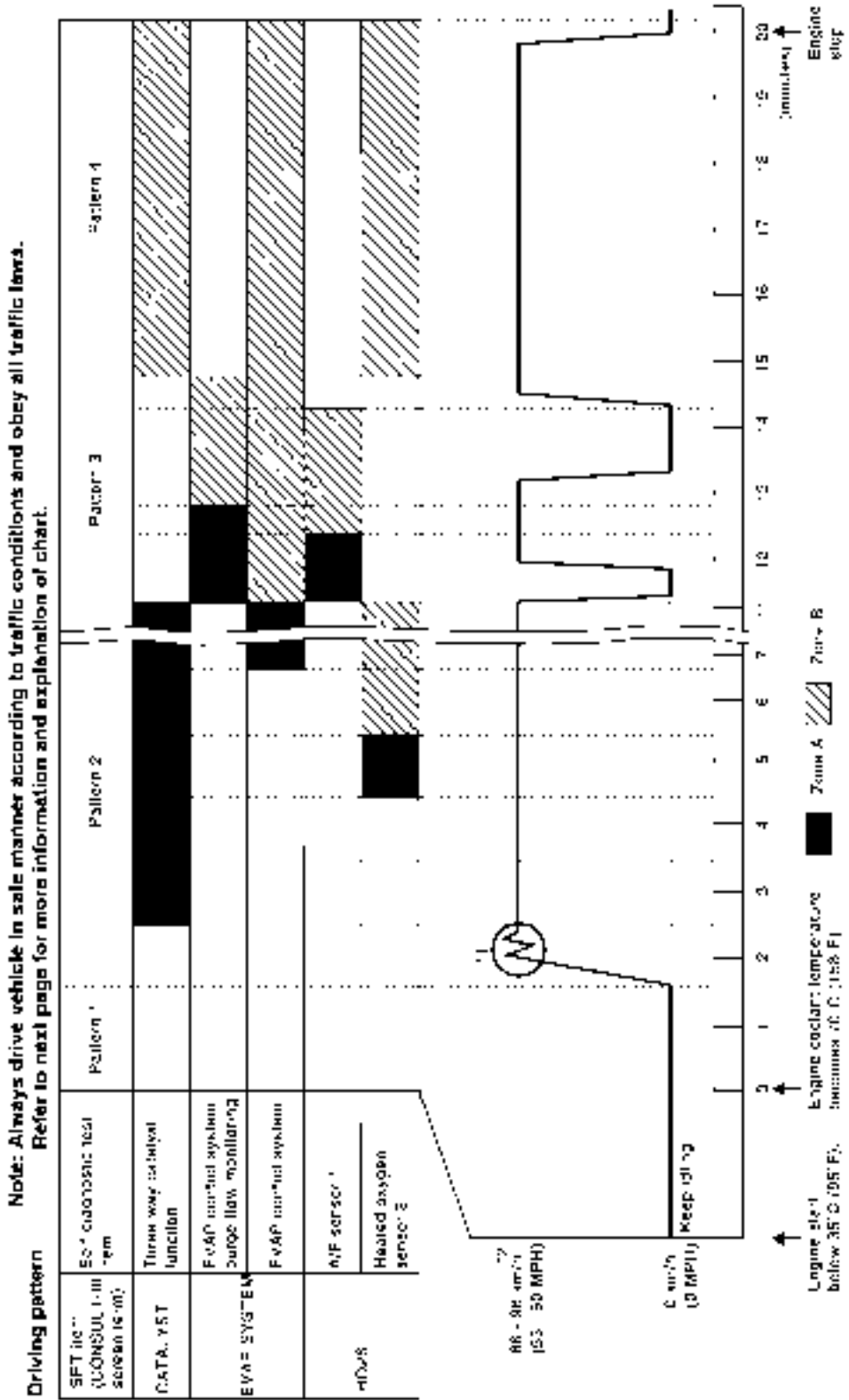
The most efficient driving pattern in which SRT codes can be properly set is explained on the next page. The driving pattern should be performed one or more times to set all SRT codes.

ON BOARD DIAGNOSTIC (OBD) SYSTEM

< SERVICE INFORMATION >

[MR]

Driving Pattern



PBIB3622E

- The time required for each diagnosis varies with road surface conditions, weather, altitude, individual driving habits, etc.
- Zone A refers to the range where the time, required for the diagnosis under normal conditions*, is the shortest.
- Zone B refers to the range where the diagnosis can still be performed if the diagnosis is not completed within zone A.

*: Normal conditions refer to the following:

<https://www.automotive-manuals.net/>

A
EC
C
D
E
F
G
H
I
J
K
L
M
N
O
P

ON BOARD DIAGNOSTIC (OBD) SYSTEM

[MR]

< SERVICE INFORMATION >

- Sea level
- Flat road
- Ambient air temperature: 20 - 30°C (68 - 86°F)
- Diagnosis is performed as quickly as possible under normal conditions.
Under different conditions [For example: ambient air temperature other than 20 - 30°C (68 - 86°F)], diagnosis may also be performed.

Pattern 1:

- **The engine is started at the engine coolant temperature of -10 to 35°C (14 to 95°F) (where the voltage between the ECM terminal 38 and ground is 3.0 - 4.3V).**
- **The engine must be operated at idle speed until the engine coolant temperature is greater than 70°C (158°F) (where the voltage between the ECM terminal 38 and ground is lower than 1.4V).**
- **The engine is started at the fuel tank temperature of warmer than 0°C (32°F) (where the voltage between the ECM terminal 43 and ground is less than 4.1V).**

Pattern 2:

- When steady-state driving is performed again even after it is interrupted, each diagnosis can be conducted. In this case, the time required for diagnosis may be extended.

Pattern 3:

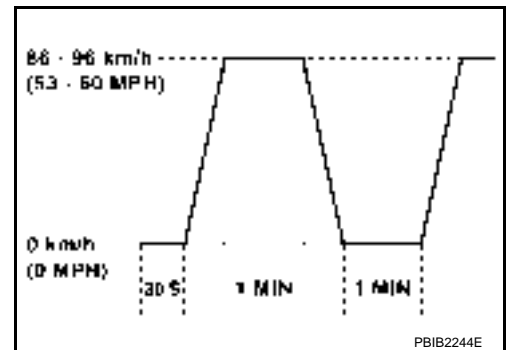
- Operate vehicle following the driving pattern shown in the figure.
- Release the accelerator pedal during decelerating vehicle speed from 90 km/h (56 MPH) to 0 km/h (0 MPH).

Pattern 4:

- The accelerator pedal must be held very steady during steady-state driving.
- If the accelerator pedal is moved, the test must be conducted all over again.

*1: Depress the accelerator pedal until vehicle speed is 90 km/h (56 MPH), then release the accelerator pedal and keep it released for more than 10 seconds. Depress the accelerator pedal until vehicle speed is 90 km/h (56 MPH) again.

*2: Checking the vehicle speed with GST is advised.



Suggested Transmission Gear Position for CVT Models

Set the selector lever in the D position.

Suggested upshift speeds for M/T models

Shown below are suggested vehicle speeds for shifting into a higher gear. These suggestions relate to fuel economy and vehicle performance. Actual upshift speeds will vary according to road conditions, the weather and individual driving habits.

	For normal acceleration in low altitude areas [less than 1,219 m (4,000 ft)]:	For quick acceleration in low altitude areas	For high altitude areas [over 1,219m (4,000 ft)]:
Gear change	ACCEL shift point km/h (MPH)	km/h (MPH)	km/h (MPH)
1st to 2nd	13 (8)	24 (15)	24 (15)
2nd to 3rd	27 (17)	40 (25)	40 (25)
3rd to 4th	40 (25)	53 (33)	65 (40)
4th to 5th	58 (36)	71 (44)	72 (45)
5th to 6th	82 (51)	82 (51)	82 (51)

Suggested Maximum Speed in Each Gear

Downshift to a lower gear if the engine is not running smoothly, or if you need to accelerate.

Do not exceed the maximum suggested speed (shown below) in any gear. For level road driving, use the highest gear suggested for that speed. Always observe posted speed limits and drive according to the road conditions to ensure safe operation. Do not over-rev the engine when shifting to a lower gear as it may cause engine damage or loss of vehicle control.

Gear	km/h (MPH)
1st	50 (30)
2nd	90 (55)

ON BOARD DIAGNOSTIC (OBD) SYSTEM

< SERVICE INFORMATION >

[MR]

Gear	km/h (MPH)
3rd	—
4th	—
5th	—
6th	—

TEST VALUE AND TEST LIMIT (GST ONLY — NOT APPLICABLE TO CONSULT-III)

The following is the information specified in Service \$06 of SAE J1979.

The test value is a parameter used to determine whether a system/circuit diagnostic test is OK or NG while being monitored by the ECM during self-diagnosis. The test limit is a reference value which is specified as the maximum or minimum value and is compared with the test value being monitored.

These data (test value and test limit) are specified by On Board Monitor ID(OBDMID), Test ID (TID), Unit and Scaling ID and can be displayed on the GST screen.

The items of the test value and test limit will be displayed with GST screen which items are provided by the ECM. (eg., if the bank 2 is not applied on this vehicle, only the items of the bank 1 is displayed)

Item	OBD-MID	Self-diagnostic test item	DTC	Test value and Test limit (GST display)		Description
				TID	Unit and Scaling ID	
HO2S	01H	Air fuel ratio (A/F) sensor 1 (Bank 1)	P0131	83H	0BH	Minimum sensor output voltage for test cycle
			P0131	84H	0BH	Maximum sensor output voltage for test cycle
			P0130	85H	0BH	Minimum sensor output voltage for test cycle
			P0130	86H	0BH	Maximum sensor output voltage for test cycle
			P0133	87H	04H	Response rate: Response ratio (Lean to Rich)
			P0133	88H	04H	Response rate: Response ratio (Rich to Lean)
			P2A00	89H	84H	The amount of shift in air fuel ratio
			P2A00	8AH	84H	The amount of shift in air fuel ratio
			P0130	8BH	0BH	Difference in sensor output voltage
	P0133	8CH	83H	Response gain at the limited frequency		
	02H	Heated oxygen sensor 2 (Bank 1)	P0138	07H	0CH	Minimum sensor output voltage for test cycle
			P0137	08H	0CH	Maximum sensor output voltage for test cycle
			P0138	80H	0CH	Sensor output voltage
			P0139	81H	0CH	Difference in sensor output voltage
	03H	Heated oxygen sensor 3 (Bank 1)	P0143	07H	0CH	Minimum sensor output voltage for test cycle
P0144			08H	0CH	Maximum sensor output voltage for test cycle	
P0146			80H	0CH	Sensor output voltage	
P0145			81H	0CH	Difference in sensor output voltage	

ON BOARD DIAGNOSTIC (OBD) SYSTEM

< SERVICE INFORMATION >

[MR]

Item	OBD-MID	Self-diagnostic test item	DTC	Test value and Test limit (GST display)		Description
				TID	Unit and Scaling ID	
HO2S	05H	Air fuel ratio (A/F) sensor 1 (Bank 2)	P0151	83H	0BH	Minimum sensor output voltage for test cycle
			P0151	84H	0BH	Maximum sensor output voltage for test cycle
			P0150	85H	0BH	Minimum sensor output voltage for test cycle
			P0150	86H	0BH	Maximum sensor output voltage for test cycle
			P0153	87H	04H	Response rate: Response ratio (Lean to Rich)
			P0153	88H	04H	Response rate: Response ratio (Rich to Lean)
			P2A03	89H	84H	The amount of shift in air fuel ratio
			P2A03	8AH	84H	The amount of shift in air fuel ratio
			P0150	8BH	0BH	Difference in sensor output voltage
			P0153	8CH	83H	Response gain at the limited frequency
	06H	Heated oxygen sensor 2 (Bank 2)	P0158	07H	0CH	Minimum sensor output voltage for test cycle
			P0157	08H	0CH	Maximum sensor output voltage for test cycle
			P0158	80H	0CH	Sensor output voltage
			P0159	81H	0CH	Difference in sensor output voltage
	07H	Heated oxygen sensor 3 (Bank2)	P0163	07H	0CH	Minimum sensor output voltage for test cycle
			P0164	08H	0CH	Maximum sensor output voltage for test cycle
			P0166	80H	0CH	Sensor output voltage
			P0165	81H	0CH	Difference in sensor output voltage
	CATA- LYST	21H	Three way catalyst function (Bank1)	P0420	80H	01H
P0420				82H	01H	Switching time lag engine exhaust index value
P2423				83H	0CH	Difference in 3rd O2 sensor output voltage
P2423				84H	84H	O2 storage index in HC trap catalyst
22H		Three way catalyst function (Bank2)	P0430	80H	01H	O2 storage index
			P0430	82H	01H	Switching time lag engine exhaust index value
			P2424	83H	0CH	Difference in 3rd O2 sensor output voltage
			P2424	84H	84H	O2 storage index in HC trap catalyst

ON BOARD DIAGNOSTIC (OBD) SYSTEM

< SERVICE INFORMATION >

[MR]

Item	OBD-MID	Self-diagnostic test item	DTC	Test value and Test limit (GST display)		Description
				TID	Unit and Scaling ID	
EGR SYSTEM	31H	EGR function	P0400	80H	96H	Low Flow Faults: EGR temp change rate (short term)
			P0400	81H	96H	Low Flow Faults: EGR temp change rate (long term)
			P0400	82H	96H	Low Flow Faults: Difference between max EGR temp and EGR temp under idling condition
			P0400	83H	96H	Low Flow Faults: Max EGR temp
			P1402	84H	96H	High Flow Faults: EGR temp increase rate
EVAP SYSTEM	39H	EVAP control system leak (Cap Off)	P0455	80H	0CH	Difference in pressure sensor output voltage before and after pull down
	3BH	EVAP control system leak (Small leak)	P0442	80H	05H	Leak area index (for more than 0.04inch)
	3CH	EVAP control system (Very small leak)	P0456	80H	05H	Leak area index (for more than 0.02inch)
			P0456	81H	FDH	Maximum internal pressure of EVAP system during monitoring
	3DH	Purge flow system	P0441	83H	0CH	Difference in pressure sensor output voltage before and after vent control valve close
O2 SENSOR HEATER	41H	A/F sensor 1 heater (Bank 1)	Low Input:P0031 High Input:P0032	81H	0BH	Converted value of Heater electric current to voltage
	42H	Heated oxygen sensor 2 (Bank 1)	Low Input:P0037 High Input:P0038	80H	0CH	Converted value of Heater electric current to voltage
	43H	Heated oxygen sensor 3 (Bank 1)	P0043	80H	0CH	Converted value of Heater electric current to voltage
	45H	A/F sensor 1 heater (Bank 2)	Low Input:P0051 High Input:P0052	81H	0BH	Converted value of Heater electric current to voltage
	46H	Heated oxygen sensor 2 (Bank 2)	Low Input:P0057 High Input:P0058	80H	0CH	Converted value of Heater electric current to voltage
	47H	Heated oxygen sensor 3 (Bank 2)	P0063	80H	0CH	Converted value of Heater electric current to voltage
SECONDARY AIR	71H	Secondary Air system	P0411	80H	01H	Secondary Air Injection System Incorrect Flow Detected
			Bank1: P0491 Bank2: P0492	81H	01H	Secondary Air Injection System Insufficient Flow
			P2445	82H	01H	Secondary Air Injection System Pump Stuck Off
			P2448	83H	01H	Secondary Air Injection System High Airflow
			Bank1: P2440 Bank2: P2442	84H	01H	Secondary Air Injection System Switching Valve Stuck Open
			P2440	85H	01H	Secondary Air Injection System Switching Valve Stuck Open
			P2444	86H	01H	Secondary Air Injection System Pump Stuck On

ON BOARD DIAGNOSTIC (OBD) SYSTEM

< SERVICE INFORMATION >

[MR]

Item	OBD-MID	Self-diagnostic test item	DTC	Test value and Test limit (GST display)		Description
				TID	Unit and Scaling ID	
FUEL SYSTEM	81H	Fuel injection system function (Bank 1)	P0171 or P0172	80H	2FH	Long term fuel trim
			P0171 or P0172	81H	24H	The number of lambda control clamped
	82H	Fuel injection system function (Bank 2)	P0174 or P0175	80H	2FH	Long term fuel trim
			P0174 or P0175	81H	24H	The number of lambda control clamped
MISFIRE	A1H	Multiple Cylinder Misfire	P0301	80H	24H	Misfiring counter at 1000rev of the first cylinder
			P0302	81H	24H	Misfiring counter at 1000rev of the second cylinder
			P0303	82H	24H	Misfiring counter at 1000rev of the third cylinder
			P0304	83H	24H	Misfiring counter at 1000rev of the fourth cylinder
			P0305	84H	24H	Misfiring counter at 1000rev of the fifth cylinder
			P0306	85H	24H	Misfiring counter at 1000rev of the sixth cylinder
			P0307	86H	24H	Misfiring counter at 1000rev of the seventh cylinder
			P0308	87H	24H	Misfiring counter at 1000rev of the eighth cylinder
			P0300	88H	24H	Misfiring counter at 1000rev of the multiple cylinders
			P0301	89H	24H	Misfiring counter at 200rev of the first cylinder
			P0302	8AH	24H	Misfiring counter at 200rev of the second cylinder
			P0303	8BH	24H	Misfiring counter at 200rev of the third cylinder
			P0304	8CH	24H	Misfiring counter at 200rev of the fourth cylinder
			P0305	8DH	24H	Misfiring counter at 200rev of the fifth cylinder
			P0306	8EH	24H	Misfiring counter at 200rev of the fifth cylinder
			P0307	8FH	24H	Misfiring counter at 200rev of the fifth cylinder
			P0308	90H	24H	Misfiring counter at 200rev of the fifth cylinder
			P0300	91H	24H	Misfiring counter at 1000rev of the single cylinder
			P0300	92H	24H	Misfiring counter at 200rev of the single cylinder
			P0300	93H	24H	Misfiring counter at 200rev of the multiple cylinders

ON BOARD DIAGNOSTIC (OBD) SYSTEM

< SERVICE INFORMATION >

[MR]

Item	OBD-MID	Self-diagnostic test item	DTC	Test value and Test limit (GST display)		Description
				TID	Unit and Scaling ID	
MISFIRE	A2H	No.1 Cylinder Misfire	P0301	0BH	24H	EWMA (Exponential Weighted Moving Average) misfire counts for last 10 driving cycles
			P0301	0CH	24H	Misfire counts for last/current driving cycles
	A3H	No.2 Cylinder Misfire	P0302	0BH	24H	EWMA (Exponential Weighted Moving Average) misfire counts for last 10 driving cycles
			P0302	0CH	24H	Misfire counts for last/current driving cycles
	A4H	No.3 Cylinder Misfire	P0303	0BH	24H	EWMA (Exponential Weighted Moving Average) misfire counts for last 10 driving cycles
			P0303	0CH	24H	Misfire counts for last/current driving cycles
	A5H	No.4 Cylinder Misfire	P0304	0BH	24H	EWMA (Exponential Weighted Moving Average) misfire counts for last 10 driving cycles
			P0304	0CH	24H	Misfire counts for last/current driving cycles
	A6H	No.5 Cylinder Misfire	P0305	0BH	24H	EWMA (Exponential Weighted Moving Average) misfire counts for last 10 driving cycles
			P0305	0CH	24H	Misfire counts for last/current driving cycles
	A7H	No.6 Cylinder Misfire	P0306	0BH	24H	EWMA (Exponential Weighted Moving Average) misfire counts for last 10 driving cycles
			P0306	0CH	24H	Misfire counts for last/current driving cycles
	A8H	No.7 Cylinder Misfire	P0307	0BH	24H	EWMA (Exponential Weighted Moving Average) misfire counts for last 10 driving cycles
			P0307	0CH	24H	Misfire counts for last/current driving cycles
	A9H	No.8 Cylinder Misfire	P0308	0BH	24H	EWMA (Exponential Weighted Moving Average) misfire counts for last 10 driving cycles
			P0308	0CH	24H	Misfire counts for last/current driving cycles

HOW TO ERASE EMISSION-RELATED DIAGNOSTIC INFORMATION

How to Erase DTC

▸ **With CONSULT-III**

NOTE:

- If the ignition switch stays ON after repair work, be sure to turn ignition switch OFF once. Wait at least 10 seconds and then turn it ON (engine stopped) again.
- If the DTC is not for CVT related items (see [EC-15](#)), skip step 1.

1. Erase DTC in TCM. Refer to [CVT-24, "OBD-II Diagnostic Trouble Code \(DTC\)"](#).
2. Select "ENGINE" with CONSULT-III.
3. Select "SELF-DIAGNOSTIC RESULTS".

ON BOARD DIAGNOSTIC (OBD) SYSTEM

[MR]

< SERVICE INFORMATION >

4. Touch "ERASE". (DTC in ECM will be erased.)

With GST

NOTE:

- If the ignition switch stays ON after repair work, be sure to turn ignition switch OFF once. Wait at least 10 seconds and then turn it ON (engine stopped) again.

- If the DTC is not for CVT related items (see [EC-15](#)), skip step 1.

1. Erase DTC in TCM. Refer to [CVT-24, "OBD-II Diagnostic Trouble Code \(DTC\)"](#).
2. Select Service \$04 with GST (Generic Scan Tool).

No Tools

NOTE:

- If the ignition switch stays ON after repair work, be sure to turn ignition switch OFF once. Wait at least 10 seconds and then turn it ON (engine stopped) again.

- If the DTC is not for CVT related items (see [EC-15](#)), skip step 1.

1. Erase DTC in TCM. Refer to [CVT-24, "OBD-II Diagnostic Trouble Code \(DTC\)"](#).
 2. Erase DTC in ECM. Refer to How to Erase Diagnostic Test Mode II (Self-diagnostic Results).
- If the battery is disconnected, the emission-related diagnostic information will be lost within 24 hours.

- The following data are cleared when the ECM memory is erased.

- Diagnostic trouble codes
- 1st trip diagnostic trouble codes
- Freeze frame data
- 1st trip freeze frame data
- System readiness test (SRT) codes
- Test values

Actual work procedures are explained using a DTC as an example. Be careful so that not only the DTC, but all of the data listed above, are cleared from the ECM memory during work procedures.

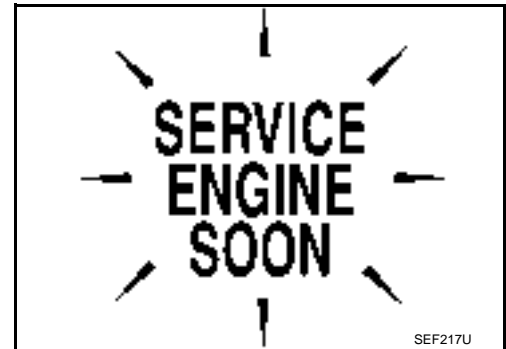
Malfunction Indicator Lamp (MIL)

INFOID:000000001849746

DESCRIPTION

The MIL is located on the instrument panel.

1. The MIL will light up when the ignition switch is turned ON without the engine running. This is a bulb check. If the MIL does not light up, refer to [DI-31](#) or see [EC-519](#).
2. When the engine is started, the MIL should go off. If the MIL remains on, the on board diagnostic system has detected an engine system malfunction.








ON BOARD DIAGNOSTIC SYSTEM FUNCTION

The on board diagnostic system has the following three functions.

ON BOARD DIAGNOSTIC (OBD) SYSTEM

< SERVICE INFORMATION >

[MR]

Diagnostic Test Mode	KEY and ENG. Status	Function	Explanation of Function
Mode I	Ignition switch in ON position  Engine stopped 	BULB CHECK	This function checks the MIL bulb for damage (blown, open circuit, etc.). If the MIL does not come on, check MIL circuit.
	Engine running 	MALFUNCTION WARNING	This is a usual driving condition. When a malfunction is detected twice in two consecutive driving cycles (two trip detection logic), the MIL will light up to inform the driver that a malfunction has been detected. The following malfunctions will light up or blink the MIL in the 1st trip. <ul style="list-style-type: none"> • Misfire (Possible three way catalyst damage) • One trip detection diagnoses
Mode II	Ignition switch in ON position  Engine stopped 	SELF-DIAGNOSTIC RESULTS	This function allows DTCs and 1st trip DTCs to be read.

When there is an open circuit on MIL circuit, the ECM cannot warn the driver by MIL lighting up when there is malfunction on engine control system. Therefore, when electrical controlled throttle and part of ECM related diagnoses are continuously detected as NG for 5 trips, ECM warns the driver that engine control system malfunctions and MIL circuit is open by means of operating fail-safe function. The fail-safe function also operates when above diagnoses except MIL circuit are detected, and demands the driver to repair the malfunction.

Engine operating condition in fail-safe mode	Engine speed will not rise more than 2,500 rpm due to the fuel cut
--	--

MIL Flashing Without DTC

When any SRT codes are not set, MIL may flash without DTC. For the details, refer to [EC-51, "Emission-related Diagnostic Information"](#).

HOW TO SWITCH DIAGNOSTIC TEST MODE

NOTE:

- It is better to count the time accurately with a clock.
- It is impossible to switch the diagnostic mode when an accelerator pedal position sensor circuit has a malfunction.
- Always ECM returns to Diagnostic Test Mode I after ignition switch is turned OFF.

How to Set Diagnostic Test Mode II (Self-diagnostic Results)

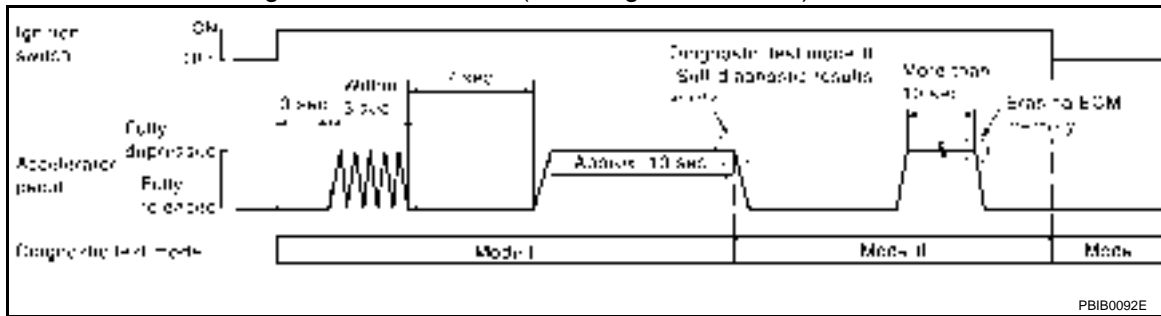
1. Confirm that accelerator pedal is fully released, turn ignition switch ON and wait 3 seconds.
2. Repeat the following procedure quickly five times within 5 seconds.
 - a. Fully depress the accelerator pedal.
 - b. Fully release the accelerator pedal.
3. Wait 7 seconds, fully depress the accelerator pedal and keep it for approx. 10 seconds until the MIL starts blinking.
4. Fully release the accelerator pedal.

ON BOARD DIAGNOSTIC (OBD) SYSTEM

< SERVICE INFORMATION >

[MR]

ECM has entered to Diagnostic Test Mode II (Self-diagnostic results).



How to Erase Diagnostic Test Mode II (Self-diagnostic Results)

1. Set ECM in Diagnostic Test Mode II (Self-diagnostic results). Refer to "How to Set Diagnostic Test Mode II (Self-diagnostic Results)".
2. Fully depress the accelerator pedal and keep it for more than 10 seconds. The emission-related diagnostic information has been erased from the backup memory in the ECM.
3. Fully release the accelerator pedal, and confirm the DTC 0000 is displayed.

DIAGNOSTIC TEST MODE I — BULB CHECK

In this mode, the MIL on the instrument panel should stay ON. If it remains OFF, check the bulb. Refer to [DI-31](#) or [EC-519](#).

DIAGNOSTIC TEST MODE I — MALFUNCTION WARNING

MIL	Condition
ON	When the malfunction is detected.
OFF	No malfunction

These DTC numbers are clarified in Diagnostic Test Mode II (SELF-DIAGNOSTIC RESULTS)

DIAGNOSTIC TEST MODE II — SELF-DIAGNOSTIC RESULTS

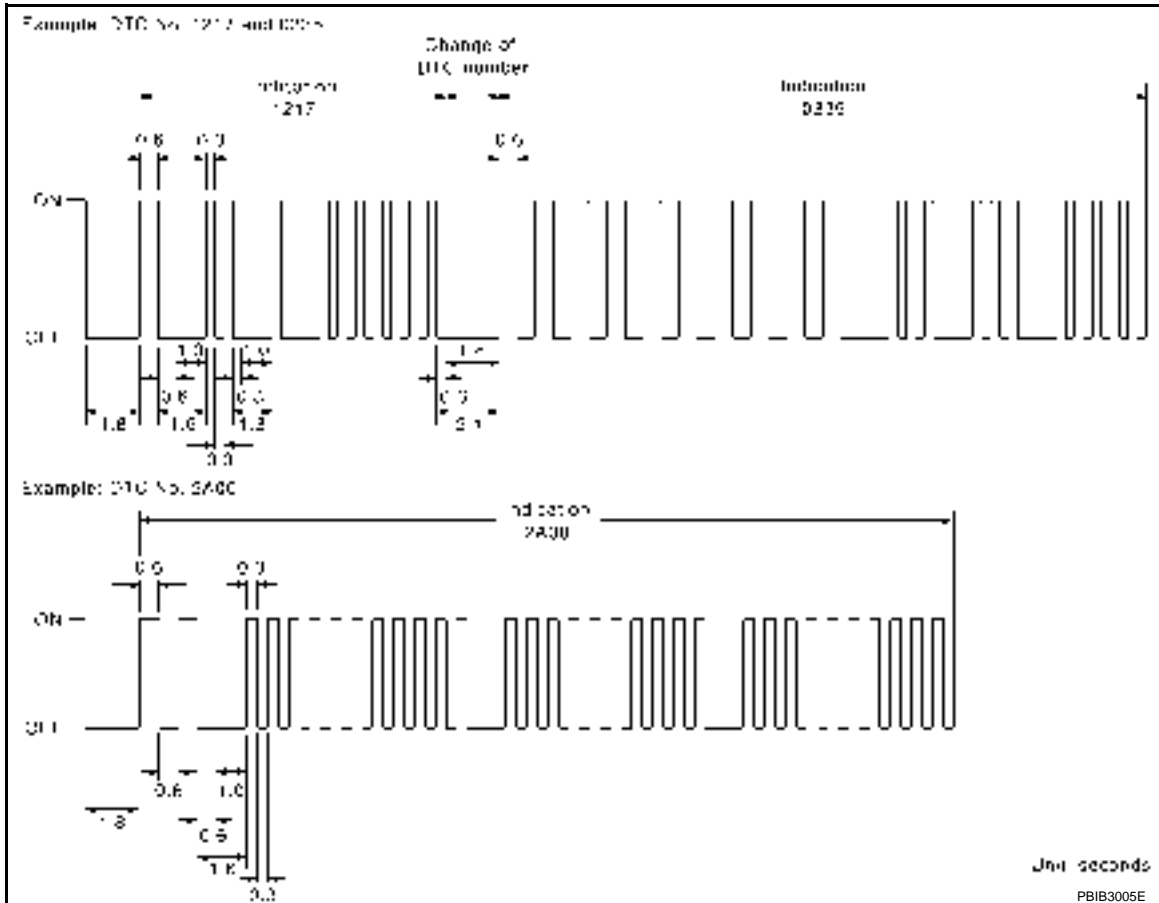
In this mode, the DTC and 1st trip DTC are indicated by the number of blinks of the MIL as shown below. The DTC and 1st trip DTC are displayed at the same time. If the MIL does not illuminate in diagnostic test mode I (Malfunction warning), all displayed items are 1st trip DTCs. If only one code is displayed when the MIL illuminates in diagnostic test mode II (SELF-DIAGNOSTIC RESULTS), it is a DTC; if two or more codes are displayed, they may be either DTCs or 1st trip DTCs. DTC No. is same as that of 1st trip DTC. These uniden-

ON BOARD DIAGNOSTIC (OBD) SYSTEM

< SERVICE INFORMATION >

[MR]

tified codes can be identified by using the CONSULT-III or GST. A DTC will be used as an example for how to read a code.



A particular trouble code can be identified by the number of four-digit numeral flashes. The “zero” is indicated by the number of ten flashes. The “A” is indicated by the number of eleven flash. The length of time the 1,000th-digit numeral flashes on and off is 1.2 seconds consisting of an ON (0.6-second) - OFF (0.6-second) cycle. The 100th-digit numeral and lower digit numerals consist of a 0.3-second ON and 0.3-second OFF cycle. A change from one digit numeral to another occurs at an interval of 1.0-second OFF. In other words, the later numeral appears on the display 1.3 seconds after the former numeral has disappeared.

A change from one trouble code to another occurs at an interval of 1.8-second OFF.

In this way, all the detected malfunctions are classified by their DTC numbers. The DTC 0000 refers to no malfunction. (See [EC-15](#))

How to Erase Diagnostic Test Mode II (Self-diagnostic Results)

The DTC can be erased from the back-up memory in the ECM by depressing accelerator pedal.

Refer to "How to Erase Diagnostic Test Mode II (Self-diagnostic Results)".

- If the battery is disconnected, the DTC will be lost from the backup memory within 24 hours.
- Be careful not to erase the stored memory before starting trouble diagnoses.

OBD System Operation Chart

INFOID:000000001849747

RELATIONSHIP BETWEEN MIL, 1ST TRIP DTC, DTC, AND DETECTABLE ITEMS

- When a malfunction is detected for the first time, the 1st trip DTC and the 1st trip freeze frame data are stored in the ECM memory.
- When the same malfunction is detected in two consecutive trips, the DTC and the freeze frame data are stored in the ECM memory, and the MIL will come on. For details, refer to [EC-50, "Two Trip Detection Logic"](#).
- The MIL will go off after the vehicle is driven 3 times (driving pattern B) with no malfunction. The drive is counted only when the recorded driving pattern is met (as stored in the ECM). If another malfunction occurs while counting, the counter will reset.
- The DTC and the freeze frame data will be stored until the vehicle is driven 40 times (driving pattern A) without the same malfunction recurring (except for Misfire and Fuel Injection System). For Misfire and Fuel Injection System, the DTC and freeze frame data will be stored until the vehicle is driven 80 times (driving pattern

ON BOARD DIAGNOSTIC (OBD) SYSTEM

[MR]

< SERVICE INFORMATION >

C) without the same malfunction recurring. The "TIME" in "SELF-DIAGNOSTIC RESULTS" mode of CONSULT-III will count the number of times the vehicle is driven.

- The 1st trip DTC is not displayed when the self-diagnosis results in OK for the 2nd trip.

SUMMARY CHART

Items	Fuel Injection System	Misfire	Other
MIL (goes off)	3 (pattern B)	3 (pattern B)	3 (pattern B)
DTC, Freeze Frame Data (no display)	80 (pattern C)	80 (pattern C)	40 (pattern A)
1st Trip DTC (clear)	1 (pattern C), *1	1 (pattern C), *1	1 (pattern B)
1st Trip Freeze Frame Data (clear)	*1, *2	*1, *2	1 (pattern B)

For details about patterns B and C under "Fuel Injection System" and "Misfire", see "EXPLANATION FOR DRIVING PATTERNS FOR "MISFIRE <EXHAUST QUALITY DETERIORATION>", "FUEL INJECTION SYSTEM".

For details about patterns A and B under "Other", see "EXPLANATION FOR DRIVING PATTERNS FOR "MISFIRE <EXHAUST QUALITY DETERIORATION>", "FUEL INJECTION SYSTEM".

*1: Clear timing is at the moment OK is detected.

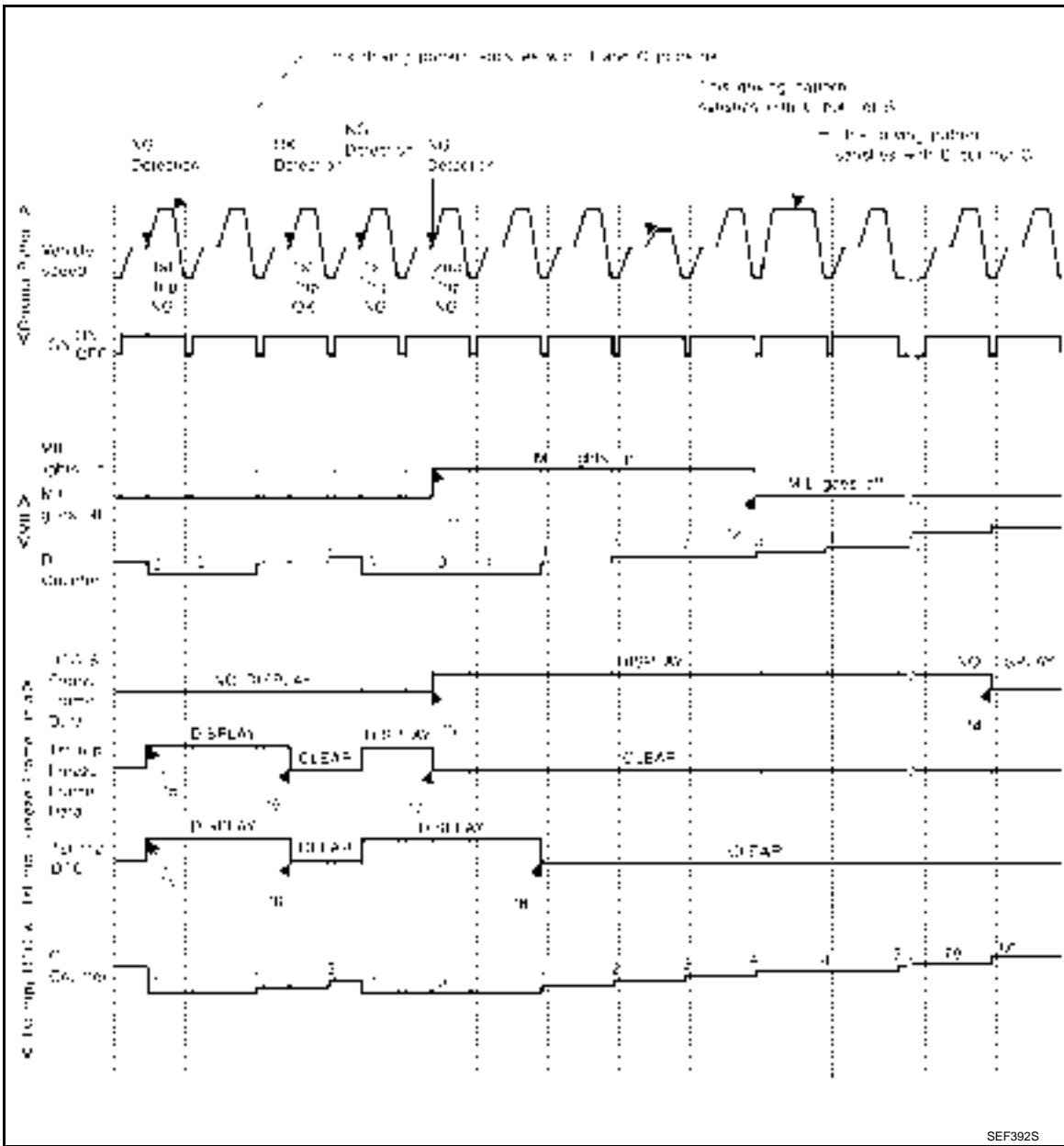
*2: Clear timing is when the same malfunction is detected in the 2nd trip.

RELATIONSHIP BETWEEN MIL, DTC, 1ST TRIP DTC AND DRIVING PATTERNS FOR "MISFIRE <EXHAUST QUALITY DETERIORATION>", "FUEL INJECTION SYSTEM"

ON BOARD DIAGNOSTIC (OBD) SYSTEM

< SERVICE INFORMATION >

[MR]



*1: When the same malfunction is detected in two consecutive trips, MIL will light up.

*2: MIL will go off after vehicle is driven 3 times (pattern B) without any malfunctions.

*3: When the same malfunction is detected in two consecutive trips, the DTC and the freeze frame data will be stored in ECM.

*4: The DTC and the freeze frame data will not be displayed any longer after vehicle is driven 80 times (pattern C) without the same malfunction. (The DTC and the freeze frame data still remain in ECM.)

*5: When a malfunction is detected for the first time, the 1st trip DTC and the 1st trip freeze frame data will be stored in ECM.

*6: The 1st trip DTC and the 1st trip freeze frame data will be cleared at the moment OK is detected.

*7: When the same malfunction is detected in the 2nd trip, the 1st trip freeze frame data will be cleared.

*8: 1st trip DTC will be cleared when vehicle is driven once (pattern C) without the same malfunction after DTC is stored in ECM.

EXPLANATION FOR DRIVING PATTERNS FOR "MISFIRE <EXHAUST QUALITY DETERIORATION>", "FUEL INJECTION SYSTEM"

<Driving Pattern B>

Driving pattern B means the vehicle operation as follows:

<https://www.automotive-manuals.net/>

ON BOARD DIAGNOSTIC (OBD) SYSTEM

[MR]

< SERVICE INFORMATION >

All components and systems should be monitored at least once by the OBD system.

- The B counter will be cleared when the malfunction is detected once regardless of the driving pattern.
- The B counter will be counted up when driving pattern B is satisfied without any malfunction.
- The MIL will go off when the B counter reaches 3. (*2 in "OBD SYSTEM OPERATION CHART")

<Driving Pattern C>

Driving pattern C means the vehicle operation as follows:

The following conditions should be satisfied at the same time:

Engine speed: (Engine speed in the freeze frame data) ± 375 rpm

Calculated load value: (Calculated load value in the freeze frame data) $\times (1 \pm 0.1)$ [%]

Engine coolant temperature (T) condition:

- When the freeze frame data shows lower than 70°C (158°F), "T" should be lower than 70°C (158°F).
- When the freeze frame data shows higher than or equal to 70°C (158°F), "T" should be higher than or equal to 70°C (158°F).

Example:

If the stored freeze frame data is as follows:

Engine speed: 850 rpm, Calculated load value: 30%, Engine coolant temperature: 80°C (176°F)

To be satisfied with driving pattern C, the vehicle should run under the following conditions:

Engine speed: 475 - 1,225 rpm, Calculated load value: 27 - 33%, Engine coolant temperature: more than 70°C (158°F)

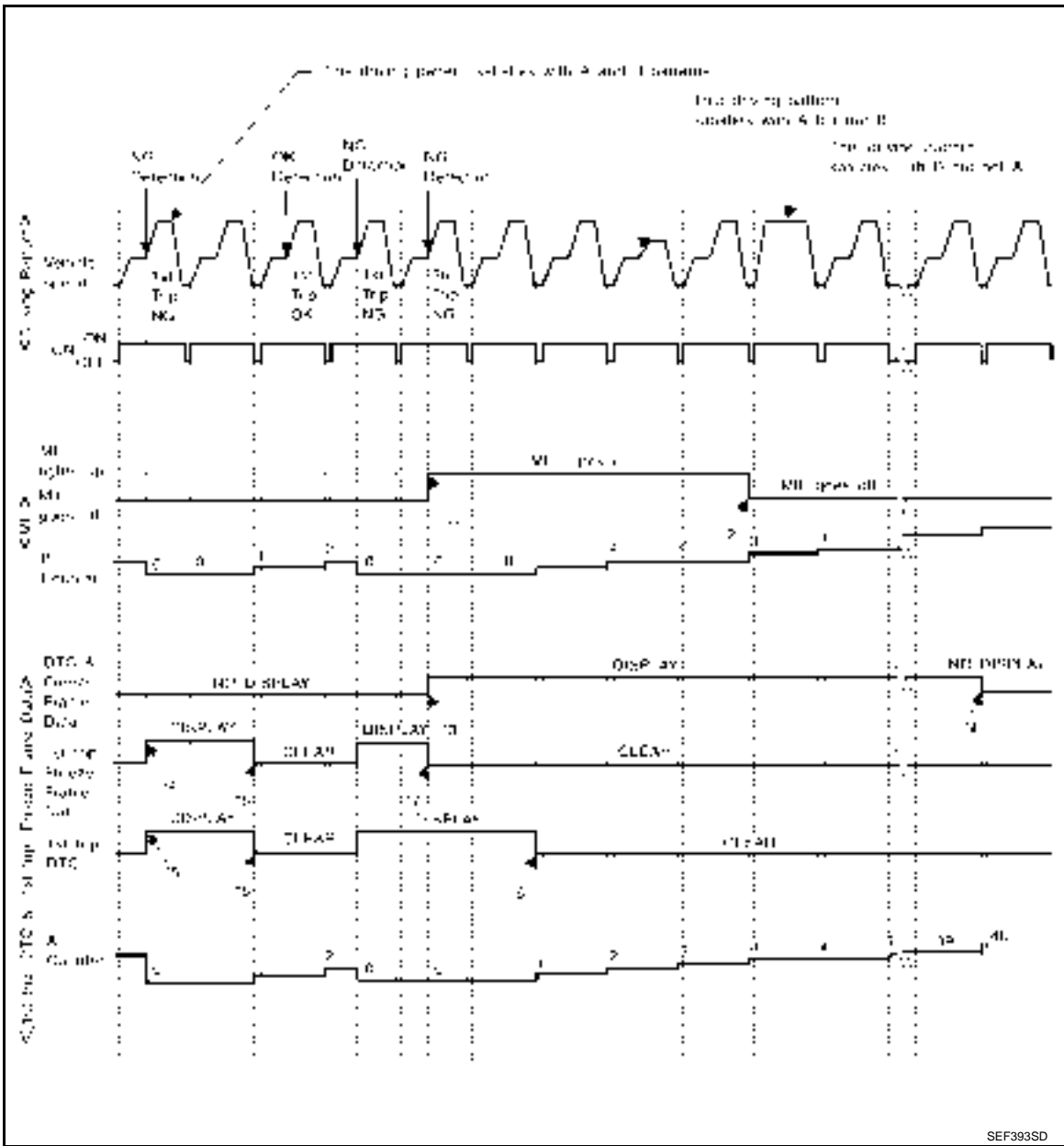
- The C counter will be cleared when the malfunction is detected regardless of vehicle conditions above.
- The C counter will be counted up when vehicle conditions above is satisfied without the same malfunction.
- The DTC will not be displayed after C counter reaches 80.
- The 1st trip DTC will be cleared when C counter is counted once without the same malfunction after DTC is stored in ECM.

RELATIONSHIP BETWEEN MIL, DTC, 1ST TRIP DTC AND DRIVING PATTERNS EXCEPT FOR "MISFIRE <EXHAUST QUALITY DETERIORATION>", "FUEL INJECTION SYSTEM"

ON BOARD DIAGNOSTIC (OBD) SYSTEM

< SERVICE INFORMATION >

[MR]



*1: When the same malfunction is detected in two consecutive trips, MIL will light up.

*2: MIL will go off after vehicle is driven 3 times (pattern B) without any malfunctions.

*3: When the same malfunction is detected in two consecutive trips, the DTC and the freeze frame data will be stored in ECM.

*4: The DTC and the freeze frame data will not be displayed any longer after vehicle is driven 40 times (pattern A) without the same malfunction. (The DTC and the freeze frame data still remain in ECM.)

*5: When a malfunction is detected for the first time, the 1st trip DTC and the 1st trip freeze frame data will be stored in ECM.

*6: 1st trip DTC will be cleared after vehicle is driven once (pattern B) without the same malfunction.

*7: When the same malfunction is detected in the 2nd trip, the 1st trip freeze frame data will be cleared.

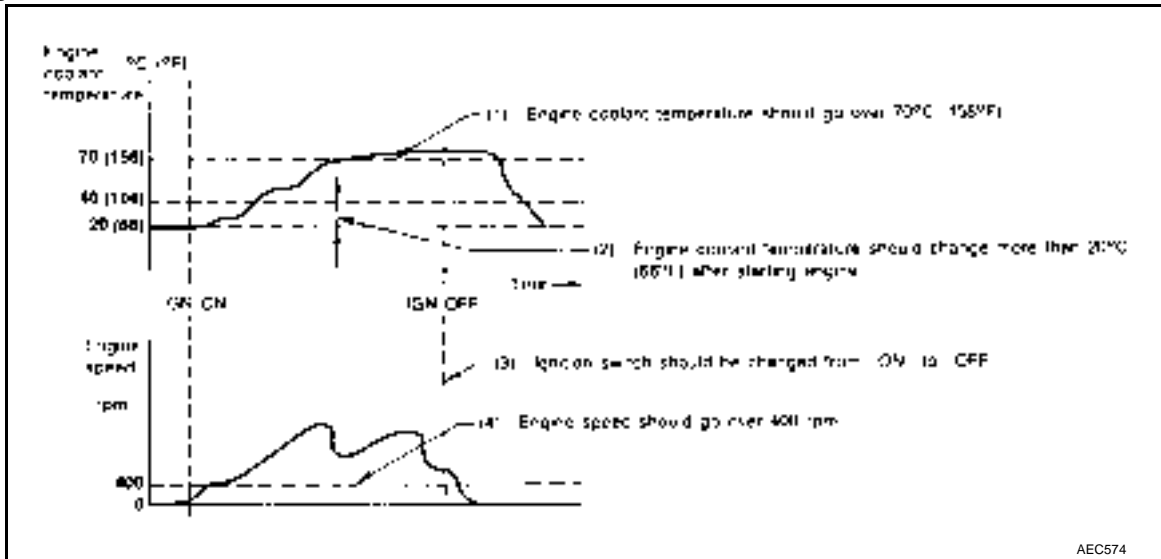
EXPLANATION FOR DRIVING PATTERNS EXCEPT FOR "MISFIRE <EXHAUST QUALITY DETERIORATION>", "FUEL INJECTION SYSTEM"

ON BOARD DIAGNOSTIC (OBD) SYSTEM

[MR]

< SERVICE INFORMATION >

<Driving Pattern A>



- The A counter will be cleared when the malfunction is detected regardless of (1) - (4).
- The A counter will be counted up when (1) - (4) are satisfied without the same malfunction.
- The DTC will not be displayed after the A counter reaches 40.

<Driving Pattern B>

Driving pattern B means the vehicle operation as follows:

All components and systems should be monitored at least once by the OBD system.

- The B counter will be cleared when the malfunction is detected once regardless of the driving pattern.
- The B counter will be counted up when driving pattern B is satisfied without any malfunctions.
- The MIL will go off when the B counter reaches 3 (*2 in "OBD SYSTEM OPERATION CHART").

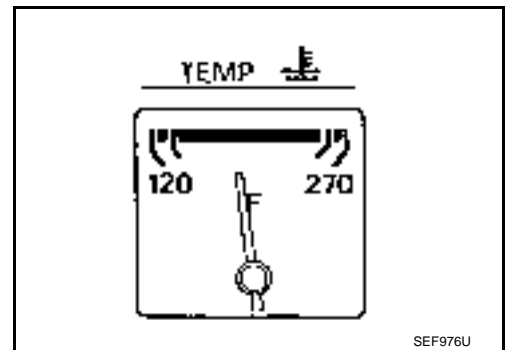
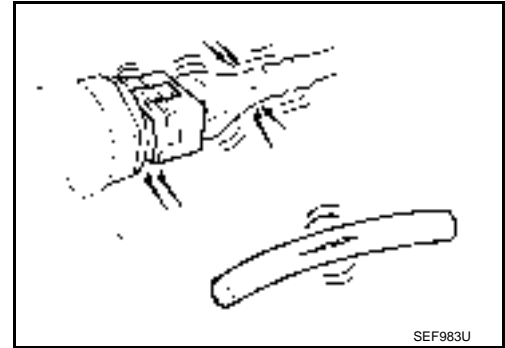
BASIC SERVICE PROCEDURE

Basic Inspection

INFOID:000000001849748

1. INSPECTION START

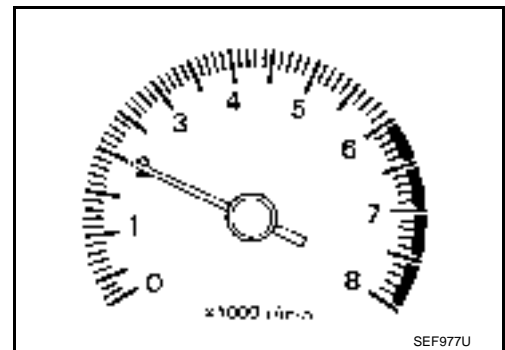
1. Check service records for any recent repairs that may indicate a related malfunction, or a current need for scheduled maintenance.
2. Open engine hood and check the following:
 - Harness connectors for improper connections
 - Wiring harness for improper connections, pinches and cut
 - Vacuum hoses for splits, kinks and improper connections
 - Hoses and ducts for leaks
 - Air cleaner clogging
 - Gasket
3. Confirm that electrical or mechanical loads are not applied.
 - Headlamp switch is OFF.
 - Air conditioner switch is OFF.
 - Rear window defogger switch is OFF.
 - Steering wheel is in the straight-ahead position, etc.
4. Start engine and warm it up until engine coolant temperature indicator points the middle of gauge. Ensure engine stays below 1,000 rpm.



5. Run engine at about 2,000 rpm for about 2 minutes under no load.
6. Make sure that no DTC is displayed with CONSULT-III or GST.

OK or NG

- OK >> GO TO 3.
- NG >> GO TO 2.



2. REPAIR OR REPLACE

Repair or replace components as necessary according to corresponding Diagnostic Procedure.

>> GO TO 3.

3. CHECK TARGET IDLE SPEED

With CONSULT-III

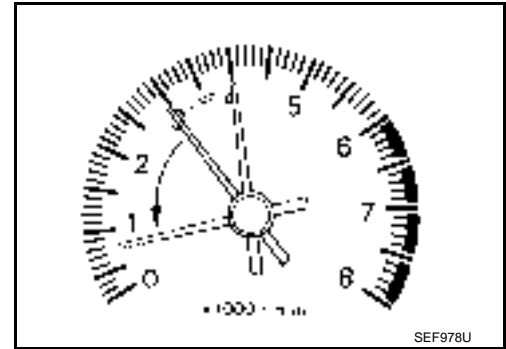
1. Run engine at about 2,000 rpm for about 2 minutes under no load.

BASIC SERVICE PROCEDURE

[MR]

< SERVICE INFORMATION >

- Rev engine (2,000 to 3,000 rpm) two or three times under no load, then run engine at idle speed for about 1 minute.



- Read idle speed in "DATA MONITOR" mode with CONSULT-III. Refer to [EC-79, "Idle Speed and Ignition Timing Check"](#).

M/T: 675 ± 50 rpm (in Neutral position)

CVT: 700 ± 50 rpm (in P or N position)

✗ Without CONSULT-III

- Run engine at about 2,000 rpm for about 2 minutes under no load.
- Rev engine (2,000 to 3,000 rpm) two or three times under no load, then run engine at idle speed for about 1 minute.
- Check idle speed. Refer to [EC-79, "Idle Speed and Ignition Timing Check"](#).

M/T: 675 ± 50 rpm (in Neutral position)

CVT: 700 ± 50 rpm (in P or N position)

OK or NG

- OK >> GO TO 10.
- NG >> GO TO 4.

4. PERFORM ACCELERATOR PEDAL RELEASED POSITION LEARNING

- Stop engine.
- Perform [EC-81, "Accelerator Pedal Released Position Learning"](#).

>> GO TO 5.

5. PERFORM THROTTLE VALVE CLOSED POSITION LEARNING

Perform [EC-81, "Throttle Valve Closed Position Learning"](#).

>> GO TO 6.

6. PERFORM IDLE AIR VOLUME LEARNING

Refer to [EC-81, "Idle Air Volume Learning"](#).

Is Idle Air Volume Learning carried out successfully?

Yes or No

- Yes >> GO TO 7.
- No >> 1. Follow the instruction of Idle Air Volume Learning.
2. GO TO 4.

7. CHECK TARGET IDLE SPEED AGAIN

With CONSULT-III

- Start engine and warm it up to normal operating temperature.
- Read idle speed in "DATA MONITOR" mode with CONSULT-III. Refer to [EC-79, "Idle Speed and Ignition Timing Check"](#).

M/T: 675 ± 50 rpm (in Neutral position)

CVT: 700 ± 50 rpm (in P or N position)

✕ Without CONSULT-III

1. Start engine and warm it up to normal operating temperature.
2. Check idle speed. Refer to [EC-79, "Idle Speed and Ignition Timing Check"](#).

M/T: 675 ± 50 rpm (in Neutral position)

CVT: 700 ± 50 rpm (in P or N position)

OK or NG

- OK >> GO TO 10.
 NG >> GO TO 8.

8. DETECT MALFUNCTIONING PART

Check the following.

- Check crankshaft position sensor (POS) and circuit.
 Refer to [EC-285](#).
- Check camshaft position sensor (PHASE) and circuit.
 Refer to [EC-291](#).

OK or NG

- OK >> GO TO 9.
 NG >> 1. Repair or replace.
 2. GO TO 4.

9. CHECK ECM FUNCTION

1. Substitute another known-good ECM to check ECM function. (ECM may be the cause of an incident, but this is a rare case.)
2. Perform initialization of NVIS (NATS) system and registration of all NVIS (NATS) ignition key IDs.
 Refer to [BL-170, "ECM Re-communicating Function"](#).

>> GO TO 4.

10. CHECK IGNITION TIMING

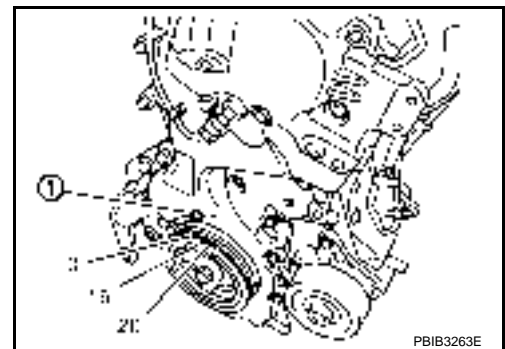
1. Run engine at idle.
 2. Check ignition timing with a timing light.
 Refer to [EC-79, "Idle Speed and Ignition Timing Check"](#).
- Timing indicator (1)

M/T: 6 ± 5° BTDC (in Neutral position)

CVT: 6 ± 5° BTDC (in P or N position)

OK or NG

- OK >> GO TO 19.
 NG >> GO TO 11.



11. PERFORM ACCELERATOR PEDAL RELEASED POSITION LEARNING

1. Stop engine.
2. Perform [EC-81, "Accelerator Pedal Released Position Learning"](#).

>> GO TO 12.

12. PERFORM THROTTLE VALVE CLOSED POSITION LEARNING

Perform [EC-81, "Throttle Valve Closed Position Learning"](#).

>> GO TO 13.

A
EC
C
D
E
F
G
H
I
J
K
L
M
N
O
P

< SERVICE INFORMATION >

13. PERFORM IDLE AIR VOLUME LEARNING

Refer to [EC-81, "Idle Air Volume Learning"](#).

Is Idle Air Volume Learning carried out successfully?

Yes or No

- Yes >> GO TO 14.
 No >> 1. Follow the instruction of Idle Air Volume Learning.
 2. GO TO 4.

14. CHECK TARGET IDLE SPEED AGAIN

With CONSULT-III

1. Start engine and warm it up to normal operating temperature.
2. Read idle speed in "DATA MONITOR" mode with CONSULT-III. Refer to [EC-79, "Idle Speed and Ignition Timing Check"](#).

M/T: 675 ± 50 rpm (in Neutral position)

CVT: 700 ± 50 rpm (in P or N position)

Without CONSULT-III

1. Start engine and warm it up to normal operating temperature.
2. Check idle speed. Refer to [EC-79, "Idle Speed and Ignition Timing Check"](#).

M/T: 675 ± 50 rpm (in Neutral position)

CVT: 700 ± 50 rpm (in P or N position)

OK or NG

- OK >> GO TO 15.
 NG >> GO TO 17.

15. CHECK IGNITION TIMING AGAIN

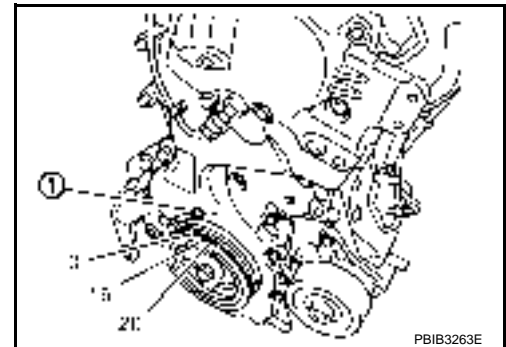
1. Run engine at idle.
 2. Check ignition timing with a timing light.
 Refer to [EC-79, "Idle Speed and Ignition Timing Check"](#).
- Timing indicator (1)

M/T: 6 ± 5° BTDC (in Neutral position)

CVT: 6 ± 5° BTDC (in P or N position)

OK or NG

- OK >> GO TO 19
 NG >> GO TO 16.



16. CHECK TIMING CHAIN INSTALLATION

Check timing chain installation. Refer to [EM-37](#).

OK or NG

- OK >> GO TO 17.
 NG >> 1. Repair the timing chain installation.
 2. GO TO 4.

17. DETECT MALFUNCTIONING PART

Check the following.

- Check crankshaft position sensor (POS) and circuit.
 Refer to [EC-285](#).
- Check camshaft position sensor (PHASE) and circuit.
 Refer to [EC-291](#).

OK or NG

- OK >> GO TO 18.
 NG >> 1. Repair or replace.

BASIC SERVICE PROCEDURE

< SERVICE INFORMATION >

[MR]

2. GO TO 4.

18. CHECK ECM FUNCTION

1. Substitute another known-good ECM to check ECM function. (ECM may be the cause of an incident, but this is a rare case.)
2. Perform initialization of NVIS (NATS) system and registration of all NVIS (NATS) ignition key IDs. Refer to [BL-170, "ECM Re-communicating Function"](#).

>> GO TO 4.

19. INSPECTION END

Did you replace ECM, referring this Basic Inspection procedure?

Yes or No

- Yes >> 1. Perform [EC-81, "VIN Registration"](#).
2. **INSPECTION END**
- No >> **INSPECTION END**

Idle Speed and Ignition Timing Check

INFOID:000000001849749

IDLE SPEED

▫ With CONSULT-III
Check idle speed in "DATA MONITOR" mode with CONSULT-III.

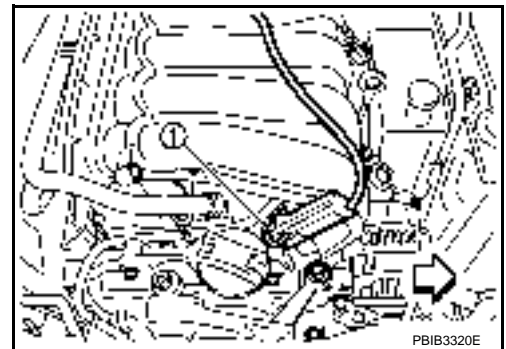
▫ With GST
Check idle speed in Service \$01 with GST.

IGNITION TIMING

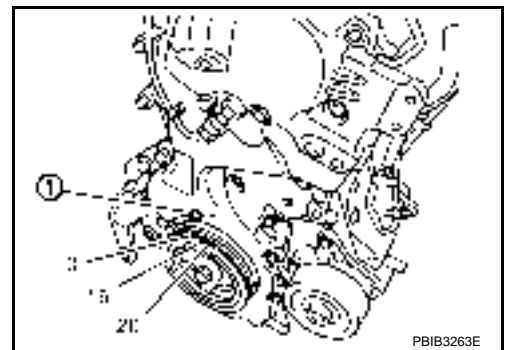
Any of following two methods may be used.

Method A

1. Attach timing light to loop wire (1) as shown.
 - ◀: Vehicle front



2. Check ignition timing.
 - Timing indicator (1)



Method B

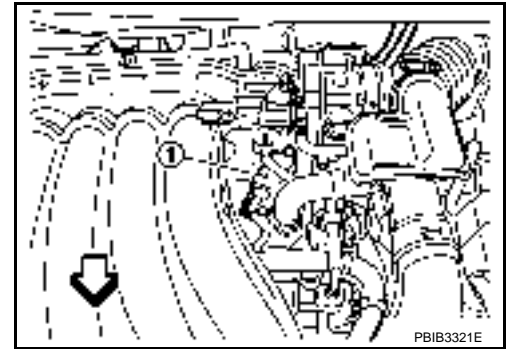
1. Remove No. 4 ignition coil (1).

BASIC SERVICE PROCEDURE

< SERVICE INFORMATION >

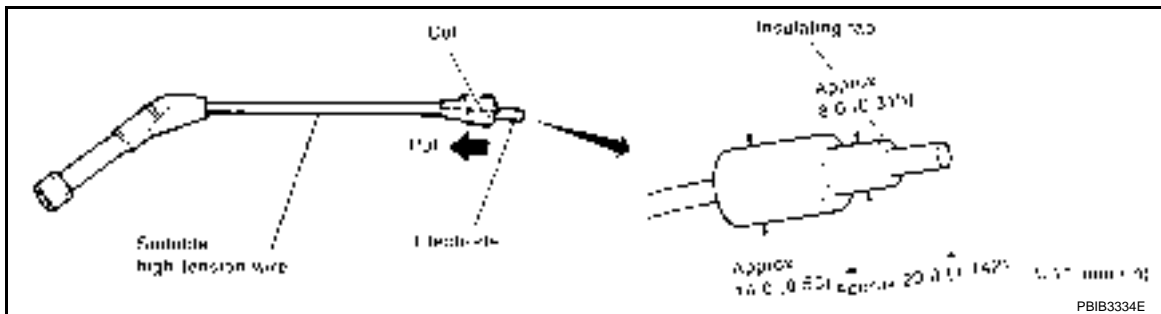
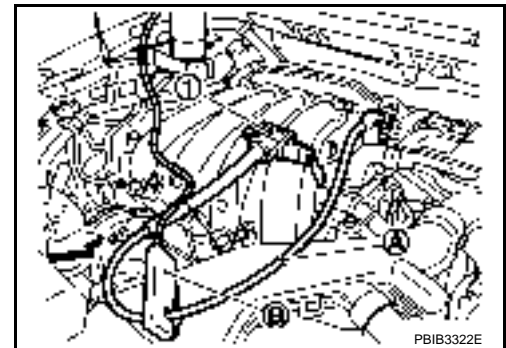
[MR]

-  : Vehicle front

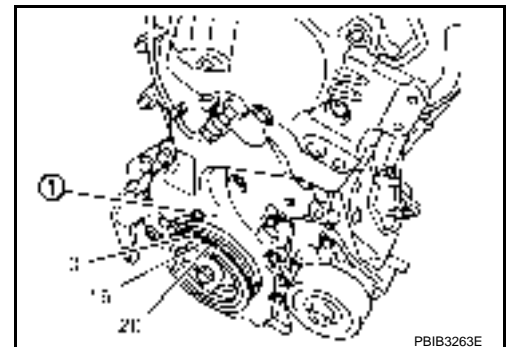


2. Connect No. 4 ignition coil (1) and No. 4 spark plug with suitable high-tension wire (A) as shown, and attach timing light clamp (B) to this wire.

-  : Vehicle front



3. Check ignition timing.
 - Timing indicator (1)



Procedure After Replacing ECM

INFOID:000000001849750

When replacing ECM, the following procedure must be performed.

1. Perform initialization of NVIS (NATS) system and registration of all NVIS (NATS) ignition key IDs. Refer to [BL-170, "ECM Re-communicating Function"](#).
2. Perform [EC-81, "VIN Registration"](#).
3. Perform [EC-81, "Accelerator Pedal Released Position Learning"](#).
4. Perform [EC-81, "Throttle Valve Closed Position Learning"](#).

BASIC SERVICE PROCEDURE

< SERVICE INFORMATION >

[MR]

5. Perform [EC-81, "Idle Air Volume Learning"](#).

VIN Registration

INFOID:000000001849751

DESCRIPTION

VIN Registration is an operation to registering VIN in ECM. It must be performed each time ECM is replaced.

NOTE:

Accurate VIN which is registered in ECM may be required for Inspection & Maintenance (I/M).

OPERATION PROCEDURE

- With CONSULT-III
1. Check the VIN of the vehicle and note it. Refer to [GI-43](#).
 2. Turn ignition switch ON and engine stopped.
 3. Select "VIN REGISTRATION" in "WORK SUPPORT" mode.
 4. Follow the instruction of CONSULT-III display.

Accelerator Pedal Released Position Learning

INFOID:000000001849752

DESCRIPTION

Accelerator Pedal Released Position Learning is an operation to learn the fully released position of the accelerator pedal by monitoring the accelerator pedal position sensor output signal. It must be performed each time harness connector of accelerator pedal position sensor or ECM is disconnected.

OPERATION PROCEDURE

1. Make sure that accelerator pedal is fully released.
2. Turn ignition switch ON and wait at least 2 seconds.
3. Turn ignition switch OFF and wait at least 10 seconds.
4. Turn ignition switch ON and wait at least 2 seconds.
5. Turn ignition switch OFF and wait at least 10 seconds.

Throttle Valve Closed Position Learning

INFOID:000000001849753

DESCRIPTION

Throttle Valve Closed Position Learning is an operation to learn the fully closed position of the throttle valve by monitoring the throttle position sensor output signal. It must be performed each time harness connector of electric throttle control actuator or ECM is disconnected.

OPERATION PROCEDURE

1. Make sure that accelerator pedal is fully released.
2. Turn ignition switch ON.
3. Turn ignition switch OFF and wait at least 10 seconds.
Make sure that throttle valve moves during above 10 seconds by confirming the operating sound.

Idle Air Volume Learning

INFOID:000000001849754

DESCRIPTION

Idle Air Volume Learning is an operation to learn the idle air volume that keeps each engine within the specific range. It must be performed under any of the following conditions:

- Each time electric throttle control actuator or ECM is replaced.
- Idle speed or ignition timing is out of specification.

PREPARATION

Before performing Idle Air Volume Learning, make sure that all of the following conditions are satisfied. Learning will be cancelled if any of the following conditions are missed for even a moment.

- Battery voltage: More than 12.9V (At idle)
- Engine coolant temperature: 70 - 95°C (158 - 203°F)
- Park/neutral position (PNP) switch: ON
- Electric load switch: OFF

A

EC

C

D

E

F

G

H

I

J

K

L

M

N

O

P

BASIC SERVICE PROCEDURE

[MR]

< SERVICE INFORMATION >

[Air conditioner, headlamp rear window defogger]

On vehicles equipped with daytime light systems, if the parking brake is applied before the engine is started the headlamp will not be illuminated.

- Steering wheel: Neutral (Straight-ahead position)
- Vehicle speed: Stopped
- Transmission: Warmed-up
- For CVT models
- With CONSULT-III: Drive vehicle until "FLUID TEMP SE" in "DATA MONITOR" mode of "CVT" system indicates less than 0.9V.
- Without CONSULT-III: Drive vehicle for 10 minutes.
- For M/T models
- Drive vehicle for 10 minutes.

OPERATION PROCEDURE

† With CONSULT-III

1. Perform [EC-81, "Accelerator Pedal Released Position Learning"](#).
2. Perform [EC-81, "Throttle Valve Closed Position Learning"](#).
3. Start engine and warm it up to normal operating temperature.
4. Check that all items listed under the topic PREPARATION (previously mentioned) are in good order.
5. Select "IDLE AIR VOL LEARN" in "WORK SUPPORT" mode.
6. Touch "START" and wait 20 seconds.
7. Make sure that "CMPLT" is displayed on CONSULT-III screen. If "CMPLT" is not displayed, Idle Air Volume Learning will not be carried out successfully. In this case, find the cause of the incident by referring to the DIAGNOSTIC PROCEDURE below.
8. Rev up the engine two or three times and make sure that idle speed and ignition timing are within the specifications.
Refer to [EC-75, "Basic Inspection"](#).

ITEM	SPECIFICATION
Idle speed	M/T: 675 ± 50 rpm (in Neutral position) CVT: 700 ± 50 rpm (in P or N position)
Ignition timing	M/T: 6 ± 5° BTDC (in Neutral position) CVT: 6 ± 5° BTDC (in P or N position)

✕ Without CONSULT-III

NOTE:

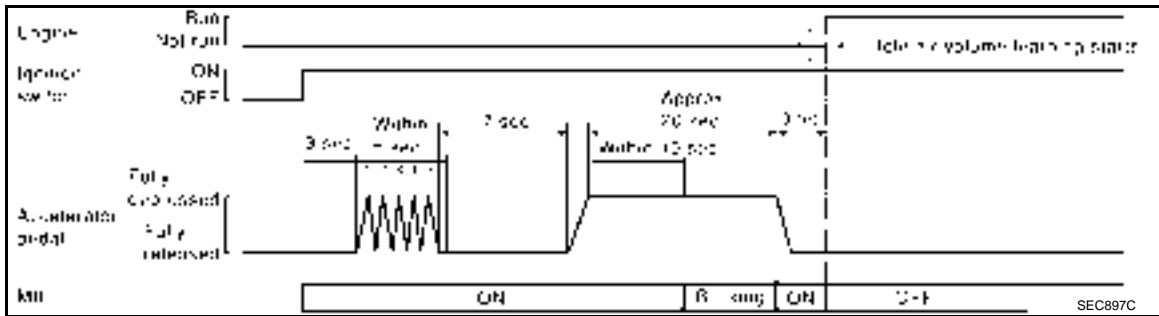
- **It is better to count the time accurately with a clock.**
 - **It is impossible to switch the diagnostic mode when an accelerator pedal position sensor circuit has a malfunction.**
1. Perform [EC-81, "Accelerator Pedal Released Position Learning"](#).
 2. Perform [EC-81, "Throttle Valve Closed Position Learning"](#).
 3. Start engine and warm it up to normal operating temperature.
 4. Check that all items listed under the topic PREPARATION (previously mentioned) are in good order.
 5. Turn ignition switch OFF and wait at least 10 seconds.
 6. Confirm that accelerator pedal is fully released, turn ignition switch ON and wait 3 seconds.
 7. Repeat the following procedure quickly five times within 5 seconds.
 - a. Fully depress the accelerator pedal.
 - b. Fully release the accelerator pedal.
 8. Wait 7 seconds, fully depress the accelerator pedal and keep it for approx. 20 seconds until the MIL stops blinking and turned ON.
 9. Fully release the accelerator pedal within 3 seconds after the MIL turned ON.
 10. Start engine and let it idle.

BASIC SERVICE PROCEDURE

< SERVICE INFORMATION >

[MR]

11. Wait 20 seconds.



12. Rev up the engine two or three times and make sure that idle speed and ignition timing are within the specifications. Refer to [EC-75, "Basic Inspection"](#).

ITEM	SPECIFICATION
Idle speed	M/T: 675 ± 50 rpm (in Neutral position) CVT: 700 ± 50 rpm (in P or N position)
Ignition timing	M/T: $6 \pm 5^\circ$ BTDC (in Neutral position) CVT: $6 \pm 5^\circ$ BTDC (in P or N position)

13. If idle speed and ignition timing are not within the specification, Idle Air Volume Learning will not be carried out successfully. In this case, find the cause of the incident by referring to the DIAGNOSTIC PROCEDURE below.

DIAGNOSTIC PROCEDURE

If idle air volume learning cannot be performed successfully, proceed as follows:

1. Check that throttle valve is fully closed.
2. Check PCV valve operation.
3. Check that downstream of throttle valve is free from air leakage.
4. When the above three items check out OK, engine component parts and their installation condition are questionable. Check and eliminate the cause of the incident. It is useful to perform [EC-127](#).
5. If any of the following conditions occur after the engine has started, eliminate the cause of the incident and perform Idle air volume learning all over again:
 - Engine stalls.
 - Erroneous idle.

Fuel Pressure Check

INFOID:000000001849755

FUEL PRESSURE RELEASE

With CONSULT-III


1. Turn ignition switch ON.
2. Perform "FUEL PRESSURE RELEASE" in "WORK SUPPORT" mode with CONSULT-III.
3. Start engine.
4. After engine stalls, crank it two or three times to release all fuel pressure.
5. Turn ignition switch OFF.

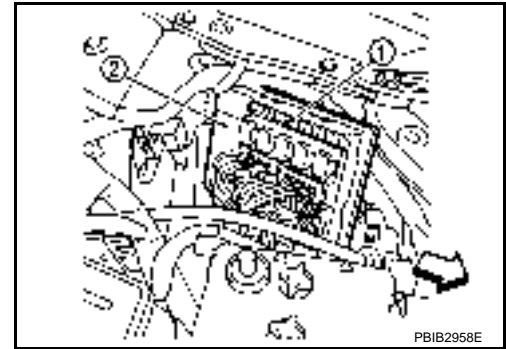
Without CONSULT-III

BASIC SERVICE PROCEDURE

[MR]

< SERVICE INFORMATION >

1. Remove fuel pump fuse (1) located in IPDM E/R (2).
 -  Vehicle front
2. Start engine.
3. After engine stalls, crank it two or three times to release all fuel pressure.
4. Turn ignition switch OFF.
5. Reinstall fuel pump fuse after servicing fuel system.



FUEL PRESSURE CHECK

CAUTION:



Before disconnecting fuel line, release fuel pressure from fuel line to eliminate danger.

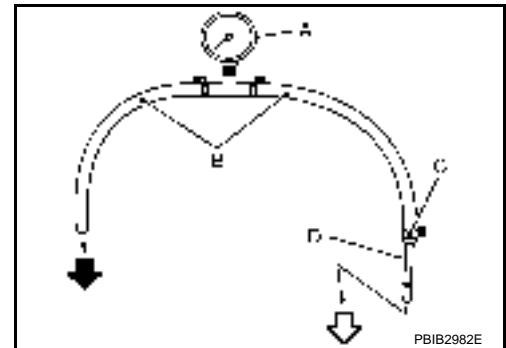
NOTE:

- Prepare pans or saucers under the disconnected fuel line because the fuel may spill out. The fuel pressure cannot be completely released because B16 models do not have fuel return system.
- The fuel hose connection method used when taking fuel pressure check must not be used for other purposes.
- Be careful not to scratch or put debris around connection area when servicing, so that the quick connector maintains sealability with O-rings inside.
- Do not perform fuel pressure check with electrical systems operating (i.e. lights, rear defogger, A/C, etc.) Fuel pressure gauge may indicate false readings due to varying engine load and changes in manifold vacuum.

1. Release fuel pressure to zero. Refer to "FUEL PRESSURE RELEASE".

2. Prepare fuel hose for fuel pressure check B and fuel tube adapter (KV10118400) D, then connect fuel pressure gauge A.

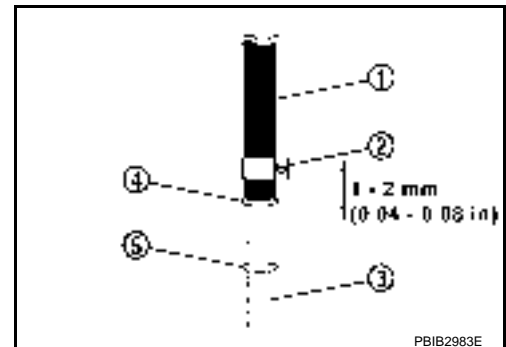
-  To quick connector
-  To fuel tube (engine side)
- C: Clamp
- Use suitable fuel hose for fuel pressure check (genuine NISSAN fuel hose without quick connector).
- To avoid unnecessary force or tension to hose, use moderately long fuel hose for fuel pressure check.
- Do not use the fuel hose for checking fuel pressure with damage or cracks on it.
- Use pressure gauge to check fuel pressure.



3. Remove fuel hose. Refer to [EM-18](#).
 - Do not twist or kink fuel hose because it is plastic hose.

4. Connect fuel hose for fuel pressure check (1) to fuel tube (engine side) with clamp (2) as shown in the figure.

- No.2 spool (5)
- Wipe off oil or dirt from hose insertion part using cloth moistened with gasoline.
- Apply proper amount of gasoline between top of the fuel tube (3) and No.1 spool (4).
- Insert fuel hose for fuel pressure check until it touches the No.1 spool on fuel tube.
- Use NISSAN genuine hose clamp (part number: 16439 N4710 or 16439 40U00).
- When reconnecting fuel line, always use new clamps.
- Use a torque driver to tighten clamps.
- Install hose clamp to the position within 1 - 2 mm (0.04 - 0.08 in).



Tightening torque: 1 - 1.5 N·m (0.1 - 0.15 kg·m, 9 - 13 in·lb)

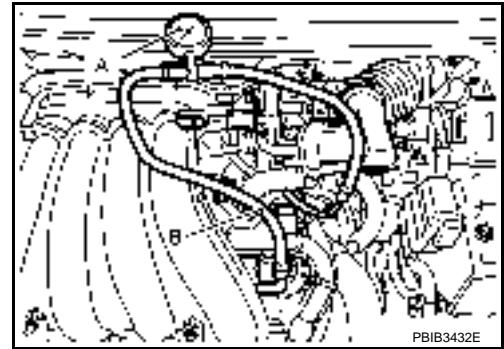
- Make sure that clamp screw does not contact adjacent parts.

BASIC SERVICE PROCEDURE

< SERVICE INFORMATION >

[MR]

5. Connect fuel tube adapter to quick connector.
 - A: Fuel pressure gauge
 - B: Fuel hose for fuel pressure check
6. After connecting fuel hose for fuel pressure check, pull the hose with a force of approximately 98 N (10 kg, 22 lb) to confirm fuel tube does not come off.
7. Turn ignition switch ON and check for fuel leakage.
8. Start engine and check for fuel leakage.
9. Read the indication of fuel pressure gauge.
 - Do not perform fuel pressure check with system operating. Fuel pressure gauge may indicate false readings.
 - During fuel pressure check, confirm for fuel leakage from fuel connection every 3 minutes.



At idling: Approximately 350 kPa (3.57 kg/cm², 51 psi)

10. If result is unsatisfactory, go to next step.
11. Check the following.
 - Fuel hoses and fuel tubes for clogging
 - Fuel filter for clogging
 - Fuel pump
 - Fuel pressure regulator for cloggingIf OK, replace fuel pressure regulator.
If NG, repair or replace.
12. Check the following.
 - Fuel hoses and fuel tubes for clogging
 - Fuel filter for clogging
 - Fuel pump
 - Fuel pressure regulator for cloggingIf OK, replace fuel pressure regulator.
If NG, repair or replace.
13. Before disconnecting fuel pressure gauge and fuel pressure adapter J-44321-6, release fuel pressure to zero. Refer to "FUEL PRESSURE RELEASE".

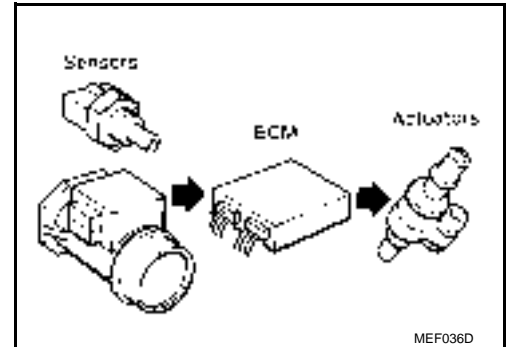
TROUBLE DIAGNOSIS

Trouble Diagnosis Introduction

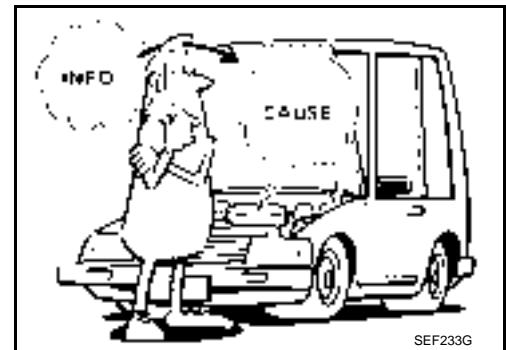
INFOID:000000001849756

INTRODUCTION

The engine has an ECM to control major systems such as fuel control, ignition control, idle air control system, etc. The ECM accepts input signals from sensors and instantly drives actuators. It is essential that both input and output signals are proper and stable. At the same time, it is important that there are no malfunctions such as vacuum leaks, fouled spark plugs, or other malfunctions with the engine.



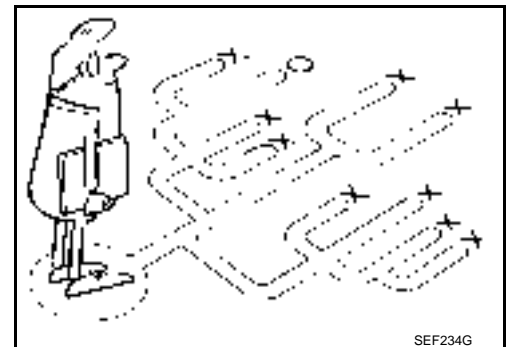
It is much more difficult to diagnose an incident that occurs intermittently rather than continuously. Most intermittent incidents are caused by poor electric connections or improper wiring. In this case, careful checking of suspected circuits may help prevent the replacement of good parts.



A visual check only may not find the cause of the incidents. A road test with CONSULT-III (or GST) or a circuit tester connected should be performed. Follow the Work Flow on "WORK FLOW".

Before undertaking actual checks, take a few minutes to talk with a customer who approaches with a driveability complaint. The customer can supply good information about such incidents, especially intermittent ones. Find out what symptoms are present and under what conditions they occur. A Diagnostic Worksheet like the example on "Worksheet Sample" should be used.

Start your diagnosis by looking for conventional malfunctions first. This will help troubleshoot driveability malfunctions on an electronically controlled engine vehicle.



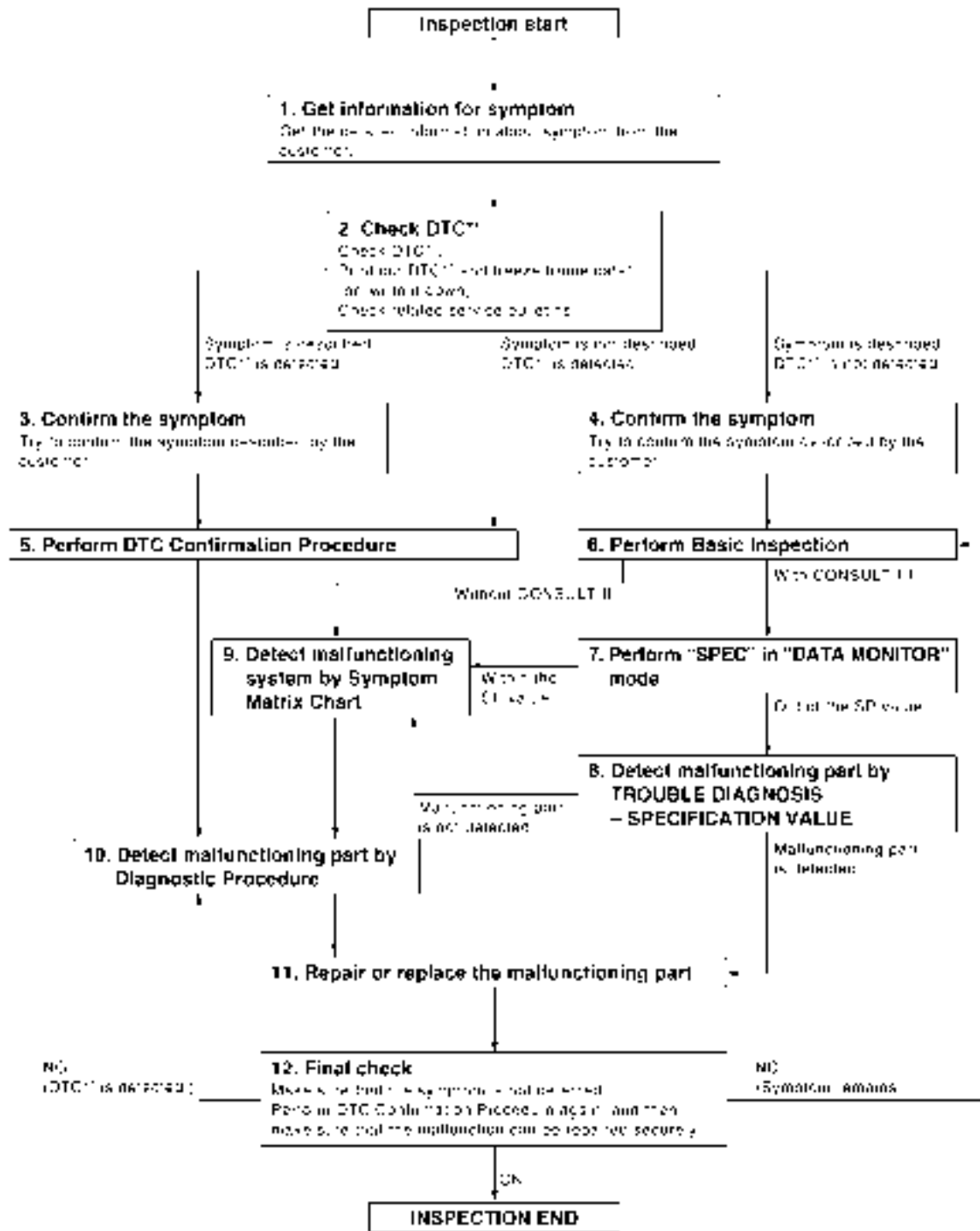
WORK FLOW

TROUBLE DIAGNOSIS

< SERVICE INFORMATION >

[MR]

Overall Sequence



*1. include 1st and 2nd DTC
*2. include 1st freeze frame data

PBIB3456E

Detailed Flow

1.GET INFORMATION FOR SYMPTOM

Get the detailed information from the customer about the symptom (the condition and the environment when the incident/malfunction occurred) using the "DIAGNOSTIC WORKSHEET".

>> GO TO 2.

TROUBLE DIAGNOSIS

[MR]

< SERVICE INFORMATION >

2. CHECK DTC*1

1. Check DTC*1.
2. Perform the following procedure if DTC*1 is displayed.
 - Record DTC*1 and freeze frame data*2. (Print them out with CONSULT-III or GST.)
 - Erase DTC*1. (Refer to [EC-51, "Emission-related Diagnostic Information"](#).)
 - Study the relationship between the cause detected by DTC*1 and the symptom described by the customer. (Symptom Matrix Chart is useful. Refer to [EC-92, "Symptom Matrix Chart"](#).)
3. Check related service bulletins for information.

Is any symptom described and any DTC detected?

Symptom is described, DTC*1 is displayed>>GO TO 3.

Symptom is described, DTC*1 is not displayed>>GO TO 4.

Symptom is not described, DTC*1 is displayed>>GO TO 5.

3. CONFIRM THE SYMPTOM

Try to confirm the symptom described by the customer (except MIL ON).

DIAGNOSIS WORK SHEET is useful to verify the incident.

Connect CONSULT-III to the vehicle and check diagnosis results.

Verify relation between the symptom and the condition when the symptom is detected.

>> GO TO 5.

4. CONFIRM THE SYMPTOM

Try to confirm the symptom described by the customer.

DIAGNOSIS WORK SHEET is useful to verify the incident.

Connect CONSULT-III to the vehicle and check diagnosis results.

Verify relation between the symptom and the condition when the symptom is detected.

>> GO TO 6.

5. PERFORM DTC CONFIRMATION PROCEDURE

Perform DTC Confirmation Procedure for the displayed DTC*1, and then make sure that DTC*1 is detected again.

If two or more DTCs*1 are detected, refer to [EC-90, "DTC Inspection Priority Chart"](#) and determine trouble diagnosis order.

NOTE:

- Freeze frame data*2 is useful if the DTC*1 is not detected.
- Perform Overall Function Check if DTC Confirmation Procedure is not included on Service Manual. This simplified check procedure is an effective alternative though DTC*1 cannot be detected during this check. If the result of Overall Function Check is NG, it is the same as the detection of DTC*1 by DTC Confirmation Procedure.

Is DTC*1 detected?

Yes >> GO TO 10.

No >> Check according to [EC-135](#).

6. PERFORM BASIC INSPECTION

Perform [EC-75, "Basic Inspection"](#).

With CONSULT-III>>GO TO 7.

Without CONSULT-III>>GO TO 9.

7. PERFORM SPEC IN DATA MONITOR MODE

With CONSULT-III

Make sure that "MAS A/F SE-B1", "B/FUEL SCHDL", and "A/F ALPHA-B1" are within the SP value using CONSULT-III "SPEC" in "DATA MONITOR" mode. Refer to [EC-127, "Inspection Procedure"](#).

TROUBLE DIAGNOSIS

[MR]

< SERVICE INFORMATION >

Are they within the SP value?

- Yes >> GO TO 9.
- No >> GO TO 8.

8. DETECT MALFUNCTIONING PART BY TROUBLE DIAGNOSIS - SPECIFICATION VALUE

Detect malfunctioning part according to [EC-127, "Diagnosis Procedure"](#).

Is malfunctioning part detected?

- Yes >> GO TO 11.
- No >> GO TO 9.

9. DETECT MALFUNCTIONING SYSTEM BY SYMPTOM MATRIX CHART

Detect malfunctioning system according to [EC-92, "Symptom Matrix Chart"](#) based on the confirmed symptom in step 4, and determine the trouble diagnosis order based on possible causes and symptom.

>> GO TO 10.

10. DETECT MALFUNCTIONING PART BY DIAGNOSTIC PROCEDURE

Inspect according to Diagnostic Procedure of the system.

NOTE:

The Diagnostic Procedure in EC section described based on open circuit inspection. A short circuit inspection is also required for the circuit check in the Diagnostic Procedure. For details, refer to Circuit Inspection in [GI-25, "How to Perform Efficient Diagnosis for an Electrical Incident"](#).

Is malfunctioning part detected?

- Yes >> GO TO 11.
- No >> Monitor input data from related sensors or check voltage of related ECM terminals using CONSULT-III. Refer to [EC-106, "ECM Terminal and Reference Value"](#), [EC-123, "CONSULT-III Reference Value in Data Monitor"](#).

11. REPAIR OR REPLACE THE MALFUNCTIONING PART

1. Repair or replace the malfunctioning part.
2. Reconnect parts or connectors disconnected during Diagnostic Procedure again after repair and replacement.
3. Check DTC. If DTC is displayed, erase it, refer to [EC-51, "Emission-related Diagnostic Information"](#).

>> GO TO 12.

12. FINAL CHECK

When DTC was detected in step 2, perform DTC Confirmation Procedure or Overall Function Check again, and then make sure that the malfunction have been repaired securely.

When symptom was described from the customer, refer to confirmed symptom in step 3 or 4, and make sure that the symptom is not detected.

OK or NG

NG (DTC*¹ is detected)>>GO TO 10.

NG (Symptom remains)>>GO TO 6.

- OK >> 1. Before returning the vehicle to the customer, make sure to erase unnecessary DTC*¹ in ECM and TCM (Transmission Control Module). (Refer to [EC-51, "Emission-related Diagnostic Information"](#).)
- 2. If the completion of SRT is needed, drive vehicle under the specific driving pattern. Refer to [EC-51, "Emission-related Diagnostic Information"](#).
- 3. **INSPECTION END**

*1: Include 1st trip DTC.

*2: Include 1st trip freeze frame data.

DIAGNOSTIC WORKSHEET

Description

TROUBLE DIAGNOSIS

< SERVICE INFORMATION >

[MR]

There are many operating conditions that lead to the malfunction of engine components. A good grasp of such conditions can make troubleshooting faster and more accurate.

In general, each customer feels differently about an incident. It is important to fully understand the symptoms or conditions for a customer complaint.

Utilize a diagnostic worksheet like the one on the next page in order to organize all the information for troubleshooting.

Some conditions may cause the MIL to come on steady or blink and DTC to be detected. Examples:

- Vehicle ran out of fuel, which caused the engine to misfire.
- Fuel filler cap was left off or incorrectly screwed on, allowing fuel to evaporate into the atmosphere.

KEY POINTS

- WHAT** .. Vehicle & engine model
WHEN ... Date, Frequencies
WHERE .. Road conditions
HOW .. Operating conditions,
 Weather conditions,
 Symptoms

SEF907L

Worksheet Sample

Customer name MFMG		Make & Year	VIN
Engine #		Trans.	Mileage
Incident Date		Manuf. Date	In Service Date
Fuel and fuel filler cap		<input type="checkbox"/> Vehicle ran out of fuel causing misfire <input type="checkbox"/> Fuel filler cap was left off or incorrectly screwed on	
Symptoms	... Startability	<input type="checkbox"/> Impossible to start <input type="checkbox"/> No combustion <input type="checkbox"/> Partial combustion <input type="checkbox"/> Partial combustion affected by throttle position <input type="checkbox"/> Partial combustion NOT affected by throttle position <input type="checkbox"/> Possible but hard to start ... Others:	
	... Idling	<input type="checkbox"/> No fast idle <input type="checkbox"/> Unstable <input type="checkbox"/> High idle <input type="checkbox"/> Low idle <input type="checkbox"/> Others:	
	... Drivability	<input type="checkbox"/> Stumble ... Surge ... Knock ... Lack of power <input type="checkbox"/> Intake backfire <input type="checkbox"/> Exhaust backfire <input type="checkbox"/> Others:	
	... Engine stall	<input type="checkbox"/> At the time of start <input type="checkbox"/> While idling <input type="checkbox"/> While accelerating <input type="checkbox"/> While decelerating <input type="checkbox"/> Just after stopping <input type="checkbox"/> While loading	
Incident occurrence		<input type="checkbox"/> Just after delivery ... Recently <input type="checkbox"/> In the morning ... At night ... In the daytime	
Frequency		<input type="checkbox"/> All the time ... Under certain conditions ... Sometimes	
Weather conditions		<input type="checkbox"/> Not affected Weather: <input type="checkbox"/> Fine <input type="checkbox"/> Raining <input type="checkbox"/> Snowing <input type="checkbox"/> Others: Temperature: <input type="checkbox"/> Hot <input type="checkbox"/> Warm <input type="checkbox"/> Cool <input type="checkbox"/> Cold <input type="checkbox"/> Humid = <input type="checkbox"/> Cold <input type="checkbox"/> During warm-up <input type="checkbox"/> After warm-up	
Engine conditions		Engine speed <div style="text-align: center;"> </div>	
Road conditions		<input type="checkbox"/> In town <input type="checkbox"/> In suburbs <input type="checkbox"/> Highway <input type="checkbox"/> Off road (up/down) <input type="checkbox"/> Not affected <input type="checkbox"/> At starting <input type="checkbox"/> While idling <input type="checkbox"/> At racing <input type="checkbox"/> While accelerating ... While cruising <input type="checkbox"/> While decelerating <input type="checkbox"/> While turning (P/R/L/R)	
Driving conditions		Vehicle speed <div style="text-align: center;"> </div>	
Malfunction indicator lamp		<input type="checkbox"/> Turned on <input type="checkbox"/> Not turned on	

MTBL0017

DTC Inspection Priority Chart

INFOID:000000001849757

If some DTCs are displayed at the same time, perform inspections one by one based on the following priority chart.

TROUBLE DIAGNOSIS

< SERVICE INFORMATION >

[MR]

Priority	Detected items (DTC)	
1	<ul style="list-style-type: none"> • U1000 U1001 CAN communication line • U1010 CAN communication • P0101 P0102 P0103 Mass air flow sensor • P0112 P0113 P0127 Intake air temperature sensor • P0117 P0118 P0125 Engine coolant temperature sensor • P0122 P0123 P0222 P0223 P1225 P1226 P2135 Throttle position sensor • P0128 Thermostat function • P0181 P0182 P0183 Fuel tank temperature sensor • P0327 P0328 Knock sensor • P0335 Crankshaft position sensor (POS) • P0340 Camshaft position sensor (PHASE) • P0460 P0461 P0462 P0463 Fuel level sensor • P0500 Vehicle speed sensor • P0605 ECM • P0643 Sensor power supply • P0705 P0850 Park/neutral position (PNP) switch • P1610 - P1615 NATS • P2122 P2123 P2127 P2128 P2138 Accelerator pedal position sensor 	<p>A</p> <p>EC</p> <p>C</p> <p>D</p> <p>E</p> <p>F</p>
2	<ul style="list-style-type: none"> • P0031 P0032 Air fuel ratio (A/F) sensor 1 heater • P0037 P0038 Heated oxygen sensor 2 heater • P0075 Intake valve timing control solenoid valve • P0130 P0131 P0132 P0133 P2A00 Air fuel ratio (A/F) sensor 1 • P0137 P0138 P0139 Heated oxygen sensor 2 • P0441 EVAP control system purge flow monitoring • P0443 P0444 P0445 EVAP canister purge volume control solenoid valve • P0447 P0448 EVAP canister vent control valve • P0451 P0452 P0453 EVAP control system pressure sensor • P1217 Engine over temperature (OVERHEAT) • P1805 Brake switch • P2100 P2103 Throttle control motor relay • P2101 Electric throttle control function • P2118 Throttle control motor 	<p>G</p> <p>H</p> <p>I</p> <p>J</p>
3	<ul style="list-style-type: none"> • P0011 Intake valve timing control • P0171 P0172 Fuel injection system function • P0300 - P0304 Misfire • P0420 Three way catalyst function • P0442 P0456 EVAP control system (SMALL LEAK, VERY SMALL LEAK) • P0455 EVAP control system (GROSS LEAK) • P0506 P0507 Idle speed control system • P0710 P0715 P0720 P0740 P0744 P0745 P0746 P0776 P0778 P0840 P0845 P1740 P1777 P1778 CVT related sensors, solenoid valves and switches • P1148 Closed loop control • P1421 Cold start control • P1564 ASCD steering switch • P1572 ASCD brake switch • P1574 ASCD vehicle speed sensor • P1715 Primary speed sensor • P2119 Electric throttle control actuator 	<p>K</p> <p>L</p> <p>M</p> <p>N</p>

Fail-Safe Chart

INFOID:000000001849758

When the DTC listed below is detected, the ECM enters fail-safe mode and the MIL lights up.

DTC No.	Detected items	Engine operating condition in fail-safe mode
P0102 P0103	Mass air flow sensor circuit	Engine speed will not rise more than 2,400 rpm due to the fuel cut.

TROUBLE DIAGNOSIS

< SERVICE INFORMATION >

[MR]

DTC No.	Detected items	Engine operating condition in fail-safe mode	
P0117 P0118	Engine coolant temperature sensor circuit	Engine coolant temperature will be determined by ECM based on the following condition. CONSULT-III displays the engine coolant temperature decided by ECM.	
		Condition	Engine coolant temperature decided (CONSULT-III display)
		Just as ignition switch is turned ON or START	40°C (104°F)
		Approx 4 minutes or more after engine starting	80°C (176°F)
		Except as shown above	40 - 80°C (104 - 176°F) (Depends on the time)
		When the fail-safe system for engine coolant temperature sensor is activated, the cooling fan operates while engine is running.	
P0122 P0123 P0222 P0223 P2135	Throttle position sensor	The ECM controls the electric throttle control actuator in regulating the throttle opening in order for the idle position to be within +10 degrees. The ECM regulates the opening speed of the throttle valve to be slower than the normal condition. So, the acceleration will be poor.	
P0643	Sensor power supply	ECM stops the electric throttle control actuator control, throttle valve is maintained at a fixed opening (approx. 5 degrees) by the return spring.	
P2100 P2103	Throttle control relay	ECM stops the electric throttle control actuator control, throttle valve is maintained at a fixed opening (approx. 5 degrees) by the return spring.	
P2101	Electric throttle control function	ECM stops the electric throttle control actuator control, throttle valve is maintained at a fixed opening (approx. 5 degrees) by the return spring.	
P2118	Throttle control motor	ECM stops the electric throttle control actuator control, throttle valve is maintained at a fixed opening (approx. 5 degrees) by the return spring.	
P2119	Electric throttle control actuator	(When electric throttle control actuator does not function properly due to the return spring malfunction:) ECM controls the electric throttle actuator by regulating the throttle opening around the idle position. The engine speed will not rise more than 2,000 rpm.	
		(When throttle valve opening angle in fail-safe mode is not in specified range:) ECM controls the electric throttle control actuator by regulating the throttle opening to 20 degrees or less.	
		(When ECM detects the throttle valve is stuck open:) While the vehicle is driving, it slows down gradually by fuel cut. After the vehicle stops, the engine stalls. The engine can restart in N or P (CVT), Neutral (M/T) position, and engine speed will not exceed 1,000 rpm or more.	
P2122 P2123 P2127 P2128 P2138	Accelerator pedal position sensor	The ECM controls the electric throttle control actuator in regulating the throttle opening in order for the idle position to be within +10 degrees. The ECM regulates the opening speed of the throttle valve to be slower than the normal condition. So, the acceleration will be poor.	

- When there is an open circuit on MIL circuit, the ECM cannot warn the driver by lighting up MIL when there is malfunction on engine control system.
Therefore, when electrical controlled throttle and part of ECM related diagnoses are continuously detected as NG for 5 trips, ECM warns the driver that engine control system malfunctions and MIL circuit is open by means of operating fail-safe function.
The fail-safe function also operates when above diagnoses except MIL circuit are detected and demands the driver to repair the malfunction.

Engine operating condition in fail-safe mode	Engine speed will not rise more than 2,500 rpm due to the fuel cut
--	--

Symptom Matrix Chart

INFOID:000000001849759

SYSTEM — BASIC ENGINE CONTROL SYSTEM

TROUBLE DIAGNOSIS

< SERVICE INFORMATION >

[MR]

		SYMPTOM													Reference page
		HARD/NO START/RESTART (EXCP. HA)	ENGINE STALL	HESITATION/SURGING/FLAT SPOT	SPARK KNOCK/DETONATION	LACK OF POWER/POOR ACCELERATION	HIGH IDLE/LOW IDLE	ROUGH IDLE/HUNTING	IDLING VIBRATION	SLOW/NO RETURN TO IDLE	OVERHEATSWATER TEMPERATURE HIGH	EXCESSIVE FUEL CONSUMPTION	EXCESSIVE OIL CONSUMPTION	BATTERY DEAD (UNDER CHARGE)	
Warranty symptom code		AA	AB	AC	AD	AE	AF	AG	AH	AJ	AK	AL	AM	HA	
Fuel	Fuel pump circuit	1	1	2	3	2		2	2			3		2	EC-500
	Fuel pressure regulator system	3	3	4	4	4	4	4	4	4		4			EC-83
	Fuel injector circuit	1	1	2	3	2		2	2			2			EC-495
	Evaporative emission system	3	3	4	4	4	4	4	4	4	4	4			EC-36
Air	Positive crankcase ventilation system	3	3	4	4	4	4	4	4	4		4	1		EC-47
	Incorrect idle speed adjustment						1	1	1	1		1			EC-75
	Electric throttle control actuator	1	1	2	3	3	2	2	2	2		2		2	EC-439 , EC-449
Ignition	Incorrect ignition timing adjustment	3	3	1	1	1		1	1			1			EC-75
	Ignition circuit	1	1	2	2	2		2	2			2			EC-505
Main power supply and ground circuit		2	2	3	3	3		3	3		2	3			EC-136
Mass air flow sensor circuit		1			2										EC-165 , EC-173
Engine coolant temperature sensor circuit															3
Air fuel ratio (A/F) sensor 1 circuit			1	2	3	2		2	2			2			EC-202 , EC-208 , EC-214 , EC-220 , EC-475
Throttle position sensor circuit							2			2					EC-189 , EC-270 , EC-406 , EC-408 , EC-463
Accelerator pedal position sensor circuit				3	2	1									EC-383 , EC-451 , EC-456 , EC-468
Knock sensor circuit				2								3			EC-281
Crankshaft position sensor (POS) circuit		2	2												EC-285
Camshaft position sensor (PHASE) circuit		3	2												EC-291
Vehicle speed signal circuit			2	3		3						3			EC-375
ECM		2	2	3	3	3	3	3	3	3	3	3			EC-381

A

EC

C

D

E

F

G

H

I

J

K

L

M

N

O

P

TROUBLE DIAGNOSIS

< SERVICE INFORMATION >

[MR]

	SYMPTOM													Reference page
	HARD/NO START/RESTART (EXCP. HA)	ENGINE STALL	HESITATION/SURGING/FLAT SPOT	SPARK KNOCK/DETONATION	LACK OF POWER/POOR ACCELERATION	HIGH IDLE/LOW IDLE	ROUGH IDLE/HUNTING	IDLING VIBRATION	SLOW/NO RETURN TO IDLE	OVERHEATS/WATER TEMPERATURE HIGH	EXCESSIVE FUEL CONSUMPTION	EXCESSIVE OIL CONSUMPTION	BATTERY DEAD (UNDER CHARGE)	
Warranty symptom code	AA	AB	AC	AD	AE	AF	AG	AH	AJ	AK	AL	AM	HA	
Intake valve timing control solenoid valve circuit		3	2		1	3	2	2	3		3			EC-160
Park/neutral position (PNP) switch circuit			3		3		3	3			3			EC-388
Refrigerant pressure sensor circuit		2				3			3		4			EC-514
Electrical load signal circuit							3							EC-493
Air conditioner circuit	2	2	3	3	3	3	3	3	3		3		2	MTC-27
ABS actuator and electric unit (control unit)			4											BRC-8

1 - 6: The numbers refer to the order of inspection.

(continued on next page)

SYSTEM — ENGINE MECHANICAL & OTHER

	SYMPTOM													Reference page
	HARD/NO START/RESTART (EXCP. HA)	ENGINE STALL	HESITATION/SURGING/FLAT SPOT	SPARK KNOCK/DETONATION	LACK OF POWER/POOR ACCELERATION	HIGH IDLE/LOW IDLE	ROUGH IDLE/HUNTING	IDLING VIBRATION	SLOW/NO RETURN TO IDLE	OVERHEATS/WATER TEMPERATURE HIGH	EXCESSIVE FUEL CONSUMPTION	EXCESSIVE OIL CONSUMPTION	BATTERY DEAD (UNDER CHARGE)	
Warranty symptom code	AA	AB	AC	AD	AE	AF	AG	AH	AJ	AK	AL	AM	HA	
Fuel	Fuel tank	5												FL-9
	Fuel piping		5	5	5		5	5			5			EM-33
	Vapor lock	5												—
	Valve deposit		5	5	5		5	5			5			—
	Poor fuel (Heavy weight gasoline, Low octane)		5	5	5		5	5			5			—

TROUBLE DIAGNOSIS

< SERVICE INFORMATION >

[MR]

		SYMPTOM												Reference page	
		HARD/NO START/RESTART (EXCP. HA)	ENGINE STALL	HESITATION/SURGING/FLAT SPOT	SPARK KNOCK/DETONATION	LACK OF POWER/POOR ACCELERATION	HIGH IDLE/LOW IDLE	ROUGH IDLE/HUNTING	IDLING VIBRATION	SLOW/NO RETURN TO IDLE	OVERHEATS/WATER TEMPERATURE HIGH	EXCESSIVE FUEL CONSUMPTION	EXCESSIVE OIL CONSUMPTION		BATTERY DEAD (UNDER CHARGE)
Warranty symptom code		AA	AB	AC	AD	AE	AF	AG	AH	AJ	AK	AL	AM	HA	
Air	Air duct														EM-16
	Air cleaner														EM-16
	Air leakage from air duct (Mass air flow sensor — electric throttle control actuator)		5	5		5		5	5			5			EM-16
	Electric throttle control actuator	5			5		5			5					EM-18
	Air leakage from intake manifold/ Collector/Gasket														EM-18
Cranking	Battery	1	1	1		1			1	1				1	SC-4
	Generator circuit														SC-23
	Starter circuit	3										1			SC-8
	Signal plate	6													EM-99
	Park/neutral position (PNP) switch	4													MT-13 or CVT-60
Engine	Cylinder head	5	5	5	5	5		5	5			5			EM-61
	Cylinder head gasket										4		3		
	Cylinder block														
	Piston												4		
	Piston ring														
	Connecting rod	6	6	6	6	6		6	6			6			EM-71
	Bearing														
	Crankshaft														
Valve mechanism	Timing chain														EM-37
	Camshaft														EM-46
	Intake valve timing control	5	5	5	5	5		5	5			5		EM-37	
	Intake valve														
	Exhaust valve												3		EM-61
Exhaust	Exhaust manifold/Tube/Muffler/ Gasket	5	5	5	5	5		5	5			5			EM-21, FL-4
	Three way catalyst														
Lubrication	Oil pan/Oil strainer/Oil pump/Oil filter/Oil gallery	5	5	5	5	5		5	5			5			EM-24, LU-8
	Oil level (Low)/Filthy oil														LU-5

A
EC
C
D
E
F
G
H
I
J
K
L
M
N
O
P

TROUBLE DIAGNOSIS

< SERVICE INFORMATION >

[MR]

		SYMPTOM												Reference page	
		HARD/NO START/RESTART (EXCP. HA)	ENGINE STALL	HESITATION/SURGING/FLAT SPOT	SPARK KNOCK/DETONATION	LACK OF POWER/POOR ACCELERATION	HIGH IDLE/LOW IDLE	ROUGH IDLE/HUNTING	IDLING VIBRATION	SLOW/NO RETURN TO IDLE	OVERHEATS/WATER TEMPERATURE HIGH	EXCESSIVE FUEL CONSUMPTION	EXCESSIVE OIL CONSUMPTION		BATTERY DEAD (UNDER CHARGE)
Warranty symptom code		AA	AB	AC	AD	AE	AF	AG	AH	AJ	AK	AL	AM	HA	
Cooling	Radiator/Hose/Radiator filler cap														CO-14
	Thermostat									5					CO-19
	Water pump														CO-22
	Water gallery	5	5	5	5	5		5	5		4	5			CO-22
	Cooling fan														CO-18
	Coolant level (Low)/Contaminated coolant										5				CO-11
NVIS (NISSAN Vehicle Immobilizer System-NATS)		1	1												BL-169

1 - 6: The numbers refer to the order of inspection.

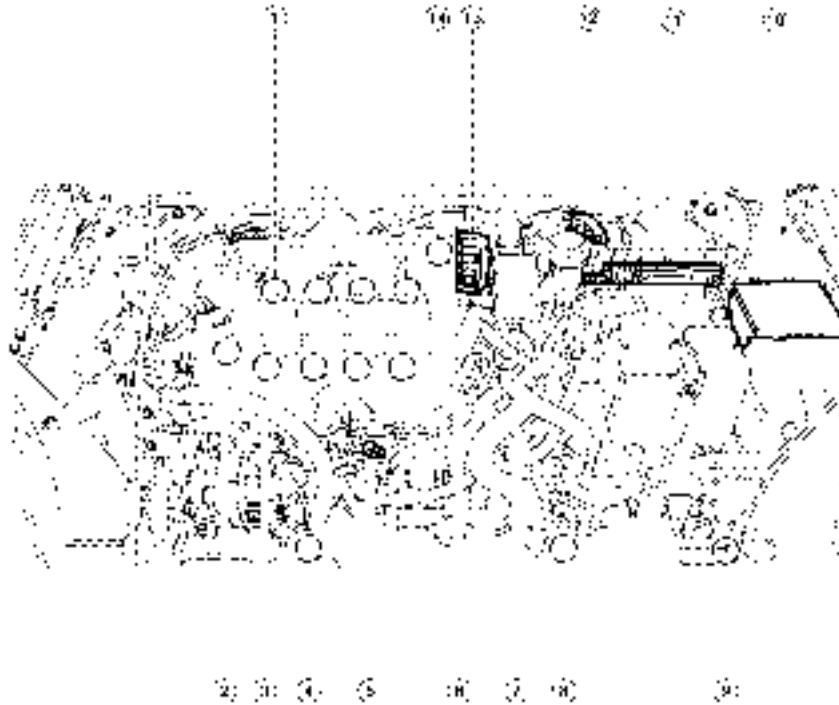
TROUBLE DIAGNOSIS

< SERVICE INFORMATION >

[MR]

Engine Control Component Parts Location

INFOID:000000001849760



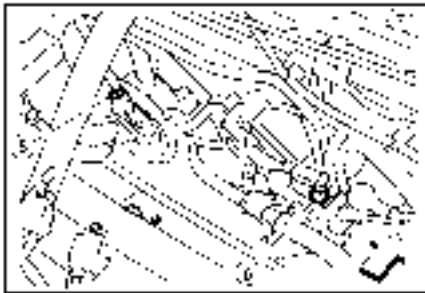
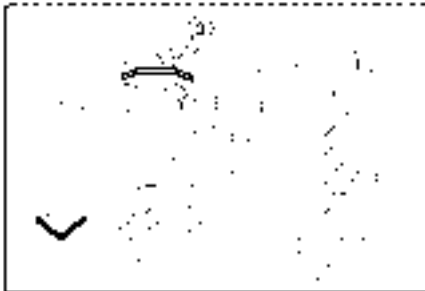
BBIA0922E

- | | | |
|---|---|---|
| 1. Ignition coil (with power transistor) and spark plug | 2. Intake valve timing control solenoid valve | 3. Fuel injector |
| 4. Cooling fan motor-1 | 5. Knock sensor | 6. Camshaft position sensor (PHASE) |
| 7. Engine coolant temperature sensor | 8. Cooling fan motor-2 | 9. Refrigerant pressure sensor |
| 10. IPDM E/R | 11. ECM | 12. Mass air flow sensor (with intake air temperature sensor) |
| 13. Electric throttle control actuator (with built in throttle position sensor, throttle control motor) | 14. EVAP canister purge volume control solenoid valve | |

TROUBLE DIAGNOSIS

< SERVICE INFORMATION >

[MR]



B8IA0756E

↖ : Vehicle front

- | | | |
|---|--|--|
| 1. Mass air flow sensor
(with intake air temperature sensor) | 2. Engine coolant temperature sensor | 3. Electric throttle control actuator
(with built in throttle position sensor,
throttle control motor) |
| 4. PCV valve | 5. Cooling fan motor-1 harness connector | 6. Cooling fan motor-2 harness connector |
| 7. Radiator | 8. Refrigerant pressure sensor | |

TROUBLE DIAGNOSIS

< SERVICE INFORMATION >

[MR]

A

EC

C

D

E

F

G

H

I

J

K

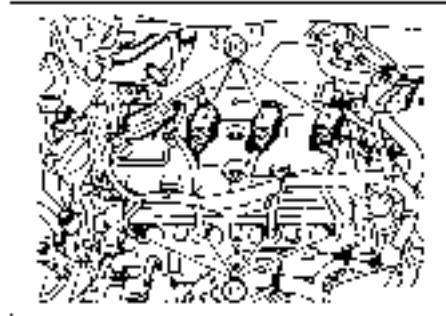
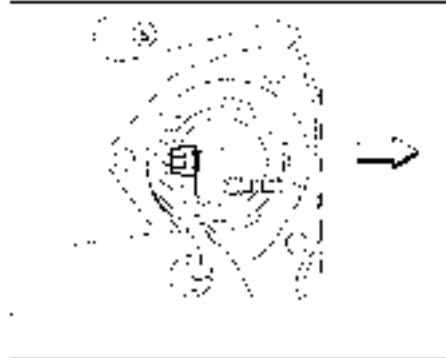
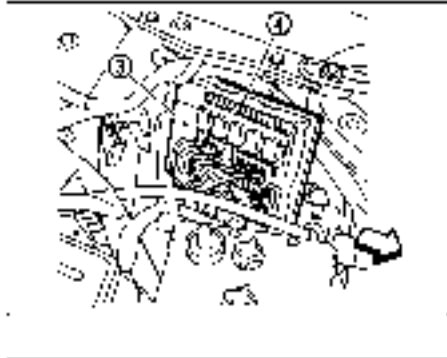
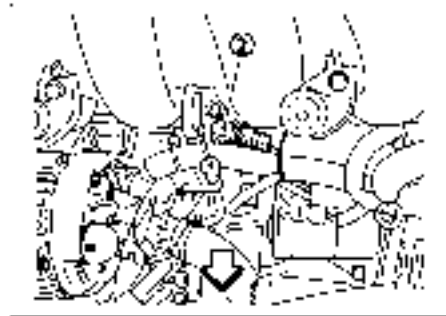
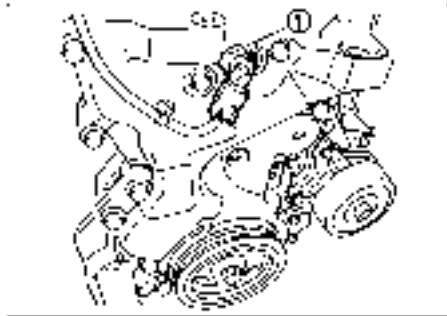
L

M

N

O

P



B8IA0725E

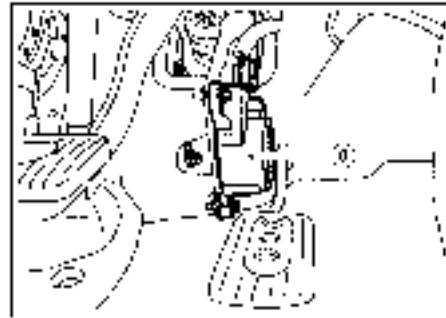
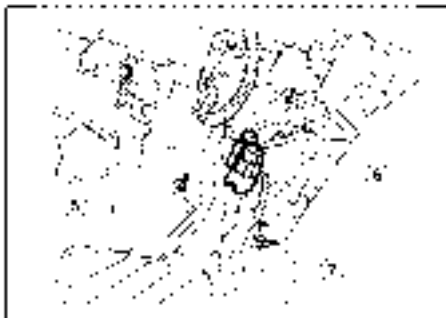
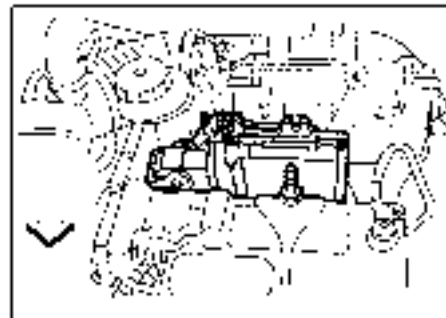
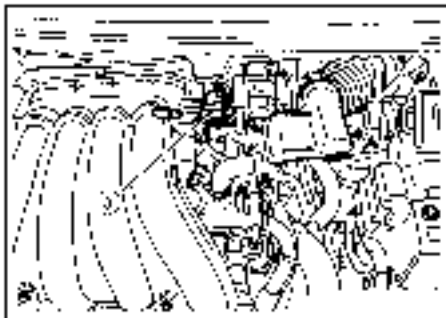
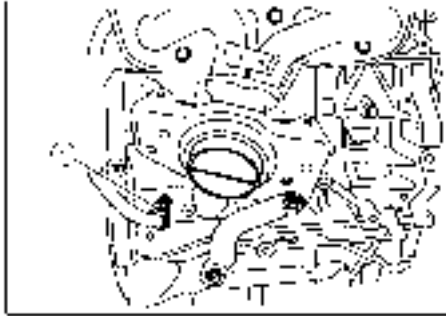
↔ : Vehicle front

- | | | |
|--|---|---------------------------------|
| 1. Intake valve timing control solenoid valve | 2. Knock sensor | 3. IPDM E/R |
| 4. Fuel pump fuse | 5. Fuel level sensor unit and fuel pump | 6. Fuel pressure regulator |
| 7. Fuel level sensor | 8. Fuel tank temperature sensor | 9. Fuel tank temperature sensor |
| 10. Ignition coil (with power transistor) and spark plug | | |

TROUBLE DIAGNOSIS

< SERVICE INFORMATION >

[MR]



BBIA0763E

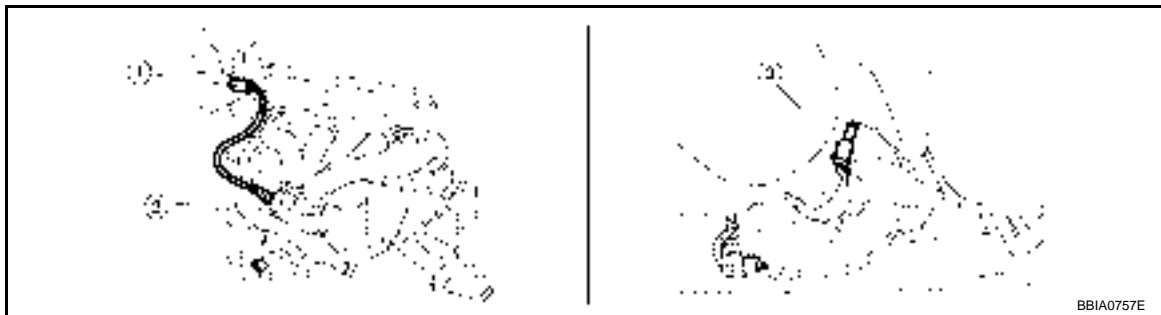
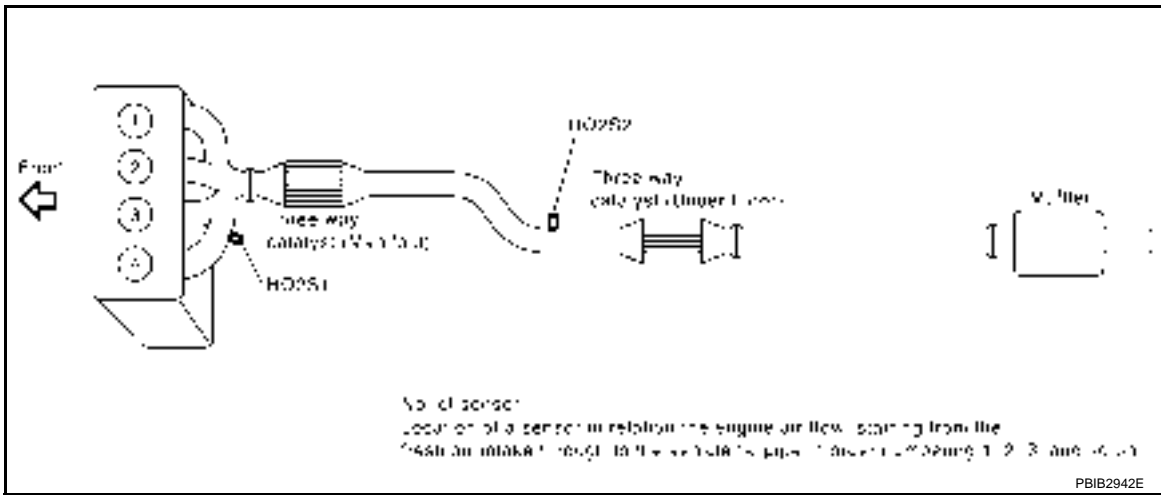
↖: Vehicle front

- | | | |
|-------------------------------------|---------------------------------------|--|
| 1. Crankshaft position sensor (POS) | 2. Camshaft position sensor (PHASE) | 3. EVAP canister purge volume control solenoid valve |
| 4. ECM | 5. Stop lamp switch harness connector | 6. ASCD brake switch harness connector |
| 7. Brake pedal | 8. Accelerator pedal position sensor | |

TROUBLE DIAGNOSIS

< SERVICE INFORMATION >

[MR]



◀ : Vehicle front

- 1. Air fuel ratio (A/F) sensor 1 harness connector
- 2. Air fuel ratio (A/F) sensor 1
- 3. Heated oxygen sensor 2

A

EC

C

D

E

F

G

H

I

J

K

L

M

N

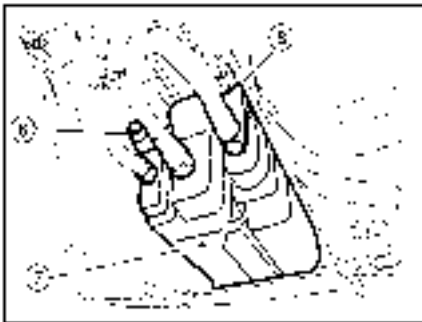
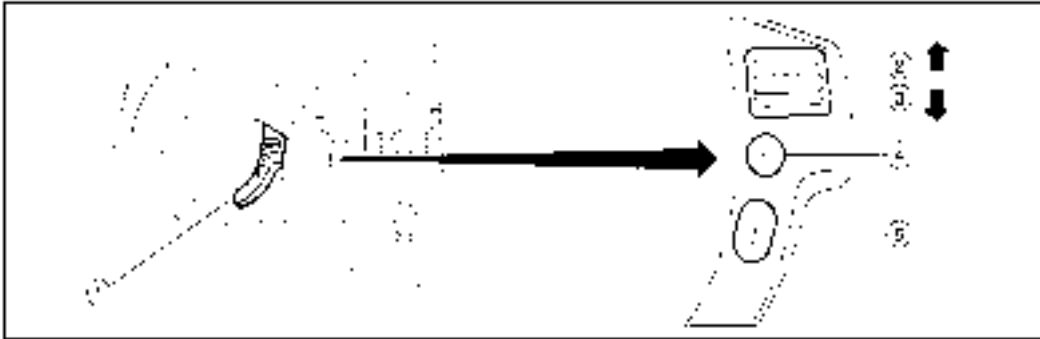
O

P

TROUBLE DIAGNOSIS

< SERVICE INFORMATION >

[MR]

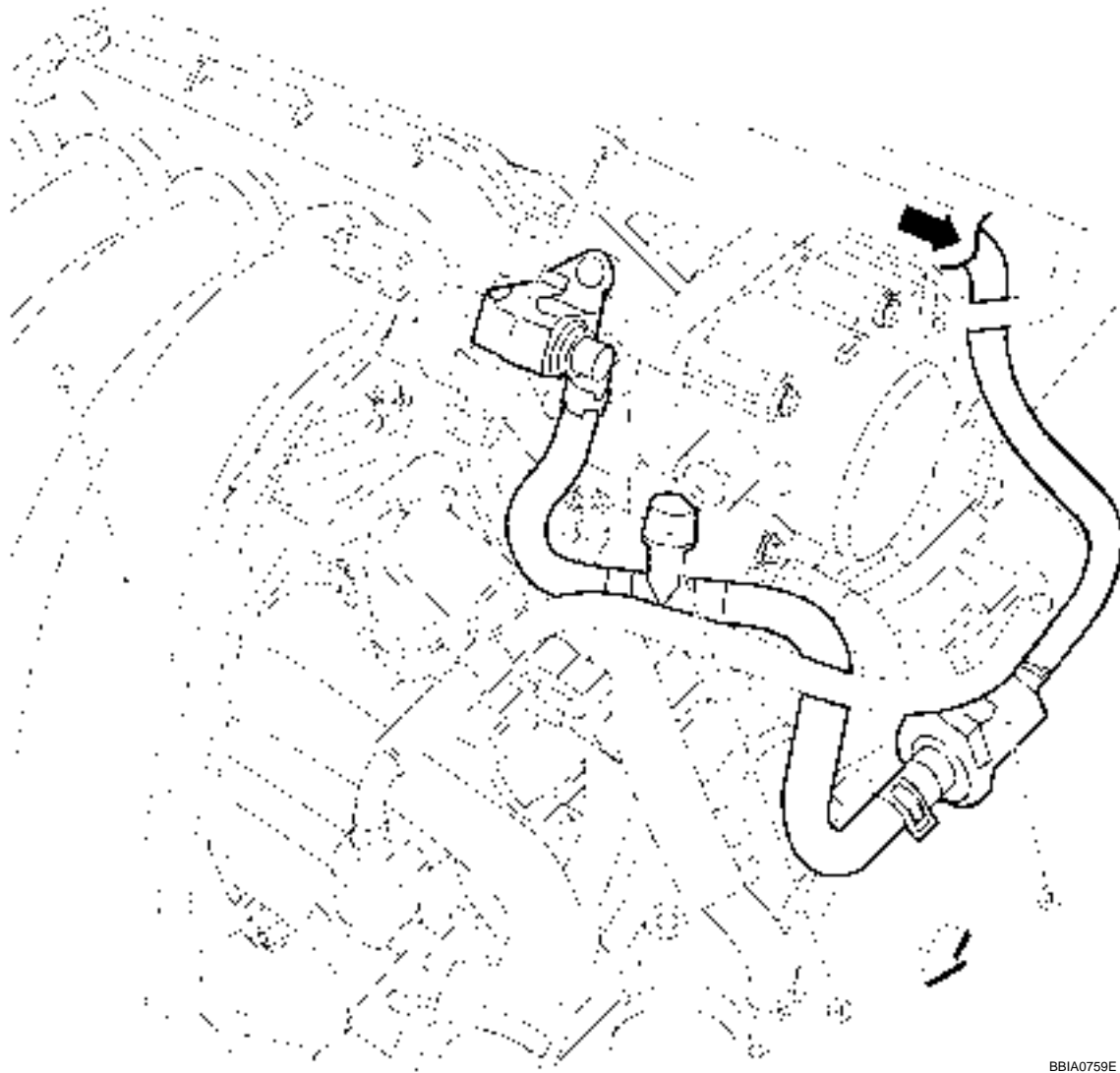


BBIA0758E

- | | | |
|-------------------------|-------------------------------------|--|
| 1. ASCD steering switch | 2. RESUME/ACCELERATOR switch | 3. SET/COAST switch |
| 4. CANCEL switch | 5. MAIN switch | 6. EVAP control system pressure sensor |
| 7. EVAP canister | 8. EVAP canister vent control valve | 9. ASCD clutch switch |
| 10. Clutch pedal | | |

Vacuum Hose Drawing

INFOID:000000001849761



BBIA0759E

↔ : Vehicle front

← : From EVAP canister

1. Intake manifold

2. EVAP canister purge volume control solenoid valve

3. EVAP purge resonator solenoid valve

4. EVAP service port

NOTE:

Do not use soapy water or any type of solvent while installing vacuum hoses or purge hoses.

Refer to [EC-27, "Schematic"](#) for Vacuum Control System.

A

EC

C

D

E

F

G

H

I

J

K

L

M

N

O

P

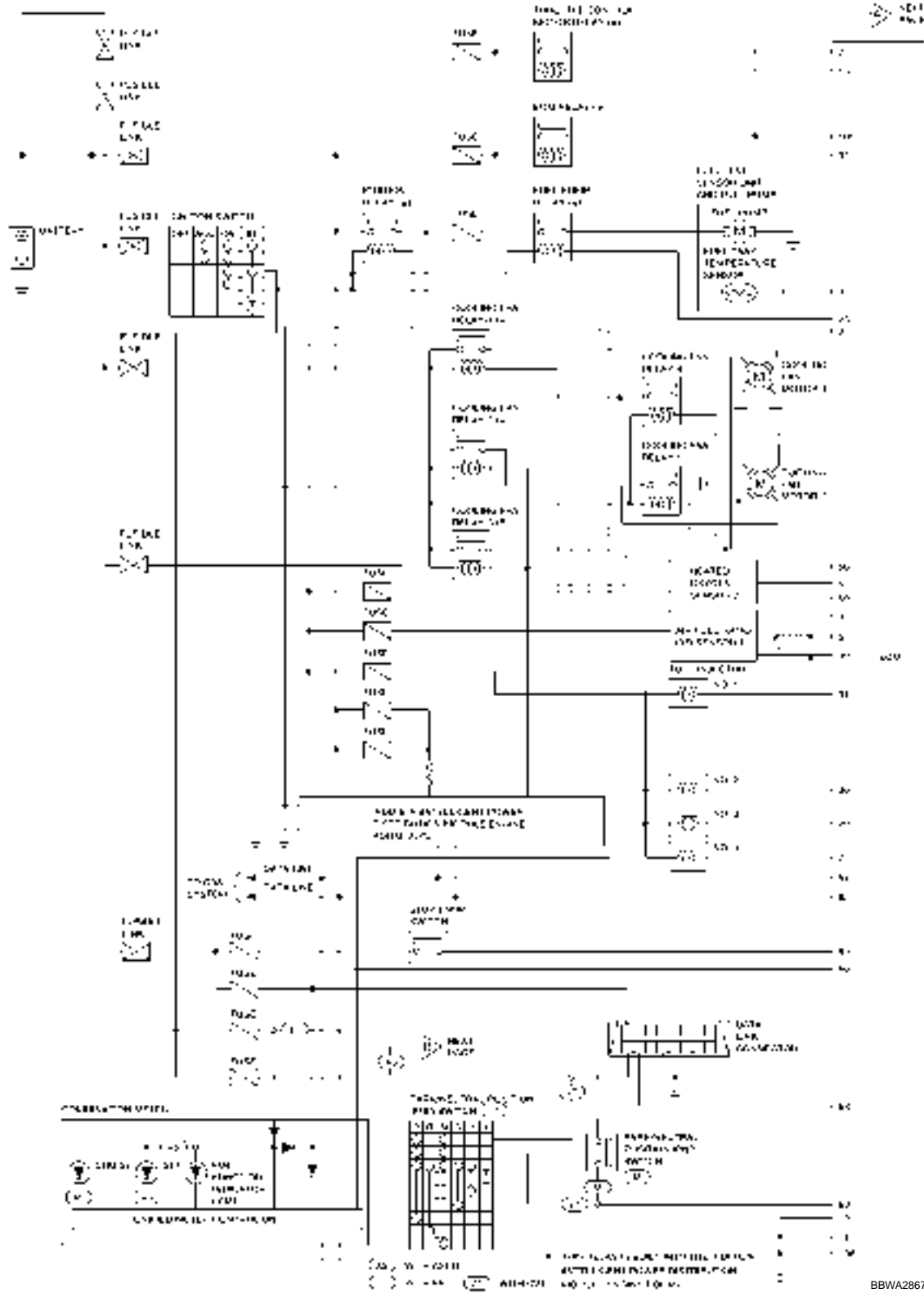
TROUBLE DIAGNOSIS

< SERVICE INFORMATION >

[MR]

Circuit Diagram

INFOID:00000001849762

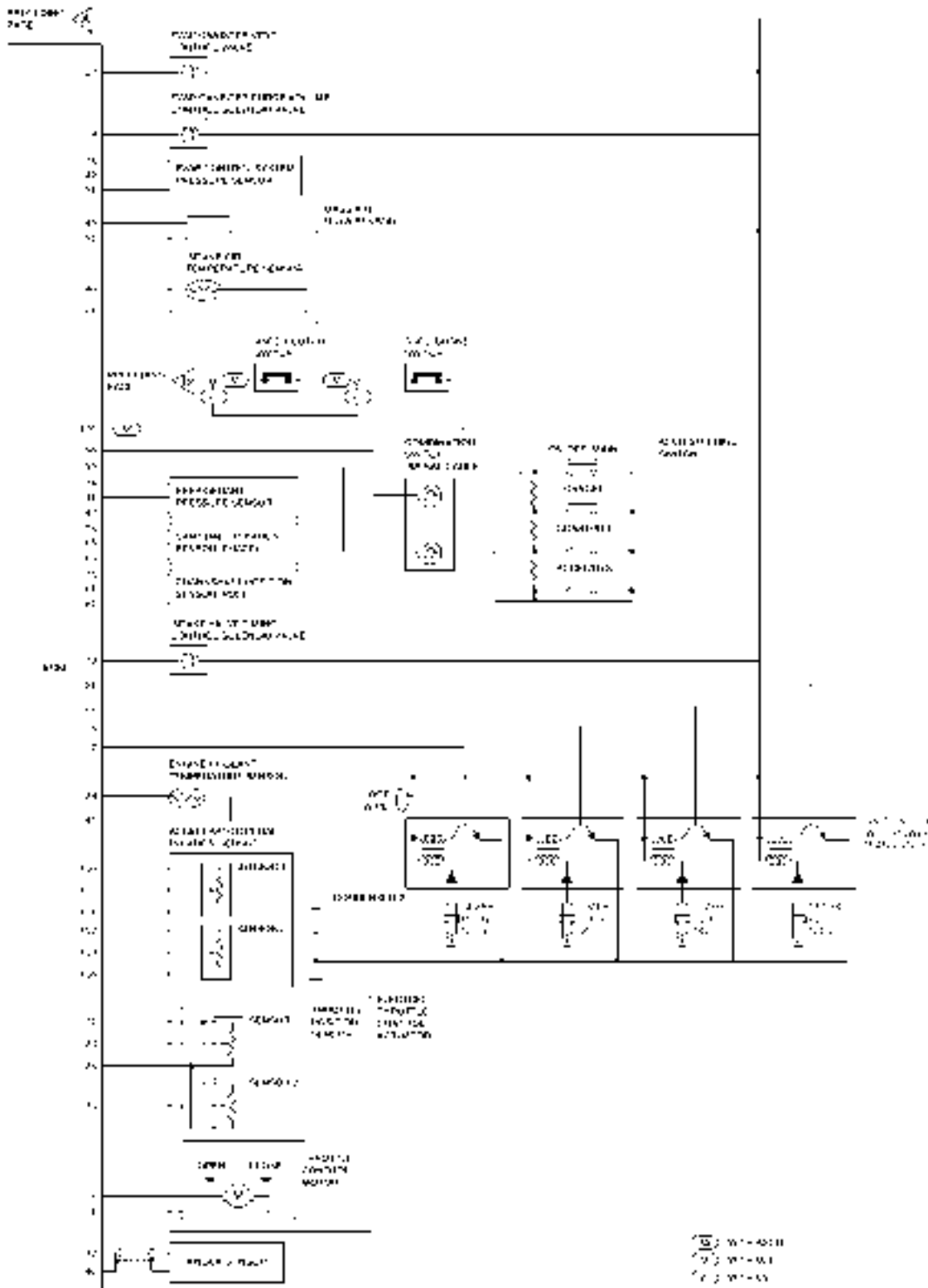


BBWA2867E

TROUBLE DIAGNOSIS

< SERVICE INFORMATION >

[MR]



BBWA2868E

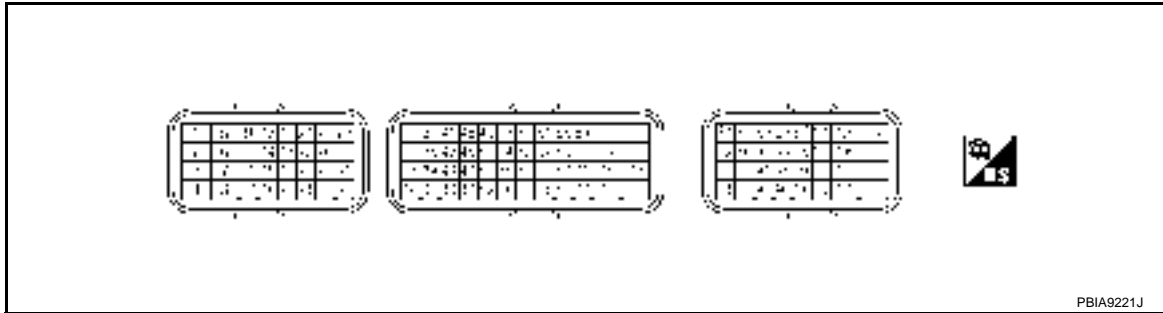
TROUBLE DIAGNOSIS

< SERVICE INFORMATION >

[MR]

ECM Harness Connector Terminal Layout

INFOID:000000001849763



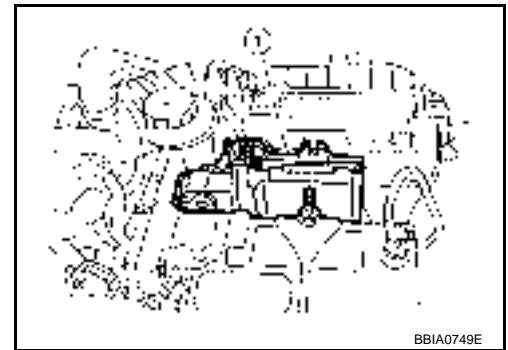
PBIA9221J

ECM Terminal and Reference Value

INFOID:000000001849764

PREPARATION

ECM (1) is located in the engine room left side near battery.





BBIA0749E

ECM INSPECTION TABLE

Specification data are reference values and are measured between each terminal and ground. Pulse signal is measured by CONSULT-III.

CAUTION:

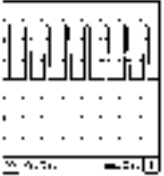



Do not use ECM ground terminals when measuring input/output voltage. Doing so may result in damage to the ECMs transistor. Use a ground other than ECM terminals, such as the ground.

TERMI- NAL NO.	WIRE COLOR	ITEM	CONDITION	DATA (DC Voltage)
1	V	Throttle control motor (Open)	[Ignition switch: ON] <ul style="list-style-type: none"> • Engine stopped • Shift lever: D (CVT), 1st (M/T) • Accelerator pedal: Fully depressed 	Approximately 3.2V★  PBIA8150J
2	Y/B	Throttle control motor power supply	[Ignition switch: ON]	BATTERY VOLTAGE (11 - 14V)
3	BR/W	A/F sensor 1 heater	[Engine is running] <ul style="list-style-type: none"> • Warm-up condition • Idle speed (More than 140 seconds after starting en- gine) 	Approximately 2.9 - 8.8V★  PBIA8148J

TROUBLE DIAGNOSIS

< SERVICE INFORMATION >

[MR]

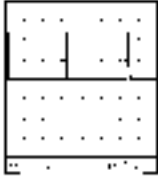
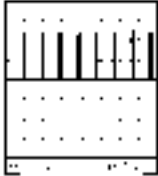
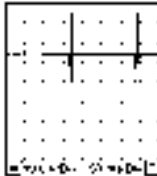
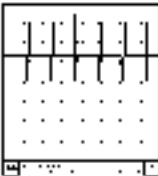
TERMI- NAL NO.	WIRE COLOR	ITEM	CONDITION	DATA (DC Voltage)
4	L/R	Throttle control motor (Close)	<p>[Ignition switch: ON]</p> <ul style="list-style-type: none"> • Engine stopped • Shift lever: D (CVT), 1st (M/T) • Accelerator pedal: Fully released 	<p>Approximately 1.8V★</p>  <p style="text-align: right; font-size: small;">PBIA8149J</p>
5	B/W	Heated oxygen sensor 2 heater	<p>[Engine is running]</p> <ul style="list-style-type: none"> • Engine speed: Below 3,600 rpm after the following conditions are met. - Engine: After warming up - Keeping the engine speed between 3,500 and 4,000 rpm for 1 minute and at idle for 1 minute under no load. 	<p>Approximately 10V★</p>  <p style="text-align: right; font-size: small;">PBIA8148J</p>
			<p>[Ignition switch: ON]</p> <ul style="list-style-type: none"> • Engine stopped <p>[Engine is running]</p> <ul style="list-style-type: none"> • Engine speed: Above 3,600 rpm. 	<p>BATTERY VOLTAGE (11 - 14V)</p>
9	W/B	EVAP canister purge volume control solenoid valve	<p>[Engine is running]</p> <ul style="list-style-type: none"> • Idle speed • Accelerator pedal: Not depressed even slightly, after engine starting. 	<p>BATTERY VOLTAGE (11 - 14V)★</p>  <p style="text-align: right; font-size: small;">PBIB0050E</p>
			<p>[Engine is running]</p> <ul style="list-style-type: none"> • Engine speed: About 2,000 rpm (More than 100 seconds after starting engine) 	<p>Approximately 10V★</p>  <p style="text-align: right; font-size: small;">PBIB0520E</p>
10 11	B B	ECM ground	<p>[Engine is running]</p> <ul style="list-style-type: none"> • Idle speed 	Body ground
15	G/Y	Throttle control motor relay	<p>[Ignition switch: OFF]</p>	BATTERY VOLTAGE (11 - 14V)
			<p>[Ignition switch: ON]</p>	0 - 1.0V

A
EC
C
D
E
F
G
H
I
J
K
L
M
N
O
P

TROUBLE DIAGNOSIS

< SERVICE INFORMATION >

[MR]

TERMI- NAL NO.	WIRE COLOR	ITEM	CONDITION	DATA (DC Voltage)
17 18 21 22	V BR/Y G Y	Ignition signal No. 1 Ignition signal No. 2 Ignition signal No. 4 Ignition signal No. 3	<p>[Engine is running]</p> <ul style="list-style-type: none"> • Warm-up condition • Idle speed <p>NOTE: The pulse cycle changes depending on rpm at idle.</p>	<p>0 - 0.3V★</p>  <p style="text-align: right; font-size: small;">PBIA9265J</p>
			<p>[Engine is running]</p> <ul style="list-style-type: none"> • Warm-up condition • Engine speed: 2,500 rpm. 	<p>0.2 - 0.5V★</p>  <p style="text-align: right; font-size: small;">PBIA9266J</p>
23	B/O	Fuel pump relay	<p>[Ignition switch: ON]</p> <ul style="list-style-type: none"> • For 1 second after turning ignition switch ON 	0 - 1.0V
			<p>[Engine is running]</p> <ul style="list-style-type: none"> • More than 1 second after turning ignition switch ON 	BATTERY VOLTAGE (11 - 14V)
25 29 30 31	R O GR L	Fuel injector No. 4 Fuel injector No. 3 Fuel injector No. 2 Fuel injector No. 1	<p>[Engine is running]</p> <ul style="list-style-type: none"> • Warm-up condition • Idle speed <p>NOTE: The pulse cycle changes depending on rpm at idle.</p>	<p>BATTERY VOLTAGE (11 - 14V)★</p>  <p style="text-align: right; font-size: small;">PBIB0529E</p>
			<p>[Engine is running]</p> <ul style="list-style-type: none"> • Warm-up condition • Engine speed: 2,000 rpm 	<p>BATTERY VOLTAGE (11 - 14V)★</p>  <p style="text-align: right; font-size: small;">PBIA4943J</p>
28	L/Y	EVAP canister vent control valve	[Ignition switch: ON]	BATTERY VOLTAGE (11 - 14V)
32	R/G	ECM relay (Self shut-off)	<p>[Engine is running]</p> <p>[Ignition switch: OFF]</p> <ul style="list-style-type: none"> • For a few seconds after turning ignition switch OFF 	0 - 1.0V
			<p>[Ignition switch: OFF]</p> <ul style="list-style-type: none"> • More than a few seconds after turning ignition switch OFF 	BATTERY VOLTAGE (11 - 14V)

TROUBLE DIAGNOSIS

< SERVICE INFORMATION >


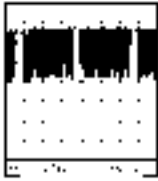
[MR]

TERMI- NAL NO.	WIRE COLOR	ITEM	CONDITION	DATA (DC Voltage)	
33	Y/B	Throttle position sensor 1	[Ignition switch: ON] • Engine stopped • Shift lever: D (CVT), 1st (M/T) • Accelerator pedal: Fully released	More than 0.36V	A EC
			[Ignition switch: ON] • Engine stopped • Shift lever: D (CVT), 1st (M/T) • Accelerator pedal: Fully depressed	Less than 4.75V	C
34	R/W	Throttle position sensor 2	[Ignition switch: ON] • Engine stopped • Shift lever: D (CVT), 1st (M/T) • Accelerator pedal: Fully released	Less than 4.75V	D
			[Ignition switch: ON] • Engine stopped • Shift lever: D (CVT), 1st (M/T) • Accelerator pedal: Fully depressed	More than 0.36V	E
36	BR/W	Sensor ground (Throttle position sensor)	[Engine is running] • Warm-up condition • Idle speed	Approximately 0V	F G
37	W	Knock sensor	[Engine is running] • Idle speed	Approximately 2.5V	H
38	P	Engine coolant temperature sensor	[Engine is running]	Approximately 0 - 4.8V Output voltage varies with engine coolant temperature.	I
40	—	Sensor ground (Knock sensor)	[Engine is running] • Warm-up condition • Idle speed	Approximately 0V	J
41	L	Refrigerant pressure sensor	[Engine is running] • Warm-up condition • Both A/C switch and blower fan switch: ON (Compressor operates.)	1.0 - 4.0V	K
42	R/B	EVAP control system pressure sensor	[Ignition switch: ON]	Approximately 1.8 - 4.8V	L
43	G/O	Fuel tank temperature sensor	[Engine is running]	Approximately 0 - 4.8V Output voltage varies with fuel tank temperature	M
44	GR	Sensor ground (Engine coolant temperature sensor)	[Engine is running] • Warm-up condition • Idle speed	Approximately 0V	N
45	V	Mass air flow sensor	[Engine is running] • Warm-up condition • Idle speed	0.9 - 1.2V	O
			[Engine is running] • Warm-up condition • Engine speed: 2,500 rpm	1.5 - 1.8V	P
46	BR/Y	Intake air temperature sensor	[Engine is running]	Approximately 0 - 4.8V Output voltage varies with intake air temperature.	
48	R/G	Sensor ground (Refrigerant pressure sensor)	[Engine is running] • Warm-up condition • Idle speed	Approximately 0V	
49	L/R	A/F sensor 1	[Engine is running] • Warm-up condition • Engine speed: 2,000 rpm	Approximately 1.8V Output voltage varies with air fuel ratio.	

TROUBLE DIAGNOSIS

< SERVICE INFORMATION >


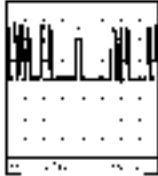

[MR]

TERMI- NAL NO.	WIRE COLOR	ITEM	CONDITION	DATA (DC Voltage)
50	G	Heated oxygen sensor 2	[Engine is running] <ul style="list-style-type: none"> • Revving engine from idle to 3,000 rpm quickly after the following conditions are met. - Engine: After warming up - Keeping the engine speed between 3,500 and 4,000 rpm for 1 minute and at idle for 1 minute under no load. 	0 - Approximately 1.0V
51	V/R	Sensor ground (EVAP control system pres- sure sensor)	[Engine is running] <ul style="list-style-type: none"> • Warm-up condition • Idle speed 	Approximately 0V
52	B/W	Sensor ground (Mass air flow sensor)	[Engine is running] <ul style="list-style-type: none"> • Warm-up condition • Idle speed 	Approximately 0V
53	L/G	A/F sensor 1	[Ignition switch: ON]	Approximately 2.2V
55	O	Sensor ground (Intake air temperature sen- sor)	[Engine is running] <ul style="list-style-type: none"> • Warm-up condition • Idle speed 	Approximately 0V
59	B/Y	Sensor ground (Heated oxygen sensor 2)	[Engine is running] <ul style="list-style-type: none"> • Warm-up condition • Idle speed 	Approximately 0V
61	Y	Crankshaft position sensor (POS)	[Engine is running] <ul style="list-style-type: none"> • Warm-up condition • Idle speed NOTE: The pulse cycle changes depending on rpm at idle.	Approximately 4.0V★  <small>PBIB2998E</small>
			[Engine is running] <ul style="list-style-type: none"> • Engine speed: 2,000 rpm 	Approximately 4.0V★  <small>PBIB2999E</small>
62	B/P	Sensor ground [Crankshaft position sensor (POS)]	[Engine is running] <ul style="list-style-type: none"> • Warm-up condition • Idle speed 	Approximately 0V
63	B/R	Sensor ground [Camshaft position sensor (PHASE)]	[Engine is running] <ul style="list-style-type: none"> • Warm-up condition • Idle speed 	Approximately 0V

TROUBLE DIAGNOSIS

< SERVICE INFORMATION >

[MR]

TERMI- NAL NO.	WIRE COLOR	ITEM	CONDITION	DATA (DC Voltage)	
65	R	Camshaft position sensor (PHASE)	[Engine is running] <ul style="list-style-type: none"> • Warm-up condition • Idle speed NOTE: The pulse cycle changes depending on rpm at idle.	1.0 - 2.0V★ 	A
			[Engine is running] <ul style="list-style-type: none"> • Engine speed: 2,000 rpm. 	1.0 - 2.0V★ 	EC
69	BR/R	Park/neutral position (PNP) switch	[Ignition switch: ON] <ul style="list-style-type: none"> • Shift lever: P or N (CVT), Neutral (M/T) 	BATTERY VOLTAGE (11 - 14V)	C
			[Ignition switch: ON] <ul style="list-style-type: none"> • Except above 	Approximately 0V	D
72	BR	Sensor power supply (Throttle position sensor)	[Ignition switch: ON]	Approximately 5V	E
73	Y/R	Intake valve timing control solenoid valve	[Engine is running] <ul style="list-style-type: none"> • Warm-up condition • Idle speed 	BATTERY VOLTAGE (11 - 14V)	F
			[Engine is running] <ul style="list-style-type: none"> • Warm-up condition • When revving engine up to 2,000 rpm quickly 	7 - 10V★ 	G
74	G/W	Sensor power supply (Refrigerant pressure sensor)	[Ignition switch: ON]	Approximately 5V	H
75	G/R	Sensor power supply [Crankshaft position sensor (POS)]	[Ignition switch: ON]	Approximately 5V	I
76	V/W	EVAP control system pressure sensor power supply	[Ignition switch: ON]	Approximately 5V	J
78	G/Y	Sensor power supply [Camshaft position sensor (PHASE)]	[Ignition switch: ON]	Approximately 5V	K
83	P	CAN communication line	—	—	L
84	L	CAN communication line	—	—	M
88	P/L	DATA link connector	—	—	N
93	B/R	Ignition switch	[Ignition switch: OFF]	0V	O
			[Ignition switch: ON]	BATTERY VOLTAGE (11 - 14V)	P

TROUBLE DIAGNOSIS

< SERVICE INFORMATION >

[MR]

TERMI- NAL NO.	WIRE COLOR	ITEM	CONDITION	DATA (DC Voltage)
94	L/Y	ASCD steering switch	[Ignition switch: ON] • ASCD steering switch: OFF	Approximately 4V
			[Ignition switch: ON] • MAIN switch: Pressed	Approximately 0V
			[Ignition switch: ON] • CANCEL switch: Pressed	Approximately 1V
			[Ignition switch: ON] • RESUME/ACCELERATE switch: Pressed	Approximately 3V
			[Ignition switch: ON] • SET/COAST switch: Pressed	Approximately 2V
95	B/Y	Sensor ground (ASCD steering switch)	[Engine is running] • Warm-up condition • Idle speed	Approximately 0V
99	R/G	Stop lamp switch	[Ignition switch: OFF] • Brake pedal: Fully released	Approximately 0V
			[Ignition switch: OFF] • Brake pedal: Slightly depressed	BATTERY VOLTAGE (11 - 14V)
100	G/B	ASCD brake switch	[Ignition switch: ON] • Brake pedal: Slightly depressed (CVT) • Brake pedal and/or clutch pedal: Slightly de- pressed (M/T)	Approximately 0V
			[Ignition switch: ON] • Brake pedal: Fully released (CVT) • Brake pedal and clutch pedal: Fully re- leased (M/T)	BATTERY VOLTAGE (11 - 14V)
102	BR/Y	Sensor power supply (Accelerator pedal position sensor 2)	[Ignition switch: ON]	Approximately 5V
103	Y/G	Accelerator pedal position sensor 2	[Ignition switch: ON] • Engine stopped • Accelerator pedal: Fully released	0.3 - 0.6V
			[Ignition switch: ON] • Engine stopped • Accelerator pedal: Fully depressed	1.95 - 2.4V
104	B/P	Sensor ground (Accelerator pedal position sensor 2)	[Engine is running] • Warm-up condition • Idle speed	Approximately 0V
105	G	Power supply for ECM	[Ignition switch: ON]	BATTERY VOLTAGE (11 - 14V)
106	O	Sensor power supply (Accelerator pedal position sensor 1)	[Ignition switch: ON]	Approximately 5V
108	B	ECM ground	[Engine is running] • Idle speed	Body ground
110	W	Accelerator pedal position sensor 1	[Ignition switch: ON] • Engine stopped • Accelerator pedal: Fully released	0.6 - 0.9V
			[Ignition switch: ON] • Engine stopped • Accelerator pedal: Fully depressed	3.9 - 4.7V
111	B/W	Sensor ground (Accelerator pedal position sensor 1)	[Engine is running] • Warm-up condition • Idle speed	Approximately 0V

★: Average voltage for pulse signal (Actual pulse signal can be confirmed by oscilloscope.)

TROUBLE DIAGNOSIS

< SERVICE INFORMATION >

[MR]

CONSULT-III Function (ENGINE)

INFOID:000000001849765

FUNCTION

Diagnostic test mode	Function
Work support	This mode enables a technician to adjust some devices faster and more accurately by following the indications on the CONSULT-III unit.
Self-diagnostic results	Self-diagnostic results such as 1st trip DTC, DTCs and 1st trip freeze frame data or freeze frame data can be read and erased quickly.*
Data monitor	Input/Output data in the ECM can be read.
Active test	Diagnostic Test Mode in which CONSULT-III drives some actuators apart from the ECMs and also shifts some parameters in a specified range.
Function test	This mode is used to inform customers when their vehicle condition requires periodic maintenance.
DTC & SRT confirmation	The status of system monitoring tests and the self-diagnosis status/result can be confirmed.
ECU part number	ECM part number can be read.

*: The following emission-related diagnostic information is cleared when the ECM memory is erased.

- Diagnostic trouble codes
- 1st trip diagnostic trouble codes
- Freeze frame data
- 1st trip freeze frame data
- System readiness test (SRT) codes
- Test values

ENGINE CONTROL COMPONENT PARTS/CONTROL SYSTEMS APPLICATION

TROUBLE DIAGNOSIS

< SERVICE INFORMATION >

[MR]

Item		DIAGNOSTIC TEST MODE						
		WORK SUPPORT	SELF-DIAGNOSTIC RESULTS		DATA MONITOR	ACTIVE TEST	DTC & SRT CONFIRMATION	
			DTC*1	FREEZE FRAME DATA*2			SRT STATUS	DTC WORK SUPPORT
ENGINE CONTROL COMPONENT PARTS	INPUT	Crankshaft position sensor (POS)	×	×	×			
	Camshaft position sensor (PHASE)	×	×	×				
	Mass air flow sensor	×		×				
	Engine coolant temperature sensor	×	×	×	×			
	Air fuel ratio (A/F) sensor 1	×		×		×	×	
	Heated oxygen sensor 2	×		×		×	×	
	Wheel sensor	×	×	×				
	Accelerator pedal position sensor	×		×				
	Throttle position sensor	×	×	×				
	Fuel tank temperature sensor	×		×	×			
	EVAP control system pressure sensor	×		×				
	Intake air temperature sensor	×	×	×				
	Knock sensor	×						
	Refrigerant pressure sensor				×			
	Closed throttle position switch (Accelerator pedal position sensor signal)				×			
	Air conditioner switch				×			
	Park/neutral position (PNP) switch	×			×			
	Stop lamp switch	×			×			
	Battery voltage				×			
	Load signal				×			
	Fuel level sensor	×			×			
	ASCD steering switch	×			×			
	ASCD brake switch	×			×			
ASCD clutch switch	×			×				
EPS control unit				×				

TROUBLE DIAGNOSIS

< SERVICE INFORMATION >

[MR]

Item		DIAGNOSTIC TEST MODE						
		WORK SUPPORT	SELF-DIAGNOSTIC RESULTS		DATA MONITOR	ACTIVE TEST	DTC & SRT CONFIRMATION	
			DTC*1	FREEZE FRAME DATA*2			SRT STATUS	DTC WORK SUPPORT
ENGINE CONTROL COMPONENT PARTS	OUTPUT	Fuel injector			×	×		
	Power transistor (Ignition timing)				×	×		
	Throttle control motor relay		×		×			
	Throttle control motor		×					
	EVAP canister purge volume control solenoid valve		×		×	×		×
	Air conditioner relay				×			
	Fuel pump relay	×			×	×		
	Cooling fan relay		×		×	×		
	Air fuel ratio (A/F) sensor 1 heater		×		×		×*3	
	Heated oxygen sensor 2 heater		×		×		×*3	
	EVAP canister vent control valve	×	×		×	×		
	Intake valve timing control solenoid valve		×		×	×		
	Calculated load value			×	×			

X: Applicable

*1: This item includes 1st trip DTCs.

*2: This mode includes 1st trip freeze frame data or freeze frame data. The items appear on CONSULT-III screen in freeze frame data mode only if a 1st trip DTC or DTC is detected. For details, refer to [EC-51, "Emission-related Diagnostic Information"](#).

*3: Always "COMPLT" is displayed.

INSPECTION PROCEDURE

Refer to "CONSULT-III Software Operation Manual" for more information.

WORK SUPPORT MODE

Work Item

WORK ITEM	CONDITION	USAGE
FUEL PRESSURE RELEASE	<ul style="list-style-type: none"> FUEL PUMP WILL STOP BY TOUCHING "START" DURING IDLING. CRANK A FEW TIMES AFTER ENGINE STALLS. 	When releasing fuel pressure from fuel line
IDLE AIR VOL LEARN	<ul style="list-style-type: none"> THE IDLE AIR VOLUME THAT KEEPS THE ENGINE WITHIN THE SPECIFIED RANGE IS MEMORIZED IN ECM. 	When learning the idle air volume
SELF-LEARNING CONT	<ul style="list-style-type: none"> THE COEFFICIENT OF SELF-LEARNING CONTROL MIXTURE RATIO RETURNS TO THE ORIGINAL COEFFICIENT. 	When clearing the coefficient of self-learning control value

TROUBLE DIAGNOSIS

< SERVICE INFORMATION >

[MR]

WORK ITEM	CONDITION	USAGE
EVAP SYSTEM CLOSE	<p>CLOSE THE EVAP CANISTER VENT CONTROL VALVE IN ORDER TO MAKE EVAP SYSTEM CLOSE UNDER THE FOLLOWING CONDITIONS.</p> <ul style="list-style-type: none"> • IGN SW "ON" • ENGINE NOT RUNNING • AMBIENT TEMPERATURE IS ABOVE 0°C (32°F). • NO VACUUM AND NO HIGH PRESSURE IN EVAP SYSTEM • FUEL TANK TEMP. IS MORE THAN 0°C (32°F). • WITHIN 10 MINUTES AFTER STARTING "EVAP SYSTEM CLOSE" • WHEN TRYING TO EXECUTE "EVAP SYSTEM CLOSE" UNDER THE CONDITION EXCEPT ABOVE, CONSULT-III WILL DISCONTINUE IT AND DISPLAY APPROPRIATE INSTRUCTION. <p>NOTE: WHEN STARTING ENGINE, CONSULT-III MAY DISPLAY "BATTERY VOLTAGE IS LOW. CHARGE BATTERY", EVEN IN USING CHARGED BATTERY.</p>	When detecting EVAP vapor leak point of EVAP system
TARGET IDLE RPM ADJ*	<ul style="list-style-type: none"> • IDLE CONDITION 	When setting target idle speed
TARGET IGN TIM ADJ*	<ul style="list-style-type: none"> • IDLE CONDITION 	When adjusting target ignition timing
VIN REGISTRATION	<ul style="list-style-type: none"> • IN THIS MODE, VIN IS REGISTERED IN ECM. 	When registering VIN in ECM

*: This function is not necessary in the usual service procedure.

SELF-DIAG RESULTS MODE

Self Diagnostic Item

Regarding items of DTC and 1st trip DTC, refer to [EC-51, "Emission-related Diagnostic Information"](#).

Freeze Frame Data and 1st Trip Freeze Frame Data

Freeze frame data item*	Description
DIAG TROUBLE CODE [PXXXX]	<ul style="list-style-type: none"> • The engine control component part/control system has a trouble code, it is displayed as PXXXX. (Refer to EC-15.)
FUEL SYS-B1	<ul style="list-style-type: none"> • "Fuel injection system status" at the moment a malfunction is detected is displayed. • One mode in the following is displayed. Mode2: Open loop due to detected system malfunction Mode3: Open loop due to driving conditions (power enrichment, deceleration enrichment) Mode4: Closed loop - using oxygen sensor(s) as feedback for fuel control Mode5: Open loop - has not yet satisfied condition to go to closed loop
CAL/LD VALUE [%]	<ul style="list-style-type: none"> • The calculated load value at the moment a malfunction is detected is displayed.
COOLANT TEMP [°C] or [°F]	<ul style="list-style-type: none"> • The engine coolant temperature at the moment a malfunction is detected is displayed.
L-FUEL TRM-B1 [%]	<ul style="list-style-type: none"> • "Long-term fuel trim" at the moment a malfunction is detected is displayed. • The long-term fuel trim indicates much more gradual feedback compensation to the base fuel schedule than short-term fuel trim.
S-FUEL TRM-B1 [%]	<ul style="list-style-type: none"> • "Short-term fuel trim" at the moment a malfunction is detected is displayed. • The short-term fuel trim indicates dynamic or instantaneous feedback compensation to the base fuel schedule.
ENGINE SPEED [rpm]	<ul style="list-style-type: none"> • The engine speed at the moment a malfunction is detected is displayed.
VEHICL SPEED [km/h] or [mph]	<ul style="list-style-type: none"> • The vehicle speed at the moment a malfunction is detected is displayed.
ABSOL TH-P/S [%]	<ul style="list-style-type: none"> • The throttle valve opening angle at the moment a malfunction is detected is displayed.
B/FUEL SCHDL [msec]	<ul style="list-style-type: none"> • The base fuel schedule at the moment a malfunction is detected is displayed.

TROUBLE DIAGNOSIS

< SERVICE INFORMATION >

[MR]

Freeze frame data item*	Description
INT/A TEMP SE [°C] or [°F]	<ul style="list-style-type: none"> The intake air temperature at the moment a malfunction is detected is displayed.
FUEL SYS-B2	<ul style="list-style-type: none"> Always a certain value is displayed. These items can not efficiently for B16 models.
L-FUEL TRM-B2 [%]	
S-FUEL TRM-B2 [%]	
INT MANI PRES [kPa]	
FTFMCH1	

*: The items are the same as those of 1st trip freeze frame data.

DATA MONITOR MODE

Monitored Item

x: Applicable

Monitored item [Unit]	Description	Remarks
ENG SPEED [rpm]	<ul style="list-style-type: none"> Indicates the engine speed computed from the signals of the crankshaft position sensor (POS) and camshaft position sensor (PHASE). 	<ul style="list-style-type: none"> Accuracy becomes poor if engine speed drops below the idle rpm. If the signal is interrupted while the engine is running, an abnormal value may be indicated.
MAS A/F SE-B1 [V]	<ul style="list-style-type: none"> The signal voltage of the mass air flow sensor is displayed. 	<ul style="list-style-type: none"> When the engine is stopped, a certain value is indicated. When engine is running specification range is indicated in "SPEC".
B/FUEL SCHDL [msec]	<ul style="list-style-type: none"> "Base fuel schedule" indicates the fuel injection pulse width programmed into ECM, prior to any learned on board correction. 	<ul style="list-style-type: none"> When engine is running specification range is indicated in "SPEC".
A/F ALPHA-B1 [%]	<ul style="list-style-type: none"> The mean value of the air-fuel ratio feedback correction factor per cycle is indicated. 	<ul style="list-style-type: none"> When the engine is stopped, a certain value is indicated. When engine is running specification range is indicated in "SPEC". This data also includes the data for the air/fuel ratio learning control.
COOLAN TEMP/S [°C] or [°F]	<ul style="list-style-type: none"> The engine coolant temperature (determined by the signal voltage of the engine coolant temperature sensor) is displayed. 	<ul style="list-style-type: none"> When the engine coolant temperature sensor is open or short-circuited, ECM enters fail-safe mode. The engine coolant temperature determined by the ECM is displayed.
A/F SEN1 (B1) [V]	<ul style="list-style-type: none"> The A/F signal computed from the input signal of the A/F sensor 1 is displayed. 	
HO2S2 (B1) [V]	<ul style="list-style-type: none"> The signal voltage of the heated oxygen sensor 2 is displayed. 	
HO2S2 MNTR (B1) [RICH/LEAN]	<ul style="list-style-type: none"> Display of heated oxygen sensor 2 signal: RICH: means the amount of oxygen after three way catalyst is relatively small. LEAN: means the amount of oxygen after three way catalyst is relatively large. 	<ul style="list-style-type: none"> When the engine is stopped, a certain value is indicated.
VHCL SPEED SE [km/h] or [mph]	<ul style="list-style-type: none"> The vehicle speed computed from the vehicle speed signal is displayed. 	
BATTERY VOLT [V]	<ul style="list-style-type: none"> The power supply voltage of ECM is displayed. 	
ACCEL SEN 1 [V]	<ul style="list-style-type: none"> The accelerator pedal position sensor signal voltage is displayed. 	<ul style="list-style-type: none"> ACCEL SEN 2 signal is converted by ECM internally. Thus, it differs from ECM terminal voltage signal.
ACCEL SEN 2 [V]		
TP SEN 1-B1 [V]	<ul style="list-style-type: none"> The throttle position sensor signal voltage is displayed. 	<ul style="list-style-type: none"> THRTL SEN 2 signal is converted by ECM internally. Thus, it differs from ECM terminal voltage signal.
TP SEN 2-B1 [V]		
FUEL T/TMP SE [°C] or [°F]	<ul style="list-style-type: none"> The fuel temperature (determined by the signal voltage of the fuel tank temperature sensor) is displayed. 	

TROUBLE DIAGNOSIS

< SERVICE INFORMATION >

[MR]

Monitored item [Unit]	Description	Remarks
INT/A TEMP SE [°C] or [°F]	<ul style="list-style-type: none"> The intake air temperature (determined by the signal voltage of the intake air temperature sensor) is indicated. 	
EVAP SYS PRES [V]	<ul style="list-style-type: none"> The signal voltage of EVAP control system pressure sensor is displayed. 	
FUEL LEVEL SE [V]	<ul style="list-style-type: none"> The signal voltage of the fuel level sensor is displayed. 	
START SIGNAL [ON/OFF]	<ul style="list-style-type: none"> Indicates start signal status [ON/OFF] computed by the ECM according to the signals of engine speed and battery voltage. 	<ul style="list-style-type: none"> After starting the engine, [OFF] is displayed regardless of the starter signal.
CLSD THL POS [ON/OFF]	<ul style="list-style-type: none"> Indicates idle position [ON/OFF] computed by the ECM according to the accelerator pedal position sensor signal. 	
AIR COND SIG [ON/OFF]	<ul style="list-style-type: none"> Indicates [ON/OFF] condition of the air conditioner switch as determined by the air conditioner signal. 	
P/N POSI SW [ON/OFF]	<ul style="list-style-type: none"> Indicates [ON/OFF] condition from the park/neutral position (PNP) switch signal. 	
PW/ST SIGNAL [ON/OFF]	<ul style="list-style-type: none"> [ON/OFF] condition of the power steering system (determined by the signal sent from EPS control unit) is indicated. 	
LOAD SIGNAL [ON/OFF]	<ul style="list-style-type: none"> Indicates [ON/OFF] condition from the electrical load signal. ON: Rear window defogger switch is ON and/or lighting switch is in 2nd position. OFF: Both rear window defogger switch and lighting switch are OFF. 	
IGNITION SW [ON/OFF]	<ul style="list-style-type: none"> Indicates [ON/OFF] condition from ignition switch. 	
HEATER FAN SW [ON/OFF]	<ul style="list-style-type: none"> Indicates [ON/OFF] condition from the heater fan switch signal. 	
BRAKE SW [ON/OFF]	<ul style="list-style-type: none"> Indicates [ON/OFF] condition from the stop lamp switch signal. 	
INJ PULSE-B1 [msec]	<ul style="list-style-type: none"> Indicates the actual fuel injection pulse width compensated by ECM according to the input signals. 	<ul style="list-style-type: none"> When the engine is stopped, a certain computed value is indicated.
IGN TIMING [BTDC]	<ul style="list-style-type: none"> Indicates the ignition timing computed by ECM according to the input signals. 	<ul style="list-style-type: none"> When the engine is stopped, a certain value is indicated.
CAL/LD VALUE [%]	<ul style="list-style-type: none"> "Calculated load value" indicates the value of the current airflow divided by peak airflow. 	
MASS AIRFLOW [g·m/s]	<ul style="list-style-type: none"> Indicates the mass airflow computed by ECM according to the signal voltage of the mass air flow sensor. 	
PURG VOL C/V [%]	<ul style="list-style-type: none"> Indicates the EVAP canister purge volume control solenoid valve control value computed by the ECM according to the input signals. The opening becomes larger as the value increases. 	
INT/V TIM (B1) [°CA]	<ul style="list-style-type: none"> Indicates [°CA] of intake camshaft advanced angle. 	
INT/V SOL (B1) [%]	<ul style="list-style-type: none"> The control value of the intake valve timing control solenoid valve (determined by ECM according to the input signal) is indicated. The advance angle becomes larger as the value increases 	
AIR COND RLY [ON/OFF]	<ul style="list-style-type: none"> The air conditioner relay control condition (determined by ECM according to the input signals) is indicated. 	
FUEL PUMP RLY [ON/OFF]	<ul style="list-style-type: none"> Indicates the fuel pump relay control condition determined by ECM according to the input signals. 	

TROUBLE DIAGNOSIS

< SERVICE INFORMATION >

[MR]

Monitored item [Unit]	Description	Remarks
VENT CONT/V [ON/OFF]	<ul style="list-style-type: none"> The control condition of the EVAP canister vent control valve (determined by ECM according to the input signals) is indicated. ON: Closed OFF: Open 	
THRTL RELAY [ON/OFF]	<ul style="list-style-type: none"> Indicates the throttle control motor relay control condition determined by the ECM according to the input signals. 	
COOLING FAN [HI/MID/LOW/OFF]	<ul style="list-style-type: none"> Indicates the condition of the cooling fan (determined by ECM according to the input signals). HI: High speed operation MID: Middle speed operation LOW: Low speed operation OFF: Stop 	
HO2S2 HTR (B1) [ON/OFF]	<ul style="list-style-type: none"> Indicates [ON/OFF] condition of heated oxygen sensor 2 heater determined by ECM according to the input signals. 	
I/P PULLY SPD [rpm]	<ul style="list-style-type: none"> Indicates the engine speed computed from the turbine revolution sensor signal. 	
VEHICLE SPEED [km/h] or [mph]	<ul style="list-style-type: none"> The vehicle speed computed from the vehicle speed signal sent from TCM is displayed. 	
IDL A/V LEARN [YET/CMPLT]	<ul style="list-style-type: none"> Display the condition of idle air volume learning YET: Idle Air Volume Learning has not been performed yet. CMPLT: Idle Air Volume Learning has already been performed successfully. 	
TRVL AFTER MIL [km] or [mile]	<ul style="list-style-type: none"> Distance traveled while MIL is activated. 	
A/F S1 HTR (B1) [%]	<ul style="list-style-type: none"> Indicates A/F sensor 1 heater control value computed by ECM according to the input signals. The current flow to the heater becomes larger as the value increases. 	
AC PRESS SEN [V]	<ul style="list-style-type: none"> The signal voltage from the refrigerant pressure sensor is displayed. 	
VHCL SPEED SE [km/h] or [mph]	<ul style="list-style-type: none"> The vehicle speed computed from the vehicle speed signal sent from TCM is displayed. 	
SET VHCL SPD [km/h] or [mph]	<ul style="list-style-type: none"> The preset vehicle speed is displayed. 	
MAIN SW [ON/OFF]	<ul style="list-style-type: none"> Indicates [ON/OFF] condition from MAIN switch signal. 	
CANCEL SW [ON/OFF]	<ul style="list-style-type: none"> Indicates [ON/OFF] condition from CANCEL switch signal. 	
RESUME/ACC SW [ON/OFF]	<ul style="list-style-type: none"> Indicates [ON/OFF] condition from RESUME/ACCELERATE switch signal. 	
SET SW [ON/OFF]	<ul style="list-style-type: none"> Indicates [ON/OFF] condition from SET/COAST switch signal. 	
BRAKE SW1 [ON/OFF]	<ul style="list-style-type: none"> Indicates [ON/OFF] condition from ASCD brake switch signal. 	
BRAKE SW2 [ON/OFF]	<ul style="list-style-type: none"> Indicates [ON/OFF] condition of stop lamp switch signal. 	
VHCL SPD CUT [NON/CUT]	<ul style="list-style-type: none"> Indicates the vehicle cruise condition. NON: Vehicle speed is maintained at the ASCD set speed. CUT: Vehicle speed increased to excessively high compared with the ASCD set speed, and ASCD operation is cut off. 	

A

EC

C

D

E

F

G

H

I

J

K

L

M

N

O

P

TROUBLE DIAGNOSIS

[MR]

< SERVICE INFORMATION >

Monitored item [Unit]	Description	Remarks
LO SPEED CUT [NON/CUT]	<ul style="list-style-type: none"> Indicates the vehicle cruise condition. NON: Vehicle speed is maintained at the ASCD set speed. CUT: Vehicle speed decreased to excessively low compared with the ASCD set speed, and ASCD operation is cut off. 	
AT OD MONITOR [ON/OFF]	<ul style="list-style-type: none"> Indicates [ON/OFF] condition of CVT according to the input signal from the TCM. 	<ul style="list-style-type: none"> For M/T models always "OFF" is displayed
AT OD CANCEL [ON/OFF]	<ul style="list-style-type: none"> Indicates [ON/OFF] condition of CVT cancel signal sent from the TCM. 	<ul style="list-style-type: none"> For M/T models always "OFF" is displayed
CRUISE LAMP [ON/OFF]	<ul style="list-style-type: none"> Indicates [ON/OFF] condition of CRUISE lamp determined by the ECM according to the input signals. 	
SET LAMP [ON/OFF]	<ul style="list-style-type: none"> Indicates [ON/OFF] condition of SET lamp determined by the ECM according to the input signals. 	
A/F ADJ-B1	<ul style="list-style-type: none"> Indicates the correction factor stored in ECM. The factor is calculated from the difference between the target air/fuel ratio stored in ECM and the air/fuel ratio calculated from air fuel ratio (A/F) sensor 1 signal. 	

NOTE:

Any monitored item that does not match the vehicle being diagnosed is deleted from the display automatically.

ACTIVE TEST MODE

Test Item

TEST ITEM	CONDITION	JUDGEMENT	CHECK ITEM (REMEDY)
FUEL INJECTION	<ul style="list-style-type: none"> Engine: Return to the original trouble condition Change the amount of fuel injection using CONSULT-III. 	If trouble symptom disappears, see CHECK ITEM.	<ul style="list-style-type: none"> Harness and connectors Fuel injector Air fuel ratio (A/F) sensor 1
IGNITION TIMING	<ul style="list-style-type: none"> Engine: Return to the original trouble condition Timing light: Set Retard the ignition timing using CONSULT-III. 	If trouble symptom disappears, see CHECK ITEM.	<ul style="list-style-type: none"> Perform Idle Air Volume Learning.
POWER BALANCE	<ul style="list-style-type: none"> Engine: After warming up, idle the engine. A/C switch OFF Shift lever: P or N (CVT), Neutral (M/T) Cut off each fuel injector signal one at a time using CONSULT-III. 	Engine runs rough or dies.	<ul style="list-style-type: none"> Harness and connectors Compression Fuel injector Power transistor Spark plug Ignition coil
COOLING FAN*	<ul style="list-style-type: none"> Ignition switch: ON Turn the cooling fan "LOW", "MID", "HI" and "OFF" with CONSULT-III. 	Cooling fan moves and stops.	<ul style="list-style-type: none"> Harness and connectors Cooling fan relay Cooling fan motor
ENG COOLANT TEMP	<ul style="list-style-type: none"> Engine: Return to the original trouble condition Change the engine coolant temperature using CONSULT-III. 	If trouble symptom disappears, see CHECK ITEM.	<ul style="list-style-type: none"> Harness and connectors Engine coolant temperature sensor Fuel injector
FUEL PUMP RELAY	<ul style="list-style-type: none"> Ignition switch: ON (Engine stopped) Turn the fuel pump relay "ON" and "OFF" using CONSULT-III and listen to operating sound. 	Fuel pump relay makes the operating sound.	<ul style="list-style-type: none"> Harness and connectors Fuel pump relay

TROUBLE DIAGNOSIS

< SERVICE INFORMATION >

[MR]

TEST ITEM	CONDITION	JUDGEMENT	CHECK ITEM (REMEDY)
PURG VOL CONT/V	<ul style="list-style-type: none"> Engine: After warming up, run engine at 1,500 rpm. Change the EVAP canister purge volume control solenoid valve opening percent using CONSULT-III. 	Engine speed changes according to the opening percent.	<ul style="list-style-type: none"> Harness and connectors EVAP canister purge volume control solenoid valve
FUEL/T TEMP SEN	<ul style="list-style-type: none"> Change the fuel tank temperature using CONSULT-III. 		
VENT CONTROL/V	<ul style="list-style-type: none"> Ignition switch: ON (Engine stopped) Turn solenoid valve "ON" and "OFF" with the CONSULT-III and listen to operating sound. 	Solenoid valve makes an operating sound.	<ul style="list-style-type: none"> Harness and connectors EVAP canister vent control valve
V/T ASSIGN ANGLE	<ul style="list-style-type: none"> Engine: Return to the original trouble condition Change intake valve timing using CONSULT-III. 	If trouble symptom disappears, see CHECK ITEM.	<ul style="list-style-type: none"> Harness and connectors Intake valve timing control solenoid valve

*: Leaving cooling fan OFF with CONSULT-III while engine is running may cause the engine to overheat.

DTC & SRT CONFIRMATION MODE

SRT STATUS Mode

For details, refer to [EC-51. "Emission-related Diagnostic Information"](#).

SRT WORK SUPPORT Mode

This mode enables a technician to drive a vehicle to set the SRT while monitoring the SRT status.

DTC WORK SUPPORT Mode

Test mode	Test item	Corresponding DTC No.	Reference page
EVAPORATIVE SYSTEM	PURG FLOW P0441	P0441	EC-301
	EVP SML LEAK P0442/P1442*	P0442	EC-306
		P0455	EC-356
	EVP V/S LEAK P0456/P1456*	P0456	EC-362
A/F SEN1	PURG VOL CN/V P1444	P0443	EC-313
	A/F SEN1 (B1) P1276	P0130	EC-202
HO2S2	A/F SEN1 (B1) P1278/P1279	P0133	EC-220
	HO2S2 (B1) P0139	P0139	EC-243
	HO2S2 (B1) P1146	P0138	EC-234
	HO2S2 (B1) P1147	P0137	EC-227

*: DTC P1442 and P1456 does not apply to B16 models but appears in DTC Work Support Mode screens.

Generic Scan Tool (GST) Function

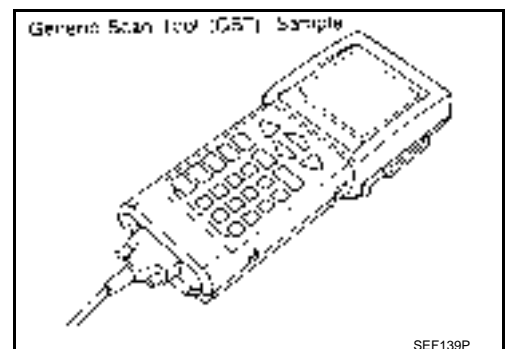
INFOID:000000001849766

DESCRIPTION

Generic Scan Tool (OBDII scan tool) complying with SAE J1978 has 8 different functions explained below.

ISO15765-4 is used as the protocol.

The name GST or Generic Scan Tool is used in this service manual.



SEF139P

TROUBLE DIAGNOSIS

< SERVICE INFORMATION >

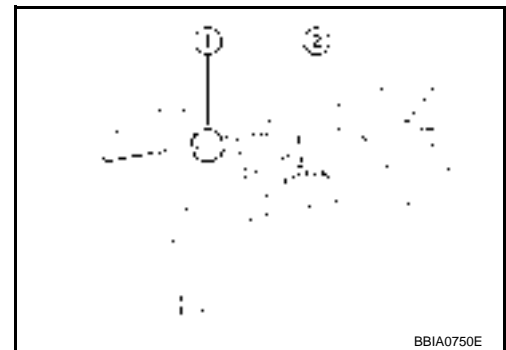
[MR]

FUNCTION

Diagnostic test mode		Function
Service \$01	READINESS TESTS	This diagnostic service gains access to current emission-related data values, including analog inputs and outputs, digital inputs and outputs, and system status information.
Service \$02	(FREEZE DATA)	This diagnostic service gains access to emission-related data value which were stored by ECM during the freeze frame. For details, refer to EC-113. "CONSULT-III Function (ENGINE)" .
Service \$03	DTCs	This diagnostic service gains access to emission-related power train trouble codes which were stored by ECM.
Service \$04	CLEAR DIAG INFO	This diagnostic service can clear all emission-related diagnostic information. This includes: <ul style="list-style-type: none"> • Clear number of diagnostic trouble codes (Service \$01) • Clear diagnostic trouble codes (Service \$03) • Clear trouble code for freeze frame data (Service \$01) • Clear freeze frame data (Service \$02) • Reset status of system monitoring test (Service \$01) • Clear on board monitoring test results (Service \$06 and \$07)
Service \$06	(ON BOARD TESTS)	This diagnostic service accesses the results of on board diagnostic monitoring tests of specific components/systems that are not continuously monitored.
Service \$07	(ON BOARD TESTS)	This diagnostic service enables the off board test drive to obtain test results for emission-related powertrain components/systems that are continuously monitored during normal driving conditions.
Service \$08	—	This diagnostic service can close EVAP system in ignition switch ON position (Engine stopped). When this diagnostic service is performed, EVAP canister vent control valve can be closed. In the following conditions, this diagnostic service cannot function. <ul style="list-style-type: none"> • Low ambient temperature • Low battery voltage • Engine running • Ignition switch OFF • Low fuel temperature • Too much pressure is applied to EVAP system
Service \$09	(CALIBRATION ID)	This diagnostic service enables the off-board test device to request specific vehicle information such as Vehicle Identification Number (VIN) and Calibration IDs.

INSPECTION PROCEDURE

1. Turn ignition switch OFF.
2. Connect GST to data link connector (1).
 - Accelerator pedal (2)



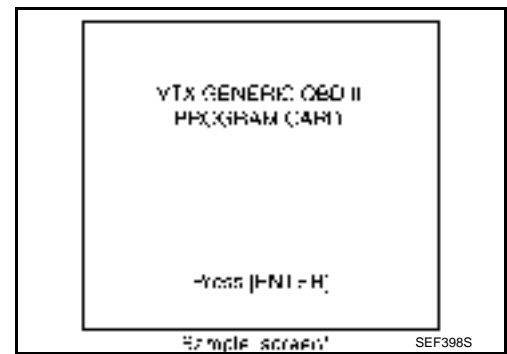
BBIA0750E

TROUBLE DIAGNOSIS

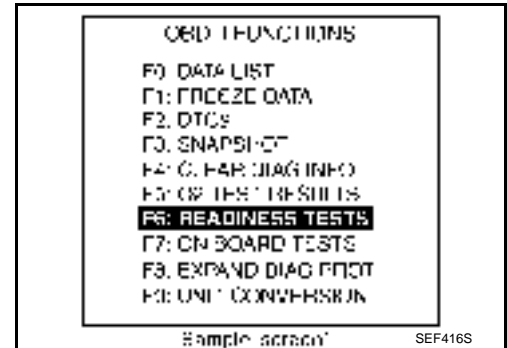
[MR]

< SERVICE INFORMATION >

3. Turn ignition switch ON.
4. Enter the program according to instruction on the screen or in the operation manual.
(*: Regarding GST screens in this section, sample screens are shown.)



5. Perform each diagnostic service according to each service procedure.
For further information, see the GST Operation Manual of the tool maker.



CONSULT-III Reference Value in Data Monitor

INFOID:000000001849767

Remarks:

- Specification data are reference values.
- Specification data are output/input values which are detected or supplied by the ECM at the connector.
- * Specification data may not be directly related to their components signals/values/operations.
i.e. Adjust ignition timing with a timing light before monitoring IGN TIMING, because the monitor may show the specification data in spite of the ignition timing not being adjusted to the specification data. This IGN TIMING monitors the data calculated by the ECM according to the signals input from the camshaft position sensor and other ignition timing related sensors.

MONITOR ITEM	CONDITION	SPECIFICATION
ENG SPEED	• Run engine and compare CONSULT-III value with the tachometer indication.	Almost the same speed as the tachometer indication.
MAS A/F SE-B1	See EC-127 .	
B/FUEL SCHDL	See EC-127 .	
A/F ALPHA-B1	See EC-127 .	
COOLAN TEMP/S	• Engine: After warming up	More than 70°C (158°F)
A/F SEN1 (B1)	• Engine: After warming up Maintaining engine speed at 2,000 rpm	Fluctuates around 2.2V
HO2S2 (B1)	• Revving engine from idle to 3,000 rpm quickly after the following conditions are met - Engine: After warming up	0 - 0.3V ↔ Approx. 0.6 - 1.0V
HO2S2 MNTR (B1)	- Keeping the engine speed between 3,500 and 4,000 rpm for 1 minute and at idle for 1 minute under no load	LEAN ↔ RICH
VHCL SPEED SE	• Turn drive wheels and compare CONSULT-III value with the speedometer indication.	Almost the same speed as the speedometer indication.
BATTERY VOLT	• Ignition switch: ON (Engine stopped)	11 - 14V
ACCEL SEN 1	• Ignition switch: ON (Engine stopped)	Accelerator pedal: Fully released
ACCEL SEN 2*		Accelerator pedal: Fully depressed
EVAP SYS PRES	• Ignition switch: ON	Approx. 1.8 - 4.8V

TROUBLE DIAGNOSIS

< SERVICE INFORMATION >

[MR]

MONITOR ITEM	CONDITION	SPECIFICATION
TP SEN 1-B1 TP SEN 2-B1*	• Ignition switch: ON (Engine stopped) Accelerator pedal: Fully released	More than 0.36V
	• Shift lever: D (CVT), 1st (M/T) Accelerator pedal: Fully depressed	Less than 4.75V
START SIGNAL	• Ignition switch: ON → START → ON	OFF → ON → OFF
CLSD THL POS	• Ignition switch: ON Accelerator pedal: Fully released	ON
	Accelerator pedal: Slightly depressed	OFF
AIR COND SIG	• Engine: After warming up, idle the engine Air conditioner switch: OFF	OFF
	Air conditioner switch: ON (Compressor operates.)	ON
P/N POSI SW	• Ignition switch: ON Shift lever: P or N (CVT), Neutral (M/T)	ON
	Shift lever: Except above	OFF
PW/ST SIGNAL	• Engine: After warming up, idle the engine Steering wheel: Not being turned	OFF
	Steering wheel: Being turned	ON
LOAD SIGNAL	• Ignition switch: ON Rear window defogger switch: ON and/or Lighting switch: 2nd	ON
	Rear window defogger switch and lighting switch: OFF	OFF
IGNITION SW	• Ignition switch: ON → OFF → ON	ON → OFF → ON
HEATER FAN SW	• Ignition switch: ON Heater fan: Operating	ON
	Heater fan: Not operating	OFF
BRAKE SW	• Ignition switch: ON Brake pedal: Fully released	OFF
	Brake pedal: Slightly depressed	ON
INJ PULSE-B1	• Engine: After warming up • Air conditioner switch: OFF • Shift lever: P or N (CVT), Neutral (M/T) • No load Idle	2.0 - 3.0 msec
	2,000 rpm	1.9 - 2.9 msec
IGN TIMING	• Engine: After warming up • Air conditioner switch: OFF • Shift lever: P or N (CVT), Neutral (M/T) • No load Idle	1° - 11° BTDC
	2,000 rpm	25° - 45° BTDC
CAL/LD VALUE	• Engine: After warming up • Air conditioner switch: OFF • Shift lever: P or N (CVT), Neutral (M/T) • No load Idle	10% - 35%
	2,500 rpm	10% - 35%
MASS AIRFLOW	• Engine: After warming up • Air conditioner switch: OFF • Shift lever: P or N (CVT), Neutral (M/T) • No load Idle	1.0 - 4.0 g·m/s
	2,500 rpm	2.0 - 10.0 g·m/s
PURG VOL C/V	• Engine: After warming up • Air conditioner switch: OFF • Shift lever: P or N (CVT), Neutral (M/T) • No load Idle (Accelerator pedal is not depressed even slightly, af- ter engine starting)	0%
	2,000 rpm	0 - 50%
INT/V TIM (B1)	• Engine: After warming up • Air conditioner switch: OFF • Shift lever: P or N (CVT), Neutral (M/T) • No load Idle	-5° - 5°CA
	When revving engine up to 2,000 rpm quickly	Approx. 0° - 40°CA

TROUBLE DIAGNOSIS

< SERVICE INFORMATION >

[MR]

MONITOR ITEM	CONDITION	SPECIFICATION
INT/V SOL (B1)	<ul style="list-style-type: none"> • Engine: After warming up • Air conditioner switch: OFF • Shift lever: P or N (CVT), Neutral (M/T) • No load 	Idle
		When revving engine up to 2,000 rpm quickly
AIR COND RLY	<ul style="list-style-type: none"> • Engine: After warming up, idle the engine 	Air conditioner switch: OFF
		Air conditioner switch: ON (Compressor operates)
FUEL PUMP RLY	<ul style="list-style-type: none"> • For 1 second after turning ignition switch ON • Engine running or cranking 	ON
	<ul style="list-style-type: none"> • Except above conditions 	OFF
VENT CONT/V	<ul style="list-style-type: none"> • Ignition switch: ON 	OFF
THRTL RELAY	<ul style="list-style-type: none"> • Ignition switch: ON 	ON
COOLING FAN	<ul style="list-style-type: none"> • Engine: After warming up, idle the engine • Air conditioner switch: OFF 	Engine coolant temperature: 94°C (201°F) or less
		Engine coolant temperature: Between 98°C (208°F) and 99°C (210°F)
		Engine coolant temperature: Between 100°C (212°F) and 104°C (219°F)
		Engine coolant temperature: 105°C (221°F) or more
HO2S2 HTR (B1)	<ul style="list-style-type: none"> • Below 3,600 rpm after the following conditions are met. <ul style="list-style-type: none"> - Engine: After warming up - Keeping the engine speed between 3,500 and 4,000 rpm for 1 minute and at idle for 1 minute under no load 	ON
	<ul style="list-style-type: none"> • Engine speed: Above 3,600 rpm 	OFF
I/P PULLY SPD	<ul style="list-style-type: none"> • Vehicle speed: More than 20 km/h (12 MPH) 	Almost the same speed as the tachometer indication
VEHICLE SPEED	<ul style="list-style-type: none"> • Turn drive wheels and compare CONSULT-III value with the speedometer indication. 	Almost the same speed as the speedometer indication
TRVL AFTER MIL	<ul style="list-style-type: none"> • Ignition switch: ON 	Vehicle has traveled after MIL has turned ON.
A/F S1 HTR (B1)	<ul style="list-style-type: none"> • Engine: After warming up, idle the engine (More than 140 seconds after starting engine) 	4 - 100%
AC PRESS SEN	<ul style="list-style-type: none"> • Engine: Idle • Air conditioner switch: ON (Compressor operates) 	1.0 - 4.0V
VHCL SPEED SE	<ul style="list-style-type: none"> • Turn drive wheels and compare speedometer indication with the CONSULT-III value. 	Almost the same speed as the speedometer indication
SET VHCL SPD	<ul style="list-style-type: none"> • Engine: Running 	ASCD: Operating
MAIN SW	<ul style="list-style-type: none"> • Ignition switch: ON 	MAIN switch: Pressed
		MAIN switch: Released
CANCEL SW	<ul style="list-style-type: none"> • Ignition switch: ON 	CANCEL switch: Pressed
		CANCEL switch: Released
RESUME/ACC SW	<ul style="list-style-type: none"> • Ignition switch: ON 	RESUME/ACCELERATE switch: Pressed
		RESUME/ACCELERATE switch: Released
SET SW	<ul style="list-style-type: none"> • Ignition switch: ON 	SET/COAST switch: Pressed
		SET/COAST switch: Released

A
EC
C
D
E
F
G
H
I
J
K
L
M
N
O
P

TROUBLE DIAGNOSIS

< SERVICE INFORMATION >

[MR]

MONITOR ITEM	CONDITION	SPECIFICATION	
BRAKE SW1	<ul style="list-style-type: none"> • Ignition switch: ON 	<ul style="list-style-type: none"> • Brake pedal: Fully released (CVT) • Brake pedal and clutch pedal: Fully released (M/T) 	ON
		<ul style="list-style-type: none"> • Brake pedal: Slightly depressed (CVT) • Brake pedal and/or clutch pedal: Slightly depressed (M/T) 	OFF
BRAKE SW2	<ul style="list-style-type: none"> • Ignition switch: ON 	Brake pedal: Fully released	OFF
		Brake pedal: Slightly depressed	ON
CRUISE LAMP	<ul style="list-style-type: none"> • Ignition switch: ON 	MAIN switch: Pressed at the 1st time → at the 2nd time	ON → OFF
SET LAMP	<ul style="list-style-type: none"> • MAIN switch: ON • Vehicle speed: Between 40 km/h (25 MPH) and 144 km/h (89 MPH) 	ACSD: Operating	ON
		ACSD: Not operating	OFF

*: Accelerator pedal position sensor 2 signal and throttle position sensor 2 signal are converted by ECM internally. Thus, they differ from ECM terminals voltage signal.

TROUBLE DIAGNOSIS - SPECIFICATION VALUE

< SERVICE INFORMATION >

[MR]

TROUBLE DIAGNOSIS - SPECIFICATION VALUE

Description

INFOID:000000001849768

The specification (SP) value indicates the tolerance of the value that is displayed in "SPEC" of "DATA MONITOR" mode with CONSULT-III during normal operation of the Engine Control System. When the value in "SPEC" of "DATA MONITOR" mode is within the SP value, the Engine Control System is confirmed OK. When the value in "SPEC" of "DATA MONITOR" mode is NOT within the SP value, the Engine Control System may have one or more malfunctions.

The SP value is used to detect malfunctions that may affect the Engine Control System, but will not light the MIL.

The SP value will be displayed for the following three items:

- B/FUEL SCHDL (The fuel injection pulse width programmed into ECM prior to any learned on board correction)
- A/F ALPHA-B1 (The mean value of air-fuel ratio feedback correction factor per cycle)
- MAS A/F SE-B1 (The signal voltage of the mass air flow sensor)

Testing Condition

INFOID:000000001849769

- Vehicle driven distance: More than 5,000 km (3,107 miles)
- Barometric pressure: 98.3 - 104.3 kPa (1.003 - 1.064 kg/cm², 14.25 - 15.12 psi)
- Atmospheric temperature: 20 - 30°C (68 - 86°F)
- Engine coolant temperature: 75 - 95°C (167 - 203°F)
- Transmission: Warmed-up
 - CVT models: After the engine is warmed up to normal operating temperature, drive vehicle until "FLUID TEMP SE" fluid temperature sensor signal) indicates more than 60°C (140°F).
 - M/T models: After the engine is warmed up to normal operating temperature, drive vehicle for 5 minutes.
- Electrical load: Not applied
 - Rear window defogger switch, air conditioner switch, lighting switch are OFF. Steering wheel is straight ahead.
- Engine speed: Idle

Inspection Procedure

INFOID:000000001849770

NOTE:

Perform "SPEC" in "DATA MONITOR" mode in maximum scale display.

1. Perform [EC-75. "Basic Inspection"](#).
2. Confirm that the testing conditions indicated above are met.
3. Select "B/FUEL SCHDL", "A/F ALPHA-B1" and "MAS A/F SE-B1" in "SPEC" of "DATA MONITOR" mode with CONSULT-III.
4. Make sure that monitor items are within the SP value.
5. If NG, go to [EC-127. "Diagnosis Procedure"](#).

Diagnosis Procedure

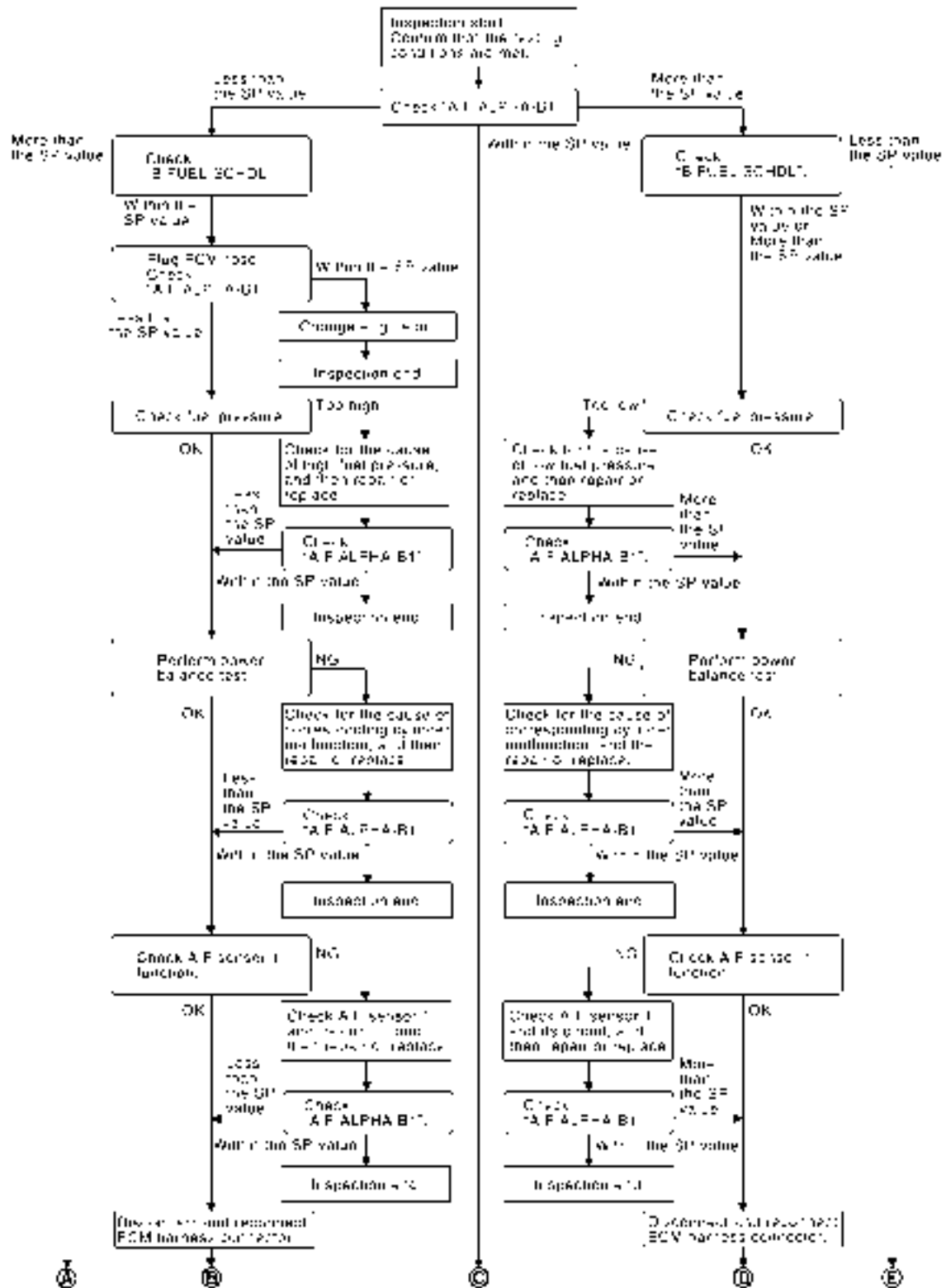
INFOID:000000001849771

OVERALL SEQUENCE

TROUBLE DIAGNOSIS - SPECIFICATION VALUE

< SERVICE INFORMATION >

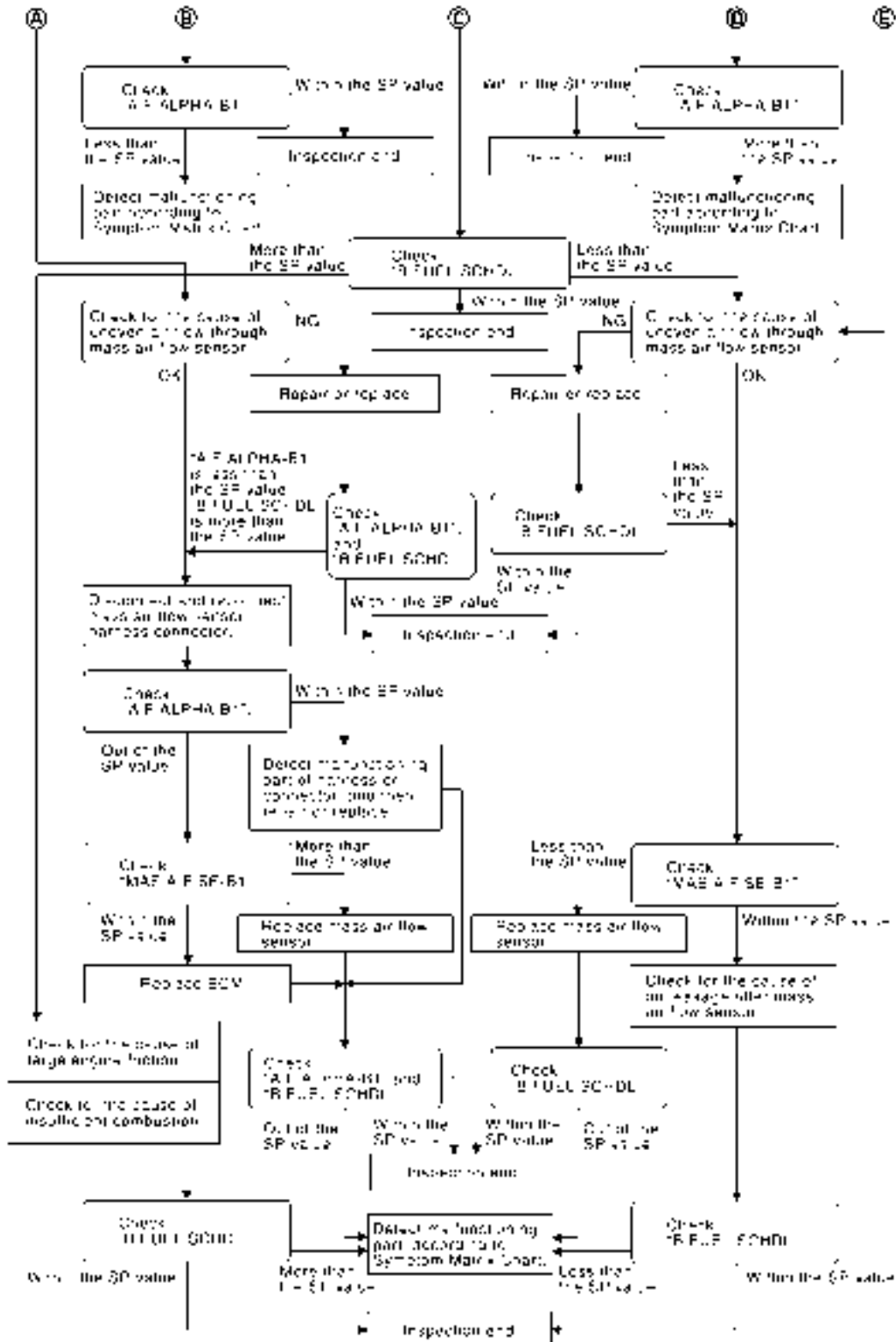
[MR]



TROUBLE DIAGNOSIS - SPECIFICATION VALUE

< SERVICE INFORMATION >

[MR]



PBIB3213E

DETAILED PROCEDURE

1. CHECK "A/F ALPHA-B1"

1. Start engine.
2. Confirm that the testing conditions are met. Refer to [EC-127, "Testing Condition"](#).
3. Select "A/F ALPHA-B1" in "SPEC" of "DATA MONITOR" mode, and make sure that the indication is within the SP value.

NOTE:

TROUBLE DIAGNOSIS - SPECIFICATION VALUE

[MR]

< SERVICE INFORMATION >

Check "A/F ALPHA-B1" for approximately 1 minute because they may fluctuate. It is NG if the indication is out of the SP value even a little.

OK or NG

OK >> GO TO 17.

NG (Less than the SP value)>>GO TO 2.

NG (More than the SP value)>>GO TO 3.

2.CHECK "B/FUEL SCHDL"

Select "B/FUEL SCHDL" in "SPEC" of "DATA MONITOR" mode, and make sure that the indication is within the SP value.

OK or NG

OK >> GO TO 4.

NG (More than the SP value)>>GO TO 19.

3.CHECK "B/FUEL SCHDL"

Select "B/FUEL SCHDL" in "SPEC" of "DATA MONITOR" mode, and make sure that the indication is within the SP value.

OK or NG

OK >> GO TO 6.

NG (More than the SP value)>>GO TO 6.

NG (Less than the SP value)>>GO TO 25.

4.CHECK "A/F ALPHA-B1"

1. Stop the engine.
2. Disconnect PCV hose, and then plug it.
3. Start engine.
4. Select "A/F ALPHA-B1" in "SPEC" of "DATA MONITOR" mode, and make sure that the indication is within the SP value.

OK or NG

OK >> GO TO 5.

NG >> GO TO 6.

5.CHANGE ENGINE OIL

1. Stop the engine.
2. Change engine oil. Refer to [MA-21. "Changing Engine Oil"](#).

NOTE:

This symptom may occur when a large amount of gasoline is mixed with engine oil because of driving conditions (such as when engine oil temperature does not rise enough since a journey distance is too short during winter). The symptom will not be detected after changing engine oil or changing driving condition.

>> **INSPECTION END**

6.CHECK FUEL PRESSURE

Check fuel pressure. (Refer to [EC-83. "Fuel Pressure Check"](#).)

OK or NG

OK >> GO TO 9.

NG (Fuel pressure is too high)>>Replace fuel pressure regulator, refer to [EC-83. "Fuel Pressure Check"](#). GO TO 8.

NG (Fuel pressure is too low)>>GO TO 7.

7.DETECT MALFUNCTIONING PART

1. Check the following.
 - Clogged and bent fuel hose and fuel tube
 - Clogged fuel filter
 - Fuel pump and its circuit (Refer to [EC-500.](#))
2. If NG, repair or replace the malfunctioning part. (Refer to [EC-83. "Fuel Pressure Check"](#).)
If OK, replace fuel pressure regulator.

TROUBLE DIAGNOSIS - SPECIFICATION VALUE

< SERVICE INFORMATION >

[MR]

>> GO TO 8.

8. CHECK "A/F ALPHA-B1"

1. Start engine.
2. Select "A/F ALPHA-B1" in "SPEC" of "DATA MONITOR" mode, and make sure that the indication is within the SP value.

OK or NG

OK >> **INSPECTION END**
NG >> GO TO 9.

9. PERFORM POWER BALANCE TEST

1. Perform "POWER BALANCE" in "ACTIVE TEST" mode.
2. Make sure that the each cylinder produces a momentary engine speed drop.

OK or NG

OK >> GO TO 12.
NG >> GO TO 10.

10. DETECT MALFUNCTIONING PART

1. Check the following.
 - Ignition coil and its circuit (Refer to [EC-505.](#))
 - Fuel injector and its circuit (Refer to [EC-495.](#))
 - Intake air leakage
 - Low compression pressure (Refer to [EM-61, "On-Vehicle Service".](#))
2. If NG, repair or replace the malfunctioning part.
If OK, replace fuel injector. (It may be caused by leakage from fuel injector or clogging.)

>> GO TO 11.

11. CHECK "A/F ALPHA-B1"

1. Start engine.
2. Select "A/F ALPHA-B1" in "SPEC" of "DATA MONITOR" mode, and make sure that the indication is within the SP value.

OK or NG

OK >> **INSPECTION END**
NG >> GO TO 12.

12. CHECK A/F SENSOR 1 FUNCTION

Perform all DTC Confirmation Procedure related with A/F sensor 1.

- For DTC P0130, refer to [EC-202, "DTC Confirmation Procedure".](#)
- For DTC P0131, refer to [EC-208, "DTC Confirmation Procedure".](#)
- For DTC P0132, refer to [EC-214, "DTC Confirmation Procedure".](#)
- For DTC P0133, refer to [EC-220, "DTC Confirmation Procedure".](#)
- For DTC P2A00, refer to [EC-475, "DTC Confirmation Procedure".](#)

OK or NG

OK >> GO TO 15.
NG >> GO TO 13.

13. CHECK A/F SENSOR 1 CIRCUIT

Perform Diagnostic Procedure according to corresponding DTC.

>> GO TO 14.

14. CHECK "A/F ALPHA-B1"

1. Start engine.
2. Select "A/F ALPHA-B1" in "SPEC" of "DATA MONITOR" mode, and make sure that the indication is within the SP value.

OK or NG

TROUBLE DIAGNOSIS - SPECIFICATION VALUE

[MR]

< SERVICE INFORMATION >

OK >> **INSPECTION END**
NG >> GO TO 15.

15.DISCONNECT AND RECONNECT ECM HARNESS CONNECTOR

1. Stop the engine.
2. Disconnect ECM harness connector. Check pin terminal and connector for damage, and then reconnect it.

>> GO TO 16.

16.CHECK "A/F ALPHA-B1"

1. Start engine.
2. Select "A/F ALPHA-B1" in "SPEC" of "DATA MONITOR" mode, and make sure that the indication is within the SP value.

OK or NG

OK >> **INSPECTION END**
NG >> Detect malfunctioning part according to [EC-92. "Symptom Matrix Chart"](#).

17.CHECK "B/FUEL SCHDL"

Select "B/FUEL SCHDL" in "SPEC" of "DATA MONITOR" mode, and make sure that the indication is within the SP value.

OK or NG

OK >> **INSPECTION END**
NG (More than the SP value)>>GO TO 18.
NG (Less than the SP value)>>GO TO 25.

18.DETECT MALFUNCTIONING PART

1. Check for the cause of large engine friction. Refer to the following.
 - Engine oil level is too high
 - Engine oil viscosity
 - Belt tension of alternator, A/C compressor, etc. is excessive
 - Noise from engine
 - Noise from transmission, etc.
2. Check for the cause of insufficient combustion. Refer to the following.
 - Valve clearance malfunction
 - Intake valve timing control function malfunction
 - Camshaft sprocket installation malfunction, etc.

>> Repair or replace malfunctioning part, and then GO TO 30.

19.CHECK INTAKE SYSTEM

Check for the cause of uneven air flow through mass air flow sensor. Refer to the following.

- Crushed air ducts
- Malfunctioning seal of air cleaner element
- Uneven dirt of air cleaner element
- Improper specification of intake air system

OK or NG

OK >> GO TO 21.
NG >> Repair or replace malfunctioning part, and then GO TO 20.

20.CHECK "A/F ALPHA-B1" AND "B/FUEL SCHDL"

Select "A/F ALPHA-B1" and "B/FUEL SCHDL" in "SPEC" of "DATA MONITOR" mode, and make sure that the each indication is within the SP value.

OK or NG

OK >> **INSPECTION END**
NG ("B/FUEL SCHDL" is more, "A/F ALPHA-B1" is less than the SP value)>>GO TO 21.

21.DISCONNECT AND RECONNECT MASS AIR FLOW SENSOR HARNESS CONNECTOR

1. Stop the engine.

TROUBLE DIAGNOSIS - SPECIFICATION VALUE

[MR]

< SERVICE INFORMATION >

2. Disconnect mass air flow sensor harness connector. Check pin terminal and connector for damage and then reconnect it again.

>> GO TO 22.

22.CHECK "A/F ALPHA-B1"

1. Start engine.
2. Select "A/F ALPHA-B1" in "SPEC" of "DATA MONITOR" mode, and make sure that the indication is within the SP value.

OK or NG

OK >> 1. Detect malfunctioning part of mass air flow sensor circuit and repair it. Refer to [EC-165](#).
2. GO TO 29.

NG >> GO TO 23.

23.CHECK "MAS A/F SE-B1"

Select "MAS A/F SE-B1" in "SPEC" of "DATA MONITOR" mode, and make sure that the indication is within the SP value.

OK or NG

OK >> GO TO 24.

NG (More than the SP value)>>Replace mass air flow sensor, and then GO TO 29.

24.REPLACE ECM

1. Replace ECM.
2. Perform initialization of NVIS(NATS) system and registration of all NVIS(NATS) ignition key IDs. Refer to [BL-170, "ECM Re-communicating Function"](#).
3. Perform [EC-81, "VIN Registration"](#).
4. Perform [EC-81, "Accelerator Pedal Released Position Learning"](#).
5. Perform [EC-81, "Throttle Valve Closed Position Learning"](#).
6. Perform [EC-81, "Idle Air Volume Learning"](#).

>> GO TO 29.

25.CHECK INTAKE SYSTEM

Check for the cause of uneven air flow through mass air flow sensor. Refer to the following.

- Crushed air ducts
- Malfunctioning seal of air cleaner element
- Uneven dirt of air cleaner element
- Improper specification of intake air system

OK or NG

OK >> GO TO 27.

NG >> Repair or replace malfunctioning part, and then GO TO 26.

26.CHECK "B/FUEL SCHDL"

Select "B/FUEL SCHDL" in "SPEC" of "DATA MONITOR" mode, and make sure that the indication is within the SP value.

OK or NG

OK >> **INSPECTION END**

NG (Less than the SP value)>>GO TO 27.

27.CHECK "MAS A/F SE-B1"

Select "MAS A/F SE-B1" in "SPEC" of "DATA MONITOR" mode, and make sure that the indication is within the SP value.

OK or NG

OK >> GO TO 28.

NG (Less than the SP value)>>Replace mass air flow sensor, and then GO TO 30.

28.CHECK INTAKE SYSTEM

Check for the cause of air leak after the mass air flow sensor. Refer to the following.

<https://www.automotive-manuals.net/>

TROUBLE DIAGNOSIS - SPECIFICATION VALUE

[MR]

< SERVICE INFORMATION >

- Disconnection, looseness, and cracks in air duct
- Looseness of oil filler cap
- Disconnection of oil level gauge
- Open stuck, breakage, hose disconnection, or cracks of PCV valve
- Disconnection or cracks of EVAP purge hose, open stuck of EVAP canister purge volume control solenoid valve
- Malfunctioning seal of rocker cover gasket
- Disconnection, looseness, or cracks of hoses, such as vacuum hose, connecting to intake air system parts
- Malfunctioning seal of intake air system, etc.

>> GO TO 30.

29. CHECK "A/F ALPHA-B1" AND "B/FUEL SCHDL"

Select "A/F ALPHA-B1" and "B/FUEL SCHDL" in "SPEC" of "DATA MONITOR" mode, and make sure that the each indication is within the SP value.

OK or NG

OK >> **INSPECTION END**

NG >> Detect malfunctioning part according to [EC-92. "Symptom Matrix Chart"](#).

30. CHECK "B/FUEL SCHDL"

Select "B/FUEL SCHDL" in "SPEC" of "DATA MONITOR" mode, and then make sure that the indication is within the SP value.

OK or NG

OK >> **INSPECTION END**

NG >> Detect malfunctioning part according to [EC-92. "Symptom Matrix Chart"](#).

TROUBLE DIAGNOSIS FOR INTERMITTENT INCIDENT

< SERVICE INFORMATION >

[MR]

TROUBLE DIAGNOSIS FOR INTERMITTENT INCIDENT

Description

INFOID:000000001849772

Intermittent incidents may occur. In many cases, the malfunction resolves itself (the part or circuit function returns to normal without intervention). It is important to realize that the symptoms described in the customer's complaint often do not recur on (1st trip) DTC visits. Realize also that the most frequent cause of Intermittent Incidents occurrences is poor electrical connections. Because of this, the conditions under which the incident occurred may not be clear. Therefore, circuit checks made as part of the standard diagnostic procedure may not indicate the specific malfunctioning area.

Common Intermittent Incidents Report Situations

STEP in Work Flow	Situation
2	The CONSULT-III is used. The SELF-DIAG RESULTS screen shows time data other than 0 or [1t].
3 or 4	The symptom described by the customer does not recur.
5	(1st trip) DTC does not appear during the DTC Confirmation Procedure.
10	The Diagnostic Procedure for PXXXX does not indicate the malfunctioning area.

Diagnosis Procedure

INFOID:000000001849773

1.INSPECTION START

Erase (1st trip) DTCs.

Refer to [EC-51, "Emission-related Diagnostic Information"](#).

>> GO TO 2.

2.CHECK GROUND TERMINALS

Check ground terminals for corroding or loose connection.

Refer to [EC-140, "Ground Inspection"](#).

OK or NG

OK >> GO TO 3.

NG >> Repair or replace.

3.SEARCH FOR ELECTRICAL INCIDENT

Perform [GI-25, "How to Perform Efficient Diagnosis for an Electrical Incident"](#), "INCIDENT SIMULATION TESTS".

OK or NG

OK >> GO TO 4.

NG >> Repair or replace.

4.CHECK CONNECTOR TERMINALS

Refer to [GI-22, "How to Check Terminal"](#), "HOW TO PROBE CONNECTORS", "How to Check Enlarged Contact Spring of Terminal".

OK or NG

OK >> **INSPECTION END**

NG >> Repair or replace connector.

POWER SUPPLY AND GROUND CIRCUIT

< SERVICE INFORMATION >

[MR]

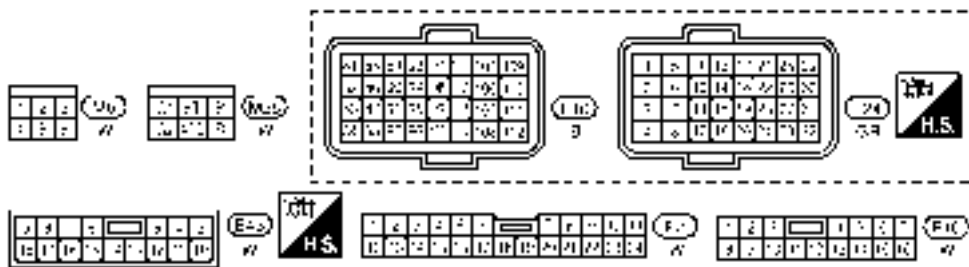
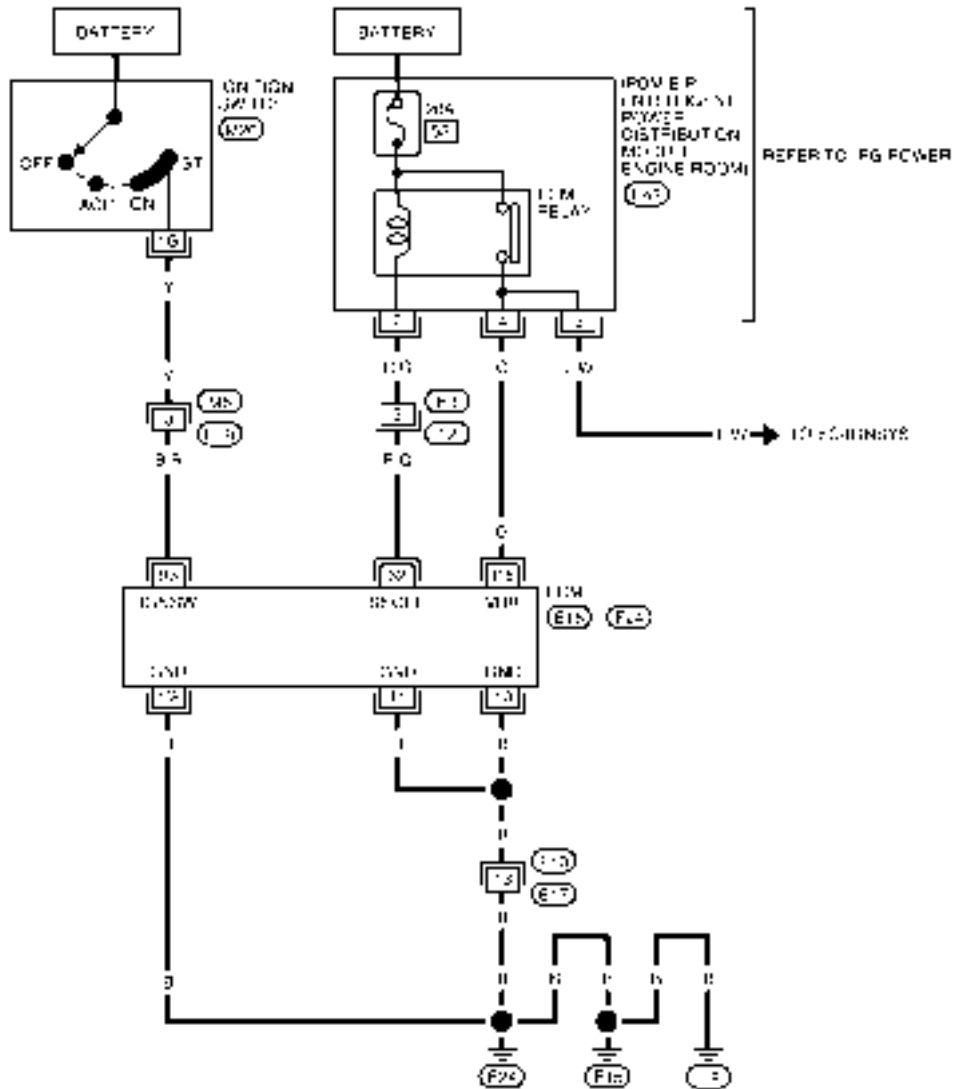
POWER SUPPLY AND GROUND CIRCUIT

Wiring Diagram

INFOID:000000001849774

EC-MAIN-01

— DEFECTABLE LINE (CIRCUIT)
 — NON-DEFECTABLE LINE (CIRCUIT)



BBWA2869E

Specification data are reference values and are measured between each terminal and ground.

CAUTION:

Do not use ECM ground terminals when measuring input/output voltage. Doing so may result in damage to the ECM's transistor. Use a ground other than ECM terminals, such as the ground.

<https://www.automotive-manuals.net/>

POWER SUPPLY AND GROUND CIRCUIT

< SERVICE INFORMATION >

[MR]

TER-MI-NAL NO.	WIRE COLOR	ITEM	CONDITION	DATA (DC Voltage)
10 11	B B	ECM ground	[Engine is running] • Idle speed	Body ground
32	R/G	ECM relay (Self shut-off)	[Engine is running] [Ignition switch: OFF] • For a few seconds after turning ignition switch OFF	0 - 1.0V
			[Ignition switch: OFF] • More than a few seconds after turning ignition switch OFF	BATTERY VOLTAGE (11 - 14V)
93	B/R	Ignition switch	[Ignition switch: OFF]	0V
			[Ignition switch: ON]	BATTERY VOLTAGE (11 - 14V)
105	G	Power supply for ECM	[Ignition switch: ON]	BATTERY VOLTAGE (11 - 14V)
108	B	ECM ground	[Engine is running] • Idle speed	Body ground

Diagnosis Procedure

INFOID:000000001849775

1. INSPECTION START

Start engine.

Is engine running?

Yes or No

Yes >> GO TO 8.

No >> GO TO 2.

2. CHECK ECM POWER SUPPLY CIRCUIT-I

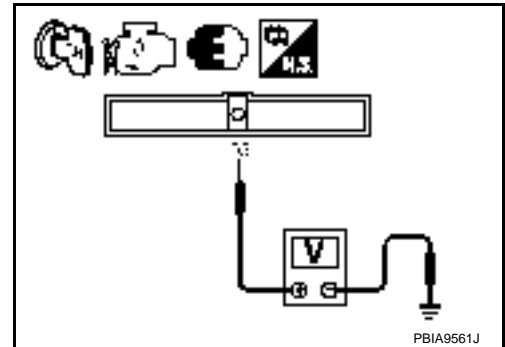
- Turn ignition switch OFF and then ON.
- Check voltage between ECM terminal 93 and ground with CONSULT-III or tester.

Voltage: Battery voltage

OK or NG

OK >> GO TO 4.

NG >> GO TO 3.



3. DETECT MALFUNCTIONING PART

Check the following.

- Harness connectors M6, E19
- Harness for open or short between ECM and ignition switch

>> Repair open circuit or short to ground or short to power in harness or connectors.

4. CHECK GROUND CONNECTIONS

- Turn ignition switch OFF.

POWER SUPPLY AND GROUND CIRCUIT

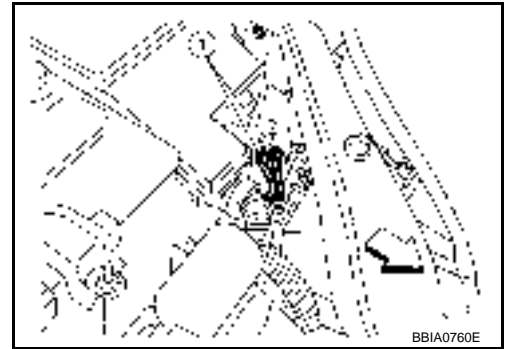
[MR]

< SERVICE INFORMATION >

- Loosen and retighten ground screws on the body.
Refer to [EC-140, "Ground Inspection"](#).
- ↙ : Vehicle front
 - Body ground (1)

OK or NG

- OK >> GO TO 5.
- NG >> Repair or replace ground connections.



5. CHECK ECM GROUND CIRCUIT FOR OPEN AND SHORT-I

- Disconnect ECM harness connector.
- Check harness continuity between ECM terminals 10, 11, 108 and ground.
Refer to Wiring Diagram.

Continuity should exist.

- Also check harness for short to power.

OK or NG

- OK >> GO TO 7.
- NG >> GO TO 6.

6. DETECT MALFUNCTIONING PART

Check the following.

- Harness connectors F10, E17
- Harness for open or short between ECM and ground

>> Repair open circuit or short to power in harness or connectors.

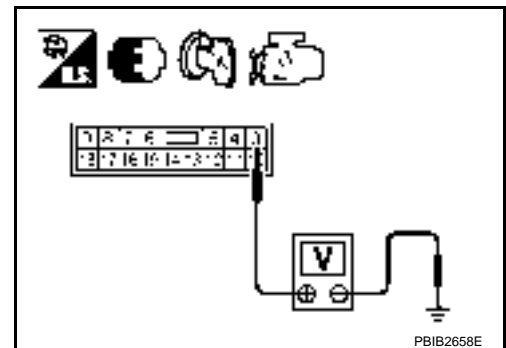
7. CHECK ECM POWER SUPPLY CIRCUIT-II

- Reconnect ECM harness connector.
- Turn ignition switch ON.
- Check voltage between IPDM E/R terminal 3 and ground with CONSULT-III or tester.

Voltage: Battery voltage

OK or NG

- OK >> Go to [EC-505](#).
- NG >> GO TO 8.



8. CHECK ECM POWER SUPPLY CIRCUIT-III

- Turn ignition switch OFF and wait at least 10 seconds.
- Turn ignition switch ON and then OFF.

POWER SUPPLY AND GROUND CIRCUIT

[MR]

< SERVICE INFORMATION >

3. Check voltage between ECM terminal 105 and ground with CONSULT-III or tester.

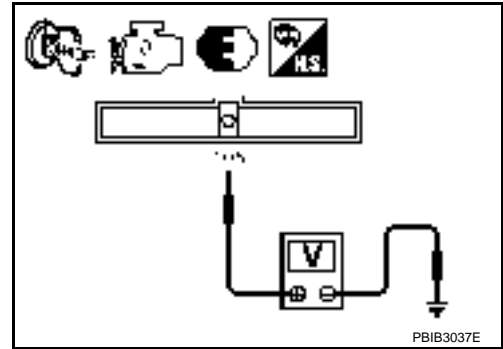
Voltage: After turning ignition switch OFF, battery voltage will exist for a few seconds, then drop approximately 0V.

OK or NG

OK >> GO TO 14.

NG (Battery voltage does not exist.)>>GO TO 9.

NG (Battery voltage exists for more than a few seconds.)>>GO TO 11.



9. CHECK ECM POWER SUPPLY CIRCUIT-IV

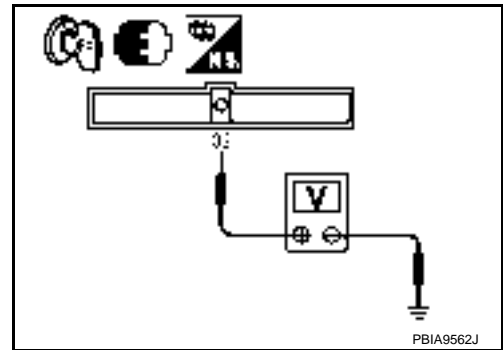
1. Turn ignition switch OFF and wait at least 10 seconds.
2. Check voltage between ECM terminal 32 and ground with CONSULT-III or tester.

Voltage: Battery voltage

OK or NG

OK >> GO TO 10.

NG >> GO TO 11.



10. CHECK ECM POWER SUPPLY CIRCUIT-V

1. Disconnect ECM harness connector.
2. Disconnect IPDM E/R harness connector E43.
3. Check harness continuity between ECM terminal 105 and IPDM E/R terminal 4. Refer to Wiring Diagram.

Continuity should exist.

4. Also check harness for short to ground and short to power.

OK or NG

OK >> GO TO 17.

NG >> Repair open circuit or short to ground or short to power in harness or connectors.

11. CHECK ECM POWER SUPPLY CIRCUIT-VI

1. Disconnect ECM harness connector.
2. Disconnect IPDM E/R harness connector E43.
3. Check harness continuity between ECM terminal 32 and IPDM E/R terminal 7. Refer to Wiring Diagram.

Continuity should exist.

4. Also check harness for short to ground and short to power.

OK or NG

OK >> GO TO 13.

NG >> GO TO 12.

12. DETECT MALFUNCTIONING PART

Check the following.

- Harness connectors E3, F2
- Harness for open or short between ECM and IPDM E/R

>> Repair open circuit or short to ground or short to power in harness or connectors.

POWER SUPPLY AND GROUND CIRCUIT

[MR]

< SERVICE INFORMATION >

13.CHECK 20A FUSE

1. Disconnect 20A fuse from IPDM E/R.
2. Check 20A fuse.

OK or NG

- OK >> GO TO 17.
NG >> Replace 20A fuse.

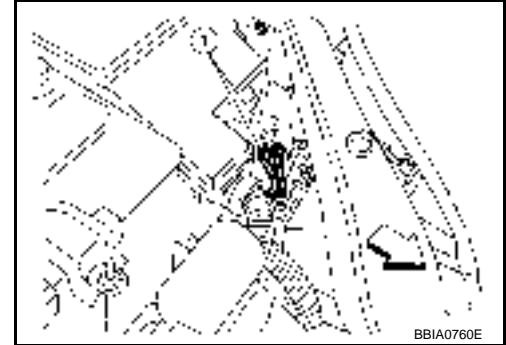
14.CHECK GROUND CONNECTIONS

Loosen and retighten ground screws on the body.
Refer to [EC-140. "Ground Inspection"](#).

- ↺ : Vehicle front
- Body ground (1)

OK or NG

- OK >> GO TO 15.
NG >> Repair or replace ground connections.



15.CHECK ECM GROUND CIRCUIT FOR OPEN AND SHORT-II

1. Disconnect ECM harness connector.
2. Check harness continuity between ECM terminals 10, 11, 108 and ground.
Refer to Wiring Diagram.

Continuity should exist.

3. Also check harness for short to power.

OK or NG

- OK >> GO TO 17.
NG >> GO TO 16.

16.DETECT MALFUNCTIONING PART

Check the following.

- Harness connectors F10, E17
- Harness for open or short between ECM and ground

>> Repair open circuit or short to power in harness or connectors.

17.CHECK INTERMITTENT INCIDENT

Refer to [EC-135](#).

OK or NG

- OK >> Replace IPDM E/R. Refer to [PG-17](#).
NG >> Repair open circuit or short to power in harness or connectors.

Ground Inspection

INFOID:000000001849776

Ground connections are very important to the proper operation of electrical and electronic circuits. Ground connections are often exposed to moisture, dirt and other corrosive elements. The corrosion (rust) can become an unwanted resistance. This unwanted resistance can change the way a circuit works.

Electronically controlled circuits are very sensitive to proper grounding. A loose or corroded ground can drastically affect an electronically controlled circuit. A poor or corroded ground can easily affect the circuit. Even when the ground connection looks clean, there can be a thin film of rust on the surface.

When inspecting a ground connection follow these rules:

- Remove the ground bolt or screw.
- Inspect all mating surfaces for tarnish, dirt, rust, etc.
- Clean as required to assure good contact.

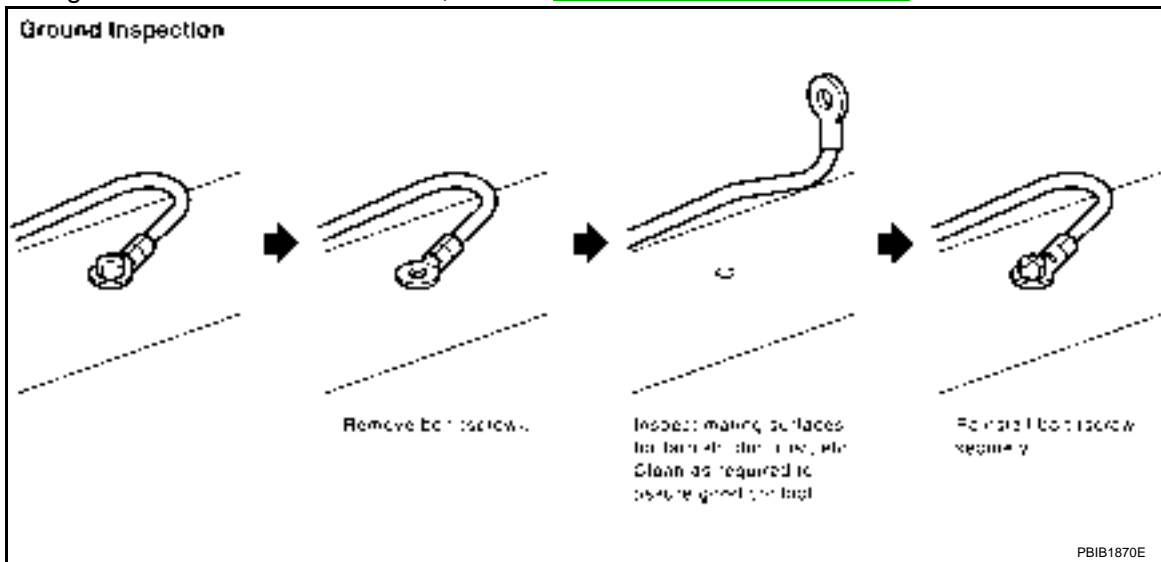
POWER SUPPLY AND GROUND CIRCUIT

[MR]

< SERVICE INFORMATION >

- Reinstall bolt or screw securely.
- Inspect for "add-on" accessories which may be interfering with the ground circuit.
- If several wires are crimped into one ground eyelet terminal, check for proper crimps. Make sure all of the wires are clean, securely fastened and providing a good ground path. If multiple wires are cased in one eyelet make sure no ground wires have excess wire insulation.

For detailed ground distribution information, refer to [PG-29, "Ground Distribution"](#).



A

EC

C

D

E

F

G

H

I

J

K

L

M

N

O

P

DTC U1000, U1001 CAN COMMUNICATION LINE

< SERVICE INFORMATION >

[MR]

DTC U1000, U1001 CAN COMMUNICATION LINE

Description

INFOID:000000001849777

CAN (Controller Area Network) is a serial communication line for real time application. It is an on-vehicle multiplex communication line with high data communication speed and excellent error detection ability. Many electronic control units are equipped onto a vehicle, and each control unit shares information and links with other control units during operation (not independent). In CAN communication, control units are connected with 2 communication lines (CAN H line, CAN L line) allowing a high rate of information transmission with less wiring. Each control unit transmits/receives data but selectively reads required data only.

On Board Diagnosis Logic

INFOID:000000001849778

DTC No.	Trouble diagnosis name	DTC detecting condition	Possible cause
U1000*1 1000*1	CAN communication line	When ECM is not transmitting or receiving CAN communication signal of OBD (emission related diagnosis) for 2 seconds or more.	• Harness or connectors (CAN communication line is open or shorted.)
U1001*2 1001*2		When ECM is not transmitting or receiving CAN communication signal other than OBD (emission-related diagnosis) for 2 seconds or more.	

*1: This self-diagnosis has the one trip detection logic (CVT).

The MIL will not light up for this self-diagnosis (M/T).

*2: The MIL will not light up for this self-diagnosis.

DTC Confirmation Procedure

INFOID:000000001849779

1. Turn ignition switch ON and wait at least 3 seconds.
2. Check 1st trip DTC.
3. If 1st trip DTC is detected, go to [EC-143, "Diagnosis Procedure"](#).

DTC U1000, U1001 CAN COMMUNICATION LINE

< SERVICE INFORMATION >

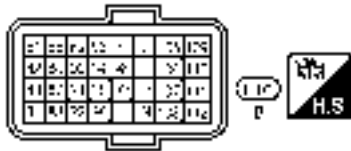
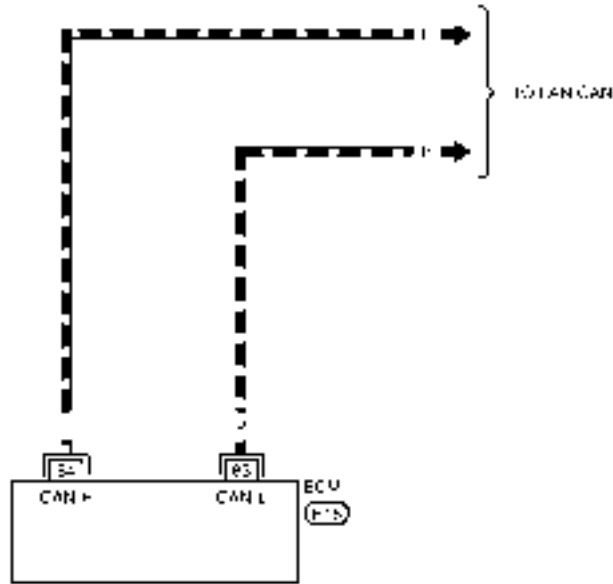
[MR]

Wiring Diagram

INFOID:000000001849780

EC-CAN-01

- DETECTABLE LINE FOR DTC
- - - NOT DETECTABLE LINE FOR DTC
- DATA LINE



BBWA2870E

Diagnosis Procedure

Go to [LAN-16, "Trouble Diagnosis Flow Chart"](#).

INFOID:000000001849781

DTC U1010 CAN COMMUNICATION

< SERVICE INFORMATION >

[MR]

DTC U1010 CAN COMMUNICATION

Description

INFOID:000000001849782

CAN (Controller Area Network) is a serial communication line for real time application. It is an on-vehicle multiplex communication line with high data communication speed and excellent error detection ability. Many electronic control units are equipped onto a vehicle, and each control unit shares information and links with other control units during operation (not independent). In CAN communication, control units are connected with 2 communication lines (CAN H line, CAN L line) allowing a high rate of information transmission with less wiring. Each control unit transmits/receives data but selectively reads required data only.

On Board Diagnosis Logic

INFOID:000000001849783

**This self-diagnosis has the one trip detection logic (CVT).
The MIL will not light up for this self-diagnosis (M/T).**

DTC No.	Trouble diagnosis name	DTC detecting condition	Possible cause
U1010 1010	CAN communication bus	When detecting error during the initial diagnosis of CAN controller of ECM.	• ECM

DTC Confirmation Procedure

INFOID:000000001849784

1. Turn ignition switch ON.
2. Check 1st trip DTC.
3. If 1st trip DTC is detected, go to [EC-144, "Diagnosis Procedure"](#).

Diagnosis Procedure

INFOID:000000001849785

1. INSPECTION START

With CONSULT-III

1. Turn ignition switch ON.
2. Select "SELF-DIAG RESULTS" mode with CONSULT-III.
3. Touch "ERASE".
4. **Perform DTC Confirmation Procedure.**
See [EC-144, "DTC Confirmation Procedure"](#).
5. Is the 1st trip DTC U1010 displayed again?

With GST

1. Turn ignition switch ON.
2. Select Service \$04 with GST.
3. **Perform DTC Confirmation Procedure.**
See [EC-144, "DTC Confirmation Procedure"](#).
4. Is the 1st trip DTC U1010 displayed again?

Yes or No

- Yes >> GO TO 2.
No >> **INSPECTION END**

2. REPLACE ECM

1. Replace ECM.
2. Perform initialization of NVIS (NATS) system and registration of all NVIS (NATS) ignition key IDs.
Refer to [BL-170, "ECM Re-communicating Function"](#).
3. Perform [EC-81, "VIN Registration"](#).
4. Perform [EC-81, "Accelerator Pedal Released Position Learning"](#).
5. Perform [EC-81, "Throttle Valve Closed Position Learning"](#).
6. Perform [EC-81, "Idle Air Volume Learning"](#).

>> **INSPECTION END**

DTC P0011 IVT CONTROL

< SERVICE INFORMATION >

[MR]

DTC P0011 IVT CONTROL

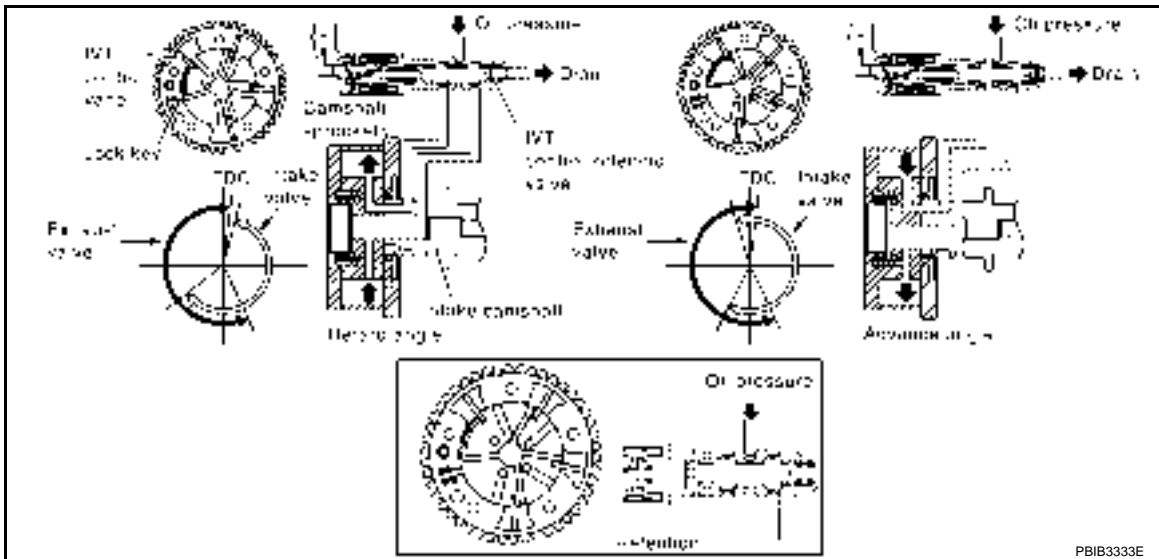
Description

INFOID:000000001849786

SYSTEM DESCRIPTION

Sensor	Input signal to ECM	ECM function	Actuator
Crankshaft position sensor (POS) Camshaft position sensor (PHASE)	Engine speed and piston position	Intake valve timing control	Intake valve timing control solenoid valve
Engine coolant temperature sensor	Engine coolant temperature		
Wheel sensor	Vehicle speed*		

*: This signal is sent to the ECM through CAN communication line.



This mechanism hydraulically controls cam phases continuously with the fixed operating angle of the intake valve. The ECM receives signals such as crankshaft position, camshaft position, engine speed, and engine coolant temperature. Then, the ECM sends ON/OFF pulse duty signals to the intake valve timing control solenoid valve depending on driving status. This makes it possible to control the shut/open timing of the intake valve to increase engine torque in low/mid speed range and output in high-speed range.

CONSULT-III Reference Value in Data Monitor Mode

INFOID:000000001849787

Specification data are reference values.

MONITOR ITEM	CONDITION	SPECIFICATION
INT/V TIM (B1)	Idle	-5° - 5°CA
	When revving engine up to 2,000 rpm quickly	Approx. 0° - 40°CA
INT/V SOL (B1)	Idle	0% - 2%
	When revving engine up to 2,000 rpm quickly	Approx. 0% - 90%

DTC P0011 IVT CONTROL

< SERVICE INFORMATION >

[MR]

On Board Diagnosis Logic

INFOID:000000001849788

DTC No.	Trouble diagnosis name	Detecting condition	Possible cause
P0011 0011	Intake valve timing control performance	There is a gap between angle of target and phase-control angle degree.	<ul style="list-style-type: none"> • Crankshaft position sensor (POS) • Camshaft position sensor (PHASE) • Intake valve timing control solenoid valve • Accumulation of debris to the signal pick-up portion of the camshaft • Timing chain installation • Foreign matter caught in the oil groove for intake valve timing control

FAIL-SAFE MODE

ECM enters in fail-safe mode when the malfunction is detected.

Detected items	Engine operating condition in fail-safe mode
Intake valve timing control	The signal is not energized to the solenoid valve and the valve control does not function

DTC Confirmation Procedure

INFOID:000000001849789

CAUTION:

Always drive at a safe speed.

NOTE:

- If DTC P0011 is displayed with DTC P0075, first perform trouble diagnosis for DTC P0075. See [EC-160](#).
- If DTC Confirmation Procedure has been previously conducted, always turn ignition switch OFF and wait at least 10 seconds before conducting the next test.

TESTING CONDITION:

Before performing the following procedure, confirm that battery voltage is between 10V and 16V at idle.

WITH CONSULT-III

1. Turn ignition switch ON and select "DATA MONITOR" mode with CONSULT-III.
2. Start engine and warm it up to the normal operating temperature.
3. Maintain the following conditions for at least 6 consecutive seconds.
Hold the accelerator pedal as steady as possible.

ENG SPEED	2,000 rpm (A constant rotation is maintained.)
COOLAN TEMP/S	More than 60°C (140°F)
B/FUEL SCHDL	More than 4.25 msec
Shift lever	P or N position (CVT) Neutral position (M/T)

4. Let engine idle for 10 seconds.
5. Check 1st trip DTC.
6. If 1st trip DTC is detected, go to [EC-147. "Diagnosis Procedure"](#).
If 1st trip DTC is not detected, go to next step.
7. Maintain the following conditions for at least 20 consecutive seconds.

ENG SPEED	1,200 - 3,175 rpm (A constant rotation is maintained.)
COOLAN TEMP/S	More than 70°C (158°F)
Shift lever	1st or 2nd position
Driving location uphill	Driving vehicle uphill (Increased engine load will help maintain the driving conditions required for this test.)

8. Check 1st trip DTC.

DTC P0011 IVT CONTROL

[MR]

< SERVICE INFORMATION >

9. If 1st trip DTC is detected, go to [EC-147. "Diagnosis Procedure"](#).

WITH GST

Follow the procedure "WITH CONSULT-III" above.

Diagnosis Procedure

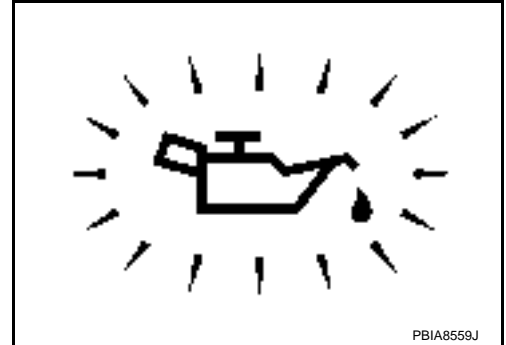
INFOID:000000001849790

1. CHECK OIL PRESSURE WARNING LAMP

1. Start engine.
2. Check oil pressure warning lamp and confirm it is not illuminated.

OK or NG

- OK >> GO TO 2.
NG >> Go to [LU-5. "Inspection"](#).



2. CHECK INTAKE VALVE TIMING CONTROL SOLENOID VALVE

Refer to [EC-148. "Component Inspection"](#).

OK or NG

- OK >> GO TO 3.
NG >> Replace intake valve timing control solenoid valve.

3. CHECK CRANKSHAFT POSITION SENSOR (POS)

Refer to [EC-290. "Component Inspection"](#).

OK or NG

- OK >> GO TO 4.
NG >> Replace crankshaft position sensor (POS).

4. CHECK CAMSHAFT POSITION SENSOR (PHASE)

Refer to [EC-295. "Component Inspection"](#).

OK or NG

- OK >> GO TO 5.
NG >> Replace camshaft position sensor (PHASE).

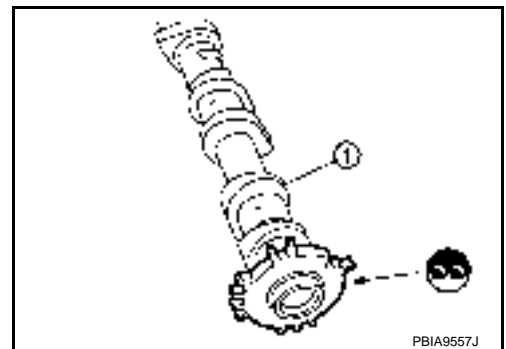
5. CHECK CAMSHAFT (INTAKE)

Check the following.

- Accumulation of debris to the signal plate of camshaft (1) rear end
- Chipping signal plate of camshaft rear end

OK or NG

- OK >> GO TO 6.
NG >> Remove debris and clean the signal plate of camshaft rear end or replace camshaft.



6. CHECK TIMING CHAIN INSTALLATION

Check service records for any recent repairs that may cause timing chain misaligned.

Are there any service records that may cause timing chain misaligned?

Yes or No

- Yes >> Check timing chain installation. Refer to [EM-37](#).
No >> GO TO 7.

< SERVICE INFORMATION >

7. CHECK LUBRICATION CIRCUIT

Refer to [EM-46. "Removal and Installation"](#).

OK or NG

- OK >> GO TO 8.
- NG >> Clean lubrication line.

8. CHECK INTERMITTENT INCIDENT

Refer to [EC-135](#).

For Wiring Diagram, refer to [EC-286. "Wiring Diagram"](#) for CKP sensor (POS) and [EC-292. "Wiring Diagram"](#) for CMP sensor (PHASE).

>> **INSPECTION END**

Component Inspection

INFOID:000000001849791

INTAKE VALVE TIMING CONTROL SOLENOID VALVE

1. Disconnect intake valve timing control solenoid valve harness connector.
2. Check resistance between intake valve timing control solenoid valve as follows.

Terminal	Resistance
1 and 2	6.7 - 7.7Ω [at 20°C (68°F)]
1 or 2 and ground	∞Ω (Continuity should not exist.)

If NG, replace intake valve timing control solenoid valve.
If OK, go to next step.

3. Remove intake valve timing control solenoid valve.
4. Provide 12V DC between intake valve timing control solenoid valve terminals and then interrupt it. Make sure that the plunger moves as shown in the figure.

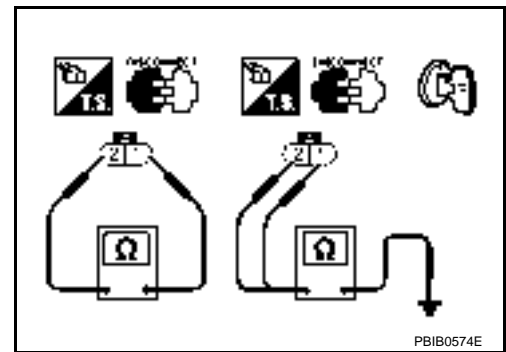
CAUTION:

Do not apply 12V DC continuously for 5 seconds or more. Doing so may result in damage to the coil in intake valve timing control solenoid valve.

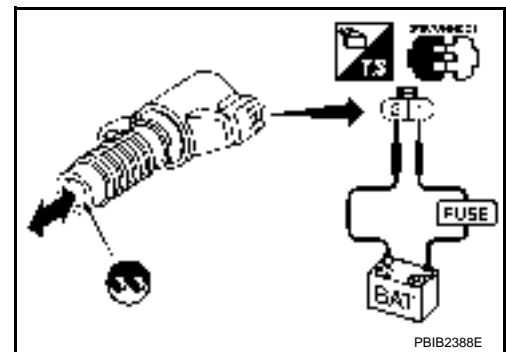
If NG, replace intake valve timing control solenoid valve.

NOTE:

Always replace O-ring when intake valve timing control solenoid valve is removed.



PBIB0574E



PBIB2388E

Removal and Installation

INFOID:000000001849792

INTAKE VALVE TIMING CONTROL SOLENOID VALVE

Refer to [EM-46](#).

DTC P0031, P0032 A/F SENSOR 1 HEATER

< SERVICE INFORMATION >

[MR]

DTC P0031, P0032 A/F SENSOR 1 HEATER

Description

INFOID:000000001849793

SYSTEM DESCRIPTION

Sensor	Input Signal to ECM	ECM function	Actuator
Camshaft position sensor (PHASE) Crankshaft position sensor (POS)	Engine speed	Air fuel ratio (A/F) sensor 1 heater control	Air fuel ratio (A/F) sensor 1 heater
Mass air flow sensor	Amount of intake air		

The ECM performs ON/OFF duty control of the A/F sensor 1 heater corresponding to the engine operating condition to keep the temperature of A/F sensor 1 element at the specified range.

CONSULT-III Reference Value in Data Monitor Mode

INFOID:000000001849794

Specification data are reference values.

MONITOR ITEM	CONDITION	SPECIFICATION
A/F S1 HTR (B1)	• Engine: After warming up, idle the engine (More than 140 seconds after starting engine)	4 - 100%

On Board Diagnosis Logic

INFOID:000000001849795

DTC No.	Trouble diagnosis name	DTC detecting condition	Possible cause
P0031 0031	Air fuel ratio (A/F) sensor 1 heater control circuit low	The current amperage in the air fuel ratio (A/F) sensor 1 heater circuit is out of the normal range. [An excessively low voltage signal is sent to ECM through the air fuel ratio (A/F) sensor 1 heater.]	• Harness or connectors [Air fuel ratio (A/F) sensor 1 heater circuit is open or shorted.] • Air fuel ratio (A/F) sensor 1 heater
P0032 0032	Air fuel ratio (A/F) sensor 1 heater control circuit high	The current amperage in the air fuel ratio (A/F) sensor 1 heater circuit is out of the normal range. [An excessively high voltage signal is sent to ECM through the air fuel ratio (A/F) sensor 1 heater.]	• Harness or connectors [Air fuel ratio (A/F) sensor 1 heater circuit is shorted.] • Air fuel ratio (A/F) sensor 1 heater

DTC Confirmation Procedure

INFOID:000000001849796

NOTE:

If DTC Confirmation Procedure has been previously conducted, always turn ignition switch OFF and wait at least 10 seconds before conducting the next test.

TESTING CONDITION:

Before performing the following procedure, confirm that battery voltage is 11V at idle.

1. Start engine and run it for at least 10 seconds at idle speed.
2. Check 1st trip DTC.
3. If 1st trip DTC is detected, go to [EC-151, "Diagnosis Procedure"](#).

DTC P0031, P0032 A/F SENSOR 1 HEATER

< SERVICE INFORMATION >

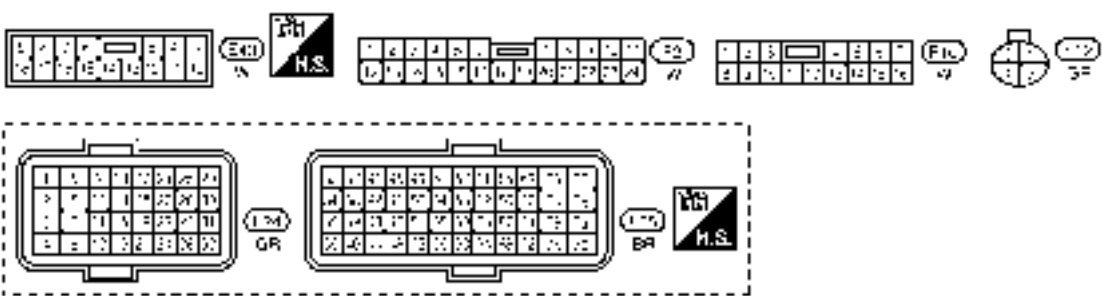
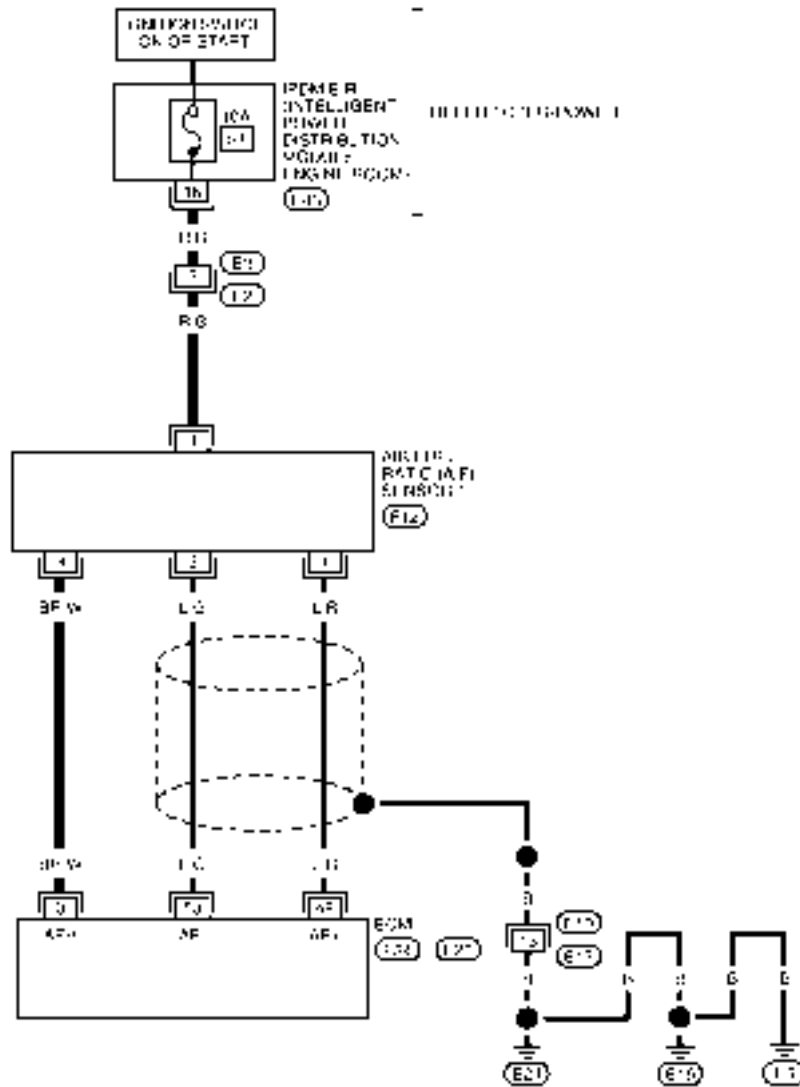
[MR]

Wiring Diagram

INFOID:000000001849797

EC-A/FH-01

— DETECTABLE LINE FOR DTC
 - - - - - NON-DETECTABLE LINE FOR DTC



BBWA2871E

Specification data are reference values and are measured between each terminal and ground. Pulse signal is measured by CONSULT-III.

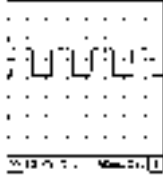
CAUTION:

DTC P0031, P0032 A/F SENSOR 1 HEATER

< SERVICE INFORMATION >

[MR]

Do not use ECM ground terminals when measuring input/output voltage. Doing so may result in damage to the ECM's transistor. Use a ground other than ECM terminals, such as the ground.

TERMI- NAL NO.	WIRE COLOR	ITEM	CONDITION	DATA (DC Voltage)
3	BR/W	A/F sensor 1 heater	[Engine is running] <ul style="list-style-type: none"> • Warm-up condition • Idle speed (More than 140 seconds after starting engine) 	Approximately 2.9 - 8.8V★  PBIA8148J
49	L/R	A/F sensor 1	[Engine is running] <ul style="list-style-type: none"> • Warm-up condition • Engine speed: 2,000 rpm 	Approximately 1.8V Output voltage varies with air fuel ratio.
53	L/G	A/F sensor 1	[Ignition switch: ON]	Approximately 2.2V

★: Average voltage for pulse signal (Actual pulse signal can be confirmed by oscilloscope.)

Diagnosis Procedure

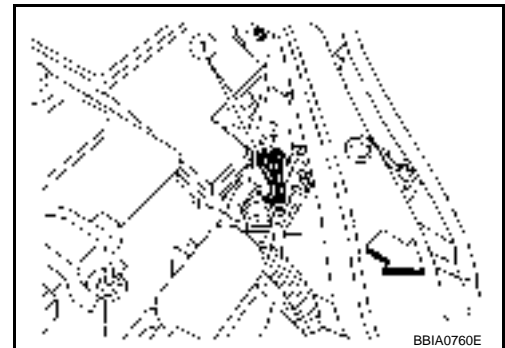
INFOID:000000001849798

1. CHECK GROUND CONNECTIONS

1. Turn ignition switch OFF.
 2. Loosen and retighten ground screws on the body.
Refer to [EC-140. "Ground Inspection"](#).
- ◀: Vehicle front
 - Body ground (1)

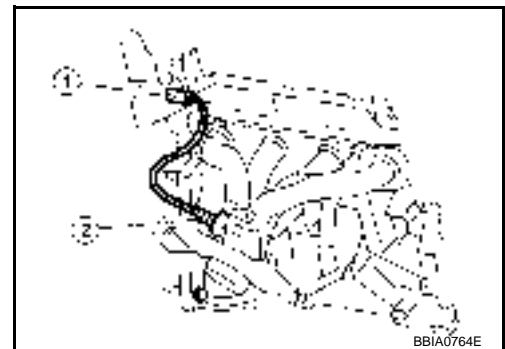
OK or NG

- OK >> GO TO 2.
- NG >> Repair or replace ground connections.



2. CHECK AIR FUEL RATIO (A/F) SENSOR 1 POWER SUPPLY CIRCUIT

1. Disconnect air fuel ratio (A/F) sensor 1 harness connector (1).
 2. Turn ignition switch ON.
- Air fuel ratio (A/F) sensor 1 (2)



DTC P0031, P0032 A/F SENSOR 1 HEATER

[MR]

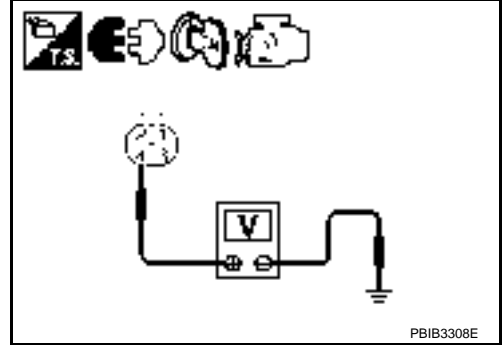
< SERVICE INFORMATION >

3. Check voltage between A/F sensor 1 terminal 4 and ground with CONSULT-III or tester.

Voltage: Battery voltage

OK or NG

- OK >> GO TO 4.
- NG >> GO TO 3.



3. DETECT MALFUNCTIONING PART

Check the following.

- Harness connectors E3, F2
- 10A fuse
- Harness for open or short between A/F sensor 1 and fuse

>> Repair or replace harness or connectors.

4. CHECK A/F SENSOR 1 HEATER OUTPUT SIGNAL CIRCUIT

1. Turn ignition switch OFF.
2. Disconnect ECM harness connector.
3. Check harness continuity between ECM terminal 3 and A/F sensor 1 terminal 3. Refer to Wiring Diagram.

Continuity should exist.

4. Also check harness for short to ground and short to power.

OK or NG

- OK >> GO TO 5.
- NG >> Repair open circuit or short to ground or short to power in harness or connectors.

5. CHECK A/F SENSOR 1 HEATER

Refer to [EC-152. "Component Inspection"](#).

OK or NG

- OK >> GO TO 6.
- NG >> Replace air fuel ratio (A/F) sensor 1.

6. CHECK INTERMITTENT INCIDENT

Perform [EC-135](#).

>> **INSPECTION END**

Component Inspection

INFOID:000000001849799

AIR FUEL RATIO (A/F) SENSOR 1 HEATER

DTC P0031, P0032 A/F SENSOR 1 HEATER

[MR]

< SERVICE INFORMATION >

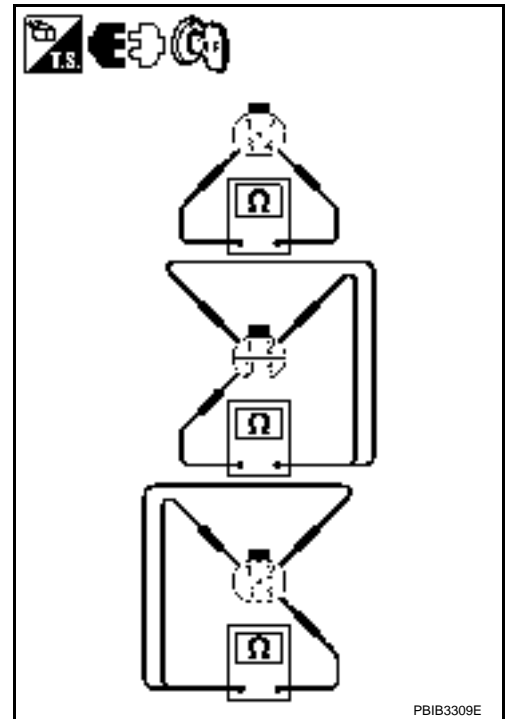
1. Check resistance between A/F sensor 1 terminals as follows.

Terminal No.	Resistance
3 and 4	1.8 - 2.44 Ω [at 25°C (77°F)]
3 and 1, 2	$\infty \Omega$
4 and 1, 2	(Continuity should not exist)

2. If NG, replace air fuel ratio (A/F) sensor 1.

CAUTION:

- Discard any A/F sensor which has been dropped from a height of more than 0.5 m (19.7 in) onto a hard surface such as a concrete floor; use a new one.
- Before installing new A/F sensor, clean exhaust system threads using Heated Oxygen Sensor Thread Cleaner tool J-43897-18 or J-43897-12 and approved anti-seize lubricant.



PBIB3309E

INFOID:000000001849800

Removal and Installation

AIR FUEL RATIO SENSOR HEATER

Refer to [EM-21](#).

A
EC
C
D
E
F
G
H
I
J
K
L
M
N
O
P

DTC P0037, P0038 HO2S2 HEATER

< SERVICE INFORMATION >

[MR]

DTC P0037, P0038 HO2S2 HEATER

Description

INFOID:000000001849801

SYSTEM DESCRIPTION

Sensor	Input Signal to ECM	ECM Function	Actuator
Camshaft position sensor (PHASE)	Engine speed	Heated oxygen sensor 2 heater control	Heated oxygen sensor 2 heater
Crankshaft position sensor (POS)			
Engine coolant temperature sensor	Engine coolant temperature		
Mass air flow sensor	Amount of intake air		

The ECM performs ON/OFF control of the heated oxygen sensor 2 heater corresponding to the engine speed, amount of intake air and engine coolant temperature.

OPERATION

Engine speed rpm	Heated oxygen sensor 2 heater
Above 3,600	OFF
<ul style="list-style-type: none">Below 3,600 rpm after the following conditions are met.<ul style="list-style-type: none">Engine: After warming upKeeping the engine speed between 3,500 and 4,000 rpm for 1 minute and at idle for 1 minute under no load	ON

CONSULT-III Reference Value in Data Monitor Mode

INFOID:000000001849802

Specification data are reference values.

MONITOR ITEM	CONDITION	SPECIFICATION
HO2S2 HTR (B1)	<ul style="list-style-type: none">Engine speed: Below 3,600 rpm after the following conditions are met<ul style="list-style-type: none">Engine: After warming upKeeping the engine speed between 3,500 and 4,000 rpm for 1 minute and at idle for 1 minute under no load.	ON
	<ul style="list-style-type: none">Engine speed: Above 3,600 rpm	OFF

On Board Diagnosis Logic

INFOID:000000001849803

DTC No.	Trouble diagnosis name	DTC detecting condition	Possible cause
P0037 0037	Heated oxygen sensor 2 heater control circuit low	The current amperage in the heated oxygen sensor 2 heater circuit is out of the normal range. (An excessively low voltage signal is sent to ECM through the heated oxygen sensor 2 heater.)	<ul style="list-style-type: none">Harness or connectors (Heated oxygen sensor 2 heater circuit is open or shorted.)Heated oxygen sensor 2 heater
P0038 0038	Heated oxygen sensor 2 heater control circuit high	The current amperage in the heated oxygen sensor 2 heater circuit is out of the normal range. (An excessively high voltage signal is sent to ECM through the heated oxygen sensor 2 heater.)	<ul style="list-style-type: none">Harness or connectors (Heated oxygen sensor 2 heater circuit is shorted.)Heated oxygen sensor 2 heater

DTC Confirmation Procedure

INFOID:000000001849804

NOTE:

If DTC Confirmation Procedure has been previously conducted, always turn ignition switch OFF and wait at least 10 seconds before conducting the next test.

TESTING CONDITION:

Before performing the following procedure, confirm that battery voltage is between 11V at idle.

1 WITH CONSULT-III

DTC P0037, P0038 HO2S2 HEATER

< SERVICE INFORMATION >

[MR]

1. Turn ignition switch ON and select "DATA MONITOR" mode with CONSULT-III.
2. Start engine and warm it up to the normal operating temperature.
3. Turn ignition switch OFF and wait at least 10 seconds.
4. Start engine and keep the engine speed between 3,500 and 4,000 rpm for at least 1 minute under no load.
5. Let engine idle for 1 minute.
6. Check 1st trip DTC.
7. If 1st trip DTC is detected, go to [EC-157, "Diagnosis Procedure"](#).

WITH GST

Follow the procedure "WITH CONSULT-III" above.

A

EC

C

D

E

F

G

H

I

J

K

L

M

N

O

P

DTC P0037, P0038 HO2S2 HEATER

< SERVICE INFORMATION >

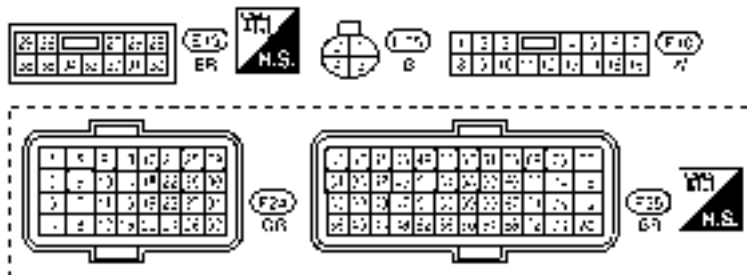
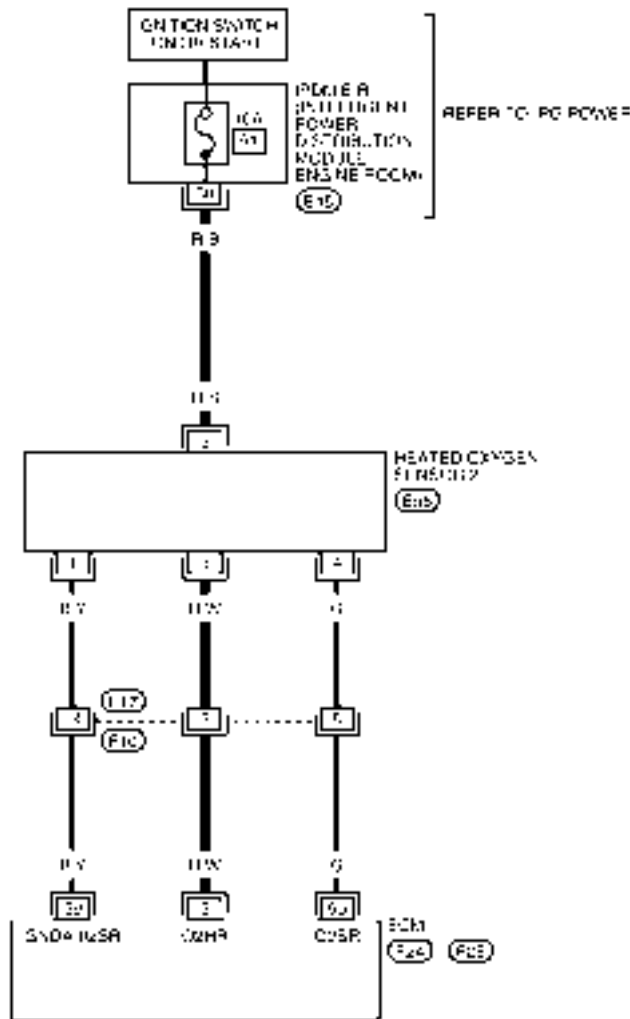
[MR]

Wiring Diagram

INFOID:000000001849805

EC-HO2S2H-01

— DEFECTABLE LINE FOR DTC
 — NON-DEFECTABLE LINE FOR DTC



BBWA2872E

Specification data are reference values and are measured between each terminal and ground. Pulse signal is measured by CONSULT-III.


CAUTION:

DTC P0037, P0038 HO2S2 HEATER

< SERVICE INFORMATION >

[MR]

Do not use ECM ground terminals when measuring input/output voltage. Doing so may result in damage to the ECM's transistor. Use a ground other than ECM terminals, such as the ground.

TER-MI-NAL NO.	WIRE COLOR	ITEM	CONDITION	DATA (DC Voltage)
5	B/W	Heated oxygen sensor 2 heater	[Engine is running] <ul style="list-style-type: none"> Engine speed: Below 3,600 rpm after the following conditions are met. Engine: After warming up Keeping the engine speed between 3,500 and 4,000 rpm for 1 minute and at idle for 1 minute under no load. 	Approximately 10V★  PBI A8148J
			[Ignition switch: ON] <ul style="list-style-type: none"> Engine stopped [Engine is running] <ul style="list-style-type: none"> Engine speed: Above 3,600 rpm. 	BATTERY VOLTAGE (11 - 14V)
50	G	Heated oxygen sensor 2	[Engine is running] <ul style="list-style-type: none"> Revsing engine from idle to 3,000 rpm quickly after the following conditions are met. Engine: After warming up Keeping the engine speed between 3,500 and 4,000 rpm for 1 minute and at idle for 1 minute under no load. 	0 - Approximately 1.0V
59	B/Y	Sensor ground (Heated oxygen sensor 2)	[Engine is running] <ul style="list-style-type: none"> Warm-up condition Idle speed 	Approximately 0V

★: Average voltage for pulse signal (Actual pulse signal can be confirmed by oscilloscope.)

Diagnosis Procedure

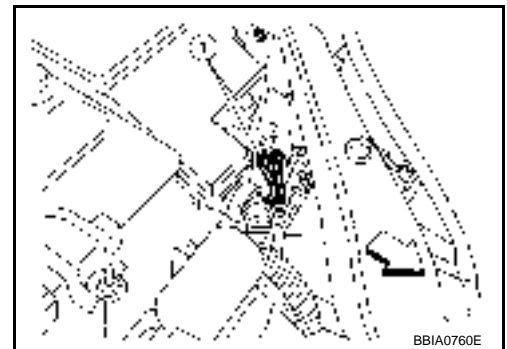
INFOID:000000001849806

1. CHECK GROUND CONNECTIONS

- Turn ignition switch OFF.
 - Loosen and retighten ground screw on the body.
Refer to [EC-140, "Ground Inspection"](#).
- ↖: Vehicle front
 - Body ground (1)

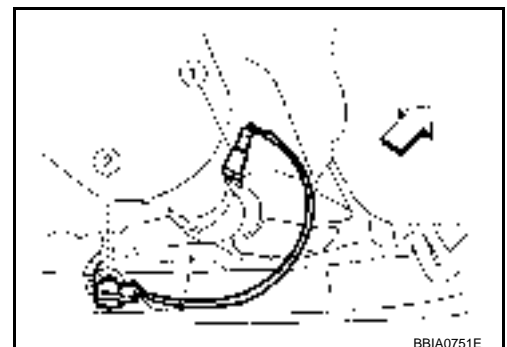
OK or NG

- OK >> GO TO 2.
- NG >> Repair or replace ground connections.



2. CHECK HO2S2 POWER SUPPLY CIRCUIT

- Disconnect heated oxygen sensor 2 harness connector (2).
- ↖: Vehicle front
 - Heated oxygen sensor 2 (1)
- Turn ignition switch ON.



DTC P0037, P0038 HO2S2 HEATER

< SERVICE INFORMATION >

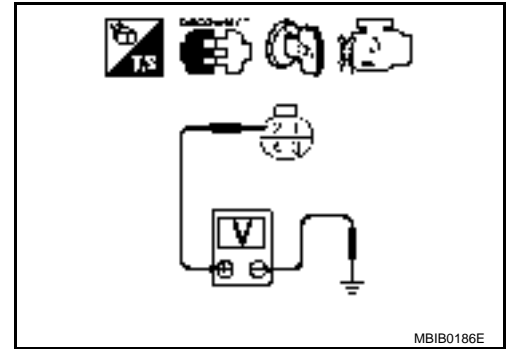
[MR]

3. Check voltage between HO2S2 terminal 2 and ground with CONSULT-III or tester.

Voltage: Battery voltage

OK or NG

- OK >> GO TO 4.
- NG >> GO TO 3.



3. DETECT MALFUNCTIONING PART

Check the following.

- 10A fuse
- Harness for open or short between heated oxygen sensor 2 and ECM

>> Repair open circuit or short to ground or short to power in harness or connectors.

4. CHECK HO2S2 OUTPUT SIGNAL CIRCUIT FOR OPEN AND SHORT

1. Turn ignition switch OFF.
2. Disconnect ECM harness connector.
3. Check harness continuity between ECM terminal 5 and HO2S2 terminal 3.
Refer to Wiring Diagram.

Continuity should exist.

4. Also check harness for short to ground and short to power.

OK or NG

- OK >> GO TO 5.
- NG >> Repair open circuit or short to ground or short to power in harness or connectors.

5. CHECK HEATED OXYGEN SENSOR 2 HEATER

Refer to [EC-158, "Component Inspection"](#).

OK or NG

- OK >> GO TO 6.
- NG >> Replace heated oxygen sensor 2.

6. CHECK INTERMITTENT INCIDENT

Refer to [EC-135](#).

>> **INSPECTION END**

Component Inspection

INFOID:000000001849807

HEATED OXYGEN SENSOR 2 HEATER

DTC P0037, P0038 HO2S2 HEATER

[MR]

< SERVICE INFORMATION >

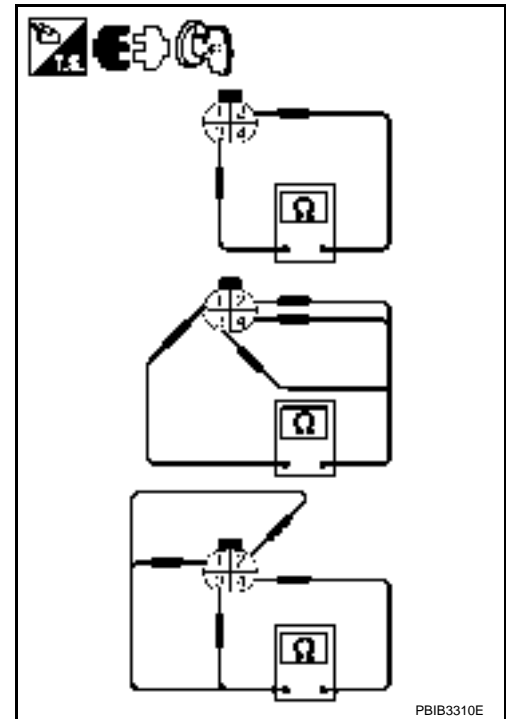
1. Check resistance between HO2S2 terminals as follows.

Terminal No.	Resistance
2 and 3	3.4 - 4.4 Ω [at 25°C (77°F)]
1 and 2, 3, 4	$\infty \Omega$
4 and 1, 2, 3	(Continuity should not exist)

2. If NG, replace heated oxygen sensor 2.

CAUTION:

- Discard any heated oxygen sensor which has been dropped from a height of more than 0.5 m (19.7 in) onto a hard surface such as a concrete floor; use a new one.
- Before installing new oxygen sensor, clean exhaust system threads using Oxygen Sensor Thread Cleaner tool J-43897-18 or J-43897-12 and approved anti-seize lubricant.



Removal and Installation

HEATED OXYGEN SENSOR 2

Refer to [EM-21](#).

INFOID:000000001849808

A
EC
C
D
E
F
G
H
I
J
K
L
M
N
O
P

DTC P0075 IVT CONTROL SOLENOID VALVE

< SERVICE INFORMATION >

[MR]

DTC P0075 IVT CONTROL SOLENOID VALVE

Component Description

INFOID:000000001849809

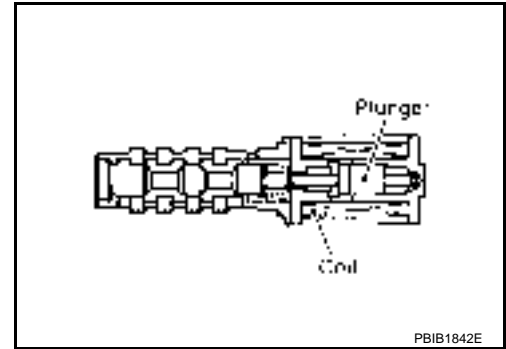
Intake valve timing control solenoid valve is activated by ON/OFF pulse duty (ratio) signals from the ECM.

The intake valve timing control solenoid valve changes the oil amount and direction of flow through intake valve timing control unit or stops oil flow.

The longer pulse width advances valve angle.

The shorter pulse width retards valve angle.

When ON and OFF pulse widths become equal, the solenoid valve stops oil pressure flow to fix the intake valve angle at the control position.



CONSULT-III Reference Value in Data Monitor Mode

INFOID:000000001849810

Specification data are reference values.

MONITOR ITEM	CONDITION	SPECIFICATION	
INT/V SOL (B1)	<ul style="list-style-type: none">Engine: After warming upAir conditioner switch: OFFShift lever: P or N (CVT), Neutral (M/T)No load	Idle	0% - 2%
		When revving engine up to 2,000 rpm quickly	Approx. 0% - 90%

On Board Diagnosis Logic

INFOID:000000001849811

DTC No.	Trouble diagnosis name	DTC detecting condition	Possible cause
P0075 0075	Intake valve timing control solenoid valve circuit	An improper voltage is sent to the ECM through intake valve timing control solenoid valve.	<ul style="list-style-type: none">Harness or connectors (Intake valve timing control solenoid valve circuit is open or shorted.)Intake valve timing control solenoid valve

DTC Confirmation Procedure

INFOID:000000001849812

NOTE:

If DTC Confirmation Procedure has been previously conducted, always turn ignition switch OFF and wait at least 10 seconds before conducting the next test.

1. Start engine and let it idle for 5 seconds.
2. Check 1st trip DTC.
3. If 1st trip DTC is detected, go to [EC-162. "Diagnosis Procedure"](#).

DTC P0075 IVT CONTROL SOLENOID VALVE

< SERVICE INFORMATION >

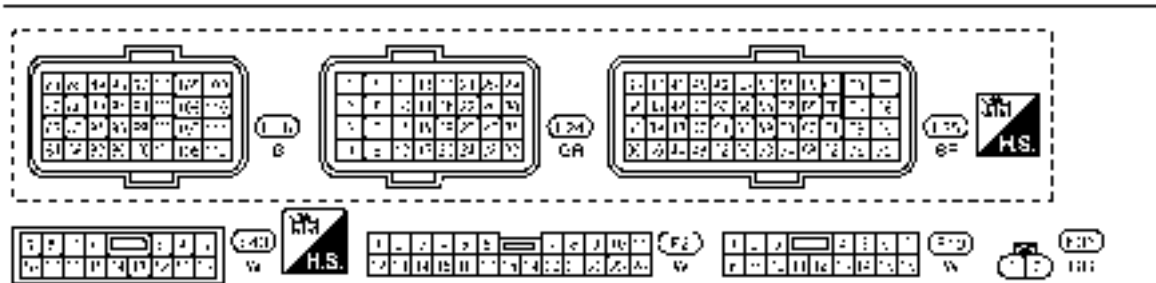
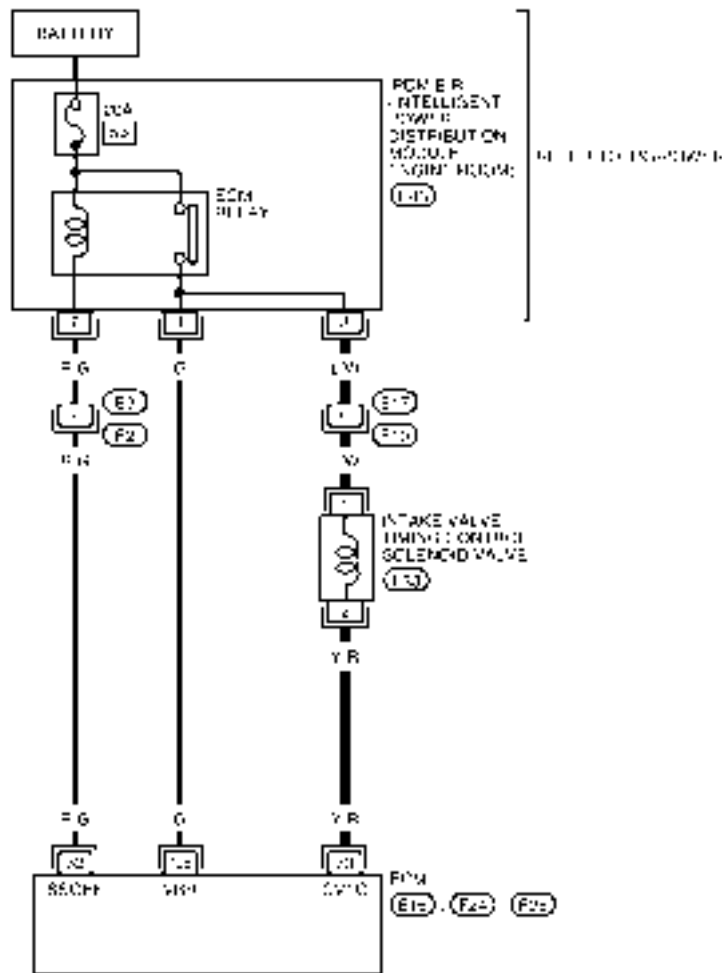
[MR]

Wiring Diagram

INFOID:000000001849813

EC-IVC-01

— DETECTABLE LINE FOR DTC
— NON-DETECTABLE LINE FOR DTC



BBWA2873E

Specification data are reference values and are measured between each terminal and ground. Pulse signal is measured by CONSULT-III.


CAUTION:

DTC P0075 IVT CONTROL SOLENOID VALVE

< SERVICE INFORMATION >

[MR]

Do not use ECM ground terminals when measuring input/output voltage. Doing so may result in damage to the ECM's transistor. Use a ground other than ECM terminals, such as the ground.

TERMI- NAL NO.	WIRE COLOR	ITEM	CONDITION	DATA (DC Voltage)
32	R/G	ECM relay (Self shut-off)	[Engine is running] [Ignition switch: OFF] • For a few seconds after turning ignition switch OFF	0 - 1.0V
			[Ignition switch: OFF] • More than a few seconds after turning ignition switch OFF	BATTERY VOLTAGE (11 - 14V)
73	Y/R	Intake valve timing control solenoid valve	[Engine is running] • Warm-up condition • Idle speed	BATTERY VOLTAGE (11 - 14V)
			[Engine is running] • Warm-up condition • When revving engine up to 2,000 rpm quickly	7 - 10V★  PBIA4937J
105	G	Power supply for ECM	[Ignition switch: ON]	BATTERY VOLTAGE (11 - 14V)

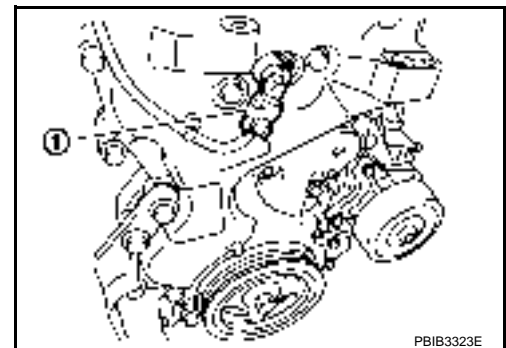
★: Average voltage for pulse signal (Actual pulse signal can be confirmed by oscilloscope.)

Diagnosis Procedure

INFOID:000000001849814

1. CHECK INTAKE VALVE TIMING CONTROL SOLENOID VALVE POWER SUPPLY CIRCUIT

1. Turn ignition switch OFF.
2. Disconnect intake valve timing control solenoid valve (1) harness connector.
3. Turn ignition switch ON.

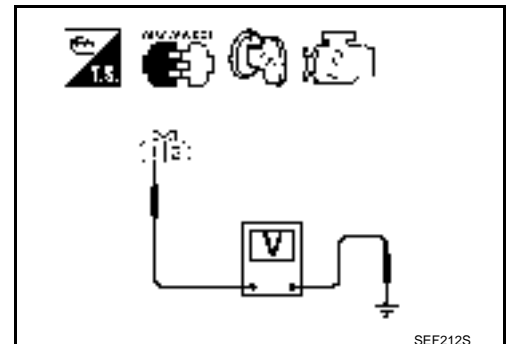


4. Check voltage between intake valve timing control solenoid valve terminal 1 and ground with CONSULT-III or tester.

Voltage: Battery voltage

OK or NG

- OK >> GO TO 3.
NG >> GO TO 2.



2. DETECT MALFUNCTION PART

Check the following.

DTC P0075 IVT CONTROL SOLENOID VALVE

[MR]

< SERVICE INFORMATION >

- Harness connectors E17, F10
- Harness for open or short between intake valve timing control solenoid valve and IPDM E/R

>> Repair or replace harness or connectors.

3. CHECK INTAKE VALVE TIMING CONTROL SOLENOID VALVE OUTPUT SIGNAL CIRCUIT FOR OPEN AND SHORT

1. Turn ignition switch OFF.
2. Disconnect ECM harness connector.
3. Check harness continuity between ECM terminal 73 and intake valve timing control solenoid valve terminal 2. Refer to Wiring Diagram.

Continuity should exist.

4. Also check harness for short to ground and short to power.

OK or NG

OK >> GO TO 4.

NG >> Repair open circuit or short to ground or short to power in harness or connectors.

4. CHECK INTAKE VALVE TIMING CONTROL SOLENOID VALVE

Refer to [EC-163, "Component Inspection"](#).

OK or NG

OK >> GO TO 5.

NG >> Replace intake valve timing control solenoid valve.

5. CHECK INTERMITTENT INCIDENT

Refer to [EC-135](#).

>> **INSPECTION END**

Component Inspection

INFOID:000000001849815

INTAKE VALVE TIMING CONTROL SOLENOID VALVE

1. Disconnect intake valve timing control solenoid valve harness connector.
2. Check resistance between intake valve timing control solenoid valve as follows.

Terminal	Resistance
1 and 2	6.7 - 7.7Ω [at 20°C (68°F)]
1 or 2 and ground	∞Ω (Continuity should not exist.)

If NG, replace intake valve timing control solenoid valve.

If OK, go to next step.

3. Remove intake valve timing control solenoid valve.
4. Provide 12V DC between intake valve timing control solenoid valve terminals and then interrupt it. Make sure that the plunger moves as shown in the figure.

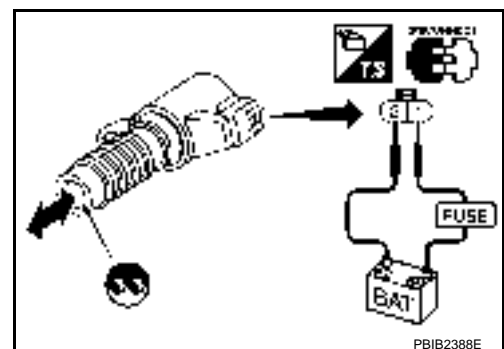
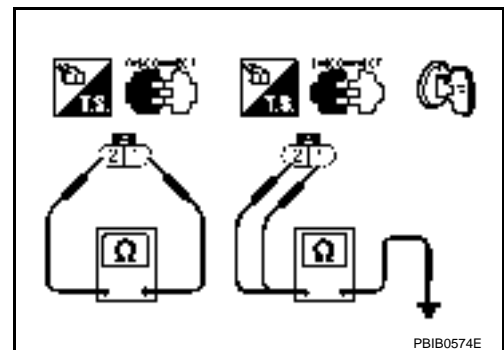
CAUTION:

Do not apply 12V DC continuously for 5 seconds or more. Doing so may result in damage to the coil in intake valve timing control solenoid valve.

If NG, replace intake valve timing control solenoid valve.

NOTE:

Always replace O-ring when intake valve timing control solenoid valve is removed.



DTC P0075 IVT CONTROL SOLENOID VALVE

< SERVICE INFORMATION >

[MR]

Removal and Installation

INFOID:000000001849816

INTAKE VALVE TIMING CONTROL SOLENOID VALVE

Refer to [EM-37](#).

DTC P0101 MAF SENSOR

< SERVICE INFORMATION >

[MR]

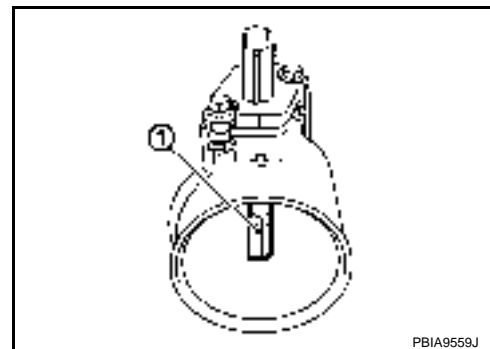
DTC P0101 MAF SENSOR

Component Description

INFOID:000000001849817

The mass air flow sensor (1) is placed in the stream of intake air. It measures the intake flow rate by measuring a part of the entire intake flow. The mass air flow sensor controls the temperature of the hot wire to a certain amount. The heat generated by the hot wire is reduced as the intake air flows around it. The more air, the greater the heat loss.

Therefore, the electric current supplied to hot wire is changed to maintain the temperature of the hot wire as air flow increases. The ECM detects the air flow by means of this current change.



CONSULT-III Reference Value in Data Monitor Mode

INFOID:000000001849818

Specification data are reference values.

MONITOR ITEM	CONDITION	SPECIFICATION
MAS A/F SE-B1	<ul style="list-style-type: none"> See EC-127. 	
CAL/LD VALUE	<ul style="list-style-type: none"> Engine: After warming up Shift lever: P or N (CVT), Neutral (M/T) Air conditioner switch: OFF No load 	Idle 10% - 35%
		2,500 rpm 10% - 35%
MASS AIRFLOW	<ul style="list-style-type: none"> Engine: After warming up Shift lever: P or N (CVT), Neutral (M/T) Air conditioner switch: OFF No load 	Idle 1.0 - 4.0 g·m/s
		2,500 rpm 4.0 - 10.0 g·m/s

On Board Diagnosis Logic

INFOID:000000001849819

DTC No.	Trouble diagnosis name	DTC detecting condition	Possible cause
P0101 0101	Mass air flow sensor circuit range/performance	A) A high voltage from the sensor is sent to ECM under light load driving condition.	<ul style="list-style-type: none"> Harness or connectors (Mass air flow sensor circuit is open or shorted.) Mass air flow sensor EVAP control system pressure sensor Intake air temperature sensor
		B) A low voltage from the sensor is sent to ECM under heavy load driving condition.	<ul style="list-style-type: none"> Harness or connectors (Mass air flow sensor circuit is open or shorted.) Intake air leaks Mass air flow sensor EVAP control system pressure sensor Intake air temperature sensor

DTC Confirmation Procedure

INFOID:000000001849820

Perform PROCEDURE FOR MALFUNCTION A first.

If the DTC cannot be confirmed, perform PROCEDURE FOR MALFUNCTION B.

NOTE:

If DTC Confirmation Procedure has been previously conducted, always turn ignition switch OFF and wait at least 10 seconds before conducting the next test.

PROCEDURE FOR MALFUNCTION A

NOTE:

DTC P0101 MAF SENSOR

[MR]

< SERVICE INFORMATION >

If engine will not start or stops soon, wait at least 10 seconds with engine stopped (Ignition switch ON) instead of running engine at idle speed.

1. Start engine and warm it up to normal operating temperature.
2. Run engine for at least 10 seconds at idle speed.
3. Check 1st trip DTC.
4. If 1st trip DTC is detected, go to [EC-169, "Diagnosis Procedure"](#).

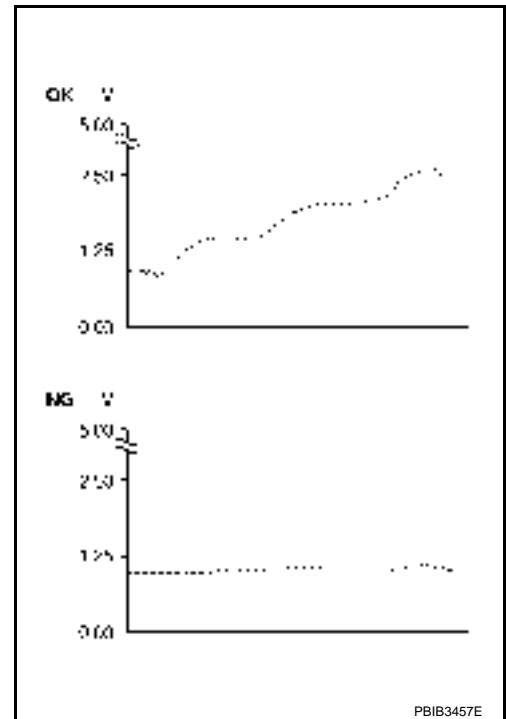
PROCEDURE FOR MALFUNCTION B

CAUTION:

Always drive vehicle at a safe speed.

With CONSULT-III

1. Turn ignition switch ON.
2. Start engine and warm it up to normal operating temperature.
If engine cannot be started, go to [EC-169, "Diagnosis Procedure"](#).
3. Select "DATA MONITOR" mode with CONSULT-III.
4. Check the voltage of "MAS A/F SE-B1" with "DATA MONITOR".
5. Increases engine speed to about 4,000 rpm.
6. Monitor the linear voltage rise in response to engine speed increases.
If NG, go to [EC-169, "Diagnosis Procedure"](#).
If OK, go to following step.



7. Maintain the following conditions for at least 10 consecutive seconds.

ENG SPEED	More than 2,000 rpm
THRTL SEN 1	More than 3V
THRTL SEN 2	More than 3V
Shift lever	Suitable position
Driving location	Driving vehicle uphill (Increased engine load) will help maintain the driving conditions required for this test.

8. Check 1st trip DTC.
9. If 1st trip DTC is detected, go to [EC-169, "Diagnosis Procedure"](#).

Overall Function Check

INFOID:000000001849821

PROCEDURE FOR MALFUNCTION B

Use this procedure to check the overall function of the mass air flow sensor circuit. During this check, a 1st DTC might not be confirmed.

With GST

1. Start engine and warm it up to normal operating temperature.

DTC P0101 MAF SENSOR

[MR]

< SERVICE INFORMATION >

2. Select Service \$01 with GST.
3. Check the mass air flow sensor signal with Service \$01.
4. Check for linear mass air flow sensor signal value rise in response to increases to about 4,000 rpm in engine speed.
5. If NG, go to [EC-169, "Diagnosis Procedure"](#).

CALC LOAD	20%
COOLANT TEMP	95 C
SHORT FT #1	2%
LONG FT #1	2%
SHORT FT #2	4%
LONG FT #2	0%
ENGINE SPD	2637RPM
VEHICLE SPD	0MPH
IGN ADVANCE	41.0°
INTAKE AIR	41°C
MAF	14.1gm/sec
THROTTLE POS	3%

SEF534P

A
EC
C
D
E
F
G
H
I
J
K
L
M
N
O
P

DTC P0101 MAF SENSOR

< SERVICE INFORMATION >

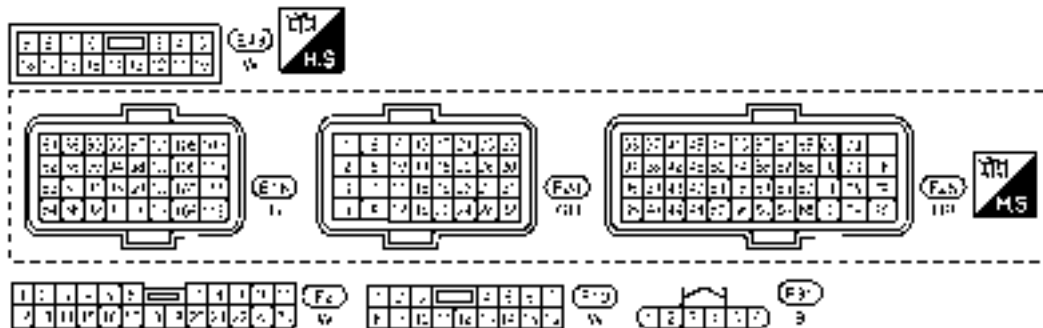
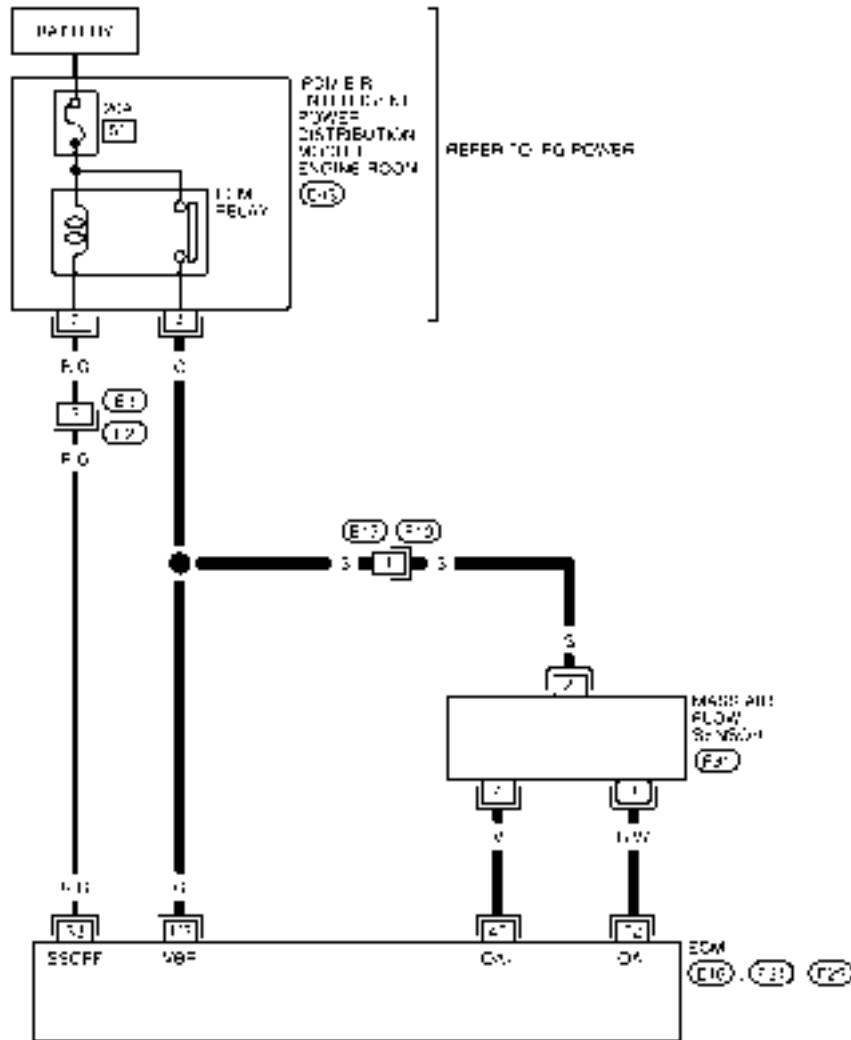
[MR]

Wiring Diagram

INFOID:000000001849822

EC-MAFS-01

— DETECTABLE LINE FOR DTC
 - - - NON-DETECTABLE LINE FOR DTC



BBWA2874E

Specification data are reference values and are measured between each terminal and ground.

CAUTION:

Do not use ECM ground terminals when measuring input/output voltage. Doing so may result in damage to the ECM's transistor. Use a ground other than ECM terminals, such as the ground.

DTC P0101 MAF SENSOR

< SERVICE INFORMATION >

[MR]

TER-MI-NAL NO.	WIRE COLOR	ITEM	CONDITION	DATA (DC Voltage)
32	R/G	ECM relay (Self shut-off)	[Engine is running] [Ignition switch: OFF] • For a few seconds after turning ignition switch OFF	0 - 1.0V
			[Ignition switch: OFF] • More than a few seconds after turning ignition switch OFF	BATTERY VOLTAGE (11 - 14V)
45	V	Mass air flow sensor	[Engine is running] • Warm-up condition • Idle speed	0.9 - 1.2V
			[Engine is running] • Warm-up condition • Engine speed: 2,500 rpm	1.5 - 1.8V
52	B/W	Sensor ground (Mass air flow sensor)	[Engine is running] • Warm-up condition • Idle speed	Approximately 0V
105	G	Power supply for ECM	[Ignition switch: ON]	BATTERY VOLTAGE (11 - 14V)

Diagnosis Procedure

INFOID:000000001849823

1. INSPECTION START

Which malfunction (A or B) is duplicated?

A or B

- A >> GO TO 3.
- B >> GO TO 2.

2. CHECK INTAKE AIR LEAK

Check the following for connections.

- Air duct
- Vacuum hoses
- Intake air passage between air duct and intake manifold

OK or NG

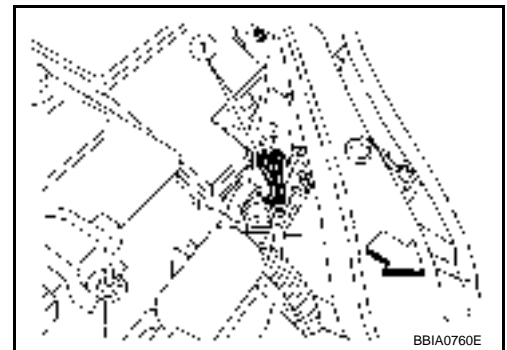
- OK >> GO TO 3.
- NG >> Reconnect the parts.

3. CHECK GROUND CONNECTIONS

1. Turn ignition switch OFF.
 2. Loosen and retighten ground screw on the body.
Refer to [EC-140, "Ground Inspection"](#).
- ◀: Vehicle front
 - Body ground (1)

OK or NG

- OK >> GO TO 4.
- NG >> Repair or replace ground connections.



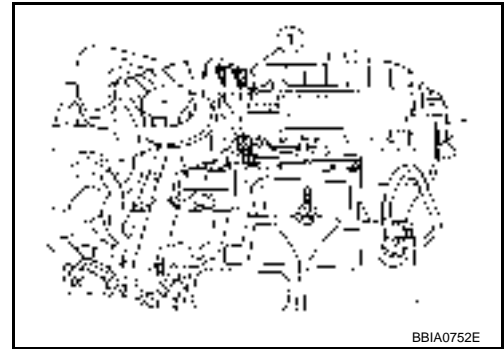
4. CHECK MAF SENSOR POWER SUPPLY CIRCUIT

DTC P0101 MAF SENSOR

[MR]

< SERVICE INFORMATION >

1. Disconnect mass air flow (MAF) sensor (1) harness connector.
2. Turn ignition switch ON.

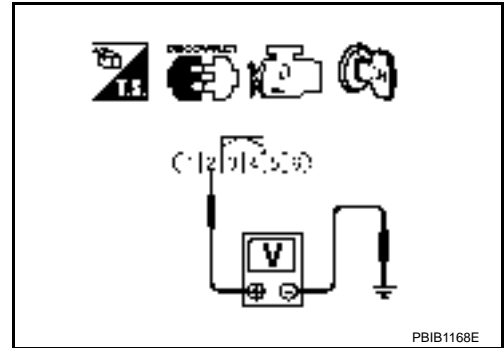


3. Check voltage between MAF sensor terminal 2 and ground with CONSULT-III or tester.

Voltage: Battery voltage

OK or NG

- OK >> GO TO 6.
NG >> GO TO 5.



5. DETECT MALFUNCTIONING PART

Check the following.

- Harness connectors E17, F10
- Harness for open or short between mass air flow sensor and IPDM E/R
- Harness for open or short between mass air flow sensor and ECM

>> Repair open circuit or short to ground or short to power in harness or connectors.

6. CHECK MAF SENSOR GROUND CIRCUIT FOR OPEN AND SHORT

1. Turn ignition switch OFF.
2. Disconnect ECM harness connector.
3. Check harness continuity between MAF sensor terminal 3 and ECM terminal 52.
Refer to Wiring Diagram.

Continuity should exist.

4. Also check harness for short to ground and short to power.

OK or NG

- OK >> GO TO 7.
NG >> Repair open circuit or short to ground or short to power in harness or connectors.

7. CHECK MAF SENSOR INPUT SIGNAL CIRCUIT FOR OPEN AND SHORT

1. Check harness continuity between MAF sensor terminal 4 and ECM terminal 45.
Refer to Wiring Diagram.

Continuity should exist.

2. Also check harness for short to ground and short to power.

OK or NG

- OK >> GO TO 8.
NG >> Repair open circuit or short to ground or short or short to power in harness or connectors.

8. CHECK INTAKE AIR TEMPERATURE SENSOR

Refer to [EC-198. "Component Inspection"](#).

OK or NG

DTC P0101 MAF SENSOR

[MR]

< SERVICE INFORMATION >

- OK >> GO TO 9.
- NG >> Replace mas air flow sensor (with intake air temperature sensor).

9. CHECK EVAP CONTROL SYSTEM PRESSURE SENSOR

Refer to [EC-340. "Component Inspection"](#).

OK or NG

- OK >> GO TO 10.
- NG >> Replace EVAP control system pressure sensor.

10. CHECK MASS AIR FLOW SENSOR

Refer to [EC-171. "Component Inspection"](#).

OK or NG

- OK >> GO TO 11.
- NG >> Replace mass air flow sensor.

11. CHECK INTERMITTENT INCIDENT

Perform [EC-135](#).

>> **INSPECTION END**

Component Inspection

INFOID:000000001849824

MASS AIR FLOW SENSOR

▫ With CONSULT-III

1. Reconnect all harness connectors disconnected.
2. Start engine and warm it up to normal operating temperature.
3. Connect CONSULT-III and select "DATA MONITOR" mode.
4. Select "MAS A/F SE-B1" and check indication under the following conditions.

Condition	MAS A/F SE-B1 (V)
Ignition switch ON (Engine stopped.)	Approx 0.4
Idle (Engine is warmed-up to normal operating temperature.)	0.9 - 1.2
2,500 rpm (Engine is warmed-up to normal operating temperature.)	1.5 - 1.8
Idle to about 4,000 rpm	0.9 - 1.2 to 2.4*

*: Check for linear voltage rise in response to engine being increased to about 4,000 rpm.

5. If the voltage is out of specification, proceed the following.
 - a. Check for the cause of uneven air flow through mass air flow sensor. Refer to following.
 - Crushed air ducts
 - Malfunctioning seal of air cleaner element
 - Uneven dirt of air cleaner element
 - Improper specification of intake air system parts
 - b. If NG, repair or replace malfunctioning part and perform step 2 to 4 again. If OK, go to next step.
6. Turn ignition switch OFF.
7. Disconnect mass air flow sensor harness connector and reconnect it again.
8. Perform step 2 to 4 again.
9. If NG, clean or replace mass air flow sensor.

✕ Without CONSULT-III

1. Reconnect all harness connectors disconnected.
2. Start engine and warm it up to normal operating temperature.

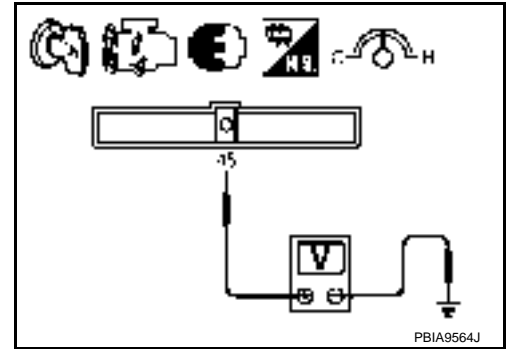
DTC P0101 MAF SENSOR

[MR]

< SERVICE INFORMATION >

3. Check voltage between ECM terminal 45 (Mass air flow sensor signal) and ground.

Condition	Voltage V
Ignition switch ON (Engine stopped.)	Approx 0.4
Idle (Engine is warmed-up to normal operating temperature.)	0.9 - 1.2
2,500 rpm (Engine is warmed-up to normal operating temperature.)	1.5 - 1.8
Idle to about 4,000 rpm	0.9 - 1.2 to 2.4*



*: Check for linear voltage rise in response to engine being increased to about 4,000 rpm.

4. If the voltage is out of specification, proceed the following.
- a. Check for the cause of uneven air flow through mass air flow sensor. Refer to following.
- Crushed air ducts
 - Malfunctioning seal of air cleaner element
 - Uneven dirt of air cleaner element
 - Improper specification of intake air system parts
- b. If NG, repair or replace malfunctioning part and perform step 2 and 3 again. If OK, go to next step.
5. Turn ignition switch OFF.
6. Disconnect mass air flow sensor harness connector and reconnect it again.
7. Perform step 2 and 3 again.
8. If NG, clean or replace mass air flow sensor.

Removal and Installation

INFOID:000000001849825

MASS AIR FLOW SENSOR

Refer to [EM-16](#).

DTC P0102, P0103 MAF SENSOR

< SERVICE INFORMATION >

[MR]

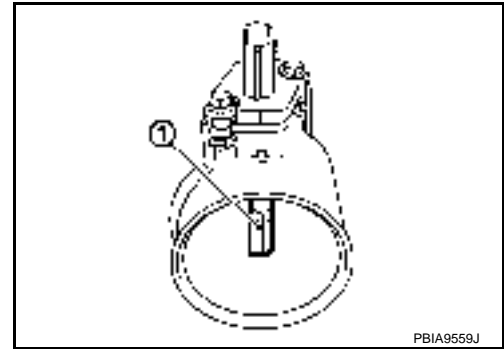
DTC P0102, P0103 MAF SENSOR

Component Description

INFOID:000000001849826

The mass air flow sensor (1) is placed in the stream of intake air. It measures the intake flow rate by measuring a part of the entire intake flow. The mass air flow sensor controls the temperature of the hot wire to a certain amount. The heat generated by the hot wire is reduced as the intake air flows around it. The more air, the greater the heat loss.

Therefore, the electric current supplied to hot wire is changed to maintain the temperature of the hot wire as air flow increases. The ECM detects the air flow by means of this current change.



CONSULT-III Reference Value in Data Monitor Mode

INFOID:000000001849827

Specification data are reference values.

MONITOR ITEM	CONDITION		SPECIFICATION
MAS A/F SE-B1	See EC-127 .		
CAL/LD VALUE	<ul style="list-style-type: none"> Engine: After warming up Shift lever: P or N (CVT), Neutral (M/T) Air conditioner switch: OFF No load 	Idle	10% - 35%
		2,500 rpm	10% - 35%
MASS AIRFLOW	<ul style="list-style-type: none"> Engine: After warming up Shift lever: P or N (CVT), Neutral (M/T) Air conditioner switch: OFF No load 	Idle	1.0 - 4.0 g·m/s
		2,500 rpm	4.0 - 10.0 g·m/s

On Board Diagnosis Logic

INFOID:000000001849828

These self-diagnoses have the one trip detection logic.

DTC No.	Trouble diagnosis name	DTC detecting condition	Possible cause
P0102 0102	Mass air flow sensor circuit low input	An excessively low voltage from the sensor is sent to ECM.	<ul style="list-style-type: none"> Harness or connectors (Mass air flow sensor circuit is open or shorted.) Intake air leaks Mass air flow sensor
P0103 0103	Mass air flow sensor circuit high input	An excessively high voltage from the sensor is sent to ECM.	<ul style="list-style-type: none"> Harness or connectors (Mass air flow sensor circuit is open or shorted.) Mass air flow sensor

FAIL-SAFE MODE

When the malfunction is detected, the ECM enters fail-safe mode and the MIL lights up.

Detected items	Engine operating condition in fail-safe mode
Mass air flow sensor circuit	Engine speed will not rise more than 2,400 rpm due to the fuel cut.

DTC Confirmation Procedure

INFOID:000000001849829

NOTE:

If DTC Confirmation Procedure has been previously conducted, always turn ignition switch OFF and wait at least 10 seconds before conducting the next test.

DTC P0102, P0103 MAF SENSOR

[MR]

< SERVICE INFORMATION >

PROCEDURE FOR DTC P0102

1. Start engine and wait at least 5 seconds.
2. Check DTC.
3. If DTC is detected, go to [EC-176. "Diagnosis Procedure"](#).

PROCEDURE FOR DTC P0103

1. Turn ignition switch ON and wait at least 5 seconds.
2. Check DTC.
3. If DTC is detected, go to [EC-176. "Diagnosis Procedure"](#).
If DTC is not detected, go to next step.
4. Start engine and wait at least 5 seconds
5. Check DTC.
6. If DTC is detected, go to [EC-176. "Diagnosis Procedure"](#).

DTC P0102, P0103 MAF SENSOR

< SERVICE INFORMATION >

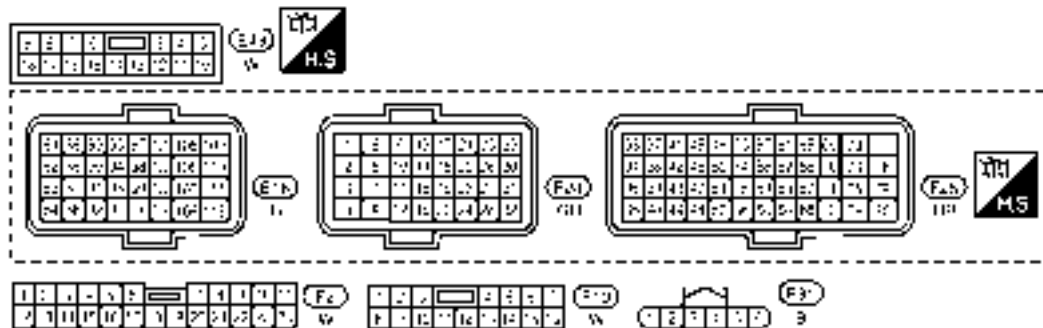
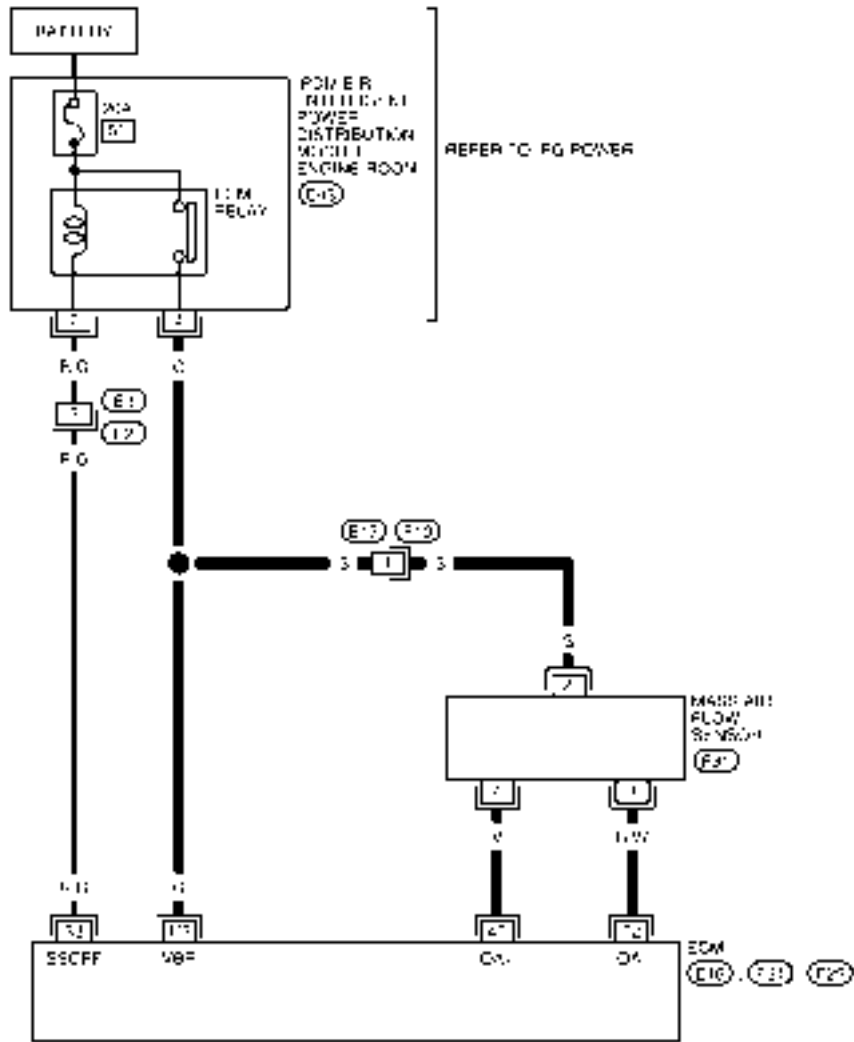
[MR]

Wiring Diagram

INFOID:000000001849830

EC-MAFS-01

— DETECTABLE LINE FOR DTC
 - - - NON-DETECTABLE LINE FOR DTC



BBWA2874E

Specification data are reference values and are measured between each terminal and ground.

CAUTION:

Do not use ECM ground terminals when measuring input/output voltage. Doing so may result in damage to the ECM's transistor. Use a ground other than ECM terminals, such as the ground.

DTC P0102, P0103 MAF SENSOR

< SERVICE INFORMATION >

[MR]

TER-MI-NAL NO.	WIRE COLOR	ITEM	CONDITION	DATA (DC Voltage)
32	R/G	ECM relay (Self shut-off)	[Engine is running] [Ignition switch: OFF] <ul style="list-style-type: none">For a few seconds after turning ignition switch OFF	0 - 1.0V
			[Ignition switch: OFF] <ul style="list-style-type: none">More than a few seconds after turning ignition switch OFF	BATTERY VOLTAGE (11 - 14V)
45	V	Mass air flow sensor	[Engine is running] <ul style="list-style-type: none">Warm-up conditionIdle speed	0.9 - 1.2V
			[Engine is running] <ul style="list-style-type: none">Warm-up conditionEngine speed: 2,500 rpm	1.5 - 1.8V
52	B/W	Sensor ground (Mass air flow sensor)	[Engine is running] <ul style="list-style-type: none">Warm-up conditionIdle speed	Approximately 0V
105	G	Power supply for ECM	[Ignition switch: ON]	BATTERY VOLTAGE (11 - 14V)

Diagnosis Procedure

INFOID:000000001849831

1. INSPECTION START

Which malfunction (P0102 or P0103) is duplicated?

P0102 or P0103

- P0102 >> GO TO 2.
- P0103 >> GO TO 3.

2. CHECK INTAKE SYSTEM

Check the following for connection.

- Air duct
- Vacuum hoses
- Intake air passage between air duct and intake manifold

OK or NG

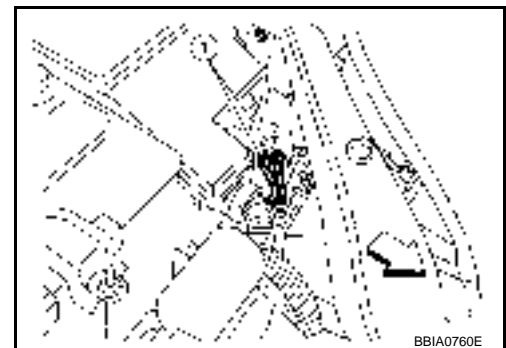
- OK >> GO TO 3.
- NG >> Reconnect the parts.

3. CHECK GROUND CONNECTIONS

- Turn ignition switch OFF.
 - Loosen and retighten ground screws on the body.
Refer to [EC-140, "Ground Inspection"](#).
- ↖: Vehicle front
 - Body ground (1)

OK or NG

- OK >> GO TO 4.
- NG >> Repair or replace ground connections.



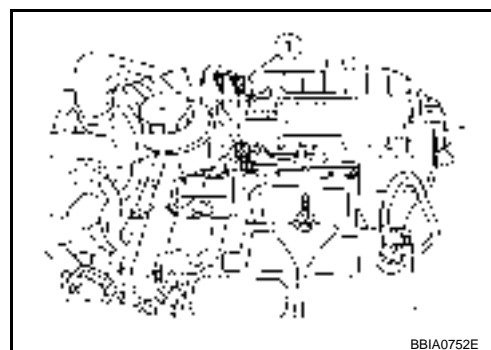
4. CHECK MAF SENSOR POWER SUPPLY CIRCUIT

DTC P0102, P0103 MAF SENSOR

[MR]

< SERVICE INFORMATION >

1. Disconnect mass air flow (MAF) sensor (1) harness connector.
2. Turn ignition switch ON.

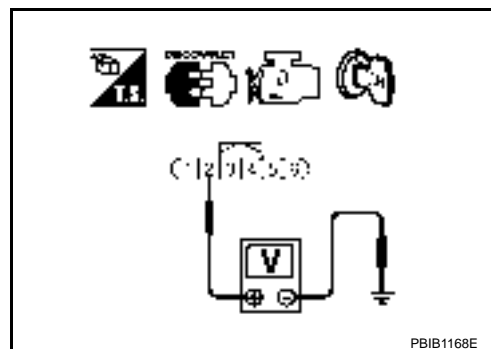


3. Check voltage between MAF sensor terminal 2 and ground with CONSULT-III or tester.

Voltage: Battery voltage

OK or NG

- OK >> GO TO 6.
NG >> GO TO 5.



5. DETECT MALFUNCTIONING PART

Check the following.

- Harness connectors E17, F10
- Harness for open or short between mass air flow sensor and ECM
- Harness for open or short between mass air flow sensor and IPDM E/R

>> Repair open circuit or short to ground or short to power in harness or connectors.

6. CHECK MAF SENSOR GROUND CIRCUIT FOR OPEN AND SHORT

1. Turn ignition switch OFF.
2. Disconnect ECM harness connector.
3. Check harness continuity between MAF sensor terminal 3 and ECM terminal 52.
Refer to Wiring Diagram.

Continuity should exist.

4. Also check harness for short to ground and short to power.

OK or NG

- OK >> GO TO 7.
NG >> Repair open circuit or short to ground or short to power in harness or connectors.

7. CHECK MAF SENSOR INPUT SIGNAL CIRCUIT FOR OPEN AND SHORT

1. Check harness continuity between MAF sensor terminal 4 and ECM terminal 45.
Refer to Wiring Diagram.

Continuity should exist.

2. Also check harness for short to ground and short to power.

OK or NG

- OK >> GO TO 8.
NG >> Repair open circuit or short to ground or short to power in harness or connectors.

8. CHECK MASS AIR FLOW SENSOR

Refer to [EC-178. "Component Inspection"](#).

OK or NG

DTC P0102, P0103 MAF SENSOR

[MR]

< SERVICE INFORMATION >

- OK >> GO TO 9.
- NG >> Replace mass air flow sensor.

9. CHECK INTERMITTENT INCIDENT

Refer to [EC-135](#).

>> **INSPECTION END**

Component Inspection

INFOID:000000001849832

MASS AIR FLOW SENSOR

▮ With CONSULT-III

1. Reconnect all harness connectors disconnected.
2. Start engine and warm it up to normal operating temperature.
3. Connect CONSULT-III and select "DATA MONITOR" mode.
4. Select "MAS A/F SE-B1" and check indication under the following conditions.

Condition	MAS A/F SE-B1 (V)
Ignition switch ON (Engine stopped.)	Approx 0.4
Idle (Engine is warmed-up to normal operating temperature.)	0.9 - 1.2
2,500 rpm (Engine is warmed-up to normal operating temperature.)	1.5 - 1.8
Idle to about 4,000 rpm	0.9 - 1.2 to 2.4*

*: Check for linear voltage rise in response to engine being increased to about 4,000 rpm.

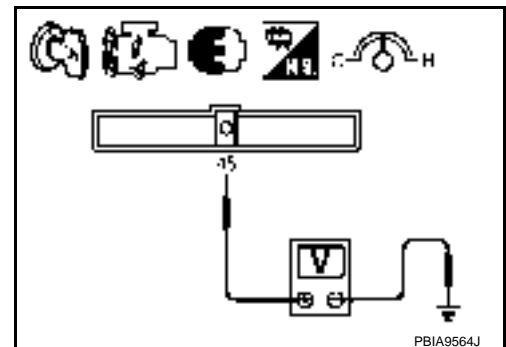
5. If the voltage is out of specification, proceed the following.
 - a. Check for the cause of uneven air flow through mass air flow sensor. Refer to following.
 - Crushed air ducts
 - Malfunctioning seal of air cleaner element
 - Uneven dirt of air cleaner element
 - Improper specification of intake air system parts
 - b. If NG, repair or replace malfunctioning part and perform step 2 to 4 again.
If OK, go to next step.
6. Turn ignition switch OFF.
7. Disconnect mass air flow sensor harness connector and reconnect it again.
8. Perform step 2 to 4 again.
9. If NG, clean or replace mass air flow sensor.

✕ Without CONSULT-III

1. Reconnect all harness connectors disconnected.
2. Start engine and warm it up to normal operating temperature.
3. Check voltage between ECM terminal 45 (Mass air flow sensor signal) and ground.

Condition	MAS A/F SE-B1 (V)
Ignition switch ON (Engine stopped.)	Approx 0.4
Idle (Engine is warmed-up to normal operating temperature.)	0.9 - 1.2
2,500 rpm (Engine is warmed-up to normal operating temperature.)	1.5 - 1.8
Idle to about 4,000 rpm	0.9 - 1.2 to 2.4*

*: Check for linear voltage rise in response to engine being increased to about 4,000 rpm.



DTC P0102, P0103 MAF SENSOR

< SERVICE INFORMATION >

[MR]

4. If the voltage is out of specification, proceed the following.
 - a. Check for the cause of uneven air flow through mass air flow sensor. Refer to following.
 - Crushed air ducts
 - Malfunctioning seal of air cleaner element
 - Uneven dirt of air cleaner element
 - Improper specification of intake air system parts
 - b. If NG, repair or replace malfunctioning part and perform step 2 and 3 again.
If OK, go to next step.
5. Turn ignition switch OFF.
6. Disconnect mass air flow sensor harness connector and reconnect it again.
7. Perform step 2 and 3 again.
8. If NG, clean or replace mass air flow sensor.

Removal and Installation

INFOID:000000001849833

MASS AIR FLOW SENSOR

Refer to [EM-16](#).

A

EC

C

D

E

F

G

H

I

J

K

L

M

N

O

P

DTC P0112, P0113 IAT SENSOR

< SERVICE INFORMATION >

[MR]

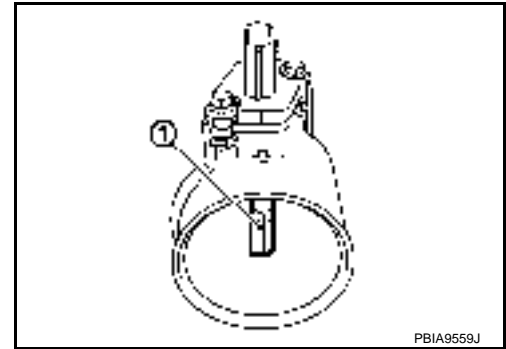
DTC P0112, P0113 IAT SENSOR

Component Description

INFOID:000000001849834

The intake air temperature sensor is built-into mass air flow sensor (1). The sensor detects intake air temperature and transmits a signal to the ECM.

The temperature sensing unit uses a thermistor which is sensitive to the change in temperature. Electrical resistance of the thermistor decreases in response to the temperature rise.



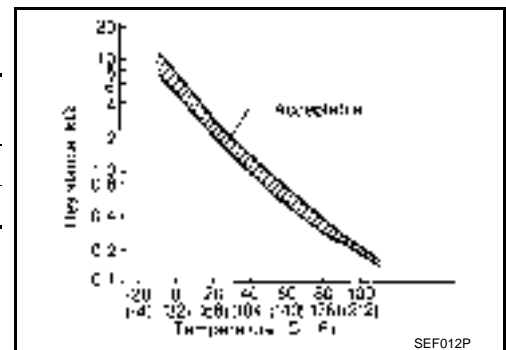
<Reference data>

Intake air temperature °C (°F)	Voltage* V	Resistance kΩ
25 (77)	3.3	1.800 - 2.200
80 (176)	1.2	0.283 - 0.359

*: This data is reference value and is measured between ECM terminal 46 (Intake air temperature sensor) and ground.

CAUTION:

Do not use ECM ground terminals when measuring input/output voltage. Doing so may result in damage to the ECM's transistor. Use a ground other than ECM terminals, such as the ground.



On Board Diagnosis Logic

INFOID:000000001849835

DTC No.	Trouble diagnosis name	DTC detecting condition	Possible cause
P0112 0112	Intake air temperature sensor circuit low input	An excessively low voltage from the sensor is sent to ECM.	<ul style="list-style-type: none"> • Harness or connectors (Intake air temperature sensor circuit is open or shorted.) • Intake air temperature sensor
P0113 0113	Intake air temperature sensor circuit high input	An excessively high voltage from the sensor is sent to ECM.	

DTC Confirmation Procedure

INFOID:000000001849836

NOTE:

If DTC Confirmation Procedure has been previously conducted, always turn ignition switch OFF and wait at least 10 seconds before conducting the next test.

1. Turn ignition switch ON and wait at least 5 seconds.
2. Check 1st trip DTC.
3. If 1st trip DTC is detected, go to [EC-181. "Diagnosis Procedure"](#).

DTC P0112, P0113 IAT SENSOR

< SERVICE INFORMATION >

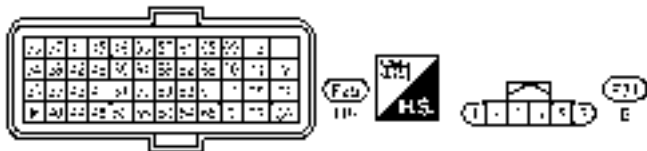
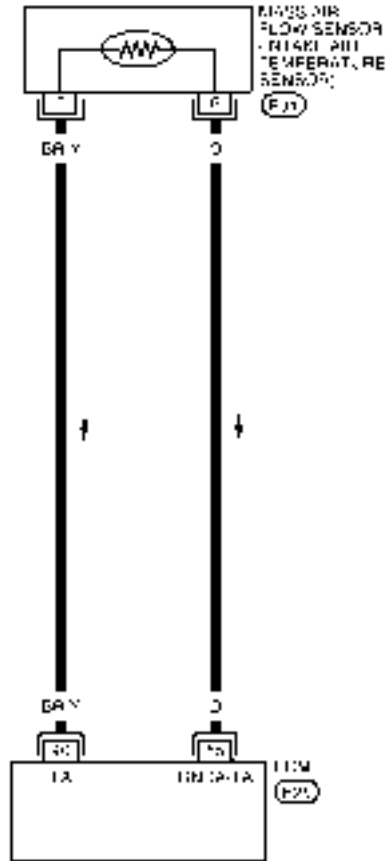
[MR]

Wiring Diagram

INFOID:000000001849837

EC-IATS-01

— DETECTABLE LINE FOR DTC
— NON DETECTABLE LINE FOR DTC



BBWA2875E

Diagnosis Procedure

INFOID:000000001849838

1. CHECK GROUND CONNECTIONS

1. Turn ignition switch OFF.

DTC P0112, P0113 IAT SENSOR

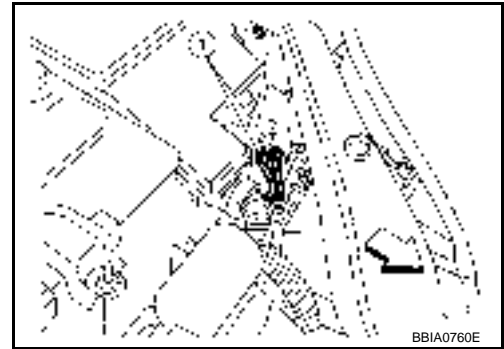
[MR]

< SERVICE INFORMATION >

- Loosen and retighten ground screws on the body.
Refer to [EC-140, "Ground Inspection"](#).
- ↔: Vehicle front
 - Body ground (1)

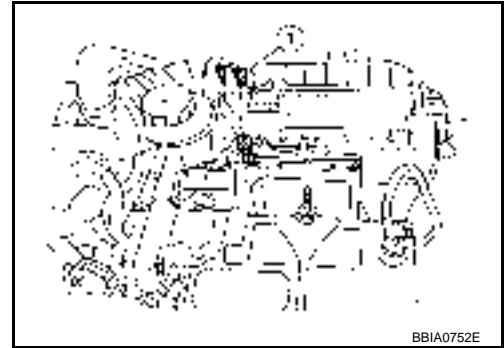
OK or NG

- OK >> GO TO 2.
- NG >> Repair or replace ground connections.



2. CHECK INTAKE AIR TEMPERATURE SENSOR POWER SUPPLY CIRCUIT

- Disconnect mass air flow sensor (with intake air temperature sensor) (1) harness connector.
- Turn ignition switch ON.

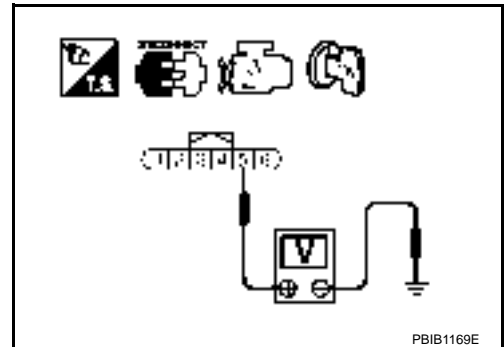


- Check voltage between mass air flow sensor terminal 5 and ground with CONSULT-III or tester.

Voltage: Approximately 5V

OK or NG

- OK >> GO TO 3.
- NG >> Repair open circuit or short to ground or short to power in harness or connectors.



3. CHECK INTAKE AIR TEMPERATURE SENSOR GROUND CIRCUIT FOR OPEN AND SHORT

- Turn ignition switch OFF.
- Disconnect ECM harness connector.
- Check harness continuity between mass air flow sensor terminal 6 and ECM terminal 55.
Refer to Wiring Diagram.

Continuity should exist.

- Also check harness for short to ground and short to power.

OK or NG

- OK >> GO TO 4.
- NG >> Repair open circuit or short to ground or short to power in harness or connectors.

4. CHECK INTAKE AIR TEMPERATURE SENSOR

Refer to [EC-183, "Component Inspection"](#).

OK or NG

- OK >> GO TO 5.
- NG >> Replace mass air flow sensor (with intake air temperature sensor).

5. CHECK INTERMITTENT INCIDENT

Refer to [EC-135](#).

DTC P0112, P0113 IAT SENSOR

< SERVICE INFORMATION >

[MR]

>> INSPECTION END

Component Inspection

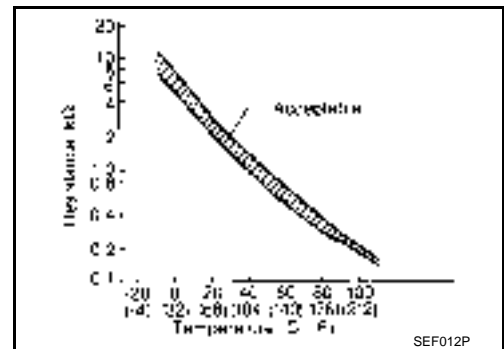
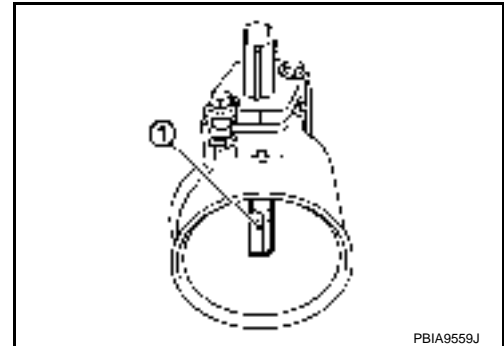
INFOID:000000001849839

INTAKE AIR TEMPERATURE SENSOR

1. Check resistance between mass air flow sensor (1) terminals 5 and 6 under the following conditions.

Intake air temperature °C (°F)	Resistance kΩ
25 (77)	1.800 - 2.200

2. If NG, replace mass air flow sensor (with intake air temperature sensor).



Removal and Installation

INFOID:000000001849840

MASS AIR FLOW SENSOR

Refer to [EM-16](#).

A
EC
C
D
E
F
G
H
I
J
K
L
M
N
O
P

DTC P0117, P0118 ECT SENSOR

< SERVICE INFORMATION >

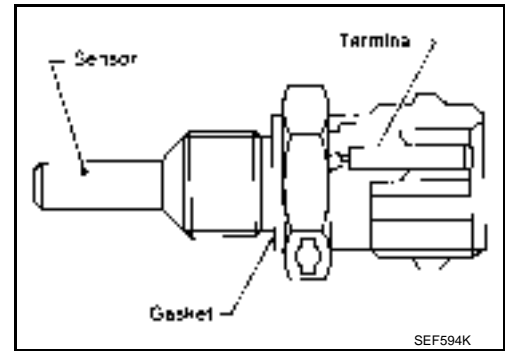
[MR]

DTC P0117, P0118 ECT SENSOR

Component Description

INFOID:000000001849841

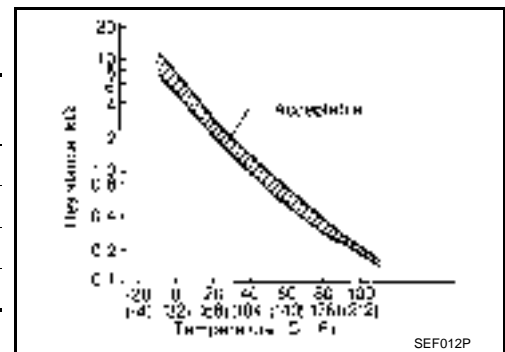
The engine coolant temperature sensor is used to detect the engine coolant temperature. The sensor modifies a voltage signal from the ECM. The modified signal returns to the ECM as the engine coolant temperature input. The sensor uses a thermistor which is sensitive to the change in temperature. The electrical resistance of the thermistor decreases as temperature increases.



<Reference data>

Engine coolant temperature °C (°F)	Voltage* V	Resistance kΩ
-10 (14)	4.4	7.0 - 11.4
20 (68)	3.5	2.1 - 2.9
50 (122)	2.2	0.68 - 1.00
90 (194)	0.9	0.236 - 0.260

*: This data is reference value and is measured between ECM terminal 38 (Engine coolant temperature sensor) and ground.



CAUTION:

Do not use ECM ground terminals when measuring input/output voltage. Doing so may result in damage to the ECM's transistor. Use a ground other than ECM terminals, such as the ground.

On Board Diagnosis Logic

INFOID:000000001849842

These self-diagnoses have the one trip detection logic.

DTC No.	Trouble Diagnosis Name	DTC Detecting Condition	Possible Cause
P0117 0117	Engine coolant temperature sensor circuit low input	An excessively low voltage from the sensor is sent to ECM.	<ul style="list-style-type: none"> • Harness or connectors (Engine coolant temperature sensor circuit is open or shorted.) • Engine coolant temperature sensor
P0118 0118	Engine coolant temperature sensor circuit high input	An excessively high voltage from the sensor is sent to ECM.	

FAIL-SAFE MODE

When the malfunction is detected, the ECM enters fail-safe mode and the MIL lights up.

DTC P0117, P0118 ECT SENSOR

< SERVICE INFORMATION >

[MR]

Detected items	Engine operating condition in fail-safe mode	
Engine coolant temperature sensor circuit	Engine coolant temperature will be determined by ECM based on the following condition. CONSULT-III displays the engine coolant temperature decided by ECM.	
	Condition	Engine coolant temperature decided (CONSULT-III display)
	Just as ignition switch is turned ON or START	40°C (104°F)
	Approx 4 minutes or more after engine starting.	80°C (176°F)
	Except as shown above	40 - 80°C (104 - 176°F) (Depends on the time)
When the fail-safe system for engine coolant temperature sensor is activated, the cooling fan operates while engine is running.		

DTC Confirmation Procedure

INFOID:000000001849843

NOTE:

If DTC Confirmation Procedure has been previously conducted, always turn ignition switch OFF and wait at least 10 seconds before conducting the next test.

1. Turn ignition switch ON and wait at least 5 seconds.
2. Check DTC.
3. If DTC is detected, go to [EC-186, "Diagnosis Procedure"](#).

DTC P0117, P0118 ECT SENSOR

< SERVICE INFORMATION >

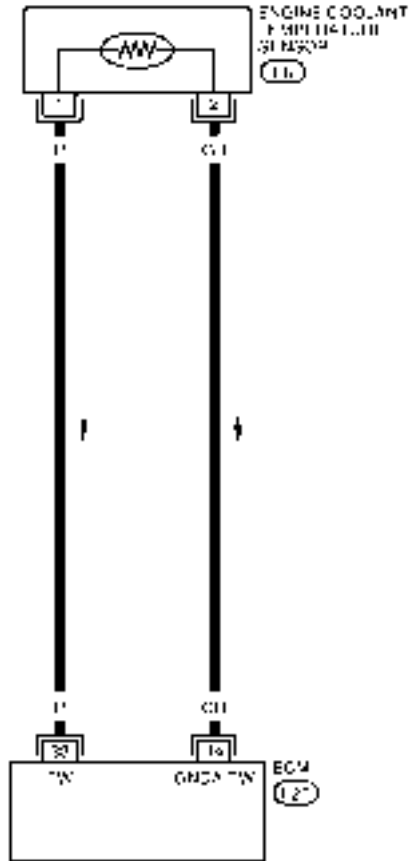
[MR]

Wiring Diagram

INFOID:000000001849844

EC-ECTS-01

— DEFECTABLE LINE FOR DTC
— NON-DEFECTABLE LINE FOR DTC



BBWA2876E

Diagnosis Procedure

INFOID:000000001849845

1. CHECK GROUND CONNECTIONS

1. Turn ignition switch OFF.

DTC P0117, P0118 ECT SENSOR

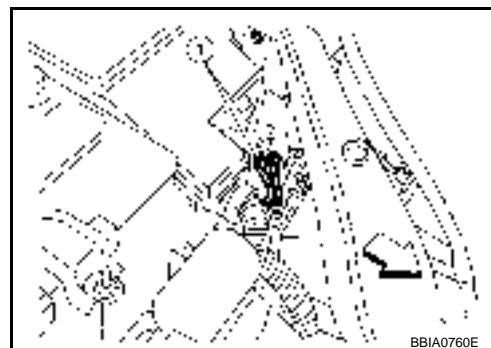
[MR]

< SERVICE INFORMATION >

- Loosen and retighten ground screws on the body.
Refer to [EC-140, "Ground Inspection"](#).
- ↖: Vehicle front
 - Body ground (1)

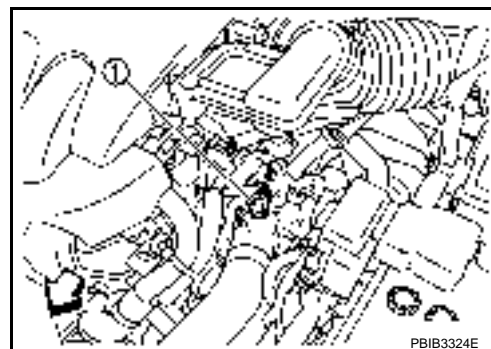
OK or NG

- OK >> GO TO 2.
- NG >> Repair or replace ground connections.



2. CHECK ECT SENSOR POWER SUPPLY CIRCUIT

- Disconnect engine coolant temperature (ECT) sensor (1) harness connector.
- ↖: Vehicle front
- Turn ignition switch ON.

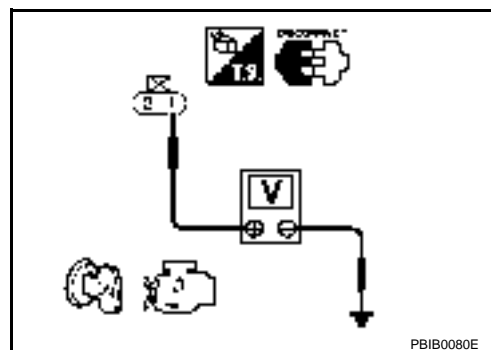


- Check voltage between ECT sensor terminal 1 and ground with CONSULT-III or tester.

Voltage: Approximately 5V

OK or NG

- OK >> GO TO 3.
- NG >> Repair open circuit or short to ground or short to power in harness or connectors.



3. CHECK ECT SENSOR GROUND CIRCUIT FOR OPEN AND SHORT

- Turn ignition switch OFF.
- Disconnect ECM harness connector.
- Check harness continuity between ECM terminal 44 and ECT sensor terminal 2.
Refer to Wiring Diagram.

Continuity should exist.

- Also check harness for short to ground and short to power.

OK or NG

- OK >> GO TO 4.
- NG >> Repair open circuit or short to ground or short to power in harness or connectors.

4. CHECK ENGINE COOLANT TEMPERATURE SENSOR

Refer to [EC-188, "Component Inspection"](#).

OK or NG

- OK >> GO TO 5.
- NG >> Replace engine coolant temperature sensor.

5. CHECK INTERMITTENT INCIDENT

Refer to [EC-135](#).

A
EC
C
D
E
F
G
H
I
J
K
L
M
N
O
P

DTC P0117, P0118 ECT SENSOR

< SERVICE INFORMATION >

[MR]

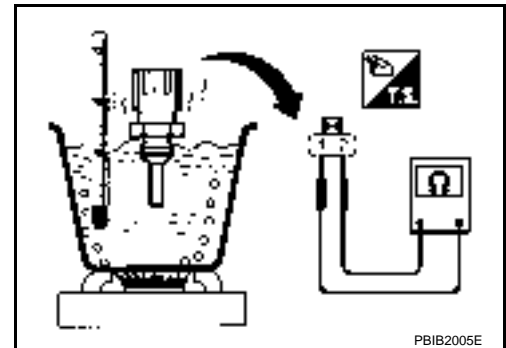
>> INSPECTION END

Component Inspection

INFOID:000000001849846

ENGINE COOLANT TEMPERATURE SENSOR

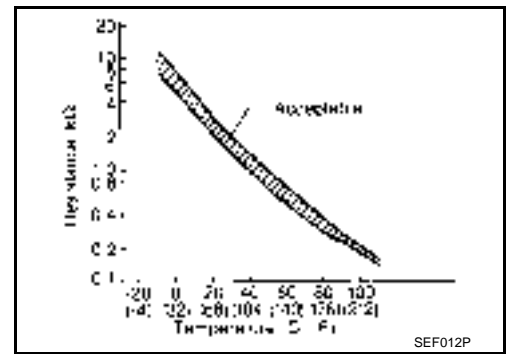
1. Check resistance between engine coolant temperature sensor terminals 1 and 2 as shown in the figure.



<Reference data>

Temperature °C (°F)	Resistance kΩ
20 (68)	2.1 - 2.9
50 (122)	0.68 - 1.00
90 (194)	0.236 - 0.260

2. If NG, replace engine coolant temperature sensor.



Removal and Installation

INFOID:000000001849847

ENGINE COOLANT TEMPERATURE SENSOR

Refer to [EM-61](#).

DTC P0122, P0123 TP SENSOR

< SERVICE INFORMATION >

[MR]

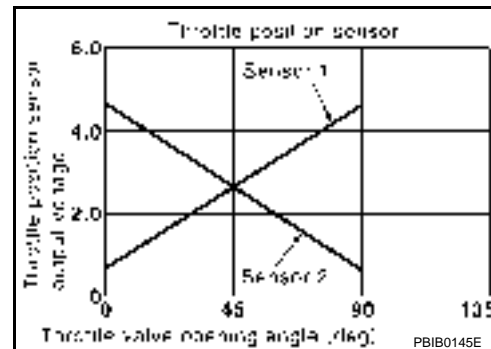
DTC P0122, P0123 TP SENSOR

Component Description

INFOID:000000001849848

Electric throttle control actuator consists of throttle control motor, throttle position sensor, etc. The throttle position sensor responds to the throttle valve movement.

The throttle position sensor has two sensors. These sensors are a kind of potentiometers which transform the throttle valve position into output voltage, and emit the voltage signal to the ECM. In addition, these sensors detect the opening and closing speed of the throttle valve and feed the voltage signals to the ECM. The ECM judges the current opening angle of the throttle valve from these signals and the ECM controls the throttle control motor to make the throttle valve opening angle properly in response to driving condition.



CONSULT-III Reference Value in Data Monitor Mode

INFOID:000000001849849

Specification data are reference values.

MONITOR ITEM	CONDITION	SPECIFICATION
THRTL SEN 1 THRTL SEN 2*	• Ignition switch: ON (Engine stopped)	Accelerator pedal: Fully released
	• Shift lever: D (CVT), 1st (M/T)	Accelerator pedal: Fully depressed
		More than 0.36V
		Less than 4.75V

*: Throttle position sensor 2 signal is converted by ECM internally. Thus, it differs from ECM terminal voltage signal.

On Board Diagnosis Logic

INFOID:000000001849850

These self-diagnoses have the one trip detection logic.

NOTE:

If DTC P0122 or P0123 is displayed with DTC P0643, first perform the trouble diagnosis for DTC P0643. Refer to [EC-383](#).

DTC No.	Trouble diagnosis name	DTC detecting condition	Possible cause
P0122 0122	Throttle position sensor 2 circuit low input	An excessively low voltage from the TP sensor 2 is sent to ECM.	<ul style="list-style-type: none"> • Harness or connectors (TP sensor 2 circuit is open or shorted.) • Electric throttle control actuator (TP sensor 2)
P0123 0123	Throttle position sensor 2 circuit high input	An excessively high voltage from the TP sensor 2 is sent to ECM.	

FAIL-SAFE MODE

When the malfunction is detected, ECM enters fail-safe mode and the MIL lights up.

Engine operation condition in fail-safe mode

The ECM controls the electric throttle control actuator in regulating the throttle opening in order for the idle position to be within +10 degrees.

The ECM regulates the opening speed of the throttle valve to be slower than the normal condition.

So, the acceleration will be poor.

DTC Confirmation Procedure

INFOID:000000001849851

NOTE:

If DTC Confirmation Procedure has been previously conducted, always turn ignition switch OFF and wait at least 10 seconds before conducting the next test.

TESTING CONDITION:

Before performing the following procedure, confirm that battery voltage is more than 8V at idle.

1. Start engine and let it idle for 1 second.
2. Check DTC.
3. If DTC is detected, go to [EC-191, "Diagnosis Procedure"](#).

DTC P0122, P0123 TP SENSOR

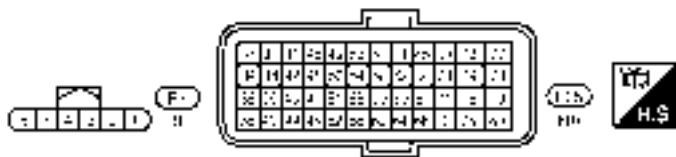
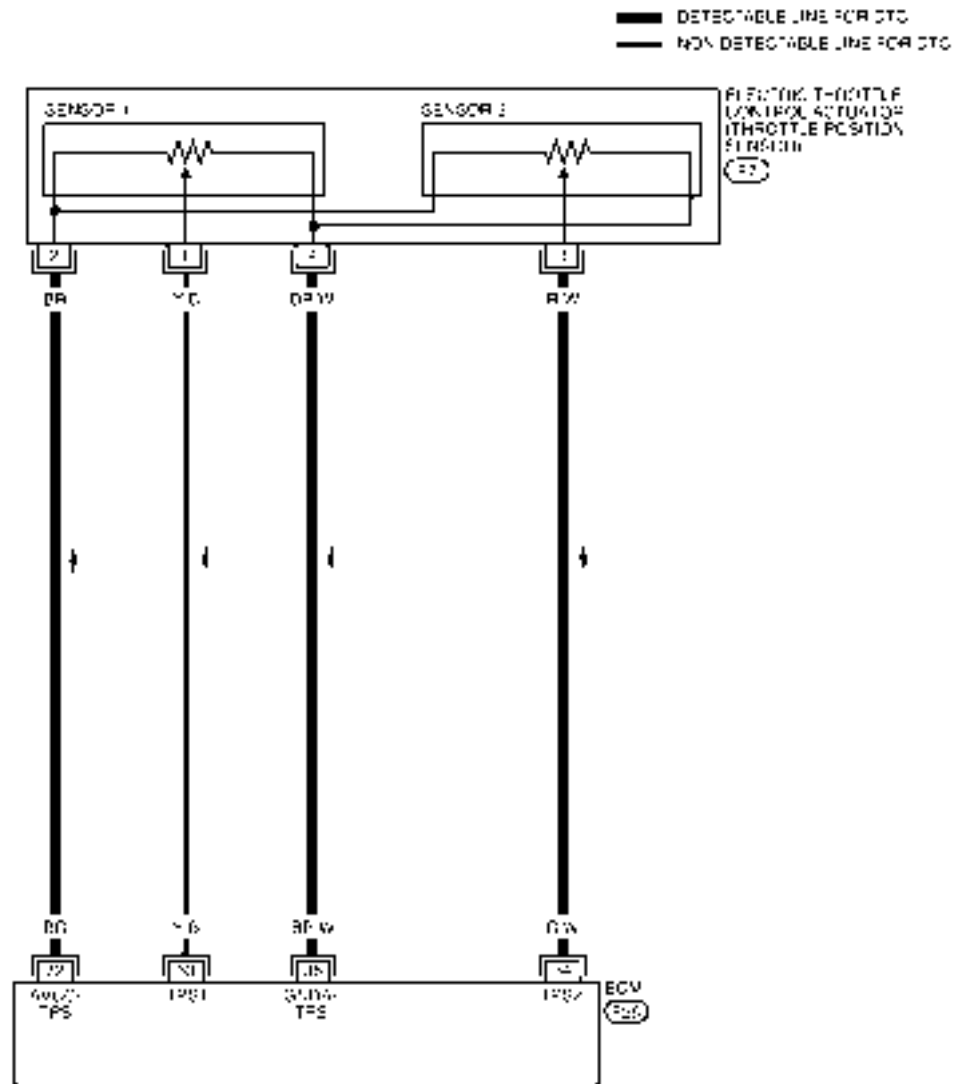
< SERVICE INFORMATION >

[MR]

Wiring Diagram

INFOID:000000001849852

EC-TPS2-01



BBWA2877E

Specification data are reference values and are measured between each terminal and ground.

CAUTION:

Do not use ECM ground terminals when measuring input/output voltage. Doing so may result in damage to the ECM's transistor. Use a ground other than ECM terminals, such as the ground.

DTC P0122, P0123 TP SENSOR

< SERVICE INFORMATION >

[MR]

TER-MI-NAL NO.	WIRE COLOR	ITEM	CONDITION	DATA (DC Voltage)
33	Y/B	Throttle position sensor 1	[Ignition switch: ON] • Engine stopped • Shift lever: D (CVT), 1st (M/T) • Accelerator pedal: Fully released	More than 0.36V
			[Ignition switch: ON] • Engine stopped • Shift lever: D (CVT), 1st (M/T) • Accelerator pedal: Fully depressed	Less than 4.75V
34	R/W	Throttle position sensor 2	[Ignition switch: ON] • Engine stopped • Shift lever: D (CVT), 1st (M/T) • Accelerator pedal: Fully released	Less than 4.75V
			[Ignition switch: ON] • Engine stopped • Shift lever: D (CVT), 1st (M/T) • Accelerator pedal: Fully depressed	More than 0.36V
36	BR/W	Sensor ground (Throttle position sensor)	[Engine is running] • Warm-up condition • Idle speed	Approximately 0V
72	BR	Sensor power supply (Throttle position sensor)	[Ignition switch: ON]	Approximately 5V

Diagnosis Procedure

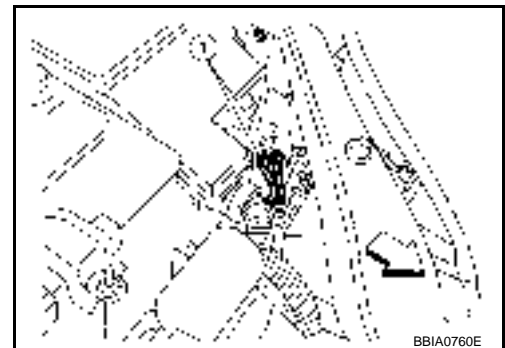
INFOID:000000001849853

1. CHECK GROUND CONNECTIONS

1. Turn ignition switch OFF.
 2. Loosen and retighten ground screws on the body.
Refer to [EC-140. "Ground Inspection"](#).
- ◀: Vehicle front
 - Body ground (1)

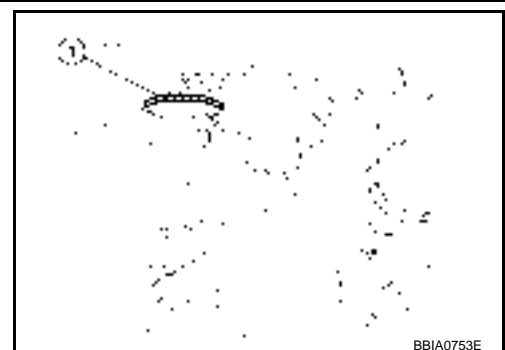
OK or NG

- OK >> GO TO 2.
- NG >> Repair or replace ground connections.



2. CHECK THROTTLE POSITION SENSOR 2 POWER SUPPLY CIRCUIT

1. Disconnect electric throttle control actuator (1) harness connector.
2. Turn ignition switch ON.



DTC P0122, P0123 TP SENSOR

[MR]

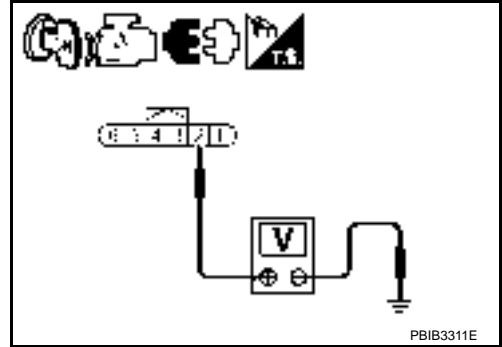
< SERVICE INFORMATION >

3. Check voltage between electric throttle control actuator terminal 2 and ground with CONSULT-III or tester.

Voltage: Approximately 5V

OK or NG

- OK >> GO TO 3.
- NG >> Repair open circuit or short to ground or short to power in harness or connectors.



3.CHECK THROTTLE POSITION SENSOR 2 GROUND CIRCUIT FOR OPEN AND SHORT

1. Turn ignition switch OFF.
2. Disconnect ECM harness connector.
3. Check harness continuity between electric throttle control actuator terminal 4 and ECM terminal 36. Refer to Wiring Diagram.

Continuity should exist.

4. Also check harness for short to ground and short to power.

OK or NG

- OK >> GO TO 4.
- NG >> Repair open circuit or short to ground or short to power in harness or connectors.

4.CHECK THROTTLE POSITION SENSOR 2 INPUT SIGNAL CIRCUIT FOR OPEN AND SHORT

1. Check harness continuity between ECM terminal 34 and electric throttle control actuator terminal 3. Refer to Wiring Diagram.

Continuity should exist.

2. Also check harness for short to ground and short to power.

OK or NG

- OK >> GO TO 5.
- NG >> Repair open circuit or short to ground or short to power in harness or connectors.

5.CHECK THROTTLE POSITION SENSOR

Refer to [EC-192, "Component Inspection"](#).

OK or NG

- OK >> GO TO 7.
- NG >> GO TO 6.

6.REPLACE ELECTRIC THROTTLE CONTROL ACTUATOR

1. Replace the electric throttle control actuator.
2. Perform [EC-81, "Throttle Valve Closed Position Learning"](#).
3. Perform [EC-81, "Idle Air Volume Learning"](#).

>> INSPECTION END

7.CHECK INTERMITTENT INCIDENT

Refer to [EC-135](#).

>> INSPECTION END

Component Inspection

INFOID:000000001849854

THROTTLE POSITION SENSOR

1. Reconnect all harness connectors disconnected.

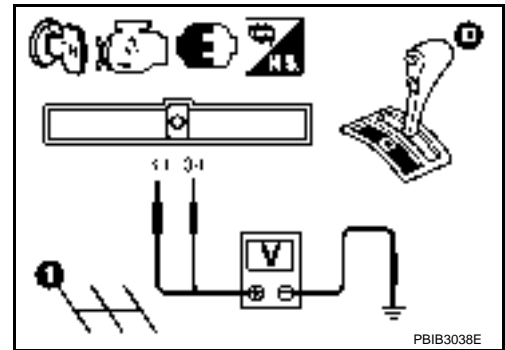
DTC P0122, P0123 TP SENSOR

[MR]

< SERVICE INFORMATION >

2. Perform [EC-81, "Throttle Valve Closed Position Learning"](#).
3. Turn ignition switch ON.
4. Set shift lever to D position (CVT) or 1st position (M/T).
5. Check voltage between ECM terminals 33 (TP sensor 1 signal), 34 (TP sensor 2 signal) and ground under the following conditions.

Terminal	Accelerator pedal	Voltage
33 (Throttle position sensor 1)	Fully released	More than 0.36V
	Fully depressed	Less than 4.75V
34 (Throttle position sensor 2)	Fully released	Less than 4.75V
	Fully depressed	More than 0.36V



6. If NG, replace electric throttle control actuator and go to the next step.
7. Perform [EC-81, "Throttle Valve Closed Position Learning"](#).
8. Perform [EC-81, "Idle Air Volume Learning"](#).

Removal and Installation

INFOID:000000001849855

ELECTRIC THROTTLE CONTROL ACTUATOR

Refer to [EM-18](#).

DTC P0125 ECT SENSOR

< SERVICE INFORMATION >

[MR]

DTC P0125 ECT SENSOR

Description

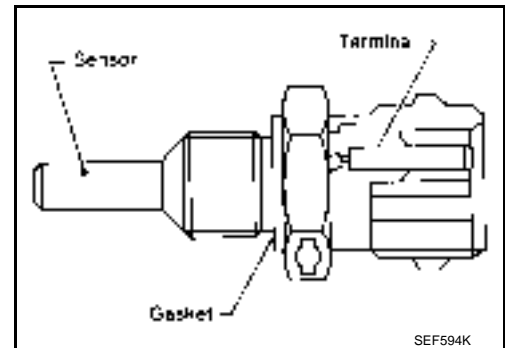
INFOID:000000001849856

NOTE:

If DTC P0125 is displayed with P0117 or P0118, first perform the trouble diagnosis for DTC P0117 or P0118. Refer to [EC-184](#).

COMPONENT DESCRIPTION

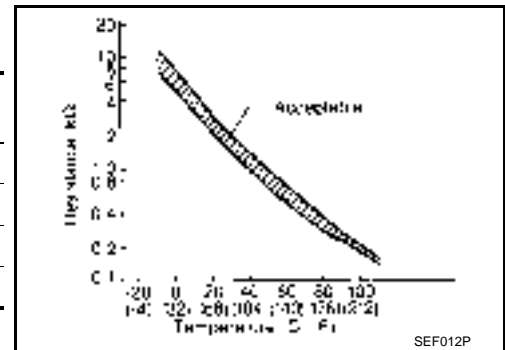
The engine coolant temperature sensor is used to detect the engine coolant temperature. The sensor modifies a voltage signal from the ECM. The modified signal returns to the ECM as the engine coolant temperature input. The sensor uses a thermistor which is sensitive to the change in temperature. The electrical resistance of the thermistor decreases as temperature increases.



<Reference data>

Engine coolant temperature °C (°F)	Voltage* V	Resistance kΩ
-10 (14)	4.4	7.0 - 11.4
20 (68)	3.5	2.1 - 2.9
50 (122)	2.2	0.68 - 1.00
90 (194)	0.9	0.236 - 0.260

*: This data is reference values and is measured between ECM terminal 38 (Engine coolant temperature sensor) and ground.



CAUTION:

Do not use ECM ground terminals when measuring input/output voltage. Doing so may result in damage to the ECM's transistor. Use a ground other than ECM terminals, such as the ground.

On Board Diagnosis Logic

INFOID:000000001849857

DTC No.	Trouble diagnosis name	DTC detecting condition	Possible cause
P0125 0125	Insufficient engine coolant temperature for closed loop fuel control	<ul style="list-style-type: none"> Voltage sent to ECM from the sensor is not practical, even when some time has passed after starting the engine. Engine coolant temperature is insufficient for closed loop fuel control. 	<ul style="list-style-type: none"> Harness or connectors (High resistance in the circuit) Engine coolant temperature sensor Thermostat

DTC Confirmation Procedure

INFOID:000000001849858

CAUTION:

Be careful not to overheat engine.

NOTE:

If DTC Confirmation Procedure has been previously conducted, always turn ignition switch OFF and wait at least 10 seconds before conducting the next test.

WITH CONSULT-III

- Turn ignition switch ON.
- Select "DATA MONITOR" mode with CONSULT-III.
- Check that "COOLAN TEMP/S" is above 10°C (50°F).
If it is above 10°C (50°F), the test result will be OK.

DTC P0125 ECT SENSOR

[MR]

< SERVICE INFORMATION >

If it is below 10°C (50°F), go to following step.

- Start engine and run it for 65 minutes at idle speed.
If "COOLANT TEMP/S" increases to more than 10°C (50°F) within 65 minutes, stop engine because the test result will be OK.
- Check 1st trip DTC.
- If 1st trip DTC is detected, go to [EC-195, "Diagnosis Procedure"](#).

WITH GST

Follow the procedure "WITH CONSULT-III" above.

Diagnosis Procedure

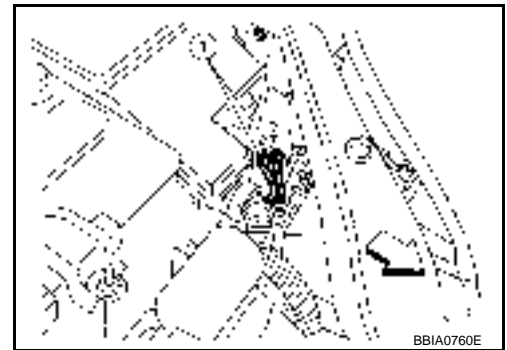
INFOID:000000001849859

1. CHECK GROUND CONNECTIONS

- Turn ignition switch OFF.
 - Loosen and retighten ground screws on the body.
Refer to [EC-140, "Ground Inspection"](#).
- ↖: Vehicle front
 - Body ground (1)

OK or NG

- OK >> GO TO 2.
- NG >> Repair or replace ground connections.



2. CHECK ENGINE COOLANT TEMPERATURE SENSOR

Refer to [EC-195, "Component Inspection"](#).

OK or NG

- OK >> GO TO 3.
- NG >> Replace engine coolant temperature sensor.

3. CHECK THERMOSTAT OPERATION

When the engine is cold [lower than 70°C (158°F)] condition, grasp lower radiator hose and confirm the engine coolant does not flow.

OK or NG

- OK >> GO TO 4.
- NG >> Repair or replace thermostat. Refer to [CO-19](#).

4. CHECK INTERMITTENT INCIDENT

Refer to [EC-135](#).

Refer to [EC-186, "Wiring Diagram"](#).

>> INSPECTION END

Component Inspection

INFOID:000000001849860

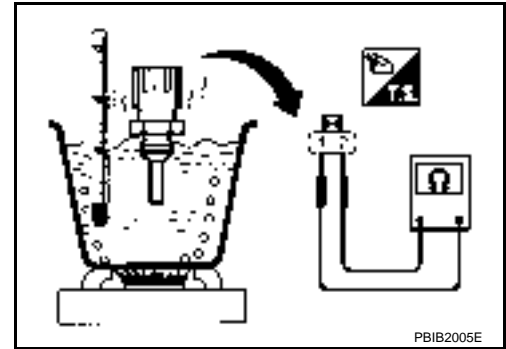
ENGINE COOLANT TEMPERATURE SENSOR

DTC P0125 ECT SENSOR

[MR]

< SERVICE INFORMATION >

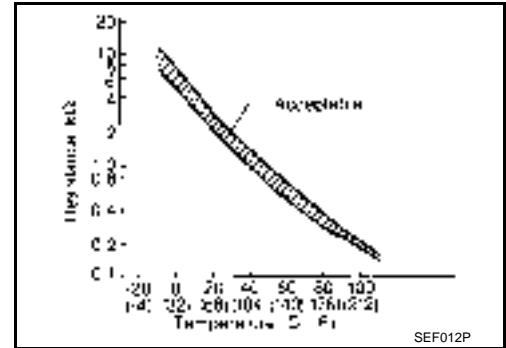
1. Check resistance between engine coolant temperature sensor terminals 1 and 2 as shown in the figure.



<Reference data>

Engine coolant temperature °C (°F)	Resistance kΩ
20 (68)	2.1 - 2.9
50 (122)	0.68 - 1.00
90 (194)	0.236 - 0.260

2. If NG, replace engine coolant temperature sensor.



INFOID:000000001849861

Removal and Installation

ENGINE COOLANT TEMPERATURE SENSOR

Refer to [CO-19](#).

DTC P0127 IAT SENSOR

< SERVICE INFORMATION >

[MR]

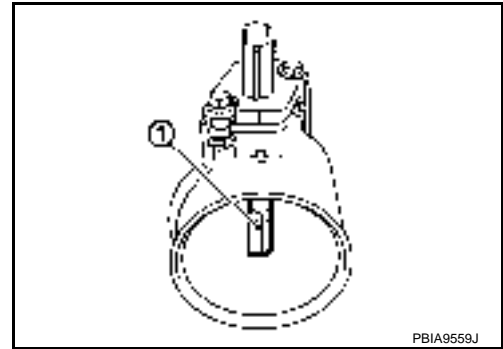
DTC P0127 IAT SENSOR

Component Description

INFOID:000000001849862

The intake air temperature sensor is built into mass air flow sensor (1). The sensor detects intake air temperature and transmits a signal to the ECM.

The temperature sensing unit uses a thermistor which is sensitive to the change in temperature. Electrical resistance of the thermistor decreases in response to the temperature rise.



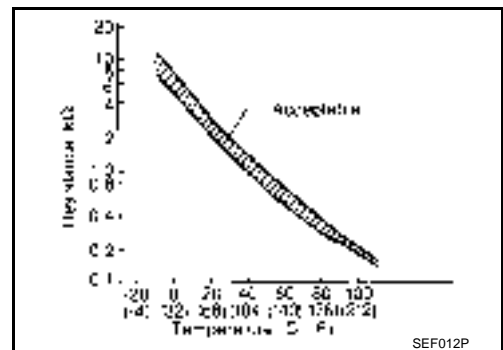
<Reference data>

Intake air temperature °C (°F)	Voltage* V	Resistance K.Ω
25 (77)	3.3	1.800 - 2.200
80 (176)	1.2	0.283 - 0.359

*: This data is reference value and is measured between ECM terminal 46 (Intake air temperature sensor) and ground.

CAUTION:

Do not use ECM ground terminals when measuring input/output voltage. Doing so may result in damage to the ECM's transistor. Use a ground other than ECM terminals, such as the ground.



On Board Diagnosis Logic

INFOID:000000001849863

DTC No.	Trouble diagnosis name	DTC detecting condition	Possible cause
P0127 0127	Intake air temperature too high	Rationally incorrect voltage from the sensor is sent to ECM, compared with the voltage signal from engine coolant temperature sensor.	<ul style="list-style-type: none"> Harness or connectors (Intake temperature sensor circuit is open or shorted) Intake air temperature sensor

DTC Confirmation Procedure

INFOID:000000001849864

CAUTION:

Always drive vehicle at a safe speed.

NOTE:

If DTC Confirmation Procedure has been previously conducted, always turn ignition switch OFF and wait at least 10 seconds before conducting the next test.

TESTING CONDITION:

This test may be conducted with the drive wheels lifted in the shop or by driving the vehicle. If a road test is expected to be easier, it is unnecessary to lift the vehicle.

WITH CONSULT-III

1. Wait until engine coolant temperature is less than 90°C (194°F)
 - a. Turn ignition switch ON.
 - b. Select "DATA MONITOR" mode with CONSULT-III.
 - c. Check the engine coolant temperature.
 - d. If the engine coolant temperature is not less than 90°C (194°F), turn ignition switch OFF and cool down engine.
 - Perform the following steps before engine coolant temperature is above 90°C (194°F).

DTC P0127 IAT SENSOR

[MR]

< SERVICE INFORMATION >

2. Turn ignition switch ON.
3. Select "DATA MONITOR" mode with CONSULT-III.
4. Start engine.
5. Hold vehicle speed at more than 70 km/h (43 MPH) for 100 consecutive seconds.
6. Check 1st trip DTC.
7. If 1st trip DTC is detected, go to [EC-198, "Diagnosis Procedure"](#).

WITH GST

Follow the procedure "With CONSULT-III" above.

Diagnosis Procedure

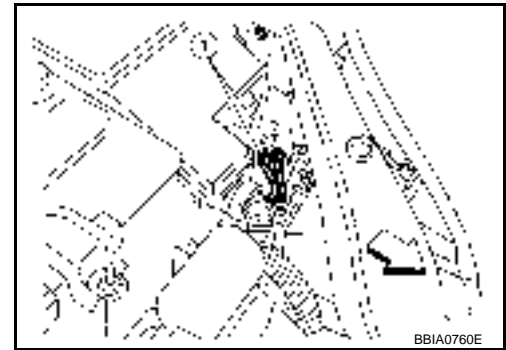
INFOID:000000001849865

1. CHECK GROUND CONNECTIONS

1. Turn ignition switch OFF.
 2. Loosen and retighten ground screws on the body.
Refer to [EC-140, "Ground Inspection"](#).
- ◀ : Vehicle front
 - Body ground (1)

OK or NG

- OK >> GO TO 2.
- NG >> Repair or replace ground connections.



2. CHECK INTAKE AIR TEMPERATURE SENSOR

Refer to [EC-198, "Component Inspection"](#).

OK or NG

- OK >> GO TO 3.
- NG >> Replace mass air flow sensor (with intake air temperature sensor).

3. CHECK INTERMITTENT INCIDENT

Refer to [EC-135](#).

Refer to [EC-181, "Wiring Diagram"](#).

>> **INSPECTION END**

Component Inspection

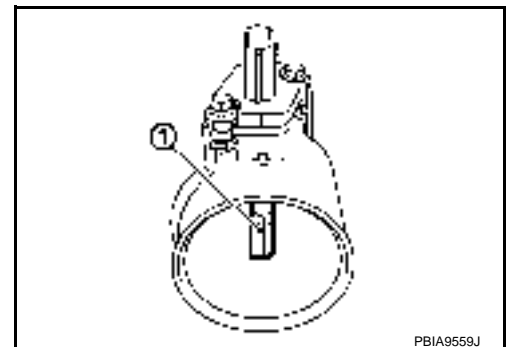
INFOID:000000001849866

INTAKE AIR TEMPERATURE SENSOR

1. Check resistance between intake air temperature sensor (1) terminals 5 and 6 under the following conditions.

Intake air temperature °C (°F)	Resistance kΩ
25 (77)	1.800 - 2.200

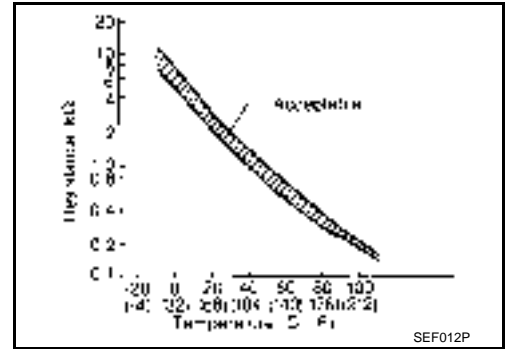
2. If NG, replace mass air flow sensor (with intake air temperature sensor).



DTC P0127 IAT SENSOR

< SERVICE INFORMATION >

[MR]



A

EC

C

D

Removal and Installation

MASS AIR FLOW SENSOR

Refer to [EM-16](#).

INFOID:000000001849867

E

F

G

H

I

J

K

L

M

N

O

P

DTC P0128 THERMOSTAT FUNCTION

< SERVICE INFORMATION >

[MR]

DTC P0128 THERMOSTAT FUNCTION

On Board Diagnosis Logic

INFOID:000000001849868

Engine coolant temperature has not risen enough to open the thermostat even though the engine has run long enough. This is due to a leak in the seal or the thermostat stuck open.

DTC No.	Trouble diagnosis name	DTC detecting condition	Possible cause
P0128 0128	Thermostat function	The engine coolant temperature does not reach to specified temperature even though the engine has run long enough.	<ul style="list-style-type: none">• Thermostat• Leakage from sealing portion of thermostat• Engine coolant temperature sensor

DTC Confirmation Procedure

INFOID:000000001849869

NOTE:

If DTC Confirmation Procedure has been previously conducted, always turn ignition switch OFF and wait at least 10 seconds before conducting the next test.

TESTING CONDITION:

- For best results, perform at ambient temperature of -10°C (14°F) or higher.
- For best results, perform at engine coolant temperature of -10°C (14°F) to 71°C (160°F).
- Before performing the following procedure, do not fill with the fuel

WITH CONSULT-III

1. Turn A/C switch OFF.
2. Turn blower fan switch OFF.
3. Turn ignition switch ON.
4. Select "COOLAN TEMP/S" in "DATA MONITOR" mode with CONSULT-III.
5. Check the indication of "COOLAN TEMP/S".
If it is below 71°C (160°F), go to following step.
If it is above 71°C (160°F), cool down the engine to less than 71°C (160°F). Then go to next steps.
6. Start engine and wait at idle for at least 30 minutes.
If "COOLAN TEMP/S" increases to more than 71°C (160°F) within 30 minutes, turn ignition switch OFF because the test result will be OK.
7. Check 1st trip DTC.
8. If 1st trip DTC is detected, go to [EC-200, "Diagnosis Procedure"](#).

WITH GST

Follow the procedure "WITH CONSULT-III" above.

Diagnosis Procedure

INFOID:000000001849870

1. CHECK ENGINE COOLANT TEMPERATURE SENSOR

Refer to [EC-200, "Component Inspection"](#).

OK or NG

- OK >> GO TO 2.
- NG >> Replace engine coolant temperature sensor.

2. CHECK THERMOSTAT

Check thermostat. Refer to [CO-20, "Removal and Installation"](#).

OK or NG

- OK >> **INSPECTION END**
- NG >> Replace thermostat.

Component Inspection

INFOID:000000001849871

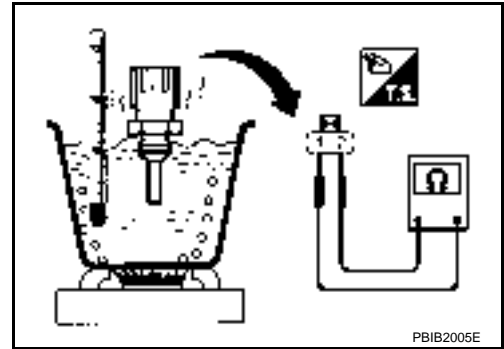
ENGINE COOLANT TEMPERATURE SENSOR

DTC P0128 THERMOSTAT FUNCTION

[MR]

< SERVICE INFORMATION >

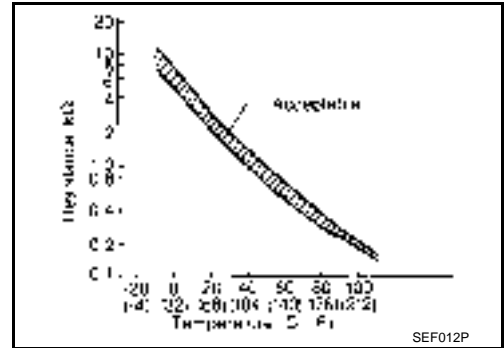
1. Check resistance between engine coolant temperature sensor terminals 1 and 2 as shown in the figure.



<Reference data>

Engine coolant temperature °C (°F)	Resistance kΩ
20 (68)	2.1 - 2.9
50 (122)	0.68 - 1.00
90 (194)	0.236 - 0.260

2. If NG, replace engine coolant temperature sensor.



Removal and Installation

ENGINE COOLANT TEMPERATURE SENSOR

Refer to [CO-19](#).

INFOID:000000001849872

DTC P0130 A/F SENSOR 1

< SERVICE INFORMATION >

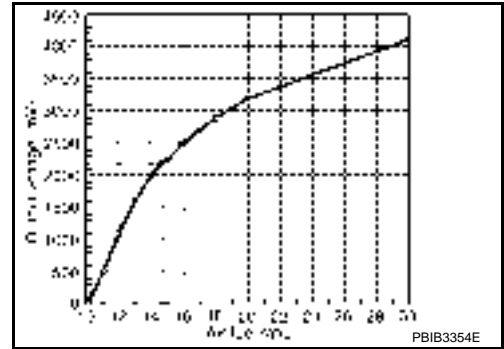
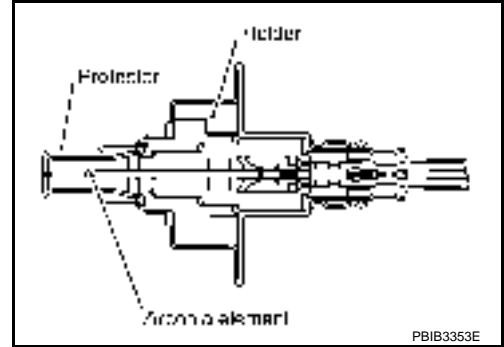
[MR]

DTC P0130 A/F SENSOR 1

Component Description

INFOID:000000001849873

The air fuel ratio (A/F) sensor 1 is a planar one-cell limit current sensor. The sensor element of the A/F sensor 1 is composed an electrode layer, which transports ions. It has a heater in the element. The sensor is capable of precise measurement $\lambda = 1$, but also in the lean and rich range. Together with its control electronics, the sensor outputs a clear, continuous signal throughout a wide λ range. The exhaust gas components diffuse through the diffusion layer at the sensor cell. An electrode layer is applied voltage, and this current relative oxygen density in lean. Also this current relative hydrocarbon density in rich. Therefore, the A/F sensor 1 is able to indicate air fuel ratio by this electrode layer of current. In addition, a heater is integrated in the sensor to ensure the required operating temperature of about 800°C (1,472°F).



CONSULT-III Reference Value in Data Monitor Mode

INFOID:000000001849874

Specification data are reference values.

MONITOR ITEM	CONDITION		SPECIFICATION
A/F SEN1 (B1)	• Engine: After warming up	Maintaining engine speed at 2,000 rpm	Fluctuates around 2.2V

On Board Diagnosis Logic

INFOID:000000001849875

To judge the malfunction, the diagnosis checks that the A/F signal computed by ECM from the air fuel ratio (A/F) sensor 1 signal fluctuates according to fuel feedback control.

DTC No.	Trouble diagnosis name	DTC detecting condition	Possible Cause
P0130 0130	Air fuel ratio (A/F) sensor 1 circuit	A) The A/F signal computed by ECM from the A/F sensor 1 signal is constantly in the range other than approx. 2.2V.	<ul style="list-style-type: none"> • Harness or connectors [Air fuel ratio (A/F) sensor 1 circuit is open or shorted.] • Air fuel ratio (A/F) sensor 1
		B) The A/F signal computed by ECM from the A/F sensor 1 signal is constantly approx. 2.2V.	

DTC Confirmation Procedure

INFOID:000000001849876

Perform PROCEDURE FOR MALFUNCTION A first.

If the DTC cannot be confirmed, perform PROCEDURE FOR MALFUNCTION B.

NOTE:

If DTC Confirmation Procedure has been previously conducted, always turn ignition switch OFF and wait at least 10 seconds before conducting the next test.

TESTING CONDITION:

Before performing the following procedure, confirm that battery voltage is more than 11V at idle.

PROCEDURE FOR MALFUNCTION A

¹ With CONSULT-III

DTC P0130 A/F SENSOR 1

[MR]

< SERVICE INFORMATION >

1. Start engine and warm it up to normal operating temperature.
2. Select "DATA MONITOR" mode with CONSULT-III.
3. Let engine idle for 2 minutes.
4. Check 1st trip DTC.
5. If 1st trip DTC is detected, go to [EC-205, "Diagnosis Procedure"](#).

■ With GST

Follow the procedure "With CONSULT-III" above.

PROCEDURE FOR MALFUNCTION B

CAUTION:

Always drive vehicle at a safe speed.

1 With CONSULT-III

1. Start engine and warm it up to normal operating temperature.
2. Select "A/F SEN1 (B1)" in "DATA MONITOR" mode with CONSULT-III.
3. Check "A/F SEN1 (B1)" indication.
If the indication is constantly approx. 2.2V and does not fluctuates, go to [EC-205, "Diagnosis Procedure"](#).
If the indication fluctuates around 2.2V, go to next step.
4. Select "A/F SEN1 (B1) P1276 " (for P0130) of "A/F SEN1" in "DTC WORK SUPPORT" mode with CONSULT-III.
5. Touch "START".
6. When the following conditions are met, "TESTING" will be displayed on the CONSULT-III screen.

ENG SPEED	1,750 - 3,200 rpm (M/T) 1,600 - 3,200 rpm (CVT)
VHCL SPEED SE	More than 64 km/h (40 MPH)
B/FUEL SCHDL	1.0 - 8.0 msec
Shift lever	D position (CVT) 5th position (M/T)

If "TESTING" is not displayed after 20 seconds, retry from step 2.

7. Release accelerator pedal fully.

NOTE:

Never apply brake during releasing the accelerator pedal.

8. Make sure that "TESTING" changes to "COMPLETED".
If "TESTING" changed to "OUT OF CONDITION", retry from step 6.
9. Make sure that "OK" is displayed after touching "ON-BOARD DIAGNOSIS".
If "NG" is displayed, go to [EC-205, "Diagnosis Procedure"](#).

Overall Function Check

INFOID:000000001849877

PROCEDURE MALFUNCTION B

Use this procedure to check the overall function of the A/F sensor 1 circuit. During this check, a 1st trip DTC might not be confirmed.

■ With GST

1. Start engine and warm it up to normal operating temperature.
2. Drive the vehicle at a speed of 80 km/h (50 MPH) for a few minutes in the suitable gear position.
3. Set shift lever to D position (CVT) or 5th position (M/T), then release the accelerator pedal fully until the vehicle speed decreases to 50 km/h (30 MPH).
NOTE:
Never apply brake during releasing the accelerator pedal.
4. Repeat steps 2 and 3 for five times.
5. Stop the vehicle and turn ignition switch OFF.
6. Wait at least 10 seconds and restart engine.
7. Repeat steps 2 and 3 for five times.
8. Stop the vehicle and connect GST to the vehicle.
9. Make sure that no 1st trip DTC is displayed.
If 1st trip DTC is displayed, go to [EC-205, "Diagnosis Procedure"](#).

DTC P0130 A/F SENSOR 1

< SERVICE INFORMATION >

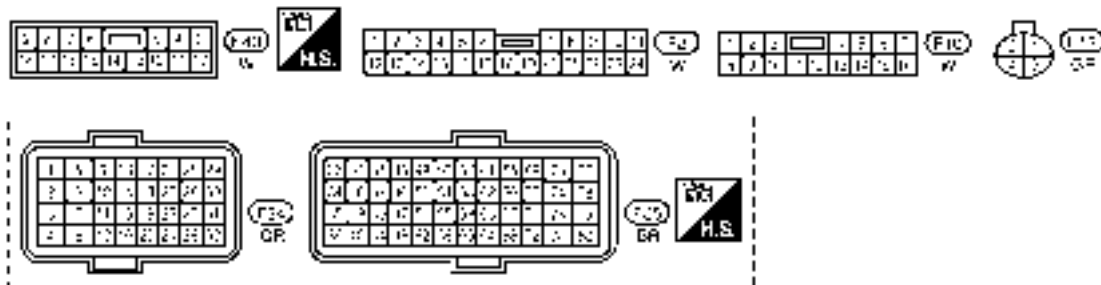
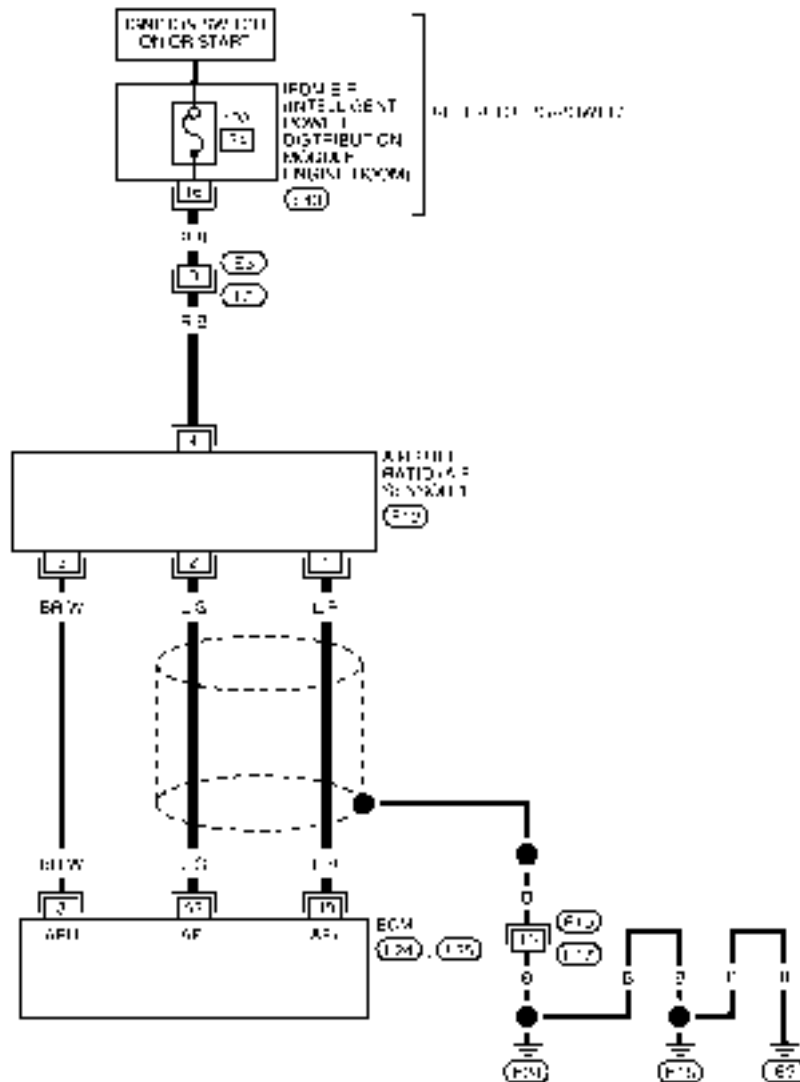
[MR]

Wiring Diagram

INFOID:00000001849878

EC-A/F-01

— DETECTABLE LINE FOR DTC
 - - - NON DETECTABLE LINE FOR DTC



BBWA2878E

Specification data are reference values and are measured between each terminal and ground. Pulse signal is measured by CONSULT-III.


CAUTION:

DTC P0130 A/F SENSOR 1

< SERVICE INFORMATION >

[MR]

Do not use ECM ground terminals when measuring input/output voltage. Doing so may result in damage to the ECM's transistor. Use a ground other than ECM terminals, such as the ground.

TERMINAL NO.	WIRE COLOR	ITEM	CONDITION	DATA (DC Voltage)
3	BR/W	A/F sensor 1 heater	[Engine is running] <ul style="list-style-type: none"> • Warm-up condition • Idle speed (More than 140 seconds after starting engine) 	Approximately 2.9 - 8.8V★  P8IA8148J
49	L/R	A/F sensor 1	[Engine is running] <ul style="list-style-type: none"> • Warm-up condition • Engine speed: 2,000 rpm 	Approximately 1.8V Output voltage varies with air fuel ratio.
53	L/G	A/F sensor 1	[Ignition switch: ON]	Approximately 2.2V

★: Average voltage for pulse signal (Actual pulse signal can be confirmed by oscilloscope.)

Diagnosis Procedure

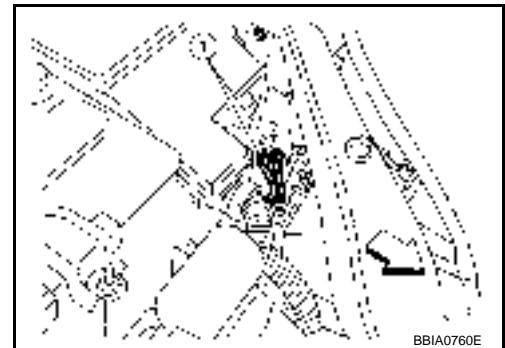
INFOID:000000001849879

1. CHECK GROUND CONNECTIONS

1. Turn ignition switch OFF.
 2. Loosen and retighten ground screws on the body.
Refer to [EC-140. "Ground Inspection"](#).
- ◀: Vehicle front
 - Body ground (1)

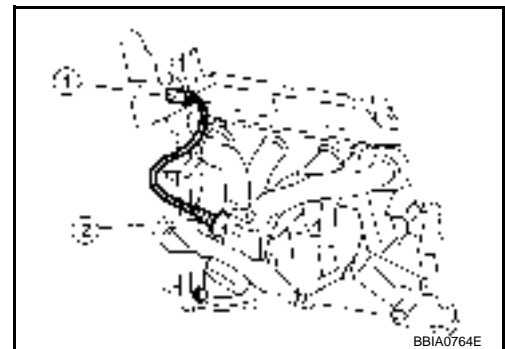
OK or NG

- OK >> GO TO 2.
- NG >> Repair or replace ground connections.



2. CHECK AIR FUEL RATIO (A/F) SENSOR 1 POWER SUPPLY CIRCUIT

1. Disconnect A/F sensor 1 harness connector (1).
2. Turn ignition switch ON.



DTC P0130 A/F SENSOR 1

[MR]

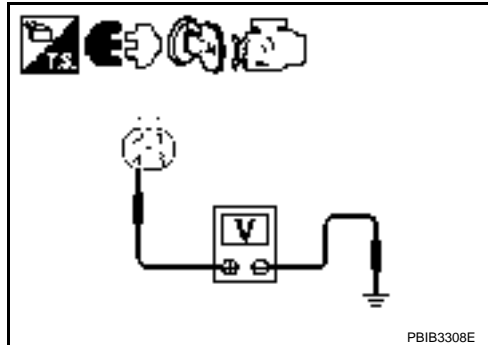
< SERVICE INFORMATION >

3. Check voltage between A/F sensor 1 terminal 4 and ground with CONSULT-III or tester.

Voltage: Battery voltage

OK or NG

- OK >> GO TO 4.
- NG >> GO TO 3.



3. DETECT MALFUNCTIONING PART

Check the following.

- Harness connectors E3, F2
- 10A fuse
- Harness for open or short between A/F sensor 1 and fuse

>> Repair or replace harness or connectors.

4. CHECK A/F SENSOR 1 INPUT SIGNAL CIRCUIT FOR OPEN AND SHORT

1. Turn ignition switch OFF.
2. Disconnect ECM harness connector.
3. Check harness continuity between the following terminals. Refer to Wiring Diagram.

A/F sensor 1 terminal	ECM terminal
1	49
2	53

Continuity should exist.

4. Check harness continuity between ECM terminals 49, 53 or A/F sensor 1 terminals 1, 2 and ground. Refer to Wiring Diagram.

Continuity should not exist.

5. Also check harness for short to power.

OK or NG

- OK >> GO TO 5.
- NG >> Repair open circuit or short to ground or short to power in harness or connectors.

5. CHECK INTERMITTENT INCIDENT

Perform [EC-135](#).

OK or NG

- OK >> GO TO 6.
- NG >> Repair or replace.

6. REPLACE AIR FUEL RATIO (A/F) SENSOR 1

Replace air fuel ratio (A/F) sensor 1.

CAUTION:

- Discard any A/F sensor which has been dropped from a height of more than 0.5 m (19.7 in) onto a hard surface such as a concrete floor; use a new one.
- Before installing new A/F sensor, clean exhaust system threads using Oxygen Sensor Thread Cleaner tool J-43897-18 or J-43897-12 and approved anti-seize lubricant.

>> INSPECTION END

DTC P0130 A/F SENSOR 1

< SERVICE INFORMATION >

[MR]

Removal and Installation

INFOID:000000001849880

AIR FUEL RATIO SENSOR

Refer to [EM-21](#).

A

EC

C

D

E

F

G

H

I

J

K

L

M

N

O

P

DTC P0131 A/F SENSOR 1

< SERVICE INFORMATION >

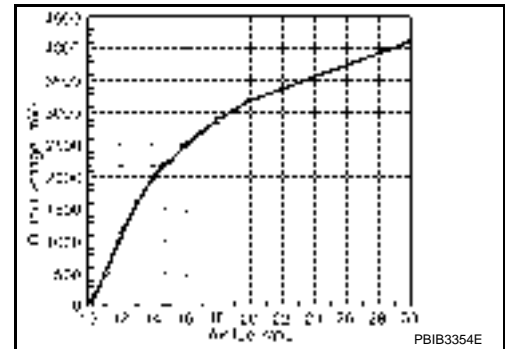
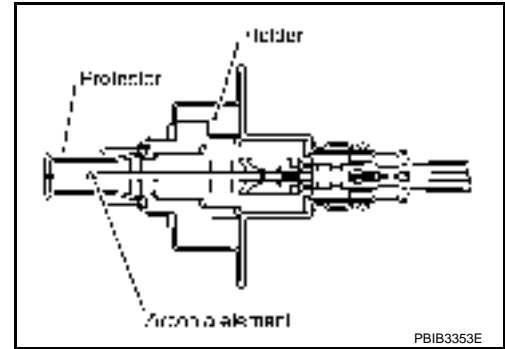
[MR]

DTC P0131 A/F SENSOR 1

Component Description

INFOID:000000001849881

The air fuel ratio (A/F) sensor 1 is a planar one-cell limit current sensor. The sensor element of the A/F sensor 1 is composed an electrode layer, which transports ions. It has a heater in the element. The sensor is capable of precise measurement $\lambda = 1$, but also in the lean and rich range. Together with its control electronics, the sensor outputs a clear, continuous signal throughout a wide λ range. The exhaust gas components diffuse through the diffusion layer at the sensor cell. An electrode layer is applied voltage, and this current relative oxygen density in lean. Also this current relative hydrocarbon density in rich. Therefore, the A/F sensor 1 is able to indicate air fuel ratio by this electrode layer of current. In addition, a heater is integrated in the sensor to ensure the required operating temperature of about 800°C (1,472°F).



CONSULT-III Reference Value in Data Monitor Mode

INFOID:000000001849882

Specification data are reference values.

MONITOR ITEM	CONDITION		SPECIFICATION
A/F SEN1 (B1)	• Engine: After warming up	Maintaining engine speed at 2,000 rpm	Fluctuates around 2.2V

On Board Diagnosis Logic

INFOID:000000001849883

To judge the malfunction, the diagnosis checks that the A/F signal computed by ECM from the air fuel ratio (A/F) sensor 1 signal is not inordinately low.

DTC No.	Trouble diagnosis name	DTC detecting condition	Possible Cause
P0131 0131	Air fuel ratio (A/F) sensor 1 circuit low voltage	The A/F signal computed by ECM from the A/F sensor 1 signal is constantly approx. 0V.	<ul style="list-style-type: none"> • Harness or connectors [Air fuel ratio (A/F) sensor circuit is open or shorted.] • Air fuel ratio (A/F) sensor 1

DTC Confirmation Procedure

INFOID:000000001849884

NOTE:

If DTC Confirmation Procedure has been previously conducted, always turn ignition switch OFF and wait at least 10 seconds before conducting the next test.

TESTING CONDITION:

Before performing the following procedure, confirm that battery voltage is more than 10.5V at idle.

1 WITH CONSULT-III

1. Start engine and warm it up to normal operating temperature.
2. Select "A/F SEN1 (B1)" in "DATA MONITOR" mode with CONSULT-III.
3. Check "A/F SEN1 (B1)" indication.

If the indication is constantly approx. 0V, go to [EC-211, "Diagnosis Procedure"](#).

DTC P0131 A/F SENSOR 1

< SERVICE INFORMATION >

[MR]

If the indication is not constantly approx. 0V, go to next step.

4. Turn ignition switch OFF, wait at least 10 seconds and then restart engine.
5. Drive and accelerate vehicle to more than 40 km/h (25 MPH) within 20 seconds after restarting engine.
6. Maintain the following conditions for about 20 consecutive seconds.

ENG SPEED	1,000 - 3,200 rpm
VHCL SPEED SE	More than 40 km/h (25 MPH)
B/FUEL SCHDL	1.5 - 9.0 msec
Shift lever	Suitable position

NOTE:

- Keep the accelerator pedal as steady as possible during the cruising.
- If this procedure is not completed within 1 minute after restarting engine at step 4, return to step 4.

7. Check 1st trip DTC.
8. If 1st trip DTC is displayed, go to [EC-211. "Diagnosis Procedure"](#).

WITH GST

Follow the procedure "WITH CONSULT-III" above.

A

EC

C

D

E

F

G

H

I

J

K

L

M

N

O

P

DTC P0131 A/F SENSOR 1

< SERVICE INFORMATION >

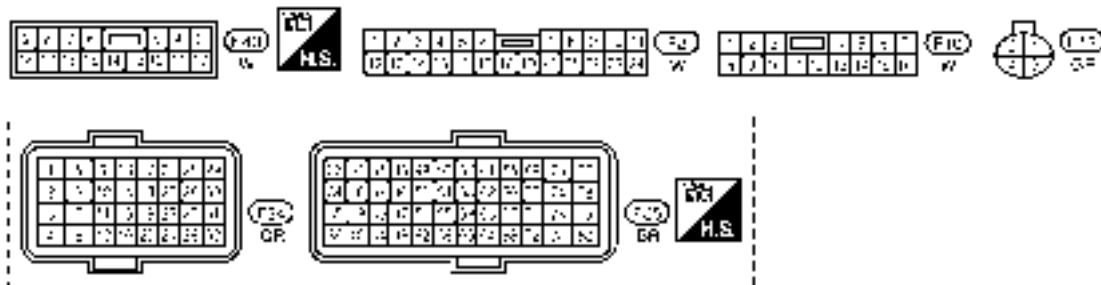
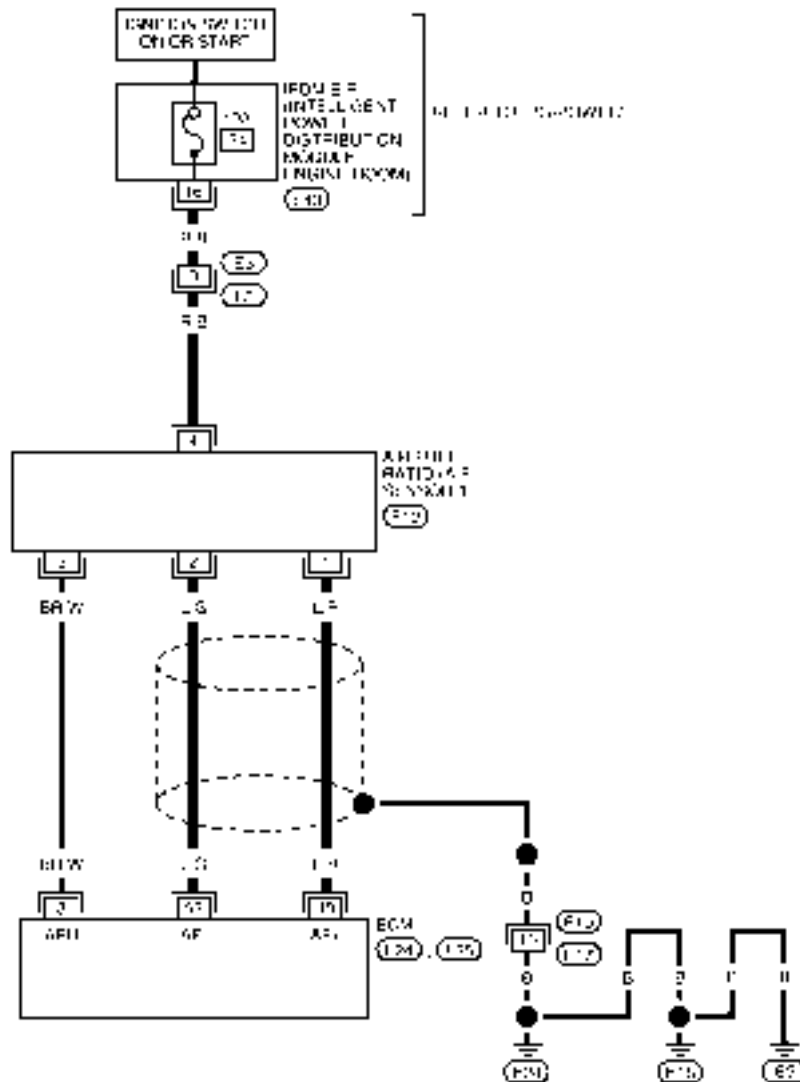
[MR]

Wiring Diagram

INFOID:00000001849885

EC-A/F-01

— DETECTABLE LINE FOR DTC
 - - - NON DETECTABLE LINE FOR DTC



BBWA2878E

Specification data are reference values and are measured between each terminal and ground. Pulse signal is measured by CONSULT-III.


CAUTION:

DTC P0131 A/F SENSOR 1

< SERVICE INFORMATION >

[MR]

Do not use ECM ground terminals when measuring input/output voltage. Doing so may result in damage to the ECM's transistor. Use a ground other than ECM terminals, such as the ground.

TERMINAL NO.	WIRE COLOR	ITEM	CONDITION	DATA (DC Voltage)
3	BR/W	A/F sensor 1 heater	[Engine is running] • Warm-up condition • Idle speed (More than 140 seconds after starting engine)	Approximately 2.9 - 8.8V★  P8IA8148J
49	L/R	A/F sensor 1	[Engine is running] • Warm-up condition • Engine speed: 2,000 rpm	Approximately 1.8V Output voltage varies with air fuel ratio.
53	L/G	A/F sensor 1	[Ignition switch: ON]	Approximately 2.2V

★: Average voltage for pulse signal (Actual pulse signal can be confirmed by oscilloscope.)

Diagnosis Procedure

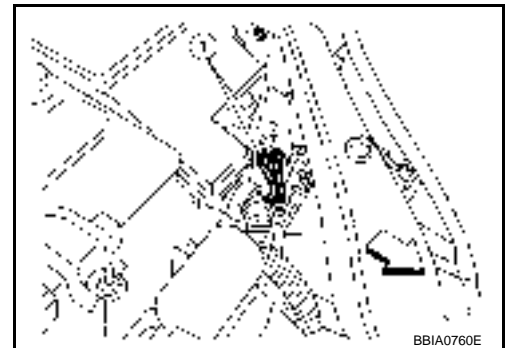
INFOID:000000001849886

1. CHECK GROUND CONNECTIONS

- Turn ignition switch OFF.
 - Loosen and retighten ground screws on the body.
Refer to [EC-140. "Ground Inspection"](#).
- ↖: Vehicle front
 - Body ground (1)

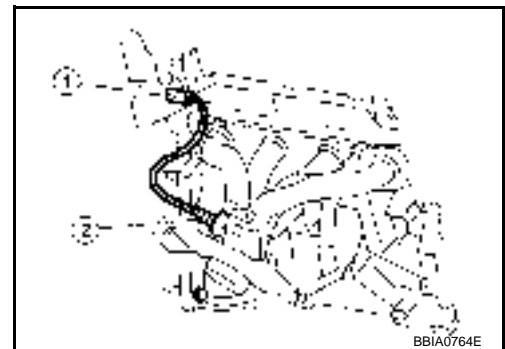
OK or NG

- OK >> GO TO 2.
- NG >> Repair or replace ground connections.



2. CHECK AIR FUEL RATIO (A/F) SENSOR 1 POWER SUPPLY CIRCUIT

- Disconnect A/F sensor 1 harness connector (1).
- Turn ignition switch ON.



DTC P0131 A/F SENSOR 1

[MR]

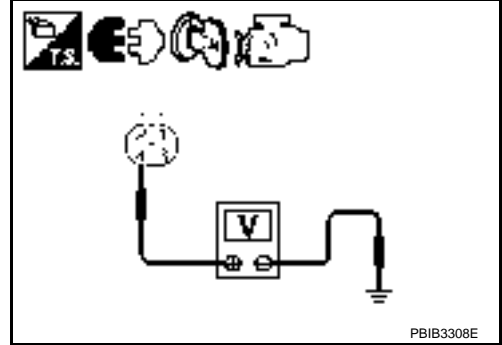
< SERVICE INFORMATION >

3. Check voltage between A/F sensor 1 terminal 4 and ground with CONSULT-III or tester.

Voltage: Battery voltage

OK or NG

- OK >> GO TO 4.
- NG >> GO TO 3.



3. DETECT MALFUNCTIONING PART

Check the following.

- Harness connectors E3, F2
- 10A fuse
- Harness for open or short between A/F sensor 1 and fuse

>> Repair or replace harness or connectors.

4. CHECK A/F SENSOR 1 INPUT SIGNAL CIRCUIT FOR OPEN AND SHORT

1. Turn ignition switch OFF.
2. Disconnect ECM harness connector.
3. Check harness continuity between the following terminals. Refer to Wiring Diagram.

A/F sensor 1 terminal	ECM terminal
1	49
2	53

Continuity should exist.

4. Check harness continuity between ECM terminals 49, 53 or A/F sensor 1 terminals 1, 2 and ground. Refer to Wiring Diagram.

Continuity should not exist.

5. Also check harness for short to power.

OK or NG

- OK >> GO TO 5.
- NG >> Repair open circuit or short to ground or short to power in harness or connectors.

5. CHECK INTERMITTENT INCIDENT

Perform [EC-135](#).

OK or NG

- OK >> GO TO 6.
- NG >> Repair or replace.

6. REPLACE AIR FUEL RATIO (A/F) SENSOR 1

Replace air fuel ratio (A/F) sensor 1.

CAUTION:

- Discard any A/F sensor which has been dropped from a height of more than 0.5 m (19.7 in) onto a hard surface such as a concrete floor; use a new one.
- Before installing new A/F sensor, clean exhaust system threads using Oxygen Sensor Thread Cleaner tool J-43897-18 or J-43897-12 and approved anti-seize lubricant.

>> INSPECTION END

DTC P0131 A/F SENSOR 1

< SERVICE INFORMATION >

[MR]

Removal and Installation

INFOID:000000001849887

AIR FUEL RATIO SENSOR

Refer to [EM-21](#).

A

EC

C

D

E

F

G

H

I

J

K

L

M

N

O

P

DTC P0132 A/F SENSOR 1

< SERVICE INFORMATION >

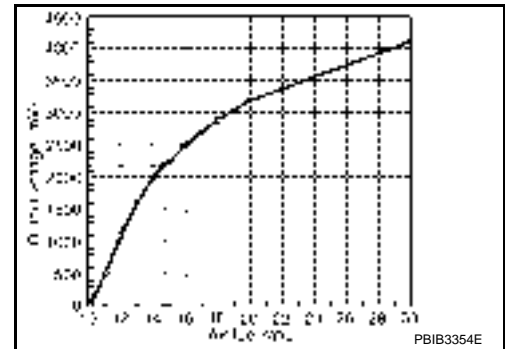
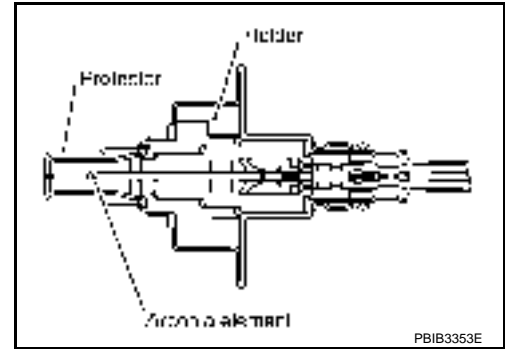
[MR]

DTC P0132 A/F SENSOR 1

Component Description

INFOID:000000001849888

The air fuel ratio (A/F) sensor 1 is a planar one-cell limit current sensor. The sensor element of the A/F sensor 1 is composed an electrode layer, which transports ions. It has a heater in the element. The sensor is capable of precise measurement $\lambda = 1$, but also in the lean and rich range. Together with its control electronics, the sensor outputs a clear, continuous signal throughout a wide λ range. The exhaust gas components diffuse through the diffusion layer at the sensor cell. An electrode layer is applied voltage, and this current relative oxygen density in lean. Also this current relative hydrocarbon density in rich. Therefore, the A/F sensor 1 is able to indicate air fuel ratio by this electrode layer of current. In addition, a heater is integrated in the sensor to ensure the required operating temperature of about 800°C (1,472°F).



CONSULT-III Reference Value in Data Monitor Mode

INFOID:000000001849889

Specification data are reference values.

MONITOR ITEM	CONDITION		SPECIFICATION
A/F SEN1 (B1)	• Engine: After warming up	Maintaining engine speed at 2,000 rpm	Fluctuates around 2.2V

On Board Diagnosis Logic

INFOID:000000001849890

To judge the malfunction, the diagnosis checks that the A/F signal computed by ECM from the air fuel ratio (A/F) sensor 1 signal is not inordinately high.

DTC No.	Trouble diagnosis name	DTC detecting condition	Possible Cause
P0132 0132	Air fuel ratio (A/F) sensor 1 circuit high voltage	The A/F signal computed by ECM from the A/F sensor 1 signal is constantly approx. 5V.	<ul style="list-style-type: none"> • Harness or connectors [Air fuel ratio (A/F) sensor circuit is open or shorted.] • Air fuel ratio (A/F) sensor 1

DTC Confirmation Procedure

INFOID:000000001849891

NOTE:

If DTC Confirmation Procedure has been previously conducted, always turn ignition switch OFF and wait at least 10 seconds before conducting the next test.

TESTING CONDITION:

Before performing the following procedure, confirm that battery voltage is more than 10.5V at idle.

1 WITH CONSULT-III

1. Start engine and warm it up to normal operating temperature.
2. Select "A/F SEN1 (B1)" in "DATA MONITOR" mode with CONSULT-III.
3. Check "A/F SEN1 (B1)" indication.

If the indication is constantly approx. 5V, go to [EC-217. "Diagnosis Procedure"](#).

DTC P0132 A/F SENSOR 1

< SERVICE INFORMATION >

[MR]

If the indication is not constantly approx. 5V, go to next step.

4. Turn ignition switch OFF, wait at least 10 seconds and then restart engine.
5. Drive and accelerate vehicle to more than 40 km/h (25 MPH) within 20 seconds after restarting engine.
6. Maintain the following conditions for about 20 consecutive seconds.

ENG SPEED	1,000 - 3,200 rpm
VHCL SPEED SE	More than 40 km/h (25 MPH)
B/FUEL SCHDL	1.5 - 9.0 msec
Shift lever	Suitable position

NOTE:

- Keep the accelerator pedal as steady as possible during the cruising.
- If this procedure is not completed within 1 minute after restarting engine at step 4, return to step 4.

7. Check 1st trip DTC.
8. If 1st trip DTC is displayed, go to [EC-217. "Diagnosis Procedure"](#).

WITH GST

Follow the procedure "WITH CONSULT-III" above.

A

EC

C

D

E

F

G

H

I

J

K

L

M

N

O

P

DTC P0132 A/F SENSOR 1

< SERVICE INFORMATION >

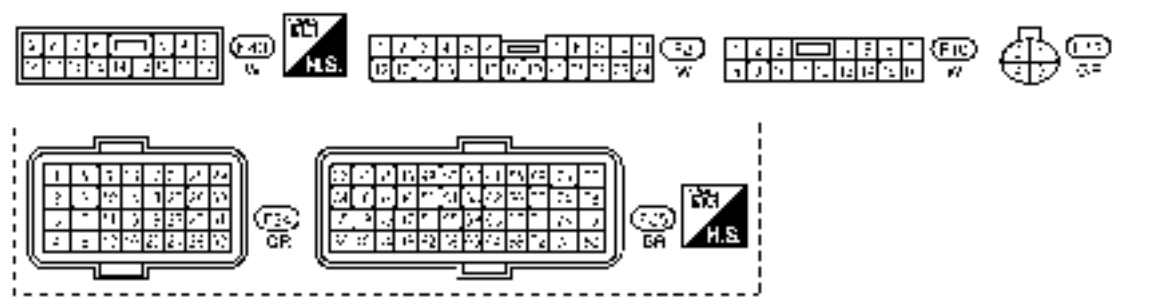
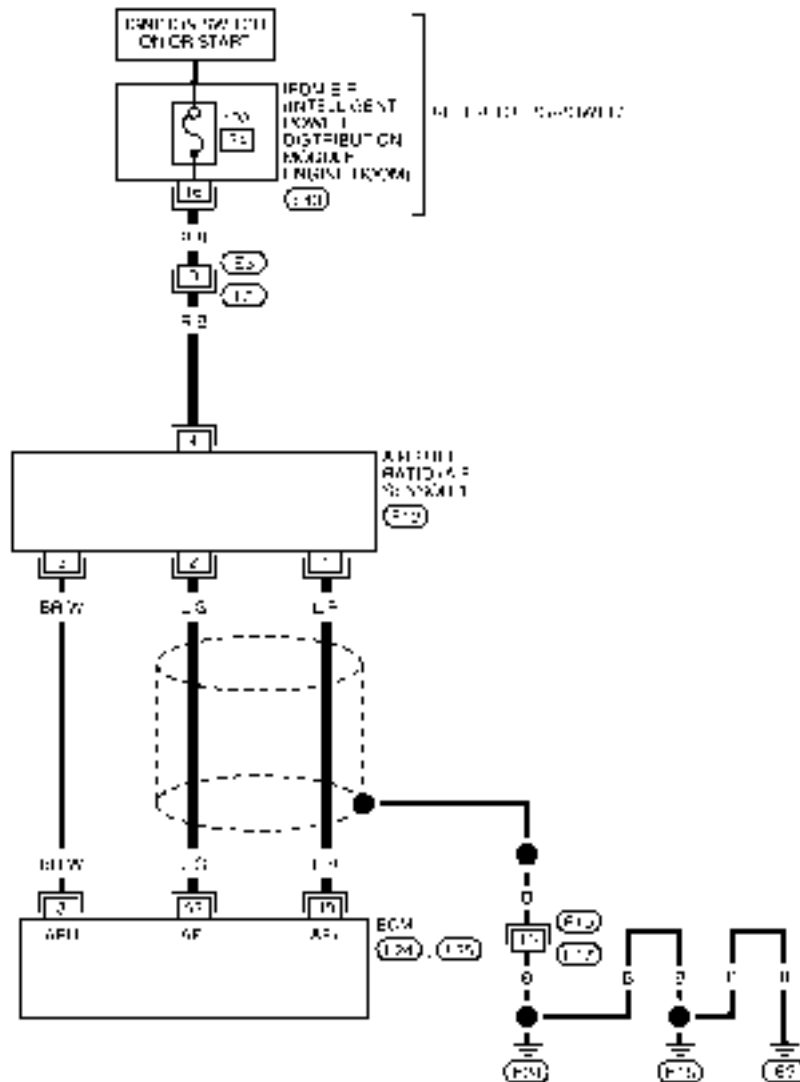
[MR]

Wiring Diagram

INFOID:000000001849892

EC-A/F-01

— DETECTABLE LINE FOR DTC
 — NON DETECTABLE LINE FOR DTC



BBWA2878E

Specification data are reference values and are measured between each terminal and ground. Pulse signal is measured by CONSULT-III.


CAUTION:

DTC P0132 A/F SENSOR 1

< SERVICE INFORMATION >

[MR]

Do not use ECM ground terminals when measuring input/output voltage. Doing so may result in damage to the ECM's transistor. Use a ground other than ECM terminals, such as the ground.

TERMINAL NO.	WIRE COLOR	ITEM	CONDITION	DATA (DC Voltage)
3	BR/W	A/F sensor 1 heater	[Engine is running] • Warm-up condition • Idle speed (More than 140 seconds after starting engine)	Approximately 2.9 - 8.8V★  P8IA8148J
49	L/R	A/F sensor 1	[Engine is running] • Warm-up condition • Engine speed: 2,000 rpm	Approximately 1.8V Output voltage varies with air fuel ratio.
53	L/G	A/F sensor 1	[Ignition switch: ON]	Approximately 2.2V

★: Average voltage for pulse signal (Actual pulse signal can be confirmed by oscilloscope.)

Diagnosis Procedure

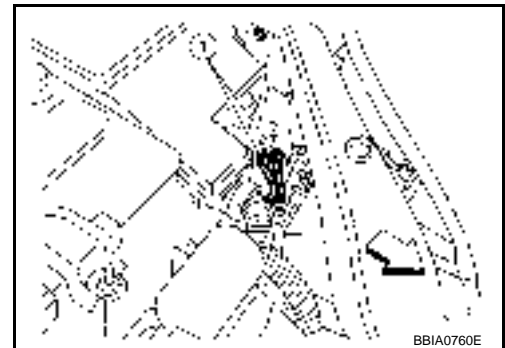
INFOID:000000001849893

1. CHECK GROUND CONNECTIONS

- Turn ignition switch OFF.
 - Loosen and retighten three ground screws on the body.
Refer to [EC-140. "Ground Inspection"](#).
- ↖: Vehicle front
 - Body ground (1)

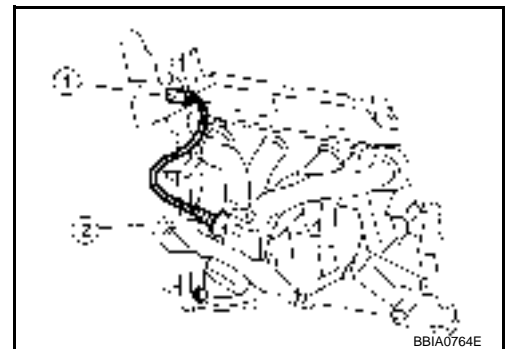
OK or NG

- OK >> GO TO 2.
- NG >> Repair or replace ground connections.



2. CHECK AIR FUEL RATIO (A/F) SENSOR 1 POWER SUPPLY CIRCUIT

- Disconnect A/F sensor 1 harness connector (1).
- Turn ignition switch ON.



DTC P0132 A/F SENSOR 1

[MR]

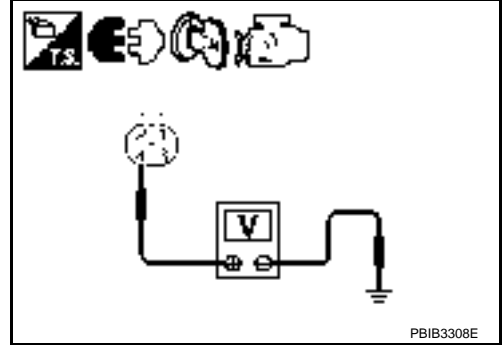
< SERVICE INFORMATION >

3. Check voltage between A/F sensor 1 terminal 4 and ground with CONSULT-III or tester.

Voltage: Battery voltage

OK or NG

- OK >> GO TO 4.
- NG >> GO TO 3.



3. DETECT MALFUNCTIONING PART

Check the following.

- Harness connectors E3, F2
- 10A fuse
- Harness for open or short between A/F sensor 1 and fuse

>> Repair or replace harness or connectors.

4. CHECK A/F SENSOR 1 INPUT SIGNAL CIRCUIT FOR OPEN AND SHORT

1. Turn ignition switch OFF.
2. Disconnect ECM harness connector.
3. Check harness continuity between the following terminals. Refer to Wiring Diagram.

A/F sensor 1 terminal	ECM terminal
1	49
2	53

Continuity should exist.

4. Check harness continuity between ECM terminals 49, 53 or A/F sensor 1 terminals 1, 2 and ground. Refer to Wiring Diagram.

Continuity should not exist.

5. Also check harness for short to power.

OK or NG

- OK >> GO TO 5.
- NG >> Repair open circuit or short to ground or short to power in harness or connectors.

5. CHECK INTERMITTENT INCIDENT

Perform [EC-135](#).

OK or NG

- OK >> GO TO 6.
- NG >> Repair or replace.

6. REPLACE AIR FUEL RATIO (A/F) SENSOR 1

Replace air fuel ratio (A/F) sensor 1.

CAUTION:

- Discard any A/F sensor which has been dropped from a height of more than 0.5 m (19.7 in) onto a hard surface such as a concrete floor; use a new one.
- Before installing new A/F sensor, clean exhaust system threads using Oxygen Sensor Thread Cleaner tool J-43897-18 or J-43897-12 and approved anti-seize lubricant.

>> INSPECTION END

DTC P0132 A/F SENSOR 1

< SERVICE INFORMATION >

[MR]

Removal and Installation

INFOID:000000001849894

AIR FUEL RATIO SENSOR

Refer to [EM-21](#).

A

EC

C

D

E

F

G

H

I

J

K

L

M

N

O

P

DTC P0133 A/F SENSOR 1

< SERVICE INFORMATION >

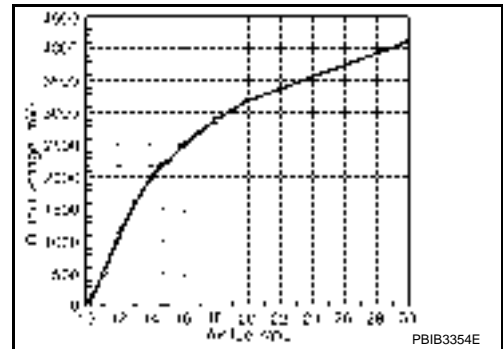
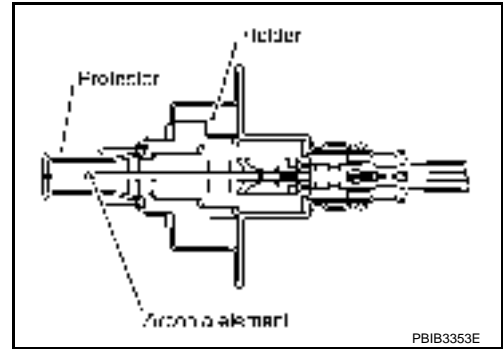
[MR]

DTC P0133 A/F SENSOR 1

Component Description

INFOID:000000001849895

The air fuel ratio (A/F) sensor 1 is a planar one-cell limit current sensor. The sensor element of the A/F sensor 1 is composed an electrode layer, which transports ions. It has a heater in the element. The sensor is capable of precise measurement $\lambda = 1$, but also in the lean and rich range. Together with its control electronics, the sensor outputs a clear, continuous signal throughout a wide λ range. The exhaust gas components diffuse through the diffusion layer at the sensor cell. An electrode layer is applied voltage, and this current relative oxygen density in lean. Also this current relative hydrocarbon density in rich. Therefore, the A/F sensor 1 is able to indicate air fuel ratio by this electrode layer of current. In addition, a heater is integrated in the sensor to ensure the required operating temperature of about 800°C (1,472°F).



CONSULT-III Reference Value in Data Monitor Mode

INFOID:000000001849896

Specification data are reference values.

MONITOR ITEM	CONDITION		SPECIFICATION
A/F SEN1 (B1)	• Engine: After warming up	Maintaining engine speed at 2,000 rpm	Fluctuates around 2.2V

On Board Diagnosis Logic

INFOID:000000001849897

To judge the malfunction of air fuel ratio (A/F) sensor 1, this diagnosis measures response time of the A/F signal computed by ECM from the air fuel ratio (A/F) sensor 1 signal. The time is compensated by engine operating (speed and load), fuel feedback control constant, and the air fuel ratio (A/F) sensor 1 temperature index. Judgment is based on whether the compensated time (the A/F sensor 1 signal cycling time index) is inordinately long or not.

DTC No.	Trouble diagnosis name	DTC detecting condition	Possible Cause
P0133 0133	Air fuel ratio (A/F) sensor 1 circuit slow response	The response of the A/F signal computed by ECM from A/F sensor 1 signal takes more than the specified time.	<ul style="list-style-type: none"> • Harness or connectors [Air fuel ratio (A/F) sensor circuit is open or shorted.] • Air fuel ratio (A/F) sensor 1 • Air fuel ratio (A/F) sensor heater 1 • Fuel pressure • Fuel injector • Intake air leaks • Exhaust gas leaks • PCV valve • Mass air flow sensor

DTC Confirmation Procedure

INFOID:000000001849898

NOTE:

DTC P0133 A/F SENSOR 1

< SERVICE INFORMATION >

[MR]

If DTC Confirmation Procedure has been previously conducted, always turn ignition switch OFF and wait at least 10 seconds before conducting the next test.

TESTING CONDITION:

Before performing the following procedure, confirm that battery voltage is more than 11V at idle.

WITH CONSULT-III

1. Start engine and warm it up to normal operating temperature.
2. Turn ignition switch OFF and wait at least 10 seconds.
3. Start engine and keep the engine speed between 3,500 and 4,000 rpm for at least 1 minute under no load.
4. Let engine idle for 1 minute.
5. Select "A/F SEN1(B1) P1278/P1279" (for DTC P0133) of "A/F SEN1" in "DTC WORK SUPPORT" mode with CONSULT-III.
6. Touch "START".
If "COMPLETED" appears on CONSULT-III screen, go to step 10.
If "COMPLETED" does not appear on CONSULT-III screen, go to the following step.
7. After perform the following procedure, "TESTING" will be displayed on the CONSULT-III screen.
 - a. Increase the engine speed up to 4,000 to 5,000 rpm and keep it for 10 seconds.
 - b. Fully release accelerator pedal and then let engine idle for about 10 seconds.
If "TESTING" is not displayed after 10 seconds, refer to EC-127.
8. Wait for about 20 seconds at idle at under the condition that "TESTING" is displayed on the CONSULT-III screen.
9. Make sure that "TESTING" changes to "COMPLETED".
If "TESTING" changed to "OUT OF CONDITION", refer to EC-127.
10. Make sure that "OK" is displayed after touching "ON-BOARD DIAGNOSIS".
If "NG" is displayed, go to [EC-223. "Diagnosis Procedure"](#).

WITH GST

1. Start engine and warm it up to normal operating temperature.
2. Select Service \$01 with GST.
3. Calculate the total value of "Short term fuel trim" and "Long term fuel trim" indications.
Make sure that the total percentage should be within $\pm 15\%$.
If OK, go to the following step.
If NG, check the following.
 - Intake air leaks
 - Exhaust gas leaks
 - Incorrect fuel pressure
 - Lack of fuel
 - Fuel injector
 - Incorrect PCV hose connection
 - PCV valve
 - Mass air flow sensor
4. Turn ignition switch OFF and wait at least 10 seconds.
5. Start engine and keep the engine speed between 3,500 and 4,000 rpm for at least 1 minute under no load.
6. Let engine idle for 1 minute.
7. Increase the engine speed up to 4,000 to 5,000 rpm and keep it for 10 seconds.
8. Fully release accelerator pedal and then let engine idle for about 1 minute.
9. Select Service \$07 with GST.
If 1st trip DTC is detected, go to [EC-223. "Diagnosis Procedure"](#).

DTC P0133 A/F SENSOR 1

< SERVICE INFORMATION >

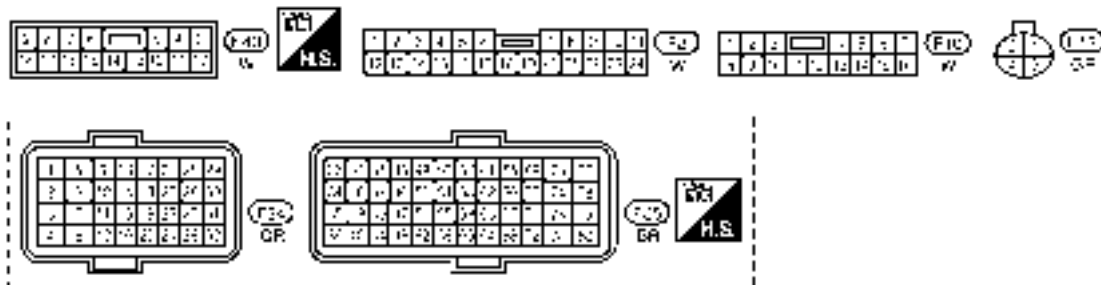
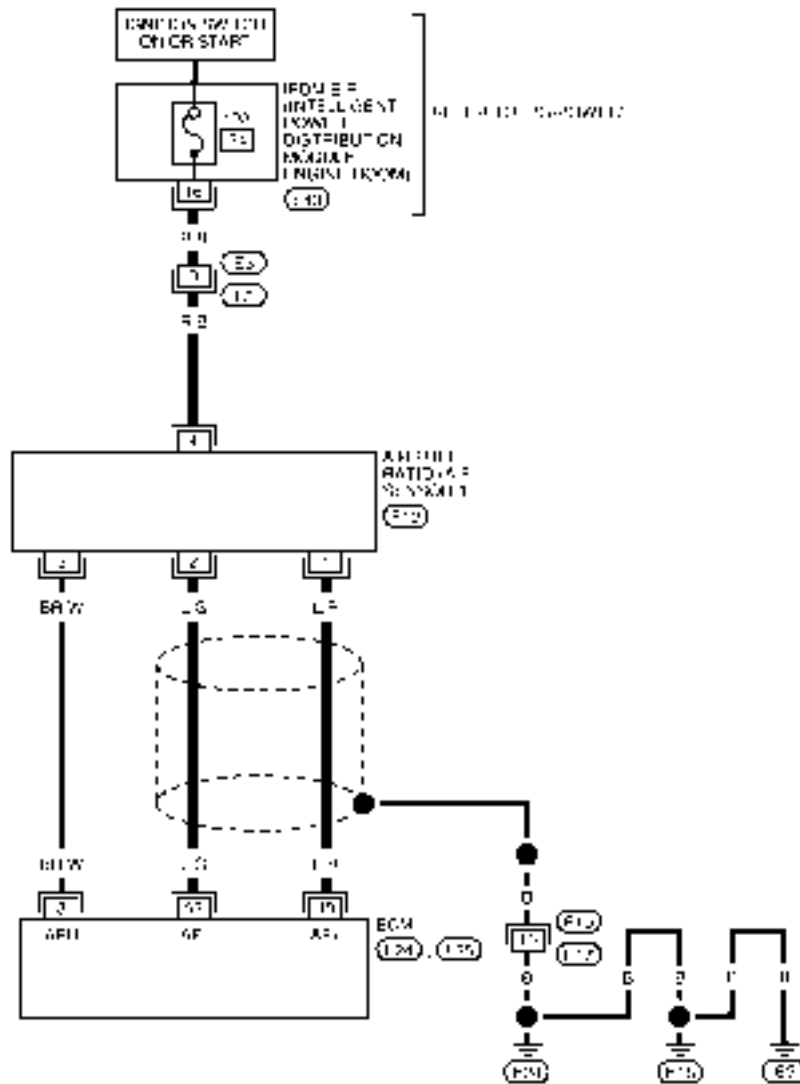
[MR]

Wiring Diagram

INFOID:000000001849899

EC-A/F-01

— DETECTABLE LINE FOR DTC
 - - - NON DETECTABLE LINE FOR DTC



BBWA2878E

Specification data are reference values and are measured between each terminal and ground. Pulse signal is measured by CONSULT-III.


CAUTION:

DTC P0133 A/F SENSOR 1

< SERVICE INFORMATION >

[MR]

Do not use ECM ground terminals when measuring input/output voltage. Doing so may result in damage to the ECM's transistor. Use a ground other than ECM terminals, such as the ground.

TERMINAL NO.	WIRE COLOR	ITEM	CONDITION	DATA (DC Voltage)
3	BR/W	A/F sensor 1 heater	[Engine is running] • Warm-up condition • Idle speed (More than 140 seconds after starting engine)	Approximately 2.9 - 8.8V★  PBI A8148J
49	L/R	A/F sensor 1	[Engine is running] • Warm-up condition • Engine speed: 2,000 rpm	Approximately 1.8V Output voltage varies with air fuel ratio.
53	L/G	A/F sensor 1	[Ignition switch: ON]	Approximately 2.2V

★: Average voltage for pulse signal (Actual pulse signal can be confirmed by oscilloscope.)

Diagnosis Procedure

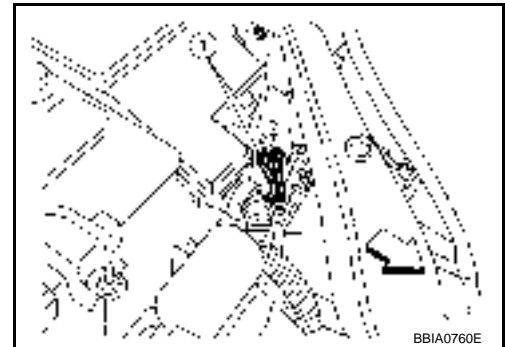
INFOID:000000001849900

1. CHECK GROUND CONNECTIONS

- Turn ignition switch OFF.
 - Loosen and retighten engine screws on the body.
Refer to [EC-140, "Ground Inspection"](#).
- ↖: Vehicle front
 - Body ground (1)

OK or NG

- OK >> GO TO 2.
- NG >> Repair or replace ground connections.



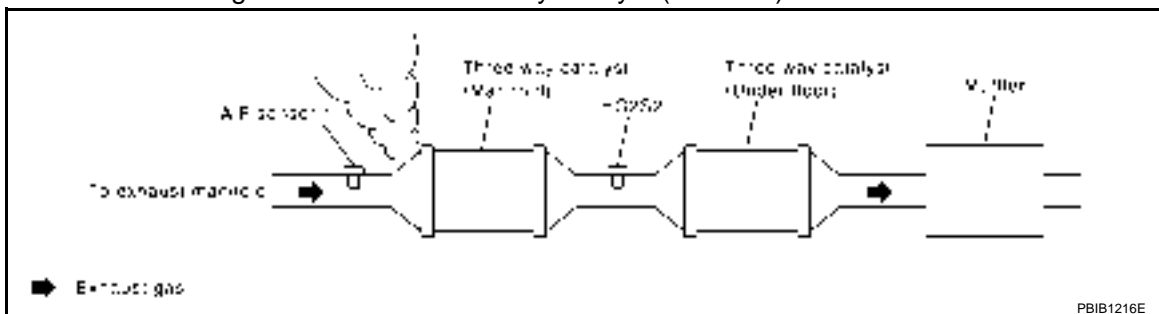
2. RETIGHTEN AIR FUEL RATIO (A/F) SENSOR 1

Loosen and retighten the air fuel ratio (A/F) sensor 1.
Refer to [EM-21, "Removal and Installation"](#).

>> GO TO 3.

3. CHECK EXHAUST GAS LEAK

- Start engine and run it at idle.
- Listen for an exhaust gas leak before three way catalyst (manifold).



OK or NG

DTC P0133 A/F SENSOR 1

[MR]

< SERVICE INFORMATION >

- OK >> GO TO 4.
- NG >> Repair or replace.

4. CHECK FOR INTAKE AIR LEAK

Listen for an intake air leak after the mass air flow sensor.

OK or NG

- OK >> GO TO 5.
- NG >> Repair or replace.

5. CLEAR THE SELF-LEARNING DATA

With CONSULT-III

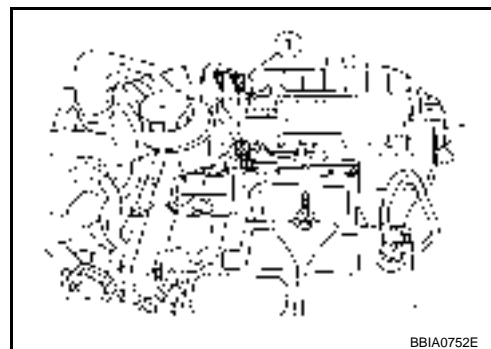
1. Start engine and warm it up to normal operating temperature.
2. Select "SELF-LEARNING CONT" in "WORK SUPPORT" mode with CONSULT-III.
3. Clear the self-learning control coefficient by touching "CLEAR" or "START".
4. Run engine for at least 10 minutes at idle speed.

Is the 1st trip DTC P0171 or P0172 detected? Is it difficult to start engine?

Without CONSULT-III

1. Start engine and warm it up to normal operating temperature.
2. Turn ignition switch OFF.
3. Disconnect mass air flow sensor (1) harness connector, and restart and run engine for at least 5 seconds at idle speed.
4. Stop engine and reconnect mass air flow sensor harness connector.
5. Make sure DTC P0102 is displayed.
6. Erase the DTC memory. Refer to [EC-51, "Emission-related Diagnostic Information"](#).
7. Make sure DTC P0000 is displayed.
8. Run engine for at least 10 minutes at idle speed.

Is the 1st trip DTC P0171 or P0172 detected? Is it difficult to start engine?

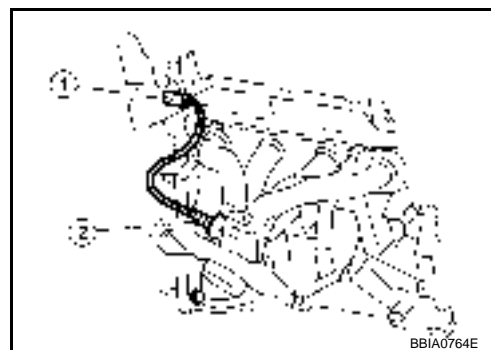


Yes or No

- Yes >> Perform trouble diagnosis for DTC P0171, P0172. Refer to [EC-250](#) or [EC-256](#).
- No >> GO TO 6.

6. CHECK AIR FUEL RATIO (A/F) SENSOR 1 POWER SUPPLY CIRCUIT

1. Turn ignition switch OFF.
2. Disconnect A/F sensor 1 harness connector (1).
3. Turn ignition switch ON.



DTC P0133 A/F SENSOR 1

[MR]

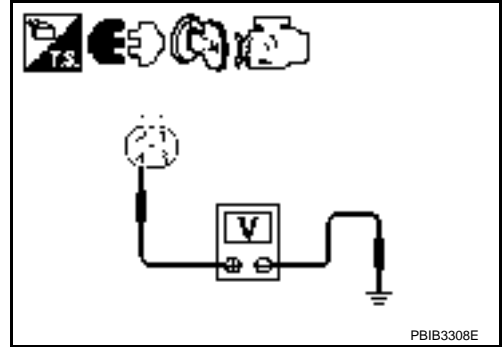
< SERVICE INFORMATION >

4. Check voltage between A/F sensor 1 terminal 4 and ground with CONSULT-III or tester.

Voltage: Battery voltage

OK or NG

- OK >> GO TO 8.
- NG >> GO TO 7.



7. DETECT MALFUNCTIONING PART

Check the following.

- Harness connectors E3, F3
- 10A fuse
- Harness for open or short between A/F sensor 1 and fuse

>> Repair or replace harness or connectors.

8. CHECK A/F SENSOR 1 INPUT SIGNAL CIRCUIT FOR OPEN AND SHORT

1. Turn ignition switch OFF.
2. Disconnect ECM harness connector.
3. Check harness continuity between the following terminals. Refer to Wiring Diagram.

A/F sensor 1 terminal	ECM terminal
1	49
2	53

Continuity should exist.

4. Check harness continuity between ECM terminals 49, 53 or A/F sensor 1 terminals 1, 2 and ground. Refer to Wiring Diagram.

Continuity should not exist.

5. Also check harness for short to power.

OK or NG

- OK >> GO TO 9.
- NG >> Repair open circuit or short to ground or short to power in harness or connectors.

9. CHECK AIR FUEL RATIO (A/F) SENSOR 1 HEATER

Refer to [EC-152. "Component Inspection"](#).

OK or NG

- OK >> GO TO 10.
- NG >> GO TO 13.

10. CHECK MASS AIR FLOW SENSOR

Refer to [EC-171. "Component Inspection"](#).

OK or NG

- OK >> GO TO 11.
- NG >> Replace mass air flow sensor.

11. CHECK PCV VALVE

Refer to [EC-47. "Component Inspection"](#).

OK or NG

- OK >> GO TO 12.
- NG >> Repair or replace PCV valve.

DTC P0133 A/F SENSOR 1

< SERVICE INFORMATION >

[MR]

12.CHECK INTERMITTENT INCIDENT

Perform [EC-135](#).

OK or NG

OK >> GO TO 13.

NG >> Repair or replace.

13.REPLACE AIR FUEL RATIO (A/F) SENSOR 1

Replace air fuel ratio (A/F) sensor 1.

CAUTION:

- Discard any A/F sensor which has been dropped from a height of more than 0.5 m (19.7 in) onto a hard surface such as a concrete floor; use a new one.
- Before installing new A/F sensor, clean exhaust system threads using Oxygen Sensor Thread Cleaner tool J-43897-18 or J-43897-12 and approved anti-seize lubricant.

>> INSPECTION END

Removal and Installation

INFOID:000000001849901

AIR FUEL RATIO SENSOR

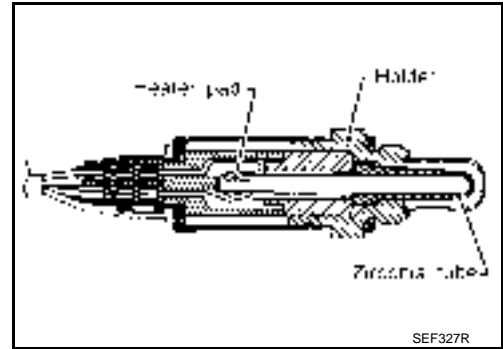
Refer to [EM-21](#).

DTC P0137 HO2S2

Component Description

INFOID:000000001849902

The heated oxygen sensor 2, after three way catalyst (manifold), monitors the oxygen level in the exhaust gas. Even if switching characteristics of the air fuel ratio (A/F) sensor 1 are shifted, the air/fuel ratio is controlled to stoichiometric, by the signal from the heated oxygen sensor 2. This sensor is made of ceramic zirconia. The zirconia generates voltage from approximately 1V in richer conditions to 0V in leaner conditions. Under normal conditions the heated oxygen sensor 2 is not used for engine control operation.



CONSULT-III Reference Value in Data Monitor Mode

INFOID:000000001849903

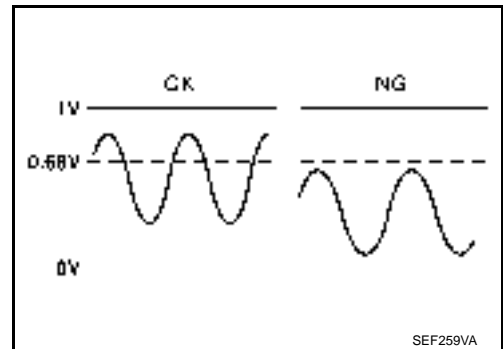
Specification data are reference values.

MONITOR ITEM	CONDITION	SPECIFICATION
HO2S2 (B1)	<ul style="list-style-type: none"> • Revving engine from idle to 3,000 rpm quickly after the following conditions are met. - Engine: After warming up - Keeping the engine speed between 3,500 and 4,000 rpm for 1 minute and at idle for 1 minute under no load 	0 - 0.3V ↔ Approx. 0.6 - 1.0V
HO2S2 MNTR (B1)		LEAN ↔ RICH

On Board Diagnosis Logic

INFOID:000000001849904

The heated oxygen sensor 2 has a much longer switching time between rich and lean than the air fuel ratio (A/F) sensor 1. The oxygen storage capacity before the three way catalyst (manifold) causes the longer switching time. To judge the malfunctions of heated oxygen sensor 2, ECM monitors whether the maximum voltage of the sensor is sufficiently high during the various driving condition such as fuel-cut.



DTC No.	Trouble diagnosis name	DTC detecting condition	Possible cause
P0137 0137	Heated oxygen sensor 2 circuit low voltage	The maximum voltage from the sensor is not reached to the specified voltage.	<ul style="list-style-type: none"> • Harness or connectors (Heated oxygen sensor 2 circuit open or shorted.) • Heated oxygen sensor 2 • Fuel pressure • Fuel injector • Intake air leaks

DTC Confirmation Procedure

INFOID:000000001849905

NOTE:

If DTC confirmation Procedure has been previously conducted, always turn ignition switch OFF and wait at least 10 seconds before conducting the next test.

• WITH CONSULT-III

TESTING CONDITION:

For the best results, perform DTC WORK SUPPORT at a temperature of 0 to 30°C (32 to 86°F).

< SERVICE INFORMATION >

1. Turn ignition switch ON and select "DATA MONITOR" mode with CONSULT-III.
2. Start engine and warm it up to the normal operating temperature.
3. Turn ignition switch OFF and wait at least 10 seconds.
4. Start engine and keep the engine speed between 3,500 and 4,000 rpm for at least 1 minute under no load.
5. Let engine idle for 1 minute.
6. Make sure that "COOLAN TEMP/S" indicates more than 70°C (158°F).
If not, warm up engine and go to next step when "COOLAN TEMP/S" indication reaches to 70°C (158°F).
7. Open engine hood.
8. Select "HO2S2 (B1) P1147" (for DTC P0137) of "HO2S2" in "DTC WORK SUPPORT" mode with CONSULT-III.
9. Start engine and following the instruction of CONSULT-III.

NOTE:

It will take at most 10 minutes until "COMPLETED" is displayed.

10. Make sure that "OK" is displayed after touching "ON-BOARD DIAGNOSIS".
If "NG" is displayed, refer to [EC-230, "Diagnosis Procedure"](#).
If "CAN NOT BE DIAGNOSED" is displayed, perform the following.
 - a. Turn ignition switch OFF and leave the vehicle in a cool place (soak the vehicle).
 - b. Return to step 1.

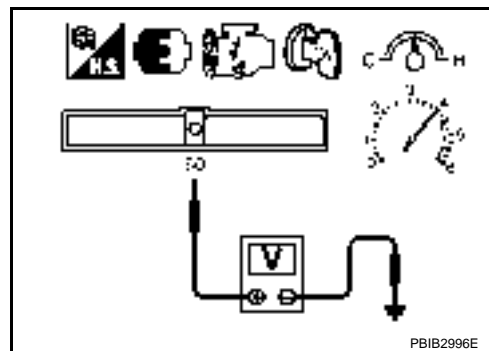
Overall Function Check

INFOID:000000001849906

Use this procedure to check the overall function of the heated oxygen sensor 2 circuit. During this check, a 1st trip DTC might not be confirmed.

WITH GST

1. Start engine and warm it up to the normal operating temperature.
2. Turn ignition switch OFF and wait at least 10 seconds.
3. Start engine and keep the engine speed between 3,500 and 4,000 rpm for at least 1 minute under no load.
4. Let engine idle 1 minute.
5. Set voltmeter probes between ECM terminal 50 (HO2S2 signal) and ground.
6. Check the voltage when revving up to 4,000 rpm under no load at least 10 times.
(Depress and release accelerator pedal as soon as possible.)
The voltage should be above 0.68V at least once during this procedure.
If the voltage can be confirmed in step 6, step 7 is not necessary.
7. Keep vehicle idling for 10 minutes, then check the voltage. Or check the voltage when coasting from 80 km/h (50 MPH) in D position (CVT) or 3rd gear position (M/T).
The voltage should be above 0.68V at least once during this procedure.
8. If NG, go to [EC-230, "Diagnosis Procedure"](#).



DTC P0137 HO2S2

< SERVICE INFORMATION >

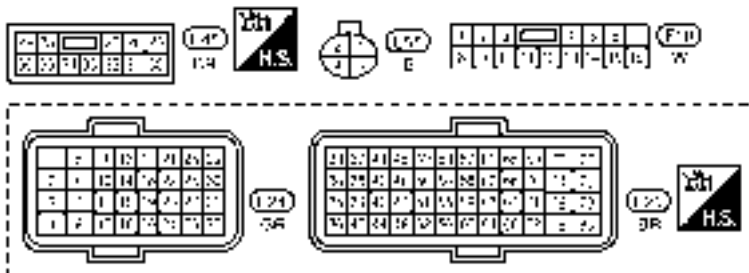
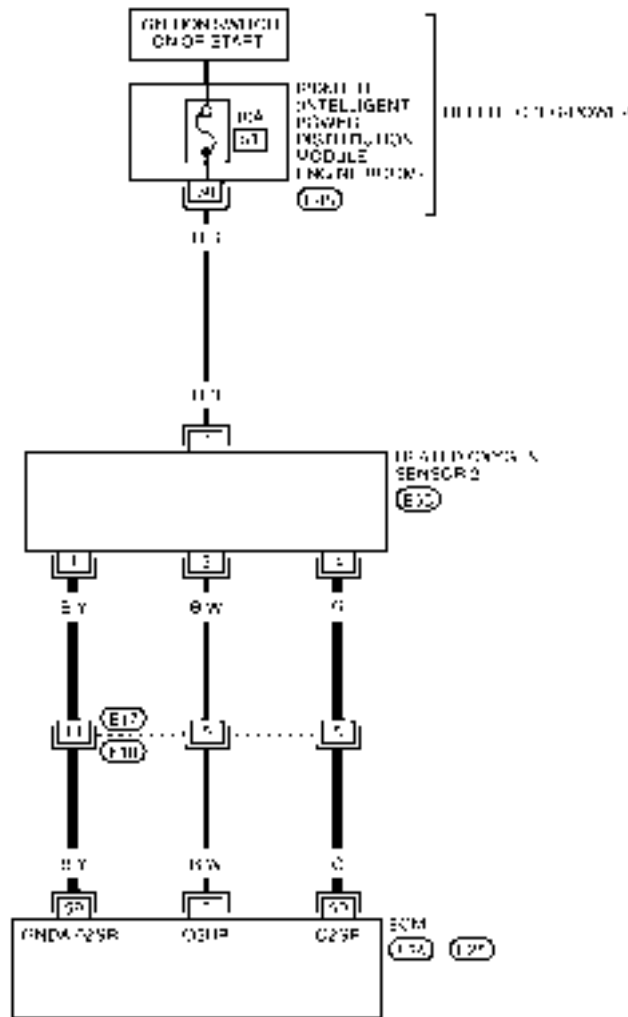
[MR]

Wiring Diagram

INFOID:000000001849907

EC-HO2S2-01

— DETECTABLE LINE FOR DTC
 — NON DETECTABLE LINE FOR DTC



BBWA2879E

Specification data are reference values and are measured between each terminal and ground. Pulse signal is measured by CONSULT-III.


CAUTION:

DTC P0137 HO2S2

< SERVICE INFORMATION >

[MR]

Do not use ECM ground terminals when measuring input/output voltage. Doing so may result in damage to the ECM's transistor. Use a ground other than ECM terminals, such as the ground.

TERMI- NAL NO.	WIRE COLOR	ITEM	CONDITION	DATA (DC Voltage)
5	B/W	Heated oxygen sensor 2 heater	[Engine is running] <ul style="list-style-type: none"> Engine speed: Below 3,600 rpm after the following conditions are met. <ul style="list-style-type: none"> - Engine: After warming up - Keeping the engine speed between 3,500 and 4,000 rpm for 1 minute and at idle for 1 minute under no load. 	Approximately 10V★  <small>PBIA8148J</small>
			[Ignition switch: ON] <ul style="list-style-type: none"> Engine stopped [Engine is running] <ul style="list-style-type: none"> Engine speed: Above 3,600 rpm. 	BATTERY VOLTAGE (11 - 14V)
50	G	Heated oxygen sensor 2	[Engine is running] <ul style="list-style-type: none"> Revvng engine from idle to 3,000 rpm quickly after the following conditions are met. <ul style="list-style-type: none"> - Engine: After warming up - Keeping the engine speed between 3,500 and 4,000 rpm for 1 minute and at idle for 1 minute under no load. 	0 - Approximately 1.0V
59	B/Y	Sensor ground (Heated oxygen sensor 2)	[Engine is running] <ul style="list-style-type: none"> Warm-up condition Idle speed 	Approximately 0V

★: Average voltage for pulse signal (Actual pulse signal can be confirmed by oscilloscope.)

Diagnosis Procedure

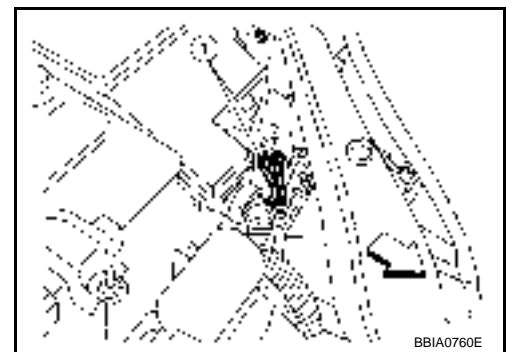
INFOID:000000001849908

1. CHECK GROUND CONNECTIONS

- Turn ignition switch OFF.
 - Loosen and retighten ground screw on the body.
Refer to [EC-140, "Ground Inspection"](#).
- ↙: Vehicle front
 - Body ground (1)

OK or NG

- OK >> GO TO 2.
- NG >> Repair or replace ground connections.



2. CLEAR THE SELF-LEARNING DATA

With CONSULT-III

- Start engine and warm it up to normal operating temperature.
- Select "SELF-LEARNING CONT" in "WORK SUPPORT" mode with CONSULT-III.
- Clear the self-learning control coefficient by touching "CLEAR".
- Run engine for at least 10 minutes at idle speed.

Is the 1st trip DTC P0171 detected?

Is it difficult to start engine?

Without CONSULT-III

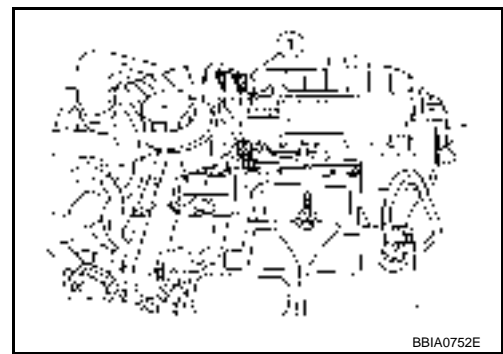
- Start engine and warm it up to normal operating temperature.
- Turn ignition switch OFF.

DTC P0137 HO2S2

[MR]

< SERVICE INFORMATION >

3. Disconnect mass air flow sensor (1) harness connector, and restart and run engine for at least 5 seconds at idle speed.
4. Stop engine and reconnect mass air flow sensor harness connector.
5. Make sure DTC P0102 is displayed.
6. Erase the DTC memory. Refer to [EC-51, "Emission-related Diagnostic Information"](#).
7. Make sure DTC P0000 is displayed.
8. Run engine for at least 10 minutes at idle speed.
**Is the 1st trip DTC P0171 detected?
Is it difficult to start engine?**



Yes or No

- Yes >> Perform trouble diagnosis for DTC P0171. Refer to [EC-250](#).
No >> GO TO 3.

3. CHECK HO2S2 GROUND CIRCUIT FOR OPEN AND SHORT

1. Turn ignition switch OFF.
2. Disconnect heated oxygen sensor 2 harness connector (2).
 - ◀: Vehicle front
 - Heated oxygen sensor 2 (1)
3. Disconnect ECM harness connector.
4. Check harness continuity between ECM terminal 59 and HO2S2 terminal 1. Refer to Wiring Diagram.

Continuity should exist.

5. Also check harness for short to ground and short to power.

OK or NG

- OK >> GO TO 5.
NG >> GO TO 4.

4. DETECT MALFUNCTIONING PART

Check the following.

- Harness connectors E17, F10
- Harness for open circuit or short between heated oxygen sensor 2 and ECM.

>> Repair open circuit or short to ground or short to power in harness or connectors.

5. CHECK HO2S2 INPUT SIGNAL CIRCUIT FOR OPEN AND SHORT

1. Check harness continuity between ECM terminal 50 and HO2S2 terminal 4. Refer to Wiring Diagram.

Continuity should exist.

2. Check harness continuity between ECM terminal 50 or HO2S2 terminal 4 and ground. Refer to Wiring Diagram.

Continuity should not exist.

3. Also check harness for short to power.

OK or NG

- OK >> GO TO 7.
NG >> GO TO 6.

6. DETECT MALFUNCTIONING PART

Check the following.

- Harness connectors E17, F10
- Harness for open circuit or short between heated oxygen sensor 2 and ECM.

>> Repair open circuit or short to ground or short between heated oxygen sensor 2 and ECM.

A

EC

C

D

E

F

G

H

I

J

K

L

M

N

O

P

7. CHECK HEATED OXYGEN SENSOR 2Refer to [EC-232. "Component Inspection"](#).**OK or NG**

- OK >> GO TO 6.
 NG >> Replace heated oxygen sensor 2.

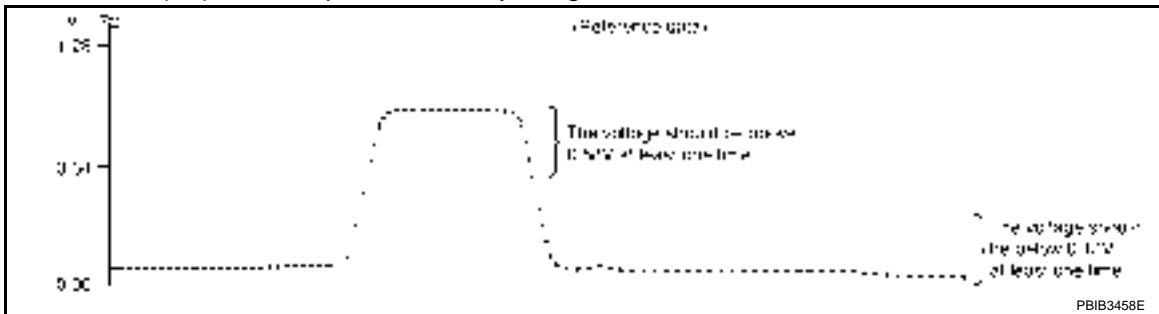
8. CHECK INTERMITTENT INCIDENTRefer to [EC-135](#).>> **INSPECTION END****Component Inspection**

INFOID:000000001849909

HEATED OXYGEN SENSOR 2

▮ With CONSULT-III

1. Start engine and warm it up to the normal operating temperature.
2. Turn ignition switch OFF and wait at least 10 seconds.
3. Start engine and keep the engine speed between 3,500 and 4,000 rpm for at least 1 minute under no load.
4. Let engine idle for 1 minute.
5. Select "FUEL INJECTION" in "ACTIVE TEST" mode, and select "HO2S2 (B1)" as the monitor item with CONSULT-III.
6. Check "HO2S2 (B1)" at idle speed when adjusting "FUEL INJECTION" to $\pm 25\%$.



"HO2S2 (B1)" should be above 0.68V at least once when the "FUEL INJECTION" is +25%.

"HO2S2 (B1)" should be below 0.18V at least once when the "FUEL INJECTION" is -25%.

CAUTION:

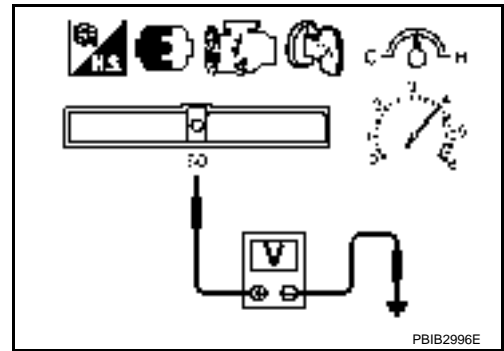
- Discard any heated oxygen sensor which has been dropped from a height of more than 0.5 m (19.7 in) onto a hard surface such as a concrete floor; use a new one.
- Before installing new oxygen sensor, clean exhaust system threads using Oxygen Sensor Thread Cleaner tool J-43897-18 or J-43897-12 and approved anti-seize lubricant.

✕ Without CONSULT-III

1. Start engine and warm it up to the normal operating temperature.
2. Turn ignition switch OFF and wait at least 10 seconds.
3. Start engine and keep the engine speed between 3,500 and 4,000 rpm for at least 1 minute under no load.
4. Let engine idle for 1 minute.
5. Set voltmeter probes between ECM terminal 50 (HO2S2 signal) and ground.

< SERVICE INFORMATION >

6. Check the voltage when revving up to 4,000 rpm under no load at least 10 times.
(Depress and release accelerator pedal as soon as possible.)
The voltage should be above 0.68V at least once during this procedure.
If the voltage is above 0.68V at step 6, step 7 is not necessary.
7. Keep vehicle idling for 10 minutes, then check voltage. Or check the voltage when coasting from 80 km/h (50 MPH) in D position (CVT) or 3rd gear position (M/T).
The voltage should be below 0.18V at least once during this procedure.
8. If NG, replace heated oxygen sensor 2.
CAUTION:
 - Discard any heated oxygen sensor which has been dropped from a height of more than 0.5 m (19.7 in) onto a hard surface such as a concrete floor; use a new one.
 - Before installing new oxygen sensor, clean exhaust system threads using Oxygen Sensor Thread Cleaner tool J-43897-18 or J-43897-12 and approved anti-seize lubricant.



Removal and Installation

INFOID:000000001849910

HEATED OXYGEN SENSOR 2

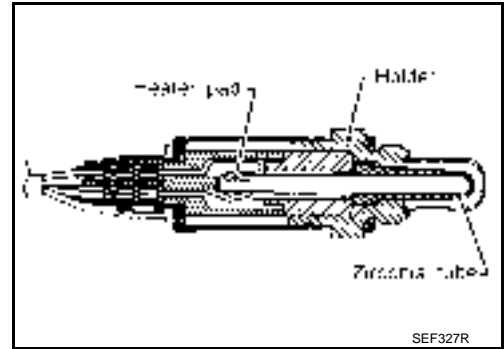
Refer to [EM-21](#).

DTC P0138 HO2S2

Component Description

INFOID:000000001849911

The heated oxygen sensor 2, after three way catalyst (manifold), monitors the oxygen level in the exhaust gas. Even if switching characteristics of the air fuel ratio (A/F) sensor 1 are shifted, the air/fuel ratio is controlled to stoichiometric, by the signal from the heated oxygen sensor 2. This sensor is made of ceramic zirconia. The zirconia generates voltage from approximately 1V in richer conditions to 0V in leaner conditions. Under normal conditions the heated oxygen sensor 2 is not used for engine control operation.



CONSULT-III Reference Value in Data Monitor Mode

INFOID:000000001849912

Specification data are reference values.

MONITOR ITEM	CONDITION	SPECIFICATION
HO2S2 (B1)	<ul style="list-style-type: none"> Revsing engine from idle to 3,000 rpm quickly after the following conditions are met. - Engine: After warming up - Keeping the engine speed between 3,500 and 4,000 rpm for 1 minute and at idle for 1 minute under no load 	0 - 0.3V ←→ Approx. 0.6 - 1.0V
HO2S2 MNTR (B1)		LEAN ←→ RICH

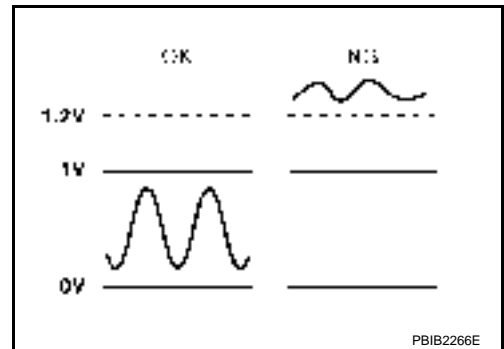
On Board Diagnosis Logic

INFOID:000000001849913

The heated oxygen sensor 2 has a much longer switching time between rich and lean than the air fuel ratio (A/F) sensor 1. The oxygen storage capacity before the three way catalyst (manifold) causes the longer switching time.

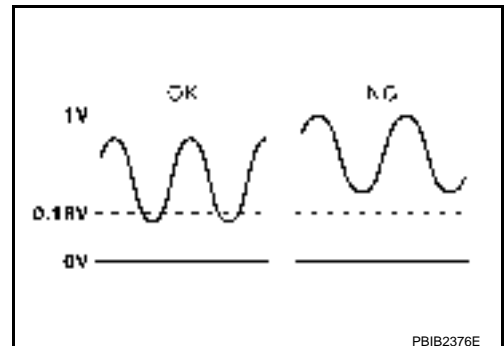
MALFUNCTION A

To judge the malfunctions of rear heated oxygen sensor 2, ECM monitors whether the voltage is unusually high during the various driving condition such as fuel-cut.



MALFUNCTION B

To judge the malfunctions of heated oxygen sensor 2, ECM monitors whether the minimum voltage of sensor is sufficiently low during the various driving condition such as fuel-cut.



DTC P0138 HO2S2

< SERVICE INFORMATION >

[MR]

DTC No.	Trouble diagnosis name	DTC detecting condition		Possible cause
P0138 0138	Heated oxygen sensor 2 circuit high voltage	A)	An excessively high voltage from the sensor is sent to ECM.	<ul style="list-style-type: none">• Harness or connectors (Heated oxygen sensor 2 circuit is open or shorted.)• Heated oxygen sensor 2
		B)	The minimum voltage from the sensor is not reached to the specified voltage.	<ul style="list-style-type: none">• Harness or connectors (Heated oxygen sensor circuit is open or shorted.)• Heated oxygen sensor 2• Fuel pressure• Fuel injector

DTC Confirmation Procedure

INFOID:000000001849914

Perform PROCEDURE FOR MALFUNCTION A first.

If DTC cannot be confirmed, perform PROCEDURE FOR MALFUNCTION B.

NOTE:

If DTC Confirmation Procedure has been previously conducted, always turn ignition switch OFF and wait at least 10 seconds before conducting the next test.

PROCEDURE FOR MALFUNCTION A

▫ With CONSULT-III

1. Turn ignition switch ON and select "DATA MONITOR" mode with CONSULT-III.
2. Start engine and warm it up to the normal operating temperature.
3. Turn ignition switch OFF and wait at least 10 seconds.
4. Start engine and keep the engine speed between 3,500 and 4,000 rpm for at least 1 minute under no load.
5. Let engine idle for 2 minutes.
6. Check 1st trip DTC.
7. If 1st trip DTC is detected, go to [EC-238. "Diagnosis Procedure"](#).

▫ With GST

Follow the procedure "With CONSULT-III" above.

PROCEDURE FOR MALFUNCTION B

▫ With CONSULT-III

TESTING CONDITION:

For the best results, perform DTC WORK SUPPORT at a temperature of 0 to 30°C (32 to 86°F).

1. Turn ignition switch ON and select "DATA MONITOR" mode with CONSULT-III
2. Start engine and warm it up to the normal operating temperature.
3. Turn ignition switch OFF and wait at least 10 seconds.
4. Start engine and keep the engine speed between 3,500 and 4,000 rpm for at least 1 minute under no load.
5. Let engine idle for 1 minute.
6. Make sure that "COOLAN TEMP/S" indicates more than 70°C (158°F).
If not, warm up engine and go to next step when "COOLAN TEMP/S" indication reaches to 70°C (158°F).
7. Open engine hood.
8. Select "HO2S2 (B1) P1146" (for DTC P0138) of "HO2S2" in "DTC WORK SUPPORT" mode with CONSULT-III.
9. Start engine and following the instruction of CONSULT-III.

NOTE:

It will take at most 10 minutes until "COMPLETED" is displayed.

10. Make sure that "OK" is displayed after touching "ON-BOARD DIAGNOSIS".

If "NG" is displayed, refer to [EC-238. "Diagnosis Procedure"](#).

If "CAN NOT BE DIAGNOSED" is displayed, perform the following.

- a. Turn ignition switch OFF and leave the vehicle in a cool place (soak the vehicle).
- b. Return to step 1.

Overall Function Check

INFOID:000000001849915

PROCEDURE FOR MALFUNCTION B

Use this procedure to check the overall function of the heated oxygen sensor 2 circuit. During this check, a 1st trip DTC might not be confirmed.

■ With GST

1. Start engine and warm it up to the normal operating temperature.
2. Turn ignition switch OFF and wait at least 10 seconds.
3. Start engine and keep the engine speed between 3,500 and 4,000 rpm for at least 1 minute under no load.
4. Let engine idle 1 minute.
5. Set voltmeter probes between ECM terminal 50 (HO2S2 signal) and ground.

6. Check the voltage when revving up to 4,000 rpm under no load at least 10 times.

(Depress and release accelerator pedal as soon as possible.)

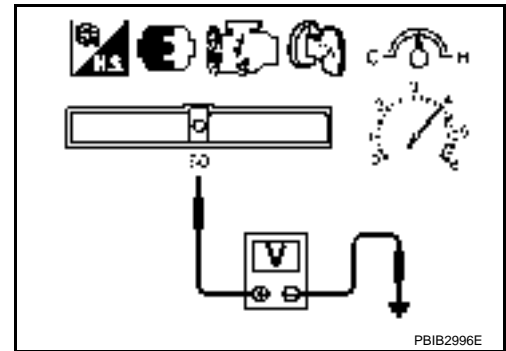
The voltage should be below 0.18V at least once during this procedure.

If the voltage can be confirmed in step 6, step 7 is not necessary.

7. Keep vehicle at idling for 10 minutes, then check the voltage. Or check the voltage when coasting from 80 km/h (50 MPH) in D position (CVT) or 3rd gear position (M/T).

The voltage should be below 0.18V at least once during this procedure.

8. If NG, go to [EC-238, "Diagnosis Procedure"](#).



DTC P0138 HO2S2

< SERVICE INFORMATION >

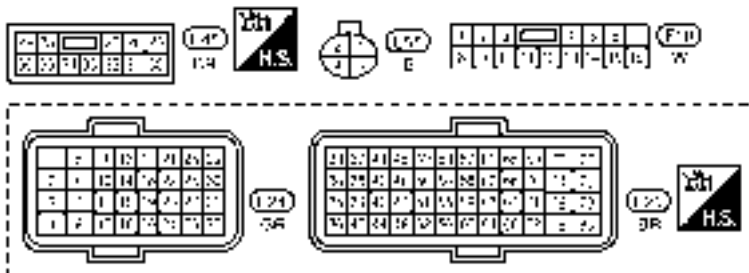
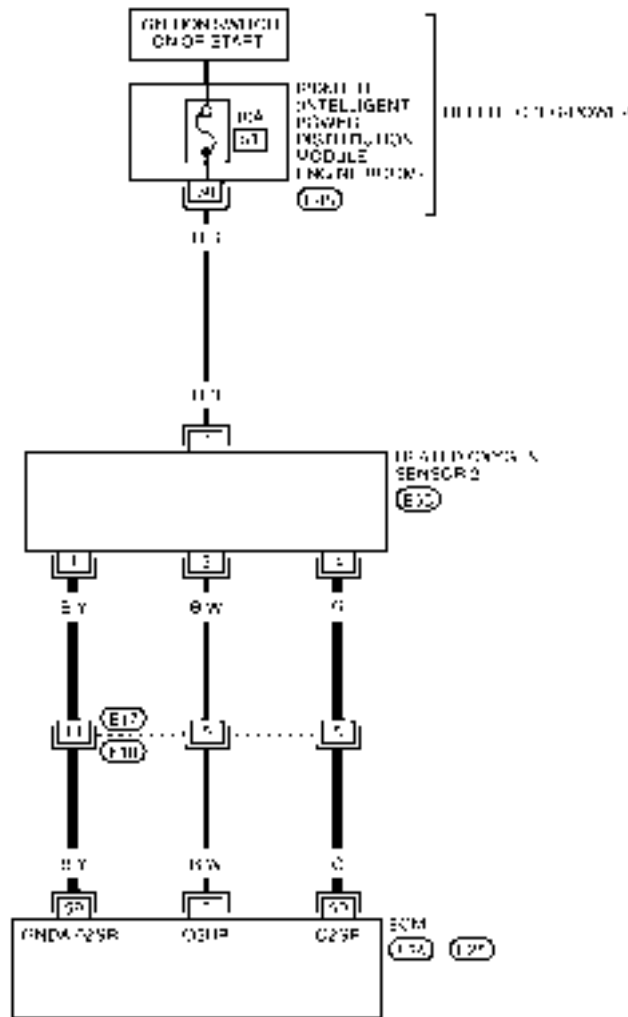
[MR]

Wiring Diagram

INFOID:000000001849916

EC-HO2S2-01

— DETECTABLE LINE FOR DTC
 — NON DETECTABLE LINE FOR DTC



BBWA2879E

Specification data are reference values and are measured between each terminal and ground. Pulse signal is measured by CONSULT-III.


CAUTION:

DTC P0138 HO2S2

< SERVICE INFORMATION >

[MR]

Do not use ECM ground terminals when measuring input/output voltage. Doing so may result in damage to the ECM's transistor. Use a ground other than ECM terminals, such as the ground.

TERMI- NAL NO.	WIRE COLOR	ITEM	CONDITION	DATA (DC Voltage)
5	B/W	Heated oxygen sensor 2 heater	[Engine is running] <ul style="list-style-type: none"> Engine speed: Below 3,600 rpm after the following conditions are met. <ul style="list-style-type: none"> Engine: After warming up Keeping the engine speed between 3,500 and 4,000 rpm for 1 minute and at idle for 1 minute under no load. 	Approximately 10V★  <small>PBIA8148J</small>
			[Ignition switch: ON] <ul style="list-style-type: none"> Engine stopped [Engine is running] <ul style="list-style-type: none"> Engine speed: Above 3,600 rpm. 	BATTERY VOLTAGE (11 - 14V)
50	G	Heated oxygen sensor 2	[Engine is running] <ul style="list-style-type: none"> Revvng engine from idle to 3,000 rpm quickly after the following conditions are met. <ul style="list-style-type: none"> Engine: After warming up Keeping the engine speed between 3,500 and 4,000 rpm for 1 minute and at idle for 1 minute under no load. 	0 - Approximately 1.0V
59	B/Y	Sensor ground (Heated oxygen sensor 2)	[Engine is running] <ul style="list-style-type: none"> Warm-up condition Idle speed 	Approximately 0V


★: Average voltage for pulse signal (Actual pulse signal can be confirmed by oscilloscope.)

Diagnosis Procedure

INFOID:000000001849917

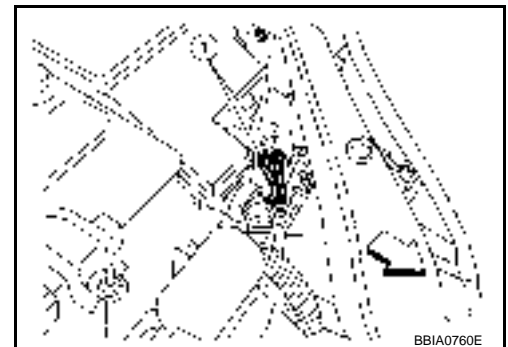
PROCEDURE FOR MALFUNCTION A

1. CHECK GROUND CONNECTIONS

1. Turn ignition switch OFF.
 2. Loosen and retighten engine screws on the body.
Refer to [EC-140, "Ground Inspection"](#).
- : Vehicle front
 - Body ground (1)

OK or NG

- OK >> GO TO 2.
- NG >> Repair or replace ground connections.



2. CHECK HO2S2 GROUND CIRCUIT FOR OPEN AND SHORT

DTC P0138 HO2S2

[MR]

< SERVICE INFORMATION >

1. Disconnect heated oxygen sensor 2 harness connector (2).
 - ◀: Vehicle front
 - Heated oxygen sensor 2 (1)
2. Disconnect ECM harness connector.
3. Check harness continuity between ECM terminal 59 and HO2S2 terminal 1. Refer to Wiring Diagram.

Continuity should exist.

4. Also check harness for short to ground and short to power.

OK or NG

OK >> GO TO 4.

NG >> GO TO 3.

3. DETECT MALFUNCTIONING PART

Check the following.

- Harness connectors E17, F10
- Harness for open circuit or short between heated oxygen sensor 2 and ECM.

>> Repair open circuit or short to ground or short to power in harness or connectors.

4. CHECK HO2S2 INPUT SIGNAL CIRCUIT FOR OPEN AND SHORT

1. Check harness continuity between ECM terminal 50 and HO2S2 terminal 4. Refer to Wiring Diagram.

Continuity should exist.

2. Check harness continuity between ECM terminal 50 or HO2S2 terminal 4 and ground. Refer to Wiring Diagram.

Continuity should not exist.

3. Also check harness for short to power.

OK or NG

OK >> GO TO 6.

NG >> GO TO 5.

5. DETECT MALFUNCTIONING PART

Check the following.

- Harness connectors E17, F10
- Harness for open circuit or short between heated oxygen sensor 2 and ECM.

>> Repair open circuit or short to ground or short to power in harness or connectors.

6. CHECK HO2S2 CONNECTOR FOR WATER

Check connectors for water.

Water should not exist.

OK or NG

OK >> GO TO 7.

NG >> Repair or replace harness or connectors.

7. CHECK HEATED OXYGEN SENSOR 2

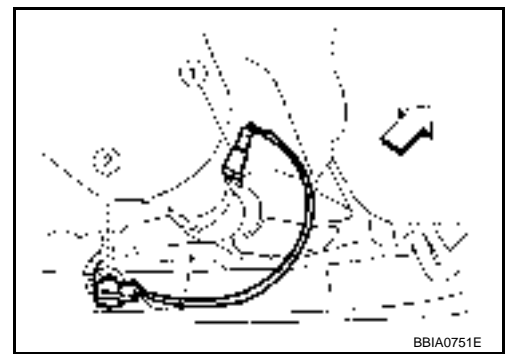
Refer to [EC-241, "Component Inspection"](#).

OK or NG

OK >> GO TO 8.

NG >> Replace heated oxygen sensor 2.

8. CHECK INTERMITTENT INCIDENT



A

EC

C

D

E

F

G

H

I

J

K

L

M

N

O

P

< SERVICE INFORMATION >

Refer to [EC-135](#).

>> INSPECTION END

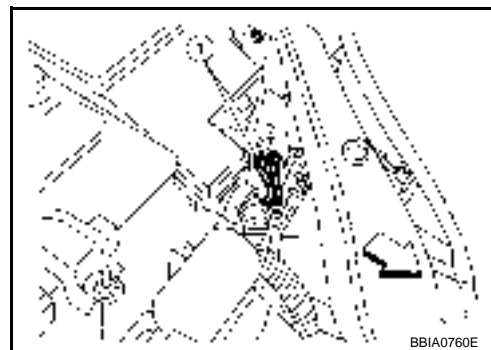
PROCEDURE FOR MALFUNCTION B

1. CHECK GROUND CONNECTIONS

1. Turn ignition switch OFF.
2. Loosen and retighten engine screws on the body.
Refer to [EC-140](#), "Ground Inspection".
- ◀↙: Vehicle front
- Body ground (1)

OK or NG

- OK >> GO TO 2.
NG >> Repair or replace ground connections.

**2. CLEAR THE SELF-LEARNING DATA****With CONSULT-III**

1. Start engine and warm it up to normal operating temperature.
2. Select "SELF-LEARNING CONT" in "WORK SUPPORT" mode with CONSULT-III.
3. Clear the self-learning control coefficient by touching "CLEAR".
4. Run engine for at least 10 minutes at idle speed.

Is the 1st trip DTC P0172 detected?**Is it difficult to start engine?****Without CONSULT-III**

1. Start engine and warm it up to normal operating temperature.
2. Turn ignition switch OFF.
3. Disconnect mass air flow sensor (1) harness connector, and restart and run engine for at least 5 seconds at idle speed.
4. Stop engine and reconnect mass air flow sensor harness connector.
5. Make sure that DTC P0102 is displayed.
6. Erase the DTC memory. Refer to [EC-51](#), "Emission-related Diagnostic Information".
7. Make sure that DTC P0000 is displayed.
8. Run engine for at least 10 minutes at idle speed.

Is the 1st trip DTC P0172 detected?**Is it difficult to start engine?**Yes or No

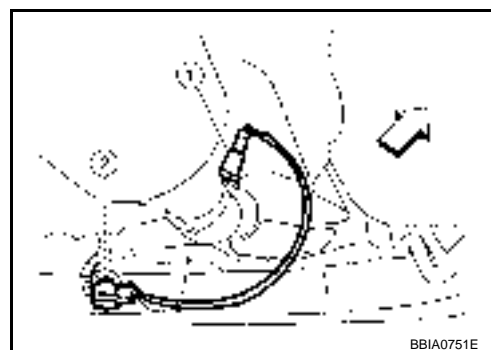
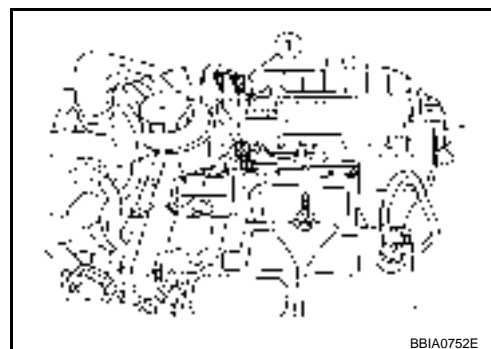
- Yes >> Perform trouble diagnosis for DTC P0172. Refer to [EC-256](#).
No >> GO TO 3.

3. CHECK HO2S2 GROUND CIRCUIT FOR OPEN AND SHORT

1. Turn ignition switch OFF.
2. Disconnect heated oxygen sensor 2 harness connector (2).
- ◀↙: Vehicle front
- Heated oxygen sensor 2 (1)
3. Disconnect ECM harness connector.
4. Check harness continuity between ECM terminal 59 and HO2S2 terminal 1. Refer to Wiring Diagram.

Continuity should exist.

5. Also check harness for short to ground and short to power.

OK or NG

< SERVICE INFORMATION >

- OK >> GO TO 5.
NG >> GO TO 4.

4.CHECK MALFUNCTIONING PART

Check the following.

- Harness connectors E17, F10
- Harness for open circuit or short between heated oxygen sensor 2 and ECM.

>> Repair open circuit or short to ground or short to power in harness or connectors.

5.CHECK HO2S2 INPUT SIGNAL CIRCUIT FOR OPEN AND SHORT

1. Check harness continuity between ECM terminal 50 and HO2S2 terminal 4.
Refer to Wiring Diagram.

Continuity should exist.

2. Check harness continuity between ECM terminal 50 or HO2S2 terminal 4 and ground.
Refer to Wiring Diagram.

Continuity should not exist.

3. Also check harness for short to power.

OK or NG

- OK >> GO TO 7.
NG >> GO TO 6.

6.CHECK MALFUNCTIONING PART

Check the following.

- Harness connectors E17, F10
- Harness for open circuit or short between heated oxygen sensor 2 and ECM.

>> Repair open circuit or short to ground or short to power in harness or connectors.

7.CHECK HEATED OXYGEN SENSOR 2

Refer to [EC-241, "Component Inspection"](#).

OK or NG

- OK >> GO TO 8.
NG >> Replace heated oxygen sensor 2.

8.CHECK INTERMITTENT INCIDENT

Refer to [EC-135](#).

>> **INSPECTION END**

Component Inspection

INFOID:000000001849918

HEATED OXYGEN SENSOR 2

▫ With CONSULT-III

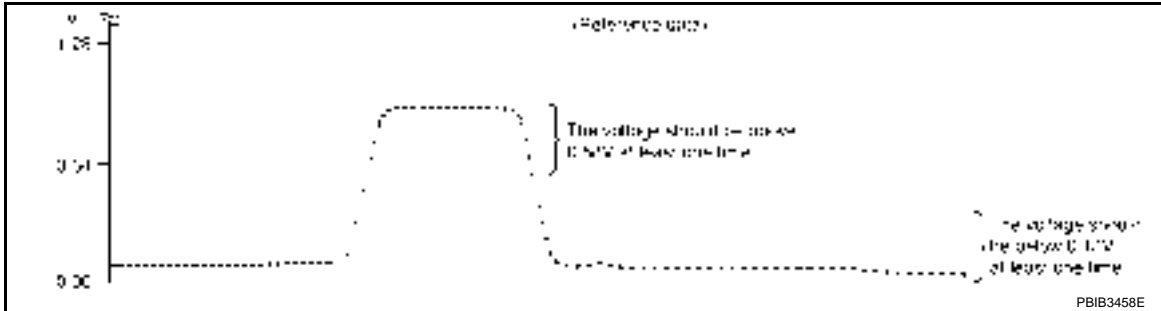
1. Start engine and warm it up to the normal operating temperature.
2. Turn ignition switch OFF and wait at least 10 seconds.
3. Start engine and keep the engine speed between 3,500 and 4,000 rpm for at least 1 minute under no load.
4. Let engine idle for 1 minute.
5. Select "FUEL INJECTION" in "ACTIVE TEST" mode, and select "HO2S2 (B1)" as the monitor item with CONSULT-III.

DTC P0138 HO2S2

< SERVICE INFORMATION >

[MR]

6. Check "HO2S2 (B1)" at idle speed when adjusting "FUEL INJECTION" to $\pm 25\%$.



"HO2S2 (B1)" should be above 0.68V at least once when the "FUEL INJECTION" is +25%.

"HO2S2 (B1)" should be below 0.18V at least once when the "FUEL INJECTION" is -25%.

CAUTION:

- Discard any heated oxygen sensor which has been dropped from a height of more than 0.5 m (19.7 in) onto a hard surface such as a concrete floor; use a new one.
- Before installing new oxygen sensor, clean exhaust system threads using Oxygen Sensor Thread Cleaner tool J-43897-18 or J-43897-12 and approved anti-seize lubricant.

⌘ Without CONSULT-III

1. Start engine and warm it up to the normal operating temperature.
2. Turn ignition switch OFF and wait at least 10 seconds.
3. Start engine and keep the engine speed between 3,500 and 4,000 rpm for at least 1 minute under no load.
4. Let engine idle for 1 minute.

5. Set voltmeter probes between ECM terminal 50 (HO2S2 signal) and ground.

6. Check the voltage when revving up to 4,000 rpm under no load at least 10 times.

(Depress and release accelerator pedal as soon as possible.)

The voltage should be above 0.68V at least once during this procedure.

If the voltage is above 0.68V at step 6, step 7 is not necessary.

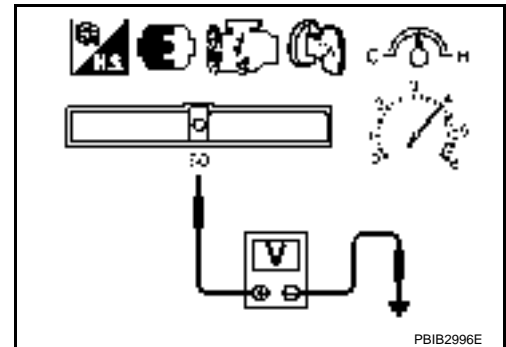
7. Keep vehicle idling for 10 minutes, then check voltage. Or check the voltage when coasting from 80 km/h (50 MPH) in D position (CVT) or 3rd gear position (M/T).

The voltage should be below 0.18V at least once during this procedure.

8. If NG, replace heated oxygen sensor 2.

CAUTION:

- Discard any heated oxygen sensor which has been dropped from a height of more than 0.5 m (19.7 in) onto a hard surface such as a concrete floor; use a new one.
- Before installing new oxygen sensor, clean exhaust system threads using Oxygen Sensor Thread Cleaner tool J-43897-18 or J-43897-12 and approved anti-seize lubricant.



Removal and Installation

INFOID:000000001849919

HEATED OXYGEN SENSOR 2

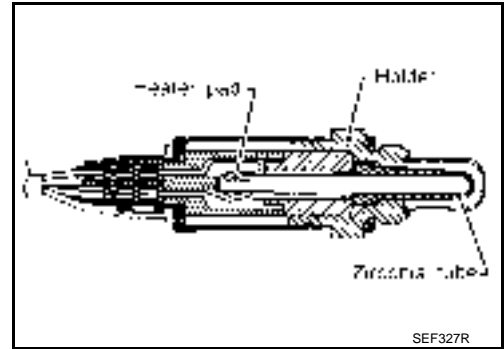
Refer to [EM-21](#).

DTC P0139 HO2S2

Component Description

INFOID:000000001849920

The heated oxygen sensor 2, after three way catalyst (manifold), monitors the oxygen level in the exhaust gas. Even if switching characteristics of the air fuel ratio (A/F) sensor 1 are shifted, the air/fuel ratio is controlled to stoichiometric, by the signal from the heated oxygen sensor 2. This sensor is made of ceramic zirconia. The zirconia generates voltage from approximately 1V in richer conditions to 0V in leaner conditions. Under normal conditions the heated oxygen sensor 2 is not used for engine control operation.



CONSULT-III Reference Value in Data Monitor Mode

INFOID:000000001849921

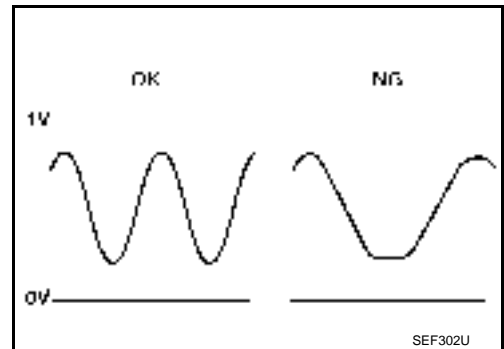
Specification data are reference values.

MONITOR ITEM	CONDITION	SPECIFICATION
HO2S2 (B1)	<ul style="list-style-type: none"> • Revving engine from idle to 3,000 rpm quickly after the following conditions are met. - Engine: After warming up - Keep the engine speed between 3,500 rpm and 4,000 rpm for 1 minute and idle for 1 minute under no load 	0 - 0.3V ←→ Approx. 0.6 - 1.0V
HO2S2 MNTR (B1)		LEAN ←→ RICH

On Board Diagnosis Logic

INFOID:000000001849922

The heated oxygen sensor 2 has a much longer switching time between rich and lean than the air fuel ratio (A/F) sensor 1. The oxygen storage capacity before the three way catalyst (manifold) causes the longer switching time. To judge the malfunctions of heated oxygen sensor 2, ECM monitors whether the switching response of the sensor's voltage is faster than specified during the various driving condition such as fuel-cut.



DTC No.	Trouble diagnosis name	DTC detecting condition	Possible cause
P0139 0139	Heated oxygen sensor 2 circuit slow response	It takes more time for the sensor to respond between rich and lean than the specified time.	<ul style="list-style-type: none"> • Harness or connectors (Heated oxygen sensor circuit is open or shorted.) • Heated oxygen sensor 2 • Fuel pressure • Fuel injector • Intake air leaks

DTC Confirmation Procedure

INFOID:000000001849923

NOTE:

If DTC Confirmation Procedure has been previously conducted, always turn ignition switch OFF and wait at least 10 seconds before conducting the next test.

• WITH CONSULT-III

TESTING CONDITION:

For better results, perform "DTC WORK SUPPORT" at a temperature of 0 to 30 °C (32 to 86 °F).

< SERVICE INFORMATION >

1. Turn ignition switch ON and select "DATA MONITOR" mode with CONSULT-III.
2. Start engine and warm it up to the normal operating temperature.
3. Turn ignition switch OFF and wait at least 10 seconds.
4. Start engine and keep the engine speed between 3,500 and 4,000 rpm for at least 1 minute under no load.
5. Let engine idle for 1 minute.
6. Make sure that "COOLAN TEMP/S" indicates more than 70°C (158°F).
If not, warm up engine and go to next step when "COOLAN TEMP/S" indication reaches to 70°C (158°F).
7. Select "HO2S2 (B1) P0139" of "HO2S2" in "DTC WORK SUPPORT" mode with CONSULT-III.
8. Start engine and following the instruction of CONSULT-III.

NOTE:

It will take at most 10 minutes until "COMPLETED" is displayed.

9. Make sure that "OK" is displayed after touching "ON-BOARD DIAGNOSIS".
If "NG" is displayed, refer to [EC-246, "Diagnosis Procedure"](#).
If "CAN NOT BE DIAGNOSED" is displayed, perform the following.
 - a. Turn ignition switch OFF and leave the vehicle in a cool place (soak the vehicle).
 - b. Return to step 1.

Overall Function Check

INFOID:000000001849924

Use this procedure to check the overall function of the heated oxygen sensor 2 circuit. During this check, a 1st trip DTC might not be confirmed.

WITH GST

1. Start engine and warm it up to the normal operating temperature.
2. Turn ignition switch OFF and wait at least 10 seconds.
3. Start engine and keep the engine between 3,500 and 4,000 rpm for at least 1 minute under no load.
4. Let engine idle for 1 minute.
5. Set voltmeter probes between ECM terminal 50 (HO2S2 signal) and ground.
6. Check the voltage when revving up to 4,000 rpm under no load at least 10 times.

(Depress and release accelerator pedal as soon as possible.)

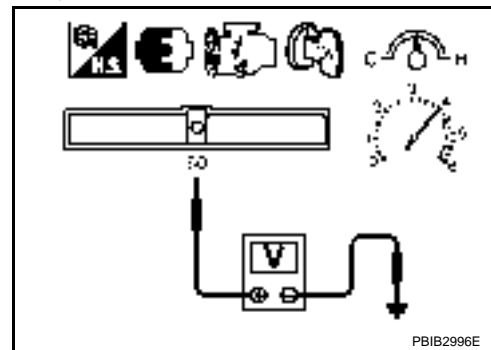
A change of voltage should be more than 0.24V for 1 second during this procedure.

If the voltage can be confirmed in step 6, step 7 is not necessary.

7. Keep vehicle at idling for 10 minutes, then check the voltage. Or check the voltage when coasting from 80 km/h (50 MPH) in D position (CVT) or 3rd gear position (M/T).

A change of voltage should be more than 0.24V for 1 second during this procedure.

8. If NG, go to [EC-246, "Diagnosis Procedure"](#).



DTC P0139 HO2S2

< SERVICE INFORMATION >

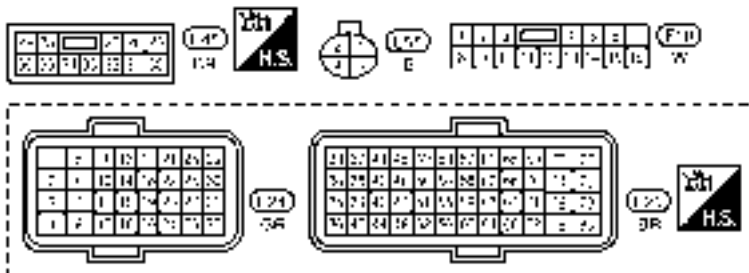
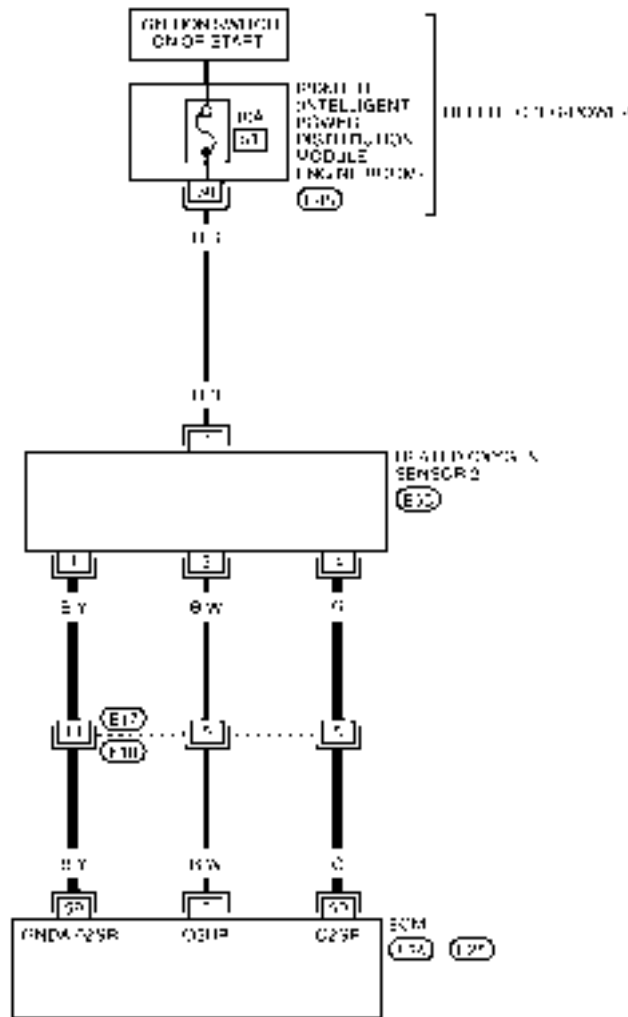
[MR]

Wiring Diagram

INFOID:000000001849925

EC-HO2S2-01

— DETECTABLE LINE FOR DTC
 — NON DETECTABLE LINE FOR DTC



BBWA2879E

Specification data are reference values and are measured between each terminal and ground. Pulse signal is measured by CONSULT-III.


CAUTION:

DTC P0139 HO2S2

< SERVICE INFORMATION >

[MR]

Do not use ECM ground terminals when measuring input/output voltage. Doing so may result in damage to the ECM's transistor. Use a ground other than ECM terminals, such as the ground.

TER-MI-NAL NO.	WIRE COLOR	ITEM	CONDITION	DATA (DC Voltage)
5	B/W	Heated oxygen sensor 2 heater	[Engine is running] <ul style="list-style-type: none"> Below 3,600 rpm after the following conditions are met. <ul style="list-style-type: none"> - Engine: After warming up - Keeping the engine speed between 3,500 and 4,000 rpm for 1 minute and at idle for 1 minute under no load 	Approximately 10V★  PBI A8148J
			[Ignition switch: ON] <ul style="list-style-type: none"> Engine stopped [Engine is running] <ul style="list-style-type: none"> Engine speed: Above 3,600 rpm 	BATTERY VOLTAGE (11 - 14V)
50	G	Heated oxygen sensor 2	[Engine is running] <ul style="list-style-type: none"> Revvng engine from idle to 3,000 rpm quickly after the following conditions are met. <ul style="list-style-type: none"> - Engine: After warming up - Keeping the engine speed between 3,500 and 4,000 rpm for 1 minute and at idle for 1 minute under no load. 	0 - Approximately 1.0V
59	B/Y	Sensor ground (Heated oxygen sensor 2)	[Engine is running] <ul style="list-style-type: none"> Warm-up condition Idle speed 	Approximately 0V

★: Average voltage for pulse signal (Actual pulse signal can be confirmed by oscilloscope.)

Diagnosis Procedure

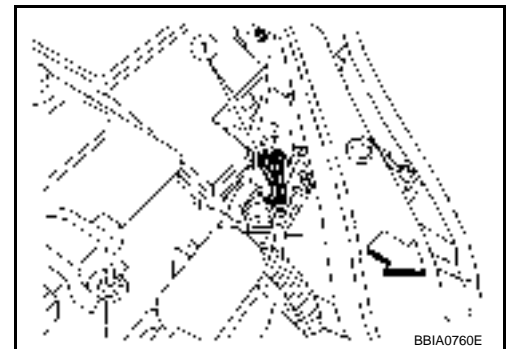
INFOID:000000001849926

1. CHECK GROUND CONNECTIONS

- Turn ignition switch OFF.
 - Loosen and retighten ground screws on the body.
Refer to [EC-140, "Ground Inspection"](#).
- ↔: Vehicle front
 - Body ground (1)

OK or NG

- OK >> GO TO 2.
- NG >> Repair or replace ground connections.



2. CLEAR THE SELF-LEARNING DATA

With CONSULT-III

- Start engine and warm it up to normal operating temperature.
- Select "SELF-LEARNING CONT" in "WORK SUPPORT" mode with CONSULT-III.
- Clear the self-learning control coefficient by touching "CLEAR".
- Run engine for at least 10 minutes at idle speed.
Is the 1st trip DTC P0171 or P0172 detected?
Is it difficult to start engine?

Without CONSULT-III

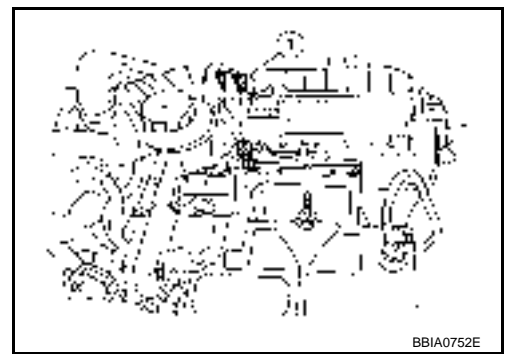
- Start engine and warm it up to normal operating temperature.
- Turn ignition switch OFF.

DTC P0139 HO2S2

[MR]

< SERVICE INFORMATION >

3. Disconnect mass air flow sensor (1) harness connector, and restart and run engine for at least 5 seconds at idle speed.
4. Stop engine and reconnect mass air flow sensor harness connector.
5. Make sure that DTC P0102 is displayed.
6. Erase the DTC memory. Refer to [EC-51, "Emission-related Diagnostic Information"](#).
7. Make sure that DTC P0000 is displayed.
8. Run engine for at least 10 minutes at idle speed.
**Is the 1st trip DTC P0171 or P0172 detected?
Is it difficult to start engine?**



Yes or No

- Yes >> Perform trouble diagnosis for DTC P0171 or P0172. Refer to [EC-250](#) or [EC-256](#).
No >> GO TO 3.

3. CHECK HO2S2 GROUND CIRCUIT FOR OPEN AND SHORT

1. Turn ignition switch OFF.
2. Disconnect heated oxygen sensor 2 harness connector (2).
 - ◀: Vehicle front
 - Heated oxygen sensor 2 (1)
3. Disconnect ECM harness connector.
4. Check harness continuity between HO2S2 terminal 1 and ECM terminal 59. Refer to Wiring Diagram.

Continuity should exist.

5. Also check harness for short to ground and short to power.

OK or NG

- OK >> GO TO 5.
NG >> GO TO 4.

4. DETECT MALFUNCTIONING PART

Check the following.

- Harness connectors E17, F10
- Harness for open circuit or short between heated oxygen sensor 2 and ECM.

>> Repair open circuit or short to ground or short to power in harness or connectors.

5. CHECK HO2S2 INPUT SIGNAL CIRCUIT FOR OPEN AND SHORT

1. Check harness continuity between HO2S2 terminal 4 and ECM terminal 50. Refer to Wiring Diagram.

Continuity should exist.

2. Check harness continuity between ECM terminal 50 or HO2S2 terminal 4 and ground. Refer to Wiring Diagram.

Continuity should not exist.

3. Also check harness for short to power.

OK or NG

- OK >> GO TO 7.
NG >> GO TO 6.

6. DETECT MALFUNCTIONING PART

Check the following.

- Harness connectors E17, F10
- Harness for open circuit or short between heated oxygen sensor 2 and ECM.

>> Repair open circuit or short to ground or short to power in harness or connectors.

A

EC

C

D

E

F

G

H

I

J

K

L

M

N

O

P

7. CHECK HEATED OXYGEN SENSOR 2Refer to [EC-248. "Component Inspection"](#).

OK or NG

- OK >> GO TO 8.
 NG >> Replace heated oxygen sensor 2.

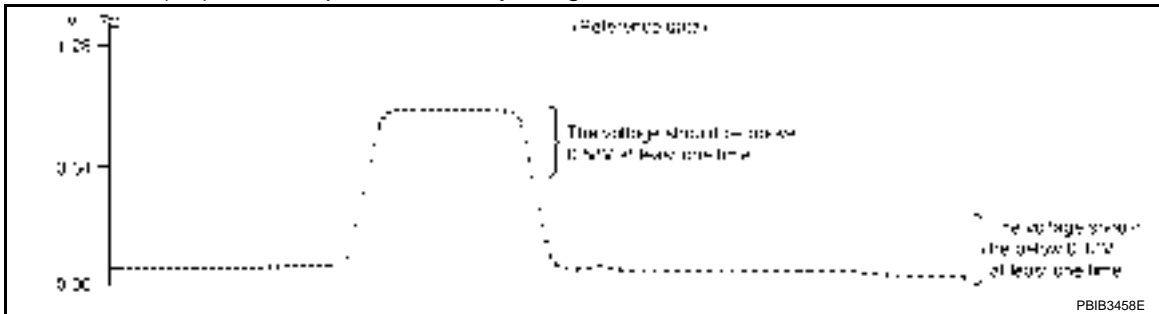
8. CHECK INTERMITTENT INCIDENTRefer to [EC-135](#).>> **INSPECTION END****Component Inspection**

INFOID:000000001849927

HEATED OXYGEN SENSOR 2

▮ With CONSULT-III

1. Start engine and warm it up to the normal operating temperature.
2. Turn ignition switch OFF and wait at least 10 seconds.
3. Start engine and keep the engine speed between 3,500 and 4,000 rpm for at least 1 minute under no load.
4. Let engine idle for 1 minute.
5. Select "FUEL INJECTION" in "ACTIVE TEST" mode, and select "HO2S2 (B1)" as the monitor item with CONSULT-III.
6. Check "HO2S2 (B1)" at idle speed when adjusting "FUEL INJECTION" to $\pm 25\%$.



"HO2S2 (B1)" should be above 0.68V at least once when the "FUEL INJECTION" is +25%.

"HO2S2 (B1)" should be below 0.18V at least once when the "FUEL INJECTION" is -25%.

CAUTION:

- Discard any heated oxygen sensor which has been dropped from a height of more than 0.5 m (19.7 in) onto a hard surface such as a concrete floor; use a new one.
- Before installing new oxygen sensor, clean exhaust system threads using Oxygen Sensor Thread Cleaner tool J-43897-18 or J-43897-12 and approved anti-seize lubricant.

✕ Without CONSULT-III

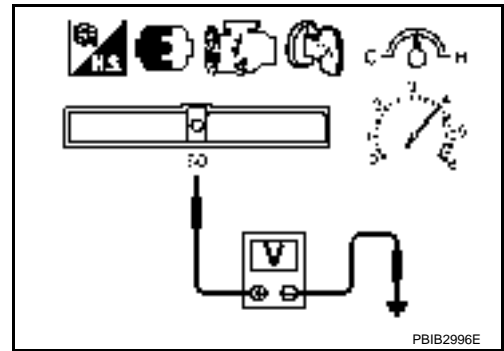
1. Start engine and warm it up to the normal operating temperature.
2. Turn ignition switch OFF and wait at least 10 seconds.
3. Start engine and keep the engine speed between 3,500 and 4,000 rpm for at least 1 minute under no load.
4. Let engine idle for 1 minute.
5. Set voltmeter probes between ECM terminal 50 (HO2S2 signal) and ground.

DTC P0139 HO2S2

< SERVICE INFORMATION >

[MR]

6. Check the voltage when revving up to 4,000 rpm under no load at least 10 times.
(Depress and release accelerator pedal as soon as possible.)
The voltage should be above 0.68V at least once during this procedure.
If the voltage is above 0.68V at step 6, step 7 is not necessary.
7. Keep vehicle idling for 10 minutes, then check voltage. Or check the voltage when coasting from 80 km/h (50 MPH) in D position (CVT) or 3rd gear position (M/T).
The voltage should be below 0.18V at least once during this procedure.
8. If NG, replace heated oxygen sensor 2.



CAUTION:

- Discard any heated oxygen sensor which has been dropped from a height of more than 0.5 m (19.7 in) onto a hard surface such as a concrete floor; use a new one.
- Before installing new oxygen sensor, clean exhaust system threads using Oxygen Sensor Thread Cleaner tool J-43897-18 or J-43897-12 and approved anti-seize lubricant.

Removal and Installation

INFOID:000000001849928

HEATED OXYGEN SENSOR 2

Refer to [EM-21](#)

DTC P0171 FUEL INJECTION SYSTEM FUNCTION

< SERVICE INFORMATION >

[MR]

DTC P0171 FUEL INJECTION SYSTEM FUNCTION

On Board Diagnosis Logic

INFOID:000000001849929

With the Air/Fuel Mixture Ratio Self-Learning Control, the actual mixture ratio can be brought closely to the theoretical mixture ratio based on the mixture ratio feedback signal from the air fuel ratio (A/F) sensor 1. The ECM calculates the necessary compensation to correct the offset between the actual and the theoretical ratios. In case the amount of the compensation value is extremely large (The actual mixture ratio is too lean.), the ECM judges the condition as the fuel injection system malfunction and lights up the MIL (2 trip detection logic).

Sensor	Input Signal to ECM	ECM function	Actuator
Air fuel ratio (A/F) sensor 1	Density of oxygen in exhaust gas (Mixture ratio feedback signal)	Fuel injection control	Fuel injector

DTC No.	Trouble diagnosis name	DTC detecting condition	Possible cause
P0171 0171	Fuel injection system too lean	<ul style="list-style-type: none"> Fuel injection system does not operate properly. The amount of mixture ratio compensation is too large. (The mixture ratio is too lean.) 	<ul style="list-style-type: none"> Intake air leaks Air fuel ratio (A/F) sensor 1 Fuel injector Exhaust gas leaks Incorrect fuel pressure Lack of fuel Mass air flow sensor Incorrect PCV hose connection

DTC Confirmation Procedure

INFOID:000000001849930

NOTE:

If DTC Confirmation Procedure has been previously conducted, always turn ignition switch OFF and wait at least 10 seconds before conducting the next test.

WITH CONSULT-III

- Start engine and warm it up to normal operating temperature.
- Turn ignition switch OFF and wait at least 10 seconds.
- Turn ignition switch ON and select "SELF-LEARNING CONT" in "WORK SUPPORT" mode with CONSULT-III.
- Clear the self-learning control coefficient by touching "CLEAR".
- Start engine again and let it idle for at least 10 minutes.
- Check 1st trip DTC.
The 1st trip DTC P0171 should be detected at this stage, if a malfunction exists. If so, go to [EC-253, "Diagnosis Procedure"](#).

NOTE:

If 1st trip DTC is not detected during above procedure, performing the following procedure is advised.

- Turn ignition switch OFF and wait at least 10 seconds.
- Start engine and select "DATA MONITOR" mode with CONSULT-III.
- Drive the vehicle under the similar conditions to (1st trip) Freeze Frame Data for 10 minutes. Refer to the table below.

Hold the accelerator pedal as steady as possible.

The similar conditions to (1st trip) Freeze Frame Data means the vehicle operation that the following conditions should be satisfied at the same time.

Engine speed	Engine speed in the freeze frame data \pm 400 rpm
Vehicle speed	Vehicle speed in the freeze frame data \pm 10 km/h (6 MPH)

DTC P0171 FUEL INJECTION SYSTEM FUNCTION

< SERVICE INFORMATION >

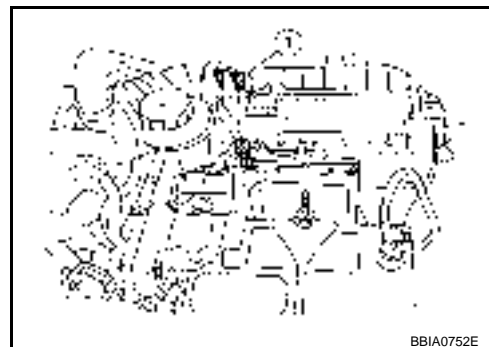
[MR]

Engine coolant temperature (T) condition	When the freeze frame data shows lower than 70 °C (158 °F), T should be lower than 70 °C (158 °F).
	When the freeze frame data shows higher than or equal to 70 °C (158 °F), T should be higher than or equal to 70 °C (158 °F).

7. If it is difficult to start engine at step 6, the fuel injection system has a malfunction, too.
8. Crank engine while depressing accelerator pedal. If engine starts, go to [EC-253. "Diagnosis Procedure"](#). If engine does not start, check exhaust and intake air leak visually.

WITH GST

1. Start engine and warm it up to normal operating temperature.
2. Turn ignition switch OFF and wait at least 10 seconds.
3. Disconnect mass air flow sensor (1) harness connector.
4. Restart engine and let idle for at least 5 seconds.
5. Stop engine and reconnect mass air flow sensor harness connector.
6. Select Service \$03 with GST. Make sure DTC P0102 is detected.
7. Select Service \$04 with GST and erase the DTC P0102.
8. Start engine again and let it idle for at least 10 minutes.
9. Select Service \$07 with GST. The 1st trip DTC P0171 should be detected at this stage, if a malfunction exists. If so, go to [EC-253. "Diagnosis Procedure"](#).



NOTE:

If 1st trip DTC is not detected during above procedure, performing the following procedure is advised.

- a. Turn ignition switch OFF and wait at least 10 seconds.
- b. Start engine and drive the vehicle under the similar conditions to (1st trip) Freeze Frame Data for 10 minutes. Refer to the table below.

Hold the accelerator pedal as steady as possible.

The similar conditions to (1st trip) Freeze Frame Data means the vehicle operation that the following conditions should be satisfied at the same time.

Engine speed	Engine speed in the freeze frame data \pm 400 rpm
Vehicle speed	Vehicle speed in the freeze frame data \pm 10 km/h (6 MPH)
Engine coolant temperature (T) condition	When the freeze frame data shows lower than 70 °C (158 °F), T should be lower than 70 °C (158 °F).
	When the freeze frame data shows higher than or equal to 70 °C (158 °F), T should be higher than or equal to 70 °C (158 °F).

10. If it is difficult to start engine at step 8, the fuel injection system has a malfunction.
11. Crank engine while depressing accelerator pedal. If engine starts, go to [EC-253. "Diagnosis Procedure"](#). If engine does not start, check exhaust and intake air leak visually.

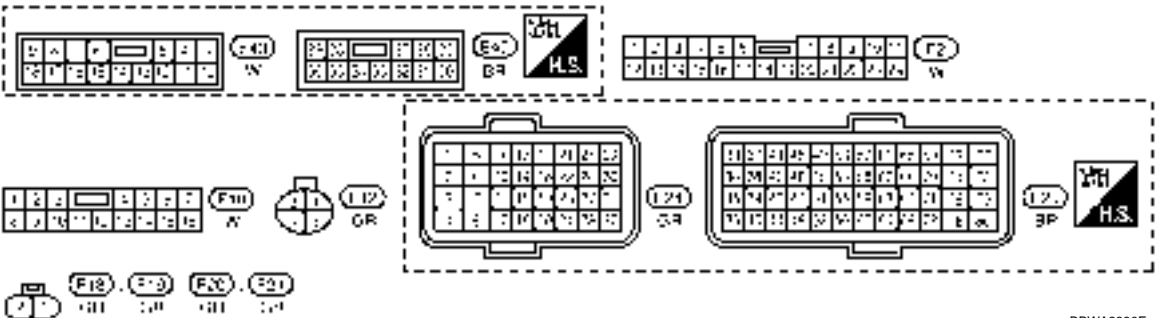
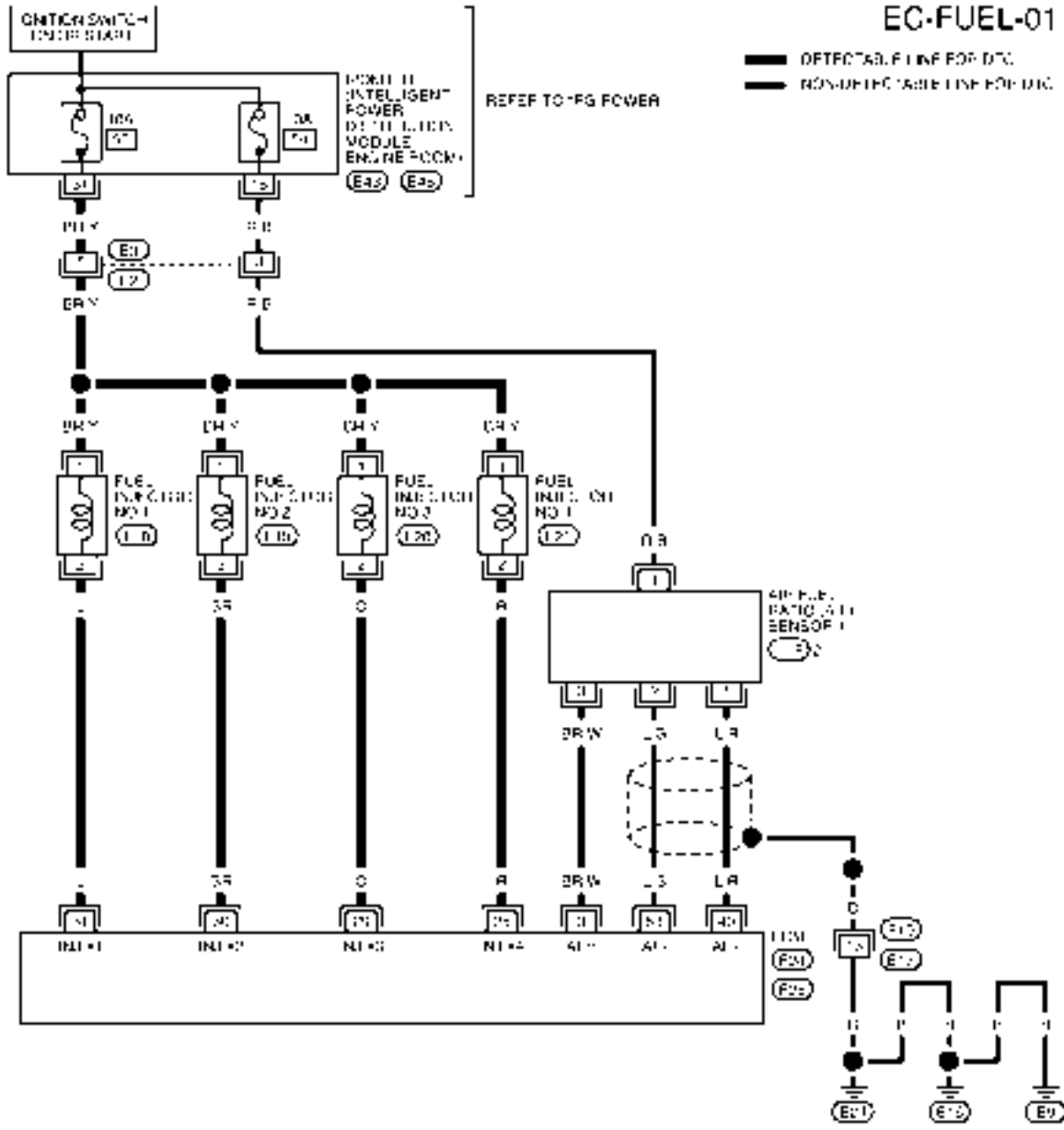
DTC P0171 FUEL INJECTION SYSTEM FUNCTION

< SERVICE INFORMATION >

[MR]

INFOID:000000001849931

Wiring Diagram



BBWA2880E

Specification data are reference values and are measured between each terminal and ground. Pulse signal is measured by CONSULT-III.


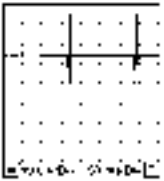
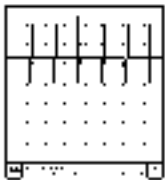
CAUTION:

DTC P0171 FUEL INJECTION SYSTEM FUNCTION

< SERVICE INFORMATION >

[MR]

Do not use ECM ground terminals when measuring input/output voltage. Doing so may result in damage to the ECM's transistor. Use a ground other than ECM terminals, such as the ground.

TERMINAL NO.	WIRE COLOR	ITEM	CONDITION	DATA (DC Voltage)
3	BR/W	A/F sensor 1 heater	[Engine is running] • Warm-up condition • Idle speed (More than 140 seconds after starting engine)	Approximately 2.9 - 8.8V★  PBIA8148J
25 29 30 31	R O GR L	Fuel injector No. 4 Fuel injector No. 3 Fuel injector No. 2 Fuel injector No. 1	[Engine is running] • Warm-up condition • Idle speed NOTE: The pulse cycle changes depending on rpm at idle	BATTERY VOLTAGE (11 - 14V)★  PBIB0529E
			[Engine is running] • Warm-up condition • Engine speed: 2,000 rpm	BATTERY VOLTAGE (11 - 14V)★  PBIA4943J
49	L/R	A/F sensor 1	[Engine is running] • Warm-up condition • Engine speed: 2,000 rpm	Approximately 1.8V Output voltage varies with air fuel ratio.
53	L/G	A/F sensor 1	[Ignition switch: ON]	Approximately 2.2V

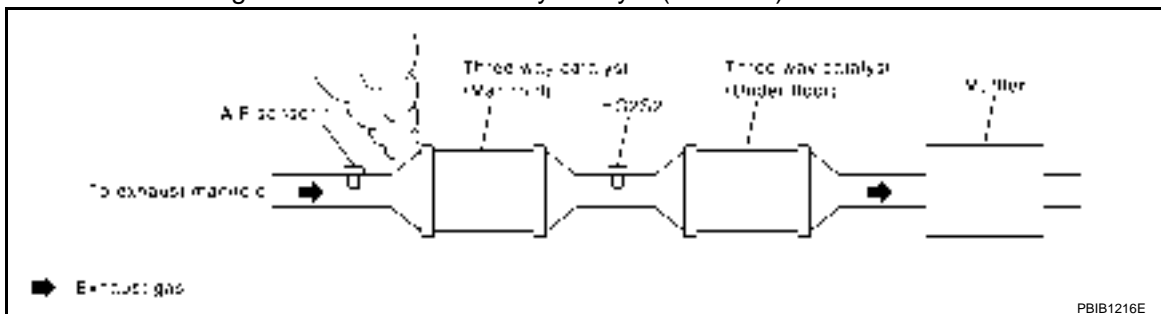
★: Average voltage for pulse signal (Actual pulse signal can be confirmed by oscilloscope.)

Diagnosis Procedure

INFOID:000000001849932

1. CHECK EXHAUST GAS LEAK

1. Start engine and run it at idle.
2. Listen for an exhaust gas leak before three way catalyst (manifold).



OK or NG

- OK >> GO TO 2.
- NG >> Repair or replace.

2. CHECK FOR INTAKE AIR LEAK AND PCV HOSE

DTC P0171 FUEL INJECTION SYSTEM FUNCTION

[MR]

< SERVICE INFORMATION >

1. Listen for an intake air leak after the mass air flow sensor.
2. Check PCV hose connection.

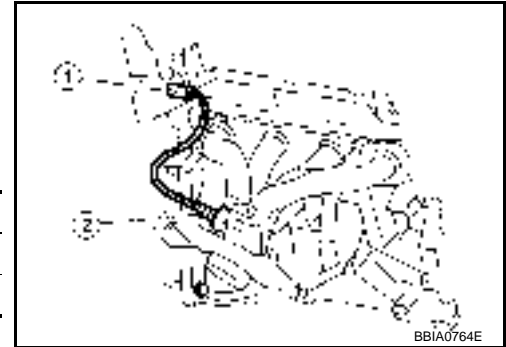
OK or NG

- OK >> GO TO 3.
NG >> Repair or replace.

3.CHECK AIR FUEL RATIO (A/F) SENSOR 1 CIRCUIT FOR OPEN AND SHORT

1. Turn ignition switch OFF.
2. Disconnect air fuel ratio (A/F) sensor 1 harness connector (1).
 - Air fuel ratio (A/F) sensor 1 (2)
3. Disconnect ECM harness connector.
4. Check harness continuity between the following terminals. Refer to Wiring Diagram.

A/F sensor 1 terminal	ECM terminal
1	49
2	53



Continuity should exist.

5. Check harness continuity between ECM terminals 49, 53 or A/F sensor 1 terminals 1, 2 and ground. Refer to Wiring Diagram.

Continuity should not exist.

6. Also check harness for short to power.

OK or NG

- OK >> GO TO 4.
NG >> Repair open circuit or short to ground or short to power in harness or connectors.

4.CHECK FUEL PRESSURE

1. Release fuel pressure to zero. Refer to [EC-83. "Fuel Pressure Check"](#).
2. Install fuel pressure gauge and check fuel pressure. Refer to [EC-83. "Fuel Pressure Check"](#).

At idling: Approximately 350 kPa (3.57 kg/cm², 51 psi)

OK or NG

- OK >> GO TO 6.
NG >> GO TO 5.

5.DETECT MALFUNCTIONING PART

Check the following.

- Fuel pump and circuit (Refer to [EC-500.](#))
- Fuel pressure regulator (Refer to [EC-83. "Fuel Pressure Check"](#).)
- Fuel lines (Refer to [EM-33.](#))
- Fuel filter for clogging

>> Repair or replace.

6.CHECK MASS AIR FLOW SENSOR

With CONSULT-III

1. Install all removed parts.
2. Start engine and warm it up to normal operating temperature.
3. Check "MASS AIR FLOW" in "DATA MONITOR" mode with CONSULT-III.

at idling : 1.0 - 4.0 g-m/sec

at 2,500 rpm : 2.0 - 10.0 g-m/sec

With GST

DTC P0171 FUEL INJECTION SYSTEM FUNCTION

[MR]

< SERVICE INFORMATION >

1. Install all removed parts.
2. Start engine and warm it up to normal operating temperature.
3. Check mass air flow sensor signal in Service \$01 with GST.

at idling : 1.0 - 4.0 g-m/sec

at 2,500 rpm : 2.0 - 10.0 g-m/sec

OK or NG

OK >> GO TO 7.

NG >> Check connectors for rusted terminals or loose connections in the mass air flow sensor circuit or ground. Refer to [EC-165](#).

7. CHECK FUNCTION OF FUEL INJECTORS

With CONSULT-III

1. Let engine idle.
2. Perform "POWER BALANCE" in "ACTIVE TEST" mode with CONSULT-III.
3. Make sure that each circuit produces a momentary engine speed drop.

Without CONSULT-III

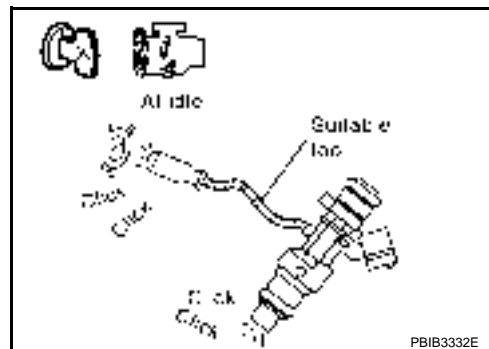
1. Let engine idle.
2. Listen to each fuel injector operating sound.

Clicking noise should be heard.

OK or NG

OK >> GO TO 8.

NG >> Perform trouble diagnosis for [EC-495](#).



8. CHECK FUEL INJECTOR

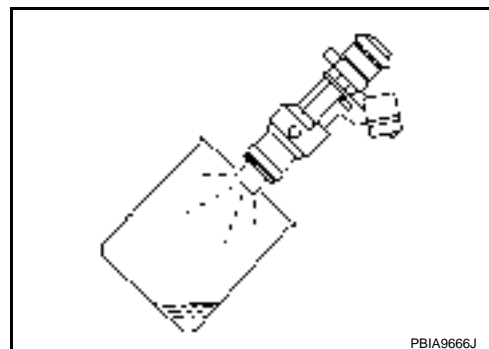
1. Confirm that the engine is cooled down and there are no fire hazards near the vehicle.
2. Turn ignition switch OFF.
3. Reconnect all harness connectors disconnected.
4. Remove fuel tube assembly. Refer to [EM-33](#).
Keep fuel hose and all fuel injectors connected to fuel tube.
The fuel injector harness connectors should remain connected.
5. Disconnect all ignition coil harness connectors.
6. Prepare pans or saucers under each fuel injector.
7. Crank engine for about 3 seconds. Make sure that fuel sprays out from fuel injectors.

Fuel should be sprayed evenly for each fuel injector.

OK or NG

OK >> GO TO 9.

NG >> Replace fuel injectors from which fuel does not spray out. Always replace O-ring with new ones.



9. CHECK INTERMITTENT INCIDENT

Refer to [EC-135](#).

>> INSPECTION END

DTC P0172 FUEL INJECTION SYSTEM FUNCTION

< SERVICE INFORMATION >

[MR]

DTC P0172 FUEL INJECTION SYSTEM FUNCTION

On Board Diagnosis Logic

INFOID:000000001849933

With the Air/Fuel Mixture Ratio Self-Learning Control, the actual mixture ratio can be brought closely to the theoretical mixture ratio based on the mixture ratio feedback signal from the air fuel ratio (A/F) sensor 1. The ECM calculates the necessary compensation to correct the offset between the actual and the theoretical ratios. In case the amount of the compensation value is extremely large (The actual mixture ratio is too rich.), the ECM judges the condition as the fuel injection system malfunction and lights up the MIL (2 trip detection logic).

Sensor	Input Signal to ECM	ECM function	Actuator
Air fuel ratio (A/F) sensor 1	Density of oxygen in exhaust gas (Mixture ratio feedback signal)	Fuel injection control	Fuel injector

DTC No.	Trouble diagnosis name	DTC detecting condition	Possible cause
P0172 0172	Fuel injection system too rich	<ul style="list-style-type: none">Fuel injection system does not operate properly.The amount of mixture ratio compensation is too large. (The mixture ratio is too rich.)	<ul style="list-style-type: none">Air fuel ratio (A/F) sensor 1Fuel injectorExhaust gas leaksIncorrect fuel pressureMass air flow sensor

DTC Confirmation Procedure

INFOID:000000001849934

NOTE:

If DTC Confirmation Procedure has been previously conducted, always turn ignition switch OFF and wait at least 10 seconds before conducting the next test.

WITH CONSULT-III

1. Start engine and warm it up to normal operating temperature.
2. Turn ignition switch OFF and wait at least 10 seconds.
3. Turn ignition switch ON and select "SELF-LEARNING CONT" in "WORK SUPPORT" mode with CONSULT-III.
4. Clear the self-learning control coefficient by touching "CLEAR".
5. Start engine again and let it idle for at least 10 minutes.
6. Check 1st trip DTC.
The 1st trip DTC P0172 should be detected at this stage, if a malfunction exists. If so, go to [EC-259](#), "Diagnosis Procedure".

NOTE:

If 1st trip DTC is not detected during above procedure, performing the following procedure is advised.

- a. Turn ignition switch OFF and wait at least 10 seconds.
- b. Start engine and select "DATA MONITOR" mode with CONSULT-III.
- c. Drive the vehicle under the similar conditions to (1st trip) Freeze Frame Data for 10 minutes. Refer to the table below.

Hold the accelerator pedal as steady as possible.

The similar conditions to (1st trip) Freeze Frame Data means the vehicle operation that the following conditions should be satisfied at the same time.

Engine speed	Engine speed in the freeze frame data \pm 400 rpm
Vehicle speed	Vehicle speed in the freeze frame data \pm 10 km/h (6 MPH)
Engine coolant temperature (T) condition	When the freeze frame data shows lower than 70 °C (158 °F), T should be lower than 70 °C (158 °F).
	When the freeze frame data shows higher than or equal to 70 °C (158 °F), T should be higher than or equal to 70 °C (158 °F).

DTC P0172 FUEL INJECTION SYSTEM FUNCTION

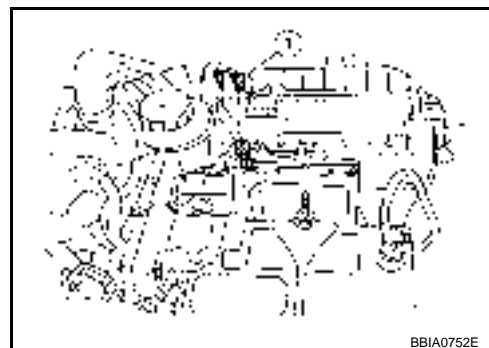
< SERVICE INFORMATION >

[MR]

7. If it is difficult to start engine at step 6, the fuel injection system has a malfunction, too.
8. Crank engine while depressing accelerator pedal.
If engine starts, go to [EC-259, "Diagnosis Procedure"](#). If engine does not start, remove ignition plugs and check for fouling, etc.

WITH GST

1. Start engine and warm it up to normal operating temperature.
2. Turn ignition switch OFF and wait at least 10 seconds.
3. Disconnect mass air flow sensor (1) harness connector.
4. Restart engine and let idle for at least 5 seconds.
5. Stop engine and reconnect mass air flow sensor harness connector.
6. Select Service \$03 with GST. Make sure DTC P0102 is detected.
7. Select Service \$04 with GST and erase the DTC P0102.
8. Start engine again and let it idle for at least 10 minutes.
9. Select Service \$07 with GST. The 1st trip DTC P0172 should be detected at this stage, if a malfunction exists. If so, go to [EC-259, "Diagnosis Procedure"](#).



NOTE:

If 1st trip DTC is not detected during above procedure, performing the following procedure is advised.

- a. Turn ignition switch OFF and wait at least 10 seconds.
- b. Start engine and drive the vehicle under the similar conditions to (1st trip) Freeze Frame Data for 10 minutes. Refer to the table below.

Hold the accelerator pedal as steady as possible.

The similar conditions to (1st trip) Freeze Frame Data means the vehicle operation that the following conditions should be satisfied at the same time.

Engine speed	Engine speed in the freeze frame data \pm 400 rpm
Vehicle speed	Vehicle speed in the freeze frame data \pm 10 km/h (6 MPH)
Engine coolant temperature (T) condition	When the freeze frame data shows lower than 70 °C (158 °F), T should be lower than 70 °C (158 °F).
	When the freeze frame data shows higher than or equal to 70 °C (158 °F), T should be higher than or equal to 70 °C (158 °F).

10. If it is difficult to start engine at step 8, the fuel injection system has a malfunction.
11. Crank engine while depressing accelerator pedal.
If engine starts, go to [EC-259, "Diagnosis Procedure"](#). If engine does not start, remove ignition plugs and check for fouling, etc.

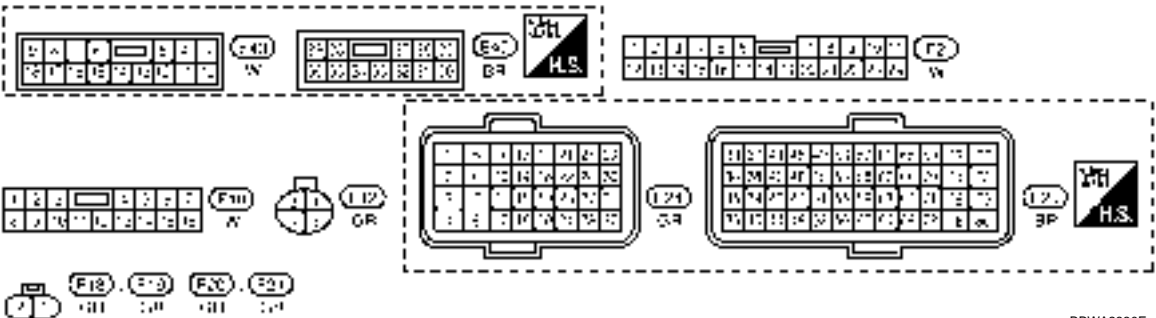
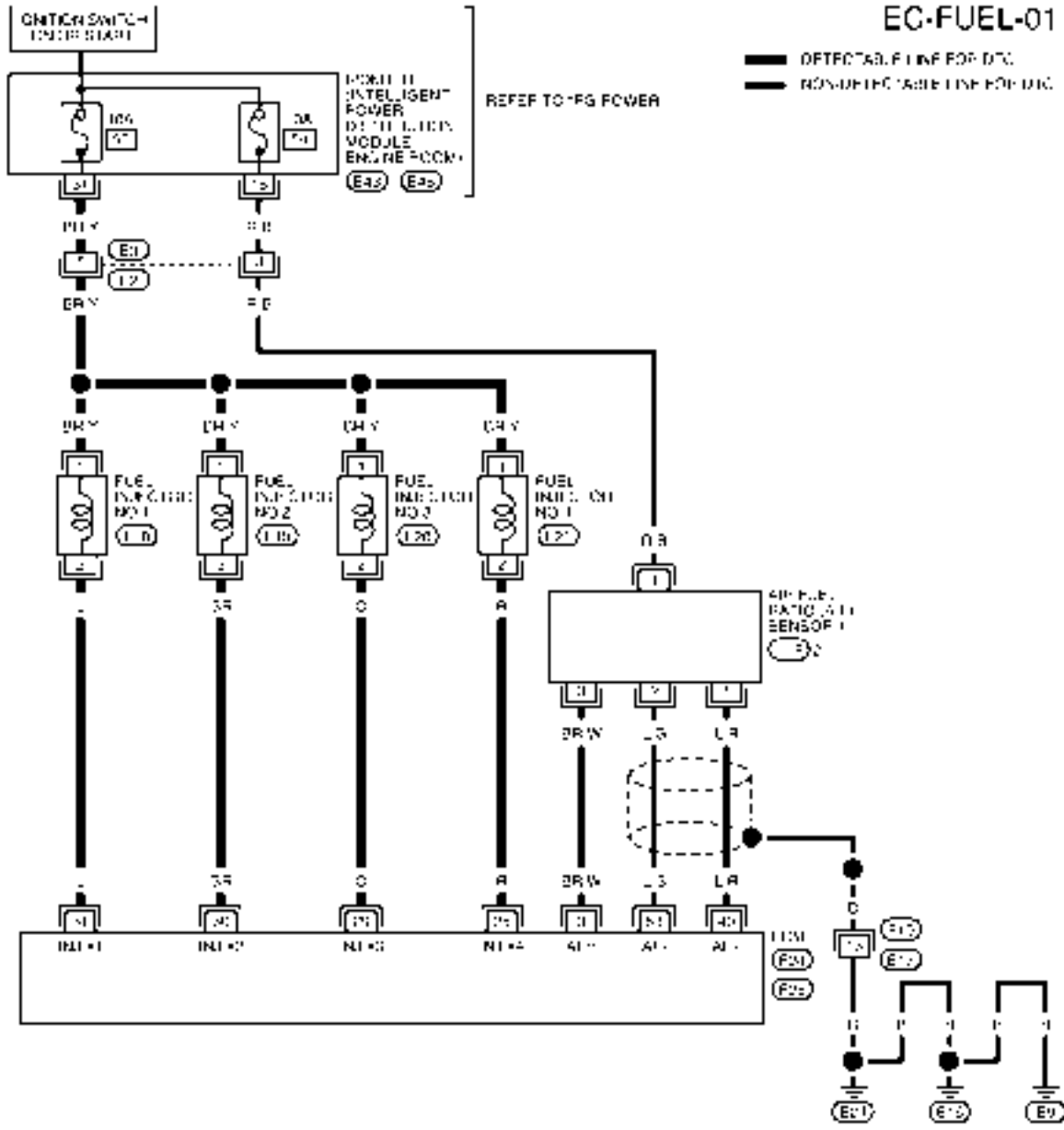
DTC P0172 FUEL INJECTION SYSTEM FUNCTION

< SERVICE INFORMATION >

[MR]

Wiring Diagram

INFOID:000000001849935



BBWA2880E

Specification data are reference values and are measured between each terminal and ground. Pulse signal is measured by CONSULT-III.


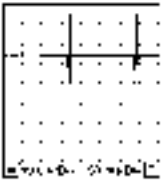
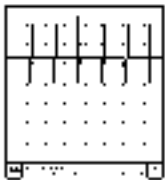
CAUTION:

DTC P0172 FUEL INJECTION SYSTEM FUNCTION

< SERVICE INFORMATION >

[MR]

Do not use ECM ground terminals when measuring input/output voltage. Doing so may result in damage to the ECM's transistor. Use a ground other than ECM terminals, such as the ground.

TERMINAL NO.	WIRE COLOR	ITEM	CONDITION	DATA (DC Voltage)
3	BR/G	A/F sensor 1 heater	[Engine is running] • Warm-up condition • Idle speed (More than 140 seconds after starting engine)	Approximately 2.9 - 8.8V★  PBIA8148J
25 29 30 31	R O GR L	Fuel injector No. 4 Fuel injector No. 3 Fuel injector No. 2 Fuel injector No. 1	[Engine is running] • Warm-up condition • Idle speed NOTE: The pulse cycle changes depending on rpm at idle	BATTERY VOLTAGE (11 - 14V)★  PBIB0529E
			[Engine is running] • Warm-up condition • Engine speed: 2,000 rpm	BATTERY VOLTAGE (11 - 14V)★  PBIA4943J
49	L/R	A/F sensor 1	[Engine is running] • Warm-up condition • Engine speed: 2,000 rpm	Approximately 1.8V Output voltage varies with air fuel ratio.
53	L/G	A/F sensor 1	[Ignition switch: ON]	Approximately 2.2V

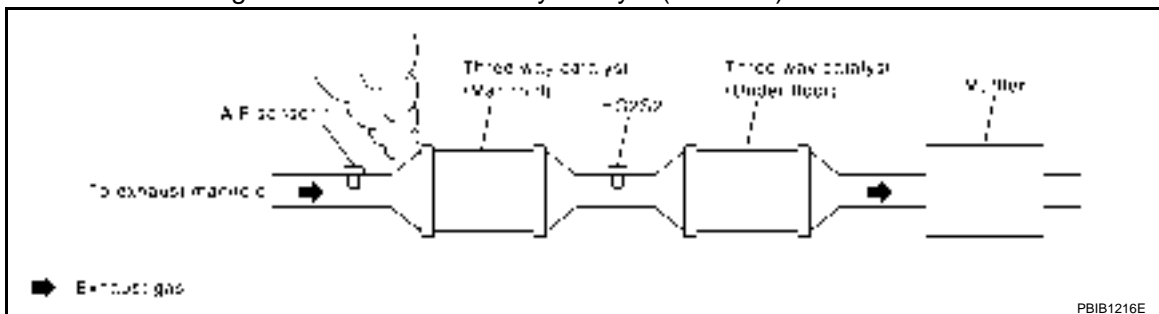
★: Average voltage for pulse signal (Actual pulse signal can be confirmed by oscilloscope.)

Diagnosis Procedure

INFOID:000000001849936

1. CHECK EXHAUST GAS LEAK

1. Start engine and run it at idle.
2. Listen for an exhaust gas leak before three way catalyst (manifold).



OK or NG

- OK >> GO TO 2.
- NG >> Repair or replace.

2. CHECK FOR INTAKE AIR LEAK

DTC P0172 FUEL INJECTION SYSTEM FUNCTION

[MR]

< SERVICE INFORMATION >

Listen for an intake air leak after the mass air flow sensor.

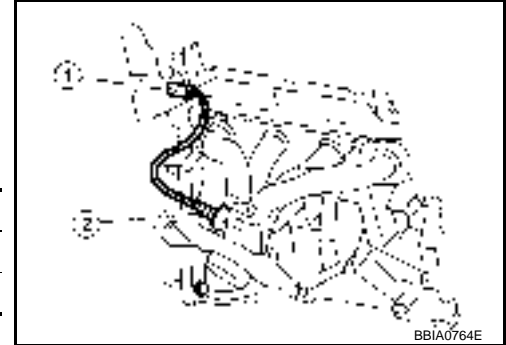
OK or NG

- OK >> GO TO 3.
- NG >> Repair or replace.

3. CHECK AIR FUEL RATIO (A/F) SENSOR 1 CIRCUIT FOR OPEN AND SHORT

1. Turn ignition switch OFF.
2. Disconnect air fuel ratio (A/F) sensor 1 harness connector (1).
 - Air fuel ratio (A/F) sensor 1 (2)
3. Disconnect ECM harness connector.
4. Check harness continuity between the following terminals.
Refer to Wiring Diagram.

A/F sensor 1 terminal	ECM terminal
1	49
2	53



Continuity should exist.

5. Check harness continuity between ECM terminals 49, 53 or A/F sensor 1 terminals 1, 2 and ground.
Refer to Wiring Diagram.

Continuity should not exist.

6. Also check harness for short to power.

OK or NG

- OK >> GO TO 4.
- NG >> Repair open circuit or short to ground or short to power in harness or connectors.

4. CHECK FUEL PRESSURE

1. Release fuel pressure to zero. Refer to [EC-83, "Fuel Pressure Check"](#).
2. Install fuel pressure gauge and check fuel pressure. Refer to [EC-83, "Fuel Pressure Check"](#).

At idling: Approximately 350 kPa (3.57 kg/cm², 51 psi)

OK or NG

- OK >> GO TO 6.
- NG >> GO TO 5.

5. DETECT MALFUNCTIONING PART

Check the following.

- Fuel pump and circuit (Refer to [EC-500](#).)
- Fuel pressure regulator (Refer to [EC-83, "Fuel Pressure Check"](#).)

>> Repair or replace.

6. CHECK MASS AIR FLOW SENSOR

With CONSULT-III

1. Install all removed parts.
2. Start engine and warm it up to normal operating temperature.
3. Check "MASS AIR FLOW" in "DATA MONITOR" mode with CONSULT-III.

at idling : 1.0 - 4.0 g-m/sec

at 2,500 rpm : 2.0 - 10.0 g-m/sec

With GST

1. Install all removed parts.
2. Start engine and warm it up to normal operating temperature.
3. Check mass air flow sensor signal in Service \$01 with GST.

DTC P0172 FUEL INJECTION SYSTEM FUNCTION

< SERVICE INFORMATION >

[MR]

at idling : 1.0 - 4.0 g-m/sec
at 2,500 rpm : 2.0 - 10.0 g-m/sec

OK or NG

OK >> GO TO 7.

NG >> Check connectors for rusted terminals or loose connections in the mass air flow sensor circuit or ground. Refer to [EC-165](#).

7. CHECK FUNCTION OF FUEL INJECTORS

With CONSULT-III

1. Let engine idle.
2. Perform "POWER BALANCE" in "ACTIVE TEST" mode with CONSULT-III.
3. Make sure that each circuit produces a momentary engine speed drop.

Without CONSULT-III

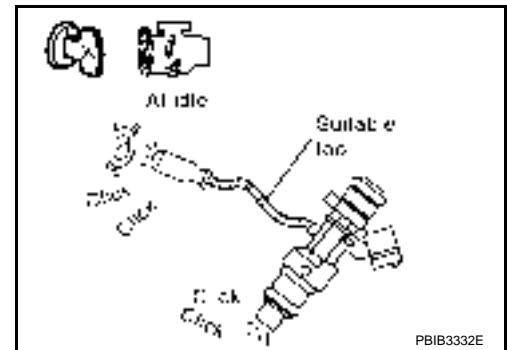
1. Let engine idle.
2. Listen to each fuel injector operating sound.

Clicking noise should be heard.

OK or NG

OK >> GO TO 8.

NG >> Perform trouble diagnosis for [EC-495](#).



8. CHECK FUEL INJECTOR

1. Remove fuel injector assembly. Refer to [EM-33](#).
Keep fuel hose and all fuel injectors connected to fuel tube.
2. Confirm that the engine is cooled down and there are no fire hazards near the vehicle.
3. Reconnect all harness connectors disconnected.
4. Disconnect all ignition coil harness connectors.
5. Prepare pans or saucers under each fuel injectors.
6. Crank engine for about 3 seconds.
Make sure fuel does not drip from fuel injector.

OK or NG

OK (Does not drip.)>>GO TO 9.

NG (Drips.)>>Replace the fuel injectors from which fuel is dripping. Always replace O-ring with new one.

9. CHECK INTERMITTENT INCIDENT

Refer to [EC-135](#).

>> INSPECTION END

DTC P0181 FTT SENSOR

[MR]

< SERVICE INFORMATION >

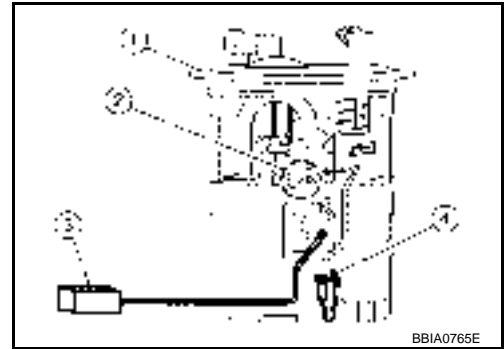
DTC P0181 FTT SENSOR

Component Description

INFOID:000000001849937

The fuel tank temperature sensor (4) is used to detect the fuel temperature inside the fuel tank. The sensor modifies a voltage signal from the ECM. The modified signal returns to the ECM as the fuel temperature input. The sensor uses a thermistor which is sensitive to the change in temperature. The electrical resistance of the thermistor decreases as temperature increases.

- Fuel level sensor unit and fuel pump (1)
- Fuel pressure regulator (2)
- Fuel level sensor (3)



B8IA0765E

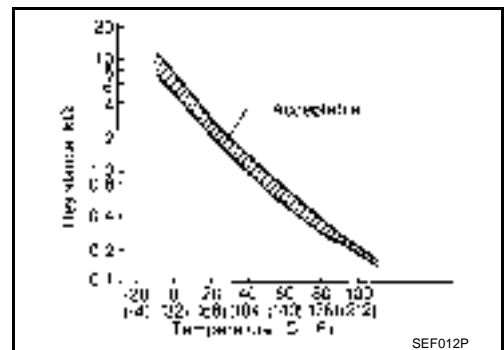
<Reference data>

Fluid temperature °C (°F)	Voltage* V	Resistance kΩ
20 (68)	3.5	2.3 - 2.7
50 (122)	2.2	0.79 - 0.90

*: This data is reference values and is measured between ECM terminal 43 (Fuel tank temperature sensor) and ground.

CAUTION:

Do not use ECM ground terminals when measuring input/output voltage. Doing so may result damage the ECM's transistor. Use ground other than ECM, such as ground.



SEF012P

On Board Diagnosis Logic

INFOID:000000001849938

DTC No.	Trouble diagnosis name	DTC detecting condition	Possible cause
P0181 0181	Fuel tank temperature sensor circuit range/performance	Rationally incorrect voltage from the sensor is sent to ECM, compared with the voltage signals from engine coolant temperature sensor and intake air temperature sensor.	<ul style="list-style-type: none"> • Harness or connectors (Fuel tank temperature sensor circuit is open or shorted) • Fuel tank temperature sensor

DTC Confirmation Procedure

INFOID:000000001849939

NOTE:

If DTC Confirmation Procedure has been previously conducted, always turn ignition switch OFF and wait at least 10 seconds before conducting the next test.

WITH CONSULT-III

1. Turn ignition switch ON wait at least 10 seconds.
2. Check 1st trip DTC.
If 1st trip DTC is detected, go to [EC-263. "Diagnosis Procedure"](#).
If 1st trip DTC is not detected, go to following step.
3. Select "DATA MONITOR" mode with CONSULT-III.
4. Check "COOLAN TEMP/S" value.
If the "COOLAN TEMP/S" is less than 60°C (140°F), the result will be OK.
If the "COOLAN TEMP/S" is above 60°C (140°F), go to the following step.
5. Cool engine down until "COOLAN TEMP/S" signal is less than 60°C (140°F).
6. Wait at least 10 seconds.
7. Check 1st trip DTC.
8. If 1st trip DTC is detected, go to [EC-263. "Diagnosis Procedure"](#).

WITH GST

DTC P0181 FTT SENSOR

[MR]

< SERVICE INFORMATION >

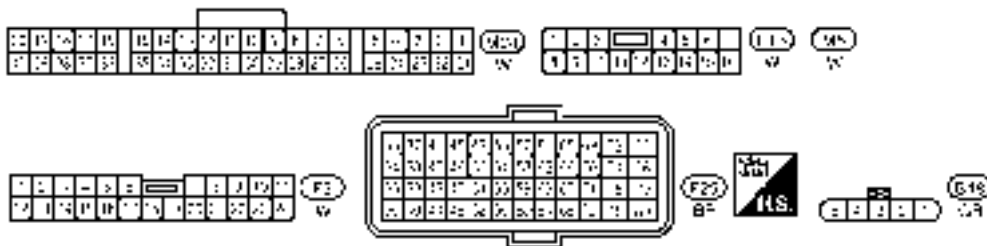
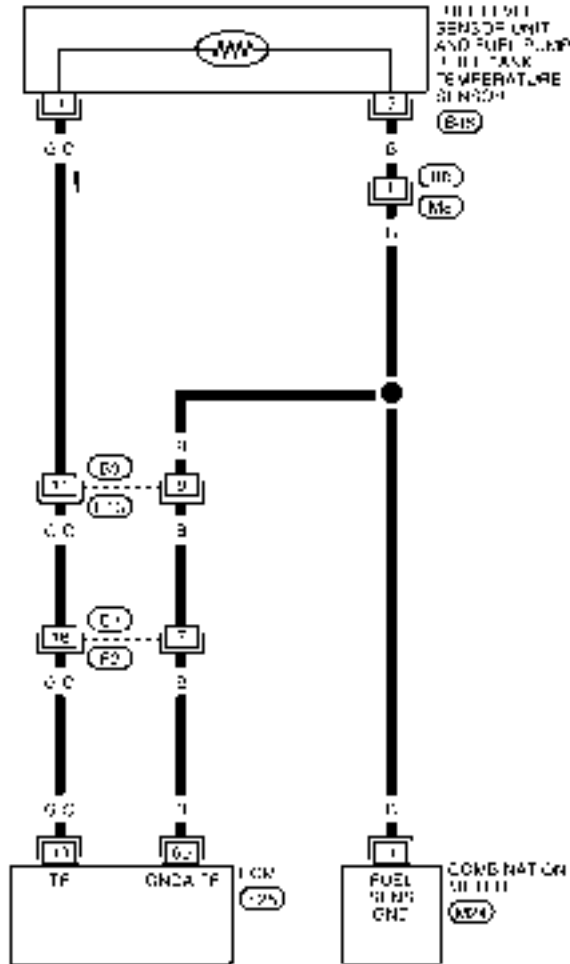
Follow the procedure "WITH CONSULT-III" above.

Wiring Diagram

INFOID:000000001849940

EC-FTTS-01

— DETECTABLE LINE FOR DTC
 - - - NON-DETECTABLE LINE FOR DTC



BBWA2881E

Diagnosis Procedure

INFOID:000000001849941

1. CHECK GROUND CONNECTIONS

1. Turn ignition switch OFF.

DTC P0181 FTT SENSOR

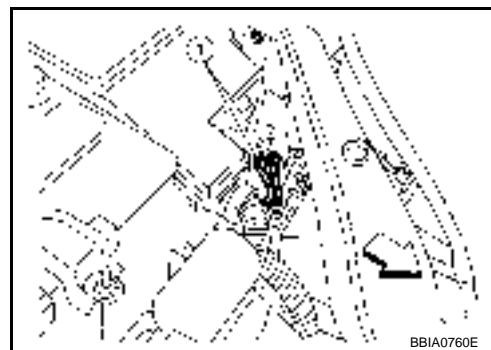
[MR]

< SERVICE INFORMATION >

- Loosen and retighten ground screws on the body.
Refer to [EC-140, "Ground Inspection"](#).
- ↖: Vehicle front
 - Body ground (1)

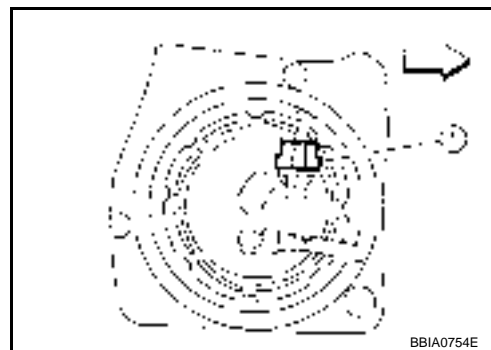
OK or NG

- OK >> GO TO 2.
- NG >> Repair or replace ground connections.



2. CHECK FUEL TANK TEMPERATURE SENSOR POWER SUPPLY CIRCUIT

- Turn ignition switch OFF.
 - Disconnect "fuel level sensor unit and fuel pump" harness connector (1).
- ↖: Vehicle front
- Turn ignition switch ON.

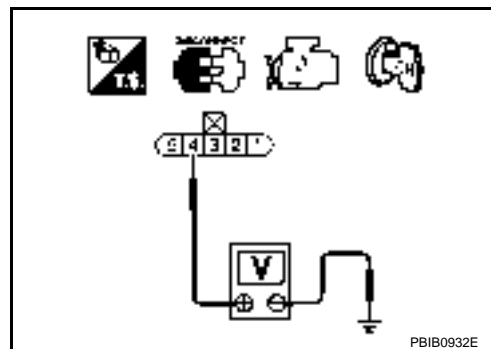


- Check voltage between "fuel level sensor unit and fuel pump" terminal 4 and ground with CONSULT-III or tester.

Voltage: Approximately 5V

OK or NG

- OK >> GO TO 4.
- NG >> GO TO 3.



3. DETECT MALFUNCTIONING PART

Check the following.

- Harness connectors B9, E13
- Harness connectors E3, F2
- Harness for open or short between ECM and "fuel level sensor unit and fuel pump"

>> Repair open circuit or short to ground or short to power in harness or connector.

4. CHECK FUEL TANK TEMPERATURE SENSOR GROUND CIRCUIT FOR OPEN AND SHORT

- Turn ignition switch OFF.
- Disconnect combination meter harness connector.
- Check harness continuity between "fuel level sensor unit and fuel pump" terminal 5 and combination meter terminal 4, ECM terminal 60. Refer to Wiring Diagram.

Continuity should exist.

- Also check harness for short to ground and short to power.

OK or NG

- OK >> GO TO 6.
- NG >> GO TO 5.

DTC P0181 FTT SENSOR

< SERVICE INFORMATION >

[MR]

5. DETECT MALFUNCTIONING PART

Check the following.

- Harness connectors B8, M8
- Harness connectors B9, E13
- Harness connectors E3, F2
- Harness for open or short between "fuel level sensor unit and fuel pump" and combination meter.
- Harness for open or short between "fuel level sensor unit and fuel pump" and ECM.

>> Repair open circuit or short to ground or short to power in harness or connectors.

6. CHECK FUEL TANK TEMPERATURE SENSOR

Refer to, [EC-265. "Component Inspection"](#).

OK or NG

OK >> GO TO 7.

NG >> Replace "fuel level sensor unit and fuel pump".

7. CHECK INTERMITTENT INCIDENT

Perform [EC-135](#).

>> **INSPECTION END**

Component Inspection

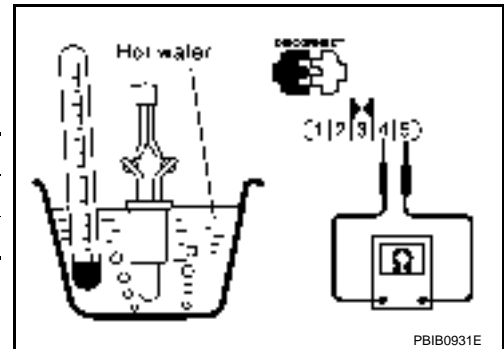
INFOID:000000001849942

FUEL TANK TEMPERATURE SENSOR

1. Check resistance between "fuel level sensor unit and fuel pump" terminal 4 and 5 by heating with hot water as shown in the figure.

Temperature °C (°F)	Resistance kΩ
20 (68)	2.3 - 2.7
50 (122)	0.79 - 0.90

2. If NG, replace "fuel level sensor unit and fuel pump".



INFOID:000000001849943

Removal and Installation

FUEL TANK TEMPERATURE SENSOR

Refer to [FL-5](#).

DTC P0182, P0183 FTT SENSOR

< SERVICE INFORMATION >

[MR]

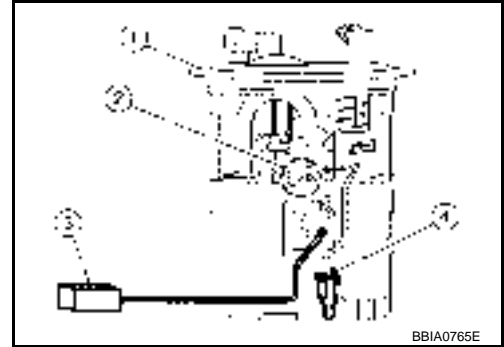
DTC P0182, P0183 FTT SENSOR

Component Description

INFOID:000000001849944

The fuel tank temperature sensor (4) is used to detect the fuel temperature inside the fuel tank. The sensor modifies a voltage signal from the ECM. The modified signal returns to the ECM as the fuel temperature input. The sensor uses a thermistor which is sensitive to the change in temperature. The electrical resistance of the thermistor decreases as temperature increases.

- Fuel level sensor unit and fuel pump (1)
- Fuel pressure regulator (2)
- Fuel level sensor (3)



B8IA0765E

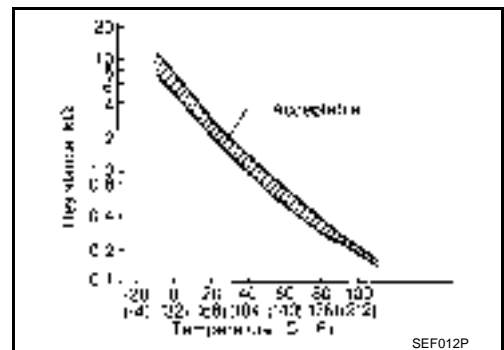
<Reference data>

Fluid temperature °C (°F)	Voltage* V	Resistance kΩ
20 (68)	3.5	2.3 - 2.7
50 (122)	2.2	0.79 - 0.90

*: This data is reference values and is measured between ECM terminal 43 (Fuel tank temperature sensor) and ground.

CAUTION:

Do not use ECM ground terminals when measuring input/output voltage. Doing so may result damage the ECM's transistor. Use ground other than ECM, such as ground.



SEF012P

On Board Diagnosis Logic

INFOID:000000001849945

DTC No.	Trouble diagnosis name	DTC detecting condition	Possible cause
P0182 0182	Fuel tank temperature sensor circuit low input	An excessively low voltage from the sensor is sent to ECM.	<ul style="list-style-type: none"> • Harness or connectors (Fuel tank temperature sensor circuit is open or shorted.) • Fuel tank temperature sensor
P0183 0183	Fuel tank temperature sensor circuit high input	An excessively high voltage from the sensor is sent to ECM.	

DTC Confirmation Procedure

INFOID:000000001849946

NOTE:

If DTC Confirmation Procedure has been previously conducted, always turn ignition switch OFF and wait at least 10 seconds before conducting the next test.

1. Turn ignition switch ON and wait at least 5 seconds.
2. Check 1st trip DTC.
3. If 1st trip DTC is detected, go to [EC-267. "Diagnosis Procedure"](#).

DTC P0182, P0183 FTT SENSOR

< SERVICE INFORMATION >

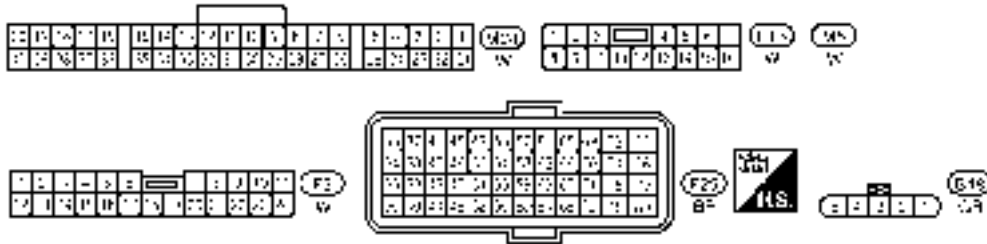
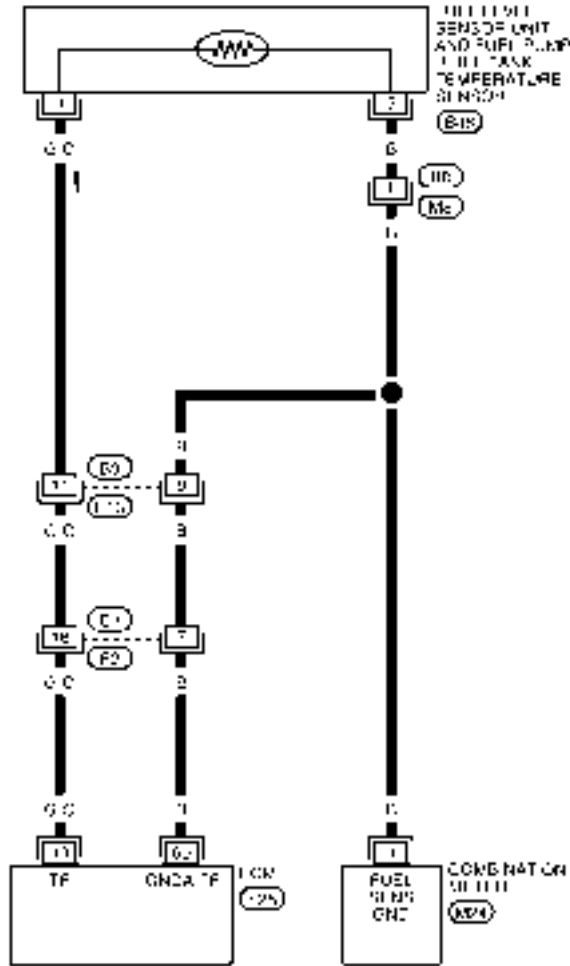
[MR]

Wiring Diagram

INFOID:000000001849947

EC-FTTS-01

— DETECTABLE LINE FOR DTC
 - - - NON-DETECTABLE LINE FOR DTC



BBWA2881E

Diagnosis Procedure

INFOID:000000001849948

1. CHECK GROUND CONNECTIONS

1. Turn ignition switch OFF.

DTC P0182, P0183 FTT SENSOR

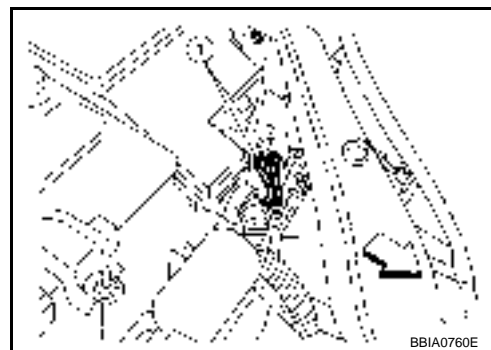
[MR]

< SERVICE INFORMATION >

- Loosen and retighten ground screw on the body.
Refer to [EC-140, "Ground Inspection"](#).
- ↖ : Vehicle front
 - Body ground (1)

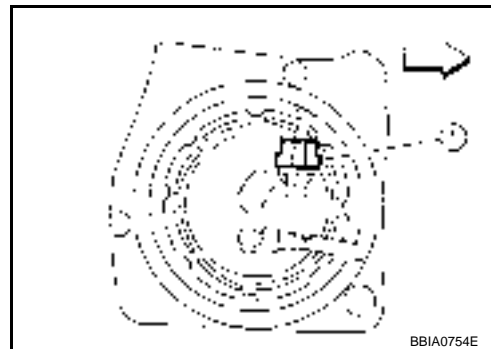
OK or NG

- OK >> GO TO 2.
- NG >> Repair or replace ground connections.



2. CHECK FUEL TANK TEMPERATURE SENSOR POWER SUPPLY CIRCUIT

- Disconnect "fuel level sensor unit and fuel pump" harness connector (1).
- ↖ : Vehicle front
- Turn ignition switch ON.

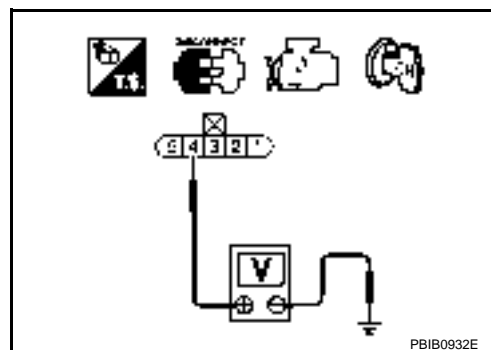


- Check voltage between "fuel level sensor unit and fuel pump" terminal 4 and ground with CONSULT-III or tester.

Voltage: Approximately 5V

OK or NG

- OK >> GO TO 4.
- NG >> GO TO 3.



3. DETECT MALFUNCTIONING PART

Check the following.

- Harness connectors B9, E13
- Harness connectors E3, F2
- Harness for open or short to ground or short between ECM and "fuel level sensor unit and fuel pump"

>> Repair open circuit or short to ground or short to power in harness or connector.

4. CHECK FUEL TANK TEMPERATURE SENSOR GROUND CIRCUIT FOR OPEN AND SHORT

- Turn ignition switch OFF.
- Disconnect combination meter harness connector.
- Check harness continuity between "fuel level sensor unit and fuel pump" terminal 5 and combination meter terminal 4, ECM terminal 60. Refer to Wiring Diagram.

Continuity should exist.

- Also check harness for short to ground and short to power.

OK or NG

- OK >> GO TO 6.
- NG >> GO TO 5.

5. DETECT MALFUNCTIONING PART

DTC P0182, P0183 FTT SENSOR

[MR]

< SERVICE INFORMATION >

Check the following.

- Harness connectors B8, M8
- Harness connectors B9, E13
- Harness connectors E3, F2
- Harness for open or short between "fuel level sensor unit and fuel pump" and combination meter
- Harness for open or short between "fuel level sensor unit and fuel pump" and ECM

>> Repair open circuit or short to ground or short to power in harness or connector.

6. CHECK FUEL TANK TEMPERATURE SENSOR

Refer to, [EC-269. "Component Inspection"](#).

OK or NG

OK >> GO TO 7.

NG >> Replace "fuel level sensor unit and fuel pump".

7. CHECK INTERMITTENT INCIDENT

Perform [EC-135](#).

>> **INSPECTION END**

Component Inspection

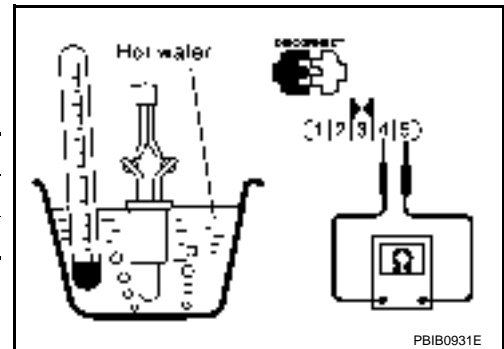
INFOID:000000001849949

FUEL TANK TEMPERATURE SENSOR

1. Check resistance between "fuel level sensor unit and fuel pump" terminal 4 and 5 by heating with hot water as shown in the figure.

Temperature °C (°F)	Resistance kΩ
20 (68)	2.3 - 2.7
50 (122)	0.79 - 0.90

2. If NG, replace "fuel level sensor unit and fuel pump".



INFOID:000000001849950

Removal and Installation

FUEL TANK TEMPERATURE SENSOR

Refer to [FL-5](#).

DTC P0222, P0223 TP SENSOR

< SERVICE INFORMATION >

[MR]

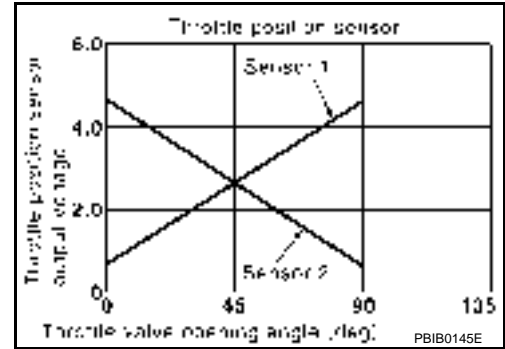
DTC P0222, P0223 TP SENSOR

Component Description

INFOID:000000001849951

Electric throttle control actuator consists of throttle control motor, throttle position sensor, etc. The throttle position sensor responds to the throttle valve movement.

The throttle position sensor has two sensors. These sensors are a kind of potentiometers which transform the throttle valve position into output voltage, and emit the voltage signal to the ECM. In addition, these sensors detect the opening and closing speed of the throttle valve and feed the voltage signals to the ECM. The ECM judges the current opening angle of the throttle valve from these signals and the ECM controls the throttle control motor to make the throttle valve opening angle properly in response to driving condition.



CONSULT-III Reference Value in Data Monitor Mode

INFOID:000000001849952

Specification data are reference values.

MONITOR ITEM	CONDITION	SPECIFICATION
THRTL SEN 1 THRTL SEN 2*	<ul style="list-style-type: none">Ignition switch: ON (Engine stopped)Accelerator pedal: Fully released	More than 0.36V
	<ul style="list-style-type: none">Shift lever: D (CVT), 1st (M/T)Accelerator pedal: Fully depressed	Less than 4.75V

*: Throttle position sensor 2 signal is converted by ECM internally. Thus, it differs from ECM terminal voltage signal.

On Board Diagnosis Logic

INFOID:000000001849953

These self-diagnoses have the one trip detection logic.

DTC No.	Trouble diagnosis name	DTC detecting condition	Possible cause
P0222 0222	Throttle position sensor 1 circuit low input	An excessively low voltage from the TP sensor 1 is sent to ECM.	<ul style="list-style-type: none">Harness or connectors (TP sensor 1 circuit is open or shorted.) (APP sensor 2 circuit is shorted.)Electric throttle control actuator (TP sensor 1)Accelerator pedal position sensor (APP sensor 2)
P0223 0223	Throttle position sensor 1 circuit high input	An excessively high voltage from the TP sensor 1 is sent to ECM.	

FAIL-SAFE MODE

When the malfunction is detected, the ECM enters fail-safe mode and the MIL lights up.

Engine operation condition in fail-safe mode

The ECM controls the electric throttle control actuator in regulating the throttle opening in order for the idle position to be within +10 degrees.

The ECM regulates the opening speed of the throttle valve to be slower than the normal condition. So, the acceleration will be poor.

DTC Confirmation Procedure

INFOID:000000001849954

NOTE:

If DTC Confirmation Procedure has been previously conducted, always turn ignition switch OFF and wait at least 10 seconds before conducting the next test.

TESTING CONDITION:

Before performing the following procedure, confirm that battery voltage is more than 8V at idle.

1. Start engine and let it idle for 1 second.
2. Check DTC.
3. If DTC is detected, go to [EC-272, "Diagnosis Procedure"](#).

DTC P0222, P0223 TP SENSOR

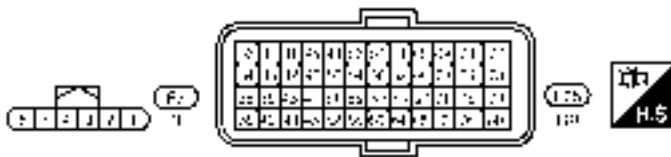
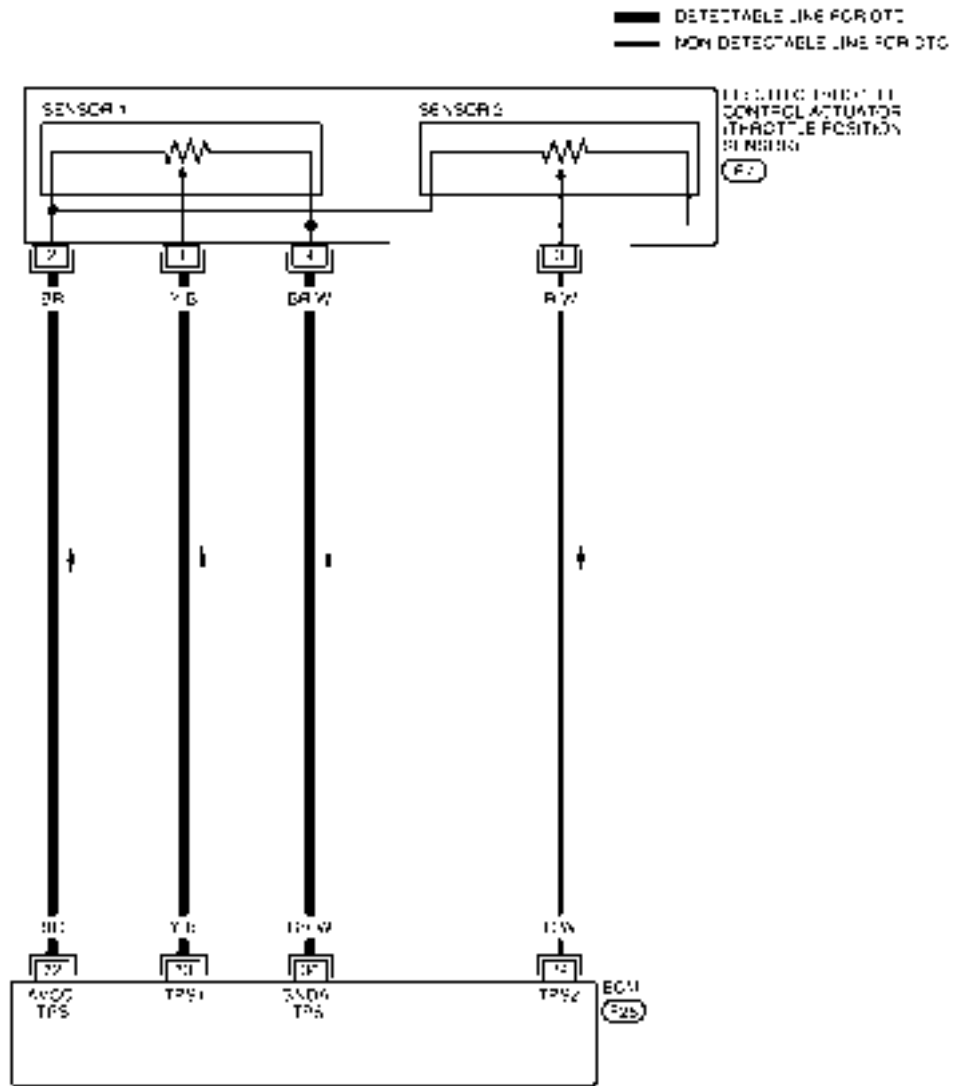
< SERVICE INFORMATION >

[MR]

Wiring Diagram

INFOID:000000001849955

EC-TPS1-01



BBWA2882E

Specification data are reference values and are measured between each terminal and ground.

CAUTION:

Do not use ECM ground terminals when measuring input/output voltage. Doing so may result in damage to the ECM's transistor. Use a ground other than ECM terminals, such as the ground.

DTC P0222, P0223 TP SENSOR

< SERVICE INFORMATION >

[MR]

TERMI- NAL NO.	WIRE COLOR	ITEM	CONDITION	DATA (DC Voltage)
33	Y/B	Throttle position sensor 1	[Ignition switch: ON] • Engine stopped • Shift lever: D (CVT), 1st (M/T) • Accelerator pedal: Fully released	More than 0.36V
			[Ignition switch: ON] • Engine stopped • Shift lever: D (CVT), 1st (M/T) • Accelerator pedal: Fully depressed	Less than 4.75V
34	R/W	Throttle position sensor 2	[Ignition switch: ON] • Engine stopped • Shift lever: D (CVT), 1st (M/T) • Accelerator pedal: Fully released	Less than 4.75V
			[Ignition switch: ON] • Engine stopped • Shift lever: D (CVT), 1st (M/T) • Accelerator pedal: Fully depressed	More than 0.36V
36	BR/W	Sensor ground (Throttle position sensor)	[Engine is running] • Warm-up condition • Idle speed	Approximately 0V
72	BR	Sensor power supply (Throttle position sensor)	[Ignition switch: ON]	Approximately 5V

Diagnosis Procedure

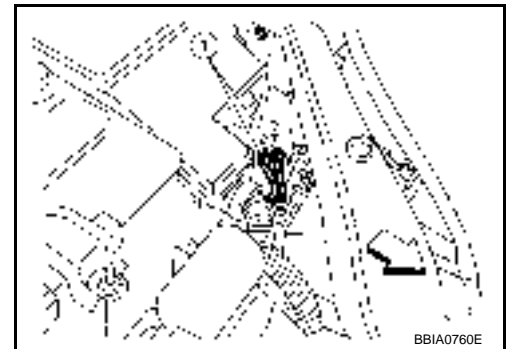
INFOID:000000001849956

1. CHECK GROUND CONNECTIONS

1. Turn ignition switch OFF.
 2. Loosen and retighten ground screws on the body.
Refer to [EC-140, "Ground Inspection"](#).
- Vehicle front
 - Body ground (1)

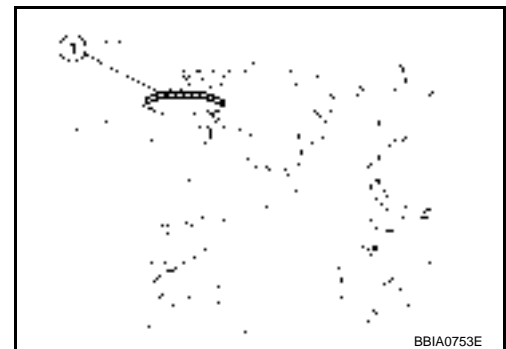
OK or NG

- OK >> GO TO 2.
- NG >> Repair or replace ground connections.



2. CHECK THROTTLE POSITION SENSOR 1 POWER SUPPLY CIRCUIT-I

1. Disconnect electric throttle control actuator (1) harness connector.
2. Turn ignition switch ON.



DTC P0222, P0223 TP SENSOR

[MR]

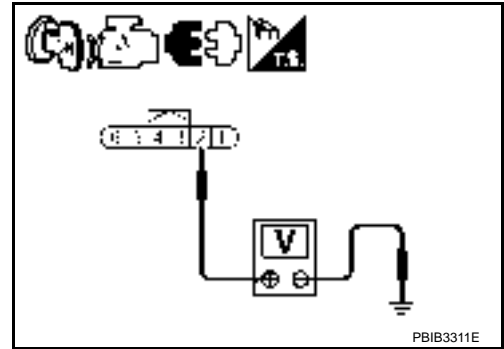
< SERVICE INFORMATION >

3. Check voltage between electric throttle control actuator terminal 2 and ground with CONSULT-III or tester.

Voltage: Approximately 5V

OK or NG

- OK >> GO TO 3.
- NG >> Repair open circuit or short to ground or short to power in harness connectors.



3. CHECK THROTTLE POSITION SENSOR 1 GROUND CIRCUIT FOR OPEN AND SHORT

1. Turn ignition switch OFF.
2. Disconnect ECM harness connector.
3. Check harness continuity between ECM terminal 36 and electric throttle control actuator terminal 4. Refer to Wiring Diagram.

Continuity should exist.

4. Also check harness for short to ground or short to power.

OK or NG

- OK >> GO TO 4.
- NG >> Repair open circuit or short to ground or short to power in harness or connectors.

4. CHECK THROTTLE POSITION SENSOR 1 INPUT SIGNAL CIRCUIT FOR OPEN AND SHORT

1. Check harness continuity between ECM terminal 33 and electric throttle control actuator terminal 1. Refer to Wiring Diagram.

Continuity should exist.

2. Also check harness for short to ground and short to power.

OK or NG

- OK >> GO TO 5.
- NG >> Repair open circuit or short to ground or short to power in harness or connectors.

5. CHECK THROTTLE POSITION SENSOR

Refer to [EC-273. "Component Inspection"](#).

OK or NG

- OK >> GO TO 7.
- NG >> GO TO 6.

6. REPLACE ELECTRIC THROTTLE CONTROL ACTUATOR

1. Replace the electric throttle control actuator.
2. Perform [EC-81. "Throttle Valve Closed Position Learning"](#).
3. Perform [EC-81. "Idle Air Volume Learning"](#).

>> INSPECTION END

7. CHECK INTERMITTENT INCIDENT

Refer to [EC-135](#).

>> INSPECTION END

Component Inspection

INFOID:000000001849957

THROTTLE POSITION SENSOR

1. Reconnect all harness connectors disconnected.

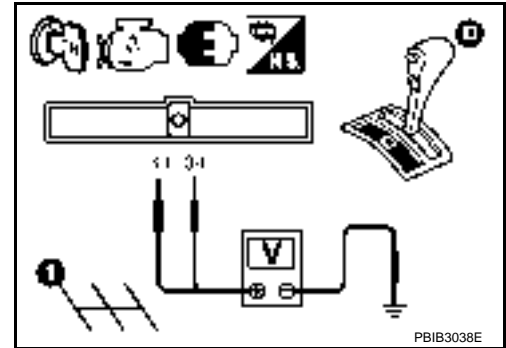
DTC P0222, P0223 TP SENSOR

[MR]

< SERVICE INFORMATION >

2. Perform [EC-81, "Throttle Valve Closed Position Learning"](#).
3. Turn ignition switch ON.
4. Set shift lever to D position (CVT) or 1st position (M/T).
5. Check voltage between ECM terminals 33 (TP sensor 1 signal), 34 (TP sensor 2 signal) and ground under the following conditions.

Terminal	Accelerator pedal	Voltage
33 (Throttle position sensor 1)	Fully released	More than 0.36V
	Fully depressed	Less than 4.75V
34 (Throttle position sensor 2)	Fully released	Less than 4.75V
	Fully depressed	More than 0.36V



6. If NG, replace electric throttle control actuator and go to the next step.
7. Perform [EC-81, "Throttle Valve Closed Position Learning"](#).
8. Perform [EC-81, "Idle Air Volume Learning"](#).

Removal and Installation

INFOID:000000001849958

ELECTRIC THROTTLE CONTROL ACTUATOR

Refer to [EM-18](#).

DTC P0300 - P0304 MULTIPLE CYLINDER MISFIRE, NO. 1 - 4 CYLINDER MISFIRE

< SERVICE INFORMATION >

[MR]

DTC P0300 - P0304 MULTIPLE CYLINDER MISFIRE, NO. 1 - 4 CYLINDER MISFIRE

On Board Diagnosis Logic

INFOID:000000001849959

When a misfire occurs, engine speed will fluctuate. If the engine speed fluctuates enough to cause the crankshaft position (CKP) sensor (POS) signal to vary, ECM can determine that a misfire is occurring.

Sensor	Input Signal to ECM	ECM function
Crankshaft position sensor (POS)	Engine speed	On board diagnosis of misfire

The misfire detection logic consists of the following two conditions.

- One Trip Detection Logic (Three Way Catalyst Damage)**
On the 1st trip that a misfire condition occurs that can damage the three way catalyst (TWC) due to overheating, the MIL will blink.
When a misfire condition occurs, the ECM monitors the CKP sensor (POS) signal every 200 engine revolutions for a change.
When the misfire condition decreases to a level that will not damage the TWC, the MIL will turn off.
If another misfire condition occurs that can damage the TWC on a second trip, the MIL will blink.
When the misfire condition decreases to a level that will not damage the TWC, the MIL will remain on.
If another misfire condition occurs that can damage the TWC, the MIL will begin to blink again.
- Two Trip Detection Logic (Exhaust quality deterioration)**
For misfire conditions that will not damage the TWC (but will affect vehicle emissions), the MIL will only light when the misfire is detected on a second trip. During this condition, the ECM monitors the CKP sensor signal every 1,000 engine revolutions.
A misfire malfunction can be detected on any one cylinder or on multiple cylinders.

DTC No.	Trouble diagnosis name	DTC detecting condition	Possible cause
P0300 0300	Multiple cylinder misfire detected	Multiple cylinder misfire.	<ul style="list-style-type: none">• Improper spark plug• Insufficient compression• Incorrect fuel pressure• Fuel injector circuit is open or shorted• Fuel injector• Intake air leak• The ignition signal circuit is open or shorted• Lack of fuel• Drive plate or flywheel• Air fuel ratio (A/F) sensor 1• Incorrect PCV hose connection
P0301 0301	No.1 cylinder misfire detected	No. 1 cylinder misfires.	
P0302 0302	No. 2 cylinder misfire detected	No. 2 cylinder misfires.	
P0303 0303	No. 3 cylinder misfire detected	No. 3 cylinder misfires.	
P0304 0304	No. 4 cylinder misfire detected	No. 4 cylinder misfires.	

DTC Confirmation Procedure

INFOID:000000001849960

CAUTION:

Always drive vehicle in safe manner according to traffic conditions and obey all traffic laws when driving.

NOTE:

If DTC Confirmation Procedure has been previously conducted, always turn ignition switch OFF and wait at least 10 seconds before conducting the next test.

• WITH CONSULT-III

1. Turn ignition switch ON and select "DATA MONITOR" mode with CONSULT-III.
2. Start engine and warm it up to normal operating temperature.
3. Turn ignition switch OFF and wait at least 10 seconds.
4. Restart engine and let it idle for about 15 minutes.
5. Check 1st trip DTC.
6. If 1st trip DTC is detected, go to [EC-276. "Diagnosis Procedure"](#).

NOTE:

If 1st trip DTC is not detected during above procedure, performing the following procedure is advised.

DTC P0300 - P0304 MULTIPLE CYLINDER MISFIRE, NO. 1 - 4 CYLINDER MISFIRE

< SERVICE INFORMATION >

[MR]

- a. Turn ignition switch OFF and wait at least 10 seconds.
- b. Start engine and drive the vehicle under the similar conditions to (1st trip) Freeze Frame Data for a certain time. Refer to table below.
Hold the accelerator pedal as steady as possible.

The similar conditions to (1st trip) Freeze Frame Data means the vehicle operation that the following condition should be satisfied at the same time:

Engine speed	Engine speed in the freeze frame data \pm 400 rpm
Vehicle speed	Vehicle speed in the freeze frame data \pm 10 km/h (6 MPH)
Engine coolant temperature (T) condition	When the freeze frame data shows lower than 70°C (158°F), T should be lower than 70°C (158°F)
	When the freeze frame data shows higher than or equal to 70°C (158°F), T should be higher than or equal to 70°C (158°F)

The time to driving varies according to the engine speed in the freeze frame data. Refer to the following table.

Engine speed	Time
Around 1,000 rpm	Approximately 10 minutes
Around 2,000 rpm	Approximately 5 minutes
More than 3,000 rpm	Approximately 3.5 minutes

WITH GST

Follow the procedure "WITH CONSULT-III" above.

Diagnosis Procedure

INFOID:000000001849961

1. CHECK FOR INTAKE AIR LEAK AND PCV HOSE

1. Start engine and run it at idle speed.
2. Listen for the sound of the intake air leak.
3. Check PCV hose connection.

OK or NG

- OK >> GO TO 2.
NG >> Repair or replace.

2. CHECK FOR EXHAUST SYSTEM CLOGGING

Stop engine and visually check exhaust tube, three way catalyst and muffler for dents.

OK or NG

- OK >> GO TO 3.
NG >> Repair or replace.

3. PERFORM POWER BALANCE TEST

With CONSULT-III

1. Perform "POWER BALANCE" in "ACTIVE TEST" mode.
2. Is there any cylinder which does not produce a momentary engine speed drop?

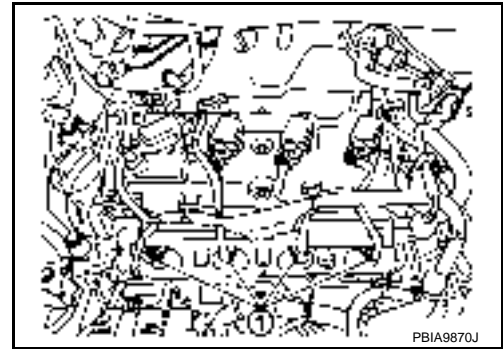
Without CONSULT-III

DTC P0300 - P0304 MULTIPLE CYLINDER MISFIRE, NO. 1 - 4 CYLINDER MISFIRE

< SERVICE INFORMATION >

[MR]

When disconnecting each fuel injector (1) harness connector one at a time, is there any cylinder which does not produce a momentary engine speed drop?



Yes or No

Yes >> GO TO 4.

No >> GO TO 9.

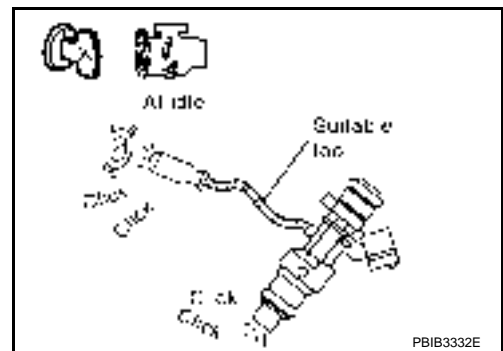
4. CHECK FUEL INJECTOR

Does each fuel injector make an operating sound at idle?

Yes or No

Yes >> GO TO 5.

No >> Check fuel injector(s) and circuit(s). Refer to [EC-495](#).



5. CHECK FUNCTION OF IGNITION COIL-I

CAUTION:

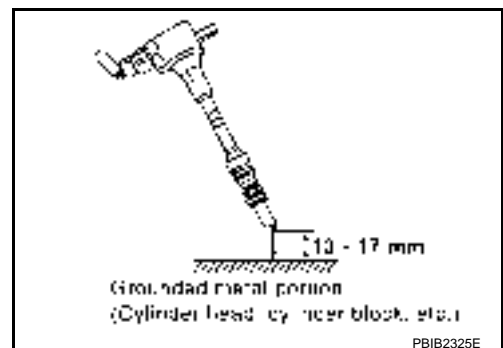
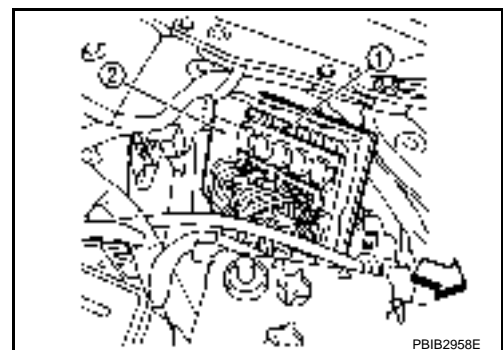
Do the following procedure in the place where ventilation is good without the combustible.

1. Turn ignition switch OFF.
2. Remove fuel pump fuse (1) in IPDM E/R (2) to release fuel pressure.

NOTE:

Do not use CONSULT-III to release fuel pressure, or fuel pressure applies again during the following procedure.

- ◀ : Vehicle front
3. Start engine.
 4. After engine stalls, crank it two or three times to release all fuel pressure.
 5. Turn ignition switch OFF.
 6. Remove all ignition coil harness connectors to avoid the electrical discharge from the ignition coils.
 7. Remove ignition coil and spark plug of the cylinder to be checked.
 8. Crank engine for 5 seconds or more to remove combustion gas in the cylinder.
 9. Connect spark plug and harness connector to ignition coil.
 10. Fix ignition coil using a rope etc. with gap of 13 - 17 mm between the edge of the spark plug and grounded metal portion as shown in the figure.
 11. Crank engine for about 3 seconds, and check whether spark is generated between the spark plug and the grounded metal portion.



Spark should be generated.

CAUTION:

DTC P0300 - P0304 MULTIPLE CYLINDER MISFIRE, NO. 1 - 4 CYLINDER MISFIRE

< SERVICE INFORMATION >

[MR]

- Do not approach to the spark plug and the ignition coil within 50cm. Be careful not to get an electrical shock while checking, because the electrical discharge voltage becomes 20kV or more.
- It might cause to damage the ignition coil if the gap of more than 17 mm is taken.

NOTE:

When the gap is less than 13 mm, the spark might be generated even if the coil is malfunctioning.

OK or NG

- OK >> GO TO 9.
- NG >> GO TO 6.

6.CHECK FUNCTION OF IGNITION COIL-II

1. Turn ignition switch OFF.
2. Disconnect spark plug and connect a known-good spark plug.
3. Crank engine for about 3 seconds, and recheck whether spark is generated between the spark plug and the grounded metal portion.

Spark should be generated.

OK or NG

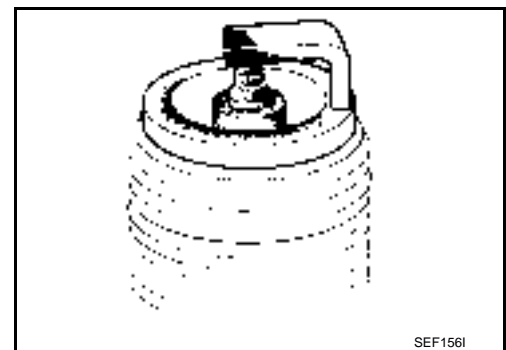
- OK >> GO TO 7.
- NG >> Check ignition coil, power transistor and their circuits. Refer to [EC-505](#).

7.CHECK SPARK PLUG

Check the initial spark plug for fouling, etc.

OK or NG

- OK >> Replace spark plug(s) with standard type one(s). For spark plug type, refer to [MA-22, "Changing Spark Plugs"](#).
- NG >> 1. Repair or clean spark plug.
2. GO TO 8.



8.CHECK FUNCTION OF IGNITION COIL-III

1. Reconnect the initial spark plugs.
2. Crank engine for about three seconds, and recheck whether spark is generated between the spark plug and the grounded portion.

Spark should be generated.

OK or NG

- OK >> **INSPECTION END**
- NG >> Replace spark plug(s) with standard type one(s). For spark plug type, refer to [MA-22, "Changing Spark Plugs"](#).

9.CHECK COMPRESSION PRESSURE

Check compression pressure. Refer to [EM-61, "On-Vehicle Service"](#).

OK or NG

- OK >> GO TO 10.
- NG >> Check pistons, piston rings, valves, valve seats and cylinder head gaskets.

10.CHECK FUEL PRESSURE

1. Install all removed parts.
2. Release fuel pressure to zero. Refer to [EC-83, "Fuel Pressure Check"](#).
3. Install fuel pressure gauge and check fuel pressure. Refer to [EC-83, "Fuel Pressure Check"](#).

At idling: Approximately 350 kPa (3.57 kg/cm², 51 psi)

DTC P0300 - P0304 MULTIPLE CYLINDER MISFIRE, NO. 1 - 4 CYLINDER MISFIRE

< SERVICE INFORMATION >

[MR]

OK or NG

- OK >> GO TO 12.
- NG >> GO TO 11.

11. DETECT MALFUNCTIONING PART

Check the following.

- Fuel pump and circuit (Refer to [EC-500.](#))
- Fuel pressure regulator (Refer to [EC-83. "Fuel Pressure Check".](#))
- Fuel lines (Refer to [EM-33.](#))
- Fuel filter for clogging

>> Repair or replace.

12. CHECK IGNITION TIMING

Check the following items. Refer to [EC-75. "Basic Inspection".](#)

Items	Specifications
Target idle speed	CVT: 675 ± 50 rpm (in P or N position)
	M/T: 700 ± 50 rpm (in Neutral position)
Ignition timing	CVT: 6 ± 5° BTDC (in Neutral position)
	M/T: 6 ± 5° BTDC (in Neutral position)

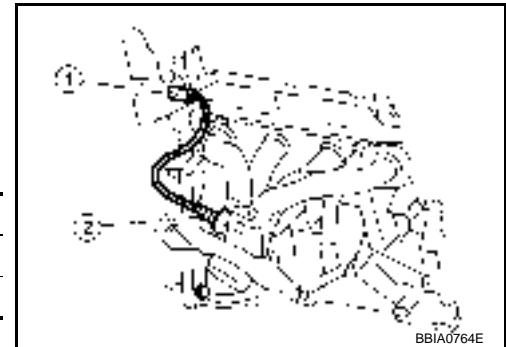
OK or NG

- OK >> GO TO 13.
- NG >> Follow the [EC-75. "Basic Inspection".](#)

13. CHECK AIR FUEL RATIO (A/F) SENSOR 1 CIRCUIT FOR OPEN AND SHORT

1. Turn ignition switch OFF.
2. Disconnect air fuel ratio (A/F) sensor 1 harness connector (1).
 - Air fuel ratio (A/F) sensor 1 (2)
3. Disconnect ECM harness connector.
4. Check harness continuity between the following terminals. Refer to Wiring Diagram.

A/F sensor 1 terminal	ECM terminal
1	49
2	53



Continuity should exist.

5. Check harness continuity between ECM terminals 49, 53 or A/F sensor 1 terminals 1, 2 and ground. Refer to Wiring Diagram.

Continuity should not exist.

6. Also check harness for short to power.

OK or NG

- OK >> GO TO 14.
- NG >> Repair open circuit or short to ground or short to power in harness or connectors.

14. CHECK AIR FUEL RATIO (A/F) SENSOR 1 HEATER

Refer to [EC-152. "Component Inspection".](#)

OK or NG

- OK >> GO TO 16.
- NG >> GO TO 15.

15. REPLACE AIR FUEL RATIO (A/F) SENSOR 1

DTC P0300 - P0304 MULTIPLE CYLINDER MISFIRE, NO. 1 - 4 CYLINDER MISFIRE

< SERVICE INFORMATION >

[MR]

Replace air fuel ratio (A/F) sensor 1.

CAUTION:

- Discard any A/F sensor which has been dropped from a height of more than 0.5 m (19.7 in) onto a hard surface such as a concrete floor; use a new one.
- Before installing new A/F sensor, clean exhaust system threads using Oxygen Sensor Thread Cleaner tool J-43897-18 or J-43897-12 and approved anti-seize lubricant.

>> INSPECTION END

16. CHECK MASS AIR FLOW SENSOR

With CONSULT-III

1. Start engine and warm it up to normal operating temperature.
2. Check mass air flow sensor signal in "DATA MONITOR" mode with CONSULT-III.

at idling : 1.0 - 4.0 g-m/sec
at 2,500 rpm : 2.0 - 10.0 g-m/sec

With GST

1. Start engine and warm it up to normal operating temperature.
2. Check mass air flow sensor signal in Service \$01 with GST.

at idling : 1.0 - 4.0 g-m/sec
at 2,500 rpm : 2.0 - 10.0 g-m/sec

OK or NG

OK >> GO TO 17.

NG >> Check connectors for rusted terminals or loose connections in the mass air flow sensor circuit or ground. Refer to [EC-165](#).

17. CHECK SYMPTOM MATRIX CHART

Check items on the rough idle symptom in [EC-92, "Symptom Matrix Chart"](#).

OK or NG

OK >> GO TO 18.

NG >> Repair or replace.

18. ERASE THE 1ST TRIP DTC

Some tests may cause a 1st trip DTC to be set.

Erase the 1st trip DTC from the ECM memory after performing the tests. Refer to [EC-51, "Emission-related Diagnostic Information"](#).

>> GO TO 19.

19. CHECK INTERMITTENT INCIDENT

Refer to [EC-135](#).


>> INSPECTION END

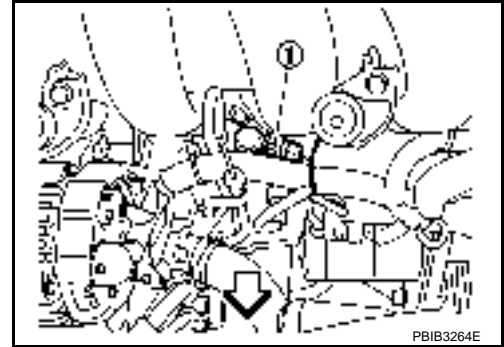
DTC P0327, P0328 KS

Component Description

INFOID:000000001849962

The knock sensor (1) is attached to the cylinder block. It senses engine knocking using a piezoelectric element. A knocking vibration from the cylinder block is sensed as vibrational pressure. This pressure is converted into a voltage signal and sent to the ECM.

- : Vehicle front



PBIB3264E

On Board Diagnosis Logic

INFOID:000000001849963

The MIL will not light up for these self-diagnoses.

DTC No.	Trouble Diagnosis Name	DTC Detected Condition	Possible Cause
P0327 0327	Knock sensor circuit low input	An excessively low voltage from the sensor is sent to ECM.	<ul style="list-style-type: none"> • Harness or connectors (Knock sensor circuit is open or shorted.) • Knock sensor
P0328 0328	Knock sensor circuit high input	An excessively high voltage from the sensor is sent to ECM.	

DTC Confirmation Procedure

INFOID:000000001849964

NOTE:

If DTC Confirmation Procedure has been previously conducted, always turn ignition switch OFF and wait at least 10 seconds before conducting the next test.

TESTING CONDITION:

Before performing the following procedure, confirm that battery voltage is more than 10V at idle.

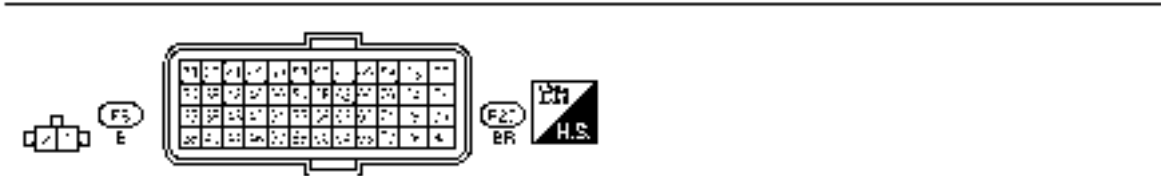
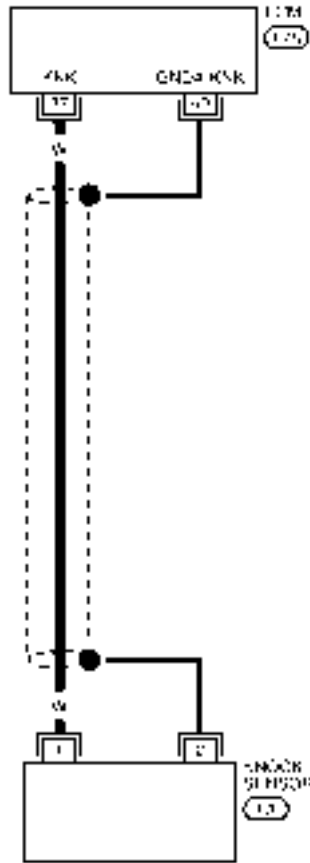
1. Start engine and run it for at least 5 seconds at idle speed.
2. Check 1st trip DTC.
3. If 1st trip DTC is detected, go to [EC-283. "Diagnosis Procedure"](#).

Wiring Diagram

INFOID:000000001849965

EC-KS-01

— DETECTABLE LINE FOR DTC
 - - - NON-DETECTABLE LINE FOR DTC



BBWA2883E

Specification data are reference values and are measured between each terminal and ground.

CAUTION:

Do not use ECM ground terminals when measuring input/output voltage. Doing so may result in damage to the ECM's transistor. Use a ground other than ECM terminals, such as the ground.

TERMI- NAL NO.	WIRE COLOR	ITEM	CONDITION	DATA (DC Voltage)
37	W	Knock sensor	[Engine is running] • Idle speed	Approximately 2.5V
40	—	Sensor ground (Knock sensor)	[Engine is running] • Warm-up condition • Idle speed	Approximately 0V

Diagnosis Procedure

INFOID:000000001849966

1. CHECK KNOCK SENSOR INPUT SIGNAL CIRCUIT-I

- Turn ignition switch OFF.
- Disconnect ECM harness connector.
- Check resistance between ECM terminal 37 and ground. Refer to Wiring Diagram.

NOTE:

It is necessary to use an ohmmeter which can measure more than 10 MΩ.

Resistance: Approximately 532 - 588kΩ [at 20°C (68°F)]

- Also check harness for short to ground and short to power.

OK or NG

- OK >> GO TO 4.
NG >> GO TO 2.

2. CHECK KNOCK SENSOR INPUT SIGNAL CIRCUIT-II

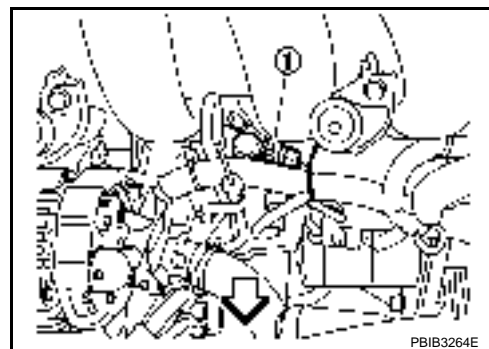
- Disconnect knock sensor (1) harness connector.
- Check harness continuity between ECM terminal 37 and knock sensor terminal 1. Refer to Wiring Diagram.

Continuity should exist.

- Also check harness for short to ground and short to power.

OK or NG

- OK >> GO TO 3.
NG >> Repair open circuit or short to ground or short to power in harness or connectors.



PBIB3264E

3. CHECK KNOCK SENSOR

Refer to [EC-284, "Component Inspection"](#).

OK or NG

- OK >> GO TO 6.
NG >> Replace knock sensor.

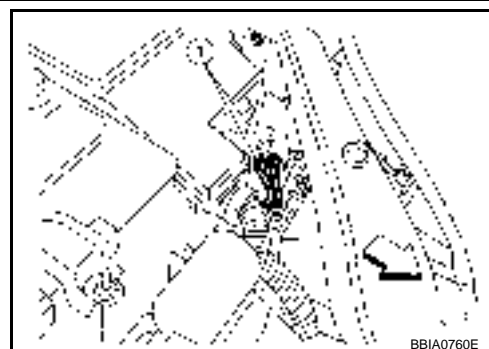
4. CHECK GROUND CONNECTIONS

Loosen and retighten ground screws on the body.
Refer to [EC-140, "Ground Inspection"](#).

- Vehicle front
- Body ground (1)

OK or NG

- OK >> GO TO 5.
NG >> Repair or replace ground connections.



BBIA0760E

5. CHECK KNOCK SENSOR SHIELD CIRCUIT FOR OPEN AND SHORT

1. Reconnect knock sensor harness connector.
2. Check harness continuity between ECM terminal 40 and knock sensor terminal 2.
Refer to Wiring Diagram.

Continuity should exist

3. Also check harness for short to ground and short to power.

OK or NG

OK >> GO TO 6.

NG >> Repair open circuit or short to ground or short to power in harness or connectors.

6. CHECK INTERMITTENT INCIDENT

Refer to [EC-135](#).

>> **INSPECTION END**

Component Inspection

INFOID:000000001849967

KNOCK SENSOR

1. Check resistance between knock sensor terminal 1 and ground.

NOTE:

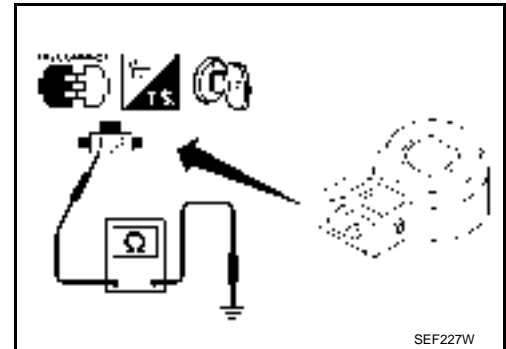
It is necessary to use an ohmmeter which can measure more than 10 M Ω .

Resistance: Approximately 532 - 588k Ω [at 20°C (68°F)]

CAUTION:

Do not use any knock sensors that have been dropped or physically damaged. Use only new ones.

2. If NG, replace knock sensor.



INFOID:000000001849968

Removal and Installation**KNOCK SENSOR**

Refer to [EM-71](#).

DTC P0335 CKP SENSOR (POS)

< SERVICE INFORMATION >

[MR]

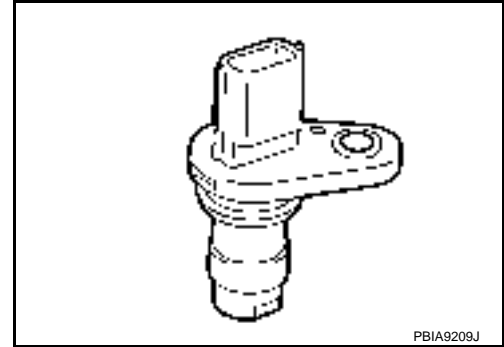
DTC P0335 CKP SENSOR (POS)

Component Description

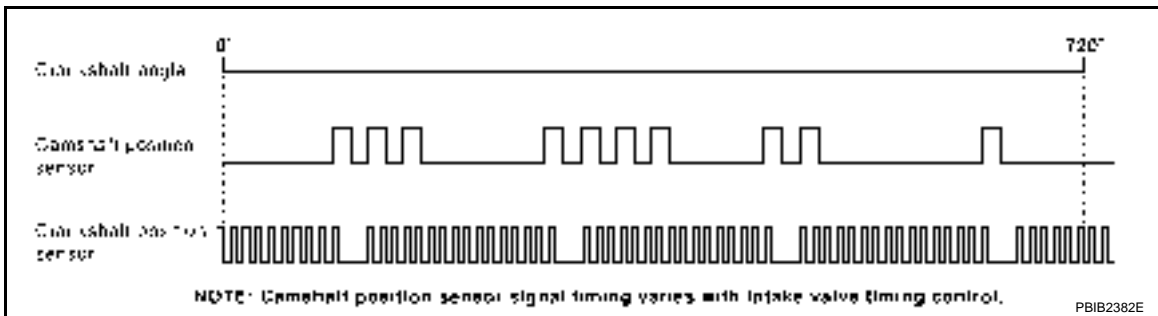
INFOID:000000001849969

The crankshaft position sensor (POS) is located on the cylinder block rear housing facing the gear teeth (cogs) of the signal plate at the end of the crankshaft. It detects the fluctuation of the engine revolution. The sensor consists of a permanent magnet and Hall IC. When the engine is running, the high and low parts of the teeth cause the gap with the sensor to change. The changing gap causes the magnetic field near the sensor to change. Due to the changing magnetic field, the voltage from the sensor changes. The ECM receives the voltage signal and detects the fluctuation of the engine revolution.

ECM receives the signals as shown in the figure.



PBIA9209J



PBIB2382E

CONSULT-III Reference Value in Data Monitor Mode

INFOID:000000001849970

Specification data are reference values.

MONITOR ITEM	CONDITION	SPECIFICATION
ENG SPEED	<ul style="list-style-type: none"> Run engine and compare CONSULT-III value with the tachometer indication. 	Almost the same speed as the tachometer indication.

On Board Diagnosis Logic

INFOID:000000001849971

DTC No.	Trouble diagnosis name	DTC detecting condition	Possible cause
P0335 0335	Crankshaft position sensor (POS) circuit	<ul style="list-style-type: none"> The crankshaft position sensor (POS) signal is not detected by the ECM during the first few seconds of engine cranking. The proper pulse signal from the crankshaft position sensor (POS) is not sent to ECM while the engine is running. The crankshaft position sensor (POS) signal is not in the normal pattern during engine running. 	<ul style="list-style-type: none"> Harness or connectors [Crankshaft position sensor (POS) circuit is open or shorted.] (Accelerator pedal position sensor circuit is shorted.) (Refrigerant pressure sensor circuit is shorted.) (EVAP control system pressure sensor circuit is sorted.) Crankshaft position sensor (POS) Accelerator pedal position sensor Refrigerant pressure sensor EVAP control system pressure sensor Signal plate

DTC Confirmation Procedure

INFOID:000000001849972

NOTE:

If DTC Confirmation Procedure has been previously conducted, always turn ignition switch OFF and wait at least 10 seconds before conducting the next test.

TESTING CONDITION:

DTC P0335 CKP SENSOR (POS)

[MR]

< SERVICE INFORMATION >

Before performing the following procedure, confirm that battery voltage is more than 10.5V with ignition switch ON.

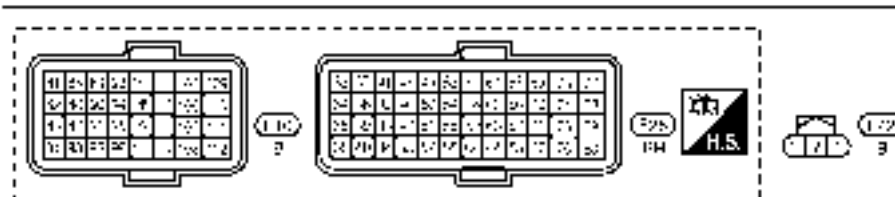
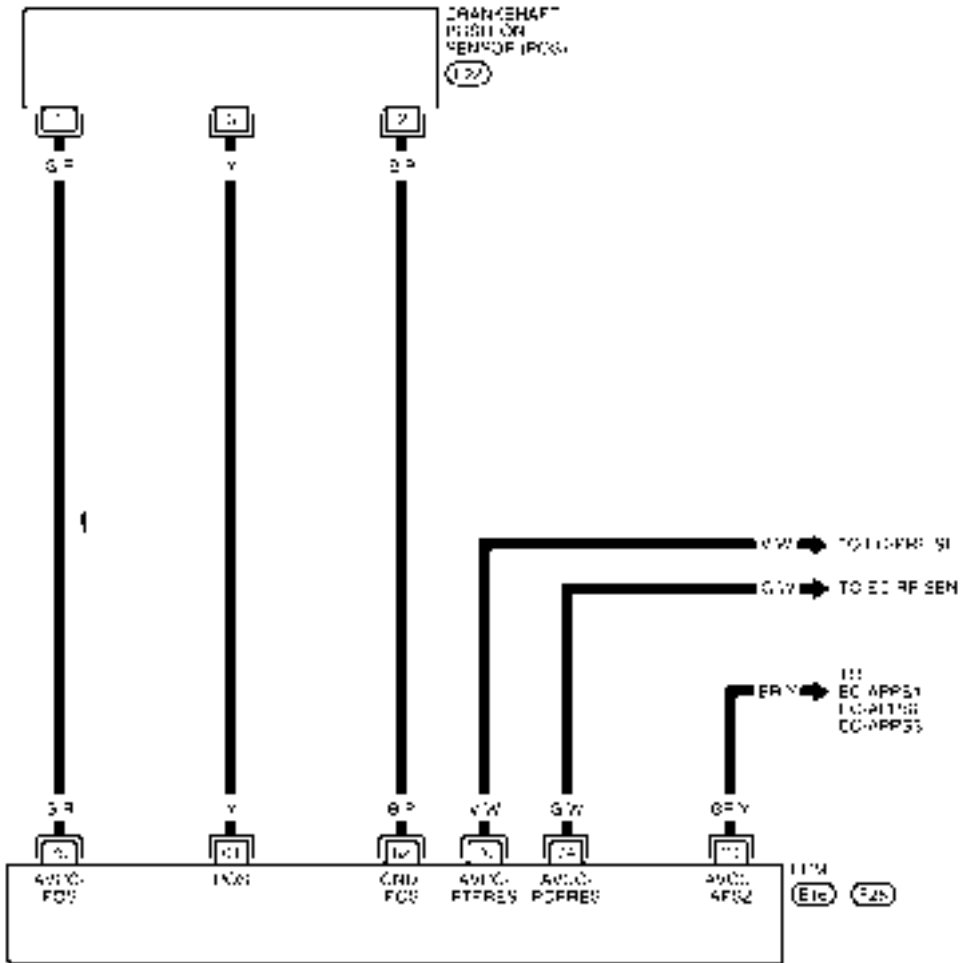
1. Crank engine for at least 2 seconds and run it for at least 5 seconds at idle speed.
2. Check 1st trip DTC.
3. If 1st trip DTC is detected, go to [EC-287, "Diagnosis Procedure"](#).

Wiring Diagram

INFOID:000000001849973

EC-POS-01

— DETECTABLE LINE FOR DTC
 — NON-DETECTABLE LINE FOR DTC



BBWA2884E

DTC P0335 CKP SENSOR (POS)


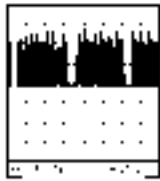
< SERVICE INFORMATION >

[MR]

Specification data are reference values and are measured between each terminal and ground.
Pulse signal is measured by CONSULT-III.

CAUTION:

Do not use ECM ground terminals when measuring input/output voltage. Doing so may result in damage to the ECM's transistor. Use a ground other than ECM terminals, such as the ground.

TERMI- NAL NO.	WIRE COLOR	ITEM	CONDITION	DATA (DC Voltage)
61	Y	Crankshaft position sensor (POS)	[Engine is running] • Warm-up condition • Idle speed NOTE: The pulse cycle changes depending on rpm at idle	0 - 1.0V★  MBIB1453E
			[Engine is running] • Engine speed: 2,000 rpm	0 - 1.0V★  MBIB1454E
62	B/P	Sensor ground [Crankshaft position sensor (POS)]	[Engine is running] • Warm-up condition • Idle speed	Approximately 0V
74	G/W	Sensor power supply (Refrigerant pressure sensor)	[Ignition switch: ON]	Approximately 5V
75	G/R	Sensor power supply [Crankshaft position sensor (POS)]	[Ignition switch: ON]	Approximately 5V
76	V/W	EVAP control system pressure sensor power supply	[Ignition switch: ON]	Approximately 5V
102	BR/Y	Sensor power supply (APP sensor 2)	[Ignition switch: ON]	Approximately 5V

★: Average voltage for pulse signal (Actual pulse signal can be confirmed by oscilloscope.)

Diagnosis Procedure

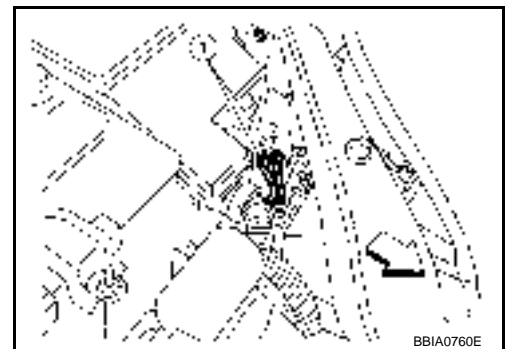
INFOID:000000001849974

1. CHECK GROUND CONNECTIONS

- Turn ignition switch OFF.
 - Loosen and retighten ground screws on the body.
Refer to [EC-140, "Ground Inspection"](#).
- ↔: Vehicle front
 - Body ground (1)

OK or NG

- OK >> GO TO 2.
- NG >> Repair or replace ground connections.



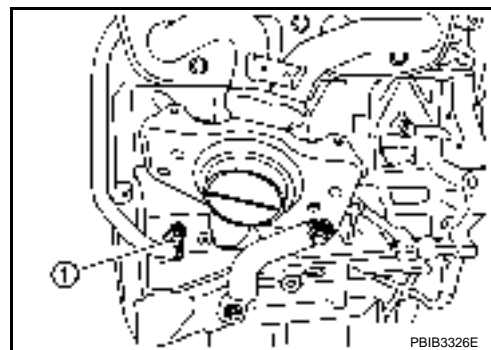
2. CHECK CRANKSHAFT POSITION (CKP) SENSOR (POS) POWER SUPPLY CIRCUIT-I

DTC P0335 CKP SENSOR (POS)

[MR]

< SERVICE INFORMATION >

1. Disconnect crankshaft position (CKP) sensor (POS) (1) harness connector.
2. Turn ignition switch ON.

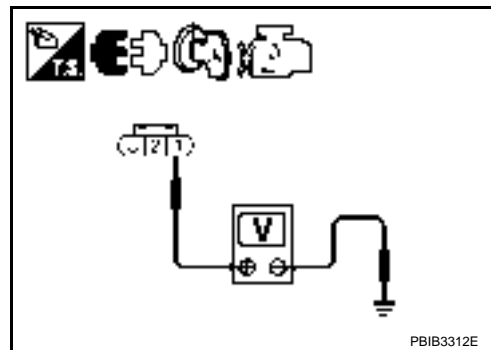


3. Check voltage between CKP sensor (POS) terminal 1 and ground with CONSULT-III or tester.

Voltage: Approximately 5V

OK or NG

- OK >> GO TO 9.
NG >> GO TO 3.



3. CHECK CKP SENSOR (POS) POWER SUPPLY CIRCUIT-II

1. Turn ignition switch OFF.
2. Disconnect ECM harness connector.
3. Check harness continuity between CKP sensor (POS) terminal 1 and ECM terminal 75. Refer to Wiring Diagram.

Continuity should exist.

OK or NG

- OK >> GO TO 4.
NG >> Repair open circuit.

4. CHECK POWER SUPPLY CIRCUITS

Check harness for short to power and short to ground, between the following terminals.

ECM terminal	Sensor terminal	Reference Wiring Diagram
74	Refrigerant pressure sensor terminal 3	EC-515, "Wiring Diagram"
75	Crankshaft position sensor (POS) terminal 1	EC-286, "Wiring Diagram"
76	EVAP control system pressure sensor terminal 3	EC-343, "Wiring Diagram"
102	APP sensor terminal 5	EC-458, "Wiring Diagram"

OK or NG

- OK >> GO TO 5.
NG >> Repair short to ground or short to power in harness or connectors.

5. CHECK REFRIGERANT PRESSURE SENSOR

Refer to [MTC-27](#).

OK or NG

- OK >> GO TO 6.
NG >> Replace refrigerant pressure sensor.

6. CHECK EVAP CONTROL SYSTEM PRESSURE SENSOR

Refer to [EC-347, "Component Inspection"](#).

OK or NG

DTC P0335 CKP SENSOR (POS)

[MR]

< SERVICE INFORMATION >

- OK >> GO TO 7.
- NG >> Replace EVAP control system pressure sensor.

7. CHECK APP SENSOR

Refer to [EC-461, "Component Inspection"](#).

OK or NG

- OK >> GO TO 9.
- NG >> GO TO 8.

8. REPLACE ACCELERATOR PEDAL ASSEMBLY

1. Replace accelerator pedal assembly.
2. Perform [EC-81, "Accelerator Pedal Released Position Learning"](#).
3. Perform [EC-81, "Throttle Valve Closed Position Learning"](#).
4. Perform [EC-81, "Idle Air Volume Learning"](#).

>> **INSPECTION END**

9. CHECK CKP SENSOR (POS) GROUND CIRCUIT FOR OPEN AND SHORT

1. Turn ignition switch OFF.
2. Disconnect ECM harness connector.
3. Check harness continuity between CKP sensor (POS) terminal 2 and ECM terminal 62.
Refer to Wiring Diagram.

Continuity should exist.

4. Also check harness for short to ground and short to power.

OK or NG

- OK >> GO TO 10.
- NG >> Repair open circuit or short to ground or short to power in harness or connectors.

10. CHECK CKP SENSOR (POS) INPUT SIGNAL CIRCUIT FOR OPEN AND SHORT

1. Check harness continuity between CKP sensor (POS) terminal 3 and ECM terminal 61.
Refer to Wiring Diagram.

Continuity should exist.

2. Also check harness for short to ground and short to power.

OK or NG

- OK >> GO TO 11.
- NG >> Repair open circuit or short to ground or short to power in harness or connectors.

11. CHECK CRANKSHAFT POSITION SENSOR (POS)

Refer to [EC-290, "Component Inspection"](#).

OK or NG

- OK >> GO TO 12.
- NG >> Replace crankshaft position sensor (POS).

12. CHECK GEAR TOOTH

Visually check for chipping signal plate gear tooth.

OK or NG

- OK >> GO TO 13.
- NG >> Replace the signal plate.

13. CHECK INTERMITTENT INCIDENT

Refer to [EC-135](#).

>> **INSPECTION END**

DTC P0335 CKP SENSOR (POS)

[MR]

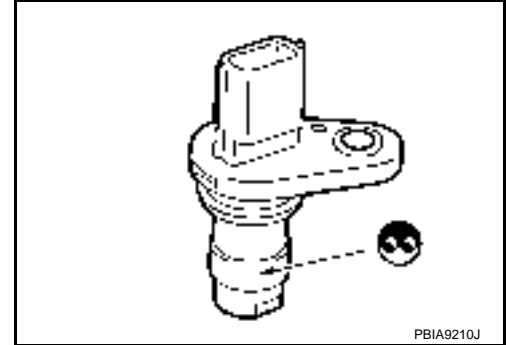
< SERVICE INFORMATION >

Component Inspection

INFOID:000000001849975

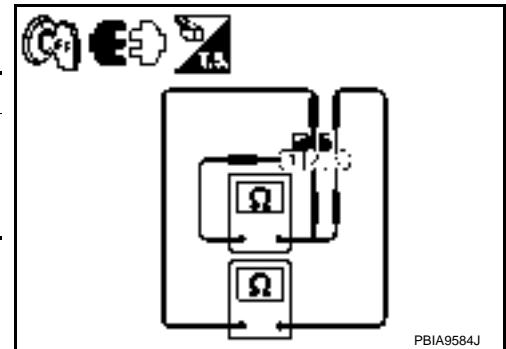
CRANKSHAFT POSITION SENSOR (POS)

1. Loosen the fixing bolt of the sensor.
2. Disconnect crankshaft position sensor (POS) harness connector.
3. Remove the sensor.
4. Visually check the sensor for chipping.



5. Check resistance as shown in the figure.

Terminal No. (Polarity)	Resistance Ω [at 25°C (77°F)]
1 (+) - 2 (-)	Except 0 or ∞
1 (+) - 3 (-)	
2 (+) - 3 (-)	



6. If NG, replace crankshaft position sensor (POS).

Removal and Installation

INFOID:000000001849976

CRANKSHAFT POSITION SENSOR (POS)

Refer to [EM-71](#).

DTC P0340 CMP SENSOR (PHASE)

< SERVICE INFORMATION >

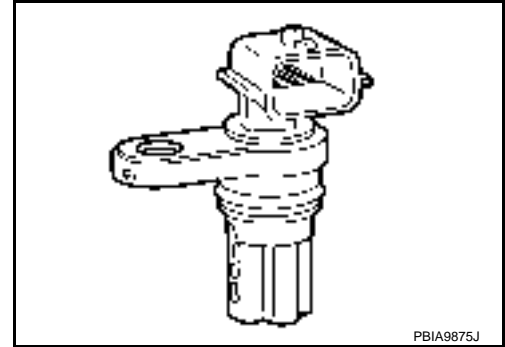
[MR]

DTC P0340 CMP SENSOR (PHASE)

Component Description

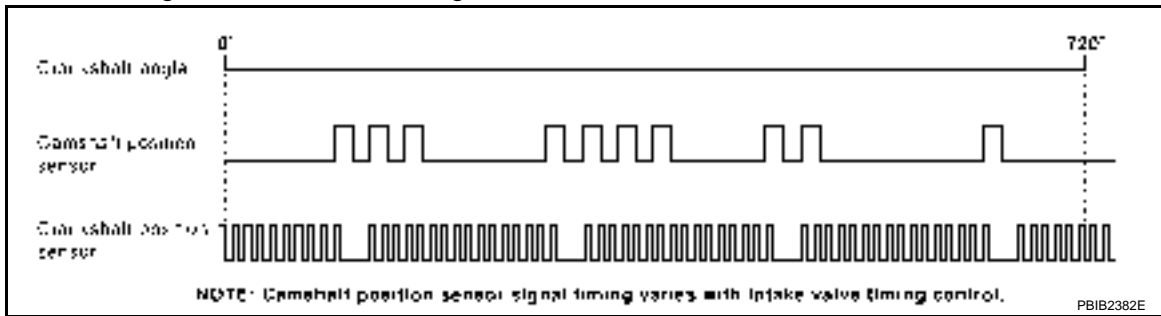
INFOID:000000001849977

The camshaft position sensor (PHASE) senses the protrusion of camshaft (INT) to identify a particular cylinder. The camshaft position sensor (PHASE) senses the piston position. When the crankshaft position sensor (POS) system becomes inoperative, the camshaft position sensor (PHASE) provides various controls of engine parts instead, utilizing timing of cylinder identification signals. The sensor consists of a permanent magnet and Hall IC. When engine is running, the high and low parts of the teeth cause the gap with the sensor to change. The changing gap causes the magnetic field near the sensor to change. Due to the changing magnetic field, the voltage from the sensor changes.



PBIA9875J

ECM receives the signals as shown in the figure.



PBIB2382E

CONSULT-III Reference Value in Data Monitor Mode

INFOID:000000001849978

Specification data are reference values.

MONITOR ITEM	CONDITION	SPECIFICATION
ENG SPEED	• Run engine and compare CONSULT-III value with the tachometer indication.	Almost the same speed as the tachometer indication.

On Board Diagnosis Logic

INFOID:000000001849979

NOTE:

If DTC P0340 is displayed with DTC P0643, first perform the trouble diagnosis for DTC P0643. Refer to [EC-383](#).

DTC No.	Trouble diagnosis name	DTC detecting condition	Possible cause
P0340 0340	Camshaft position sensor (PHASE) circuit	<ul style="list-style-type: none"> The cylinder No. signal is not sent to ECM for the first few seconds during engine cranking. The cylinder No. signal is not set to ECM during engine running. The cylinder No. signal is not in the normal pattern during engine running. 	<ul style="list-style-type: none"> Harness or connectors [Camshaft position sensor (PHASE) circuit is open or shorted.] Camshaft position sensor (PHASE) Camshaft (INT) Starter motor (Refer to SC-8.) Starting system circuit (Refer to SC-8.) Dead (Weak) battery

DTC Confirmation Procedure

INFOID:000000001849980

NOTE:

If DTC Confirmation Procedure has been previously conducted, always turn ignition switch OFF and wait at least 10 seconds before conducting the next test.

TESTING CONDITION:

Before performing the following procedure, confirm that battery voltage is more than 10.5V with ignition switch ON.

1. Crank engine for at least 2 seconds and run it for at least 5 seconds at idle speed.

DTC P0340 CMP SENSOR (PHASE)

[MR]

< SERVICE INFORMATION >

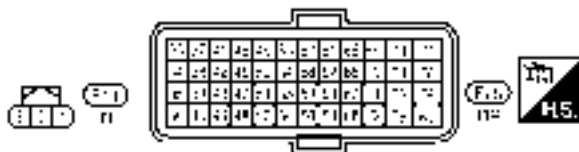
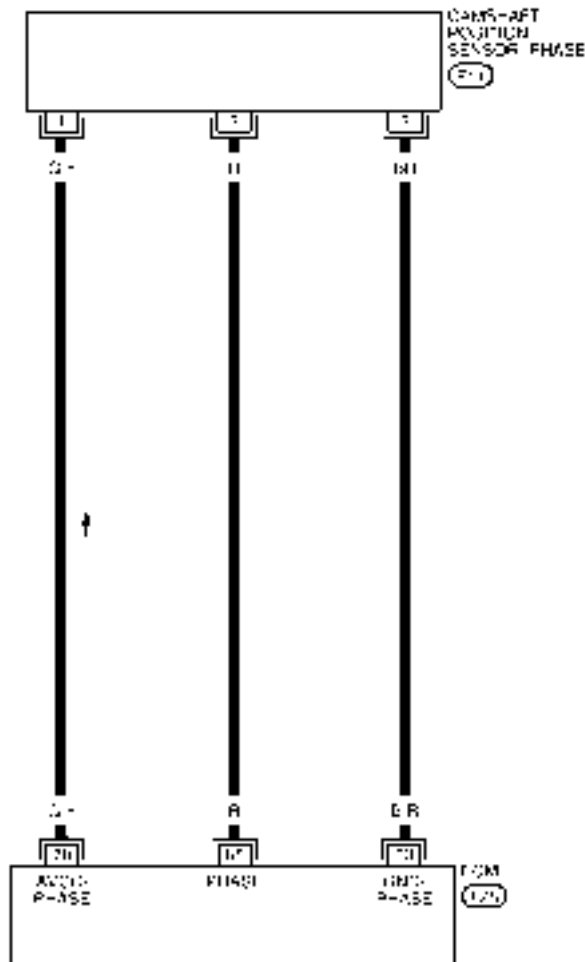
2. Check 1st trip DTC.
3. If 1st trip DTC is detected, go to [EC-293, "Diagnosis Procedure"](#).
If 1st trip DTC is not detected, go to next step.
4. Maintain engine speed at more than 800 rpm for at least 5 seconds.
5. Check 1st trip DTC.
6. If 1st trip DTC is detected, go to [EC-293, "Diagnosis Procedure"](#).

Wiring Diagram

INFOID:000000001849981

EC-PHASE-01

— BATTERY ALTERNATOR CIRCUIT
— NEGATIVE BATTERY ALTERNATOR CIRCUIT



BBWA2885E

DTC P0340 CMP SENSOR (PHASE)

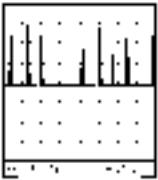
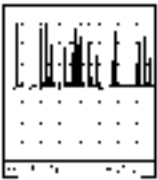
< SERVICE INFORMATION >

[MR]

Specification data are reference values and are measured between each terminal and ground.
Pulse signal is measured by CONSULT-III.

CAUTION:

Do not use ECM ground terminals when measuring input/output voltage. Doing so may result in damage to the ECM's transistor. Use a ground other than ECM terminals, such as the ground.

TERMI- NAL NO.	WIRE COLOR	ITEM	CONDITION	DATA (DC Voltage)
63	B/R	Sensor ground [Camshaft position sensor (PHASE)]	[Engine is running] • Warm-up condition • Idle speed	Approximately 0V
65	R	Camshaft position sensor (PHASE)	[Engine is running] • Warm-up condition • Idle speed NOTE: The pulse cycle changes depending on rpm at idle	0 - 1.0V★  MBIB1455E
			[Engine is running] • Engine speed: 2,000 rpm	0 - 1.0V★  MBIB1456E
78	G/Y	Sensor power supply [Camshaft position sensor (PHASE)]	[Ignition switch: ON]	Approximately 5V

★: Average voltage for pulse signal (Actual pulse signal can be confirmed by oscilloscope.)

Diagnosis Procedure

INFOID:000000001849982

1. CHECK STARTING SYSTEM

Turn ignition switch to START position.

Does the engine turn over?

Does the starter motor operate?

Yes or No

Yes >> GO TO 2.

No >> Check starting system. (Refer to [SC-8.](#))


2. CHECK GROUND CONNECTIONS

1. Turn ignition switch OFF.

DTC P0340 CMP SENSOR (PHASE)

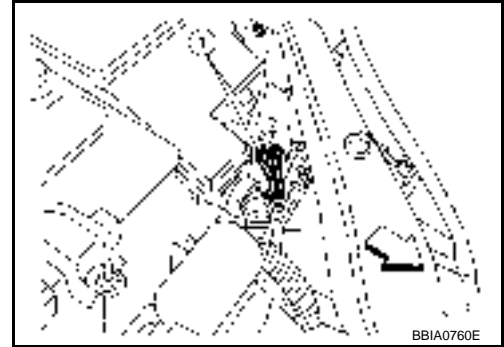
[MR]

< SERVICE INFORMATION >


- Loosen and retighten ground screws on the body.
Refer to [EC-140, "Ground Inspection"](#).
-  : Vehicle front
- Body ground (1)

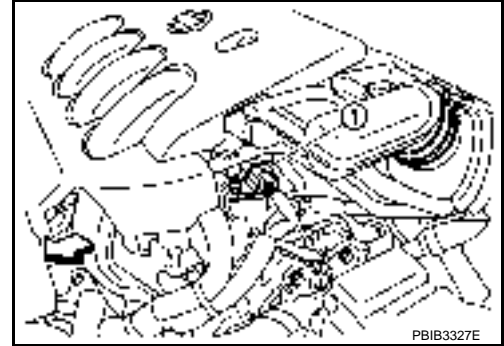
OK or NG

- OK >> GO TO 3.
NG >> Repair or replace ground connections.



3. CHECK CAMSHAFT POSITION (CMP) SENSOR (PHASE) POWER SUPPLY CIRCUIT

- Disconnect camshaft position (CMP) sensor (PHASE) (1) harness connector.
-  : Vehicle front
2. Turn ignition switch ON.

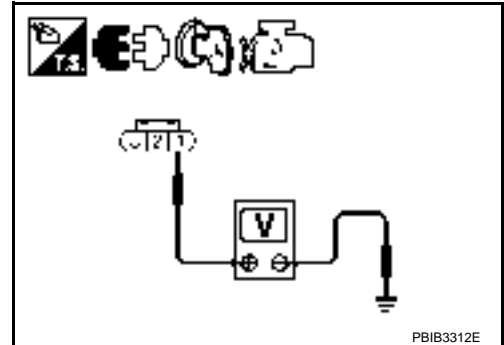


3. Check voltage between CMP sensor (PHASE) terminal 1 and ground with CONSULT-III or tester.

Voltage: Approximately 5V

OK or NG

- OK >> GO TO 4.
NG >> Repair open circuit or short to ground or short to power in harness or connectors.



4. CHECK CMP SENSOR (PHASE) GROUND CIRCUIT FOR OPEN AND SHORT

- Turn ignition switch OFF.
- Disconnect ECM harness connector.
- Check harness continuity between CMP sensor (PHASE) terminal 2 and ECM terminal 63.
Refer to Wiring Diagram.

Continuity should exist.

4. Also check harness for short to ground and short to power.

OK or NG

- OK >> GO TO 5.
NG >> Repair open circuit or short to ground or short to power in harness or connectors.

5. CHECK CMP SENSOR (PHASE) INPUT SIGNAL CIRCUIT FOR OPEN AND SHORT

- Check harness continuity between CMP sensor (PHASE) terminal 3 and ECM terminal 65.
Refer to Wiring Diagram.

Continuity should exist.

2. Also check harness for short to ground and short to power.

OK or NG

- OK >> GO TO 6.

DTC P0340 CMP SENSOR (PHASE)

[MR]

< SERVICE INFORMATION >

NG >> Repair open circuit or short to ground or short to power in harness or connectors.

6. CHECK CAMSHAFT POSITION SENSOR (PHASE)

Refer to [EC-295](#), "Component Inspection".

OK or NG

OK >> GO TO 7.

NG >> Replace camshaft position sensor (PHASE).

7. CHECK CAMSHAFT (INTAKE)

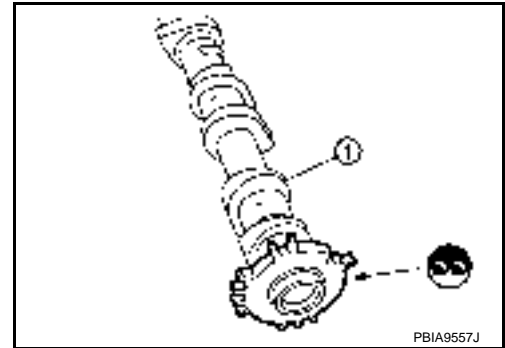
Check the following.

- Accumulation of debris to the signal plate of camshaft (1) rear end
- Chipping signal plate of camshaft rear end

OK or NG

OK >> GO TO 8.

NG >> Remove debris and clean the signal plate of camshaft rear end or replace camshaft.



8. CHECK INTERMITTENT INCIDENT

Refer to [EC-135](#).

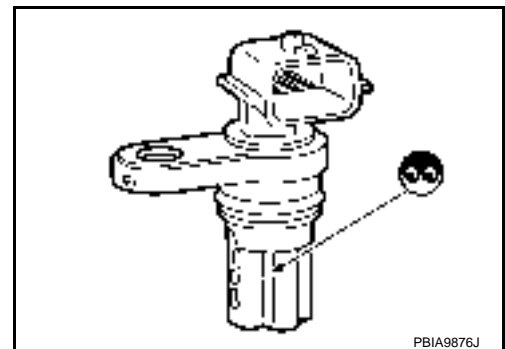
>> **INSPECTION END**

Component Inspection

INFOID:000000001849983

CAMSHAFT POSITION SENSOR (PHASE)

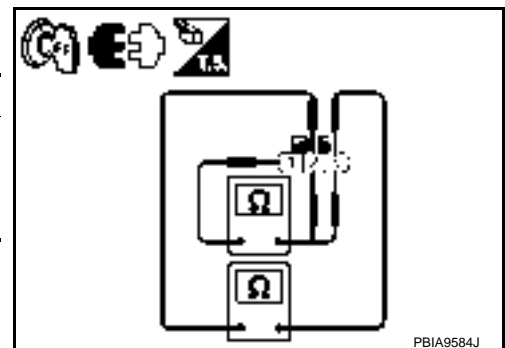
1. Loosen the fixing bolt of the sensor.
2. Disconnect camshaft position sensor (PHASE) harness connector.
3. Remove the sensor.
4. Visually check the sensor for chipping.



5. Check resistance as shown in the figure.

Terminal No. (Polarity)	Resistance Ω [at 25°C (77°F)]
1 (+) - 2 (-)	Except 0 or ∞
1 (+) - 3 (-)	
2 (+) - 3 (-)	

6. If NG, replace camshaft position sensor (PHASE).



DTC P0340 CMP SENSOR (PHASE)

< SERVICE INFORMATION >

[MR]

Removal and Installation

INFOID:000000001849984

CAMSHAFT POSITION SENSOR (PHASE)

Refer to [EM-46](#).

DTC P0420 THREE WAY CATALYST FUNCTION

< SERVICE INFORMATION >

[MR]

DTC P0420 THREE WAY CATALYST FUNCTION

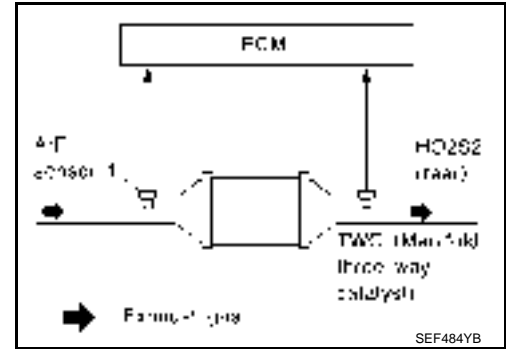
On Board Diagnosis Logic

INFOID:000000001849985

The ECM monitors the switching frequency ratio of air fuel ratio (A/F) sensor 1 and heated oxygen sensor 2.

A three way catalyst (manifold) with high oxygen storage capacity will indicate a low switching frequency of heated oxygen sensor 2. As oxygen storage capacity decreases, the heated oxygen sensor 2 switching frequency will increase.

When the frequency ratio of air fuel ratio (A/F) sensor 1 and heated oxygen sensor 2 approaches a specified limit value, the three way catalyst (manifold) malfunction is diagnosed.



DTC No.	Trouble diagnosis name	DTC detecting condition	Possible cause
P0420 0420	Catalyst system efficiency below threshold	<ul style="list-style-type: none"> • Three way catalyst (manifold) does not operate properly. • Three way catalyst (manifold) does not have enough oxygen storage capacity. 	<ul style="list-style-type: none"> • Three way catalyst (manifold) • Exhaust tube • Intake air leaks • Fuel injector • Fuel injector leaks • Spark plug • Improper ignition timing

DTC Confirmation Procedure

INFOID:000000001849986

NOTE:

If DTC Confirmation Procedure has been previously conducted, always turn ignition switch OFF and wait at least 10 seconds before conducting the next test.

• WITH CONSULT-III

TESTING CONDITION:

Do not hold engine speed for more than the specified minutes below.

1. Turn ignition switch ON and select "DATA MONITOR" mode with CONSULT-III.
2. Start engine and warm it up to the normal operating temperature.
3. Turn ignition switch OFF and wait at least 10 seconds.
4. Start engine and keep the engine speed between 3,500 and 4,000 rpm for at least 1 minute under no load.
5. Let engine idle for 1 minute.
6. Make sure that "COOLAN TEMP/S" indicates more than 70°C (158°F).
If not, warm up engine and go to next step when "COOLAN TEMP/S" indication reaches to 70°C (158°F).
7. Open engine hood.
8. Select "DTC & SRT CONFIRMATION" then "SRT WORK SUPPORT" mode with CONSULT-III.
9. Rev engine up to 2,000 to 3,000 rpm and hold it for 3 consecutive minutes then release the accelerator pedal completely.
If "INCMP" of "CATALYST" changed to "CMPLT", go to step 12.
10. Wait 5 seconds at idle.
11. Rev engine up to 2,000 to 3,000 rpm and maintain it until "INCMP" of "CATALYST" changes to "CMPLT" (It will take approximately 5 minutes).
If not "CMPLT", stop engine and cool it down to less than 70°C (158°F) and then retest from step 1.
12. Select "SELF-DIAG RESULTS" mode with CONSULT-III.
13. Confirm that 1st trip DTC is not detected.
If 1st trip DTC is detected, go to [EC-298, "Diagnosis Procedure"](#).

DTC P0420 THREE WAY CATALYST FUNCTION

< SERVICE INFORMATION >

[MR]

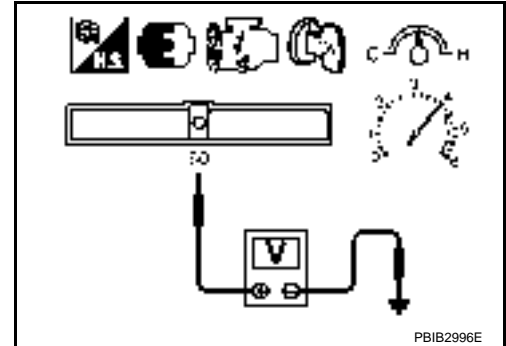
Overall Function Check

INFOID:000000001849987

Use this procedure to check the overall function of the three way catalyst (manifold). During this check, a 1st trip DTC might not be confirmed.

WITH GST

1. Start engine and warm it up to the normal operating temperature.
2. Turn ignition switch OFF and wait at least 10 seconds.
3. Start engine and keep the engine speed between 3,500 and 4,000 rpm for at least 1 minute under no load.
4. Let engine idle for 1 minute.
5. Open engine hood.
6. Set voltmeter probe between ECM terminals 50 HO2S2 signal and ground.
7. Keep engine speed at 2,500 rpm constant under no load.
8. Make sure that the voltage does not vary for more than 5 seconds.
If the voltage fluctuation cycle takes less than 5 seconds, go to [EC-298. "Diagnosis Procedure"](#).
 - 1 cycle: 0.6 - 1.0 → 0 - 0.3 → 0.6 - 1.0



Diagnosis Procedure

INFOID:000000001849988

1. CHECK EXHAUST SYSTEM

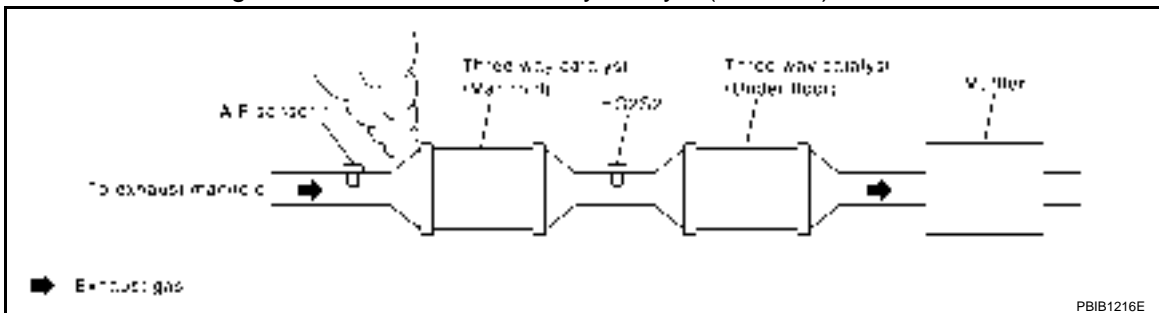
Visually check exhaust tubes and muffler for dent.

OK or NG

- OK >> GO TO 2.
- NG >> Repair or replace.

2. CHECK EXHAUST GAS LEAK

1. Start engine and run it at idle.
2. Listen for an exhaust gas leak before the three way catalyst (manifold).



OK or NG

- OK >> GO TO 3.
- NG >> Repair or replace.

3. CHECK INTAKE AIR LEAK

Listen for an intake air leak after the mass air flow sensor.

OK or NG

- OK >> GO TO 4.
- NG >> Repair or replace.

4. CHECK IGNITION TIMING

Check the following items. Refer to [EC-75. "Basic Inspection"](#).

DTC P0420 THREE WAY CATALYST FUNCTION

< SERVICE INFORMATION >

[MR]

Items	Specifications
Target idle speed	CVT: 675 ± 50 rpm (in P or N position)
	M/T: 700 ± 50 rpm (in Neutral position)
Ignition timing	CVT: 6 ± 5° BTDC (in P or N position)
	M/T: 6 ± 5° BTDC (in Neutral position)

OK or NG

OK >> GO TO 5.

NG >> Follow the [EC-75. "Basic Inspection"](#).

5. CHECK FUEL INJECTORS

1. Stop engine and turn ignition switch OFF.
2. Disconnect ECM harness connector.
3. Turn ignition switch ON.
4. Check voltage between ECM terminals 25, 29, 30, 31 and ground with CONSULT-III or tester. Refer to Wiring Diagram for fuel injectors, [EC-496. "Wiring Diagram"](#).

Voltage: Battery voltage

OK or NG

OK >> GO TO 6.

NG >> Perform [EC-497. "Diagnosis Procedure"](#).

6. CHECK FUNCTION OF IGNITION COIL-I

CAUTION:

Do the following procedure in the place where ventilation is good without the combustible.

1. Turn ignition switch OFF.
2. Remove fuel pump (1) fuse in IPDM E/R (2) to release fuel pressure.

NOTE:

Do not use CONSULT-III to release fuel pressure, or fuel pressure applies again during the following procedure.

- ◀ : Vehicle front
3. Start engine.
4. After engine stalls, crank it two or three times to release all fuel pressure.
5. Turn ignition switch OFF.
6. Remove all ignition coil harness connectors to avoid the electrical discharge from the ignition coils.
7. Remove ignition coil and spark plug of the cylinder to be checked.
8. Crank engine for 5 seconds or more to remove combustion gas in the cylinder.
9. Connect spark plug and harness connector to ignition coil.
10. Fix ignition coil using a rope etc. with gap of 13 - 17 mm between the edge of the spark plug and grounded metal portion as shown in the figure.
11. Crank engine for about 3 seconds, and check whether spark is generated between the spark plug and the grounded metal portion.

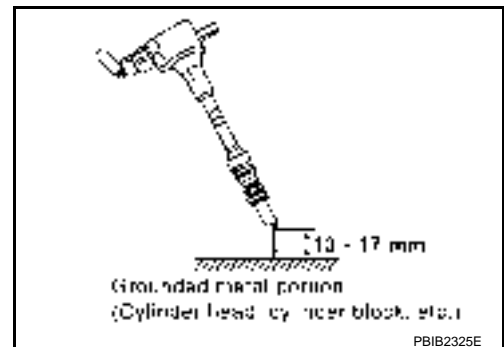
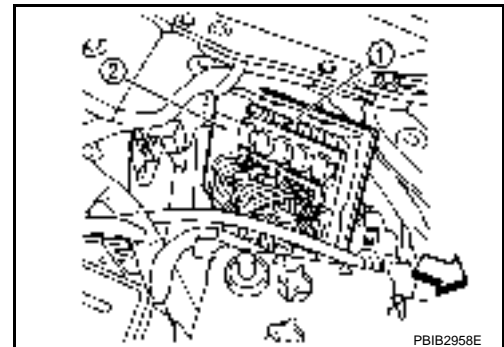
Spark should be generated.

CAUTION:

- Do not approach to the spark plug and the ignition coil within 50cm. Be careful not to get an electrical shock while checking, because the electrical discharge voltage becomes 20kV or more.
- It might cause to damage the ignition coil if the gap of more than 17 mm is taken.

NOTE:

When the gap is less than 13 mm, the spark might be generated even if the coil is malfunctioning.



DTC P0420 THREE WAY CATALYST FUNCTION

[MR]

< SERVICE INFORMATION >

OK or NG

- OK >> GO TO 10.
- NG >> GO TO 7.

7. CHECK FUNCTION OF IGNITION COIL-II

1. Turn ignition switch OFF.
2. Disconnect spark plug and connect a known-good spark plug.
3. Crank engine for about 3 seconds, and recheck whether spark is generated between the spark plug and the grounded metal portion.

Spark should be generated.

OK or NG

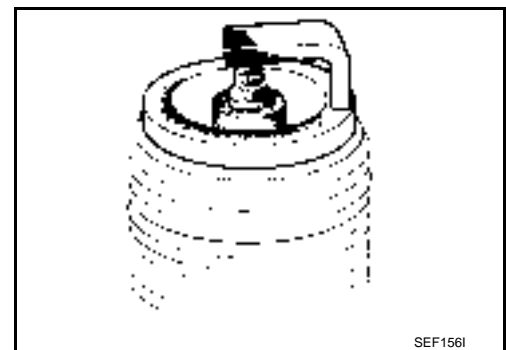
- OK >> GO TO 8.
- NG >> Check ignition coil, power transistor and their circuits. Refer to [EC-505](#).

8. CHECK SPARK PLUG

Check the initial spark plug for fouling, etc.

OK or NG

- OK >> Replace spark plug(s) with standard type one(s). For spark plug type, refer to [MA-22, "Changing Spark Plugs"](#).
- NG >> 1. Repair or clean spark plug.
2. GO TO 9.



9. CHECK FUNCTION OF IGNITION COIL-III

1. Reconnect the initial spark plugs.
2. Crank engine for about 3 seconds, and recheck whether spark is generated between the spark plug and the grounded portion.

Spark should be generated.

OK or NG

- OK >> **INSPECTION END**
- NG >> Replace spark plug(s) with standard type one(s). For spark plug type, refer to [MA-22, "Changing Spark Plugs"](#).

10. CHECK FUEL INJECTOR

1. Turn ignition switch OFF.
2. Remove fuel injector assembly.
Refer to [EM-33](#).
Keep fuel hose and all fuel injectors connected to fuel tube.
3. Disconnect all ignition coil harness connectors.
4. Reconnect all fuel injector harness connectors disconnected.
5. Turn ignition switch ON.
Make sure fuel does not drip from fuel injector.

OK or NG

- OK (Does not drip.)>>GO TO 11.
- NG (Drips.)>>Replace the fuel injector(s) from which fuel is dripping.

11. CHECK INTERMITTENT INCIDENT

Refer to [EC-135](#).

Trouble is fixed.>>**INSPECTION END**

Trouble is not fixed.>>Replace three way catalyst (manifold).

DTC P0441 EVAP CONTROL SYSTEM

< SERVICE INFORMATION >

[MR]

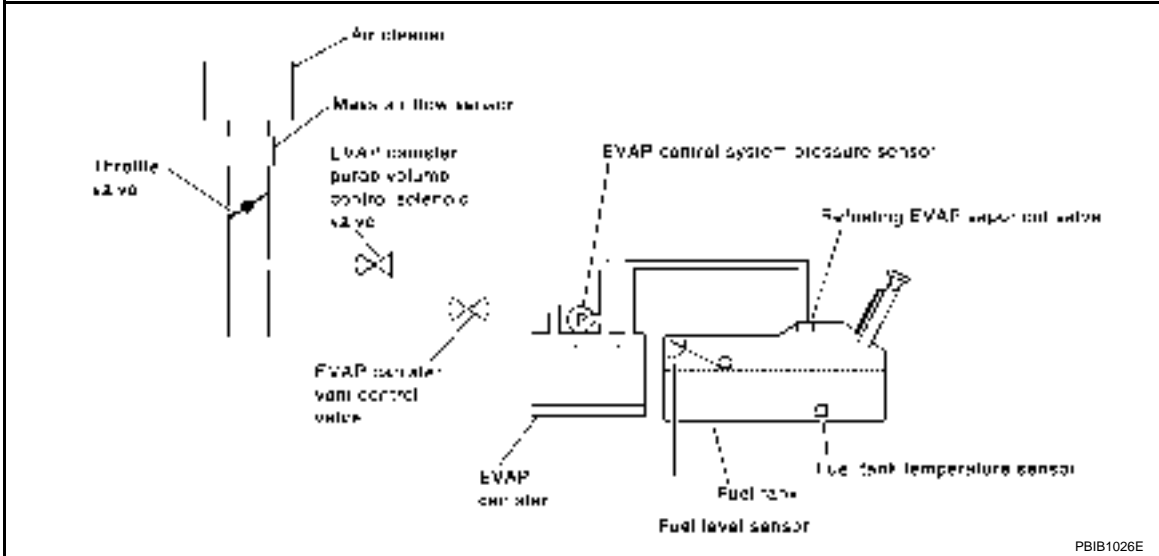
DTC P0441 EVAP CONTROL SYSTEM

System Description

INFOID:000000001849989

NOTE:

If DTC P0441 is displayed with other DTC such as P2122, P2123, P2127, P2128, P2138, first perform trouble diagnosis for other DTC.



In this evaporative emission (EVAP) control system, purge flow occurs during non-closed throttle conditions. Purge volume is related to air intake volume. Under normal purge conditions (non-closed throttle), the EVAP canister purge volume control solenoid valve is open to admit purge flow. Purge flow exposes the EVAP control system pressure sensor to intake manifold vacuum.

On Board Diagnosis Logic

INFOID:000000001849990

Under normal conditions (non-closed throttle), sensor output voltage indicates if pressure drop and purge flow are adequate. If not, a malfunction is determined.

DTC No.	Trouble diagnosis name	DTC detecting condition	Possible cause
P0441 0441	EVAP control system incorrect purge flow	<ul style="list-style-type: none"> EVAP control system does not operate properly. EVAP control system has a leak between intake manifold and EVAP control system pressure sensor. 	<ul style="list-style-type: none"> EVAP canister purge volume control solenoid valve stuck closed EVAP control system pressure sensor and the circuit Loose, disconnected or improper connection of rubber tube Blocked rubber tube Cracked EVAP canister EVAP canister purge volume control solenoid valve circuit Accelerator pedal position sensor Blocked purge port EVAP canister vent control valve

DTC Confirmation Procedure

INFOID:000000001849991

CAUTION:

Always drive vehicle at a safe speed.

NOTE:

If DTC Confirmation Procedure has been previously conducted, always turn ignition switch OFF and wait at least 10 seconds before conducting the next test.

TESTING CONDITION:

Always perform test at a temperature of 5°C (41°F) or more.

1 WITH CONSULT-III

DTC P0441 EVAP CONTROL SYSTEM

[MR]

< SERVICE INFORMATION >

1. Start engine and warm it up to normal operating temperature.
2. Turn ignition switch OFF and wait at least 10 seconds.
3. Start engine and let it idle for at least 70 seconds.
4. Select "PURG FLOW P0441" of "EVAPORATIVE SYSTEM" in "DTC CONFIRMATION" mode with CONSULT-III.
5. Touch "START".
If "COMPLETED" is displayed, go to step 7.
6. When the following conditions are met, "TESTING" will be displayed on the CONSULT-III screen. Maintain the conditions continuously until "TESTING" changes to "COMPLETED". (It will take at least 35 seconds.)

Shift lever	Suitable position
VHCL SPEED SE	32 - 120 km/h (20 - 75 MPH)
ENG SPEED	500 - 3,800 rpm
B/FUEL SCHDL	1.0 - 10.0 msec
COOLAN TEMP/S	More than 0°C (32 °F)

If TESTING is not changed for a long time, retry from step 2.

7. Make sure that "OK" is displayed after touching "ON-BOARD DIAGNOSIS". If "NG" is displayed, refer to [EC-302. "Diagnosis Procedure"](#).

Overall Function Check

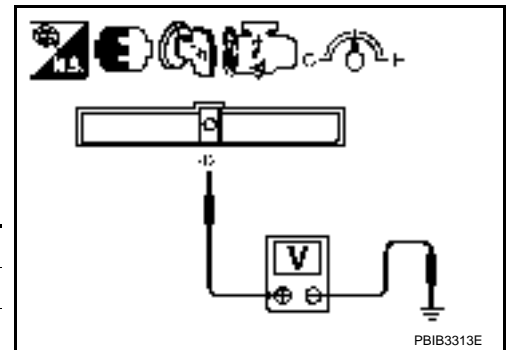
INFOID:000000001849992

Use this procedure to check the overall monitoring function of the EVAP control system purge flow monitoring. During this check, a 1st trip DTC might not be confirmed.

WITH GST

1. Lift up drive wheels.
2. Start engine and warm it up to normal operating temperature.
3. Turn ignition switch OFF and wait at least 10 seconds.
4. Start engine and wait at least 70 seconds.
5. Set voltmeter probes to ECM terminals 42 (EVAP control system pressure sensor signal) and ground.
6. Check EVAP control system pressure sensor value at idle speed and note it.
7. Establish and maintain the following conditions for at least 1 minute.

Air conditioner switch	ON
Headlamp switch	ON
Rear window defogger switch	ON
Engine speed	Approx. 3,000 rpm
Shift lever	Any position other than P, N or R



PBIB3313E

8. Verify that EVAP control system pressure sensor value stays 0.1V less than the value at idle speed (measured at step 6) for at least 1 second.
9. If NG, go to [EC-302. "Diagnosis Procedure"](#).

Diagnosis Procedure

INFOID:000000001849993

1. CHECK EVAP CANISTER

1. Turn ignition switch OFF.
2. Check EVAP canister for cracks.

OK or NG

- OK (With CONSULT-III)>>GO TO 2.
- OK (Without CONSULT-III)>>GO TO 3.
- NG >> Replace EVAP canister.

2. CHECK PURGE FLOW

DTC P0441 EVAP CONTROL SYSTEM

< SERVICE INFORMATION >

[MR]

With CONSULT-III

1. Disconnect vacuum hose connected to EVAP canister purge volume control solenoid valve at EVAP service port and install vacuum gauge. For the location of EVAP service port, refer to [EC-36, "Description"](#).
2. Start engine and let it idle.
3. Select "PURG VOL CONT/V" in "ACTIVE TEST" mode with CONSULT-III.
4. Rev engine up to 2,000 rpm.
5. Touch "Qd" and "Qu" on CONSULT-III screen to adjust "PURG VOL CONT/V" opening and check vacuum existence.

PURG VOL CONT/V	VACUUM
100%	Should exist.
0%	Should not exist.

OK or NG

- OK >> GO TO 7.
NG >> GO TO 4.

3. CHECK PURGE FLOW

Without CONSULT-III

1. Start engine and warm it up to normal operating temperature.
2. Stop engine.
3. Disconnect vacuum hose connected to EVAP canister purge volume control solenoid valve at EVAP service port and install vacuum gauge. For the location of EVAP service port, refer to [EC-36, "Description"](#).
4. Start engine and let it idle.
Do not depress accelerator pedal even slightly.
5. Check vacuum gauge indication before 60 seconds passed after starting engine.

Vacuum should not exist.

6. Revving engine up to 2,000 rpm after 100 seconds passed after starting engine.

Vacuum should exist.

OK or NG

- OK >> GO TO 7.
NG >> GO TO 4.

4. CHECK EVAP PURGE LINE

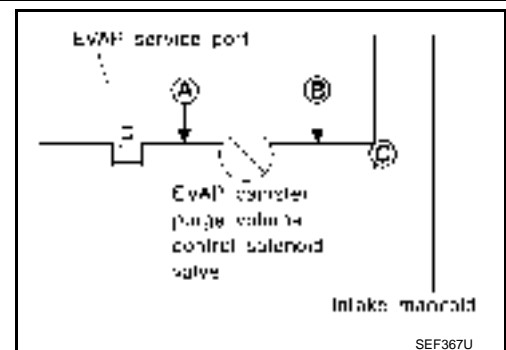
1. Turn ignition switch OFF.
2. Check EVAP purge line for improper connection or disconnection.
Refer to [EC-36, "Description"](#).

OK or NG

- OK >> GO TO 5.
NG >> Repair it.

5. CHECK EVAP PURGE HOSE AND PURGE PORT

1. Disconnect purge hoses connected to EVAP service port **A** and EVAP canister purge volume control solenoid valve **B**.
2. Blow air into each hose and EVAP purge port **C**.



DTC P0441 EVAP CONTROL SYSTEM

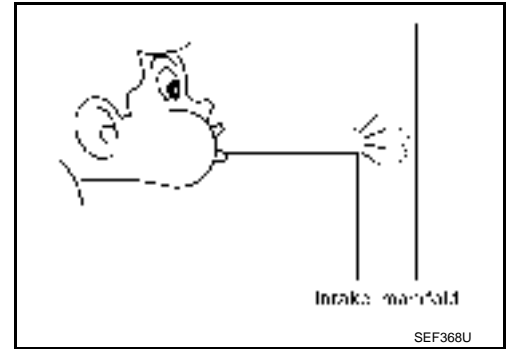
[MR]

< SERVICE INFORMATION >

3. Check that air flows freely.

OK or NG

- OK (With CONSULT-III)>>GO TO 6.
- OK (Without CONSULT-III)>>GO TO 7.
- NG >> Repair or clean hoses and/or purge port.



6. CHECK EVAP CANISTER PURGE VOLUME CONTROL SOLENOID VALVE

With CONSULT-III

1. Start engine.
2. Perform "PURG VOL CONT/V" in "ACTIVE TEST" mode with CONSULT-III. Check that engine speed varies according to the valve opening.

OK or NG

- OK >> GO TO 8.
- NG >> GO TO 7.

7. CHECK EVAP CANISTER PURGE VOLUME CONTROL SOLENOID VALVE

Refer to [EC-325, "Component Inspection"](#).

OK or NG

- OK >> GO TO 8.
- NG >> Replace EVAP canister purge volume control solenoid valve.

8. CHECK EVAP CONTROL SYSTEM PRESSURE SENSOR CONNECTOR

1. Disconnect EVAP control system pressure sensor harness connector.
2. Check connectors for water.

Water should not exist

OK or NG

- OK >> GO TO 9.
- NG >> Replace EVAP control system pressure sensor.

9. CHECK EVAP CONTROL SYSTEM PRESSURE SENSOR FUNCTION

Refer to [EC-341](#) for DTC P0452 and [EC-348](#) for DTC P0453.

OK or NG

- OK >> GO TO 10.
- NG >> Replace EVAP control system pressure sensor.

10. CHECK RUBBER TUBE FOR CLOGGING

1. Disconnect rubber tube connected to EVAP canister vent control valve.
2. Check the rubber tube for clogging.

OK or NG

- OK >> GO TO 11.
- NG >> Clean the rubber tube using an air blower.

11. CHECK EVAP CANISTER VENT CONTROL VALVE

Refer to [EC-330, "Component Inspection"](#).

OK or NG

- OK >> GO TO 12.
- NG >> Replace EVAP canister vent control valve.

12. CHECK EVAP PURGE LINE

Inspect EVAP purge line (pipe and rubber tube). Check for evidence of leaks.

DTC P0441 EVAP CONTROL SYSTEM

[MR]

< SERVICE INFORMATION >

Refer to [EC-36. "Description"](#).

OK or NG

OK >> GO TO 13.

NG >> Replace it.

13. CLEAN EVAP PURGE LINE

Clean EVAP purge line (pipe and rubber tube) using air blower.

>> GO TO 14.

14. CHECK INTERMITTENT INCIDENT

Refer to [EC-135](#).

>> **INSPECTION END**

A

EC

C

D

E

F

G

H

I

J

K

L

M

N

O

P

DTC P0442 EVAP CONTROL SYSTEM

< SERVICE INFORMATION >

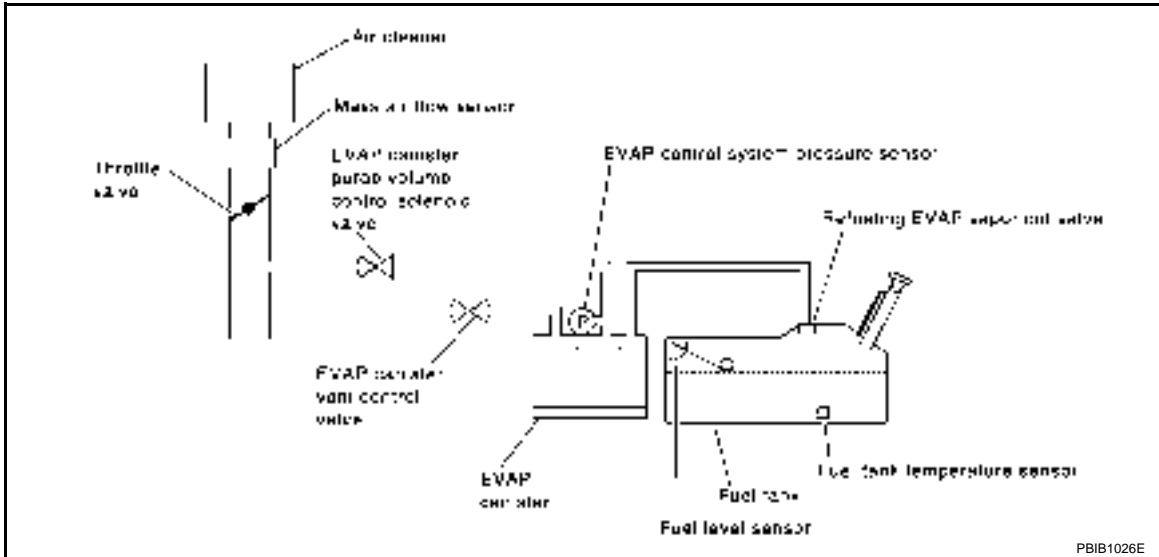
[MR]

DTC P0442 EVAP CONTROL SYSTEM

On Board Diagnosis Logic

INFOID:000000001849994

This diagnosis detects leaks in the EVAP purge line using engine intake manifold vacuum. If pressure does not increase, the ECM will check for leaks in the line between the fuel tank and EVAP canister purge volume control solenoid valve, under the following Vacuum test conditions. The EVAP canister vent control valve is closed to shut the EVAP purge line off. The EVAP canister purge volume control solenoid valve will then be opened to depressurize the EVAP purge line using intake manifold vacuum. After this occurs, the EVAP canister purge volume control solenoid valve will be closed.



DTC No.	Trouble diagnosis name	DTC detecting condition	Possible cause
P0442 0442	EVAP control system small leak detected (negative pressure)	EVAP control system has a leak, EVAP control system does not operate properly.	<ul style="list-style-type: none"> • Incorrect fuel tank vacuum relief valve • Incorrect fuel filler cap used • Fuel filler cap remains open or fails to close. • Foreign matter caught in fuel filler cap. • Leak is in line between intake manifold and EVAP canister purge volume control solenoid valve. • Foreign matter caught in EVAP canister vent control valve. • EVAP canister or fuel tank leaks • EVAP purge line (pipe and rubber tube) leaks • EVAP purge line rubber tube bent • Loose or disconnected rubber tube • EVAP canister vent control valve and the circuit • EVAP canister purge volume control solenoid valve and the circuit • Fuel tank temperature sensor • O-ring of EVAP canister vent control valve is missing or damaged • EVAP canister is saturated with water • EVAP control system pressure sensor • Fuel level sensor and the circuit • Refueling EVAP vapor cut valve • ORVR system leaks

CAUTION:

- Use only a genuine NISSAN fuel filler cap as a replacement. If an incorrect fuel filler cap is used, the MIL may come on.
- If the fuel filler cap is not tightened properly, the MIL may come on.
- Use only a genuine NISSAN rubber tube as a replacement.

DTC Confirmation Procedure

INFOID:000000001849995

NOTE:

DTC P0442 EVAP CONTROL SYSTEM

[MR]

< SERVICE INFORMATION >

If DTC Confirmation Procedure has been previously conducted, always turn ignition switch OFF and wait at least 10 seconds before conducting the next test.

TESTING CONDITION:

- Perform "DTC WORK SUPPORT" when the fuel level is between 1/4 and 3/4 full, and vehicle is placed on flat level surface.
- Always perform test at a temperature of 0 to 10°C (32 to 140°F).
- Open engine hood before conducting following procedure.

WITH CONSULT-III

1. Turn ignition switch ON.
2. Turn ignition switch OFF and wait at least 10 seconds.
3. Turn ignition switch ON and select "DATA MONITOR" mode with CONSULT-III.
4. Check the following conditions are met.
COOLAN TEMP/S: 0 - 100°C (32 - 212°F)
INT/A TEMP SE: 0 - 60°C (32 - 140°F)
5. Select "EVAP SML LEAK P0442/P1442" of "EVAPORATIVE SYSTEM" in "DTC WORK SUPPORT" mode with CONSULT-III.
Follow the instruction displayed.
NOTE:
If the engine speed cannot be maintained within the range displayed on the CONSULT-III screen, go to [EC-75, "Basic Inspection"](#).
6. Make sure that "OK" is displayed.
If "NG" is displayed, refer to [EC-307, "Diagnosis Procedure"](#).

WITH GST

NOTE:

Be sure to read the explanation of Driving Pattern on [EC-51, "Emission-related Diagnostic Information"](#) before driving vehicle.

1. Start engine.
2. Drive vehicle according to Driving Pattern, [EC-51, "Emission-related Diagnostic Information"](#)
3. Stop vehicle.
4. Turn ignition switch OFF and wait at least 10 seconds and then turn ignition switch ON.
5. Select Service \$07 with GST.
 - If P0442 is displayed on the screen, go to [EC-307, "Diagnosis Procedure"](#).
 - If P0441 is displayed on the screen, go to [EC-302, "Diagnosis Procedure"](#) for DTC P0441.

Diagnosis Procedure

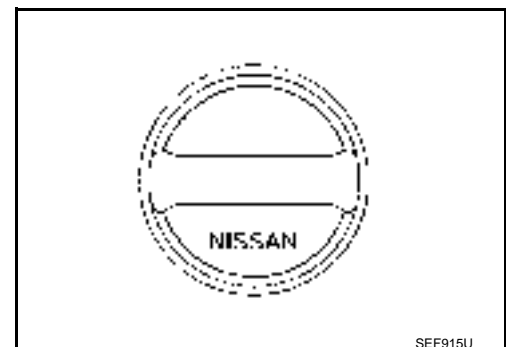
INFOID:000000001849996

1. CHECK FUEL FILLER CAP DESIGN

1. Turn ignition switch OFF.
2. Check for genuine NISSAN fuel filler cap design.

OK or NG

- OK >> GO TO 2.
- NG >> Replace with genuine NISSAN fuel filler cap.



2. CHECK FUEL FILLER CAP INSTALLATION

Check that the cap is tightened properly by rotating the cap clockwise.

OK or NG

- OK >> GO TO 3.
- NG >> 1. Open fuel filler cap, then clean cap and fuel filler neck threads using air blower.
2. Retighten until ratcheting sound is heard.

3. CHECK FUEL FILLER CAP FUNCTION

DTC P0442 EVAP CONTROL SYSTEM

[MR]

< SERVICE INFORMATION >

Check for air releasing sound while opening the fuel filler cap.

OK or NG

- OK >> GO TO 5.
- NG >> GO TO 4.

4. CHECK FUEL TANK VACUUM RELIEF VALVE

Refer to [EC-38, "Component Inspection"](#).


OK or NG

- OK >> GO TO 5.
- NG >> Replace fuel filler cap with a genuine one.

5. INSTALL THE PRESSURE PUMP

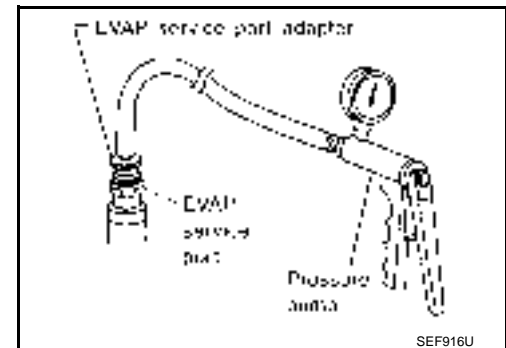
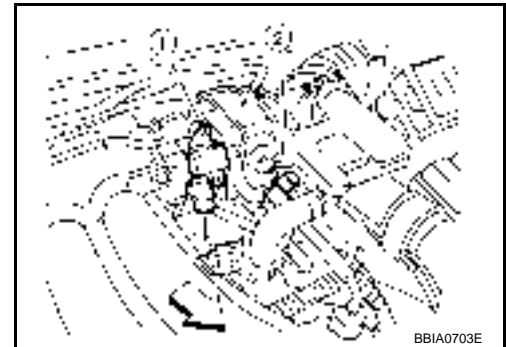
To locate the EVAP leak, install EVAP service port adapter and pressure pump to EVAP service port securely.

For the location of EVAP service port (2), refer to [EC-36, "Description"](#).

- EVAP canister purge volume control solenoid valve (1)
-  Vehicle front

NOTE:

Improper installation of the EVAP service port adapter to the EVAP service port may cause leaking.



With CONSULT-III>>GO TO 6.

Without CONSULT-III>>GO TO 7.

6. CHECK FOR EVAP LEAK

¹ With CONSULT-III

1. Turn ignition switch ON.
2. Select "EVAP SYSTEM CLOSE" of "WORK SUPPORT" mode with CONSULT-III.
3. Touch "START" and apply pressure into the EVAP line until the pressure indicator reaches the middle of the bar graph.

CAUTION:

- Never use compressed air or a high pressure pump.
- Do not exceed 4.12 kPa (0.042 kg/cm², 0.6 psi) of pressure in the system.

DTC P0442 EVAP CONTROL SYSTEM

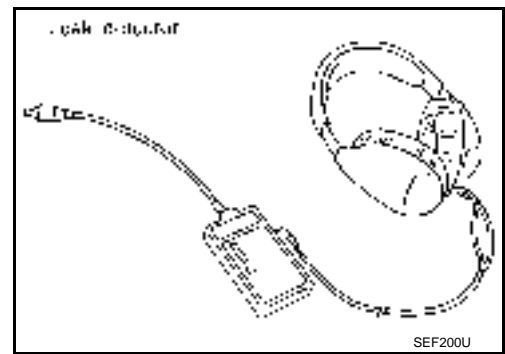
[MR]

< SERVICE INFORMATION >

- Using EVAP leak detector, locate the EVAP leak. For the leak detector, refer to the instruction manual for more details. Refer to [EC-36. "Description"](#).

OK or NG

- OK >> GO TO 8.
- NG >> Repair or replace.



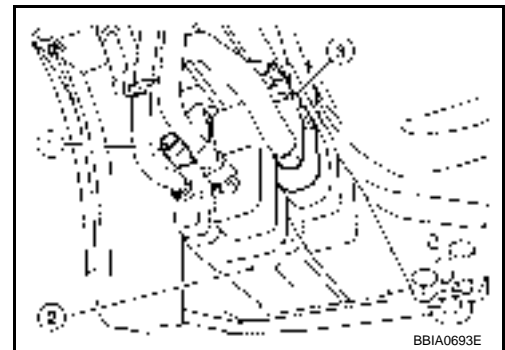
7. CHECK FOR EVAP LEAK

✗ Without CONSULT-III

- Turn ignition switch OFF.
- Apply 12 volts DC to EVAP canister vent control valve. The valve will close. (Continue to apply 12 volts until the end of test.)
 - This illustration is a view from under vehicle
 - EVAP control system pressure sensor (1)
 - EVAP canister (2)
 - EVAP canister vent control valve (3)
- Pressurize the EVAP line using pressure pump with 1.3 to 2.7 kPa (10 to 20 mmHg, 0.39 to 0.79 inHg), then remove pump and EVAP service port adapter.

CAUTION:

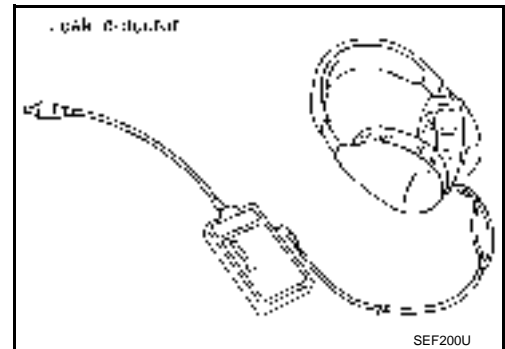
- Never use compressed air or a high pressure pump.
- Do not exceed 4.12 kPa (0.042 kg/cm², 0.6 psi) of pressure in the system.



- Using EVAP leak detector, locate the EVAP leak. For the leak detector, refer to the instruction manual for more details. Refer to [EC-36. "Description"](#).

OK or NG

- OK >> GO TO 8.
- NG >> Repair or replace.



8. CHECK EVAP CANISTER VENT CONTROL VALVE

Check the following,

- EVAP canister vent control valve is installed properly. Refer to [EC-39. "Removal and Installation"](#).
- EVAP canister vent control valve. Refer to [EC-330. "Component Inspection"](#).

OK or NG

- OK >> GO TO 9.
- NG >> Repair or replace EVAP canister vent control valve and O-ring.

9. CHECK IF EVAP CANISTER SATURATED WITH WATER

- Remove EVAP canister with EVAP canister vent control valve and EVAP control system pressure sensor attached.

DTC P0442 EVAP CONTROL SYSTEM

[MR]

< SERVICE INFORMATION >

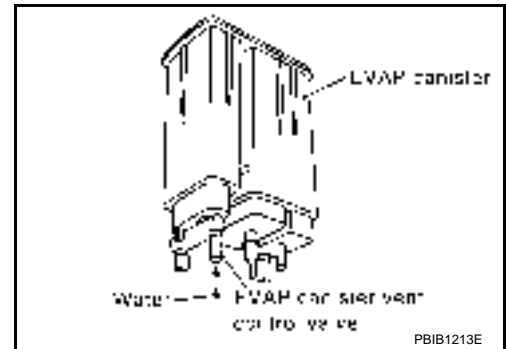
2. Does water drain from the EVAP canister?

Yes or No

Yes >> GO TO 10.

No (With CONSULT-III)>>GO TO 12.

No (Without CONSULT-III)>>GO TO 13.



10. CHECK EVAP CANISTER

Weigh the EVAP canister with the EVAP canister vent control valve and EVAP control system pressure sensor attached.

The weight should be less than 1.9 kg (4.2 lb).

OK or NG

OK (With CONSULT-III)>>GO TO 12.

OK (Without CONSULT-III)>>GO TO 13.

NG >> GO TO 11.

11. DETECT MALFUNCTIONING PART

Check the following.

- EVAP canister for damage
- EVAP hose connected to EVAP canister for clogging or poor connection

>> Repair hose or replace EVAP canister.

12. CHECK EVAP CANISTER PURGE VOLUME CONTROL SOLENOID VALVE OPERATION

With CONSULT-III

1. Disconnect vacuum hose to EVAP canister purge volume control solenoid valve at EVAP service port.
2. Start engine.
3. Perform "PURG VOL CONT/V" in "ACTIVE TEST" mode.
4. Touch "Qu" on CONSULT-III screen to increase "PURG VOL CONT/V" opening to 100%.
5. Check vacuum hose for vacuum when revving engine up to 2,000 rpm.

Vacuum should exist.

OK or NG

OK >> GO TO 15.

NG >> GO TO 14.

13. CHECK EVAP CANISTER PURGE VOLUME CONTROL SOLENOID VALVE OPERATION

Without CONSULT-III

1. Start engine and warm it up to normal operating temperature.
2. Stop engine.
3. Disconnect vacuum hose to EVAP canister purge volume control solenoid valve at EVAP service port.
4. Start engine and let it idle for at least 80 seconds.
5. Check vacuum hose for vacuum when revving engine up to 2,000 rpm.

Vacuum should exist.

OK or NG

OK >> GO TO 16.

NG >> GO TO 14.

14. CHECK VACUUM HOSE

Check vacuum hoses for clogging or disconnection. Refer to [EC-103, "Vacuum Hose Drawing"](#).

OK or NG

DTC P0442 EVAP CONTROL SYSTEM

[MR]

< SERVICE INFORMATION >

- OK >> GO TO 15.
- NG >> Repair or reconnect the hose.

15. CHECK EVAP CANISTER PURGE VOLUME CONTROL SOLENOID VALVE

Refer to [EC-325. "Component Inspection"](#).

OK or NG

- OK >> GO TO 16.
- NG >> Replace EVAP canister purge volume control solenoid valve.

16. CHECK FUEL TANK TEMPERATURE SENSOR

Refer to [EC-265. "Component Inspection"](#).

OK or NG

- OK >> GO TO 17.
- NG >> Replace fuel level sensor unit.

17. CHECK EVAP CONTROL SYSTEM PRESSURE SENSOR

Refer to [EC-347. "Component Inspection"](#).

OK or NG

- OK >> GO TO 18.
- NG >> Replace EVAP control system pressure sensor.

18. CHECK EVAP PURGE LINE

Check EVAP purge line (pipe, rubber tube, fuel tank and EVAP canister) for cracks or improper connection. Refer to [EC-36](#).

OK or NG

- OK >> GO TO 19.
- NG >> Repair or reconnect the hose.

19. CLEAN EVAP PURGE LINE

Clean EVAP purge line (pipe and rubber tube) using air blower.

>> GO TO 20.

20. CHECK EVAP/ORVR LINE

Check EVAP/ORVR line between EVAP canister and fuel tank for clogging, kink, looseness and improper connection. For location, refer to [EC-42](#).

OK or NG

- OK >> GO TO 21.
- NG >> Repair or replace hoses and tubes.

21. CHECK RECIRCULATION LINE

Check recirculation line between filler neck tube and fuel tank for clogging, kink, cracks, looseness and improper connection.

OK or NG

- OK >> GO TO 22.
- NG >> Repair or replace hoses, tubes or filler neck tube.

22. CHECK REFUELING EVAP VAPOR CUT VALVE

Refer to [EC-44. "Component Inspection"](#).

OK or NG

- OK >> GO TO 23.
- NG >> Replace refueling EVAP vapor cut valve with fuel tank.

23. CHECK FUEL LEVEL SENSOR

Refer to [FL-5](#).

OK or NG

- OK >> GO TO 24.

A
EC
C
D
E
F
G
H
I
J
K
L
M
N
O
P

DTC P0442 EVAP CONTROL SYSTEM

< SERVICE INFORMATION >

[MR]

NG >> Replace fuel level sensor unit.

24.CHECK INTERMITTENT INCIDENT

Refer to [EC-135](#).

>> **INSPECTION END**

DTC P0443 EVAP CANISTER PURGE VOLUME CONTROL SOLENOID VALVE

< SERVICE INFORMATION >

[MR]

DTC P0443 EVAP CANISTER PURGE VOLUME CONTROL SOLENOID VALVE

Description

INFOID:000000001849997

SYSTEM DESCRIPTION

Sensor	Input Signal to ECM	ECM function	Actuator
Crankshaft position sensor (POS) Camshaft position sensor (PHASE)	Engine speed*1	EVAP canister purge flow control	EVAP canister purge volume control solenoid valve
Mass air flow sensor	Amount of intake air		
Engine coolant temperature sensor	Engine coolant temperature		
Battery	Battery voltage*1		
Throttle position sensor	Throttle position		
Accelerator pedal position sensor	Accelerator pedal position		
Air fuel ratio (A/F) sensor 1	Density of oxygen in exhaust gas (Mixture ratio feedback signal)		
Fuel tank temperature sensor	Fuel temperature in fuel tank		
Wheel sensor	Vehicle speed*2		

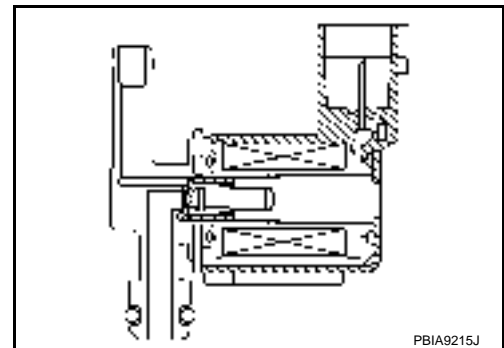
*1: ECM determines the start signal status by the signals of engine speed and battery voltage.

*2: This signal is sent to the ECM though CAN communication line.

This system controls flow rate of fuel vapor from the EVAP canister. The opening of the vapor by-pass passage in the EVAP canister purge volume control solenoid valve changes to control the flow rate. The EVAP canister purge volume control solenoid valve repeats ON/OFF operation according to the signal sent from the ECM. The opening of the valve varies for optimum engine control. The optimum value stored in the ECM is determined by considering various engine conditions. When the engine is operating, the flow rate of fuel vapor from the EVAP canister is regulated as the air flow changes.

COMPONENT DESCRIPTION

The EVAP canister purge volume control solenoid valve uses a ON/OFF duty to control the flow rate of fuel vapor from the EVAP canister. The EVAP canister purge volume control solenoid valve is moved by ON/OFF pulses from the ECM. The longer the ON pulse, the greater the amount of fuel vapor that will flow through the valve.



CONSULT-III Reference Value in Data Monitor Mode

INFOID:000000001849998

Specification data are reference values.

MONITOR ITEM	CONDITION	SPECIFICATION
PURG VOL C/V	<ul style="list-style-type: none"> Engine: After warming up Shift lever: P or N (CVT), Neutral (M/T) Air conditioner switch: OFF No load 	Idle (Accelerator pedal is not depressed even slightly, after engine starting)
		2,000 rpm
		0 - 50%

DTC P0443 EVAP CANISTER PURGE VOLUME CONTROL SOLENOID VALVE

< SERVICE INFORMATION >

[MR]

On Board Diagnosis Logic

INFOID:000000001849999

DTC No.	Trouble diagnosis name	DTC detecting condition	Possible cause
P0443 0443	EVAP canister purge volume control solenoid valve	The canister purge flow is detected during the specified driving conditions, even when EVAP canister purge volume control solenoid valve is completely closed.	<ul style="list-style-type: none">• EVAP control system pressure sensor• EVAP canister purge volume control solenoid valve (EVAP canister purge volume control solenoid valve is stuck open.)• EVAP canister vent control valve• EVAP canister• Hoses (Hoses are connected incorrectly or clogged.)

DTC Confirmation Procedure

INFOID:000000001850000

NOTE:

If DTC Confirmation Procedure has been previously conducted, always turn ignition switch OFF and wait at least 10 seconds before conducting the next test.

TESTING CONDITION:

Always perform test at a temperature of 5°C (41°F) or more.

WITH CONSULT-III

1. Start engine and warm it up to normal operating temperature.
2. Turn ignition switch OFF and wait at least 10 seconds.
3. Turn ignition switch ON.
4. Select "PURG VOL CN/V P1444" of "EVAPORATIVE SYSTEM" in "DTC WORK SUPPORT" mode with CONSULT-III.
5. Touch "START".
6. Start engine and let it idle until "TESTING" on CONSULT-III changes to "COMPLETED". (It will take approximately 10 seconds.)
If "TESTING" is not displayed after 5 minutes, retry from step 2.
7. Make sure that "OK" is displayed after touching "ON-BOARD DIAGNOSIS". If "NG" is displayed, refer to [EC-316. "Diagnosis Procedure"](#).

WITH GST

1. Start engine and warm it up to normal operating temperature.
2. Turn ignition switch OFF and wait at least 10 seconds.
3. Start engine and let it idle for at least 20 seconds.
4. Select Service \$07 with GST.
5. If 1st trip DTC is detected, go to [EC-316. "Diagnosis Procedure"](#).

DTC P0443 EVAP CANISTER PURGE VOLUME CONTROL SOLENOID VALVE

< SERVICE INFORMATION >

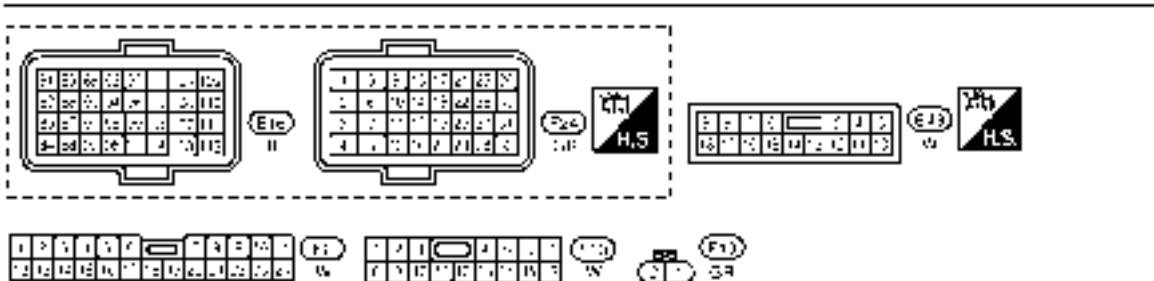
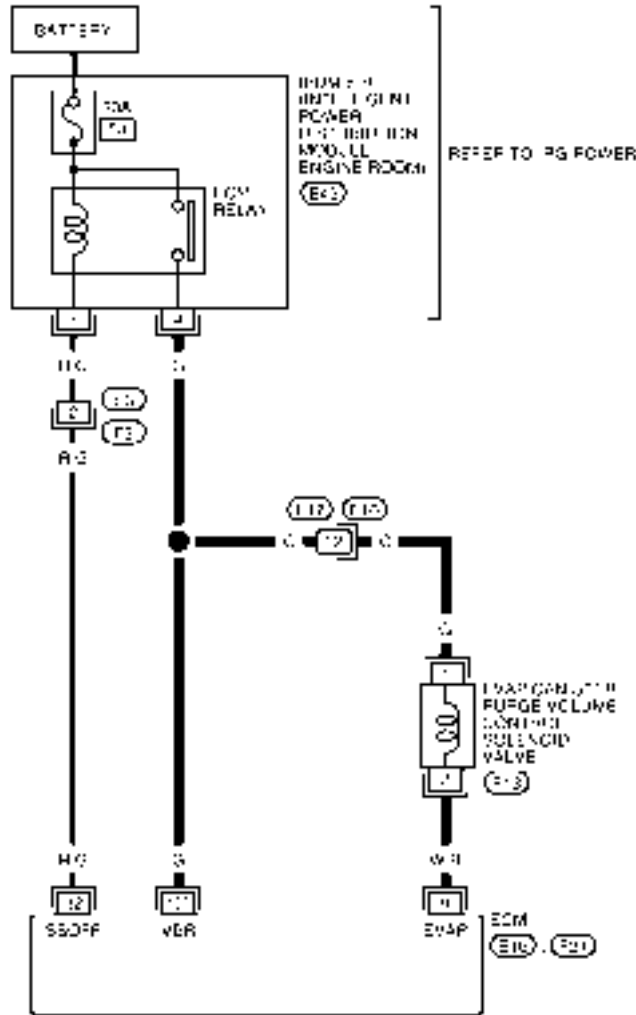
[MR]

Wiring Diagram

INFOID:000000001850001

EC-PGC/V-01

— DETECTABLE LINE DAMAGE
 — NON-DETECTABLE LINE DAMAGE



BBWA2886E

Specification data are reference values and are measured between each terminal and ground. Pulse signal is measured by CONSULT-III.

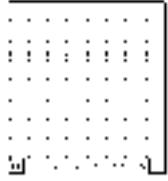
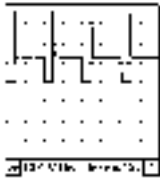
CAUTION:

DTC P0443 EVAP CANISTER PURGE VOLUME CONTROL SOLENOID VALVE

< SERVICE INFORMATION >

[MR]

Do not use ECM ground terminals when measuring input/output voltage. Doing so may result in damage to the ECM's transistor. Use a ground other than ECM terminals, such as the ground.

TERMI- NAL NO.	WIRE COLOR	ITEM	CONDITION	DATA (DC Voltage)
9	W/B	EVAP canister purge volume control solenoid valve	[Engine is running] <ul style="list-style-type: none"> • Idle speed • Accelerator pedal: Not depressed even slightly, after engine starting. 	BATTERY VOLTAGE (11 - 14V)★ 
			[Engine is running] <ul style="list-style-type: none"> • Engine speed: About 2,000 rpm (More than 100 seconds after starting engine) 	Approximately 10V★ 
32	R/G	ECM relay (Self shut-off)	[Engine is running] [Ignition switch: OFF] <ul style="list-style-type: none"> • For a few seconds after turning ignition switch OFF 	0 - 1.0V
			[Ignition switch: OFF] <ul style="list-style-type: none"> • More than a few seconds after turning ignition switch OFF 	BATTERY VOLTAGE (11 - 14V)
105	G	Power supply for ECM	[Ignition switch: ON]	BATTERY VOLTAGE (11 - 14V)

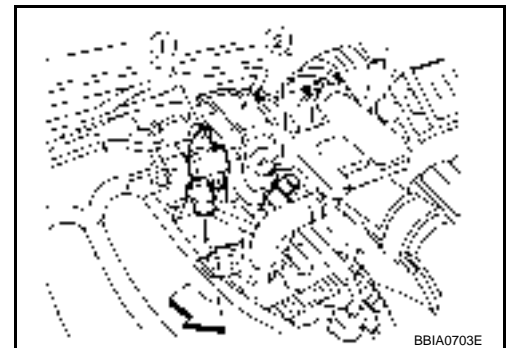
★: Average voltage for pulse signal (Actual pulse signal can be confirmed by oscilloscope.)

Diagnosis Procedure

INFOID:000000001850002

1. CHECK EVAP CANISTER PURGE VOLUME CONTROL SOLENOID VALVE POWER SUPPLY CIRCUIT

1. Turn ignition switch OFF.
2. Disconnect EVAP canister purge volume control solenoid valve (1) harness connector.
 - EVAP service port (2)
 - ↙: Vehicle front
3. Turn ignition switch ON.



BBIA0703E

DTC P0443 EVAP CANISTER PURGE VOLUME CONTROL SOLENOID VALVE

[MR]

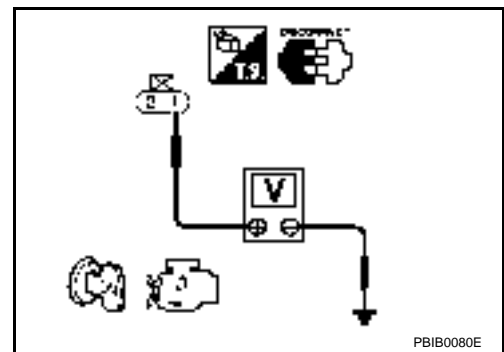
< SERVICE INFORMATION >

4. Check voltage between EVAP canister purge volume control solenoid valve terminal 1 and ground with CONSULT-III or tester.

Voltage: Battery voltage

OK or NG

- OK >> GO TO 3.
- NG >> GO TO 2.



2. DETECT MALFUNCTIONING PART

Check the following.

- Harness connectors E17, F10
- Harness for open or short between EVAP canister purge volume control solenoid valve and IPDM E/R
- Harness for open or short between EVAP canister purge volume control solenoid valve and ECM

>> Repair open circuit or short to ground or short to power in harness or connectors.

3. CHECK EVAP CANISTER PURGE VOLUME CONTROL SOLENOID VALVE OUTPUT SIGNAL CIRCUIT FOR OPEN AND SHORT

1. Turn ignition switch OFF.
2. Disconnect ECM harness connector.
3. Check harness continuity between ECM terminal 9 and EVAP canister purge volume control solenoid valve terminal 2. Refer to Wiring Diagram.

Continuity should exist.

4. Also check harness for short to ground and short to power.

OK or NG

- OK >> GO TO 4.
- NG >> Repair open circuit or short to ground or short to power in harness or connectors.

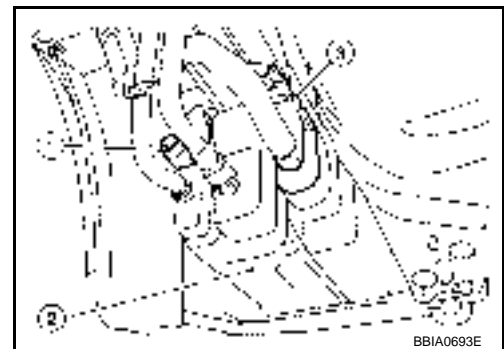
4. CHECK EVAP CONTROL SYSTEM PRESSURE SENSOR CONNECTOR

1. Disconnect EVAP control system pressure sensor harness connector.
 - This illustration is a view from under vehicle
 - EVAP control system pressure sensor (1)
 - EVAP canister (2)
 - EVAP canister vent control valve (3)
2. Check connectors for water.

Water should not exist.

OK or NG

- OK >> GO TO 5.
- NG >> Replace EVAP control system pressure sensor.



5. CHECK EVAP CONTROL SYSTEM PRESSURE SENSOR

Refer to [EC-347. "Component Inspection"](#).

OK or NG

- OK (With CONSULT-III) >> GO TO 6.
- OK (Without CONSULT-III) >> GO TO 7.
- NG >> Replace EVAP control system pressure sensor.

6. CHECK EVAP CANISTER PURGE VOLUME CONTROL SOLENOID VALVE

With CONSULT-III

1. Turn ignition switch OFF.

DTC P0443 EVAP CANISTER PURGE VOLUME CONTROL SOLENOID VALVE

[MR]

< SERVICE INFORMATION >

2. Reconnect harness connectors disconnected.
3. Start engine.
4. Perform "PURG VOL CONT/V" in "ACTIVE TEST" mode with CONSULT-III. Check that engine speed varies according to the valve opening.

OK or NG

- OK >> GO TO 8.
NG >> GO TO 7.

7. CHECK EVAP CANISTER PURGE VOLUME CONTROL SOLENOID VALVE

Refer to [EC-319, "Component Inspection"](#).

OK or NG

- OK >> GO TO 8.
NG >> Replace EVAP canister purge volume control solenoid valve.

8. CHECK RUBBER TUBE FOR CLOGGING

1. Disconnect rubber tube connected to EVAP canister vent control valve.
2. Check the rubber tube for clogging.

OK or NG

- OK >> GO TO 9.
NG >> Clean the rubber tube using an air blower.

9. CHECK EVAP CANISTER VENT CONTROL VALVE

Refer to [EC-330, "Component Inspection"](#).

OK or NG

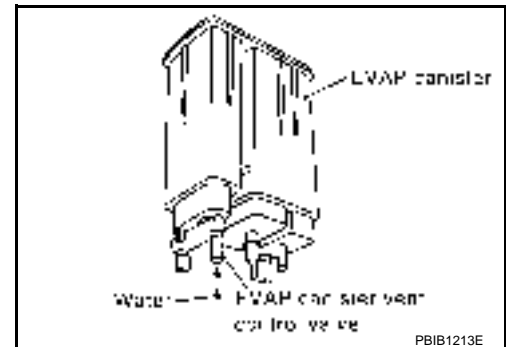
- OK >> GO TO 10.
NG >> Replace EVAP canister vent control valve.

10. CHECK IF EVAP CANISTER SATURATED WITH WATER

1. Remove EVAP canister with EVAP canister vent control valve attached.
2. Does water drain from the EVAP canister?

YES or NO

- YES >> GO TO 11.
NO >> GO TO 13.



11. CHECK EVAP CANISTER

Weigh the EVAP canister with the EVAP canister vent control valve and EVAP control system pressure sensor attached.

The weight should be less than 1.9 kg (4.2 lb).

OK or NG

- OK >> GO TO 13.
NG >> GO TO 12.

12. DETECT MALFUNCTIONING PART

Check the following.

- EVAP canister for damage
- EVAP hose between EVAP canister and vehicle frame for clogging or poor connection

>> Repair hose or replace EVAP canister.

DTC P0443 EVAP CANISTER PURGE VOLUME CONTROL SOLENOID VALVE

< SERVICE INFORMATION >

[MR]

13. CHECK INTERMITTENT INCIDENT

Refer to [EC-135](#).

>> **INSPECTION END**

Component Inspection

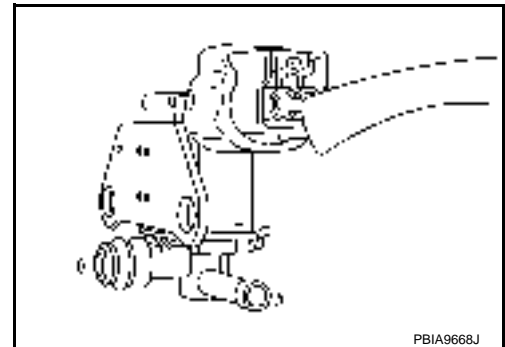
INFOID:000000001850003

EVAP CANISTER PURGE VOLUME CONTROL SOLENOID VALVE

▮ With CONSULT-III

Check air passage continuity of EVAP canister purge volume control solenoid valve under the following conditions.

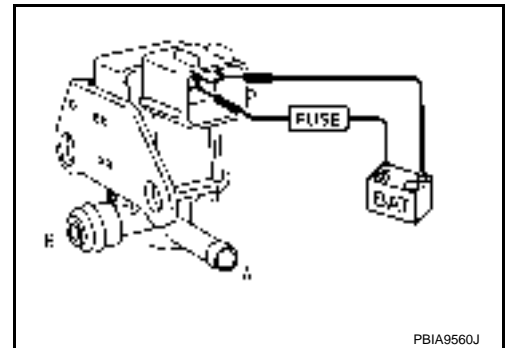
Condition (PURG VOL CONT/V value)	Air passage continuity between A and B
100%	Yes
0%	No



✕ Without CONSULT-III

Check air passage continuity of EVAP canister purge volume control solenoid valve under the following conditions.

Condition	Air passage continuity between A and B
12V direct current supply between terminals 1 and 2	Yes
No supply	No



Removal and Installation

INFOID:000000001850004

EVAP CANISTER PURGE VOLUME CONTROL SOLENOID VALVE

Refer to [EM-18](#).

DTC P0444, P0445 EVAP CANISTER PURGE VOLUME CONTROL SOLENOID VALVE

< SERVICE INFORMATION >

[MR]

DTC P0444, P0445 EVAP CANISTER PURGE VOLUME CONTROL SOLENOID VALVE

Description

INFOID:000000001850005

SYSTEM DESCRIPTION

Sensor	Input Signal to ECM	ECM function	Actuator
Crankshaft position sensor (POS) Camshaft position sensor (PHASE)	Engine speed* ¹	EVAP canister purge flow control	EVAP canister purge volume control solenoid valve
Mass air flow sensor	Amount of intake air		
Engine coolant temperature sensor	Engine coolant temperature		
Battery	Battery voltage* ¹		
Throttle position sensor	Throttle position		
Accelerator pedal position sensor	Accelerator pedal position		
Air fuel ratio (A/F) sensor 1	Density of oxygen in exhaust gas (Mixture ratio feedback signal)		
Fuel tank temperature sensor	Fuel temperature in fuel tank		
Wheel sensor	Vehicle speed* ²		

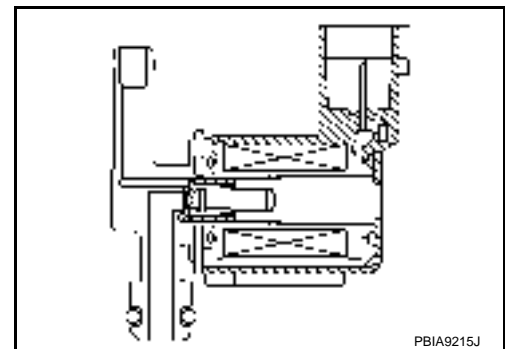
*1: The ECM determines the start signal status by the signal of engine speed and battery voltage.

*2: This signal is sent to the ECM through CAN communication line.

This system controls flow rate of fuel vapor from the EVAP canister. The opening of the vapor by-pass passage in the EVAP canister purge volume control solenoid valve changes to control the flow rate. The EVAP canister purge volume control solenoid valve repeats ON/OFF operation according to the signal sent from the ECM. The opening of the valve varies for optimum engine control. The optimum value stored in the ECM is determined by considering various engine conditions. When the engine is operating, the flow rate of fuel vapor from the EVAP canister is regulated as the air flow changes.

COMPONENT DESCRIPTION

The EVAP canister purge volume control solenoid valve uses a ON/OFF duty to control the flow rate of fuel vapor from the EVAP canister. The EVAP canister purge volume control solenoid valve is moved by ON/OFF pulses from the ECM. The longer the ON pulse, the greater the amount of fuel vapor that will flow through the valve.



CONSULT-III Reference Value in Data Monitor Mode

INFOID:000000001850006

Specification data are reference values.

MONITOR ITEM	CONDITION		SPECIFICATION
PURG VOL C/V	<ul style="list-style-type: none"> Engine: After warming up Shift lever: N (CVT), Neutral (M/T) Air conditioner switch: OFF No load 	Idle (Accelerator pedal is not depressed even slightly, after engine starting)	0%
		2,000 rpm	0 - 50%

DTC P0444, P0445 EVAP CANISTER PURGE VOLUME CONTROL SOLENOID VALVE

< SERVICE INFORMATION >

[MR]

On Board Diagnosis Logic

INFOID:000000001850007

DTC No.	Trouble diagnosis name	DTC detecting condition	Possible cause
P0444 0444	EVAP canister purge volume control solenoid valve circuit open	An excessively low voltage signal is sent to ECM through the valve	<ul style="list-style-type: none"> • Harness or connectors (EVAP canister purge volume control solenoid valve circuit is open or shorted.) • EVAP canister purge volume control solenoid valve
P0445 0445	EVAP canister purge volume control solenoid valve circuit shorted	An excessively high voltage signal is sent to ECM through the valve	<ul style="list-style-type: none"> • Harness or connectors (EVAP canister purge volume control solenoid valve circuit is shorted.) • EVAP canister purge volume control solenoid valve

DTC Confirmation Procedure

INFOID:000000001850008

NOTE:

If DTC Confirmation Procedure has been previously conducted, always turn ignition switch OFF and wait at least 10 seconds before conducting the next test.

TESTING CONDITION:

Before performing the following procedure, confirm battery voltage is more than 11V at idle.

1. Start engine and let it idle for at least 13 seconds.
2. Check 1st trip DTC.
3. If 1st trip DTC is detected, go to [EC-323. "Diagnosis Procedure"](#).

DTC P0444, P0445 EVAP CANISTER PURGE VOLUME CONTROL SOLENOID VALVE

< SERVICE INFORMATION >

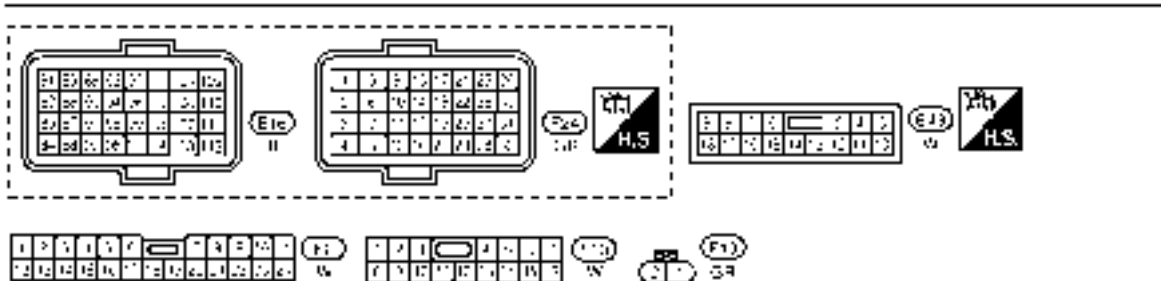
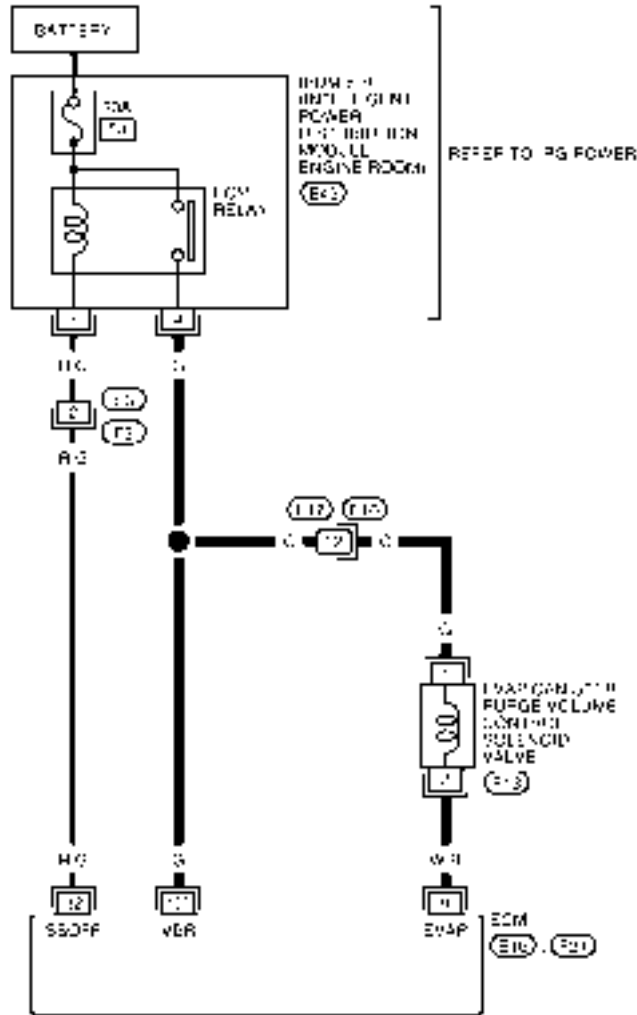
[MR]

Wiring Diagram

INFOID:0000000185009

EC-PGC/V-01

— DETECTABLE LINE FAILURE
 — NON-DETECTABLE LINE FAILURE



BBWA2886E

Specification data are reference values and are measured between each terminal and ground. Pulse signal is measured by CONSULT-III.

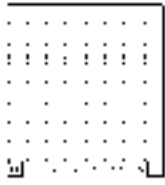
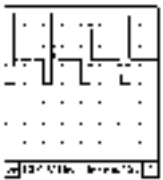
CAUTION:

DTC P0444, P0445 EVAP CANISTER PURGE VOLUME CONTROL SOLENOID VALVE

< SERVICE INFORMATION >

[MR]

Do not use ECM ground terminals when measuring input/output voltage. Doing so may result in damage to the ECM's transistor. Use a ground other than ECM terminals, such as the ground.

TER-MI-NAL NO.	WIRE COLOR	ITEM	CONDITION	DATA (DC Voltage)
9	W/B	EVAP canister purge volume control solenoid valve	[Engine is running] <ul style="list-style-type: none"> • Idle speed • Accelerator pedal: Not depressed even slightly, after engine starting. 	BATTERY VOLTAGE (11 - 14V)★ 
			[Engine is running] <ul style="list-style-type: none"> • Engine speed: About 2,000 rpm (More than 100 seconds after starting engine) 	Approximately 10V★ 
32	R/G	ECM relay (Self shut-off)	[Engine is running] [Ignition switch: OFF] <ul style="list-style-type: none"> • For a few seconds after turning ignition switch OFF 	0 - 1.0V
			[Ignition switch: OFF] <ul style="list-style-type: none"> • More than a few seconds after turning ignition switch OFF 	BATTERY VOLTAGE (11 - 14V)
105	G	Power supply for ECM	[Ignition switch: ON]	BATTERY VOLTAGE (11 - 14V)

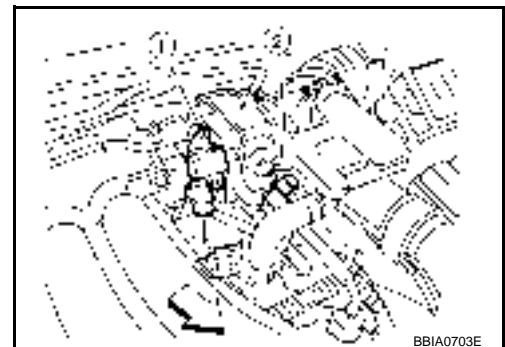
★: Average voltage for pulse signal (Actual pulse signal can be confirmed by oscilloscope.)

Diagnosis Procedure

INFOID:000000001850010

1. CHECK EVAP CANISTER PURGE VOLUME CONTROL SOLENOID VALVE POWER SUPPLY CIRCUIT

1. Turn ignition switch OFF.
2. Disconnect EVAP canister purge volume control solenoid valve (1) harness connector.
 - EVAP canister port (2)
3. Turn ignition switch ON.



DTC P0444, P0445 EVAP CANISTER PURGE VOLUME CONTROL SOLENOID VALVE

[MR]

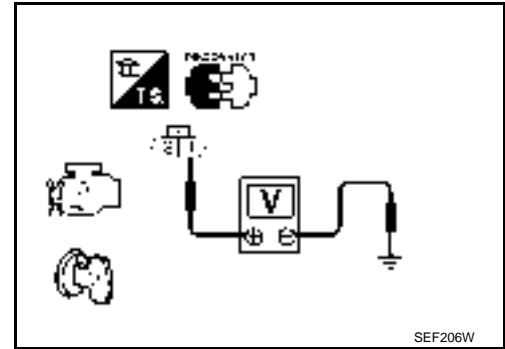
< SERVICE INFORMATION >

4. Check voltage between EVAP canister purge volume control solenoid valve terminal 1 and ground with CONSULT-III or tester.

Voltage: Battery voltage

OK or NG

- OK >> GO TO 3.
- NG >> GO TO 2.



2. DETECT MALFUNCTIONING PART

Check the following.

- Harness connectors E17, F10
- Harness for open or short between EVAP canister purge volume control solenoid valve and IPDM E/R
- Harness for open or short between EVAP canister purge volume control solenoid valve and ECM

>> Repair open circuit or short to ground or short to power in harness or connectors.

3. CHECK EVAP CANISTER PURGE VOLUME CONTROL SOLENOID VALVE OUTPUT SIGNAL CIRCUIT FOR OPEN AND SHORT

1. Turn ignition switch OFF.
2. Disconnect ECM harness connector.
3. Check harness continuity between ECM terminal 9 and EVAP canister purge volume control solenoid valve terminal 2. Refer to Wiring Diagram.

Continuity should exist.

4. Also check harness for short to ground and short to power.

OK or NG

- OK (With CONSULT-III) >> GO TO 4.
- OK (Without CONSULT-III) >> GO TO 5.
- NG >> Repair open circuit or short to ground or short to power in harness or connectors.

4. CHECK EVAP CANISTER PURGE VOLUME CONTROL SOLENOID VALVE OPERATION

With CONSULT-III

1. Reconnect all harness connectors disconnected.
2. Start engine.
3. Perform "PURG VOL CONT/V" in "ACTIVE TEST" mode with CONSULT-III. Check that engine speed varies according to the valve opening.

OK or NG

- OK >> GO TO 6.
- NG >> GO TO 5.

5. CHECK EVAP CANISTER PURGE VOLUME CONTROL SOLENOID VALVE

Refer to [EC-325. "Component Inspection"](#).

OK or NG

- OK >> GO TO 6.
- NG >> Replace EVAP canister purge volume control solenoid valve.

6. CHECK INTERMITTENT INCIDENT

Refer to [EC-135](#).

>> **INSPECTION END**

DTC P0444, P0445 EVAP CANISTER PURGE VOLUME CONTROL SOLENOID VALVE

< SERVICE INFORMATION >

[MR]

Component Inspection

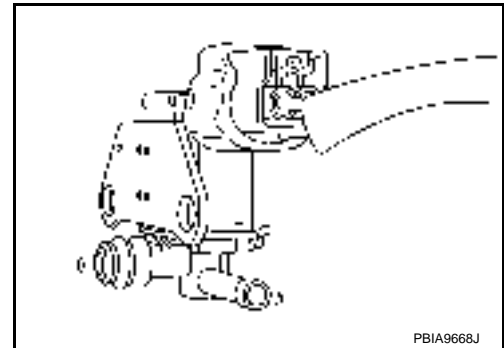
INFOID:000000001850011

EVAP CANISTER PURGE VOLUME CONTROL SOLENOID VALVE

▮ With CONSULT-III

Check air passage continuity of EVAP canister purge volume control solenoid valve under the following conditions.

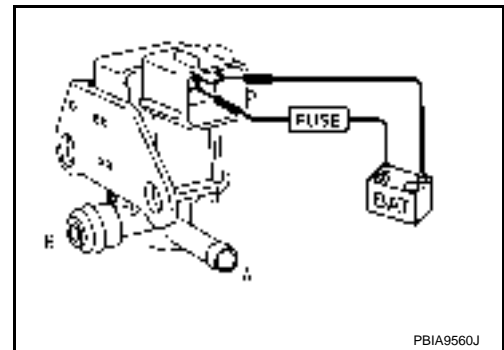
Condition (PURG VOL CONT/V value)	Air passage continuity between A and B
100%	Yes
0%	No



✕ Without CONSULT-III

Check air passage continuity of EVAP canister purge volume control solenoid valve under the following conditions.

Condition	Air passage continuity between A and B
12V direct current supply between terminals 1 and 2	Yes
No supply	No



Removal and Installation

INFOID:000000001850012

EVAP CANISTER PURGE VOLUME CONTROL SOLENOID VALVE

Refer to [EM-18](#).

A
EC
C
D
E
F
G
H
I
J
K
L
M
N
O
P

DTC P0447 EVAP CANISTER VENT CONTROL VALVE

< SERVICE INFORMATION >

[MR]

DTC P0447 EVAP CANISTER VENT CONTROL VALVE

Component Description

INFOID:000000001850013

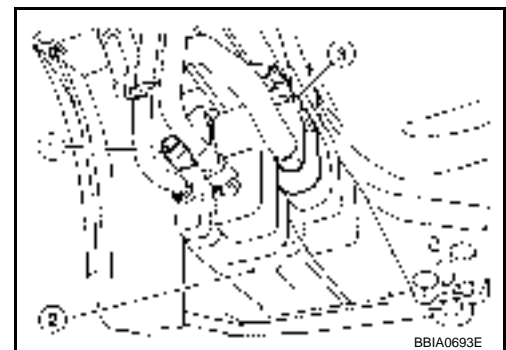
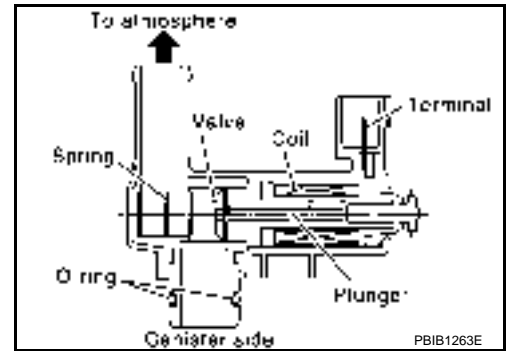
The EVAP canister vent control valve (3) is located on the EVAP canister (2) and is used to seal the canister vent.

This solenoid valve responds to signals from the ECM. When the ECM sends an ON signal, the coil in the solenoid valve is energized. A plunger will then move to seal the canister vent. The ability to seal the vent is necessary for the on board diagnosis of other evaporative emission control system components.

This solenoid valve is used only for diagnosis, and usually remains opened.

When the vent is closed, under normal purge conditions, the evaporative emission control system is depressurized and allows EVAP control system diagnoses.

- This illustration is a view from under vehicle
- EVAP control system pressure sensor (1)



CONSULT-III Reference Value in Data Monitor Mode

INFOID:000000001850014

Specification data are reference values.

MONITOR ITEM	CONDITION	SPECIFICATION
VENT CONT/V	• Ignition switch: ON	OFF

On Board Diagnosis Logic

INFOID:000000001850015

DTC No.	Trouble diagnosis name	DTC detecting condition	Possible cause
P0447 0447	EVAP canister vent control valve circuit open	An improper voltage signal is sent to ECM through EVAP canister vent control valve.	<ul style="list-style-type: none"> • Harness or connectors (EVAP canister vent control valve circuit is open or shorted.) • EVAP canister vent control valve

DTC Confirmation Procedure

INFOID:000000001850016

NOTE:

If DTC Confirmation Procedure has been previously conducted, always turn ignition switch OFF and wait at least 10 seconds before conducting the next test.

TESTING CONDITION:

Before performing the following procedure, confirm battery voltage is more than 11V at idle.

1. Start engine and wait at least 8 seconds.
2. Check 1st trip DTC.
3. If 1st trip DTC is detected, go to [EC-328, "Diagnosis Procedure"](#).

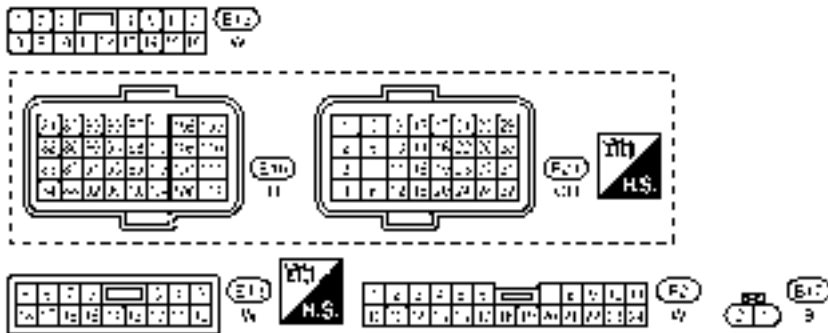
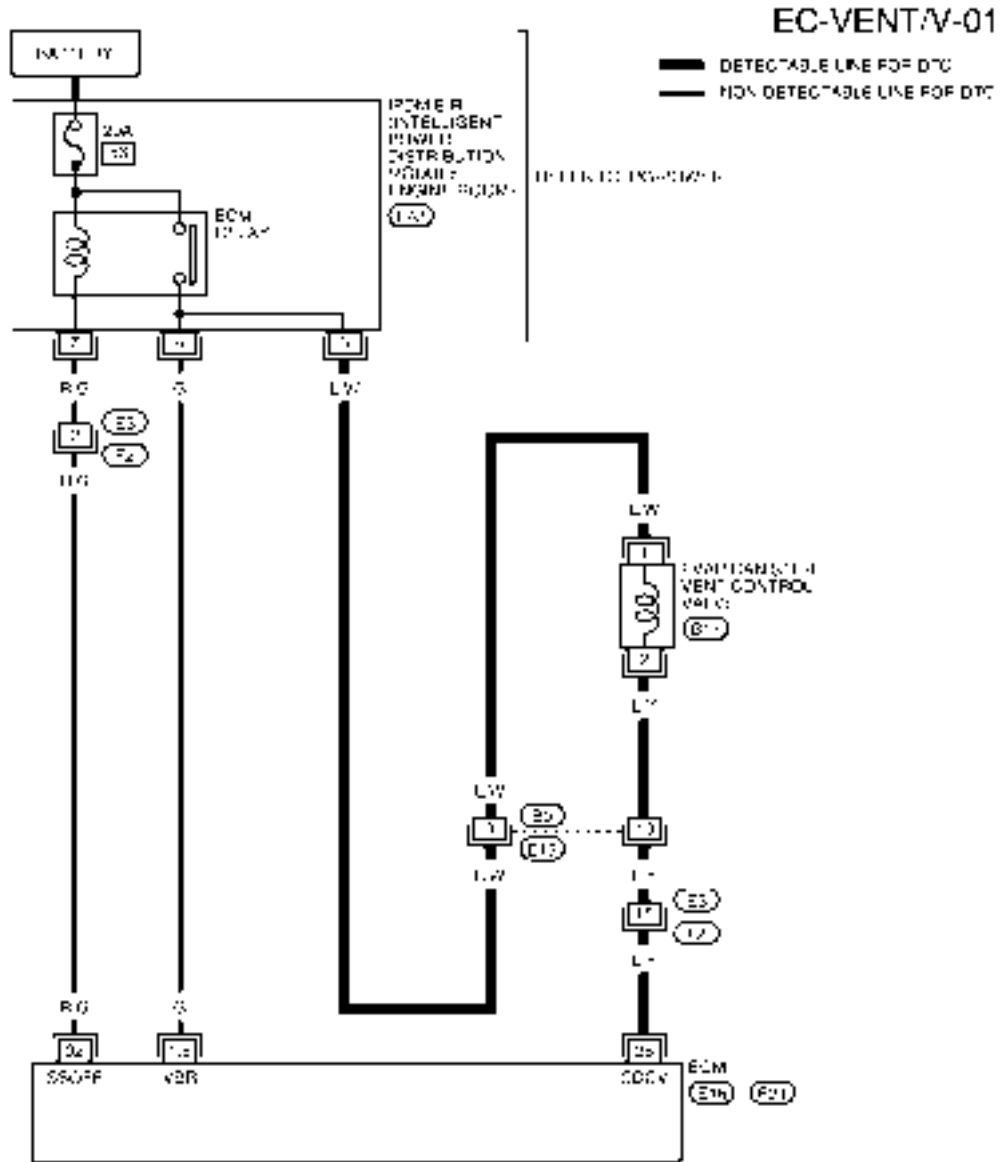
DTC P0447 EVAP CANISTER VENT CONTROL VALVE

< SERVICE INFORMATION >

[MR]

Wiring Diagram

INFOID:000000001850017



BBWA2887E

Specification data are reference values and are measured between each terminal and ground.

CAUTION:

Do not use ECM ground terminals when measuring input/output voltage. Doing so may result in damage to the ECM's transistor. Use a ground other than ECM terminals, such as the ground.

DTC P0447 EVAP CANISTER VENT CONTROL VALVE

< SERVICE INFORMATION >

[MR]

TER-MI-NAL NO.	WIRE COLOR	ITEM	CONDITION	DATA (DC Voltage)
28	L/Y	EVAP canister vent control valve	[Ignition switch: ON]	BATTERY VOLTAGE (11 - 14V)
32	R/G	ECM relay (Self shut-off)	[Engine is running] [Ignition switch: OFF] <ul style="list-style-type: none">• For a few seconds after turning ignition switch OFF	0 - 1.0V
			[Ignition switch: OFF] <ul style="list-style-type: none">• More than a few seconds after turning ignition switch OFF	BATTERY VOLTAGE (11 - 14V)
105	G	Power supply for ECM	[Ignition switch: ON]	BATTERY VOLTAGE (11 - 14V)

Diagnosis Procedure

INFOID:000000001850018

1. INSPECTION START

1. Do you have CONSULT-III?

Yes or No

- Yes >> GO TO 2.
No >> GO TO 3.

2. CHECK EVAP CANISTER VENT CONTROL VALVE CIRCUIT

¹ **With CONSULT-III**

1. Turn ignition switch OFF and then turn ON.
2. Select "VENT CONTROL/V" in "ACTIVE TEST" mode with CONSULT-III.
3. Touch "ON/OFF" on CONSULT-III screen.
4. Check for operating sound of the valve.

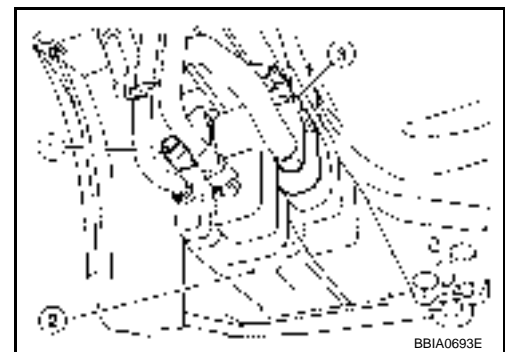
Clicking noise should be heard.

OK or NG

- OK >> GO TO 8.
NG >> GO TO 3.

3. CHECK EVAP CANISTER VENT CONTROL VALVE POWER SUPPLY CIRCUIT

1. Turn ignition switch OFF.
2. Disconnect EVAP canister vent control valve (3) harness connector.
 - This illustration is a view from under vehicle
 - EVAP control system pressure sensor (1)
 - EVAP canister (2)
3. Turn ignition switch ON.



DTC P0447 EVAP CANISTER VENT CONTROL VALVE

[MR]

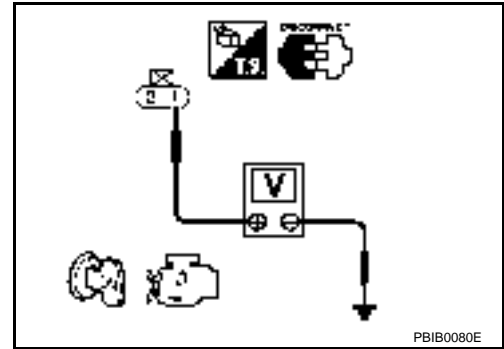
< SERVICE INFORMATION >

4. Check voltage between EVAP canister vent control valve terminal 1 and ground with CONSULT-III or tester.

Voltage: Battery voltage

OK or NG

- OK >> GO TO 5.
- NG >> GO TO 4.



4. DETECT MALFUNCTIONING PART

Check the following.

- Harness connectors B9, E13
- Harness for open or short between EVAP canister vent control valve and IPDM E/R

>> Repair open circuit or short to ground or short to power in harness or connectors.

5. CHECK EVAP CANISTER VENT CONTROL VALVE OUTPUT SIGNAL CIRCUIT FOR OPEN AND SHORT

1. Turn ignition switch OFF.
2. Disconnect ECM harness connector.
3. Check harness continuity between ECM terminal 28 and EVAP canister vent control valve terminal 2. Refer to Wiring Diagram.

Continuity should exist.

4. Also check harness for short to ground and short to power.

OK or NG

- OK >> GO TO 7.
- NG >> GO TO 6.

6. DETECT MALFUNCTIONING PART

Check the following.

- Harness connectors E3, F2
- Harness for open or short between EVAP canister vent control valve and ECM

>> Repair open circuit or short to ground or short to power in harness or connectors.

7. CHECK RUBBER TUBE FOR CLOGGING

1. Disconnect rubber tube connected to EVAP canister vent control valve.
2. Check the rubber tube for clogging.

OK or NG

- OK >> GO TO 8.
- NG >> Clean the rubber tube using an air blower.

8. CHECK EVAP CANISTER VENT CONTROL VALVE

Refer to [EC-330, "Component Inspection"](#).

OK or NG

- OK >> GO TO 9.
- NG >> Replace EVAP canister vent control valve.

9. CHECK INTERMITTENT INCIDENT

Refer to [EC-135](#).

>> **INSPECTION END**

DTC P0447 EVAP CANISTER VENT CONTROL VALVE

< SERVICE INFORMATION >

[MR]

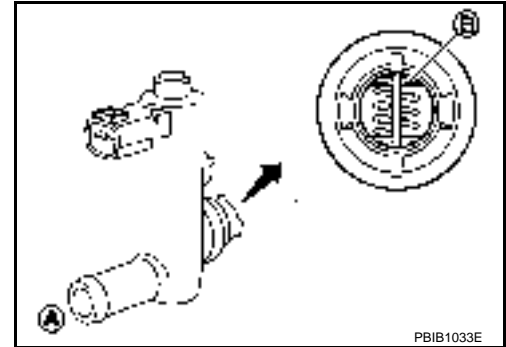
Component Inspection

INFOID:000000001850019

EVAP CANISTER VENT CONTROL VALVE

┆ With CONSULT-III

1. Remove EVAP canister vent control valve from EVAP canister.
2. Check portion **B** of EVAP canister vent control valve for being rusted.
If NG, replace EVAP canister vent control valve.
If OK, go to next step.
3. Reconnect harness connectors disconnected.
4. Turn ignition switch ON.



5. Perform "VENT CONTROL/V" in "ACTIVE TEST" mode.
6. Check air passage continuity and operation delay time.
Make sure new O-ring is installed properly.

Condition VENT CONTROL/V	Air passage continuity between A and B
ON	No
OFF	Yes

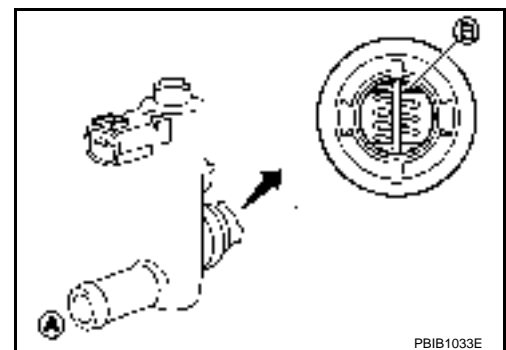
Operation takes less than 1 second.

If NG, replace EVAP canister vent control valve.
If OK, go to next step.

7. Clean the air passage (Portion **A** to **B**) of EVAP canister vent control valve using an air blower.
8. Perform step 6 again.

✕ Without CONSULT-III

1. Remove EVAP canister vent control valve from EVAP canister.
2. Check portion **B** of EVAP canister vent control valve for being rusted.

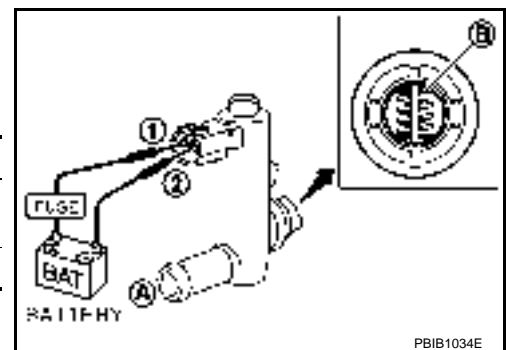


3. Check air passage continuity and operation delay time under the following conditions.
Make sure new O-ring is installed properly.

Condition	Air passage continuity between A and B
12V direct current supply between terminals 1 and 2	No
OFF	Yes

Operation takes less than 1 second.

If NG, replace EVAP canister vent control valve.



DTC P0447 EVAP CANISTER VENT CONTROL VALVE

< SERVICE INFORMATION >

[MR]

If OK, go to next step.

4. Clean the air passage (Portion **A** to **B**) of EVAP canister vent control valve using an air blower.
5. Perform step 3 again.

A

EC

C

D

E

F

G

H

I

J

K

L

M

N

O

P

DTC P0448 EVAP CANISTER VENT CONTROL VALVE

< SERVICE INFORMATION >

[MR]

DTC P0448 EVAP CANISTER VENT CONTROL VALVE

Component Description

INFOID:000000001850020

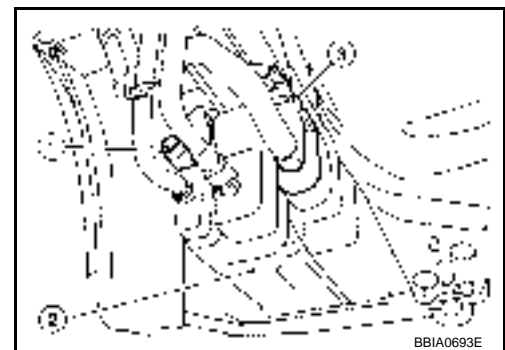
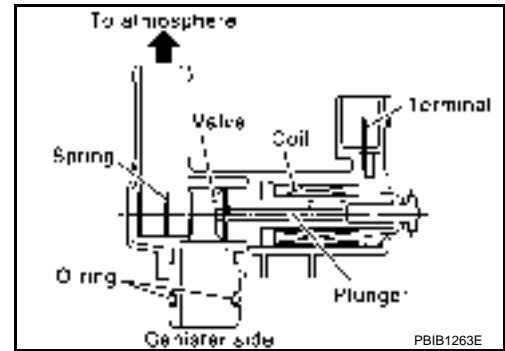
The EVAP canister vent control valve (3) is located on the EVAP canister (2) and is used to seal the canister vent.

This solenoid valve responds to signals from the ECM. When the ECM sends an ON signal, the coil in the solenoid valve is energized. A plunger will then move to seal the canister vent. The ability to seal the vent is necessary for the on board diagnosis of other evaporative emission control system components.

This solenoid valve is used only for diagnosis, and usually remains opened.

When the vent is closed, under normal purge conditions, the evaporative emission control system is depressurized and allows EVAP control system diagnoses.

- This illustration is a view from under vehicle
- EVAP control system pressure sensor (1)



CONSULT-III Reference Value in Data Monitor Mode

INFOID:000000001850021

Specification data are reference values.

MONITOR ITEM	CONDITION	SPECIFICATION
VENT CONT/V	• Ignition switch: ON	OFF

On Board Diagnosis Logic

INFOID:000000001850022

DTC No.	Trouble diagnosis name	DTC detecting condition	Possible cause
P0448 0448	EVAP canister vent control valve close	EVAP canister vent control valve remains closed under specified driving conditions.	<ul style="list-style-type: none"> • EVAP canister vent control valve • EVAP control system pressure sensor and the circuit • Blocked rubber tube to EVAP canister vent control valve • EVAP canister is saturated with water

DTC Confirmation Procedure

INFOID:000000001850023

CAUTION:

Always drive vehicle at a safe speed.

NOTE:

If DTC Confirmation Procedure has been previously conducted, always turn ignition switch OFF and wait at least 10 seconds before conducting the next test.

WITH CONSULT-III

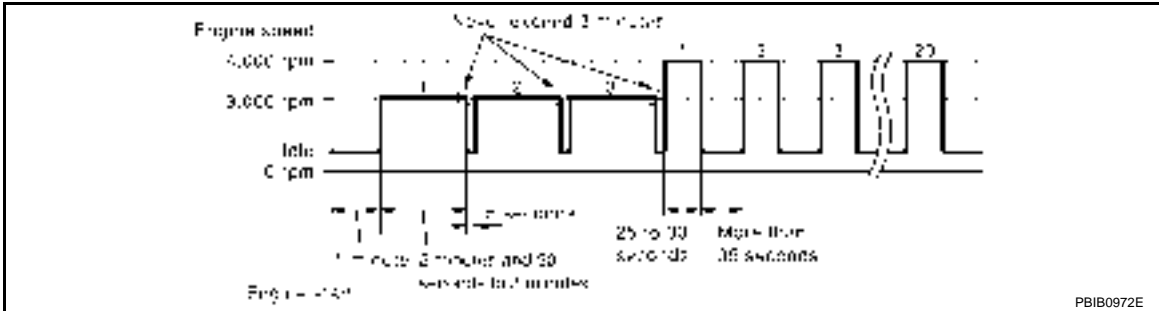
1. Turn ignition switch ON and wait at least 5 seconds.
2. Turn ignition switch OFF and wait at least 10 seconds.
3. Turn ignition switch ON and select "DATA MONITOR" mode with CONSULT-III.
4. Start engine and let it idle for at least 1 minute.

DTC P0448 EVAP CANISTER VENT CONTROL VALVE

[MR]

< SERVICE INFORMATION >

5. Repeat next procedures three times.
 - a. Increase the engine speed up to 3,000 to 3,500 rpm and keep it for 2 minutes and 50 seconds to 3 minutes. **Never exceed 3 minutes.**
 - b. Fully released accelerator pedal and keep engine idle for about 5 seconds.
6. Check 1st trip DTC.
7. If 1st trip DTC is detected, go to [EC-335. "Diagnosis Procedure"](#).
If 1st trip DTC is not detected, go to the next step.
8. Repeat next procedure 20 times.
 - a. Quickly increase the engine speed up to 4,000 to 4,500 rpm or more and keep it for 25 to 30 seconds.
 - b. Fully released accelerator pedal and keep engine idle for at least 35 seconds.



9. Check 1st trip DTC.
10. If 1st trip DTC is detected, go to [EC-335. "Diagnosis Procedure"](#).

WITH GST

Follow the procedure "WITH CONSULT-III" above.

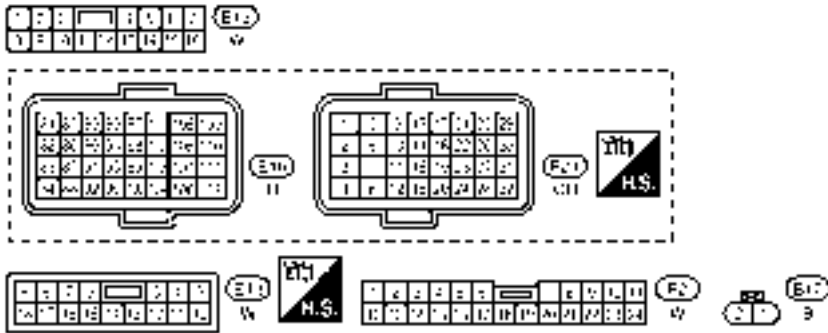
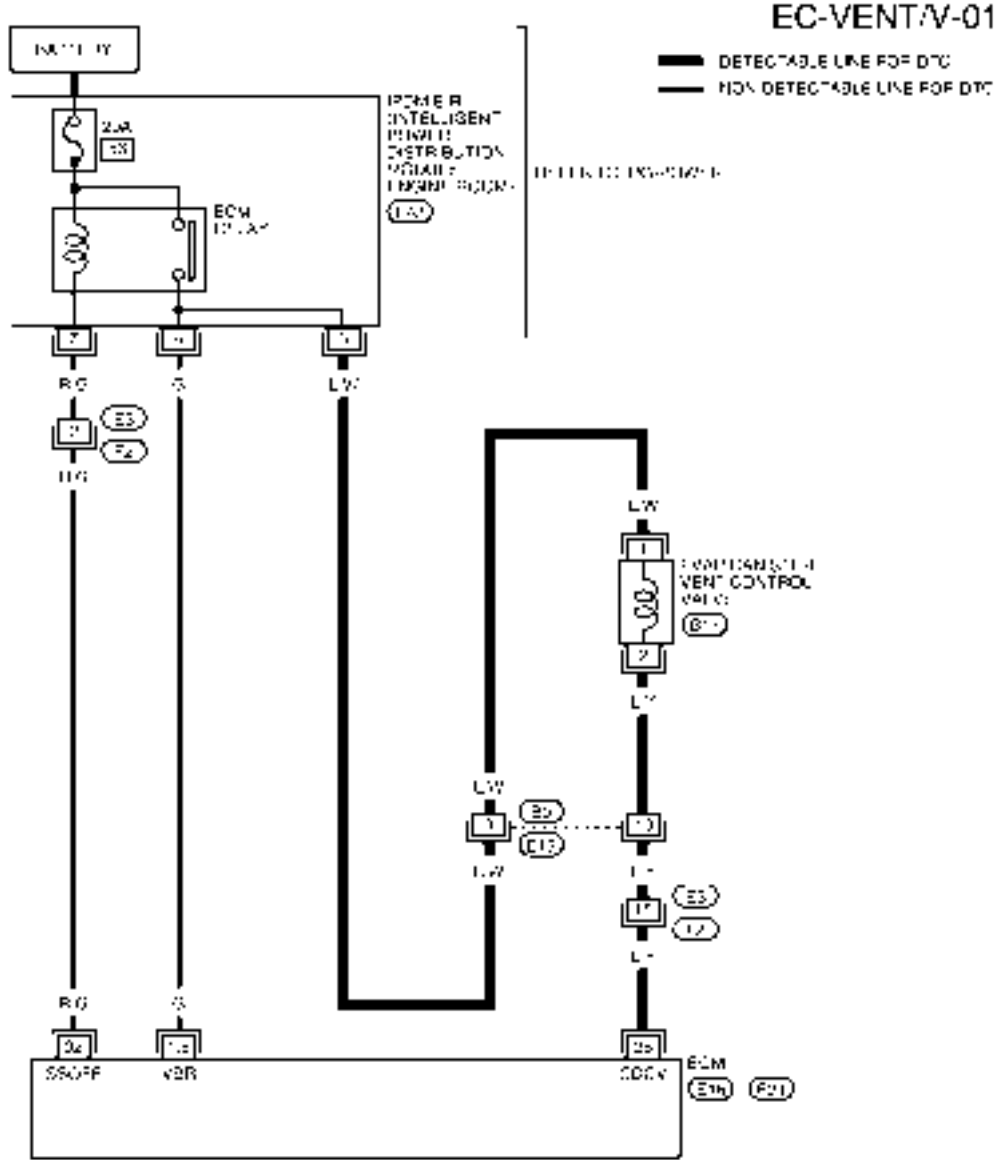
DTC P0448 EVAP CANISTER VENT CONTROL VALVE

< SERVICE INFORMATION >

[MR]

Wiring Diagram

INFOID:00000001850024



BBWA2887E

Specification data are reference values and are measured between each terminal and ground.

CAUTION:

Do not use ECM ground terminals when measuring input/output voltage. Doing so may result in damage to the ECM's transistor. Use a ground other than ECM terminals, such as the ground.

DTC P0448 EVAP CANISTER VENT CONTROL VALVE

< SERVICE INFORMATION >

[MR]

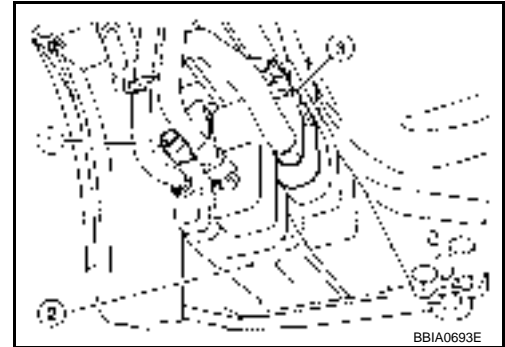
TERMI- NAL NO.	WIRE COLOR	ITEM	CONDITION	DATA (DC Voltage)
28	L/Y	EVAP canister vent control valve	[Ignition switch: ON]	BATTERY VOLTAGE (11 - 14V)
32	R/G	ECM relay (Self shut-off)	[Engine is running] [Ignition switch: OFF] • For a few seconds after turning ignition switch OFF	0 - 1.0V
			[Ignition switch: OFF] • More than a few seconds after turning ignition switch OFF	BATTERY VOLTAGE (11 - 14V)
105	G	Power supply for ECM	[Ignition switch: ON]	BATTERY VOLTAGE (11 - 14V)

Diagnosis Procedure

INFOID:000000001850025

1. CHECK RUBBER TUBE

- Turn ignition switch OFF.
- Disconnect rubber tube connected to EVAP canister vent control valve (3).
- Check the rubber tube for clogging.
 - This illustration is a view from under vehicle
 - EVAP control system pressure sensor (1)
 - EVAP canister (2)



OK or NG

- OK >> GO TO 2.
NG >> Clean rubber tube using an air blower.

2. CHECK EVAP CANISTER VENT CONTROL VALVE

Refer to [EC-336, "Component Inspection"](#).

OK or NG

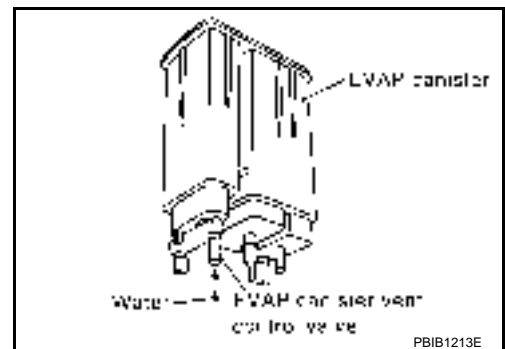
- OK >> GO TO 3.
NG >> Replace EVAP canister vent control valve.

3. CHECK IF EVAP CANISTER SATURATED WITH WATER

- Remove EVAP canister with EVAP canister vent control valve attached.
- Does water drain from the EVAP canister?

Yes or No

- Yes >> GO TO 4.
No >> GO TO 6.



4. CHECK EVAP CANISTER

Weigh the EVAP canister with the EVAP canister vent control valve and EVAP control system pressure sensor attached.

The weight should be less than 1.9 kg (4.2 lb).

OK or NG

DTC P0448 EVAP CANISTER VENT CONTROL VALVE

[MR]

< SERVICE INFORMATION >

- OK >> GO TO 6.
- NG >> GO TO 5.

5. DETECT MALFUNCTIONING PART

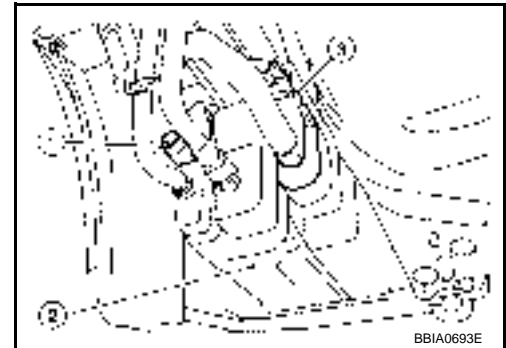
Check the following.

- EVAP canister for damage
- EVAP hose between EVAP canister and vehicle frame for clogging or poor connection

>> Repair hose or replace EVAP canister.

6. CHECK EVAP CONTROL SYSTEM PRESSURE SENSOR CONNECTOR

1. Disconnect EVAP control system pressure sensor (1) harness connector.
 - This illustration is a view from under vehicle
 - EVAP canister (2)
 - EVAP canister vent control valve (3)
2. Check connectors for water.



Water should not exist.

OK or NG

- OK >> GO TO 7.
- NG >> Replace EVAP control system pressure sensor.

7. CHECK EVAP CONTROL SYSTEM PRESSURE SENSOR

Refer to [EC-355, "Component Inspection"](#).

OK or NG

- OK >> GO TO 8.
- NG >> Replace EVAP control system pressure sensor.

8. CHECK INTERMITTENT INCIDENT

Refer to [EC-135](#).

>> **INSPECTION END**

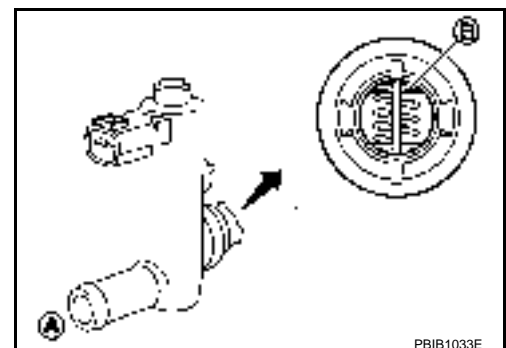
Component Inspection

INFOID:000000001850026

EVAP CANISTER VENT CONTROL VALVE

With CONSULT-III

1. Remove EVAP canister vent control valve from EVAP canister.
2. Check portion **B** of EVAP canister vent control valve for being rusted.
If NG, replace EVAP canister vent control valve.
If OK, go to next step.
3. Reconnect harness connectors disconnected.
4. Turn ignition switch ON.



5. Perform "VENT CONTROL/V" in "ACTIVE TEST" mode.

DTC P0448 EVAP CANISTER VENT CONTROL VALVE

[MR]

< SERVICE INFORMATION >

6. Check air passage continuity and operation delay time.

Condition VENT CONTROL/V	Air passage continuity between A and B
ON	No
OFF	Yes

Operation takes less than 1 second.

Make sure new O-ring is installed properly.

If NG, replace EVAP canister vent control valve.

If OK, go to next step.

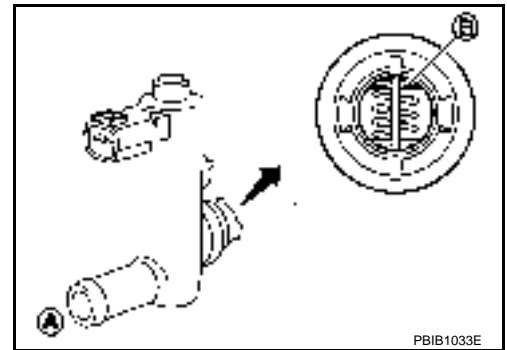
7. Clean the air passage (Portion **A** to **B**) of EVAP canister vent control valve using an air blower.

8. Perform step 5 again.

✕ Without CONSULT-III

1. Remove EVAP canister vent control valve from EVAP canister.

2. Check portion **B** of EVAP canister vent control valve for being rusted.



3. Check air passage continuity and operation delay time under the following conditions.

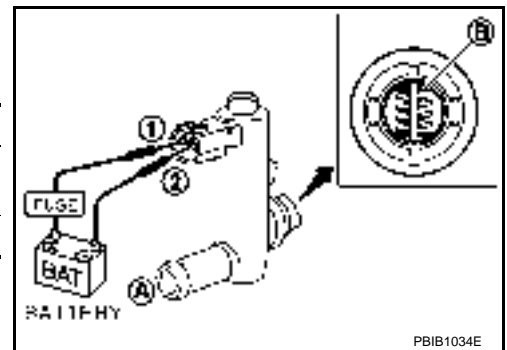
Condition	Air passage continuity between A and B
12V direct current supply between terminals 1 and 2	No
OFF	Yes

Operation takes less than 1 second.

Make sure new O-ring is installed properly.

If NG, replace EVAP canister vent control valve.

If OK, go to next step.



4. Clean the air passage (Portion **A** to **B**) of EVAP canister vent control valve using an air blower.

5. Perform step 3 again.

DTC P0451 EVAP CONTROL SYSTEM PRESSURE SENSOR

< SERVICE INFORMATION >

[MR]

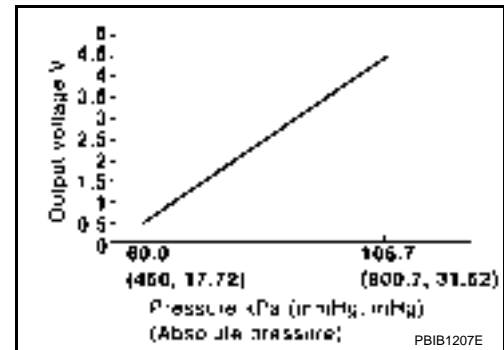
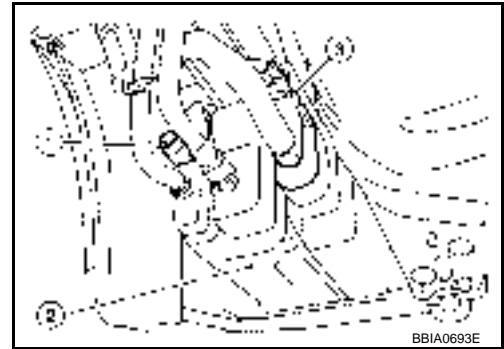
DTC P0451 EVAP CONTROL SYSTEM PRESSURE SENSOR

Component Description

INFOID:000000001850027

The EVAP control system pressure sensor (1) detects pressure in the purge line. The sensor output voltage to the ECM increases as pressure increases.

- This illustration is a view from under vehicle
- EVAP canister (2)
- EVAP canister vent control valve (3)



CONSULT-III Reference Value in Data Monitor Mode

INFOID:000000001850028

Specification data are reference values.

MONITOR ITEM	CONDITION	SPECIFICATION
EVAP SYS PRES	• Ignition switch: ON	Approx. 1.8 - 4.8V

On Board Diagnosis Logic

INFOID:000000001850029

DTC No.	Trouble diagnosis name	DTC detecting condition	Possible cause
P0451 0451	EVAP control system pressure sensor performance	ECM detects a sloshing signal from the EVAP control system pressure sensor	<ul style="list-style-type: none"> • Harness or connectors [Crankshaft position sensor (POS) circuit is shorted.] (Accelerator pedal position sensor circuit is shorted.) (Refrigerant pressure sensor circuit is shorted.) • EVAP control system pressure sensor • Crankshaft position sensor (POS) • Accelerator pedal position sensor • Refrigerant pressure sensor

DTC Confirmation Procedure

INFOID:000000001850030

NOTE:

If DTC Confirmation Procedure has been previously conducted, always turn ignition switch OFF and wait at least 10 seconds before conducting the next test.

1. Start engine and wait at least 40 seconds.

NOTE:

Do not depress accelerator pedal even slightly.

DTC P0451 EVAP CONTROL SYSTEM PRESSURE SENSOR

[MR]

< SERVICE INFORMATION >

2. Check 1st trip DTC.
3. If 1st trip DTC is detected, go to [EC-339, "Diagnosis Procedure"](#).

Diagnosis Procedure

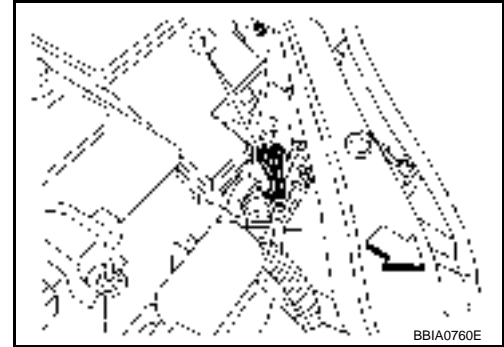
INFOID:000000001850031

1. CHECK GROUND CONNECTIONS

1. Turn ignition switch OFF.
 2. Loosen and retighten ground screws on the body.
Refer to [EC-140, "Ground Inspection"](#).
- ◀: Vehicle front
 - Body ground (1)

OK or NG

- OK >> GO TO 2.
- NG >> Repair or replace ground connections.



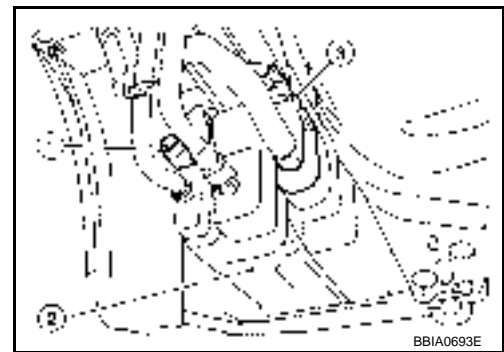
2. CHECK EVPA CONTROL SYSTEM PRESSURE SENSOR CONNECTOR FOR WATER

1. Disconnect EVAP control system pressure sensor (1) harness connector.
 - This illustration is a view from under vehicle
 - EVAP canister (2)
 - EVAP canister vent control valve (3)
2. Check sensor harness connector for water.

Water should not exist.

OK or NG

- OK >> GO TO 3.
- NG >> Repair or replace harness connector.



3. CHECK POWER SUPPLY CIRCUITS

Check harness for short to power and short to ground, between the following terminals.

ECM terminal	Sensor terminal	Reference Wiring Diagram
74	Refrigerant pressure sensor terminal 3	EC-515, "Wiring Diagram"
75	Crankshaft position sensor (POS) terminal 1	EC-286, "Wiring Diagram"
76	EVAP control system pressure sensor terminal 3	EC-343, "Wiring Diagram"
102	APP sensor terminal 5	EC-458, "Wiring Diagram"

OK or NG

- OK >> GO TO 4.
- NG >> Repair short to ground or short to power in harness or connectors.

4. CHECK REFRIGERANT PRESSURE SENSOR

Refer to [MTC-27](#).

OK or NG

- OK >> GO TO 5.
- NG >> Replace refrigerant pressure sensor.

5. CHECK CRANKSHAFT POSITION SENSOR (POS)

Refer to [EC-347, "Component Inspection"](#).

OK or NG

- OK >> GO TO 6.
- NG >> Replace crankshaft position sensor (POS).

DTC P0451 EVAP CONTROL SYSTEM PRESSURE SENSOR

< SERVICE INFORMATION >

[MR]

6. CHECK APP SENSOR

Refer to [EC-461, "Component Inspection"](#).

OK or NG

- OK >> GO TO 8.
- NG >> GO TO 7.

7. REPLACE ACCELERATOR PEDAL ASSEMBLY

1. Replace accelerator pedal assembly.
2. Perform [EC-81, "Accelerator Pedal Released Position Learning"](#).
3. Perform [EC-81, "Throttle Valve Closed Position Learning"](#).
4. Perform [EC-81, "Idle Air Volume Learning"](#).

>> **INSPECTION END**

8. CHECK EVAP CONTROL SYSTEM PRESSURE SENSOR

Refer to [EC-340, "Component Inspection"](#).

OK or NG

- OK >> GO TO 9.
- NG >> Replace EVAP control system pressure sensor.

9. CHECK INTERMITTENT INCIDENT

Refer to [EC-135](#).

For wiring diagram, refer to [EC-343, "Wiring Diagram"](#).

>> **INSPECTION END**

Component Inspection

INFOID:000000001850032

EVAP CONTROL SYSTEM PRESSURE SENSOR

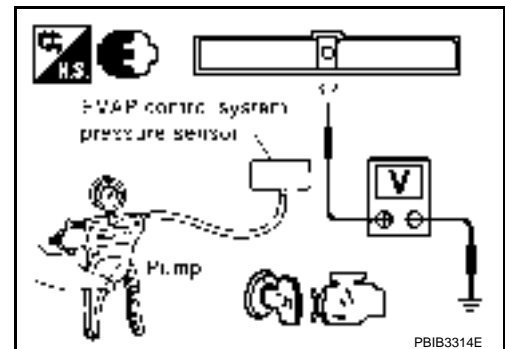
1. Remove EVAP control system pressure sensor with its harness connector connected from EVAP canister.
Always replace O-ring with a new one.
2. Install a vacuum pump to EVAP control system pressure sensor.
3. Turn ignition switch ON and check output voltage between ECM terminal 42 and ground under the following conditions.

Applied vacuum kPa (mmHg, inHg)	Voltage V
Not applied	1.8 - 4.8
-26.7 (-200, -7.87)	2.1 to 2.5V lower than above value

CAUTION:

- Always calibrate the vacuum pump gauge when using it.
- Do not apply below -93.3 kPa (-700 mmHg, -27.56 inHg) or pressure over 101.3 kPa (760 mmHg, 29.92 inHg).

4. If NG, replace EVAP control system pressure sensor.



PBIB3314E

DTC P0452 EVAP CONTROL SYSTEM PRESSURE SENSOR

< SERVICE INFORMATION >

[MR]

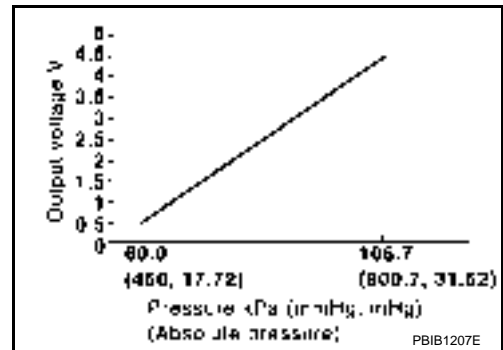
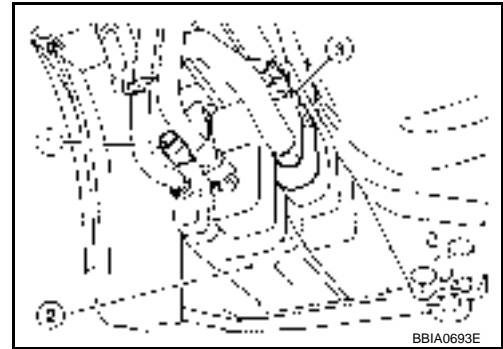
DTC P0452 EVAP CONTROL SYSTEM PRESSURE SENSOR

Component Description

INFOID:000000001850033

The EVAP control system pressure sensor (1) detects pressure in the purge line. The sensor output voltage to the ECM increases as pressure increases.

- This illustration is a view from under vehicle
- EVAP canister (2)
- EVAP canister vent control valve (3)



CONSULT-III Reference Value in Data Monitor Mode

INFOID:000000001850034

Specification data are reference values.

MONITOR ITEM	CONDITION	SPECIFICATION
EVAP SYS PRES	• Ignition switch: ON	Approx. 1.8 - 4.8V

On Board Diagnosis Logic

INFOID:000000001850035

DTC No.	Trouble diagnosis name	DTC detecting condition	Possible cause
P0452 0452	EVAP control system pressure sensor low input	An excessively low voltage from the sensor is sent to ECM.	<ul style="list-style-type: none"> • Harness or connectors (EVAP control system pressure sensor circuit is open or sorted.) [Crankshaft position sensor (POS) circuit is shorted.] (Accelerator pedal position sensor circuit is shorted.) (Refrigerant pressure sensor circuit is shorted.) • EVAP control system pressure sensor • Crankshaft position sensor (POS) • Accelerator pedal position sensor • Refrigerant pressure sensor

DTC Confirmation Procedure

INFOID:000000001850036

NOTE:

If DTC Confirmation Procedure has been previously conducted, always turn ignition switch OFF and wait at least 10 seconds before conducting the next test.

TESTING CONDITION:

Always perform test at a temperature of 5°C (41°F) or more.

DTC P0452 EVAP CONTROL SYSTEM PRESSURE SENSOR

< SERVICE INFORMATION >

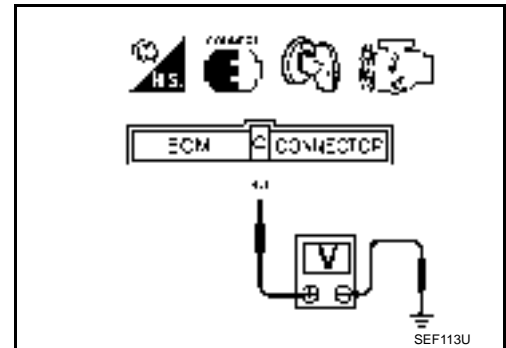
[MR]

WITH CONSULT-III

1. Start engine and warm it up to normal operating temperature.
2. Turn ignition switch OFF and wait at least 10 seconds.
3. Turn ignition switch ON.
4. Select "DATA MONITOR" mode with CONSULT-III.
5. Make sure that "FUEL T/TMP SE" is more than 0°C (32°F).
6. Start engine and wait at least 20 seconds.
7. Check 1st trip DTC.
If 1st trip DTC is detected, go to [EC-344. "Diagnosis Procedure"](#).

WITH GST

1. Start engine and warm it up to normal operating temperature.
2. Check that voltage between ECM terminal 43 (Fuel tank temperature sensor signal) and ground is less than 4.2V.
3. Turn ignition switch OFF and wait at least 10 seconds.
4. Start engine and wait at least 20 seconds.
5. Select Service \$07 with GST.
If 1st trip DTC is detected, go to [EC-344. "Diagnosis Procedure"](#).



DTC P0452 EVAP CONTROL SYSTEM PRESSURE SENSOR

< SERVICE INFORMATION >

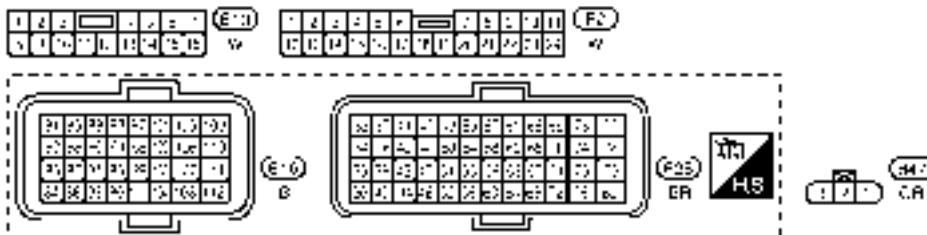
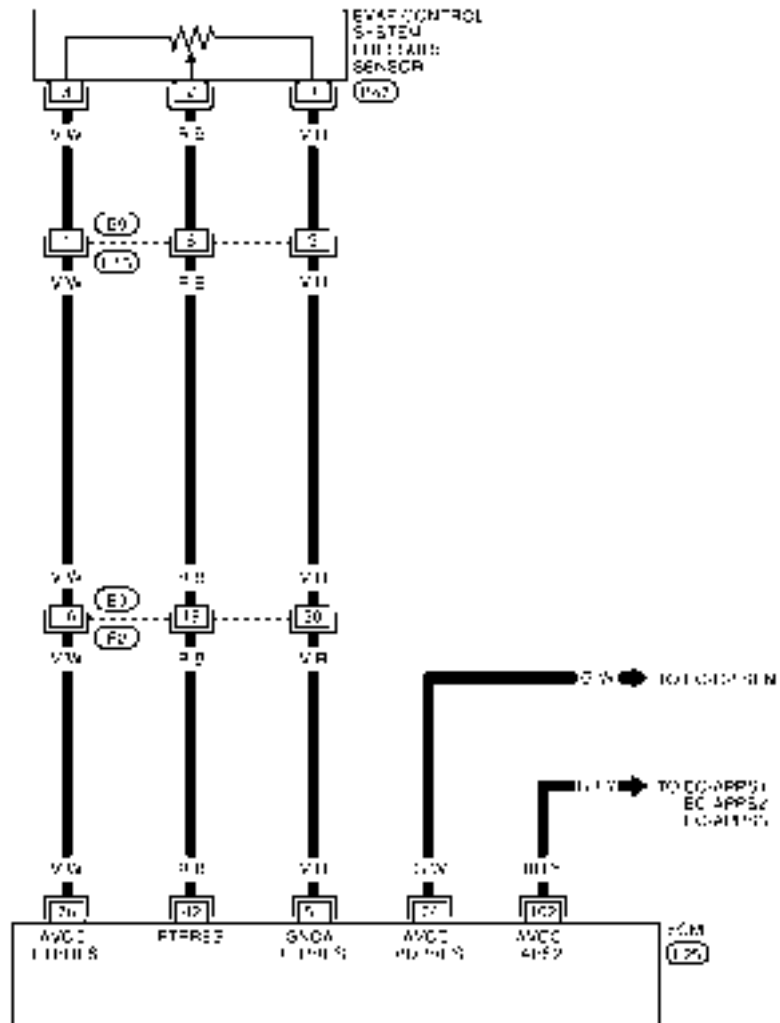
[MR]

Wiring Diagram

INFOID:000000001850037

EC-PRE/SE-01

— DETECTABLE LINE FOR DTC
 — NON-DETECTABLE LINE FOR DTC



BBWA2888E

Specification data are reference values and are measured between each terminal and ground.

CAUTION:

Do not use ECM ground terminals when measuring input/output voltage. Doing so may result in damage to the ECM's transistor. Use a ground other than ECM terminals, such as the ground.

DTC P0452 EVAP CONTROL SYSTEM PRESSURE SENSOR

< SERVICE INFORMATION >


[MR]

TER-MI-NAL NO.	WIRE COLOR	ITEM	CONDITION	DATA (DC Voltage)
42	R/B	EVAP control system pressure sensor	[Ignition switch: ON]	Approximately 1.8 - 4.8V
51	V/R	Sensor ground (EVAP control system pressure sensor)	[Engine is running] • Warm-up condition • Idle speed	Approximately 0V
74	G/W	Sensor power supply (Refrigerant pressure sensor)	[Ignition switch: ON]	Approximately 5V
75	G/R	Sensor power supply [Crankshaft position sensor (POS)]	[Ignition switch: ON]	Approximately 5V
76	V/W	EVAP control system pressure sensor power supply	[Ignition switch: ON]	Approximately 5V
102	BR/Y	Sensor power supply (APP sensor 2)	[Ignition switch: ON]	Approximately 5V

Diagnosis Procedure

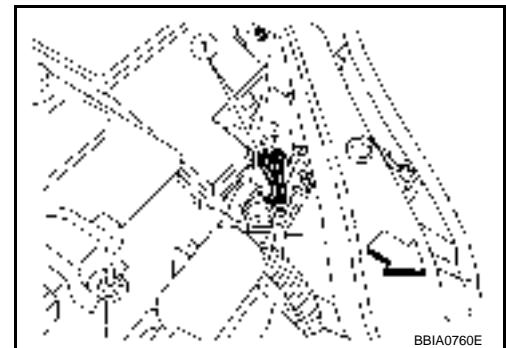
INFOID:000000001850038

1. CHECK GROUND CONNECTIONS

1. Turn ignition switch OFF.
 2. Loosen and retighten ground screws on the body.
Refer to [EC-140, "Ground Inspection"](#).
-  : Vehicle front
 - Body ground (1)

OK or NG

- OK >> GO TO 2.
- NG >> Repair or replace ground connections.



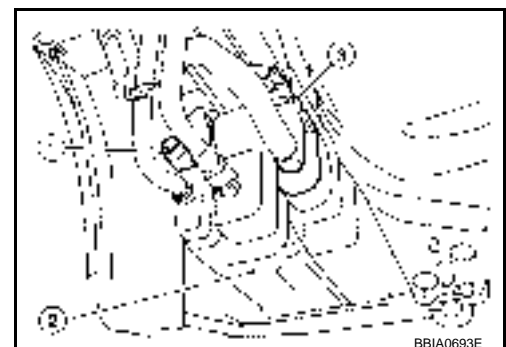
2. CHECK CONNECTOR

1. Disconnect EVAP control system pressure sensor (1) harness connector.
 - This illustration is a view from under vehicle
 - EVAP canister (2)
 - EVAP canister vent control valve (3)
2. Check sensor harness connector for water.

Water should not exist.

OK or NG

- OK >> GO TO 3.
- NG >> Repair or replace harness connector.



3. CHECK EVAP CONTROL SYSTEM PRESSURE SENSOR POWER SUPPLY CIRCUIT-I

1. Turn ignition switch ON.

DTC P0452 EVAP CONTROL SYSTEM PRESSURE SENSOR

[MR]

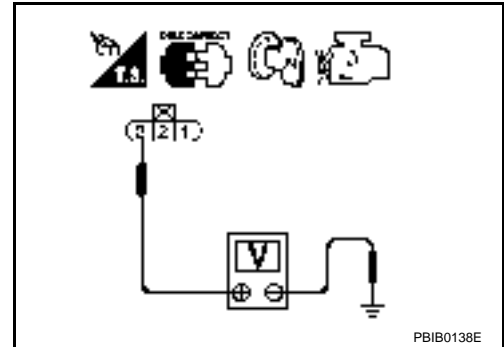
< SERVICE INFORMATION >

2. Check voltage between EVAP control system pressure sensor terminal 3 and ground with CONSULT-III or tester.

Voltage: Approximately 5V

OK or NG

- OK >> GO TO 5.
NG >> GO TO 4.



4. CHECK EVAP CONTROL SYSTEM PRESSURE SENSOR POWER SUPPLY CIRCUIT-II

1. Turn ignition switch OFF.
2. Disconnect ECM harness connector.
3. Check harness continuity between EVAP control system pressure sensor terminal 3 and ECM terminal 76. Refer to Wiring Diagram.

Continuity should exist.

OK or NG

- OK >> GO TO 6.
NG >> GO TO 5.

5. DETECT MALFUNCTIONING PART

Check the following.

- Harness connectors E3, F2
- Harness connectors B9, E13
- Harness for open or short between EVAP control system pressure sensor and ECM

>> Repair open circuit or short to ground or short to power in harness or connectors.

6. CHECK POWER SUPPLY CIRCUITS

Check harness for short to power and short to ground between the following terminals.

ECM terminal	Sensor terminal	Reference Wiring Diagram
74	Refrigerant pressure sensor terminal 3	EC-515, "Wiring Diagram"
75	Crankshaft position sensor (POS) terminal 1	EC-286, "Wiring Diagram"
76	EVAP control system pressure sensor terminal 3	EC-343, "Wiring Diagram"
102	APP sensor terminal 5	EC-458, "Wiring Diagram"

OK or NG

- OK >> GO TO 7.
NG >> Repair short to ground or short to power in harness or connectors.

7. CHECK REFRIGERANT PRESSURE SENSOR

Refer to [MTC-27](#).

OK or NG

- OK >> GO TO 8.
NG >> Replace refrigerant pressure sensor.

8. CHECK CRANKSHAFT POSITION SENSOR (POS)

Refer to [EC-347, "Component Inspection"](#).

OK or NG

- OK >> GO TO 9.
NG >> Replace crankshaft position sensor (POS).

9. CHECK APP SENSOR

DTC P0452 EVAP CONTROL SYSTEM PRESSURE SENSOR

[MR]

< SERVICE INFORMATION >

Refer to [EC-461, "Component Inspection"](#).

OK or NG

- OK >> GO TO 11.
- NG >> GO TO 10.

10. REPLACE ACCELERATOR PEDAL ASSEMBLY

1. Replace accelerator pedal assembly.
2. Perform [EC-81, "Accelerator Pedal Released Position Learning"](#).
3. Perform [EC-81, "Throttle Valve Closed Position Learning"](#).
4. Perform [EC-81, "Idle Air Volume Learning"](#).

>> **INSPECTION END**

11. CHECK EVAP CONTROL SYSTEM PRESSURE SENSOR GROUND CIRCUIT FOR OPEN AND SHORT

1. Turn ignition switch OFF.
2. Disconnect ECM harness connector.
3. Check harness continuity between EVAP control system pressure sensor terminal 1 and ECM terminal 51. Refer to Wiring Diagram.

Continuity should exist.

4. Also check harness for short to ground and short to power.

OK or NG

- OK >> GO TO 13.
- NG >> GO TO 12.

12. DETECT MALFUNCTIONING PART

Check the following.

- Harness connectors E3, F2
- Harness connectors B9, E13
- Harness for open or short between EVAP control system pressure sensor and ECM

>> Repair open circuit or short to ground or short to power in harness or connectors.

13. CHECK EVAP CONTROL SYSTEM PRESSURE SENSOR INPUT SIGNAL CIRCUIT FOR OPEN AND SHORT

1. Check harness continuity between ECM terminal 42 and EVAP control system pressure sensor terminal 2. Refer to Wiring Diagram.

Continuity should exist.

2. Also check harness for short to ground and short to power.

OK or NG

- OK >> GO TO 15.
- NG >> GO TO 14.

14. DETECT MALFUNCTIONING PART

Check the following.

- Harness connectors E3, F2
- Harness connectors B9, E13
- Harness for open or short between ECM and EVAP control system pressure sensor

>> Repair open circuit or short to ground or short to power in harness or connectors.

15. CHECK EVAP CONTROL SYSTEM PRESSURE SENSOR

Refer to [EC-347, "Component Inspection"](#).

OK or NG

- OK >> GO TO 16.

DTC P0452 EVAP CONTROL SYSTEM PRESSURE SENSOR

[MR]

< SERVICE INFORMATION >

NG >> Replace EVAP control system pressure sensor.

16.CHECK INTERMITTENT INCIDENT

Refer to [EC-135](#).

>> **INSPECTION END**

Component Inspection

INFOID:000000001850039

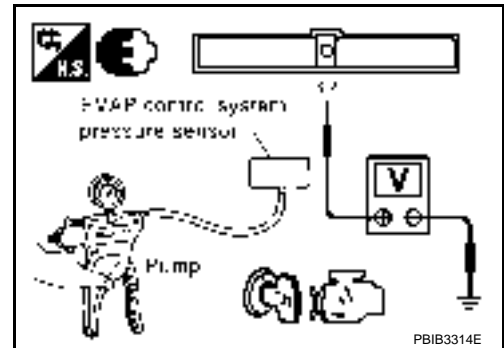
EVAP CONTROL SYSTEM PRESSURE SENSOR

1. Remove EVAP control system pressure sensor with its harness connector connected from EVAP canister.
Always replace O-ring with a new one.
2. Install a vacuum pump to EVAP control system pressure sensor.
3. Turn ignition switch ON and check output voltage between ECM terminal 42 and ground under the following conditions.

Applied vacuum kPa (mmHg, inHg)	Voltage V
Not applied	1.8 - 4.8
-26.7 (-200, -7.87)	2.1 to 2.5V lower than above value

CAUTION:

- Always calibrate the vacuum pump gauge when using it.
 - Do not apply below -93.3 kPa (-700 mmHg, -27.56 inHg) or pressure over 101.3 kPa (760 mmHg, 29.92 inHg).
4. If NG, replace EVAP control system pressure sensor.



DTC P0453 EVAP CONTROL SYSTEM PRESSURE SENSOR

< SERVICE INFORMATION >

[MR]

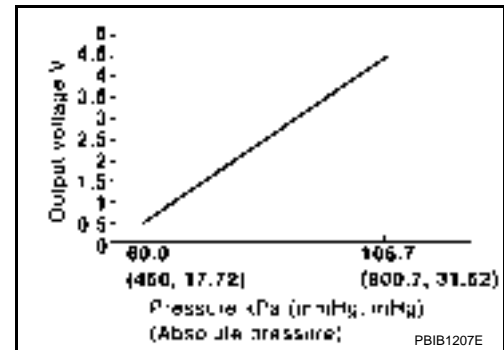
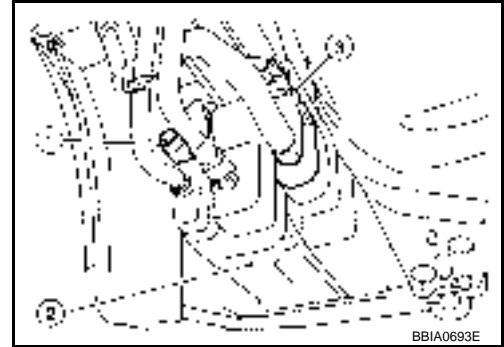
DTC P0453 EVAP CONTROL SYSTEM PRESSURE SENSOR

Component Description

INFOID:000000001850040

The EVAP control system pressure sensor (1) detects pressure in the purge line. The sensor output voltage to the ECM increases as pressure increases.

- This illustration is a view from under vehicle
- EVAP canister (2)
- EVAP canister vent control valve (3)



CONSULT-III Reference Value in Data Monitor Mode

INFOID:000000001850041

Specification data are reference values.

MONITOR ITEM	CONDITION	SPECIFICATION
EVAP SYS PRES	• Ignition switch: ON	Approx. 1.8 - 4.8V

On Board Diagnosis Logic

INFOID:000000001850042

DTC No.	Trouble diagnosis name	DTC detecting condition	Possible cause
P0453 0453	EVAP control system pressure sensor high input	An excessively high voltage from the sensor is sent to ECM.	<ul style="list-style-type: none"> • Harness or connectors (EVAP control system pressure sensor circuit is open or sorted.) [Crankshaft position sensor (POS) circuit is shorted.] (Accelerator pedal position sensor circuit is shorted.) (Refrigerant pressure sensor circuit is shorted.) • EVAP control system pressure sensor • Crankshaft position sensor (POS) • Accelerator pedal position sensor • Refrigerant pressure sensor • EVAP canister vent control valve • EVAP canister • Rubber hose to EVAP canister vent control valve

DTC Confirmation Procedure

INFOID:000000001850043

NOTE:

DTC P0453 EVAP CONTROL SYSTEM PRESSURE SENSOR

< SERVICE INFORMATION >

[MR]

If DTC Confirmation Procedure has been previously conducted, always turn ignition switch OFF and wait at least 10 seconds before conducting the next test.

TESTING CONDITION:

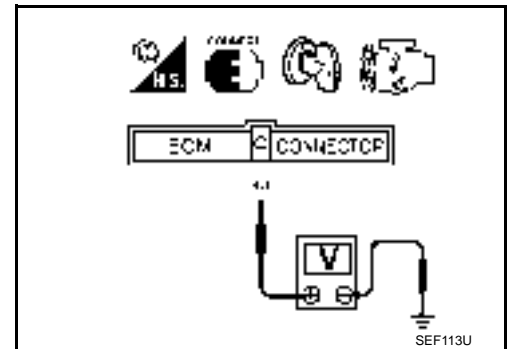
Always perform test at a temperature of 5°C (41°F) or more.

WITH CONSULT-III

1. Start engine and warm it up to normal operating temperature.
2. Turn ignition switch OFF and wait at least 10 seconds.
3. Turn ignition switch ON.
4. Select "DATA MONITOR" mode with CONSULT-III.
5. Make sure that "FUEL T/TMP SE" is more than 0°C (32°F).
6. Wait at least 10 seconds.
7. Check 1st trip DTC.
If 1st trip DTC is detected, go to [EC-351, "Diagnosis Procedure"](#).

WITH GST

1. Start engine and warm it up to normal operating temperature.
2. Check that voltage between ECM terminal 43 (Fuel tank temperature sensor signal) and ground is less than 4.2V.
3. Turn ignition switch OFF and wait at least 10 seconds.
4. Wait at least 10 seconds.
5. Select Service \$07 with GST.
If 1st trip DTC is detected, go to [EC-351, "Diagnosis Procedure"](#).



DTC P0453 EVAP CONTROL SYSTEM PRESSURE SENSOR

< SERVICE INFORMATION >

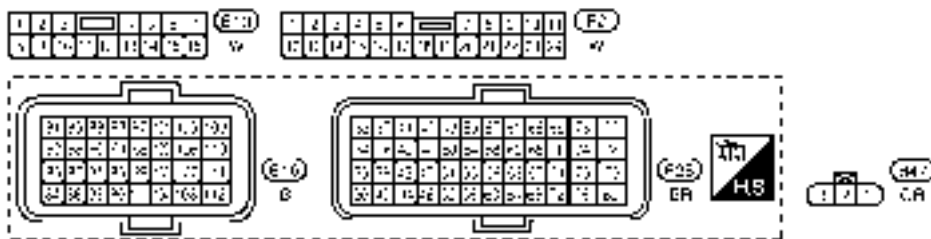
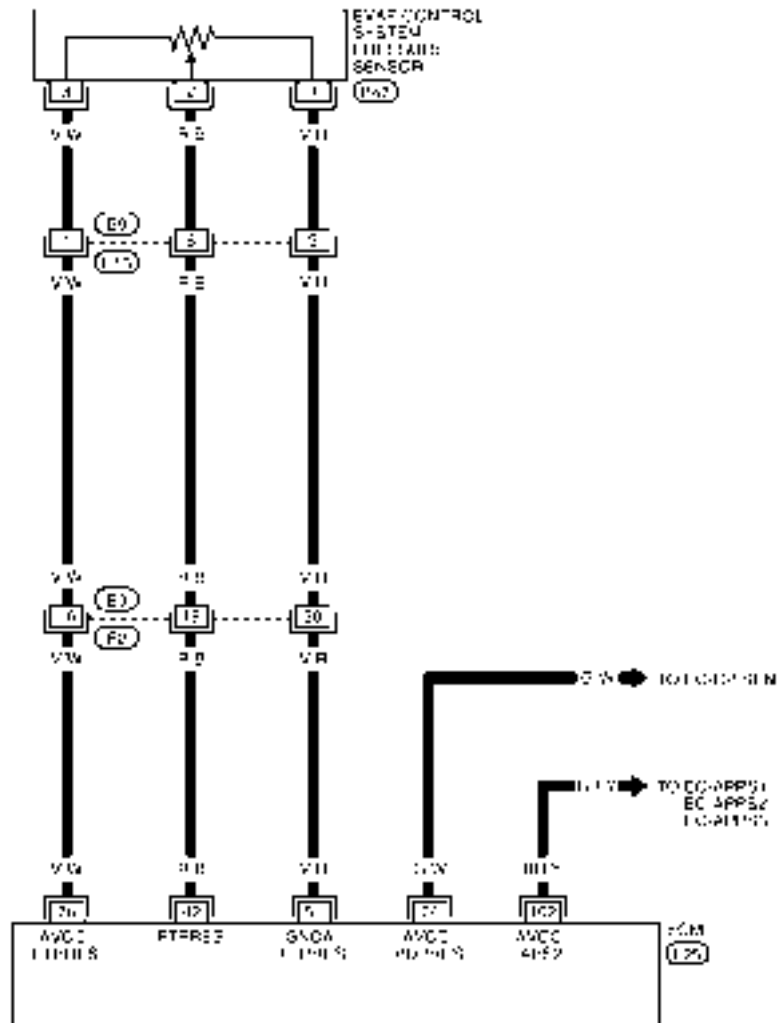
[MR]

Wiring Diagram

INFOID:000000001850044

EC-PRE/SE-01

— DETECTABLE LINE FOR DTC
 — NON-DETECTABLE LINE FOR DTC



BBWA2888E

Specification data are reference values and are measured between each terminal and ground.

CAUTION:

Do not use ECM ground terminals when measuring input/output voltage. Doing so may result in damage to the ECM's transistor. Use a ground other than ECM terminals, such as the ground.

DTC P0453 EVAP CONTROL SYSTEM PRESSURE SENSOR

< SERVICE INFORMATION >

[MR]

TER-MI-NAL NO.	WIRE COLOR	ITEM	CONDITION	DATA (DC Voltage)
42	R/B	EVAP control system pressure sensor	[Ignition switch: ON]	Approximately 1.8 - 4.8V
51	V/R	Sensor ground (EVAP control system pressure sensor)	[Engine is running] • Warm-up condition • Idle speed	Approximately 0V
74	G/W	Sensor power supply (Refrigerant pressure sensor)	[Ignition switch: ON]	Approximately 5V
75	G/R	Sensor power supply [Crankshaft position sensor (POS)]	[Ignition switch: ON]	Approximately 5V
76	V/W	EVAP control system pressure sensor power supply	[Ignition switch: ON]	Approximately 5V
102	BR/Y	Sensor power supply (APP sensor 2)	[Ignition switch: ON]	Approximately 5V

Diagnosis Procedure

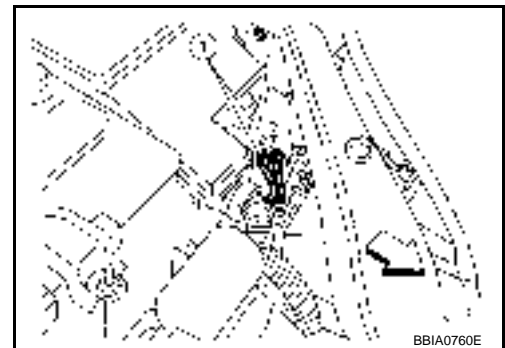
INFOID:000000001850045

1. CHECK GROUND CONNECTIONS

- Turn ignition switch OFF.
 - Loosen and retighten ground screws on the body.
Refer to [EC-140, "Ground Inspection"](#).
- ↖: Vehicle front
 - Body ground (1)

OK or NG

- OK >> GO TO 2.
- NG >> Repair or replace ground connections.



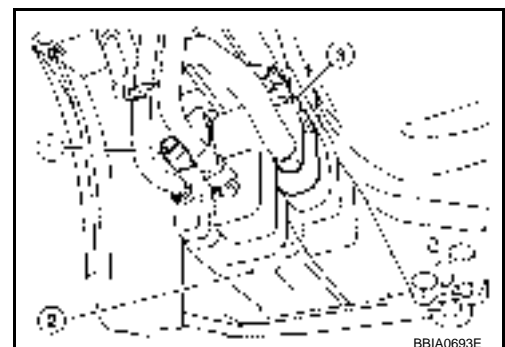
2. CHECK CONNECTOR

- Disconnect EVAP control system pressure sensor (1) harness connector.
 - This illustration is a view from under vehicle
 - EVAP canister (2)
 - EVAP canister vent control valve (3)
- Check sensor harness connector for water.

Water should not exist.

OK or NG

- OK >> GO TO 3.
- NG >> Repair or replace harness connector.



3. CHECK EVAP CONTROL SYSTEM PRESSURE SENSOR POWER SUPPLY CIRCUIT-I

- Turn ignition switch ON.

DTC P0453 EVAP CONTROL SYSTEM PRESSURE SENSOR

[MR]

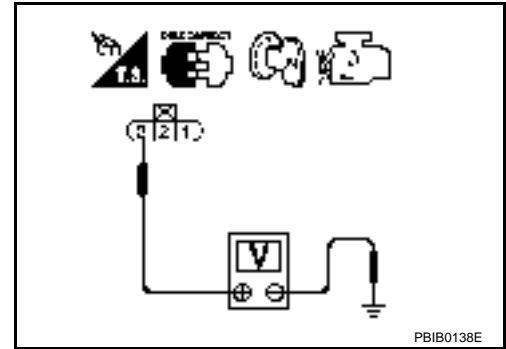
< SERVICE INFORMATION >

2. Check voltage between EVAP control system pressure sensor terminal 3 and ground with CONSULT-III or tester.

Voltage: Approximately 5V

OK or NG

- OK >> GO TO 5.
- NG >> GO TO 4.



4. CHECK EVAP CONTROL SYSTEM PRESSURE SENSOR POWER SUPPLY CIRCUIT-II

1. Turn ignition switch OFF.
2. Disconnect ECM harness connector.
3. Check harness continuity between EVAP control system pressure sensor terminal 3 and ECM terminal 76. Refer to Wiring Diagram.

Continuity should exist.

OK or NG

- OK >> GO TO 6.
- NG >> GO TO 5.

5. DETECT MALFUNCTIONING PART

Check the following.

- Harness connectors E3, F2
- Harness connectors B9, E13
- Harness for open or short between EVAP control system pressure sensor and ECM

>> Repair open circuit or short to ground or short to power in harness or connectors.

6. CHECK POWER SUPPLY CIRCUITS

Check harness for short to power and short to ground, between the following terminals.

ECM terminal	Sensor terminal	Reference Wiring Diagram
74	Refrigerant pressure sensor terminal 3	EC-515, "Wiring Diagram"
75	Crankshaft position sensor (POS) terminal 1	EC-286, "Wiring Diagram"
76	EVAP control system pressure sensor terminal 3	EC-343, "Wiring Diagram"
102	APP sensor terminal 5	EC-458, "Wiring Diagram"

OK or NG

- OK >> GO TO 7.
- NG >> Repair short to ground or short to power in harness or connectors.

7. CHECK REFRIGERANT PRESSURE SENSOR

Refer to [MTC-27](#).

OK or NG

- OK >> GO TO 8.
- NG >> Replace refrigerant pressure sensor.

8. CHECK CRANKSHAFT POSITION SENSOR (POS)

Refer to [EC-347, "Component Inspection"](#).

OK or NG

- OK >> GO TO 9.
- NG >> Replace crankshaft position sensor (POS).

9. CHECK APP SENSOR

DTC P0453 EVAP CONTROL SYSTEM PRESSURE SENSOR

< SERVICE INFORMATION >

[MR]

Refer to [EC-461, "Component Inspection"](#).

OK or NG

- OK >> GO TO 11.
- NG >> GO TO 10.

10. REPLACE ACCELERATOR PEDAL ASSEMBLY

1. Replace accelerator pedal assembly.
2. Perform [EC-81, "Accelerator Pedal Released Position Learning"](#).
3. Perform [EC-81, "Throttle Valve Closed Position Learning"](#).
4. Perform [EC-81, "Idle Air Volume Learning"](#).

>> **INSPECTION END**

11. DETECT MALFUNCTIONING PART

Check the following.

- Harness connectors E3, F2
- Harness connectors B9, E13
- Harness for open or short between EVAP control system pressure sensor and ECM

>> Repair open circuit or short to ground or short to power in harness or connectors.

12. CHECK EVAP CONTROL SYSTEM PRESSURE SENSOR GROUND CIRCUIT FOR OPEN AND SHORT

1. Turn ignition switch OFF.
2. Disconnect ECM harness connector.
3. Check harness continuity between EVAP control system pressure sensor terminal 1 and ECM terminal 51. Refer to Wiring Diagram.

Continuity should exist.

4. Also check harness for short to ground and short to power.

OK or NG

- OK >> GO TO 14.
- NG >> GO TO 13.

13. DETECT MALFUNCTIONING PART

Check the following.

- Harness connectors E3, F2
- Harness connectors B9, E13
- Harness for open or short between EVAP control system pressure sensor and ECM

>> Repair open circuit or short to ground or short to power in harness or connectors.

14. CHECK EVAP CONTROL SYSTEM PRESSURE SENSOR INPUT SIGNAL CIRCUIT FOR OPEN AND SHORT

1. Check harness continuity between ECM terminal 42 and EVAP control system pressure sensor terminal 2. Refer to Wiring Diagram.

Continuity should exist.

2. Also check harness for short to ground and short to power.

OK or NG

- OK >> GO TO 16.
- NG >> GO TO 15.

15. DETECT MALFUNCTIONING PART

Check the following.

- Harness connectors E3, F2
- Harness connectors B9, E13

DTC P0453 EVAP CONTROL SYSTEM PRESSURE SENSOR

< SERVICE INFORMATION >

[MR]

- Harness for open or short between ECM and EVAP control system pressure sensor

>> Repair open circuit or short to ground or short to power in harness or connectors.

16. CHECK RUBBER TUBE

1. Disconnect rubber tube connected to EVAP canister vent control valve.
2. Check the rubber tube for clogging, vent and kinked.

OK or NG

OK >> GO TO 17.

NG >> Clean the rubber tube using an air blower, repair or replace rubber tube.

17. CHECK EVAP CANISTER VENT CONTROL VALVE

Refer to [EC-330, "Component Inspection"](#).

OK or NG

OK >> GO TO 18.

NG >> Replace EVAP canister vent control valve.

18. CHECK EVAP CONTROL SYSTEM PRESSURE SENSOR

Refer to [EC-355, "Component Inspection"](#).

OK or NG

OK >> GO TO 19.

NG >> Replace EVAP control system pressure sensor.

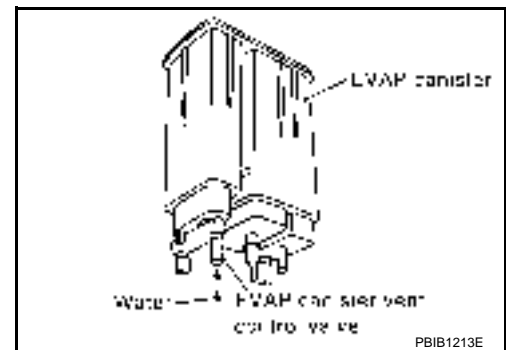
19. CHECK IF EVAP CANISTER SATURATED WITH WATER

1. Remove EVAP canister with EVAP canister vent control valve and EVAP control system pressure sensor attached.
2. Does water drain from the EVAP canister?

Yes or No

Yes >> GO TO 20.

No >> GO TO 22.



20. CHECK EVAP CANISTER

Weigh the EVAP canister with the EVAP canister vent control valve and EVAP control system pressure sensor attached.

The weight should be less than 1.9 kg (4.2 lb).

OK or NG

OK >> GO TO 22.

NG >> GO TO 21.

21. DETECT MALFUNCTIONING PART

Check the following.

- EVAP canister for damage
- EVAP hose connected to EVAP canister for clogging or poor connection

>> Repair hose or replace EVAP canister.

22. CHECK INTERMITTENT INCIDENT

Refer to [EC-135](#).

>> **INSPECTION END**

DTC P0453 EVAP CONTROL SYSTEM PRESSURE SENSOR

< SERVICE INFORMATION >

[MR]

Component Inspection

INFOID:000000001850046

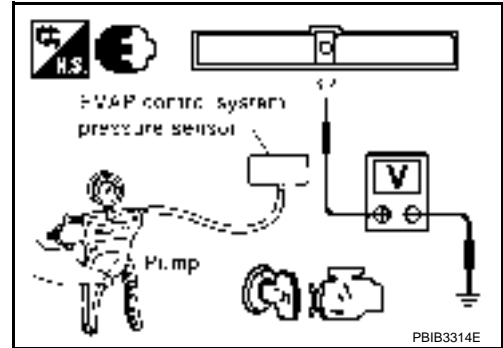
EVAP CONTROL PRESSURE SENSOR

1. Remove EVAP control system pressure sensor with its harness connector connected from EVAP canister.
Always replace O-ring with a new one.
2. Install a vacuum pump to EVAP control system pressure sensor.
3. Turn ignition switch ON and check output voltage between ECM terminal 42 and ground under the following conditions.

Applied vacuum kPa (mmHg, inHg)	Voltage V
Not applied	1.8 - 4.8
-26.7 (-200, -7.87)	2.1 to 2.5V lower than above value

CAUTION:

- Always calibrate the vacuum pump gauge when using it.
 - Do not apply below -93.3 kPa (-700 mmHg, -27.56 inHg) or pressure over 101.3 kPa (760 mmHg, 29.92 inHg).
4. If NG, replace EVAP control system pressure sensor.



DTC P0455 EVAP CONTROL SYSTEM

< SERVICE INFORMATION >

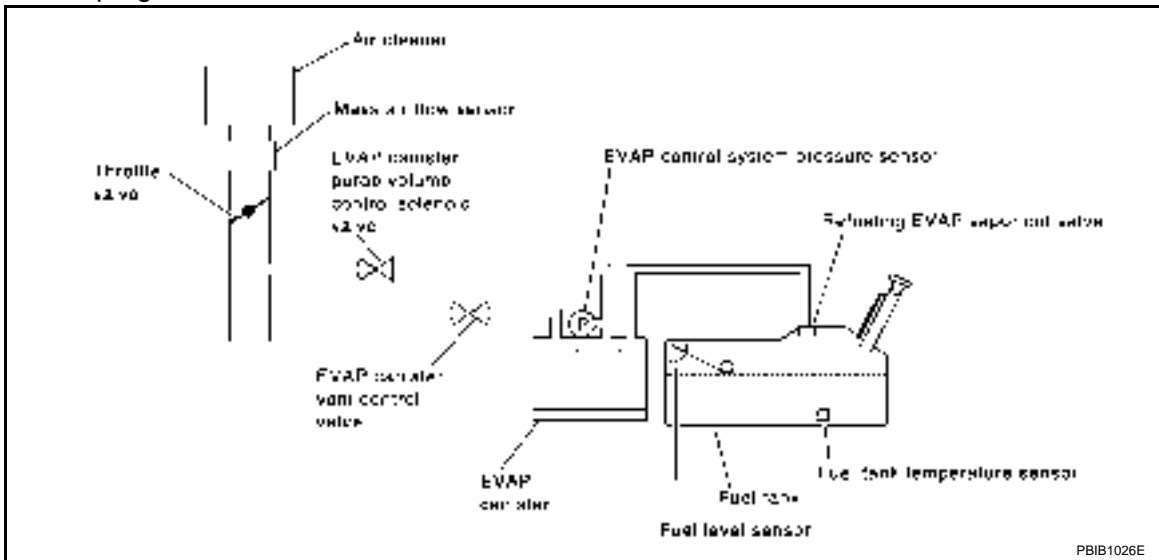
[MR]

DTC P0455 EVAP CONTROL SYSTEM

On Board Diagnosis Logic

INFOID:000000001850047

This diagnosis detects a very large leak (fuel filler cap fell off etc.) in EVAP system between the fuel tank and EVAP canister purge volume control solenoid valve.



DTC No.	Trouble diagnosis name	DTC detecting condition	Possible cause
P0455 0455	EVAP control system gross leak detected	<ul style="list-style-type: none"> EVAP control system has a very large leak such as fuel filler cap fell off. EVAP control system does not operate properly. 	<ul style="list-style-type: none"> Fuel filler cap remains open or fails to close. Incorrect fuel tank vacuum relief valve Incorrect fuel filler cap used Foreign matter caught in fuel filler cap Leak is in line between intake manifold and EVAP canister purge volume control solenoid valve Foreign matter caught in EVAP canister vent control valve. EVAP canister or fuel tank leaks EVAP purge line (pipe and rubber tube) leaks EVAP purge line rubber tube bent. Loose or disconnected rubber tube EVAP canister vent control valve and the circuit EVAP canister purge volume control solenoid valve and the circuit Fuel tank temperature sensor O-ring of EVAP canister vent control valve is missing or damaged. EVAP control system pressure sensor Refueling EVAP vapor cut valve ORVR system leaks

CAUTION:

- Use only a genuine NISSAN fuel filler cap as a replacement. If an incorrect fuel filler cap is used, the MIL may come on.
- If the fuel filler cap is not tightened properly, the MIL may come on.
- Use only a genuine NISSAN rubber tube as a replacement.

DTC Confirmation Procedure

INFOID:000000001850048

CAUTION:

Never remove fuel filler cap during the DTC Confirmation Procedure.

NOTE:

DTC P0455 EVAP CONTROL SYSTEM

< SERVICE INFORMATION >

[MR]

If DTC Confirmation Procedure has been previously conducted, always turn ignition switch OFF and wait at least 10 seconds before conducting the next test.

TESTING CONDITION:

- Perform "DTC WORK SUPPORT" when the fuel level is between 1/4 and 3/4 full, and vehicle is placed on flat level surface.
- Open engine hood before conducting the following procedure.

WITH CONSULT-III

1. Tighten fuel filler cap securely until reteaching sound is heard.
2. Turn ignition switch ON.
3. Turn ignition switch OFF and wait at least 10 seconds.
4. Turn ignition switch ON and select "DATA MONITOR" mode with CONSULT-III.
5. Make sure that the following conditions are met.
COOLAN TEMP/S: 0 - 100°C (32 - 212°F)
INT/A TEMP SE: 0 - 60°C (32 - 140°F)
6. Select "EVAP SML LEAK P0442/P1442" of "EVAPORATIVE SYSTEM" in "DTC WORK SUPPORT" mode with CONSULT-III.
Follow the instruction displayed.
NOTE:
If the engine speed cannot be maintained within the range displayed on the CONSULT-III screen, go to [EC-75, "Basic Inspection"](#).
7. Make sure that "OK" is displayed.
If "NG" is displayed, select "SELF-DIAG RESULTS" mode with CONSULT-III and make sure that "EVAP GROSS LEAK [P0455]" is displayed. If it is displayed, refer to [EC-357, "Diagnosis Procedure"](#).
If P0442 is displayed, perform Diagnostic Procedure for DTC P0442, [EC-307, "Diagnosis Procedure"](#).

WITH GST

NOTE:

Be sure to read the explanation of Driving Pattern on [EC-51, "Emission-related Diagnostic Information"](#) before driving vehicle.

1. Start engine.
 2. Drive vehicle according to Driving Pattern, [EC-51, "Emission-related Diagnostic Information"](#).
 3. Stop vehicle.
 4. Turn ignition switch OFF, wait at least 10 seconds and then turn ignition switch ON.
 5. Select SERVICE \$07 with GST.
- If P0441 is displayed on the screen, go to [EC-302, "Diagnosis Procedure"](#) for DTC P0441.
 - If P0442 is displayed on the screen, go to [EC-307, "Diagnosis Procedure"](#) for DTC P0442.
 - If P0455 is displayed on the screen, go to [EC-357, "Diagnosis Procedure"](#).

Diagnosis Procedure

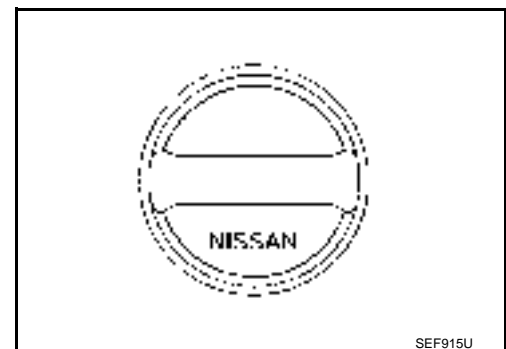
INFOID:000000001850049

1. CHECK FUEL FILLER CAP DESIGN

1. Turn ignition switch OFF.
2. Check for genuine NISSAN fuel filler cap design.

OK or NG

- OK >> GO TO 2.
- NG >> Replace with genuine NISSAN fuel filler cap.



2. CHECK FUEL FILLER CAP INSTALLATION

Check that the cap is tightened properly by rotating the cap clockwise.

OK or NG

DTC P0455 EVAP CONTROL SYSTEM

[MR]

< SERVICE INFORMATION >

- OK >> GO TO 3.
NG >> 1. Open fuel filler cap, then clean cap and fuel filler neck threads using air blower.
2. Retighten until rereaching sound is heard.

3. CHECK FUEL FILLER CAP FUNCTION

Check for air releasing sound while opening the fuel filler cap.

OK or NG

- OK >> GO TO 5.
NG >> GO TO 4.

4. CHECK FUEL TANK VACUUM RELIEF VALVE

Refer to [EC-38, "Component Inspection"](#).

OK or NG

- OK >> GO TO 5.
NG >> Replace fuel filler cap with a genuine one.

5. CHECK EVAP PURGE LINE

Check EVAP purge line (pipe, rubber tube, fuel tank and EVAP canister) for cracks, improper connection or disconnection.

Refer to [EC-36](#).

OK or NG

- OK >> GO TO 6.
NG >> Repair or reconnect the hose.

6. CLEAN EVAP PURGE LINE

Clean EVAP purge line (pipe and rubber tube) using air blower.

>> GO TO 7.

7. CHECK EVAP CANISTER VENT CONTROL VALVE

Check the following.

- EVAP canister vent control is installed properly.
Refer to [EC-39, "Removal and Installation"](#).
- EVAP canister vent control valve.
Refer to [EC-330, "Component Inspection"](#).

OK or NG

- OK >> GO TO 8.
NG >> Repair or replace EVAP canister vent control valve and O-ring.

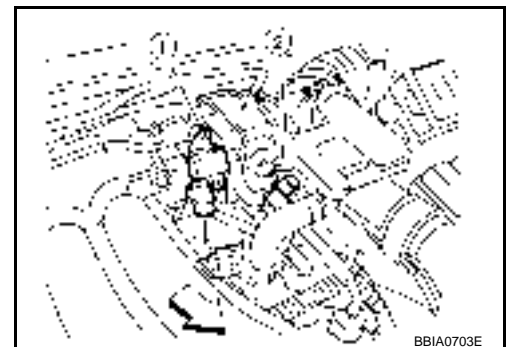
8. INSTALL THE PRESSURE PUMP

To locate the EVAP leak, install EVAP service port adapter and pressure pump to EVAP service port securely. For the location of EVAP service port (2), refer to [EC-36, "Description"](#).

- EVAP canister purge volume control solenoid valve (1)
- ↙: Vehicle front

NOTE:

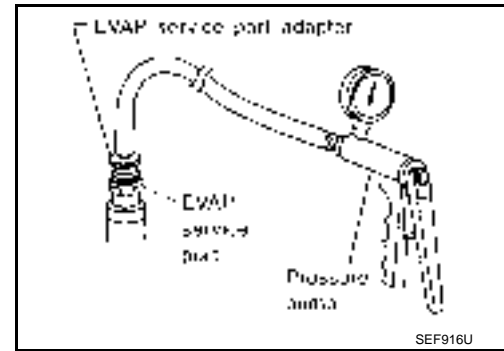
Improper installation of the EVAP service port adapter to the EVAP service port may cause leaking.



DTC P0455 EVAP CONTROL SYSTEM

< SERVICE INFORMATION >

[MR]



With CONSULT-III>>GO TO 9.
Without CONSULT-III>>GO TO 10.

9. CHECK FOR EVAP LEAK

With CONSULT-III

1. Turn ignition switch ON.
2. Select "EVAP SYSTEM CLOSE" of "WORK SUPPORT" mode with CONSULT-III.
3. Touch "START" and apply pressure into the EVAP line until the pressure indicator reaches the middle of the bar graph.

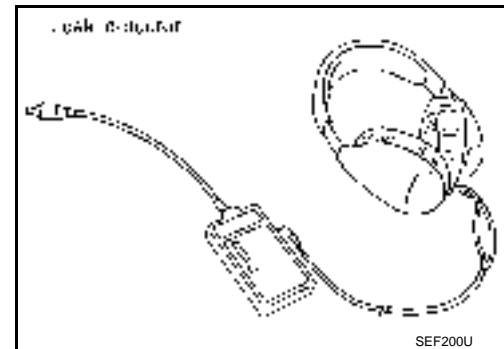
CAUTION:

- Never use compressed air or a high pressure pump.
- Do not exceed 4.12 kPa (0.042 kg/cm², 0.6 psi) of pressure in the system.

4. Using EVAP leak detector, locate the EVAP leak. For the leak detector, refer to the instruction manual for more details.
Refer to [EC-36, "Description"](#).

OK or NG

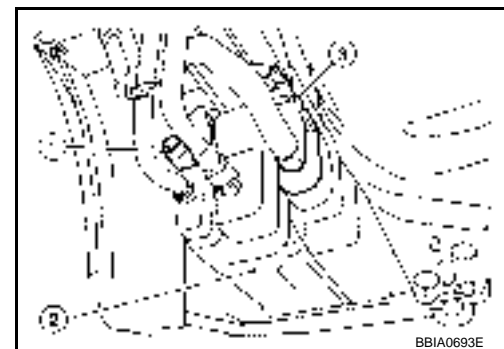
- OK >> GO TO 11.
NG >> Repair or replace.



10. CHECK FOR EVAP LEAK

Without CONSULT-III

1. Turn ignition switch OFF.
2. Apply 12 volts DC to EVAP canister vent control valve (3). The valve will close. (Continue to apply 12 volts until the end of test.)
 - This illustration is a view from under vehicle
 - EVAP control system pressure sensor (1)
 - EVAP canister (2)



3. Pressurize the EVAP line using pressure pump with 1.3 to 2.7 kPa (10 to 20 mmHg, 0.39 to 0.79 inHg), then remove pump and EVAP service port adapter.

CAUTION:

- Never use compressed air or a high pressure pump.
- Do not exceed 4.12 kPa (0.042 kg/cm², 0.6 psi) of pressure in the system.

DTC P0455 EVAP CONTROL SYSTEM

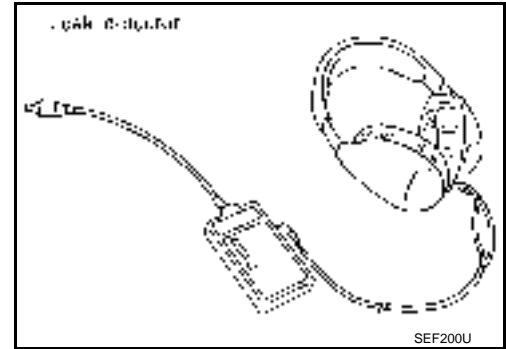
< SERVICE INFORMATION >

[MR]

- Using EVAP leak detector, locate the EVAP leak. For the leak detector, refer to the instruction manual for more details.
Refer to [EC-36, "Description"](#).

OK or NG

- OK >> GO TO 12.
NG >> Repair or replace.



11. CHECK EVAP CANISTER PURGE VOLUME CONTROL SOLENOID VALVE OPERATION

¹ **With CONSULT-III**

- Disconnect vacuum hose to EVAP canister purge volume control solenoid valve at EVAP service port.
- Start engine.
- Perform "PURG VOL CONT/V" in "ACTIVE TEST" mode.
- Touch "Qu" on CONSULT-III screen to increase "PURG VOL CONT/V" opening to 100%.
- Check vacuum hose for vacuum when revving engine up to 2,000 rpm.

Vacuum should exist.

OK or NG

- OK >> GO TO 14.
NG >> GO TO 13.

12. CHECK EVAP CANISTER PURGE VOLUME CONTROL SOLENOID VALVE OPERATION

✗ Without CONSULT-III

- Start engine and warm it up to normal operating temperature.
- Stop engine.
- Disconnect vacuum hose to EVAP canister purge volume control solenoid valve at EVAP service port.
- Start engine and let it idle for at least 80 seconds.
- Check vacuum hose for vacuum when revving engine up to 2,000 rpm.

Vacuum should exist.

OK or NG

- OK >> GO TO 15.
NG >> GO TO 13.

13. CHECK VACUUM HOSE

Check vacuum hoses for clogging or disconnection. Refer to [EC-103, "Vacuum Hose Drawing"](#).

OK or NG

- OK (With CONSULT-III) >> GO TO 14.
OK (Without CONSULT-III) >> GO TO 15.
NG >> Repair or reconnect the hose.

14. CHECK EVAP CANISTER PURGE VOLUME CONTROL SOLENOID VALVE

¹ **With CONSULT-III**

- Start engine.
- Perform "PURG VOL CONT/V" in "ACTIVE TEST" mode with CONSULT-III. Check that engine speed varies according to the valve opening.

OK or NG

- OK >> GO TO 16.
NG >> GO TO 15.

15. CHECK EVAP CANISTER PURGE VOLUME CONTROL SOLENOID VALVE

Refer to [EC-325, "Component Inspection"](#).

DTC P0455 EVAP CONTROL SYSTEM

[MR]

< SERVICE INFORMATION >

OK or NG

OK >> GO TO 16.

NG >> Replace EVAP canister purge volume control solenoid valve.

16.CHECK FUEL TANK TEMPERATURE SENSOR

Refer to [EC-265, "Component Inspection"](#).

OK or NG

OK >> GO TO 17.

NG >> Replace fuel level sensor unit.

17.CHECK EVAP CONTROL SYSTEM PRESSURE SENSOR

Refer to [EC-347, "Component Inspection"](#).

OK or NG

OK >> GO TO 18.

NG >> Replace EVAP control system pressure sensor.

18.CHECK EVAP/ORVR LINE

Check refueling EVAP/ORVR line between EVAP canister and fuel tank for clogging, kink, looseness and improper connection. For location, refer to [EC-42](#).

OK or NG

OK >> GO TO 19.

NG >> Repair or replace hoses and tubes.

19.CHECK RECIRCULATION LINE

Check recirculation line between filler neck tube and fuel tank for clogging, kink, cracks, looseness and improper connection.

OK or NG

OK >> GO TO 20.

NG >> Repair or replace hoses, tubes or filler neck tube.

20.CHECK REFUELING EVAP VAPOR CUT VALVE

Refer to [EC-44, "Component Inspection"](#).

OK or NG

OK >> GO TO 21.

NG >> Replace refueling EVAP vapor cut valve with fuel tank.

21.CHECK INTERMITTENT INCIDENT

Refer to [EC-135](#).

>> **INSPECTION END**

A
EC
C
D
E
F
G
H
I
J
K
L
M
N
O
P

DTC P0456 EVAP CONTROL SYSTEM

< SERVICE INFORMATION >

[MR]

DTC P0456 EVAP CONTROL SYSTEM

On Board Diagnosis Logic

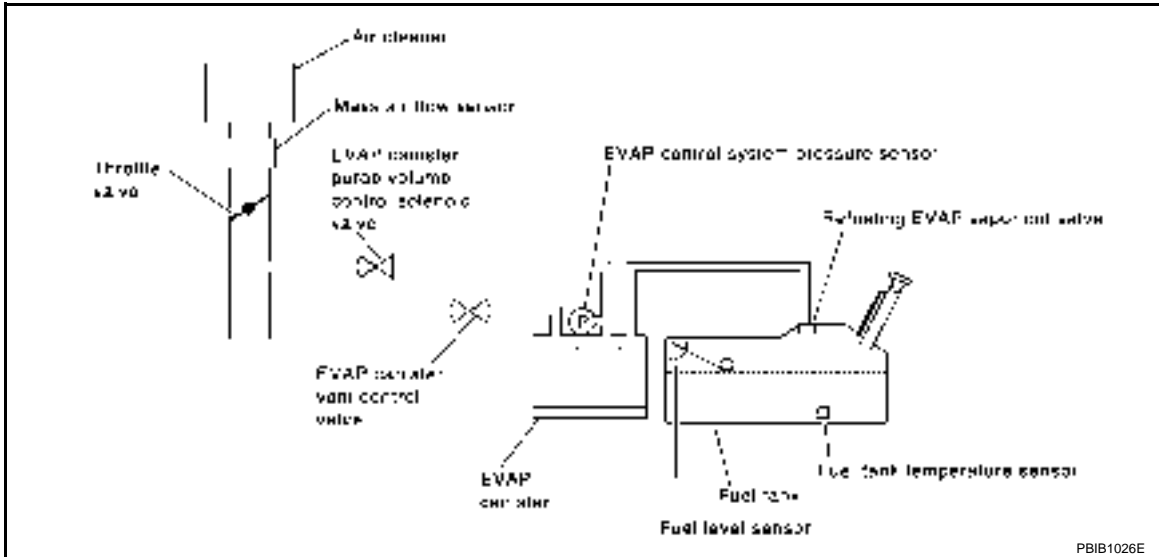
INFOID:000000001850050

This diagnosis detects very small leaks in the EVAP line between fuel tank and EVAP canister purge volume control solenoid valve, using the intake manifold vacuum in the same way as conventional EVAP small leak diagnosis.

If ECM judges a leak which corresponds to a very small leak, the very small leak P0456 will be detected.

If ECM judges a leak equivalent to a small leak, EVAP small leak P0442 will be detected.

If ECM judges there are no leaks, the diagnosis will be OK.



DTC No.	Trouble diagnosis name	DTC detecting condition	Possible cause
P0456 0456	Evaporative emission control system very small leak (negative pressure check)	<ul style="list-style-type: none"> • EVAP system has a very small leak. • EVAP system does not operate properly. 	<ul style="list-style-type: none"> • Incorrect fuel tank vacuum relief valve • Incorrect fuel filler cap used • Fuel filler cap remains open or fails to close. • Foreign matter caught in fuel filler cap • Leak is in line between intake manifold and EVAP canister purge volume control solenoid valve. • Foreign matter caught in EVAP canister vent control valve • EVAP canister or fuel tank leaks • EVAP purge line (pipe and rubber tube) leaks • EVAP purge line rubber tube bent • Loose or disconnected rubber tube • EVAP canister vent control valve and the circuit • EVAP canister purge volume control solenoid valve and the circuit • Fuel tank temperature sensor • O-ring of EVAP canister vent control valve is missing or damaged • EVAP canister is saturated with water • EVAP control system pressure sensor • Refueling EVAP vapor cut valve • ORVR system leaks • Fuel level sensor and the circuit • Foreign matter caught in EVAP canister purge volume control solenoid valve

CAUTION:

- Use only a genuine NISSAN fuel filler cap as a replacement. If an incorrect fuel filler cap is used, the MIL may come on.
- If the fuel filler cap is not tightened properly, the MIL may come on.
- Use only a genuine NISSAN rubber tube as a replacement.

DTC P0456 EVAP CONTROL SYSTEM

< SERVICE INFORMATION >

[MR]

DTC Confirmation Procedure

INFOID:000000001850051

NOTE:

- If DTC P0456 is displayed with P0442, first perform trouble diagnosis for DTC P0456.
- After repair, make sure that the hoses and clips are installed properly.
- If DTC Confirmation Procedure has been previously conducted, always turn ignition switch OFF and wait at least 10 seconds before conducting the next test.

TESTING CONDITION:

- Open engine hood before conducting following procedure.
- If any of following conditions are met just before the DTC confirmation procedure, leave the vehicle for more than 1 hour.
 - Fuel filler cap is removed.
 - Refilled or drained the fuel.
 - EVAP component parts is/are removed.
- Before performing the following procedure, confirm that battery voltage is more than 11V at idle.

WITH CONSULT-III

1. Turn ignition switch ON and select "DATA MONITOR" mode with CONSULT-III.
2. Make sure the following conditions are met.
 - FUEL LEVEL SE: 0.25 - 1.4V**
 - COOLAN TEMP/S: 0 - 32°C (32 - 90°F)**
 - FUEL T/TMP SE: 0 - 35°C (32 - 95°F)**
 - INT/A TEMP SE: More than 0°C (32°F)**If NG, turn ignition switch OFF and leave the vehicle in a cool place (soak the vehicle) or refilling/draining fuel until the output voltage condition of the "FUEL LEVEL SE" meets within the range above and leave the vehicle for more than 1 hour. Then start from step 1).
3. Turn ignition switch OFF and wait at least 10 seconds.
4. Turn ignition switch ON.
5. Select "EVAP V/S LEAK P0456" of "EVAPORATIVE SYSTEM" in "DTC WORK SUPPORT" mode with CONSULT-III.
Follow the instruction displayed.
6. Make sure that "OK" is displayed.
If "NG" is displayed, refer to [EC-364, "Diagnosis Procedure"](#).

NOTE:

If the engine speed cannot be maintained within the range displayed on CONSULT-III screen, go to [EC-75, "Basic Inspection"](#).

Overall Function Check


INFOID:000000001850052

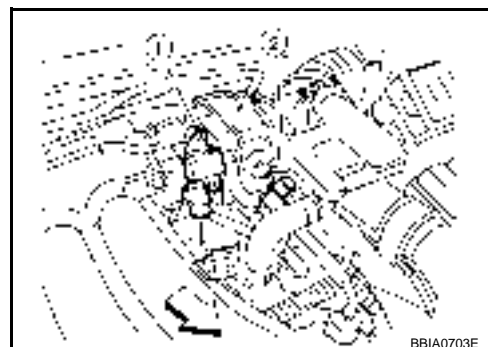
WITH GST

Use this procedure to check the overall function of the EVAP very small leak function. During this check, a 1st trip DTC might not be confirmed.

CAUTION:

- Never use compressed air, doing so may damage the EVAP system.
- Do not start engine.
- Do not exceeded 4.12 kPa (0.042 kg/cm², 0.6 psi).

1. Attach the EVAP service port adapter securely to the EVAP service port (2).
 - EVAP canister purge volume control solenoid valve (1)
 -  Vehicle front



DTC P0456 EVAP CONTROL SYSTEM

[MR]

< SERVICE INFORMATION >

2. Set the pressure pump and a hose.
3. Also set the pressure pump with pressure gauge to the EVAP service port adapter.
4. Turn ignition switch ON.
5. Connect GST and select Service \$08.
6. Using Service \$08 control the EVAP canister vent control valve (close).
7. Apply pressure and make sure the following conditions are satisfied.

Pressure to be applied: 2.7 kPa (20 mmHg, 0.79 inHg)

Time to be waited after the pressure drawn in to the EVAP system and the pressure to be dropped: 60 seconds and the pressure should not be dropped more than 0.4 kPa (3 mmHg, 0.12 inHg).

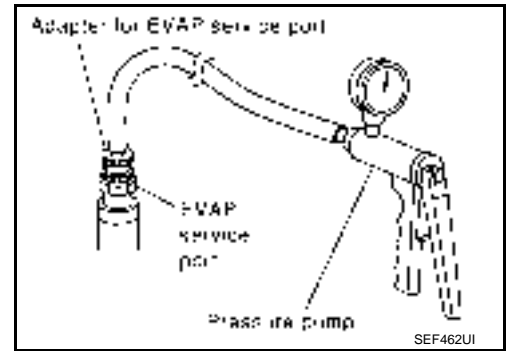
If NG, go to [EC-364, "Diagnosis Procedure"](#).

If OK, go to next step.

8. Disconnect GST.
9. Start engine and warm it up to normal operating temperature.
10. Turn ignition switch OFF and wait at least 10 seconds.
11. Restart engine and let it idle for 90 seconds.
12. Keep engine speed at 2,000 rpm for 30 seconds.
13. Turn ignition switch OFF.

NOTE:

For more information, refer to GST Instruction Manual.



Diagnosis Procedure

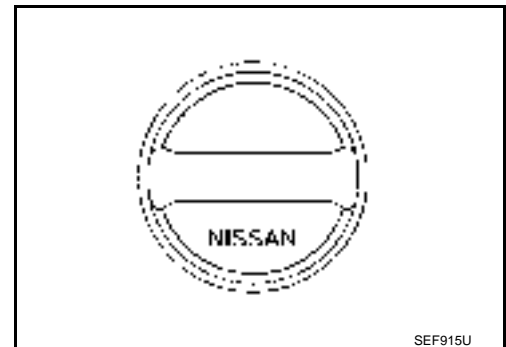
INFOID:000000001850053

1. CHECK FUEL FILLER CAP DESIGN

1. Turn ignition switch OFF.
2. Check for genuine NISSAN fuel filler cap design.

OK or NG

- OK >> GO TO 2.
NG >> Replace with genuine NISSAN fuel filler cap.



2. CHECK FUEL FILLER CAP INSTALLATION

Check that the cap is tightened properly by rotating the cap clockwise.

OK or NG

- OK >> GO TO 3.
NG >> 1. Open fuel filler cap, then clean cap and fuel filler neck threads using air blower.
2. Retighten until ratcheting sound is heard.

3. CHECK FUEL FILLER CAP FUNCTION

Check for air releasing sound while opening the fuel filler cap.

OK or NG

- OK >> GO TO 5.
NG >> GO TO 4.

4. CHECK FUEL TANK VACUUM RELIEF VALVE

Refer to [EC-38, "Component Inspection"](#).

OK or NG

- OK >> GO TO 5.
NG >> Replace fuel filler cap with a genuine one.

DTC P0456 EVAP CONTROL SYSTEM

< SERVICE INFORMATION >

[MR]

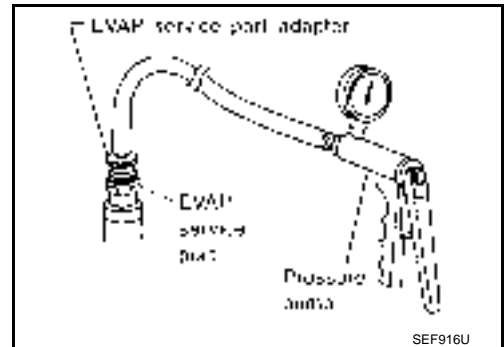
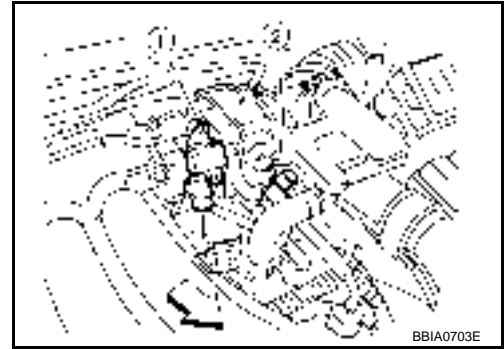
5. INSTALL THE PRESSURE PUMP

To locate the EVAP leak, install EVAP service port adapter and pressure pump to EVAP service port securely. For the location of EVAP service port (2), refer to [EC-36, "Description"](#).

- EVAP canister purge volume control solenoid valve (1)
- ↖: Vehicle front

NOTE:

Improper installation of the EVAP service port adapter to the EVAP service port may cause leaking.



With CONSULT-III>>GO TO 6.
Without CONSULT-III>>GO TO 7.

6. CHECK FOR EVAP LEAK

With CONSULT-III

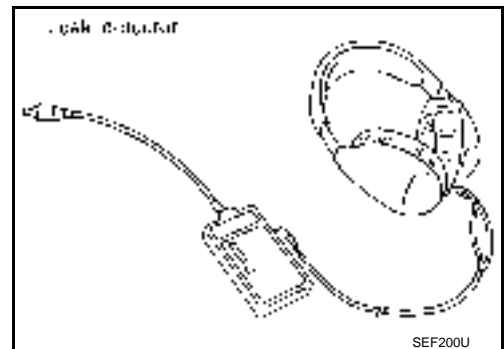
1. Turn ignition switch ON.
2. Select "EVAP SYSTEM CLOSE" of "WORK SUPPORT" mode with CONSULT-III.
3. Touch "START" and apply pressure into the EVAP line until the pressure indicator reaches the middle of the bar graph.

CAUTION:

- **Never use compressed air or a high pressure pump.**
 - **Do not exceed 4.12 kPa (0.042 kg/cm², 0.6 psi) of pressure in the system.**
4. Using EVAP leak detector, locate the EVAP leak. For the leak detector, refer to the instruction manual for more details. Refer to [EC-36, "Description"](#).

OK or NG

- OK >> GO TO 8.
NG >> Repair or replace.



7. CHECK FOR EVAP LEAK

Without CONSULT-III

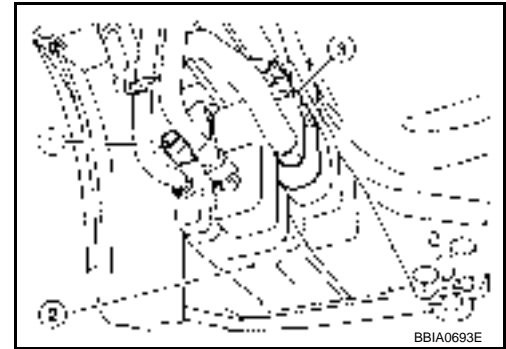
1. Turn ignition switch OFF.

DTC P0456 EVAP CONTROL SYSTEM

[MR]

< SERVICE INFORMATION >

2. Apply 12 volts DC to EVAP canister vent control valve (3). The valve will close. (Continue to apply 12 volts until the end of test.)
 - This illustration is a view from under vehicle
 - EVAP control system pressure sensor (1)
 - EVAP canister (2)



3. Pressurize the EVAP line using pressure pump with 1.3 to 2.7 kPa (10 to 20 mmHg, 0.39 to 0.79 inHg), then remove pump and EVAP service port adapter.

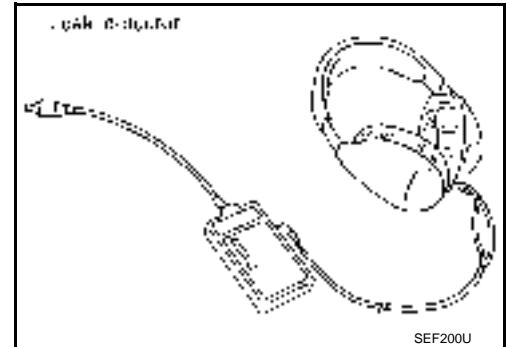
CAUTION:

- Never use compressed air or a high pressure pump.
- Do not exceed 4.12 kPa (0.042 kg/cm², 0.6 psi) of pressure in the system.

4. Using EVAP leak detector, locate the EVAP leak. For the leak detector, refer to the instruction manual for more details. Refer to [EC-36, "Description"](#).

OK or NG

- OK >> GO TO 8.
NG >> Repair or replace.



8. CHECK EVAP CANISTER VENT CONTROL VALVE

Check the following.

- EVAP canister vent control valve is installed properly. Refer to [EC-39, "Removal and Installation"](#).
- EVAP canister vent control valve. Refer to [EC-330, "Component Inspection"](#).

OK or NG

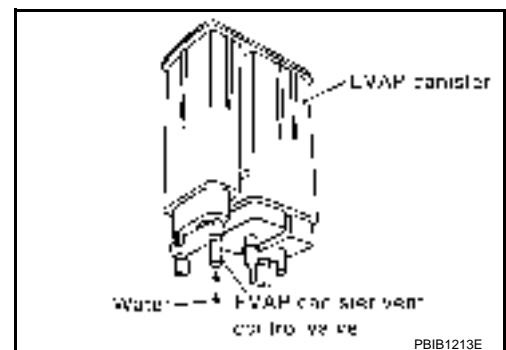
- OK >> GO TO 9.
NG >> Repair or replace EVAP canister vent control valve and O-ring.

9. CHECK IF EVAP CANISTER SATURATED WITH WATER

1. Remove EVAP canister with EVAP canister vent control valve and EVAP control system pressure sensor attached.
2. Does water drain from the EVAP canister?

Yes or No

- Yes >> GO TO 10.
No (With CONSULT-III) >> GO TO 12.
No (Without CONSULT-III) >> GO TO 13.



10. CHECK EVAP CANISTER

Weigh the EVAP canister with the EVAP canister vent control valve and EVAP control system pressure sensor attached.

DTC P0456 EVAP CONTROL SYSTEM

< SERVICE INFORMATION >

[MR]

The weight should be less than 1.9 kg (4.2 lb).

OK or NG

- OK (With CONSULT-III)>>GO TO 12.
- OK (Without CONSULT-III)>>GO TO 13.
- NG >> GO TO 11.

11.DETECT MALFUNCTIONING PART

Check the following.

- EVAP canister for damage
- EVAP hose between EVAP canister and vehicle frame for clogging or poor connection

>> Repair hose or replace EVAP canister.

12.CHECK EVAP CANISTER PURGE VOLUME CONTROL SOLENOID VALVE OPERATION

• **With CONSULT-III**

1. Disconnect vacuum hose to EVAP canister purge volume control solenoid valve at EVAP service port.
2. Start engine.
3. Perform "PURG VOL CONT/V" in "ACTIVE TEST" mode.
4. Touch "Qu" on CONSULT-III screen to increase "PURG VOL CONT/V" opening to 100%.
5. Check vacuum hose for vacuum when revving engine up to 2,000 rpm.

Vacuum should exist.

OK or NG

- OK >> GO TO 15.
- NG >> GO TO 14.

13.CHECK EVAP CANISTER PURGE VOLUME CONTROL SOLENOID VALVE OPERATION

✕ **Without CONSULT-III**

1. Start engine and warm it up to normal operating temperature.
2. Stop engine.
3. Disconnect vacuum hose to EVAP canister purge volume control solenoid valve at EVAP service port.
4. Start engine and let it idle for at least 80 seconds.
5. Check vacuum hose for vacuum when revving engine up to 2,000 rpm.

Vacuum should exist.

OK or NG

- OK >> GO TO 16.
- NG >> GO TO 14.

14.CHECK VACUUM HOSE

Check vacuum hoses for clogging or disconnection. Refer to [EC-103. "Vacuum Hose Drawing"](#).

OK or NG

- OK >> GO TO 15.
- NG >> Repair or reconnect the hose.

15.CHECK EVAP CANISTER PURGE VOLUME CONTROL SOLENOID VALVE

Refer to [EC-325. "Component Inspection"](#).

OK or NG

- OK >> GO TO 16.
- NG >> Replace EVAP canister purge volume control solenoid valve.

16.CHECK FUEL TANK TEMPERATURE SENSOR

Refer to [EC-265. "Component Inspection"](#).

OK or NG

- OK >> GO TO 17.
- NG >> Replace fuel level sensor unit.

DTC P0456 EVAP CONTROL SYSTEM

< SERVICE INFORMATION >

[MR]

17. CHECK EVAP CONTROL SYSTEM PRESSURE SENSOR

Refer to [EC-347. "Component Inspection"](#).

OK or NG

OK >> GO TO 18.

NG >> Replace EVAP control system pressure sensor.

18. CHECK EVAP PURGE LINE

Check EVAP purge line (pipe, rubber tube, fuel tank and EVAP canister) for cracks or improper connection. Refer to [EC-36. "Description"](#).

OK or NG

OK >> GO TO 19.

NG >> Repair or reconnect the hose.

19. CLEAN EVAP PURGE LINE

Clean EVAP purge line (pipe and rubber tube) using air blower.

>> GO TO 20.

20. CHECK EVAP/ORVR LINE

Check EVAP/ORVR line between EVAP canister and fuel tank for clogging, kink, looseness and improper connection. For location, refer to [EC-42](#).

OK or NG

OK >> GO TO 21.

NG >> Repair or replace hoses and tubes.

21. CHECK RECIRCULATION LINE

Check recirculation line between filler neck tube and fuel tank for clogging, kink, cracks, looseness and improper connection.

OK or NG

OK >> GO TO 22.

NG >> Repair or replace hose, tube or filler neck tube.

22. CHECK REFUELING EVAP VAPOR CUT VALVE

Refer to [EC-44. "Component Inspection"](#).

OK or NG

OK >> GO TO 23.

NG >> Replace refueling EVAP vapor cut valve with fuel tank.

23. CHECK FUEL LEVEL SENSOR

Refer to [FL-5](#).

OK or NG

OK >> GO TO 24.

NG >> Replace fuel level sensor unit.

24. CHECK INTERMITTENT INCIDENT

Refer to [EC-135](#).

>> **INSPECTION END**

DTC P0460 FUEL LEVEL SENSOR

< SERVICE INFORMATION >

[MR]

DTC P0460 FUEL LEVEL SENSOR

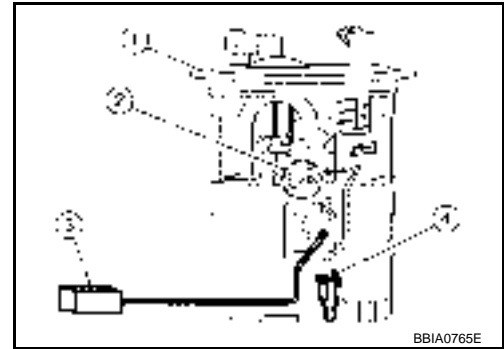
Component Description

INFOID:000000001850054

The fuel level sensor (3) is mounted in the fuel level sensor unit. The sensor detects a fuel level in the fuel tank and transmits a signal to the combination meter. The combination meter sends the fuel level sensor signal to the ECM through CAN communication line.

It consists of two parts, one is mechanical float and the other is variable resistor. Fuel level sensor output voltage changes depending on the movement of the fuel level mechanical float.

- Fuel level sensor unit and fuel pump (1)
- Fuel pressure regulator (2)
- Fuel tank temperature sensor (4)



On Board Diagnosis Logic

INFOID:000000001850055

NOTE:

- If DTC P0460 is displayed with DTC U1000, U1001, first perform the trouble diagnosis for DTC U1000, U1001. Refer to [EC-142](#).
- If DTC P0460 is displayed with DTC U1010, first perform the trouble diagnosis for DTC U1010. Refer to [EC-144](#).

When the vehicle is parked, naturally the fuel level in the fuel tank is stable. It means that output signal of the fuel level sensor does not change. If ECM senses sloshing signal from the sensor, fuel level sensor malfunction is detected.

DTC No.	Trouble diagnosis name	DTC detecting condition	Possible cause
P0460 0460	Fuel level sensor circuit noise	Even though the vehicle is parked, a signal being varied is sent from the fuel level sensor to ECM.	<ul style="list-style-type: none">• Harness or connectors (CAN communication line is open or shorted)• Harness or connectors (Fuel level sensor circuit is open or shorted)• Combination meter• Fuel level sensor

DTC Confirmation Procedure

INFOID:000000001850056

NOTE:

If DTC Confirmation Procedure has been previously conducted, always turn ignition switch OFF and wait at least 10 seconds before conducting the next test.

1. Start engine and wait maximum of 2 consecutive minutes.
2. Check 1st trip DTC.
3. If 1st trip DTC is detected, go to [EC-369, "Diagnosis Procedure"](#).

Diagnosis Procedure

INFOID:000000001850057

1. CHECK FUEL GAUGE OPERATION

Refer to [DI-13, "Self-Diagnosis Mode of Combination Meter"](#).

OK or NG

OK >> GO TO 2.

NG >> Follow the instruction of [DI-13, "Self-Diagnosis Mode of Combination Meter"](#).

2. CHECK FUEL LEVEL SENSOR AND CIRCUIT

Refer to [DI-19, "Fuel Level Sensor Signal Inspection"](#).

OK or NG

OK >> GO TO 3.

NG >> Repair or replace malfunctioning parts.

DTC P0460 FUEL LEVEL SENSOR

< SERVICE INFORMATION >

[MR]

3. CHECK INTERMITTENT INCIDENT

Refer to [EC-135](#).

>> **INSPECTION END**

Removal and Installation

INFOID:000000001850058

FUEL LEVEL SENSOR

Refer to [FL-5](#)

DTC P0461 FUEL LEVEL SENSOR

< SERVICE INFORMATION >

[MR]

DTC P0461 FUEL LEVEL SENSOR

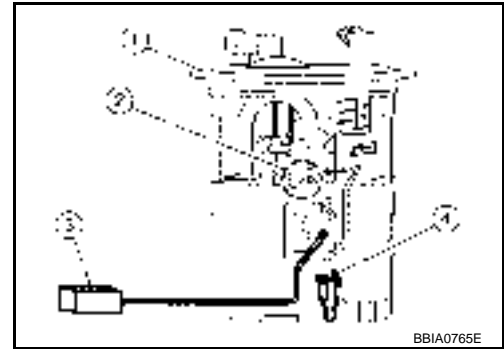
Component Description

INFOID:000000001850059

The fuel level sensor (3) is mounted in the fuel level sensor unit. The sensor detects a fuel level in the fuel tank and transmits a signal to the combination meter. The combination meter sends the fuel level sensor signal to the ECM through CAN communication line.

It consists of two parts, one is mechanical float and the other is variable resistor. Fuel level sensor output voltage changes depending on the movement of the fuel mechanical float.

- Fuel level sensor unit and fuel pump (1)
- Fuel pressure regulator (2)
- Fuel tank temperature sensor (4)



On Board Diagnosis Logic

INFOID:000000001850060

NOTE:

- If DTC P0461 is displayed with DTC U1000, U1001, first perform the trouble diagnosis for DTC U1000, U1001. Refer to [EC-142](#).
- If DTC P0461 is displayed with DTC U1010, first perform the trouble diagnosis for DTC U1010. Refer to [EC-144](#).

This diagnosis detects the fuel gauge malfunction of the gauge not moving even after a long distance has been driven. Driving long distances naturally affect fuel gauge level.

DTC No.	Trouble diagnosis name	DTC detecting condition	Possible cause
P0461 0461	Fuel level sensor circuit range/performance	The output signal of the fuel level sensor does not change within the specified range even though the vehicle has been driven a long distance.	<ul style="list-style-type: none">• Harness or connectors (CAN communication line is open or shorted)• Harness or connectors (Fuel level sensor circuit is open or shorted)• Combination meter• Fuel level sensor

Overall Function Check

INFOID:000000001850061

Use this procedure to check the overall function of the fuel level sensor function. During this check, a 1st trip DTC might not be confirmed.

WARNING:

When performing following procedure, be sure to observe the handling of the fuel.

Refer to [FL-9](#).

TESTING CONDITION:

Before starting overall function check, preparation of draining fuel and refilling fuel is required.

WITH CONSULT-III

NOTE:

Start from step 10, if it is possible to confirm that the fuel cannot be drained by 30 ℓ (7-7/8 US gal, 6-5/8 Imp gal) in advance.

1. Prepare a fuel container and a spare hose.
2. Release fuel pressure from fuel line, refer to [EC-83, "Fuel Pressure Check"](#).
3. Remove the fuel feed hose on the fuel level sensor unit.
4. Connect a spare fuel hose where the fuel feed hose was removed.
5. Turn ignition switch OFF and wait at least 10 seconds then turn ON.
6. Select "FUEL LEVEL SE" in "DATA MONITOR" mode with CONSULT-III.
7. Check "FUEL LEVEL SE" output voltage and note it.
8. Select "FUEL PUMP" in "ACTIVE TEST" mode with CONSULT-III.
9. Touch "ON" and drain fuel approximately 30 ℓ (7-7/8 US gal, 6-5/8 Imp gal) and stop it.
10. Check "FUEL LEVEL SE" output voltage and note it.

DTC P0461 FUEL LEVEL SENSOR

[MR]

< SERVICE INFORMATION >

11. Fill fuel into the fuel tank for 30 ℓ (7-7/8 US gal, 6-5/8 Imp gal).
12. Check "FUEL LEVEL SE" output voltage and note it.
13. Confirm whether the voltage changes more than 0.03V during step 7 to 10 and 10 to 12.
If NG, go to [EC-372. "Diagnosis Procedure"](#).

WITH GST

NOTE:

Start from step 8, if it is possible to confirm that the fuel cannot be drained by 30 ℓ (7-7/8 US gal, 6-5/8 Imp gal) in advance.

1. Prepare a fuel container and a spare hose.
2. Release fuel pressure from fuel line, refer to [EC-83. "Fuel Pressure Check"](#).
3. Remove the fuel feed hose on the fuel level sensor unit.
4. Connect a spare fuel hose where the fuel feed hose was removed.
5. Turn ignition switch ON.
6. Drain fuel by 30 ℓ (7-7/8 US gal, 6-5/8 Imp gal) from the fuel tank using proper equipment.
7. Confirm that the fuel gauge indication varies.
8. Fill fuel into the fuel tank for 30 ℓ (7-7/8 US gal, 6-5/8 Imp gal).
9. Confirm that the fuel gauge indication varies.
10. If NG, go to [EC-372. "Diagnosis Procedure"](#).

Diagnosis Procedure

INFOID:000000001850062

1. CHECK FUEL GAUGE OPERATION

Refer to [DI-13. "Self-Diagnosis Mode of Combination Meter"](#).

OK or NG

- OK >> GO TO 2.
- NG >> Follow the instruction of [DI-13. "Self-Diagnosis Mode of Combination Meter"](#).

2. CHECK FUEL LEVEL SENSOR AND CIRCUIT

Refer to [DI-19. "Fuel Level Sensor Signal Inspection"](#).

OK or NG

- OK >> GO TO 3.
- NG >> Repair or replace malfunctioning parts.

3. CHECK INTERMITTENT INCIDENT

Refer to [EC-135](#).

>> **INSPECTION END**

Removal and Installation

INFOID:000000001850063

FUEL LEVEL SENSOR

Refer to [FL-5](#).

DTC P0462, P0463 FUEL LEVEL SENSOR

< SERVICE INFORMATION >

[MR]

DTC P0462, P0463 FUEL LEVEL SENSOR

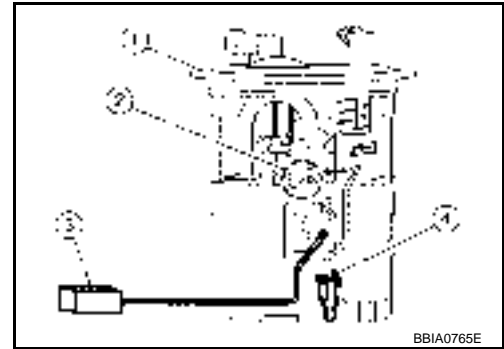
Component Description

INFOID:000000001850064

The fuel level sensor (3) is mounted in the fuel level sensor unit. The sensor detects a fuel level in the fuel tank and transmits a signal to the combination meter. The combination meter sends the fuel level sensor signal to the ECM through CAN communication line.

It consists of two parts, one is mechanical float and the other is variable resistor. Fuel level sensor output voltage changes depending on the movement of the fuel level mechanical float.

- Fuel level sensor unit and fuel pump (1)
- Fuel pressure regulator (2)
- Fuel tank temperature sensor (4)



On Board Diagnosis Logic

INFOID:000000001850065

NOTE:

- If DTC P0462 or P0463 is displayed with DTC U1000, U1001, first perform the trouble diagnosis for DTC U1000, U1001. Refer to [EC-142](#).
- If DTC P0462 or P0463 is displayed with DTC U1010, first perform the trouble diagnosis for DTC U1010. Refer to [EC-144](#).

This diagnosis indicates the former, to detect open or short circuit malfunction.

DTC No.	Trouble diagnosis name	DTC detecting condition	Possible cause
P0462 0462	Fuel level sensor circuit low input	An excessively low voltage from the sensor is sent to ECM.	<ul style="list-style-type: none">• Harness or connectors (CAN communication line is open or shorted)• Harness or connectors (Fuel level sensor circuit is open or shorted)• Combination meter• Fuel level sensor
P0463 0463	Fuel level sensor circuit high input	An excessively high voltage from the sensor is sent to ECM.	

DTC Confirmation Procedure

INFOID:000000001850066

NOTE:

If DTC Confirmation Procedure has been previously conducted, always turn ignition switch OFF and wait at least 10 seconds before conducting the next test.

TESTING CONDITION:

Before performing the following procedure, confirm that battery voltage is more than 11V at ignition switch ON.

1. Turn ignition switch ON and wait at least 5 seconds.
2. Check 1st trip DTC.
3. If 1st trip DTC is detected, go to [EC-373. "Diagnosis Procedure"](#).

Diagnosis Procedure

INFOID:000000001850067

1. CHECK FUEL GAUGE OPERATION

Refer to [DI-13. "Self-Diagnosis Mode of Combination Meter"](#).

OK or NG

OK >> GO TO 2.

NG >> Follow the instruction of [DI-13. "Self-Diagnosis Mode of Combination Meter"](#).

2. CHECK FUEL LEVEL SENSOR AND CIRCUIT

Refer to [DI-19. "Fuel Level Sensor Signal Inspection"](#).

OK or NG

OK >> GO TO 3.

DTC P0462, P0463 FUEL LEVEL SENSOR

[MR]

< SERVICE INFORMATION >

NG >> Repair or replace malfunctioning parts.

3.CHECK INTERMITTENT INCIDENT

Refer to [EC-135](#).

>> **INSPECTION END**

Removal and Installation

INFOID:000000001850068

FUEL LEVEL SENSOR

Refer to [FL-5](#).

DTC P0500 VSS

< SERVICE INFORMATION >

[MR]

DTC P0500 VSS

Description

INFOID:000000001850069

NOTE:

- If DTC P0500 is displayed with DTC U1000 or U1001, first perform the trouble diagnosis for DTC U1000, U1001. Refer to [EC-142](#).
- If DTC P0500 is displayed with DTC U1010, first perform the trouble diagnosis for DTC U1010. Refer to [EC-144](#).

The vehicle speed signal is sent to the combination meter from "ABS actuator and electric unit (control unit)" through CAN communication line. The combination meter then sends a signal to the ECM through CAN communication line.

On Board Diagnosis Logic

INFOID:000000001850070

DTC No.	Trouble diagnosis name	DTC detecting condition	Possible cause
P0500 0500	Vehicle speed sensor	The almost 0 km/h (0 MPH) signal from vehicle speed sensor is sent to ECM even when vehicle is being driven.	<ul style="list-style-type: none"> • Harness or connectors (CAN communication line is open or shorted.) • Harness or connectors (Vehicle speed signal circuit is open or shorted) • ABS actuator and electric unit (control unit) • Wheel sensor • Combination meter

FAIL-SAFE MODE

When the malfunction is detected, ECM enters fail-safe mode.

Detected item	Engine operating condition in fail-safe mode
Vehicle speed sensor	When the fail-safe system for vehicle speed sensor is activated, the cooling fan operates (High) while engine is running.

DTC Confirmation Procedure

INFOID:000000001850071

CAUTION:

Always drive vehicle at a safe speed.

NOTE:

If DTC Confirmation Procedure has been previously conducted, always turn ignition switch OFF and wait at least 10 seconds before conducting the next test.

TESTING CONDITION:

Steps 1 and 2 may be conducted with the drive wheels lifted in the shop or by driving the vehicle. If a road test is expected to be easier, it is unnecessary to lift the vehicle.

WITH CONSULT-III

1. Start engine.
2. Read "VHCL SPEED SE" in "DATA MONITOR" mode with CONSULT-III. The vehicle speed on CONSULT-III should exceed 10 km/h (6 MPH) when rotating wheels with suitable gear position.
If NG, go to [EC-376, "Diagnosis Procedure"](#).
If OK, go to following step.
3. Select "DATA MONITOR" mode with CONSULT-III.
4. Warm engine up to normal operating temperature.
5. Maintain the following conditions for at least 60 consecutive seconds.

ENG SPEED	More than 1,700 rpm (M/T) More than 1,300 rpm (CVT)
COOLAN TEMP/S	More than 70°C (158°F)
B/FUEL SCHDL	4.5 - 31.8 msec (M/T) 6.5 - 31.8 msec (CVT)

DTC P0500 VSS

< SERVICE INFORMATION >

[MR]

Shift lever	Suitable position
PW/ST SIGNAL	OFF

6. Check 1st trip DTC.
7. If 1st trip DTC is detected, go to [EC-376. "Diagnosis Procedure"](#).

Overall Function Check

INFOID:000000001850072

Use this procedure to check the overall function of the vehicle speed signal circuit. During this check, a 1st trip DTC might not be confirmed.

WITH GST

1. Lift up drive wheels.
2. Start engine.
3. Read vehicle speed signal in Service \$01 with GST.
The vehicle speed signal on GST should be able to exceed 10 km/h (6 MPH) when rotating wheels with suitable gear position.
4. If NG, go to [EC-376. "Diagnosis Procedure"](#).

Diagnosis Procedure

INFOID:000000001850073

1. CHECK DTC WITH "ABS ACTUATOR AND ELECTRIC UNIT (CONTROL UNIT)"

Refer to [BRC-8](#).

OK or NG

- OK >> GO TO 2.
NG >> Repair or replace.

2. CHECK COMBINATION METER

Refer to [DI-5](#).

>> INSPECTION END

DTC P0506 ISC SYSTEM

< SERVICE INFORMATION >

[MR]

DTC P0506 ISC SYSTEM

Description

INFOID:000000001850074

NOTE:

If DTC P0506 is displayed with other DTC, first perform the trouble diagnosis for the other DTC.

The ECM controls the engine idle speed to a specified level through the fine adjustment of the air, which is let into the intake manifold, by operating the electric throttle control actuator. The operating of the throttle valve is varied to allow for optimum control of the engine idling speed. The ECM calculates the actual engine speed from signals of crankshaft position sensor (POS) and camshaft position sensor (PHASE).

The ECM controls the electric throttle control actuator so that the engine speed coincides with the target value memorized in the ECM. The target engine speed is the lowest speed at which the engine can operate steadily. The optimum value stored in the ECM is determined by taking into consideration various engine conditions, such as during warming up, deceleration, and engine load (air conditioner, power steering and cooling fan operation, etc.).

On Board Diagnosis Logic

INFOID:000000001850075

DTC No.	Trouble diagnosis name	DTC detecting condition	Possible cause
P0506 0506	Idle speed control system RPM lower than expected	The idle speed is less than the target idle speed by 100 rpm or more.	<ul style="list-style-type: none">• Electric throttle control actuator• Intake air leak

DTC Confirmation Procedure

INFOID:000000001850076

NOTE:

- If DTC Confirmation Procedure has been previously conducted, always turn ignition switch OFF and wait at least 10 seconds before conducting the next test.
- **If the target idle speed is out of the specified value, perform [EC-81, "Idle Air Volume Learning"](#), before conducting DTC Confirmation Procedure. For the target idle speed, refer to the [EC-521](#).**

TESTING CONDITION:

- **Before performing the following procedure, confirm that battery voltage is more than 11V at idle.**
- **Always perform the test at a temperature above -10°C (14°F).**

1. Start engine and warm it up to normal operating temperature.
2. Turn ignition switch OFF and wait at least 10 seconds.
3. Start engine and run it for at least 1 minute at idle speed.
4. Check 1st trip DTC.
5. If 1st trip DTC is detected, go to [EC-377, "Diagnosis Procedure"](#).

Diagnosis Procedure

INFOID:000000001850077

1. CHECK INTAKE AIR LEAK

1. Start engine and let it idle.
2. Listen for an intake air leak after the mass air flow sensor.

OK or NG

- OK >> GO TO 2.
- NG >> Discover air leak location and repair.

2. REPLACE ECM

1. Stop engine.
2. Replace ECM.
3. Perform initialization of NVIS (NATS) system and registration of all NVIS (NATS) ignition key IDs. Refer to [BL-170, "ECM Re-communicating Function"](#).
4. Perform [EC-81, "VIN Registration"](#).
5. Perform [EC-81, "Accelerator Pedal Released Position Learning"](#).
6. Perform [EC-81, "Throttle Valve Closed Position Learning"](#).
7. Perform [EC-81, "Idle Air Volume Learning"](#).

DTC P0506 ISC SYSTEM

< SERVICE INFORMATION >

[MR]

>> INSPECTION END

DTC P0507 ISC SYSTEM

Description

INFOID:000000001850078

NOTE:

If DTC P0507 is displayed with other DTC, first perform the trouble diagnosis for the other DTC.

The ECM controls the engine idle speed to a specified level through the fine adjustment of the air, which is let into the intake manifold, by operating the electric throttle control actuator. The operating of the throttle valve is varied to allow for optimum control of the engine idling speed. The ECM calculates the actual engine speed from signals of camshaft position sensor (POS) and camshaft position sensor (PHASE).

The ECM controls the electric throttle control actuator so that the engine speed coincides with the target value memorized in the ECM. The target engine speed is the lowest speed at which the engine can operate steadily. The optimum value stored in the ECM is determined by taking into consideration various engine conditions, such as during warming up, deceleration, and engine load (air conditioner, power steering and cooling fan operation, etc.).

On Board Diagnosis Logic

INFOID:000000001850079

DTC No.	Trouble diagnosis name	DTC detecting condition	Possible cause
P0507 0507	Idle speed control system RPM higher than expected	The idle speed is more than the target idle speed by 200 rpm or more.	<ul style="list-style-type: none"> • Electric throttle control actuator • Intake air leak • PCV system

DTC Confirmation Procedure

INFOID:000000001850080

NOTE:

- If DTC Confirmation Procedure has been previously conducted, always turn ignition switch OFF and wait at least 10 seconds before conducting the next test.
- If the target idle speed is out of the specified value, perform [EC-81, "Idle Air Volume Learning"](#), before conducting DTC Confirmation Procedure. For the target idle speed, refer to the [EC-521](#).

TESTING CONDITION:

- Before performing the following procedure, confirm that battery voltage is more than 11V at idle.
- Always perform the test at a temperature above -10°C (14°F).

1. Start engine and warm it up to normal operating temperature.
2. Turn ignition switch OFF and wait at least 10 seconds.
3. Start engine and run it for at least 1 minute at idle speed.
4. Check 1st trip DTC.
5. If 1st trip DTC is detected, go to [EC-379, "Diagnosis Procedure"](#).

Diagnosis Procedure

INFOID:000000001850081

1.CHECK PCV HOSE CONNECTION

Confirm that PCV hose is connected correctly.

OK or NG

- OK >> GO TO 2.
- NG >> Repair or replace.

2.CHECK INTAKE AIR LEAK

1. Start engine and let it idle.
2. Listen for an intake air leak after the mass air flow sensor.

OK or NG

- OK >> GO TO 3.
- NG >> Discover air leak location and repair.

3.REPLACE ECM

1. Stop engine.
2. Replace ECM.

DTC P0507 ISC SYSTEM

< SERVICE INFORMATION >

[MR]

3. Perform initialization of NVIS (NATS) system and registration of all NVIS (NATS) ignition key IDs.
Refer to [BL-170, "ECM Re-communicating Function"](#).
4. Perform [EC-81, "VIN Registration"](#).
5. Perform [EC-81, "Accelerator Pedal Released Position Learning"](#).
6. Perform [EC-81, "Throttle Valve Closed Position Learning"](#).
7. Perform [EC-81, "Idle Air Volume Learning"](#).

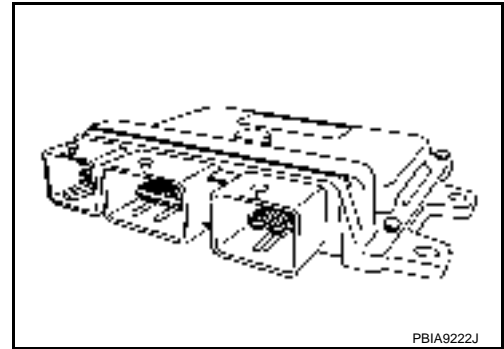
>> INSPECTION END

DTC P0605 ECM

Component Description

INFOID:000000001850082

The ECM consists of a microcomputer and connectors for signal input and output and for power supply. The ECM controls the engine.



On Board Diagnosis Logic

INFOID:000000001850083

This self-diagnosis has one or two trip detection logic.

DTC No.	Trouble diagnosis name	DTC detecting condition		Possible cause
P0605 0605	Engine control module	A)	ECM calculation function is malfunctioning.	• ECM
		B)	ECM EEPROM system is malfunctioning.	
		C)	ECM self shut-off function is malfunctioning.	

FAIL-SAFE MODE

ECM enters fail-safe mode when malfunction A is detected.

Detected items	Engine operation condition in fail-safe mode
Malfunction A	<ul style="list-style-type: none"> ECM stops the electric throttle control actuator control, throttle valve is maintained at a fixed opening (approx. 5 degrees) by the return spring. ECM deactivates ASCD operation.

DTC Confirmation Procedure

INFOID:000000001850084

Perform PROCEDURE FOR MALFUNCTION A first. If the 1st trip DTC cannot be confirmed, perform PROCEDURE FOR MALFUNCTION B. If there is no malfunction on PROCEDURE FOR MALFUNCTION B, perform PROCEDURE FOR MALFUNCTION C.

NOTE:

If DTC Confirmation Procedure has been previously conducted, always turn ignition switch OFF and wait at least 10 seconds before conducting the next test.

PROCEDURE FOR MALFUNCTION A

1. Turn ignition switch ON.
2. Check 1st trip DTC.
3. If 1st trip DTC is detected, go to [EC-382. "Diagnosis Procedure"](#).

PROCEDURE FOR MALFUNCTION B

1. Turn ignition switch ON and wait at least 1 second.
2. Turn ignition switch OFF, wait at least 10 seconds and then turn ON.
3. Check 1st trip DTC.
4. If 1st trip DTC is detected, go to [EC-382. "Diagnosis Procedure"](#).

PROCEDURE FOR MALFUNCTION C

1. Turn ignition switch ON and wait at least 1 second.
2. Turn ignition switch OFF, wait at least 10 seconds and then turn ON.
3. Repeat step 2 for 32 times.

< SERVICE INFORMATION >

4. Check 1st trip DTC.
5. If 1st trip DTC is detected, go to [EC-382, "Diagnosis Procedure"](#).

Diagnosis Procedure

INFOID:000000001850085

1. INSPECTION START

With **CONSULT-III**

1. Turn ignition switch ON.
2. Select "SELF DIAG RESULTS" mode with CONSULT-III.
3. Touch "ERASE".
4. **Perform DTC Confirmation Procedure.**
See [EC-381, "DTC Confirmation Procedure"](#).
5. Is the 1st trip DTC P0605 displayed again?

With **GST**

1. Turn ignition switch ON.
2. Select Service \$04 with GST.
3. **Perform DTC Confirmation Procedure.**
See [EC-381, "DTC Confirmation Procedure"](#).
4. Is the 1st trip DTC P0605 displayed again?

Yes or No

- Yes >> GO TO 2.
No >> **INSPECTION END**

2. REPLACE ECM

1. Replace ECM.
2. Perform initialization of NVIS(NATS) system and registration of all NVIS(NATS) ignition key IDs.
Refer to [BL-170, "ECM Re-communicating Function"](#).
3. Perform [EC-81, "VIN Registration"](#).
4. Perform [EC-81, "Accelerator Pedal Released Position Learning"](#).
5. Perform [EC-81, "Throttle Valve Closed Position Learning"](#).
6. Perform [EC-81, "Idle Air Volume Learning"](#).

>> **INSPECTION END**

DTC P0643 SENSOR POWER SUPPLY

< SERVICE INFORMATION >

[MR]

DTC P0643 SENSOR POWER SUPPLY

On Board Diagnosis Logic

INFOID:000000001850086

This self-diagnosis has the one trip detection logic.

DTC No.	Trouble diagnosis name	DTC detecting condition	Possible cause
P0643 0643	Sensor power supply circuit short	ECM detects a voltage of power source for sensor is excessively low or high.	<ul style="list-style-type: none">• Harness or connectors (APP sensor 1 circuit is shorted.) (Throttle position sensor circuit is shorted.) [Camshaft position sensor (PHASE) circuit is shorted.]• Accelerator pedal position sensor• Throttle position sensor• Camshaft position sensor (PHASE)

FAIL-SAFE MODE

When the malfunction is detected, ECM enters fail-safe mode and the MIL lights up.

Engine operation condition in fail-safe mode

ECM stops the electric throttle control actuator control, throttle valve is maintained at a fixed opening (approx. 5 degrees) by the return spring.

DTC Confirmation Procedure

INFOID:000000001850087

NOTE:

If DTC Confirmation Procedure has been previously conducted, always turn ignition switch OFF and wait at least 10 seconds before conducting the next test.

TESTING CONDITION:

Before performing the following procedure, confirm that battery voltage is more than 8V at idle.

1. Start engine and let it idle for 1 second.
2. Check DTC.
3. If DTC is detected, go to [EC-385. "Diagnosis Procedure"](#).

DTC P0643 SENSOR POWER SUPPLY

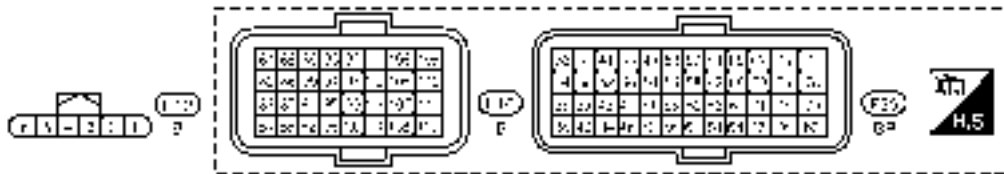
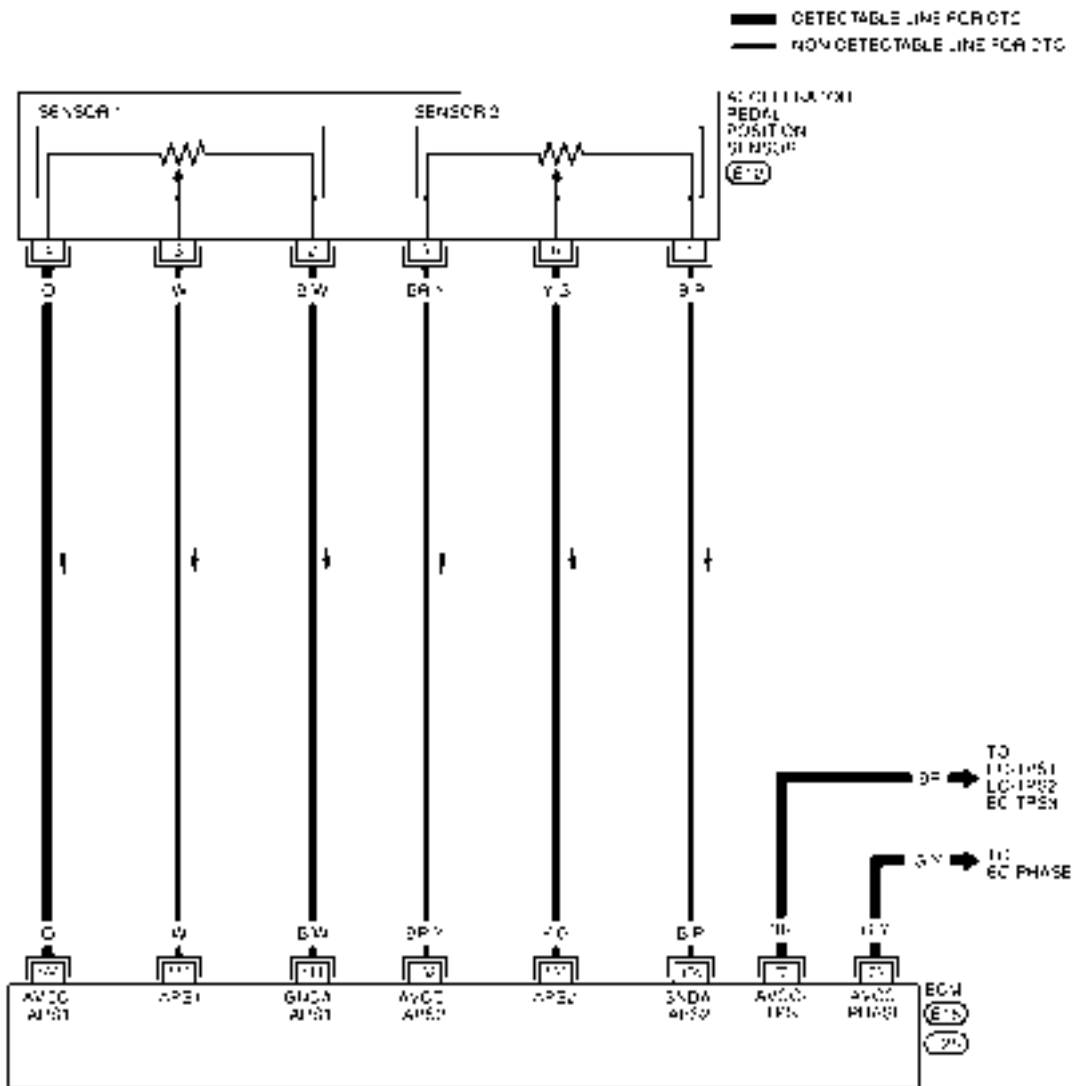
< SERVICE INFORMATION >

[MR]

Wiring Diagram

INFOID:000000001850088

EC-SEN/PW-01



BBWA2889E

Specification data are reference values and are measured between each terminal and ground.

CAUTION:

Do not use ECM ground terminals when measuring input/output voltage. Doing so may result in damage to the ECM's transistor. Use a ground other than ECM terminals, such as the ground.

DTC P0643 SENSOR POWER SUPPLY

< SERVICE INFORMATION >

[MR]

TER-MI-NAL NO.	WIRE COLOR	ITEM	CONDITION	DATA (DC Voltage)
72	BR	Sensor power supply (Throttle position sensor)	[Ignition switch: ON]	Approximately 5V
78	G/Y	Sensor power supply [Camshaft position sensor (PHASE)]	[Ignition switch: ON]	Approximately 5V
102	BR/Y	Sensor power supply (APP sensor 2)	[Ignition switch: ON]	Approximately 5V
103	Y/G	Accelerator pedal position sensor 2	[Ignition switch: ON] • Engine stopped • Accelerator pedal: Fully released	0.3 - 0.6V
			[Ignition switch: ON] • Engine stopped • Accelerator pedal: Fully depressed	1.95 - 2.4V
104	B/P	Sensor ground (APP sensor 2)	[Engine is running] • Warm-up condition • Idle speed	Approximately 0V
106	O	Sensor power supply (APP sensor 1)	[Ignition switch: ON]	Approximately 5V
110	W	Accelerator pedal position sensor 1	[Ignition switch: ON] • Engine stopped • Accelerator pedal: Fully released	0.6 - 0.9V
			[Ignition switch: ON] • Engine stopped • Accelerator pedal: Fully depressed	3.9 - 4.7V
111	B/W	Sensor ground (APP sensor 1)	[Engine is running] • Warm-up condition • Idle speed	Approximately 0V

Diagnosis Procedure

INFOID:000000001850089

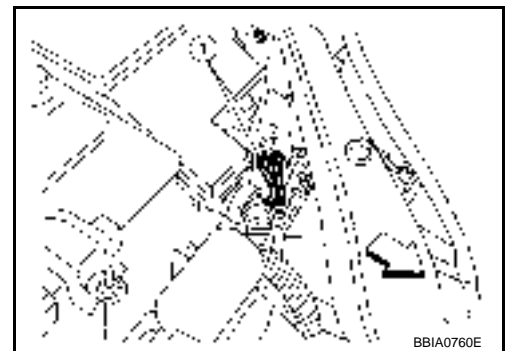
1. CHECK GROUND CONNECTIONS

1. Turn ignition switch OFF.
2. Loosen and retighten ground screws on the body.
Refer to [EC-140. "Ground Inspection"](#).

- : Vehicle front
- Body ground (1)

OK or NG

- OK >> GO TO 2.
- NG >> Repair or replace ground connections.



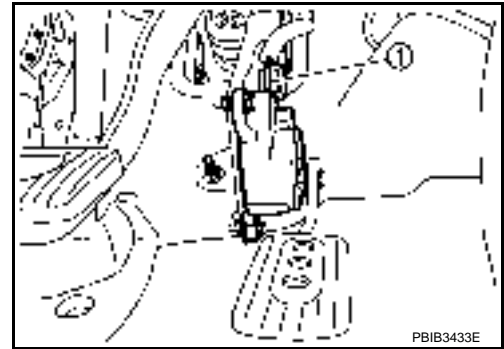
2. CHECK ACCELERATOR PEDAL POSITION SENSOR 1 POWER SUPPLY CIRCUIT

DTC P0643 SENSOR POWER SUPPLY

[MR]

< SERVICE INFORMATION >

1. Disconnect accelerator pedal position (APP) sensor (1) harness connector.
2. Turn ignition switch ON.

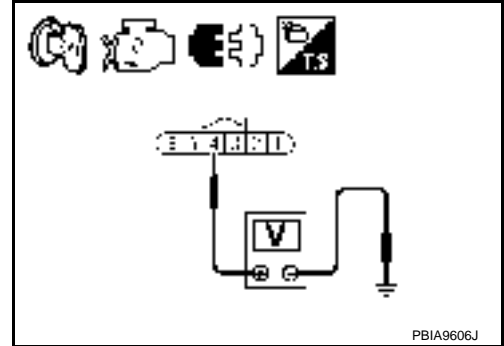


3. Check voltage between APP sensor terminal 4 and ground with CONSULT-III or tester.

Voltage: Approximately 5V

OK or NG

- OK >> GO TO 8.
NG >> GO TO 3.



3.CHECK SENSOR POWER SUPPLY CIRCUITS

Check harness for short to power and short to ground, between the following terminals.

ECM terminal	Sensor terminal	Reference Wiring Diagram
72	Throttle position sensor terminal 1	EC-464, "Wiring Diagram"
78	Camshaft position sensor (PHASE) terminal 1	EC-292, "Wiring Diagram"
106	APP sensor terminal 4	EC-384, "Wiring Diagram"

OK or NG

- OK >> GO TO 4.
NG >> Repair short to ground or short to power in harness or connectors.

4.CHECK CAMSHAFT POSITION SENSOR (PHASE)

Refer to [EC-295, "Component Inspection"](#).

OK or NG

- OK >> GO TO 5.
NG >> Replace camshaft position sensor (PHASE).

5.CHECK THROTTLE POSITION SENSOR

Refer to [EC-466, "Component Inspection"](#).

OK or NG

- OK >> GO TO 7.
NG >> GO TO 6.

6.REPLACE ELECTRIC THROTTLE CONTROL ACTUATOR

1. Replace the electric throttle control actuator.
2. Perform [EC-81, "Throttle Valve Closed Position Learning"](#).
3. Perform [EC-81, "Idle Air Volume Learning"](#).

>> **INSPECTION END**

7.CHECK APP SENSOR

Refer to [EC-474, "Component Inspection"](#).

DTC P0643 SENSOR POWER SUPPLY

< SERVICE INFORMATION >

[MR]

OK or NG

OK >> GO TO 9.

NG >> GO TO 8.

8. REPLACE ACCELERATOR PEDAL ASSEMBLY

1. Replace accelerator pedal assembly.
2. Perform [EC-81, "Accelerator Pedal Released Position Learning"](#).
3. Perform [EC-81, "Throttle Valve Closed Position Learning"](#).
4. Perform [EC-81, "Idle Air Volume Learning"](#).

>> INSPECTION END

9. CHECK INTERMITTENT INCIDENT

Refer to [EC-135](#).

>> INSPECTION END

A

EC

C

D

E

F

G

H

I

J

K

L

M

N

O

P

DTC P0850 PNP SWITCH

< SERVICE INFORMATION >

[MR]

DTC P0850 PNP SWITCH

Component Description

INFOID:000000001850090

When the shift lever position is P or N (CVT), Neutral (M/T), park/neutral position (PNP) switch is ON. ECM detects the position because the continuity of the line (the ON signal) exists.

CONSULT-III Reference Value in Data Monitor Mode

INFOID:000000001850091

Specification data are reference values.

MONITOR ITEM	CONDITION		SPECIFICATION
P/N POSI SW	• Ignition switch: ON	Shift lever: P or N (CVT), Neutral (M/T)	ON
		Shift lever: Except above	OFF

On Board Diagnosis Logic

INFOID:000000001850092

DTC No.	Trouble diagnosis name	DTC detecting condition	Possible cause
P0850 0850	Park/neutral position switch	The signal of the park/neutral position (PNP) switch is not changed in the process of engine starting and driving.	<ul style="list-style-type: none">• Harness or connectors [Park/neutral position (PNP) switch circuit is open or shorted.]• Park/neutral position (PNP) switch

DTC Confirmation Procedure

INFOID:000000001850093

CAUTION:

Always drive vehicle at a safe speed.

NOTE:

If DTC Confirmation Procedure has been previously conducted, always turn ignition switch OFF and wait at least 10 seconds before conducting the next test.

WITH CONSULT-III

1. Turn ignition switch ON.
2. Select "P/N POSI SW" in "DATA MONITOR" mode with CONSULT-III. Then check the "P/N POSI SW" signal under the following conditions.

Position (Shift lever)	Known-good signal
N or P position (CVT) Neutral position (M/T)	ON
Except above	OFF

If NG, go to [EC-391. "Diagnosis Procedure"](#).

If OK, go to following step.

3. Select "DATA MONITOR" mode with CONSULT-III.
4. Start engine and warm it up to normal operating temperature.
5. Maintain the following conditions for at least 60 consecutive seconds.

ENG SPEED	More than 1,100 rpm (CVT) More than 1,500 rpm (M/T)
COOLAN TEMP/S	More than 70°C (158°F)
B/FUEL SCHDL	2.3 - 31.8 msec (CVT) 3.5 - 31.8 msec (M/T)
VHCL SPEED SE	More than 64km/h (29 MPH)
Shift lever	Suitable position

6. Check 1st trip DTC.

7. If 1st trip DTC is detected, go to [EC-391. "Diagnosis Procedure"](#).

DTC P0850 PNP SWITCH

< SERVICE INFORMATION >

[MR]

Overall Function Check

INFOID:000000001850094

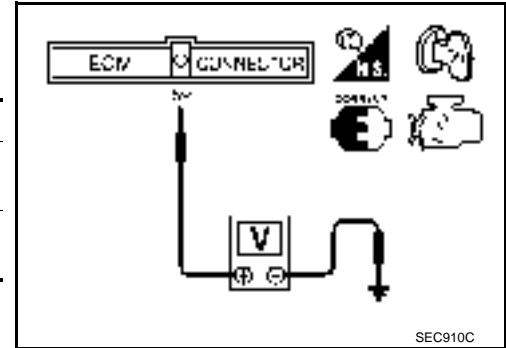
Use this procedure to check the overall function of the park/neutral position (PNP) switch circuit. During this check, a 1st trip DTC might not be confirmed.

WITH GST

1. Turn ignition switch ON.
2. Check voltage between ECM terminal 69 (PNP switch signal) and ground under the following conditions.

Condition (Shift lever)	Voltage V (Known-good data)
P or N position (CVT) Neutral position (M/T)	Approx. 0
Except above	BATTERY VOLTAGE (11 - 14V)

3. If NG, go to [EC-391. "Diagnosis Procedure"](#).



A
EC
C
D
E
F
G
H
I
J
K
L
M
N
O
P

DTC P0850 PNP SWITCH

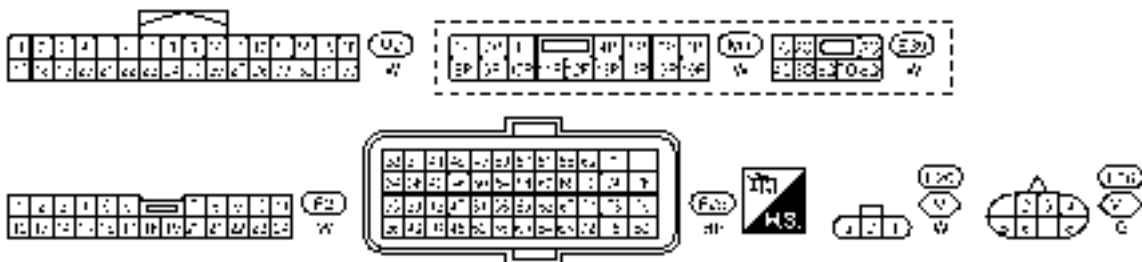
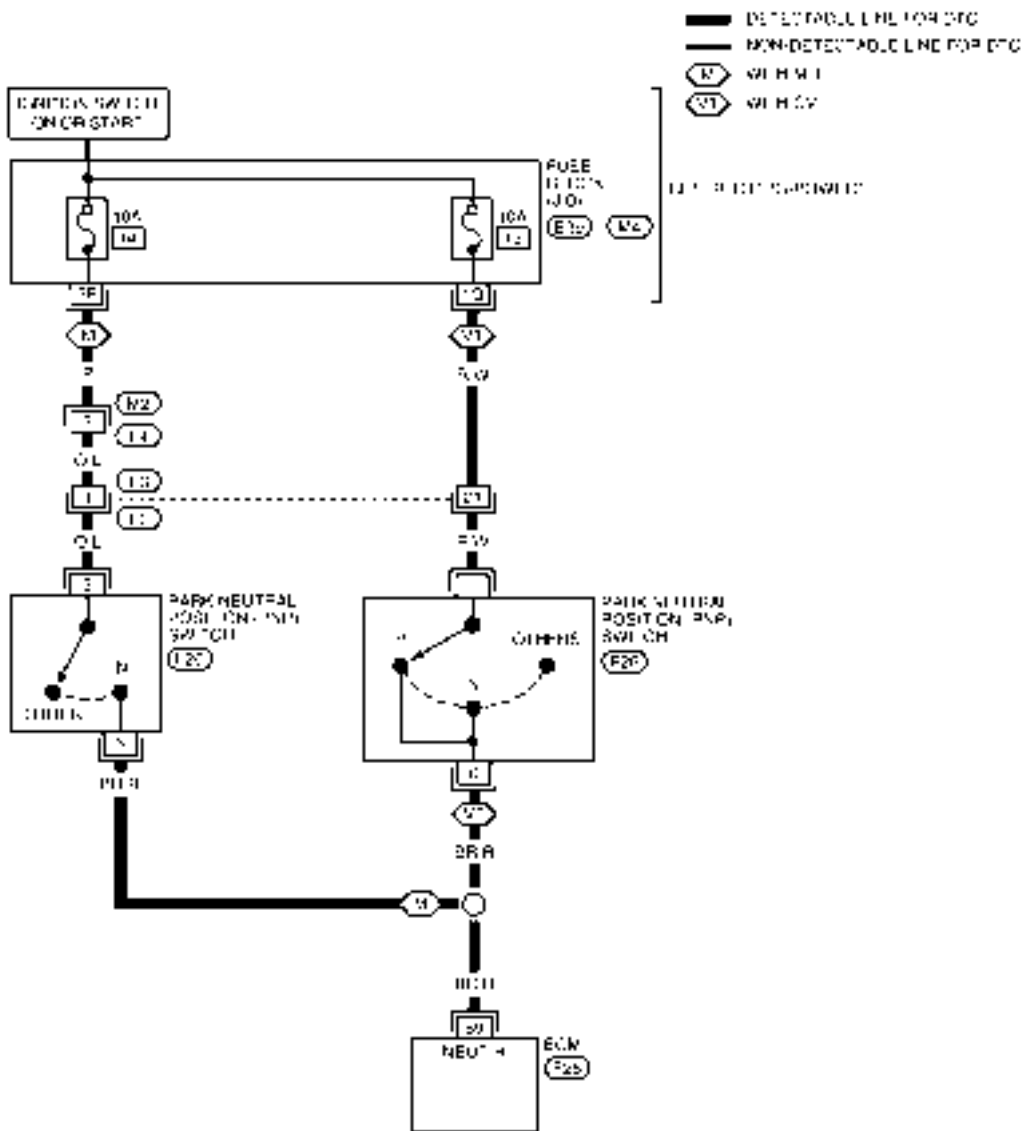
< SERVICE INFORMATION >

[MR]

Wiring Diagram

INFOID:000000001850095

EC-PNP/SW-01



BBWA2890E

Specification data are reference values and are measured between each terminal and ground.

CAUTION:

Do not use ECM ground terminals when measuring input/output voltage. Doing so may result in damage to the ECM's transistor. Use a ground other than ECM terminals, such as the ground.

DTC P0850 PNP SWITCH

< SERVICE INFORMATION >

[MR]

TERMI- NAL NO.	WIRE COLOR	ITEM	CONDITION	DATA (DC Voltage)
69	BR/R	Park/neutral position (PNP) switch	[Ignition switch: ON] <ul style="list-style-type: none">• Shift lever: P or N (CVT), Neutral (M/T)	BATTERY VOLTAGE (11 - 14V)
			[Ignition switch: ON] <ul style="list-style-type: none">• Except above	Approximately 0V

Diagnosis Procedure

INFOID:000000001850096

M/T MODELS

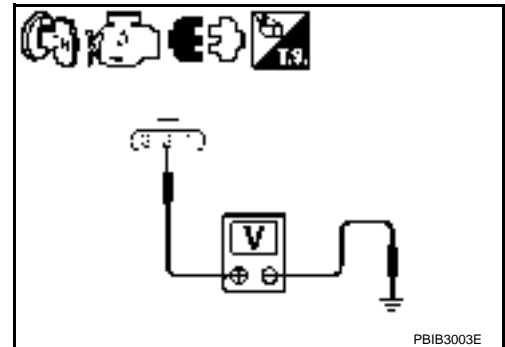
1. CHECK PNP SWITCH POWER SUPPLY CIRCUIT

1. Turn ignition switch OFF.
2. Disconnect PNP switch harness connector.
3. Turn ignition switch ON.
4. Check voltage between PNP switch terminal 2 and ground with CONSULT-III or tester.

Voltage: Battery voltage

OK or NG

- OK >> GO TO 3.
NG >> GO TO 2.



2. DETECT MALFUNCTIONING PART

Check the following.

- Harness connectors M2, E4
- Harness connectors E3, F2
- 10A fuse
- Harness for open or short between PNP switch and fuse

>> Repair open circuit or short to ground or short to power in harness or connectors.

3. CHECK PNP SWITCH INPUT SIGNAL CIRCUIT FOR OPEN AND SHORT

1. Turn ignition switch OFF.
2. Disconnect ECM harness connector.
3. Check harness continuity between PNP switch terminal 3 and ECM terminal 69.
Refer to Wiring Diagram.

Continuity should exist.

4. Also check harness for short to ground and short to power.

OK or NG

- OK >> GO TO 4.
NG >> Repair open circuit or short to ground or short to power in harness or connectors.

4. CHECK PNP SWITCH

Refer to [MT-13](#).

OK or NG

- OK >> GO TO 5.
NG >> Replace PNP switch.

5. CHECK INTERMITTENT INCIDENT

Refer to [EC-135](#).

DTC P0850 PNP SWITCH

< SERVICE INFORMATION >

[MR]

>> **INSPECTION END**

CVT MODELS

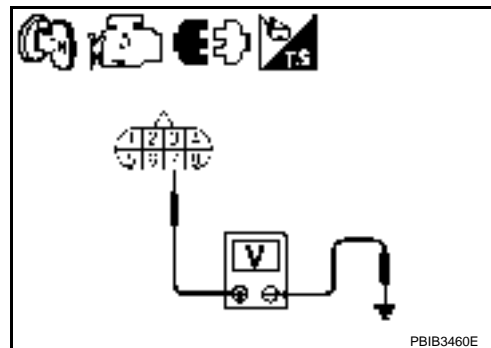
1. CHECK PNP SWITCH POWER SUPPLY CIRCUIT

1. Turn ignition switch OFF.
2. Disconnect PNP switch harness connector.
3. Turn ignition switch ON.
4. Check voltage between PNP switch terminal 7 and ground with CONSULT-III or tester.

Voltage: Battery voltage

OK or NG

- OK >> GO TO 3.
NG >> GO TO 2.



2. DETECT MALFUNCTIONING PART

Check the following.

- Harness connectors E3, F2
- 10A fuse
- Harness for open or short between PNP switch and fuse

>> Repair open circuit or short to ground or short to power in harness or connectors.

3. CHECK PNP SWITCH INPUT SIGNAL CIRCUIT FOR OPEN AND SHORT

1. Turn ignition switch OFF.
2. Disconnect ECM harness connector.
3. Check harness continuity between PNP switch terminal 6 and ECM terminal 69.
Refer to Wiring Diagram.

Continuity should exist.

4. Also check harness for short to ground and short to power.

OK or NG

- OK >> GO TO 4.
NG >> Repair open circuit or short to ground or short to power in harness or connectors.

4. CHECK PNP SWITCH

Refer to [CVT-60](#).

OK or NG

- OK >> GO TO 5.
NG >> Replace PNP switch.

5. CHECK INTERMITTENT INCIDENT

Refer to [EC-135](#).

>> **INSPECTION END**

DTC P1148 CLOSED LOOP CONTROL

< SERVICE INFORMATION >

[MR]

DTC P1148 CLOSED LOOP CONTROL

On Board Diagnosis Logic

INFOID:000000001850097

This self-diagnosis has the one trip detection logic.

A

EC

DTC No.	Trouble diagnosis name	DTC detecting condition	Possible cause
P1148 1148	Closed loop control function	The closed loop control function does not operate even when vehicle is driving in the specified condition.	<ul style="list-style-type: none">• Harness or connectors [Air fuel ratio (A/F) sensor 1 circuit is open or shorted.]• Air fuel ratio (A/F) sensor 1• Air fuel ratio (A/F) sensor 1 heater

C

D

NOTE:

DTC P1148 is displayed with another DTC for air fuel ratio (A/F) sensor 1. Perform the trouble diagnosis for the corresponding DTC.

E

F

G

H

I

J

K

L

M

N

O

P

DTC P1217 ENGINE OVER TEMPERATURE

< SERVICE INFORMATION >

[MR]

DTC P1217 ENGINE OVER TEMPERATURE

System Description

INFOID:000000001850098

SYSTEM DESCRIPTION

NOTE:

- If DTC P1217 is displayed with DTC U1000 or U1001, first perform the trouble diagnosis for DTC U1000, U1001. Refer to [EC-142](#).
- If DTC P1217 is displayed with DTC U1010, first perform the trouble diagnosis for DTC U1010. Refer to [EC-144](#).

Cooling Fan Control

Sensor	Input Signal to ECM	ECM function	Actuator
Crankshaft position sensor (POS) Camshaft position sensor (PHASE)	Engine speed*1	Cooling fan control	<ul style="list-style-type: none"> • IPDM E/R (Cooling fan relays-1, -2 and -3) • Cooling fan relays-4 and -5
Battery	Battery voltage*1		
Wheel sensor	Vehicle speed*2		
Engine coolant temperature sensor	Engine coolant temperature		
Air conditioner switch	Air conditioner ON signal*2		
Refrigerant pressure sensor	Refrigerant pressure		

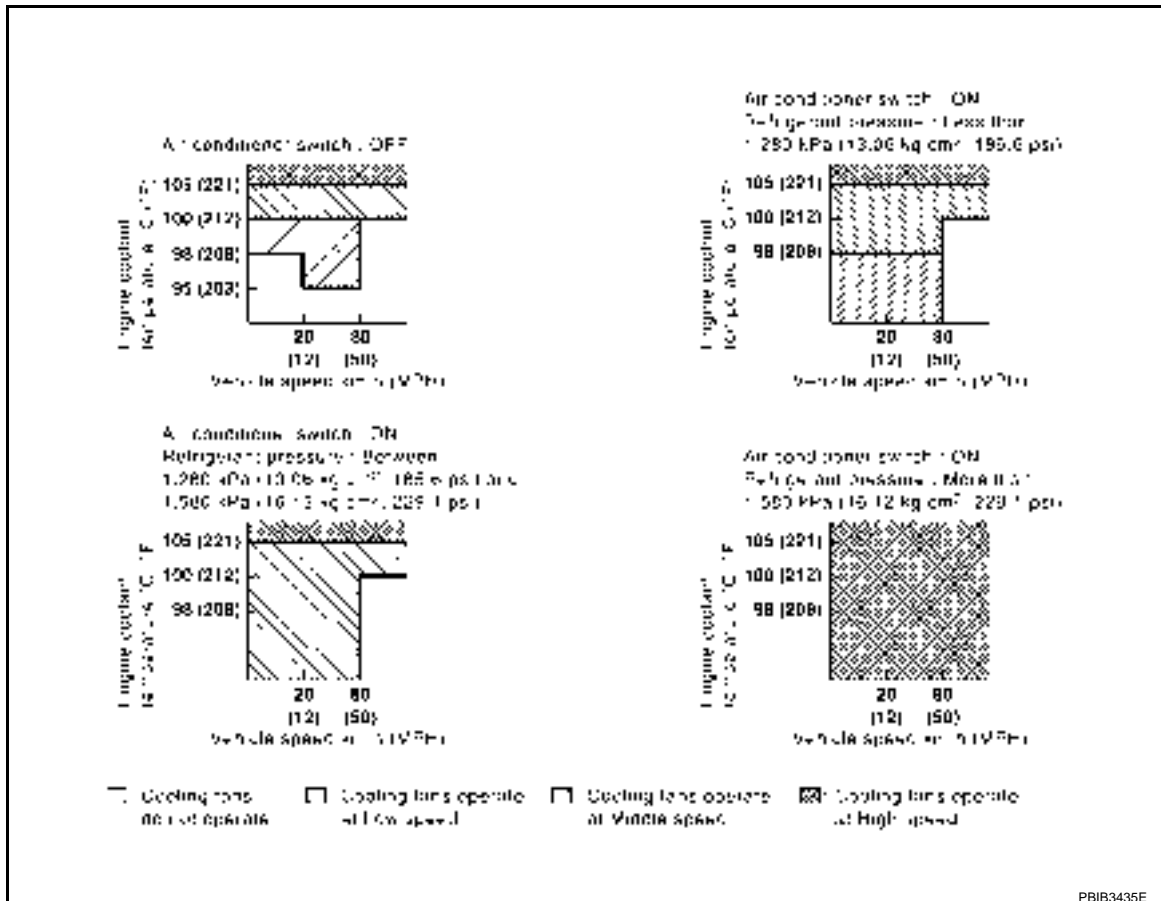
*1: The ECM determines the start signal status by the signals of engine speed and battery voltage.

*2: This signal is sent to ECM through CAN communication line.

The ECM controls the cooling fan corresponding to the vehicle speed, engine coolant temperature, refrigerant pressure, and air conditioner ON signal. The control system has 4-step control [HIGH/MIDDLE/LOW/OFF].

Cooling Fan Operation

Models with A/C



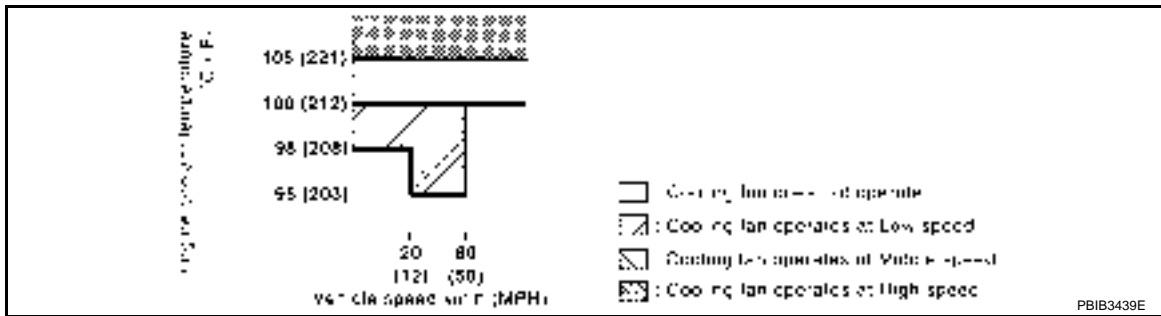
PBIB3435E

DTC P1217 ENGINE OVER TEMPERATURE

< SERVICE INFORMATION >

[MR]

Models without A/C



Cooling Fan Relay Operation

The ECM controls cooling fan relays through CAN communication line.

Cooling fan speed	Cooling fan relay				
	1	2	3	4	5
Stop (OFF)	OFF	OFF	OFF	OFF	OFF
Low (LOW)	OFF	OFF	OFF	ON	OFF
Middle (MID)	ON	OFF	OFF	OFF	ON
High (HI)	ON	ON	ON	OFF	ON

COMPONENT DESCRIPTION

Cooling Fan Motor

The cooling fan operates at each speed when the current flows in the cooling fan motor as follows.

Cooling fan speed	Cooling fan motor terminals	
	(+)	(-)
Middle (MID)	1	3 and 4
	2	3 and 4
	1 and 2	3
	1 and 2	4
High (HI)	1 and 2	3 and 4

The cooling fan operates at low (LOW) speed when cooling fan motors-1 and -2 are circuited in series under middle speed condition.

CONSULT-III Reference Value in Data Monitor Mode

INFOID:000000001850099

Specification data are reference values.

MONITOR ITEM	CONDITION	SPECIFICATION
AIR COND SIG	Air conditioner switch: OFF	OFF
	Air conditioner switch: ON (Compressor operates.)	ON
COOLING FAN	Engine coolant temperature: 94°C (201°F) or less	OFF
	Engine coolant temperature: Between 98°C (208°F) and 99°C (210°F).	LOW
	Engine coolant temperature: Between 100°C (212°F) and 104°C (219°F).	MIDDLE
	Engine coolant temperature: 105°C (221°F) or more	HIGH

DTC P1217 ENGINE OVER TEMPERATURE

< SERVICE INFORMATION >

[MR]

On Board Diagnosis Logic

INFOID:000000001850100

If the cooling fan or another component in the cooling system malfunctions, engine coolant temperature will rise. When the engine coolant temperature reaches an abnormally high temperature condition, a malfunction is indicated.

This self-diagnosis has the one trip detection logic.

DTC No.	Trouble diagnosis name	DTC detecting condition	Possible cause
P1217 1217	Engine over temperature (Overheat)	<ul style="list-style-type: none">• Cooling fan does not operate properly (Overheat).• Cooling fan system does not operate properly (Overheat).• Engine coolant was not added to the system using the proper filling method.• Engine coolant is not within the specified range.	<ul style="list-style-type: none">• Harness or connectors (Cooling fan circuit is open or shorted.)• Cooling fan motor• IPDM E/R (Cooling fan relays-1, -2 and -3)• Cooling fan relays-4 and -5• Radiator hose• Radiator• Reservoir tank• Radiator cap• Water pump• Thermostat• Water control valve <p>For more information, refer to EC-404, "Main 13 Causes of Overheating".</p>

CAUTION:

When a malfunction is indicated, be sure to replace the coolant. Refer to [MA-16, "Changing Engine Coolant"](#). Also, replace the engine oil. Refer to [MA-21, "Changing Engine Oil"](#).

1. Fill radiator with coolant up to specified level with a filling speed of 2 liters per minute. Be sure to use coolant with the proper mixture ratio. Refer to [MA-15, "Anti-freeze Coolant Mixture Ratio"](#).
2. After refilling coolant, run engine to ensure that no water-flow noise is emitted.

Overall Function Check

INFOID:000000001850101

Use this procedure to check the overall function of the cooling fan. During this check, a DTC might not be confirmed.

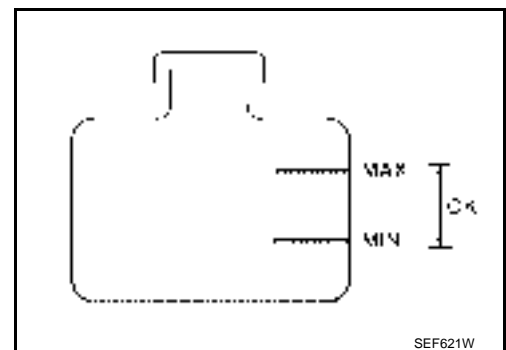
WARNING:

Never remove the radiator cap when the engine is hot. Serious burns could be caused by high pressure fluid escaping from the reservoir tank or the radiator.

Wrap a thick cloth around cap. Carefully remove the cap by turning it a quarter turn to allow built-up pressure to escape. Then turn the cap all the way off.

▮ WITH CONSULT-III

1. Check the coolant level in the reservoir tank and radiator.
Allow engine to cool before checking coolant level.
If the coolant level in the reservoir tank and/or radiator is below the proper range, skip the following steps and go to [EC-400, "Diagnosis Procedure"](#).
2. Confirm whether customer filled the coolant or not. If customer filled the coolant, skip the following steps and go to [EC-400, "Diagnosis Procedure"](#).
3. Turn ignition switch ON.



4. Perform "COOLING FAN" in "ACTIVE TEST" mode with CONSULT-III.
5. If the results are NG, go to [EC-400, "Diagnosis Procedure"](#).

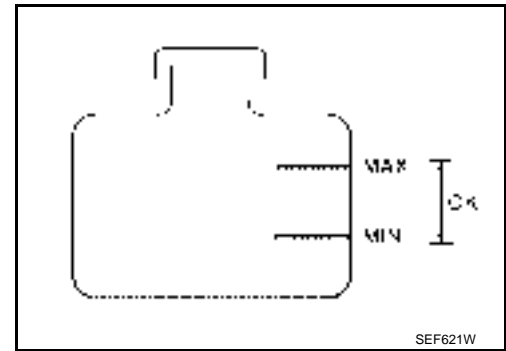
▮ WITH GST

DTC P1217 ENGINE OVER TEMPERATURE

< SERVICE INFORMATION >

[MR]

1. Check the coolant level in the reservoir tank and radiator.
Allow engine to cool before checking coolant level.
If the coolant level in the reservoir tank and/or radiator is below the proper range, skip the following steps and go to [EC-400, "Diagnosis Procedure"](#).
2. Confirm whether customer filled the coolant or not. If customer filled the coolant, skip the following steps and go to [EC-400, "Diagnosis Procedure"](#).
3. Perform IPDM E/R auto active test and check cooling fan motor operation. Refer to [PG-20, "Auto Active Test"](#).
4. If NG, go to [EC-400, "Diagnosis Procedure"](#).



A

EC

C

D

E

F

G

H

I

J

K

L

M

N

O

P

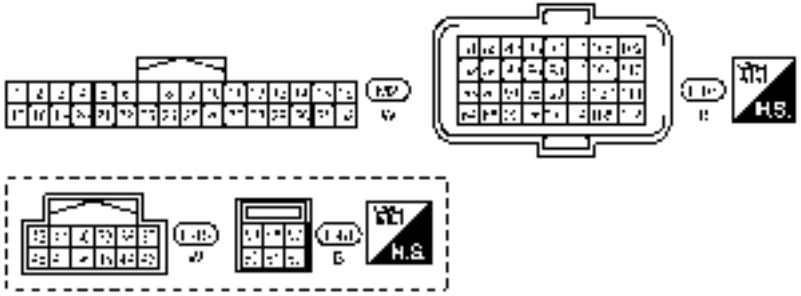
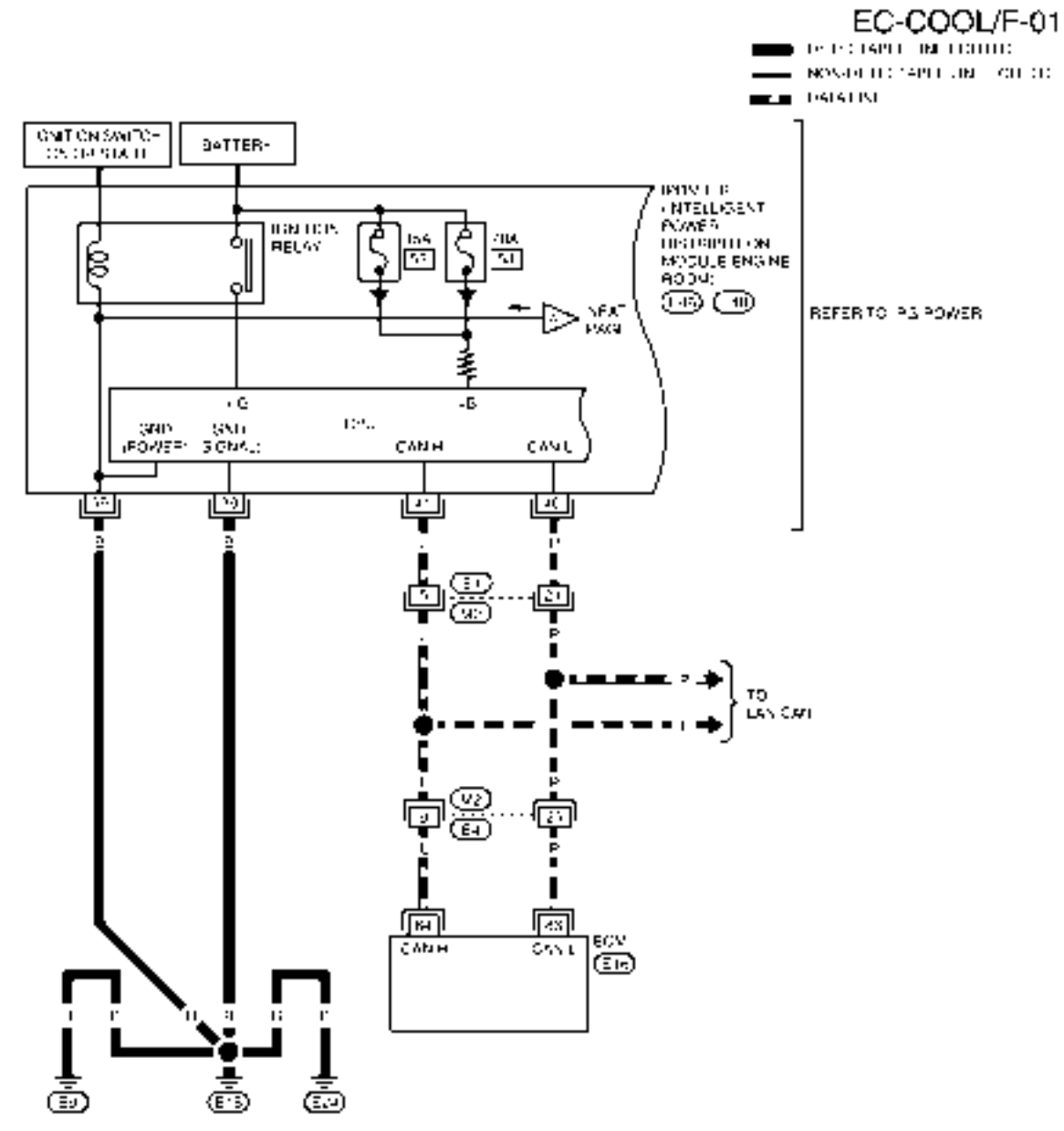
DTC P1217 ENGINE OVER TEMPERATURE

< SERVICE INFORMATION >

[MR]

Wiring Diagram

INFOID:000000001850102

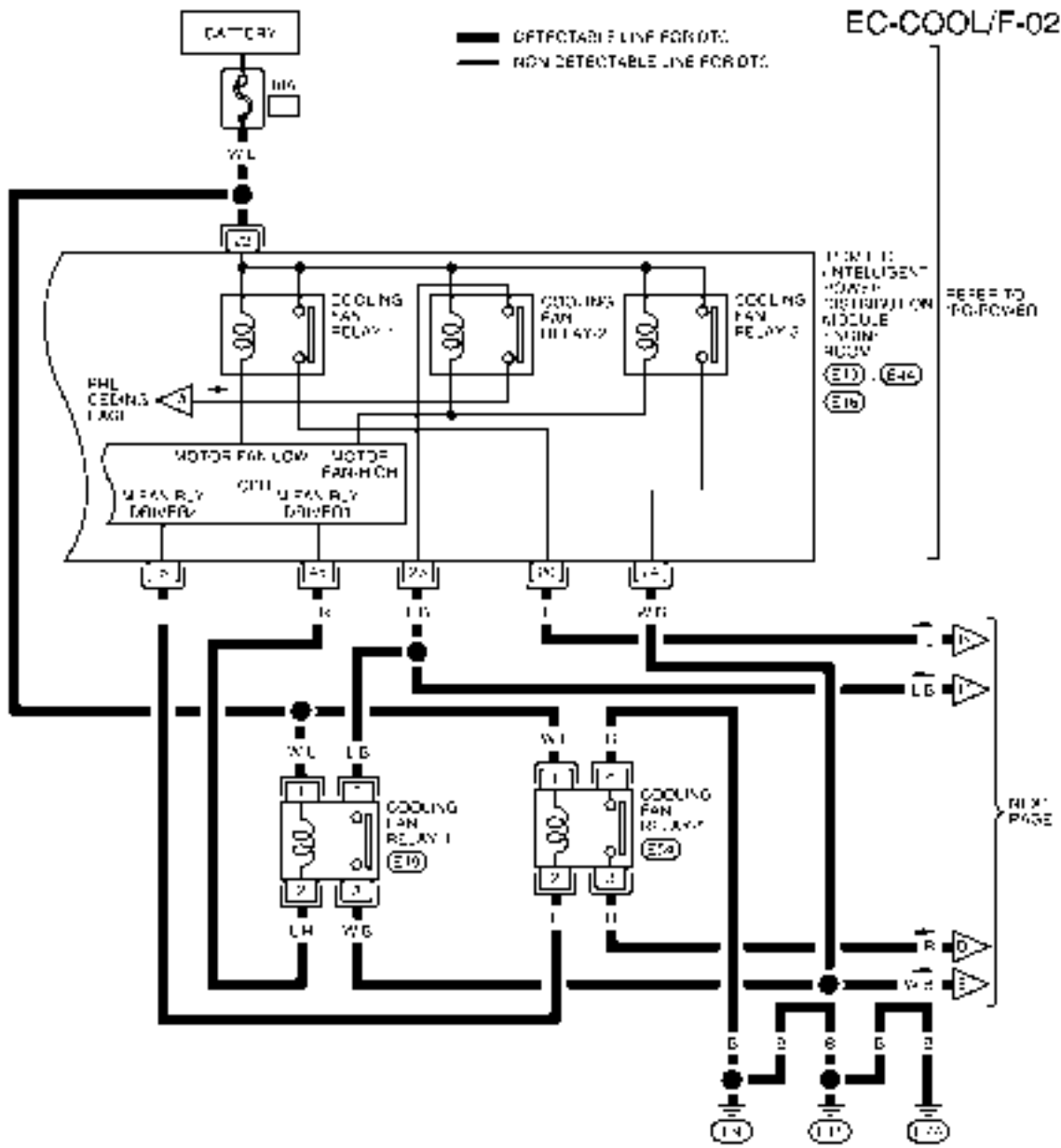


BBWA2891E

DTC P1217 ENGINE OVER TEMPERATURE

< SERVICE INFORMATION >

[MR]



BBWA2892E

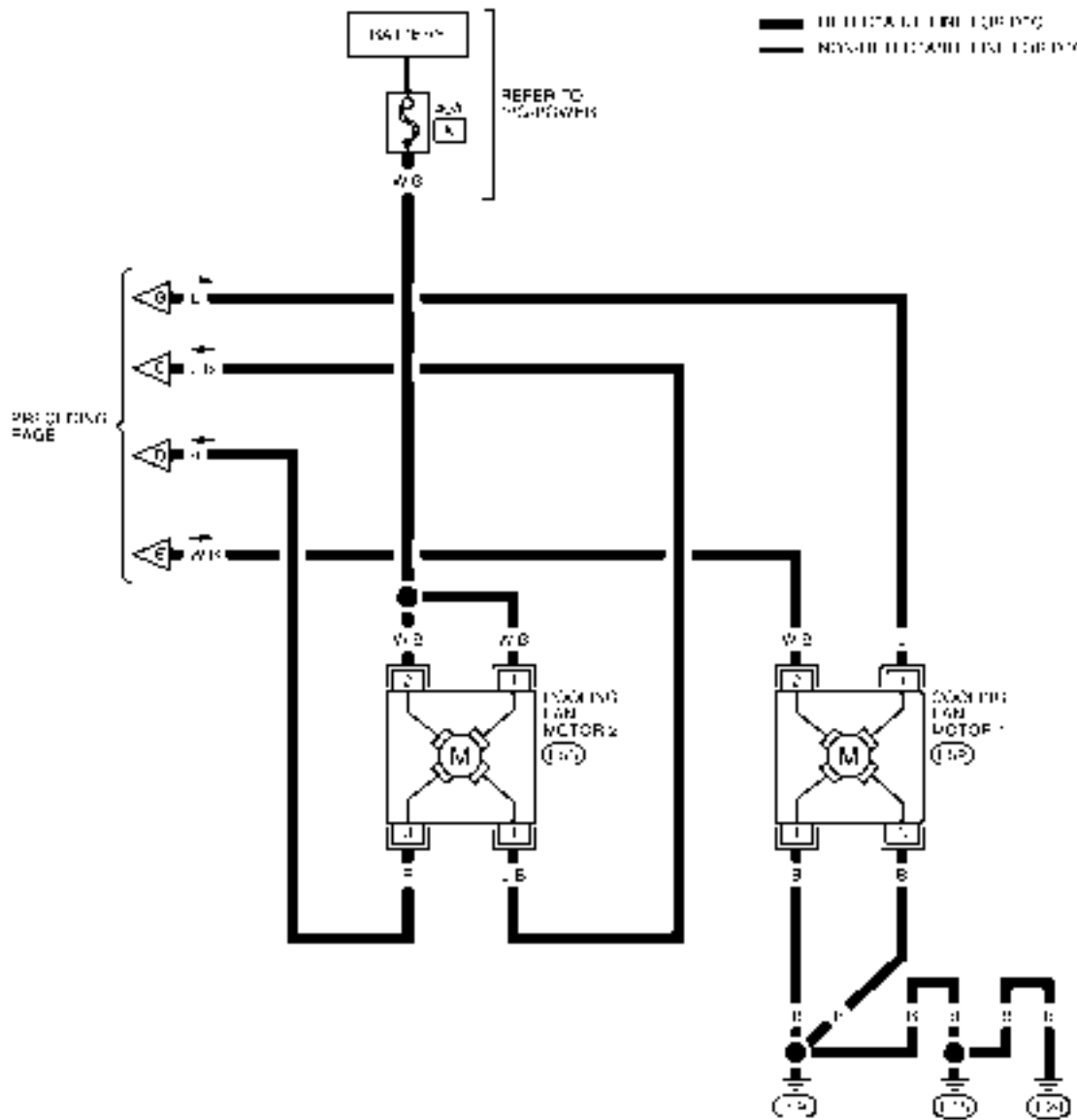
A
 EC
 C
 D
 E
 F
 G
 H
 I
 J
 K
 L
 M
 N
 O
 P

DTC P1217 ENGINE OVER TEMPERATURE

< SERVICE INFORMATION >

[MR]

EC-COOL/F-03



BBWA2893E

INFOID:000000001850103

Diagnosis Procedure

1. INSPECTION START

Do you have CONSULT-III?

Yes or No

- Yes >> GO TO 2.
- No >> GO TO 3.

DTC P1217 ENGINE OVER TEMPERATURE

< SERVICE INFORMATION >

[MR]

2. CHECK COOLING FAN OPERATION

With CONSULT-III

1. Turn ignition switch ON.
2. Select "COOLING FAN" in "ACTIVE TEST" mode with CONSULT-III.
3. Make sure that cooling fans-1 and -2 operates at each speed (LOW/MID/HI).

OK or NG

OK >> GO TO 4.

NG >> Check cooling fan control circuit. (Go to "PROCEDURE A".)

3. CHECK COOLING FAN OPERATION

Without CONSULT-III

1. Perform IPDM E/R auto active test and check cooling fan motor operation.
Refer to [PG-20. "Auto Active Test"](#).
2. Make sure that cooling fans-1 and -2 operates at each speed (Low/Middle/High).

OK or NG

OK >> GO TO 4.

NG >> Check cooling fan control circuit. (Go to "PROCEDURE A".)

4. CHECK COOLING SYSTEM FOR LEAK

Refer to [CO-11](#).

OK or NG

OK >> GO TO 5.

NG >> Check the following for leak.

- Hose
- Radiator
- Water pump

5. CHECK RADIATOR CAP

Refer to [CO-14](#).

OK or NG

OK >> GO TO 6.

NG >> Replace radiator cap.

6. CHECK COMPONENT PARTS

Check the following.

- Thermostat. (Refer to [CO-17](#).)
- Water control valve. (Refer to [CO-22](#).)
- Engine coolant temperature sensor. (Refer to [EC-188. "Component Inspection"](#).)

OK or NG

OK >> GO TO 7.

NG >> Replace malfunctioning component parts.

7. CHECK MAIN 13 CAUSES

If the cause cannot be isolated, go to [EC-404. "Main 13 Causes of Overheating"](#).

>> **INSPECTION END**

PROCEDURE A

1. CHECK IPDM E/R POWER SUPPLY CIRCUIT

1. Turn ignition switch OFF.
2. Disconnect IPDM E/R harness connector E44.

DTC P1217 ENGINE OVER TEMPERATURE

[MR]

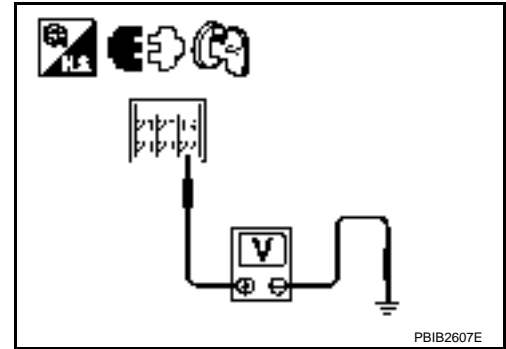
< SERVICE INFORMATION >

3. Check voltage between IPDM E/R terminal 22 and ground with CONSULT-III or tester.

Voltage: Battery voltage

OK or NG

- OK >> GO TO 3.
- NG >> GO TO 2.



2. DETECT MALFUNCTIONING PART

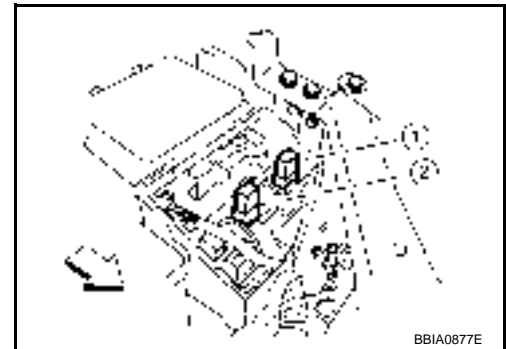
Check the following.

- 40A fusible link
- Harness for open or short between IPDM E/R and battery

>> Repair open circuit or short to ground or short to power in harness or connectors.

3. CHECK COOLING FAN RELAYS POWER SUPPLY CIRCUIT

1. Disconnect cooling fan relays-4 (2) and -5 (1).
- ↙: Vehicle front

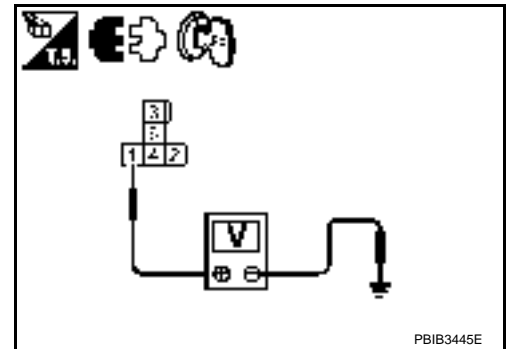


2. Check voltage between cooling fan relays-4, -5 terminal 1 and ground with CONSULT-III or tester.

Voltage: Battery voltage

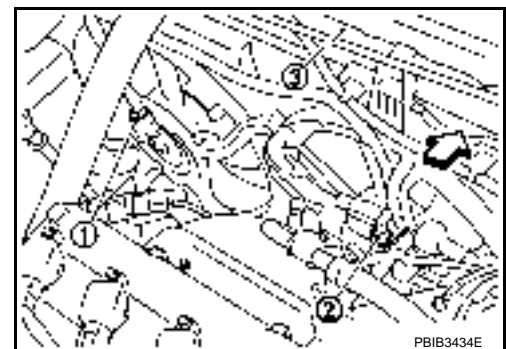
OK or NG

- OK >> GO TO 4.
- NG >> Repair open circuit or short to power or short to ground in harness or connectors.



4. CHECK COOLING FAN MOTORS POWER SUPPLY CIRCUIT

1. Disconnect cooling fan motor-2 harness connector (2).
- ↙: Vehicle front
 - Cooling fan motor-1 harness connector (1)
 - Radiator (3)



DTC P1217 ENGINE OVER TEMPERATURE

[MR]

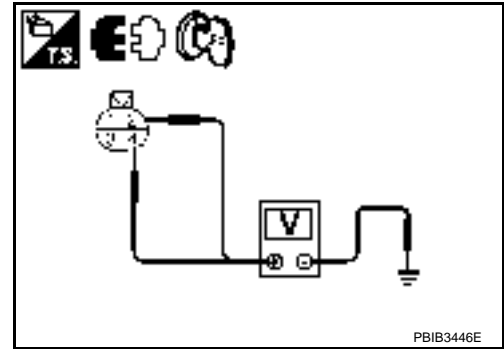
< SERVICE INFORMATION >

2. Check voltage between cooling fan motor-2 terminal 2, 4 and ground with CONSULT-III or tester.

Voltage: Battery voltage

OK or NG

- OK >> GO TO 6.
- NG >> GO TO 5.



5. DETECT MALFUNCTIONING PART

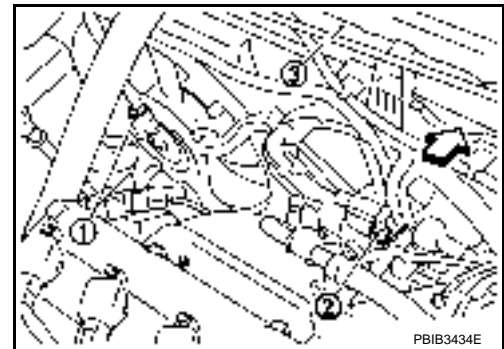
Check the following.

- 40A fusible link
- Harness for open or short between cooling fan motor-2 and battery

>> Repair open circuit or short to ground or short to power in harness or connectors.

6. CHECK COOLING FAN MOTORS CIRCUIT FOR OPEN AND SHORT

1. Turn ignition switch OFF.
2. Disconnect IPDM E/R harness connectors E46 and E48.
3. Disconnect cooling fan motor-1 harness connector (1).
 - Vehicle front
 - Cooling fan motor-2 harness connector (2)
 - Radiator (3)
4. Check harness continuity between the following;
 - cooling fan relay-4 terminal 2 and IPDM E/R terminal 45,
 - cooling fan relay-4 terminal 5 and IPDM E/R terminal 23,
 - cooling fan relay-5 terminal 2 and IPDM E/R terminal 6,
 - cooling fan relay-5 terminal 5 and ground,
 - cooling fan relay-4 terminal 3 and cooling fan motor-1 terminal 2,
 - cooling fan motor-1 terminal 2 and IPDM E/R terminal 24,
 - cooling fan motor-1 terminal 4 and IPDM E/R terminal 20,
 - cooling fan motor-1 terminal 1, 3 and ground.IPDM E/R terminal 39, 59 and ground.



Continuity should exist.

cooling fan relay-4 terminal 5 and cooling fan motor-2 terminal 1,
cooling fan relay-5 terminal 3 and cooling fan motor-2 terminal 3,
cooling fan motor-2 terminal 1 and cooling fan relay-4 terminal 5,
Refer to Wiring Diagram.

Continuity should exist.

5. Also check harness for short to ground and short to power.

OK or NG

- OK >> GO TO 8.
- NG >> GO TO 7.

7. DETECT MALFUNCTIONING PART

Check the following.

- Harness for open or short between cooling fan relay-4 and IPDM E/R
- Harness for open or short between cooling fan relay-5 and IPDM E/R
- Harness for open or short between cooling fan relay-4 and cooling fan motor-1
- Harness for open or short between cooling fan relay-4 and cooling fan motor-2
- Harness for open or short between cooling fan relay-5 and cooling fan motor-2
- Harness for open or short between cooling fan relay-5 and ground
- Harness for open or short between cooling fan motor-1 and ground

DTC P1217 ENGINE OVER TEMPERATURE

[MR]

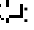
< SERVICE INFORMATION >

- Harness for open or short between IPDM E/R and ground

>> Repair open circuit or short to ground or short to power in harness or connectors.

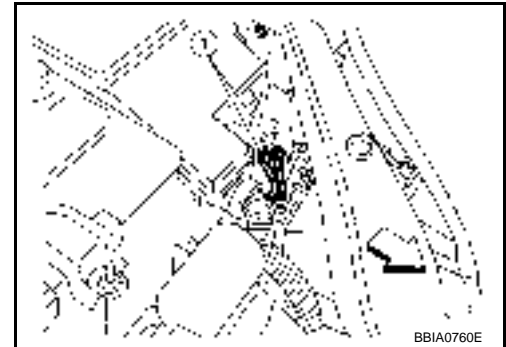
8. CHECK GROUND CONNECTIONS

Loosen and retighten ground screw on the body.
Refer to [EC-140, "Ground Inspection"](#).

-  Vehicle front
- Body ground (1)

OK or NG

- OK >> GO TO 9.
- NG >> Repair or replace ground connections.



9. CHECK COOLING FAN RELAYS-4 AND -5

Refer to [EC-405, "Component Inspection"](#).

OK or NG

- OK >> GO TO 10.
- NG >> Replace malfunctioning cooling fan relay.

10. CHECK COOLING FAN MOTORS-1 AND -2

Refer to [EC-405, "Component Inspection"](#).

OK or NG

- OK >> GO TO 11.
- NG >> Replace malfunctioning cooling fan motor.

11. CHECK INTERMITTENT INCIDENT

Perform [EC-135](#).

OK or NG

- OK >> Replace IPDM E/R. Refer to [PG-17](#).
- NG >> Repair or replace harness or connector.

Main 13 Causes of Overheating

INFOID:000000001850104

Engine	Step	Inspection item	Equipment	Standard	Reference page
OFF	1	<ul style="list-style-type: none"> • Blocked radiator • Blocked condenser • Blocked radiator grille • Blocked bumper 	<ul style="list-style-type: none"> • Visual 	No blocking	—
	2	<ul style="list-style-type: none"> • Coolant mixture 	<ul style="list-style-type: none"> • Coolant tester 	50 - 50% coolant mixture	See MA-15, "Anti-freeze Coolant Mixture Ratio" .
	3	<ul style="list-style-type: none"> • Coolant level 	<ul style="list-style-type: none"> • Visual 	Coolant up to MAX level in reservoir tank and radiator filler neck	See CO-11, "Inspection" .
	4	<ul style="list-style-type: none"> • Radiator cap 	<ul style="list-style-type: none"> • Pressure tester 	59 - 98 kPa (0.6 - 1.0 kg/cm ² , 9 - 14 psi) (Limit)	See CO-15, "Checking Radiator Cap" .
ON*2	5	<ul style="list-style-type: none"> • Coolant leaks 	<ul style="list-style-type: none"> • Visual 	No leaks	See CO-11, "Inspection" .
ON*2	6	<ul style="list-style-type: none"> • Thermostat 	<ul style="list-style-type: none"> • Touch the upper and lower radiator hoses 	Both hoses should be hot	See CO-19 , and CO-14
ON*1	7	<ul style="list-style-type: none"> • Cooling fan 	<ul style="list-style-type: none"> • CONSULT-III 	Operating	See trouble diagnosis for DTC P1217 (EC-400, "Diagnosis Procedure").

DTC P1217 ENGINE OVER TEMPERATURE

< SERVICE INFORMATION >

[MR]

Engine	Step	Inspection item	Equipment	Standard	Reference page
OFF	8	• Combustion gas leak	• Color checker chemical tester 4 Gas analyzer	Negative	—
ON*3	9	• Coolant temperature gauge	• Visual	Gauge less than 3/4 when driving	—
		• Coolant overflow to reservoir tank	• Visual	No overflow during driving and idling	See MA-16 , "Changing Engine Coolant".
OFF*4	10	• Coolant return from reservoir tank to radiator	• Visual	Should be initial level in reservoir tank	See CO-11 , "Inspection".
OFF	11	• Water control valve	• Remove and inspect the valve	Within the specified value	See CO-22
OFF	12	• Cylinder head	• Straight gauge feeler gauge	0.1 mm (0.004 in) Maximum distortion (warping)	See EM-61 .
	13	• Cylinder block and pistons	• Visual	No scuffing on cylinder walls or piston	See EM-71 .

*1: Turn the ignition switch ON.

*2: Engine running at 3,000 rpm for 10 minutes.

*3: Drive at 90 km/h (55 MPH) for 30 minutes and then let idle for 10 minutes.

*4: After 60 minutes of cool down time.

For more information, refer to [CO-7](#).

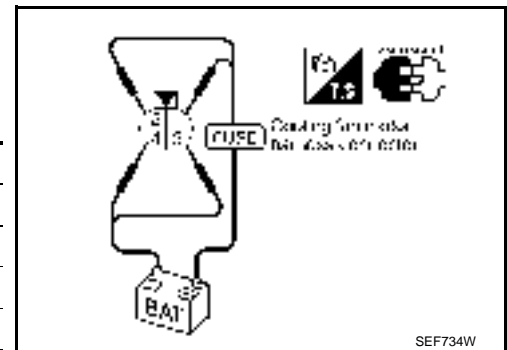
Component Inspection

INFOID:000000001850105

COOLING FAN MOTORS-1 AND -2

1. Disconnect cooling fan motor harness connectors.
2. Supply cooling fan motor terminals with battery voltage and check operation.

Cooling fan speed	Cooling fan motor terminals	
	(+)	(-)
Middle (MID)	1	3 and 4
	2	3 and 4
	1 and 2	3
	1 and 2	4
High (HI)	1 and 2	3 and 4



Cooling fan motor should operate.

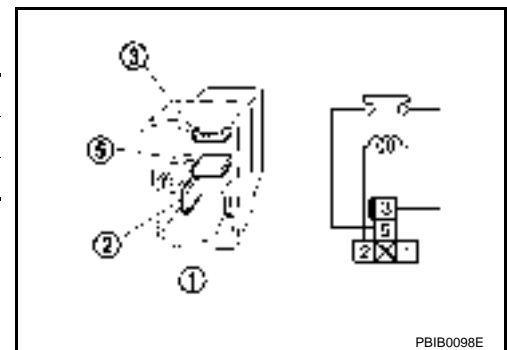
If NG, replace cooling fan motor.

COOLING FAN RELAYS-4 AND -5

Check continuity between terminals 3 and 4.

Conditions	Continuity
12V direct current supply between terminal 1 and 2	Yes
No current supply	No

If NG, replace cooling fan motor.



DTC P1225 TP SENSOR

< SERVICE INFORMATION >

[MR]

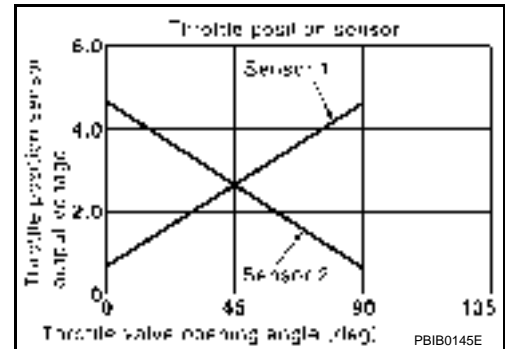
DTC P1225 TP SENSOR

Component Description

INFOID:000000001850106

Electric throttle control actuator consists of throttle control motor, throttle position sensor, etc. The throttle position sensor responds to the throttle valve movement.

The throttle position sensor has two sensors. These sensors are a kind of potentiometers which transform the throttle valve position into output voltage, and emit the voltage signal to the ECM. In addition, these sensors detect the opening and closing speed of the throttle valve and feed the voltage signals to the ECM. The ECM judges the current opening angle of the throttle valve from these signals and the ECM controls the throttle control motor to make the throttle valve opening angle properly in response to driving condition.



On Board Diagnosis Logic

INFOID:000000001850107

The MIL will not light up for this self-diagnosis.

DTC No.	Trouble diagnosis name	DTC detecting condition	Possible cause
P1225 1225	Closed throttle position learning performance	Closed throttle position learning value is excessively low.	• Electric throttle control actuator (TP sensor 1 and 2)

DTC Confirmation Procedure

INFOID:000000001850108

NOTE:

If DTC Confirmation Procedure has been previously conducted, always turn ignition switch OFF and wait at least 10 seconds before conducting the next test.

TESTING CONDITION:

Before performing the following procedure, confirm that battery voltage is more than 10V at idle.

1. Turn ignition switch OFF and wait at least 10 seconds.
2. Turn ignition switch ON.
3. Check 1st trip DTC.
4. If 1st trip DTC is detected, go to [EC-406. "Diagnosis Procedure"](#).

Diagnosis Procedure

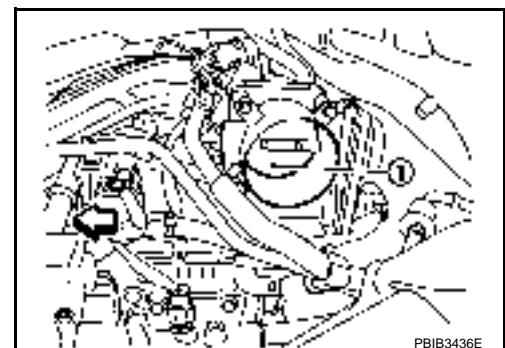
INFOID:000000001850109

1. CHECK ELECTRIC THROTTLE CONTROL ACTUATOR VISUALLY

1. Turn ignition switch OFF.
2. Remove the intake air duct.
3. Check if foreign matter is caught between the throttle valve (1) and the housing.
 - : Vehicle front
 - Illustration shows the view with intake air duct removed.

OK or NG

- OK >> GO TO 2.
- NG >> Remove the foreign matter and clean the electric throttle control actuator inside.



2. REPLACE ELECTRIC THROTTLE CONTROL ACTUATOR

1. Replace the electric throttle control actuator.
2. Perform [EC-81. "Throttle Valve Closed Position Learning"](#).
3. Perform [EC-81. "Idle Air Volume Learning"](#).

DTC P1225 TP SENSOR

< SERVICE INFORMATION >

[MR]

>> INSPECTION END

Removal and Installation

INFOID:000000001850110

ELECTRIC THROTTLE CONTROL ACTUATOR

Refer to [EM-18](#).

A

EC

C

D

E

F

G

H

I

J

K

L

M

N

O

P

DTC P1226 TP SENSOR

< SERVICE INFORMATION >

[MR]

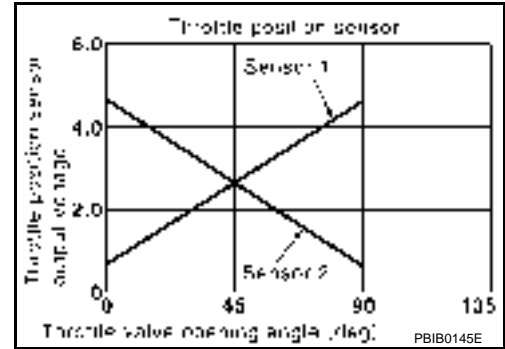
DTC P1226 TP SENSOR

Component Description

INFOID:000000001850111

Electric throttle control actuator consists of throttle control motor, throttle position sensor, etc. The throttle position sensor responds to the throttle valve movement.

The throttle position sensor has two sensors. These sensors are a kind of potentiometers which transform the throttle valve position into output voltage, and emit the voltage signal to the ECM. In addition, these sensors detect the opening and closing speed of the throttle valve and feed the voltage signals to the ECM. The ECM judges the current opening angle of the throttle valve from these signals and the ECM controls the throttle control motor to make the throttle valve opening angle properly in response to driving condition.



On Board Diagnosis Logic

INFOID:000000001850112

The MIL will not light up for this self-diagnosis.

DTC No.	Trouble diagnosis name	DTC detecting condition	Possible cause
P1226 1226	Closed throttle position learning performance	Closed throttle position learning is not performed successfully, repeatedly.	• Electric throttle control actuator (TP sensor 1 and 2)

DTC Confirmation Procedure

INFOID:000000001850113

NOTE:

If DTC Confirmation Procedure has been previously conducted, always turn ignition switch OFF and wait at least 10 seconds before conducting the next test.

TESTING CONDITION:

Before performing the following procedure, confirm that battery voltage is more than 10V at idle.

1. Turn ignition switch OFF and wait at least 10 seconds.
2. Turn ignition switch ON.
3. Repeat steps 1 and 2 for 32 times.
4. Check 1st trip DTC.
5. If 1st trip DTC is detected, go to [EC-408, "Diagnosis Procedure"](#).

Diagnosis Procedure

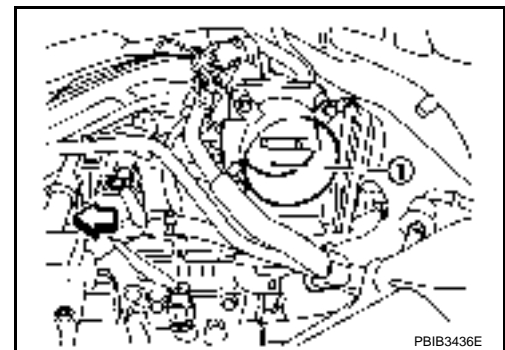
INFOID:000000001850114

1. CHECK ELECTRIC THROTTLE CONTROL ACTUATOR VISUALLY

1. Turn ignition switch OFF.
2. Remove the intake air duct.
3. Check if foreign matter is caught between the throttle valve (1) and the housing.
 - Vehicle front
 - Illustration shows the view with intake air duct removed.

OK or NG

- OK >> GO TO 2.
- NG >> Remove the foreign matter and clean the electric throttle control actuator inside.



2. REPLACE ELECTRIC THROTTLE CONTROL ACTUATOR

1. Replace the electric throttle control actuator.
2. Perform [EC-81, "Throttle Valve Closed Position Learning"](#).
3. Perform [EC-81, "Idle Air Volume Learning"](#).

DTC P1226 TP SENSOR

< SERVICE INFORMATION >

[MR]

>> INSPECTION END

Removal and Installation

INFOID:000000001850115

ELECTRIC THROTTLE CONTROL ACTUATOR

Refer to [EM-18](#).

A

EC

C

D

E

F

G

H

I

J

K

L

M

N

O

P

DTC P1421 COLD START CONTROL

< SERVICE INFORMATION >

[MR]

DTC P1421 COLD START CONTROL

Description

INFOID:000000001850116

ECM controls ignition timing and engine idle speed when engine is started with prewarming up condition. This control promotes the activation of three way catalyst by heating the catalyst and reduces emissions.

On Board Diagnosis Logic

INFOID:000000001850117

DTC No.	Trouble diagnosis name	DTC detecting condition	Possible cause
P1421 1421	Cold start emission reduction strategy monitoring	ECM does not control ignition timing and engine idle speed properly when engine is started with prewarming up condition.	<ul style="list-style-type: none">• Lack of intake air volume• Fuel injection system• ECM

DTC Confirmation Procedure

INFOID:000000001850118

NOTE:

- If DTC Confirmation Procedure has been previously conducted, always turn ignition switch OFF and wait at least 10 seconds before conducting the next test.
- **If DTC P1421 is displayed with other DTC, first perform the trouble diagnosis for other DTC.**

TESTING CONDITION:

Before performing the following procedure, confirm that battery voltage is more than 11V at idle.

▮ WITH CONSULT-III

1. Turn ignition switch OFF and wait at least 10 seconds.
2. Turn ignition switch ON.
3. Select "DATA MONITOR" mode with CONSULT-III.
4. Check that the "COOLAN TEMP/S" indication is between 4°C (39°F) and 36°C (97°F).
If "COOLAN TEMP/S" indication is within the specified value, go to the following step.
If "COOLANT TEMP/S" indication is out of the specified value, cool engine down or warm engine up and go to step 1.
5. Start engine and let it idle for 5 minutes.
6. Check 1st trip DTC.
7. If 1st trip DTC is detected, go to [EC-410, "Diagnosis Procedure"](#).

▮ WITH GST

Follow the procedure "WITH CONSULT-III" above.

Diagnosis Procedure

INFOID:000000001850119

1. PERFORM IDLE AIR VOLUME LEARNING

Perform [EC-81, "Idle Air Volume Learning"](#).

Is Idle Air Volume Learning carried out successfully?

Yes or No

- Yes >> GO TO 2.
No >> Follow the instruction of Idle Air Volume Learning.

2. CHECK INTAKE SYSTEM

Check for the cause of intake air volume lacking. Refer to the following.

- Crushed intake air passage
- Intake air passage clogging

OK or NG

- OK >> GO TO 3.
NG >> Repair or replace malfunctioning part

3. CHECK FUEL INJECTION SYSTEM FUNCTION

Perform [EC-250, "DTC Confirmation Procedure"](#) for DTC P0171.

DTC P1421 COLD START CONTROL

[MR]

< SERVICE INFORMATION >

OK or NG

OK >> GO TO 4.

NG >> Go to [EC-253, "Diagnosis Procedure"](#) for DTC P0171.

4. PERFORM DTC CONFIRMATION PROCEDURE

▪ **With CONSULT-III**

1. Turn ignition switch ON.
2. Select "SELF DIAG RESULTS" mode with CONSULT-III.
3. Touch "ERASE".
4. **Perform DTC Confirmation Procedure.**
See [EC-410, "DTC Confirmation Procedure"](#).
5. Is the 1st trip DTC P1421 displayed again?

▪ **With GST**

1. Turn ignition switch ON.
2. Select Service \$04 with GST.
3. **Perform DTC Confirmation Procedure.**
See [EC-410, "DTC Confirmation Procedure"](#).
4. Is the 1st trip DTC P1421 displayed again?

Yes or No

Yes >> GO TO 5.

No >> **INSPECTION END**

5. REPLACE ECM

1. Replace ECM.
2. Perform initialization of NVIS (NATS) system and registration of all NVIS (NATS) ignition key IDs.
Refer to [BL-170, "ECM Re-communicating Function"](#).
3. Perform [EC-81, "VIN Registration"](#).
4. Perform [EC-81, "Accelerator Pedal Released Position Learning"](#).
5. Perform [EC-81, "Throttle Valve Closed Position Learning"](#).
6. Perform [EC-81, "Idle Air Volume Learning"](#).

>> **INSPECTION END**

A

EC

C

D

E

F

G

H

I

J

K

L

M

N

O

P

DTC P1564 ASCD STEERING SWITCH

< SERVICE INFORMATION >

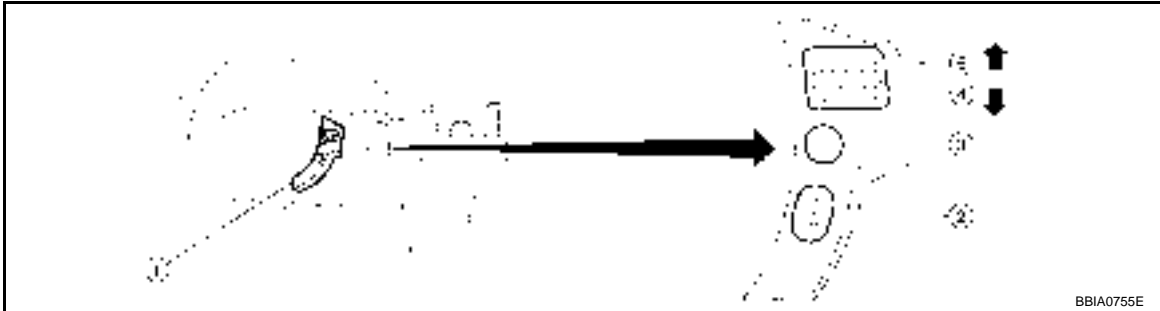
[MR]

DTC P1564 ASCD STEERING SWITCH

Component Description

INFOID:000000001850120

ASCD steering switch has variant values of electrical resistance for each button. ECM reads voltage variation of switch, and determines which button is operated.



1. ASCD steering switch
2. MAIN switch
3. CANCEL switch
4. SET/COAST switch
5. RESUME/ACCELERATE switch

Refer to [EC-33](#) for the ASCD function.

CONSULT-III Reference Value in Data Monitor Mode

INFOID:000000001850121

Specification data are reference values.

MONITOR ITEM	CONDITION		SPECIFICATION
MAIN SW	• Ignition switch: ON	MAIN switch: Pressed	ON
		MAIN switch: Released	OFF
CANCEL SW	• Ignition switch: ON	CANCEL switch: Pressed	ON
		CANCEL switch: Released	OFF
RESUME/ACC SW	• Ignition switch: ON	RESUME/ACCELERATE switch: Pressed	ON
		RESUME/ACCELERATE switch: Released	OFF
SET SW	• Ignition switch: ON	SET/COAST switch: Pressed	ON
		SET/COAST switch: Released	OFF

On Board Diagnosis Logic

INFOID:000000001850122

- This self-diagnosis has the one trip detection logic.
- The MIL will not light up for this self-diagnosis.

NOTE:

If DTC P1564 is displayed with DTC P0605, first perform the trouble diagnosis for DTC P0605.

Refer to [EC-381](#).

DTC No.	Trouble Diagnosis Name	DTC Detecting Condition	Possible Cause
P1564 1564	ASCD steering switch	<ul style="list-style-type: none"> • An excessively high voltage signal from the ASCD steering switch is sent to ECM. • ECM detects that input signal from the ASCD steering switch is out of the specified range. • ECM detects that the ASCD steering switch is stuck ON. 	<ul style="list-style-type: none"> • Harness or connectors (ASCD switch circuit is open or shorted.) • ASCD steering switch • ECM

DTC P1564 ASCD STEERING SWITCH

< SERVICE INFORMATION >

[MR]

DTC Confirmation Procedure

INFOID:000000001850123

NOTE:

If DTC Confirmation Procedure has been previously conducted, always turn ignition switch OFF and wait at least 10 seconds before conducting the next test.

1. Turn ignition switch ON.
2. Wait at least 10 seconds.
3. Press MAIN switch for at least 10 seconds, then release it and wait at least 10 seconds.
4. Press CANCEL switch for at least 10 seconds, then release it and wait at least 10 seconds.
5. Press RESUME/ACCELERATE switch for at least 10 seconds, then release it and wait at least 10 seconds.
6. Press SET/COAST switch for at least 10 seconds, then release it and wait at least 10 seconds.
7. Check DTC.
8. If DTC is detected, go to [EC-415, "Diagnosis Procedure"](#).

A

EC

C

D

E

F

G

H

I

J

K

L

M

N

O

P

DTC P1564 ASCD STEERING SWITCH

< SERVICE INFORMATION >

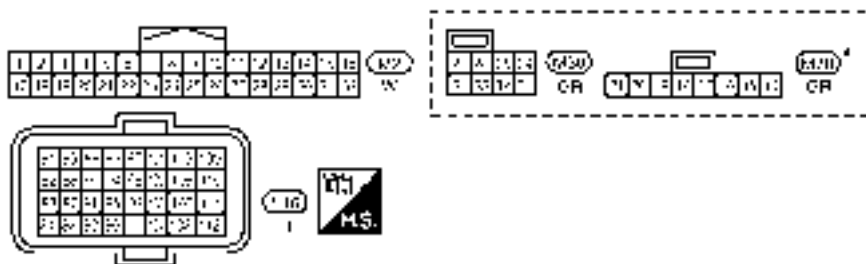
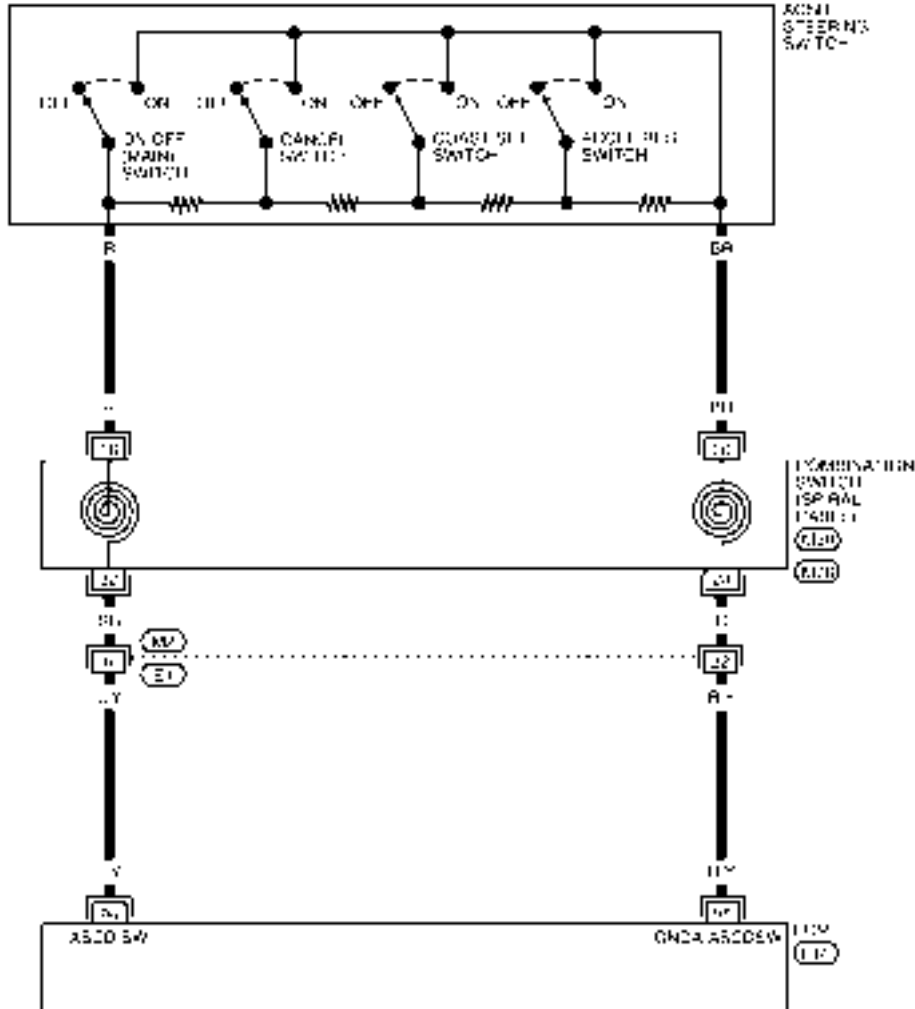
[MR]

Wiring Diagram

INFOID:000000001850124

EC-ASC/SW-01

— DETECTABLE LINE FOR DTC
 - - - NON-DETECTABLE LINE FOR DTC



* THIS CONNECTOR IS NOT A POWER HARNESS POINT OF POSITION

BBWA2894E

Specification data are reference values and are measured between each terminal and ground.

CAUTION:

Do not use ECM ground terminals when measuring input/output voltage. Doing so may result in damage to the ECM's transistor. Use a ground other than ECM terminals, such as the ground.

DTC P1564 ASCD STEERING SWITCH

< SERVICE INFORMATION >

[MR]

TERMI- NAL NO.	WIRE COLOR	ITEM	CONDITION	DATA (DC Voltage)
94	L/Y	ASCD steering switch	[Ignition switch: ON] • ASCD steering switch: OFF	Approximately 4V
			[Ignition switch: ON] • MAIN switch: Pressed	Approximately 0V
			[Ignition switch: ON] • CANCEL switch: Pressed	Approximately 1V
			[Ignition switch: ON] • RESUME/ACCELERATE switch: Pressed	Approximately 3V
			[Ignition switch: ON] • SET/COAST switch: Pressed	Approximately 2V
95	B/Y	Sensor ground	[Engine is running] • Warm-up condition • Idle speed	Approximately 0V

Diagnosis Procedure

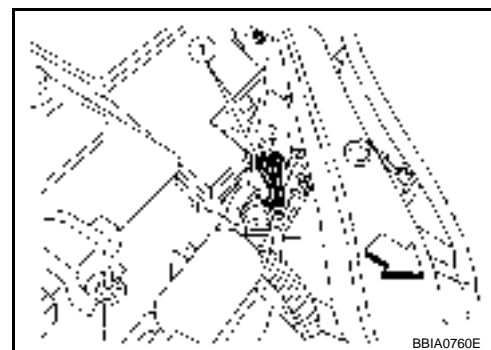
INFOID:000000001850125

1. CHECK GROUND CONNECTIONS

- Turn ignition switch OFF.
 - Loosen and retighten ground screws on the body.
Refer to [EC-140, "Ground Inspection"](#).
- ↖: Vehicle front
 - Body ground (1)

OK or NG

- OK >> GO TO 2.
NG >> Repair or replace ground connections.



2. CHECK ASCD STEERING SWITCH CIRCUIT

With CONSULT-III

- Turn ignition switch ON.
- Select "MAIN SW", "RESUME/ACC SW", "SET SW and "CANCEL SW" in "DATA MONITOR" mode with CONSULT-III.
- Check each item indication under the following conditions.

Switch	Monitor item	Condition	Indication
MAIN switch	MAIN SW	Pressed	ON
		Released	OFF
CANCEL switch	CANCEL SW	Pressed	ON
		Released	OFF
RESUME/AC- CELERATE switch	RESUME/ACC SW	Pressed	ON
		Released	OFF
SET/COAST switch	SET SW	Pressed	ON
		Released	OFF

Without CONSULT-III

- Turn ignition switch ON.

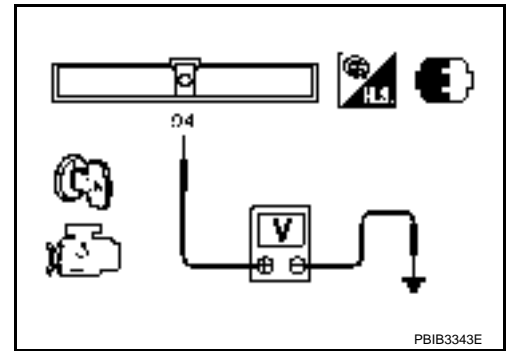
DTC P1564 ASCD STEERING SWITCH

[MR]

< SERVICE INFORMATION >

2. Check voltage between ECM terminal 94 and ground with pressing each button.

Switch	Condition	Voltage [V]
MAIN switch	Pressed	Approx. 0
	Released	Approx. 4.0
CANCEL switch	Pressed	Approx. 1.0
	Released	Approx. 4.0
RESUME/ACCELERATE switch	Pressed	Approx. 3.0
	Released	Approx. 4.0
SET/COAST switch	Pressed	Approx. 2.0
	Released	Approx. 4.0



OK or NG

- OK >> GO TO 8.
NG >> GO TO 3.

3. CHECK ASCD STEERING SWITCH GROUND CIRCUIT FOR OPEN AND SHORT

1. Turn ignition switch OFF.
2. Disconnect combination switch harness connector M78.
3. Disconnect ECM harness connector.
4. Check harness continuity between combination switch terminal 20 (unit side) and ECM terminal 95. Refer to Wiring Diagram.

Continuity should exist.

5. Also check harness for short to ground or short to power.

OK or NG

- OK >> GO TO 5.
NG >> GO TO 4.

4. DETECT MALFUNCTIONING PART

Check the following.

- Harness connectors M2, E4
- Combination switch (spiral cable)
- Harness for open and short between ECM and combination switch

>> Repair open circuit or short to ground or short to power in harness or connectors.

5. CHECK ASCD STEERING SWITCH INPUT SIGNAL CIRCUIT FOR OPEN AND SHORT

1. Check harness continuity between ECM terminal 94 and combination switch terminal 16. Refer to Wiring Diagram.

Continuity should exist.

2. Also check harness for short to ground and short to power.

OK or NG

- OK >> GO TO 7.
NG >> GO TO 6.

6. DETECT MALFUNCTIONING PART

Check the following.

- Harness connectors M2, E4
- Combination switch (spiral cable)
- Harness for open and short between ECM and combination switch

>> Repair open circuit or short to ground or short to power in harness or connectors.

DTC P1564 ASCD STEERING SWITCH

< SERVICE INFORMATION >

[MR]

7. CHECK ASCD STEERING SWITCH

Refer to [EC-417](#). "Component Inspection".

OK or NG

OK >> GO TO 8.

NG >> Replace ASCD steering switch.

8. CHECK INTERMITTENT INCIDENT

Refer to [EC-135](#).

>> **INSPECTION END**

Component Inspection

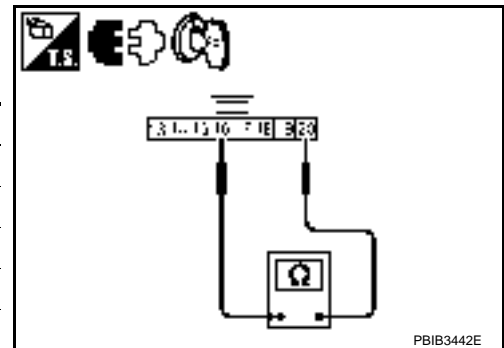
INFOID:000000001850126

ASCD STEERING SWITCH

1. Disconnect combination switch (spiral cable) harness connector M78.
2. Check continuity between combination switch (spiral cable) terminals 16 and 20 with pushing each switch.

Switch	Condition	Resistance [Ω]
MAIN switch	Pressed	Approx. 0
	Released	Approx. 4,000
CANCEL switch	Pressed	Approx. 250
	Released	Approx. 4,000
RESUME/ACCELERATE switch	Pressed	Approx. 1,480
	Released	Approx. 4,000
SET/COAST switch	Pressed	Approx. 660
	Released	Approx. 4,000

If NG, replace ASCD steering switch.



DTC P1572 ASCD BRAKE SWITCH

< SERVICE INFORMATION >

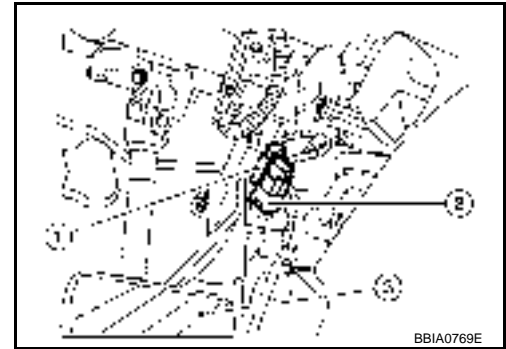
[MR]

DTC P1572 ASCD BRAKE SWITCH

Component Description

INFOID:000000001850127

When the brake pedal is depressed, ASCD brake switch (1) is turned OFF and stop lamp switch (2) is turned ON. ECM detects the state of the brake pedal (3) by this input of two kinds (ON/OFF signal). Refer to [EC-33](#) for the ASCD function.



BBA0769E

CONSULT-III Reference Value in Data Monitor Mode

INFOID:000000001850128

Specification data are reference values.

MONITOR ITEM	CONDITION		SPECIFICATION
BRAKE SW1 (ASCD brake switch)	• Ignition switch: ON	• Brake pedal: Fully released (CVT) • Brake pedal and clutch pedal: Fully released (M/T)	ON
		• Brake pedal: Slightly depressed (CVT) • Brake pedal and/or clutch pedal: Slightly depressed (M/T)	OFF
BRAKE SW2 (Stop lamp switch)	• Ignition switch: ON	Brake pedal: Fully released	OFF
		Brake pedal: Slightly depressed	ON

On Board Diagnosis Logic

INFOID:000000001850129

- This self-diagnosis has the one trip detection logic.
- The MIL will not light up for this self-diagnosis.

NOTE:

- If DTC P1572 is displayed with DTC P0605, first perform the trouble diagnosis for DTC P0605. Refer to [EC-381](#).
- This self-diagnosis has the one trip detection logic. When malfunction A is detected, DTC is not stored in ECM memory. And in that case, 1st trip DTC and 1st trip freeze frame data are displayed. 1st trip DTC is erased when ignition switch OFF. And even when malfunction A is detected in two consecutive trips, DTC is not stored in ECM memory.

DTC No.	Trouble Diagnosis Name	DTC Detecting Condition		Possible Cause
P1572 1572	ASCD brake switch	A)	When the vehicle speed is above 30km/h (19 MPH), ON signals from the stop lamp switch and the ASCD brake switch are sent to ECM at the same time.	<ul style="list-style-type: none"> • Harness or connectors (Stop lamp switch circuit is shorted.) • Harness or connectors (ASCD brake switch circuit is shorted.) • Harness or connectors (ASCD clutch switch circuit is shorted.) (M/T) • Stop lamp switch • ASCD brake switch • ASCD clutch switch (M/T) • Incorrect stop lamp switch installation • Incorrect ASCD brake switch installation • Incorrect ASCD clutch switch installation (M/T) • ECM
		B)	ASCD brake switch signal is not sent to ECM for extremely long time while the vehicle is driving	

DTC P1572 ASCD BRAKE SWITCH

< SERVICE INFORMATION >

[MR]

DTC Confirmation Procedure

INFOID:000000001850130

CAUTION:

Always drive vehicle at a safe speed.

NOTE:

- If DTC Confirmation Procedure has been previously conducted, always turn ignition switch OFF and wait at least 10 seconds before conducting the next test.
- Procedure for malfunction B is not described here. It takes extremely long time to complete procedure for malfunction B. By performing procedure for malfunction A, the incident that causes malfunction B can be detected.

TESTING CONDITION:

Steps 4 and 5 may be conducted with the drive wheels lifted in the shop or by driving the vehicle. If a road test is expected to be easier, it is unnecessary to lift the vehicle.

WITH CONSULT-III

1. Start engine.
2. Select "DATA MONITOR" mode with CONSULT-III.
3. Press MAIN switch and make sure that CRUISE indicator lights up.
4. Drive the vehicle for at least 5 consecutive seconds under the following condition.

VHCL SPEED SE	More than 30 km/h (19 MPH)
Shift lever	Suitable position

5. Check 1st trip DTC.
If 1st trip DTC is detected, go to [EC-421, "Diagnosis Procedure"](#).
If 1st trip DTC is not detected, go to the following step.
6. Drive the vehicle for at least 5 consecutive seconds under the following condition.

VHCL SPEED SE	More than 30 km/h (19 MPH)
Shift lever	Suitable position
Driving location	Depress the brake pedal for more than 5 seconds so as not to come off from the above-mentioned vehicle speed.

7. Check 1st trip DTC.
8. If 1st trip DTC is detected, go to [EC-421, "Diagnosis Procedure"](#).

WITH GST

Follow the procedure "WITH CONSULT-III" above.

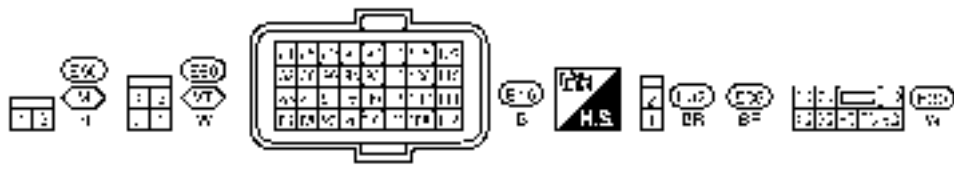
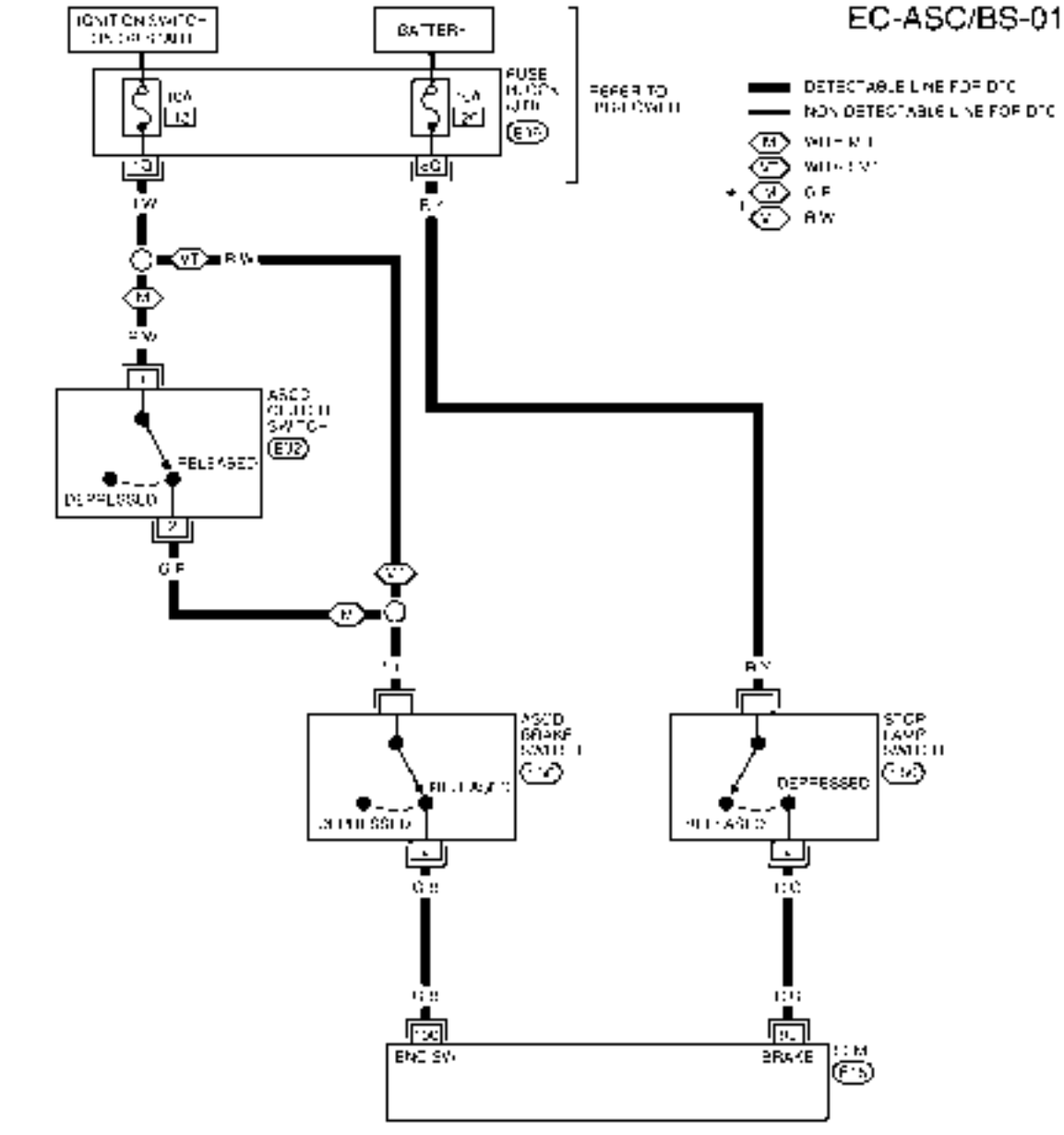
DTC P1572 ASCD BRAKE SWITCH

< SERVICE INFORMATION >

[MR]

Wiring Diagram

INFOID:000000001850131



BBWA2895E

Specification data are reference values and are measured between each terminal and ground.

CAUTION:

Do not use ECM ground terminals when measuring input/output voltage. Doing so may result in damage to the ECM's transistor. Use a ground other than ECM terminals, such as the ground.

DTC P1572 ASCD BRAKE SWITCH

< SERVICE INFORMATION >

[MR]

TERMI- NAL NO.	WIRE COLOR	ITEM	CONDITION	DATA (DC Voltage)
99	R/G	Stop lamp switch	[Ignition switch: ON] • Brake pedal: Fully released	Approximately 0V
			[Ignition switch: ON] • Brake pedal: Slightly depressed	BATTERY VOLTAGE (11 - 14V)
100	G/B	ASCD brake switch	• Brake pedal: Slightly depressed (CVT) • Brake pedal and clutch pedal: Fully released (M/T)	BATTERY VOLTAGE (11 - 14V)
			• Brake pedal: Slightly depressed (CVT) • Brake pedal and/or clutch pedal: Slightly depressed (M/T)	Approximately 0V

Diagnosis Procedure

INFOID:000000001850132

1. CHECK OVERALL FUNCTION-I

▮ **With CONSULT-III**

- Turn ignition switch ON.
- Select "BRAKE SW1" in "DATA MONITOR" mode with CONSULT-III.
- Check "BRAKE SW1" indication under the following conditions.

M/T models

CONDITION	INDICATION
Clutch pedal and/or brake pedal: Slightly depressed	OFF
Clutch pedal and brake pedal: Fully released	ON

CVT models

CONDITION	INDICATION
Brake pedal: Slightly depressed	OFF
Brake pedal: Fully released	ON

✕ **Without CONSULT-III**

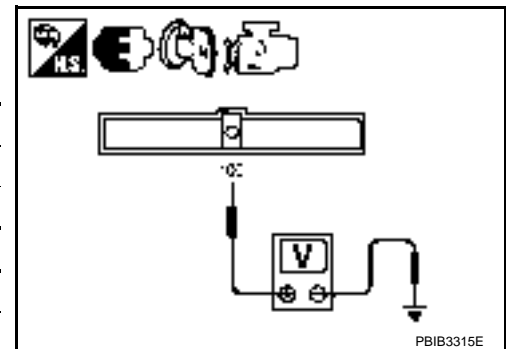
- Turn ignition switch ON.
- Check voltage between ECM terminal 100 and ground under the following conditions.

M/T models

CONDITION	VOLTAGE
Clutch pedal and/or brake pedal: Slightly depressed	Approximately 0V
Clutch pedal and brake pedal: Fully released	Battery voltage

CVT models

CONDITION	VOLTAGE
Brake pedal: Slightly depressed	Approximately 0V
Brake pedal: Fully released	Battery voltage



OK or NG

- OK >> GO TO 2.
- NG >> GO TO 3.

2. CHECK OVERALL FUNCTION-II

▮ **With CONSULT-III**

Check "BRAKE SW2" indication in "DATA MONITOR" mode.

DTC P1572 ASCD BRAKE SWITCH

< SERVICE INFORMATION >

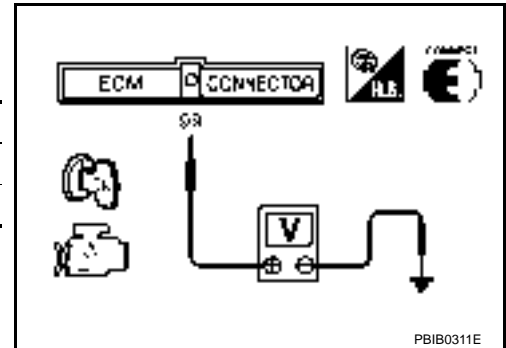
[MR]

CONDITION	INDICATION
Brake pedal: Fully released	OFF
Brake pedal: Slightly depressed	ON

X Without CONSULT-III

Check voltage between ECM terminal 99 and ground under the following conditions.

CONDITION	VOLTAGE
Brake pedal: Fully released	Approximately 0V
Brake pedal: Slightly depressed	Battery voltage



OK or NG

- OK >> GO TO 15.
- NG >> GO TO 11.

3. CHECK ASCD BRAKE SWITCH POWER SUPPLY

1. Turn ignition switch OFF.
2. Disconnect ASCD brake switch (1) harness connector.
 - Stop lamp switch (2)
 - Brake pedal (3)
3. Turn ignition switch ON.

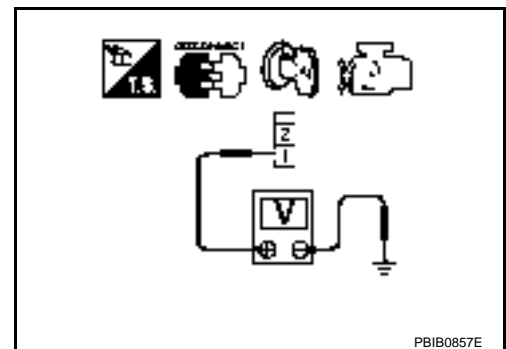


4. Check voltage between ASCD brake switch terminal 1 and ground with CONSULT-III or tester.

Voltage : Battery voltage

OK or NG

- OK >> GO TO 8.
- NG (M/T models)>>GO TO 4.
- NG (CVT models)>>GO TO 6.



4. CHECK ASCD CLUTCH SWITCH POWER SUPPLY CIRCUIT

1. Turn ignition switch OFF.

DTC P1572 ASCD BRAKE SWITCH

[MR]

< SERVICE INFORMATION >

2. Disconnect ASCD clutch switch (1) harness connector.
 - Clutch pedal (2)
3. Turn ignition switch ON.

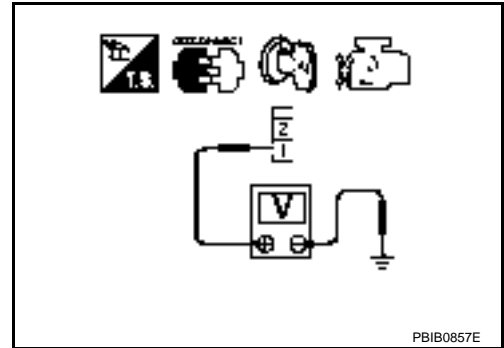


4. Check voltage between ASCD clutch switch terminal 1 and ground with CONSULT-III or tester.

Voltage: Battery voltage

OK or NG

- OK >> GO TO 7.
- NG >> GO TO 5.



5. DETECT MALFUNCTIONING PART

Check the following.

- 10A fuse
- Harness for open or short between ASCD clutch switch and fuse

>> Repair open circuit or short to ground or short to power in harness or connectors.

6. DETECT MALFUNCTIONING PART

Check the following.

- 10A fuse
- Harness for open or short between ASCD brake switch and fuse

>> Repair open circuit or short to ground or short to power in harness or connectors.

7. CHECK ASCD CLUTCH SWITCH INPUT SIGNAL CIRCUIT FOR OPEN AND SHORT

1. Turn ignition switch OFF.
2. Check harness continuity between ASCD brake switch terminal 1 and ASCD clutch switch terminal 2. Refer to Wiring Diagram.

Continuity should exist.

3. Also check harness for short to ground and short to power.

OK or NG

- OK >> GO TO 10.
- NG >> Repair open circuit or short to ground or short to power in harness or connectors.

8. CHECK ASCD BRAKE SWITCH INPUT SIGNAL CIRCUIT FOR OPEN AND SHORT

1. Turn ignition switch OFF.
2. Disconnect ECM harness connector.
3. Check harness continuity between ECM terminal 100 and ASCD brake switch terminal 2. Refer to Wiring Diagram.

Continuity should exist.

4. Also check harness for short to ground and short to power.

DTC P1572 ASCD BRAKE SWITCH

[MR]

< SERVICE INFORMATION >

OK or NG

OK >> GO TO 9.

NG >> Repair open circuit or short to ground or short to power in harness or connectors.

9. CHECK ASCD BRAKE SWITCH

Refer to [EC-425, "Component Inspection"](#).

OK or NG

OK >> GO TO 15.

NG >> Replace ASCD brake switch.

10. CHECK ASCD CLUTCH SWITCH

Refer to [EC-425, "Component Inspection"](#).

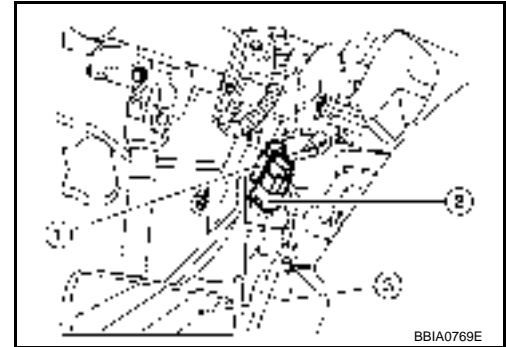
OK or NG

OK >> GO TO 15.

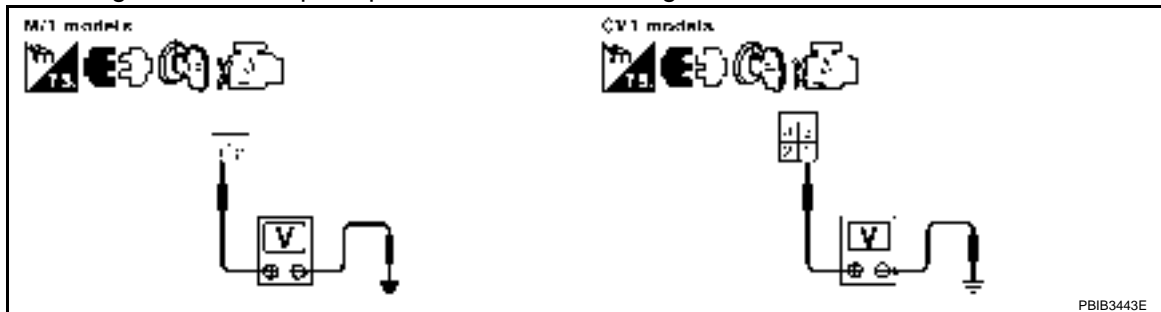
NG >> Replace ASCD clutch switch.

11. CHECK STOP LAMP SWITCH POWER SUPPLY CIRCUIT

1. Turn ignition switch OFF.
2. Disconnect stop lamp switch (2) harness connector.
 - ASCD brake switch (1)
 - Brake pedal (3)



3. Check voltage between stop lamp switch terminal 1 and ground with CONSULT -III or tester.



Voltage: Battery voltage

OK or NG

OK >> GO TO 13.

NG >> GO TO 12.

12. DETECT MALFUNCTIONING PART

Check the following.

- 10A fuse
- Harness for open or short between stop lamp switch and battery

>> Repair open circuit or short to ground or short to power in harness or connectors.

13. CHECK STOP LAMP SWITCH INPUT SIGNAL CIRCUIT FOR OPEN AND SHORT

1. Disconnect ECM harness connector.
2. Check harness continuity between ECM terminal 99 and stop lamp switch terminal 2.
Refer to Wiring Diagram.

DTC P1572 ASCD BRAKE SWITCH

< SERVICE INFORMATION >

[MR]

Continuity should exist.

3. Also check harness for short to ground and short to power.

OK or NG

OK >> GO TO 14.

NG >> Repair open circuit or short to ground or short to power in harness or connectors.

14. CHECK STOP LAMP SWITCH

Refer to [EC-425](#), "Component Inspection"

OK or NG

OK >> GO TO 15.

NG >> Replace stop lamp switch.

15. CHECK INTERMITTENT INCIDENT

Refer to [EC-135](#).

>> **INSPECTION END**

Component Inspection

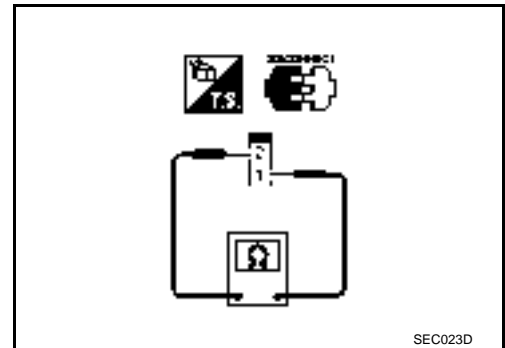
INFOID:000000001850133

ASCD BRAKE SWITCH

1. Turn ignition switch OFF.
2. Disconnect ASCD brake switch harness connector.
3. Check continuity between ASCD brake switch terminals 1 and 2 under the following conditions.

Condition	Continuity
Brake pedal: Fully released.	Should exist.
Brake pedal: Slightly depressed.	Should not exist.

If NG, adjust ASCD brake switch installation, refer to [BR-5](#), and perform step 3 again.

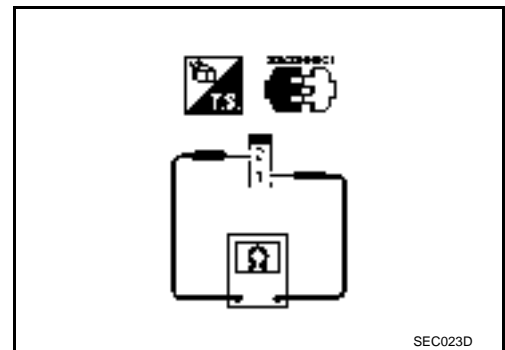


ASCD CLUTCH SWITCH

1. Turn ignition switch OFF.
2. Disconnect ASCD clutch switch harness connector.
3. Check continuity between ASCD clutch switch terminals 1 and 2 under the following conditions.

Condition	Continuity
Clutch pedal: Fully released.	Should exist.
Clutch pedal: Slightly depressed.	Should not exist.

If NG, adjust ASCD clutch switch installation, refer to [CL-5](#), and perform step 3 again.



STOP LAMP SWITCH

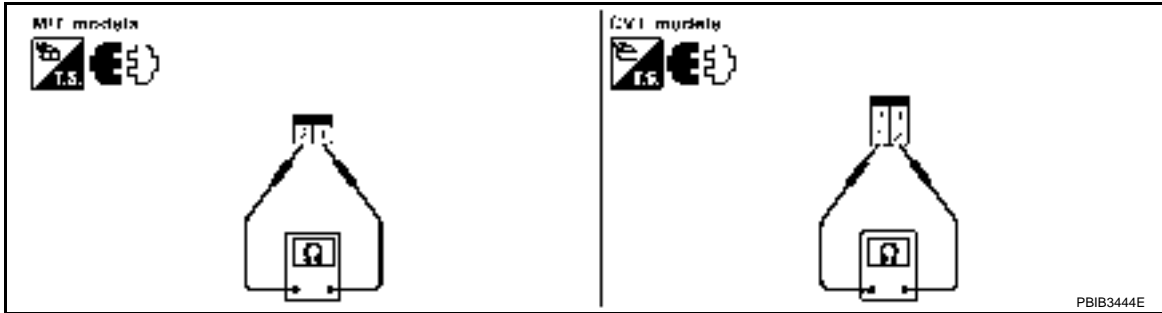
1. Turn ignition switch OFF.
2. Disconnect stop lamp switch harness connector.

DTC P1572 ASCD BRAKE SWITCH

< SERVICE INFORMATION >

[MR]

3. Check continuity between stop lamp switch terminals 1 and 2 under the following conditions.



Condition	Continuity
Brake pedal: Fully released.	Should not exist.
Brake pedal: Slightly depressed.	Should exist.

If NG, adjust stop lamp switch installation, refer to [BR-5](#), and perform step 3 again.

DTC P1574 ASCD VEHICLE SPEED SENSOR

< SERVICE INFORMATION >

[MR]

DTC P1574 ASCD VEHICLE SPEED SENSOR

Component Description

INFOID:000000001850134

The ECM receives two vehicle speed sensor signals via CAN communication line. One is sent from combination meter, and the other is from TCM (Transmission control module). The ECM uses these signals for ASCD control. Refer to [EC-33](#) for ASCD functions.

On Board Diagnosis Logic

INFOID:000000001850135

- This self-diagnosis has the one trip detection logic.
- The MIL will not light up for this self-diagnosis.

NOTE:

- If DTC P1574 is displayed with DTC U1000, U1001, first perform the trouble diagnosis for DTC U1000, U1001. Refer to [EC-142](#).
- If DTC P1574 is displayed with DTC U1010, first perform the trouble diagnosis for DTC U1010. Refer to [EC-144](#).
- If DTC P1574 is displayed with DTC P0500, first perform the trouble diagnosis for DTC P0500. Refer to [EC-375](#).
- If DTC P1574 is displayed with DTC P0605, first perform the trouble diagnosis for DTC P0605. Refer to [EC-381](#).

DTC No.	Trouble Diagnosis Name	DTC Detecting Condition	Possible Cause
P1574 1574	ASCD vehicle speed sensor	ECM detects a difference between two vehicle speed signals is out of the specified range.	<ul style="list-style-type: none">• Harness or connectors (CAN communication line is open or shorted.)• Harness or connectors (Combination meter circuit is open or shorted.)• TCM (CVT models)• Combination meter• Wheel sensor• ECM

DTC Confirmation Procedure

INFOID:000000001850136

CAUTION:

Always drive vehicle at a safe speed.

NOTE:

If DTC Confirmation Procedure has been previously conducted, always turn ignition switch OFF and wait at least 10 seconds before conducting the next test.

TESTING CONDITION:

Step 3 may be conducted with the drive wheels lifted in the shop or by driving the vehicle. If a road test is expected to be easier, it is unnecessary to lift the vehicle.

▮ WITH CONSULT-III

1. Start engine.
2. Select "DATA MONITOR" mode with CONSULT-III.
3. Drive the vehicle at more than 40 km/h (25MPH).
4. Check DTC.
5. If DTC is detected, go to [EC-427, "Diagnosis Procedure"](#).

▮ WITH GST

Follow the procedure "WITH CONSULT-III" above.

Diagnosis Procedure

INFOID:000000001850137

1. CHECK DTC WITH TCM

Check DTC with TCM. Refer to [CVT-24](#).

OK or NG

OK >> GO TO 2.

DTC P1574 ASCD VEHICLE SPEED SENSOR

[MR]

< SERVICE INFORMATION >

NG >> Perform trouble shooting relevant to DTC indicated.

2.CHECK DTC WITH "ABS ACTUATOR AND ELECTRIC UNIT"

Refer to [BRC-8](#).

OK or NG

OK >> GO TO 3.

NG >> Repair or replace.

3.CHECK COMBINATION METER

Check combination meter function.

Refer to [DI-5](#).

>> **INSPECTION END**

DTC P1715 INPUT SPEED SENSOR (PRIMARY SPEED SENSOR)

< SERVICE INFORMATION >

[MR]

DTC P1715 INPUT SPEED SENSOR (PRIMARY SPEED SENSOR)

Description

INFOID:000000001850138

ECM receives primary speed sensor signal from TCM through CAN communication line. ECM uses this signal for engine control.

CONSULT-III Reference Value in Data Monitor Mode

INFOID:000000001850139

Specification data are reference values.

MONITOR ITEM	CONDITION	SPECIFICATION
I/P PULLY SPD	• Vehicle speed: More than 20 km/h (12MPH)	Almost the same speed as the tachometer indication

On Board Diagnosis Logic

INFOID:000000001850140

NOTE:

- If DTC P1715 is displayed with DTC U1000 or U1001 first perform the trouble diagnosis for DTC U1000, U1001. Refer to [EC-142](#).
- If DTC P1715 is displayed with DTC U1010, first perform the trouble diagnosis for DTC U1010. Refer to [EC-144](#).
- If DTC P1715 is displayed with DTC P0335, first perform the trouble diagnosis for DTC P0335. Refer to [EC-285](#).
- If DTC P1715 is displayed with DTC P0340 first perform the trouble diagnosis for DTC P0340. Refer to [EC-291](#).
- If DTC P1715 is displayed with DTC P0605, first perform the trouble diagnosis for DTC P0605. Refer to [EC-381](#).

The MIL will not light up for this self-diagnosis.

DTC No.	Trouble diagnosis name	DTC detecting condition	Possible cause
P1715 1715	Input speed sensor (Primary speed sensor) (TCM output)	Primary speed sensor signal is different from the theoretical value calculated by ECM from secondary speed sensor signal and engine rpm signal.	<ul style="list-style-type: none">• Harness or connectors (CAN communication line is open or shorted)• Harness or connectors (Primary speed sensor circuit is open or shorted)• TCM

DTC Confirmation Procedure

INFOID:000000001850141

CAUTION:

Always drive vehicle at a safe speed.

NOTE:

If DTC Confirmation Procedure has been previously conducted, always turn ignition switch OFF and wait at least 10 seconds before conducting the next test.

WITH CONSULT-III

1. Turn ignition switch ON.
2. Select "DATA MONITOR" mode with CONSULT-III.
3. Start engine.
4. Drive vehicle at a speed of more than 50 km/h (31 MPH) for at least 5 seconds.
5. Check 1st trip DTC.
6. If 1st trip DTC is detected, go to [EC-429. "Diagnosis Procedure"](#).

WITH GST

Follow the procedure "WITH CONSULT-III" above.

Diagnosis Procedure

INFOID:000000001850142

1. CHECK DTC WITH TCM

Check DTC with TCM. Refer to [CVT-24](#).

DTC P1715 INPUT SPEED SENSOR (PRIMARY SPEED SENSOR)

< SERVICE INFORMATION >

[MR]

OK or NG

OK >> GO TO 2.

NG >> Perform trouble shooting relevant to DTC indicated.

2.REPLACE TCM

Replace TCM. Refer to [CVT-27](#).

>> **INSPECTION END**

DTC P1805 BRAKE SWITCH

< SERVICE INFORMATION >

[MR]

DTC P1805 BRAKE SWITCH

Description

INFOID:000000001850143

Brake switch signal is applied to the ECM through the stop lamp switch when the brake pedal is depressed. This signal is used mainly to decrease the engine speed when the vehicle is driving.

CONSULT-III Reference Value in Data Monitor Mode

INFOID:000000001850144

Specification data are reference values.

MONITOR ITEM	CONDITION		SPECIFICATION
BRAKE SW	• Ignition switch: ON	Brake pedal: Fully released	OFF
		Brake pedal: Slightly depressed	ON

On Board Diagnosis Logic

INFOID:000000001850145

The MIL will not light up for this self-diagnosis.

DTC No.	Trouble diagnosis name	DTC detecting condition	Possible cause
P1805 1805	Brake switch	A brake switch signal is not sent to ECM for extremely long time while the vehicle is driving.	<ul style="list-style-type: none">• Harness or connectors (Stop lamp switch circuit is open or shorted.)• Stop lamp switch

FAIL-SAFE MODE

When the malfunction is detected, the ECM enters in fail-safe mode.

Engine operation condition in fail-fail safe mode	
ECM controls the electric throttle control actuator by regulating the throttle opening to a small range. Therefore, acceleration will be poor.	
Vehicle condition	Driving condition
Engine: Idling	Normal
Accelerating	Poor acceleration

DTC Confirmation Procedure

INFOID:000000001850146

1. Turn ignition switch ON.
2. Fully depress the brake pedal for at least 5 seconds.
3. Erase the DTC with CONSULT-III.
4. Check 1st trip DTC.
5. If 1st trip DTC is detected, go to [EC-433. "Diagnosis Procedure"](#).

DTC P1805 BRAKE SWITCH

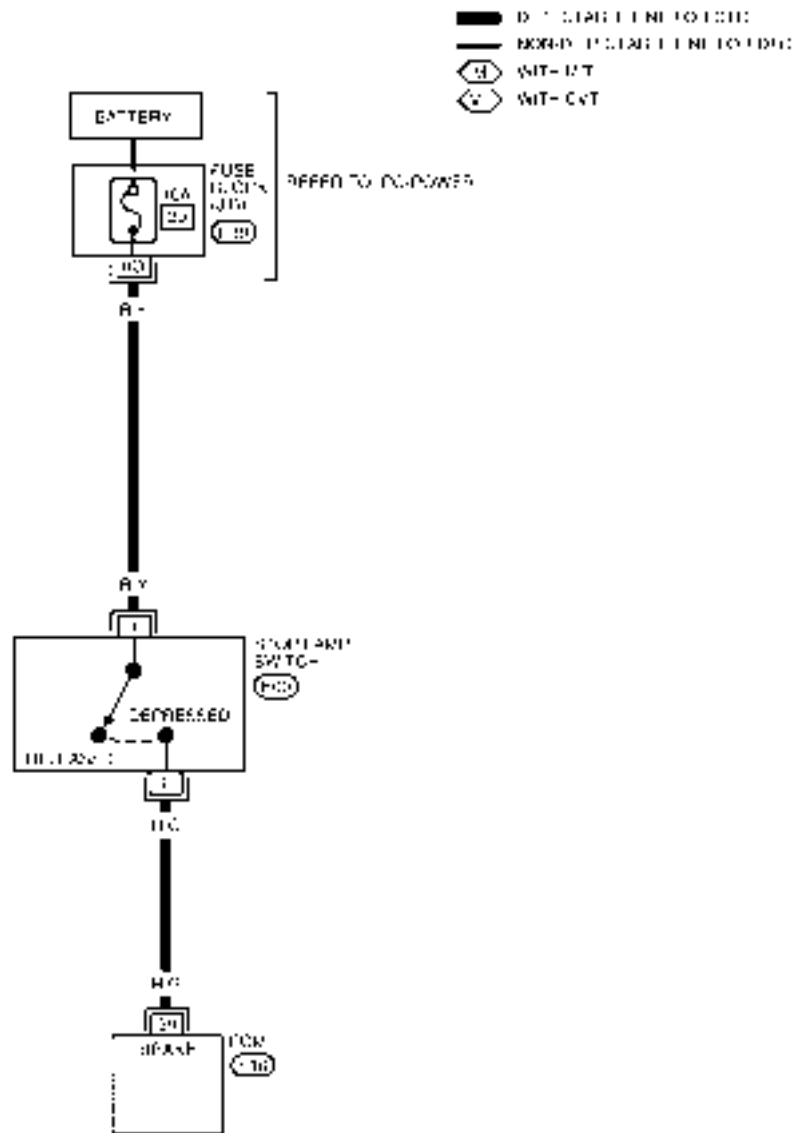
< SERVICE INFORMATION >

[MR]

Wiring Diagram

INFOID:000000001850147

EC-BRK/SW-01



BBWA2896E

Specification data are reference values and are measured between each terminal and ground.

CAUTION:

Do not use ECM ground terminals when measuring input/output voltage. Doing so may result in damage to the ECM's transistor. Use a ground other than ECM terminals, such as the ground.

DTC P1805 BRAKE SWITCH

< SERVICE INFORMATION >

[MR]

TERMI- NAL NO.	WIRE COLOR	ITEM	CONDITION	DATA (DC Voltage)
99	R/G	Stop lamp switch	[Ignition switch: OFF] • Brake pedal: Fully released	Approximately 0V
			[Ignition switch: OFF] • Brake pedal: Slightly depressed	BATTERY VOLTAGE (11 - 14V)

Diagnosis Procedure

INFOID:000000001850148

1. CHECK STOP LAMP SWITCH CIRCUIT

1. Turn ignition switch OFF.
2. Check the stop lamp when depressing and releasing the brake pedal.

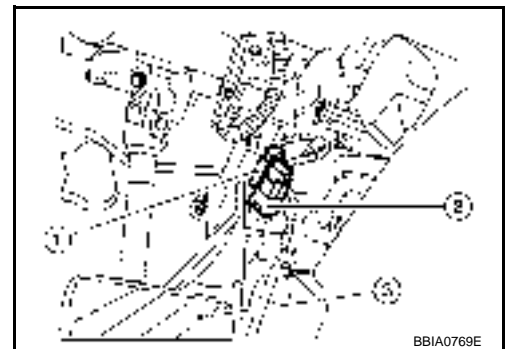
Brake pedal	Stop lamp
Fully released	Not illuminated
Slightly depressed	Illuminated

OK or NG

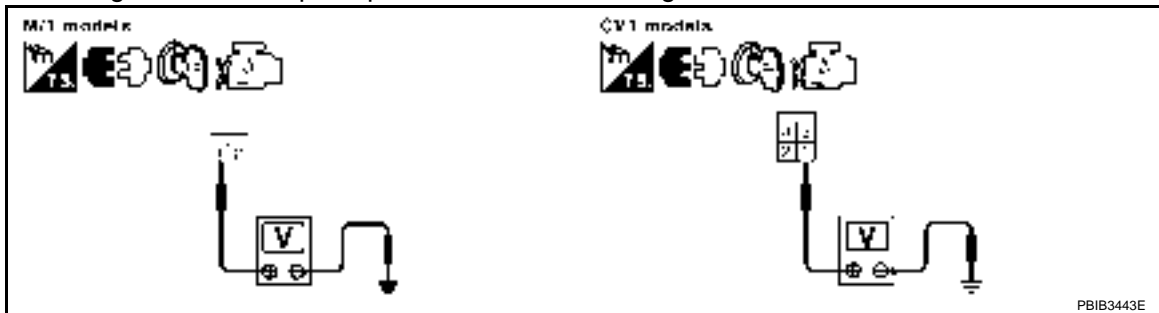
- OK >> GO TO 4.
- NG >> GO TO 2.

2. CHECK STOP LAMP SWITCH POWER SUPPLY CIRCUIT

1. Disconnect stop lamp switch (2) harness connector.
 - ASCD brake switch (1)
 - Brake pedal (3)



2. Check voltage between stop lamp switch terminal 1 and ground with CONSULT-III or tester.



Voltage: Battery voltage

OK or NG

- OK >> GO TO 4.
- NG >> GO TO 3.

3. DETECT MALFUNCTIONING PART

Check the following.

- 10A fuse
- Harness for open and short between stop lamp switch and battery

DTC P1805 BRAKE SWITCH

[MR]

< SERVICE INFORMATION >

>> Repair open circuit or short to ground or short to power in harness or connectors.

4. CHECK STOP LAMP SWITCH INPUT SIGNAL CIRCUIT FOR OPEN AND SHORT

1. Disconnect stop lamp switch harness connector.
2. Disconnect ECM harness connector.
3. Check harness continuity between stop lamp switch terminal 2 and ECM terminal 99.
Refer to Wiring Diagram.

Continuity should exist.

4. Also check harness for short to ground and short to power.

OK or NG

OK >> GO TO 5.

NG >> Repair open circuit or short to ground or short to power in harness connectors.

5. CHECK STOP LAMP SWITCH

Refer to [EC-434, "Component Inspection"](#).

OK or NG

OK >> GO TO 6.

NG >> Replace stop lamp switch.

6. CHECK INTERMITTENT INCIDENT

Refer to [EC-135](#).

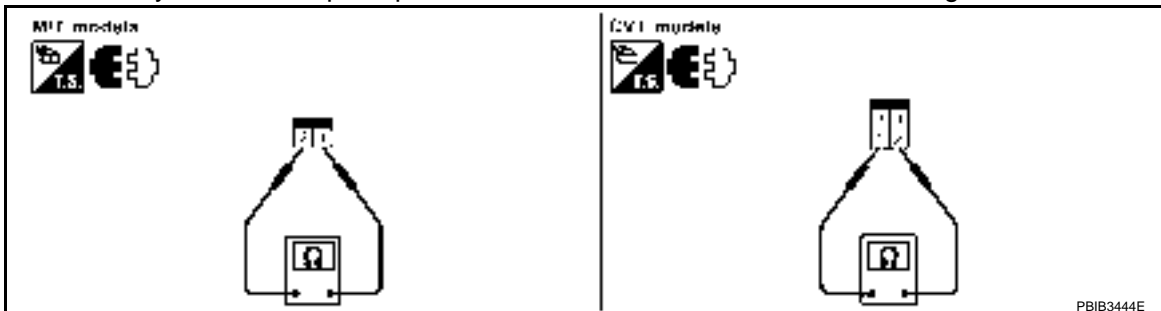
>> **INSPECTION END**

Component Inspection

INFOID:000000001850149

STOP LAMP SWITCH

1. Turn ignition switch OFF.
2. Disconnect stop lamp switch harness connector.
3. Check continuity between stop lamp switch terminals 1 and 2 under the following conditions.



PBIB3444E

Condition	Continuity
Brake pedal: Fully released.	Should not exist.
Brake pedal: Slightly depressed.	Should exist.

If NG, adjust stop lamp switch installation, refer to [BR-5](#), and perform step 3 again.

DTC P2100, P2103 THROTTLE CONTROL MOTOR RELAY

< SERVICE INFORMATION >

[MR]

DTC P2100, P2103 THROTTLE CONTROL MOTOR RELAY

Component Description

INFOID:000000001850150

Power supply for the throttle control motor is provided to the ECM via throttle control motor relay. The throttle control motor relay is ON/OFF controlled by the ECM. When the ignition switch is turned ON, the ECM sends an ON signal to throttle control motor relay and battery voltage is provided to the ECM. When the ignition switch is turned OFF, the ECM sends an OFF signal to throttle control motor relay and battery voltage is not provided to the ECM.

CONSULT-III Reference Value in Data Monitor Mode

INFOID:000000001850151

Specification data are reference values.

MONITOR ITEM	CONDITION	SPECIFICATION
THRTL RELAY	• Ignition switch: ON	ON

On Board Diagnosis Logic

INFOID:000000001850152

These self-diagnoses have one trip detection logic.

DTC No.	Trouble diagnosis name	DTC detecting condition	Possible cause
P2100 2100	Throttle control motor relay circuit open	ECM detects a voltage of power source for throttle control motor is excessively low.	<ul style="list-style-type: none">• Harness or connectors (Throttle control motor relay circuit is open)• Throttle control motor relay
P2103 2103	Throttle control motor relay circuit short	ECM detects the throttle control motor relay is stuck ON.	<ul style="list-style-type: none">• Harness or connectors (Throttle control motor relay circuit is shorted)• Throttle control motor relay

FAIL-SAFE MODE

When the malfunction is detected, ECM enters fail-safe mode and the MIL lights up.

Engine operating condition in fail-safe mode

ECM stops the electric throttle control actuator control, throttle valve is maintained at a fixed opening (approx. 5 degrees) by the return spring.

DTC Confirmation Procedure

INFOID:000000001850153

NOTE:

If DTC Confirmation Procedure has been previously conducted, always turn ignition switch OFF and wait at least 10 seconds before conducting the next test.

PROCEDURE FOR DTC P2100

1. Turn ignition switch ON and wait at least 2 seconds.
2. Start engine and let it idle for 5 seconds.
3. Check DTC.
4. If DTC is detected, go to [EC-437. "Diagnosis Procedure"](#).

PROCEDURE FOR DTC P2103

TESTING CONDITION:

Before performing the following procedure, confirm that battery voltage is more than 10V at idle.

1. Turn ignition switch ON and wait at least 1 second.
2. Check DTC.
3. If DTC is detected, go to [EC-437. "Diagnosis Procedure"](#).

DTC P2100, P2103 THROTTLE CONTROL MOTOR RELAY

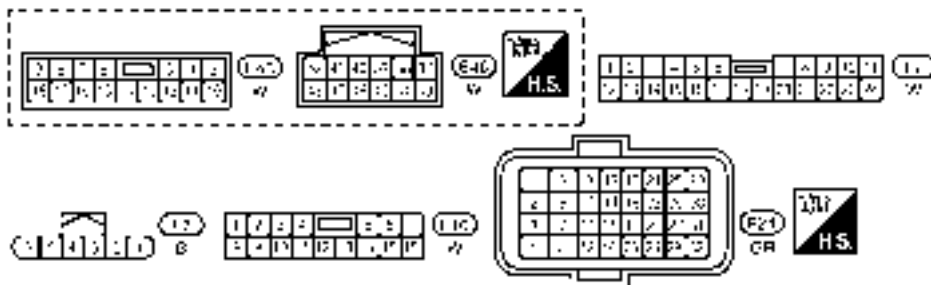
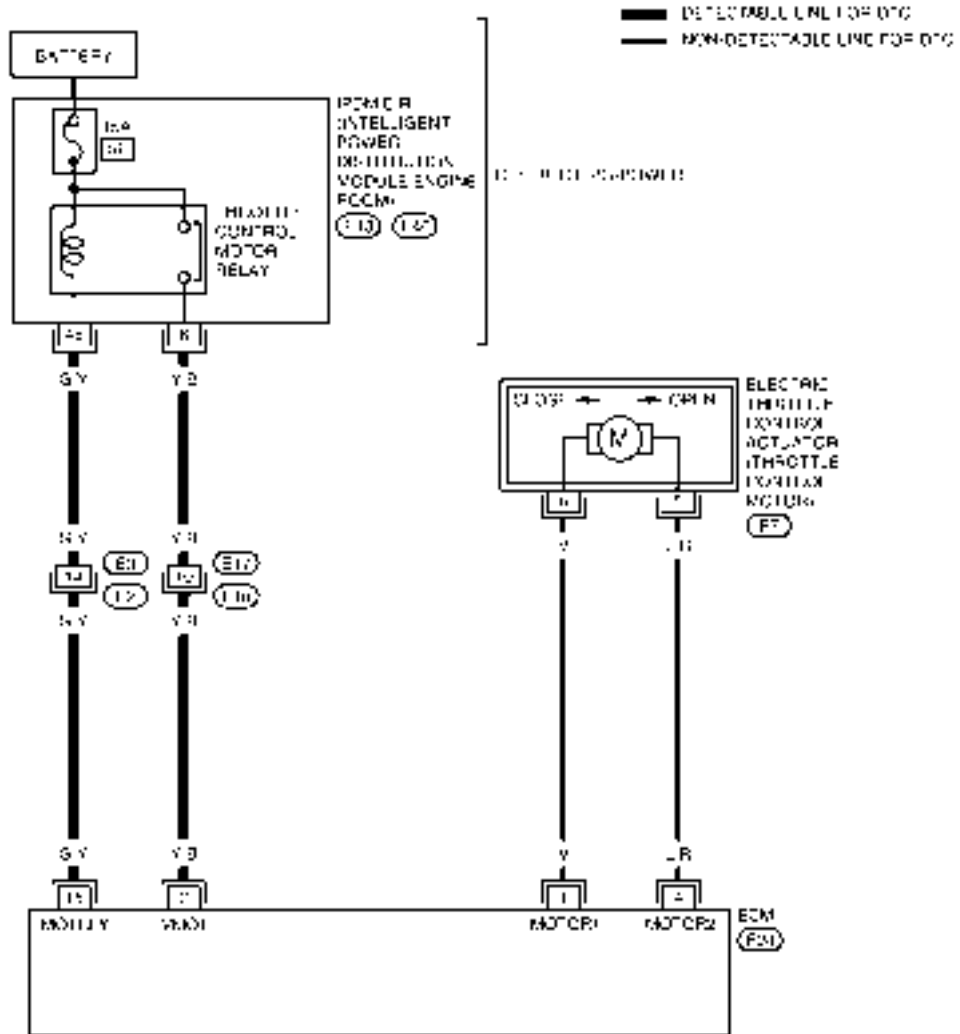
< SERVICE INFORMATION >

[MR]

Wiring Diagram

INFOID:000000001850154

EC-ETC2-01



BBWA2897E

Specification data are reference values and are measured between each terminal and ground. Pulse signal is measured by CONSULT-III.

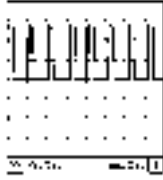
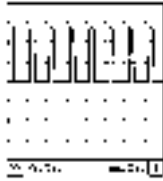
CAUTION:

DTC P2100, P2103 THROTTLE CONTROL MOTOR RELAY

< SERVICE INFORMATION >

[MR]

Do not use ECM ground terminals when measuring input/output voltage. Doing so may result in damage to the ECM's transistor. Use a ground other than ECM terminals, such as the ground.

TERMI- NAL NO.	WIRE COLOR	ITEM	CONDITION	DATA (DC Voltage)
1	V	Throttle control motor (Open)	[Ignition switch: ON] • Engine stopped • Shift lever: D (CVT), 1st (M/T) • Accelerator pedal: Fully depressed	Approximately 3.2V★  PBI A8150J
2	Y/B	Throttle control motor power supply	[Ignition switch: ON]	BATTERY VOLTAGE (11 - 14V)
4	L/R	Throttle control motor (Close)	[Ignition switch: ON] • Engine stopped • Shift lever: D (CVT), 1st (M/T) • Accelerator pedal: Fully released	Approximately 1.8V★  PBI A8149J
15	G/Y	Throttle control motor relay	[Ignition switch: OFF]	BATTERY VOLTAGE (11 - 14V)
			[Ignition switch: ON]	0 - 1.0V

★: Average voltage for pulse signal (Actual pulse signal can be confirmed by oscilloscope.)

Diagnosis Procedure

INFOID:000000001850155

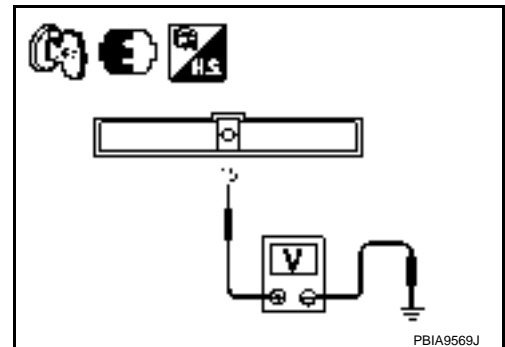
1. CHECK THROTTLE CONTROL MOTOR RELAY POWER SUPPLY CIRCUIT-I

- Turn ignition switch OFF.
- Check voltage between ECM terminal 15 and ground with CONSULT-III or tester.

Voltage: Battery voltage

OK or NG

- OK >> GO TO 5.
NG >> GO TO 2.



2. CHECK THROTTLE CONTROL MOTOR RELAY POWER SUPPLY CIRCUIT-II

- Disconnect ECM harness connector.
- Disconnect IPDM E/R harness connector E46.
- Check continuity between ECM terminal 15 and IPDM E/R terminal 46. Refer to Wiring Diagram.

Continuity should exist.

- Also check harness for short to ground and short to power.

OK or NG

- OK >> GO TO 4.
NG >> GO TO 3.

DTC P2100, P2103 THROTTLE CONTROL MOTOR RELAY

[MR]

< SERVICE INFORMATION >

3. DETECT MALFUNCTIONING PART

Check the following.

- Harness connectors E3, F2
- Harness for open or short between ECM and IPDM E/R

>> Repair open circuit or short to ground or short to power in harness or connectors.

4. CHECK FUSE

1. Disconnect 15A fuse.
2. Check 15A fuse for blown.

OK or NG

- OK >> GO TO 8.
- NG >> Replace 15A fuse.

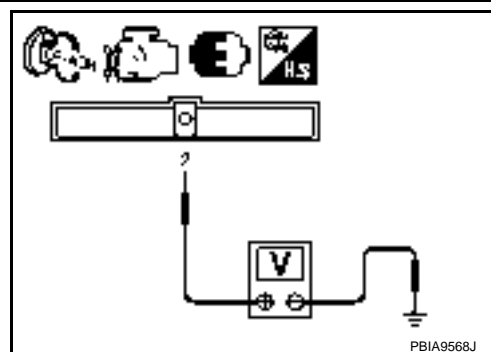
5. CHECK THROTTLE CONTROL MOTOR RELAY INPUT SIGNAL CIRCUIT-I

Check voltage between ECM terminal 2 and ground under the following conditions with CONSULT-III or tester.

Ignition switch	Voltage
OFF	Approximately 0V
ON	Battery voltage (11 - 14V)

OK or NG

- OK >> GO TO 8.
- NG >> GO TO 6.



6. CHECK THROTTLE CONTROL MOTOR RELAY INPUT SIGNAL CIRCUIT-II

1. Turn ignition switch OFF.
2. Disconnect ECM harness connector.
3. Disconnect IPDM E/R harness connector E43.
4. Check continuity between ECM terminal 2 and IPDM E/R terminal 8.
Refer to Wiring Diagram.

Continuity should exist.

5. Also check harness for short to ground and short to power.

OK or NG

- OK >> GO TO 8.
- NG >> GO TO 7.

7. DETECT MALFUNCTIONING PART

Check the following.

- Harness connectors E17, F10
- Harness for open or short between ECM and IPDM E/R

>> Repair open circuit or short to ground or short to power in harness or connectors.

8. CHECK INTERMITTENT INCIDENT

Refer to [EC-135](#).

OK or NG

- OK >> Replace IPDM E/R. Refer to [PG-17](#).
- NG >> Repair or replace harness or connectors.

DTC P2101 ELECTRIC THROTTLE CONTROL FUNCTION

< SERVICE INFORMATION >

[MR]

DTC P2101 ELECTRIC THROTTLE CONTROL FUNCTION

Description

INFOID:000000001850156

NOTE:

If DTC P2101 is displayed with DTC P2100 or P2119, first perform the trouble diagnosis for DTC P2100 or P2119. Refer to [EC-435](#) or [EC-449](#).

Electric throttle control actuator consists of throttle control motor, throttle position sensor, etc.

The throttle control motor is operated by the ECM and it opens and closes the throttle valve.

The current opening angle of the throttle valve is detected by the throttle position sensor and it provides feedback to the ECM to control the throttle control motor to make the throttle valve opening angle properly in response to driving condition.

On Board Diagnosis Logic

INFOID:000000001850157

This self-diagnosis has the one trip detection logic.

DTC No.	Trouble diagnosis name	DTC detecting condition	Possible cause
P2101 2101	Electric throttle control performance	Electric throttle control function does not operate properly.	<ul style="list-style-type: none">• Harness or connectors (Throttle control motor circuit is open or shorted)• Electric throttle control actuator

FAIL-SAFE MODE

When the malfunction is detected, the ECM enters fail-safe mode and the MIL lights up.

Engine operating condition in fail-safe mode

ECM stops the electric throttle control actuator control, throttle valve is maintained at a fixed opening (approx. 5 degrees) by the return spring.

DTC Confirmation Procedure

INFOID:000000001850158

NOTE:

If DTC Confirmation Procedure has been previously conducted, always turn ignition switch OFF and wait at least 10 seconds before conducting the next test.

TESTING CONDITION:

Before performing the following procedure, confirm that battery voltage is more than 11V when engine is running.

1. Turn ignition switch ON and wait at least 2 seconds.
2. Start engine and let it idle for 5 seconds.
3. Check DTC.
4. If DTC is detected, go to [EC-441, "Diagnosis Procedure"](#).

DTC P2101 ELECTRIC THROTTLE CONTROL FUNCTION

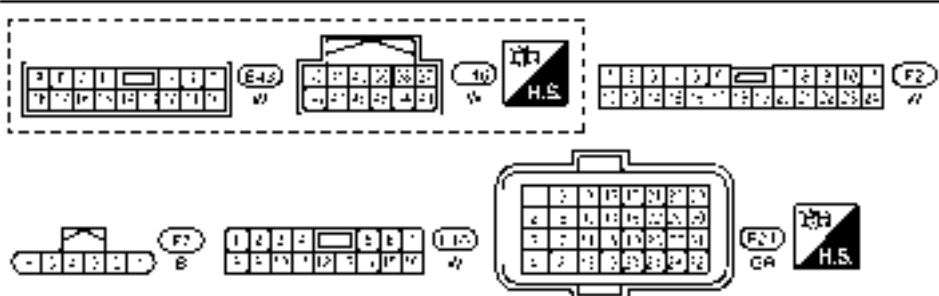
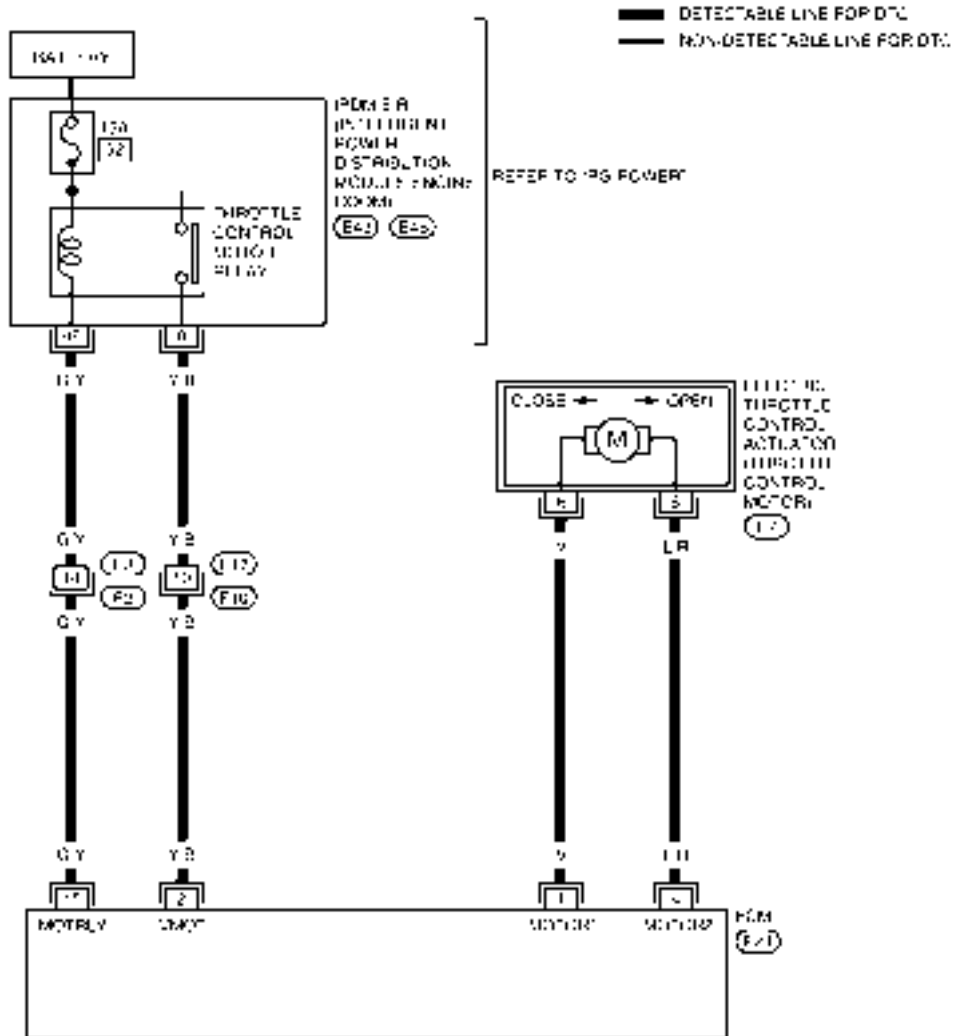
< SERVICE INFORMATION >

[MR]

Wiring Diagram

INFOID:00000001850159

EC-ETC1-01



BBWA2898E

Specification data are reference values and are measured between each terminal and ground. Pulse signal is measured by CONSULT-III.

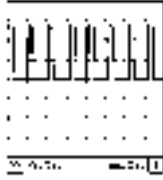
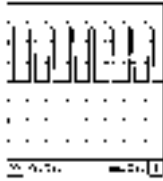
CAUTION:

DTC P2101 ELECTRIC THROTTLE CONTROL FUNCTION

< SERVICE INFORMATION >

[MR]

Do not use ECM ground terminals when measuring input/output voltage. Doing so may result in damage to the ECM's transistor. Use a ground other than ECM terminals, such as the ground.

TERMI- NAL NO.	WIRE COLOR	ITEM	CONDITION	DATA (DC Voltage)
1	V	Throttle control motor (Open)	[Ignition switch: ON] <ul style="list-style-type: none"> • Engine stopped • Shift lever: D (CVT), 1st (M/T) • Accelerator pedal: Fully depressed 	Approximately 3.2V★  <small>PBIA8150J</small>
2	Y/B	Throttle control motor power supply	[Ignition switch: ON]	BATTERY VOLTAGE (11 - 14V)
4	L/R	Throttle control motor (Close)	[Ignition switch: ON] <ul style="list-style-type: none"> • Engine stopped • Shift lever: D (CVT), 1st (M/T) • Accelerator pedal: Fully released 	Approximately 1.8V★  <small>PBIA8149J</small>
15	G/Y	Throttle control motor relay	[Ignition switch: OFF]	BATTERY VOLTAGE (11 - 14V)
			[Ignition switch: ON]	0 - 1.0V

★: Average voltage for pulse signal (Actual pulse signal can be confirmed by oscilloscope.)

Diagnosis Procedure

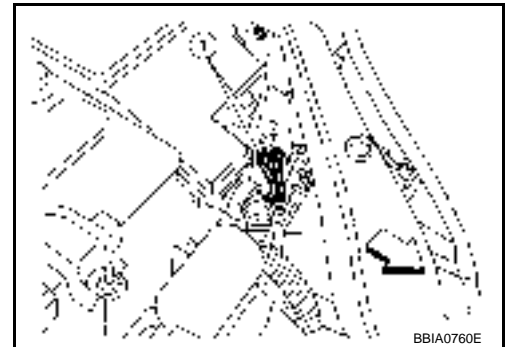
INFOID:000000001850160

1. CHECK GROUND CONNECTIONS

1. Turn ignition switch OFF.
 2. Loosen and retighten ground screws on the body.
Refer to [EC-140, "Ground Inspection"](#).
- ◀: Vehicle front
 - Body ground (1)

OK or NG

- OK >> GO TO 2.
- NG >> Repair or replace ground connections.



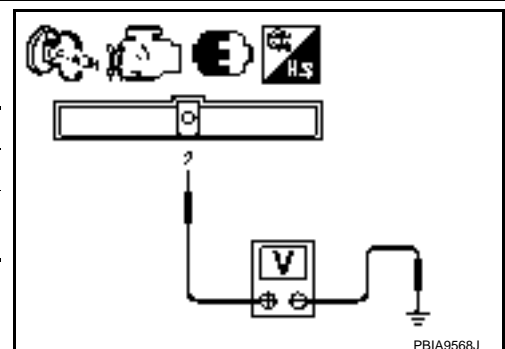
2. CHECK THROTTLE CONTROL MOTOR RELAY INPUT SIGNAL CIRCUIT-I

Check voltage between ECM terminal 2 and ground under the following conditions with CONSULT-III or tester.

Ignition switch	Voltage
OFF	Approximately 0V
ON	Battery voltage (11 - 14V)

OK or NG

- OK >> GO TO 10.
- NG >> GO TO 3.



DTC P2101 ELECTRIC THROTTLE CONTROL FUNCTION

< SERVICE INFORMATION >

[MR]

3. CHECK THROTTLE CONTROL MOTOR RELAY INPUT SIGNAL CIRCUIT-II

1. Turn ignition switch OFF.
2. Disconnect ECM harness connector.
3. Disconnect IPDM E/R harness connector E43.
4. Check continuity between ECM terminal 2 and IPDM E/R terminal 8.
Refer to Wiring Diagram.

Continuity should exist.

5. Also check harness for short to ground and short to power.

OK or NG

- OK >> GO TO 5.
NG >> GO TO 4.

4. DETECT MALFUNCTIONING PART

Check the following.

- Harness connectors E17, F10
- Harness for open or short between ECM and IPDM E/R

>> Repair open circuit or short to ground or short to power in harness or connectors.

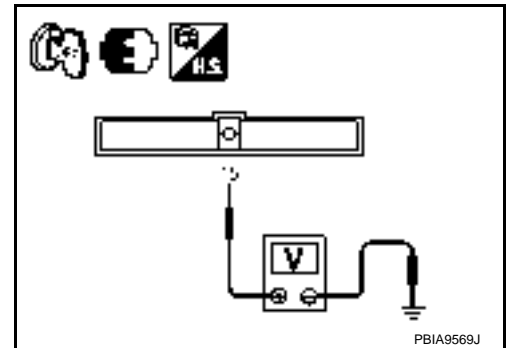
5. CHECK THROTTLE CONTROL MOTOR RELAY POWER SUPPLY CIRCUIT-I

1. Reconnect all harness connectors disconnected.
2. Check voltage between ECM terminal 15 and ground with CONSULT-III or tester.

Voltage: Battery voltage

OK or NG

- OK >> GO TO 9.
NG >> GO TO 6.



6. CHECK THROTTLE CONTROL MOTOR RELAY POWER SUPPLY CIRCUIT-II

1. Disconnect ECM harness connector.
2. Disconnect IPDM E/R harness connector E46.
3. Check harness continuity between ECM terminal 15 and IPDM E/R terminal 46.
Refer to Wiring Diagram.

Continuity should exist.

4. Also check harness for short to ground and short to power.

OK or NG

- OK >> GO TO 8.
NG >> GO TO 7.

7. DETECT MALFUNCTIONING PART

Check the following.

- Harness connectors E3, F2
- Harness for open or short between ECM and IPDM E/R

>> Repair open circuit or short to ground or short to power in harness or connectors.

8. CHECK FUSE

1. Disconnect 15A fuse.
2. Check 15A fuse for blown.

DTC P2101 ELECTRIC THROTTLE CONTROL FUNCTION

[MR]

< SERVICE INFORMATION >

OK or NG

- OK >> GO TO 9.
- NG >> Replace 15A fuse.

9. CHECK INTERMITTENT INCIDENT

Refer to [EC-135](#).

OK or NG

- OK >> Replace IPDM E/R. Refer to [PG-17](#).
- NG >> Repair or replace harness or connectors.

10. CHECK THROTTLE CONTROL MOTOR OUTPUT SIGNAL CIRCUIT FOR OPEN OR SHORT

1. Turn ignition switch OFF.
2. Disconnect electric throttle control actuator (1) harness connector.
3. Disconnect ECM harness connector.
4. Check harness continuity between the following terminals. Refer to Wiring Diagram.



Electric throttle control actuator terminal	ECM terminal	Continuity
5	1	Should not exist.
	4	Should exist.
6	1	Should exist.
	4	Should not exist.

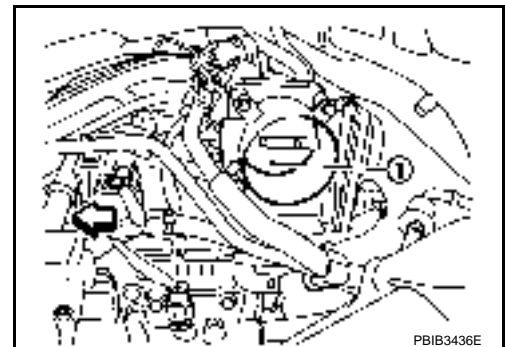
5. Also check harness for short to ground and short to power.

OK or NG

- OK >> GO TO 11.
- NG >> Repair or replace.

11. CHECK ELECTRIC THROTTLE CONTROL ACTUATOR VISUALLY

1. Remove the intake air duct.
2. Check if foreign matter is caught between the throttle valve (1) and the housing.
 - : Vehicle front
 - Illustration shows the view with intake air duct removed.



OK or NG

- OK >> GO TO 12.
- NG >> Remove the foreign matter and clean the electric throttle control actuator inside.

12. CHECK THROTTLE CONTROL MOTOR

Refer to [EC-444, "Component Inspection"](#).

OK or NG

- OK >> GO TO 13.
- NG >> GO TO 14.

13. CHECK INTERMITTENT INCIDENT

Refer to [EC-135](#).

OK or NG

- OK >> GO TO 14.
- NG >> Repair or replace harness or connectors.

14. REPLACE ELECTRIC THROTTLE CONTROL ACTUATOR

DTC P2101 ELECTRIC THROTTLE CONTROL FUNCTION

[MR]

< SERVICE INFORMATION >

1. Replace the electric throttle control actuator.
2. Perform [EC-81, "Throttle Valve Closed Position Learning"](#).
3. Perform [EC-81, "Idle Air Volume Learning"](#).

>> INSPECTION END

Component Inspection

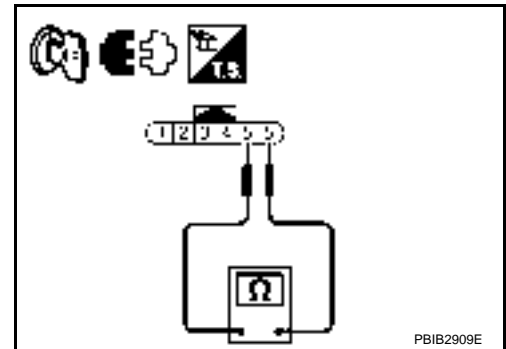
INFOID:000000001850161

THROTTLE CONTROL MOTOR

1. Disconnect electric throttle control actuator harness connector.
2. Check resistance between terminals 5 and 6.

Resistance: Approximately 1 - 15 Ω [at 25 °C (77°F)]

3. If NG, replace electric throttle control actuator and go to next step.
4. Perform [EC-81, "Throttle Valve Closed Position Learning"](#).
5. Perform [EC-81, "Idle Air Volume Learning"](#).



INFOID:000000001850162

Removal and Installation

ELECTRIC THROTTLE CONTROL ACTUATOR

Refer to [EM-18](#).

DTC P2118 THROTTLE CONTROL MOTOR

< SERVICE INFORMATION >

[MR]

DTC P2118 THROTTLE CONTROL MOTOR

Component Description

INFOID:000000001850163

The throttle control motor is operated by the ECM and it opens and closes the throttle valve. The current opening angle of the throttle valve is detected by the throttle position sensor and it provides feedback to the ECM to control the throttle control motor to make the throttle valve opening angle properly in response to driving condition.

On Board Diagnosis Logic

INFOID:000000001850164

This self-diagnosis has the one trip detection logic.

DTC No.	Trouble diagnosis name	DTC detecting condition	Possible cause
P2118 2118	Throttle control motor circuit short	ECM detects short in both circuits between ECM and throttle control motor.	<ul style="list-style-type: none">• Harness or connectors (Throttle control motor circuit is shorted.)• Electric throttle control actuator (Throttle control motor)

FAIL-SAFE MODE

When the malfunction is detected, ECM enters fail-safe mode and the MIL lights up.

Engine operating condition in fail-safe mode

ECM stops the electric throttle control actuator control, throttle valve is maintained at a fixed opening (approx. 5 degrees) by the return spring.

DTC Confirmation Procedure

INFOID:000000001850165

NOTE:

If DTC Confirmation Procedure has been previously conducted, always turn ignition switch OFF and wait at least 10 seconds before conducting the next test.

1. Turn ignition switch ON and wait at least 2 seconds.
2. Start engine and let it idle for 5 seconds.
3. Check DTC.
4. If DTC is detected, go to [EC-447. "Diagnosis Procedure"](#).

DTC P2118 THROTTLE CONTROL MOTOR

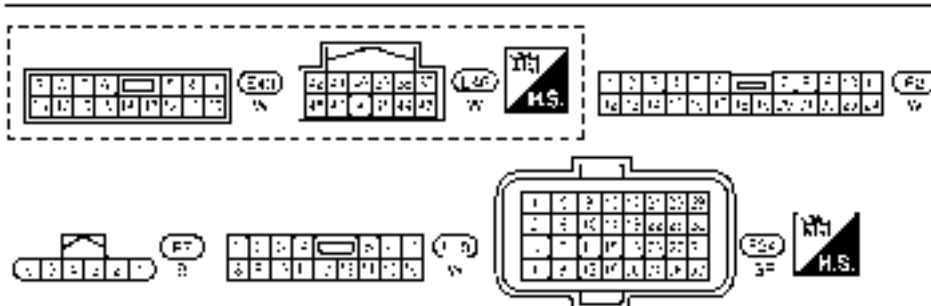
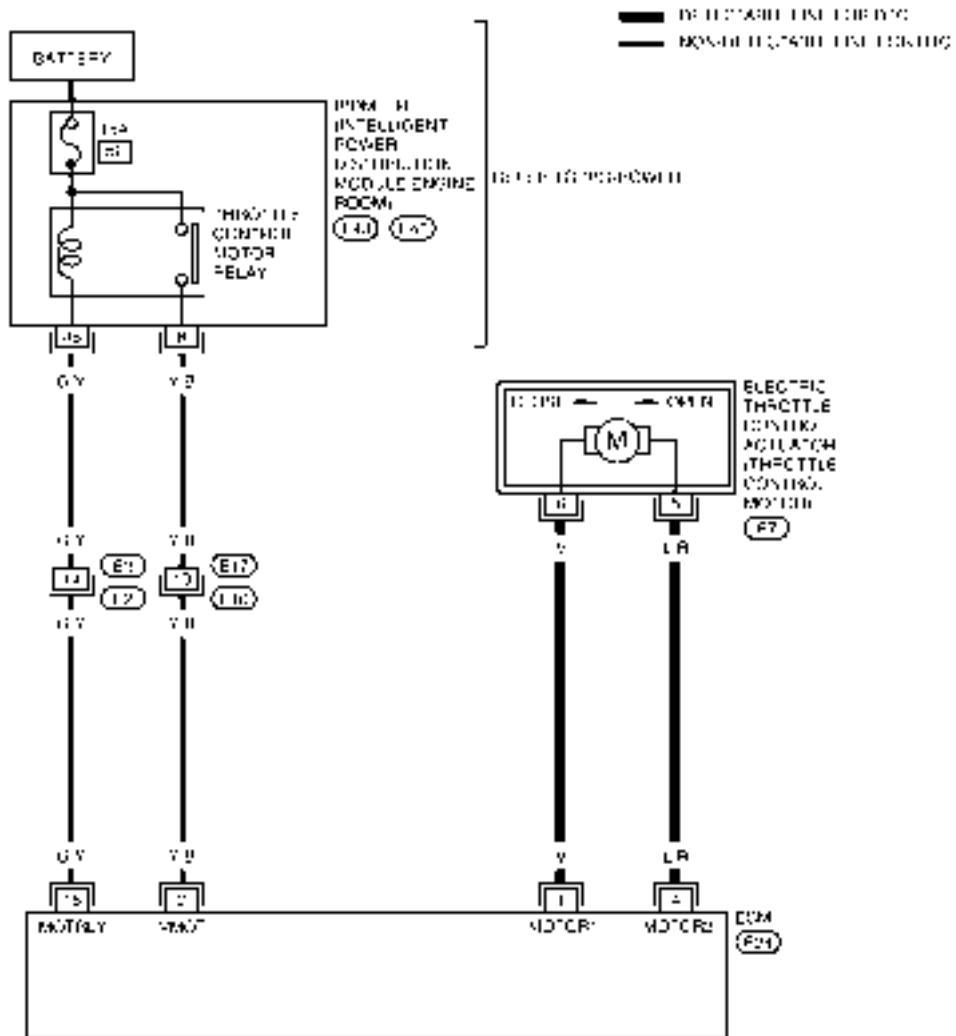
< SERVICE INFORMATION >

[MR]

Wiring Diagram

INFOID:000000001850166

EC-ETC3-01



BBWA2899E

Specification data are reference values and are measured between each terminal and ground. Pulse signal is measured by CONSULT-III.

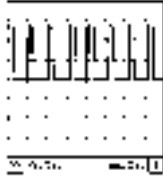
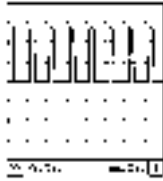
CAUTION:

DTC P2118 THROTTLE CONTROL MOTOR

< SERVICE INFORMATION >

[MR]

Do not use ECM ground terminals when measuring input/output voltage. Doing so may result in damage to the ECM's transistor. Use a ground other than ECM terminals, such as the ground.

TERMI- NAL NO.	WIRE COLOR	ITEM	CONDITION	DATA (DC Voltage)
1	V	Throttle control motor (Open)	[Ignition switch: ON] <ul style="list-style-type: none"> • Engine stopped • Shift lever: D (CVT), 1st (M/T) • Accelerator pedal: Fully depressed 	Approximately 3.2V★  PBIA8150J
2	Y/B	Throttle control motor power supply	[Ignition switch: ON]	BATTERY VOLTAGE (11 - 14V)
4	L/R	Throttle control motor (Close)	[Ignition switch: ON] <ul style="list-style-type: none"> • Engine stopped • Shift lever: D (CVT), 1st (M/T) • Accelerator pedal: Fully released 	Approximately 1.8V★  PBIA8149J
15	G/Y	Throttle control motor relay	[Ignition switch: OFF]	BATTERY VOLTAGE (11 - 14V)
			[Ignition switch: ON]	0 - 1.0V

★: Average voltage for pulse signal (Actual pulse signal can be confirmed by oscilloscope.)

Diagnosis Procedure

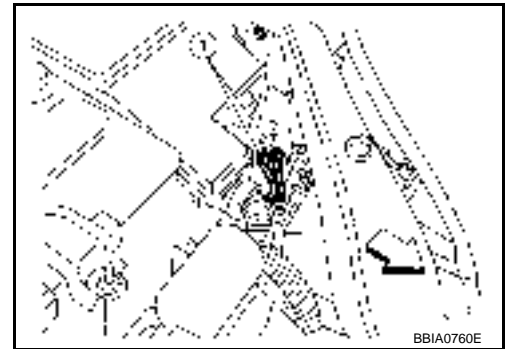
INFOID:000000001850167

1. CHECK GROUND CONNECTIONS

1. Turn ignition switch OFF.
 2. Loosen and retighten engine screws on the body.
Refer to [EC-140, "Ground Inspection"](#).
- ◀: Vehicle front
 - Body ground (1)

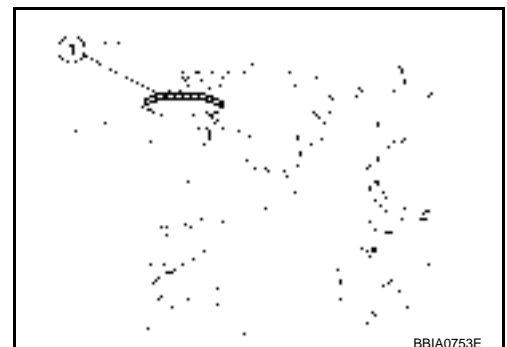
OK or NG

- OK >> GO TO 2.
- NG >> Repair or replace ground connections.



2. CHECK THROTTLE CONTROL MOTOR OUTPUT SIGNAL CIRCUIT FOR OPEN OR SHORT

1. Disconnect electric throttle control actuator (1) harness connector.
2. Disconnect ECM harness connector.
3. Check harness continuity between the following terminals.
Refer to Wiring Diagram.



Electric throttle control actuator terminal	ECM terminal	Continuity
5	1	Should not exist.
	4	Should exist.

DTC P2118 THROTTLE CONTROL MOTOR

[MR]

< SERVICE INFORMATION >

Electric throttle control actuator terminal	ECM terminal	Continuity
6	1	Should exist.
	4	Should not exist.

4. Also check harness for short to ground and short to power.

OK or NG

OK >> GO TO 3.

NG >> Repair open circuit or short to ground or short to power in harness or connectors.

3. CHECK THROTTLE CONTROL MOTOR

Refer to [EC-448, "Component Inspection"](#).

OK or NG

OK >> GO TO 4.

NG >> GO TO 5.

4. CHECK INTERMITTENT INCIDENT

Refer to [EC-135](#).

OK or NG

OK >> GO TO 5.

NG >> Repair or replace harness or connectors.

5. REPLACE ELECTRIC THROTTLE CONTROL ACTUATOR

1. Replace the electric throttle control actuator.
2. Perform [EC-81, "Throttle Valve Closed Position Learning"](#).
3. Perform [EC-81, "Idle Air Volume Learning"](#).

>> **INSPECTION END**

Component Inspection

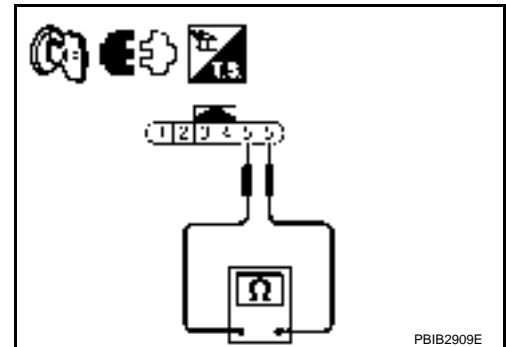
INFOID:000000001850168

THROTTLE CONTROL MOTOR

1. Disconnect electric throttle control actuator harness connector.
2. Check resistance between terminals 5 and 6.

Resistance: Approximately 1 - 15 Ω [at 25 °C (77°F)]

3. If NG, replace electric throttle control actuator and go to next step.
4. Perform [EC-81, "Throttle Valve Closed Position Learning"](#).
5. Perform [EC-81, "Idle Air Volume Learning"](#).



INFOID:000000001850169

Removal and Installation

ELECTRIC THROTTLE CONTROL ACTUATOR

Refer to [EM-18](#).

DTC P2119 ELECTRIC THROTTLE CONTROL ACTUATOR

< SERVICE INFORMATION >

[MR]

DTC P2119 ELECTRIC THROTTLE CONTROL ACTUATOR

Component Description

INFOID:000000001850170

Electric throttle control actuator consists of throttle control motor, throttle position sensor, etc. The throttle control motor is operated by the ECM and it opens and closes the throttle valve. The throttle position sensor detects the throttle valve position, and the opening and closing speed of the throttle valve and feeds the voltage signals to the ECM. The ECM judges the current opening angle of the throttle valve from these signals and the ECM controls the throttle control motor to make the throttle valve opening angle properly in response to driving condition.

On Board Diagnosis Logic

INFOID:000000001850171

This self-diagnosis has the one trip detection logic.

DTC No.	Trouble diagnosis name	DTC detecting condition		Possible cause
P2119 2119	Electric throttle control actuator	A)	Electric throttle control actuator does not function properly due to the return spring malfunction.	• Electric throttle control actuator
		B)	Throttle valve opening angle in fail-safe mode is not in specified range.	
		C)	ECM detects the throttle valve is stuck open.	

FAIL-SAFE MODE

When the malfunction is detected, ECM enters fail-safe mode and the MIL lights up.

Detected items	Engine operating condition in fail-safe mode
Malfunction A	ECM controls the electric throttle actuator by regulating the throttle opening around the idle position. The engine speed will not rise more than 2,000 rpm.
Malfunction B	ECM controls the electric throttle control actuator by regulating the throttle opening to 20 degrees or less.
Malfunction C	While the vehicle is driving, it slows down gradually by fuel cut. After the vehicle stops, the engine stalls. The engine can restart in N or P position (CVT), neutral (M/T), and engine speed will not exceed 1,000 rpm or more.

DTC Confirmation Procedure

INFOID:000000001850172

NOTE:

- Perform **PROCEDURE FOR MALFUNCTION A AND B** first. If the DTC cannot be confirmed, perform **PROCEDURE FOR MALFUNCTION C**.
- If DTC Confirmation Procedure has been previously conducted, always turn ignition switch OFF and wait at least 10 seconds before conducting the next test.

PROCEDURE FOR MALFUNCTION A AND B

1. Turn ignition switch ON and wait at least 1 second.
2. Set shift lever to D position (CVT) or 1st position (M/T), and wait at least 3 seconds.
3. Set shift lever to P position (CVT) or Neutral position (M/T).
4. Turn ignition switch OFF and wait at least 10 seconds.
5. Turn ignition switch ON and wait at least 1 second.
6. Set shift lever to D position (CVT) or 1st position (M/T), and wait at least 3 seconds.
7. Set shift lever to P position (CVT) or Neutral position (M/T).
8. Turn ignition switch OFF, wait at least 10 seconds, and then turn ON.
9. Check DTC.
10. If DTC is detected, go to [EC-450. "Diagnosis Procedure"](#).

PROCEDURE FOR MALFUNCTION C

1. Turn ignition switch ON and wait at least 1 second.
2. Set shift lever to D position (CVT) or 1st position (M/T) and wait at least 3 seconds.

DTC P2119 ELECTRIC THROTTLE CONTROL ACTUATOR

[MR]


< SERVICE INFORMATION >

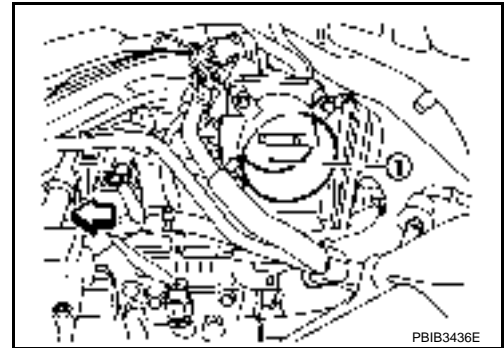
3. Set shift lever to N, P position (CVT) or Neutral (M/T) position.
4. Start engine and let it idle for 3 seconds.
5. Check DTC.
6. If DTC is detected, go to [EC-450. "Diagnosis Procedure"](#).

Diagnosis Procedure

INFOID:000000001850173

1. CHECK ELECTRIC THROTTLE CONTROL ACTUATOR VISUALLY

1. Remove the intake air duct.
2. Check if a foreign matter is caught between the throttle valve (1) and the housing.
 -  : Vehicle front
 - This illumination is shows the view with intake air duct removed.



OK or NG

- OK >> GO TO 2.
- NG >> Remove the foreign matter and clean the electric throttle control actuator inside.

2. REPLACE ELECTRIC THROTTLE CONTROL ACTUATOR

1. Replace the electric throttle control actuator.
2. Perform [EC-81. "Throttle Valve Closed Position Learning"](#).
3. Perform [EC-81. "Idle Air Volume Learning"](#).

>> INSPECTION END

DTC P2122, P2123 APP SENSOR

< SERVICE INFORMATION >

[MR]

DTC P2122, P2123 APP SENSOR

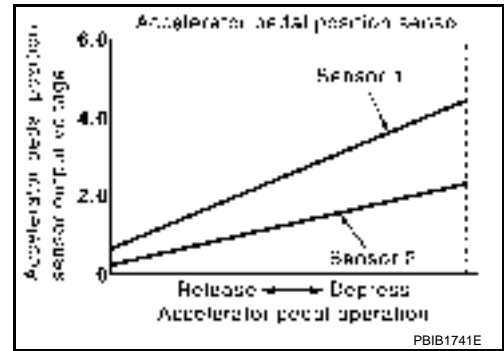
Component Description

INFOID:000000001850174

The accelerator pedal position sensor is installed on the upper end of the accelerator pedal assembly. The sensor detects the accelerator position and sends a signal to the ECM.

Accelerator pedal position sensor has two sensors. These sensors are a kind of potentiometers which transform the accelerator pedal position into output voltage, and emit the voltage signal to the ECM. In addition, these sensors detect the opening and closing speed of the accelerator pedal and feed the voltage signals to the ECM. The ECM judges the current opening angle of the accelerator pedal from these signals and controls the throttle control motor based on these signals.

Idle position of the accelerator pedal is determined by the ECM receiving the signal from the accelerator pedal position sensor. The ECM uses this signal for the engine operation such as fuel cut.



CONSULT-III Reference Value in Data Monitor Mode

INFOID:000000001850175

Specification data are reference values.

MONITOR ITEM	CONDITION	SPECIFICATION
ACCEL SEN 1	• Ignition switch: ON (Engine stopped) Accelerator pedal: Fully released	0.6 - 0.9V
	Accelerator pedal: Fully depressed	4.0 - 4.8V
ACCEL SEN 2*	• Ignition switch: ON (Engine stopped) Accelerator pedal: Fully released	0.6 - 0.9V
	Accelerator pedal: Fully depressed	3.9 - 4.8V
CLSD THL POS	• Ignition switch: ON (Engine stopped) Accelerator pedal: Fully released	ON
	Accelerator pedal: Slightly depressed	OFF

*: Accelerator pedal position sensor 2 signal is converted by ECM internally. Thus, it differs from ECM terminal voltage.

On Board Diagnosis Logic

INFOID:000000001850176

These self-diagnoses have the one trip detection logic.

NOTE:

If DTC P2122 or P2123 is displayed with DTC P0643, first perform the trouble diagnosis for DTC P0643. Refer to [EC-383](#).

DTC No.	Trouble diagnosis name	DTC detecting condition	Possible cause
P2122 2122	Accelerator pedal position sensor 1 circuit low input	An excessively low voltage from the APP sensor 1 is sent to ECM.	<ul style="list-style-type: none"> • Harness or connectors (APP sensor 1 circuit is open or shorted.) • Accelerator pedal position sensor (APP sensor 1)
P2123 2123	Accelerator pedal position sensor 1 circuit high input	An excessively high voltage from the APP sensor 1 is sent to ECM.	

FAIL-SAFE MODE

When the malfunction is detected, ECM enters fail-safe mode and the MIL lights up.

Engine operating condition in fail-safe mode

The ECM controls the electric throttle control actuator in regulating the throttle opening in order for the idle position to be within +10 degrees.

The ECM regulates the opening speed of the throttle valve to be slower than the normal condition.

So, the acceleration will be poor.

DTC Confirmation Procedure

INFOID:000000001850177

NOTE:

DTC P2122, P2123 APP SENSOR

[MR]

< SERVICE INFORMATION >

If DTC Confirmation Procedure has been previously conducted, always turn ignition switch OFF and wait at least 10 seconds before conducting the next test.

TESTING CONDITION:

Before performing the following procedure, confirm that battery voltage is more than 8V at idle.

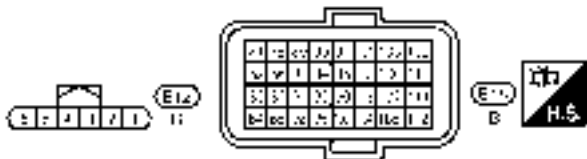
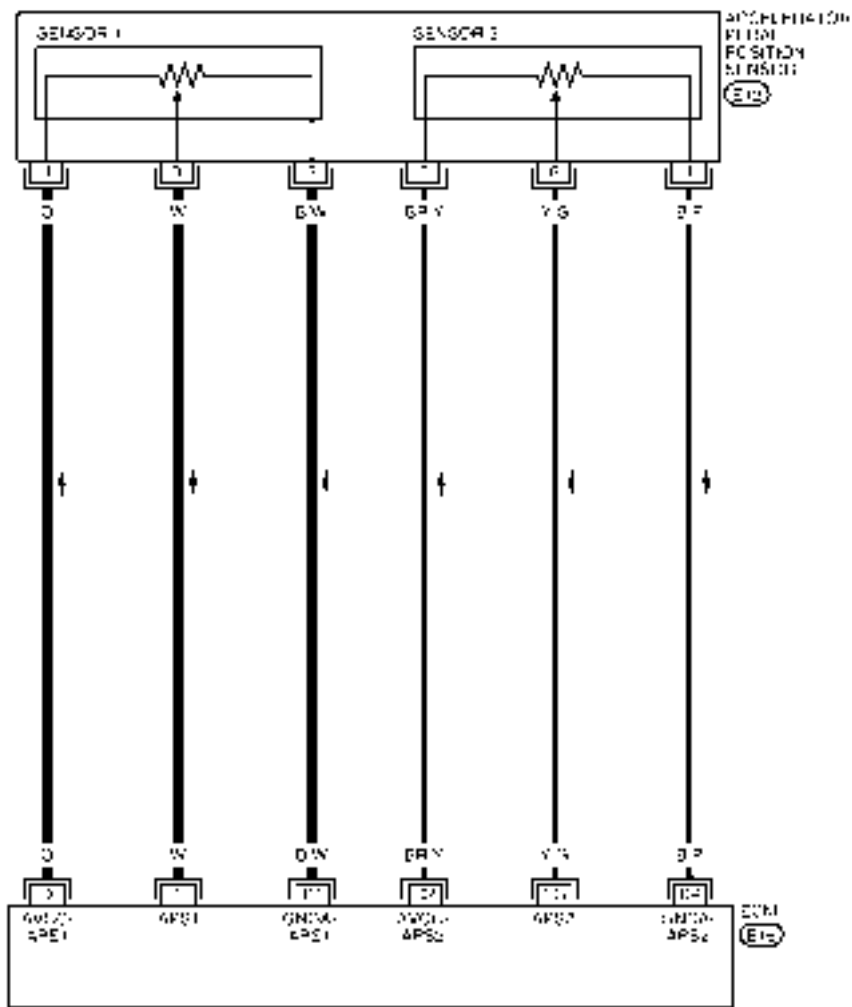
1. Start engine and let it idle for 1 second.
2. Check DTC.
3. If DTC is detected, go to [EC-453, "Diagnosis Procedure"](#).

Wiring Diagram

INFOID:000000001850178

EC-APPS1-01

— DETECTABLE LINE FOR DTC
 — NON DETECTABLE LINE FOR DTC



DTC P2122, P2123 APP SENSOR

< SERVICE INFORMATION >

[MR]

Specification data are reference values and are measured between each terminal and ground.

CAUTION:

Do not use ECM ground terminals when measuring input/output voltage. Doing so may result in damage to the ECM's transistor. Use a ground other than ECM terminals, such as the ground.

TERMINAL NO.	WIRE COLOR	ITEM	CONDITION	DATA (DC Voltage)
102	BR/Y	Sensor power supply (APP sensor 2)	[Ignition switch: ON]	Approximately 5V
103	Y/G	Accelerator pedal position sensor 2	[Ignition switch: ON] • Engine stopped • Accelerator pedal: Fully released	0.3 - 0.6V
			[Ignition switch: ON] • Engine stopped • Accelerator pedal: Fully depressed	1.95 - 2.4V
104	B/P	Sensor ground (APP sensor 2)	[Engine is running] • Warm-up condition • Idle speed	Approximately 0V
106	O	Sensor power supply (APP sensor 1)	[Ignition switch: ON]	Approximately 5V
110	W	Accelerator pedal position sensor 1	[Ignition switch: ON] • Engine stopped • Accelerator pedal: Fully released	0.6 - 0.9V
			[Ignition switch: ON] • Engine stopped • Accelerator pedal: Fully depressed	3.9 - 4.7V
111	B/W	Sensor ground (APP sensor 1)	[Engine is running] • Warm-up condition • Idle speed	Approximately 0V

Diagnosis Procedure

INFOID:000000001850179

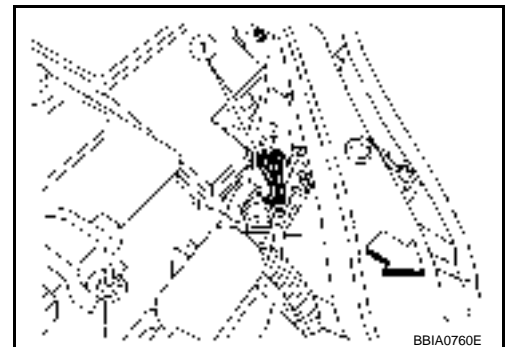
1. CHECK GROUND CONNECTIONS

- Turn ignition switch OFF.
- Loosen and retighten ground screws on the body.
Refer to [EC-140, "Ground Inspection"](#).

- ↔: Vehicle front
- Body ground (1)

OK or NG

- OK >> GO TO 2.
- NG >> Repair or replace ground connections.



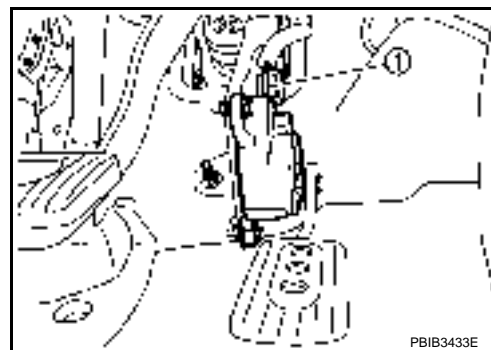
2. CHECK APP SENSOR 1 POWER SUPPLY CIRCUIT

DTC P2122, P2123 APP SENSOR

[MR]

< SERVICE INFORMATION >

1. Disconnect accelerator pedal position (APP) sensor (1) harness connector.
2. Turn ignition switch ON.

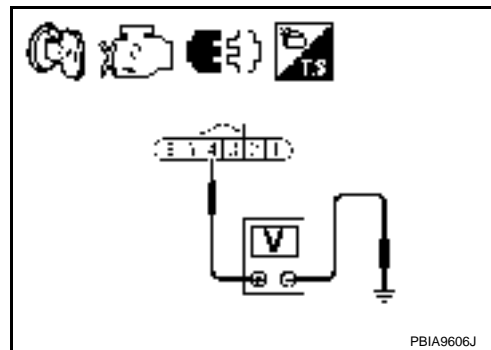


3. Check voltage between APP sensor terminal 4 and ground with CONSULT-III or tester.

Voltage: Approximately 5V

OK or NG

- OK >> GO TO 3.
NG >> Repair open circuit or short to ground or short to power in harness or connectors.



3. CHECK APP SENSOR 1 GROUND CIRCUIT FOR OPEN AND SHORT

1. Turn ignition switch OFF.
2. Disconnect ECM harness connector.
3. Check harness continuity between ECM terminal 111 and APP sensor terminal 2. Refer to Wiring Diagram.

Continuity should exist.

4. Also check harness for short to ground and short to power.

OK or NG

- OK >> GO TO 4.
NG >> Repair open circuit or short to ground or short to power in harness or connectors.

4. CHECK APP SENSOR 1 INPUT SIGNAL CIRCUIT FOR OPEN AND SHORT

1. Check harness continuity between ECM terminal 110 and APP sensor terminal 3. Refer to Wiring Diagram.

Continuity should exist.

2. Also check harness for short to ground and short to power.

OK or NG

- OK >> GO TO 5.
NG >> Repair open circuit or short to ground or short to power in harness or connectors.

5. CHECK APP SENSOR

Refer to [EC-455, "Component Inspection"](#).

OK or NG

- OK >> GO TO 7.
NG >> GO TO 6.

6. REPLACE ACCELERATOR PEDAL ASSEMBLY

1. Replace accelerator pedal assembly.
2. Perform [EC-81, "Accelerator Pedal Released Position Learning"](#).
3. Perform [EC-81, "Throttle Valve Closed Position Learning"](#).
4. Perform [EC-81, "Idle Air Volume Learning"](#).

DTC P2122, P2123 APP SENSOR

< SERVICE INFORMATION >

[MR]

>> INSPECTION END

7. CHECK INTERMITTENT INCIDENT

Refer to [EC-135](#).

>> INSPECTION END

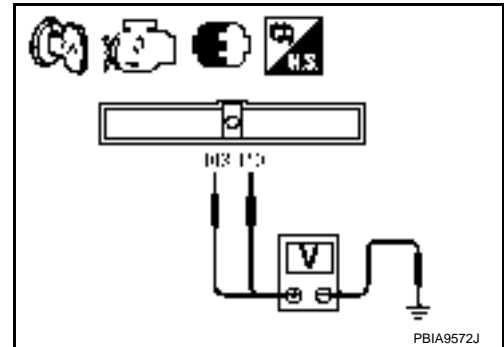
Component Inspection

INFOID:000000001850180

ACCELERATOR PEDAL POSITION SENSOR

1. Reconnect all harness connectors disconnected.
2. Turn ignition switch ON.
3. Check voltage between ECM terminals 110 (APP sensor 1 signal), 103 (APP sensor 2 signal) and ground under the following conditions.

Terminal	Accelerator pedal	Voltage
110 (Accelerator pedal position sensor 1)	Fully released	0.6 - 0.9V
	Fully depressed	3.9 - 4.7V
103 (Accelerator pedal position sensor 2)	Fully released	0.3 - 0.6V
	Fully depressed	1.95 - 2.4V



4. If NG, replace accelerator pedal assembly and go to next step.
5. Perform [EC-81, "Accelerator Pedal Released Position Learning"](#).
6. Perform [EC-81, "Throttle Valve Closed Position Learning"](#).
7. Perform [EC-81, "Idle Air Volume Learning"](#).

Removal and Installation

INFOID:000000001850181

ACCELERATOR PEDAL

Refer to [ACC-3](#).

DTC P2127, P2128 APP SENSOR

< SERVICE INFORMATION >

[MR]

DTC P2127, P2128 APP SENSOR

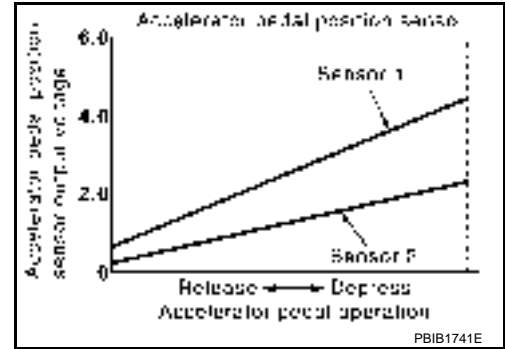
Component Description

INFOID:000000001850182

The accelerator pedal position sensor is installed on the upper end of the accelerator pedal assembly. The sensor detects the accelerator position and sends a signal to the ECM.

Accelerator pedal position sensor has two sensors. These sensors are a kind of potentiometers which transform the accelerator pedal position into output voltage, and emit the voltage signal to the ECM. In addition, these sensors detect the opening and closing speed of the accelerator pedal and feed the voltage signals to the ECM. The ECM judges the current opening angle of the accelerator pedal from these signals and controls the throttle control motor based on these signals.

Idle position of the accelerator pedal is determined by the ECM receiving the signal from the accelerator pedal position sensor. The ECM uses this signal for the engine operation such as fuel cut.



CONSULT-III Reference Value in Data Monitor Mode

INFOID:000000001850183

Specification data are reference values.

MONITOR ITEM	CONDITION	SPECIFICATION
ACCEL SEN 1	• Ignition switch: ON (Engine stopped) Accelerator pedal: Fully released	0.6 - 0.9V
	Accelerator pedal: Fully depressed	4.0 - 4.8V
ACCEL SEN 2*	• Ignition switch: ON (Engine stopped) Accelerator pedal: Fully released	0.6 - 0.9V
	Accelerator pedal: Fully depressed	3.9 - 4.8V
CLSD THL POS	• Ignition switch: ON (Engine stopped) Accelerator pedal: Fully released	ON
	Accelerator pedal: Slightly depressed	OFF

*: Accelerator pedal position sensor 2 signal is converted by ECM internally. Thus, it differs from ECM terminal voltage.

On Board Diagnosis Logic

INFOID:000000001850184

These self-diagnoses have the one trip detection logic.

DTC No.	Trouble diagnosis name	DTC detecting condition	Possible cause
P2127 2127	Accelerator pedal position sensor 2 circuit low input	An excessively low voltage from the APP sensor 2 is sent to ECM.	<ul style="list-style-type: none"> • Harness or connectors (APP sensor 2 circuit is open or shorted.) [Crankshaft position sensor (POS) circuit is shorted.] (Refrigerant pressure sensor circuit is shorted.) (EVAP control system pressure sensor circuit is shorted.) • Accelerator pedal position sensor (APP sensor 2) • Crankshaft position sensor (POS) • Refrigerant pressure sensor • EVAP control system pressure sensor
P2128 2128	Accelerator pedal position sensor 2 circuit high input	An excessively high voltage from the APP sensor 2 is sent to ECM.	

FAIL-SAFE MODE

When the malfunction is detected, ECM enters fail-safe mode and the MIL lights up.

Engine operating condition in fail-safe mode

The ECM controls the electric throttle control actuator in regulating the throttle opening in order for the idle position to be within +10 degrees.

The ECM regulates the opening speed of the throttle valve to be slower than the normal condition.

So, the acceleration will be poor.

DTC P2127, P2128 APP SENSOR

< SERVICE INFORMATION >

[MR]

DTC Confirmation Procedure

INFOID:000000001850185

NOTE:

If DTC Confirmation Procedure has been previously conducted, always turn ignition switch OFF and wait at least 10 seconds before conducting the next test.

TESTING CONDITION:

Before performing the following procedure, confirm that battery voltage is more than 8V at idle.

1. Start engine and let it idle for 1 second.
2. Check DTC.
3. If DTC is detected, go to [EC-459. "Diagnosis Procedure"](#).

A

EC

C

D

E

F

G

H

I

J

K

L

M

N

O

P

DTC P2127, P2128 APP SENSOR

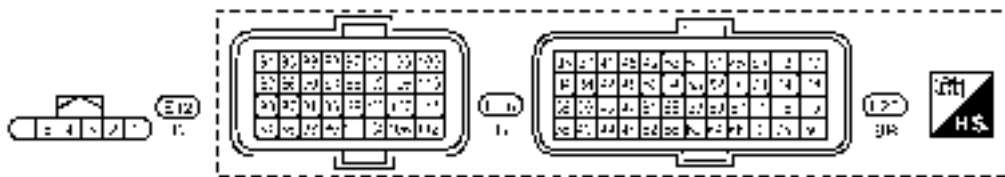
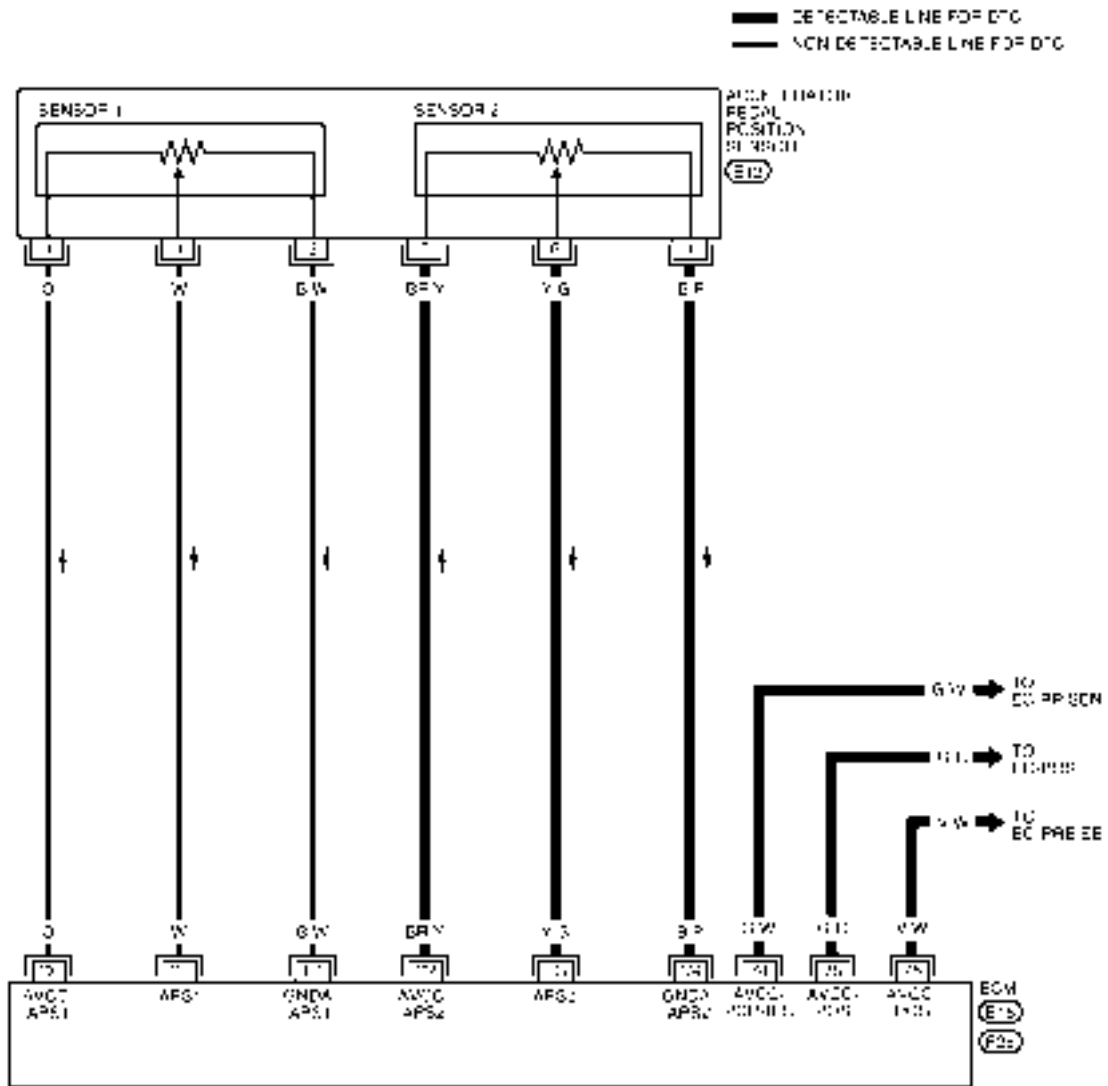
< SERVICE INFORMATION >

[MR]

Wiring Diagram

INFOID:000000001850186

EC-APPS2-01



BBWA2901E

Specification data are reference values and are measured between each terminal and ground.

CAUTION:

Do not use ECM ground terminals when measuring input/output voltage. Doing so may result in damage to the ECM's transistor. Use a ground other than ECM terminals, such as the ground.

DTC P2127, P2128 APP SENSOR

< SERVICE INFORMATION >

[MR]

TER-MI-NAL NO.	WIRE COLOR	ITEM	CONDITION	DATA (DC Voltage)
74	G/W	Sensor power supply (Refrigerant pressure sensor)	[Ignition switch: ON]	Approximately 5V
75	G/R	Sensor power supply [Crankshaft position sensor (POS)]	[Ignition switch: ON]	Approximately 5V
76	V/W	EVAP control system pressure sensor power supply	[Ignition switch: ON]	Approximately 5V
102	BR/Y	Sensor power supply (APP sensor 2)	[Ignition switch: ON]	Approximately 5V
103	Y/G	Accelerator pedal position sensor 2	[Ignition switch: ON] • Engine stopped • Accelerator pedal: Fully released	0.3 - 0.6V
			[Ignition switch: ON] • Engine stopped • Accelerator pedal: Fully depressed	1.95 - 2.4V
104	B/P	Sensor ground (APP sensor 2)	[Engine is running] • Warm-up condition • Idle speed	Approximately 0V
106	O	Sensor power supply (APP sensor 1)	[Ignition switch: ON]	Approximately 5V
110	W	Accelerator pedal position sensor 1	[Ignition switch: ON] • Engine stopped • Accelerator pedal: Fully released	0.6 - 0.9V
			[Ignition switch: ON] • Engine stopped • Accelerator pedal: Fully depressed	3.9 - 4.7V
111	B/W	Sensor ground (APP sensor 1)	[Engine is running] • Warm-up condition • Idle speed	Approximately 0V

Diagnosis Procedure

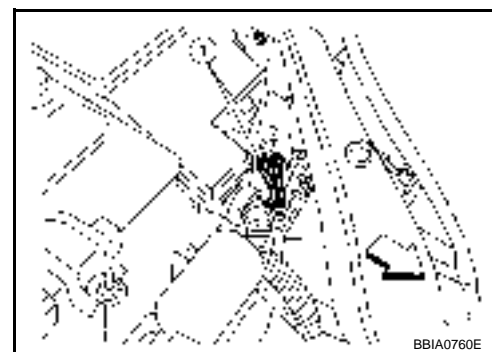
INFOID:000000001850187

1. CHECK GROUND CONNECTIONS

1. Turn ignition switch OFF.
 2. Loosen and retighten ground screws on the body.
Refer to [EC-140](#), "Ground Inspection".
- : Vehicle front
 - Body ground (1)

OK or NG

- OK >> GO TO 2.
- NG >> Repair or replace ground connections.



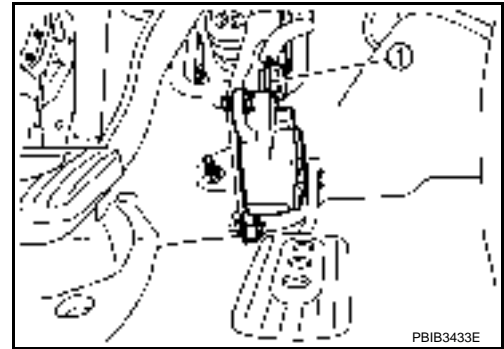
2. CHECK APP SENSOR 2 POWER SUPPLY CIRCUIT-I

DTC P2127, P2128 APP SENSOR

[MR]

< SERVICE INFORMATION >

1. Disconnect accelerator pedal position (APP) sensor (1) harness connector.
2. Turn ignition switch ON.

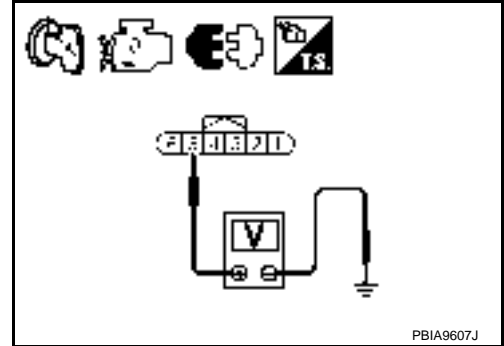


3. Check voltage between APP sensor terminal 5 and ground with CONSULT-III or tester.

Voltage: Approximately 5V

OK or NG

- OK >> GO TO 6.
NG >> GO TO 3.



3. CHECK APP SENSOR 2 POWER SUPPLY CIRCUIT-II

1. Turn ignition switch OFF.
2. Disconnect ECM harness connector.
3. Check harness continuity between APP sensor terminal 5 and ECM terminal 102. Refer to Wiring Diagram.

Continuity should exist.

OK or NG

- OK >> GO TO 4.
NG >> Repair open circuit or short to ground or short to power in harness or connectors.

4. CHECK APP SENSOR 2 POWER SUPPLY CIRCUIT-III

Check harness for short to power and short to ground, between the following terminals.

ECM terminal	Sensor terminal	Reference Wiring Diagram
74	Refrigerant pressure sensor terminal 3	EC-515, "Wiring Diagram"
75	Crankshaft position sensor (POS) terminal 1	EC-286, "Wiring Diagram"
76	EVAP control system pressure sensor terminal 3	EC-343, "Wiring Diagram"
102	APP sensor terminal 5	EC-458, "Wiring Diagram"

OK or NG

- OK >> GO TO 5.
NG >> Repair short to ground or short to power in harness or connectors.

5. CHECK COMPONENTS

Check the following.

- Crankshaft position sensor (POS) (Refer to [EC-290, "Component Inspection"](#).)
- Refrigerant pressure sensor (Refer to [MTC-27](#).)
- EVAP control system pressure (Refer to [EC-347, "Component Inspection"](#).)

OK or NG

- OK >> GO TO 10.
NG >> Replace malfunctioning component.

DTC P2127, P2128 APP SENSOR

< SERVICE INFORMATION >

[MR]

6. CHECK APP SENSOR 2 GROUND CIRCUIT FOR OPEN AND SHORT

1. Turn ignition switch OFF.
2. Disconnect ECM harness connector.
3. Check harness continuity between ECM terminal 104 and APP sensor terminal 1.
Refer to Wiring Diagram.

Continuity should exist.

4. Also check harness for short to ground and short to power.

OK or NG

OK >> GO TO 7.

NG >> Repair open circuit or short to ground or short to power in harness or connectors.

7. CHECK APP SENSOR 2 INPUT SIGNAL CIRCUIT FOR OPEN AND SHORT

1. Check harness continuity between ECM terminal 103 and APP sensor terminal 6.
Refer to Wiring Diagram.

Continuity should exist.

2. Also check harness for short to ground and short to power.

OK or NG

OK >> GO TO 8.

NG >> Repair open circuit or short to ground or short to power in harness or connectors.

8. CHECK APP SENSOR

Refer to [EC-461, "Component Inspection"](#).

OK or NG

OK >> GO TO 10.

NG >> GO TO 9.

9. REPLACE ACCELERATOR PEDAL ASSEMBLY

1. Replace accelerator pedal assembly.
2. Perform [EC-81, "Accelerator Pedal Released Position Learning"](#).
3. Perform [EC-81, "Throttle Valve Closed Position Learning"](#).
4. Perform [EC-81, "Idle Air Volume Learning"](#).

>> INSPECTION END

10. CHECK INTERMITTENT INCIDENT

Refer to [EC-135](#).

>> INSPECTION END

Component Inspection

INFOID:000000001850188

ACCELERATOR PEDAL POSITION SENSOR

1. Reconnect all harness connectors disconnected.
2. Turn ignition switch ON.

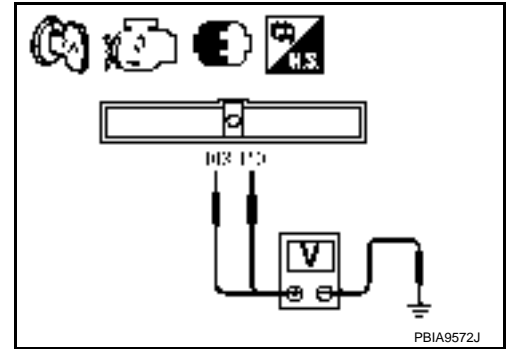
DTC P2127, P2128 APP SENSOR

[MR]

< SERVICE INFORMATION >

3. Check voltage between ECM terminals 110 (APP sensor 1 signal), 103 (APP sensor 2 signal) and ground under the following conditions.

Terminal	Accelerator pedal	Voltage
110 (Accelerator pedal position sensor 1)	Fully released	0.6 - 0.9V
	Fully depressed	3.9 - 4.7V
103 (Accelerator pedal position sensor 2)	Fully released	0.3 - 0.6V
	Fully depressed	1.95 - 2.4V



4. If NG, replace accelerator pedal assembly and go to next step.
5. Perform [EC-81, "Accelerator Pedal Released Position Learning"](#).
6. Perform [EC-81, "Throttle Valve Closed Position Learning"](#).
7. Perform [EC-81, "Idle Air Volume Learning"](#).

Removal and Installation

INFOID:000000001850189

ACCELERATOR PEDAL

Refer to [ACC-3](#).

DTC P2135 TP SENSOR

< SERVICE INFORMATION >

[MR]

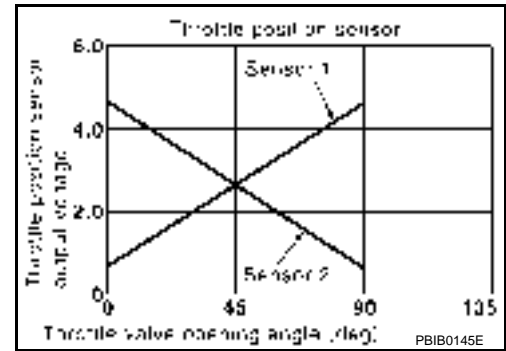
DTC P2135 TP SENSOR

Component Description

INFOID:000000001850190

Electric throttle control actuator consists of throttle control motor, throttle position sensor, etc. The throttle position sensor responds to the throttle valve movement.

The throttle position sensor has two sensors. These sensors are a kind of potentiometers which transform the throttle valve position into output voltage, and emit the voltage signal to the ECM. In addition, these sensors detect the opening and closing speed of the throttle valve and feed the voltage signals to the ECM. The ECM judges the current opening angle of the throttle valve from these signals and the ECM controls the throttle control motor to make the throttle valve opening angle properly in response to driving condition.



CONSULT-III Reference Value in Data Monitor Mode

INFOID:000000001850191

Specification data are reference values.

MONITOR ITEM	CONDITION	SPECIFICATION
THRTL SEN 1 THRTL SEN 2*	• Ignition switch: ON (Engine stopped) Accelerator pedal: Fully released	More than 0.36V
	• Shift lever: D (CVT), 1st (M/T) Accelerator pedal: Fully depressed	Less than 4.75V

*: Throttle position sensor 2 signal is converted by ECM internally. Thus, it differs from ECM terminal voltage signal.

On Board Diagnosis Logic

INFOID:000000001850192

This self-diagnosis has the one trip detection logic.

NOTE:

If DTC P2135 is displayed with DTC P0643, first perform the trouble diagnosis for DTC P0643.

Refer to [EC-383](#).

DTC No.	Trouble diagnosis name	DTC detecting condition	Possible cause
P2135 2135	Throttle position sensor circuit range/performance	Rationally incorrect voltage is sent to ECM compared with the signals from TP sensor 1 and TP sensor 2.	<ul style="list-style-type: none"> Harness or connector (TP sensor 1 and 2 circuit is open or shorted.) Electric throttle control actuator (TP sensor 1 and 2)

FAIL-SAFE MODE

When the malfunction is detected, the ECM enters fail-safe mode and the MIL lights up.

Engine operation condition in fail-safe mode

The ECM controls the electric throttle control actuator in regulating the throttle opening in order for the idle position to be within +10 degrees.

The ECM regulates the opening speed of the throttle valve to be slower than the normal condition. So, the acceleration will be poor.

DTC Confirmation Procedure

INFOID:000000001850193

NOTE:

If DTC Confirmation Procedure has been previously conducted, always turn ignition switch OFF and wait at least 10 seconds before conducting the next test.

TESTING CONDITION:

Before performing the following procedure, confirm that battery voltage is more than 8V at idle.

1. Start engine and let it idle for 1 second.
2. Check DTC.
3. If DTC is detected, go to [EC-465, "Diagnosis Procedure"](#).

DTC P2135 TP SENSOR

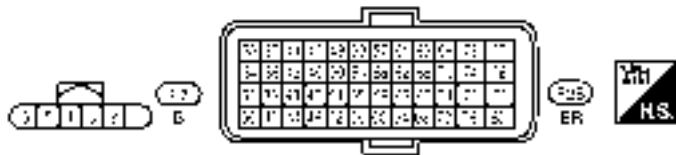
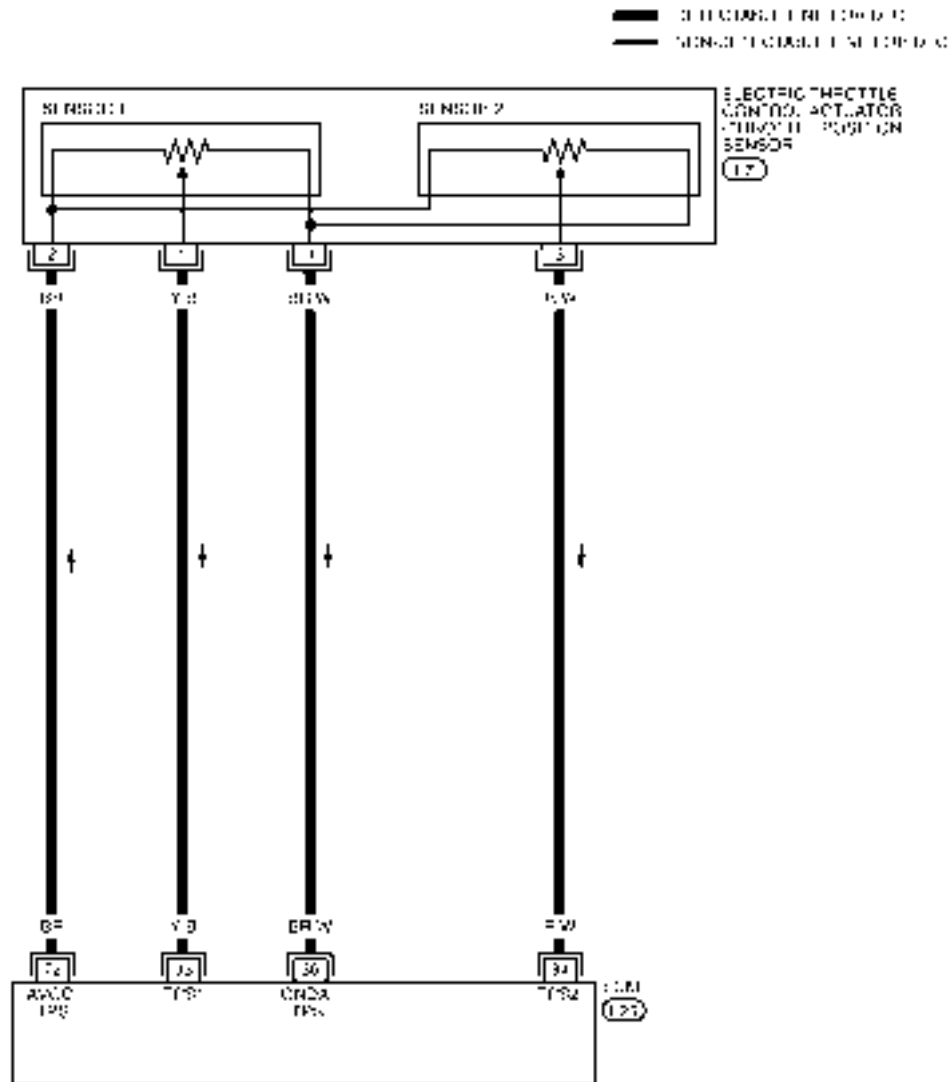
< SERVICE INFORMATION >

[MR]

Wiring Diagram

INFOID:000000001850194

EC-TPS3-01



BBWA2902E

Specification data are reference values and are measured between each terminal and ground.

CAUTION:

Do not use ECM ground terminals when measuring input/output voltage. Doing so may result in damage to the ECM's transistor. Use a ground other than ECM terminals, such as the ground.

DTC P2135 TP SENSOR

< SERVICE INFORMATION >

[MR]

TER-MI-NAL NO.	WIRE COLOR	ITEM	CONDITION	DATA (DC Voltage)
33	Y/B	Throttle position sensor 1	[Ignition switch: ON] • Engine stopped • Shift lever: D (CVT), 1st (M/T) • Accelerator pedal: Fully released	More than 0.36V
			[Ignition switch: ON] • Engine stopped • Shift lever: D (CVT), 1st (M/T) • Accelerator pedal: Fully depressed	Less than 4.75V
34	R/W	Throttle position sensor 2	[Ignition switch: ON] • Engine stopped • Shift lever: D (CVT), 1st (M/T) • Accelerator pedal: Fully released	Less than 4.75V
			[Ignition switch: ON] • Engine stopped • Shift lever: D (CVT), 1st (M/T) • Accelerator pedal: Fully depressed	More than 0.36V
36	BR/W	Sensor ground (Throttle position sensor)	[Engine is running] • Warm-up condition • Idle speed	Approximately 0V
72	BR	Sensor power supply (Throttle position sensor)	[Ignition switch: ON]	Approximately 5V

Diagnosis Procedure

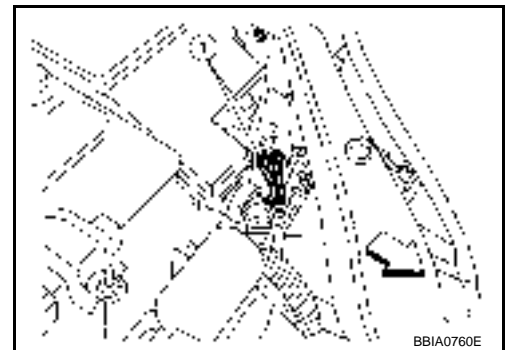
INFOID:000000001850195

1. CHECK GROUND CONNECTIONS

1. Turn ignition switch OFF.
 2. Loosen and retighten ground screws on the body.
Refer to [EC-140. "Ground Inspection"](#).
- ◀: Vehicle front
 - Body ground (1)

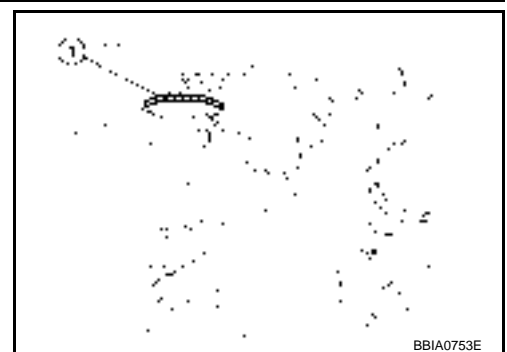
OK or NG

- OK >> GO TO 2.
- NG >> Repair or replace ground connections.



2. CHECK THROTTLE POSITION SENSOR POWER SUPPLY CIRCUIT

1. Disconnect electric throttle control actuator (1) harness connector.
2. Turn ignition switch ON.



DTC P2135 TP SENSOR

[MR]

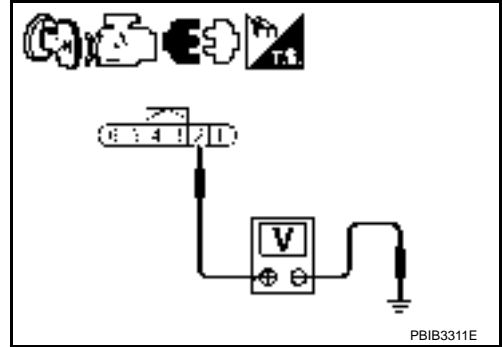
< SERVICE INFORMATION >

3. Check voltage between electric throttle control actuator terminal 2 and ground with CONSULT-III or tester.

Voltage: Approximately 5V

OK or NG

- OK >> GO TO 3.
NG >> Repair open circuit or short to ground or short to power in harness or connectors.



3. CHECK THROTTLE POSITION SENSOR GROUND CIRCUIT FOR OPEN AND SHORT

1. Turn ignition switch OFF.
2. Disconnect ECM harness connector.
3. Check harness continuity between electric throttle control actuator terminal 4 and ECM terminal 36. Refer to Wiring Diagram.

Continuity should exist.

4. Also check harness for short to ground and short to power.

OK or NG

- OK >> GO TO 4.
NG >> Repair open circuit or short to ground or short to power in harness or connectors.

4. CHECK THROTTLE POSITION SENSOR INPUT SIGNAL CIRCUIT FOR OPEN AND SHORT

1. Check harness continuity between the following;
electric throttle control actuator terminal 1 and ECM terminal 33,
electric throttle control actuator terminal 3 and ECM terminal 34.
Refer to Wiring Diagram.

Continuity should exist.

2. Also check harness for short to ground and short to power.

OK or NG

- OK >> GO TO 5.
NG >> Repair open circuit or short to ground or short to power in harness or connectors.

5. CHECK THROTTLE POSITION SENSOR

Refer to [EC-466, "Component Inspection"](#).

OK or NG

- OK >> GO TO 7.
NG >> GO TO 6.

6. REPLACE ELECTRIC THROTTLE CONTROL ACTUATOR

1. Replace the electric throttle control actuator.
2. Perform [EC-81, "Throttle Valve Closed Position Learning"](#).
3. Perform [EC-81, "Idle Air Volume Learning"](#).

>> **INSPECTION END**

7. CHECK INTERMITTENT INCIDENT

Refer to [EC-135](#).

>> **INSPECTION END**

Component Inspection

INFOID:000000001850196

THROTTLE POSITION SENSOR

DTC P2135 TP SENSOR

[MR]

< SERVICE INFORMATION >

1. Reconnect all harness connectors disconnected.
2. Perform [EC-81, "Throttle Valve Closed Position Learning"](#).
3. Turn ignition switch ON.
4. Set shift lever to D position (CVT) or 1st position (M/T).
5. Check voltage between ECM terminals 33 (TP sensor 1 signal), 34 (TP sensor 2 signal) and ground under the following conditions.

Terminal	Accelerator pedal	Voltage
33 (Throttle position sensor 1)	Fully released	More than 0.36V
	Fully depressed	Less than 4.75V
34 (Throttle position sensor 2)	Fully released	Less than 4.75V
	Fully depressed	More than 0.36V

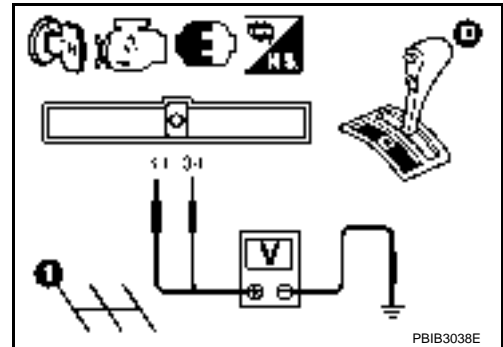
6. If NG, replace electric throttle control actuator and go to the next step.
7. Perform [EC-81, "Throttle Valve Closed Position Learning"](#).
8. Perform [EC-81, "Idle Air Volume Learning"](#).

Removal and Installation

INFOID:000000001850197

ELECTRIC THROTTLE CONTROL ACTUATOR

Refer to [EM-18](#).



A
EC
C
D
E
F
G
H
I
J
K
L
M
N
O
P

DTC P2138 APP SENSOR

< SERVICE INFORMATION >

[MR]

DTC P2138 APP SENSOR

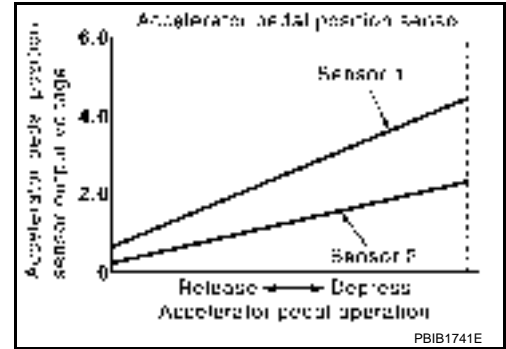
Component Description

INFOID:000000001850198

The accelerator pedal position sensor is installed on the upper end of the accelerator pedal assembly. The sensor detects the accelerator position and sends a signal to the ECM.

Accelerator pedal position sensor has two sensors. These sensors are a kind of potentiometers which transform the accelerator pedal position into output voltage, and emit the voltage signal to the ECM. In addition, these sensors detect the opening and closing speed of the accelerator pedal and feed the voltage signals to the ECM. The ECM judges the current opening angle of the accelerator pedal from these signals and controls the throttle control motor based on these signals.

Idle position of the accelerator pedal is determined by the ECM receiving the signal from the accelerator pedal position sensor. The ECM uses this signal for the engine operation such as fuel cut.



CONSULT-III Reference Value in Data Monitor Mode

INFOID:000000001850199

Specification data are reference values.

MONITOR ITEM	CONDITION		SPECIFICATION
ACCEL SEN 1	• Ignition switch: ON (Engine stopped)	Accelerator pedal: Fully released	0.6 - 0.9V
		Accelerator pedal: Fully depressed	4.0 - 4.8V
ACCEL SEN 2*	• Ignition switch: ON (Engine stopped)	Accelerator pedal: Fully released	0.6 - 0.9V
		Accelerator pedal: Fully depressed	3.9 - 4.8V
CLSD THL POS	• Ignition switch: ON (Engine stopped)	Accelerator pedal: Fully released	ON
		Accelerator pedal: Slightly depressed	OFF

*: Accelerator pedal position sensor 2 signal is converted by ECM internally. Thus, it differs from ECM terminal voltage.

On Board Diagnosis Logic

INFOID:000000001850200

This self-diagnosis has the one trip detection logic.

NOTE:

If DTC P2138 is displayed with DTC P0643, first perform the trouble diagnosis for DTC P0643.

Refer to [EC-383](#).

DTC No.	Trouble diagnosis name	DTC detecting condition	Possible cause
P2138 2138	Accelerator pedal position sensor circuit range/performance	Rationally incorrect voltage is sent to ECM compared with the signals from APP sensor 1 and APP sensor 2.	<ul style="list-style-type: none"> • Harness or connector (APP sensor 1 and 2 circuit is open or shorted.) [Crankshaft position sensor (POS) circuit is shorted.] (Refrigerant pressure sensor circuit is shorted.) (EVAP control system pressure sensor circuit is shorted.) • Accelerator pedal position sensor (APP sensor 1 and 2) • Crankshaft position sensor (POS) • Refrigerant pressure sensor • EVAP control system pressure sensor

FAIL-SAFE MODE

When the malfunction is detected, ECM enters fail-safe mode and the MIL lights up.

DTC P2138 APP SENSOR

< SERVICE INFORMATION >

[MR]

Engine operating condition in fail-safe mode

The ECM controls the electric throttle control actuator in regulating the throttle opening in order for the idle position to be within +10 degrees.

The ECM regulates the opening speed of the throttle valve to be slower than the normal condition.

So, the acceleration will be poor.

DTC Confirmation Procedure

INFOID:000000001850201

NOTE:

If DTC Confirmation Procedure has been previously conducted, always turn ignition switch OFF and wait at least 10 seconds before conducting the next test.

TESTING CONDITION:

Before performing the following procedure, confirm that battery voltage is more than 8V at idle.

1. Start engine and let it idle for 1 second.
2. Check DTC.
3. If DTC is detected, go to [EC-471, "Diagnosis Procedure"](#).

A

EC

C

D

E

F

G

H

I

J

K

L

M

N

O

P

DTC P2138 APP SENSOR

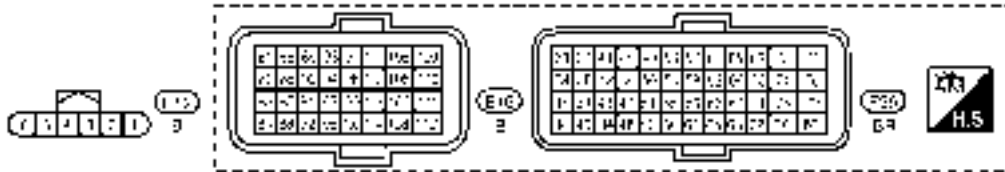
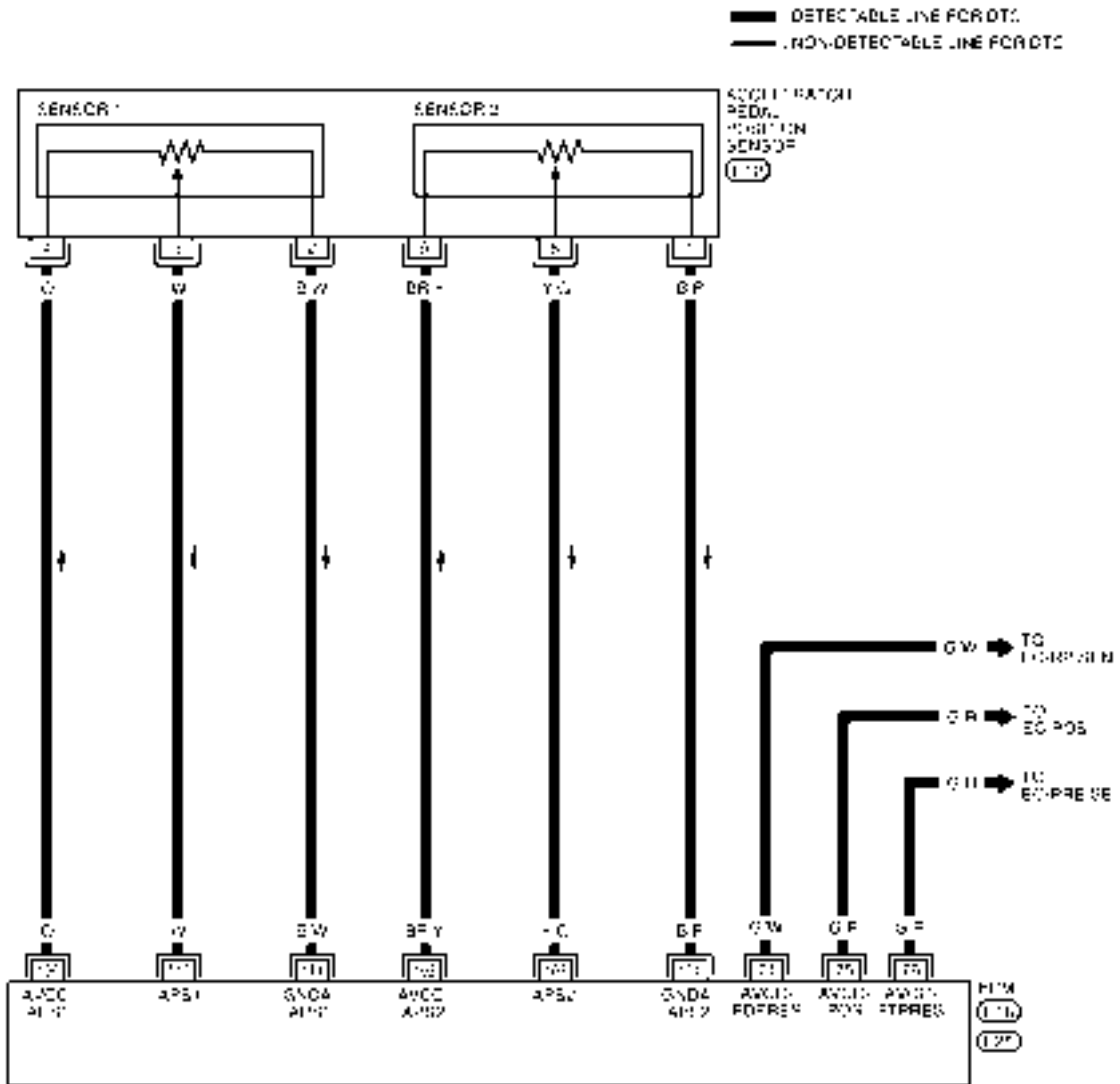
< SERVICE INFORMATION >

[MR]

Wiring Diagram

INFOID:00000001850202

EC-APPS3-01



BBWA2903E

Specification data are reference values and are measured between each terminal and ground.

CAUTION:

Do not use ECM ground terminals when measuring input/output voltage. Doing so may result in damage to the ECM's transistor. Use a ground other than ECM terminals, such as the ground.

DTC P2138 APP SENSOR

< SERVICE INFORMATION >

[MR]

TER-MI-NAL NO.	WIRE COLOR	ITEM	CONDITION	DATA (DC Voltage)
74	G/W	Sensor power supply (Refrigerant pressure sensor)	[Ignition switch: ON]	Approximately 5V
75	G/R	Sensor power supply [Crankshaft position sensor (POS)]	[Ignition switch: ON]	Approximately 5V
76	V/W	EVAP control system pressure sensor power supply	[Ignition switch: ON]	Approximately 5V
102	BR/Y	Sensor power supply (APP sensor 2)	[Ignition switch: ON]	Approximately 5V
103	Y/G	Accelerator pedal position sensor 2	[Ignition switch: ON] • Engine stopped • Accelerator pedal: Fully released	0.3 - 0.6V
			[Ignition switch: ON] • Engine stopped • Accelerator pedal: Fully depressed	1.95 - 2.4V
104	B/P	Sensor ground (APP sensor 2)	[Engine is running] • Warm-up condition • Idle speed	Approximately 0V
106	O	Sensor power supply (APP sensor 1)	[Ignition switch: ON]	Approximately 5V
110	W	Accelerator pedal position sensor 1	[Ignition switch: ON] • Engine stopped • Accelerator pedal: Fully released	0.6 - 0.9V
			[Ignition switch: ON] • Engine stopped • Accelerator pedal: Fully depressed	3.9 - 4.7V
111	B/W	Sensor ground (APP sensor 1)	[Engine is running] • Warm-up condition • Idle speed	Approximately 0V

Diagnosis Procedure

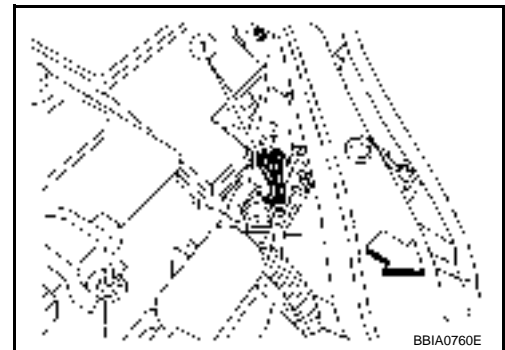
INFOID:000000001850203

1. CHECK GROUND CONNECTIONS

1. Turn ignition switch OFF.
 2. Loosen and retighten ground screws on the body.
Refer to [EC-140, "Ground Inspection"](#).
- : Vehicle front
 - Body ground (1)

OK or NG

- OK >> GO TO 2.
- NG >> Repair or replace ground connections.



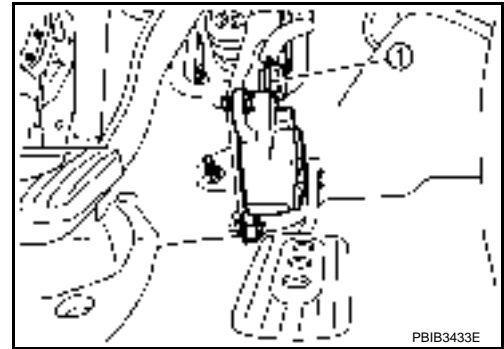
2. CHECK APP SENSOR 1 POWER SUPPLY CIRCUIT

DTC P2138 APP SENSOR

[MR]

< SERVICE INFORMATION >

1. Disconnect accelerator pedal position (APP) sensor (1) harness connector.
2. Turn ignition switch ON.

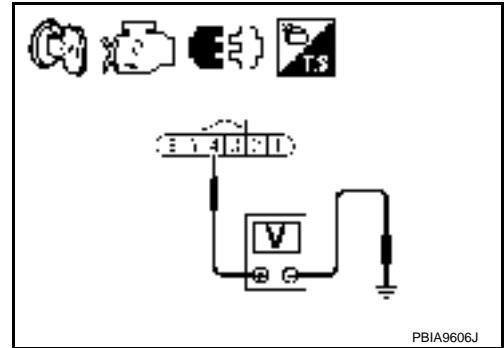


3. Check voltage between APP sensor terminal 4 and ground with CONSULT-III or tester.

Voltage: Approximately 5V

OK or NG

- OK >> GO TO 3.
- NG >> Repair open circuit or short to ground or short to power in harness or connectors.



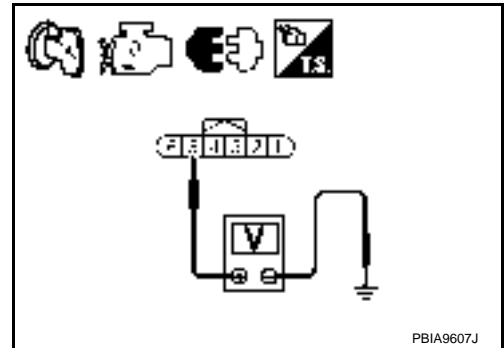
3.CHECK APP SENSOR 2 POWER SUPPLY CIRCUIT-I

1. Turn ignition switch ON.
2. Check voltage between APP sensor terminal 5 and ground with CONSULT-III or tester.

Voltage: Approximately 5V

OK or NG

- OK >> GO TO 7.
- NG >> GO TO 4.



4.CHECK APP SENSOR 2 POWER SUPPLY CIRCUIT-II

1. Turn ignition switch OFF.
2. Disconnect ECM harness connector.
3. Check harness continuity between APP sensor terminal 5 and ECM terminal 102. Refer to Wiring Diagram.

Continuity should exist.

OK or NG

- OK >> GO TO 5.
- NG >> Repair open circuit or short to ground or short to power in harness or connectors.

5.CHECK APP SENSOR 2 POWER SUPPLY CIRCUIT-III

Check harness for short to power and short to ground, between the following terminals.

ECM terminal	Sensor terminal	Reference Wiring Diagram
74	Refrigerant pressure sensor terminal 3	EC-515, "Wiring Diagram"
75	Crankshaft position sensor (POS) terminal 1	EC-286, "Wiring Diagram"
76	EVAP control system pressure sensor terminal 3	EC-343, "Wiring Diagram"
102	APP sensor terminal 5	EC-458, "Wiring Diagram"

DTC P2138 APP SENSOR

[MR]

< SERVICE INFORMATION >

OK or NG

- OK >> GO TO 6.
NG >> Repair short to ground or short to power in harness or connectors.

6.CHECK COMPONENTS

Check the following.

- Crankshaft position sensor (POS) (Refer to [EC-290, "Component Inspection"](#).)
- Refrigerant pressure sensor (Refer to [MTC-27](#).)
- EVAP control system pressure (Refer to [EC-347, "Component Inspection"](#).)

OK or NG

- OK >> GO TO 11.
NG >> Replace malfunctioning component.

7.CHECK APP SENSOR GROUND CIRCUIT FOR OPEN AND SHORT

1. Turn ignition switch OFF.
2. Disconnect ECM harness connector.
3. Check harness continuity between the following;
ECM terminal 111 and APP sensor terminal 2,
ECM terminal 104 and APP sensor terminal 1.
Refer to Wiring Diagram.

Continuity should exist.

4. Also check harness for short to ground and short to power.

OK or NG

- OK >> GO TO 8.
NG >> Repair open circuit or short to ground or short to power in harness or connectors.

8.CHECK APP SENSOR INPUT SIGNAL CIRCUIT FOR OPEN AND SHORT

1. Check harness continuity between the following;
ECM terminal 110 and APP sensor terminal 3,
ECM terminal 103 and APP sensor terminal 6.
Refer to Wiring Diagram.

Continuity should exist.

2. Also check harness for short to ground and short to power.

OK or NG

- OK >> GO TO 9.
NG >> Repair open circuit or short to ground or short to power in harness or connectors.

9.CHECK APP SENSOR

Refer to [EC-474, "Component Inspection"](#).

OK or NG

- OK >> GO TO 11.
NG >> GO TO 10.

10.REPLACE ACCELERATOR PEDAL ASSEMBLY

1. Replace accelerator pedal assembly.
2. Perform [EC-81, "Accelerator Pedal Released Position Learning"](#).
3. Perform [EC-81, "Throttle Valve Closed Position Learning"](#).
4. Perform [EC-81, "Idle Air Volume Learning"](#).

>> INSPECTION END

11.CHECK INTERMITTENT INCIDENT

Refer to [EC-135](#).

>> INSPECTION END

DTC P2138 APP SENSOR

< SERVICE INFORMATION >

[MR]

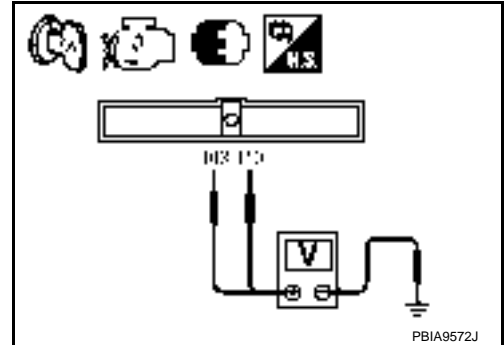
Component Inspection

INFOID:000000001850204

ACCELERATOR PEDAL POSITION SENSOR

1. Reconnect all harness connectors disconnected.
2. Turn ignition switch ON.
3. Check voltage between ECM terminals 110 (APP sensor 1 signal), 103 (APP sensor 2 signal) and ground under the following conditions.

Terminal	Accelerator pedal	Voltage
110 (Accelerator pedal position sensor 1)	Fully released	0.6 - 0.9V
	Fully depressed	3.9 - 4.7V
103 (Accelerator pedal position sensor 2)	Fully released	0.3 - 0.6V
	Fully depressed	1.95 - 2.4V



4. If NG, replace accelerator pedal assembly and go to next step.
5. Perform [EC-81, "Accelerator Pedal Released Position Learning"](#).
6. Perform [EC-81, "Throttle Valve Closed Position Learning"](#).
7. Perform [EC-81, "Idle Air Volume Learning"](#).

Removal and Installation

INFOID:000000001850205

ACCELERATOR PEDAL

Refer to [ACC-3](#).

DTC P2A00 A/F SENSOR 1

< SERVICE INFORMATION >

[MR]

DTC P2A00 A/F SENSOR 1

Component Description

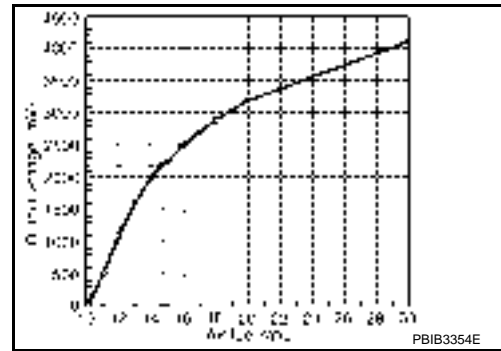
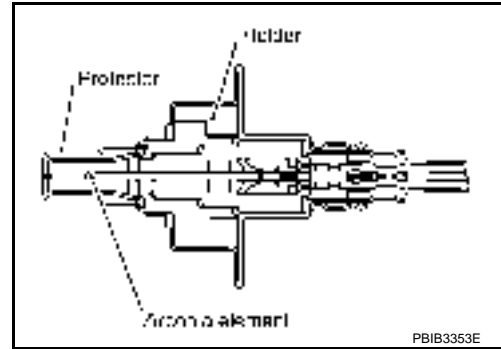
INFOID:000000001850206

The air fuel ratio (A/F) sensor 1 is a planar one-cell limit current sensor. The sensor element of the A/F sensor 1 is composed an electrode layer, which transports ions. It has a heater in the element.

The sensor is capable of precise measurement $\lambda = 1$, but also in the lean and rich range. Together with its control electronics, the sensor outputs a clear, continuous signal throughout a wide λ range.

The exhaust gas components diffuse through the diffusion layer at the sensor cell. An electrode layer is applied voltage, and this current relative oxygen density in lean. Also this current relative hydrocarbon density in rich.

Therefore, the A/F sensor 1 is able to indicate air fuel ratio by this electrode layer of current. In addition, a heater is integrated in the sensor to ensure the required operating temperature of about 800°C (1,472°F).



CONSULT-III Reference Value in Data Monitor Mode

INFOID:000000001850207

Specification data are reference values.

MONITOR ITEM	CONDITION		SPECIFICATION
A/F SEN1 (B1)	• Engine: After warming up	Maintaining engine speed at 2,000 rpm	Fluctuates around 2.2V

On Board Diagnosis Logic

INFOID:000000001850208

To judge the malfunction, the A/F signal computed by ECM from the A/F sensor 1 signal is monitored not to be shifted to LEAN side or RICH side.

DTC No.	Trouble diagnosis name	DTC detecting condition	Possible Cause
P2A00 2A00	Air fuel ratio (A/F) sensor 1 circuit range/performance	<ul style="list-style-type: none"> The output voltage computed by ECM from the A/F sensor 1 signal is shifted to the lean side for a specified period. The A/F signal computed by ECM from the A/F sensor 1 signal is shifted to the rich side for a specified period. 	<ul style="list-style-type: none"> Air fuel ratio (A/F) sensor 1 Air fuel ratio (A/F) sensor 1 heater Fuel pressure Fuel injector Intake air leaks

DTC Confirmation Procedure

INFOID:000000001850209

NOTE:

If DTC Confirmation Procedure has been previously conducted, always turn ignition switch OFF and wait at least 10 seconds before conducting the next test.

TESTING CONDITION:

Before performing the following procedure, confirm that battery voltage is more than 11V at idle.

1 WITH CONSULT-III

- Start engine and warm it up to normal operating temperature.
- Turn ignition switch OFF and wait at least 10 seconds.

DTC P2A00 A/F SENSOR 1

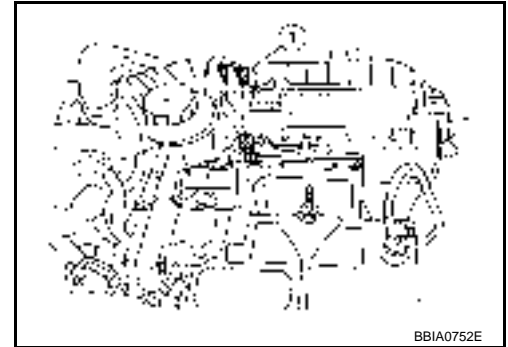
[MR]

< SERVICE INFORMATION >

3. Turn ignition switch ON and select "SELF-LEARNING CONT" in "WORK SUPPORT" mode with CONSULT-III.
4. Clear the self-learning coefficient by touching "CLEAR".
5. Turn ignition switch OFF and wait at least 10 seconds.
6. Start engine and keep the engine speed between 3,500 and 4,000 rpm for 1 minute under no load.
7. Let engine idle for 1 minute.
8. Keep engine speed between 2,500 and 3,000 rpm for 20 minutes.
9. Check 1st trip DTC.
10. If 1st trip DTC is detected, go to [EC-478, "Diagnosis Procedure"](#).

WITH GST

1. Start engine and warm it up to normal operating temperature.
2. Turn ignition switch OFF and wait at least 10 seconds.
3. Disconnect mass air flow sensor (1) harness connector.
4. Start engine and let it idle for at least 5 seconds.
5. Stop engine and reconnect mass air flow sensor harness connector.
6. Select Service \$03 with GST and make sure that DTC P0102 is detected.
7. Select Service \$04 with GST and erase the DTC P0102.
8. Start engine and keep the engine speed between 3,500 and 4,000 rpm for 1 minute under no load.
9. Let engine idle for 1 minute.
10. Keep engine speed between 2,500 and 3,000 rpm for 20 minutes.
11. Select Service \$07 with GST.
If 1st trip DTC is detected, go to [EC-478, "Diagnosis Procedure"](#).



DTC P2A00 A/F SENSOR 1

< SERVICE INFORMATION >

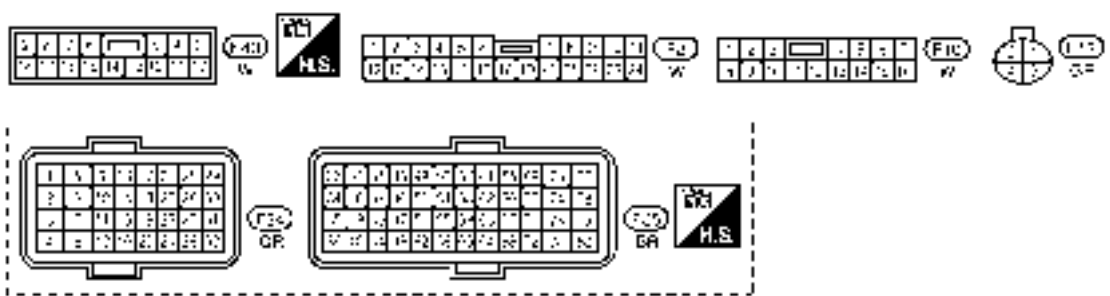
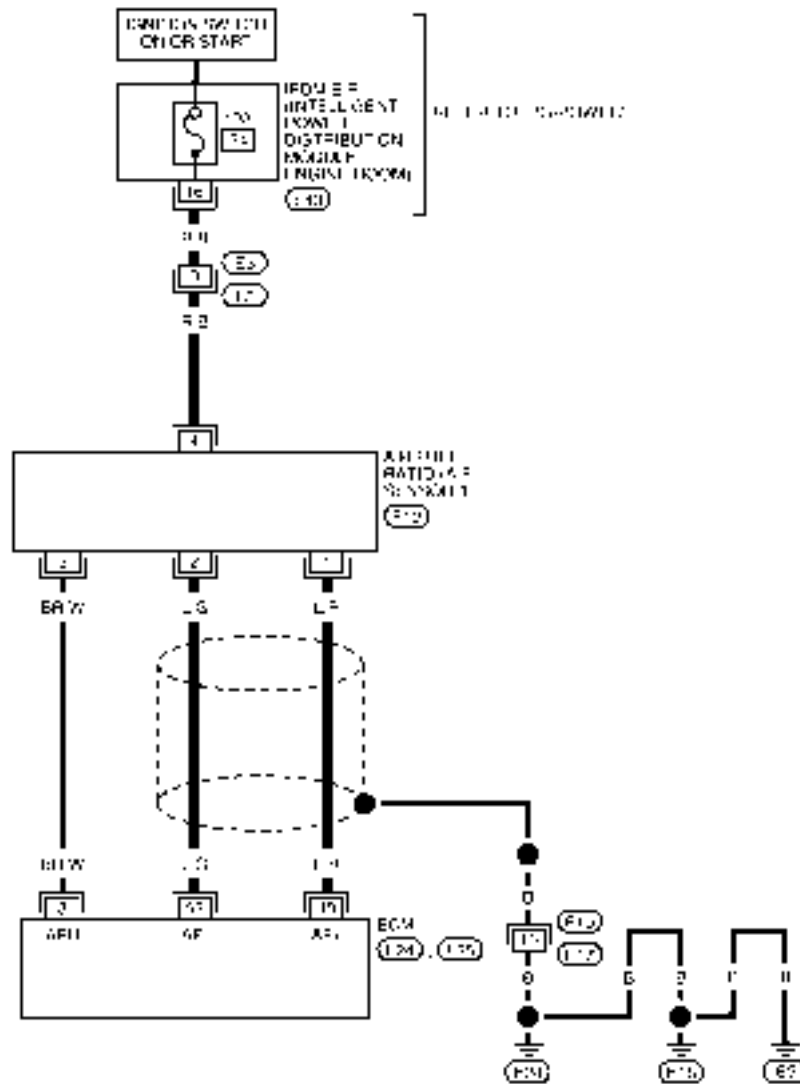
[MR]

Wiring Diagram

INFOID:000000001850210

EC-A/F-01

— DETECTABLE LINE FOR DTC
 - - - NON DETECTABLE LINE FOR DTC



BBWA2878E

Specification data are reference values and are measured between each terminal and ground. Pulse signal is measured by CONSULT-III.


CAUTION:

DTC P2A00 A/F SENSOR 1

< SERVICE INFORMATION >

[MR]

Do not use ECM ground terminals when measuring input/output voltage. Doing so may result in damage to the ECM's transistor. Use a ground other than ECM terminals, such as the ground.

TERMI- NAL NO.	WIRE COLOR	ITEM	CONDITION	DATA (DC Voltage)
3	BR/W	A/F sensor 1 heater	[Engine is running] <ul style="list-style-type: none">• Warm-up condition• Idle speed (More than 140 seconds after starting engine)	Approximately 2.9 - 8.8V★  P8IA8148J
49	L/R	A/F sensor 1	[Engine is running] <ul style="list-style-type: none">• Warm-up condition• Engine speed: 2,000 rpm	Approximately 1.8V Output voltage varies with air fuel ratio.
53	L/G	A/F sensor 1	[Ignition switch: ON]	Approximately 2.2V

★: Average voltage for pulse signal (Actual pulse signal can be confirmed by oscilloscope.)

Diagnosis Procedure

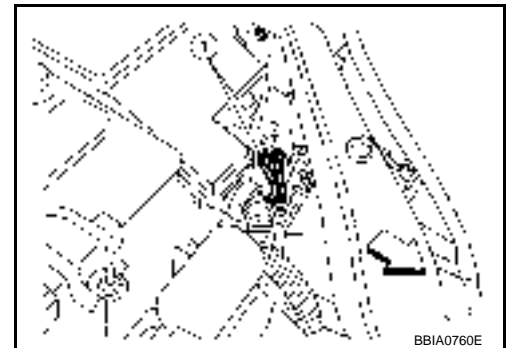
INFOID:000000001850211

1. CHECK GROUND CONNECTIONS

1. Turn ignition switch OFF.
 2. Loosen and retighten ground screws on the body.
Refer to [EC-140. "Ground Inspection"](#).
- ◀: Vehicle front
 - Body ground (1)

OK or NG

- OK >> GO TO 2.
- NG >> Repair or replace ground connections.



2. RETIGHTEN AIR FUEL RATIO (A/F) SENSOR 1

Loosen and retighten the air fuel ratio (A/F) sensor 1.
Refer to [EM-21. "Removal and Installation"](#).

>> GO TO 3.

3. CHECK FOR INTAKE AIR LEAK

1. Start engine and run it at idle.
2. Listen for an intake air leak after the mass air flow sensor.

OK or NG

- OK >> GO TO 4.
- NG >> Repair or replace.

4. CLEAR THE SELF-LEARNING DATA.

¹ With CONSULT-III

1. Start engine and warm it up to normal operating temperature.
2. Select "SELF-LEARNING CONT" in "WORK SUPPORT" mode with CONSULT-III.
3. Clear the self-learning control coefficient by touching "CLEAR".
4. Run engine for at least 10 minutes at idle speed.
5. Check 1st trip DTC.

Is the 1st trip DTC P0171 and P0172 detected?

DTC P2A00 A/F SENSOR 1

[MR]

< SERVICE INFORMATION >

Is it difficult to start engine?

X Without CONSULT-III

1. Start engine and warm it up to normal operating temperature.
2. Turn ignition switch OFF.
3. Disconnect mass air flow sensor (1) harness connector.
4. Restart engine and let it idle for at least 5 seconds.
5. Stop engine and reconnect mass air flow sensor harness connector.
6. Make sure DTC P0102 is displayed.
7. Erase the DTC memory. Refer to [EC-51, "Emission-related Diagnostic Information"](#).
8. Make sure DTC P0000 is displayed.
9. Run engine for at least 10 minutes at idle speed.

Is the 1st trip DTC P0171 and P0172 detected?

Is it difficult to start engine?

Yes or No

Yes >> Perform trouble diagnosis for DTC P0171 or P0172. Refer to [EC-250](#) or [EC-256](#).

No >> GO TO 5.

5. CHECK HARNESS CONNECTOR

1. Turn ignition switch OFF.
2. Disconnect A/F sensor 1 harness connector (1).
 - Air fuel ratio (A/F) sensor (2)
3. Check harness connector for water.

Water should no exist.

OK or NG

OK >> GO TO 6.

NG >> Repair or replace harness connector.

6. CHECK AIR FUEL RATIO (A/F) SENSOR 1 POWER SUPPLY CIRCUIT

1. Turn ignition switch ON.
2. Check voltage between A/F sensor 1 terminal 4 and ground with CONSULT-III or tester.

Voltage: Battery voltage

OK or NG

OK >> GO TO 8.

NG >> GO TO 7.

7. DETECT MALFUNCTIONING PART

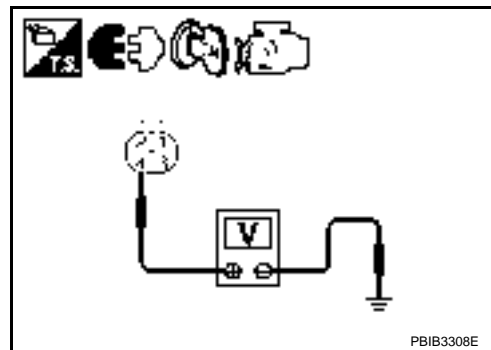
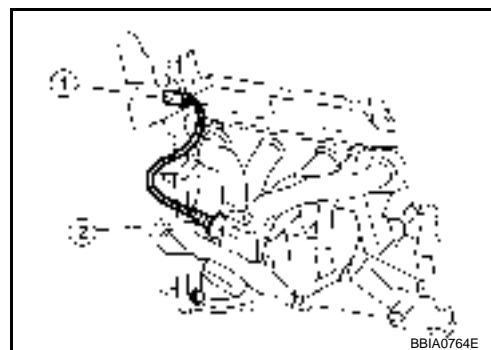
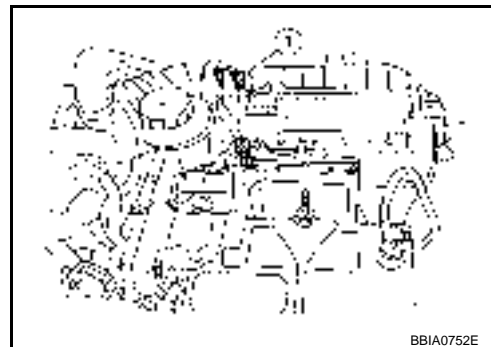
Check the following.

- Harness connectors E3, F2
- 10A fuse
- Harness for open or short between A/F sensor 1 and fuse

>> Repair or replace harness or connectors.

8. CHECK A/F SENSOR 1 INPUT SIGNAL CIRCUIT FOR OPEN AND SHORT

1. Turn ignition switch OFF.
2. Disconnect ECM harness connector.
3. Check harness continuity between the following terminals. Refer to Wiring Diagram.



DTC P2A00 A/F SENSOR 1

< SERVICE INFORMATION >

[MR]

A/F sensor 1 terminal	ECM terminal
1	49
2	53

Continuity should exist.

4. Check harness continuity between ECM terminals 49, 53 or A/F sensor 1 terminals 1, 2 and ground. Refer to Wiring Diagram.

Continuity should not exist.

5. Also check harness for short to power.

OK or NG

OK >> GO TO 9.

NG >> Repair open circuit or short to ground or short to power in harness or connectors.

9. CHECK A/F SENSOR 1 HEATER

Refer to [EC-152, "Component Inspection"](#).

OK or NG

OK >> GO TO 10.

NG >> GO TO 11.

10. CHECK INTERMITTENT INCIDENT

Perform [EC-135](#).

OK or NG

OK >> GO TO 11.

NG >> Repair or replace.

11. REPLACE AIR FUEL RATIO (A/F) SENSOR 1

Replace air fuel ratio (A/F) sensor 1.

CAUTION:

- Discard any air fuel ratio (A/F) sensor which has been dropped from a height of more than 0.5 m (19.7 in) onto a hard surface such as a concrete floor; use a new one.
- Before installing new air fuel ratio (A/F) sensor, clean exhaust system threads using Heated Oxygen Sensor Thread Cleaner tool J-43897-18 or J-43897-12 and approved anti-seize lubricant.

>> GO TO 12.

12. CONFIRM A/F ADJUSTMENT DATA

1. Turn ignition switch ON.
2. Select "A/F ADJ-B1" in "DATA MONITOR" mode with CONSULT-III.
3. Make sure that "0.000" is displayed on CONSULT-III screen.

OK or NG

OK >> **INSPECTION END**

NG >> GO TO 13.

13. CLEAR THE SELF-LEARNING DATA

With CONSULT-III

1. Start engine and warm it up to normal operating temperature.
2. Select "SELF-LEARNING CONT" in "WORK SUPPORT" mode with CONSULT-III.
3. Clear the self-learning control coefficient by touching "CLEAR".

Without CONSULT-III

1. Start engine and warm it up to normal operating temperature.
2. Turn ignition switch OFF.

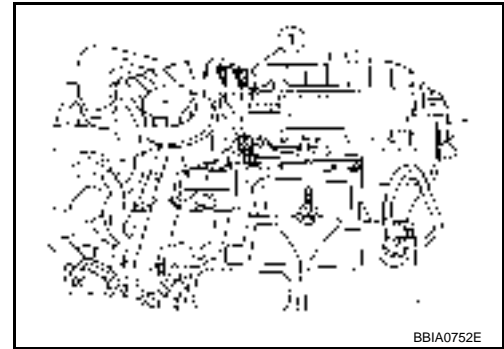
DTC P2A00 A/F SENSOR 1

[MR]

< SERVICE INFORMATION >

3. Disconnect mass air flow sensor harness (1) connector.
4. Restart engine and let it idle for at least 5 seconds.
5. Stop engine and reconnect mass air flow sensor harness connector.
6. Make sure DTC P0102 is displayed.
7. Erase the DTC memory. Refer to [EC-51, "Emission-related Diagnostic Information"](#).
8. Make sure DTC P0000 is displayed.

>> GO TO 14.



14. CONFIRM A/F ADJUSTMENT DATA

1. Turn ignition switch OFF and then ON.
2. Select "A/F ADJ-B1" in "DATA MONITOR" mode with CONSULT-III.
3. Make sure that "0.000" is displayed on CONSULT-III screen.

>> INSPECTION END

Removal and Installation

INFOID:000000001850212

AIR FUEL RATIO SENSOR

Refer to [EM-21](#).

A
EC
C
D
E
F
G
H
I
J
K
L
M
N
O
P

ASCD BRAKE SWITCH

< SERVICE INFORMATION >

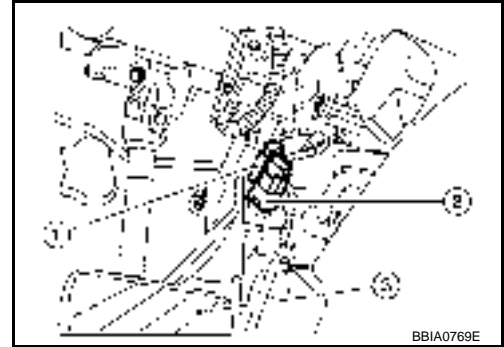
[MR]

ASCD BRAKE SWITCH

Component Description

INFOID:000000001850213

When depress on the brake pedal, ASCD brake switch (1) is turned OFF and stop lamp switch (2) is turned ON. ECM detects the state of the brake pedal (3) by this input of two kinds (ON/OFF signal)
Refer to [EC-33](#) for the ASCD function.



CONSULT-III Reference Value in Data Monitor Mode

INFOID:000000001850214

Specification data are reference values.

MONITOR ITEM	CONDITION	SPECIFICATION	
BRAKE SW1 (ASCD brake switch)	• Ignition switch: ON	• Brake pedal: Fully released (CVT) • Brake pedal and clutch pedal: Fully released (M/T)	ON
		• Brake pedal: Slightly depressed (CVT) • Brake pedal and/or clutch pedal: Slightly depressed (M/T)	OFF
BRAKE SW2 (Stop lamp switch)	• Ignition switch: ON	Brake pedal: Fully released	OFF
		Brake pedal: Slightly depressed	ON

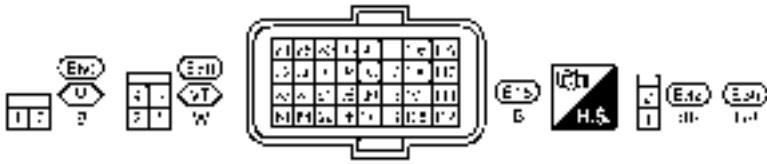
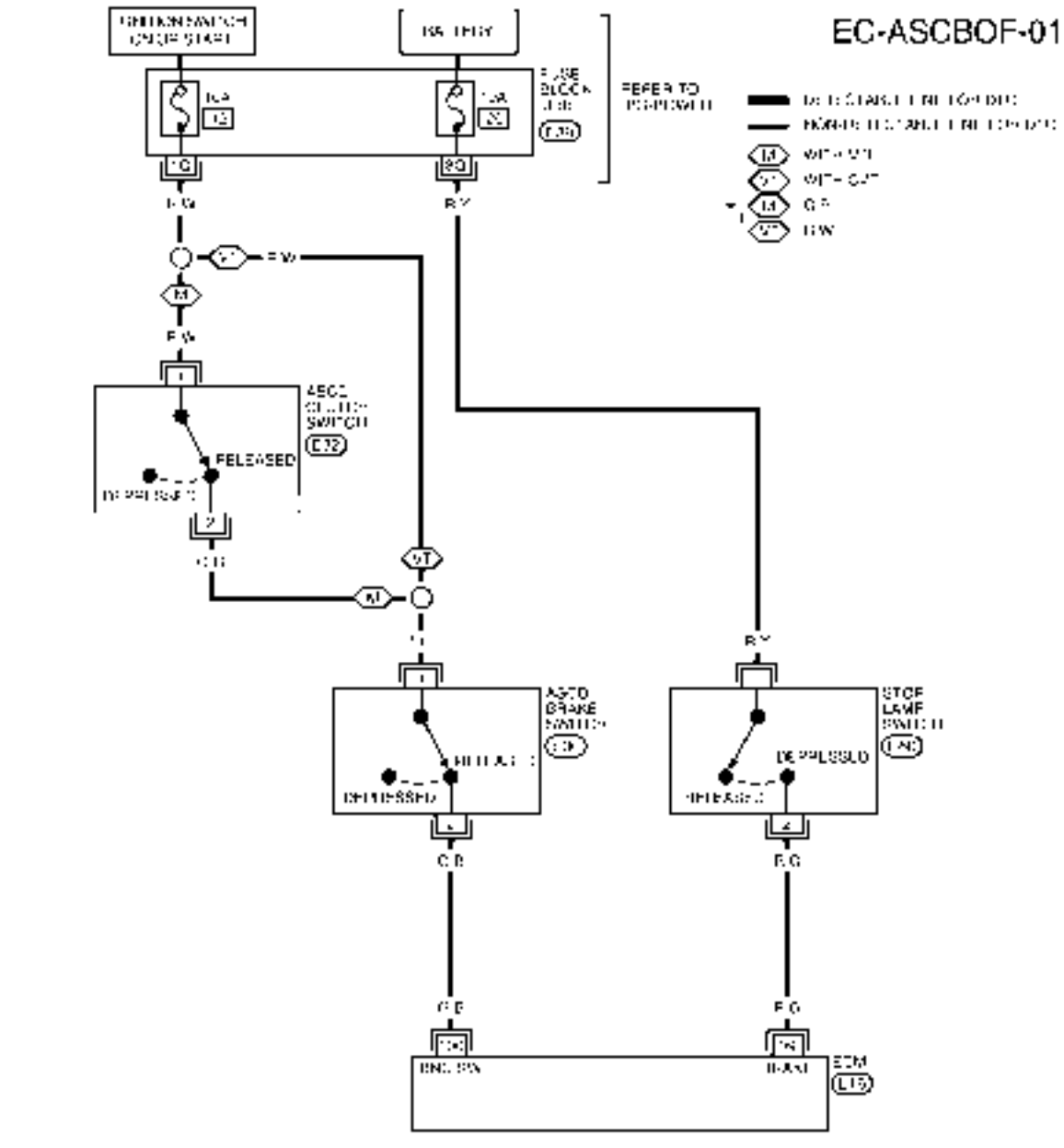
ASC D BRAKE SWITCH

< SERVICE INFORMATION >

[MR]

Wiring Diagram

INFOID:000000001850215



BBWA2905E

Specification data are reference values and are measured between each terminal and ground.

CAUTION:

Do not use ECM ground terminals when measuring input/output voltage. Doing so may result in damage to the ECM's transistor. Use a ground other than ECM terminals, such as the ground.

ASCD BRAKE SWITCH

< SERVICE INFORMATION >

[MR]

TERMI- NAL NO.	WIRE COLOR	ITEM	CONDITION	DATA (DC Voltage)
99	R/G	Stop lamp switch	[Ignition switch: ON] • Brake pedal: Fully released	Approximately 0V
			[Ignition switch: ON] • Brake pedal: Slightly depressed	BATTERY VOLTAGE (11 - 14V)
100	G/B	ASCD brake switch	[Ignition switch: ON] • Brake pedal: Slightly depressed (CVT) • Brake pedal and/or clutch pedal: Slightly depressed (M/T)	Approximately 0V
			[Ignition switch: ON] • Brake pedal: Fully released (CVT) • Brake pedal and clutch pedal: Fully released (M/T)	BATTERY VOLTAGE (11 - 14V)

Diagnosis Procedure

INFOID:000000001850216

1. CHECK OVERALL FUNCTION-I

With CONSULT-III

- Turn ignition switch ON.
- Select "BRAKE SW1" in "DATA MONITOR" mode with CONSULT-III.
- Check "BRAKE SW1" indication under the following conditions.

M/T models

CONDITION	INDICATION
Clutch pedal and/or brake pedal: Slightly depressed	OFF
Clutch pedal and brake pedal: Fully released	ON

CVT models

CONDITION	INDICATION
Brake pedal: Slightly depressed	OFF
Brake pedal: Fully released	ON

Without CONSULT-III

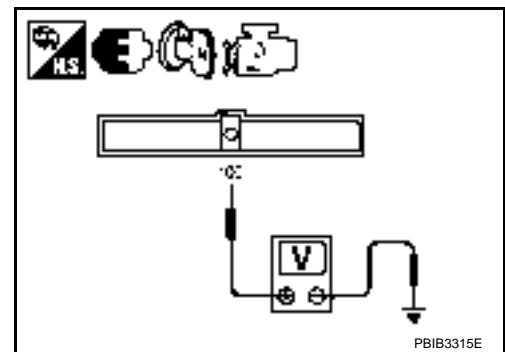
- Turn ignition switch ON.
- Check voltage between ECM terminal 100 and ground under the following conditions.

M/T models

CONDITION	VOLTAGE
Clutch pedal and/or brake pedal: Slightly depressed	Approximately 0V
Clutch pedal and brake pedal: Fully released	Battery voltage

CVT models

CONDITION	VOLTAGE
Brake pedal: Slightly depressed	Approximately 0V
Brake pedal: Fully released	Battery voltage



OK or NG

- OK >> GO TO 2.
NG >> GO TO 3.

2. CHECK OVERALL FUNCTION-II

With CONSULT-III

Check "BRAKE SW2" indication in "DATA MONITOR" mode.

ASCD BRAKE SWITCH

< SERVICE INFORMATION >

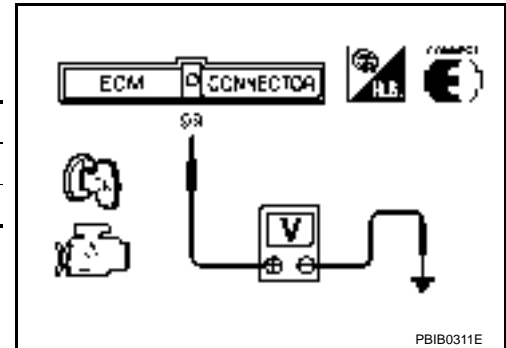
[MR]

CONDITION	INDICATION
Brake pedal: Fully released	OFF
Brake pedal: Slightly depressed	ON

X Without CONSULT-III

Check voltage between ECM terminal 99 and ground under the following conditions.

CONDITION	VOLTAGE
Brake pedal: Fully released	Approximately 0V
Brake pedal: Slightly depressed	Battery voltage

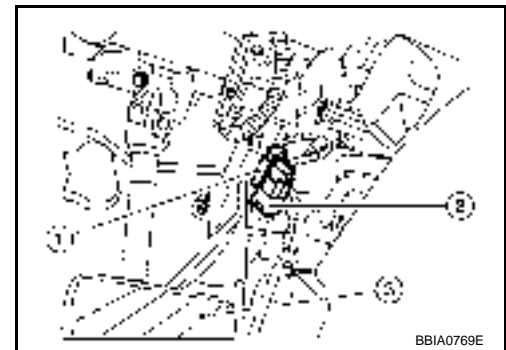


OK or NG

- OK >> **INSPECTION END**
- NG >> GO TO 11.

3. CHECK ASCD BRAKE SWITCH POWER SUPPLY

1. Turn ignition switch OFF.
2. Disconnect ASCD brake switch (1) harness connector.
 - Stop lamp switch (2)
 - Brake pedal (3)
3. Turn ignition switch ON.

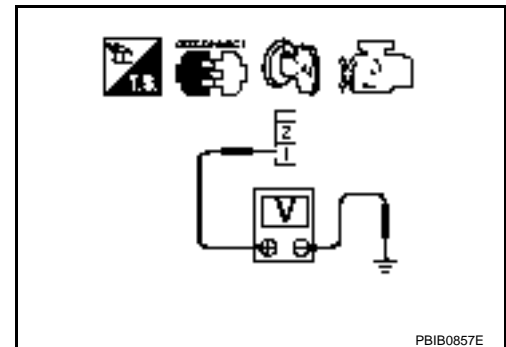


4. Check voltage between ASCD brake switch terminal 1 and ground with CONSULT-III or tester.

Voltage : Battery voltage

OK or NG

- OK >> GO TO 8.
- NG (M/T models) >>GO TO 4.
- NG (CVT models)>>GO TO 6.



4. CHECK ASCD CLUTCH SWITCH POWER SUPPLY CIRCUIT

1. Turn ignition switch OFF.

ASCD BRAKE SWITCH

[MR]

< SERVICE INFORMATION >

2. Disconnect ASCD clutch switch (1) harness connector.
 - Clutch pedal (2)
3. Turn ignition switch ON.

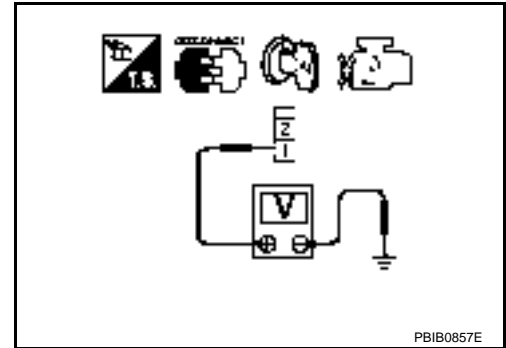


4. Check voltage between ASCD clutch switch terminal 1 and ground with CONSULT-III or tester.

Voltage: Battery voltage

OK or NG

- OK >> GO TO 7.
- NG >> GO TO 5.



5. DETECT MALFUNCTIONING PART

Check the following.

- 10A fuse
- Harness for open or short between ASCD clutch switch and fuse

>> Repair open circuit or short to ground or short to power in harness or connectors.

6. DETECT MALFUNCTIONING PART

Check the following.

- 10A fuse
- Harness for open or short between ASCD brake switch and fuse

>> Repair open circuit or short to ground or short to power in harness or connectors.

7. CHECK ASCD CLUTCH SWITCH INPUT SIGNAL CIRCUIT FOR OPEN AND SHORT

1. Turn ignition switch OFF.
2. Check harness continuity between ASCD brake switch terminal 1 and ASCD clutch switch terminal 2. Refer to Wiring Diagram.

Continuity should exist.

3. Also check harness for short to ground and short to power.

OK or NG

- OK >> GO TO 10.
- NG >> Repair open circuit or short to ground or short to power in harness or connectors.

8. CHECK ASCD BRAKE SWITCH INPUT SIGNAL CIRCUIT FOR OPEN AND SHORT

1. Turn ignition switch OFF.
2. Disconnect ECM harness connector.
3. Check harness continuity between ECM terminal 100 and ASCD brake switch terminal 2. Refer to Wiring Diagram.

Continuity should exist.

4. Also check harness for short to ground and short to power.

ASCD BRAKE SWITCH

[MR]

< SERVICE INFORMATION >

OK or NG

OK >> GO TO 9.

NG >> Repair open circuit or short to ground or short to power in harness or connectors.

9. CHECK ASCD BRAKE SWITCH

Refer to [EC-425, "Component Inspection"](#).

OK or NG

OK >> GO TO 15.

NG >> Replace ASCD brake switch.

10. CHECK ASCD CLUTCH SWITCH

Refer to [EC-425, "Component Inspection"](#).

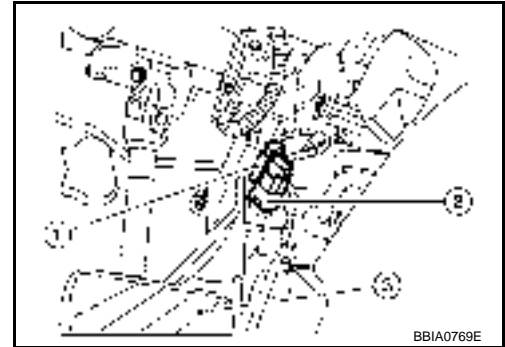
OK or NG

OK >> GO TO 15.

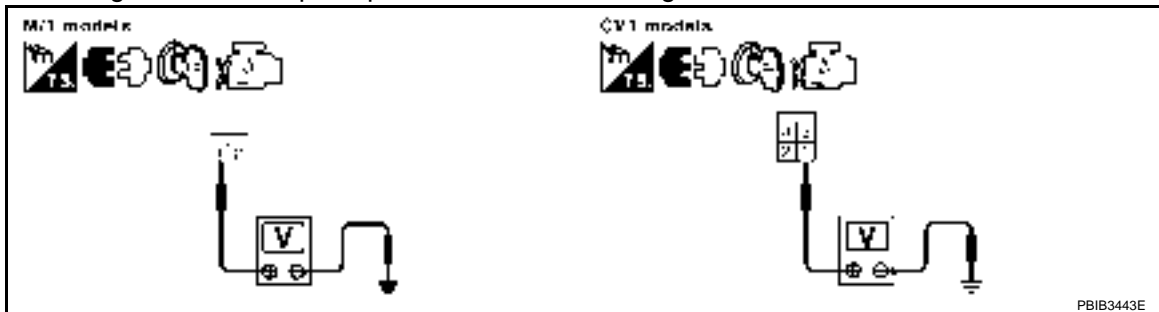
NG >> Replace ASCD clutch switch.

11. CHECK STOP LAMP SWITCH POWER SUPPLY CIRCUIT

1. Turn ignition switch OFF.
2. Disconnect stop lamp switch (2) harness connector.
 - ASCD brake switch (1)
 - Brake pedal (3)



3. Check voltage between stop lamp switch terminal 1 and ground with CONSULT -III or tester.



Voltage: Battery voltage

OK or NG

OK >> GO TO 13.

NG >> GO TO 12.

12. DETECT MALFUNCTIONING PART

Check the following.

- 10A fuse
- Harness for open or short between stop lamp switch and battery

>> Repair open circuit or short to ground or short to power in harness or connectors.

13. CHECK STOP LAMP SWITCH INPUT SIGNAL CIRCUIT FOR OPEN AND SHORT

1. Disconnect ECM harness connector.
2. Check harness continuity between ECM terminal 99 and stop lamp switch terminal 2.
Refer to Wiring Diagram.

ASCD BRAKE SWITCH

< SERVICE INFORMATION >

[MR]

Continuity should exist.

3. Also check harness for short to ground and short to power.

OK or NG

OK >> GO TO 14.

NG >> Repair open circuit or short to ground or short to power in harness or connectors.

14. CHECK STOP LAMP SWITCH

Refer to [EC-425, "Component Inspection"](#)

OK or NG

OK >> GO TO 15.

NG >> Replace stop lamp switch.

15. CHECK INTERMITTENT INCIDENT

Refer to [EC-135](#).

>> **INSPECTION END**

Component Inspection

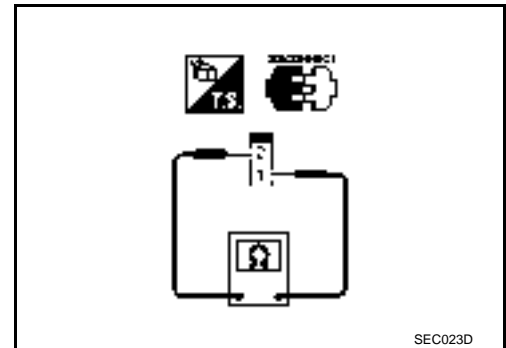
INFOID:000000001850217

ASCD BRAKE SWITCH

1. Turn ignition switch OFF.
2. Disconnect ASCD brake switch harness connector.
3. Check continuity between ASCD brake switch terminals 1 and 2 under the following conditions.

Condition	Continuity
Brake pedal: Fully released.	Should exist.
Brake pedal: Slightly depressed.	Should not exist.

If NG, adjust ASCD brake switch installation, refer to [BR-5](#), and perform step 3 again.

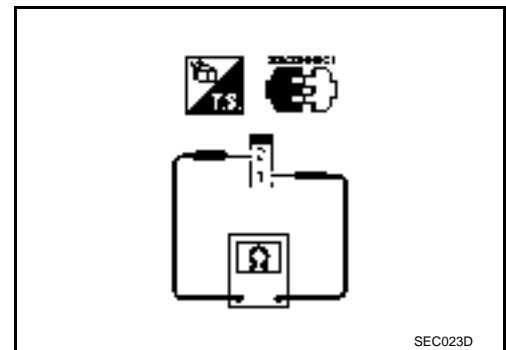


ASCD CLUTCH SWITCH

1. Turn ignition switch OFF.
2. Disconnect ASCD clutch switch harness connector.
3. Check continuity between ASCD clutch switch terminals 1 and 2 under the following conditions.

Condition	Continuity
Clutch pedal: Fully released.	Should exist.
Clutch pedal: Slightly depressed.	Should not exist.

If NG, adjust ASCD clutch switch installation, refer to [CL-5](#), and perform step 3 again.



STOP LAMP SWITCH

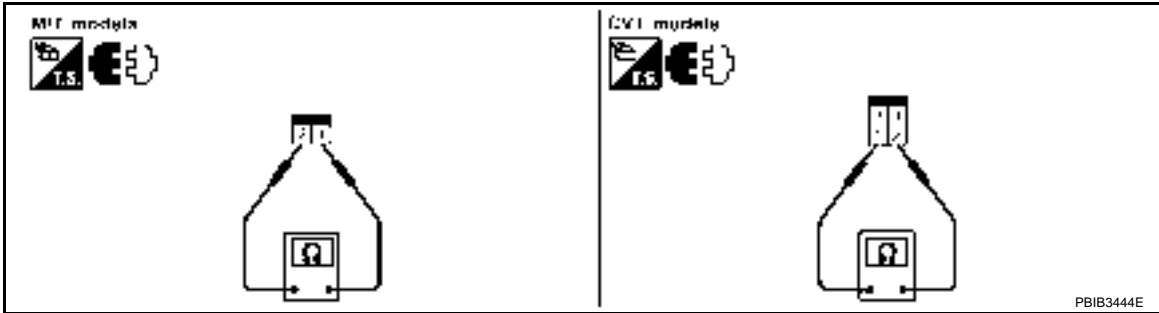
1. Turn ignition switch OFF.
2. Disconnect stop lamp switch harness connector.

ASC D BRAKE SWITCH

< SERVICE INFORMATION >

[MR]

3. Check continuity between stop lamp switch terminals 1 and 2 under the following conditions.



Condition	Continuity
Brake pedal: Fully released.	Should not exist.
Brake pedal: Slightly depressed.	Should exist.

If NG, adjust stop lamp switch installation, refer to [BR-5](#), and perform step 3 again.

A

EC

C

D

E

F

G

H

I

J

K

L

M

N

O

P

ASCD INDICATOR

< SERVICE INFORMATION >

[MR]

ASCD INDICATOR

Component Description

INFOID:000000001850218

ASCD indicator lamp illuminates to indicate ASCD operation status. Lamp has two indicators, CRUISE and SET, and is integrated in combination meter.

CRUISE indicator illuminates when MAIN switch on ASCD steering switch is turned ON to indicate that ASCD system is ready for operation.

SET indicator illuminates when following conditions are met.

- CRUISE indicator is illuminated.
- SET/COAST switch on ASCD steering switch is turned ON while vehicle speed is within the range of ASCD setting.

SET indicator remains lit during ASCD control.

Refer to [EC-33](#) for the ASCD function.

CONSULT-III Reference Value in Data Monitor Mode

INFOID:000000001850219

Specification data are reference value.

MONITOR ITEM	CONDITION		SPECIFICATION
CRUISE LAMP	<ul style="list-style-type: none">• Ignition switch: ON	MAIN switch: Pressed at 1st time → 2nd	ON → OFF
SET LAMP	<ul style="list-style-type: none">• MAIN switch: ON• Vehicle: Between 40 km/h (25 MPH) and 144 km/h (89 MPH)	ASCD: Operating	ON
		ASCD: Not operating	OFF

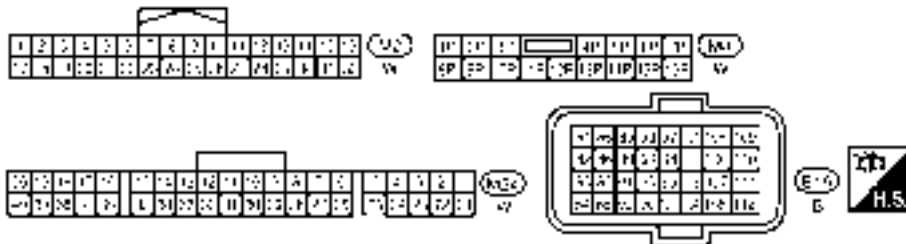
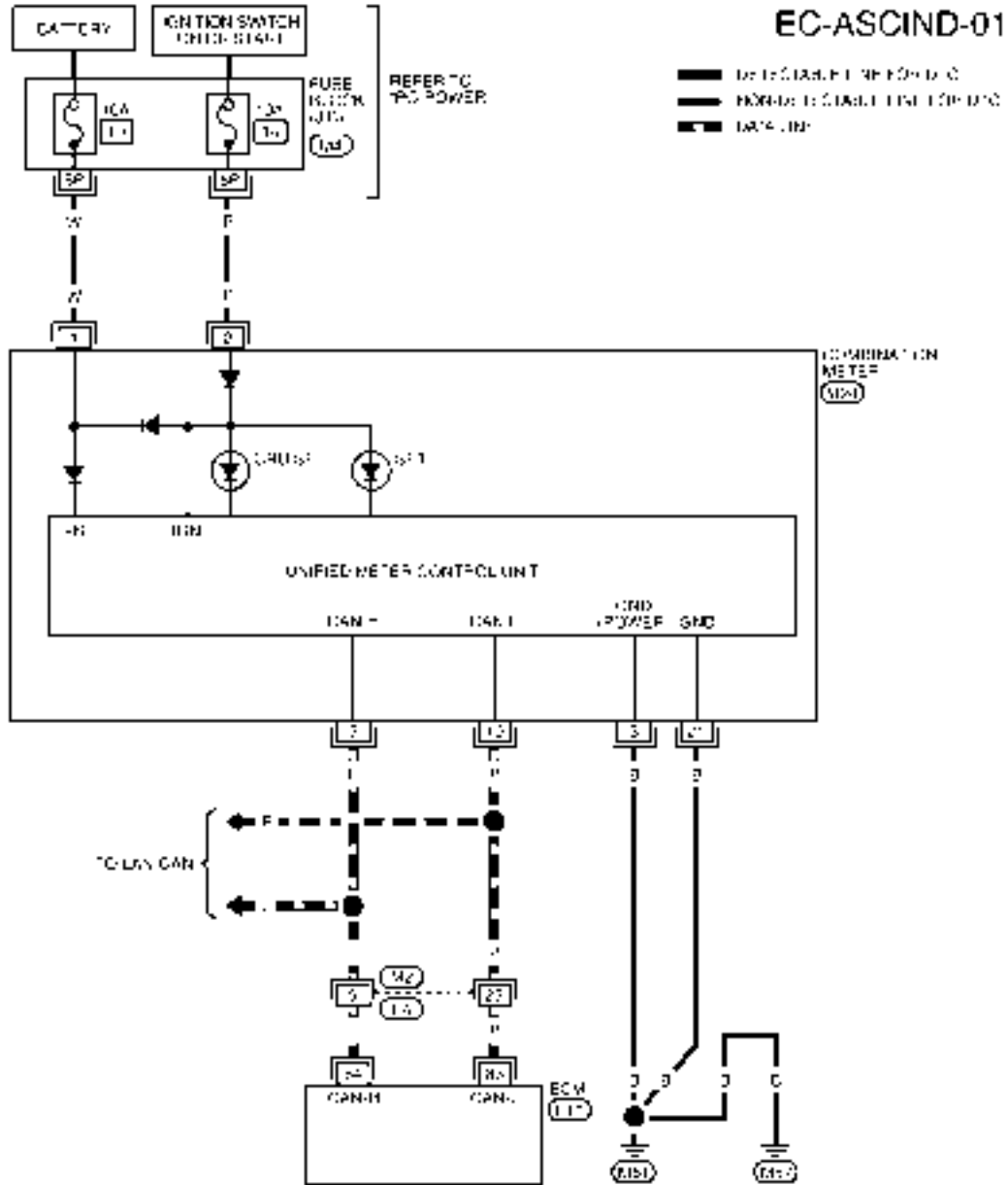
ASC D INDICATOR

< SERVICE INFORMATION >

[MR]

Wiring Diagram

INFOID:000000001850220



BBWA2906E

Diagnosis Procedure

1. CHECK OVERALL FUNCTION

Check ASC D indicator under the following conditions.

INFOID:000000001850221

ASCD INDICATOR

< SERVICE INFORMATION >

[MR]

ASCD INDICATOR	CONDITION		SPECIFICATION
CRUISE LAMP	• Ignition switch: ON	MAIN switch: Pressed at 1st time → 2nd	ON → OFF
SET LAMP	• MAIN switch: ON • Vehicle: Between 40 km/h (25 MPH) and 144 km/h (89 MPH)	ASCD: Operating	ON
		ASCD: Not operating	OFF

OK or NG

OK >> **INSPECTION END**

NG >> GO TO 2.

2.CHECK DTC

Check that DTC U1000 or U1001 is not displayed.

Yes or No

Yes >> Perform trouble diagnoses for DTC U1000, U1001, refer to [EC-142](#).

No >> GO TO 3.

3.CHECK COMBINATION METER OPERATION

Does combination meter operate normally?

Yes or No

Yes >> GO TO 4.

No >> Check combination meter circuit. Refer to [DI-5](#).

4.CHECK INTERMITTENT INCIDENT

Refer to [EC-135](#).

>> **INSPECTION END**

ELECTRICAL LOAD SIGNAL

< SERVICE INFORMATION >

[MR]

ELECTRICAL LOAD SIGNAL

CONSULT-III Reference Value in Data Monitor Mode

INFOID:000000001850222

Specification data are reference values.

MONITOR ITEM	CONDITION		SPECIFICATION
LOAD SIGNAL	• Ignition switch: ON	Rear window defogger switch is ON and/or lighting switch is in 2nd position.	ON
		Rear window defogger switch is OFF and lighting switch is OFF.	OFF
HEATER FAN SW	• Ignition switch: ON	Heater fan: Operating.	ON
		Heater fan: Not operating.	OFF

Diagnosis Procedure

INFOID:000000001850223

1. CHECK LOAD SIGNAL CIRCUIT OVERALL FUNCTION-I

1. Turn ignition switch ON.
2. Check "LOAD SIGNAL" in "DATA MONITOR" mode with CONSULT-III under the following conditions.

Condition	LOAD SIGNAL
Lighting switch: ON at 2nd position	ON
Lighting switch: OFF	OFF

OK or NG

- OK >> GO TO 2.
NG >> GO TO 4.

2. CHECK LOAD SIGNAL CIRCUIT OVERALL FUNCTION-II

Check "LOAD SIGNAL" in "DATA MONITOR" mode with CONSULT-III under the following conditions.

Condition	LOAD SIGNAL
Rear window defogger switch: ON	ON
Rear window defogger switch: OFF	OFF

OK or NG

- OK >> GO TO 3.
NG >> GO TO 5.

3. CHECK HEATER FAN SIGNAL CIRCUIT OVERALL FUNCTION

Check "HEATER FAN SW" in "DATA MONITOR" mode with CONSULT-III under the following conditions.

Condition	LOAD SIGNAL
Heater fan control switch: ON	ON
Heater fan control switch: OFF	OFF

OK or NG

- OK >> **INSPECTION END.**
NG >> GO TO 6.

4. CHECK HEADLAMP SYSTEM

Refer to [LT-4](#) or [LT-25](#).

>> **INSPECTION END**

5. CHECK REAR WINDOW DEFOGGER SYSTEM

ELECTRICAL LOAD SIGNAL

< SERVICE INFORMATION >

[MR]

Refer to [GW-76](#).

>> **INSPECTION END**

6.CHECK HEATER FAN CONTROL SYSTEM

Refer to [MTC-27](#).

>> **INSPECTION END**

FUEL INJECTOR

< SERVICE INFORMATION >

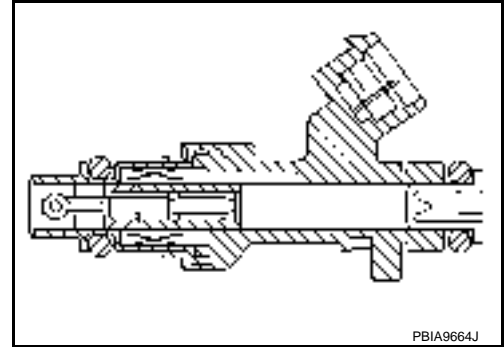
[MR]

FUEL INJECTOR

Component Description

INFOID:000000001850224

The fuel injector is a small, precise solenoid valve. When the ECM supplies a ground to the fuel injector circuit, the coil in the fuel injector is energized. The energized coil pulls the ball valve back and allows fuel to flow through the fuel injector into the intake manifold. The amount of fuel injected depends upon the injection pulse duration. Pulse duration is the length of time the fuel injector remains open. The ECM controls the injection pulse duration based on engine fuel needs.



CONSULT-III Reference Value in Data Monitor Mode

INFOID:000000001850225

Specification data are reference values.

MONITOR ITEM	CONDITION		SPECIFICATION
B/FUEL SCHDL	See EC-127 .		
INJ PULSE-B1	<ul style="list-style-type: none">• Engine: After warming up• Air conditioner switch: OFF• Shift lever: P or N (CVT), Neutral (M/T)• No load	Idle	2.0 - 3.0 msec
		2,000 rpm	1.9 - 2.9 msec

FUEL INJECTOR

< SERVICE INFORMATION >

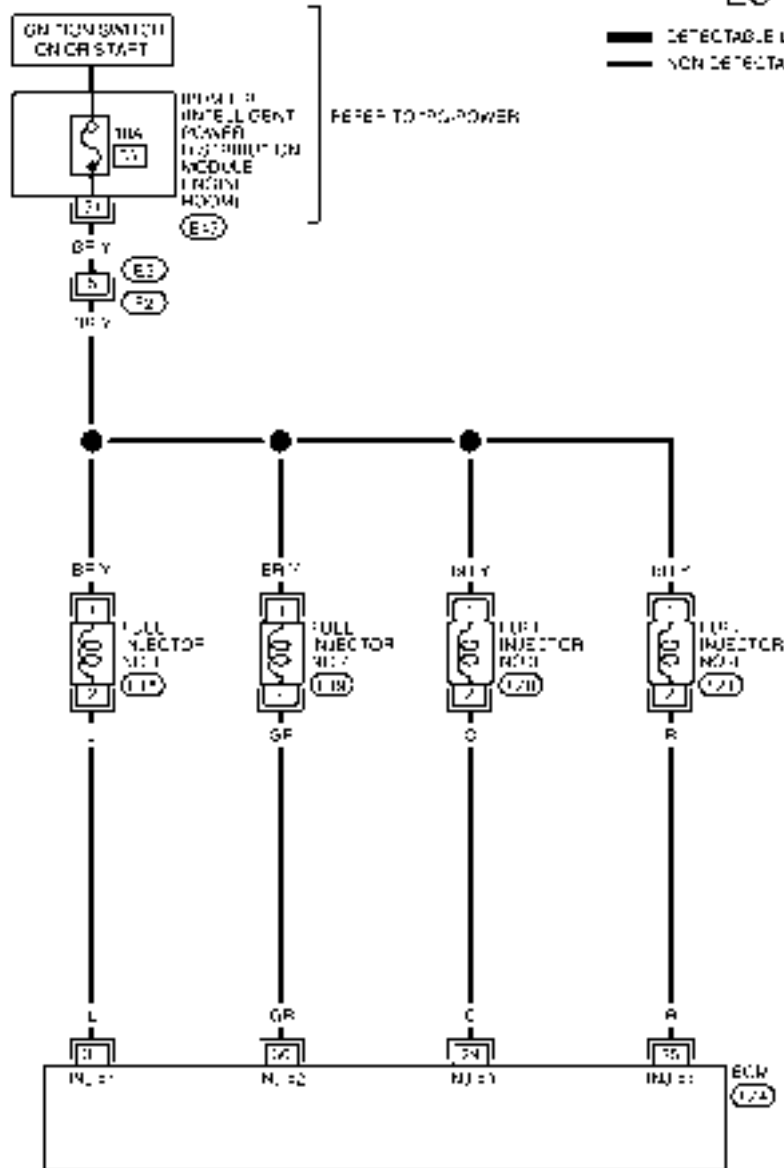
[MR]

Wiring Diagram

INFOID:00000001850226

EC-INJECT-01

— DETECTABLE LINE FOR DTC
 - - - NON DETECTABLE LINE FOR DTC



BBWA2907E

Specification data are reference values and are measured between each terminal and ground. Pulse signal is measured by CONSULT-III.

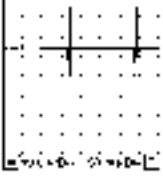
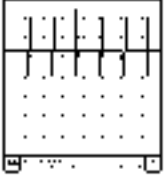
CAUTION:

FUEL INJECTOR

< SERVICE INFORMATION >

[MR]

Do not use ECM ground terminals when measuring input/output voltage. Doing so may result in damage to the ECM's transistor. Use a ground other than ECM terminals, such as the ground.

TERMINAL NO.	WIRE COLOR	ITEM	CONDITION	DATA (DC Voltage)	
25	R	Fuel injector No. 4	[Engine is running] • Warm-up condition • Idle speed NOTE: The pulse cycle changes depending on rpm at idle	BATTERY VOLTAGE (11 - 14V)★  PBIB0529E	
29	O	Fuel injector No. 3			
30	GR	Fuel injector No. 2		[Engine is running] • Warm-up condition • Engine speed: 2,000 rpm	BATTERY VOLTAGE (11 - 14V)★  PBIA4943J
31	L	Fuel injector No. 1			

★: Average voltage for pulse signal (Actual pulse signal can be confirmed by oscilloscope.)

Diagnosis Procedure

INFOID:000000001850227

1. INSPECTION START

Turn ignition switch to START.

Is any cylinder ignited?

Yes or No

Yes >> GO TO 2.

No >> GO TO 3.

2. CHECK OVERALL FUNCTION

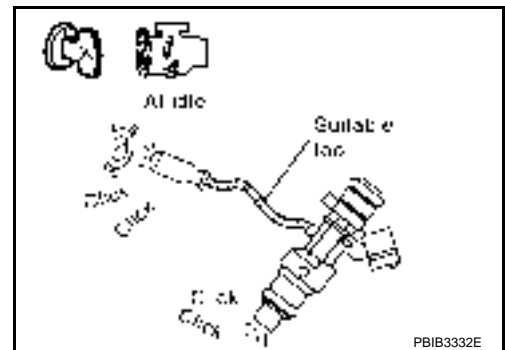
▮ **With CONSULT-III**

1. Start engine.
2. Perform "POWER BALANCE" in "ACTIVE TEST" mode with CONSULT-III.
3. Make sure that each circuit produces a momentary engine speed drop.

✕ **Without CONSULT-III**

1. Start engine.
2. Listen to each fuel injector operating sound.

Clicking noise should be heard.



OK or NG

OK >> **INSPECTION END**

NG >> GO TO 3.

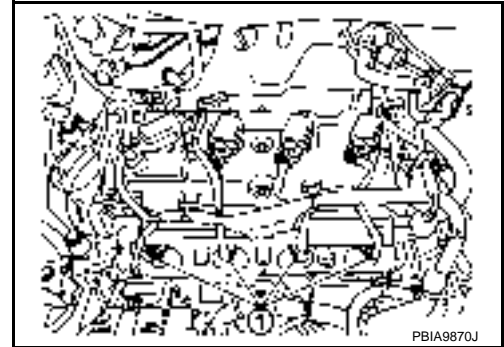
FUEL INJECTOR

[MR]

< SERVICE INFORMATION >

3. CHECK FUEL INJECTOR POWER SUPPLY CIRCUIT

1. Turn ignition switch OFF.
2. Disconnect fuel injector (1) harness connector.
3. Turn ignition switch ON.

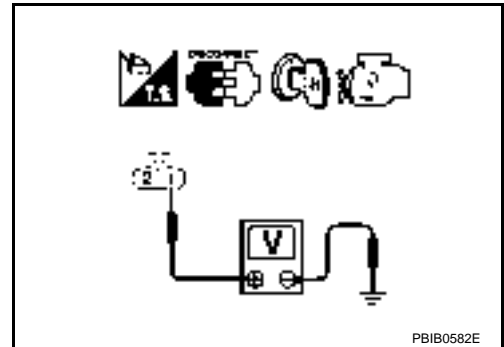


4. Check voltage between fuel injector terminal 1 and ground with CONSULT-III or tester.

Voltage: Battery voltage

OK or NG

- OK >> GO TO 5.
NG >> GO TO 4.



4. DETECT MALFUNCTIONING PART

Check the following.

- Harness connectors E3, F2
- IPDM E/R harness connector E45
- 10A fuse
- Harness for open or short between fuel injector and fuse

>> Repair open circuit or short to ground or short to power in harness or connectors.

5. CHECK FUEL INJECTOR OUTPUT SIGNAL CIRCUIT FOR OPEN AND SHORT

1. Turn ignition switch OFF.
2. Disconnect ECM harness connector.
3. Check harness continuity between fuel injector terminal 2 and ECM terminals 25, 29, 30, 31. Refer to Wiring Diagram.

Continuity should exist.

4. Also check harness for short to ground and short to power.

OK or NG

- OK >> GO TO 6.
NG >> Repair open circuit or short to ground or short to power in harness or connectors.

6. CHECK FUEL INJECTOR

Refer to [EC-499, "Component Inspection"](#).

OK or NG

- OK >> GO TO 7.
NG >> Replace fuel injector.

7. CHECK INTERMITTENT INCIDENT

Refer to [EC-135](#).

FUEL INJECTOR

< SERVICE INFORMATION >

[MR]

>> INSPECTION END

Component Inspection

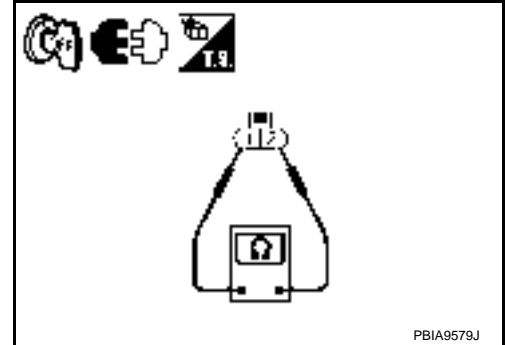
INFOID:000000001850228

FUEL INJECTOR

1. Disconnect fuel injector harness connector.
2. Check resistance between terminals as shown in the figure.

Resistance: 11.1 - 14.5Ω [at 10 - 60°C (50 - 140°F)]

3. If NG, replace fuel injector.



Removal and Installation

INFOID:000000001850229

FUEL INJECTOR

Refer to [EM-33](#).

A
EC
C
D
E
F
G
H
I
J
K
L
M
N
O
P

FUEL PUMP

< SERVICE INFORMATION >

[MR]

FUEL PUMP

Description

INFOID:000000001850230

SYSTEM DESCRIPTION

Sensor	Input Signal to ECM	ECM Function	Actuator
Crankshaft position sensor (POS) Camshaft position sensor (PHASE)	Engine speed*	Fuel pump control	Fuel pump relay
Battery	Battery voltage*		

*: ECM determines the start signal status by the signals of engine speed and battery voltage.

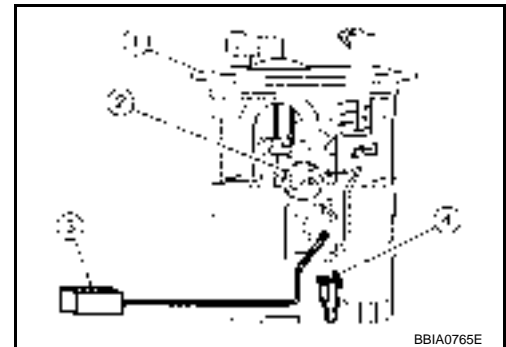
The ECM activates the fuel pump for several seconds after the ignition switch is turned ON to improve engine startability. If the ECM receives a engine speed signal from the crankshaft position sensor (POS) and camshaft position sensor (PHASE), it knows that the engine is rotating, and causes the pump to operate. If the engine speed signal is not received when the ignition switch is ON, the engine stalls. The ECM stops pump operation and prevents battery discharging, thereby improving safety. The ECM does not directly drive the fuel pump. It controls the ON/OFF fuel pump relay, which in turn controls the fuel pump.

Condition	Fuel pump operation
Ignition switch is turned to ON	Operates for 1 second
Engine running and cranking	Operates
Engine: Stopped	Stops in 1.5 seconds
Except as shown above	Stops

COMPONENT DESCRIPTION

A turbine type design fuel pump is used in the fuel tank.

- Fuel level sensor unit and fuel pump (1)
- Fuel pressure regulator (2)
- Fuel level sensor (3)
- Fuel tank temperature sensor (4)



CONSULT-III Reference Value in Data Monitor Mode

INFOID:000000001850231

Specification data are reference values.

MONITOR ITEM	CONDITION	SPECIFICATION
FUEL PUMP RLY	<ul style="list-style-type: none"> • For 1 second after turning ignition switch ON • Engine running or cranking 	ON
	<ul style="list-style-type: none"> • Except above conditions 	OFF

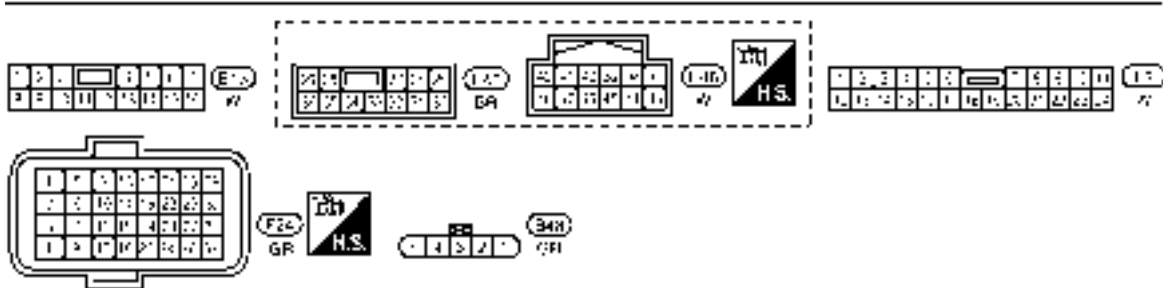
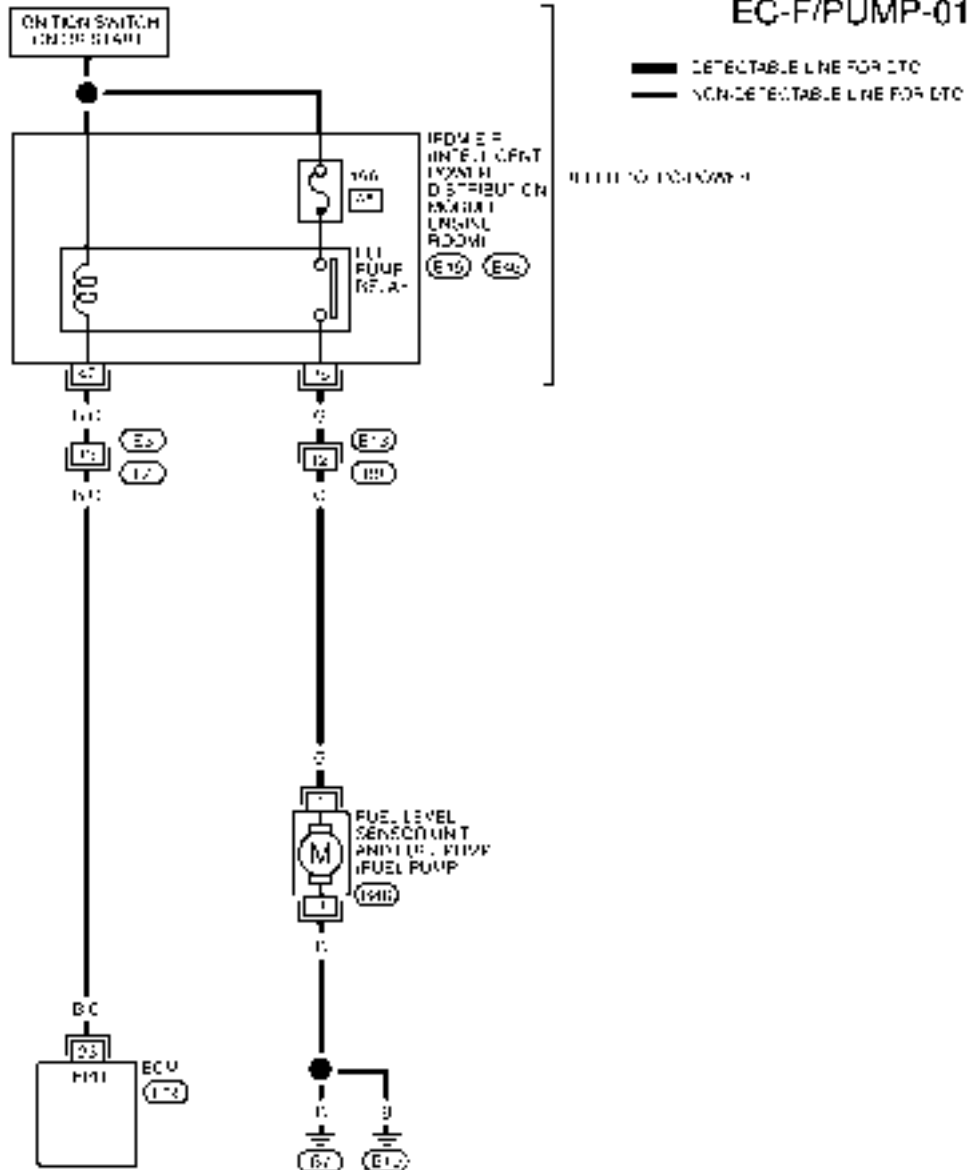
FUEL PUMP

< SERVICE INFORMATION >

[MR]

Wiring Diagram

INFOID:000000001850232



BBWA2908E

Specification data are reference values and are measured between each terminal and ground.

CAUTION:

Do not use ECM ground terminals when measuring input/output voltage. Doing so may result in damage to the ECM's transistor. Use a ground other than ECM terminals, such as the ground.

FUEL PUMP

< SERVICE INFORMATION >

[MR]

TERMI- NAL NO.	WIRE COLOR	ITEM	CONDITION	DATA (DC Voltage)
23	B/O	Fuel pump relay	[Ignition switch: ON] • For 1 second after turning ignition switch ON [Engine is running]	0 - 1.0V
			[Ignition switch: ON] • More than 1 second after turning ignition switch ON	BATTERY VOLTAGE (11 - 14V)

Diagnosis Procedure

INFOID:000000001850233

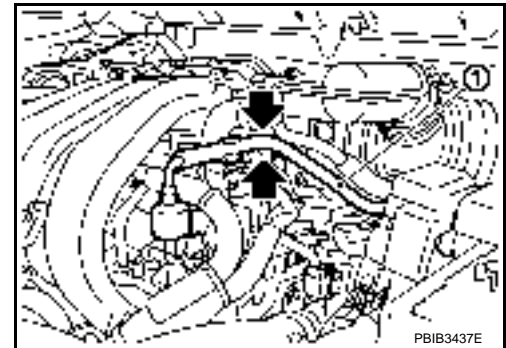
1. CHECK OVERALL FUNCTION

- Turn ignition switch ON.
- Pinch fuel feed hose (1) with two fingers.
- This illumination is shows the view with intake air duct removed.

Fuel pressure pulsation should be felt on the fuel feed hose for 1 second after ignition switch is turned ON.

OK or NG

- OK >> **INSPECTION END**
 NG >> GO TO 2.



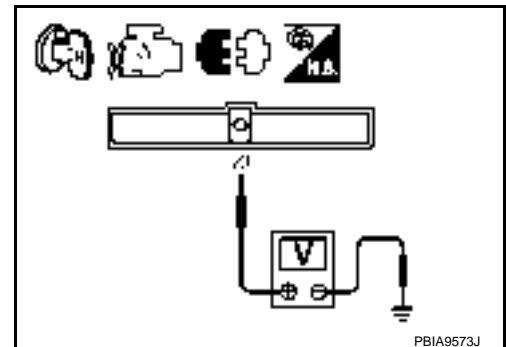
2. CHECK FUEL PUMP POWER SUPPLY CIRCUIT-I

- Turn ignition switch OFF.
- Disconnect ECM harness connector.
- Turn ignition switch ON.
- Check voltage between ECM terminal 23 and ground with CONSULT-III or tester.

Voltage: Battery voltage

OK or NG

- OK >> GO TO 5.
 NG >> GO TO 3.



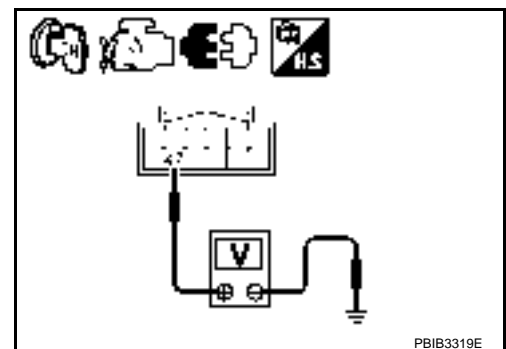
3. CHECK FUEL PUMP POWER SUPPLY CIRCUIT-II

- Turn ignition switch OFF.
- Disconnect IPDM E/R harness connector E46.
- Turn ignition switch ON.
- Check voltage between IPDM E/R terminal 47 and ground with CONSULT-III or tester.

Voltage: Battery voltage

OK or NG

- OK >> GO TO 4.
 NG >> GO TO 11.



< SERVICE INFORMATION >

4. DETECT MALFUNCTIONING PART

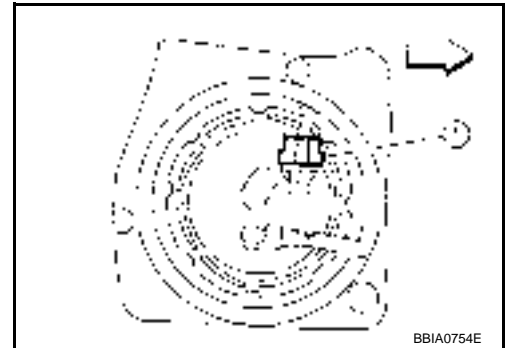
Check the following.

- Harness connectors E3, F2
- Harness for open or short between IPDM E/R and ECM

>> Repair open circuit or short to ground or short to power in harness or connectors.

5. CHECK FUEL PUMP POWER SUPPLY CIRCUIT-III

1. Turn ignition switch OFF.
2. Reconnect all harness connectors disconnected.
3. Disconnect "fuel level sensor unit and fuel pump" harness connector (1).
 - This illumination is shows the view with inspection hole cover removed.
4. Turn ignition switch ON.

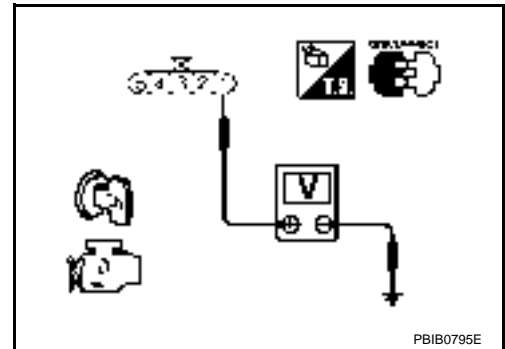


5. Check voltage between "fuel level sensor unit and fuel pump" terminal 1 and ground with CONSULT-III or tester.

Voltage: Battery voltage should exist for 1 second after ignition switch is turned ON.

OK or NG

- OK >> GO TO 9.
- NG >> GO TO 6.



6. CHECK 15A FUSE

1. Turn ignition switch OFF.
2. Disconnect 15A fuse.
3. Check 15A fuse.

OK or NG

- OK >> GO TO 7.
- NG >> Replace fuse.

7. CHECK FUEL PUMP POWER SUPPLY CIRCUIT-IV

1. Disconnect IPDM E/R harness connector E45.
2. Check harness continuity between IPDM E/R terminal 36 and "fuel level sensor unit and fuel pump" terminal 1. Refer to Wiring Diagram.

Continuity should exist.

3. Also check harness for short to ground and short to power.

OK or NG

- OK >> GO TO 11.
- NG >> GO TO 8.

8. DETECT MALFUNCTIONING PART

Check the following.

- Harness connectors E13, B9
- Harness for open or short between IPDM E/R and "fuel level sensor unit and fuel pump"

A
EC
C
D
E
F
G
H
I
J
K
L
M
N
O
P

FUEL PUMP

< SERVICE INFORMATION >

[MR]

>> Repair open circuit or short to ground or short to power in harness or connectors.

9. CHECK FUEL PUMP GROUND CIRCUIT

1. Check harness continuity between "fuel level sensor unit and fuel pump" terminal 3 and ground. Refer to Wiring Diagram.

Continuity should exist.

2. Also check harness for short to power.

OK or NG

OK >> GO TO 10.

NG >> Repair or replace harness or connectors.

10. CHECK FUEL PUMP

Refer to [EC-504, "Component Inspection"](#).

OK or NG

OK >> GO TO 11.

NG >> Replace fuel pump.

11. CHECK INTERMITTENT INCIDENT

Refer to [EC-135](#).

OK or NG

OK >> Replace IPDM E/R. Refer to [PG-17](#).

NG >> Repair or replace harness or connectors.

Component Inspection

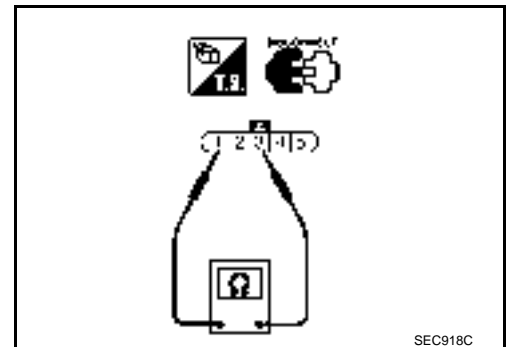
INFOID:000000001850234

FUEL PUMP

1. Disconnect "fuel level sensor unit and fuel pump" harness connector.
2. Check resistance between "fuel level sensor unit and fuel pump" terminals 1 and 3.

Resistance: Approximately 0.2 - 5.0Ω [at 25°C (77°F)]

3. If NG, replace "fuel level sensor unit and fuel pump".



Removal and Installation

INFOID:000000001850235

FUEL PUMP

Refer to [FL-5](#).

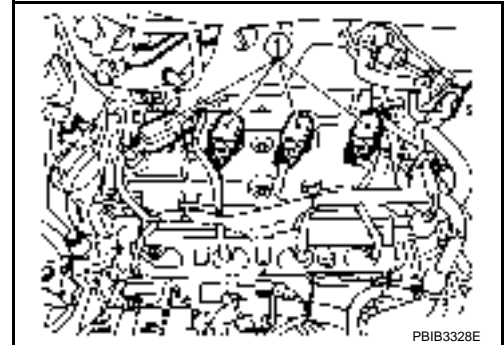
IGNITION SIGNAL

Component Description

INFOID:000000001850236

IGNITION COIL & POWER TRANSISTOR

The ignition signal from the ECM is sent to and amplified by the power transistor. The power transistor turns ON and OFF the ignition coil (1) primary circuit. This ON/OFF operation induces the proper high voltage in the coil secondary circuit.



A

EC

C

D

E

F

G

H

I

J

K

L

M

N

O

P

IGNITION SIGNAL

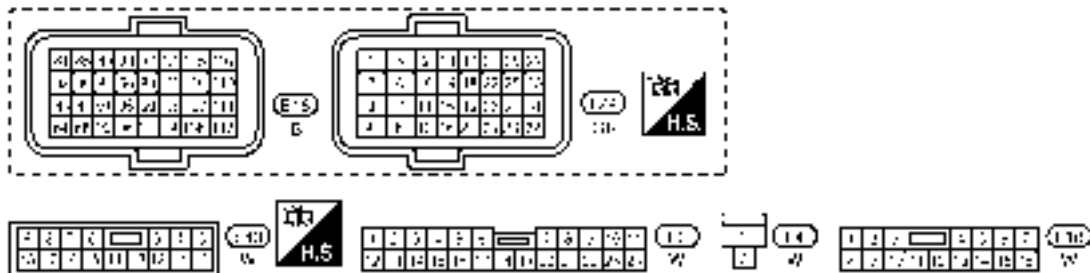
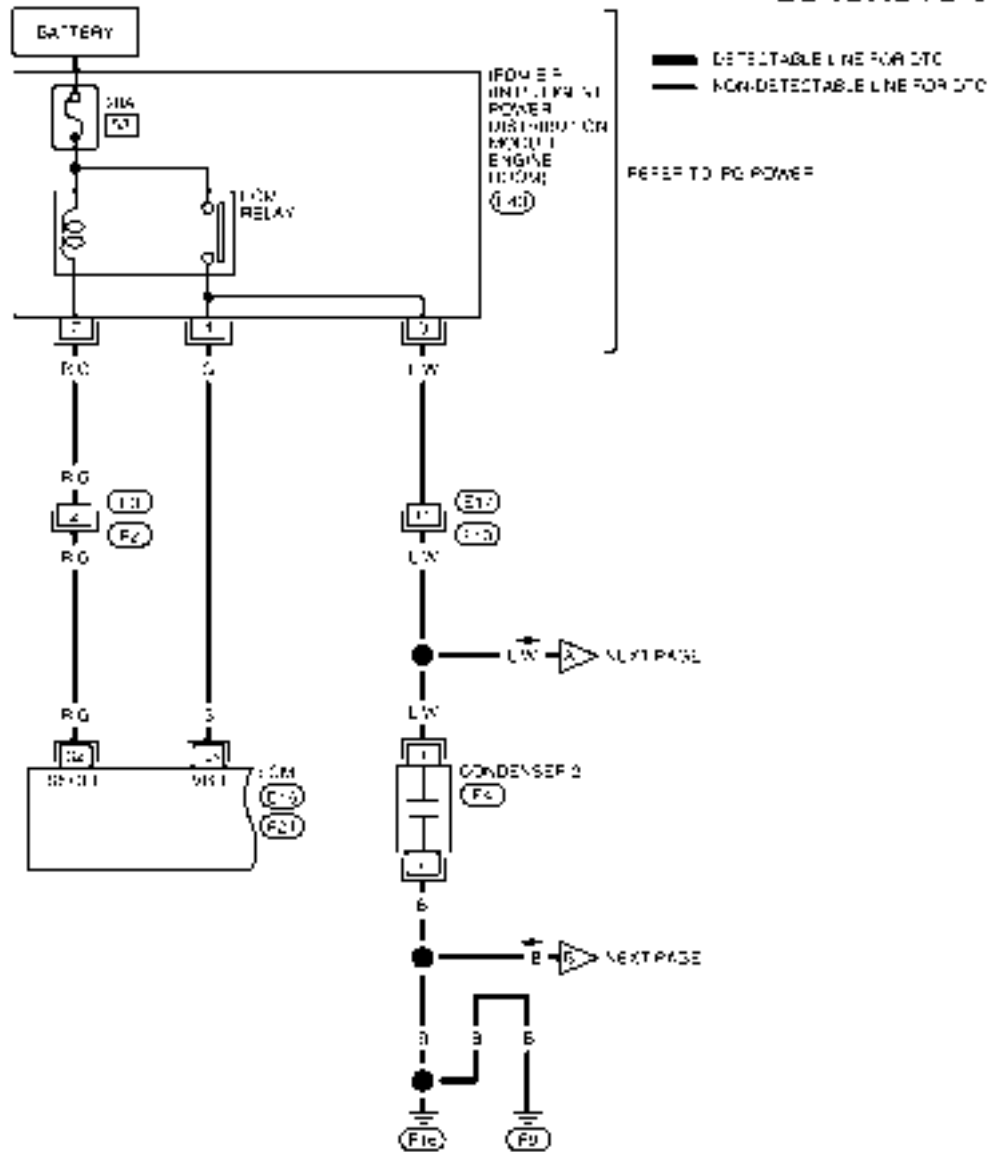
< SERVICE INFORMATION >

[MR]

Wiring Diagram

INFOID:000000001850237

EC-IGNSYS-01



BBWA2909E

Specification data are reference values and are measured between each terminal and ground.

CAUTION:

Do not use ECM ground terminals when measuring input/output voltage. Doing so may result in damage to the ECM's transistor. Use a ground other than ECM terminals, such as the ground.

IGNITION SIGNAL

< SERVICE INFORMATION >

[MR]

TER- MI- NAL NO.	WIRE COLOR	ITEM	CONDITION	DATA (DC Voltage)
32	R/G	ECM relay (Self shut-off)	[Engine is running] [Ignition switch: OFF] <ul style="list-style-type: none"> For a few seconds after turning ignition switch OFF 	0 - 1.0V
			[Ignition switch: OFF] <ul style="list-style-type: none"> More than a few seconds after turning ignition switch OFF 	BATTERY VOLTAGE (11 - 14V)
105	G	Power supply for ECM	[Ignition switch: ON]	BATTERY VOLTAGE (11 - 14V)

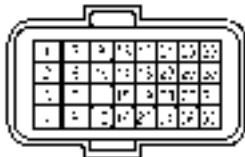
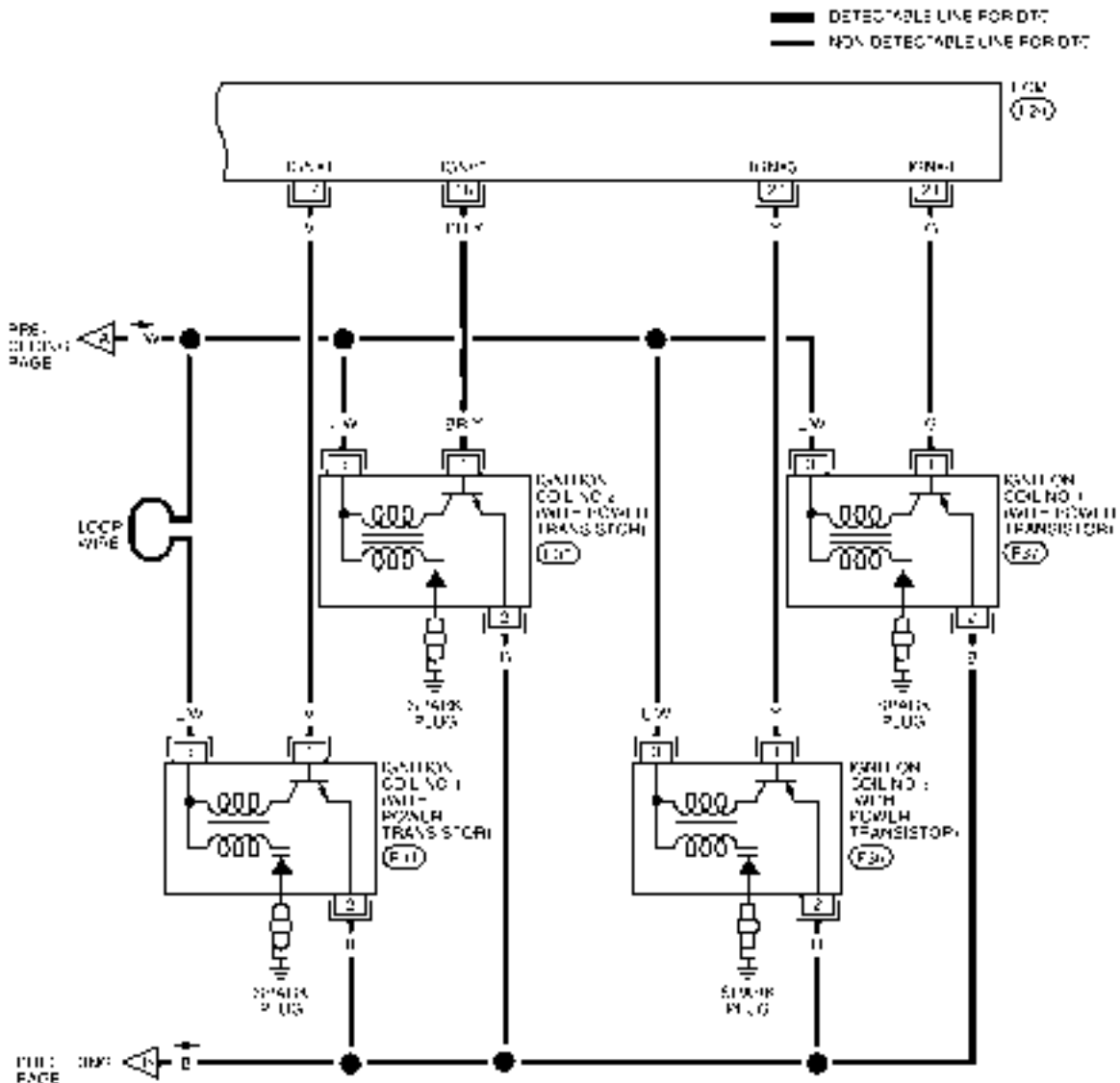
A
EC
C
D
E
F
G
H
I
J
K
L
M
N
O
P

IGNITION SIGNAL

< SERVICE INFORMATION >

[MR]

EC-IGNSYS-02



BBWA2910E

Specification data are reference values and are measured between each terminal and ground. Pulse signal is measured by CONSULT-III.

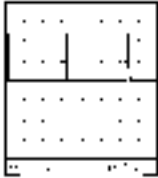
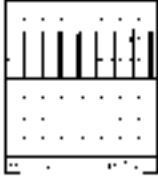
CAUTION:

Do not use ECM ground terminals when measuring input/output voltage. Doing so may result in damage to the ECM's transistor. Use a ground other than ECM terminals, such as the ground.

IGNITION SIGNAL

< SERVICE INFORMATION >

[MR]

TER-MI-NAL NO.	WIRE COLOR	ITEM	CONDITION	DATA (DC Voltage)
17	V	Ignition signal No. 1	[Engine is running] • Warm-up condition • Idle speed NOTE: The pulse cycle changes depending on rpm at idle	0 - 0.3V★  PBI A9265J
18	BR/Y	Ignition signal No. 2		
21	G	Ignition signal No. 4		
22	Y	Ignition signal No. 3		
			[Engine is running] • Warm-up condition • Engine speed: 2,500 rpm	0.2 - 0.5V★  PBI A9266J

★: Average voltage for pulse signal (Actual pulse signal can be confirmed by oscilloscope.)

Diagnosis Procedure

INFOID:000000001850238

1. CHECK ENGINE START

Turn ignition switch OFF, and restart engine.

Is engine running?

Yes or No

Yes (With CONSULT-III) >> GO TO 2.

Yes (Without CONSULT-III) >> GO TO 3.

No >> GO TO 4.

2. CHECK OVERALL FUNCTION

With CONSULT-III

1. Perform "POWER BALANCE" in "ACTIVE TEST" mode with CONSULT-III.

2. Make sure that each circuit produces a momentary engine speed drop.

OK or NG

OK >> INSPECTION END

NG >> GO TO 10.

3. CHECK OVERALL FUNCTION

Without CONSULT-III

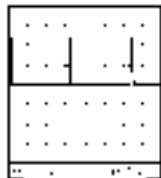
1. Let engine idle.

2. Read the voltage signal between ECM terminals 17, 18, 21, 22 and ground with an oscilloscope.

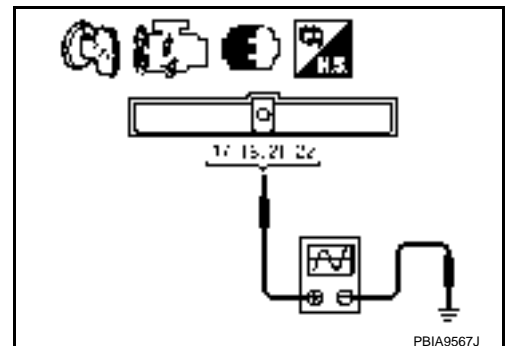
3. Verify that the oscilloscope screen shows the signal wave as shown below.

NOTE:

The pulse cycle changes depending on rpm at idle.



PBI A9265J



PBI A9567J

OK or NG

IGNITION SIGNAL

[MR]

< SERVICE INFORMATION >

- OK >> **INSPECTION END**
NG >> GO TO 10.

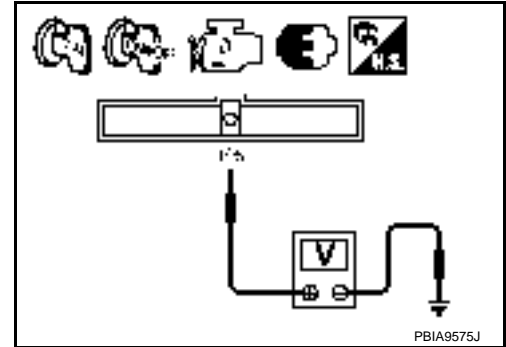
4.CHECK IGNITION COIL POWER SUPPLY CIRCUIT-I

1. Turn ignition switch OFF, wait at least 10 seconds and then turn ON.
2. Check voltage between ECM terminal 105 and ground with CONSULT-III or tester.

Voltage: Battery voltage

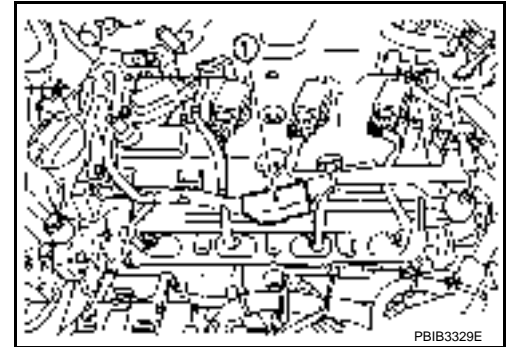
OK or NG

- OK >> GO TO 5.
NG >> Go to [EC-136](#).



5.CHECK IGNITION COIL POWER SUPPLY CIRCUIT-II

1. Turn ignition switch OFF.
2. Disconnect condenser-2 (1) harness connector.
3. Turn ignition switch ON.

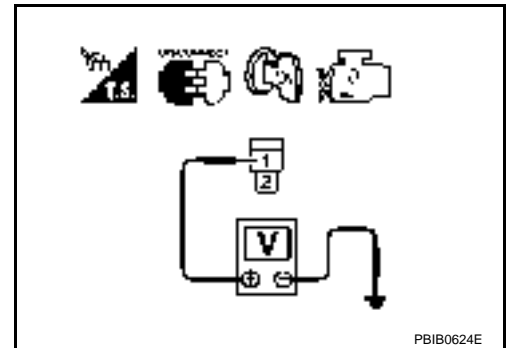


4. Check voltage between condenser-2 terminal 1 and ground with CONSULT-III or tester.

Voltage: Battery voltage

OK or NG

- OK >> GO TO 8.
NG >> GO TO 6.



6.CHECK IGNITION COIL POWER SUPPLY CIRCUIT-III

1. Turn ignition switch OFF.
2. Disconnect IPDM E/R harness connector E43.
3. Check harness continuity between IPDM E/R terminal 3 and condenser-2 terminal 1.
Refer to Wiring Diagram.

Continuity should exist.

4. Also check harness for short to ground and short to power.

OK or NG

- OK >> Go to [EC-136](#).
NG >> GO TO 7.

7.DETECT MALFUNCTIONING PART

Check the following.

- Harness connectors E17, F10

IGNITION SIGNAL

[MR]

< SERVICE INFORMATION >

- Harness for open or short between IPDM E/R and condenser-2

>> Repair open circuit or short to ground or short to power in harness or connectors.

8. CHECK CONDENSER-2 GROUND CIRCUIT FOR OPEN AND SHORT

1. Turn ignition switch OFF.
2. Check harness continuity between condenser-2 terminal 2 and ground.
Refer to Wiring Diagram.

Continuity should exist.

3. Also check harness for short to power.

OK or NG

OK >> GO TO 9.

NG >> Repair open circuit or short to power in harness or connectors.

9. CHECK CONDENSER-2

Refer to [EC-512. "Component Inspection"](#)

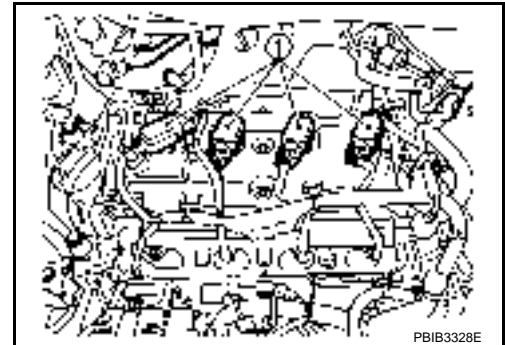
OK or NG

OK >> GO TO 10.

NG >> Replace condenser-2.

10. CHECK IGNITION COIL POWER SUPPLY CIRCUIT-IV

1. Turn ignition switch OFF.
2. Reconnect all harness connectors disconnected.
3. Disconnect ignition coil (1) harness connector.
4. Turn ignition switch ON.



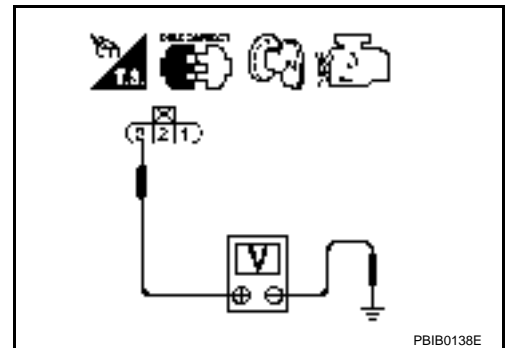
5. Check voltage between ignition coil terminal 3 and ground with CONSULT-III or tester.

Voltage: Battery voltage

OK or NG

OK >> GO TO 12.

NG >> GO TO 11.



11. DETECT MALFUNCTIONING PART

Check the following.

- Harness connector F10
- Harness for open or short between ignition coil and harness connector F10

>> Repair or replace harness or connectors.

12. CHECK IGNITION COIL GROUND CIRCUIT FOR OPEN AND SHORT

1. Turn ignition switch OFF.

A
EC
C
D
E
F
G
H
I
J
K
L
M
N
O
P

IGNITION SIGNAL

[MR]

< SERVICE INFORMATION >

2. Check harness continuity between ignition coil terminal 2 and ground.
Refer to Wiring Diagram.

Continuity should exist.

3. Also check harness for short to power.

OK or NG

OK >> GO TO 13.

NG >> Repair open circuit or short to power in harness or connectors.

13. CHECK IGNITION COIL OUTPUT SIGNAL CIRCUIT FOR OPEN AND SHORT

1. Disconnect ECM harness connector.
2. Check harness continuity between ECM terminals 17, 18, 21, 22 and ignition coil terminal 1.
Refer to Wiring Diagram.

Continuity should exist.

3. Also check harness for short to ground and short to power.

OK or NG

OK >> GO TO 14.

NG >> Repair open circuit or short to ground or short to power in harness or connectors.

14. CHECK IGNITION COIL WITH POWER TRANSISTOR

Refer to [EC-512. "Component Inspection"](#).

OK or NG

OK >> GO TO 15.

NG >> Replace ignition coil with power transistor.

15. CHECK INTERMITTENT INCIDENT

Refer to [EC-135](#).

>> **INSPECTION END**

Component Inspection

INFOID:000000001850239

IGNITION COIL WITH POWER TRANSISTOR

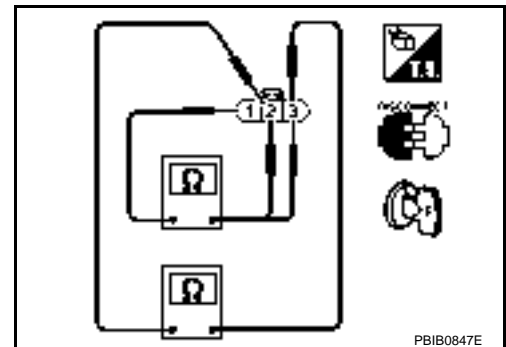
CAUTION:

Do the following procedure in the place where ventilation is good without the combustible.

1. Turn ignition switch OFF.
2. Disconnect ignition coil harness connector.
3. Check resistance between ignition coil terminals as follows.

Terminal No. (Polarity)	Resistance Ω [at 25°C (77°F)]
1 and 2	Except 0 or ∞
1 and 3	Except 0
2 and 3	

4. If NG, replace ignition coil with power transistor.
If OK, go to next step.
5. Turn ignition switch OFF.
6. Reconnect all harness connectors disconnected.



IGNITION SIGNAL

< SERVICE INFORMATION >

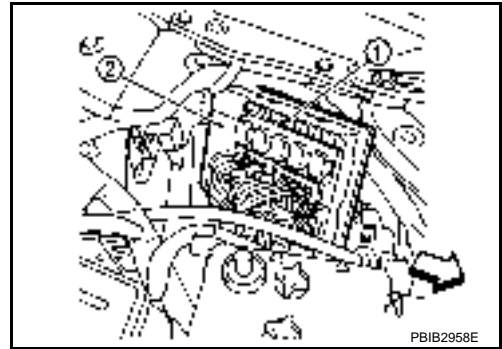
[MR]

- Remove fuel pump fuse (1) in IPDM E/R (2) to release fuel pressure.

NOTE:

Do not use CONSULT-III to release fuel pressure, or fuel pressure applies again during the following procedure.

- ◀ : Vehicle front
- Start engine.
 - After engine stalls, crank it two or three times to release all fuel pressure.
 - Turn ignition switch OFF.
 - Remove all ignition coil harness connectors to avoid the electrical discharge from the ignition coils.
 - Remove ignition coil and spark plug of the cylinder to be checked.
 - Crank engine for 5 seconds or more to remove combustion gas in the cylinder.
 - Connect spark plug and harness connector to ignition coil.
 - Fix ignition coil using a rope etc. with gap of 13 - 17 mm between the edge of the spark plug and grounded metal portion as shown in the figure.
 - Crank engine for about 3 seconds, and check whether spark is generated between the spark plug and the grounded metal portion.



PBIB2958E

Spark should be generated.

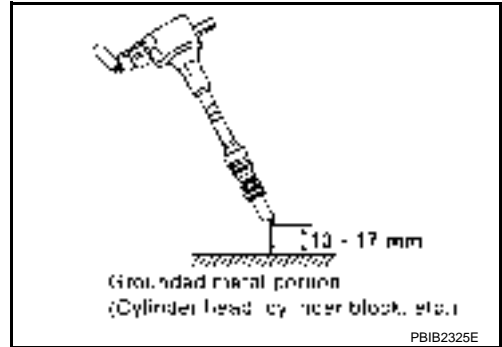
CAUTION:

- Do not approach to the spark plug and the ignition coil within 50cm. Be careful not to get an electrical shock while checking, because the electrical discharge voltage becomes 20kV or more.
- It might cause to damage the ignition coil if the gap of more than 17 mm is taken.

NOTE:

When the gap is less than 13 mm, the spark might be generated even if the coil is malfunctioning.

- If NG, replace ignition coil with power transistor.



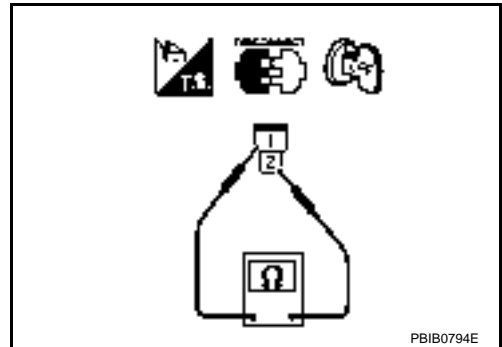
PBIB2325E

CONDENSER-2

- Turn ignition switch OFF.
- Disconnect condenser-2 harness connector.
- Check resistance between condenser-2 terminals 1 and 2.

Resistance: Above 1 MΩ [at 25°C (77°F)]

- If NG, replace condenser-2.



PBIB0794E

Removal and Installation

IGNITION COIL WITH POWER TRANSISTOR

Refer to [EM-30](#).

INFOID:000000001850240

REFRIGERANT PRESSURE SENSOR

< SERVICE INFORMATION >


[MR]

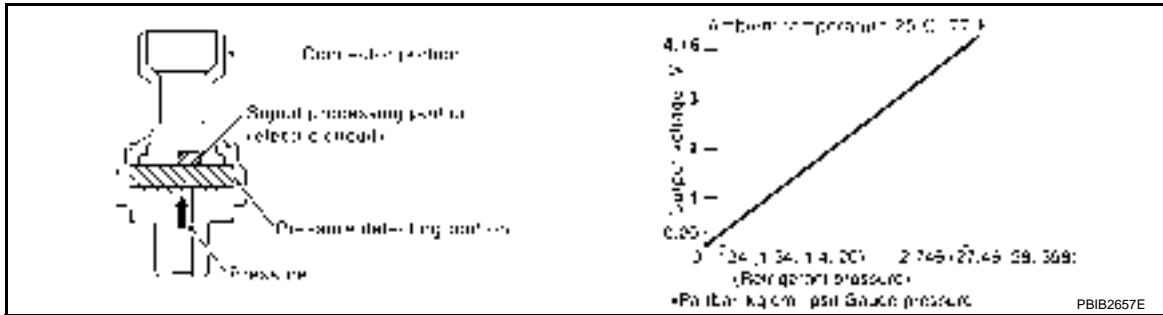
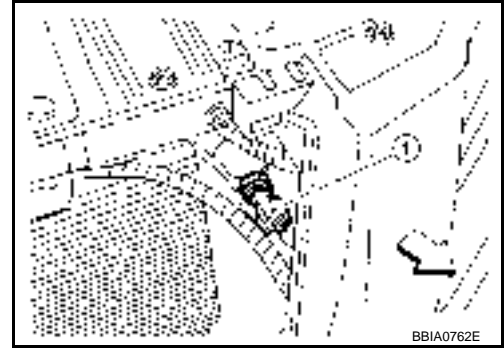
REFRIGERANT PRESSURE SENSOR

Component Description

INFOID:000000001850241

The refrigerant pressure sensor (1) is installed at the condenser of the air conditioner system. The sensor uses an electrostatic volume pressure transducer to convert refrigerant pressure to voltage. The voltage signal is sent to ECM, and ECM controls cooling fan system.

-  Vehicle front



REFRIGERANT PRESSURE SENSOR

< SERVICE INFORMATION >

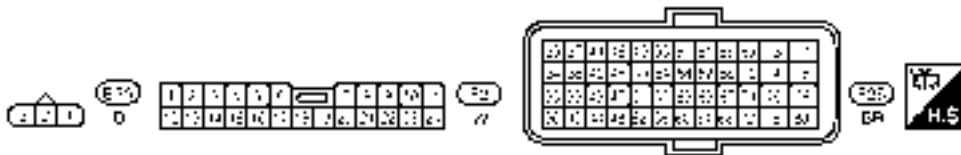
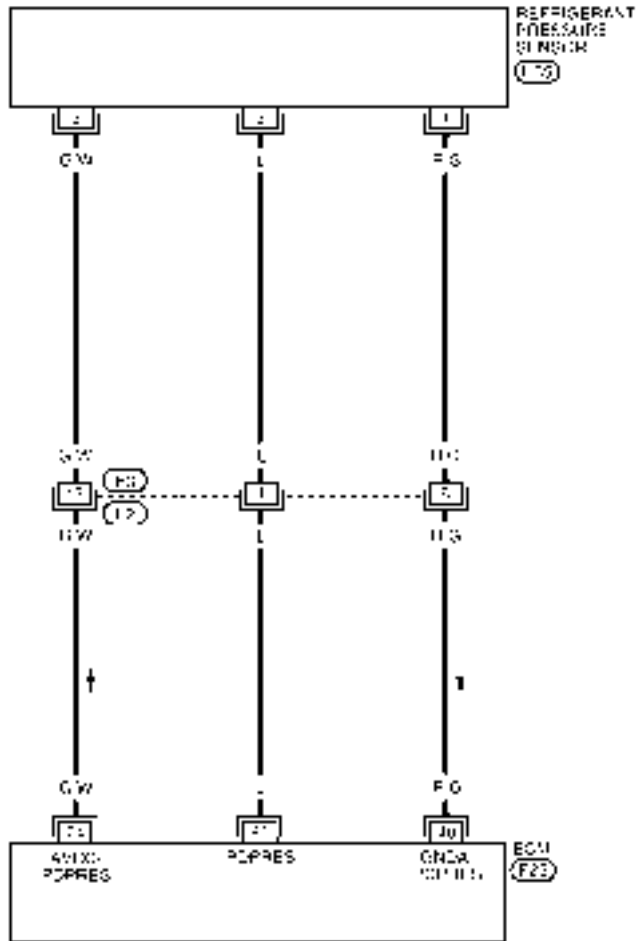
[MR]

Wiring Diagram

INFOID:000000001850242

EC-RP/SEN-01

— DETECTABLE LINE FOR DTC
 — NON-DETECTABLE LINE FOR DTC



BBWA2911E

Specification data are reference values and are measured between each terminal and ground.

CAUTION:

Do not use ECM ground terminals when measuring input/output voltage. Doing so may result in damage to the ECM's transistor. Use a ground other than ECM terminals, such as the ground.

REFRIGERANT PRESSURE SENSOR

< SERVICE INFORMATION >

[MR]

TERMI- NAL NO.	WIRE COLOR	ITEM	CONDITION	DATA (DC Voltage)
41	L	Refrigerant pressure sensor	[Engine is running] • Warm-up condition • Both A/C switch and blower fan switch: ON (Compressor operates)	1.0 - 4.0V
48	R/G	Sensor ground (Refrigerant pressure sensor)	[Engine is running] • Warm-up condition • Idle speed	Approximately 0V
74	G/W	Sensor power supply (Refrigerant pressure sensor)	[Ignition switch: ON]	Approximately 5V

Diagnosis Procedure

INFOID:000000001850243

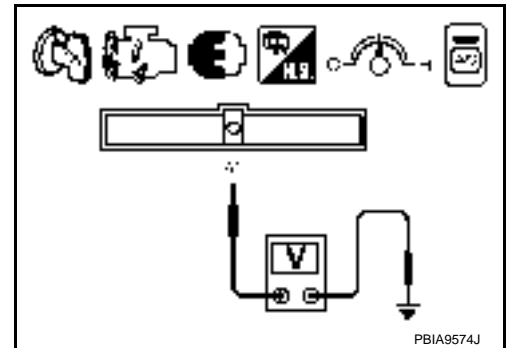
1. CHECK REFRIGERANT PRESSURE SENSOR OVERALL FUNCTION

1. Start engine and warm it up to normal operating temperature.
2. Turn A/C switch and blower fan switch ON.
3. Check voltage between ECM terminal 41 and ground with CONSULT-III or tester.

Voltage: 1.0 - 4.0V

OK or NG

- OK >> **INSPECTION END**
 NG >> GO TO 2.

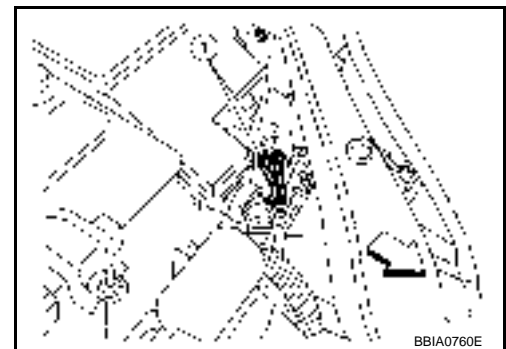


2. CHECK GROUND CONNECTIONS

1. Turn A/C switch and blower fan switch OFF.
 2. Stop engine and turn ignition switch OFF.
 3. Loosen and retighten ground screws on the body.
Refer to [EC-140. "Ground Inspection"](#).
- ◀: Vehicle front
 - Body ground (1)

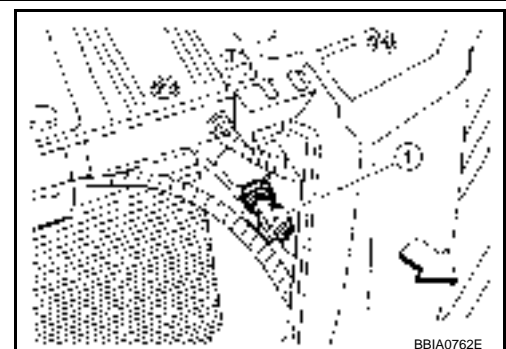
OK or NG

- OK >> GO TO 3.
 NG >> Repair or replace ground connections.



3. CHECK REFRIGERANT PRESSURE SENSOR POWER SUPPLY CIRCUIT

1. Disconnect refrigerant pressure sensor (1) harness connector.
 2. Turn ignition switch ON.
- ◀: Vehicle front



REFRIGERANT PRESSURE SENSOR

[MR]

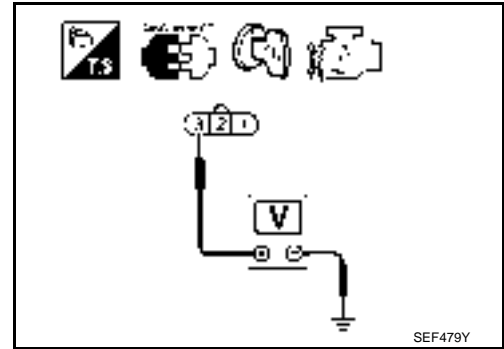
< SERVICE INFORMATION >

3. Check voltage between refrigerant pressure sensor terminal 3 and ground with CONSULT-III or tester.

Voltage: Approximately 5V

OK or NG

- OK >> GO TO 5.
- NG >> GO TO 4.



4. DETECT MALFUNCTIONING PART

Check the following.

- Harness connectors E3, F2
- Harness for open or short between refrigerant pressure sensor and ECM

>> Repair open circuit or short to ground or short to power in harness or connectors.

5. CHECK REFRIGERANT PRESSURE SENSOR GROUND CIRCUIT FOR OPEN AND SHORT

1. Turn ignition switch OFF.
2. Disconnect ECM harness connector.
3. Check harness continuity between refrigerant pressure sensor terminal 1 and ECM terminal 48. Refer to Wiring Diagram.

Continuity should exist.

4. Also check harness for short to ground and short to power.

OK or NG

- OK >> GO TO 7.
- NG >> GO TO 6.

6. DETECT MALFUNCTIONING PART

Check the following.

- Harness connectors E3, F2
- Harness for open or short between refrigerant pressure sensor and ECM

>> Repair open circuit or short to ground or short to power in harness or connectors.

7. CHECK REFRIGERANT PRESSURE SENSOR INPUT SIGNAL CIRCUIT FOR OPEN AND SHORT

1. Check harness continuity between refrigerant pressure sensor terminal 2 and ECM terminal 41. Refer to Wiring Diagram.

Continuity should exist.

2. Also check harness for short to ground and short to power.

OK or NG

- OK >> GO TO 9.
- NG >> GO TO 8.

8. DETECT MALFUNCTIONING PART

Check the following.

- Harness connectors E3, F2
- Harness for open or short between refrigerant pressure sensor and ECM

>> Repair open circuit or short to ground or short to power in harness or connectors.

9. CHECK INTERMITTENT INCIDENT

Refer to [EC-135](#).

REFRIGERANT PRESSURE SENSOR

[MR]

< SERVICE INFORMATION >

OK or NG

OK >> Replace refrigerant pressure sensor.

NG >> Repair or replace.

Removal and Installation

INFOID:000000001850244

REFRIGERANT PRESSURE SENSOR

Refer to [MTC-93, "Removal and Installation for Refrigerant Pressure Sensor"](#).

MIL AND DATA LINK CONNECTOR

< SERVICE INFORMATION >

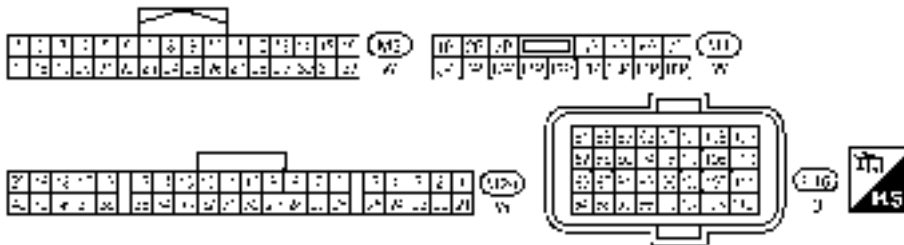
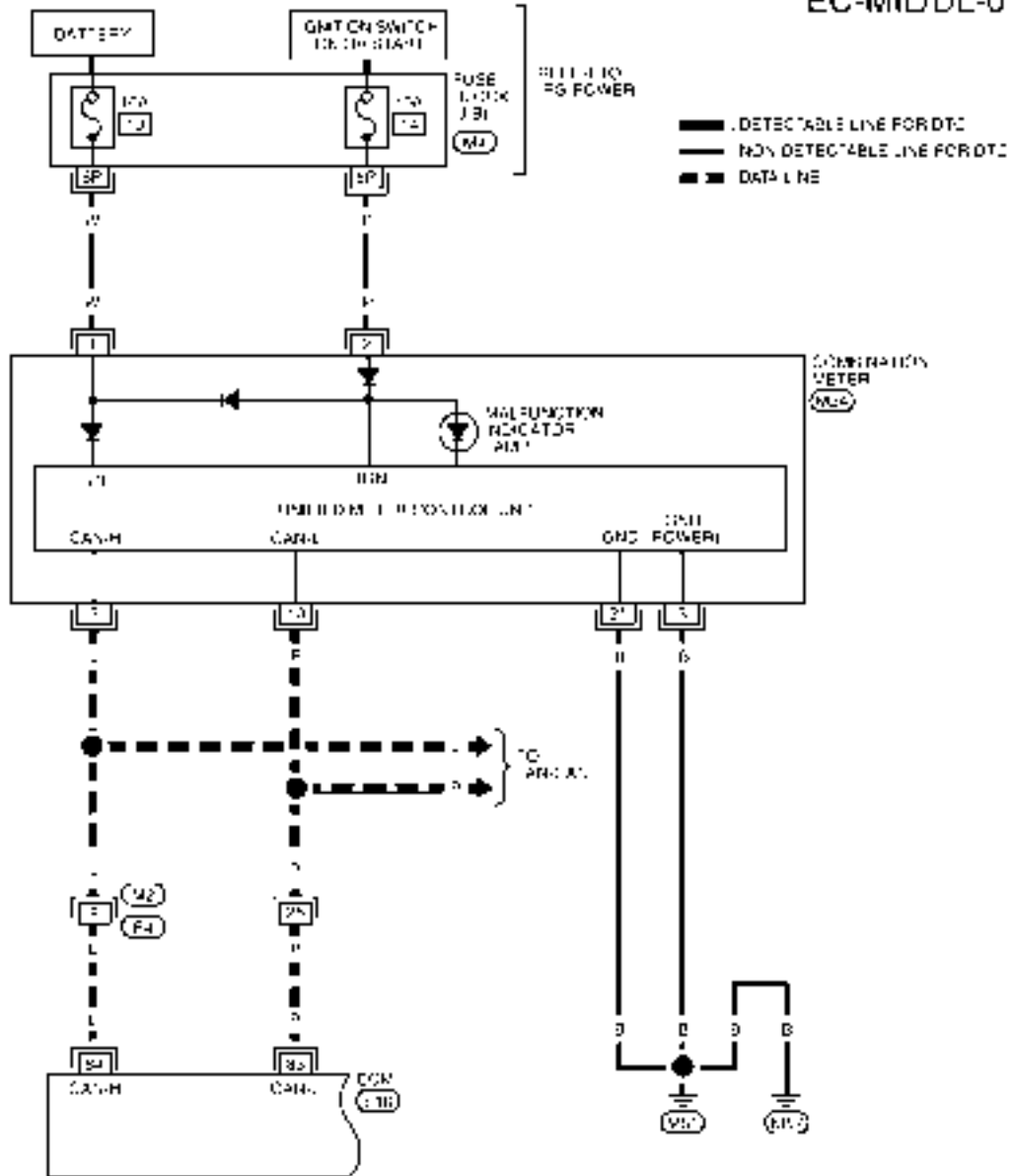
[MR]

MIL AND DATA LINK CONNECTOR

Wiring Diagram

INFOID:000000001850245

EC-MIL/DL-01



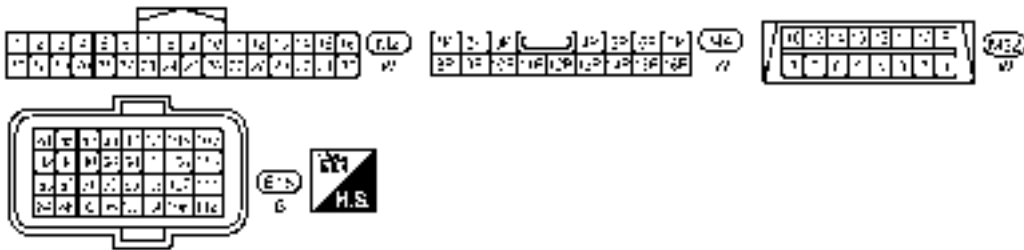
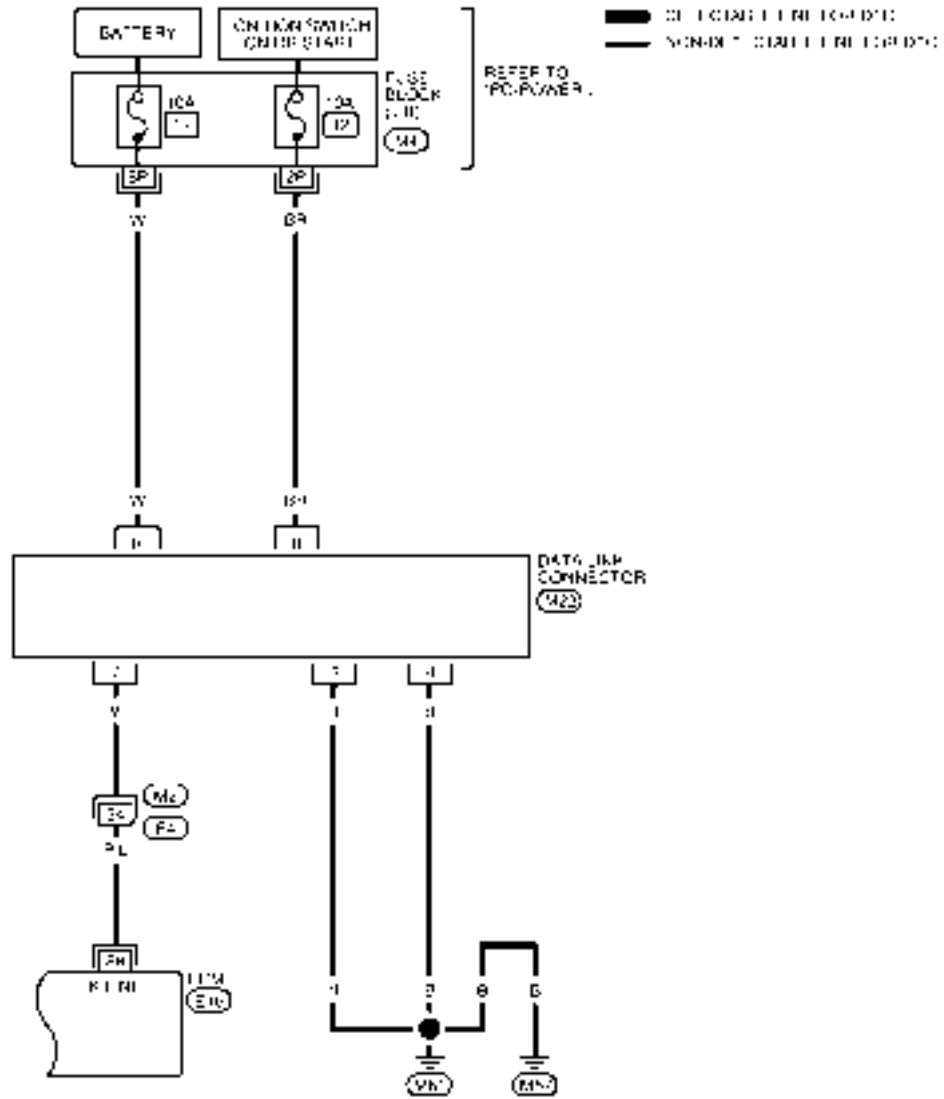
BBWA2912E

MIL AND DATA LINK CONNECTOR

< SERVICE INFORMATION >

[MR]

EC-MIL/DL-02



BBWA2913E

SERVICE DATA AND SPECIFICATIONS (SDS)

< SERVICE INFORMATION >

[MR]

SERVICE DATA AND SPECIFICATIONS (SDS)

Fuel Pressure

INFOID:000000001850246

Fuel pressure at idle	Approximately 350 kPa (3.57 kg/cm ² , 51 psi)
-----------------------	--

Idle Speed and Ignition Timing

INFOID:000000001850247

Target idle speed	CVT	No load* ¹ (In P or N position)	700 ± 50 rpm
	M/T	No load* ¹ (in Neutral position)	675 ± 50 rpm
Air conditioner: ON	CVT	In P or N position	800 rpm or more
	M/T	In Neutral position	
Ignition timing	CVT	In P or N position	6 ± 5° BTDC
	M/T	In Neutral position	

*1: Under the following conditions:

- Air conditioner switch: OFF
- Electric load: OFF (Lights, heater fan & rear window defogger)
- Steering wheel: Kept in straight-ahead position

Calculated Load Value

INFOID:000000001850248

	Calculated load value% (Using CONSULT-III or GST)
At idle	10 - 35
At 2,500 rpm	10 - 35

Mass Air Flow Sensor

INFOID:000000001850249

Supply voltage	Battery voltage (11 - 14V)
Output voltage at idle	0.9 - 1.2*V
Mass air flow (Using CONSULT-III or GST)	1.0 - 4.0 g·m/sec at idle* 2.0 - 10.0 g·m/sec at 2,500 rpm*

*: Engine is warmed up to normal operating temperature and running under no load.

Intake Air Temperature Sensor

INFOID:000000001850250

Temperature °C (°F)	Resistance kΩ
25 (77)	1.800 - 2.200

Engine Coolant Temperature Sensor

INFOID:000000001850251

Temperature °C (°F)	Resistance kΩ
20 (68)	2.1 - 2.9
50 (122)	0.68 - 1.00
90 (194)	0.236 - 0.260

Air Fuel Ratio (A/F) Sensor 1 Heater

INFOID:000000001850252

Resistance [at 25°C (77°F)]	1.8 - 2.44Ω
-----------------------------	-------------

SERVICE DATA AND SPECIFICATIONS (SDS)

< SERVICE INFORMATION >

[MR]

Heated Oxygen sensor 2 Heater

INFOID:000000001850253

Resistance [at 25°C (77°F)]	3.4 - 4.4Ω
-----------------------------	------------

Crankshaft Position Sensor (POS)

INFOID:000000001850254

Refer to [EC-290, "Component Inspection"](#).

Camshaft Position Sensor (PHASE)

INFOID:000000001850255

Refer to [EC-295, "Component Inspection"](#).

Throttle Control Motor

INFOID:000000001850256

Resistance [at 25°C (77°F)]	Approximately 1 - 15Ω
-----------------------------	-----------------------

Fuel Injector

INFOID:000000001850257

Resistance [at 10 - 60°C (50 - 140°F)]	11.4 - 14.5Ω
--	--------------

Fuel Pump

INFOID:000000001850258

Resistance [at 25°C (77°F)]	Approximately 0.2 - 5.0Ω
-----------------------------	--------------------------

INDEX FOR DTC

< SERVICE INFORMATION >

[QR]

SERVICE INFORMATION

INDEX FOR DTC

U1000-U1010

INFOID:000000001850259

A

EC

DTC*1		Items (CONSULT-III screen terms)	Reference page
CONSULT-III GST*2	ECM*3		
U1000	1000*4	CAN COMM CIRCUIT	EC-650
U1001	1001*4	CAN COMM CIRCUIT	EC-650
U1010	1010	CONTROL UNIT(CAN)	EC-652

*1: 1st trip DTC No. is the same as DTC No.

*2: This number is prescribed by SAE J2012.

*3: In Diagnostic Test Mode II (Self-diagnostic results), this number is controlled by NISSAN.

*4: The troubleshooting for this DTC needs CONSULT-III.

P0011-P0075

INFOID:000000002993763

DTC*1		Items (CONSULT-III screen terms)	Reference page
CONSULT-III GST*2	ECM*3		
P0011	0011	INT/V TIM CONT-B1	EC-653
P0031	0031	A/F SEN1 HTR (B1)	EC-657
P0032	0032	A/F SEN1 HTR (B1)	EC-657
P0037	0037	HO2S2 HTR (B1)	EC-664
P0038	0038	HO2S2 HTR (B1)	EC-664
P0051	0051	A/F SEN1 HTR (B2)	EC-657
P0052	0052	A/F SEN1 HTR (B2)	EC-657
P0057	0057	HO2S2 HTR (B2)	EC-664
P0058	0058	HO2S2 HTR (B2)	EC-664
P0075	0075	INT/V TIM V/CIR-B1	EC-672

*1: 1st trip DTC No. is the same as DTC No.

*2: This number is prescribed by SAE J2012.

*3: In Diagnostic Test Mode II (Self-diagnostic results), this number is controlled by NISSAN.

P0101-P0128

INFOID:000000002993764

DTC*1		Items (CONSULT-III screen terms)	Reference page
CONSULT-III GST*2	ECM*3		
P0101	0101	MAF SEN/CIRCUIT-B1	EC-677
P0102	0102	MAF SEN/CIRCUIT-B1	EC-684
P0103	0103	MAF SEN/CIRCUIT-B1	EC-684
P0112	0112	IAT SEN/CIRCUIT-B1	EC-691
P0113	0113	IAT SEN/CIRCUIT-B1	EC-691
P0117	0117	ECT SEN/CIRC	EC-695
P0118	0118	ECT SEN/CIRC	EC-695

INDEX FOR DTC

< SERVICE INFORMATION >

[QR]

DTC*1		Items (CONSULT-III screen terms)	Reference page
CONSULT-III GST*2	ECM*3		
P0122	0122	TP SEN 2/CIRC-B1	EC-700
P0123	0123	TP SEN 2/CIRC-B1	EC-700
P0125	0125	ECT SENSOR	EC-705
P0127	0127	IAT SENSOR-B1	EC-708
P0128	0128	THERMSTAT FNCTN	EC-711

*1: 1st trip DTC No. is the same as DTC No.

*2: This number is prescribed by SAE J2012.

*3: In Diagnostic Test Mode II (Self-diagnostic results), this number is controlled by NISSAN.

P0130-P0159

INFOID:000000002993765

DTC*1		Items (CONSULT-III screen terms)	Reference page
CONSULT-III GST*2	ECM*3		
P0130	0130	A/F SENSOR1 (B1)	EC-713
P0131	0131	A/F SENSOR1 (B1)	EC-721
P0132	0132	A/F SENSOR1 (B1)	EC-729
P0133	0133	A/F SENSOR1 (B1)	EC-737
P0137	0137	HO2S2 (B1)	EC-746
P0138	0138	HO2S2 (B1)	EC-755
P0139	0139	HO2S2 (B1)	EC-767
P0150	0150	A/F SENSOR1 (B2)	EC-713
P0151	0151	A/F SENSOR1 (B2)	EC-721
P0152	0152	A/F SENSOR1 (B2)	EC-729
P0153	0153	A/F SENSOR1 (B2)	EC-737
P0157	0157	HO2S2 (B2)	EC-746
P0158	0158	HO2S2 (B2)	EC-755
P0159	0159	HO2S2 (B2)	EC-767

*1: 1st trip DTC No. is the same as DTC No.

*2: This number is prescribed by SAE J2012.

*3: In Diagnostic Test Mode II (Self-diagnostic results), this number is controlled by NISSAN.

P0171-P0223

INFOID:000000002993766

DTC*1		Items (CONSULT-III screen terms)	Reference page
CONSULT-III GST*2	ECM*3		
P0171	0171	FUEL SYS-LEAN-B1	EC-776
P0172	0172	FUEL SYS-RICH-B1	EC-785
P0174	0174	FUEL SYS-LEAN-B2	EC-776
P0175	0175	FUEL SYS-RICH-B2	EC-785
P0181	0181	FTT SENSOR	EC-793
P0182	0182	FTT SEN/CIRCUIT	EC-797
P0183	0183	FTT SEN/CIRCUIT	EC-797

INDEX FOR DTC

< SERVICE INFORMATION >

[QR]

DTC*1		Items (CONSULT-III screen terms)	Reference page
CONSULT-III GST*2	ECM*3		
P0222	0222	TP SEN 1/CIRC-B1	EC-801
P0223	0223	TP SEN 1/CIRC-B1	EC-801

*1: 1st trip DTC No. is the same as DTC No.

*2: This number is prescribed by SAE J2012.

*3: In Diagnostic Test Mode II (Self-diagnostic results), this number is controlled by NISSAN.

P0300-P0430

INFOID:000000002993767

DTC*1		Items (CONSULT-III screen terms)	Reference page
CONSULT-III GST*2	ECM*3		
P0300	0300	MULTI CYL MISFIRE	EC-806
P0301	0301	CYL 1 MISFIRE	EC-806
P0302	0302	CYL 2 MISFIRE	EC-806
P0303	0303	CYL 3 MISFIRE	EC-806
P0304	0304	CYL 4 MISFIRE	EC-806
P0327	0327	KNOCK SEN/CIRC-B1	EC-812
P0328	0328	KNOCK SEN/CIRC-B1	EC-812
P0335	0335	CKP SEN/CIRCUIT	EC-816
P0340	0340	CMP SEN/CIRC-B1	EC-822
P0420	0420	TW CATALYST SYS-B1	EC-828
P0430	0430	TW CATALYST SYS-B2	EC-828

*1: 1st trip DTC No. is the same as DTC No.

*2: This number is prescribed by SAE J2012.

*3: In Diagnostic Test Mode II (Self-diagnostic results), this number is controlled by NISSAN.

P0441-P0463

INFOID:000000002993768

DTC*1		Items (CONSULT-III screen terms)	Reference page
CONSULT-III GST*2	ECM*3		
P0441	0441	EVAP PURG FLOW/MON	EC-832
P0442	0442	EVAP SMALL LEAK	EC-837
P0443	0443	PURG VOLUME CONT/V	EC-844
P0444	0444	PURG VOLUME CONT/V	EC-851
P0445	0445	PURG VOLUME CONT/V	EC-851
P0447	0447	VENT CONTROL VALVE	EC-857
P0448	0448	VENT CONTROL VALVE	EC-862
P0451	0451	EVAP SYS PRES SEN	EC-868
P0452	0452	EVAP SYS PRES SEN	EC-871
P0453	0453	EVAP SYS PRES SEN	EC-878
P0455	0455	EVAP GROSS LEAK	EC-886
P0456	0456	EVAP VERY SML LEAK	EC-892
P0460	0460	FUEL LEV SEN SLOSH	EC-899

INDEX FOR DTC

< SERVICE INFORMATION >

[QR]

DTC*1		Items (CONSULT-III screen terms)	Reference page
CONSULT-III GST*2	ECM*3		
P0461	0461	FUEL LEVEL SENSOR	EC-901
P0462	0462	FUEL LEVEL SEN/CIRC	EC-903
P0463	0463	FUEL LEVEL SEN/CIRC	EC-903

*1: 1st trip DTC No. is the same as DTC No.

*2: This number is prescribed by SAE J2012.

*3: In Diagnostic Test Mode II (Self-diagnostic results), this number is controlled by NISSAN.

P0500-P0643

INFOID:000000002993769

DTC*1		Items (CONSULT-III screen terms)	Reference page
CONSULT-III GST*2	ECM*3		
P0500	0500	VEH SPEED SEN/CIRC*4	EC-905
P0506	0506	ISC SYSTEM	EC-907
P0507	0507	ISC SYSTEM	EC-909
P0603	0603	ECM BACK UP/CIRCUIT	EC-911
P0605	0605	ECM	EC-915
P0643	0643	SENSOR POWER/CIRC	EC-917

*1: 1st trip DTC No. is the same as DTC No.

*2: This number is prescribed by SAE J2012.

*3: In Diagnostic Test Mode II (Self-diagnostic results), this number is controlled by NISSAN.

*4: When the fail-safe operations for both self-diagnoses (P500 and P0720) occur, the MIL illuminates.

P0705-P0850

INFOID:000000002993770

DTC*1		Items (CONSULT-III screen terms)	Reference page
CONSULT-III GST*2	ECM*3		
P0705	0705	PNP SW/CIRC	CVT-60
P0710	0710	ATF TEMP SEN/CIRC	CVT-65
P0715	0715	INPUT SPD SEN/CIRC	CVT-70
P0720	0720	VEH SPD SEN/CIR AT*4	CVT-75
P0740	0740	TCC SOLENOID/CIRC	CVT-83
P0744	0744	A/T TCC S/V FNCTN	CVT-88
P0745	0745	L/PRESS SOL/CIRC	CVT-90
P0746	0746	PRS CNT SOL/A FCTN	CVT-95
P0776	0776	PRS CNT SOL/B FCTN	CVT-97
P0778	0778	PRS CNT SOL/B CIRC	CVT-99
P0840	0840	TR PRS SENS/A CIRC	CVT-109
P0845	0845	TR PRS SENS/B CIRC	CVT-115
P0850	0850	P-N POS SW/CIRCUIT	EC-922

*1: 1st trip DTC No. is the same as DTC No.

*2: This number is prescribed by SAE J2012.

*3: In Diagnostic Test Mode II (Self-diagnostic results), this number is controlled by NISSAN.

*4: When the fail-safe operations for both self-diagnoses (P0500 and P0720) occur, the MIL illuminates.

INDEX FOR DTC

< SERVICE INFORMATION >

[QR]

P1148-P1574

INFOID:000000002993771

DTC*1		Items (CONSULT-III screen terms)	Reference page
CONSULT-III GST*2	ECM*3		
P1148	1148	CLOSED LOOP-B1	EC-928
P1168	1168	CLOSED LOOP-B2	EC-928
P1217	1217	ENG OVER TEMP	EC-929
P1225	1225	CTP LEARNING-B1	EC-941
P1226	1226	CTP LEARNING-B1	EC-943
P1421	1421	COLD START CONTROL	EC-945
P1564	1564	ASCD SW	EC-947
P1572	1572	ASCD BRAKE SW	EC-953
P1574	1574	ASCD VHL SPD SEN	EC-962

*1: 1st trip DTC No. is the same as DTC No.

*2: This number is prescribed by SAE J2012.

*3: In Diagnostic Test Mode II (Self-diagnostic results), this number is controlled by NISSAN.

P1610-P1615

INFOID:000000002993772

DTC*1		Items (CONSULT-III screen terms)	Reference page
CONSULT-III GST*2	ECM*3		
P1610	1610	LOCK MODE	BL-169
P1611	1611	ID DISCORD, IMM-ECM	
P1612	1612	CHAIN OF ECM-IMMU	
P1614	1614	CHAIN OF IMMU-KEY	
P1615	1615	DIFFERENCE OF KEY	

*1: 1st trip DTC No. is the same as DTC No.

*2: This number is prescribed by SAE J2012.

*3: In Diagnostic Test Mode II (Self-diagnostic results), this number is controlled by NISSAN.

P1715-P1805

INFOID:000000002993773

DTC*1		Items (CONSULT-III screen terms)	Reference page
CONSULT-III GST*2	ECM*3		
P1715	1715	IN PULY SPEED	EC-964
P1740	1740	LU-SLCT SOL/CIRC	CVT-132
P1777	1777	STEP MOTR CIRC	CVT-138
P1778	1778	STEP MOTR FNC	CVT-142
P1805	1805	BRAKE SW/CIRCUIT	EC-966

*1: 1st trip DTC No. is the same as DTC No.

*2: This number is prescribed by SAE J2012.

*3: In Diagnostic Test Mode II (Self-diagnostic results), this number is controlled by NISSAN.

INDEX FOR DTC

< SERVICE INFORMATION >

[QR]

P2100-P2A03

INFOID:000000002993774

DTC*1		Items (CONSULT-III screen terms)	Reference page
CONSULT-III GST*2	ECM*3		
P2100	2100	ETC MOT PWR-B1	EC-970
P2101	2101	ETC FUNCTION/CIRC-B1	EC-974
P2103	2103	ETC MOT PWR	EC-970
P2118	2118	ETC MOT-B1	EC-980
P2119	2119	ETC ACTR-B1	EC-985
P2122	2122	APP SEN 1/CIRC	EC-987
P2123	2123	APP SEN 1/CIRC	EC-987
P2127	2127	APP SEN 2/CIRC	EC-992
P2128	2128	APP SEN 2/CIRC	EC-992
P2135	2135	TP SENSOR-B1	EC-999
P2138	2138	APP SENSOR	EC-1004
P2A00	2A00	A/F SENSOR1 (B1)	EC-1011
P2A03	2A03	A/F SENSOR1 (B2)	EC-1011

*1: 1st trip DTC No. is the same as DTC No.

*2: This number is prescribed by SAE J2012.

*3: In Diagnostic Test Mode II (Self-diagnostic results), this number is controlled by NISSAN.

PRECAUTIONS

< SERVICE INFORMATION >

[QR]

PRECAUTIONS

Precaution for Supplemental Restraint System (SRS) "AIR BAG" and "SEAT BELT PRE-TENSIONER"

INFOID:000000003020952

The Supplemental Restraint System such as "AIR BAG" and "SEAT BELT PRE-TENSIONER", used along with a front seat belt, helps to reduce the risk or severity of injury to the driver and front passenger for certain types of collision. This system includes seat belt switch inputs and dual stage front air bag modules. The SRS system uses the seat belt switches to determine the front air bag deployment, and may only deploy one front air bag, depending on the severity of a collision and whether the front occupants are belted or unbelted. Information necessary to service the system safely is included in the "SRS AIRBAG" and "SEAT BELT" of this Service Manual.

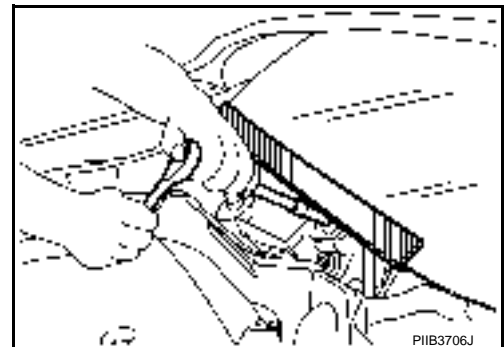
WARNING:

- To avoid rendering the SRS inoperative, which could increase the risk of personal injury or death in the event of a collision which would result in air bag inflation, all maintenance must be performed by an authorized NISSAN/INFINITI dealer.
- Improper maintenance, including incorrect removal and installation of the SRS, can lead to personal injury caused by unintentional activation of the system. For removal of Spiral Cable and Air Bag Module, see the "SRS AIRBAG".
- Do not use electrical test equipment on any circuit related to the SRS unless instructed to in this Service Manual. SRS wiring harnesses can be identified by yellow and/or orange harnesses or harness connectors.

Precaution for Procedure without Cowl Top Cover

INFOID:000000003020949

When performing the procedure after removing cowl top cover, cover the lower end of windshield with urethane, etc.



On Board Diagnosis (OBD) System of Engine and CVT

INFOID:000000001850263

The ECM has an on board diagnostic system. It will light up the malfunction indicator lamp (MIL) to warn the driver of a malfunction causing emission deterioration.

CAUTION:

- Be sure to turn the ignition switch OFF and disconnect the battery ground cable before any repair or inspection work. The open/short circuit of related switches, sensors, solenoid valves, etc. will cause the MIL to light up.
- Be sure to connect and lock the connectors securely after work. A loose (unlocked) connector will cause the MIL to light up due to the open circuit. (Be sure the connector is free from water, grease, dirt, bent terminals, etc.)
- Certain systems and components, especially those related to OBD, may use a new style slide-locking type harness connector. For description and how to disconnect, refer to [PG-61](#).
- Be sure to route and secure the harnesses properly after work. The interference of the harness with a bracket, etc. may cause the MIL to light up due to the short circuit.
- Be sure to connect rubber tubes properly after work. A misconnected or disconnected rubber tube may cause the MIL to light up due to the malfunction of the EVAP system or fuel injection system, etc.
- Be sure to erase the unnecessary malfunction information (repairs completed) from the ECM and TCM (Transmission control module) before returning the vehicle to the customer.

PRECAUTIONS

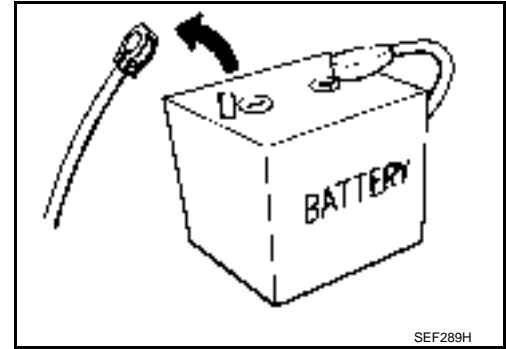
< SERVICE INFORMATION >

[QR]

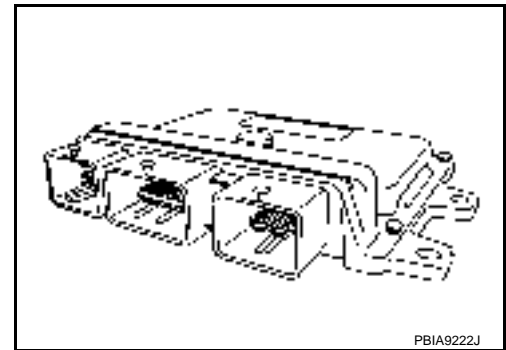
Precaution

INFOID:000000001850264

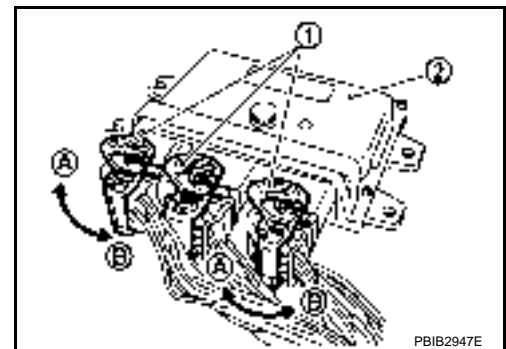
- Always use a 12 volt battery as power source.
- Do not attempt to disconnect battery cables while engine is running.
- Before connecting or disconnecting the ECM harness connector, turn ignition switch OFF and disconnect negative battery cable. Failure to do so may damage the ECM because battery voltage is applied to ECM even if ignition switch is turned OFF.
- Before removing parts, turn ignition switch OFF and then disconnect negative battery cable.



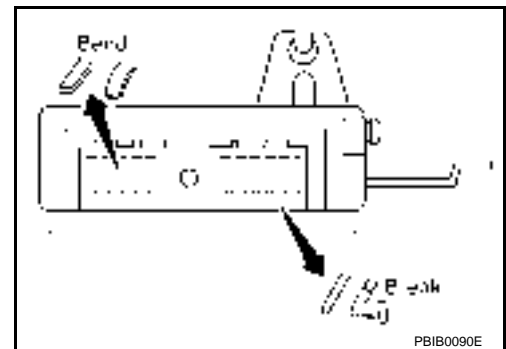
- Do not disassemble ECM.
- If battery cable is disconnected, the memory will return to the initial ECM values.
The ECM will now start to self-control at its initial values. Engine operation can vary slightly when the cable is disconnected. However, this is not an indication of a malfunction. Do not replace parts because of a slight variation.
- If the battery is disconnected, the following emission-related diagnostic information will be lost within 24 hours.
 - Diagnostic trouble codes
 - 1st trip diagnostic trouble codes
 - Freeze frame data
 - 1st trip freeze frame data
 - System readiness test (SRT) codes
 - Test values



- When connecting ECM harness connector, fasten (B) it securely with a lever (1) as far as it will go as shown in the figure.
 - ECM (2)
 - Loosen (A)



- When connecting or disconnecting pin connectors into or from ECM, take care not to damage pin terminals (bend or break).
Make sure that there are not any bends or breaks on ECM pin terminal, when connecting pin connectors.
- Securely connect ECM harness connectors.
A poor connection can cause an extremely high (surge) voltage to develop in coil and condenser, thus resulting in damage to ICs.
- Keep engine control system harness at least 10 cm (4 in) away from adjacent harness, to prevent engine control system malfunctions due to receiving external noise, degraded operation of ICs, etc.
- Keep engine control system parts and harness dry.

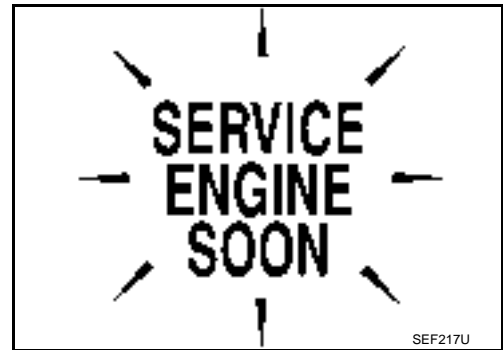
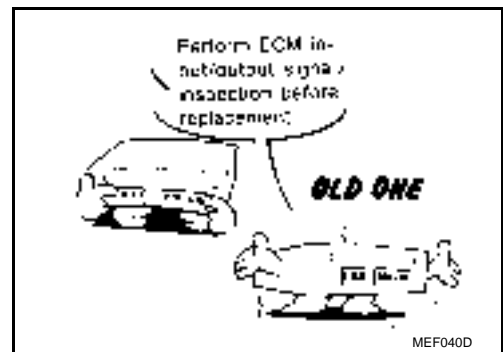


PRECAUTIONS

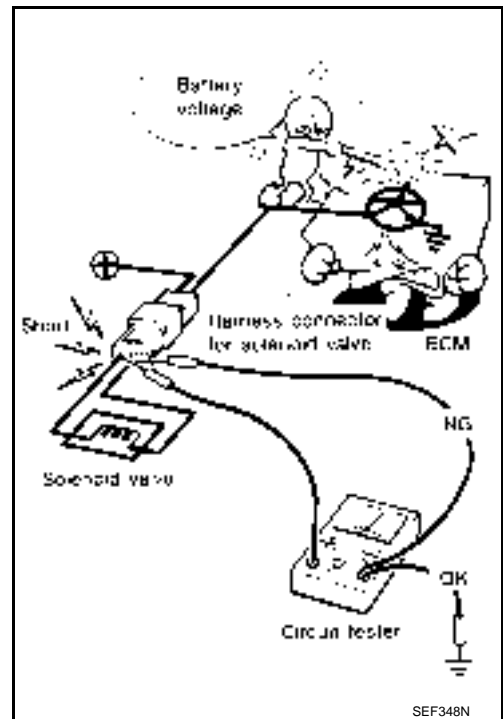
< SERVICE INFORMATION >

[QR]

- Before replacing ECM, perform "ECM Terminals and Reference Value" inspection and make sure ECM functions properly. Refer to [EC-614, "ECM Terminal and Reference Value"](#).
- Handle mass air flow sensor carefully to avoid damage.
- Do not disassemble mass air flow sensor.
- Do not clean mass air flow sensor with any type of detergent.
- Do not disassemble electric throttle control actuator.
- Even a slight leak in the air intake system can cause serious incidents.
- Do not shock or jar the camshaft position sensor (PHASE), crankshaft position sensor (POS).
- After performing each TROUBLE DIAGNOSIS, perform DTC Confirmation Procedure or Overall Function Check. The DTC should not be displayed in the DTC Confirmation Procedure if the repair is completed. The Overall Function Check should be a good result if the repair is completed.



- When measuring ECM signals with a circuit tester, never allow the two tester probes to contact. Accidental contact of probes will cause a short circuit and damage the ECM power transistor.
- Do not use ECM ground terminals when measuring input/output voltage. Doing so may result in damage to the ECM's transistor. Use a ground other than ECM terminals, such as the ground.



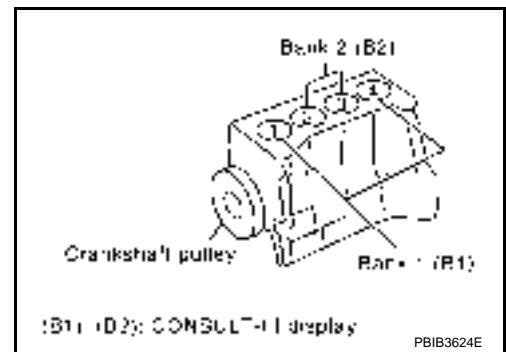
A
EC
C
D
E
F
G
H
I
J
K
L
M
N
O
P

PRECAUTIONS

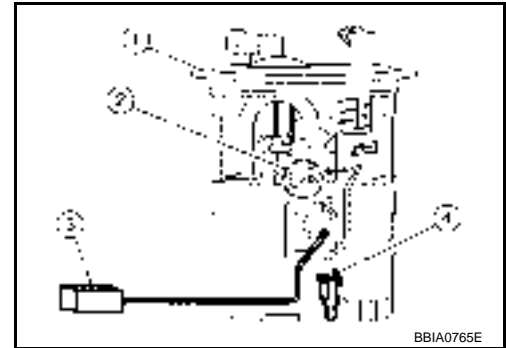
< SERVICE INFORMATION >

[QR]

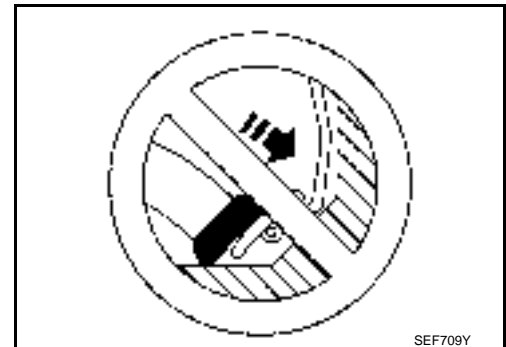
- B1 indicates bank 1 (cylinders number 1 and 4), B2 indicates bank 2 (cylinders number 2 and 3).



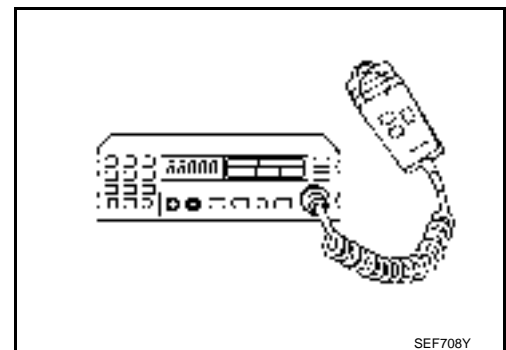
- Do not operate fuel pump when there is no fuel in lines.
 - Fuel level sensor unit and fuel pump (1)
 - Fuel pressure regulator (2)
 - Fuel level sensor (3)
 - Fuel tank temperature sensor (4)
- Tighten fuel hose clamps to the specified torque.



- Do not depress accelerator pedal when starting.
- Immediately after starting, do not rev up engine unnecessarily.
- Do not rev up engine just prior to shutdown.



- When installing C.B. ham radio or a mobile phone, be sure to observe the following as it may adversely affect electronic control systems depending on installation location.
 - Keep the antenna as far as possible from the electronic control units.
 - Keep the antenna feeder line more than 20 cm (8 in) away from the harness of electronic controls. Do not let them run parallel for a long distance.
 - Adjust the antenna and feeder line so that the standing-wave ratio can be kept smaller.
 - Be sure to ground the radio to vehicle body.



PREPARATION

< SERVICE INFORMATION >


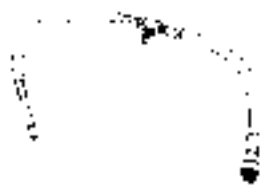

[QR]

PREPARATION

Special Service Tool



INFOID:000000001850265

The actual shapes of Kent-Moore tools may differ from those of special service tools illustrated here.

Tool number (Kent-Moore No.) Tool name	Description
(J-44321) Fuel pressure gauge Kit  LEC642	Checking fuel pressure
(J-44321-6) Fuel pressure adapter  LBIA0376E	Connecting fuel pressure gauge to quick connector type fuel lines.
(J-45488) Quick connector release  PBIC0198E	Remove fuel tube quick connectors in engine room.

Commercial Service Tool

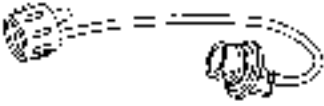
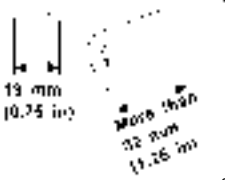


INFOID:000000001850266

Tool number (Kent-Moore No.) Tool name	Description
Leak detector i.e.: (J-41416)  S-NT703	Locating the EVAP leak
EVAP service port adapter i.e.: (J-41413-OB)  S-NT704	Applying positive pressure through EVAP service port

PREPARATION

< SERVICE INFORMATION >

[QR]

Tool number (Kent-Moore No.) Tool name	Description
Fuel filler cap adapter i.e.: (MLR-8382) <div style="text-align: center;">  <p>S-NT815</p> </div>	Checking fuel tank vacuum relief valve opening pressure
Socket wrench <div style="text-align: center;">  <p>S-NT705</p> </div>	Removing and installing engine coolant temperature sensor
Oxygen sensor thread cleaner i.e.: (J-43897-18) (J-43897-12) <div style="text-align: center;">  <p>AEM488</p> </div>	Reconditioning the exhaust system threads before installing a new oxygen sensor. Use with anti-seize lubricant shown below. a: 18 mm diameter with pitch 1.5 mm for Zirconia Oxygen Sensor b: 12 mm diameter with pitch 1.25 mm for Titania Oxygen Sensor
Anti-seize lubricant i.e.: (Permatex™ 133AR or equivalent meeting MIL specification MIL-A-907) <div style="text-align: center;">  <p>S-NT779</p> </div>	Lubricating oxygen sensor thread cleaning tool when reconditioning exhaust system threads.

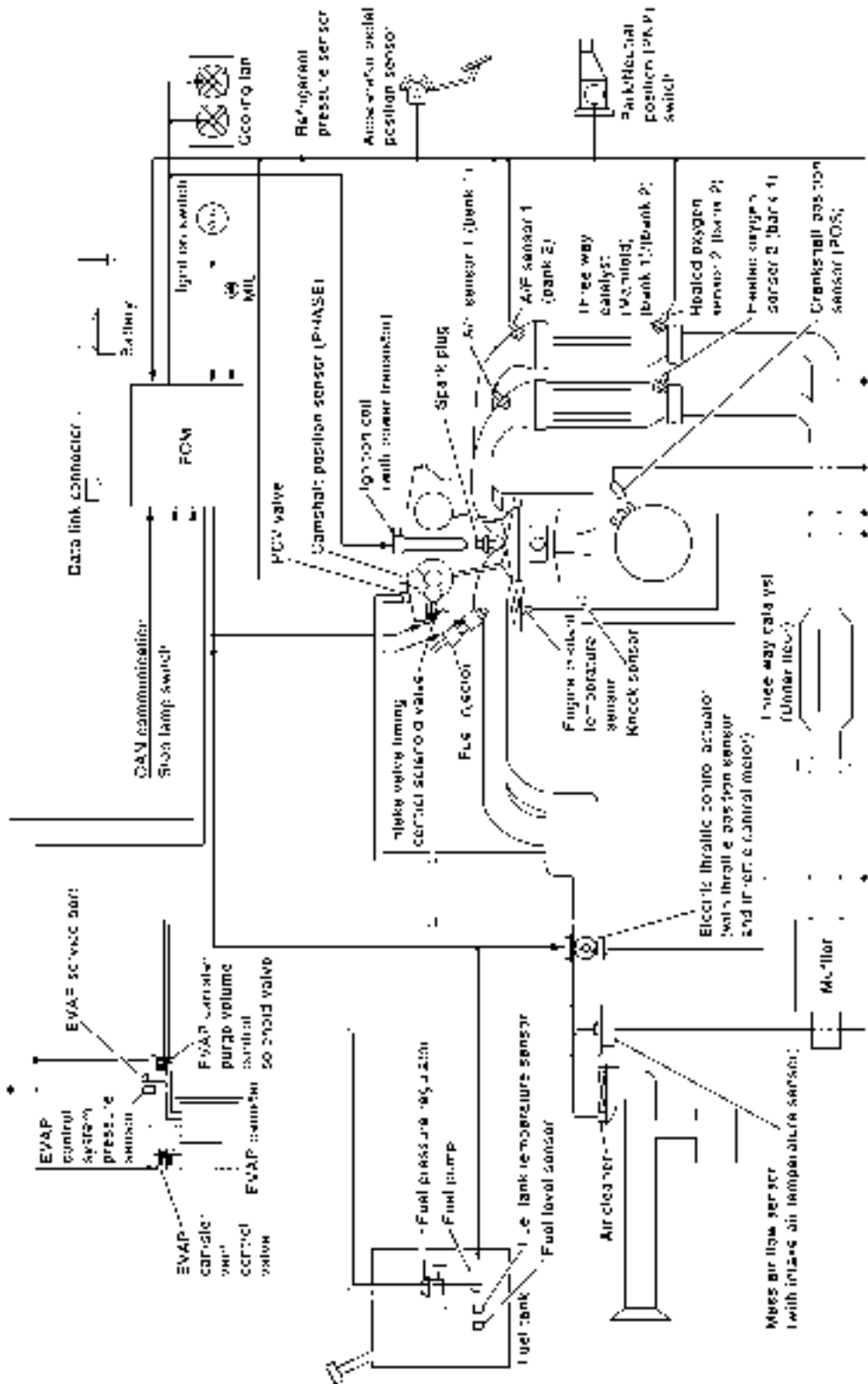
ENGINE CONTROL SYSTEM

Schematic

INFOID:000000001850267

A
C
D
E
F
G
H
I
J
K
L
M
N
O
P

EC



PBIB3476E

Multipoint Fuel Injection (MFI) System

INFOID:000000001850268

INPUT/OUTPUT SIGNAL CHART

ENGINE CONTROL SYSTEM

< SERVICE INFORMATION >

[QR]

Sensor	Input Signal to ECM	ECM function	Actuator
Crankshaft position sensor (POS)	Engine speed*3	Fuel injection & mixture ratio control	Fuel injector
Camshaft position sensor (PHASE)	Piston position		
Mass air flow sensor	Amount of intake air		
Engine coolant temperature sensor	Engine coolant temperature		
Air fuel ratio (A/F) sensor 1	Density of oxygen in exhaust gas		
Throttle position sensor	Throttle position		
Accelerator pedal position sensor	Accelerator pedal position		
Park/neutral position (PNP) switch	Gear position		
Battery	Battery voltage*3		
Knock sensor	Engine knocking condition		
EPS control unit	Power steering operation*2		
Heated oxygen sensor 2*1	Density of oxygen in exhaust gas		
Air conditioner switch	Air conditioner operation*2		
Wheel sensor	Vehicle speed*2		

*1: This sensor is not used to control the engine system under normal conditions.

*2: This signal is sent to the ECM through CAN communication line.

*3: ECM determines the start signal status by the signals of engine speed and battery voltage.

SYSTEM DESCRIPTION

The amount of fuel injected from the fuel injector is determined by the ECM. The ECM controls the length of time the valve remains open (injection pulse duration). The amount of fuel injected is a program value in the ECM memory. The program value is preset by engine operating conditions. These conditions are determined by input signals (for engine speed and intake air) from the crankshaft position sensor (POS), camshaft position sensor (PHASE) and the mass air flow sensor.

VARIOUS FUEL INJECTION INCREASE/DECREASE COMPENSATION

In addition, the amount of fuel injected is compensated to improve engine performance under various operating conditions as listed below.

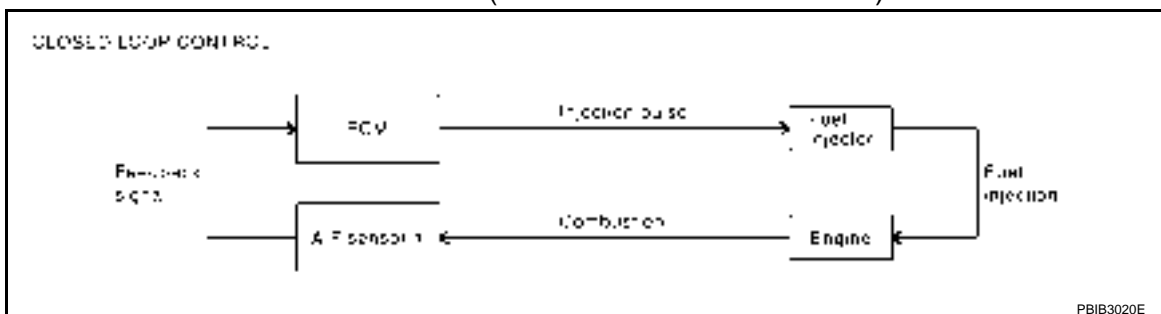
<Fuel increase>

- During warm-up
- When starting the engine
- During acceleration
- Hot-engine operation
- When selector lever is changed from N to D (CVT models)
- High-load, high-speed operation

<Fuel decrease>

- During deceleration
- During high engine speed operation

MIXTURE RATIO FEEDBACK CONTROL (CLOSED LOOP CONTROL)



The mixture ratio feedback system provides the best air/fuel mixture ratio for driveability and emission control. The three way catalyst (manifold) can then better reduce CO, HC and NOx emissions. This system uses air

ENGINE CONTROL SYSTEM

< SERVICE INFORMATION >

[QR]

fuel ratio (A/F) sensor 1 in the exhaust manifold to monitor whether the engine operation is rich or lean. The ECM adjusts the injection pulse width according to the sensor voltage signal. For more information about air fuel ratio (A/F) sensor 1, refer to [EC-208](#). This maintains the mixture ratio within the range of stoichiometric (ideal air/fuel mixture).

This stage is referred to as the closed loop control condition.

Heated oxygen sensor 2 is located downstream of the three way catalyst (manifold). Even if the switching characteristics of air fuel ratio (A/F) sensor 1 shift, the air/fuel ratio is controlled to stoichiometric by the signal from heated oxygen sensor 2.

Open Loop Control

The open loop system condition refers to when the ECM detects any of the following conditions. Feedback control stops in order to maintain stabilized fuel combustion.

- Deceleration and acceleration
- High-load, high-speed operation
- Malfunction of air fuel ratio (A/F) sensor 1 or its circuit
- Insufficient activation of air fuel ratio (A/F) sensor 1 at low engine coolant temperature
- High engine coolant temperature
- During warm-up
- After shifting from N to D (CVT models)
- When starting the engine

MIXTURE RATIO SELF-LEARNING CONTROL

The mixture ratio feedback control system monitors the mixture ratio signal transmitted from air fuel ratio (A/F) sensor 1. This feedback signal is then sent to the ECM. The ECM controls the basic mixture ratio as close to the theoretical mixture ratio as possible. However, the basic mixture ratio is not necessarily controlled as originally designed. Both manufacturing differences (i.e., mass air flow sensor hot wire) and characteristic changes during operation (i.e., fuel injector clogging) directly affect mixture ratio.

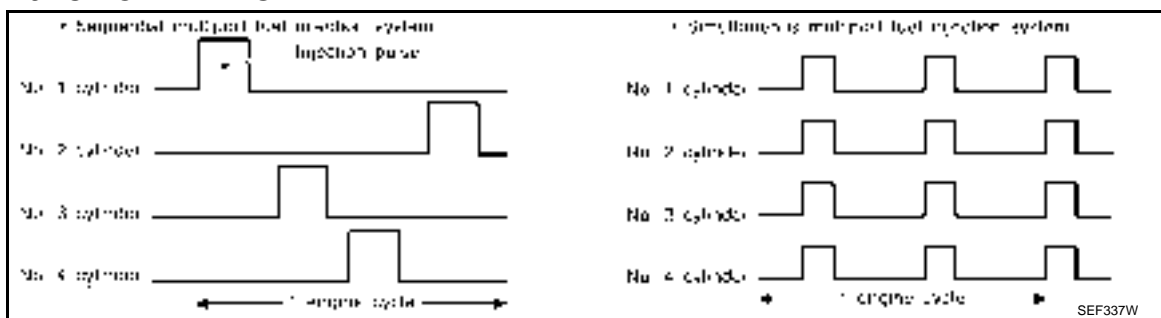
Accordingly, the difference between the basic and theoretical mixture ratios is monitored in this system. This is then computed in terms of "injection pulse duration" to automatically compensate for the difference between the two ratios.

"Fuel trim" refers to the feedback compensation value compared against the basic injection duration. Fuel trim includes short term fuel trim and long term fuel trim.

"Short term fuel trim" is the short-term fuel compensation used to maintain the mixture ratio at its theoretical value. The signal from air fuel ratio (A/F) sensor 1 indicates whether the mixture ratio is RICH or LEAN compared to the theoretical value. The signal then triggers a reduction in fuel volume if the mixture ratio is rich, and an increase in fuel volume if it is lean.

"Long term fuel trim" is overall fuel compensation carried out long-term to compensate for continual deviation of the short term fuel trim from the central value. Such deviation will occur due to individual engine differences, wear over time and changes in the usage environment.

FUEL INJECTION TIMING



Two types of systems are used.

Sequential Multiport Fuel Injection System

Fuel is injected into each cylinder during each engine cycle according to the firing order. This system is used when the engine is running.

Simultaneous Multiport Fuel Injection System

Fuel is injected simultaneously into all four cylinders twice each engine cycle. In other words, pulse signals of the same width are simultaneously transmitted from the ECM.

The four fuel injectors will then receive the signals two times for each engine cycle.

This system is used when the engine is being started and/or if the fail-safe system (CPU) is operating.

ENGINE CONTROL SYSTEM

< SERVICE INFORMATION >

[QR]

FUEL SHUT-OFF

Fuel to each cylinder is cut off during deceleration or operation of the engine at excessively high speeds (CVT), operation of the engine at excessively high speeds or operation of the vehicle at excessively high speeds (M/T).

Electronic Ignition (EI) System

INFOID:000000001850269

INPUT/OUTPUT SIGNAL CHART

Sensor	Input Signal to ECM	ECM function	Actuator
Crankshaft position sensor (POS)	Engine speed*2 Piston position	Ignition timing control	Power transistor
Camshaft position sensor (PHASE)			
Mass air flow sensor	Amount of intake air		
Engine coolant temperature sensor	Engine coolant temperature		
Throttle position sensor	Throttle position		
Accelerator pedal position sensor	Accelerator pedal position		
Battery	Battery voltage*2		
Knock sensor	Engine knocking		
Park/neutral position (PNP) switch	Gear position		
Wheel sensor	Vehicle speed*1		

*1: This signal is sent to the ECM through CAN communication line.

*2: ECM determines the start signal status by the signals of engine speed and battery voltage.

SYSTEM DESCRIPTION

Firing order: 1 - 3 - 4 - 2

The ignition timing is controlled by the ECM to maintain the best air-fuel ratio for every running condition of the engine. The ignition timing data is stored in the ECM.

The ECM receives information such as the injection pulse width and camshaft position sensor (PHASE) signal. Computing this information, ignition signals are transmitted to the power transistor.

During the following conditions, the ignition timing is revised by the ECM according to the other data stored in the ECM.

- At starting
- During warm-up
- At idle
- At low battery voltage
- During acceleration

The knock sensor retard system is designed only for emergencies. The basic ignition timing is programmed within the anti-knocking zone, if recommended fuel is used under dry conditions. The retard system does not operate under normal driving conditions. If engine knocking occurs, the knock sensor monitors the condition. The signal is transmitted to the ECM. The ECM retards the ignition timing to eliminate the knocking condition.

Fuel Cut Control (at No Load and High Engine Speed)

INFOID:000000001850270

INPUT/OUTPUT SIGNAL CHART

Sensor	Input Signal to ECM	ECM function	Actuator
Park/neutral position (PNP) switch	Neutral position	Fuel cut control	Fuel injector
Accelerator pedal position sensor	Accelerator pedal position		
Engine coolant temperature sensor	Engine coolant temperature		
Crankshaft position sensor (POS) Camshaft position sensor (PHASE)	Engine speed		
Wheel sensor	Vehicle speed*		

*: This signal is sent to the ECM through CAN communication line.

SYSTEM DESCRIPTION

ENGINE CONTROL SYSTEM

< SERVICE INFORMATION >

[QR]

If the engine speed is above 1,800 rpm under no load [for example, the shift lever position is P or N (CVT), Neutral (M/T) and engine speed is over 1,800 rpm] fuel will be cut off after some time. The exact time when the fuel is cut off varies based on engine speed.

Fuel cut will be operated until the engine speed reaches 1,500 rpm, then fuel cut will be cancelled.

NOTE:

This function is different from deceleration control listed under [EC-535. "Multiport Fuel Injection \(MFI\) System"](#).

A

EC

C

D

E

F

G

H

I

J

K

L

M

N

O

P

AIR CONDITIONING CUT CONTROL

< SERVICE INFORMATION >

[QR]

AIR CONDITIONING CUT CONTROL

Input/Output Signal Chart

INFOID:000000001850271

Sensor	Input Signal to ECM	ECM function	Actuator
Air conditioner switch	Air conditioner ON signal*1	Air conditioner cut control	Air conditioner relay
Accelerator pedal position sensor	Accelerator pedal position		
Crankshaft position sensor (POS) Camshaft position sensor (PHASE)	Engine speed*2		
Engine coolant temperature sensor	Engine coolant temperature		
Battery	Battery voltage*2		
Refrigerant pressure sensor	Refrigerant pressure		
EPS control unit	Power steering operation*1		
Wheel sensor	Vehicle speed*1		

*1: This signal is sent to the ECM through CAN communication line.

*2: ECM determines the start signal status by the signals of engine speed and battery voltage.

System Description

INFOID:000000001850272

This system improves engine operation when the air conditioner is used. Under the following conditions, the air conditioner is turned off.

- When the accelerator pedal is fully depressed.
- When cranking the engine.
- At high engine speeds.
- When the engine coolant temperature becomes excessively high.
- When operating power steering during low engine speed or low vehicle speed.
- When engine speed is excessively low.
- When refrigerant pressure is excessively low or high.

AUTOMATIC SPEED CONTROL DEVICE (ASCD)

< SERVICE INFORMATION >

[QR]

AUTOMATIC SPEED CONTROL DEVICE (ASCD)

System Description

INFOID:000000001850273

INPUT/OUTPUT SIGNAL CHART

Sensor	Input signal to ECM	ECM function	Actuator
ASCD brake switch	Brake pedal operation	ASCD vehicle speed control	Electric throttle control actuator
Stop lamp switch			
ASCD clutch switch (M/T models)	Clutch pedal operation		
ASCD steering switch	ASCD steering switch operation		
Park/neutral position (PNP) switch	Gear position		
Combination meter	Vehicle speed*		
TCM (CVT models)	Powertrain revolution*		

*: This signal is sent to the ECM through CAN communication line.

BASIC ASCD SYSTEM

Refer to Owner's Manual for ASCD operating instructions.

Automatic Speed Control Device (ASCD) allows a driver to keep vehicle at predetermined constant speed without depressing accelerator pedal. Driver can set vehicle speed in advance between approximately 40 km/h (25 MPH) and 144 km/h (89 MPH).

ECM controls throttle angle of electric throttle control actuator to regulate engine speed.

Operation status of ASCD is indicated by CRUISE indicator and SET indicator in combination meter. If any malfunction occurs in ASCD system, it automatically deactivates control.

NOTE:

Always drive vehicle in safe manner according to traffic conditions and obey all traffic laws.

SET OPERATION

Press MAIN switch. (The CRUISE indicator in combination meter illuminates.)

When vehicle speed reaches a desired speed between approximately 40 km/h (25 MPH) and 144 km/h (89 MPH), press SET/COAST switch. (Then SET indicator in combination meter illuminates.)

ACCELERATE OPERATION

If the RESUME/ACCELERATE switch is depressed during cruise control driving, increase the vehicle speed until the switch is released or vehicle speed reaches maximum speed controlled by the system.

And then ASCD will keep the new set speed.

CANCEL OPERATION

When any of following conditions exist, cruise operation will be canceled.

- CANCEL switch is pressed
- More than two switches at ASCD steering switch are pressed at the same time (Set speed will be cleared)
- Brake pedal is depressed
- Clutch pedal is depressed or gear position is changed to the neutral position (M/T models)
- Selector lever is changed to N, P, R position (CVT models)
- Vehicle speed decreased to 13 km/h (8 MPH) lower than the set speed

When the ECM detects any of the following conditions, the ECM will cancel the cruise operation and inform the driver by blinking indicator lamp.

- Engine coolant temperature is slightly higher than the normal operating temperature, CRUISE lamp may blink slowly.

When the engine coolant temperature decreases to the normal operating temperature, CRUISE lamp will stop blinking and the cruise operation will be able to work by pressing SET/COAST switch or RESUME/ACCELERATE switch.

- Malfunction for some self-diagnoses regarding ASCD control: SET lamp will blink quickly.

If MAIN switch is turned to OFF during ASCD is activated, all of ASCD operations will be canceled and vehicle speed memory will be erased.

COAST OPERATION

When the SET/COAST switch is depressed during cruise control driving, decrease vehicle set speed until the switch is released. And then ASCD will keep the new set speed.

AUTOMATIC SPEED CONTROL DEVICE (ASCD)

< SERVICE INFORMATION >

[QR]

RESUME OPERATION

When the RESUME/ACCELERATE switch is depressed after cancel operation other than depressing MAIN switch is performed, vehicle speed will return to last set speed. To resume vehicle set speed, vehicle condition must meet following conditions.

- Brake pedal is released.
- Clutch pedal is released (M/T models)
- Selector lever is in other than P and N positions (CVT models)
- Vehicle speed is greater than 40 km/h (25 MPH) and less than 144 km/h (89 MPH)

Component Description

INFOID:000000001850274

ASCD STEERING SWITCH

Refer to [EC-947](#).

ASCD BRAKE SWITCH

Refer to [EC-953](#) and [EC-1020](#).

ASCD CLUTCH SWITCH

Refer to [EC-953](#) and [EC-1020](#).

STOP LAMP SWITCH

Refer to [EC-953](#), [EC-966](#) and [EC-1020](#).

ELECTRIC THROTTLE CONTROL ACTUATOR

Refer to [EC-970](#), [EC-974](#), [EC-980](#) and [EC-985](#).

ASCD INDICATOR

Refer to [EC-1028](#).

CAN COMMUNICATION

System Description

INFOID:000000001850275

CAN (Controller Area Network) is a serial communication line for real time application. It is an on-vehicle multiplex communication line with high data communication speed and excellent error detection ability. Many electronic control units are equipped onto a vehicle, and each control unit shares information and links with other control units during operation (not independent). In CAN communication, control units are connected with 2 communication lines (CAN H line, CAN L line) allowing a high rate of information transmission with less wiring. Each control unit transmits/receives data but selectively reads required data only.

A

EC

C

D

E

F

G

H

I

J

K

L

M

N

O

P

EVAPORATIVE EMISSION SYSTEM

< SERVICE INFORMATION >

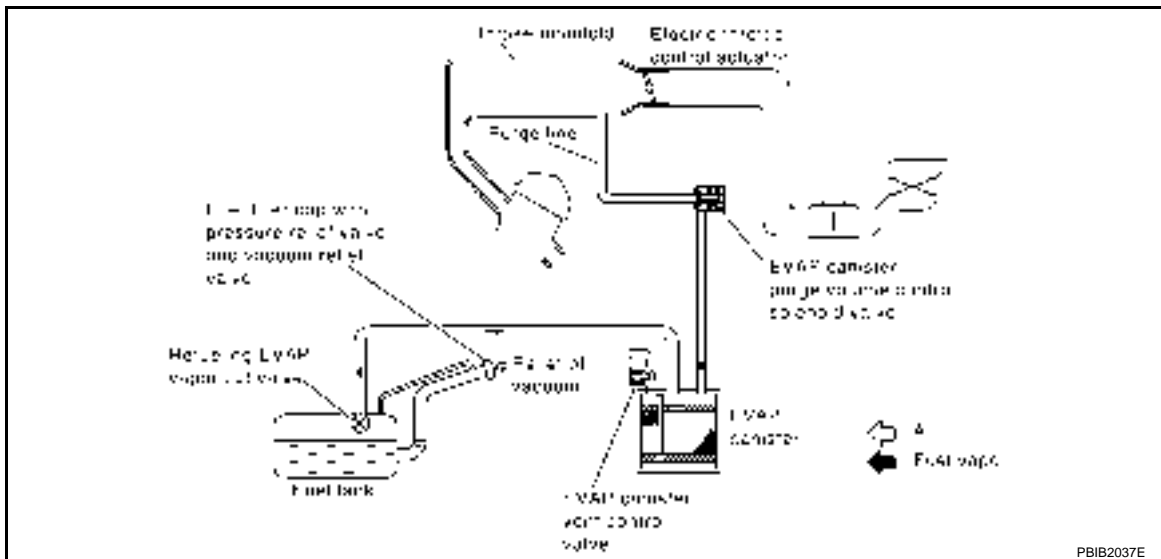
[QR]

EVAPORATIVE EMISSION SYSTEM

Description

INFOID:000000001850276

SYSTEM DESCRIPTION



The evaporative emission system is used to reduce hydrocarbons emitted into the atmosphere from the fuel system. This reduction of hydrocarbons is accomplished by activated charcoals in the EVAP canister.

The fuel vapor in the sealed fuel tank is led into the EVAP canister which contains activated carbon and the vapor is stored there when the engine is not operating or when refueling to the fuel tank.

The vapor in the EVAP canister is purged by the air through the purge line to the intake manifold when the engine is operating. EVAP canister purge volume control solenoid valve is controlled by ECM. When the engine operates, the flow rate of vapor controlled by EVAP canister purge volume control solenoid valve is proportionally regulated as the air flow increases.

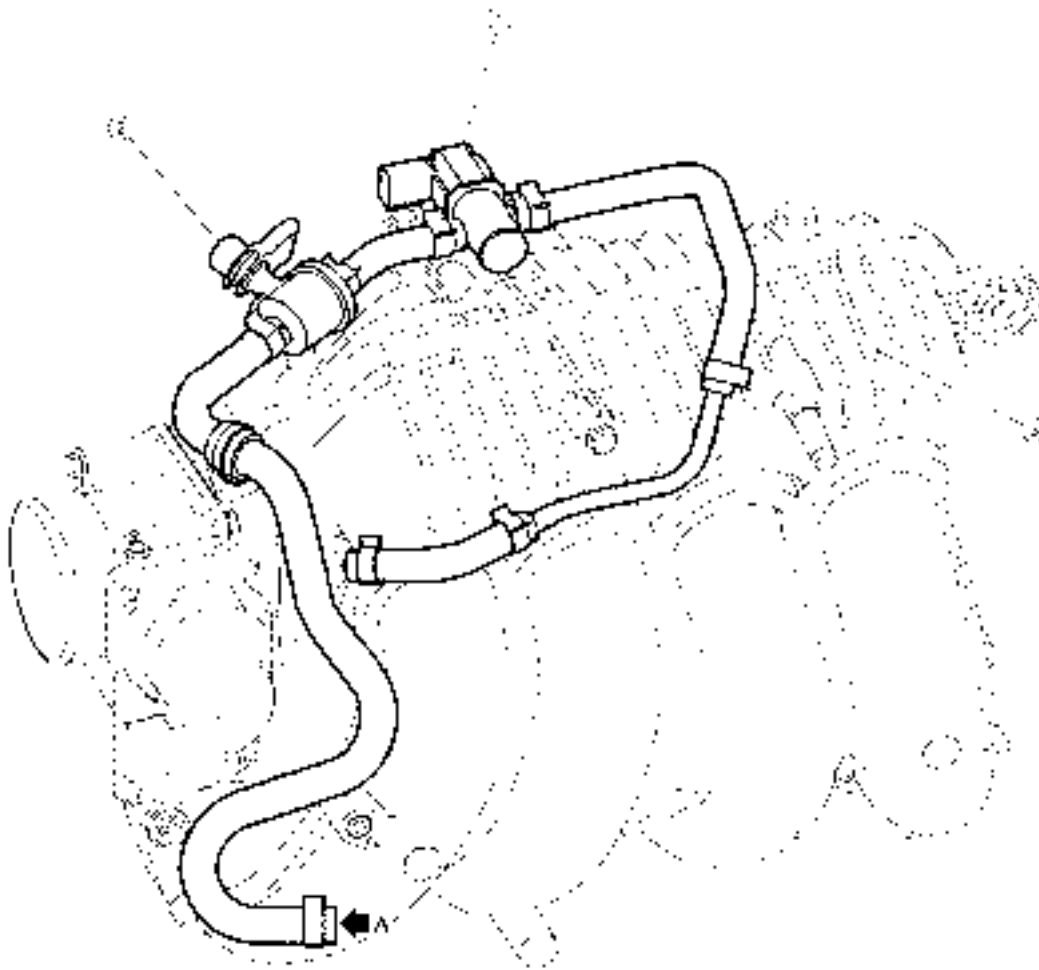
EVAP canister purge volume control solenoid valve also shuts off the vapor purge line during decelerating and idling.

EVAPORATIVE EMISSION LINE DRAWING

EVAPORATIVE EMISSION SYSTEM

< SERVICE INFORMATION >

[QR]



BBIA0895E

← From next page

1. EVAP canister purge volume control solenoid valve
2. EVAP service port
3. Intake manifold collector

NOTE: Do not use soapy water or any type of solvent while installing vacuum hose or purge hoses.

A

EC

C

D

E

F

G

H

I

J

K

L

M

N

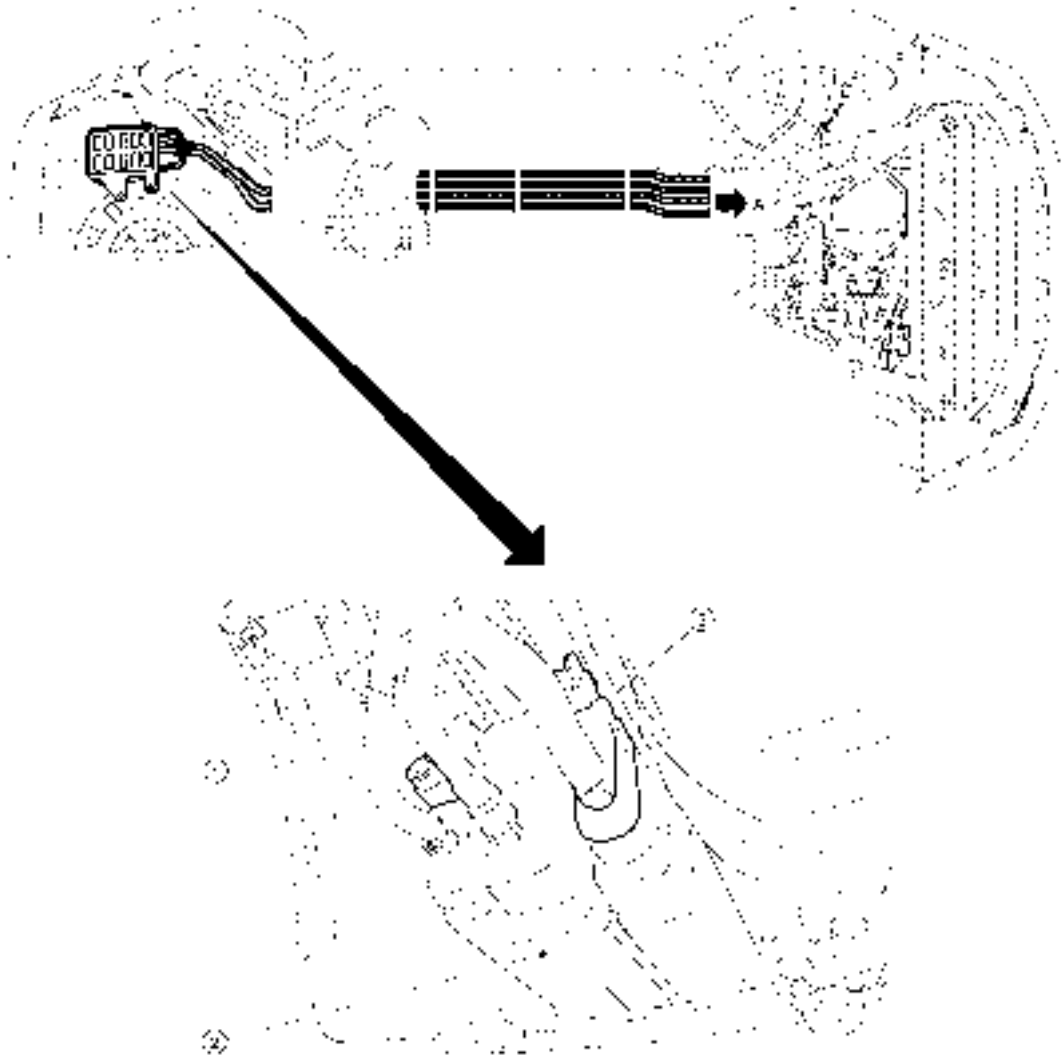
O

P

EVAPORATIVE EMISSION SYSTEM

< SERVICE INFORMATION >

[QR]



BBI A0746E

← To previous page

1. EVAP control system pressure sensor 2. EVAP canister 3. EVAP canister vent control valve

NOTE: Do not use soapy water or any type of solvent while installing vacuum hose or purge hoses.

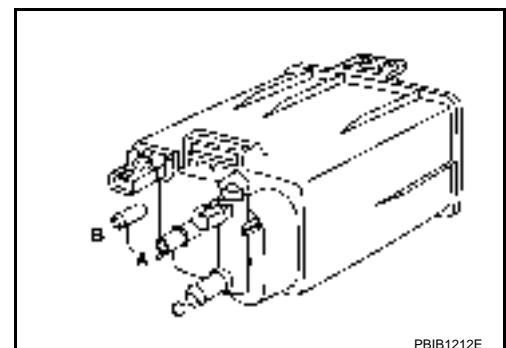
Component Inspection

INFOID:000000001850277

EVAP CANISTER

Check EVAP canister as follows:

1. Block port **B**.
2. Blow air into port **A** and check that it flows freely out of port **C**.
3. Release blocked port **B**.
4. Apply vacuum pressure to port **B** and check that vacuum pressure exists at the ports **A** and **C**.
5. Block port **A** and **B**.
6. Apply pressure to port **C** and check that there is no leakage.



PBIB1212E

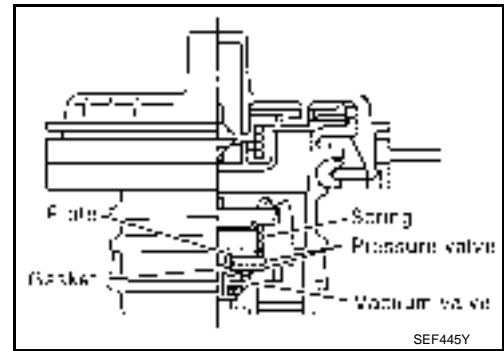
FUEL TANK VACUUM RELIEF VALVE (BUILT INTO FUEL FILLER CAP)

EVAPORATIVE EMISSION SYSTEM

< SERVICE INFORMATION >

[QR]

1. Wipe clean valve housing.



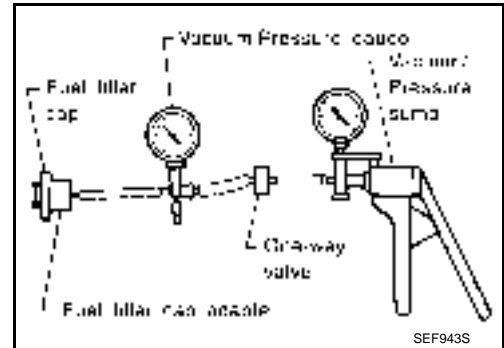
2. Check valve opening pressure and vacuum.

Pressure: 15.3 - 20.0 kPa
(0.156 - 0.204 kg/cm², 2.22 - 2.90 psi)
Vacuum: -6.0 to -3.4 kPa
(-0.061 to -0.035 kg/cm², -0.87 to -0.48 psi)

3. If out of specification, replace fuel filler cap as an assembly.

CAUTION:

Use only a genuine fuel filler cap as a replacement. If an incorrect fuel filler cap is used, the MIL may come on.



EVAP CANISTER PURGE VOLUME CONTROL SOLENOID VALVE

Refer to [EC-856](#), "Component Inspection".

FUEL TANK TEMPERATURE SENSOR

Refer to [EC-800](#), "Component Inspection".

EVAP CANISTER VENT CONTROL VALVE

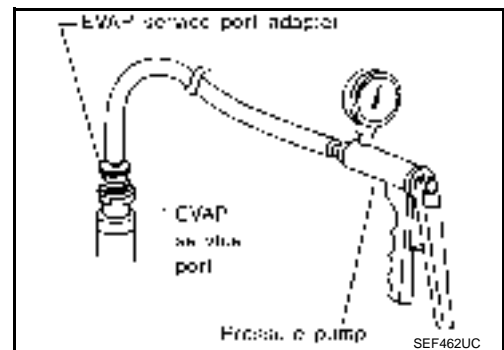
Refer to [EC-860](#), "Component Inspection".

EVAP CONTROL SYSTEM PRESSURE SENSOR

Refer to [EC-877](#), "Component Inspection".

EVAP SERVICE PORT

Positive pressure is delivered to the EVAP system through the EVAP service port. If fuel vapor leakage in the EVAP system occurs, use a leak detector to locate the leak.



Removal and Installation

EVAP CANISTER

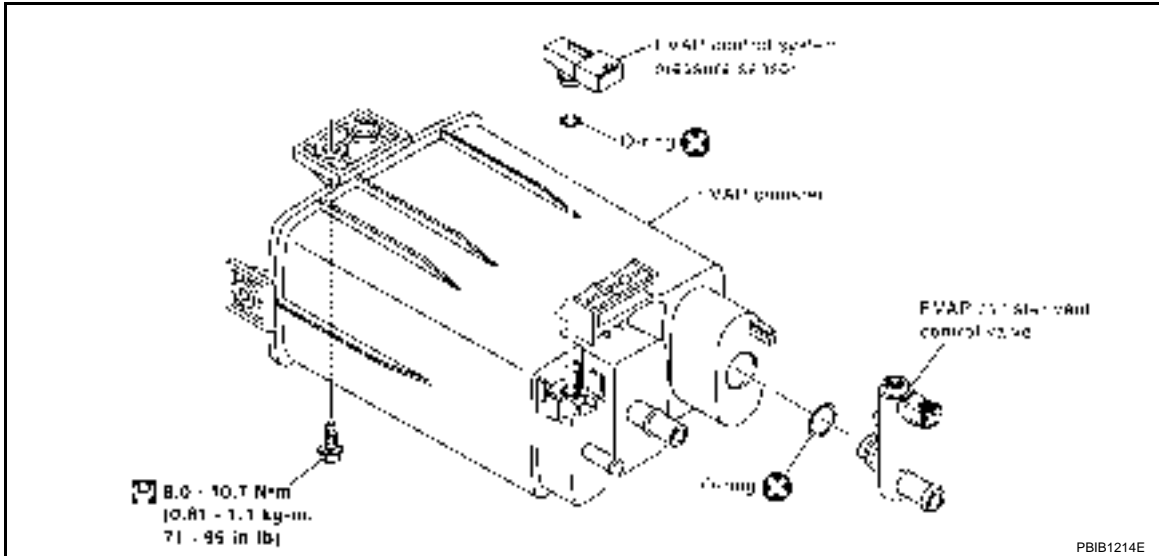
INFOID:000000001850278

EVAPORATIVE EMISSION SYSTEM

< SERVICE INFORMATION >

[QR]

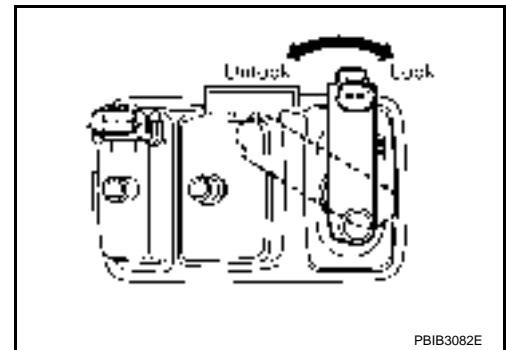
Tighten EVAP canister as shown in the figure.



EVAP CANISTER VENT CONTROL VALVE

1. Turn EVAP canister vent control valve counterclockwise.
2. Remove the EVAP canister vent control valve.

Always replace O-ring with a new one.



How to Detect Fuel Vapor Leakage

INFOID:000000001850279

CAUTION:

- Never use compressed air or a high pressure pump.
- Do not exceed 4.12 kPa (0.042 kg/cm², 0.6 psi) of pressure in EVAP system.

NOTE:

- Do not start engine.
- Improper installation of EVAP service port adapter to the EVAP service port may cause a leak.

WITH CONSULT-III

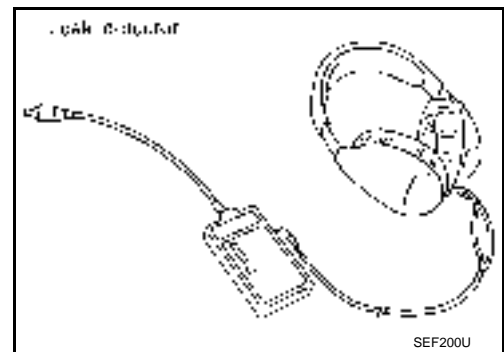
1. Attach the EVAP service port adapter securely to the EVAP service port.
2. Also attach the pressure pump and hose to the EVAP service port adapter.
3. Turn ignition switch ON.
4. Select the "EVAP SYSTEM CLOSE" of "WORK SUPPORT" mode with CONSULT-III.
5. Touch "START". A bar graph (Pressure indicating display) will appear on the screen.
6. Apply positive pressure to the EVAP system until the pressure indicator reaches the middle of the bar graph.
7. Remove EVAP service port adapter and hose with pressure pump.

EVAPORATIVE EMISSION SYSTEM

< SERVICE INFORMATION >

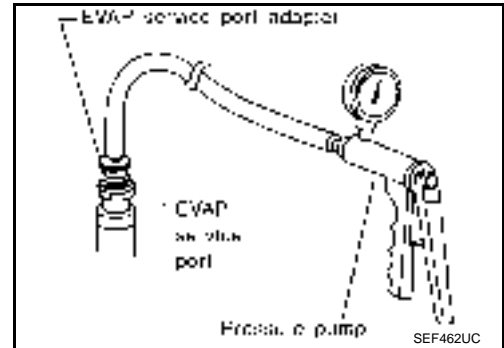
[QR]

8. Locate the leak using a leak detector. Refer to [EC-544](#), "[Description](#)".

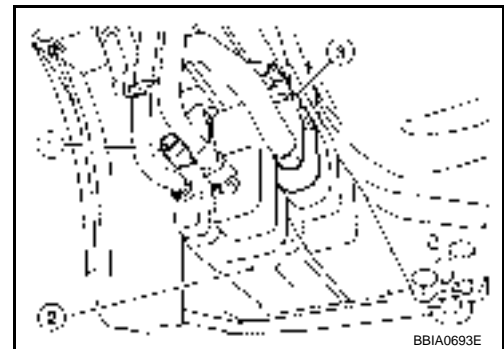


⌘ WITHOUT CONSULT-III

1. Attach the EVAP service port adapter securely to the EVAP service port.
2. Also attach the pressure pump with pressure gauge to the EVAP service port adapter.



3. Apply battery voltage to the terminal of EVAP canister vent control valve (3) to make a closed EVAP system.
 - This illustration is a view from under vehicle
 - EVAP control system pressure sensor (1)
 - EVAP canister (2)
4. To locate the leak, deliver positive pressure to the EVAP system until pressure gauge points reach 1.38 to 2.76 kPa (0.014 to 0.028 kg/cm², 0.2 to 0.4 psi).
5. Remove EVAP service port adapter and hose with pressure pump.
6. Locate the leak using a leak detector. Refer to [EC-544](#), "[Description](#)".



ON BOARD REFUELING VAPOR RECOVERY (ORVR)

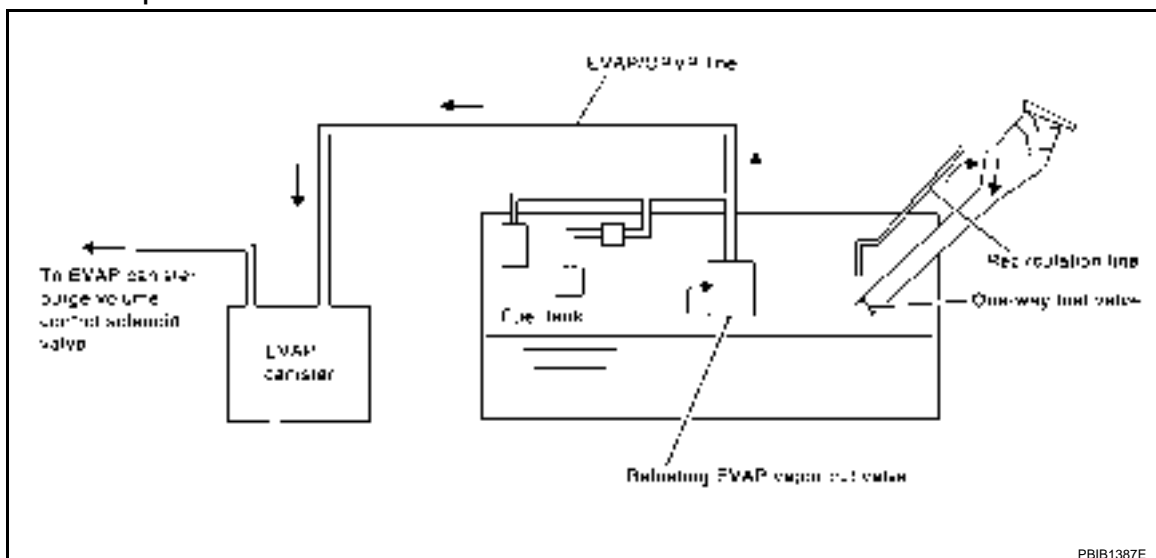
< SERVICE INFORMATION >

[QR]

ON BOARD REFUELING VAPOR RECOVERY (ORVR)

System Description

INFOID:000000001850280



From the beginning of refueling, the air and vapor inside the fuel tank go through refueling EVAP vapor cut valve and EVAP/ORVR line to the EVAP canister. The vapor is absorbed by the EVAP canister and the air is released to the atmosphere.

When the refueling has reached the full level of the fuel tank, the refueling EVAP vapor cut valve is closed and refueling is stopped because of auto shut-off. The vapor which was absorbed by the EVAP canister is purged during driving.

WARNING:

When conducting inspections below, be sure to observe the following:

- Put a "CAUTION: FLAMMABLE" sign in workshop.
- Do not smoke while servicing fuel system. Keep open flames and sparks away from work area.
- Be sure to furnish the workshop with a CO₂ fire extinguisher.

CAUTION:

- Before removing fuel line parts, carry out the following procedures:
 - Put drained fuel in an explosion-proof container and put lid on securely.
 - Release fuel pressure from fuel line. Refer to [EC-592, "Fuel Pressure Check"](#).
 - Disconnect negative battery cable.
- Always replace O-ring when the fuel gauge retainer is removed.
- Do not kink or twist hose and tube when they are installed.
- Do not tighten hose and clamps excessively to avoid damaging hoses.
- After installation, run engine and check for fuel leaks at connection.
- Do not attempt to top off the fuel tank after the fuel pump nozzle shuts off automatically. Continued refueling may cause fuel overflow, resulting in fuel spray and possibly a fire.

Diagnosis Procedure

INFOID:000000001850281

SYMPTOM: FUEL ODOR FROM EVAP CANISTER IS STRONG.

1. CHECK EVAP CANISTER

1. Remove EVAP canister with EVAP canister vent control valve and EVAP control system pressure sensor attached.
2. Weigh the EVAP canister with EVAP canister vent control valve and EVAP control system pressure sensor attached.

The weight should be less than 1.9 kg (4.2 lb).

OK or NG

- OK >> GO TO 2.
- NG >> GO TO 3.

2. CHECK IF EVAP CANISTER SATURATED WITH WATER

ON BOARD REFUELING VAPOR RECOVERY (ORVR)

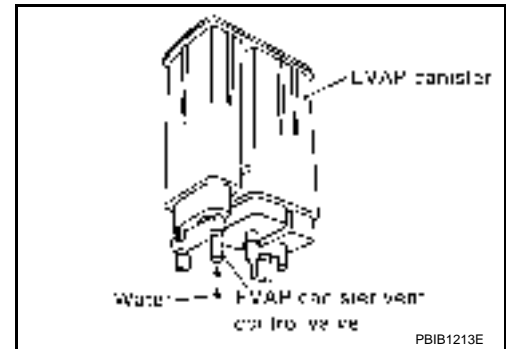
< SERVICE INFORMATION >

[QR]

Does water drain from the EVAP canister?

Yes or No

- Yes >> GO TO 3.
- No >> GO TO 5.



3.REPLACE EVAP CANISTER

Replace EVAP canister with a new one.

>> GO TO 4.

4.DETECT MALFUNCTIONING PART

Check the EVAP hose between EVAP canister and vehicle frame for clogging or poor connection.

>> Repair or replace EVAP hose.

5.CHECK REFUELING EVAP VAPOR CUT VALVE

Refer to [EC-552. "Component Inspection"](#).

OK or NG

- OK >> **INSPECTION END**
- NG >> Replace refueling EVAP vapor cut valve with fuel tank.

SYMPTOM: CANNOT REFUEL/FUEL ODOR FROM THE FUEL FILLER OPENING IS STRONG WHILE REFUELING.

1.CHECK EVAP CANISTER

1. Remove EVAP canister with EVAP canister vent control valve and EVAP control system pressure sensor attached.
2. Weigh the EVAP canister with EVAP canister vent control valve and EVAP control system pressure sensor attached.

The weight should be less than 1.9 kg (4.2 lb).

OK or NG

- OK >> GO TO 2.
- NG >> GO TO 3.

2.CHECK IF EVAP CANISTER SATURATED WITH WATER

Does water drain from the EVAP canister?

Yes or No

- Yes >> GO TO 3.
- No >> GO TO 5.



3.REPLACE EVAP CANISTER

Replace EVAP canister with a new one.

ON BOARD REFUELING VAPOR RECOVERY (ORVR)

< SERVICE INFORMATION >

[QR]

>> GO TO 4.

4. DETECT MALFUNCTIONING PART

Check the EVAP hose between EVAP canister and vehicle frame for clogging or poor connection.

>> Repair or replace EVAP hose.

5. CHECK VENT HOSES AND VENT TUBES

Check hoses and tubes between EVAP canister and refueling EVAP vapor cut valve for clogging, kink, looseness and improper connection.

OK or NG

OK >> GO TO 6.

NG >> Repair or replace hoses and tubes.

6. CHECK FILLER NECK TUBE

Check recirculation line for clogging, dents and cracks.

OK or NG

OK >> GO TO 7.

NG >> Replace filler neck tube.

7. CHECK REFUELING EVAP VAPOR CUT VALVE

Refer to [EC-552. "Component Inspection"](#).

OK or NG

OK >> GO TO 8.

NG >> Replace refueling EVAP vapor cut valve with fuel tank.

8. CHECK FUEL FILLER TUBE

Check filler neck tube and hose connected to the fuel tank for clogging, dents and cracks.

OK or NG

OK >> GO TO 9.

NG >> Replace fuel filler tube.

9. CHECK ONE-WAY FUEL VALVE-I

Check one-way valve for clogging.

OK or NG

OK >> GO TO 10.

NG >> Repair or replace one-way fuel valve with fuel tank.

10. CHECK ONE-WAY FUEL VALVE-II

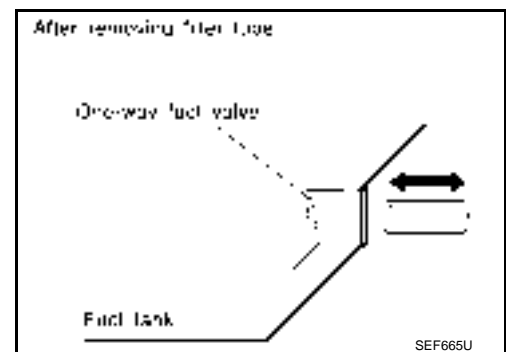
1. Make sure that fuel is drained from the tank.
2. Remove fuel filler tube and hose.
3. Check one-way fuel valve for operation as follows.
When a stick is inserted, the valve should open, when removing stick it should close.

Do not drop any material into the tank.

OK or NG

OK >> **INSPECTION END**

NG >> Replace fuel filler tube or replace one-way fuel valve with fuel tank.



Component Inspection

INFOID:000000001850282

REFUELING EVAP VAPOR CUT VALVE

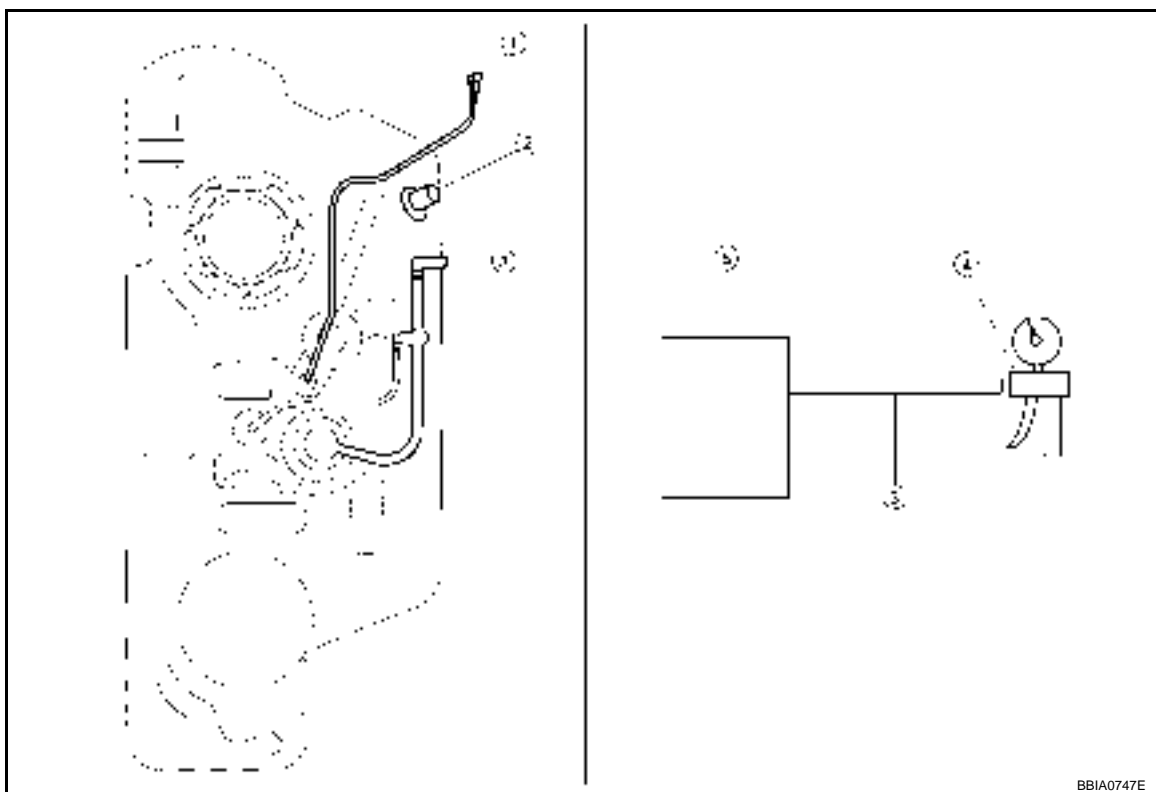
With CONSULT-III

ON BOARD REFUELING VAPOR RECOVERY (ORVR)

< SERVICE INFORMATION >

[QR]

1. Remove fuel tank. Refer to [FL-9](#).
2. Drain fuel from the tank as follows:
 - a. Remove fuel feed hose located on the fuel gauge retainer.
 - b. Connect a spare fuel hose, one side to fuel gauge retainer where the hose was removed and the other side to a fuel container.
 - c. Drain fuel using "FUEL PUMP RELAY" in "ACTIVE TEST" mode with CONSULT-III.
3. Check refueling EVAP vapor cut valve for being stuck to close as follows.
Blow air into the refueling EVAP vapor cut valve (from the end of EVAP/ORVR line hose), and check that the air flows freely into the tank.
4. Check refueling EVAP vapor cut valve for being stuck to open as follows.
 - a. Connect vacuum pump to hose end.
 - b. Remove fuel gauge retainer with fuel gauge unit.
Always replace O-ring with new one.
 - c. Put fuel tank upside down.
 - d. Apply vacuum pressure to hose end [-13.3 kPa (-100 mmHg, -3.94 inHg)] with fuel gauge retainer remaining open and check that the pressure is applicable.



- | | | |
|-------------------------------|----------------|-------------------|
| 1. Recirculation line | 2. Filler tube | 3. EVAP/ORVR line |
| 4. Vacuum/pressure handy pump | 5. Fuel tank | |

✘ Without CONSULT-III

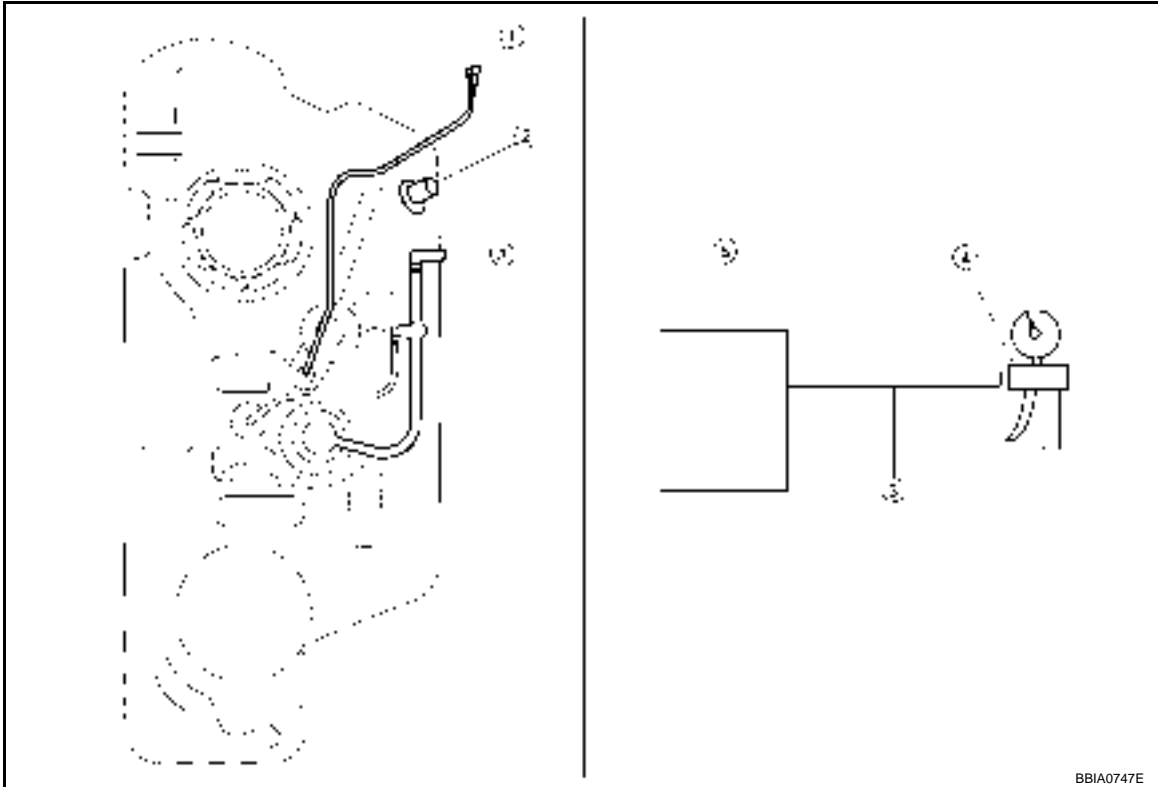
1. Remove fuel tank. Refer to [FL-9](#).
2. Drain fuel from the tank as follows:
 - a. Remove fuel gauge retainer.
 - b. Drain fuel from the tank using a handy pump into a fuel container.
3. Check refueling EVAP vapor cut valve for being stuck to close as follows.
Blow air into the refueling EVAP vapor cut valve (from the end of EVAP/ORVR line hose), and check that the air flows freely into the tank.
4. Check refueling EVAP vapor cut valve for being stuck to open as follows.
 - a. Connect vacuum pump to hose end.

ON BOARD REFUELING VAPOR RECOVERY (ORVR)

< SERVICE INFORMATION >

[QR]

- b. Remove fuel gauge retainer with fuel gauge unit.
Always replace O-ring with new one.
- c. Put fuel tank upside down.
- d. Apply vacuum pressure to hose end [-13.3 kPa (-100 mmHg, -3.94 inHg)] with fuel gauge retainer remaining open and check that the pressure is applicable.



- | | | |
|-------------------------------|----------------|-------------------|
| 1. Recirculation line | 2. Filler tube | 3. EVAP/ORVR line |
| 4. Vacuum/pressure handy pump | 5. Fuel tank | |

POSITIVE CRANKCASE VENTILATION

< SERVICE INFORMATION >

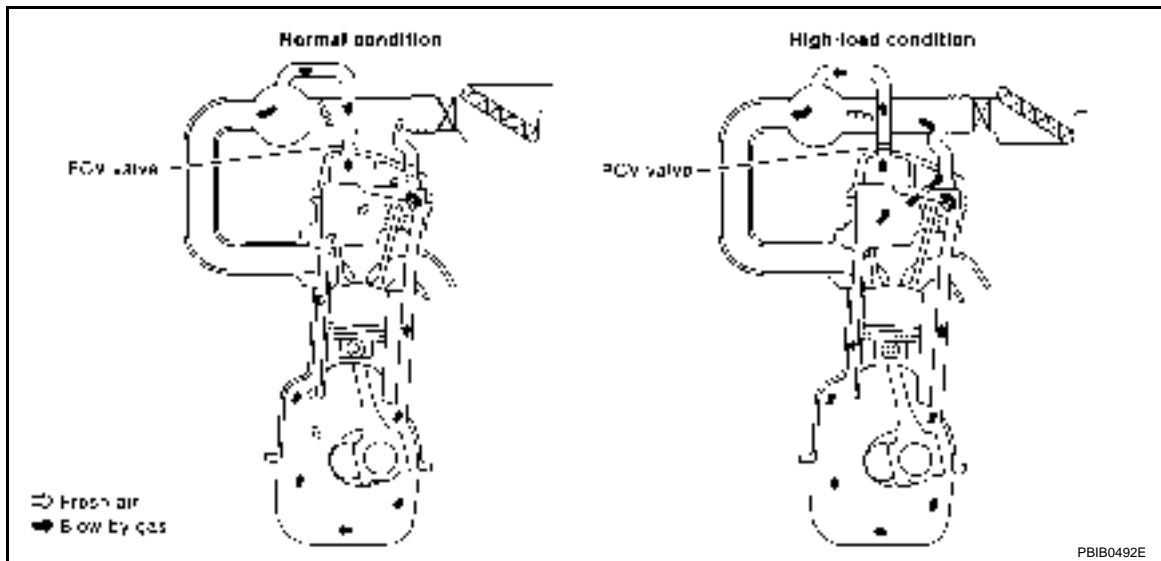
[QR]

POSITIVE CRANKCASE VENTILATION

Description

INFOID:000000001850283

SYSTEM DESCRIPTION

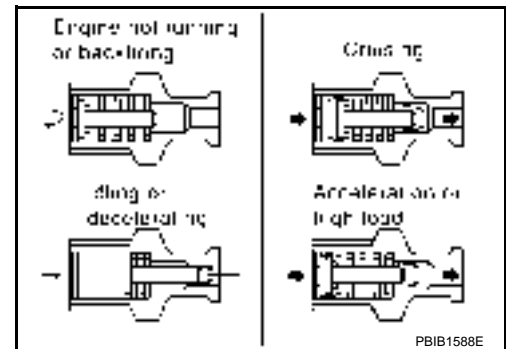


This system returns blow-by gas to the intake manifold.

The positive crankcase ventilation (PCV) valve is provided to conduct crankcase blow-by gas to the intake manifold. During partial throttle operation of the engine, the intake manifold sucks the blow-by gas through the PCV valve. Normally, the capacity of the valve is sufficient to handle any blow-by and a small amount of ventilating air. The ventilating air is then drawn from the air inlet tubes into the crankcase. In this process the air passes through the hose connecting air inlet tubes to rocker cover.

Under full-throttle condition, the manifold vacuum is insufficient to draw the blow-by flow through the valve. The flow goes through the hose connection in the reverse direction.

On vehicles with an excessively high blow-by, the valve does not meet the requirement. This is because some of the flow will go through the hose connection to the air inlet tubes under all conditions.

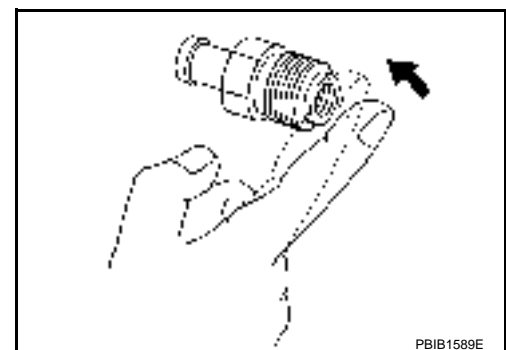


Component Inspection

INFOID:000000001850284

PCV (POSITIVE CRANKCASE VENTILATION) VALVE

With engine running at idle, remove PCV valve from rocker cover. A properly working valve makes a hissing noise as air passes through it. A strong vacuum should be felt immediately when a finger is placed over valve inlet.



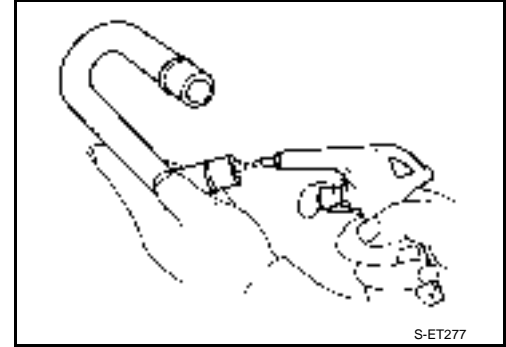
POSITIVE CRANKCASE VENTILATION

< SERVICE INFORMATION >

[QR]

PCV VALVE VENTILATION HOSE

1. Check hoses and hose connections for leaks.
2. Disconnect all hoses and clean with compressed air. If any hose cannot be freed of obstructions, replace.



NVIS (NISSAN VEHICLE IMMOBILIZER SYSTEM-NATS)

< SERVICE INFORMATION >

[QR]

NVIS (NISSAN VEHICLE IMMOBILIZER SYSTEM-NATS)

Description

INFOID:000000001850285

- If the security indicator lights up with the ignition switch in the ON position or “NATS MALFUNCTION” is displayed on “SELF-DIAG RESULTS” screen, perform self-diagnostic results mode with CONSULT-III using NATS program card. Refer to [BL-169](#).
- Confirm no self-diagnostic results of NVIS (NATS) is displayed before touching “ERASE” in “SELF-DIAG RESULTS” mode with CONSULT-III.
- When replacing ECM, initialization of NVIS (NATS) system and registration of all NVIS (NATS) ignition key IDs must be carried out with CONSULT-III using NATS program card. Therefore, be sure to receive all keys from vehicle owner. Regarding the procedures of NVIS (NATS) initialization and all NVIS (NATS) ignition key ID registration, refer to CONSULT-III Operation Manual, IVIS/NVIS.

A

EC

C

D

E

F

G

H

I

J

K

L

M

N

O

P

ON BOARD DIAGNOSTIC (OBD) SYSTEM

< SERVICE INFORMATION >

[QR]

ON BOARD DIAGNOSTIC (OBD) SYSTEM

Introduction

INFOID:000000001850286

The ECM has an on board diagnostic system, which detects malfunctions related to engine sensors or actuators. The ECM also records various emission-related diagnostic information including:

Emission-related diagnostic information	Diagnostic service
Diagnostic Trouble Code (DTC)	Service \$03 of SAE J1979
Freeze Frame data	Service \$02 of SAE J1979
System Readiness Test (SRT) code	Service \$01 of SAE J1979
1st trip Diagnostic Trouble Code (1st Trip DTC)	Service \$07 of SAE J1979
1st trip Freeze Frame data	
Test values and Test limits	Service \$06 of SAE J1979
Calibration ID	Service \$09 of SAE J1979

The above information can be checked using procedures listed in the table below.

×: Applicable —: Not applicable

	DTC	1st trip DTC	Freeze Frame data	1st trip Freeze Frame data	SRT code	SRT status	Test value
CONSULT-III	×	×	×	×	×	×	—
GST	×	×	×	—	×	×	×
ECM	×	×*	—	—	—	×	—

*: When DTC and 1st trip DTC simultaneously appear on the display, they cannot be clearly distinguished from each other.

The malfunction indicator lamp (MIL) on the instrument panel lights up when the same malfunction is detected in two consecutive trips (Two trip detection logic), or when the ECM enters fail-safe mode.

(Refer to [EC-599, "Fail-Safe Chart"](#).)

Two Trip Detection Logic

INFOID:000000001850287

When a malfunction is detected for the first time, 1st trip DTC and 1st trip Freeze Frame data are stored in the ECM memory. The MIL will not light up at this stage. <1st trip>

If the same malfunction is detected again during the next drive, the DTC and Freeze Frame data are stored in the ECM memory, and the MIL lights up. The MIL lights up at the same time when the DTC is stored. <2nd trip> The "trip" in the "Two Trip Detection Logic" means a driving mode in which self-diagnosis is performed during vehicle operation. Specific on board diagnostic items will cause the ECM to light up or blink the MIL, and store DTC and Freeze Frame data, even in the 1st trip, as shown below.

×: Applicable —: Not applicable

Items	MIL				DTC		1st trip DTC	
	1st trip		2nd trip		1st trip displaying	2nd trip displaying	1st trip displaying	2nd trip displaying
	Blinking	Lighting up	Blinking	Lighting up				
Misfire (Possible three way catalyst damage) — DTC: P0300 - P0304 is being detected	×	—	—	—	—	—	×	—
Misfire (Possible three way catalyst damage) — DTC: P0300 - P0304 is being detected	—	—	×	—	—	×	—	—
One trip detection diagnoses (Refer to EC-559, "Emission-related Diagnostic Information" .)	—	×	—	—	×	—	—	—
Except above	—	—	—	×	—	×	×	—

When there is an open circuit on MIL circuit, the ECM cannot warn the driver by MIL lighting up when there is malfunction on engine control system.

ON BOARD DIAGNOSTIC (OBD) SYSTEM

< SERVICE INFORMATION >

[QR]

Therefore, when electrical controlled throttle and part of ECM related diagnoses are continuously detected as NG for 5 trips, ECM warns the driver that engine control system malfunctions and MIL circuit is open by means of operating fail-safe function.

The fail-safe function also operates when above diagnoses except MIL circuit are detected, and demands the driver to repair the malfunction.

Engine operating condition in fail-safe mode	Engine speed will not rise more than 2,500 rpm due to the fuel cut
--	--

Emission-related Diagnostic Information

INFOID:000000001850288

EMISSION-RELATED DIAGNOSTIC INFORMATION ITEMS

×: Applicable —: Not applicable

Items (CONSULT-III screen terms)	DTC*1		SRT code	Trip	MIL lighting up	Reference page
	CONSULT-III GST*2	ECM*3				
CAN COMM CIRCUIT	U1000	1000*4	—	1 (CVT) 2 (MT)	× (CVT) — (MT)	EC-650
CAN COMM CIRCUIT	U1001	1001*4	—	2	—	EC-650
CONTROL UNIT(CAN)	U1010	1010	—	1 (CVT) 2 (MT)	× (CVT) — (MT)	EC-652
NO DTC IS DETECTED. FURTHER TESTING MAY BE REQUIRED.	P0000	0000	—	—	Flashing*5	EC-575
INT/V TIM CONT-B1	P0011	0011	—	2	×	EC-653
A/F SEN1 HTR (B1)	P0031	0031	—	2	×	EC-657
A/F SEN1 HTR (B1)	P0032	0032	—	2	×	EC-657
HO2S2 HTR (B1)	P0037	0037	—	2	×	EC-664
HO2S2 HTR (B1)	P0038	0038	—	2	×	EC-664
A/F SEN1 HTR (B2)	P0051	0051	—	2	×	EC-657
A/F SEN1 HTR (B2)	P0052	0052	—	2	×	EC-657
HO2S2 HTR (B2)	P0057	0057	—	2	×	EC-664
HO2S2 HTR (B2)	P0058	0058	—	2	×	EC-664
INT/V TIM V/CIR-B1	P0075	0075	—	2	×	EC-672
MAF SEN/CIRCUIT-B1	P0101	0101	—	2	×	EC-677
MAF SEN/CIRCUIT-B1	P0102	0102	—	1	×	EC-684
MAF SEN/CIRCUIT-B1	P0103	0103	—	1	×	EC-684
IAT SEN/CIRCUIT-B1	P0112	0112	—	2	×	EC-691
IAT SEN/CIRCUIT-B1	P0113	0113	—	2	×	EC-691
ECT SEN/CIRC	P0117	0117	—	1	×	EC-695
ECT SEN/CIRC	P0118	0118	—	1	×	EC-695
TP SEN 2/CIRC-B1	P0122	0122	—	1	×	EC-700
TP SEN 2/CIRC-B1	P0123	0123	—	1	×	EC-700
ECT SENSOR	P0125	0125	—	2	×	EC-705
IAT SENSOR-B1	P0127	0127	—	2	×	EC-708
THERMSTAT FNCTN	P0128	0128	—	2	×	EC-711
A/F SENSOR1 (B1)	P0130	0130	—	2	×	EC-713
A/F SENSOR1 (B1)	P0131	0131	—	2	×	EC-721
A/F SENSOR1 (B1)	P0132	0132	—	2	×	EC-729
A/F SENSOR1 (B1)	P0133	0133	×	2	×	EC-737

ON BOARD DIAGNOSTIC (OBD) SYSTEM

< SERVICE INFORMATION >

[QR]

Items (CONSULT-III screen terms)	DTC*1		SRT code	Trip	MIL lighting up	Reference page
	CONSULT-III GST*2	ECM*3				
HO2S2 (B1)	P0137	0137	×	2	×	EC-746
HO2S2 (B1)	P0138	0138	×	2	×	EC-755
HO2S2 (B1)	P0139	0139	×	2	×	EC-767
A/F SENSOR1 (B2)	P0150	0150	—	2	×	EC-713
A/F SENSOR1 (B2)	P0151	0151	—	2	×	EC-721
A/F SENSOR1 (B2)	P0152	0152	—	2	×	EC-729
A/F SENSOR1 (B2)	P0153	0153	×	2	×	EC-737
HO2S2 (B2)	P0157	0157	×	2	×	EC-746
HO2S2 (B2)	P0158	0158	×	2	×	EC-755
HO2S2 (B2)	P0159	0159	×	2	×	EC-767
FUEL SYS-LEAN-B1	P0171	0171	—	2	×	EC-776
FUEL SYS-RICH-B1	P0172	0172	—	2	×	EC-785
FUEL SYS-LEAN-B2	P0174	0174	—	2	×	EC-776
FUEL SYS-RICH-B2	P0175	0175	—	2	×	EC-785
FTT SENSOR	P0181	0181	—	2	×	EC-793
FTT SEN/CIRCUIT	P0182	0182	—	2	×	EC-797
FTT SEN/CIRCUIT	P0183	0183	—	2	×	EC-797
TP SEN 1/CIRC-B1	P0222	0222	—	1	×	EC-801
TP SEN 1/CIRC-B1	P0223	0223	—	1	×	EC-801
MULTI CYL MISFIRE	P0300	0300	—	2	×	EC-806
CYL 1 MISFIRE	P0301	0301	—	2	×	EC-806
CYL 2 MISFIRE	P0302	0302	—	2	×	EC-806
CYL 3 MISFIRE	P0303	0303	—	2	×	EC-806
CYL 4 MISFIRE	P0304	0304	—	2	×	EC-806
KNOCK SEN/CIRC-B1	P0327	0327	—	2	—	EC-812
KNOCK SEN/CIRC-B1	P0328	0328	—	2	—	EC-812
CKP SEN/CIRCUIT	P0335	0335	—	2	×	EC-816
CMP SEN/CIRC-B1	P0340	0340	—	2	×	EC-822
TW CATALYST SYS-B1	P0420	0420	×	2	×	EC-828
TW CATALYST SYS-B2	P0430	0430	×	2	×	EC-828
EVAP PURG FLOW/MON	P0441	0441	×	2	×	EC-832
EVAP SMALL LEAK	P0442	0442	×	2	×	EC-837
PURG VOLUME CONT/V	P0443	0443	—	2	×	EC-844
PURG VOLUME CONT/V	P0444	0444	—	2	×	EC-851
PURG VOLUME CONT/V	P0445	0445	—	2	×	EC-851
VENT CONTROL VALVE	P0447	0447	—	2	×	EC-857
VENT CONTROL VALVE	P0448	0448	—	2	×	EC-862
EVAP SYS PRES SEN	P0451	0451	—	2	×	EC-868
EVAP SYS PRES SEN	P0452	0452	—	2	×	EC-871
EVAP SYS PRES SEN	P0453	0453	—	2	×	EC-878
EVAP GROSS LEAK	P0455	0455	—	2	×	EC-886
EVAP VERY SML LEAK	P0456	0456	×*6	2	×	EC-892

ON BOARD DIAGNOSTIC (OBD) SYSTEM

< SERVICE INFORMATION >

[QR]

Items (CONSULT-III screen terms)	DTC*1		SRT code	Trip	MIL lighting up	Reference page
	CONSULT-III GST*2	ECM*3				
FUEL LEV SEN SLOSH	P0460	0460	—	2	×	EC-899
FUEL LEVEL SENSOR	P0461	0461	—	2	×	EC-901
FUEL LEVEL SEN/CIRC	P0462	0462	—	2	×	EC-903
FUEL LEVEL SEN/CIRC	P0463	0463	—	2	×	EC-903
VEH SPEED SEN/CIRC*7	P0500	0500	—	2	×	EC-905
ISC SYSTEM	P0506	0506	—	2	×	EC-907
ISC SYSTEM	P0507	0507	—	2	×	EC-909
ECM BACK UP/CIRCUIT	P0603	0603	—	2	×	EC-911
ECM	P0605	0605	—	1 or 2	— or ×	EC-915
SENSOR POWER/CIRC	P0643	0643	—	1	×	EC-917
PNP SW/CIRC	P0705	0705	—	2	×	CVT-60
ATF TEMP SEN/CIRC	P0710	0710	—	1	×	CVT-65
INPUT SPD SEN/CIRC	P0715	0715	—	2	×	CVT-70
VEH SPD SEN/CIR AT*7	P0720	0720	—	2	×	CVT-75
TCC SOLENOID/CIRC	P0740	0740	—	2	×	CVT-83
A/T TCC S/V FNCTN	P0744	0744	—	2	×	CVT-88
L/PRESS SOL/CIRC	P0745	0745	—	2	×	CVT-90
PRS CNT SOL/A FCTN	P0746	0746	—	1	×	CVT-95
PRS CNT SOL/B FCTN	P0776	0776	—	2	×	CVT-97
PRS CNT SOL/B CIRC	P0778	0778	—	2	×	CVT-99
TR PRS SENS/A CIRC	P0840	0840	—	2	×	CVT-109
TR PRS SENS/B CIRC	P0845	0845	—	2	×	CVT-115
P-N POS SW/CIRCUIT	P0850	0850	—	2	×	EC-922
CLOSED LOOP-B1	P1148	1148	—	1	×	EC-928
CLOSED LOOP-B2	P1168	1168	—	1	×	EC-928
ENG OVER TEMP	P1217	1217	—	1	×	EC-929
CTP LEARNING-B1	P1225	1225	—	2	—	EC-941
CTP LEARNING-B1	P1226	1226	—	2	—	EC-943
COLD START CONTROL	P1421	1421	—	2	×	EC-945
ASCD SW	P1564	1564	—	1	—	EC-947
ASCD BRAKE SW	P1572	1572	—	1	—	EC-953
ASCD VHL SPD SEN	P1574	1574	—	1	—	EC-962
LOCK MODE	P1610	1610	—	2	—	BL-169
ID DISCORD, IMM-ECM	P1611	1611	—	2	—	
CHAIN OF ECM-IMMU	P1612	1612	—	2	—	
CHAIN OF IMMU-KEY	P1614	1614	—	2	—	
DIFFERENCE OF KEY	P1615	1615	—	2	—	
IN PULY SPEED	P1715	1715	—	2	—	EC-964
LU-SLCT SOL/CIRC	P1740	1740	—	2	×	CVT-132
STEP MOTR CIRC	P1777	1777	—	1	×	CVT-138
STEP MOTR FNC	P1778	1778	—	2	×	CVT-142
BRAKE SW/CIRCUIT	P1805	1805	—	2	—	EC-966

ON BOARD DIAGNOSTIC (OBD) SYSTEM

< SERVICE INFORMATION >

[QR]

Items (CONSULT-III screen terms)	DTC*1		SRT code	Trip	MIL lighting up	Reference page
	CONSULT-III GST*2	ECM*3				
ETC MOT PWR-B1	P2100	2100	—	1	×	EC-970
ETC FUNCTION/CIRC-B1	P2101	2101	—	1	×	EC-974
ETC MOT PWR	P2103	2103	—	1	×	EC-970
ETC MOT-B1	P2118	2118	—	1	×	EC-980
ETC ACTR-B1	P2119	2119	—	1	×	EC-985
APP SEN 1/CIRC	P2122	2122	—	1	×	EC-987
APP SEN 1/CIRC	P2123	2123	—	1	×	EC-987
APP SEN 2/CIRC	P2127	2127	—	1	×	EC-992
APP SEN 2/CIRC	P2128	2128	—	1	×	EC-992
TP SENSOR-B1	P2135	2135	—	1	×	EC-999
APP SENSOR	P2138	2138	—	1	×	EC-1004
A/F SENSOR1 (B1)	P2A00	2A00	—	2	×	EC-1011
A/F SENSOR1 (B2)	P2A03	2A03	—	2	×	EC-1011

*1: 1st trip DTC No. is the same as DTC No.

*2: This number is prescribed by SAE J2012.

*3: In Diagnostic Test Mode II (Self-diagnostic results), this number is controlled by NISSAN.

*4: The troubleshooting for this DTC needs CONSULT-III.

*5: When the ECM in the mode of displaying SRT status, MIL may flash. For the details, refer to "How to Display SRT Status".

*6: SRT code will not be set if the self-diagnostic result is NG.

*7: When the fail-safe operations for both self-diagnoses occur, the MIL illuminates.

DTC AND 1ST TRIP DTC

The 1st trip DTC (whose number is the same as the DTC number) is displayed for the latest self-diagnostic result obtained. If the ECM memory was cleared previously, and the 1st trip DTC did not reoccur, the 1st trip DTC will not be displayed.

If a malfunction is detected during the 1st trip, the 1st trip DTC is stored in the ECM memory. The MIL will not light up (two trip detection logic). If the same malfunction is not detected in the 2nd trip (meeting the required driving pattern), the 1st trip DTC is cleared from the ECM memory. If the same malfunction is detected in the 2nd trip, both the 1st trip DTC and DTC are stored in the ECM memory and the MIL lights up. In other words, the DTC is stored in the ECM memory and the MIL lights up when the same malfunction occurs in two consecutive trips. If a 1st trip DTC is stored and a non-diagnostic operation is performed between the 1st and 2nd trips, only the 1st trip DTC will continue to be stored. For malfunctions that blink or light up the MIL during the 1st trip, the DTC and 1st trip DTC are stored in the ECM memory.

Procedures for clearing the DTC and the 1st trip DTC from the ECM memory are described in "HOW TO ERASE EMISSION-RELATED DIAGNOSTIC INFORMATION".

For malfunctions in which 1st trip DTCs are displayed, refer to "EMISSION-RELATED DIAGNOSTIC INFORMATION ITEMS". These items are required by legal regulations to continuously monitor the system/component. In addition, the items monitored non-continuously are also displayed on CONSULT-III.

1st trip DTC is specified in Service \$07 of SAE J1979. 1st trip DTC detection occurs without lighting up the MIL and therefore does not warn the driver of a malfunction. However, 1st trip DTC detection will not prevent the vehicle from being tested, for example during Inspection/Maintenance (I/M) tests.

When a 1st trip DTC is detected, check, print out or write down and erase (1st trip) DTC and Freeze Frame data as specified in Work Flow procedure Step 2, refer to [EC-594](#), "[Trouble Diagnosis Introduction](#)". Then perform DTC Confirmation Procedure or Overall Function Check to try to duplicate the malfunction. If the malfunction is duplicated, the item requires repair.

How to Read DTC and 1st Trip DTC

DTC and 1st trip DTC can be read by the following methods.

WITH CONSULT-III

WITH GST

CONSULT-III or GST (Generic Scan Tool) Examples: P0340, P0850, P1148, etc.
These DTCs are prescribed by SAE J2012.

ON BOARD DIAGNOSTIC (OBD) SYSTEM

< SERVICE INFORMATION >

[QR]

(CONSULT-III also displays the malfunctioning component or system.)

NO TOOLS

The number of blinks of the MIL in the Diagnostic Test Mode II (Self-Diagnostic Results) indicates the DTC. Example: 0340, 0850, 1148, etc.

These DTCs are controlled by NISSAN.

- **1st trip DTC No. is the same as DTC No.**
- **Output of a DTC indicates a malfunction. However, GST or the Diagnostic Test Mode II do not indicate whether the malfunction is still occurring or has occurred in the past and has returned to normal. CONSULT-III can identify malfunction status as shown below. Therefore, using CONSULT-III (if available) is recommended.**

DTC or 1st trip DTC of a malfunction is displayed in SELF-DIAGNOSTIC RESULTS mode of CONSULT-III. Time data indicates how many times the vehicle was driven after the last detection of a DTC.

If the DTC is being detected currently, the time data will be [0].

If a 1st trip DTC is stored in the ECM, the time data will be [1t].

FREEZE FRAME DATA AND 1ST TRIP FREEZE FRAME DATA

The ECM records the driving conditions such as fuel system status, calculated load value, engine coolant temperature, short term fuel trim, long term fuel trim, engine speed, vehicle speed, absolute throttle position, base fuel schedule and intake air temperature at the moment a malfunction is detected.

Data which are stored in the ECM memory, along with the 1st trip DTC, are called 1st trip freeze frame data. The data, stored together with the DTC data, are called freeze frame data and displayed on CONSULT-III or GST. The 1st trip freeze frame data can only be displayed on the CONSULT-III screen, not on the GST. For details, see [EC-621, "CONSULT-III Function \(ENGINE\)"](#).

Only one set of freeze frame data (either 1st trip freeze frame data or freeze frame data) can be stored in the ECM. 1st trip freeze frame data is stored in the ECM memory along with the 1st trip DTC. There is no priority for 1st trip freeze frame data and it is updated each time a different 1st trip DTC is detected. However, once freeze frame data (2nd trip detection/MIL on) is stored in the ECM memory, 1st trip freeze frame data is no longer stored. Remember, only one set of freeze frame data can be stored in the ECM. The ECM has the following priorities to update the data.

Priority	Items	
1	Freeze frame data	Misfire — DTC: P0300 - P0304 Fuel Injection System Function — DTC: P0171, P0172, P0174, P0175
2		Except the above items (Includes CVT related items)
3	1st trip freeze frame data	

For example, the EGR malfunction (Priority: 2) was detected and the freeze frame data was stored in the 2nd trip. After that when the misfire (Priority: 1) is detected in another trip, the freeze frame data will be updated from the EGR malfunction to the misfire. The 1st trip freeze frame data is updated each time a different malfunction is detected. There is no priority for 1st trip freeze frame data. However, once freeze frame data is stored in the ECM memory, 1st trip freeze data is no longer stored (because only one freeze frame data or 1st trip freeze frame data can be stored in the ECM). If freeze frame data is stored in the ECM memory and freeze frame data with the same priority occurs later, the first (original) freeze frame data remains unchanged in the ECM memory.

Both 1st trip freeze frame data and freeze frame data (along with the DTCs) are cleared when the ECM memory is erased. Procedures for clearing the ECM memory are described in "EMISSION-RELATED DIAGNOSTIC INFORMATION ITEMS".

SYSTEM READINESS TEST (SRT) CODE

System Readiness Test (SRT) code is specified in Service \$01 of SAE J1979.

As part of an enhanced emissions test for Inspection & Maintenance (I/M), certain states require the status of SRT be used to indicate whether the ECM has completed self-diagnosis of major emission systems and components. Completion must be verified in order for the emissions inspection to proceed.

If a vehicle is rejected for a State emissions inspection due to one or more SRT items indicating "INCMP", use the information in this Service Manual to set the SRT to "CMPLT".

In most cases the ECM will automatically complete its self-diagnosis cycle during normal usage, and the SRT status will indicate "CMPLT" for each application system. Once set as "CMPLT", the SRT status remains "CMPLT" until the self-diagnosis memory is erased.

Occasionally, certain portions of the self-diagnostic test may not be completed as a result of the customer's normal driving pattern; the SRT will indicate "INCMP" for these items.

NOTE:

ON BOARD DIAGNOSTIC (OBD) SYSTEM

< SERVICE INFORMATION >

[QR]

The SRT will also indicate "INCMP" if the self-diagnosis memory is erased for any reason or if the ECM memory power supply is interrupted for several hours.

If, during the state emissions inspection, the SRT indicates "CMPLT" for all test items, the inspector will continue with the emissions test. However, if the SRT indicates "INCMP" for one or more of the SRT items the vehicle is returned to the customer untested.

NOTE:

If MIL is ON during the state emissions inspection, the vehicle is also returned to the customer untested even though the SRT indicates "CMPLT" for all test items. Therefore, it is important to check SRT ("CMPLT") and DTC (No DTCs) before the inspection.

SRT Item

The table below shows required self-diagnostic items to set the SRT to "CMPLT".

SRT item (CONSULT-III indication)	Performance Priority*	Required self-diagnostic items to set the SRT to "CMPLT"	Corresponding DTC No.
CATALYST	2	Three way catalyst function	P0420, P0430
EVAP SYSTEM	2	EVAP control system purge flow monitoring	P0441
	1	EVAP control system	P0442
	2	EVAP control system	P0456
HO2S	2	Air fuel ratio (A/F) sensor 1	P0133, P0153
		Heated oxygen sensor 2	P0137, P0157
		Heated oxygen sensor 2	P0138, P0158
		Heated oxygen sensor 2	P0139, P0159

*: If completion of several SRTs is required, perform driving patterns (DTC confirmation procedure), one by one based on the priority for models with CONSULT-III.

SRT Set Timing

SRT is set as "CMPLT" after self-diagnosis has been performed one or more times. Completion of SRT is done regardless of whether the result is OK or NG. The set timing is different between OK and NG results and is shown in the table below.

Self-diagnosis result		Example							
		Diagnosis	Ignition cycle						
			← ON →	OFF	← ON →	OFF	← ON →	OFF	← ON →
All OK	Case 1	P0400	OK (1)	— (1)	OK (2)	— (2)	OK (2)	— (2)	OK (2)
		P0402	OK (1)	— (1)	— (1)	— (1)	OK (2)	— (2)	OK (2)
		P1402	OK (1)	OK (2)	— (2)	— (2)	— (2)	— (2)	— (2)
		SRT of EGR	"CMPLT"	"CMPLT"	"CMPLT"	"CMPLT"	"CMPLT"	"CMPLT"	"CMPLT"
	Case 2	P0400	OK (1)	— (1)	— (1)	— (1)	— (1)	— (1)	— (1)
		P0402	— (0)	— (0)	OK (1)	— (1)	— (1)	— (1)	— (1)
		P1402	OK (1)	OK (2)	— (2)	— (2)	— (2)	— (2)	— (2)
		SRT of EGR	"INCMP"	"INCMP"	"CMPLT"	"CMPLT"	"CMPLT"	"CMPLT"	"CMPLT"
NG exists	Case 3	P0400	OK	OK	—	—	—	—	—
		P0402	—	—	—	—	—	—	—
		P1402	NG	—	—	NG	—	—	NG (Consecutive NG)
		(1st trip) DTC	1st trip DTC	—	—	1st trip DTC	—	—	DTC (= MIL "ON")
		SRT of EGR	"INCMP"	"INCMP"	"INCMP"	"INCMP"	"INCMP"	"INCMP"	"CMPLT"

OK: Self-diagnosis is carried out and the result is OK.

NG: Self-diagnosis is carried out and the result is NG.

—: Self-diagnosis is not carried out.

ON BOARD DIAGNOSTIC (OBD) SYSTEM

< SERVICE INFORMATION >

[QR]

When all SRT related self-diagnoses showed OK results in a single cycle (Ignition OFF-ON-OFF), the SRT will indicate "CMPLT". → Case 1 above

When all SRT related self-diagnoses showed OK results through several different cycles, the SRT will indicate "CMPLT" at the time the respective self-diagnoses have at least one OK result. → Case 2 above

If one or more SRT related self-diagnoses showed NG results in 2 consecutive cycles, the SRT will also indicate "CMPLT". → Case 3 above

The table above shows that the minimum number of cycles for setting SRT as "INCMP" is one (1) for each self-diagnosis (Case 1 & 2) or two (2) for one of self-diagnoses (Case 3). However, in preparation for the state emissions inspection, it is unnecessary for each self-diagnosis to be executed twice (Case 3) for the following reasons:

- The SRT will indicate "CMPLT" at the time the respective self-diagnoses have one (1) OK result.
- The emissions inspection requires "CMPLT" of the SRT only with OK self-diagnosis results.
- When, during SRT driving pattern, 1st trip DTC (NG) is detected prior to "CMPLT" of SRT, the self-diagnosis memory must be erased from ECM after repair.
- If the 1st trip DTC is erased, all the SRT will indicate "INCMP".

NOTE:

SRT can be set as "CMPLT" together with the DTC(s). Therefore, DTC check must always be carried out prior to the state emission inspection even though the SRT indicates "CMPLT".

SRT Service Procedure

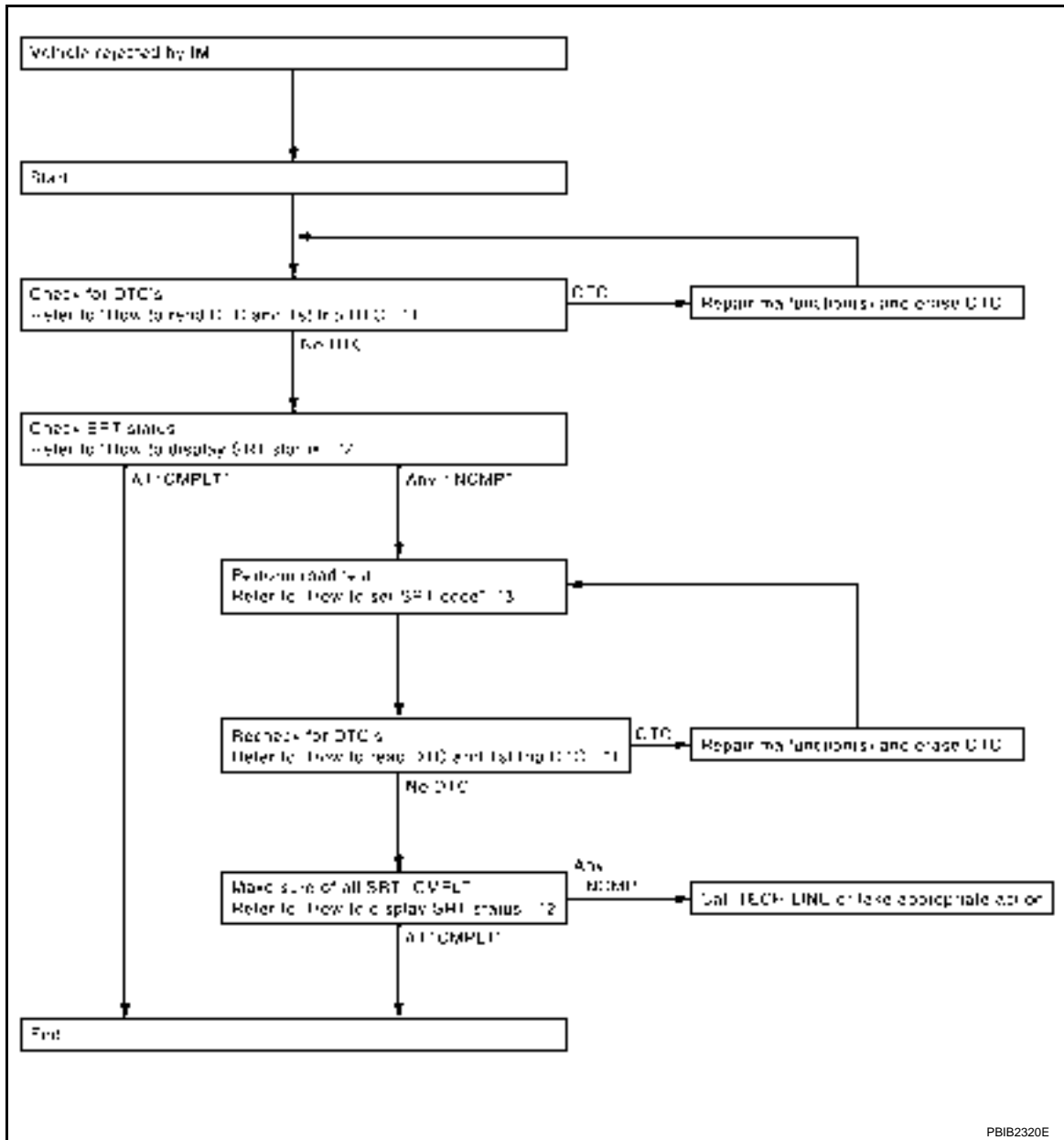
If a vehicle has failed the state emissions inspection due to one or more SRT items indicating "INCMP", review the flowchart diagnostic sequence on the next page.

A
EC
C
D
E
F
G
H
I
J
K
L
M
N
O
P

ON BOARD DIAGNOSTIC (OBD) SYSTEM

< SERVICE INFORMATION >

[QR]



*1 "How to Read DTC and 1st Trip DTC" *2 "How to Display SRT Status"

*3 "How to Set SRT Code"

How to Display SRT Status

WITH CONSULT-III

Selecting "SRT STATUS" in "DTC & SRT CONFIRMATION" mode with CONSULT-III.

For items whose SRT codes are set, a "CMPLT" is displayed on the CONSULT-III screen; for items whose SRT codes are not set, "INCMP" is displayed.

NOTE:

Though displayed on the CONSULT-III screen, "HO2S HTR" is not SRT item.

WITH GST

Selecting Service \$01 with GST (Generic Scan Tool)

NO TOOLS

A SRT code itself can not be displayed while only SRT status can be.

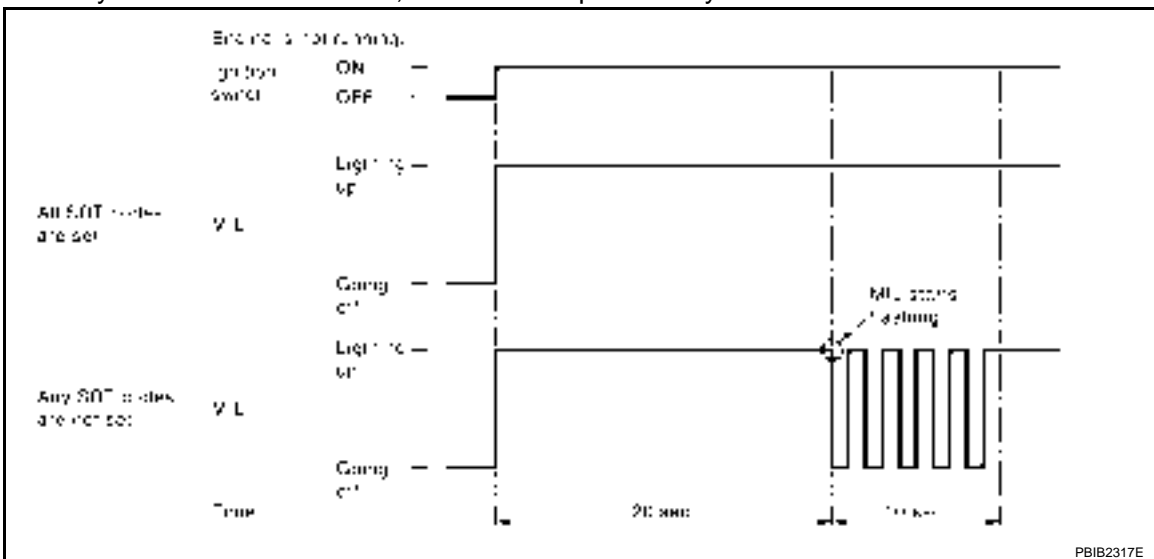
1. Turn ignition switch ON and wait 20 seconds.
2. SRT status is indicated as shown below.
 - When all SRT codes are set, MIL lights up continuously.

ON BOARD DIAGNOSTIC (OBD) SYSTEM

< SERVICE INFORMATION >

[QR]

- When any SRT codes are not set, MIL will flash periodically for 10 seconds.



How to Set SRT Code

To set all SRT codes, self-diagnosis for the items indicated above must be performed one or more times. Each diagnosis may require a long period of actual driving under various conditions.

WITH CONSULT-III

Perform corresponding DTC Confirmation Procedure one by one based on Performance Priority in the table on "SRT Item".

WITHOUT CONSULT-III

The most efficient driving pattern in which SRT codes can be properly set is explained on the next page. The driving pattern should be performed one or more times to set all SRT codes.

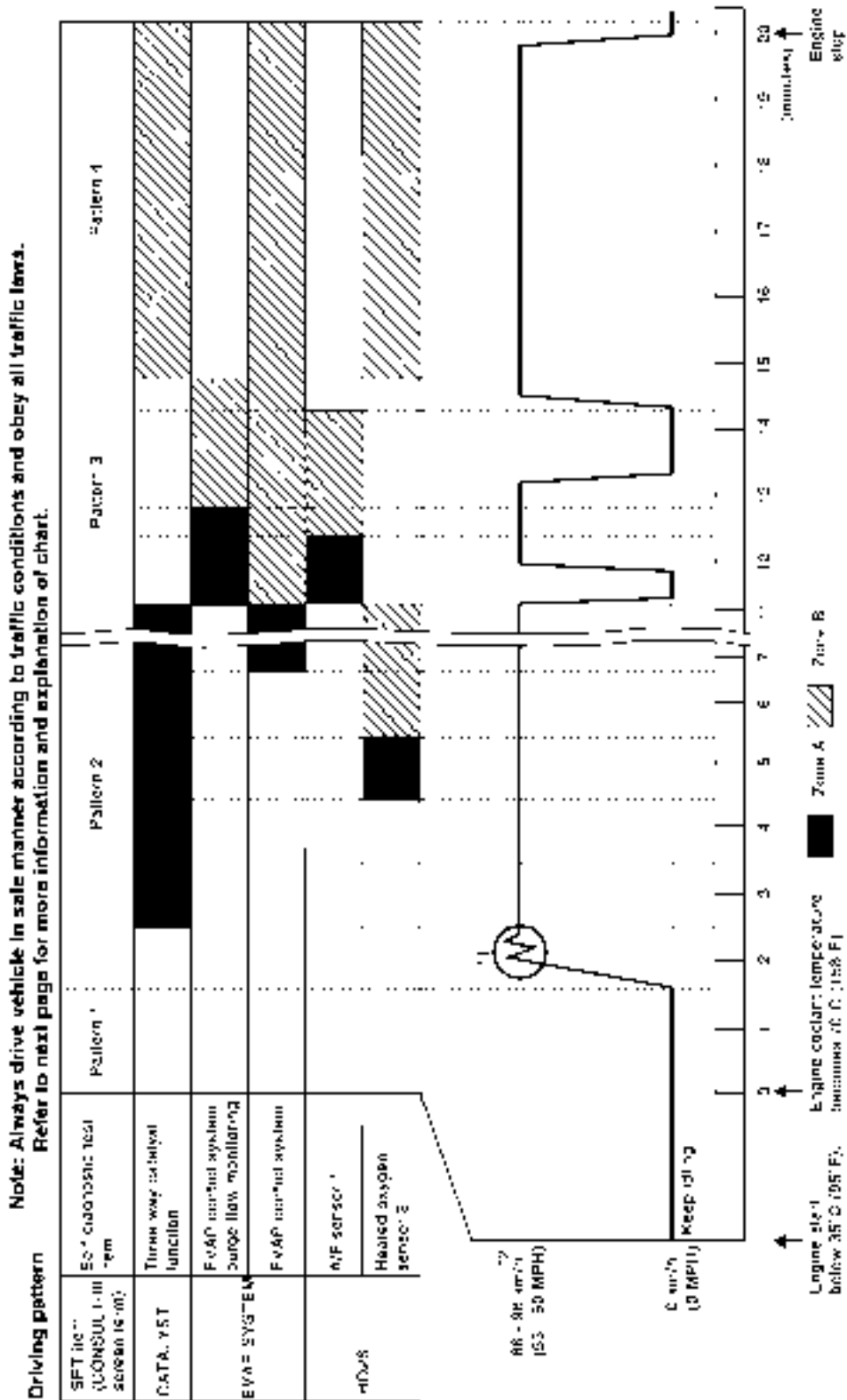
A
EC
C
D
E
F
G
H
I
J
K
L
M
N
O
P

ON BOARD DIAGNOSTIC (OBD) SYSTEM

< SERVICE INFORMATION >

[QR]

Driving Pattern



PBIB3622E

- The time required for each diagnosis varies with road surface conditions, weather, altitude, individual driving habits, etc.
- Zone A refers to the range where the time, required for the diagnosis under normal conditions*, is the shortest.
- Zone B refers to the range where the diagnosis can still be performed if the diagnosis is not completed within zone A.

*: Normal conditions refer to the following:

<https://www.automotive-manuals.net/>

ON BOARD DIAGNOSTIC (OBD) SYSTEM

< SERVICE INFORMATION >

[QR]

- Sea level
- Flat road
- Ambient air temperature: 20 - 30°C (68 - 86°F)
- Diagnosis is performed as quickly as possible under normal conditions.
Under different conditions [For example: ambient air temperature other than 20 - 30°C (68 - 86°F)], diagnosis may also be performed.

Pattern 1:

- **The engine is started at the engine coolant temperature of -10 to 35°C (14 to 95°F) (where the voltage between the ECM terminal 46 and ground is 3.0 - 4.3V).**
- **The engine must be operated at idle speed until the engine coolant temperature is greater than 70°C (158°F) (where the voltage between the ECM terminal 46 and ground is lower than 1.4V).**
- **The engine is started at the fuel tank temperature of warmer than 0°C (32°F) (where the voltage between the ECM terminal 95 and ground is less than 4.1V).**

Pattern 2:

- When steady-state driving is performed again even after it is interrupted, each diagnosis can be conducted. In this case, the time required for diagnosis may be extended.

Pattern 3:

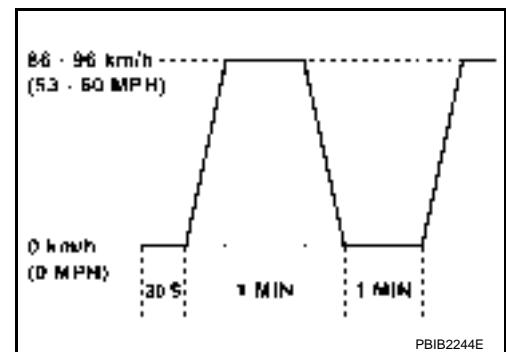
- Operate vehicle following the driving pattern shown in the figure.
- Release the accelerator pedal during decelerating vehicle speed from 90 km/h (56 MPH) to 0 km/h (0 MPH).

Pattern 4:

- The accelerator pedal must be held very steady during steady-state driving.
- If the accelerator pedal is moved, the test must be conducted all over again.

*1: Depress the accelerator pedal until vehicle speed is 90 km/h (56 MPH), then release the accelerator pedal and keep it released for more than 10 seconds. Depress the accelerator pedal until vehicle speed is 90 km/h (56 MPH) again.

*2: Checking the vehicle speed with GST is advised.



Suggested Transmission Gear Position for CVT Models

Set the selector lever in the D position.

Suggested upshift speeds for M/T models

Shown below are suggested vehicle speeds for shifting into a higher gear. These suggestions relate to fuel economy and vehicle performance. Actual upshift speeds will vary according to road conditions, the weather and individual driving habits.

	For normal acceleration in low altitude areas [less than 1,219 m (4,000 ft)]:	For quick acceleration in low altitude areas	For high altitude areas [over 1,219m (4,000 ft)]:
Gear change	ACCEL shift point km/h (MPH)	km/h (MPH)	km/h (MPH)
1st to 2nd	13 (8)	24 (15)	24 (15)
2nd to 3rd	27 (17)	40 (25)	40 (25)
3rd to 4th	40 (25)	53 (33)	65 (40)
4th to 5th	58 (36)	71 (44)	72 (45)
5th to 6th	82 (51)	82 (51)	82 (51)

Suggested Maximum Speed in Each Gear

Downshift to a lower gear if the engine is not running smoothly, or if you need to accelerate.

Do not exceed the maximum suggested speed (shown below) in any gear. For level road driving, use the highest gear suggested for that speed. Always observe posted speed limits and drive according to the road conditions to ensure safe operation. Do not over-rev the engine when shifting to a lower gear as it may cause engine damage or loss of vehicle control.

Gear	km/h (MPH)
1st	50 (30)
2nd	90 (55)

ON BOARD DIAGNOSTIC (OBD) SYSTEM

< SERVICE INFORMATION >

[QR]

Gear	km/h (MPH)
3rd	—
4th	—
5th	—
6th	—

TEST VALUE AND TEST LIMIT (GST ONLY — NOT APPLICABLE TO CONSULT-III)

The following is the information specified in Service \$06 of SAE J1979.

The test value is a parameter used to determine whether a system/circuit diagnostic test is OK or NG while being monitored by the ECM during self-diagnosis. The test limit is a reference value which is specified as the maximum or minimum value and is compared with the test value being monitored.

These data (test value and test limit) are specified by On Board Monitor ID(OBDMID), Test ID (TID), Unit and Scaling ID and can be displayed on the GST screen.

The items of the test value and test limit will be displayed with GST screen which items are provided by the ECM. (eg., if the bank 2 is not applied on this vehicle, only the items of the bank 1 is displayed)

Item	OBD-MID	Self-diagnostic test item	DTC	Test value and Test limit (GST display)		Description
				TID	Unit and Scaling ID	
HO2S	01H	Air fuel ratio (A/F) sensor 1 (Bank 1)	P0131	83H	0BH	Minimum sensor output voltage for test cycle
			P0131	84H	0BH	Maximum sensor output voltage for test cycle
			P0130	85H	0BH	Minimum sensor output voltage for test cycle
			P0130	86H	0BH	Maximum sensor output voltage for test cycle
			P0133	87H	04H	Response rate: Response ratio (Lean to Rich)
			P0133	88H	04H	Response rate: Response ratio (Rich to Lean)
			P2A00	89H	84H	The amount of shift in air fuel ratio
			P2A00	8AH	84H	The amount of shift in air fuel ratio
			P0130	8BH	0BH	Difference in sensor output voltage
			P0133	8CH	83H	Response gain at the limited frequency
02H	Heated oxygen sensor 2 (Bank 1)	P0138	07H	0CH	Minimum sensor output voltage for test cycle	
		P0137	08H	0CH	Maximum sensor output voltage for test cycle	
		P0138	80H	0CH	Sensor output voltage	
		P0139	81H	0CH	Difference in sensor output voltage	
03H	Heated oxygen sensor 3 (Bank 1)	P0143	07H	0CH	Minimum sensor output voltage for test cycle	
		P0144	08H	0CH	Maximum sensor output voltage for test cycle	
		P0146	80H	0CH	Sensor output voltage	
		P0145	81H	0CH	Difference in sensor output voltage	

ON BOARD DIAGNOSTIC (OBD) SYSTEM

< SERVICE INFORMATION >

[QR]

Item	OBD-MID	Self-diagnostic test item	DTC	Test value and Test limit (GST display)		Description
				TID	Unit and Scaling ID	
HO2S	05H	Air fuel ratio (A/F) sensor 1 (Bank 2)	P0151	83H	0BH	Minimum sensor output voltage for test cycle
			P0151	84H	0BH	Maximum sensor output voltage for test cycle
			P0150	85H	0BH	Minimum sensor output voltage for test cycle
			P0150	86H	0BH	Maximum sensor output voltage for test cycle
			P0153	87H	04H	Response rate: Response ratio (Lean to Rich)
			P0153	88H	04H	Response rate: Response ratio (Rich to Lean)
			P2A03	89H	84H	The amount of shift in air fuel ratio
			P2A03	8AH	84H	The amount of shift in air fuel ratio
			P0150	8BH	0BH	Difference in sensor output voltage
			P0153	8CH	83H	Response gain at the limited frequency
	06H	Heated oxygen sensor 2 (Bank 2)	P0158	07H	0CH	Minimum sensor output voltage for test cycle
			P0157	08H	0CH	Maximum sensor output voltage for test cycle
			P0158	80H	0CH	Sensor output voltage
			P0159	81H	0CH	Difference in sensor output voltage
	07H	Heated oxygen sensor 3 (Bank2)	P0163	07H	0CH	Minimum sensor output voltage for test cycle
P0164			08H	0CH	Maximum sensor output voltage for test cycle	
P0166			80H	0CH	Sensor output voltage	
P0165			81H	0CH	Difference in sensor output voltage	
CATA- LYST	21H	Three way catalyst function (Bank1)	P0420	80H	01H	O2 storage index
			P0420	82H	01H	Switching time lag engine exhaust index value
			P2423	83H	0CH	Difference in 3rd O2 sensor output voltage
			P2423	84H	84H	O2 storage index in HC trap catalyst
	22H	Three way catalyst function (Bank2)	P0430	80H	01H	O2 storage index
			P0430	82H	01H	Switching time lag engine exhaust index value
			P2424	83H	0CH	Difference in 3rd O2 sensor output voltage
			P2424	84H	84H	O2 storage index in HC trap catalyst

A
EC
C
D
E
F
G
H
I
J
K
L
M
N
O
P

ON BOARD DIAGNOSTIC (OBD) SYSTEM

< SERVICE INFORMATION >

[QR]

Item	OBD-MID	Self-diagnostic test item	DTC	Test value and Test limit (GST display)		Description
				TID	Unit and Scaling ID	
EGR SYSTEM	31H	EGR function	P0400	80H	96H	Low Flow Faults: EGR temp change rate (short term)
			P0400	81H	96H	Low Flow Faults: EGR temp change rate (long term)
			P0400	82H	96H	Low Flow Faults: Difference between max EGR temp and EGR temp under idling condition
			P0400	83H	96H	Low Flow Faults: Max EGR temp
			P1402	84H	96H	High Flow Faults: EGR temp increase rate
EVAP SYSTEM	39H	EVAP control system leak (Cap Off)	P0455	80H	0CH	Difference in pressure sensor output voltage before and after pull down
	3BH	EVAP control system leak (Small leak)	P0442	80H	05H	Leak area index (for more than 0.04inch)
	3CH	EVAP control system (Very small leak)	P0456	80H	05H	Leak area index (for more than 0.02inch)
			P0456	81H	FDH	Maximum internal pressure of EVAP system during monitoring
	3DH	Purge flow system	P0441	83H	0CH	Difference in pressure sensor output voltage before and after vent control valve close
O2 SENSOR HEATER	41H	A/F sensor 1 heater (Bank 1)	Low Input:P0031 High Input:P0032	81H	0BH	Converted value of Heater electric current to voltage
	42H	Heated oxygen sensor 2 (Bank 1)	Low Input:P0037 High Input:P0038	80H	0CH	Converted value of Heater electric current to voltage
	43H	Heated oxygen sensor 3 (Bank 1)	P0043	80H	0CH	Converted value of Heater electric current to voltage
	45H	A/F sensor 1 heater (Bank 2)	Low Input:P0051 High Input:P0052	81H	0BH	Converted value of Heater electric current to voltage
	46H	Heated oxygen sensor 2 (Bank 2)	Low Input:P0057 High Input:P0058	80H	0CH	Converted value of Heater electric current to voltage
	47H	Heated oxygen sensor 3 (Bank 2)	P0063	80H	0CH	Converted value of Heater electric current to voltage
SECONDARY AIR	71H	Secondary Air system	P0411	80H	01H	Secondary Air Injection System Incorrect Flow Detected
			Bank1: P0491 Bank2: P0492	81H	01H	Secondary Air Injection System Insufficient Flow
			P2445	82H	01H	Secondary Air Injection System Pump Stuck Off
			P2448	83H	01H	Secondary Air Injection System High Airflow
			Bank1: P2440 Bank2: P2442	84H	01H	Secondary Air Injection System Switching Valve Stuck Open
			P2440	85H	01H	Secondary Air Injection System Switching Valve Stuck Open
			P2444	86H	01H	Secondary Air Injection System Pump Stuck On

ON BOARD DIAGNOSTIC (OBD) SYSTEM

< SERVICE INFORMATION >

[QR]

Item	OBD-MID	Self-diagnostic test item	DTC	Test value and Test limit (GST display)		Description
				TID	Unit and Scaling ID	
FUEL SYSTEM	81H	Fuel injection system function (Bank 1)	P0171 or P0172	80H	2FH	Long term fuel trim
			P0171 or P0172	81H	24H	The number of lambda control clamped
	82H	Fuel injection system function (Bank 2)	P0174 or P0175	80H	2FH	Long term fuel trim
			P0174 or P0175	81H	24H	The number of lambda control clamped
MISFIRE	A1H	Multiple Cylinder Misfire	P0301	80H	24H	Misfiring counter at 1000rev of the first cylinder
			P0302	81H	24H	Misfiring counter at 1000rev of the second cylinder
			P0303	82H	24H	Misfiring counter at 1000rev of the third cylinder
			P0304	83H	24H	Misfiring counter at 1000rev of the fourth cylinder
			P0305	84H	24H	Misfiring counter at 1000rev of the fifth cylinder
			P0306	85H	24H	Misfiring counter at 1000rev of the sixth cylinder
			P0307	86H	24H	Misfiring counter at 1000rev of the seventh cylinder
			P0308	87H	24H	Misfiring counter at 1000rev of the eighth cylinder
			P0300	88H	24H	Misfiring counter at 1000rev of the multiple cylinders
			P0301	89H	24H	Misfiring counter at 200rev of the first cylinder
			P0302	8AH	24H	Misfiring counter at 200rev of the second cylinder
			P0303	8BH	24H	Misfiring counter at 200rev of the third cylinder
			P0304	8CH	24H	Misfiring counter at 200rev of the fourth cylinder
			P0305	8DH	24H	Misfiring counter at 200rev of the fifth cylinder
			P0306	8EH	24H	Misfiring counter at 200rev of the fifth cylinder
			P0307	8FH	24H	Misfiring counter at 200rev of the fifth cylinder
			P0308	90H	24H	Misfiring counter at 200rev of the fifth cylinder
			P0300	91H	24H	Misfiring counter at 1000rev of the single cylinder
			P0300	92H	24H	Misfiring counter at 200rev of the single cylinder
			P0300	93H	24H	Misfiring counter at 200rev of the multiple cylinders

A
EC
C
D
E
F
G
H
I
J
K
L
M
N
O
P

ON BOARD DIAGNOSTIC (OBD) SYSTEM

< SERVICE INFORMATION >

[QR]

Item	OBD-MID	Self-diagnostic test item	DTC	Test value and Test limit (GST display)		Description
				TID	Unit and Scaling ID	
MISFIRE	A2H	No.1 Cylinder Misfire	P0301	0BH	24H	EWMA (Exponential Weighted Moving Average) misfire counts for last 10 driving cycles
			P0301	0CH	24H	Misfire counts for last/current driving cycles
	A3H	No.2 Cylinder Misfire	P0302	0BH	24H	EWMA (Exponential Weighted Moving Average) misfire counts for last 10 driving cycles
			P0302	0CH	24H	Misfire counts for last/current driving cycles
	A4H	No.3 Cylinder Misfire	P0303	0BH	24H	EWMA (Exponential Weighted Moving Average) misfire counts for last 10 driving cycles
			P0303	0CH	24H	Misfire counts for last/current driving cycles
	A5H	No.4 Cylinder Misfire	P0304	0BH	24H	EWMA (Exponential Weighted Moving Average) misfire counts for last 10 driving cycles
			P0304	0CH	24H	Misfire counts for last/current driving cycles
	A6H	No.5 Cylinder Misfire	P0305	0BH	24H	EWMA (Exponential Weighted Moving Average) misfire counts for last 10 driving cycles
			P0305	0CH	24H	Misfire counts for last/current driving cycles
	A7H	No.6 Cylinder Misfire	P0306	0BH	24H	EWMA (Exponential Weighted Moving Average) misfire counts for last 10 driving cycles
			P0306	0CH	24H	Misfire counts for last/current driving cycles
	A8H	No.7 Cylinder Misfire	P0307	0BH	24H	EWMA (Exponential Weighted Moving Average) misfire counts for last 10 driving cycles
			P0307	0CH	24H	Misfire counts for last/current driving cycles
	A9H	No.8 Cylinder Misfire	P0308	0BH	24H	EWMA (Exponential Weighted Moving Average) misfire counts for last 10 driving cycles
			P0308	0CH	24H	Misfire counts for last/current driving cycles

HOW TO ERASE EMISSION-RELATED DIAGNOSTIC INFORMATION

How to Erase DTC

▮ **With CONSULT-III**

NOTE:

- If the ignition switch stays ON after repair work, be sure to turn ignition switch OFF once. Wait at least 10 seconds and then turn it ON (engine stopped) again.
- If the DTC is not for CVT related items (see [EC-523](#)), skip step 1.
 1. Erase DTC in TCM. Refer to [CVT-24](#).
 2. Select "ENGINE"
 3. Select ""

ON BOARD DIAGNOSTIC (OBD) SYSTEM

< SERVICE INFORMATION >

[QR]

4. Touch ""

With GST

NOTE:

- If the ignition switch stays ON after repair work, be sure to turn ignition switch OFF once. Wait at least 10 seconds and then turn it ON (engine stopped) again.
- If the DTC is not for CVT related items (see [EC-523](#)), skip step 1.

1. Erase DTC in TCM. Refer to [CVT-24](#).

2. Select Service \$04 with GST (Generic Scan Tool).

No Tools

NOTE:

- If the ignition switch stays ON after repair work, be sure to turn ignition switch OFF once. Wait at least 10 seconds and then turn it ON (engine stopped) again.
- If the DTC is not for CVT related items (see [EC-523](#)), skip step 1.
- 1. Erase DTC in TCM. Refer to [CVT-24](#).
- 2. Erase DTC in ECM. Refer to How to Erase Diagnostic Test Mode II (Self-diagnostic Results).
- **If the battery is disconnected, the emission-related diagnostic information will be lost within 24 hours.**
- **The following data are cleared when the ECM memory is erased.**
 - Diagnostic trouble codes
 - 1st trip diagnostic trouble codes
 - Freeze frame data
 - 1st trip freeze frame data
 - System readiness test (SRT) codes
 - Test values

Actual work procedures are explained using a DTC as an example. Be careful so that not only the DTC, but all of the data listed above, are cleared from the ECM memory during work procedures.

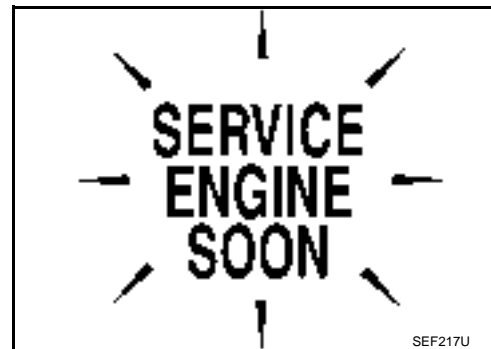
Malfunction Indicator Lamp (MIL)

INFOID:000000001850289

DESCRIPTION

The MIL is located on the instrument panel.

1. The MIL will light up when the ignition switch is turned ON without the engine running. This is a bulb check. If the MIL does not light up, refer to [DI-31](#) or see [EC-1057](#).
2. When the engine is started, the MIL should go off. If the MIL remains on, the on board diagnostic system has detected an engine system malfunction.






ON BOARD DIAGNOSTIC SYSTEM FUNCTION

The on board diagnostic system has the following three functions.

ON BOARD DIAGNOSTIC (OBD) SYSTEM

< SERVICE INFORMATION >

[QR]

Diagnostic Test Mode	KEY and ENG. Status	Function	Explanation of Function
Mode I	Ignition switch in ON position  Engine stopped	BULB CHECK	This function checks the MIL bulb for damage (blown, open circuit, etc.). If the MIL does not come on, check MIL circuit.
	Engine running 	MALFUNCTION WARNING	This is a usual driving condition. When a malfunction is detected twice in two consecutive driving cycles (two trip detection logic), the MIL will light up to inform the driver that a malfunction has been detected. The following malfunctions will light up or blink the MIL in the 1st trip. <ul style="list-style-type: none"> • Misfire (Possible three way catalyst damage) • One trip detection diagnoses
Mode II	Ignition switch in ON position  Engine stopped	SELF-DIAGNOSTIC RESULTS	This function allows DTCs and 1st trip DTCs to be read.

When there is an open circuit on MIL circuit, the ECM cannot warn the driver by MIL lighting up when there is malfunction on engine control system.

Therefore, when electrical controlled throttle and part of ECM related diagnoses are continuously detected as NG for 5 trips, ECM warns the driver that engine control system malfunctions and MIL circuit is open by means of operating fail-safe function.

The fail-safe function also operates when above diagnoses except MIL circuit are detected, and demands the driver to repair the malfunction.

Engine operating condition in fail-safe mode	Engine speed will not rise more than 2,500 rpm due to the fuel cut
--	--

MIL Flashing Without DTC

When any SRT codes are not set, MIL may flash without DTC. For the details, refer to [EC-559. "Emission-related Diagnostic Information"](#).

HOW TO SWITCH DIAGNOSTIC TEST MODE

NOTE:

- It is better to count the time accurately with a clock.
- It is impossible to switch the diagnostic mode when an accelerator pedal position sensor circuit has a malfunction.
- Always ECM returns to Diagnostic Test Mode I after ignition switch is turned OFF.

How to Set Diagnostic Test Mode II (Self-diagnostic Results)

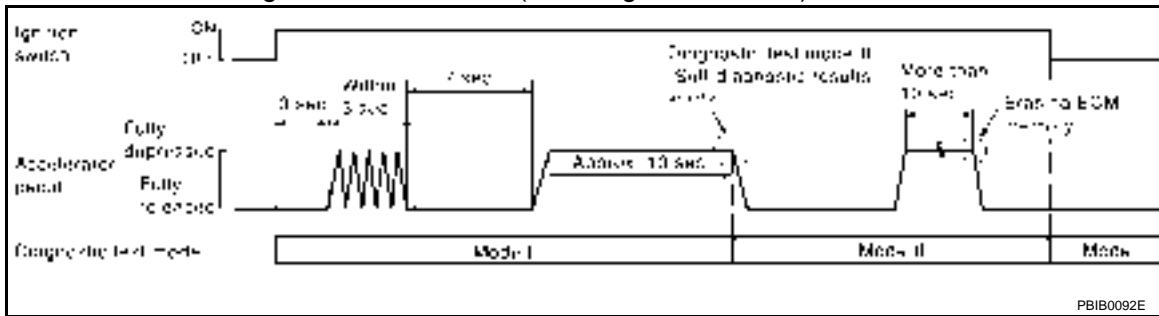
1. Confirm that accelerator pedal is fully released, turn ignition switch ON and wait 3 seconds.
2. Repeat the following procedure quickly five times within 5 seconds.
 - a. Fully depress the accelerator pedal.
 - b. Fully release the accelerator pedal.
3. Wait 7 seconds, fully depress the accelerator pedal and keep it for approx. 10 seconds until the MIL starts blinking.
4. Fully release the accelerator pedal.

ON BOARD DIAGNOSTIC (OBD) SYSTEM

< SERVICE INFORMATION >

[QR]

ECM has entered to Diagnostic Test Mode II (Self-diagnostic results).



How to Erase Diagnostic Test Mode II (Self-diagnostic Results)

1. Set ECM in Diagnostic Test Mode II (Self-diagnostic results). Refer to "How to Set Diagnostic Test Mode II (Self-diagnostic Results)".
2. Fully depress the accelerator pedal and keep it for more than 10 seconds. The emission-related diagnostic information has been erased from the backup memory in the ECM.
3. Fully release the accelerator pedal, and confirm the DTC 0000 is displayed.

DIAGNOSTIC TEST MODE I — BULB CHECK

In this mode, the MIL on the instrument panel should stay ON. If it remains OFF, check the bulb. Refer to [DI-31](#) or [EC-1057](#).

DIAGNOSTIC TEST MODE I — MALFUNCTION WARNING

MIL	Condition
ON	When the malfunction is detected.
OFF	No malfunction

These DTC numbers are clarified in Diagnostic Test Mode II (SELF-DIAGNOSTIC RESULTS)

DIAGNOSTIC TEST MODE II — SELF-DIAGNOSTIC RESULTS

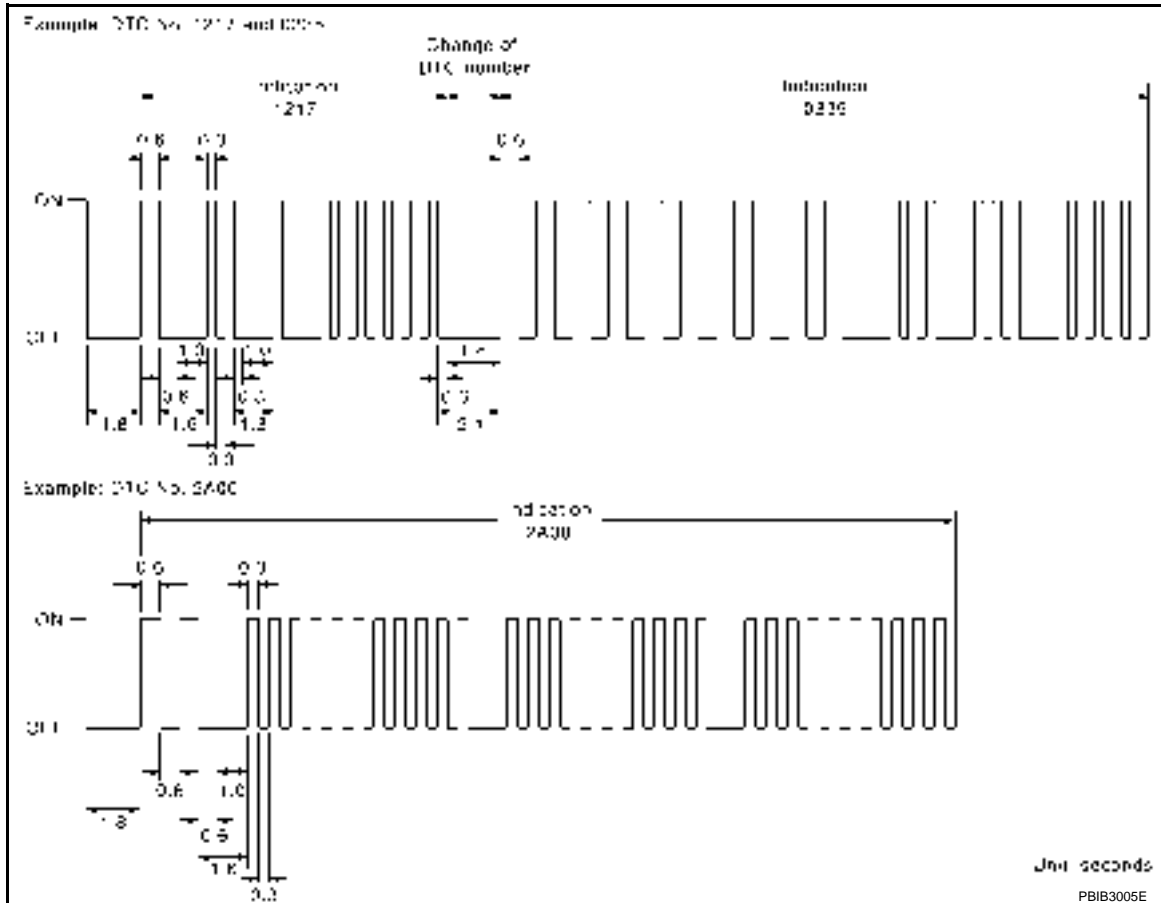
In this mode, the DTC and 1st trip DTC are indicated by the number of blinks of the MIL as shown below. The DTC and 1st trip DTC are displayed at the same time. If the MIL does not illuminate in diagnostic test mode I (Malfunction warning), all displayed items are 1st trip DTCs. If only one code is displayed when the MIL illuminates in diagnostic test mode II (SELF-DIAGNOSTIC RESULTS), it is a DTC; if two or more codes are displayed, they may be either DTCs or 1st trip DTCs. DTC No. is same as that of 1st trip DTC. These uniden-

ON BOARD DIAGNOSTIC (OBD) SYSTEM

< SERVICE INFORMATION >

[QR]

tified codes can be identified by using the CONSULT-III or GST. A DTC will be used as an example for how to read a code.



A particular trouble code can be identified by the number of four-digit numeral flashes. The "zero" is indicated by the number of ten flashes. The "A" is indicated by the number of eleven flash. The length of time the 1,000th-digit numeral flashes on and off is 1.2 seconds consisting of an ON (0.6-second) - OFF (0.6-second) cycle. The 100th-digit numeral and lower digit numerals consist of a 0.3-second ON and 0.3-second OFF cycle. A change from one digit numeral to another occurs at an interval of 1.0-second OFF. In other words, the later numeral appears on the display 1.3 seconds after the former numeral has disappeared.

A change from one trouble code to another occurs at an interval of 1.8-second OFF.

In this way, all the detected malfunctions are classified by their DTC numbers. The DTC 0000 refers to no malfunction. (See [EC-523](#))

How to Erase Diagnostic Test Mode II (Self-diagnostic Results)

The DTC can be erased from the back-up memory in the ECM by depressing accelerator pedal.

Refer to "How to Erase Diagnostic Test Mode II (Self-diagnostic Results)".

- If the battery is disconnected, the DTC will be lost from the backup memory within 24 hours.
- Be careful not to erase the stored memory before starting trouble diagnoses.

OBD System Operation Chart

INFOID:000000001850290

RELATIONSHIP BETWEEN MIL, 1ST TRIP DTC, DTC, AND DETECTABLE ITEMS

- When a malfunction is detected for the first time, the 1st trip DTC and the 1st trip freeze frame data are stored in the ECM memory.
- When the same malfunction is detected in two consecutive trips, the DTC and the freeze frame data are stored in the ECM memory, and the MIL will come on. For details, refer to [EC-558, "Two Trip Detection Logic"](#).
- The MIL will go off after the vehicle is driven 3 times (driving pattern B) with no malfunction. The drive is counted only when the recorded driving pattern is met (as stored in the ECM). If another malfunction occurs while counting, the counter will reset.
- The DTC and the freeze frame data will be stored until the vehicle is driven 40 times (driving pattern A) without the same malfunction recurring (except for Misfire and Fuel Injection System). For Misfire and Fuel Injection System, the DTC and freeze frame data will be stored until the vehicle is driven 80 times (driving pattern

ON BOARD DIAGNOSTIC (OBD) SYSTEM

< SERVICE INFORMATION >

[QR]

C) without the same malfunction recurring. The "TIME" in "SELF-DIAGNOSTIC RESULTS" mode of CONSULT-III will count the number of times the vehicle is driven.

- The 1st trip DTC is not displayed when the self-diagnosis results in OK for the 2nd trip.

SUMMARY CHART

Items	Fuel Injection System	Misfire	Other
MIL (goes off)	3 (pattern B)	3 (pattern B)	3 (pattern B)
DTC, Freeze Frame Data (no display)	80 (pattern C)	80 (pattern C)	40 (pattern A)
1st Trip DTC (clear)	1 (pattern C), *1	1 (pattern C), *1	1 (pattern B)
1st Trip Freeze Frame Data (clear)	*1, *2	*1, *2	1 (pattern B)

For details about patterns B and C under "Fuel Injection System" and "Misfire", see "EXPLANATION FOR DRIVING PATTERNS FOR "MISFIRE <EXHAUST QUALITY DETERIORATION>", "FUEL INJECTION SYSTEM".

For details about patterns A and B under "Other", see "EXPLANATION FOR DRIVING PATTERNS FOR "MISFIRE <EXHAUST QUALITY DETERIORATION>", "FUEL INJECTION SYSTEM".

*1: Clear timing is at the moment OK is detected.

*2: Clear timing is when the same malfunction is detected in the 2nd trip.

RELATIONSHIP BETWEEN MIL, DTC, 1ST TRIP DTC AND DRIVING PATTERNS FOR "MISFIRE <EXHAUST QUALITY DETERIORATION>", "FUEL INJECTION SYSTEM"

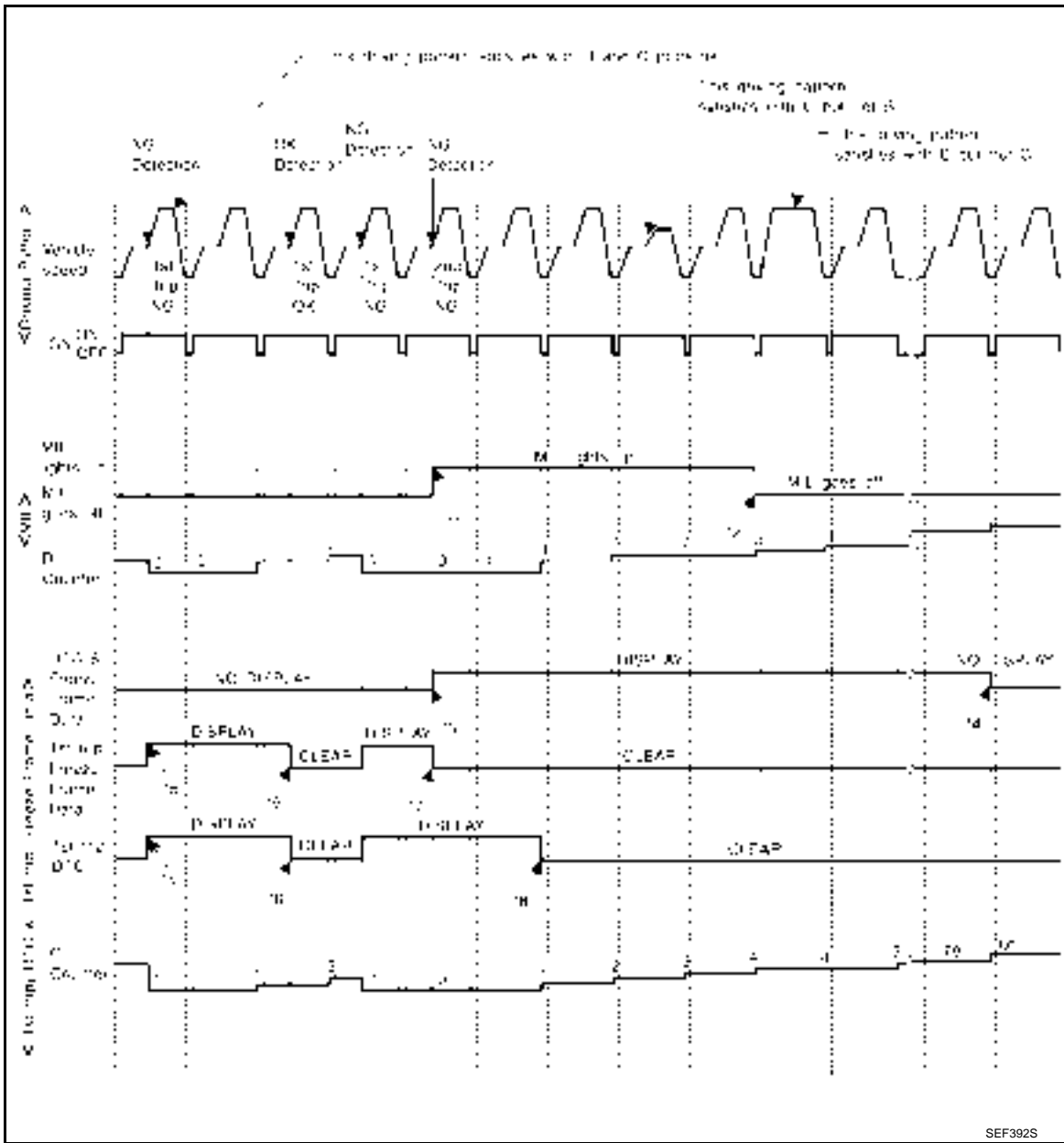
A
C
D
E
F
G
H
I
J
K
L
M
N
O
P

EC

ON BOARD DIAGNOSTIC (OBD) SYSTEM

< SERVICE INFORMATION >

[QR]



*1: When the same malfunction is detected in two consecutive trips, MIL will light up.

*2: MIL will go off after vehicle is driven 3 times (pattern B) without any malfunctions.

*3: When the same malfunction is detected in two consecutive trips, the DTC and the freeze frame data will be stored in ECM.

*4: The DTC and the freeze frame data will not be displayed any longer after vehicle is driven 80 times (pattern C) without the same malfunction. (The DTC and the freeze frame data still remain in ECM.)

*5: When a malfunction is detected for the first time, the 1st trip DTC and the 1st trip freeze frame data will be stored in ECM.

*6: The 1st trip DTC and the 1st trip freeze frame data will be cleared at the moment OK is detected.

*7: When the same malfunction is detected in the 2nd trip, the 1st trip freeze frame data will be cleared.

*8: 1st trip DTC will be cleared when vehicle is driven once (pattern C) without the same malfunction after DTC is stored in ECM.

EXPLANATION FOR DRIVING PATTERNS FOR "MISFIRE <EXHAUST QUALITY DETERIORATION>", "FUEL INJECTION SYSTEM"

<Driving Pattern B>

Driving pattern B means the vehicle operation as follows:

<https://www.automotive-manuals.net/>

ON BOARD DIAGNOSTIC (OBD) SYSTEM

< SERVICE INFORMATION >

[QR]

All components and systems should be monitored at least once by the OBD system.

- The B counter will be cleared when the malfunction is detected once regardless of the driving pattern.
- The B counter will be counted up when driving pattern B is satisfied without any malfunction.
- The MIL will go off when the B counter reaches 3. (*2 in "OBD SYSTEM OPERATION CHART")

<Driving Pattern C>

Driving pattern C means the vehicle operation as follows:

The following conditions should be satisfied at the same time:

Engine speed: (Engine speed in the freeze frame data) ± 375 rpm

Calculated load value: (Calculated load value in the freeze frame data) $\times (1 \pm 0.1)$ [%]

Engine coolant temperature (T) condition:

- When the freeze frame data shows lower than 70°C (158°F), "T" should be lower than 70°C (158°F).
- When the freeze frame data shows higher than or equal to 70°C (158°F), "T" should be higher than or equal to 70°C (158°F).

Example:

If the stored freeze frame data is as follows:

Engine speed: 850 rpm, Calculated load value: 30%, Engine coolant temperature: 80°C (176°F)

To be satisfied with driving pattern C, the vehicle should run under the following conditions:

Engine speed: 475 - 1,225 rpm, Calculated load value: 27 - 33%, Engine coolant temperature: more than 70°C (158°F)

- The C counter will be cleared when the malfunction is detected regardless of vehicle conditions above.
- The C counter will be counted up when vehicle conditions above is satisfied without the same malfunction.
- The DTC will not be displayed after C counter reaches 80.
- The 1st trip DTC will be cleared when C counter is counted once without the same malfunction after DTC is stored in ECM.

RELATIONSHIP BETWEEN MIL, DTC, 1ST TRIP DTC AND DRIVING PATTERNS EXCEPT FOR "MISFIRE <EXHAUST QUALITY DETERIORATION>", "FUEL INJECTION SYSTEM"

A

EC

C

D

E

F

G

H

I

J

K

L

M

N

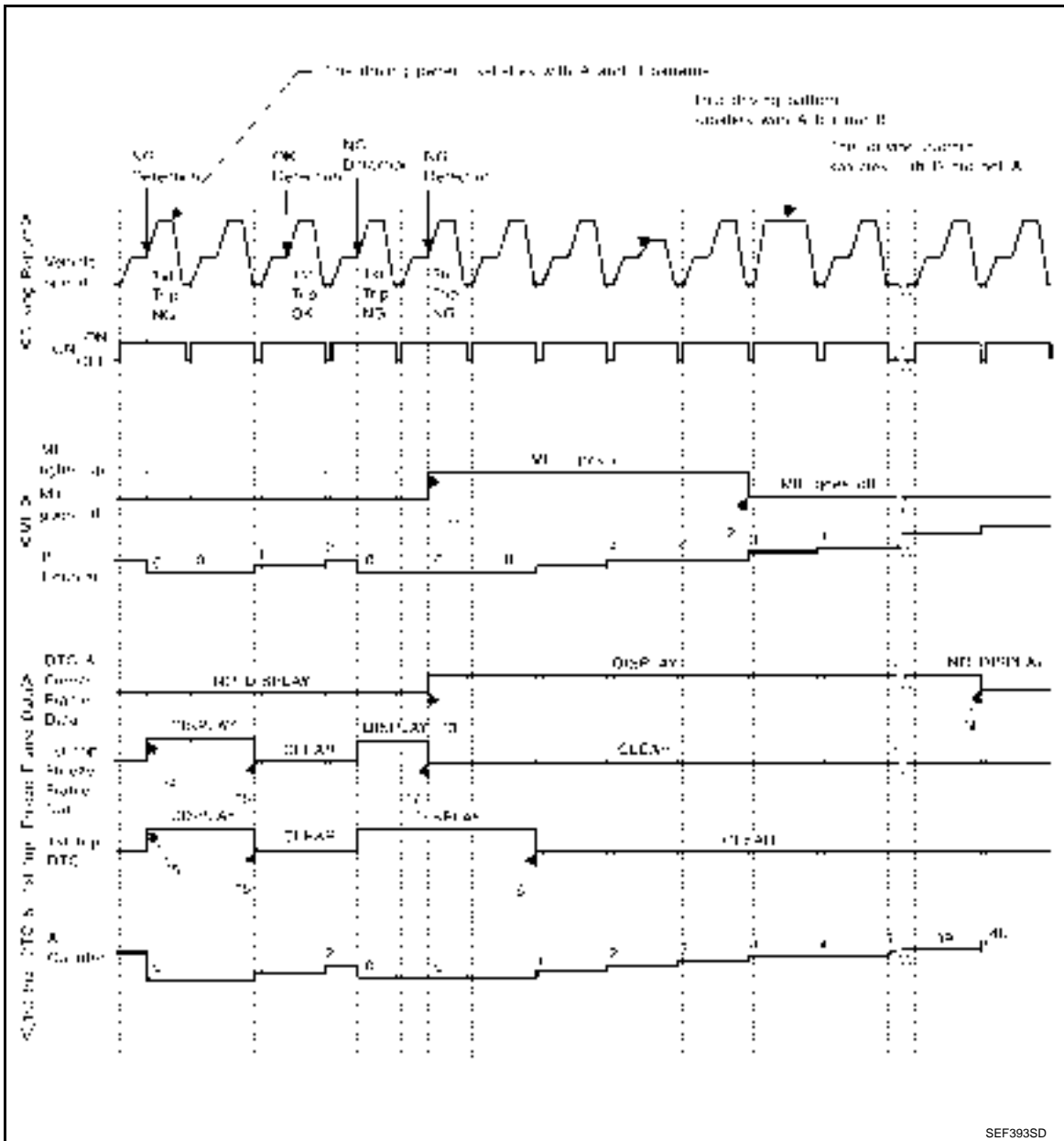
O

P

ON BOARD DIAGNOSTIC (OBD) SYSTEM

< SERVICE INFORMATION >

[QR]



*1: When the same malfunction is detected in two consecutive trips, MIL will light up.

*2: MIL will go off after vehicle is driven 3 times (pattern B) without any malfunctions.

*3: When the same malfunction is detected in two consecutive trips, the DTC and the freeze frame data will be stored in ECM.

*4: The DTC and the freeze frame data will not be displayed any longer after vehicle is driven 40 times (pattern A) without the same malfunction. (The DTC and the freeze frame data still remain in ECM.)

*5: When a malfunction is detected for the first time, the 1st trip DTC and the 1st trip freeze frame data will be stored in ECM.

*6: 1st trip DTC will be cleared after vehicle is driven once (pattern B) without the same malfunction.

*7: When the same malfunction is detected in the 2nd trip, the 1st trip freeze frame data will be cleared.

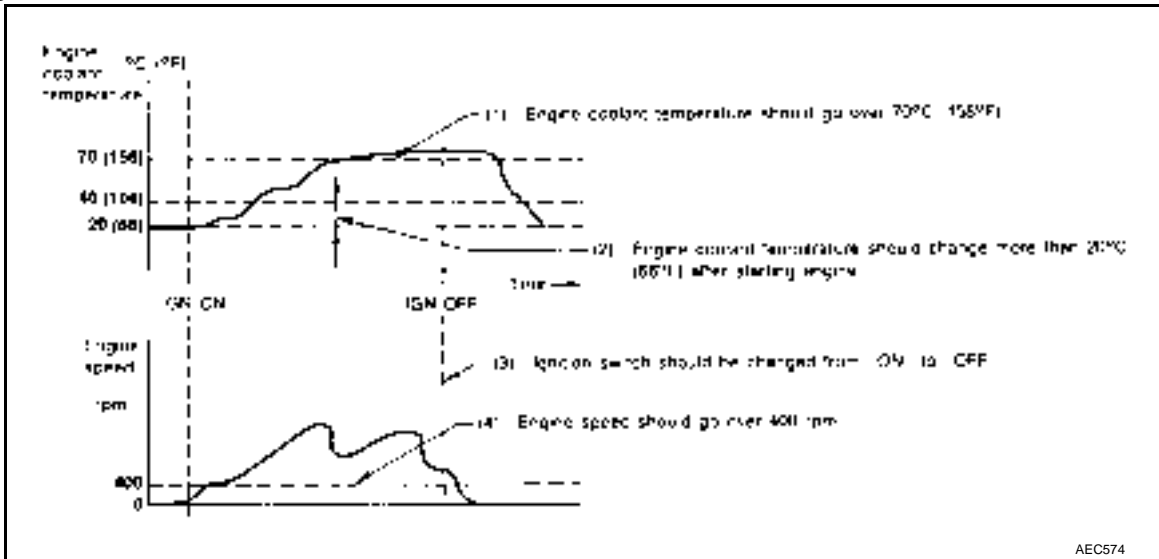
EXPLANATION FOR DRIVING PATTERNS EXCEPT FOR "MISFIRE <EXHAUST QUALITY DETERIORATION>", "FUEL INJECTION SYSTEM"

ON BOARD DIAGNOSTIC (OBD) SYSTEM

< SERVICE INFORMATION >

[QR]

<Driving Pattern A>



- The A counter will be cleared when the malfunction is detected regardless of (1) - (4).
- The A counter will be counted up when (1) - (4) are satisfied without the same malfunction.
- The DTC will not be displayed after the A counter reaches 40.

<Driving Pattern B>

Driving pattern B means the vehicle operation as follows:

All components and systems should be monitored at least once by the OBD system.

- The B counter will be cleared when the malfunction is detected once regardless of the driving pattern.
- The B counter will be counted up when driving pattern B is satisfied without any malfunctions.
- The MIL will go off when the B counter reaches 3 (*2 in "OBD SYSTEM OPERATION CHART").

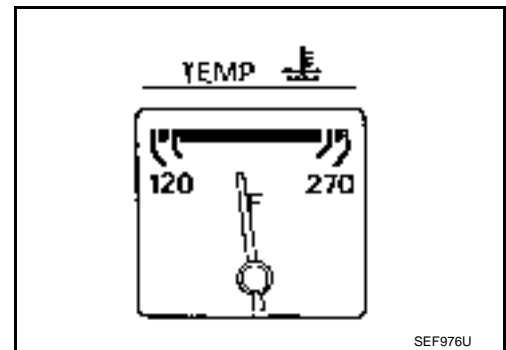
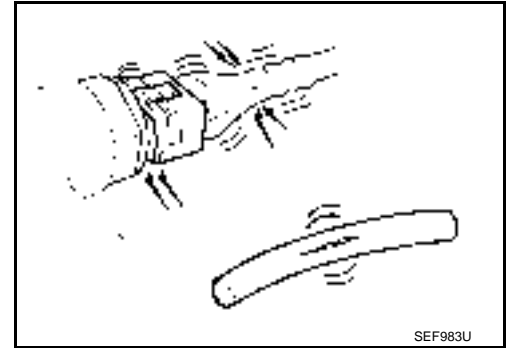
BASIC SERVICE PROCEDURE

Basic Inspection

INFOID:000000001850291

1. INSPECTION START

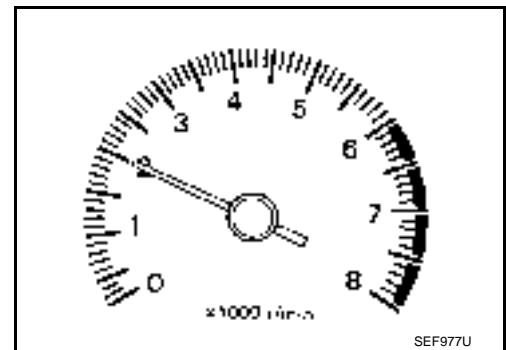
1. Check service records for any recent repairs that may indicate a related malfunction, or a current need for scheduled maintenance.
2. Open engine hood and check the following:
 - Harness connectors for improper connections
 - Wiring harness for improper connections, pinches and cut
 - Vacuum hoses for splits, kinks and improper connections
 - Hoses and ducts for leaks
 - Air cleaner clogging
 - Gasket
3. Confirm that electrical or mechanical loads are not applied.
 - Headlamp switch is OFF.
 - Air conditioner switch is OFF.
 - Rear window defogger switch is OFF.
 - Steering wheel is in the straight-ahead position, etc.
4. Start engine and warm it up until engine coolant temperature indicator points the middle of gauge. Ensure engine stays below 1,000 rpm.



5. Run engine at about 2,000 rpm for about 2 minutes under no load.
6. Make sure that no DTC is displayed with CONSULT-III or GST.

OK or NG

- OK >> GO TO 3.
 NG >> GO TO 2.



2. REPAIR OR REPLACE

Repair or replace components as necessary according to corresponding Diagnostic Procedure.

>> GO TO 3.

3. CHECK TARGET IDLE SPEED

With CONSULT-III

1. Run engine at about 2,000 rpm for about 2 minutes under no load.

BASIC SERVICE PROCEDURE

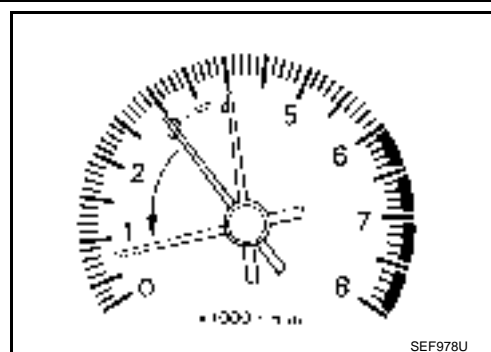
[QR]

< SERVICE INFORMATION >

- Rev engine (2,000 to 3,000 rpm) two or three times under no load, then run engine at idle speed for about 1 minute.
- Read idle speed in "DATA MONITOR" mode with CONSULT-III. Refer to [EC-588, "Idle Speed and Ignition Timing Check"](#).

M/T: 800 ± 50 rpm (in Neutral position)

CVT: 650 ± 50 rpm (in P or N position)



✗ Without CONSULT-III

- Run engine at about 2,000 rpm for about 2 minutes under no load.
- Rev engine (2,000 to 3,000 rpm) two or three times under no load, then run engine at idle speed for about 1 minute.
- Check idle speed. Refer to [EC-588, "Idle Speed and Ignition Timing Check"](#).

M/T: 800 ± 50 rpm (in Neutral position)

CVT: 650 ± 50 rpm (in P or N position)

OK or NG

- OK >> GO TO 10.
- NG >> GO TO 4.

4. PERFORM ACCELERATOR PEDAL RELEASED POSITION LEARNING

- Stop engine.
- Perform [EC-590, "Accelerator Pedal Released Position Learning"](#).

>> GO TO 5.

5. PERFORM THROTTLE VALVE CLOSED POSITION LEARNING

Perform [EC-590, "Throttle Valve Closed Position Learning"](#).

>> GO TO 6.

6. PERFORM IDLE AIR VOLUME LEARNING

Refer to [EC-590, "Idle Air Volume Learning"](#).

Is Idle Air Volume Learning carried out successfully?

Yes or No

- Yes >> GO TO 7.
- No >> 1. Follow the instruction of Idle Air Volume Learning.
2. GO TO 4.

7. CHECK TARGET IDLE SPEED AGAIN

With CONSULT-III

- Start engine and warm it up to normal operating temperature.
- Read idle speed in "DATA MONITOR" mode with CONSULT-III. Refer to [EC-588, "Idle Speed and Ignition Timing Check"](#).

M/T: 800 ± 50 rpm (in Neutral position)

CVT: 650 ± 50 rpm (in P or N position)

✗ Without CONSULT-III

- Start engine and warm it up to normal operating temperature.
- Check idle speed. Refer to [EC-588, "Idle Speed and Ignition Timing Check"](#).

M/T: 800 ± 50 rpm (in Neutral position)

CVT: 650 ± 50 rpm (in P or N position)

OK or NG

OK >> GO TO 10.

NG >> GO TO 8.

8. DETECT MALFUNCTIONING PART

Check the following.

- Check crankshaft position sensor (POS) and circuit.
Refer to [EC-816](#).
- Check camshaft position sensor (PHASE) and circuit.
Refer to [EC-822](#).

OK or NG

OK >> GO TO 9.

NG >> 1. Repair or replace.
2. GO TO 4.

9. CHECK ECM FUNCTION

1. Substitute another known-good ECM to check ECM function. (ECM may be the cause of an incident, but this is a rare case.)
2. Perform initialization of NVIS (NATS) system and registration of all NVIS (NATS) ignition key IDs.
Refer to [BL-170, "ECM Re-communicating Function"](#).

>> GO TO 4.

10. CHECK IGNITION TIMING

1. Run engine at idle.
 2. Check ignition timing with a timing light.
Refer to [EC-588, "Idle Speed and Ignition Timing Check"](#).
- Timing indicator (1)

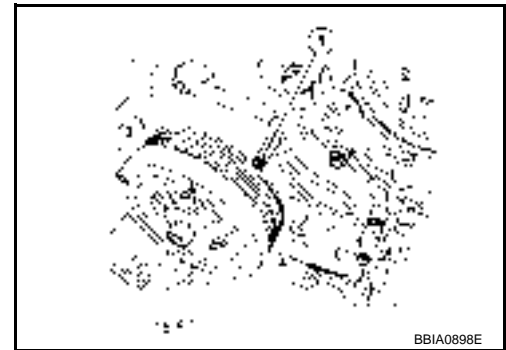
M/T: 10 ± 5° BTDC (in Neutral position)

CVT: 10 ± 5° BTDC (in P or N position)

OK or NG

OK >> GO TO 19.

NG >> GO TO 11.



11. PERFORM ACCELERATOR PEDAL RELEASED POSITION LEARNING

1. Stop engine.
2. Perform [EC-590, "Accelerator Pedal Released Position Learning"](#).

>> GO TO 12.

12. PERFORM THROTTLE VALVE CLOSED POSITION LEARNING

Perform [EC-590, "Throttle Valve Closed Position Learning"](#).

>> GO TO 13.

13. PERFORM IDLE AIR VOLUME LEARNING

Refer to [EC-590, "Idle Air Volume Learning"](#).

Is Idle Air Volume Learning carried out successfully?

Yes or No

Yes >> GO TO 14.

No >> 1. Follow the instruction of Idle Air Volume Learning.

BASIC SERVICE PROCEDURE

< SERVICE INFORMATION >

[QR]

2. GO TO 4.

14. CHECK TARGET IDLE SPEED AGAIN

With CONSULT-III

1. Start engine and warm it up to normal operating temperature.
2. Read idle speed in "DATA MONITOR" mode with CONSULT-III. Refer to [EC-588, "Idle Speed and Ignition Timing Check"](#).

M/T: 800 ± 50 rpm (in Neutral position)

CVT: 650 ± 50 rpm (in P or N position)

Without CONSULT-III

1. Start engine and warm it up to normal operating temperature.
2. Check idle speed. Refer to [EC-588, "Idle Speed and Ignition Timing Check"](#).

M/T: 800 ± 50 rpm (in Neutral position)

CVT: 650 ± 50 rpm (in P or N position)

OK or NG

OK >> GO TO 15.

NG >> GO TO 17.

15. CHECK IGNITION TIMING AGAIN

1. Run engine at idle.
 2. Check ignition timing with a timing light.
Refer to [EC-588, "Idle Speed and Ignition Timing Check"](#).
- Timing indicator (1)

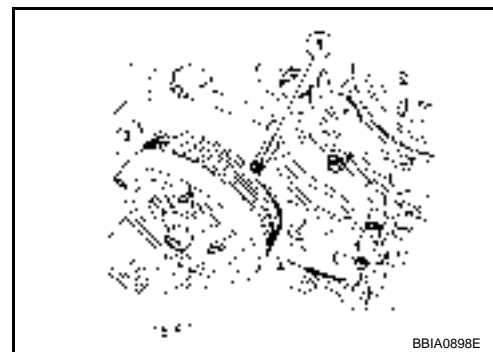
M/T: 10 ± 5° BTDC (in Neutral position)

CVT: 10 ± 5° BTDC (in P or N position)

OK or NG

OK >> GO TO 19

NG >> GO TO 16.



16. CHECK TIMING CHAIN INSTALLATION

Check timing chain installation. Refer to [EM-156](#).

OK or NG

OK >> GO TO 17.

NG >> 1. Repair the timing chain installation.
2. GO TO 4.

17. DETECT MALFUNCTIONING PART

Check the following.

- Check crankshaft position sensor (POS) and circuit.
Refer to [EC-816](#).
- Check camshaft position sensor (PHASE) and circuit.
Refer to [EC-822](#).

OK or NG

OK >> GO TO 18.

NG >> 1. Repair or replace.
2. GO TO 4.

18. CHECK ECM FUNCTION

1. Substitute another known-good ECM to check ECM function. (ECM may be the cause of an incident, but this is a rare case.)
2. Perform initialization of NVIS (NATS) system and registration of all NVIS (NATS) ignition key IDs.
Refer to [BL-170, "ECM Re-communicating Function"](#).

>> GO TO 4.

19. INSPECTION END

Did you replace ECM, referring this Basic Inspection procedure?

Yes or No

Yes >> 1. Perform [EC-590, "VIN Registration"](#).
2. **INSPECTION END**

No >> **INSPECTION END**

Idle Speed and Ignition Timing Check

INFOID:000000001850292

IDLE SPEED

With CONSULT-III

Check idle speed in "DATA MONITOR" mode with CONSULT-III.

With GST

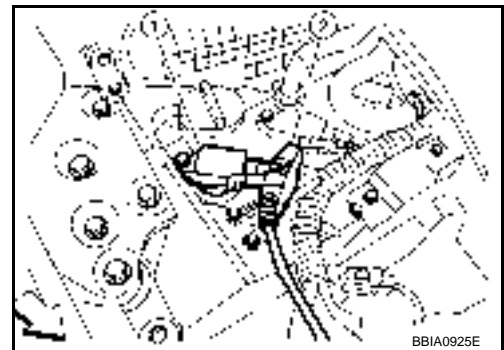
Check idle speed in Service \$01 with GST.

IGNITION TIMING

Any of following two methods may be used.

Method A

1. Attach timing light to loop wire as shown.
 - Vehicle front
 - Ignition coil No. 1 (1)
 - Timing light (2)



2. Check ignition timing.
 - Timing indicator (1)




Method B

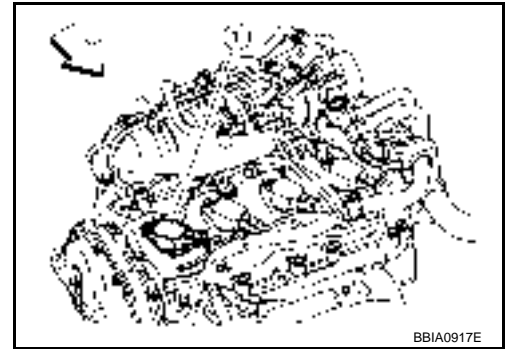
1. Remove No. 1 ignition coil (1).

BASIC SERVICE PROCEDURE

< SERVICE INFORMATION >

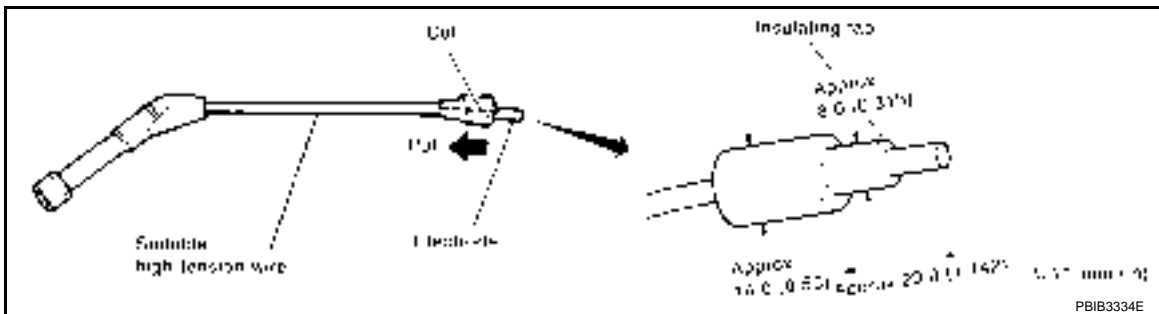
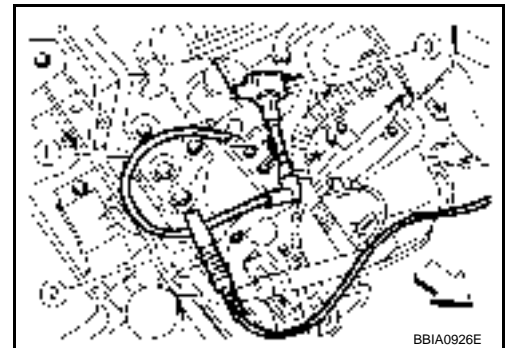
[QR]

-  Vehicle front

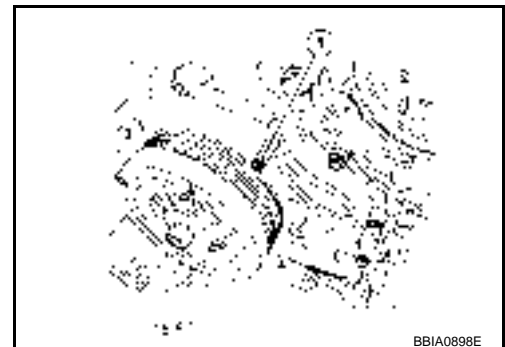


2. Connect No. 1 ignition coil (3) and No. 1 spark plug with suitable high-tension wire (1) as shown, and attach timing light (2) clamp to this wire.

-  Vehicle front



3. Check ignition timing.
 - Timing indicator (1)



Procedure After Replacing ECM

INFOID:000000001850293

When replacing ECM, the following procedure must be performed.

1. Perform initialization of NVIS (NATS) system and registration of all NVIS (NATS) ignition key IDs. Refer to [BL-170, "ECM Re-communicating Function"](#).
2. Perform [EC-590, "VIN Registration"](#).
3. Perform [EC-590, "Accelerator Pedal Released Position Learning"](#).
4. Perform [EC-590, "Throttle Valve Closed Position Learning"](#).

BASIC SERVICE PROCEDURE

< SERVICE INFORMATION >

[QR]

5. Perform [EC-590, "Idle Air Volume Learning"](#).

VIN Registration

INFOID:000000001850294

DESCRIPTION

VIN Registration is an operation to registering VIN in ECM. It must be performed each time ECM is replaced.

NOTE:

Accurate VIN which is registered in ECM may be required for Inspection & Maintenance (I/M).

OPERATION PROCEDURE

- ▮ With CONSULT-III
1. Check the VIN of the vehicle and note it. Refer to [GI-43](#).
 2. Turn ignition switch ON and engine stopped.
 3. Select "VIN REGISTRATION" in "WORK SUPPORT" mode.
 4. Follow the instruction of CONSULT-III display.

Accelerator Pedal Released Position Learning

INFOID:000000001850295

DESCRIPTION

Accelerator Pedal Released Position Learning is an operation to learn the fully released position of the accelerator pedal by monitoring the accelerator pedal position sensor output signal. It must be performed each time harness connector of accelerator pedal position sensor or ECM is disconnected.

OPERATION PROCEDURE

1. Make sure that accelerator pedal is fully released.
2. Turn ignition switch ON and wait at least 2 seconds.
3. Turn ignition switch OFF and wait at least 10 seconds.
4. Turn ignition switch ON and wait at least 2 seconds.
5. Turn ignition switch OFF and wait at least 10 seconds.

Throttle Valve Closed Position Learning

INFOID:000000001850296

DESCRIPTION

Throttle Valve Closed Position Learning is an operation to learn the fully closed position of the throttle valve by monitoring the throttle position sensor output signal. It must be performed each time harness connector of electric throttle control actuator or ECM is disconnected.

OPERATION PROCEDURE

1. Make sure that accelerator pedal is fully released.
2. Turn ignition switch ON.
3. Turn ignition switch OFF and wait at least 10 seconds.
Make sure that throttle valve moves during above 10 seconds by confirming the operating sound.

Idle Air Volume Learning

INFOID:000000001850297

DESCRIPTION

Idle Air Volume Learning is an operation to learn the idle air volume that keeps each engine within the specific range. It must be performed under any of the following conditions:

- Each time electric throttle control actuator or ECM is replaced.
- Idle speed or ignition timing is out of specification.

PREPARATION

Before performing Idle Air Volume Learning, make sure that all of the following conditions are satisfied. Learning will be cancelled if any of the following conditions are missed for even a moment.

- Battery voltage: More than 12.9V (At idle)
- Engine coolant temperature: 70 - 100°C (158 - 212°F)
- Park/neutral position (PNP) switch: ON
- Electric load switch: OFF

BASIC SERVICE PROCEDURE

< SERVICE INFORMATION >

[QR]

(Air conditioner, headlamp rear window defogger)

On vehicles equipped with daytime light systems, if the parking brake is applied before the engine is started the headlamp will not be illuminated.

- Steering wheel: Neutral (Straight-ahead position)
- Vehicle speed: Stopped
- Transmission: Warmed-up
- For CVT models
- With CONSULT-III: Drive vehicle until "FLUID TEMP SE" in "DATA MONITOR" mode of "CVT" system indicates less than 0.9V.
- Without CONSULT-III: Drive vehicle for 10 minutes.
- For M/T models
- Drive vehicle for 10 minutes.

OPERATION PROCEDURE

- With CONSULT-III
1. Perform [EC-590, "Accelerator Pedal Released Position Learning"](#).
 2. Perform [EC-590, "Throttle Valve Closed Position Learning"](#).
 3. Start engine and warm it up to normal operating temperature.
 4. Check that all items listed under the topic PREPARATION (previously mentioned) are in good order.
 5. Select "IDLE AIR VOL LEARN" in "WORK SUPPORT" mode.
 6. Touch "START" and wait 20 seconds.
 7. Make sure that "CMPLT" is displayed on CONSULT-III screen. If "CMPLT" is not displayed, Idle Air Volume Learning will not be carried out successfully. In this case, find the cause of the incident by referring to the DIAGNOSTIC PROCEDURE below.
 8. Rev up the engine two or three times and make sure that idle speed and ignition timing are within the specifications.
Refer to [EC-584, "Basic Inspection"](#).

ITEM	SPECIFICATION
Idle speed	M/T: 800 ± 50 rpm (in Neutral position) CVT: 650 ± 50 rpm (in P or N position)
Ignition timing	M/T: 10 ± 5° BTDC (in Neutral position) CVT: 10 ± 5° BTDC (in P or N position)

✕ Without CONSULT-III

NOTE:

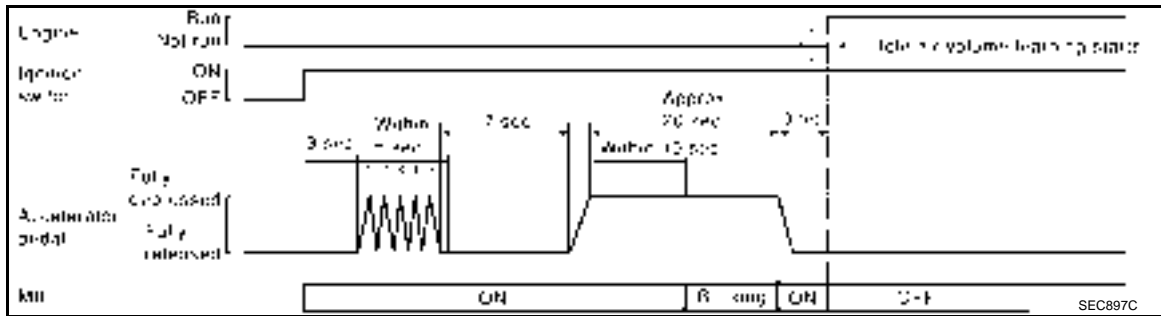
- It is better to count the time accurately with a clock.
 - It is impossible to switch the diagnostic mode when an accelerator pedal position sensor circuit has a malfunction.
1. Perform [EC-590, "Accelerator Pedal Released Position Learning"](#).
 2. Perform [EC-590, "Throttle Valve Closed Position Learning"](#).
 3. Start engine and warm it up to normal operating temperature.
 4. Check that all items listed under the topic PREPARATION (previously mentioned) are in good order.
 5. Turn ignition switch OFF and wait at least 10 seconds.
 6. Confirm that accelerator pedal is fully released, turn ignition switch ON and wait 3 seconds.
 7. Repeat the following procedure quickly five times within 5 seconds.
 - a. Fully depress the accelerator pedal.
 - b. Fully release the accelerator pedal.
 8. Wait 7 seconds, fully depress the accelerator pedal and keep it for approx. 20 seconds until the MIL stops blinking and turned ON.
 9. Fully release the accelerator pedal within 3 seconds after the MIL turned ON.
 10. Start engine and let it idle.

BASIC SERVICE PROCEDURE

< SERVICE INFORMATION >

[QR]

11. Wait 20 seconds.



12. Rev up the engine two or three times and make sure that idle speed and ignition timing are within the specifications. Refer to [EC-584, "Basic Inspection"](#).

ITEM	SPECIFICATION
Idle speed	M/T: 800 ± 50 rpm (in Neutral position) CVT: 650 ± 50 rpm (in P or N position)
Ignition timing	M/T: 10 ± 5° BTDC (in Neutral position) CVT: 10 ± 5° BTDC (in P or N position)

13. If idle speed and ignition timing are not within the specification, Idle Air Volume Learning will not be carried out successfully. In this case, find the cause of the incident by referring to the DIAGNOSTIC PROCEDURE below.

DIAGNOSTIC PROCEDURE

If idle air volume learning cannot be performed successfully, proceed as follows:

1. Check that throttle valve is fully closed.
2. Check PCV valve operation.
3. Check that downstream of throttle valve is free from air leakage.
4. When the above three items check out OK, engine component parts and their installation condition are questionable. Check and eliminate the cause of the incident.
It is useful to perform [EC-635](#).
5. If any of the following conditions occur after the engine has started, eliminate the cause of the incident and perform Idle Air Volume Learning all over again:
 - Engine stalls.
 - Erroneous idle.

Fuel Pressure Check

INFOID:000000001850298

FUEL PRESSURE RELEASE

With CONSULT-III


1. Turn ignition switch ON.
2. Perform "FUEL PRESSURE RELEASE" in "WORK SUPPORT" mode with CONSULT-III.
3. Start engine.
4. After engine stalls, crank it two or three times to release all fuel pressure.
5. Turn ignition switch OFF.

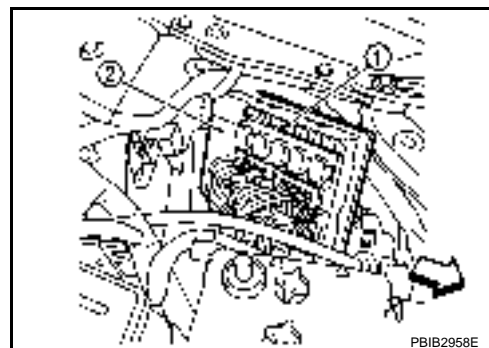
Without CONSULT-III

BASIC SERVICE PROCEDURE

< SERVICE INFORMATION >

[QR]

1. Remove fuel pump fuse (1) located in IPDM E/R (2).
 -  Vehicle front
2. Start engine.
3. After engine stalls, crank it two or three times to release all fuel pressure.
4. Turn ignition switch OFF.
5. Reinstall fuel pump fuse after servicing fuel system.



FUEL PRESSURE CHECK

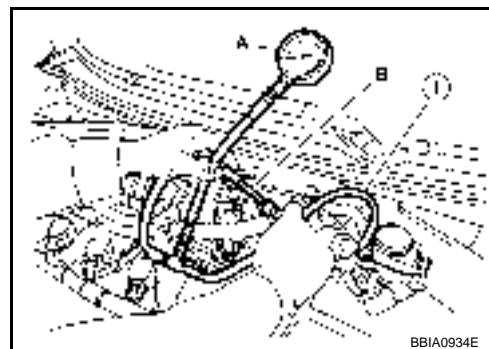
CAUTION:

Before disconnecting fuel line, release fuel pressure from fuel line to eliminate danger.

NOTE:

- Prepare pans or saucers under the disconnected fuel line because the fuel may spill out. The fuel pressure cannot be completely released because B16 models do not have fuel return system.
- Be careful not to scratch or get the fuel hose connection area dirty when servicing, so that the quick connector o-ring maintains sealability.
- Use Fuel Pressure Gauge Kit J-44321 (A) and Fuel Pressure Adapter J-44321-6 (B) to check fuel pressure.

1. Release fuel pressure to zero. Refer to "FUEL PRESSURE RELEASE".
2. Remove fuel hose using Quick Connector Release J-45488. Refer to [EM-140](#).
 - Do not twist or kink fuel hose because it is plastic hose.
 - Do not remove fuel hose (1) from quick connector.
 - Keep fuel hose connections clean.
3. Install Fuel Pressure Adapter J-44321-6 and Fuel Pressure Gauge (from kit J-44321) as shown in figure.
 - Do not distort or bend fuel rail tube when installing fuel pressure gauge adapter.
 - When reconnecting fuel hose, check the original fuel hose for damage and abnormality.
4. Turn ignition switch ON (reactivate fuel pump), and check for fuel leakage.
5. Start engine and check for fuel leakage.
6. Read the indication of fuel pressure gauge.
 - During fuel pressure check, check for fuel leakage from fuel connection every 3 minutes.



At idling: Approximately 350 kPa (3.57 kg/cm², 51 psi)

7. If result is unsatisfactory, go to next step.
8. Check the following.
 - Fuel hoses and fuel tubes for clogging
 - Fuel filter for clogging
 - Fuel pump
 - Fuel pressure regulator for cloggingIf OK, replace fuel pressure regulator.
If NG, repair or replace.
9. Before disconnecting Fuel Pressure Gauge and Fuel Pressure Adapter J-44321-6, release fuel pressure to zero. Refer to "FUEL PRESSURE RELEASE"

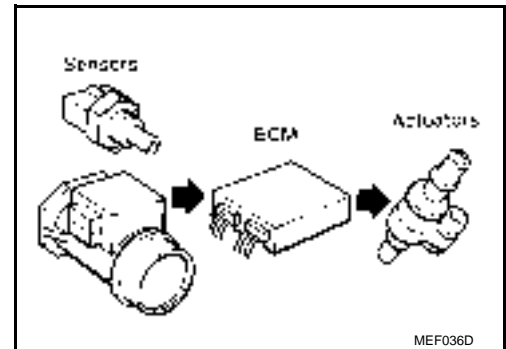
TROUBLE DIAGNOSIS

Trouble Diagnosis Introduction

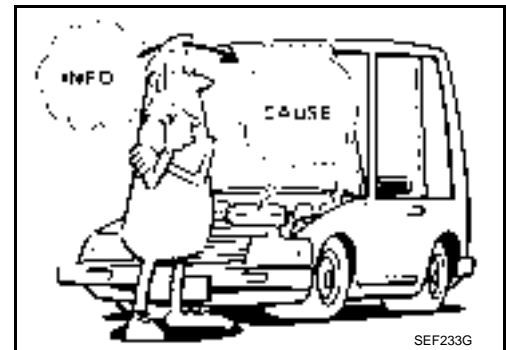
INFOID:000000001850299

INTRODUCTION

The engine has an ECM to control major systems such as fuel control, ignition control, idle air control system, etc. The ECM accepts input signals from sensors and instantly drives actuators. It is essential that both input and output signals are proper and stable. At the same time, it is important that there are no malfunctions such as vacuum leaks, fouled spark plugs, or other malfunctions with the engine.



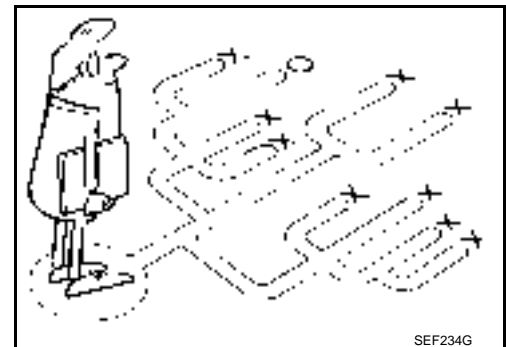
It is much more difficult to diagnose an incident that occurs intermittently rather than continuously. Most intermittent incidents are caused by poor electric connections or improper wiring. In this case, careful checking of suspected circuits may help prevent the replacement of good parts.



A visual check only may not find the cause of the incidents. A road test with CONSULT-III (or GST) or a circuit tester connected should be performed. Follow the Work Flow on "WORK FLOW".

Before undertaking actual checks, take a few minutes to talk with a customer who approaches with a driveability complaint. The customer can supply good information about such incidents, especially intermittent ones. Find out what symptoms are present and under what conditions they occur. A Diagnostic Worksheet like the example on "Worksheet Sample" should be used.

Start your diagnosis by looking for conventional malfunctions first. This will help troubleshoot driveability malfunctions on an electronically controlled engine vehicle.



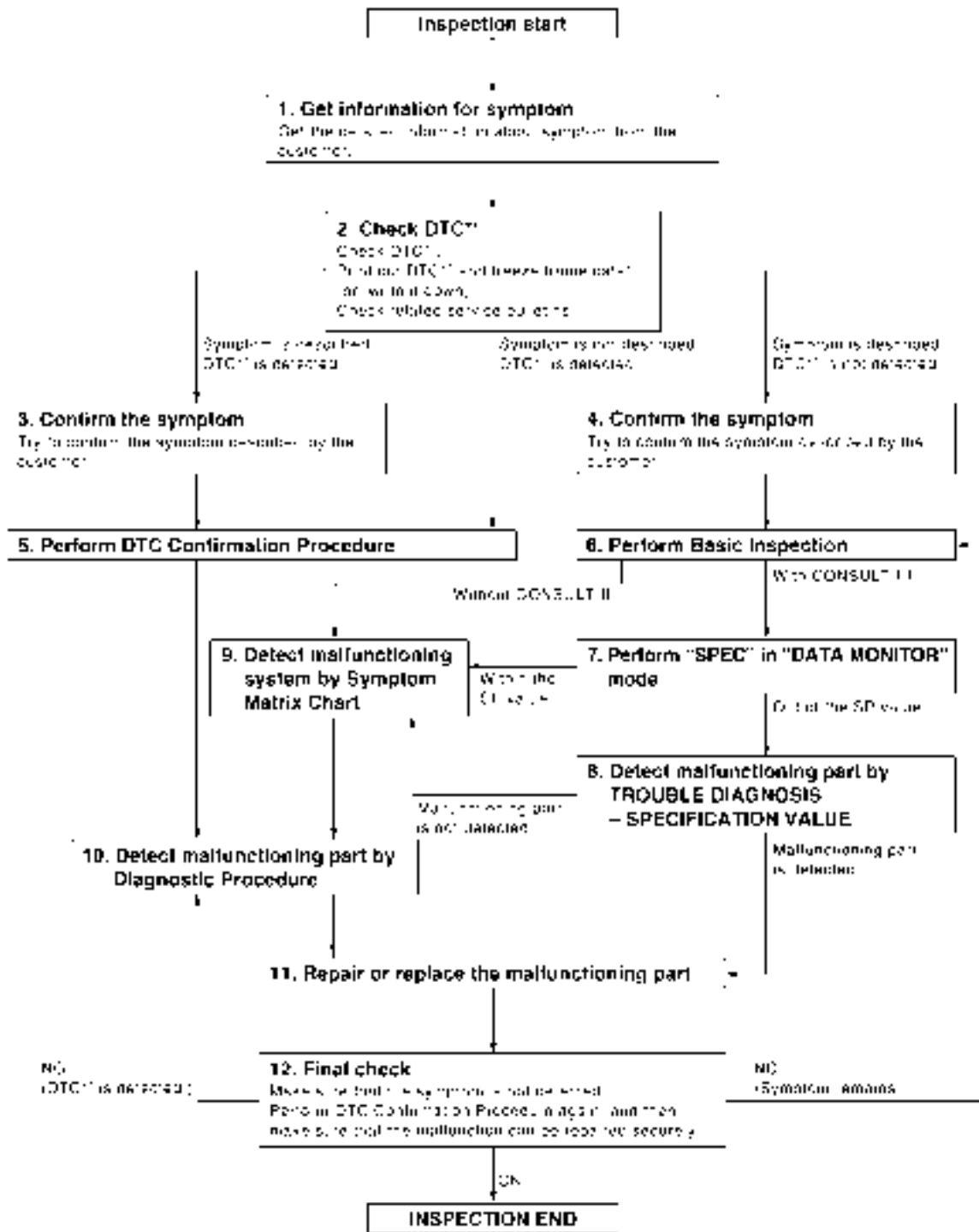
WORK FLOW

TROUBLE DIAGNOSIS

< SERVICE INFORMATION >

[QR]

Overall Sequence



*1. include 1st and 2nd DTC
*2. include 1st freeze frame data

PBIB3456E

Detailed Flow

1. GET INFORMATION FOR SYMPTOM

Get the detailed information from the customer about the symptom (the condition and the environment when the incident/malfunction occurred) using the "DIAGNOSTIC WORKSHEET".

>> GO TO 2.

TROUBLE DIAGNOSIS

[QR]

< SERVICE INFORMATION >

2. CHECK DTC*1

1. Check DTC*1.
2. Perform the following procedure if DTC*1 is displayed.
 - Record DTC*1 and freeze frame data*2. (Print them out with CONSULT-III or GST.)
 - Erase DTC*1. (Refer to [EC-559, "Emission-related Diagnostic Information"](#).)
 - Study the relationship between the cause detected by DTC*1 and the symptom described by the customer. (Symptom Matrix Chart is useful. Refer to [EC-600, "Symptom Matrix Chart"](#).)
3. Check related service bulletins for information.

Is any symptom described and any DTC detected?

Symptom is described, DTC*1 is displayed>>GO TO 3.

Symptom is described, DTC*1 is not displayed>>GO TO 4.

Symptom is not described, DTC*1 is displayed>>GO TO 5.

3. CONFIRM THE SYMPTOM

Try to confirm the symptom described by the customer (except MIL ON).

DIAGNOSIS WORK SHEET is useful to verify the incident.

Connect CONSULT-III to the vehicle and check diagnosis results.

Verify relation between the symptom and the condition when the symptom is detected.

>> GO TO 5.

4. CONFIRM THE SYMPTOM

Try to confirm the symptom described by the customer.

DIAGNOSIS WORK SHEET is useful to verify the incident.

Connect CONSULT-III to the vehicle and check diagnosis results.

Verify relation between the symptom and the condition when the symptom is detected.

>> GO TO 6.

5. PERFORM DTC CONFIRMATION PROCEDURE

Perform DTC Confirmation Procedure for the displayed DTC*1, and then make sure that DTC*1 is detected again.

If two or more DTCs*1 are detected, refer to [EC-598, "DTC Inspection Priority Chart"](#) and determine trouble diagnosis order.

NOTE:

- Freeze frame data*2 is useful if the DTC*1 is not detected.
- Perform Overall Function Check if DTC Confirmation Procedure is not included on Service Manual. This simplified check procedure is an effective alternative though DTC*1 cannot be detected during this check. If the result of Overall Function Check is NG, it is the same as the detection of DTC*1 by DTC Confirmation Procedure.

Is DTC*1 detected?

Yes >> GO TO 10.

No >> Check according to [EC-643](#).

6. PERFORM BASIC INSPECTION

Perform [EC-584, "Basic Inspection"](#).

With CONSULT-III>>GO TO 7.

Without CONSULT-III>>GO TO 9.

7. PERFORM SPEC IN DATA MONITOR MODE

With CONSULT-III

Make sure that "MAS A/F SE-B1", "B/FUEL SCHDL" and "A/F ALPHA-B1" are within the SP value using CONSULT-III "SPEC" in "DATA MONITOR" mode. Refer to [EC-635, "Inspection Procedure"](#).

TROUBLE DIAGNOSIS

[QR]

< SERVICE INFORMATION >

Are they within the SP value?

- Yes >> GO TO 9.
- No >> GO TO 8.

8. DETECT MALFUNCTIONING PART BY TROUBLE DIAGNOSIS - SPECIFICATION VALUE

Detect malfunctioning part according to [EC-635, "Diagnosis Procedure"](#).

Is malfunctioning part detected?

- Yes >> GO TO 11.
- No >> GO TO 9.

9. DETECT MALFUNCTIONING SYSTEM BY SYMPTOM MATRIX CHART

Detect malfunctioning system according to [EC-600, "Symptom Matrix Chart"](#) based on the confirmed symptom in step 4, and determine the trouble diagnosis order based on possible causes and symptom.

>> GO TO 10.

10. DETECT MALFUNCTIONING PART BY DIAGNOSTIC PROCEDURE

Inspect according to Diagnostic Procedure of the system.

NOTE:

The Diagnostic Procedure in EC section described based on open circuit inspection. A short circuit inspection is also required for the circuit check in the Diagnostic Procedure. For details, refer to Circuit Inspection in [GI-25, "How to Perform Efficient Diagnosis for an Electrical Incident"](#).

Is malfunctioning part detected?

- Yes >> GO TO 11.
- No >> Monitor input data from related sensors or check voltage of related ECM terminals using CONSULT-III. Refer to [EC-614, "ECM Terminal and Reference Value"](#), [EC-631, "CONSULT-III Reference Value in Data Monitor Mode"](#).

11. REPAIR OR REPLACE THE MALFUNCTIONING PART

1. Repair or replace the malfunctioning part.
2. Reconnect parts or connectors disconnected during Diagnostic Procedure again after repair and replacement.
3. Check DTC. If DTC is displayed, erase it, refer to [EC-559, "Emission-related Diagnostic Information"](#).

>> GO TO 12.

12. FINAL CHECK

When DTC was detected in step 2, perform DTC Confirmation Procedure or Overall Function Check again, and then make sure that the malfunction have been repaired securely.

When symptom was described from the customer, refer to confirmed symptom in step 3 or 4, and make sure that the symptom is not detected.

OK or NG

NG (DTC*¹ is detected)>>GO TO 10.

NG (Symptom remains)>>GO TO 6.

- OK >> 1. Before returning the vehicle to the customer, make sure to erase unnecessary DTC*¹ in ECM and TCM (Transmission Control Module). (Refer to [EC-559, "Emission-related Diagnostic Information"](#) and [CVT-24, "OBD-II Diagnostic Trouble Code \(DTC\)"](#).)
- 2. If the completion of SRT is needed, drive vehicle under the specific driving pattern. Refer to [EC-559, "Emission-related Diagnostic Information"](#).
- 3. **INSPECTION END**

*1: Include 1st trip DTC.

*2: Include 1st trip freeze frame data.

DIAGNOSTIC WORKSHEET

Description

TROUBLE DIAGNOSIS

< SERVICE INFORMATION >

[QR]

There are many operating conditions that lead to the malfunction of engine components. A good grasp of such conditions can make troubleshooting faster and more accurate.

In general, each customer feels differently about an incident. It is important to fully understand the symptoms or conditions for a customer complaint.

Utilize a diagnostic worksheet like the one on the next page in order to organize all the information for troubleshooting.

Some conditions may cause the MIL to come on steady or blink and DTC to be detected. Examples:

- Vehicle ran out of fuel, which caused the engine to misfire.
- Fuel filler cap was left off or incorrectly screwed on, allowing fuel to evaporate into the atmosphere.

KEY POINTS

WHAT .. Vehicle & engine model
WHEN ... Date, Frequencies
WHERE .. Road conditions
HOW .. Operating conditions,
 Weather conditions,
 Symptoms

SEF907L

Worksheet Sample

Customer name: MR. MG		Make & Year:	VIN:
Engine #:		Trans.:	Mileage:
Incident Date:		Manuf. Date:	In Service Date:
Fuel and fuel filler cap		<input type="checkbox"/> Vehicle ran out of fuel causing misfire <input type="checkbox"/> Fuel filler cap was left off or incorrectly screwed on	
Symptoms	... Startability	<input type="checkbox"/> Impossible to start <input type="checkbox"/> No combustion <input type="checkbox"/> Partial combustion <input type="checkbox"/> Partial combustion affected by throttle position <input type="checkbox"/> Partial combustion NOT affected by throttle position <input type="checkbox"/> Possible but hard to start ... Others:	
	... Idling	<input type="checkbox"/> No fast idle <input type="checkbox"/> Unstable <input type="checkbox"/> High idle <input type="checkbox"/> Low idle <input type="checkbox"/> Others:	
	... Drivability	<input type="checkbox"/> Stumble ... Surge ... Knock ... Lack of power <input type="checkbox"/> Intake backfire <input type="checkbox"/> Exhaust backfire <input type="checkbox"/> Others:	
	... Engine stall	<input type="checkbox"/> At the time of start <input type="checkbox"/> While idling <input type="checkbox"/> While accelerating <input type="checkbox"/> While decelerating <input type="checkbox"/> Just after stopping <input type="checkbox"/> While loading	
Incident occurrence		<input type="checkbox"/> Just after delivery <input type="checkbox"/> Recently <input type="checkbox"/> In the morning <input type="checkbox"/> At night <input type="checkbox"/> In the daytime	
Frequency		<input type="checkbox"/> All the time <input type="checkbox"/> Under certain conditions <input type="checkbox"/> Sometimes	
Weather conditions		<input type="checkbox"/> Not affected <input type="checkbox"/> Fine <input type="checkbox"/> Raining <input type="checkbox"/> Snowing <input type="checkbox"/> Others:	
Temperature		<input type="checkbox"/> Hot <input type="checkbox"/> Warm <input type="checkbox"/> Cool <input type="checkbox"/> Cold <input type="checkbox"/> Humid <input type="checkbox"/> Cold <input type="checkbox"/> During warm-up <input type="checkbox"/> After warm-up	
Engine conditions		Engine speed <div style="text-align: center;"> </div>	
Road conditions		<input type="checkbox"/> In town <input type="checkbox"/> In suburbs <input type="checkbox"/> Highway <input type="checkbox"/> Off road (up/down) <input type="checkbox"/> Not affected <input type="checkbox"/> At starting <input type="checkbox"/> While idling <input type="checkbox"/> At racing <input type="checkbox"/> While accelerating ... While cruising <input type="checkbox"/> While decelerating <input type="checkbox"/> While turning (P/R/L/R)	
Driving conditions		Vehicle speed <div style="text-align: center;"> </div>	
Malfunction indicator lamp		<input type="checkbox"/> Turned on <input type="checkbox"/> Not turned on	

MTBL0017

DTC Inspection Priority Chart

INFOID:000000001850300

If some DTCs are displayed at the same time, perform inspections one by one based on the following priority chart.

TROUBLE DIAGNOSIS

< SERVICE INFORMATION >

[QR]

Priority	Detected items (DTC)	
1	<ul style="list-style-type: none"> • U1000 U1001 CAN communication line • U1010 CAN communication • P0101 P0102 P0103 Mass air flow sensor • P0112 P0113 P0127 Intake air temperature sensor • P0117 P0118 P0125 Engine coolant temperature sensor • P0122 P0123 P0222 P0223 P1225 P1226 P2135 Throttle position sensor • P0128 Thermostat function • P0181 P0182 P0183 Fuel tank temperature sensor • P0327 P0328 Knock sensor • P0335 Crankshaft position sensor (POS) • P0340 Camshaft position sensor (PHASE) • P0460 P0461 P0462 P0463 Fuel level sensor • P0500 Vehicle speed sensor • P0605 ECM • P0643 Sensor power supply • P0705 P0850 Park/Neutral position (PNP) switch • P1610 - P1615 NATS • P2122 P2123 P2127 P2128 P2138 Accelerator pedal position sensor 	<p>A</p> <p>EC</p> <p>C</p> <p>D</p> <p>E</p> <p>F</p>
2	<ul style="list-style-type: none"> • P0031 P0032 P0051 P0052 Air fuel ratio (A/F) sensor 1 heater • P0037 P0038 P0057 P0058 Heated oxygen sensor 2 heater • P0075 Intake valve timing control solenoid valve • P0130 P0131 P0132 P0133 P0150 P0151 P0152 P0153 P2A00 P2A03 Air fuel ratio (A/F) sensor 1 • P0137 P0138 P0139 P0157 P0158 P0159 Heated oxygen sensor 2 • P0441 EVAP control system purge flow monitoring • P0443 P0444 P0445 EVAP canister purge volume control solenoid valve • P0447 P0448 EVAP canister vent control valve • P0451 P0452 P0453 EVAP control system pressure sensor • P0603 ECM power supply • P0710 P0715 P0720 P0740 P0744 P0745 P0746 P0776 P0778 P0840 P0845 P1740 CVT related sensors, solenoid valves and switches • P1217 Engine over temperature (OVERHEAT) • P1777 P1778 CVT step motor • P1805 Brake switch • P2100 P2103 Throttle control motor relay • P2101 Electric throttle control function • P2118 Throttle control motor 	<p>G</p> <p>H</p> <p>I</p> <p>J</p>
3	<ul style="list-style-type: none"> • P0011 Intake valve timing control • P0171 P0172 P0174 P0175 Fuel injection system function • P0300 - P0304 Misfire • P0420 P0430 Three way catalyst function • P0442 P0456 EVAP control system (SMALL LEAK, VERY SMALL LEAK) • P0455 EVAP control system (GROSS LEAK) • P0506 P0507 Idle speed control system • P1148 P1168 Closed loop control • P1421 Cold start control • P1564 ASCD steering switch • P1572 ASCD brake switch • P1574 ASCD vehicle speed sensor • P1715 Primary speed sensor • P2119 Electric throttle control actuator 	<p>K</p> <p>L</p> <p>M</p> <p>N</p>

Fail-Safe Chart

INFOID:000000001850301

When the DTC listed below is detected, the ECM enters fail-safe mode and the MIL lights up.

DTC No.	Detected items	Engine operating condition in fail-safe mode
P0102 P0103	Mass air flow sensor circuit	Engine speed will not rise more than 2,400 rpm due to the fuel cut.

TROUBLE DIAGNOSIS

< SERVICE INFORMATION >

[QR]

DTC No.	Detected items	Engine operating condition in fail-safe mode								
P0117 P0118	Engine coolant temperature sensor circuit	<p>Engine coolant temperature will be determined by ECM based on the following condition. CONSULT-III displays the engine coolant temperature decided by ECM.</p> <table border="1" style="width: 100%; border-collapse: collapse;"> <thead> <tr> <th style="width: 50%;">Condition</th> <th style="width: 50%;">Engine coolant temperature decided (CONSULT-III display)</th> </tr> </thead> <tbody> <tr> <td>Just as ignition switch is turned ON or START</td> <td style="text-align: center;">40°C (104°F)</td> </tr> <tr> <td>Approx. 4 minutes or more after engine starting</td> <td style="text-align: center;">80°C (176°F)</td> </tr> <tr> <td>Except as shown above</td> <td style="text-align: center;">40 - 80°C (104 - 176°F) (Depends on the time)</td> </tr> </tbody> </table> <p>When the fail-safe system for engine coolant temperature sensor is activated, the cooling fan operates while engine is running.</p>	Condition	Engine coolant temperature decided (CONSULT-III display)	Just as ignition switch is turned ON or START	40°C (104°F)	Approx. 4 minutes or more after engine starting	80°C (176°F)	Except as shown above	40 - 80°C (104 - 176°F) (Depends on the time)
Condition	Engine coolant temperature decided (CONSULT-III display)									
Just as ignition switch is turned ON or START	40°C (104°F)									
Approx. 4 minutes or more after engine starting	80°C (176°F)									
Except as shown above	40 - 80°C (104 - 176°F) (Depends on the time)									
P0122 P0123 P0222 P0223 P2135	Throttle position sensor	<p>The ECM controls the electric throttle control actuator in regulating the throttle opening in order for the idle position to be within +10 degrees. The ECM regulates the opening speed of the throttle valve to be slower than the normal condition. So, the acceleration will be poor.</p>								
P0643	Sensor power supply	ECM stops the electric throttle control actuator control, throttle valve is maintained at a fixed opening (approx. 5 degrees) by the return spring.								
P2100 P2103	Throttle control relay	ECM stops the electric throttle control actuator control, throttle valve is maintained at a fixed opening (approx. 5 degrees) by the return spring.								
P2101	Electric throttle control function	ECM stops the electric throttle control actuator control, throttle valve is maintained at a fixed opening (approx. 5 degrees) by the return spring.								
P2118	Throttle control motor	ECM stops the electric throttle control actuator control, throttle valve is maintained at a fixed opening (approx. 5 degrees) by the return spring.								
P2119	Electric throttle control actuator	<p>(When electric throttle control actuator does not function properly due to the return spring malfunction:) ECM controls the electric throttle actuator by regulating the throttle opening around the idle position. The engine speed will not rise more than 2,000 rpm.</p> <p>(When throttle valve opening angle in fail-safe mode is not in specified range:) ECM controls the electric throttle control actuator by regulating the throttle opening to 20 degrees or less.</p> <p>(When ECM detects the throttle valve is stuck open:) While the vehicle is driving, it slows down gradually by fuel cut. After the vehicle stops, the engine stalls. The engine can restart in N or P (CVT), Neutral (M/T) position, and engine speed will not exceed 1,000 rpm or more.</p>								
P2122 P2123 P2127 P2128 P2138	Accelerator pedal position sensor	<p>The ECM controls the electric throttle control actuator in regulating the throttle opening in order for the idle position to be within +10 degrees. The ECM regulates the opening speed of the throttle valve to be slower than the normal condition. So, the acceleration will be poor.</p>								

- When there is an open circuit on MIL circuit, the ECM cannot warn the driver by lighting up MIL when there is malfunction on engine control system.
Therefore, when electrical controlled throttle and part of ECM related diagnoses are continuously detected as NG for 5 trips, ECM warns the driver that engine control system malfunctions and MIL circuit is open by means of operating fail-safe function.
The fail-safe function also operates when above diagnoses except MIL circuit are detected and demands the driver to repair the malfunction.

Engine operating condition in fail-safe mode	Engine speed will not rise more than 2,500 rpm due to the fuel cut
--	--

Symptom Matrix Chart

INFOID:000000001850302

SYSTEM — BASIC ENGINE CONTROL SYSTEM

TROUBLE DIAGNOSIS

< SERVICE INFORMATION >

[QR]

		SYMPTOM												Reference page	
		HARD/NO START/RESTART (EXCP. HA)	ENGINE STALL	HESITATION/SURGING/FLAT SPOT	SPARK KNOCK/DETONATION	LACK OF POWER/POOR ACCELERATION	HIGH IDLE/LOW IDLE	ROUGH IDLE/HUNTING	IDLING VIBRATION	SLOW/NO RETURN TO IDLE	OVERHEATS/WATER TEMPERATURE HIGH	EXCESSIVE FUEL CONSUMPTION	EXCESSIVE OIL CONSUMPTION		BATTERY DEAD (UNDER CHARGE)
Warranty symptom code		AA	AB	AC	AD	AE	AF	AG	AH	AJ	AK	AL	AM	HA	
Fuel	Fuel pump circuit	1	1	2	3	2		2	2			3		2	EC-1038
	Fuel pressure regulator system	3	3	4	4	4	4	4	4	4		4			EC-592
	Fuel injector circuit	1	1	2	3	2		2	2			2			EC-1033
	Evaporative emission system	3	3	4	4	4	4	4	4	4	4	4			EC-544
Air	Positive crankcase ventilation system	3	3	4	4	4	4	4	4	4	4	4	1		EC-555
	Incorrect idle speed adjustment	3	3				1	1	1	1		1			EC-584
	Electric throttle control actuator	1	1	2	3	3	2	2	2	2		2		2	EC-970 , EC-974 , EC-980 , EC-985
Ignition	Incorrect ignition timing adjustment	3	3	1	1	1		1	1			1			EC-584
	Ignition circuit	1	1	2	2	2		2	2			2			EC-1043
Power supply and ground circuit		2	2	3	3	3		3	3		2	3			EC-644
Mass air flow sensor circuit		1	1	2	2	2		2	2			2			EC-677 , EC-684
Engine coolant temperature sensor circuit		1	1	2	2	2	3	2	2	3	1	2			EC-695 , EC-705
Throttle position sensor circuit			1	2		2	2	2	2	2		2			EC-700 , EC-801 , EC-941 , EC-943 , EC-999
Accelerator pedal position sensor circuit				3	2	1	2			2					EC-917 , EC-987 , EC-992 , EC-1004
Air fuel ratio (A/F) sensor 1 circuit			1	2	3	2		2	2			2			EC-713 , EC-721 , EC-729 , EC-737 , EC-1011
Knock sensor circuit				2	2							3			EC-816
Crankshaft position sensor (POS) circuit		2	2												EC-816
Camshaft position sensor (PHASE) circuit		2	2												EC-822
Vehicle speed signal circuit			2	3		3						3			EC-905 , EC-962

A
EC
C
D
E
F
G
H
I
J
K
L
M
N
O
P

TROUBLE DIAGNOSIS

< SERVICE INFORMATION >

[QR]

	SYMPTOM													Reference page
	HARD/NO START/RESTART (EXCP. HA)	ENGINE STALL	HESITATION/SURGING/FLAT SPOT	SPARK KNOCK/DETONATION	LACK OF POWER/POOR ACCELERATION	HIGH IDLE/LOW IDLE	ROUGH IDLE/HUNTING	IDLING VIBRATION	SLOW/NO RETURN TO IDLE	OVERHEATS/WATER TEMPERATURE HIGH	EXCESSIVE FUEL CONSUMPTION	EXCESSIVE OIL CONSUMPTION	BATTERY DEAD (UNDER CHARGE)	
Warranty symptom code	AA	AB	AC	AD	AE	AF	AG	AH	AJ	AK	AL	AM	HA	
ECM	2	2	3	3	3	3	3	3	3	3	3			EC-911 , EC-915
Intake valve timing control solenoid valve circuit	3	3	2		1	3	2	2	3		3			EC-672
Park/neutral position (PNP) switch circuit			3		3	3	3	3	3		3			EC-922
Refrigerant pressure sensor circuit		2				3	3	3	3		4			EC-1052
Electrical load signal circuit						3	3	3	3					EC-1031
Air conditioner circuit	2	2	3	3	3	3	3	3	3		3		2	MTC-27
ABS actuator and electric unit (control unit)			4											BRC-8

1 - 6: The numbers refer to the order of inspection.
(continued on next page)

SYSTEM — ENGINE MECHANICAL & OTHER

	SYMPTOM													Reference page
	HARD/NO START/RESTART (EXCP. HA)	ENGINE STALL	HESITATION/SURGING/FLAT SPOT	SPARK KNOCK/DETONATION	LACK OF POWER/POOR ACCELERATION	HIGH IDLE/LOW IDLE	ROUGH IDLE/HUNTING	IDLING VIBRATION	SLOW/NO RETURN TO IDLE	OVERHEATS/WATER TEMPERATURE HIGH	EXCESSIVE FUEL CONSUMPTION	EXCESSIVE OIL CONSUMPTION	BATTERY DEAD (UNDER CHARGE)	
Warranty symptom code	AA	AB	AC	AD	AE	AF	AG	AH	AJ	AK	AL	AM	HA	
Fuel	Fuel tank	5												FL-9
	Fuel piping		5	5	5		5	5			5			EM-140
	Vapor lock	5												—
	Valve deposit		5	5	5		5	5			5			—
	Poor fuel (Heavy weight gasoline, Low octane)		5	5	5	5		5	5			5		

TROUBLE DIAGNOSIS

< SERVICE INFORMATION >

[QR]

		SYMPTOM												Reference page	
		HARD/NO START/RESTART (EXCP. HA)	ENGINE STALL	HESITATION/SURGING/FLAT SPOT	SPARK KNOCK/DETONATION	LACK OF POWER/POOR ACCELERATION	HIGH IDLE/LOW IDLE	ROUGH IDLE/HUNTING	IDLING VIBRATION	SLOW/NO RETURN TO IDLE	OVERHEATS/WATER TEMPERATURE HIGH	EXCESSIVE FUEL CONSUMPTION	EXCESSIVE OIL CONSUMPTION		BATTERY DEAD (UNDER CHARGE)
Warranty symptom code		AA	AB	AC	AD	AE	AF	AG	AH	AJ	AK	AL	AM	HA	
Air	Air duct														EM-127
	Air cleaner														EM-127
	Air leakage from air duct (Mass air flow sensor —electric throttle control actuator)		5	5		5		5	5			5			EM-127
	Electric throttle control actuator	5			5		5			5					EM-128
	Air leakage from intake manifold/ Collector/Gasket														EM-128
Cranking	Battery	1	1	1		1			1	1				1	SC-4
	Generator circuit														SC-23
	Starter circuit	3													SC-8
	Signal plate/Flywheel/Drive plate	6													EM-177
	Park/neutral position (PNP) switch	4													MT-63 (without LSD) or MT-139 (with LSD)
Engine	Cylinder head	5	5	5	5	5			5	5		5			EM-167
	Cylinder head gasket										4		3		
	Cylinder block														
	Piston												4		
	Piston ring	6	6	6	6	6			6	6		6			EM-167
	Connecting rod														
	Bearing														
	Crankshaft														
Valve mechanism	Timing chain														EM-156
	Camshaft														EM-145
	Intake valve timing control	5	5	5	5	5			5	5		5		EM-156	
	Intake valve												3		EM-167
	Exhaust valve														
Exhaust	Exhaust manifold/Tube/Muffler/ Gasket	5	5	5	5	5			5	5		5			EM-132 , EX-6
	Three way catalyst														

A

EC

C

D

E

F

G

H

I

J

K

L

M

N

O

P

TROUBLE DIAGNOSIS

< SERVICE INFORMATION >

[QR]

		SYMPTOM												Reference page	
		HARD/NO START/RESTART (EXCP. HA)	ENGINE STALL	HESITATION/SURGING/FLAT SPOT	SPARK KNOCK/DETONATION	LACK OF POWER/POOR ACCELERATION	HIGH IDLE/LOW IDLE	ROUGH IDLE/HUNTING	IDLING VIBRATION	SLOW/NO RETURN TO IDLE	OVERHEATS/WATER TEMPERATURE HIGH	EXCESSIVE FUEL CONSUMPTION	EXCESSIVE OIL CONSUMPTION		BATTERY DEAD (UNDER CHARGE)
Warranty symptom code		AA	AB	AC	AD	AE	AF	AG	AH	AJ	AK	AL	AM	HA	
Lubrica- tion	Oil pan/Oil strainer/Oil pump/Oil filter/Oil gallery	5	5	5	5	5		5	5			5	2		EM-134 , LU-17 , LU-18 , LU-13
	Oil level (Low)/Filthy oil														LU-15
Cooling	Radiator/Hose/Radiator filler cap														CO-39
	Thermostat									5					CO-44
	Water pump														CO-42
	Water gallery	5	5	5	5	5		5	5		2	5			CO-44
	Cooling fan									5					CO-41
	Coolant level (low)/Contaminated coolant														
NVIS (NISSAN Vehicle Immobilizer System — NATS)		1	1												BL-170

1 - 6: The numbers refer to the order of inspection.

TROUBLE DIAGNOSIS

< SERVICE INFORMATION >

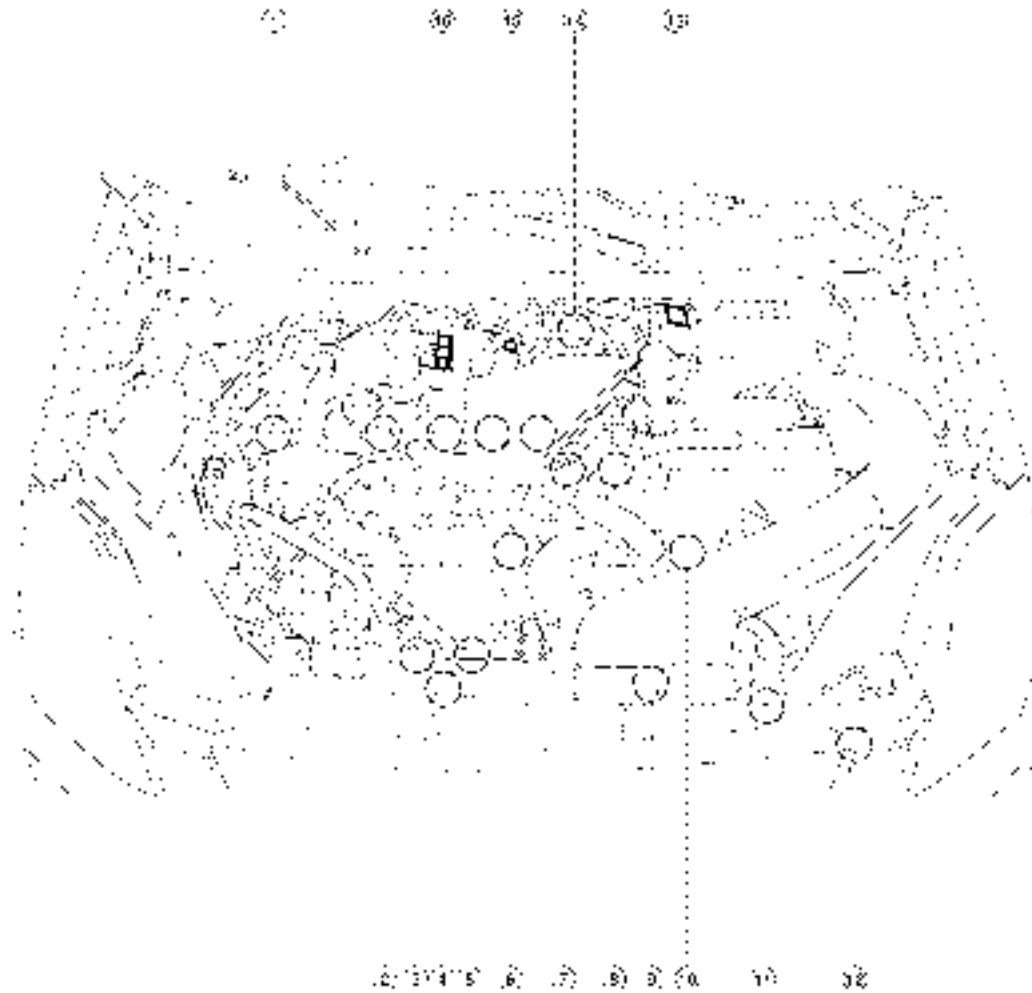
[QR]

Engine Control Component Parts Location

INFOID:000000001850303

A

EC



C

D

E

F

G

H

I

J

K

L

BBIA0896E

M

- | | | |
|---|---|--|
| 1. Intake valve timing control solenoid valve | 2. Ignition coil (with power transistor) and spark plug, | 3. A/F sensor 1 (Bank 1) |
| 4. Cooling fan motor-1 | 5. A/F sensor 1 (Bank 2) | 6. Knock sensor and crankshaft position sensor (POS) |
| 7. Camshaft position sensor (PHASE) | 8. Engine coolant temperature sensor | 9. Cooling fan motor-2 |
| 10. ECM | 11. Park/neutral position (PNP) switch | 12. Refrigerant pressure sensor |
| 13. Mass air flow sensor (with intake air temperature sensor) | 14. Electric throttle control actuator (with built in throttle position sensor, throttle control motor) | 15. EVAP service port |
| 16. EVAP canister purge volume control solenoid valve | | |

N

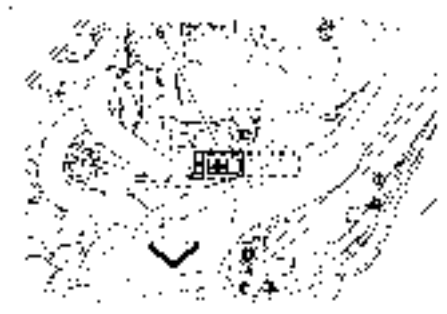
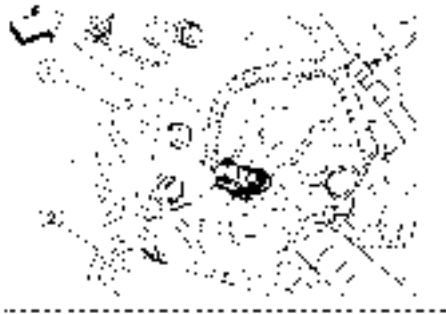
O

P

TROUBLE DIAGNOSIS

< SERVICE INFORMATION >

[QR]



BBIA0928E

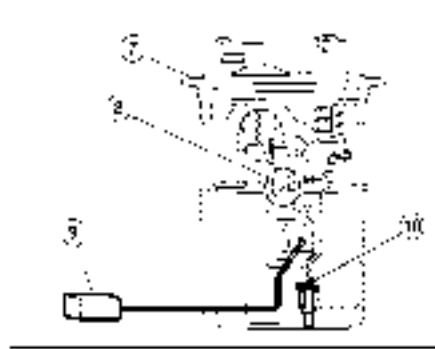
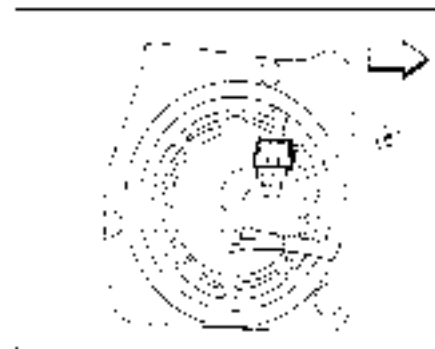
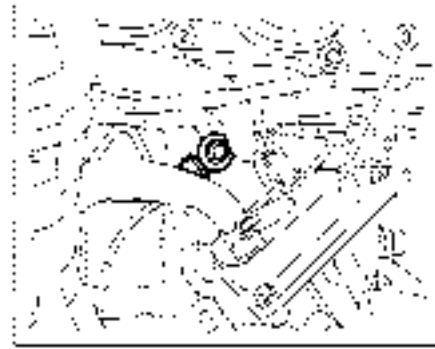
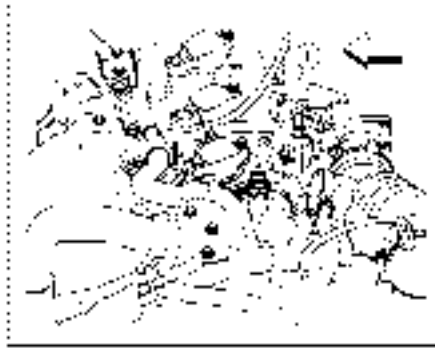
↖ : Vehicle front

- | | | |
|-------------------------------------|---|--|
| 1. Crankshaft position sensor (POS) | 2. Drive shaft (RH) | 3. EVAP canister purge volume control solenoid valve |
| 4. EVAP service port | 5. Electric throttle control actuator | 6. ECM |
| 7. Battery | 8. Intake valve timing control solenoid valve | 9. Accelerator pedal position sensor |

TROUBLE DIAGNOSIS

< SERVICE INFORMATION >

[QR]



A

EC

C

D

E

F

G

H

I

J

K

L

BBIA0929E

↖ : Vehicle front

- | | | |
|--|----------------------------|--|
| 1. Camshaft position sensor (PHASE) | 2. Knock sensor | 3. Engine oil cooler |
| 4. IPDM E/R | 5. Fuel pump fuse | 6. Fuel level sensor unit and fuel pump harness connector (view with inspection hole cover removed.) |
| 7. Fuel level sensor unit and fuel pump assembly | 8. Fuel pressure regulator | 9. Fuel level sensor |
| 10. Fuel tank temperature sensor | 11. Fuel injector | 12. Ignition coil (with power transistor) and spark plug |

M

N

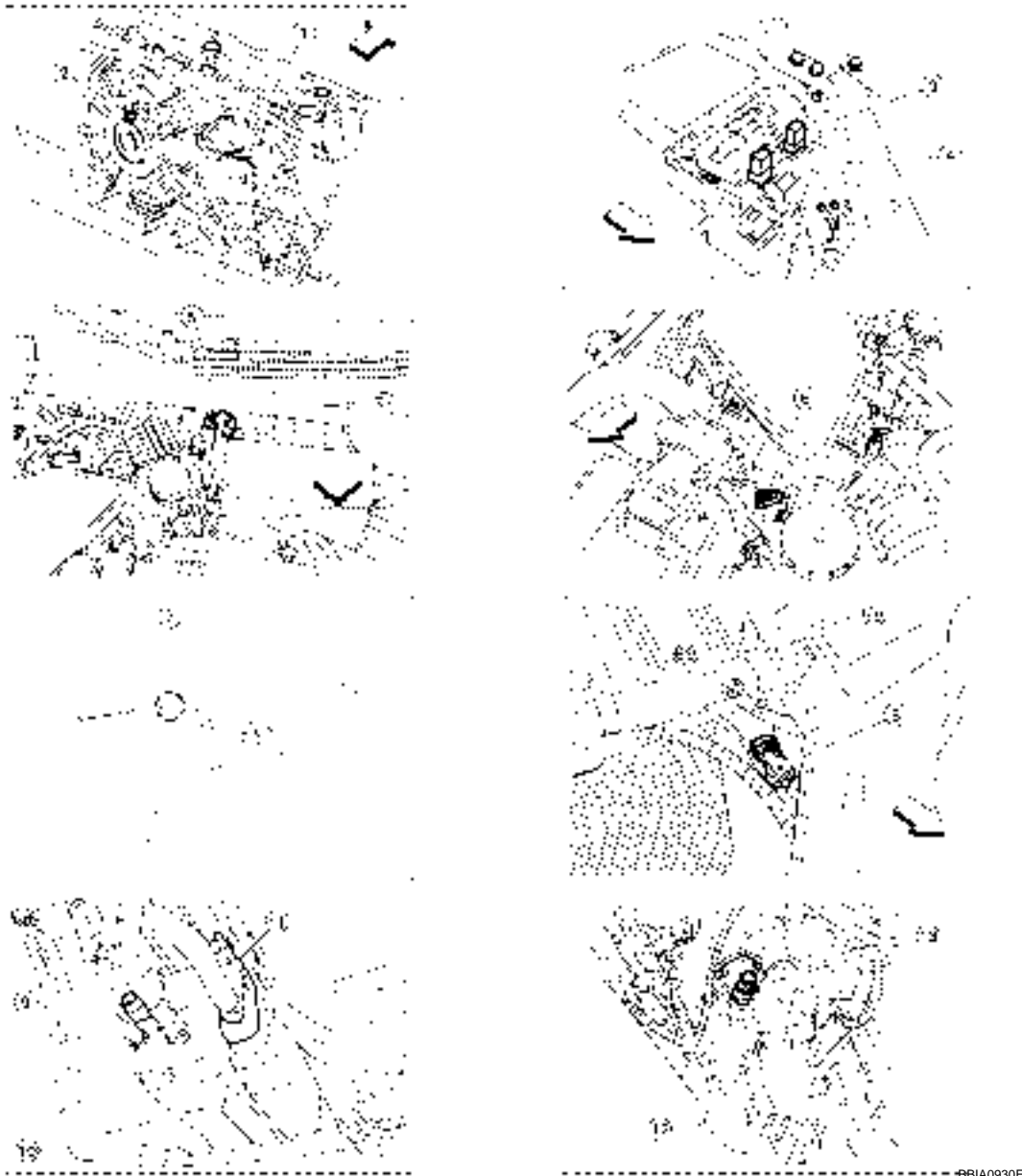
O

P

TROUBLE DIAGNOSIS

< SERVICE INFORMATION >

[QR]



 Vehicle front

- | | | |
|------------------------|--|--|
| 1. Cooling fan motor-1 | 2. Cooling fan motor-2 | 3. Cooling fan relay-5 |
| 4. Cooling fan relay-4 | 5. Mass air flow sensor (with intake air temperature sensor) | 6. Engine coolant temperature sensor |
| 7. Data link connector | 8. Refrigerant pressure sensor | 9. EVAP control system pressure sensor |
| 10. EVAP canister | 11. EVAP canister vent control valve | 12. Clutch pedal |
| 13. ASCD clutch switch | | |

A

EC

C

D

E

F

G

H

I

J

K

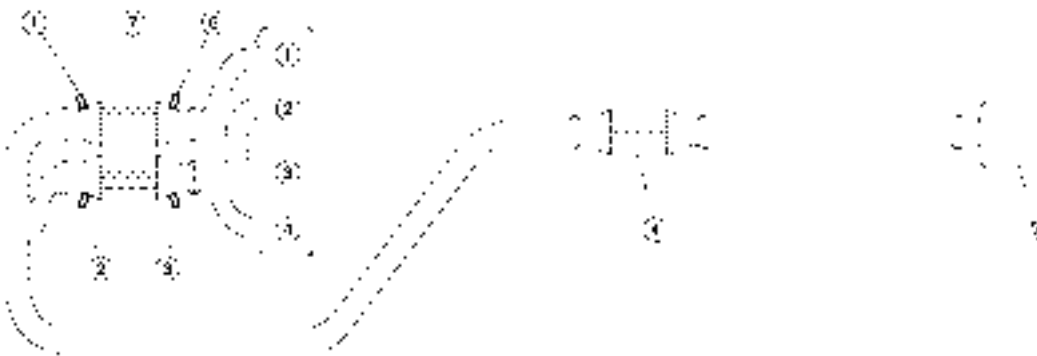
L

M

N

O

P



BBIA0918E *

: Vehicle front

- | | | |
|---|--|--|
| 1. Heated oxygen sensor 2 (Bank 1) | 2. Heated oxygen sensor 2 (Bank 2) | 3. Air fuel ratio (A/F) sensor 1 (Bank 2) |
| 4. Three-way catalyst (under floor) | 5. Muffler | 6. Air fuel ratio (A/F) sensor 1 (Bank 1) |
| 7. Three-way catalyst (manifold) | 8. Air fuel ratio (A/F) sensor 1 (Bank 1) harness connector | 9. Heated oxygen sensor 2 (Bank 1) harness connector |
| 10. Heated oxygen sensor (Bank 2) harness connector | 11. Air fuel ratio (A/F) sensor 1 (Bank 2) harness connector | |

TROUBLE DIAGNOSIS

< SERVICE INFORMATION >

[QR]



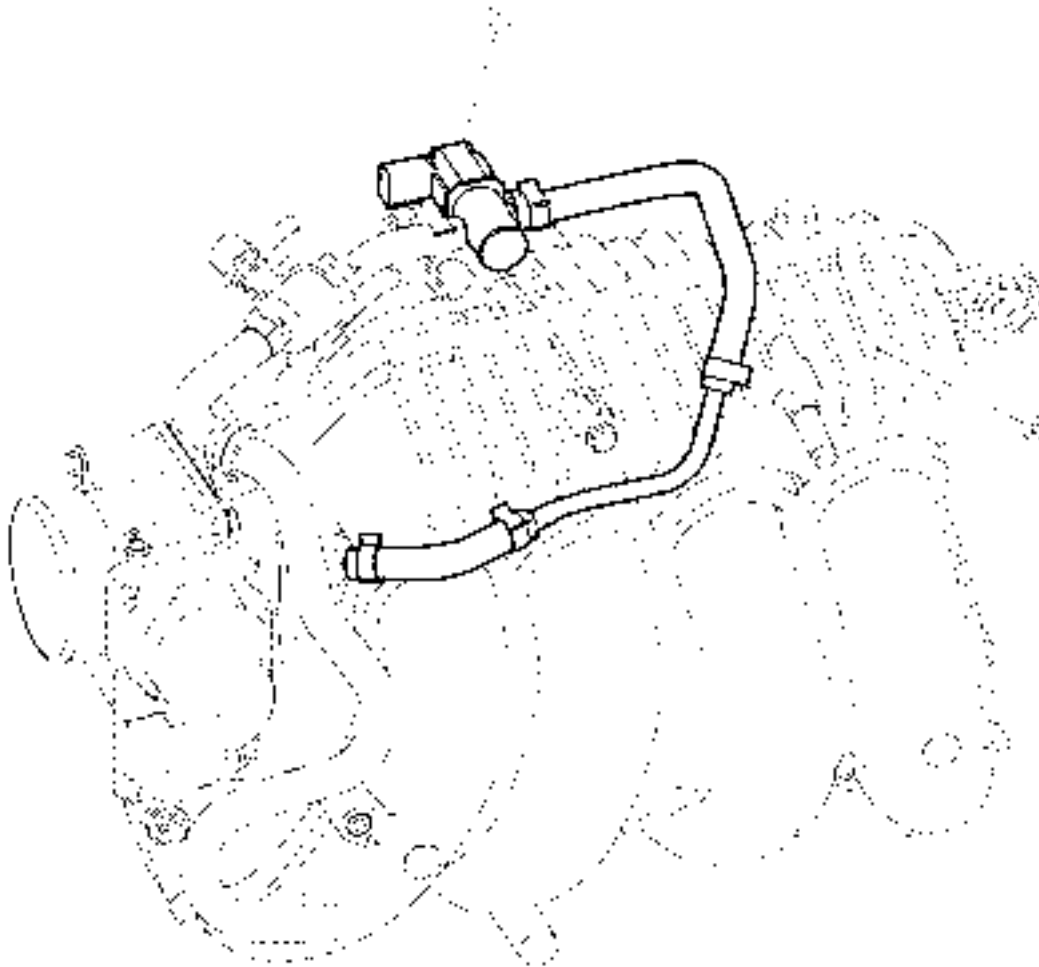
B8IA0931E

↖ : Vehicle front

- | | | |
|---|--|------------------------------|
| 1. Body ground E9 (view with front RH and fender protect PH removed.) | 2. Washer tank | 3. Fuse and fusible link box |
| 4. Body ground E15 | 5. ASCD steering switch | 6. MAIN switch |
| 7. CANCEL switch | 8. SET/COAST switch | 9. RESUME/ACCELERATOR switch |
| 10. PNP switch (CVT models) | 11. PNP switch (M/T models) (view with air cleaner assembly removed) | 12. ASCD brake switch |
| 13. Stop lamp switch | 14. Brake pedal | |

Vacuum Hose Drawing

INFOID:000000001850304



BBIA0897E

1. EVAP canister purge volume control
2. Intake manifold collector solenoid valve

NOTE:

Do not use soapy water or any type of solvent while installing vacuum hoses or purge hoses. Refer to [EC-535, "Schematic"](#) for Vacuum Control System.

A

EC

C

D

E

F

G

H

I

J

K

L

M

N

O

P

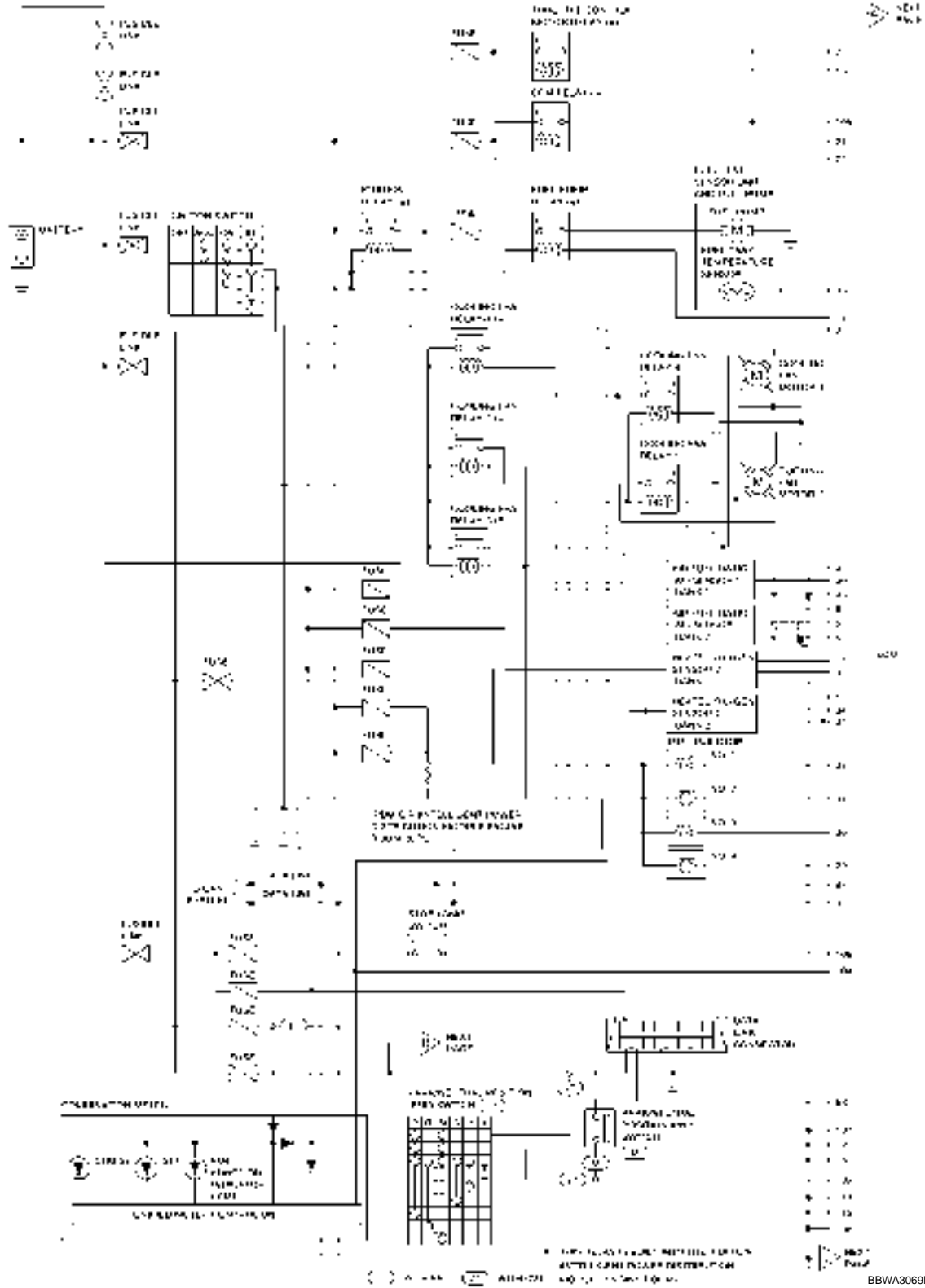
TROUBLE DIAGNOSIS

< SERVICE INFORMATION >

[QR]

Circuit Diagram

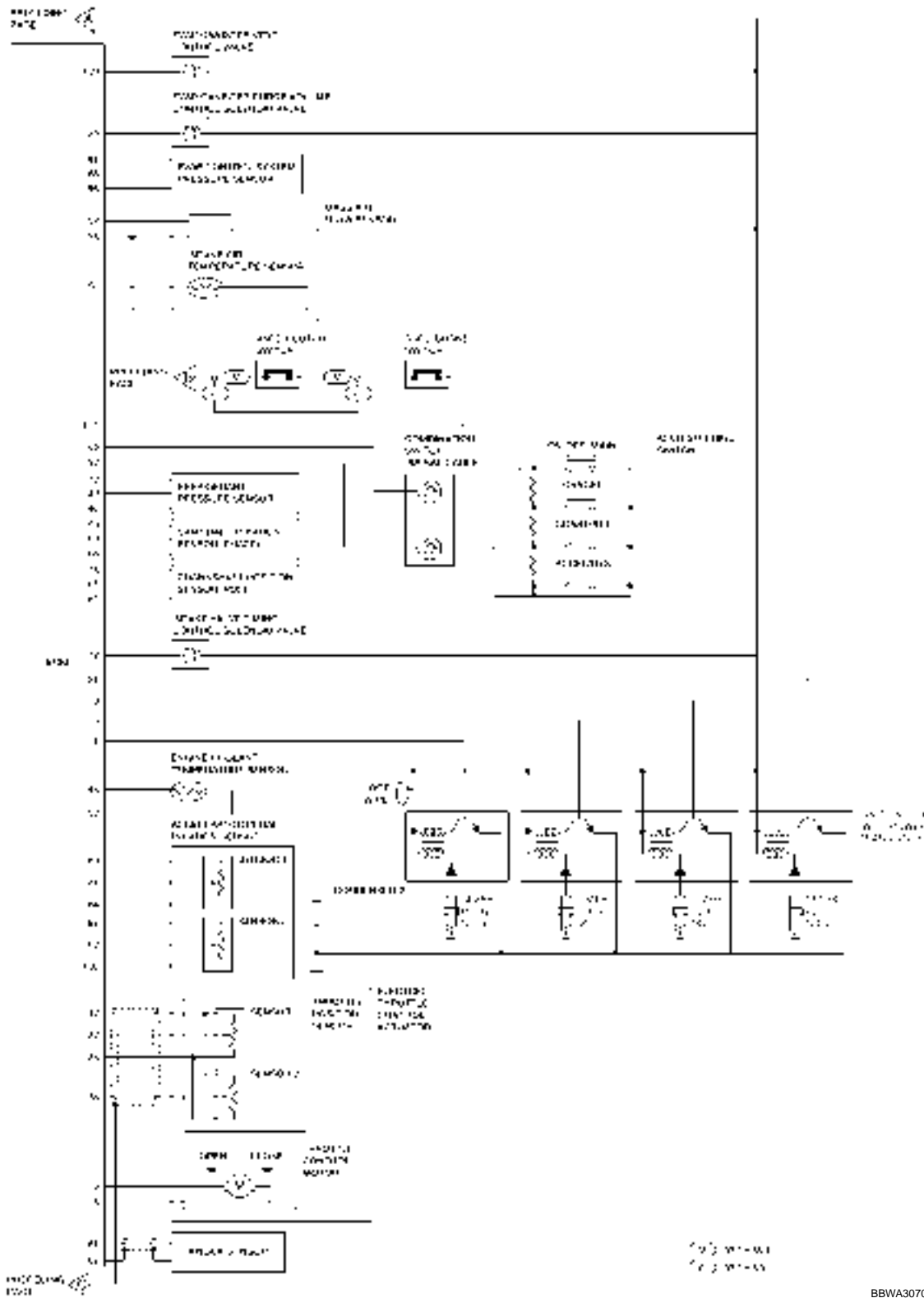
INFOID:00000001850305



TROUBLE DIAGNOSIS

< SERVICE INFORMATION >

[QR]



A
EC
 C
 D
 E
 F
 G
 H
 I
 J
 K
 L
 M
 N
 O
 P

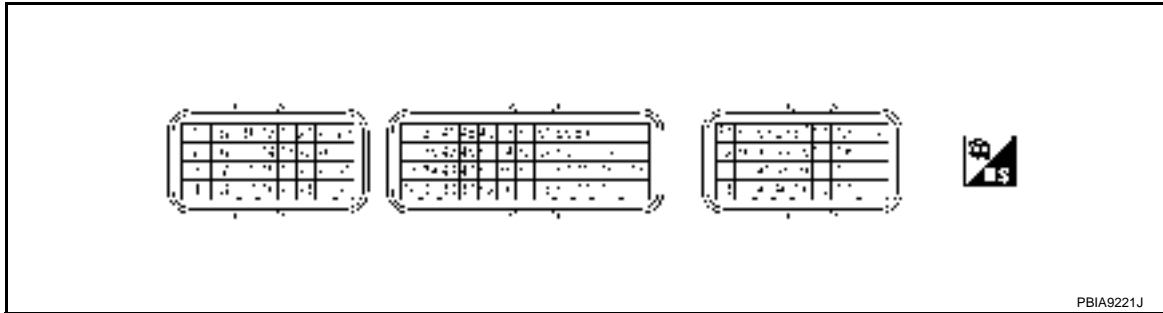
TROUBLE DIAGNOSIS

< SERVICE INFORMATION >

[QR]

ECM Harness Connector Terminal Layout

INFOID:000000001850306



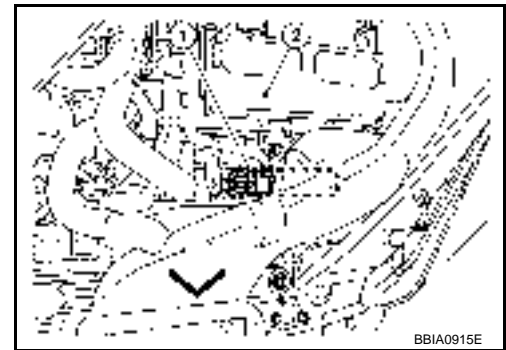
ECM Terminal and Reference Value

INFOID:000000002994037

PREPARATION

ECM (1) is located in the engine room left side near battery.

- ◀: Vehicle front
- Battery (2)





ECM INSPECTION TABLE

Specification data are reference values and are measured between each terminal and ground. Pulse signal is measured by CONSULT-III.

CAUTION:



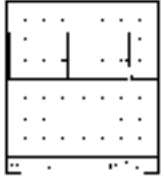
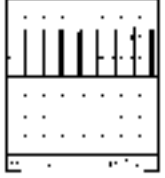

Do not use ECM ground terminals when measuring input/output voltage. Doing so may result in damage to the ECMs transistor. Use a ground other than ECM terminals, such as the ground.

TERMI- NAL NO.	WIRE COLOR	ITEM	CONDITION	DATA (DC Voltage)
2	Y/B	Throttle control motor power supply	[Ignition switch: ON]	BATTERY VOLTAGE (11 - 14V)
4	BR/W	A/F sensor 1 heater (Bank 1)	[Engine is running] • Warm-up condition • Idle speed (More than 140 seconds after starting engine)	Approximately 2.9 - 8.8V★  P8IA8148J
5	W	Throttle control motor (Open)	[Ignition switch: ON] • Engine stopped • Shift lever: D (CVT), 1st (M/T) • Accelerator pedal: Fully depressed	0 - 14V★  P8IA8150J

TROUBLE DIAGNOSIS

< SERVICE INFORMATION >


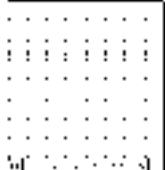

[QR]

TERMI- NAL NO.	WIRE COLOR	ITEM	CONDITION	DATA (DC Voltage)	A
6	L/R	Throttle control motor (Close)	[Ignition switch: ON] <ul style="list-style-type: none"> • Engine stopped • Shift lever: D (CVT), 1st (M/T) • Accelerator pedal: Fully released 	0 - 14V★  <small>PBIA8149J</small>	EC
8	BR/Y	A/F sensor 1 heater (Bank 2)	[Engine is running] <ul style="list-style-type: none"> • Warm-up condition • Idle speed (More than 140 seconds after starting engine) 	Approximately 2.9 - 8.8V★  <small>PBIA8148J</small>	C
9 10 11 21	Y BR/Y V G	Ignition signal No. 3 Ignition signal No. 2 Ignition signal No. 1 Ignition signal No. 4	[Engine is running] <ul style="list-style-type: none"> • Warm-up condition • Idle speed NOTE: The pulse cycle changes depending on rpm at idle.	0 - 0.1V★  <small>PBIA9265J</small>	D
			[Engine is running] <ul style="list-style-type: none"> • Warm-up condition • Engine speed: 2,500 rpm. 	0 - 0.2V★  <small>PBIA9266J</small>	E
12 16	B B	ECM ground	[Engine is running] <ul style="list-style-type: none"> • Idle speed 	Body ground	F
13	B	Heated oxygen sensor 2 heater (Bank 1)	[Engine is running] <ul style="list-style-type: none"> • Engine speed: Below 3,600 rpm after the following conditions are met. <ul style="list-style-type: none"> - Engine: After warming up - Keeping the engine speed between 3,500 and 4,000 rpm for 1 minute and at idle for 1 minute under no load. 	Approximately 10V★  <small>PBIA8148J</small>	G
			[Ignition switch: ON] <ul style="list-style-type: none"> • Engine stopped [Engine is running] <ul style="list-style-type: none"> • Engine speed: Above 3,600 rpm. 	BATTERY VOLTAGE (11 - 14V)	H
14	B/O	Fuel pump relay	[Ignition switch: ON] <ul style="list-style-type: none"> • For 1 second after turning ignition switch ON 	0 - 1.0V	I
			[Ignition switch: ON] <ul style="list-style-type: none"> • More than 1 second after turning ignition switch ON 	BATTERY VOLTAGE (11 - 14V)	J

TROUBLE DIAGNOSIS

< SERVICE INFORMATION >

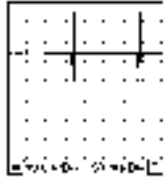
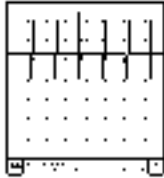
[QR]

TERMI- NAL NO.	WIRE COLOR	ITEM	CONDITION	DATA (DC Voltage)
15	G/Y	Throttle control motor relay	[Ignition switch: OFF]	BATTERY VOLTAGE (11 - 14V)
			[Ignition switch: ON]	0 - 1.0V
17	R/L	Heated oxygen sensor 2 heater (Bank 2)	[Engine is running] <ul style="list-style-type: none"> Engine speed: Below 3,600 rpm after the following conditions are met. <ul style="list-style-type: none"> - Engine: After warming up - Keeping the engine speed between 3,500 and 4,000 rpm for 1 minute and at idle for 1 minute under no load. 	Approximately 10V★  <small>PBIA8148J</small>
			[Ignition switch: ON] <ul style="list-style-type: none"> Engine stopped [Engine is running] <ul style="list-style-type: none"> Engine speed: Above 3,600 rpm. 	BATTERY VOLTAGE (11 - 14V)
24	R/B	ECM relay (Self shut-off)	[Engine is running] [Ignition switch: OFF] <ul style="list-style-type: none"> For a few seconds after turning ignition switch OFF 	0 - 1.0V
			[Ignition switch: OFF] <ul style="list-style-type: none"> More than a few seconds after turning ignition switch OFF 	BATTERY VOLTAGE (11 - 14V)
25	W/B	EVAP canister purge volume control solenoid valve	[Engine is running] <ul style="list-style-type: none"> Idle speed Accelerator pedal: Not depressed even slightly, after engine starting. 	BATTERY VOLTAGE (11 - 14V)★  <small>PBIB0050E</small>
			[Engine is running] <ul style="list-style-type: none"> Engine speed: About 2,000 rpm (More than 100 seconds after starting engine) 	BATTERY VOLTAGE (11 - 14V)★  <small>PBIB0520E</small>

TROUBLE DIAGNOSIS

< SERVICE INFORMATION >

[QR]

TERMI- NAL NO.	WIRE COLOR	ITEM	CONDITION	DATA (DC Voltage)	A
29 30 31 32	R O GR L	Fuel injector No. 4 Fuel injector No. 3 Fuel injector No. 2 Fuel injector No. 1	<p>[Engine is running]</p> <ul style="list-style-type: none"> • Warm-up condition • Idle speed <p>NOTE: The pulse cycle changes depending on rpm at idle.</p>	<p>BATTERY VOLTAGE (11 - 14V)★</p>  <p style="text-align: right; font-size: small;">PBIB0529E</p>	EC
			<p>[Engine is running]</p> <ul style="list-style-type: none"> • Warm-up condition • Engine speed: 2,000 rpm 	<p>BATTERY VOLTAGE (11 - 14V)★</p>  <p style="text-align: right; font-size: small;">PBIA4943J</p>	C D E F
33	G	Heated oxygen sensor 2 (Bank 1)	<p>[Engine is running]</p> <ul style="list-style-type: none"> • Revving engine from idle to 3,000 rpm quickly after the following conditions are met. - Engine: After warming up - Keeping the engine speed between 3,500 and 4,000 rpm for 1 minute and at idle for 1 minute under no load. 	0 - Approximately 1.0V	G H I
34	W	Heated oxygen sensor 2 (Bank 2)	<p>[Engine is running]</p> <ul style="list-style-type: none"> • Revving engine from idle to 3,000 rpm quickly after the following conditions are met. - Engine: After warming up - Keeping the engine speed between 3,500 and 4,000 rpm for 1 minute and at idle for 1 minute under no load. 	0 - Approximately 1.0V	J K
35	B	Sensor ground (Heated oxygen sensor 2)	<p>[Engine is running]</p> <ul style="list-style-type: none"> • Warm-up condition • Idle speed 	Approximately 0V	L
36	G	Sensor ground (Throttle position sensor)	<p>[Engine is running]</p> <ul style="list-style-type: none"> • Warm-up condition • Idle speed 	Approximately 0V	M
37	R	Throttle position sensor 1	<p>[Ignition switch: ON]</p> <ul style="list-style-type: none"> • Engine stopped • Shift lever: D (CVT), 1st (M/T) • Accelerator pedal: Fully released 	More than 0.36V	N
			<p>[Ignition switch: ON]</p> <ul style="list-style-type: none"> • Engine stopped • Shift lever: D (CVT), 1st (M/T) • Accelerator pedal: Fully depressed 	Less than 4.75V	O
38	W	Throttle position sensor 2	<p>[Ignition switch: ON]</p> <ul style="list-style-type: none"> • Engine stopped • Shift lever: D (CVT), 1st (M/T) • Accelerator pedal: Fully released 	Less than 4.75V	P
			<p>[Ignition switch: ON]</p> <ul style="list-style-type: none"> • Engine stopped • Shift lever: D (CVT), 1st (M/T) • Accelerator pedal: Fully depressed 	More than 0.36V	

TROUBLE DIAGNOSIS

< SERVICE INFORMATION >


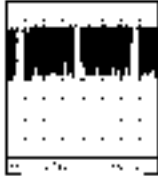

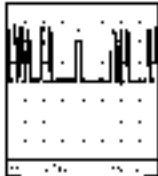

[QR]

TERMI- NAL NO.	WIRE COLOR	ITEM	CONDITION	DATA (DC Voltage)
39	L	Refrigerant pressure sensor	[Engine is running] • Warm-up condition • Both A/C switch and blower fan switch: ON (Compressor operates)	1.0 - 4.0V
40	R/G	Sensor ground (Refrigerant pressure sensor)	[Engine is running] • Warm-up condition • Idle speed	Approximately 0V
45	W	A/F sensor 1 (Bank 1)	[Engine is running] • Warm-up condition • Engine speed: 2,000 rpm	Approximately 1.8V Output voltage varies with air fuel ratio.
46	P	Engine coolant temperature sensor	[Engine is running]	Approximately 0 - 4.8V Output voltage varies with engine coolant temperature.
47	B	Sensor power supply (Throttle position sensor)	[Ignition switch: ON]	Approximately 5V
49	B	A/F sensor 1 (Bank 1)	[Ignition switch: ON]	Approximately 2.2V
50	BR/Y	Intake air temperature sensor	[Engine is running]	Approximately 0 - 4.8V Output voltage varies with intake air temperature.
52	GR	Sensor ground (Engine coolant temperature sensor)	[Engine is running] • Warm-up condition • Idle speed	Approximately 0V
53	W	A/F sensor 1 (Bank 2)	[Engine is running] • Warm-up condition • Engine speed: 2,000 rpm	Approximately 1.8V Output voltage varies with air fuel ratio.
56	B	Sensor ground	[Engine is running] • Warm-up condition • Idle speed	Approximately 0V
57	R	A/F sensor 1 (Bank 2)	[Ignition switch: ON]	Approximately 2.2V
58	V	Mass air flow sensor	[Engine is running] • Warm-up condition • Idle speed	0.9 - 1.1V
			[Engine is running] • Warm-up condition • Engine speed: 2,500 rpm	1.4 - 1.7V
59	G/Y	Sensor power supply [Camshaft position sensor (PHASE)]	[Ignition switch: ON]	Approximately 5V
60	B	Sensor ground [Crankshaft position sensor (POS)]	[Engine is running] • Warm-up condition • Idle speed	Approximately 0V
61	W	Knock sensor	[Engine is running] • Idle speed	Approximately 2.5V
64	B	Sensor ground [Camshaft position sensor (PHASE)]	[Engine is running] • Warm-up condition • Idle speed	Approximately 0V

TROUBLE DIAGNOSIS

< SERVICE INFORMATION >

[QR]

TERMI- NAL NO.	WIRE COLOR	ITEM	CONDITION	DATA (DC Voltage)	
65	Y	Crankshaft position sensor (POS)	[Engine is running] <ul style="list-style-type: none"> • Warm-up condition • Idle speed NOTE: The pulse cycle changes depending on rpm at idle.	Approximately 4.0V★  <small>PBIB2998E</small>	A
			[Engine is running] <ul style="list-style-type: none"> • Engine speed: 2,000 rpm 	Approximately 4.0V★  <small>PBIB2999E</small>	C
67	—	Sensor ground (Knock sensor)	[Engine is running] <ul style="list-style-type: none"> • Warm-up condition • Idle speed 	Approximately 0V	D
69	R	Camshaft position sensor (PHASE)	[Engine is running] <ul style="list-style-type: none"> • Warm-up condition • Idle speed NOTE: The pulse cycle changes depending on rpm at idle.	1.0 - 2.0V★  <small>PBIB2986E</small>	E
			[Engine is running] <ul style="list-style-type: none"> • Engine speed: 2,000 rpm. 	1.0 - 2.0V★  <small>PBIB2987E</small>	F
72	G/W	Sensor power supply (Refrigerant pressure sensor)	[Ignition switch: ON]	Approximately 5V	G
76	G/R	Sensor power supply [Crankshaft position sensor (POS)]	[Ignition switch: ON]	Approximately 5V	H
77	Y/R	Power supply for ECM (Back-up)	[Ignition switch: OFF]	BATTERY VOLTAGE (11 - 14V)	I
78	Y/R	Intake valve timing control solenoid valve	[Engine is running] <ul style="list-style-type: none"> • Warm-up condition • Idle speed 	BATTERY VOLTAGE (11 - 14V)	J
			[Engine is running] <ul style="list-style-type: none"> • Warm-up condition • When revving engine up to 2,000 rpm quickly 	7 - 10V★  <small>PBIA4937J</small>	K

TROUBLE DIAGNOSIS

< SERVICE INFORMATION >

[QR]

TERMI- NAL NO.	WIRE COLOR	ITEM	CONDITION	DATA (DC Voltage)
81	W	Accelerator pedal position sensor 1	[Ignition switch: ON] • Engine stopped • Accelerator pedal: Fully released	0.6 - 0.9V
			[Ignition switch: ON] • Engine stopped • Accelerator pedal: Fully depressed	3.9 - 4.7V
82	Y/G	Accelerator pedal position sensor 2	[Ignition switch: ON] • Engine stopped • Accelerator pedal: Fully released	0.3 - 0.6V
			[Ignition switch: ON] • Engine stopped • Accelerator pedal: Fully depressed	1.95 - 2.4V
83	O	Sensor power supply (Accelerator pedal position sensor 1)	[Ignition switch: ON]	Approximately 5V
84	B/W	Sensor ground (Accelerator pedal position sensor 1)	[Engine is running] • Warm-up condition • Idle speed	Approximately 0V
85	L/Y	ASCDC steering switch	[Ignition switch: ON] • ASCDC steering switch: OFF	Approximately 4V
			[Ignition switch: ON] • MAIN switch: Pressed	Approximately 0V
			[Ignition switch: ON] • CANCEL switch: Pressed	Approximately 1V
			[Ignition switch: ON] • RESUME/ACCELERATE switch: Pressed	Approximately 3V
			[Ignition switch: ON] • SET/COAST switch: Pressed	Approximately 2V
86	R/B	EVAP control system pressure sensor	[Ignition switch: ON]	Approximately 1.8 - 4.8V
87	BR/Y	Sensor power supply (Accelerator pedal position sensor 2)	[Ignition switch: ON]	Approximately 5V
88	P/L	DATA link connector	[Ignition switch: ON] • CONSULT-III or GST: Disconnected.	Approximately 10.5V
91	V/W	Sensor power supply (EVAP control system pressure sensor)	[Ignition switch: ON]	Approximately 5V
92	B/Y	Sensor ground (ASCDC steering switch)	[Engine is running] • Warm-up condition • Idle speed	Approximately 0V
93	B/R	Ignition switch	[Ignition switch: OFF]	0V
			[Ignition switch: ON]	BATTERY VOLTAGE (11 - 14V)
95	G/O	Fuel tank temperature sensor	[Engine is running]	Approximately 0 - 4.8V Output voltage varies with fuel tank temperature
96	V/R	Sensor ground (EVAP control system pressure sensor)	[Engine is running] • Warm-up condition • Idle speed	Approximately 0V
97	P	CAN communication line	—	—
98	L	CAN communication line	—	—

TROUBLE DIAGNOSIS

< SERVICE INFORMATION >

[QR]

TERMI- NAL NO.	WIRE COLOR	ITEM	CONDITION	DATA (DC Voltage)
100	B	Sensor ground (Accelerator pedal position sensor 2)	[Engine is running] • Warm-up condition • Idle speed	Approximately 0V
102	BR/R	Park/neutral position (PNP) switch	[Ignition switch: ON] • Shift lever: P or N (CVT), Neutral (M/T)	BATTERY VOLTAGE (11 - 14V)
			[Ignition switch: ON] • Except above	Approximately 0V
104	B/P	Sensor ground (Fuel tank temperature sen- sor)	[Engine is running] • Warm-up condition • Idle speed	Approximately 0V
105	G	Power supply for ECM	[Ignition switch: ON]	BATTERY VOLTAGE (11 - 14V)
106	R/G	Stop lamp switch	[Ignition switch: OFF] • Brake pedal: Fully released	Approximately 0V
			[Ignition switch: OFF] • Brake pedal: Slightly depressed	BATTERY VOLTAGE (11 - 14V)
107 108	B B	ECM ground	[Engine is running] • Idle speed	Body ground
109	L/Y	EVAP canister vent control valve	[Ignition switch: ON]	BATTERY VOLTAGE (11 - 14V)
110	G/B	ASCD brake switch	[Ignition switch: ON] • Brake pedal: Slightly depressed (CVT) • Brake pedal and/or clutch pedal: Slightly de- pressed (M/T)	Approximately 0V
			[Ignition switch: ON] • Brake pedal: Fully released (CVT) • Brake pedal and clutch pedal: Fully re- leased (M/T)	BATTERY VOLTAGE (11 - 14V)
111 112	B B	ECM ground	[Engine is running] • Idle speed	Body ground

★: Average voltage for pulse signal (Actual pulse signal can be confirmed by oscilloscope.)

CONSULT-III Function (ENGINE)

INFOID:000000001850308

FUNCTION

Diagnostic test mode	Function
Work support	This mode enables a technician to adjust some devices faster and more accurately by following the indications on the CONSULT-III unit.
Self-diagnostic results	Self-diagnostic results such as 1st trip DTC, DTCs and 1st trip freeze frame data or freeze frame data can be read and erased quickly.*
Data monitor	Input/Output data in the ECM can be read.
Active test	Diagnostic Test Mode in which CONSULT-III drives some actuators apart from the ECMs and also shifts some parameters in a specified range.
DTC WORK SUPPORT	The status of system monitoring tests and the self-diagnosis status/result can be confirmed.
ECU Identification	ECM part number can be read.

*: The following emission-related diagnostic information is cleared when the ECM memory is erased.

- Diagnostic trouble codes
- 1st trip diagnostic trouble codes
- Freeze frame data
- 1st trip freeze frame data
- System readiness test (SRT) codes

TROUBLE DIAGNOSIS

< SERVICE INFORMATION >

[QR]

- Test values

ENGINE CONTROL COMPONENT PARTS/CONTROL SYSTEMS APPLICATION

Item		DIAGNOSTIC TEST MODE						
		WORK SUPPORT	SELF-DIAGNOSTIC RESULTS		DATA MONITOR	ACTIVE TEST	DTC & SRT CONFIRMATION	
			DTC*1	FREEZE FRAME DATA*2			SRT STATUS	DTC WORK SUPPORT
ENGINE CONTROL COMPONENT PARTS INPUT	Crankshaft position sensor (POS)		×	×	×			
	Camshaft position sensor (PHASE)		×	×	×			
	Mass air flow sensor		×		×			
	Engine coolant temperature sensor		×	×	×	×		
	Air fuel ratio (A/F) sensor 1		×		×		×	×
	Heated oxygen sensor 2		×		×		×	×
	Wheel sensor		×	×	×			
	Accelerator pedal position sensor		×		×			
	Throttle position sensor		×	×	×			
	Fuel tank temperature sensor		×		×	×		
	EVAP control system pressure sensor		×		×			
	Intake air temperature sensor		×	×	×			
	Knock sensor		×					
	Refrigerant pressure sensor				×			
	Closed throttle position switch (Accelerator pedal position sensor signal)				×			
	Air conditioner switch				×			
	Park/neutral position (PNP) switch		×		×			
	Stop lamp switch		×		×			
	Battery voltage				×			
	Load signal				×			
	Fuel level sensor		×		×			
	ASCD steering switch		×		×			
	ASCD brake switch		×		×			
ASCD clutch switch		×		×				
EPS control unit				×				

TROUBLE DIAGNOSIS

< SERVICE INFORMATION >

[QR]

Item		DIAGNOSTIC TEST MODE						
		WORK SUPPORT	SELF-DIAGNOSTIC RESULTS		DATA MONITOR	ACTIVE TEST	DTC & SRT CONFIRMATION	
			DTC*1	FREEZE FRAME DATA*2			SRT STATUS	DTC WORK SUPPORT
ENGINE CONTROL COMPONENT PARTS OUTPUT	Fuel injector				×	×		
	Power transistor (Ignition timing)				×	×		
	Throttle control motor relay		×		×			
	Throttle control motor		×					
	EVAP canister purge volume control solenoid valve		×		×	×		×
	Air conditioner relay				×			
	Fuel pump relay	×			×	×		
	Cooling fan relay		×		×	×		
	Air fuel ratio (A/F) sensor 1 heater		×		×		×*3	
	Heated oxygen sensor 2 heater		×		×		×*3	
	EVAP canister vent control valve	×	×		×	×		
	Intake valve timing control solenoid valve		×		×	×		
Calculated load value			×	×				

X: Applicable

*1: This item includes 1st trip DTCs.

*2: This mode includes 1st trip freeze frame data or freeze frame data. The items appear on CONSULT-III screen in freeze frame data mode only if a 1st trip DTC or DTC is detected. For details, refer to [EC-559, "Emission-related Diagnostic Information"](#).

*3: Always "COMPLT" is displayed.

WORK SUPPORT MODE

Work Item

WORK ITEM	CONDITION	USAGE
FUEL PRESSURE RELEASE	<ul style="list-style-type: none"> FUEL PUMP WILL STOP BY TOUCHING "START" DURING IDLING. CRANK A FEW TIMES AFTER ENGINE STALLS. 	When releasing fuel pressure from fuel line
IDLE AIR VOL LEARN	<ul style="list-style-type: none"> THE IDLE AIR VOLUME THAT KEEPS THE ENGINE WITHIN THE SPECIFIED RANGE IS MEMORIZED IN ECM. 	When learning the idle air volume
SELF-LEARNING CONT	<ul style="list-style-type: none"> THE COEFFICIENT OF SELF-LEARNING CONTROL MIXTURE RATIO RETURNS TO THE ORIGINAL COEFFICIENT. 	When clearing the coefficient of self-learning control value

TROUBLE DIAGNOSIS

< SERVICE INFORMATION >

[QR]

WORK ITEM	CONDITION	USAGE
EVAP SYSTEM CLOSE	<p>CLOSE THE EVAP CANISTER VENT CONTROL VALVE IN ORDER TO MAKE EVAP SYSTEM CLOSE UNDER THE FOLLOWING CONDITIONS.</p> <ul style="list-style-type: none"> • IGN SW "ON" • ENGINE NOT RUNNING • AMBIENT TEMPERATURE IS ABOVE 0°C (32°F). • NO VACUUM AND NO HIGH PRESSURE IN EVAP SYSTEM • FUEL TANK TEMP. IS MORE THAN 0°C (32°F). • WITHIN 10 MINUTES AFTER STARTING "EVAP SYSTEM CLOSE" • WHEN TRYING TO EXECUTE "EVAP SYSTEM CLOSE" UNDER THE CONDITION EXCEPT ABOVE, CONSULT-III WILL DISCONTINUE IT AND DISPLAY APPROPRIATE INSTRUCTION. <p>NOTE: WHEN STARTING ENGINE, CONSULT-III MAY DISPLAY "BATTERY VOLTAGE IS LOW. CHARGE BATTERY", EVEN IN USING CHARGED BATTERY.</p>	When detecting EVAP vapor leak point of EVAP system
TARGET IDLE RPM ADJ*	<ul style="list-style-type: none"> • IDLE CONDITION 	When setting target idle speed
TARGET IGN TIM ADJ*	<ul style="list-style-type: none"> • IDLE CONDITION 	When adjusting target ignition timing
VIN REGISTRATION	<ul style="list-style-type: none"> • IN THIS MODE, VIN IS REGISTERED IN ECM. 	When registering VIN in ECM

*: This function is not necessary in the usual service procedure.

SELF-DIAG RESULTS MODE

Self Diagnostic Item

Regarding items of DTC and 1st trip DTC, refer to [EC-559, "Emission-related Diagnostic Information"](#).

Freeze Frame Data and 1st Trip Freeze Frame Data

Freeze frame data item*	Description
DIAG TROUBLE CODE [PXXXX]	<ul style="list-style-type: none"> • The engine control component part/control system has a trouble code, it is displayed as PXXXX. (Refer to EC-523.)
FUEL SYS-B1	<ul style="list-style-type: none"> • "Fuel injection system status" at the moment a malfunction is detected is displayed. • One mode in the following is displayed. Mode2: Open loop due to detected system malfunction Mode3: Open loop due to driving conditions (power enrichment, deceleration enrichment) Mode4: Closed loop - using oxygen sensor(s) as feedback for fuel control Mode5: Open loop - has not yet satisfied condition to go to closed loop
FUEL SYS-B2	
CAL/LD VALUE [%]	<ul style="list-style-type: none"> • The calculated load value at the moment a malfunction is detected is displayed.
COOLANT TEMP [°C] or [°F]	<ul style="list-style-type: none"> • The engine coolant temperature at the moment a malfunction is detected is displayed.
L-FUEL TRM-B1 [%]	<ul style="list-style-type: none"> • "Long-term fuel trim" at the moment a malfunction is detected is displayed. • The long-term fuel trim indicates much more gradual feedback compensation to the base fuel schedule than short-term fuel trim.
L-FUEL TRM-B2 [%]	
S-FUEL TRM-B1 [%]	<ul style="list-style-type: none"> • "Short-term fuel trim" at the moment a malfunction is detected is displayed. • The short-term fuel trim indicates dynamic or instantaneous feedback compensation to the base fuel schedule.
S-FUEL TRM-B2 [%]	
ENGINE SPEED [rpm]	<ul style="list-style-type: none"> • The engine speed at the moment a malfunction is detected is displayed.
VEHICL SPEED [km/h] or [mph]	<ul style="list-style-type: none"> • The vehicle speed at the moment a malfunction is detected is displayed.
ABSOL TH-P/S [%]	<ul style="list-style-type: none"> • The throttle valve opening angle at the moment a malfunction is detected is displayed.
B/FUEL SCHDL [msec]	<ul style="list-style-type: none"> • The base fuel schedule at the moment a malfunction is detected is displayed.

TROUBLE DIAGNOSIS

< SERVICE INFORMATION >

[QR]

Freeze frame data item*	Description
INT/A TEMP SE [°C] or [°F]	<ul style="list-style-type: none"> The intake air temperature at the moment a malfunction is detected is displayed.
INT MANI PRES [kPa]	<ul style="list-style-type: none"> Always a certain value is displayed. These items can not efficiently for B16 models.
FTFMCH1	

*: The items are the same as those of 1st trip freeze frame data.

DATA MONITOR MODE

Monitored Item

x: Applicable

Monitored item	Unit	Description	Remarks
ENG SPEED	rpm	<ul style="list-style-type: none"> Indicates the engine speed computed from the signals of the crankshaft position sensor (POS) and camshaft position sensor (PHASE). 	<ul style="list-style-type: none"> Accuracy becomes poor if engine speed drops below the idle rpm. If the signal is interrupted while the engine is running, an abnormal value may be indicated.
MAS A/F SE-B1	V	<ul style="list-style-type: none"> The signal voltage of the mass air flow sensor is displayed. 	<ul style="list-style-type: none"> When the engine is stopped, a certain value is indicated. When engine is running specification range is indicated in "SPEC".
B/FUEL SCHDL	msec	<ul style="list-style-type: none"> "Base fuel schedule" indicates the fuel injection pulse width programmed into ECM, prior to any learned on board correction. 	<ul style="list-style-type: none"> When engine is running specification range is indicated in "SPEC".
A/F ALPHA-B1	%	<ul style="list-style-type: none"> The mean value of the air-fuel ratio feedback correction factor per cycle is indicated. 	<ul style="list-style-type: none"> When the engine is stopped, a certain value is indicated. When engine is running specification range is indicated in "SPEC". This data also includes the data for the air/fuel ratio learning control.
A/F ALPHA-B2	%		
COOLAN TEMP/S	°C or °F	<ul style="list-style-type: none"> The engine coolant temperature (determined by the signal voltage of the engine coolant temperature sensor) is displayed. 	<ul style="list-style-type: none"> When the engine coolant temperature sensor is open or short-circuited, ECM enters fail-safe mode. The engine coolant temperature determined by the ECM is displayed.
A/F SEN1 (B1)	V	<ul style="list-style-type: none"> The A/F signal computed from the input signal of the A/F sensor 1 is displayed. 	
A/F SEN1 (B2)	V		
HO2S2 (B1)	V	<ul style="list-style-type: none"> The signal voltage of the heated oxygen sensor 2 is displayed. 	
HO2S2 (B2)	V		
HO2S2 MNTR (B1)	RICH/LEAN	<ul style="list-style-type: none"> Display of heated oxygen sensor 2 signal: RICH: means the amount of oxygen after three way catalyst is relatively small. LEAN: means the amount of oxygen after three way catalyst is relatively large. 	<ul style="list-style-type: none"> When the engine is stopped, a certain value is indicated.
HO2S2 MNTR (B2)	RICH/LEAN		
VHCL SPEED SE	km/h or mph	<ul style="list-style-type: none"> The vehicle speed computed from the vehicle speed signal is displayed. 	
BATTERY VOLT	V	<ul style="list-style-type: none"> The power supply voltage of ECM is displayed. 	
ACCEL SEN 1	V	<ul style="list-style-type: none"> The accelerator pedal position sensor signal voltage is displayed. 	<ul style="list-style-type: none"> ACCEL SEN 2 signal is converted by ECM internally. Thus, it differs from ECM terminal voltage signal.
ACCEL SEN 2	V		
TP SEN 1-B1	V	<ul style="list-style-type: none"> The throttle position sensor signal voltage is displayed. 	<ul style="list-style-type: none"> TP SEN 2-B1 signal is converted by ECM internally. Thus, it differs from ECM terminal voltage signal.
TP SEN 2-B1	V		

TROUBLE DIAGNOSIS

< SERVICE INFORMATION >

[QR]

Monitored item	Unit	Description	Remarks
FUEL T/TMP SE	°C or °F	<ul style="list-style-type: none"> The fuel temperature (determined by the signal voltage of the fuel tank temperature sensor) is displayed. 	
VEHICLE SPEED	km/h or mph	<ul style="list-style-type: none"> Indicates the vehicle speed computed from the secondary speed sensor signal. 	
INT/A TEMP SE	°C or °F	<ul style="list-style-type: none"> The intake air temperature (determined by the signal voltage of the intake air temperature sensor) is indicated. 	
EVAP SYS PRES	V	<ul style="list-style-type: none"> The signal voltage of EVAP control system pressure sensor is displayed. 	
FUEL LEVEL SE	V	<ul style="list-style-type: none"> The signal voltage of the fuel level sensor is displayed. 	
START SIGNAL	ON/OFF	<ul style="list-style-type: none"> Indicates start signal status [ON/OFF] computed by the ECM according to the signals of engine speed and battery voltage. 	<ul style="list-style-type: none"> After starting the engine, [OFF] is displayed regardless of the starter signal.
CLSD THL POS	ON/OFF	<ul style="list-style-type: none"> Indicates idle position [ON/OFF] computed by the ECM according to the accelerator pedal position sensor signal. 	
AIR COND SIG	ON/OFF	<ul style="list-style-type: none"> Indicates [ON/OFF] condition of the air conditioner switch as determined by the air conditioner signal. 	
P/N POSI SW	ON/OFF	<ul style="list-style-type: none"> Indicates [ON/OFF] condition from the park/neutral position (PNP) switch signal. 	
PW/ST SIGNAL	ON/OFF	<ul style="list-style-type: none"> [ON/OFF] condition of the power steering system (determined by the signal sent from EPS control unit) is indicated. 	
LOAD SIGNAL	ON/OFF	<ul style="list-style-type: none"> Indicates [ON/OFF] condition from the electrical load signal. ON: Rear window defogger switch is ON and/or lighting switch is in 2nd position. OFF: Both rear window defogger switch and lighting switch are OFF. 	
IGNITION SW	ON/OFF	<ul style="list-style-type: none"> Indicates [ON/OFF] condition from ignition switch. 	
HEATER FAN SW	ON/OFF	<ul style="list-style-type: none"> Indicates [ON/OFF] condition from the heater fan switch signal. 	
BRAKE SW	ON/OFF	<ul style="list-style-type: none"> Indicates [ON/OFF] condition from the stop lamp switch signal. 	
I/P PULLY SPD	rpm	<ul style="list-style-type: none"> Indicates the engine speed computed from the primary speed sensor signal. 	
INJ PULSE-B1	msec	<ul style="list-style-type: none"> Indicates the actual fuel injection pulse width compensated by ECM according to the input signals. 	<ul style="list-style-type: none"> When the engine is stopped, a certain computed value is indicated.
INJ PULSE-B2	msec		
IGN TIMING	BTDC	<ul style="list-style-type: none"> Indicates the ignition timing computed by ECM according to the input signals. 	<ul style="list-style-type: none"> When the engine is stopped, a certain value is indicated.
CAL/LD VALUE	%	<ul style="list-style-type: none"> "Calculated load value" indicates the value of the current airflow divided by peak airflow. 	
MASS AIRFLOW	g·m/s	<ul style="list-style-type: none"> Indicates the mass airflow computed by ECM according to the signal voltage of the mass air flow sensor. 	
PURG VOL C/V	%	<ul style="list-style-type: none"> Indicates the EVAP canister purge volume control solenoid valve control value computed by the ECM according to the input signals. The opening becomes larger as the value increases. 	

TROUBLE DIAGNOSIS

< SERVICE INFORMATION >

[QR]

Monitored item	Unit	Description	Remarks
INT/V TIM (B1)	°CA	<ul style="list-style-type: none"> Indicates [°CA] of intake camshaft advanced angle. 	A
INT/V SOL (B1)	%	<ul style="list-style-type: none"> The control value of the intake valve timing control solenoid valve (determined by ECM according to the input signal) is indicated. The advance angle becomes larger as the value increases 	EC
AIR COND RLY	ON/OFF	<ul style="list-style-type: none"> The air conditioner relay control condition (determined by ECM according to the input signals) is indicated. 	C
FUEL PUMP RLY	ON/OFF	<ul style="list-style-type: none"> Indicates the fuel pump relay control condition determined by ECM according to the input signals. 	D
VENT CONT/V	ON/OFF	<ul style="list-style-type: none"> The control condition of the EVAP canister vent control valve (determined by ECM according to the input signals) is indicated. ON: Closed OFF: Open 	E
THRTL RELAY	ON/OFF	<ul style="list-style-type: none"> Indicates the throttle control motor relay control condition determined by the ECM according to the input signals. 	F
COOLING FAN	HI/LOW/OFF	<ul style="list-style-type: none"> Indicates the condition of the cooling fan (determined by ECM according to the input signals). HI: High speed operation LOW: Low speed operation OFF: Stop 	G
HO2S2 HTR (B1)	ON/OFF	<ul style="list-style-type: none"> Indicates [ON/OFF] condition of heated oxygen sensor 2 heater determined by ECM according to the input signals. 	H
HO2S2 HTR (B2)	ON/OFF		I
IDL A/V LEARN	YET/CMPLT	<ul style="list-style-type: none"> Display the condition of idle air volume learning YET: Idle Air Volume Learning has not been performed yet. CMPLT: Idle Air Volume Learning has already been performed successfully. 	J
TRVL AFTER MIL	km or mile	<ul style="list-style-type: none"> Distance traveled while MIL is activated. 	K
A/F S1 HTR (B1)	%	<ul style="list-style-type: none"> Indicates A/F sensor 1 heater control value computed by ECM according to the input signals. The current flow to the heater becomes larger as the value increases. 	L
A/F S1 HTR (B2)	%		M
AC PRESS SEN	V	<ul style="list-style-type: none"> The signal voltage from the refrigerant pressure sensor is displayed. 	N
VHCL SPEED SE	km/h or mph	<ul style="list-style-type: none"> The vehicle speed computed from the vehicle speed signal sent from TCM is displayed. 	O
SET VHCL SPD	km/h or mph	<ul style="list-style-type: none"> The preset vehicle speed is displayed. 	P
MAIN SW	ON/OFF	<ul style="list-style-type: none"> Indicates [ON/OFF] condition from MAIN switch signal. 	
CANCEL SW	ON/OFF	<ul style="list-style-type: none"> Indicates [ON/OFF] condition from CANCEL switch signal. 	
RESUME/ACC SW	ON/OFF	<ul style="list-style-type: none"> Indicates [ON/OFF] condition from RESUME/ACCELERATE switch signal. 	
SET SW	ON/OFF	<ul style="list-style-type: none"> Indicates [ON/OFF] condition from SET/COAST switch signal. 	
BRAKE SW1	ON/OFF	<ul style="list-style-type: none"> Indicates [ON/OFF] condition from ASCD brake switch signal. 	

TROUBLE DIAGNOSIS

< SERVICE INFORMATION >

[QR]

Monitored item	Unit	Description	Remarks
BRAKE SW2	ON/OFF	<ul style="list-style-type: none"> Indicates [ON/OFF] condition of stop lamp switch signal. 	
VHCL SPD CUT	NON/CUT	<ul style="list-style-type: none"> Indicates the vehicle cruise condition. NON: Vehicle speed is maintained at the ASCD set speed. CUT: Vehicle speed increased to excessively high compared with the ASCD set speed, and ASCD operation is cut off. 	
LO SPEED CUT	NON/CUT	<ul style="list-style-type: none"> Indicates the vehicle cruise condition. NON: Vehicle speed is maintained at the ASCD set speed. CUT: Vehicle speed decreased to excessively low compared with the ASCD set speed, and ASCD operation is cut off. 	
AT OD MONITOR	ON/OFF	<ul style="list-style-type: none"> Indicates [ON/OFF] condition of CVT according to the input signal from the TCM. 	<ul style="list-style-type: none"> For M/T models always "OFF" is displayed
AT OD CANCEL	ON/OFF	<ul style="list-style-type: none"> Indicates [ON/OFF] condition of CVT cancel signal sent from the TCM. 	<ul style="list-style-type: none"> For M/T models always "OFF" is displayed
CRUISE LAMP	ON/OFF	<ul style="list-style-type: none"> Indicates [ON/OFF] condition of CRUISE lamp determined by the ECM according to the input signals. 	
SET LAMP	ON/OFF	<ul style="list-style-type: none"> Indicates [ON/OFF] condition of SET lamp determined by the ECM according to the input signals. 	
A/F ADJ-B1		<ul style="list-style-type: none"> Indicates the correction factor stored in ECM. The factor is calculated from the difference between the target air/fuel ratio stored in ECM and the air/fuel ratio calculated from air fuel ratio (A/F) sensor 1 signal. 	
A/F ADJ-B2			

NOTE:

Any monitored item that does not match the vehicle being diagnosed is deleted from the display automatically.

ACTIVE TEST MODE

Test Item

TEST ITEM	CONDITION	JUDGEMENT	CHECK ITEM (REMEDY)
FUEL INJECTION	<ul style="list-style-type: none"> Engine: Return to the original trouble condition Change the amount of fuel injection using CONSULT-III. 	If trouble symptom disappears, see CHECK ITEM.	<ul style="list-style-type: none"> Harness and connectors Fuel injector Air fuel ratio (A/F) sensor 1
IGNITION TIMING	<ul style="list-style-type: none"> Engine: Return to the original trouble condition Timing light: Set Retard the ignition timing using CONSULT-III. 	If trouble symptom disappears, see CHECK ITEM.	<ul style="list-style-type: none"> Perform Idle Air Volume Learning.
POWER BALANCE	<ul style="list-style-type: none"> Engine: After warming up, idle the engine. A/C switch OFF Shift lever: P or N (CVT), Neutral (M/T) Cut off each fuel injector signal one at a time using CONSULT-III. 	Engine runs rough or dies.	<ul style="list-style-type: none"> Harness and connectors Compression Fuel injector Power transistor Spark plug Ignition coil
COOLING FAN*	<ul style="list-style-type: none"> Ignition switch: ON Turn the cooling fan "LOW", "HI" and "OFF" with CONSULT-III. 	Cooling fan moves and stops.	<ul style="list-style-type: none"> Harness and connectors Cooling fan relay Cooling fan motor

TROUBLE DIAGNOSIS

< SERVICE INFORMATION >

[QR]

TEST ITEM	CONDITION	JUDGEMENT	CHECK ITEM (REMEDY)
ENG COOLANT TEMP	<ul style="list-style-type: none"> Engine: Return to the original trouble condition Change the engine coolant temperature using CONSULT-III. 	If trouble symptom disappears, see CHECK ITEM.	<ul style="list-style-type: none"> Harness and connectors Engine coolant temperature sensor Fuel injector
FUEL PUMP RELAY	<ul style="list-style-type: none"> Ignition switch: ON (Engine stopped) Turn the fuel pump relay "ON" and "OFF" using CONSULT-III and listen to operating sound. 	Fuel pump relay makes the operating sound.	<ul style="list-style-type: none"> Harness and connectors Fuel pump relay
PURG VOL CONT/V	<ul style="list-style-type: none"> Engine: After warming up, run engine at 1,500 rpm. Change the EVAP canister purge volume control solenoid valve opening percent using CONSULT-III. 	Engine speed changes according to the opening percent.	<ul style="list-style-type: none"> Harness and connectors EVAP canister purge volume control solenoid valve
FUEL/T TEMP SEN	<ul style="list-style-type: none"> Change the fuel tank temperature using CONSULT-III. 		
VENT CONTROL/V	<ul style="list-style-type: none"> Ignition switch: ON (Engine stopped) Turn solenoid valve "ON" and "OFF" with the CONSULT-III and listen to operating sound. 	Solenoid valve makes an operating sound.	<ul style="list-style-type: none"> Harness and connectors EVAP canister vent control valve
V/T ASSIGN ANGLE	<ul style="list-style-type: none"> Engine: Return to the original trouble condition Change intake valve timing using CONSULT-III. 	If trouble symptom disappears, see CHECK ITEM.	<ul style="list-style-type: none"> Harness and connectors Intake valve timing control solenoid valve

*: Leaving cooling fan OFF with CONSULT-III while engine is running may cause the engine to overheat.

DTC & SRT CONFIRMATION MODE

SRT STATUS Mode

For details, refer to [EC-559. "Emission-related Diagnostic Information"](#).

SRT WORK SUPPORT Mode

This mode enables a technician to drive a vehicle to set the SRT while monitoring the SRT status.

DTC WORK SUPPORT Mode

Test mode	Test item	Corresponding DTC No.	Reference page
EVAPORATIVE SYSTEM	EVP SML LEAK P0442/P1442*	P0442	EC-837
		P0455	EC-886
	EVP V/S LEAK P0456/P1456*	P0456	EC-892
	PURG VOL CN/V P1444	P0443	EC-844
	PURG FLOW P0441	P0441	EC-832
A/F SEN1	A/F SEN1 (B1) P1278/P1279	P0133	EC-737
	A/F SEN1 (B1) P1276	P0130	EC-713
	A/F SEN1 (B2) P1288/P1289	P0153	EC-737
	A/F SEN1 (B2) P1286	P0150	EC-713
HO2S2	HO2S2 (B1) P1146	P0138	EC-755
	HO2S2 (B1) P1147	P0137	EC-746
	HO2S2 (B1) P0139	P0139	EC-767
	HO2S2 (B2) P1166	P0158	EC-755
	HO2S2 (B2) P1167	P0157	EC-746
	HO2S2 (B2) P0159	P0159	EC-767

*: DTC P1442 and P1456 does not apply to B16 models but appears in DTC Work Support Mode screens.

TROUBLE DIAGNOSIS

< SERVICE INFORMATION >

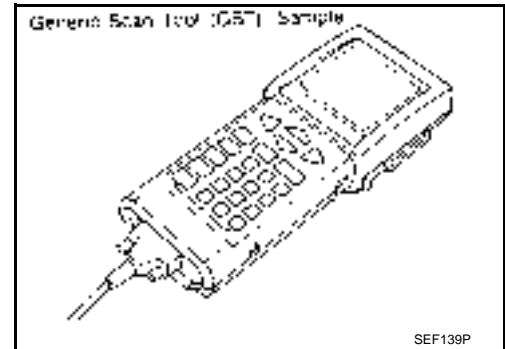
[QR]

Generic Scan Tool (GST) Function

INFOID:000000001850309

DESCRIPTION

Generic Scan Tool (OBDII scan tool) complying with SAE J1978 has 8 different functions explained below. ISO15765-4 is used as the protocol. The name GST or Generic Scan Tool is used in this service manual.



FUNCTION

Diagnostic test mode		Function
Service \$01	READINESS TESTS	This diagnostic service gains access to current emission-related data values, including analog inputs and outputs, digital inputs and outputs, and system status information.
Service \$02	(FREEZE DATA)	This diagnostic service gains access to emission-related data value which were stored by ECM during the freeze frame. For details, refer to EC-621. "CONSULT-III Function (ENGINE)" .
Service \$03	DTCs	This diagnostic service gains access to emission-related power train trouble codes which were stored by ECM.
Service \$04	CLEAR DIAG INFO	This diagnostic service can clear all emission-related diagnostic information. This includes: <ul style="list-style-type: none"> • Clear number of diagnostic trouble codes (Service \$01) • Clear diagnostic trouble codes (Service \$03) • Clear trouble code for freeze frame data (Service \$01) • Clear freeze frame data (Service \$02) • Reset status of system monitoring test (Service \$01) • Clear on board monitoring test results (Service \$06 and \$07)
Service \$06	(ON BOARD TESTS)	This diagnostic service accesses the results of on board diagnostic monitoring tests of specific components/systems that are not continuously monitored.
Service \$07	(ON BOARD TESTS)	This diagnostic service enables the off board test drive to obtain test results for emission-related powertrain components/systems that are continuously monitored during normal driving conditions.
Service \$08	—	This diagnostic service can close EVAP system in ignition switch ON position (Engine stopped). When this diagnostic service is performed, EVAP canister vent control valve can be closed. In the following conditions, this diagnostic service cannot function. <ul style="list-style-type: none"> • Low ambient temperature • Low battery voltage • Engine running • Ignition switch OFF • Low fuel temperature • Too much pressure is applied to EVAP system
Service \$09	(CALIBRATION ID)	This diagnostic service enables the off-board test device to request specific vehicle information such as Vehicle Identification Number (VIN) and Calibration IDs.

INSPECTION PROCEDURE

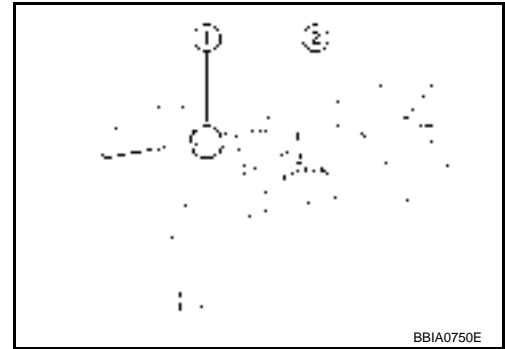
1. Turn ignition switch OFF.

TROUBLE DIAGNOSIS

[QR]

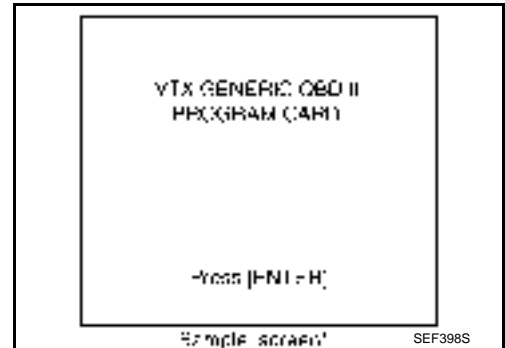
< SERVICE INFORMATION >

2. Connect GST to data link connector (1).
 - Accelerator pedal (2)



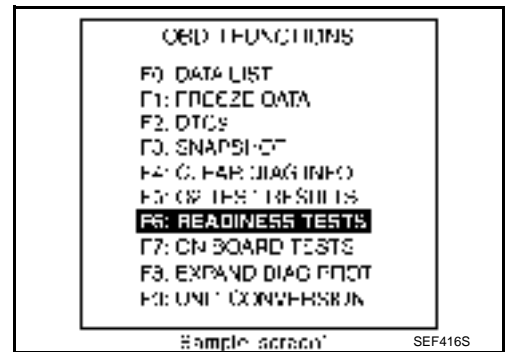
3. Turn ignition switch ON.
4. Enter the program according to instruction on the screen or in the operation manual.

(*: Regarding GST screens in this section, sample screens are shown.)



5. Perform each diagnostic service according to each service procedure.

For further information, see the GST Operation Manual of the tool maker.



CONSULT-III Reference Value in Data Monitor Mode

INFOID:000000001850310

Remarks:

- Specification data are reference values.
- Specification data are output/input values which are detected or supplied by the ECM at the connector.
- * Specification data may not be directly related to their components signals/values/operations.
 - i.e. Adjust ignition timing with a timing light before monitoring IGN TIMING, because the monitor may show the specification data in spite of the ignition timing not being adjusted to the specification data. This IGN TIMING monitors the data calculated by the ECM according to the signals input from the camshaft position sensor and other ignition timing related sensors.

MONITOR ITEM	CONDITION	SPECIFICATION
ENG SPEED	• Run engine and compare CONSULT-III value with the tachometer indication.	Almost the same speed as the tachometer indication.
MAS A/F SE-B1	See EC-635 .	
B/FUEL SCHDL	See EC-635 .	
A/F ALPHA-B1 A/F ALPHA-B2	See EC-635 .	
COOLAN TEMP/S	• Engine: After warming up	More than 70°C (158°F)
A/F SEN1 (B1) A/F SEN1 (B2)	• Engine: After warming up Maintaining engine speed at 2,000 rpm	Fluctuates around 2.2V

TROUBLE DIAGNOSIS

< SERVICE INFORMATION >

[QR]

MONITOR ITEM	CONDITION		SPECIFICATION
HO2S2 (B1) HO2S2 (B2)	<ul style="list-style-type: none"> Revsing engine from idle to 3,000 rpm quickly after the following conditions are met Engine: After warming up Keeping the engine speed between 3,500 and 4,000 rpm for 1 minute and at idle for 1 minute under no load 		0 - 0.3V ↔ Approx. 0.6 - 1.0V
HO2S2 MNTR (B1) HO2S2 MNTR (B2)	<ul style="list-style-type: none"> Revsing engine from idle to 3,000 rpm quickly after the following conditions are met Engine: After warming up Keeping the engine speed between 3,500 and 4,000 rpm for 1 minute and at idle for 1 minute under no load 		LEAN ↔ RICH
VHCL SPEED SE	<ul style="list-style-type: none"> Turn drive wheels and compare CONSULT-III value with the speedometer indication. 		Almost the same speed as the speedometer indication.
BATTERY VOLT	<ul style="list-style-type: none"> Ignition switch: ON (Engine stopped) 		11 - 14V
ACCEL SEN 1	<ul style="list-style-type: none"> Ignition switch: ON (Engine stopped) Shift lever: D (CVT), 1st (M/T) 	Accelerator pedal: Fully released	0.6 - 0.9V
		Accelerator pedal: Fully depressed	4.0 - 4.8V
ACCEL SEN 2*	<ul style="list-style-type: none"> Ignition switch: ON (Engine stopped) Shift lever: D (CVT), 1st (M/T) 	Accelerator pedal: Fully released	0.6 - 0.9V
		Accelerator pedal: Fully depressed	3.9 - 4.8V
TP SEN 1-B1 TP SEN 2-B1*	<ul style="list-style-type: none"> Ignition switch: ON (Engine stopped) Shift lever: D (CVT), 1st (M/T) 	Accelerator pedal: Fully released	More than 0.36V
		Accelerator pedal: Fully depressed	Less than 4.75V
VEHICLE SPEED	<ul style="list-style-type: none"> Turn drive wheels and compare CONSULT-III value with speedometer indication. 		Almost the same speed as the speedometer indication
EVAP SYS PRES	<ul style="list-style-type: none"> Ignition switch: ON 		1.8 - 4.8V
START SIGNAL	<ul style="list-style-type: none"> Ignition switch: ON → START → ON 		OFF → ON → OFF
CLSD THL POS	<ul style="list-style-type: none"> Ignition switch: ON (Engine stopped) 	Accelerator pedal: Fully released	ON
		Accelerator pedal: Slightly depressed	OFF
AIR COND SIG	<ul style="list-style-type: none"> Engine: After warming up, idle the engine 	Air conditioner switch: OFF	OFF
		Air conditioner switch: ON (Compressor operates.)	ON
P/N POSI SW	<ul style="list-style-type: none"> Ignition switch: ON 	Shift lever: P or N (CVT), Neutral (M/T)	ON
		Shift lever: Except above position	OFF
PW/ST SIGNAL	<ul style="list-style-type: none"> Engine: After warming up, idle the engine 	Steering wheel: Not being turned.	OFF
		Steering wheel: Being turned.	ON
LOAD SIGNAL	<ul style="list-style-type: none"> Ignition switch: ON 	Rear window defogger switch: ON and/or Lighting switch: 2nd position	ON
		Rear window defogger switch is OFF and lighting switch: OFF	OFF
IGNITION SW	<ul style="list-style-type: none"> Ignition switch: ON → OFF → ON 		ON → OFF → ON
HEATER FAN SW	<ul style="list-style-type: none"> Engine: After warming up, idle the engine 	Heater fan: Operating	ON
		Heater fan: Not operating	OFF
BRAKE SW	<ul style="list-style-type: none"> Ignition switch: ON 	Brake pedal: Fully released	OFF
		Brake pedal: Slightly depressed	ON
I/P PULLY SPD	<ul style="list-style-type: none"> Vehicle speed: More than 20 km/h (12 MPH) 		Almost the same speed as the tachometer indication
INJ PULSE-B1	<ul style="list-style-type: none"> Engine: After warming up Shift lever: P or N (CVT), Neutral (M/T) Air conditioner switch: OFF No load 	Idle	2.0 - 3.0 msec
INJ PULSE-B2		2,000 rpm	1.9 - 2.9 msec

TROUBLE DIAGNOSIS

< SERVICE INFORMATION >

[QR]

MONITOR ITEM	CONDITION		SPECIFICATION	
IGN TIMING	<ul style="list-style-type: none"> Engine: After warming up Shift lever: P or N (CVT), Neutral (M/T) Air conditioner switch: OFF No load 	Idle	5° - 15° BTDC	A
		2,000 rpm	25° - 45° BTDC	EC
CAL/LD VALUE	<ul style="list-style-type: none"> Engine: After warming up Shift lever: P or N (CVT), Neutral (M/T) Air conditioner switch: OFF No load 	Idle	10% - 35%	C
		2,500 rpm	10% - 35%	
MASS AIRFLOW	<ul style="list-style-type: none"> Engine: After warming up Shift lever: P or N (CVT), Neutral (M/T) Air conditioner switch: OFF No load 	Idle	1.0 - 4.0 g-m/s	D
		2,500 rpm	4.0 - 10.0 g-m/s	E
PURG VOL C/V	<ul style="list-style-type: none"> Engine: After warming up Shift lever: P or N (CVT), Neutral (M/T) Air conditioner switch: OFF No load 	Idle (Accelerator pedal: Not depressed even slightly, after engine starting)	0%	F
		2,000 rpm	20 - 90%	
INT/V TIM (B1)	<ul style="list-style-type: none"> Engine: After warming up Shift lever: P or N (CVT), Neutral (M/T) Air conditioner switch: OFF No load 	Idle	-5° - 5°CA	G
		2,000 rpm	Approx. 0° - 20°CA	H
INT/V SOL (B1)	<ul style="list-style-type: none"> Engine: After warming up Shift lever: P or N (CVT), Neutral (M/T) Air conditioner switch: OFF No load 	Idle	0%	I
		2,000 rpm	Approx. 0% - 60%	
AIR COND RLY	<ul style="list-style-type: none"> Engine: After warming up, idle the engine 	Air conditioner switch: OFF	OFF	J
		Air conditioner switch: ON (Compressor operates)	ON	
FUEL PUMP RLY	<ul style="list-style-type: none"> For 1 seconds after turning ignition switch ON Engine running or cranking 		ON	K
		Except above conditions	OFF	
VENT CONT/V	<ul style="list-style-type: none"> Ignition switch: ON 		OFF	L
THRTL RELAY	<ul style="list-style-type: none"> Ignition switch: ON 		ON	
COOLING FAN	<ul style="list-style-type: none"> Engine: After warming up, idle the engine Air conditioner switch: OFF 	Engine coolant temperature is 97°C (207°F) or less	OFF	M
		Engine coolant temperature is between 98°C (208°F) and 99°C (210°F)	LOW	
		Engine coolant temperature is 100°C (212°F) or more	HIGH	N
HO2S2 HTR (B1) HO2S2 HTR (B2)	<ul style="list-style-type: none"> Engine speed: Below 3,600 rpm after the following conditions are met <ul style="list-style-type: none"> Engine: After warming up Keeping the engine speed between 3,500 and 4,000 rpm for 1 minute and at idle for 1 minute under no load Engine speed: Above 3,600 rpm 		ON	O
			OFF	
TRVL AFTER MIL	<ul style="list-style-type: none"> Ignition switch: ON 	Vehicle has traveled after MIL has turned ON.	0 - 65,535 km (0 - 40,723 mile)	P
A/F S1 HTR (B1) A/F S1 HTR (B2)	<ul style="list-style-type: none"> Engine: After warming up, idle the engine (More than 140 seconds after starting engine.) 		4 - 100%	
AC PRESS SEN	<ul style="list-style-type: none"> Both A/C switch and blower fan switch: ON (Compressor operates) 			
	<ul style="list-style-type: none"> Engine: Idle 		1.0 - 4.0V	

TROUBLE DIAGNOSIS

< SERVICE INFORMATION >

[QR]

MONITOR ITEM	CONDITION		SPECIFICATION
VHCL SPEED SE	• Turn drive wheels and compare the CONSULT-III value with speedometer indication.		Almost the same speed as the speedometer indication.
SET VHCL SPD	• Engine: Running	ASCSD: Operating	The preset vehicle speed is displayed.
MAIN SW	• Ignition switch: ON	MAIN switch: Pressed	ON
		MAIN switch: Released	OFF
CANCEL SW	• Ignition switch: ON	CANCEL switch: Pressed	ON
		CANCEL switch: Released	OFF
RESUME/ACC SW	• Ignition switch: ON	RESUME/ACCELERATE switch: Pressed	ON
		RESUME/ACCELERATE switch: Released	OFF
SET SW	• Ignition switch: ON	SET/COAST switch: Pressed	ON
		SET/COAST switch: Released	OFF
BRAKE SW1 (ASCSD brake switch)	• Ignition switch: ON	• Brake pedal: Fully released (CVT) • Brake pedal and clutch pedal: Fully released (M/T)	ON
		• Brake pedal: Slightly depressed (CVT) • Brake pedal and/or clutch pedal: Slightly depressed (M/T)	OFF
BRAKE SW2 (Stop lamp switch)	• Ignition switch: ON	Brake pedal: Fully released	OFF
		Brake pedal: Slightly depressed	ON
CRUISE LAMP	• Ignition switch: ON	MAIN switch: Pressed at the 1st time → 2nd time	ON → OFF
SET LAMP	• MAIN switch: ON • When vehicle speed is between 40 km/h (25 MPH) and 144 km/h (89 MPH)	ASCSD: Operating	ON
		ASCSD: Not operating	OFF

*: Accelerator pedal position sensor 2 signal and throttle position sensor 2 signal are converted by ECM internally. Thus, they differ from ECM terminals voltage signal.

TROUBLE DIAGNOSIS - SPECIFICATION VALUE

< SERVICE INFORMATION >

[QR]

TROUBLE DIAGNOSIS - SPECIFICATION VALUE

Description

INFOID:000000001850311

The specification (SP) value indicates the tolerance of the value that is displayed in "SPEC" of "DATA MONITOR" mode with CONSULT-III during normal operation of the Engine Control System. When the value in "SPEC" of "DATA MONITOR" mode is within the SP value, the Engine Control System is confirmed OK. When the value in "SPEC" of "DATA MONITOR" mode is NOT within the SP value, the Engine Control System may have one or more malfunctions.

The SP value is used to detect malfunctions that may affect the Engine Control System, but will not light the MIL.

The SP value will be displayed for the following three items:

- B/FUEL SCHDL (The fuel injection pulse width programmed into ECM prior to any learned on board correction)
- A/F ALPHA-B1 /B2 (The mean value of air-fuel ratio feedback correction factor per cycle)
- MAS A/F SE-B1 (The signal voltage of the mass air flow sensor)

Testing Condition

INFOID:000000001850312

- Vehicle driven distance: More than 5,000 km (3,107 miles)
- Barometric pressure: 98.3 - 104.3 kPa (1.003 - 1.064 kg/cm², 14.25 - 15.12 psi)
- Atmospheric temperature: 20 - 30°C (68 - 86°F)
- Engine coolant temperature: 75 - 95°C (167 - 203°F)
- Transmission: Warmed-up
 - CVT models: After the engine is warmed up to normal operating temperature, drive vehicle until "FLUID TEMP SE" fluid temperature sensor signal) indicates more than 60°C (140°F).
 - M/T models: After the engine is warmed up to normal operating temperature, drive vehicle for 5 minutes.
- Electrical load: Not applied
 - Rear window defogger switch, air conditioner switch, lighting switch are OFF. Steering wheel is straight ahead.
- Engine speed: Idle

Inspection Procedure

INFOID:000000001850313

NOTE:

Perform "SPEC" in "DATA MONITOR" mode in maximum scale display.

1. Perform [EC-584, "Basic Inspection"](#).
2. Confirm that the testing conditions indicated above are met.
3. Select "B/FUEL SCHDL", "A/F ALPHA-B1", "A/F ALPHA-B2" and "MAS A/F SE-B1" in "SPEC" of "DATA MONITOR" mode with CONSULT-III.
4. Make sure that monitor items are within the SP value.
5. If NG, go to [EC-635, "Diagnosis Procedure"](#).

Diagnosis Procedure

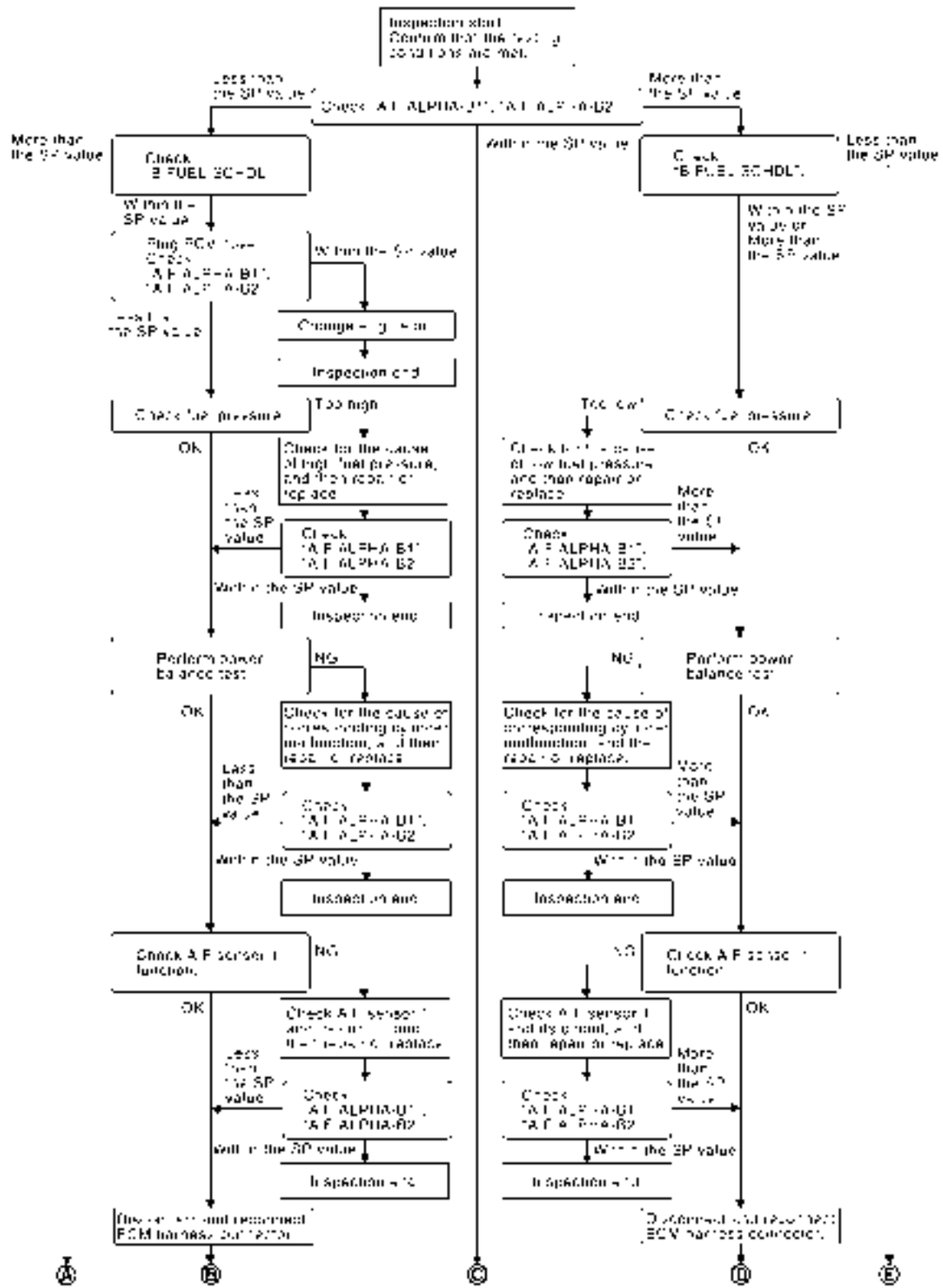
INFOID:000000001850314

OVERALL SEQUENCE

TROUBLE DIAGNOSIS - SPECIFICATION VALUE

< SERVICE INFORMATION >

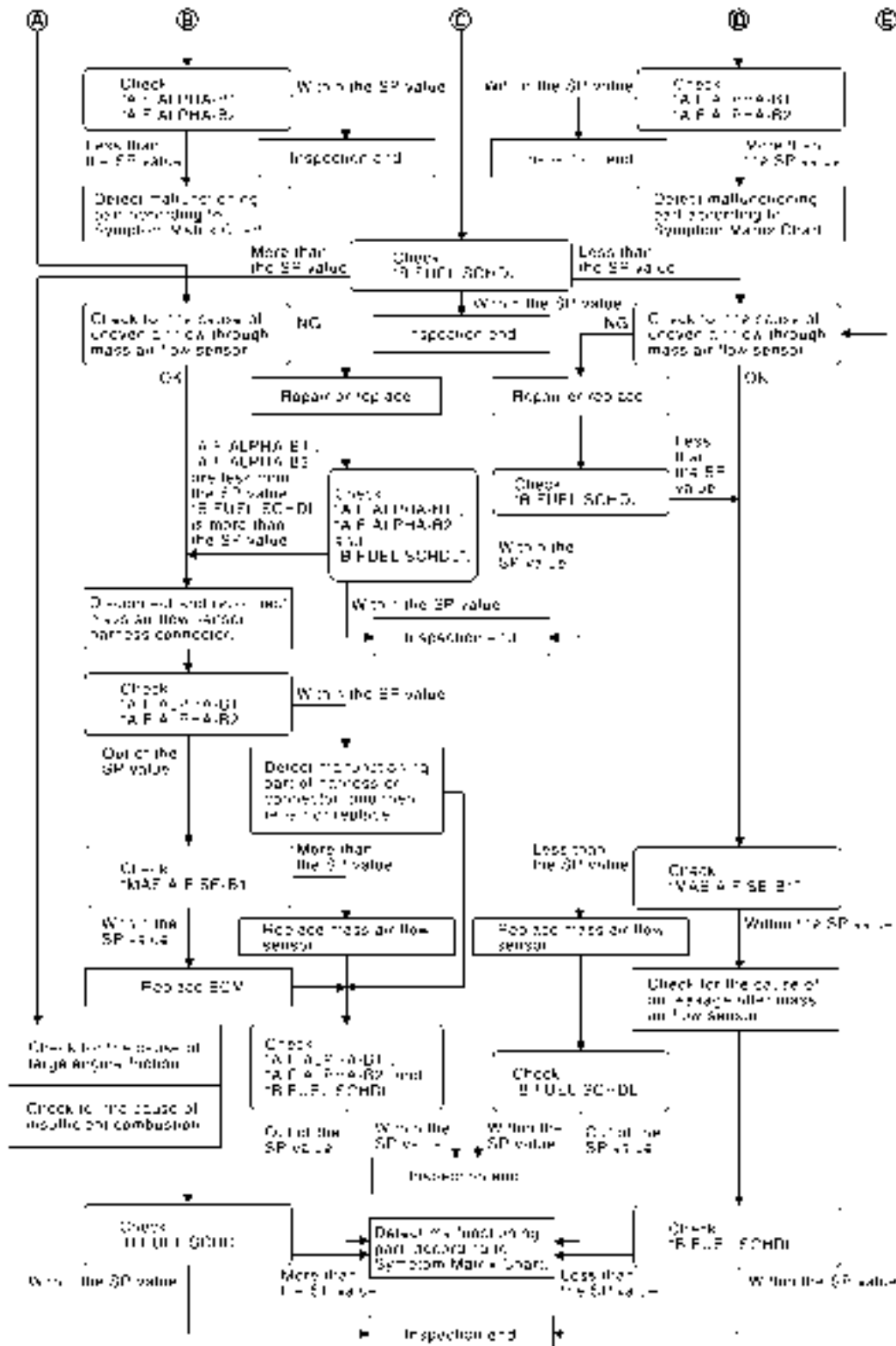
[QR]



TROUBLE DIAGNOSIS - SPECIFICATION VALUE

< SERVICE INFORMATION >

[QR]



PBIB3214E

DETAILED PROCEDURE

1. CHECK "A/F ALPHA-B1", "A/F ALPHA-B2"

1. Start engine.
2. Confirm that the testing conditions are met. Refer to [EC-635, "Testing Condition"](#).
3. Select "A/F ALPHA-B1", "A/F ALPHA-B2" in "SPEC" of "DATA MONITOR" mode, and make sure that the each indication is within the SP value.

NOTE:

TROUBLE DIAGNOSIS - SPECIFICATION VALUE

[QR]

< SERVICE INFORMATION >

Check "A/F ALPHA-B1", "A/F ALPHA-B2" for approximately 1 minute because they may fluctuate. It is NG if the indication is out of the SP value even a little.

OK or NG

OK >> GO TO 17.

NG (Less than the SP value)>>GO TO 2.

NG (More than the SP value)>>GO TO 3.

2.CHECK "B/FUEL SCHDL"

Select "B/FUEL SCHDL" in "SPEC" of "DATA MONITOR" mode, and make sure that the indication is within the SP value.

OK or NG

OK >> GO TO 4.

NG (More than the SP value)>>GO TO 19.

3.CHECK "B/FUEL SCHDL"

Select "B/FUEL SCHDL" in "SPEC" of "DATA MONITOR" mode, and make sure that the indication is within the SP value.

OK or NG

OK >> GO TO 6.

NG (More than the SP value)>>GO TO 6.

NG (Less than the SP value)>>GO TO 25.

4.CHECK "A/F ALPHA-B1", "A/F ALPHA-B2"

1. Stop the engine.
2. Disconnect PCV hose, and then plug it.
3. Start engine.
4. Select "A/F ALPHA-B1", "A/F ALPHA-B2" in "SPEC" of "DATA MONITOR" mode, and make sure that the each indication is within the SP value.

OK or NG

OK >> GO TO 5.

NG >> GO TO 6.

5.CHANGE ENGINE OIL

1. Stop the engine.
2. Change engine oil. Refer to [MA-21. "Changing Engine Oil"](#).

NOTE:

This symptom may occur when a large amount of gasoline is mixed with engine oil because of driving conditions (such as when engine oil temperature does not rise enough since a journey distance is too short during winter). The symptom will not be detected after changing engine oil or changing driving condition.

>> **INSPECTION END**

6.CHECK FUEL PRESSURE

Check fuel pressure. (Refer to [EC-592. "Fuel Pressure Check"](#).)

OK or NG

OK >> GO TO 9.

NG (Fuel pressure is too high)>>Replace fuel pressure regulator, refer to [EC-592. "Fuel Pressure Check"](#).
GO TO 8.

NG (Fuel pressure is too low)>>GO TO 7.

7.DETECT MALFUNCTIONING PART

1. Check the following.
 - Clogged and bent fuel hose and fuel tube
 - Clogged fuel filter
 - Fuel pump and its circuit (Refer to [EC-1038](#).)
2. If NG, repair or replace the malfunctioning part. (Refer to [EC-592. "Fuel Pressure Check"](#).)
If OK, replace fuel pressure regulator.

TROUBLE DIAGNOSIS - SPECIFICATION VALUE

< SERVICE INFORMATION >

[QR]

>> GO TO 8.

8. CHECK "A/F ALPHA-B1", "A/F ALPHA-B2"

1. Start engine.
2. Select "A/F ALPHA-B1", "A/F ALPHA-B2" in "SPEC" of "DATA MONITOR" mode, and make sure that the each indication is within the SP value.

OK or NG

OK >> **INSPECTION END**
NG >> GO TO 9.

9. PERFORM POWER BALANCE TEST

1. Perform "POWER BALANCE" in "ACTIVE TEST" mode.
2. Make sure that the each cylinder produces a momentary engine speed drop.

OK or NG

OK >> GO TO 12.
NG >> GO TO 10.

10. DETECT MALFUNCTIONING PART

1. Check the following.
 - Ignition coil and its circuit (Refer to [EC-1043](#).)
 - Fuel injector and its circuit (Refer to [EC-1033](#).)
 - Intake air leakage
 - Low compression pressure (Refer to [EM-167, "On-Vehicle Service"](#).)
2. If NG, repair or replace the malfunctioning part.
If OK, replace fuel injector. (It may be caused by leakage from fuel injector or clogging.)

>> GO TO 11.

11. CHECK "A/F ALPHA-B1", "A/F ALPHA-B2"

1. Start engine.
2. Select "A/F ALPHA-B1", "A/F ALPHA-B2" in "SPEC" of "DATA MONITOR" mode, and make sure that the each indication is within the SP value.

OK or NG

OK >> **INSPECTION END**
NG >> GO TO 12.

12. CHECK A/F SENSOR 1 FUNCTION

Perform all DTC Confirmation Procedure related with A/F sensor 1.

- For DTC P0130, P0150 refer to [EC-713, "DTC Confirmation Procedure"](#).
- For DTC P0131, P0151 refer to [EC-721, "DTC Confirmation Procedure"](#).
- For DTC P0132, P0152 refer to [EC-729, "DTC Confirmation Procedure"](#).
- For DTC P0133, P0153 refer to [EC-737, "DTC Confirmation Procedure"](#).
- For DTC P2A00, P2A03 refer to [EC-1011, "DTC Confirmation Procedure"](#).

OK or NG

OK >> GO TO 15.
NG >> GO TO 13.

13. CHECK A/F SENSOR 1 CIRCUIT

Perform Diagnostic Procedure according to corresponding DTC.

>> GO TO 14.

14. CHECK "A/F ALPHA-B1", "A/F ALPHA-B2"

1. Start engine.
2. Select "A/F ALPHA-B1", "A/F ALPHA-B2" in "SPEC" of "DATA MONITOR" mode, and make sure that the each indication is within the SP value.

OK or NG

TROUBLE DIAGNOSIS - SPECIFICATION VALUE

[QR]

< SERVICE INFORMATION >

OK >> **INSPECTION END**
NG >> GO TO 15.

15.DISCONNECT AND RECONNECT ECM HARNESS CONNECTOR

1. Stop the engine.
2. Disconnect ECM harness connector. Check pin terminal and connector for damage, and then reconnect it.

>> GO TO 16.

16.CHECK "A/F ALPHA-B1", "A/F ALPHA-B2"

1. Start engine.
2. Select "A/F ALPHA-B1", "A/F ALPHA-B2" in "SPEC" of "DATA MONITOR" mode, and make sure that the each indication is within the SP value.

OK or NG

OK >> **INSPECTION END**
NG >> Detect malfunctioning part according to [EC-600. "Symptom Matrix Chart"](#).

17.CHECK "B/FUEL SCHDL"

Select "B/FUEL SCHDL" in "SPEC" of "DATA MONITOR" mode, and make sure that the indication is within the SP value.

OK or NG

OK >> **INSPECTION END**
NG (More than the SP value)>>GO TO 18.
NG (Less than the SP value)>>GO TO 25.

18.DETECT MALFUNCTIONING PART

1. Check for the cause of large engine friction. Refer to the following.
 - Engine oil level is too high
 - Engine oil viscosity
 - Belt tension of alternator, A/C compressor, etc. is excessive
 - Noise from engine
 - Noise from transmission, etc.
2. Check for the cause of insufficient combustion. Refer to the following.
 - Valve clearance malfunction
 - Intake valve timing control function malfunction
 - Camshaft sprocket installation malfunction, etc.

>> Repair or replace malfunctioning part, and then GO TO 30.

19.CHECK INTAKE SYSTEM

Check for the cause of uneven air flow through mass air flow sensor. Refer to the following.

- Crushed air ducts
- Malfunctioning seal of air cleaner element
- Uneven dirt of air cleaner element
- Improper specification of intake air system

OK or NG

OK >> GO TO 21.
NG >> Repair or replace malfunctioning part, and then GO TO 20.

20.CHECK "A/F ALPHA-B1", "A/F ALPHA-B2" AND "B/FUEL SCHDL"

Select "A/F ALPHA-B1", "A/F ALPHA-B1" and "B/FUEL SCHDL" in "SPEC" of "DATA MONITOR" mode, and make sure that the each indication is within the SP value.

OK or NG

OK >> **INSPECTION END**
NG ("B/FUEL SCHDL" is more, "A/F ALPHA-B1", "A/F ALPHA-B2" is less than the SP value)>>GO TO 21.

21.DISCONNECT AND RECONNECT MASS AIR FLOW SENSOR HARNESS CONNECTOR

1. Stop the engine.

TROUBLE DIAGNOSIS - SPECIFICATION VALUE

< SERVICE INFORMATION >

[QR]

2. Disconnect mass air flow sensor harness connector. Check pin terminal and connector for damage and then reconnect it again.

>> GO TO 22.

22.CHECK "A/F ALPHA-B1", "A/F ALPHA-B2"

1. Start engine.
2. Select "A/F ALPHA-B1", "A/F ALPHA-B2" in "SPEC" of "DATA MONITOR" mode, and make sure that the each indication is within the SP value.

OK or NG

OK >> 1. Detect malfunctioning part of mass air flow sensor circuit and repair it. Refer to [EC-677](#).

2. GO TO 29.

NG >> GO TO 23.

23.CHECK "MAS A/F SE-B1"

Select "MAS A/F SE-B1" in "SPEC" of "DATA MONITOR" mode, and make sure that the indication is within the SP value.

OK or NG

OK >> GO TO 24.

NG (More than the SP value)>>Replace mass air flow sensor, and then GO TO 29.

24.REPLACE ECM

1. Replace ECM.
2. Perform initialization of NVIS(NATS) system and registration of all NVIS(NATS) ignition key IDs. Refer to [BL-170, "ECM Re-communicating Function"](#).
3. Perform [EC-590, "VIN Registration"](#).
4. Perform [EC-590, "Accelerator Pedal Released Position Learning"](#).
5. Perform [EC-590, "Throttle Valve Closed Position Learning"](#).
6. Perform [EC-590, "Idle Air Volume Learning"](#).

>> GO TO 29.

25.CHECK INTAKE SYSTEM

Check for the cause of uneven air flow through mass air flow sensor. Refer to the following.

- Crushed air ducts
- Malfunctioning seal of air cleaner element
- Uneven dirt of air cleaner element
- Improper specification of intake air system

OK or NG

OK >> GO TO 27.

NG >> Repair or replace malfunctioning part, and then GO TO 26.

26.CHECK "B/FUEL SCHDL"

Select "B/FUEL SCHDL" in "SPEC" of "DATA MONITOR" mode, and make sure that the indication is within the SP value.

OK or NG

OK >> **INSPECTION END**

NG (Less than the SP value)>>GO TO 27.

27.CHECK "MAS A/F SE-B1"

Select "MAS A/F SE-B1" in "SPEC" of "DATA MONITOR" mode, and make sure that the indication is within the SP value.

OK or NG

OK >> GO TO 28.

NG (Less than the SP value)>>Replace mass air flow sensor, and then GO TO 30.

28.CHECK INTAKE SYSTEM

Check for the cause of air leak after the mass air flow sensor. Refer to the following.

<https://www.automotive-manuals.net/>

TROUBLE DIAGNOSIS - SPECIFICATION VALUE

[QR]

< SERVICE INFORMATION >

- Disconnection, looseness, and cracks in air duct
- Looseness of oil filler cap
- Disconnection of oil level gauge
- Open stuck, breakage, hose disconnection, or cracks of PCV valve
- Disconnection or cracks of EVAP purge hose, open stuck of EVAP canister purge volume control solenoid valve
- Malfunctioning seal of rocker cover gasket
- Disconnection, looseness, or cracks of hoses, such as vacuum hose, connecting to intake air system parts
- Malfunctioning seal of intake air system, etc.

>> GO TO 30.

29. CHECK "A/F ALPHA-B1", "A/F ALPHA-B2" AND "B/FUEL SCHDL"

Select "A/F ALPHA-B1", "A/F ALPHA-B2" and "B/FUEL SCHDL" in "SPEC" of "DATA MONITOR" mode, and make sure that the each indication is within the SP value.

OK or NG

OK >> **INSPECTION END**

NG >> Detect malfunctioning part according to [EC-600. "Symptom Matrix Chart"](#).

30. CHECK "B/FUEL SCHDL"

Select "B/FUEL SCHDL" in "SPEC" of "DATA MONITOR" mode, and then make sure that the indication is within the SP value.

OK or NG

OK >> **INSPECTION END**

NG >> Detect malfunctioning part according to [EC-600. "Symptom Matrix Chart"](#).

TROUBLE DIAGNOSIS FOR INTERMITTENT INCIDENT

< SERVICE INFORMATION >

[QR]

TROUBLE DIAGNOSIS FOR INTERMITTENT INCIDENT

Description

INFOID:000000001850315

Intermittent incidents may occur. In many cases, the malfunction resolves itself (the part or circuit function returns to normal without intervention). It is important to realize that the symptoms described in the customer's complaint often do not recur on (1st trip) DTC visits. Realize also that the most frequent cause of Intermittent Incidents occurrences is poor electrical connections. Because of this, the conditions under which the incident occurred may not be clear. Therefore, circuit checks made as part of the standard diagnostic procedure may not indicate the specific malfunctioning area.

Common Intermittent Incidents Report Situations

STEP in Work Flow	Situation
2	The CONSULT-III is used. The SELF-DIAG RESULTS screen shows time data other than 0 or [1t].
3 or 4	The symptom described by the customer does not recur.
5	(1st trip) DTC does not appear during the DTC Confirmation Procedure.
10	The Diagnostic Procedure for PXXXX does not indicate the malfunctioning area.

Diagnosis Procedure

INFOID:000000001850316

1.INSPECTION START

Erase (1st trip) DTCs.

Refer to [EC-559, "Emission-related Diagnostic Information"](#).

>> GO TO 2.

2.CHECK GROUND TERMINALS

Check ground terminals for corroding or loose connection.

Refer to [EC-649, "Ground Inspection"](#).

OK or NG

OK >> GO TO 3.

NG >> Repair or replace.

3.SEARCH FOR ELECTRICAL INCIDENT

Perform [GI-25, "How to Perform Efficient Diagnosis for an Electrical Incident"](#), "INCIDENT SIMULATION TESTS".

OK or NG

OK >> GO TO 4.

NG >> Repair or replace.

4.CHECK CONNECTOR TERMINALS

Refer to [GI-22, "How to Check Terminal"](#), "HOW TO PROBE CONNECTORS", "How to Check Enlarged Contact Spring of Terminal".

OK or NG

OK >> **INSPECTION END**

NG >> Repair or replace connector.

POWER SUPPLY AND GROUND CIRCUIT

< SERVICE INFORMATION >

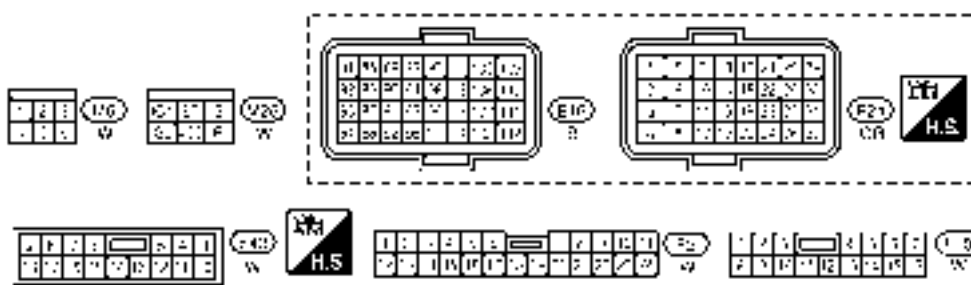
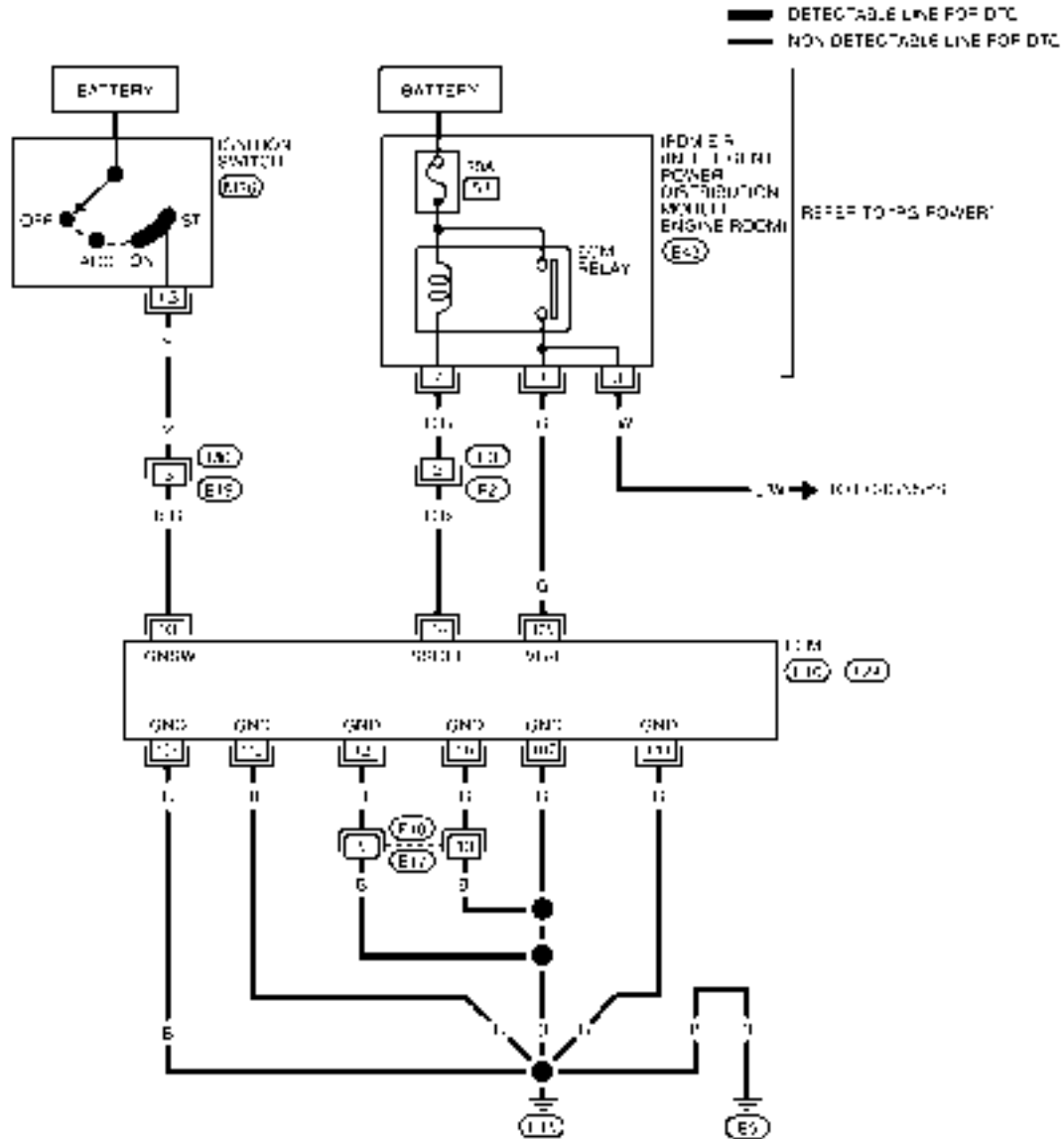
[QR]

POWER SUPPLY AND GROUND CIRCUIT

Wiring Diagram

INFOID:000000002994047

EC-MAIN-01



BBWA3020E

Specification data are reference values and are measured between each terminal and ground.

CAUTION:

Do not use ECM ground terminals when measuring input/output voltage. Doing so may result in damage to the ECM's transistor. Use a ground other than ECM terminals, such as the ground.

POWER SUPPLY AND GROUND CIRCUIT

< SERVICE INFORMATION >

[QR]

TER-MI-NAL NO.	WIRE COLOR	ITEM	CONDITION	DATA (DC Voltage)
12 16	B B	ECM ground	[Engine is running] • Idle speed	Body ground
24	R/B	ECM relay (Self shut-off)	[Engine is running] [Ignition switch: OFF] • For a few seconds after turning ignition switch OFF	0 - 1.0V
			[Ignition switch: OFF] • More than a few seconds after turning ignition switch OFF	BATTERY VOLTAGE (11 - 14V)
93	B/R	Ignition switch	[Ignition switch: OFF]	0V
			[Ignition switch: ON]	BATTERY VOLTAGE (11 - 14V)
105	G	Power supply for ECM	[Ignition switch: ON]	BATTERY VOLTAGE (11 - 14V)
107 108	B B	ECM ground	[Engine is running] • Idle speed	Body ground
111 112	B B	ECM ground	[Engine is running] • Idle speed	Body ground

Diagnosis Procedure

INFOID:000000001850318

1. INSPECTION START

Start engine.

Is engine running?

Yes or No

Yes >> GO TO 8.

No >> GO TO 2.

2. CHECK ECM POWER SUPPLY CIRCUIT-I

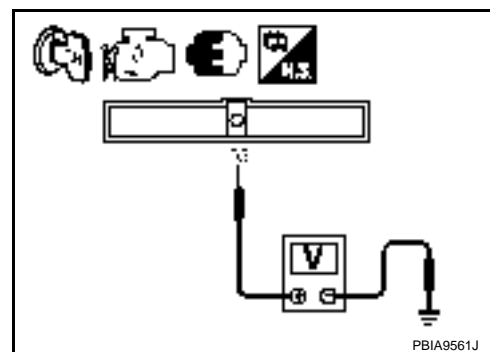
- Turn ignition switch OFF and then ON.
- Check voltage between ECM terminal 93 and ground with CONSULT-III or tester.

Voltage: Battery voltage

OK or NG

OK >> GO TO 4.

NG >> GO TO 3.



3. DETECT MALFUNCTIONING PART

Check the following.

- Harness connectors M6, E19
- Harness for open or short between ECM and ignition switch

>> Repair open circuit or short to ground or short to power in harness or connectors.

4. CHECK GROUND CONNECTIONS

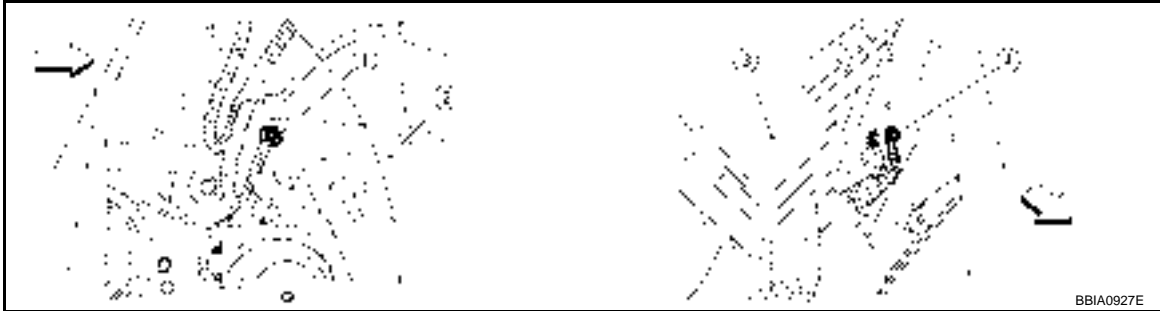
- Turn ignition switch OFF.
- Loosen and retighten ground screws on the body.

POWER SUPPLY AND GROUND CIRCUIT

< SERVICE INFORMATION >

[QR]

Refer to [EC-649, "Ground Inspection"](#).



↖: Vehicle front

1. Body ground E9 (view with front wheel RH and fender protector RH removed.)
2. Washer tank
3. Fuse and fusible link box
4. Body ground E15

OK or NG

OK >> GO TO 5.

NG >> Repair or replace ground connections.

5. CHECK ECM GROUND CIRCUIT FOR OPEN AND SHORT-I

1. Disconnect ECM harness connector.
2. Check harness continuity between ECM terminals 12, 16, 107, 108, 111, 112 and ground. Refer to Wiring Diagram.

Continuity should exist.

3. Also check harness for short to power.

OK or NG

OK >> GO TO 7.

NG >> GO TO 6.

6. DETECT MALFUNCTIONING PART

Check the following.

- Harness connectors F10, E17
- Harness for open or short between ECM and ground

>> Repair open circuit or short to power in harness or connectors.

7. CHECK ECM POWER SUPPLY CIRCUIT-II

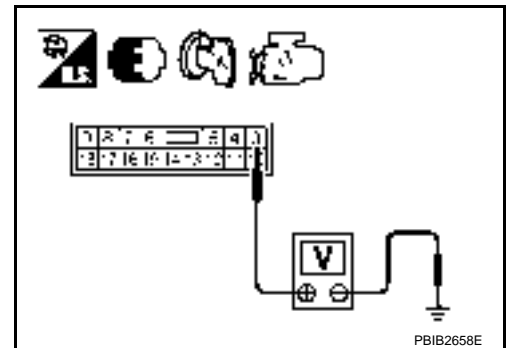
1. Reconnect ECM harness connector.
2. Turn ignition switch ON.
3. Check voltage between IPDM E/R terminal 3 and ground with CONSULT-III or tester.

Voltage: Battery voltage

OK or NG

OK >> Go to [EC-1043](#).

NG >> GO TO 8.



8. CHECK ECM POWER SUPPLY CIRCUIT-III

1. Turn ignition switch OFF and wait at least 10 seconds.
2. Turn ignition switch ON and then OFF.

POWER SUPPLY AND GROUND CIRCUIT

[QR]

< SERVICE INFORMATION >

3. Check voltage between ECM terminal 105 and ground with CONSULT-III or tester.

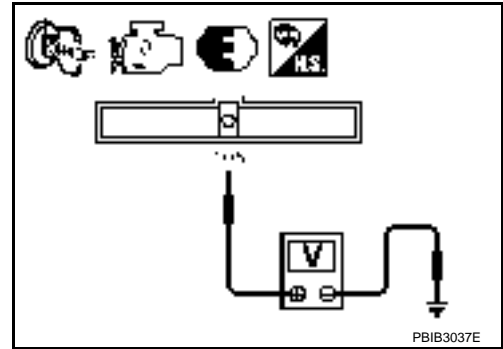
Voltage: After turning ignition switch OFF, battery voltage will exist for a few seconds, then drop approximately 0V.

OK or NG

OK >> GO TO 14.

NG (Battery voltage does not exist.)>>GO TO 9.

NG (Battery voltage exists for more than a few seconds.)>>GO TO 11.



9. CHECK ECM POWER SUPPLY CIRCUIT-IV

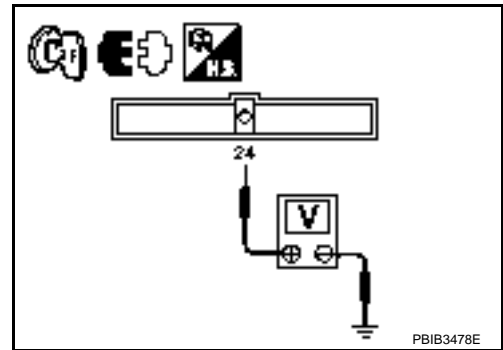
1. Turn ignition switch OFF and wait at least 10 seconds.
2. Check voltage between ECM terminal 24 and ground with CONSULT-III or tester.

Voltage: Battery voltage

OK or NG

OK >> GO TO 10.

NG >> GO TO 11.



10. CHECK ECM POWER SUPPLY CIRCUIT-V

1. Disconnect ECM harness connector.
2. Disconnect IPDM E/R harness connector E43.
3. Check harness continuity between ECM terminal 105 and IPDM E/R terminal 4. Refer to Wiring Diagram.

Continuity should exist.

4. Also check harness for short to ground and short to power.

OK or NG

OK >> GO TO 17.

NG >> Repair open circuit or short to ground or short to power in harness or connectors.

11. CHECK ECM POWER SUPPLY CIRCUIT-VI

1. Disconnect ECM harness connector.
2. Disconnect IPDM E/R harness connector E43.
3. Check harness continuity between ECM terminal 24 and IPDM E/R terminal 7. Refer to Wiring Diagram.

Continuity should exist.

4. Also check harness for short to ground and short to power.

OK or NG

OK >> GO TO 13.

NG >> GO TO 12.

12. DETECT MALFUNCTIONING PART

Check the following.

- Harness connectors E3, F2
- Harness for open or short between ECM and IPDM E/R

>> Repair open circuit or short to ground or short to power in harness or connectors.

POWER SUPPLY AND GROUND CIRCUIT

< SERVICE INFORMATION >

[QR]

13.CHECK 20A FUSE

1. Disconnect 20A fuse from IPDM E/R.
2. Check 20A fuse.

OK or NG

- OK >> GO TO 17.
NG >> Replace 20A fuse.

14.CHECK GROUND CONNECTIONS

Loosen and retighten ground screws on the body.
Refer to [EC-649. "Ground Inspection"](#).



↖ Vehicle front

1. Body ground E9 (view with front wheel RH and fender protector RH removed.)
2. Washer tank
3. Fuse and fusible link box
4. Body ground E15

OK or NG

- OK >> GO TO 15.
NG >> Repair or replace ground connections.

15.CHECK ECM GROUND CIRCUIT FOR OPEN AND SHORT-II

1. Disconnect ECM harness connector.
2. Check harness continuity between ECM terminals 12, 16, 107, 108, 111, 112 and ground.
Refer to Wiring Diagram.

Continuity should exist.

3. Also check harness for short to power.

OK or NG

- OK >> GO TO 17.
NG >> GO TO 16.

16.DETECT MALFUNCTIONING PART

Check the following.

- Harness connectors F10, E17
- Harness for open or short between ECM and ground

>> Repair open circuit or short to power in harness or connectors.

17.CHECK INTERMITTENT INCIDENT

Refer to [EC-643](#).

OK or NG

- OK >> Replace IPDM E/R. Refer to [PG-17](#).
NG >> Repair open circuit or short to power in harness or connectors.

POWER SUPPLY AND GROUND CIRCUIT

< SERVICE INFORMATION >

[QR]

Ground Inspection

INFOID:000000001850319

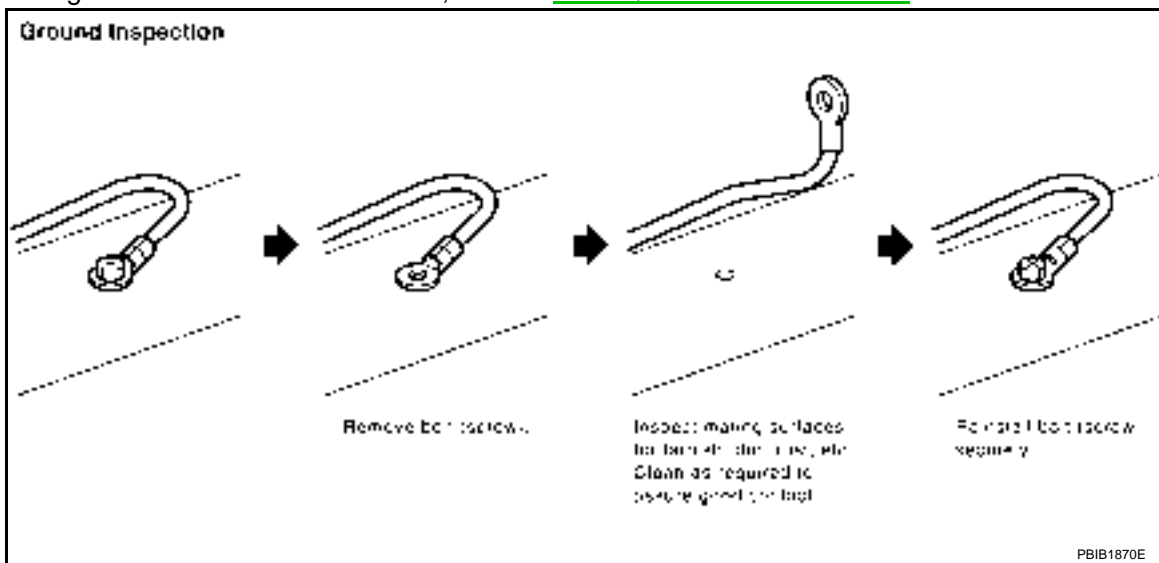
Ground connections are very important to the proper operation of electrical and electronic circuits. Ground connections are often exposed to moisture, dirt and other corrosive elements. The corrosion (rust) can become an unwanted resistance. This unwanted resistance can change the way a circuit works.

Electronically controlled circuits are very sensitive to proper grounding. A loose or corroded ground can drastically affect an electronically controlled circuit. A poor or corroded ground can easily affect the circuit. Even when the ground connection looks clean, there can be a thin film of rust on the surface.

When inspecting a ground connection follow these rules:

- Remove the ground bolt or screw.
- Inspect all mating surfaces for tarnish, dirt, rust, etc.
- Clean as required to assure good contact.
- Reinstall bolt or screw securely.
- Inspect for "add-on" accessories which may be interfering with the ground circuit.
- If several wires are crimped into one ground eyelet terminal, check for proper crimps. Make sure all of the wires are clean, securely fastened and providing a good ground path. If multiple wires are cased in one eyelet make sure no ground wires have excess wire insulation.

For detailed ground distribution information, refer to [PG-29, "Ground Distribution"](#).



DTC U1000, U1001 CAN COMMUNICATION LINE

< SERVICE INFORMATION >

[QR]

DTC U1000, U1001 CAN COMMUNICATION LINE

Description

INFOID:000000001850320

CAN (Controller Area Network) is a serial communication line for real time application. It is an on-vehicle multiplex communication line with high data communication speed and excellent error detection ability. Many electronic control units are equipped onto a vehicle, and each control unit shares information and links with other control units during operation (not independent). In CAN communication, control units are connected with 2 communication lines (CAN H line, CAN L line) allowing a high rate of information transmission with less wiring. Each control unit transmits/receives data but selectively reads required data only.

On Board Diagnosis Logic

INFOID:000000001850321

DTC No.	Trouble diagnosis name	DTC detecting condition	Possible cause
U1000*1 1000*1	CAN communication line	When ECM is not transmitting or receiving CAN communication signal of OBD (emission related diagnosis) for 2 seconds or more.	• Harness or connectors (CAN communication line is open or shorted.)
U1001*2 1001*2		When ECM is not transmitting or receiving CAN communication signal other than OBD (emission-related diagnosis) for 2 seconds or more.	

*1: This self-diagnosis has the one trip detection logic (CVT).

The MIL will not light up for this self-diagnosis (M/T).

*2: The MIL will not light up for this self-diagnosis.

DTC Confirmation Procedure

INFOID:000000001850322

1. Turn ignition switch ON and wait at least 3 seconds.
2. Check 1st trip DTC.
3. If 1st trip DTC is detected, go to [EC-651, "Diagnosis Procedure"](#).

DTC U1000, U1001 CAN COMMUNICATION LINE

< SERVICE INFORMATION >

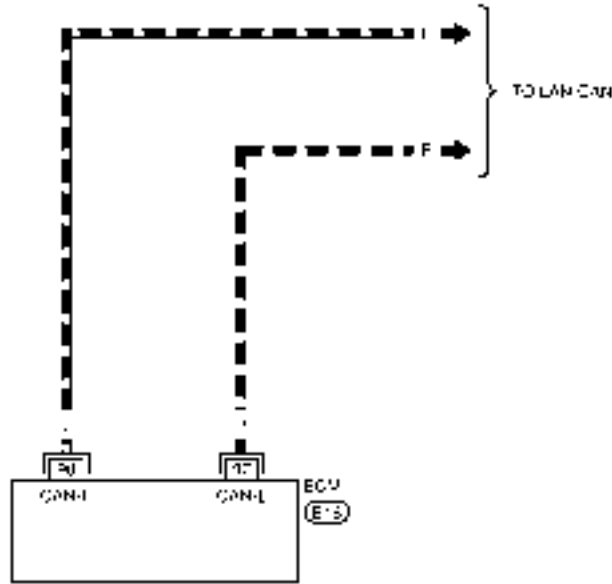
[QR]

Wiring Diagram

INFOID:000000001850323

EC-CAN-01

- (thick dashed line) : DETECTABLE LINE FOR DTC
- (thin dashed line) : NON-DETECTABLE LINE FOR DTC
- - - (dotted line) : DATA LINE



BBWA3021E

Diagnosis Procedure

Go to [LAN-25, "CAN System Specification Chart"](#).

INFOID:000000001850324

DTC U1010 CAN COMMUNICATION

< SERVICE INFORMATION >

[QR]

DTC U1010 CAN COMMUNICATION

Description

INFOID:000000001850325

CAN (Controller Area Network) is a serial communication line for real time application. It is an on-vehicle multiplex communication line with high data communication speed and excellent error detection ability. Many electronic control units are equipped onto a vehicle, and each control unit shares information and links with other control units during operation (not independent). In CAN communication, control units are connected with 2 communication lines (CAN H line, CAN L line) allowing a high rate of information transmission with less wiring. Each control unit transmits/receives data but selectively reads required data only.

On Board Diagnosis Logic

INFOID:000000001850326

- **This self-diagnosis has the one trip detection logic (CVT).**
- **The MIL will not light up for this self-diagnosis (M/T).**

DTC No.	Trouble diagnosis name	DTC detecting condition	Possible cause
U1010 1010	CAN communication bus	When detecting error during the initial diagnosis of CAN controller of ECM.	• ECM

DTC Confirmation Procedure

INFOID:000000001850327

1. Turn ignition switch ON.
2. Check 1st trip DTC.
3. If 1st trip DTC is detected, go to [EC-652, "Diagnosis Procedure"](#).

Diagnosis Procedure

INFOID:000000001850328

1. INSPECTION START

With CONSULT-III

1. Turn ignition switch ON.
2. Select "SELF-DIAG RESULTS" mode with CONSULT-III.
3. Touch "ERASE".
4. **Perform DTC Confirmation Procedure.**
See [EC-652, "DTC Confirmation Procedure"](#).
5. Is the 1st trip DTC U1010 displayed again?

With GST

1. Turn ignition switch ON.
2. Select Service \$04 with GST.
3. **Perform DTC Confirmation Procedure.**
See [EC-652, "DTC Confirmation Procedure"](#).
4. Is the 1st trip DTC U1010 displayed again?

Yes or No

- Yes >> GO TO 2.
No >> **INSPECTION END**

2. REPLACE ECM

1. Replace ECM.
2. Perform initialization of NVIS (NATS) system and registration of all NVIS (NATS) ignition key IDs.
Refer to [BL-170, "ECM Re-communicating Function"](#).
3. Perform [EC-590, "VIN Registration"](#).
4. Perform [EC-590, "Accelerator Pedal Released Position Learning"](#).
5. Perform [EC-590, "Throttle Valve Closed Position Learning"](#).
6. Perform [EC-590, "Idle Air Volume Learning"](#).

>> **INSPECTION END**

DTC P0011 IVT CONTROL

< SERVICE INFORMATION >

[QR]

DTC P0011 IVT CONTROL

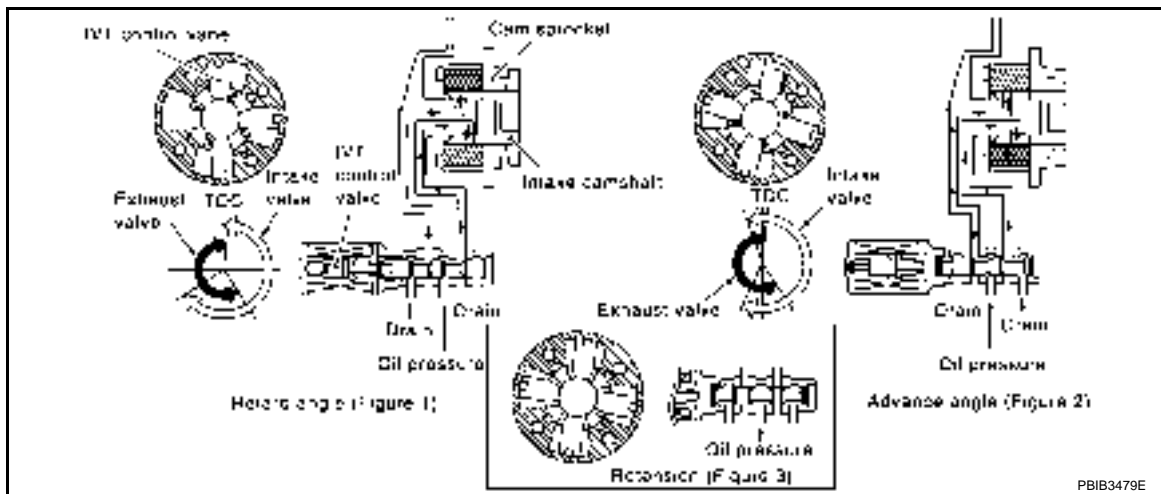
Description

INFOID:000000001850329

SYSTEM DESCRIPTION

Sensor	Input signal to ECM	ECM function	Actuator
Crankshaft position sensor (POS) Camshaft position sensor (PHASE)	Engine speed and piston position	Intake valve timing control	Intake valve timing control solenoid valve
Engine coolant temperature sensor	Engine coolant temperature		
Wheel sensor	Vehicle speed*		

*: This signal is sent to the ECM through CAN communication line.



This mechanism hydraulically controls cam phases continuously with the fixed operating angle of the intake valve. The ECM receives signals such as crankshaft position, camshaft position, engine speed, and engine coolant temperature. Then, the ECM sends ON/OFF pulse duty signals to the intake valve timing control solenoid valve depending on driving status. This makes it possible to control the shut/open timing of the intake valve to increase engine torque in low/mid speed range and output in high-speed range.

CONSULT-III Reference Value in Data Monitor Mode

INFOID:000000001850330

Specification data are reference values.

MONITOR ITEM	CONDITION	SPECIFICATION
INT/V TIM (B1)	• Engine: After warming up • Shift lever: P or N (CVT), Neutral (M/T) • Air conditioner switch: OFF • No load Idle	-5° - 5°CA
	2,000 rpm	Approx. 0° - 20°CA
INT/V SOL (B1)	• Engine: After warming up • Shift lever: P or N (CVT), Neutral (M/T) • Air conditioner switch: OFF • No load Idle	0%
	2,000 rpm	Approx. 0% - 60%

DTC P0011 IVT CONTROL

< SERVICE INFORMATION >

[QR]

On Board Diagnosis Logic

INFOID:000000001850331

DTC No.	Trouble diagnosis name	Detecting condition	Possible cause
P0011 0011	Intake valve timing control performance	There is a gap between angle of target and phase-control angle degree.	<ul style="list-style-type: none"> • Crankshaft position sensor (POS) • Camshaft position sensor (PHASE) • Intake valve timing control solenoid valve • Accumulation of debris to the signal pick-up portion of the camshaft • Timing chain installation • Foreign matter caught in the oil groove for intake valve timing control

FAIL-SAFE MODE

ECM enters in fail-safe mode when the malfunction is detected.

Detected items	Engine operating condition in fail-safe mode
Intake valve timing control	The signal is not energized to the solenoid valve and the valve control does not function

DTC Confirmation Procedure

INFOID:000000001850332

CAUTION:

Always drive at a safe speed.

NOTE:

- If DTC P0011 is displayed with DTC P0075, first perform trouble diagnosis for DTC P0075. See [EC-672](#).
- If DTC Confirmation Procedure has been previously conducted, always turn ignition switch OFF and wait at least 10 seconds before conducting the next test.

TESTING CONDITION:

Before performing the following procedure, confirm that battery voltage is between 10V and 16V at idle.

WITH CONSULT-III

1. Turn ignition switch ON and select "DATA MONITOR" mode with CONSULT-III.
2. Start engine and warm it up to the normal operating temperature.
3. Maintain the following conditions for at least 6 consecutive seconds.
Hold the accelerator pedal as steady as possible.

ENG SPEED	1,200 - 2,000 rpm (A constant rotation is maintained.)
COOLAN TEMP/S	More than 60°C (140°F)
B/FUEL SCHDL	More than 3.5 msec
Shift lever	P or N position (CVT) Neutral position (M/T)

4. Let engine idle for 10 seconds.
5. Check 1st trip DTC.
6. If 1st trip DTC is detected, go to [EC-655. "Diagnosis Procedure"](#).
If 1st trip DTC is not detected, go to next step.
7. Maintain the following conditions for at least 20 consecutive seconds.

ENG SPEED	1,400 - 3,175 rpm (A constant rotation is maintained.)
COOLAN TEMP/S	More than 70°C (158°F)
Shift lever	1st or 2nd position
Driving location uphill	Driving vehicle uphill (Increased engine load will help maintain the driving conditions required for this test.)

8. Check 1st trip DTC.

DTC P0011 IVT CONTROL

[QR]

< SERVICE INFORMATION >

9. If 1st trip DTC is detected, go to [EC-655, "Diagnosis Procedure"](#).

WITH GST

Follow the procedure "WITH CONSULT-III" above.

Diagnosis Procedure

INFOID:000000001850333

A

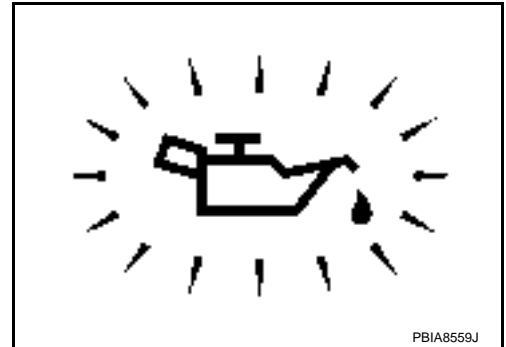
EC

1. CHECK OIL PRESSURE WARNING LAMP

1. Start engine.
2. Check oil pressure warning lamp and confirm it is not illuminated.

OK or NG

- OK >> GO TO 2.
NG >> Go to [LU-15, "Inspection"](#).



C

D

E

F

2. CHECK INTAKE VALVE TIMING CONTROL SOLENOID VALVE

Refer to [EC-656, "Component Inspection"](#).

OK or NG

- OK >> GO TO 3.
NG >> Replace intake valve timing control solenoid valve.

3. CHECK CRANKSHAFT POSITION SENSOR (POS)

Refer to [EC-821, "Component Inspection"](#).

OK or NG

- OK >> GO TO 4.
NG >> Replace crankshaft position sensor (POS).

4. CHECK CAMSHAFT POSITION SENSOR (PHASE)

Refer to [EC-826, "Component Inspection"](#).

OK or NG

- OK >> GO TO 5.
NG >> Replace camshaft position sensor (PHASE).

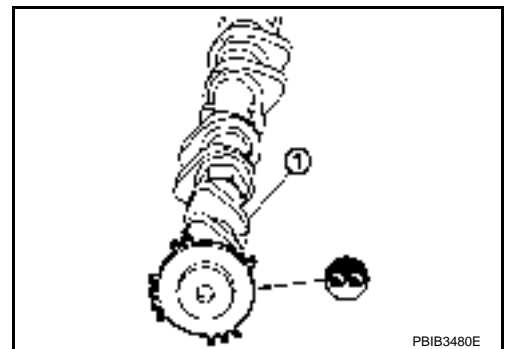
5. CHECK CAMSHAFT (INTAKE)

Check the following.

- Accumulation of debris to the signal plate of camshaft (1) rear end
- Chipping signal plate of camshaft rear end

OK or NG

- OK >> GO TO 6.
NG >> Remove debris and clean the signal plate of camshaft rear end or replace camshaft.



G

H

I

J

K

L

M

N

O

P

6. CHECK TIMING CHAIN INSTALLATION

Check service records for any recent repairs that may cause timing chain misaligned.

Are there any service records that may cause timing chain misaligned?

Yes or No

- Yes >> Check timing chain installation. Refer to [EM-156](#).
No >> GO TO 7.

< SERVICE INFORMATION >

7. CHECK LUBRICATION CIRCUIT

Refer to [EM-152. "Inspection After Installation"](#).

OK or NG

OK >> GO TO 8.

NG >> Clean lubrication line.

8. CHECK INTERMITTENT INCIDENT

Refer to [EC-643](#).

For Wiring Diagram, refer to [EC-817. "Wiring Diagram"](#) for CKP sensor (POS) and [EC-823. "Wiring Diagram"](#) for CMP sensor (PHASE).

>> **INSPECTION END**

Component Inspection

INFOID:000000001850334

INTAKE VALVE TIMING CONTROL SOLENOID VALVE

1. Disconnect intake valve timing control solenoid valve harness connector.
2. Check resistance between intake valve timing control solenoid valve as follows.

Terminal	Resistance
1 and 2	6.7 - 7.7Ω [at 20°C (68°F)]
1 or 2 and ground	∞Ω (Continuity should not exist.)

If NG, replace intake valve timing control solenoid valve.

If OK, go to next step.

3. Remove intake valve timing control solenoid valve.
4. Provide 12V DC between intake valve timing control solenoid valve terminals and then interrupt it. Make sure that the plunger moves as shown in the figure.

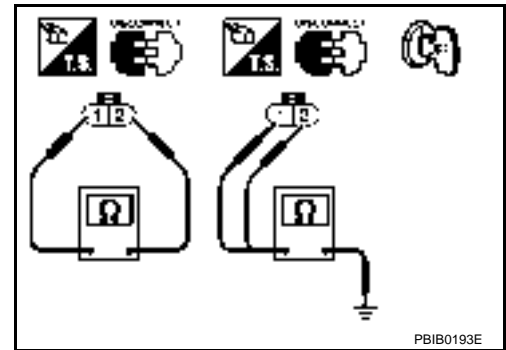
CAUTION:

Do not apply 12V DC continuously for 5 seconds or more. Doing so may result in damage to the coil in intake valve timing control solenoid valve.

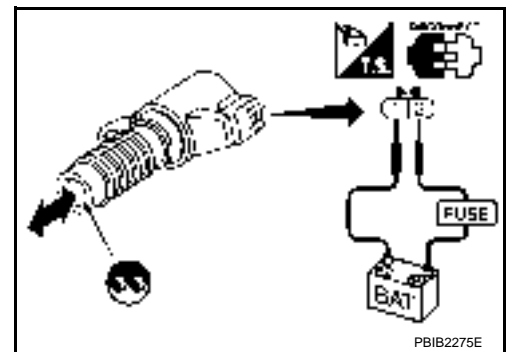
If NG, replace intake valve timing control solenoid valve.

NOTE:

Always replace O-ring when intake valve timing control solenoid valve is removed.



PBIB0193E



PBIB2275E

Removal and Installation

INFOID:000000001850335

INTAKE VALVE TIMING CONTROL SOLENOID VALVE

Refer to [EM-145](#).

DTC P0031, P0032, P0051, P0052 A/F SENSOR 1 HEATER

< SERVICE INFORMATION >

[QR]

DTC P0031, P0032, P0051, P0052 A/F SENSOR 1 HEATER

Description

INFOID:000000001850336

SYSTEM DESCRIPTION

Sensor	Input Signal to ECM	ECM function	Actuator
Camshaft position sensor (PHASE) Crankshaft position sensor (POS)	Engine speed	Air fuel ratio (A/F) sensor 1 heater control	Air fuel ratio (A/F) sensor 1 heater
Mass air flow sensor	Amount of intake air		

The ECM performs ON/OFF duty control of the A/F sensor 1 heater corresponding to the engine operating condition to keep the temperature of A/F sensor 1 element at the specified range.

CONSULT-III Reference Value in Data Monitor Mode

INFOID:000000001850337

Specification data are reference values.

MONITOR ITEM	CONDITION	SPECIFICATION
A/F S1 HTR (B1) A/F S1 HTR (B2)	• Engine: After warming up, idle the engine (More than 140 seconds after starting engine.)	4 - 100%

On Board Diagnosis Logic

INFOID:000000001850338

DTC No.	Trouble diagnosis name	DTC detecting condition	Possible cause
P0031 0031 (Bank 1)	Air fuel ratio (A/F) sensor 1 heater control circuit low	The current amperage in the air fuel ratio (A/F) sensor 1 heater circuit is out of the normal range. [An excessively low voltage signal is sent to ECM through the air fuel ratio (A/F) sensor 1 heater.]	• Harness or connectors [Air fuel ratio (A/F) sensor 1 heater circuit is open or shorted.] • Air fuel ratio (A/F) sensor 1 heater
P0051 0051 (Bank 2)			
P0032 0032 (Bank 1)	Air fuel ratio (A/F) sensor 1 heater control circuit high	The current amperage in the air fuel ratio (A/F) sensor 1 heater circuit is out of the normal range. [An excessively high voltage signal is sent to ECM through the air fuel ratio (A/F) sensor 1 heater.]	• Harness or connectors [Air fuel ratio (A/F) sensor 1 heater circuit is shorted.] • Air fuel ratio (A/F) sensor 1 heater
P0052 0052 (Bank 2)			

DTC Confirmation Procedure

INFOID:000000001850339

NOTE:

If DTC Confirmation Procedure has been previously conducted, always turn ignition switch OFF and wait at least 10 seconds before conducting the next test.

TESTING CONDITION:

Before performing the following procedure, confirm that battery voltage is 11V at idle.

1. Start engine and run it for at least 10 seconds at idle speed.
2. Check 1st trip DTC.
3. If 1st trip DTC is detected, go to [EC-661, "Diagnosis Procedure"](#).

DTC P0031, P0032, P0051, P0052 A/F SENSOR 1 HEATER

< SERVICE INFORMATION >

[QR]

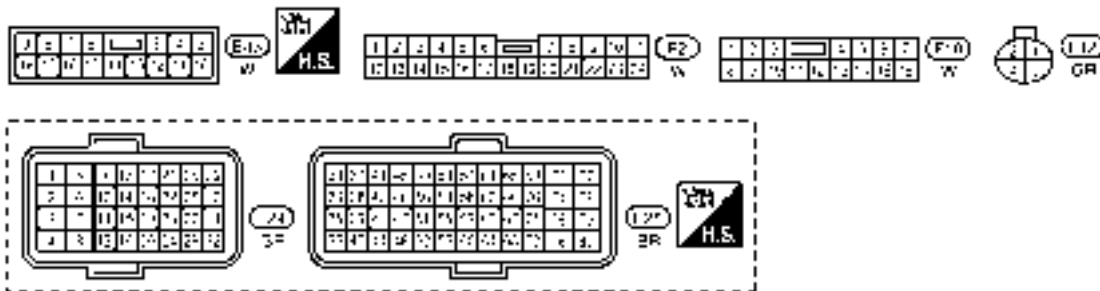
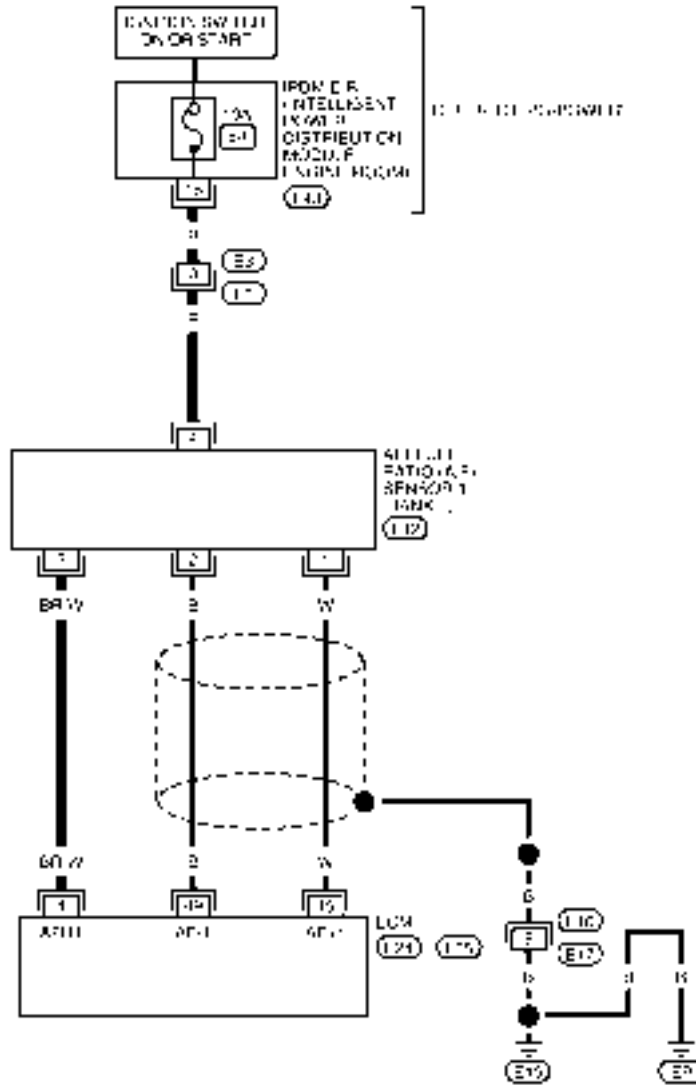
Wiring Diagram

INFOID:000000002994048

BANK 1

EC-AF1HB1-01

— DETECTABLE LINE FOR DTC
 - - - NON DETECTABLE LINE FOR DTC



BBWA3022E

Specification data are reference values and are measured between each terminal and ground. Pulse signal is measured by CONSULT-III.


CAUTION:

DTC P0031, P0032, P0051, P0052 A/F SENSOR 1 HEATER

< SERVICE INFORMATION >

[QR]

Do not use ECM ground terminals when measuring input/output voltage. Doing so may result in damage to the ECM's transistor. Use a ground other than ECM terminals, such as the ground.

TERMI- NAL NO.	WIRE COLOR	ITEM	CONDITION	DATA (DC Voltage)
4	BR/W	A/F sensor 1 heater (Bank 1)	[Engine is running] <ul style="list-style-type: none"> • Warm-up condition • Idle speed (More than 140 seconds after starting engine) 	Approximately 2.9 - 8.8V★  <small>PBIA8148J</small>
45	W	A/F sensor 1 (Bank 1)	[Engine is running] <ul style="list-style-type: none"> • Warm-up condition • Engine speed: 2,000 rpm 	Approximately 1.8V Output voltage varies with air fuel ratio.
49	B	A/F sensor 1 (Bank 1)	[Ignition switch: ON]	Approximately 2.2V

★: Average voltage for pulse signal (Actual pulse signal can be confirmed by oscilloscope.)



DTC P0031, P0032, P0051, P0052 A/F SENSOR 1 HEATER

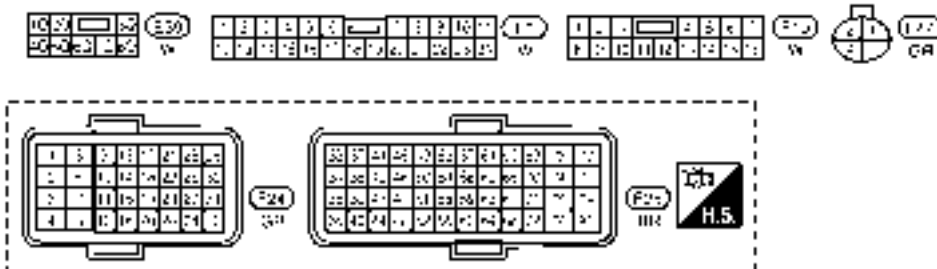
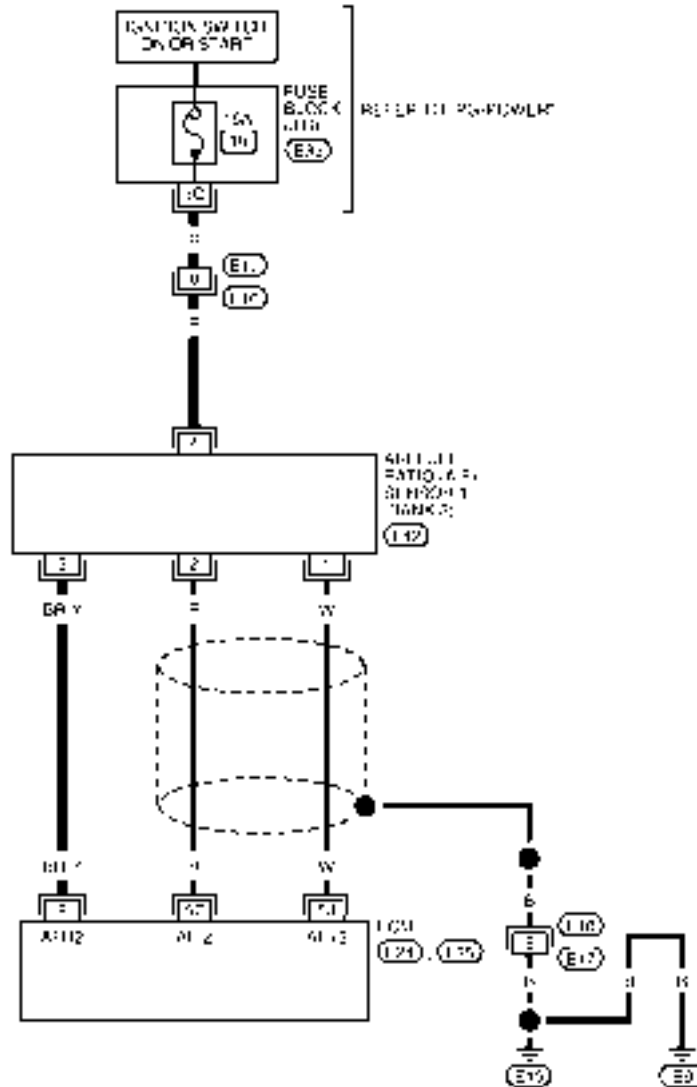
< SERVICE INFORMATION >

[QR]

BANK 2

EC-AF1HB2-01

 ON-TIME LINE (0.01 SEC)
 NORMAL-TIME LINE (0.01 SEC)



BBWA3023E

Specification data are reference values and are measured between each terminal and ground. Pulse signal is measured by CONSULT-III.


CAUTION:

Do not use ECM ground terminals when measuring input/output voltage. Doing so may result in damage to the ECM's transistor. Use a ground other than ECM terminals, such as the ground.

DTC P0031, P0032, P0051, P0052 A/F SENSOR 1 HEATER

< SERVICE INFORMATION >

[QR]

TERMINAL NO.	WIRE COLOR	ITEM	CONDITION	DATA (DC Voltage)
8	BR/Y	A/F sensor 1 heater (Bank 2)	[Engine is running] <ul style="list-style-type: none"> • Warm-up condition • Idle speed (More than 140 seconds after starting engine) 	Approximately 2.9 - 8.8V★  <small>PBIA8148J</small>
53	W	A/F sensor 1 (Bank 2)	[Engine is running] <ul style="list-style-type: none"> • Warm-up condition • Engine speed: 2,000 rpm 	Approximately 1.8V Output voltage varies with air fuel ratio.
57	R	A/F sensor 1 (Bank 2)	[Ignition switch: ON]	Approximately 2.2V

★: Average voltage for pulse signal (Actual pulse signal can be confirmed by oscilloscope.)

Diagnosis Procedure

INFOID:000000001850341

1. CHECK GROUND CONNECTIONS

1. Turn ignition switch OFF.
2. Loosen and retighten ground screws on the body.
Refer to [EC-649, "Ground Inspection"](#).



 Vehicle front

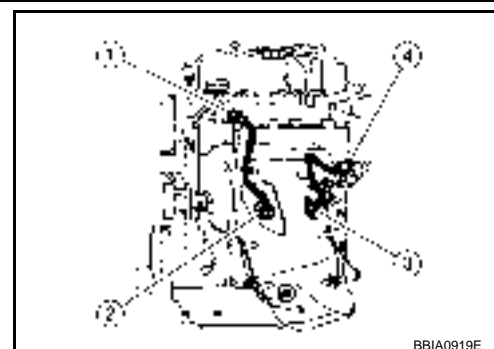
1. Body ground E9 (view with front wheel RH and fender protector RH removed.)
2. Washer tank
3. Fuse and fusible link box
4. Body ground E15

OK or NG

- OK >> GO TO 2.
 NG >> Repair or replace ground connections.

2. CHECK AIR FUEL RATIO (A/F) SENSOR 1 POWER SUPPLY CIRCUIT

1. Disconnect air fuel ratio (A/F) sensor 1 harness connector.
 - Air fuel ratio (A/F) sensor 1 (Bank 1) harness connector (1)
 - Air fuel ratio (A/F) sensor 1 (Bank 1) (2)
 - Air fuel ratio (A/F) sensor 1 (Bank 2) (3)
 - Air fuel ratio (A/F) sensor 1 (Bank 2) harness connector (4)
2. Turn ignition switch ON.



DTC P0031, P0032, P0051, P0052 A/F SENSOR 1 HEATER

< SERVICE INFORMATION >

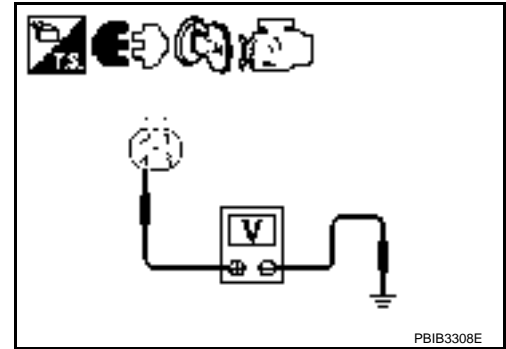
[QR]

3. Check voltage between A/F sensor 1 terminal 4 and ground with CONSULT-III or tester.

Voltage: Battery voltage

OK or NG

- OK >> GO TO 4.
- NG >> GO TO 3.



3. DETECT MALFUNCTIONING PART

Check the following.

- Harness connectors E3, F2 (Bank 1)
- Harness connectors E17, F10 (Bank 2)
- Fuse block (J/B) connector E43 (Bank 1)
- Fuse block (J/B) connector E39 (Bank 2)
- 10A fuse (Bank 1)
- 15A fuse (Bank 2)
- Harness for open or short between A/F sensor 1 and fuse

>> Repair or replace harness or connectors.

4. CHECK A/F SENSOR 1 HEATER OUTPUT SIGNAL CIRCUIT

1. Turn ignition switch OFF.
2. Disconnect ECM harness connector.
3. Check harness continuity between ECM terminal 4 (Bank 1) or 8 (Bank 2) and A/F sensor 1 terminal 3. Refer to Wiring Diagram.

Continuity should exist.

4. Also check harness for short to ground and short to power.

OK or NG

- OK >> GO TO 5.
- NG >> Repair open circuit or short to ground or short to power in harness or connectors.

5. CHECK A/F SENSOR 1 HEATER

Refer to [EC-662. "Component Inspection"](#).

OK or NG

- OK >> GO TO 6.
- NG >> Replace malfunctioning air fuel ratio (A/F) sensor 1.

6. CHECK INTERMITTENT INCIDENT

Perform [EC-643](#).

>> **INSPECTION END**

Component Inspection

INFOID:000000001850342

AIR FUEL RATIO (A/F) SENSOR 1 HEATER

DTC P0031, P0032, P0051, P0052 A/F SENSOR 1 HEATER

< SERVICE INFORMATION >

[QR]

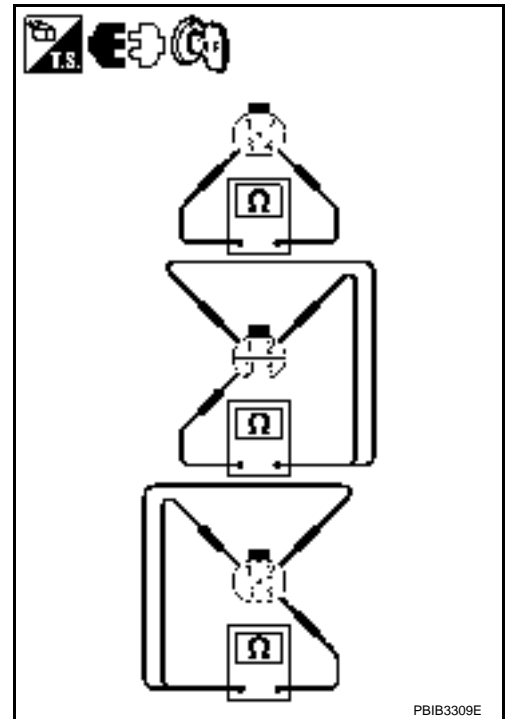
1. Check resistance between A/F sensor 1 terminals as follows.

Terminal No.	Resistance
3 and 4	1.8 - 2.44 Ω [at 25°C (77°F)]
3 and 1, 2	$\infty \Omega$
4 and 1, 2	(Continuity should not exist)

2. If NG, replace air fuel ratio (A/F) sensor 1.

CAUTION:

- Discard any A/F sensor which has been dropped from a height of more than 0.5 m (19.7 in) onto a hard surface such as a concrete floor; use a new one.
- Before installing new A/F sensor, clean exhaust system threads using Heated Oxygen Sensor Thread Cleaner tool J-43897-18 or J-43897-12 and approved anti-seize lubricant.



Removal and Installation

AIR FUEL RATIO SENSOR HEATER

Refer to [EM-132](#).

INFOID:000000001850343

A
EC
C
D
E
F
G
H
I
J
K
L
M
N
O
P

DTC P0037, P0038, P0057, P0058 HO2S2 HEATER

< SERVICE INFORMATION >

[QR]

DTC P0037, P0038, P0057, P0058 HO2S2 HEATER

Description

INFOID:000000001850344

SYSTEM DESCRIPTION

Sensor	Input Signal to ECM	ECM Function	Actuator
Camshaft position sensor (PHASE)	Engine speed	Heated oxygen sensor 2 heater control	Heated oxygen sensor 2 heater
Crankshaft position sensor (POS)			
Engine coolant temperature sensor	Engine coolant temperature		
Mass air flow sensor	Amount of intake air		

The ECM performs ON/OFF control of the heated oxygen sensor 2 heater corresponding to the engine speed, amount of intake air and engine coolant temperature.

OPERATION

Engine speed rpm	Heated oxygen sensor 2 heater
Above 3,600	OFF
<ul style="list-style-type: none">Below 3,600 rpm after the following conditions are met.<ul style="list-style-type: none">Engine: After warming upKeeping the engine speed between 3,500 and 4,000 rpm for 1 minute and at idle for 1 minute under no load	ON

CONSULT-III Reference Value in Data Monitor Mode

INFOID:000000001850345

Specification data are reference values.

MONITOR ITEM	CONDITION	SPECIFICATION
HO2S2 HTR (B1) HO2S2 HTR (B2)	<ul style="list-style-type: none">Engine speed: Below 3,600 rpm after the following conditions are met<ul style="list-style-type: none">Engine: After warming upKeeping the engine speed between 3,500 and 4,000 rpm for 1 minute and at idle for 1 minute under no load	ON
	<ul style="list-style-type: none">Engine speed: Above 3,600 rpm	OFF

On Board Diagnosis Logic

INFOID:000000001850346

DTC No.	Trouble diagnosis name	DTC detecting condition	Possible cause
P0037 0037 (Bank 1)	Heated oxygen sensor 2 heater control circuit low	The current amperage in the heated oxygen sensor 2 heater circuit is out of the normal range. (An excessively low voltage signal is sent to ECM through the heated oxygen sensor 2 heater.)	<ul style="list-style-type: none">Harness or connectors (Heated oxygen sensor 2 heater circuit is open or shorted.)Heated oxygen sensor 2 heater
P0057 0057 (Bank 2)			
P0038 0038 (Bank 1)	Heated oxygen sensor 2 heater control circuit high	The current amperage in the heated oxygen sensor 2 heater circuit is out of the normal range. (An excessively high voltage signal is sent to ECM through the heated oxygen sensor 2 heater.)	<ul style="list-style-type: none">Harness or connectors (Heated oxygen sensor 2 heater circuit is shorted.)Heated oxygen sensor 2 heater
P0058 0058 (Bank 2)			

DTC Confirmation Procedure

INFOID:000000001850347

NOTE:

If DTC Confirmation Procedure has been previously conducted, always turn ignition switch OFF and wait at least 10 seconds before conducting the next test.

DTC P0037, P0038, P0057, P0058 HO2S2 HEATER

< SERVICE INFORMATION >

[QR]

TESTING CONDITION:

Before performing the following procedure, confirm that battery voltage is between 11V at idle.

▫ WITH CONSULT-III

1. Turn ignition switch ON and select "DATA MONITOR" mode with CONSULT-III.
2. Start engine and warm it up to the normal operating temperature.
3. Turn ignition switch OFF and wait at least 10 seconds.
4. Start engine and keep the engine speed between 3,500 and 4,000 rpm for at least 1 minute under no load.
5. Let engine idle for 1 minute.
6. Check 1st trip DTC.
7. If 1st trip DTC is detected, go to [EC-669, "Diagnosis Procedure"](#).

▫ WITH GST

Follow the procedure "WITH CONSULT-III" above.

A

EC

C

D

E

F

G

H

I

J

K

L

M

N

O

P

DTC P0037, P0038, P0057, P0058 HO2S2 HEATER

< SERVICE INFORMATION >

[QR]

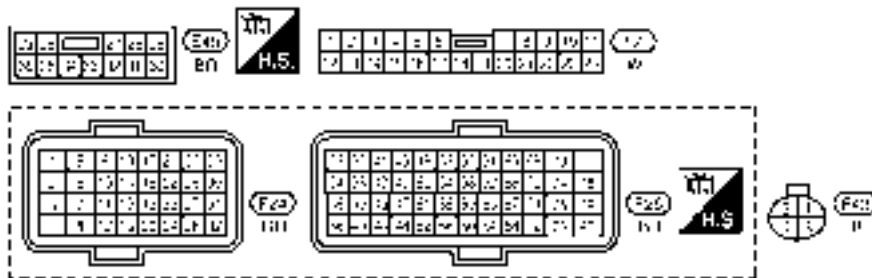
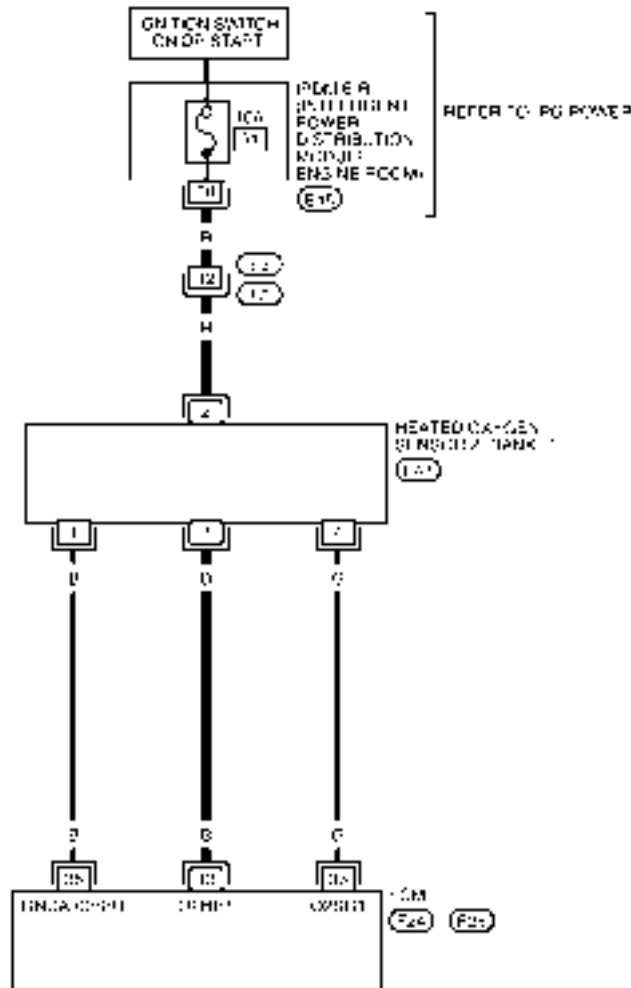
Wiring Diagram

INFOID:000000002994049

BANK 1

EC-02H2B1-01

— 3-TERMINAL LINE CONNECTOR
 — 2-TERMINAL LINE CONNECTOR



BBWA3024E

Specification data are reference values and are measured between each terminal and ground. Pulse signal is measured by CONSULT-III.


CAUTION:

DTC P0037, P0038, P0057, P0058 HO2S2 HEATER

< SERVICE INFORMATION >

[QR]

Do not use ECM ground terminals when measuring input/output voltage. Doing so may result in damage to the ECM's transistor. Use a ground other than ECM terminals, such as the ground.

TERMINAL NO.	WIRE COLOR	ITEM	CONDITION	DATA (DC Voltage)
13	B	Heated oxygen sensor 2 heater (Bank 1)	[Engine is running] <ul style="list-style-type: none"> • Engine speed: Below 3,600 rpm after the following conditions are met. - Engine: After warming up - Keeping the engine speed between 3,500 and 4,000 rpm for 1 minute and at idle for 1 minute under no load. 	Approximately 10V★ 
			[Ignition switch: ON] <ul style="list-style-type: none"> • Engine stopped [Engine is running] <ul style="list-style-type: none"> • Engine speed: Above 3,600 rpm. 	BATTERY VOLTAGE (11 - 14V)
33	G	Heated oxygen sensor 2 (Bank 1)	[Engine is running] <ul style="list-style-type: none"> • Revving engine from idle to 3,000 rpm quickly after the following conditions are met. - Engine: After warming up - Keeping the engine speed between 3,500 and 4,000 rpm for 1 minute and at idle for 1 minute under no load. 	0 - Approximately 1.0V
35	B	Sensor ground (Heated oxygen sensor 2)	[Engine is running] <ul style="list-style-type: none"> • Warm-up condition • Idle speed 	Approximately 0V

★: Average voltage for pulse signal (Actual pulse signal can be confirmed by oscilloscope.)

DTC P0037, P0038, P0057, P0058 HO2S2 HEATER

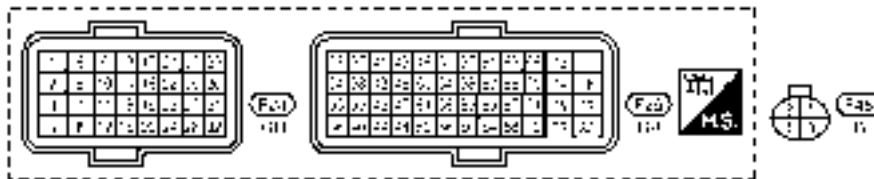
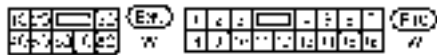
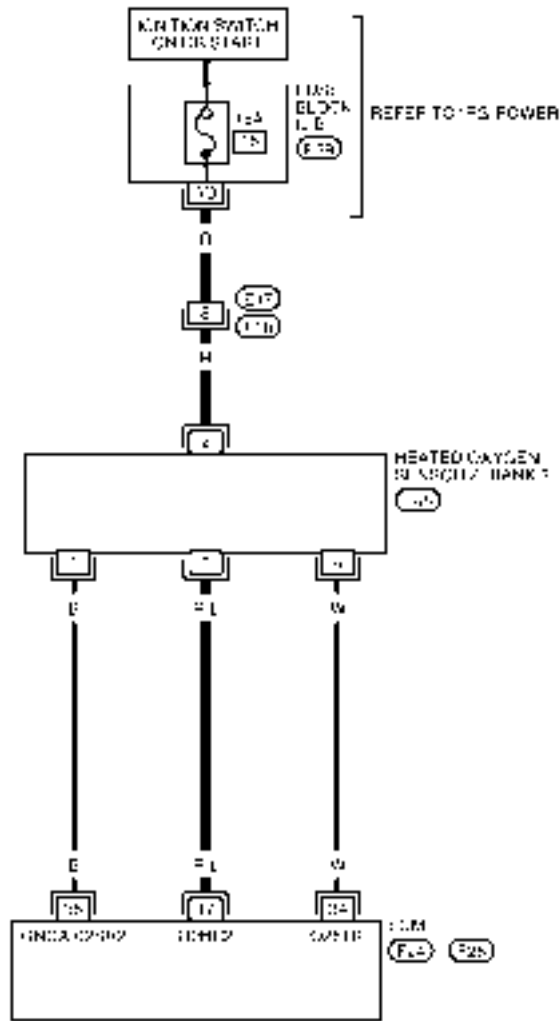
< SERVICE INFORMATION >

[QR]

BANK 2

EC-O2H2B2-01

— IN PLANT LINE (X) (1) (2)
 — WORN IN PLANT LINE (X) (1) (2)



BBWA3025E

Specification data are reference values and are measured between each terminal and ground. Pulse signal is measured by CONSULT-III.


CAUTION:

Do not use ECM ground terminals when measuring input/output voltage. Doing so may result in damage to the ECM's transistor. Use a ground other than ECM terminals, such as the ground.

DTC P0037, P0038, P0057, P0058 HO2S2 HEATER

< SERVICE INFORMATION >

[QR]

TER-MI-NAL NO.	WIRE COLOR	ITEM	CONDITION	DATA (DC Voltage)
17	R/L	Heated oxygen sensor 2 heater (Bank 2)	[Engine is running] <ul style="list-style-type: none"> Engine speed: Below 3,600 rpm after the following conditions are met. <ul style="list-style-type: none"> - Engine: After warming up - Keeping the engine speed between 3,500 and 4,000 rpm for 1 minute and at idle for 1 minute under no load. 	Approximately 10V★  <small>PBIA8148J</small>
			[Ignition switch: ON] <ul style="list-style-type: none"> Engine stopped [Engine is running] <ul style="list-style-type: none"> Engine speed: Above 3,600 rpm. 	BATTERY VOLTAGE (11 - 14V)
34	W	Heated oxygen sensor 2 (Bank 2)	[Engine is running] <ul style="list-style-type: none"> Revsing engine from idle to 3,000 rpm quickly after the following conditions are met. <ul style="list-style-type: none"> - Engine: After warming up - Keeping the engine speed between 3,500 and 4,000 rpm for 1 minute and at idle for 1 minute under no load. 	0 - Approximately 1.0V
35	B	Sensor ground (Heated oxygen sensor 2)	[Engine is running] <ul style="list-style-type: none"> Warm-up condition Idle speed 	Approximately 0V

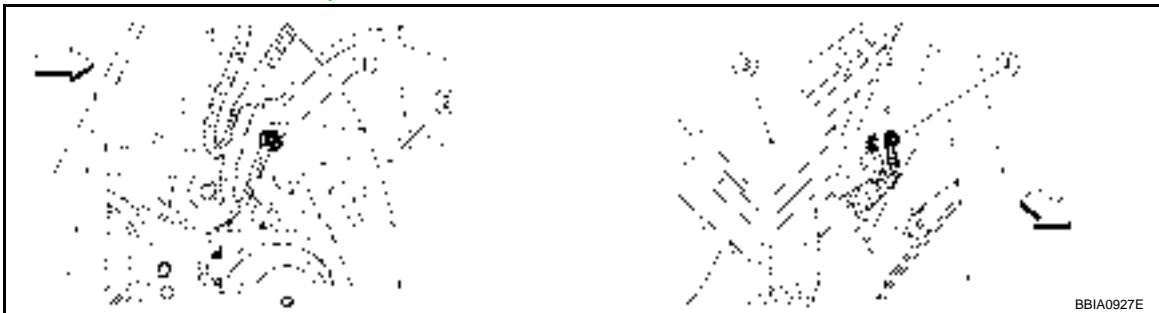
★: Average voltage for pulse signal (Actual pulse signal can be confirmed by oscilloscope.)

Diagnosis Procedure

INFOID:000000001850349

1. CHECK GROUND CONNECTIONS

- Turn ignition switch OFF.
- Loosen and retighten ground screw on the body.
Refer to [EC-649. "Ground Inspection"](#).



 Vehicle front

- Body ground E9 (view with front wheel RH and fender protector RH removed.)
- Washer tank
- Fuse and fusible link box
- Body ground E15

OK or NG

- OK >> GO TO 2.
 NG >> Repair or replace ground connections.

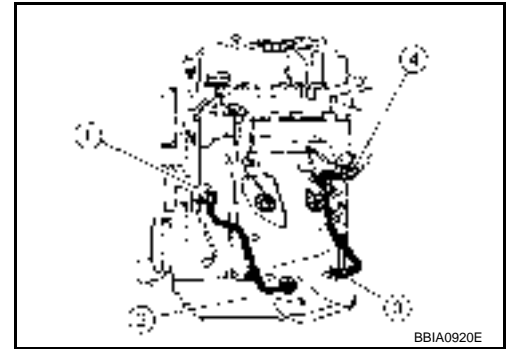
2. CHECK HO2S2 POWER SUPPLY CIRCUIT

DTC P0037, P0038, P0057, P0058 HO2S2 HEATER

[QR]

< SERVICE INFORMATION >

1. Disconnect heated oxygen sensor 2 harness connector.
 - Heated oxygen sensor 2 (Bank 1) harness connector (1)
 - Heated oxygen sensor 2 (Bank 1) (2)
 - Heated oxygen sensor 2 (Bank 2) (3)
 - Heated oxygen sensor 2 (Bank 2) harness connector (4)
2. Turn ignition switch ON.

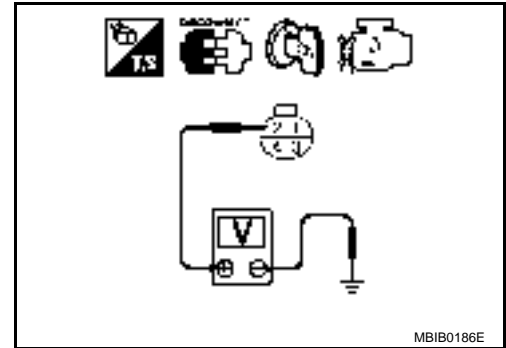


3. Check voltage between HO2S2 terminal 2 and ground with CONSULT-III or tester.

Voltage: Battery voltage

OK or NG

- OK >> GO TO 4.
NG >> GO TO 3.



3. DETECT MALFUNCTIONING PART

Check the following.

- Harness connector E3, F2 (Bank 1)
- Harness connector E17, F10 (Bank 2)
- Fuse block (J/B) connector E45 (Bank 1)
- Fuse block (J/B) connector E39 (Bank 2)
- 10A fuse (Bank 1)
- 15A fuse (Bank 2)
- Harness for open or short between heated oxygen sensor 2 and ECM

>> Repair open circuit or short to ground or short to power in harness or connectors.

4. CHECK HO2S2 OUTPUT SIGNAL CIRCUIT FOR OPEN AND SHORT

1. Turn ignition switch OFF.
2. Disconnect ECM harness connector.
3. Check harness continuity between ECM terminal 13 (Bank 1) or 17 (Bank 2) and HO2S2 terminal 3. Refer to Wiring Diagram.

Continuity should exist.

4. Also check harness for short to ground and short to power.

OK or NG

- OK >> GO TO 5.
NG >> Repair open circuit or short to ground or short to power in harness or connectors.

5. CHECK HEATED OXYGEN SENSOR 2 HEATER

Refer to [EC-671, "Component Inspection"](#).

OK or NG

- OK >> GO TO 6.
NG >> Replace malfunctioning heated oxygen sensor 2.

6. CHECK INTERMITTENT INCIDENT

Refer to [EC-643](#).

DTC P0037, P0038, P0057, P0058 HO2S2 HEATER

< SERVICE INFORMATION >

[QR]

>> INSPECTION END

Component Inspection

INFOID:000000001850350

HEATED OXYGEN SENSOR 2 HEATER

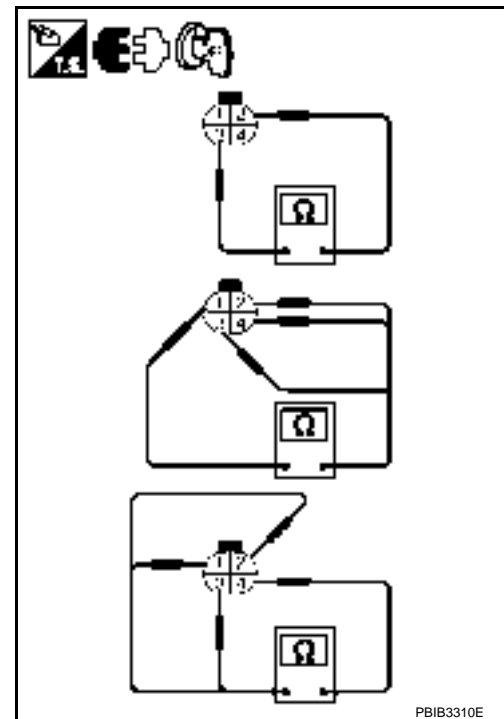
1. Check resistance between HO2S2 terminals as follows.

Terminal No.	Resistance
2 and 3	3.4 - 4.4 Ω [at 25°C (77°F)]
1 and 2, 3, 4	$\infty \Omega$ (Continuity should not exist)
4 and 1, 2, 3	$\infty \Omega$ (Continuity should not exist)

2. If NG, replace heated oxygen sensor 2.

CAUTION:

- Discard any heated oxygen sensor which has been dropped from a height of more than 0.5 m (19.7 in) onto a hard surface such as a concrete floor; use a new one.
- Before installing new oxygen sensor, clean exhaust system threads using Oxygen Sensor Thread Cleaner tool J-43897-18 or J-43897-12 and approved anti-seize lubricant.



Removal and Installation

INFOID:000000001850351

HEATED OXYGEN SENSOR 2

Refer to [EM-132](#).

A
EC
C
D
E
F
G
H
I
J
K
L
M
N
O
P

DTC P0075 IVT CONTROL SOLENOID VALVE

< SERVICE INFORMATION >

[QR]

DTC P0075 IVT CONTROL SOLENOID VALVE

Component Description

INFOID:000000001850352

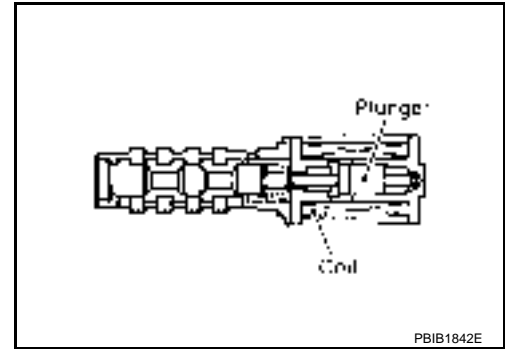
Intake valve timing control solenoid valve is activated by ON/OFF pulse duty (ratio) signals from the ECM.

The intake valve timing control solenoid valve changes the oil amount and direction of flow through intake valve timing control unit or stops oil flow.

The longer pulse width advances valve angle.

The shorter pulse width retards valve angle.

When ON and OFF pulse widths become equal, the solenoid valve stops oil pressure flow to fix the intake valve angle at the control position.



CONSULT-III Reference Value in Data Monitor Mode

INFOID:000000001850353

Specification data are reference values.

MONITOR ITEM	CONDITION	SPECIFICATION	
INT/V SOL (B1)	<ul style="list-style-type: none">• Engine: After warming up• Shift lever: P or N (CVT), Neutral (M/T)• Air conditioner switch: OFF• No load	Idle	0%
		2,000 rpm	Approx. 0% - 60%

On Board Diagnosis Logic

INFOID:000000001850354

DTC No.	Trouble diagnosis name	DTC detecting condition	Possible cause
P0075 0075	Intake valve timing control solenoid valve circuit	An improper voltage is sent to the ECM through intake valve timing control solenoid valve.	<ul style="list-style-type: none">• Harness or connectors (Intake valve timing control solenoid valve circuit is open or shorted.)• Intake valve timing control solenoid valve

DTC Confirmation Procedure

INFOID:000000001850355

NOTE:

If DTC Confirmation Procedure has been previously conducted, always turn ignition switch OFF and wait at least 10 seconds before conducting the next test.

1. Start engine and let it idle for 5 seconds.
2. Check 1st trip DTC.
3. If 1st trip DTC is detected, go to [EC-674. "Diagnosis Procedure"](#).

DTC P0075 IVT CONTROL SOLENOID VALVE

< SERVICE INFORMATION >

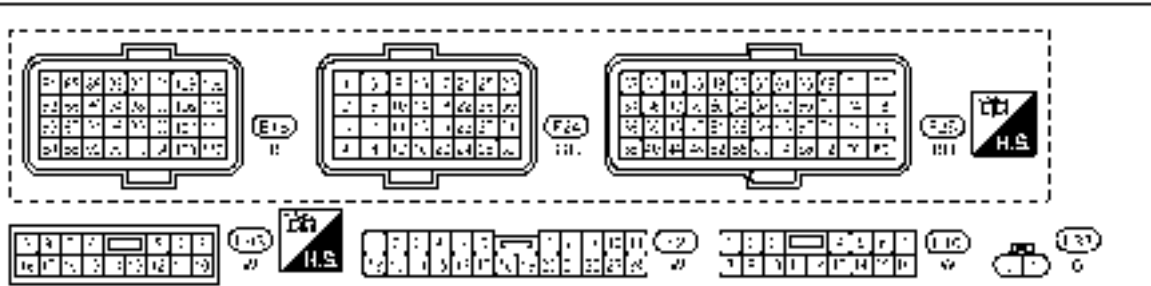
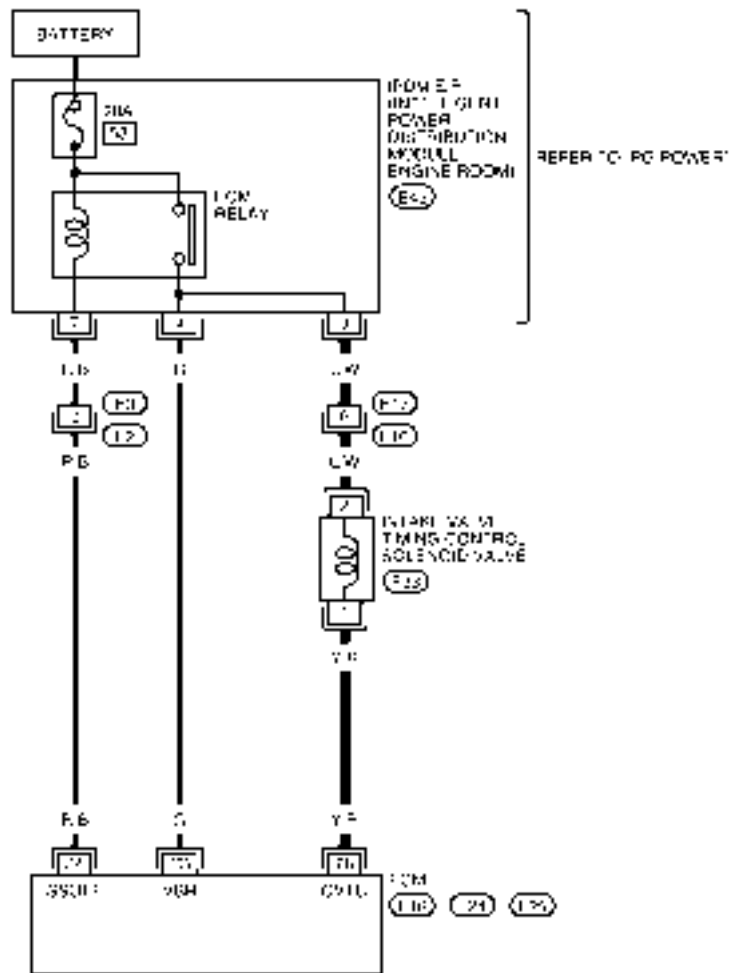
[QR]

Wiring Diagram

INFOID:00000002994050

EC-IVC-01

— DETECTABLE LINE FOR DTC
 — NON-DETECTABLE LINE FOR DTC



BBWA3026E

Specification data are reference values and are measured between each terminal and ground. Pulse signal is measured by CONSULT-III.


CAUTION:

DTC P0075 IVT CONTROL SOLENOID VALVE

< SERVICE INFORMATION >

[QR]

Do not use ECM ground terminals when measuring input/output voltage. Doing so may result in damage to the ECM's transistor. Use a ground other than ECM terminals, such as the ground.

TERMI- NAL NO.	WIRE COLOR	ITEM	CONDITION	DATA (DC Voltage)
24	R/B	ECM relay (Self shut-off)	[Engine is running] [Ignition switch: OFF] • For a few seconds after turning ignition switch OFF	0 - 1.0V
			[Ignition switch: OFF] • More than a few seconds after turning ignition switch OFF	BATTERY VOLTAGE (11 - 14V)
78	Y/R	Intake valve timing control solenoid valve	[Engine is running] • Warm-up condition • Idle speed	BATTERY VOLTAGE (11 - 14V)
			[Engine is running] • Warm-up condition • When revving engine up to 2,000 rpm quickly	7 - 10V★  PBIA4937J
105	G	Power supply for ECM	[Ignition switch: ON]	BATTERY VOLTAGE (11 - 14V)

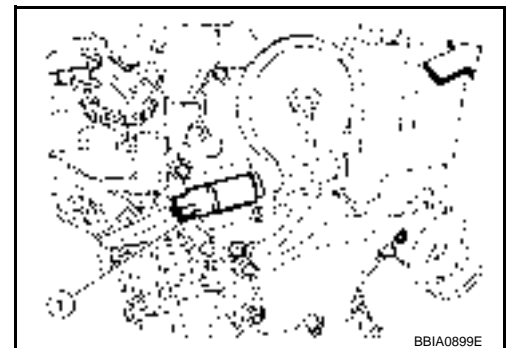
★: Average voltage for pulse signal (Actual pulse signal can be confirmed by oscilloscope.)

Diagnosis Procedure

INFOID:000000001850357

1. CHECK INTAKE VALVE TIMING CONTROL SOLENOID VALVE POWER SUPPLY CIRCUIT

- Turn ignition switch OFF.
- Disconnect intake valve timing control solenoid valve (1) harness connector.
↖: Vehicle front
- Turn ignition switch ON.

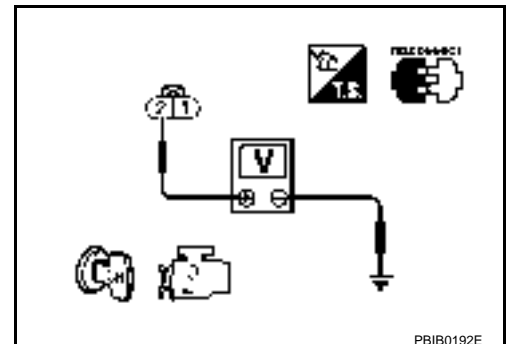


- Check voltage between intake valve timing control solenoid valve terminal 2 and ground with CONSULT-III or tester.

Voltage: Battery voltage

OK or NG

- OK >> GO TO 3.
NG >> GO TO 2.



2. DETECT MALFUNCTION PART

Check the following.

DTC P0075 IVT CONTROL SOLENOID VALVE

[QR]

< SERVICE INFORMATION >

- Harness connectors E17, F10
- Harness for open or short between intake valve timing control solenoid valve and IPDM E/R

>> Repair or replace harness or connectors.

3. CHECK INTAKE VALVE TIMING CONTROL SOLENOID VALVE OUTPUT SIGNAL CIRCUIT FOR OPEN AND SHORT

1. Turn ignition switch OFF.
2. Disconnect ECM harness connector.
3. Check harness continuity between ECM terminal 78 and intake valve timing control solenoid valve terminal 1. Refer to Wiring Diagram.

Continuity should exist.

4. Also check harness for short to ground and short to power.

OK or NG

OK >> GO TO 4.

NG >> Repair open circuit or short to ground or short to power in harness or connectors.

4. CHECK INTAKE VALVE TIMING CONTROL SOLENOID VALVE

Refer to [EC-675, "Component Inspection"](#).

OK or NG

OK >> GO TO 5.

NG >> Replace intake valve timing control solenoid valve.

5. CHECK INTERMITTENT INCIDENT

Refer to [EC-643](#).

>> **INSPECTION END**

Component Inspection

INFOID:000000001850358

INTAKE VALVE TIMING CONTROL SOLENOID VALVE

1. Disconnect intake valve timing control solenoid valve harness connector.
2. Check resistance between intake valve timing control solenoid valve as follows.

Terminal	Resistance
1 and 2	6.7 - 7.7Ω [at 20°C (68°F)]
1 or 2 and ground	∞Ω (Continuity should not exist.)

If NG, replace intake valve timing control solenoid valve.

If OK, go to next step.

3. Remove intake valve timing control solenoid valve.
4. Provide 12V DC between intake valve timing control solenoid valve terminals and then interrupt it. Make sure that the plunger moves as shown in the figure.

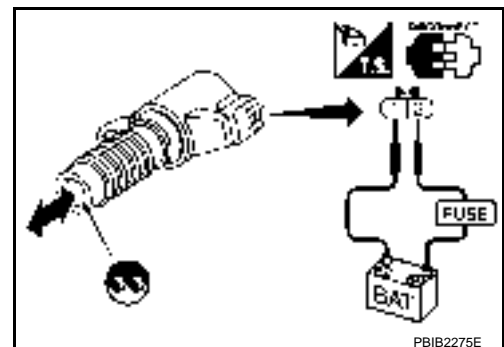
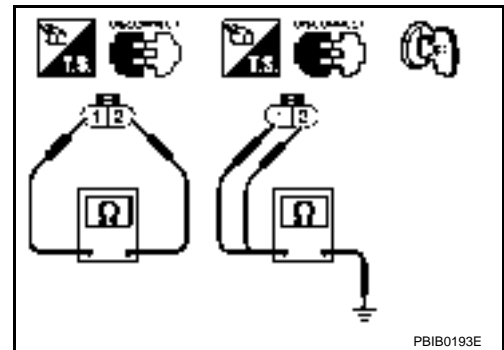
CAUTION:

Do not apply 12V DC continuously for 5 seconds or more. Doing so may result in damage to the coil in intake valve timing control solenoid valve.

If NG, replace intake valve timing control solenoid valve.

NOTE:

Always replace O-ring when intake valve timing control solenoid valve is removed.



DTC P0075 IVT CONTROL SOLENOID VALVE

< SERVICE INFORMATION >

[QR]

Removal and Installation

INFOID:000000001850359

INTAKE VALVE TIMING CONTROL SOLENOID VALVE

Refer to [EM-156](#).

DTC P0101 MAF SENSOR

< SERVICE INFORMATION >

[QR]

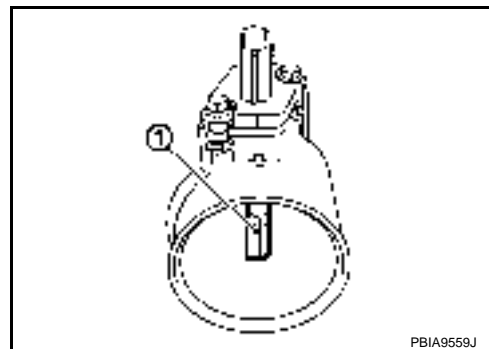
DTC P0101 MAF SENSOR

Component Description

INFOID:000000001850360

The mass air flow sensor (1) is placed in the stream of intake air. It measures the intake flow rate by measuring a part of the entire intake flow. The mass air flow sensor controls the temperature of the hot wire to a certain amount. The heat generated by the hot wire is reduced as the intake air flows around it. The more air, the greater the heat loss.

Therefore, the electric current supplied to hot wire is changed to maintain the temperature of the hot wire as air flow increases. The ECM detects the air flow by means of this current change.



CONSULT-III Reference Value in Data Monitor Mode

INFOID:000000001850361

Specification data are reference values.

MONITOR ITEM	CONDITION	SPECIFICATION
MAS A/F SE-B1	See EC-635 .	
CAL/LD VALUE	<ul style="list-style-type: none"> Engine: After warming up Shift lever: P or N (CVT), Neutral (M/T) Air conditioner switch: OFF No load 	Idle 10% - 35%
		2,500 rpm 10% - 35%
MASS AIRFLOW	<ul style="list-style-type: none"> Engine: After warming up Shift lever: P or N (CVT), Neutral (M/T) Air conditioner switch: OFF No load 	Idle 1.0 - 4.0 g·m/s
		2,500 rpm 4.0 - 10.0 g·m/s

On Board Diagnosis Logic

INFOID:000000001850362

DTC No.	Trouble diagnosis name	DTC detecting condition	Possible cause
P0101 0101	Mass air flow sensor circuit range/performance	A) A high voltage from the sensor is sent to ECM under light load driving condition.	<ul style="list-style-type: none"> Harness or connectors (Mass air flow sensor circuit is open or shorted.) Mass air flow sensor EVAP control system pressure sensor Intake air temperature sensor
		B) A low voltage from the sensor is sent to ECM under heavy load driving condition.	<ul style="list-style-type: none"> Harness or connectors (Mass air flow sensor circuit is open or shorted.) Intake air leaks Mass air flow sensor EVAP control system pressure sensor Intake air temperature sensor

DTC Confirmation Procedure

INFOID:000000001850363

Perform PROCEDURE FOR MALFUNCTION A first.

If the DTC cannot be confirmed, perform PROCEDURE FOR MALFUNCTION B.

NOTE:

If DTC Confirmation Procedure has been previously conducted, always turn ignition switch OFF and wait at least 10 seconds before conducting the next test.

PROCEDURE FOR MALFUNCTION A

NOTE:

DTC P0101 MAF SENSOR

[QR]

< SERVICE INFORMATION >

If engine will not start or stops soon, wait at least 10 seconds with engine stopped (Ignition switch ON) instead of running engine at idle speed.

1. Start engine and warm it up to normal operating temperature.
2. Run engine for at least 10 seconds at idle speed.
3. Check 1st trip DTC.
4. If 1st trip DTC is detected, go to [EC-680, "Diagnosis Procedure"](#).

PROCEDURE FOR MALFUNCTION B

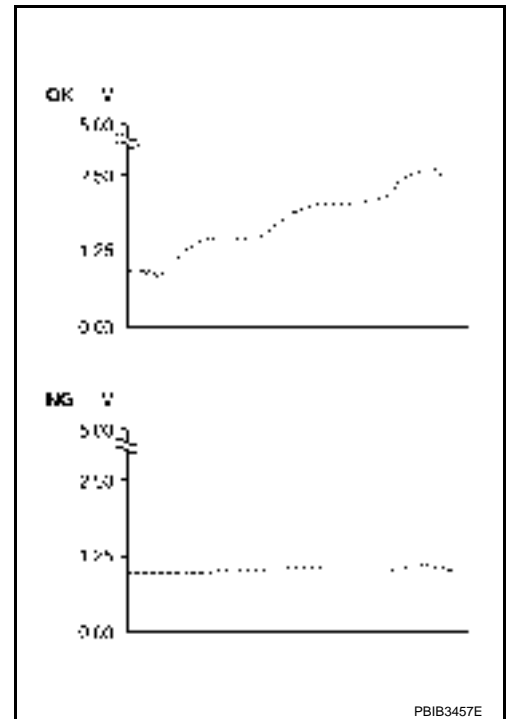
CAUTION:

Always drive vehicle at a safe speed.

- ▮ With CONSULT-III
 1. Turn ignition switch ON.
 2. Start engine and warm it up to normal operating temperature.
If engine cannot be started, go to [EC-680, "Diagnosis Procedure"](#).
 3. Select "DATA MONITOR" mode with CONSULT-III.
 4. Check the voltage of "MAS A/F SE-B1" with "DATA MONITOR".
 5. Increases engine speed to about 4,000 rpm.
 6. Monitor the linear voltage rise in response to engine speed increases.
If NG, go to [EC-680, "Diagnosis Procedure"](#).
If OK, go to following step.
 7. Maintain the following conditions for at least 10 consecutive seconds.

ENG SPEED	More than 2,000 rpm
TP SEN 1-B1	More than 3V
TP SEN 2-B1	More than 3V
Shift lever	Suitable position
Driving location	Driving vehicle uphill (Increased engine load) will help maintain the driving conditions required for this test.

8. Check 1st trip DTC.
9. If 1st trip DTC is detected, go to [EC-680, "Diagnosis Procedure"](#).



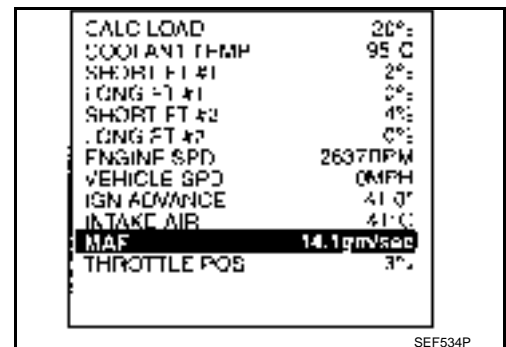
Overall Function Check

INFOID:000000001850364

PROCEDURE FOR MALFUNCTION B

Use this procedure to check the overall function of the mass air flow sensor circuit. During this check, a 1st DTC might not be confirmed.

- ▮ With GST
 1. Start engine and warm it up to normal operating temperature.
 2. Select Service \$01 with GST.
 3. Check the mass air flow sensor signal with Service \$01.
 4. Check for linear mass air flow sensor signal value rise in response to increases to about 4,000 rpm in engine speed.
 5. If NG, go to [EC-680, "Diagnosis Procedure"](#).



DTC P0101 MAF SENSOR

< SERVICE INFORMATION >

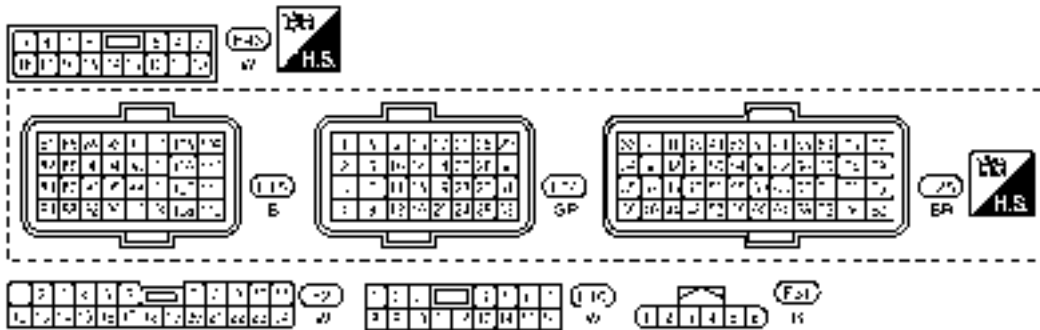
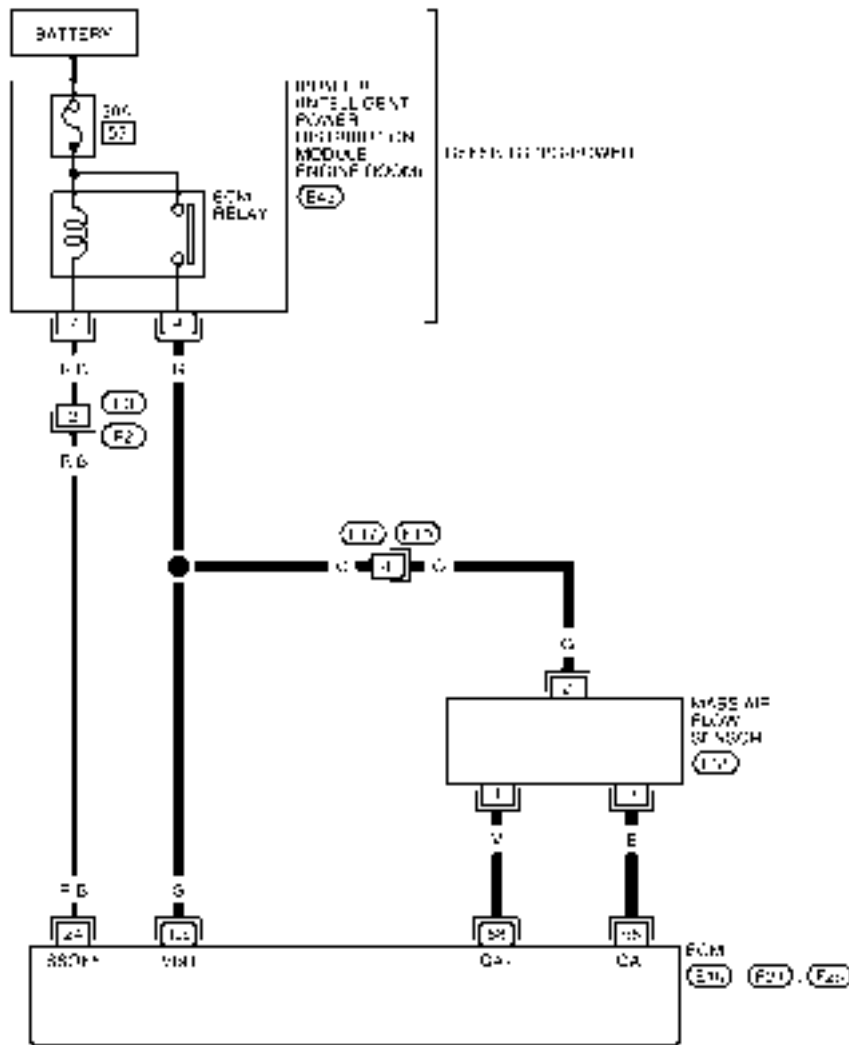
[QR]

Wiring Diagram

INFOID:00000002994051

EC-MAFS-01

— BATTERY SUPPLY LINE (RED)
— GROUND LINE (BLACK)



BBWA3027E

Specification data are reference values and are measured between each terminal and ground.

CAUTION:

Do not use ECM ground terminals when measuring input/output voltage. Doing so may result in damage to the ECM's transistor. Use a ground other than ECM terminals, such as the ground.

DTC P0101 MAF SENSOR

< SERVICE INFORMATION >

[QR]

TER-MI-NAL NO.	WIRE COLOR	ITEM	CONDITION	DATA (DC Voltage)
24	R/B	ECM relay (Self shut-off)	[Engine is running] [Ignition switch: OFF] • For a few seconds after turning ignition switch OFF	0 - 1.0V
			[Ignition switch: OFF] • More than a few seconds after turning ignition switch OFF	BATTERY VOLTAGE (11 - 14V)
56	B	Sensor ground	[Engine is running] • Warm-up condition • Idle speed	Approximately 0V
58	V	Mass air flow sensor	[Engine is running] • Warm-up condition • Idle speed	0.9 - 1.1V
			[Engine is running] • Warm-up condition • Engine speed: 2,500 rpm	1.4 - 1.7V
105	G	Power supply for ECM	[Ignition switch: ON]	BATTERY VOLTAGE (11 - 14V)

Diagnosis Procedure

INFOID:000000001850366

1. INSPECTION START

Which malfunction (A or B) is duplicated?

A or B

- A >> GO TO 3.
- B >> GO TO 2.

2. CHECK INTAKE AIR LEAK

Check the following for connections.

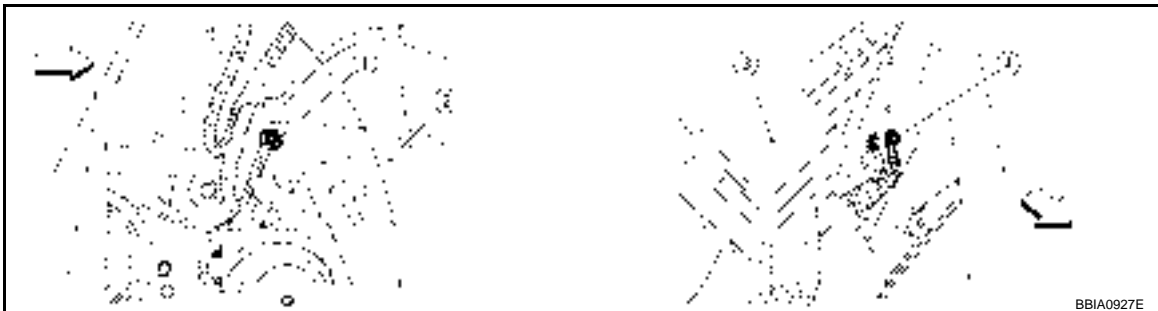
- Air duct
- Vacuum hoses
- Intake air passage between air duct and intake manifold

OK or NG

- OK >> GO TO 3.
- NG >> Reconnect the parts.

3. CHECK GROUND CONNECTIONS

1. Turn ignition switch OFF.
2. Loosen and retighten ground screw on the body.
Refer to [EC-649. "Ground Inspection"](#).



B8IA0927E

DTC P0101 MAF SENSOR

< SERVICE INFORMATION >

[QR]

↔ Vehicle front

1. Body ground E9 (view with front wheel RH and fender protector RH removed.)
2. Washer tank
3. Fuse and fusible link box
4. Body ground E15

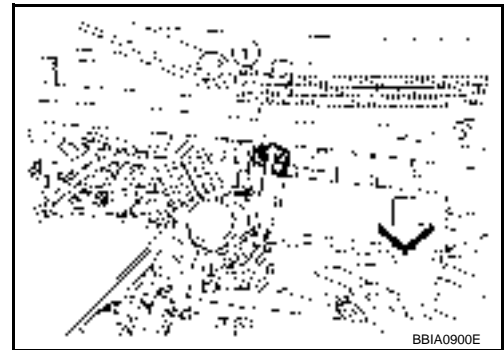
OK or NG

OK >> GO TO 4.

NG >> Repair or replace ground connections.

4. CHECK MAF SENSOR POWER SUPPLY CIRCUIT

1. Disconnect mass air flow (MAF) sensor (1) harness connector.
- ↔ Vehicle front
2. Turn ignition switch ON.



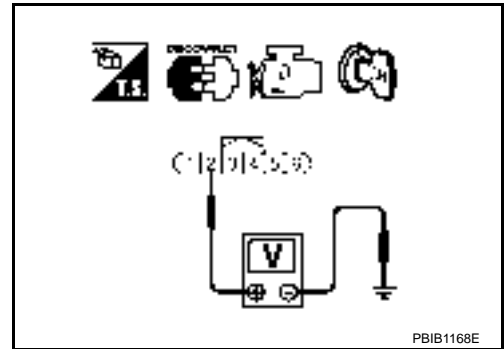
3. Check voltage between MAF sensor terminal 2 and ground with CONSULT-III or tester.

Voltage: Battery voltage

OK or NG

OK >> GO TO 6.

NG >> GO TO 5.



5. DETECT MALFUNCTIONING PART

Check the following.

- Harness connectors E17, F10
- Harness for open or short between mass air flow sensor and IPDM E/R
- Harness for open or short between mass air flow sensor and ECM

>> Repair open circuit or short to ground or short to power in harness or connectors.

6. CHECK MAF SENSOR GROUND CIRCUIT FOR OPEN AND SHORT

1. Turn ignition switch OFF.
2. Disconnect ECM harness connector.
3. Check harness continuity between MAF sensor terminal 3 and ECM terminal 56. Refer to Wiring Diagram.

Continuity should exist.

4. Also check harness for short to ground and short to power.

OK or NG

OK >> GO TO 7.

NG >> Repair open circuit or short to ground or short to power in harness or connectors.

7. CHECK MAF SENSOR INPUT SIGNAL CIRCUIT FOR OPEN AND SHORT

1. Check harness continuity between MAF sensor terminal 4 and ECM terminal 58.

DTC P0101 MAF SENSOR

[QR]

< SERVICE INFORMATION >

Refer to Wiring Diagram.

Continuity should exist.

2. Also check harness for short to ground and short to power.

OK or NG

OK >> GO TO 8.

NG >> Repair open circuit or short to ground or short or short to power in harness or connectors.

8. CHECK INTAKE AIR TEMPERATURE SENSOR

Refer to [EC-709, "Component Inspection"](#).

OK or NG

OK >> GO TO 9.

NG >> Replace mass air flow sensor (with intake air temperature sensor).

9. CHECK EVAP CONTROL SYSTEM PRESSURE SENSOR

Refer to [EC-870, "Component Inspection"](#).

OK or NG

OK >> GO TO 10.

NG >> Replace EVAP control system pressure sensor.

10. CHECK MASS AIR FLOW SENSOR

Refer to [EC-682, "Component Inspection"](#).

OK or NG

OK >> GO TO 11.

NG >> Replace mass air flow sensor.

11. CHECK INTERMITTENT INCIDENT

Perform [EC-643](#).

>> **INSPECTION END**

Component Inspection

INFOID:000000001850367

MASS AIR FLOW SENSOR

▫ With CONSULT-III

1. Reconnect all harness connectors disconnected.
2. Start engine and warm it up to normal operating temperature.
3. Connect CONSULT-III and select "DATA MONITOR" mode.
4. Select "MAS A/F SE-B1" and check indication under the following conditions.

Condition	MAS A/F SE-B1 (V)
Ignition switch ON (Engine stopped.)	Approx 0.4
Idle (Engine is warmed-up to normal operating temperature.)	0.9 - 1.1
2,500 rpm (Engine is warmed-up to normal operating temperature.)	1.4 - 1.7
Idle to about 4,000 rpm	0.9 - 1.1 to 2.4*

*: Check for linear voltage rise in response to engine being increased to about 4,000 rpm.

5. If the voltage is out of specification, proceed the following.
 - a. Check for the cause of uneven air flow through mass air flow sensor. Refer to following.
 - Crushed air ducts
 - Malfunctioning seal of air cleaner element
 - Uneven dirt of air cleaner element
 - Improper specification of intake air system parts

DTC P0101 MAF SENSOR

[QR]

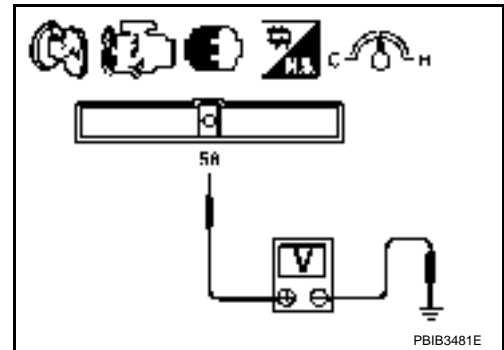
< SERVICE INFORMATION >

- b. If NG, repair or replace malfunctioning part and perform step 2 to 4 again.
If OK, go to next step.
6. Turn ignition switch OFF.
7. Disconnect mass air flow sensor harness connector and reconnect it again.
8. Perform step 2 to 4 again.
9. If NG, clean or replace mass air flow sensor.

✕ Without CONSULT-III

1. Reconnect all harness connectors disconnected.
2. Start engine and warm it up to normal operating temperature.
3. Check voltage between ECM terminal 58 (Mass air flow sensor signal) and ground.

Condition	MAS A/F SE-B1 (V)
Ignition switch ON (Engine stopped.)	Approx 0.4
Idle (Engine is warmed-up to normal operating temperature.)	0.9 - 1.1
2,500 rpm (Engine is warmed-up to normal operating temperature.)	1.4 - 1.7
Idle to about 4,000 rpm	0.9 - 1.1 to 2.4*



*: Check for linear voltage rise in response to engine being increased to about 4,000 rpm.

4. If the voltage is out of specification, proceed the following.
 - a. Check for the cause of uneven air flow through mass air flow sensor. Refer to following.
 - Crushed air ducts
 - Malfunctioning seal of air cleaner element
 - Uneven dirt of air cleaner element
 - Improper specification of intake air system parts
 - b. If NG, repair or replace malfunctioning part and perform step 2 and 3 again.
If OK, go to next step.
5. Turn ignition switch OFF.
6. Disconnect mass air flow sensor harness connector and reconnect it again.
7. Perform step 2 and 3 again.
8. If NG, clean or replace mass air flow sensor.

Removal and Installation

INFOID:000000001850368

MASS AIR FLOW SENSOR

Refer to [EM-127](#).

DTC P0102, P0103 MAF SENSOR

< SERVICE INFORMATION >

[QR]

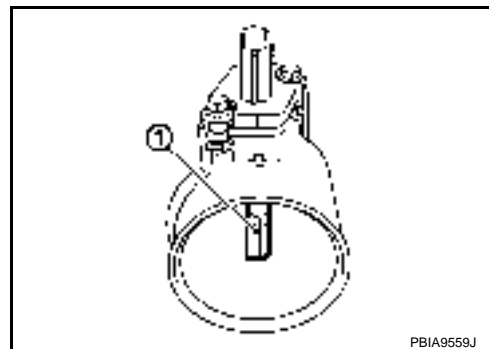
DTC P0102, P0103 MAF SENSOR

Component Description

INFOID:000000001850369

The mass air flow sensor (1) is placed in the stream of intake air. It measures the intake flow rate by measuring a part of the entire intake flow. The mass air flow sensor controls the temperature of the hot wire to a certain amount. The heat generated by the hot wire is reduced as the intake air flows around it. The more air, the greater the heat loss.

Therefore, the electric current supplied to hot wire is changed to maintain the temperature of the hot wire as air flow increases. The ECM detects the air flow by means of this current change.



PBIA9559J

CONSULT-III Reference Value in Data Monitor Mode

INFOID:000000001850370

Specification data are reference values.

MONITOR ITEM	CONDITION		SPECIFICATION
MAS A/F SE-B1	See EC-635 .		
CAL/LD VALUE	<ul style="list-style-type: none"> Engine: After warming up Shift lever: P or N (CVT), Neutral (M/T) Air conditioner switch: OFF No load 	Idle	10% - 35%
		2,500 rpm	10% - 35%
MASS AIRFLOW	<ul style="list-style-type: none"> Engine: After warming up Shift lever: P or N (CVT), Neutral (M/T) Air conditioner switch: OFF No load 	Idle	1.0 - 4.0 g·m/s
		2,500 rpm	4.0 - 10.0 g·m/s

On Board Diagnosis Logic

INFOID:000000001850371

These self-diagnoses have the one trip detection logic.

DTC No.	Trouble diagnosis name	DTC detecting condition	Possible cause
P0102 0102	Mass air flow sensor circuit low input	An excessively low voltage from the sensor is sent to ECM.	<ul style="list-style-type: none"> Harness or connectors (Mass air flow sensor circuit is open or shorted.) Intake air leaks Mass air flow sensor
P0103 0103	Mass air flow sensor circuit high input	An excessively high voltage from the sensor is sent to ECM.	<ul style="list-style-type: none"> Harness or connectors (Mass air flow sensor circuit is open or shorted.) Mass air flow sensor

FAIL-SAFE MODE

When the malfunction is detected, the ECM enters fail-safe mode and the MIL lights up.

Detected items	Engine operating condition in fail-safe mode
Mass air flow sensor circuit	Engine speed will not rise more than 2,400 rpm due to the fuel cut.

DTC Confirmation Procedure

INFOID:000000001850372

NOTE:

If DTC Confirmation Procedure has been previously conducted, always turn ignition switch OFF and wait at least 10 seconds before conducting the next test.

DTC P0102, P0103 MAF SENSOR

< SERVICE INFORMATION >

[QR]

PROCEDURE FOR DTC P0102

1. Start engine and wait at least 5 seconds.
2. Check DTC.
3. If DTC is detected, go to [EC-687. "Diagnosis Procedure"](#).

PROCEDURE FOR DTC P0103

1. Turn ignition switch ON and wait at least 5 seconds.
2. Check DTC.
3. If DTC is detected, go to [EC-687. "Diagnosis Procedure"](#).
If DTC is not detected, go to next step.
4. Start engine and wait at least 5 seconds
5. Check DTC.
6. If DTC is detected, go to [EC-687. "Diagnosis Procedure"](#).

A

EC

C

D

E

F

G

H

I

J

K

L

M

N

O

P

DTC P0102, P0103 MAF SENSOR

< SERVICE INFORMATION >

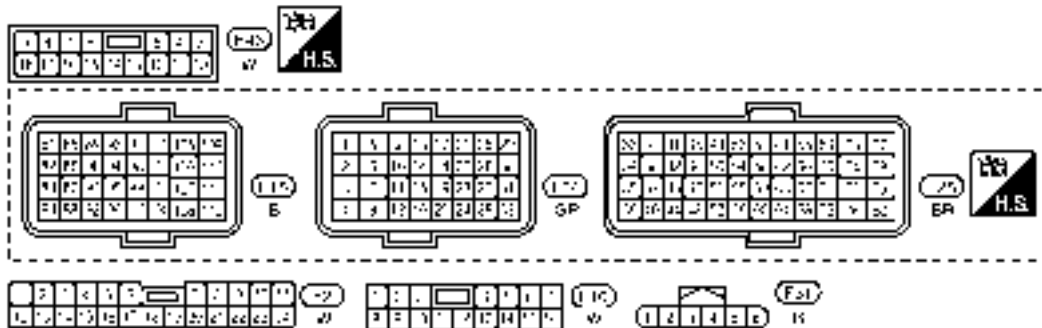
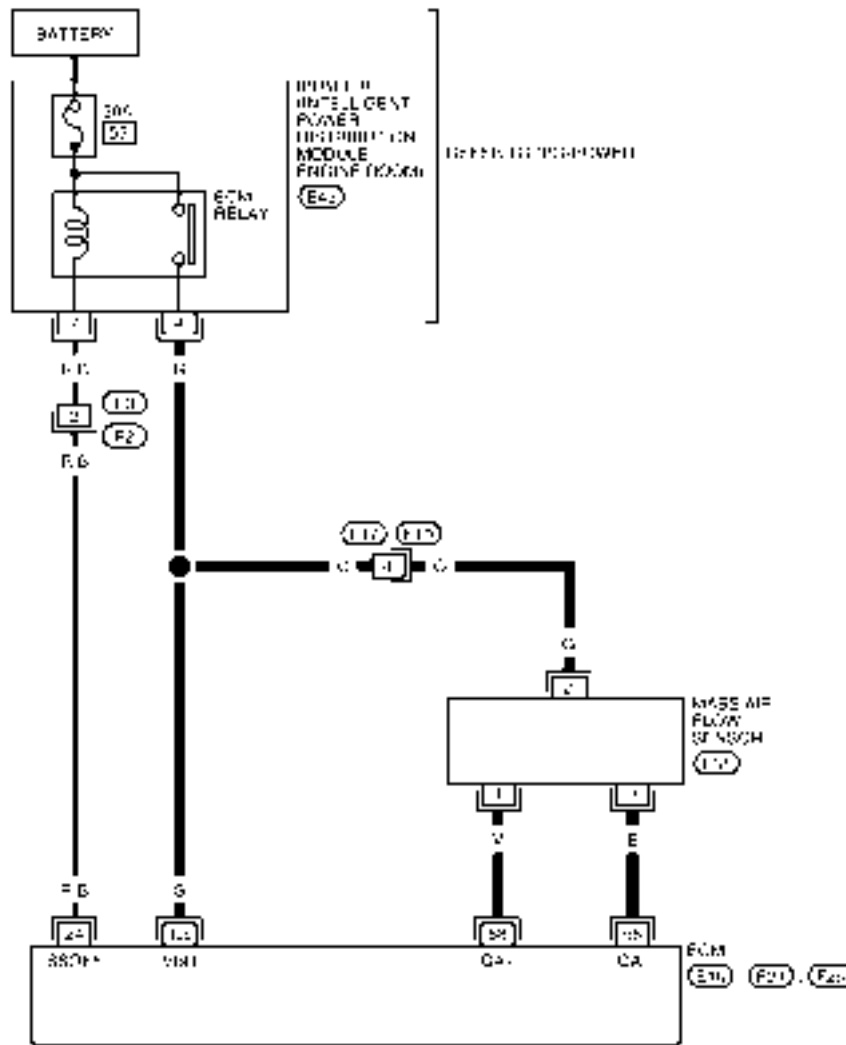
[QR]

INFOID:00000002994052

Wiring Diagram

EC-MAFS-01

— BATTERY SUPPLY LINE
— GROUND LINE



BBWA3027E

Specification data are reference values and are measured between each terminal and ground.

CAUTION:

Do not use ECM ground terminals when measuring input/output voltage. Doing so may result in damage to the ECM's transistor. Use a ground other than ECM terminals, such as the ground.

DTC P0102, P0103 MAF SENSOR

< SERVICE INFORMATION >

[QR]

TERMINAL NO.	WIRE COLOR	ITEM	CONDITION	DATA (DC Voltage)
24	R/B	ECM relay (Self shut-off)	[Engine is running] [Ignition switch: OFF] • For a few seconds after turning ignition switch OFF	0 - 1.0V
			[Ignition switch: OFF] • More than a few seconds after turning ignition switch OFF	BATTERY VOLTAGE (11 - 14V)
56	B	Sensor ground (Mass air flow sensor)	[Engine is running] • Warm-up condition • Idle speed	Approximately 0V
58	V	Mass air flow sensor	[Engine is running] • Warm-up condition • Idle speed	0.9 - 1.1V
			[Engine is running] • Warm-up condition • Engine speed: 2,500 rpm	1.4 - 1.7V
105	G	Power supply for ECM	[Ignition switch: ON]	BATTERY VOLTAGE (11 - 14V)

Diagnosis Procedure

INFOID:000000001850374

1. INSPECTION START

Which malfunction (P0102 or P0103) is duplicated?

P0102 or P0103

- P0102 >> GO TO 2.
- P0103 >> GO TO 3.

2. CHECK INTAKE SYSTEM

Check the following for connection.

- Air duct
- Vacuum hoses
- Intake air passage between air duct and intake manifold

OK or NG

- OK >> GO TO 3.
- NG >> Reconnect the parts.

3. CHECK GROUND CONNECTIONS

1. Turn ignition switch OFF.
2. Loosen and retighten ground screws on the body.
Refer to [EC-649, "Ground Inspection"](#).



DTC P0102, P0103 MAF SENSOR

< SERVICE INFORMATION >

[QR]

↙ Vehicle front

1. Body ground E9 (view with front wheel RH and fender protector RH removed.)
2. Washer tank
3. Fuse and fusible link box
4. Body ground E15

OK or NG

- OK >> GO TO 4.
NG >> Repair or replace ground connections.

4. CHECK MAF SENSOR POWER SUPPLY CIRCUIT

1. Disconnect mass air flow (MAF) sensor (1) harness connector.
- ↙: Vehicle front
2. Turn ignition switch ON.

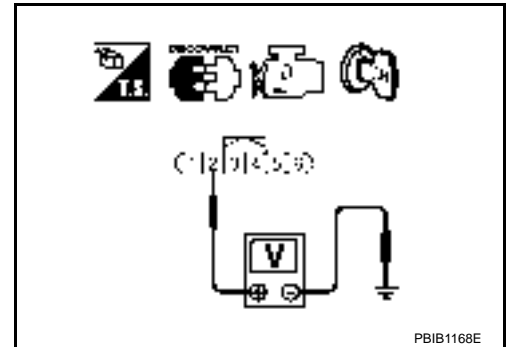


3. Check voltage between MAF sensor terminal 2 and ground with CONSULT-III or tester.

Voltage: Battery voltage

OK or NG

- OK >> GO TO 6.
NG >> GO TO 5.



5. DETECT MALFUNCTIONING PART

Check the following.

- Harness connectors E17, F10
- Harness for open or short between mass air flow sensor and ECM
- Harness for open or short between mass air flow sensor and IPDM E/R

>> Repair open circuit or short to ground or short to power in harness or connectors.

6. CHECK MAF SENSOR GROUND CIRCUIT FOR OPEN AND SHORT

1. Turn ignition switch OFF.
2. Disconnect ECM harness connector.
3. Check harness continuity between MAF sensor terminal 3 and ECM terminal 56.
Refer to Wiring Diagram.

Continuity should exist.

4. Also check harness for short to ground and short to power.

OK or NG

- OK >> GO TO 7.
NG >> Repair open circuit or short to ground or short to power in harness or connectors.

7. CHECK MAF SENSOR INPUT SIGNAL CIRCUIT FOR OPEN AND SHORT

1. Check harness continuity between MAF sensor terminal 4 and ECM terminal 58.

DTC P0102, P0103 MAF SENSOR

< SERVICE INFORMATION >

[QR]

Refer to Wiring Diagram.

Continuity should exist.

2. Also check harness for short to ground and short to power.

OK or NG

OK >> GO TO 8.

NG >> Repair open circuit or short to ground or short to power in harness or connectors.

8. CHECK MASS AIR FLOW SENSOR

Refer to [EC-689, "Component Inspection"](#).

OK or NG

OK >> GO TO 9.

NG >> Replace mass air flow sensor.

9. CHECK INTERMITTENT INCIDENT

Refer to [EC-643](#).

>> INSPECTION END

Component Inspection

INFOID:000000001850375

MASS AIR FLOW SENSOR

▫ With CONSULT-III

1. Reconnect all harness connectors disconnected.
2. Start engine and warm it up to normal operating temperature.
3. Connect CONSULT-III and select "DATA MONITOR" mode.
4. Select "MAS A/F SE-B1" and check indication under the following conditions.

Condition	MAS A/F SE-B1 (V)
Ignition switch ON (Engine stopped.)	Approx 0.4
Idle (Engine is warmed-up to normal operating temperature.)	0.9 - 1.1
2,500 rpm (Engine is warmed-up to normal operating temperature.)	1.4 - 1.7
Idle to about 4,000 rpm	0.9 - 1.1 to 2.4*

*: Check for linear voltage rise in response to engine being increased to about 4,000 rpm.

5. If the voltage is out of specification, proceed the following.
 - a. Check for the cause of uneven air flow through mass air flow sensor. Refer to following.
 - Crushed air ducts
 - Malfunctioning seal of air cleaner element
 - Uneven dirt of air cleaner element
 - Improper specification of intake air system parts
 - b. If NG, repair or replace malfunctioning part and perform step 2 to 4 again. If OK, go to next step.
6. Turn ignition switch OFF.
7. Disconnect mass air flow sensor harness connector and reconnect it again.
8. Perform step 2 to 4 again.
9. If NG, clean or replace mass air flow sensor.

✕ Without CONSULT-III

1. Reconnect all harness connectors disconnected.
2. Start engine and warm it up to normal operating temperature.

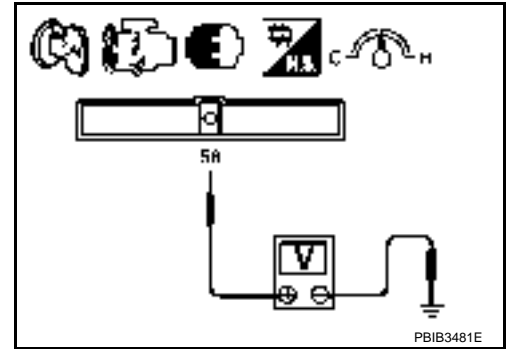
DTC P0102, P0103 MAF SENSOR

[QR]

< SERVICE INFORMATION >

3. Check voltage between ECM terminal 58 (Mass air flow sensor signal) and ground.

Condition	MAS A/F SE-B1 (V)
Ignition switch ON (Engine stopped.)	Approx 0.4
Idle (Engine is warmed-up to normal operating temperature.)	0.9 - 1.1
2,500 rpm (Engine is warmed-up to normal operating temperature.)	1.4 - 1.7
Idle to about 4,000 rpm	0.9 - 1.1 to 2.4*



*: Check for linear voltage rise in response to engine being increased to about 4,000 rpm.

4. If the voltage is out of specification, proceed the following.
- Check for the cause of uneven air flow through mass air flow sensor. Refer to following.
 - Crushed air ducts
 - Malfunctioning seal of air cleaner element
 - Uneven dirt of air cleaner element
 - Improper specification of intake air system parts
 - If NG, repair or replace malfunctioning part and perform step 2 and 3 again. If OK, go to next step.
5. Turn ignition switch OFF.
6. Disconnect mass air flow sensor harness connector and reconnect it again.
7. Perform step 2 and 3 again.
8. If NG, clean or replace mass air flow sensor.

Removal and Installation

INFOID:000000001850376

MASS AIR FLOW SENSOR

Refer to [EM-127](#).

DTC P0112, P0113 IAT SENSOR

< SERVICE INFORMATION >

[QR]

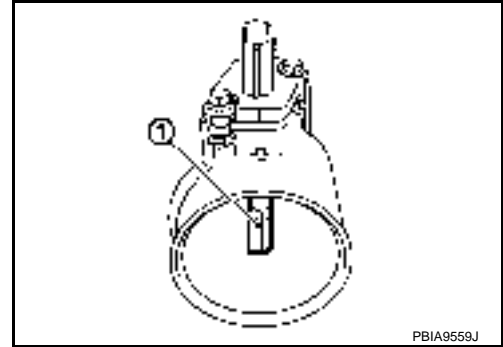
DTC P0112, P0113 IAT SENSOR

Component Description

INFOID:000000001850377

The intake air temperature sensor is built-into mass air flow sensor (1). The sensor detects intake air temperature and transmits a signal to the ECM.

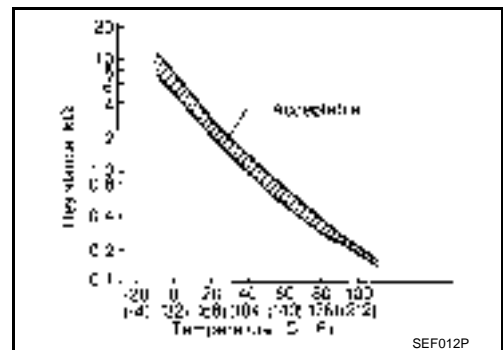
The temperature sensing unit uses a thermistor which is sensitive to the change in temperature. Electrical resistance of the thermistor decreases in response to the temperature rise.



<Reference data>

Intake air temperature °C (°F)	Voltage* V	Resistance kΩ
25 (77)	3.3	1.800 - 2.200
80 (176)	1.2	0.283 - 0.359

*: This data is reference value and is measured between ECM terminal 50 (Intake air temperature sensor) and ground.



On Board Diagnosis Logic

INFOID:000000001850378

DTC No.	Trouble diagnosis name	DTC detecting condition	Possible cause
P0112 0112	Intake air temperature sensor circuit low input	An excessively low voltage from the sensor is sent to ECM.	<ul style="list-style-type: none"> • Harness or connectors (Intake air temperature sensor circuit is open or shorted.) • Intake air temperature sensor
P0113 0113	Intake air temperature sensor circuit high input	An excessively high voltage from the sensor is sent to ECM.	

DTC Confirmation Procedure

INFOID:000000001850379

NOTE:

If DTC Confirmation Procedure has been previously conducted, always turn ignition switch OFF and wait at least 10 seconds before conducting the next test.

1. Turn ignition switch ON and wait at least 5 seconds.
2. Check 1st trip DTC.
3. If 1st trip DTC is detected, go to [EC-692, "Diagnosis Procedure"](#).

DTC P0112, P0113 IAT SENSOR

< SERVICE INFORMATION >

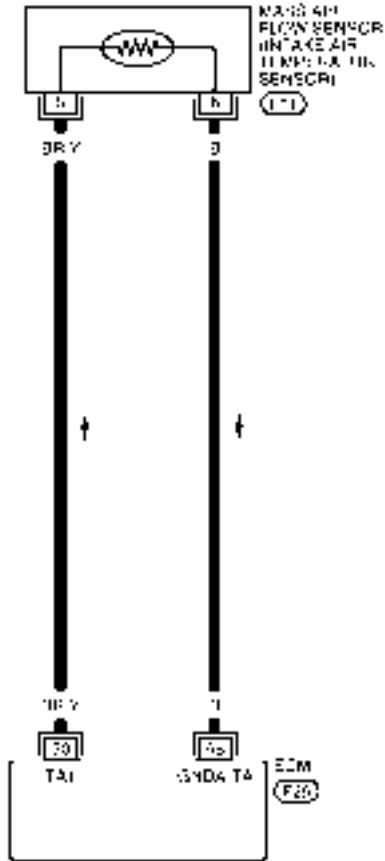
[QR]

Wiring Diagram

INFOID:000000001850380

EC-IATS-01

— BATTERY ALTERNATOR (+)
— NEGATIVE BATTERY ALTERNATOR (-)



BBWA3028E

Diagnosis Procedure

INFOID:000000001850381

1. CHECK GROUND CONNECTIONS

1. Turn ignition switch OFF.
2. Loosen and retighten ground screws on the body.

DTC P0112, P0113 IAT SENSOR

< SERVICE INFORMATION >

[QR]

Refer to [EC-649](#). "Ground Inspection".



↖: Vehicle front

1. Body ground E9 (view with front wheel RH and fender protector RH removed.)
2. Washer tank
3. Fuse and fusible link box
4. Body ground E15

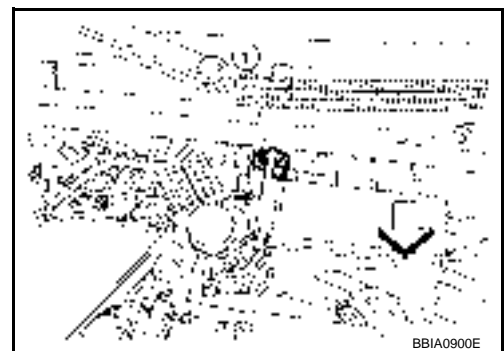
OK or NG

OK >> GO TO 2.

NG >> Repair or replace ground connections.

2. CHECK INTAKE AIR TEMPERATURE SENSOR POWER SUPPLY CIRCUIT

1. Disconnect mass air flow sensor (with intake air temperature sensor) (1) harness connector.
 - ↖: Vehicle front
2. Turn ignition switch ON.



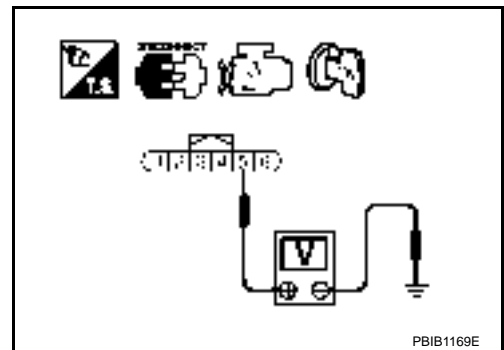
3. Check voltage between mass air flow sensor terminal 5 and ground with CONSULT-III or tester.

Voltage: Approximately 5V

OK or NG

OK >> GO TO 3.

NG >> Repair open circuit or short to ground or short to power in harness or connectors.



3. CHECK INTAKE AIR TEMPERATURE SENSOR GROUND CIRCUIT FOR OPEN AND SHORT

1. Turn ignition switch OFF.
2. Disconnect ECM harness connector.
3. Check harness continuity between mass air flow sensor terminal 6 and ECM terminal 56. Refer to Wiring Diagram.

Continuity should exist.

4. Also check harness for short to ground and short to power.

OK or NG

OK >> GO TO 4.

NG >> Repair open circuit or short to ground or short to power in harness or connectors.

DTC P0112, P0113 IAT SENSOR

< SERVICE INFORMATION >

[QR]

4. CHECK INTAKE AIR TEMPERATURE SENSOR

Refer to [EC-694](#), "Component Inspection".

OK or NG

OK >> GO TO 5.

NG >> Replace mass air flow sensor (with intake air temperature sensor).

5. CHECK INTERMITTENT INCIDENT

Refer to [EC-643](#).

>> **INSPECTION END**

Component Inspection

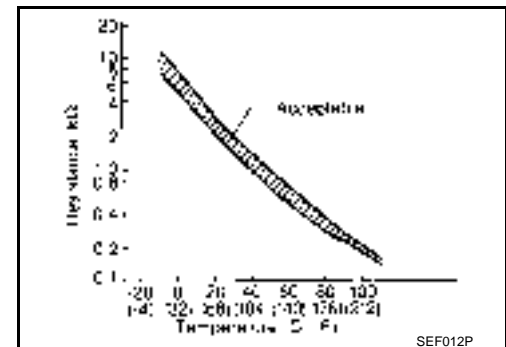
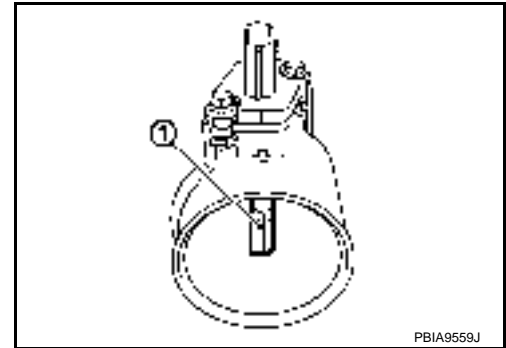
INFOID:000000001850382

INTAKE AIR TEMPERATURE SENSOR

1. Check resistance between mass air flow sensor (1) terminals 5 and 6 under the following conditions.

Intake air temperature °C (°F)	Resistance kΩ
25 (77)	1.800 - 2.200

2. If NG, replace mass air flow sensor (with intake air temperature sensor).



Removal and Installation

INFOID:000000001850383

MASS AIR FLOW SENSOR

Refer to [EM-127](#).

DTC P0117, P0118 ECT SENSOR

< SERVICE INFORMATION >

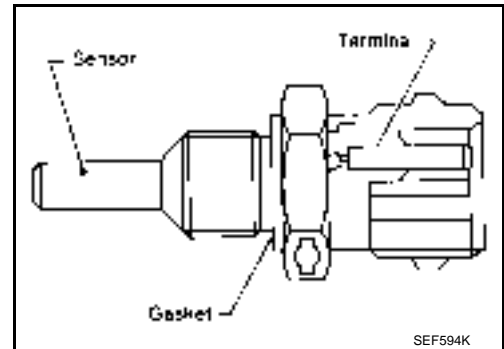
[QR]

DTC P0117, P0118 ECT SENSOR

Component Description

INFOID:000000001850384

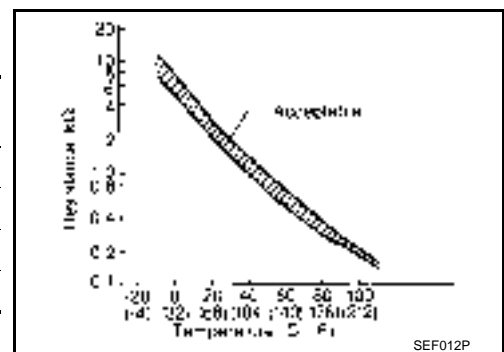
The engine coolant temperature sensor is used to detect the engine coolant temperature. The sensor modifies a voltage signal from the ECM. The modified signal returns to the ECM as the engine coolant temperature input. The sensor uses a thermistor which is sensitive to the change in temperature. The electrical resistance of the thermistor decreases as temperature increases.



<Reference data>

Engine coolant temperature °C (°F)	Voltage* V	Resistance kΩ
-10 (14)	4.4	7.0 - 11.4
20 (68)	3.5	2.1 - 2.9
50 (122)	2.2	0.68 - 1.00
90 (194)	0.9	0.236 - 0.260

*: This data is reference value and is measured between ECM terminal 46 (Engine coolant temperature sensor) and ground.



On Board Diagnosis Logic

INFOID:000000001850385

These self-diagnoses have the one trip detection logic.

DTC No.	Trouble Diagnosis Name	DTC Detecting Condition	Possible Cause
P0117 0117	Engine coolant temperature sensor circuit low input	An excessively low voltage from the sensor is sent to ECM.	<ul style="list-style-type: none"> Harness or connectors (Engine coolant temperature sensor circuit is open or shorted.) Engine coolant temperature sensor
P0118 0118	Engine coolant temperature sensor circuit high input	An excessively high voltage from the sensor is sent to ECM.	

FAIL-SAFE MODE

When the malfunction is detected, the ECM enters fail-safe mode and the MIL lights up.

Detected items	Engine operating condition in fail-safe mode	
Engine coolant temperature sensor circuit	Engine coolant temperature will be determined by ECM based on the following condition CONSULT-III displays the engine coolant temperature decided by ECM.	
	Condition	Engine coolant temperature decided (CONSULT-III display)
	Just as ignition switch is turned ON or START	40°C (104°F)
	Approx. 4 minutes or more after engine starting	80°C (176°F)
	Except as shown above	40 - 80°C (104 - 176°F) (Depends on the time)
When the fail-safe system for engine coolant temperature sensor is activated, the cooling fan operates while engine is running.		

DTC P0117, P0118 ECT SENSOR

< SERVICE INFORMATION >

[QR]

DTC Confirmation Procedure

INFOID:000000001850386

NOTE:

If DTC Confirmation Procedure has been previously conducted, always turn ignition switch OFF and wait at least 10 seconds before conducting the next test.

1. Turn ignition switch ON and wait at least 5 seconds.
2. Check DTC.
3. If DTC is detected, go to [EC-697, "Diagnosis Procedure"](#).

DTC P0117, P0118 ECT SENSOR

< SERVICE INFORMATION >

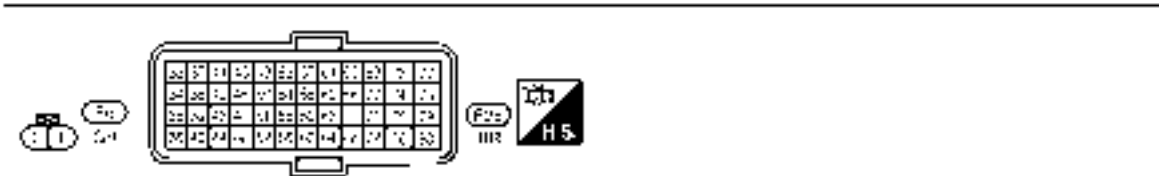
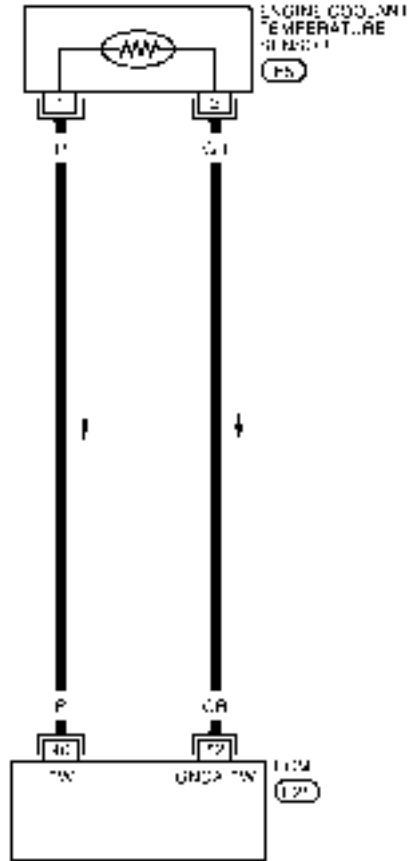
[QR]

Wiring Diagram

INFOID:000000001850387

EC-ECTS-01

— DETECTABLE LINE FOR DTC
— NON DETECTABLE LINE FOR DTC



Diagnosis Procedure

1. CHECK GROUND CONNECTIONS

1. Turn ignition switch OFF.
2. Loosen and retighten ground screws on the body.

BBWA3029E

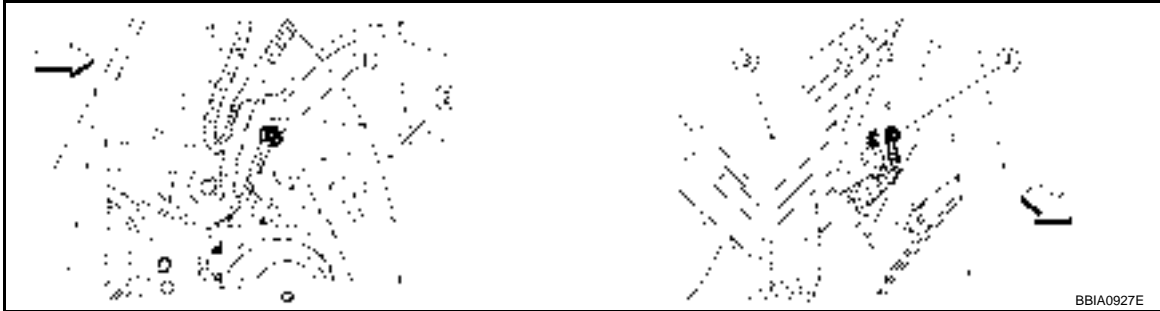
INFOID:000000001850388


DTC P0117, P0118 ECT SENSOR

< SERVICE INFORMATION >

[QR]

Refer to [EC-649, "Ground Inspection"](#).



 Vehicle front


1. Body ground E9 (view with front wheel RH and fender protector RH removed.)
2. Washer tank
3. Fuse and fusible link box
4. Body ground E15

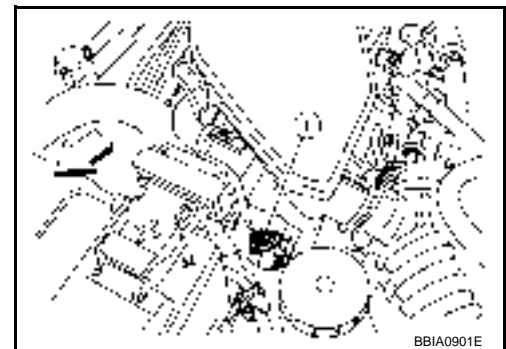
OK or NG

OK >> GO TO 2.

NG >> Repair or replace ground connections.

2. CHECK ECT SENSOR POWER SUPPLY CIRCUIT

1. Disconnect engine coolant temperature (ECT) sensor (1) harness connector.
 -  Vehicle front
2. Turn ignition switch ON.



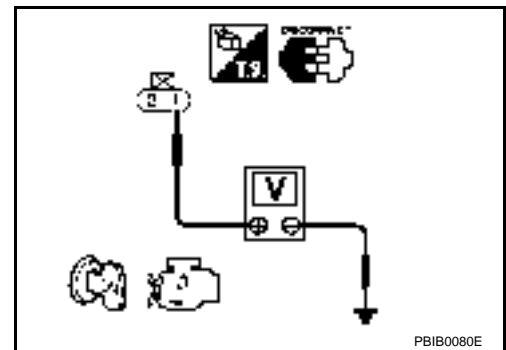
3. Check voltage between ECT sensor terminal 1 and ground with CONSULT-III or tester.

Voltage: Approximately 5V

OK or NG

OK >> GO TO 3.

NG >> Repair open circuit or short to ground or short to power in harness or connectors.



3. CHECK ECT SENSOR GROUND CIRCUIT FOR OPEN AND SHORT

1. Turn ignition switch OFF.
2. Disconnect ECM harness connector.
3. Check harness continuity between ECM terminal 52 and ECT sensor terminal 2. Refer to Wiring Diagram.

Continuity should exist.

4. Also check harness for short to ground and short to power.

OK or NG

OK >> GO TO 4.

NG >> Repair open circuit or short to ground or short to power in harness or connectors.

DTC P0117, P0118 ECT SENSOR

< SERVICE INFORMATION >

[QR]

4. CHECK ENGINE COOLANT TEMPERATURE SENSOR

Refer to [EC-699](#). "Component Inspection".

OK or NG

OK >> GO TO 5.

NG >> Replace engine coolant temperature sensor.

5. CHECK INTERMITTENT INCIDENT

Refer to [EC-643](#).

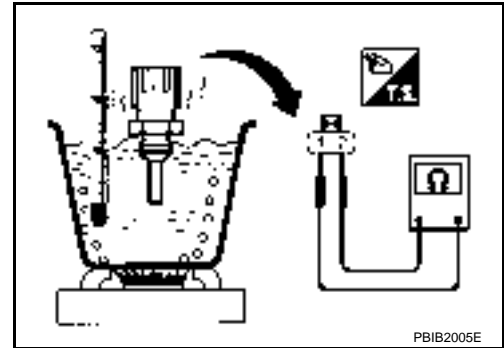
>> **INSPECTION END**

Component Inspection

INFOID:000000001850389

ENGINE COOLANT TEMPERATURE SENSOR

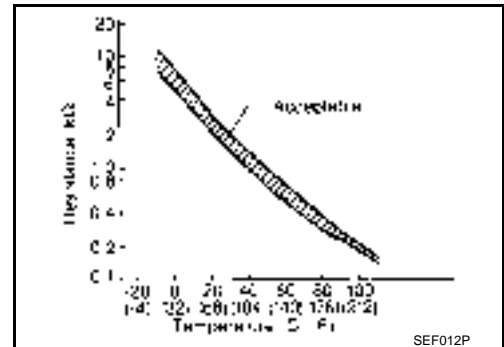
1. Check resistance between engine coolant temperature sensor terminals 1 and 2 as shown in the figure.



<Reference data>

Temperature °C (°F)	Resistance kΩ
20 (68)	2.1 - 2.9
50 (122)	0.68 - 1.00
90 (194)	0.236 - 0.260

2. If NG, replace engine coolant temperature sensor.



Removal and Installation

INFOID:000000001850390

ENGINE COOLANT TEMPERATURE SENSOR

Refer to [EM-167](#).

DTC P0122, P0123 TP SENSOR

< SERVICE INFORMATION >

[QR]

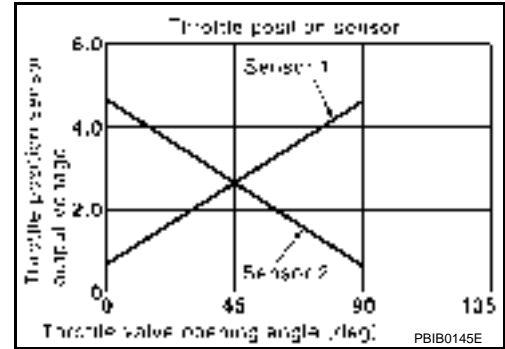
DTC P0122, P0123 TP SENSOR

Component Description

INFOID:000000001850391

Electric throttle control actuator consists of throttle control motor, throttle position sensor, etc. The throttle position sensor responds to the throttle valve movement.

The throttle position sensor has two sensors. These sensors are a kind of potentiometers which transform the throttle valve position into output voltage, and emit the voltage signal to the ECM. In addition, these sensors detect the opening and closing speed of the throttle valve and feed the voltage signals to the ECM. The ECM judges the current opening angle of the throttle valve from these signals and the ECM controls the throttle control motor to make the throttle valve opening angle properly in response to driving condition.



CONSULT-III Reference Value in Data Monitor Mode

INFOID:000000001850392

Specification data are reference values.

MONITOR ITEM	CONDITION		SPECIFICATION
TP SEN 1-B1 TP SEN 2-B1*	<ul style="list-style-type: none"> Ignition switch: ON (Engine stopped) Shift lever: D (CVT), 1st (M/T) 	Accelerator pedal: Fully released	More than 0.36V
		Accelerator pedal: Fully depressed	Less than 4.75V

*: Throttle position sensor 2 signal is converted by ECM internally. Thus, it differs from ECM terminal voltage signal.

On Board Diagnosis Logic

INFOID:000000001850393

These self-diagnoses have the one trip detection logic.

NOTE:

If DTC P0122 or P0123 is displayed with DTC P0643, first perform the trouble diagnosis for DTC P0643. Refer to [EC-917](#).

DTC No.	Trouble diagnosis name	DTC detecting condition	Possible cause
P0122 0122	Throttle position sensor 2 circuit low input	An excessively low voltage from the TP sensor 2 is sent to ECM.	<ul style="list-style-type: none"> Harness or connectors (TP sensor 2 circuit is open or shorted.)
P0123 0123	Throttle position sensor 2 circuit high input	An excessively high voltage from the TP sensor 2 is sent to ECM.	<ul style="list-style-type: none"> Electric throttle control actuator (TP sensor 2)

FAIL-SAFE MODE

When the malfunction is detected, ECM enters fail-safe mode and the MIL lights up.

Engine operation condition in fail-safe mode

The ECM controls the electric throttle control actuator in regulating the throttle opening in order for the idle position to be within +10 degrees.

The ECM regulates the opening speed of the throttle valve to be slower than the normal condition.

So, the acceleration will be poor.

DTC Confirmation Procedure

INFOID:000000001850394

NOTE:

If DTC Confirmation Procedure has been previously conducted, always turn ignition switch OFF and wait at least 10 seconds before conducting the next test.

TESTING CONDITION:

Before performing the following procedure, confirm that battery voltage is more than 8V at idle.

1. Start engine and let it idle for 1 second.
2. Check DTC.
3. If DTC is detected, go to [EC-702. "Diagnosis Procedure"](#).

DTC P0122, P0123 TP SENSOR

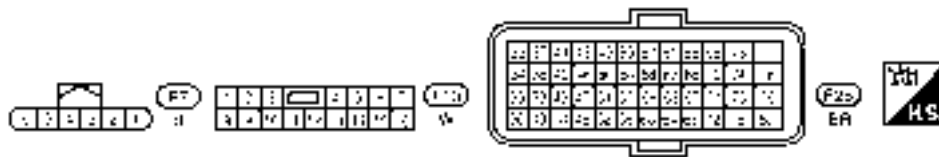
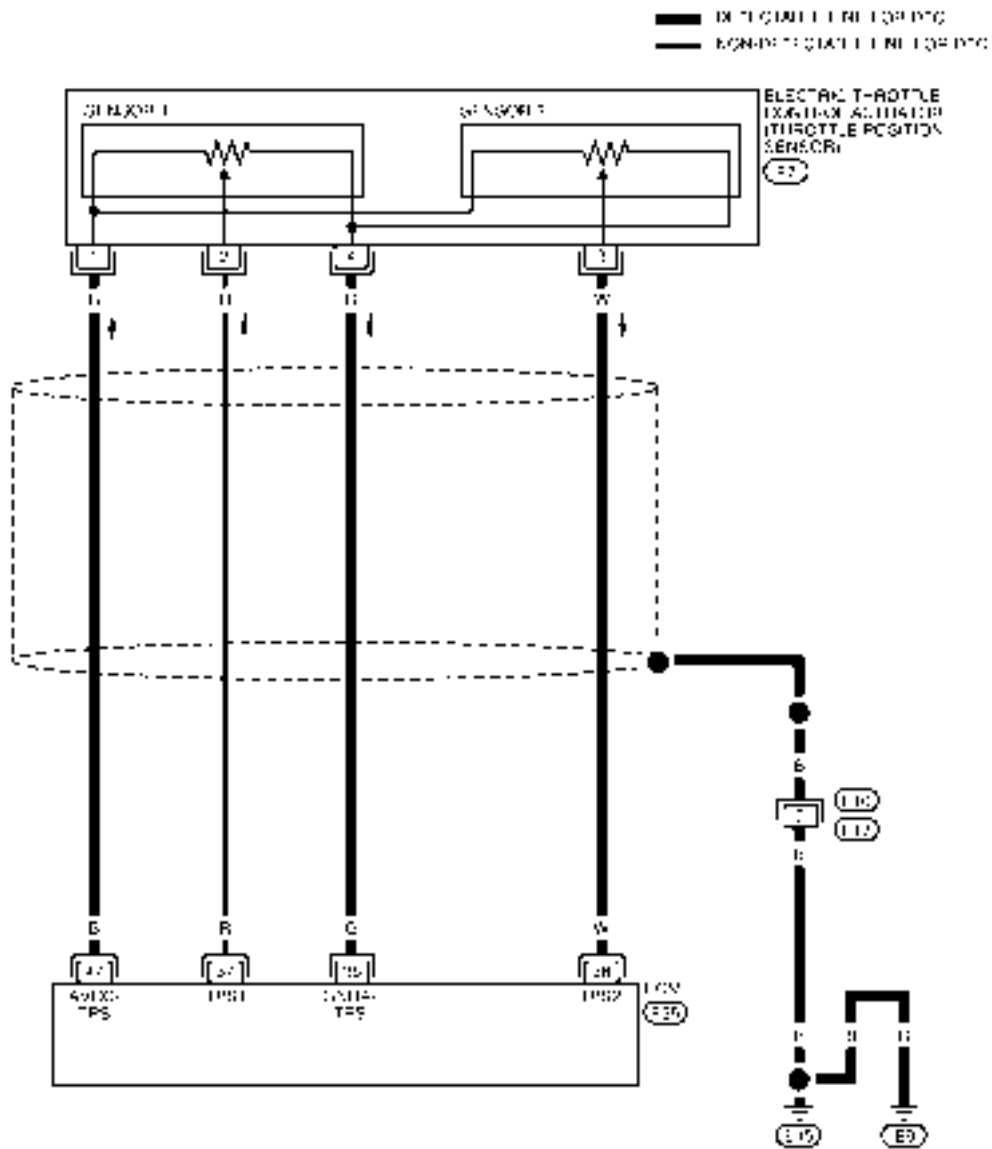
< SERVICE INFORMATION >

[QR]

Wiring Diagram

INFOID:00000002994053

EC-TPS2-01



BBWA3030E

Specification data are reference values and are measured between each terminal and ground.

CAUTION:

Do not use ECM ground terminals when measuring input/output voltage. Doing so may result in damage to the ECM's transistor. Use a ground other than ECM terminals, such as the ground.

DTC P0122, P0123 TP SENSOR

< SERVICE INFORMATION >

[QR]

TER-MI-NAL NO.	WIRE COLOR	ITEM	CONDITION	DATA (DC Voltage)
36	G	Sensor ground (Throttle position sensor)	[Engine is running] • Warm-up condition • Idle speed	Approximately 0V
37	R	Throttle position sensor 1	[Ignition switch: ON] • Engine stopped • Shift lever: D (CVT), 1st (M/T) • Accelerator pedal: Fully released	More than 0.36V
			[Ignition switch: ON] • Engine stopped • Shift lever: D (CVT), 1st (M/T) • Accelerator pedal: Fully depressed	Less than 4.75V
38	W	Throttle position sensor 2	[Ignition switch: ON] • Engine stopped • Shift lever: D (CVT), 1st (M/T) • Accelerator pedal: Fully released	Less than 4.75V
			[Ignition switch: ON] • Engine stopped • Shift lever: D (CVT), 1st (M/T) • Accelerator pedal: Fully depressed	More than 0.36V
47	B	Sensor power supply (Throttle position sensor)	[Ignition switch: ON]	Approximately 5V

Diagnosis Procedure

INFOID:000000001850396

1. CHECK GROUND CONNECTIONS

1. Turn ignition switch OFF.
2. Loosen and retighten ground screws on the body.
Refer to [EC-649. "Ground Inspection"](#).



Vehicle front

1. Body ground E9 (view with front wheel RH and fender protector RH removed.)
2. Washer tank
3. Fuse and fusible link box
4. Body ground E15

OK or NG


- OK >> GO TO 2.
NG >> Repair or replace ground connections.

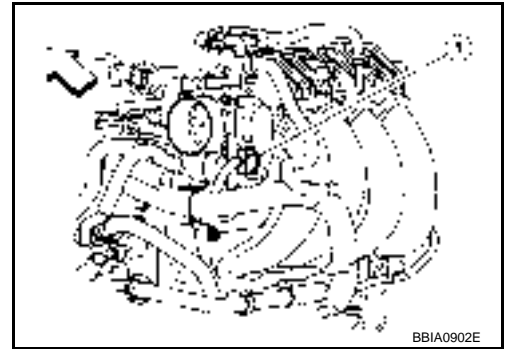
2. CHECK THROTTLE POSITION SENSOR 2 POWER SUPPLY CIRCUIT

DTC P0122, P0123 TP SENSOR

[QR]

< SERVICE INFORMATION >

1. Disconnect electric throttle control actuator harness connector (1).
 -  Vehicle front
2. Turn ignition switch ON.

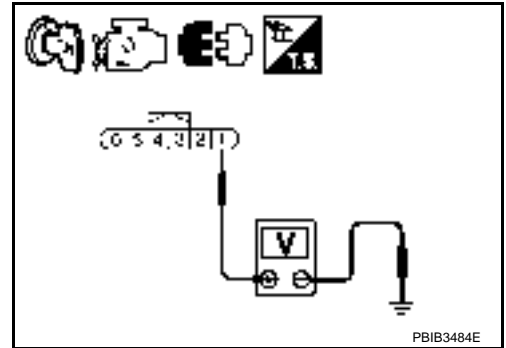


3. Check voltage between electric throttle control actuator terminal 1 and ground with CONSULT-III or tester.

Voltage: Approximately 5V

OK or NG

- OK >> GO TO 3.
- NG >> Repair open circuit or short to ground or short to power in harness or connectors.



3. CHECK THROTTLE POSITION SENSOR 2 GROUND CIRCUIT FOR OPEN AND SHORT

1. Turn ignition switch OFF.
2. Disconnect ECM harness connector.
3. Check harness continuity between electric throttle control actuator terminal 4 and ECM terminal 36. Refer to Wiring Diagram.

Continuity should exist.

4. Also check harness for short to ground and short to power.

OK or NG

- OK >> GO TO 4.
- NG >> Repair open circuit or short to ground or short to power in harness or connectors.

4. CHECK THROTTLE POSITION SENSOR 2 INPUT SIGNAL CIRCUIT FOR OPEN AND SHORT

1. Check harness continuity between ECM terminal 38 and electric throttle control actuator terminal 3. Refer to Wiring Diagram.

Continuity should exist.

2. Also check harness for short to ground and short to power.

OK or NG

- OK >> GO TO 5.
- NG >> Repair open circuit or short to ground or short to power in harness or connectors.

5. CHECK THROTTLE POSITION SENSOR

Refer to [EC-704, "Component Inspection"](#).

OK or NG

- OK >> GO TO 7.
- NG >> GO TO 6.

6. REPLACE ELECTRIC THROTTLE CONTROL ACTUATOR

1. Replace the electric throttle control actuator.
2. Perform [EC-590, "Throttle Valve Closed Position Learning"](#).
3. Perform [EC-590, "Idle Air Volume Learning"](#).

DTC P0122, P0123 TP SENSOR

< SERVICE INFORMATION >

[QR]

>> INSPECTION END

7. CHECK INTERMITTENT INCIDENT

Refer to [EC-643](#).

>> INSPECTION END

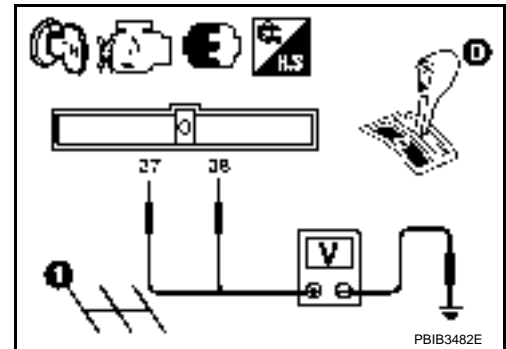
Component Inspection

INFOID:000000001850397

THROTTLE POSITION SENSOR

1. Reconnect all harness connectors disconnected.
2. Perform [EC-590, "Throttle Valve Closed Position Learning"](#).
3. Turn ignition switch ON.
4. Set shift lever to D position (CVT) or 1st position (M/T).
5. Check voltage between ECM terminals 37 (TP sensor 1 signal), 38 (TP sensor 2 signal) and ground under the following conditions.

Terminal	Accelerator pedal	Voltage
37 (Throttle position sensor 1)	Fully released	More than 0.36V
	Fully depressed	Less than 4.75V
38 (Throttle position sensor 2)	Fully released	Less than 4.75V
	Fully depressed	More than 0.36V



6. If NG, replace electric throttle control actuator and go to the next step.
7. Perform [EC-590, "Throttle Valve Closed Position Learning"](#).
8. Perform [EC-590, "Idle Air Volume Learning"](#).

Removal and Installation

INFOID:000000001850398

ELECTRIC THROTTLE CONTROL ACTUATOR

Refer to [EM-128](#).

DTC P0125 ECT SENSOR

< SERVICE INFORMATION >

[QR]

DTC P0125 ECT SENSOR

Description

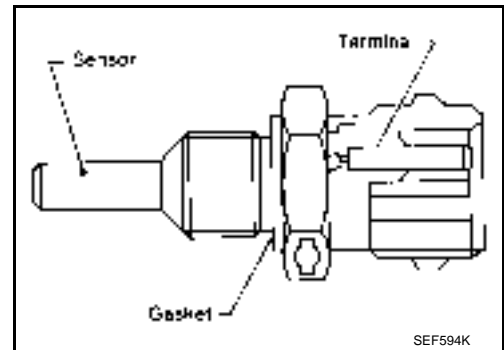
INFOID:000000001850399

NOTE:

If DTC P0125 is displayed with P0117 or P0118, first perform the trouble diagnosis for DTC P0117 or P0118. Refer to [EC-695](#).

COMPONENT DESCRIPTION

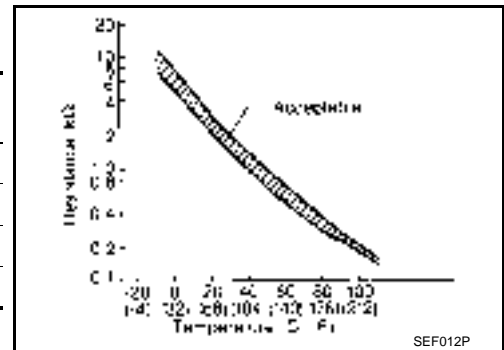
The engine coolant temperature sensor is used to detect the engine coolant temperature. The sensor modifies a voltage signal from the ECM. The modified signal returns to the ECM as the engine coolant temperature input. The sensor uses a thermistor which is sensitive to the change in temperature. The electrical resistance of the thermistor decreases as temperature increases.



<Reference data>

Engine coolant temperature °C (°F)	Voltage* V	Resistance kΩ
-10 (14)	4.4	7.0 - 11.4
20 (68)	3.5	2.1 - 2.9
50 (122)	2.2	0.68 - 1.00
90 (194)	0.9	0.236 - 0.260

*: This data is reference values and is measured between ECM terminal 46 (Engine coolant temperature sensor) and ground.



On Board Diagnosis Logic

INFOID:000000001850400

DTC No.	Trouble diagnosis name	DTC detecting condition	Possible cause
P0125 0125	Insufficient engine coolant temperature for closed loop fuel control	<ul style="list-style-type: none"> Voltage sent to ECM from the sensor is not practical, even when some time has passed after starting the engine. Engine coolant temperature is insufficient for closed loop fuel control. 	<ul style="list-style-type: none"> Harness or connectors (High resistance in the circuit) Engine coolant temperature sensor Thermostat

DTC Confirmation Procedure

INFOID:000000001850401

CAUTION:

Be careful not to overheat engine.

NOTE:

If DTC Confirmation Procedure has been previously conducted, always turn ignition switch OFF and wait at least 10 seconds before conducting the next test.

• WITH CONSULT-III

1. Turn ignition switch ON.
2. Select "DATA MONITOR" mode with CONSULT-III.
3. Check that "COOLAN TEMP/S" is above 20°C (68°F).
If it is above 20°C (68°F), the test result will be OK.
If it is below 20°C (68°F), go to following step.
4. Start engine and run it for 65 minutes at idle speed.

DTC P0125 ECT SENSOR

[QR]

< SERVICE INFORMATION >

If "COOLAN TEMP/S" increases to more than 20°C (68°F) within 65 minutes, stop engine because the test result will be OK.

5. Check 1st trip DTC.
6. If 1st trip DTC is detected, go to [EC-706. "Diagnosis Procedure"](#).

WITH GST

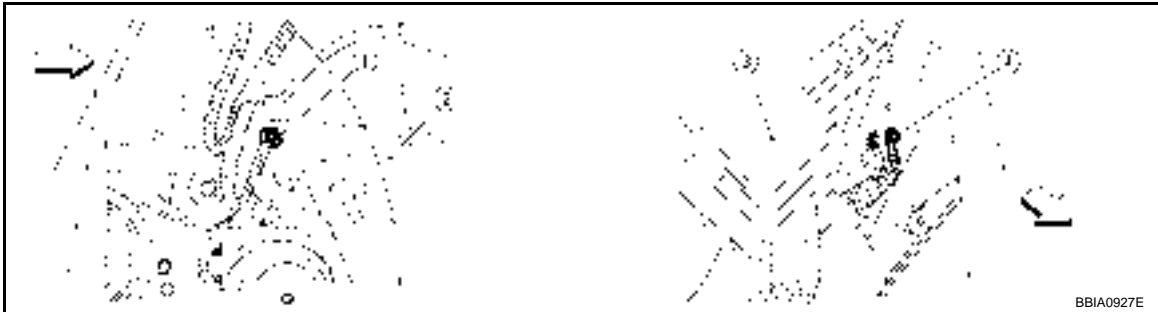
Follow the procedure "WITH CONSULT-III" above.

Diagnosis Procedure

INFOID:000000001850402

1. CHECK GROUND CONNECTIONS

1. Turn ignition switch OFF.
2. Loosen and retighten ground screws on the body.
Refer to [EC-649. "Ground Inspection"](#).



Vehicle front

1. Body ground E9 (view with front wheel RH and fender protector RH removed.)
2. Washer tank
3. Fuse and fusible link box
4. Body ground E15

OK or NG

- OK >> GO TO 2.
NG >> Repair or replace ground connections.

2. CHECK ENGINE COOLANT TEMPERATURE SENSOR

Refer to [EC-706. "Component Inspection"](#).

OK or NG

- OK >> GO TO 3.
NG >> Replace engine coolant temperature sensor.

3. CHECK THERMOSTAT OPERATION

When the engine is cold [lower than 70°C (158°F)] condition, grasp lower radiator hose and confirm the engine coolant does not flow.

OK or NG

- OK >> GO TO 4.
NG >> Repair or replace thermostat. Refer to [CO-44](#).

4. CHECK INTERMITTENT INCIDENT

Refer to [EC-643](#).

Refer to [EC-697. "Wiring Diagram"](#).

>> INSPECTION END

Component Inspection

INFOID:000000001850403

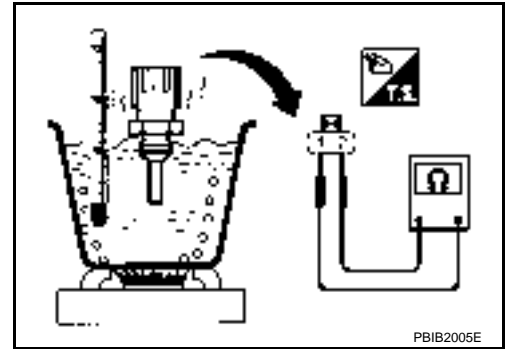
ENGINE COOLANT TEMPERATURE SENSOR

DTC P0125 ECT SENSOR

< SERVICE INFORMATION >

[QR]

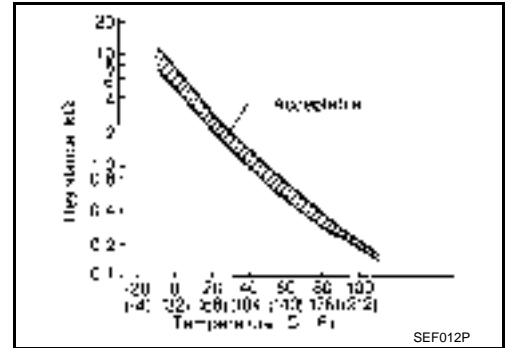
1. Check resistance between engine coolant temperature sensor terminals 1 and 2 as shown in the figure.



<Reference data>

Engine coolant temperature °C (°F)	Resistance kΩ
20 (68)	2.1 - 2.9
50 (122)	0.68 - 1.00
90 (194)	0.236 - 0.260

2. If NG, replace engine coolant temperature sensor.



Removal and Installation

ENGINE COOLANT TEMPERATURE SENSOR

Refer to [CO-44](#)

INFOID:000000001850404

DTC P0127 IAT SENSOR

< SERVICE INFORMATION >

[QR]

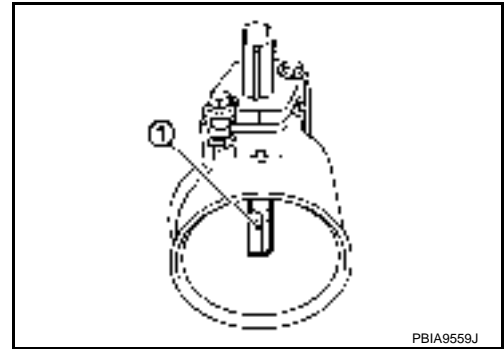
DTC P0127 IAT SENSOR

Component Description

INFOID:000000001850405

The intake air temperature sensor is built into mass air flow sensor (1). The sensor detects intake air temperature and transmits a signal to the ECM.

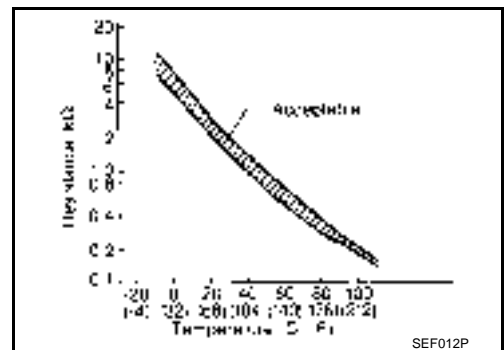
The temperature sensing unit uses a thermistor which is sensitive to the change in temperature. Electrical resistance of the thermistor decreases in response to the temperature rise.



<Reference data>

Intake air temperature °C (°F)	Voltage* V	Resistance K.Ω
25 (77)	3.3	1.800 - 2.200
80 (176)	1.2	0.283 - 0.359

*: This data is reference value and is measured between ECM terminal 50 (Intake air temperature sensor) and ground.



On Board Diagnosis Logic

INFOID:000000001850406

DTC No.	Trouble diagnosis name	DTC detecting condition	Possible cause
P0127 0127	Intake air temperature too high	Rationally incorrect voltage from the sensor is sent to ECM, compared with the voltage signal from engine coolant temperature sensor.	<ul style="list-style-type: none">• Harness or connectors (Intake temperature sensor circuit is open or shorted)• Intake air temperature sensor

DTC Confirmation Procedure

INFOID:000000001850407

CAUTION:

Always drive vehicle at a safe speed.

NOTE:

If DTC Confirmation Procedure has been previously conducted, always turn ignition switch OFF and wait at least 10 seconds before conducting the next test.

TESTING CONDITION:

This test may be conducted with the drive wheels lifted in the shop or by driving the vehicle. If a road test is expected to be easier, it is unnecessary to lift the vehicle.

WITH CONSULT-III

1. Wait until engine coolant temperature is less than 90°C (194°F)
 - a. Turn ignition switch ON.
 - b. Select "DATA MONITOR" mode with CONSULT-III.
 - c. Check the engine coolant temperature.
 - d. If the engine coolant temperature is not less than 90°C (194°F), turn ignition switch OFF and cool down engine.
 - Perform the following steps before engine coolant temperature is above 90°C (194°F).
2. Turn ignition switch ON.
3. Select "DATA MONITOR" mode with CONSULT-III.

DTC P0127 IAT SENSOR

[QR]

< SERVICE INFORMATION >

4. Start engine.
5. Hold vehicle speed at more than 70 km/h (43 MPH) for 100 consecutive seconds.
6. Check 1st trip DTC.
7. If 1st trip DTC is detected, go to [EC-709. "Diagnosis Procedure"](#).

WITH GST

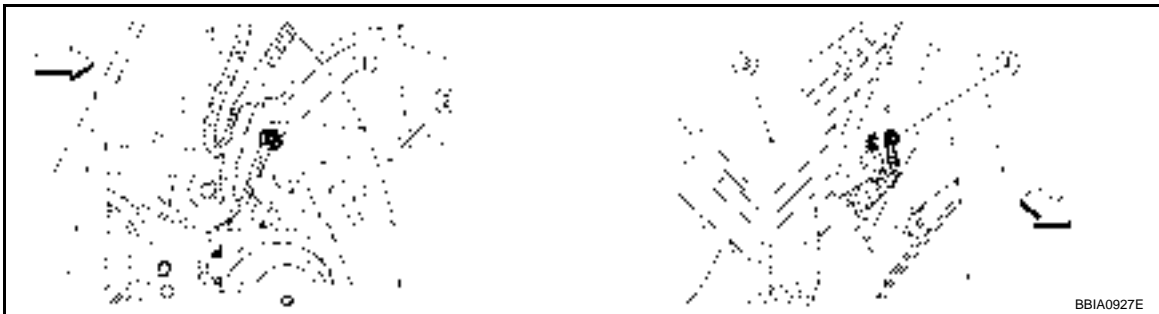
Follow the procedure "WITH CONSULT-III" above.

Diagnosis Procedure

INFOID:000000001850408

1. CHECK GROUND CONNECTIONS

1. Turn ignition switch OFF.
2. Loosen and retighten ground screws on the body.
Refer to [EC-649. "Ground Inspection"](#).



Vehicle front

1. Body ground E9 (view with front wheel RH and fender protector RH removed.)
2. Washer tank
3. Fuse and fusible link box
4. Body ground E15

OK or NG

- OK >> GO TO 2.
NG >> Repair or replace ground connections.

2. CHECK INTAKE AIR TEMPERATURE SENSOR

Refer to [EC-709. "Component Inspection"](#).

OK or NG

- OK >> GO TO 3.
NG >> Replace mass air flow sensor (with intake air temperature sensor).

3. CHECK INTERMITTENT INCIDENT

Refer to [EC-643](#).

Refer to [EC-692. "Wiring Diagram"](#).

>> **INSPECTION END**

Component Inspection

INFOID:000000001850409

INTAKE AIR TEMPERATURE SENSOR

DTC P0127 IAT SENSOR

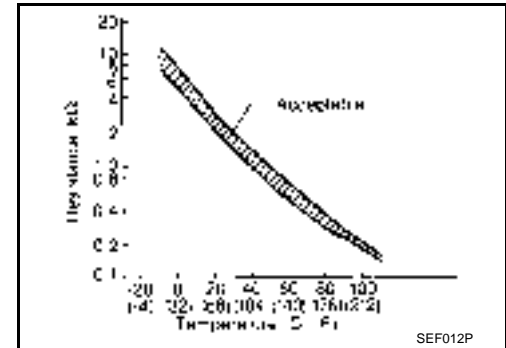
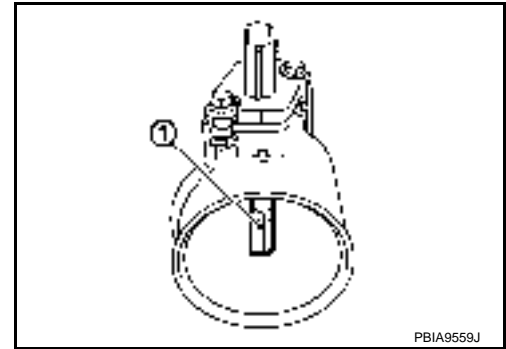
[QR]

< SERVICE INFORMATION >

1. Check resistance between intake air temperature sensor (1) terminals 5 and 6 under the following conditions.

Intake air temperature °C (°F)	Resistance kΩ
25 (77)	1.800 - 2.200

2. If NG, replace mass air flow sensor (with intake air temperature sensor).



Removal and Installation

INFOID:000000001850410

MASS AIR FLOW SENSOR

Refer to [EM-127](#).

DTC P0128 THERMOSTAT FUNCTION

< SERVICE INFORMATION >

[QR]

DTC P0128 THERMOSTAT FUNCTION

On Board Diagnosis Logic

INFOID:000000001850411

Engine coolant temperature has not risen enough to open the thermostat even though the engine has run long enough. This is due to a leak in the seal or the thermostat stuck open.

DTC No.	Trouble diagnosis name	DTC detecting condition	Possible cause
P0128 0128	Thermostat function	The engine coolant temperature does not reach to specified temperature even though the engine has run long enough.	<ul style="list-style-type: none">• Thermostat• Leakage from sealing portion of thermostat• Engine coolant temperature sensor

DTC Confirmation Procedure

INFOID:000000002994011

NOTE:

If DTC Confirmation Procedure has been previously conducted, always turn ignition switch OFF and wait at least 10 seconds before conducting the next test.

TESTING CONDITION:

- For best results, perform at ambient temperature of -10°C (14°F) or higher.
- For best results, perform at engine coolant temperature of -10°C (14°F) to 71°C (160°F).
- Before performing the following procedure, do not fill with the fuel

WITH CONSULT-III

1. Turn A/C switch OFF.
2. Turn blower fan switch OFF.
3. Turn ignition switch ON.
4. Select "COOLAN TEMP/S" in "DATA MONITOR" mode with CONSULT-III.
5. Check the indication of "COOLAN TEMP/S".
If it is below 71°C (160°F), go to following step.
If it is above 71°C (160°F), cool down the engine to less than 71°C (160°F). Then go to next steps.
6. Start engine and wait at idle for at least 30 minutes.
If "COOLAN TEMP/S" increases to more than 71°C (160°F) within 30 minutes, turn ignition switch OFF because the test result will be OK.
7. Check 1st trip DTC.
8. If 1st trip DTC is detected, go to [EC-200, "Diagnosis Procedure"](#).

WITH GST

Follow the procedure "WITH CONSULT-III" above.

Diagnosis Procedure

INFOID:000000001850413

1. CHECK ENGINE COOLANT TEMPERATURE SENSOR

Refer to [EC-711, "Component Inspection"](#).

OK or NG

- OK >> **INSPECTION END**
- NG >> Replace engine coolant temperature sensor.

Component Inspection

INFOID:000000001850414

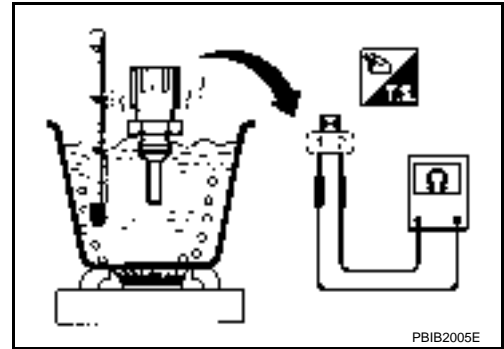
ENGINE COOLANT TEMPERATURE SENSOR

DTC P0128 THERMOSTAT FUNCTION

[QR]

< SERVICE INFORMATION >

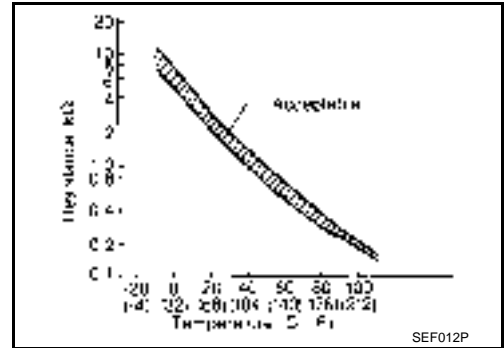
1. Check resistance between engine coolant temperature sensor terminals 1 and 2 as shown in the figure.



<Reference data>

Engine coolant temperature °C (°F)	Resistance kΩ
20 (68)	2.1 - 2.9
50 (122)	0.68 - 1.00
90 (194)	0.236 - 0.260

2. If NG, replace engine coolant temperature sensor.



Removal and Installation

ENGINE COOLANT TEMPERATURE SENSOR

Refer to [CO-44](#).

INFOID:000000001850415

DTC P0130, P0150 A/F SENSOR 1

< SERVICE INFORMATION >

[QR]

DTC P0130, P0150 A/F SENSOR 1

Component Description

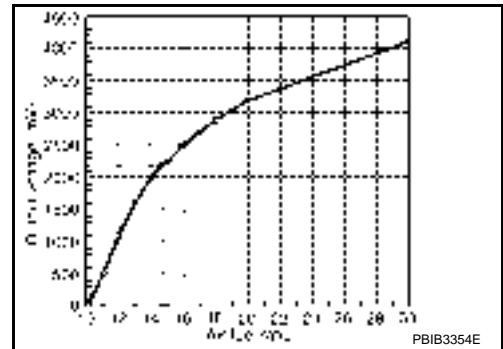
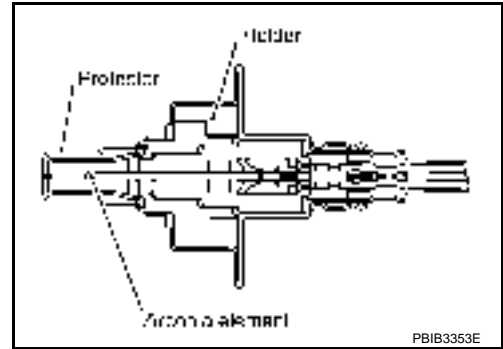
INFOID:000000001850416

The air fuel ratio (A/F) sensor 1 is a planar one-cell limit current sensor. The sensor element of the A/F sensor 1 is composed an electrode layer, which transports ions. It has a heater in the element.

The sensor is capable of precise measurement $\lambda = 1$, but also in the lean and rich range. Together with its control electronics, the sensor outputs a clear, continuous signal throughout a wide λ range.

The exhaust gas components diffuse through the diffusion layer at the sensor cell. An electrode layer is applied voltage, and this current relative oxygen density in lean. Also this current relative hydrocarbon density in rich.

Therefore, the A/F sensor 1 is able to indicate air fuel ratio by this electrode layer of current. In addition, a heater is integrated in the sensor to ensure the required operating temperature of about 800°C (1,472°F).



CONSULT-III Reference Value in Data Monitor Mode

INFOID:000000001850417

Specification data are reference values.

MONITOR ITEM	CONDITION		SPECIFICATION
A/F SEN1 (B1) A/F SEN1 (B2)	• Engine: After warming up	Maintaining engine speed at 2,000 rpm	Fluctuates around 2.2V

On Board Diagnosis Logic

INFOID:000000001850418

To judge the malfunction, the diagnosis checks that the A/F signal computed by ECM from the air fuel ratio (A/F) sensor 1 signal fluctuates according to fuel feedback control.

DTC No.	Trouble diagnosis name	DTC detecting condition		Possible Cause
P0130 P0130 (Bank 1)	Air fuel ratio (A/F) sensor 1 circuit	A)	The A/F signal computed by ECM from the A/F sensor 1 signal is constantly in the range other than approx. 2.2V.	<ul style="list-style-type: none"> • Harness or connectors [Air fuel ratio (A/F) sensor 1 circuit is open or shorted.] • Air fuel ratio (A/F) sensor 1
P0150 P0150 (Bank 2)		B)	The A/F signal computed by ECM from the A/F sensor 1 signal is constantly approx. 2.2V.	

DTC Confirmation Procedure

INFOID:000000001850419

Perform PROCEDURE FOR MALFUNCTION A first.

If the DTC cannot be confirmed, perform PROCEDURE FOR MALFUNCTION B.

NOTE:

If DTC Confirmation Procedure has been previously conducted, always turn ignition switch OFF and wait at least 10 seconds before conducting the next test.

TESTING CONDITION:

Before performing the following procedure, confirm that battery voltage is more than 11V at idle.

PROCEDURE FOR MALFUNCTION A

DTC P0130, P0150 A/F SENSOR 1

< SERVICE INFORMATION >

[QR]

¹ With CONSULT-III

1. Start engine and warm it up to normal operating temperature.
2. Select "DATA MONITOR" mode with CONSULT-III.
3. Let engine idle for 2 minutes.
4. Check 1st trip DTC.
5. If 1st trip DTC is detected, go to [EC-718, "Diagnosis Procedure"](#).

ⁿⁱ With GST

Follow the procedure "With CONSULT-III" above.

PROCEDURE FOR MALFUNCTION B

CAUTION:

Always drive vehicle at a safe speed.

¹ With CONSULT-III

1. Start engine and warm it up to normal operating temperature.
2. Select "A/F SEN1 (B1)" or "A/F SEN 1 (B2)" in "DATA MONITOR" mode with CONSULT-III.
3. Check "A/F SEN1 (B1)" or "A/F SEN 1 (B2)" indication.
If the indication is constantly approx. 2.2V and does not fluctuates, go to [EC-718, "Diagnosis Procedure"](#).
If the indication fluctuates around 2.2V, go to next step.
4. Select "A/F SEN1 (B1) P1276 " (for P0130) or "A/F SEN 1 (B2) P1286 " (for DTC P0150) of "A/F SEN1" in "DTC WORK SUPPORT" mode with CONSULT-III.
5. Touch "START".
6. When the following conditions are met, "TESTING" will be displayed on the CONSULT-III screen.

ENG SPEED	1,000 - 3,200 rpm
VHCL SPEED SE	More than 64 km/h (40 MPH)
B/FUEL SCHDL	1.0 - 11.5 msec
Shift lever	D position (CVT) 5th position (M/T)

If "TESTING" is not displayed after 20 seconds, retry from step 2.

7. Release accelerator pedal fully.

NOTE:

Never apply brake during releasing the accelerator pedal.

8. Make sure that "TESTING" changes to "COMPLETED".
If "TESTING" changed to "OUT OF CONDITION", retry from step 6.
9. Make sure that "OK" is displayed after touching "SELF-DIAG RESULTS".
If "NG" is displayed, go to [EC-718, "Diagnosis Procedure"](#).

Overall Function Check

INFOID:000000001850420

PROCEDURE MALFUNCTION B

Use this procedure to check the overall function of the A/F sensor 1 circuit. During this check, a 1st trip DTC might not be confirmed.

ⁿⁱ With GST

1. Start engine and warm it up to normal operating temperature.
2. Drive the vehicle at a speed of 80 km/h (50 MPH) for a few minutes in the suitable gear position.
3. Set shift lever to D position (CVT) or 5th position (M/T), then release the accelerator pedal fully until the vehicle speed decreases to 50 km/h (30 MPH).

NOTE:

Never apply brake during releasing the accelerator pedal.

4. Repeat steps 2 and 3 for five times.
5. Stop the vehicle and turn ignition switch OFF.
6. Wait at least 10 seconds and restart engine.
7. Repeat steps 2 and 3 for five times.
8. Stop the vehicle and connect GST to the vehicle.
9. Make sure that no 1st trip DTC is displayed.
If 1st trip DTC is displayed, go to [EC-718, "Diagnosis Procedure"](#).

DTC P0130, P0150 A/F SENSOR 1

< SERVICE INFORMATION >

[QR]

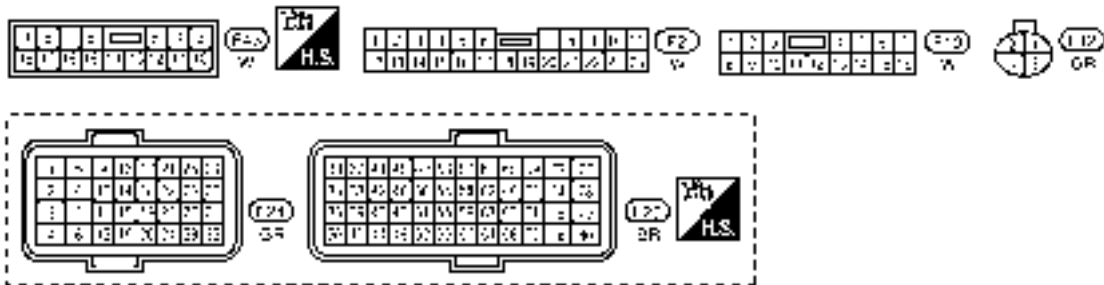
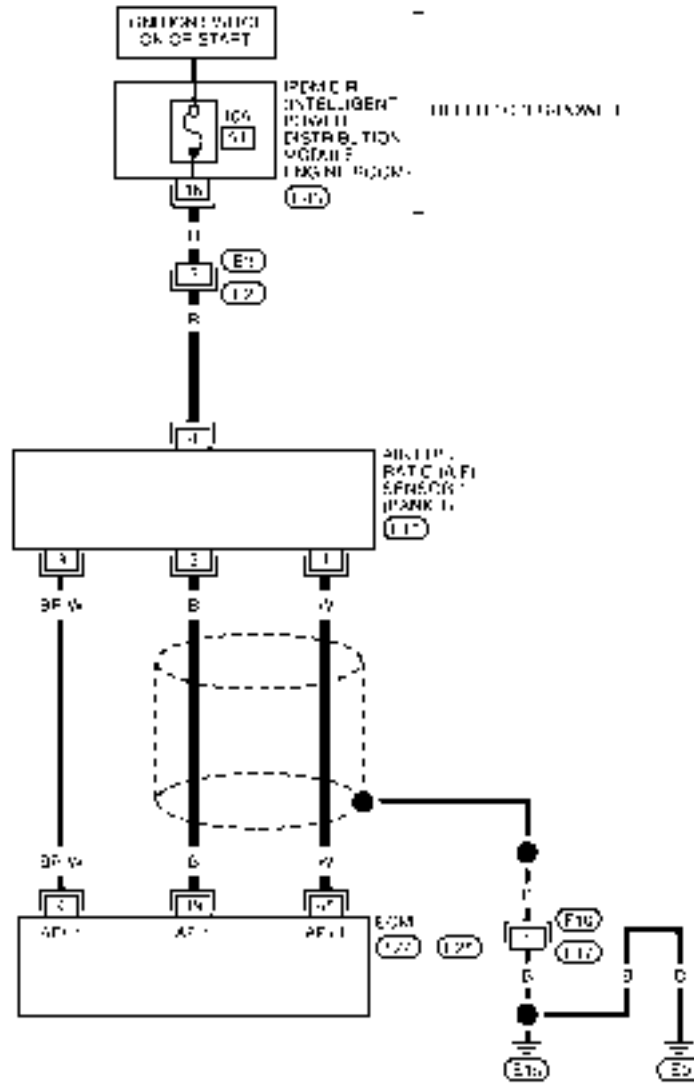
Wiring Diagram

INFOID:000000002994054

BANK 1

EC-AF1B1-01

— DETECTABLE LINE FOR DTC
 — NON-DETECTABLE LINE FOR DTC



BBWA3031E

Specification data are reference values and are measured between each terminal and ground. Pulse signal is measured by CONSULT-III.


CAUTION:

DTC P0130, P0150 A/F SENSOR 1

< SERVICE INFORMATION >

[QR]

Do not use ECM ground terminals when measuring input/output voltage. Doing so may result in damage to the ECM's transistor. Use a ground other than ECM terminals, such as the ground.

TERMI- NAL NO.	WIRE COLOR	ITEM	CONDITION	DATA (DC Voltage)
4	BR/W	A/F sensor 1 heater (Bank 1)	[Engine is running] <ul style="list-style-type: none"> • Warm-up condition • Idle speed (More than 140 seconds after starting engine) 	Approximately 2.9 - 8.8V★  <small>PBIA8148J</small>
45	W	A/F sensor 1 (Bank 1)	[Engine is running] <ul style="list-style-type: none"> • Warm-up condition • Engine speed: 2,000 rpm 	Approximately 1.8V Output voltage varies with air fuel ratio.
49	B	A/F sensor 1 (Bank 1)	[Ignition switch: ON]	Approximately 2.2V

★: Average voltage for pulse signal (Actual pulse signal can be confirmed by oscilloscope.)

DTC P0130, P0150 A/F SENSOR 1

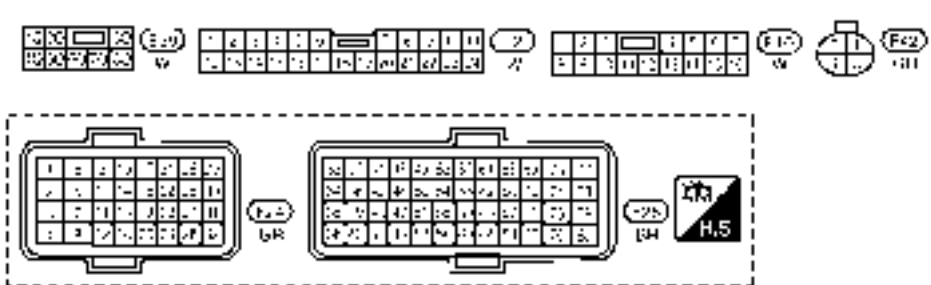
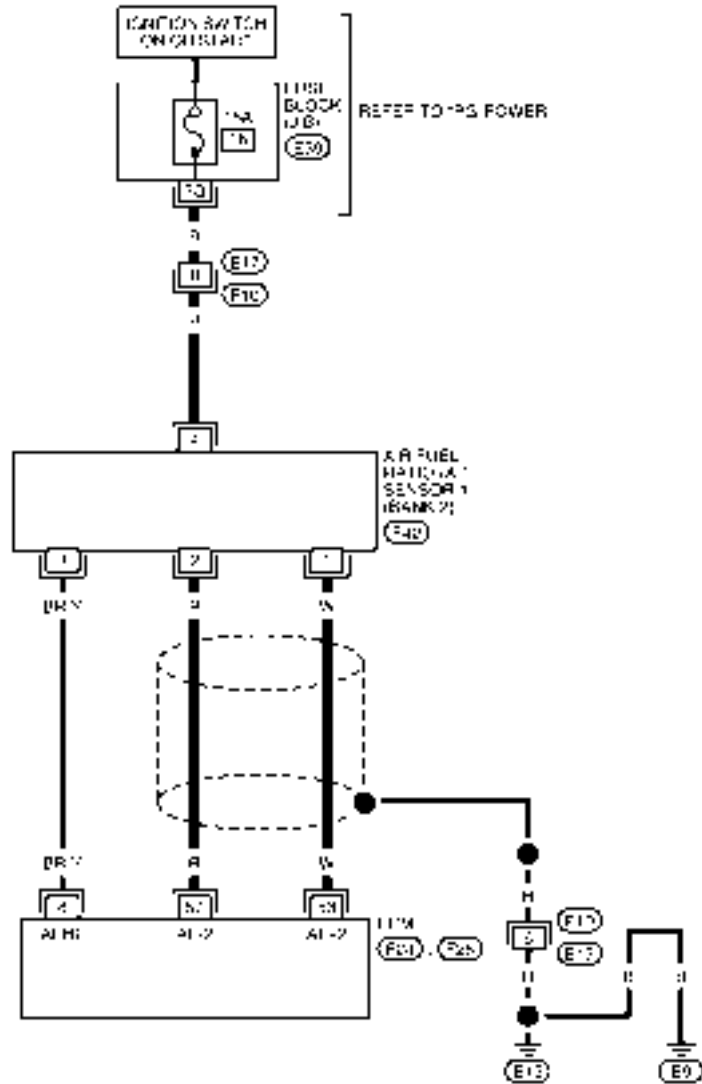
< SERVICE INFORMATION >

[QR]

BANK 2

EC-AF1B2-01

— DETACHABLE LINE CONNECT
 — NON-DETACHABLE LINE CONNECT




BBWA3032E

Specification data are reference values and are measured between each terminal and ground. Pulse signal is measured by CONSULT-III.
CAUTION:
 Do not use ECM ground terminals when measuring input/output voltage. Doing so may result in damage to the ECM's transistor. Use a ground other than ECM terminals, such as the ground.

DTC P0130, P0150 A/F SENSOR 1

< SERVICE INFORMATION >

[QR]

TERMINAL NO.	WIRE COLOR	ITEM	CONDITION	DATA (DC Voltage)
8	BR/Y	A/F sensor 1 heater (Bank 2)	[Engine is running] <ul style="list-style-type: none"> • Warm-up condition • Idle speed (More than 140 seconds after starting engine) 	Approximately 2.9 - 8.8V★  <small>PBIA8148J</small>
53	W	A/F sensor 1 (Bank 2)	[Engine is running] <ul style="list-style-type: none"> • Warm-up condition • Engine speed: 2,000 rpm 	Approximately 1.8V Output voltage varies with air fuel ratio.
57	R	A/F sensor 1 (Bank 2)	[Ignition switch: ON]	Approximately 2.2V

★: Average voltage for pulse signal (Actual pulse signal can be confirmed by oscilloscope.)

Diagnosis Procedure

INFOID:000000001850422

1. CHECK GROUND CONNECTIONS

1. Turn ignition switch OFF.
2. Loosen and retighten ground screws on the body.
Refer to [EC-649. "Ground Inspection"](#).



 Vehicle front

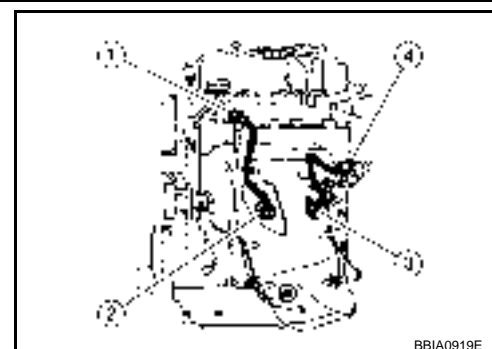
1. Body ground E9 (view with front wheel RH and fender protector RH removed.)
2. Washer tank
3. Fuse and fusible link box
4. Body ground E15

OK or NG

- OK >> GO TO 2.
 NG >> Repair or replace ground connections.

2. CHECK AIR FUEL RATIO (A/F) SENSOR 1 POWER SUPPLY CIRCUIT

1. Disconnect air fuel ratio (A/F) sensor 1 harness connector.
 - Air fuel ratio (A/F) sensor 1 (Bank 1) harness connector (1)
 - Air fuel ratio (A/F) sensor 1 (Bank 1) (2)
 - Air fuel ratio (A/F) sensor 1 (Bank 2) (3)
 - Air fuel ratio (A/F) sensor 1 (Bank 2) harness connector (4)
2. Turn ignition switch ON.



DTC P0130, P0150 A/F SENSOR 1

< SERVICE INFORMATION >

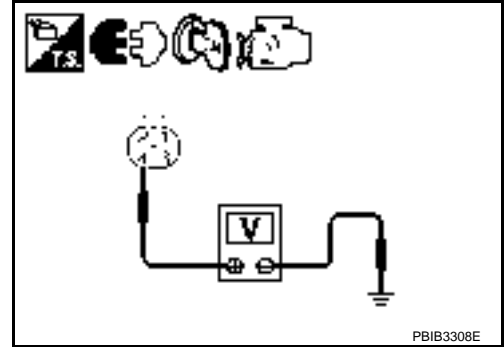
[QR]

3. Check voltage between A/F sensor 1 terminal 4 and ground with CONSULT-III or tester.

Voltage: Battery voltage

OK or NG

- OK >> GO TO 4.
- NG >> GO TO 3.



3. DETECT MALFUNCTIONING PART

Check the following.

- Harness connectors E3, F2 (Bank 1)
- Harness connectors E17, F10 (Bank 2)
- Fuse block (J/B) connector E43 (Bank 1)
- Fuse block (J/B) connector E39 (Bank 2)
- 10A fuse (Bank 1)
- 15A fuse (Bank 2)
- Harness for open or short between A/F sensor 1 and fuse

>> Repair or replace harness or connectors.

4. CHECK A/F SENSOR 1 INPUT SIGNAL CIRCUIT FOR OPEN AND SHORT

1. Turn ignition switch OFF.
2. Disconnect ECM harness connector.
3. Check harness continuity between the following terminals. Refer to Wiring Diagram.

Bank	A/F sensor 1 terminal	ECM terminal
1	1	45
	2	49
2	1	53
	2	57

Continuity should exist.

4. Check harness continuity between the following terminals and ground. Refer to Wiring Diagram.

Bank 1		Bank 2	
A/F sensor terminal	ECM terminal	A/F sensor terminal	ECM terminal
1	45	1	53
2	49	2	57

Continuity should not exist.

5. Also check harness for short to power.

OK or NG

- OK >> GO TO 5.
- NG >> Repair open circuit or short to ground or short to power in harness or connectors.

5. CHECK INTERMITTENT INCIDENT

Perform [EC-643](#).

OK or NG

DTC P0130, P0150 A/F SENSOR 1

< SERVICE INFORMATION >

[QR]

OK >> GO TO 6.
NG >> Repair or replace.

6. REPLACE AIR FUEL RATIO (A/F) SENSOR 1

Replace malfunctioning air fuel ratio (A/F) sensor 1.

CAUTION:

- Discard any A/F sensor which has been dropped from a height of more than 0.5 m (19.7 in) onto a hard surface such as a concrete floor; use a new one.
- Before installing new A/F sensor, clean exhaust system threads using Oxygen Sensor Thread Cleaner tool J-43897-18 or J-43897-12 and approved anti-seize lubricant.

>> INSPECTION END

Removal and Installation

INFOID:000000001850423

AIR FUEL RATIO SENSOR

Refer to [EM-132](#)

DTC P0131, P0151 A/F SENSOR 1

< SERVICE INFORMATION >

[QR]

DTC P0131, P0151 A/F SENSOR 1

Component Description

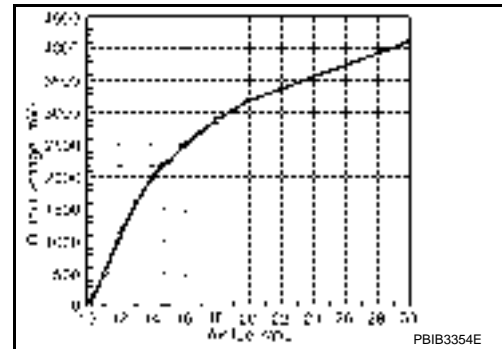
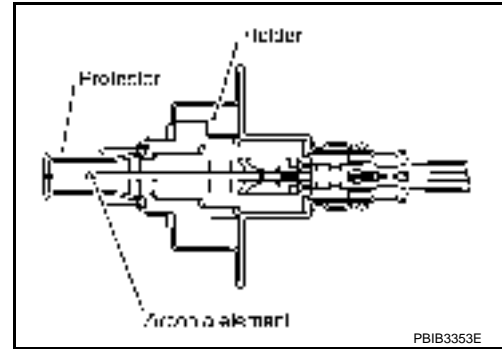
INFOID:000000001850424

The air fuel ratio (A/F) sensor 1 is a planar one-cell limit current sensor. The sensor element of the A/F sensor 1 is composed an electrode layer, which transports ions. It has a heater in the element.

The sensor is capable of precise measurement $\lambda = 1$, but also in the lean and rich range. Together with its control electronics, the sensor outputs a clear, continuous signal throughout a wide λ range.

The exhaust gas components diffuse through the diffusion layer at the sensor cell. An electrode layer is applied voltage, and this current relative oxygen density in lean. Also this current relative hydrocarbon density in rich.

Therefore, the A/F sensor 1 is able to indicate air fuel ratio by this electrode layer of current. In addition, a heater is integrated in the sensor to ensure the required operating temperature of about 800°C (1,472°F).



CONSULT-III Reference Value in Data Monitor Mode

INFOID:000000001850425

Specification data are reference values.

MONITOR ITEM	CONDITION		SPECIFICATION
A/F SEN1 (B1) A/F SEN1 (B2)	• Engine: After warming up	Maintaining engine speed at 2,000 rpm	Fluctuates around 2.2V

On Board Diagnosis Logic

INFOID:000000001850426

To judge the malfunction, the diagnosis checks that the A/F signal computed by ECM from the air fuel ratio (A/F) sensor 1 signal is not inordinately low.

DTC No.	Trouble diagnosis name	DTC detecting condition	Possible Cause
P0131 0131 (Bank 1)	Air fuel ratio (A/F) sensor 1 circuit low voltage	The A/F signal computed by ECM from the A/F sensor 1 signal is constantly approx. 0V.	<ul style="list-style-type: none"> • Harness or connectors [Air fuel ratio (A/F) sensor circuit is open or shorted.] • Air fuel ratio (A/F) sensor 1
P0151 0151 (Bank 2)			

DTC Confirmation Procedure

INFOID:000000001850427

NOTE:

If DTC Confirmation Procedure has been previously conducted, always turn ignition switch OFF and wait at least 10 seconds before conducting the next test.

TESTING CONDITION:

Before performing the following procedure, confirm that battery voltage is more than 10.5V at idle.

¹ WITH CONSULT-III

1. Start engine and warm it up to normal operating temperature.

DTC P0131, P0151 A/F SENSOR 1

< SERVICE INFORMATION >

[QR]

2. Select "A/F SEN1 (B1)" or "A/F SEN 1 (B2)" in "DATA MONITOR" mode with CONSULT-III.
3. Check "A/F SEN1 (B1)" or "A/F SEN 1 (B2)" indication.
If the indication is constantly approx. 0V, go to [EC-726. "Diagnosis Procedure"](#).
If the indication is not constantly approx. 0V, go to next step.
4. Turn ignition switch OFF, wait at least 10 seconds and then restart engine.
5. Drive and accelerate vehicle to more than 40 km/h (25 MPH) within 20 seconds after restarting engine.
6. Maintain the following conditions for about 20 consecutive seconds.

ENG SPEED	1,000 - 3,200 rpm
VHCL SPEED SE	More than 40 km/h (25 MPH)
B/FUEL SCHDL	1.5 - 9.0 msec
Shift lever	Suitable position

NOTE:

- **Keep the accelerator pedal as steady as possible during the cruising.**
 - **If this procedure is not completed within 1 minute after restarting engine at step 4, return to step 4.**
7. Check 1st trip DTC.
 8. If 1st trip DTC is displayed, go to [EC-726. "Diagnosis Procedure"](#).

WITH GST

Follow the procedure "WITH CONSULT-III" above.

DTC P0131, P0151 A/F SENSOR 1

< SERVICE INFORMATION >

[QR]

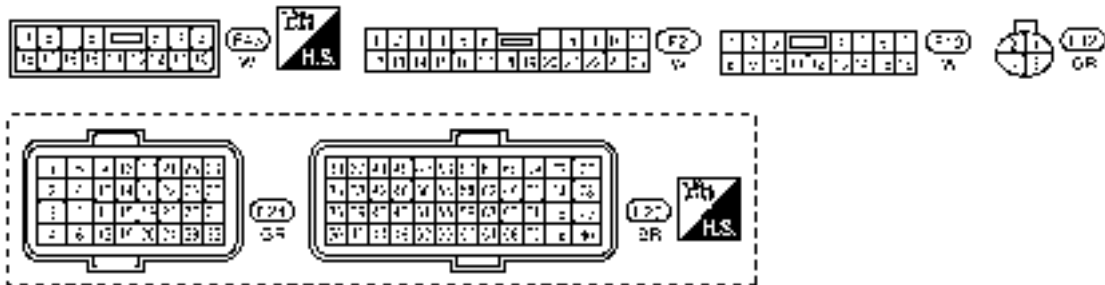
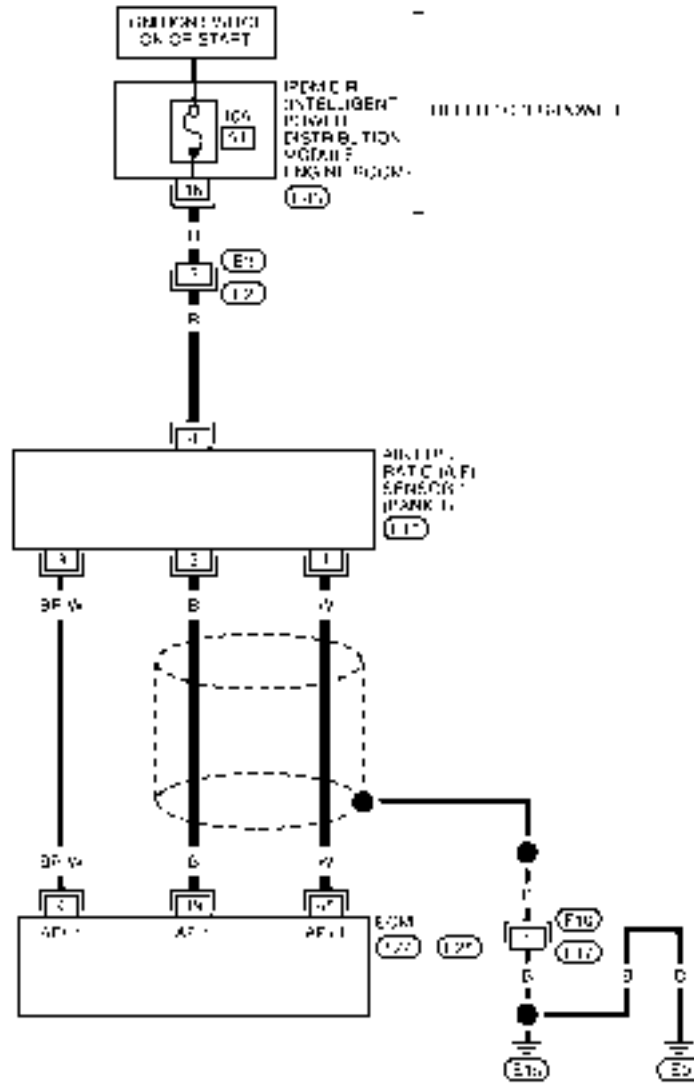
Wiring Diagram

INFOID:000000002994055

BANK 1

EC-AF1B1-01

— DETECTABLE LINE FOR DTC
 - - - NON-DETECTABLE LINE FOR DTC



BBWA3031E

Specification data are reference values and are measured between each terminal and ground. Pulse signal is measured by CONSULT-III.


CAUTION:

DTC P0131, P0151 A/F SENSOR 1

< SERVICE INFORMATION >

[QR]

Do not use ECM ground terminals when measuring input/output voltage. Doing so may result in damage to the ECM's transistor. Use a ground other than ECM terminals, such as the ground.

TERMI- NAL NO.	WIRE COLOR	ITEM	CONDITION	DATA (DC Voltage)
4	BR/W	A/F sensor 1 heater (Bank 1)	[Engine is running] <ul style="list-style-type: none"> • Warm-up condition • Idle speed (More than 140 seconds after starting engine) 	Approximately 2.9 - 8.8V★  <small>PBIA8148J</small>
45	B	A/F sensor 1 (Bank 1)	[Engine is running] <ul style="list-style-type: none"> • Warm-up condition • Engine speed: 2,000 rpm 	Approximately 1.8V Output voltage varies with air fuel ratio.
49	W	A/F sensor 1 (Bank 1)	[Ignition switch: ON]	Approximately 2.2V

★: Average voltage for pulse signal (Actual pulse signal can be confirmed by oscilloscope.)

DTC P0131, P0151 A/F SENSOR 1

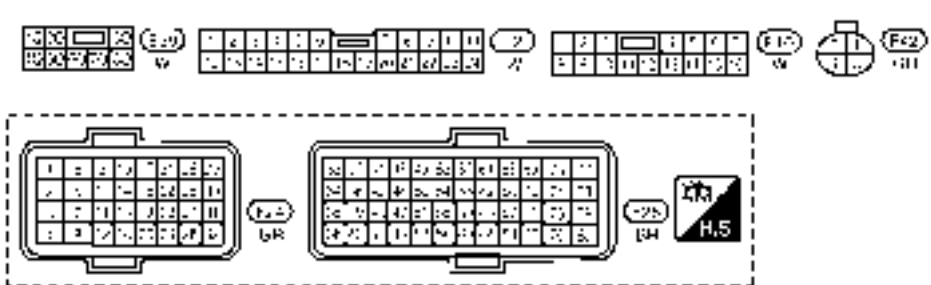
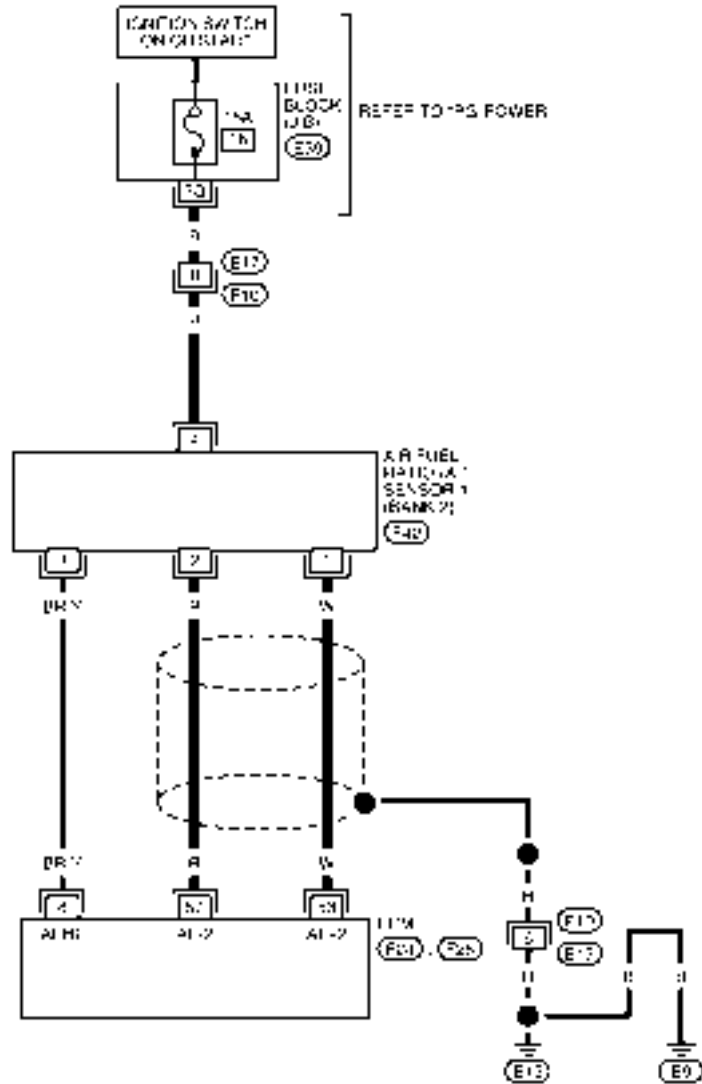
< SERVICE INFORMATION >

[QR]

BANK 2

EC-AF1B2-01

— DETACHABLE LINE CONNECT
 — NON-DETACHABLE LINE CONNECT




BBWA3032E

Specification data are reference values and are measured between each terminal and ground. Pulse signal is measured by CONSULT-III.
CAUTION:
 Do not use ECM ground terminals when measuring input/output voltage. Doing so may result in damage to the ECM's transistor. Use a ground other than ECM terminals, such as the ground.

DTC P0131, P0151 A/F SENSOR 1

< SERVICE INFORMATION >

[QR]

TERMI- NAL NO.	WIRE COLOR	ITEM	CONDITION	DATA (DC Voltage)
8	BR/Y	A/F sensor 1 heater (Bank 2)	[Engine is running] • Warm-up condition • Idle speed (More than 140 seconds after starting engine)	Approximately 2.9 - 8.8V★  PBI A8148J
53	W	A/F sensor 1 (Bank 2)	[Engine is running] • Warm-up condition • Engine speed: 2,000 rpm	Approximately 1.8V Output voltage varies with air fuel ratio.
57	R	A/F sensor 1 (Bank 2)	[Ignition switch: ON]	Approximately 2.2V

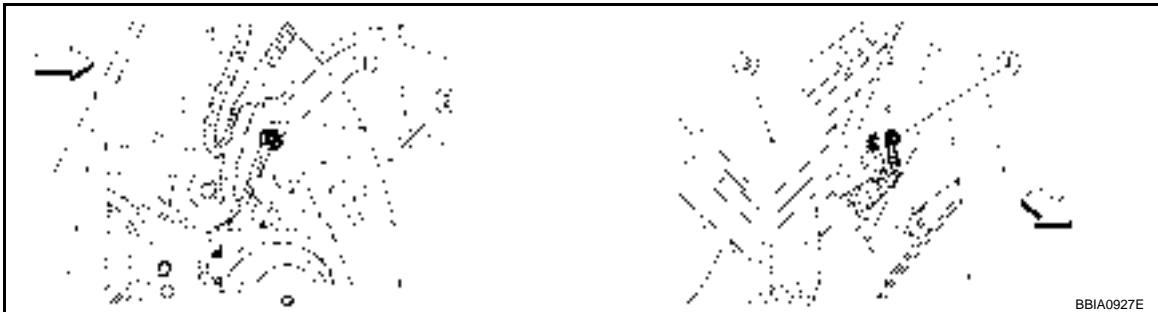
★: Average voltage for pulse signal (Actual pulse signal can be confirmed by oscilloscope.)

Diagnosis Procedure

INFOID:000000001850429

1. CHECK GROUND CONNECTIONS

- Turn ignition switch OFF.
- Loosen and retighten ground screws on the body.
Refer to [EC-649. "Ground Inspection"](#).



 Vehicle front

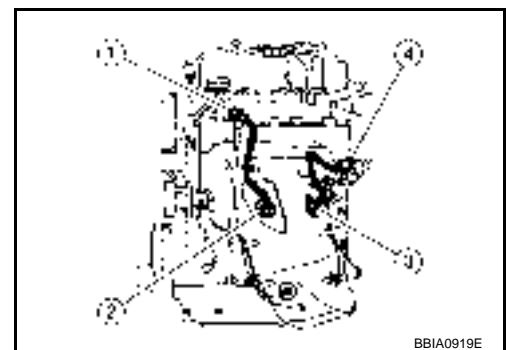
- Body ground E9 (view with front wheel RH and fender protector RH removed.)
- Washer tank
- Fuse and fusible link box
- Body ground E15

OK or NG

- OK >> GO TO 2.
NG >> Repair or replace ground connections.

2. CHECK AIR FUEL RATIO (A/F) SENSOR 1 POWER SUPPLY CIRCUIT

- Disconnect air fuel ratio (A/F) sensor 1 harness connector.
 - Air fuel ratio (A/F) sensor 1 (Bank 1) harness connector (1)
 - Air fuel ratio (A/F) sensor 1 (Bank 1) (2)
 - Air fuel ratio (A/F) sensor 1 (Bank 2) (3)
 - Air fuel ratio (A/F) sensor 1 (Bank 2) harness connector (4)
- Turn ignition switch ON.



DTC P0131, P0151 A/F SENSOR 1

< SERVICE INFORMATION >

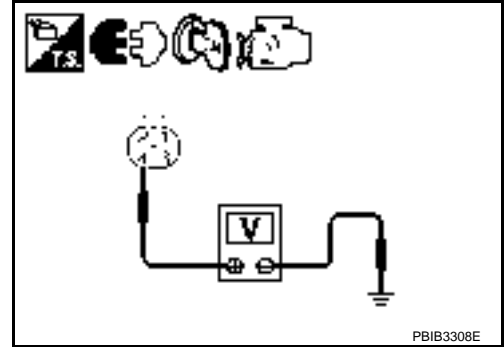
[QR]

3. Check voltage between A/F sensor 1 terminal 4 and ground with CONSULT-III or tester.

Voltage: Battery voltage

OK or NG

- OK >> GO TO 4.
- NG >> GO TO 3.



3. DETECT MALFUNCTIONING PART

Check the following.

- Harness connectors E3, F2 (Bank 1)
- Harness connectors E17, F10 (Bank 2)
- Fuse block (J/B) connector E43 (Bank 1)
- Fuse block (J/B) connector E39 (Bank 2)
- 10A fuse (Bank 1)
- 15A fuse (Bank 2)
- Harness for open or short between A/F sensor 1 and fuse

>> Repair or replace harness or connectors.

4. CHECK A/F SENSOR 1 INPUT SIGNAL CIRCUIT FOR OPEN AND SHORT

1. Turn ignition switch OFF.
2. Disconnect ECM harness connector.
3. Check harness continuity between the following terminals. Refer to Wiring Diagram.

Bank	A/F sensor 1 terminal	ECM terminal
1	1	45
	2	49
2	1	53
	2	57

Continuity should exist.

4. Check harness continuity between the following terminals and ground. Refer to Wiring Diagram.

Bank 1		Bank 2	
A/F sensor terminal	ECM terminal	A/F sensor terminal	ECM terminal
1	45	1	53
2	49	2	57

Continuity should not exist.

5. Also check harness for short to power.

OK or NG

- OK >> GO TO 5.
- NG >> Repair open circuit or short to ground or short to power in harness or connectors.

5. CHECK INTERMITTENT INCIDENT

Perform [EC-643](#).

OK or NG

DTC P0131, P0151 A/F SENSOR 1

< SERVICE INFORMATION >

[QR]

OK >> GO TO 6.
NG >> Repair or replace.

6. REPLACE AIR FUEL RATIO (A/F) SENSOR 1

Replace malfunctioning air fuel ratio (A/F) sensor 1.

CAUTION:

- Discard any A/F sensor which has been dropped from a height of more than 0.5 m (19.7 in) onto a hard surface such as a concrete floor; use a new one.
- Before installing new A/F sensor, clean exhaust system threads using Oxygen Sensor Thread Cleaner tool J-43897-18 or J-43897-12 and approved anti-seize lubricant.

>> INSPECTION END

Removal and Installation

INFOID:000000001850430

AIR FUEL RATIO SENSOR

Refer to [EM-132](#).

DTC P0132, P0152 A/F SENSOR 1

< SERVICE INFORMATION >

[QR]

DTC P0132, P0152 A/F SENSOR 1

Component Description

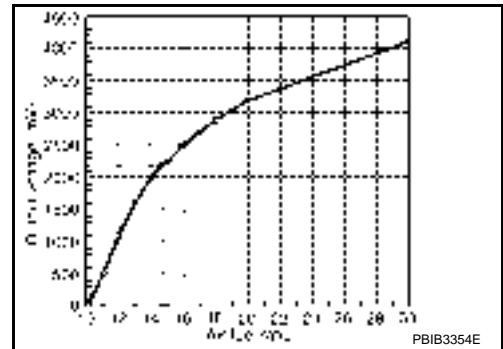
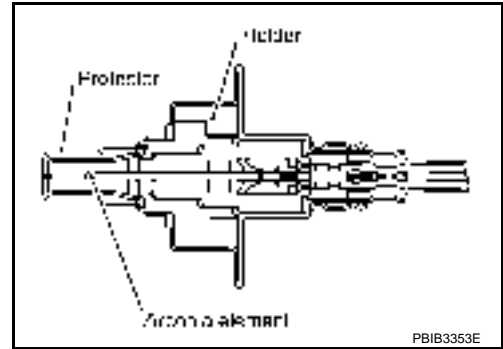
INFOID:000000001850431

The air fuel ratio (A/F) sensor 1 is a planar one-cell limit current sensor. The sensor element of the A/F sensor 1 is composed an electrode layer, which transports ions. It has a heater in the element.

The sensor is capable of precise measurement $\lambda = 1$, but also in the lean and rich range. Together with its control electronics, the sensor outputs a clear, continuous signal throughout a wide λ range.

The exhaust gas components diffuse through the diffusion layer at the sensor cell. An electrode layer is applied voltage, and this current relative oxygen density in lean. Also this current relative hydrocarbon density in rich.

Therefore, the A/F sensor 1 is able to indicate air fuel ratio by this electrode layer of current. In addition, a heater is integrated in the sensor to ensure the required operating temperature of about 800°C (1,472°F).



CONSULT-III Reference Value in Data Monitor Mode

INFOID:000000001850432

Specification data are reference values.

MONITOR ITEM	CONDITION		SPECIFICATION
A/F SEN1 (B1) A/F SEN1 (B2)	• Engine: After warming up	Maintaining engine speed at 2,000 rpm	Fluctuates around 2.2V

On Board Diagnosis Logic

INFOID:000000001850433

To judge the malfunction, the diagnosis checks that the A/F signal computed by ECM from the air fuel ratio (A/F) sensor 1 signal is not inordinately high.

DTC No.	Trouble diagnosis name	DTC detecting condition	Possible Cause
P0132 0132 (Bank 1)	Air fuel ratio (A/F) sensor 1 circuit high voltage	The A/F signal computed by ECM from the A/F sensor 1 signal is constantly approx. 5V.	<ul style="list-style-type: none"> • Harness or connectors [Air fuel ratio (A/F) sensor circuit is open or shorted.] • Air fuel ratio (A/F) sensor 1
P0152 0152 (Bank 2)			

DTC Confirmation Procedure

INFOID:000000001850434

NOTE:

If DTC Confirmation Procedure has been previously conducted, always turn ignition switch OFF and wait at least 10 seconds before conducting the next test.

TESTING CONDITION:

Before performing the following procedure, confirm that battery voltage is more than 10.5V at idle.

¹ WITH CONSULT-III

1. Start engine and warm it up to normal operating temperature.

DTC P0132, P0152 A/F SENSOR 1

< SERVICE INFORMATION >

[QR]

2. Select "A/F SEN1 (B1)" or "A/F SEN 1 (B2)" in "DATA MONITOR" mode with CONSULT-III.
3. Check "A/F SEN1 (B1)" or "A/F SEN 1 (B2)" indication.
If the indication is constantly approx. 5V, go to [EC-734. "Diagnosis Procedure"](#).
If the indication is not constantly approx. 5V, go to next step.
4. Turn ignition switch OFF, wait at least 10 seconds and then restart engine.
5. Drive and accelerate vehicle to more than 40 km/h (25 MPH) within 20 seconds after restarting engine.
6. Maintain the following conditions for about 20 consecutive seconds.

ENG SPEED	1,000 - 3,200 rpm
VHCL SPEED SE	More than 40 km/h (25 MPH)
B/FUEL SCHDL	1.5 - 9.0 msec
Shift lever	Suitable position

NOTE:

- **Keep the accelerator pedal as steady as possible during the cruising.**
 - **If this procedure is not completed within 1 minute after restarting engine at step 4, return to step 4.**
7. Check 1st trip DTC.
 8. If 1st trip DTC is displayed, go to [EC-734. "Diagnosis Procedure"](#).

WITH GST

Follow the procedure "WITH CONSULT-III" above.

DTC P0132, P0152 A/F SENSOR 1

< SERVICE INFORMATION >

[QR]

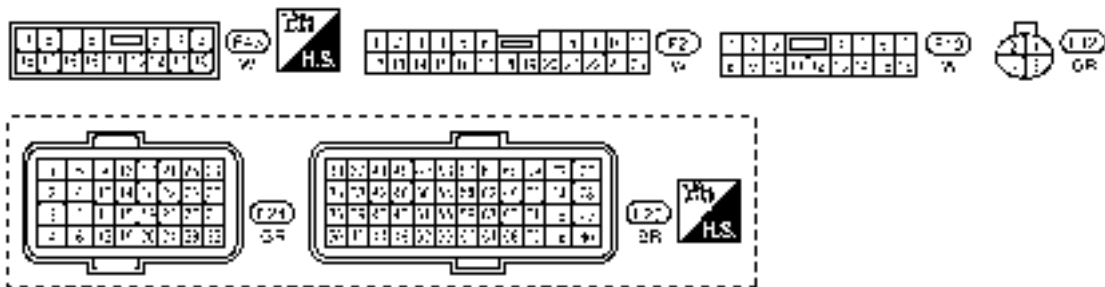
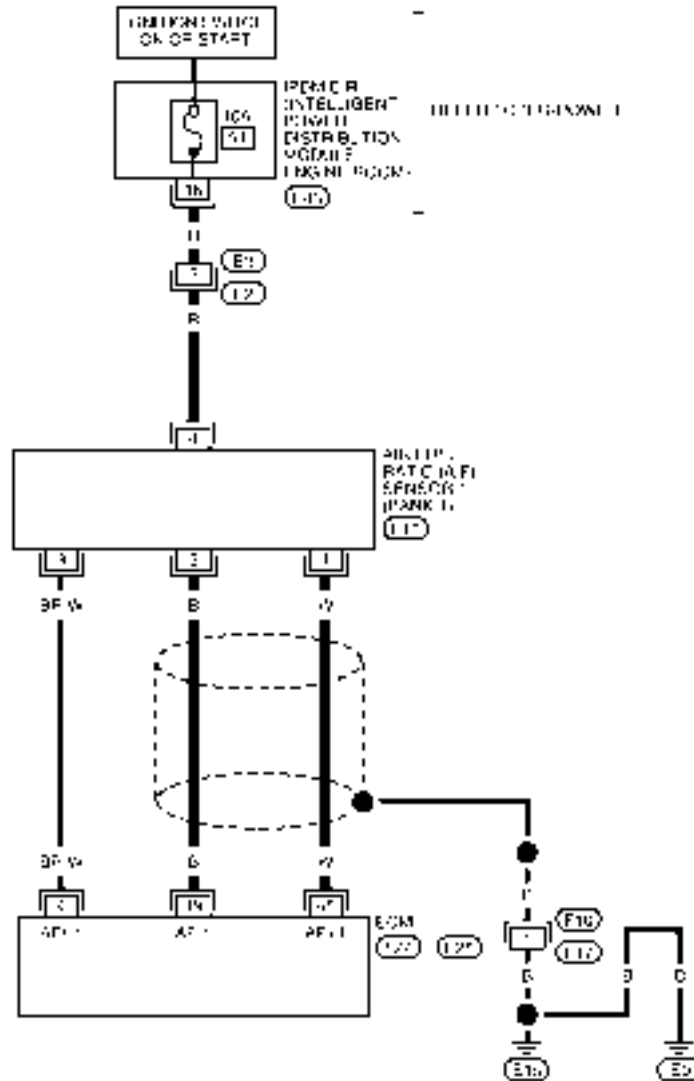
Wiring Diagram

INFOID:000000002994056

BANK 1

EC-AF1B1-01

— DETECTABLE LINE FOR DTC
 — NON-DETECTABLE LINE FOR DTC



BBWA3031E

Specification data are reference values and are measured between each terminal and ground. Pulse signal is measured by CONSULT-III.


CAUTION:

DTC P0132, P0152 A/F SENSOR 1

< SERVICE INFORMATION >

[QR]

Do not use ECM ground terminals when measuring input/output voltage. Doing so may result in damage to the ECM's transistor. Use a ground other than ECM terminals, such as the ground.

TERMI- NAL NO.	WIRE COLOR	ITEM	CONDITION	DATA (DC Voltage)
4	BR/W	A/F sensor 1 heater (Bank 1)	[Engine is running] <ul style="list-style-type: none"> • Warm-up condition • Idle speed (More than 140 seconds after starting engine) 	Approximately 2.9 - 8.8V★  <small>PBIA8148J</small>
45	W	A/F sensor 1 (Bank 1)	[Engine is running] <ul style="list-style-type: none"> • Warm-up condition • Engine speed: 2,000 rpm 	Approximately 1.8V Output voltage varies with air fuel ratio.
49	B	A/F sensor 1 (Bank 1)	[Ignition switch: ON]	Approximately 2.2V

★: Average voltage for pulse signal (Actual pulse signal can be confirmed by oscilloscope.)

DTC P0132, P0152 A/F SENSOR 1

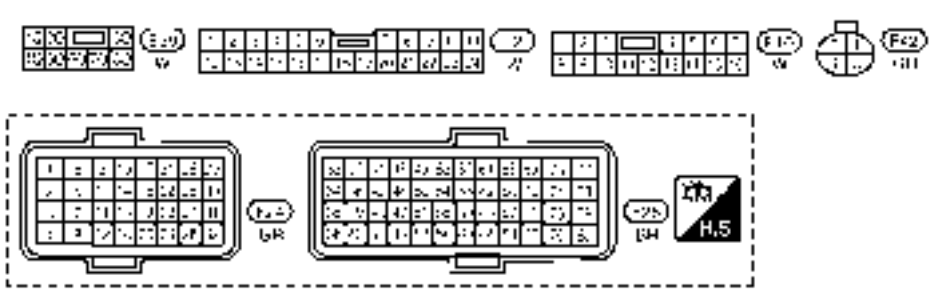
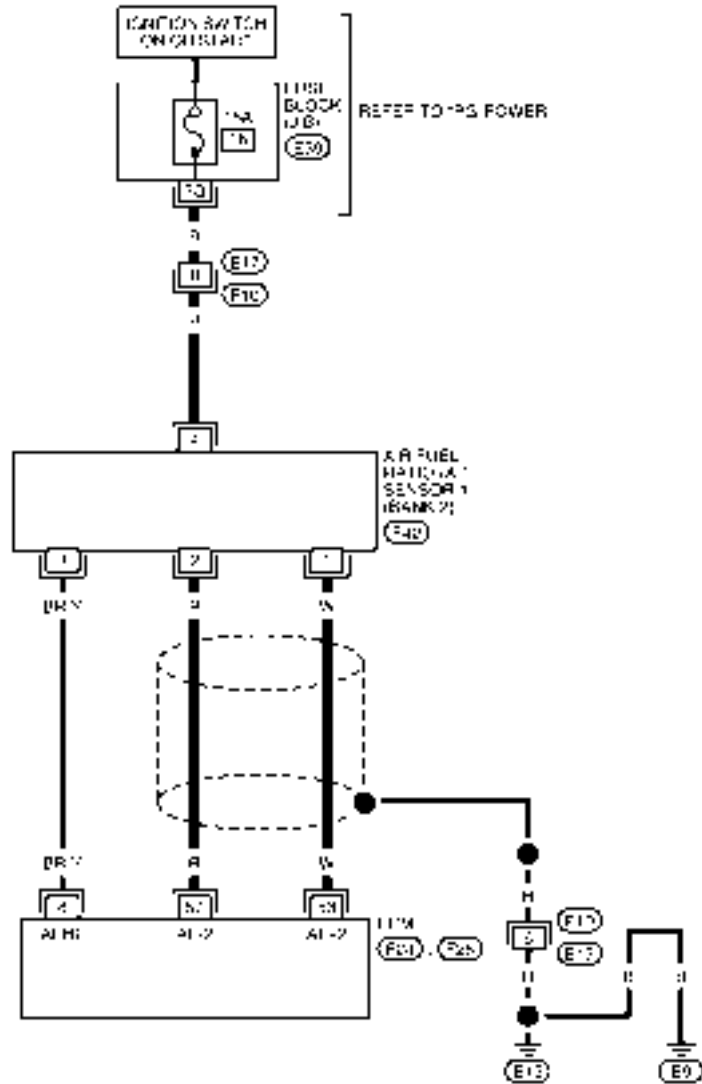
< SERVICE INFORMATION >

[QR]

BANK 2

EC-AF1B2-01

— DETACHABLE LINE CONNECT
 — NON-DETACHABLE LINE CONNECT



BBWA3032E


Specification data are reference values and are measured between each terminal and ground. Pulse signal is measured by CONSULT-III.

CAUTION:
 Do not use ECM ground terminals when measuring input/output voltage. Doing so may result in damage to the ECM's transistor. Use a ground other than ECM terminals, such as the ground.

DTC P0132, P0152 A/F SENSOR 1

< SERVICE INFORMATION >

[QR]

TERMI- NAL NO.	WIRE COLOR	ITEM	CONDITION	DATA (DC Voltage)
8	BR/Y	A/F sensor 1 heater (Bank 2)	[Engine is running] • Warm-up condition • Idle speed (More than 140 seconds after starting engine)	Approximately 2.9 - 8.8V★  PBI A8148J
53	W	A/F sensor 1 (Bank 2)	[Engine is running] • Warm-up condition • Engine speed: 2,000 rpm	Approximately 1.8V Output voltage varies with air fuel ratio.
57	R	A/F sensor 1 (Bank 2)	[Ignition switch: ON]	Approximately 2.2V

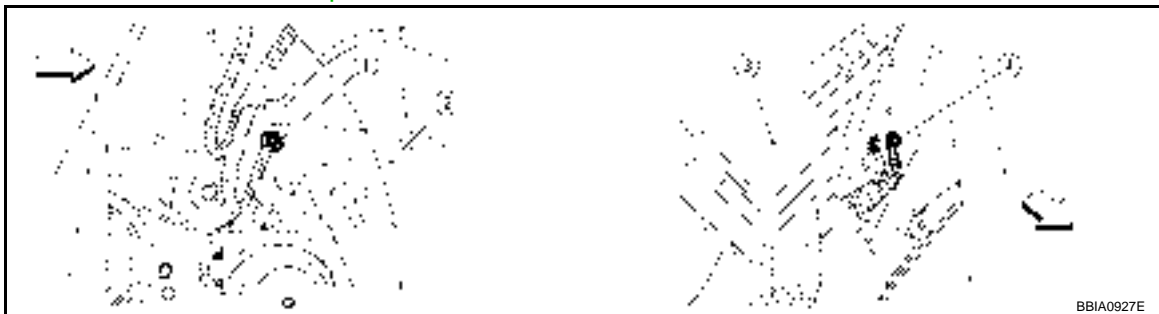
★: Average voltage for pulse signal (Actual pulse signal can be confirmed by oscilloscope.)

Diagnosis Procedure

INFOID:000000001850436

1. CHECK GROUND CONNECTIONS

1. Turn ignition switch OFF.
2. Loosen and retighten three ground screws on the body.
Refer to [EC-649. "Ground Inspection"](#).



 Vehicle front

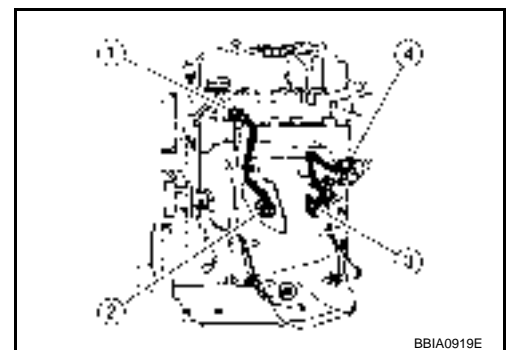
1. Body ground E9 (view with front wheel RH and fender protector RH removed.)
2. Washer tank
3. Fuse and fusible link box
4. Body ground E15

OK or NG

- OK >> GO TO 2.
NG >> Repair or replace ground connections.

2. CHECK AIR FUEL RATIO (A/F) SENSOR 1 POWER SUPPLY CIRCUIT

1. Disconnect air fuel ratio (A/F) sensor 1 harness connector.
 - Air fuel ratio (A/F) sensor 1 (Bank 1) harness connector (1)
 - Air fuel ratio (A/F) sensor 1 (Bank 1) (2)
 - Air fuel ratio (A/F) sensor 1 (Bank 2) (3)
 - Air fuel ratio (A/F) sensor 1 (Bank 2) harness connector (4)
2. Turn ignition switch ON.



DTC P0132, P0152 A/F SENSOR 1

< SERVICE INFORMATION >

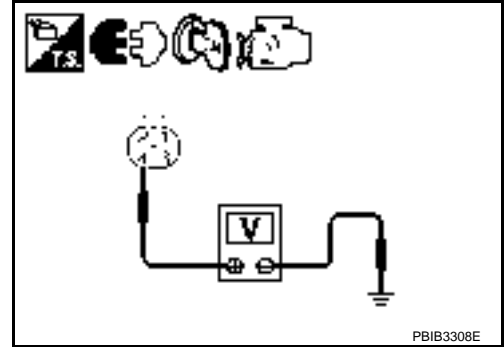
[QR]

3. Check voltage between A/F sensor 1 terminal 4 and ground with CONSULT-III or tester.

Voltage: Battery voltage

OK or NG

- OK >> GO TO 4.
- NG >> GO TO 3.



3. DETECT MALFUNCTIONING PART

Check the following.

- Harness connectors E3, F2 (Bank 1)
- Harness connectors E17, F10 (Bank 2)
- Fuse block (J/B) connector E43 (Bank 1)
- Fuse block (J/B) connector E39 (Bank 2)
- 10A fuse (Bank 1)
- 15A fuse (Bank 2)
- Harness for open or short between A/F sensor 1 and fuse

>> Repair or replace harness or connectors.

4. CHECK A/F SENSOR 1 INPUT SIGNAL CIRCUIT FOR OPEN AND SHORT

1. Turn ignition switch OFF.
2. Disconnect ECM harness connector.
3. Check harness continuity between the following terminals. Refer to Wiring Diagram.

Bank	A/F sensor 1 terminal	ECM terminal
1	1	45
	2	49
2	1	53
	2	57

Continuity should exist.

4. Check harness continuity between the following terminals and ground. Refer to Wiring Diagram.

Bank 1		Bank 2	
A/F sensor terminal	ECM terminal	A/F sensor terminal	ECM terminal
1	45	1	53
2	49	2	57

Continuity should not exist.

5. Also check harness for short to power.

OK or NG

- OK >> GO TO 5.
- NG >> Repair open circuit or short to ground or short to power in harness or connectors.

5. CHECK INTERMITTENT INCIDENT

Perform [EC-643](#).

OK or NG

DTC P0132, P0152 A/F SENSOR 1

< SERVICE INFORMATION >

[QR]

OK >> GO TO 6.
NG >> Repair or replace.

6. REPLACE AIR FUEL RATIO (A/F) SENSOR 1

Replace malfunctioning air fuel ratio (A/F) sensor 1.

CAUTION:

- Discard any A/F sensor which has been dropped from a height of more than 0.5 m (19.7 in) onto a hard surface such as a concrete floor; use a new one.
- Before installing new A/F sensor, clean exhaust system threads using Oxygen Sensor Thread Cleaner tool J-43897-18 or J-43897-12 and approved anti-seize lubricant.

>> INSPECTION END

Removal and Installation

INFOID:000000001850437

AIR FUEL RATIO SENSOR

Refer to [EM-21](#).

DTC P0133, P0153 A/F SENSOR 1

< SERVICE INFORMATION >

[QR]

DTC P0133, P0153 A/F SENSOR 1

Component Description

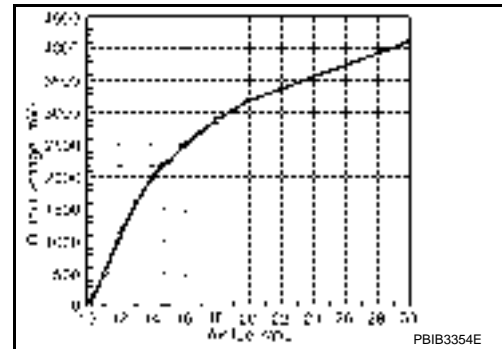
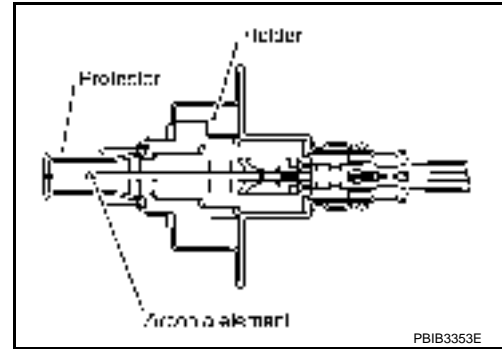
INFOID:000000001850438

The air fuel ratio (A/F) sensor 1 is a planar one-cell limit current sensor. The sensor element of the A/F sensor 1 is composed an electrode layer, which transports ions. It has a heater in the element.

The sensor is capable of precise measurement $\lambda = 1$, but also in the lean and rich range. Together with its control electronics, the sensor outputs a clear, continuous signal throughout a wide λ range.

The exhaust gas components diffuse through the diffusion layer at the sensor cell. An electrode layer is applied voltage, and this current relative oxygen density in lean. Also this current relative hydrocarbon density in rich.

Therefore, the A/F sensor 1 is able to indicate air fuel ratio by this electrode layer of current. In addition, a heater is integrated in the sensor to ensure the required operating temperature of about 800°C (1,472°F).



CONSULT-III Reference Value in Data Monitor Mode

INFOID:000000001850439

Specification data are reference values.

MONITOR ITEM	CONDITION		SPECIFICATION
A/F SEN1 (B1) A/F SEN1 (B2)	• Engine: After warming up	Maintaining engine speed at 2,000 rpm	Fluctuates around 2.2V

On Board Diagnosis Logic

INFOID:000000001850440

To judge the malfunction of air fuel ratio (A/F) sensor 1, this diagnosis measures response time of the A/F signal computed by ECM from the air fuel ratio (A/F) sensor 1 signal. The time is compensated by engine operating (speed and load), fuel feedback control constant, and the air fuel ratio (A/F) sensor 1 temperature index. Judgment is based on whether the compensated time (the A/F sensor 1 signal cycling time index) is inordinately long or not.

DTC No.	Trouble diagnosis name	DTC detecting condition	Possible Cause
P0133 0133 (Bank 1)	Air fuel ratio (A/F) sensor 1 circuit slow response	The response of the A/F signal computed by ECM from A/F sensor 1 signal takes more than the specified time.	<ul style="list-style-type: none"> • Harness or connectors [Air fuel ratio (A/F) sensor circuit is open or shorted.] • Air fuel ratio (A/F) sensor 1 • Air fuel ratio (A/F) sensor heater 1 • Fuel pressure • Fuel injector • Intake air leaks • Exhaust gas leaks • PCV valve • Mass air flow sensor
P0153 0153 (Bank 2)			

DTC Confirmation Procedure

INFOID:000000001850441

NOTE:

DTC P0133, P0153 A/F SENSOR 1

< SERVICE INFORMATION >

[QR]

If DTC Confirmation Procedure has been previously conducted, always turn ignition switch OFF and wait at least 10 seconds before conducting the next test.

TESTING CONDITION:

Before performing the following procedure, confirm that battery voltage is more than 11V at idle.

WITH CONSULT-III

1. Start engine and warm it up to normal operating temperature.
2. Turn ignition switch OFF and wait at least 10 seconds.
3. Start engine and keep the engine speed between 3,500 and 4,000 rpm for at least 1 minute under no load.
4. Let engine idle for 1 minute.
5. Select "A/F SEN1 (B1) P1278/P1279" (for DTC P0133) or "A/F SEN1 (B2) P1288/P1289" (for DTC P0153) of "A/F SEN1" in "DTC WORK SUPPORT" mode with CONSULT-III.
6. Touch "START".
If "COMPLETED" appears on CONSULT-III screen, go to step 10.
If "COMPLETED" does not appear on CONSULT-III screen, go to the following step.
7. After perform the following procedure, "TESTING" will be displayed on the CONSULT-III screen.
 - a. Increase the engine speed up to 4,000 to 5,000 rpm and keep it for 10 seconds.
 - b. Fully release accelerator pedal and then let engine idle for about 10 seconds.
If "TESTING" is not displayed after 10 seconds, refer to EC-635.
8. Wait for about 20 seconds at idle at under the condition that "TESTING" is displayed on the CONSULT-III screen.
9. Make sure that "TESTING" changes to "COMPLETED".
If "TESTING" changed to "OUT OF CONDITION", refer to EC-635.
10. Make sure that "OK" is displayed after touching "SELF-DIAG RESULTS".
If "NG" is displayed, go to [EC-742. "Diagnosis Procedure"](#).

WITH GST

1. Start engine and warm it up to normal operating temperature.
2. Select Service \$01 with GST.
3. Calculate the total value of "Short term fuel trim" and "Long term fuel trim" indications.
Make sure that the total percentage should be within $\pm 15\%$.
If OK, go to the following step.
If NG, check the following.
 - Intake air leaks
 - Exhaust gas leaks
 - Incorrect fuel pressure
 - Lack of fuel
 - Fuel injector
 - Incorrect PCV hose connection
 - PCV valve
 - Mass air flow sensor
4. Turn ignition switch OFF and wait at least 10 seconds.
5. Start engine and keep the engine speed between 3,500 and 4,000 rpm for at least 1 minute under no load.
6. Let engine idle for 1 minute.
7. Increase the engine speed up to 4,000 to 5,000 rpm and keep it for 10 seconds.
8. Fully release accelerator pedal and then let engine idle for about 1 minute.
9. Select Service \$07 with GST.
If 1st trip DTC is detected, go to [EC-742. "Diagnosis Procedure"](#).

DTC P0133, P0153 A/F SENSOR 1

< SERVICE INFORMATION >

[QR]

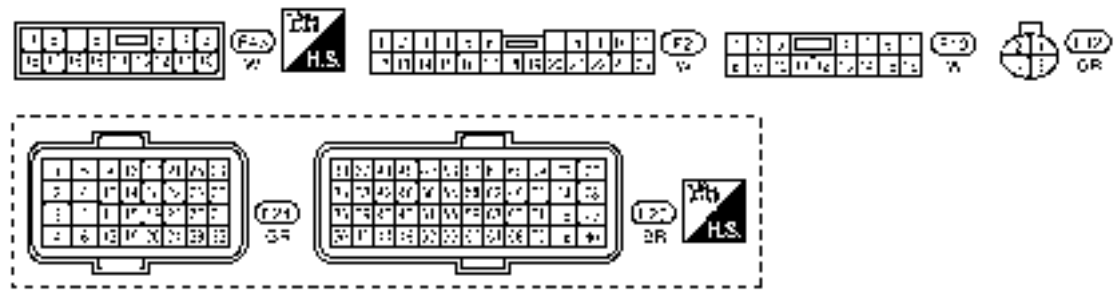
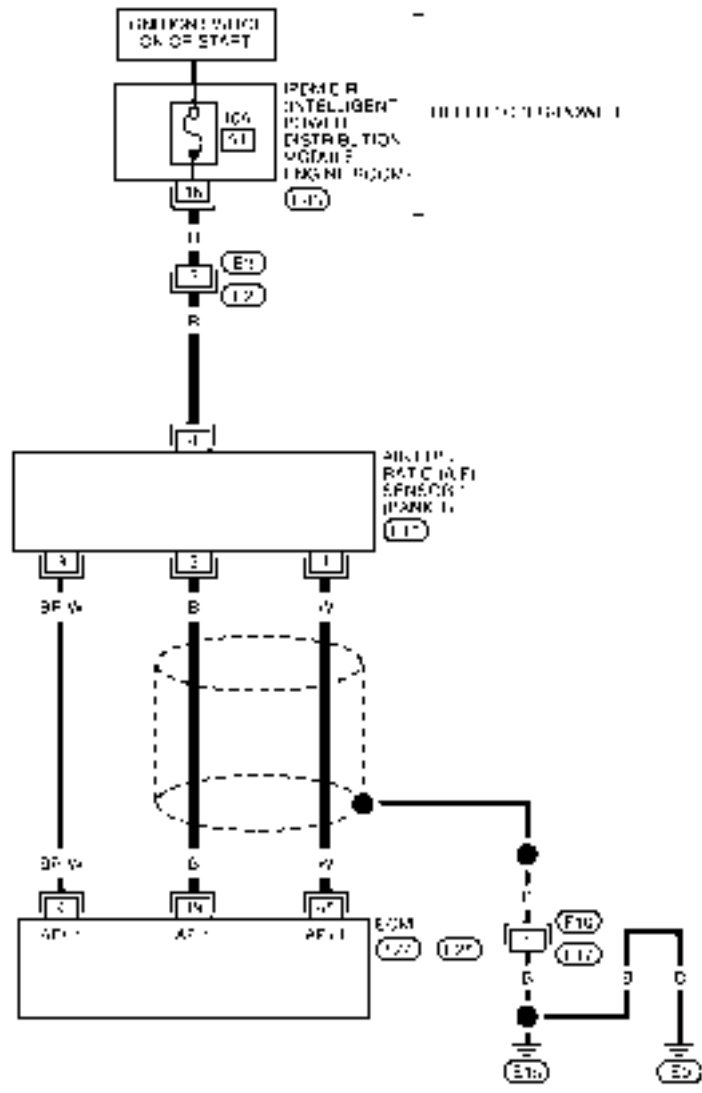
Wiring Diagram

INFOID:000000002994057

BANK 1

EC-AF1B1-01

— DETECTABLE LINE FOR DTC
 - - - - - NON-DETECTABLE LINE FOR DTC



Specification data are reference values and are measured between each terminal and ground. Pulse signal is measured by CONSULT-III.


CAUTION:

DTC P0133, P0153 A/F SENSOR 1

< SERVICE INFORMATION >

[QR]

Do not use ECM ground terminals when measuring input/output voltage. Doing so may result in damage to the ECM's transistor. Use a ground other than ECM terminals, such as the ground.

TERMI- NAL NO.	WIRE COLOR	ITEM	CONDITION	DATA (DC Voltage)
4	BR/W	A/F sensor 1 heater (Bank 1)	[Engine is running] <ul style="list-style-type: none"> • Warm-up condition • Idle speed (More than 140 seconds after starting engine) 	Approximately 2.9 - 8.8V★  <small>PBIA8148J</small>
45	W	A/F sensor 1 (Bank 1)	[Engine is running] <ul style="list-style-type: none"> • Warm-up condition • Engine speed: 2,000 rpm 	Approximately 1.8V Output voltage varies with air fuel ratio.
49	B	A/F sensor 1 (Bank 1)	[Ignition switch: ON]	Approximately 2.2V

★: Average voltage for pulse signal (Actual pulse signal can be confirmed by oscilloscope.)

DTC P0133, P0153 A/F SENSOR 1

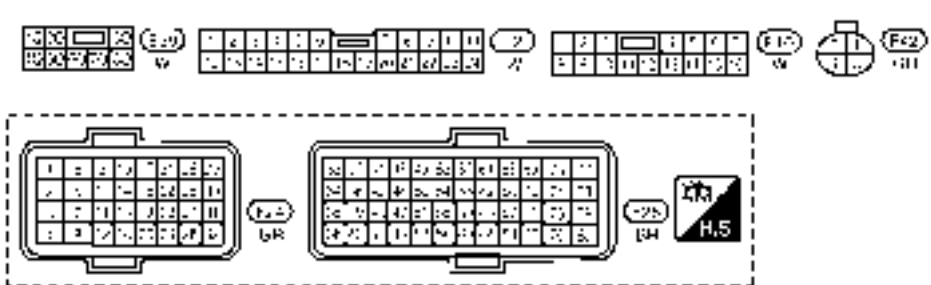
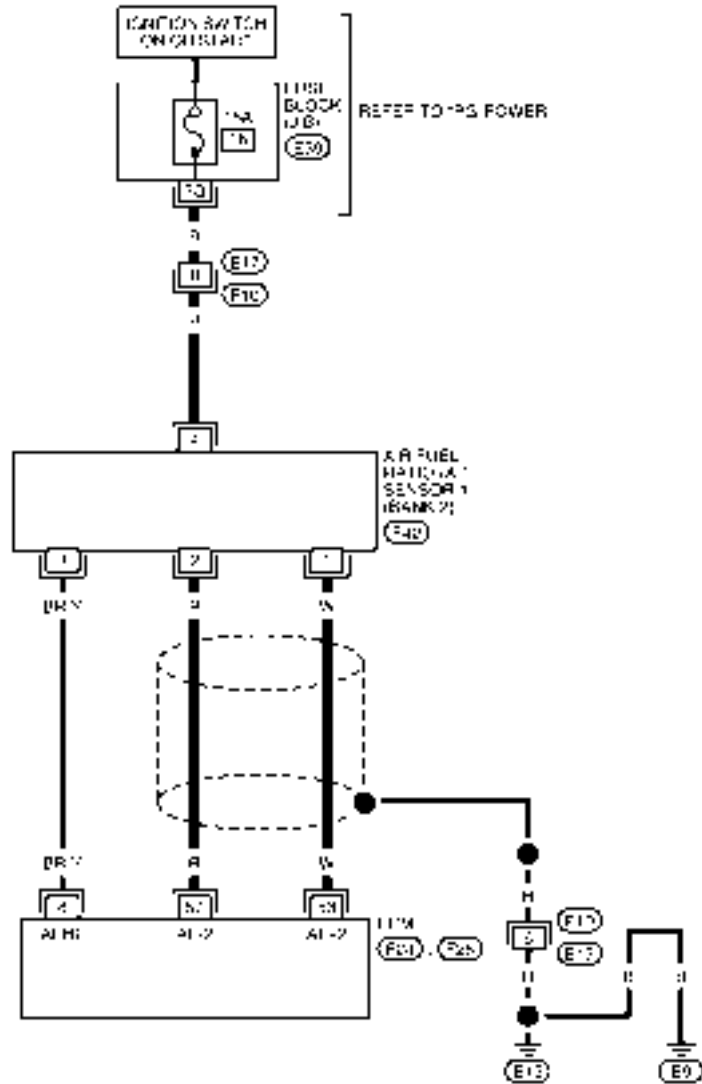
< SERVICE INFORMATION >

[QR]

BANK 2

EC-AF1B2-01

— DETACHABLE LINE CONNECT
 — NON-DETACHABLE LINE CONNECT




BBWA3032E

Specification data are reference values and are measured between each terminal and ground. Pulse signal is measured by CONSULT-III.
CAUTION:
 Do not use ECM ground terminals when measuring input/output voltage. Doing so may result in damage to the ECM's transistor. Use a ground other than ECM terminals, such as the ground.

DTC P0133, P0153 A/F SENSOR 1

< SERVICE INFORMATION >

[QR]

TERMINAL NO.	WIRE COLOR	ITEM	CONDITION	DATA (DC Voltage)
8	BR/Y	A/F sensor 1 heater (Bank 2)	[Engine is running] <ul style="list-style-type: none"> • Warm-up condition • Idle speed (More than 140 seconds after starting engine) 	Approximately 2.9 - 8.8V★  <small>PBIA8148J</small>
53	W	A/F sensor 1 (Bank 2)	[Engine is running] <ul style="list-style-type: none"> • Warm-up condition • Engine speed: 2,000 rpm 	Approximately 1.8V Output voltage varies with air fuel ratio.
57	R	A/F sensor 1 (Bank 2)	[Ignition switch: ON]	Approximately 2.2V

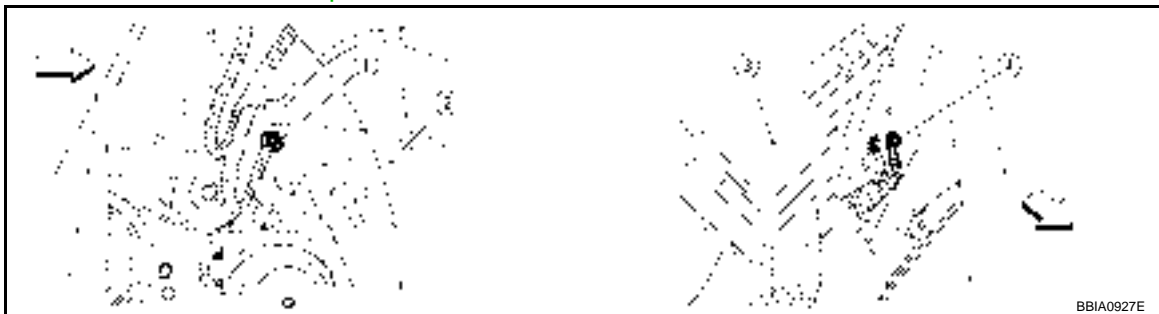
★: Average voltage for pulse signal (Actual pulse signal can be confirmed by oscilloscope.)


Diagnosis Procedure

INFOID:000000001850443

1. CHECK GROUND CONNECTIONS

1. Turn ignition switch OFF.
2. Loosen and retighten engine screws on the body.
Refer to [EC-649. "Ground Inspection"](#).



 Vehicle front

1. Body ground E9 (view with front wheel RH and fender protector RH removed.)
2. Washer tank
3. Fuse and fusible link box
4. Body ground E15

OK or NG

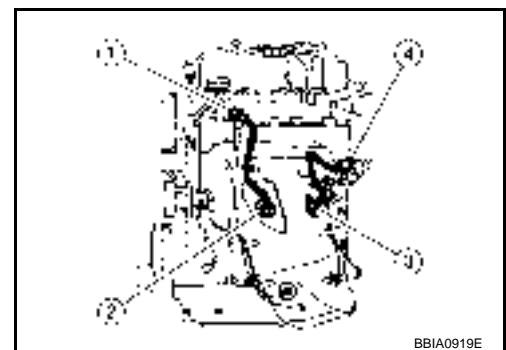
- OK >> GO TO 2.
 NG >> Repair or replace ground connections.

2. RETIGHTEN AIR FUEL RATIO (A/F) SENSOR 1

Loosen and retighten the air fuel ratio (A/F) sensor 1. Refer to [EM-132. "Removal and Installation"](#).

- Air fuel ratio (A/F) sensor 1 (Bank 1) harness connector (1)
- Air fuel ratio (A/F) sensor 1 (Bank 1) (2)
- Air fuel ratio (A/F) sensor 1 (Bank 2) (3)
- Air fuel ratio (A/F) sensor 1 (Bank 2) harness connector (4)

>> GO TO 3.



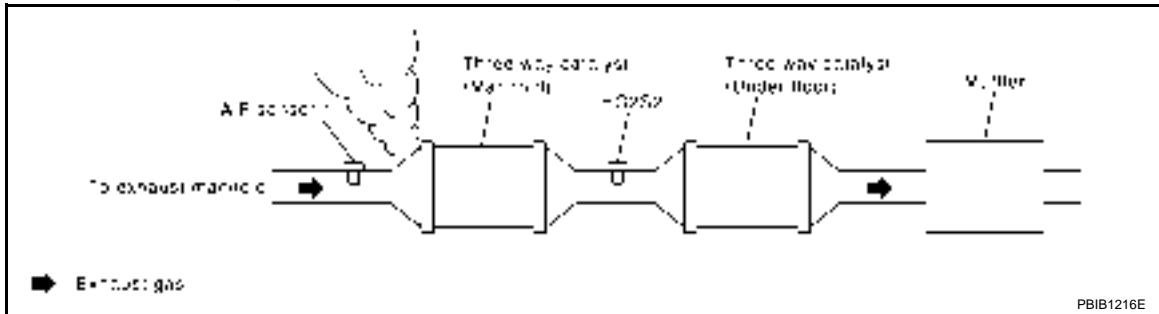
DTC P0133, P0153 A/F SENSOR 1

< SERVICE INFORMATION >

[QR]

3. CHECK EXHAUST GAS LEAK

1. Start engine and run it at idle.
2. Listen for an exhaust gas leak before three way catalyst (manifold).



OK or NG

- OK >> GO TO 4.
- NG >> Repair or replace.

4. CHECK FOR INTAKE AIR LEAK

Listen for an intake air leak after the mass air flow sensor.

OK or NG

- OK >> GO TO 5.
- NG >> Repair or replace.

5. CLEAR THE SELF-LEARNING DATA

With CONSULT-III

1. Start engine and warm it up to normal operating temperature.
2. Select "SELF-LEARNING CONT" in "WORK SUPPORT" mode with CONSULT-III.
3. Clear the self-learning control coefficient by touching "CLEAR" or "START".
4. Run engine for at least 10 minutes at idle speed.

Is the 1st trip DTC P0171, P0172, P0174 or P0175 detected? Is it difficult to start engine?

Without CONSULT-III

1. Start engine and warm it up to normal operating temperature.
2. Turn ignition switch OFF.
3. Disconnect mass air flow sensor (1) harness connector, and restart and run engine for at least 5 seconds at idle speed.
- ◀: Vehicle front
4. Stop engine and reconnect mass air flow sensor harness connector.
5. Make sure DTC P0102 is displayed.
6. Erase the DTC memory. Refer to [EC-559, "Emission-related Diagnostic Information"](#).
7. Make sure DTC P0000 is displayed.
8. Run engine for at least 10 minutes at idle speed.

Is the 1st trip DTC P0171, P0172, P0174 or P0175 detected? Is it difficult to start engine?



Yes or No

- Yes >> Perform trouble diagnosis for DTC P0171, P0174 or P0172, P0175. Refer to [EC-250](#) or [EC-256](#).
- No >> GO TO 6.

6. CHECK AIR FUEL RATIO (A/F) SENSOR 1 POWER SUPPLY CIRCUIT

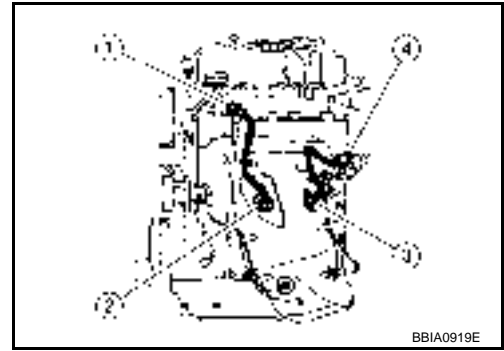
1. Turn ignition switch OFF.

DTC P0133, P0153 A/F SENSOR 1

[QR]

< SERVICE INFORMATION >

2. Disconnect air fuel ratio (A/F) sensor 1 harness connector.
 - Air fuel ratio (A/F) sensor 1 (Bank 1) harness connector (1)
 - Air fuel ratio (A/F) sensor 1 (Bank 1) (2)
 - Air fuel ratio (A/F) sensor 1 (Bank 2) (3)
 - Air fuel ratio (A/F) sensor 1 (Bank 2) harness connector (4)
3. Turn ignition switch ON.

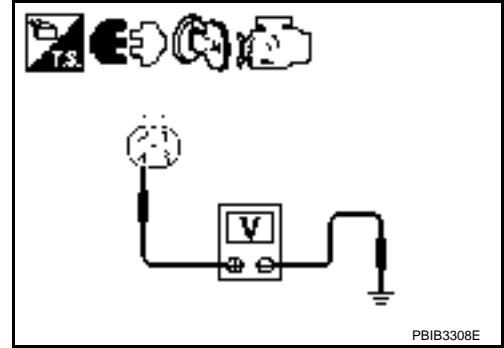


4. Check voltage between A/F sensor 1 terminal 4 and ground with CONSULT-III or tester.

Voltage: Battery voltage

OK or NG

- OK >> GO TO 8.
- NG >> GO TO 7.



7. DETECT MALFUNCTIONING PART

Check the following.

- Harness connectors E3, F2 (Bank 1)
- Harness connectors E17, F10 (Bank 2)
- Fuse block (J/B) connector E43 (Bank 1)
- Fuse block (J/B) connector E39 (Bank 2)
- 10A fuse (Bank 1)
- 15A fuse (Bank 2)
- Harness for open or short between A/F sensor 1 and fuse

>> Repair or replace harness or connectors.

8. CHECK A/F SENSOR 1 INPUT SIGNAL CIRCUIT FOR OPEN AND SHORT

1. Turn ignition switch OFF.
2. Disconnect ECM harness connector.
3. Check harness continuity between the following terminals. Refer to Wiring Diagram.

Bank	A/F sensor 1 terminal	ECM terminal
1	1	45
	2	49
2	1	53
	2	57

Continuity should exist.

4. Check harness continuity between the following terminals and ground. Refer to Wiring Diagram.

Bank 1		Bank 2	
A/F sensor terminal	ECM terminal	A/F sensor terminal	ECM terminal
1	45	1	53
2	49	2	57

DTC P0133, P0153 A/F SENSOR 1

< SERVICE INFORMATION >

[QR]

Continuity should not exist.

5. Also check harness for short to power.

OK or NG

OK >> GO TO 9.

NG >> Repair open circuit or short to ground or short to power in harness or connectors.

9. CHECK AIR FUEL RATIO (A/F) SENSOR 1 HEATER

Refer to [EC-662. "Component Inspection"](#).

OK or NG

OK >> GO TO 10.

NG >> GO TO 13.

10. CHECK MASS AIR FLOW SENSOR

Refer to [EC-682. "Component Inspection"](#).

OK or NG

OK >> GO TO 11.

NG >> Replace mass air flow sensor.

11. CHECK PCV VALVE

Refer to [EC-555. "Component Inspection"](#).

OK or NG

OK >> GO TO 12.

NG >> Repair or replace PCV valve.

12. CHECK INTERMITTENT INCIDENT

Perform [EC-643](#).

OK or NG

OK >> GO TO 13.

NG >> Repair or replace.

13. REPLACE AIR FUEL RATIO (A/F) SENSOR 1

Replace malfunctioning air fuel ratio (A/F) sensor 1.

CAUTION:

- Discard any A/F sensor which has been dropped from a height of more than 0.5 m (19.7 in) onto a hard surface such as a concrete floor; use a new one.
- Before installing new A/F sensor, clean exhaust system threads using Oxygen Sensor Thread Cleaner tool J-43897-18 or J-43897-12 and approved anti-seize lubricant.

>> INSPECTION END

Removal and Installation

INFOID:000000001850444

AIR FUEL RATIO SENSOR

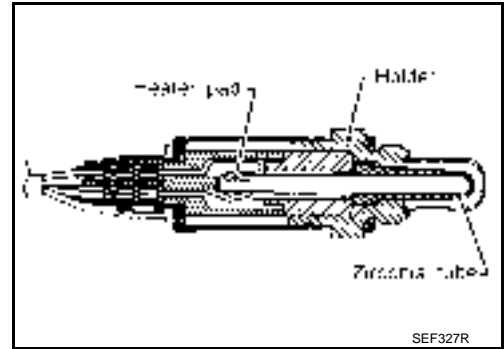
Refer to [EM-132](#).

DTC P0137, P0157 HO2S2

Component Description

INFOID:000000001850445

The heated oxygen sensor 2, after three way catalyst (manifold), monitors the oxygen level in the exhaust gas on each bank. Even if switching characteristics of the air fuel ratio (A/F) sensor 1 are shifted, the air/fuel ratio is controlled to stoichiometric, by the signal from the heated oxygen sensor 2. This sensor is made of ceramic zirconia. The zirconia generates voltage from approximately 1V in richer conditions to 0V in leaner conditions. Under normal conditions the heated oxygen sensor 2 is not used for engine control operation.



CONSULT-III Reference Value in Data Monitor Mode

INFOID:000000001850446

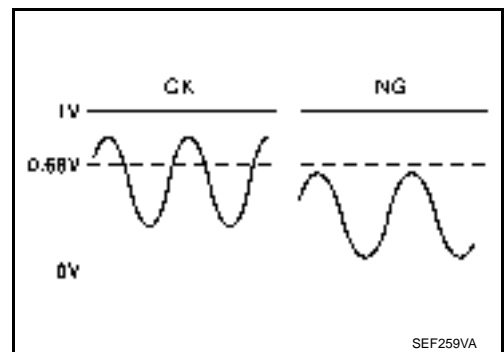
Specification data are reference values.

MONITOR ITEM	CONDITION	SPECIFICATION
HO2S2 (B1) HO2S2 (B2)	<ul style="list-style-type: none"> Revving engine from idle to 3,000 rpm quickly after the following conditions are met - Engine: After warming up - Keeping the engine speed between 3,500 and 4,000 rpm for 1 minute and at idle for 1 minute under no load 	0 - 0.3V ↔ Approx. 0.6 - 1.0V
HO2S2 MNTR (B1) HO2S2 MNTR (B2)	<ul style="list-style-type: none"> Revving engine from idle to 3,000 rpm quickly after the following conditions are met - Engine: After warming up - Keeping the engine speed between 3,500 and 4,000 rpm for 1 minute and at idle for 1 minute under no load 	LEAN ↔ RICH

On Board Diagnosis Logic

INFOID:000000001850447

The heated oxygen sensor 2 has a much longer switching time between rich and lean than the air fuel ratio (A/F) sensor 1. The oxygen storage capacity before the three way catalyst (manifold) causes the longer switching time. To judge the malfunctions of heated oxygen sensor 2, ECM monitors whether the maximum voltage of the sensor is sufficiently high during the various driving condition such as fuel-cut.



DTC No.	Trouble diagnosis name	DTC detecting condition	Possible cause
P0137 0137 (Bank 1)	Heated oxygen sensor 2 circuit low voltage	The maximum voltage from the sensor is not reached to the specified voltage.	<ul style="list-style-type: none"> Harness or connectors (Heated oxygen sensor 2 circuit open or shorted.) Heated oxygen sensor 2 Fuel pressure Fuel injector Intake air leaks
P0157 0157 (Bank 2)			

DTC Confirmation Procedure

INFOID:000000001850448

NOTE:

DTC P0137, P0157 HO2S2

< SERVICE INFORMATION >

[QR]

If DTC confirmation Procedure has been previously conducted, always turn ignition switch OFF and wait at least 10 seconds before conducting the next test.

▮ WITH CONSULT-III

TESTING CONDITION:

For the best results, perform DTC WORK SUPPORT at a temperature of 0 to 30°C (32 to 86°F).

1. Turn ignition switch ON and select "DATA MONITOR" mode with CONSULT-III.
2. Start engine and warm it up to the normal operating temperature.
3. Turn ignition switch OFF and wait at least 10 seconds.
4. Start engine and keep the engine speed between 3,500 and 4,000 rpm for at least 1 minute under no load.
5. Let engine idle for 1 minute.
6. Make sure that "COOLAN TEMP/S" indicates more than 70°C (158°F).
If not, warm up engine and go to next step when "COOLAN TEMP/S" indication reaches to 70°C (158°F).
7. Open engine hood.
8. Select "HO2S2 (B1) P1147" (for DTC P0137) "HO2S2 (B2) or P1167" (for DTC P0157) of "HO2S2" in "DTC WORK SUPPORT" mode with CONSULT-III.
9. Start engine and following the instruction of CONSULT-III.

NOTE:

It will take at most 10 minutes until "COMPLETED" is displayed.

10. Make sure that "OK" is displayed after touching "SELF-DIAG RESULTS".
If "NG" is displayed, refer to [EC-751, "Diagnosis Procedure"](#).
If "CAN NOT BE DIAGNOSED" is displayed, perform the following.
 - a. Turn ignition switch OFF and leave the vehicle in a cool place (soak the vehicle).
 - b. Return to step 1.

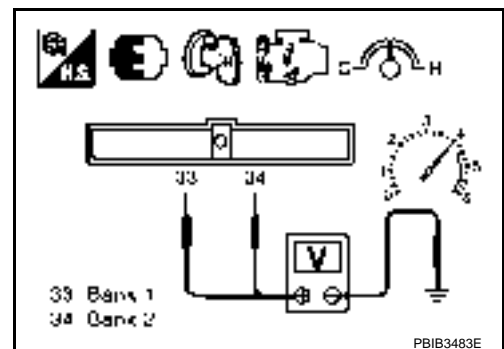
Overall Function Check

INFOID:000000001850449

Use this procedure to check the overall function of the heated oxygen sensor 2 circuit. During this check, a 1st trip DTC might not be confirmed.

▮ WITH GST

1. Start engine and warm it up to the normal operating temperature.
2. Turn ignition switch OFF and wait at least 10 seconds.
3. Start engine and keep the engine speed between 3,500 and 4,000 rpm for at least 1 minute under no load.
4. Let engine idle 1 minute.
5. Set voltmeter probes between ECM terminal 33 [HO2S2 (B1) signal] or 34 [HO2S2 (B2) signal] and ground.
6. Check the voltage when revving up to 4,000 rpm under no load at least 10 times.
(Depress and release accelerator pedal as soon as possible.)
The voltage should be above 0.68V at least once during this procedure.
If the voltage can be confirmed in step 6, step 7 is not necessary.
7. Keep vehicle idling for 10 minutes, then check the voltage. Or check the voltage when coasting from 80 km/h (50 MPH) in D position (CVT) or 3rd gear position (M/T).
The voltage should be above 0.68V at least once during this procedure.
8. If NG, go to [EC-751, "Diagnosis Procedure"](#).



DTC P0137, P0157 HO2S2

< SERVICE INFORMATION >

[QR]

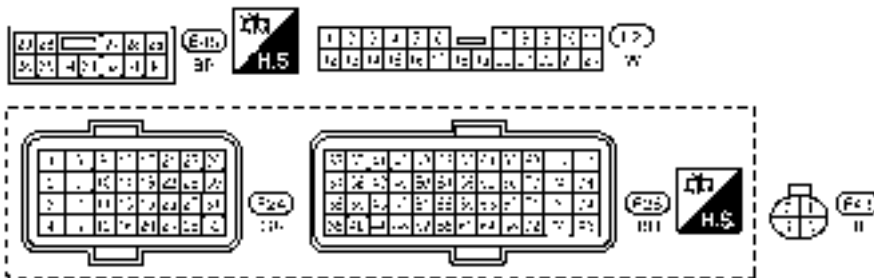
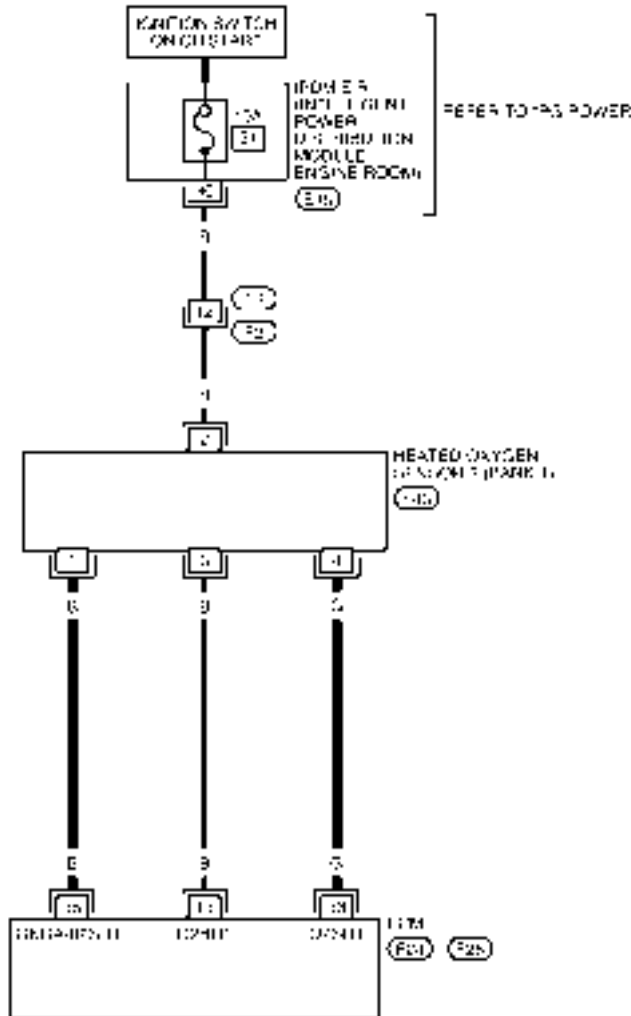
Wiring Diagram

INFOID:00000002994058

BANK 1

EC-O2S2B1-01

— DUTY SIGNAL LINE (O2S2)
 — POWER LINE (RELAY CONTROL)



BBWA3033E

Specification data are reference values and are measured between each terminal and ground. Pulse signal is measured by CONSULT-III.


CAUTION:

DTC P0137, P0157 HO2S2

< SERVICE INFORMATION >

[QR]

Do not use ECM ground terminals when measuring input/output voltage. Doing so may result in damage to the ECM's transistor. Use a ground other than ECM terminals, such as the ground.

TERMINAL NO.	WIRE COLOR	ITEM	CONDITION	DATA (DC Voltage)
13	B	Heated oxygen sensor 2 heater (Bank 1)	[Engine is running] <ul style="list-style-type: none"> • Engine speed: Below 3,600 rpm after the following conditions are met. - Engine: After warming up - Keeping the engine speed between 3,500 and 4,000 rpm for 1 minute and at idle for 1 minute under no load. 	Approximately 10V★ 
			[Ignition switch: ON] <ul style="list-style-type: none"> • Engine stopped [Engine is running] <ul style="list-style-type: none"> • Engine speed: Above 3,600 rpm. 	BATTERY VOLTAGE (11 - 14V)
33	G	Heated oxygen sensor 2 (Bank 1)	[Engine is running] <ul style="list-style-type: none"> • Revving engine from idle to 3,000 rpm quickly after the following conditions are met. - Engine: After warming up - Keeping the engine speed between 3,500 and 4,000 rpm for 1 minute and at idle for 1 minute under no load. 	0 - Approximately 1.0V
35	B	Sensor ground (Heated oxygen sensor 2)	[Engine is running] <ul style="list-style-type: none"> • Warm-up condition • Idle speed 	Approximately 0V

★: Average voltage for pulse signal (Actual pulse signal can be confirmed by oscilloscope.)

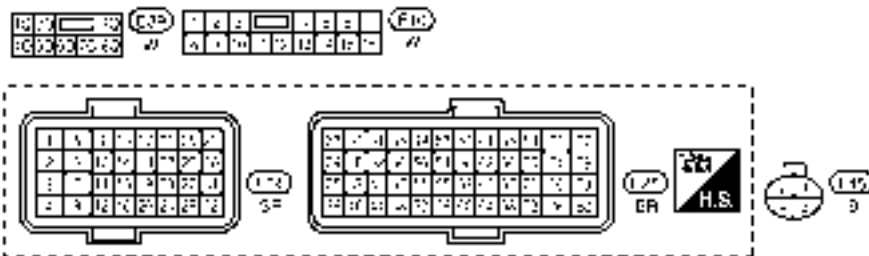
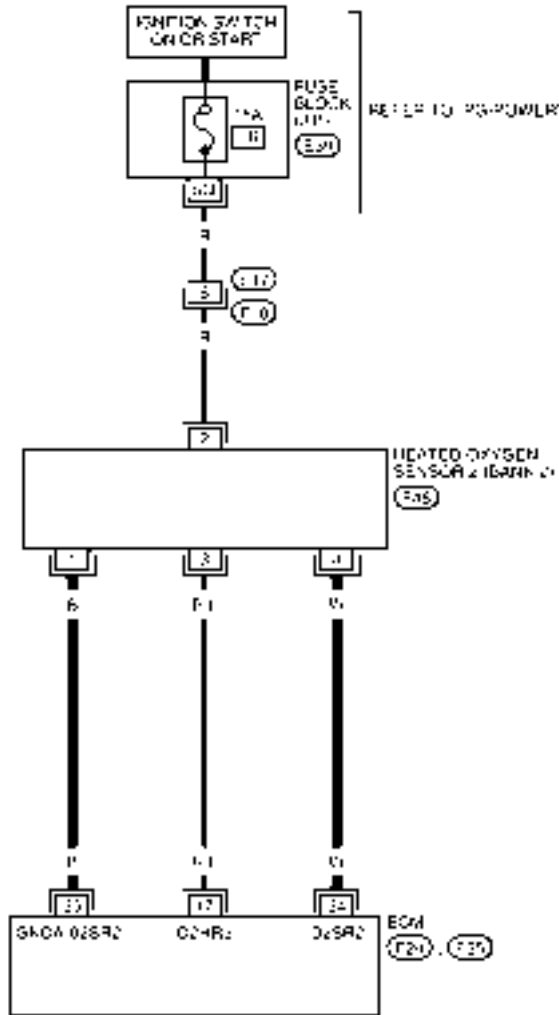
DTC P0137, P0157 HO2S2

< SERVICE INFORMATION >

[QR]

EC-O2S2B2-01

— DETECTABLE LINE FOR DTC
 - - - NON DETECTABLE LINE FOR DTC




BBWA3034E

Specification data are reference values and are measured between each terminal and ground. Pulse signal is measured by CONSULT-III.

CAUTION:

Do not use ECM ground terminals when measuring input/output voltage. Doing so may result in damage to the ECM's transistor. Use a ground other than ECM terminals, such as the ground.

TER-MI-NAL NO.	WIRE COLOR	ITEM	CONDITION	DATA (DC Voltage)
17	R/L	Heated oxygen sensor 2 heater (Bank 2)	[Engine is running] <ul style="list-style-type: none"> Engine speed: Below 3,600 rpm after the following conditions are met. <ul style="list-style-type: none"> - Engine: After warming up - Keeping the engine speed between 3,500 and 4,000 rpm for 1 minute and at idle for 1 minute under no load. 	Approximately 10V★  <small>PBIA8148J</small>
			[Ignition switch: ON] <ul style="list-style-type: none"> Engine stopped [Engine is running] <ul style="list-style-type: none"> Engine speed: Above 3,600 rpm. 	BATTERY VOLTAGE (11 - 14V)
34	W	Heated oxygen sensor 2 (Bank 2)	[Engine is running] <ul style="list-style-type: none"> Revsing engine from idle to 3,000 rpm quickly after the following conditions are met. <ul style="list-style-type: none"> - Engine: After warming up - Keeping the engine speed between 3,500 and 4,000 rpm for 1 minute and at idle for 1 minute under no load. 	0 - Approximately 1.0V
35	B	Sensor ground (Heated oxygen sensor 2)	[Engine is running] <ul style="list-style-type: none"> Warm-up condition Idle speed 	Approximately 0V

★: Average voltage for pulse signal (Actual pulse signal can be confirmed by oscilloscope.)

Diagnosis Procedure

INFOID:000000001850451

1. CHECK GROUND CONNECTIONS

- Turn ignition switch OFF.
- Loosen and retighten ground screw on the body.
Refer to [EC-649. "Ground Inspection"](#).



↖ Vehicle front

- Body ground E9 (view with front wheel RH and fender protector RH removed.)
- Washer tank
- Fuse and fusible link box
- Body ground E15

OK or NG

- OK >> GO TO 2.
- NG >> Repair or replace ground connections.

2. CLEAR THE SELF-LEARNING DATA

With CONSULT-III

- Start engine and warm it up to normal operating temperature.

DTC P0137, P0157 HO2S2

[QR]

< SERVICE INFORMATION >

2. Select "SELF-LEARNING CONT" in "WORK SUPPORT" mode with CONSULT-III.
3. Clear the self-learning control coefficient by touching "CLEAR".
4. Run engine for at least 10 minutes at idle speed.
Is the 1st trip DTC P0171, P0174 detected?
Is it difficult to start engine?

✗ Without CONSULT-III

1. Start engine and warm it up to normal operating temperature.
2. Turn ignition switch OFF.
3. Disconnect mass air flow sensor (1) harness connector, and restart and run engine for at least 5 seconds at idle speed.
- ⚡: Vehicle front
4. Stop engine and reconnect mass air flow sensor harness connector.
5. Make sure DTC P0102 is displayed.
6. Erase the DTC memory. Refer to [EC-559, "Emission-related Diagnostic Information"](#).
7. Make sure DTC P0000 is displayed.
8. Run engine for at least 10 minutes at idle speed.
Is the 1st trip DTC P0171, P0174 detected?
Is it difficult to start engine?



Yes or No

- Yes >> Perform trouble diagnosis for DTC P0171, P0174. Refer to [EC-250](#).
No >> GO TO 3.

3.CHECK HO2S2 GROUND CIRCUIT FOR OPEN AND SHORT

1. Turn ignition switch OFF.
2. Disconnect heated oxygen sensor 2 harness connector.
- Heated oxygen sensor 2 (Bank 1) harness connector (1)
- Heated oxygen sensor 2 (Bank 1) (2)
- Heated oxygen sensor 2 (Bank 2) (3)
- Heated oxygen sensor 2 (Bank 2) harness connector (4)
3. Disconnect ECM harness connector.
4. Check harness continuity between ECM terminal 35 and HO2S2 terminal 1. Refer to Wiring Diagram.

Continuity should exist.

5. Also check harness for short to ground and short to power.

OK or NG

- OK >> GO TO 4.
NG >> Repair open circuit or short to ground or short to power in harness or connectors.

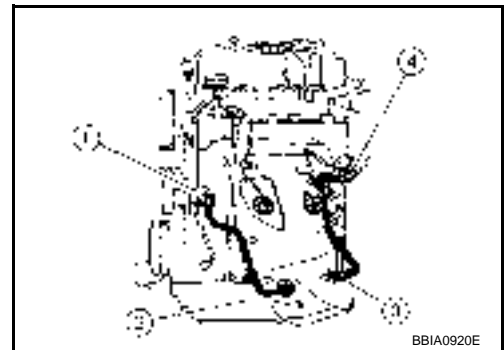
4.CHECK HO2S2 INPUT SIGNAL CIRCUIT FOR OPEN AND SHORT

1. Check harness continuity between ECM terminals and HO2S2 terminal as follows.
Refer to Wiring Diagram.

DTC	Terminal		Bank
	ECM	Sensor	
P0137	33	4	1
P0157	34	4	2

Continuity should exist.

2. Check harness continuity between the following terminals and ground.
Refer to Wiring Diagram.



DTC	Terminal		Bank
	ECM	Sensor	
P0137	33	4	1
P0157	34	4	2

Continuity should not exist.

3. Also check harness for short to power.

OK or NG

OK >> GO TO 5.

NG >> Repair open circuit or short to ground or short to power in harness or connectors.

5. CHECK HEATED OXYGEN SENSOR 2

Refer to [EC-753, "Component Inspection"](#).

OK or NG

OK >> GO TO 6.

NG >> Replace malfunctioning heated oxygen sensor 2.

6. CHECK INTERMITTENT INCIDENT

Refer to [EC-643](#).

>> **INSPECTION END**

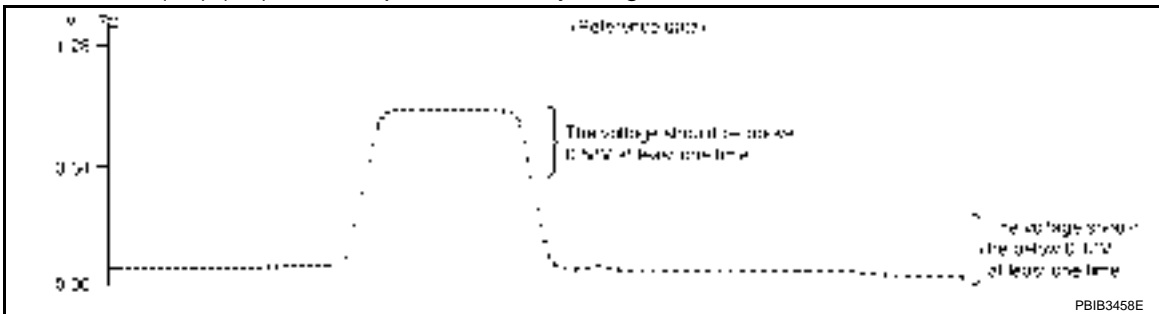
Component Inspection

INFOID:000000001850452

HEATED OXYGEN SENSOR 2

With CONSULT-III

1. Start engine and warm it up to the normal operating temperature.
2. Turn ignition switch OFF and wait at least 10 seconds.
3. Start engine and keep the engine speed between 3,500 and 4,000 rpm for at least 1 minute under no load.
4. Let engine idle for 1 minute.
5. Select "FUEL INJECTION" in "ACTIVE TEST" mode, and select "HO2S2 (B1)/(B2)" as the monitor item with CONSULT-III.
6. Check "HO2S2 (B1)/(B2)" at idle speed when adjusting "FUEL INJECTION" to $\pm 25\%$.



"HO2S2 (B1)/(B2)" should be above 0.68V at least once when the "FUEL INJECTION" is +25%.

"HO2S2 (B1)/(B2)" should be below 0.18V at least once when the "FUEL INJECTION" is -25%.

CAUTION:

- Discard any heated oxygen sensor which has been dropped from a height of more than 0.5 m (19.7 in) onto a hard surface such as a concrete floor; use a new one.
- Before installing new oxygen sensor, clean exhaust system threads using Oxygen Sensor Thread Cleaner tool J-43897-18 or J-43897-12 and approved anti-seize lubricant.

Without CONSULT-III

1. Start engine and warm it up to the normal operating temperature.
2. Turn ignition switch OFF and wait at least 10 seconds.

DTC P0137, P0157 HO2S2

< SERVICE INFORMATION >

[QR]

3. Start engine and keep the engine speed between 3,500 and 4,000 rpm for at least 1 minute under no load.
4. Let engine idle for 1 minute.
5. Set voltmeter probes between ECM terminal 33 [HO2S2 (B1) signal] or 34 [HO2S2 (B2) signal] and ground.

6. Check the voltage when revving up to 4,000 rpm under no load at least 10 times.

(Depress and release accelerator pedal as soon as possible.)

The voltage should be above 0.68V at least once during this procedure.

If the voltage is above 0.68V at step 6, step 7 is not necessary.

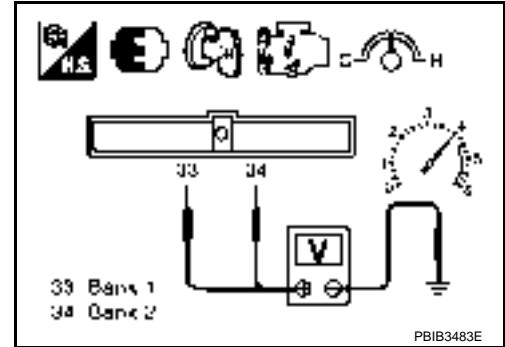
7. Keep vehicle idling for 10 minutes, then check voltage. Or check the voltage when coasting from 80 km/h (50 MPH) in D position (CVT) or 3rd gear position (M/T).

The voltage should be below 0.18V at least once during this procedure.

8. If NG, replace heated oxygen sensor 2.

CAUTION:

- Discard any heated oxygen sensor which has been dropped from a height of more than 0.5 m (19.7 in) onto a hard surface such as a concrete floor; use a new one.
- Before installing new oxygen sensor, clean exhaust system threads using Oxygen Sensor Thread Cleaner tool J-43897-18 or J-43897-12 and approved anti-seize lubricant.



Removal and Installation

INFOID:000000001850453

HEATED OXYGEN SENSOR 2

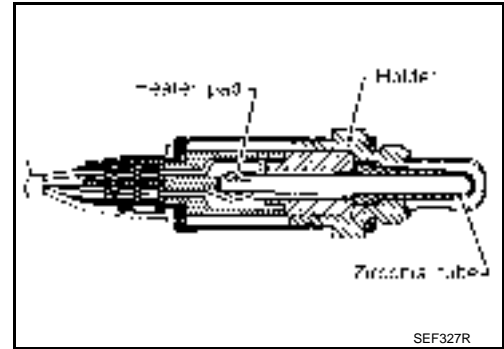
Refer to [EM-21](#).

DTC P0138, P0158 HO2S2

Component Description

INFOID:000000001850454

The heated oxygen sensor 2, after three way catalyst (manifold), monitors the oxygen level in the exhaust gas on each bank. Even if switching characteristics of the air fuel ratio (A/F) sensor 1 are shifted, the air/fuel ratio is controlled to stoichiometric, by the signal from the heated oxygen sensor 2. This sensor is made of ceramic zirconia. The zirconia generates voltage from approximately 1V in richer conditions to 0V in leaner conditions. Under normal conditions the heated oxygen sensor 2 is not used for engine control operation.



CONSULT-III Reference Value in Data Monitor Mode

INFOID:000000001850455

Specification data are reference values.

MONITOR ITEM	CONDITION	SPECIFICATION
HO2S2 (B1) HO2S2 (B2)	<ul style="list-style-type: none"> Revsing engine from idle to 3,000 rpm quickly after the following conditions are met - Engine: After warming up - Keeping the engine speed between 3,500 and 4,000 rpm for 1 minute and at idle for 1 minute under no load 	0 - 0.3V ↔ Approx. 0.6 - 1.0V
HO2S2 MNTR (B1) HO2S2 MNTR (B2)	<ul style="list-style-type: none"> Revsing engine from idle to 3,000 rpm quickly after the following conditions are met - Engine: After warming up - Keeping the engine speed between 3,500 and 4,000 rpm for 1 minute and at idle for 1 minute under no load 	LEAN ↔ RICH

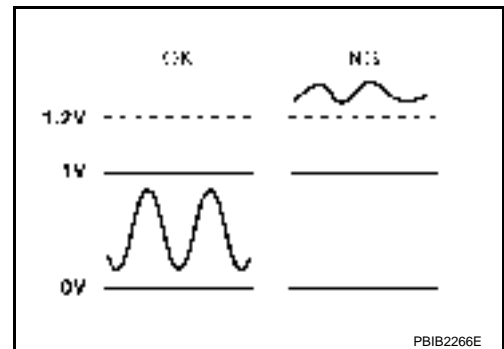
On Board Diagnosis Logic

INFOID:000000001850456

The heated oxygen sensor 2 has a much longer switching time between rich and lean than the air fuel ratio (A/F) sensor 1. The oxygen storage capacity before the three way catalyst (manifold) causes the longer switching time.

MALFUNCTION A

To judge the malfunctions of rear heated oxygen sensor 2, ECM monitors whether the voltage is unusually high during the various driving condition such as fuel-cut.



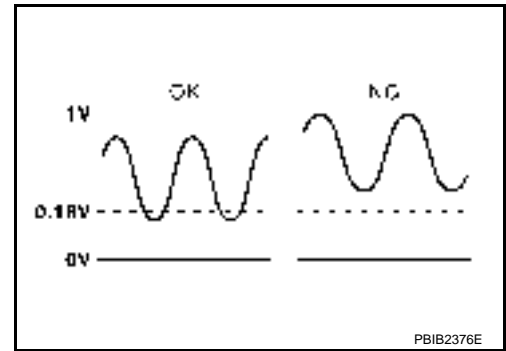
MALFUNCTION B

DTC P0138, P0158 HO2S2

< SERVICE INFORMATION >

[QR]

To judge the malfunctions of heated oxygen sensor 2, ECM monitors whether the minimum voltage of sensor is sufficiently low during the various driving condition such as fuel-cut.



DTC No.	Trouble diagnosis name	DTC detecting condition		Possible cause
P0138 0138 (Bank 1)	Heated oxygen sensor 2 circuit high voltage	A)	An excessively high voltage from the sensor is sent to ECM.	<ul style="list-style-type: none"> • Harness or connectors (Heated oxygen sensor 2 circuit is open or shorted.) • Heated oxygen sensor 2
P0158 0158 (Bank 2)		B)	The minimum voltage from the sensor is not reached to the specified voltage.	<ul style="list-style-type: none"> • Harness or connectors (Heated oxygen sensor circuit is open or shorted.) • Heated oxygen sensor 2 • Fuel pressure • Fuel injector

DTC Confirmation Procedure

INFOID:000000001850457

Perform PROCEDURE FOR MALFUNCTION A first.

If DTC cannot be confirmed, perform PROCEDURE FOR MALFUNCTION B.

NOTE:

If DTC Confirmation Procedure has been previously conducted, always turn ignition switch OFF and wait at least 10 seconds before conducting the next test.

PROCEDURE FOR MALFUNCTION A

▮ With CONSULT-III

1. Turn ignition switch ON and select "DATA MONITOR" mode with CONSULT-III.
2. Start engine and warm it up to the normal operating temperature.
3. Turn ignition switch OFF and wait at least 10 seconds.
4. Start engine and keep the engine speed between 3,500 and 4,000 rpm for at least 1 minute under no load.
5. Let engine idle for 2 minutes.
6. Check 1st trip DTC.
7. If 1st trip DTC is detected, go to [EC-761, "Diagnosis Procedure"](#).

▮ With GST

Follow the procedure "With CONSULT-III" above.

PROCEDURE FOR MALFUNCTION B

▮ With CONSULT-III

TESTING CONDITION:

For the best results, perform DTC WORK SUPPORT at a temperature of 0 to 30°C (32 to 86°F).

1. Turn ignition switch ON and select "DATA MONITOR" mode with CONSULT-III
2. Start engine and warm it up to the normal operating temperature.
3. Turn ignition switch OFF and wait at least 10 seconds.
4. Start engine and keep the engine speed between 3,500 and 4,000 rpm for at least 1 minute under no load.
5. Let engine idle for 1 minute.
6. Make sure that "COOLAN TEMP/S" indicates more than 70°C (158°F).

DTC P0138, P0158 HO2S2

< SERVICE INFORMATION >

[QR]

- If not, warm up engine and go to next step when "COOLAN TEMP/S" indication reaches to 70°C (158°F).
- Open engine hood.
 - Select "HO2S2 (B1) P1146" (for DTC P0138) or "HO2S2 (B2) P1166" (for DTC P0158) of "HO2S2" in "DTC WORK SUPPORT" mode with CONSULT-III.
 - Start engine and following the instruction of CONSULT-III.
NOTE:
It will take at most 10 minutes until "COMPLETED" is displayed.
 - Make sure that "OK" is displayed after touching "SELF-DIAG RESULTS".
If "NG" is displayed, refer to [EC-761, "Diagnosis Procedure"](#).
If "CAN NOT BE DIAGNOSED" is displayed, perform the following.
 - Turn ignition switch OFF and leave the vehicle in a cool place (soak the vehicle).
 - Return to step 1.

Overall Function Check

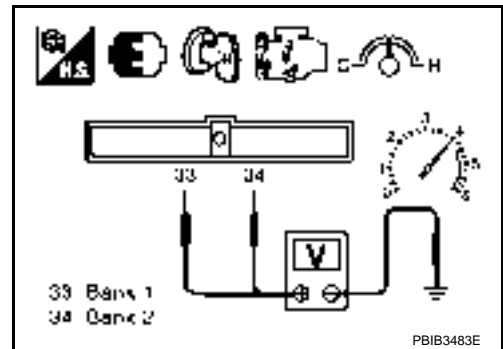
INFOID:000000001850458

PROCEDURE FOR MALFUNCTION B

Use this procedure to check the overall function of the heated oxygen sensor 2 circuit. During this check, a 1st trip DTC might not be confirmed.

■ With GST

- Start engine and warm it up to the normal operating temperature.
- Turn ignition switch OFF and wait at least 10 seconds.
- Start engine and keep the engine speed between 3,500 and 4,000 rpm for at least 1 minute under no load.
- Let engine idle 1 minute.
- Set voltmeter probes between ECM terminal 33 [HO2S2 (B1) signal] or 34 [HO2S2 (B2) signal] and ground.
- Check the voltage when revving up to 4,000 rpm under no load at least 10 times.
(Depress and release accelerator pedal as soon as possible.)
The voltage should be below 0.18V at least once during this procedure.
If the voltage can be confirmed in step 6, step 7 is not necessary.
- Keep vehicle at idling for 10 minutes, then check the voltage. Or check the voltage when coasting from 80 km/h (50 MPH) in D position (CVT) or 3rd gear position (M/T).
The voltage should be below 0.18V at least once during this procedure.
- If NG, go to [EC-761, "Diagnosis Procedure"](#).



DTC P0138, P0158 HO2S2

< SERVICE INFORMATION >

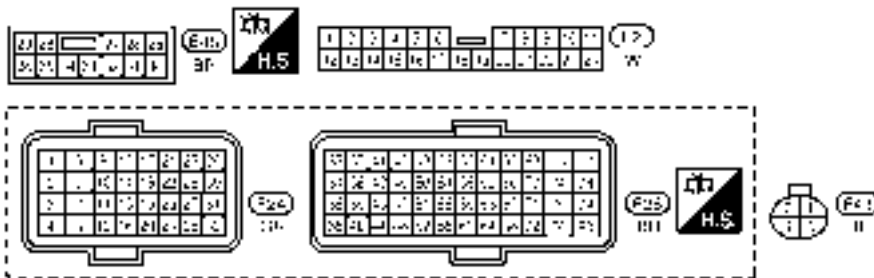
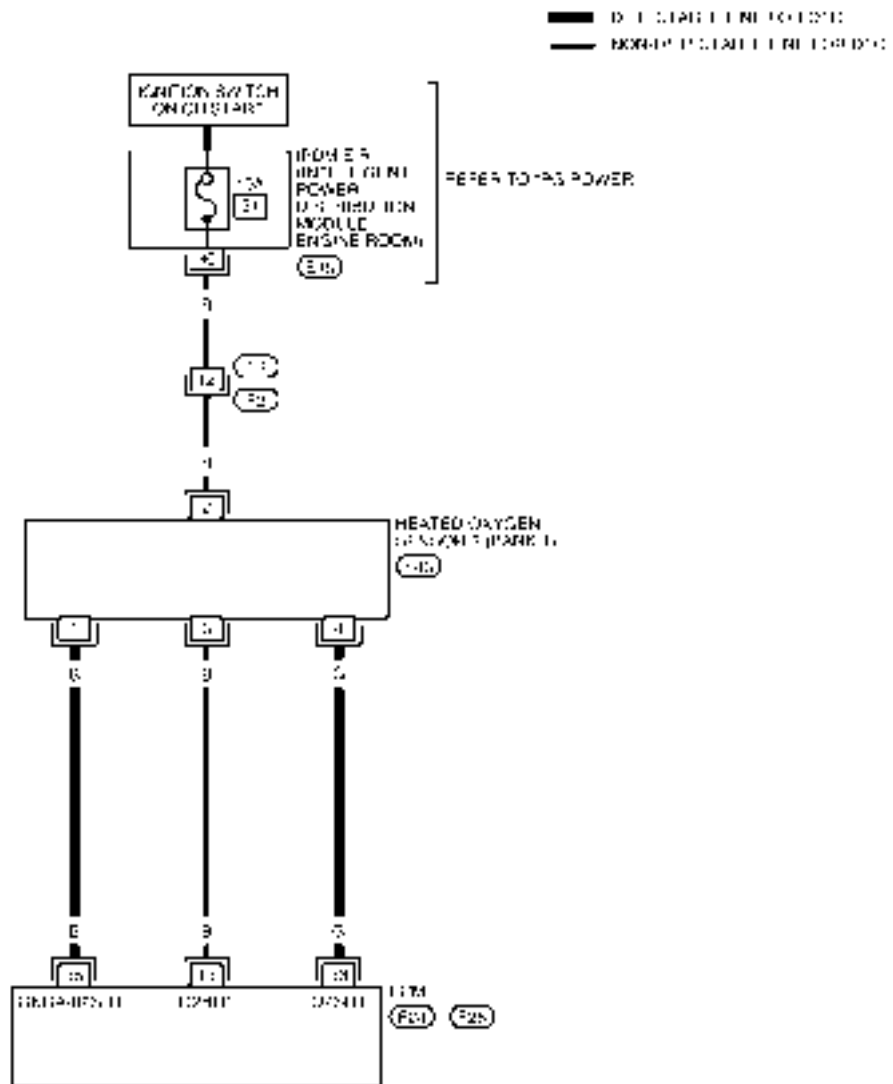
[QR]

Wiring Diagram

INFOID:00000002994074

BANK 1

EC-O2S2B1-01



BBWA3033E

Specification data are reference values and are measured between each terminal and ground. Pulse signal is measured by CONSULT-III.


CAUTION:

DTC P0138, P0158 HO2S2

< SERVICE INFORMATION >

[QR]

Do not use ECM ground terminals when measuring input/output voltage. Doing so may result in damage to the ECM's transistor. Use a ground other than ECM terminals, such as the ground.

TERMINAL NO.	WIRE COLOR	ITEM	CONDITION	DATA (DC Voltage)
13	B	Heated oxygen sensor 2 heater (Bank 1)	[Engine is running] <ul style="list-style-type: none"> • Engine speed: Below 3,600 rpm after the following conditions are met. - Engine: After warming up - Keeping the engine speed between 3,500 and 4,000 rpm for 1 minute and at idle for 1 minute under no load. 	Approximately 10V★  <small>PBIA8148J</small>
			[Ignition switch: ON] <ul style="list-style-type: none"> • Engine stopped [Engine is running] <ul style="list-style-type: none"> • Engine speed: Above 3,600 rpm. 	BATTERY VOLTAGE (11 - 14V)
33	G	Heated oxygen sensor 2 (Bank 1)	[Engine is running] <ul style="list-style-type: none"> • Revving engine from idle to 3,000 rpm quickly after the following conditions are met. - Engine: After warming up - Keeping the engine speed between 3,500 and 4,000 rpm for 1 minute and at idle for 1 minute under no load. 	0 - Approximately 1.0V
35	B	Sensor ground (Heated oxygen sensor 2)	[Engine is running] <ul style="list-style-type: none"> • Warm-up condition • Idle speed 	Approximately 0V

★: Average voltage for pulse signal (Actual pulse signal can be confirmed by oscilloscope.)

DTC P0138, P0158 HO2S2

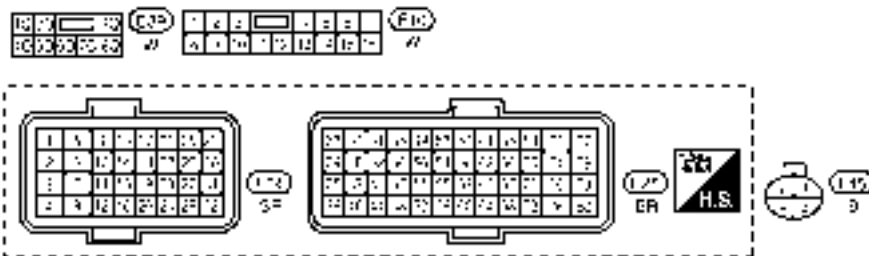
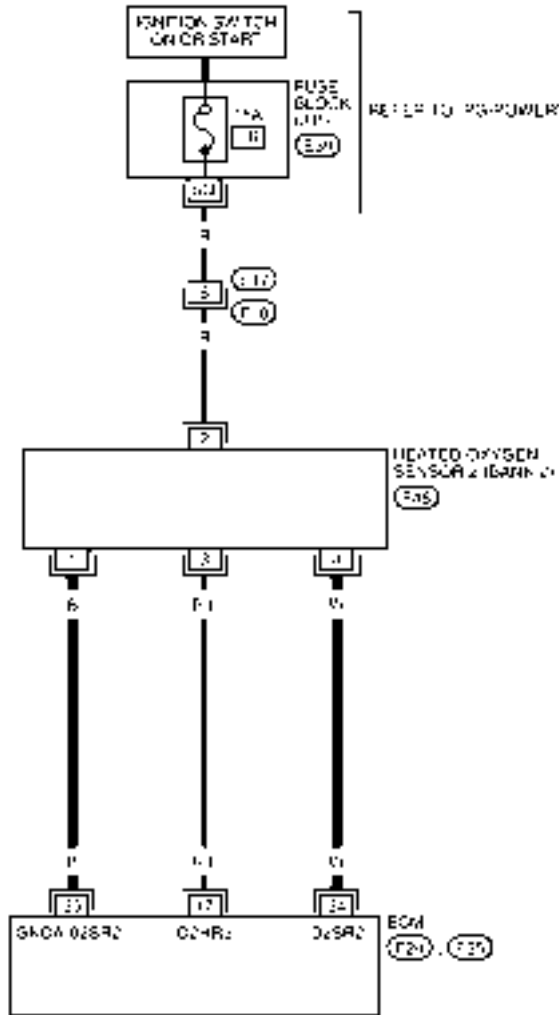
< SERVICE INFORMATION >

[QR]

BANK 2

EC-O2S2B2-01

— DETECTABLE LINE FOR DTC
 - - - NON DETECTABLE LINE FOR DTC




BBWA3034E

Specification data are reference values and are measured between each terminal and ground. Pulse signal is measured by CONSULT-III.

CAUTION:

Do not use ECM ground terminals when measuring input/output voltage. Doing so may result in damage to the ECM's transistor. Use a ground other than ECM terminals, such as the ground.

TER-MI-NAL NO.	WIRE COLOR	ITEM	CONDITION	DATA (DC Voltage)
17	R/L	Heated oxygen sensor 2 heater (Bank 2)	[Engine is running] <ul style="list-style-type: none"> Engine speed: Below 3,600 rpm after the following conditions are met. <ul style="list-style-type: none"> - Engine: After warming up - Keeping the engine speed between 3,500 and 4,000 rpm for 1 minute and at idle for 1 minute under no load. 	Approximately 10V★  <small>PBIA8148J</small>
			[Ignition switch: ON] <ul style="list-style-type: none"> Engine stopped [Engine is running] <ul style="list-style-type: none"> Engine speed: Above 3,600 rpm. 	BATTERY VOLTAGE (11 - 14V)
34	W	Heated oxygen sensor 2 (Bank 2)	[Engine is running] <ul style="list-style-type: none"> Revsing engine from idle to 3,000 rpm quickly after the following conditions are met. <ul style="list-style-type: none"> - Engine: After warming up - Keeping the engine speed between 3,500 and 4,000 rpm for 1 minute and at idle for 1 minute under no load. 	0 - Approximately 1.0V
35	B	Sensor ground (Heated oxygen sensor 2)	[Engine is running] <ul style="list-style-type: none"> Warm-up condition Idle speed 	Approximately 0V

★: Average voltage for pulse signal (Actual pulse signal can be confirmed by oscilloscope.)

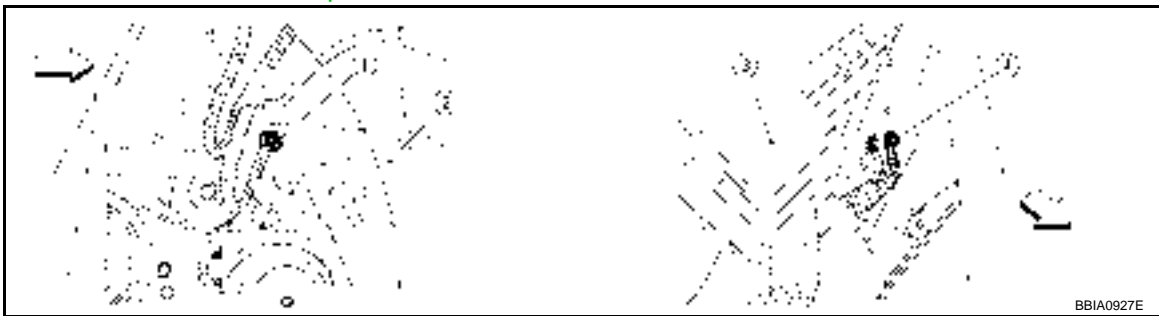
Diagnosis Procedure

INFOID:000000001850460

PROCEDURE FOR MALFUNCTION A

1. CHECK GROUND CONNECTIONS

1. Turn ignition switch OFF.
2. Loosen and retighten ground screw on the body.
Refer to [EC-649, "Ground Inspection"](#).



 Vehicle front

1. Body ground E9 (view with front wheel RH and fender protector RH removed.)
2. Washer tank
3. Fuse and fusible link box
4. Body ground E15

OK or NG

- OK >> GO TO 2.
- NG >> Repair or replace ground connections.

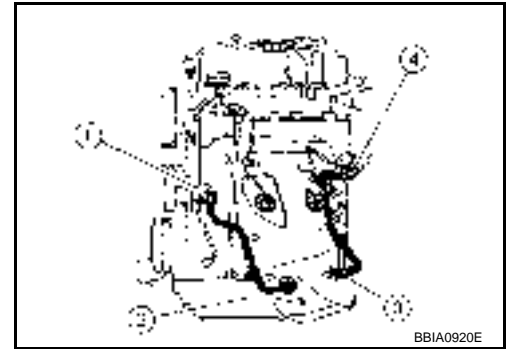
2. CHECK HO2S2 GROUND CIRCUIT FOR OPEN AND SHORT

DTC P0138, P0158 HO2S2

[QR]

< SERVICE INFORMATION >

1. Disconnect heated oxygen sensor 2 harness connector.
 - Heated oxygen sensor 2 (Bank 1) harness connector (1)
 - Heated oxygen sensor 2 (Bank 1) (2)
 - Heated oxygen sensor 2 (Bank 2) (3)
 - Heated oxygen sensor 2 (Bank 2) harness connector (4)
2. Disconnect ECM harness connector.
3. Check harness continuity between ECM terminal 35 and HO2S2 terminal 1. Refer to Wiring Diagram.



Continuity should exist.

4. Also check harness for short to ground and short to power.

OK or NG

OK >> GO TO 3.

NG >> Repair open circuit or short to ground or short to power in harness or connectors.

3. CHECK HO2S2 INPUT SIGNAL CIRCUIT FOR OPEN AND SHORT

1. Check harness continuity between ECM terminals and HO2S2 terminal as follows.
Refer to Wiring Diagram.

DTC	Terminal		Bank
	ECM	Sensor	
P0137	33	4	1
P0157	34	4	2

Continuity should exist.

2. Check harness continuity between the following terminals and ground.
Refer to Wiring Diagram.

DTC	Terminal		Bank
	ECM	Sensor	
P0137	33	4	1
P0157	34	4	2

Continuity should not exist.

3. Also check harness for short to power.

OK or NG

OK >> GO TO 4.

NG >> Repair open circuit or short to ground or short to power in harness or connectors.

4. CHECK HO2S2 CONNECTOR FOR WATER

Check connectors for water.

Water should not exist.

OK or NG

OK >> GO TO 5.

NG >> Repair or replace harness or connectors.

5. CHECK HEATED OXYGEN SENSOR 2

Refer to [EC-765, "Component Inspection"](#).

OK or NG

OK >> GO TO 6.

NG >> Replace malfunctioning heated oxygen sensor 2.

6.CHECK INTERMITTENT INCIDENTRefer to [EC-643](#).>> **INSPECTION END****PROCEDURE FOR MALFUNCTION B****1.CHECK GROUND CONNECTIONS**

1. Turn ignition switch OFF.
2. Loosen and retighten ground screw on the body.
Refer to [EC-649. "Ground Inspection"](#).



↙: Vehicle front

1. Engine ground E9 (view with front wheel RH and fender protector RH removed.)
2. Washer tank
3. Fuse and fusible link box
4. Engine ground E15

OK or NG

OK >> GO TO 2.

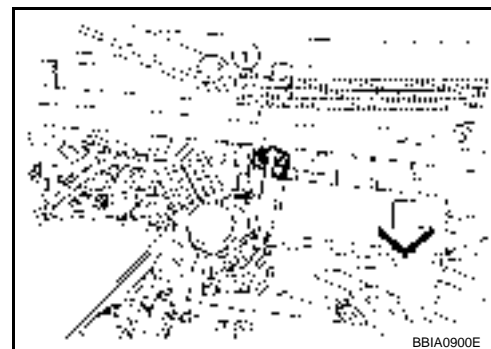
NG >> Repair or replace ground connections.

2.CLEAR THE SELF-LEARNING DATA**With CONSULT-III**

1. Start engine and warm it up to normal operating temperature.
2. Select "SELF-LEARNING CONT" in "WORK SUPPORT" mode with CONSULT-III.
3. Clear the self-learning control coefficient by touching "CLEAR".
4. Run engine for at least 10 minutes at idle speed.
Is the 1st trip DTC P0172 or P0175 detected?
Is it difficult to start engine?

Without CONSULT-III

1. Start engine and warm it up to normal operating temperature.
2. Turn ignition switch OFF.
3. Disconnect mass air flow sensor (1) harness connector, and restart and run engine for at least 5 seconds at idle speed.
4. Stop engine and reconnect mass air flow sensor harness connector.
5. Make sure that DTC P0102 is displayed.
6. Erase the DTC memory. Refer to [EC-559. "Emission-related Diagnostic Information"](#).
7. Make sure that DTC P0000 is displayed.
8. Run engine for at least 10 minutes at idle speed.
Is the 1st trip DTC P0172 or P0175 detected?
Is it difficult to start engine?

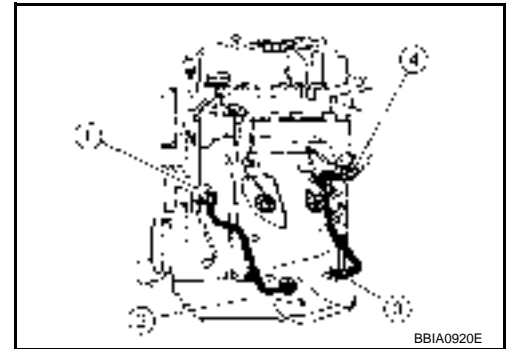
**Yes or No**Yes >> Perform trouble diagnosis for DTC P0172 or P0175. Refer to [EC-256](#).

No >> GO TO 3.

< SERVICE INFORMATION >

3. CHECK HO2S2 GROUND CIRCUIT FOR OPEN AND SHORT

1. Turn ignition switch OFF.
2. Disconnect heated oxygen sensor 2 harness connector.
 - Heated oxygen sensor 2 (Bank 1) harness connector (1)
 - Heated oxygen sensor 2 (Bank 1) (2)
 - Heated oxygen sensor 2 (Bank 2) (3)
 - Heated oxygen sensor 2 (Bank 2) harness connector (4)
3. Disconnect ECM harness connector.
4. Check harness continuity between ECM terminal 35 and HO2S2 terminal 1. Refer to Wiring Diagram.



Continuity should exist.

5. Also check harness for short to ground and short to power.

OK or NG

OK >> GO TO 4.

NG >> Repair open circuit or short to ground or short to power in harness or connectors.

4. CHECK HO2S2 INPUT SIGNAL CIRCUIT FOR OPEN AND SHORT

1. Check harness continuity between ECM terminals and HO2S2 terminal as follows. Refer to Wiring Diagram.

DTC	Terminal		Bank
	ECM	Sensor	
P0137	33	4	1
P0157	34	4	2

Continuity should exist.

2. Check harness continuity between the following terminals and ground. Refer to Wiring Diagram.

DTC	Terminal		Bank
	ECM	Sensor	
P0137	33	4	1
P0157	34	4	2

Continuity should not exist.

3. Also check harness for short to power.

OK or NG

OK >> GO TO 5.

NG >> Repair open circuit or short to ground or short to power in harness or connectors.

5. CHECK HEATED OXYGEN SENSOR 2

Refer to [EC-765. "Component Inspection"](#).

OK or NG

OK >> GO TO 6.

NG >> Replace malfunctioning heated oxygen sensor 2.

6. CHECK INTERMITTENT INCIDENT

Refer to [EC-643](#).

>> **INSPECTION END**

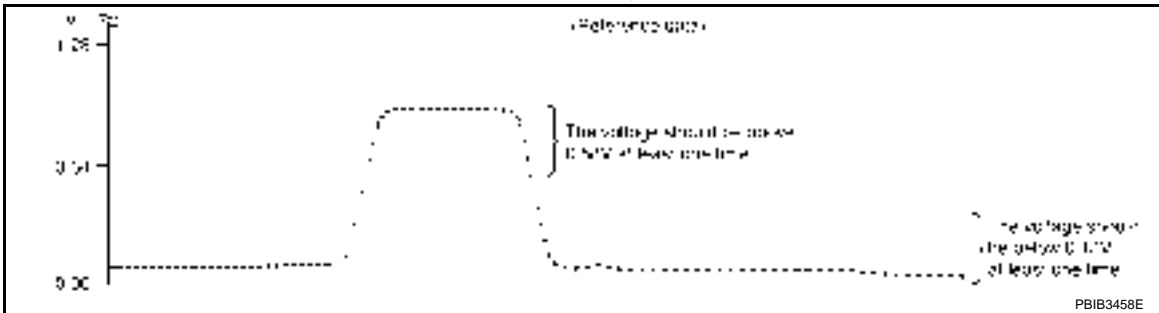
Component Inspection

INFOID:000000001850461

HEATED OXYGEN SENSOR 2

▮ With CONSULT-III

1. Start engine and warm it up to the normal operating temperature.
2. Turn ignition switch OFF and wait at least 10 seconds.
3. Start engine and keep the engine speed between 3,500 and 4,000 rpm for at least 1 minute under no load.
4. Let engine idle for 1 minute.
5. Select "FUEL INJECTION" in "ACTIVE TEST" mode, and select "HO2S2 (B1)/(B2)" as the monitor item with CONSULT-III.
6. Check "HO2S2 (B1)/(B2)" at idle speed when adjusting "FUEL INJECTION" to $\pm 25\%$.



"HO2S2 (B1)/(B2)" should be above 0.68V at least once when the "FUEL INJECTION" is +25%.
 "HO2S2 (B1)/(B2)" should be below 0.18V at least once when the "FUEL INJECTION" is -25%.

CAUTION:

- Discard any heated oxygen sensor which has been dropped from a height of more than 0.5 m (19.7 in) onto a hard surface such as a concrete floor; use a new one.
- Before installing new oxygen sensor, clean exhaust system threads using Oxygen Sensor Thread Cleaner tool J-43897-18 or J-43897-12 and approved anti-seize lubricant.

✕ Without CONSULT-III

1. Start engine and warm it up to the normal operating temperature.
2. Turn ignition switch OFF and wait at least 10 seconds.
3. Start engine and keep the engine speed between 3,500 and 4,000 rpm for at least 1 minute under no load.
4. Let engine idle for 1 minute.
5. Set voltmeter probes between ECM terminal 33 [HO2S2 (B1) signal] or 34 [HO2S2 (B2) signal] and ground.

6. Check the voltage when revving up to 4,000 rpm under no load at least 10 times.
 (Depress and release accelerator pedal as soon as possible.)

The voltage should be above 0.68V at least once during this procedure.

If the voltage is above 0.68V at step 6, step 7 is not necessary.

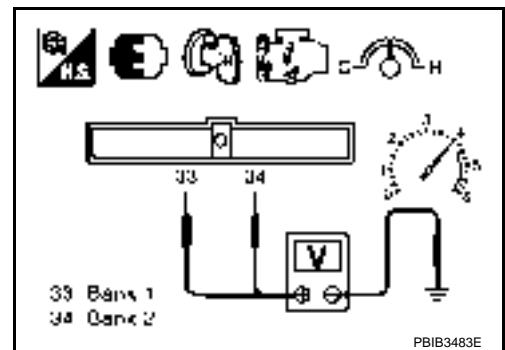
7. Keep vehicle idling for 10 minutes, then check voltage. Or check the voltage when coasting from 80 km/h (50 MPH) in D position (CVT) or 3rd gear position (M/T).

The voltage should be below 0.18V at least once during this procedure.

8. If NG, replace heated oxygen sensor 2.

CAUTION:

- Discard any heated oxygen sensor which has been dropped from a height of more than 0.5 m (19.7 in) onto a hard surface such as a concrete floor; use a new one.
- Before installing new oxygen sensor, clean exhaust system threads using Oxygen Sensor Thread Cleaner tool J-43897-18 or J-43897-12 and approved anti-seize lubricant.



Removal and Installation

INFOID:000000001850462

HEATED OXYGEN SENSOR 2

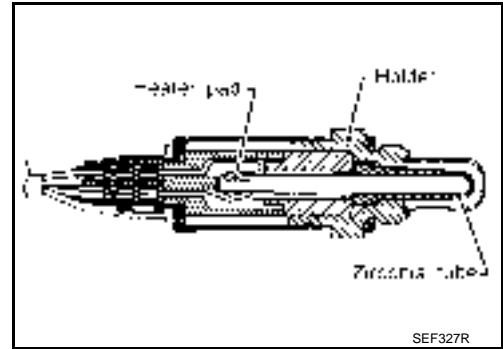
Refer to [EM-132](#).

DTC P0139, P0159 HO2S2

Component Description

INFOID:000000001850463

The heated oxygen sensor 2, after three way catalyst (manifold), monitors the oxygen level in the exhaust gas on each bank. Even if switching characteristics of the air fuel ratio (A/F) sensor 1 are shifted, the air/fuel ratio is controlled to stoichiometric, by the signal from the heated oxygen sensor 2. This sensor is made of ceramic zirconia. The zirconia generates voltage from approximately 1V in richer conditions to 0V in leaner conditions. Under normal conditions the heated oxygen sensor 2 is not used for engine control operation.



CONSULT-III Reference Value in Data Monitor Mode

INFOID:000000001850464

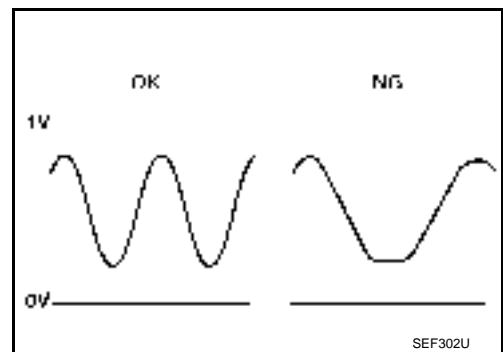
Specification data are reference values.

MONITOR ITEM	CONDITION	SPECIFICATION
HO2S2 (B1) HO2S2 (B2)	<ul style="list-style-type: none"> • Revving engine from idle to 3,000 rpm quickly after the following conditions are met - Engine: After warming up - Keeping the engine speed between 3,500 and 4,000 rpm for 1 minute and at idle for 1 minute under no load 	0 - 0.3V ↔ Approx. 0.6 - 1.0V
HO2S2 MNTR (B1) HO2S2 MNTR (B2)	<ul style="list-style-type: none"> • Revving engine from idle to 3,000 rpm quickly after the following conditions are met - Engine: After warming up - Keeping the engine speed between 3,500 and 4,000 rpm for 1 minute and at idle for 1 minute under no load 	LEAN ↔ RICH

On Board Diagnosis Logic

INFOID:000000001850465

The heated oxygen sensor 2 has a much longer switching time between rich and lean than the air fuel ratio (A/F) sensor 1. The oxygen storage capacity before the three way catalyst (manifold) causes the longer switching time. To judge the malfunctions of heated oxygen sensor 2, ECM monitors whether the switching response of the sensor's voltage is faster than specified during the various driving condition such as fuel-cut.



DTC No.	Trouble diagnosis name	DTC detecting condition	Possible cause
P0139 0139 (Bank 1)	Heated oxygen sensor 2 circuit slow response	It takes more time for the sensor to respond between rich and lean than the specified time.	<ul style="list-style-type: none"> • Harness or connectors (Heated oxygen sensor circuit is open or shorted.) • Heated oxygen sensor 2 • Fuel pressure • Fuel injector • Intake air leaks
P0159 0159 (Bank 2)			

DTC Confirmation Procedure

INFOID:000000001850466

NOTE:

DTC P0139, P0159 HO2S2

< SERVICE INFORMATION >

[QR]

If DTC Confirmation Procedure has been previously conducted, always turn ignition switch OFF and wait at least 10 seconds before conducting the next test.

▮ WITH CONSULT-III

TESTING CONDITION:

For better results, perform "DTC WORK SUPPORT" at a temperature of 0 to 30 °C (32 to 86 °F).

1. Turn ignition switch ON and select "DATA MONITOR" mode with CONSULT-III.
2. Start engine and warm it up to the normal operating temperature.
3. Turn ignition switch OFF and wait at least 10 seconds.
4. Start engine and keep the engine speed between 3,500 and 4,000 rpm for at least 1 minute under no load.
5. Let engine idle for 1 minute.
6. Make sure that "COOLAN TEMP/S" indicates more than 70°C (158°F).
If not, warm up engine and go to next step when "COOLAN TEMP/S" indication reaches to 70°C (158°F).
7. Select "HO2S2 (B1) P0139" or "HO2S2 (B2) P0159" of "HO2S2" in "DTC WORK SUPPORT" mode with CONSULT-III.
8. Start engine and following the instruction of CONSULT-III.

NOTE:

It will take at most 10 minutes until "COMPLETED" is displayed.

9. Make sure that "OK" is displayed after touching "SELF-DIAG RESULTS".
If "NG" is displayed, refer to [EC-772. "Diagnosis Procedure"](#).
If "CAN NOT BE DIAGNOSED" is displayed, perform the following.
 - a. Turn ignition switch OFF and leave the vehicle in a cool place (soak the vehicle).
 - b. Return to step 1.

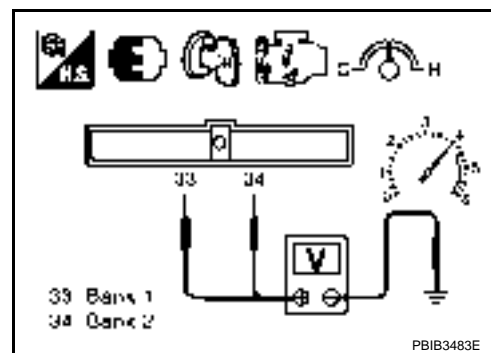
Overall Function Check

INFOID:000000001850467

Use this procedure to check the overall function of the heated oxygen sensor 2 circuit. During this check, a 1st trip DTC might not be confirmed.

▮ WITH GST

1. Start engine and warm it up to the normal operating temperature.
2. Turn ignition switch OFF and wait at least 10 seconds.
3. Start engine and keep the engine between 3,500 and 4,000 rpm for at least 1 minute under no load.
4. Let engine idle for 1 minute.
5. Set voltmeter probes between ECM terminal 33 [HO2S2 (b1) signal] or 34 [HO2S2 (B2) signal] and ground.
6. Check the voltage when revving up to 4,000 rpm under no load at least 10 times.
(Depress and release accelerator pedal as soon as possible.)
A change of voltage should be more than 0.3V for 1 second during this procedure.
If the voltage can be confirmed in step 6, step 7 is not necessary.
7. Keep vehicle at idling for 10 minutes, then check the voltage. Or check the voltage when coasting from 80 km/h (50 MPH) in D position (CVT) or 3rd gear position (M/T).
A change of voltage should be more than 0.3V for 1 second during this procedure.
8. If NG, go to [EC-772. "Diagnosis Procedure"](#).



DTC P0139, P0159 HO2S2

< SERVICE INFORMATION >

[QR]

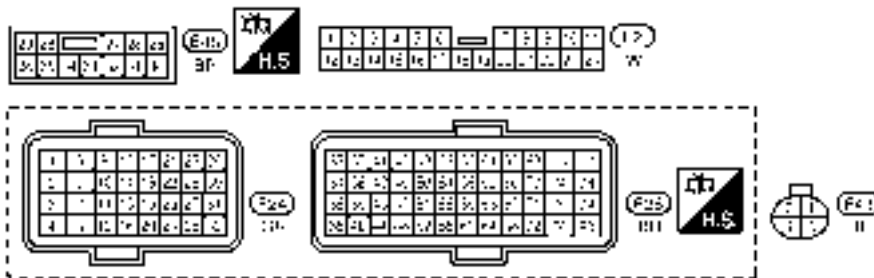
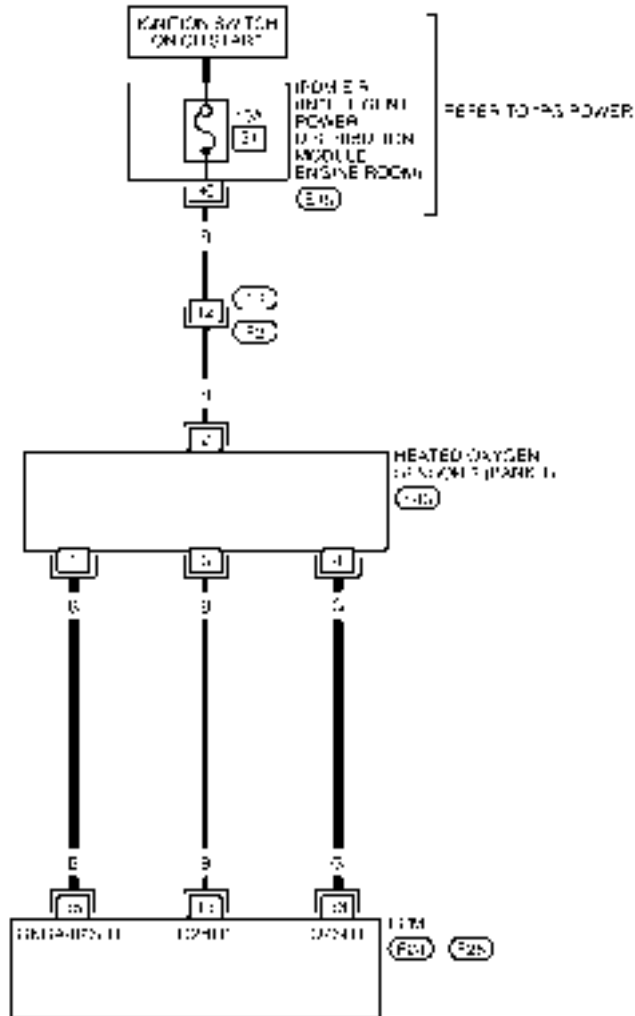
Wiring Diagram

INFOID:000000002994077

BANK 1

EC-O2S2B1-01

— DUTY SIGNAL LINE (CONTROL)
 — POWER LINE (RELAY CONTROL)



BBWA3033E

Specification data are reference values and are measured between each terminal and ground. Pulse signal is measured by CONSULT-III.


CAUTION:

DTC P0139, P0159 HO2S2

< SERVICE INFORMATION >

[QR]

Do not use ECM ground terminals when measuring input/output voltage. Doing so may result in damage to the ECM's transistor. Use a ground other than ECM terminals, such as the ground.

TER-MI-NAL NO.	WIRE COLOR	ITEM	CONDITION	DATA (DC Voltage)
13	B	Heated oxygen sensor 2 heater (Bank 1)	[Engine is running] <ul style="list-style-type: none"> • Engine speed: Below 3,600 rpm after the following conditions are met. - Engine: After warming up - Keeping the engine speed between 3,500 and 4,000 rpm for 1 minute and at idle for 1 minute under no load. 	Approximately 10V★  <small>PBIA8148J</small>
			[Ignition switch: ON] <ul style="list-style-type: none"> • Engine stopped [Engine is running] <ul style="list-style-type: none"> • Engine speed: Above 3,600 rpm. 	BATTERY VOLTAGE (11 - 14V)
33	G	Heated oxygen sensor 2 (Bank 1)	[Engine is running] <ul style="list-style-type: none"> • Revving engine from idle to 3,000 rpm quickly after the following conditions are met. - Engine: After warming up - Keeping the engine speed between 3,500 and 4,000 rpm for 1 minute and at idle for 1 minute under no load. 	0 - Approximately 1.0V
35	B	Sensor ground (Heated oxygen sensor 2)	[Engine is running] <ul style="list-style-type: none"> • Warm-up condition • Idle speed 	Approximately 0V

★: Average voltage for pulse signal (Actual pulse signal can be confirmed by oscilloscope.)

DTC P0139, P0159 HO2S2

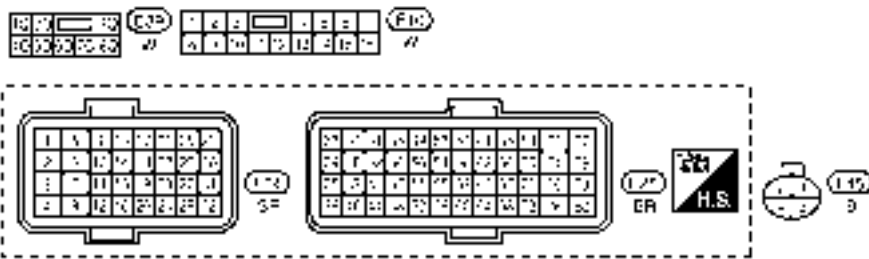
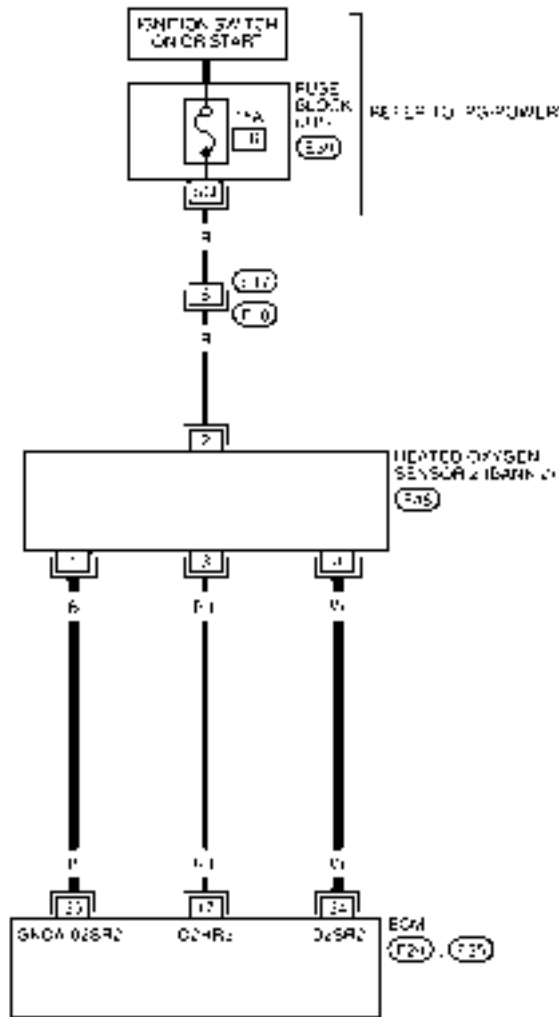
< SERVICE INFORMATION >

[QR]

BANK 2

EC-O2S2B2-01

— DETECTABLE LINE FOR DTC
 — NON-DETECTABLE LINE FOR DTC




BBWA3034E

Specification data are reference values and are measured between each terminal and ground. Pulse signal is measured by CONSULT-III.

CAUTION:

Do not use ECM ground terminals when measuring input/output voltage. Doing so may result in damage to the ECM's transistor. Use a ground other than ECM terminals, such as the ground.

TER-MI-NAL NO.	WIRE COLOR	ITEM	CONDITION	DATA (DC Voltage)
17	R/L	Heated oxygen sensor 2 heater (Bank 2)	[Engine is running] <ul style="list-style-type: none"> Engine speed: Below 3,600 rpm after the following conditions are met. <ul style="list-style-type: none"> - Engine: After warming up - Keeping the engine speed between 3,500 and 4,000 rpm for 1 minute and at idle for 1 minute under no load. 	Approximately 10V★  <small>PBIA8148J</small>
			[Ignition switch: ON] <ul style="list-style-type: none"> Engine stopped [Engine is running] <ul style="list-style-type: none"> Engine speed: Above 3,600 rpm. 	BATTERY VOLTAGE (11 - 14V)
34	W	Heated oxygen sensor 2 (Bank 2)	[Engine is running] <ul style="list-style-type: none"> Reving engine from idle to 3,000 rpm quickly after the following conditions are met. <ul style="list-style-type: none"> - Engine: After warming up - Keeping the engine speed between 3,500 and 4,000 rpm for 1 minute and at idle for 1 minute under no load. 	0 - Approximately 1.0V
35	B	Sensor ground (Heated oxygen sensor 2)	[Engine is running] <ul style="list-style-type: none"> Warm-up condition Idle speed 	Approximately 0V

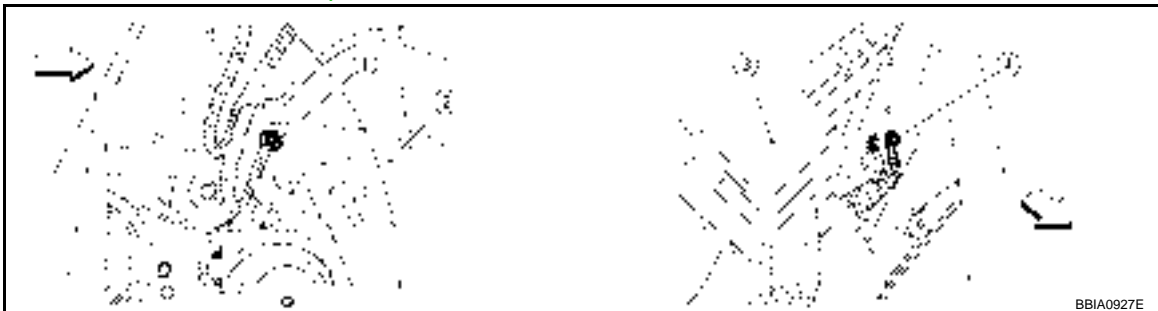
★: Average voltage for pulse signal (Actual pulse signal can be confirmed by oscilloscope.)

Diagnosis Procedure

INFOID:000000001850469

1. CHECK GROUND CONNECTIONS

- Turn ignition switch OFF.
- Loosen and retighten ground screw on the body.
Refer to [EC-649, "Ground Inspection"](#).



↖: Vehicle front

- Body ground E9 (view with front wheel RH and fender protector RH removed.)
- Washer tank
- Fuse and fusible link box
- Body ground E15

OK or NG

- OK >> GO TO 2.
 NG >> Repair or replace ground connections.

2. CLEAR THE SELF-LEARNING DATA

With CONSULT-III

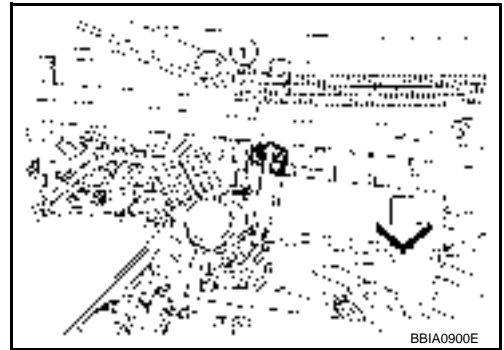
- Start engine and warm it up to normal operating temperature.

< SERVICE INFORMATION >

2. Select "SELF-LEARNING CONT" in "WORK SUPPORT" mode with CONSULT-III.
 3. Clear the self-learning control coefficient by touching "CLEAR".
 4. Run engine for at least 10 minutes at idle speed.
- Is the 1st trip DTC P0171, P0174, P0172 or P0175 detected?
Is it difficult to start engine?**

X Without CONSULT-III

1. Start engine and warm it up to normal operating temperature.
 2. Turn ignition switch OFF.
 3. Disconnect mass air flow sensor (1) harness connector, and restart and run engine for at least 5 seconds at idle speed.
 - ◀: Vehicle front
 4. Stop engine and reconnect mass air flow sensor harness connector.
 5. Make sure that DTC P0102 is displayed.
 6. Erase the DTC memory. Refer to [EC-559. "Emission-related Diagnostic Information"](#).
 7. Make sure that DTC P0000 is displayed.
 8. Run engine for at least 10 minutes at idle speed.
- Is the 1st trip DTC P0171, P0172, P0174 or P0175 detected?
Is it difficult to start engine?**

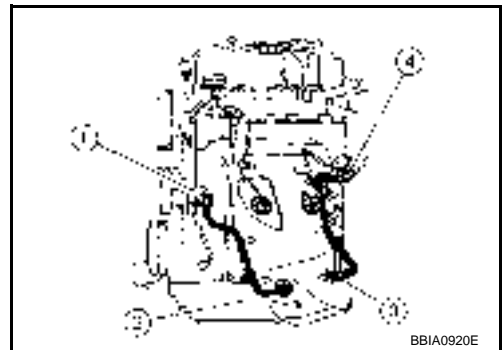


Yes or No

- Yes >> Perform trouble diagnosis for DTC P0171, P0174 or P0172, P0175. Refer to [EC-250](#) or [EC-256](#).
- No >> GO TO 3.

3. CHECK HO2S2 GROUND CIRCUIT FOR OPEN AND SHORT

1. Turn ignition switch OFF.
2. Disconnect heated oxygen sensor 2 harness connector.
 - Heated oxygen sensor 2 (Bank 1) harness connector (1)
 - Heated oxygen sensor 2 (Bank 1) (2)
 - Heated oxygen sensor 2 (Bank 2) (3)
 - Heated oxygen sensor 2 (Bank 2) harness connector (4)
3. Disconnect ECM harness connector.
4. Check harness continuity between ECM terminal 35 and HO2S2 terminal 1. Refer to Wiring Diagram.



Continuity should exist.

5. Also check harness for short to ground and short to power.

OK or NG

- OK >> GO TO 4.
- NG >> Repair open circuit or short to ground or short to power in harness or connectors.

4. CHECK HO2S2 INPUT SIGNAL CIRCUIT FOR OPEN AND SHORT

1. Check harness continuity between ECM terminals and HO2S2 terminal as follows. Refer to Wiring Diagram.

DTC	Terminal		Bank
	ECM	Sensor	
P0137	33	4	1
P0157	34	4	2

Continuity should exist.

2. Check harness continuity between the following terminals and ground. Refer to Wiring Diagram.

DTC	Terminal		Bank
	ECM	Sensor	
P0137	33	4	1
P0157	34	4	2

Continuity should not exist.

3. Also check harness for short to power.

OK or NG

OK >> GO TO 5.

NG >> Repair open circuit or short to ground or short to power in harness or connectors.

5. CHECK HEATED OXYGEN SENSOR 2

Refer to [EC-774, "Component Inspection"](#).

OK or NG

OK >> GO TO 6.

NG >> Replace malfunctioning heated oxygen sensor 2.

6. CHECK INTERMITTENT INCIDENT

Refer to [EC-643](#).

>> **INSPECTION END**

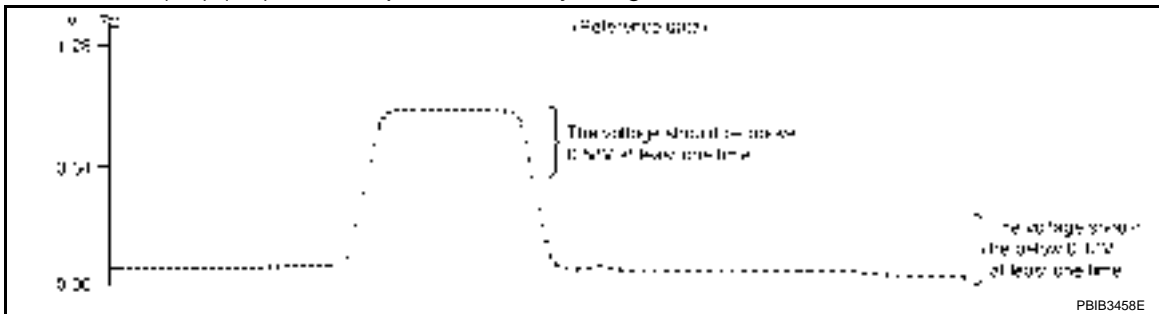
Component Inspection

INFOID:000000001850470

HEATED OXYGEN SENSOR 2

With CONSULT-III

1. Start engine and warm it up to the normal operating temperature.
2. Turn ignition switch OFF and wait at least 10 seconds.
3. Start engine and keep the engine speed between 3,500 and 4,000 rpm for at least 1 minute under no load.
4. Let engine idle for 1 minute.
5. Select "FUEL INJECTION" in "ACTIVE TEST" mode, and select "HO2S2 (B1)/(B2)" as the monitor item with CONSULT-III.
6. Check "HO2S2 (B1)/(B2)" at idle speed when adjusting "FUEL INJECTION" to $\pm 25\%$.



"HO2S2 (B1)/(B2)" should be above 0.68V at least once when the "FUEL INJECTION" is +25%.

"HO2S2 (B1)/(B2)" should be below 0.18V at least once when the "FUEL INJECTION" is -25%.

CAUTION:

- Discard any heated oxygen sensor which has been dropped from a height of more than 0.5 m (19.7 in) onto a hard surface such as a concrete floor; use a new one.
- Before installing new oxygen sensor, clean exhaust system threads using Oxygen Sensor Thread Cleaner tool J-43897-18 or J-43897-12 and approved anti-seize lubricant.

Without CONSULT-III

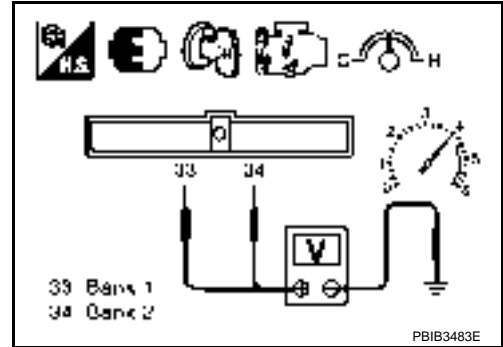
1. Start engine and warm it up to the normal operating temperature.
2. Turn ignition switch OFF and wait at least 10 seconds.

DTC P0139, P0159 HO2S2

< SERVICE INFORMATION >

[QR]

3. Start engine and keep the engine speed between 3,500 and 4,000 rpm for at least 1 minute under no load.
4. Let engine idle for 1 minute.
5. Set voltmeter probes between ECM terminal 33 [HO2S2 (B1) signal] or 34 [HO2S2 (B2) signal] and ground.
6. Check the voltage when revving up to 4,000 rpm under no load at least 10 times.
(Depress and release accelerator pedal as soon as possible.)
The voltage should be above 0.68V at least once during this procedure.
If the voltage is above 0.68V at step 6, step 7 is not necessary.
7. Keep vehicle idling for 10 minutes, then check voltage. Or check the voltage when coasting from 80 km/h (50 MPH) in D position (CVT) or 3rd gear position (M/T).
The voltage should be below 0.18V at least once during this procedure.
8. If NG, replace heated oxygen sensor 2.
CAUTION:
 - Discard any heated oxygen sensor which has been dropped from a height of more than 0.5 m (19.7 in) onto a hard surface such as a concrete floor; use a new one.
 - Before installing new oxygen sensor, clean exhaust system threads using Oxygen Sensor Thread Cleaner tool J-43897-18 or J-43897-12 and approved anti-seize lubricant.



Removal and Installation

INFOID:000000001850471

HEATED OXYGEN SENSOR 2

Refer to [EM-132](#)

DTC P0171, P0174 FUEL INJECTION SYSTEM FUNCTION

< SERVICE INFORMATION >

[QR]

DTC P0171, P0174 FUEL INJECTION SYSTEM FUNCTION

On Board Diagnosis Logic

INFOID:000000001850472

With the Air/Fuel Mixture Ratio Self-Learning Control, the actual mixture ratio can be brought closely to the theoretical mixture ratio based on the mixture ratio feedback signal from the air fuel ratio (A/F) sensor 1. The ECM calculates the necessary compensation to correct the offset between the actual and the theoretical ratios. In case the amount of the compensation value is extremely large (The actual mixture ratio is too lean.), the ECM judges the condition as the fuel injection system malfunction and lights up the MIL (2 trip detection logic).

Sensor	Input Signal to ECM	ECM function	Actuator
Air fuel ratio (A/F) sensor 1	Density of oxygen in exhaust gas (Mixture ratio feedback signal)	Fuel injection control	Fuel injector

DTC No.	Trouble diagnosis name	DTC detecting condition	Possible cause
P0171 0171 (Bank 1)	Fuel injection system too lean	<ul style="list-style-type: none"> Fuel injection system does not operate properly. The amount of mixture ratio compensation is too large. (The mixture ratio is too lean.) 	<ul style="list-style-type: none"> Intake air leaks Air fuel ratio (A/F) sensor 1 Fuel injector Exhaust gas leaks Incorrect fuel pressure Lack of fuel Mass air flow sensor Incorrect PCV hose connection
P0174 0174 (Bank 2)			

DTC Confirmation Procedure

INFOID:000000001850473

NOTE:

If DTC Confirmation Procedure has been previously conducted, always turn ignition switch OFF and wait at least 10 seconds before conducting the next test.

WITH CONSULT-III

- Start engine and warm it up to normal operating temperature.
- Turn ignition switch OFF and wait at least 10 seconds.
- Turn ignition switch ON and select "SELF-LEARNING CONT" in "WORK SUPPORT" mode with CONSULT-III.
- Clear the self-learning control coefficient by touching "CLEAR".
- Start engine again and let it idle for at least 10 minutes.
- Check 1st trip DTC.
The 1st trip DTC P0171 or P0174 should be detected at this stage, if a malfunction exists. If so, go to [EC-781, "Diagnosis Procedure"](#).

NOTE:

If 1st trip DTC is not detected during above procedure, performing the following procedure is advised.

- Turn ignition switch OFF and wait at least 10 seconds.
- Start engine and drive the vehicle under the similar conditions to (1st trip) Freeze Frame Data for 10 minutes. Refer to the table below.

Hold the accelerator pedal as steady as possible.

The similar conditions to (1st trip) Freeze Frame Data means the vehicle operation that the following conditions should be satisfied at the same time.

Engine speed	Engine speed in the freeze frame data \pm 400 rpm
Vehicle speed	Vehicle speed in the freeze frame data \pm 10 km/h (6 MPH)
Engine coolant temperature (T) condition	When the freeze frame data shows lower than 70 °C (158 °F), T should be lower than 70 °C (158 °F).
	When the freeze frame data shows higher than or equal to 70 °C (158 °F), T should be higher than or equal to 70 °C (158 °F).

DTC P0171, P0174 FUEL INJECTION SYSTEM FUNCTION

[QR]

< SERVICE INFORMATION >

- If it is difficult to start engine at step 6, the fuel injection system has a malfunction, too.
- Crank engine while depressing accelerator pedal. If engine starts, go to [EC-781, "Diagnosis Procedure"](#). If engine does not start, check exhaust and intake air leak visually.

WITH GST

- Start engine and warm it up to normal operating temperature.
- Turn ignition switch OFF and wait at least 10 seconds.
- Disconnect mass air flow sensor (1) harness connector.
 - Vehicle front
- Restart engine and let idle for at least 5 seconds.
- Stop engine and reconnect mass air flow sensor harness connector.
- Select Service \$03 with GST. Make sure DTC P0102 is detected.
- Select Service \$04 with GST and erase the DTC P0102.
- Start engine again and let it idle for at least 10 minutes.
- Select Service \$07 with GST. The 1st trip DTC P0171 should be detected at this stage, if a malfunction exists. If so, go to [EC-781, "Diagnosis Procedure"](#).



NOTE:

If 1st trip DTC is not detected during above procedure, performing the following procedure is advised.

- Turn ignition switch OFF and wait at least 10 seconds.
- Start engine and drive the vehicle under the similar conditions to (1st trip) Freeze Frame Data for 10 minutes. Refer to the table below.

Hold the accelerator pedal as steady as possible.

The similar conditions to (1st trip) Freeze Frame Data means the vehicle operation that the following conditions should be satisfied at the same time.

Engine speed	Engine speed in the freeze frame data \pm 400 rpm
Vehicle speed	Vehicle speed in the freeze frame data \pm 10 km/h (6 MPH)
Engine coolant temperature (T) condition	When the freeze frame data shows lower than 70 °C (158 °F), T should be lower than 70 °C (158 °F).
	When the freeze frame data shows higher than or equal to 70 °C (158 °F), T should be higher than or equal to 70 °C (158 °F).

- If it is difficult to start engine at step 8, the fuel injection system has a malfunction.
- Crank engine while depressing accelerator pedal. If engine starts, go to [EC-781, "Diagnosis Procedure"](#). If engine does not start, check exhaust and intake air leak visually.

DTC P0171, P0174 FUEL INJECTION SYSTEM FUNCTION

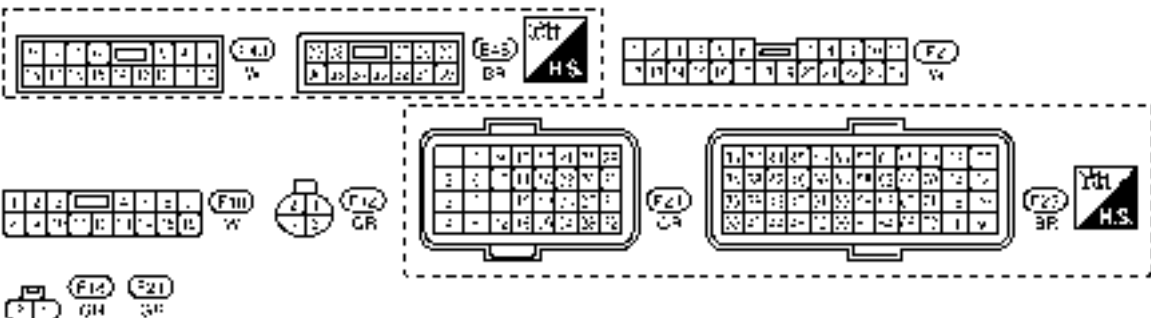
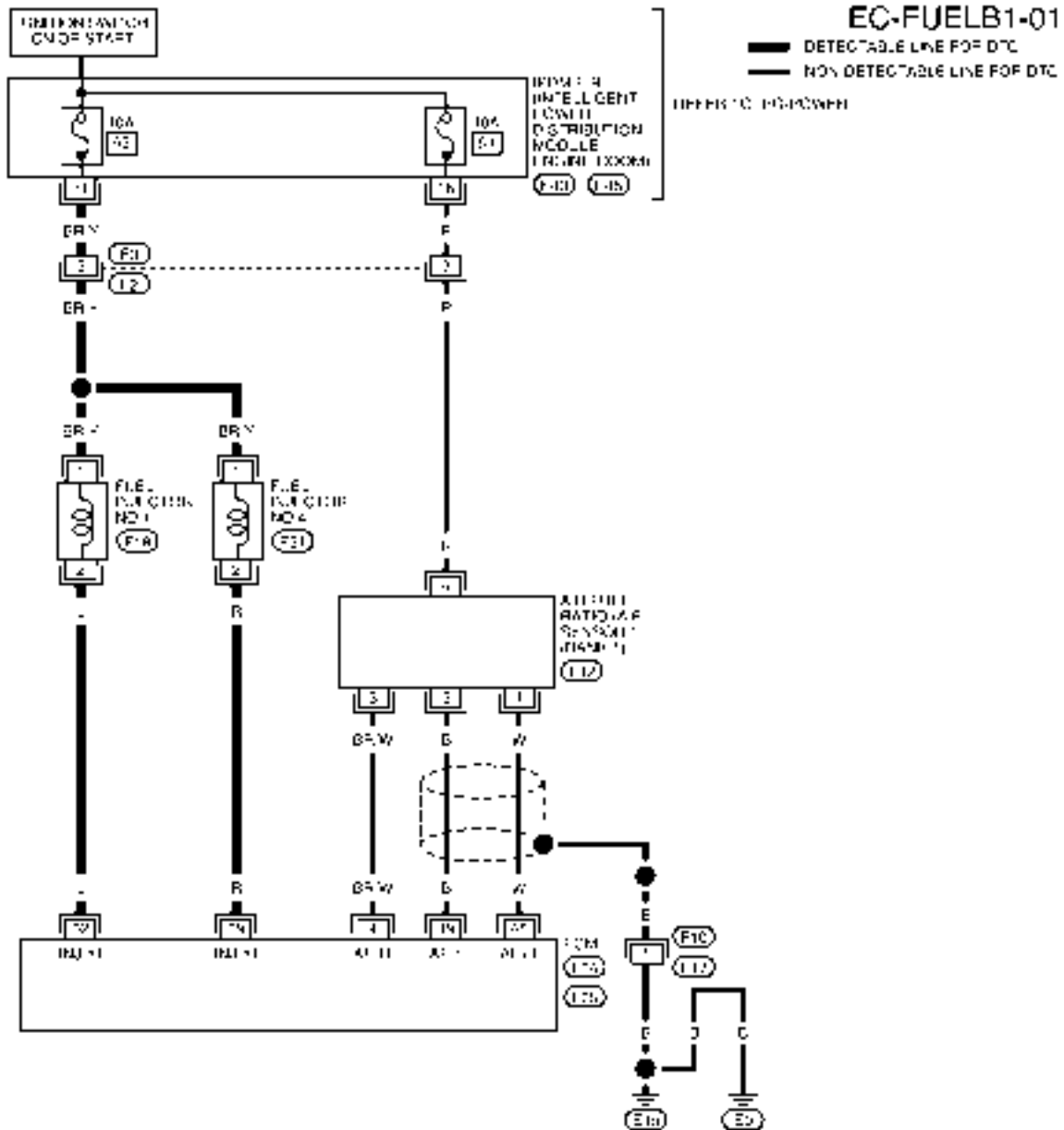
< SERVICE INFORMATION >

[QR]

Wiring Diagram

INFOID:00000002994078

BANK 1



Specification data are reference values and are measured between each terminal and ground. Pulse signal is measured by CONSULT-III.


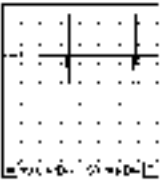
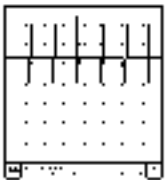
CAUTION:

DTC P0171, P0174 FUEL INJECTION SYSTEM FUNCTION

< SERVICE INFORMATION >

[QR]

Do not use ECM ground terminals when measuring input/output voltage. Doing so may result in damage to the ECM's transistor. Use a ground other than ECM terminals, such as the ground.

TERMI- NAL NO.	WIRE COLOR	ITEM	CONDITION	DATA (DC Voltage)
4	BR/W	A/F sensor 1 heater (Bank 1)	[Engine is running] • Warm-up condition • Idle speed (More than 140 seconds after starting engine)	Approximately 2.9 - 8.8V★  <small>PBIA8148J</small>
29 32	R L	Fuel injector No. 4 Fuel injector No. 1	[Engine is running] • Warm-up condition • Idle speed NOTE: The pulse cycle changes depending on rpm at idle	BATTERY VOLTAGE (11 - 14V)★  <small>PBIB0529E</small>
			[Engine is running] • Warm-up condition • Engine speed: 2,000 rpm	BATTERY VOLTAGE (11 - 14V)★  <small>PBIA4943J</small>
45	W	A/F sensor 1 (Bank 1)	[Engine is running] • Warm-up condition • Engine speed: 2,000 rpm	Approximately 1.8V Output voltage varies with air fuel ratio.
49	B	A/F sensor 1 (Bank 1)	[Ignition switch: ON]	Approximately 2.2V

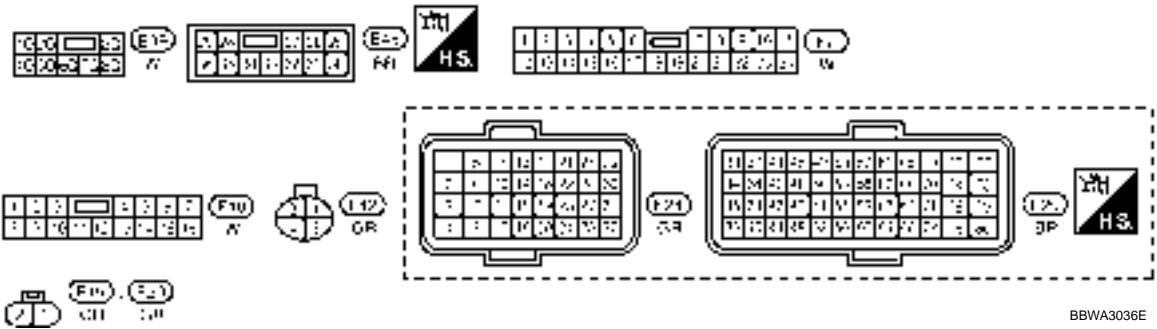
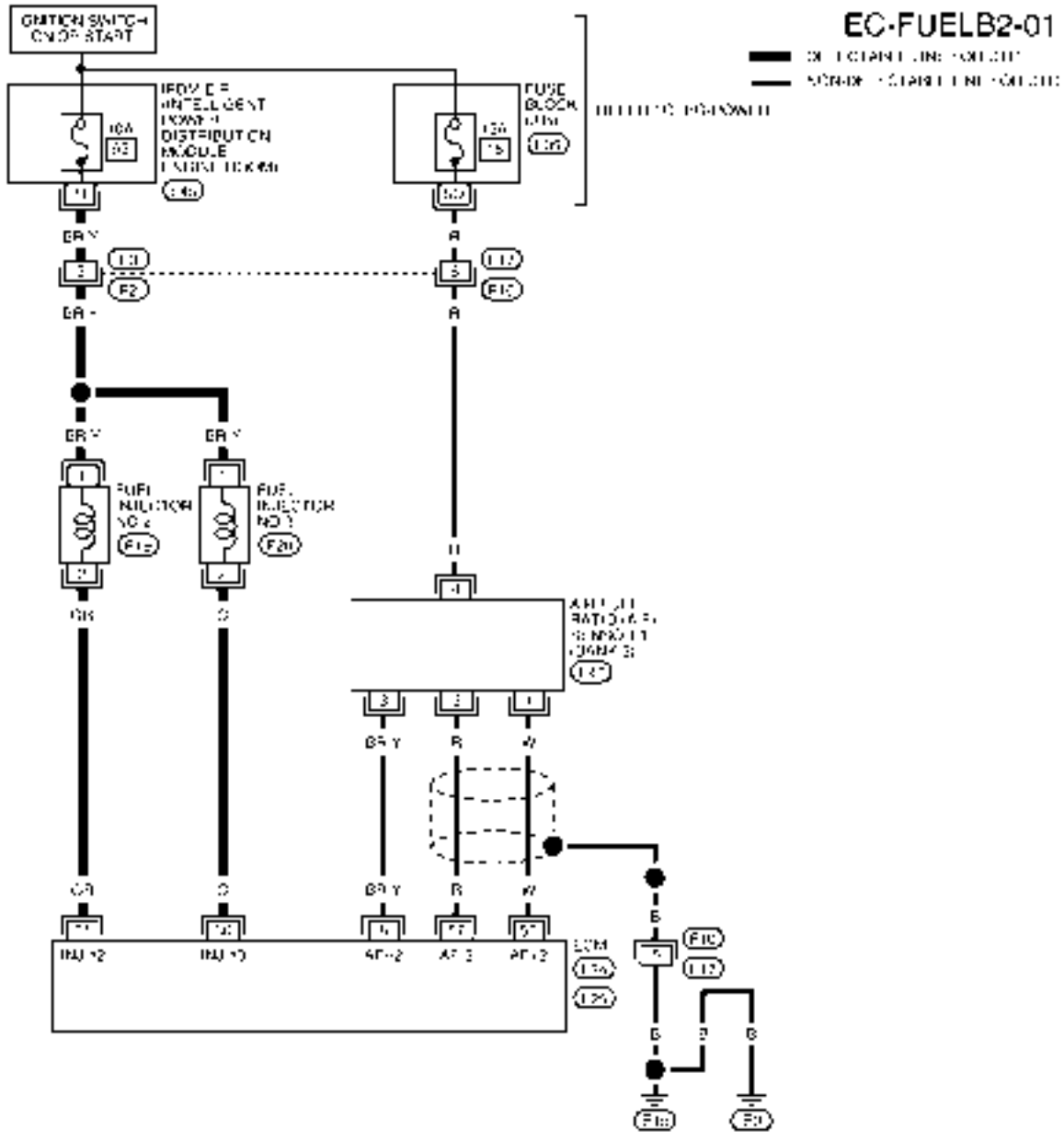
★: Average voltage for pulse signal (Actual pulse signal can be confirmed by oscilloscope.)

DTC P0171, P0174 FUEL INJECTION SYSTEM FUNCTION

< SERVICE INFORMATION >

[QR]

BANK 2



Specification data are reference values and are measured between each terminal and ground. Pulse signal is measured by CONSULT-III.


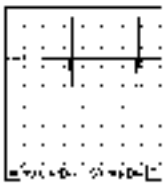
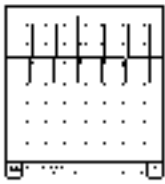
CAUTION:

Do not use ECM ground terminals when measuring input/output voltage. Doing so may result in damage to the ECM's transistor. Use a ground other than ECM terminals, such as the ground.

DTC P0171, P0174 FUEL INJECTION SYSTEM FUNCTION

< SERVICE INFORMATION >

[QR]

TERMI- NAL NO.	WIRE COLOR	ITEM	CONDITION	DATA (DC Voltage)
8	BR/Y	A/F sensor 1 heater (Bank 2)	[Engine is running] • Warm-up condition • Idle speed (More than 140 seconds after starting engine)	Approximately 2.9 - 8.8V★  PBI A8148J
30 31	O GR	Fuel injector No. 3 Fuel injector No. 2	[Engine is running] • Warm-up condition • Idle speed NOTE: The pulse cycle changes depending on rpm at idle	BATTERY VOLTAGE (11 - 14V)★  PBI B0529E
			[Engine is running] • Warm-up condition • Engine speed: 2,000 rpm	BATTERY VOLTAGE (11 - 14V)★  PBI A4943J
53	W	A/F sensor 1 (Bank 2)	[Engine is running] • Warm-up condition • Engine speed: 2,000 rpm	Approximately 1.8V Output voltage varies with air fuel ratio.
57	R	A/F sensor 1 (Bank 2)	[Ignition switch: ON]	Approximately 2.2V

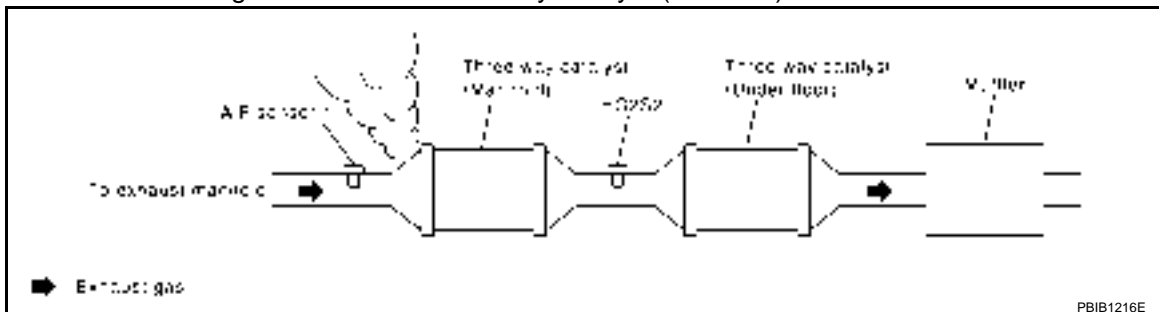
★: Average voltage for pulse signal (Actual pulse signal can be confirmed by oscilloscope.)

Diagnosis Procedure

INFOID:000000001850475

1. CHECK EXHAUST GAS LEAK

1. Start engine and run it at idle.
2. Listen for an exhaust gas leak before three way catalyst (manifold).



OK or NG

- OK >> GO TO 2.
NG >> Repair or replace.

2. CHECK FOR INTAKE AIR LEAK AND PCV HOSE

1. Listen for an intake air leak after the mass air flow sensor.

DTC P0171, P0174 FUEL INJECTION SYSTEM FUNCTION

[QR]

< SERVICE INFORMATION >

2. Check PCV hose connection.

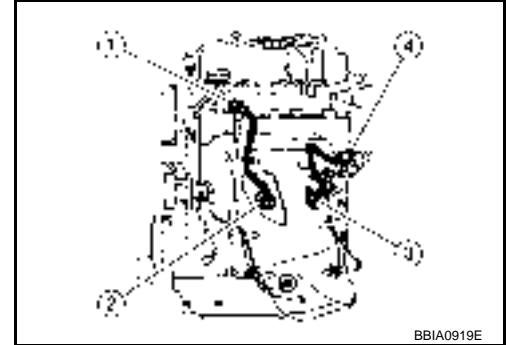
OK or NG

OK >> GO TO 3.

NG >> Repair or replace.

3. CHECK AIR FUEL RATIO (A/F) SENSOR 1 CIRCUIT FOR OPEN AND SHORT

1. Turn ignition switch OFF.
2. Disconnect air fuel ratio (A/F) sensor 1 harness connector.
 - Air fuel ratio (A/F) sensor 1 (Bank 1) harness connector (1)
 - Air fuel ratio (A/F) sensor 1 (Bank 1) (2)
 - Air fuel ratio (A/F) sensor 1 (Bank 2) (3)
 - Air fuel ratio (A/F) sensor 1 (Bank 2) harness connector (4)
3. Disconnect ECM harness connector.
4. Check harness continuity between the following terminals. Refer to Wiring Diagram.



Bank	A/F sensor 1 terminal	ECM terminal
1	1	45
	2	49
2	1	53
	2	57

Continuity should exist.

5. Check harness continuity between the following terminals and ground. Refer to Wiring Diagram.

Bank 1		Bank 2	
A/F sensor terminal	ECM terminal	A/F sensor terminal	ECM terminal
1	45	1	53
2	49	2	57

Continuity should not exist.

6. Also check harness for short to power.

OK or NG

OK >> GO TO 4.

NG >> Repair open circuit or short to ground or short to power in harness or connectors.

4. CHECK FUEL PRESSURE

1. Release fuel pressure to zero. Refer to [EC-592, "Fuel Pressure Check"](#).
2. Install fuel pressure gauge and check fuel pressure. Refer to [EC-83, "Fuel Pressure Check"](#).

At idling: Approximately 350 kPa (3.57 kg/cm², 51 psi)

OK or NG

OK >> GO TO 6.

NG >> GO TO 5.

5. DETECT MALFUNCTIONING PART

Check the following.

- Fuel pump and circuit (Refer to [EC-1038](#).)
- Fuel pressure regulator (Refer to [EC-83, "Fuel Pressure Check"](#).)
- Fuel lines (Refer to [EM-140](#).)
- Fuel filter for clogging

DTC P0171, P0174 FUEL INJECTION SYSTEM FUNCTION

< SERVICE INFORMATION >

[QR]

>> Repair or replace.

6. CHECK MASS AIR FLOW SENSOR

With CONSULT-III

1. Install all removed parts.
2. Start engine and warm it up to normal operating temperature.
3. Check "MASS AIR FLOW" in "DATA MONITOR" mode with CONSULT-III.

At idling : 1.0 - 4.0 g-m/sec

At 2,500 rpm : 4.0 - 10.0 g-m/sec

With GST

1. Install all removed parts.
2. Start engine and warm it up to normal operating temperature.
3. Check mass air flow sensor signal in Service \$01 with GST.

At idling : 1.0 - 4.0 g-m/sec

At 2,500 rpm : 4.0 - 10.0 g-m/sec

OK or NG

OK >> GO TO 7.

NG >> Check connectors for rusted terminals or loose connections in the mass air flow sensor circuit or ground. Refer to [EC-677](#).

7. CHECK FUNCTION OF FUEL INJECTORS

With CONSULT-III

1. Let engine idle.
2. Perform "POWER BALANCE" in "ACTIVE TEST" mode with CONSULT-III.
3. Make sure that each circuit produces a momentary engine speed drop.

Without CONSULT-III

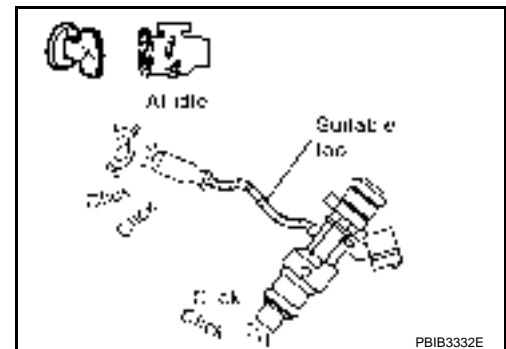
1. Let engine idle.
2. Listen to each fuel injector operating sound.

Clicking noise should be heard.

OK or NG

OK >> GO TO 8.

NG >> Perform trouble diagnosis for [EC-1033](#).



8. CHECK FUEL INJECTOR

1. Confirm that the engine is cooled down and there are no fire hazards near the vehicle.
2. Turn ignition switch OFF.
3. Reconnect all harness connectors disconnected.
4. Remove fuel tube assembly. Refer to [EM-140](#).
Keep fuel hose and all fuel injectors connected to fuel tube.
The fuel injector harness connectors should remain connected.
5. Disconnect all ignition coil harness connectors.
6. Prepare pans or saucers under each fuel injector.

DTC P0171, P0174 FUEL INJECTION SYSTEM FUNCTION

< SERVICE INFORMATION >

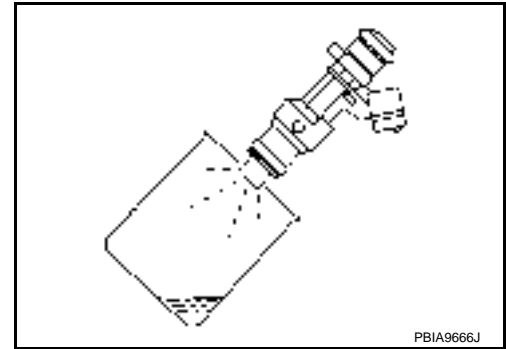
[QR]

7. Crank engine for about 3 seconds. Make sure that fuel sprays out from fuel injectors.

Fuel should be sprayed evenly for each fuel injector.

OK or NG

- OK >> GO TO 9.
NG >> Replace fuel injectors from which fuel does not spray out. Always replace O-ring with new ones.



9. CHECK INTERMITTENT INCIDENT

Refer to [EC-643](#).

>> **INSPECTION END**

DTC P0172, P0175 FUEL INJECTION SYSTEM FUNCTION

< SERVICE INFORMATION >

[QR]

DTC P0172, P0175 FUEL INJECTION SYSTEM FUNCTION

On Board Diagnosis Logic

INFOID:000000001850476

With the Air/Fuel Mixture Ratio Self-Learning Control, the actual mixture ratio can be brought closely to the theoretical mixture ratio based on the mixture ratio feedback signal from the air fuel ratio (A/F) sensor 1. The ECM calculates the necessary compensation to correct the offset between the actual and the theoretical ratios. In case the amount of the compensation value is extremely large (The actual mixture ratio is too rich.), the ECM judges the condition as the fuel injection system malfunction and lights up the MIL (2 trip detection logic).

Sensor	Input Signal to ECM	ECM function	Actuator
Air fuel ratio (A/F) sensor 1	Density of oxygen in exhaust gas (Mixture ratio feedback signal)	Fuel injection control	Fuel injector

DTC No.	Trouble diagnosis name	DTC detecting condition	Possible cause
P0172 0172 (Bank 1)	Fuel injection system too rich	<ul style="list-style-type: none"> Fuel injection system does not operate properly. The amount of mixture ratio compensation is too large. (The mixture ratio is too rich.) 	<ul style="list-style-type: none"> Air fuel ratio (A/F) sensor 1 Fuel injector Exhaust gas leaks Incorrect fuel pressure Mass air flow sensor
P0175 0175 (Bank 2)			

DTC Confirmation Procedure

INFOID:000000001850477

NOTE:

If DTC Confirmation Procedure has been previously conducted, always turn ignition switch OFF and wait at least 10 seconds before conducting the next test.

WITH CONSULT-III

- Start engine and warm it up to normal operating temperature.
- Turn ignition switch OFF and wait at least 10 seconds.
- Turn ignition switch ON and select "SELF-LEARNING CONT" in "WORK SUPPORT" mode with CONSULT-III.
- Clear the self-learning control coefficient by touching "CLEAR".
- Start engine again and let it idle for at least 10 minutes.
- Check 1st trip DTC.
The 1st trip DTC P0172 or P0175 should be detected at this stage, if a malfunction exists. If so, go to [EC-790. "Diagnosis Procedure"](#).

NOTE:

If 1st trip DTC is not detected during above procedure, performing the following procedure is advised.

- Turn ignition switch OFF and wait at least 10 seconds.
- Start engine and drive the vehicle under the similar conditions to (1st trip) Freeze Frame Data for 10 minutes. Refer to the table below.

Hold the accelerator pedal as steady as possible.

The similar conditions to (1st trip) Freeze Frame Data means the vehicle operation that the following conditions should be satisfied at the same time.

Engine speed	Engine speed in the freeze frame data \pm 400 rpm
Vehicle speed	Vehicle speed in the freeze frame data \pm 10 km/h (6 MPH)
Engine coolant temperature (T) condition	When the freeze frame data shows lower than 70 °C (158 °F), T should be lower than 70 °C (158 °F).
	When the freeze frame data shows higher than or equal to 70 °C (158 °F), T should be higher than or equal to 70 °C (158 °F).

- If it is difficult to start engine at step 6, the fuel injection system has a malfunction, too.


DTC P0172, P0175 FUEL INJECTION SYSTEM FUNCTION

[QR]

< SERVICE INFORMATION >

8. Crank engine while depressing accelerator pedal.
If engine starts, go to [EC-790, "Diagnosis Procedure"](#). If engine does not start, remove ignition plugs and check for fouling, etc.

WITH GST

1. Start engine and warm it up to normal operating temperature.
2. Turn ignition switch OFF and wait at least 10 seconds.
3. Disconnect mass air flow sensor (1) harness connector.
 -  Vehicle front
4. Restart engine and let idle for at least 5 seconds.
5. Stop engine and reconnect mass air flow sensor harness connector.
6. Select Service \$03 with GST. Make sure DTC P0102 is detected.
7. Select Service \$04 with GST and erase the DTC P0102.
8. Start engine again and let it idle for at least 10 minutes.
9. Select Service \$07 with GST. The 1st trip DTC P0172 or P0175 should be detected at this stage, if a malfunction exists. If so, go to [EC-790, "Diagnosis Procedure"](#).



NOTE:

If 1st trip DTC is not detected during above procedure, performing the following procedure is advised.

- a. Turn ignition switch OFF and wait at least 10 seconds.
- b. Start engine and drive the vehicle under the similar conditions to (1st trip) Freeze Frame Data for 10 minutes. Refer to the table below.

Hold the accelerator pedal as steady as possible.

The similar conditions to (1st trip) Freeze Frame Data means the vehicle operation that the following conditions should be satisfied at the same time.

Engine speed	Engine speed in the freeze frame data \pm 400 rpm
Vehicle speed	Vehicle speed in the freeze frame data \pm 10 km/h (6 MPH)
Engine coolant temperature (T) condition	When the freeze frame data shows lower than 70 °C (158 °F), T should be lower than 70 °C (158 °F).
	When the freeze frame data shows higher than or equal to 70 °C (158 °F), T should be higher than or equal to 70 °C (158 °F).

10. If it is difficult to start engine at step 8, the fuel injection system has a malfunction.
11. Crank engine while depressing accelerator pedal.
If engine starts, go to [EC-790, "Diagnosis Procedure"](#). If engine does not start, remove ignition plugs and check for fouling, etc.

DTC P0172, P0175 FUEL INJECTION SYSTEM FUNCTION

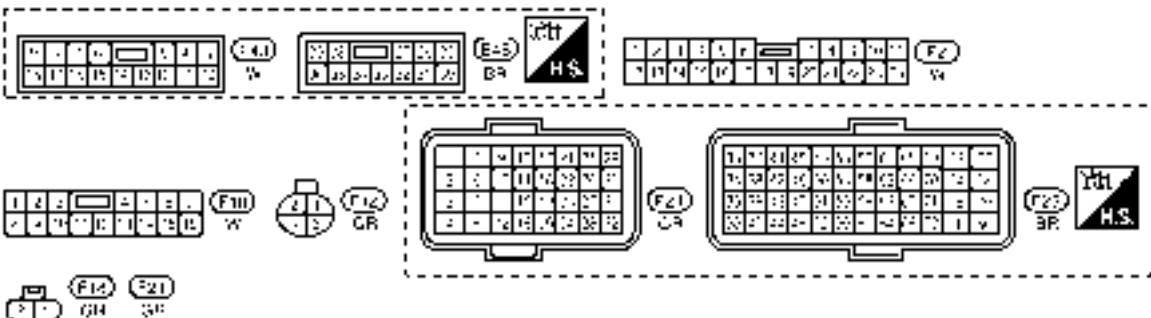
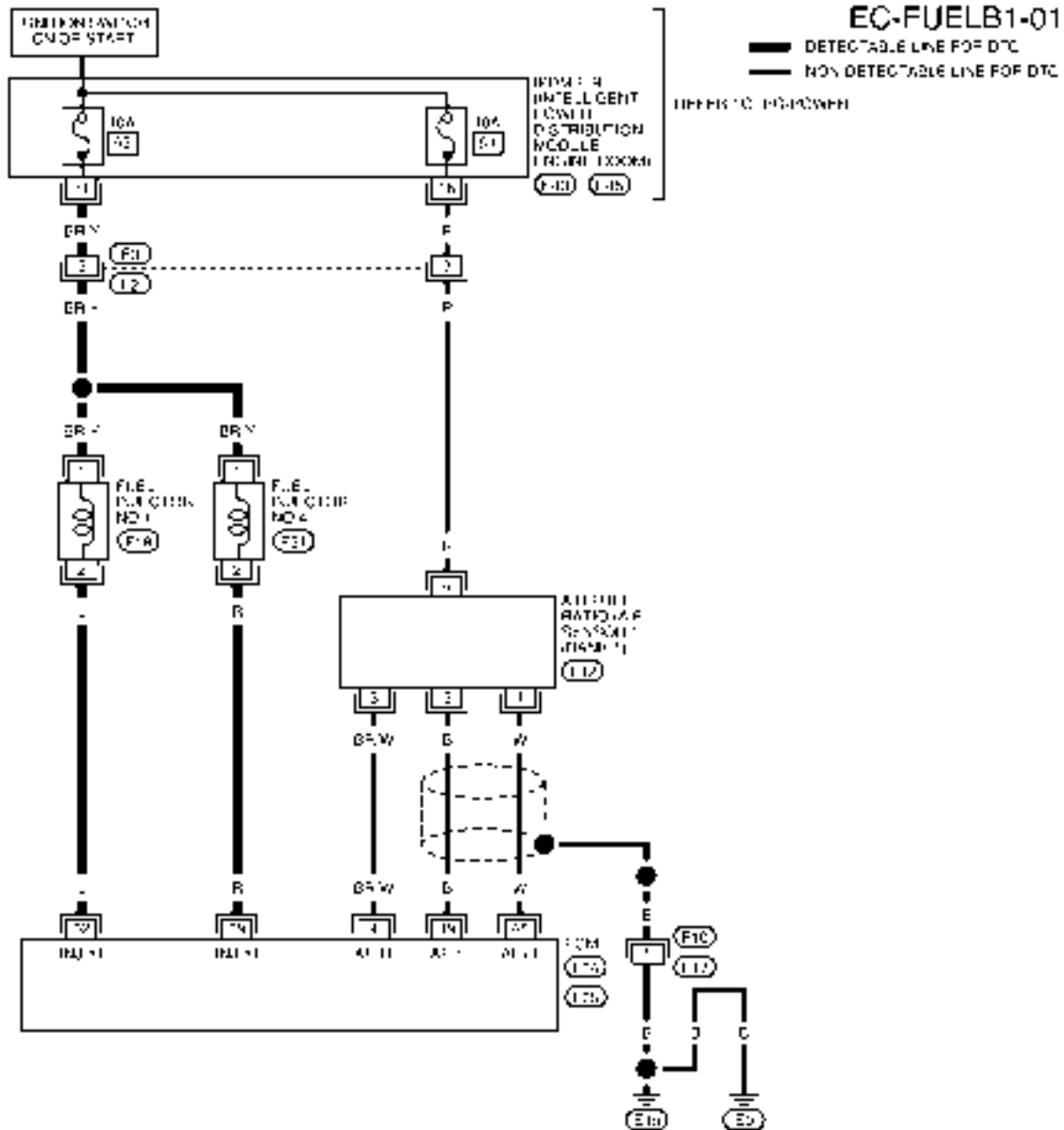
< SERVICE INFORMATION >

[QR]

Wiring Diagram

INFOID:00000002994079

BANK 1



BBWA3035E

Specification data are reference values and are measured between each terminal and ground. Pulse signal is measured by CONSULT-III.


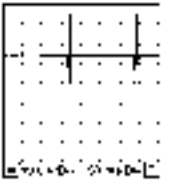
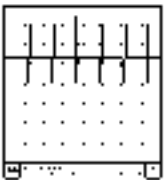
CAUTION:

DTC P0172, P0175 FUEL INJECTION SYSTEM FUNCTION

< SERVICE INFORMATION >

[QR]

Do not use ECM ground terminals when measuring input/output voltage. Doing so may result in damage to the ECM's transistor. Use a ground other than ECM terminals, such as the ground.

TERMI- NAL NO.	WIRE COLOR	ITEM	CONDITION	DATA (DC Voltage)
4	BR/W	A/F sensor 1 heater (Bank 1)	[Engine is running] <ul style="list-style-type: none"> • Warm-up condition • Idle speed (More than 140 seconds after starting engine) 	Approximately 2.9 - 8.8V★  <small>PBIA8148J</small>
29 32	R L	Fuel injector No. 4 Fuel injector No. 1	[Engine is running] <ul style="list-style-type: none"> • Warm-up condition • Idle speed NOTE: The pulse cycle changes depending on rpm at idle	BATTERY VOLTAGE (11 - 14V)★  <small>PBIB0529E</small>
			[Engine is running] <ul style="list-style-type: none"> • Warm-up condition • Engine speed: 2,000 rpm 	BATTERY VOLTAGE (11 - 14V)★  <small>PBIA4943J</small>
45	W	A/F sensor 1 (Bank 1)	[Engine is running] <ul style="list-style-type: none"> • Warm-up condition • Engine speed: 2,000 rpm 	Approximately 1.8V Output voltage varies with air fuel ratio.
49	B	A/F sensor 1 (Bank 1)	[Ignition switch: ON]	Approximately 2.2V

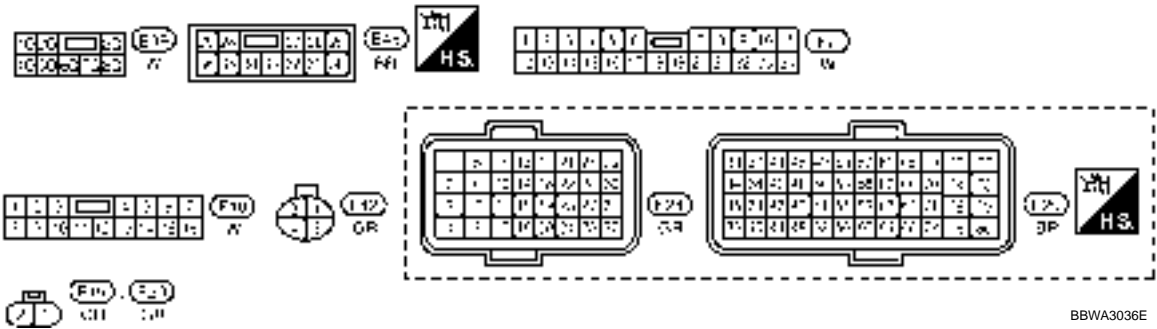
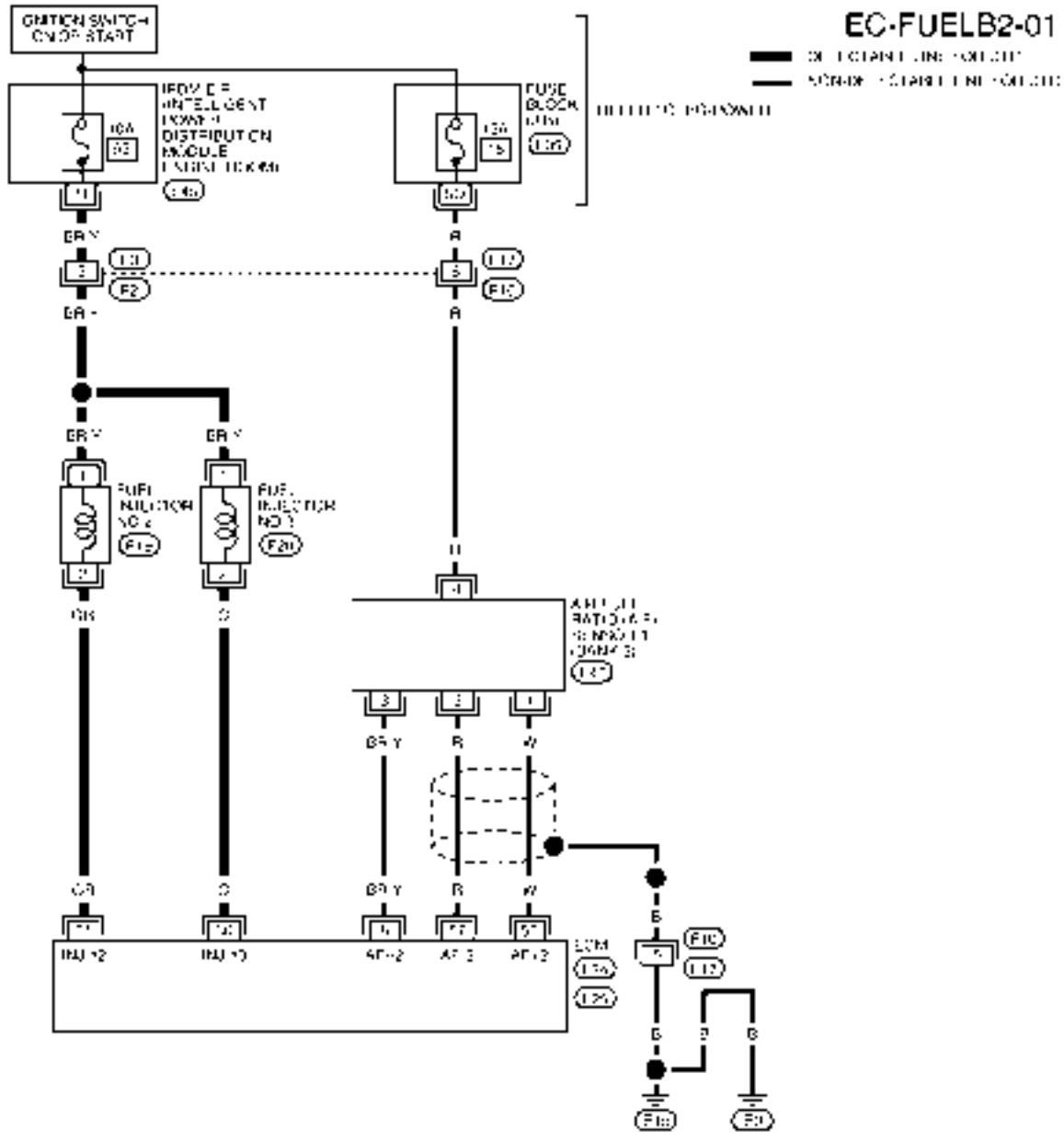
★: Average voltage for pulse signal (Actual pulse signal can be confirmed by oscilloscope.)

DTC P0172, P0175 FUEL INJECTION SYSTEM FUNCTION

< SERVICE INFORMATION >

[QR]

BANK 2



Specification data are reference values and are measured between each terminal and ground. Pulse signal is measured by CONSULT-III.


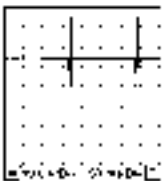
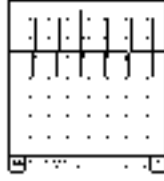
CAUTION:

Do not use ECM ground terminals when measuring input/output voltage. Doing so may result in damage to the ECM's transistor. Use a ground other than ECM terminals, such as the ground.

DTC P0172, P0175 FUEL INJECTION SYSTEM FUNCTION

< SERVICE INFORMATION >

[QR]

TERMI- NAL NO.	WIRE COLOR	ITEM	CONDITION	DATA (DC Voltage)
8	BR/Y	A/F sensor 1 heater (Bank 2)	[Engine is running] • Warm-up condition • Idle speed (More than 140 seconds after starting engine)	Approximately 2.9 - 8.8V★  PBI A8148J
30 31	O GR	Fuel injector No. 3 Fuel injector No. 2	[Engine is running] • Warm-up condition • Idle speed NOTE: The pulse cycle changes depending on rpm at idle	BATTERY VOLTAGE (11 - 14V)★  PBI B0529E
			[Engine is running] • Warm-up condition • Engine speed: 2,000 rpm	BATTERY VOLTAGE (11 - 14V)★  PBI A4943J
53	W	A/F sensor 1 (Bank 2)	[Engine is running] • Warm-up condition • Engine speed: 2,000 rpm	Approximately 1.8V Output voltage varies with air fuel ratio.
57	R	A/F sensor 1 (Bank 2)	[Ignition switch: ON]	Approximately 2.2V

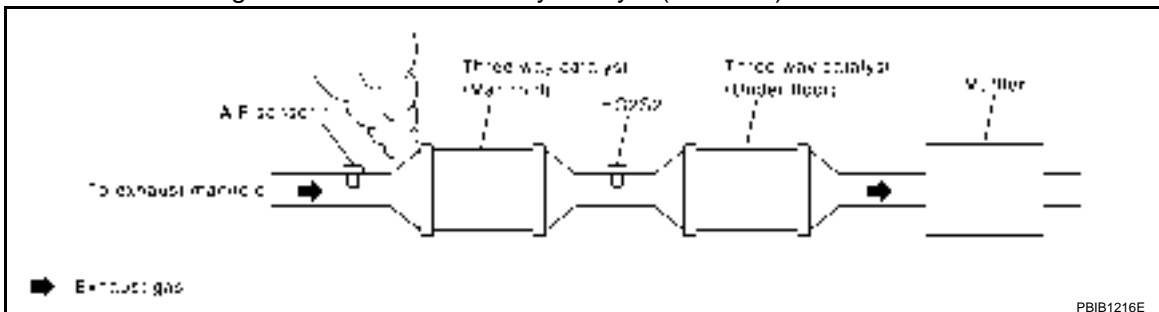
★: Average voltage for pulse signal (Actual pulse signal can be confirmed by oscilloscope.)

Diagnosis Procedure

INFOID:000000001850479

1. CHECK EXHAUST GAS LEAK

1. Start engine and run it at idle.
2. Listen for an exhaust gas leak before three way catalyst (manifold).



OK or NG

- OK >> GO TO 2.
- NG >> Repair or replace.

2. CHECK FOR INTAKE AIR LEAK AND PCV HOSE

1. Listen for an intake air leak after the mass air flow sensor.

DTC P0172, P0175 FUEL INJECTION SYSTEM FUNCTION

[QR]

< SERVICE INFORMATION >

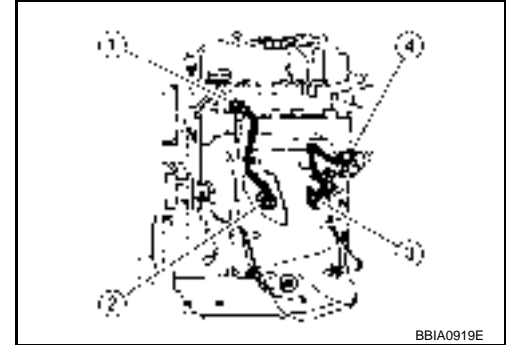
2. Check PCV hose connection.

OK or NG

- OK >> GO TO 3.
NG >> Repair or replace.

3. CHECK AIR FUEL RATIO (A/F) SENSOR 1 CIRCUIT FOR OPEN AND SHORT

1. Turn ignition switch OFF.
2. Disconnect air fuel ratio (A/F) sensor 1 harness connector.
 - Air fuel ratio (A/F) sensor 1 (Bank 1) harness connector (1)
 - Air fuel ratio (A/F) sensor 1 (Bank 1) (2)
 - Air fuel ratio (A/F) sensor 1 (Bank 2) (3)
 - Air fuel ratio (A/F) sensor 1 (Bank 2) harness connector (4)
3. Disconnect ECM harness connector.
4. Check harness continuity between the following terminals. Refer to Wiring Diagram.



Bank	A/F sensor 1 terminal	ECM terminal
1	1	45
	2	49
2	1	53
	2	57

Continuity should exist.

5. Check harness continuity between the following terminals and ground. Refer to Wiring Diagram.

Bank 1		Bank 2	
A/F sensor terminal	ECM terminal	A/F sensor terminal	ECM terminal
1	45	1	53
2	49	2	57

Continuity should not exist.

6. Also check harness for short to power.

OK or NG

- OK >> GO TO 4.
NG >> Repair open circuit or short to ground or short to power in harness or connectors.

4. CHECK FUEL PRESSURE

1. Release fuel pressure to zero. Refer to [EC-592, "Fuel Pressure Check"](#).
2. Install fuel pressure gauge and check fuel pressure. Refer to [EC-83, "Fuel Pressure Check"](#).

At idling: Approximately 350 kPa (3.57 kg/cm², 51 psi)

OK or NG

- OK >> GO TO 6.
NG >> GO TO 5.

5. DETECT MALFUNCTIONING PART

Check the following.

- Fuel pump and circuit (Refer to [EC-1038](#).)
- Fuel pressure regulator (Refer to [EC-83, "Fuel Pressure Check"](#).)

>> Repair or replace.

DTC P0172, P0175 FUEL INJECTION SYSTEM FUNCTION

< SERVICE INFORMATION >

[QR]

6. CHECK MASS AIR FLOW SENSOR

With CONSULT-III

1. Install all removed parts.
2. Start engine and warm it up to normal operating temperature.
3. Check "MASS AIR FLOW" in "DATA MONITOR" mode with CONSULT-III.

At idling : 1.0 - 4.0 g-m/sec

At 2,500 rpm : 4.0 - 10.0 g-m/sec

With GST

1. Install all removed parts.
2. Start engine and warm it up to normal operating temperature.
3. Check mass air flow sensor signal in Service \$01 with GST.

At idling : 1.0 - 4.0 g-m/sec

At 2,500 rpm : 4.0 - 10.0 g-m/sec

OK or NG

OK >> GO TO 7.

NG >> Check connectors for rusted terminals or loose connections in the mass air flow sensor circuit or ground. Refer to [EC-677](#).

7. CHECK FUNCTION OF FUEL INJECTORS

With CONSULT-III

1. Let engine idle.
2. Perform "POWER BALANCE" in "ACTIVE TEST" mode with CONSULT-III.
3. Make sure that each circuit produces a momentary engine speed drop.

Without CONSULT-III

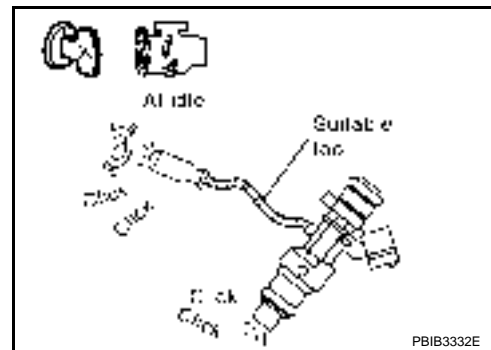
1. Let engine idle.
2. Listen to each fuel injector operating sound.

Clicking noise should be heard.

OK or NG

OK >> GO TO 8.

NG >> Perform trouble diagnosis for [EC-1033](#).



8. CHECK FUEL INJECTOR

1. Remove fuel injector assembly. Refer to [EM-140](#).
Keep fuel hose and all fuel injectors connected to fuel tube.
2. Confirm that the engine is cooled down and there are no fire hazards near the vehicle.
3. Disconnect all ignition coil harness connectors.
4. Prepare pans or saucers under each fuel injector.
5. Crank engine for about 3 seconds.
Make sure that fuel does not drip from fuel injectors.

OK or NG

OK (Does not drip.)>>GO TO 9.

NG (Drips.)>>Replace the fuel injectors from which fuel is dripping. Always replace O-ring with new ones.

9. CHECK INTERMITTENT INCIDENT

Refer to [EC-643](#).

>> INSPECTION END

DTC P0181 FTT SENSOR

< SERVICE INFORMATION >

[QR]

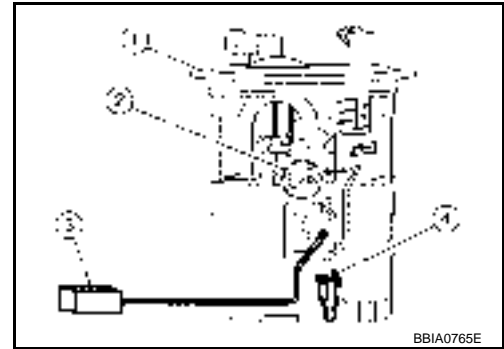
DTC P0181 FTT SENSOR

Component Description

INFOID:000000001850480

The fuel tank temperature sensor (4) is used to detect the fuel temperature inside the fuel tank. The sensor modifies a voltage signal from the ECM. The modified signal returns to the ECM as the fuel temperature input. The sensor uses a thermistor which is sensitive to the change in temperature. The electrical resistance of the thermistor decreases as temperature increases.

- Fuel level sensor unit and fuel pump (1)
- Fuel pressure regulator (2)
- Fuel level sensor (3)

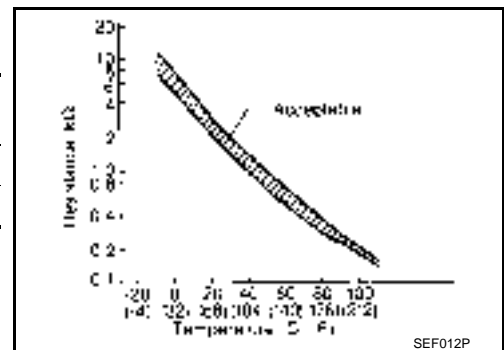


BBIA0765E

<Reference data>

Fluid temperature °C (°F)	Voltage* V	Resistance kΩ
20 (68)	3.5	2.3 - 2.7
50 (122)	2.2	0.79 - 0.90

*: This data is reference values and is measured between ECM terminal 95 (Fuel tank temperature sensor) and ground.



SEF012P

On Board Diagnosis Logic

INFOID:000000001850481

DTC No.	Trouble diagnosis name	DTC detecting condition	Possible cause
P0181 0181	Fuel tank temperature sensor circuit range/performance	Rationally incorrect voltage from the sensor is sent to ECM, compared with the voltage signals from engine coolant temperature sensor and intake air temperature sensor.	<ul style="list-style-type: none"> • Harness or connectors (Fuel tank temperature sensor circuit is open or shorted) • Fuel tank temperature sensor

DTC Confirmation Procedure

INFOID:000000001850482

NOTE:

If DTC Confirmation Procedure has been previously conducted, always turn ignition switch OFF and wait at least 10 seconds before conducting the next test.

WITH CONSULT-III

1. Turn ignition switch ON wait at least 10 seconds.
2. Check 1st trip DTC.
If 1st trip DTC is detected, go to [EC-794, "Diagnosis Procedure"](#).
If 1st trip DTC is not detected, go to following step.
3. Select "DATA MONITOR" mode with CONSULT-III.
4. Check "COOLAN TEMP/S" value.
If the "COOLAN TEMP/S" is less than 60°C (140°F), the result will be OK.
If the "COOLAN TEMP/S" is above 60°C (140°F), go to the following step.
5. Cool engine down until "COOLAN TEMP/S" signal is less than 60°C (140°F).
6. Wait at least 10 seconds.
7. Check 1st trip DTC.
8. If 1st trip DTC is detected, go to [EC-794, "Diagnosis Procedure"](#).

WITH GST

Follow the procedure "WITH CONSULT-III" above.

DTC P0181 FTT SENSOR

< SERVICE INFORMATION >

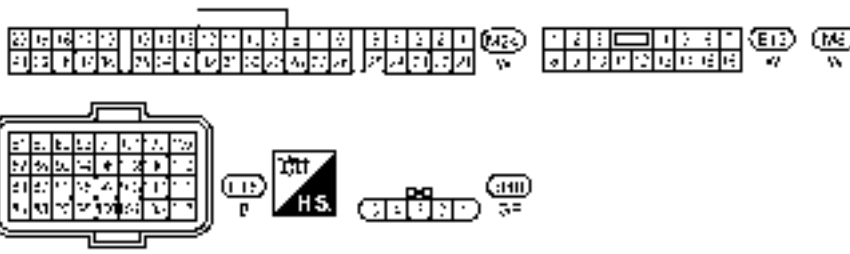
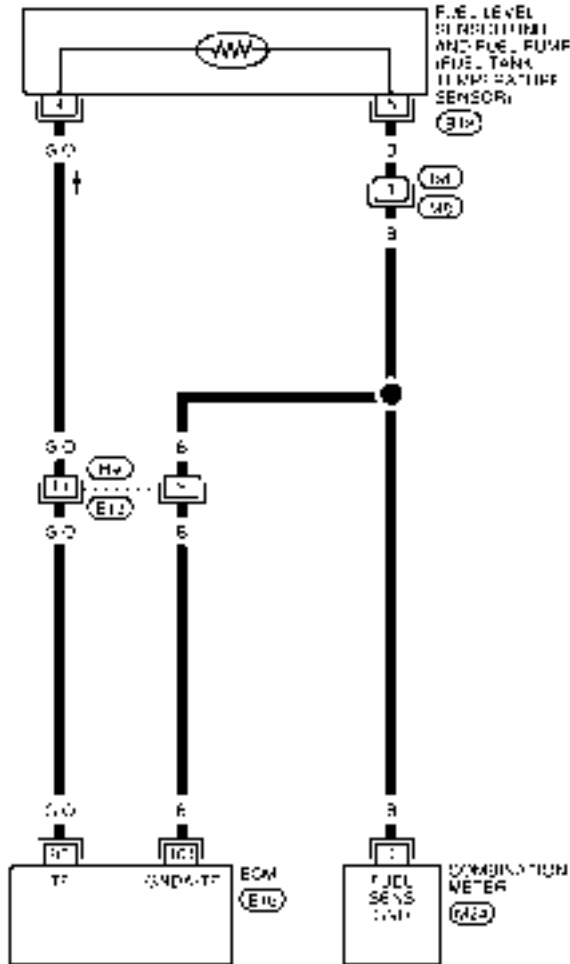
[QR]

Wiring Diagram

INFOID:000000001850483

EC-FTTS-01

— DETECTABLE LINE DAMAGE
 — NON-DETECTABLE LINE DAMAGE



BBWA3037E

Diagnosis Procedure

INFOID:000000001850484

1. CHECK GROUND CONNECTIONS

1. Turn ignition switch OFF.
2. Loosen and retighten ground screws on the body.

DTC P0181 FTT SENSOR

< SERVICE INFORMATION >

[QR]

Refer to [EC-649](#). "Ground Inspection".



↔: Vehicle front

1. Body ground E9 (view with front wheel RH and fender protector RH removed.)
2. Washer tank
3. Fuse and fusible link box
4. Body ground E15

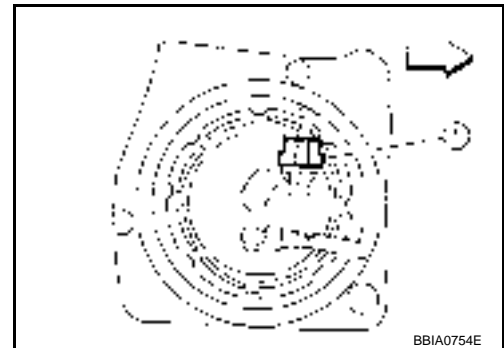
OK or NG

OK >> GO TO 2.

NG >> Repair or replace ground connections.

2. CHECK FUEL TANK TEMPERATURE SENSOR POWER SUPPLY CIRCUIT

1. Turn ignition switch OFF.
2. Disconnect "fuel level sensor unit and fuel pump" harness connector (1).
- ↔: Vehicle front
3. Turn ignition switch ON.



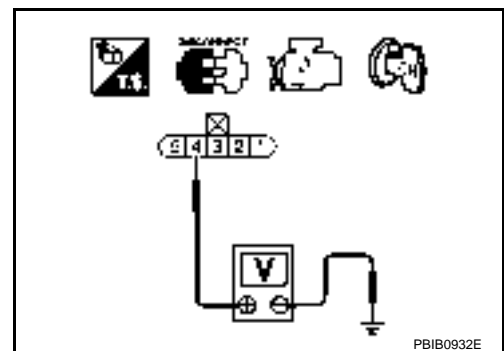
4. Check voltage between "fuel level sensor unit and fuel pump" terminal 4 and ground with CONSULT-III or tester.

Voltage: Approximately 5V

OK or NG

OK >> GO TO 4.

NG >> GO TO 3.



3. DETECT MALFUNCTIONING PART

Check the following.

- Harness connectors B9, E13
- Harness for open or short between ECM and "fuel level sensor unit and fuel pump"

>> Repair open circuit or short to ground or short to power in harness or connector.

4. CHECK FUEL TANK TEMPERATURE SENSOR GROUND CIRCUIT FOR OPEN AND SHORT

1. Turn ignition switch OFF.
2. Disconnect combination meter harness connector.

DTC P0181 FTT SENSOR

[QR]

< SERVICE INFORMATION >

3. Check harness continuity between "fuel level sensor unit and fuel pump" terminal 5 and combination meter terminal 4, ECM terminal 104. Refer to Wiring Diagram.

Continuity should exist.

4. Also check harness for short to ground and short to power.

OK or NG

- OK >> GO TO 6.
- NG >> GO TO 5.

5. DETECT MALFUNCTIONING PART

Check the following.

- Harness connectors B8, M8
- Harness connectors B9, E13
- Harness for open or short between "fuel level sensor unit and fuel pump" and combination meter.
- Harness for open or short between "fuel level sensor unit and fuel pump" and ECM.

>> Repair open circuit or short to ground or short to power in harness or connectors.

6. CHECK FUEL TANK TEMPERATURE SENSOR

Refer to, [EC-796. "Component Inspection"](#).

OK or NG

- OK >> GO TO 7.
- NG >> Replace "fuel level sensor unit and fuel pump".

7. CHECK INTERMITTENT INCIDENT

Perform [EC-643](#).

>> **INSPECTION END**

Component Inspection

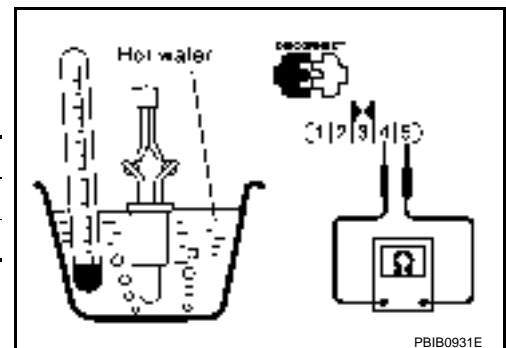
INFOID:000000001850485

FUEL TANK TEMPERATURE SENSOR

1. Check resistance between "fuel level sensor unit and fuel pump" terminal 4 and 5 by heating with hot water as shown in the figure.

Temperature °C (°F)	Resistance kΩ
20 (68)	2.3 - 2.7
50 (122)	0.79 - 0.90

2. If NG, replace "fuel level sensor unit and fuel pump".



INFOID:000000001850486

Removal and Installation

FUEL TANK TEMPERATURE SENSOR

Refer to [FL-5](#).

DTC P0182, P0183 FTT SENSOR

< SERVICE INFORMATION >

[QR]

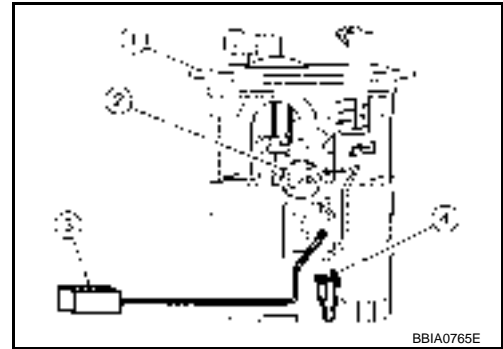
DTC P0182, P0183 FTT SENSOR

Component Description

INFOID:000000001850487

The fuel tank temperature sensor (4) is used to detect the fuel temperature inside the fuel tank. The sensor modifies a voltage signal from the ECM. The modified signal returns to the ECM as the fuel temperature input. The sensor uses a thermistor which is sensitive to the change in temperature. The electrical resistance of the thermistor decreases as temperature increases.

- Fuel level sensor unit and fuel pump (1)
- Fuel pressure regulator (2)
- Fuel level sensor (3)

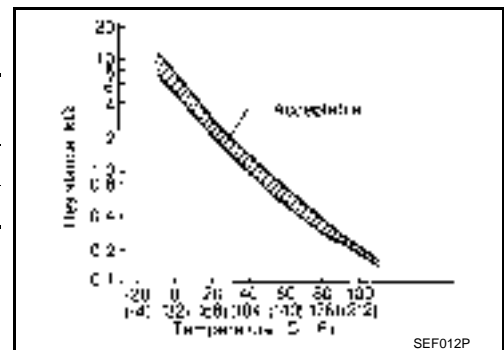


BBIA0765E

<Reference data>

Fluid temperature °C (°F)	Voltage* V	Resistance kΩ
20 (68)	3.5	2.3 - 2.7
50 (122)	2.2	0.79 - 0.90

*: This data is reference values and is measured between ECM terminal 95 (Fuel tank temperature sensor) and ground.



SEF012P

On Board Diagnosis Logic

INFOID:000000001850488

DTC No.	Trouble diagnosis name	DTC detecting condition	Possible cause
P0182 0182	Fuel tank temperature sensor circuit low input	An excessively low voltage from the sensor is sent to ECM.	<ul style="list-style-type: none"> • Harness or connectors (Fuel tank temperature sensor circuit is open or shorted.) • Fuel tank temperature sensor
P0183 0183	Fuel tank temperature sensor circuit high input	An excessively high voltage from the sensor is sent to ECM.	

DTC Confirmation Procedure

INFOID:000000001850489

NOTE:

If DTC Confirmation Procedure has been previously conducted, always turn ignition switch OFF and wait at least 10 seconds before conducting the next test.

1. Turn ignition switch ON and wait at least 5 seconds.
2. Check 1st trip DTC.
3. If 1st trip DTC is detected, go to [EC-798, "Diagnosis Procedure"](#).

DTC P0182, P0183 FTT SENSOR

< SERVICE INFORMATION >

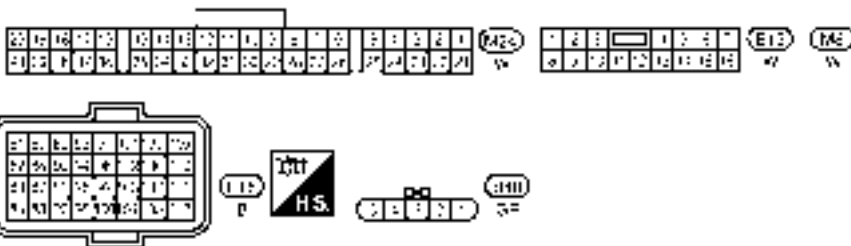
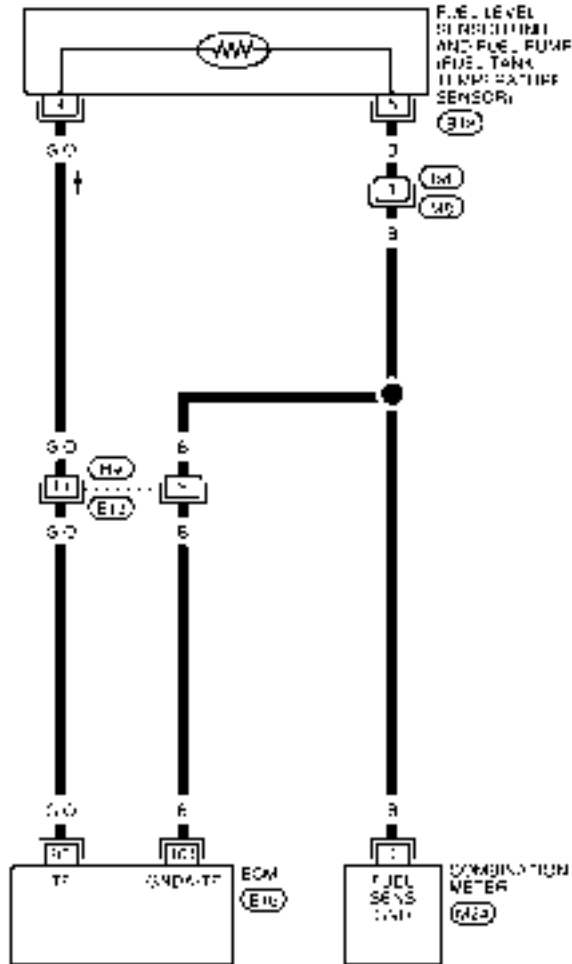
[QR]

Wiring Diagram

INFOID:000000001850490

EC-FTTS-01

— DETECTABLE LINE DAMAGE
 — NON-DETECTABLE LINE DAMAGE



BBWA3037E

Diagnosis Procedure

INFOID:000000001850491

1. CHECK GROUND CONNECTIONS

1. Turn ignition switch OFF.
2. Loosen and retighten ground screw on the body.

DTC P0182, P0183 FTT SENSOR

< SERVICE INFORMATION >

[QR]

Refer to [EC-649, "Ground Inspection"](#).



↖: Vehicle front

1. Body ground E9 (view with front wheel RH and fender protector RH removed.)
2. Washer tank
3. Fuse and fusible link box
4. Body ground E15

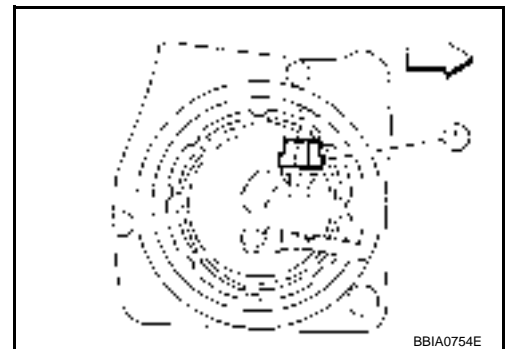
OK or NG

OK >> GO TO 2.

NG >> Repair or replace ground connections.

2. CHECK FUEL TANK TEMPERATURE SENSOR POWER SUPPLY CIRCUIT

1. Disconnect "fuel level sensor unit and fuel pump" harness connector (1).
 - ↖: Vehicle front
2. Turn ignition switch ON.



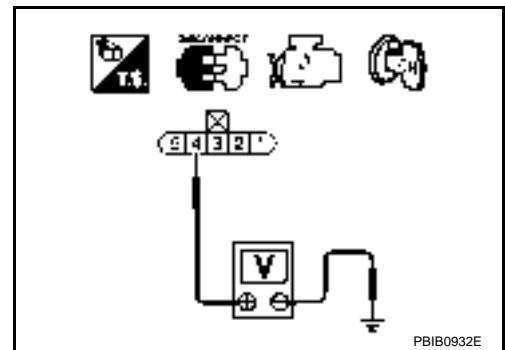
3. Check voltage between "fuel level sensor unit and fuel pump" terminal 4 and ground with CONSULT-III or tester.

Voltage: Approximately 5V

OK or NG

OK >> GO TO 4.

NG >> GO TO 3.



3. DETECT MALFUNCTIONING PART

Check the following.

- Harness connectors B9, E13
- Harness for open or short to ground or short between ECM and "fuel level sensor unit and fuel pump"

>> Repair open circuit or short to ground or short to power in harness or connector.

4. CHECK FUEL TANK TEMPERATURE SENSOR GROUND CIRCUIT FOR OPEN AND SHORT

1. Turn ignition switch OFF.
2. Disconnect combination meter harness connector.
3. Check harness continuity between "fuel level sensor unit and fuel pump" terminal 5 and combination meter terminal 4, ECM terminal 104. Refer to Wiring Diagram.

DTC P0182, P0183 FTT SENSOR

< SERVICE INFORMATION >

[QR]

Continuity should exist.

4. Also check harness for short to ground and short to power.

OK or NG

OK >> GO TO 6.

NG >> GO TO 5.

5. DETECT MALFUNCTIONING PART

Check the following.

- Harness connectors B8, M8
- Harness connectors B9, E13
- Harness for open or short between "fuel level sensor unit and fuel pump" and combination meter
- Harness for open or short between "fuel level sensor unit and fuel pump" and ECM

>> Repair open circuit or short to ground or short to power in harness or connector.

6. CHECK FUEL TANK TEMPERATURE SENSOR

Refer to, [EC-800. "Component Inspection"](#).

OK or NG

OK >> GO TO 7.

NG >> Replace "fuel level sensor unit and fuel pump".

7. CHECK INTERMITTENT INCIDENT

Perform [EC-643](#).

>> **INSPECTION END**

Component Inspection

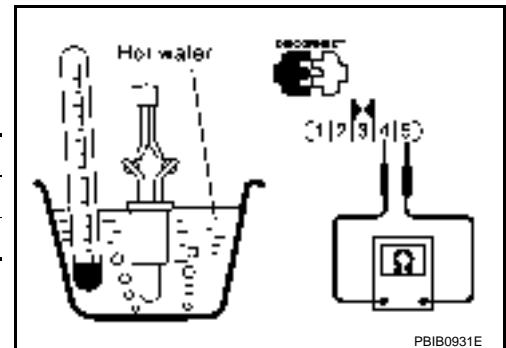
INFOID:000000001850492

FUEL TANK TEMPERATURE SENSOR

1. Check resistance between "fuel level sensor unit and fuel pump" terminal 4 and 5 by heating with hot water as shown in the figure.

Temperature °C (°F)	Resistance kΩ
20 (68)	2.3 - 2.7
50 (122)	0.79 - 0.90

2. If NG, replace "fuel level sensor unit and fuel pump".



INFOID:000000001850493

Removal and Installation

FUEL TANK TEMPERATURE SENSOR

Refer to [FL-5](#).

DTC P0222, P0223 TP SENSOR

< SERVICE INFORMATION >

[QR]

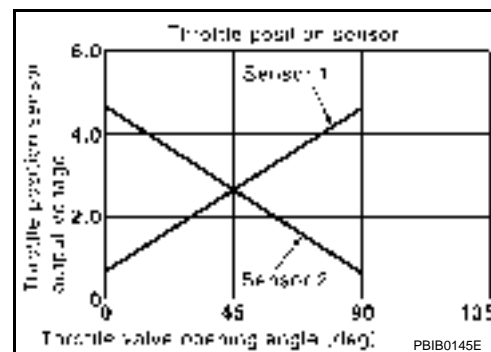
DTC P0222, P0223 TP SENSOR

Component Description

INFOID:000000001850494

Electric throttle control actuator consists of throttle control motor, throttle position sensor, etc. The throttle position sensor responds to the throttle valve movement.

The throttle position sensor has two sensors. These sensors are a kind of potentiometers which transform the throttle valve position into output voltage, and emit the voltage signal to the ECM. In addition, these sensors detect the opening and closing speed of the throttle valve and feed the voltage signals to the ECM. The ECM judges the current opening angle of the throttle valve from these signals and the ECM controls the throttle control motor to make the throttle valve opening angle properly in response to driving condition.



CONSULT-III Reference Value in Data Monitor Mode

INFOID:000000001850495

Specification data are reference values.

MONITOR ITEM	CONDITION		SPECIFICATION
TP SEN 1-B1 TP SEN 2-B1*	<ul style="list-style-type: none"> Ignition switch: ON (Engine stopped) Shift lever: D (CVT), 1st (M/T) 	Accelerator pedal: Fully released	More than 0.36V
		Accelerator pedal: Fully depressed	Less than 4.75V

*: Throttle position sensor 2 signal is converted by ECM internally. Thus, it differs from ECM terminal voltage signal.

On Board Diagnosis Logic

INFOID:000000001850496

These self-diagnoses have the one trip detection logic.

NOTE:

If DTC P0222 or P0223 is displayed with DTC P0643, first perform the trouble diagnosis for DTC P0643. Refer to [EC-917](#).

DTC No.	Trouble diagnosis name	DTC detecting condition	Possible cause
P0222 0222	Throttle position sensor 1 circuit low input	An excessively low voltage from the TP sensor 1 is sent to ECM.	<ul style="list-style-type: none"> Harness or connectors (TP sensor 1 circuit is open or shorted.) (APP sensor 2 circuit is shorted.) Electric throttle control actuator (TP sensor 1) Accelerator pedal position sensor (APP sensor 2)
P0223 0223	Throttle position sensor 1 circuit high input	An excessively high voltage from the TP sensor 1 is sent to ECM.	

FAIL-SAFE MODE

When the malfunction is detected, the ECM enters fail-safe mode and the MIL lights up.

Engine operation condition in fail-safe mode

The ECM controls the electric throttle control actuator in regulating the throttle opening in order for the idle position to be within +10 degrees.

The ECM regulates the opening speed of the throttle valve to be slower than the normal condition.

So, the acceleration will be poor.

DTC Confirmation Procedure

INFOID:000000001850497

NOTE:

If DTC Confirmation Procedure has been previously conducted, always turn ignition switch OFF and wait at least 10 seconds before conducting the next test.

TESTING CONDITION:

Before performing the following procedure, confirm that battery voltage is more than 8V at idle.

1. Start engine and let it idle for 1 second.

DTC P0222, P0223 TP SENSOR

[QR]

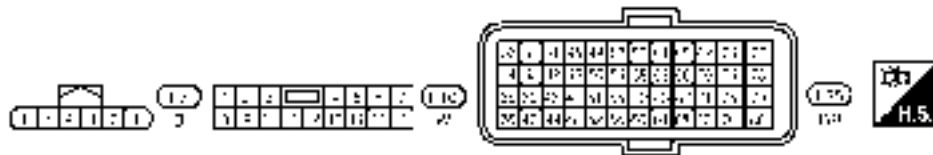
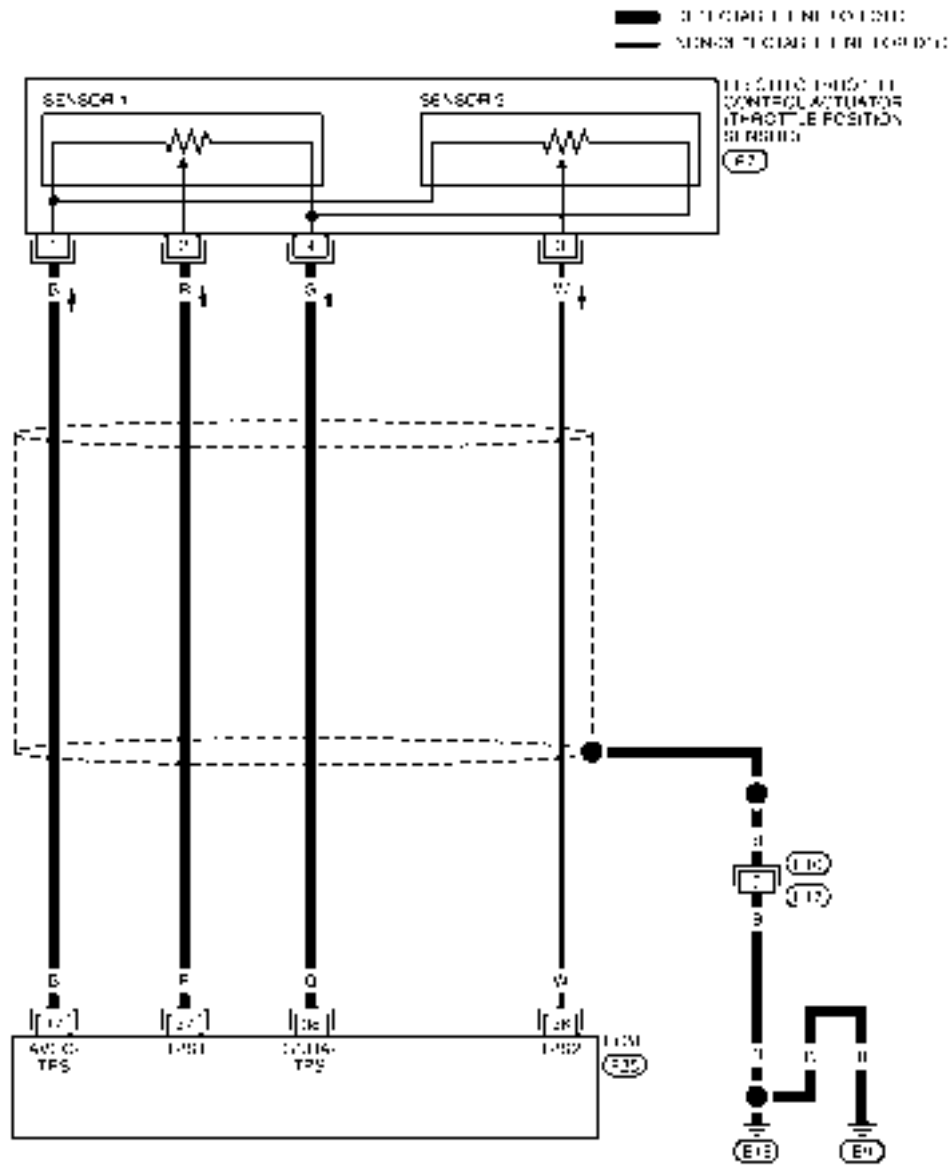
< SERVICE INFORMATION >

2. Check DTC.
3. If DTC is detected, go to [EC-803, "Diagnosis Procedure"](#).

Wiring Diagram

INFOID:000000002994080

EC-TPS1-01



BBWA3038E

Specification data are reference values and are measured between each terminal and ground.

CAUTION:

<https://www.automotive-manuals.net/>

DTC P0222, P0223 TP SENSOR

< SERVICE INFORMATION >

[QR]

Do not use ECM ground terminals when measuring input/output voltage. Doing so may result in damage to the ECM's transistor. Use a ground other than ECM terminals, such as the ground.

TERMI- NAL NO.	WIRE COLOR	ITEM	CONDITION	DATA (DC Voltage)
36	G	Sensor ground (Throttle position sensor)	[Engine is running] • Warm-up condition • Idle speed	Approximately 0V
37	R	Throttle position sensor 1	[Ignition switch: ON] • Engine stopped • Shift lever: D (CVT), 1st (M/T) • Accelerator pedal: Fully released	More than 0.36V
			[Ignition switch: ON] • Engine stopped • Shift lever: D (CVT), 1st (M/T) • Accelerator pedal: Fully depressed	Less than 4.75V
38	W	Throttle position sensor 2	[Ignition switch: ON] • Engine stopped • Shift lever: D (CVT), 1st (M/T) • Accelerator pedal: Fully released	Less than 4.75V
			[Ignition switch: ON] • Engine stopped • Shift lever: D (CVT), 1st (M/T) • Accelerator pedal: Fully depressed	More than 0.36V
47	B	Sensor power supply (Throttle position sensor)	[Ignition switch: ON]	Approximately 5V

Diagnosis Procedure

INFOID:0000000011850499

1. CHECK GROUND CONNECTIONS

1. Turn ignition switch OFF.
2. Loosen and retighten ground screws on the body.
Refer to [EC-649. "Ground Inspection"](#).



Vehicle front

1. Body ground E9 (view with front wheel RH and fender protector RH removed.)
2. Washer tank
3. Fuse and fusible link box
4. Body ground E15

OK or NG


- OK >> GO TO 2.
NG >> Repair or replace ground connections.

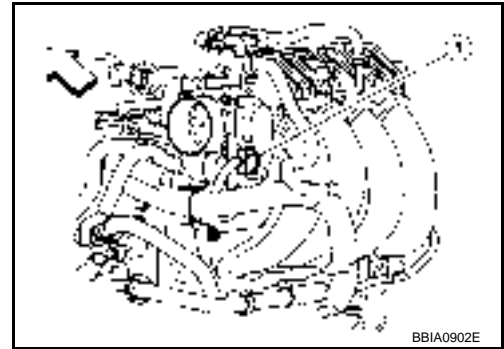
2. CHECK THROTTLE POSITION SENSOR 1 POWER SUPPLY CIRCUIT

DTC P0222, P0223 TP SENSOR

[QR]

< SERVICE INFORMATION >

1. Disconnect electric throttle control actuator harness connector (1).
 - : Vehicle front
2. Turn ignition switch ON.

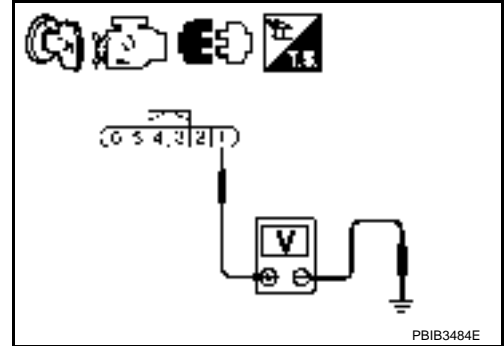


3. Check voltage between electric throttle control actuator terminal 1 and ground with CONSULT-III or tester.

Voltage: Approximately 5V

OK or NG

- OK >> GO TO 3.
- NG >> Repair open circuit or short to ground or short to power in harness connectors.



3. CHECK THROTTLE POSITION SENSOR 1 GROUND CIRCUIT FOR OPEN AND SHORT

1. Turn ignition switch OFF.
2. Disconnect ECM harness connector.
3. Check harness continuity between ECM terminal 36 and electric throttle control actuator terminal 4. Refer to Wiring Diagram.

Continuity should exist.

4. Also check harness for short to ground or short to power.

OK or NG

- OK >> GO TO 4.
- NG >> Repair open circuit or short to ground or short to power in harness or connectors.

4. CHECK THROTTLE POSITION SENSOR 1 INPUT SIGNAL CIRCUIT FOR OPEN AND SHORT

1. Check harness continuity between ECM terminal 37 and electric throttle control actuator terminal 2. Refer to Wiring Diagram.

Continuity should exist.

2. Also check harness for short to ground and short to power.

OK or NG

- OK >> GO TO 5.
- NG >> Repair open circuit or short to ground or short to power in harness or connectors.

5. CHECK THROTTLE POSITION SENSOR

Refer to [EC-805, "Component Inspection"](#).

OK or NG

- OK >> GO TO 7.
- NG >> GO TO 6.

6. REPLACE ELECTRIC THROTTLE CONTROL ACTUATOR

1. Replace the electric throttle control actuator.
2. Perform [EC-590, "Throttle Valve Closed Position Learning"](#).
3. Perform [EC-590, "Idle Air Volume Learning"](#).

DTC P0222, P0223 TP SENSOR

< SERVICE INFORMATION >

[QR]

>> INSPECTION END

7. CHECK INTERMITTENT INCIDENT

Refer to [EC-643](#).

>> INSPECTION END

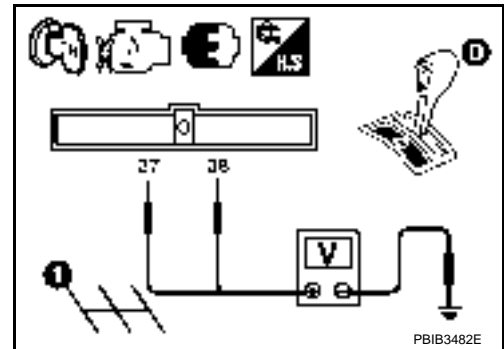
Component Inspection

INFOID:000000001850500

THROTTLE POSITION SENSOR

1. Reconnect all harness connectors disconnected.
2. Perform [EC-590, "Throttle Valve Closed Position Learning"](#).
3. Turn ignition switch ON.
4. Set shift lever to D position (CVT) or 1st position (M/T).
5. Check voltage between ECM terminals 37 (TP sensor 1 signal), 38 (TP sensor 2 signal) and ground under the following conditions.

Terminal	Accelerator pedal	Voltage
37 (Throttle position sensor 1)	Fully released	More than 0.36V
	Fully depressed	Less than 4.75V
38 (Throttle position sensor 2)	Fully released	Less than 4.75V
	Fully depressed	More than 0.36V



6. If NG, replace electric throttle control actuator and go to the next step.
7. Perform [EC-590, "Throttle Valve Closed Position Learning"](#).
8. Perform [EC-590, "Idle Air Volume Learning"](#).

Removal and Installation

INFOID:000000001850501

ELECTRIC THROTTLE CONTROL ACTUATOR

Refer to [EM-128](#).

DTC P0300 - P0304 MULTIPLE CYLINDER MISFIRE, NO. 1 - 4 CYLINDER MISFIRE

< SERVICE INFORMATION >

[QR]

DTC P0300 - P0304 MULTIPLE CYLINDER MISFIRE, NO. 1 - 4 CYLINDER MISFIRE

On Board Diagnosis Logic

INFOID:000000001850502

When a misfire occurs, engine speed will fluctuate. If the engine speed fluctuates enough to cause the crankshaft position (CKP) sensor (POS) signal to vary, ECM can determine that a misfire is occurring.

Sensor	Input Signal to ECM	ECM function
Crankshaft position sensor (POS)	Engine speed	On board diagnosis of misfire

The misfire detection logic consists of the following two conditions.

- One Trip Detection Logic (Three Way Catalyst Damage)**
On the 1st trip that a misfire condition occurs that can damage the three way catalyst (TWC) due to overheating, the MIL will blink.
When a misfire condition occurs, the ECM monitors the CKP sensor (POS) signal every 200 engine revolutions for a change.
When the misfire condition decreases to a level that will not damage the TWC, the MIL will turn off.
If another misfire condition occurs that can damage the TWC on a second trip, the MIL will blink.
When the misfire condition decreases to a level that will not damage the TWC, the MIL will remain on.
If another misfire condition occurs that can damage the TWC, the MIL will begin to blink again.
- Two Trip Detection Logic (Exhaust quality deterioration)**
For misfire conditions that will not damage the TWC (but will affect vehicle emissions), the MIL will only light when the misfire is detected on a second trip. During this condition, the ECM monitors the CKP sensor signal every 1,000 engine revolutions.
A misfire malfunction can be detected on any one cylinder or on multiple cylinders.

DTC No.	Trouble diagnosis name	DTC detecting condition	Possible cause
P0300 0300	Multiple cylinder misfire detected	Multiple cylinder misfire.	<ul style="list-style-type: none">• Improper spark plug• Insufficient compression• Incorrect fuel pressure• Fuel injector circuit is open or shorted• Fuel injector• Intake air leak• The ignition signal circuit is open or shorted• Lack of fuel• Drive plate or flywheel• Air fuel ratio (A/F) sensor 1• Incorrect PCV hose connection
P0301 0301	No. 1 cylinder misfire detected	No. 1 cylinder misfires.	
P0302 0302	No. 2 cylinder misfire detected	No. 2 cylinder misfires.	
P0303 0303	No. 3 cylinder misfire detected	No. 3 cylinder misfires.	
P0304 0304	No. 4 cylinder misfire detected	No. 4 cylinder misfires.	

DTC Confirmation Procedure

INFOID:000000001850503

CAUTION:

Always drive vehicle in safe manner according to traffic conditions and obey all traffic laws when driving.

NOTE:

If DTC Confirmation Procedure has been previously conducted, always turn ignition switch OFF and wait at least 10 seconds before conducting the next test.

1. Start engine and warm it up to normal operating temperature.
2. Turn ignition switch OFF and wait at least 10 seconds.
3. Restart engine and let it idle for about 15 minutes.
4. Check 1st trip DTC.
5. If 1st trip DTC is detected, go to [EC-807. "Diagnosis Procedure"](#).

NOTE:

If 1st trip DTC is not detected during above procedure, performing the following procedure is advised.

- a. Turn ignition switch OFF and wait at least 10 seconds.
- b. Start engine and drive the vehicle under the similar conditions to (1st trip) Freeze Frame Data for a certain time. Refer to table below.

DTC P0300 - P0304 MULTIPLE CYLINDER MISFIRE, NO. 1 - 4 CYLINDER MISFIRE

< SERVICE INFORMATION >

[QR]

Hold the accelerator pedal as steady as possible.

The similar conditions to (1st trip) Freeze Frame Data means the vehicle operation that the following condition should be satisfied at the same time:

Engine speed	Engine speed in the freeze frame data \pm 400 rpm
Vehicle speed	Vehicle speed in the freeze frame data \pm 10 km/h (6 MPH)
Engine coolant temperature (T) condition	When the freeze frame data shows lower than 70°C (158°F), T should be lower than 70°C (158°F)
	When the freeze frame data shows higher than or equal to 70°C (158°F), T should be higher than or equal to 70°C (158°F)

The time to driving varies according to the engine speed in the freeze frame data. Refer to the following table.

Engine speed	Time
Around 1,000 rpm	Approximately 10 minutes
Around 2,000 rpm	Approximately 5 minutes
More than 3,000 rpm	Approximately 3.5 minutes

Diagnosis Procedure

INFOID:000000001850504

1. CHECK FOR INTAKE AIR LEAK AND PCV HOSE

1. Start engine and run it at idle speed.
2. Listen for the sound of the intake air leak.
3. Check PCV hose connection.

OK or NG

- OK >> GO TO 2.
- NG >> Repair or replace.

2. CHECK FOR EXHAUST SYSTEM CLOGGING

Stop engine and visually check exhaust tube, three way catalyst and muffler for dents.

OK or NG

- OK >> GO TO 3.
- NG >> Repair or replace.

3. PERFORM POWER BALANCE TEST

With CONSULT-III

1. Perform "POWER BALANCE" in "ACTIVE TEST" mode.
2. Is there any cylinder which does not produce a momentary engine speed drop?

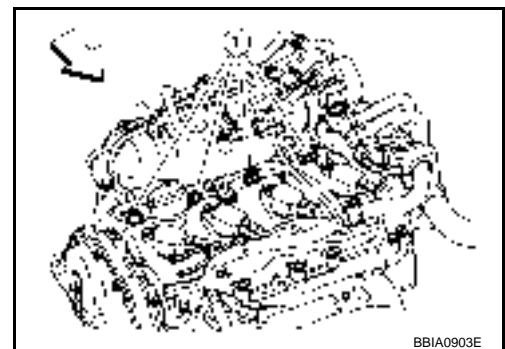
Without CONSULT-III

When disconnecting each fuel injector harness connector (1) one at a time, is there any cylinder which does not produce a momentary engine speed drop?

- Vehicle front

Yes or No

- Yes >> GO TO 4.
- No >> GO TO 9.



4. CHECK FUEL INJECTOR

DTC P0300 - P0304 MULTIPLE CYLINDER MISFIRE, NO. 1 - 4 CYLINDER MISFIRE

< SERVICE INFORMATION >

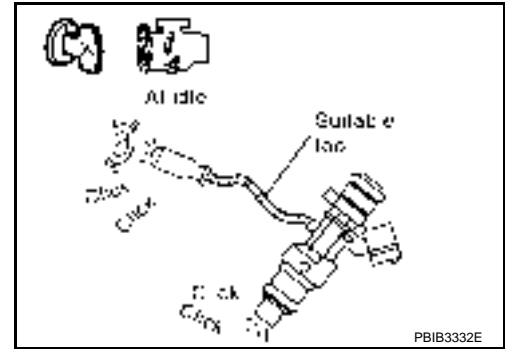
[QR]

Does each fuel injector make an operating sound at idle?

Yes or No

Yes >> GO TO 5.

No >> Check fuel injector(s) and circuit(s). Refer to [EC-1033](#).



5. CHECK FUNCTION OF IGNITION COIL-I

CAUTION:

Do the following procedure in the place where ventilation is good without the combustible.

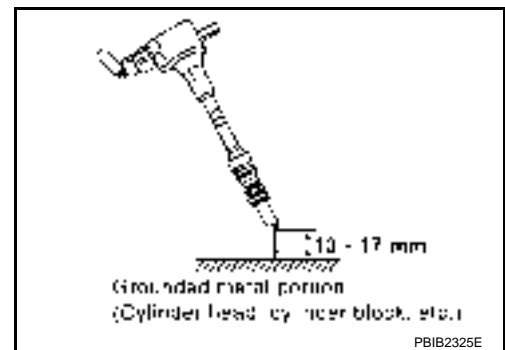
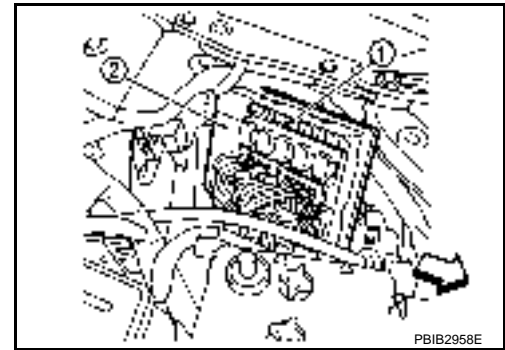
1. Turn ignition switch OFF.
2. Remove fuel pump fuse (1) in IPDM E/R (2) to release fuel pressure.

NOTE:

Do not use CONSULT-III to release fuel pressure, or fuel pressure applies again during the following procedure.

- : Vehicle front

3. Start engine.
4. After engine stalls, crank it two or three times to release all fuel pressure.
5. Turn ignition switch OFF.
6. Remove all ignition coil harness connectors to avoid the electrical discharge from the ignition coils.
7. Remove ignition coil and spark plug of the cylinder to be checked.
8. Crank engine for 5 seconds or more to remove combustion gas in the cylinder.
9. Connect spark plug and harness connector to ignition coil.
10. Fix ignition coil using a rope etc. with gap of 13 - 17 mm between the edge of the spark plug and grounded metal portion as shown in the figure.
11. Crank engine for about 3 seconds, and check whether spark is generated between the spark plug and the grounded metal portion.



Spark should be generated.

CAUTION:

- Do not approach to the spark plug and the ignition coil within 50cm. Be careful not to get an electrical shock while checking, because the electrical discharge voltage becomes 20kV or more.
- It might cause to damage the ignition coil if the gap of more than 17 mm is taken.

NOTE:

When the gap is less than 13 mm, the spark might be generated even if the coil is malfunctioning.

OK or NG

OK >> GO TO 9.

NG >> GO TO 6.

6. CHECK FUNCTION OF IGNITION COIL-II

1. Turn ignition switch OFF.
2. Disconnect spark plug and connect a known-good spark plug.
3. Crank engine for about 3 seconds, and recheck whether spark is generated between the spark plug and the grounded metal portion.

Spark should be generated.

OK or NG

DTC P0300 - P0304 MULTIPLE CYLINDER MISFIRE, NO. 1 - 4 CYLINDER MISFIRE

< SERVICE INFORMATION >

[QR]

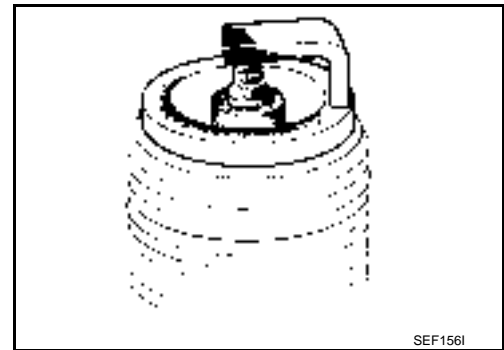
- OK >> GO TO 7.
NG >> Check ignition coil, power transistor and their circuits. Refer to [EC-1043](#).

7.CHECK SPARK PLUG

Check the initial spark plug for fouling, etc.

OK or NG

- OK >> Replace spark plug(s) with standard type one(s). For spark plug type, refer to [MA-22, "Changing Spark Plugs"](#).
NG >> 1. Repair or clean spark plug.
2. GO TO 8.



8.CHECK FUNCTION OF IGNITION COIL-III

1. Reconnect the initial spark plugs.
2. Crank engine for about three seconds, and recheck whether spark is generated between the spark plug and the grounded portion.

Spark should be generated.

OK or NG

- OK >> **INSPECTION END**
NG >> Replace spark plug(s) with standard type one(s). For spark plug type, refer to [MA-22, "Changing Spark Plugs"](#).

9.CHECK COMPRESSION PRESSURE

Check compression pressure. Refer to [EM-167, "On-Vehicle Service"](#).

OK or NG

- OK >> GO TO 10.
NG >> Check pistons, piston rings, valves, valve seats and cylinder head gaskets.

10.CHECK FUEL PRESSURE

1. Install all removed parts.
2. Release fuel pressure to zero. Refer to [EC-592, "Fuel Pressure Check"](#).
3. Install fuel pressure gauge and check fuel pressure. Refer to [EC-83, "Fuel Pressure Check"](#).

At idling: Approximately 350 kPa (3.57 kg/cm², 51 psi)

OK or NG

- OK >> GO TO 12.
NG >> GO TO 11.

11.DETECT MALFUNCTIONING PART

Check the following.

- Fuel pump and circuit (Refer to [EC-1038](#).)
- Fuel pressure regulator (Refer to [EC-83, "Fuel Pressure Check"](#).)
- Fuel lines (Refer to [EM-140](#).)
- Fuel filter for clogging

>> Repair or replace.

12.CHECK IGNITION TIMING

Check the following items. Refer to [EC-584, "Basic Inspection"](#).

DTC P0300 - P0304 MULTIPLE CYLINDER MISFIRE, NO. 1 - 4 CYLINDER MISFIRE

< SERVICE INFORMATION >

[QR]

Items	Specifications
Target idle speed	CVT: 800 ± 50 rpm (in P or N position)
	M/T: 650 ± 50 rpm (in Neutral position)
Ignition timing	CVT: 10 ± 5° BTDC (in Neutral position)
	M/T: 10 ± 5° BTDC (in Neutral position)

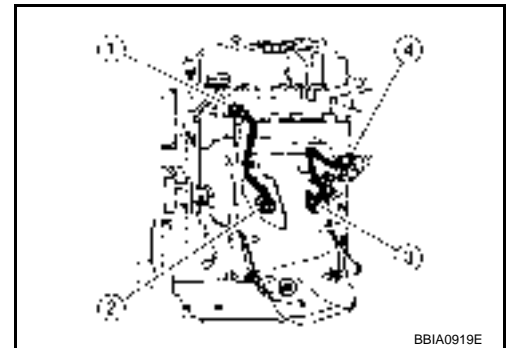
OK or NG

OK >> GO TO 13.

NG >> Follow the [EC-584, "Basic Inspection"](#).

13. CHECK AIR FUEL RATIO (A/F) SENSOR 1 CIRCUIT FOR OPEN AND SHORT

- Turn ignition switch OFF.
- Disconnect air fuel ratio (A/F) sensor 1 harness connector.
 - Air fuel ratio (A/F) sensor 1 (Bank 1) harness connector (1)
 - Air fuel ratio (A/F) sensor 1 (Bank 1) (2)
 - Air fuel ratio (A/F) sensor 1 (Bank 2) (3)
 - Air fuel ratio (A/F) sensor 1 (Bank 2) harness connector (4)
- Disconnect ECM harness connector.
- Check harness continuity between the following terminals. Refer to Wiring Diagram.



Bank	A/F sensor 1 terminal	ECM terminal
1	1	45
	2	49
2	1	53
	2	57

Continuity should exist.

- Check harness continuity between the following terminals and ground. Refer to Wiring Diagram.

Bank 1		Bank 2	
A/F sensor terminal	ECM terminal	A/F sensor terminal	ECM terminal
1	45	1	53
2	49	2	57

Continuity should not exist.

- Also check harness for short to power.

OK or NG

OK >> GO TO 14.

NG >> Repair open circuit or short to ground or short to power in harness or connectors.

14. CHECK AIR FUEL RATIO (A/F) SENSOR 1 HEATER

Refer to [EC-662, "Component Inspection"](#).

OK or NG

OK >> GO TO 16.

NG >> GO TO 15.

15. REPLACE AIR FUEL RATIO (A/F) SENSOR 1

Replace malfunctioning air fuel ratio (A/F) sensor 1.

CAUTION:

- Discard any A/F sensor which has been dropped from a height of more than 0.5 m (19.7 in) onto a hard surface such as a concrete floor; use a new one.

DTC P0300 - P0304 MULTIPLE CYLINDER MISFIRE, NO. 1 - 4 CYLINDER MISFIRE

< SERVICE INFORMATION >

[QR]

- Before installing new A/F sensor, clean exhaust system threads using Oxygen Sensor Thread Cleaner tool J-43897-18 or J-43897-12 and approved anti-seize lubricant.

>> INSPECTION END

16. CHECK MASS AIR FLOW SENSOR

With CONSULT-III

1. Start engine and warm it up to normal operating temperature.
2. Check mass air flow sensor signal in "DATA MONITOR" mode with CONSULT-III.

At idling : 1.0 - 4.0 g-m/sec
At 2,500 rpm : 4.0 - 10.0 g-m/sec

With GST

1. Start engine and warm it up to normal operating temperature.
2. Check mass air flow sensor signal in Service \$01 with GST.

At idling : 1.0 - 4.0 g-m/sec
At 2,500 rpm : 4.0 - 10.0 g-m/sec

OK or NG

- OK >> GO TO 17.
NG >> Check connectors for rusted terminals or loose connections in the mass air flow sensor circuit or ground. Refer to [EC-677](#).

17. CHECK SYMPTOM MATRIX CHART

Check items on the rough idle symptom in [EC-600. "Symptom Matrix Chart"](#).

OK or NG

- OK >> GO TO 18.
NG >> Repair or replace.

18. ERASE THE 1ST TRIP DTC

Some tests may cause a 1st trip DTC to be set.

Erase the 1st trip DTC from the ECM memory after performing the tests. Refer to [EC-559. "Emission-related Diagnostic Information"](#).

>> GO TO 19.

19. CHECK INTERMITTENT INCIDENT

Refer to [EC-643](#).

>> INSPECTION END

A
EC
C
D
E
F
G
H
I
J
K
L
M
N
O
P

DTC P0327, P0328 KS

Component Description

INFOID:000000001850505

The knock sensor (1) is attached to the cylinder block. It senses engine knocking using a piezoelectric element. A knocking vibration from the cylinder block is sensed as vibrational pressure. This pressure is converted into a voltage signal and sent to the ECM.

- Engine oil cooler (2)



On Board Diagnosis Logic

INFOID:000000001850506

The MIL will not light up for these self-diagnoses.

DTC No.	Trouble Diagnosis Name	DTC Detected Condition	Possible Cause
P0327 0327	Knock sensor circuit low input	An excessively low voltage from the sensor is sent to ECM.	<ul style="list-style-type: none"> • Harness or connectors (Knock sensor circuit is open or shorted.) • Knock sensor
P0328 0328	Knock sensor circuit high input	An excessively high voltage from the sensor is sent to ECM.	

DTC Confirmation Procedure

INFOID:000000001850507

NOTE:

If DTC Confirmation Procedure has been previously conducted, always turn ignition switch OFF and wait at least 10 seconds before conducting the next test.

TESTING CONDITION:

Before performing the following procedure, confirm that battery voltage is more than 10V at idle.

1. Start engine and run it for at least 5 seconds at idle speed.
2. Check 1st trip DTC.
3. If 1st trip DTC is detected, go to [EC-814. "Diagnosis Procedure"](#).

DTC P0327, P0328 KS

< SERVICE INFORMATION >

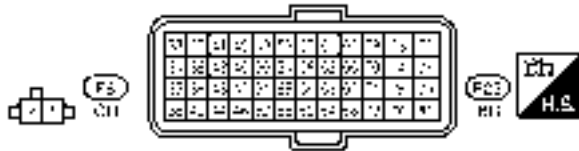
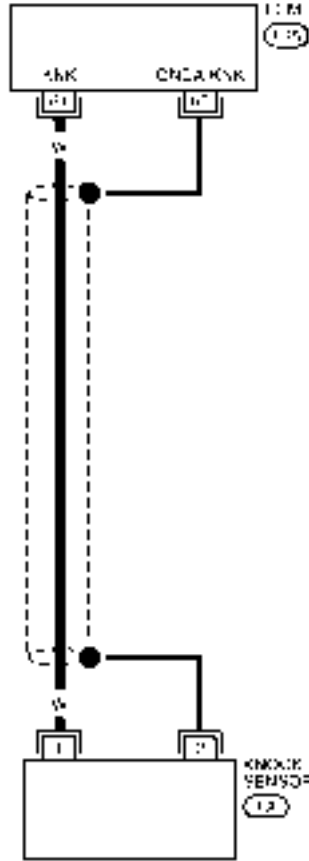
[QR]

Wiring Diagram

INFOID:00000002994081

EC-KS-01

— DETECTABLE LINE FOR DTC
 - - - - - NON-DETECTABLE LINE FOR DTC



BBWA3039E

Specification data are reference values and are measured between each terminal and ground.

CAUTION:

Do not use ECM ground terminals when measuring input/output voltage. Doing so may result in damage to the ECM's transistor. Use a ground other than ECM terminals, such as the ground.

TERMI- NAL NO.	WIRE COLOR	ITEM	CONDITION	DATA (DC Voltage)
61	W	Knock sensor	[Engine is running] • Idle speed	Approximately 2.5V
67	—	Sensor ground (Knock sensor)	[Engine is running] • Warm-up condition • Idle speed	Approximately 0V

Diagnosis Procedure

INFOID:000000001850509

1. CHECK KNOCK SENSOR INPUT SIGNAL CIRCUIT-I

1. Turn ignition switch OFF.
2. Disconnect ECM harness connector.
3. Check resistance between ECM terminal 61 and ground. Refer to Wiring Diagram.

NOTE:

It is necessary to use an ohmmeter which can measure more than 10 MΩ.

Resistance: Approximately 532 - 588kΩ [at 20°C (68°F)]

4. Also check harness for short to ground and short to power.

OK or NG

- OK >> GO TO 4.
- NG >> GO TO 2.

2. CHECK KNOCK SENSOR INPUT SIGNAL CIRCUIT-II

1. Disconnect knock sensor (1) harness connector.
- Engine oil cooler (2)
2. Check harness continuity between ECM terminal 61 and knock sensor terminal 1. Refer to Wiring Diagram.

Continuity should exist.

3. Also check harness for short to ground and short to power.

OK or NG

- OK >> GO TO 3.
- NG >> Repair open circuit or short to ground or short to power in harness or connectors.



3. CHECK KNOCK SENSOR

Refer to [EC-815, "Component Inspection"](#).

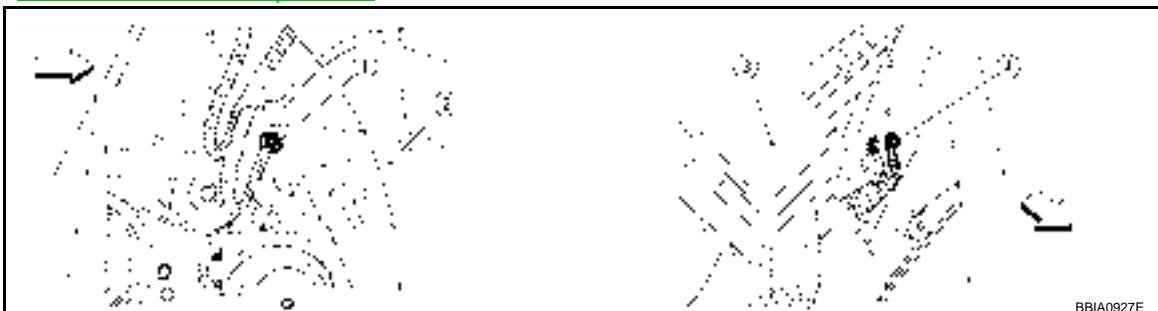
OK or NG

- OK >> GO TO 6.
- NG >> Replace knock sensor.

4. CHECK GROUND CONNECTIONS

Loosen and retighten ground screws on the body.

Refer to [EC-649, "Ground Inspection"](#).



↶ Vehicle front

1. Body ground E9 (view with front wheel RH and fender protector RH removed.)
2. Washer tank
3. Fuse and fusible link box
4. Body ground E15

OK or NG

OK >> GO TO 5.

NG >> Repair or replace ground connections.

5. CHECK KNOCK SENSOR SHIELD CIRCUIT FOR OPEN AND SHORT

1. Reconnect knock sensor harness connector.
2. Check harness continuity between ECM terminal 67 and knock sensor terminal 2. Refer to Wiring Diagram.

Continuity should exist

3. Also check harness for short to ground and short to power.

OK or NG

OK >> GO TO 6.

NG >> Repair open circuit or short to ground or short to power in harness or connectors.

6. CHECK INTERMITTENT INCIDENT

Refer to [EC-643](#).

>> **INSPECTION END**

Component Inspection

INFOID:000000001850510

KNOCK SENSOR

1. Check resistance between knock sensor terminal 1 and ground.

NOTE:

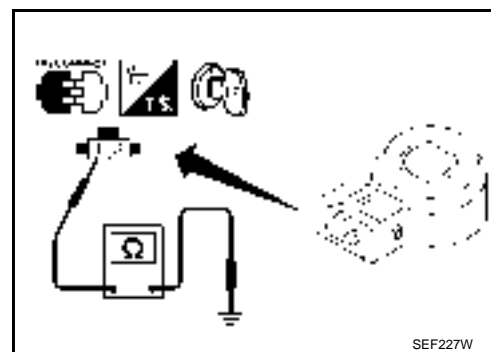
It is necessary to use an ohmmeter which can measure more than 10 MΩ.

Resistance: Approximately 532 - 588kΩ [at 20°C (68°F)]

CAUTION:

Do not use any knock sensors that have been dropped or physically damaged. Use only new ones.

2. If NG, replace knock sensor.



INFOID:000000001850511

Removal and Installation

KNOCK SENSOR

Refer to [EM-180](#).

DTC P0335 CKP SENSOR (POS)

< SERVICE INFORMATION >

[QR]

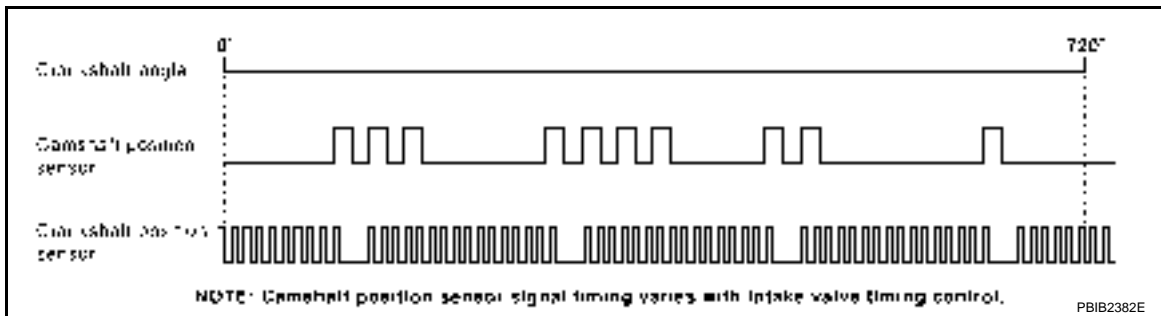
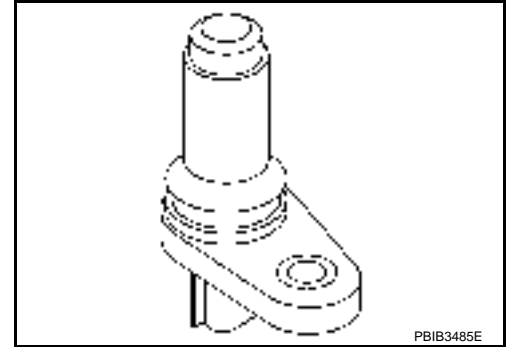
DTC P0335 CKP SENSOR (POS)

Component Description

INFOID:000000001850512

The crankshaft position sensor (POS) is located on the cylinder block rear housing facing the gear teeth (cogs) of the signal plate at the end of the crankshaft. It detects the fluctuation of the engine revolution. The sensor consists of a permanent magnet and Hall IC. When the engine is running, the high and low parts of the teeth cause the gap with the sensor to change. The changing gap causes the magnetic field near the sensor to change. Due to the changing magnetic field, the voltage from the sensor changes. The ECM receives the voltage signal and detects the fluctuation of the engine revolution.

ECM receives the signals as shown in the figure.



CONSULT-III Reference Value in Data Monitor Mode

INFOID:000000001850513

Specification data are reference values.

MONITOR ITEM	CONDITION	SPECIFICATION
ENG SPEED	<ul style="list-style-type: none"> Run engine and compare CONSULT-III value with the tachometer indication. 	Almost the same speed as the tachometer indication.

On Board Diagnosis Logic

INFOID:000000001850514

DTC No.	Trouble diagnosis name	DTC detecting condition	Possible cause
P0335 0335	Crankshaft position sensor (POS) circuit	<ul style="list-style-type: none"> The crankshaft position sensor (POS) signal is not detected by the ECM during the first few seconds of engine cranking. The proper pulse signal from the crankshaft position sensor (POS) is not sent to ECM while the engine is running. The crankshaft position sensor (POS) signal is not in the normal pattern during engine running. 	<ul style="list-style-type: none"> Harness or connectors [Crankshaft position sensor (POS) circuit is open or shorted.] (Accelerator pedal position sensor circuit is shorted.) (Refrigerant pressure sensor circuit is shorted.) (EVAP control system pressure sensor circuit is sorted.) Crankshaft position sensor (POS) Accelerator pedal position sensor (APP sensor 2) Refrigerant pressure sensor EVAP control system pressure sensor Signal plate

DTC Confirmation Procedure

INFOID:000000001850515

NOTE:

If DTC Confirmation Procedure has been previously conducted, always turn ignition switch OFF and wait at least 10 seconds before conducting the next test.

DTC P0335 CKP SENSOR (POS)

[QR]

< SERVICE INFORMATION >

TESTING CONDITION:

Before performing the following procedure, confirm that battery voltage is more than 10.5V with ignition switch ON.

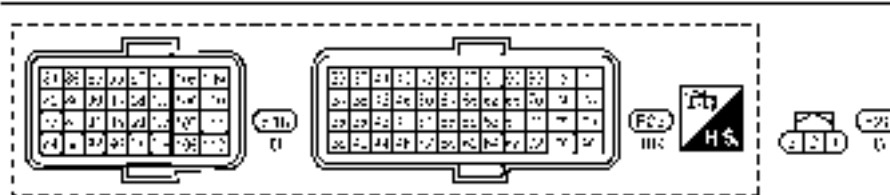
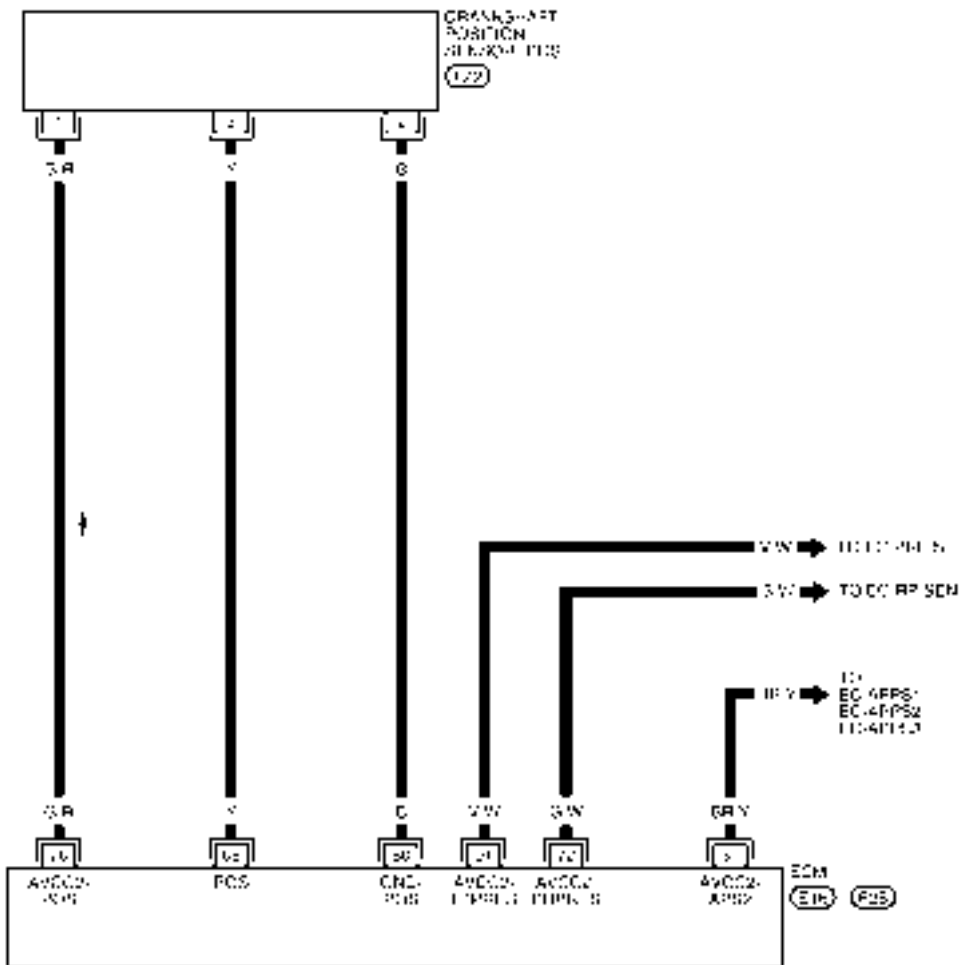
1. Crank engine for at least 2 seconds and run it for at least 5 seconds at idle speed.
2. Check 1st trip DTC.
3. If 1st trip DTC is detected, go to [EC-818, "Diagnosis Procedure"](#).

Wiring Diagram

INFOID:000000002994084

EC-POS-01

— DETECTABLE LINE FOR DTC
 - - - NON DETECTABLE LINE FOR DTC



BBWA3040E

DTC P0335 CKP SENSOR (POS)


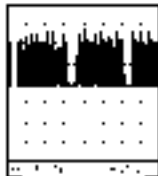
< SERVICE INFORMATION >

[QR]

Specification data are reference values and are measured between each terminal and ground.
Pulse signal is measured by CONSULT-III.

CAUTION:

Do not use ECM ground terminals when measuring input/output voltage. Doing so may result in damage to the ECM's transistor. Use a ground other than ECM terminals, such as the ground.

TERMINAL NO.	WIRE COLOR	ITEM	CONDITION	DATA (DC Voltage)
60	B	Sensor ground [Crankshaft position sensor (POS)]	[Engine is running] • Warm-up condition • Idle speed	Approximately 0V
65	Y	Crankshaft position sensor (POS)	[Engine is running] • Warm-up condition • Idle speed NOTE: The pulse cycle changes depending on rpm at idle	0 - 1.0V★  MBIB1453E
			[Engine is running] • Engine speed: 2,000 rpm	0 - 1.0V★  MBIB1454E
72	G/W	Sensor power supply (Refrigerant pressure sensor)	[Ignition switch: ON]	Approximately 5V
76	G/R	Sensor power supply [Crankshaft position sensor (POS)]	[Ignition switch: ON]	Approximately 5V
87	BR/Y	Sensor power supply (APP sensor 2)	[Ignition switch: ON]	Approximately 5V
91	V/W	EVAP control system pressure sensor power supply	[Ignition switch: ON]	Approximately 5V

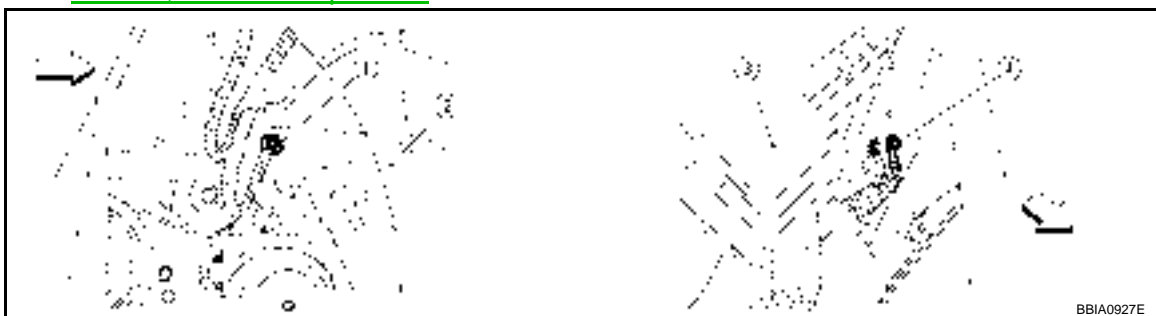
★: Average voltage for pulse signal (Actual pulse signal can be confirmed by oscilloscope.)

Diagnosis Procedure

INFOID:000000001850517

1. CHECK GROUND CONNECTIONS

1. Turn ignition switch OFF.
2. Loosen and retighten ground screws on the body.
Refer to [EC-649, "Ground Inspection"](#).



BBI A0927E

DTC P0335 CKP SENSOR (POS)

< SERVICE INFORMATION >

[QR]

↔ Vehicle front

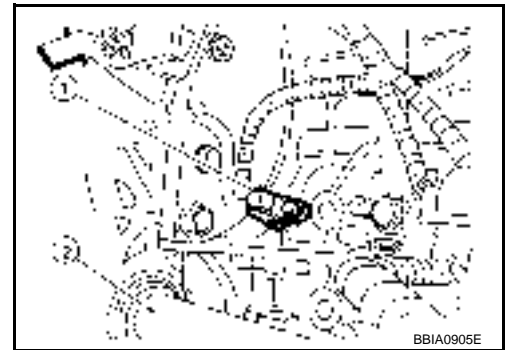
1. Body ground E9 (view with front wheel RH and fender protector RH removed.)
2. Washer tank
3. Fuse and fusible link box
4. Body ground E15

OK or NG

- OK >> GO TO 2.
 NG >> Repair or replace ground connections.

2.CHECK CRANKSHAFT POSITION (CKP) SENSOR (POS) POWER SUPPLY CIRCUIT-I

1. Disconnect crankshaft position (CKP) sensor (POS) (1) harness connector.
 - Drive shaft (RH) (2)
2. Turn ignition switch ON.

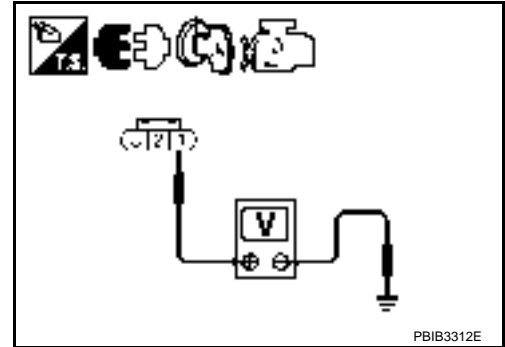


3. Check voltage between CKP sensor (POS) terminal 1 and ground with CONSULT-III or tester.

Voltage: Approximately 5V

OK or NG

- OK >> GO TO 9.
 NG >> GO TO 3.



3.CHECK CKP SENSOR (POS) POWER SUPPLY CIRCUIT-II

1. Turn ignition switch OFF.
2. Disconnect ECM harness connector.
3. Check harness continuity between CKP sensor (POS) terminal 1 and ECM terminal 76. Refer to Wiring Diagram.

Continuity should exist.

OK or NG

- OK >> GO TO 4.
 NG >> Repair open circuit.

4.CHECK POWER SUPPLY CIRCUITS

Check harness for short to power and short to ground, between the following terminals.

ECM terminal	Sensor terminal	Reference Wiring Diagram
72	Refrigerant pressure sensor terminal 3	EC-1053, "Wiring Diagram"
76	Crankshaft position sensor (POS) terminal 1	EC-817, "Wiring Diagram"
87	APP sensor terminal 5	EC-994, "Wiring Diagram"
91	EVAP control system pressure sensor terminal 3	EC-873, "Wiring Diagram"

OK or NG

DTC P0335 CKP SENSOR (POS)

[QR]

< SERVICE INFORMATION >

- OK >> GO TO 5.
- NG >> Repair short to ground or short to power in harness or connectors.

5. CHECK REFRIGERANT PRESSURE SENSOR

Refer to [MTC-27](#).

OK or NG

- OK >> GO TO 6.
- NG >> Replace refrigerant pressure sensor.

6. CHECK EVAP CONTROL SYSTEM PRESSURE SENSOR

Refer to [EC-877, "Component Inspection"](#).

OK or NG

- OK >> GO TO 7.
- NG >> Replace EVAP control system pressure sensor.

7. CHECK APP SENSOR

Refer to [EC-997, "Component Inspection"](#).

OK or NG

- OK >> GO TO 9.
- NG >> GO TO 8.

8. REPLACE ACCELERATOR PEDAL ASSEMBLY

1. Replace accelerator pedal assembly.
2. Perform [EC-590, "Accelerator Pedal Released Position Learning"](#).
3. Perform [EC-590, "Throttle Valve Closed Position Learning"](#).
4. Perform [EC-590, "Idle Air Volume Learning"](#).

>> **INSPECTION END**

9. CHECK CKP SENSOR (POS) GROUND CIRCUIT FOR OPEN AND SHORT

1. Turn ignition switch OFF.
2. Disconnect ECM harness connector.
3. Check harness continuity between CKP sensor (POS) terminal 2 and ECM terminal 60.
Refer to Wiring Diagram.

Continuity should exist.

4. Also check harness for short to ground and short to power.

OK or NG

- OK >> GO TO 10.
- NG >> Repair open circuit or short to ground or short to power in harness or connectors.

10. CHECK CKP SENSOR (POS) INPUT SIGNAL CIRCUIT FOR OPEN AND SHORT

1. Check harness continuity between CKP sensor (POS) terminal 3 and ECM terminal 65.
Refer to Wiring Diagram.

Continuity should exist.

2. Also check harness for short to ground and short to power.

OK or NG

- OK >> GO TO 11.
- NG >> Repair open circuit or short to ground or short to power in harness or connectors.

11. CHECK CRANKSHAFT POSITION SENSOR (POS)

Refer to [EC-821, "Component Inspection"](#).

OK or NG

- OK >> GO TO 12.
- NG >> Replace crankshaft position sensor (POS).

DTC P0335 CKP SENSOR (POS)

< SERVICE INFORMATION >

[QR]

12. CHECK GEAR TOOTH

Visually check for chipping signal plate gear tooth.

OK or NG

OK >> GO TO 13.

NG >> Replace the signal plate.

13. CHECK INTERMITTENT INCIDENT

Refer to [EC-643](#).

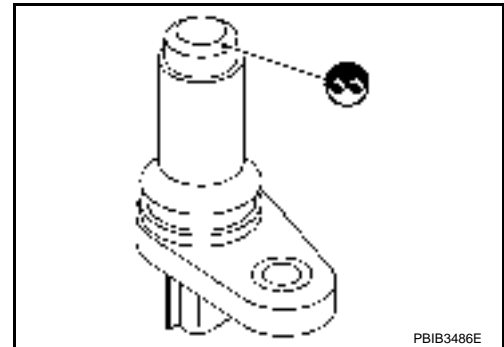
>> **INSPECTION END**

Component Inspection

INFOID:000000001850518

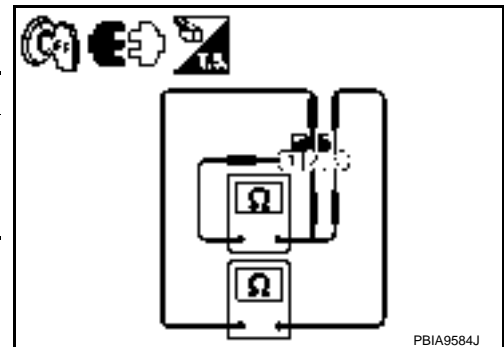
CRANKSHAFT POSITION SENSOR (POS)

1. Loosen the fixing bolt of the sensor.
2. Disconnect crankshaft position sensor (POS) harness connector.
3. Remove the sensor.
4. Visually check the sensor for chipping.



5. Check resistance as shown in the figure.

Terminal No. (Polarity)	Resistance Ω [at 25°C (77°F)]
1 (+) - 2 (-)	Except 0 or ∞
1 (+) - 3 (-)	
2 (+) - 3 (-)	



6. If NG, replace crankshaft position sensor (POS).

Removal and Installation

INFOID:000000001850519

CRANKSHAFT POSITION SENSOR (POS)

Refer to [EM-180](#).

DTC P0340 CMP SENSOR (PHASE)

< SERVICE INFORMATION >

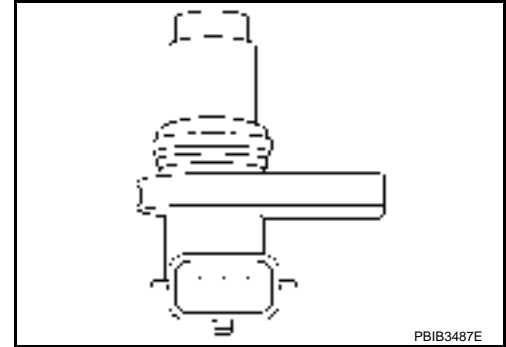
[QR]

DTC P0340 CMP SENSOR (PHASE)

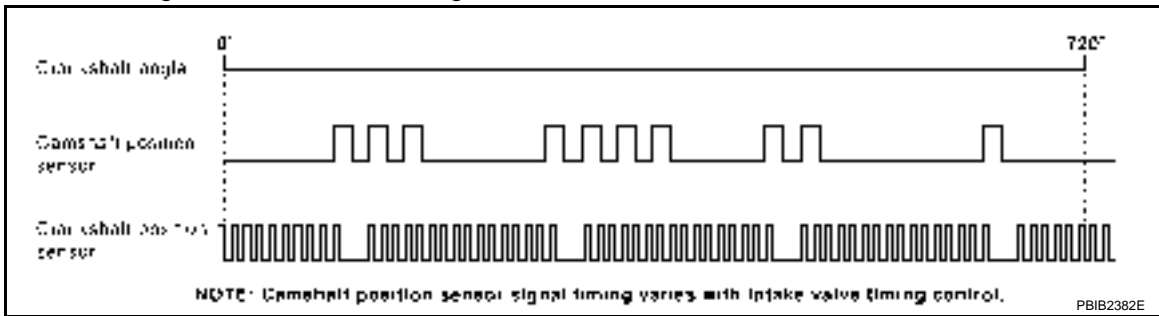
Component Description

INFOID:000000001850520

The camshaft position sensor (PHASE) senses the protrusion of camshaft (INT) to identify a particular cylinder. The camshaft position sensor (PHASE) senses the piston position. When the crankshaft position sensor (POS) system becomes inoperative, the camshaft position sensor (PHASE) provides various controls of engine parts instead, utilizing timing of cylinder identification signals. The sensor consists of a permanent magnet and Hall IC. When engine is running, the high and low parts of the teeth cause the gap with the sensor to change. The changing gap causes the magnetic field near the sensor to change. Due to the changing magnetic field, the voltage from the sensor changes.



ECM receives the signals as shown in the figure.



CONSULT-III Reference Value in Data Monitor Mode

INFOID:000000001850521

Specification data are reference values.

MONITOR ITEM	CONDITION	SPECIFICATION
ENG SPEED	<ul style="list-style-type: none"> Run engine and compare CONSULT-III value with the tachometer indication. 	Almost the same speed as the tachometer indication.

On Board Diagnosis Logic

INFOID:000000001850522

NOTE:

If DTC P0340 is displayed with DTC P0643, first perform the trouble diagnosis for DTC P0643.

Refer to [EC-917](#).

DTC No.	Trouble diagnosis name	DTC detecting condition	Possible cause
P0340 0340	Camshaft position sensor (PHASE) circuit	<ul style="list-style-type: none"> The cylinder No. signal is not sent to ECM for the first few seconds during engine cranking. The cylinder No. signal is not set to ECM during engine running. The cylinder No. signal is not in the normal pattern during engine running. 	<ul style="list-style-type: none"> Harness or connectors [Camshaft position sensor (PHASE) circuit is open or shorted.] Camshaft position sensor (PHASE) Camshaft (INT) Starter motor (Refer to SC-8.) Starting system circuit (Refer to SC-8.) Dead (Weak) battery

DTC Confirmation Procedure

INFOID:000000001850523

NOTE:

If DTC Confirmation Procedure has been previously conducted, always turn ignition switch OFF and wait at least 10 seconds before conducting the next test.

TESTING CONDITION:

Before performing the following procedure, confirm that battery voltage is more than 10.5V with ignition switch ON.

1. Crank engine for at least 2 seconds and run it for at least 5 seconds at idle speed.

DTC P0340 CMP SENSOR (PHASE)

[QR]



< SERVICE INFORMATION >

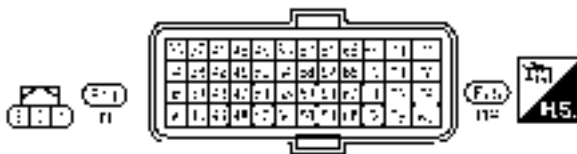
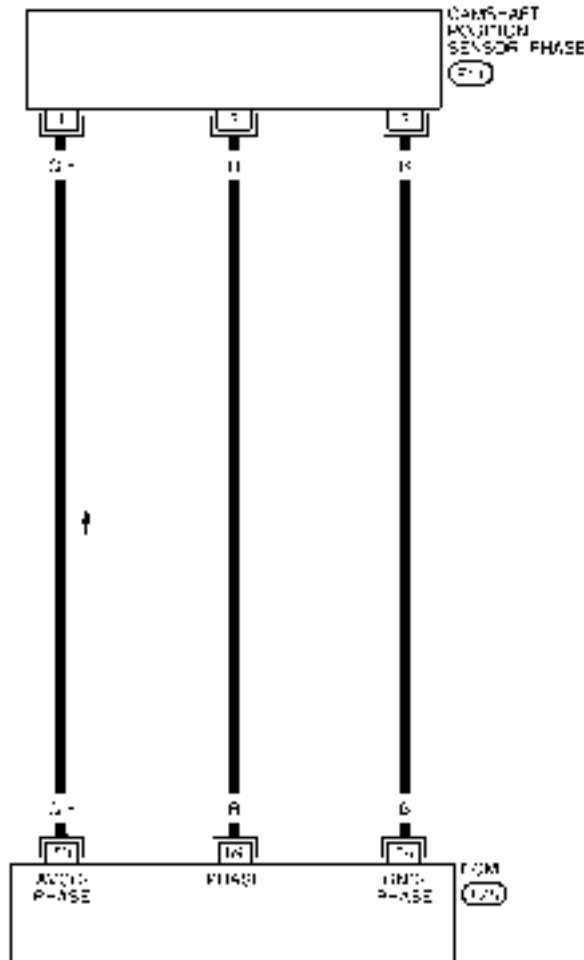
2. Check 1st trip DTC.
3. If 1st trip DTC is detected, go to [EC-824, "Diagnosis Procedure"](#).
If 1st trip DTC is not detected, go to next step.
4. Maintain engine speed at more than 800 rpm for at least 5 seconds.
5. Check 1st trip DTC.
6. If 1st trip DTC is detected, go to [EC-824, "Diagnosis Procedure"](#).

Wiring Diagram

INFOID:000000002994089

EC-PHASE-01

 DIRECT CURRENT (DC) POWER
 NEGATIVE BATTERY TERMINAL



BBWA3041E

DTC P0340 CMP SENSOR (PHASE)

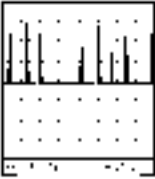
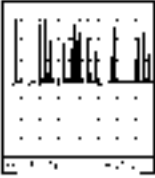
< SERVICE INFORMATION >

[QR]

Specification data are reference values and are measured between each terminal and ground.
Pulse signal is measured by CONSULT-III.

CAUTION:

Do not use ECM ground terminals when measuring input/output voltage. Doing so may result in damage to the ECM's transistor. Use a ground other than ECM terminals, such as the ground.

TERMI- NAL NO.	WIRE COLOR	ITEM	CONDITION	DATA (DC Voltage)
59	G/Y	Sensor power supply [Camshaft position sensor (PHASE)]	[Ignition switch: ON]	Approximately 5V
64	B	Sensor ground [Camshaft position sensor (PHASE)]	[Engine is running] • Warm-up condition • Idle speed	Approximately 0V
69	R	Camshaft position sensor (PHASE)	[Engine is running] • Warm-up condition • Idle speed NOTE: The pulse cycle changes depending on rpm at idle	0 - 1.0V★  MBIB1455E
			[Engine is running] • Engine speed: 2,000 rpm	0 - 1.0V★  MBIB1456E

★: Average voltage for pulse signal (Actual pulse signal can be confirmed by oscilloscope.)

Diagnosis Procedure

INFOID:000000001850525

1. CHECK STARTING SYSTEM

Turn ignition switch to START position.

Does the engine turn over?

Does the starter motor operate?

Yes or No

Yes >> GO TO 2.

No >> Check starting system. (Refer to [SC-8](#).)

2. CHECK GROUND CONNECTIONS

1. Turn ignition switch OFF.
2. Loosen and retighten ground screws on the body.

DTC P0340 CMP SENSOR (PHASE)

< SERVICE INFORMATION >

[QR]

Refer to [EC-649. "Ground Inspection"](#).



↔ Vehicle front

1. Body ground E9 (view with front wheel RH and fender protector RH removed.)
2. Washer tank
3. Fuse and fusible link box
4. Body ground E15

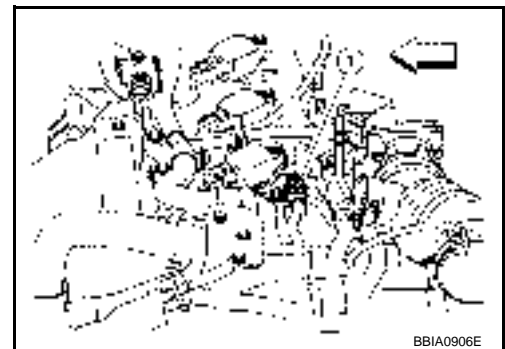
OK or NG

OK >> GO TO 3.

NG >> Repair or replace ground connections.

3. CHECK CAMSHAFT POSITION (CMP) SENSOR (PHASE) POWER SUPPLY CIRCUIT

1. Disconnect camshaft position (CMP) sensor (PHASE) (1) harness connector.
 - ↔ Vehicle front
2. Turn ignition switch ON.



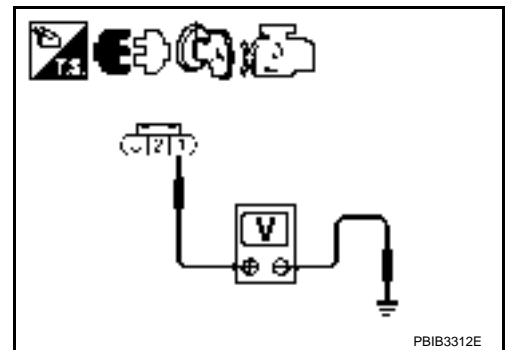
3. Check voltage between CMP sensor (PHASE) terminal 1 and ground with CONSULT-III or tester.

Voltage: Approximately 5V

OK or NG

OK >> GO TO 4.

NG >> Repair open circuit or short to ground or short to power in harness or connectors.



4. CHECK CMP SENSOR (PHASE) GROUND CIRCUIT FOR OPEN AND SHORT

1. Turn ignition switch OFF.
2. Disconnect ECM harness connector.
3. Check harness continuity between CMP sensor (PHASE) terminal 2 and ECM terminal 64. Refer to Wiring Diagram.

Continuity should exist.

4. Also check harness for short to ground and short to power.

OK or NG

OK >> GO TO 5.

NG >> Repair open circuit or short to ground or short to power in harness or connectors.

DTC P0340 CMP SENSOR (PHASE)

< SERVICE INFORMATION >

[QR]

5. CHECK CMP SENSOR (PHASE) INPUT SIGNAL CIRCUIT FOR OPEN AND SHORT

1. Check harness continuity between CMP sensor (PHASE) terminal 3 and ECM terminal 69.
Refer to Wiring Diagram.

Continuity should exist.

2. Also check harness for short to ground and short to power.

OK or NG

OK >> GO TO 6.

NG >> Repair open circuit or short to ground or short to power in harness or connectors.

6. CHECK CAMSHAFT POSITION SENSOR (PHASE)

Refer to [EC-826. "Component Inspection"](#).

OK or NG

OK >> GO TO 7.

NG >> Replace camshaft position sensor (PHASE).

7. CHECK CAMSHAFT (INTAKE)

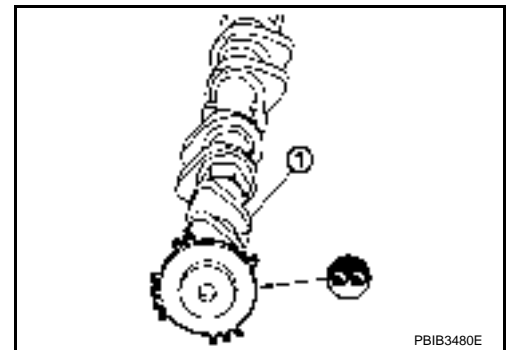
Check the following.

- Accumulation of debris to the signal plate of camshaft (1) rear end
- Chipping signal plate of camshaft rear end

OK or NG

OK >> GO TO 8.

NG >> Remove debris and clean the signal plate of camshaft rear end or replace camshaft.



8. CHECK INTERMITTENT INCIDENT

Refer to [EC-643](#).

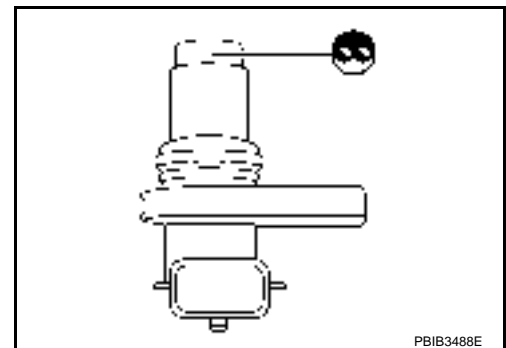
>> **INSPECTION END**

Component Inspection

INFOID:000000001850526

CAMSHAFT POSITION SENSOR (PHASE)

1. Loosen the fixing bolt of the sensor.
2. Disconnect camshaft position sensor (PHASE) harness connector.
3. Remove the sensor.
4. Visually check the sensor for chipping.



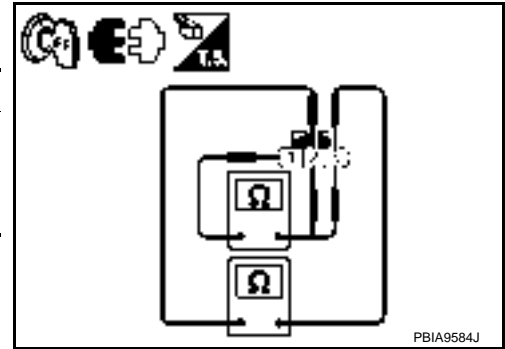
DTC P0340 CMP SENSOR (PHASE)

[QR]

< SERVICE INFORMATION >

5. Check resistance as shown in the figure.

Terminal No. (Polarity)	Resistance Ω [at 25°C (77°F)]
1 (+) - 2 (-)	Except 0 or ∞
1 (+) - 3 (-)	
2 (+) - 3 (-)	



6. If NG, replace camshaft position sensor (PHASE).

Removal and Installation

CAMSHAFT POSITION SENSOR (PHASE)

Refer to [EM-145](#).

INFOID:000000001850527

A
EC
C
D
E
F
G
H
I
J
K
L
M
N
O
P

DTC P0420, P0430 THREE WAY CATALYST FUNCTION

< SERVICE INFORMATION >

[QR]

DTC P0420, P0430 THREE WAY CATALYST FUNCTION

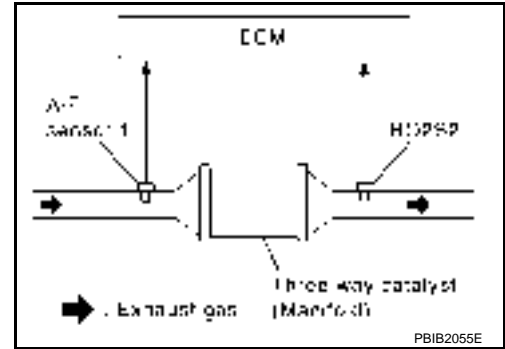
On Board Diagnosis Logic

INFOID:000000001850528

The ECM monitors the switching frequency ratio of air fuel ratio (A/F) sensor 1 and heated oxygen sensor 2.

A three way catalyst (manifold) with high oxygen storage capacity will indicate a low switching frequency of heated oxygen sensor 2. As oxygen storage capacity decreases, the heated oxygen sensor 2 switching frequency will increase.

When the frequency ratio of air fuel ratio (A/F) sensor 1 and heated oxygen sensor 2 approaches a specified limit value, the three way catalyst (manifold) malfunction is diagnosed.



DTC No.	Trouble diagnosis name	DTC detecting condition	Possible cause
P0420 0420 (Bank 1)	Catalyst system efficiency below threshold	<ul style="list-style-type: none"> • Three way catalyst (manifold) does not operate properly. • Three way catalyst (manifold) does not have enough oxygen storage capacity. 	<ul style="list-style-type: none"> • Three way catalyst (manifold) • Exhaust tube • Intake air leaks • Fuel injector • Fuel injector leaks • Spark plug • Improper ignition timing
P0430 0430 (Bank 2)			

DTC Confirmation Procedure

INFOID:000000001850529

NOTE:

If DTC Confirmation Procedure has been previously conducted, always turn ignition switch OFF and wait at least 10 seconds before conducting the next test.

▮ WITH CONSULT-III

TESTING CONDITION:

Do not hold engine speed for more than the specified minutes below.

1. Turn ignition switch ON and select "DATA MONITOR" mode with CONSULT-III.
2. Start engine and warm it up to the normal operating temperature.
3. Turn ignition switch OFF and wait at least 10 seconds.
4. Start engine and keep the engine speed between 3,500 and 4,000 rpm for at least 1 minute under no load.
5. Let engine idle for 1 minute.
6. Make sure that "COOLAN TEMP/S" indicates more than 70°C (158°F).
If not, warm up engine and go to next step when "COOLAN TEMP/S" indication reaches to 70°C (158°F).
7. Open engine hood.
8. Select "DTC & SRT CONFIRMATION" then "SRT WORK SUPPORT" mode with CONSULT-III.
9. Rev engine up to 2,000 to 3,000 rpm and hold it for 3 consecutive minutes then release the accelerator pedal completely.
If "INCMP" of "CATALYST" changed to "CMPLT", go to step 12.
10. Wait 5 seconds at idle.
11. Rev engine up to 2,000 to 3,000 rpm and maintain it until "INCMP" of "CATALYST" changes to "CMPLT" (It will take approximately 5 minutes).
If not "CMPLT", stop engine and cool it down to less than 70°C (158°F) and then retest from step 1.
12. Select "SELF-DIAG RESULTS" mode with CONSULT-III.
13. Confirm that 1st trip DTC is not detected.
If 1st trip DTC is detected, go to [EC-829, "Diagnosis Procedure"](#).

DTC P0420, P0430 THREE WAY CATALYST FUNCTION

< SERVICE INFORMATION >

[QR]

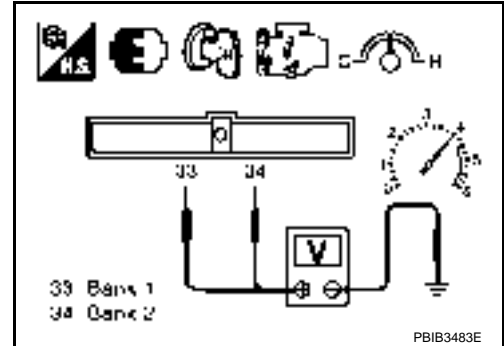
Overall Function Check

INFOID:000000001850530

Use this procedure to check the overall function of the three way catalyst (manifold). During this check, a 1st trip DTC might not be confirmed.

WITH GST

1. Start engine and warm it up to the normal operating temperature.
 2. Turn ignition switch OFF and wait at least 10 seconds.
 3. Start engine and keep the engine speed between 3,500 and 4,000 rpm for at least 1 minute under no load.
 4. Let engine idle for 1 minute.
 5. Open engine hood.
 6. Set voltmeter probe between ECM terminals 33 [HO2S2 (B1) signal] or 34 [HO2S2 (B2) signal] and ground.
 7. Keep engine speed at 2,500 rpm constant under no load.
 8. Make sure that the voltage does not vary for more than 5 seconds.
If the voltage fluctuation cycle takes less than 5 seconds, go to [EC-829, "Diagnosis Procedure"](#).
- 1 cycle: 0.6 - 1.0 → 0 - 0.3 → 0.6 - 1.0



Diagnosis Procedure

INFOID:000000001850531

1. CHECK EXHAUST SYSTEM

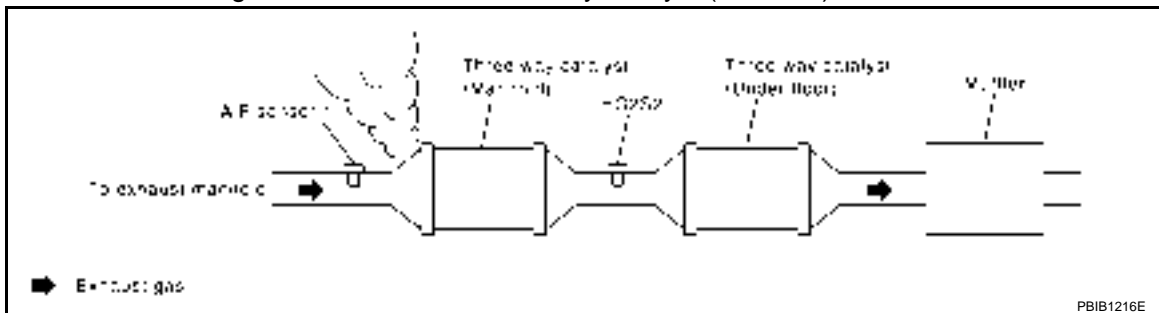
Visually check exhaust tubes and muffler for dent.

OK or NG

- OK >> GO TO 2.
- NG >> Repair or replace.

2. CHECK EXHAUST GAS LEAK

1. Start engine and run it at idle.
2. Listen for an exhaust gas leak before the three way catalyst (manifold).



OK or NG

- OK >> GO TO 3.
- NG >> Repair or replace.

3. CHECK INTAKE AIR LEAK

Listen for an intake air leak after the mass air flow sensor.

OK or NG

- OK >> GO TO 4.
- NG >> Repair or replace.

4. CHECK IGNITION TIMING

Check the following items. Refer to [EC-584, "Basic Inspection"](#).

DTC P0420, P0430 THREE WAY CATALYST FUNCTION

< SERVICE INFORMATION >

[QR]

Items	Specifications
Target idle speed	CVT: 650 ± 50 rpm (in P or N position)
	M/T: 800 ± 50 rpm (in Neutral position)
Ignition timing	CVT: 10 ± 5° BTDC (in P or N position)
	M/T: 10 ± 5° BTDC (in Neutral position)

OK or NG

OK >> GO TO 5.

NG >> Follow the [EC-584, "Basic Inspection"](#).

5. CHECK FUEL INJECTORS

1. Stop engine and turn ignition switch OFF.
2. Disconnect ECM harness connector.
3. Turn ignition switch ON.
4. Check voltage between ECM terminals 29, 30, 31, 32 and ground with CONSULT-III or tester. Refer to Wiring Diagram for fuel injectors, [EC-1034, "Wiring Diagram"](#).

Voltage: Battery voltage

OK or NG

OK >> GO TO 6.

NG >> Perform [EC-1035, "Diagnosis Procedure"](#).

6. CHECK FUNCTION OF IGNITION COIL-I


CAUTION:

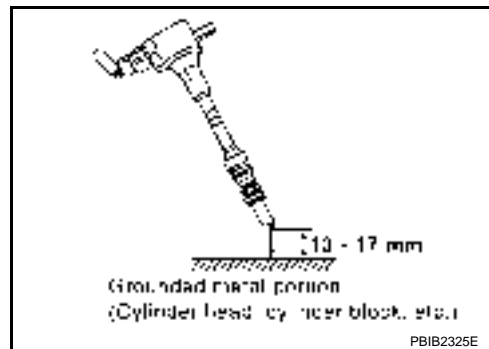
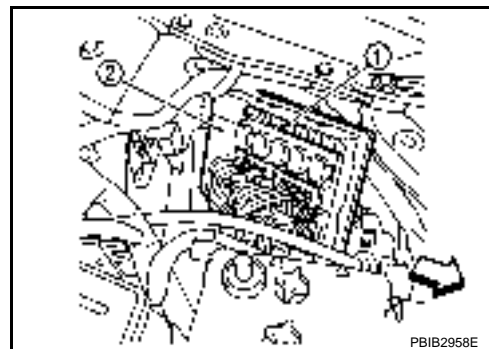
Do the following procedure in the place where ventilation is good without the combustible.

1. Turn ignition switch OFF.
2. Remove fuel pump fuse (1) in IPDM E/R (2) to release fuel pressure.

NOTE:

Do not use CONSULT-III to release fuel pressure, or fuel pressure applies again during the following procedure.

-  Vehicle front
3. Start engine.
 4. After engine stalls, crank it two or three times to release all fuel pressure.
 5. Turn ignition switch OFF.
 6. Remove all ignition coil harness connectors to avoid the electrical discharge from the ignition coils.
 7. Remove ignition coil and spark plug of the cylinder to be checked.
 8. Crank engine for 5 seconds or more to remove combustion gas in the cylinder.
 9. Connect spark plug and harness connector to ignition coil.
 10. Fix ignition coil using a rope etc. with gap of 13 - 17 mm between the edge of the spark plug and grounded metal portion as shown in the figure.
 11. Crank engine for about 3 seconds, and check whether spark is generated between the spark plug and the grounded metal portion.



Spark should be generated.

CAUTION:

- Do not approach to the spark plug and the ignition coil within 50cm. Be careful not to get an electrical shock while checking, because the electrical discharge voltage becomes 20kV or more.
- It might cause to damage the ignition coil if the gap of more than 17 mm is taken.

NOTE:

When the gap is less than 13 mm, the spark might be generated even if the coil is malfunctioning.

DTC P0420, P0430 THREE WAY CATALYST FUNCTION

< SERVICE INFORMATION >

[QR]

OK or NG

- OK >> GO TO 10.
- NG >> GO TO 7.

7. CHECK FUNCTION OF IGNITION COIL-II

1. Turn ignition switch OFF.
2. Disconnect spark plug and connect a known-good spark plug.
3. Crank engine for about 3 seconds, and recheck whether spark is generated between the spark plug and the grounded metal portion.

Spark should be generated.

OK or NG

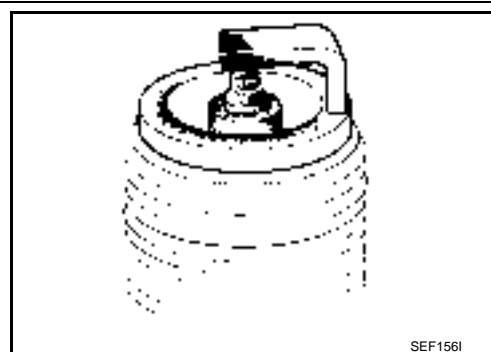
- OK >> GO TO 8.
- NG >> Check ignition coil, power transistor and their circuits. Refer to [EC-1043](#).

8. CHECK SPARK PLUG

Check the initial spark plug for fouling, etc.

OK or NG

- OK >> Replace spark plug(s) with standard type one(s). For spark plug type, refer to [MA-22. "Changing Spark Plugs"](#).
- NG >> 1. Repair or clean spark plug.
2. GO TO 9.



9. CHECK FUNCTION OF IGNITION COIL-III

1. Reconnect the initial spark plugs.
2. Crank engine for about 3 seconds, and recheck whether spark is generated between the spark plug and the grounded portion.

Spark should be generated.

OK or NG

- OK >> **INSPECTION END**
- NG >> Replace spark plug(s) with standard type one(s). For spark plug type, refer to [MA-22. "Changing Spark Plugs"](#).

10. CHECK FUEL INJECTOR

1. Turn ignition switch OFF.
2. Remove fuel injector assembly.
Refer to [EM-140](#).
Keep fuel hose and all fuel injectors connected to fuel tube.
3. Disconnect all ignition coil harness connectors.
4. Reconnect all fuel injector harness connectors disconnected.
5. Turn ignition switch ON.
Make sure fuel does not drip from fuel injector.

OK or NG

- OK (Does not drip.)>>GO TO 11.
- NG (Drips.)>>Replace the fuel injector(s) from which fuel is dripping.

11. CHECK INTERMITTENT INCIDENT

Refer to [EC-643](#).

Trouble is fixed.>>**INSPECTION END**

Trouble is not fixed.>>Replace malfunctioning three way catalyst (manifold).

DTC P0441 EVAP CONTROL SYSTEM

< SERVICE INFORMATION >

[QR]

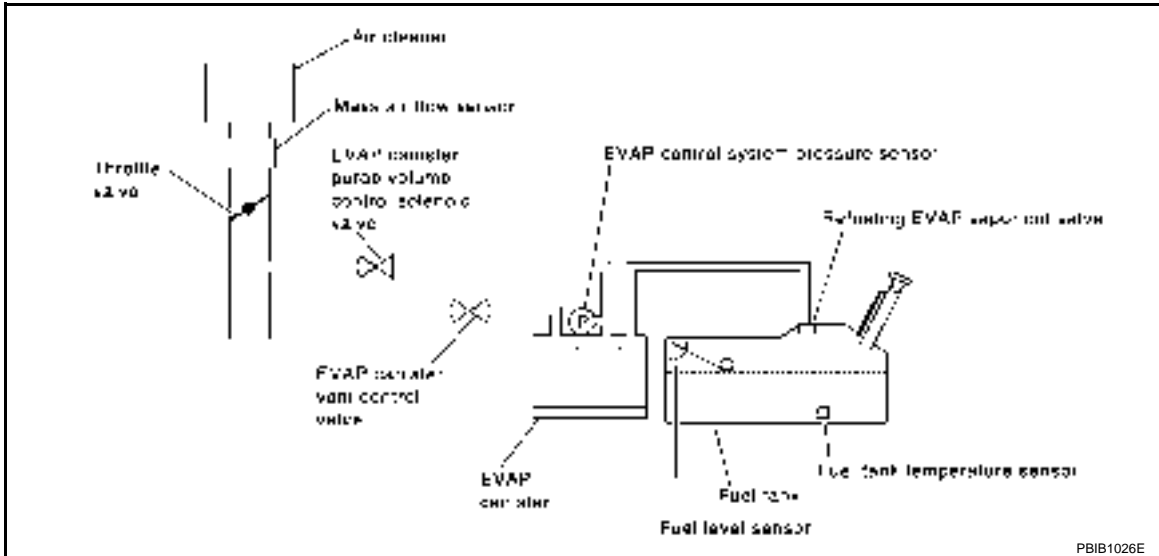
DTC P0441 EVAP CONTROL SYSTEM

System Description

INFOID:000000001850532

NOTE:

If DTC P0441 is displayed with other DTC such as P2122, P2123, P2127, P2128, P2138, first perform trouble diagnosis for other DTC.



In this evaporative emission (EVAP) control system, purge flow occurs during non-closed throttle conditions. Purge volume is related to air intake volume. Under normal purge conditions (non-closed throttle), the EVAP canister purge volume control solenoid valve is open to admit purge flow. Purge flow exposes the EVAP control system pressure sensor to intake manifold vacuum.

On Board Diagnosis Logic

INFOID:000000001850533

Under normal conditions (non-closed throttle), sensor output voltage indicates if pressure drop and purge flow are adequate. If not, a malfunction is determined.

DTC No.	Trouble diagnosis name	DTC detecting condition	Possible cause
P0441 0441	EVAP control system incorrect purge flow	<ul style="list-style-type: none"> EVAP control system does not operate properly. EVAP control system has a leak between intake manifold and EVAP control system pressure sensor. 	<ul style="list-style-type: none"> EVAP canister purge volume control solenoid valve stuck closed EVAP control system pressure sensor and the circuit Loose, disconnected or improper connection of rubber tube Blocked rubber tube Cracked EVAP canister EVAP canister purge volume control solenoid valve circuit Accelerator pedal position sensor Blocked purge port EVAP canister vent control valve

DTC Confirmation Procedure

INFOID:000000001850534

CAUTION:

Always drive vehicle at a safe speed.

NOTE:

If DTC Confirmation Procedure has been previously conducted, always turn ignition switch OFF and wait at least 10 seconds before conducting the next test.

TESTING CONDITION:

Always perform test at a temperature of 5°C (41°F) or more.

1 WITH CONSULT-III

DTC P0441 EVAP CONTROL SYSTEM

< SERVICE INFORMATION >

[QR]

1. Start engine and warm it up to normal operating temperature.
2. Turn ignition switch OFF and wait at least 10 seconds.
3. Start engine and let it idle for at least 70 seconds.
4. Select "PURG FLOW P0441" of "EVAPORATIVE SYSTEM" in "DTC & SRT CONFIRMATION" mode with CONSULT-III.
5. Touch "START".
If "COMPLETED" is displayed, go to step 7.
6. When the following conditions are met, "TESTING" will be displayed on the CONSULT-III screen. Maintain the conditions continuously until "TESTING" changes to "COMPLETED". (It will take at least 35 seconds.)

Shift lever	Suitable position
VHCL SPEED SE	32 - 120 km/h (20 - 75 MPH)
ENG SPEED	500 - 3,800 rpm
B/FUEL SCHDL	1.0 - 10.0 msec
COOLAN TEMP/S	More than 0°C (32 °F)

If TESTING is not changed for a long time, retry from step 2.

7. Make sure that "OK" is displayed after touching "SELF-DIAG RESULTS". If "NG" is displayed, refer to [EC-833. "Diagnosis Procedure"](#).

Overall Function Check

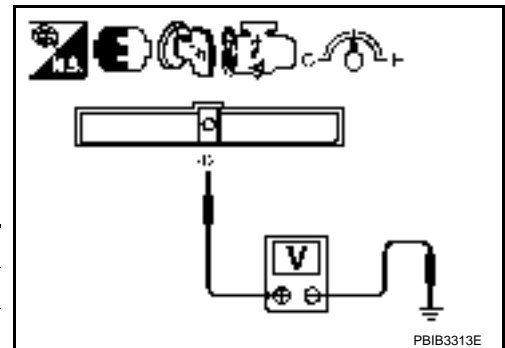
INFOID:000000001850535

Use this procedure to check the overall monitoring function of the EVAP control system purge flow monitoring. During this check, a 1st trip DTC might not be confirmed.

WITH GST

1. Lift up drive wheels.
2. Start engine and warm it up to normal operating temperature.
3. Turn ignition switch OFF and wait at least 10 seconds.
4. Start engine and wait at least 70 seconds.
5. Set voltmeter probes to ECM terminals 42 (EVAP control system pressure sensor signal) and ground.
6. Check EVAP control system pressure sensor value at idle speed and note it.
7. Establish and maintain the following conditions for at least 1 minute.

Air conditioner switch	ON
Headlamp switch	ON
Rear window defogger switch	ON
Engine speed	Approx. 3,000 rpm
Shift lever	Any position other than P, N or R



8. Verify that EVAP control system pressure sensor value stays 0.1V less than the value at idle speed (measured at step 6) for at least 1 second.
9. If NG, go to [EC-833. "Diagnosis Procedure"](#).

Diagnosis Procedure

INFOID:000000001850536

1. CHECK EVAP CANISTER

1. Turn ignition switch OFF.
2. Check EVAP canister for cracks.

OK or NG

- OK (With CONSULT-III)>>GO TO 2.
- OK (Without CONSULT-III)>>GO TO 3.
- NG >> Replace EVAP canister.

2. CHECK PURGE FLOW

DTC P0441 EVAP CONTROL SYSTEM

< SERVICE INFORMATION >

[QR]

¹ With CONSULT-III

1. Disconnect vacuum hose connected to EVAP canister purge volume control solenoid valve at EVAP service port and install vacuum gauge. For the location of EVAP service port, refer to [EC-544, "Description"](#).
2. Start engine and let it idle.
3. Select "PURG VOL CONT/V" in "ACTIVE TEST" mode with CONSULT-III.
4. Rev engine up to 2,000 rpm.
5. Touch "Qd" and "Qu" on CONSULT-III screen to adjust "PURG VOL CONT/V" opening and check vacuum existence.

PURG VOL CONT/V	VACUUM
100%	Should exist.
0%	Should not exist.

OK or NG

- OK >> GO TO 7.
NG >> GO TO 4.

3. CHECK PURGE FLOW

Without CONSULT-III

1. Start engine and warm it up to normal operating temperature.
2. Stop engine.
3. Disconnect vacuum hose connected to EVAP canister purge volume control solenoid valve at EVAP service port and install vacuum gauge. For the location of EVAP service port, refer to [EC-544, "Description"](#).
4. Start engine and let it idle.
Do not depress accelerator pedal even slightly.
5. Check vacuum gauge indication before 60 seconds passed after starting engine.

Vacuum should not exist.

6. Revving engine up to 2,000 rpm after 100 seconds passed after starting engine.

Vacuum should exist.

OK or NG

- OK >> GO TO 7.
NG >> GO TO 4.

4. CHECK EVAP PURGE LINE

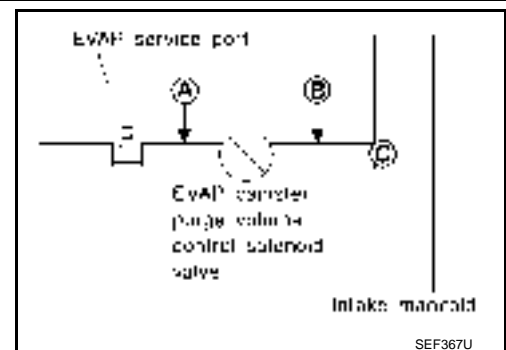
1. Turn ignition switch OFF.
2. Check EVAP purge line for improper connection or disconnection.
Refer to [EC-544, "Description"](#).

OK or NG

- OK >> GO TO 5.
NG >> Repair it.

5. CHECK EVAP PURGE HOSE AND PURGE PORT

1. Disconnect purge hoses connected to EVAP service port **A** and EVAP canister purge volume control solenoid valve **B**.
2. Blow air into each hose and EVAP purge port **C**.



DTC P0441 EVAP CONTROL SYSTEM

[QR]

< SERVICE INFORMATION >

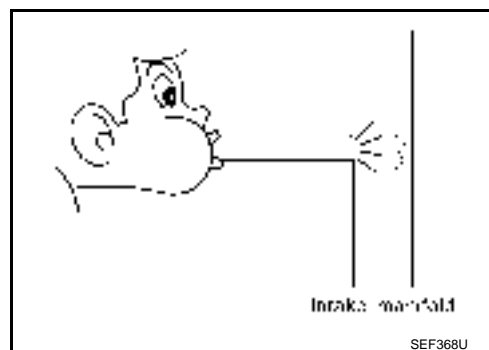
3. Check that air flows freely.

OK or NG

OK (With CONSULT-III)>>GO TO 6.

OK (Without CONSULT-III)>>GO TO 7.

NG >> Repair or clean hoses and/or purge port.



6.CHECK EVAP CANISTER PURGE VOLUME CONTROL SOLENOID VALVE

With CONSULT-III

1. Start engine.

2. Perform "PURG VOL CONT/V" in "ACTIVE TEST" mode with CONSULT-III. Check that engine speed varies according to the valve opening.

OK or NG

OK >> GO TO 8.

NG >> GO TO 7.

7.CHECK EVAP CANISTER PURGE VOLUME CONTROL SOLENOID VALVE

Refer to [EC-856](#). "Component Inspection".

OK or NG

OK >> GO TO 8.

NG >> Replace EVAP canister purge volume control solenoid valve.

8.CHECK EVAP CONTROL SYSTEM PRESSURE SENSOR CONNECTOR

1. Disconnect EVAP control system pressure sensor harness connector.

2. Check connectors for water.

Water should not exist

OK or NG

OK >> GO TO 9.

NG >> Replace EVAP control system pressure sensor.

9.CHECK EVAP CONTROL SYSTEM PRESSURE SENSOR FUNCTION

Refer to [EC-871](#) for DTC P0452 and [EC-878](#) for DTC P0453.

OK or NG

OK >> GO TO 10.

NG >> Replace EVAP control system pressure sensor.

10.CHECK RUBBER TUBE FOR CLOGGING

1. Disconnect rubber tube connected to EVAP canister vent control valve.

2. Check the rubber tube for clogging.

OK or NG

OK >> GO TO 11.

NG >> Clean the rubber tube using an air blower.

11.CHECK EVAP CANISTER VENT CONTROL VALVE

Refer to [EC-860](#). "Component Inspection".

OK or NG

OK >> GO TO 12.

NG >> Replace EVAP canister vent control valve.

12.CHECK EVAP PURGE LINE

Inspect EVAP purge line (pipe and rubber tube). Check for evidence of leaks.

DTC P0441 EVAP CONTROL SYSTEM

[QR]

< SERVICE INFORMATION >

Refer to [EC-544. "Description"](#).

OK or NG

OK >> GO TO 13.

NG >> Replace it.

13.CLEAN EVAP PURGE LINE

Clean EVAP purge line (pipe and rubber tube) using air blower.

>> GO TO 14.

14.CHECK INTERMITTENT INCIDENT

Refer to [EC-643](#).

>> **INSPECTION END**

DTC P0442 EVAP CONTROL SYSTEM

< SERVICE INFORMATION >

[QR]

DTC P0442 EVAP CONTROL SYSTEM

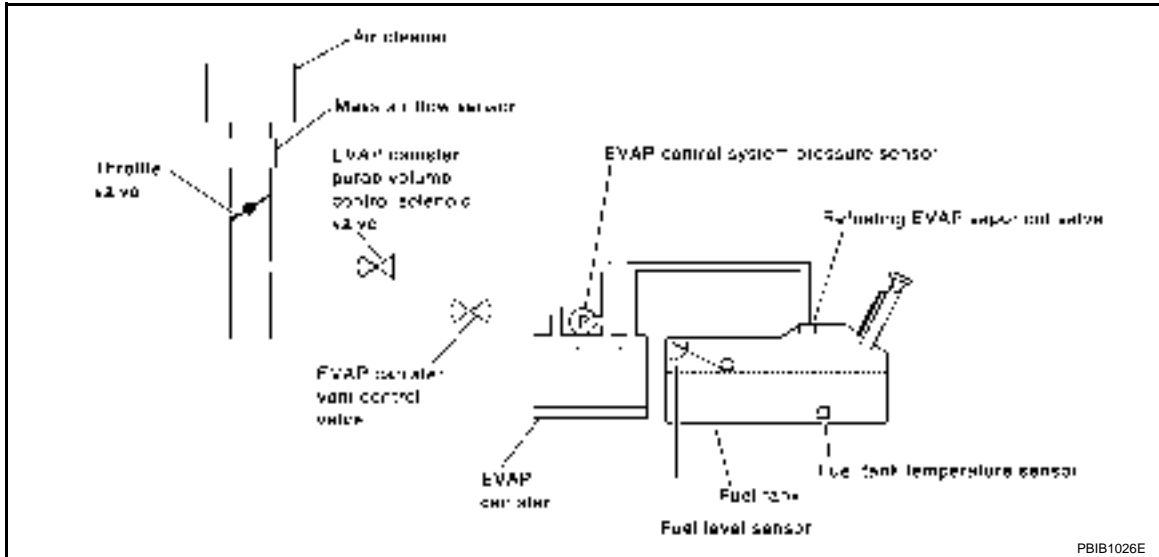
On Board Diagnosis Logic

INFOID:000000001850537

This diagnosis detects leaks in the EVAP purge line using engine intake manifold vacuum.

If pressure does not increase, the ECM will check for leaks in the line between the fuel tank and EVAP canister purge volume control solenoid valve, under the following Vacuum test conditions.

The EVAP canister vent control valve is closed to shut the EVAP purge line off. The EVAP canister purge volume control solenoid valve will then be opened to depressurize the EVAP purge line using intake manifold vacuum. After this occurs, the EVAP canister purge volume control solenoid valve will be closed.



DTC No.	Trouble diagnosis name	DTC detecting condition	Possible cause
P0442 0442	EVAP control system small leak detected (negative pressure)	EVAP control system has a leak, EVAP control system does not operate properly.	<ul style="list-style-type: none"> • Incorrect fuel tank vacuum relief valve • Incorrect fuel filler cap used • Fuel filler cap remains open or fails to close. • Foreign matter caught in fuel filler cap. • Leak is in line between intake manifold and EVAP canister purge volume control solenoid valve. • Foreign matter caught in EVAP canister vent control valve. • EVAP canister or fuel tank leaks • EVAP purge line (pipe and rubber tube) leaks • EVAP purge line rubber tube bent • Loose or disconnected rubber tube • EVAP canister vent control valve and the circuit • EVAP canister purge volume control solenoid valve and the circuit • Fuel tank temperature sensor • O-ring of EVAP canister vent control valve is missing or damaged • EVAP canister is saturated with water • EVAP control system pressure sensor • Fuel level sensor and the circuit • Refueling EVAP vapor cut valve • ORVR system leaks

CAUTION:

- Use only a genuine NISSAN fuel filler cap as a replacement. If an incorrect fuel filler cap is used, the MIL may come on.
- If the fuel filler cap is not tightened properly, the MIL may come on.
- Use only a genuine NISSAN rubber tube as a replacement.

DTC Confirmation Procedure

INFOID:000000001850538

NOTE:

DTC P0442 EVAP CONTROL SYSTEM

[QR]

< SERVICE INFORMATION >

If DTC Confirmation Procedure has been previously conducted, always turn ignition switch OFF and wait at least 10 seconds before conducting the next test.

TESTING CONDITION:

- Perform "DTC WORK SUPPORT" when the fuel level is between 1/4 and 3/4 full, and vehicle is placed on flat level surface.
- Always perform test at a temperature of 0 to 10°C (32 to 140°F).
- Open engine hood before conducting following procedure.

WITH CONSULT-III

1. Turn ignition switch ON.
2. Turn ignition switch OFF and wait at least 10 seconds.
3. Turn ignition switch ON and select "DATA MONITOR" mode with CONSULT-III.
4. Check the following conditions are met.
COOLAN TEMP/S: 0 - 100°C (32 - 212°F)
INT/A TEMP SE: 0 - 60°C (32 - 140°F)
5. Select "EVAP SML LEAK P0442/P1442" of "EVAPORATIVE SYSTEM" in "DTC WORK SUPPORT" mode with CONSULT-III.
Follow the instruction displayed.
NOTE:
If the engine speed cannot be maintained within the range displayed on the CONSULT-III screen, go to [EC-584, "Basic Inspection"](#).
6. Make sure that "OK" is displayed.
If "NG" is displayed, refer to [EC-838, "Diagnosis Procedure"](#).

WITH GST

NOTE:

Be sure to read the explanation of Driving Pattern on [EC-559, "Emission-related Diagnostic Information"](#) before driving vehicle.

1. Start engine.
2. Drive vehicle according to Driving Pattern, [EC-559, "Emission-related Diagnostic Information"](#)
3. Stop vehicle.
4. Turn ignition switch OFF and wait at least 10 seconds and then turn ignition switch ON.
5. Select Service \$07 with GST.
 - If P0442 is displayed on the screen, go to [EC-838, "Diagnosis Procedure"](#).
 - If P0441 is displayed on the screen, go to [EC-833, "Diagnosis Procedure"](#) for DTC P0441.

Diagnosis Procedure

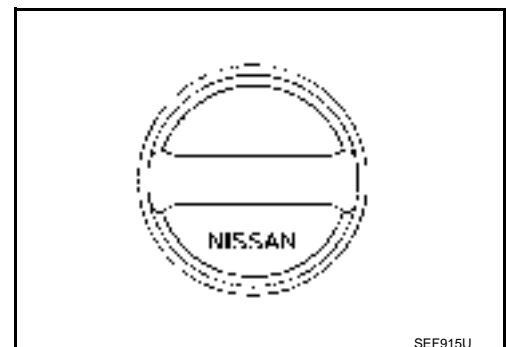
INFOID:000000001850539

1. CHECK FUEL FILLER CAP DESIGN

1. Turn ignition switch OFF.
2. Check for genuine NISSAN fuel filler cap design.

OK or NG

- OK >> GO TO 2.
- NG >> Replace with genuine NISSAN fuel filler cap.



SEF915U

2. CHECK FUEL FILLER CAP INSTALLATION

Check that the cap is tightened properly by rotating the cap clockwise.

OK or NG

- OK >> GO TO 3.
- NG >> 1. Open fuel filler cap, then clean cap and fuel filler neck threads using air blower.
2. Retighten until ratcheting sound is heard.

3. CHECK FUEL FILLER CAP FUNCTION

DTC P0442 EVAP CONTROL SYSTEM

[QR]

< SERVICE INFORMATION >

Check for air releasing sound while opening the fuel filler cap.

OK or NG

- OK >> GO TO 5.
- NG >> GO TO 4.

4. CHECK FUEL TANK VACUUM RELIEF VALVE

Refer to [EC-546, "Component Inspection"](#).

OK or NG

- OK >> GO TO 5.
- NG >> Replace fuel filler cap with a genuine one.

5. INSTALL THE PRESSURE PUMP

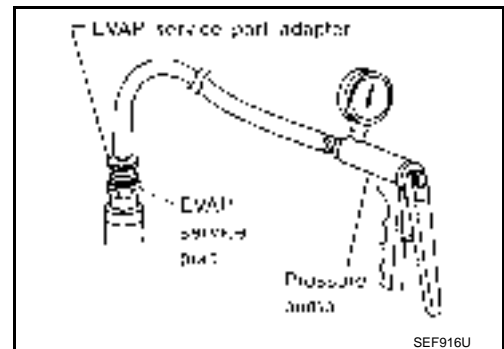
To locate the EVAP leak, install EVAP service port (1) adapter and pressure pump to EVAP service port securely.

For the location of EVAP service port, refer to [EC-544, "Description"](#).

- : Vehicle front

NOTE:

Improper installation of the EVAP service port adapter to the EVAP service port may cause leaking.



- With CONSULT-III >> GO TO 6.
- Without CONSULT-III >> GO TO 7.

6. CHECK FOR EVAP LEAK

With CONSULT-III

1. Turn ignition switch ON.
2. Select "EVAP SYSTEM CLOSE" of "WORK SUPPORT" mode with CONSULT-III.
3. Touch "START" and apply pressure into the EVAP line until the pressure indicator reaches the middle of the bar graph.

CAUTION:

- Never use compressed air or a high pressure pump.
- Do not exceed 4.12 kPa (0.042 kg/cm², 0.6 psi) of pressure in the system.

DTC P0442 EVAP CONTROL SYSTEM

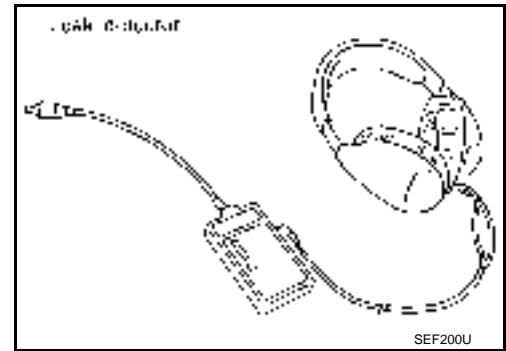
[QR]

< SERVICE INFORMATION >

- Using EVAP leak detector, locate the EVAP leak. For the leak detector, refer to the instruction manual for more details. Refer to [EC-544, "Description"](#).

OK or NG

- OK >> GO TO 8.
NG >> Repair or replace.



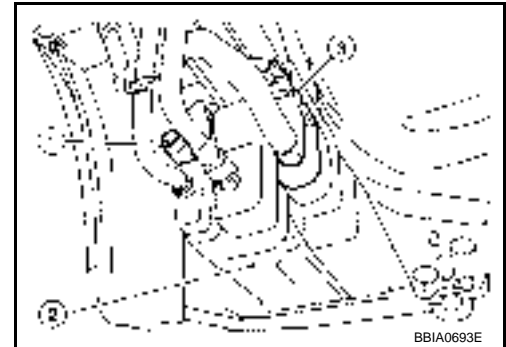
7. CHECK FOR EVAP LEAK

✗ Without CONSULT-III

- Turn ignition switch OFF.
- Apply 12 volts DC to EVAP canister vent control valve. The valve will close. (Continue to apply 12 volts until the end of test.)
 - This illustration is a view from under vehicle
 - EVAP control system pressure sensor (1)
 - EVAP canister (2)
 - EVAP canister vent control valve (3)
- Pressurize the EVAP line using pressure pump with 1.3 to 2.7 kPa (10 to 20 mmHg, 0.39 to 0.79 inHg), then remove pump and EVAP service port adapter.

CAUTION:

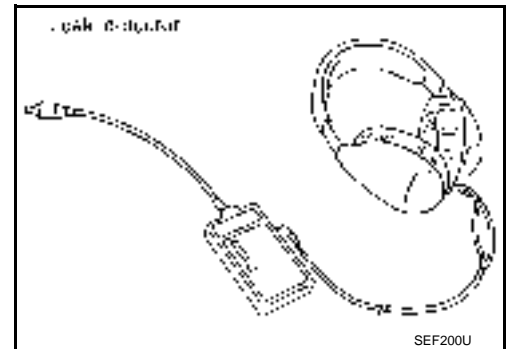
- Never use compressed air or a high pressure pump.
- Do not exceed 4.12 kPa (0.042 kg/cm², 0.6 psi) of pressure in the system.



- Using EVAP leak detector, locate the EVAP leak. For the leak detector, refer to the instruction manual for more details. Refer to [EC-544, "Description"](#).

OK or NG

- OK >> GO TO 8.
NG >> Repair or replace.



8. CHECK EVAP CANISTER VENT CONTROL VALVE

Check the following,

- EVAP canister vent control valve is installed properly. Refer to [EC-547, "Removal and Installation"](#).
- EVAP canister vent control valve. Refer to [EC-860, "Component Inspection"](#).

OK or NG

- OK >> GO TO 9.
NG >> Repair or replace EVAP canister vent control valve and O-ring.

9. CHECK IF EVAP CANISTER SATURATED WITH WATER

- Remove EVAP canister with EVAP canister vent control valve and EVAP control system pressure sensor attached.

DTC P0442 EVAP CONTROL SYSTEM

< SERVICE INFORMATION >

[QR]

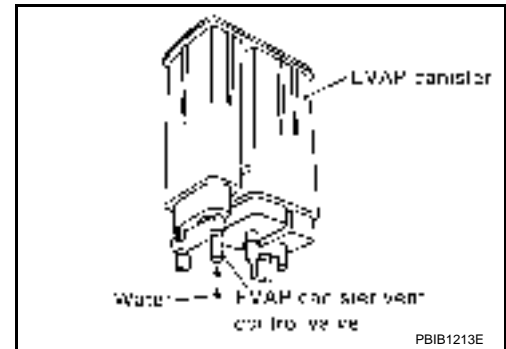
2. Does water drain from the EVAP canister?

Yes or No

Yes >> GO TO 10.

No (With CONSULT-III)>>GO TO 12.

No (Without CONSULT-III)>>GO TO 13.



10. CHECK EVAP CANISTER

Weigh the EVAP canister with the EVAP canister vent control valve and EVAP control system pressure sensor attached.

The weight should be less than 1.9 kg (4.2 lb).

OK or NG

OK (With CONSULT-III)>>GO TO 12.

OK (Without CONSULT-III)>>GO TO 13.

NG >> GO TO 11.

11. DETECT MALFUNCTIONING PART

Check the following.

- EVAP canister for damage
- EVAP hose connected to EVAP canister for clogging or poor connection

>> Repair hose or replace EVAP canister.

12. CHECK EVAP CANISTER PURGE VOLUME CONTROL SOLENOID VALVE OPERATION

With CONSULT-III

1. Disconnect vacuum hose to EVAP canister purge volume control solenoid valve at EVAP service port.
2. Start engine.
3. Perform "PURG VOL CONT/V" in "ACTIVE TEST" mode.
4. Touch "Qu" on CONSULT-III screen to increase "PURG VOL CONT/V" opening to 100%.
5. Check vacuum hose for vacuum.

Vacuum should exist.

OK or NG

OK >> GO TO 15.

NG >> GO TO 14.

13. CHECK EVAP CANISTER PURGE VOLUME CONTROL SOLENOID VALVE OPERATION

Without CONSULT-III

1. Start engine and warm it up to normal operating temperature.
2. Stop engine.
3. Disconnect vacuum hose to EVAP canister purge volume control solenoid valve at EVAP service port.
4. Start engine and let it idle for at least 80 seconds.
5. Check vacuum hose for vacuum when revving engine up to 2,000 rpm.

Vacuum should exist.

OK or NG

OK >> GO TO 16.

NG >> GO TO 14.

14. CHECK VACUUM HOSE

Check vacuum hoses for clogging or disconnection. Refer to [EC-611, "Vacuum Hose Drawing"](#).

OK or NG

DTC P0442 EVAP CONTROL SYSTEM

[QR]

< SERVICE INFORMATION >

- OK >> GO TO 15.
- NG >> Repair or reconnect the hose.

15. CHECK EVAP CANISTER PURGE VOLUME CONTROL SOLENOID VALVE

Refer to [EC-856, "Component Inspection"](#).

OK or NG

- OK >> GO TO 16.
- NG >> Replace EVAP canister purge volume control solenoid valve.

16. CHECK FUEL TANK TEMPERATURE SENSOR

Refer to [EC-796, "Component Inspection"](#).

OK or NG

- OK >> GO TO 17.
- NG >> Replace fuel level sensor unit.

17. CHECK EVAP CONTROL SYSTEM PRESSURE SENSOR

Refer to [EC-877, "Component Inspection"](#).

OK or NG

- OK >> GO TO 18.
- NG >> Replace EVAP control system pressure sensor.

18. CHECK EVAP PURGE LINE

Check EVAP purge line (pipe, rubber tube, fuel tank and EVAP canister) for cracks or improper connection.
Refer to [EC-544](#).

OK or NG

- OK >> GO TO 19.
- NG >> Repair or reconnect the hose.

19. CLEAN EVAP PURGE LINE

Clean EVAP purge line (pipe and rubber tube) using air blower.

>> GO TO 20.

20. CHECK EVAP/ORVR LINE

Check EVAP/ORVR line between EVAP canister and fuel tank for clogging, kink, looseness and improper connection. For location, refer to [EC-550](#).

OK or NG

- OK >> GO TO 21.
- NG >> Repair or replace hoses and tubes.

21. CHECK RECIRCULATION LINE

Check recirculation line between filler neck tube and fuel tank for clogging, kink, cracks, looseness and improper connection.

OK or NG

- OK >> GO TO 22.
- NG >> Repair or replace hoses, tubes or filler neck tube.

22. CHECK REFUELING EVAP VAPOR CUT VALVE

Refer to [EC-552, "Component Inspection"](#).

OK or NG

- OK >> GO TO 23.
- NG >> Replace refueling EVAP vapor cut valve with fuel tank.

23. CHECK FUEL LEVEL SENSOR

Refer to [FL-5](#).

OK or NG

- OK >> GO TO 24.

DTC P0442 EVAP CONTROL SYSTEM

< SERVICE INFORMATION >

[QR]

NG >> Replace fuel level sensor unit.

24.CHECK INTERMITTENT INCIDENT

Refer to [EC-643](#).

>> INSPECTION END

A

EC

C

D

E

F

G

H

I

J

K

L

M

N

O

P

DTC P0443 EVAP CANISTER PURGE VOLUME CONTROL SOLENOID VALVE

< SERVICE INFORMATION >

[QR]

DTC P0443 EVAP CANISTER PURGE VOLUME CONTROL SOLENOID VALVE

Description

INFOID:000000001850540

SYSTEM DESCRIPTION

Sensor	Input Signal to ECM	ECM function	Actuator
Crankshaft position sensor (POS) Camshaft position sensor (PHASE)	Engine speed*1	EVAP canister purge flow control	EVAP canister purge volume control solenoid valve
Mass air flow sensor	Amount of intake air		
Engine coolant temperature sensor	Engine coolant temperature		
Battery	Battery voltage*1		
Throttle position sensor	Throttle position		
Accelerator pedal position sensor	Accelerator pedal position		
Air fuel ratio (A/F) sensor 1	Density of oxygen in exhaust gas (Mixture ratio feedback signal)		
Fuel tank temperature sensor	Fuel temperature in fuel tank		
Wheel sensor	Vehicle speed*2		

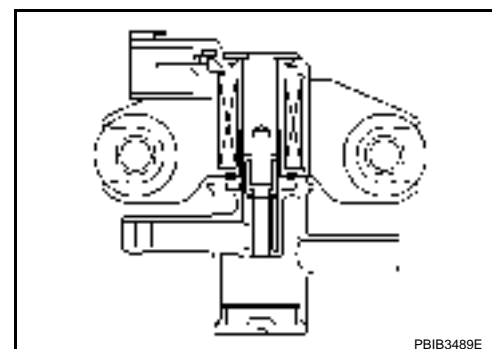
*1: ECM determines the start signal status by the signals of engine speed and battery voltage.

*2: This signal is sent to the ECM though CAN communication line.

This system controls flow rate of fuel vapor from the EVAP canister. The opening of the vapor by-pass passage in the EVAP canister purge volume control solenoid valve changes to control the flow rate. The EVAP canister purge volume control solenoid valve repeats ON/OFF operation according to the signal sent from the ECM. The opening of the valve varies for optimum engine control. The optimum value stored in the ECM is determined by considering various engine conditions. When the engine is operating, the flow rate of fuel vapor from the EVAP canister is regulated as the air flow changes.

COMPONENT DESCRIPTION

The EVAP canister purge volume control solenoid valve uses a ON/OFF duty to control the flow rate of fuel vapor from the EVAP canister. The EVAP canister purge volume control solenoid valve is moved by ON/OFF pulses from the ECM. The longer the ON pulse, the greater the amount of fuel vapor that will flow through the valve.



CONSULT-III Reference Value in Data Monitor Mode

INFOID:000000001850541

Specification data are reference values.

MONITOR ITEM	CONDITION	SPECIFICATION
PURG VOL C/V	<ul style="list-style-type: none"> Engine: After warming up Shift lever: P or N (CVT), Neutral (M/T) Air conditioner switch: OFF No load 	Idle (Accelerator pedal: Not depressed even slightly, after engine starting)
		2,000 rpm

DTC P0443 EVAP CANISTER PURGE VOLUME CONTROL SOLENOID VALVE

< SERVICE INFORMATION >

[QR]

On Board Diagnosis Logic

INFOID:000000001850542

DTC No.	Trouble diagnosis name	DTC detecting condition	Possible cause
P0443 0443	EVAP canister purge volume control solenoid valve	The canister purge flow is detected during the specified driving conditions, even when EVAP canister purge volume control solenoid valve is completely closed.	<ul style="list-style-type: none">• EVAP control system pressure sensor• EVAP canister purge volume control solenoid valve (EVAP canister purge volume control solenoid valve is stuck open.)• EVAP canister vent control valve• EVAP canister• Hoses (Hoses are connected incorrectly or clogged.)

DTC Confirmation Procedure

INFOID:000000001850543

NOTE:

If DTC Confirmation Procedure has been previously conducted, always turn ignition switch OFF and wait at least 10 seconds before conducting the next test.

TESTING CONDITION:

Always perform test at a temperature of 5°C (41°F) or more.

▸ WITH CONSULT-III

1. Start engine and warm it up to normal operating temperature.
2. Turn ignition switch OFF and wait at least 10 seconds.
3. Turn ignition switch ON.
4. Select "PURG VOL CN/V P1444" of "EVAPORATIVE SYSTEM" in "DTC WORK SUPPORT" mode with CONSULT-III.
5. Touch "START".
6. Start engine and let it idle until "TESTING" on CONSULT-III changes to "COMPLETED". (It will take approximately 10 seconds.)
If "TESTING" is not displayed after 5 minutes, retry from step 2.
7. Make sure that "OK" is displayed after touching "SELF-DIAG RESULTS". If "NG" is displayed, refer to [EC-847, "Diagnosis Procedure"](#).

▸ WITH GST

1. Start engine and warm it up to normal operating temperature.
2. Turn ignition switch OFF and wait at least 10 seconds.
3. Start engine and let it idle for at least 20 seconds.
4. Select Service \$07 with GST.
5. If 1st trip DTC is detected, go to [EC-847, "Diagnosis Procedure"](#).

DTC P0443 EVAP CANISTER PURGE VOLUME CONTROL SOLENOID VALVE

< SERVICE INFORMATION >

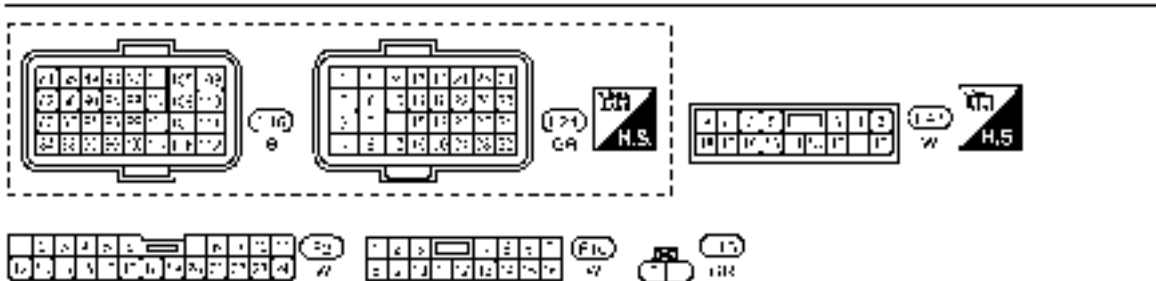
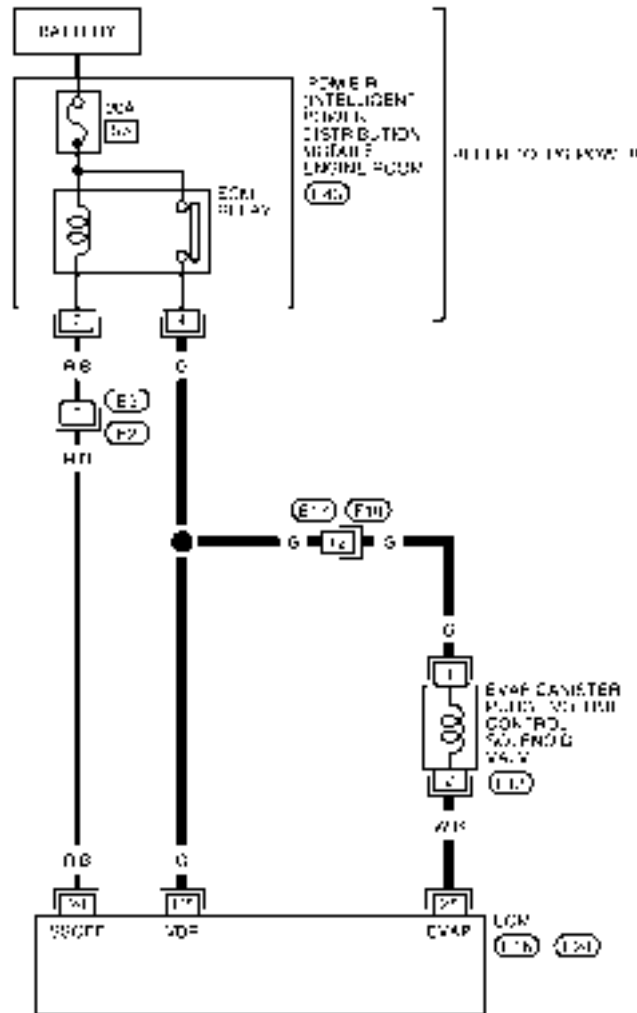
[QR]

Wiring Diagram

INFOID:00000002994092

EC-PGCV-01

— DETECTABLE LINE FOR DTC
 - - - NON-DETECTABLE LINE FOR DTC



BBWA3042E

Specification data are reference values and are measured between each terminal and ground. Pulse signal is measured by CONSULT-III.

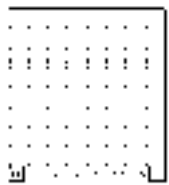
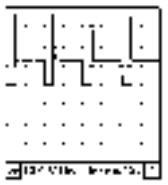
CAUTION:

DTC P0443 EVAP CANISTER PURGE VOLUME CONTROL SOLENOID VALVE

< SERVICE INFORMATION >

[QR]

Do not use ECM ground terminals when measuring input/output voltage. Doing so may result in damage to the ECM's transistor. Use a ground other than ECM terminals, such as the ground.

TERMI- NAL NO.	WIRE COLOR	ITEM	CONDITION	DATA (DC Voltage)
24	R/B	ECM relay (Self shut-off)	[Engine is running] [Ignition switch: OFF] • For a few seconds after turning ignition switch OFF	0 - 1.0V
			[Ignition switch: OFF] • More than a few seconds after turning ignition switch OFF	BATTERY VOLTAGE (11 - 14V)
25	W/B	EVAP canister purge volume control solenoid valve	[Engine is running] • Idle speed • Accelerator pedal: Not depressed even slightly, after engine starting.	BATTERY VOLTAGE (11 - 14V)★  PBIB0050E
			[Engine is running] • Engine speed: About 2,000 rpm (More than 100 seconds after starting engine)	BATTERY VOLTAGE (11 - 14V)★  PBIB0520E
105	G	Power supply for ECM	[Ignition switch: ON]	BATTERY VOLTAGE (11 - 14V)

★: Average voltage for pulse signal (Actual pulse signal can be confirmed by oscilloscope.)

Diagnosis Procedure

INFOID:000000001850545

1. CHECK EVAP CANISTER PURGE VOLUME CONTROL SOLENOID VALVE POWER SUPPLY CIRCUIT

- Turn ignition switch OFF.
- Disconnect EVAP canister purge volume control solenoid valve (1) harness connector.
- Turn ignition switch ON.



BBAIA0908E

DTC P0443 EVAP CANISTER PURGE VOLUME CONTROL SOLENOID VALVE

[QR]

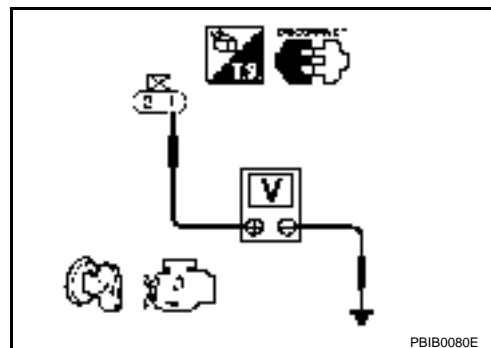
< SERVICE INFORMATION >

4. Check voltage between EVAP canister purge volume control solenoid valve terminal 1 and ground with CONSULT-III or tester.

Voltage: Battery voltage

OK or NG

- OK >> GO TO 3.
- NG >> GO TO 2.



2. DETECT MALFUNCTIONING PART

Check the following.

- Harness connectors E17, F10
- Harness for open or short between EVAP canister purge volume control solenoid valve and IPDM E/R
- Harness for open or short between EVAP canister purge volume control solenoid valve and ECM

>> Repair open circuit or short to ground or short to power in harness or connectors.

3. CHECK EVAP CANISTER PURGE VOLUME CONTROL SOLENOID VALVE OUTPUT SIGNAL CIRCUIT FOR OPEN AND SHORT

1. Turn ignition switch OFF.
2. Disconnect ECM harness connector.
3. Check harness continuity between ECM terminal 25 and EVAP canister purge volume control solenoid valve terminal 2. Refer to Wiring Diagram.

Continuity should exist.

4. Also check harness for short to ground and short to power.

OK or NG

- OK >> GO TO 4.
- NG >> Repair open circuit or short to ground or short to power in harness or connectors.

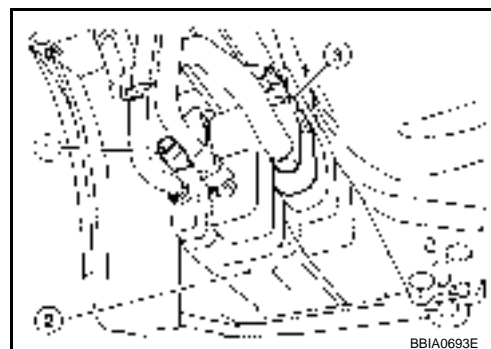
4. CHECK EVAP CONTROL SYSTEM PRESSURE SENSOR CONNECTOR

1. Disconnect EVAP control system pressure sensor harness connector.
 - This illustration is a view from under vehicle
 - EVAP control system pressure sensor (1)
 - EVAP canister (2)
 - EVAP canister vent control valve (3)
2. Check connectors for water.

Water should not exist.

OK or NG

- OK >> GO TO 5.
- NG >> Replace EVAP control system pressure sensor.



5. CHECK EVAP CONTROL SYSTEM PRESSURE SENSOR

Refer to [EC-877. "Component Inspection"](#).

OK or NG

- OK (With CONSULT-III) >> GO TO 6.
- OK (Without CONSULT-III) >> GO TO 7.
- NG >> Replace EVAP control system pressure sensor.

6. CHECK EVAP CANISTER PURGE VOLUME CONTROL SOLENOID VALVE

¹ **With CONSULT-III**

1. Turn ignition switch OFF.

DTC P0443 EVAP CANISTER PURGE VOLUME CONTROL SOLENOID VALVE

[QR]

< SERVICE INFORMATION >

2. Reconnect harness connectors disconnected.
3. Start engine.
4. Perform "PURG VOL CONT/V" in "ACTIVE TEST" mode with CONSULT-III. Check that engine speed varies according to the valve opening.

OK or NG

- OK >> GO TO 8.
NG >> GO TO 7.

7. CHECK EVAP CANISTER PURGE VOLUME CONTROL SOLENOID VALVE

Refer to [EC-850, "Component Inspection"](#).

OK or NG

- OK >> GO TO 8.
NG >> Replace EVAP canister purge volume control solenoid valve.

8. CHECK RUBBER TUBE FOR CLOGGING

1. Disconnect rubber tube connected to EVAP canister vent control valve.
2. Check the rubber tube for clogging.

OK or NG

- OK >> GO TO 9.
NG >> Clean the rubber tube using an air blower.

9. CHECK EVAP CANISTER VENT CONTROL VALVE

Refer to [EC-860, "Component Inspection"](#).

OK or NG

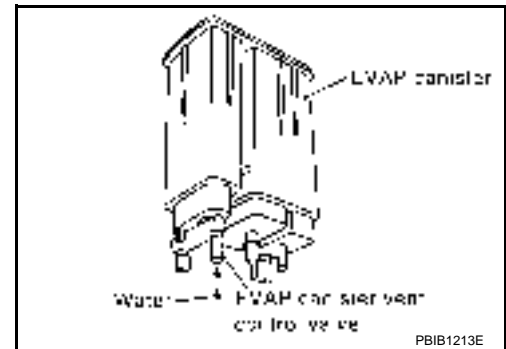
- OK >> GO TO 10.
NG >> Replace EVAP canister vent control valve.

10. CHECK IF EVAP CANISTER SATURATED WITH WATER

1. Remove EVAP canister with EVAP canister vent control valve attached.
2. Does water drain from the EVAP canister?

YES or NO

- YES >> GO TO 11.
NO >> GO TO 13.



11. CHECK EVAP CANISTER

Weigh the EVAP canister with the EVAP canister vent control valve and EVAP control system pressure sensor attached.

The weight should be less than 1.9 kg (4.2 lb).

OK or NG

- OK >> GO TO 13.
NG >> GO TO 12.

12. DETECT MALFUNCTIONING PART

Check the following.

- EVAP canister for damage
- EVAP hose between EVAP canister and vehicle frame for clogging or poor connection

>> Repair hose or replace EVAP canister.

DTC P0443 EVAP CANISTER PURGE VOLUME CONTROL SOLENOID VALVE

< SERVICE INFORMATION >

[QR]

13. CHECK INTERMITTENT INCIDENT

Refer to [EC-643](#).

>> **INSPECTION END**

Component Inspection

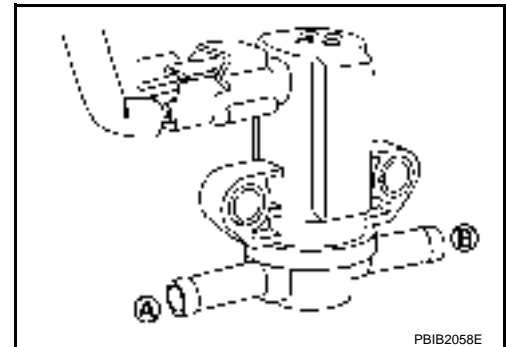
INFOID:000000001850546

EVAP CANISTER PURGE VOLUME CONTROL SOLENOID VALVE

1 With CONSULT-III

Check air passage continuity of EVAP canister purge volume control solenoid valve under the following conditions.

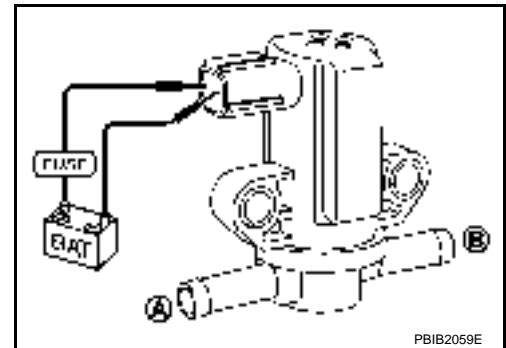
Condition (PURG VOL CONT/V value)	Air passage continuity between A and B
100%	Yes
0%	No



2 Without CONSULT-III

Check air passage continuity of EVAP canister purge volume control solenoid valve under the following conditions.

Condition	Air passage continuity between A and B
12V direct current supply between terminals 1 and 2	Yes
No supply	No



Removal and Installation

INFOID:000000001850547

EVAP CANISTER PURGE VOLUME CONTROL SOLENOID VALVE

Refer to [EM-128](#).

DTC P0444, P0445 EVAP CANISTER PURGE VOLUME CONTROL SOLENOID VALVE

< SERVICE INFORMATION >

[QR]

DTC P0444, P0445 EVAP CANISTER PURGE VOLUME CONTROL SOLENOID VALVE

Description

INFOID:000000001850548

SYSTEM DESCRIPTION

Sensor	Input Signal to ECM	ECM function	Actuator
Crankshaft position sensor (POS) Camshaft position sensor (PHASE)	Engine speed*1	EVAP canister purge flow control	EVAP canister purge volume control solenoid valve
Mass air flow sensor	Amount of intake air		
Engine coolant temperature sensor	Engine coolant temperature		
Battery	Battery voltage*1		
Throttle position sensor	Throttle position		
Accelerator pedal position sensor	Accelerator pedal position		
Air fuel ratio (A/F) sensor 1	Density of oxygen in exhaust gas (Mixture ratio feedback signal)		
Fuel tank temperature sensor	Fuel temperature in fuel tank		
Wheel sensor	Vehicle speed*2		

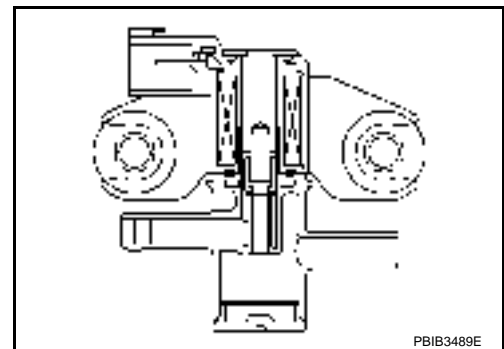
*1: The ECM determines the start signal status by the signal of engine speed and battery voltage.

*2: This signal is sent to the ECM through CAN communication line.

This system controls flow rate of fuel vapor from the EVAP canister. The opening of the vapor by-pass passage in the EVAP canister purge volume control solenoid valve changes to control the flow rate. The EVAP canister purge volume control solenoid valve repeats ON/OFF operation according to the signal sent from the ECM. The opening of the valve varies for optimum engine control. The optimum value stored in the ECM is determined by considering various engine conditions. When the engine is operating, the flow rate of fuel vapor from the EVAP canister is regulated as the air flow changes.

COMPONENT DESCRIPTION

The EVAP canister purge volume control solenoid valve uses a ON/OFF duty to control the flow rate of fuel vapor from the EVAP canister. The EVAP canister purge volume control solenoid valve is moved by ON/OFF pulses from the ECM. The longer the ON pulse, the greater the amount of fuel vapor that will flow through the valve.



CONSULT-III Reference Value in Data Monitor Mode

INFOID:000000001850549

Specification data are reference values.

MONITOR ITEM	CONDITION		SPECIFICATION
PURG VOL C/V	<ul style="list-style-type: none"> Engine: After warming up Shift lever: P or N (CVT), Neutral (M/T) Air conditioner switch: OFF No load 	Idle (Accelerator pedal: Not depressed even slightly, after engine starting)	0%
		2,000 rpm	20 - 90%

DTC P0444, P0445 EVAP CANISTER PURGE VOLUME CONTROL SOLENOID VALVE

< SERVICE INFORMATION >

[QR]

On Board Diagnosis Logic

INFOID:000000001850550

DTC No.	Trouble diagnosis name	DTC detecting condition	Possible cause
P0444 0444	EVAP canister purge volume control solenoid valve circuit open	An excessively low voltage signal is sent to ECM through the valve	<ul style="list-style-type: none">• Harness or connectors (EVAP canister purge volume control solenoid valve circuit is open or shorted.)• EVAP canister purge volume control solenoid valve
P0445 0445	EVAP canister purge volume control solenoid valve circuit shorted	An excessively high voltage signal is sent to ECM through the valve	<ul style="list-style-type: none">• Harness or connectors (EVAP canister purge volume control solenoid valve circuit is shorted.)• EVAP canister purge volume control solenoid valve

DTC Confirmation Procedure

INFOID:000000001850551

NOTE:

If DTC Confirmation Procedure has been previously conducted, always turn ignition switch OFF and wait at least 10 seconds before conducting the next test.

TESTING CONDITION:

Before performing the following procedure, confirm battery voltage is more than 11V at idle.

1. Start engine and let it idle for at least 13 seconds.
2. Check 1st trip DTC.
3. If 1st trip DTC is detected, go to [EC-854. "Diagnosis Procedure"](#).

DTC P0444, P0445 EVAP CANISTER PURGE VOLUME CONTROL SOLENOID VALVE

< SERVICE INFORMATION >

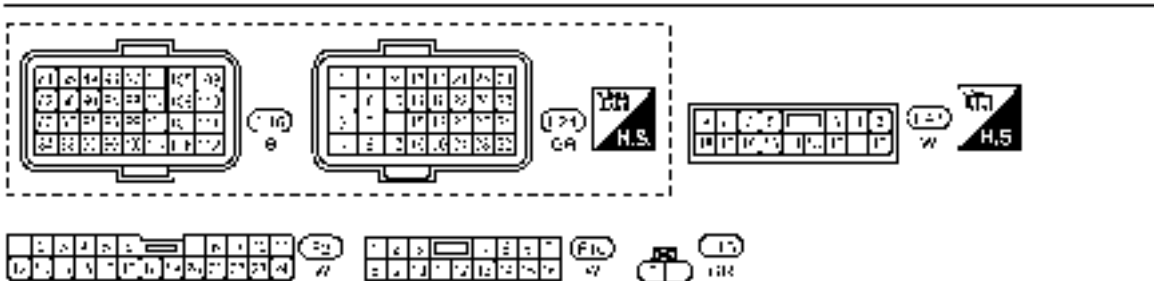
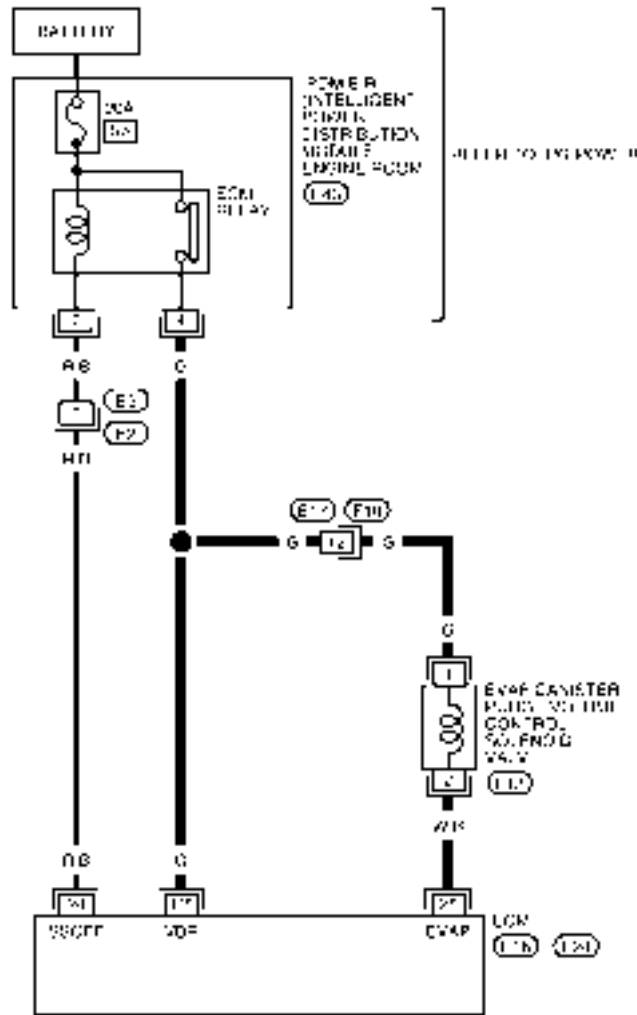
[QR]

Wiring Diagram

INFOID:000000002994098

EC-PGMV-01

— DETECTABLE LINE FOR DTC
 - NON DETECTABLE LINE FOR DTC



BBWA3042E

Specification data are reference values and are measured between each terminal and ground. Pulse signal is measured by CONSULT-III.

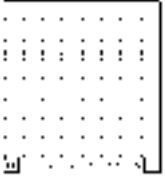

CAUTION:

DTC P0444, P0445 EVAP CANISTER PURGE VOLUME CONTROL SOLENOID VALVE

< SERVICE INFORMATION >

[QR]

Do not use ECM ground terminals when measuring input/output voltage. Doing so may result in damage to the ECM's transistor. Use a ground other than ECM terminals, such as the ground.

TER-MI-NAL NO.	WIRE COLOR	ITEM	CONDITION	DATA (DC Voltage)
24	R/B	ECM relay (Self shut-off)	[Engine is running] [Ignition switch: OFF] <ul style="list-style-type: none"> For a few seconds after turning ignition switch OFF 	0 - 1.0V
			[Ignition switch: OFF] <ul style="list-style-type: none"> More than a few seconds after turning ignition switch OFF 	BATTERY VOLTAGE (11 - 14V)
25	W/B	EVAP canister purge volume control solenoid valve	[Engine is running] <ul style="list-style-type: none"> Idle speed Accelerator pedal: Not depressed even slightly, after engine starting. 	BATTERY VOLTAGE (11 - 14V)★  <small>PBIB0050E</small>
			[Engine is running] <ul style="list-style-type: none"> Engine speed: About 2,000 rpm (More than 100 seconds after starting engine) 	BATTERY VOLTAGE (11 - 14V)★  <small>PBIB0520E</small>
105	G	Power supply for ECM	[Ignition switch: ON]	BATTERY VOLTAGE (11 - 14V)

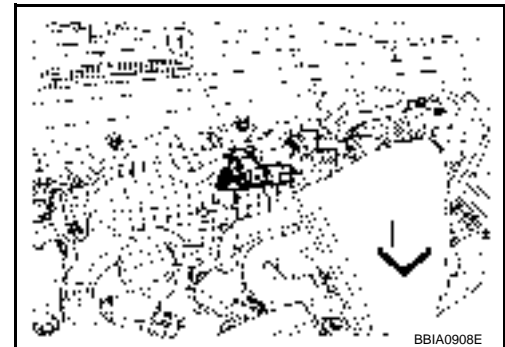
★: Average voltage for pulse signal (Actual pulse signal can be confirmed by oscilloscope.)

Diagnosis Procedure

INFOID:000000001850553

1. CHECK EVAP CANISTER PURGE VOLUME CONTROL SOLENOID VALVE POWER SUPPLY CIRCUIT

1. Turn ignition switch OFF.
2. Disconnect EVAP canister purge volume control solenoid valve (1) harness connector.
- ◀: Vehicle front
3. Turn ignition switch ON.



DTC P0444, P0445 EVAP CANISTER PURGE VOLUME CONTROL SOLENOID VALVE

< SERVICE INFORMATION >

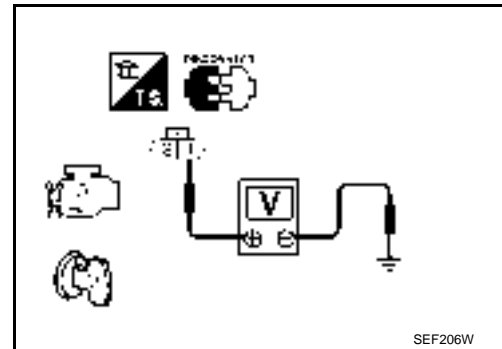
[QR]

4. Check voltage between EVAP canister purge volume control solenoid valve terminal 1 and ground with CONSULT-III or tester.

Voltage: Battery voltage

OK or NG

- OK >> GO TO 3.
- NG >> GO TO 2.



2. DETECT MALFUNCTIONING PART

Check the following.

- Harness connectors E17, F10
- Harness for open or short between EVAP canister purge volume control solenoid valve and IPDM E/R
- Harness for open or short between EVAP canister purge volume control solenoid valve and ECM

>> Repair open circuit or short to ground or short to power in harness or connectors.

3. CHECK EVAP CANISTER PURGE VOLUME CONTROL SOLENOID VALVE OUTPUT SIGNAL CIRCUIT FOR OPEN AND SHORT

1. Turn ignition switch OFF.
2. Disconnect ECM harness connector.
3. Check harness continuity between ECM terminal 25 and EVAP canister purge volume control solenoid valve terminal 2. Refer to Wiring Diagram.

Continuity should exist.

4. Also check harness for short to ground and short to power.

OK or NG

- OK (With CONSULT-III) >> GO TO 4.
- OK (Without CONSULT-III) >> GO TO 5.
- NG >> Repair open circuit or short to ground or short to power in harness or connectors.

4. CHECK EVAP CANISTER PURGE VOLUME CONTROL SOLENOID VALVE OPERATION

With CONSULT-III

1. Reconnect all harness connectors disconnected.
2. Start engine.
3. Perform "PURG VOL CONT/V" in "ACTIVE TEST" mode with CONSULT-III. Check that engine speed varies according to the valve opening.

OK or NG

- OK >> GO TO 6.
- NG >> GO TO 5.

5. CHECK EVAP CANISTER PURGE VOLUME CONTROL SOLENOID VALVE

Refer to [EC-856. "Component Inspection"](#).

OK or NG

- OK >> GO TO 6.
- NG >> Replace EVAP canister purge volume control solenoid valve.

6. CHECK INTERMITTENT INCIDENT

Refer to [EC-643](#).

>> **INSPECTION END**

DTC P0444, P0445 EVAP CANISTER PURGE VOLUME CONTROL SOLENOID VALVE

< SERVICE INFORMATION >

[QR]

Component Inspection

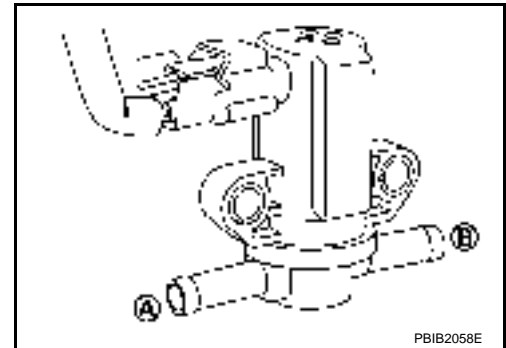
INFOID:000000001850554

EVAP CANISTER PURGE VOLUME CONTROL SOLENOID VALVE

† With CONSULT-III

Check air passage continuity of EVAP canister purge volume control solenoid valve under the following conditions.

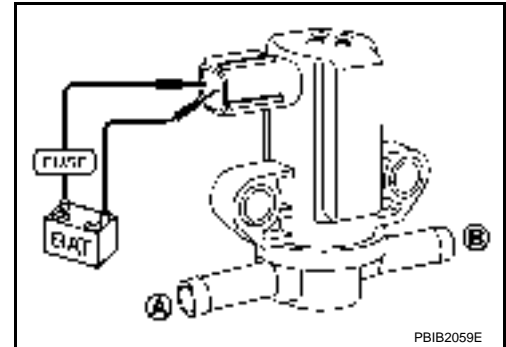
Condition (PURG VOL CONT/V value)	Air passage continuity between A and B
100%	Yes
0%	No



✕ Without CONSULT-III

Check air passage continuity of EVAP canister purge volume control solenoid valve under the following conditions.

Condition	Air passage continuity between A and B
12V direct current supply between terminals 1 and 2	Yes
No supply	No



Removal and Installation

INFOID:000000001850555

EVAP CANISTER PURGE VOLUME CONTROL SOLENOID VALVE

Refer to [EM-128](#).

DTC P0447 EVAP CANISTER VENT CONTROL VALVE

< SERVICE INFORMATION >

[QR]

DTC P0447 EVAP CANISTER VENT CONTROL VALVE

Component Description

INFOID:000000001850556

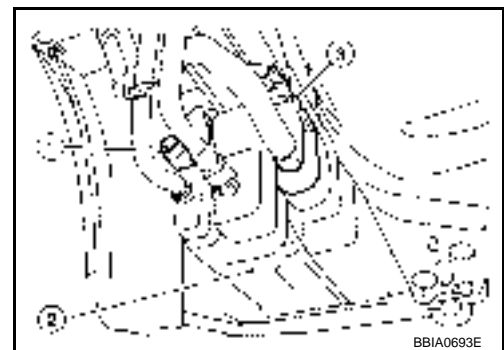
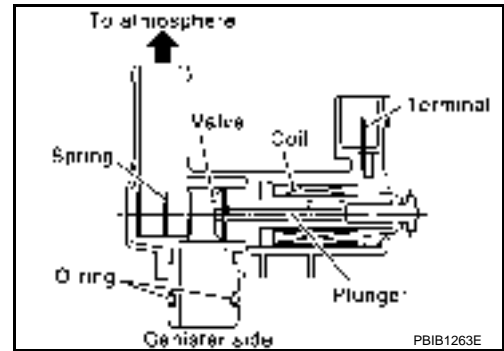
The EVAP canister vent control valve (3) is located on the EVAP canister (2) and is used to seal the canister vent.

This solenoid valve responds to signals from the ECM. When the ECM sends an ON signal, the coil in the solenoid valve is energized. A plunger will then move to seal the canister vent. The ability to seal the vent is necessary for the on board diagnosis of other evaporative emission control system components.

This solenoid valve is used only for diagnosis, and usually remains opened.

When the vent is closed, under normal purge conditions, the evaporative emission control system is depressurized and allows EVAP control system diagnoses.

- This illustration is a view from under vehicle
- EVAP control system pressure sensor (1)



CONSULT-III Reference Value in Data Monitor Mode

INFOID:000000001850557

Specification data are reference values.

MONITOR ITEM	CONDITION	SPECIFICATION
VENT CONT/V	• Ignition switch: ON	OFF

On Board Diagnosis Logic

INFOID:000000001850558

DTC No.	Trouble diagnosis name	DTC detecting condition	Possible cause
P0447 0447	EVAP canister vent control valve circuit open	An improper voltage signal is sent to ECM through EVAP canister vent control valve.	<ul style="list-style-type: none"> • Harness or connectors (EVAP canister vent control valve circuit is open or shorted.) • EVAP canister vent control valve

DTC Confirmation Procedure

INFOID:000000001850559

NOTE:

If DTC Confirmation Procedure has been previously conducted, always turn ignition switch OFF and wait at least 10 seconds before conducting the next test.

TESTING CONDITION:

Before performing the following procedure, confirm battery voltage is more than 11V at idle.

1. Start engine and wait at least 8 seconds.
2. Check 1st trip DTC.
3. If 1st trip DTC is detected, go to [EC-859, "Diagnosis Procedure"](#).

DTC P0447 EVAP CANISTER VENT CONTROL VALVE

< SERVICE INFORMATION >

[QR]

TER-MI-NAL NO.	WIRE COLOR	ITEM	CONDITION	DATA (DC Voltage)
24	R/B	ECM relay (Self shut-off)	[Engine is running] [Ignition switch: OFF] • For a few seconds after turning ignition switch OFF	0 - 1.0V
			[Ignition switch: OFF] • More than a few seconds after turning ignition switch OFF	BATTERY VOLTAGE (11 - 14V)
105	G	Power supply for ECM	[Ignition switch: ON]	BATTERY VOLTAGE (11 - 14V)
109	L/Y	EVAP canister vent control valve	[Ignition switch: ON]	BATTERY VOLTAGE (11 - 14V)

Diagnosis Procedure

INFOID:000000001850561

1. INSPECTION START

1. Do you have CONSULT-III?

Yes or No

Yes >> GO TO 2.

No >> GO TO 3.

2. CHECK EVAP CANISTER VENT CONTROL VALVE CIRCUIT

With CONSULT-III

- Turn ignition switch OFF and then turn ON.
- Select "VENT CONTROL/V" in "ACTIVE TEST" mode with CONSULT-III.
- Touch "ON/OFF" on CONSULT-III screen.
- Check for operating sound of the valve.

Clicking noise should be heard.

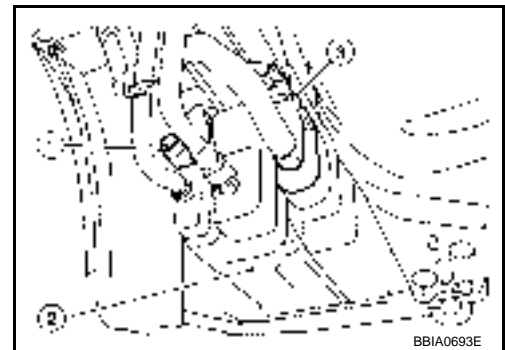
OK or NG

OK >> GO TO 8.

NG >> GO TO 3.

3. CHECK EVAP CANISTER VENT CONTROL VALVE POWER SUPPLY CIRCUIT

- Turn ignition switch OFF.
- Disconnect EVAP canister vent control valve (3) harness connector.
 - This illustration is a view from under vehicle
 - EVAP control system pressure sensor (1)
 - EVAP canister (2)
- Turn ignition switch ON.



DTC P0447 EVAP CANISTER VENT CONTROL VALVE

[QR]

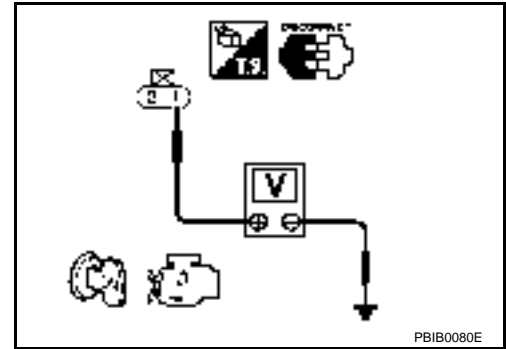
< SERVICE INFORMATION >

4. Check voltage between EVAP canister vent control valve terminal 1 and ground with CONSULT-III or tester.

Voltage: Battery voltage

OK or NG

- OK >> GO TO 5.
- NG >> GO TO 4.



4. DETECT MALFUNCTIONING PART

Check the following.

- Harness connectors B9, E13
- Harness for open or short between EVAP canister vent control valve and IPDM E/R

>> Repair open circuit or short to ground or short to power in harness or connectors.

5. CHECK EVAP CANISTER VENT CONTROL VALVE OUTPUT SIGNAL CIRCUIT FOR OPEN AND SHORT

1. Turn ignition switch OFF.
2. Disconnect ECM harness connector.
3. Check harness continuity between ECM terminal 109 and EVAP canister vent control valve terminal 2. Refer to Wiring Diagram.

Continuity should exist.

4. Also check harness for short to ground and short to power.

OK or NG

- OK >> GO TO 6.
- NG >> Repair open circuit or short to ground or short to power in harness or connectors.

6. CHECK RUBBER TUBE FOR CLOGGING

1. Disconnect rubber tube connected to EVAP canister vent control valve.
2. Check the rubber tube for clogging.

OK or NG

- OK >> GO TO 7.
- NG >> Clean the rubber tube using an air blower.

7. CHECK EVAP CANISTER VENT CONTROL VALVE

Refer to [EC-860, "Component Inspection"](#).

OK or NG

- OK >> GO TO 8.
- NG >> Replace EVAP canister vent control valve.

8. CHECK INTERMITTENT INCIDENT

Refer to [EC-643](#).

>> **INSPECTION END**

Component Inspection

INFOID:000000001850562

EVAP CANISTER VENT CONTROL VALVE

† With CONSULT-III

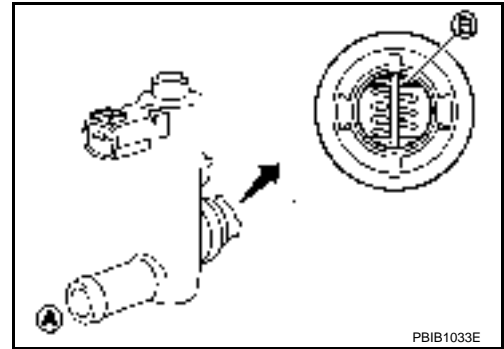
1. Remove EVAP canister vent control valve from EVAP canister.

DTC P0447 EVAP CANISTER VENT CONTROL VALVE

[QR]

< SERVICE INFORMATION >

2. Check portion **B** of EVAP canister vent control valve for being rusted.
If NG, replace EVAP canister vent control valve.
If OK, go to next step.
3. Reconnect harness connectors disconnected.
4. Turn ignition switch ON.
5. Perform "VENT CONTROL/V" in "ACTIVE TEST" mode.
6. Check air passage continuity and operation delay time.
Make sure new O-ring is installed properly.



Condition VENT CONTROL/V	Air passage continuity between A and B
ON	No
OFF	Yes

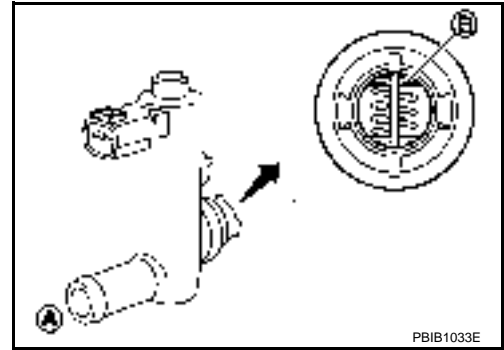
Operation takes less than 1 second.

If NG, replace EVAP canister vent control valve.
If OK, go to next step.

7. Clean the air passage (Portion **A to B**) of EVAP canister vent control valve using an air blower.
8. Perform step 6 again.

✕ Without CONSULT-III

1. Remove EVAP canister vent control valve from EVAP canister.
2. Check portion **B** of EVAP canister vent control valve for being rusted.



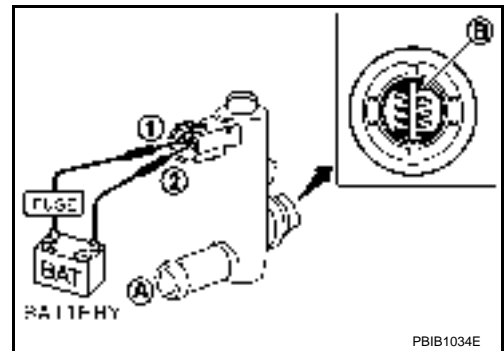
3. Check air passage continuity and operation delay time under the following conditions.
Make sure new O-ring is installed properly.

Condition	Air passage continuity between A and B
12V direct current supply between terminals 1 and 2	No
OFF	Yes

Operation takes less than 1 second.

If NG, replace EVAP canister vent control valve.
If OK, go to next step.

4. Clean the air passage (Portion **A to B**) of EVAP canister vent control valve using an air blower.
5. Perform step 3 again.



DTC P0448 EVAP CANISTER VENT CONTROL VALVE

< SERVICE INFORMATION >

[QR]

DTC P0448 EVAP CANISTER VENT CONTROL VALVE

Component Description

INFOID:000000001850563

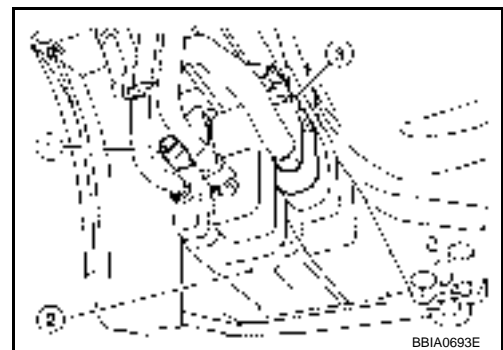
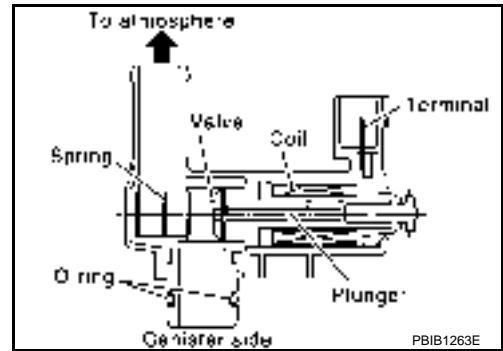
The EVAP canister vent control valve (3) is located on the EVAP canister (2) and is used to seal the canister vent.

This solenoid valve responds to signals from the ECM. When the ECM sends an ON signal, the coil in the solenoid valve is energized. A plunger will then move to seal the canister vent. The ability to seal the vent is necessary for the on board diagnosis of other evaporative emission control system components.

This solenoid valve is used only for diagnosis, and usually remains opened.

When the vent is closed, under normal purge conditions, the evaporative emission control system is depressurized and allows EVAP control system diagnoses.

- This illustration is a view from under vehicle
- EVAP control system pressure sensor (1)



CONSULT-III Reference Value in Data Monitor Mode

INFOID:000000001850564

Specification data are reference values.

MONITOR ITEM	CONDITION	SPECIFICATION
VENT CONT/V	• Ignition switch: ON	OFF

On Board Diagnosis Logic

INFOID:000000001850565

DTC No.	Trouble diagnosis name	DTC detecting condition	Possible cause
P0448 0448	EVAP canister vent control valve close	EVAP canister vent control valve remains closed under specified driving conditions.	<ul style="list-style-type: none"> • EVAP canister vent control valve • EVAP control system pressure sensor and the circuit • Blocked rubber tube to EVAP canister vent control valve • EVAP canister is saturated with water

DTC Confirmation Procedure

INFOID:000000001850566

CAUTION:

Always drive vehicle at a safe speed.

NOTE:

If DTC Confirmation Procedure has been previously conducted, always turn ignition switch OFF and wait at least 10 seconds before conducting the next test.

WITH CONSULT-III

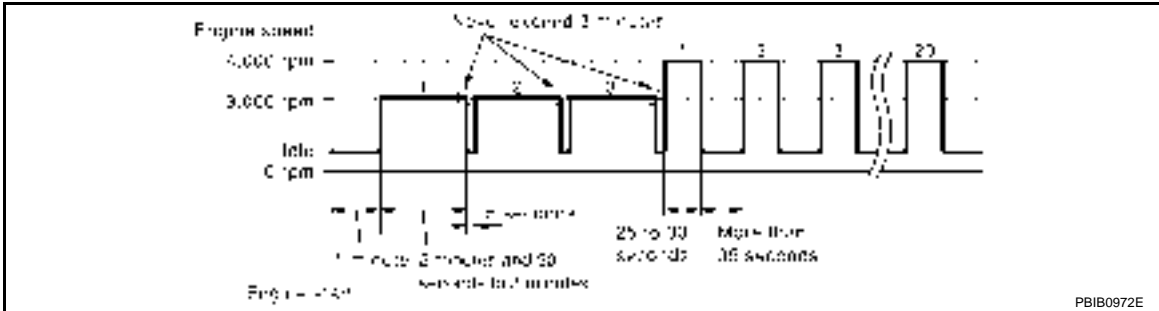
1. Turn ignition switch ON and wait at least 5 seconds.
2. Turn ignition switch OFF and wait at least 10 seconds.
3. Turn ignition switch ON and select "DATA MONITOR" mode with CONSULT-III.
4. Start engine and let it idle for at least 1 minute.

DTC P0448 EVAP CANISTER VENT CONTROL VALVE

< SERVICE INFORMATION >

[QR]

5. Repeat next procedures three times.
 - a. Increase the engine speed up to 3,000 to 3,500 rpm and keep it for 2 minutes and 50 seconds to 3 minutes. **Never exceed 3 minutes.**
 - b. Fully released accelerator pedal and keep engine idle for about 5 seconds.
6. Check 1st trip DTC.
7. If 1st trip DTC is detected, go to [EC-865. "Diagnosis Procedure"](#).
If 1st trip DTC is not detected, go to the next step.
8. Repeat next procedure 20 times.
 - a. Quickly increase the engine speed up to 4,000 to 4,500 rpm or more and keep it for 25 to 30 seconds.
 - b. Fully released accelerator pedal and keep engine idle for at least 35 seconds.



9. Check 1st trip DTC.
10. If 1st trip DTC is detected, go to [EC-865. "Diagnosis Procedure"](#).

WITH GST

Follow the procedure "WITH CONSULT-III" above.

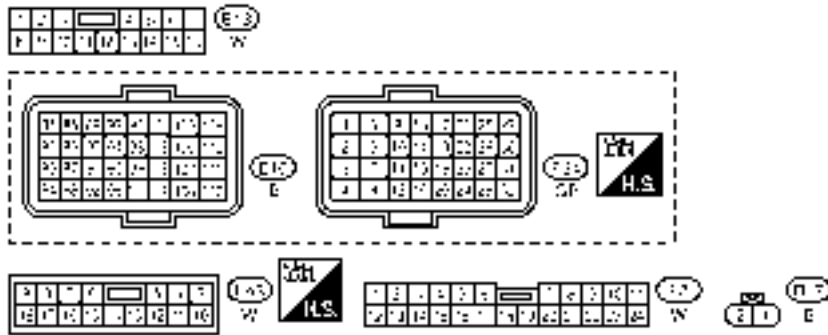
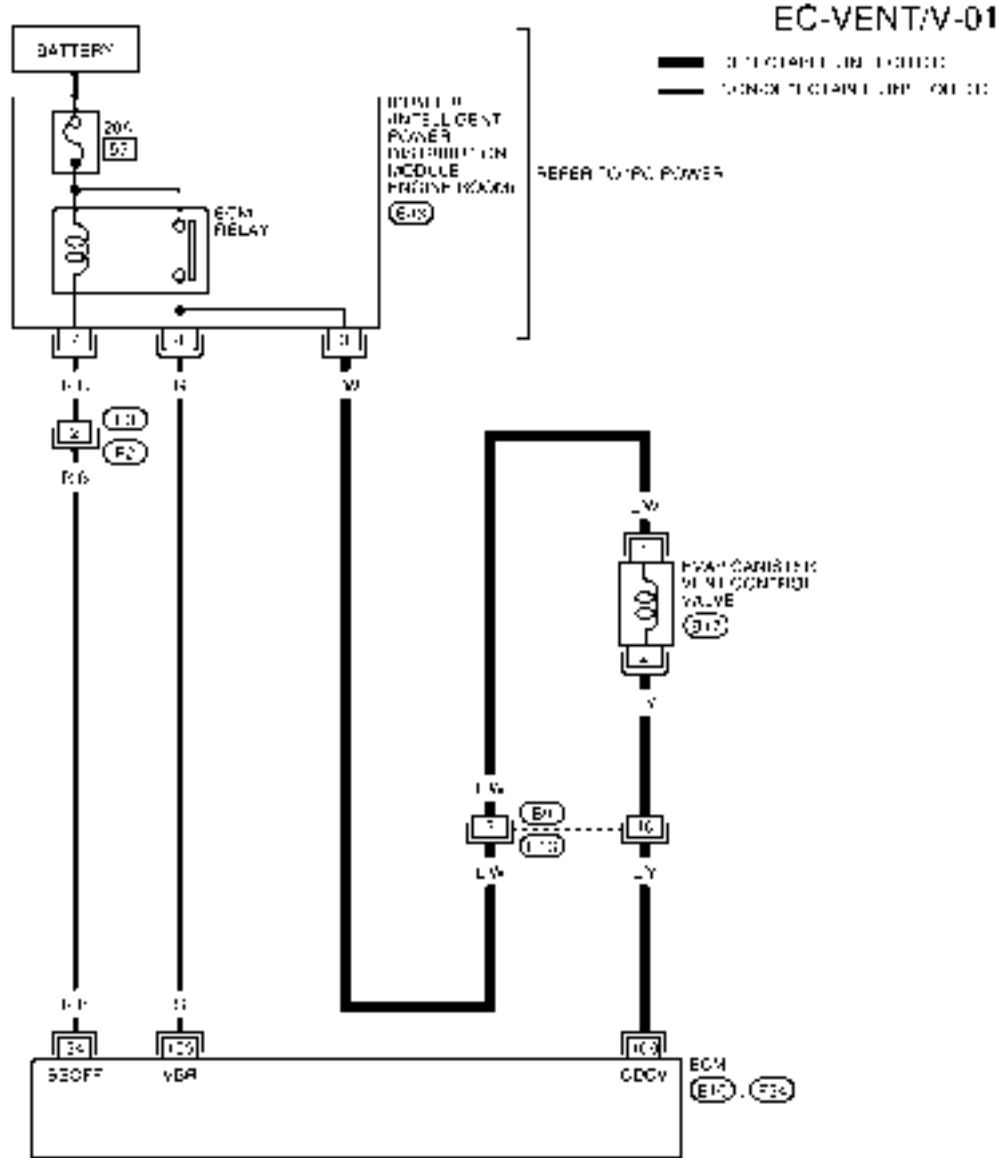
DTC P0448 EVAP CANISTER VENT CONTROL VALVE

< SERVICE INFORMATION >

[QR]

Wiring Diagram

INFOID:00000002994100



BBWA3043E

Specification data are reference values and are measured between each terminal and ground.

CAUTION:

Do not use ECM ground terminals when measuring input/output voltage. Doing so may result in damage to the ECM's transistor. Use a ground other than ECM terminals, such as the ground.

DTC P0448 EVAP CANISTER VENT CONTROL VALVE

< SERVICE INFORMATION >

[QR]

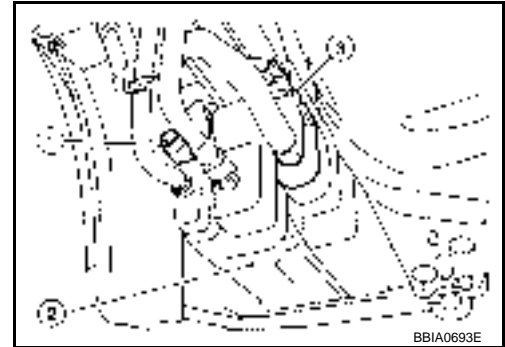
TERMI- NAL NO.	WIRE COLOR	ITEM	CONDITION	DATA (DC Voltage)
24	R/B	ECM relay (Self shut-off)	[Engine is running] [Ignition switch: OFF] • For a few seconds after turning ignition switch OFF	0 - 1.0V
			[Ignition switch: OFF] • More than a few seconds after turning ignition switch OFF	BATTERY VOLTAGE (11 - 14V)
105	G	Power supply for ECM	[Ignition switch: ON]	BATTERY VOLTAGE (11 - 14V)
109	L/Y	EVAP canister vent control valve	[Ignition switch: ON]	BATTERY VOLTAGE (11 - 14V)

Diagnosis Procedure

INFOID:000000001850568

1. CHECK RUBBER TUBE

- Turn ignition switch OFF.
- Disconnect rubber tube connected to EVAP canister vent control valve (3).
- Check the rubber tube for clogging.
 - This illustration is a view from under vehicle
 - EVAP control system pressure sensor (1)
 - EVAP canister (2)



OK or NG

- OK >> GO TO 2.
NG >> Clean rubber tube using an air blower.

2. CHECK EVAP CANISTER VENT CONTROL VALVE

Refer to [EC-866, "Component Inspection"](#).

OK or NG

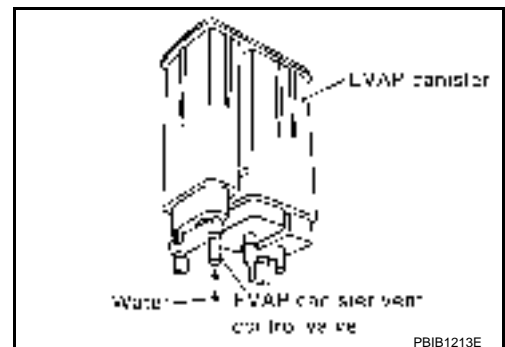
- OK >> GO TO 3.
NG >> Replace EVAP canister vent control valve.

3. CHECK IF EVAP CANISTER SATURATED WITH WATER

- Remove EVAP canister with EVAP canister vent control valve attached.
- Does water drain from the EVAP canister?

Yes or No

- Yes >> GO TO 4.
No >> GO TO 6.



4. CHECK EVAP CANISTER

Weigh the EVAP canister with the EVAP canister vent control valve and EVAP control system pressure sensor attached.

The weight should be less than 1.9 kg (4.2 lb).

OK or NG

DTC P0448 EVAP CANISTER VENT CONTROL VALVE

[QR]

< SERVICE INFORMATION >

- OK >> GO TO 6.
- NG >> GO TO 5.

5. DETECT MALFUNCTIONING PART

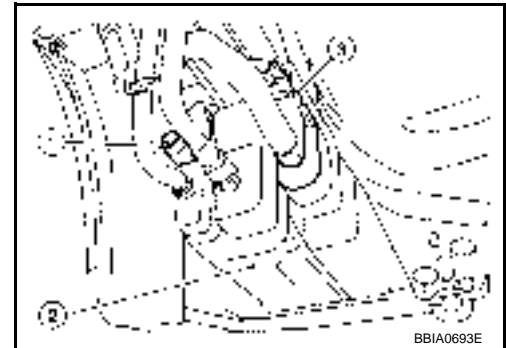
Check the following.

- EVAP canister for damage
- EVAP hose between EVAP canister and vehicle frame for clogging or poor connection

>> Repair hose or replace EVAP canister.

6. CHECK EVAP CONTROL SYSTEM PRESSURE SENSOR CONNECTOR

1. Disconnect EVAP control system pressure sensor (1) harness connector.
 - This illustration is a view from under vehicle
 - EVAP canister (2)
 - EVAP canister vent control valve (3)
2. Check connectors for water.



Water should not exist.

OK or NG

- OK >> GO TO 7.
- NG >> Replace EVAP control system pressure sensor.

7. CHECK EVAP CONTROL SYSTEM PRESSURE SENSOR

Refer to [EC-885, "Component Inspection"](#).

OK or NG

- OK >> GO TO 8.
- NG >> Replace EVAP control system pressure sensor.

8. CHECK INTERMITTENT INCIDENT

Refer to [EC-643](#).

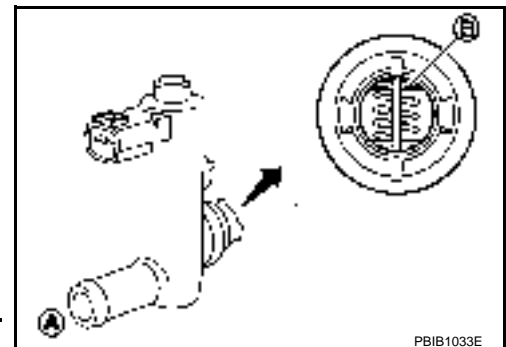
>> **INSPECTION END**

Component Inspection

INFOID:000000001850569

EVAP CANISTER VENT CONTROL VALVE

- With CONSULT-III
1. Remove EVAP canister vent control valve from EVAP canister.
 2. Check portion **B** of EVAP canister vent control valve for being rusted.
If NG, replace EVAP canister vent control valve.
If OK, go to next step.
 3. Reconnect harness connectors disconnected.
 4. Turn ignition switch ON.
 5. Perform "VENT CONTROL/V" in "ACTIVE TEST" mode.
 6. Check air passage continuity and operation delay time.



Condition VENT CONTROL/V	Air passage continuity between A and B
ON	No
OFF	Yes

Operation takes less than 1 second.

Make sure new O-ring is installed properly.

If NG, replace EVAP canister vent control valve.

If OK, go to next step.

DTC P0448 EVAP CANISTER VENT CONTROL VALVE

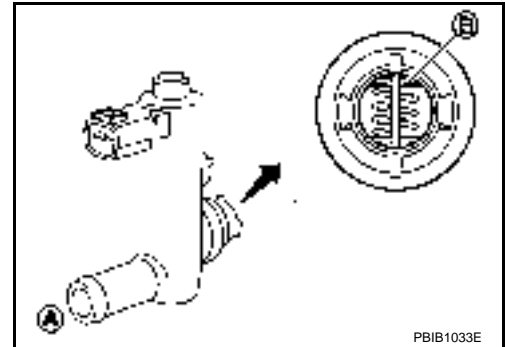
[QR]

< SERVICE INFORMATION >

7. Clean the air passage (Portion **A** to **B**) of EVAP canister vent control valve using an air blower.
8. Perform step 5 again.

✕ Without CONSULT-III

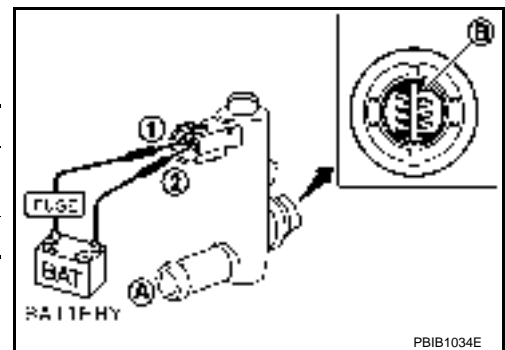
1. Remove EVAP canister vent control valve from EVAP canister.
2. Check portion **B** of EVAP canister vent control valve for being rusted.



3. Check air passage continuity and operation delay time under the following conditions.

Condition	Air passage continuity between A and B
12V direct current supply between terminals 1 and 2	No
OFF	Yes

Operation takes less than 1 second.
Make sure new O-ring is installed properly.
 If NG, replace EVAP canister vent control valve.
 If OK, go to next step.



4. Clean the air passage (Portion **A** to **B**) of EVAP canister vent control valve using an air blower.
5. Perform step 3 again.

A
EC
C
D
E
F
G
H
I
J
K
L
M
N
O
P

DTC P0451 EVAP CONTROL SYSTEM PRESSURE SENSOR

< SERVICE INFORMATION >

[QR]

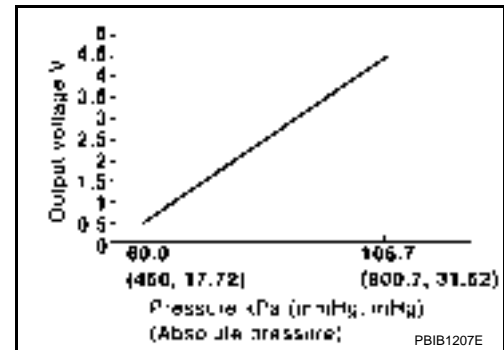
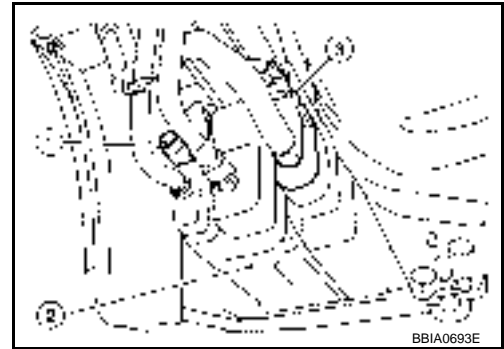
DTC P0451 EVAP CONTROL SYSTEM PRESSURE SENSOR

Component Description

INFOID:000000001850570

The EVAP control system pressure sensor (1) detects pressure in the purge line. The sensor output voltage to the ECM increases as pressure increases.

- This illustration is a view from under vehicle
- EVAP canister (2)
- EVAP canister vent control valve (3)



CONSULT-III Reference Value in Data Monitor Mode

INFOID:000000001850571

Specification data are reference values.

MONITOR ITEM	CONDITION	SPECIFICATION
EVAP SYS PRES	• Ignition switch: ON	1.8 - 4.8V

On Board Diagnosis Logic

INFOID:000000001850572

DTC No.	Trouble diagnosis name	DTC detecting condition	Possible cause
P0451 0451	EVAP control system pressure sensor performance	ECM detects a sloshing signal from the EVAP control system pressure sensor	<ul style="list-style-type: none"> • Harness or connectors [Crankshaft position sensor (POS) circuit is shorted.] (Accelerator pedal position sensor circuit is shorted.) (Refrigerant pressure sensor circuit is shorted.) • EVAP control system pressure sensor • Crankshaft position sensor (POS) • Accelerator pedal position sensor • Refrigerant pressure sensor

DTC Confirmation Procedure

INFOID:000000001850573

NOTE:

If DTC Confirmation Procedure has been previously conducted, always turn ignition switch OFF and wait at least 10 seconds before conducting the next test.

1. Start engine and wait at least 40 seconds.

NOTE:

Do not depress accelerator pedal even slightly.

DTC P0451 EVAP CONTROL SYSTEM PRESSURE SENSOR

[QR]

< SERVICE INFORMATION >

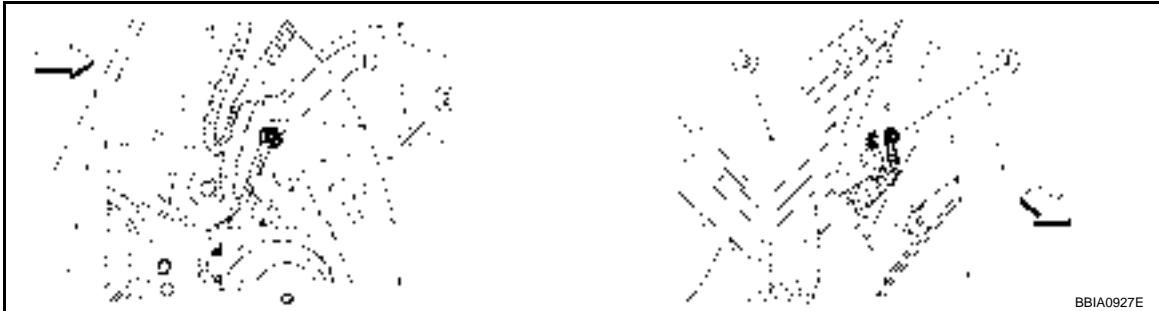
2. Check 1st trip DTC.
3. If 1st trip DTC is detected, go to [EC-869, "Diagnosis Procedure"](#).

Diagnosis Procedure

INFOID:000000001850574

1. CHECK GROUND CONNECTIONS

1. Turn ignition switch OFF.
2. Loosen and retighten ground screws on the body.
Refer to [EC-649, "Ground Inspection"](#).



Vehicle front

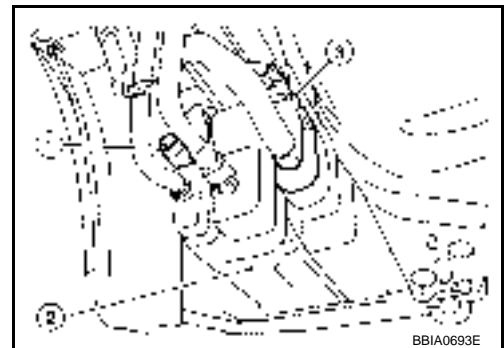
1. Body ground E9 (view with front wheel RH and fender protector RH removed.)
2. Washer tank
3. Fuse and fusible link box
4. Body ground E15

OK or NG

- OK >> GO TO 2.
NG >> Repair or replace ground connections.

2. CHECK EVPA CONTROL SYSTEM PRESSURE SENSOR CONNECTOR FOR WATER

1. Disconnect EVAP control system pressure sensor (1) harness connector.
 - This illustration is a view from under vehicle
 - EVAP canister (2)
 - EVAP canister vent control valve (3)
2. Check sensor harness connector for water.



Water should not exist.

OK or NG

- OK >> GO TO 3.
NG >> Repair or replace harness connector.

3. CHECK POWER SUPPLY CIRCUITS

Check harness for short to power and short to ground, between the following terminals.

ECM terminal	Sensor terminal	Reference Wiring Diagram
72	Refrigerant pressure sensor terminal 3	EC-1053, "Wiring Diagram"
76	Crankshaft position sensor (POS) terminal 1	EC-817, "Wiring Diagram"
87	APP sensor terminal 5	EC-994, "Wiring Diagram"
91	EVAP control system pressure sensor terminal 3	EC-873, "Wiring Diagram"

OK or NG

- OK >> GO TO 4.
NG >> Repair short to ground or short to power in harness or connectors.

4. CHECK REFRIGERANT PRESSURE SENSOR

Refer to [MTC-27](#).

DTC P0451 EVAP CONTROL SYSTEM PRESSURE SENSOR

[QR]

< SERVICE INFORMATION >

OK or NG

- OK >> GO TO 5.
- NG >> Replace refrigerant pressure sensor.

5. CHECK CRANKSHAFT POSITION SENSOR (POS)

Refer to [EC-877, "Component Inspection"](#).

OK or NG

- OK >> GO TO 6.
- NG >> Replace crankshaft position sensor (POS).

6. CHECK APP SENSOR

Refer to [EC-997, "Component Inspection"](#).

OK or NG

- OK >> GO TO 8.
- NG >> GO TO 7.

7. REPLACE ACCELERATOR PEDAL ASSEMBLY

1. Replace accelerator pedal assembly.
2. Perform [EC-590, "Accelerator Pedal Released Position Learning"](#).
3. Perform [EC-590, "Throttle Valve Closed Position Learning"](#).
4. Perform [EC-590, "Idle Air Volume Learning"](#).

>> **INSPECTION END**

8. CHECK EVAP CONTROL SYSTEM PRESSURE SENSOR

Refer to [EC-870, "Component Inspection"](#).

OK or NG

- OK >> GO TO 9.
- NG >> Replace EVAP control system pressure sensor.

9. CHECK INTERMITTENT INCIDENT

Refer to [EC-643](#).

For wiring diagram, refer to [EC-873, "Wiring Diagram"](#).

>> **INSPECTION END**

Component Inspection

INFOID:000000001850575

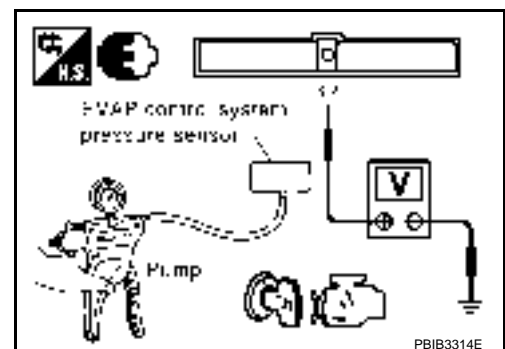
EVAP CONTROL SYSTEM PRESSURE SENSOR

1. Remove EVAP control system pressure sensor with its harness connector connected from EVAP canister.
Always replace O-ring with a new one.
2. Install a vacuum pump to EVAP control system pressure sensor.
3. Turn ignition switch ON and check output voltage between ECM terminal 42 (EVAP control system pressure sensor signal) and ground under the following conditions.

Applied vacuum kPa (mmHg, inHg)	Voltage V
Not applied	1.8 - 4.8
-26.7 (-200, -7.87)	2.1 to 2.5V lower than above value

CAUTION:

- Always calibrate the vacuum pump gauge when using it.
 - Do not apply below -93.3 kPa (-700 mmHg, -27.56 inHg) or pressure over 101.3 kPa (760 mmHg, 29.92 inHg).
4. If NG, replace EVAP control system pressure sensor.



DTC P0452 EVAP CONTROL SYSTEM PRESSURE SENSOR

< SERVICE INFORMATION >

[QR]

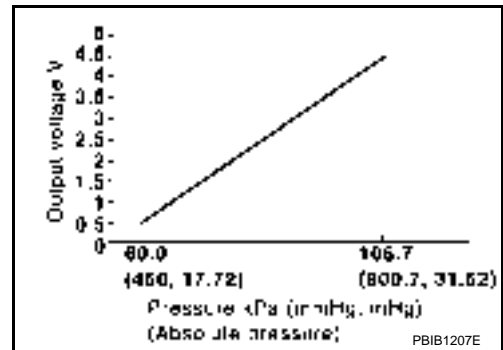
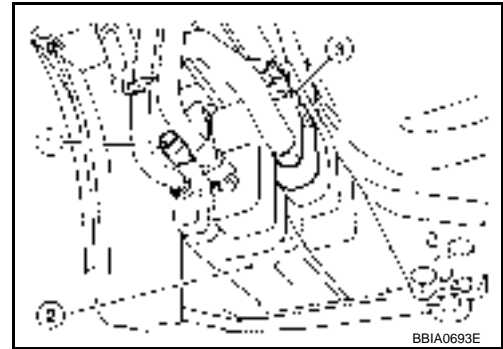
DTC P0452 EVAP CONTROL SYSTEM PRESSURE SENSOR

Component Description

INFOID:000000001850576

The EVAP control system pressure sensor (1) detects pressure in the purge line. The sensor output voltage to the ECM increases as pressure increases.

- This illustration is a view from under vehicle
- EVAP canister (2)
- EVAP canister vent control valve (3)



CONSULT-III Reference Value in Data Monitor Mode

INFOID:000000001850577

Specification data are reference values.

MONITOR ITEM	CONDITION	SPECIFICATION
EVAP SYS PRES	• Ignition switch: ON	1.8 - 4.8V

On Board Diagnosis Logic

INFOID:000000001850578

DTC No.	Trouble diagnosis name	DTC detecting condition	Possible cause
P0452 0452	EVAP control system pressure sensor low input	An excessively low voltage from the sensor is sent to ECM.	<ul style="list-style-type: none"> • Harness or connectors (EVAP control system pressure sensor circuit is open or sorted.) [Crankshaft position sensor (POS) circuit is shorted.] (Accelerator pedal position sensor circuit is shorted.) (Refrigerant pressure sensor circuit is shorted.) • EVAP control system pressure sensor • Crankshaft position sensor (POS) • Accelerator pedal position sensor • Refrigerant pressure sensor

DTC Confirmation Procedure

INFOID:000000001850579

NOTE:

If DTC Confirmation Procedure has been previously conducted, always turn ignition switch OFF and wait at least 10 seconds before conducting the next test.

TESTING CONDITION:

Always perform test at a temperature of 5°C (41°F) or more.

DTC P0452 EVAP CONTROL SYSTEM PRESSURE SENSOR

< SERVICE INFORMATION >

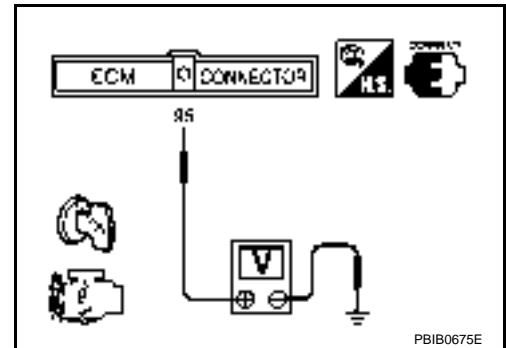
[QR]

WITH CONSULT-III

1. Start engine and warm it up to normal operating temperature.
2. Turn ignition switch OFF and wait at least 10 seconds.
3. Turn ignition switch ON.
4. Select "DATA MONITOR" mode with CONSULT-III.
5. Make sure that "FUEL T/TMP SE" is more than 0°C (32°F).
6. Start engine and wait at least 20 seconds.
7. Check 1st trip DTC.
8. If 1st trip DTC is detected, go to [EC-874. "Diagnosis Procedure"](#).

WITH GST

1. Start engine and warm it up to normal operating temperature.
2. Check that voltage between ECM terminal 95 (Fuel tank temperature sensor signal) and ground is less than 4.2V.
3. Turn ignition switch OFF and wait at least 10 seconds.
4. Start engine and wait at least 20 seconds.
5. Select Service \$07 with GST.
6. If 1st trip DTC is detected, go to [EC-874. "Diagnosis Procedure"](#).



DTC P0452 EVAP CONTROL SYSTEM PRESSURE SENSOR

< SERVICE INFORMATION >

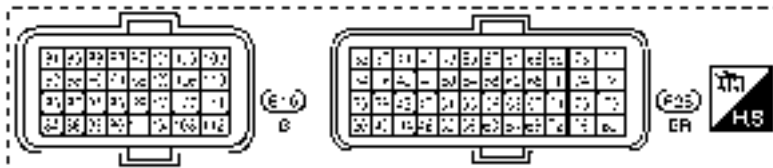
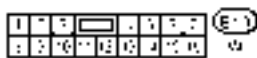
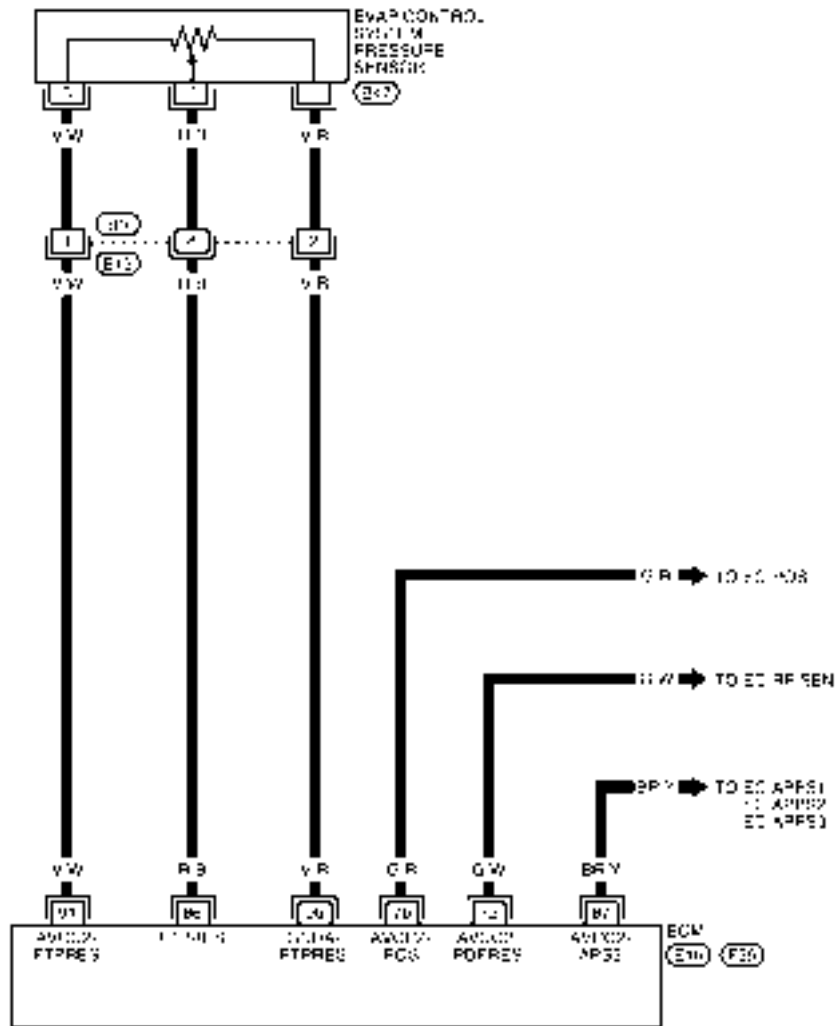
[QR]

Wiring Diagram

INFOID:00000002994101

EC-PRE/SE-01

— DETECTABLE LINE FOR DTC
 - - - NON DETECTABLE LINE FOR DTC



BBWA3044E

Specification data are reference values and are measured between each terminal and ground.

CAUTION:

Do not use ECM ground terminals when measuring input/output voltage. Doing so may result in damage to the ECM's transistor. Use a ground other than ECM terminals, such as the ground.

DTC P0452 EVAP CONTROL SYSTEM PRESSURE SENSOR

< SERVICE INFORMATION >

[QR]

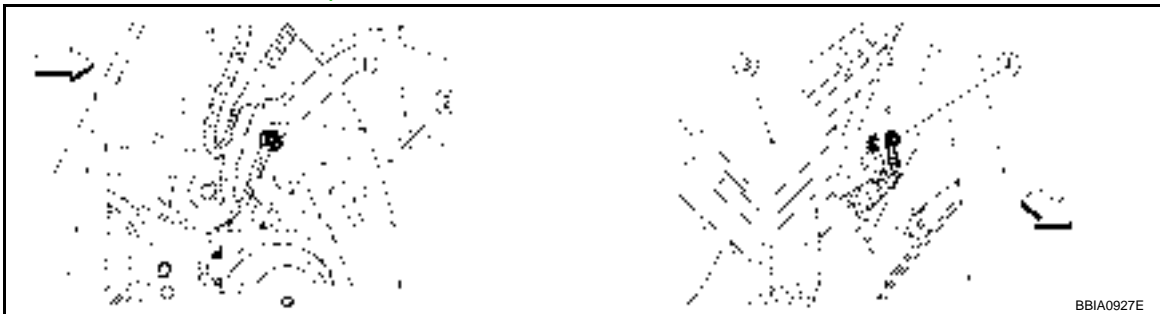
TER-MI-NAL NO.	WIRE COLOR	ITEM	CONDITION	DATA (DC Voltage)
72	G/W	Sensor power supply (Refrigerant pressure sensor)	[Ignition switch: ON]	Approximately 5V
76	G/R	Sensor power supply [Crankshaft position sensor (POS)]	[Ignition switch: ON]	Approximately 5V
86	R/B	EVAP control system pressure sensor	[Ignition switch: ON]	Approximately 1.8 - 4.8V
87	BR/Y	Sensor power supply (APP sensor 2)	[Ignition switch: ON]	Approximately 5V
91	V/W	EVAP control system pressure sensor power supply	[Ignition switch: ON]	Approximately 5V
96	V/R	Sensor ground (EVAP control system pressure sensor)	[Engine is running] <ul style="list-style-type: none">• Warm-up condition• Idle speed	Approximately 0V

Diagnosis Procedure

INFOID:000000001850581

1. CHECK GROUND CONNECTIONS

1. Turn ignition switch OFF.
2. Loosen and retighten ground screws on the body.
Refer to [EC-649, "Ground Inspection"](#).



Vehicle front

1. Body ground E9 (view with front wheel RH and fender protector RH removed.)
2. Washer tank
3. Fuse and fusible link box
4. Body ground E15

OK or NG

- OK >> GO TO 2.
NG >> Repair or replace ground connections.

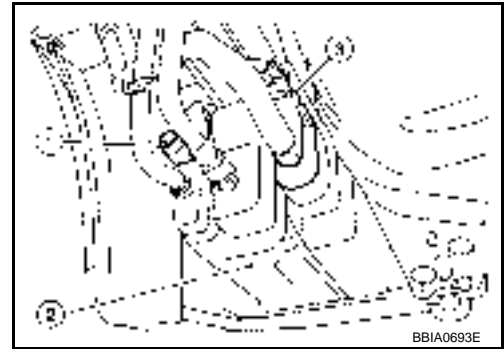
2. CHECK CONNECTOR

DTC P0452 EVAP CONTROL SYSTEM PRESSURE SENSOR

[QR]

< SERVICE INFORMATION >

1. Disconnect EVAP control system pressure sensor (1) harness connector.
 - This illustration is a view from under vehicle
 - EVAP canister (2)
 - EVAP canister vent control valve (3)
2. Check sensor harness connector for water.



Water should not exist.

OK or NG

- OK >> GO TO 3.
- NG >> Repair or replace harness connector.

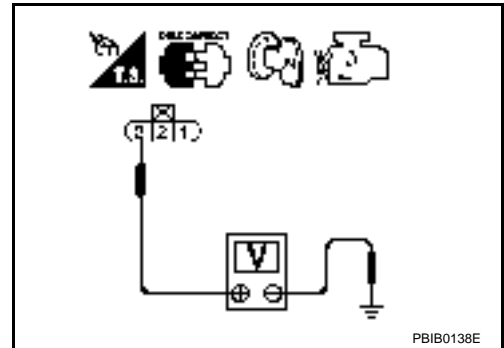
3.CHECK EVAP CONTROL SYSTEM PRESSURE SENSOR POWER SUPPLY CIRCUIT-I

1. Turn ignition switch ON.
2. Check voltage between EVAP control system pressure sensor terminal 3 and ground with CONSULT-III or tester.

Voltage: Approximately 5V

OK or NG

- OK >> GO TO 5.
- NG >> GO TO 4.



4.CHECK EVAP CONTROL SYSTEM PRESSURE SENSOR POWER SUPPLY CIRCUIT-II

1. Turn ignition switch OFF.
2. Disconnect ECM harness connector.
3. Check harness continuity between EVAP control system pressure sensor terminal 3 and ECM terminal 76. Refer to Wiring Diagram.

Continuity should exist.

OK or NG

- OK >> GO TO 6.
- NG >> GO TO 5.

5.DETECT MALFUNCTIONING PART

Check the following.

- Harness connectors B9, E13
- Harness for open or short between EVAP control system pressure sensor and ECM

>> Repair open circuit or short to ground or short to power in harness or connectors.

6.CHECK POWER SUPPLY CIRCUITS

Check harness for short to power and short to ground between the following terminals.

ECM terminal	Sensor terminal	Reference Wiring Diagram
72	Refrigerant pressure sensor terminal 3	EC-1053, "Wiring Diagram"
76	Crankshaft position sensor (POS) terminal 1	EC-817, "Wiring Diagram"
87	APP sensor terminal 5	EC-994, "Wiring Diagram"
91	EVAP control system pressure sensor terminal 3	EC-873, "Wiring Diagram"

OK or NG

- OK >> GO TO 7.
- NG >> Repair short to ground or short to power in harness or connectors.

DTC P0452 EVAP CONTROL SYSTEM PRESSURE SENSOR

< SERVICE INFORMATION >

[QR]

7. CHECK REFRIGERANT PRESSURE SENSOR

Refer to [MTC-27](#).

OK or NG

- OK >> GO TO 8.
- NG >> Replace refrigerant pressure sensor.

8. CHECK CRANKSHAFT POSITION SENSOR (POS)

Refer to [EC-877, "Component Inspection"](#).

OK or NG

- OK >> GO TO 9.
- NG >> Replace crankshaft position sensor (POS).

9. CHECK APP SENSOR

Refer to [EC-997, "Component Inspection"](#).

OK or NG

- OK >> GO TO 11.
- NG >> GO TO 10.

10. REPLACE ACCELERATOR PEDAL ASSEMBLY

1. Replace accelerator pedal assembly.
2. Perform [EC-590, "Accelerator Pedal Released Position Learning"](#).
3. Perform [EC-590, "Throttle Valve Closed Position Learning"](#).
4. Perform [EC-590, "Idle Air Volume Learning"](#).

>> **INSPECTION END**

11. CHECK EVAP CONTROL SYSTEM PRESSURE SENSOR GROUND CIRCUIT FOR OPEN AND SHORT

1. Turn ignition switch OFF.
2. Disconnect ECM harness connector.
3. Check harness continuity between EVAP control system pressure sensor terminal 1 and ECM terminal 96. Refer to Wiring Diagram.

Continuity should exist.

4. Also check harness for short to ground and short to power.

OK or NG

- OK >> GO TO 13.
- NG >> GO TO 12.

12. DETECT MALFUNCTIONING PART

Check the following.

- Harness connectors B9, E13
- Harness for open or short between EVAP control system pressure sensor and ECM

>> Repair open circuit or short to ground or short to power in harness or connectors.

13. CHECK EVAP CONTROL SYSTEM PRESSURE SENSOR INPUT SIGNAL CIRCUIT FOR OPEN AND SHORT

1. Check harness continuity between ECM terminal 86 and EVAP control system pressure sensor terminal 2. Refer to Wiring Diagram.

Continuity should exist.

2. Also check harness for short to ground and short to power.

OK or NG

- OK >> GO TO 15.
- NG >> GO TO 14.

DTC P0452 EVAP CONTROL SYSTEM PRESSURE SENSOR

< SERVICE INFORMATION >

[QR]

14. DETECT MALFUNCTIONING PART

Check the following.

- Harness connectors B9, E13
- Harness for open or short between ECM and EVAP control system pressure sensor

>> Repair open circuit or short to ground or short to power in harness or connectors.

15. CHECK EVAP CONTROL SYSTEM PRESSURE SENSOR

Refer to [EC-877. "Component Inspection"](#).

OK or NG

- OK >> GO TO 16.
- NG >> Replace EVAP control system pressure sensor.

16. CHECK INTERMITTENT INCIDENT

Refer to [EC-643](#).

>> **INSPECTION END**

Component Inspection

INFOID:000000001850582

EVAP CONTROL SYSTEM PRESSURE SENSOR

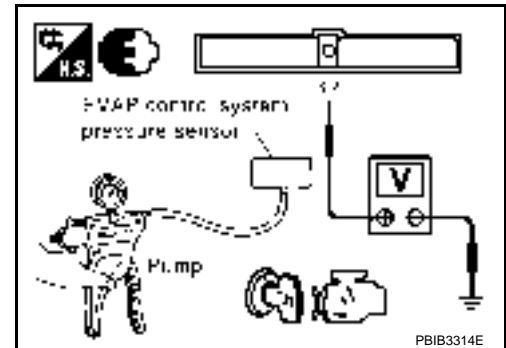
1. Remove EVAP control system pressure sensor with its harness connector connected from EVAP canister.
Always replace O-ring with a new one.
2. Install a vacuum pump to EVAP control system pressure sensor.
3. Turn ignition switch ON and check output voltage between ECM terminal 42 (EVAP control system pressure sensor signal) and ground under the following conditions.

Applied vacuum kPa (mmHg, inHg)	Voltage V
Not applied	1.8 - 4.8
-26.7 (-200, -7.87)	2.1 to 2.5V lower than above value

CAUTION:

- Always calibrate the vacuum pump gauge when using it.
- Do not apply below -93.3 kPa (-700 mmHg, -27.56 inHg) or pressure over 101.3 kPa (760 mmHg, 29.92 inHg).

4. If NG, replace EVAP control system pressure sensor.



DTC P0453 EVAP CONTROL SYSTEM PRESSURE SENSOR

< SERVICE INFORMATION >

[QR]

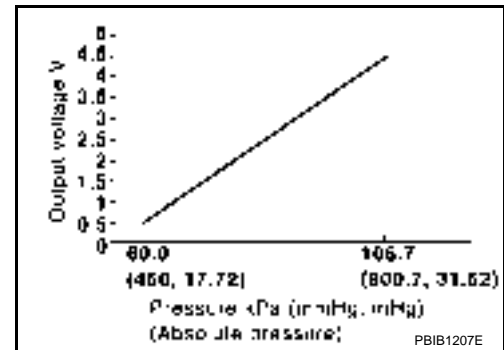
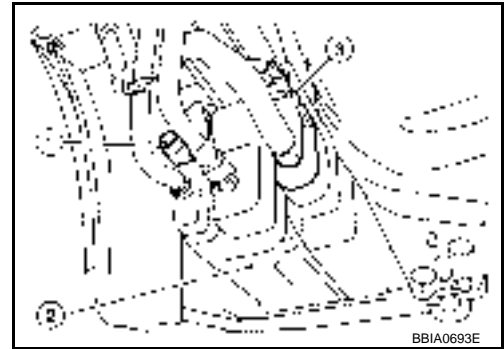
DTC P0453 EVAP CONTROL SYSTEM PRESSURE SENSOR

Component Description

INFOID:000000001850583

The EVAP control system pressure sensor (1) detects pressure in the purge line. The sensor output voltage to the ECM increases as pressure increases.

- This illustration is a view from under vehicle
- EVAP canister (2)
- EVAP canister vent control valve (3)



CONSULT-III Reference Value in Data Monitor Mode

INFOID:000000001850584

Specification data are reference values.

MONITOR ITEM	CONDITION	SPECIFICATION
EVAP SYS PRES	• Ignition switch: ON	Approx. 1.8 - 4.8V

On Board Diagnosis Logic

INFOID:000000001850585

DTC No.	Trouble diagnosis name	DTC detecting condition	Possible cause
P0453 0453	EVAP control system pressure sensor high input	An excessively high voltage from the sensor is sent to ECM.	<ul style="list-style-type: none"> • Harness or connectors (EVAP control system pressure sensor circuit is open or sorted.) [Crankshaft position sensor (POS) circuit is shorted.] (Accelerator pedal position sensor circuit is shorted.) (Refrigerant pressure sensor circuit is shorted.) • EVAP control system pressure sensor • Crankshaft position sensor (POS) • Accelerator pedal position sensor • Refrigerant pressure sensor • EVAP canister vent control valve • EVAP canister • Rubber hose to EVAP canister vent control valve

DTC Confirmation Procedure

INFOID:000000001850586

NOTE:

DTC P0453 EVAP CONTROL SYSTEM PRESSURE SENSOR

< SERVICE INFORMATION >

[QR]

If DTC Confirmation Procedure has been previously conducted, always turn ignition switch OFF and wait at least 10 seconds before conducting the next test.

TESTING CONDITION:

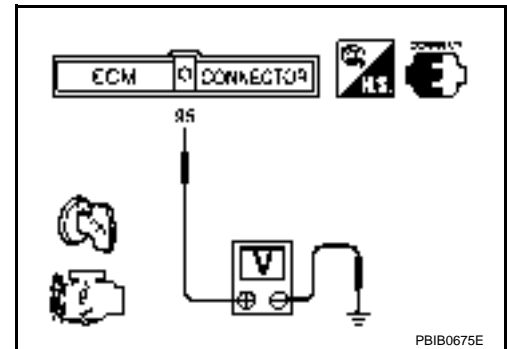
Always perform test at a temperature of 5°C (41°F) or more.

WITH CONSULT-III

1. Start engine and warm it up to normal operating temperature.
2. Turn ignition switch OFF and wait at least 10 seconds.
3. Turn ignition switch ON.
4. Select "DATA MONITOR" mode with CONSULT-III.
5. Make sure that "FUEL T/TMP SE" is more than 0°C (32°F).
6. Wait at least 10 seconds.
7. Check 1st trip DTC.
If 1st trip DTC is detected, go to [EC-881, "Diagnosis Procedure"](#).

WITH GST

1. Start engine and warm it up to normal operating temperature.
2. Check that voltage between ECM terminal 95 (Fuel tank temperature sensor signal) and ground is less than 4.2V.
3. Turn ignition switch OFF and wait at least 10 seconds.
4. Wait at least 10 seconds.
5. Select Service \$07 with GST.
If 1st trip DTC is detected, go to [EC-881, "Diagnosis Procedure"](#).



DTC P0453 EVAP CONTROL SYSTEM PRESSURE SENSOR

< SERVICE INFORMATION >

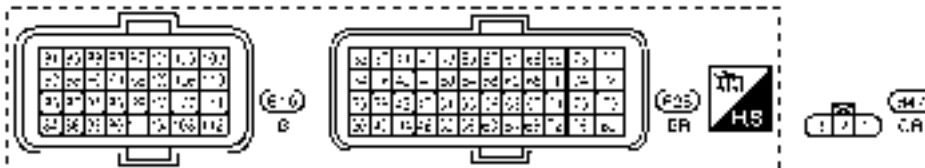
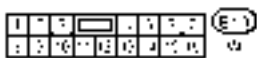
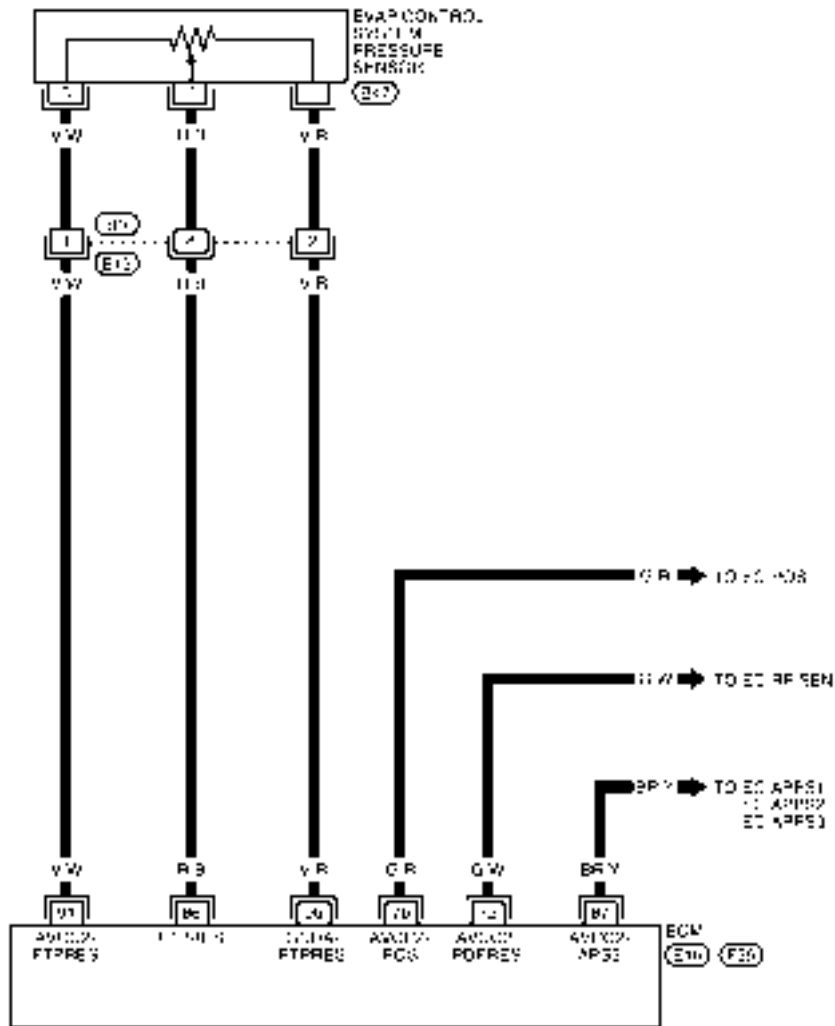
[QR]

Wiring Diagram

INFOID:00000002994103

EC-PRE/SE-01

— DETECTABLE LINE FOR DTC
 — NON-DETECTABLE LINE FOR DTC



BBWA3044E

Specification data are reference values and are measured between each terminal and ground.

CAUTION:

Do not use ECM ground terminals when measuring input/output voltage. Doing so may result in damage to the ECM's transistor. Use a ground other than ECM terminals, such as the ground.

DTC P0453 EVAP CONTROL SYSTEM PRESSURE SENSOR

< SERVICE INFORMATION >

[QR]

TERMINAL NO.	WIRE COLOR	ITEM	CONDITION	DATA (DC Voltage)
72	G/W	Sensor power supply (Refrigerant pressure sensor)	[Ignition switch: ON]	Approximately 5V
76	G/R	Sensor power supply [Crankshaft position sensor (POS)]	[Ignition switch: ON]	Approximately 5V
86	R/B	EVAP control system pressure sensor	[Ignition switch: ON]	Approximately 1.8 - 4.8V
87	BR/Y	Sensor power supply (APP sensor 2)	[Ignition switch: ON]	Approximately 5V
91	V/W	EVAP control system pressure sensor power supply	[Ignition switch: ON]	Approximately 5V
96	V/R	Sensor ground (EVAP control system pressure sensor)	[Engine is running] • Warm-up condition • Idle speed	Approximately 0V

Diagnosis Procedure

INFOID:000000001850588

1. CHECK GROUND CONNECTIONS

1. Turn ignition switch OFF.
2. Loosen and retighten ground screws on the body.
Refer to [EC-649, "Ground Inspection"](#).



Vehicle front

1. Body ground E9 (view with front wheel RH and fender protector RH removed.)
2. Washer tank
3. Fuse and fusible link box
4. Body ground E15

OK or NG

- OK >> GO TO 2.
NG >> Repair or replace ground connections.

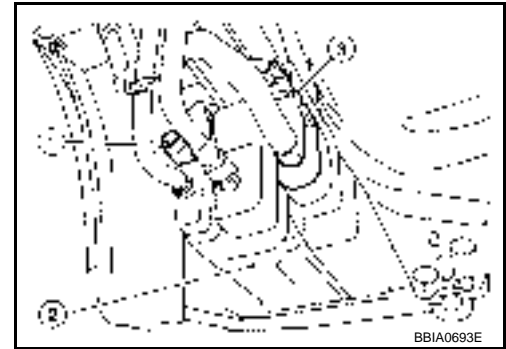
2. CHECK CONNECTOR

DTC P0453 EVAP CONTROL SYSTEM PRESSURE SENSOR

[QR]

< SERVICE INFORMATION >

1. Disconnect EVAP control system pressure sensor (1) harness connector.
 - This illustration is a view from under vehicle
 - EVAP canister (2)
 - EVAP canister vent control valve (3)
2. Check sensor harness connector for water.



Water should not exist.

OK or NG

- OK >> GO TO 3.
- NG >> Repair or replace harness connector.

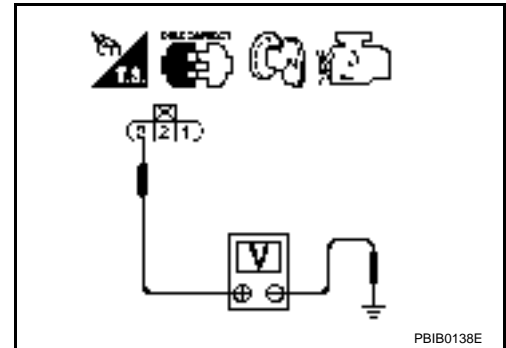
3.CHECK EVAP CONTROL SYSTEM PRESSURE SENSOR POWER SUPPLY CIRCUIT-I

1. Turn ignition switch ON.
2. Check voltage between EVAP control system pressure sensor terminal 3 and ground with CONSULT-III or tester.

Voltage: Approximately 5V

OK or NG

- OK >> GO TO 5.
- NG >> GO TO 4.



4.CHECK EVAP CONTROL SYSTEM PRESSURE SENSOR POWER SUPPLY CIRCUIT-II

1. Turn ignition switch OFF.
2. Disconnect ECM harness connector.
3. Check harness continuity between EVAP control system pressure sensor terminal 3 and ECM terminal 91. Refer to Wiring Diagram.

Continuity should exist.

OK or NG

- OK >> GO TO 6.
- NG >> GO TO 5.

5.DETECT MALFUNCTIONING PART

Check the following.

- Harness connectors B9, E13
- Harness for open or short between EVAP control system pressure sensor and ECM

>> Repair open circuit or short to ground or short to power in harness or connectors.

6.CHECK POWER SUPPLY CIRCUITS

Check harness for short to power and short to ground, between the following terminals.

ECM terminal	Sensor terminal	Reference Wiring Diagram
72	Refrigerant pressure sensor terminal 3	EC-1053, "Wiring Diagram"
76	Crankshaft position sensor (POS) terminal 1	EC-817, "Wiring Diagram"
87	APP sensor terminal 5	EC-994, "Wiring Diagram"
91	EVAP control system pressure sensor terminal 3	EC-873, "Wiring Diagram"

OK or NG

- OK >> GO TO 7.
- NG >> Repair short to ground or short to power in harness or connectors.

DTC P0453 EVAP CONTROL SYSTEM PRESSURE SENSOR

< SERVICE INFORMATION >

[QR]

7. CHECK REFRIGERANT PRESSURE SENSOR

Refer to [MTC-27](#).

OK or NG

OK >> GO TO 8.

NG >> Replace refrigerant pressure sensor.

8. CHECK CRANKSHAFT POSITION SENSOR (POS)

Refer to [EC-877, "Component Inspection"](#).

OK or NG

OK >> GO TO 9.

NG >> Replace crankshaft position sensor (POS).

9. CHECK APP SENSOR

Refer to [EC-997, "Component Inspection"](#).

OK or NG

OK >> GO TO 11.

NG >> GO TO 10.

10. REPLACE ACCELERATOR PEDAL ASSEMBLY

1. Replace accelerator pedal assembly.
2. Perform [EC-590, "Accelerator Pedal Released Position Learning"](#).
3. Perform [EC-590, "Throttle Valve Closed Position Learning"](#).
4. Perform [EC-590, "Idle Air Volume Learning"](#).

>> **INSPECTION END**

11. DETECT MALFUNCTIONING PART

Check the following.

- Harness connectors B9, E13
- Harness for open or short between EVAP control system pressure sensor and ECM

>> Repair open circuit or short to ground or short to power in harness or connectors.

12. CHECK EVAP CONTROL SYSTEM PRESSURE SENSOR GROUND CIRCUIT FOR OPEN AND SHORT

1. Turn ignition switch OFF.
2. Disconnect ECM harness connector.
3. Check harness continuity between EVAP control system pressure sensor terminal 1 and ECM terminal 96. Refer to Wiring Diagram.

Continuity should exist.

4. Also check harness for short to ground and short to power.

OK or NG

OK >> GO TO 14.

NG >> GO TO 13.

13. DETECT MALFUNCTIONING PART

Check the following.

- Harness connectors B9, E13
- Harness for open or short between EVAP control system pressure sensor and ECM

>> Repair open circuit or short to ground or short to power in harness or connectors.

14. CHECK EVAP CONTROL SYSTEM PRESSURE SENSOR INPUT SIGNAL CIRCUIT FOR OPEN AND SHORT

DTC P0453 EVAP CONTROL SYSTEM PRESSURE SENSOR

[QR]

< SERVICE INFORMATION >

1. Check harness continuity between ECM terminal 86 and EVAP control system pressure sensor terminal
2. Refer to Wiring Diagram.

Continuity should exist.

2. Also check harness for short to ground and short to power.

OK or NG

- OK >> GO TO 16.
NG >> GO TO 15.

15. DETECT MALFUNCTIONING PART

Check the following.

- Harness connectors B9, E13
- Harness for open or short between ECM and EVAP control system pressure sensor

>> Repair open circuit or short to ground or short to power in harness or connectors.

16. CHECK RUBBER TUBE

1. Disconnect rubber tube connected to EVAP canister vent control valve.
2. Check the rubber tube for clogging, vent and kinked.

OK or NG

- OK >> GO TO 17.
NG >> Clean the rubber tube using an air blower, repair or replace rubber tube.

17. CHECK EVAP CANISTER VENT CONTROL VALVE

Refer to [EC-860. "Component Inspection"](#).

OK or NG

- OK >> GO TO 18.
NG >> Replace EVAP canister vent control valve.

18. CHECK EVAP CONTROL SYSTEM PRESSURE SENSOR

Refer to [EC-885. "Component Inspection"](#).

OK or NG

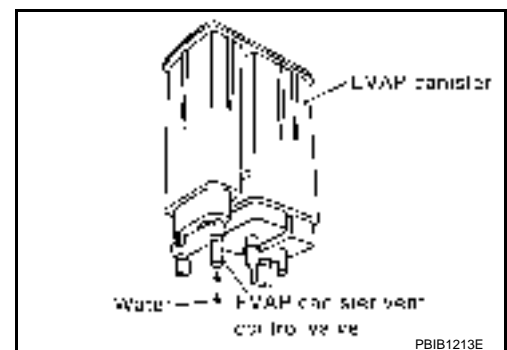
- OK >> GO TO 19.
NG >> Replace EVAP control system pressure sensor.

19. CHECK IF EVAP CANISTER SATURATED WITH WATER

1. Remove EVAP canister with EVAP canister vent control valve and EVAP control system pressure sensor attached.
2. Does water drain from the EVAP canister?

Yes or No

- Yes >> GO TO 20.
No >> GO TO 22.



20. CHECK EVAP CANISTER

Weigh the EVAP canister with the EVAP canister vent control valve and EVAP control system pressure sensor attached.

The weight should be less than 1.9 kg (4.2 lb).

OK or NG

- OK >> GO TO 22.
NG >> GO TO 21.

DTC P0453 EVAP CONTROL SYSTEM PRESSURE SENSOR

< SERVICE INFORMATION >

[QR]

21. DETECT MALFUNCTIONING PART

Check the following.

- EVAP canister for damage
- EVAP hose connected to EVAP canister for clogging or poor connection

>> Repair hose or replace EVAP canister.

22. CHECK INTERMITTENT INCIDENT

Refer to [EC-643](#).

>> **INSPECTION END**

Component Inspection

INFOID:000000001850589

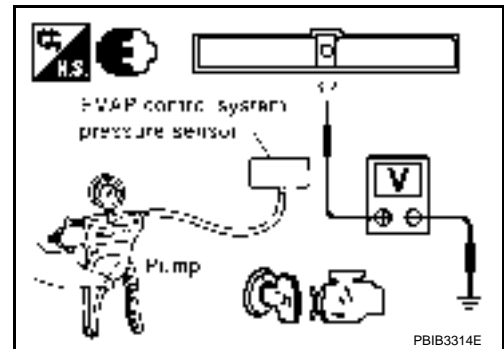
EVAP CONTROL PRESSURE SENSOR

1. Remove EVAP control system pressure sensor with its harness connector connected from EVAP canister.
Always replace O-ring with a new one.
2. Install a vacuum pump to EVAP control system pressure sensor.
3. Turn ignition switch ON and check output voltage between ECM terminal 42 (EVAP control system pressure sensor signal) and ground under the following conditions.

Applied vacuum kPa (mmHg, inHg)	Voltage V
Not applied	1.8 - 4.8
-26.7 (-200, -7.87)	2.1 to 2.5V lower than above value

CAUTION:

- Always calibrate the vacuum pump gauge when using it.
 - Do not apply below -93.3 kPa (-700 mmHg, -27.56 inHg) or pressure over 101.3 kPa (760 mmHg, 29.92 inHg).
4. If NG, replace EVAP control system pressure sensor.



DTC P0455 EVAP CONTROL SYSTEM

< SERVICE INFORMATION >

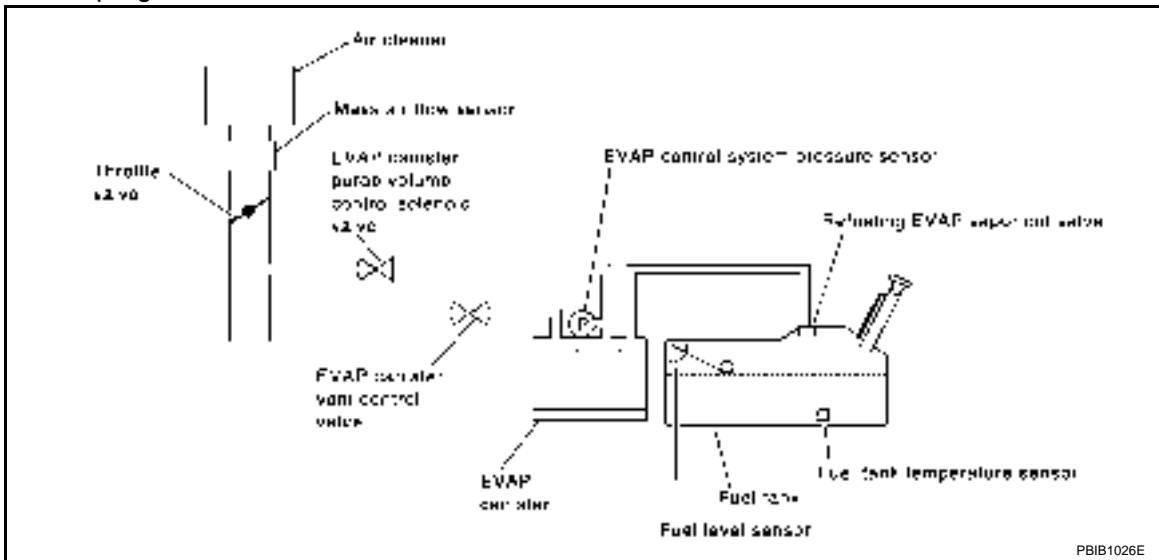
[QR]

DTC P0455 EVAP CONTROL SYSTEM

On Board Diagnosis Logic

INFOID:000000001850590

This diagnosis detects a very large leak (fuel filler cap fell off etc.) in EVAP system between the fuel tank and EVAP canister purge volume control solenoid valve.



DTC No.	Trouble diagnosis name	DTC detecting condition	Possible cause
P0455 0455	EVAP control system gross leak detected	<ul style="list-style-type: none"> EVAP control system has a very large leak such as fuel filler cap fell off. EVAP control system does not operate properly. 	<ul style="list-style-type: none"> Fuel filler cap remains open or fails to close. Incorrect fuel tank vacuum relief valve Incorrect fuel filler cap used Foreign matter caught in fuel filler cap Leak is in line between intake manifold and EVAP canister purge volume control solenoid valve Foreign matter caught in EVAP canister vent control valve. EVAP canister or fuel tank leaks EVAP purge line (pipe and rubber tube) leaks EVAP purge line rubber tube bent. Loose or disconnected rubber tube EVAP canister vent control valve and the circuit EVAP canister purge volume control solenoid valve and the circuit Fuel tank temperature sensor O-ring of EVAP canister vent control valve is missing or damaged. EVAP control system pressure sensor Refueling EVAP vapor cut valve ORVR system leaks

CAUTION:

- Use only a genuine NISSAN fuel filler cap as a replacement. If an incorrect fuel filler cap is used, the MIL may come on.
- If the fuel filler cap is not tightened properly, the MIL may come on.
- Use only a genuine NISSAN rubber tube as a replacement.

DTC Confirmation Procedure

INFOID:000000001850591

CAUTION:

Never remove fuel filler cap during the DTC Confirmation Procedure.

NOTE:

DTC P0455 EVAP CONTROL SYSTEM

< SERVICE INFORMATION >

[QR]

If DTC Confirmation Procedure has been previously conducted, always turn ignition switch OFF and wait at least 10 seconds before conducting the next test.

TESTING CONDITION:

- Perform "DTC WORK SUPPORT" when the fuel level is between 1/4 and 3/4 full, and vehicle is placed on flat level surface.
- Open engine hood before conducting the following procedure.

WITH CONSULT-III

1. Tighten fuel filler cap securely until rereaching sound is heard.
2. Turn ignition switch ON.
3. Turn ignition switch OFF and wait at least 10 seconds.
4. Turn ignition switch ON and select "DATA MONITOR" mode with CONSULT-III.
5. Make sure that the following conditions are met.
COOLAN TEMP/S: 0 - 100°C (32 - 212°F)
INT/A TEMP SE: 0 - 60°C (32 - 140°F)
6. Select "EVAP SML LEAK P0442/P1442" of "EVAPORATIVE SYSTEM" in "DTC WORK SUPPORT" mode with CONSULT-III.
Follow the instruction displayed.
NOTE:
If the engine speed cannot be maintained within the range displayed on the CONSULT-III screen, go to [EC-584, "Basic Inspection"](#).
7. Make sure that "OK" is displayed.
If "NG" is displayed, select "SELF-DIAG RESULTS" mode with CONSULT-III and make sure that "EVAP GROSS LEAK [P0455]" is displayed. If it is displayed, refer to [EC-887, "Diagnosis Procedure"](#).
If P0442 is displayed, perform Diagnostic Procedure for DTC P0442, [EC-838, "Diagnosis Procedure"](#).

WITH GST

NOTE:

Be sure to read the explanation of Driving Pattern on [EC-559, "Emission-related Diagnostic Information"](#) before driving vehicle.

1. Start engine.
 2. Drive vehicle according to Driving Pattern, [EC-559, "Emission-related Diagnostic Information"](#).
 3. Stop vehicle.
 4. Turn ignition switch OFF, wait at least 10 seconds and then turn ignition switch ON.
 5. Select Service \$07 with GST.
- If P0441 is displayed on the screen, go to [EC-833, "Diagnosis Procedure"](#) for DTC P0441.
 - If P0442 is displayed on the screen, go to [EC-838, "Diagnosis Procedure"](#) for DTC P0442.
 - If P0455 is displayed on the screen, go to [EC-887, "Diagnosis Procedure"](#).

Diagnosis Procedure

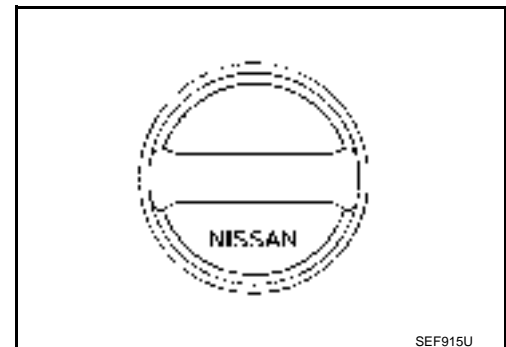
INFOID:000000001850592

1. CHECK FUEL FILLER CAP DESIGN

1. Turn ignition switch OFF.
2. Check for genuine NISSAN fuel filler cap design.

OK or NG

- OK >> GO TO 2.
- NG >> Replace with genuine NISSAN fuel filler cap.



2. CHECK FUEL FILLER CAP INSTALLATION

Check that the cap is tightened properly by rotating the cap clockwise.

OK or NG

DTC P0455 EVAP CONTROL SYSTEM

[QR]

< SERVICE INFORMATION >

- OK >> GO TO 3.
NG >> 1. Open fuel filler cap, then clean cap and fuel filler neck threads using air blower.
2. Retighten until rereaching sound is heard.

3. CHECK FUEL FILLER CAP FUNCTION

Check for air releasing sound while opening the fuel filler cap.

OK or NG

- OK >> GO TO 5.
NG >> GO TO 4.

4. CHECK FUEL TANK VACUUM RELIEF VALVE

Refer to [EC-546, "Component Inspection"](#).

OK or NG

- OK >> GO TO 5.
NG >> Replace fuel filler cap with a genuine one.

5. CHECK EVAP PURGE LINE

Check EVAP purge line (pipe, rubber tube, fuel tank and EVAP canister) for cracks, improper connection or disconnection.

Refer to [EC-544](#).

OK or NG

- OK >> GO TO 6.
NG >> Repair or reconnect the hose.

6. CLEAN EVAP PURGE LINE

Clean EVAP purge line (pipe and rubber tube) using air blower.

>> GO TO 7.

7. CHECK EVAP CANISTER VENT CONTROL VALVE

Check the following.

- EVAP canister vent control is installed properly.
Refer to [EC-547, "Removal and Installation"](#).
- EVAP canister vent control valve.
Refer to [EC-860, "Component Inspection"](#).

OK or NG

- OK >> GO TO 8.
NG >> Repair or replace EVAP canister vent control valve and O-ring.

8. INSTALL THE PRESSURE PUMP

To locate the EVAP leak, install EVAP service port adapter and pressure pump to EVAP service port securely. For the location of EVAP service port (1), refer to [EC-544, "Description"](#).

-  Vehicle front

NOTE:

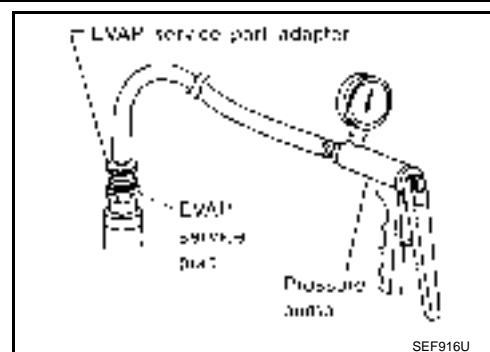
Improper installation of the EVAP service port adapter to the EVAP service port may cause leaking.



DTC P0455 EVAP CONTROL SYSTEM

< SERVICE INFORMATION >

[QR]



A
EC
C
D
E
F
G
H
I
J
K
L
M
N
O
P

With CONSULT-III>>GO TO 9.
Without CONSULT-III>>GO TO 10.

9. CHECK FOR EVAP LEAK

With CONSULT-III

1. Turn ignition switch ON.
2. Select "EVAP SYSTEM CLOSE" of "WORK SUPPORT" mode with CONSULT-III.
3. Touch "START" and apply pressure into the EVAP line until the pressure indicator reaches the middle of the bar graph.

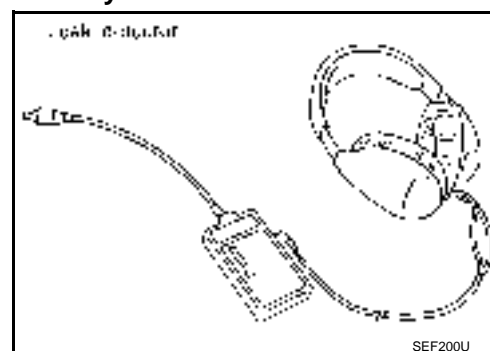
CAUTION:

- Never use compressed air or a high pressure pump.
- Do not exceed 4.12 kPa (0.042 kg/cm², 0.6 psi) of pressure in the system.

4. Using EVAP leak detector, locate the EVAP leak. For the leak detector, refer to the instruction manual for more details.
Refer to [EC-544](#), "Description".

OK or NG

- OK >> GO TO 11.
NG >> Repair or replace.



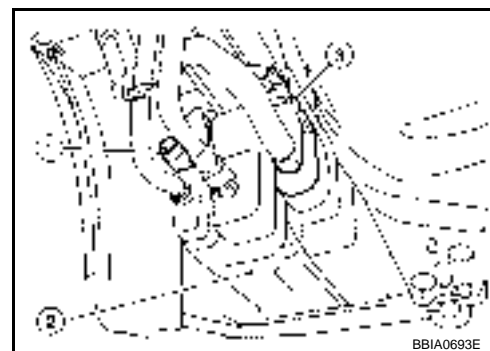
10. CHECK FOR EVAP LEAK

Without CONSULT-III

1. Turn ignition switch OFF.
2. Apply 12 volts DC to EVAP canister vent control valve (3). The valve will close. (Continue to apply 12 volts until the end of test.)
 - This illustration is a view from under vehicle
 - EVAP control system pressure sensor (1)
 - EVAP canister (2)
3. Pressurize the EVAP line using pressure pump with 1.3 to 2.7 kPa (10 to 20 mmHg, 0.39 to 0.79 inHg), then remove pump and EVAP service port adapter.

CAUTION:

- Never use compressed air or a high pressure pump.
- Do not exceed 4.12 kPa (0.042 kg/cm², 0.6 psi) of pressure in the system.



DTC P0455 EVAP CONTROL SYSTEM

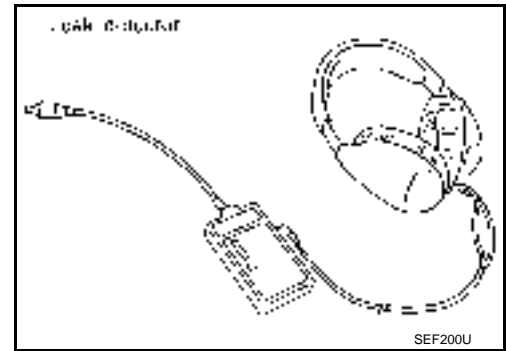
[QR]

< SERVICE INFORMATION >

- Using EVAP leak detector, locate the EVAP leak. For the leak detector, refer to the instruction manual for more details.
Refer to [EC-544, "Description"](#).

OK or NG

- OK >> GO TO 12.
NG >> Repair or replace.



11. CHECK EVAP CANISTER PURGE VOLUME CONTROL SOLENOID VALVE OPERATION

With CONSULT-III

- Disconnect vacuum hose to EVAP canister purge volume control solenoid valve at EVAP service port.
- Start engine.
- Perform "PURG VOL CONT/V" in "ACTIVE TEST" mode.
- Touch "Qu" on CONSULT-III screen to increase "PURG VOL CONT/V" opening to 100%.
- Check vacuum hose for vacuum.

Vacuum should exist.

OK or NG

- OK >> GO TO 14.
NG >> GO TO 13.

12. CHECK EVAP CANISTER PURGE VOLUME CONTROL SOLENOID VALVE OPERATION

Without CONSULT-III

- Start engine and warm it up to normal operating temperature.
- Stop engine.
- Disconnect vacuum hose to EVAP canister purge volume control solenoid valve at EVAP service port.
- Start engine and let it idle for at least 80 seconds.
- Check vacuum hose for vacuum when revving engine up to 2,000 rpm.

Vacuum should exist.

OK or NG

- OK >> GO TO 15.
NG >> GO TO 13.

13. CHECK VACUUM HOSE

Check vacuum hoses for clogging or disconnection. Refer to [EC-611, "Vacuum Hose Drawing"](#).

OK or NG

- OK (With CONSULT-III) >> GO TO 14.
OK (Without CONSULT-III) >> GO TO 15.
NG >> Repair or reconnect the hose.

14. CHECK EVAP CANISTER PURGE VOLUME CONTROL SOLENOID VALVE

With CONSULT-III

- Start engine.
- Perform "PURG VOL CONT/V" in "ACTIVE TEST" mode with CONSULT-III. Check that engine speed varies according to the valve opening.

OK or NG

- OK >> GO TO 16.
NG >> GO TO 15.

15. CHECK EVAP CANISTER PURGE VOLUME CONTROL SOLENOID VALVE

Refer to [EC-856, "Component Inspection"](#).

OK or NG

DTC P0455 EVAP CONTROL SYSTEM

[QR]

< SERVICE INFORMATION >

- OK >> GO TO 16.
- NG >> Replace EVAP canister purge volume control solenoid valve.

16.CHECK FUEL TANK TEMPERATURE SENSOR

Refer to [EC-796. "Component Inspection"](#).

OK or NG

- OK >> GO TO 17.
- NG >> Replace fuel level sensor unit.

17.CHECK EVAP CONTROL SYSTEM PRESSURE SENSOR

Refer to [EC-877. "Component Inspection"](#).

OK or NG

- OK >> GO TO 18.
- NG >> Replace EVAP control system pressure sensor.

18.CHECK EVAP/ORVR LINE

Check refueling EVAP/ORVR line between EVAP canister and fuel tank for clogging, kink, looseness and improper connection. For location, refer to [EC-550](#).

OK or NG

- OK >> GO TO 19.
- NG >> Repair or replace hoses and tubes.

19.CHECK RECIRCULATION LINE

Check recirculation line between filler neck tube and fuel tank for clogging, kink, cracks, looseness and improper connection.

OK or NG

- OK >> GO TO 20.
- NG >> Repair or replace hoses, tubes or filler neck tube.

20.CHECK REFUELING EVAP VAPOR CUT VALVE

Refer to [EC-552. "Component Inspection"](#).

OK or NG

- OK >> GO TO 21.
- NG >> Replace refueling EVAP vapor cut valve with fuel tank.

21.CHECK INTERMITTENT INCIDENT

Refer to [EC-643](#).

>> **INSPECTION END**

A
EC
C
D
E
F
G
H
I
J
K
L
M
N
O
P

DTC P0456 EVAP CONTROL SYSTEM

< SERVICE INFORMATION >

[QR]

DTC P0456 EVAP CONTROL SYSTEM

On Board Diagnosis Logic

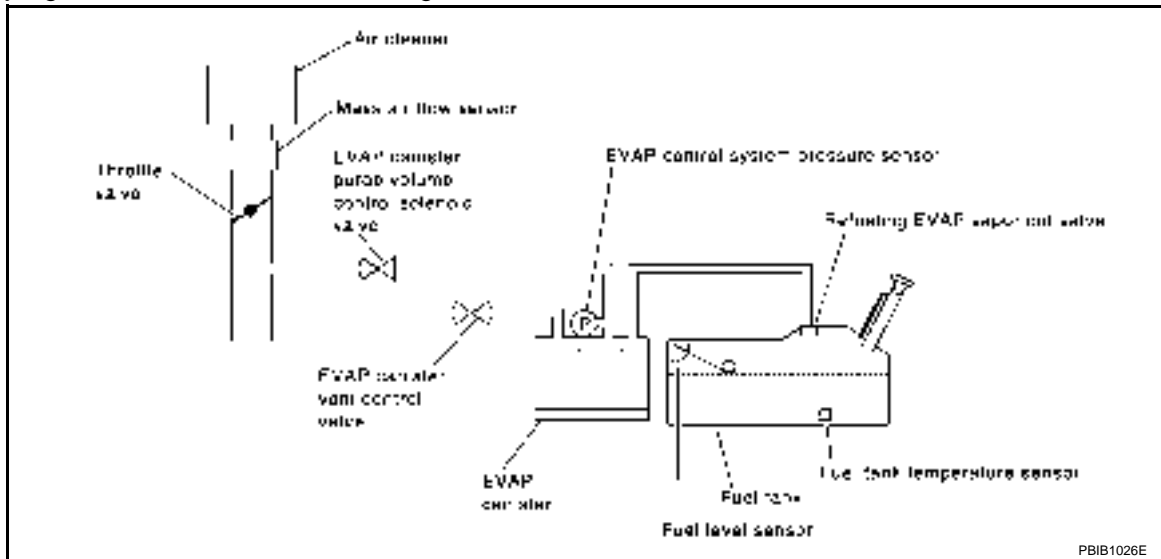
INFOID:000000001850593

This diagnosis detects very small leaks in the EVAP line between fuel tank and EVAP canister purge volume control solenoid valve, using the intake manifold vacuum in the same way as conventional EVAP small leak diagnosis.

If ECM judges a leak which corresponds to a very small leak, the very small leak P0456 will be detected.

If ECM judges a leak equivalent to a small leak, EVAP small leak P0442 will be detected.

If ECM judges there are no leaks, the diagnosis will be OK.



DTC No.	Trouble diagnosis name	DTC detecting condition	Possible cause
P0456 0456	Evaporative emission control system very small leak (negative pressure check)	<ul style="list-style-type: none"> • EVAP system has a very small leak. • EVAP system does not operate properly. 	<ul style="list-style-type: none"> • Incorrect fuel tank vacuum relief valve • Incorrect fuel filler cap used • Fuel filler cap remains open or fails to close. • Foreign matter caught in fuel filler cap • Leak is in line between intake manifold and EVAP canister purge volume control solenoid valve. • Foreign matter caught in EVAP canister vent control valve • EVAP canister or fuel tank leaks • EVAP purge line (pipe and rubber tube) leaks • EVAP purge line rubber tube bent • Loose or disconnected rubber tube • EVAP canister vent control valve and the circuit • EVAP canister purge volume control solenoid valve and the circuit • Fuel tank temperature sensor • O-ring of EVAP canister vent control valve is missing or damaged • EVAP canister is saturated with water • EVAP control system pressure sensor • Refueling EVAP vapor cut valve • ORVR system leaks • Fuel level sensor and the circuit • Foreign matter caught in EVAP canister purge volume control solenoid valve

CAUTION:

- Use only a genuine NISSAN fuel filler cap as a replacement. If an incorrect fuel filler cap is used, the MIL may come on.
- If the fuel filler cap is not tightened properly, the MIL may come on.
- Use only a genuine NISSAN rubber tube as a replacement.

DTC P0456 EVAP CONTROL SYSTEM

< SERVICE INFORMATION >

[QR]

DTC Confirmation Procedure

INFOID:000000001850594

NOTE:

- If DTC P0456 is displayed with P0442, first perform trouble diagnosis for DTC P0456.
- After repair, make sure that the hoses and clips are installed properly.
- If DTC Confirmation Procedure has been previously conducted, always turn ignition switch OFF and wait at least 10 seconds before conducting the next test.

TESTING CONDITION:

- Open engine hood before conducting following procedure.
- If any of following conditions are met just before the DTC confirmation procedure, leave the vehicle for more than 1 hour.
 - Fuel filler cap is removed.
 - Refilled or drained the fuel.
 - EVAP component parts is/are removed.
- Before performing the following procedure, confirm that battery voltage is more than 11V at idle.

WITH CONSULT-III

1. Turn ignition switch ON and select "DATA MONITOR" mode with CONSULT-III.
2. Make sure the following conditions are met.
 - FUEL LEVEL SE: 0.25 - 1.4V**
 - COOLAN TEMP/S: 0 - 32°C (32 - 90°F)**
 - FUEL T/TMP SE: 0 - 35°C (32 - 95°F)**
 - INT/A TEMP SE: More than 0°C (32°F)**If NG, turn ignition switch OFF and leave the vehicle in a cool place (soak the vehicle) or refilling/draining fuel until the output voltage condition of the "FUEL LEVEL SE" meets within the range above and leave the vehicle for more than 1 hour. Then start from step 1).
3. Turn ignition switch OFF and wait at least 10 seconds.
4. Turn ignition switch ON.
5. Select "EVAP V/S LEAK P0456" of "EVAPORATIVE SYSTEM" in "DTC WORK SUPPORT" mode with CONSULT-III.
Follow the instruction displayed.
6. Make sure that "OK" is displayed.
If "NG" is displayed, refer to [EC-894, "Diagnosis Procedure"](#).

NOTE:

If the engine speed cannot be maintained within the range displayed on CONSULT-III screen, go to [EC-584, "Basic Inspection"](#).

Overall Function Check


INFOID:000000001850595

WITH GST

Use this procedure to check the overall function of the EVAP very small leak function. During this check, a 1st trip DTC might not be confirmed.

CAUTION:

- Never use compressed air, doing so may damage the EVAP system.
- Do not start engine.
- Do not exceeded 4.12 kPa (0.042 kg/cm², 0.6 psi).

1. Attach the EVAP service port (1) adapter securely to the EVAP service port.
 -  Vehicle front



DTC P0456 EVAP CONTROL SYSTEM

[QR]

< SERVICE INFORMATION >

2. Set the pressure pump and a hose.
3. Also set the pressure pump with pressure gauge to the EVAP service port adapter.
4. Turn ignition switch ON.
5. Connect GST and select Service \$08.
6. Using Service \$08 control the EVAP canister vent control valve (close).
7. Apply pressure and make sure the following conditions are satisfied.

Pressure to be applied: 2.7 kPa (20 mmHg, 0.79 inHg)

Time to be waited after the pressure drawn in to the EVAP system and the pressure to be dropped: 60 seconds and the pressure should not be dropped more than 0.4 kPa (3 mmHg, 0.12 inHg).

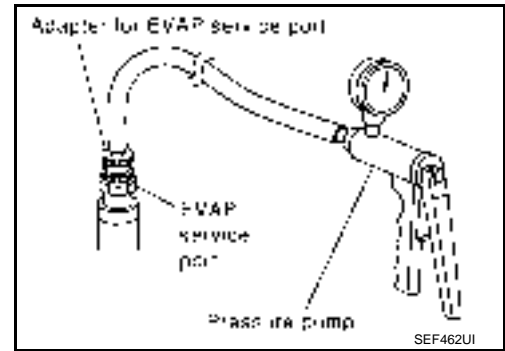
If NG, go to [EC-894, "Diagnosis Procedure"](#).

If OK, go to next step.

8. Disconnect GST.
9. Start engine and warm it up to normal operating temperature.
10. Turn ignition switch OFF and wait at least 10 seconds.
11. Restart engine and let it idle for 90 seconds.
12. Keep engine speed at 2,000 rpm for 30 seconds.
13. Turn ignition switch OFF.

NOTE:

For more information, refer to GST Instruction Manual.



Diagnosis Procedure

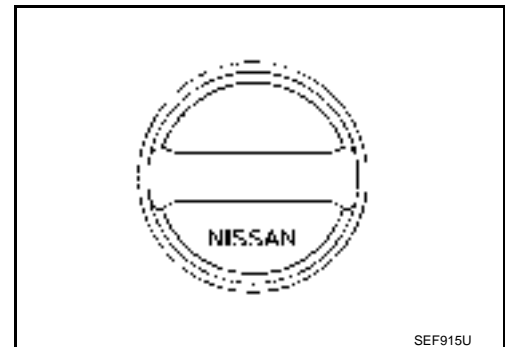
INFOID:000000001850596

1. CHECK FUEL FILLER CAP DESIGN

1. Turn ignition switch OFF.
2. Check for genuine NISSAN fuel filler cap design.

OK or NG

- OK >> GO TO 2.
NG >> Replace with genuine NISSAN fuel filler cap.



2. CHECK FUEL FILLER CAP INSTALLATION

Check that the cap is tightened properly by rotating the cap clockwise.

OK or NG

- OK >> GO TO 3.
NG >> 1. Open fuel filler cap, then clean cap and fuel filler neck threads using air blower.
2. Retighten until ratcheting sound is heard.

3. CHECK FUEL FILLER CAP FUNCTION

Check for air releasing sound while opening the fuel filler cap.

OK or NG

- OK >> GO TO 5.
NG >> GO TO 4.

4. CHECK FUEL TANK VACUUM RELIEF VALVE

Refer to [EC-546, "Component Inspection"](#).

OK or NG

- OK >> GO TO 5.
NG >> Replace fuel filler cap with a genuine one.

DTC P0456 EVAP CONTROL SYSTEM

< SERVICE INFORMATION >

[QR]

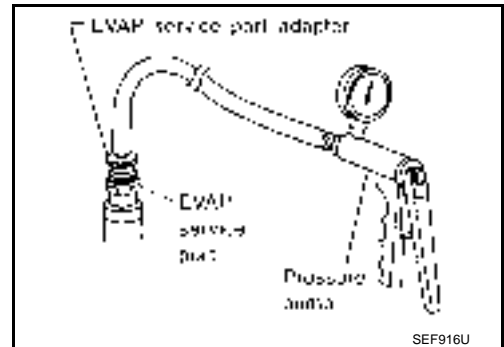
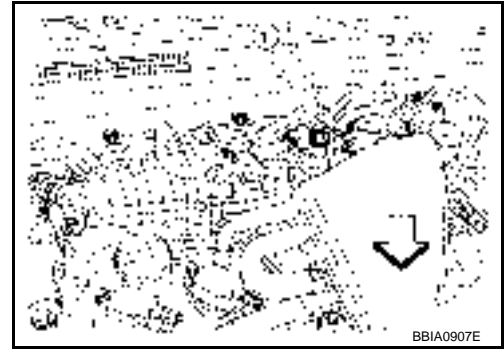
5. INSTALL THE PRESSURE PUMP

To locate the EVAP leak, install EVAP service port (1) adapter and pressure pump to EVAP service port securely. For the location of EVAP service port, refer to [EC-544, "Description"](#).

-  Vehicle front

NOTE:

Improper installation of the EVAP service port adapter to the EVAP service port may cause leaking.



With CONSULT-III>>GO TO 6.
Without CONSULT-III>>GO TO 7.

6. CHECK FOR EVAP LEAK

With CONSULT-III

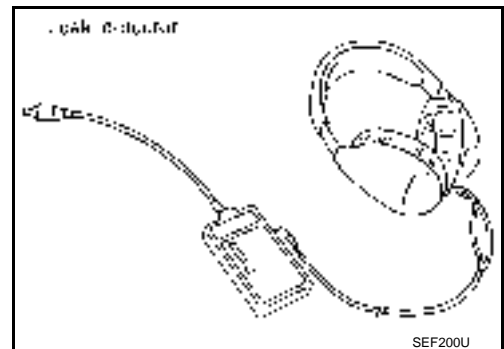
1. Turn ignition switch ON.
2. Select "EVAP SYSTEM CLOSE" of "WORK SUPPORT" mode with CONSULT-III.
3. Touch "START" and apply pressure into the EVAP line until the pressure indicator reaches the middle of the bar graph.

CAUTION:

- **Never use compressed air or a high pressure pump.**
 - **Do not exceed 4.12 kPa (0.042 kg/cm², 0.6 psi) of pressure in the system.**
4. Using EVAP leak detector, locate the EVAP leak. For the leak detector, refer to the instruction manual for more details.
Refer to [EC-544, "Description"](#).

OK or NG

- OK >> GO TO 8.
NG >> Repair or replace.



7. CHECK FOR EVAP LEAK

Without CONSULT-III

1. Turn ignition switch OFF.

DTC P0456 EVAP CONTROL SYSTEM

[QR]

< SERVICE INFORMATION >

- Apply 12 volts DC to EVAP canister vent control valve (3). The valve will close. (Continue to apply 12 volts until the end of test.)
 - This illustration is a view from under vehicle
 - EVAP control system pressure sensor (1)
 - EVAP canister (2)
- Pressurize the EVAP line using pressure pump with 1.3 to 2.7 kPa (10 to 20 mmHg, 0.39 to 0.79 inHg), then remove pump and EVAP service port adapter.

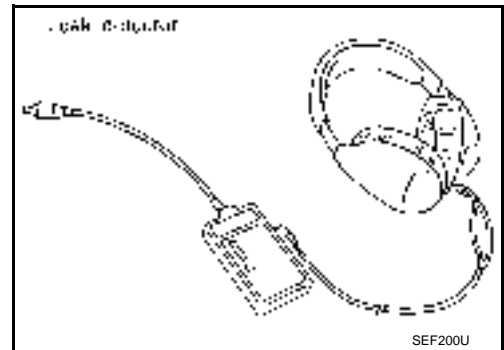
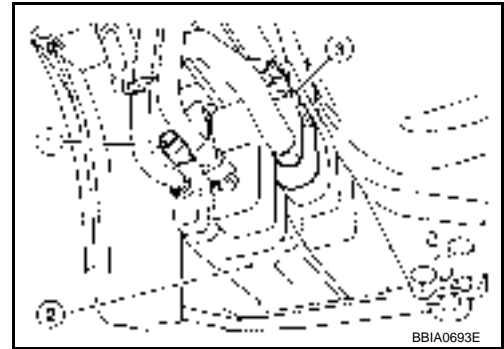
CAUTION:

- Never use compressed air or a high pressure pump.
- Do not exceed 4.12 kPa (0.042 kg/cm², 0.6 psi) of pressure in the system.

- Using EVAP leak detector, locate the EVAP leak. For the leak detector, refer to the instruction manual for more details. Refer to [EC-544, "Description"](#).

OK or NG

- OK >> GO TO 8.
NG >> Repair or replace.



8. CHECK EVAP CANISTER VENT CONTROL VALVE

Check the following.

- EVAP canister vent control valve is installed properly. Refer to [EC-547, "Removal and Installation"](#).
- EVAP canister vent control valve. Refer to [EC-860, "Component Inspection"](#).

OK or NG

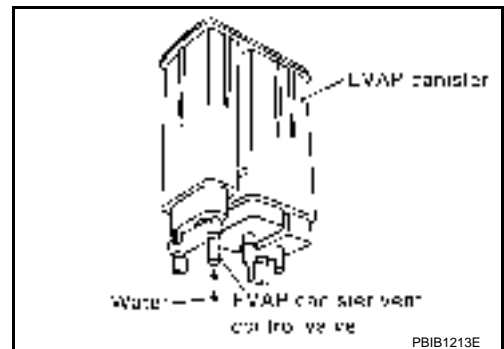
- OK >> GO TO 9.
NG >> Repair or replace EVAP canister vent control valve and O-ring.

9. CHECK IF EVAP CANISTER SATURATED WITH WATER

- Remove EVAP canister with EVAP canister vent control valve and EVAP control system pressure sensor attached.
- Does water drain from the EVAP canister?

Yes or No

- Yes >> GO TO 10.
No (With CONSULT-III) >> GO TO 12.
No (Without CONSULT-III) >> GO TO 13.



10. CHECK EVAP CANISTER

Weigh the EVAP canister with the EVAP canister vent control valve and EVAP control system pressure sensor attached.

The weight should be less than 1.9 kg (4.2 lb).

OK or NG

- OK (With CONSULT-III) >> GO TO 12.
OK (Without CONSULT-III) >> GO TO 13.
NG >> GO TO 11.

11. DETECT MALFUNCTIONING PART

DTC P0456 EVAP CONTROL SYSTEM

< SERVICE INFORMATION >

[QR]

Check the following.

- EVAP canister for damage
- EVAP hose between EVAP canister and vehicle frame for clogging or poor connection

>> Repair hose or replace EVAP canister.

12. CHECK EVAP CANISTER PURGE VOLUME CONTROL SOLENOID VALVE OPERATION

With CONSULT-III

1. Disconnect vacuum hose to EVAP canister purge volume control solenoid valve at EVAP service port.
2. Start engine.
3. Perform "PURG VOL CONT/V" in "ACTIVE TEST" mode.
4. Touch "Qu" on CONSULT-III screen to increase "PURG VOL CONT/V" opening to 100%.
5. Check vacuum hose for vacuum.

Vacuum should exist.

OK or NG

- OK >> GO TO 15.
- NG >> GO TO 14.

13. CHECK EVAP CANISTER PURGE VOLUME CONTROL SOLENOID VALVE OPERATION

Without CONSULT-III

1. Start engine and warm it up to normal operating temperature.
2. Stop engine.
3. Disconnect vacuum hose to EVAP canister purge volume control solenoid valve at EVAP service port.
4. Start engine and let it idle for at least 80 seconds.
5. Check vacuum hose for vacuum when revving engine up to 2,000 rpm.

Vacuum should exist.

OK or NG

- OK >> GO TO 16.
- NG >> GO TO 14.

14. CHECK VACUUM HOSE

Check vacuum hoses for clogging or disconnection. Refer to [EC-611. "Vacuum Hose Drawing"](#).

OK or NG

- OK >> GO TO 15.
- NG >> Repair or reconnect the hose.

15. CHECK EVAP CANISTER PURGE VOLUME CONTROL SOLENOID VALVE

Refer to [EC-856. "Component Inspection"](#).

OK or NG

- OK >> GO TO 16.
- NG >> Replace EVAP canister purge volume control solenoid valve.

16. CHECK FUEL TANK TEMPERATURE SENSOR

Refer to [EC-796. "Component Inspection"](#).

OK or NG

- OK >> GO TO 17.
- NG >> Replace fuel level sensor unit.

17. CHECK EVAP CONTROL SYSTEM PRESSURE SENSOR

Refer to [EC-877. "Component Inspection"](#).

OK or NG

- OK >> GO TO 18.
- NG >> Replace EVAP control system pressure sensor.

18. CHECK EVAP PURGE LINE

DTC P0456 EVAP CONTROL SYSTEM

[QR]

< SERVICE INFORMATION >

Check EVAP purge line (pipe, rubber tube, fuel tank and EVAP canister) for cracks or improper connection. Refer to [EC-544, "Description"](#).

OK or NG

OK >> GO TO 19.

NG >> Repair or reconnect the hose.

19. CLEAN EVAP PURGE LINE

Clean EVAP purge line (pipe and rubber tube) using air blower.

>> GO TO 20.

20. CHECK EVAP/ORVR LINE

Check EVAP/ORVR line between EVAP canister and fuel tank for clogging, kink, looseness and improper connection. For location, refer to [EC-550](#).

OK or NG

OK >> GO TO 21.

NG >> Repair or replace hoses and tubes.

21. CHECK RECIRCULATION LINE

Check recirculation line between filler neck tube and fuel tank for clogging, kink, cracks, looseness and improper connection.

OK or NG

OK >> GO TO 22.

NG >> Repair or replace hose, tube or filler neck tube.

22. CHECK REFUELING EVAP VAPOR CUT VALVE

Refer to [EC-552, "Component Inspection"](#).

OK or NG

OK >> GO TO 23.

NG >> Replace refueling EVAP vapor cut valve with fuel tank.

23. CHECK FUEL LEVEL SENSOR

Refer to [FL-5](#).

OK or NG

OK >> GO TO 24.

NG >> Replace fuel level sensor unit.

24. CHECK INTERMITTENT INCIDENT

Refer to [EC-643](#).

>> **INSPECTION END**

DTC P0460 FUEL LEVEL SENSOR

< SERVICE INFORMATION >

[QR]

DTC P0460 FUEL LEVEL SENSOR

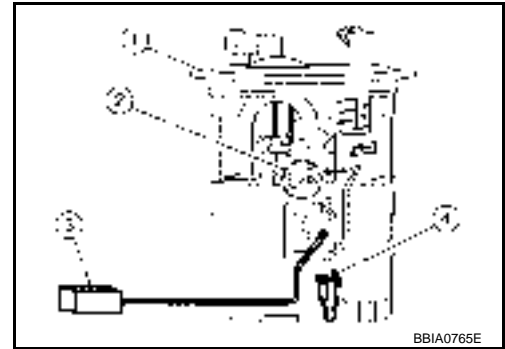
Component Description

INFOID:000000001850597

The fuel level sensor (3) is mounted in the fuel level sensor unit. The sensor detects a fuel level in the fuel tank and transmits a signal to the combination meter. The combination meter sends the fuel level sensor signal to the ECM through CAN communication line.

It consists of two parts, one is mechanical float and the other is variable resistor. Fuel level sensor output voltage changes depending on the movement of the fuel mechanical float.

- Fuel level sensor unit and fuel pump (1)
- Fuel pressure regulator (2)
- Fuel tank temperature sensor (4)



On Board Diagnosis Logic

INFOID:000000001850598

NOTE:

- If DTC P0460 is displayed with DTC U1000 or U1001, first perform the trouble diagnosis for DTC U1000, U1001. Refer to [EC-650](#).
- If DTC P0460 is displayed with DTC U1010, first perform the trouble diagnosis for DTC U1010. Refer to [EC-652](#).

When the vehicle is parked, naturally the fuel level in the fuel tank is stable. It means that output signal of the fuel level sensor does not change. If ECM senses sloshing signal from the sensor, fuel level sensor malfunction is detected.

DTC No.	Trouble diagnosis name	DTC detecting condition	Possible cause
P0460 0460	Fuel level sensor circuit noise	Even though the vehicle is parked, a signal being varied is sent from the fuel level sensor to ECM.	<ul style="list-style-type: none">• Harness or connectors (CAN communication line is open or shorted)• Harness or connectors (Fuel level sensor circuit is open or shorted)• Combination meter• Fuel level sensor

DTC Confirmation Procedure

INFOID:000000001850599

NOTE:

If DTC Confirmation Procedure has been previously conducted, always turn ignition switch OFF and wait at least 10 seconds before conducting the next test.

1. Start engine and wait maximum of 2 consecutive minutes.
2. Check 1st trip DTC.
3. If 1st trip DTC is detected, go to [EC-899, "Diagnosis Procedure"](#).

Diagnosis Procedure

INFOID:000000001850600

1. CHECK FUEL GAUGE OPERATION

Refer to [DI-13, "Self-Diagnosis Mode of Combination Meter"](#).

OK or NG

OK >> GO TO 2.

NG >> Follow the instruction of [DI-13, "Self-Diagnosis Mode of Combination Meter"](#).

2. CHECK FUEL LEVEL SENSOR AND CIRCUIT

Refer to [DI-19, "Fuel Level Sensor Signal Inspection"](#).

OK or NG

OK >> GO TO 3.

NG >> Repair or replace malfunctioning parts.

DTC P0460 FUEL LEVEL SENSOR

< SERVICE INFORMATION >

[QR]

3. CHECK INTERMITTENT INCIDENT

Refer to [EC-643](#).

>> **INSPECTION END**

Removal and Installation

INFOID:000000001850601

FUEL LEVEL SENSOR

Refer to [FL-5](#).

DTC P0461 FUEL LEVEL SENSOR

< SERVICE INFORMATION >

[QR]

DTC P0461 FUEL LEVEL SENSOR

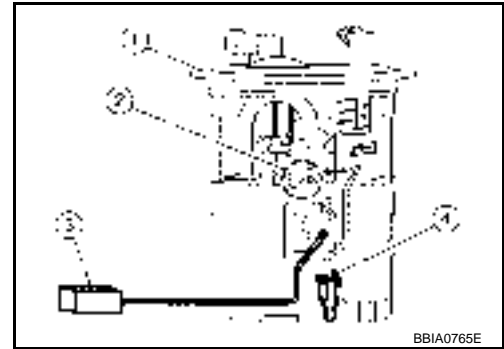
Component Description

INFOID:000000001850602

The fuel level sensor (3) is mounted in the fuel level sensor unit. The sensor detects a fuel level in the fuel tank and transmits a signal to the combination meter. The combination meter sends the fuel level sensor signal to the ECM through CAN communication line.

It consists of two parts, one is mechanical float and the other is variable resistor. Fuel level sensor output voltage changes depending on the movement of the fuel mechanical float.

- Fuel level sensor unit and fuel pump (1)
- Fuel pressure regulator (2)
- Fuel tank temperature sensor (4)



On Board Diagnosis Logic

INFOID:000000001850603

NOTE:

- If DTC P0461 is displayed with DTC U1000 or U1001, first perform the trouble diagnosis for DTC U1000, U1001. Refer to [EC-650](#).
- If DTC P0461 is displayed with DTC U1010, first perform the trouble diagnosis for DTC U1010. Refer to [EC-652](#).

This diagnosis detects the fuel gauge malfunction of the gauge not moving even after a long distance has been driven. Driving long distances naturally affect fuel gauge level.

DTC No.	Trouble diagnosis name	DTC detecting condition	Possible cause
P0461 0461	Fuel level sensor circuit range/performance	The output signal of the fuel level sensor does not change within the specified range even though the vehicle has been driven a long distance.	<ul style="list-style-type: none">• Harness or connectors (CAN communication line is open or shorted)• Harness or connectors (Fuel level sensor circuit is open or shorted)• Combination meter• Fuel level sensor

Overall Function Check

INFOID:000000001850604

Use this procedure to check the overall function of the fuel level sensor function. During this check, a 1st trip DTC might not be confirmed.

WARNING:

When performing following procedure, be sure to observe the handling of the fuel.

Refer to [FL-9](#).

TESTING CONDITION:

Before starting overall function check, preparation of draining fuel and refilling fuel is required.

WITH CONSULT-III

NOTE:

Start from step 10, if it is possible to confirm that the fuel cannot be drained by 30 ℓ (7-7/8 US gal, 6-5/8 Imp gal) in advance.

1. Prepare a fuel container and a spare hose.
2. Release fuel pressure from fuel line, refer to [EC-592. "Fuel Pressure Check"](#).
3. Remove the fuel feed hose on the fuel level sensor unit.
4. Connect a spare fuel hose where the fuel feed hose was removed.
5. Turn ignition switch OFF and wait at least 10 seconds then turn ON.
6. Select "FUEL LEVEL SE" in "DATA MONITOR" mode with CONSULT-III.
7. Check "FUEL LEVEL SE" output voltage and note it.
8. Select "FUEL PUMP RELAY" in "ACTIVE TEST" mode with CONSULT-III.
9. Touch "ON" and drain fuel approximately 30 ℓ (7-7/8 US gal, 6-5/8 Imp gal) and stop it.
10. Check "FUEL LEVEL SE" output voltage and note it.

DTC P0461 FUEL LEVEL SENSOR

< SERVICE INFORMATION >

[QR]

11. Fill fuel into the fuel tank for 30 ℓ (7-7/8 US gal, 6-5/8 Imp gal).
12. Check "FUEL LEVEL SE" output voltage and note it.
13. Confirm whether the voltage changes more than 0.03V during step 7 to 10 and 10 to 12.
If NG, go to [EC-902. "Diagnosis Procedure"](#).

WITH GST

NOTE:

Start from step 8, if it is possible to confirm that the fuel cannot be drained by 30 ℓ (7-7/8 US gal, 6-5/8 Imp gal) in advance.

1. Prepare a fuel container and a spare hose.
2. Release fuel pressure from fuel line, refer to [EC-592. "Fuel Pressure Check"](#).
3. Remove the fuel feed hose on the fuel level sensor unit.
4. Connect a spare fuel hose where the fuel feed hose was removed.
5. Turn ignition switch ON.
6. Drain fuel by 30 ℓ (7-7/8 US gal, 6-5/8 Imp gal) from the fuel tank using proper equipment.
7. Confirm that the fuel gauge indication varies.
8. Fill fuel into the fuel tank for 30 ℓ (7-7/8 US gal, 6-5/8 Imp gal).
9. Confirm that the fuel gauge indication varies.
10. If NG, go to [EC-902. "Diagnosis Procedure"](#).

Diagnosis Procedure

INFOID:000000001850605

1. CHECK FUEL GAUGE OPERATION

Refer to [DI-13. "Self-Diagnosis Mode of Combination Meter"](#).

OK or NG

- OK >> GO TO 2.
- NG >> Follow the instruction of [DI-13. "Self-Diagnosis Mode of Combination Meter"](#).

2. CHECK FUEL LEVEL SENSOR AND CIRCUIT

Refer to [DI-19. "Fuel Level Sensor Signal Inspection"](#).

OK or NG

- OK >> GO TO 3.
- NG >> Repair or replace malfunctioning parts.

3. CHECK INTERMITTENT INCIDENT

Refer to [EC-643](#).

>> **INSPECTION END**

Removal and Installation

INFOID:000000001850606

FUEL LEVEL SENSOR

Refer to [FL-5](#).

DTC P0462, P0463 FUEL LEVEL SENSOR

< SERVICE INFORMATION >

[QR]

DTC P0462, P0463 FUEL LEVEL SENSOR

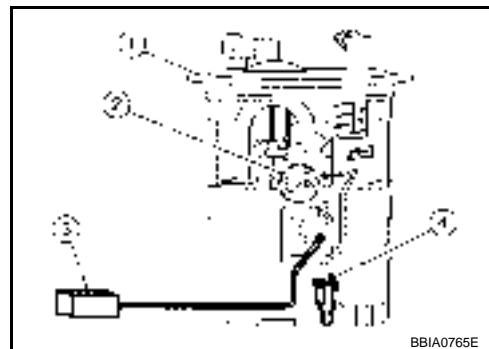
Component Description

INFOID:000000001850607

The fuel level sensor (3) is mounted in the fuel level sensor unit. The sensor detects a fuel level in the fuel tank and transmits a signal to the combination meter. The combination meter sends the fuel level sensor signal to the ECM through CAN communication line.

It consists of two parts, one is mechanical float and the other is variable resistor. Fuel level sensor output voltage changes depending on the movement of the fuel sensor mechanical float.

- Fuel level sensor unit and fuel pump (1)
- Fuel pressure regulator (2)
- Fuel tank temperature sensor (4)



On Board Diagnosis Logic

INFOID:000000001850608

NOTE:

- If DTC P0462 or P0463 is displayed with DTC U1000 or U1001, first perform the trouble diagnosis for DTC U1000, U1001. Refer to [EC-650](#).
- If DTC P0462 or P0463 is displayed with DTC U1010, first perform the trouble diagnosis for DTC U1010. Refer to [EC-652](#).

This diagnosis indicates the former, to detect open or short circuit malfunction.

DTC No.	Trouble diagnosis name	DTC detecting condition	Possible cause
P0462 0462	Fuel level sensor circuit low input	An excessively low voltage from the sensor is sent to ECM.	<ul style="list-style-type: none">• Harness or connectors (CAN communication line is open or shorted)• Harness or connectors (Fuel level sensor circuit is open or shorted)• Combination meter• Fuel level sensor
P0463 0463	Fuel level sensor circuit high input	An excessively high voltage from the sensor is sent to ECM.	

DTC Confirmation Procedure

INFOID:000000001850609

NOTE:

If DTC Confirmation Procedure has been previously conducted, always turn ignition switch OFF and wait at least 10 seconds before conducting the next test.

TESTING CONDITION:

Before performing the following procedure, confirm that battery voltage is more than 11V at ignition switch ON.

1. Turn ignition switch ON and wait at least 5 seconds.
2. Check 1st trip DTC.
3. If 1st trip DTC is detected, go to [EC-903. "Diagnosis Procedure"](#).

Diagnosis Procedure

INFOID:000000001850610

1. CHECK FUEL GAUGE OPERATION

Refer to [DI-13. "Self-Diagnosis Mode of Combination Meter"](#).

OK or NG

OK >> GO TO 2.

NG >> Follow the instruction of [DI-13. "Self-Diagnosis Mode of Combination Meter"](#).

2. CHECK FUEL LEVEL SENSOR AND CIRCUIT

Refer to [DI-19. "Fuel Level Sensor Signal Inspection"](#).

OK or NG

OK >> GO TO 3.

DTC P0462, P0463 FUEL LEVEL SENSOR

< SERVICE INFORMATION >

[QR]

NG >> Repair or replace malfunctioning parts.

3.CHECK INTERMITTENT INCIDENT

Refer to [EC-643](#).

>> **INSPECTION END**

Removal and Installation

INFOID:000000001850611

FUEL LEVEL SENSOR

Refer to [FL-5](#).

DTC P0500 VSS

< SERVICE INFORMATION >

[QR]

DTC P0500 VSS

Description

INFOID:000000001850612

NOTE:

- If DTC P0500 is displayed with DTC U1000 or U1001, first perform the trouble diagnosis for DTC U1000, U1001. Refer to [EC-650](#).
- If DTC P0500 is displayed with DTC U1010, first perform the trouble diagnosis for DTC U1010. Refer to [EC-652](#).

The vehicle speed signal is sent to the combination meter from "ABS actuator and electric unit (control unit)" through CAN communication line. The combination meter then sends a signal to the ECM through CAN communication line.

On Board Diagnosis Logic

INFOID:000000001850613

DTC No.	Trouble diagnosis name	DTC detecting condition	Possible cause
P0500 0500	Vehicle speed sensor	The almost 0 km/h (0 MPH) signal from vehicle speed sensor is sent to ECM even when vehicle is being driven.	<ul style="list-style-type: none"> • Harness or connectors (CAN communication line is open or shorted.) • Harness or connectors (Vehicle speed signal circuit is open or shorted) • ABS actuator and electric unit (control unit) • Wheel sensor • Combination meter

FAIL-SAFE MODE

When the malfunction is detected, ECM enters fail-safe mode.

Detected item	Engine operating condition in fail-safe mode
Vehicle speed sensor	When the fail-safe system for vehicle speed sensor is activated, the cooling fan operates (High) while engine is running.

DTC Confirmation Procedure

INFOID:000000001850614

CAUTION:

Always drive vehicle at a safe speed.

NOTE:

If DTC Confirmation Procedure has been previously conducted, always turn ignition switch OFF and wait at least 10 seconds before conducting the next test.

TESTING CONDITION:

Steps 1 and 2 may be conducted with the drive wheels lifted in the shop or by driving the vehicle. If a road test is expected to be easier, it is unnecessary to lift the vehicle.

WITH CONSULT-III

1. Start engine.
2. Read "VHCL SPEED SE" in "DATA MONITOR" mode with CONSULT-III. The vehicle speed on CONSULT-III should exceed 10 km/h (6 MPH) when rotating wheels with suitable gear position.
If NG, go to [EC-906, "Diagnosis Procedure"](#).
If OK, go to following step.
3. Select "DATA MONITOR" mode with CONSULT-III.
4. Warm engine up to normal operating temperature.
5. Maintain the following conditions for at least 60 consecutive seconds.

ENG SPEED	More than 1,800 rpm (M/T) More than 1,600 rpm (CVT)
COOLAN TEMP/S	More than 70°C (158°F)
B/FUEL SCHDL	4.5 - 31.8 msec (M/T) 6.0 - 31.8 msec (CVT)

DTC P0500 VSS

< SERVICE INFORMATION >

[QR]

Shift lever	Suitable position
PW/ST SIGNAL	OFF

6. Check 1st trip DTC.
7. If 1st trip DTC is detected, go to [EC-906. "Diagnosis Procedure"](#).

Overall Function Check

INFOID:000000001850615

Use this procedure to check the overall function of the vehicle speed signal circuit. During this check, a 1st trip DTC might not be confirmed.

WITH GST

1. Lift up drive wheels.
2. Start engine.
3. Read vehicle speed signal in Service \$01 with GST.
The vehicle speed signal on GST should be able to exceed 10 km/h (6 MPH) when rotating wheels with suitable gear position.
4. If NG, go to [EC-906. "Diagnosis Procedure"](#).

Diagnosis Procedure

INFOID:000000001850616

1. CHECK DTC WITH "ABS ACTUATOR AND ELECTRIC UNIT (CONTROL UNIT)"

Refer to [BRC-8](#).

OK or NG

- OK >> GO TO 2.
NG >> Repair or replace.

2. CHECK COMBINATION METER

Refer to [DI-5](#).

>> INSPECTION END

DTC P0506 ISC SYSTEM

Description

INFOID:000000001850617

NOTE:

If DTC P0506 is displayed with other DTC, first perform the trouble diagnosis for the other DTC.

The ECM controls the engine idle speed to a specified level through the fine adjustment of the air, which is let into the intake manifold, by operating the electric throttle control actuator. The operating of the throttle valve is varied to allow for optimum control of the engine idling speed. The ECM calculates the actual engine speed from signals of crankshaft position sensor (POS) and camshaft position sensor (PHASE).

The ECM controls the electric throttle control actuator so that the engine speed coincides with the target value memorized in the ECM. The target engine speed is the lowest speed at which the engine can operate steadily. The optimum value stored in the ECM is determined by taking into consideration various engine conditions, such as during warming up, deceleration, and engine load (air conditioner, power steering and cooling fan operation, etc.).

On Board Diagnosis Logic

INFOID:000000001850618

DTC No.	Trouble diagnosis name	DTC detecting condition	Possible cause
P0506 0506	Idle speed control system RPM lower than expected	The idle speed is less than the target idle speed by 100 rpm or more.	<ul style="list-style-type: none"> • Electric throttle control actuator • Intake air leak

DTC Confirmation Procedure

INFOID:000000001850619

NOTE:

- If DTC Confirmation Procedure has been previously conducted, always turn ignition switch OFF and wait at least 10 seconds before conducting the next test.
- If the target idle speed is out of the specified value, perform [EC-590, "Idle Air Volume Learning"](#), before conducting DTC Confirmation Procedure. For the target idle speed, refer to the [EC-1059](#).

TESTING CONDITION:

- Before performing the following procedure, confirm that battery voltage is more than 11V at idle.
- Always perform the test at a temperature above -10°C (14°F).

1. Start engine and warm it up to normal operating temperature.
2. Turn ignition switch OFF and wait at least 10 seconds.
3. Start engine and run it for at least 1 minute at idle speed.
4. Check 1st trip DTC.
5. If 1st trip DTC is detected, go to [EC-907, "Diagnosis Procedure"](#).

Diagnosis Procedure

INFOID:000000001850620

1. CHECK INTAKE AIR LEAK

1. Start engine and let it idle.
2. Listen for an intake air leak after the mass air flow sensor.

OK or NG

- OK >> GO TO 2.
- NG >> Discover air leak location and repair.

2. REPLACE ECM

1. Stop engine.
2. Replace ECM.
3. Perform initialization of NVIS (NATS) system and registration of all NVIS (NATS) ignition key IDs. Refer to [BL-170, "ECM Re-communicating Function"](#).
4. Perform [EC-590, "VIN Registration"](#).
5. Perform [EC-590, "Accelerator Pedal Released Position Learning"](#).
6. Perform [EC-590, "Throttle Valve Closed Position Learning"](#).
7. Perform [EC-590, "Idle Air Volume Learning"](#).

DTC P0506 ISC SYSTEM

< SERVICE INFORMATION >

[QR]

>> INSPECTION END

DTC P0507 ISC SYSTEM

Description

INFOID:000000001850621

NOTE:

If DTC P0507 is displayed with other DTC, first perform the trouble diagnosis for the other DTC.

The ECM controls the engine idle speed to a specified level through the fine adjustment of the air, which is let into the intake manifold, by operating the electric throttle control actuator. The operating of the throttle valve is varied to allow for optimum control of the engine idling speed. The ECM calculates the actual engine speed from signals of camshaft position sensor (POS) and camshaft position sensor (PHASE).

The ECM controls the electric throttle control actuator so that the engine speed coincides with the target value memorized in the ECM. The target engine speed is the lowest speed at which the engine can operate steadily. The optimum value stored in the ECM is determined by taking into consideration various engine conditions, such as during warming up, deceleration, and engine load (air conditioner, power steering and cooling fan operation, etc.).

On Board Diagnosis Logic

INFOID:000000001850622

DTC No.	Trouble diagnosis name	DTC detecting condition	Possible cause
P0507 0507	Idle speed control system RPM higher than expected	The idle speed is more than the target idle speed by 200 rpm or more.	<ul style="list-style-type: none"> • Electric throttle control actuator • Intake air leak • PCV system

DTC Confirmation Procedure

INFOID:000000001850623

NOTE:

- If DTC Confirmation Procedure has been previously conducted, always turn ignition switch OFF and wait at least 10 seconds before conducting the next test.
- If the target idle speed is out of the specified value, perform [EC-590, "Idle Air Volume Learning"](#), before conducting DTC Confirmation Procedure. For the target idle speed, refer to the [EC-1059](#).

TESTING CONDITION:

- Before performing the following procedure, confirm that battery voltage is more than 11V at idle.
- Always perform the test at a temperature above -10°C (14°F).

1. Start engine and warm it up to normal operating temperature.
2. Turn ignition switch OFF and wait at least 10 seconds.
3. Start engine and run it for at least 1 minute at idle speed.
4. Check 1st trip DTC.
5. If 1st trip DTC is detected, go to [EC-909, "Diagnosis Procedure"](#).

Diagnosis Procedure

INFOID:000000001850624

1.CHECK PCV HOSE CONNECTION

Confirm that PCV hose is connected correctly.

OK or NG

- OK >> GO TO 2.
- NG >> Repair or replace.

2.CHECK INTAKE AIR LEAK

1. Start engine and let it idle.
2. Listen for an intake air leak after the mass air flow sensor.

OK or NG

- OK >> GO TO 3.
- NG >> Discover air leak location and repair.

3.REPLACE ECM

1. Stop engine.
2. Replace ECM.

DTC P0507 ISC SYSTEM

< SERVICE INFORMATION >

[QR]

3. Perform initialization of NVIS (NATS) system and registration of all NVIS (NATS) ignition key IDs.
Refer to [BL-170, "ECM Re-communicating Function"](#).
4. Perform [EC-590, "VIN Registration"](#).
5. Perform [EC-590, "Accelerator Pedal Released Position Learning"](#).
6. Perform [EC-590, "Throttle Valve Closed Position Learning"](#).
7. Perform [EC-590, "Idle Air Volume Learning"](#).

>> INSPECTION END

DTC P0603 ECM POWER SUPPLY

< SERVICE INFORMATION >

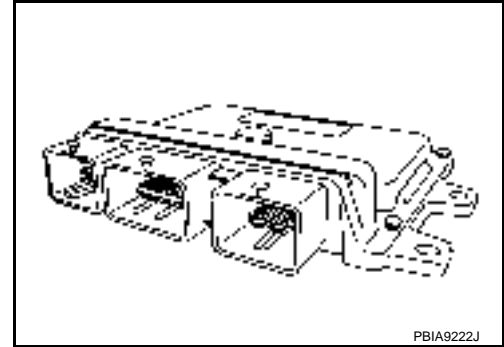
[QR]

DTC P0603 ECM POWER SUPPLY

Component Description

INFOID:000000001850625

Battery voltage is supplied to the ECM even when the ignition switch is turned OFF for the ECM memory function of the DTC memory, the air-fuel ratio feedback compensation value memory, the Idle Air Volume Learning value memory, etc.



On Board Diagnosis Logic

INFOID:000000001850626

DTC No.	Trouble diagnosis name	DTC detecting condition	Possible cause
P0603 0603	ECM power supply circuit	ECM back-up RAM system does not function properly.	<ul style="list-style-type: none">• Harness or connectors [The ECM power supply (back-up) circuit is open or shorted.]• ECM

DTC Confirmation Procedure

INFOID:000000001850627

NOTE:

If DTC Confirmation Procedure has been previously conducted, always turn ignition switch OFF and wait at least 10 seconds before conducting the next test.

1. Start engine and let it idle for 1 second.
2. Turn ignition switch OFF, wait at least 10 seconds, and then turn ON.
3. Repeat steps 1 and 2 for four times.
4. Check 1st trip DTC.
5. If 1st trip DTC is detected, go to [EC-913, "Diagnosis Procedure"](#).

DTC P0603 ECM POWER SUPPLY

< SERVICE INFORMATION >

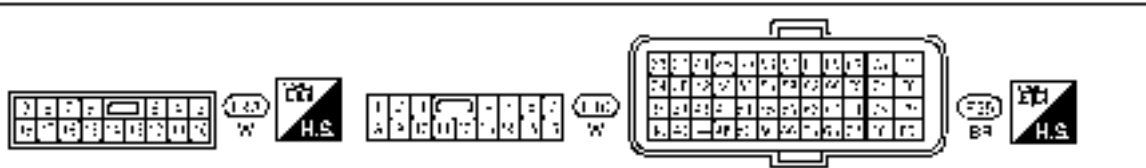
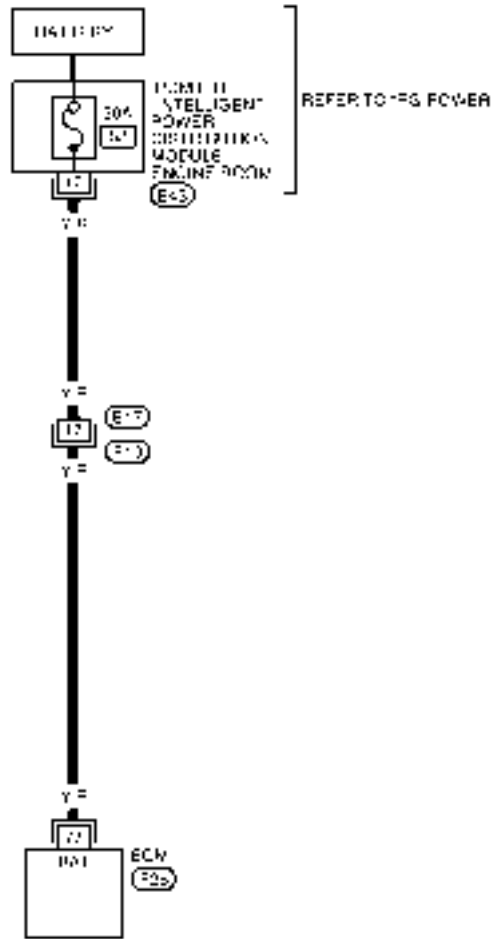
[QR]

Wiring Diagram

INFOID:000000001850628

EC-ECM/PW-01

— DELIVERED BY POWER
 - NOT DELIVERED BY CIRCUIT



BBWA3137E

Specification data are reference values and are measured between each terminal and ground.

CAUTION:

Do not use ECM ground terminals when measuring input/output voltage. Doing so may result in damage to the ECM's transistor. Use a ground other than ECM terminals, such as the ground.

DTC P0603 ECM POWER SUPPLY

< SERVICE INFORMATION >

[QR]

TER-MI-NAL NO.	WIRE COLOR	ITEM	CONDITION	DATA (DC Voltage)
77	Y/R	Power supply for ECM (Back-up)	[Ignition switch: OFF]	BATTERY VOLTAGE (11 - 14V)

Diagnosis Procedure

INFOID:000000001850629

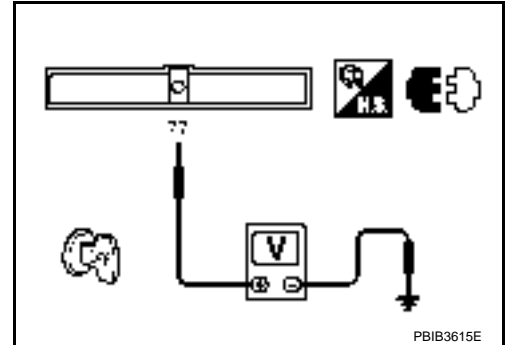
1. CHECK ECM POWER SUPPLY

1. Turn ignition switch OFF.
2. Check voltage between ECM terminal and ground with CONSULT-III or tester.

Voltage: Battery voltage

OK or NG

- OK >> GO TO 3.
- NG >> GO TO 2.



2. DETECT MALFUNCTIONING PART

Check the following.

- Harness connectors E17, F10
- 20A fuse
- Harness for open or short between ECM and battery

>> Repair open circuit or short to ground or short to power in harness or connectors.

3. CHECK INTERMITTENT INCIDENT

Refer to [EC-643](#).

OK or NG

- OK >> GO TO 4.
- NG >> Repair or replace harness or connectors.

4. PERFORM DTC CONFIRMATION PROCEDURE

With **CONSULT-III**

1. Turn ignition switch ON.
2. Select "SELF DIAG RESULTS" mode with CONSULT-III.
3. Touch "ERASE".
4. **Perform DTC Confirmation Procedure.**
See [EC-911, "DTC Confirmation Procedure"](#).
5. Is the 1st trip DTC P0603 displayed again?

With **GST**

1. Turn ignition switch ON.
2. Select Service \$04 with GST.
3. **Perform DTC Confirmation Procedure.**
See [EC-911, "DTC Confirmation Procedure"](#).
4. Is the 1st trip DTC P0603 displayed again?

Yes or No

- Yes >> GO TO 5.
- No >> **INSPECTION END**

5. REPLACE ECM

1. Replace ECM.

DTC P0603 ECM POWER SUPPLY

< SERVICE INFORMATION >

[QR]

2. Perform initialization of NVIS (NATS) system and registration of all NVIS (NATS) ignition key IDs.
Refer to [BL-169](#).
3. Perform [EC-590](#). "VIN Registration".
4. Perform [EC-590](#). "Accelerator Pedal Released Position Learning".
5. Perform [EC-590](#). "Throttle Valve Closed Position Learning".
6. Perform [EC-590](#). "Idle Air Volume Learning".

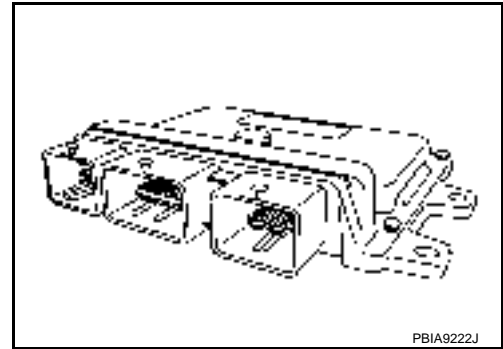
>> INSPECTION END

DTC P0605 ECM

Component Description

INFOID:000000001850630

The ECM consists of a microcomputer and connectors for signal input and output and for power supply. The ECM controls the engine.



On Board Diagnosis Logic

INFOID:000000001850631

This self-diagnosis has one or two trip detection logic.

DTC No.	Trouble diagnosis name	DTC detecting condition		Possible cause
P0605 0605	Engine control module	A)	ECM calculation function is malfunctioning.	• ECM
		B)	ECM EEPROM system is malfunctioning.	
		C)	ECM self shut-off function is malfunctioning.	

FAIL-SAFE MODE

ECM enters fail-safe mode when malfunction A is detected.

Detected items	Engine operation condition in fail-safe mode
Malfunction A	<ul style="list-style-type: none"> ECM stops the electric throttle control actuator control, throttle valve is maintained at a fixed opening (approx. 5 degrees) by the return spring. ECM deactivates ASCD operation.

DTC Confirmation Procedure

INFOID:000000001850632

Perform PROCEDURE FOR MALFUNCTION A first. If the 1st trip DTC cannot be confirmed, perform PROCEDURE FOR MALFUNCTION B. If there is no malfunction on PROCEDURE FOR MALFUNCTION B, perform PROCEDURE FOR MALFUNCTION C.

NOTE:

If DTC Confirmation Procedure has been previously conducted, always turn ignition switch OFF and wait at least 10 seconds before conducting the next test.

PROCEDURE FOR MALFUNCTION A

1. Turn ignition switch ON.
2. Check 1st trip DTC.
3. If 1st trip DTC is detected, go to [EC-916. "Diagnosis Procedure"](#).

PROCEDURE FOR MALFUNCTION B

1. Turn ignition switch ON and wait at least 1 second.
2. Turn ignition switch OFF, wait at least 10 seconds and then turn ON.
3. Check 1st trip DTC.
4. If 1st trip DTC is detected, go to [EC-916. "Diagnosis Procedure"](#).

PROCEDURE FOR MALFUNCTION C

1. Turn ignition switch ON and wait at least 1 second.
2. Turn ignition switch OFF, wait at least 10 seconds and then turn ON.
3. Repeat step 2 for 32 times.

< SERVICE INFORMATION >

4. Check 1st trip DTC.
5. If 1st trip DTC is detected, go to [EC-916, "Diagnosis Procedure"](#).

Diagnosis Procedure

INFOID:000000001850633

1. INSPECTION START

With CONSULT-III

1. Turn ignition switch ON.
2. Select "SELF DIAG RESULTS" mode with CONSULT-III.
3. Touch "ERASE".
4. **Perform DTC Confirmation Procedure.**
See [EC-915, "DTC Confirmation Procedure"](#).
5. Is the 1st trip DTC P0605 displayed again?

With GST

1. Turn ignition switch ON.
2. Select Service \$04 with GST.
3. **Perform DTC Confirmation Procedure.**
See [EC-915, "DTC Confirmation Procedure"](#).
4. Is the 1st trip DTC P0605 displayed again?

Yes or No

- Yes >> GO TO 2.
No >> **INSPECTION END**

2. REPLACE ECM

1. Replace ECM.
2. Perform initialization of NVIS(NATS) system and registration of all NVIS(NATS) ignition key IDs.
Refer to [BL-170, "ECM Re-communicating Function"](#).
3. Perform [EC-590, "VIN Registration"](#).
4. Perform [EC-590, "Accelerator Pedal Released Position Learning"](#).
5. Perform [EC-590, "Throttle Valve Closed Position Learning"](#).
6. Perform [EC-590, "Idle Air Volume Learning"](#).

>> **INSPECTION END**

DTC P0643 SENSOR POWER SUPPLY

< SERVICE INFORMATION >

[QR]

DTC P0643 SENSOR POWER SUPPLY

On Board Diagnosis Logic

INFOID:000000001850634

This self-diagnosis has the one trip detection logic.

DTC No.	Trouble diagnosis name	DTC detecting condition	Possible cause
P0643 0643	Sensor power supply circuit short	ECM detects a voltage of power source for sensor is excessively low or high.	<ul style="list-style-type: none">• Harness or connectors (APP sensor 1 circuit is shorted.) (Throttle position sensor circuit is shorted.) [Camshaft position sensor (PHASE) circuit is shorted.]• Accelerator pedal position sensor (APP sensor 1)• Throttle position sensor (TP sensor 1 and 2)• Camshaft position sensor (PHASE)

FAIL-SAFE MODE

When the malfunction is detected, ECM enters fail-safe mode and the MIL lights up.

Engine operation condition in fail-safe mode

ECM stops the electric throttle control actuator control, throttle valve is maintained at a fixed opening (approx. 5 degrees) by the return spring.

DTC Confirmation Procedure

INFOID:000000001850635

NOTE:

If DTC Confirmation Procedure has been previously conducted, always turn ignition switch OFF and wait at least 10 seconds before conducting the next test.

TESTING CONDITION:

Before performing the following procedure, confirm that battery voltage is more than 8V at idle.

1. Start engine and let it idle for 1 second.
2. Check DTC.
3. If DTC is detected, go to [EC-919. "Diagnosis Procedure"](#).

DTC P0643 SENSOR POWER SUPPLY

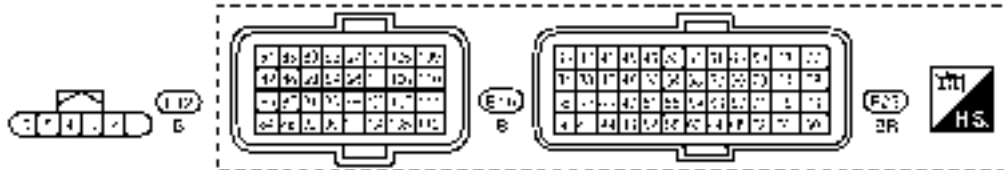
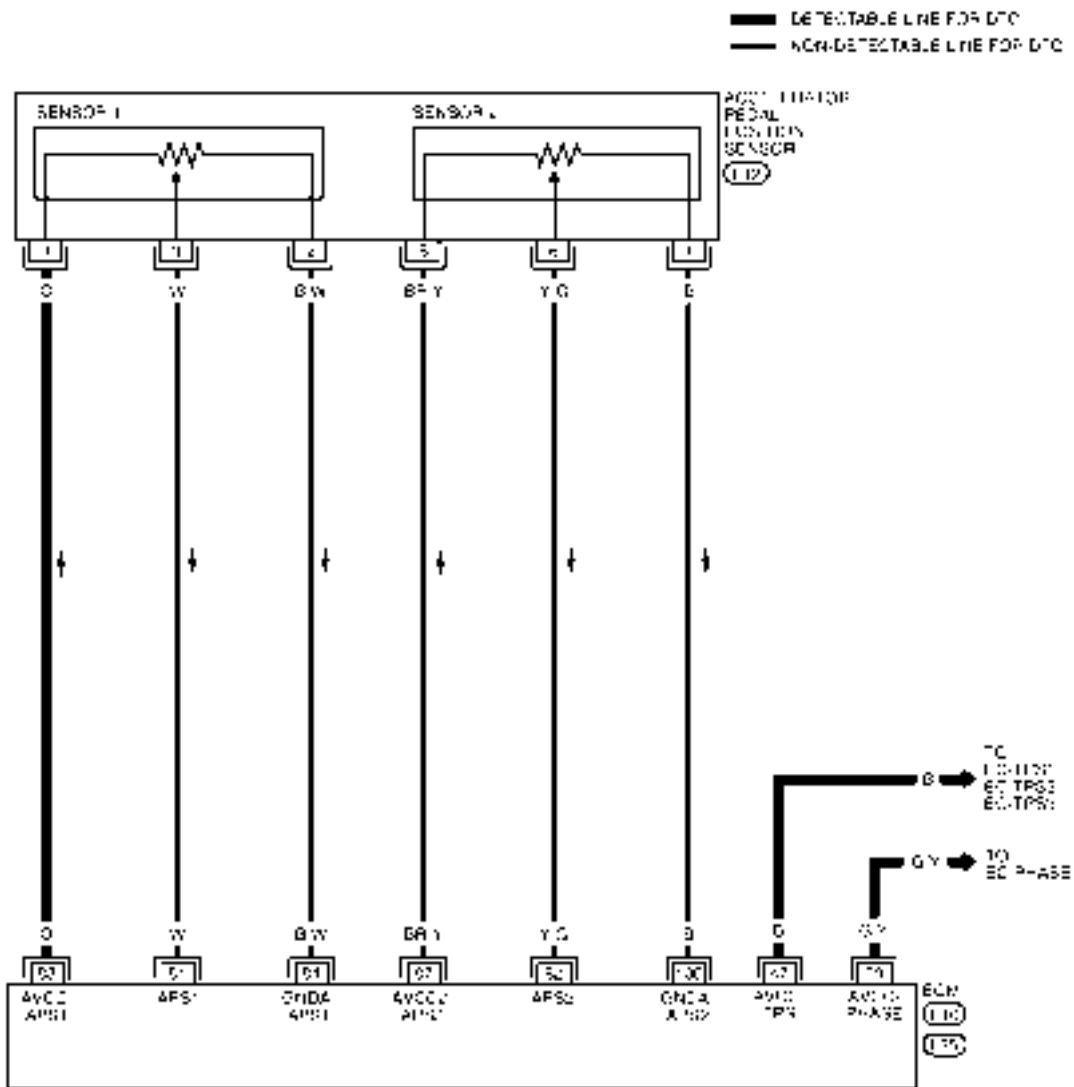
< SERVICE INFORMATION >

[QR]

Wiring Diagram

INFOID:00000002994108

EC-SEN/PW-01



BBWA3045E

Specification data are reference values and are measured between each terminal and ground.

CAUTION:

Do not use ECM ground terminals when measuring input/output voltage. Doing so may result in damage to the ECM's transistor. Use a ground other than ECM terminals, such as the ground.

DTC P0643 SENSOR POWER SUPPLY

< SERVICE INFORMATION >

[QR]

TER-MI-NAL NO.	WIRE COLOR	ITEM	CONDITION	DATA (DC Voltage)
47	B	Sensor power supply (Throttle position sensor)	[Ignition switch: ON]	Approximately 5V
59	G/Y	Sensor power supply [Camshaft position sensor (PHASE)]	[Ignition switch: ON]	Approximately 5V
81	W	Accelerator pedal position sensor 1	[Ignition switch: ON] • Engine stopped • Accelerator pedal: Fully released	0.6 - 0.9V
			[Ignition switch: ON] • Engine stopped • Accelerator pedal: Fully depressed	3.9 - 4.7V
82	Y/G	Accelerator pedal position sensor 2	[Ignition switch: ON] • Engine stopped • Accelerator pedal: Fully released	0.3 - 0.6V
			[Ignition switch: ON] • Engine stopped • Accelerator pedal: Fully depressed	1.95 - 2.4V
83	O	Sensor power supply (APP sensor 1)	[Ignition switch: ON]	Approximately 5V
84	B/W	Sensor ground (APP sensor 1)	[Engine is running] • Warm-up condition • Idle speed	Approximately 0V
87	BR/Y	Sensor power supply (APP sensor 2)	[Ignition switch: ON]	Approximately 5V
100	B	Sensor ground (APP sensor 2)	[Engine is running] • Warm-up condition • Idle speed	Approximately 0V

Diagnosis Procedure

INFOID:000000001850637

1. CHECK GROUND CONNECTIONS

1. Turn ignition switch OFF.
2. Loosen and retighten ground screws on the body.
Refer to [EC-649, "Ground Inspection"](#).



Vehicle front

1. Body ground E9 (view with front wheel RH and fender protector RH removed.)
2. Washer tank
3. Fuse and fusible link box
4. Body ground E15

OK or NG

OK >> GO TO 2.

DTC P0643 SENSOR POWER SUPPLY

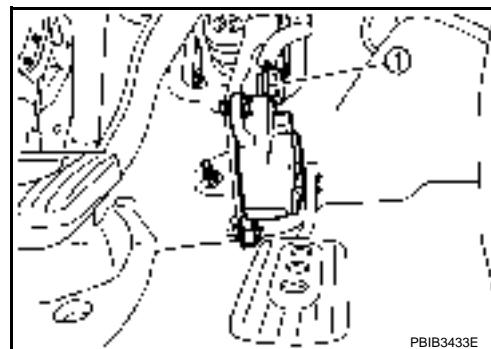
[QR]

< SERVICE INFORMATION >

NG >> Repair or replace ground connections.

2. CHECK ACCELERATOR PEDAL POSITION SENSOR 1 POWER SUPPLY CIRCUIT

1. Disconnect accelerator pedal position (APP) sensor (1) harness connector.
2. Turn ignition switch ON.

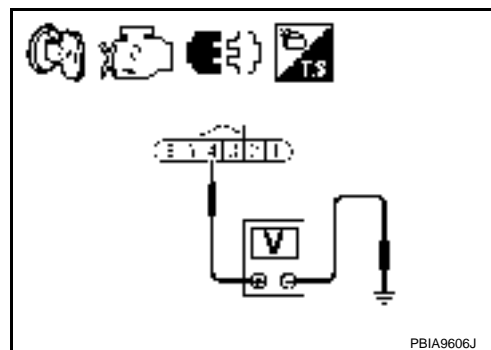


3. Check voltage between APP sensor terminal 4 and ground with CONSULT-III or tester.

Voltage: Approximately 5V

OK or NG

- OK >> GO TO 7.
NG >> GO TO 3.



3. CHECK SENSOR POWER SUPPLY CIRCUITS

Check harness for short to power and short to ground, between the following terminals.

ECM terminal	Sensor terminal	Reference Wiring Diagram
47	Throttle position sensor terminal 1	EC-1000. "Wiring Diagram"
59	Camshaft position sensor (PHASE) terminal 1	EC-823. "Wiring Diagram"
83	APP sensor terminal 4	EC-918. "Wiring Diagram"

OK or NG

- OK >> GO TO 4.
NG >> Repair short to ground or short to power in harness or connectors.

4. CHECK CAMSHAFT POSITION SENSOR (PHASE)

Refer to [EC-826. "Component Inspection"](#).

OK or NG

- OK >> GO TO 5.
NG >> Replace camshaft position sensor (PHASE).

5. CHECK THROTTLE POSITION SENSOR

Refer to [EC-1003. "Component Inspection"](#).

OK or NG

- OK >> GO TO 7.
NG >> GO TO 6.

6. REPLACE ELECTRIC THROTTLE CONTROL ACTUATOR

1. Replace the electric throttle control actuator.
2. Perform [EC-590. "Throttle Valve Closed Position Learning"](#).
3. Perform [EC-590. "Idle Air Volume Learning"](#).

>> INSPECTION END

DTC P0643 SENSOR POWER SUPPLY

< SERVICE INFORMATION >

[QR]

7. CHECK APP SENSOR

Refer to [EC-1010](#). "Component Inspection".

OK or NG

OK >> GO TO 9.

NG >> GO TO 8.

8. REPLACE ACCELERATOR PEDAL ASSEMBLY

1. Replace accelerator pedal assembly.
2. Perform [EC-590](#). "Accelerator Pedal Released Position Learning".
3. Perform [EC-590](#). "Throttle Valve Closed Position Learning".
4. Perform [EC-590](#). "Idle Air Volume Learning".

>> INSPECTION END

9. CHECK INTERMITTENT INCIDENT

Refer to [EC-643](#).

>> INSPECTION END

A

EC

C

D

E

F

G

H

I

J

K

L

M

N

O

P

DTC P0850 PNP SWITCH

< SERVICE INFORMATION >

[QR]

DTC P0850 PNP SWITCH

Component Description

INFOID:000000001850638

When the shift lever position is P or N (CVT), Neutral (M/T), park/neutral position (PNP) switch is ON. ECM detects the position because the continuity of the line (the ON signal) exists.



1. PNP switch (CVT models)
2. PNP switch (M/T models)
(view with air cleaner assembly removed.)

CONSULT-III Reference Value in Data Monitor Mode

INFOID:000000001850639

Specification data are reference values.

MONITOR ITEM	CONDITION		SPECIFICATION
P/N POSI SW	• Ignition switch: ON	Shift lever: P or N (CVT), Neutral (M/T)	ON
		Shift lever: Except above	OFF

On Board Diagnosis Logic

INFOID:000000001850640

DTC No.	Trouble diagnosis name	DTC detecting condition	Possible cause
P0850 0850	Park/neutral position switch	The signal of the park/neutral position (PNP) switch is not changed in the process of engine starting and driving.	<ul style="list-style-type: none"> • Harness or connectors [Park/neutral position (PNP) switch circuit is open or shorted.] • Park/neutral position (PNP) switch

DTC Confirmation Procedure

INFOID:000000001850641

CAUTION:

Always drive vehicle at a safe speed.

NOTE:

If DTC Confirmation Procedure has been previously conducted, always turn ignition switch OFF and wait at least 10 seconds before conducting the next test.

WITH CONSULT-III

1. Turn ignition switch ON.
2. Select "P/N POSI SW" in "DATA MONITOR" mode with CONSULT-III. Then check the "P/N POSI SW" signal under the following conditions.

Position (Shift lever)	Known-good signal
N or P position (CVT) Neutral position (M/T)	ON
Except above	OFF

If NG, go to [EC-925. "Diagnosis Procedure"](#).
If OK, go to following step.

3. Select "DATA MONITOR" mode with CONSULT-III.

DTC P0850 PNP SWITCH

[QR]

< SERVICE INFORMATION >

4. Start engine and warm it up to normal operating temperature.
5. Maintain the following conditions for at least 60 consecutive seconds.

ENG SPEED	More than 1,300 rpm
COOLAN TEMP/S	More than 70°C (158°F)
B/FUEL SCHDL	2.1 - 31.8 msec
VHCL SPEED SE	More than 64km/h (29 MPH)
Shift lever	Suitable position

6. Check 1st trip DTC.
7. If 1st trip DTC is detected, go to [EC-925, "Diagnosis Procedure"](#).

Overall Function Check

INFOID:000000001850642

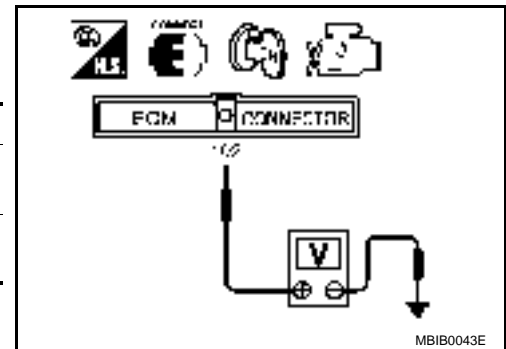
Use this procedure to check the overall function of the park/neutral position (PNP) switch circuit. During this check, a 1st trip DTC might not be confirmed.

WITH GST

1. Turn ignition switch ON.
2. Check voltage between ECM terminal 102 (PNP switch signal) and ground under the following conditions.

Condition (Shift lever)	Voltage V (Known-good data)
P or N position (CVT) Neutral position (M/T)	Approx. 0
Except above	BATTERY VOLTAGE (11 - 14V)

3. If NG, go to [EC-925, "Diagnosis Procedure"](#).



DTC P0850 PNP SWITCH

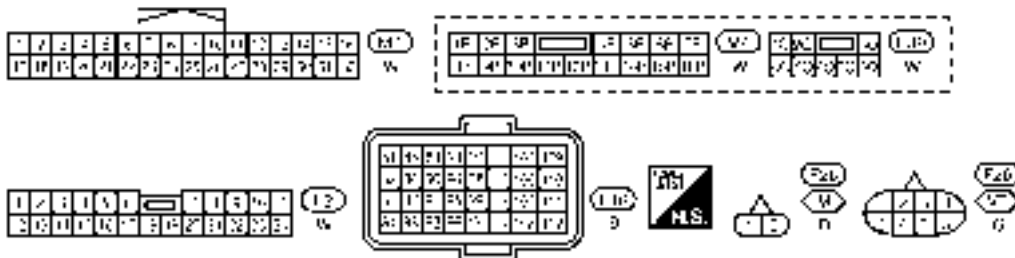
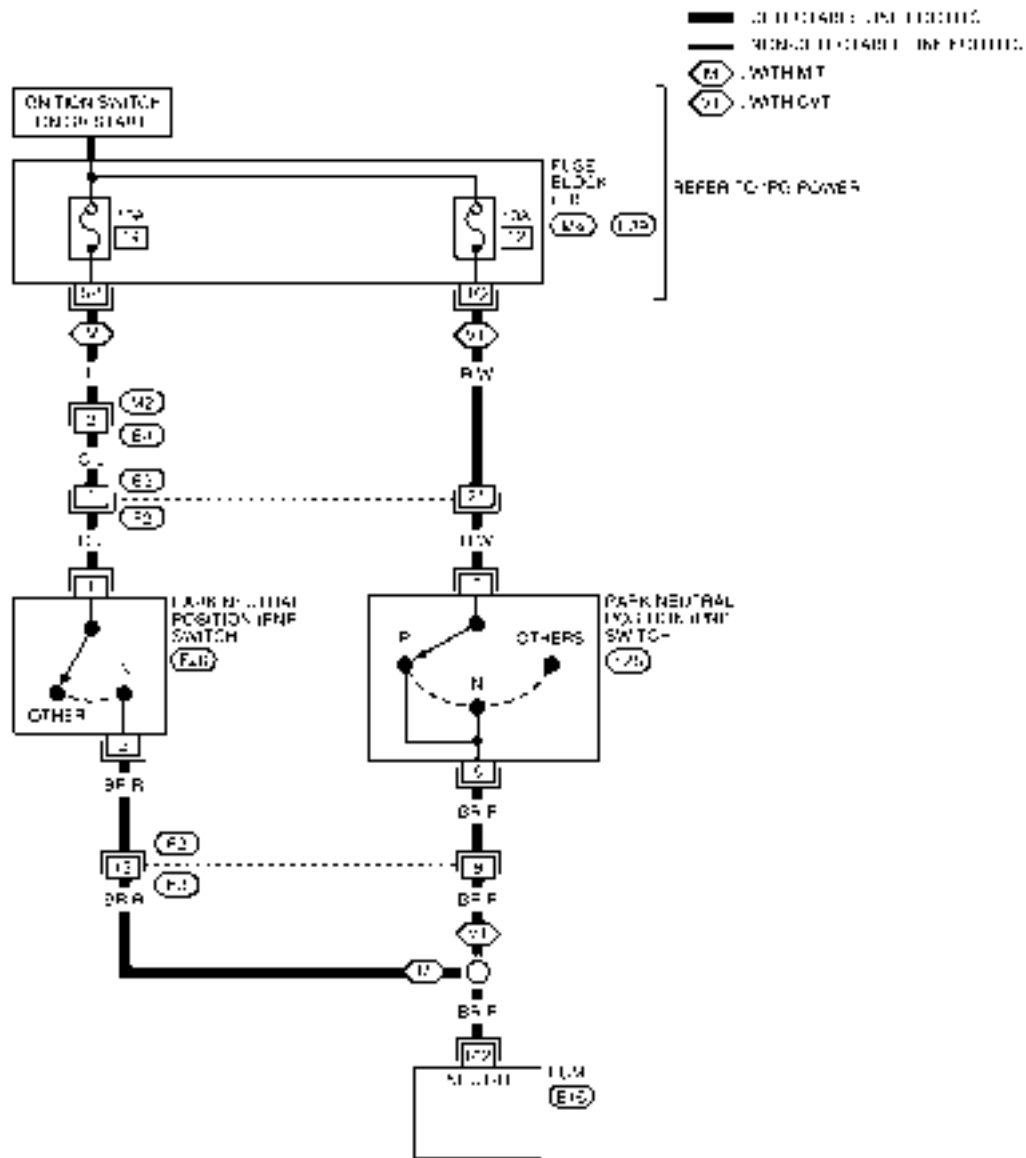
< SERVICE INFORMATION >

[QR]

Wiring Diagram

INFOID:000000001850643

EC-PNP/SW-01



BBWA3046E

Specification data are reference values and are measured between each terminal and ground.

CAUTION:

Do not use ECM ground terminals when measuring input/output voltage. Doing so may result in damage to the ECM's transistor. Use a ground other than ECM terminals, such as the ground.

DTC P0850 PNP SWITCH

< SERVICE INFORMATION >

[QR]

TERMI- NAL NO.	WIRE COLOR	ITEM	CONDITION	DATA (DC Voltage)
102	BR/R	Park/neutral position (PNP) switch	[Ignition switch: ON] <ul style="list-style-type: none">• Shift lever: P or N (CVT), Neutral (M/T)	BATTERY VOLTAGE (11 - 14V)
			[Ignition switch: ON] <ul style="list-style-type: none">• Except above	Approximately 0V

Diagnosis Procedure

INFOID:000000001850644

M/T MODELS

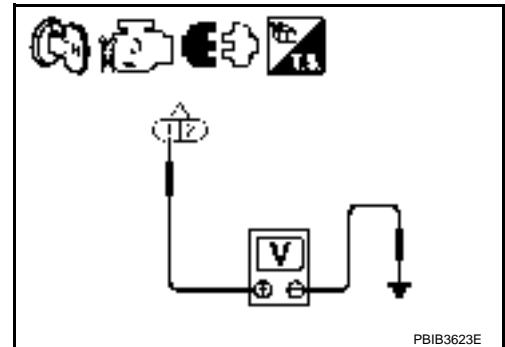
1. CHECK PNP SWITCH POWER SUPPLY CIRCUIT

1. Turn ignition switch OFF.
2. Disconnect PNP switch harness connector.
3. Turn ignition switch ON.
4. Check voltage between PNP switch terminal 1 and ground with CONSULT-III or tester.

Voltage: Battery voltage

OK or NG

- OK >> GO TO 3.
NG >> GO TO 2.



2. DETECT MALFUNCTIONING PART

Check the following.

- Harness connectors M2, E4
- Harness connectors E3, F2
- 10A fuse
- Harness for open or short between PNP switch and fuse

>> Repair open circuit or short to ground or short to power in harness or connectors.

3. CHECK PNP SWITCH INPUT SIGNAL CIRCUIT FOR OPEN AND SHORT

1. Turn ignition switch OFF.
2. Disconnect ECM harness connector.
3. Check harness continuity between PNP switch terminal 2 and ECM terminal 102. Refer to Wiring Diagram.

Continuity should exist.

4. Also check harness for short to ground and short to power.

OK or NG

- OK >> GO TO 5.
NG >> GO TO 4.

4. DETECT MALFUNCTIONING PART

Check the following.

- Harness connectors F2, E3
- Harness for open or short between PNP switch and ECM

>> Repair open circuit or short to ground or short to power in harness or connectors.

5. CHECK PNP SWITCH

DTC P0850 PNP SWITCH

[QR]

< SERVICE INFORMATION >

Refer to [MT-13](#).

OK or NG

- OK >> GO TO 6.
- NG >> Replace PNP switch.

6.CHECK INTERMITTENT INCIDENT

Refer to [EC-643](#).

>> **INSPECTION END**

CVT MODELS

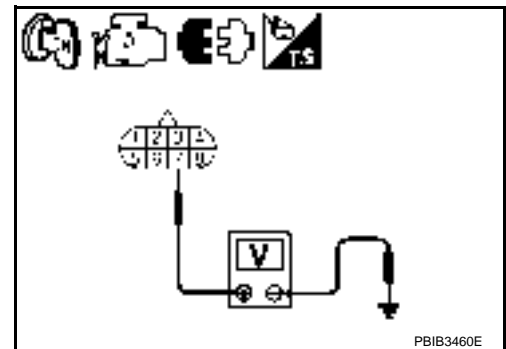
1.CHECK PNP SWITCH POWER SUPPLY CIRCUIT

1. Turn ignition switch OFF.
2. Disconnect PNP switch harness connector.
3. Turn ignition switch ON.
4. Check voltage between PNP switch terminal 7 and ground with CONSULT-III or tester.

Voltage: Battery voltage

OK or NG

- OK >> GO TO 3.
- NG >> GO TO 2.



2.DETECT MALFUNCTIONING PART

Check the following.

- Harness connectors E3, F2
- 10A fuse
- Harness for open or short between PNP switch and fuse

>> Repair open circuit or short to ground or short to power in harness or connectors.

3.CHECK PNP SWITCH INPUT SIGNAL CIRCUIT FOR OPEN AND SHORT

1. Turn ignition switch OFF.
2. Disconnect ECM harness connector.
3. Check harness continuity between PNP switch terminal 6 and ECM terminal 102.
Refer to Wiring Diagram.

Continuity should exist.

4. Also check harness for short to ground and short to power.

OK or NG

- OK >> GO TO 5.
- NG >> GO TO 4.

4.DETECT MALFUNCTIONING PART

Check the following.

- Harness connectors F2, E3
- Harness for open or short between PNP switch and ECM

>> Repair open circuit or short to ground or short to power in harness or connectors.

5.CHECK PNP SWITCH

Refer to [CVT-60](#).

OK or NG

DTC P0850 PNP SWITCH

< SERVICE INFORMATION >

[QR]

- OK >> GO TO 6.
- NG >> Replace PNP switch.

A

6.CHECK INTERMITTENT INCIDENT

Refer to [EC-643](#).

EC

>> INSPECTION END

C

D

E

F

G

H

I

J

K

L

M

N

O

P

DTC P1148, P1168 CLOSED LOOP CONTROL

< SERVICE INFORMATION >

[QR]

DTC P1148, P1168 CLOSED LOOP CONTROL

On Board Diagnosis Logic

INFOID:000000001850645

This self-diagnosis has the one trip detection logic.

DTC No.	Trouble diagnosis name	DTC detecting condition	Possible cause
P1148 1148 (Bank 1)	Closed loop control function	The closed loop control function for bank 1 does not operate even when vehicle is driving in the specified condition.	<ul style="list-style-type: none">• Harness or connectors [Air fuel ratio (A/F) sensor 1 circuit is open or shorted.]• Air fuel ratio (A/F) sensor 1• Air fuel ratio (A/F) sensor 1 heater
P1168 1168 (Bank 2)		The closed loop control function for bank 2 does not operate even when vehicle is driving in the specified condition.	

NOTE:

DTC P1148 or P1168 is displayed with another DTC for air fuel ratio (A/F) sensor 1.
Perform the trouble diagnosis for the corresponding DTC.

DTC P1217 ENGINE OVER TEMPERATURE

< SERVICE INFORMATION >

[QR]

DTC P1217 ENGINE OVER TEMPERATURE

System Description

INFOID:000000001850646

SYSTEM DESCRIPTION

NOTE:

- If DTC P1217 is displayed with DTC U1000 or U1001, first perform the trouble diagnosis for DTC U1000, U1001. Refer to [EC-650](#).
- If DTC P1217 is displayed with DTC U1010, first perform the trouble diagnosis for DTC U1010. Refer to [EC-652](#).

Cooling Fan Control

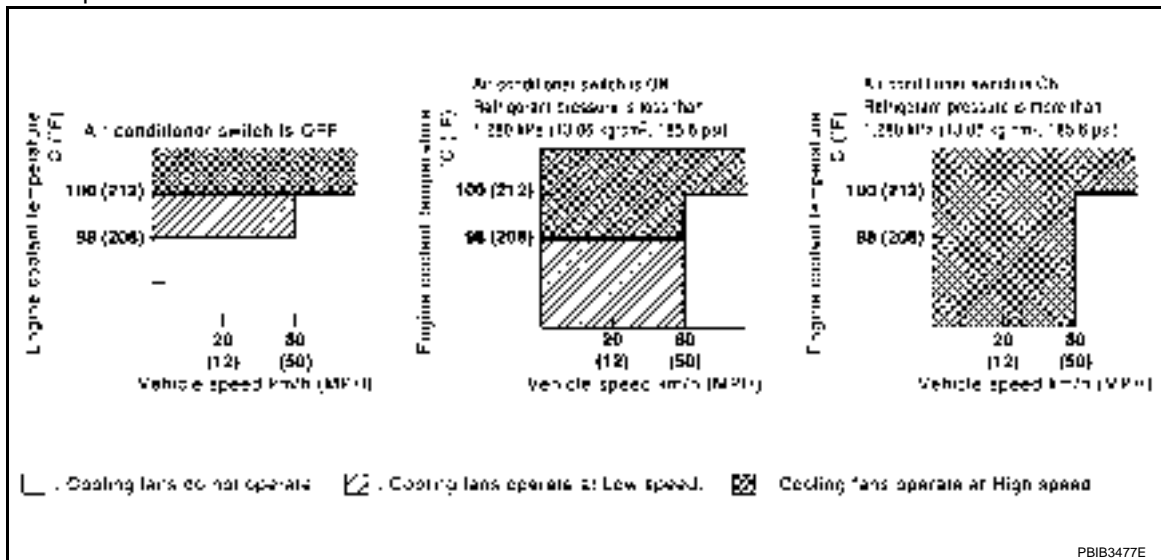
Sensor	Input Signal to ECM	ECM function	Actuator
Crankshaft position sensor (POS) Camshaft position sensor (PHASE)	Engine speed*1	Cooling fan control	<ul style="list-style-type: none"> • IPDM E/R (Cooling fan relays-1, -2 and -3) • Cooling fan relays-4 and -5
Battery	Battery voltage*1		
Wheel sensor	Vehicle speed*2		
Engine coolant temperature sensor	Engine coolant temperature		
Air conditioner switch	Air conditioner ON signal*2		
Refrigerant pressure sensor	Refrigerant pressure		

*1: The ECM determines the start signal status by the signals of engine speed and battery voltage.

*2: This signal is sent to ECM through CAN communication line.

The ECM controls the cooling fan corresponding to the vehicle speed, engine coolant temperature, refrigerant pressure, and air conditioner ON signal. The control system has 3-step control [HIGH/LOW/OFF].

Cooling Fan Operation



Cooling Fan Relay Operation

The ECM controls cooling fan relays through CAN communication line.

Cooling fan speed	Cooling fan relay				
	1	2	3	4	5
Stop (OFF)	OFF	OFF	OFF	OFF	OFF
Low (LOW)	OFF	OFF	OFF	ON	OFF
High (HI)	ON	ON	ON	OFF	ON

DTC P1217 ENGINE OVER TEMPERATURE

< SERVICE INFORMATION >

[QR]

CONSULT-III Reference Value in Data Monitor Mode

INFOID:000000001850647

Specification data are reference values.

MONITOR ITEM	CONDITION		SPECIFICATION
AIR COND SIG	<ul style="list-style-type: none"> Engine: After warming up, idle the engine 	Air conditioner switch: OFF	OFF
		Air conditioner switch: ON (Compressor operates.)	ON
COOLING FAN	<ul style="list-style-type: none"> Engine: After warming up, idle the engine Air conditioner switch: OFF 	Engine coolant temperature is 97°C (207°F) or less	OFF
		Engine coolant temperature is between 98°C (208°F) and 99°C (210°F)	LOW
		Engine coolant temperature is 100°C (212°F) or more	HIGH

On Board Diagnosis Logic

INFOID:000000001850648

If the cooling fan or another component in the cooling system malfunctions, engine coolant temperature will rise. When the engine coolant temperature reaches an abnormally high temperature condition, a malfunction is indicated.

This self-diagnosis has the one trip detection logic.

DTC No.	Trouble diagnosis name	DTC detecting condition	Possible cause
P1217 1217	Engine over temperature (Overheat)	<ul style="list-style-type: none"> Cooling fan does not operate properly (Overheat). Cooling fan system does not operate properly (Overheat). Engine coolant was not added to the system using the proper filling method. Engine coolant is not within the specified range. 	<ul style="list-style-type: none"> Harness or connectors (Cooling fan circuit is open or shorted.) Cooling fan motor IPDM E/R (Cooling fan relays-1, -2 and -3) Cooling fan relays-4 and -5 Radiator hose Radiator Reservoir tank Radiator cap Water pump Thermostat <p>For more information, refer to EC-939, "Main 12 Causes of Overheating".</p>

CAUTION:

When a malfunction is indicated, be sure to replace the coolant. Refer to [MA-16](#), "[Changing Engine Coolant](#)". Also, replace the engine oil. Refer to [MA-21](#), "[Changing Engine Oil](#)".

- Fill radiator with coolant up to specified level with a filling speed of 2 liters per minute. Be sure to use coolant with the proper mixture ratio. Refer to [MA-15](#), "[Anti-freeze Coolant Mixture Ratio](#)".
- After refilling coolant, run engine to ensure that no water-flow noise is emitted.

Overall Function Check

INFOID:000000001850649

Use this procedure to check the overall function of the cooling fan. During this check, a DTC might not be confirmed.

WARNING:

Never remove the radiator cap when the engine is hot. Serious burns could be caused by high pressure fluid escaping from the reservoir tank or the radiator.

Wrap a thick cloth around cap. Carefully remove the cap by turning it a quarter turn to allow built-up pressure to escape. Then turn the cap all the way off.

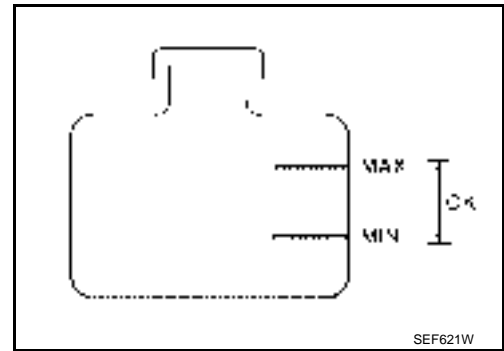
- WITH CONSULT-III

DTC P1217 ENGINE OVER TEMPERATURE

< SERVICE INFORMATION >

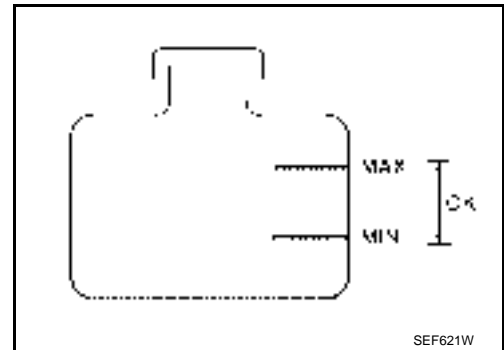
[QR]

1. Check the coolant level in the reservoir tank and radiator.
Allow engine to cool before checking coolant level.
If the coolant level in the reservoir tank and/or radiator is below the proper range, skip the following steps and go to [EC-934, "Diagnosis Procedure"](#).
2. Confirm whether customer filled the coolant or not. If customer filled the coolant, skip the following steps and go to [EC-934, "Diagnosis Procedure"](#).
3. Turn ignition switch ON.
4. Perform "COOLING FAN" in "ACTIVE TEST" mode with CONSULT-III.
5. If the results are NG, go to [EC-934, "Diagnosis Procedure"](#).



WITH GST

1. Check the coolant level in the reservoir tank and radiator.
Allow engine to cool before checking coolant level.
If the coolant level in the reservoir tank and/or radiator is below the proper range, skip the following steps and go to [EC-934, "Diagnosis Procedure"](#).
2. Confirm whether customer filled the coolant or not. If customer filled the coolant, skip the following steps and go to [EC-934, "Diagnosis Procedure"](#).
3. Perform IPDM E/R auto active test and check cooling fan motor operation. Refer to [PG-20, "Auto Active Test"](#).
4. If NG, go to [EC-934, "Diagnosis Procedure"](#).



A
EC
C
D
E
F
G
H
I
J
K
L
M
N
O
P

DTC P1217 ENGINE OVER TEMPERATURE




< SERVICE INFORMATION >

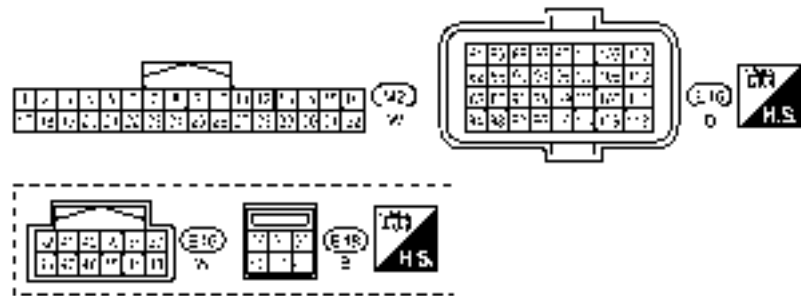
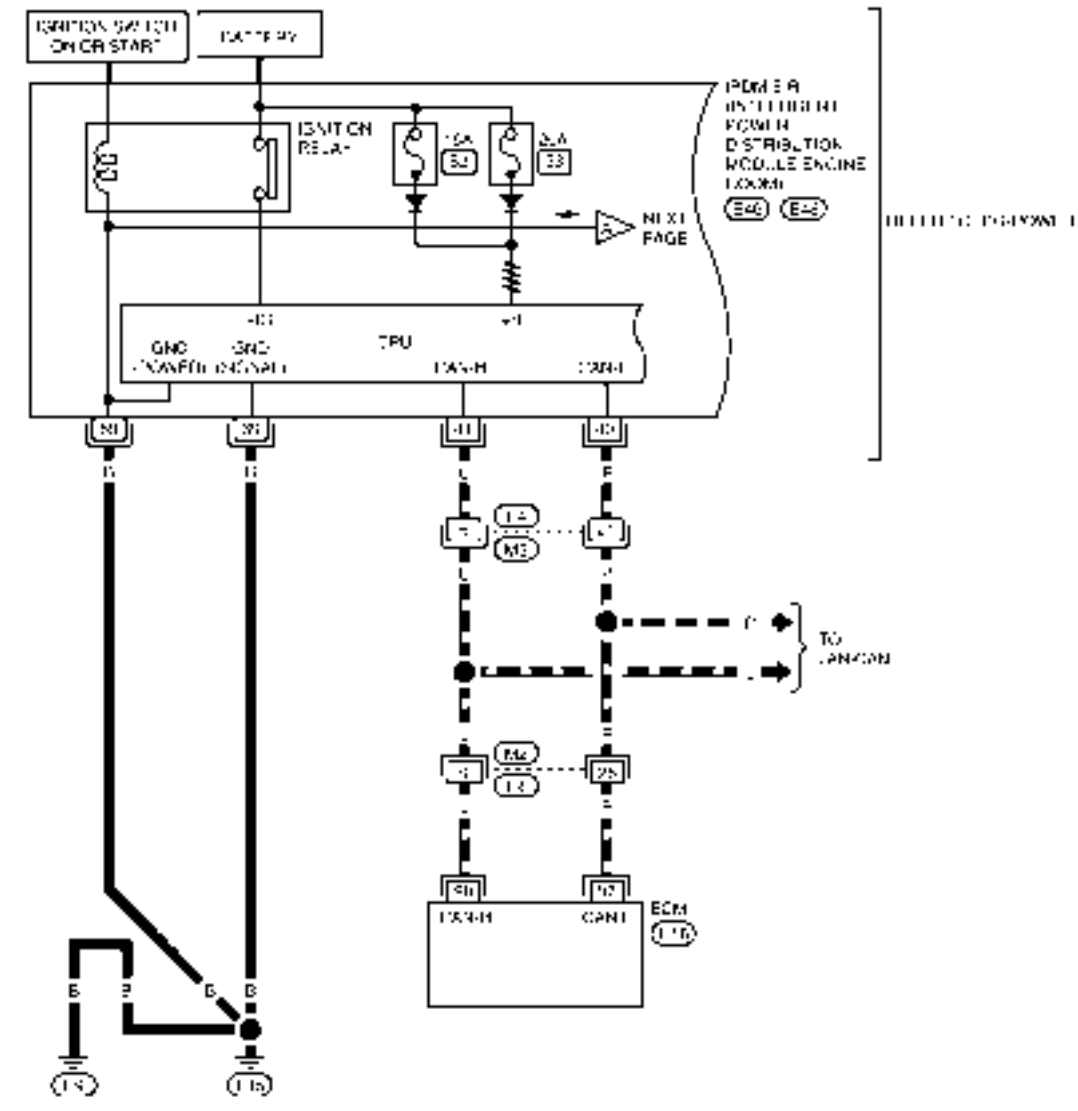
[QR]

Wiring Diagram

INFOID:000000001850650

EC-COOL/F-01

-  DETECTABLE LINE FOR DTC
-  NON-DETECTABLE LINE FOR DTC
-  DATA LINE

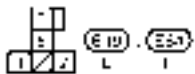
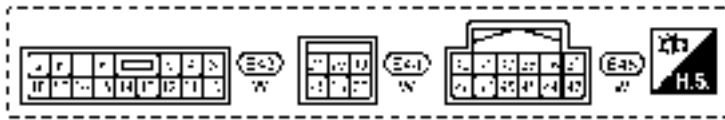
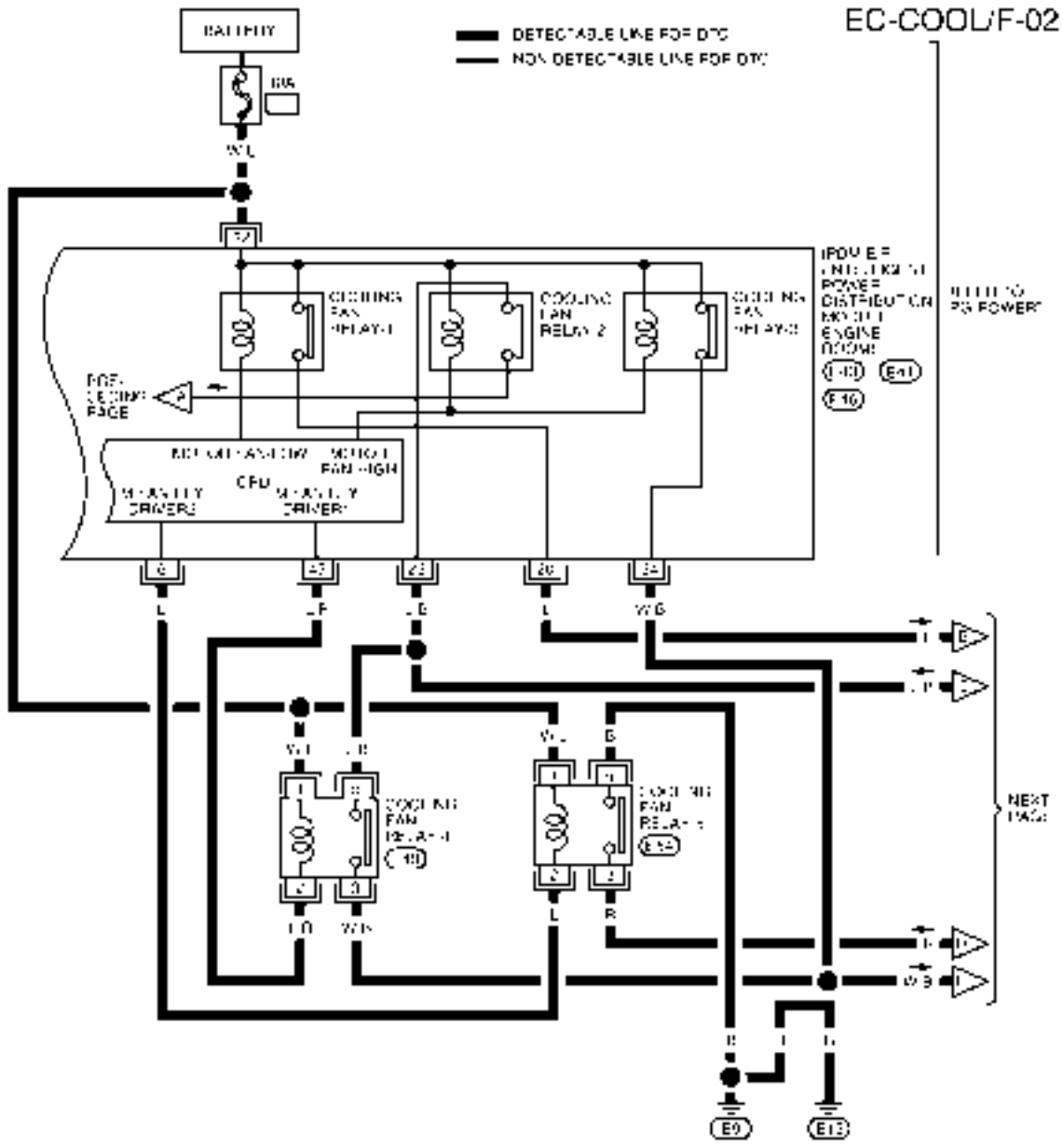


BBWA3047E

DTC P1217 ENGINE OVER TEMPERATURE

< SERVICE INFORMATION >

[QR]



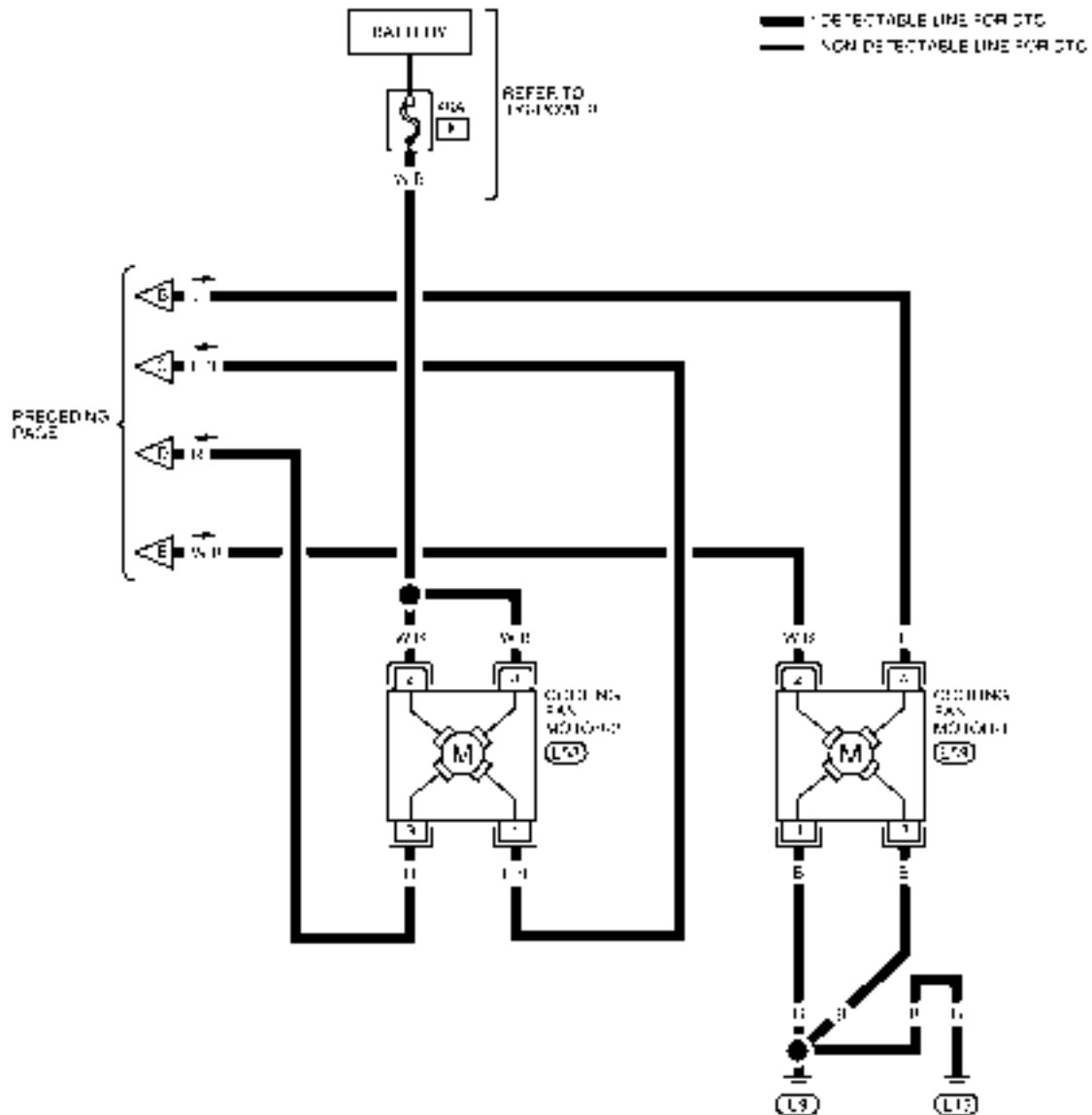
BBWA3048E

DTC P1217 ENGINE OVER TEMPERATURE

< SERVICE INFORMATION >

[QR]

EC-COOL/F-03



BBWA3049E

INFOID:000000001850651

Diagnosis Procedure

1. INSPECTION START

Do you have CONSULT-III?

Yes or No

- Yes >> GO TO 2.
- No >> GO TO 3.

DTC P1217 ENGINE OVER TEMPERATURE

< SERVICE INFORMATION >

[QR]

2. CHECK COOLING FAN OPERATION

With CONSULT-III

1. Turn ignition switch ON.
2. Select "COOLING FAN" in "ACTIVE TEST" mode with CONSULT-III.
3. Make sure that cooling fans-1 and -2 operates at each speed (LOW/HI).

OK or NG

OK >> GO TO 4.

NG >> Check cooling fan control circuit. (Go to "PROCEDURE A".)

3. CHECK COOLING FAN OPERATION

Without CONSULT-III

1. Perform IPDM E/R auto active test and check cooling fan motor operation.
Refer to [PG-20. "Auto Active Test"](#).
2. Make sure that cooling fans-1 and -2 operates at each speed (Low/High).

OK or NG

OK >> GO TO 4.

NG >> Check cooling fan control circuit. (Go to "PROCEDURE A".)

4. CHECK COOLING SYSTEM FOR LEAK

Refer to [CO-35](#).

OK or NG

OK >> GO TO 5.

NG >> Check the following for leak.

- Hose
- Radiator
- Water pump

5. CHECK RADIATOR CAP

Refer to [CO-39](#).

OK or NG

OK >> GO TO 6.

NG >> Replace radiator cap.

6. CHECK COMPONENT PARTS

Check the following.

- Thermostat. (Refer to [CO-42](#).)
- Engine coolant temperature sensor. (Refer to [EC-699. "Component Inspection"](#).)

OK or NG

OK >> GO TO 7.

NG >> Replace malfunctioning component parts.

7. CHECK MAIN 13 CAUSES

If the cause cannot be isolated, go to [EC-939. "Main 12 Causes of Overheating"](#).

>> **INSPECTION END**

PROCEDURE A

1. CHECK IPDM E/R POWER SUPPLY CIRCUIT

1. Turn ignition switch OFF.
2. Disconnect IPDM E/R harness connector E44.

DTC P1217 ENGINE OVER TEMPERATURE

[QR]

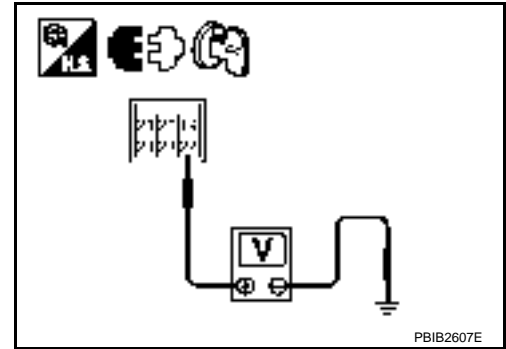
< SERVICE INFORMATION >

3. Check voltage between IPDM E/R terminal 22 and ground with CONSULT-III or tester.

Voltage: Battery voltage

OK or NG

- OK >> GO TO 3.
- NG >> GO TO 2.



2. DETECT MALFUNCTIONING PART

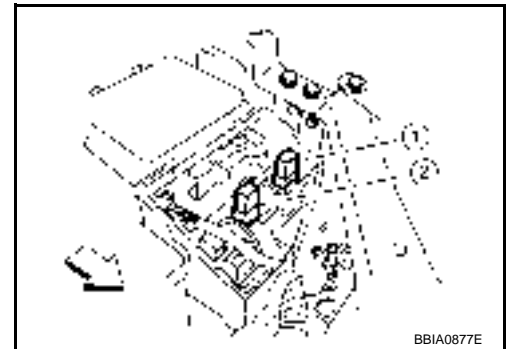
Check the following.

- 40A fusible link
- Harness for open or short between IPDM E/R and battery

>> Repair open circuit or short to ground or short to power in harness or connectors.

3. CHECK COOLING FAN RELAYS POWER SUPPLY CIRCUIT

1. Disconnect cooling fan relays-4 (2) and -5 (1).
- : Vehicle front

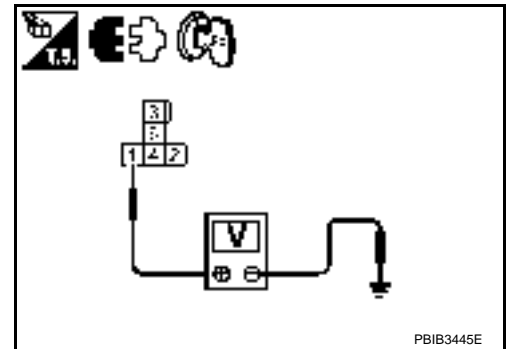


2. Check voltage between cooling fan relays-4, -5 terminal 1 and ground with CONSULT-III or tester.

Voltage: Battery voltage

OK or NG

- OK >> GO TO 5.
- NG >> GO TO 4.



4. DETECT MALFUNCTIONING PART

Check the following.

- 40A fusible link
- Harness for open or short between cooling fan relays-4, -5 and battery


>> Repair open circuit or short to ground or short to power in harness or connectors.

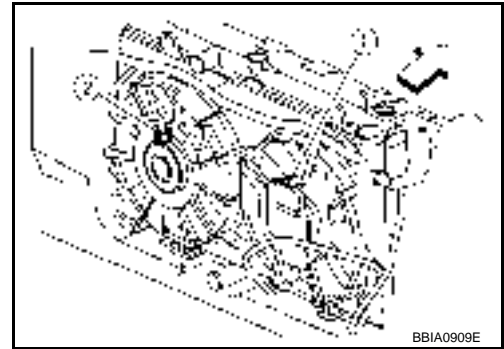
5. CHECK COOLING FAN MOTORS POWER SUPPLY CIRCUIT

DTC P1217 ENGINE OVER TEMPERATURE

[QR]

< SERVICE INFORMATION >

1. Disconnect cooling fan motor-2 (2) harness connector.
 -  Vehicle front
 - Cooling fan motor-1 (1)

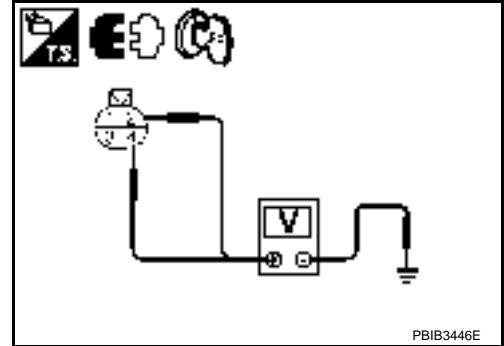


2. Check voltage between cooling fan motor-2 terminal 2, 4 and ground with CONSULT-III or tester.

Voltage: Battery voltage

OK or NG

- OK >> GO TO 7.
- NG >> GO TO 6.




6. DETECT MALFUNCTIONING PART

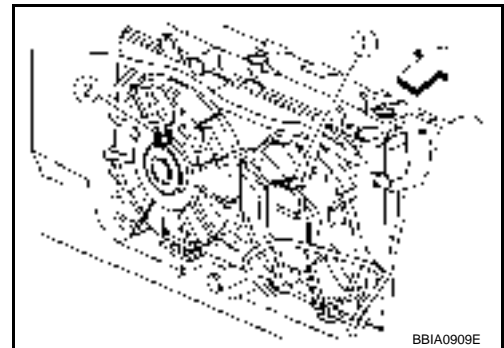
Check the following.

- 40A fusible link
- Harness for open or short between cooling fan motor-2 and battery

>> Repair open circuit or short to ground or short to power in harness or connectors.

7. CHECK COOLING FAN MOTORS CIRCUIT FOR OPEN AND SHORT

1. Turn ignition switch OFF.
2. Disconnect IPDM E/R harness connectors E43, E44 and E46.
3. Disconnect cooling fan motor-1 (1) harness connector.
 -  Vehicle front
 - Cooling fan motor-2 (2)
4. Check harness continuity between the following;
 - cooling fan relay-4 terminal 2 and IPDM E/R terminal 45,
 - cooling fan relay-4 terminal 5 and IPDM E/R terminal 23,
 - cooling fan relay-5 terminal 2 and IPDM E/R terminal 6,
 - cooling fan relay-5 terminal 5 and ground,
 - cooling fan relay-4 terminal 3 and cooling fan motor-1 terminal 2,
 - cooling fan motor-1 terminal 2 and IPDM E/R terminal 24,
 - cooling fan motor-1 terminal 4 and IPDM E/R terminal 20,
 - cooling fan motor-1 terminal 1, 3 and ground.
 - IPDM E/R terminal 39, 59 and ground.
 - cooling fan relay-4 terminal 5 and cooling fan motor-2 terminal 1,
 - cooling fan relay-5 terminal 3 and cooling fan motor-2 terminal 3,Refer to Wiring Diagram.



Continuity should exist.

5. Also check harness for short to ground and short to power.

OK or NG

- OK >> GO TO 9.
- NG >> GO TO 8.

8. DETECT MALFUNCTIONING PART

A
EC
C
D
E
F
G
H
I
J
K
L
M
N
O
P

DTC P1217 ENGINE OVER TEMPERATURE

[QR]

< SERVICE INFORMATION >

Check the following.

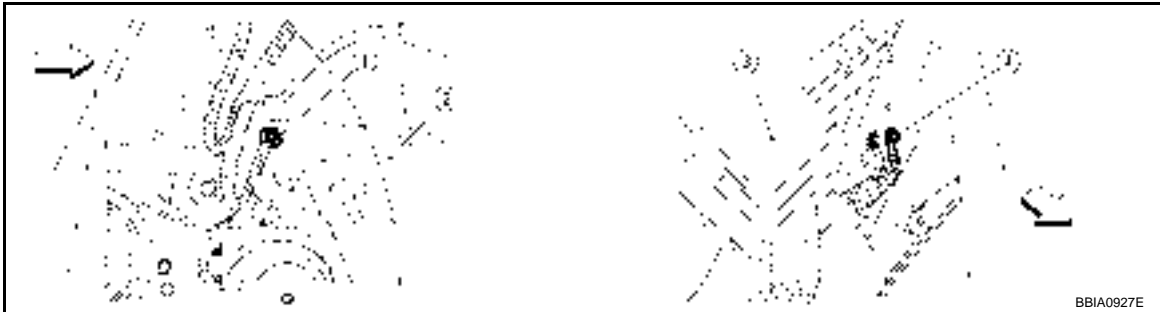
- Harness for open or short between cooling fan relay-4 and IPDM E/R
- Harness for open or short between cooling fan relay-5 and IPDM E/R
- Harness for open or short between cooling fan relay-4 and cooling fan motor-1
- Harness for open or short between cooling fan relay-4 and cooling fan motor-2
- Harness for open or short between cooling fan relay-5 and cooling fan motor-2
- Harness for open or short between cooling fan relay-5 and ground
- Harness for open or short between cooling fan motor-1 and ground
- Harness for open or short between IPDM E/R and ground

>> Repair open circuit or short to ground or short to power in harness or connectors.

9. CHECK GROUND CONNECTIONS

Loosen and retighten ground screw on the body.

Refer to [EC-649, "Ground Inspection"](#).



↖: Vehicle front

1. Body ground E9 (view with front wheel RH and fender protector RH removed.)
2. Washer tank
3. Fuse and fusible link box
4. Body ground E15

OK or NG

OK >> GO TO 10.

NG >> Repair or replace ground connections.

10. CHECK COOLING FAN RELAYS-4 AND -5

Refer to [EC-939, "Component Inspection"](#).

OK or NG

OK >> GO TO 11.

NG >> Replace malfunctioning cooling fan relay.

11. CHECK COOLING FAN MOTORS-1 AND -2

Refer to [EC-939, "Component Inspection"](#).

OK or NG

OK >> GO TO 12.

NG >> Replace malfunctioning cooling fan motor.

12. CHECK INTERMITTENT INCIDENT

Perform [EC-643](#).

OK or NG

OK >> Replace IPDM E/R. Refer to [PG-17](#).

NG >> Repair or replace harness or connector.

DTC P1217 ENGINE OVER TEMPERATURE

< SERVICE INFORMATION >

[QR]

Main 12 Causes of Overheating

INFOID:000000001850652

Engine	Step	Inspection item	Equipment	Standard	Reference page
OFF	1	<ul style="list-style-type: none"> Blocked radiator Blocked condenser Blocked radiator grille Blocked bumper 	• Visual	No blocking	—
	2	• Coolant mixture	• Coolant tester	50 - 50% coolant mixture	See MA-15 , " Anti-freeze Coolant Mixture Ratio ".
	3	• Coolant level	• Visual	Coolant up to MAX level in reservoir tank and radiator filler neck	See CO-35 , " System Inspection ".
	4	• Radiator cap	• Pressure tester	59 - 98 kPa (0.6 - 1.0 kg/cm ² , 9 - 14 psi) (Limit)	See CO-35 , " System Inspection ".
ON*2	5	• Coolant leaks	• Visual	No leaks	See CO-35 , " System Inspection ".
ON*2	6	• Thermostat	• Touch the upper and lower radiator hoses	Both hoses should be hot	See CO-44 .
ON*1	7	• Cooling fan	• CONSULT-III	Operating	See trouble diagnosis for DTC P1217 (EC-934 , " Diagnosis Procedure ").
OFF	8	• Combustion gas leak	• Color checker chemical tester 4 Gas analyzer	Negative	—
ON*3	9	• Coolant temperature gauge	• Visual	Gauge less than 3/4 when driving	—
		• Coolant overflow to reservoir tank	• Visual	No overflow during driving and idling	See MA-16 , " Changing Engine Coolant ".
OFF*4	10	• Coolant return from reservoir tank to radiator	• Visual	Should be initial level in reservoir tank	See CO-35 , " System Inspection ".
OFF	11	• Cylinder head	• Straight gauge feeler gauge	0.1 mm (0.004 in) Maximum distortion (warping)	See EM-167 .
	12	• Cylinder block and pistons	• Visual	No scuffing on cylinder walls or piston	See EM-180 .

*1: Turn the ignition switch ON.

*2: Engine running at 3,000 rpm for 10 minutes.

*3: Drive at 90 km/h (55 MPH) for 30 minutes and then let idle for 10 minutes.

*4: After 60 minutes of cool down time.

For more information, refer to [CO-31](#).

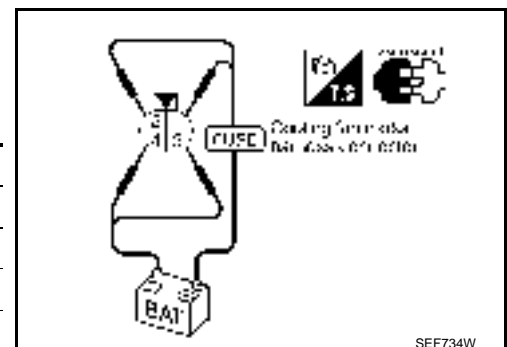
Component Inspection

INFOID:000000001850653

COOLING FAN MOTORS-1 AND -2

1. Disconnect cooling fan motor harness connectors.
2. Supply cooling fan motor terminals with battery voltage and check operation.

Cooling fan speed	Cooling fan motor terminals	
	(+)	(-)
Low (LO)	1	3 and 4
	2	3 and 4
High (HI)	1 and 2	3 and 4



SEF734W

Cooling fan motor should operate.

<https://www.automotive-manuals.net/>

DTC P1217 ENGINE OVER TEMPERATURE

[QR]

< SERVICE INFORMATION >

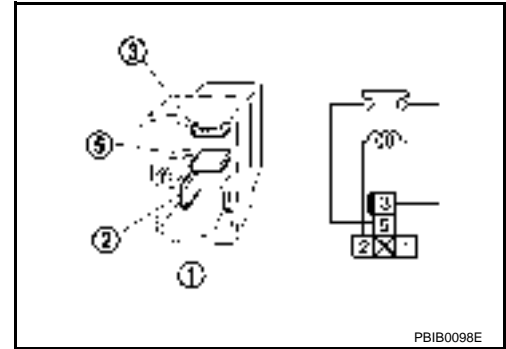
If NG, replace cooling fan motor.

COOLING FAN RELAYS-4 AND -5

Check continuity between terminals 3 and 4.

Conditions	Continuity
12V direct current supply between terminal 1 and 2	Yes
No current supply	No

If NG, replace cooling fan relay.



DTC P1225 TP SENSOR

< SERVICE INFORMATION >

[QR]

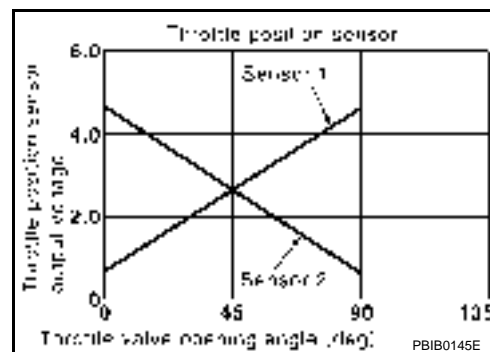
DTC P1225 TP SENSOR

Component Description

INFOID:000000001850654

Electric throttle control actuator consists of throttle control motor, throttle position sensor, etc. The throttle position sensor responds to the throttle valve movement.

The throttle position sensor has two sensors. These sensors are a kind of potentiometers which transform the throttle valve position into output voltage, and emit the voltage signal to the ECM. In addition, these sensors detect the opening and closing speed of the throttle valve and feed the voltage signals to the ECM. The ECM judges the current opening angle of the throttle valve from these signals and the ECM controls the throttle control motor to make the throttle valve opening angle properly in response to driving condition.



On Board Diagnosis Logic

INFOID:000000001850655

The MIL will not light up for this self-diagnosis.

DTC No.	Trouble diagnosis name	DTC detecting condition	Possible cause
P1225 1225	Closed throttle position learning performance	Closed throttle position learning value is excessively low.	• Electric throttle control actuator (TP sensor 1 and 2)

DTC Confirmation Procedure

INFOID:000000001850656

NOTE:

If DTC Confirmation Procedure has been previously conducted, always turn ignition switch OFF and wait at least 10 seconds before conducting the next test.

TESTING CONDITION:

Before performing the following procedure, confirm that battery voltage is more than 10V at idle.

1. Turn ignition switch OFF and wait at least 10 seconds.
2. Turn ignition switch ON.
3. Check 1st trip DTC.
4. If 1st trip DTC is detected, go to [EC-941, "Diagnosis Procedure"](#).

Diagnosis Procedure

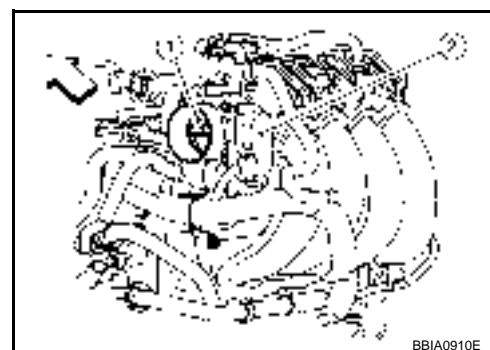
INFOID:000000001850657

1. CHECK ELECTRIC THROTTLE CONTROL ACTUATOR VISUALLY

1. Turn ignition switch OFF.
2. Remove the intake air duct.
3. Check if foreign matter is caught between the throttle valve (1) and the housing.
 - Vehicle front
 - Electric throttle control actuator (2)

OK or NG

- OK >> GO TO 2.
- NG >> Remove the foreign matter and clean the electric throttle control actuator inside.



2. REPLACE ELECTRIC THROTTLE CONTROL ACTUATOR

1. Replace the electric throttle control actuator.
2. Perform [EC-590, "Throttle Valve Closed Position Learning"](#).
3. Perform [EC-590, "Idle Air Volume Learning"](#).

DTC P1225 TP SENSOR

< SERVICE INFORMATION >

[QR]

>> INSPECTION END

Removal and Installation

INFOID:000000001850658

ELECTRIC THROTTLE CONTROL ACTUATOR

Refer to [EM-128](#).

DTC P1226 TP SENSOR

< SERVICE INFORMATION >

[QR]

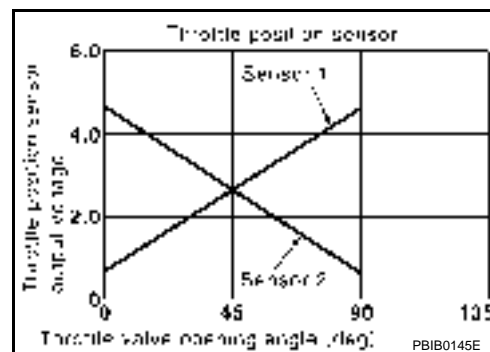
DTC P1226 TP SENSOR

Component Description

INFOID:000000001850659

Electric throttle control actuator consists of throttle control motor, throttle position sensor, etc. The throttle position sensor responds to the throttle valve movement.

The throttle position sensor has two sensors. These sensors are a kind of potentiometers which transform the throttle valve position into output voltage, and emit the voltage signal to the ECM. In addition, these sensors detect the opening and closing speed of the throttle valve and feed the voltage signals to the ECM. The ECM judges the current opening angle of the throttle valve from these signals and the ECM controls the throttle control motor to make the throttle valve opening angle properly in response to driving condition.



On Board Diagnosis Logic

INFOID:000000001850660

The MIL will not light up for this self-diagnosis.

DTC No.	Trouble diagnosis name	DTC detecting condition	Possible cause
P1226 1226	Closed throttle position learning performance	Closed throttle position learning is not performed successfully, repeatedly.	• Electric throttle control actuator (TP sensor 1 and 2)

DTC Confirmation Procedure

INFOID:000000001850661

NOTE:

If DTC Confirmation Procedure has been previously conducted, always turn ignition switch OFF and wait at least 10 seconds before conducting the next test.

TESTING CONDITION:


Before performing the following procedure, confirm that battery voltage is more than 10V at idle.

1. Turn ignition switch OFF and wait at least 10 seconds.
2. Turn ignition switch ON.
3. Repeat steps 1 and 2 for 32 times.
4. Check 1st trip DTC.
5. If 1st trip DTC is detected, go to [EC-943, "Diagnosis Procedure"](#).

Diagnosis Procedure

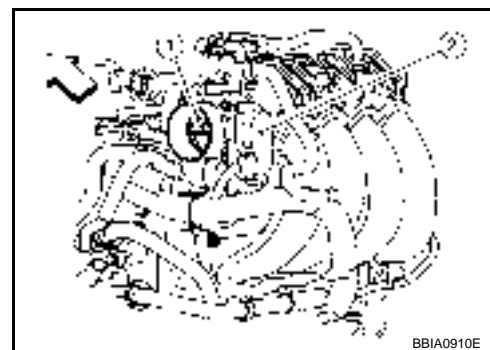
INFOID:000000001850662

1. CHECK ELECTRIC THROTTLE CONTROL ACTUATOR VISUALLY

1. Turn ignition switch OFF.
2. Remove the intake air duct.
3. Check if foreign matter is caught between the throttle valve (1) and the housing.
 -  Vehicle front
 - Electric throttle control actuator (2)

OK or NG

- OK >> GO TO 2.
NG >> Remove the foreign matter and clean the electric throttle control actuator inside.



2. REPLACE ELECTRIC THROTTLE CONTROL ACTUATOR

1. Replace the electric throttle control actuator.
2. Perform [EC-590, "Throttle Valve Closed Position Learning"](#).
3. Perform [EC-590, "Idle Air Volume Learning"](#).

DTC P1226 TP SENSOR

< SERVICE INFORMATION >

[QR]

>> INSPECTION END

Removal and Installation

INFOID:000000001850663

ELECTRIC THROTTLE CONTROL ACTUATOR

Refer to [EM-128](#).

DTC P1421 COLD START CONTROL

< SERVICE INFORMATION >

[QR]

DTC P1421 COLD START CONTROL

Description

INFOID:000000001850664

ECM controls ignition timing and engine idle speed when engine is started with prewarming up condition. This control promotes the activation of three way catalyst by heating the catalyst and reduces emissions.

On Board Diagnosis Logic

INFOID:000000001850665

DTC No.	Trouble diagnosis name	DTC detecting condition	Possible cause
P1421 1421	Cold start emission reduction strategy monitoring	ECM does not control ignition timing and engine idle speed properly when engine is started with prewarming up condition.	<ul style="list-style-type: none">Lack of intake air volumeFuel injection systemECM

DTC Confirmation Procedure

INFOID:000000001850666

NOTE:

- If DTC Confirmation Procedure has been previously conducted, always turn ignition switch OFF and wait at least 10 seconds before conducting the next test.
- If DTC P1421 is displayed with other DTC, first perform the trouble diagnosis for other DTC.

TESTING CONDITION:

Before performing the following procedure, confirm that battery voltage is more than 11V at idle.

▫ WITH CONSULT-III

- Turn ignition switch OFF and wait at least 10 seconds.
- Turn ignition switch ON.
- Select "DATA MONITOR" mode with CONSULT-III.
- Check that the "COOLAN TEMP/S" indication is between 4°C (39°F) and 36°C (97°F).
If "COOLAN TEMP/S" indication is within the specified value, go to the following step.
If "COOLAN TEMP/S" indication is out of the specified value, cool engine down or warm engine up and go to step 1.
- Start engine and let it idle for 5 minutes.
- Check 1st trip DTC.
- If 1st trip DTC is detected, go to [EC-945, "Diagnosis Procedure"](#).

▫ WITH GST

Follow the procedure "WITH CONSULT-III" above.

Diagnosis Procedure

INFOID:000000001850667

1.PERFORM IDLE AIR VOLUME LEARNING

Perform [EC-590, "Idle Air Volume Learning"](#).

Is Idle Air Volume Learning carried out successfully?

Yes or No

Yes >> GO TO 2.

No >> Follow the instruction of Idle Air Volume Learning.

2.CHECK INTAKE SYSTEM

Check for the cause of intake air volume lacking. Refer to the following.

- Crushed intake air passage
- Intake air passage clogging

OK or NG

OK >> GO TO 3.

NG >> Repair or replace malfunctioning part

3.CHECK FUEL INJECTION SYSTEM FUNCTION

Perform [EC-776, "DTC Confirmation Procedure"](#) for DTC P0171, P0174.

DTC P1421 COLD START CONTROL

< SERVICE INFORMATION >

[QR]

OK or NG

OK >> GO TO 4.

NG >> Go to [EC-781, "Diagnosis Procedure"](#) for DTC P0171, P0174.

4. PERFORM DTC CONFIRMATION PROCEDURE

With **CONSULT-III**

1. Turn ignition switch ON.
2. Select "SELF DIAG RESULTS" mode with CONSULT-III.
3. Touch "ERASE".
4. **Perform DTC Confirmation Procedure.**
See [EC-945, "DTC Confirmation Procedure"](#).
5. Is the 1st trip DTC P1421 displayed again?

With **GST**

1. Turn ignition switch ON.
2. Select Service \$04 with GST.
3. **Perform DTC Confirmation Procedure.**
See [EC-945, "DTC Confirmation Procedure"](#).
4. Is the 1st trip DTC P1421 displayed again?

Yes or No

Yes >> GO TO 5.

No >> **INSPECTION END**

5. REPLACE ECM

1. Replace ECM.
2. Perform initialization of NVIS (NATS) system and registration of all NVIS (NATS) ignition key IDs.
Refer to [BL-170, "ECM Re-communicating Function"](#).
3. Perform [EC-590, "VIN Registration"](#).
4. Perform [EC-590, "Accelerator Pedal Released Position Learning"](#).
5. Perform [EC-590, "Throttle Valve Closed Position Learning"](#).
6. Perform [EC-590, "Idle Air Volume Learning"](#).

>> **INSPECTION END**

DTC P1564 ASCD STEERING SWITCH

< SERVICE INFORMATION >

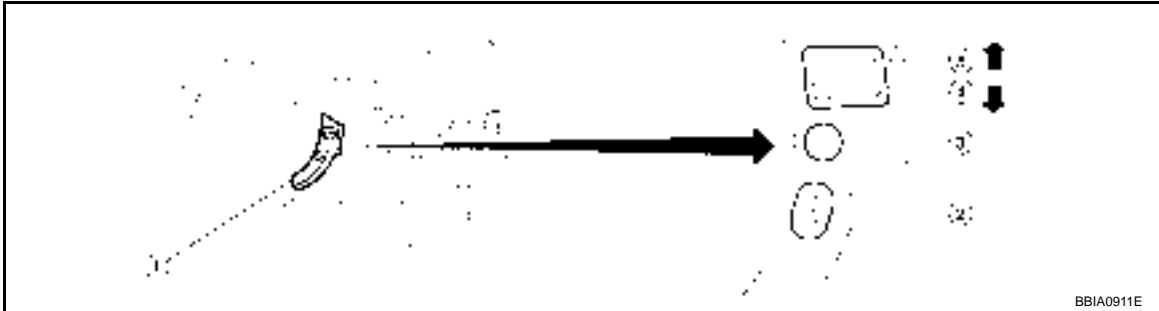
[QR]

DTC P1564 ASCD STEERING SWITCH

Component Description

INFOID:000000001850668

ASCD steering switch has variant values of electrical resistance for each button. ECM reads voltage variation of switch, and determines which button is operated.



1. ASCD steering switch
2. MAIN switch
3. CANCEL switch
4. SET/COAST switch
5. RESUME/ACCELERATE switch

Refer to [EC-541](#) for the ASCD function.

CONSULT-III Reference Value in Data Monitor Mode

INFOID:000000001850669

Specification data are reference values.

MONITOR ITEM	CONDITION		SPECIFICATION
MAIN SW	• Ignition switch: ON	MAIN switch: Pressed	ON
		MAIN switch: Released	OFF
CANCEL SW	• Ignition switch: ON	CANCEL switch: Pressed	ON
		CANCEL switch: Released	OFF
RESUME/ACC SW	• Ignition switch: ON	RESUME/ACCELERATE switch: Pressed	ON
		RESUME/ACCELERATE switch: Released	OFF
SET SW	• Ignition switch: ON	SET/COAST switch: Pressed	ON

On Board Diagnosis Logic

INFOID:000000001850670

- This self-diagnosis has the one trip detection logic.
- The MIL will not light up for this self-diagnosis.

NOTE:

If DTC P1564 is displayed with DTC P0605, first perform the trouble diagnosis for DTC P0605.

Refer to [EC-915](#).

DTC No.	Trouble Diagnosis Name	DTC Detecting Condition	Possible Cause
P1564 1564	ASCD steering switch	<ul style="list-style-type: none"> • An excessively high voltage signal from the ASCD steering switch is sent to ECM. • ECM detects that input signal from the ASCD steering switch is out of the specified range. • ECM detects that the ASCD steering switch is stuck ON. 	<ul style="list-style-type: none"> • Harness or connectors (ASCD switch circuit is open or shorted.) • ASCD steering switch • ECM

DTC Confirmation Procedure

INFOID:000000001850671

NOTE:

DTC P1564 ASCD STEERING SWITCH

< SERVICE INFORMATION >

[QR]

If DTC Confirmation Procedure has been previously conducted, always turn ignition switch OFF and wait at least 10 seconds before conducting the next test.

1. Turn ignition switch ON.
2. Wait at least 10 seconds.
3. Press MAIN switch for at least 10 seconds, then release it and wait at least 10 seconds.
4. Press CANCEL switch for at least 10 seconds, then release it and wait at least 10 seconds.
5. Press RESUME/ACCELERATE switch for at least 10 seconds, then release it and wait at least 10 seconds.
6. Press SET/COAST switch for at least 10 seconds, then release it and wait at least 10 seconds.
7. Check DTC.
8. If DTC is detected, go to [EC-950, "Diagnosis Procedure"](#).

DTC P1564 ASCD STEERING SWITCH

< SERVICE INFORMATION >

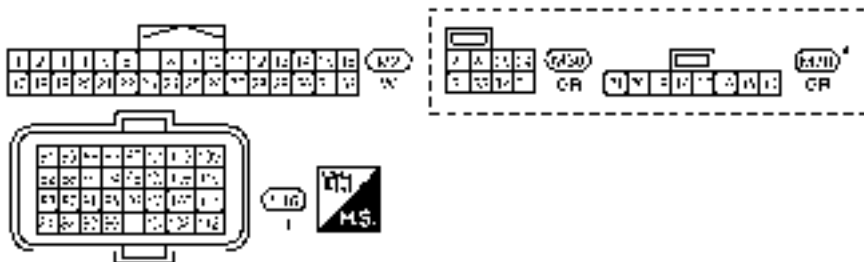
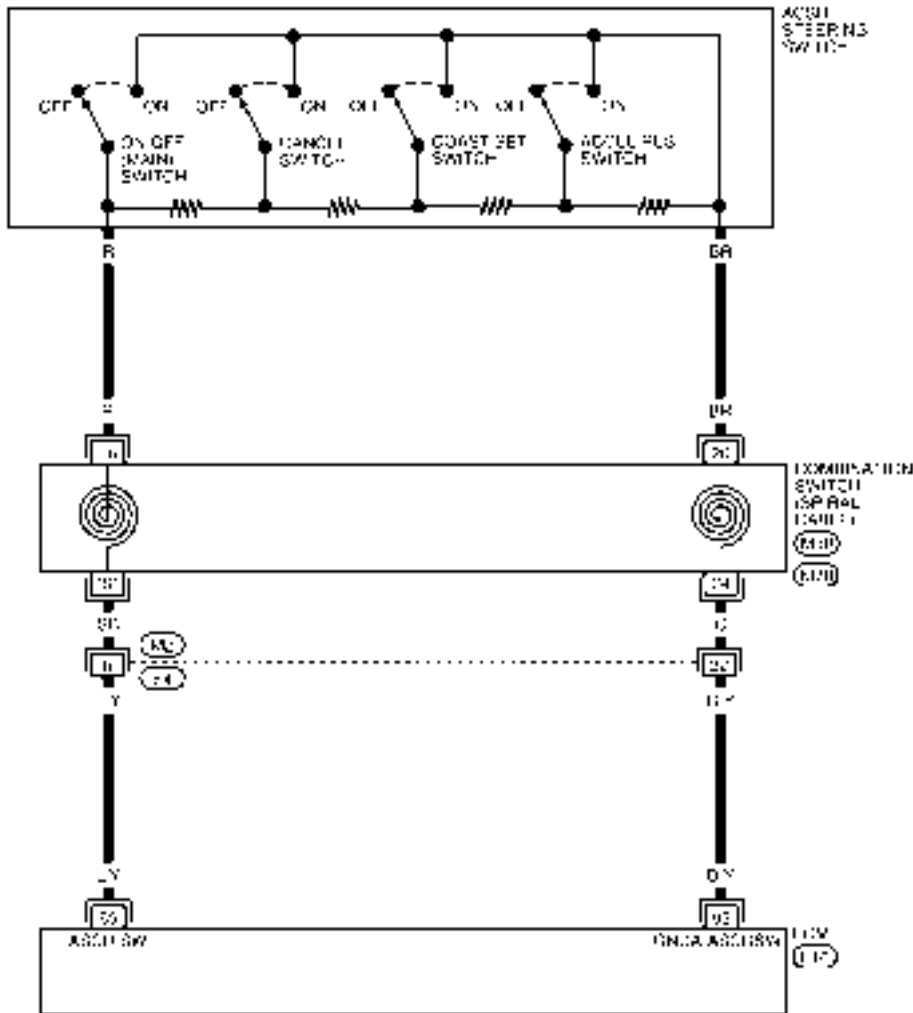
[QR]

Wiring Diagram

INFOID:000000001850672

EC-ASC/SW-01

— DETECTABLE LINE FOR DTC
 - - - NON-DETECTABLE LINE FOR DTC



* THIS CONNECTOR IS NOT SHOWN IN HARNESS VIEW OF POSITION

BBWA3050E

Specification data are reference values and are measured between each terminal and ground.

CAUTION:

Do not use ECM ground terminals when measuring input/output voltage. Doing so may result in damage to the ECM's transistor. Use a ground other than ECM terminals, such as the ground.

DTC P1564 ASCD STEERING SWITCH

< SERVICE INFORMATION >

[QR]

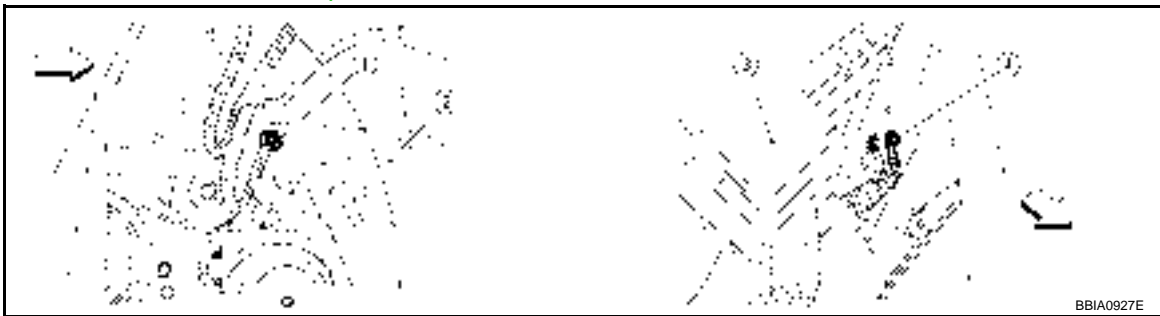
TERMI- NAL NO.	WIRE COLOR	ITEM	CONDITION	DATA (DC Voltage)
85	L/Y	ASCD steering switch	[Ignition switch: ON] • ASCD steering switch: OFF	Approximately 4V
			[Ignition switch: ON] • MAIN switch: Pressed	Approximately 0V
			[Ignition switch: ON] • CANCEL switch: Pressed	Approximately 1V
			[Ignition switch: ON] • RESUME/ACCELERATE switch: Pressed	Approximately 3V
			[Ignition switch: ON] • SET/COAST switch: Pressed	Approximately 2V
92	B/Y	Sensor ground	[Engine is running] • Warm-up condition • Idle speed	Approximately 0V

Diagnosis Procedure

INFOID:000000001850673

1. CHECK GROUND CONNECTIONS

- Turn ignition switch OFF.
- Loosen and retighten ground screws on the body.
Refer to [EC-649, "Ground Inspection"](#).



↖: Vehicle front

- Body ground E9 (view with front wheel RH and fender protector RH removed.)
- Washer tank
- Fuse and fusible link box
- Body ground E15

OK or NG

- OK >> GO TO 2.
NG >> Repair or replace ground connections.

2. CHECK ASCD STEERING SWITCH CIRCUIT

With CONSULT-III

- Turn ignition switch ON.
- Select "MAIN SW", "RESUME/ACC SW", "SET SW and "CANCEL SW" in "DATA MONITOR" mode with CONSULT-III.
- Check each item indication under the following conditions.

Switch	Monitor item	Condition	Indication
MAIN switch	MAIN SW	Pressed	ON
		Released	OFF
CANCEL switch	CANCEL SW	Pressed	ON
		Released	OFF

DTC P1564 ASCD STEERING SWITCH

< SERVICE INFORMATION >

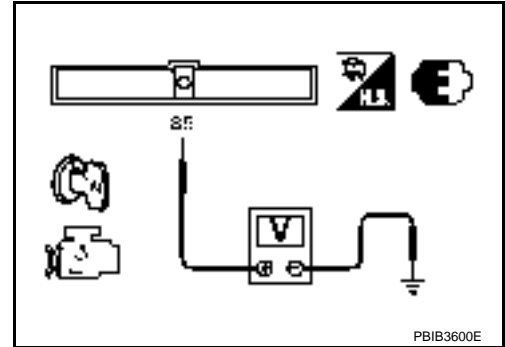
[QR]

Switch	Monitor item	Condition	Indication
RESUME/ACCELERATE switch	RESUME/ACC SW	Pressed	ON
		Released	OFF
SET/COAST switch	SET SW	Pressed	ON
		Released	OFF

X Without CONSULT-III

1. Turn ignition switch ON.
2. Check voltage between ECM terminal 85 and ground with pressing each button.

Switch	Condition	Voltage [V]
MAIN switch	Pressed	Approx. 0
	Released	Approx. 4.0
CANCEL switch	Pressed	Approx. 1.0
	Released	Approx. 4.0
RESUME/ACCELERATE switch	Pressed	Approx. 3.0
	Released	Approx. 4.0
SET/COAST switch	Pressed	Approx. 2.0
	Released	Approx. 4.0



OK or NG

- OK >> GO TO 8.
- NG >> GO TO 3.

3.CHECK ASCD STEERING SWITCH GROUND CIRCUIT FOR OPEN AND SHORT

1. Turn ignition switch OFF.
2. Disconnect combination switch harness connector M78.
3. Disconnect ECM harness connector.
4. Check harness continuity between combination switch terminal 20 (unit side) and ECM terminal 92. Refer to Wiring Diagram.

Continuity should exist.

5. Also check harness for short to ground or short to power.

OK or NG

- OK >> GO TO 5.
- NG >> GO TO 4.

4.DETECT MALFUNCTIONING PART

Check the following.

- Harness connectors M2, E4
- Combination switch (spiral cable)
- Harness for open and short between ECM and combination switch

>> Repair open circuit or short to ground or short to power in harness or connectors.

5.CHECK ASCD STEERING SWITCH INPUT SIGNAL CIRCUIT FOR OPEN AND SHORT

1. Check harness continuity between ECM terminal 85 and combination switch terminal 16. Refer to Wiring Diagram.

Continuity should exist.

2. Also check harness for short to ground and short to power.

OK or NG

DTC P1564 ASCD STEERING SWITCH

[QR]

< SERVICE INFORMATION >

- OK >> GO TO 7.
- NG >> GO TO 6.

6. DETECT MALFUNCTIONING PART

Check the following.

- Harness connectors M2, E4
- Combination switch (spiral cable)
- Harness for open and short between ECM and combination switch

>> Repair open circuit or short to ground or short to power in harness or connectors.

7. CHECK ASCD STEERING SWITCH

Refer to [EC-952. "Component Inspection"](#).

OK or NG

- OK >> GO TO 8.
- NG >> Replace ASCD steering switch.

8. CHECK INTERMITTENT INCIDENT

Refer to [EC-643](#).

>> **INSPECTION END**

Component Inspection

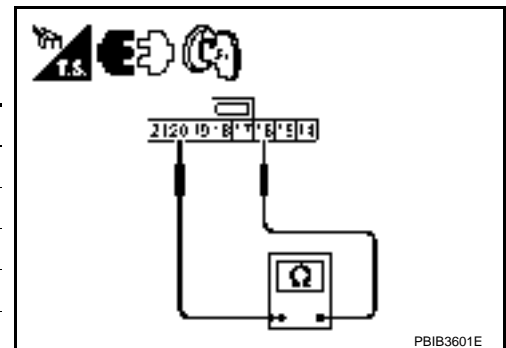
INFOID:000000001850674

ASCD STEERING SWITCH

1. Disconnect combination switch (spiral cable) harness connector M78.
2. Check continuity between combination switch (spiral cable) terminals 16 and 20 with pushing each switch.

Switch	Condition	Resistance [Ω]
MAIN switch	Pressed	Approx. 0
	Released	Approx. 4,000
CANCEL switch	Pressed	Approx. 250
	Released	Approx. 4,000
RESUME/ACCELERATE switch	Pressed	Approx. 1,480
	Released	Approx. 4,000
SET/COAST switch	Pressed	Approx. 660
	Released	Approx. 4,000

If NG, replace ASCD steering switch.



DTC P1572 ASCD BRAKE SWITCH

< SERVICE INFORMATION >

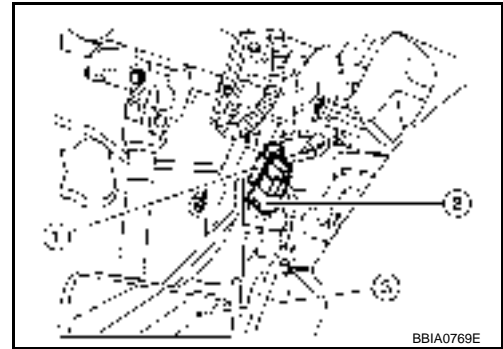
[QR]

DTC P1572 ASCD BRAKE SWITCH

Component Description

INFOID:000000001850675

When the brake pedal is depressed, ASCD brake switch (1) is turned OFF and stop lamp switch (2) is turned ON. ECM detects the state of the brake pedal (3) by this input of two kinds (ON/OFF signal). Refer to [EC-541](#) for the ASCD function.



CONSULT-III Reference Value in Data Monitor Mode

INFOID:000000001850676

Specification data are reference values.

MONITOR ITEM	CONDITION	SPECIFICATION
BRAKE SW1 (ASCD brake switch)	• Ignition switch: ON	• Brake pedal: Fully released (CVT) • Brake pedal and clutch pedal: Fully released (M/T) ON
		• Brake pedal: Slightly depressed (CVT) • Brake pedal and/or clutch pedal: Slightly depressed (M/T) OFF
BRAKE SW2 (Stop lamp switch)	• Ignition switch: ON	Brake pedal: Fully released OFF
		Brake pedal: Slightly depressed ON

On Board Diagnosis Logic

INFOID:000000001850677

- This self-diagnosis has the one trip detection logic.
- The MIL will not light up for this self-diagnosis.

NOTE:

- If DTC P1572 is displayed with DTC P0605, first perform the trouble diagnosis for DTC P0605. Refer to [EC-915](#).
- This self-diagnosis has the one trip detection logic. When malfunction A is detected, DTC is not stored in ECM memory. And in that case, 1st trip DTC and 1st trip freeze frame data are displayed. 1st trip DTC is erased when ignition switch OFF. And even when malfunction A is detected in two consecutive trips, DTC is not stored in ECM memory.

DTC No.	Trouble Diagnosis Name	DTC Detecting Condition	Possible Cause
P1572 1572	ASCD brake switch	A) When the vehicle speed is above 30km/h (19 MPH), ON signals from the stop lamp switch and the ASCD brake switch are sent to ECM at the same time.	<ul style="list-style-type: none"> • Harness or connectors (Stop lamp switch circuit is shorted.) • Harness or connectors (ASCD brake switch circuit is shorted.) • Harness or connectors (ASCD clutch switch circuit is shorted.) (M/T)
		B) ASCD brake switch signal is not sent to ECM for extremely long time while the vehicle is driving	<ul style="list-style-type: none"> • Stop lamp switch • ASCD brake switch • ASCD clutch switch (M/T) • Incorrect stop lamp switch installation • Incorrect ASCD brake switch installation • Incorrect ASCD clutch switch installation (M/T) • ECM

DTC P1572 ASCD BRAKE SWITCH

< SERVICE INFORMATION >

[QR]

DTC Confirmation Procedure

INFOID:000000001850678

CAUTION:

Always drive vehicle at a safe speed.

NOTE:

- If DTC Confirmation Procedure has been previously conducted, always turn ignition switch OFF and wait at least 10 seconds before conducting the next test.
- Procedure for malfunction B is not described here. It takes extremely long time to complete procedure for malfunction B. By performing procedure for malfunction A, the incident that causes malfunction B can be detected.

TESTING CONDITION:

Steps 4 and 5 may be conducted with the drive wheels lifted in the shop or by driving the vehicle. If a road test is expected to be easier, it is unnecessary to lift the vehicle.

WITH CONSULT-III

1. Start engine.
2. Select "DATA MONITOR" mode with CONSULT-III.
3. Press MAIN switch and make sure that CRUISE indicator lights up.
4. Drive the vehicle for at least 5 consecutive seconds under the following condition.

VHCL SPEED SE	More than 30 km/h (19 MPH)
Shift lever	Suitable position

5. Check 1st trip DTC.
If 1st trip DTC is detected, go to [EC-956, "Diagnosis Procedure"](#).
If 1st trip DTC is not detected, go to the following step.
6. Drive the vehicle for at least 5 consecutive seconds under the following condition.

VHCL SPEED SE	More than 30 km/h (19 MPH)
Shift lever	Suitable position
Driving location	Depress the brake pedal for more than 5 seconds so as not to come off from the above-mentioned vehicle speed.

7. Check 1st trip DTC.
8. If 1st trip DTC is detected, go to [EC-956, "Diagnosis Procedure"](#).

WITH GST

Follow the procedure "WITH CONSULT-III" above.

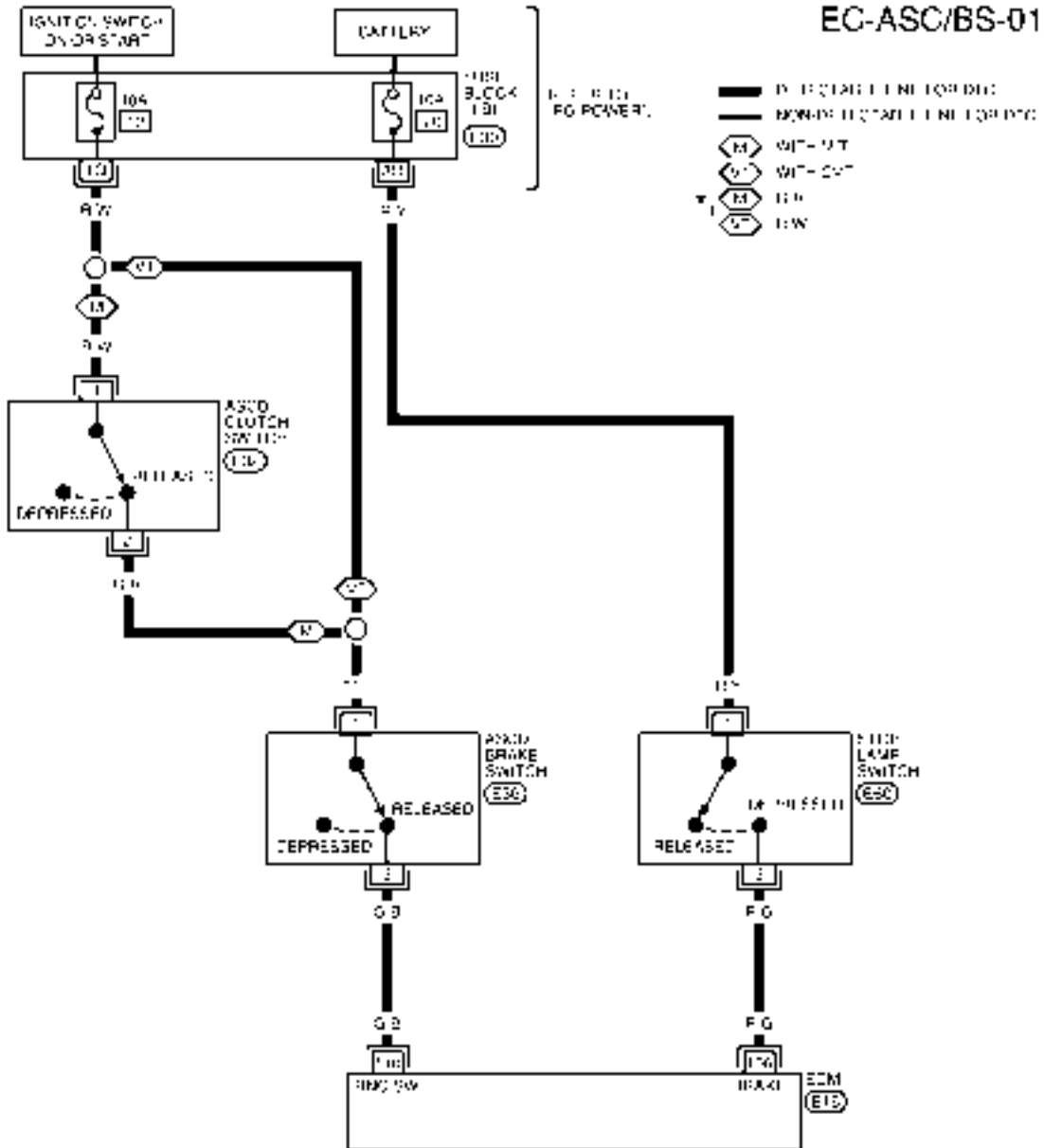
DTC P1572 ASCD BRAKE SWITCH

< SERVICE INFORMATION >

[QR]

Wiring Diagram

INFOID:000000001850679



BBWA3051E

Specification data are reference values and are measured between each terminal and ground.

CAUTION:

Do not use ECM ground terminals when measuring input/output voltage. Doing so may result in damage to the ECM's transistor. Use a ground other than ECM terminals, such as the ground.

DTC P1572 ASCD BRAKE SWITCH

< SERVICE INFORMATION >

[QR]

TERMI- NAL NO.	WIRE COLOR	ITEM	CONDITION	DATA (DC Voltage)
106	R/G	Stop lamp switch	[Ignition switch: ON] • Brake pedal: Fully released	Approximately 0V
			[Ignition switch: ON] • Brake pedal: Slightly depressed	BATTERY VOLTAGE (11 - 14V)
110	G/B	ASCD brake switch	• Brake pedal: Slightly depressed (CVT) • Brake pedal and clutch pedal: Fully released (M/T)	BATTERY VOLTAGE (11 - 14V)
			• Brake pedal: Slightly depressed (CVT) • Brake pedal and/or clutch pedal: Slightly depressed (M/T)	Approximately 0V

Diagnosis Procedure

INFOID:000000001850680

1. CHECK OVERALL FUNCTION-I

† **With CONSULT-III**

- Turn ignition switch ON.
- Select "BRAKE SW1" in "DATA MONITOR" mode with CONSULT-III.
- Check "BRAKE SW1" indication under the following conditions.

M/T models

CONDITION	INDICATION
Clutch pedal and/or brake pedal: Slightly depressed	OFF
Clutch pedal and brake pedal: Fully released	ON

CVT models

CONDITION	INDICATION
Brake pedal: Slightly depressed	OFF
Brake pedal: Fully released	ON

✕ **Without CONSULT-III**

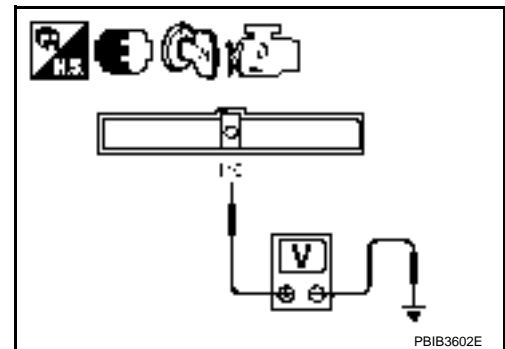
- Turn ignition switch ON.
- Check voltage between ECM terminal 110 and ground under the following conditions.

M/T models

CONDITION	VOLTAGE
Clutch pedal and/or brake pedal: Slightly depressed	Approximately 0V
Clutch pedal and brake pedal: Fully released	Battery voltage

CVT models

CONDITION	VOLTAGE
Brake pedal: Slightly depressed	Approximately 0V
Brake pedal: Fully released	Battery voltage



OK or NG

- OK >> GO TO 2.
 NG >> GO TO 3.

2. CHECK OVERALL FUNCTION-II

† **With CONSULT-III**

Check "BRAKE SW2" indication in "DATA MONITOR" mode.

DTC P1572 ASCD BRAKE SWITCH

< SERVICE INFORMATION >

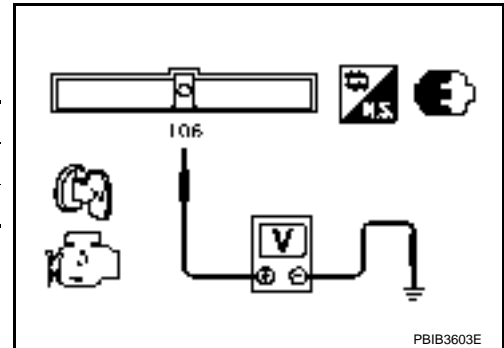
[QR]

CONDITION	INDICATION
Brake pedal: Fully released	OFF
Brake pedal: Slightly depressed	ON

⚠ Without CONSULT-III

Check voltage between ECM terminal 106 and ground under the following conditions.

CONDITION	VOLTAGE
Brake pedal: Fully released	Approximately 0V
Brake pedal: Slightly depressed	Battery voltage

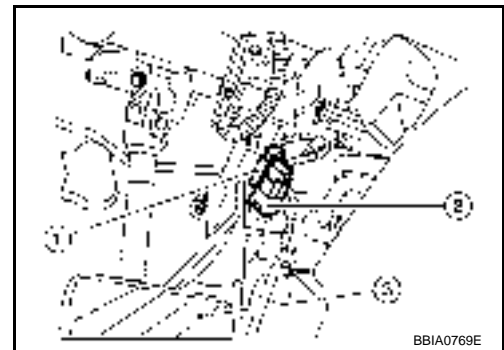


OK or NG

- OK >> GO TO 15.
- NG >> GO TO 11.

3. CHECK ASCD BRAKE SWITCH POWER SUPPLY

1. Turn ignition switch OFF.
2. Disconnect ASCD brake switch (1) harness connector.
 - Stop lamp switch (2)
 - Brake pedal (3)
3. Turn ignition switch ON.

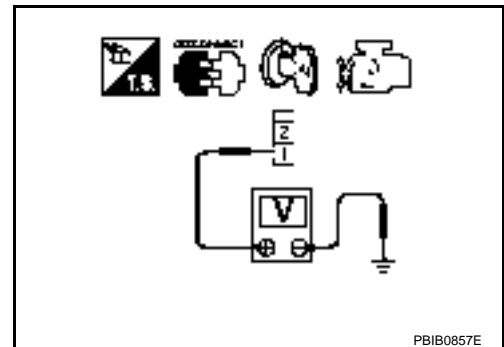


4. Check voltage between ASCD brake switch terminal 1 and ground with CONSULT-III or tester.

Voltage : Battery voltage

OK or NG

- OK >> GO TO 8.
- NG (M/T models)>>GO TO 4.
- NG (CVT models)>>GO TO 6.



4. CHECK ASCD CLUTCH SWITCH POWER SUPPLY CIRCUIT

1. Turn ignition switch OFF.

DTC P1572 ASCD BRAKE SWITCH

[QR]

< SERVICE INFORMATION >

2. Disconnect ASCD clutch switch (1) harness connector.
 - Clutch pedal (2)
3. Turn ignition switch ON.

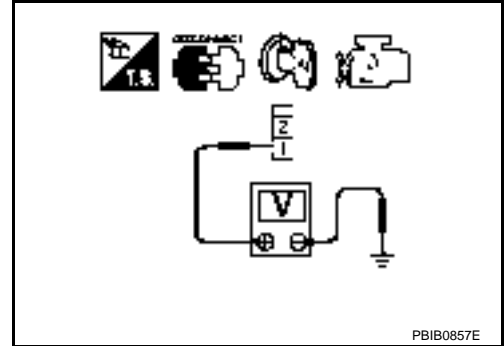


4. Check voltage between ASCD clutch switch terminal 1 and ground with CONSULT-III or tester.

Voltage: Battery voltage

OK or NG

- OK >> GO TO 7.
- NG >> GO TO 5.



5. DETECT MALFUNCTIONING PART

Check the following.

- 10A fuse
- Harness for open or short between ASCD clutch switch and fuse

>> Repair open circuit or short to ground or short to power in harness or connectors.

6. DETECT MALFUNCTIONING PART

Check the following.

- 10A fuse
- Harness for open or short between ASCD brake switch and fuse

>> Repair open circuit or short to ground or short to power in harness or connectors.

7. CHECK ASCD CLUTCH SWITCH INPUT SIGNAL CIRCUIT FOR OPEN AND SHORT

1. Turn ignition switch OFF.
2. Check harness continuity between ASCD brake switch terminal 1 and ASCD clutch switch terminal 2. Refer to Wiring Diagram.

Continuity should exist.

3. Also check harness for short to ground and short to power.

OK or NG

- OK >> GO TO 10.
- NG >> Repair open circuit or short to ground or short to power in harness or connectors.

8. CHECK ASCD BRAKE SWITCH INPUT SIGNAL CIRCUIT FOR OPEN AND SHORT

1. Turn ignition switch OFF.
2. Disconnect ECM harness connector.
3. Check harness continuity between ECM terminal 110 and ASCD brake switch terminal 2. Refer to Wiring Diagram.

Continuity should exist.

4. Also check harness for short to ground and short to power.

DTC P1572 ASCD BRAKE SWITCH

[QR]

< SERVICE INFORMATION >

OK or NG

- OK >> GO TO 9.
- NG >> Repair open circuit or short to ground or short to power in harness or connectors.

9. CHECK ASCD BRAKE SWITCH

Refer to [EC-960, "Component Inspection"](#).

OK or NG

- OK >> GO TO 15.
- NG >> Replace ASCD brake switch.

10. CHECK ASCD CLUTCH SWITCH

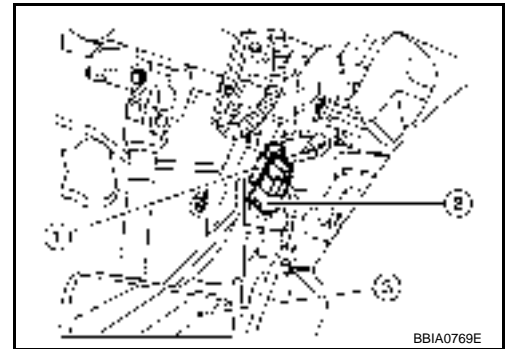
Refer to [EC-960, "Component Inspection"](#).

OK or NG

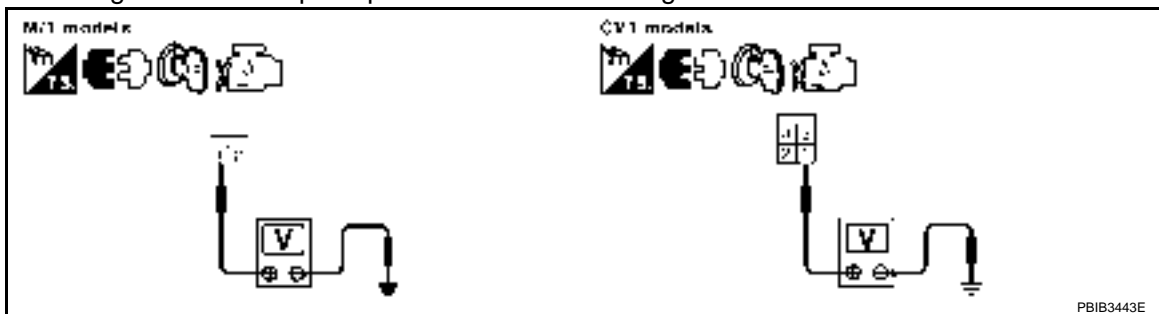
- OK >> GO TO 15.
- NG >> Replace ASCD clutch switch.

11. CHECK STOP LAMP SWITCH POWER SUPPLY CIRCUIT

1. Turn ignition switch OFF.
2. Disconnect stop lamp switch (2) harness connector.
 - ASCD brake switch (1)
 - Brake pedal (3)



3. Check voltage between stop lamp switch terminal 1 and ground with CONSULT -III or tester.



Voltage: Battery voltage

OK or NG

- OK >> GO TO 13.
- NG >> GO TO 12.

12. DETECT MALFUNCTIONING PART

Check the following.

- 10A fuse
- Harness for open or short between stop lamp switch and battery

>> Repair open circuit or short to ground or short to power in harness or connectors.

13. CHECK STOP LAMP SWITCH INPUT SIGNAL CIRCUIT FOR OPEN AND SHORT

1. Disconnect ECM harness connector.
2. Check harness continuity between ECM terminal 106 and stop lamp switch terminal 2.
Refer to Wiring Diagram.

DTC P1572 ASCD BRAKE SWITCH

< SERVICE INFORMATION >

[QR]

Continuity should exist.

3. Also check harness for short to ground and short to power.

OK or NG

OK >> GO TO 14.

NG >> Repair open circuit or short to ground or short to power in harness or connectors.

14. CHECK STOP LAMP SWITCH

Refer to [EC-960, "Component Inspection"](#)

OK or NG

OK >> GO TO 15.

NG >> Replace stop lamp switch.

15. CHECK INTERMITTENT INCIDENT

Refer to [EC-643](#).

>> **INSPECTION END**

Component Inspection

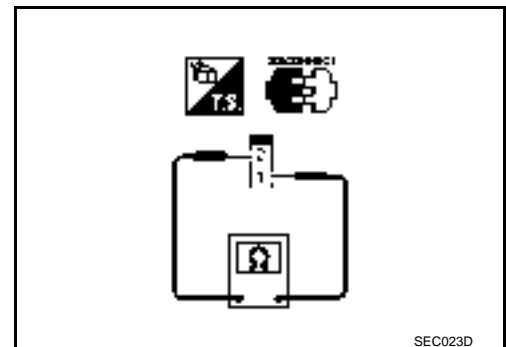
INFOID:000000001850681

ASCD BRAKE SWITCH

1. Turn ignition switch OFF.
2. Disconnect ASCD brake switch harness connector.
3. Check continuity between ASCD brake switch terminals 1 and 2 under the following conditions.

Condition	Continuity
Brake pedal: Fully released.	Should exist.
Brake pedal: Slightly depressed.	Should not exist.

If NG, adjust ASCD brake switch installation, refer to [BR-5](#), and perform step 3 again.

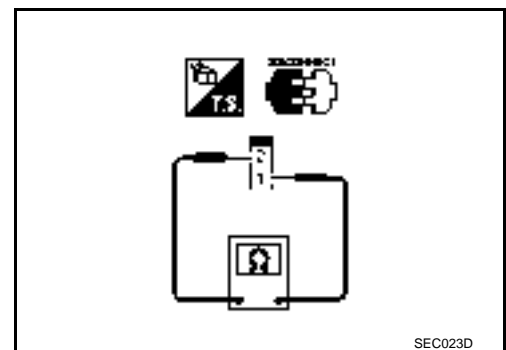


ASCD CLUTCH SWITCH

1. Turn ignition switch OFF.
2. Disconnect ASCD clutch switch harness connector.
3. Check continuity between ASCD clutch switch terminals 1 and 2 under the following conditions.

Condition	Continuity
Clutch pedal: Fully released.	Should exist.
Clutch pedal: Slightly depressed.	Should not exist.

If NG, adjust ASCD clutch switch installation, refer to [CL-5](#), and perform step 3 again.



STOP LAMP SWITCH

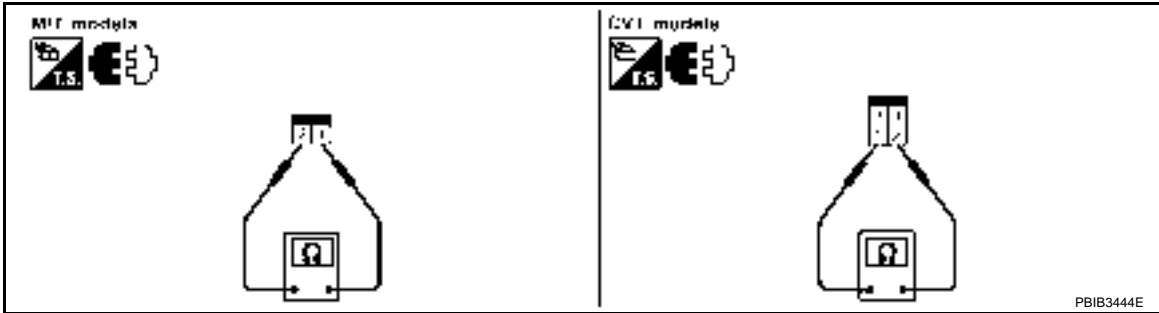
1. Turn ignition switch OFF.
2. Disconnect stop lamp switch harness connector.

DTC P1572 ASCD BRAKE SWITCH

< SERVICE INFORMATION >

[QR]

3. Check continuity between stop lamp switch terminals 1 and 2 under the following conditions.



Condition	Continuity
Brake pedal: Fully released.	Should not exist.
Brake pedal: Slightly depressed.	Should exist.

If NG, adjust stop lamp switch installation, refer to [BR-5](#), and perform step 3 again.

A

EC

C

D

E

F

G

H

I

J

K

L

M

N

O

P

DTC P1574 ASCD VEHICLE SPEED SENSOR

< SERVICE INFORMATION >

[QR]

DTC P1574 ASCD VEHICLE SPEED SENSOR

Component Description

INFOID:000000001850682

The ECM receives two vehicle speed sensor signals via CAN communication line. One is sent from combination meter, and the other is from TCM (Transmission control module). The ECM uses these signals for ASCD control. Refer to [EC-541](#) for ASCD functions.

On Board Diagnosis Logic

INFOID:000000001850683

- This self-diagnosis has the one trip detection logic.
- The MIL will not light up for this self-diagnosis.

NOTE:

- If DTC P1574 is displayed with DTC U1000, U1001, first perform the trouble diagnosis for DTC U1000, U1001. Refer to [EC-650](#).
- If DTC P1574 is displayed with DTC U1010, first perform the trouble diagnosis for DTC U1010. Refer to [EC-652](#).
- If DTC P1574 is displayed with DTC P0500, first perform the trouble diagnosis for DTC P0500. Refer to [EC-905](#).
- If DTC P1574 is displayed with DTC P0605, first perform the trouble diagnosis for DTC P0605. Refer to [EC-915](#).

DTC No.	Trouble Diagnosis Name	DTC Detecting Condition	Possible Cause
P1574 1574	ASCD vehicle speed sensor	ECM detects a difference between two vehicle speed signals is out of the specified range.	<ul style="list-style-type: none">• Harness or connectors (CAN communication line is open or shorted.)• Harness or connectors (Combination meter circuit is open or shorted.)• TCM (CVT models)• Combination meter• Wheel sensor• ECM

DTC Confirmation Procedure

INFOID:000000001850684

CAUTION:

Always drive vehicle at a safe speed.

NOTE:

If DTC Confirmation Procedure has been previously conducted, always turn ignition switch OFF and wait at least 10 seconds before conducting the next test.

TESTING CONDITION:

Step 3 may be conducted with the drive wheels lifted in the shop or by driving the vehicle. If a road test is expected to be easier, it is unnecessary to lift the vehicle.

WITH CONSULT-III

1. Start engine.
2. Select "DATA MONITOR" mode with CONSULT-III.
3. Drive the vehicle at more than 40 km/h (25MPH).
4. Check DTC.
5. If DTC is detected, go to [EC-962, "Diagnosis Procedure"](#).

WITH GST

Follow the procedure "WITH CONSULT-III" above.

Diagnosis Procedure

INFOID:000000001850685

1. CHECK DTC WITH TCM

Check DTC with TCM. Refer to [CVT-24](#).

OK or NG

OK >> GO TO 2.

DTC P1574 ASCD VEHICLE SPEED SENSOR

[QR]

< SERVICE INFORMATION >

NG >> Perform trouble shooting relevant to DTC indicated.

2.CHECK DTC WITH "ABS ACTUATOR AND ELECTRIC UNIT"

Refer to [BRC-8](#).

OK or NG

OK >> GO TO 3.

NG >> Repair or replace.

3.CHECK COMBINATION METER

Check combination meter function.

Refer to [DI-5](#).

>> **INSPECTION END**

A

EC

C

D

E

F

G

H

I

J

K

L

M

N

O

P

DTC P1715 INPUT SPEED SENSOR (PRIMARY SPEED SENSOR)

< SERVICE INFORMATION >

[QR]

DTC P1715 INPUT SPEED SENSOR (PRIMARY SPEED SENSOR)

Description

INFOID:000000001850686

ECM receives primary speed sensor signal from TCM through CAN communication line. ECM uses this signal for engine control.

CONSULT-III Reference Value in Data Monitor Mode

INFOID:000000001850687

Specification data are reference values.

MONITOR ITEM	CONDITION	SPECIFICATION
I/P PULLY SPD	• Vehicle speed: More than 20 km/h (12 MPH)	Almost the same speed as the tachometer indication

On Board Diagnosis Logic

INFOID:000000001850688

The MIL will not light up for this self-diagnosis.

NOTE:

- If DTC P1715 is displayed with DTC U1000 or U1001 first perform the trouble diagnosis for DTC U1000, U1001. Refer to [EC-650](#).
- If DTC P1715 is displayed with DTC U1010, first perform the trouble diagnosis for DTC U1010. Refer to [EC-652](#).
- If DTC P1715 is displayed with DTC P0335, first perform the trouble diagnosis for DTC P0335. Refer to [EC-816](#).
- If DTC P1715 is displayed with DTC P0340 first perform the trouble diagnosis for DTC P0340. Refer to [EC-822](#).
- If DTC P1715 is displayed with DTC P0605, first perform the trouble diagnosis for DTC P0605. Refer to [EC-915](#).

DTC No.	Trouble diagnosis name	DTC detecting condition	Possible cause
P1715 1715	Input speed sensor (Primary speed sensor) (TCM output)	Primary speed sensor signal is different from the theoretical value calculated by ECM from secondary speed sensor signal and engine rpm signal.	<ul style="list-style-type: none">• Harness or connectors (CAN communication line is open or shorted)• Harness or connectors (Primary speed sensor circuit is open or shorted)• TCM

DTC Confirmation Procedure

INFOID:000000001850689

CAUTION:

Always drive vehicle at a safe speed.

NOTE:

If DTC Confirmation Procedure has been previously conducted, always turn ignition switch OFF and wait at least 10 seconds before conducting the next test.

WITH CONSULT-III

1. Turn ignition switch ON.
2. Select "DATA MONITOR" mode with CONSULT-III.
3. Start engine.
4. Drive vehicle at a speed of more than 50 km/h (31 MPH) for at least 5 seconds.
5. Check 1st trip DTC.
6. If 1st trip DTC is detected, go to [EC-964](#), "Diagnosis Procedure".

WITH GST

Follow the procedure "WITH CONSULT-III" above.

Diagnosis Procedure

INFOID:000000001850690

1. CHECK DTC WITH TCM

Check DTC with TCM. Refer to [CVT-24](#).

DTC P1715 INPUT SPEED SENSOR (PRIMARY SPEED SENSOR)

< SERVICE INFORMATION >

[QR]

OK or NG

OK >> GO TO 2.

NG >> Perform trouble shooting relevant to DTC indicated.

2.REPLACE TCM

Replace TCM. Refer to [CVT-27](#).

>> INSPECTION END

A

EC

C

D

E

F

G

H

I

J

K

L

M

N

O

P

DTC P1805 BRAKE SWITCH

< SERVICE INFORMATION >

[QR]

DTC P1805 BRAKE SWITCH

Description

INFOID:000000001850691

Brake switch signal is applied to the ECM through the stop lamp switch when the brake pedal is depressed. This signal is used mainly to decrease the engine speed when the vehicle is driving.

CONSULT-III Reference Value in Data Monitor Mode

INFOID:000000001850692

Specification data are reference values.

MONITOR ITEM	CONDITION		SPECIFICATION
BRAKE SW	• Ignition switch: ON	Brake pedal: Fully released	OFF
		Brake pedal: Slightly depressed	ON

On Board Diagnosis Logic

INFOID:000000001850693

The MIL will not light up for this self-diagnosis.

DTC No.	Trouble diagnosis name	DTC detecting condition	Possible cause
P1805 1805	Brake switch	A brake switch signal is not sent to ECM for extremely long time while the vehicle is driving.	<ul style="list-style-type: none">• Harness or connectors (Stop lamp switch circuit is open or shorted.)• Stop lamp switch

FAIL-SAFE MODE

When the malfunction is detected, the ECM enters in fail-safe mode.

Engine operation condition in fail-safe mode	
ECM controls the electric throttle control actuator by regulating the throttle opening to a small range. Therefore, acceleration will be poor.	
Vehicle condition	Driving condition
Engine: Idling	Normal
Accelerating	Poor acceleration

DTC Confirmation Procedure

INFOID:000000001850694

1. Turn ignition switch ON.
2. Fully depress the brake pedal for at least 5 seconds.
3. Erase the DTC with CONSULT-III.
4. Check 1st trip DTC.
5. If 1st trip DTC is detected, go to [EC-968. "Diagnosis Procedure"](#).

DTC P1805 BRAKE SWITCH





< SERVICE INFORMATION >

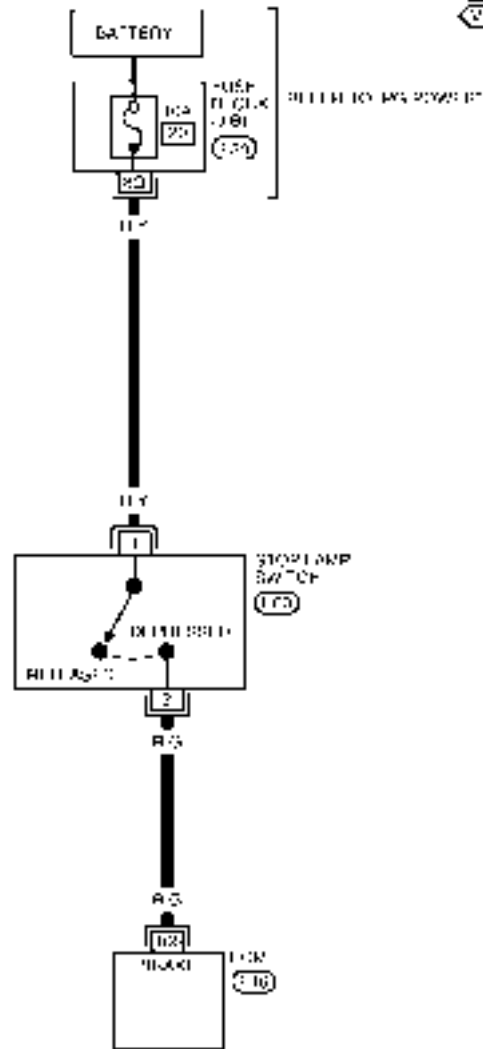
[QR]

Wiring Diagram

INFOID:000000001850695

EC-BRK/SW-01

-  DETECTABLE LINE FOR DTC
-  NON-DETECTABLE LINE FOR DTC
-  WITH M/T
-  WITH VVI



BBWA3052E

Specification data are reference values and are measured between each terminal and ground.

DTC P1805 BRAKE SWITCH

< SERVICE INFORMATION >

[QR]

TERMI- NAL NO.	WIRE COLOR	ITEM	CONDITION	DATA (DC Voltage)
106	R/G	Stop lamp switch	[Ignition switch: OFF] • Brake pedal: Fully released	Approximately 0V
			[Ignition switch: OFF] • Brake pedal: Slightly depressed	BATTERY VOLTAGE (11 - 14V)

Diagnosis Procedure

INFOID:000000001850696

1. CHECK STOP LAMP SWITCH CIRCUIT

1. Turn ignition switch OFF.
2. Check the stop lamp when depressing and releasing the brake pedal.

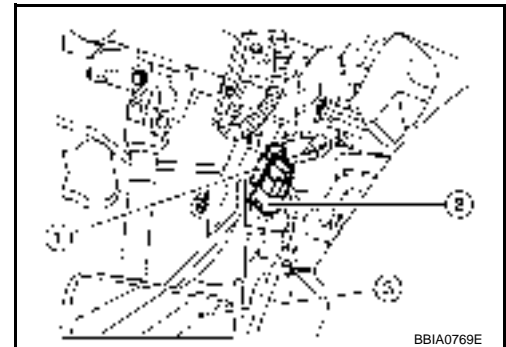
Brake pedal	Stop lamp
Fully released	Not illuminated
Slightly depressed	Illuminated

OK or NG

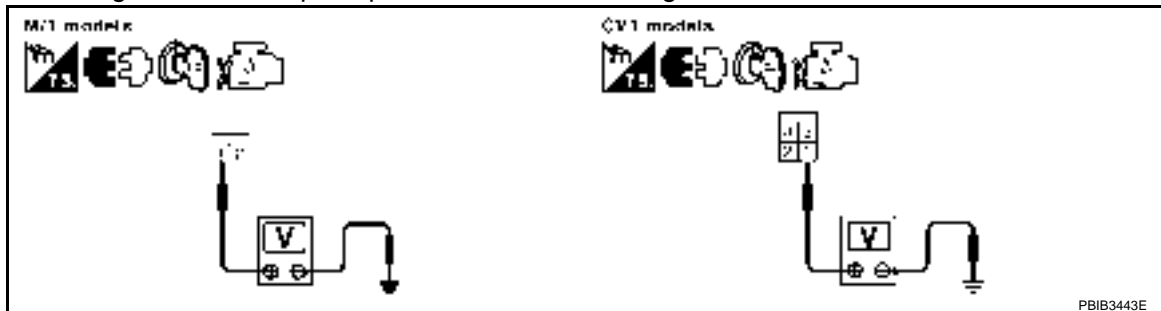
- OK >> GO TO 4.
NG >> GO TO 2.

2. CHECK STOP LAMP SWITCH POWER SUPPLY CIRCUIT

1. Disconnect stop lamp switch (2) harness connector.
 - ASCD brake switch (1)
 - Brake pedal (3)



2. Check voltage between stop lamp switch terminal 1 and ground with CONSULT-III or tester.



Voltage: Battery voltage

OK or NG

- OK >> GO TO 4.
NG >> GO TO 3.

3. DETECT MALFUNCTIONING PART

Check the following.

- 10A fuse
- Harness for open and short between stop lamp switch and battery

DTC P1805 BRAKE SWITCH

< SERVICE INFORMATION >

[QR]

>> Repair open circuit or short to ground or short to power in harness or connectors.

4. CHECK STOP LAMP SWITCH INPUT SIGNAL CIRCUIT FOR OPEN AND SHORT

1. Disconnect stop lamp switch harness connector.
2. Disconnect ECM harness connector.
3. Check harness continuity between stop lamp switch terminal 2 and ECM terminal 106.
Refer to Wiring Diagram.

Continuity should exist.

4. Also check harness for short to ground and short to power.

OK or NG

OK >> GO TO 5.

NG >> Repair open circuit or short to ground or short to power in harness connectors.

5. CHECK STOP LAMP SWITCH

Refer to [EC-969](#), "Component Inspection".

OK or NG

OK >> GO TO 6.

NG >> Replace stop lamp switch.

6. CHECK INTERMITTENT INCIDENT

Refer to [EC-643](#).

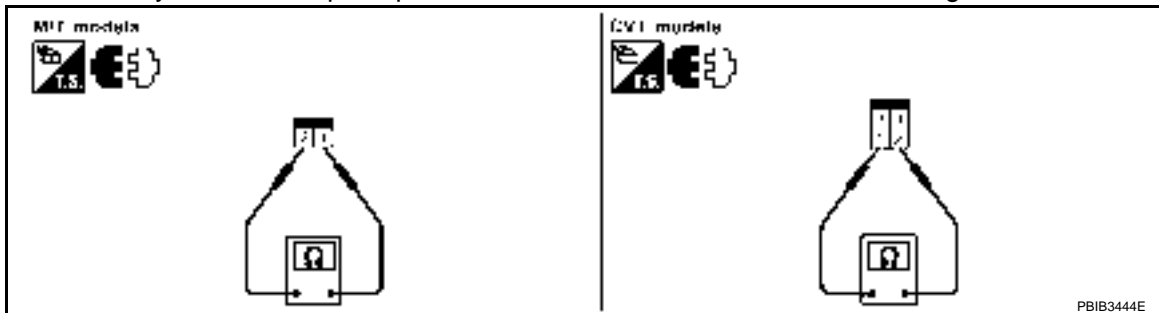
>> **INSPECTION END**

Component Inspection

INFOID:000000001850697

STOP LAMP SWITCH

1. Turn ignition switch OFF.
2. Disconnect stop lamp switch harness connector.
3. Check continuity between stop lamp switch terminals 1 and 2 under the following conditions.



Condition	Continuity
Brake pedal: Fully released.	Should not exist.
Brake pedal: Slightly depressed.	Should exist.

If NG, adjust stop lamp switch installation, refer to [BR-5](#), and perform step 3 again.

DTC P2100, P2103 THROTTLE CONTROL MOTOR RELAY

< SERVICE INFORMATION >

[QR]

DTC P2100, P2103 THROTTLE CONTROL MOTOR RELAY

Component Description

INFOID:000000001850698

Power supply for the throttle control motor is provided to the ECM via throttle control motor relay. The throttle control motor relay is ON/OFF controlled by the ECM. When the ignition switch is turned ON, the ECM sends an ON signal to throttle control motor relay and battery voltage is provided to the ECM. When the ignition switch is turned OFF, the ECM sends an OFF signal to throttle control motor relay and battery voltage is not provided to the ECM.

CONSULT-III Reference Value in Data Monitor Mode

INFOID:000000001850699

Specification data are reference values.

MONITOR ITEM	CONDITION	SPECIFICATION
THRTL RELAY	• Ignition switch: ON	ON

On Board Diagnosis Logic

INFOID:000000001850700

These self-diagnoses have one trip detection logic.

DTC No.	Trouble diagnosis name	DTC detecting condition	Possible cause
P2100 2100	Throttle control motor relay circuit open	ECM detects a voltage of power source for throttle control motor is excessively low.	<ul style="list-style-type: none">• Harness or connectors (Throttle control motor relay circuit is open)• Throttle control motor relay
P2103 2103	Throttle control motor relay circuit short	ECM detects the throttle control motor relay is stuck ON.	<ul style="list-style-type: none">• Harness or connectors (Throttle control motor relay circuit is shorted)• Throttle control motor relay

FAIL-SAFE MODE

When the malfunction is detected, ECM enters fail-safe mode and the MIL lights up.

Engine operating condition in fail-safe mode

ECM stops the electric throttle control actuator control, throttle valve is maintained at a fixed opening (approx. 5 degrees) by the return spring.

DTC Confirmation Procedure

INFOID:000000001850701

NOTE:

If DTC Confirmation Procedure has been previously conducted, always turn ignition switch OFF and wait at least 10 seconds before conducting the next test.

PROCEDURE FOR DTC P2100

1. Turn ignition switch ON and wait at least 2 seconds.
2. Start engine and let it idle for 5 seconds.
3. Check DTC.
4. If DTC is detected, go to [EC-972, "Diagnosis Procedure"](#).

PROCEDURE FOR DTC P2103

TESTING CONDITION:

Before performing the following procedure, confirm that battery voltage is more than 10V at idle.

1. Turn ignition switch ON and wait at least 1 second.
2. Check DTC.
3. If DTC is detected, go to [EC-972, "Diagnosis Procedure"](#).

DTC P2100, P2103 THROTTLE CONTROL MOTOR RELAY

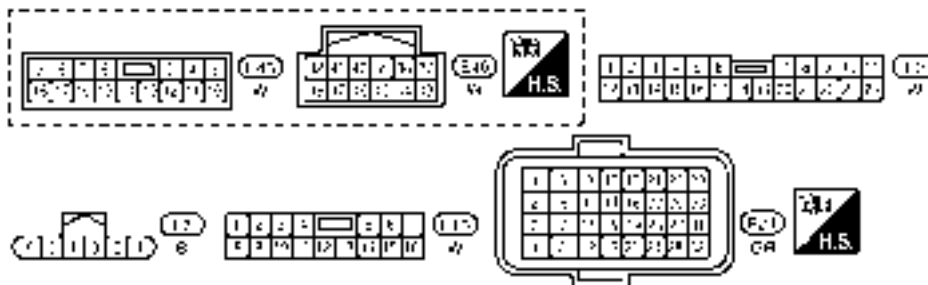
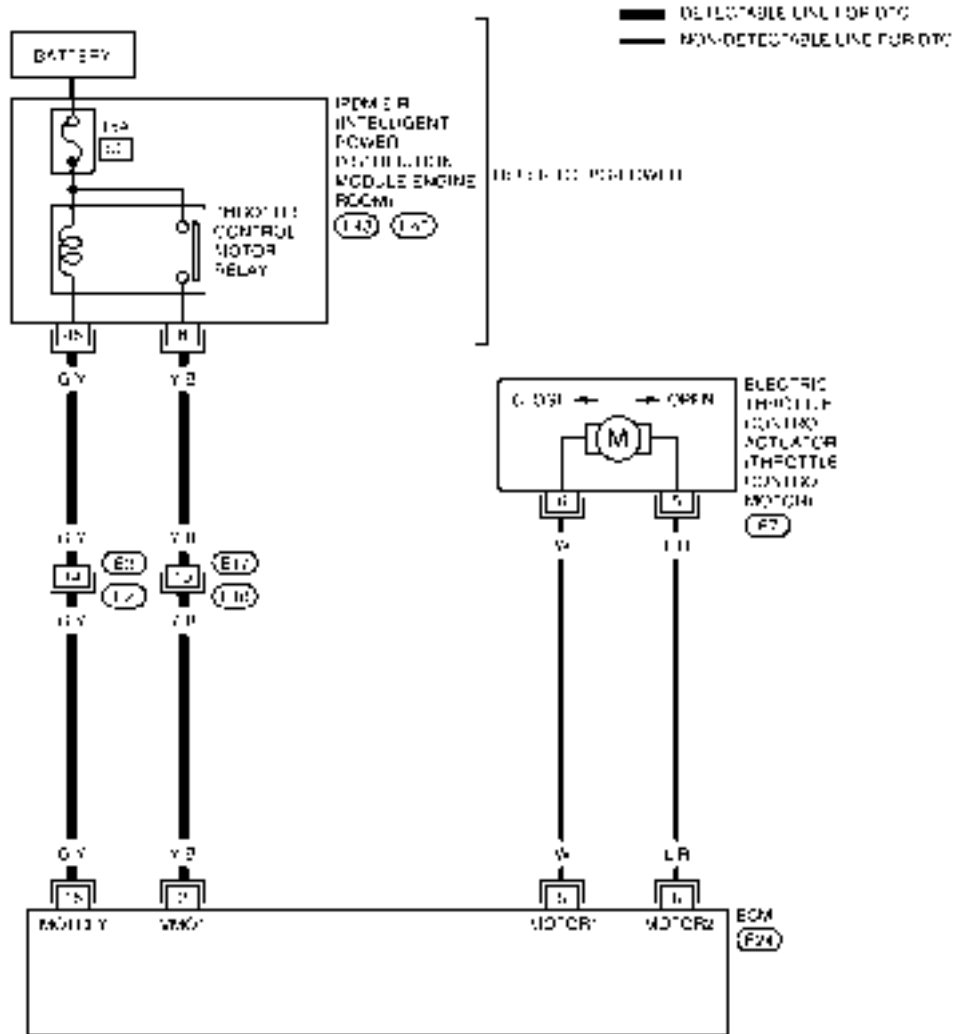
< SERVICE INFORMATION >

[QR]

Wiring Diagram

INFOID:000000002994115

EC-ETC2-01



BBWA3054E

Specification data are reference values and are measured between each terminal and ground. Pulse signal is measured by CONSULT-III.

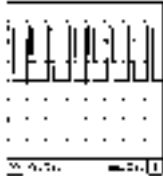
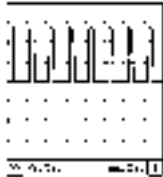
CAUTION:

DTC P2100, P2103 THROTTLE CONTROL MOTOR RELAY

< SERVICE INFORMATION >

[QR]

Do not use ECM ground terminals when measuring input/output voltage. Doing so may result in damage to the ECM's transistor. Use a ground other than ECM terminals, such as the ground.

TERMI- NAL NO.	WIRE COLOR	ITEM	CONDITION	DATA (DC Voltage)
2	Y/B	Throttle control motor power supply	[Ignition switch: ON]	BATTERY VOLTAGE (11 - 14V)
5	W	Throttle control motor (Open)	[Ignition switch: ON] • Engine stopped • Shift lever: D (CVT), 1st (M/T) • Accelerator pedal: Fully depressed	0 - 14V★  P8IA8150J
6	L/R	Throttle control motor (Close)	[Ignition switch: ON] • Engine stopped • Shift lever: D (CVT), 1st (M/T) • Accelerator pedal: Fully released	0 - 14V★  P8IA8149J
15	G/Y	Throttle control motor relay	[Ignition switch: OFF]	BATTERY VOLTAGE (11 - 14V)
			[Ignition switch: ON]	0 - 1.0V

★: Average voltage for pulse signal (Actual pulse signal can be confirmed by oscilloscope.)

Diagnosis Procedure

INFOID:000000001850703

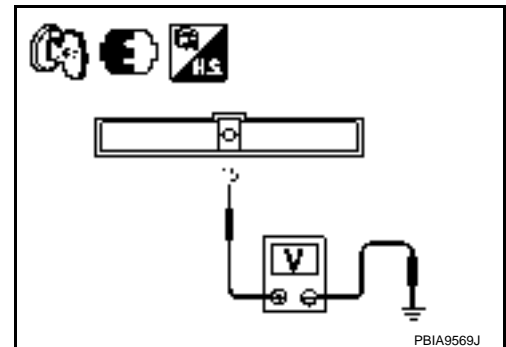
1. CHECK THROTTLE CONTROL MOTOR RELAY POWER SUPPLY CIRCUIT-I

- Turn ignition switch OFF.
- Check voltage between ECM terminal 15 and ground with CONSULT-III or tester.

Voltage: Battery voltage

OK or NG

- OK >> GO TO 5.
NG >> GO TO 2.



2. CHECK THROTTLE CONTROL MOTOR RELAY POWER SUPPLY CIRCUIT-II

- Disconnect ECM harness connector.
- Disconnect IPDM E/R harness connector E46.
- Check continuity between ECM terminal 15 and IPDM E/R terminal 46. Refer to Wiring Diagram.

Continuity should exist.

- Also check harness for short to ground and short to power.

OK or NG

- OK >> GO TO 4.
NG >> GO TO 3.

DTC P2100, P2103 THROTTLE CONTROL MOTOR RELAY

< SERVICE INFORMATION >

[QR]

3. DETECT MALFUNCTIONING PART

Check the following.

- Harness connectors E3, F2
- Harness for open or short between ECM and IPDM E/R

>> Repair open circuit or short to ground or short to power in harness or connectors.

4. CHECK FUSE

1. Disconnect 15A fuse.
2. Check 15A fuse for blown.

OK or NG

- OK >> GO TO 8.
- NG >> Replace 15A fuse.

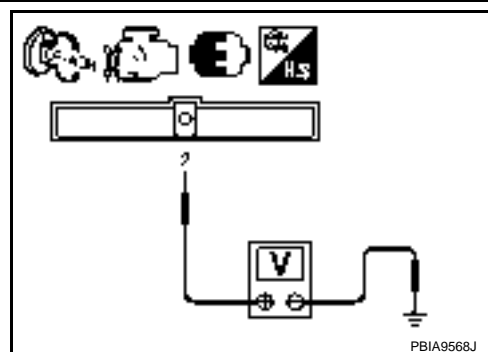
5. CHECK THROTTLE CONTROL MOTOR RELAY INPUT SIGNAL CIRCUIT-I

Check voltage between ECM terminal 2 and ground under the following conditions with CONSULT-III or tester.

Ignition switch	Voltage
OFF	Approximately 0V
ON	Battery voltage (11 - 14V)

OK or NG

- OK >> GO TO 8.
- NG >> GO TO 6.



6. CHECK THROTTLE CONTROL MOTOR RELAY INPUT SIGNAL CIRCUIT-II

1. Turn ignition switch OFF.
2. Disconnect ECM harness connector.
3. Disconnect IPDM E/R harness connector E43.
4. Check continuity between ECM terminal 2 and IPDM E/R terminal 8.
Refer to Wiring Diagram.

Continuity should exist.

5. Also check harness for short to ground and short to power.

OK or NG

- OK >> GO TO 8.
- NG >> GO TO 7.

7. DETECT MALFUNCTIONING PART

Check the following.

- Harness connectors E17, F10
- Harness for open or short between ECM and IPDM E/R

>> Repair open circuit or short to ground or short to power in harness or connectors.

8. CHECK INTERMITTENT INCIDENT

Refer to [EC-643](#).

OK or NG

- OK >> Replace IPDM E/R. Refer to [PG-17](#).
- NG >> Repair or replace harness or connectors.

DTC P2101 ELECTRIC THROTTLE CONTROL FUNCTION

< SERVICE INFORMATION >

[QR]

DTC P2101 ELECTRIC THROTTLE CONTROL FUNCTION

Description

INFOID:000000001850704

NOTE:

If DTC P2101 is displayed with DTC P2100 or P2119, first perform the trouble diagnosis for DTC P2100 or P2119. Refer to [EC-970](#) or [EC-985](#).

Electric throttle control actuator consists of throttle control motor, throttle position sensor, etc.

The throttle control motor is operated by the ECM and it opens and closes the throttle valve.

The current opening angle of the throttle valve is detected by the throttle position sensor and it provides feedback to the ECM to control the throttle control motor to make the throttle valve opening angle properly in response to driving condition.

On Board Diagnosis Logic

INFOID:000000001850705

This self-diagnosis has the one trip detection logic.

DTC No.	Trouble diagnosis name	DTC detecting condition	Possible cause
P2101 2101	Electric throttle control performance	Electric throttle control function does not operate properly.	<ul style="list-style-type: none">• Harness or connectors (Throttle control motor circuit is open or shorted)• Electric throttle control actuator

FAIL-SAFE MODE

When the malfunction is detected, the ECM enters fail-safe mode and the MIL lights up.

Engine operating condition in fail-safe mode

ECM stops the electric throttle control actuator control, throttle valve is maintained at a fixed opening (approx. 5 degrees) by the return spring.

DTC Confirmation Procedure

INFOID:000000001850706

NOTE:

If DTC Confirmation Procedure has been previously conducted, always turn ignition switch OFF and wait at least 10 seconds before conducting the next test.

TESTING CONDITION:

Before performing the following procedure, confirm that battery voltage is more than 11V when engine is running.

1. Turn ignition switch ON and wait at least 2 seconds.
2. Start engine and let it idle for 5 seconds.
3. Check DTC.
4. If DTC is detected, go to [EC-976, "Diagnosis Procedure"](#).

DTC P2101 ELECTRIC THROTTLE CONTROL FUNCTION

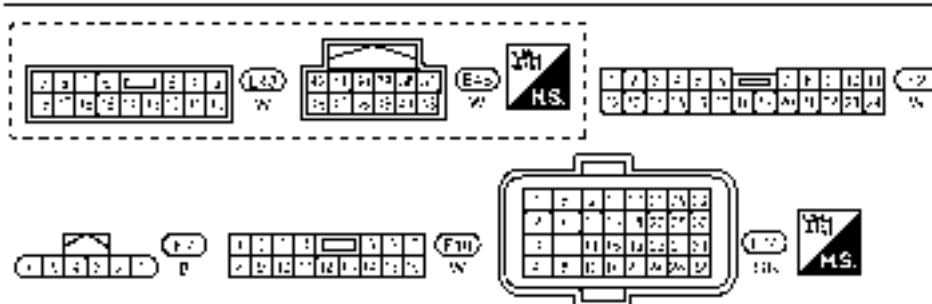
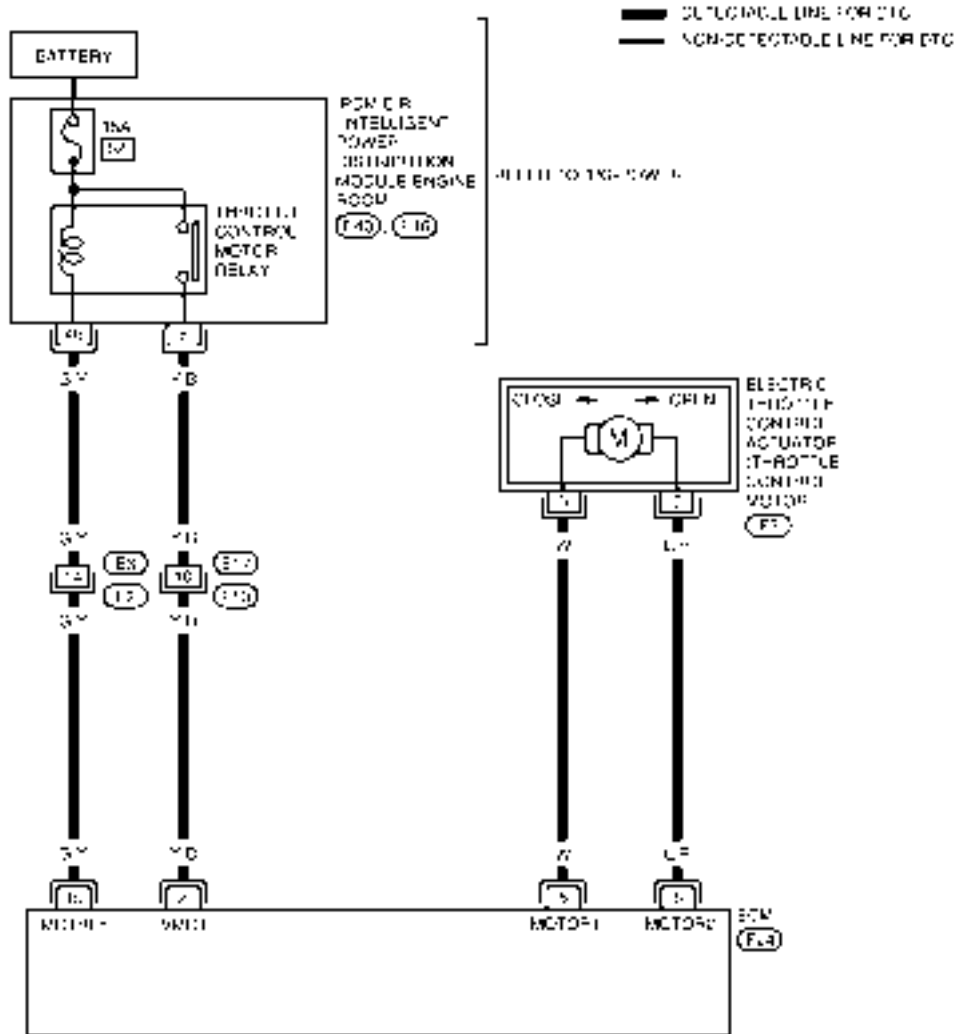
< SERVICE INFORMATION >

[QR]

Wiring Diagram

INFOID:000000002994116

EC-ETC1-01



BBWA3053E

Specification data are reference values and are measured between each terminal and ground. Pulse signal is measured by CONSULT-III.

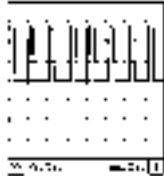
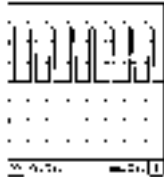
CAUTION:

DTC P2101 ELECTRIC THROTTLE CONTROL FUNCTION

< SERVICE INFORMATION >

[QR]

Do not use ECM ground terminals when measuring input/output voltage. Doing so may result in damage to the ECM's transistor. Use a ground other than ECM terminals, such as the ground.

TERMI- NAL NO.	WIRE COLOR	ITEM	CONDITION	DATA (DC Voltage)
2	Y/B	Throttle control motor power supply	[Ignition switch: ON]	BATTERY VOLTAGE (11 - 14V)
5	W	Throttle control motor (Open)	[Ignition switch: ON] • Engine stopped • Shift lever: D (CVT), 1st (M/T) • Accelerator pedal: Fully depressed	0 - 14V★  P8IA8150J
6	L/R	Throttle control motor (Close)	[Ignition switch: ON] • Engine stopped • Shift lever: D (CVT), 1st (M/T) • Accelerator pedal: Fully released	0 - 14V★  P8IA8149J
15	G/Y	Throttle control motor relay	[Ignition switch: OFF]	BATTERY VOLTAGE (11 - 14V)
			[Ignition switch: ON]	0 - 1.0V

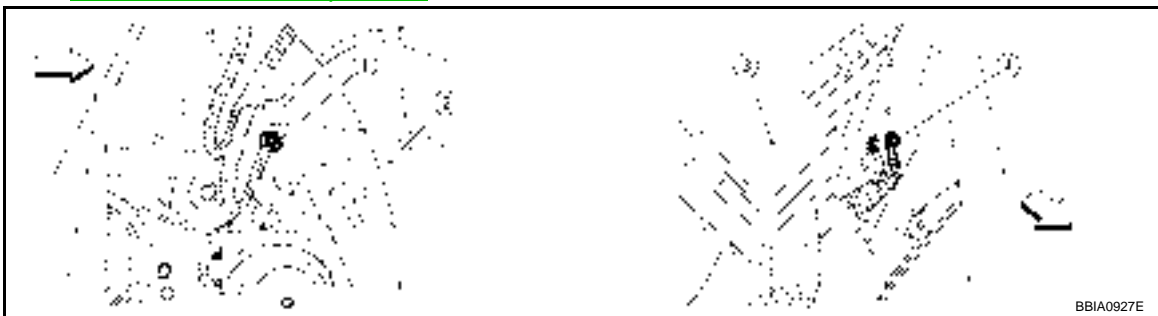
★: Average voltage for pulse signal (Actual pulse signal can be confirmed by oscilloscope.)

Diagnosis Procedure

INFOID:000000001850708

1. CHECK GROUND CONNECTIONS

1. Turn ignition switch OFF.
2. Loosen and retighten ground screws on the body.
Refer to [EC-649, "Ground Inspection"](#).



↖: Vehicle front

1. Body ground E9 (view with front wheel RH and fender protector RH removed.)
2. Washer tank
3. Fuse and fusible link box
4. Body ground E15

OK or NG

- OK >> GO TO 2.
NG >> Repair or replace ground connections.

2. CHECK THROTTLE CONTROL MOTOR RELAY INPUT SIGNAL CIRCUIT-I

DTC P2101 ELECTRIC THROTTLE CONTROL FUNCTION

[QR]

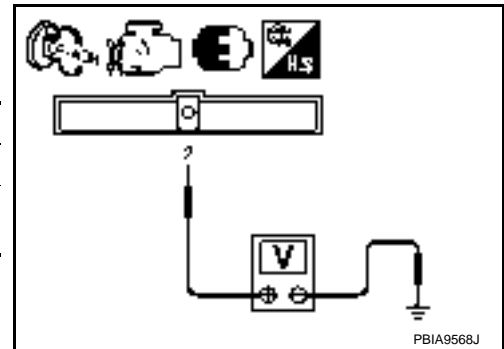
< SERVICE INFORMATION >

Check voltage between ECM terminal 2 and ground under the following conditions with CONSULT-III or tester.

Ignition switch	Voltage
OFF	Approximately 0V
ON	Battery voltage (11 - 14V)

OK or NG

- OK >> GO TO 10.
- NG >> GO TO 3.



3. CHECK THROTTLE CONTROL MOTOR RELAY INPUT SIGNAL CIRCUIT-II

1. Turn ignition switch OFF.
2. Disconnect ECM harness connector.
3. Disconnect IPDM E/R harness connector E43.
4. Check continuity between ECM terminal 2 and IPDM E/R terminal 8.
Refer to Wiring Diagram.

Continuity should exist.

5. Also check harness for short to ground and short to power.

OK or NG

- OK >> GO TO 5.
- NG >> GO TO 4.

4. DETECT MALFUNCTIONING PART

Check the following.

- Harness connectors E17, F10
- Harness for open or short between ECM and IPDM E/R

>> Repair open circuit or short to ground or short to power in harness or connectors.

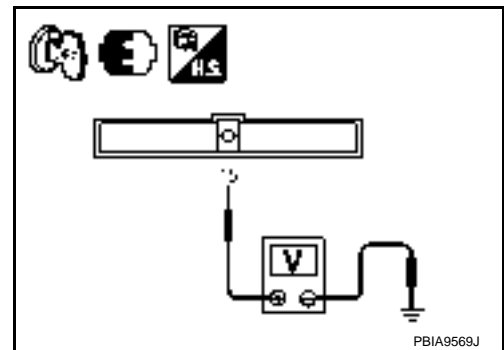
5. CHECK THROTTLE CONTROL MOTOR RELAY POWER SUPPLY CIRCUIT-I

1. Reconnect all harness connectors disconnected.
2. Check voltage between ECM terminal 15 and ground with CONSULT-III or tester.

Voltage: Battery voltage

OK or NG

- OK >> GO TO 9.
- NG >> GO TO 6.



6. CHECK THROTTLE CONTROL MOTOR RELAY POWER SUPPLY CIRCUIT-II

1. Disconnect ECM harness connector.
2. Disconnect IPDM E/R harness connector E46.
3. Check harness continuity between ECM terminal 15 and IPDM E/R terminal 46.
Refer to Wiring Diagram.

Continuity should exist.

4. Also check harness for short to ground and short to power.

OK or NG

- OK >> GO TO 8.
- NG >> GO TO 7.

DTC P2101 ELECTRIC THROTTLE CONTROL FUNCTION

< SERVICE INFORMATION >

[QR]

7. DETECT MALFUNCTIONING PART

Check the following.

- Harness connectors E3, F2
- Harness for open or short between ECM and IPDM E/R

>> Repair open circuit or short to ground or short to power in harness or connectors.

8. CHECK FUSE

1. Disconnect 15A fuse.
2. Check 15A fuse for blown.

OK or NG

- OK >> GO TO 9.
NG >> Replace 15A fuse.


9. CHECK INTERMITTENT INCIDENT

Refer to [EC-643](#).

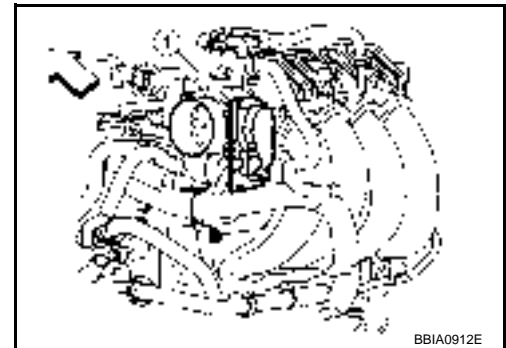
OK or NG

- OK >> Replace IPDM E/R. Refer to [PG-17](#).
NG >> Repair or replace harness or connectors.

10. CHECK THROTTLE CONTROL MOTOR OUTPUT SIGNAL CIRCUIT FOR OPEN OR SHORT

1. Turn ignition switch OFF.
2. Disconnect electric throttle control actuator (1) harness connector.
 -  Vehicle front
3. Disconnect ECM harness connector.
4. Check harness continuity between the following terminals. Refer to Wiring Diagram.

Electric throttle control actuator terminal	ECM terminal	Continuity
5	5	Should not exist.
	6	Should exist.
6	5	Should exist.
	6	Should not exist.




5. Also check harness for short to ground and short to power.

OK or NG

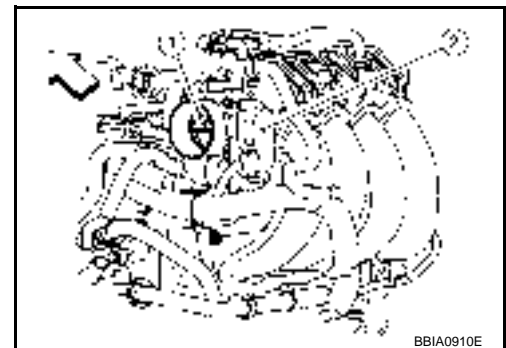
- OK >> GO TO 11.
NG >> Repair or replace.

11. CHECK ELECTRIC THROTTLE CONTROL ACTUATOR VISUALLY

1. Remove the intake air duct.
2. Check if foreign matter is caught between the throttle valve (1) and the housing.
 -  Vehicle front
 - Electric throttle control actuator (2)

OK or NG

- OK >> GO TO 12.
NG >> Remove the foreign matter and clean the electric throttle control actuator inside.



12. CHECK THROTTLE CONTROL MOTOR

DTC P2101 ELECTRIC THROTTLE CONTROL FUNCTION

[QR]

< SERVICE INFORMATION >

Refer to [EC-979, "Component Inspection"](#).

OK or NG

- OK >> GO TO 13.
- NG >> GO TO 14.

13. CHECK INTERMITTENT INCIDENT

Refer to [EC-643](#).

OK or NG

- OK >> GO TO 14.
- NG >> Repair or replace harness or connectors.

14. REPLACE ELECTRIC THROTTLE CONTROL ACTUATOR

1. Replace the electric throttle control actuator.
2. Perform [EC-590, "Throttle Valve Closed Position Learning"](#).
3. Perform [EC-590, "Idle Air Volume Learning"](#).

>> INSPECTION END

Component Inspection

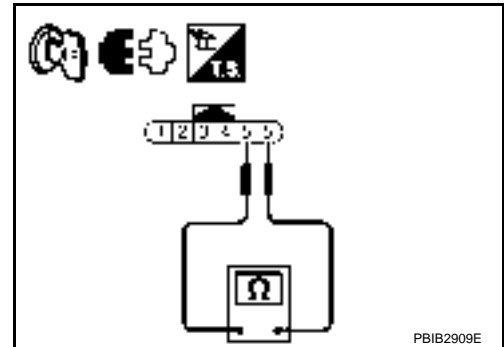
INFOID:000000001850709

THROTTLE CONTROL MOTOR

1. Disconnect electric throttle control actuator harness connector.
2. Check resistance between terminals 5 and 6.

Resistance: Approximately 1 - 15 Ω [at 25 °C (77°F)]

3. If NG, replace electric throttle control actuator and go to next step.
4. Perform [EC-590, "Throttle Valve Closed Position Learning"](#).
5. Perform [EC-590, "Idle Air Volume Learning"](#).



INFOID:000000001850710

Removal and Installation

ELECTRIC THROTTLE CONTROL ACTUATOR

Refer to [EM-128](#).

DTC P2118 THROTTLE CONTROL MOTOR

< SERVICE INFORMATION >

[QR]

DTC P2118 THROTTLE CONTROL MOTOR

Component Description

INFOID:000000001850711

The throttle control motor is operated by the ECM and it opens and closes the throttle valve. The current opening angle of the throttle valve is detected by the throttle position sensor and it provides feedback to the ECM to control the throttle control motor to make the throttle valve opening angle properly in response to driving condition.

On Board Diagnosis Logic

INFOID:000000001850712

This self-diagnosis has the one trip detection logic.

DTC No.	Trouble diagnosis name	DTC detecting condition	Possible cause
P2118 2118	Throttle control motor circuit short	ECM detects short in both circuits between ECM and throttle control motor.	<ul style="list-style-type: none">• Harness or connectors (Throttle control motor circuit is shorted.)• Electric throttle control actuator (Throttle control motor)

FAIL-SAFE MODE

When the malfunction is detected, ECM enters fail-safe mode and the MIL lights up.

Engine operating condition in fail-safe mode

ECM stops the electric throttle control actuator control, throttle valve is maintained at a fixed opening (approx. 5 degrees) by the return spring.

DTC Confirmation Procedure

INFOID:000000001850713

NOTE:

If DTC Confirmation Procedure has been previously conducted, always turn ignition switch OFF and wait at least 10 seconds before conducting the next test.

1. Turn ignition switch ON and wait at least 2 seconds.
2. Start engine and let it idle for 5 seconds.
3. Check DTC.
4. If DTC is detected, go to [EC-982. "Diagnosis Procedure"](#).

DTC P2118 THROTTLE CONTROL MOTOR

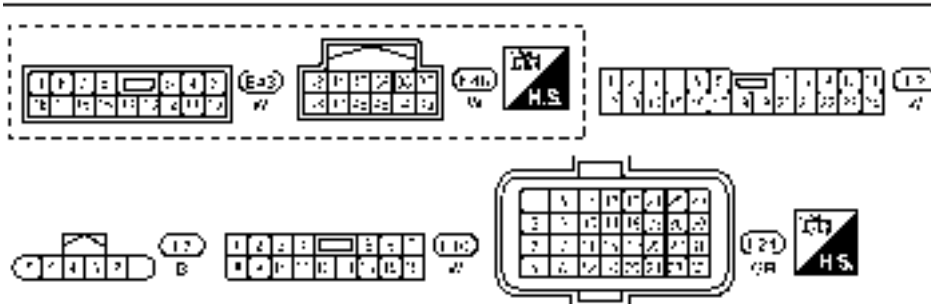
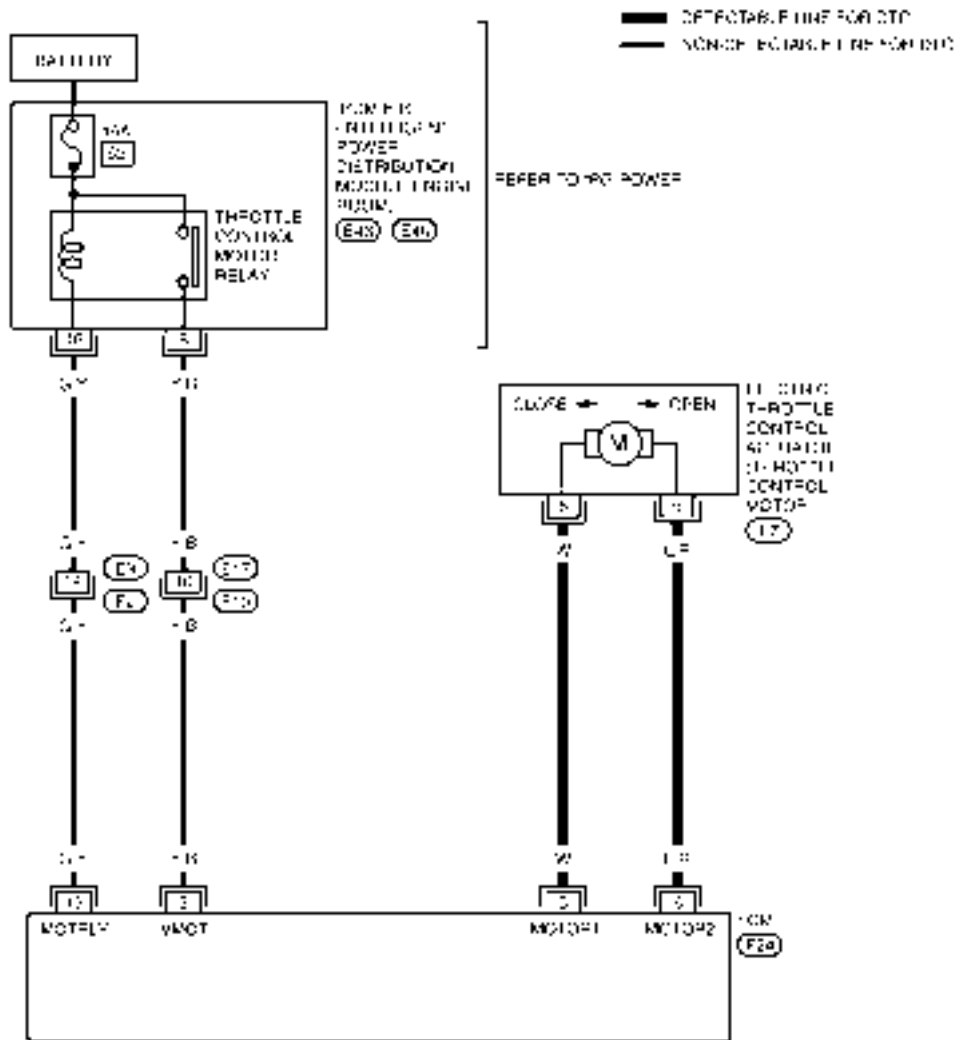
< SERVICE INFORMATION >

[QR]

Wiring Diagram

INFOID:000000002994117

EC-ETC3-01



BBWA3055E

Specification data are reference values and are measured between each terminal and ground. Pulse signal is measured by CONSULT-III.

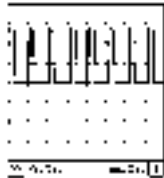
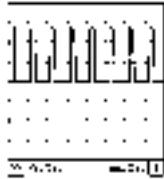
CAUTION:

DTC P2118 THROTTLE CONTROL MOTOR

< SERVICE INFORMATION >

[QR]

Do not use ECM ground terminals when measuring input/output voltage. Doing so may result in damage to the ECM's transistor. Use a ground other than ECM terminals, such as the ground.

TERMI- NAL NO.	WIRE COLOR	ITEM	CONDITION	DATA (DC Voltage)
2	Y/B	Throttle control motor power supply	[Ignition switch: ON]	BATTERY VOLTAGE (11 - 14V)
5	W	Throttle control motor (Open)	[Ignition switch: ON] • Engine stopped • Shift lever: D (CVT), 1st (M/T) • Accelerator pedal: Fully depressed	0 - 14V★  P8IA8150J
6	L/R	Throttle control motor (Close)	[Ignition switch: ON] • Engine stopped • Shift lever: D (CVT), 1st (M/T) • Accelerator pedal: Fully released	0 - 14V★  P8IA8149J
15	G/Y	Throttle control motor relay	[Ignition switch: OFF]	BATTERY VOLTAGE (11 - 14V)
			[Ignition switch: ON]	0 - 1.0V

★: Average voltage for pulse signal (Actual pulse signal can be confirmed by oscilloscope.)

Diagnosis Procedure

INFOID:000000001850715

1. CHECK GROUND CONNECTIONS

1. Turn ignition switch OFF.
2. Loosen and retighten engine screws on the body.
Refer to [EC-649, "Ground Inspection"](#).



↖: Vehicle front

1. Body ground E9 (view with front wheel RH and fender protector RH removed.)
2. Washer tank
3. Fuse and fusible link box
4. Body ground E15

OK or NG


- OK >> GO TO 2.
NG >> Repair or replace ground connections.

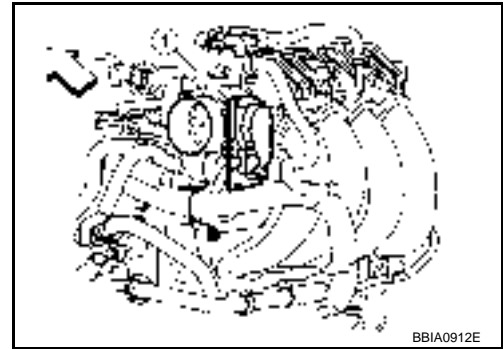
2. CHECK THROTTLE CONTROL MOTOR OUTPUT SIGNAL CIRCUIT FOR OPEN OR SHORT

DTC P2118 THROTTLE CONTROL MOTOR

[QR]

< SERVICE INFORMATION >

1. Disconnect electric throttle control actuator (1) harness connector.
 -  Vehicle front
2. Disconnect ECM harness connector.
3. Check harness continuity between the following terminals. Refer to Wiring Diagram.



Electric throttle control actuator terminal	ECM terminal	Continuity
5	5	Should not exist.
	6	Should exist.
6	5	Should exist.
	6	Should not exist.

4. Also check harness for short to ground and short to power.

OK or NG

OK >> GO TO 3.

NG >> Repair open circuit or short to ground or short to power in harness or connectors.

3. CHECK THROTTLE CONTROL MOTOR

Refer to [EC-983, "Component Inspection"](#).

OK or NG

OK >> GO TO 4.

NG >> GO TO 5.

4. CHECK INTERMITTENT INCIDENT

Refer to [EC-643](#).

OK or NG

OK >> GO TO 5.

NG >> Repair or replace harness or connectors.

5. REPLACE ELECTRIC THROTTLE CONTROL ACTUATOR

1. Replace the electric throttle control actuator.
2. Perform [EC-590, "Throttle Valve Closed Position Learning"](#).
3. Perform [EC-590, "Idle Air Volume Learning"](#).

>> **INSPECTION END**

Component Inspection

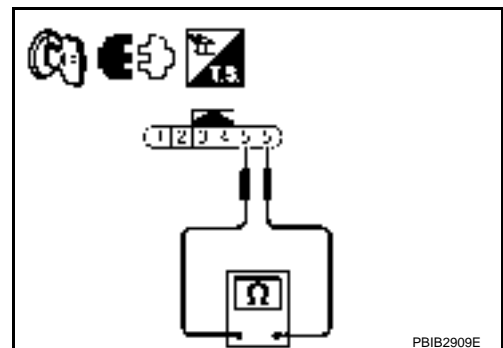
INFOID:000000001850716

THROTTLE CONTROL MOTOR

1. Disconnect electric throttle control actuator harness connector.
2. Check resistance between terminals 5 and 6.

Resistance: Approximately 1 - 15 Ω [at 25 °C (77°F)]

3. If NG, replace electric throttle control actuator and go to next step.
4. Perform [EC-590, "Throttle Valve Closed Position Learning"](#).
5. Perform [EC-590, "Idle Air Volume Learning"](#).



Removal and Installation

INFOID:000000001850717

ELECTRIC THROTTLE CONTROL ACTUATOR

<https://www.automotive-manuals.net/>

DTC P2118 THROTTLE CONTROL MOTOR

< SERVICE INFORMATION >

[QR]

Refer to [EM-128](#).

DTC P2119 ELECTRIC THROTTLE CONTROL ACTUATOR

< SERVICE INFORMATION >

[QR]

DTC P2119 ELECTRIC THROTTLE CONTROL ACTUATOR

Component Description

INFOID:000000001850718

Electric throttle control actuator consists of throttle control motor, throttle position sensor, etc. The throttle control motor is operated by the ECM and it opens and closes the throttle valve. The throttle position sensor detects the throttle valve position, and the opening and closing speed of the throttle valve and feeds the voltage signals to the ECM. The ECM judges the current opening angle of the throttle valve from these signals and the ECM controls the throttle control motor to make the throttle valve opening angle properly in response to driving condition.

On Board Diagnosis Logic

INFOID:000000001850719

This self-diagnosis has the one trip detection logic.

DTC No.	Trouble diagnosis name	DTC detecting condition		Possible cause
P2119 2119	Electric throttle control actuator	A)	Electric throttle control actuator does not function properly due to the return spring malfunction.	• Electric throttle control actuator
		B)	Throttle valve opening angle in fail-safe mode is not in specified range.	
		C)	ECM detects the throttle valve is stuck open.	

FAIL-SAFE MODE

When the malfunction is detected, ECM enters fail-safe mode and the MIL lights up.

Detected items	Engine operating condition in fail-safe mode
Malfunction A	ECM controls the electric throttle actuator by regulating the throttle opening around the idle position. The engine speed will not rise more than 2,000 rpm.
Malfunction B	ECM controls the electric throttle control actuator by regulating the throttle opening to 20 degrees or less.
Malfunction C	While the vehicle is driving, it slows down gradually by fuel cut. After the vehicle stops, the engine stalls. The engine can restart in N or P position (CVT), neutral (M/T), and engine speed will not exceed 1,000 rpm or more.

DTC Confirmation Procedure

INFOID:000000001850720

NOTE:

- Perform **PROCEDURE FOR MALFUNCTION A AND B** first. If the DTC cannot be confirmed, perform **PROCEDURE FOR MALFUNCTION C**.
- If DTC Confirmation Procedure has been previously conducted, always turn ignition switch OFF and wait at least 10 seconds before conducting the next test.

PROCEDURE FOR MALFUNCTION A AND B

1. Turn ignition switch ON and wait at least 1 second.
2. Set shift lever to D position (CVT) or 1st position (M/T), and wait at least 3 seconds.
3. Set shift lever to P or N position (CVT) or Neutral position (M/T).
4. Turn ignition switch OFF and wait at least 10 seconds.
5. Turn ignition switch ON and wait at least 1 second.
6. Set shift lever to D position (CVT) or 1st position (M/T), and wait at least 3 seconds.
7. Set shift lever to P or N position (CVT) or Neutral position (M/T).
8. Turn ignition switch OFF, wait at least 10 seconds, and then turn ON.
9. Check DTC.
10. If DTC is detected, go to [EC-986. "Diagnosis Procedure"](#).

PROCEDURE FOR MALFUNCTION C

1. Turn ignition switch ON and wait at least 1 second.
2. Set shift lever to D position (CVT) or 1st position (M/T) and wait at least 3 seconds.

DTC P2119 ELECTRIC THROTTLE CONTROL ACTUATOR

[QR]


< SERVICE INFORMATION >

3. Set shift lever to P or N position (CVT) or Neutral (M/T) position.
4. Start engine and let it idle for 3 seconds.
5. Check DTC.
6. If DTC is detected, go to [EC-986, "Diagnosis Procedure"](#).

Diagnosis Procedure

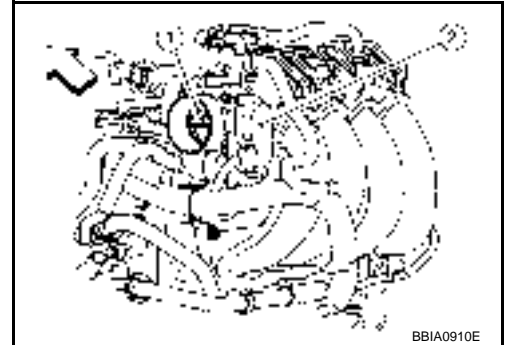
INFOID:000000001850721

1. CHECK ELECTRIC THROTTLE CONTROL ACTUATOR VISUALLY

1. Turn ignition switch OFF.
2. Remove the intake air duct.
3. Check if a foreign matter is caught between the throttle valve (1) and the housing.
 - : Vehicle front
 - Electric throttle control actuator (2)

OK or NG

- OK >> GO TO 2.
- NG >> Remove the foreign matter and clean the electric throttle control actuator inside.



2. REPLACE ELECTRIC THROTTLE CONTROL ACTUATOR

1. Replace the electric throttle control actuator.
2. Perform [EC-590, "Throttle Valve Closed Position Learning"](#).
3. Perform [EC-590, "Idle Air Volume Learning"](#).

>> INSPECTION END

DTC P2122, P2123 APP SENSOR

< SERVICE INFORMATION >

[QR]

DTC P2122, P2123 APP SENSOR

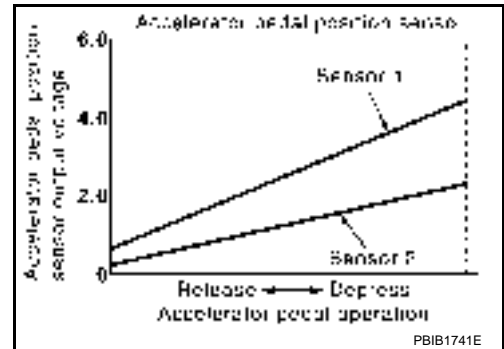
Component Description

INFOID:000000001850722

The accelerator pedal position sensor is installed on the upper end of the accelerator pedal assembly. The sensor detects the accelerator position and sends a signal to the ECM.

Accelerator pedal position sensor has two sensors. These sensors are a kind of potentiometers which transform the accelerator pedal position into output voltage, and emit the voltage signal to the ECM. In addition, these sensors detect the opening and closing speed of the accelerator pedal and feed the voltage signals to the ECM. The ECM judges the current opening angle of the accelerator pedal from these signals and controls the throttle control motor based on these signals.

Idle position of the accelerator pedal is determined by the ECM receiving the signal from the accelerator pedal position sensor. The ECM uses this signal for the engine operation such as fuel cut.



CONSULT-III Reference Value in Data Monitor Mode

INFOID:000000001850723

Specification data are reference values.

MONITOR ITEM	CONDITION	SPECIFICATION
ACCEL SEN 1	• Ignition switch: ON (Engine stopped) • Shift lever: D (CVT), 1st (M/T) Accelerator pedal: Fully released	0.6 - 0.9V
	Accelerator pedal: Fully depressed	4.0 - 4.8V
ACCEL SEN 2*	• Ignition switch: ON (Engine stopped) • Shift lever: D (CVT), 1st (M/T) Accelerator pedal: Fully released	0.6 - 0.9V
	Accelerator pedal: Fully depressed	3.9 - 4.8V
CLSD THL POS	• Ignition switch: ON (Engine stopped) Accelerator pedal: Fully released	ON
	Accelerator pedal: Slightly depressed	OFF

*: Accelerator pedal position sensor 2 signal is converted by ECM internally. Thus, it differs from ECM terminal voltage.

On Board Diagnosis Logic

INFOID:000000001850724

These self-diagnoses have the one trip detection logic.

NOTE:

If DTC P2122 or P2123 is displayed with DTC P0643, first perform the trouble diagnosis for DTC P0643. Refer to [EC-917](#).

DTC No.	Trouble diagnosis name	DTC detecting condition	Possible cause
P2122 2122	Accelerator pedal position sensor 1 circuit low input	An excessively low voltage from the APP sensor 1 is sent to ECM.	<ul style="list-style-type: none"> • Harness or connectors (APP sensor 1 circuit is open or shorted.) • Accelerator pedal position sensor (APP sensor 1)
P2123 2123	Accelerator pedal position sensor 1 circuit high input	An excessively high voltage from the APP sensor 1 is sent to ECM.	

FAIL-SAFE MODE

When the malfunction is detected, ECM enters fail-safe mode and the MIL lights up.

Engine operating condition in fail-safe mode

The ECM controls the electric throttle control actuator in regulating the throttle opening in order for the idle position to be within +10 degrees.

The ECM regulates the opening speed of the throttle valve to be slower than the normal condition.

So, the acceleration will be poor.

DTC Confirmation Procedure

INFOID:000000001850725

NOTE:

DTC P2122, P2123 APP SENSOR

< SERVICE INFORMATION >

[QR]

If DTC Confirmation Procedure has been previously conducted, always turn ignition switch OFF and wait at least 10 seconds before conducting the next test.

TESTING CONDITION:

Before performing the following procedure, confirm that battery voltage is more than 8V at idle.

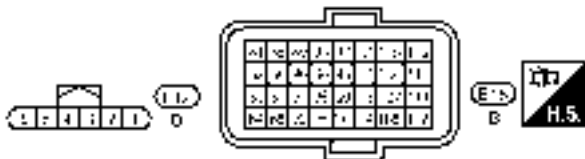
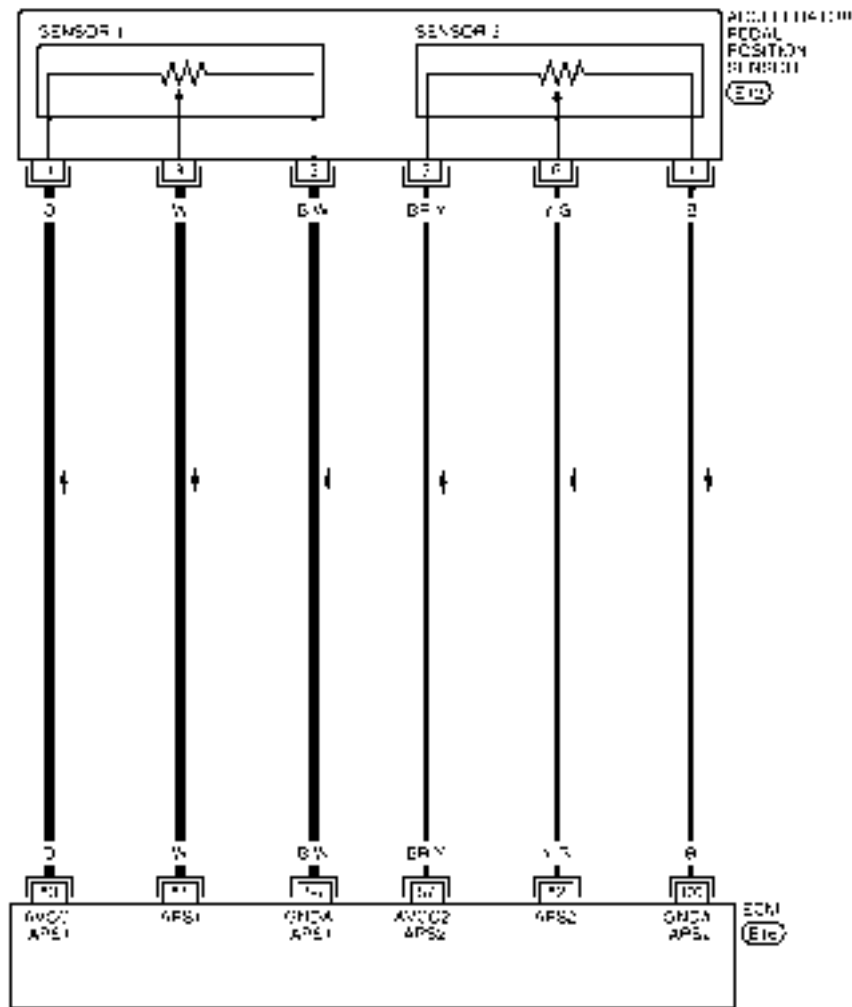
1. Start engine and let it idle for 1 second.
2. Check DTC.
3. If DTC is detected, go to [EC-989, "Diagnosis Procedure"](#).

Wiring Diagram

INFOID:000000002994118

EC-APPS1-01

— DETECTABLE LINE FOR DTC
 — NON DETECTABLE LINE FOR DTC



DTC P2122, P2123 APP SENSOR

< SERVICE INFORMATION >

[QR]

Specification data are reference values and are measured between each terminal and ground.

CAUTION:

Do not use ECM ground terminals when measuring input/output voltage. Doing so may result in damage to the ECM's transistor. Use a ground other than ECM terminals, such as the ground.

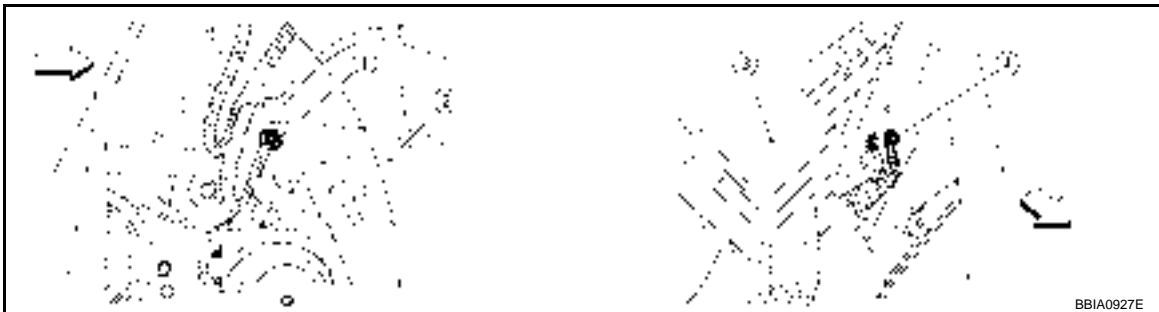
TER-MI-NAL NO.	WIRE COLOR	ITEM	CONDITION	DATA (DC Voltage)
81	W	Accelerator pedal position sensor 1	[Ignition switch: ON] • Engine stopped • Accelerator pedal: Fully released	0.6 - 0.9V
			[Ignition switch: ON] • Engine stopped • Accelerator pedal: Fully depressed	3.9 - 4.7V
82	Y/G	Accelerator pedal position sensor 2	[Ignition switch: ON] • Engine stopped • Accelerator pedal: Fully released	0.3 - 0.6V
			[Ignition switch: ON] • Engine stopped • Accelerator pedal: Fully depressed	1.95 - 2.4V
83	O	Sensor power supply (APP sensor 1)	[Ignition switch: ON]	Approximately 5V
84	B/W	Sensor ground (APP sensor 1)	[Engine is running] • Warm-up condition • Idle speed	Approximately 0V
87	BR/Y	Sensor power supply (APP sensor 2)	[Ignition switch: ON]	Approximately 5V
100	B	Sensor ground (APP sensor 2)	[Engine is running] • Warm-up condition • Idle speed	Approximately 0V

Diagnosis Procedure

INFOID:000000001850727

1. CHECK GROUND CONNECTIONS

- Turn ignition switch OFF.
- Loosen and retighten ground screws on the body.
Refer to [EC-649, "Ground Inspection"](#).



↖ Vehicle front

- Body ground E9 (view with front wheel RH and fender protector RH removed.)
- Washer tank
- Fuse and fusible link box
- Body ground E15

OK or NG

DTC P2122, P2123 APP SENSOR

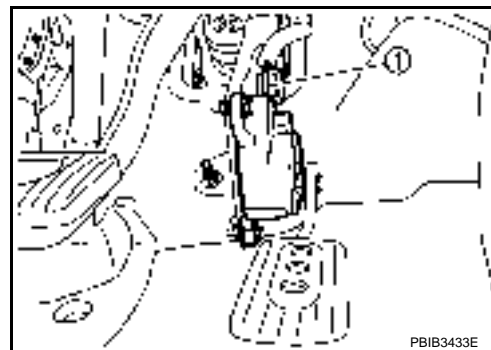
[QR]

< SERVICE INFORMATION >

- OK >> GO TO 2.
- NG >> Repair or replace ground connections.

2. CHECK APP SENSOR 1 POWER SUPPLY CIRCUIT

1. Disconnect accelerator pedal position (APP) sensor (1) harness connector.
2. Turn ignition switch ON.

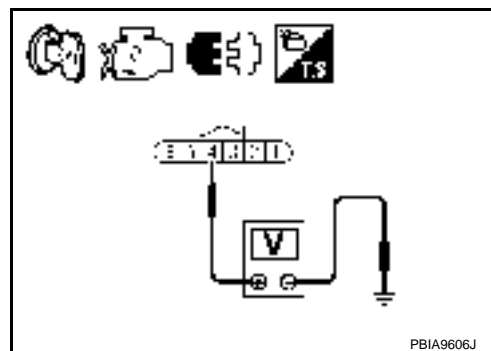


3. Check voltage between APP sensor terminal 4 and ground with CONSULT-III or tester.

Voltage: Approximately 5V

OK or NG

- OK >> GO TO 3.
- NG >> Repair open circuit or short to ground or short to power in harness or connectors.



3. CHECK APP SENSOR 1 GROUND CIRCUIT FOR OPEN AND SHORT

1. Turn ignition switch OFF.
2. Disconnect ECM harness connector.
3. Check harness continuity between ECM terminal 84 and APP sensor terminal 2. Refer to Wiring Diagram.

Continuity should exist.

4. Also check harness for short to ground and short to power.

OK or NG

- OK >> GO TO 4.
- NG >> Repair open circuit or short to ground or short to power in harness or connectors.

4. CHECK APP SENSOR 1 INPUT SIGNAL CIRCUIT FOR OPEN AND SHORT

1. Check harness continuity between ECM terminal 81 and APP sensor terminal 3. Refer to Wiring Diagram.

Continuity should exist.

2. Also check harness for short to ground and short to power.

OK or NG

- OK >> GO TO 5.
- NG >> Repair open circuit or short to ground or short to power in harness or connectors.

5. CHECK APP SENSOR

Refer to [EC-991, "Component Inspection"](#).

OK or NG

- OK >> GO TO 7.
- NG >> GO TO 6.

6. REPLACE ACCELERATOR PEDAL ASSEMBLY

DTC P2122, P2123 APP SENSOR

< SERVICE INFORMATION >

[QR]

1. Replace accelerator pedal assembly.
2. Perform [EC-590, "Accelerator Pedal Released Position Learning"](#).
3. Perform [EC-590, "Throttle Valve Closed Position Learning"](#).
4. Perform [EC-590, "Idle Air Volume Learning"](#).

>> INSPECTION END

7. CHECK INTERMITTENT INCIDENT

Refer to [EC-643](#).

>> INSPECTION END

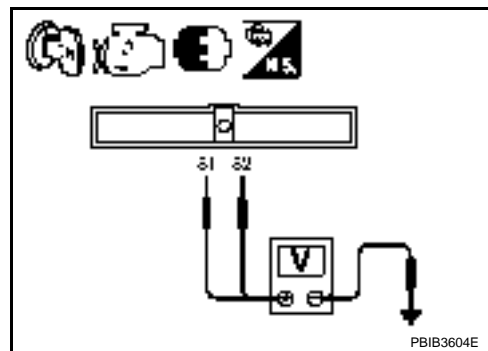
Component Inspection

INFOID:000000001850728

ACCELERATOR PEDAL POSITION SENSOR

1. Reconnect all harness connectors disconnected.
2. Turn ignition switch ON.
3. Check voltage between ECM terminals 81 (APP sensor 1 signal), 82 (APP sensor 2 signal) and ground under the following conditions.

Terminal	Accelerator pedal	Voltage
81 (Accelerator pedal position sensor 1)	Fully released	0.6 - 0.9V
	Fully depressed	3.9 - 4.7V
82 (Accelerator pedal position sensor 2)	Fully released	0.3 - 0.6V
	Fully depressed	1.95 - 2.4V



4. If NG, replace accelerator pedal assembly and go to next step.
5. Perform [EC-590, "Accelerator Pedal Released Position Learning"](#).
6. Perform [EC-590, "Throttle Valve Closed Position Learning"](#).
7. Perform [EC-590, "Idle Air Volume Learning"](#).

Removal and Installation

INFOID:000000001850729

ACCELERATOR PEDAL

Refer to [ACC-3](#).

DTC P2127, P2128 APP SENSOR

< SERVICE INFORMATION >

[QR]

DTC P2127, P2128 APP SENSOR

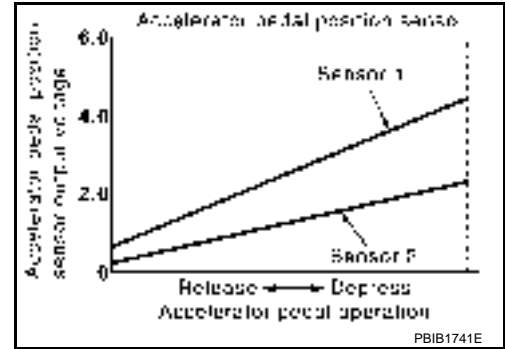
Component Description

INFOID:000000001850730

The accelerator pedal position sensor is installed on the upper end of the accelerator pedal assembly. The sensor detects the accelerator position and sends a signal to the ECM.

Accelerator pedal position sensor has two sensors. These sensors are a kind of potentiometers which transform the accelerator pedal position into output voltage, and emit the voltage signal to the ECM. In addition, these sensors detect the opening and closing speed of the accelerator pedal and feed the voltage signals to the ECM. The ECM judges the current opening angle of the accelerator pedal from these signals and controls the throttle control motor based on these signals.

Idle position of the accelerator pedal is determined by the ECM receiving the signal from the accelerator pedal position sensor. The ECM uses this signal for the engine operation such as fuel cut.



CONSULT-III Reference Value in Data Monitor Mode

INFOID:000000001850731

Specification data are reference values.

MONITOR ITEM	CONDITION		SPECIFICATION
ACCEL SEN 1	• Ignition switch: ON (Engine stopped)	Accelerator pedal: Fully released	0.6 - 0.9V
		Accelerator pedal: Fully depressed	4.0 - 4.8V
ACCEL SEN 2*	• Ignition switch: ON (Engine stopped)	Accelerator pedal: Fully released	0.6 - 0.9V
		Accelerator pedal: Fully depressed	3.9 - 4.8V
CLSD THL POS	• Ignition switch: ON (Engine stopped)	Accelerator pedal: Fully released	ON
		Accelerator pedal: Slightly depressed	OFF

*: Accelerator pedal position sensor 2 signal is converted by ECM internally. Thus, it differs from ECM terminal voltage.

On Board Diagnosis Logic

INFOID:000000001850732

These self-diagnoses have the one trip detection logic.

DTC No.	Trouble diagnosis name	DTC detecting condition	Possible cause
P2127 2127	Accelerator pedal position sensor 2 circuit low input	An excessively low voltage from the APP sensor 2 is sent to ECM.	<ul style="list-style-type: none"> • Harness or connectors (APP sensor 2 circuit is open or shorted.) [Crankshaft position sensor (POS) circuit is shorted.] (Refrigerant pressure sensor circuit is shorted.) (EVAP control system pressure sensor circuit is shorted.) • Accelerator pedal position sensor (APP sensor 2) • Crankshaft position sensor (POS) • Refrigerant pressure sensor • EVAP control system pressure sensor
P2128 2128	Accelerator pedal position sensor 2 circuit high input	An excessively high voltage from the APP sensor 2 is sent to ECM.	

FAIL-SAFE MODE

When the malfunction is detected, ECM enters fail-safe mode and the MIL lights up.

Engine operating condition in fail-safe mode

The ECM controls the electric throttle control actuator in regulating the throttle opening in order for the idle position to be within +10 degrees.

The ECM regulates the opening speed of the throttle valve to be slower than the normal condition.

So, the acceleration will be poor.

DTC P2127, P2128 APP SENSOR

< SERVICE INFORMATION >

[QR]

DTC Confirmation Procedure

INFOID:000000001850733

NOTE:

If DTC Confirmation Procedure has been previously conducted, always turn ignition switch OFF and wait at least 10 seconds before conducting the next test.

TESTING CONDITION:

Before performing the following procedure, confirm that battery voltage is more than 8V at idle.

1. Start engine and let it idle for 1 second.
2. Check DTC.
3. If DTC is detected, go to [EC-995. "Diagnosis Procedure"](#).

A

EC

C

D

E

F

G

H

I

J

K

L

M

N

O

P

DTC P2127, P2128 APP SENSOR

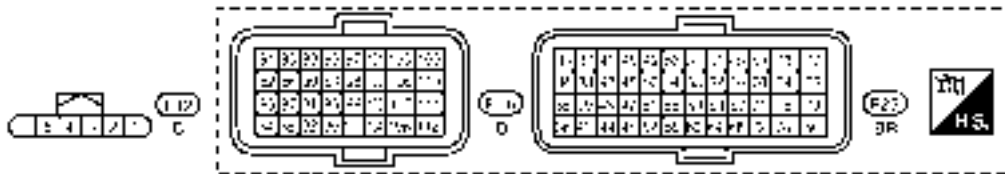
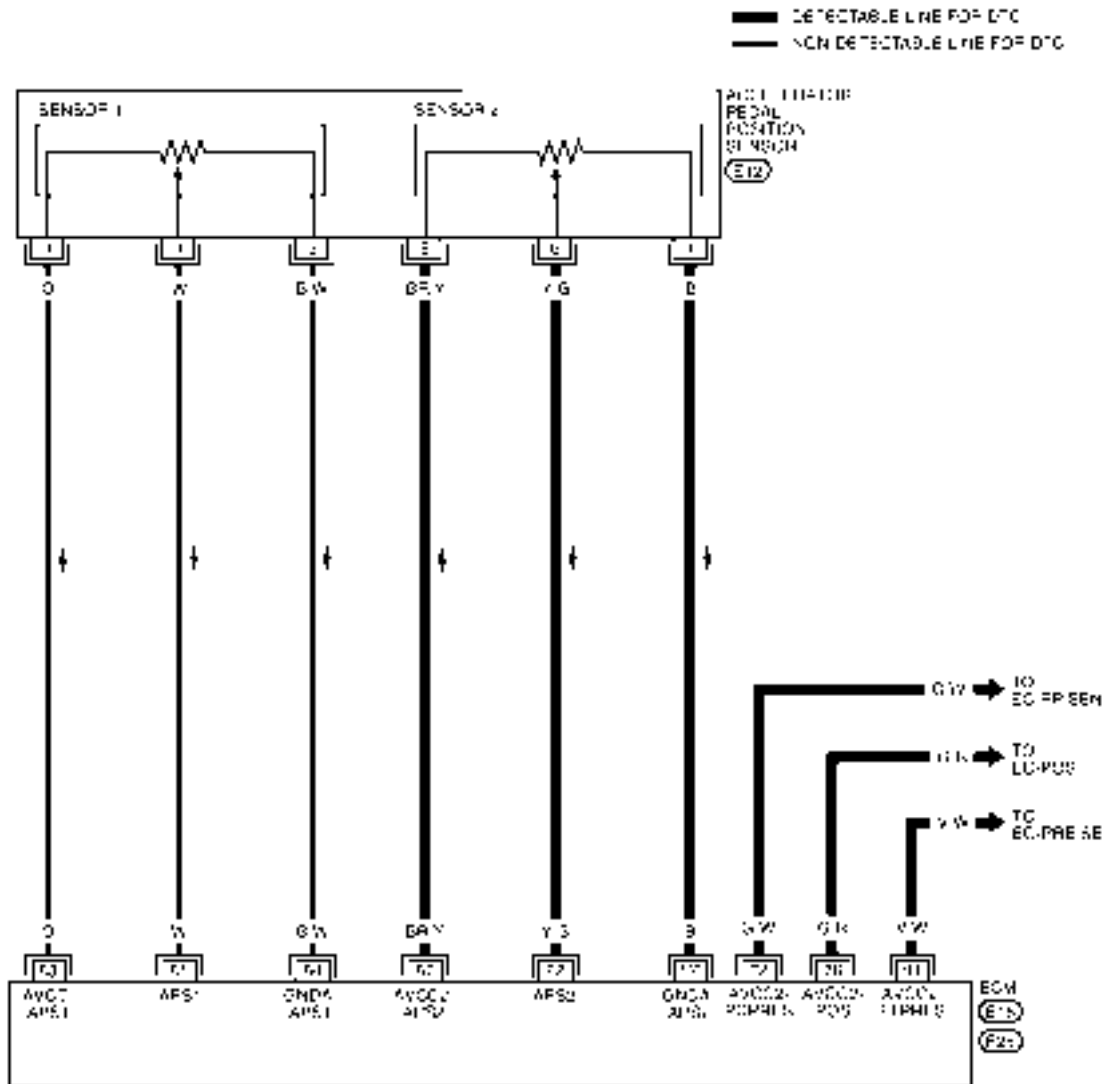
< SERVICE INFORMATION >

[QR]

Wiring Diagram

INFOID:00000002994119

EC-APPS2-01



BBWA3057E

Specification data are reference values and are measured between each terminal and ground.

CAUTION:

Do not use ECM ground terminals when measuring input/output voltage. Doing so may result in damage to the ECM's transistor. Use a ground other than ECM terminals, such as the ground.

DTC P2127, P2128 APP SENSOR

< SERVICE INFORMATION >

[QR]

TERMINAL NO.	WIRE COLOR	ITEM	CONDITION	DATA (DC Voltage)
72	G/W	Sensor power supply (Refrigerant pressure sensor)	[Ignition switch: ON]	Approximately 5V
76	G/R	Sensor power supply [Crankshaft position sensor (POS)]	[Ignition switch: ON]	Approximately 5V
81	W	Accelerator pedal position sensor 1	[Ignition switch: ON] • Engine stopped • Accelerator pedal: Fully released	0.6 - 0.9V
			[Ignition switch: ON] • Engine stopped • Accelerator pedal: Fully depressed	3.9 - 4.7V
82	Y/G	Accelerator pedal position sensor 2	[Ignition switch: ON] • Engine stopped • Accelerator pedal: Fully released	0.3 - 0.6V
			[Ignition switch: ON] • Engine stopped • Accelerator pedal: Fully depressed	1.95 - 2.4V
83	O	Sensor power supply (APP sensor 1)	[Ignition switch: ON]	Approximately 5V
84	B/W	Sensor ground (APP sensor 1)	[Engine is running] • Warm-up condition • Idle speed	Approximately 0V
87	BR/Y	Sensor power supply (APP sensor 2)	[Ignition switch: ON]	Approximately 5V
91	V/W	EVAP control system pressure sensor power supply	[Ignition switch: ON]	Approximately 5V
100	B	Sensor ground (APP sensor 2)	[Engine is running] • Warm-up condition • Idle speed	Approximately 0V

Diagnosis Procedure

INFOID:000000001850735

1. CHECK GROUND CONNECTIONS

1. Turn ignition switch OFF.
2. Loosen and retighten ground screws on the body.
Refer to [EC-649, "Ground Inspection"](#).



Vehicle front

1. Body ground E9 (view with front wheel RH and fender protector RH removed.)
2. Washer tank
3. Fuse and fusible link box
4. Body ground E15

DTC P2127, P2128 APP SENSOR

[QR]

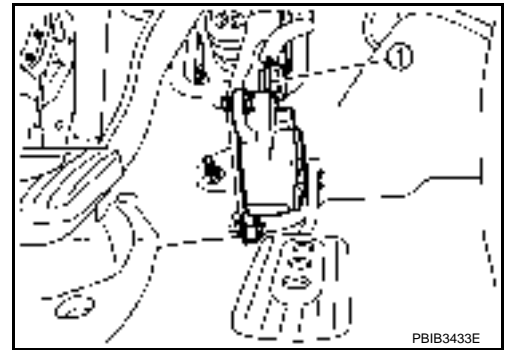
< SERVICE INFORMATION >

OK or NG

- OK >> GO TO 2.
- NG >> Repair or replace ground connections.

2. CHECK APP SENSOR 2 POWER SUPPLY CIRCUIT-I

1. Disconnect accelerator pedal position (APP) sensor (1) harness connector.
2. Turn ignition switch ON.

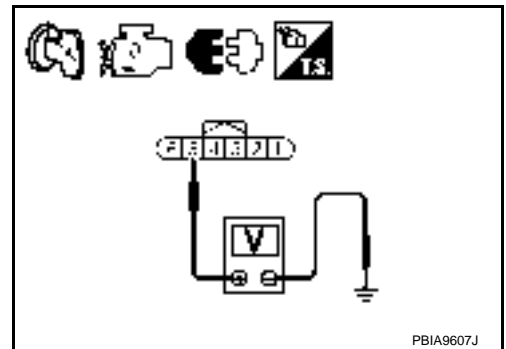


3. Check voltage between APP sensor terminal 5 and ground with CONSULT-III or tester.

Voltage: Approximately 5V

OK or NG

- OK >> GO TO 6.
- NG >> GO TO 3.



3. CHECK APP SENSOR 2 POWER SUPPLY CIRCUIT-II

1. Turn ignition switch OFF.
2. Disconnect ECM harness connector.
3. Check harness continuity between APP sensor terminal 5 and ECM terminal 87. Refer to Wiring Diagram.

Continuity should exist.

OK or NG

- OK >> GO TO 4.
- NG >> Repair open circuit or short to ground or short to power in harness or connectors.

4. CHECK APP SENSOR 2 POWER SUPPLY CIRCUIT-III

Check harness for short to power and short to ground, between the following terminals.

ECM terminal	Sensor terminal	Reference Wiring Diagram
72	Refrigerant pressure sensor terminal 3	EC-1053, "Wiring Diagram"
76	Crankshaft position sensor (POS) terminal 1	EC-817, "Wiring Diagram"
87	APP sensor terminal 5	EC-994, "Wiring Diagram"
91	EVAP control system pressure sensor terminal 3	EC-873, "Wiring Diagram"

OK or NG

- OK >> GO TO 5.
- NG >> Repair short to ground or short to power in harness or connectors.

5. CHECK COMPONENTS

Check the following.

- Crankshaft position sensor (POS) (Refer to [EC-821, "Component Inspection"](#).)
- Refrigerant pressure sensor (Refer to [MTC-27](#).)

DTC P2127, P2128 APP SENSOR

< SERVICE INFORMATION >

[QR]

- EVAP control system pressure (Refer to [EC-877. "Component Inspection".](#))

OK or NG

- OK >> GO TO 10.
- NG >> Replace malfunctioning component.

6. CHECK APP SENSOR 2 GROUND CIRCUIT FOR OPEN AND SHORT

1. Turn ignition switch OFF.
2. Disconnect ECM harness connector.
3. Check harness continuity between ECM terminal 100 and APP sensor terminal 1.
Refer to Wiring Diagram.

Continuity should exist.

4. Also check harness for short to ground and short to power.

OK or NG

- OK >> GO TO 7.
- NG >> Repair open circuit or short to ground or short to power in harness or connectors.

7. CHECK APP SENSOR 2 INPUT SIGNAL CIRCUIT FOR OPEN AND SHORT

1. Check harness continuity between ECM terminal 82 and APP sensor terminal 6.
Refer to Wiring Diagram.

Continuity should exist.

2. Also check harness for short to ground and short to power.

OK or NG

- OK >> GO TO 8.
- NG >> Repair open circuit or short to ground or short to power in harness or connectors.

8. CHECK APP SENSOR

Refer to [EC-997. "Component Inspection".](#)

OK or NG

- OK >> GO TO 10.
- NG >> GO TO 9.

9. REPLACE ACCELERATOR PEDAL ASSEMBLY

1. Replace accelerator pedal assembly.
2. Perform [EC-590. "Accelerator Pedal Released Position Learning".](#)
3. Perform [EC-590. "Throttle Valve Closed Position Learning".](#)
4. Perform [EC-590. "Idle Air Volume Learning".](#)

>> **INSPECTION END**

10. CHECK INTERMITTENT INCIDENT

Refer to [EC-643.](#)

>> **INSPECTION END**

Component Inspection

INFOID:000000001850736

ACCELERATOR PEDAL POSITION SENSOR

1. Reconnect all harness connectors disconnected.
2. Turn ignition switch ON.

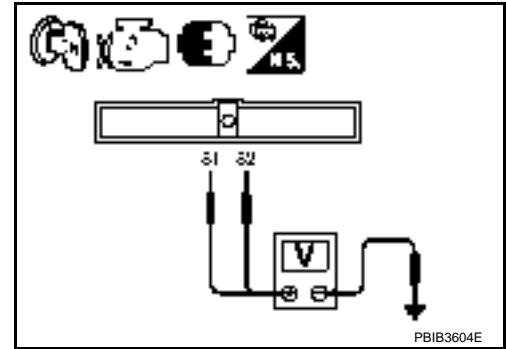
DTC P2127, P2128 APP SENSOR

< SERVICE INFORMATION >

[QR]

3. Check voltage between ECM terminals 81 (APP sensor 1 signal), 82 (APP sensor 2 signal) and ground under the following conditions.

Terminal	Accelerator pedal	Voltage
81 (Accelerator pedal position sensor 1)	Fully released	0.6 - 0.9V
	Fully depressed	3.9 - 4.7V
82 (Accelerator pedal position sensor 2)	Fully released	0.3 - 0.6V
	Fully depressed	1.95 - 2.4V



4. If NG, replace accelerator pedal assembly and go to next step.
5. Perform [EC-590, "Accelerator Pedal Released Position Learning"](#).
6. Perform [EC-590, "Throttle Valve Closed Position Learning"](#).
7. Perform [EC-590, "Idle Air Volume Learning"](#).

Removal and Installation

INFOID:000000001850737

ACCELERATOR PEDAL

Refer to [ACC-3](#).

DTC P2135 TP SENSOR

< SERVICE INFORMATION >

[QR]

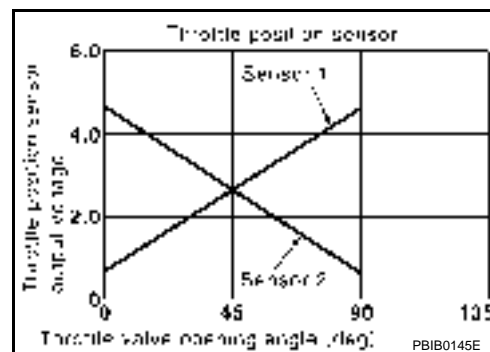
DTC P2135 TP SENSOR

Component Description

INFOID:000000001850738

Electric throttle control actuator consists of throttle control motor, throttle position sensor, etc. The throttle position sensor responds to the throttle valve movement.

The throttle position sensor has two sensors. These sensors are a kind of potentiometers which transform the throttle valve position into output voltage, and emit the voltage signal to the ECM. In addition, these sensors detect the opening and closing speed of the throttle valve and feed the voltage signals to the ECM. The ECM judges the current opening angle of the throttle valve from these signals and the ECM controls the throttle control motor to make the throttle valve opening angle properly in response to driving condition.



CONSULT-III Reference Value in Data Monitor Mode

INFOID:000000001850739

Specification data are reference values.

MONITOR ITEM	CONDITION		SPECIFICATION
TP SEN 1-B1 TP SEN 2-B2*	<ul style="list-style-type: none"> Ignition switch: ON (Engine stopped) Shift lever: D (CVT), 1st (M/T) 	Accelerator pedal: Fully released	More than 0.36V
		Accelerator pedal: Fully depressed	Less than 4.75V

*: Throttle position sensor 2 signal is converted by ECM internally. Thus, it differs from ECM terminal voltage signal.

On Board Diagnosis Logic

INFOID:000000001850740

This self-diagnosis has the one trip detection logic.

NOTE:

If DTC P2135 is displayed with DTC P0643, first perform the trouble diagnosis for DTC P0643.

Refer to [EC-917](#).

DTC No.	Trouble diagnosis name	DTC detecting condition	Possible cause
P2135 2135	Throttle position sensor circuit range/performance	Rationally incorrect voltage is sent to ECM compared with the signals from TP sensor 1 and TP sensor 2.	<ul style="list-style-type: none"> Harness or connector (TP sensor 1 and 2 circuit is open or shorted.) Electric throttle control actuator (TP sensor 1 and 2)

FAIL-SAFE MODE

When the malfunction is detected, the ECM enters fail-safe mode and the MIL lights up.

Engine operation condition in fail-safe mode

The ECM controls the electric throttle control actuator in regulating the throttle opening in order for the idle position to be within +10 degrees.

The ECM regulates the opening speed of the throttle valve to be slower than the normal condition. So, the acceleration will be poor.

DTC Confirmation Procedure

INFOID:000000001850741

NOTE:

If DTC Confirmation Procedure has been previously conducted, always turn ignition switch OFF and wait at least 10 seconds before conducting the next test.

TESTING CONDITION:

Before performing the following procedure, confirm that battery voltage is more than 8V at idle.

1. Start engine and let it idle for 1 second.
2. Check DTC.
3. If DTC is detected, go to [EC-1001, "Diagnosis Procedure"](#).

DTC P2135 TP SENSOR

< SERVICE INFORMATION >

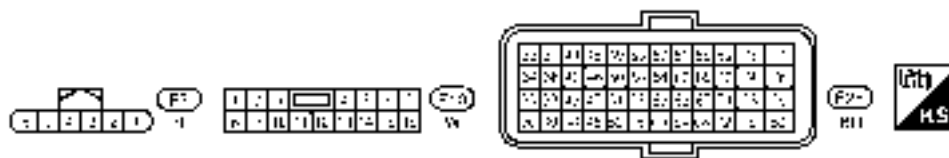
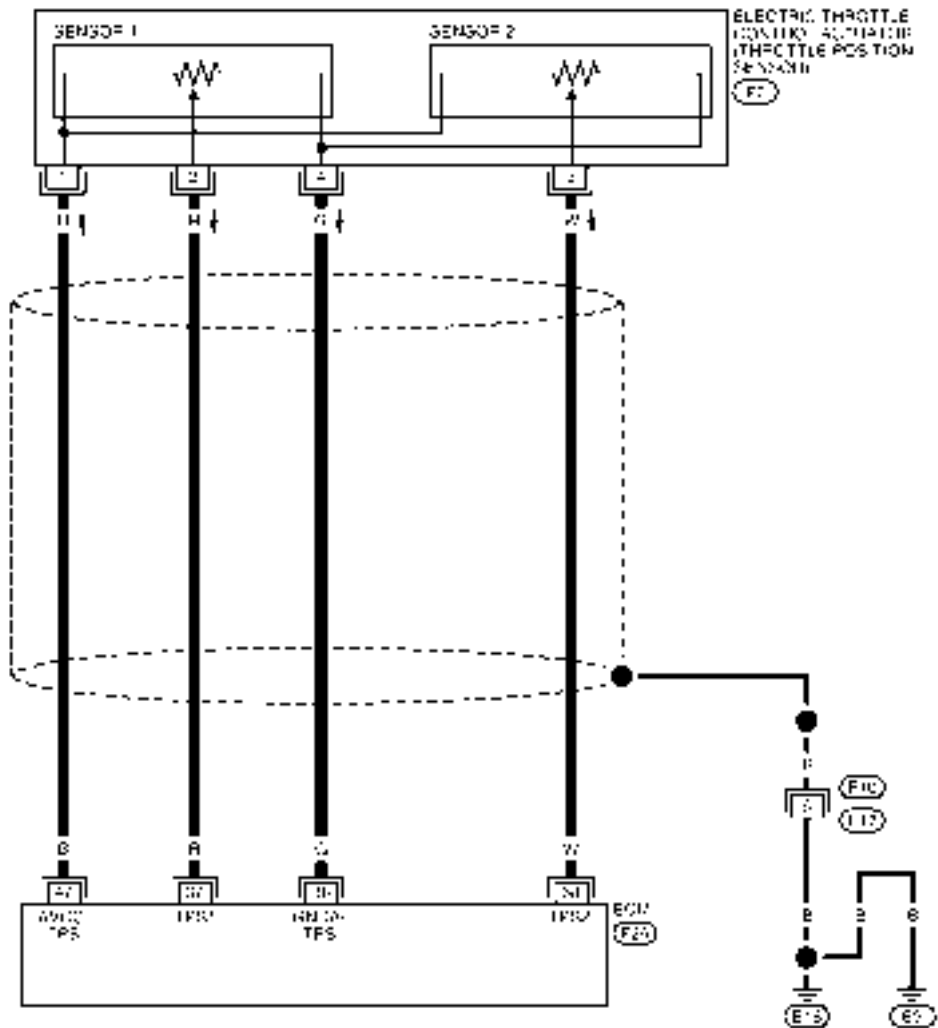
[QR]

Wiring Diagram

INFOID:00000002994121

EC-TPS3-01

— DETECTABLE LINE FOR DTC
 — NON DETECTABLE LINE FOR DTC



BBWA3059E

Specification data are reference values and are measured between each terminal and ground.

CAUTION:

Do not use ECM ground terminals when measuring input/output voltage. Doing so may result in damage to the ECM's transistor. Use a ground other than ECM terminals, such as the ground.

DTC P2135 TP SENSOR

< SERVICE INFORMATION >

[QR]

TER-MI-NAL NO.	WIRE COLOR	ITEM	CONDITION	DATA (DC Voltage)
36	G	Sensor ground (Throttle position sensor)	[Engine is running] • Warm-up condition • Idle speed	Approximately 0V
37	R	Throttle position sensor 1	[Ignition switch: ON] • Engine stopped • Shift lever: D (CVT), 1st (M/T) • Accelerator pedal: Fully released	More than 0.36V
			[Ignition switch: ON] • Engine stopped • Shift lever: D (CVT), 1st (M/T) • Accelerator pedal: Fully depressed	Less than 4.75V
38	W	Throttle position sensor 2	[Ignition switch: ON] • Engine stopped • Shift lever: D (CVT), 1st (M/T) • Accelerator pedal: Fully released	Less than 4.75V
			[Ignition switch: ON] • Engine stopped • Shift lever: D (CVT), 1st (M/T) • Accelerator pedal: Fully depressed	More than 0.36V
47	B	Sensor power supply (Throttle position sensor)	[Ignition switch: ON]	Approximately 5V

Diagnosis Procedure

INFOID:000000001850743

1. CHECK GROUND CONNECTIONS

1. Turn ignition switch OFF.
2. Loosen and retighten ground screws on the body.
Refer to [EC-649. "Ground Inspection"](#).



Vehicle front

1. Body ground E9 (view with front wheel RH and fender protector RH removed.)
2. Washer tank
3. Fuse and fusible link box
4. Body ground E15

OK or NG


- OK >> GO TO 2.
NG >> Repair or replace ground connections.

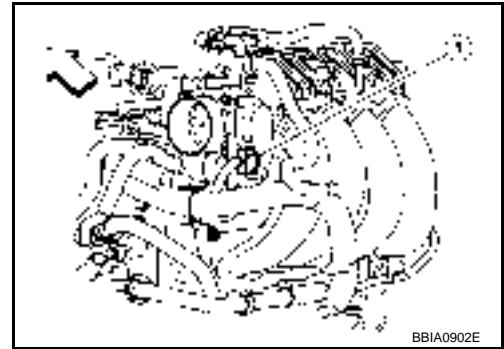
2. CHECK THROTTLE POSITION SENSOR POWER SUPPLY CIRCUIT

DTC P2135 TP SENSOR

[QR]

< SERVICE INFORMATION >

1. Disconnect electric throttle control actuator harness connector (1).
 - : Vehicle front
2. Turn ignition switch ON.

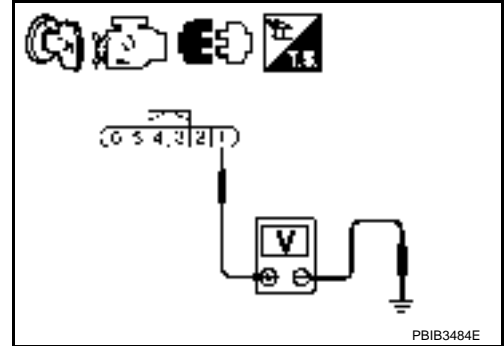


3. Check voltage between electric throttle control actuator terminal 1 and ground with CONSULT-III or tester.

Voltage: Approximately 5V

OK or NG

- OK >> GO TO 3.
- NG >> Repair open circuit or short to ground or short to power in harness or connectors.



3. CHECK THROTTLE POSITION SENSOR GROUND CIRCUIT FOR OPEN AND SHORT

1. Turn ignition switch OFF.
2. Disconnect ECM harness connector.
3. Check harness continuity between electric throttle control actuator terminal 4 and ECM terminal 36. Refer to Wiring Diagram.

Continuity should exist.

4. Also check harness for short to ground and short to power.

OK or NG

- OK >> GO TO 4.
- NG >> Repair open circuit or short to ground or short to power in harness or connectors.

4. CHECK THROTTLE POSITION SENSOR INPUT SIGNAL CIRCUIT FOR OPEN AND SHORT

1. Check harness continuity between the following;
 - electric throttle control actuator terminal 2 and ECM terminal 37,
 - electric throttle control actuator terminal 3 and ECM terminal 38.Refer to Wiring Diagram.

Continuity should exist.

2. Also check harness for short to ground and short to power.

OK or NG

- OK >> GO TO 5.
- NG >> Repair open circuit or short to ground or short to power in harness or connectors.

5. CHECK THROTTLE POSITION SENSOR

Refer to [EC-1003, "Component Inspection"](#).

OK or NG

- OK >> GO TO 7.
- NG >> GO TO 6.

6. REPLACE ELECTRIC THROTTLE CONTROL ACTUATOR

1. Replace the electric throttle control actuator.
2. Perform [EC-590, "Throttle Valve Closed Position Learning"](#).

DTC P2135 TP SENSOR

< SERVICE INFORMATION >

[QR]

3. Perform [EC-590, "Idle Air Volume Learning"](#).

>> INSPECTION END

7. CHECK INTERMITTENT INCIDENT

Refer to [EC-643](#).

>> INSPECTION END

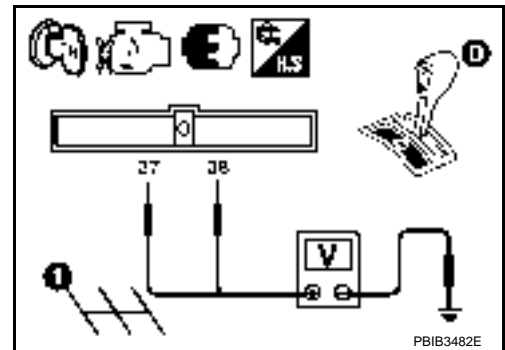
Component Inspection

INFOID:000000001850744

THROTTLE POSITION SENSOR

1. Reconnect all harness connectors disconnected.
2. Perform [EC-590, "Throttle Valve Closed Position Learning"](#).
3. Turn ignition switch ON.
4. Set shift lever to D position (CVT) or 1st position (M/T).
5. Check voltage between ECM terminals 37 (TP sensor 1 signal), 38 (TP sensor 2 signal) and ground under the following conditions.

Terminal	Accelerator pedal	Voltage
37 (Throttle position sensor 1)	Fully released	More than 0.36V
	Fully depressed	Less than 4.75V
38 (Throttle position sensor 2)	Fully released	Less than 4.75V
	Fully depressed	More than 0.36V



6. If NG, replace electric throttle control actuator and go to the next step.
7. Perform [EC-590, "Throttle Valve Closed Position Learning"](#).
8. Perform [EC-590, "Idle Air Volume Learning"](#).

Removal and Installation

INFOID:000000001850745

ELECTRIC THROTTLE CONTROL ACTUATOR

Refer to [EM-128](#).

DTC P2138 APP SENSOR

< SERVICE INFORMATION >

[QR]

DTC P2138 APP SENSOR

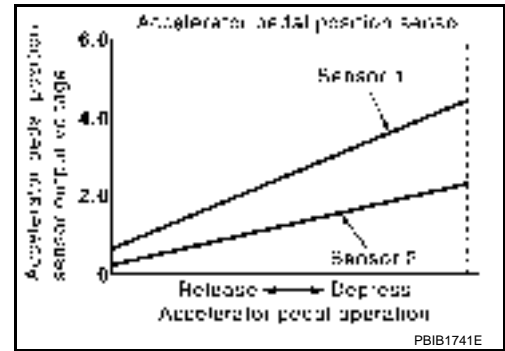
Component Description

INFOID:000000001850746

The accelerator pedal position sensor is installed on the upper end of the accelerator pedal assembly. The sensor detects the accelerator position and sends a signal to the ECM.

Accelerator pedal position sensor has two sensors. These sensors are a kind of potentiometers which transform the accelerator pedal position into output voltage, and emit the voltage signal to the ECM. In addition, these sensors detect the opening and closing speed of the accelerator pedal and feed the voltage signals to the ECM. The ECM judges the current opening angle of the accelerator pedal from these signals and controls the throttle control motor based on these signals.

Idle position of the accelerator pedal is determined by the ECM receiving the signal from the accelerator pedal position sensor. The ECM uses this signal for the engine operation such as fuel cut.



CONSULT-III Reference Value in Data Monitor Mode

INFOID:000000001850747

Specification data are reference values.

MONITOR ITEM	CONDITION	SPECIFICATION
ACCEL SEN 1	• Ignition switch: ON (Engine stopped) Accelerator pedal: Fully released	0.6 - 0.9V
	Accelerator pedal: Fully depressed	4.0 - 4.8V
ACCEL SEN 2*	• Ignition switch: ON (Engine stopped) Accelerator pedal: Fully released	0.6 - 0.9V
	Accelerator pedal: Fully depressed	3.9 - 4.8V
CLSD THL POS	• Ignition switch: ON (Engine stopped) Accelerator pedal: Fully released	ON
	Accelerator pedal: Slightly depressed	OFF

*: Accelerator pedal position sensor 2 signal is converted by ECM internally. Thus, it differs from ECM terminal voltage.

On Board Diagnosis Logic

INFOID:000000001850748

This self-diagnosis has the one trip detection logic.

NOTE:

If DTC P2138 is displayed with DTC P0643, first perform the trouble diagnosis for DTC P0643.

Refer to [EC-917](#).

DTC No.	Trouble diagnosis name	DTC detecting condition	Possible cause
P2138 2138	Accelerator pedal position sensor circuit range/performance	Rationally incorrect voltage is sent to ECM compared with the signals from APP sensor 1 and APP sensor 2.	<ul style="list-style-type: none"> • Harness or connector (APP sensor 1 and 2 circuit is open or shorted.) [Crankshaft position sensor (POS) circuit is shorted.] (Refrigerant pressure sensor circuit is shorted.) (EVAP control system pressure sensor circuit is shorted.) • Accelerator pedal position sensor (APP sensor 1 and 2) • Crankshaft position sensor (POS) • Refrigerant pressure sensor • EVAP control system pressure sensor

FAIL-SAFE MODE

When the malfunction is detected, ECM enters fail-safe mode and the MIL lights up.

DTC P2138 APP SENSOR

< SERVICE INFORMATION >

[QR]

Engine operating condition in fail-safe mode

The ECM controls the electric throttle control actuator in regulating the throttle opening in order for the idle position to be within +10 degrees.

The ECM regulates the opening speed of the throttle valve to be slower than the normal condition.

So, the acceleration will be poor.

DTC Confirmation Procedure

INFOID:000000001850749

NOTE:

If DTC Confirmation Procedure has been previously conducted, always turn ignition switch OFF and wait at least 10 seconds before conducting the next test.

TESTING CONDITION:

Before performing the following procedure, confirm that battery voltage is more than 8V at idle.

1. Start engine and let it idle for 1 second.
2. Check DTC.
3. If DTC is detected, go to [EC-1007, "Diagnosis Procedure"](#).

A

EC

C

D

E

F

G

H

I

J

K

L

M

N

O

P

DTC P2138 APP SENSOR

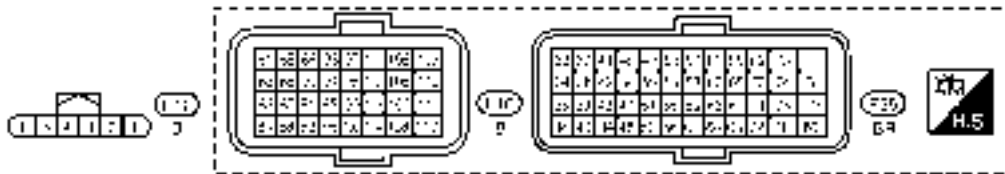
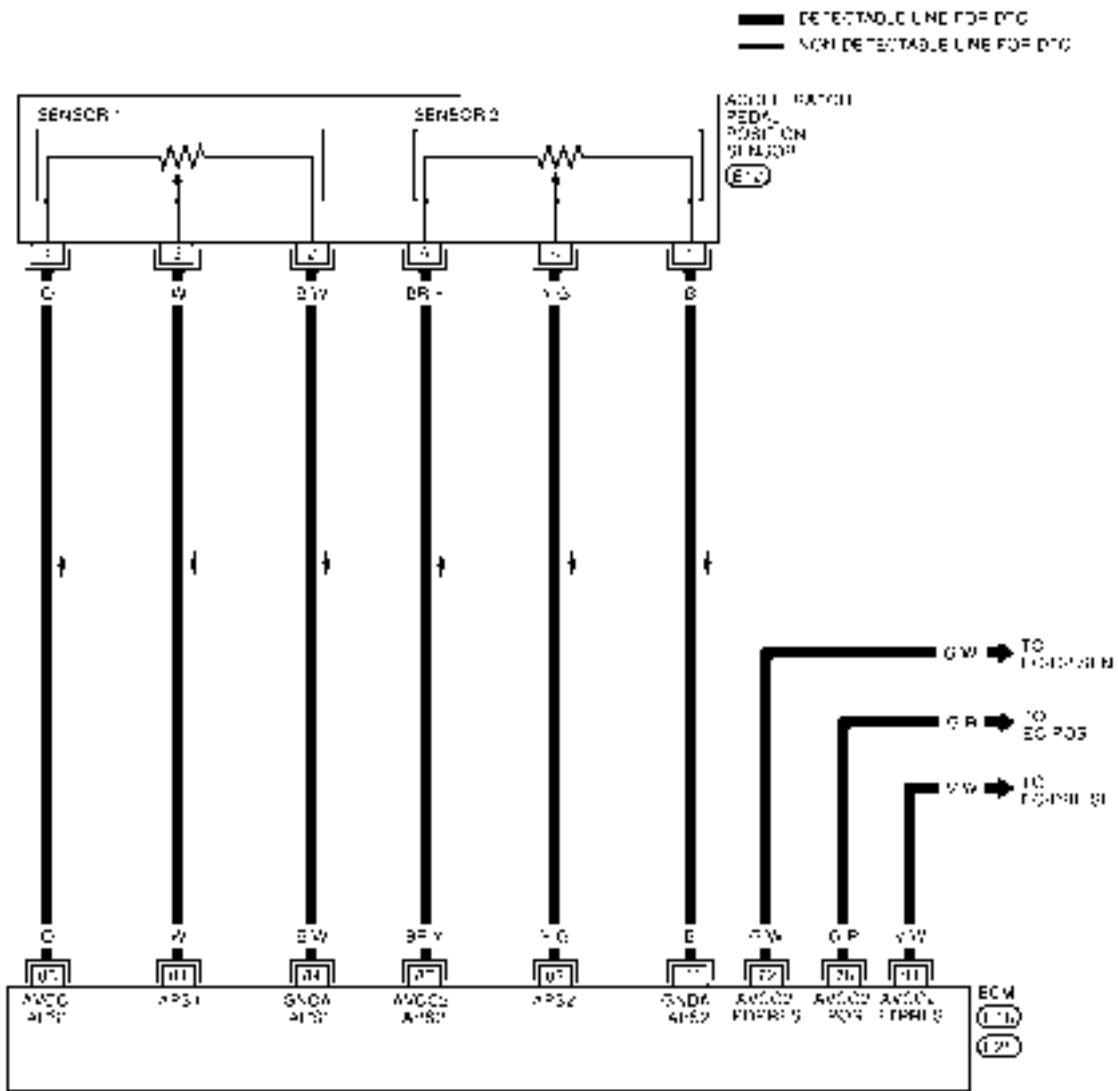
< SERVICE INFORMATION >

[QR]

Wiring Diagram

INFOID:00000002994130

EC-APPS3-01



BBWA3058E

Specification data are reference values and are measured between each terminal and ground.

CAUTION:

Do not use ECM ground terminals when measuring input/output voltage. Doing so may result in damage to the ECM's transistor. Use a ground other than ECM terminals, such as the ground.

DTC P2138 APP SENSOR

< SERVICE INFORMATION >

[QR]

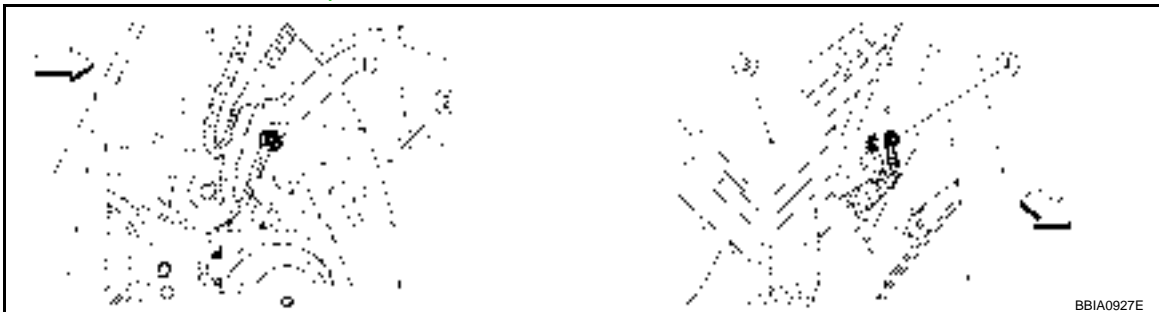
TER-MI-NAL NO.	WIRE COLOR	ITEM	CONDITION	DATA (DC Voltage)
72	G/W	Sensor power supply (Refrigerant pressure sensor)	[Ignition switch: ON]	Approximately 5V
76	G/R	Sensor power supply [Crankshaft position sensor (POS)]	[Ignition switch: ON]	Approximately 5V
81	W	Accelerator pedal position sensor 1	[Ignition switch: ON] • Engine stopped • Accelerator pedal: Fully released	0.6 - 0.9V
			[Ignition switch: ON] • Engine stopped • Accelerator pedal: Fully depressed	3.9 - 4.7V
82	Y/G	Accelerator pedal position sensor 2	[Ignition switch: ON] • Engine stopped • Accelerator pedal: Fully released	0.3 - 0.6V
			[Ignition switch: ON] • Engine stopped • Accelerator pedal: Fully depressed	1.95 - 2.4V
83	O	Sensor power supply (APP sensor 1)	[Ignition switch: ON]	Approximately 5V
84	B/W	Sensor ground (APP sensor 1)	[Engine is running] • Warm-up condition • Idle speed	Approximately 0V
87	BR/Y	Sensor power supply (APP sensor 2)	[Ignition switch: ON]	Approximately 5V
91	V/W	EVAP control system pressure sensor power supply	[Ignition switch: ON]	Approximately 5V
100	B	Sensor ground (APP sensor 2)	[Engine is running] • Warm-up condition • Idle speed	Approximately 0V

Diagnosis Procedure

INFOID:000000001850751

1. CHECK GROUND CONNECTIONS

1. Turn ignition switch OFF.
2. Loosen and retighten ground screws on the body.
Refer to [EC-649, "Ground Inspection"](#).



Vehicle front

1. Body ground E9 (view with front wheel RH and fender protector RH removed.)
2. Washer tank
3. Fuse and fusible link box
4. Body ground E15

DTC P2138 APP SENSOR

[QR]

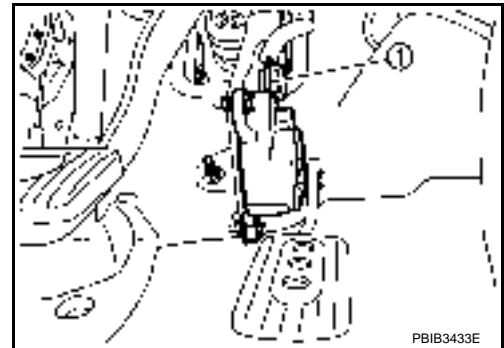
< SERVICE INFORMATION >

OK or NG

- OK >> GO TO 2.
- NG >> Repair or replace ground connections.

2. CHECK APP SENSOR 1 POWER SUPPLY CIRCUIT

1. Disconnect accelerator pedal position (APP) sensor (1) harness connector.
2. Turn ignition switch ON.

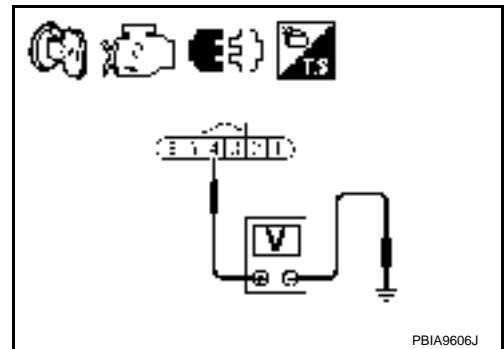


3. Check voltage between APP sensor terminal 4 and ground with CONSULT-III or tester.

Voltage: Approximately 5V

OK or NG

- OK >> GO TO 3.
- NG >> Repair open circuit or short to ground or short to power in harness or connectors.



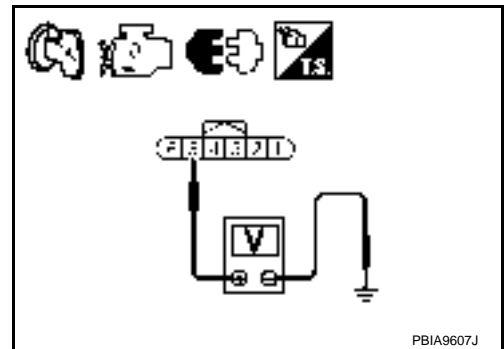
3. CHECK APP SENSOR 2 POWER SUPPLY CIRCUIT-I

1. Turn ignition switch ON.
2. Check voltage between APP sensor terminal 5 and ground with CONSULT-III or tester.

Voltage: Approximately 5V

OK or NG

- OK >> GO TO 7.
- NG >> GO TO 4.



4. CHECK APP SENSOR 2 POWER SUPPLY CIRCUIT-II

1. Turn ignition switch OFF.
2. Disconnect ECM harness connector.
3. Check harness continuity between APP sensor terminal 5 and ECM terminal 87. Refer to Wiring Diagram.

Continuity should exist.

OK or NG

- OK >> GO TO 5.
- NG >> Repair open circuit or short to ground or short to power in harness or connectors.

5. CHECK APP SENSOR 2 POWER SUPPLY CIRCUIT-III

Check harness for short to power and short to ground, between the following terminals.

DTC P2138 APP SENSOR

< SERVICE INFORMATION >

[QR]

ECM terminal	Sensor terminal	Reference Wiring Diagram
72	Refrigerant pressure sensor terminal 3	EC-1053, "Wiring Diagram"
76	Crankshaft position sensor (POS) terminal 1	EC-817, "Wiring Diagram"
87	APP sensor terminal 5	EC-994, "Wiring Diagram"
91	EVAP control system pressure sensor terminal 3	EC-873, "Wiring Diagram"

OK or NG

- OK >> GO TO 6.
NG >> Repair short to ground or short to power in harness or connectors.

6.CHECK COMPONENTS

Check the following.

- Crankshaft position sensor (POS) (Refer to [EC-821, "Component Inspection"](#).)
- Refrigerant pressure sensor (Refer to [MTC-27](#).)
- EVAP control system pressure (Refer to [EC-877, "Component Inspection"](#).)

OK or NG

- OK >> GO TO 11.
NG >> Replace malfunctioning component.

7.CHECK APP SENSOR GROUND CIRCUIT FOR OPEN AND SHORT

1. Turn ignition switch OFF.
2. Disconnect ECM harness connector.
3. Check harness continuity between the following;
ECM terminal 84 and APP sensor terminal 2,
ECM terminal 100 and APP sensor terminal 1.
Refer to Wiring Diagram.

Continuity should exist.

4. Also check harness for short to ground and short to power.

OK or NG

- OK >> GO TO 8.
NG >> Repair open circuit or short to ground or short to power in harness or connectors.

8.CHECK APP SENSOR INPUT SIGNAL CIRCUIT FOR OPEN AND SHORT

1. Check harness continuity between the following;
ECM terminal 81 and APP sensor terminal 3,
ECM terminal 82 and APP sensor terminal 6.
Refer to Wiring Diagram.

Continuity should exist.

2. Also check harness for short to ground and short to power.

OK or NG

- OK >> GO TO 9.
NG >> Repair open circuit or short to ground or short to power in harness or connectors.

9.CHECK APP SENSOR

Refer to [EC-1010, "Component Inspection"](#).

OK or NG

- OK >> GO TO 11.
NG >> GO TO 10.

10.REPLACE ACCELERATOR PEDAL ASSEMBLY

1. Replace accelerator pedal assembly.
2. Perform [EC-590, "Accelerator Pedal Released Position Learning"](#).
3. Perform [EC-590, "Throttle Valve Closed Position Learning"](#).
4. Perform [EC-590, "Idle Air Volume Learning"](#).

>> **INSPECTION END**

11. CHECK INTERMITTENT INCIDENT

Refer to [EC-643](#).

>> **INSPECTION END**

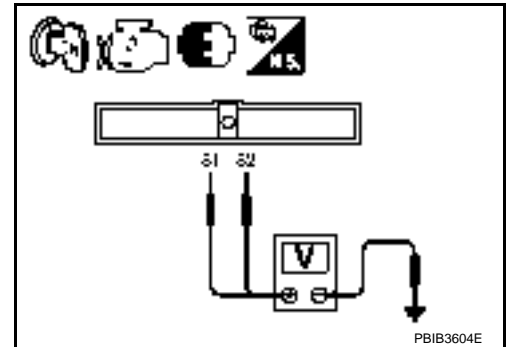
Component Inspection

INFOID:000000001850752

ACCELERATOR PEDAL POSITION SENSOR

1. Reconnect all harness connectors disconnected.
2. Turn ignition switch ON.
3. Check voltage between ECM terminals 81 (APP sensor 1 signal), 82 (APP sensor 2 signal) and ground under the following conditions.

Terminal	Accelerator pedal	Voltage
81 (Accelerator pedal position sensor 1)	Fully released	0.6 - 0.9V
	Fully depressed	3.9 - 4.7V
82 (Accelerator pedal position sensor 2)	Fully released	0.3 - 0.6V
	Fully depressed	1.95 - 2.4V



4. If NG, replace accelerator pedal assembly and go to next step.
5. Perform [EC-590, "Accelerator Pedal Released Position Learning"](#).
6. Perform [EC-590, "Throttle Valve Closed Position Learning"](#).
7. Perform [EC-590, "Idle Air Volume Learning"](#).

Removal and Installation

INFOID:000000001850753

ACCELERATOR PEDAL

Refer to [ACC-3](#).

DTC P2A00, P2A03 A/F SENSOR 1

< SERVICE INFORMATION >

[QR]

DTC P2A00, P2A03 A/F SENSOR 1

Component Description

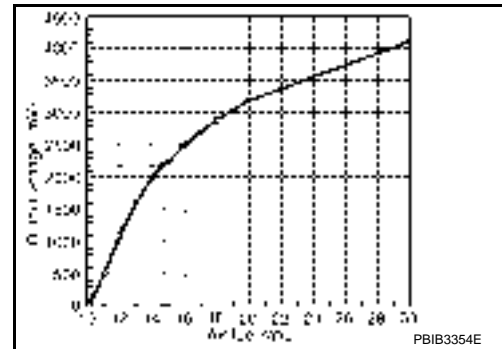
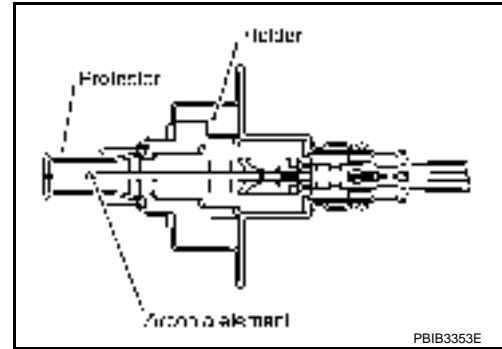
INFOID:000000001850754

The air fuel ratio (A/F) sensor 1 is a planar one-cell limit current sensor. The sensor element of the A/F sensor 1 is composed an electrode layer, which transports ions. It has a heater in the element.

The sensor is capable of precise measurement $\lambda = 1$, but also in the lean and rich range. Together with its control electronics, the sensor outputs a clear, continuous signal throughout a wide λ range.

The exhaust gas components diffuse through the diffusion layer at the sensor cell. An electrode layer is applied voltage, and this current relative oxygen density in lean. Also this current relative hydrocarbon density in rich.

Therefore, the A/F sensor 1 is able to indicate air fuel ratio by this electrode layer of current. In addition, a heater is integrated in the sensor to ensure the required operating temperature of about 800°C (1,472°F).



CONSULT-III Reference Value in Data Monitor Mode

INFOID:000000001850755

Specification data are reference values.

MONITOR ITEM	CONDITION		SPECIFICATION
A/F SEN1 (B1) A/F SEN1 (B2)	• Engine: After warming up	Maintaining engine speed at 2,000 rpm	Fluctuates around 2.2V

On Board Diagnosis Logic

INFOID:000000001850756

To judge the malfunction, the A/F signal computed by ECM from the A/F sensor 1 signal is monitored not to be shifted to LEAN side or RICH side.

DTC No.	Trouble diagnosis name	DTC detecting condition	Possible Cause
P2A00 2A00 (Bank 1)	Air fuel ratio (A/F) sensor 1 circuit range/performance	• The output voltage computed by ECM from the A/F sensor 1 signal is shifted to the lean side for a specified period.	<ul style="list-style-type: none"> Air fuel ratio (A/F) sensor 1 Air fuel ratio (A/F) sensor 1 heater Fuel pressure Fuel injector Intake air leaks
P2A03 2A03 (Bank 2)		• The A/F signal computed by ECM from the A/F sensor 1 signal is shifted to the rich side for a specified period.	

DTC Confirmation Procedure

INFOID:000000001850757

NOTE:

If DTC Confirmation Procedure has been previously conducted, always turn ignition switch OFF and wait at least 10 seconds before conducting the next test.

TESTING CONDITION:

Before performing the following procedure, confirm that battery voltage is more than 11V at idle.

WITH CONSULT-III

1. Start engine and warm it up to normal operating temperature.
2. Turn ignition switch OFF and wait at least 10 seconds.

DTC P2A00, P2A03 A/F SENSOR 1

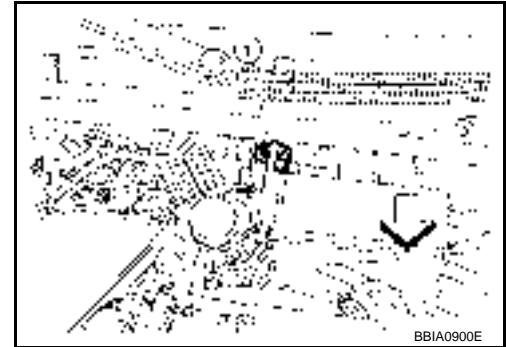
[QR]

< SERVICE INFORMATION >

3. Turn ignition switch ON and select "SELF-LEARNING CONT" in "WORK SUPPORT" mode with CONSULT-III.
4. Clear the self-learning coefficient by touching "CLEAR".
5. Turn ignition switch OFF and wait at least 10 seconds.
6. Start engine and keep the engine speed between 3,500 and 4,000 rpm for 1 minute under no load.
7. Let engine idle for 1 minute.
8. Keep engine speed between 2,500 and 3,000 rpm for 20 minutes.
9. Check 1st trip DTC.
10. If 1st trip DTC is detected, go to [EC-1016, "Diagnosis Procedure"](#).

WITH GST

1. Start engine and warm it up to normal operating temperature.
2. Turn ignition switch OFF and wait at least 10 seconds.
3. Disconnect mass air flow sensor (1) harness connector.
 - ↙: Vehicle front
4. Start engine and let it idle for at least 5 seconds.
5. Stop engine and reconnect mass air flow sensor harness connector.
6. Select Service \$03 with GST and make sure that DTC P0102 is detected.
7. Select Service \$04 with GST and erase the DTC P0102.
8. Start engine and keep the engine speed between 3,500 and 4,000 rpm for 1 minute under no load.
9. Let engine idle for 1 minute.
10. Keep engine speed between 2,500 and 3,000 rpm for 20 minutes.
11. Select Service \$07 with GST.
 - If 1st trip DTC is detected, go to [EC-1016, "Diagnosis Procedure"](#).



DTC P2A00, P2A03 A/F SENSOR 1

< SERVICE INFORMATION >

[QR]

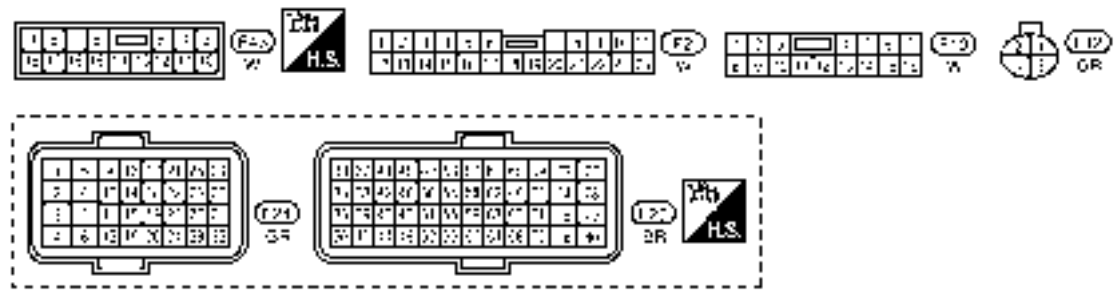
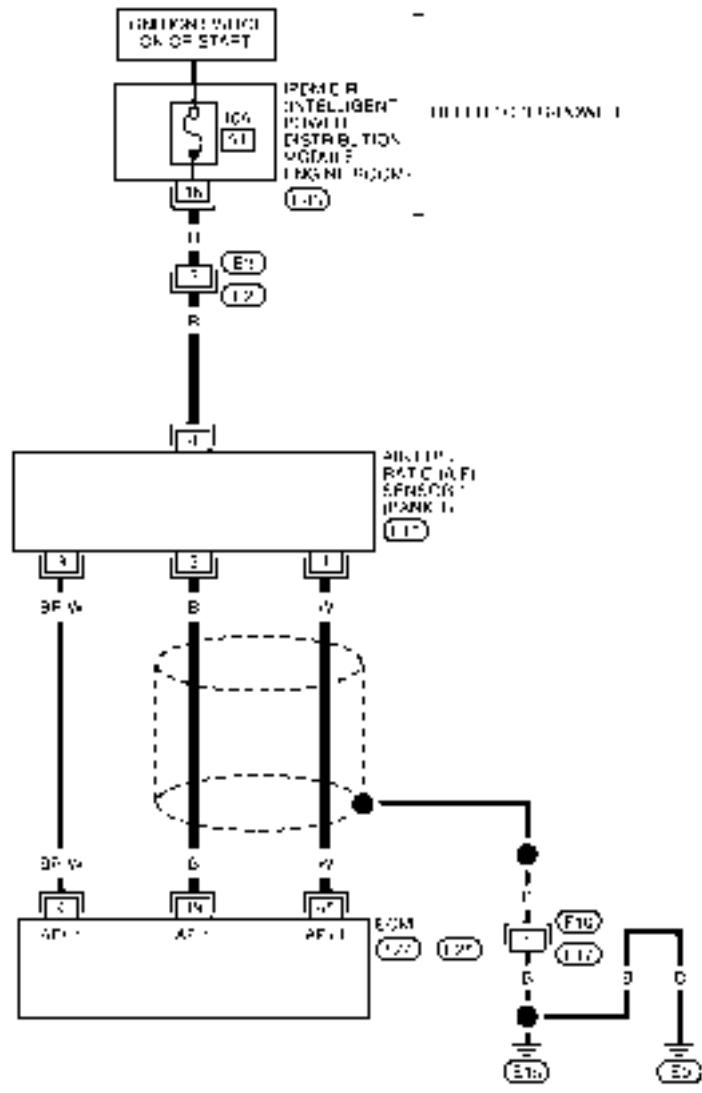
Wiring Diagram

INFOID:000000002994135

BANK 1

EC-AF1B1-01

— DETECTABLE LINE FOR DTC
 — NON-DETECTABLE LINE FOR DTC



BBWA3031E

Specification data are reference values and are measured between each terminal and ground. Pulse signal is measured by CONSULT-III.


CAUTION:

DTC P2A00, P2A03 A/F SENSOR 1

< SERVICE INFORMATION >

[QR]

Do not use ECM ground terminals when measuring input/output voltage. Doing so may result in damage to the ECM's transistor. Use a ground other than ECM terminals, such as the ground.

TERMI- NAL NO.	WIRE COLOR	ITEM	CONDITION	DATA (DC Voltage)
4	BR/W	A/F sensor 1 heater (Bank 1)	[Engine is running] <ul style="list-style-type: none"> • Warm-up condition • Idle speed (More than 140 seconds after starting engine) 	Approximately 2.9 - 8.8V★  <small>PBIA8148J</small>
45	W	A/F sensor 1 (Bank 1)	[Engine is running] <ul style="list-style-type: none"> • Warm-up condition • Engine speed: 2,000 rpm 	Approximately 1.8V Output voltage varies with air fuel ratio.
49	B	A/F sensor 1 (Bank 1)	[Ignition switch: ON]	Approximately 2.2V

★: Average voltage for pulse signal (Actual pulse signal can be confirmed by oscilloscope.)

DTC P2A00, P2A03 A/F SENSOR 1

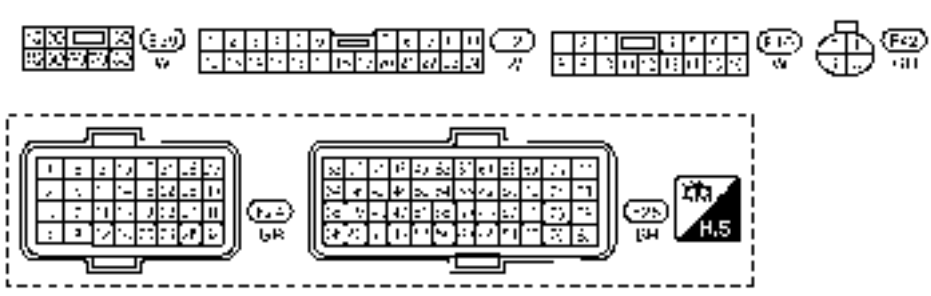
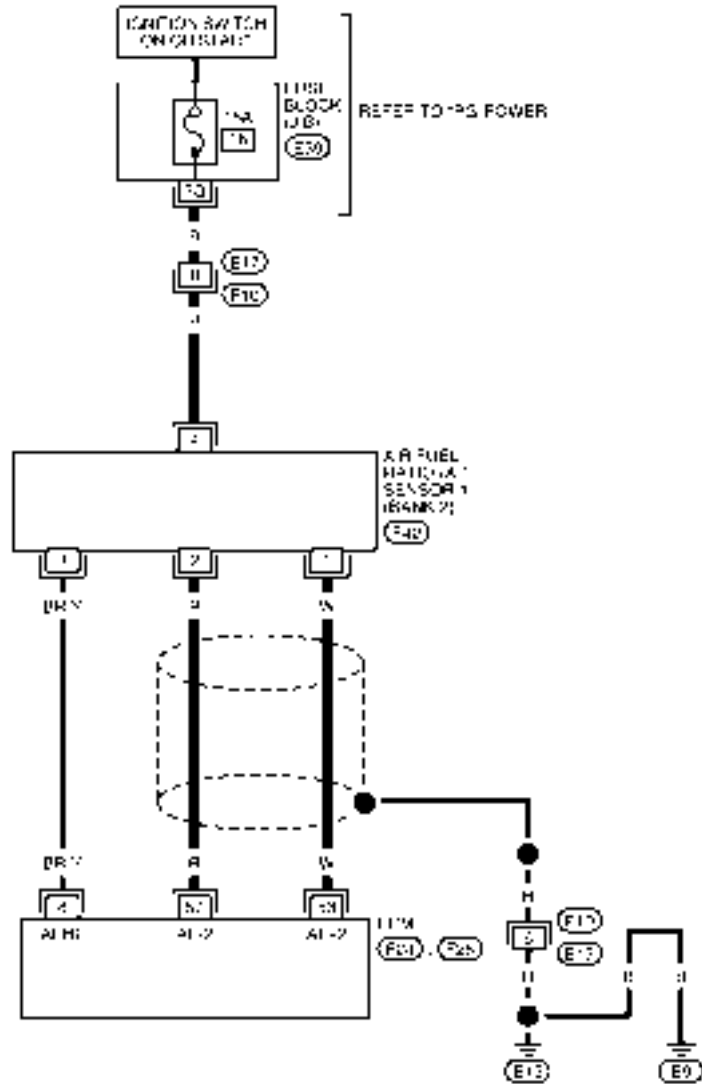
< SERVICE INFORMATION >

[QR]

BANK 2

EC-AF1B2-01

— DETACHABLE LINE CONNECT
 — NON-DETACHABLE LINE CONNECT




BBWA3032E

Specification data are reference values and are measured between each terminal and ground. Pulse signal is measured by CONSULT-III.
CAUTION:
 Do not use ECM ground terminals when measuring input/output voltage. Doing so may result in damage to the ECM's transistor. Use a ground other than ECM terminals, such as the ground.

DTC P2A00, P2A03 A/F SENSOR 1

< SERVICE INFORMATION >

[QR]

TERMINAL NO.	WIRE COLOR	ITEM	CONDITION	DATA (DC Voltage)
8	BR/Y	A/F sensor 1 heater (Bank 2)	[Engine is running] <ul style="list-style-type: none"> • Warm-up condition • Idle speed (More than 140 seconds after starting engine) 	Approximately 2.9 - 8.8V★  <small>PBIA8148J</small>
53	W	A/F sensor 1 (Bank 2)	[Engine is running] <ul style="list-style-type: none"> • Warm-up condition • Engine speed: 2,000 rpm 	Approximately 1.8V Output voltage varies with air fuel ratio.
57	R	A/F sensor 1 (Bank 2)	[Ignition switch: ON]	Approximately 2.2V

★: Average voltage for pulse signal (Actual pulse signal can be confirmed by oscilloscope.)

Diagnosis Procedure

INFOID:000000001850759

1. CHECK GROUND CONNECTIONS

1. Turn ignition switch OFF.
2. Loosen and retighten ground screws on the body.
Refer to [EC-649. "Ground Inspection"](#).



 Vehicle front

1. Body ground E9 (view with front wheel RH and fender protector RH removed.)
2. Washer tank
3. Fuse and fusible link box
4. Body ground E15

OK or NG

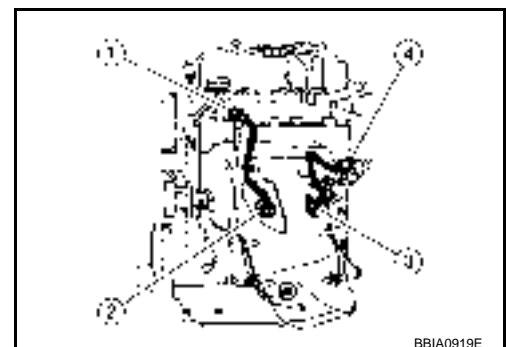
- OK >> GO TO 2.
 NG >> Repair or replace ground connections.

2. RETIGHTEN AIR FUEL RATIO (A/F) SENSOR 1

Loosen and retighten the air fuel ratio (A/F) sensor 1 (2). Refer to [EM-132. "Removal and Installation"](#).

- Air fuel ratio (A/F) sensor 1 (Bank 1) harness connector (1)
- Air fuel ratio (A/F) sensor 1 (Bank 1) (2)
- Air fuel ratio (A/F) sensor 1 (Bank 2) (3)
- Air fuel ratio (A/F) sensor 1 (Bank 2) harness connector (4)

>> GO TO 3.



DTC P2A00, P2A03 A/F SENSOR 1

< SERVICE INFORMATION >

[QR]

3. CHECK FOR INTAKE AIR LEAK

1. Start engine and run it at idle.
2. Listen for an intake air leak after the mass air flow sensor.

OK or NG


- OK >> GO TO 4.
NG >> Repair or replace.

4. CLEAR THE SELF-LEARNING DATA.

With CONSULT-III

1. Start engine and warm it up to normal operating temperature.
2. Select "SELF-LEARNING CONT" in "WORK SUPPORT" mode with CONSULT-III.
3. Clear the self-learning control coefficient by touching "CLEAR".
4. Run engine for at least 10 minutes at idle speed.
5. Check 1st trip DTC.
**Is the 1st trip DTC P0171, P0172, P0174 or P0175 detected? Is it difficult to start engine?
Is it difficult to start engine?**

Without CONSULT-III

1. Start engine and warm it up to normal operating temperature.
2. Turn ignition switch OFF.
3. Disconnect mass air flow sensor (1) harness connector.
-  Vehicle front
4. Restart engine and let it idle for at least 5 seconds.
5. Stop engine and reconnect mass air flow sensor harness connector.
6. Make sure DTC P0102 is displayed.
7. Erase the DTC memory. Refer to [EC-559. "Emission-related Diagnostic Information"](#).
8. Make sure DTC P0000 is displayed.
9. Run engine for at least 10 minutes at idle speed.
**Is the 1st trip DTC P0171, P0172, P0174 or P0175 detected?
Is it difficult to start engine?
Is it difficult to start engine?**



Yes or No

- Yes >> Perform trouble diagnosis for DTC P0171, P0174 or P0172, P0175. Refer to [EC-250](#) or [EC-256](#).
No >> GO TO 5.

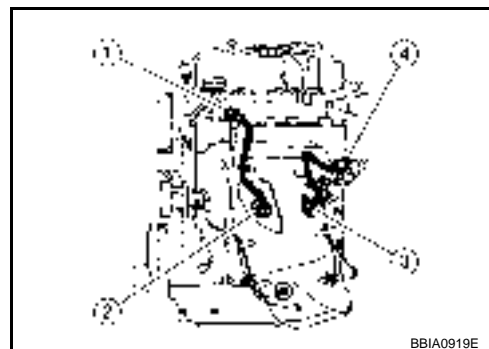
5. CHECK HARNESS CONNECTOR

1. Turn ignition switch OFF.
2. Disconnect air fuel ratio (A/F) sensor 1 harness connector.
- Air fuel ratio (A/F) sensor 1 (Bank 1) harness connector (1)
- Air fuel ratio (A/F) sensor 1 (Bank 1) (2)
- Air fuel ratio (A/F) sensor 1 (Bank 2) (3)
- Air fuel ratio (A/F) sensor 1 (Bank 2) harness connector (4)
3. Check harness connector for water.

Water should no exist.

OK or NG

- OK >> GO TO 6.
NG >> Repair or replace harness connector.



6. CHECK AIR FUEL RATIO (A/F) SENSOR 1 POWER SUPPLY CIRCUIT

1. Turn ignition switch ON.

DTC P2A00, P2A03 A/F SENSOR 1

[QR]

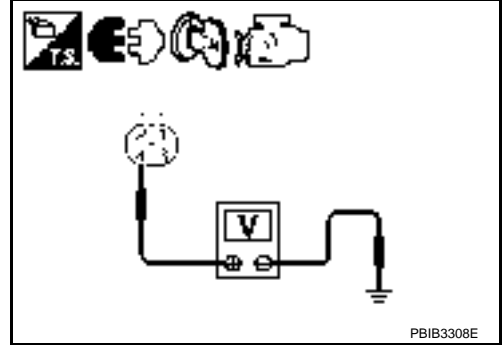
< SERVICE INFORMATION >

2. Check voltage between A/F sensor 1 terminal 4 and ground with CONSULT-III or tester.

Voltage: Battery voltage

OK or NG

- OK >> GO TO 8.
NG >> GO TO 7.



7. DETECT MALFUNCTIONING PART

Check the following.

- Harness connectors E3, F2 (Bank 1)
- Harness connectors E17, F10 (Bank 2)
- Fuse block (J/B) connector E43 (Bank 1)
- Fuse block (J/B) connector E39 (Bank 2)
- 10A fuse (Bank 1)
- 15A fuse (Bank 2)
- Harness for open or short between A/F sensor 1 and fuse

>> Repair or replace harness or connectors.

8. CHECK A/F SENSOR 1 INPUT SIGNAL CIRCUIT FOR OPEN AND SHORT

1. Turn ignition switch OFF.
2. Disconnect ECM harness connector.
3. Check harness continuity between the following terminals. Refer to Wiring Diagram.

Bank	A/F sensor 1 terminal	ECM terminal
1	1	45
	2	49
2	1	53
	2	57

Continuity should exist.

4. Check harness continuity between the following terminals and ground. Refer to Wiring Diagram.

Bank 1		Bank 2	
A/F sensor terminal	ECM terminal	A/F sensor terminal	ECM terminal
1	45	1	53
2	49	2	57

Continuity should not exist.

5. Also check harness for short to power.

OK or NG

- OK >> GO TO 9.
NG >> Repair open circuit or short to ground or short to power in harness or connectors.

9. CHECK A/F SENSOR 1 HEATER

Refer to [EC-662, "Component Inspection"](#).

OK or NG

- OK >> GO TO 10.

DTC P2A00, P2A03 A/F SENSOR 1

< SERVICE INFORMATION >

[QR]

NG >> GO TO 11.

10. CHECK INTERMITTENT INCIDENT

Perform [EC-643](#).

OK or NG

OK >> GO TO 11.

NG >> Repair or replace.

11. REPLACE AIR FUEL RATIO (A/F) SENSOR 1

Replace malfunctioning air fuel ratio (A/F) sensor 1.

CAUTION:

- Discard any air fuel ratio (A/F) sensor which has been dropped from a height of more than 0.5 m (19.7 in) onto a hard surface such as a concrete floor; use a new one.
- Before installing new air fuel ratio (A/F) sensor, clean exhaust system threads using Heated Oxygen Sensor Thread Cleaner tool J-43897-18 or J-43897-12 and approved anti-seize lubricant.

>> GO TO 12.

12. CONFIRM A/F ADJUSTMENT DATA

1. Turn ignition switch ON.
2. Select "A/F ADJ-B1" and "A/F ADJ-B2" in "DATA MONITOR" mode with CONSULT-III.
3. Make sure that "0.000" is displayed on CONSULT-III screen.

OK or NG

OK >> **INSPECTION END**

NG >> GO TO 13.

13. CLEAR THE SELF-LEARNING DATA

With CONSULT-III

1. Start engine and warm it up to normal operating temperature.
2. Select "SELF-LEARNING CONT" in "WORK SUPPORT" mode with CONSULT-III.
3. Clear the self-learning control coefficient by touching "CLEAR".

Without CONSULT-III

1. Start engine and warm it up to normal operating temperature.
2. Turn ignition switch OFF.
3. Disconnect mass air flow sensor harness (1) connector.
 - ◀: Vehicle front
4. Restart engine and let it idle for at least 5 seconds.
5. Stop engine and reconnect mass air flow sensor harness connector.
6. Make sure DTC P0102 is displayed.
7. Erase the DTC memory. Refer to [EC-559](#), "Emission-related Diagnostic Information".
8. Make sure DTC P0000 is displayed.

>> GO TO 14.

14. CONFIRM A/F ADJUSTMENT DATA

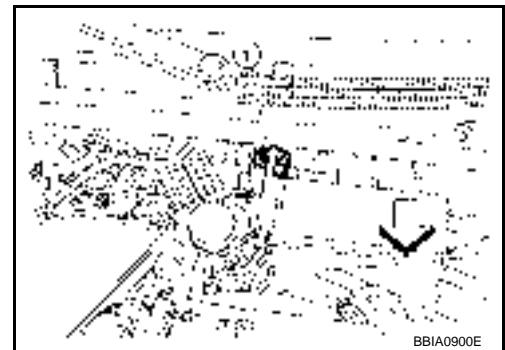
1. Turn ignition switch OFF and then ON.
2. Select "A/F ADJ-B1" and "A/F ADJ-B2" in "DATA MONITOR" mode with CONSULT-III.
3. Make sure that "0.000" is displayed on CONSULT-III screen.

>> **INSPECTION END**

Removal and Installation

AIR FUEL RATIO SENSOR

Refer to [EM-132](#).



ASCD BRAKE SWITCH

< SERVICE INFORMATION >

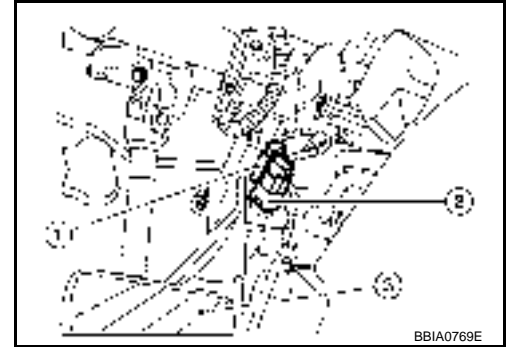
[QR]

ASCD BRAKE SWITCH

Component Description

INFOID:000000001850761

When depress on the brake pedal, ASCD brake switch (1) is turned OFF and stop lamp switch (2) is turned ON. ECM detects the state of the brake pedal (3) by this input of two kinds (ON/OFF signal)
Refer to [EC-541](#) for the ASCD function.



CONSULT-III Reference Value in Data Monitor Mode

INFOID:000000001850762

Specification data are reference values.

MONITOR ITEM	CONDITION	SPECIFICATION
BRAKE SW1 (ASCD brake switch)	<ul style="list-style-type: none"> Ignition switch: ON 	<ul style="list-style-type: none"> Brake pedal: Fully released (CVT) Brake pedal and clutch pedal: Fully released (M/T) ON
		<ul style="list-style-type: none"> Brake pedal: Slightly depressed (CVT) Brake pedal and/or clutch pedal: Slightly depressed (M/T) OFF
BRAKE SW2 (Stop lamp switch)	<ul style="list-style-type: none"> Ignition switch: ON 	Brake pedal: Fully released OFF
		Brake pedal: Slightly depressed ON

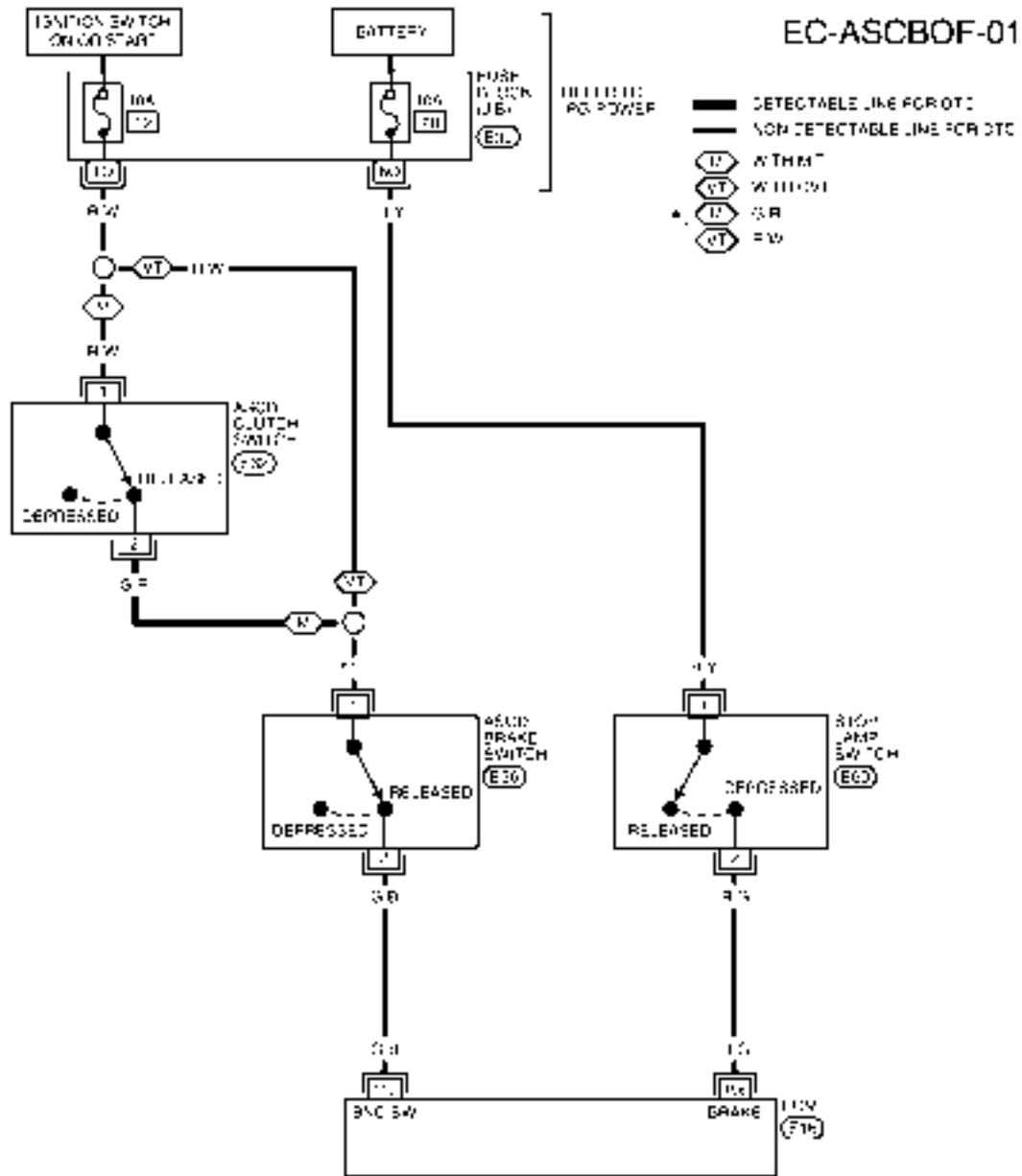
ASCD BRAKE SWITCH

< SERVICE INFORMATION >

[QR]

Wiring Diagram

INFOID:00000002994141



BBWA3060E

Specification data are reference values and are measured between each terminal and ground.

CAUTION:

Do not use ECM ground terminals when measuring input/output voltage. Doing so may result in damage to the ECM's transistor. Use a ground other than ECM terminals, such as the ground.

ASCD BRAKE SWITCH

< SERVICE INFORMATION >

[QR]

TERMI- NAL NO.	WIRE COLOR	ITEM	CONDITION	DATA (DC Voltage)
106	R/G	Stop lamp switch	[Ignition switch: ON] • Brake pedal: Fully released	Approximately 0V
			[Ignition switch: ON] • Brake pedal: Slightly depressed	BATTERY VOLTAGE (11 - 14V)
110	G/B	ASCD brake switch	[Ignition switch: ON] • Brake pedal: Slightly depressed (CVT) • Brake pedal and/or clutch pedal: Slightly depressed (M/T)	Approximately 0V
			[Ignition switch: ON] • Brake pedal: Fully released (CVT) • Brake pedal and clutch pedal: Fully released (M/T)	BATTERY VOLTAGE (11 - 14V)

Diagnosis Procedure

INFOID:000000001850764

1. CHECK OVERALL FUNCTION-I

With CONSULT-III

- Turn ignition switch ON.
- Select "BRAKE SW1" in "DATA MONITOR" mode with CONSULT-III.
- Check "BRAKE SW1" indication under the following conditions.

M/T models

CONDITION	INDICATION
Clutch pedal and/or brake pedal: Slightly depressed	OFF
Clutch pedal and brake pedal: Fully released	ON

CVT models

CONDITION	INDICATION
Brake pedal: Slightly depressed	OFF
Brake pedal: Fully released	ON

Without CONSULT-III

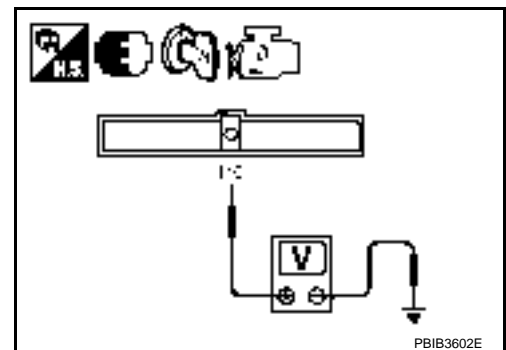
- Turn ignition switch ON.
- Check voltage between ECM terminal 110 and ground under the following conditions.

M/T models

CONDITION	VOLTAGE
Clutch pedal and/or brake pedal: Slightly depressed	Approximately 0V
Clutch pedal and brake pedal: Fully released	Battery voltage

CVT models

CONDITION	VOLTAGE
Brake pedal: Slightly depressed	Approximately 0V
Brake pedal: Fully released	Battery voltage



OK or NG

- OK >> GO TO 2.
NG >> GO TO 3.

2. CHECK OVERALL FUNCTION-II

With CONSULT-III

Check "BRAKE SW2" indication in "DATA MONITOR" mode.

ASCD BRAKE SWITCH

< SERVICE INFORMATION >

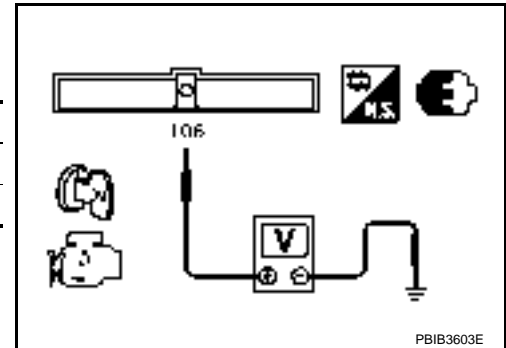
[QR]

CONDITION	INDICATION
Brake pedal: Fully released	OFF
Brake pedal: Slightly depressed	ON

X Without CONSULT-III

Check voltage between ECM terminal 106 and ground under the following conditions.

CONDITION	VOLTAGE
Brake pedal: Fully released	Approximately 0V
Brake pedal: Slightly depressed	Battery voltage



OK or NG

- OK >> **INSPECTION END**
- NG >> GO TO 11.

3. CHECK ASCD BRAKE SWITCH POWER SUPPLY

1. Turn ignition switch OFF.
2. Disconnect ASCD brake switch (1) harness connector.
 - Stop lamp switch (2)
 - Brake pedal (3)
3. Turn ignition switch ON.

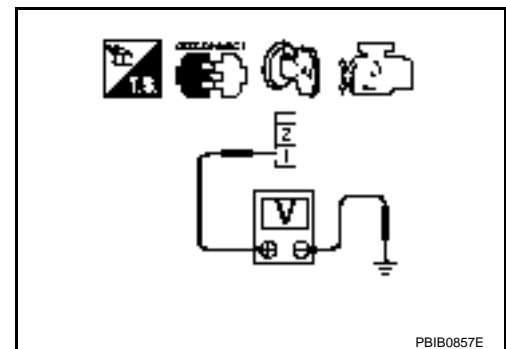


4. Check voltage between ASCD brake switch terminal 1 and ground with CONSULT-III or tester.

Voltage : Battery voltage

OK or NG

- OK >> GO TO 8.
- NG (M/T models) >>GO TO 4.
- NG (CVT models)>>GO TO 6.



4. CHECK ASCD CLUTCH SWITCH POWER SUPPLY CIRCUIT

1. Turn ignition switch OFF.

ASCD BRAKE SWITCH

[QR]

< SERVICE INFORMATION >

2. Disconnect ASCD clutch switch (1) harness connector.
 - Clutch pedal (2)
3. Turn ignition switch ON.

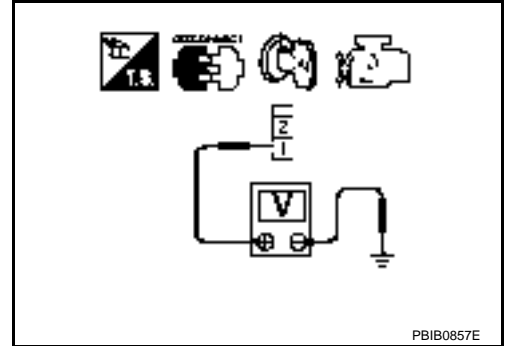


4. Check voltage between ASCD clutch switch terminal 1 and ground with CONSULT-III or tester.

Voltage: Battery voltage

OK or NG

- OK >> GO TO 7.
- NG >> GO TO 5.



5. DETECT MALFUNCTIONING PART

Check the following.

- 10A fuse
- Harness for open or short between ASCD clutch switch and fuse

>> Repair open circuit or short to ground or short to power in harness or connectors.

6. DETECT MALFUNCTIONING PART

Check the following.

- 10A fuse
- Harness for open or short between ASCD brake switch and fuse

>> Repair open circuit or short to ground or short to power in harness or connectors.

7. CHECK ASCD CLUTCH SWITCH INPUT SIGNAL CIRCUIT FOR OPEN AND SHORT

1. Turn ignition switch OFF.
2. Check harness continuity between ASCD brake switch terminal 1 and ASCD clutch switch terminal 2. Refer to Wiring Diagram.

Continuity should exist.

3. Also check harness for short to ground and short to power.

OK or NG

- OK >> GO TO 10.
- NG >> Repair open circuit or short to ground or short to power in harness or connectors.

8. CHECK ASCD BRAKE SWITCH INPUT SIGNAL CIRCUIT FOR OPEN AND SHORT

1. Turn ignition switch OFF.
2. Disconnect ECM harness connector.
3. Check harness continuity between ECM terminal 110 and ASCD brake switch terminal 2. Refer to Wiring Diagram.

Continuity should exist.

4. Also check harness for short to ground and short to power.

ASCD BRAKE SWITCH

[QR]

< SERVICE INFORMATION >

OK or NG

OK >> GO TO 9.

NG >> Repair open circuit or short to ground or short to power in harness or connectors.

9. CHECK ASCD BRAKE SWITCH

Refer to [EC-960, "Component Inspection"](#).

OK or NG

OK >> GO TO 15.

NG >> Replace ASCD brake switch.

10. CHECK ASCD CLUTCH SWITCH

Refer to [EC-960, "Component Inspection"](#).

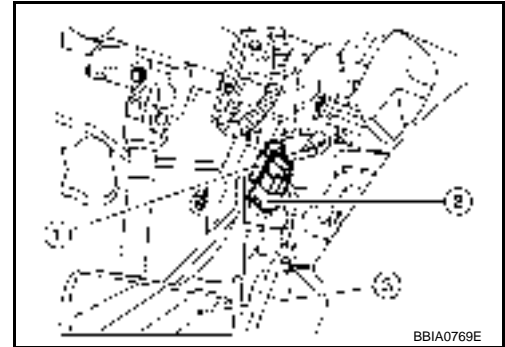
OK or NG

OK >> GO TO 15.

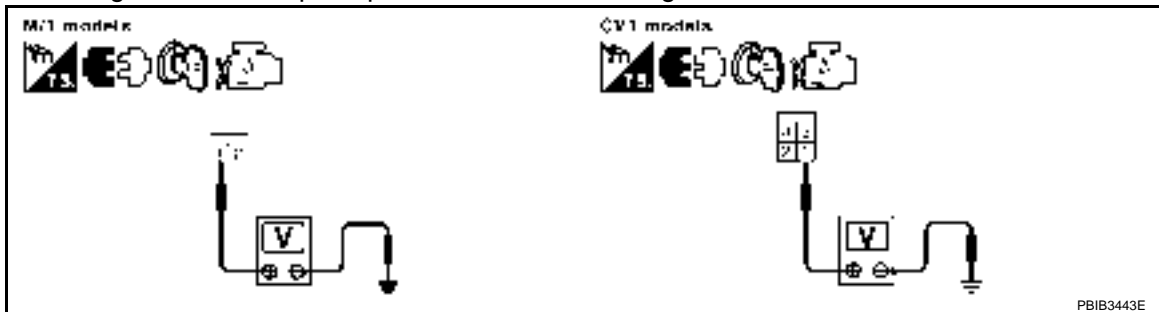
NG >> Replace ASCD clutch switch.

11. CHECK STOP LAMP SWITCH POWER SUPPLY CIRCUIT

1. Turn ignition switch OFF.
2. Disconnect stop lamp switch (2) harness connector.
 - ASCD brake switch (1)
 - Brake pedal (3)



3. Check voltage between stop lamp switch terminal 1 and ground with CONSULT -III or tester.



Voltage: Battery voltage

OK or NG

OK >> GO TO 13.

NG >> GO TO 12.

12. DETECT MALFUNCTIONING PART

Check the following.

- 10A fuse
- Harness for open or short between stop lamp switch and battery

>> Repair open circuit or short to ground or short to power in harness or connectors.

13. CHECK STOP LAMP SWITCH INPUT SIGNAL CIRCUIT FOR OPEN AND SHORT

1. Disconnect ECM harness connector.
2. Check harness continuity between ECM terminal 106 and stop lamp switch terminal 2.
Refer to Wiring Diagram.

ASCD BRAKE SWITCH

< SERVICE INFORMATION >

[QR]

Continuity should exist.

3. Also check harness for short to ground and short to power.

OK or NG

OK >> GO TO 14.

NG >> Repair open circuit or short to ground or short to power in harness or connectors.

14.CHECK STOP LAMP SWITCH

Refer to [EC-960, "Component Inspection"](#)

OK or NG

OK >> GO TO 15.

NG >> Replace stop lamp switch.

15.CHECK INTERMITTENT INCIDENT

Refer to [EC-643](#).

>> **INSPECTION END**

Component Inspection

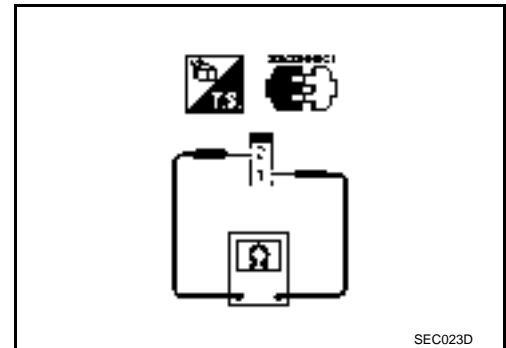
INFOID:000000001850765

ASCD BRAKE SWITCH

1. Turn ignition switch OFF.
2. Disconnect ASCD brake switch harness connector.
3. Check continuity between ASCD brake switch terminals 1 and 2 under the following conditions.

Condition	Continuity
Brake pedal: Fully released.	Should exist.
Brake pedal: Slightly depressed.	Should not exist.

If NG, adjust ASCD brake switch installation, refer to [BR-5](#), and perform step 3 again.

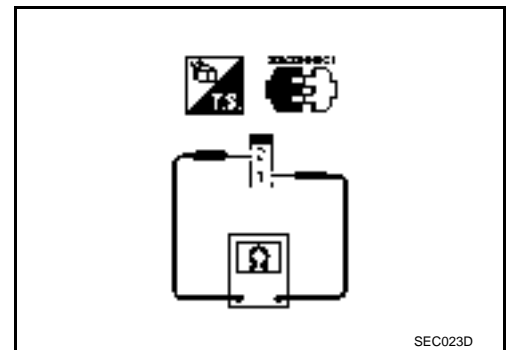


ASCD CLUTCH SWITCH

1. Turn ignition switch OFF.
2. Disconnect ASCD clutch switch harness connector.
3. Check continuity between ASCD clutch switch terminals 1 and 2 under the following conditions.

Condition	Continuity
Clutch pedal: Fully released.	Should exist.
Clutch pedal: Slightly depressed.	Should not exist.

If NG, adjust ASCD clutch switch installation, refer to [CL-5](#), and perform step 3 again.



STOP LAMP SWITCH

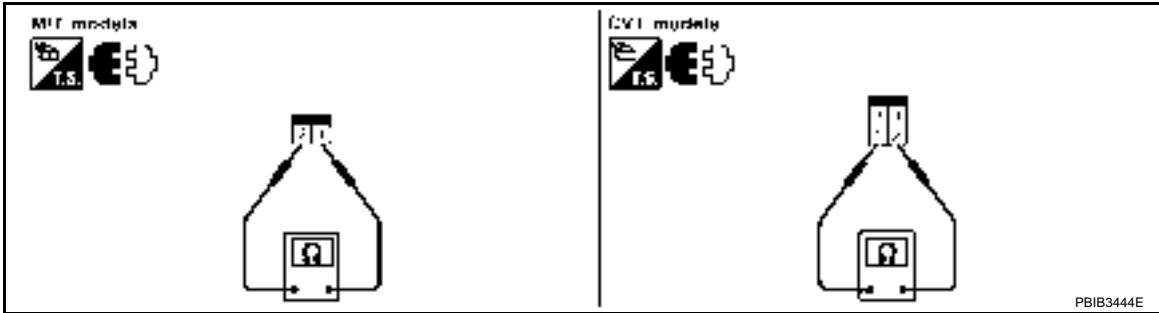
1. Turn ignition switch OFF.
2. Disconnect stop lamp switch harness connector.

ASCD BRAKE SWITCH

< SERVICE INFORMATION >

[QR]

3. Check continuity between stop lamp switch terminals 1 and 2 under the following conditions.



Condition	Continuity
Brake pedal: Fully released.	Should not exist.
Brake pedal: Slightly depressed.	Should exist.

If NG, adjust stop lamp switch installation, refer to [BR-5](#), and perform step 3 again.

A

EC

C

D

E

F

G

H

I

J

K

L

M

N

O

P

ASCD INDICATOR

< SERVICE INFORMATION >

[QR]

ASCD INDICATOR

Component Description

INFOID:000000001850766

ASCD indicator lamp illuminates to indicate ASCD operation status. Lamp has two indicators, CRUISE and SET, and is integrated in combination meter.

CRUISE indicator illuminates when MAIN switch on ASCD steering switch is turned ON to indicate that ASCD system is ready for operation.

SET indicator illuminates when following conditions are met.

- CRUISE indicator is illuminated.
- SET/COAST switch on ASCD steering switch is turned ON while vehicle speed is within the range of ASCD setting.

SET indicator remains lit during ASCD control.

Refer to [EC-541](#) for the ASCD function.

CONSULT-III Reference Value in Data Monitor Mode

INFOID:000000001850767

Specification data are reference value.

MONITOR ITEM	CONDITION		SPECIFICATION
CRUISE LAMP	• Ignition switch: ON	MAIN switch: Pressed at 1st time → 2nd	ON → OFF
SET LAMP	• MAIN switch: ON • Vehicle: Between 40 km/h (25 MPH) and 144 km/h (89 MPH)	ASCD: Operating	ON
		ASCD: Not operating	OFF

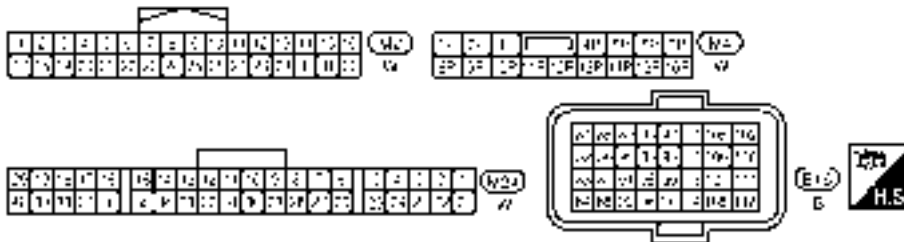
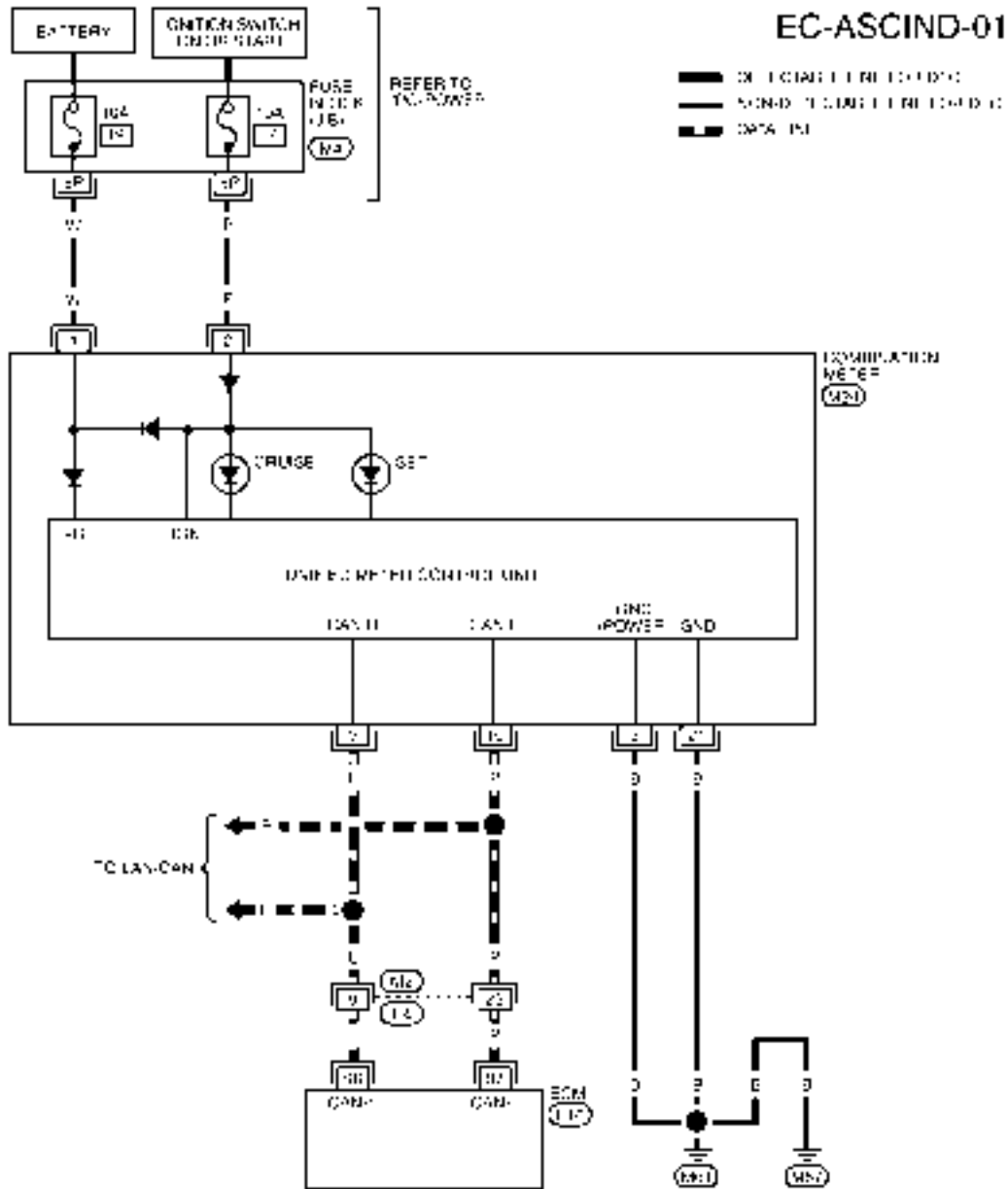
ASCD INDICATOR

< SERVICE INFORMATION >

[QR]

Wiring Diagram

INFOID:000000001850768



BBWA3061E

Diagnosis Procedure

1. CHECK OVERALL FUNCTION

Check ASCD indicator under the following conditions.

INFOID:000000001850769

ASCD INDICATOR

< SERVICE INFORMATION >

[QR]

ASCD INDICATOR	CONDITION		SPECIFICATION
CRUISE LAMP	• Ignition switch: ON	MAIN switch: Pressed at 1st time → 2nd	ON → OFF
SET LAMP	• MAIN switch: ON • Vehicle: Between 40 km/h (25 MPH) and 144 km/h (89 MPH)	ASCD: Operating	ON
		ASCD: Not operating	OFF

OK or NG

OK >> **INSPECTION END**

NG >> GO TO 2.

2.CHECK DTC

Check that DTC U1000 or U1001 is not displayed.

Yes or No

Yes >> Perform trouble diagnoses for DTC U1000, U1001, refer to [EC-650](#).

No >> GO TO 3.

3.CHECK COMBINATION METER OPERATION

Does combination meter operate normally?

Yes or No

Yes >> GO TO 4.

No >> Check combination meter circuit. Refer to [DI-5](#).

4.CHECK INTERMITTENT INCIDENT

Refer to [EC-643](#).

>> **INSPECTION END**

ELECTRICAL LOAD SIGNAL

< SERVICE INFORMATION >

[QR]

ELECTRICAL LOAD SIGNAL

CONSULT-III Reference Value in Data Monitor Mode

INFOID:000000001850770

Specification data are reference values.

MONITOR ITEM	CONDITION		SPECIFICATION
LOAD SIGNAL	• Ignition switch: ON	Rear window defogger switch is ON and/or lighting switch is in 2nd position.	ON
		Rear window defogger switch is OFF and lighting switch is OFF.	OFF
HEATER FAN SW	• Ignition switch: ON	Heater fan: Operating.	ON
		Heater fan: Not operating.	OFF

Diagnosis Procedure

INFOID:000000001850771

1. CHECK LOAD SIGNAL CIRCUIT OVERALL FUNCTION-I

1. Turn ignition switch ON.
2. Check "LOAD SIGNAL" in "DATA MONITOR" mode with CONSULT-III under the following conditions.

Condition	LOAD SIGNAL
Lighting switch: ON at 2nd position	ON
Lighting switch: OFF	OFF

OK or NG

- OK >> GO TO 2.
NG >> GO TO 4.

2. CHECK LOAD SIGNAL CIRCUIT OVERALL FUNCTION-II

Check "LOAD SIGNAL" in "DATA MONITOR" mode with CONSULT-III under the following conditions.

Condition	LOAD SIGNAL
Rear window defogger switch: ON	ON
Rear window defogger switch: OFF	OFF

OK or NG

- OK >> GO TO 3.
NG >> GO TO 5.

3. CHECK HEATER FAN SIGNAL CIRCUIT OVERALL FUNCTION

Check "HEATER FAN SW" in "DATA MONITOR" mode with CONSULT-III under the following conditions.

Condition	LOAD SIGNAL
Heater fan control switch: ON	ON
Heater fan control switch: OFF	OFF

OK or NG

- OK >> **INSPECTION END.**
NG >> GO TO 6.

4. CHECK HEADLAMP SYSTEM

Refer to [LT-4](#) or [LT-25](#).

>> **INSPECTION END**

5. CHECK REAR WINDOW DEFOGGER SYSTEM

ELECTRICAL LOAD SIGNAL

< SERVICE INFORMATION >

[QR]

Refer to [GW-76](#).

>> **INSPECTION END**

6.CHECK HEATER FAN CONTROL SYSTEM

Refer to [MTC-27](#).

>> **INSPECTION END**

FUEL INJECTOR

< SERVICE INFORMATION >

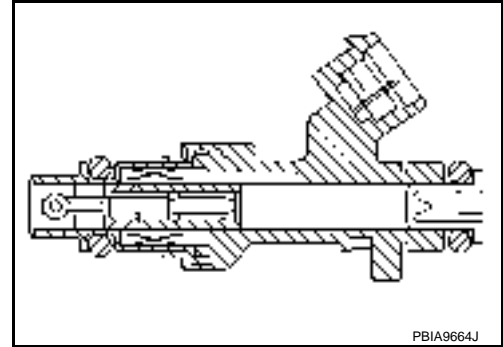
[QR]

FUEL INJECTOR

Component Description

INFOID:000000001850772

The fuel injector is a small, precise solenoid valve. When the ECM supplies a ground to the fuel injector circuit, the coil in the fuel injector is energized. The energized coil pulls the ball valve back and allows fuel to flow through the fuel injector into the intake manifold. The amount of fuel injected depends upon the injection pulse duration. Pulse duration is the length of time the fuel injector remains open. The ECM controls the injection pulse duration based on engine fuel needs.



CONSULT-III Reference Value in Data Monitor Mode

INFOID:000000001850773

Specification data are reference values.

MONITOR ITEM	CONDITION		SPECIFICATION
B/FUEL SCHDL	See EC-635 .		
INJ PULSE-B1	<ul style="list-style-type: none">Engine: After warming upAir conditioner switch: OFF	Idle	2.0 - 3.0 msec
INJ PULSE-B2	<ul style="list-style-type: none">Shift lever: P or N (CVT), Neutral (M/T)No load	2,000 rpm	1.9 - 2.9 msec

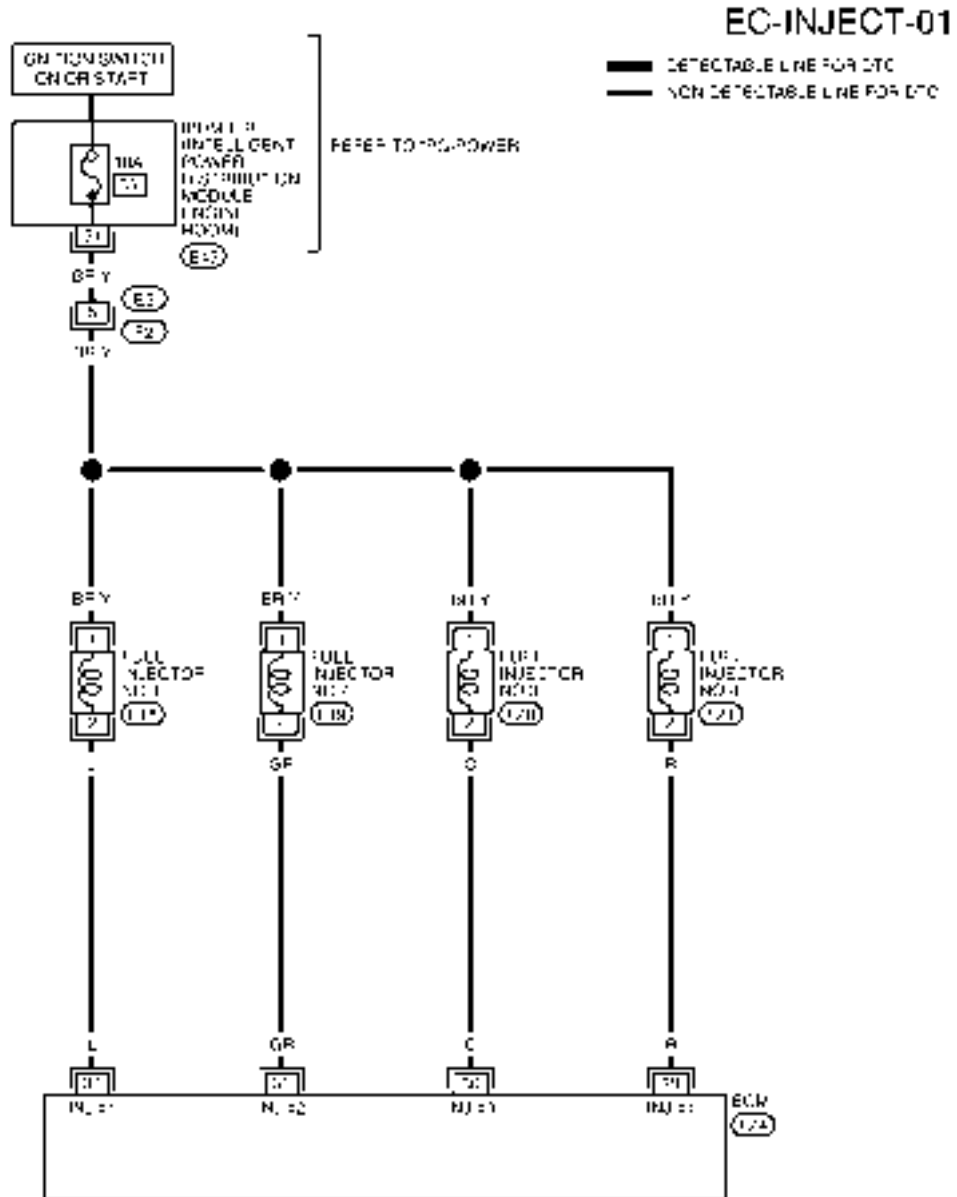
FUEL INJECTOR

< SERVICE INFORMATION >

[QR]

Wiring Diagram

INFOID:00000002994142



BBWA3062E

Specification data are reference values and are measured between each terminal and ground. Pulse signal is measured by CONSULT-III.

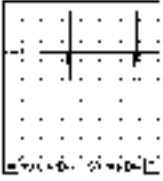
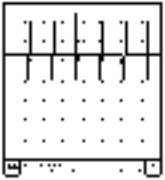
CAUTION:

FUEL INJECTOR

< SERVICE INFORMATION >

[QR]

Do not use ECM ground terminals when measuring input/output voltage. Doing so may result in damage to the ECM's transistor. Use a ground other than ECM terminals, such as the ground.

TERMI- NAL NO.	WIRE COLOR	ITEM	CONDITION	DATA (DC Voltage)
29	R	Fuel injector No. 4	[Engine is running] • Warm-up condition • Idle speed NOTE: The pulse cycle changes depending on rpm at idle	BATTERY VOLTAGE (11 - 14V)★ 
30	O	Fuel injector No. 3		BATTERY VOLTAGE (11 - 14V)★ 
31	GR	Fuel injector No. 2		
32	L	Fuel injector No. 1		

★: Average voltage for pulse signal (Actual pulse signal can be confirmed by oscilloscope.)

Diagnosis Procedure

INFOID:000000001850775

1. INSPECTION START

Turn ignition switch to START.

Is any cylinder ignited?

Yes or No

- Yes >> GO TO 2.
- No >> GO TO 3.

2. CHECK OVERALL FUNCTION

▮ **With CONSULT-III**

1. Start engine.
2. Perform "POWER BALANCE" in "ACTIVE TEST" mode with CONSULT-III.
3. Make sure that each circuit produces a momentary engine speed drop.

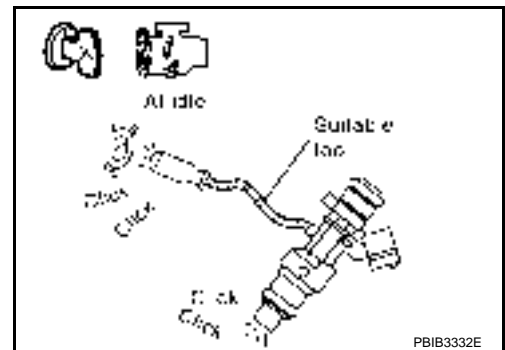
✕ **Without CONSULT-III**

1. Start engine.
2. Listen to each fuel injector operating sound.

Clicking noise should be heard.

OK or NG

- OK >> **INSPECTION END**
- NG >> GO TO 3.



3. CHECK FUEL INJECTOR POWER SUPPLY CIRCUIT

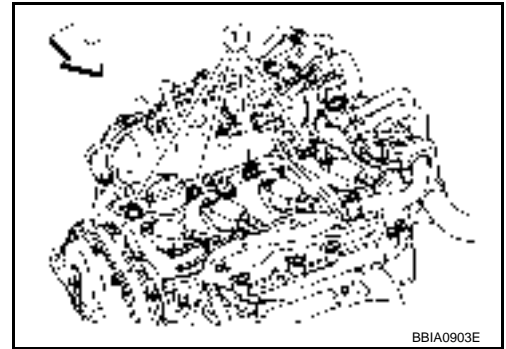
1. Turn ignition switch OFF.

FUEL INJECTOR

[QR]

< SERVICE INFORMATION >

2. Disconnect fuel injector harness connector (1).
 - ↙: Vehicle front
3. Turn ignition switch ON.

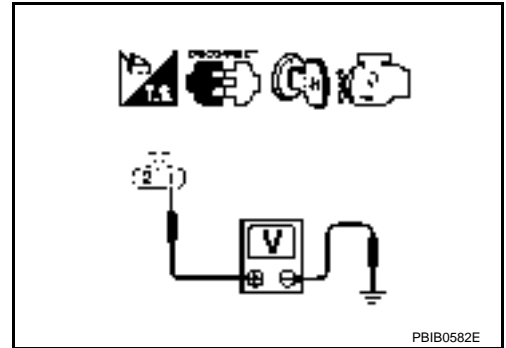


4. Check voltage between fuel injector terminal 1 and ground with CONSULT-III or tester.

Voltage: Battery voltage

OK or NG

- OK >> GO TO 5.
- NG >> GO TO 4.



4. DETECT MALFUNCTIONING PART

Check the following.

- Harness connectors E3, F2
- 10A fuse
- Harness for open or short between fuel injector and fuse

>> Repair open circuit or short to ground or short to power in harness or connectors.

5. CHECK FUEL INJECTOR OUTPUT SIGNAL CIRCUIT FOR OPEN AND SHORT

1. Turn ignition switch OFF.
2. Disconnect ECM harness connector.
3. Check harness continuity between fuel injector terminal 2 and ECM terminals 29, 30, 31, 32. Refer to Wiring Diagram.

Continuity should exist.

4. Also check harness for short to ground and short to power.

OK or NG

- OK >> GO TO 6.
- NG >> Repair open circuit or short to ground or short to power in harness or connectors.

6. CHECK FUEL INJECTOR

Refer to [EC-1037, "Component Inspection"](#).

OK or NG

- OK >> GO TO 7.
- NG >> Replace malfunctioning fuel injector.

7. CHECK INTERMITTENT INCIDENT

Refer to [EC-643](#).

>> **INSPECTION END**

FUEL INJECTOR

< SERVICE INFORMATION >

[QR]

Component Inspection

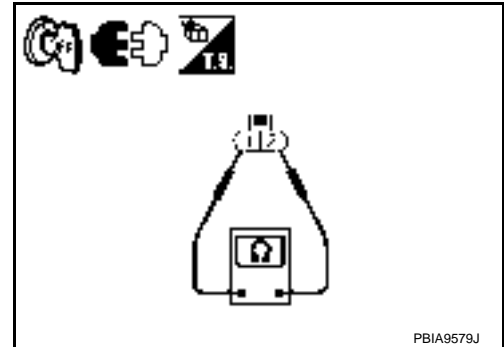
INFOID:000000001850776

FUEL INJECTOR

1. Disconnect fuel injector harness connector.
2. Check resistance between terminals as shown in the figure.

Resistance: 10.4 - 15.3Ω [at 10 - 60°C (50 - 140°F)]

3. If NG, replace fuel injector.



INFOID:000000001850777

Removal and Installation

FUEL INJECTOR

Refer to [EM-140](#).

A

EC

C

D

E

F

G

H

I

J

K

L

M

N

O

P

FUEL PUMP

< SERVICE INFORMATION >

[QR]

FUEL PUMP

Description

INFOID:000000001850778

SYSTEM DESCRIPTION

Sensor	Input Signal to ECM	ECM Function	Actuator
Crankshaft position sensor (POS) Camshaft position sensor (PHASE)	Engine speed*	Fuel pump control	Fuel pump relay
Battery	Battery voltage*		

*: ECM determines the start signal status by the signals of engine speed and battery voltage.

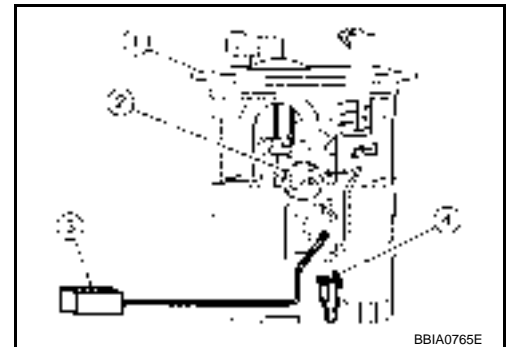
The ECM activates the fuel pump for several seconds after the ignition switch is turned ON to improve engine startability. If the ECM receives a engine speed signal from the crankshaft position sensor (POS) and camshaft position sensor (PHASE), it knows that the engine is rotating, and causes the pump to operate. If the engine speed signal is not received when the ignition switch is ON, the engine stalls. The ECM stops pump operation and prevents battery discharging, thereby improving safety. The ECM does not directly drive the fuel pump. It controls the ON/OFF fuel pump relay, which in turn controls the fuel pump.

Condition	Fuel pump operation
Ignition switch is turned to ON	Operates for 1 second
Engine running and cranking	Operates
Engine: Stopped	Stops in 1.5 seconds
Except as shown above	Stops

COMPONENT DESCRIPTION

A turbine type design fuel pump is used in the fuel tank.

- Fuel level sensor unit and fuel pump (1)
- Fuel pressure regulator (2)
- Fuel level sensor (3)
- Fuel tank temperature sensor (4)



CONSULT-III Reference Value in Data Monitor Mode

INFOID:000000001850779

Specification data are reference values.

MONITOR ITEM	CONDITION	SPECIFICATION
FUEL PUMP RLY	<ul style="list-style-type: none"> • For 1 second after turning ignition switch ON • Engine running or cranking 	ON
	<ul style="list-style-type: none"> • Except above conditions 	OFF

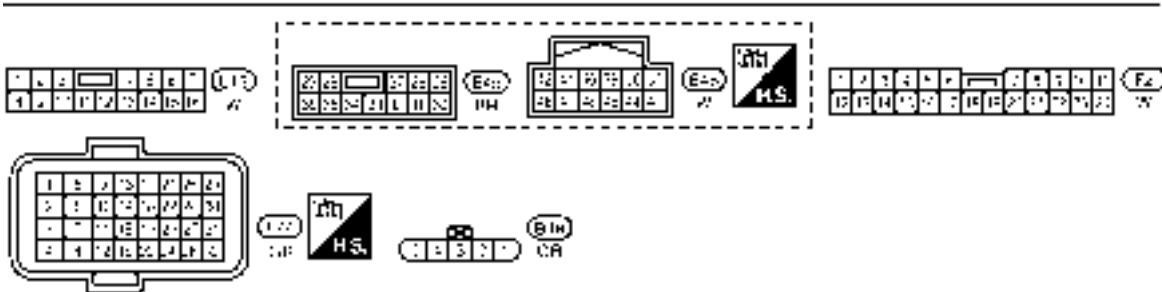
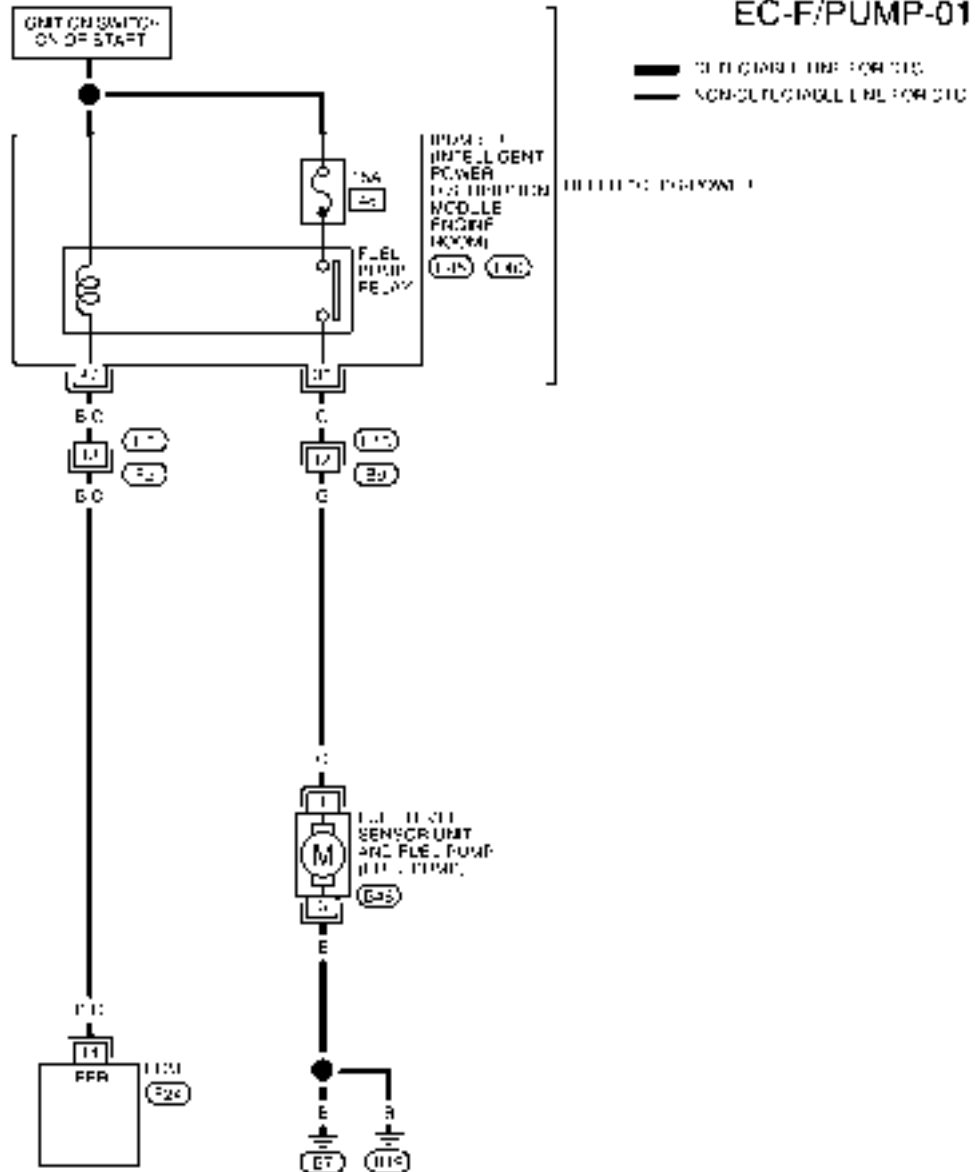
FUEL PUMP

< SERVICE INFORMATION >

[QR]

Wiring Diagram

INFOID:000000001850780



BBWA3063E

Specification data are reference values and are measured between each terminal and ground.

CAUTION:

Do not use ECM ground terminals when measuring input/output voltage. Doing so may result in damage to the ECM's transistor. Use a ground other than ECM terminals, such as the ground.

FUEL PUMP

< SERVICE INFORMATION >

[QR]

TERMI- NAL NO.	WIRE COLOR	ITEM	CONDITION	DATA (DC Voltage)
14	B/O	Fuel pump relay	[Ignition switch: ON] • For 1 second after turning ignition switch ON [Engine is running]	0 - 1.0V
			[Ignition switch: ON] • More than 1 second after turning ignition switch ON	BATTERY VOLTAGE (11 - 14V)

Diagnosis Procedure

INFOID:000000001850781

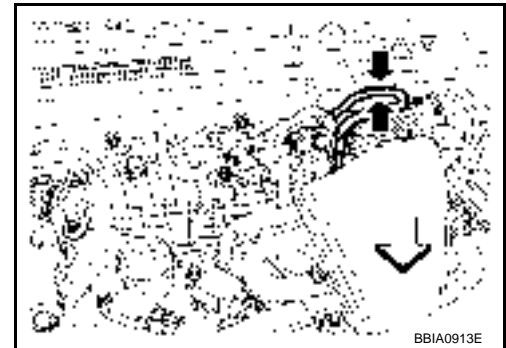
1. CHECK OVERALL FUNCTION

1. Turn ignition switch ON.
2. Pinch fuel feed hose (1) with two fingers.
- ↙: Vehicle front

Fuel pressure pulsation should be felt on the fuel feed hose for 1 second after ignition switch is turned ON.

OK or NG

- OK >> **INSPECTION END**
NG >> GO TO 2.



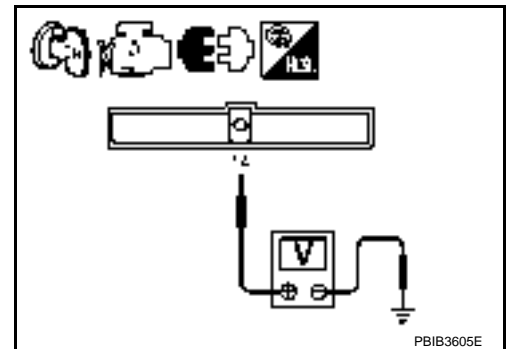
2. CHECK FUEL PUMP POWER SUPPLY CIRCUIT-I

1. Turn ignition switch OFF.
2. Disconnect ECM harness connector.
3. Turn ignition switch ON.
4. Check voltage between ECM terminal 14 and ground with CONSULT-III or tester.

Voltage: Battery voltage

OK or NG

- OK >> GO TO 5.
NG >> GO TO 3.



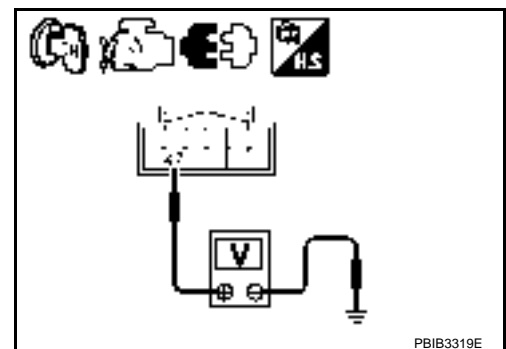
3. CHECK FUEL PUMP POWER SUPPLY CIRCUIT-II

1. Turn ignition switch OFF.
2. Disconnect IPDM E/R harness connector E46.
3. Turn ignition switch ON.
4. Check voltage between IPDM E/R terminal 47 and ground with CONSULT-III or tester.

Voltage: Battery voltage

OK or NG

- OK >> GO TO 4.
NG >> GO TO 11.



FUEL PUMP

< SERVICE INFORMATION >

[QR]

4. DETECT MALFUNCTIONING PART

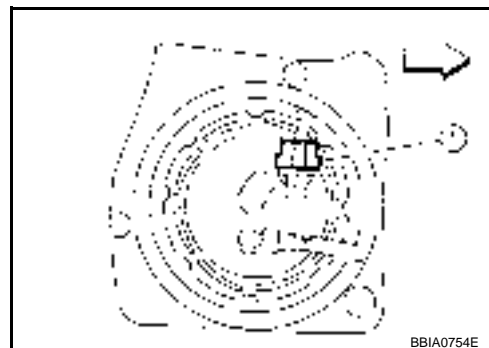
Check the following.

- Harness connectors E3, F2
- Harness for open or short between IPDM E/R and ECM

>> Repair open circuit or short to ground or short to power in harness or connectors.

5. CHECK FUEL PUMP POWER SUPPLY CIRCUIT-III

1. Turn ignition switch OFF.
2. Reconnect all harness connectors disconnected.
3. Disconnect "fuel level sensor unit and fuel pump" harness connector (1).
 - This illumination is shows the view with inspection hole cover removed.
4. Turn ignition switch ON.

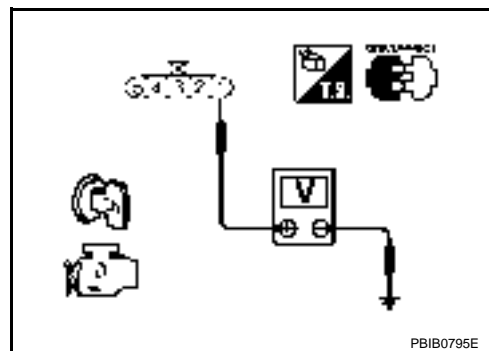


5. Check voltage between "fuel level sensor unit and fuel pump" terminal 1 and ground with CONSULT-III or tester.

Voltage: Battery voltage should exist for 1 second after ignition switch is turned ON.

OK or NG

- OK >> GO TO 9.
- NG >> GO TO 6.



6. CHECK 15A FUSE

1. Turn ignition switch OFF.
2. Disconnect 15A fuse.
3. Check 15A fuse.

OK or NG

- OK >> GO TO 7.
- NG >> Replace fuse.

7. CHECK FUEL PUMP POWER SUPPLY CIRCUIT-IV

1. Disconnect IPDM E/R harness connector E45.
2. Check harness continuity between IPDM E/R terminal 36 and "fuel level sensor unit and fuel pump" terminal 1. Refer to Wiring Diagram.

Continuity should exist.

3. Also check harness for short to ground and short to power.

OK or NG

- OK >> GO TO 11.
- NG >> GO TO 8.

8. DETECT MALFUNCTIONING PART

Check the following.

- Harness connectors E13, B9
- Harness for open or short between IPDM E/R and "fuel level sensor unit and fuel pump"

FUEL PUMP

< SERVICE INFORMATION >

[QR]

>> Repair open circuit or short to ground or short to power in harness or connectors.

9. CHECK FUEL PUMP GROUND CIRCUIT

1. Check harness continuity between "fuel level sensor unit and fuel pump" terminal 3 and ground. Refer to Wiring Diagram.

Continuity should exist.

2. Also check harness for short to power.

OK or NG

OK >> GO TO 10.

NG >> Repair or replace harness or connectors.

10. CHECK FUEL PUMP

Refer to [EC-1042, "Component Inspection"](#).

OK or NG

OK >> GO TO 11.

NG >> Replace fuel pump.

11. CHECK INTERMITTENT INCIDENT

Refer to [EC-643](#).

OK or NG

OK >> Replace IPDM E/R. Refer to [PG-17](#).

NG >> Repair or replace harness or connectors.

Component Inspection

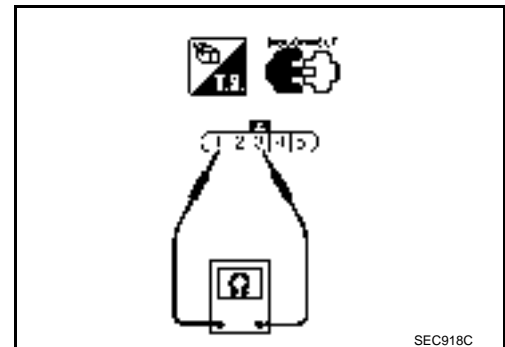
INFOID:000000001850782

FUEL PUMP

1. Disconnect "fuel level sensor unit and fuel pump" harness connector.
2. Check resistance between "fuel level sensor unit and fuel pump" terminals 1 and 3.

Resistance: Approximately 0.2 - 5.0Ω [at 25°C (77°F)]

3. If NG, replace "fuel level sensor unit and fuel pump".



Removal and Installation

INFOID:000000001850783

FUEL PUMP

Refer to [FL-5](#).

IGNITION SIGNAL

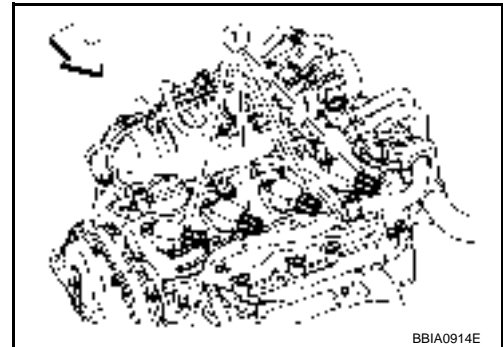
Component Description

INFOID:000000001850784

IGNITION COIL & POWER TRANSISTOR

The ignition signal from the ECM is sent to and amplified by the power transistor. The power transistor turns ON and OFF the ignition coil primary circuit. This ON/OFF operation induces the proper high voltage in the coil secondary circuit.

- Ignition coil harness connector (1)
- ↖: Vehicle front



A

EC

C

D

E

F

G

H

I

J

K

L

M

N

O

P

IGNITION SIGNAL

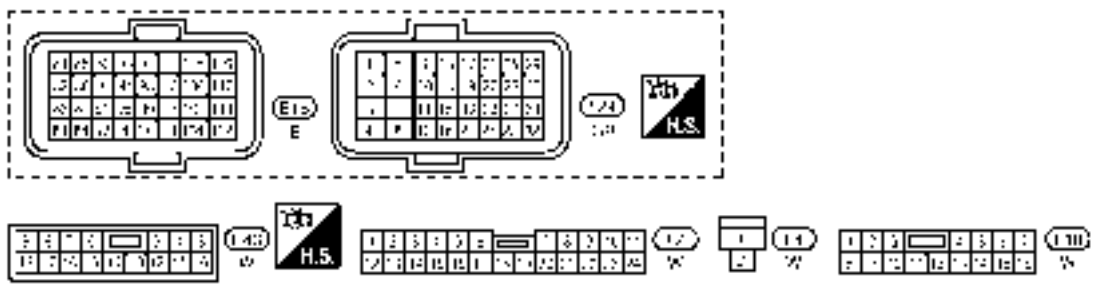
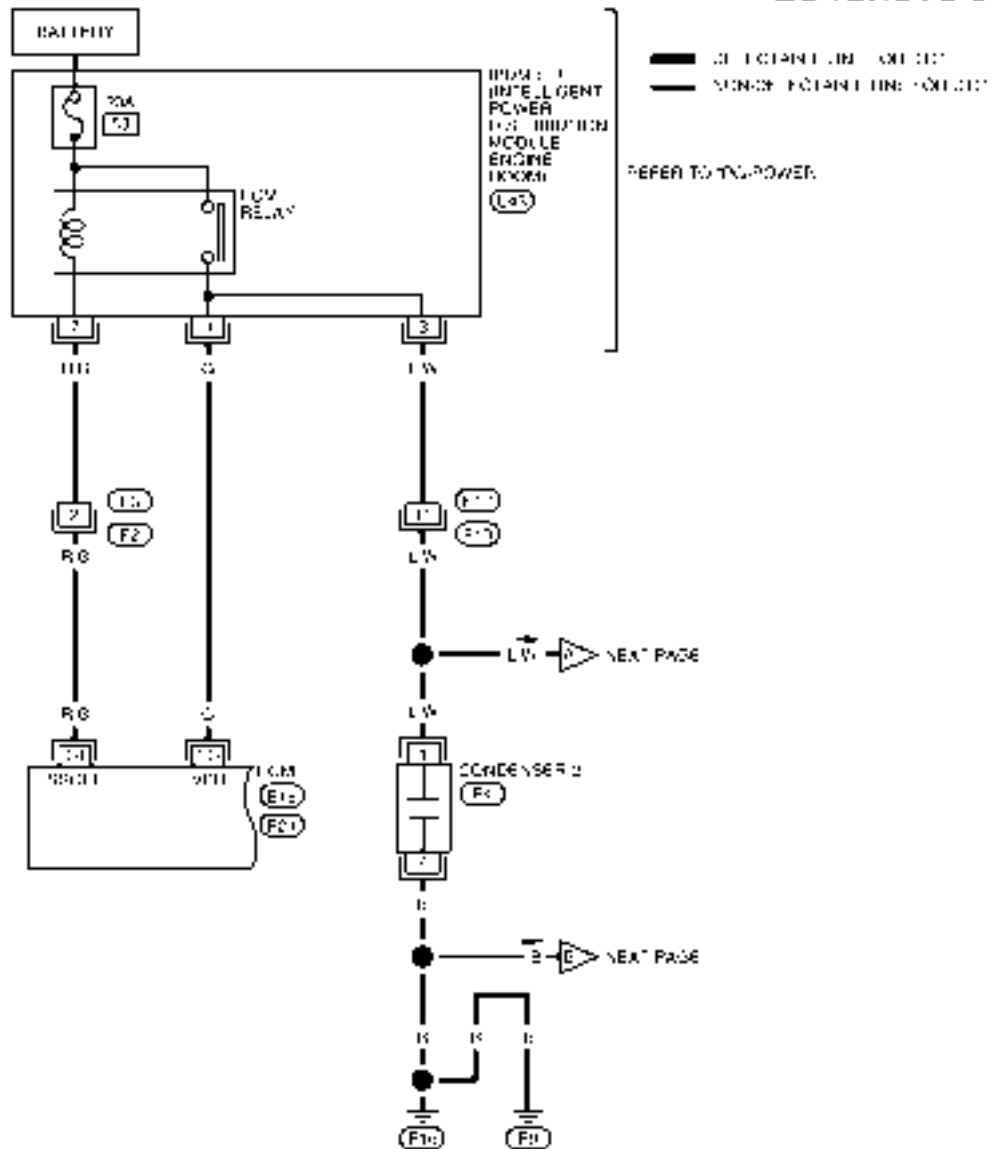
< SERVICE INFORMATION >

[QR]

Wiring Diagram

INFOID:00000002994143

EC-IGNSYS-01



BBWA3064E

Specification data are reference values and are measured between each terminal and ground.
CAUTION:
 Do not use ECM ground terminals when measuring input/output voltage. Doing so may result in damage to the ECM's transistor. Use a ground other than ECM terminals, such as the ground.

IGNITION SIGNAL

< SERVICE INFORMATION >

[QR]

TER- MI- NAL NO.	WIRE COLOR	ITEM	CONDITION	DATA (DC Voltage)
24	R/B	ECM relay (Self shut-off)	[Engine is running] [Ignition switch: OFF] <ul style="list-style-type: none"> • For a few seconds after turning ignition switch OFF 	0 - 1.0V
			[Ignition switch: OFF] <ul style="list-style-type: none"> • More than a few seconds after turning ignition switch OFF 	BATTERY VOLTAGE (11 - 14V)
105	G	Power supply for ECM	[Ignition switch: ON]	BATTERY VOLTAGE (11 - 14V)

A

EC

C

D

E

F

G

H

I

J

K

L

M

N

O

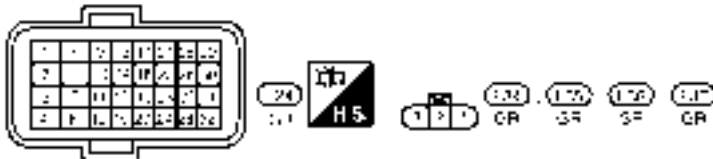
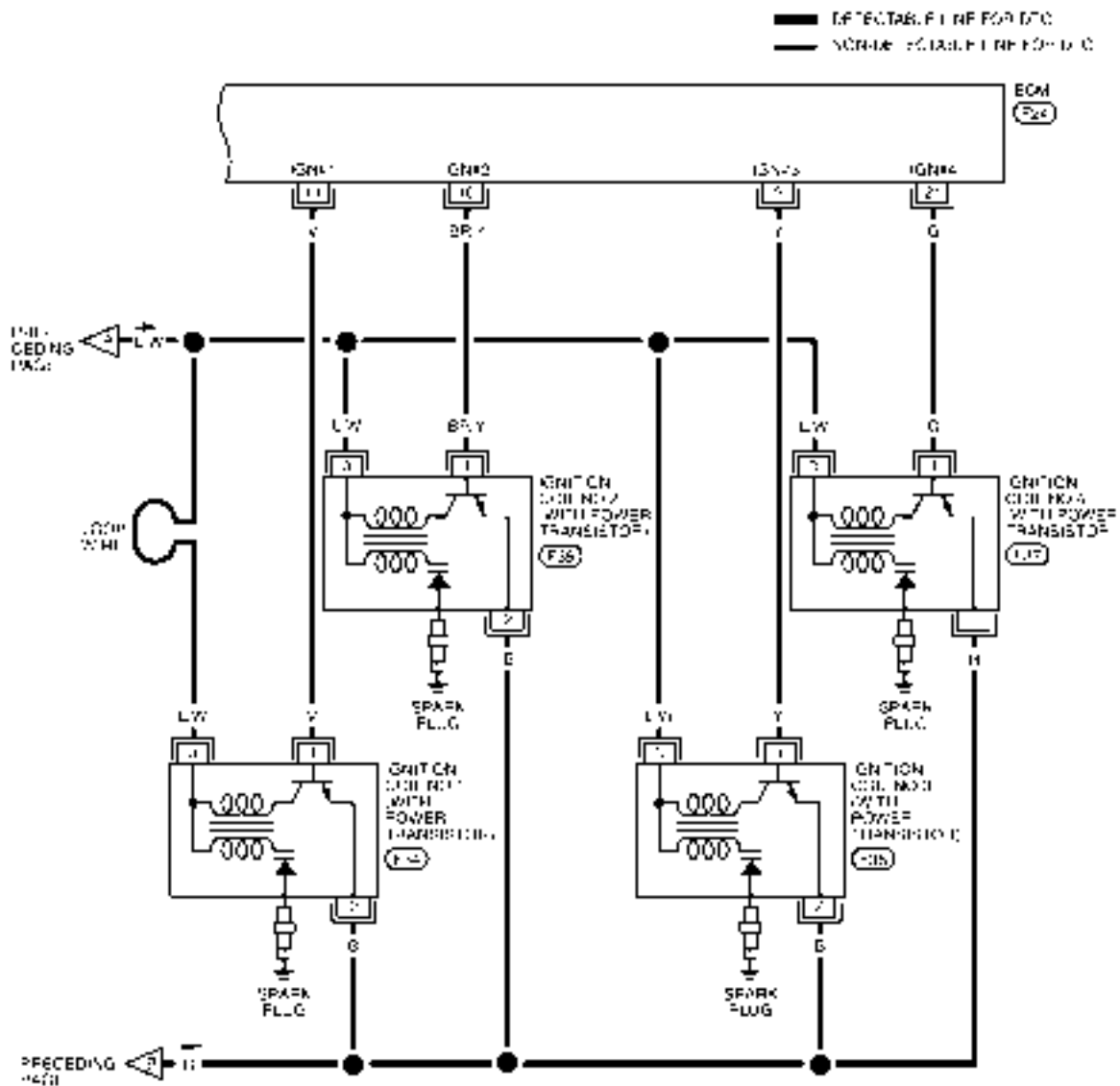
P

IGNITION SIGNAL

< SERVICE INFORMATION >

[QR]

EC-IGNSYS-02



BBWA3065E

Specification data are reference values and are measured between each terminal and ground. Pulse signal is measured by CONSULT-III.

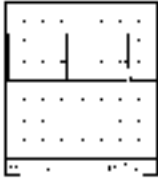
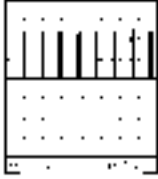
CAUTION:

Do not use ECM ground terminals when measuring input/output voltage. Doing so may result in damage to the ECM's transistor. Use a ground other than ECM terminals, such as the ground.

IGNITION SIGNAL

< SERVICE INFORMATION >

[QR]

TER-MI-NAL NO.	WIRE COLOR	ITEM	CONDITION	DATA (DC Voltage)
9 10 11 21	Y BR/Y V G	Ignition signal No. 3 Ignition signal No. 2 Ignition signal No. 1 Ignition signal No. 4	<p>[Engine is running]</p> <ul style="list-style-type: none"> • Warm-up condition • Idle speed <p>NOTE: The pulse cycle changes depending on rpm at idle</p>	<p>0 - 0.1V★</p> 
			<p>[Engine is running]</p> <ul style="list-style-type: none"> • Warm-up condition • Engine speed: 2,500 rpm 	<p>0 - 0.2V★</p> 

★: Average voltage for pulse signal (Actual pulse signal can be confirmed by oscilloscope.)

Diagnosis Procedure

INFOID:000000001850786

1. CHECK ENGINE START

Turn ignition switch OFF, and restart engine.

Is engine running?

Yes or No

Yes (With CONSULT-III)>>GO TO 2.

Yes (Without CONSULT-III)>>GO TO 3.

No >> GO TO 4.

2. CHECK OVERALL FUNCTION

▮ **With CONSULT-III**

1. Perform "POWER BALANCE" in "ACTIVE TEST" mode with CONSULT-III.

2. Make sure that each circuit produces a momentary engine speed drop.

OK or NG

OK >> **INSPECTION END**

NG >> GO TO 10.

3. CHECK OVERALL FUNCTION

✕ **Without CONSULT-III**

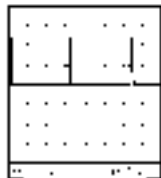
1. Let engine idle.

2. Read the voltage signal between ECM terminals 9, 10, 11, 21 and ground with an oscilloscope.

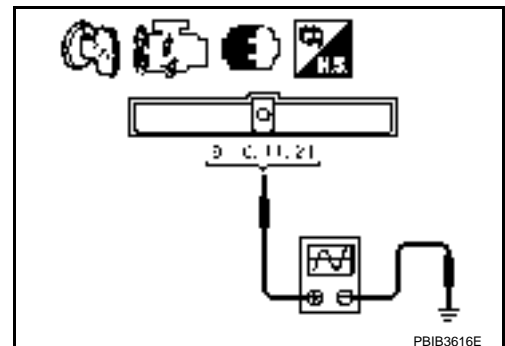
3. Verify that the oscilloscope screen shows the signal wave as shown below.

NOTE:

The pulse cycle changes depending on rpm at idle.



PBIA9265J



PBIB3616E

OK or NG

IGNITION SIGNAL

[QR]

< SERVICE INFORMATION >

- OK >> **INSPECTION END**
NG >> GO TO 10.

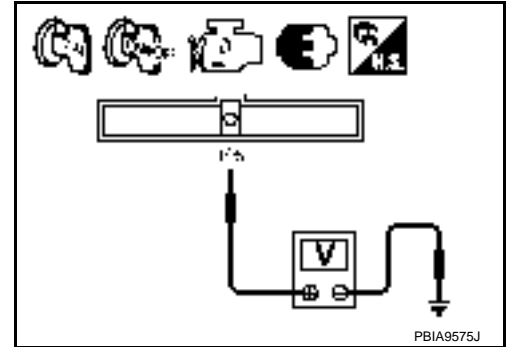
4. CHECK IGNITION COIL POWER SUPPLY CIRCUIT-I

1. Turn ignition switch OFF, wait at least 10 seconds and then turn ON.
2. Check voltage between ECM terminal 105 and ground with CONSULT-III or tester.

Voltage: Battery voltage

OK or NG

- OK >> GO TO 5.
NG >> Go to [EC-644](#).



PBIA9575J

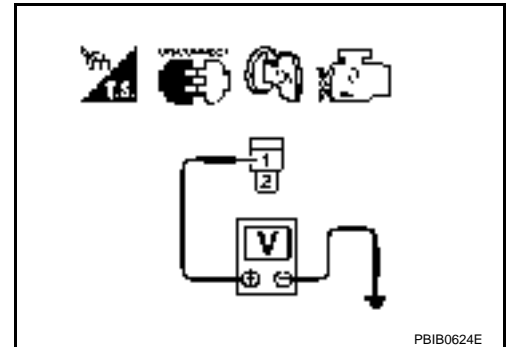
5. CHECK IGNITION COIL POWER SUPPLY CIRCUIT-II

1. Turn ignition switch OFF.
2. Disconnect condenser-2 harness connector.
3. Turn ignition switch ON.
4. Check voltage between condenser-2 terminal 1 and ground with CONSULT-III or tester.

Voltage: Battery voltage

OK or NG

- OK >> GO TO 8.
NG >> GO TO 6.



PBIB0624E

6. CHECK IGNITION COIL POWER SUPPLY CIRCUIT-III

1. Turn ignition switch OFF.
2. Disconnect IPDM E/R harness connector E43.
3. Check harness continuity between IPDM E/R terminal 3 and condenser-2 terminal 1. Refer to Wiring Diagram.

Continuity should exist.

4. Also check harness for short to ground and short to power.

OK or NG

- OK >> Go to [EC-644](#).
NG >> GO TO 7.

7. DETECT MALFUNCTIONING PART

Check the following.

- Harness connectors E17, F10
- Harness for open or short between IPDM E/R and condenser-2

>> Repair open circuit or short to ground or short to power in harness or connectors.

8. CHECK CONDENSER-2 GROUND CIRCUIT FOR OPEN AND SHORT

1. Turn ignition switch OFF.
2. Check harness continuity between condenser-2 terminal 2 and ground. Refer to Wiring Diagram.

Continuity should exist.

IGNITION SIGNAL

[QR]

< SERVICE INFORMATION >

3. Also check harness for short to power.

OK or NG

OK >> GO TO 9.

NG >> Repair open circuit or short to power in harness or connectors.

9. CHECK CONDENSER-2

Refer to [EC-1050, "Component Inspection"](#)

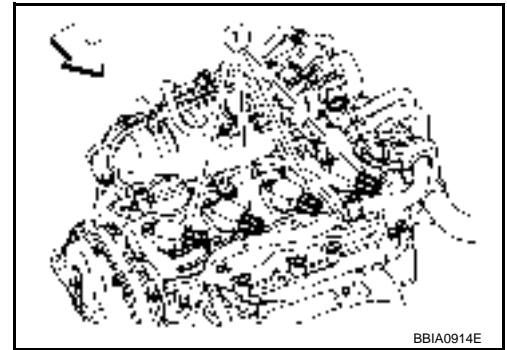
OK or NG

OK >> GO TO 10.

NG >> Replace condenser-2.

10. CHECK IGNITION COIL POWER SUPPLY CIRCUIT-IV

1. Turn ignition switch OFF.
2. Reconnect all harness connectors disconnected.
3. Disconnect ignition coil harness connector (1).
4. Turn ignition switch ON.



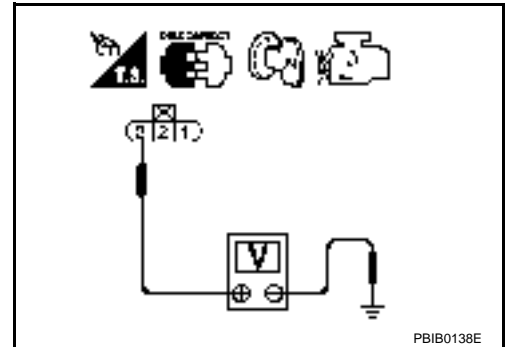
5. Check voltage between ignition coil terminal 3 and ground with CONSULT-III or tester.

Voltage: Battery voltage

OK or NG

OK >> GO TO 12.

NG >> GO TO 11.



11. DETECT MALFUNCTIONING PART

Check the following.

- Harness connector F10
- Harness for open or short between ignition coil and harness connector F10

>> Repair or replace harness or connectors.

12. CHECK IGNITION COIL GROUND CIRCUIT FOR OPEN AND SHORT

1. Turn ignition switch OFF.
2. Check harness continuity between ignition coil terminal 2 and ground.
Refer to Wiring Diagram.

Continuity should exist.

3. Also check harness for short to power.

OK or NG

OK >> GO TO 13.

NG >> Repair open circuit or short to power in harness or connectors.

13. CHECK IGNITION COIL OUTPUT SIGNAL CIRCUIT FOR OPEN AND SHORT

IGNITION SIGNAL

[QR]

< SERVICE INFORMATION >

1. Disconnect ECM harness connector.
2. Check harness continuity between ECM terminals 9, 10, 11, 21 and ignition coil terminal 1. Refer to Wiring Diagram.

Continuity should exist.

3. Also check harness for short to ground and short to power.

OK or NG

OK >> GO TO 14.

NG >> Repair open circuit or short to ground or short to power in harness or connectors.

14. CHECK IGNITION COIL WITH POWER TRANSISTOR

Refer to [EC-1050. "Component Inspection"](#).

OK or NG

OK >> GO TO 15.

NG >> Replace malfunctioning ignition coil with power transistor.

15. CHECK INTERMITTENT INCIDENT

Refer to [EC-643](#).

>> **INSPECTION END**

Component Inspection

INFOID:000000001850787

IGNITION COIL WITH POWER TRANSISTOR

CAUTION:

Do the following procedure in the place where ventilation is good without the combustible.


1. Turn ignition switch OFF.
2. Disconnect ignition coil harness connector.
3. Check resistance between ignition coil terminals as follows.

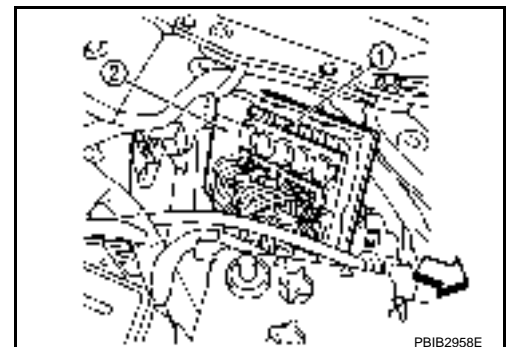
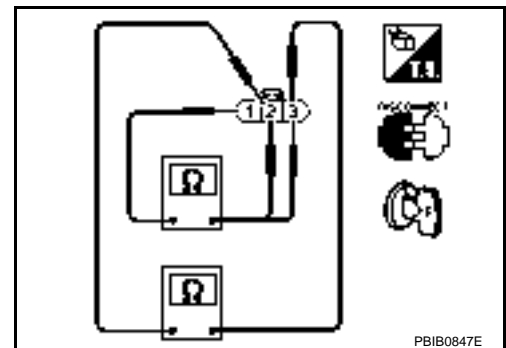
Terminal No. (Polarity)	Resistance Ω [at 25°C (77°F)]
1 and 2	Except 0 or ∞
1 and 3	Except 0
2 and 3	

4. If NG, replace ignition coil with power transistor. If OK, go to next step.
5. Turn ignition switch OFF.
6. Reconnect all harness connectors disconnected.
7. Remove fuel pump fuse (1) in IPDM E/R (2) to release fuel pressure.

NOTE:

Do not use CONSULT-III to release fuel pressure, or fuel pressure applies again during the following procedure.

-  Vehicle front
8. Start engine.
 9. After engine stalls, crank it two or three times to release all fuel pressure.
 10. Turn ignition switch OFF.
 11. Remove all ignition coil harness connectors to avoid the electrical discharge from the ignition coils.
 12. Remove ignition coil and spark plug of the cylinder to be checked.
 13. Crank engine for 5 seconds or more to remove combustion gas in the cylinder.
 14. Connect spark plug and harness connector to ignition coil.



IGNITION SIGNAL

< SERVICE INFORMATION >

[QR]

15. Fix ignition coil using a rope etc. with gap of 13 - 17 mm between the edge of the spark plug and grounded metal portion as shown in the figure.
16. Crank engine for about 3 seconds, and check whether spark is generated between the spark plug and the grounded metal portion.

Spark should be generated.

CAUTION:

- Do not approach to the spark plug and the ignition coil within 50cm. Be careful not to get an electrical shock while checking, because the electrical discharge voltage becomes 20kV or more.
- It might cause to damage the ignition coil if the gap of more than 17 mm is taken.

NOTE:

When the gap is less than 13 mm, the spark might be generated even if the coil is malfunctioning.

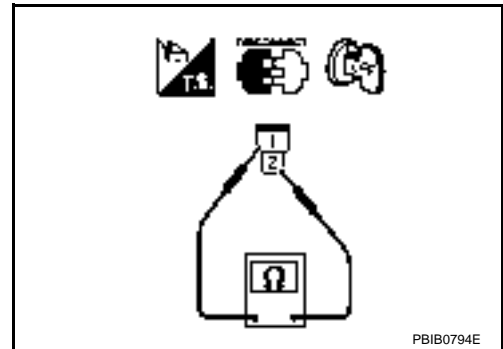
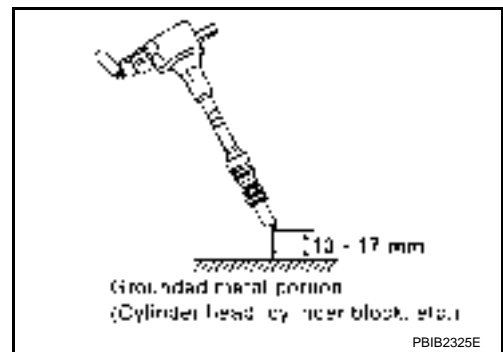
17. If NG, replace ignition coil with power transistor.

CONDENSER-2

1. Turn ignition switch OFF.
2. Disconnect condenser-2 harness connector.
3. Check resistance between condenser-2 terminals 1 and 2.

Resistance: Above 1 MΩ [at 25°C (77°F)]

4. If NG, replace condenser-2.



INFOID:000000001850788

Removal and Installation

IGNITION COIL WITH POWER TRANSISTOR

Refer to [EM-143](#).

REFRIGERANT PRESSURE SENSOR

< SERVICE INFORMATION >


[QR]

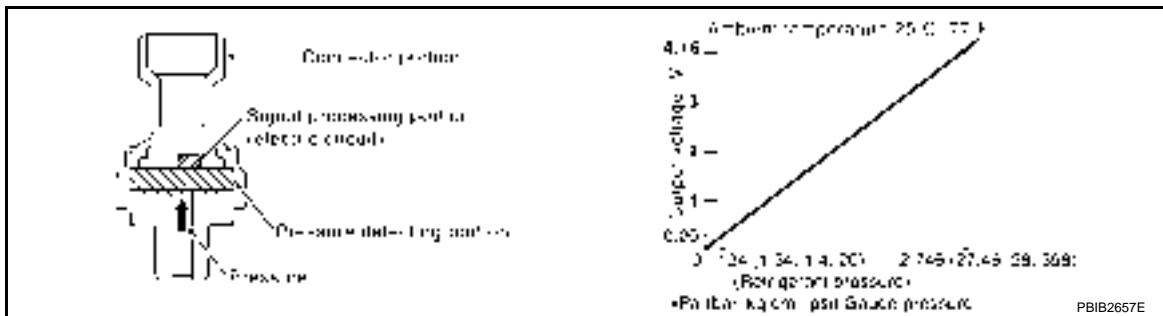
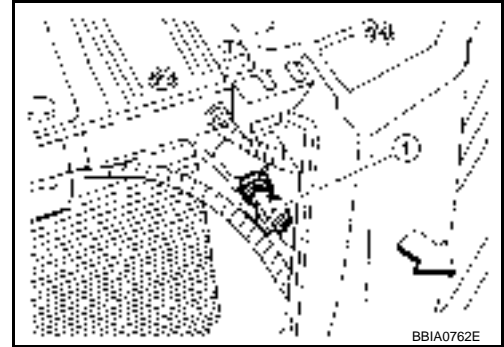
REFRIGERANT PRESSURE SENSOR

Component Description

INFOID:000000001850789

The refrigerant pressure sensor (1) is installed at the condenser of the air conditioner system. The sensor uses an electrostatic volume pressure transducer to convert refrigerant pressure to voltage. The voltage signal is sent to ECM, and ECM controls cooling fan system.

- : Vehicle front



REFRIGERANT PRESSURE SENSOR

< SERVICE INFORMATION >

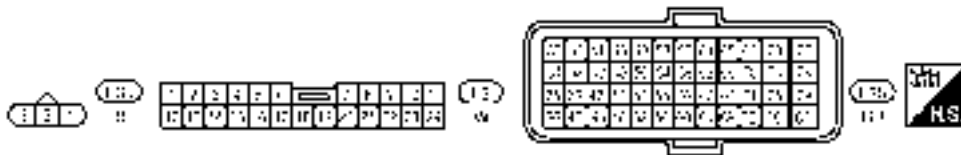
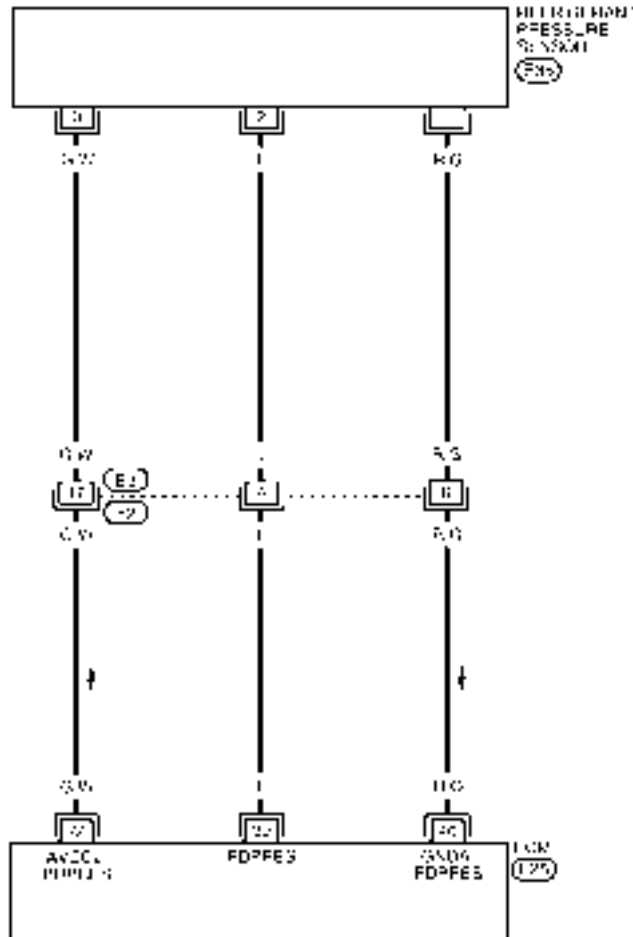
[QR]

Wiring Diagram

INFOID:00000002994144

EC-RP/SEN-01

— REFERENCE TERMINAL
— NON-REFERENCE TERMINAL



BBWA3066E

Specification data are reference values and are measured between each terminal and ground.

CAUTION:

Do not use ECM ground terminals when measuring input/output voltage. Doing so may result in damage to the ECM's transistor. Use a ground other than ECM terminals, such as the ground.

REFRIGERANT PRESSURE SENSOR

< SERVICE INFORMATION >

[QR]

TERMI- NAL NO.	WIRE COLOR	ITEM	CONDITION	DATA (DC Voltage)
39	L	Refrigerant pressure sensor	[Engine is running] • Warm-up condition • Both A/C switch and blower fan switch: ON (Compressor operates)	1.0 - 4.0V
40	R/G	Sensor ground (Refrigerant pressure sensor)	[Engine is running] • Warm-up condition • Idle speed	Approximately 0V
72	G/W	Sensor power supply (Refrigerant pressure sensor)	[Ignition switch: ON]	Approximately 5V

Diagnosis Procedure

INFOID:000000001850791

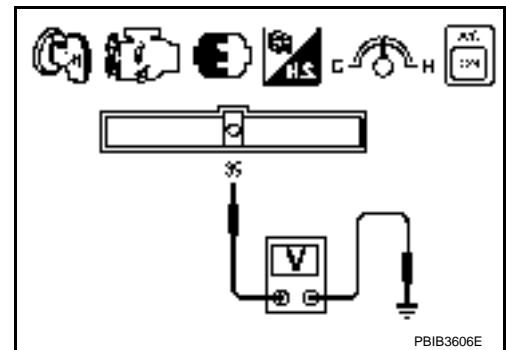
1. CHECK REFRIGERANT PRESSURE SENSOR OVERALL FUNCTION

1. Start engine and warm it up to normal operating temperature.
2. Turn A/C switch and blower fan switch ON.
3. Check voltage between ECM terminal 39 and ground with CONSULT-III or tester.

Voltage: 1.0 - 4.0V

OK or NG

- OK >> **INSPECTION END**
 NG >> GO TO 2.



2. CHECK GROUND CONNECTIONS

1. Turn A/C switch and blower fan switch OFF.
2. Stop engine and turn ignition switch OFF.
3. Loosen and retighten ground screws on the body.
Refer to [EC-649. "Ground Inspection"](#).



Vehicle front

1. Body ground E9 (view with front wheel RH and fender protector RH removed.)
2. Washer tank
3. Fuse and fusible link box
4. Body ground E15

OK or NG


- OK >> GO TO 3.
 NG >> Repair or replace ground connections.

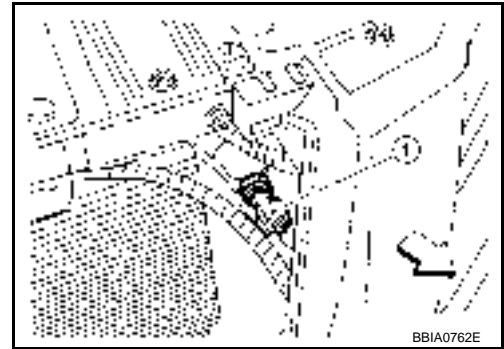
3. CHECK REFRIGERANT PRESSURE SENSOR POWER SUPPLY CIRCUIT

REFRIGERANT PRESSURE SENSOR

[QR]

< SERVICE INFORMATION >

1. Disconnect refrigerant pressure sensor (1) harness connector.
 - : Vehicle front
2. Turn ignition switch ON.

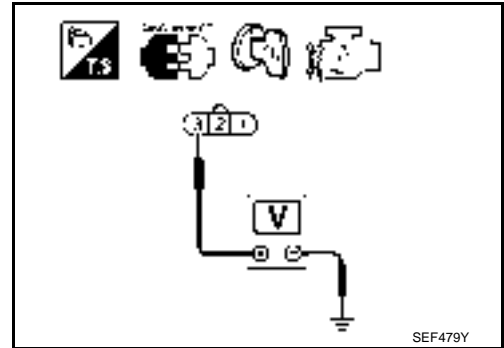


3. Check voltage between refrigerant pressure sensor terminal 3 and ground with CONSULT-III or tester.

Voltage: Approximately 5V

OK or NG

- OK >> GO TO 5.
- NG >> GO TO 4.



4. DETECT MALFUNCTIONING PART

Check the following.

- Harness connectors E3, F2
- Harness for open or short between refrigerant pressure sensor and ECM

>> Repair open circuit or short to ground or short to power in harness or connectors.

5. CHECK REFRIGERANT PRESSURE SENSOR GROUND CIRCUIT FOR OPEN AND SHORT

1. Turn ignition switch OFF.
2. Disconnect ECM harness connector.
3. Check harness continuity between refrigerant pressure sensor terminal 1 and ECM terminal 40. Refer to Wiring Diagram.

Continuity should exist.

4. Also check harness for short to ground and short to power.

OK or NG

- OK >> GO TO 7.
- NG >> GO TO 6.

6. DETECT MALFUNCTIONING PART

Check the following.

- Harness connectors E3, F2
- Harness for open or short between refrigerant pressure sensor and ECM

>> Repair open circuit or short to ground or short to power in harness or connectors.

7. CHECK REFRIGERANT PRESSURE SENSOR INPUT SIGNAL CIRCUIT FOR OPEN AND SHORT

1. Check harness continuity between refrigerant pressure sensor terminal 2 and ECM terminal 39. Refer to Wiring Diagram.

Continuity should exist.

2. Also check harness for short to ground and short to power.

OK or NG

REFRIGERANT PRESSURE SENSOR

[QR]

< SERVICE INFORMATION >

- OK >> GO TO 9.
- NG >> GO TO 8.

8. DETECT MALFUNCTIONING PART

Check the following.

- Harness connectors E3, F2
- Harness for open or short between refrigerant pressure sensor and ECM

>> Repair open circuit or short to ground or short to power in harness or connectors.

9. CHECK INTERMITTENT INCIDENT

Refer to [EC-643](#).

OK or NG

- OK >> Replace refrigerant pressure sensor.
- NG >> Repair or replace.

Removal and Installation

INFOID:000000001850792

REFRIGERANT PRESSURE SENSOR

Refer to [MTC-93. "Removal and Installation for Refrigerant Pressure Sensor"](#).

MIL AND DATA LINK CONNECTOR

< SERVICE INFORMATION >

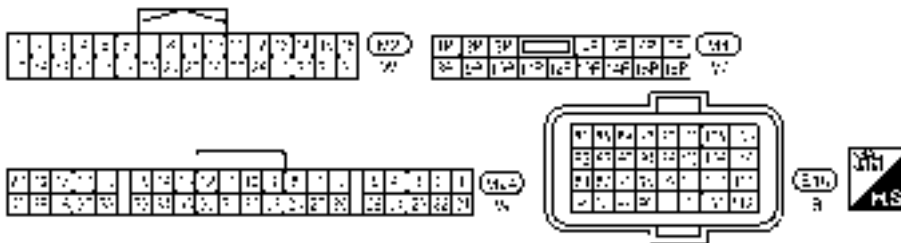
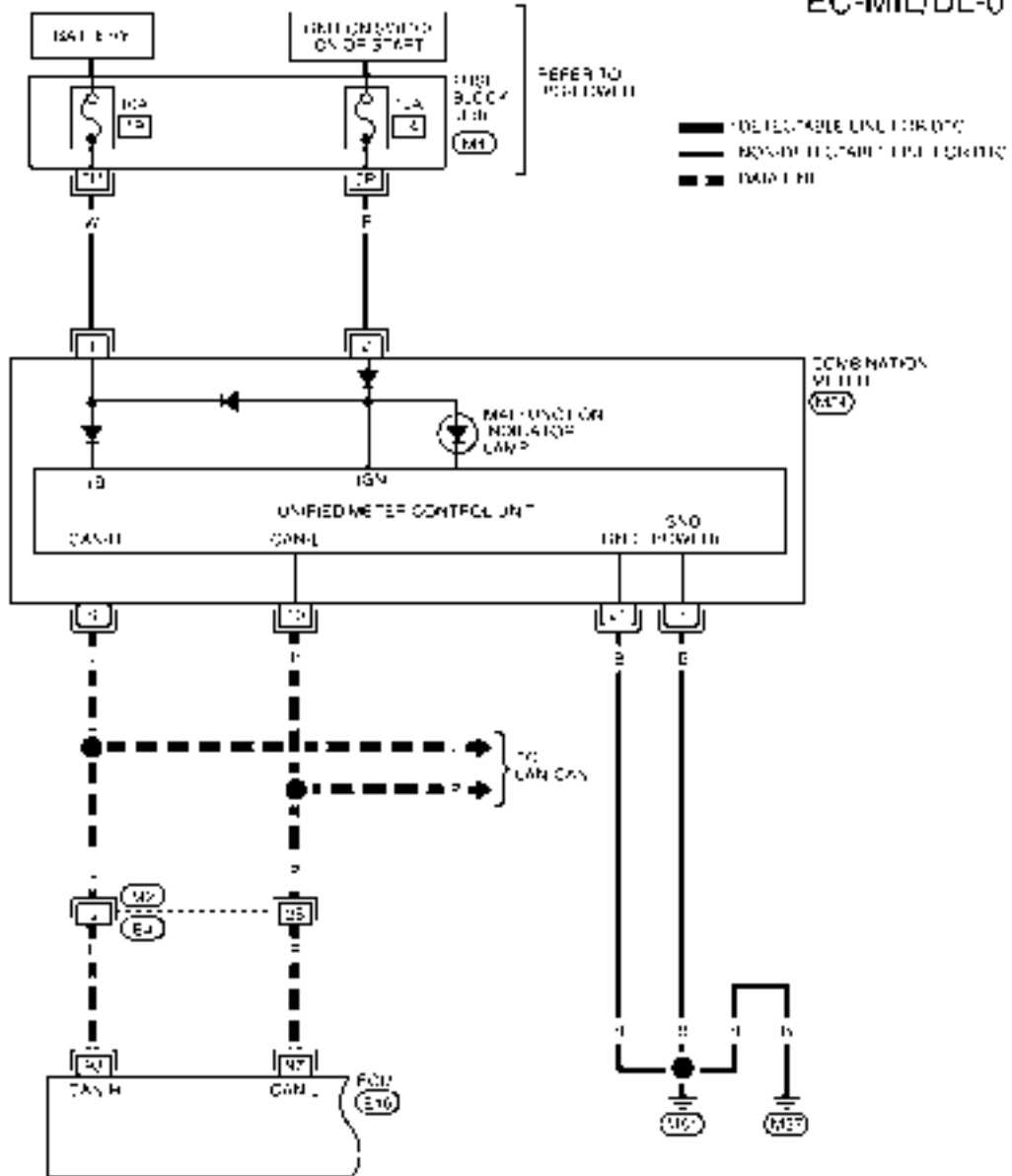
[QR]

MIL AND DATA LINK CONNECTOR

Wiring Diagram

INFOID:000000001850793

EC-MIL/DL-01



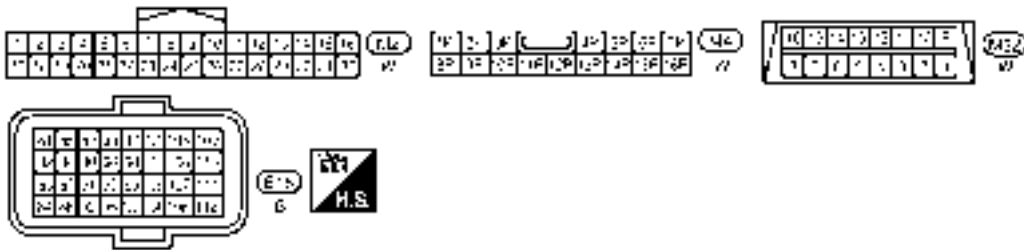
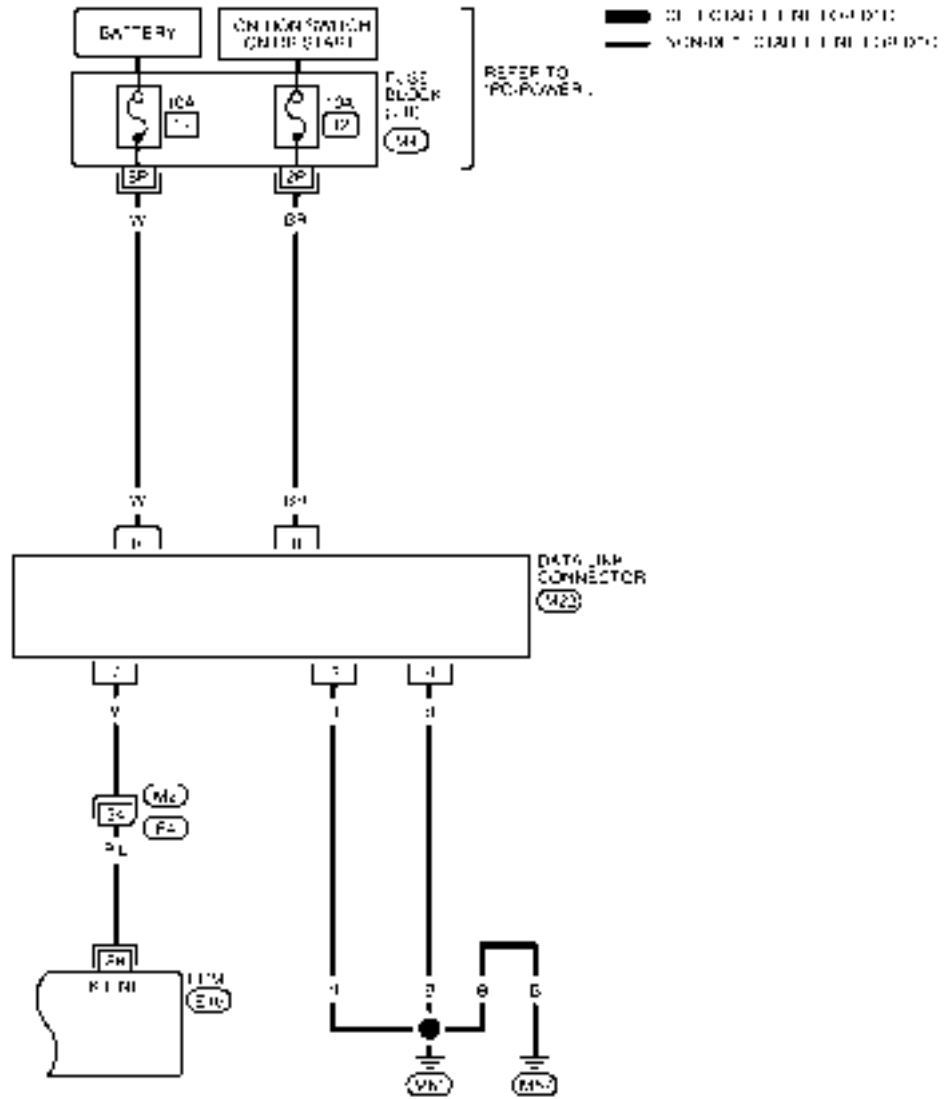
BBWA3067E

MIL AND DATA LINK CONNECTOR

< SERVICE INFORMATION >

[QR]

EC-MIL/DL-02



BBWA2913E

SERVICE DATA AND SPECIFICATIONS (SDS)

< SERVICE INFORMATION >

[QR]

SERVICE DATA AND SPECIFICATIONS (SDS)

Fuel Pressure

INFOID:000000001850794

Fuel pressure at idle	Approximately 350 kPa (3.57 kg/cm ² , 51 psi)
-----------------------	--

Idle Speed and Ignition Timing

INFOID:000000001850795

Target idle speed	CVT	No load* ¹ (In P or N position)	650 ± 50 rpm
	M/T	No load* ¹ (in Neutral position)	800 ± 50 rpm
Air conditioner: ON	CVT	In P or N position	800 rpm or more
	M/T	In Neutral position	
Ignition timing	CVT	In P or N position	10 ± 5° BTDC
	M/T	In Neutral position	

*1: Under the following conditions:

- Air conditioner switch: OFF
- Electric load: OFF (Lights, heater fan & rear window defogger)
- Steering wheel: Kept in straight-ahead position

Calculated Load Value

INFOID:000000001850796

	Calculated load value% (Using CONSULT-III or GST)
At idle	10 - 35
At 2,500 rpm	10 - 35

Mass Air Flow Sensor

INFOID:000000001850797

Supply voltage	Battery voltage (11 - 14V)
Output voltage at idle	0.9 - 1.1*V
Mass air flow (Using CONSULT-III or GST)	1.0 - 4.0 g·m/sec at idle* 4.0 - 10.0 g·m/sec at 2,500 rpm*

*: Engine is warmed up to normal operating temperature and running under no load.

Intake Air Temperature Sensor

INFOID:000000001850798

Temperature °C (°F)	Resistance kΩ
25 (77)	1.800 - 2.200

Engine Coolant Temperature Sensor

INFOID:000000001850799

Temperature °C (°F)	Resistance kΩ
20 (68)	2.1 - 2.9
50 (122)	0.68 - 1.00
90 (194)	0.236 - 0.260

Air Fuel Ratio (A/F) Sensor 1 Heater

INFOID:000000001850800

Resistance [at 25°C (77°F)]	1.8 - 2.44Ω
-----------------------------	-------------

SERVICE DATA AND SPECIFICATIONS (SDS)

< SERVICE INFORMATION >

[QR]

Heated Oxygen sensor 2 Heater

INFOID:000000001850801

Resistance [at 25°C (77°F)]	3.4 - 4.4Ω
-----------------------------	------------

Crankshaft Position Sensor (POS)

INFOID:000000001850802

Refer to [EC-821, "Component Inspection"](#).

Camshaft Position Sensor (PHASE)

INFOID:000000001850803

Refer to [EC-826, "Component Inspection"](#).

Throttle Control Motor

INFOID:000000001850804

Resistance [at 25°C (77°F)]	Approximately 1 - 15Ω
-----------------------------	-----------------------

Fuel Injector

INFOID:000000001850805

Resistance [at 10 - 60°C (50 - 140°F)]	10.4 - 15.3Ω
--	--------------

Fuel Pump

INFOID:000000001850806

Resistance [at 25°C (77°F)]	Approximately 0.2 - 5.0Ω
-----------------------------	--------------------------