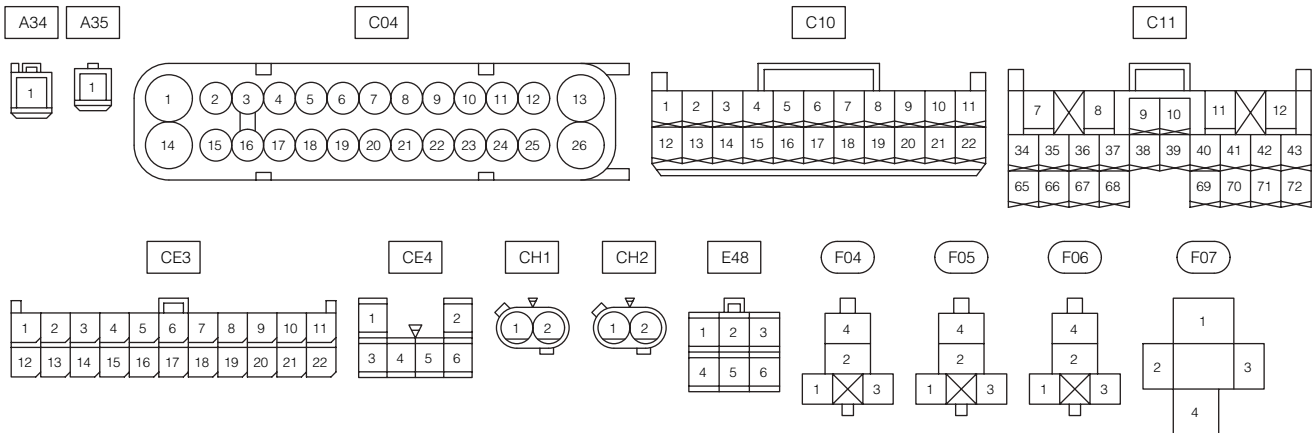
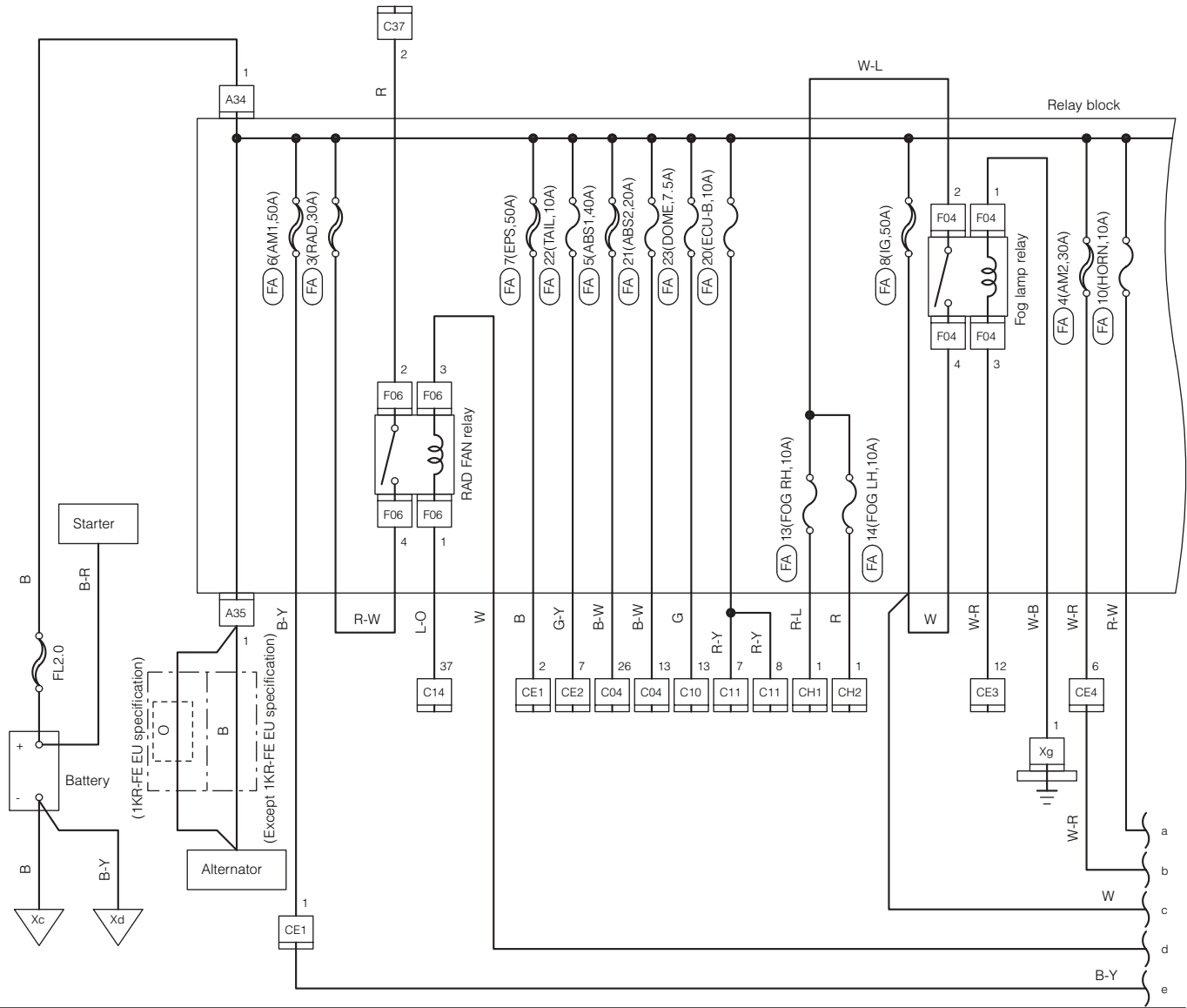
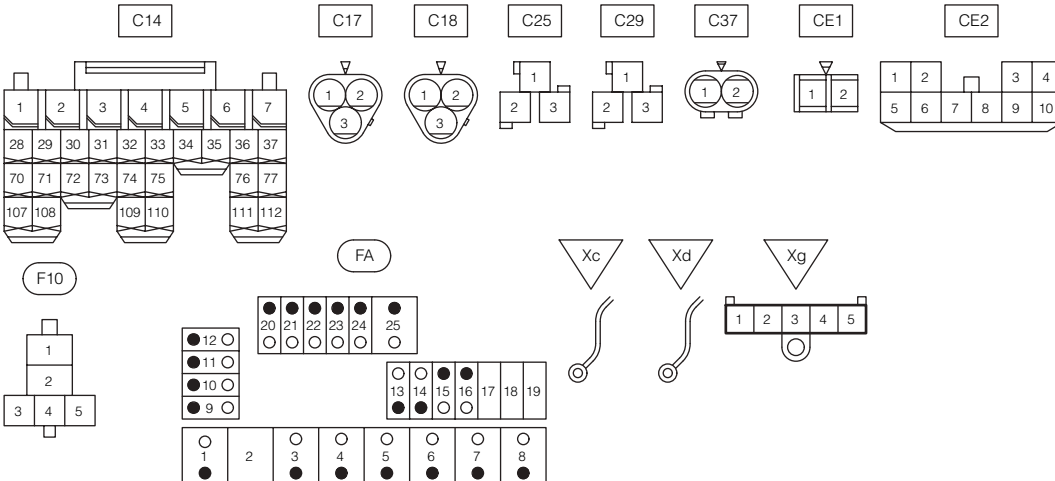
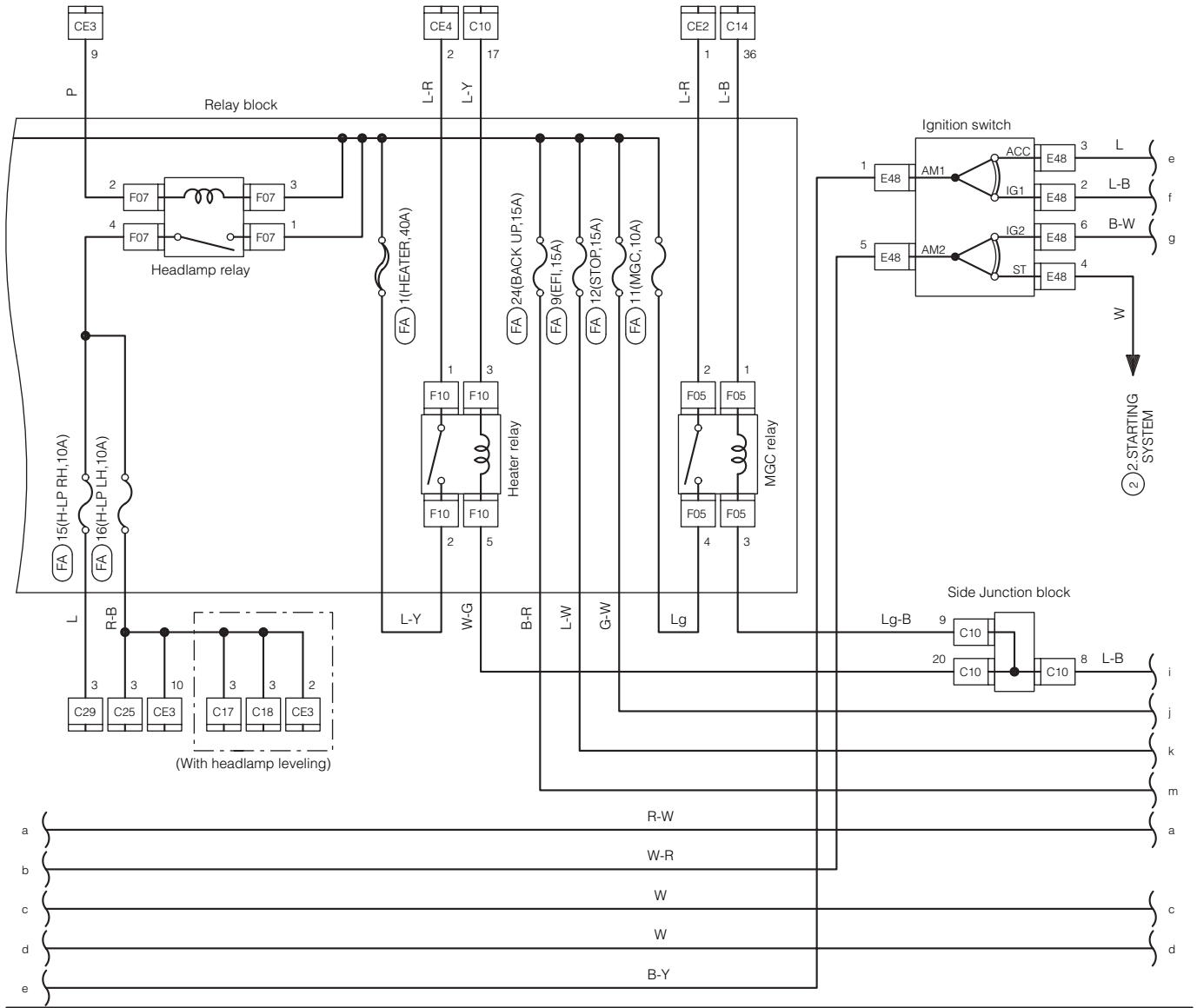


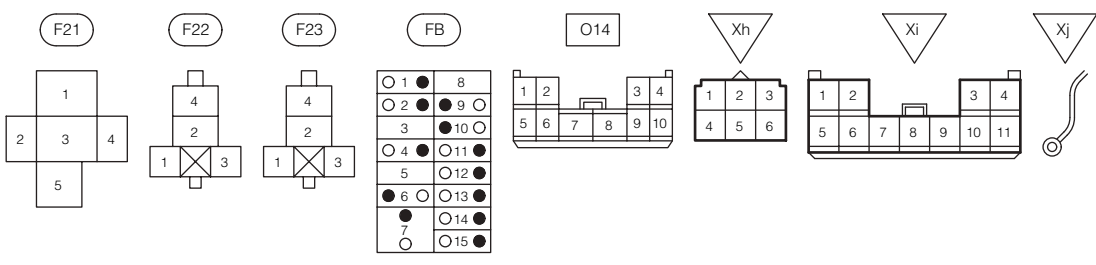
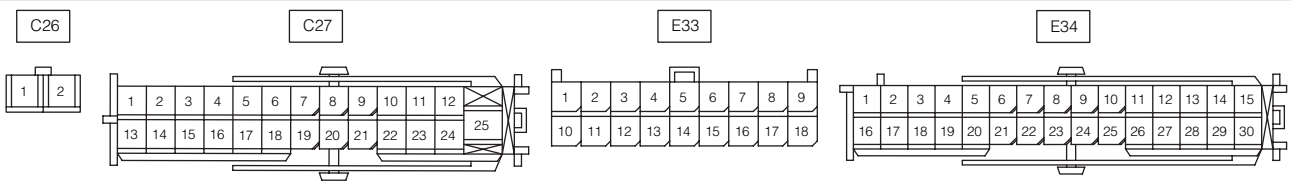
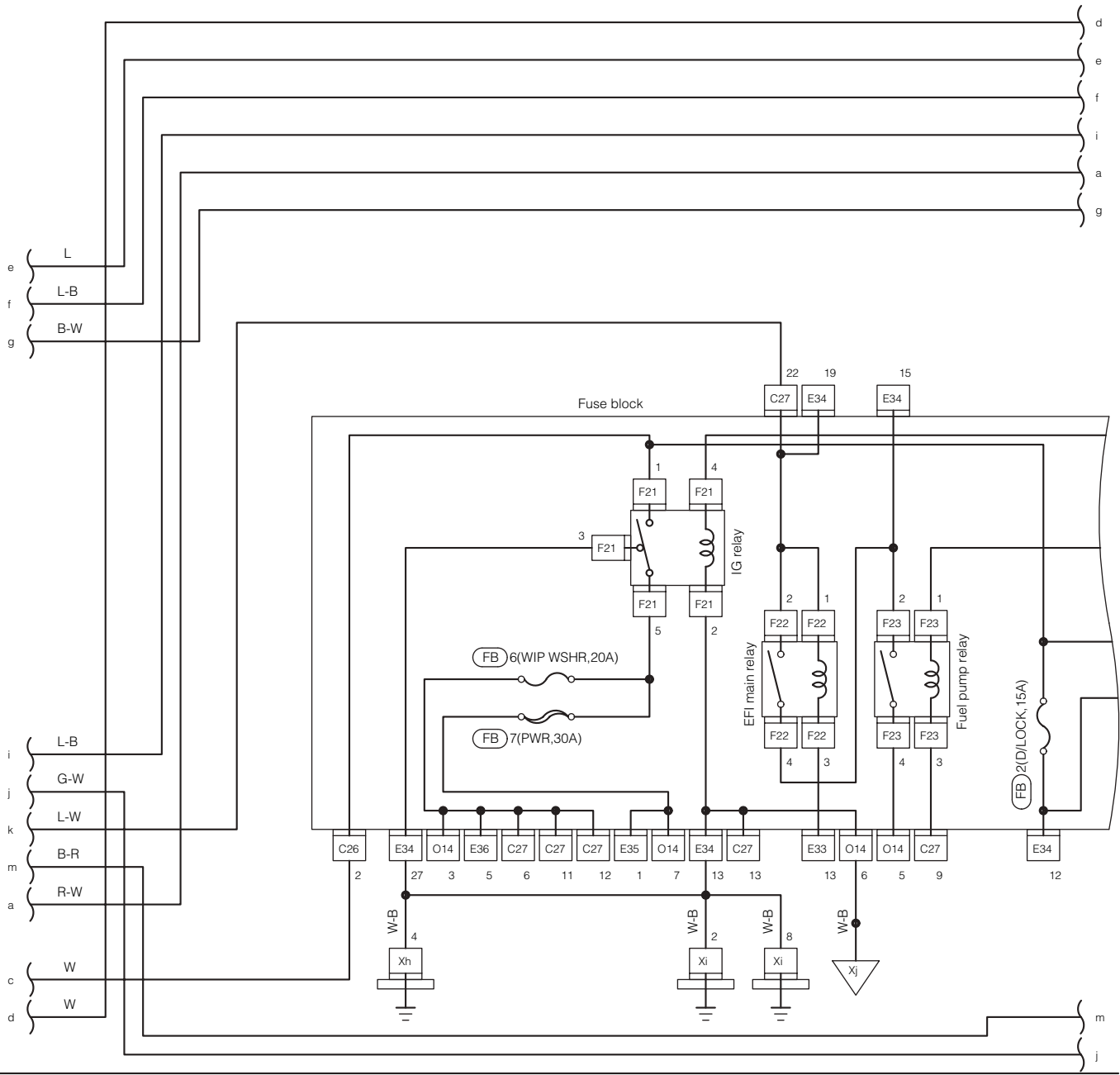
D CIRCUIT DIAGRAM BY FUNCTION

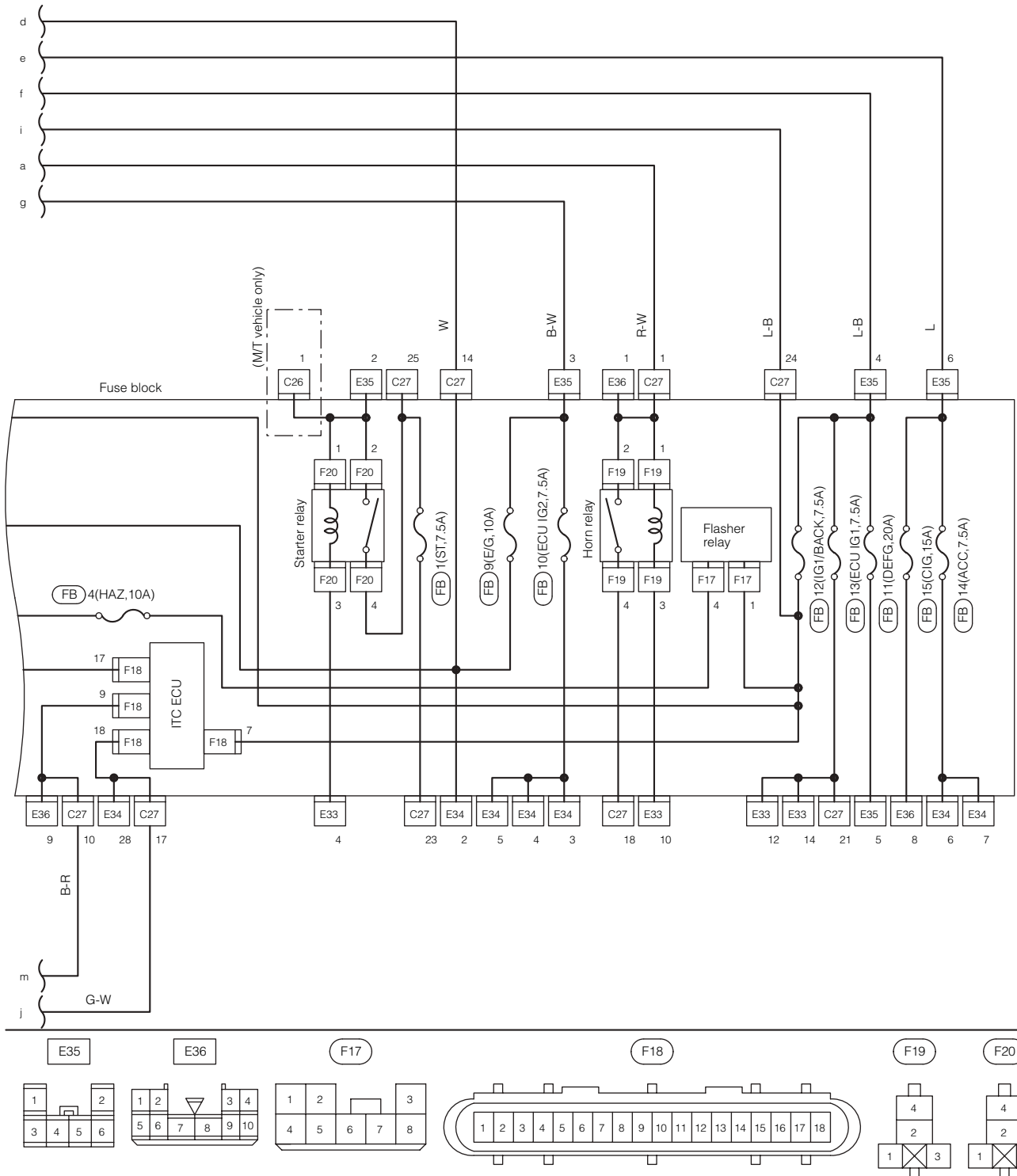
POWER SOURCE -----	D - 1	RHD VEHICLE -----	D - 149
RHD VEHICLE -----	D - 1	LHD VEHICLE-----	D - 153
LHD VEHICLE -----	D - 7	FOG LAMP-----	D - 157
STARTING SYSTEM-----	D - 13	RHD VEHICLE -----	D - 157
RHD VEHICLE -----	D - 13	LHD VEHICLE-----	D - 161
LHD VEHICLE -----	D - 17	HAZARD WARNING & TURN SIGNAL	
CHARGING SYSTEM -----	D - 21	LAMP -----	D - 165
RHD VEHICLE -----	D - 21	RHD VEHICLE -----	D - 165
LHD VEHICLE -----	D - 25	LHD VEHICLE-----	D - 169
ENGINE CONTROL SYSTEM -----	D - 29	STOP LAMP -----	D - 173
RHD VEHICLE(1KR-FE ENGINE)-----	D - 29	RHD VEHICLE -----	D - 173
LHD VEHICLE(1KR-FE ENGINE) -----	D - 35	LHD VEHICLE-----	D - 177
RHD VEHICLE(K3-VE ENGINE)-----	D - 41	TAIL & LICENSE PLATE LAMP -----	D - 181
LHD VEHICLE(K3-VE ENGINE) -----	D - 47	RHD VEHICLE -----	D - 181
RADIATOR FAN-----	D - 53	LHD VEHICLE-----	D - 185
RHD VEHICLE -----	D - 53	BACK UP LAMP-----	D - 189
LHD VEHICLE -----	D - 57	RHD VEHICLE -----	D - 189
ABS-----	D - 61	LHD VEHICLE-----	D - 193
RHD VEHICLE -----	D - 61	FRONT WIPER & WASHER -----	D - 197
LHD VEHICLE -----	D - 65	RHD VEHICLE -----	D - 197
A/T CONTROL-----	D - 69	LHD VEHICLE-----	D - 201
RHD VEHICLE -----	D - 69	REAR WIPER & WASHER -----	D - 201
LHD VEHICLE -----	D - 73	RHD VEHICLE(WITH INT SYSTEM) D - 205	
ELECTRIC POWER STEERING -----	D - 77	RHD VEHICLE(WITHOUT INT	
RHD VEHICLE -----	D - 77	SYSTEM) -----	D - 209
LHD VEHICLE -----	D - 81	LHD VEHICLE(WITH INT SYSTEM)-	D - 213
SRS AIRBAG SYSTEM -----	D - 85	LHD VEHICLE(WITHOUT INT	
RHD VEHICLE -----	D - 85	SYSTEM) -----	D - 217
LHD VEHICLE -----	D - 89	RADIO-----	D - 221
DOME LAMP -----	D - 93	RHD VEHICLE -----	D - 221
RHD VEHICLE -----	D - 93	LHD VEHICLE-----	D - 225
LHD VEHICLE -----	D - 97	HORN -----	D - 229
POWER DOOR LOCK,KEY-LESS		RHD VEHICLE -----	D - 229
ENTRY SYSTEM-----	D - 101	LHD VEHICLE-----	D - 233
RHD VEHICLE -----	D - 101	CIGARETTE LIGHTER,POWER	
LHD VEHICLE-----	D - 105	OUTLET -----	D - 237
IMMOBILIZER SYSTEM -----	D - 109	RHD VEHICLE -----	D - 237
RHD VEHICLE -----	D - 109	LHD VEHICLE-----	D - 239
LHD VEHICLE -----	D - 113	HEATER & AIR CONDITIONER -----	D - 241
OUTER REAR-VIEW MIRROR-----	D - 117	RHD VEHICLE -----	D - 241
RHD VEHICLE -----	D - 117	LHD VEHICLE-----	D - 245
LHD VEHICLE-----	D - 121	DATA LINK CONNECTOR-----	D - 249
REAR WINDOW DEFOGGER-----	D - 125	RHD VEHICLE -----	D - 249
RHD VEHICLE -----	D - 125	LHD VEHICLE -----	D - 253
LHD VEHICLE-----	D - 129		
POWER WINDOW-----	D - 133		
RHD VEHICLE -----	D - 133		
LHD VEHICLE-----	D - 137		
METER-----	D - 141		
RHD VEHICLE -----	D - 141		
LHD VEHICLE-----	D - 145		
HEAD LAMP-----	D - 149		

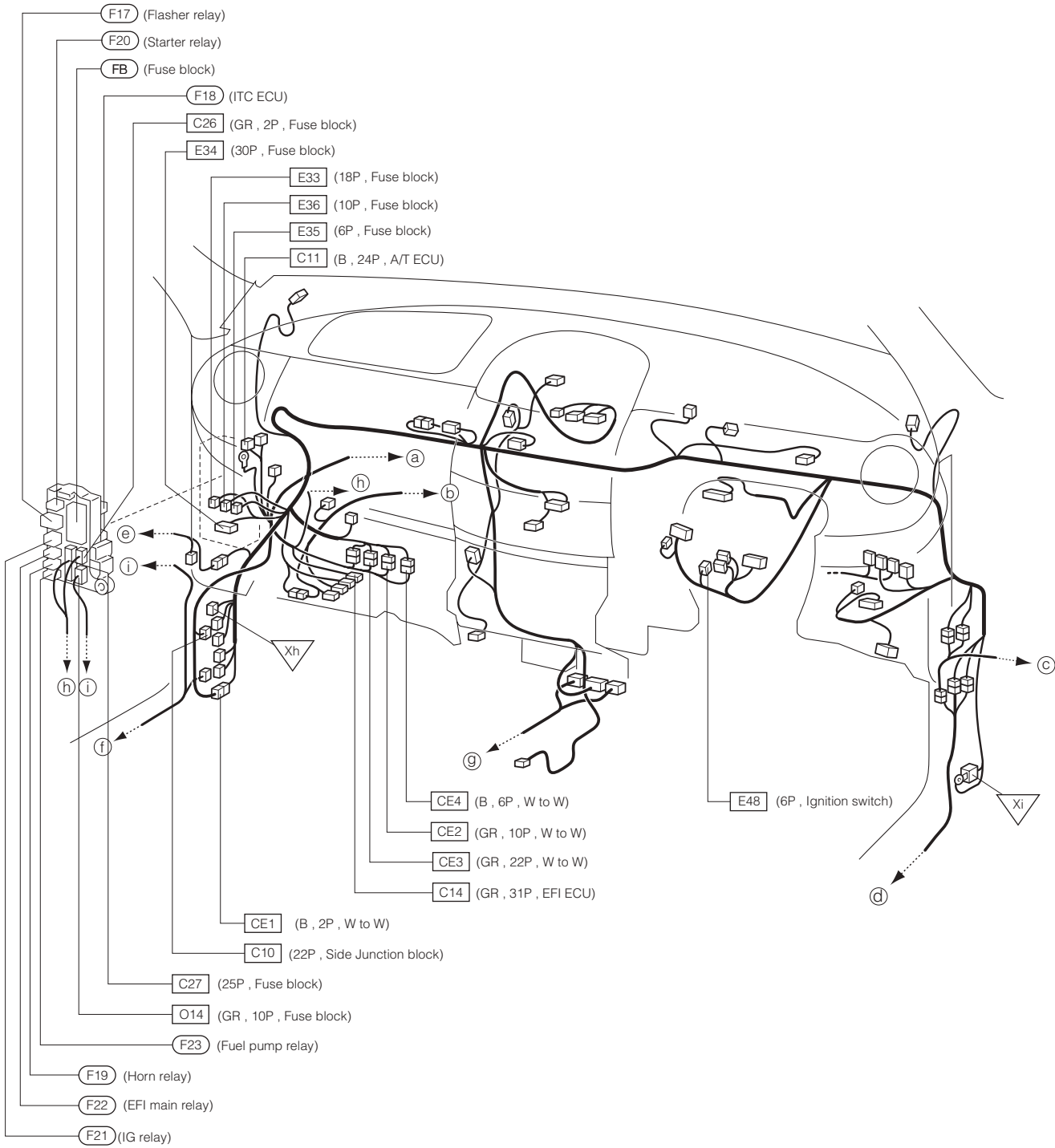
1 POWER SOURCE 1-1 RHD VEHICLE

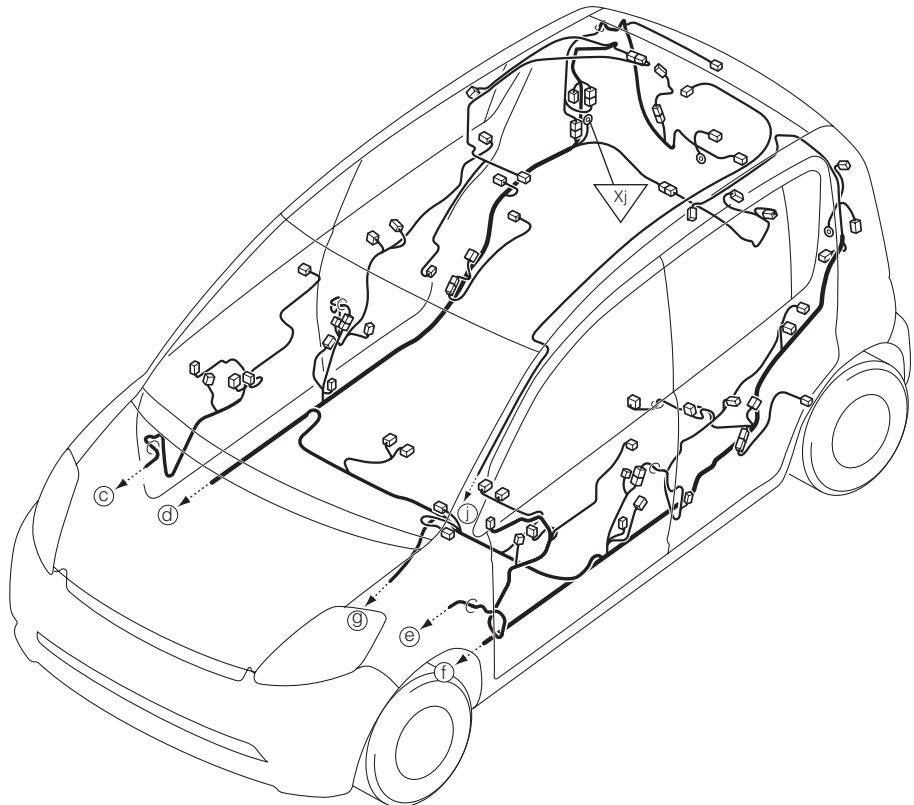
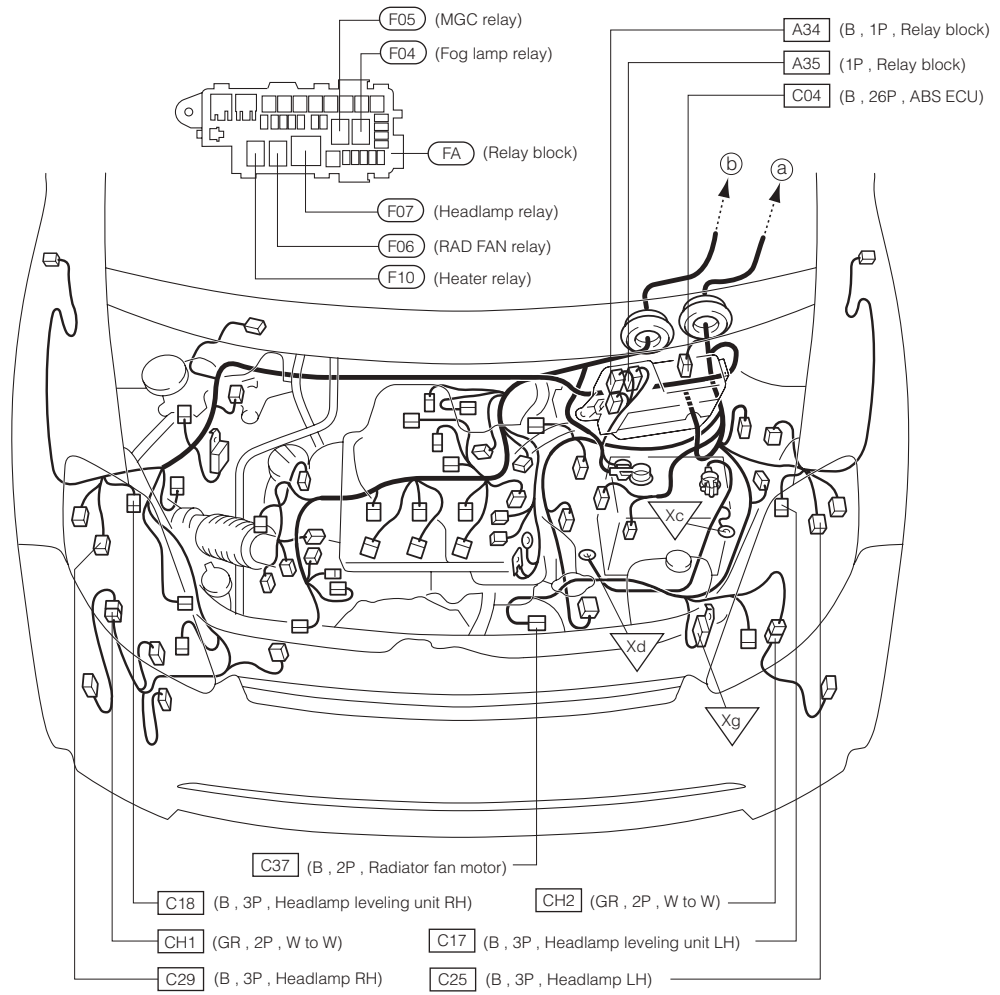






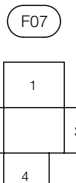
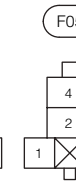
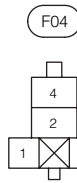
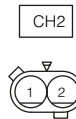
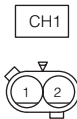
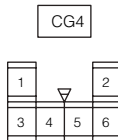
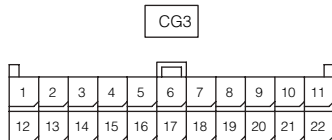
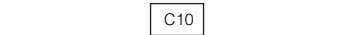
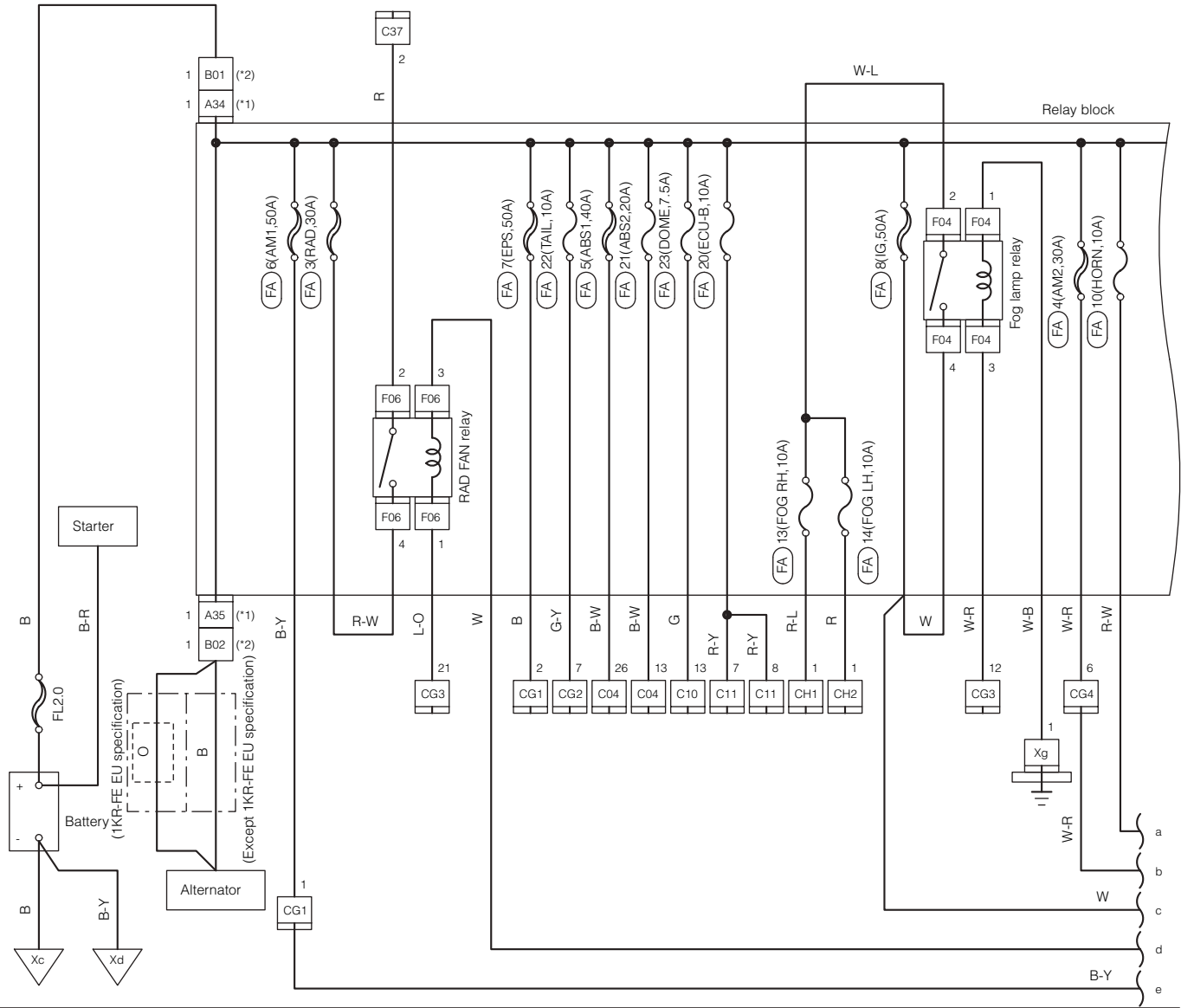


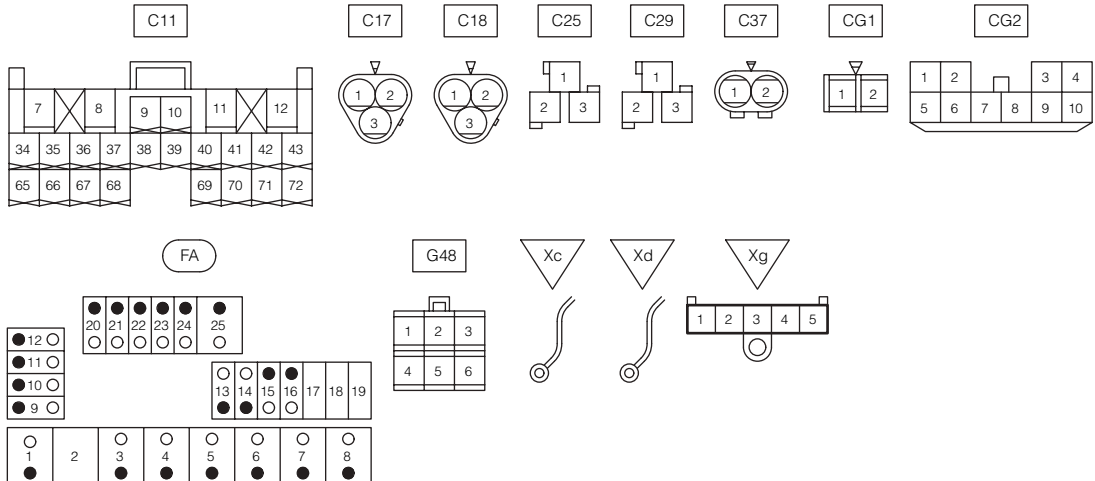
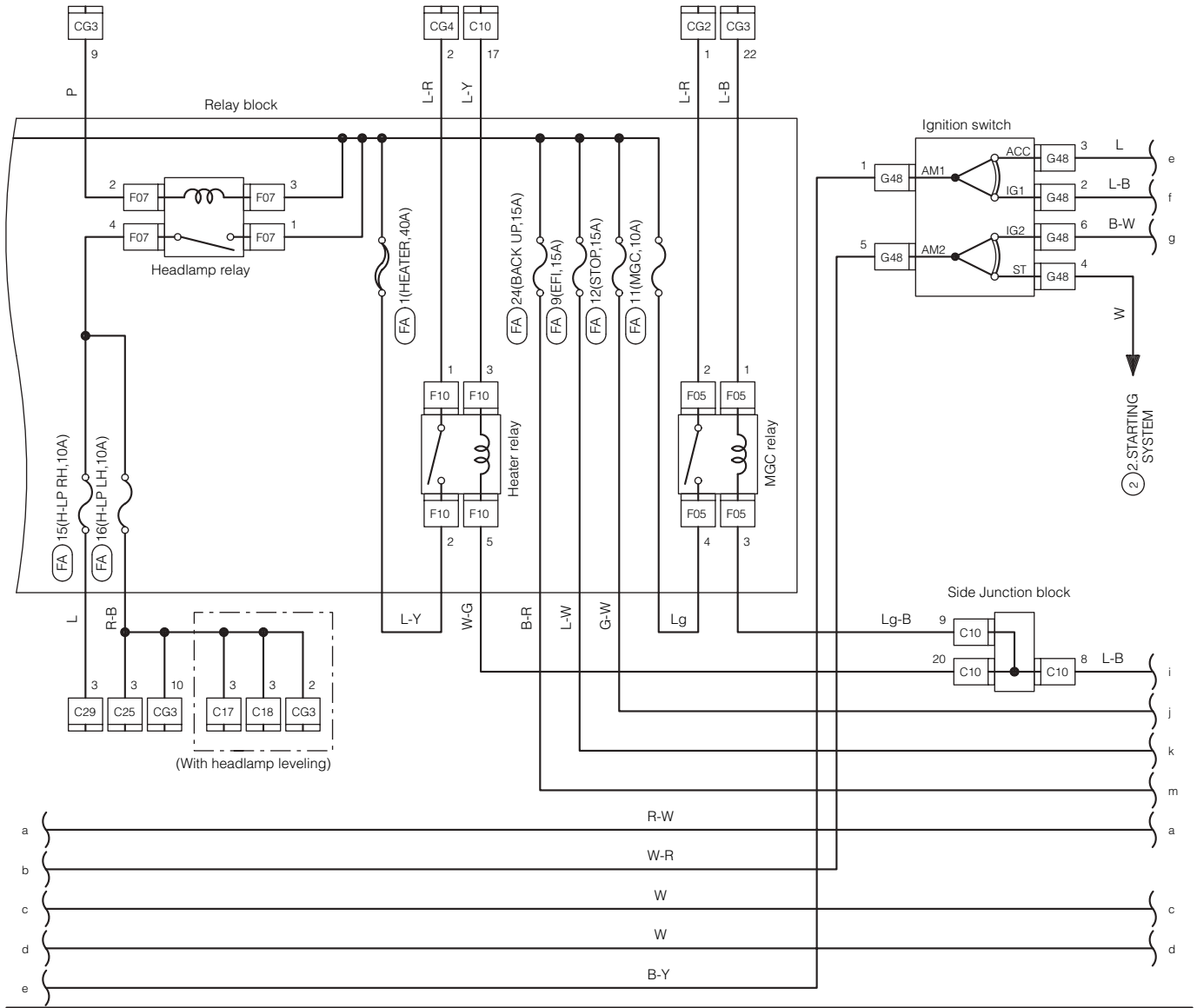


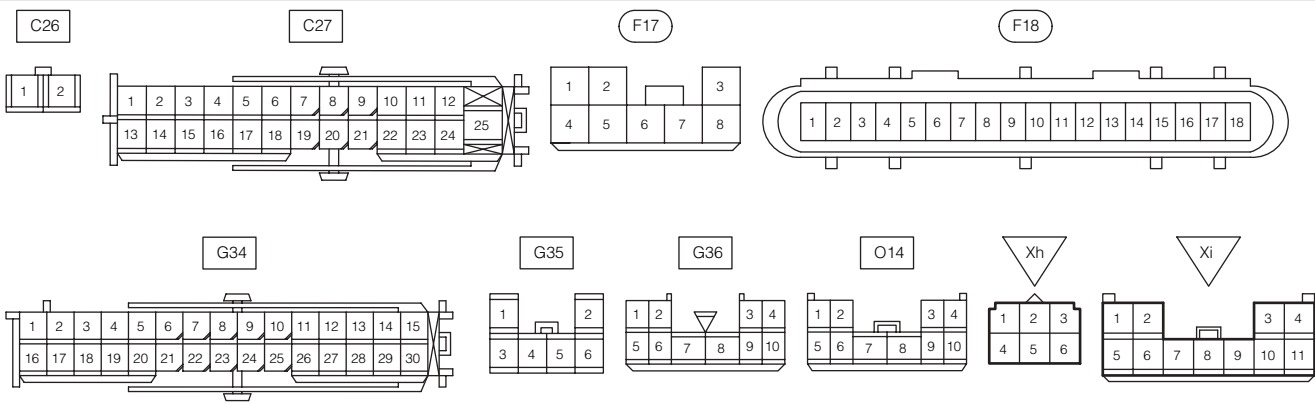
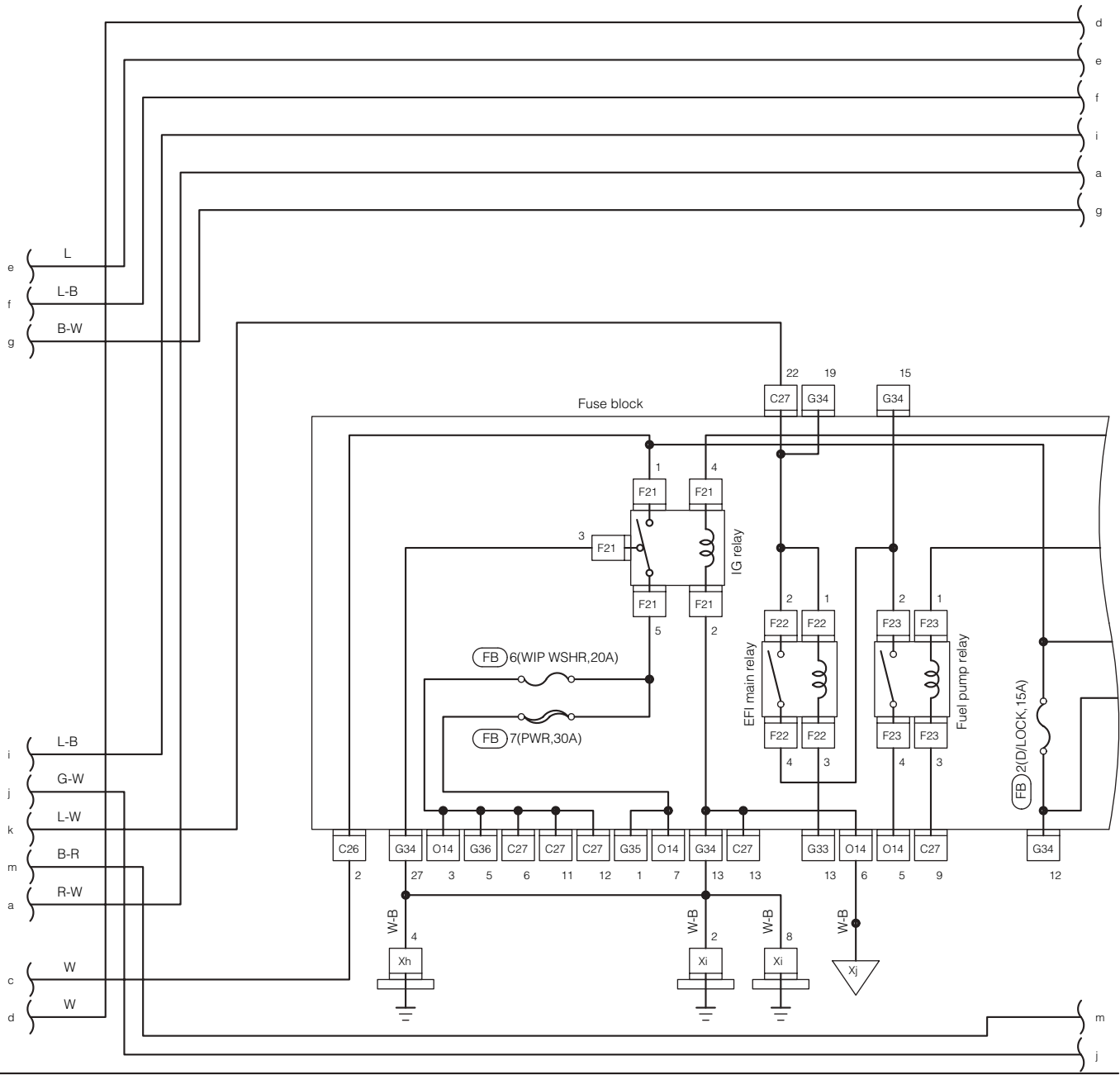


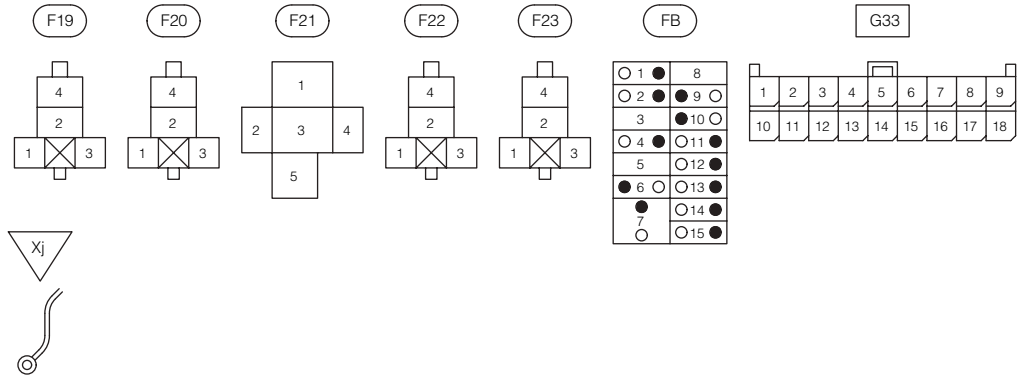
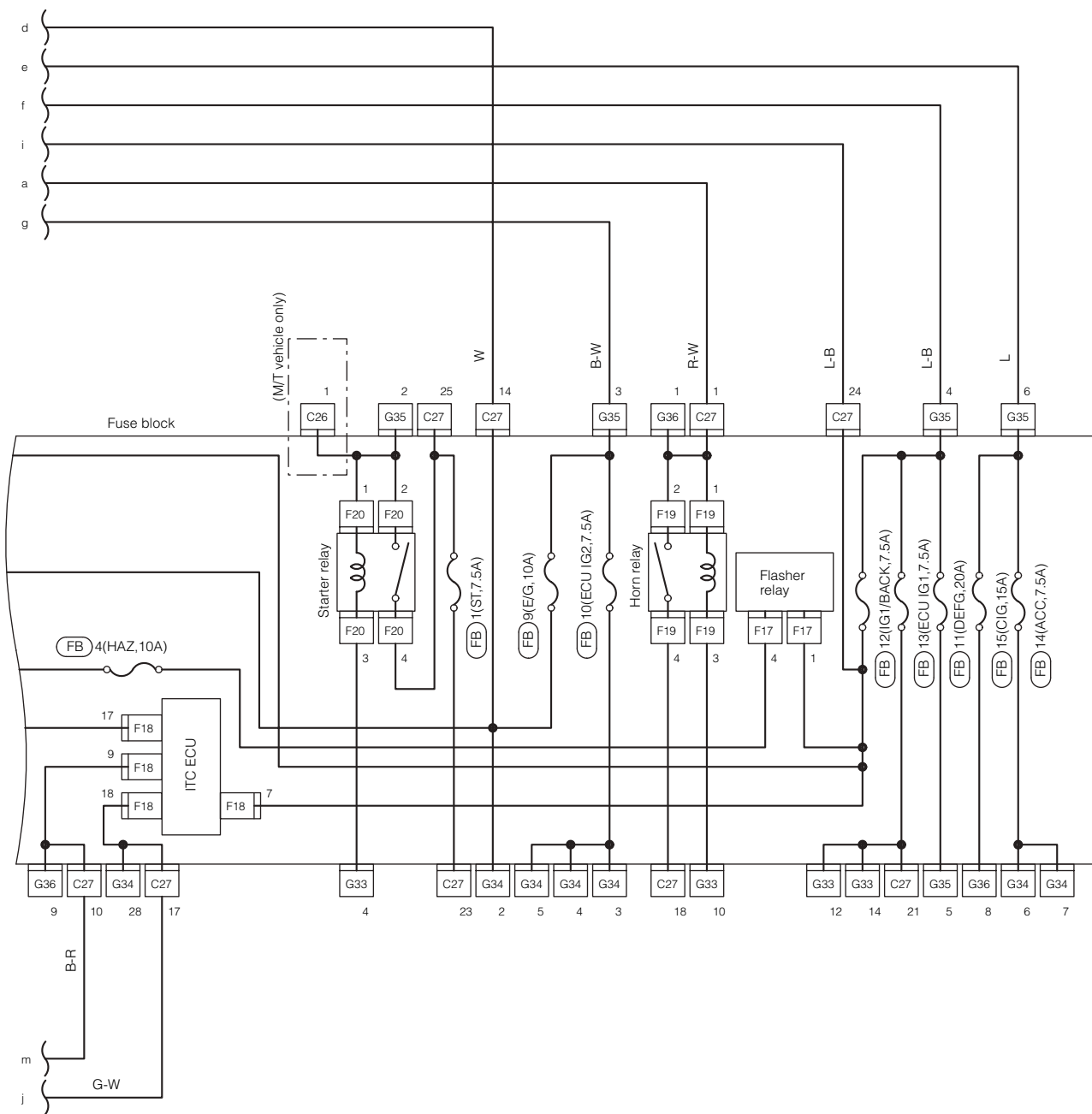
1-2 LHD VEHICLE

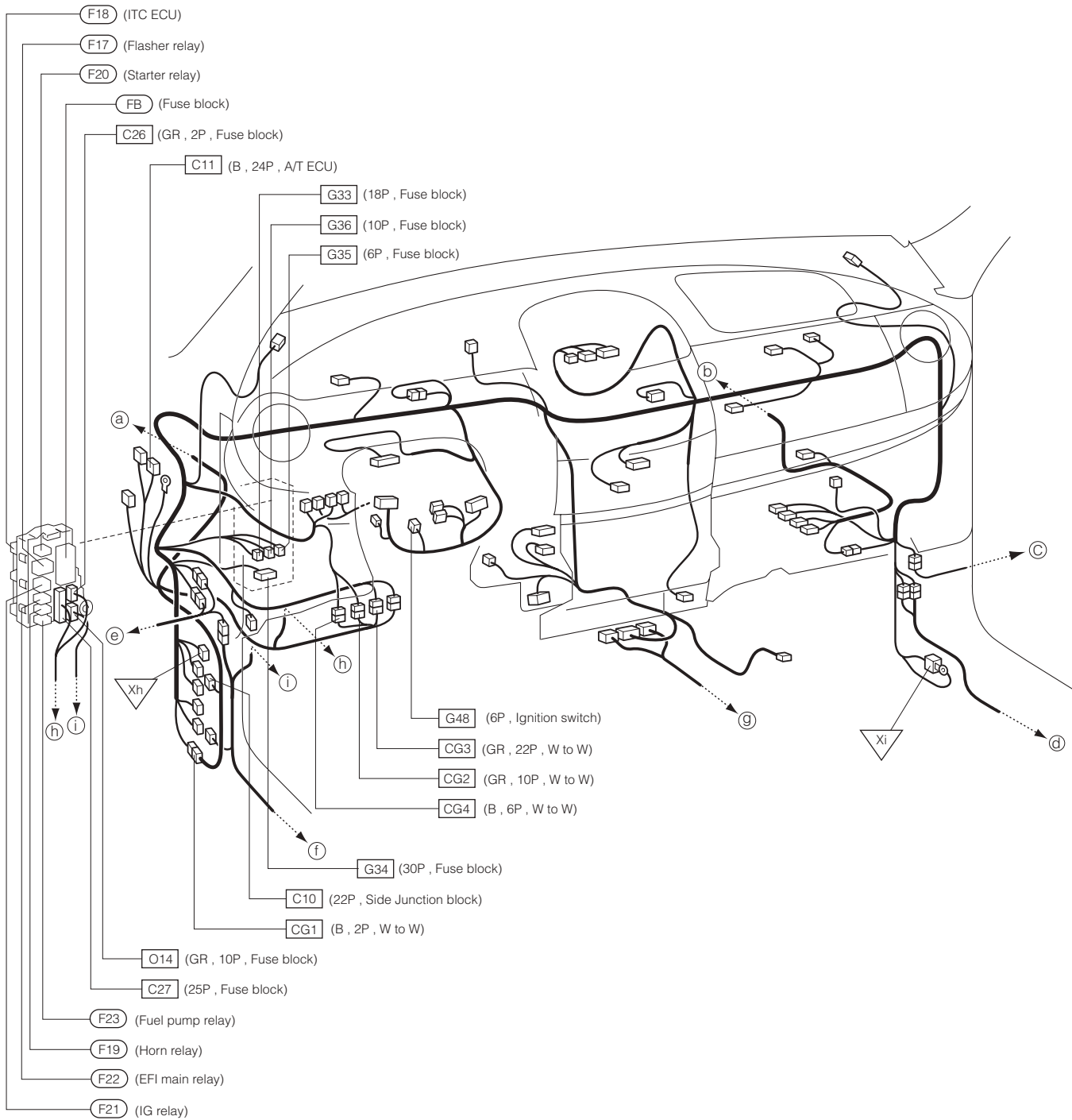
*1:1KR-FE
*2:K3-VE

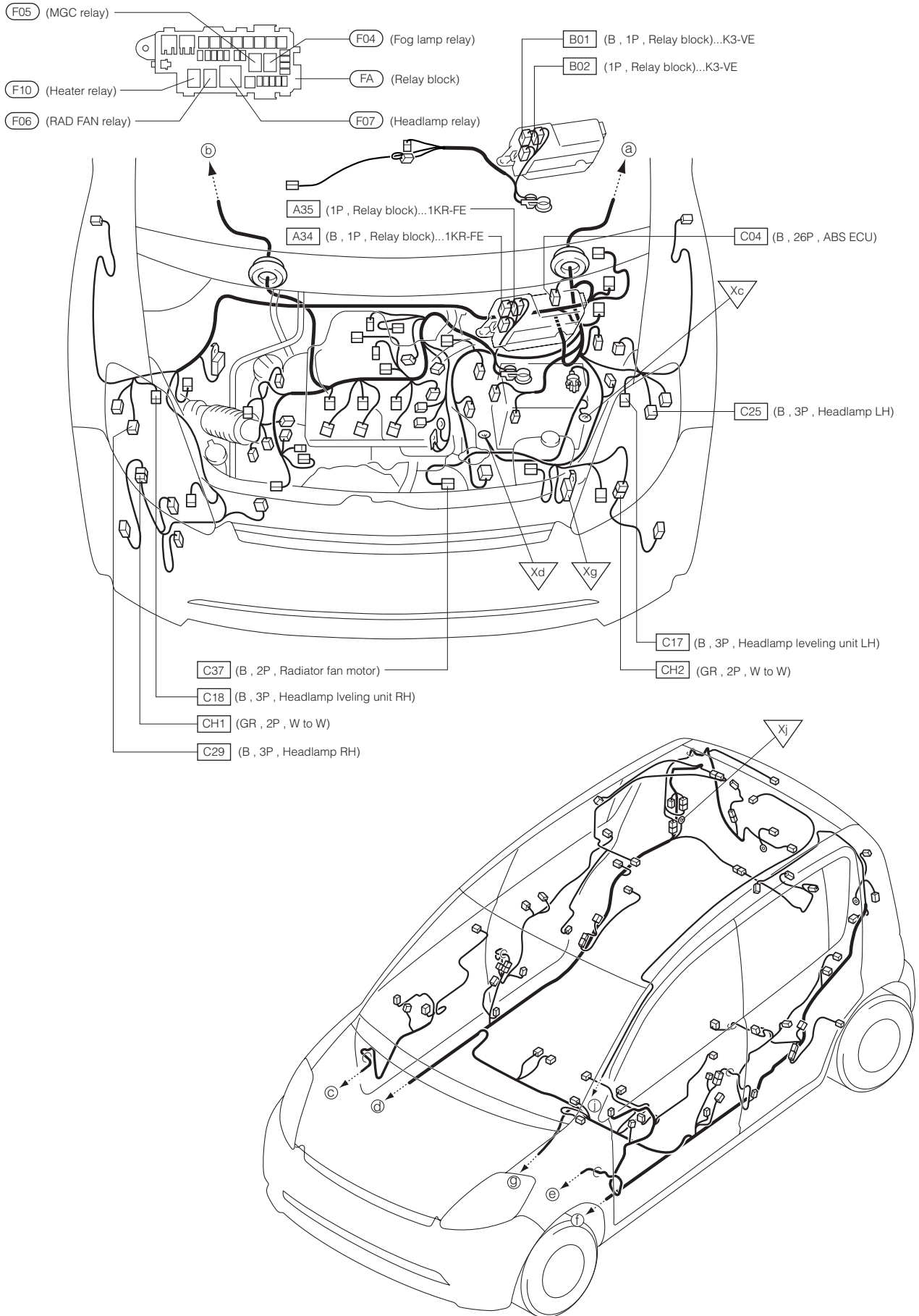




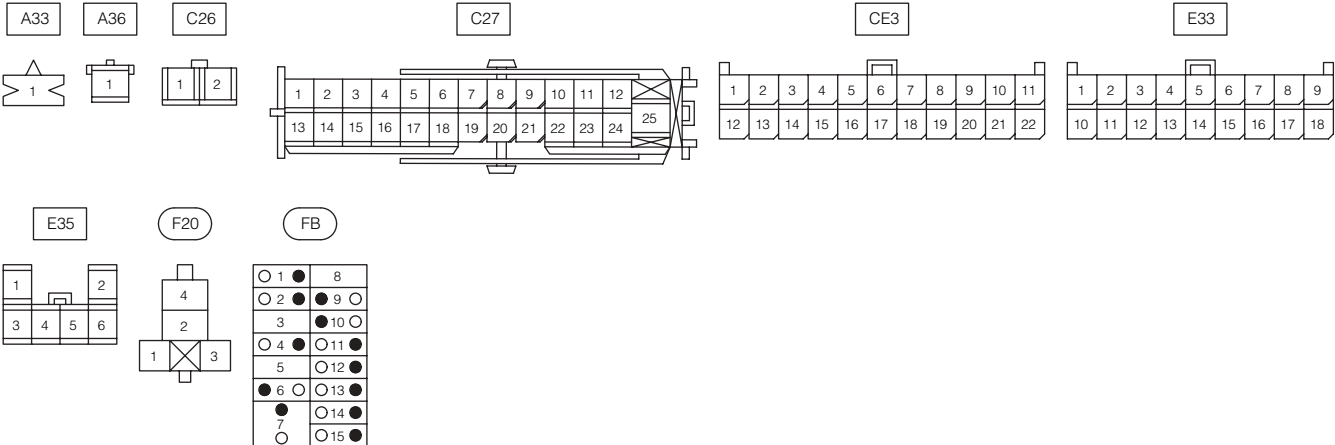
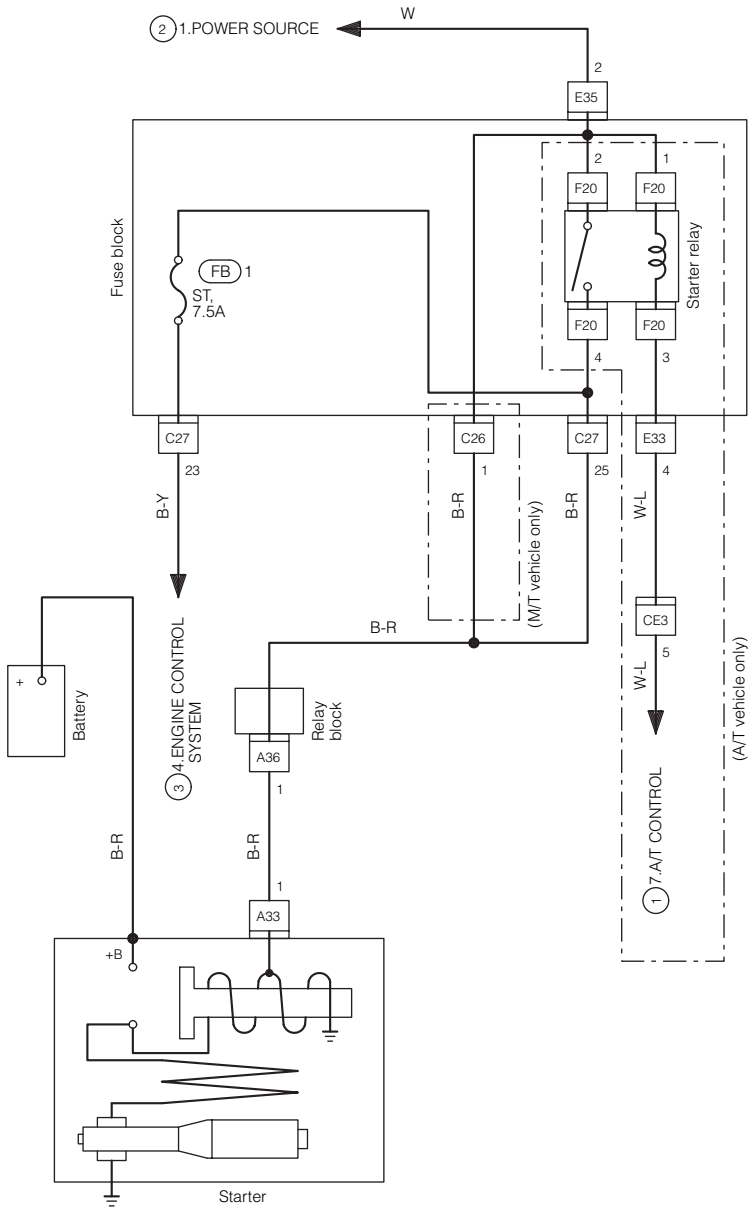




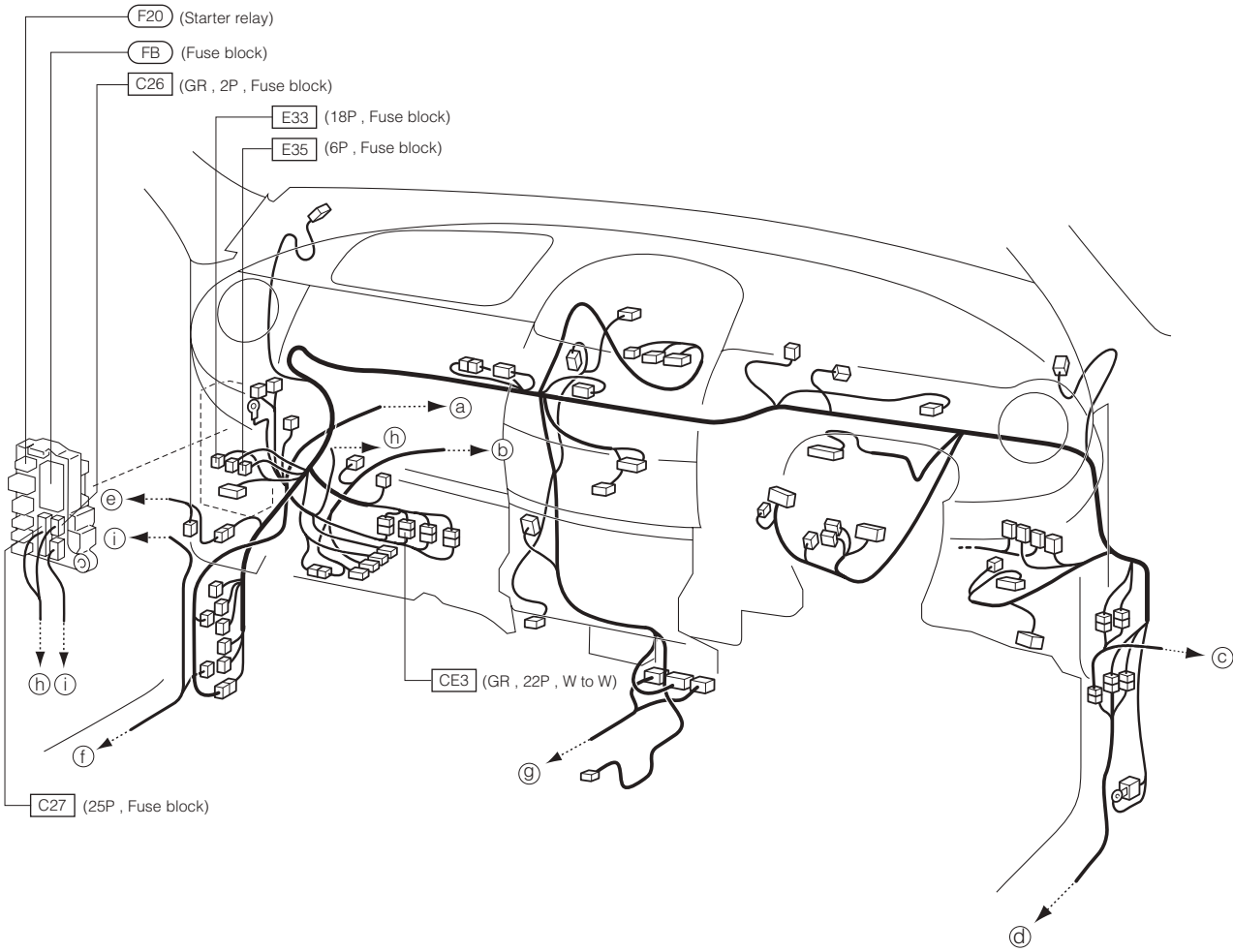


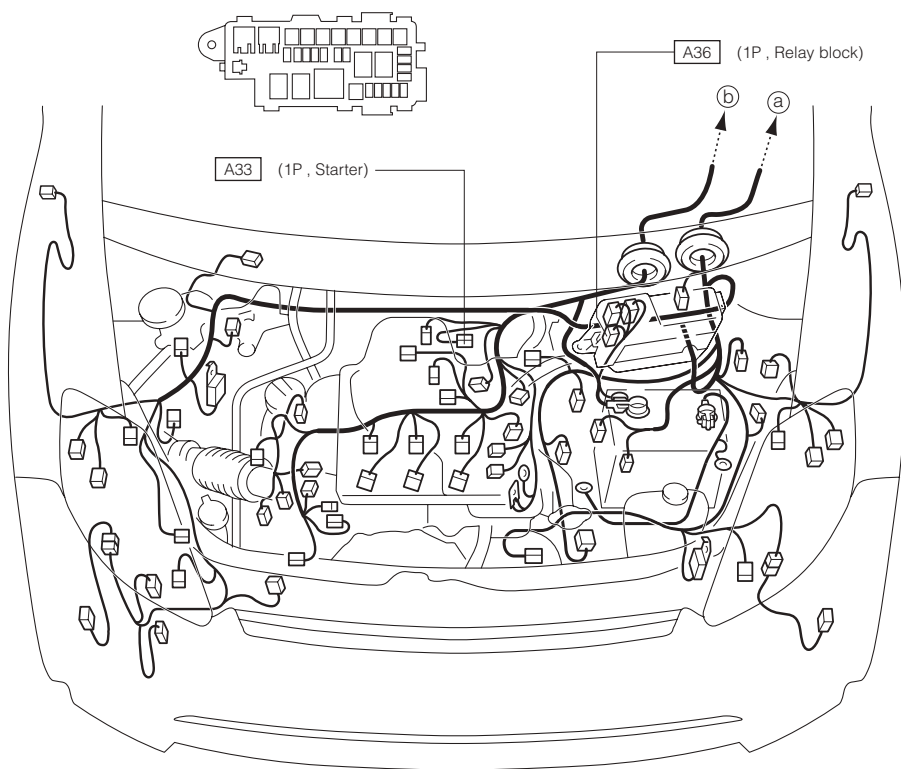


2 STARTING SYSTEM 2-1 RHD VEHICLE

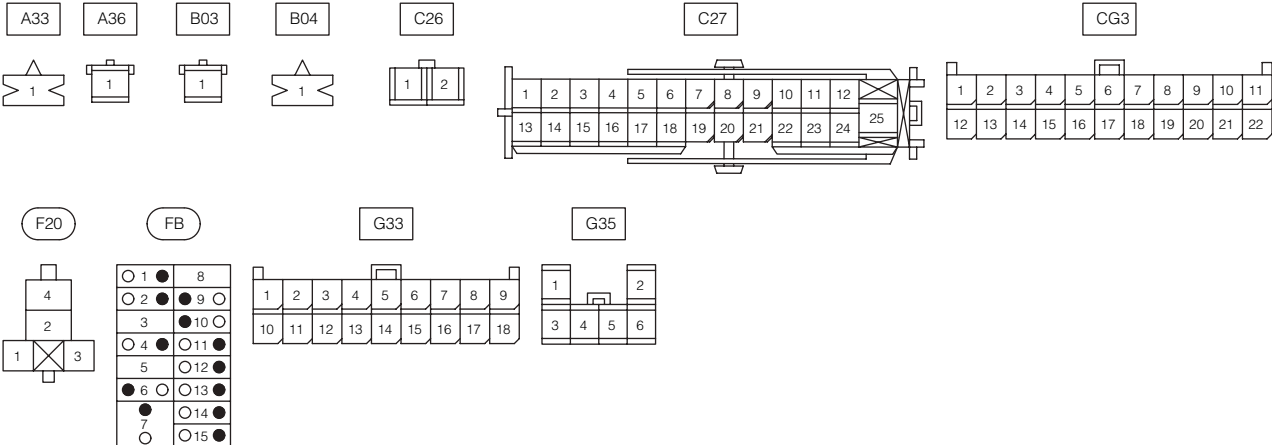
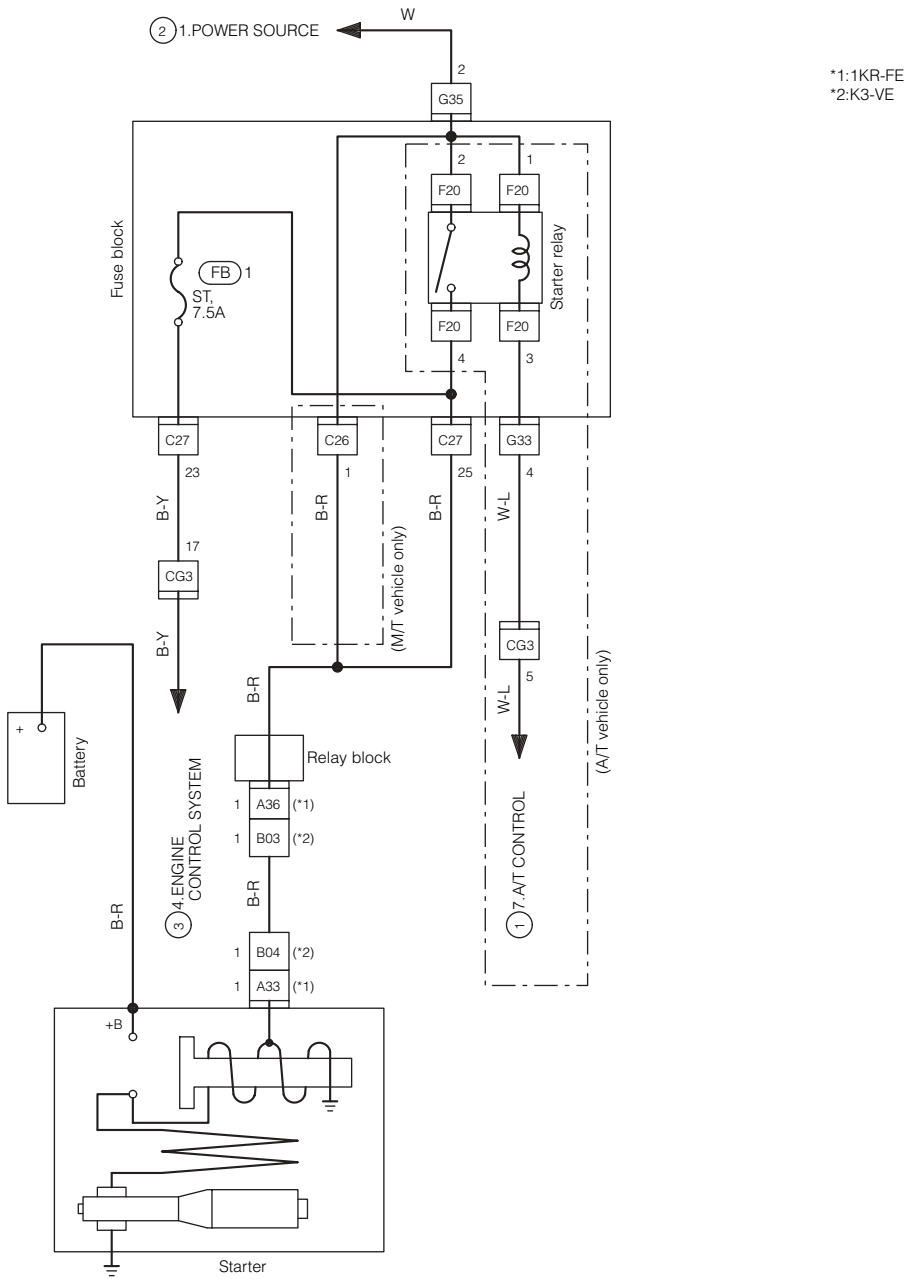


(MEMO)

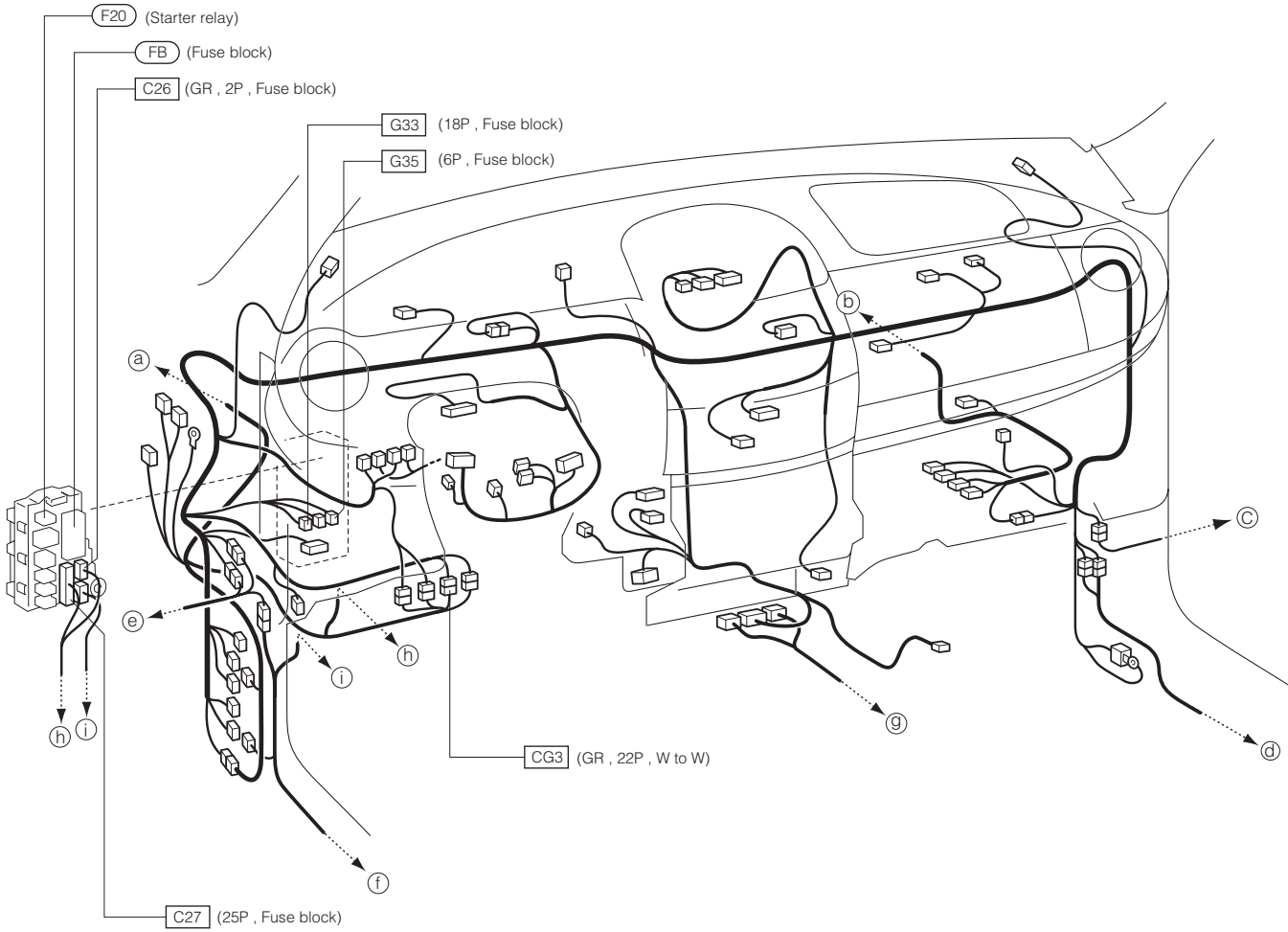


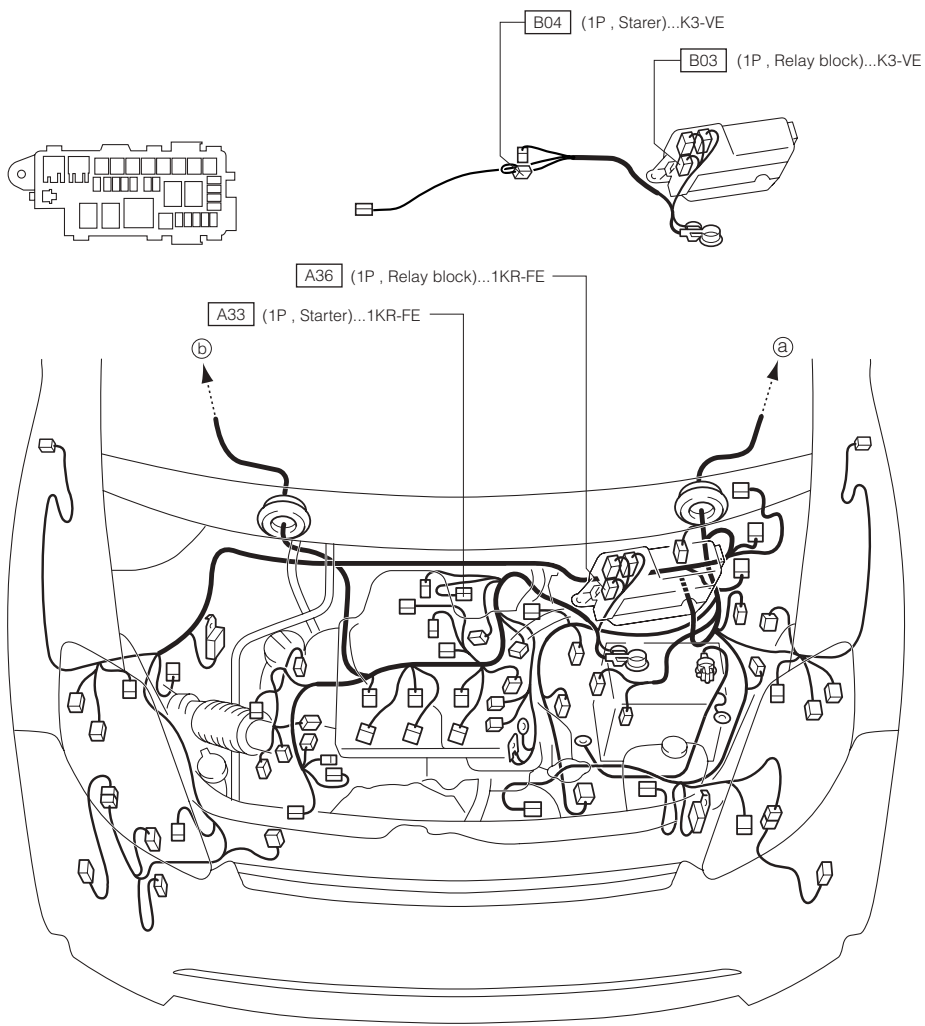


2-2 LHD VEHICLE

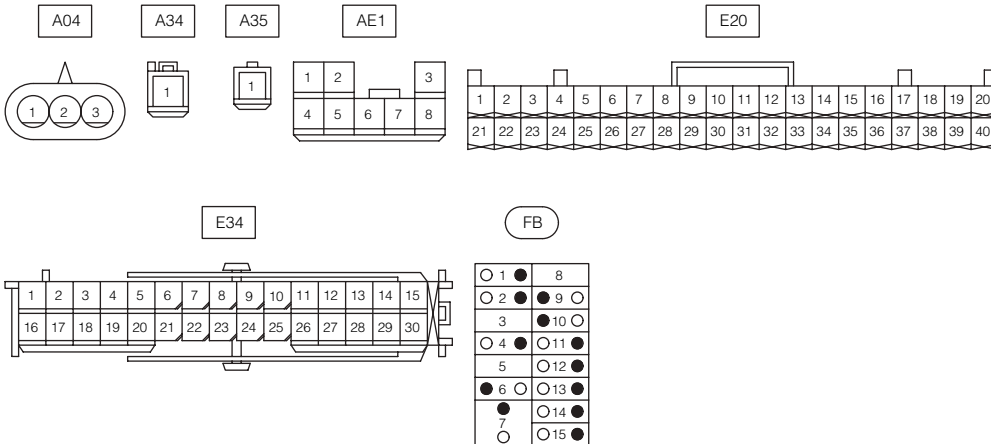
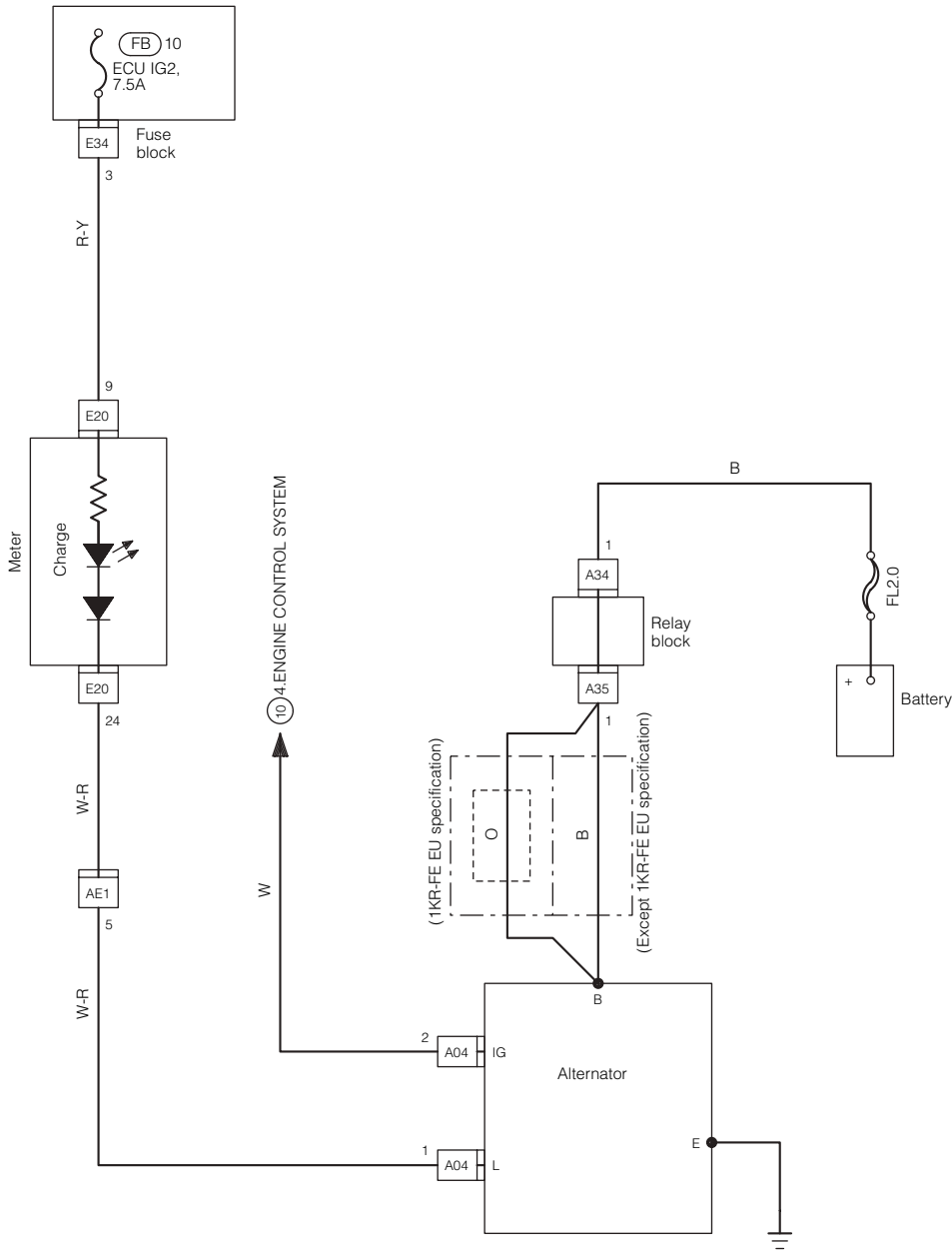


(MEMO)

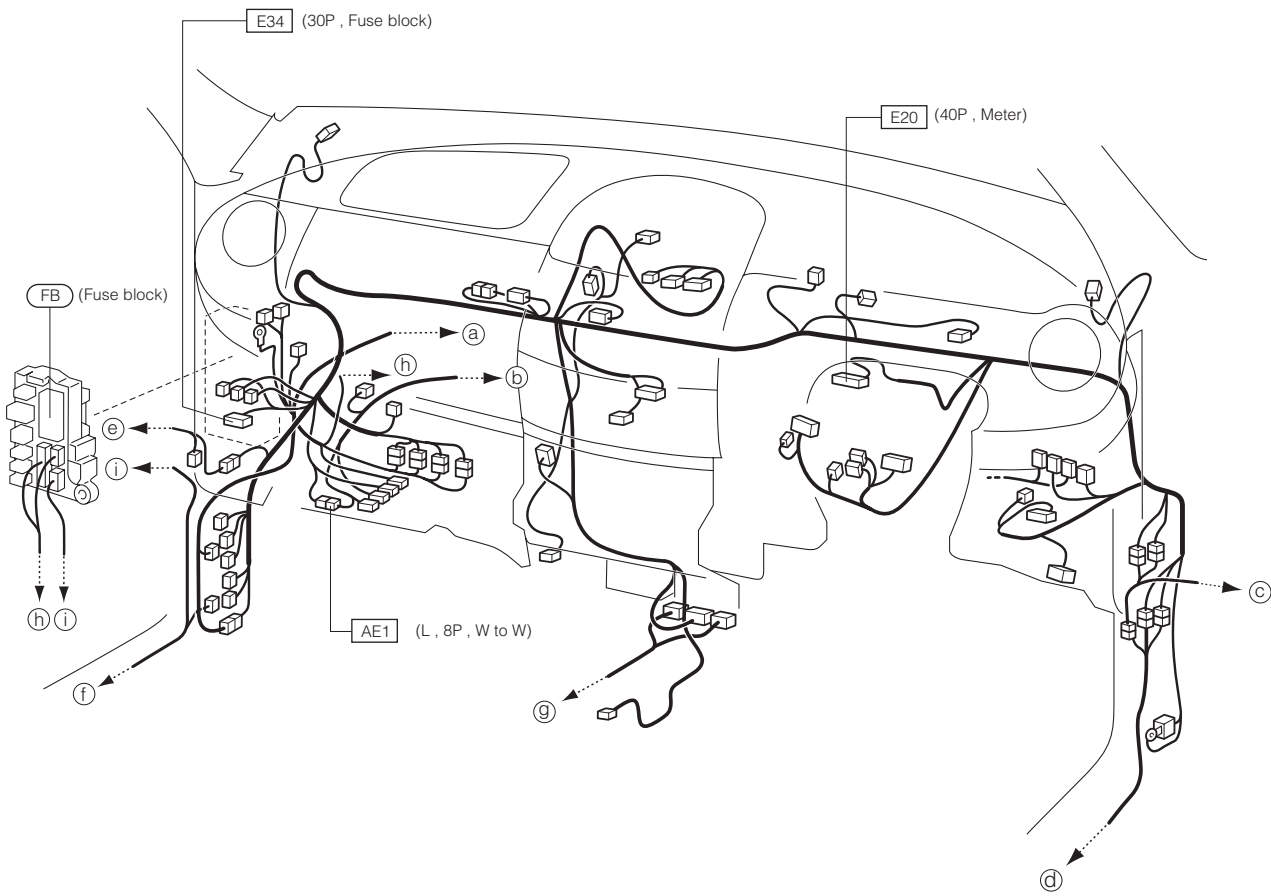


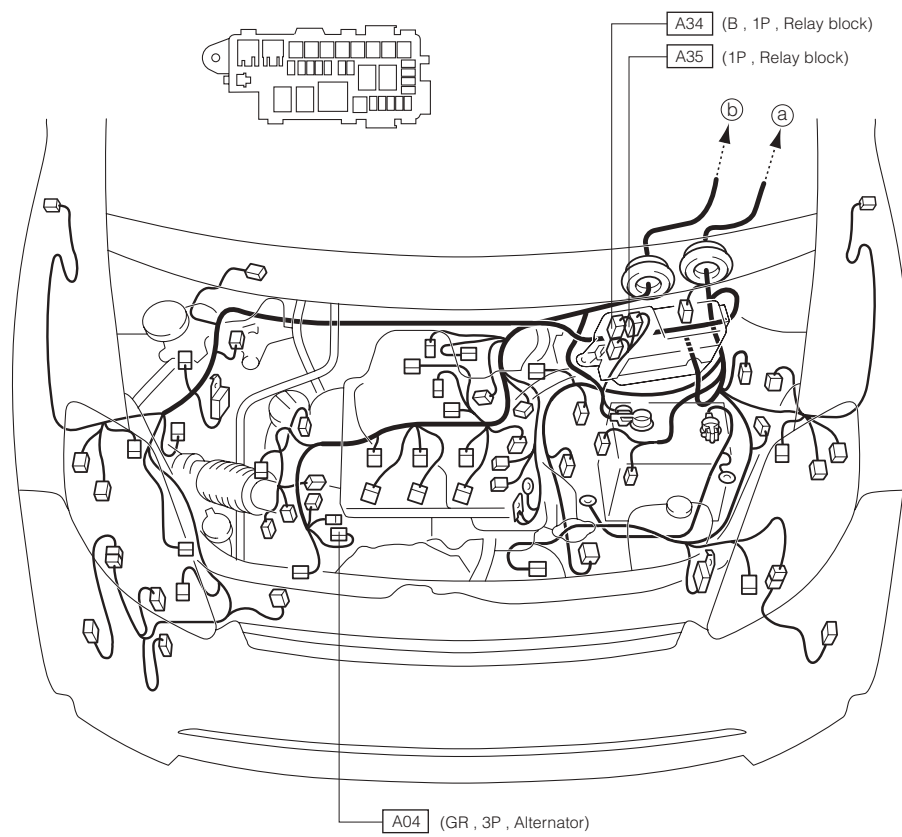


3 CHARGING SYSTEM 3-1 RHD VEHICLE

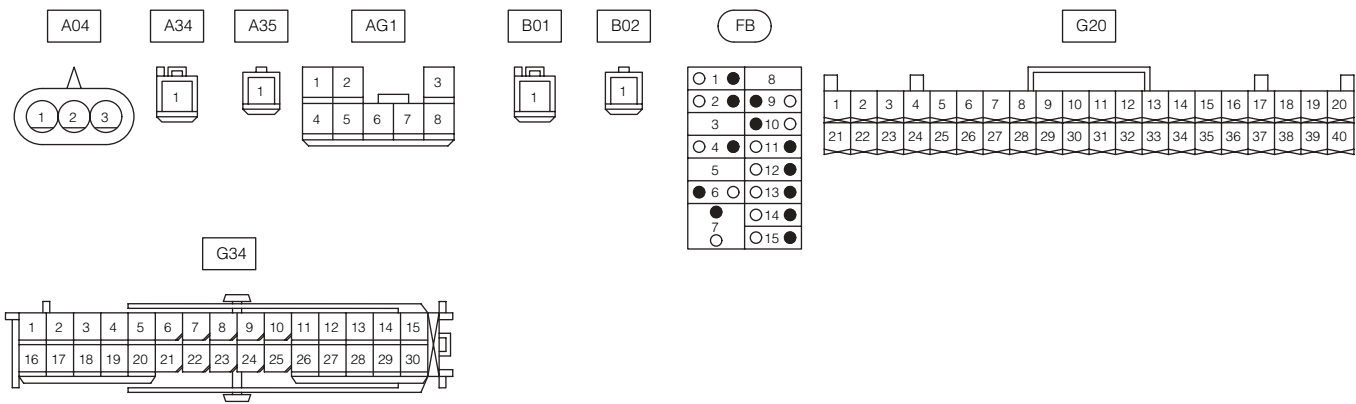
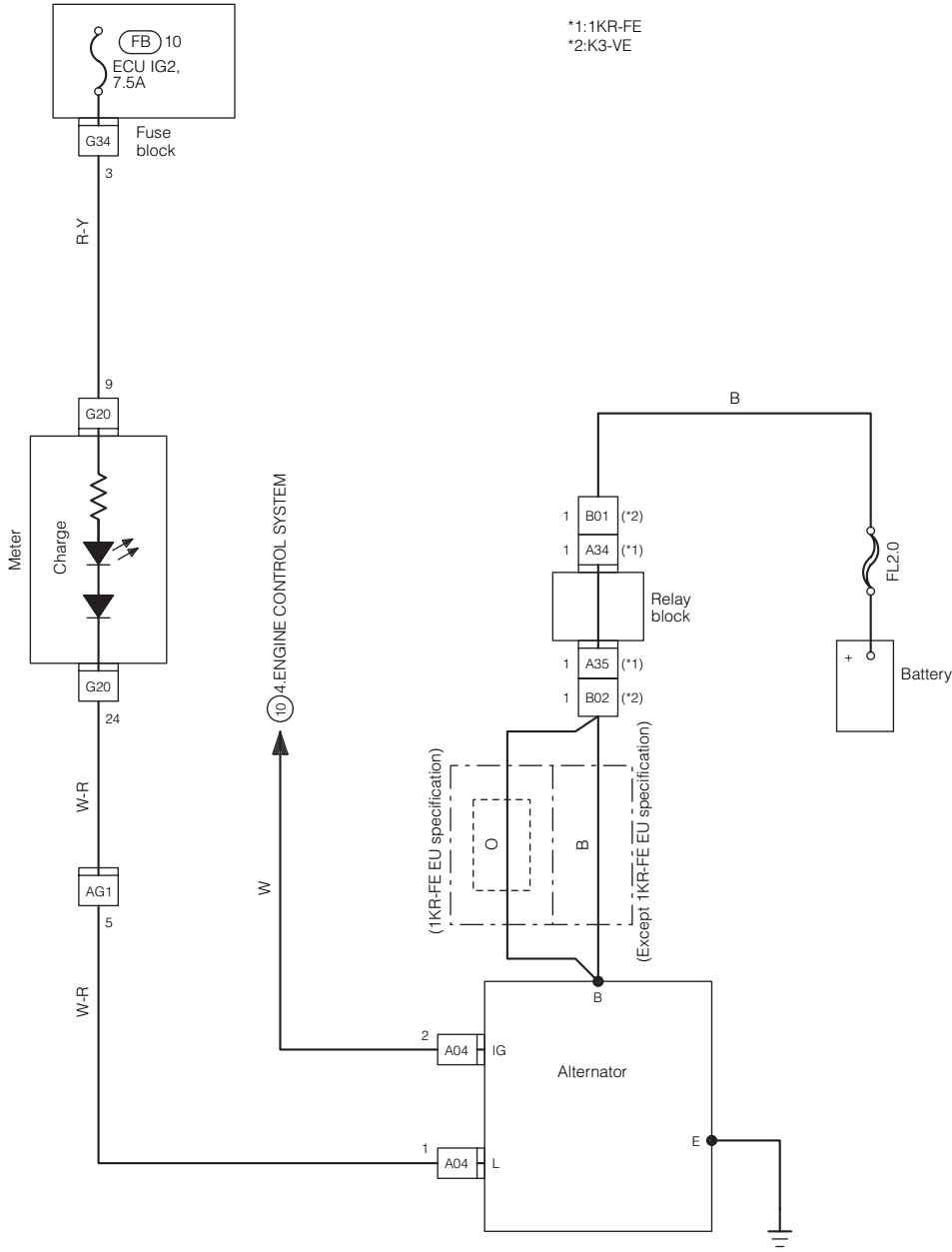


(MEMO)

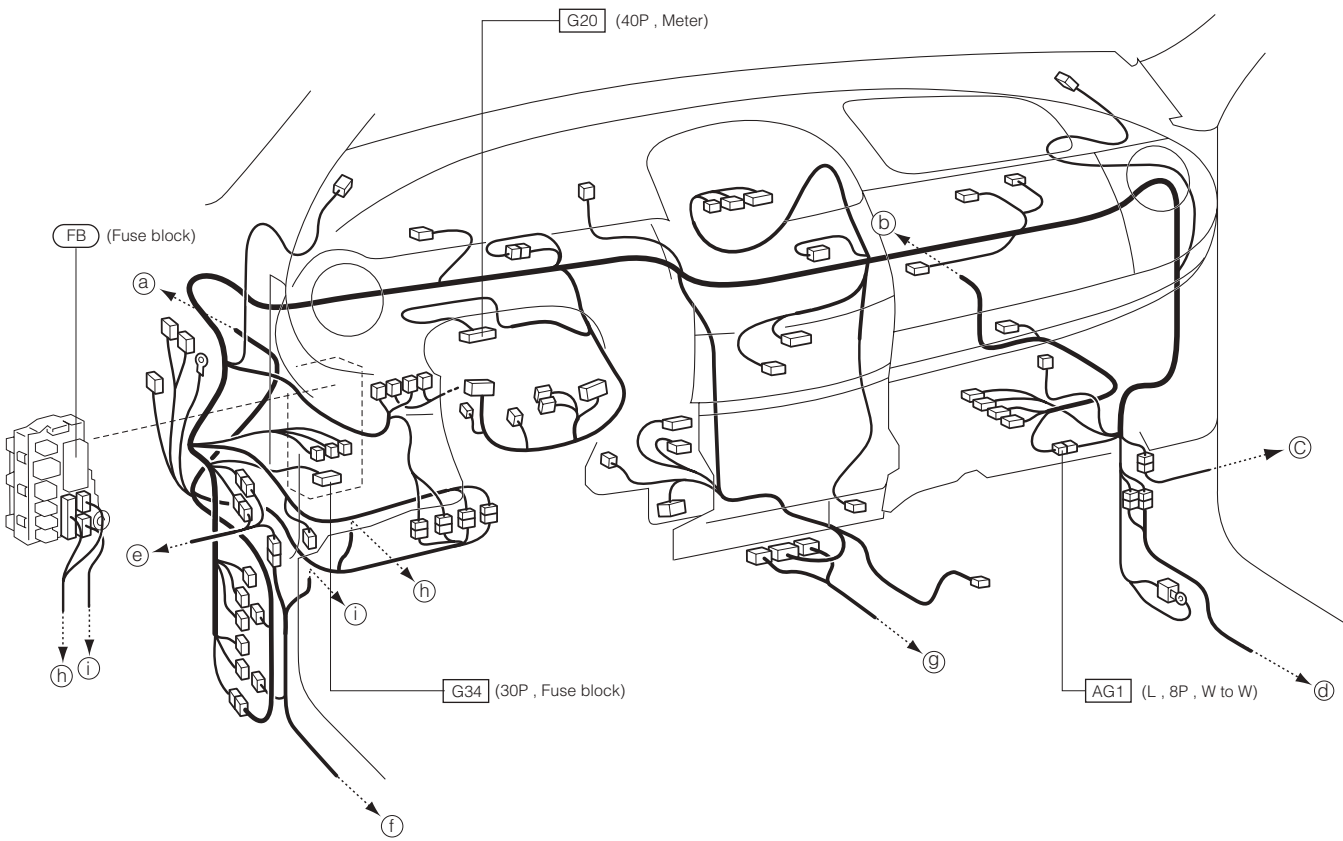


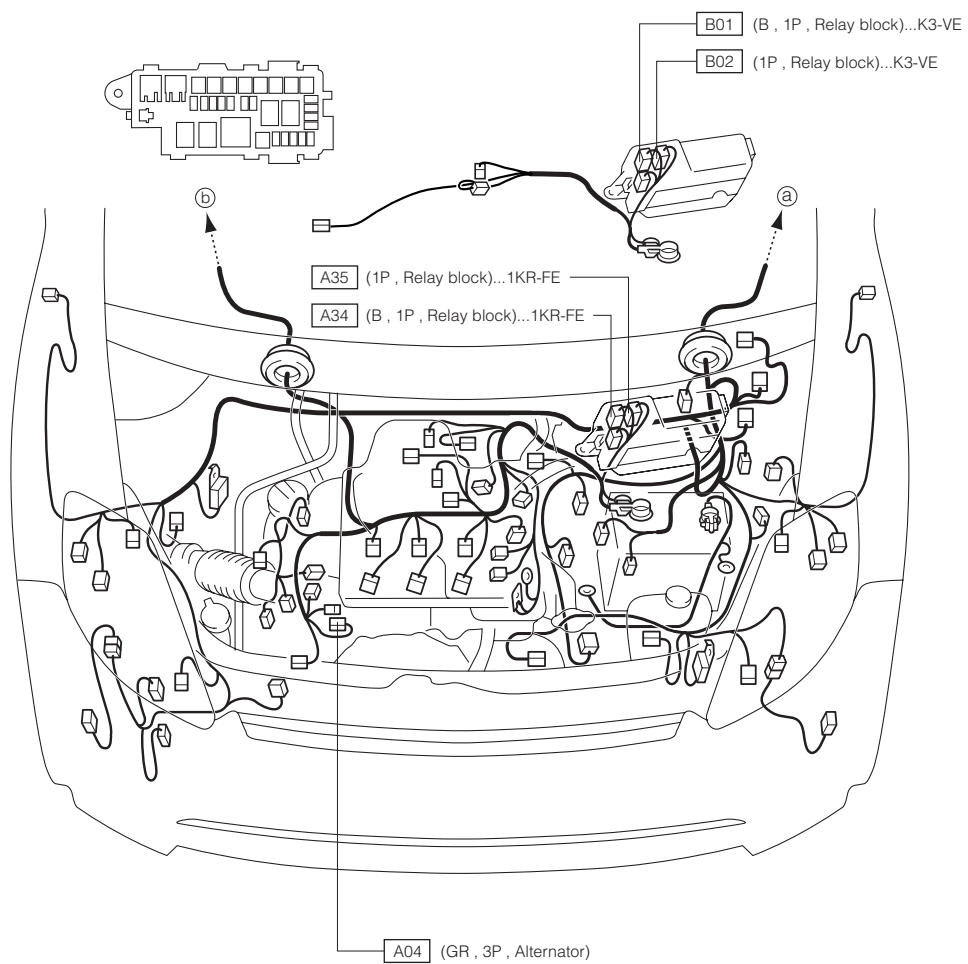


3-2 LHD VEHICLE

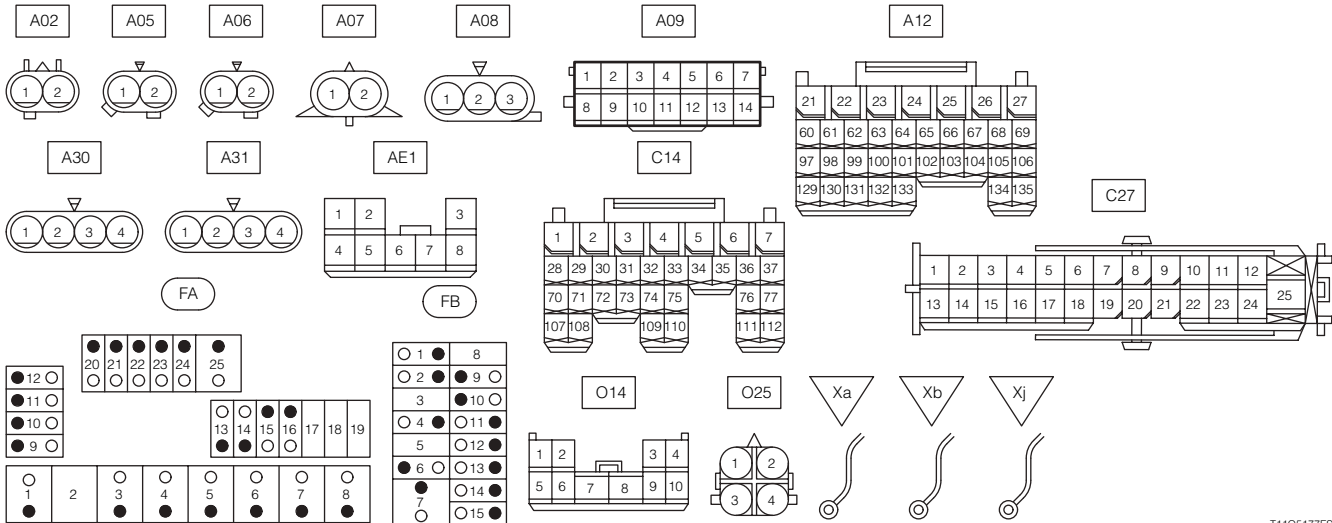
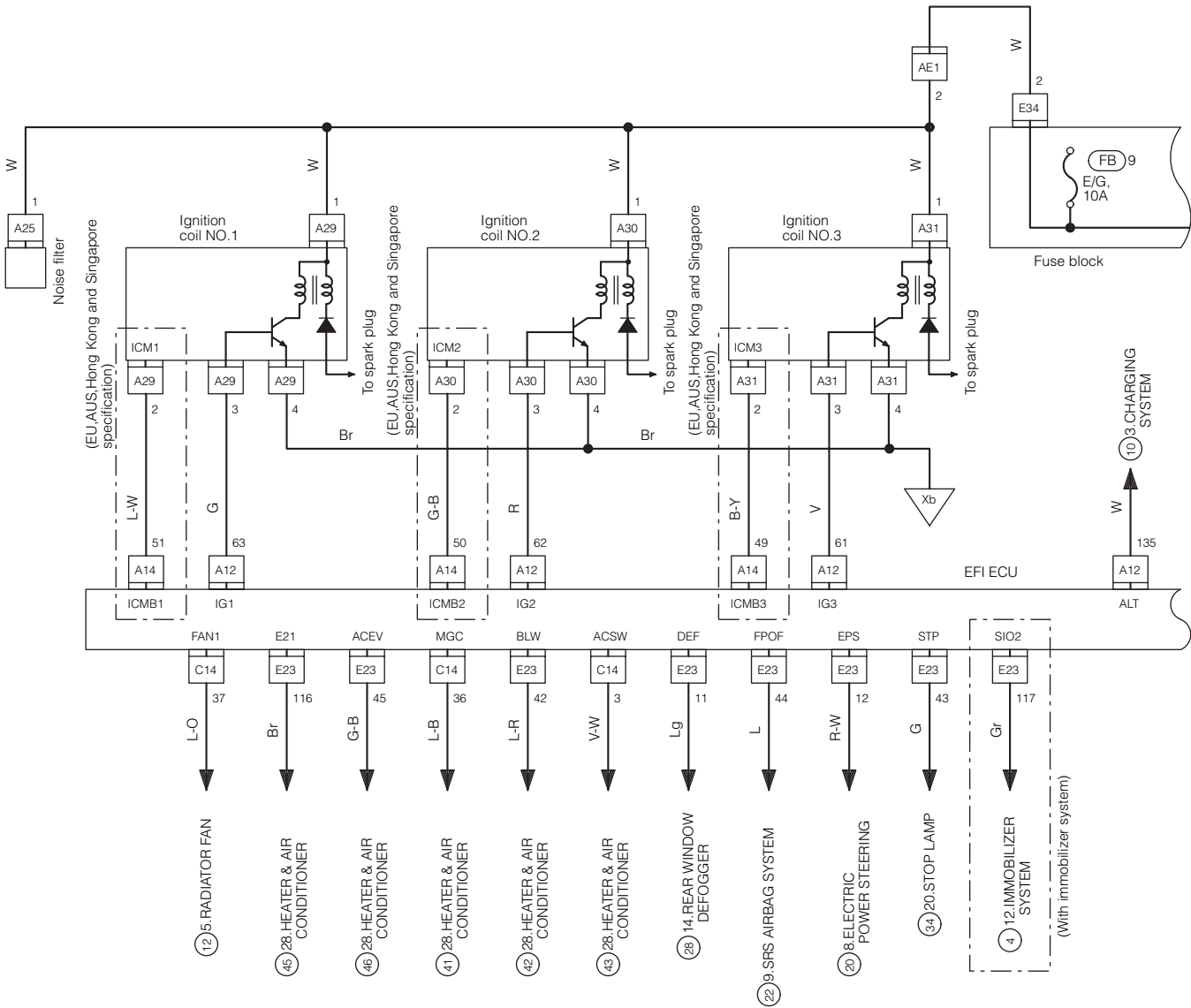


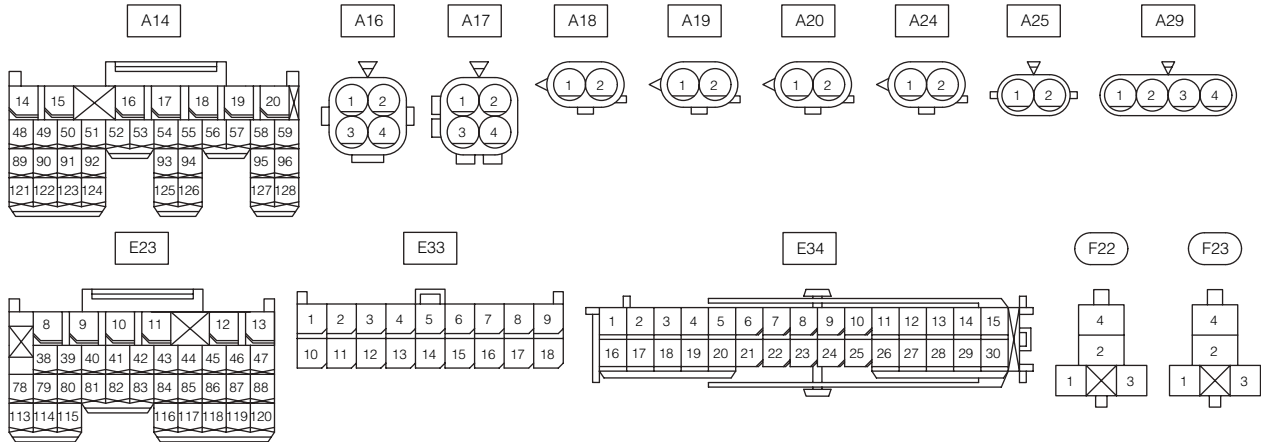
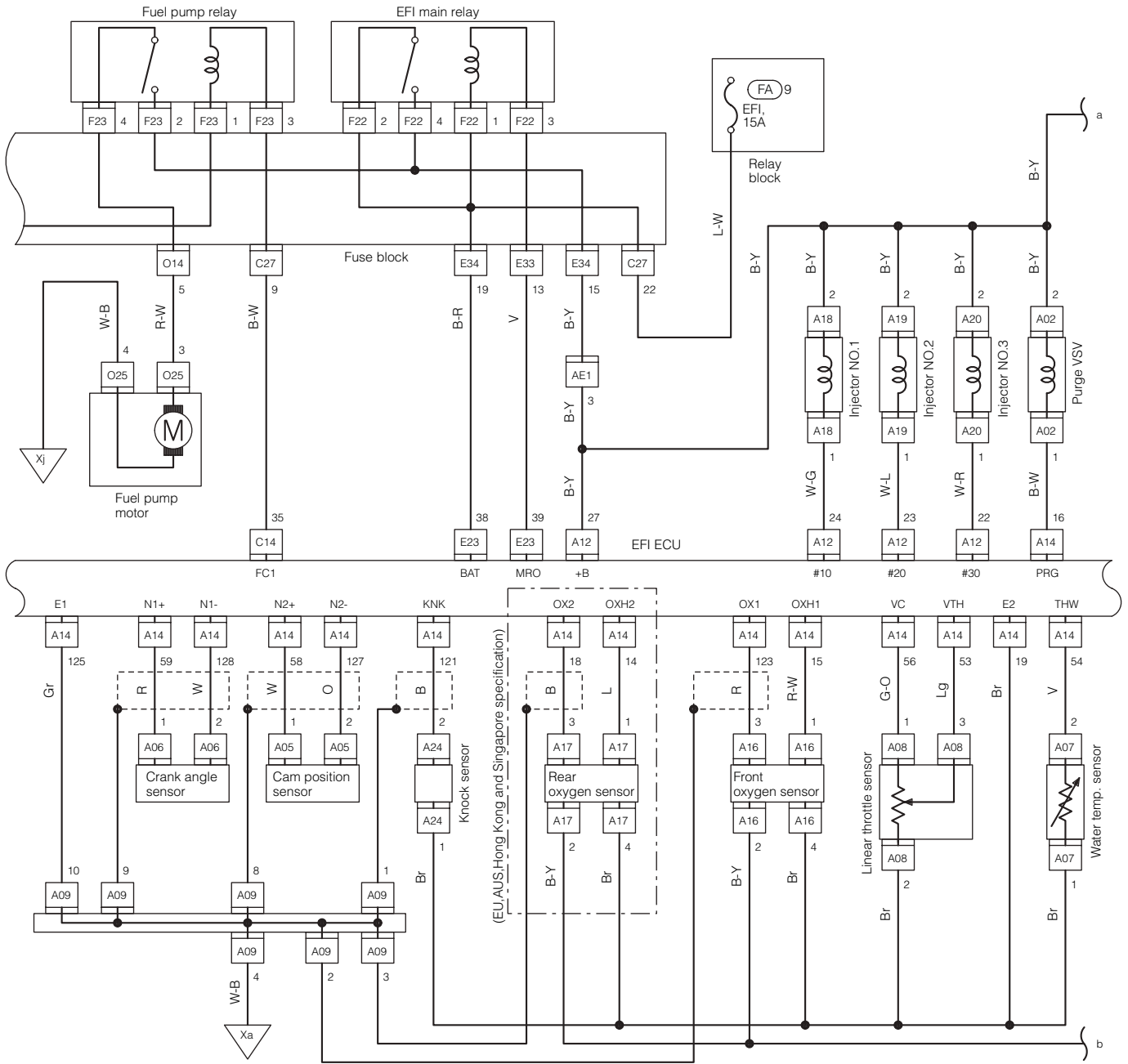
(MEMO)

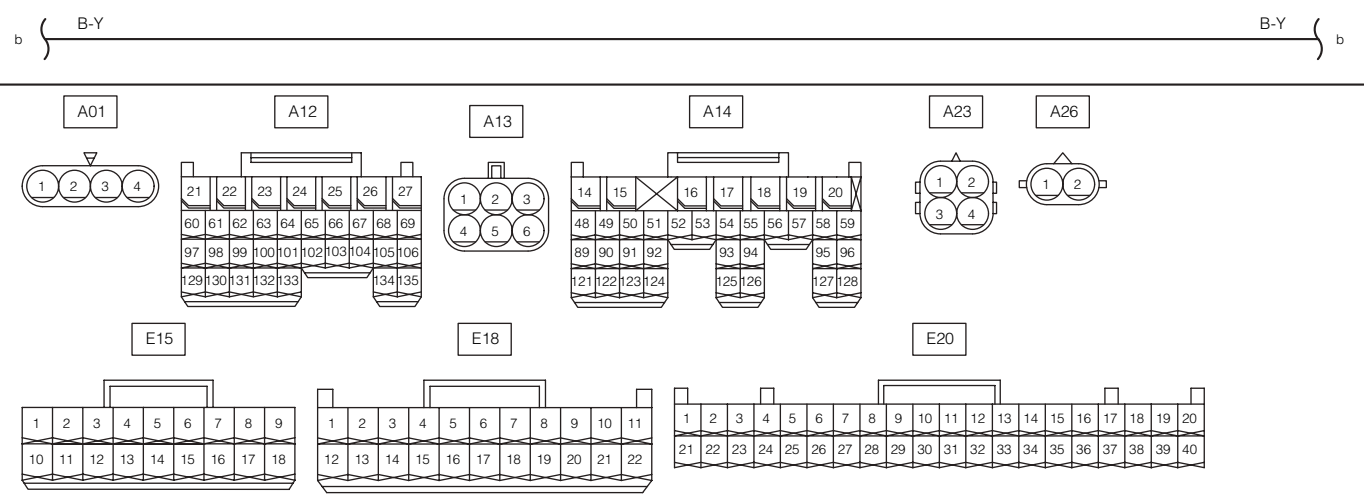
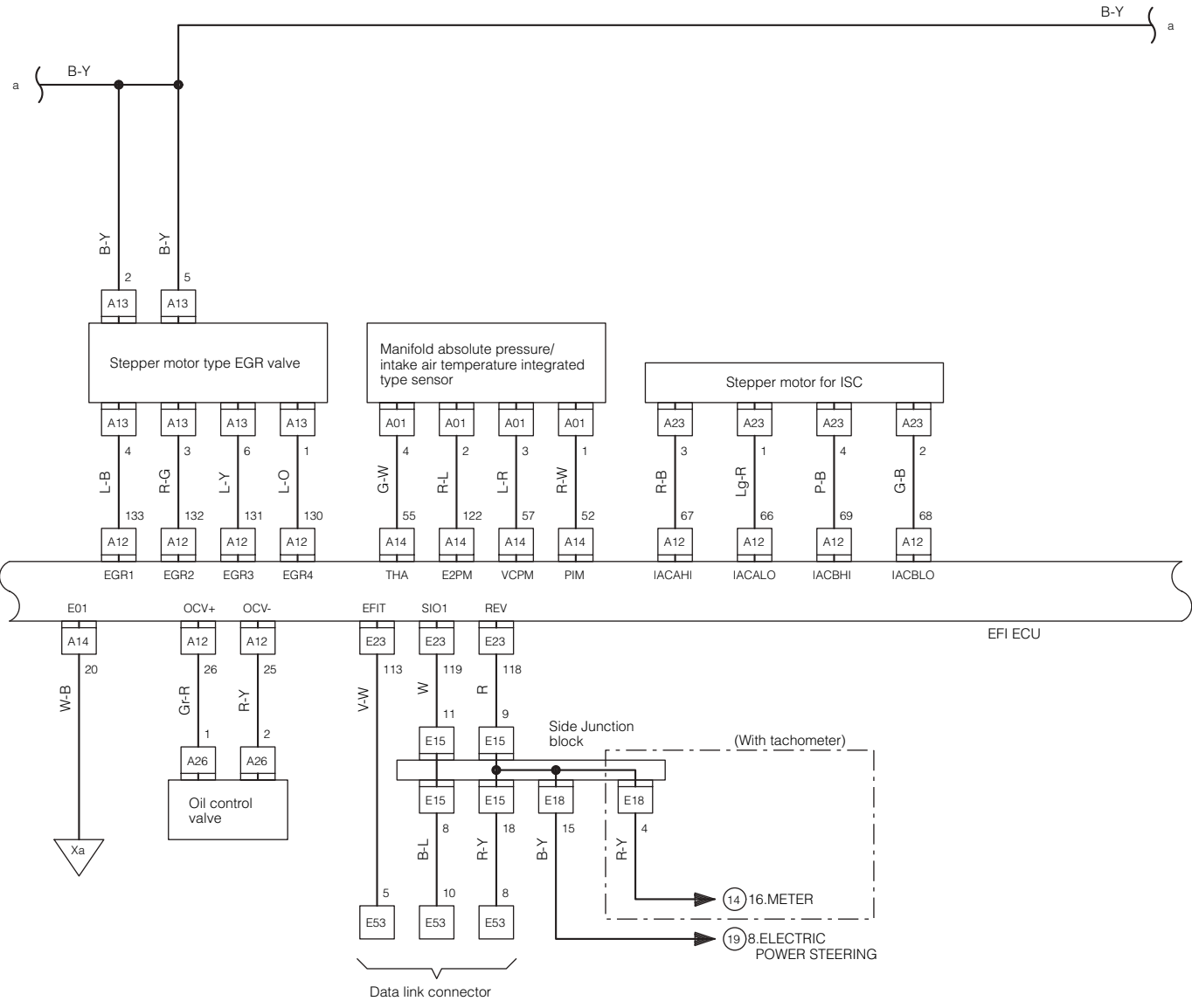


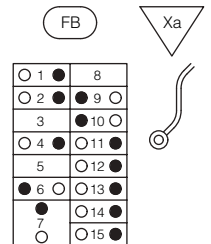
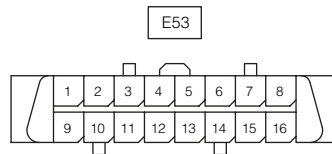
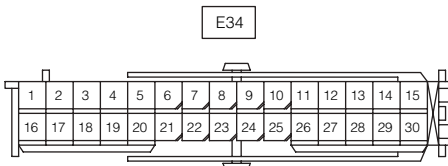
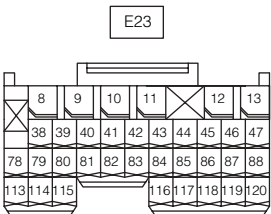
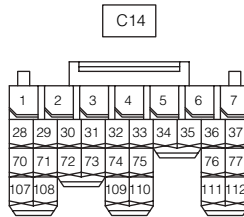
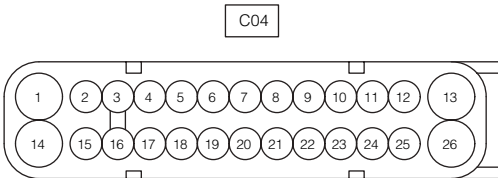
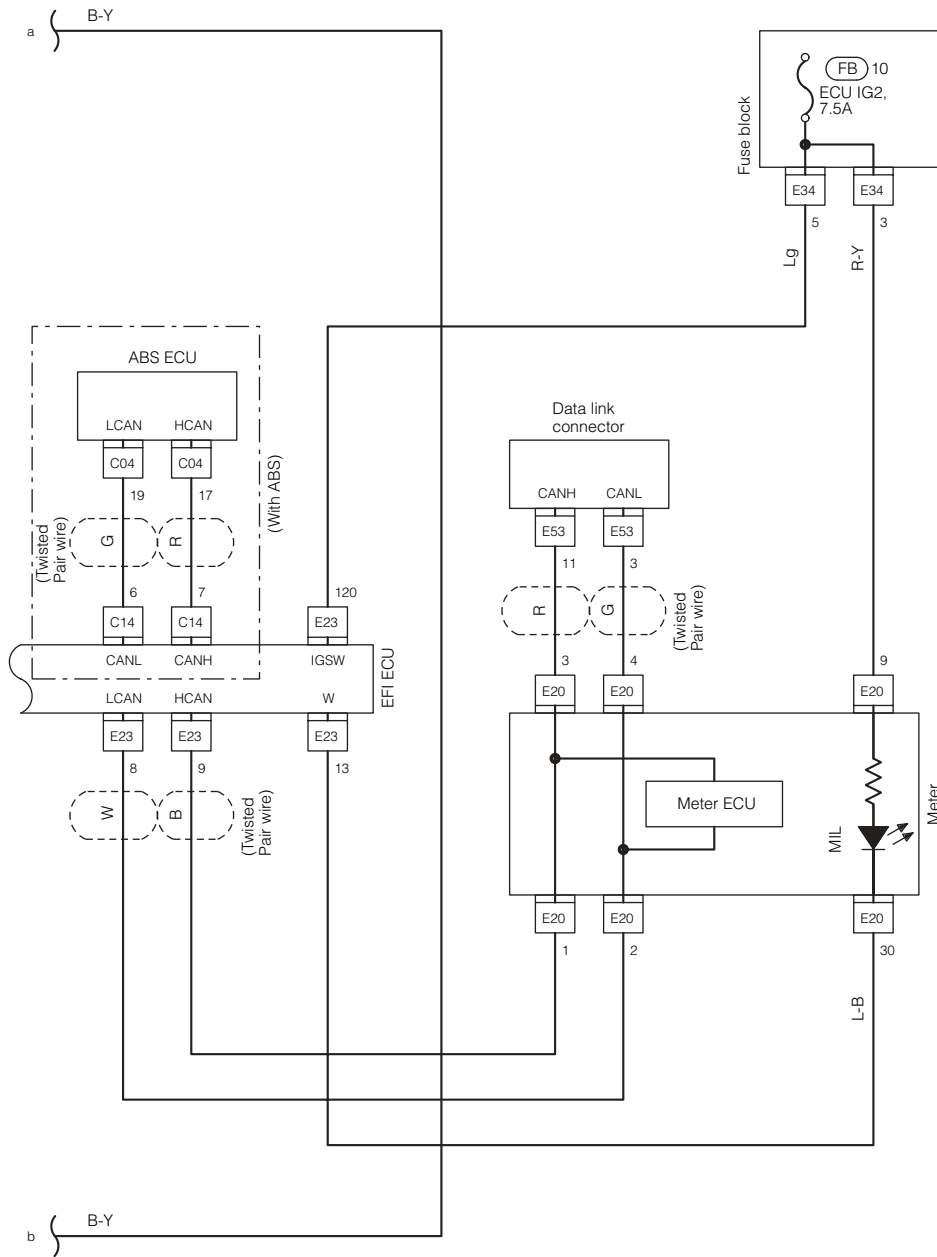


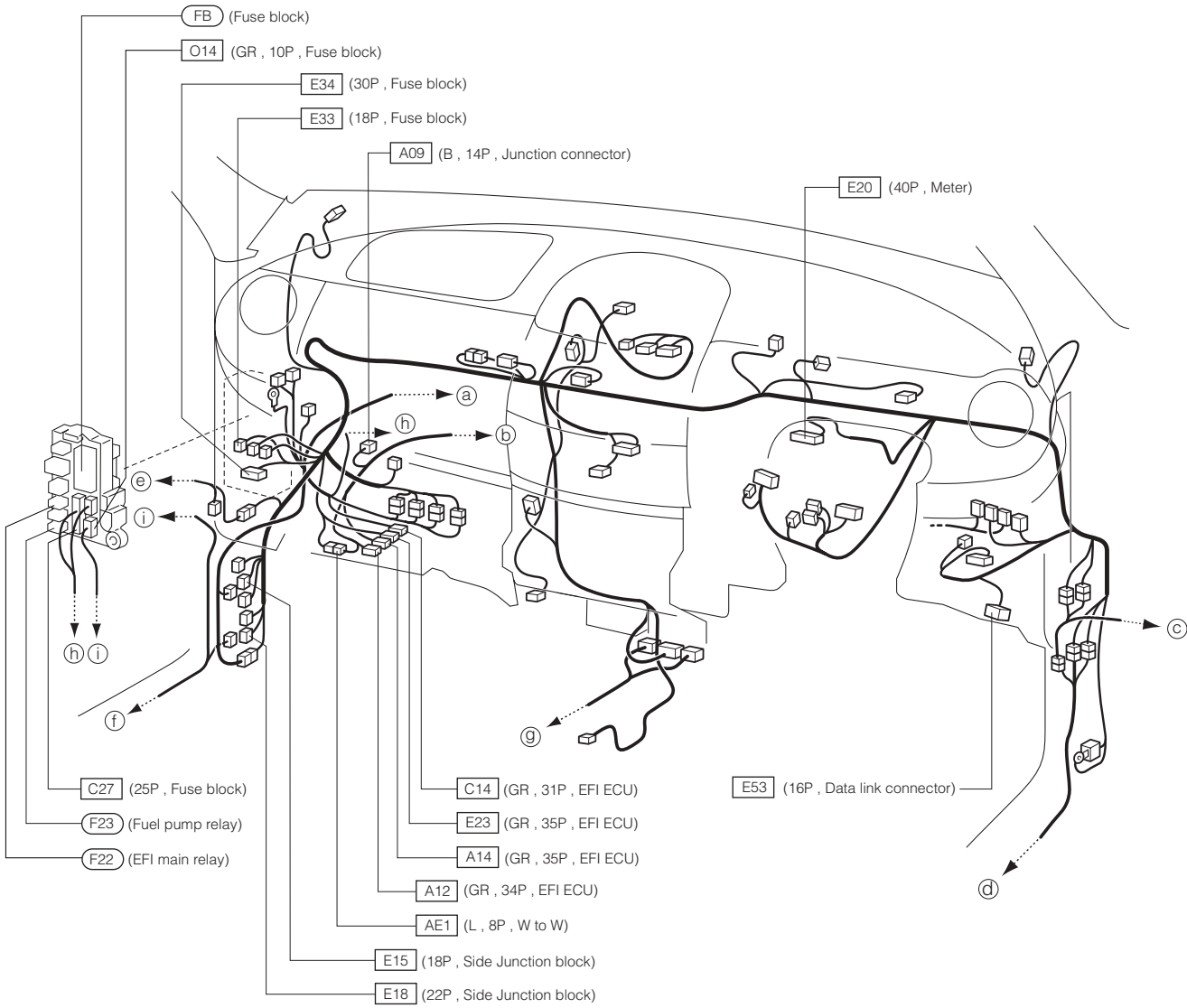
4 ENGINE CONTROL SYSTEM 4-1 RHD VEHICLE(1KR-FE ENGINE)

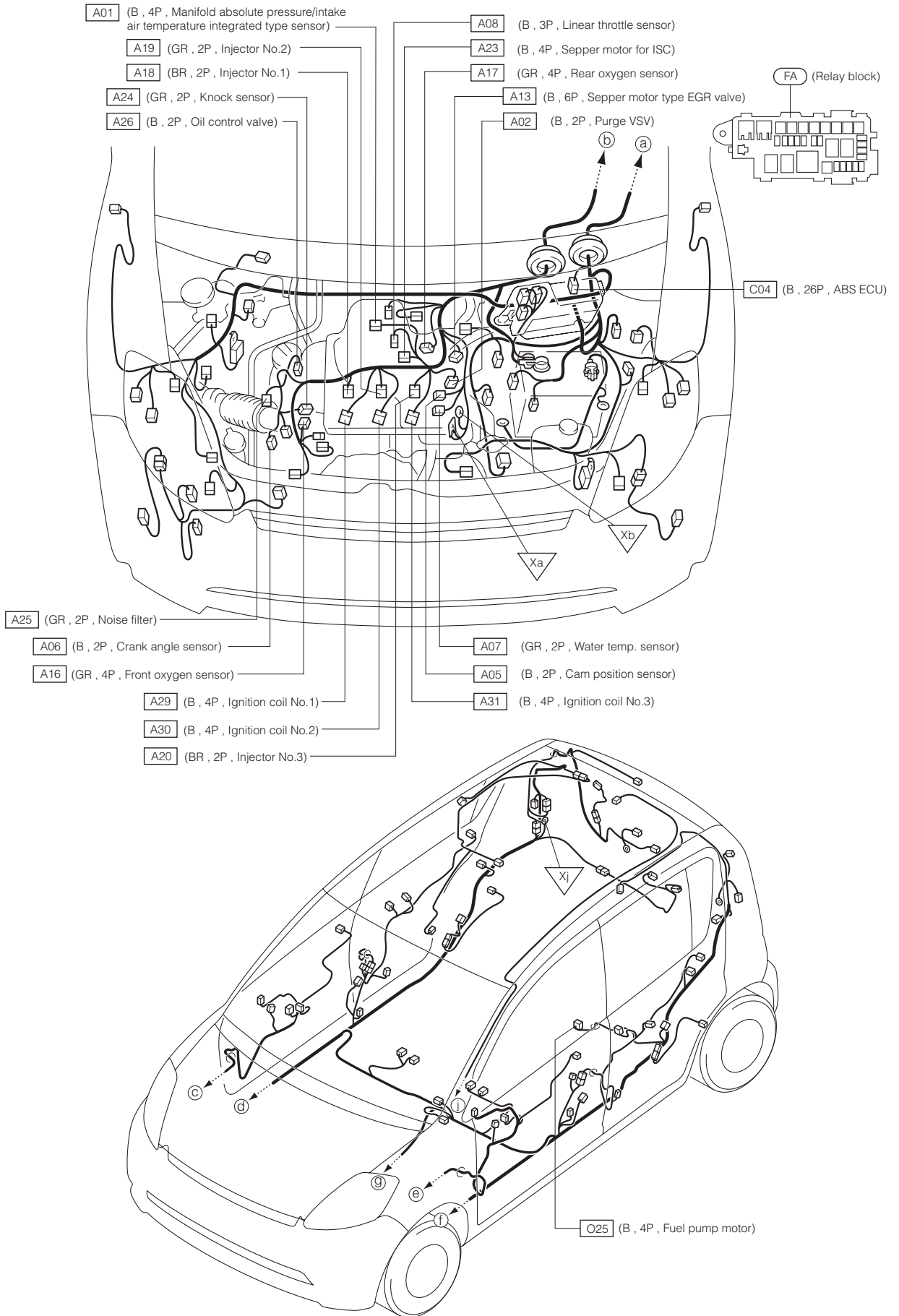




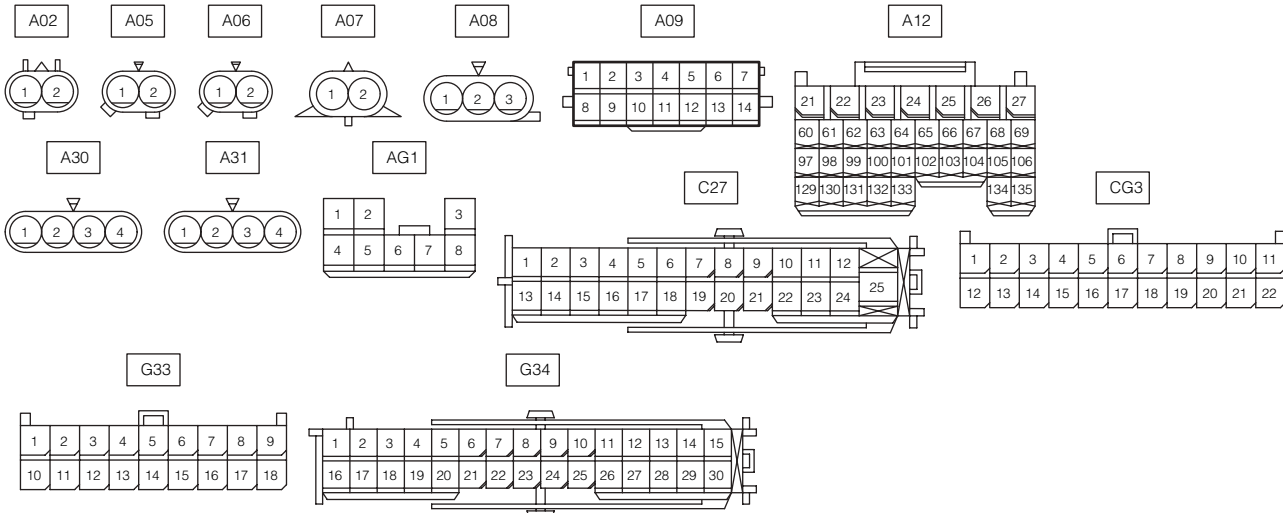
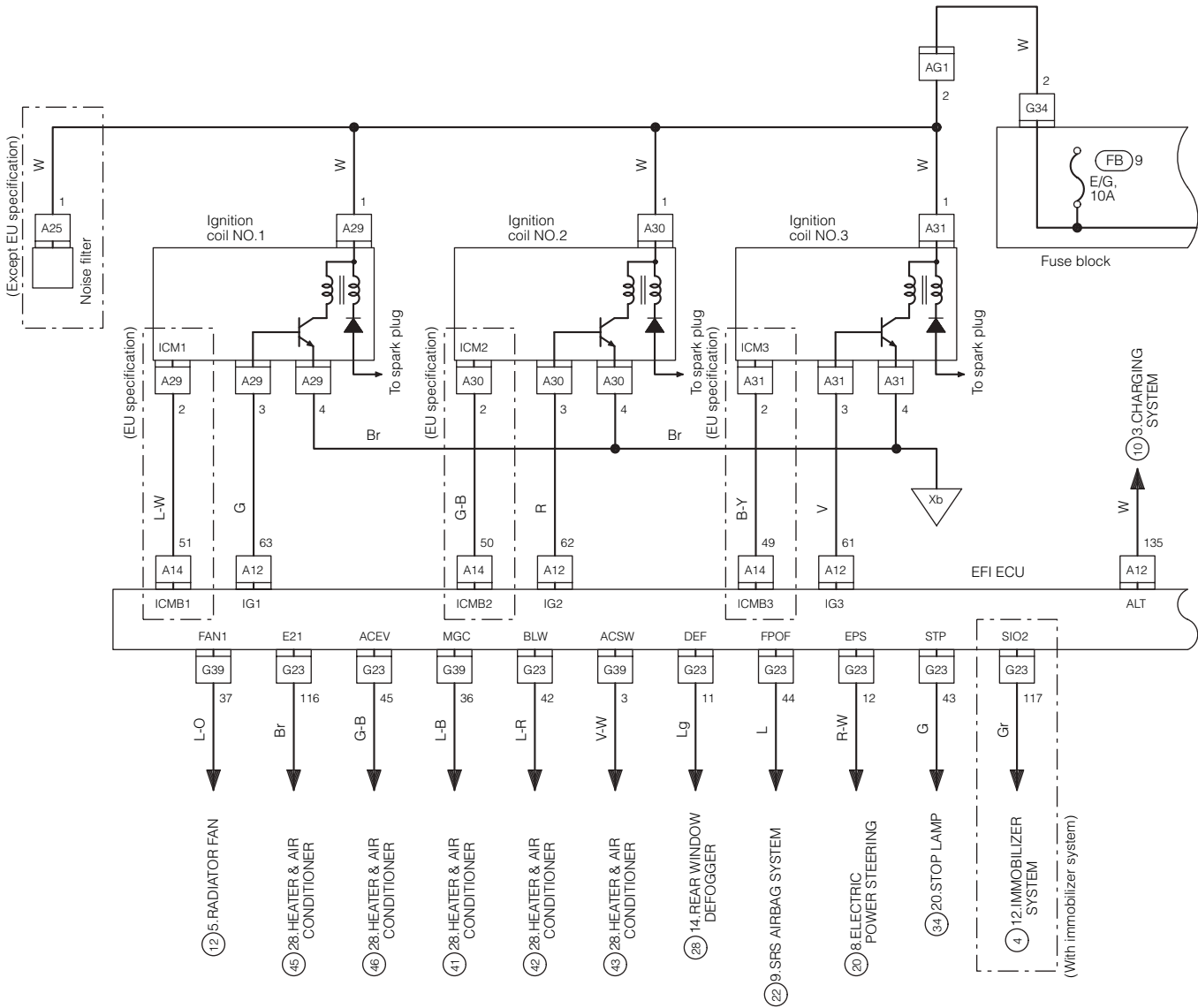


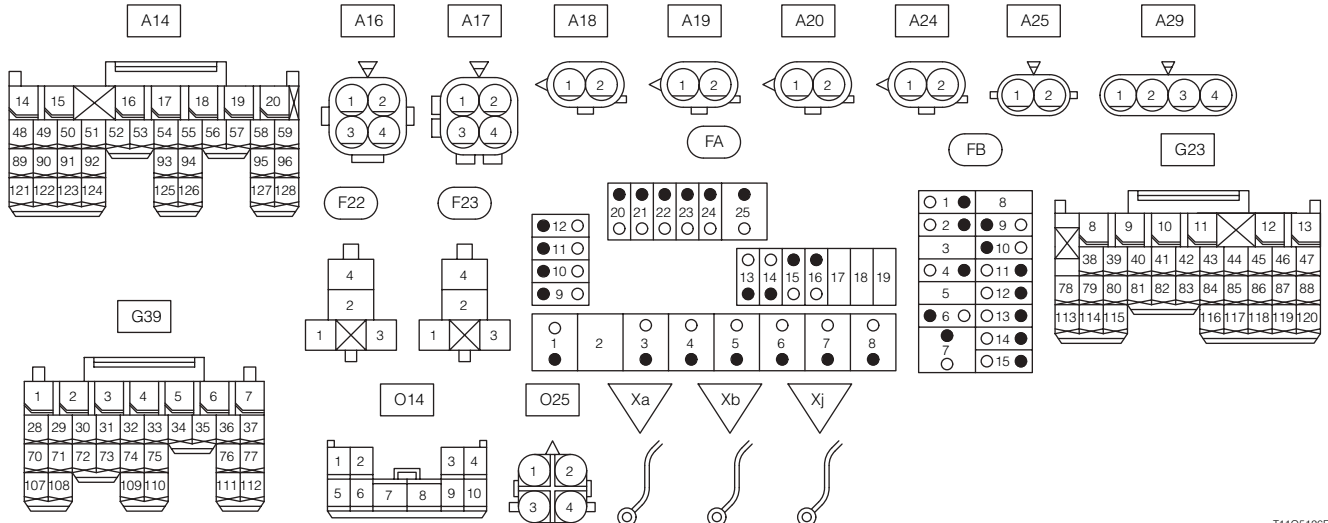
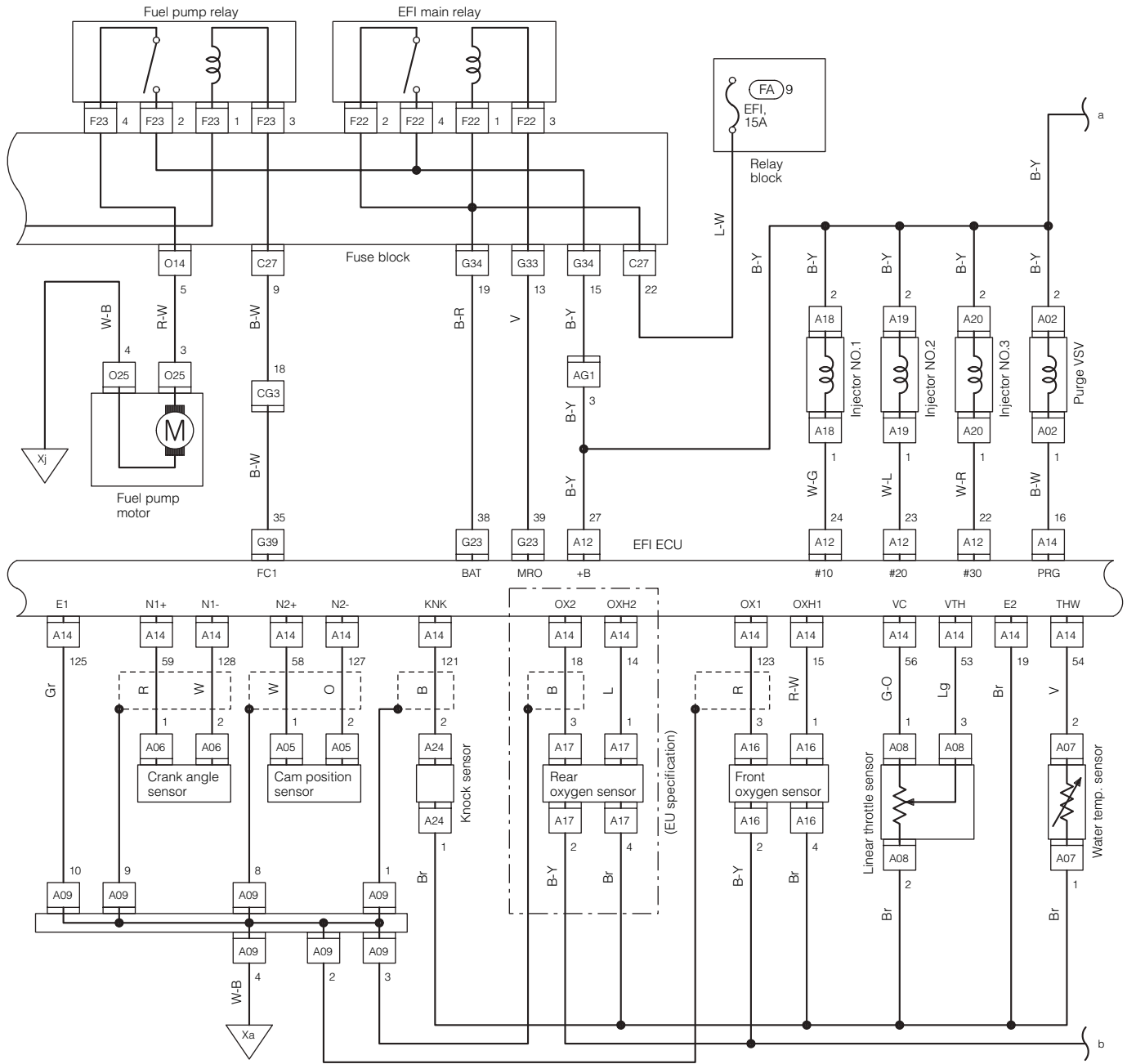


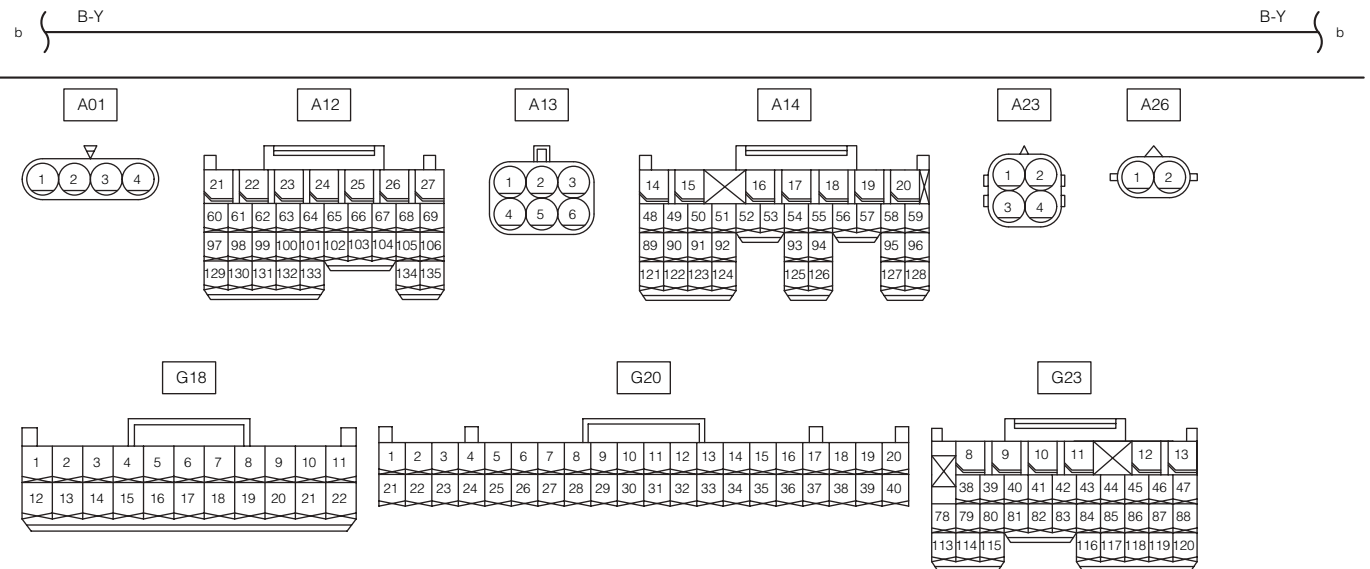
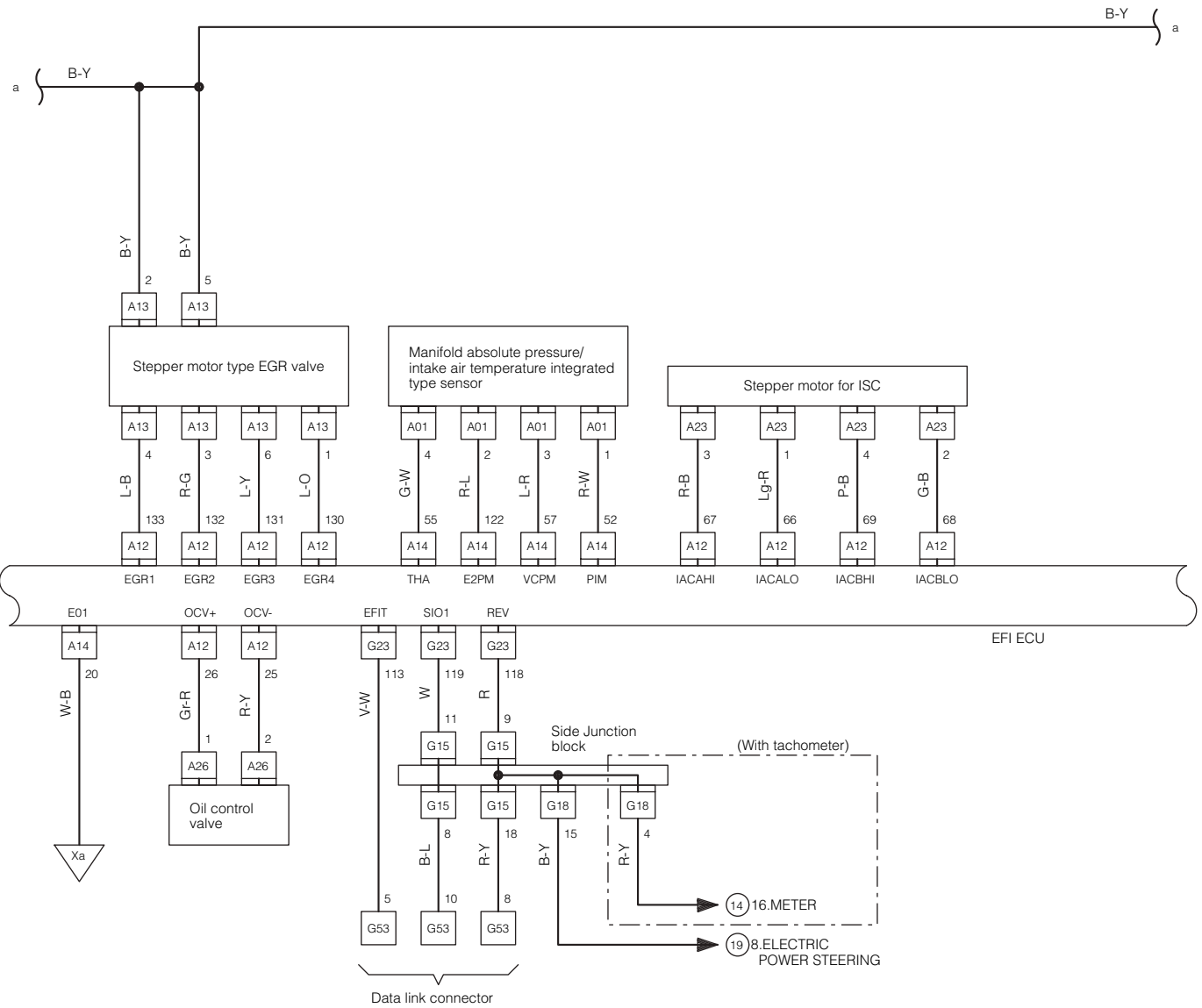


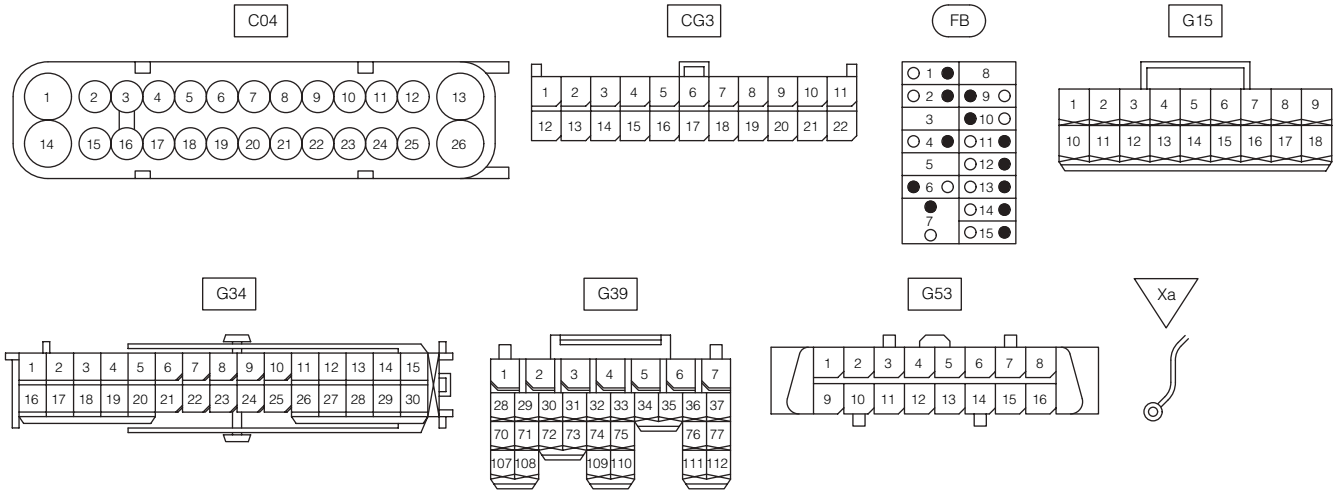
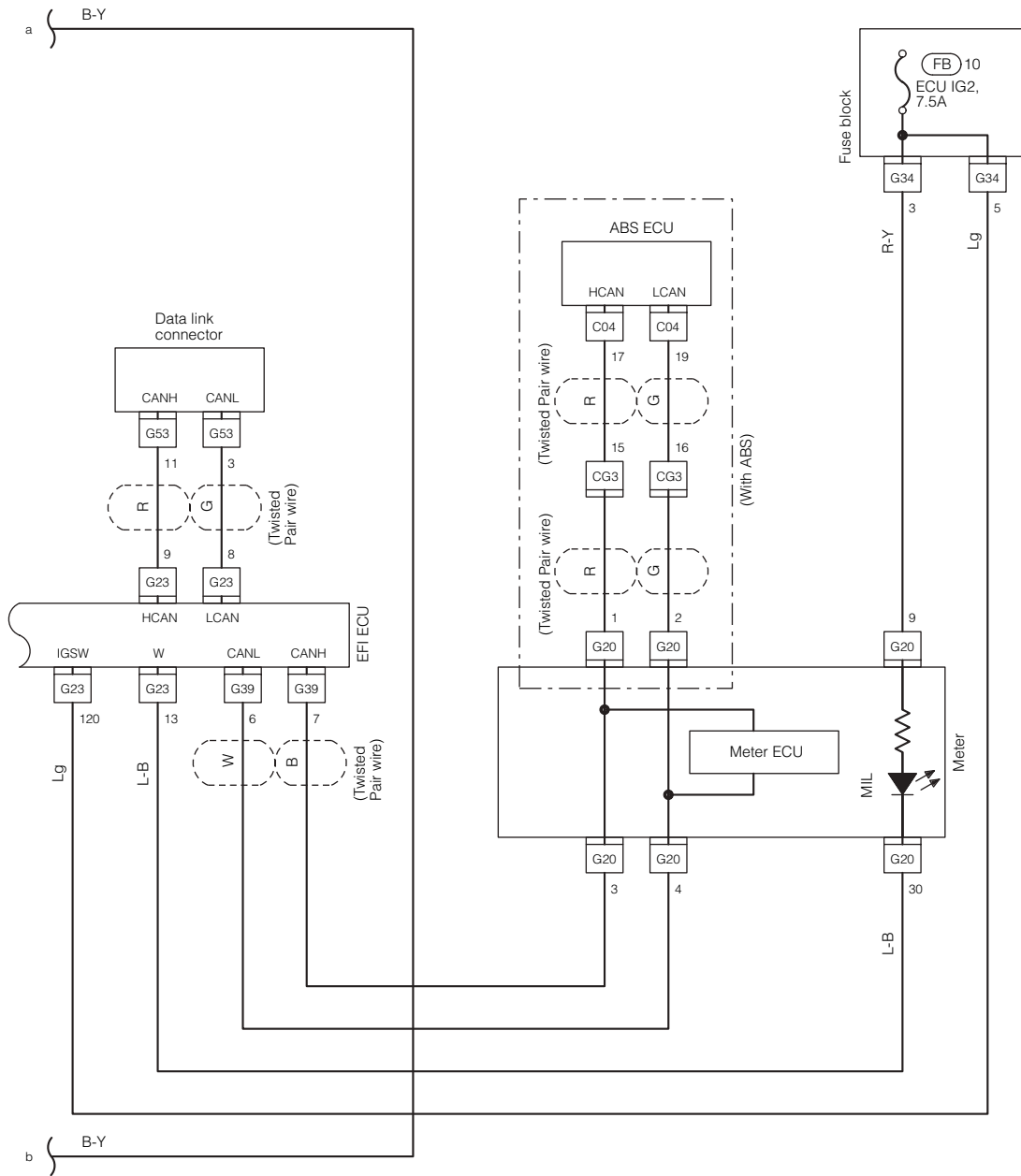


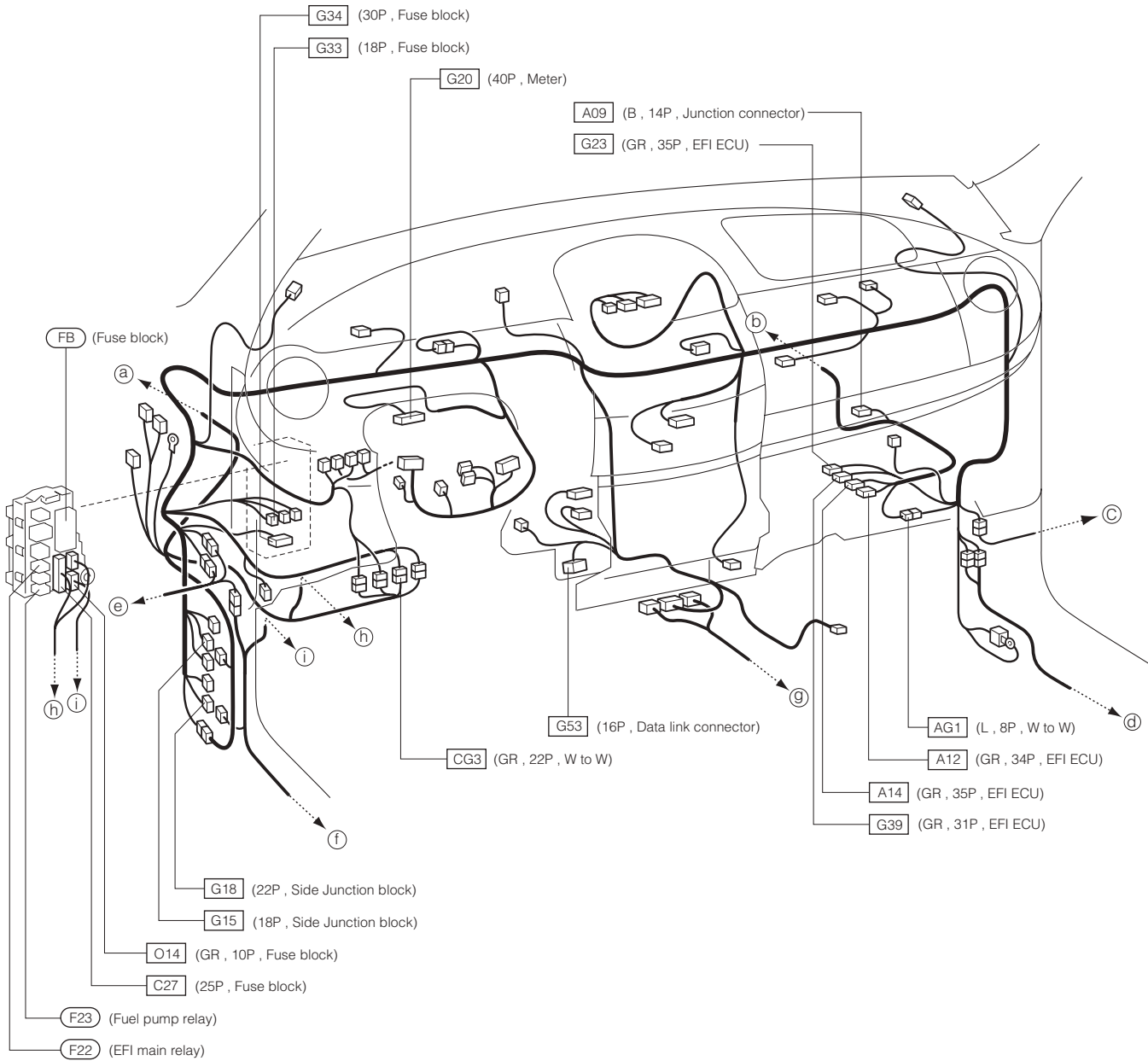
4-2 LHD VEHICLE(1KR-FE ENGINE)

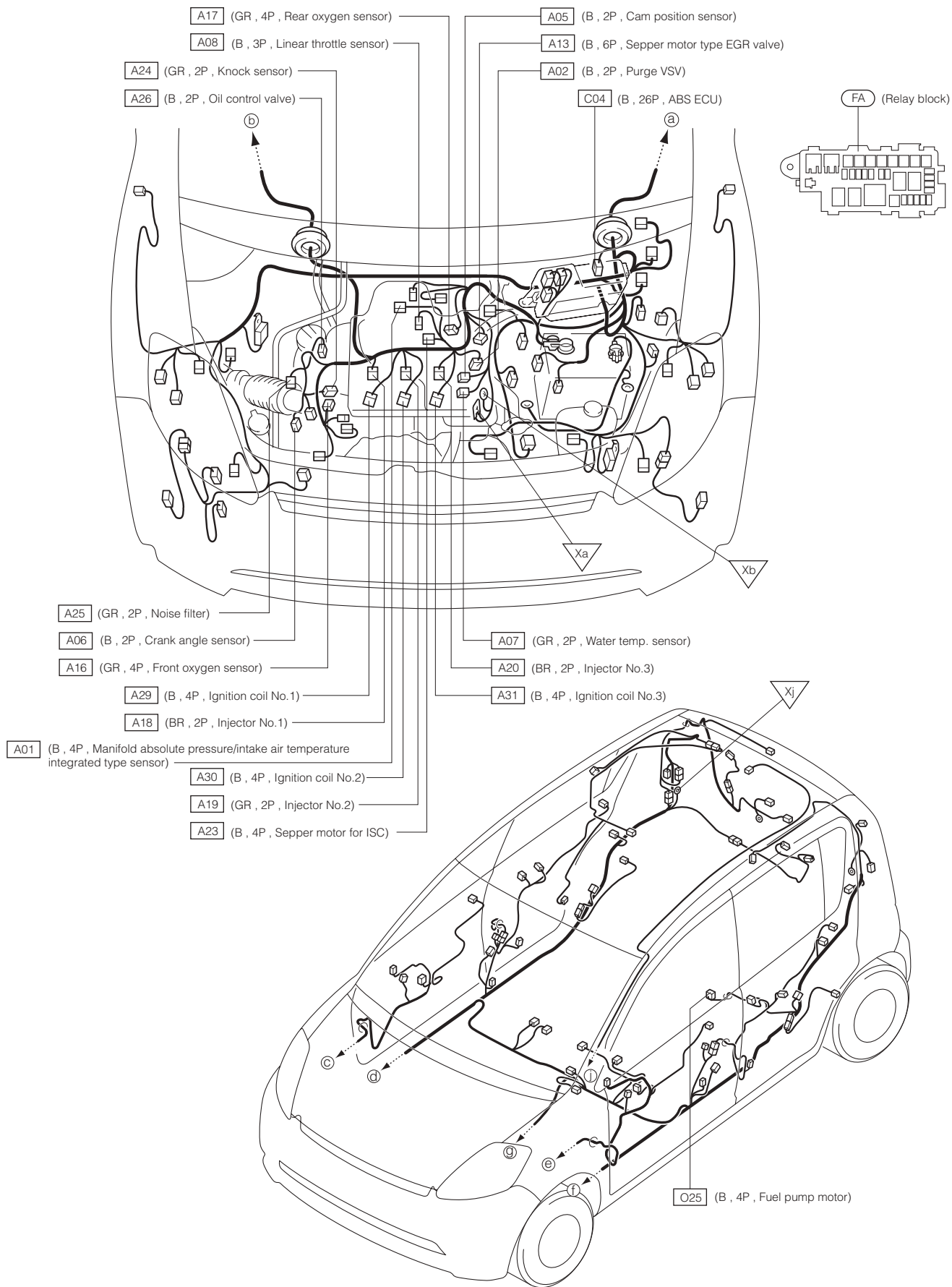




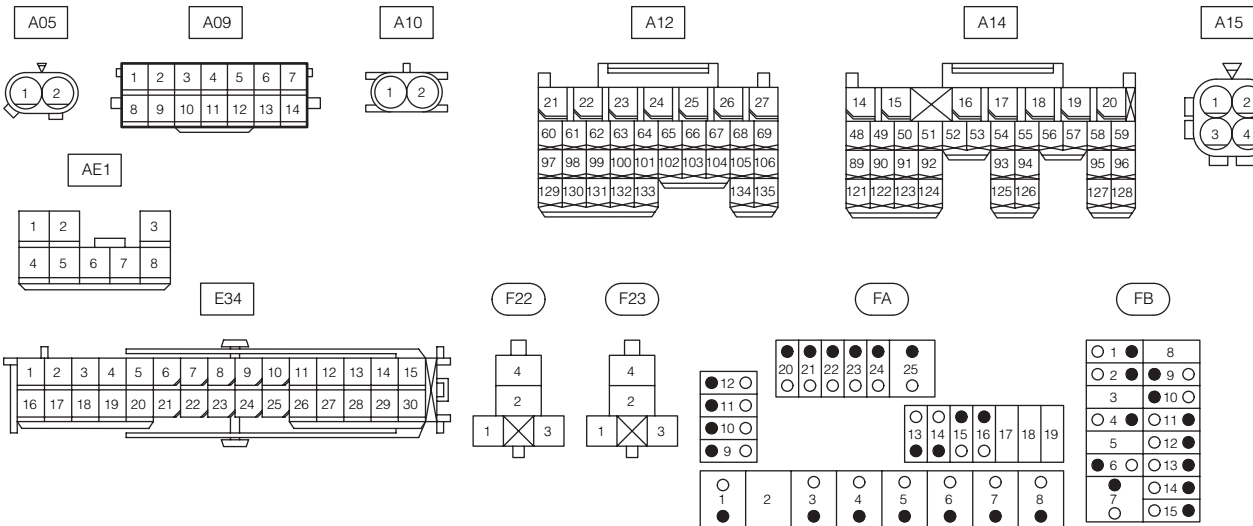
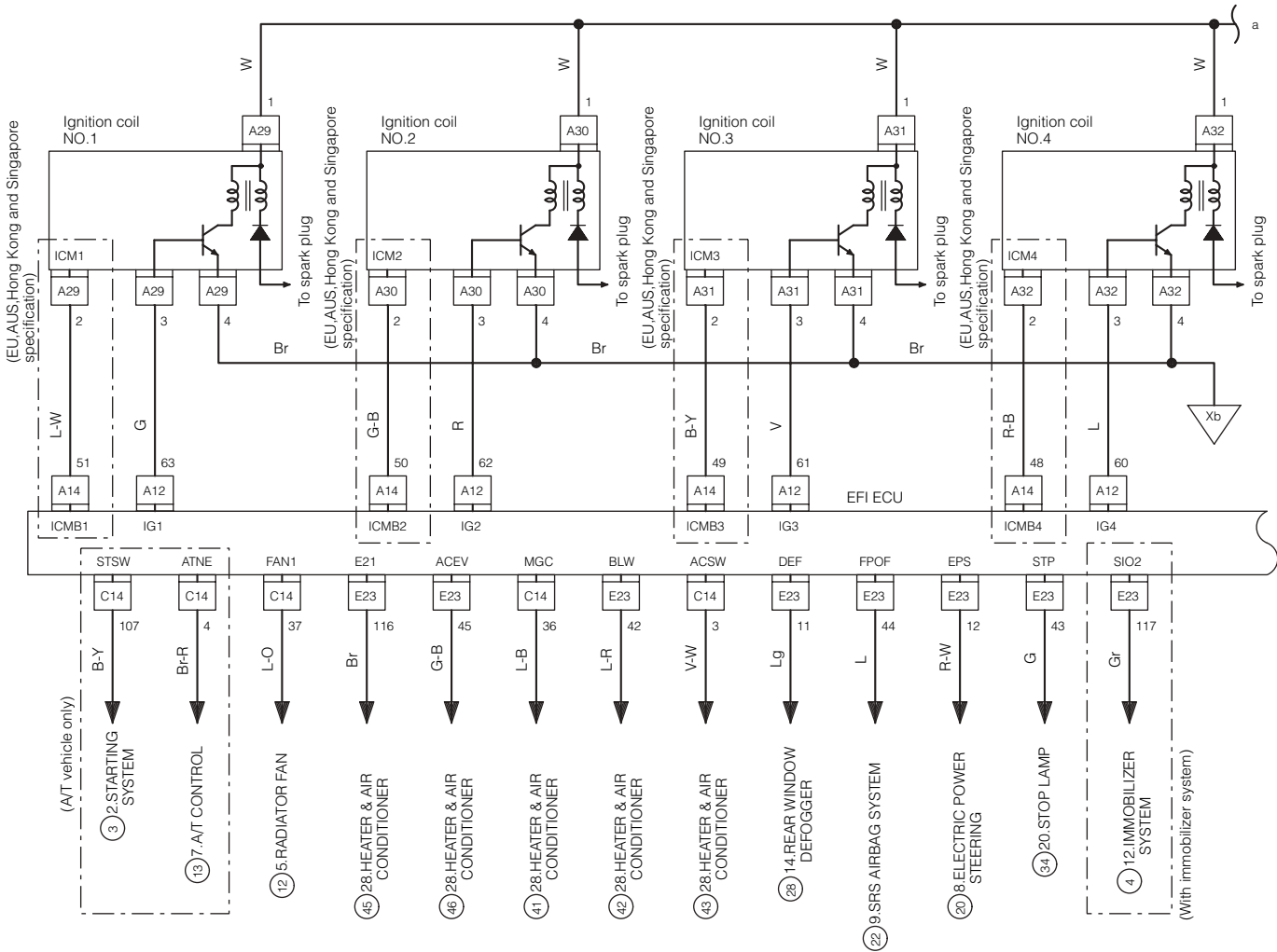


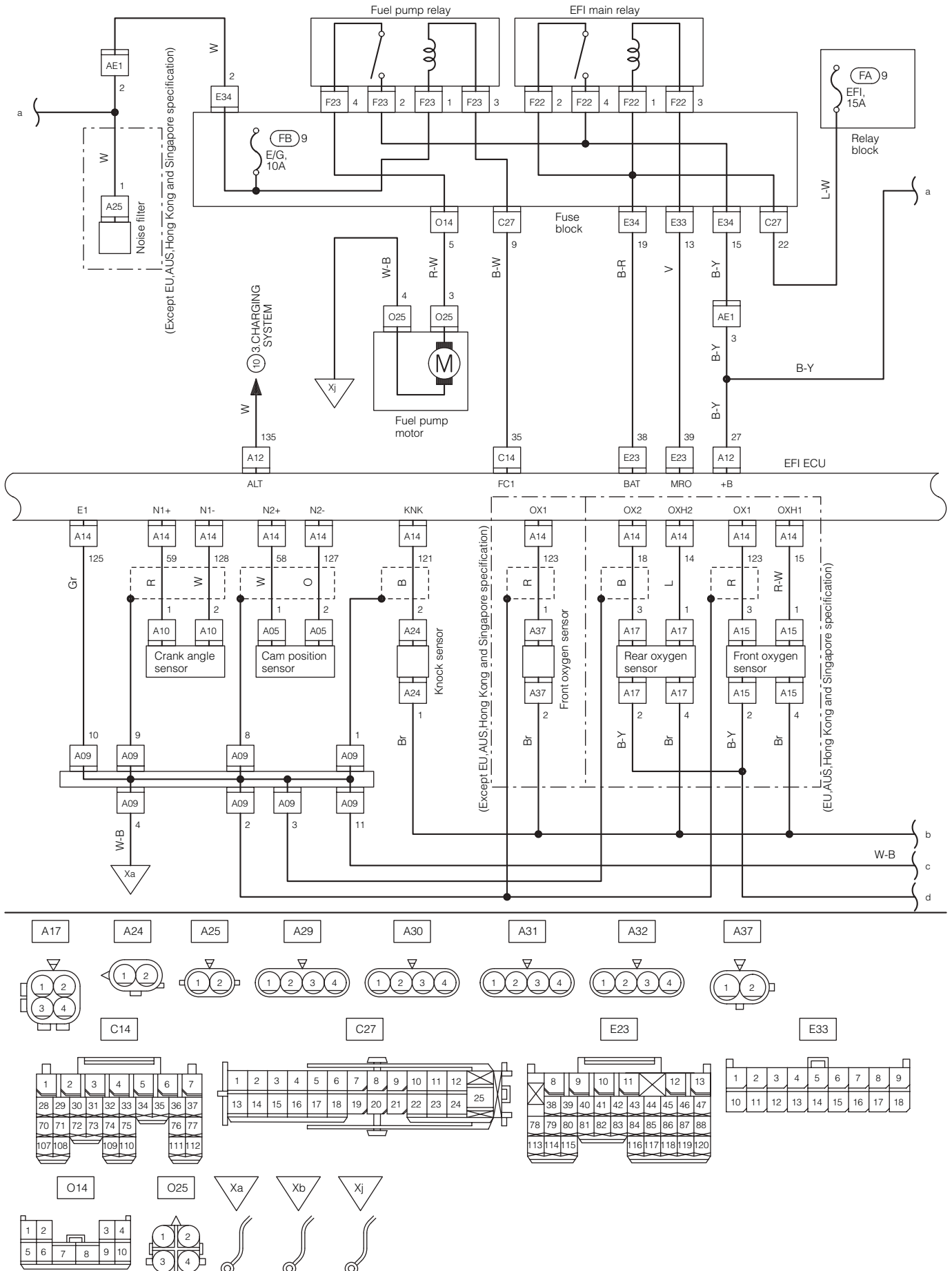


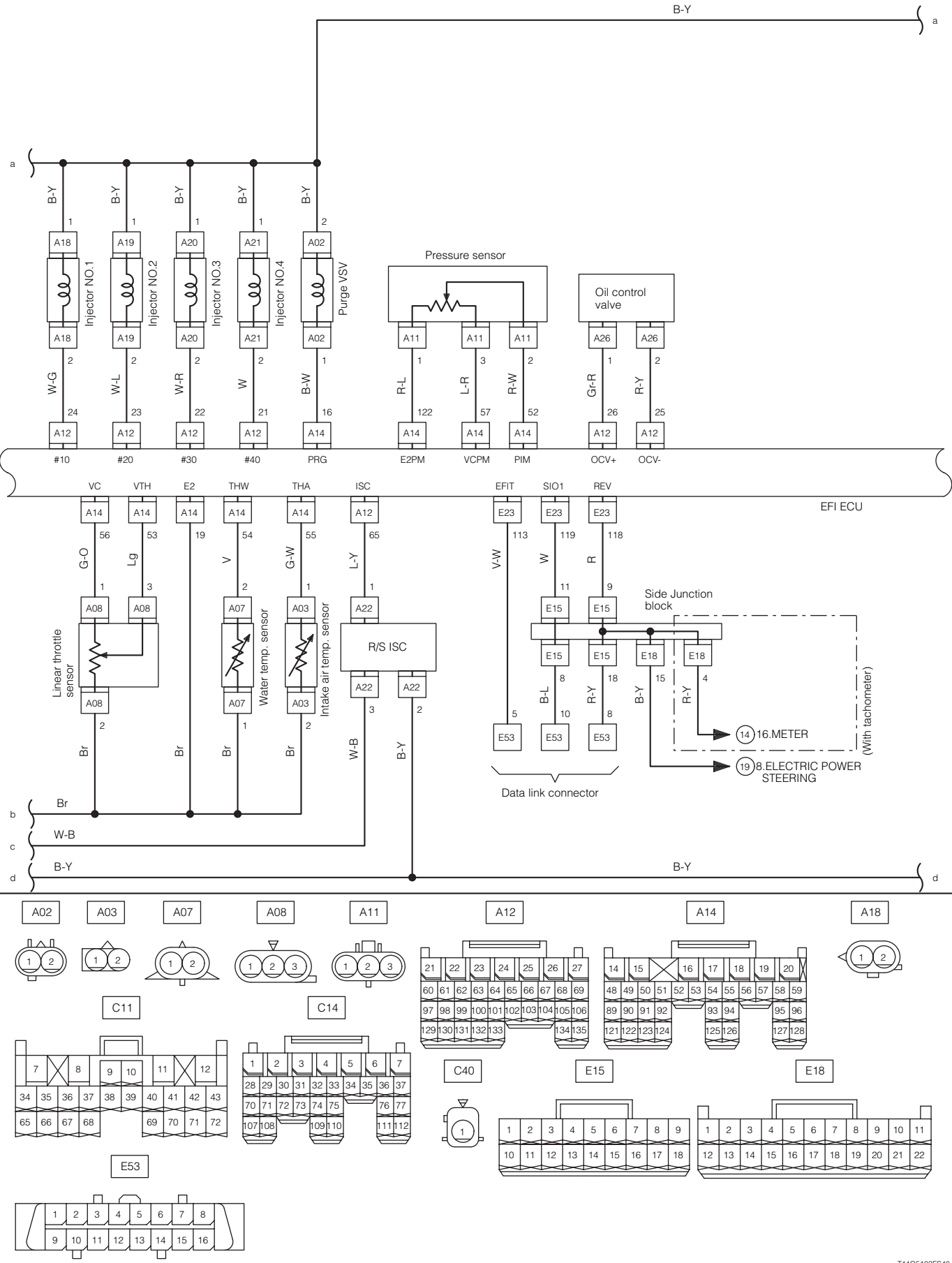


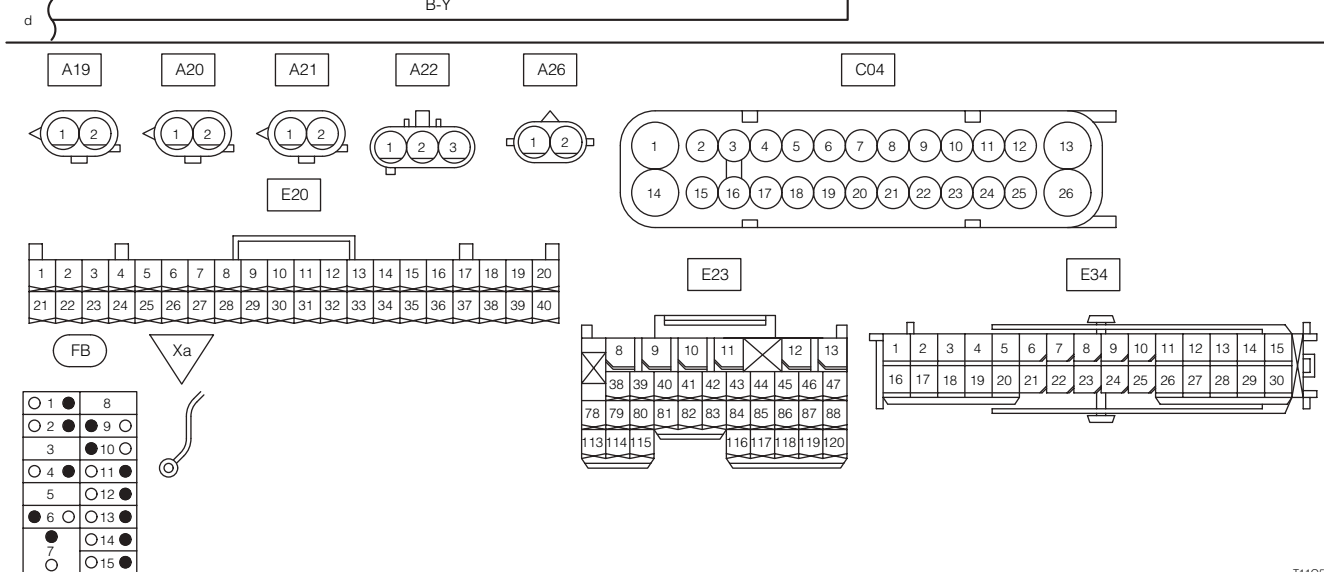
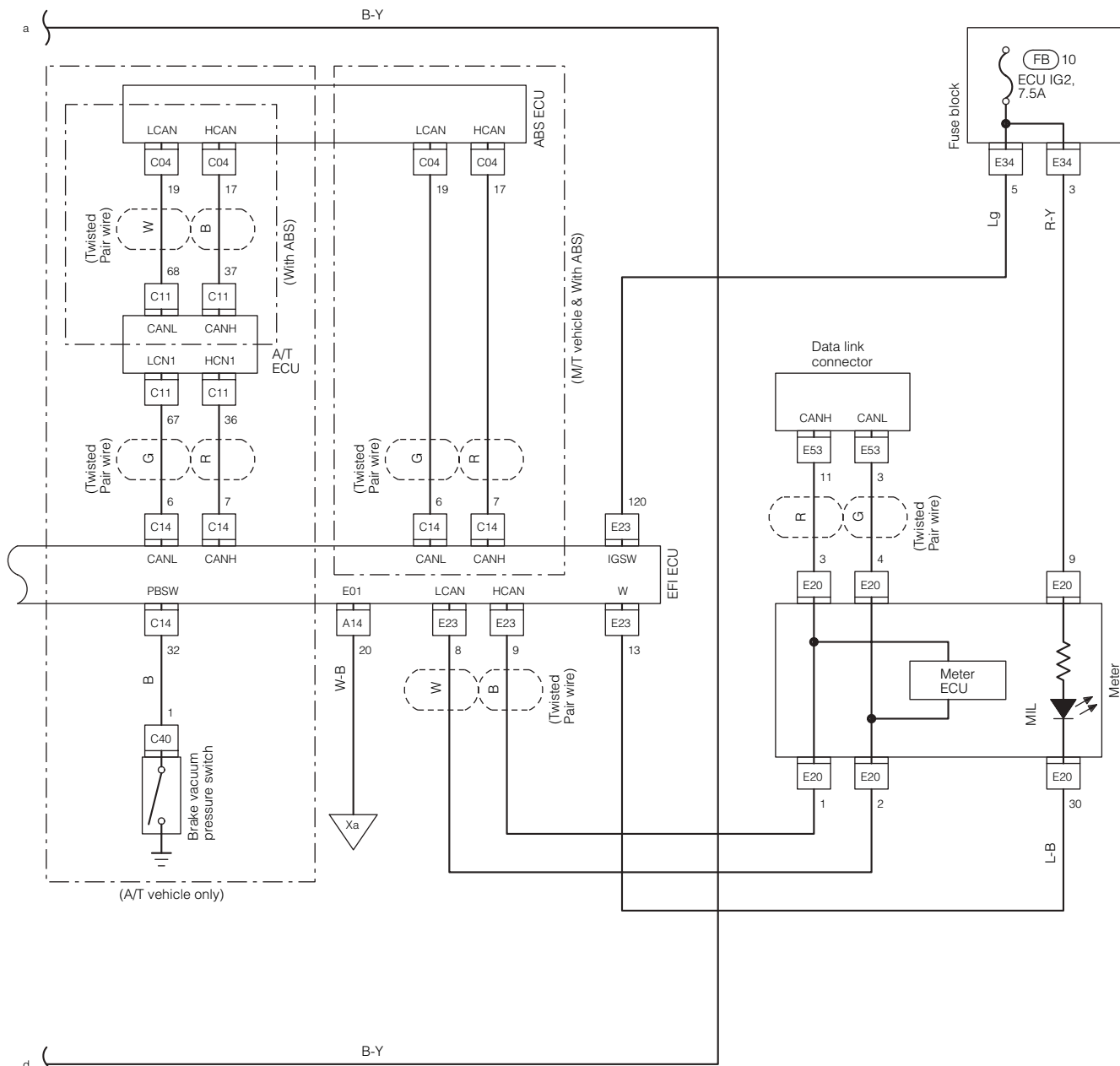


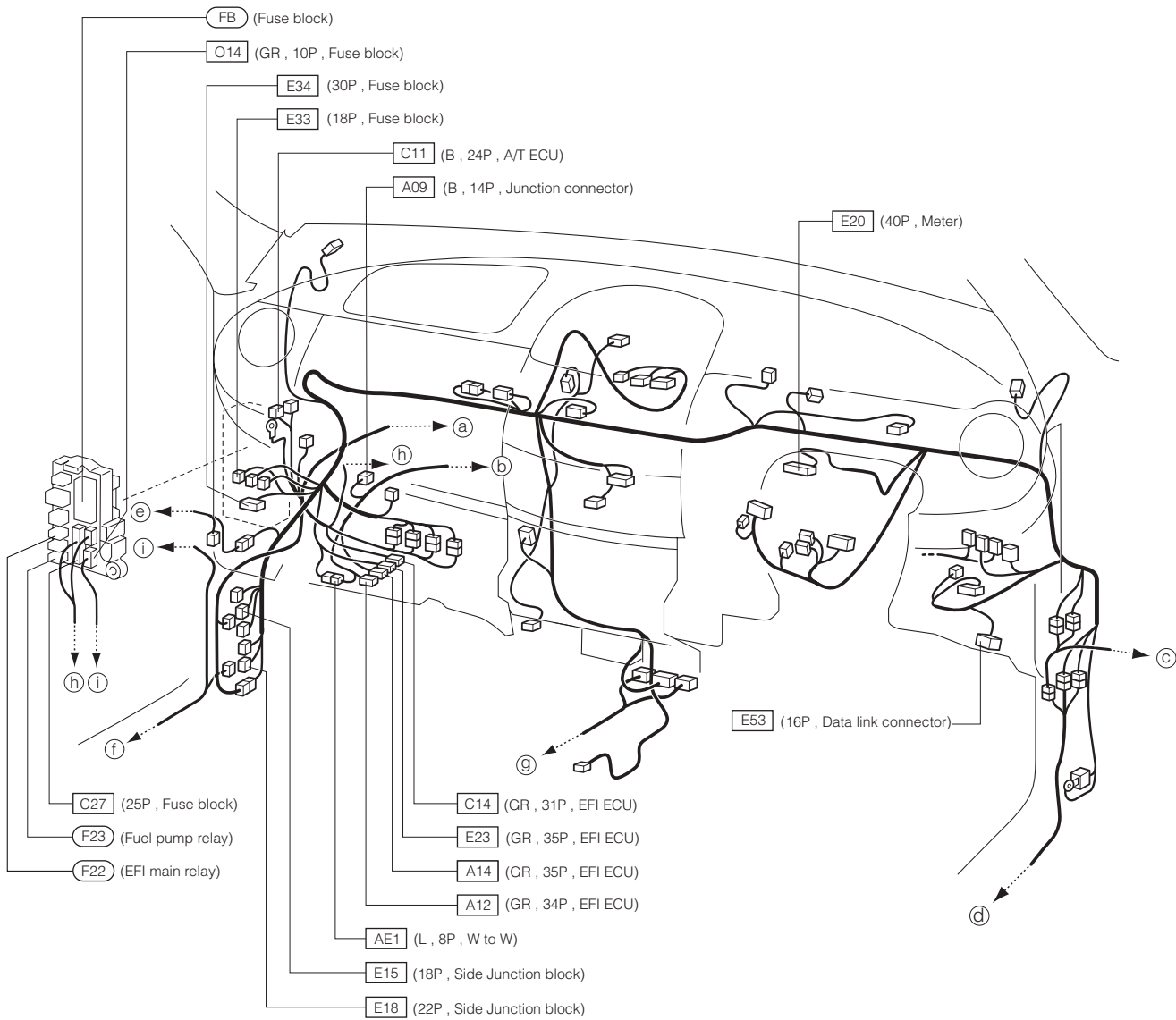
4-3 RHD VEHICLE(K3-VE ENGINE)

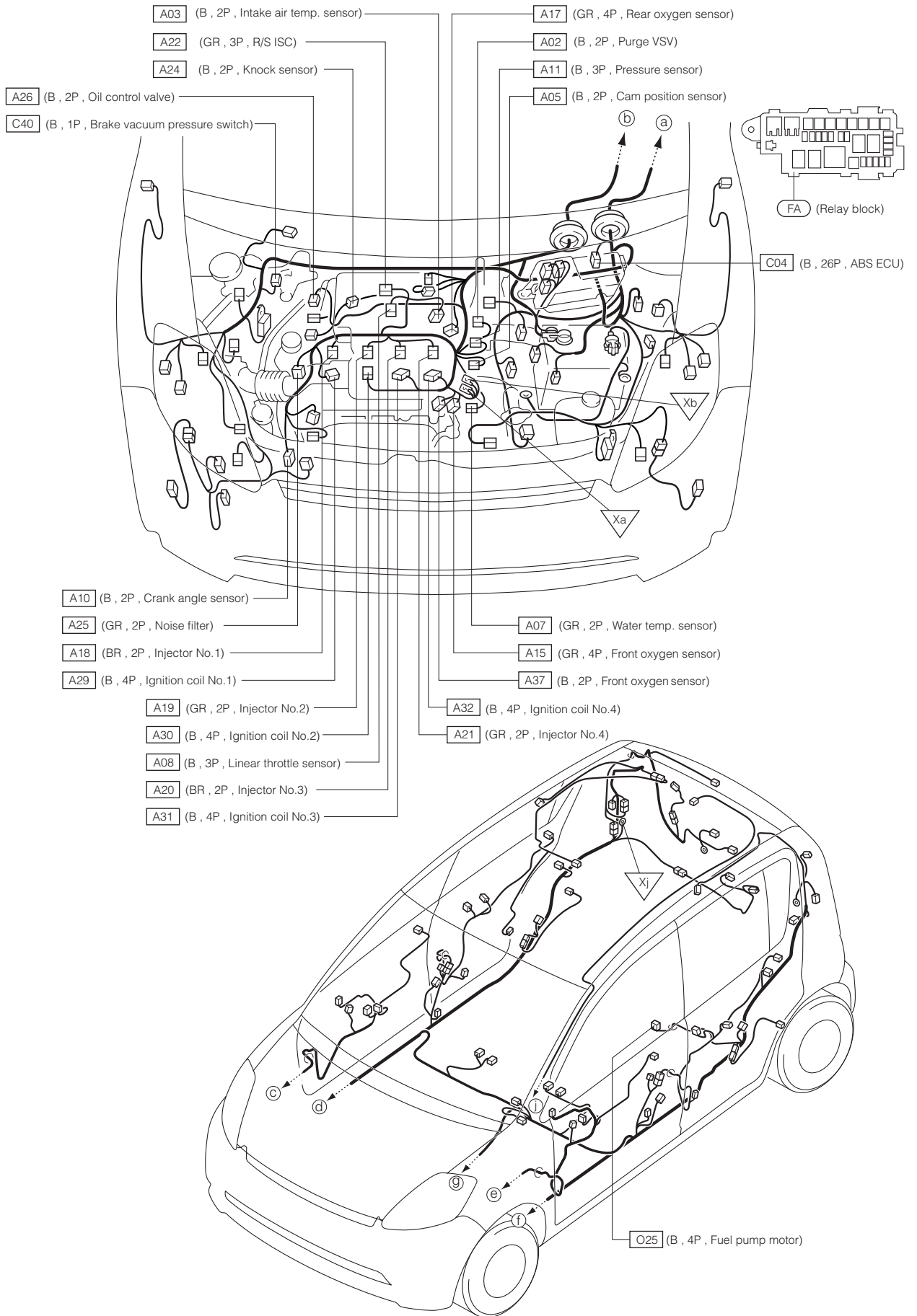




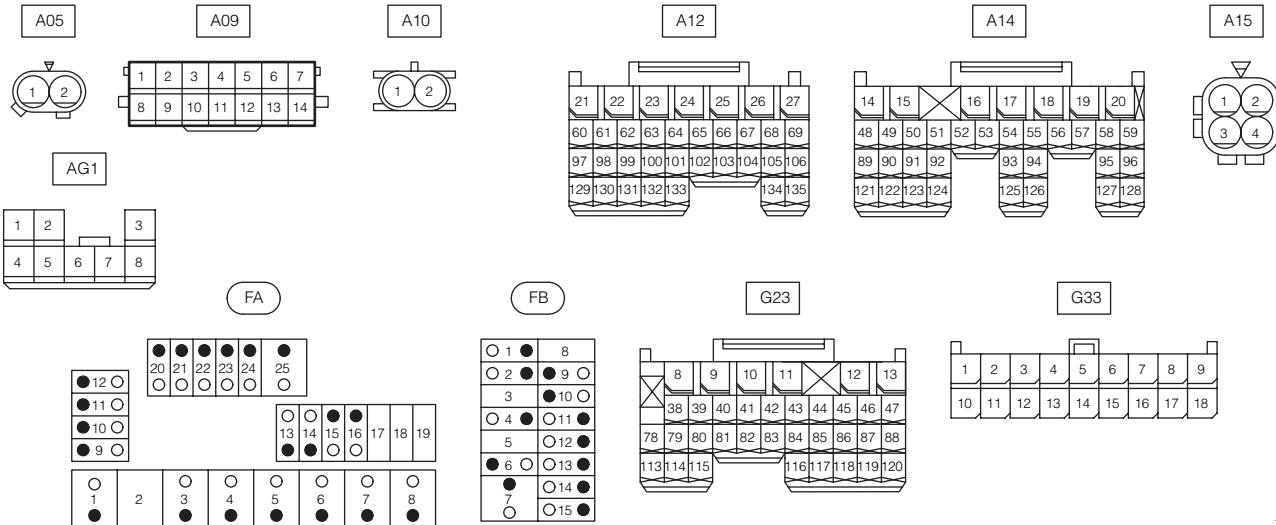
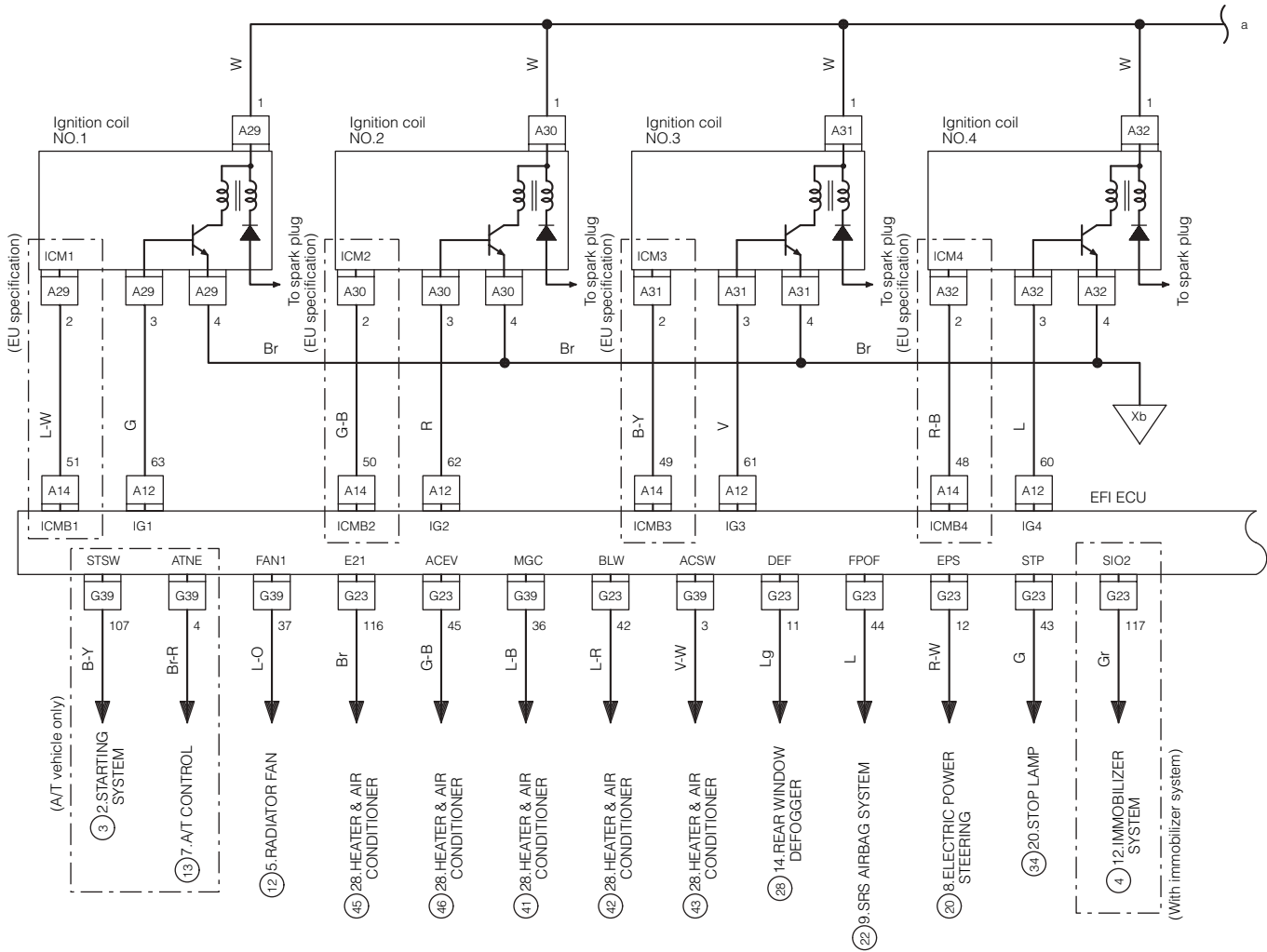


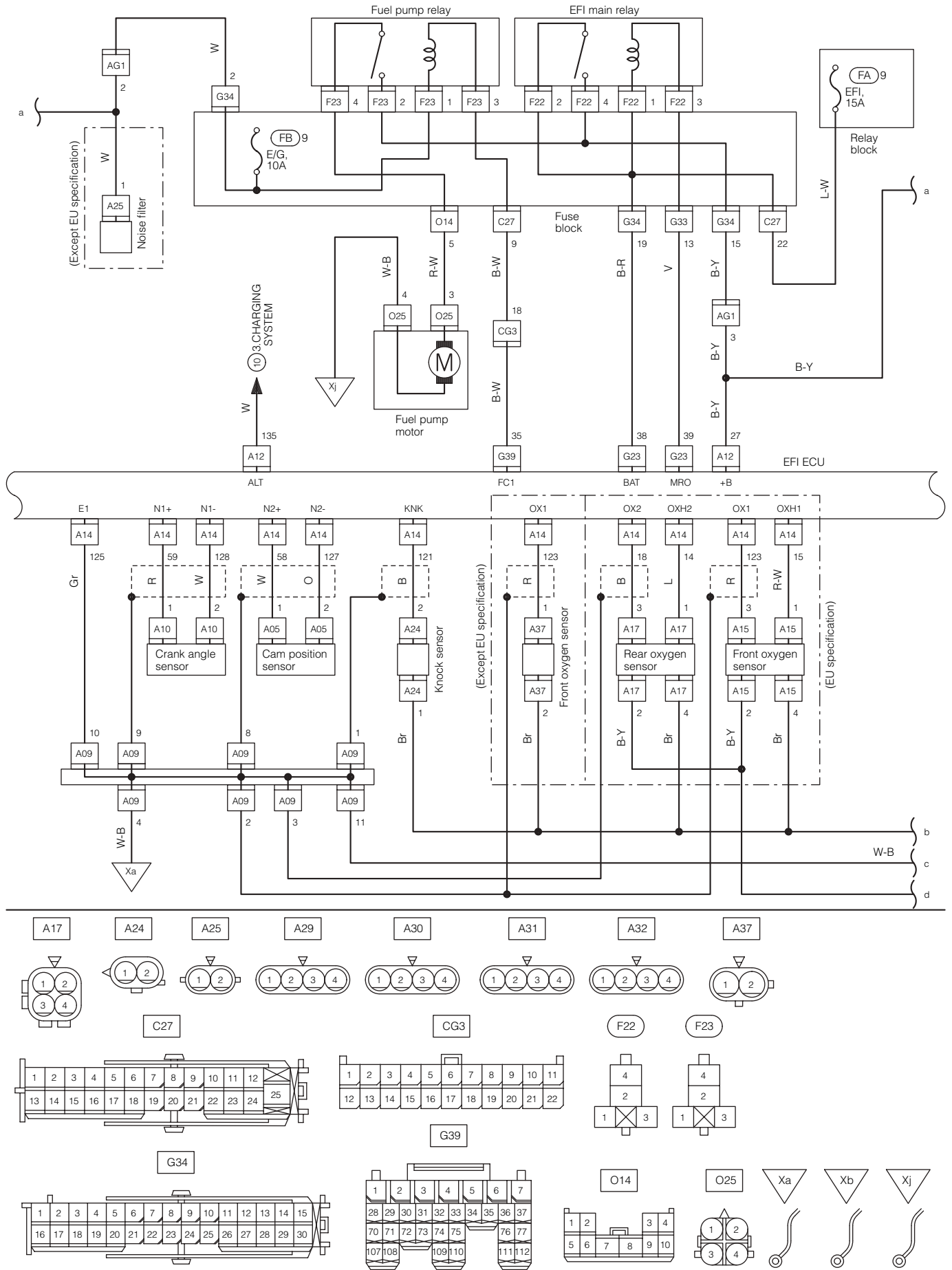


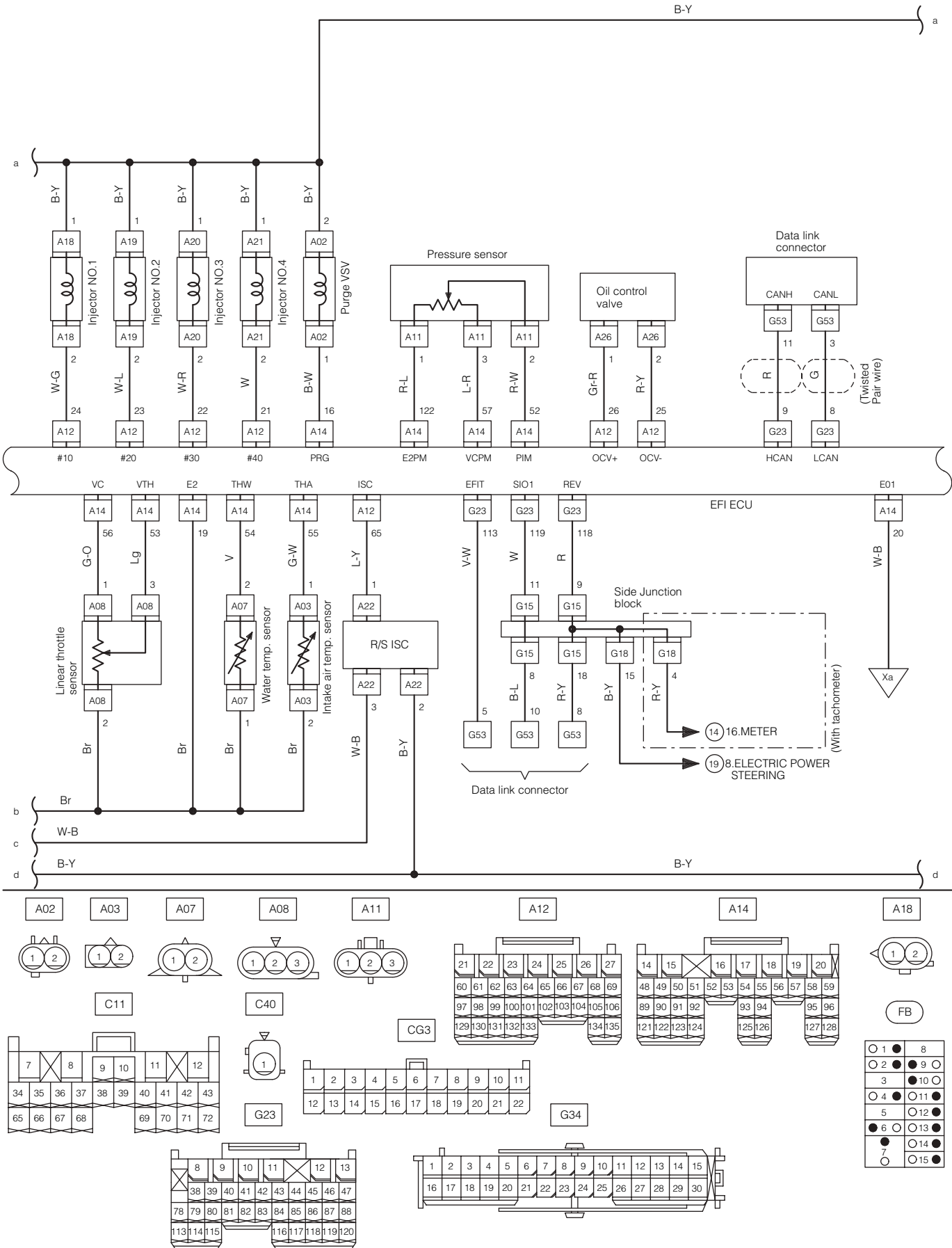


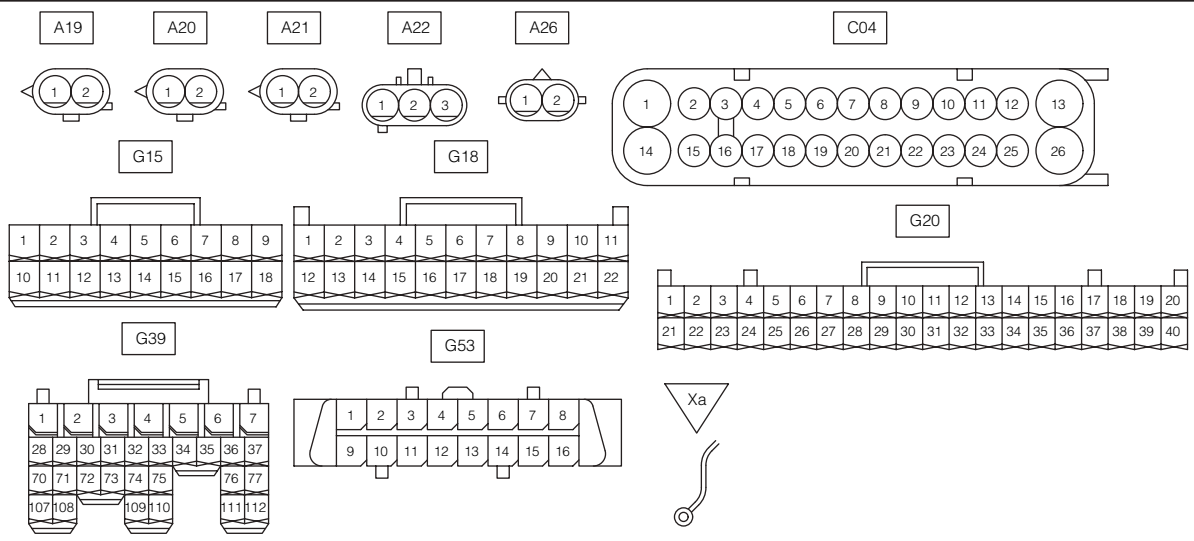
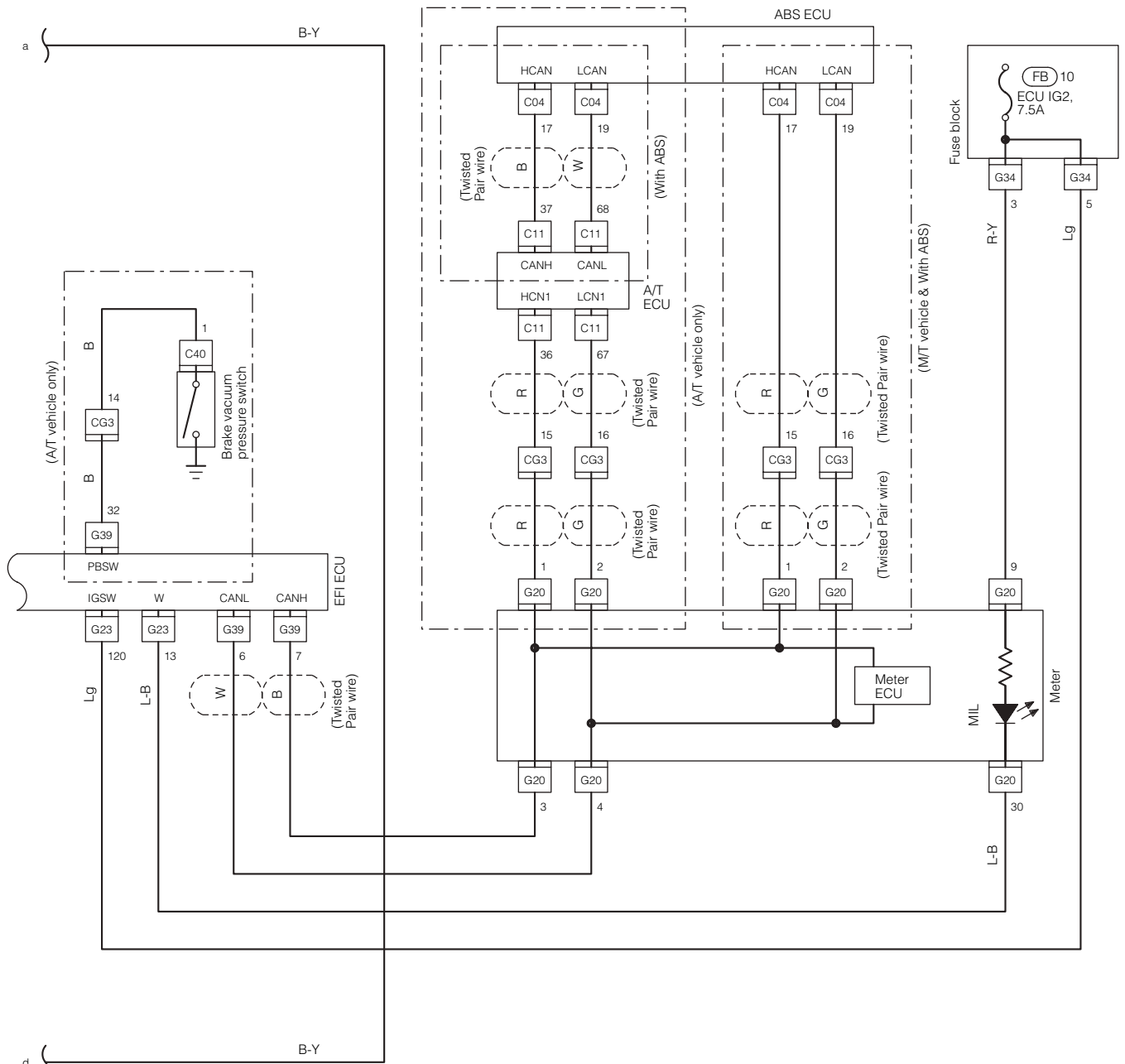


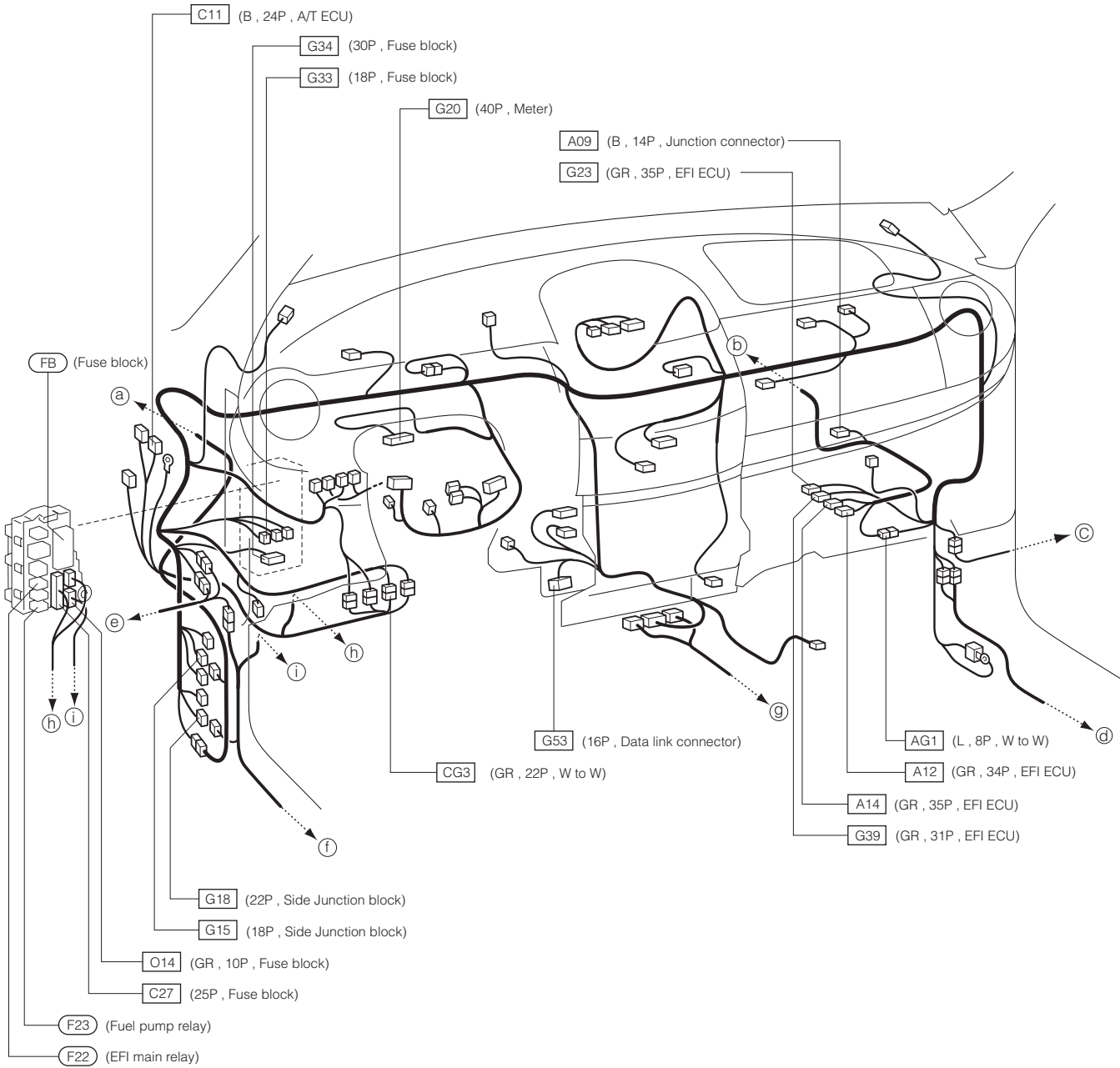
4-4 LHD VEHICLE(K3-VE ENGINE)

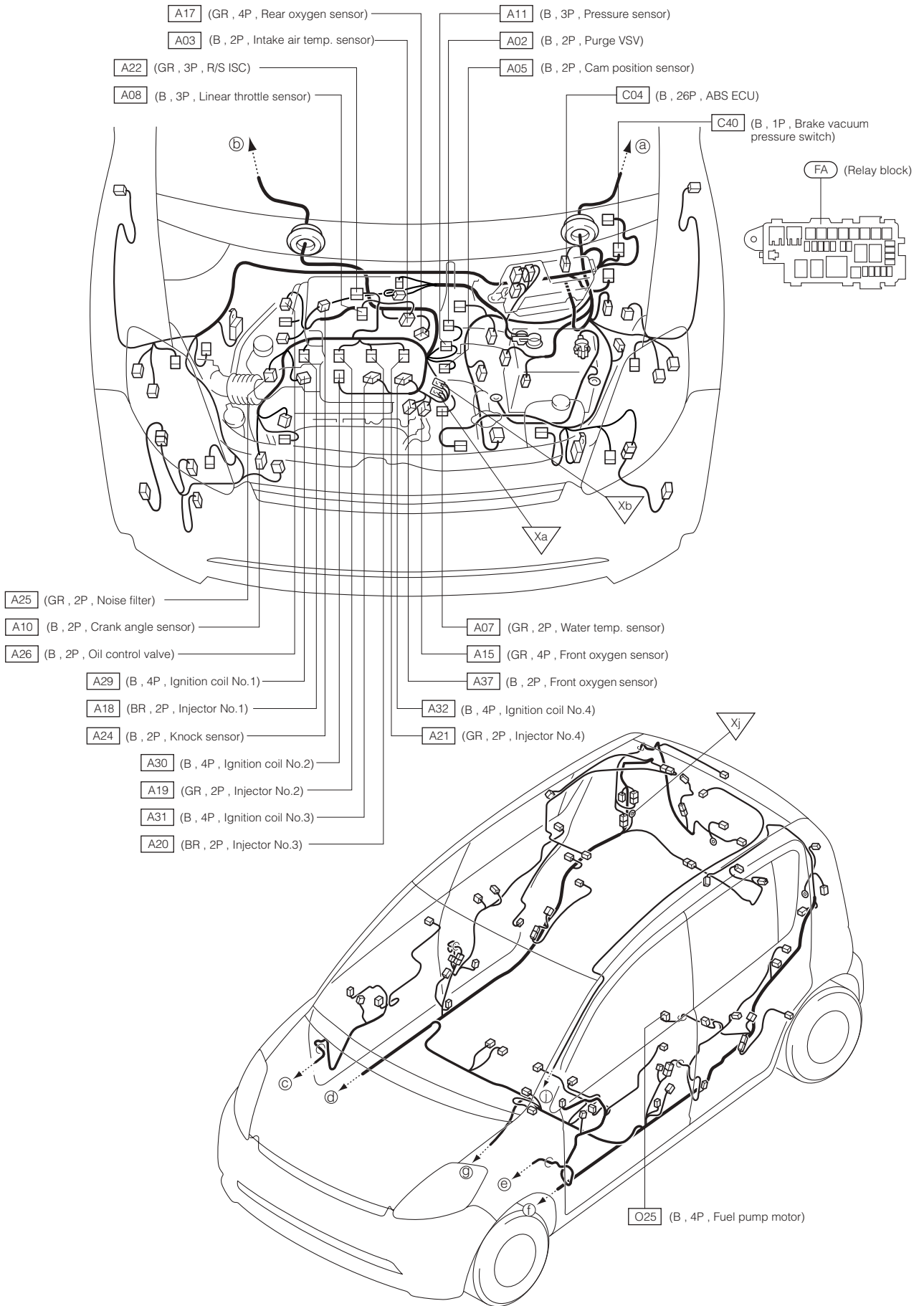




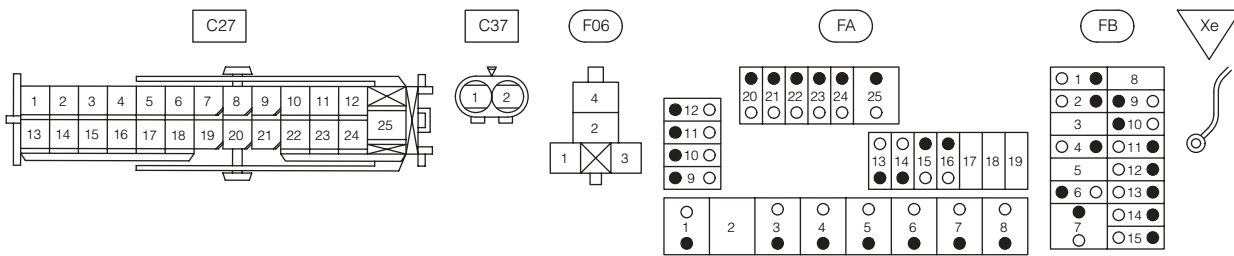
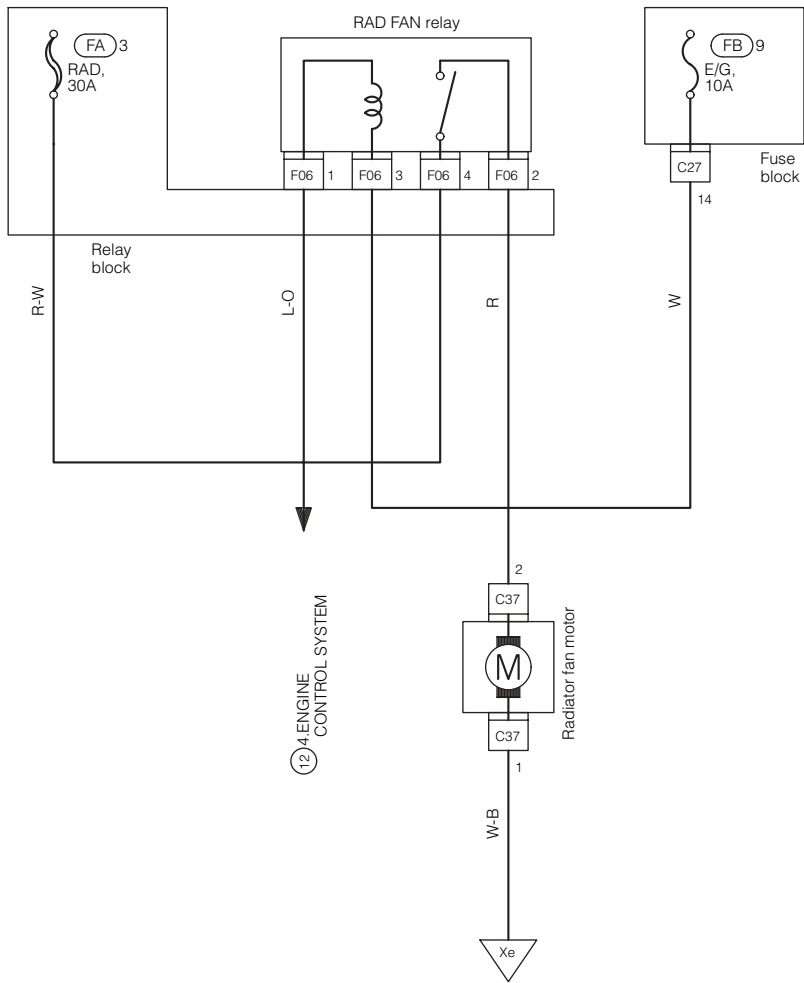




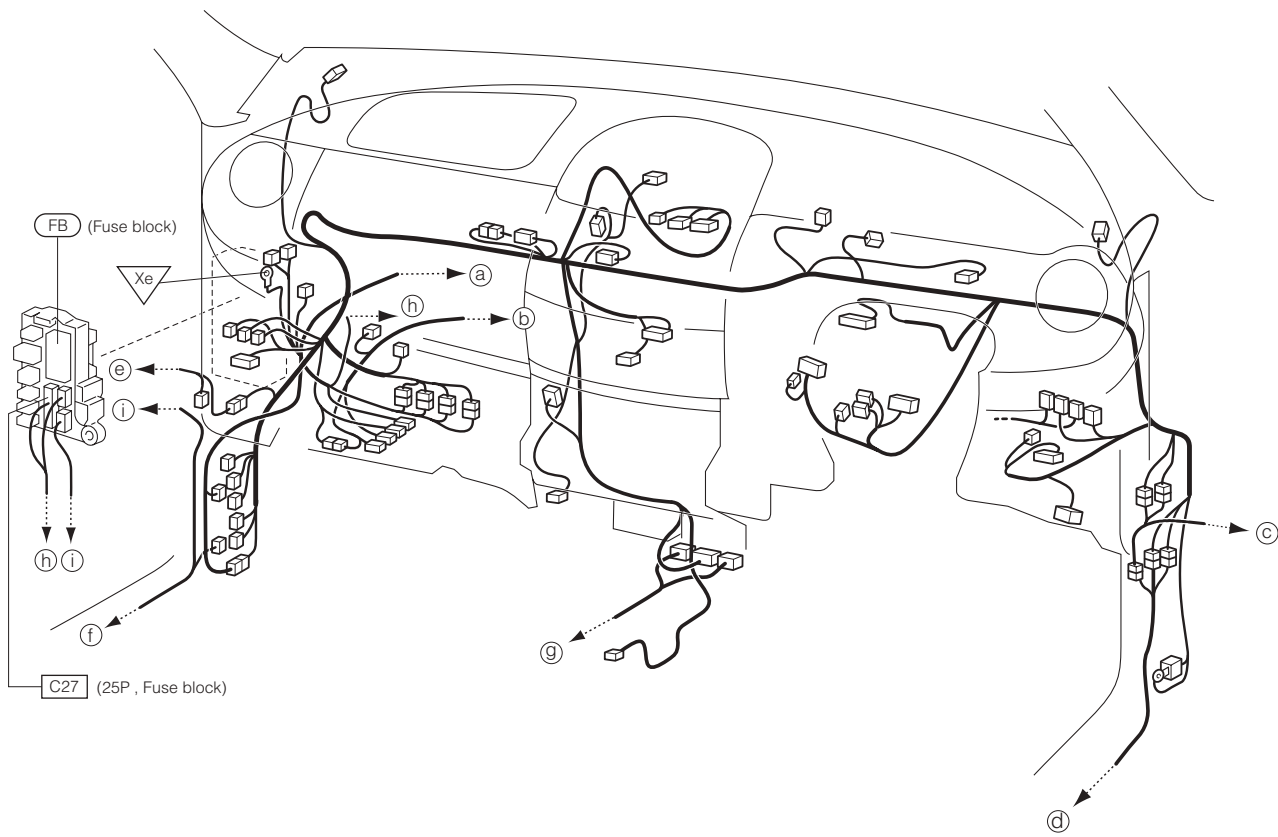


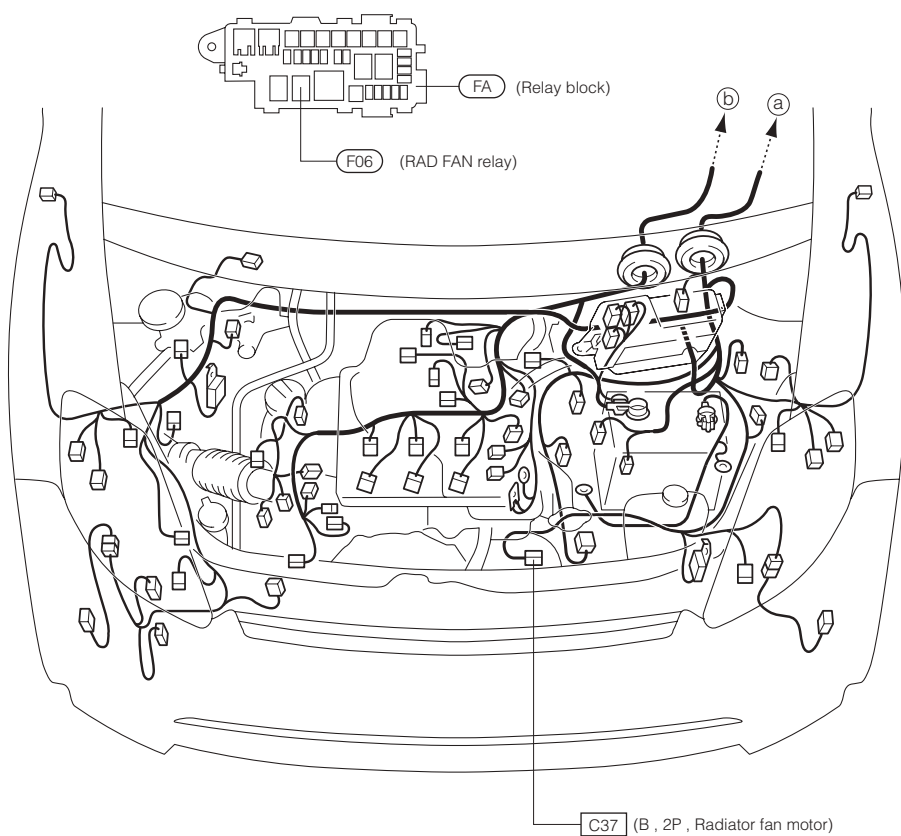


5 RADIATOR FAN 5-1 RHD VEHICLE

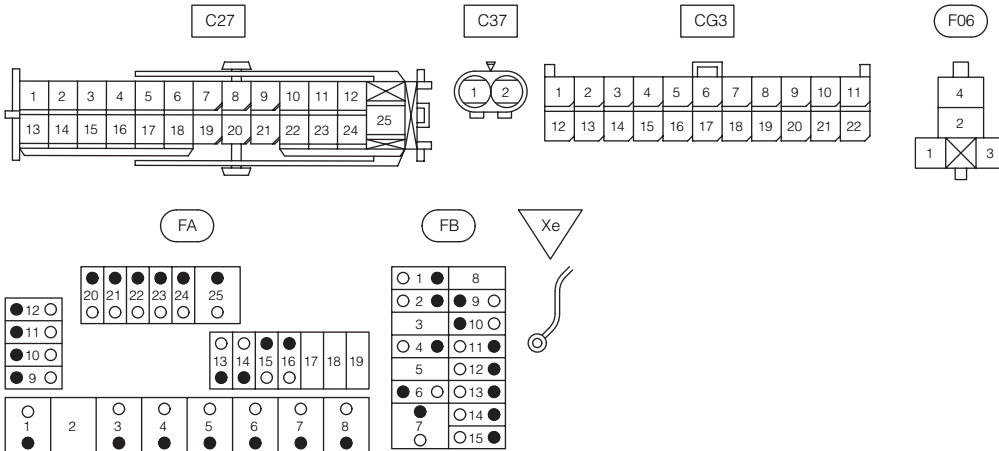
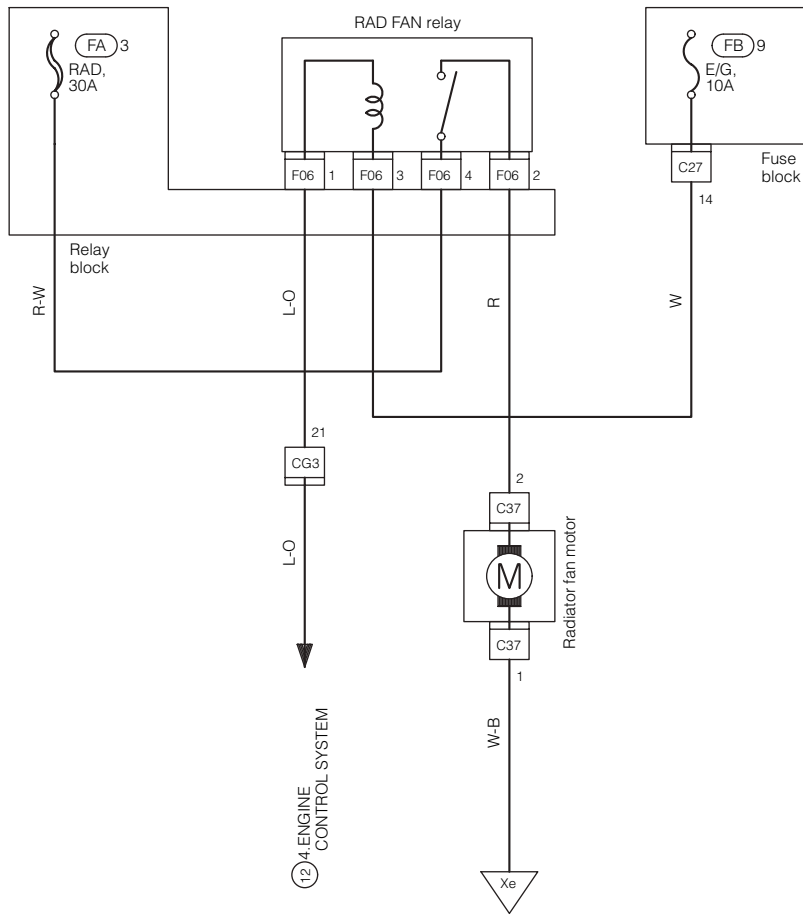


(MEMO)

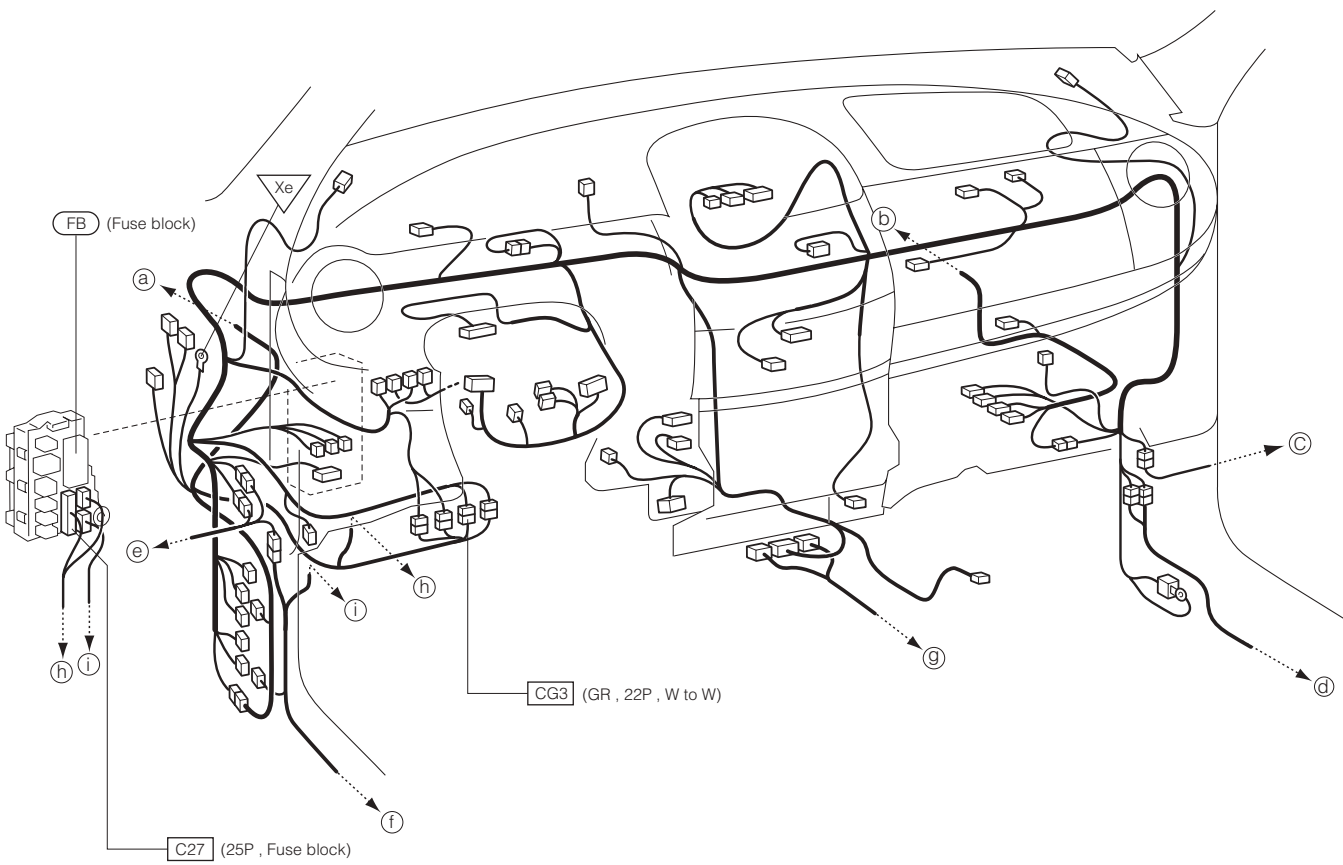


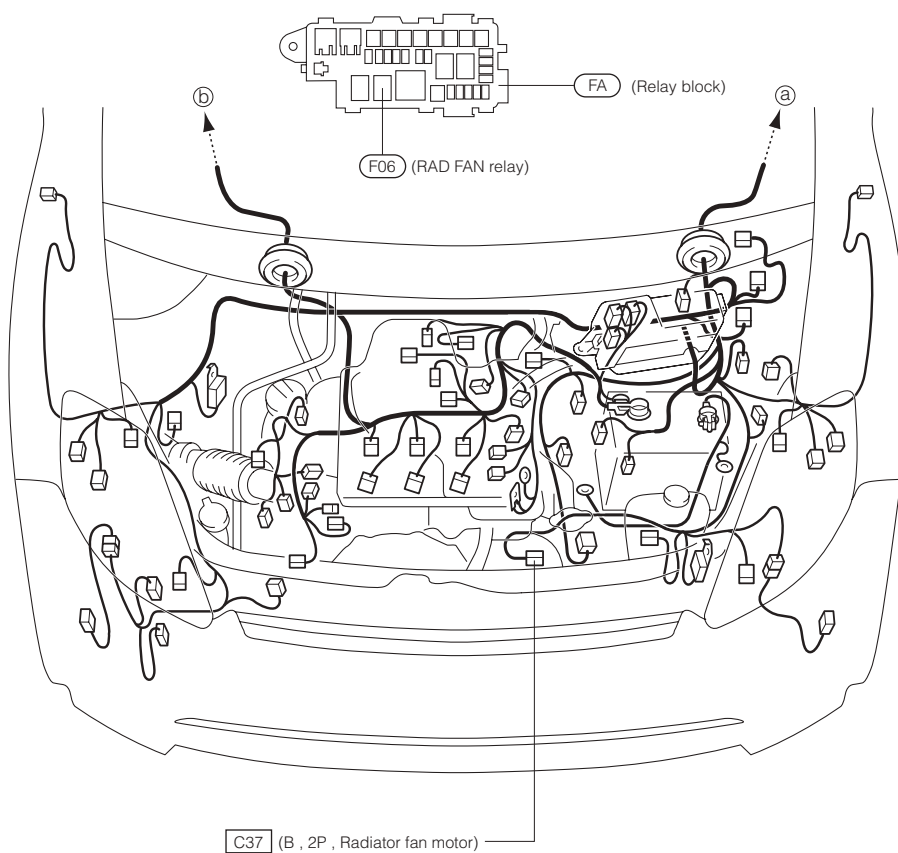


5-2 LHD VEHICLE



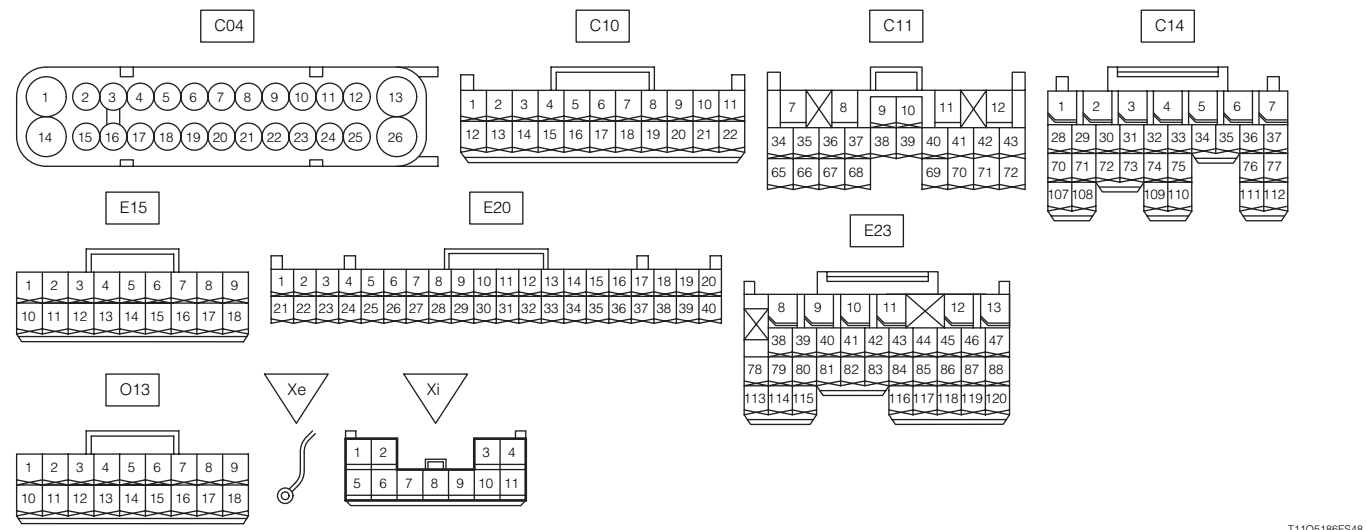
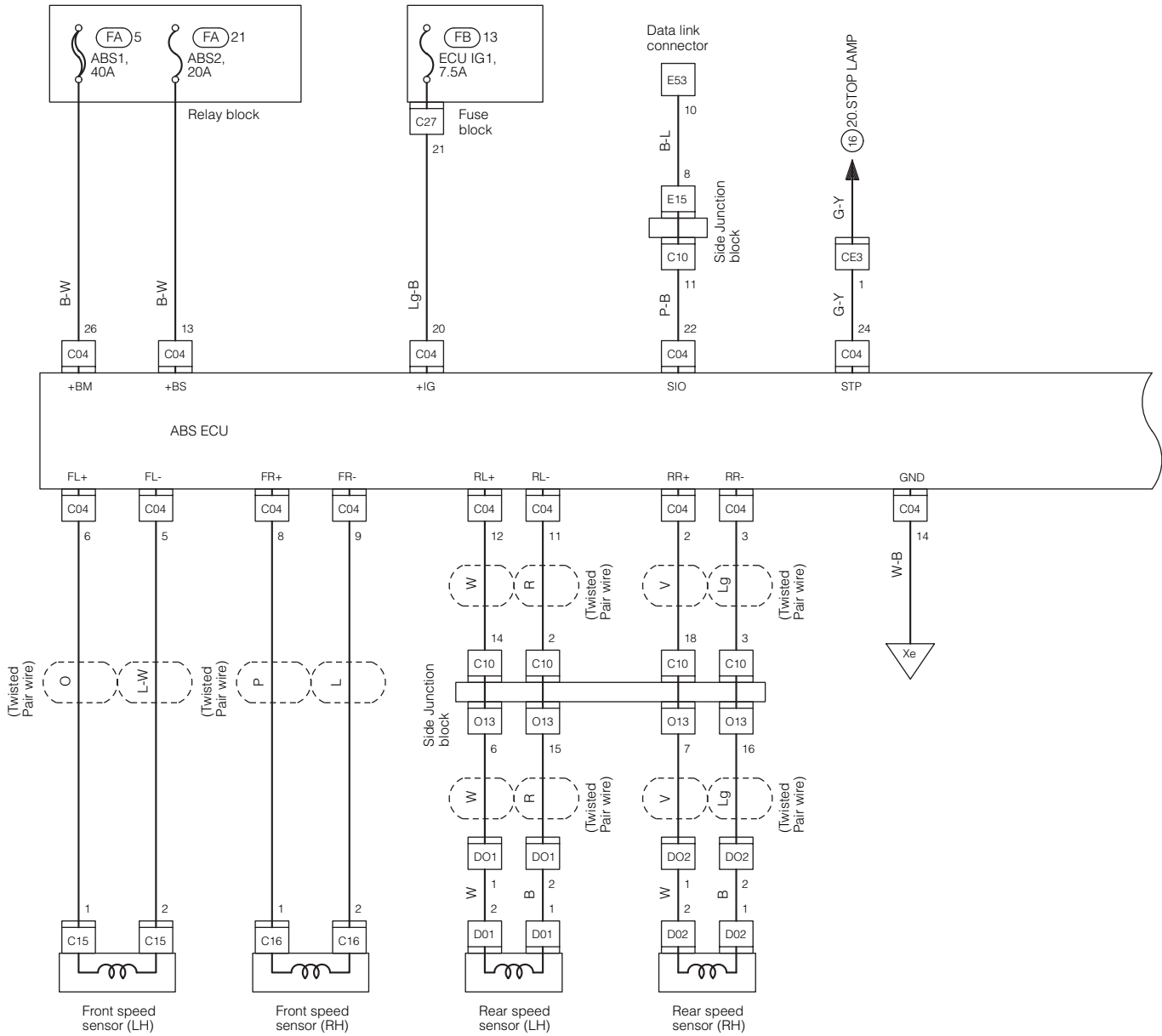
(MEMO)

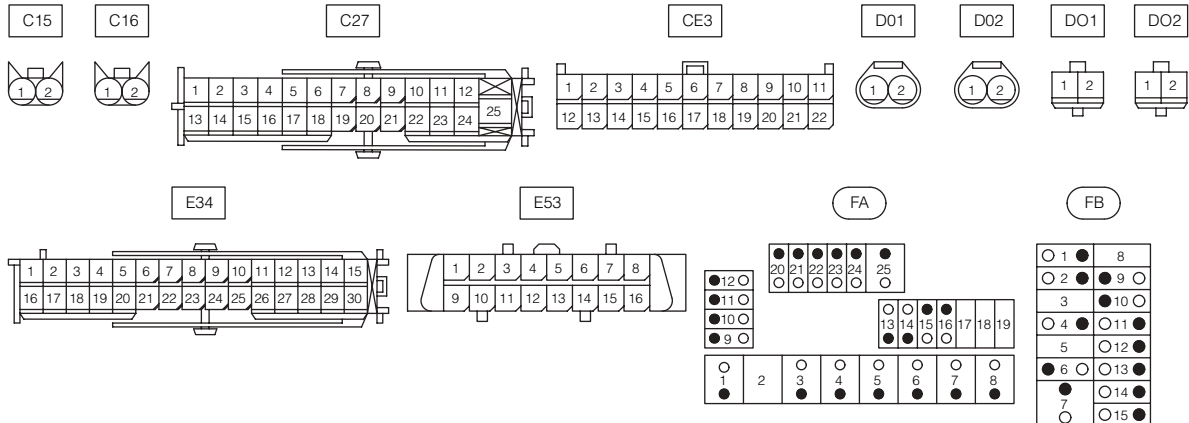
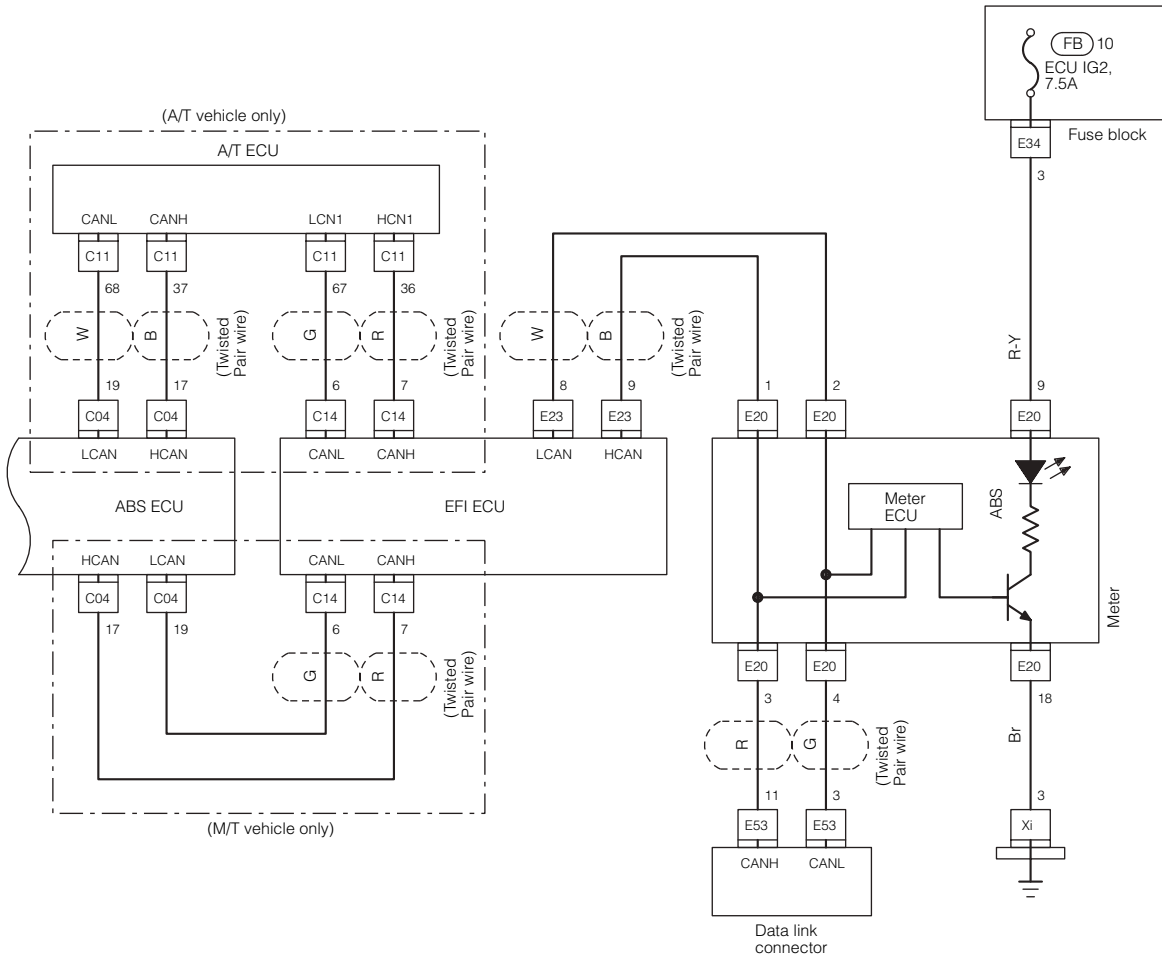


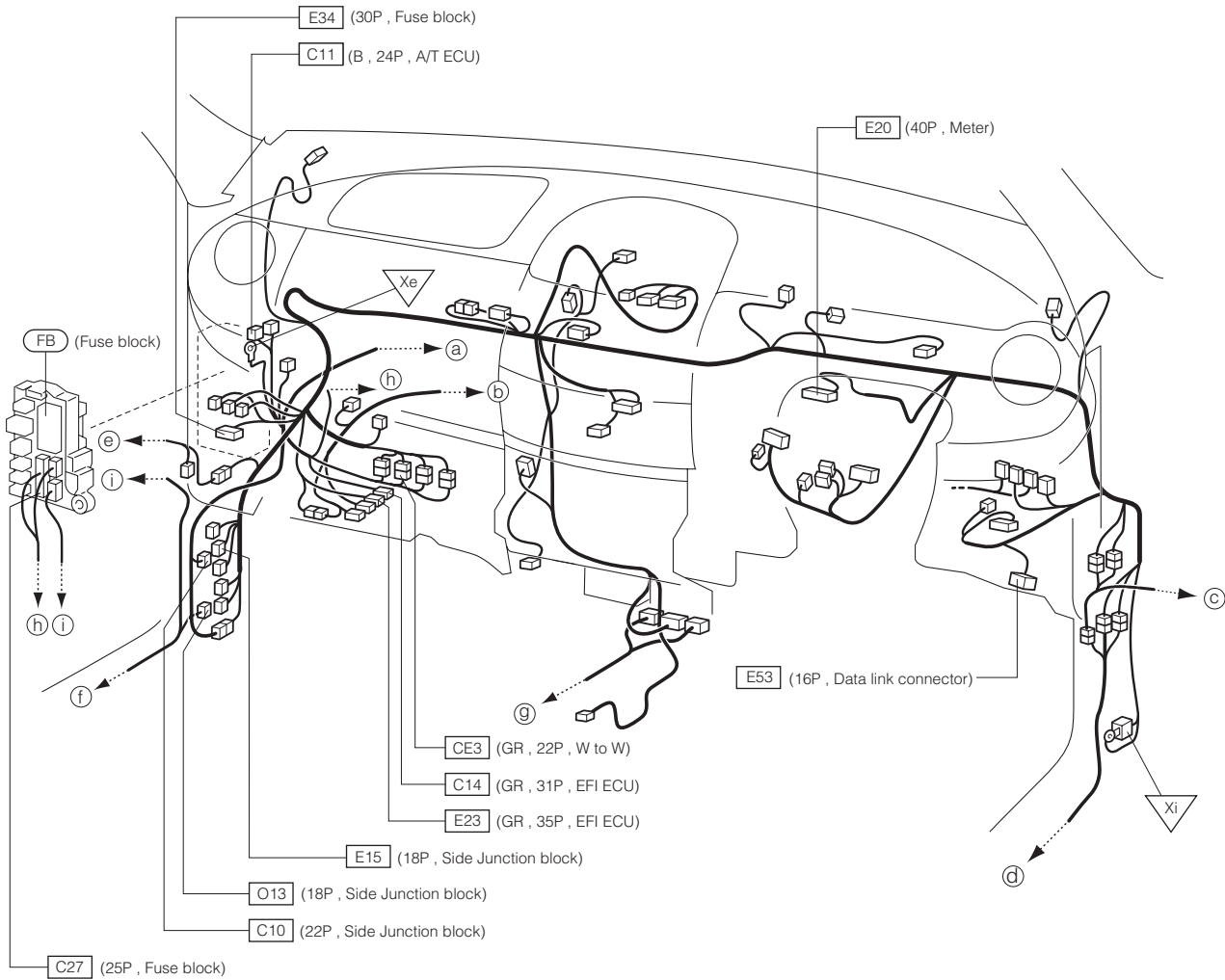


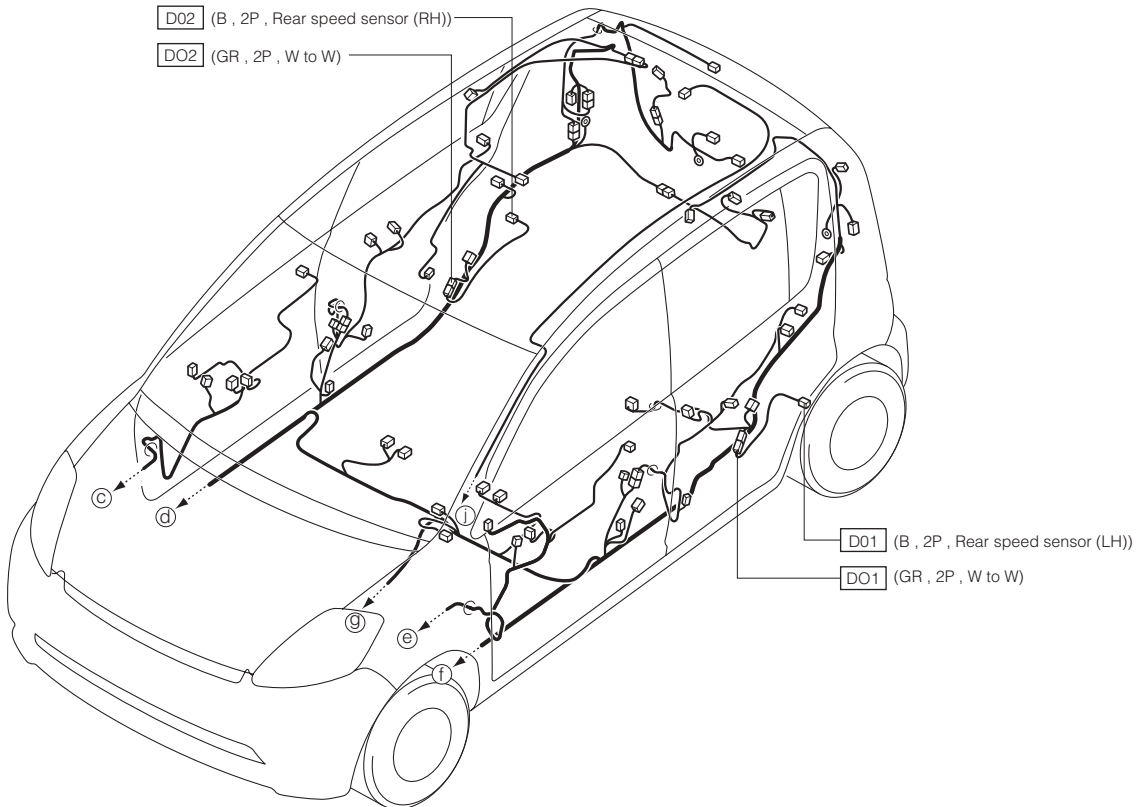
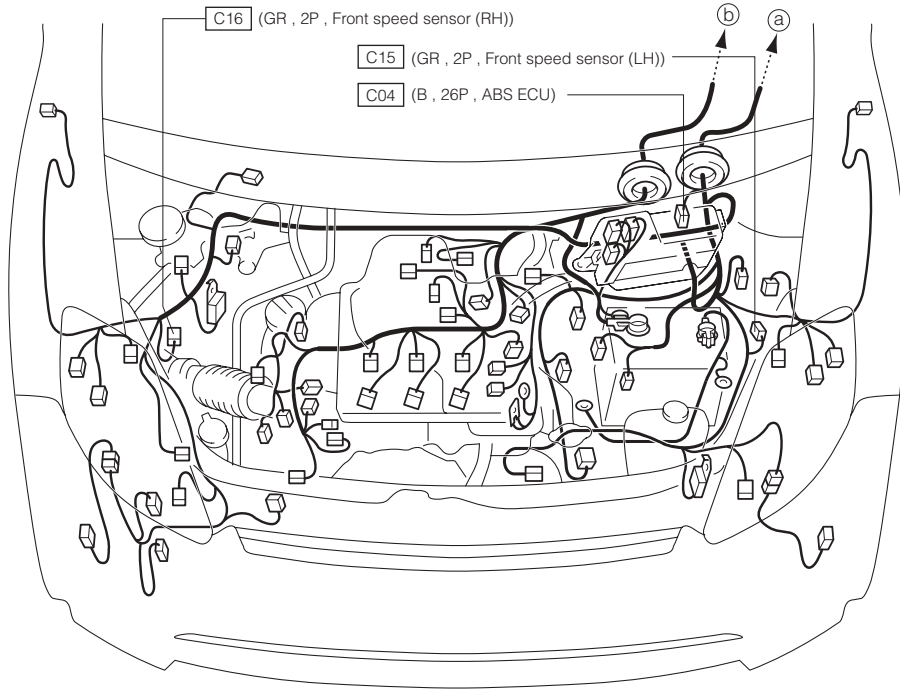
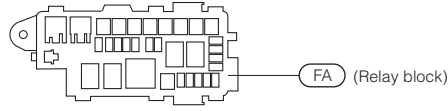
D-61

6 ABS 6-1 RHD VEHICLE

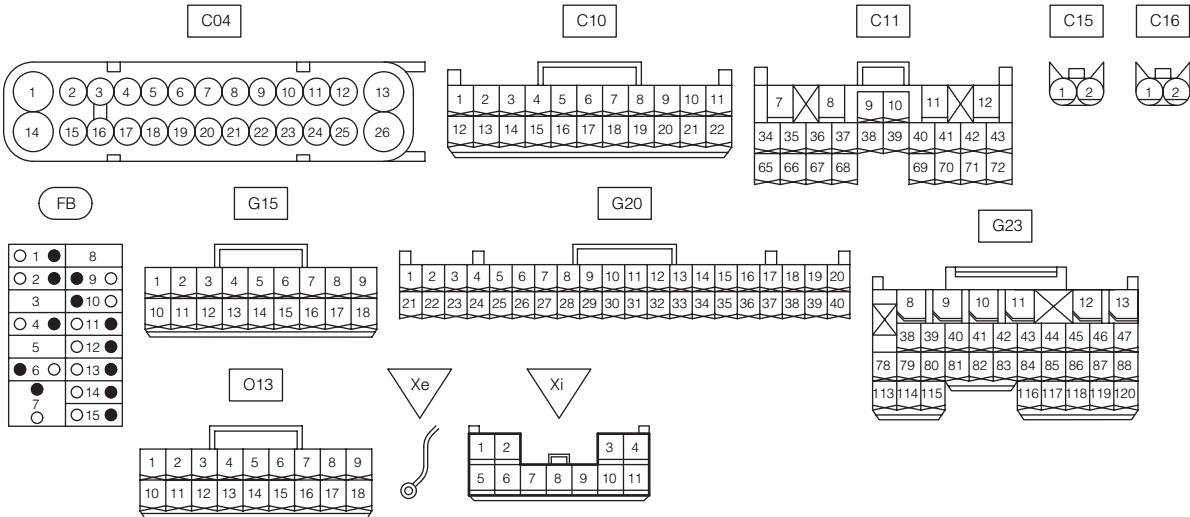
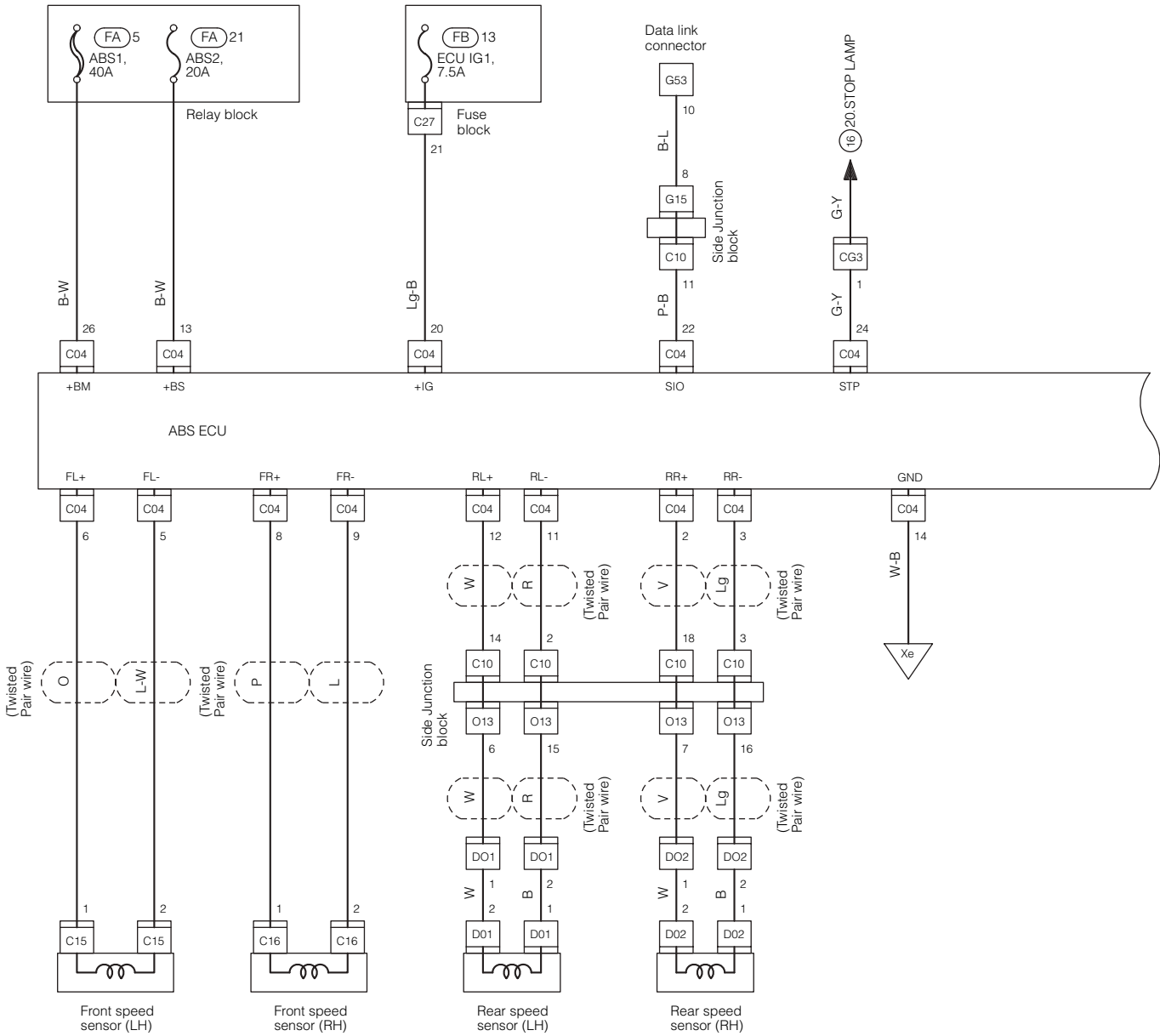


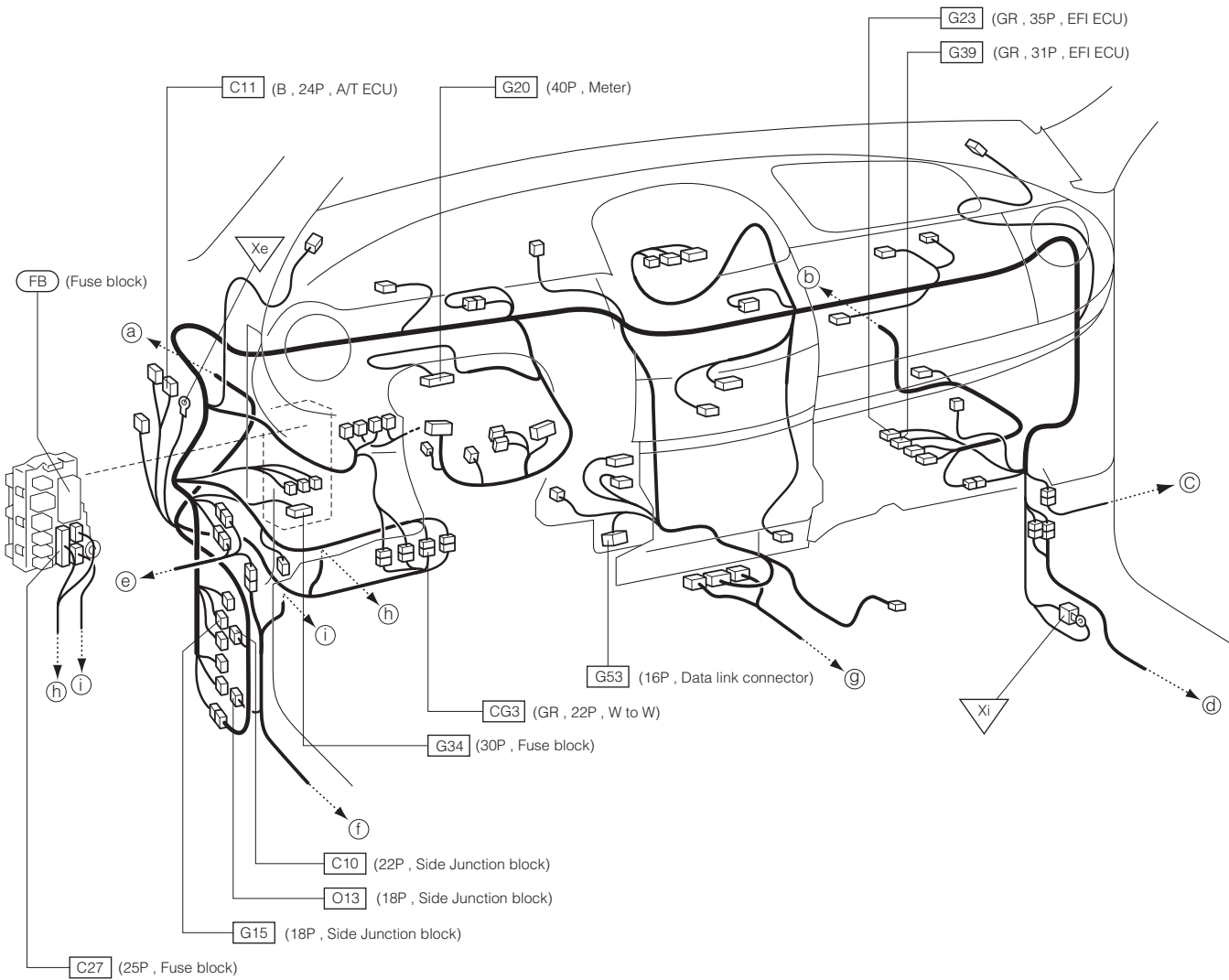


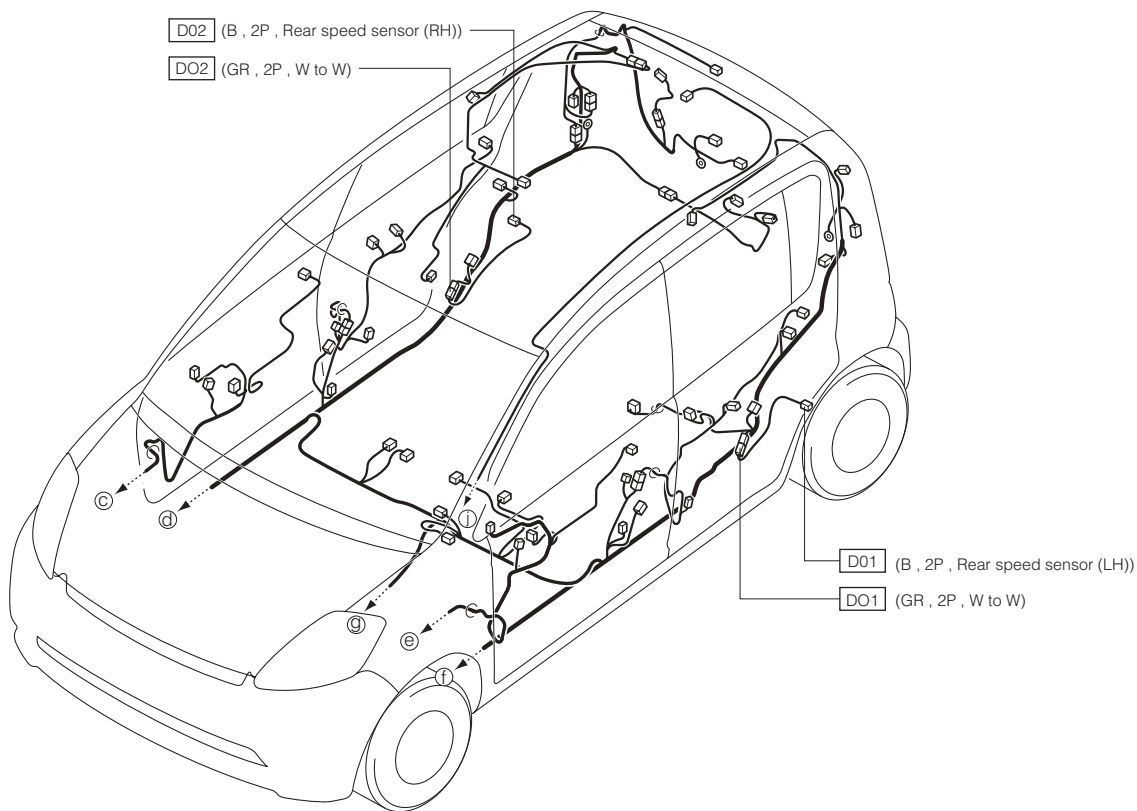
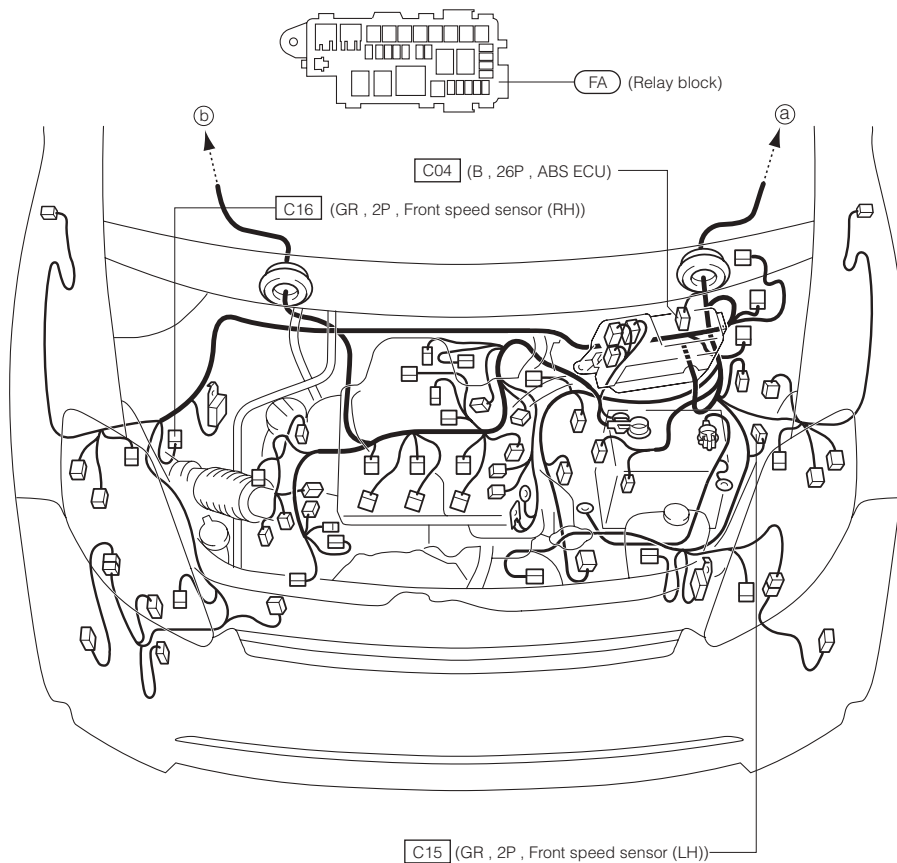




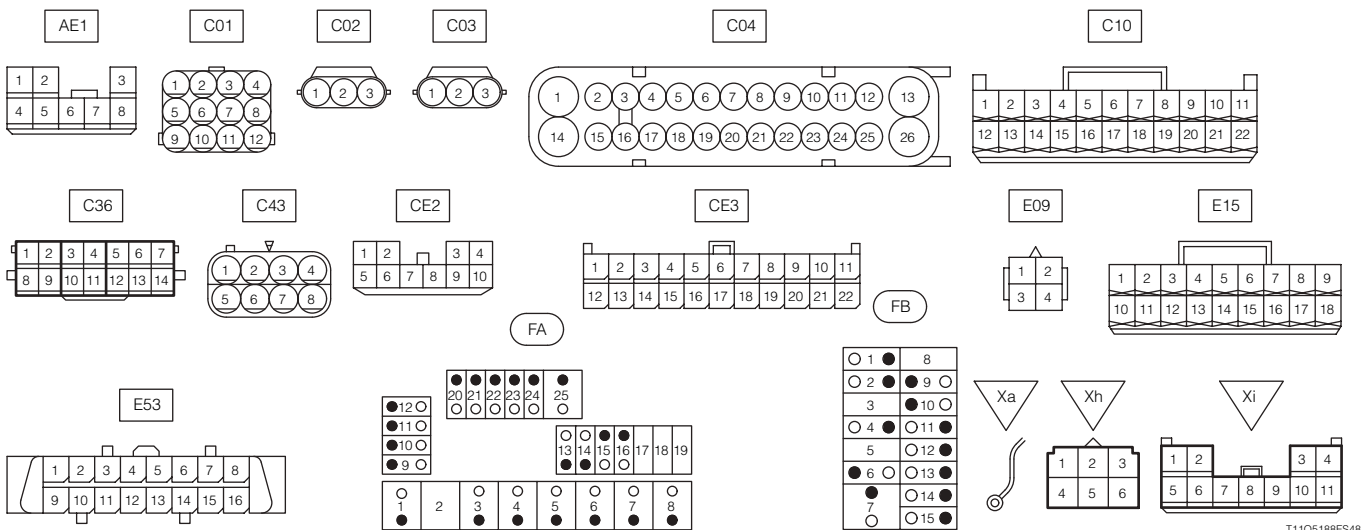
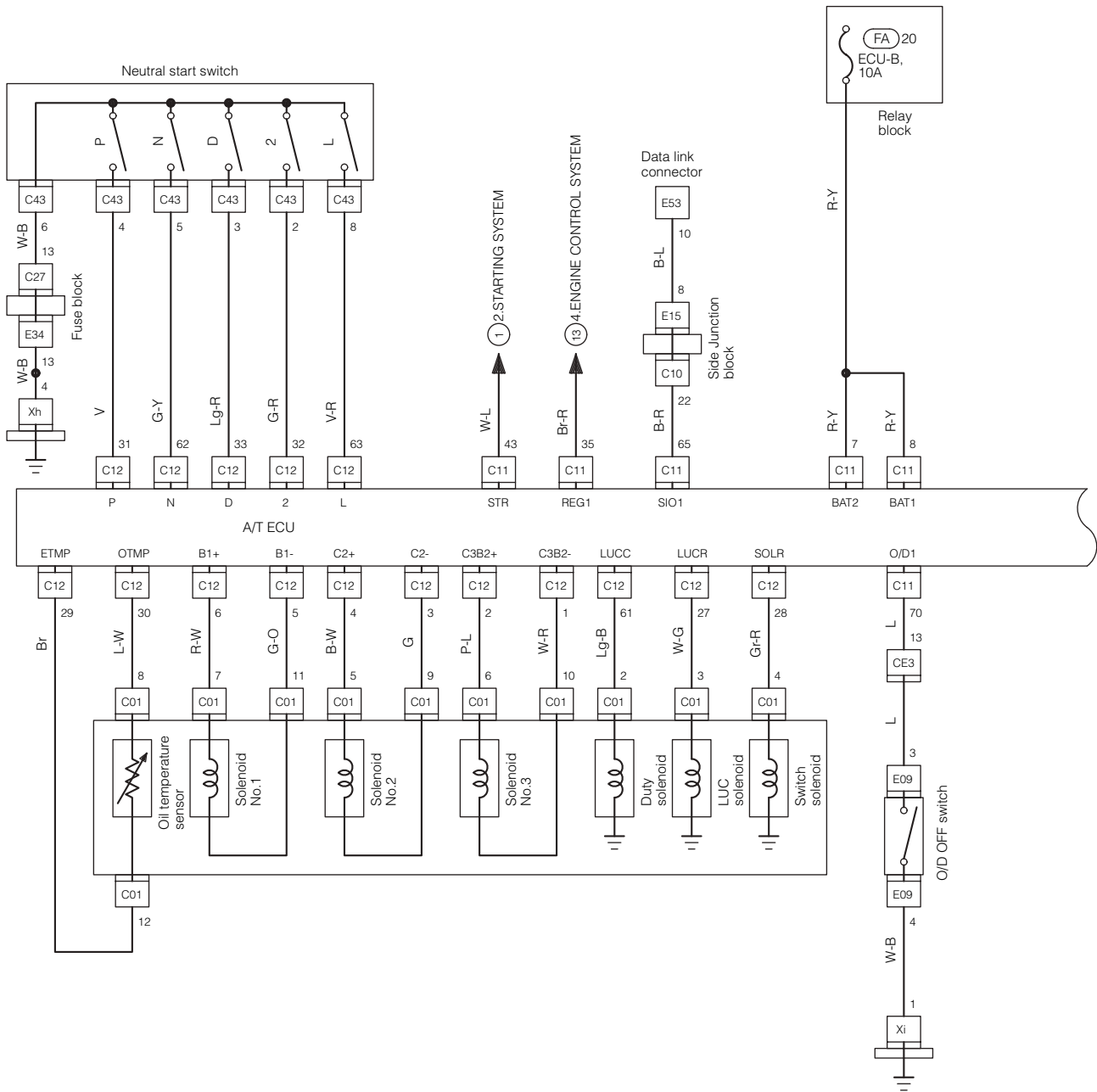
6-2 LHD VEHICLE

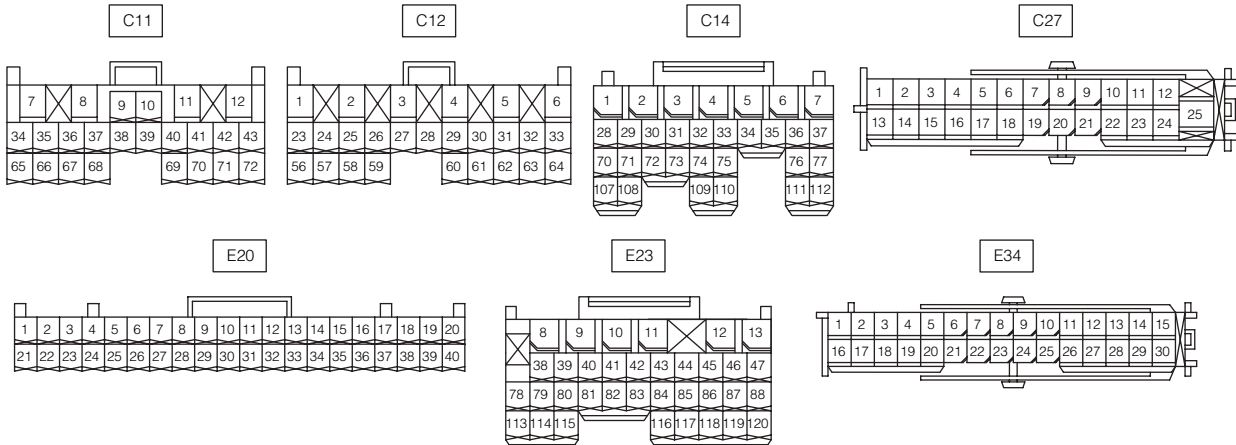
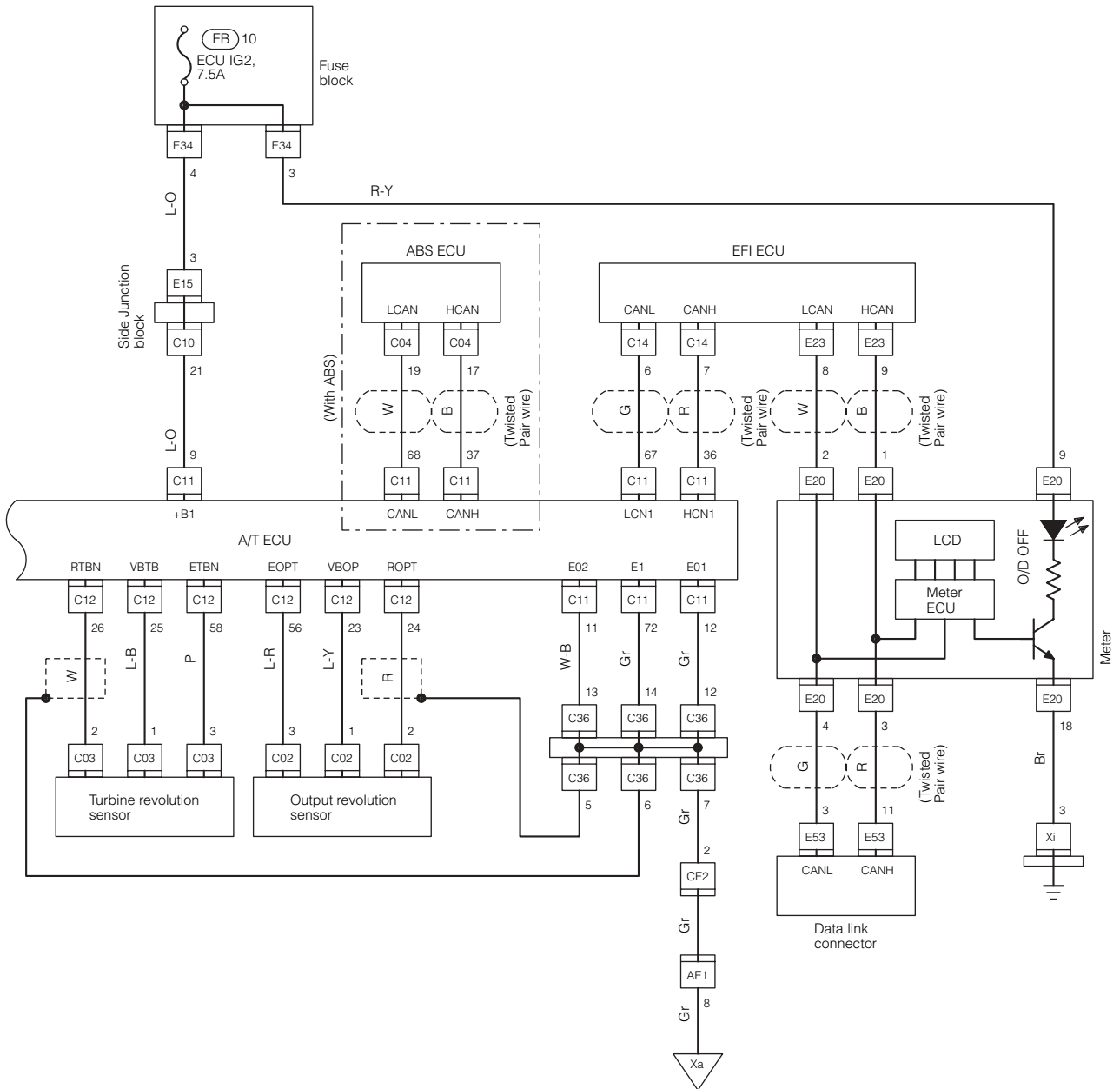


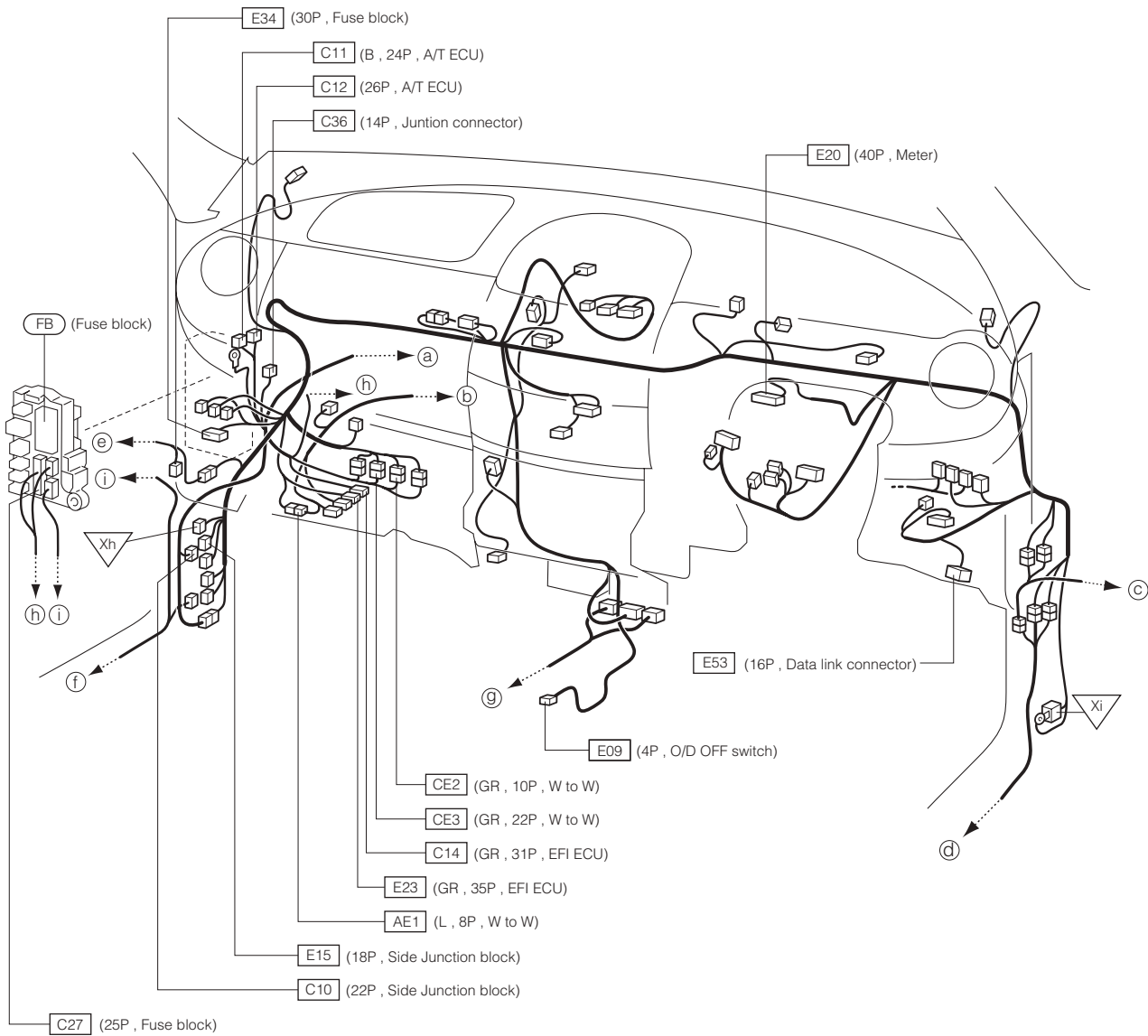


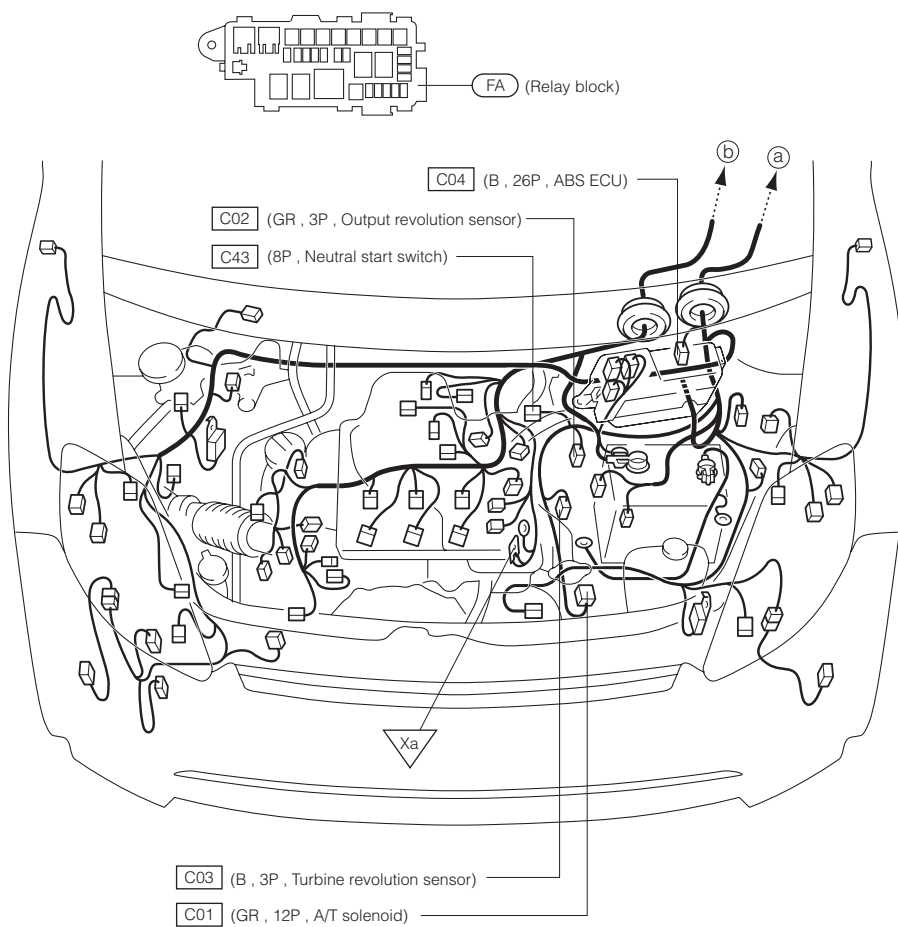


7 A/T CONTROL 7-1 RHD VEHICLE

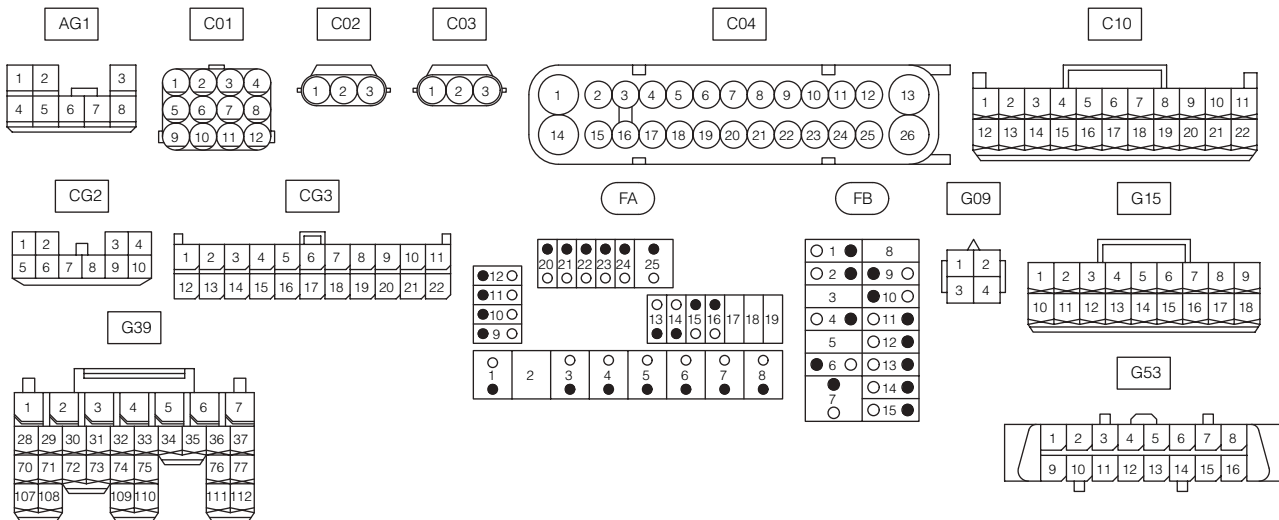
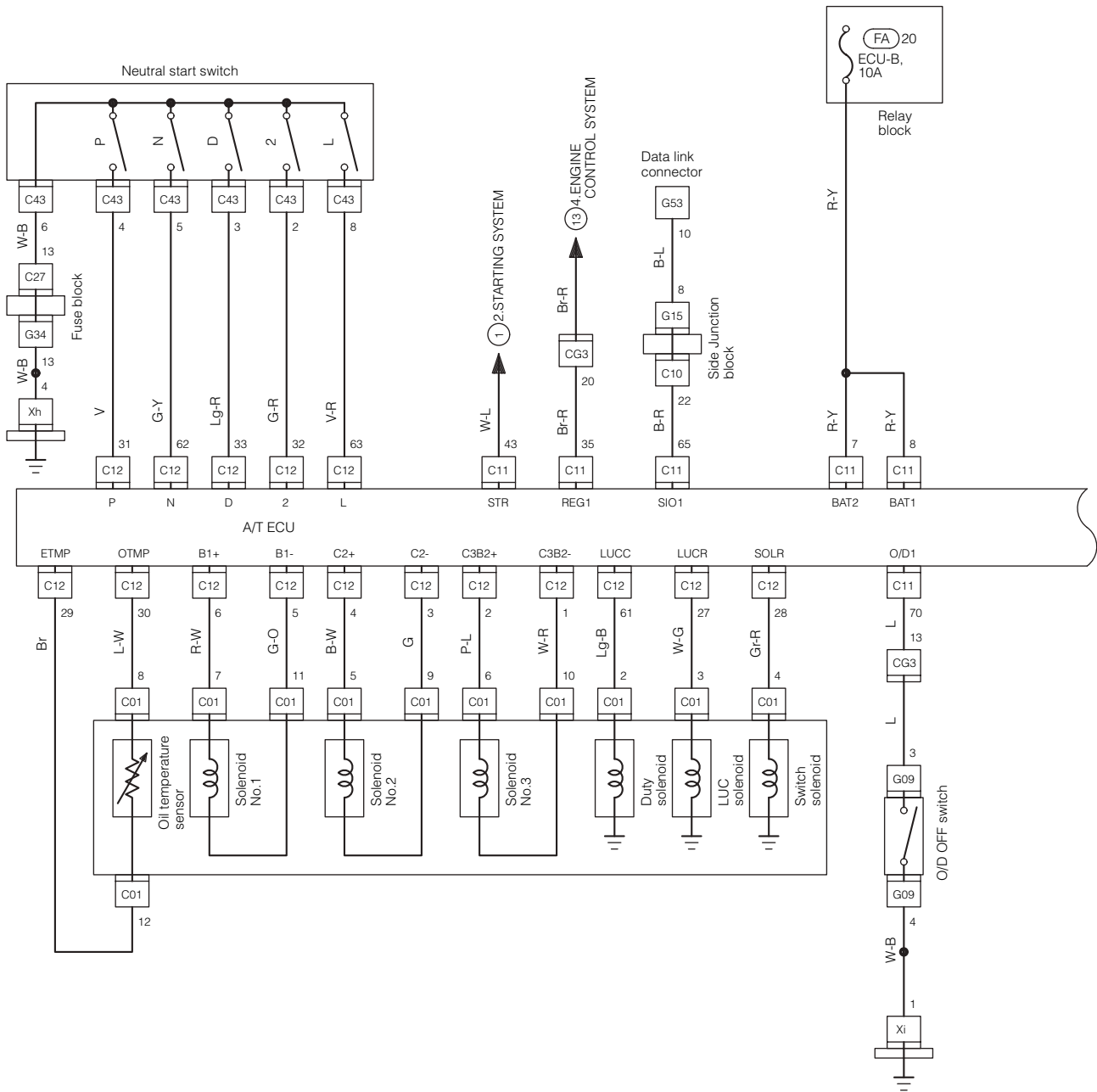


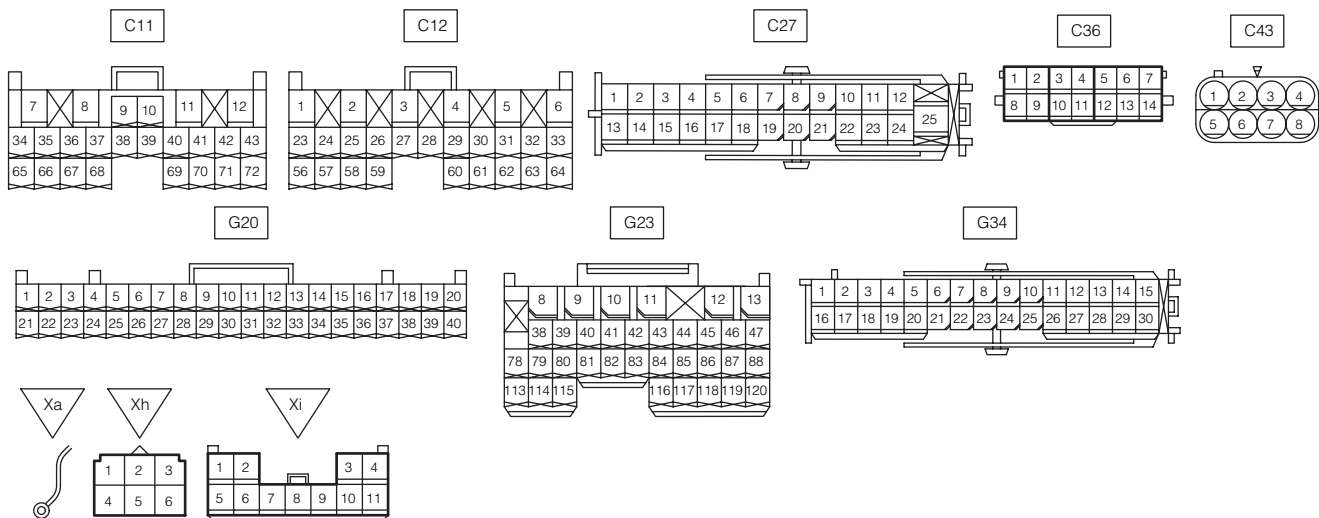
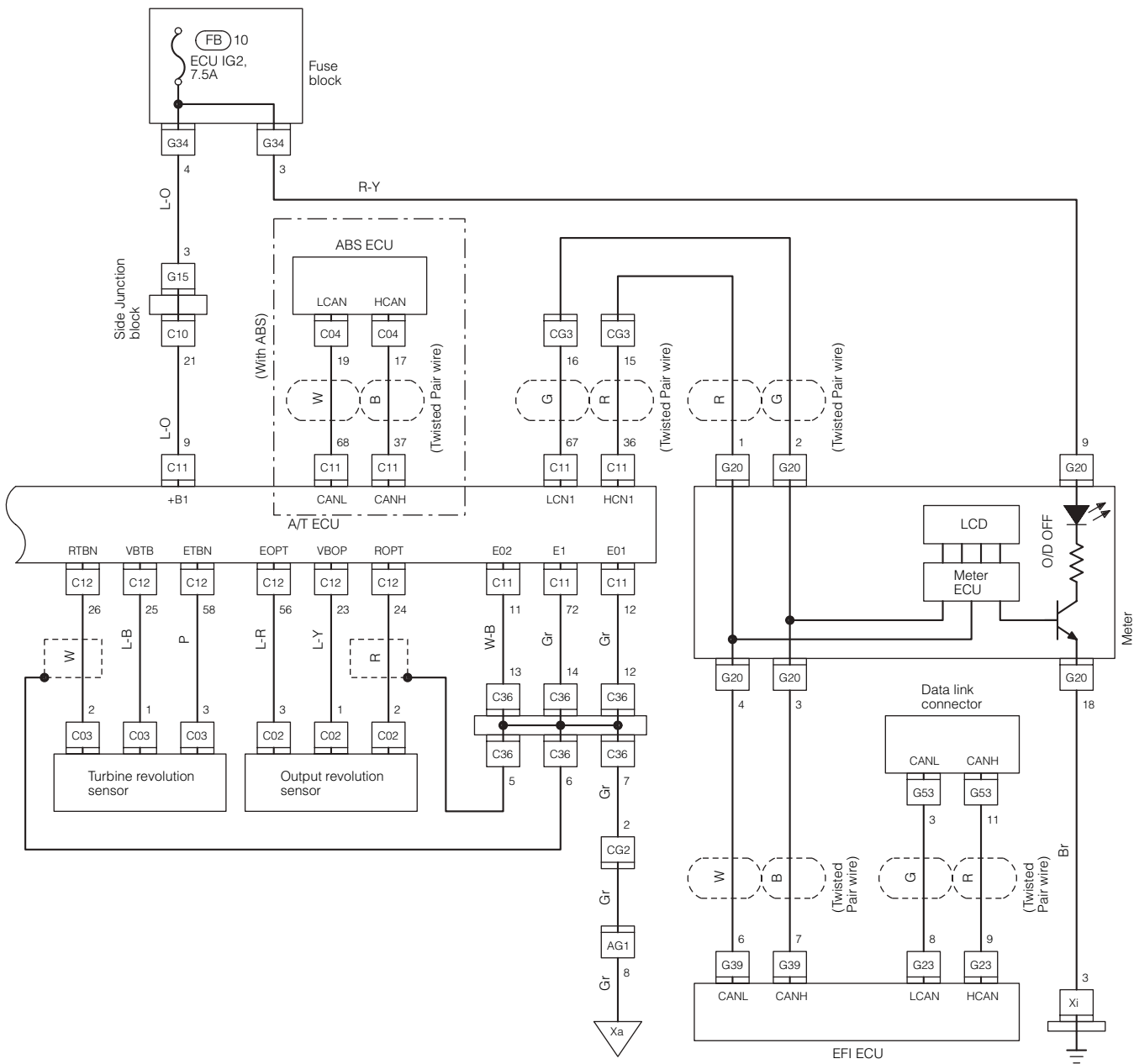


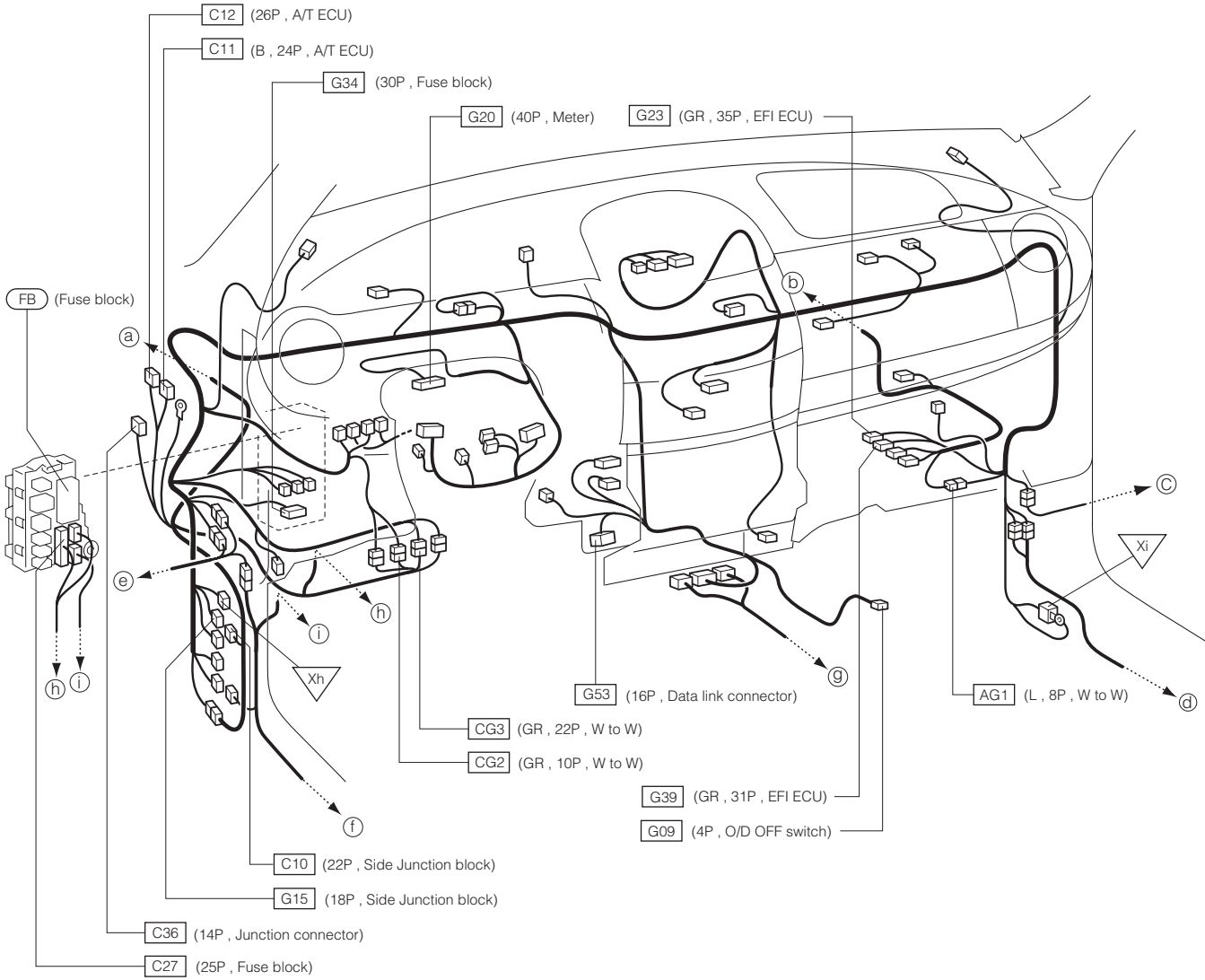


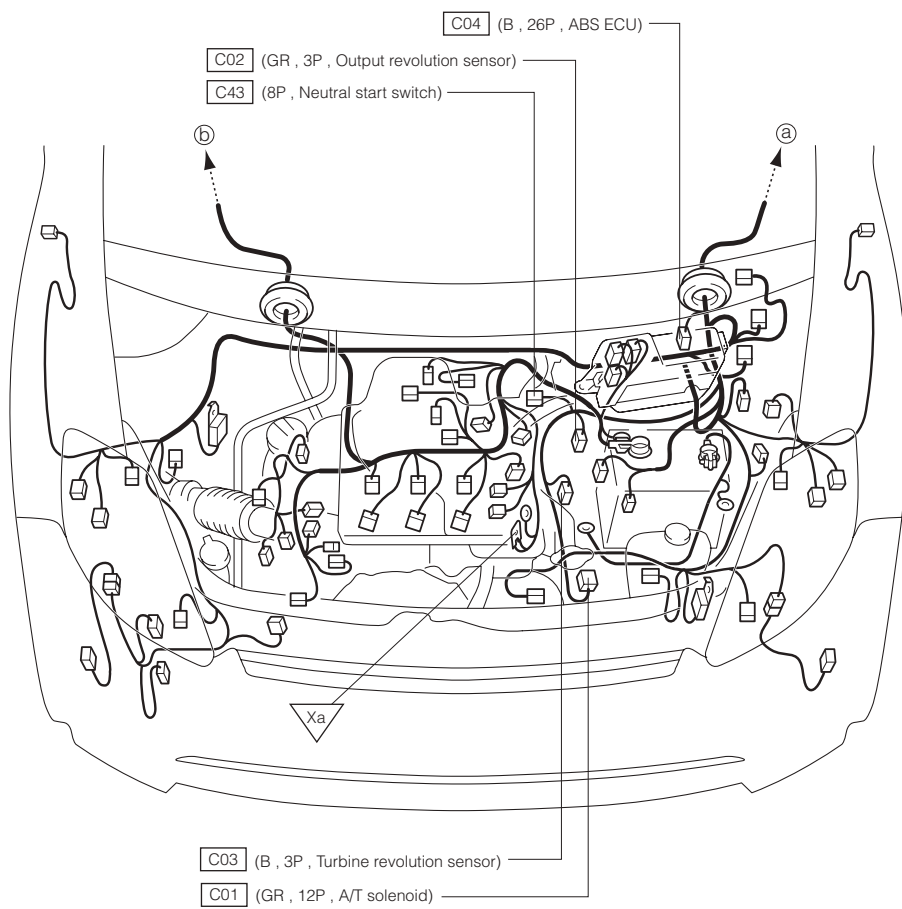
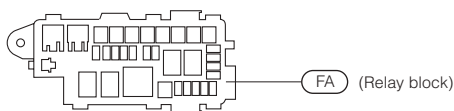


7-2 LHD VEHICLE

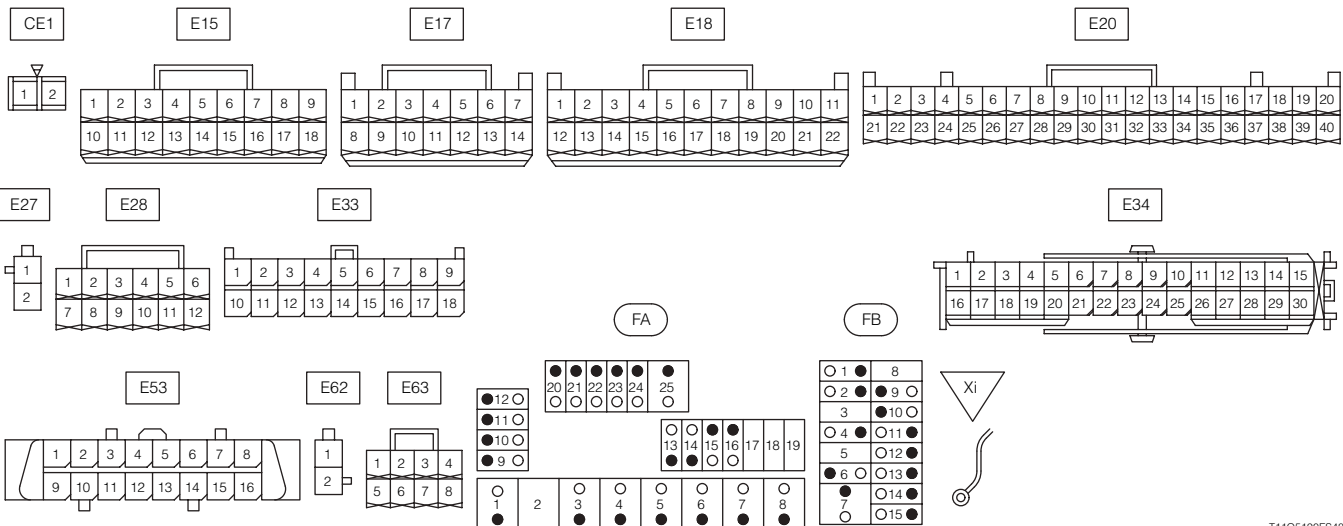
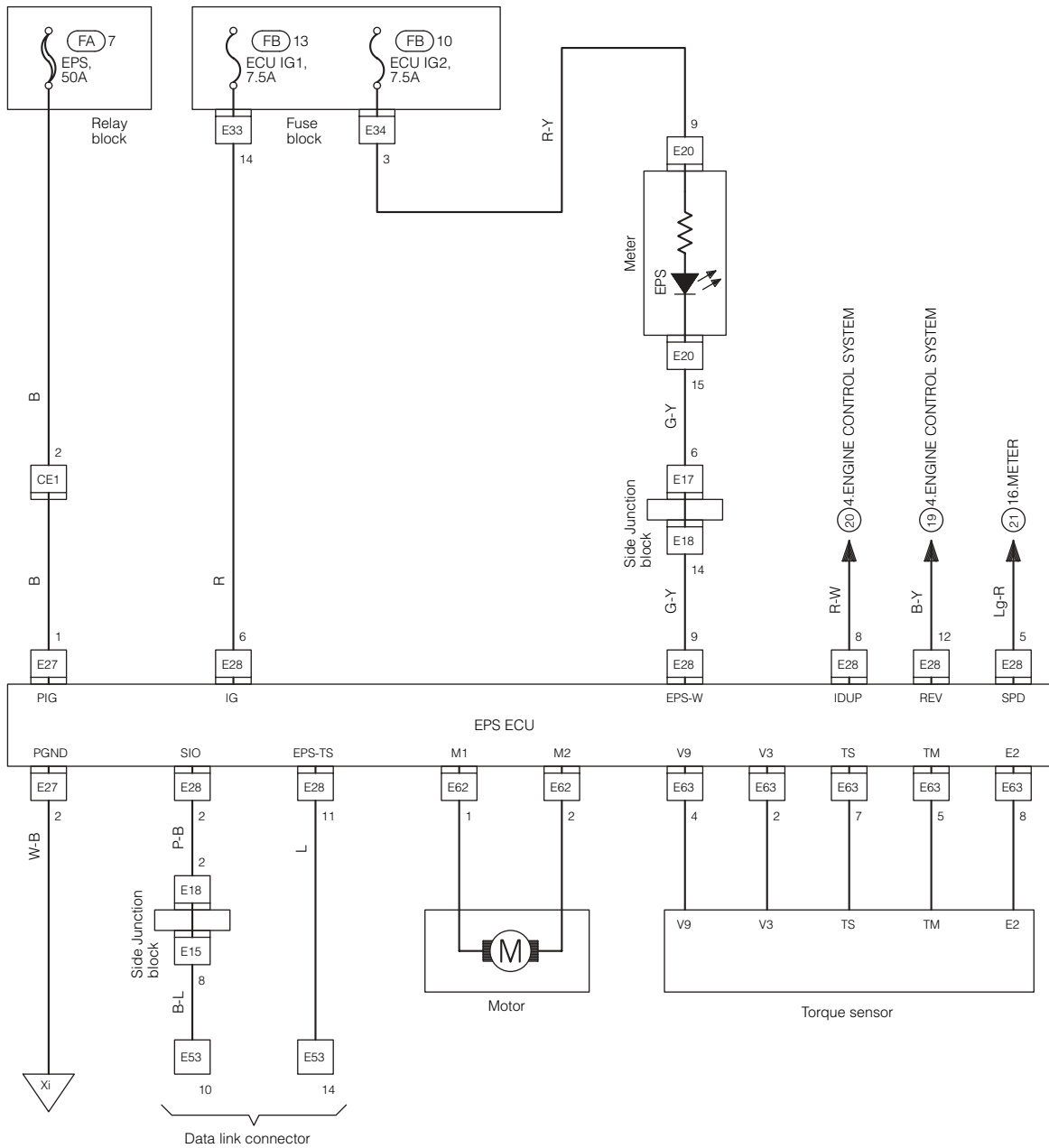




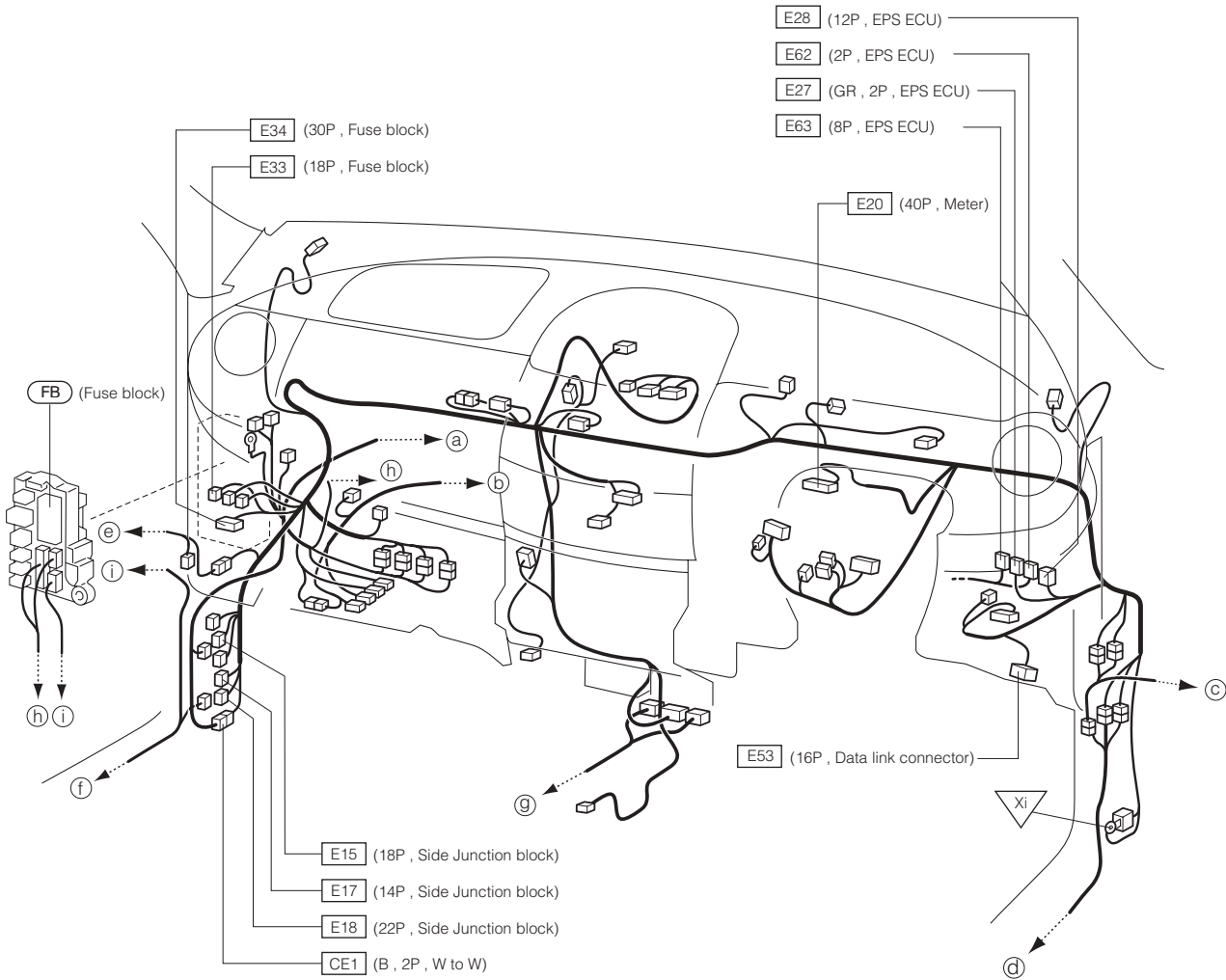


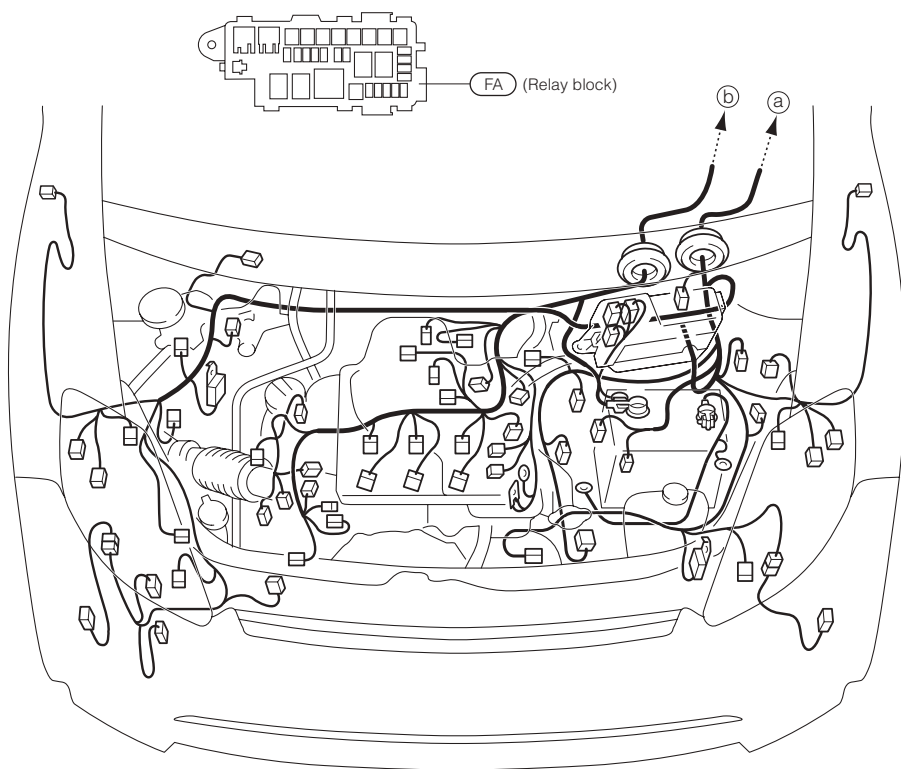


8 ELECTRIC POWER STEERING 8-1 RHD VEHICLE

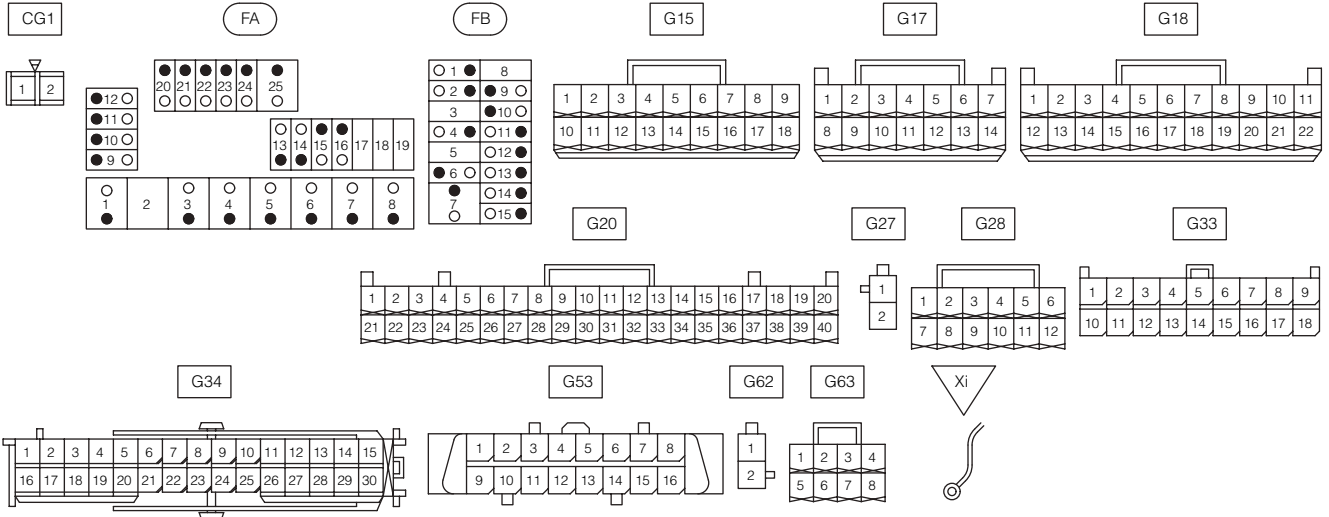
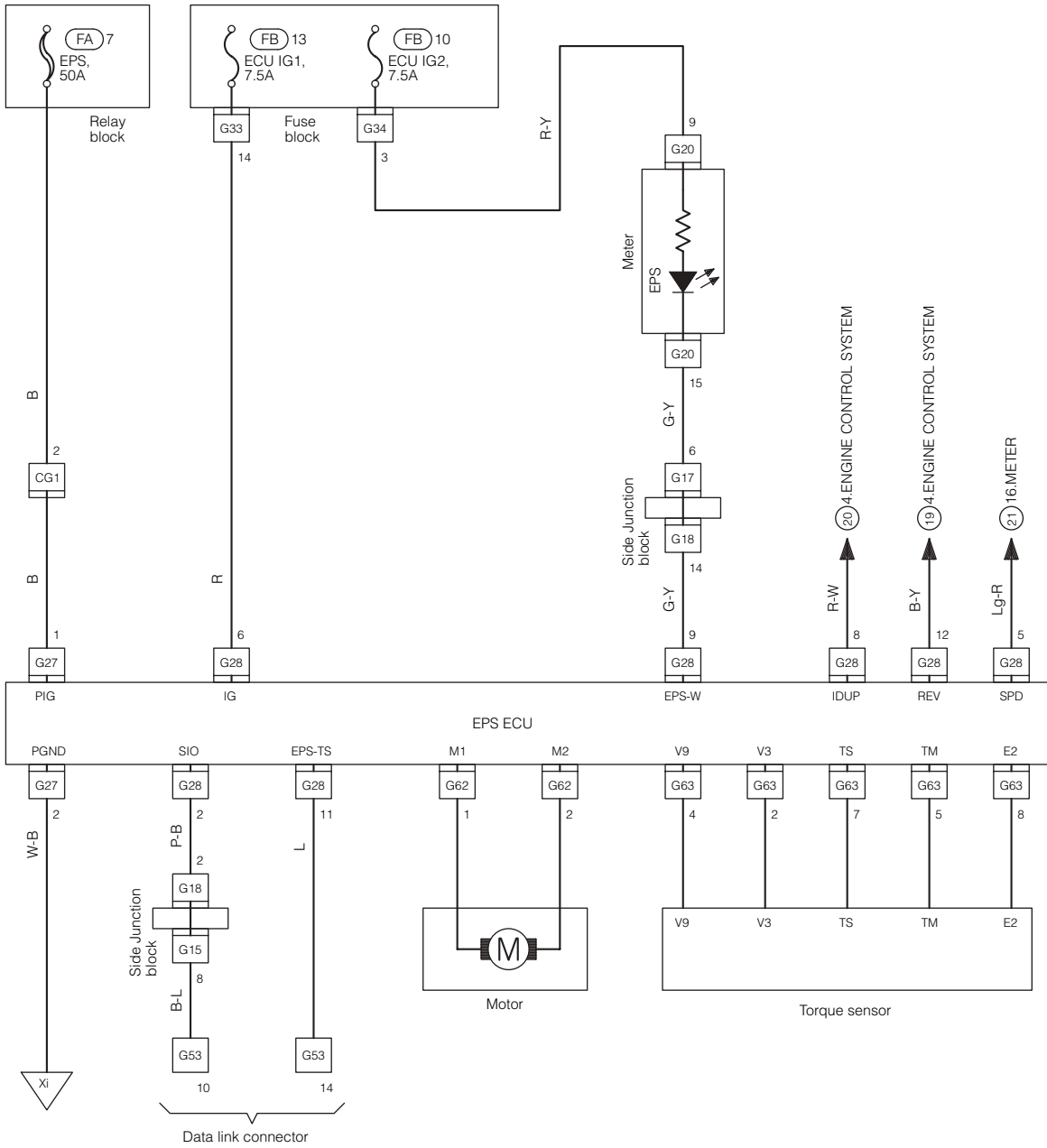


(MEMO)

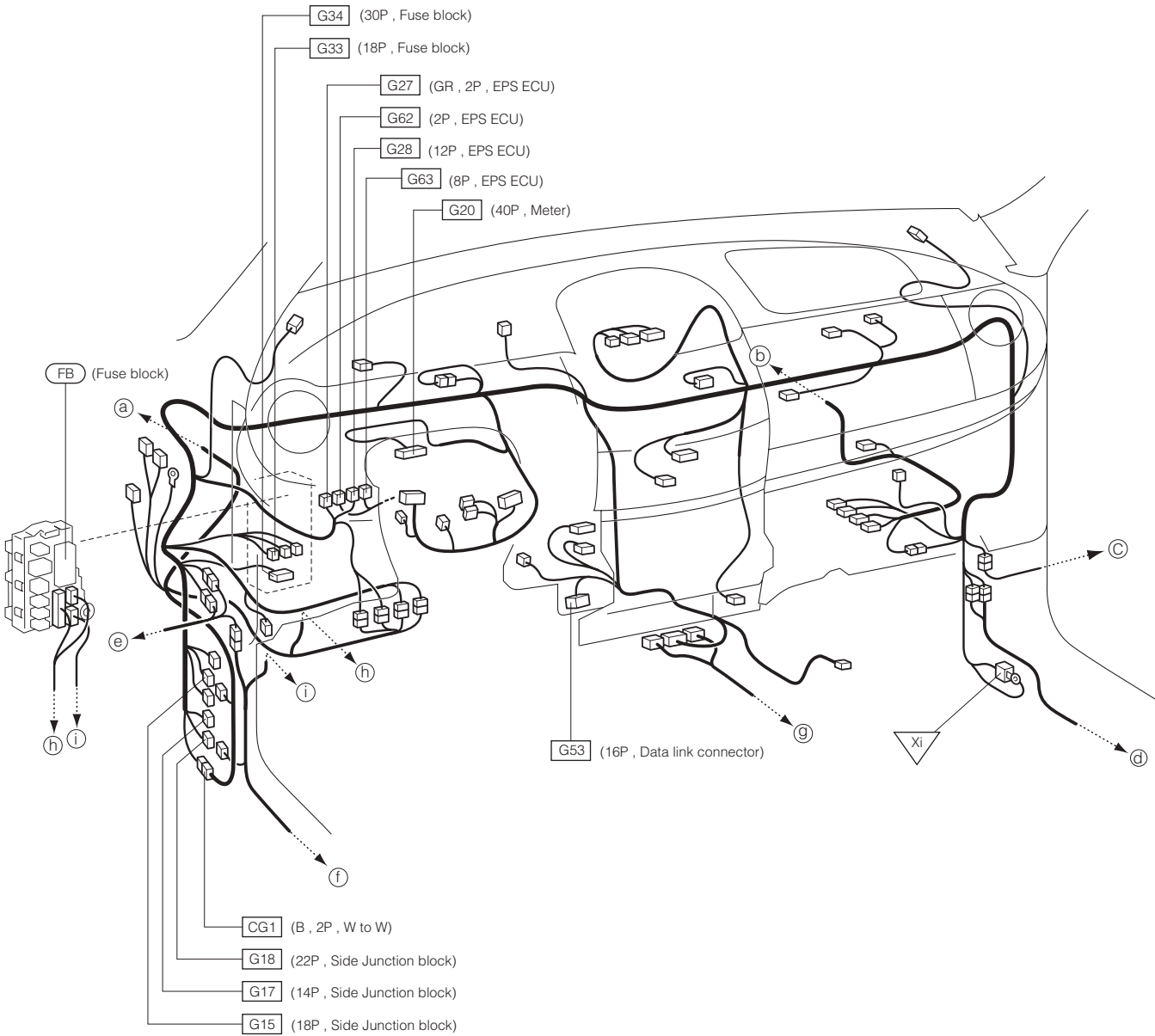


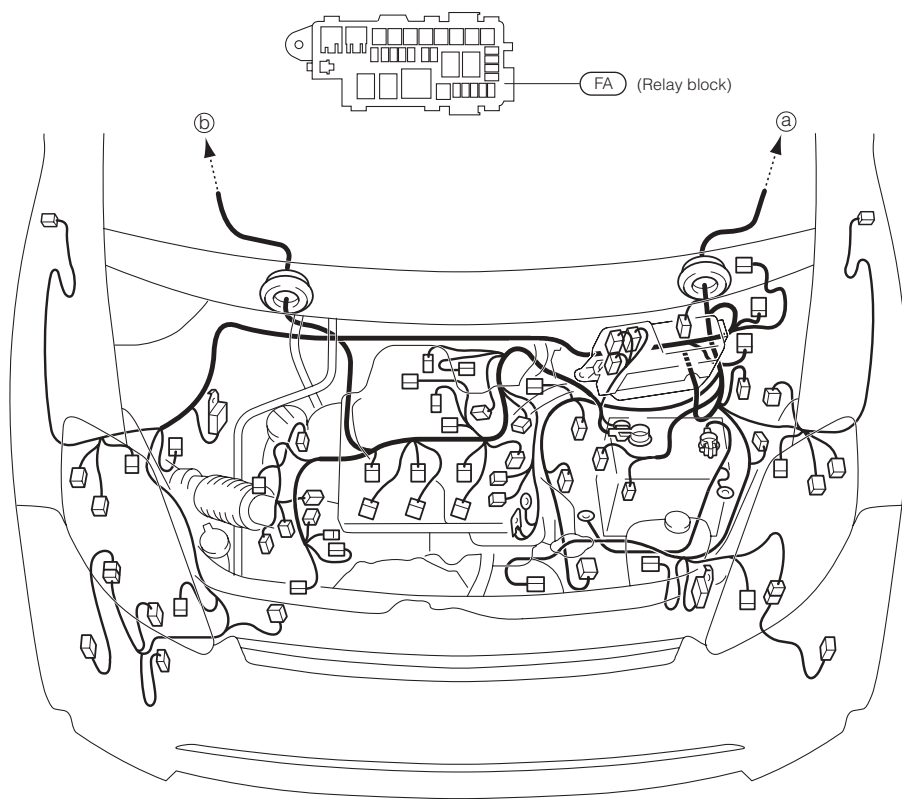


8-2 LHD VEHICLE

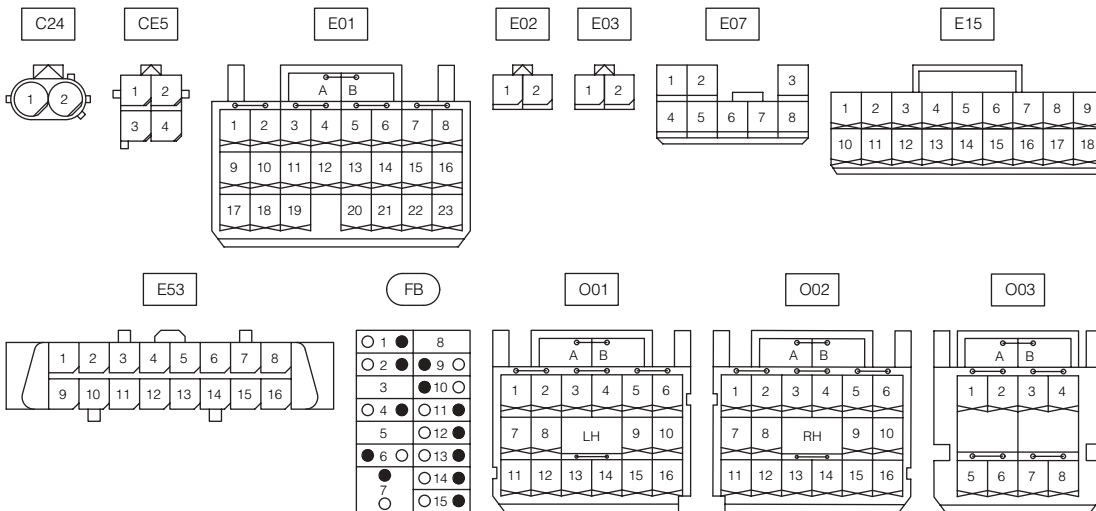
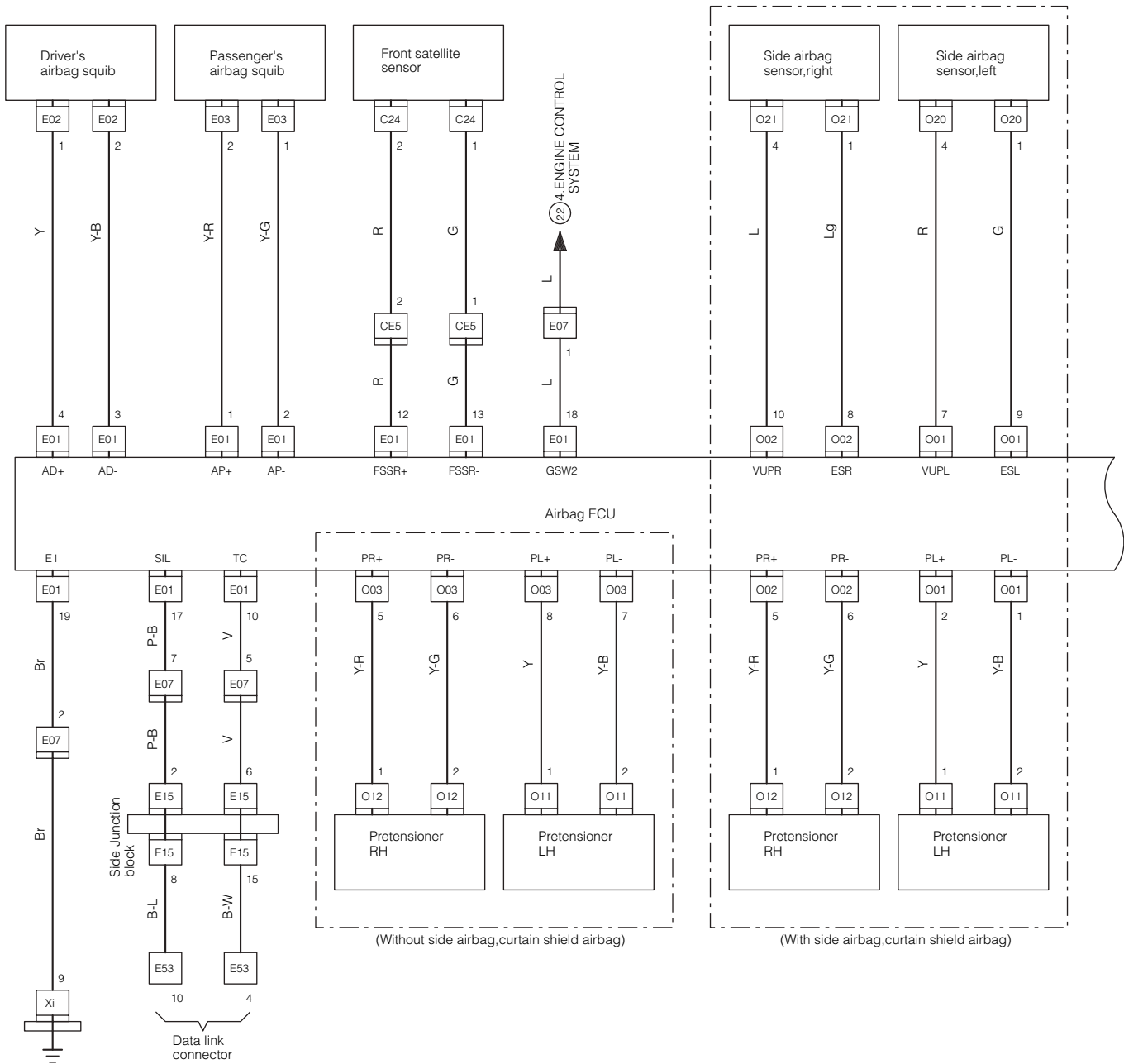


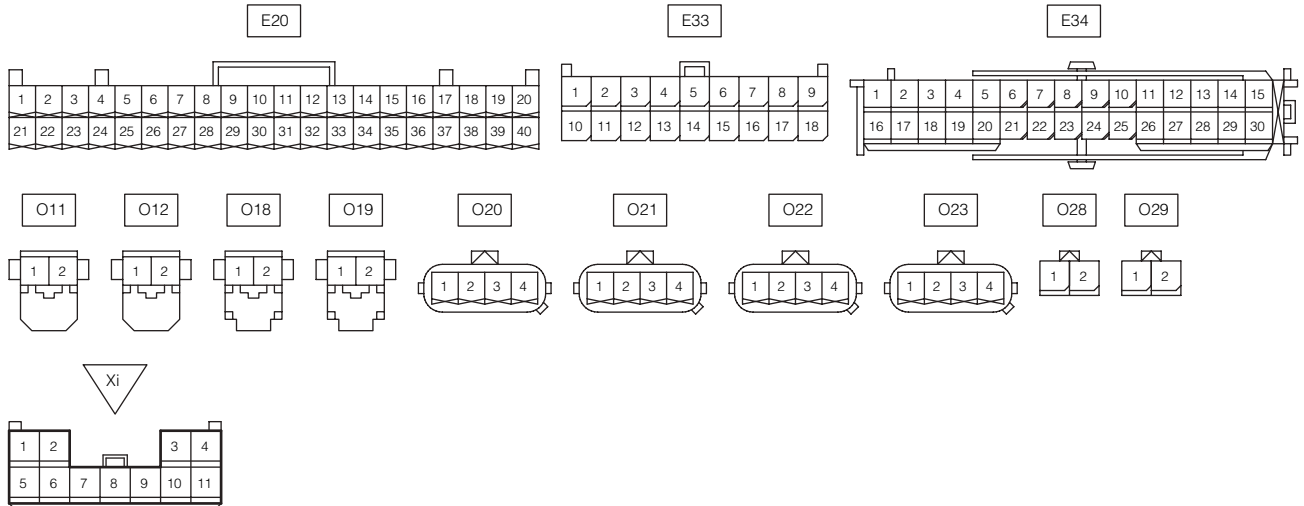
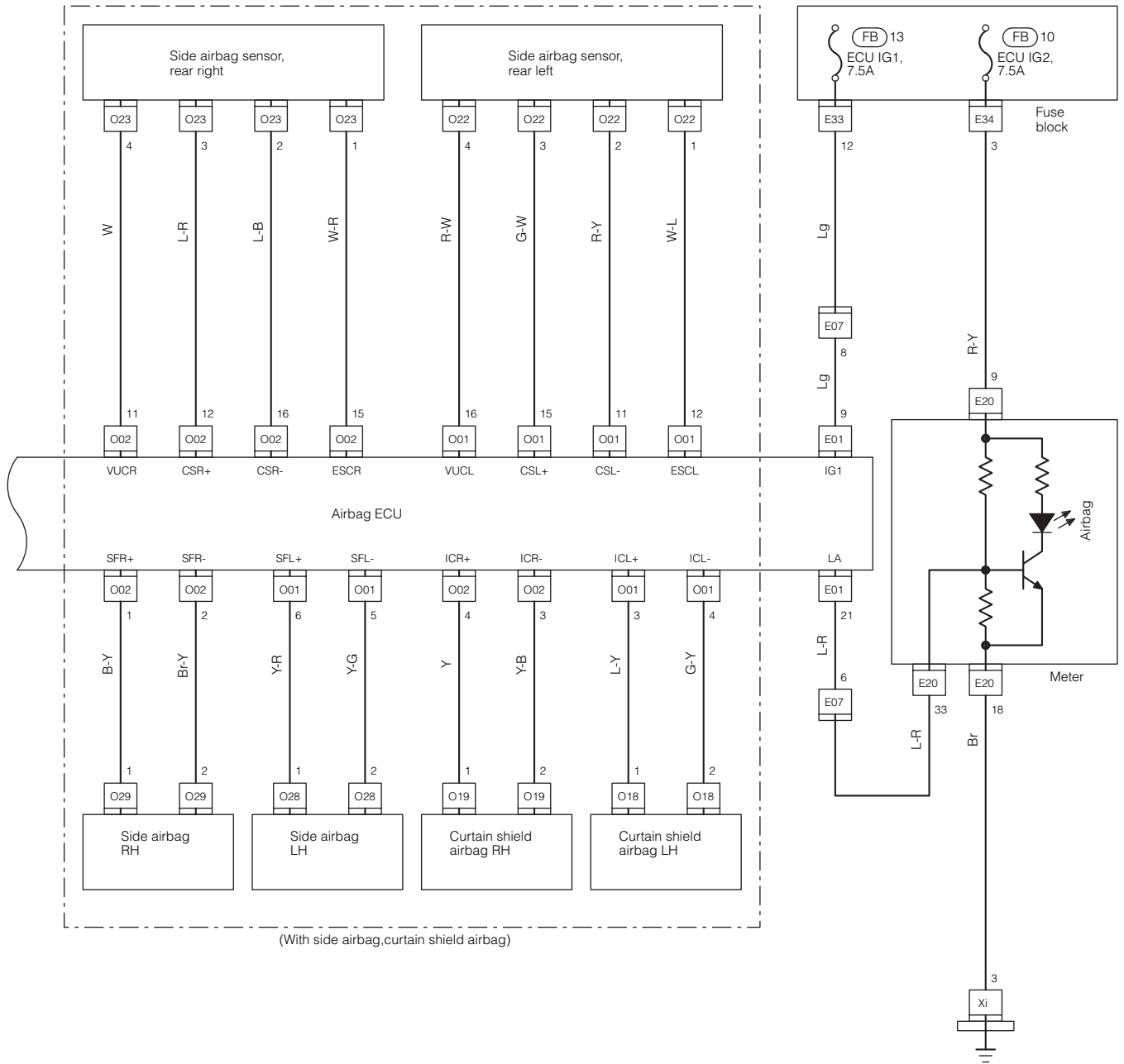
(MEMO)

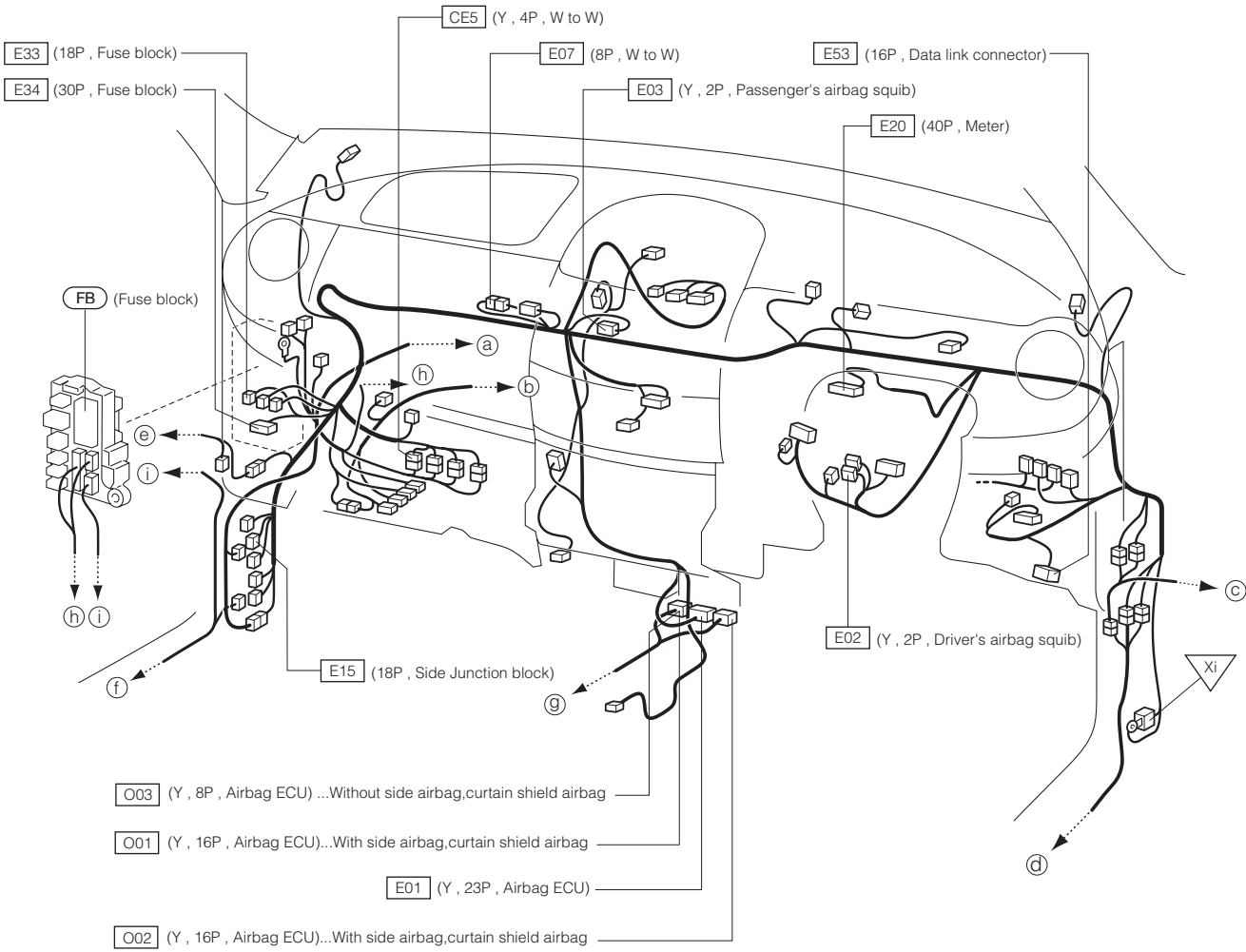


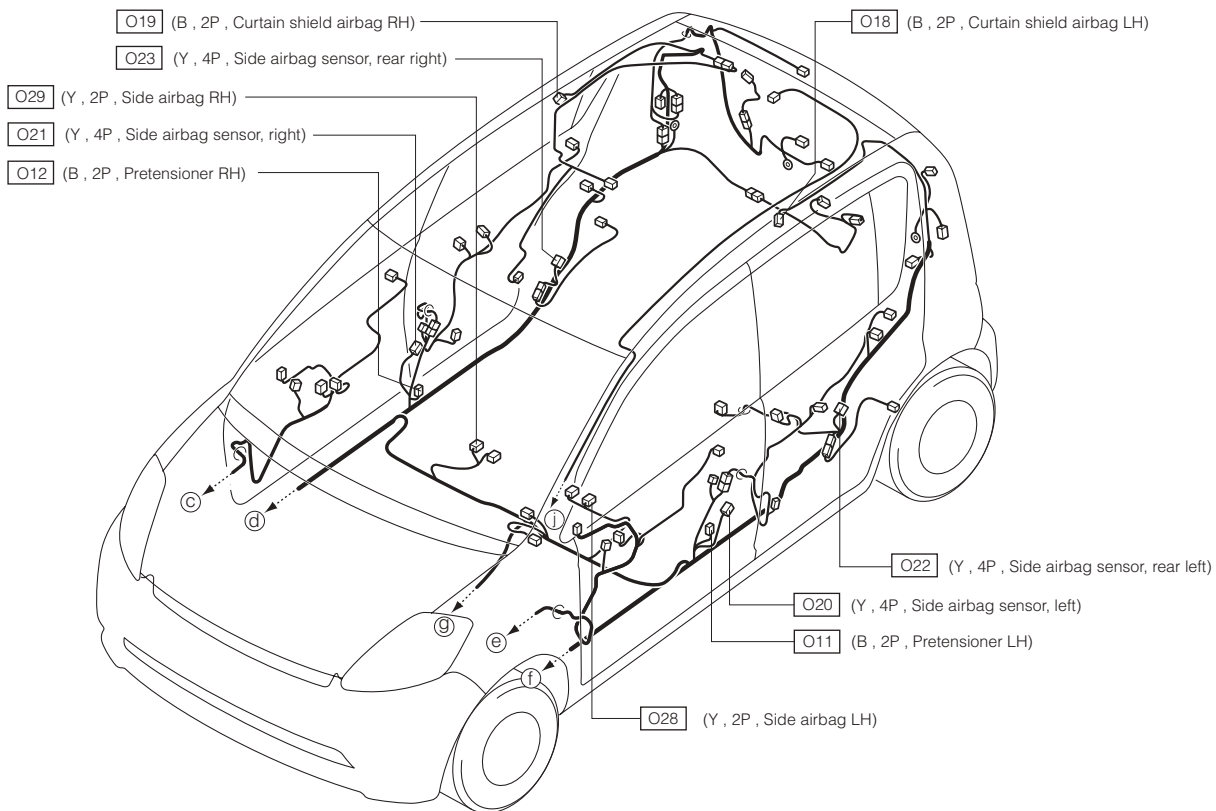
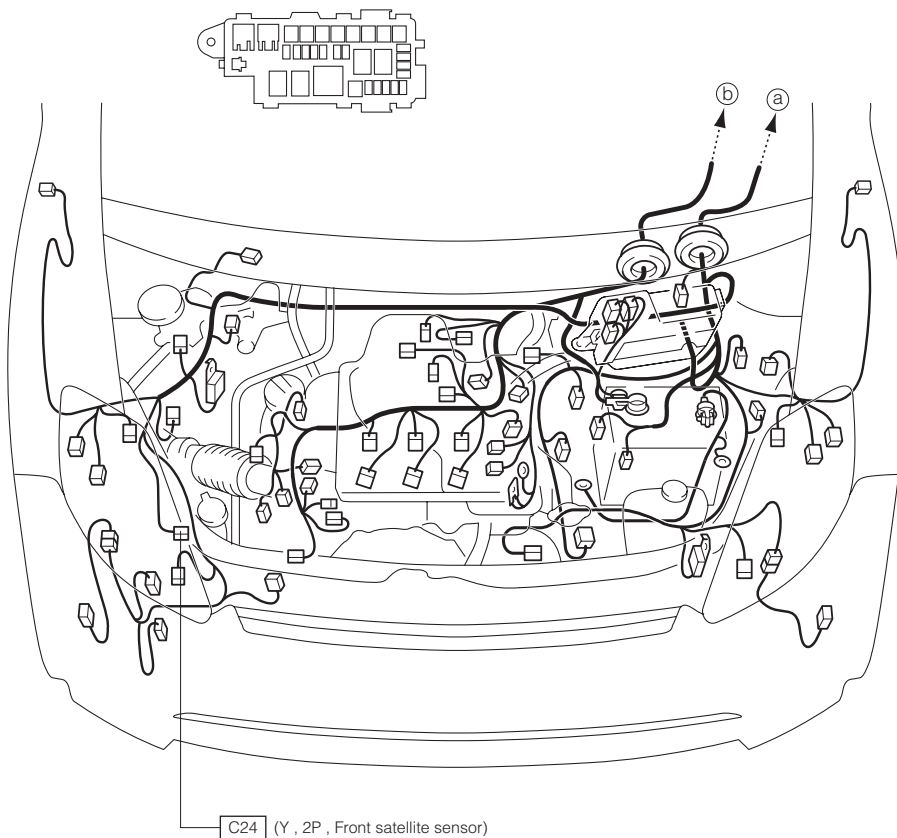


9 SRS AIRBAG SYSTEM 9-1 RHD VEHICLE

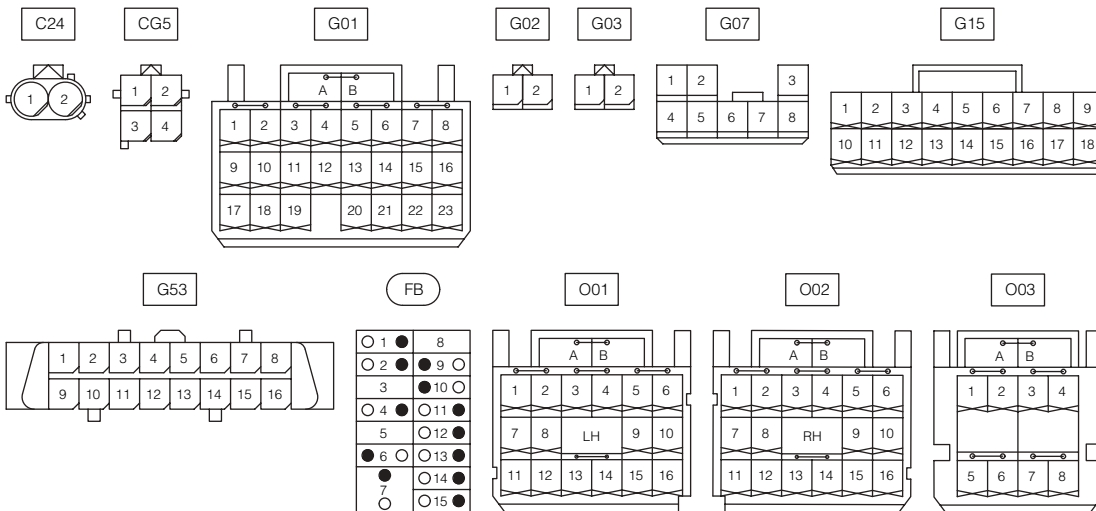
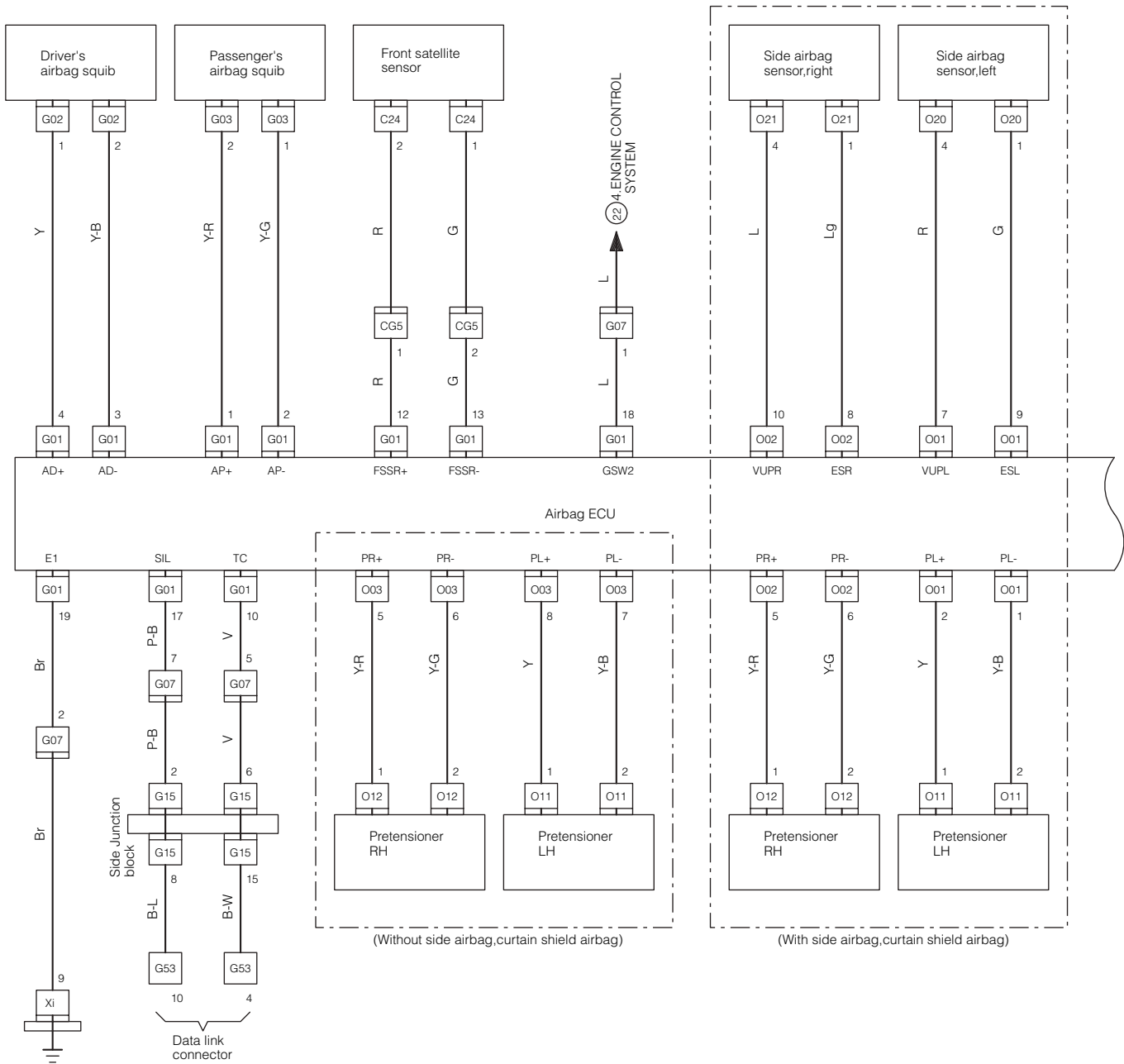


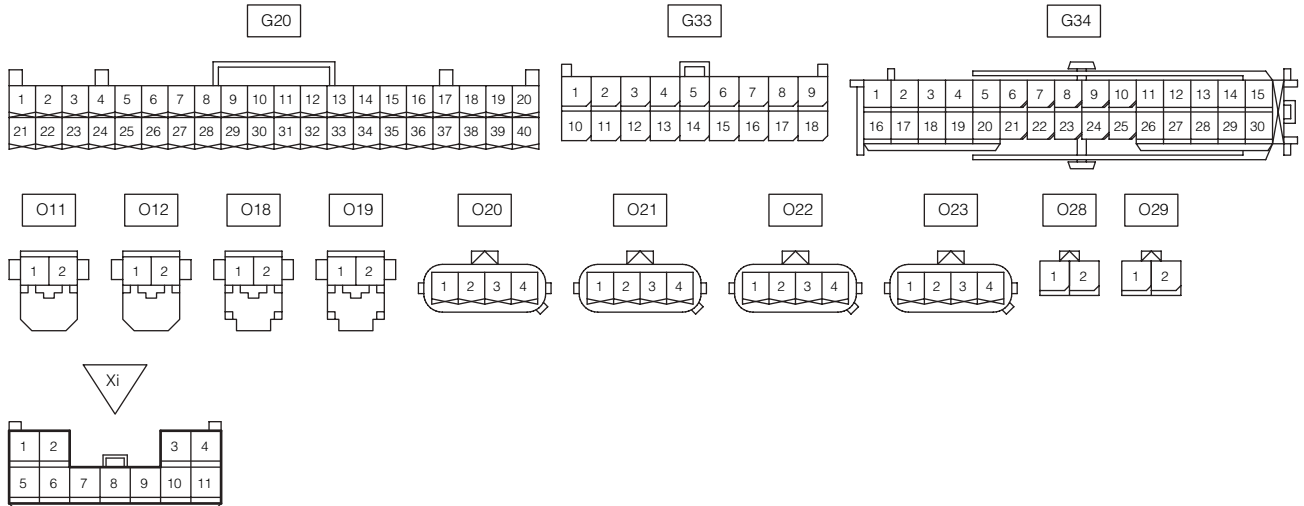
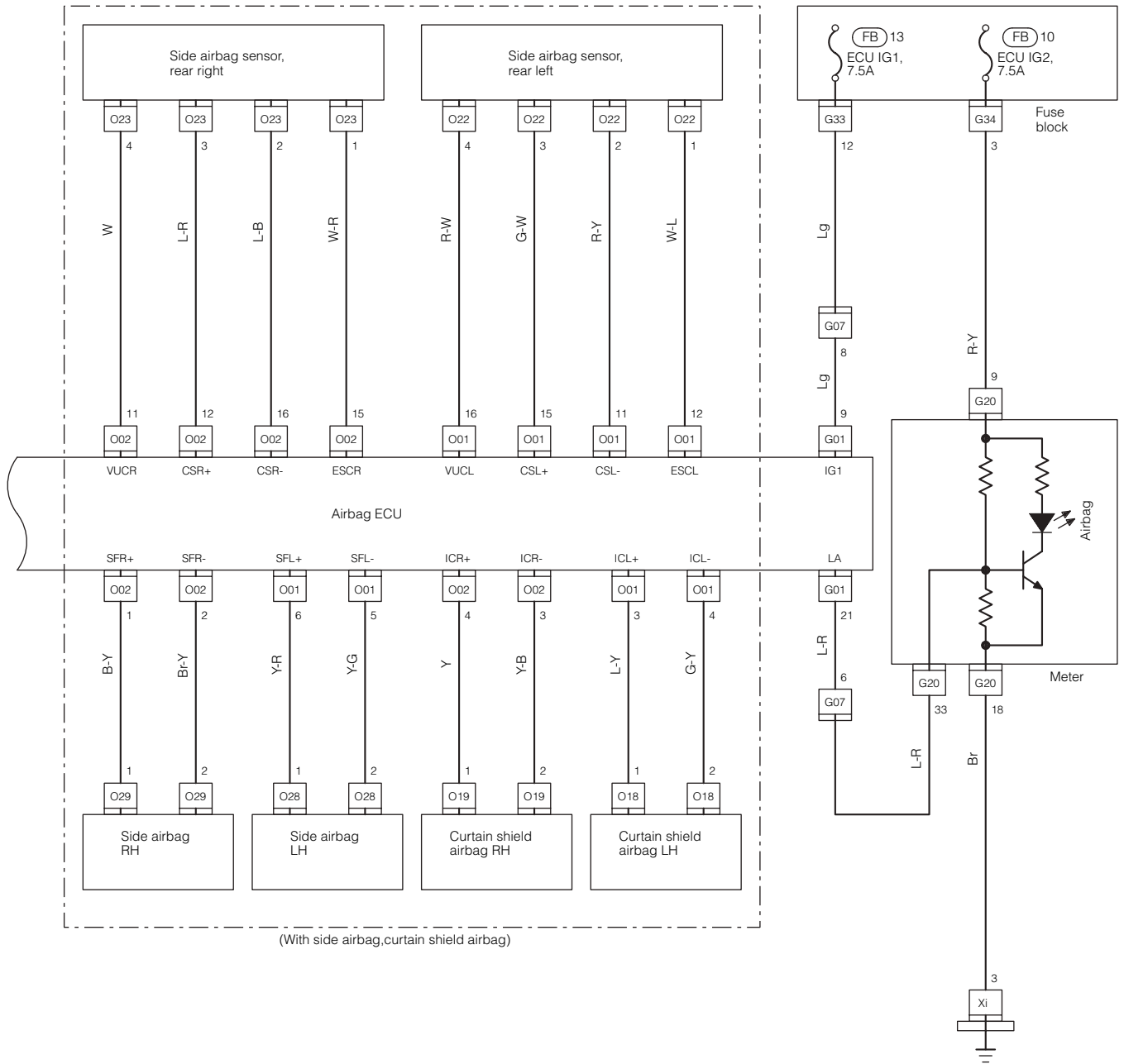


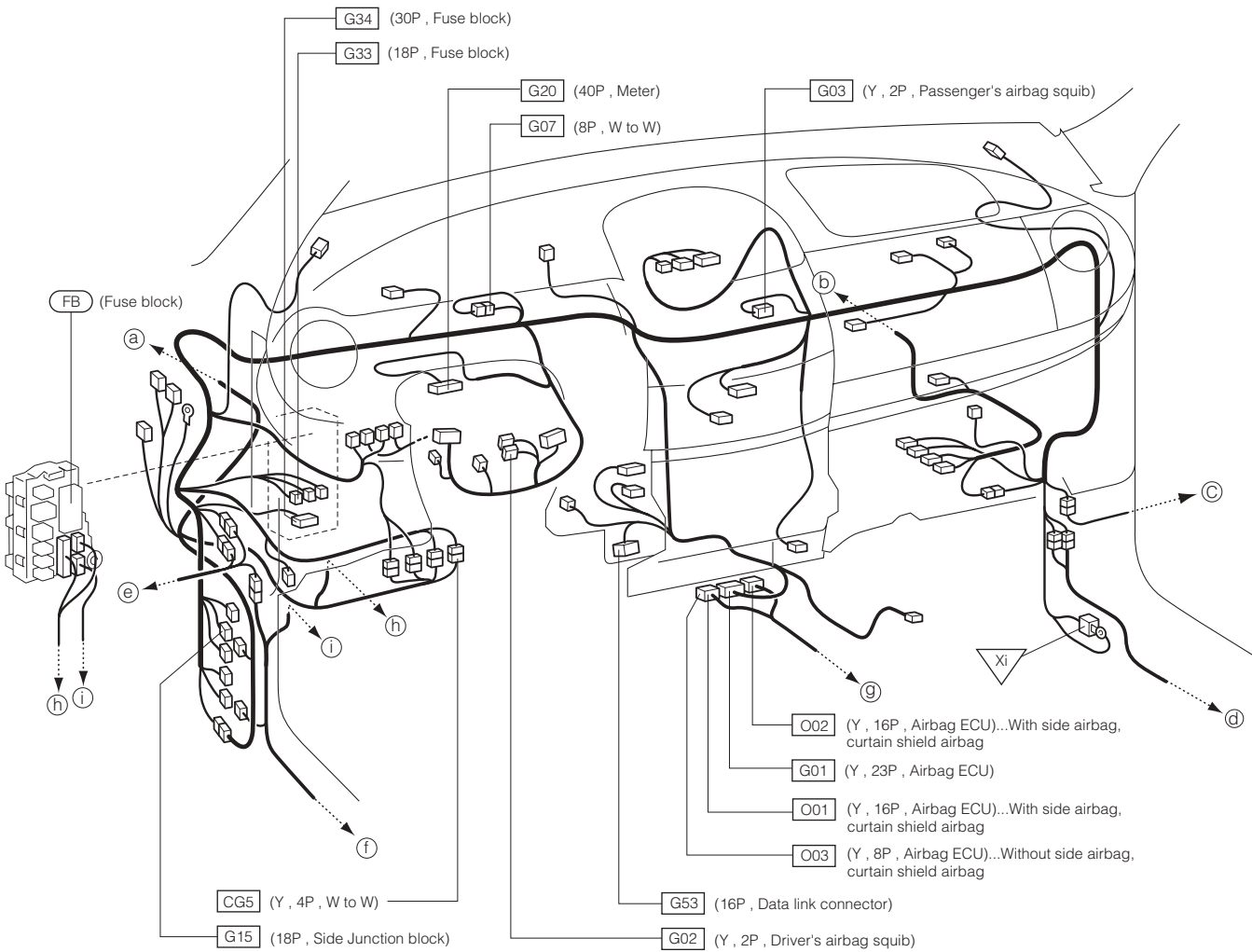


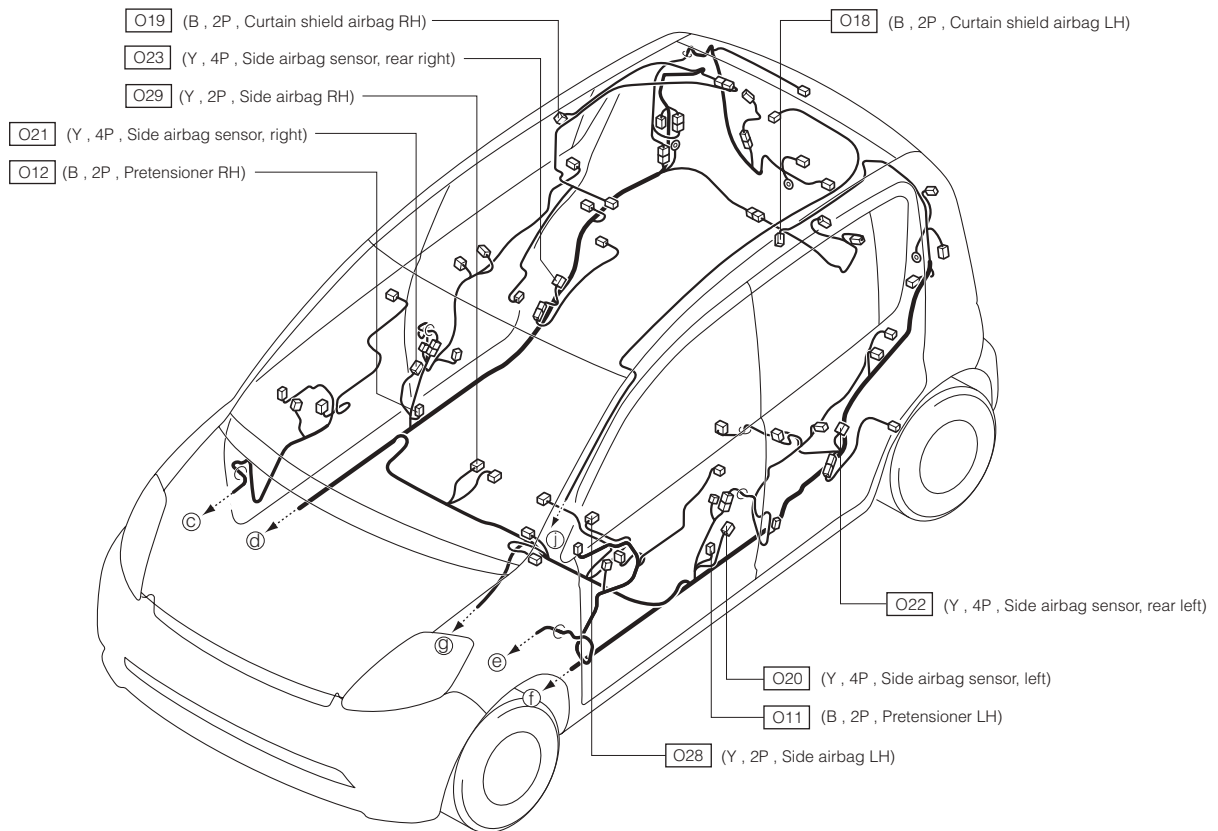
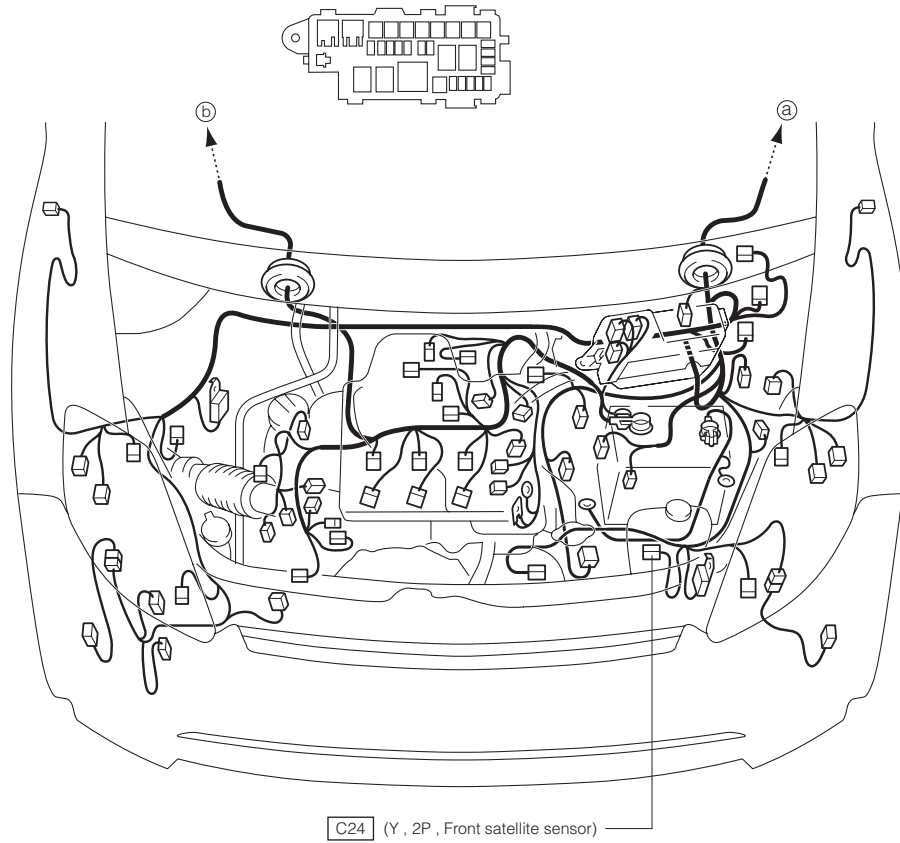


9-2 LHD VEHICLE

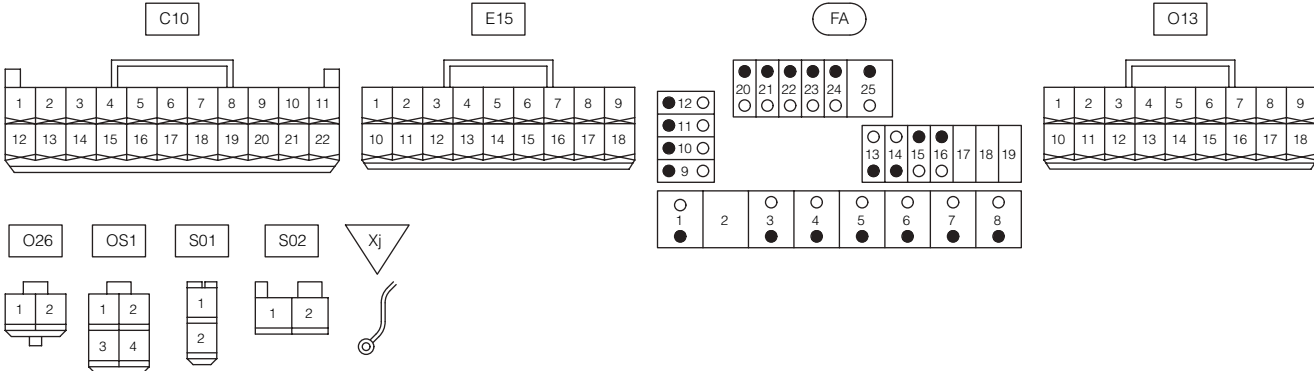
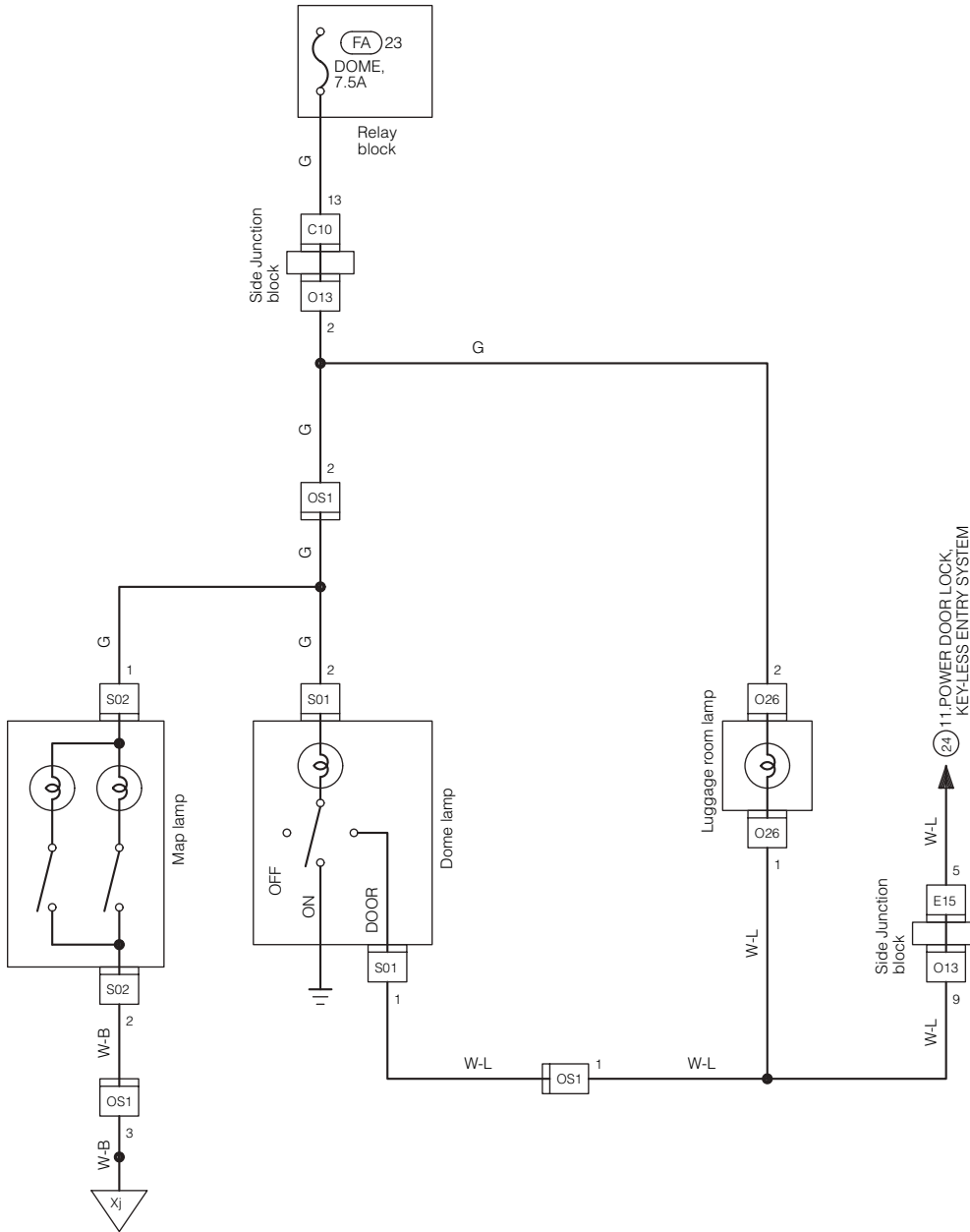




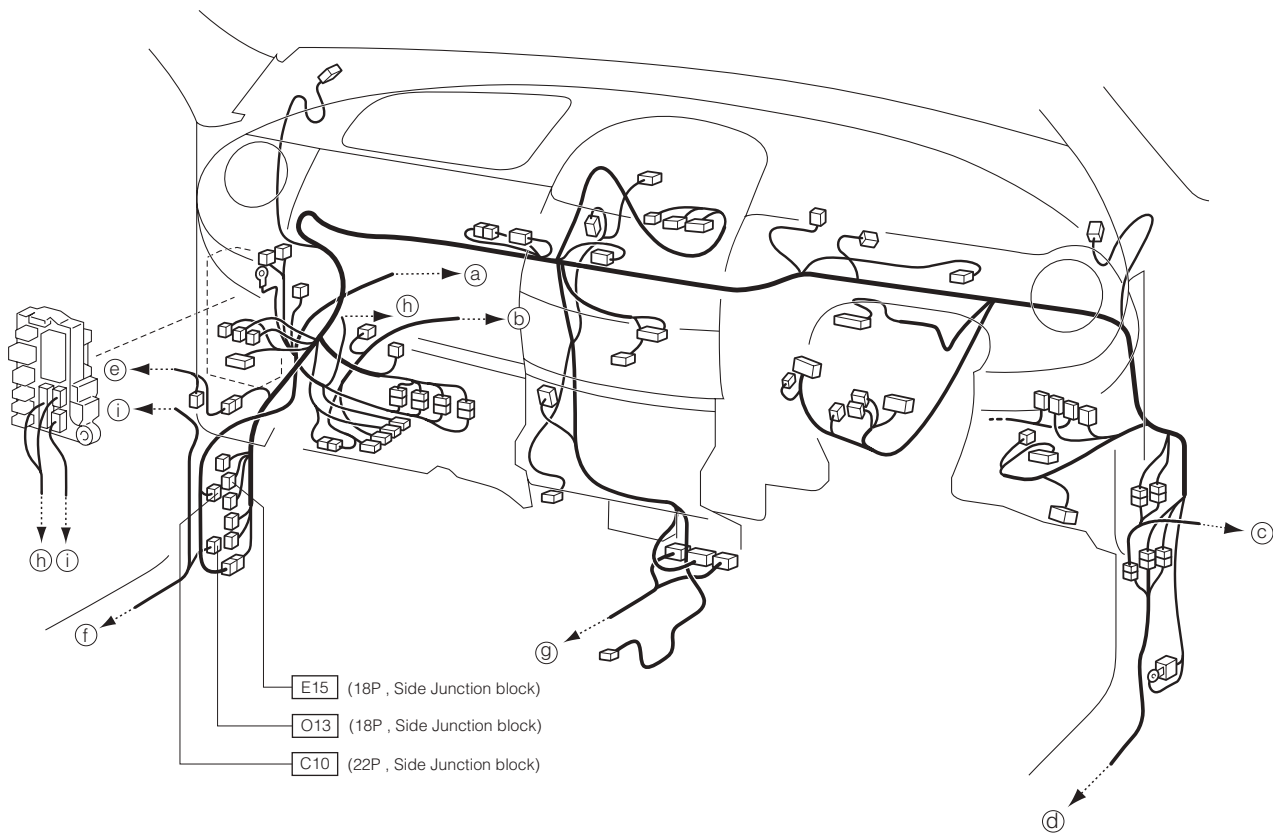


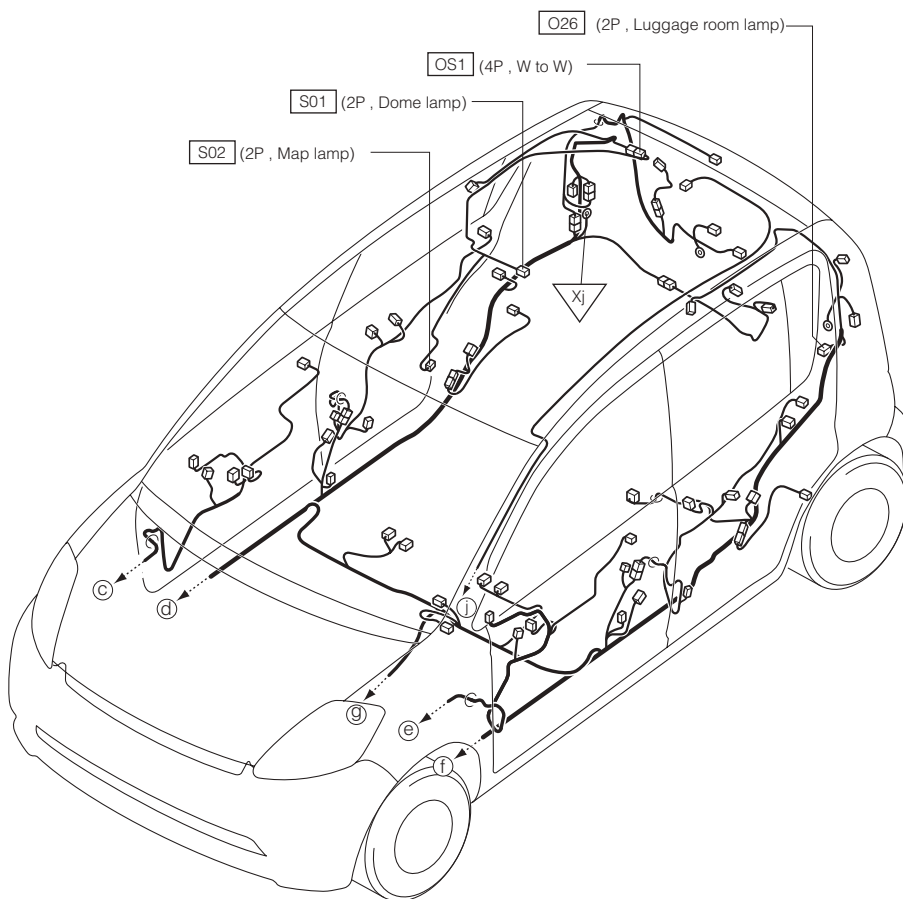
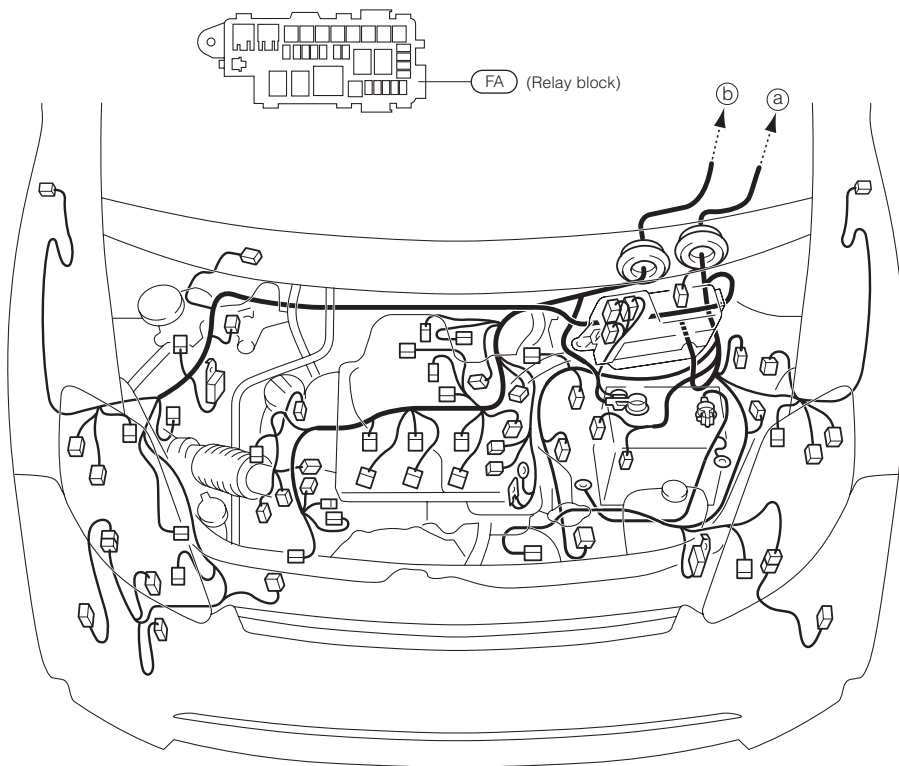


10 DOME LAMP 10-1 RHD VEHICLE

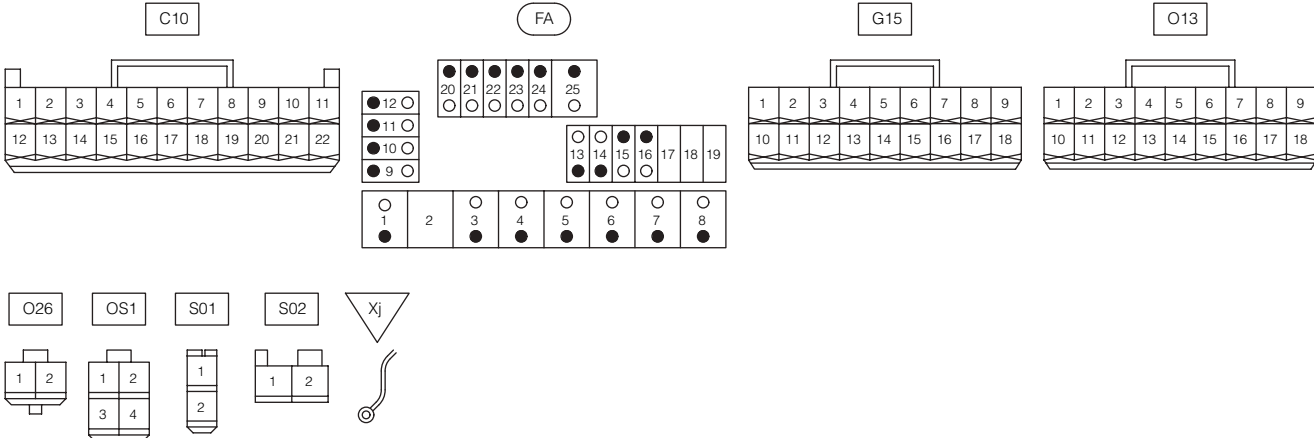
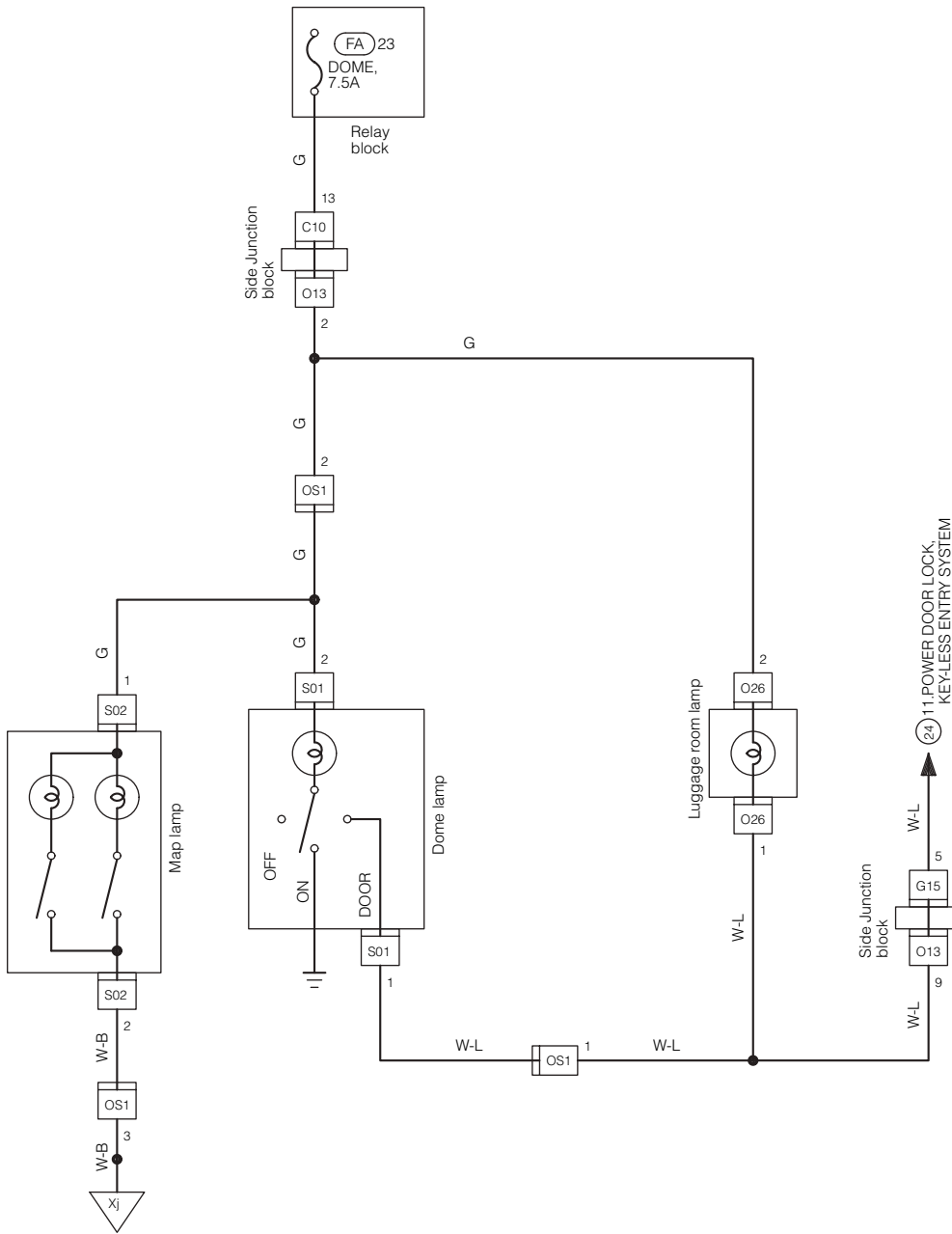


(MEMO)

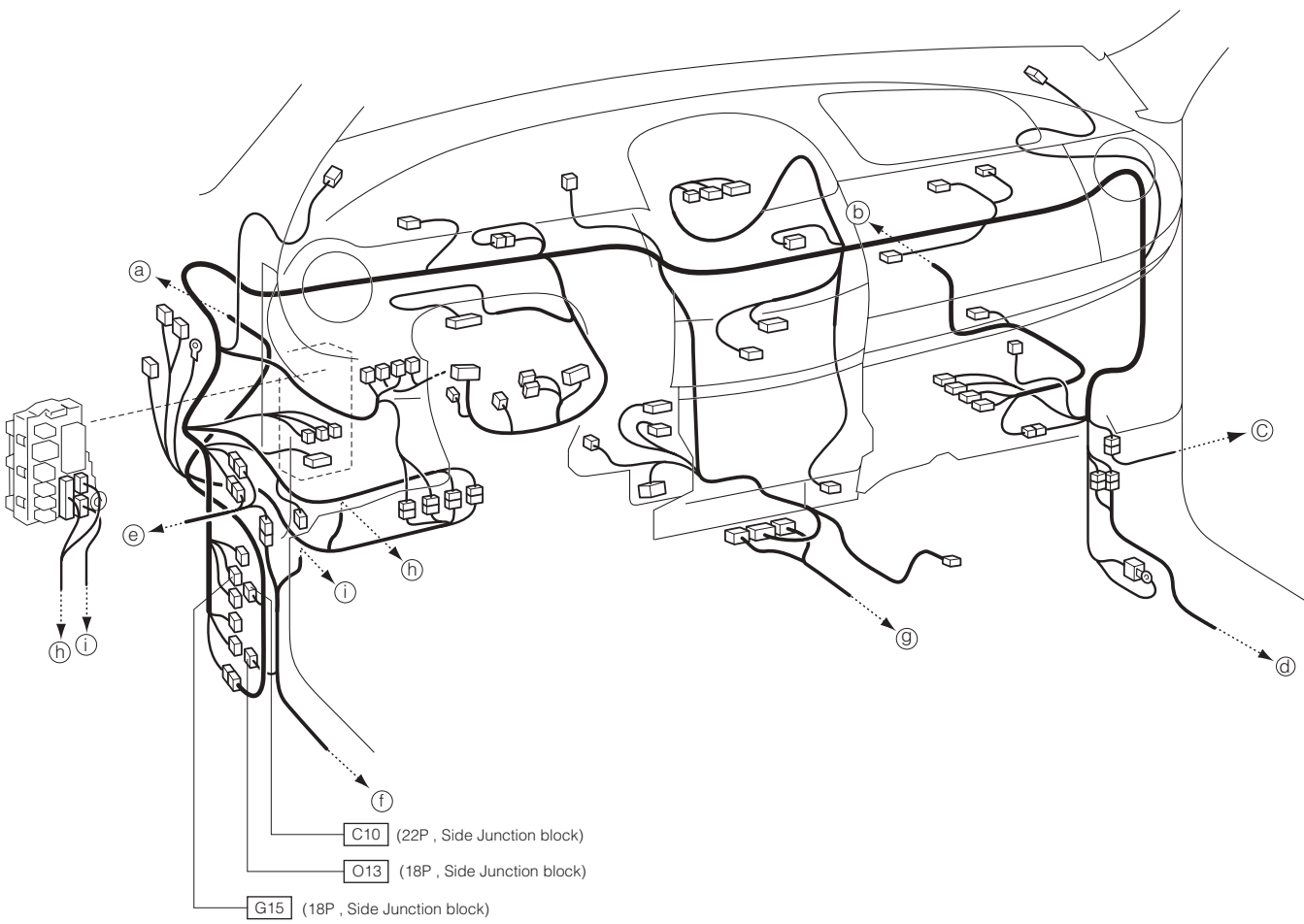


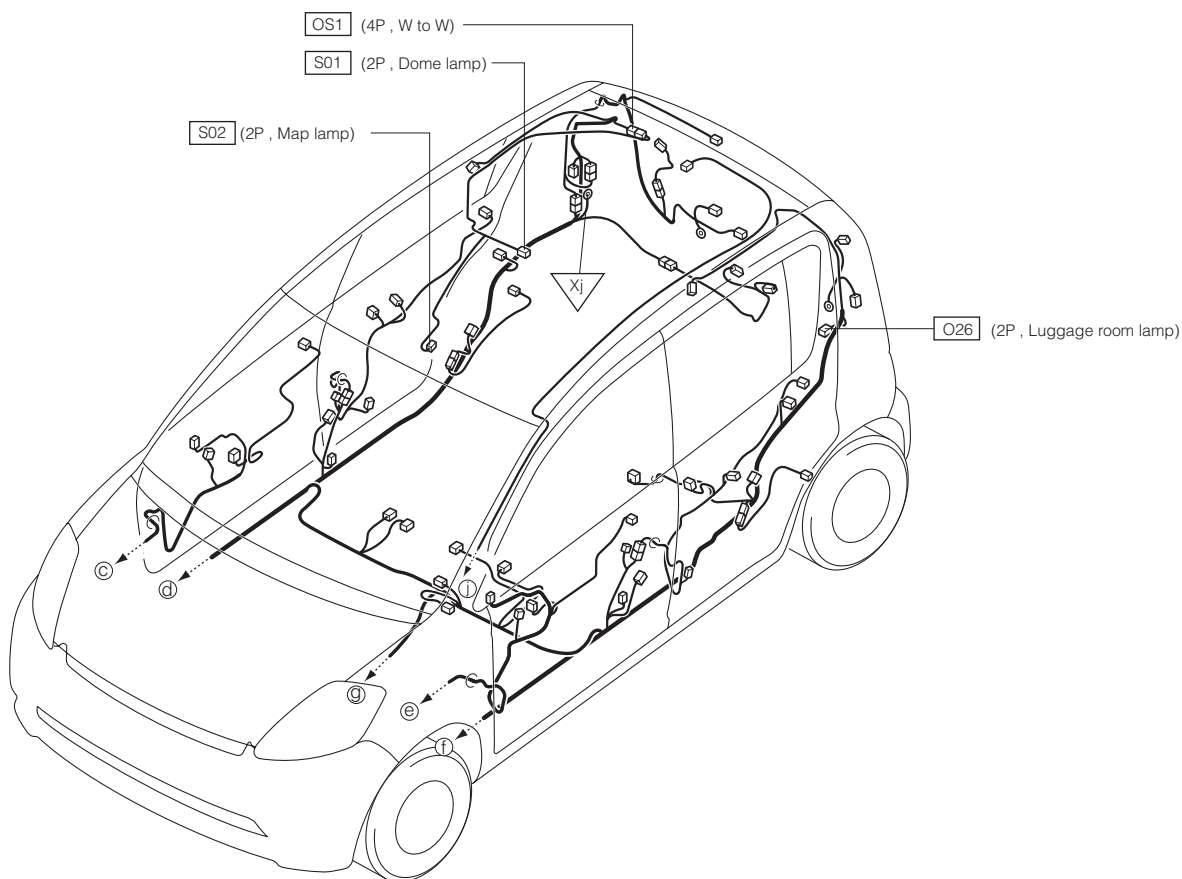
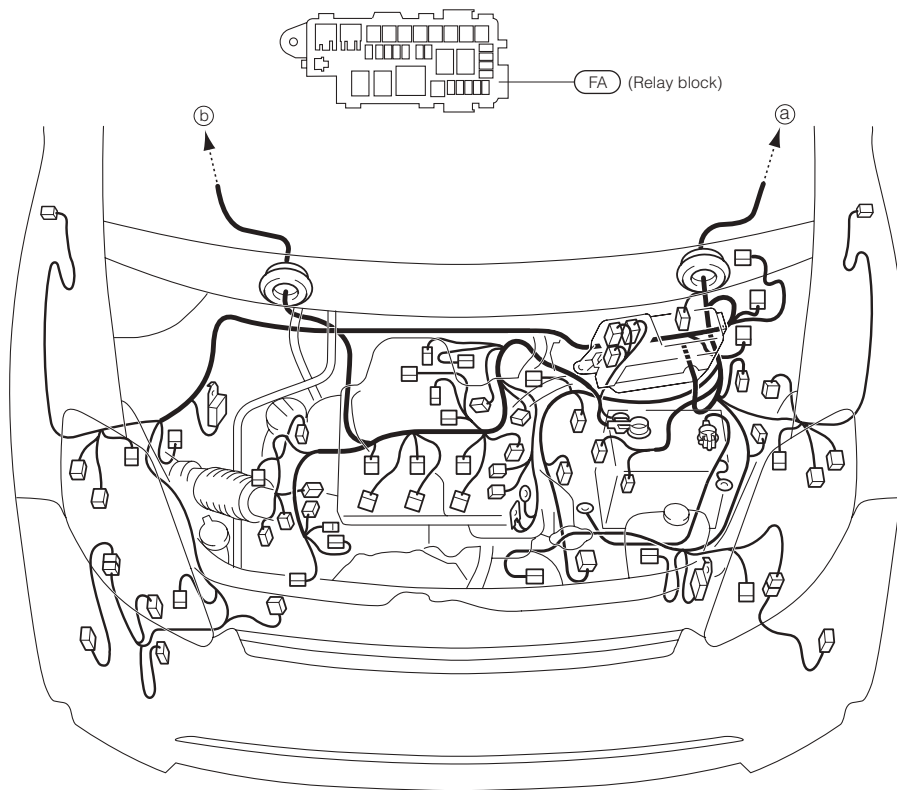


10-2 LHD VEHICLE



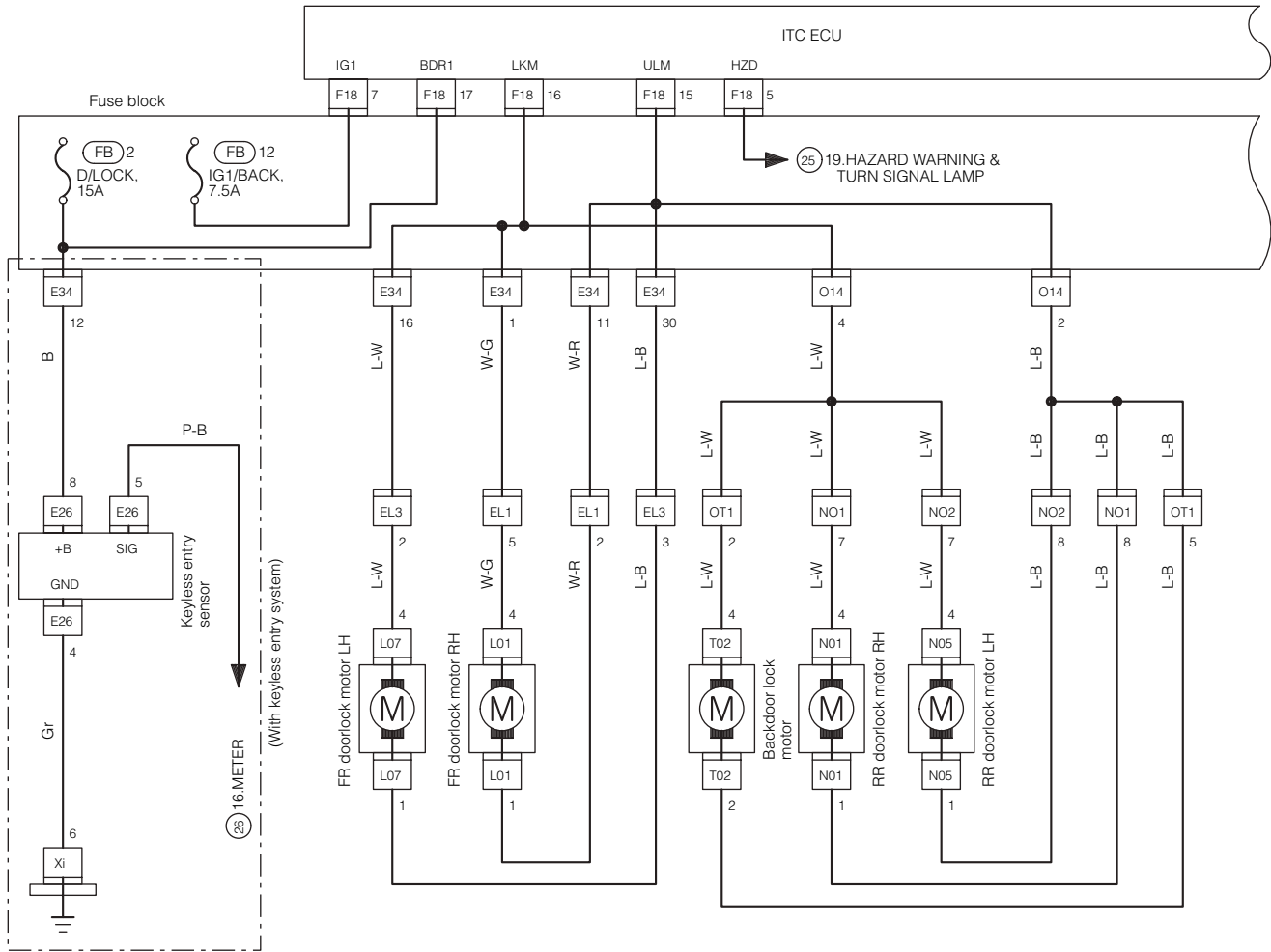
(MEMO)



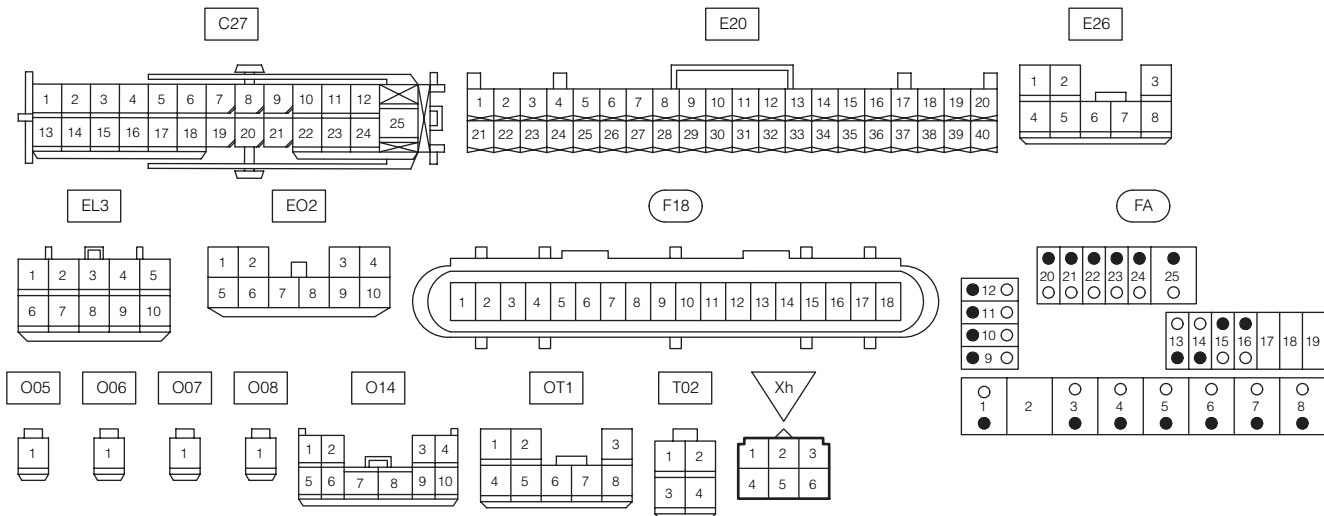


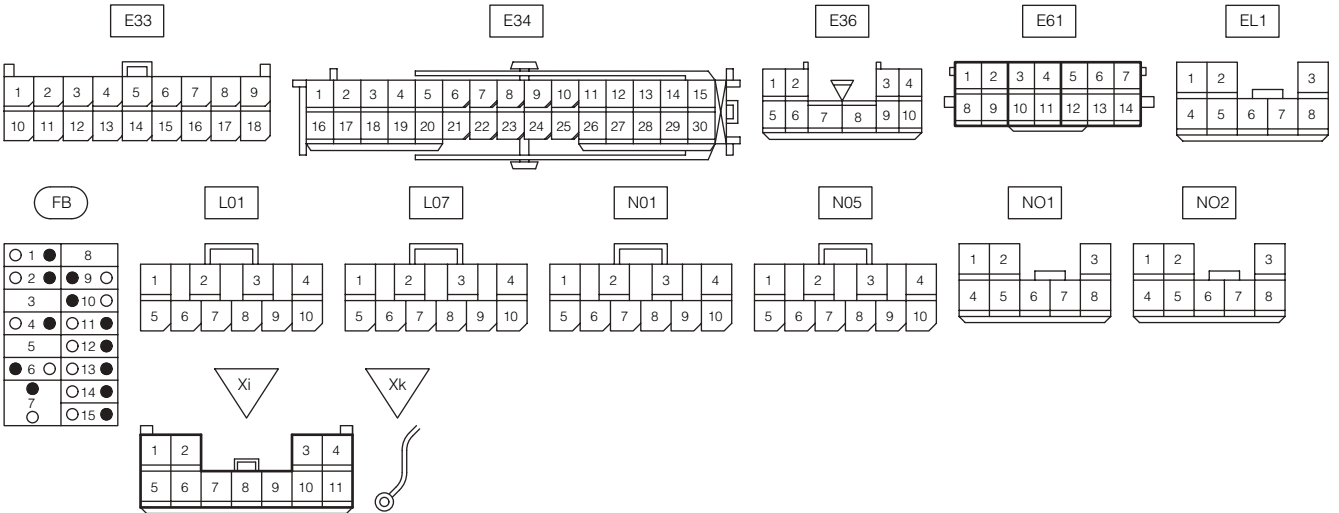
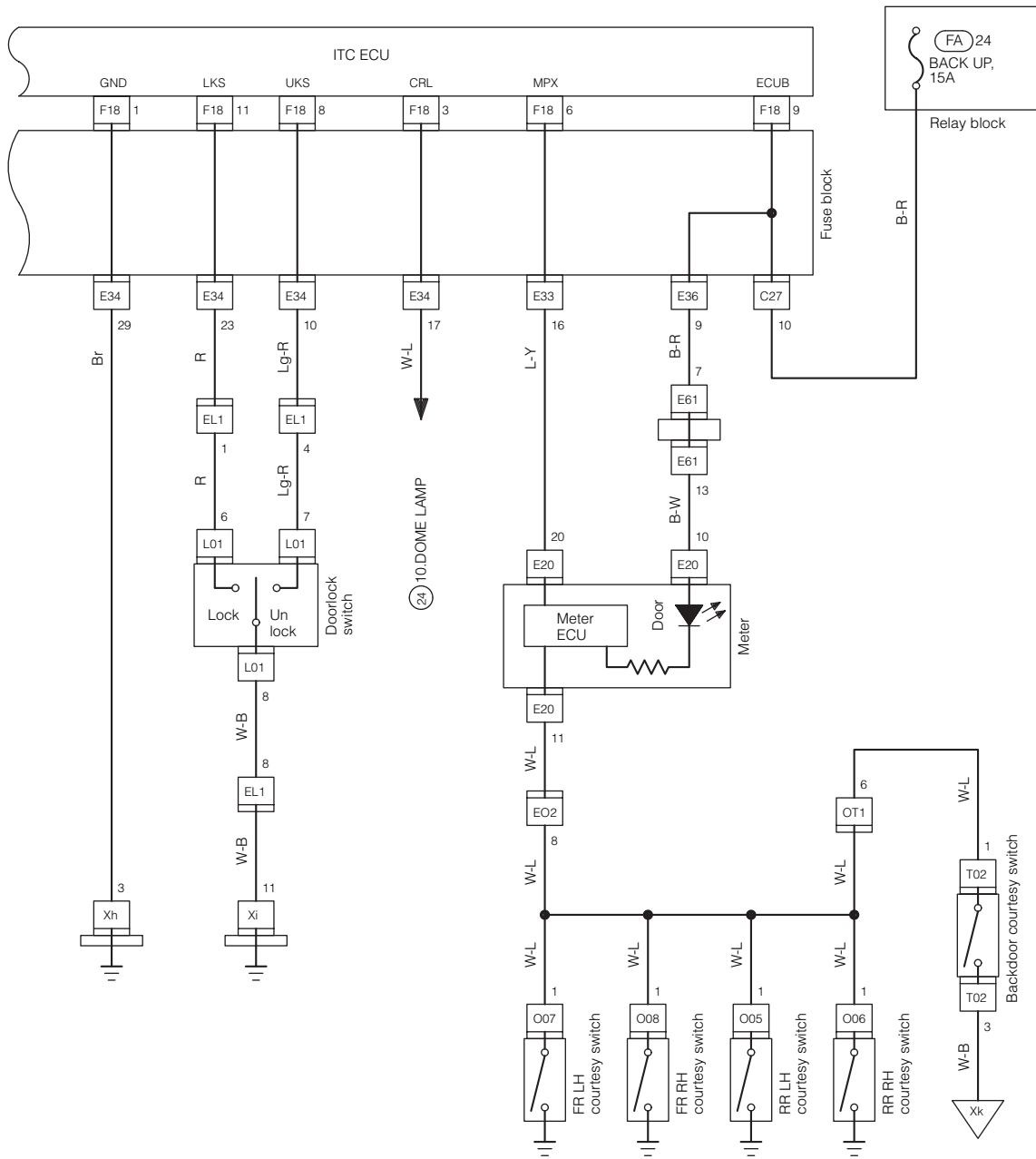
11 POWER DOOR LOCK, KEY-LESS ENTRY SYSTEM

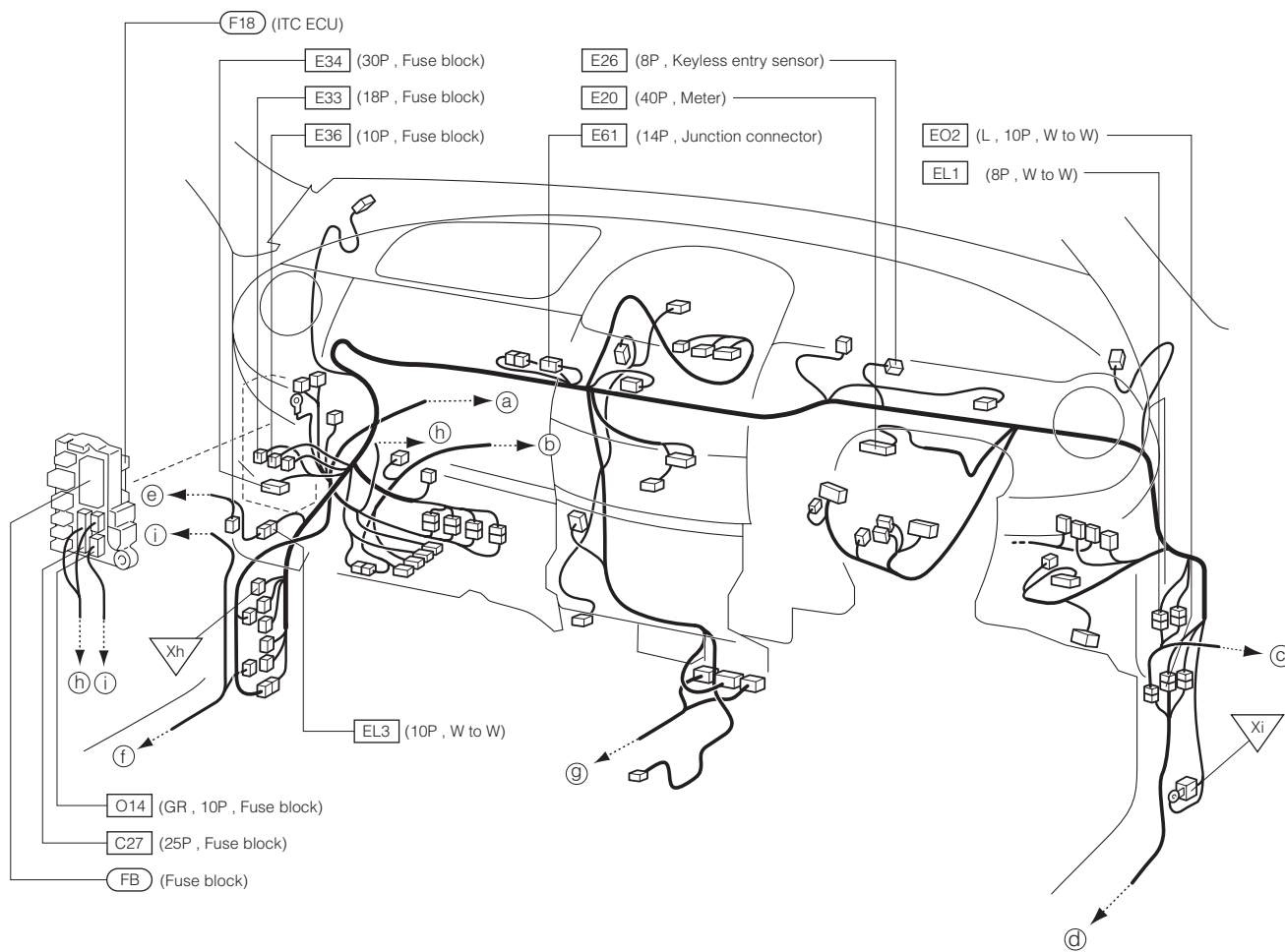
11-1 RHD VEHICLE

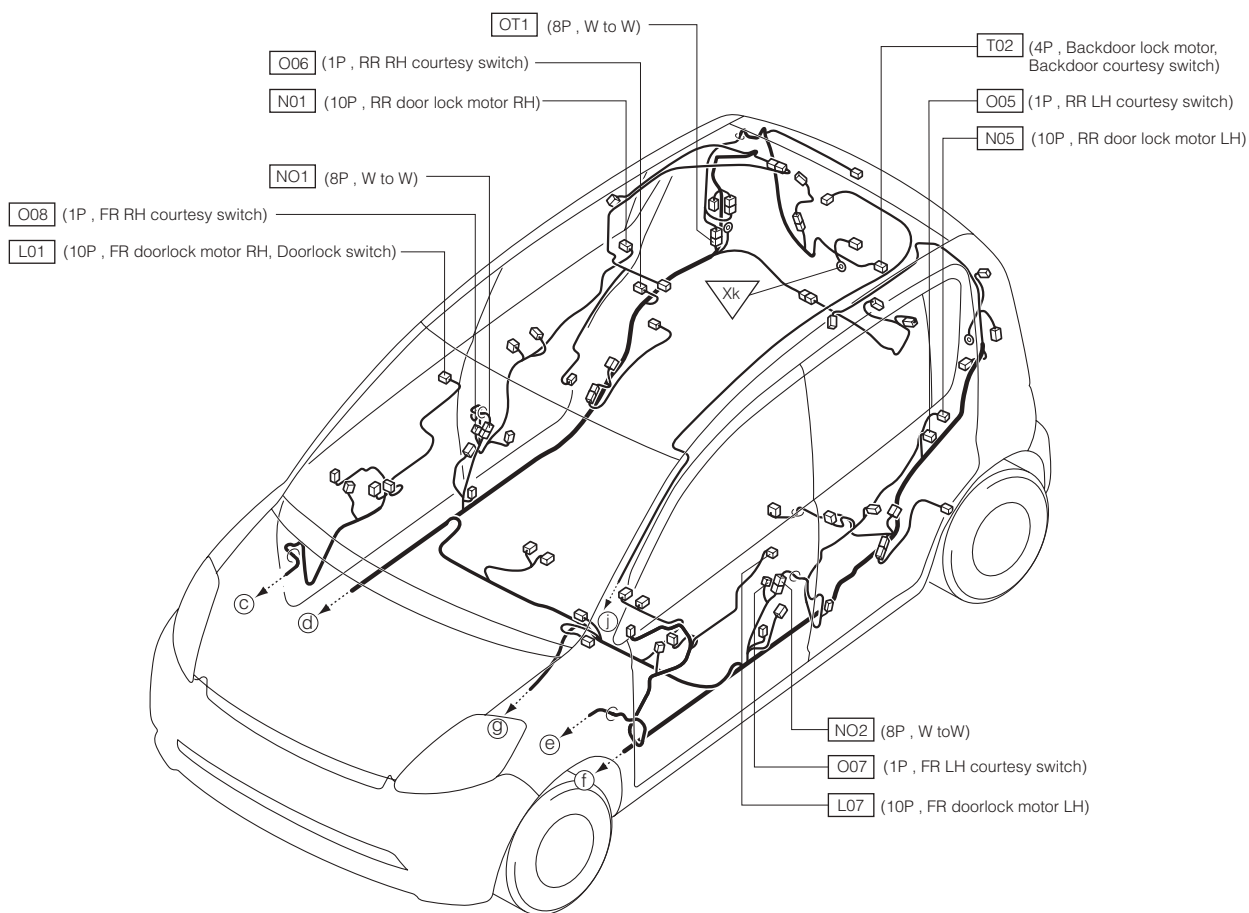
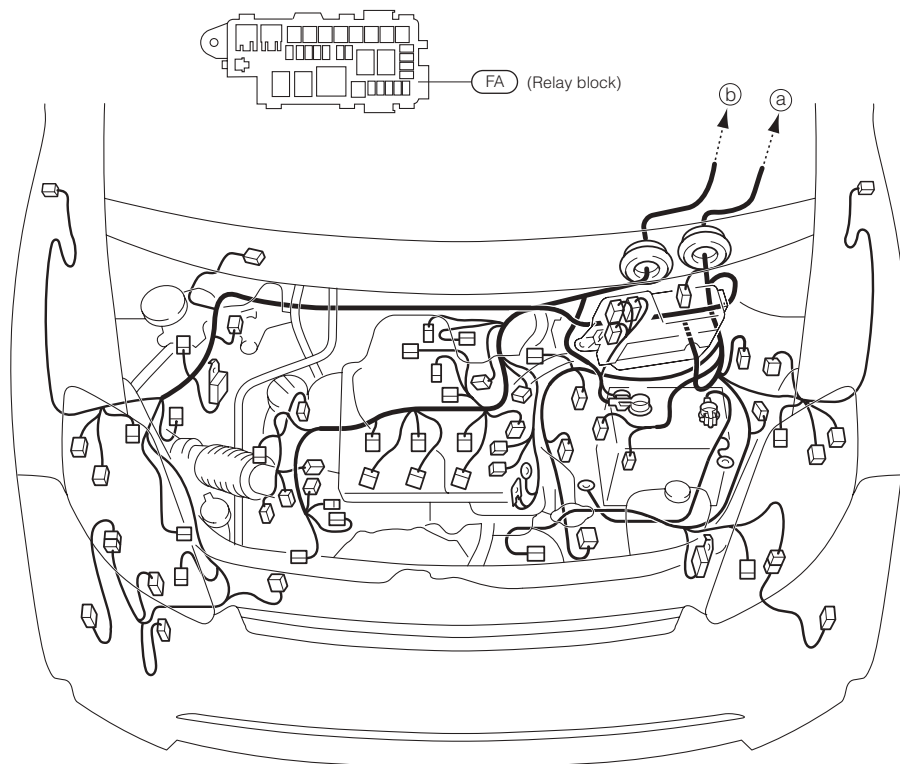


The hazard lamp having the answer back function is described in '19.Hazard Warning & Turn Signal Lamp.'

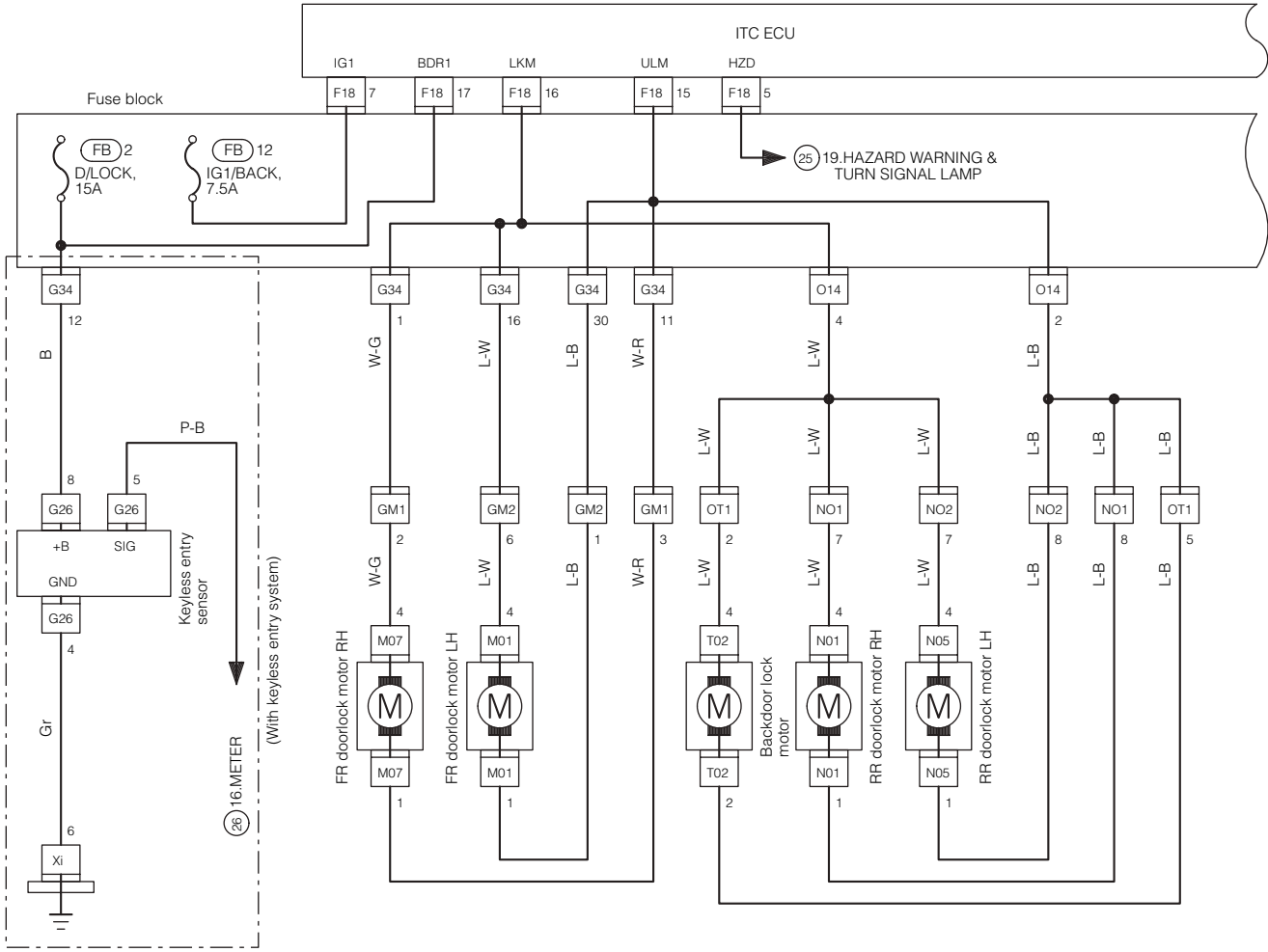




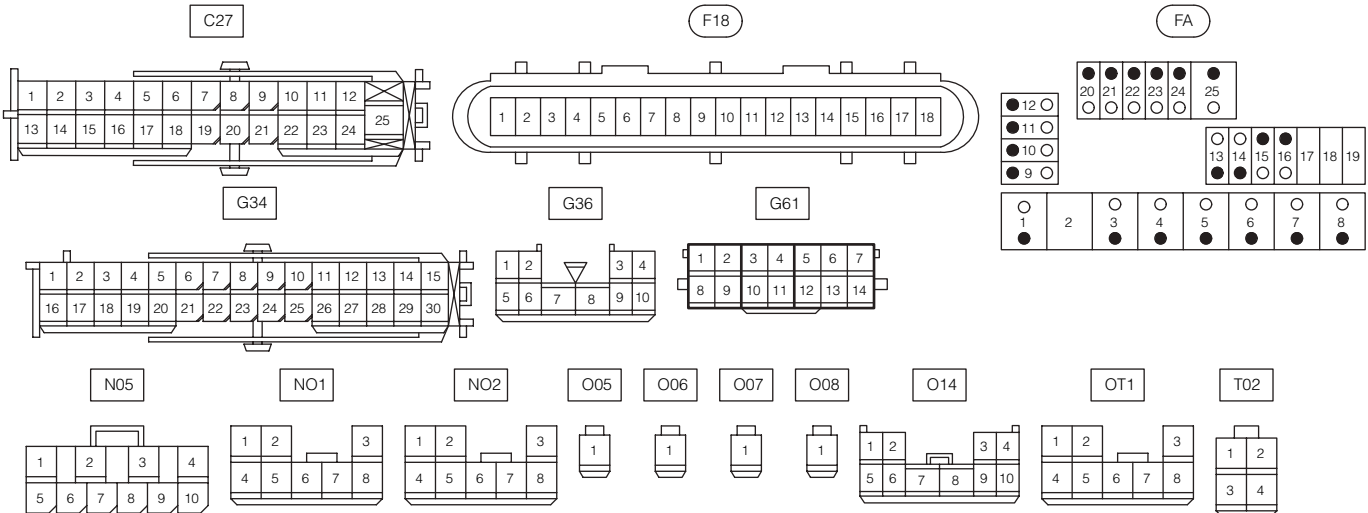


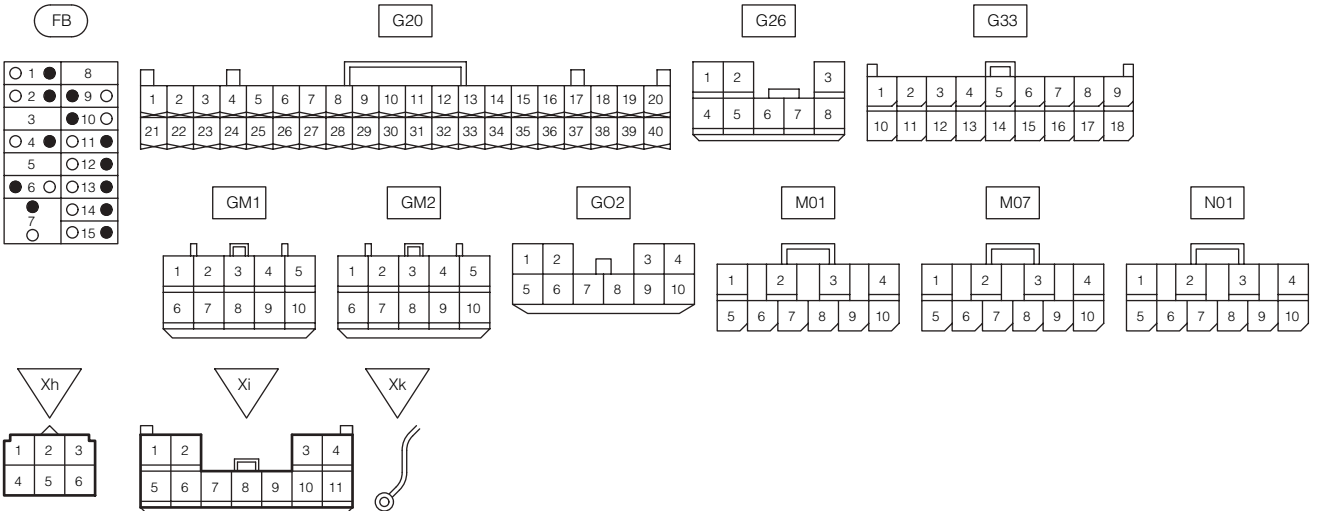
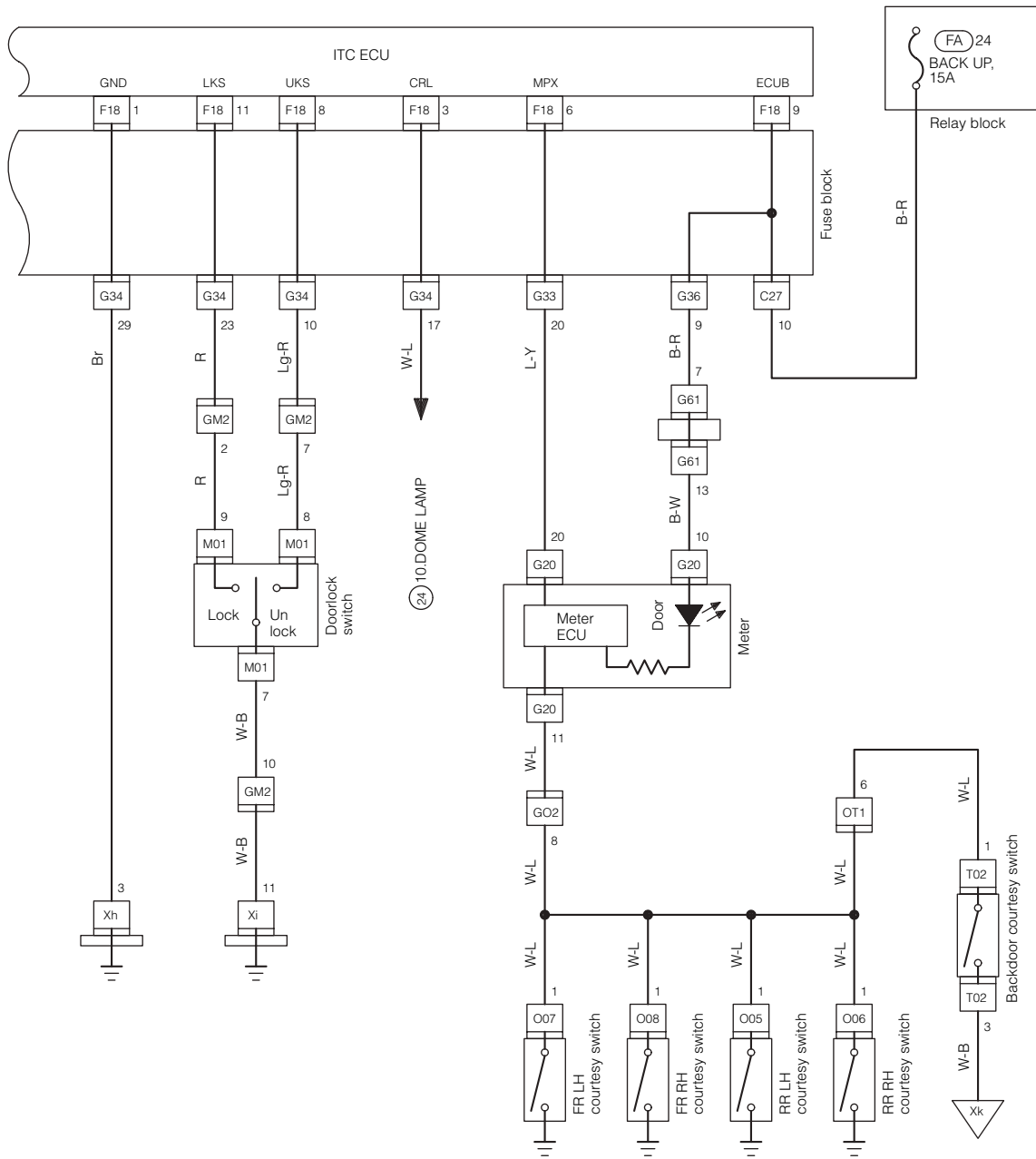


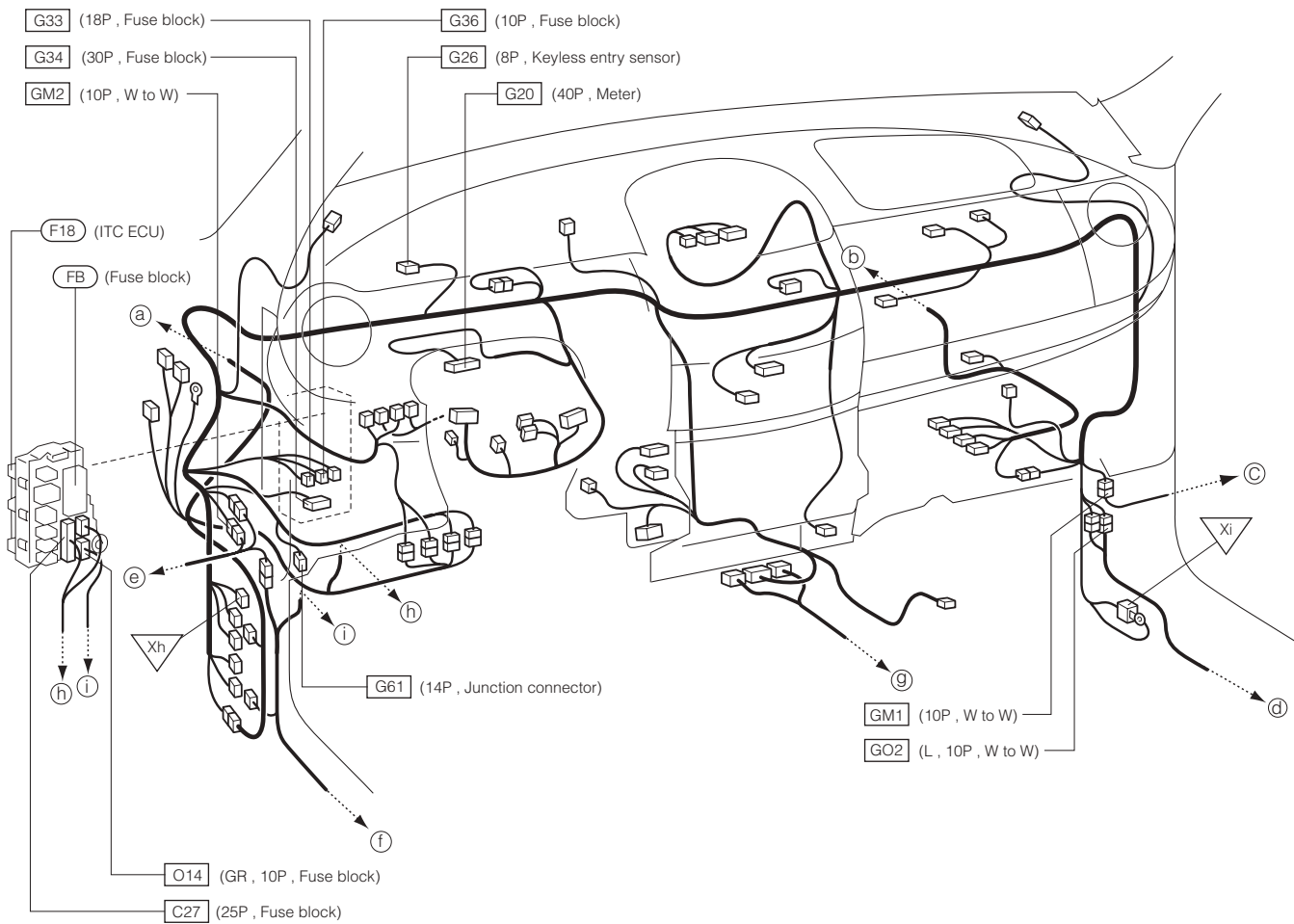
11-2 LHD VEHICLE

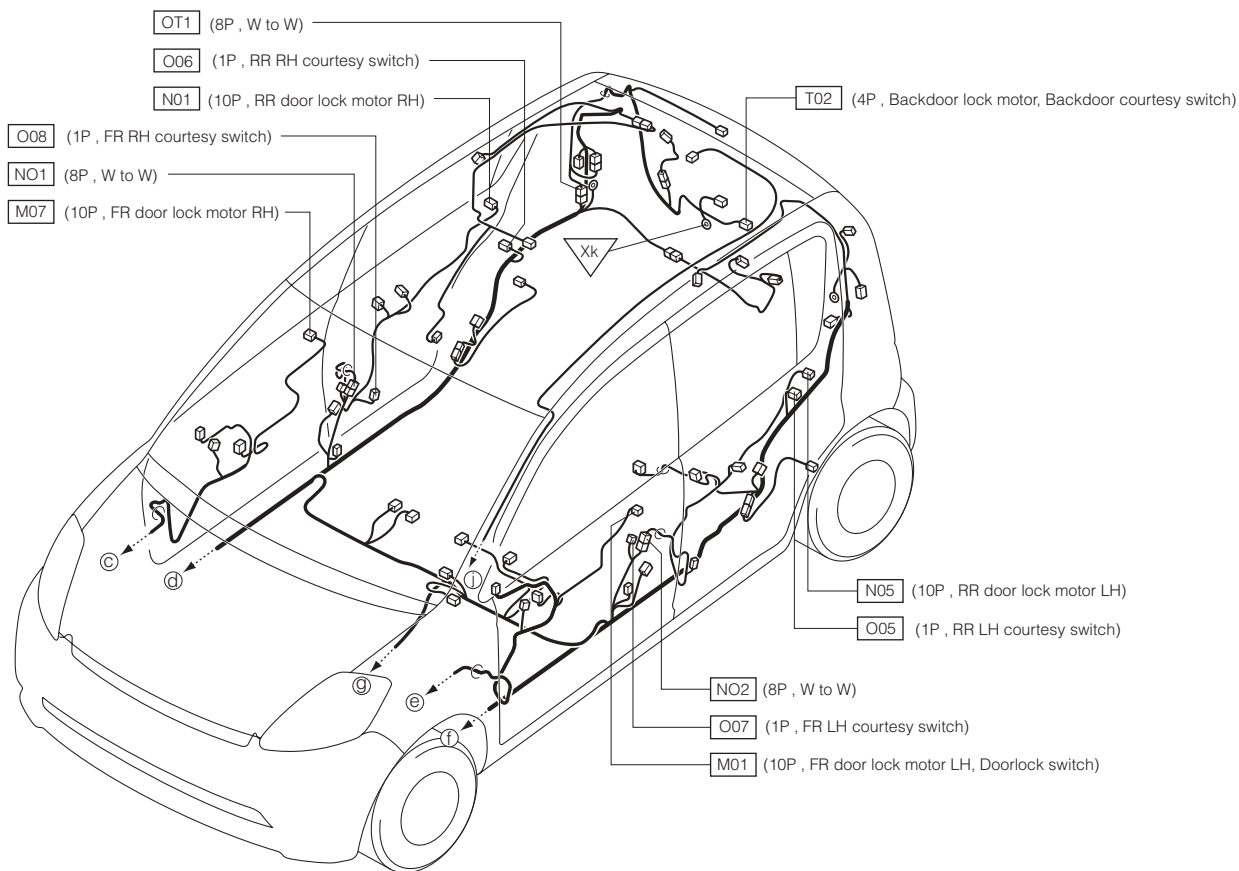
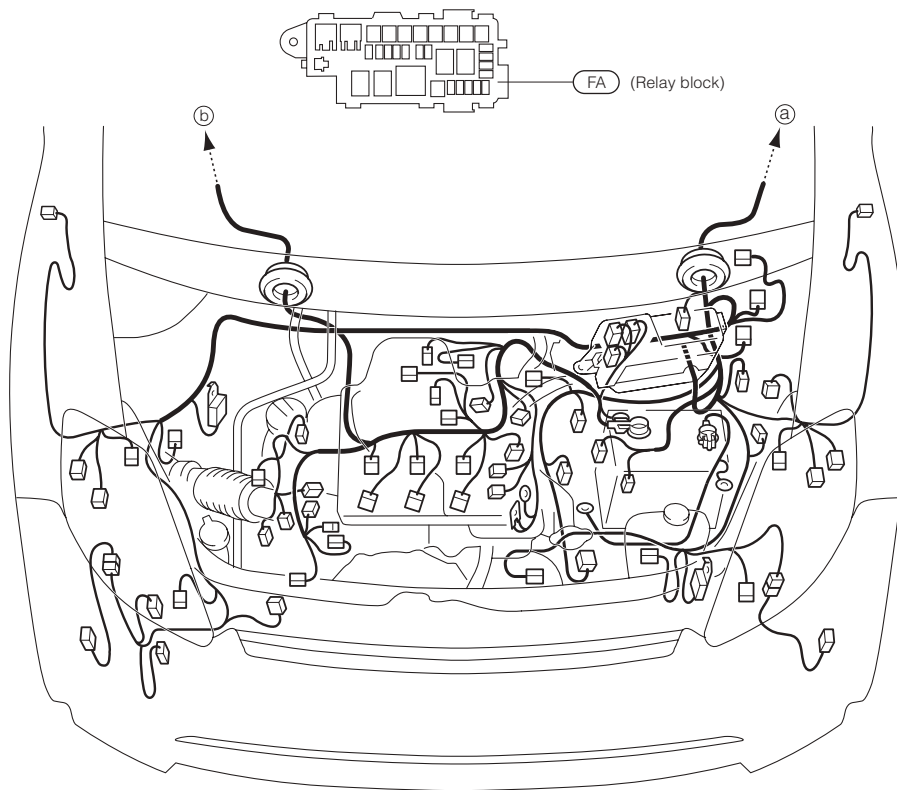


The hazard lamp having the answer back function is described in "19.Hazard Warning & Turn Signal Lamp."

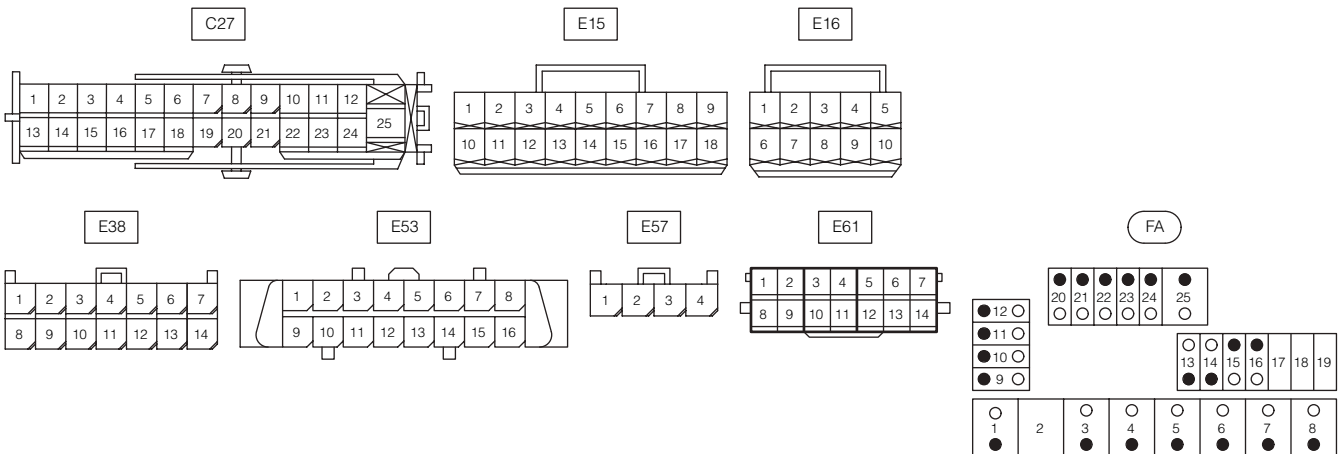
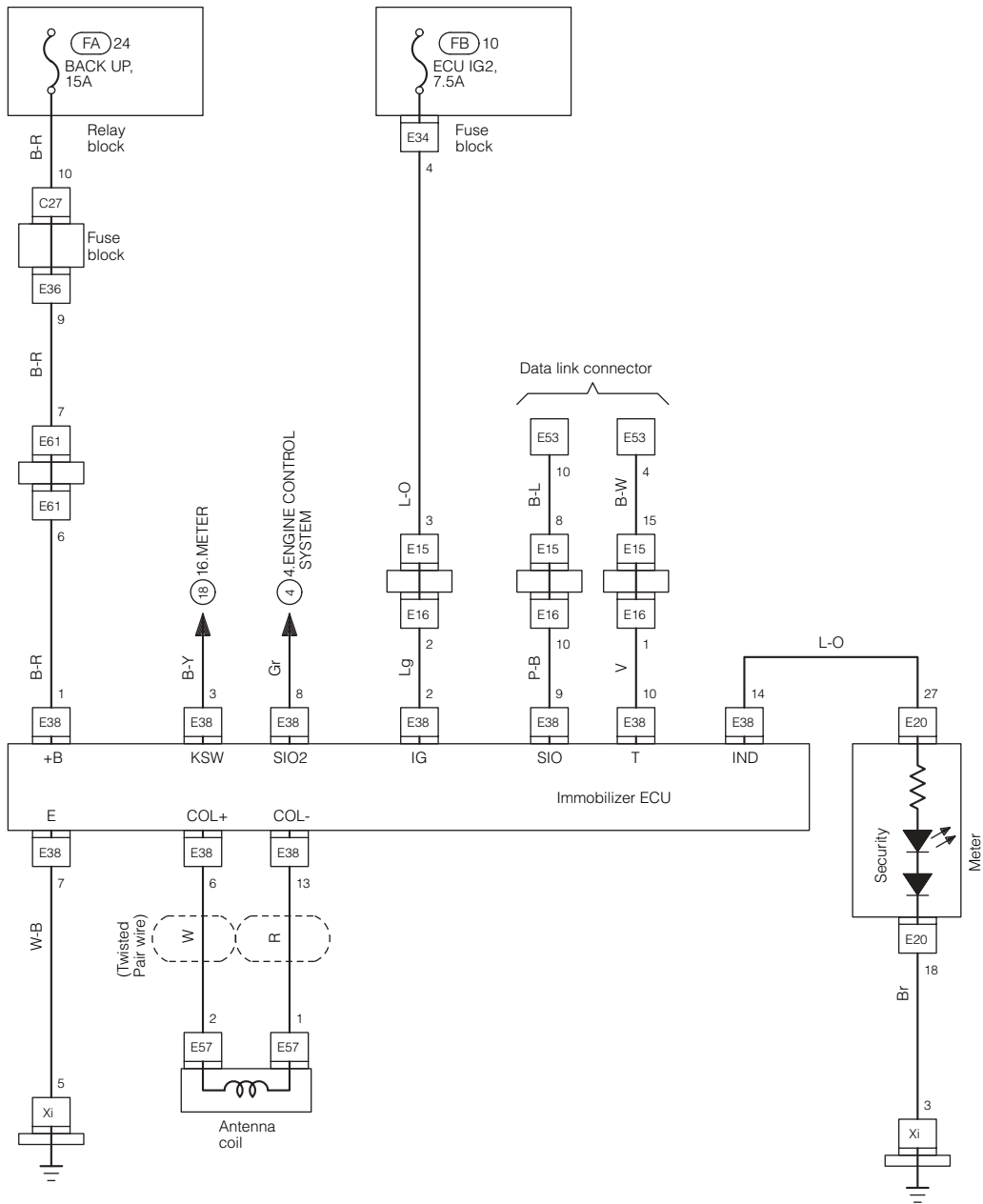


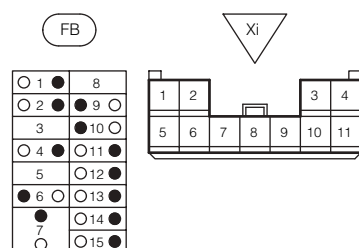
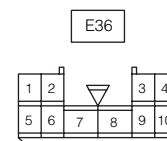
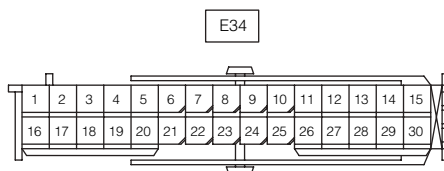


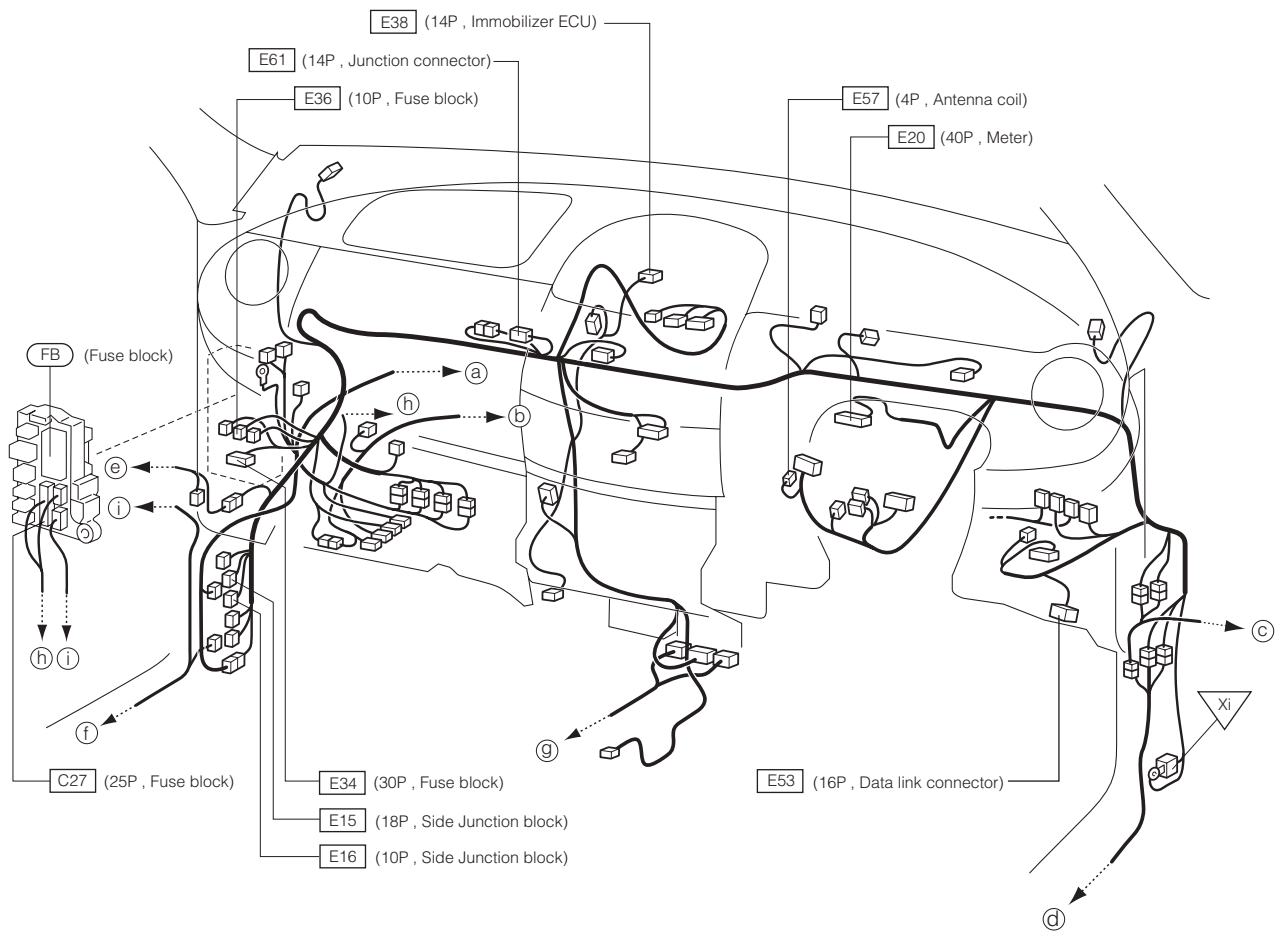


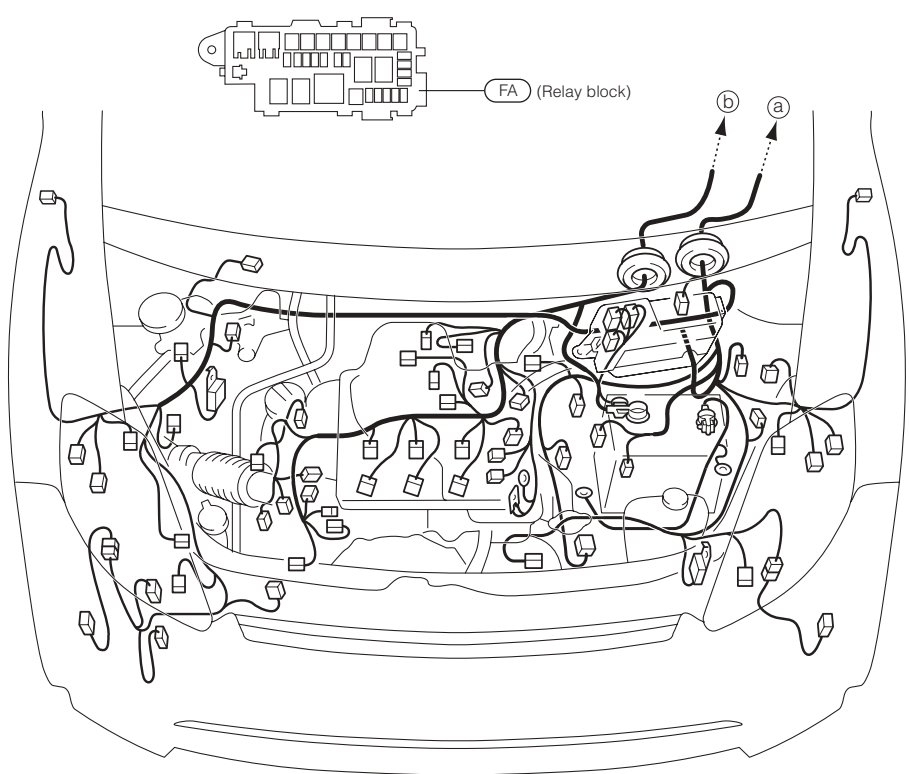


12 IMMOBILIZER SYSTEM 12-1 RHD VEHICLE

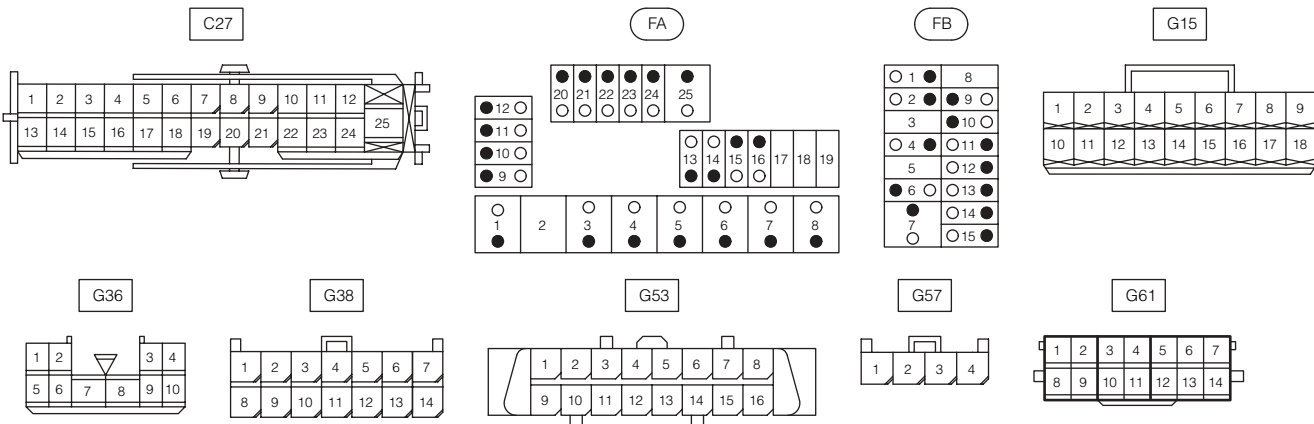
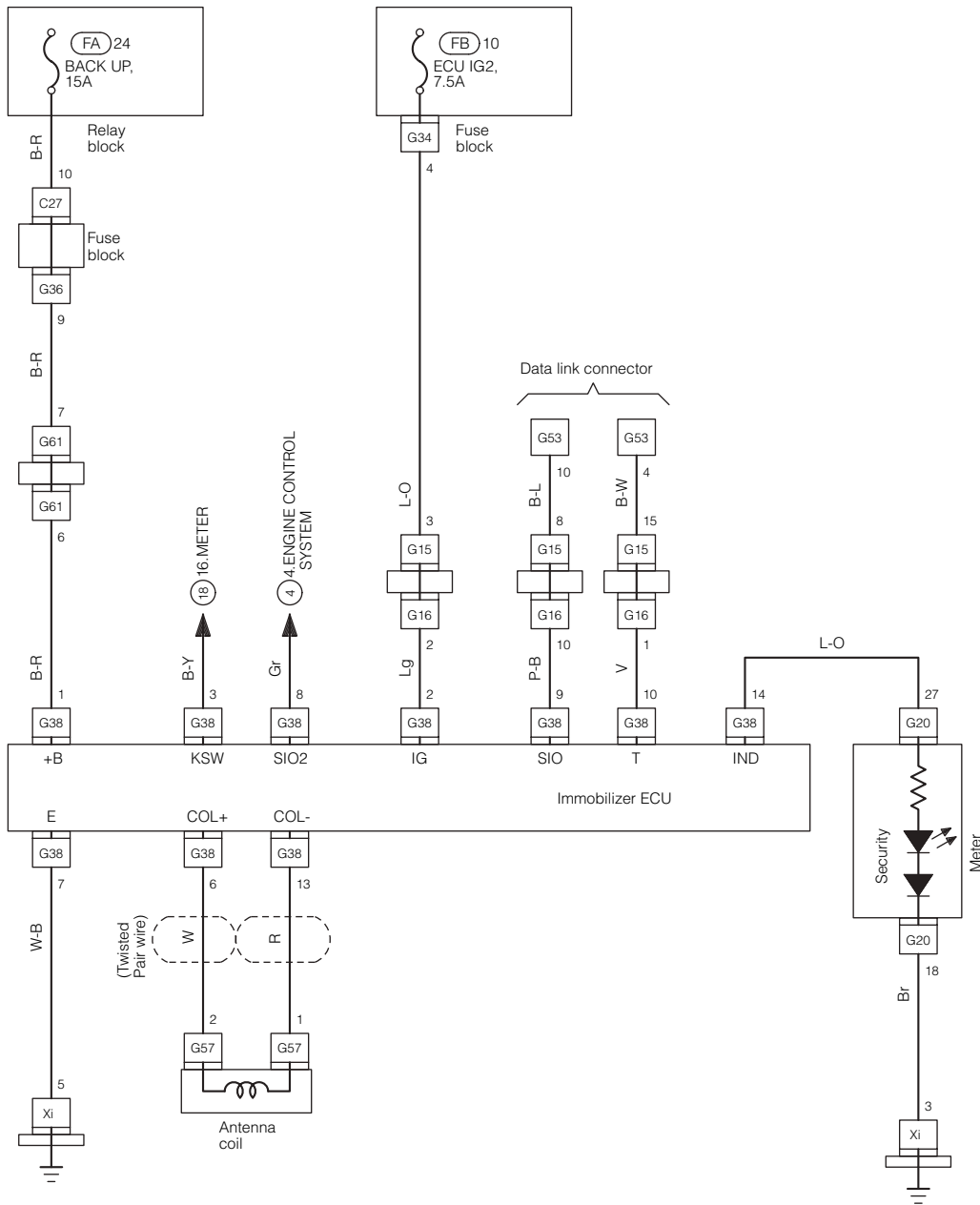


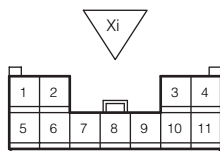
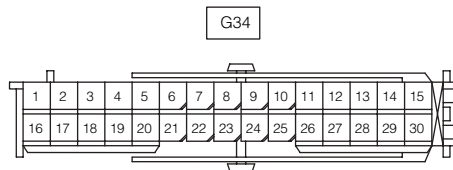
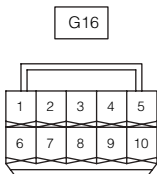


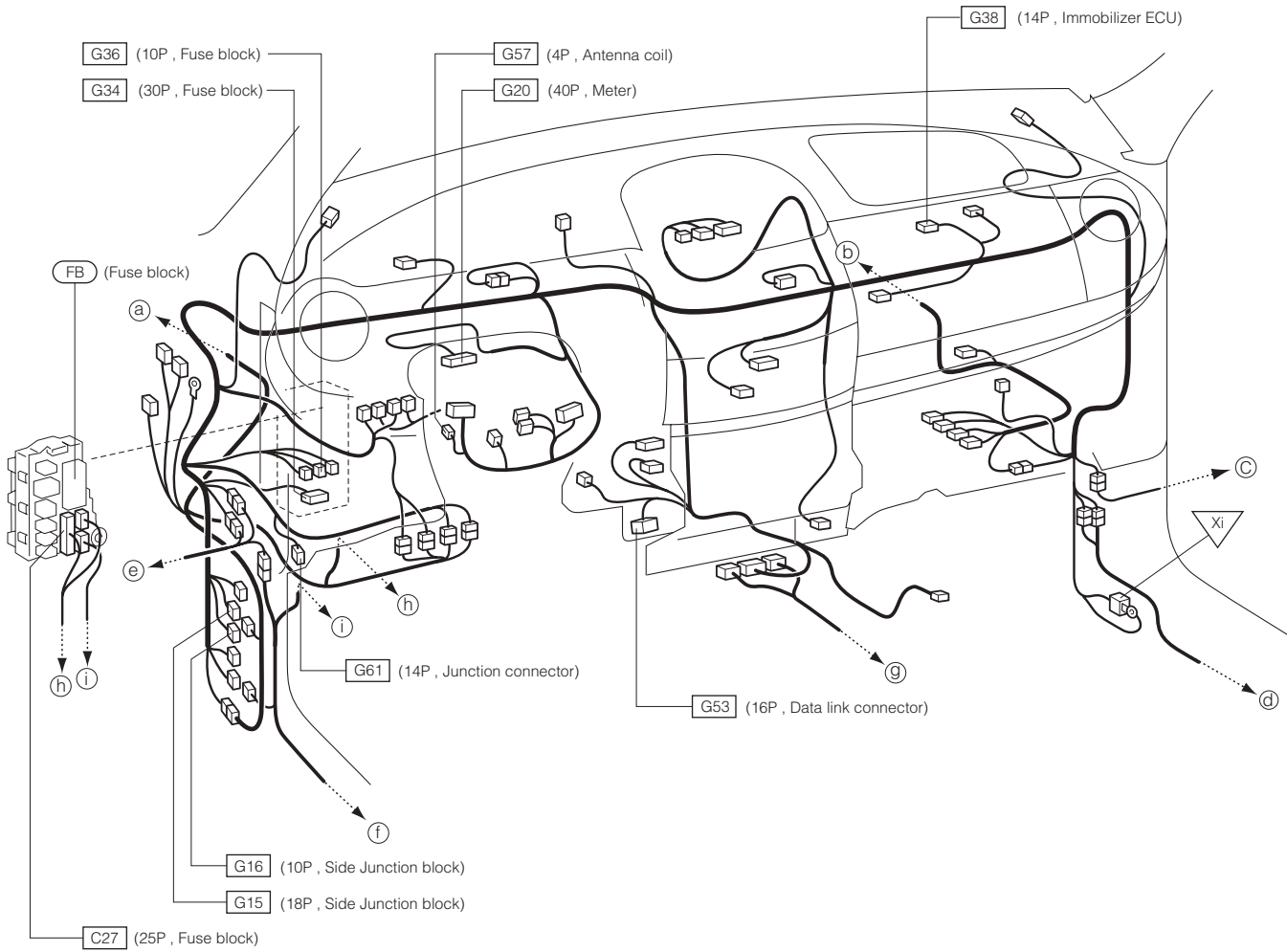


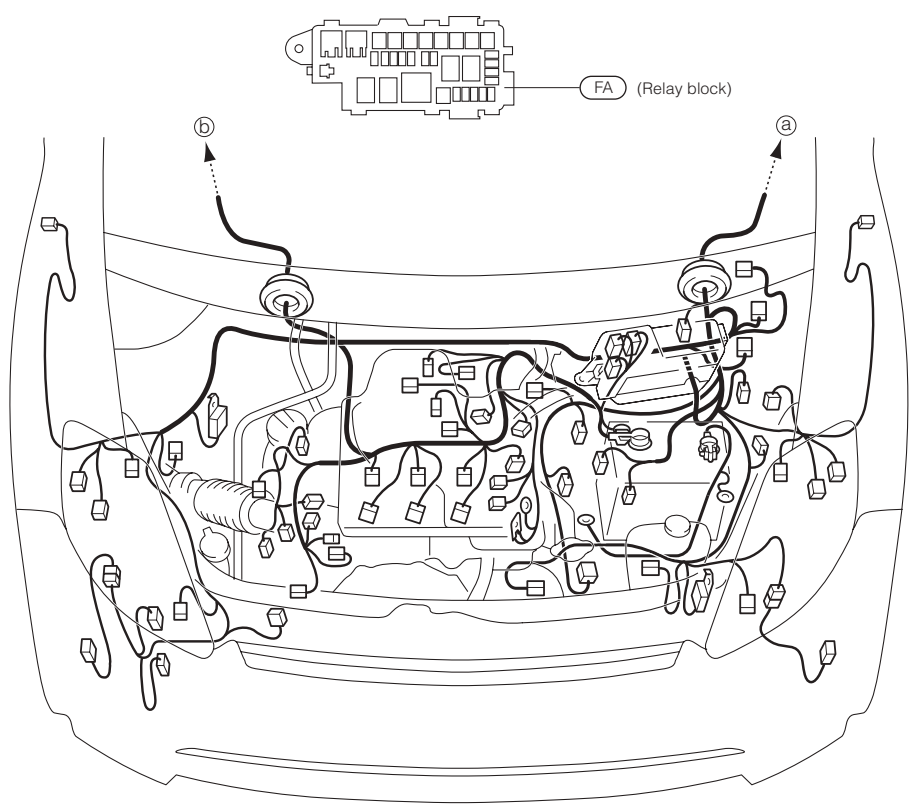


12-2 LHD VEHICLE



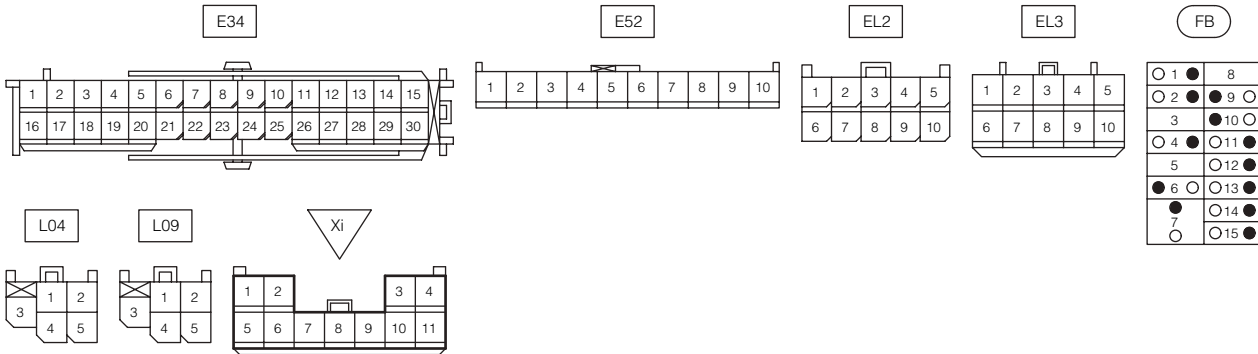
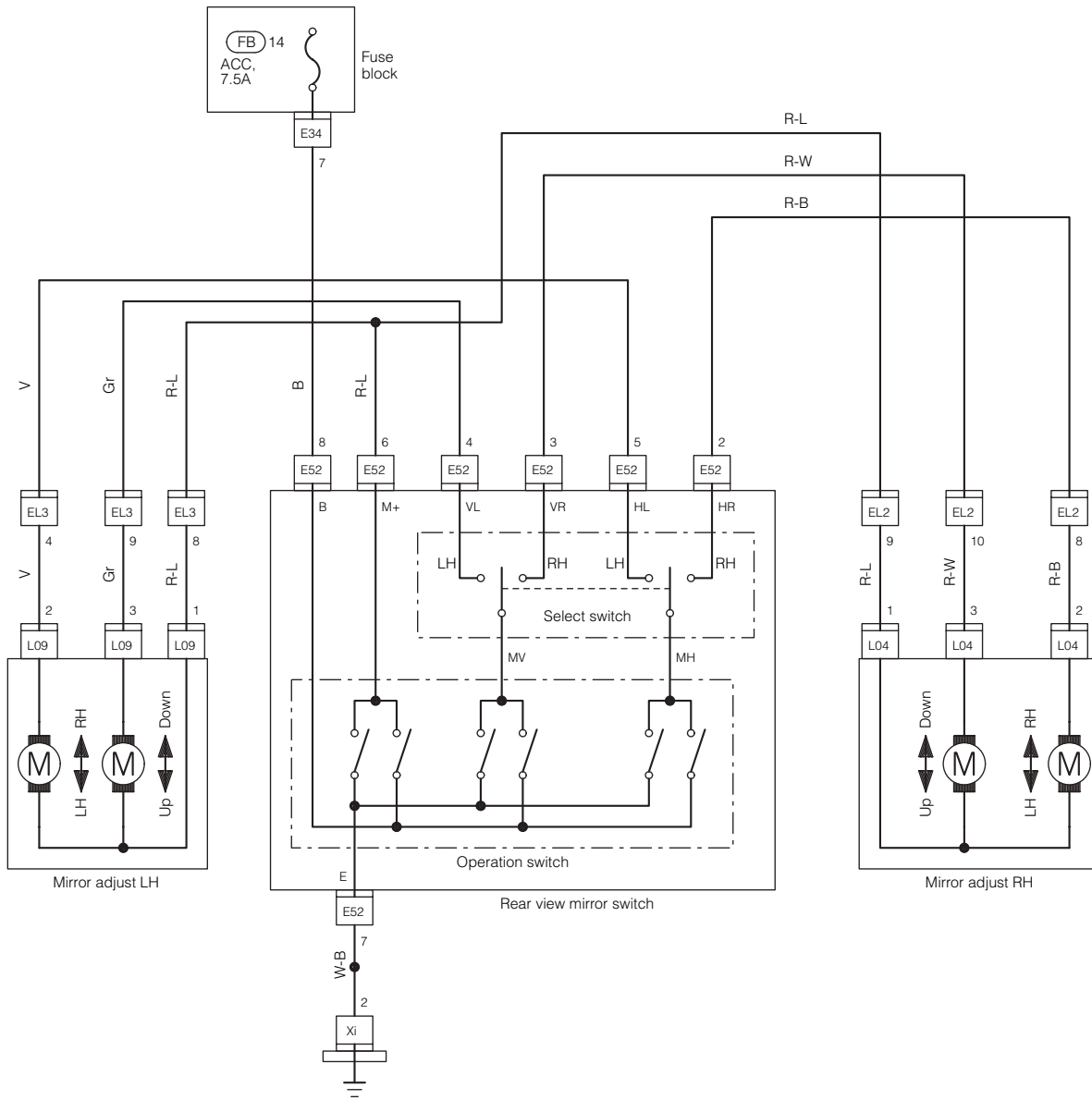




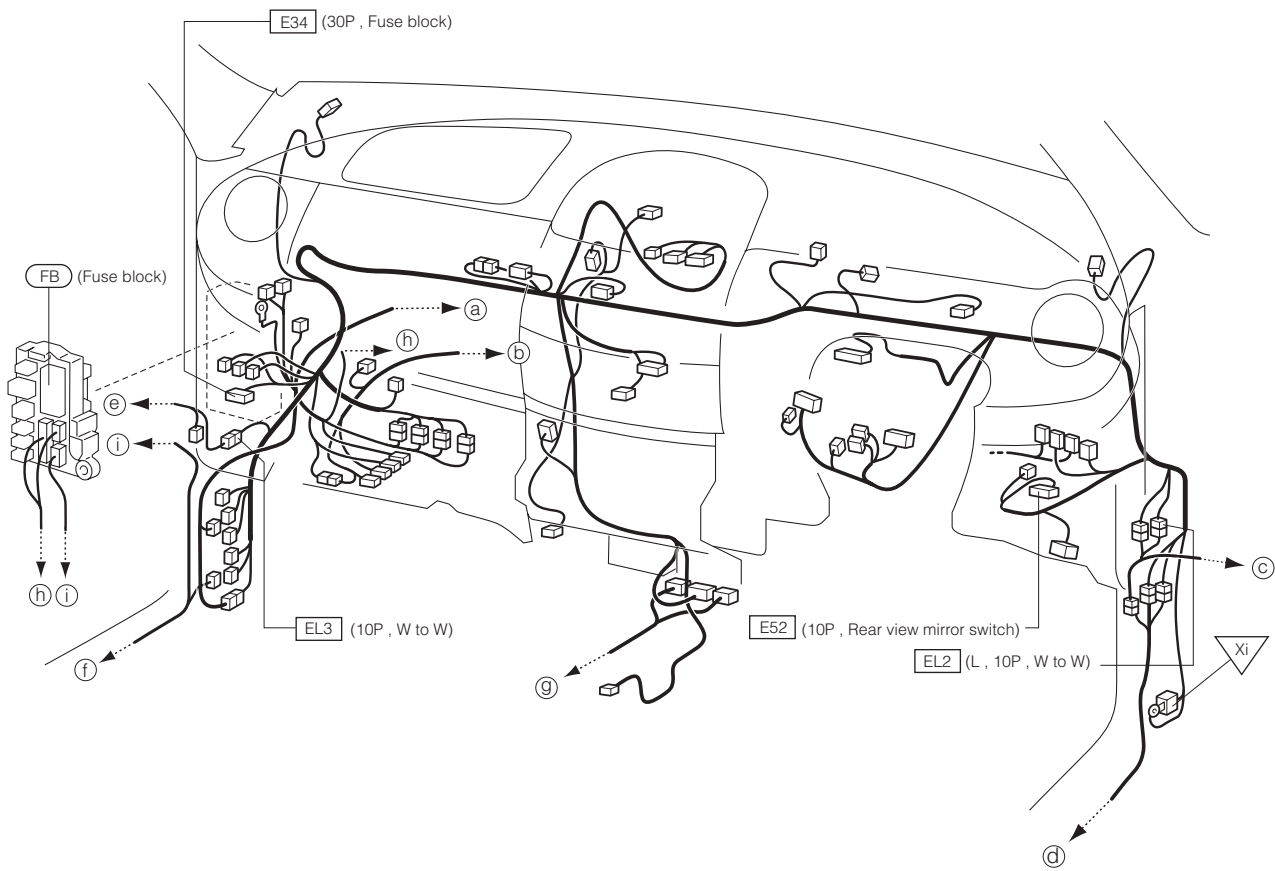


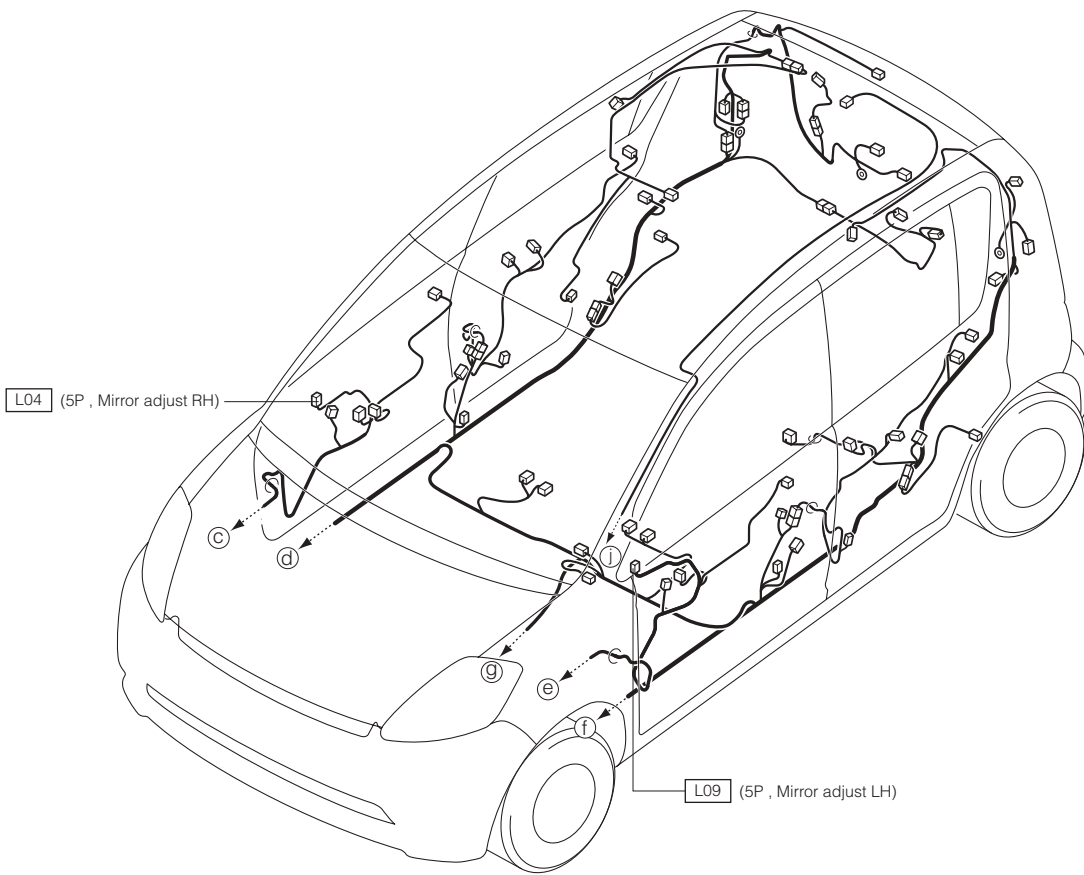
D-117

13 OUTER REAR-VIEW MIRROR 13-1 RHD VEHICLE

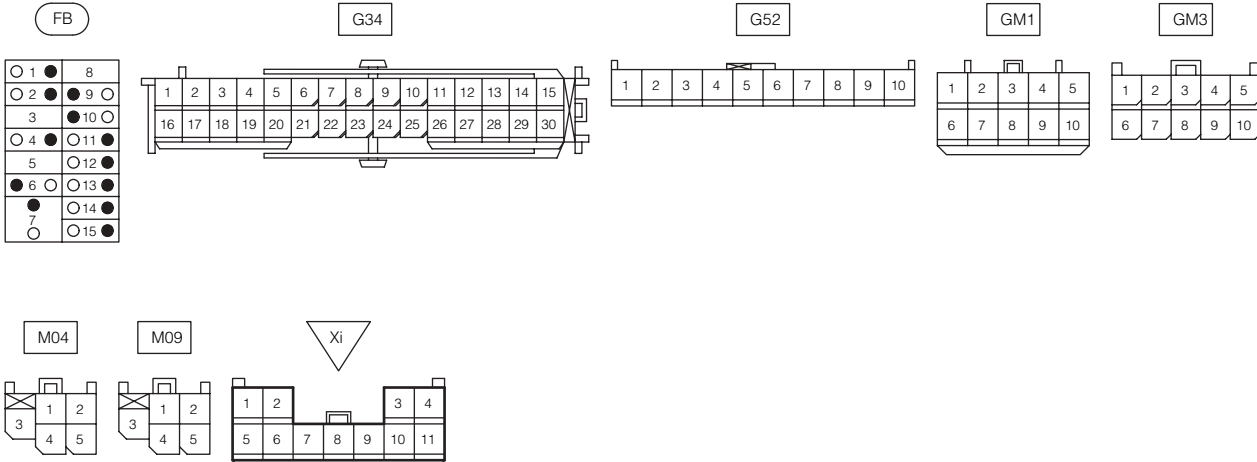
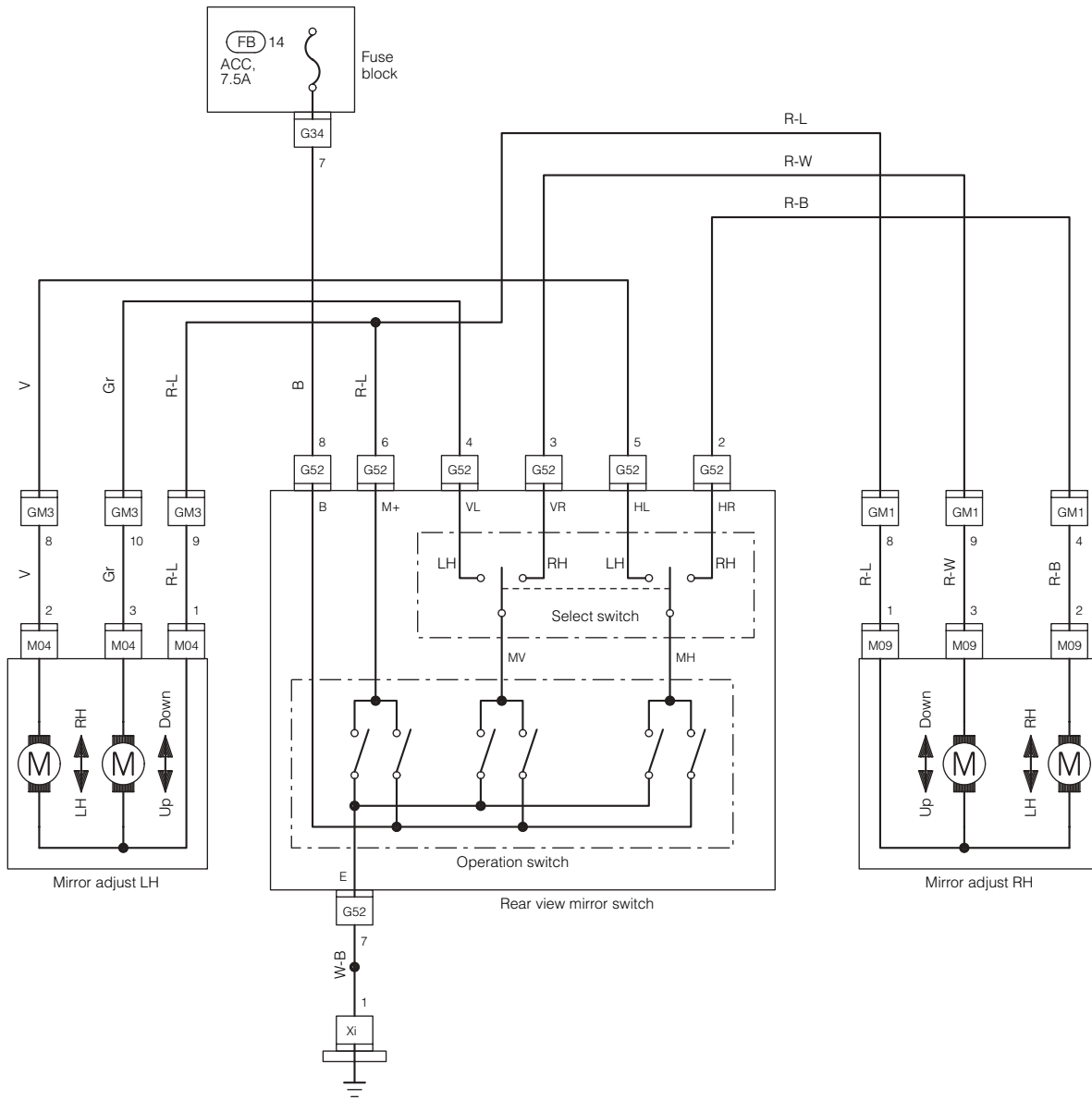


(MEMO)

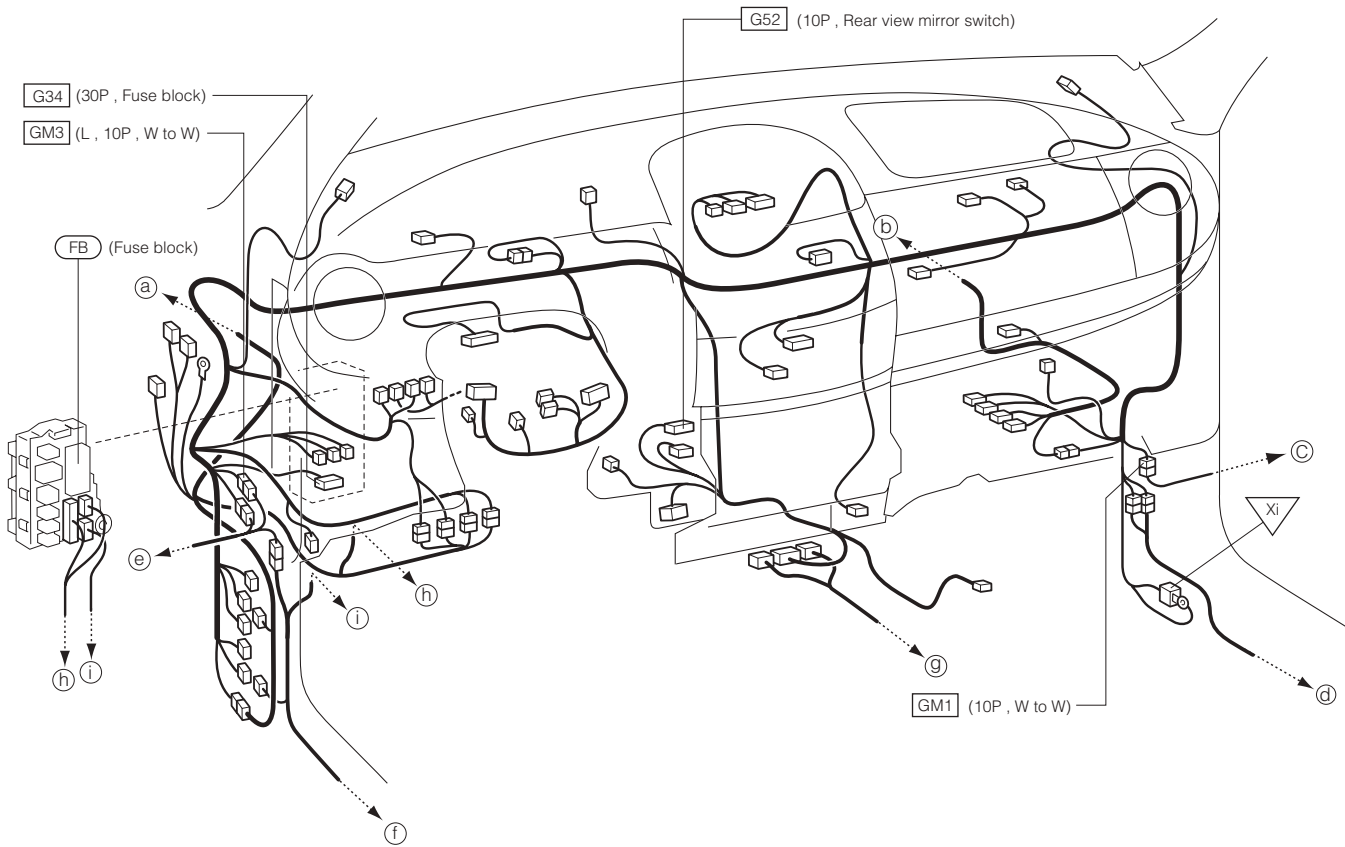


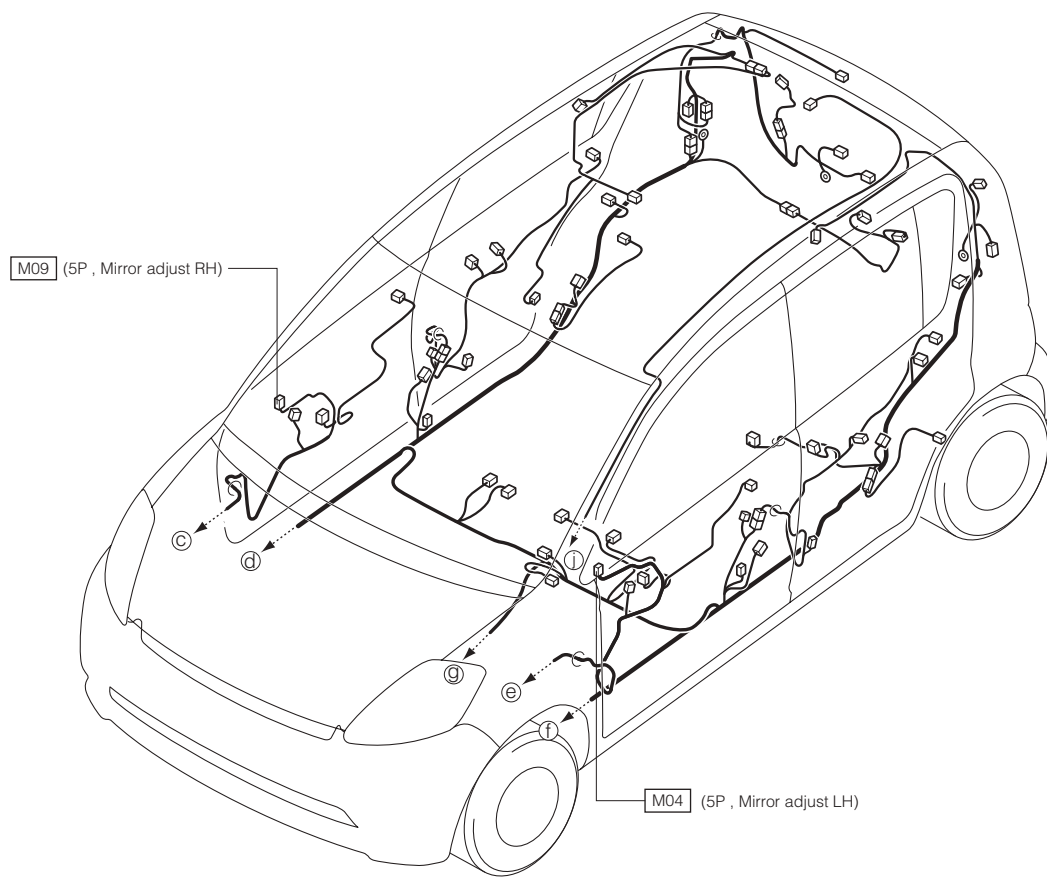


13-2 LHD VEHICLE



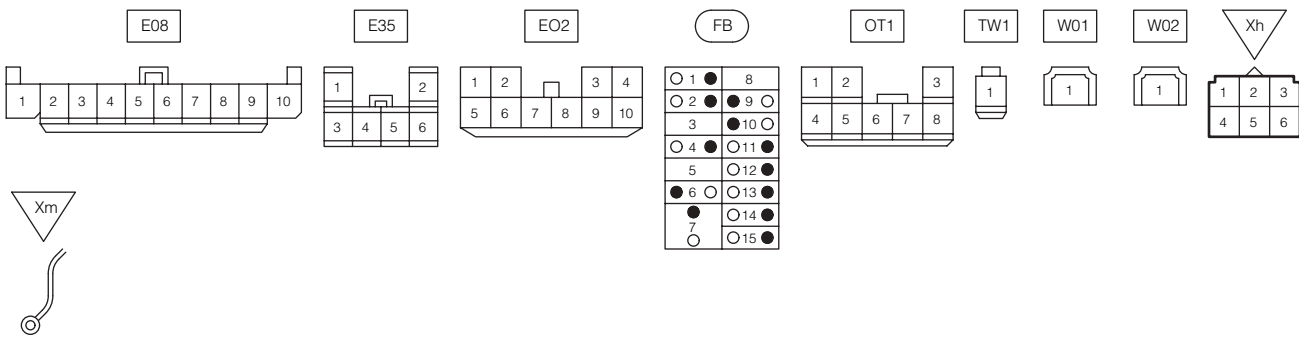
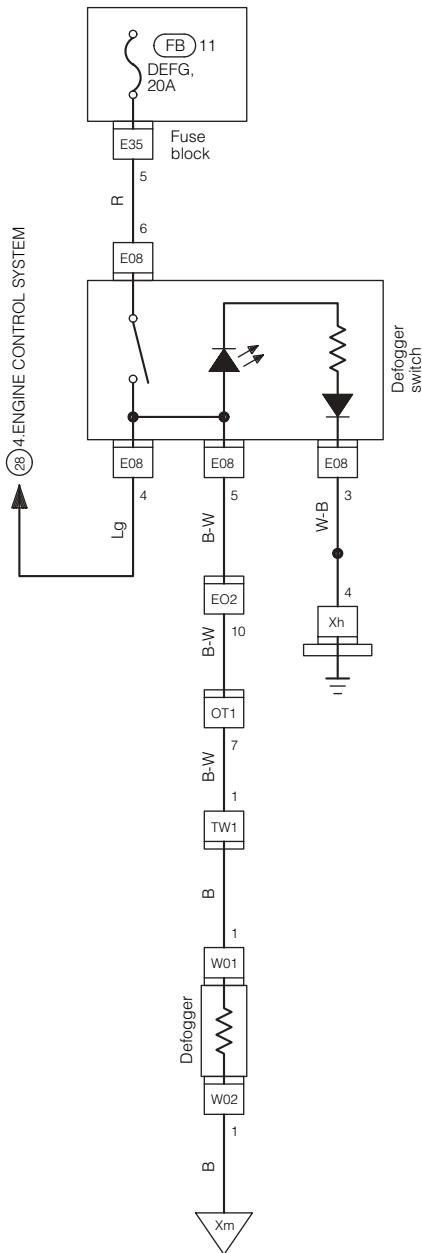
(MEMO)



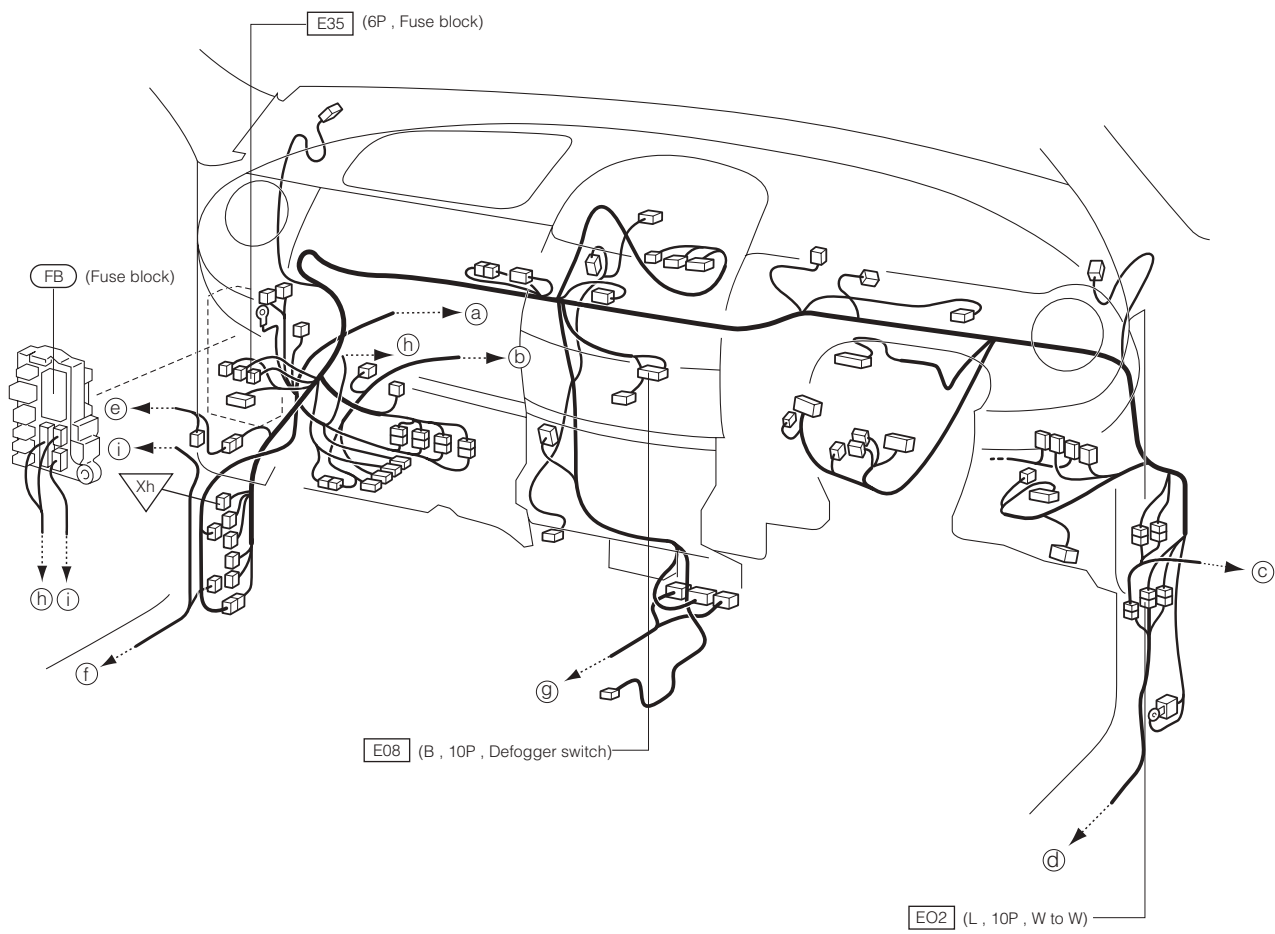


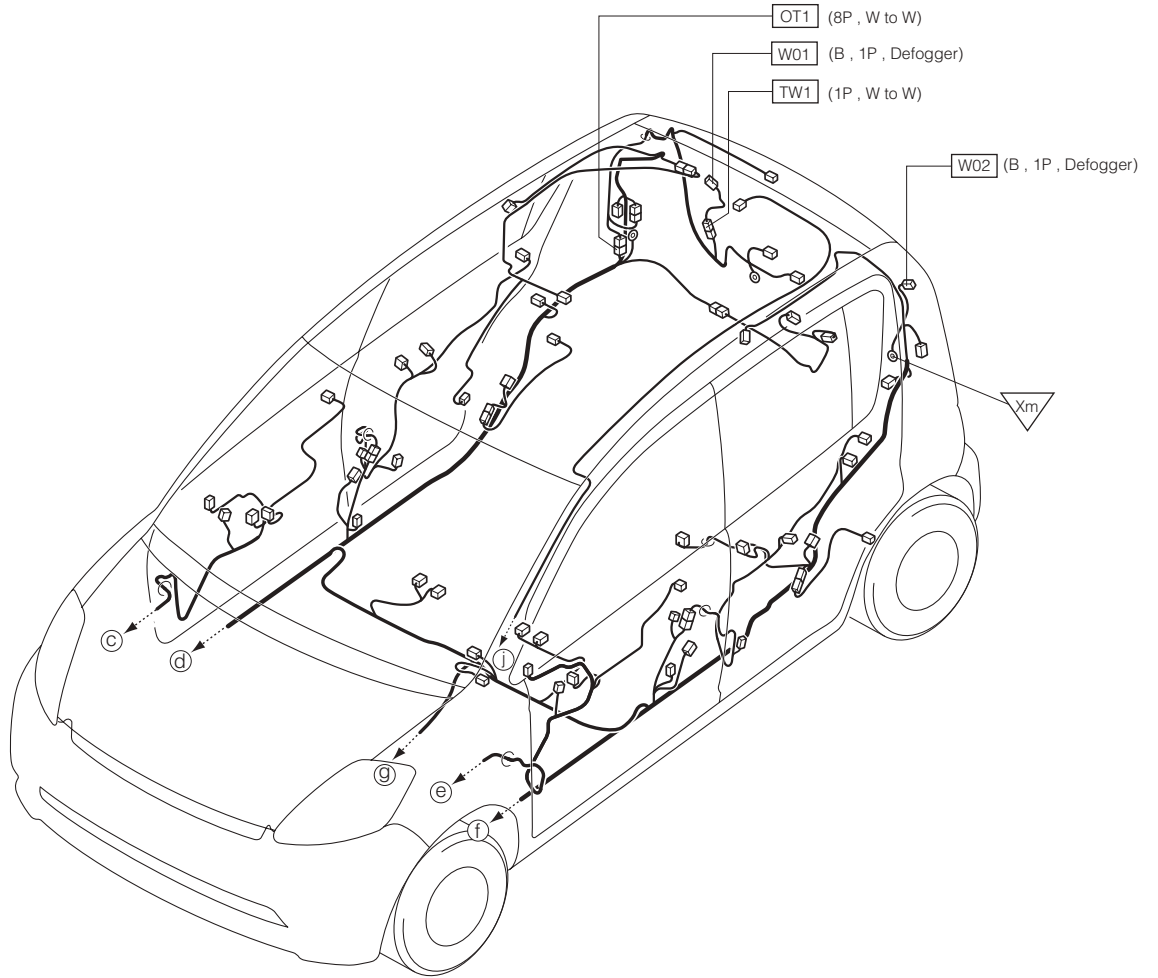
D-125

14 REAR WINDOW DEFOGGER 14-1 RHD VEHICLE

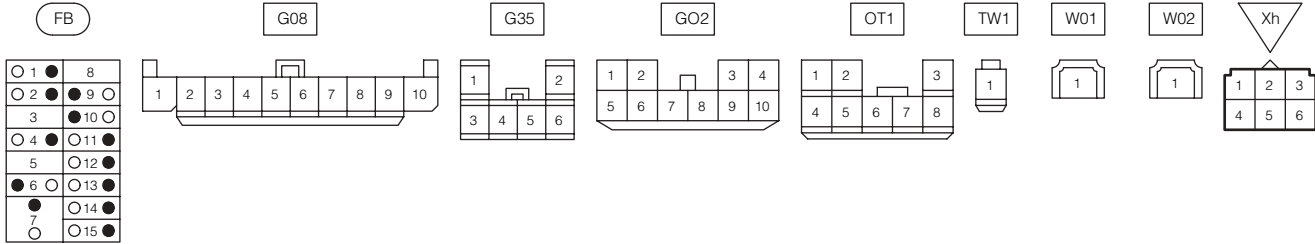
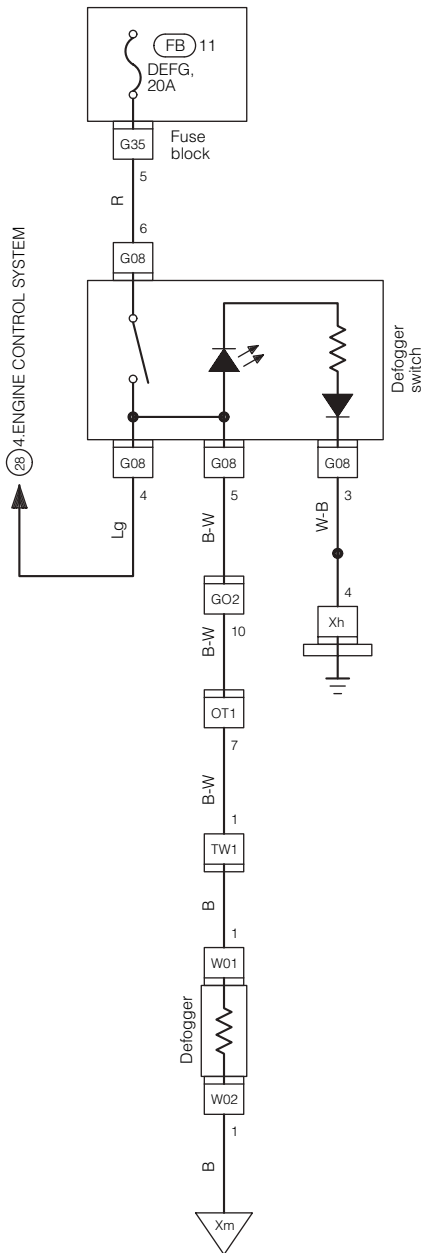


(MEMO)

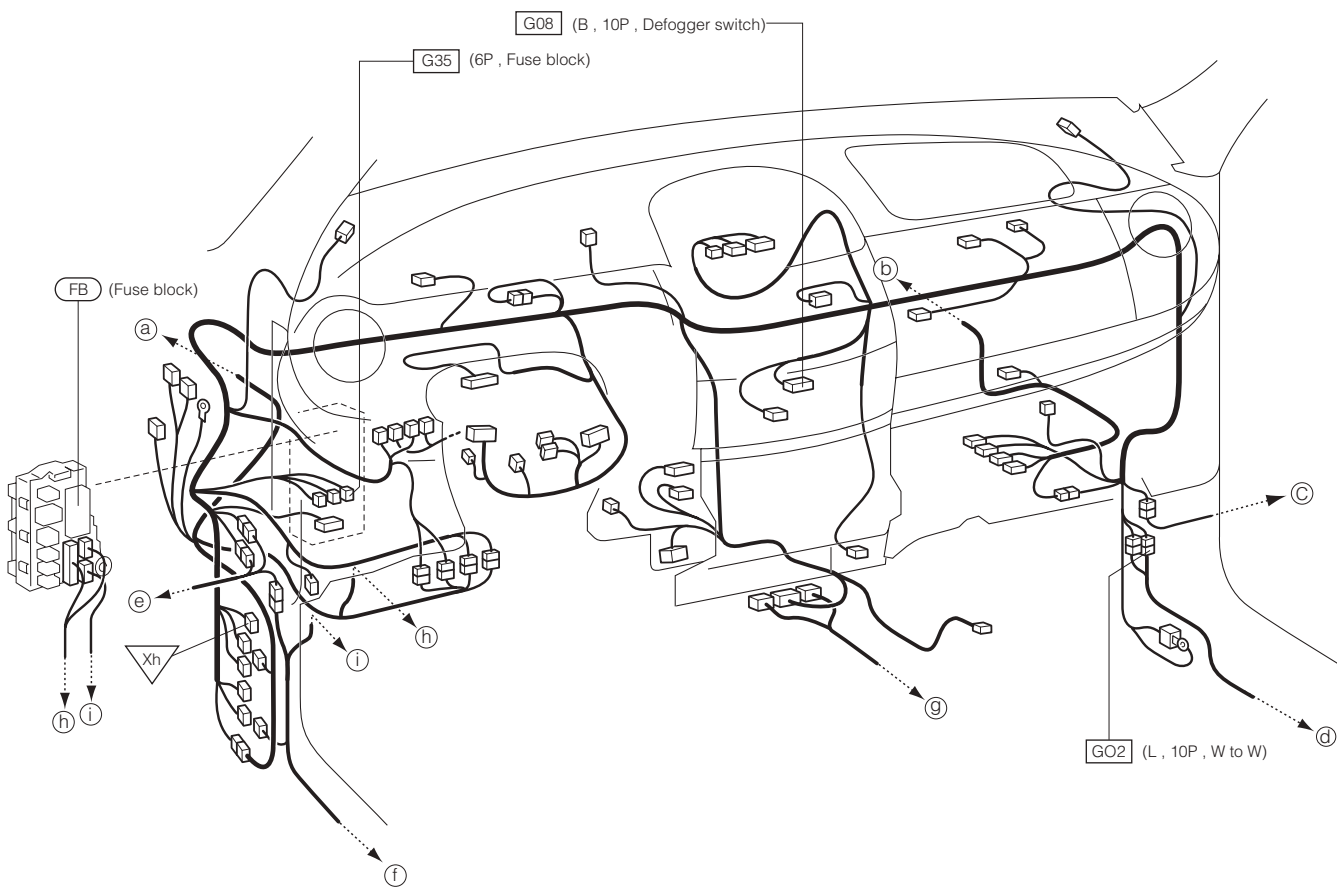


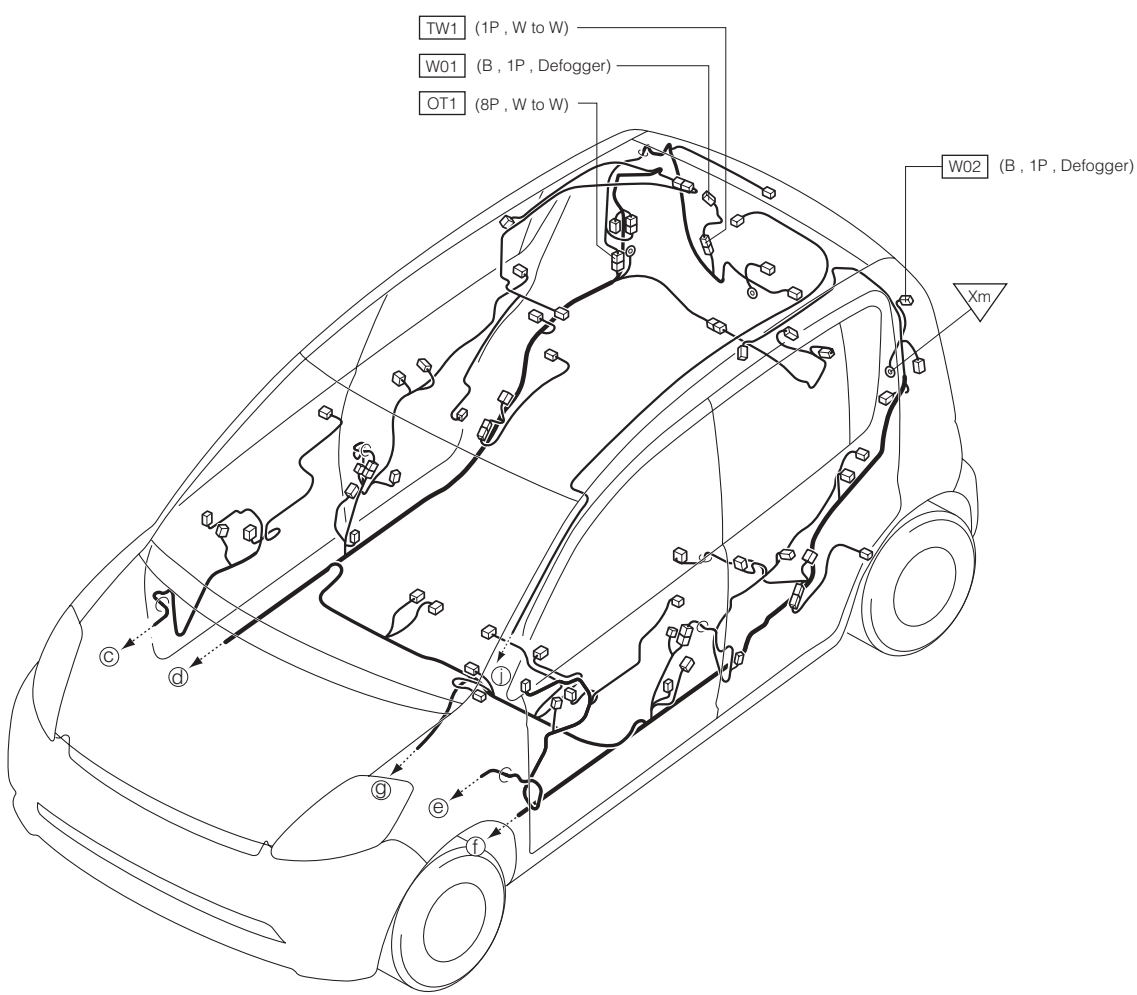


14-2 LHD VEHICLE



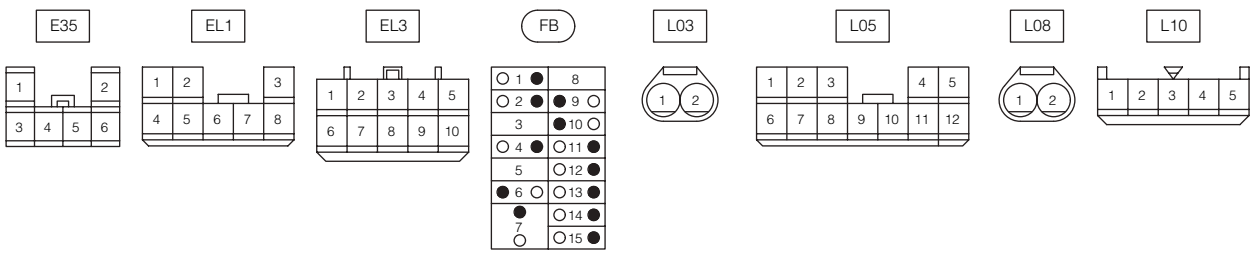
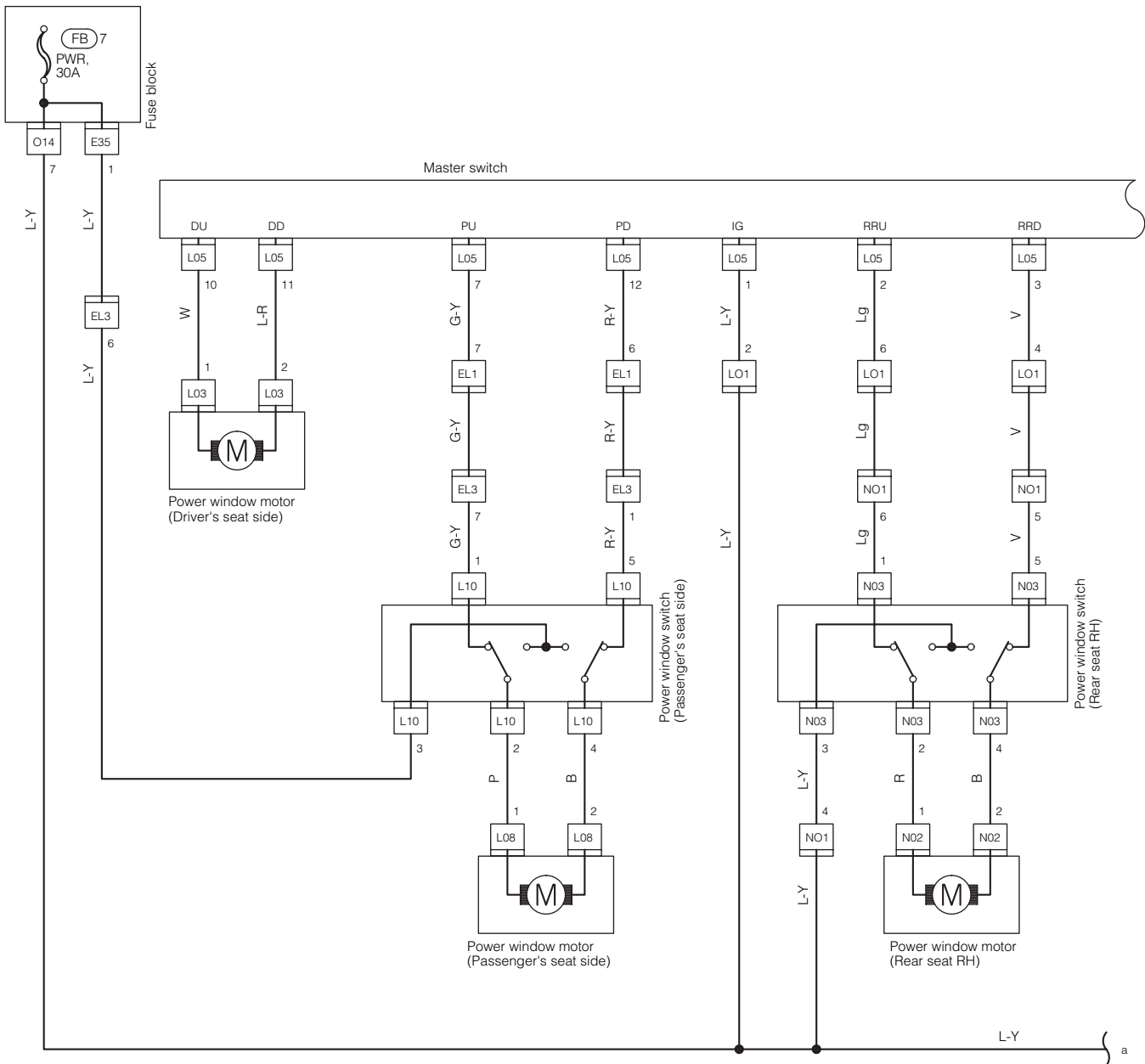
(MEMO)

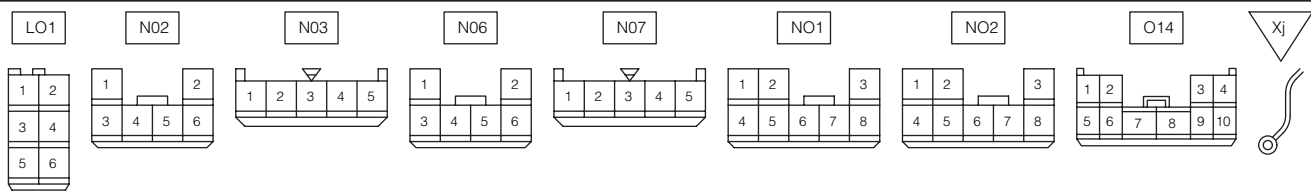
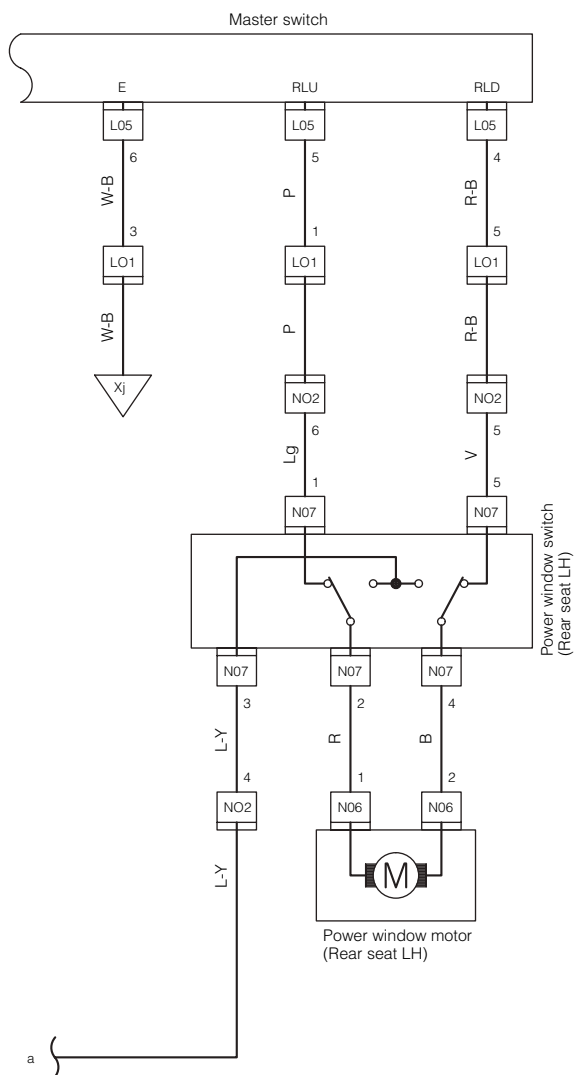


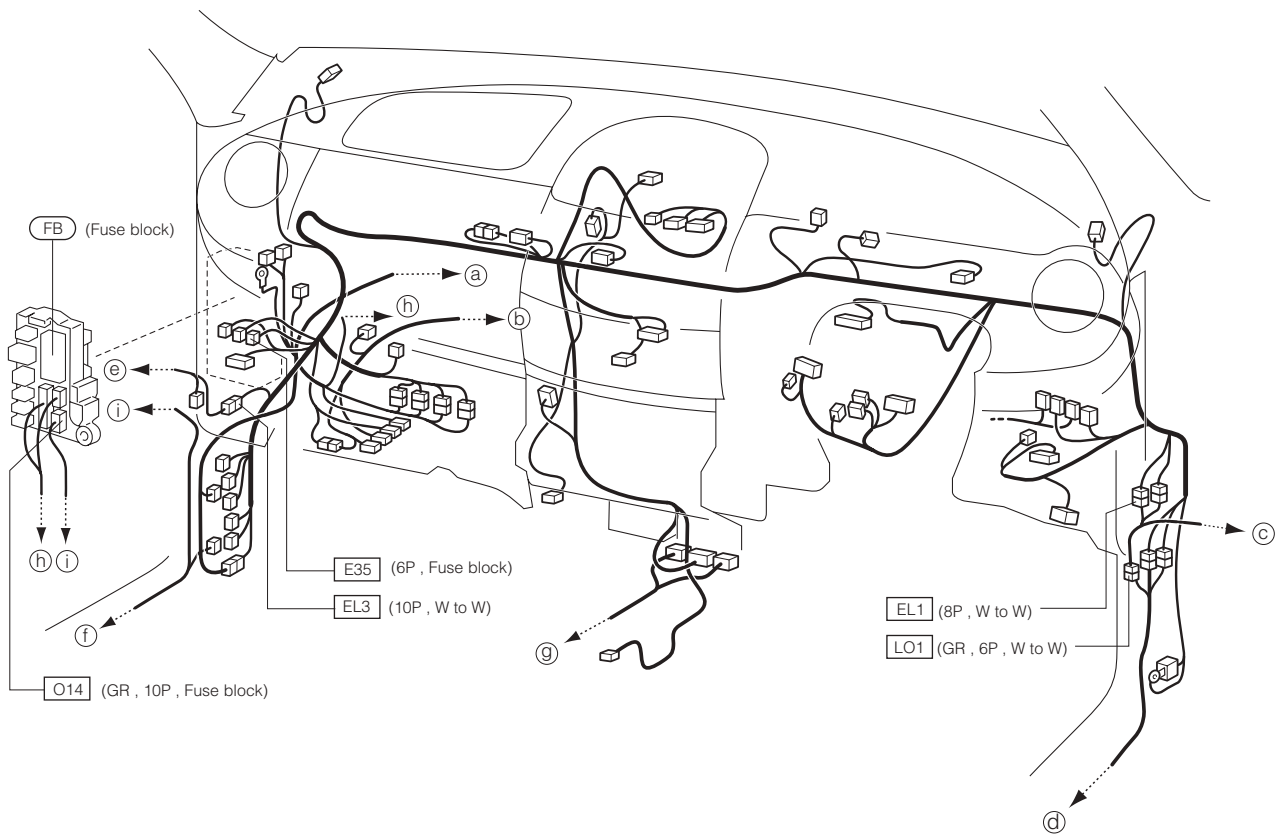


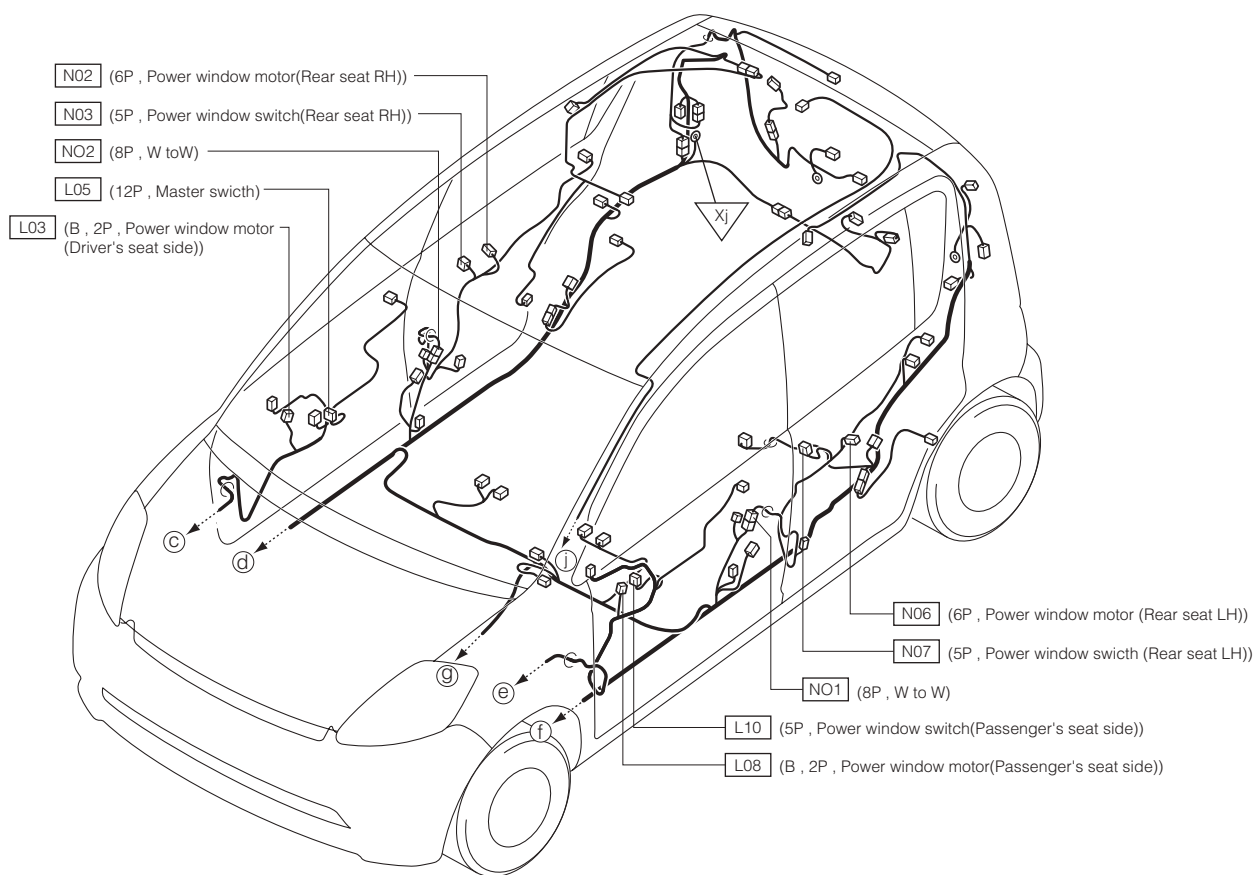
D-133

15 POWER WINDOW 15-1 RHD VEHICLE

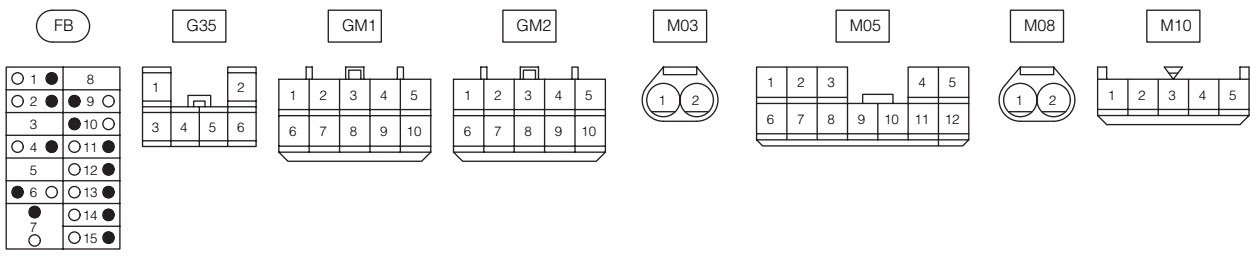
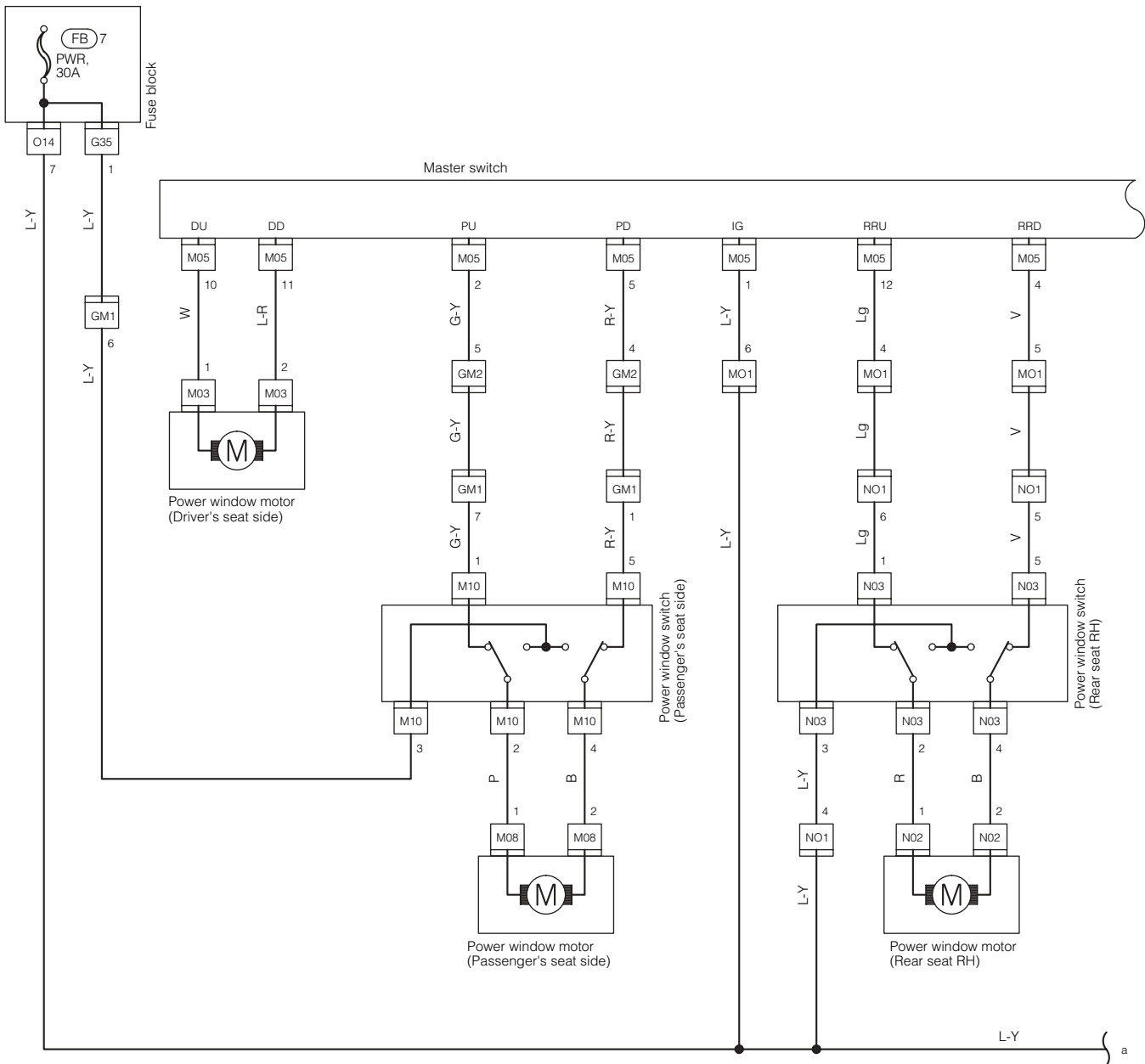


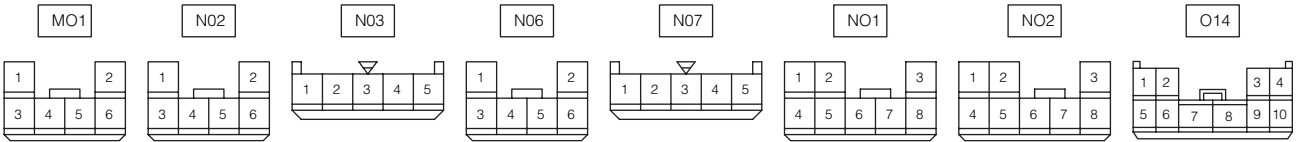
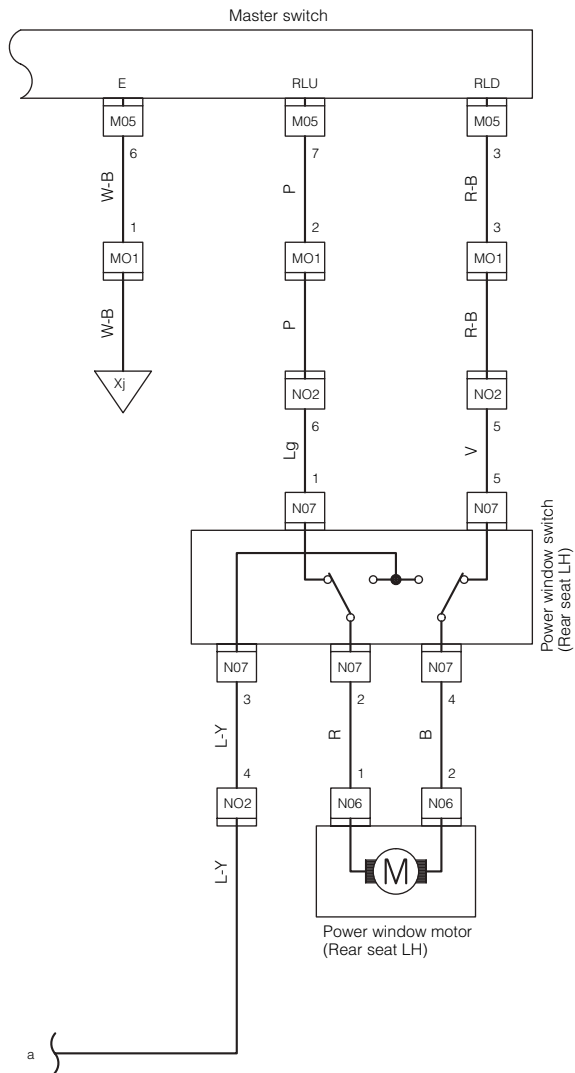


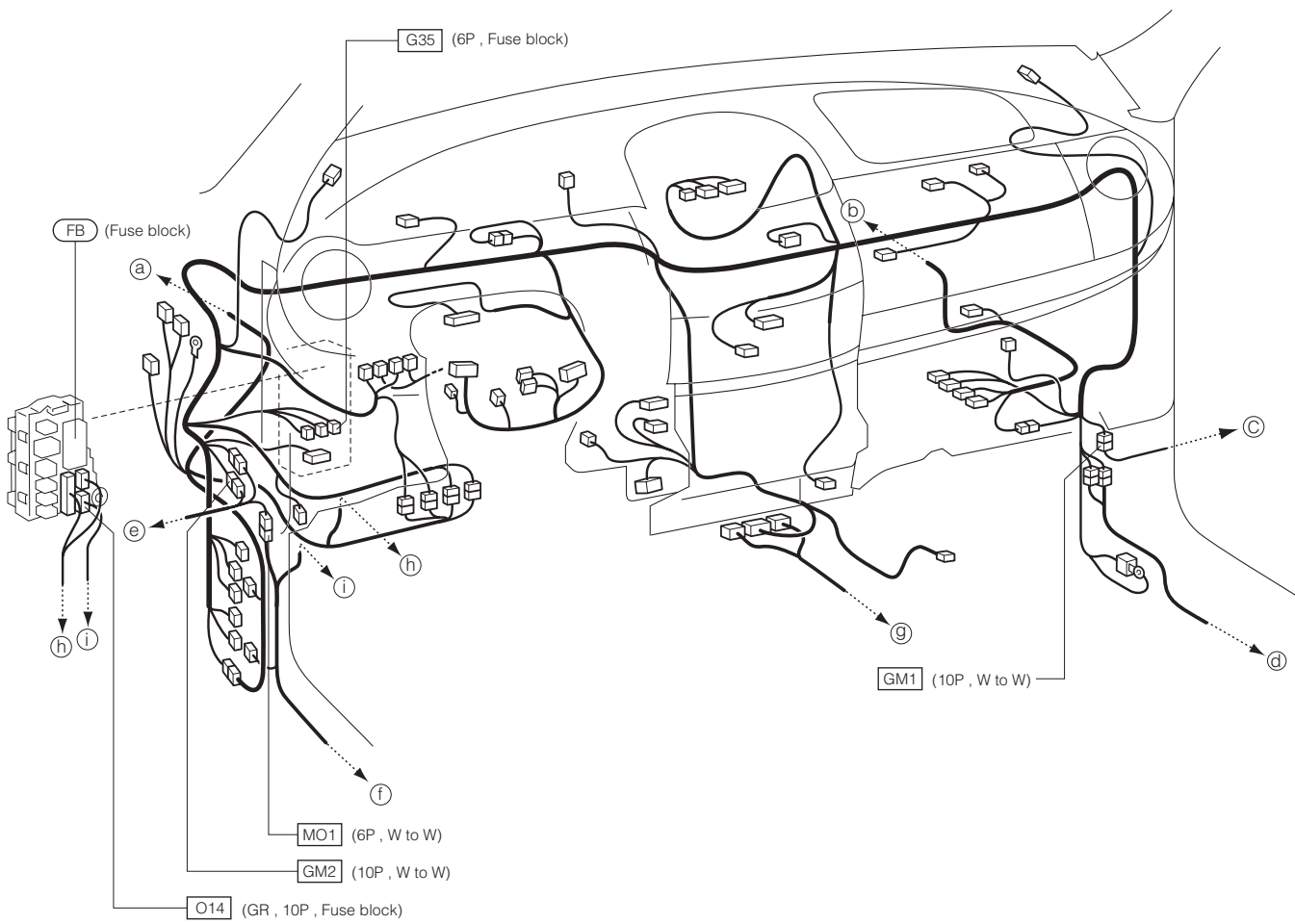


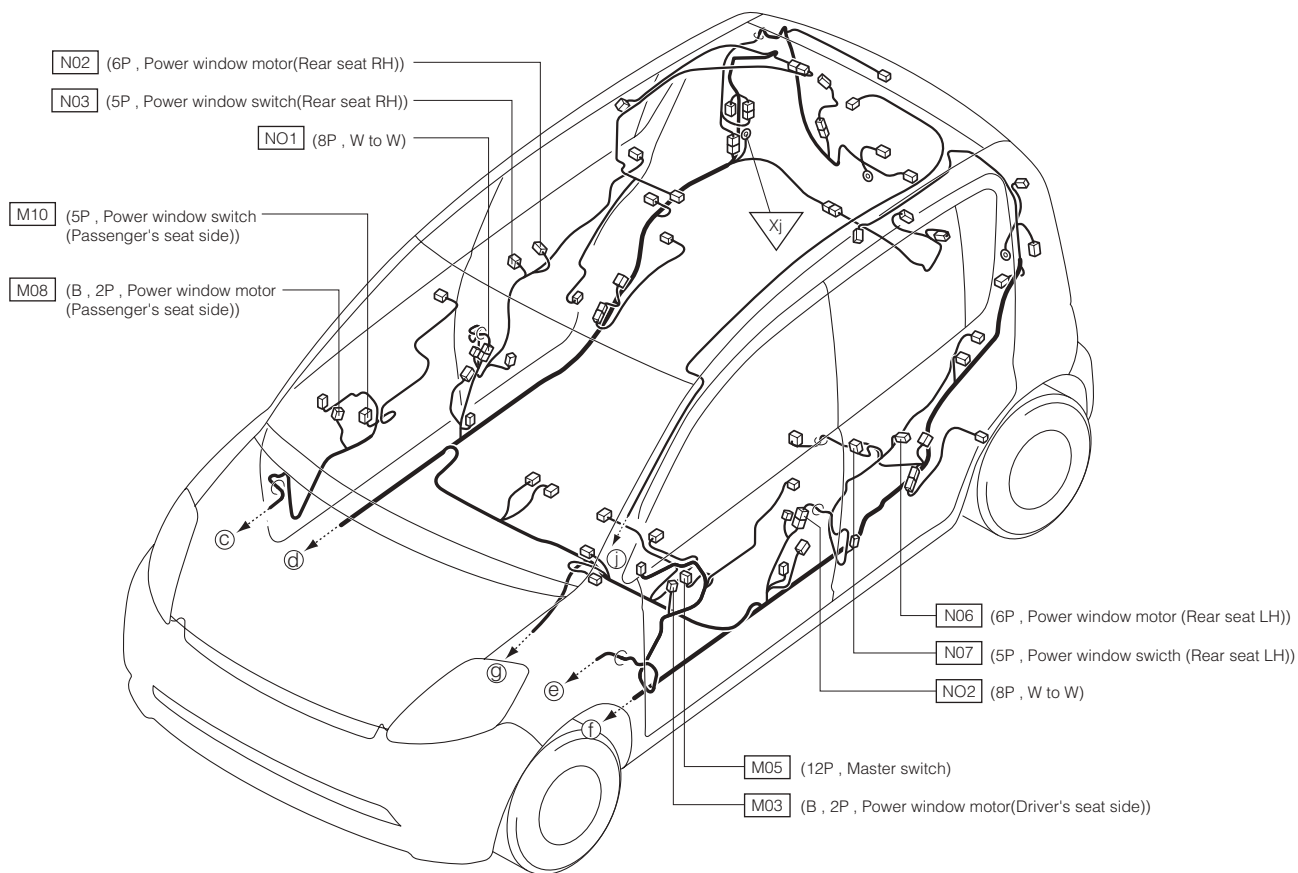


15-2 LHD VEHICLE

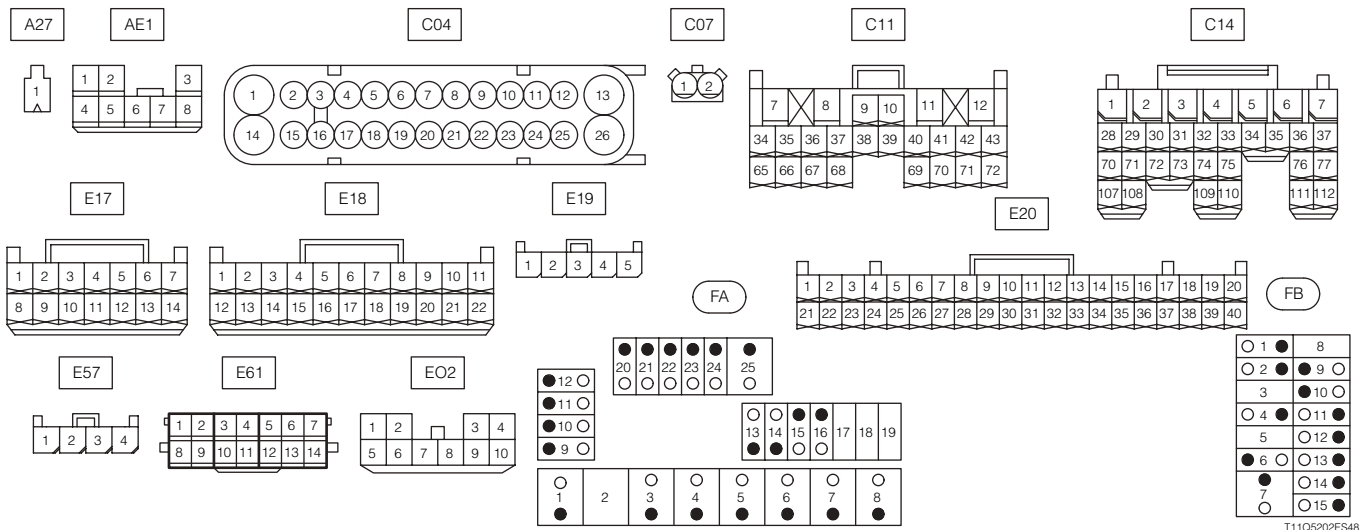
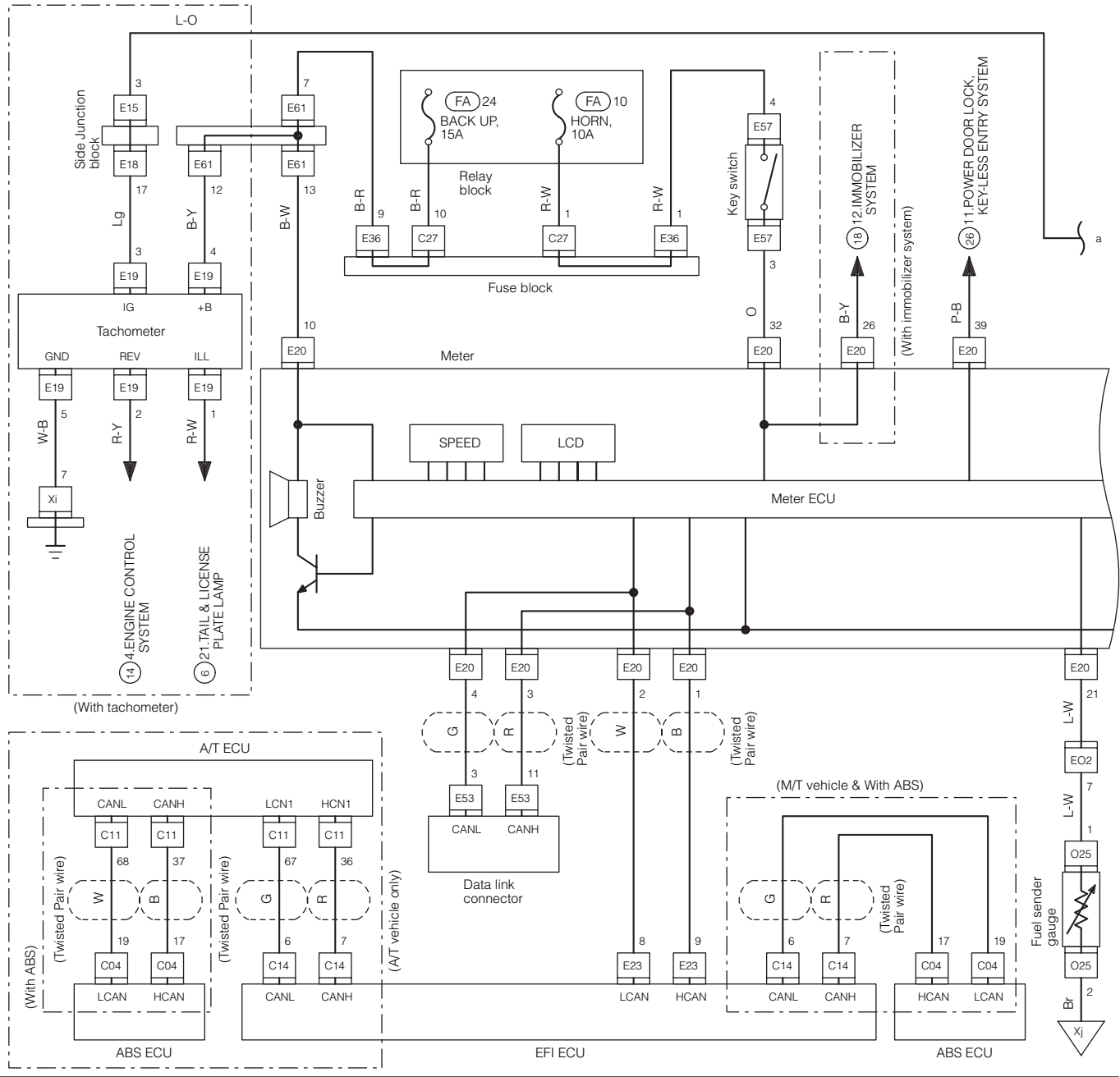


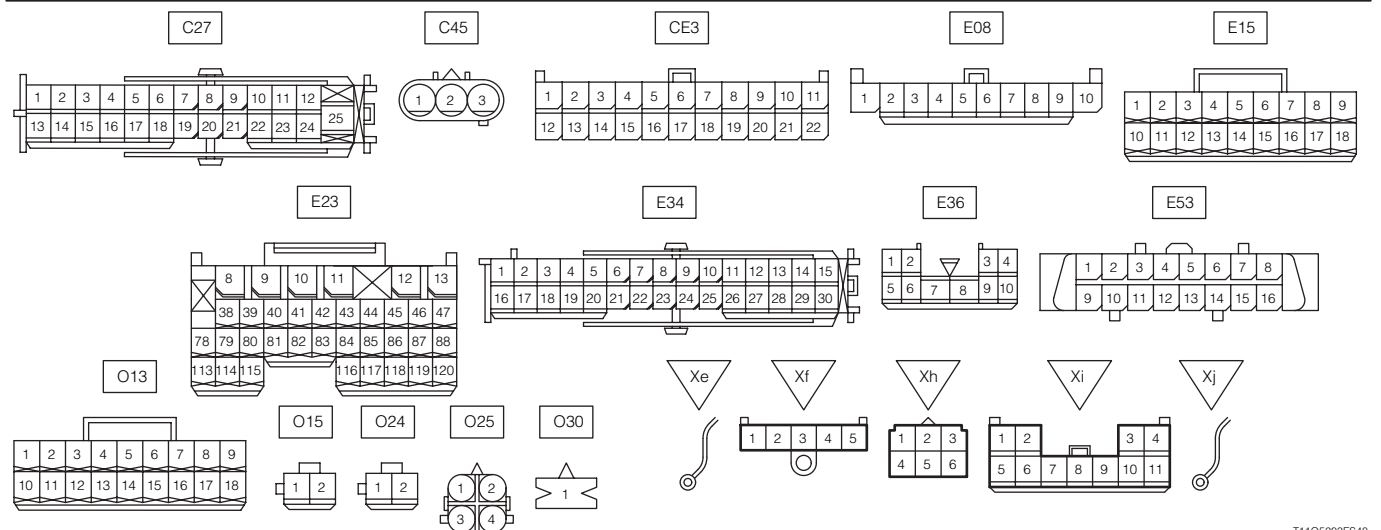
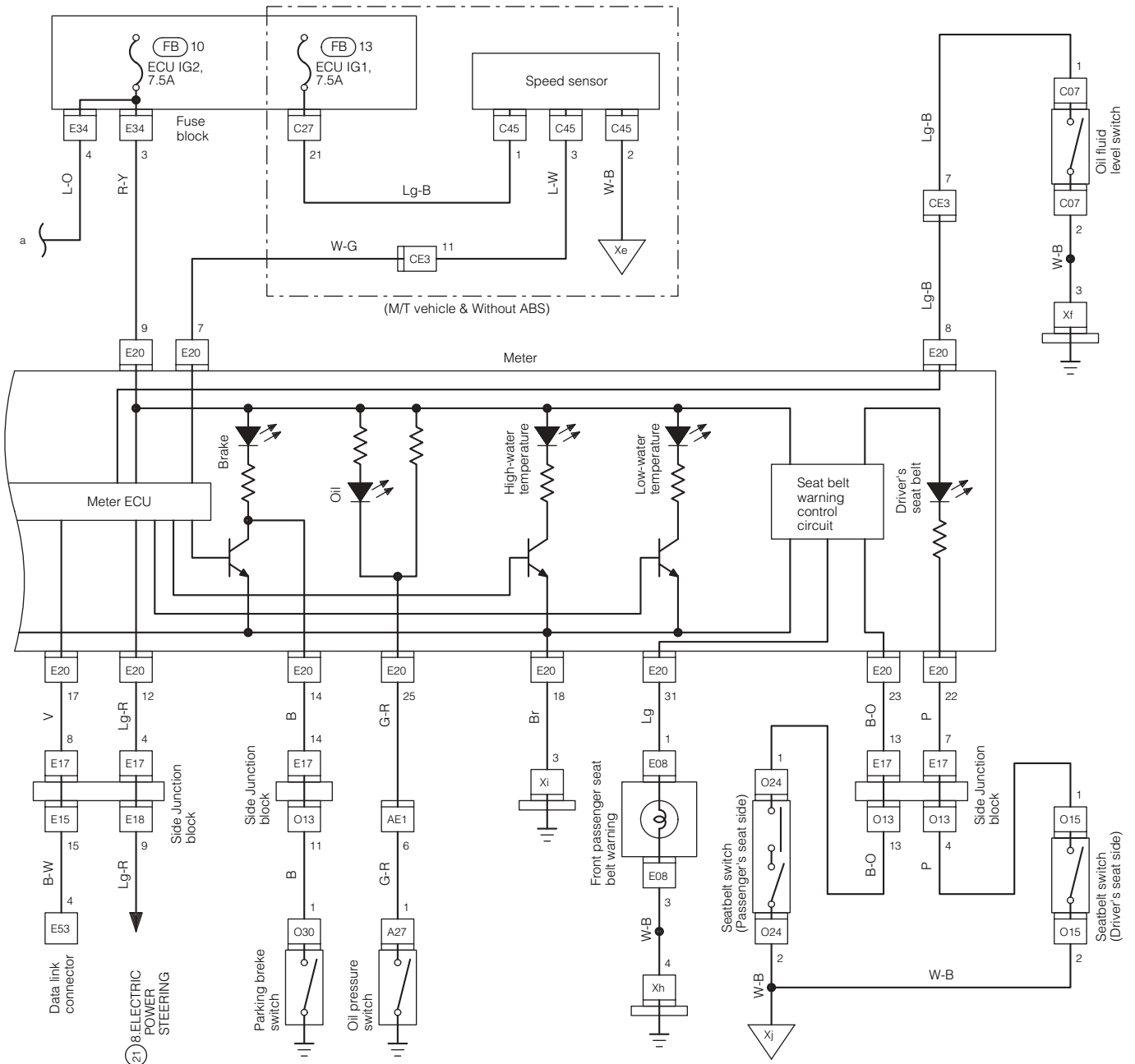


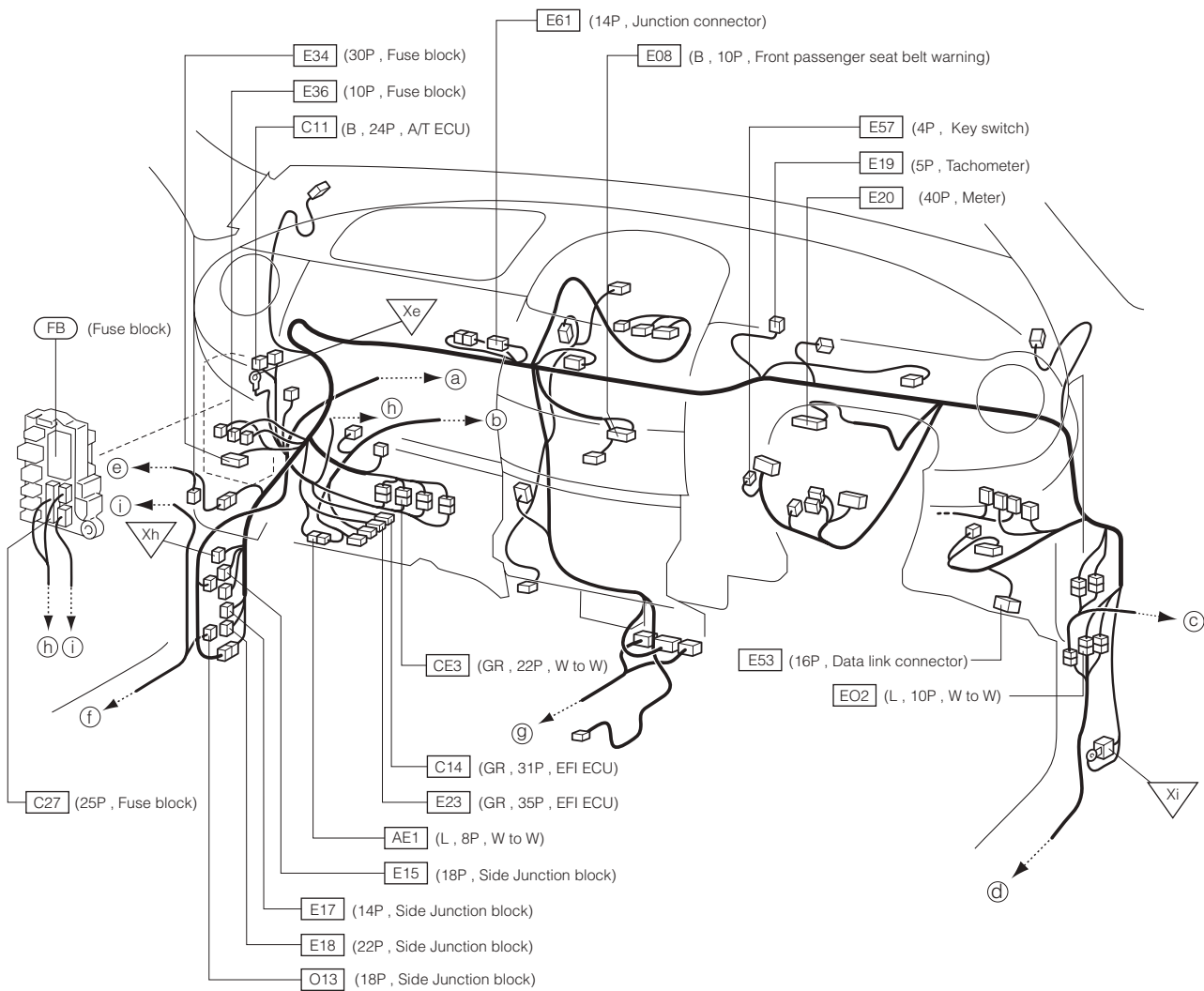


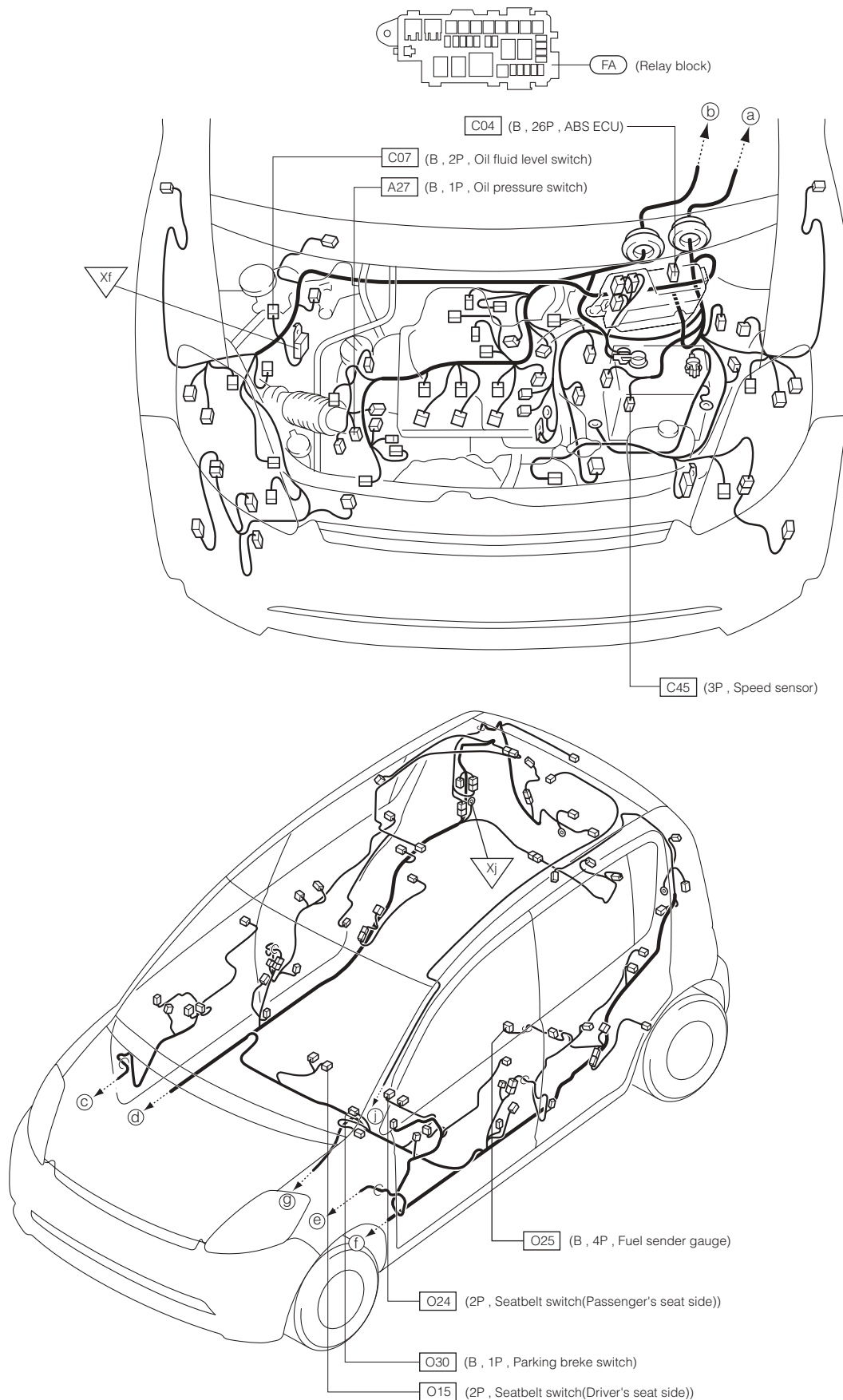


16 METER 16-1 RHD VEHICLE

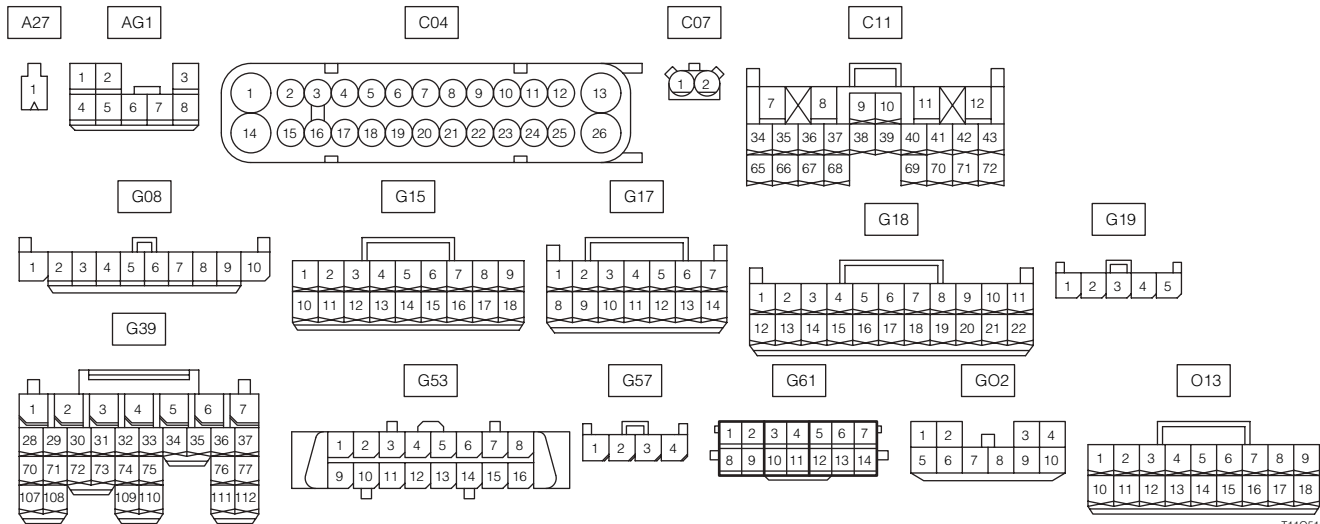
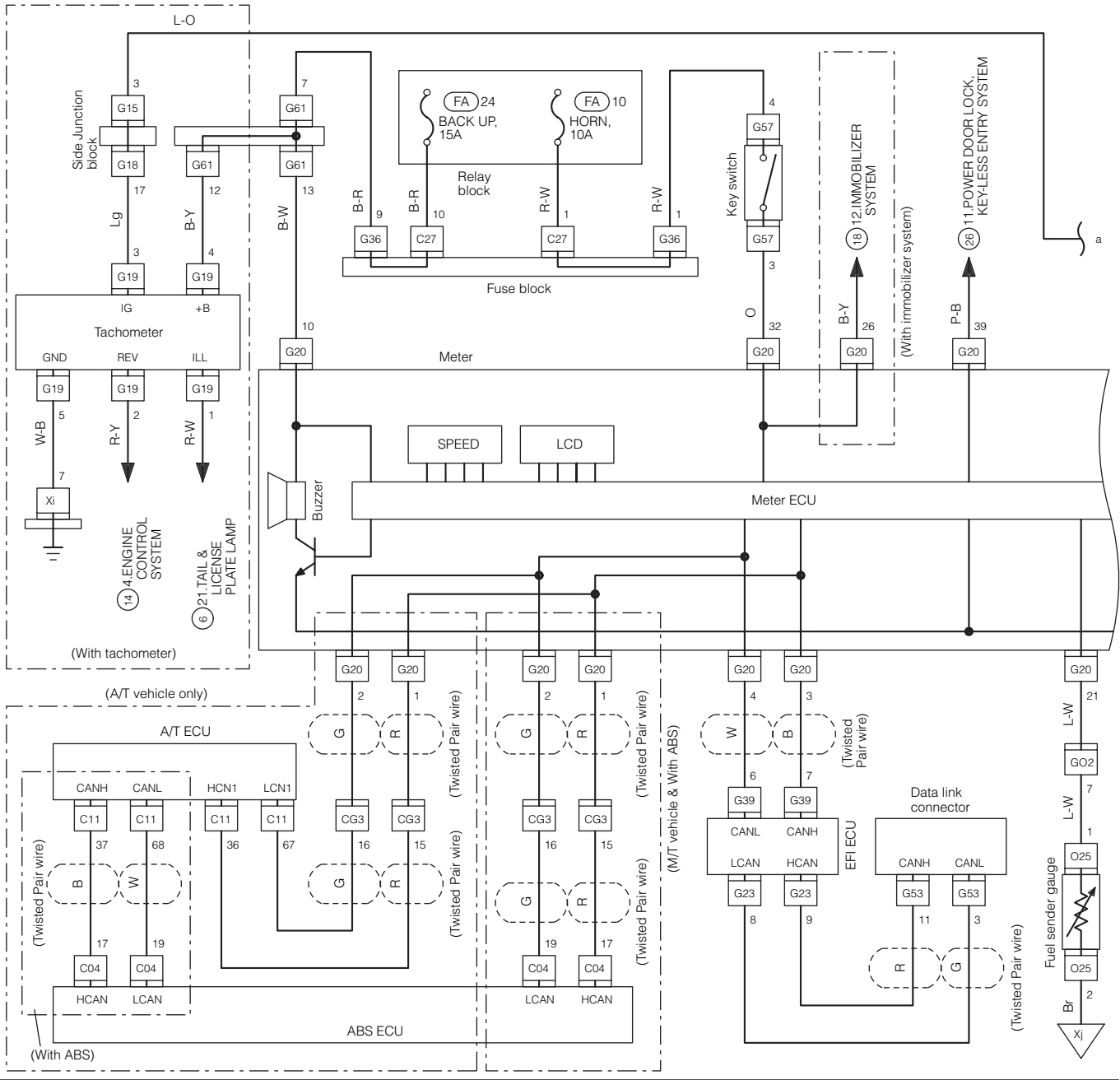


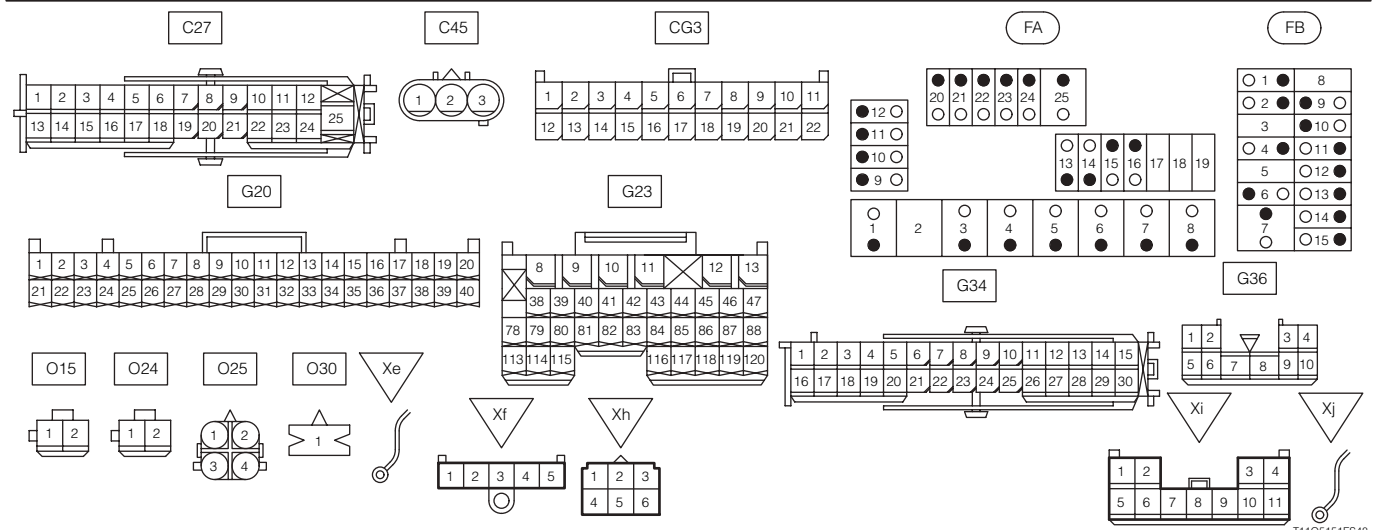
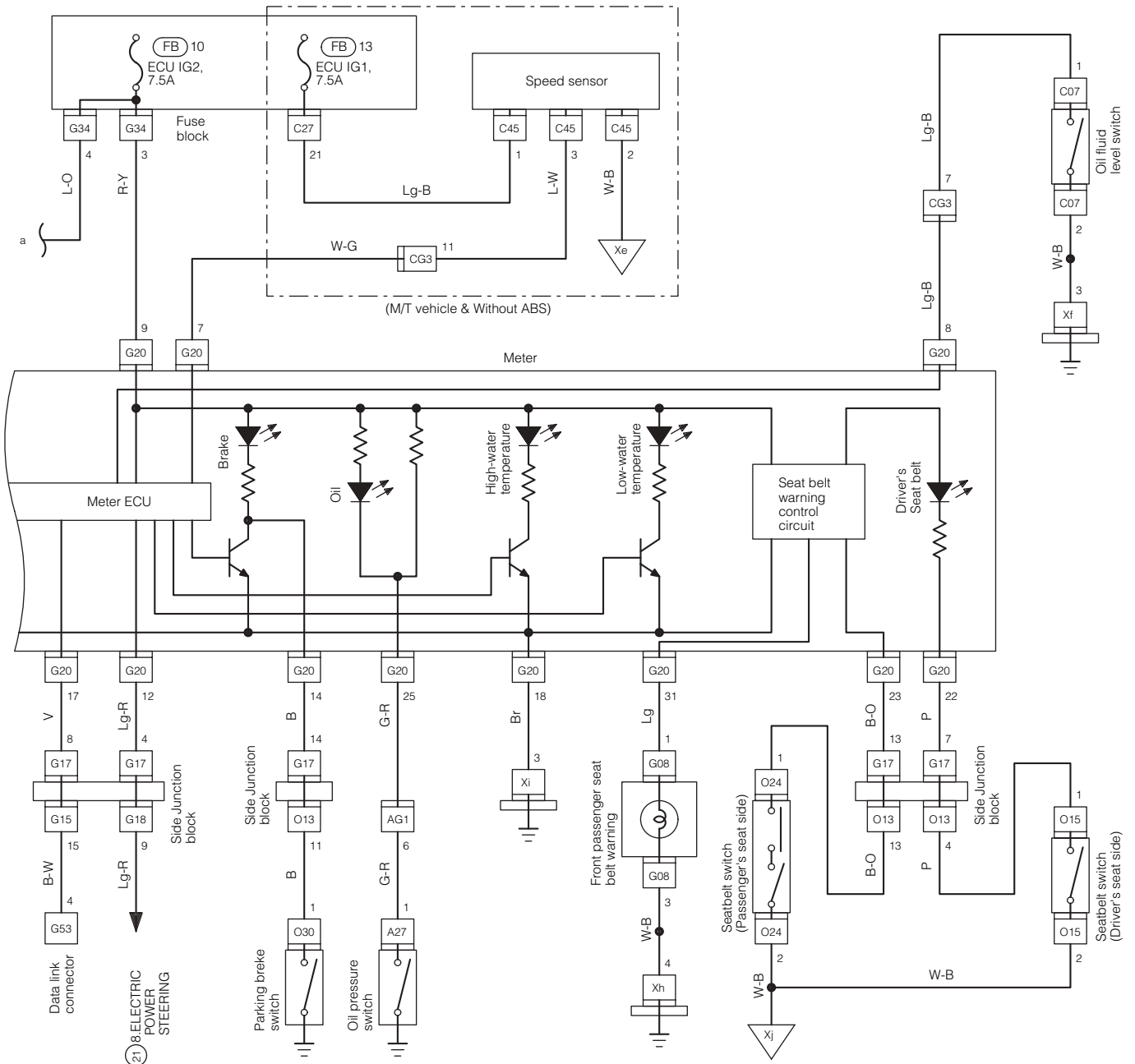


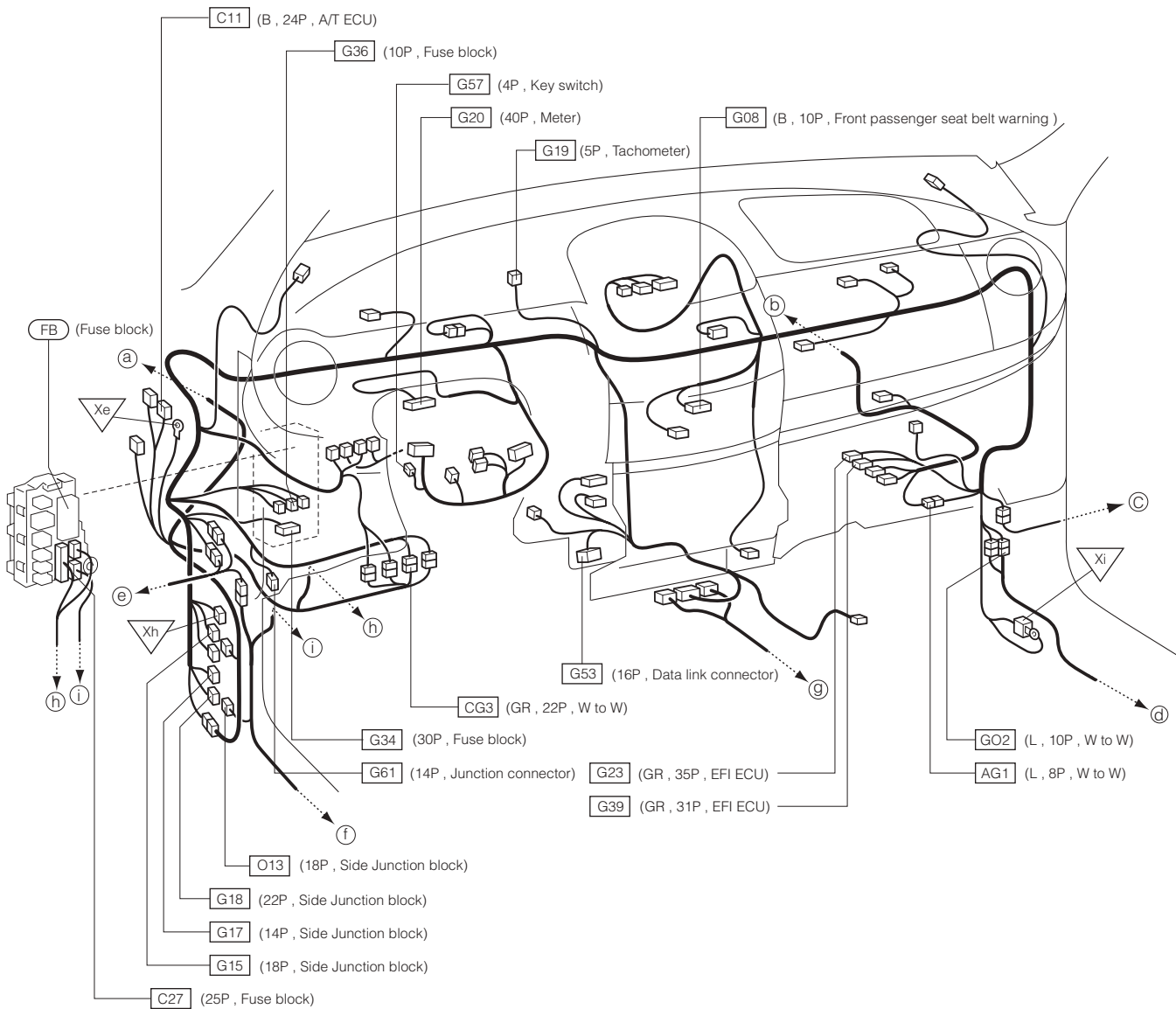


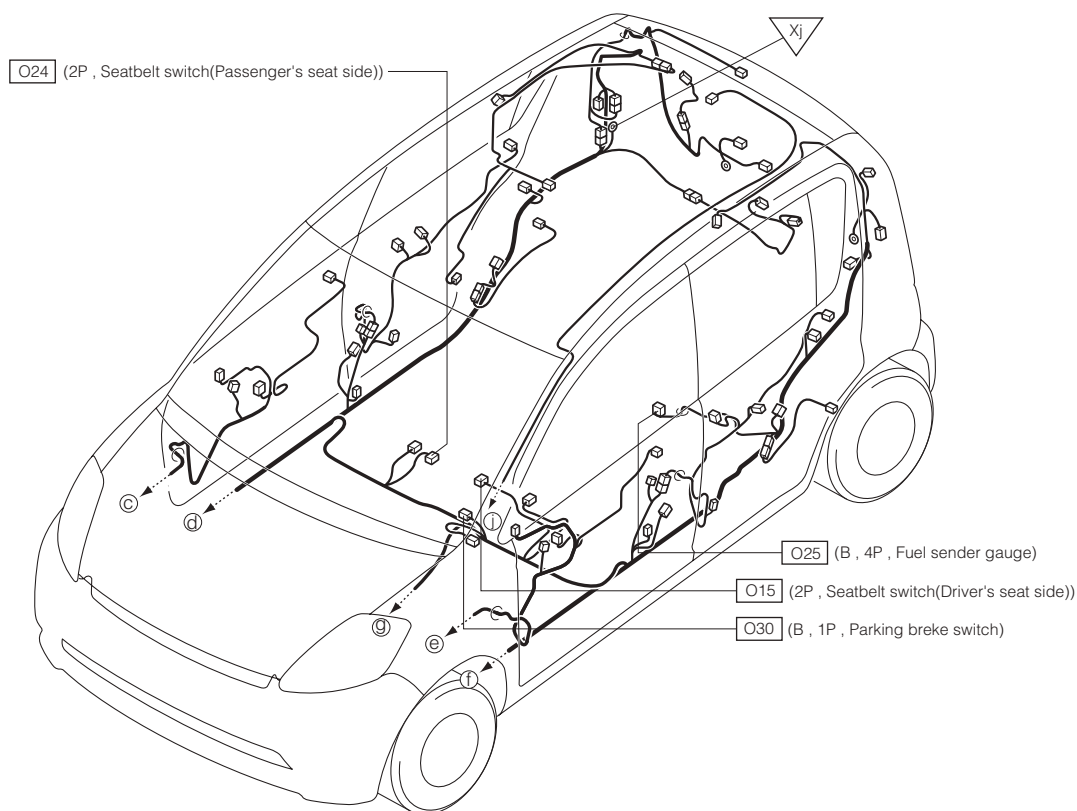
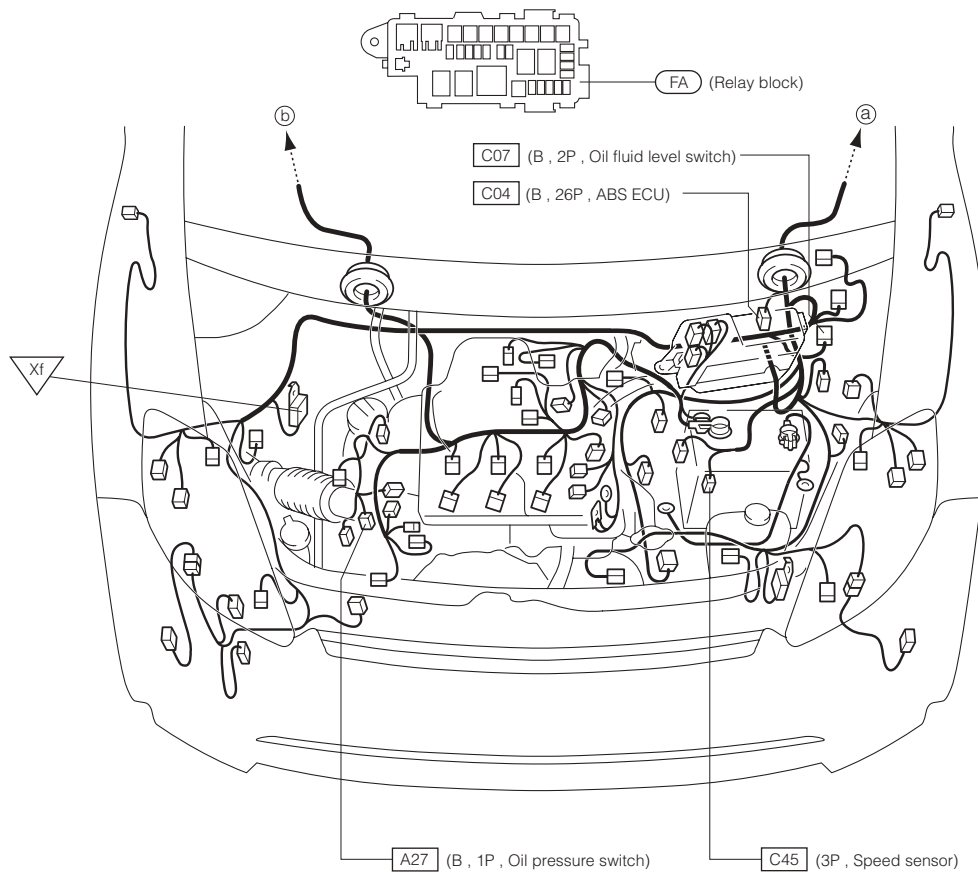


16-2 LHD VEHICLE



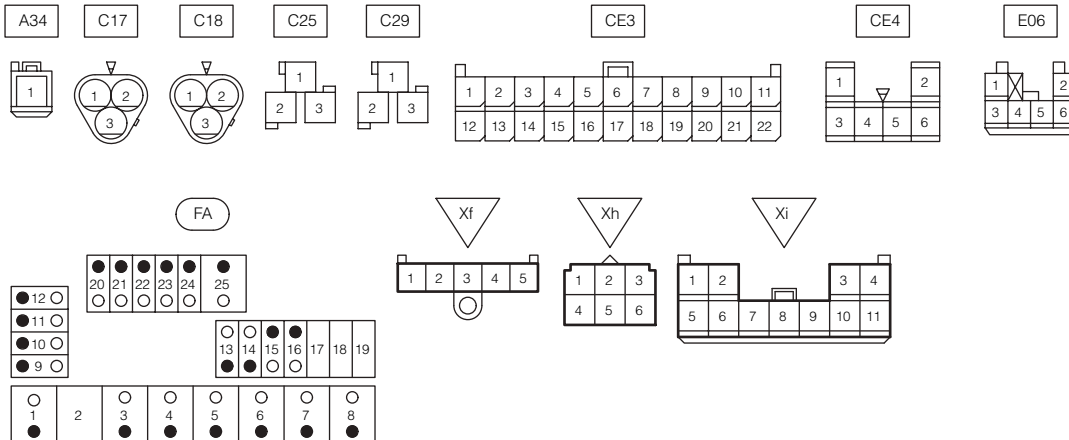
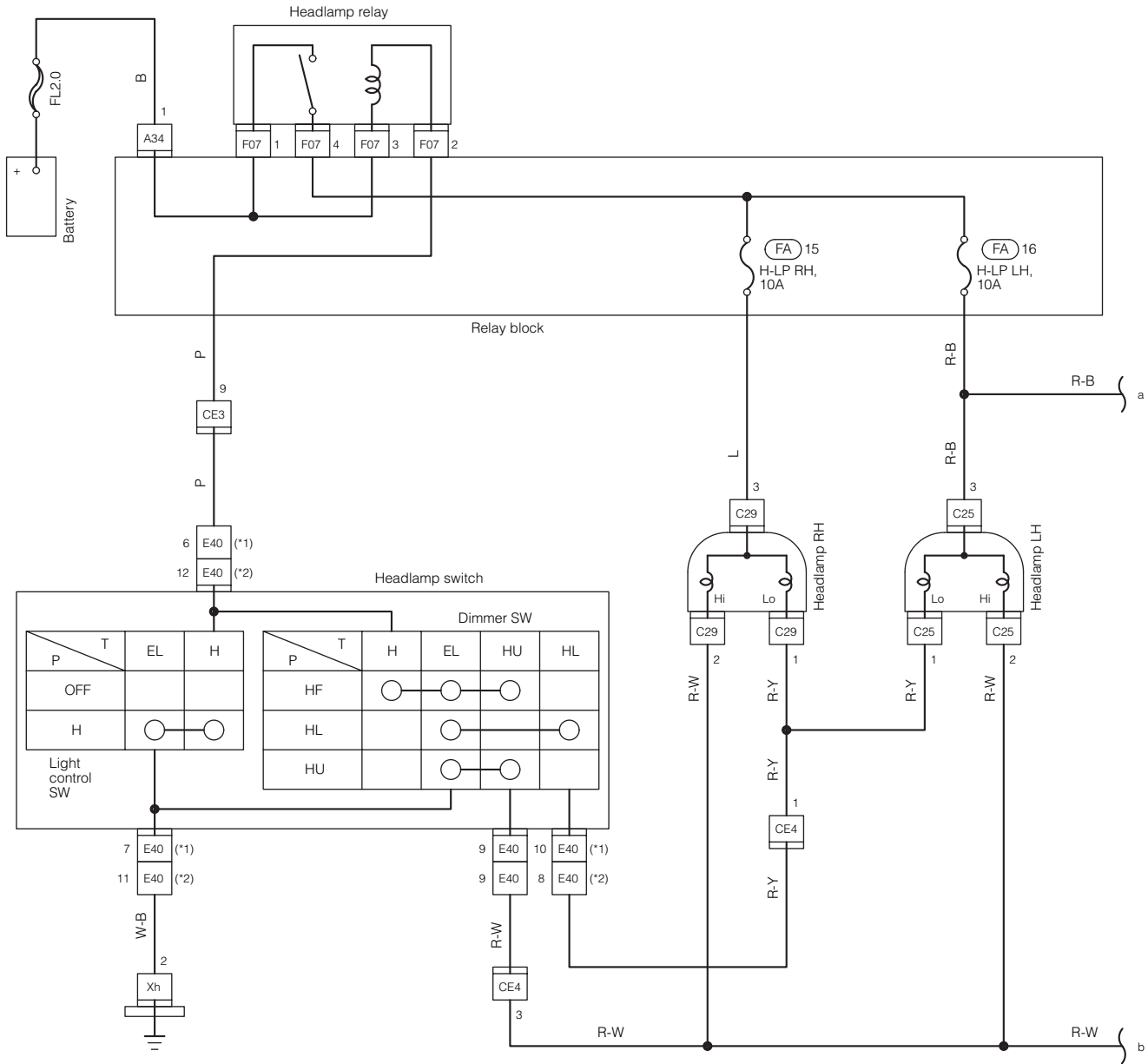


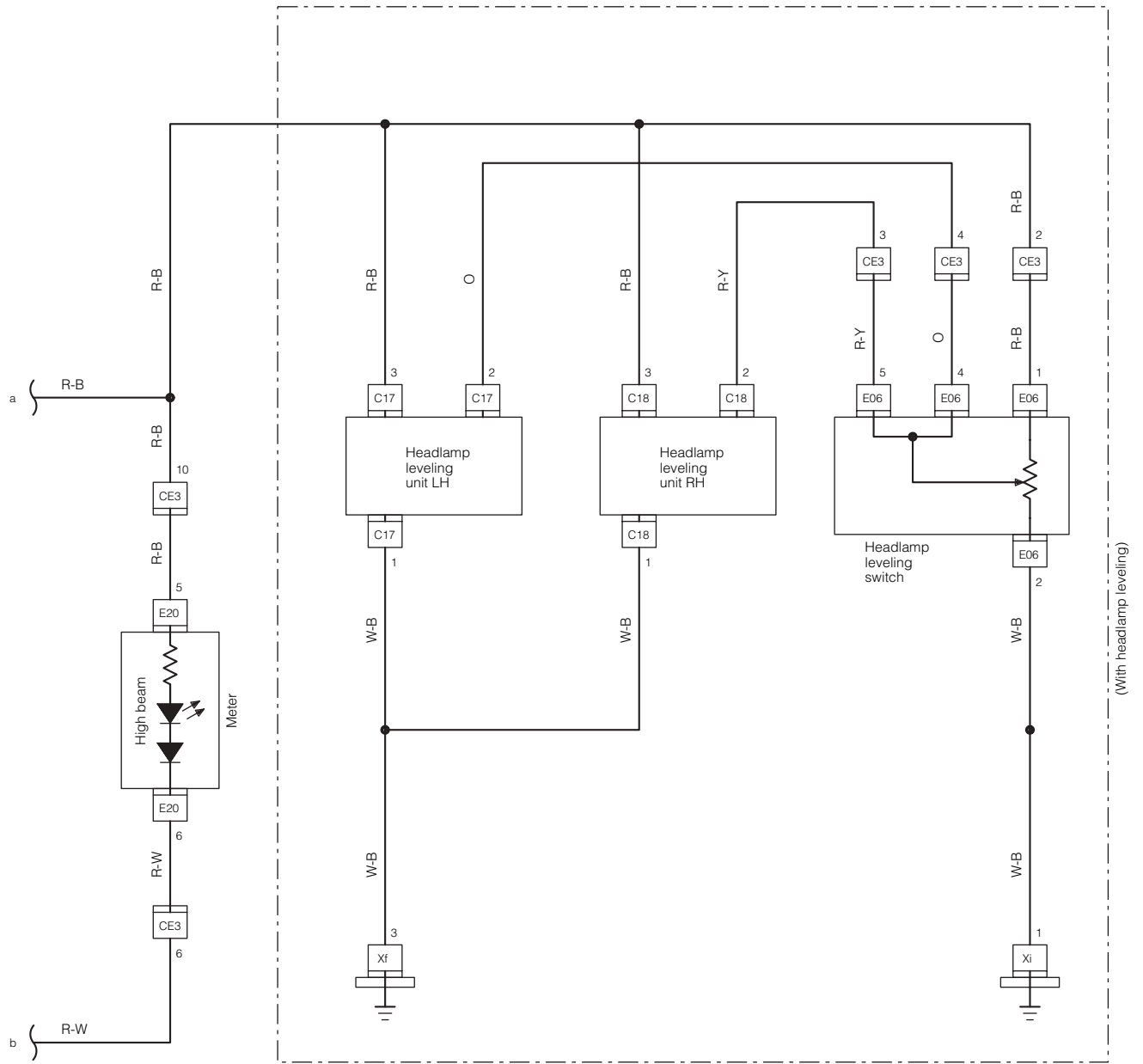




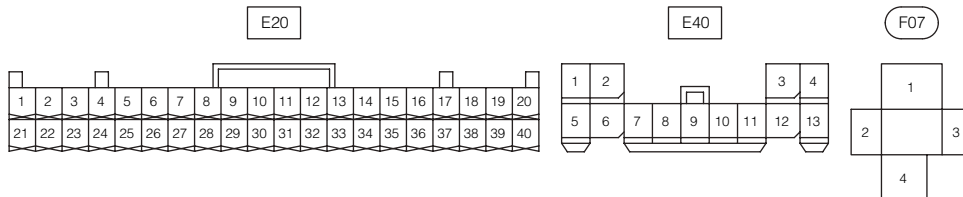
17 HEAD LAMP 17-1 RHD VEHICLE

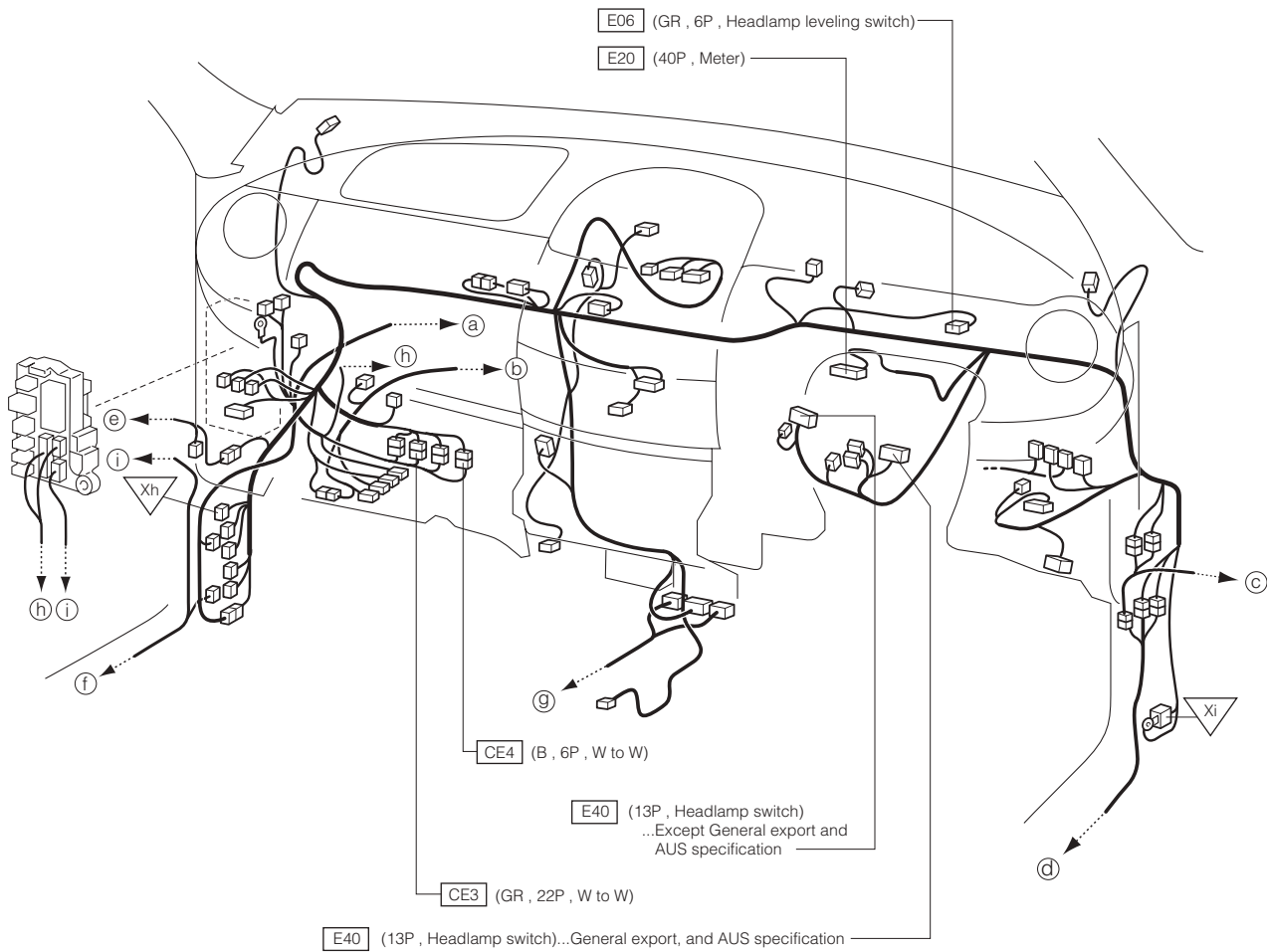
*1:General export and AUS specification
*2:Except General export and AUS specification

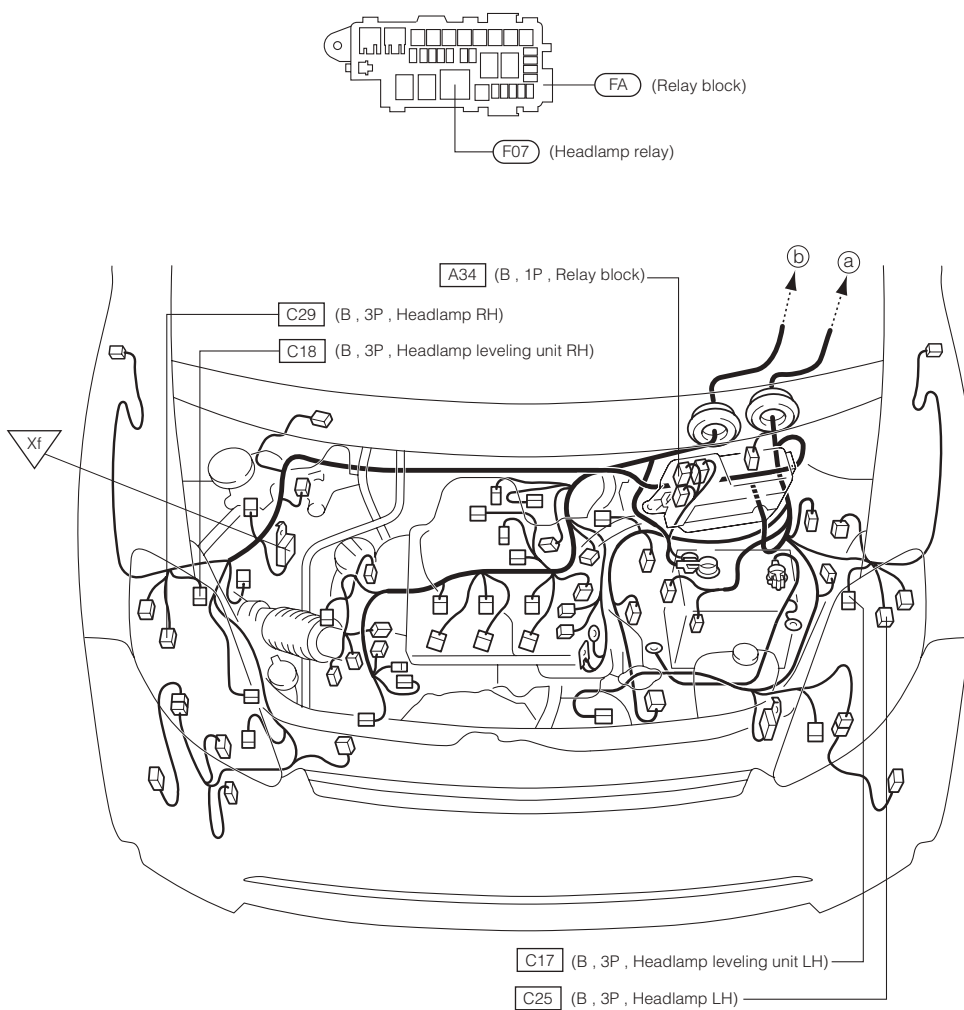




(With headlamp leveling)

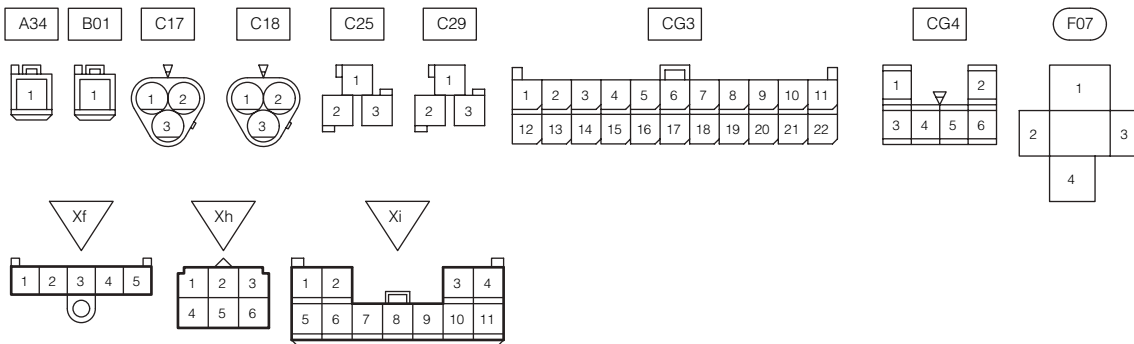
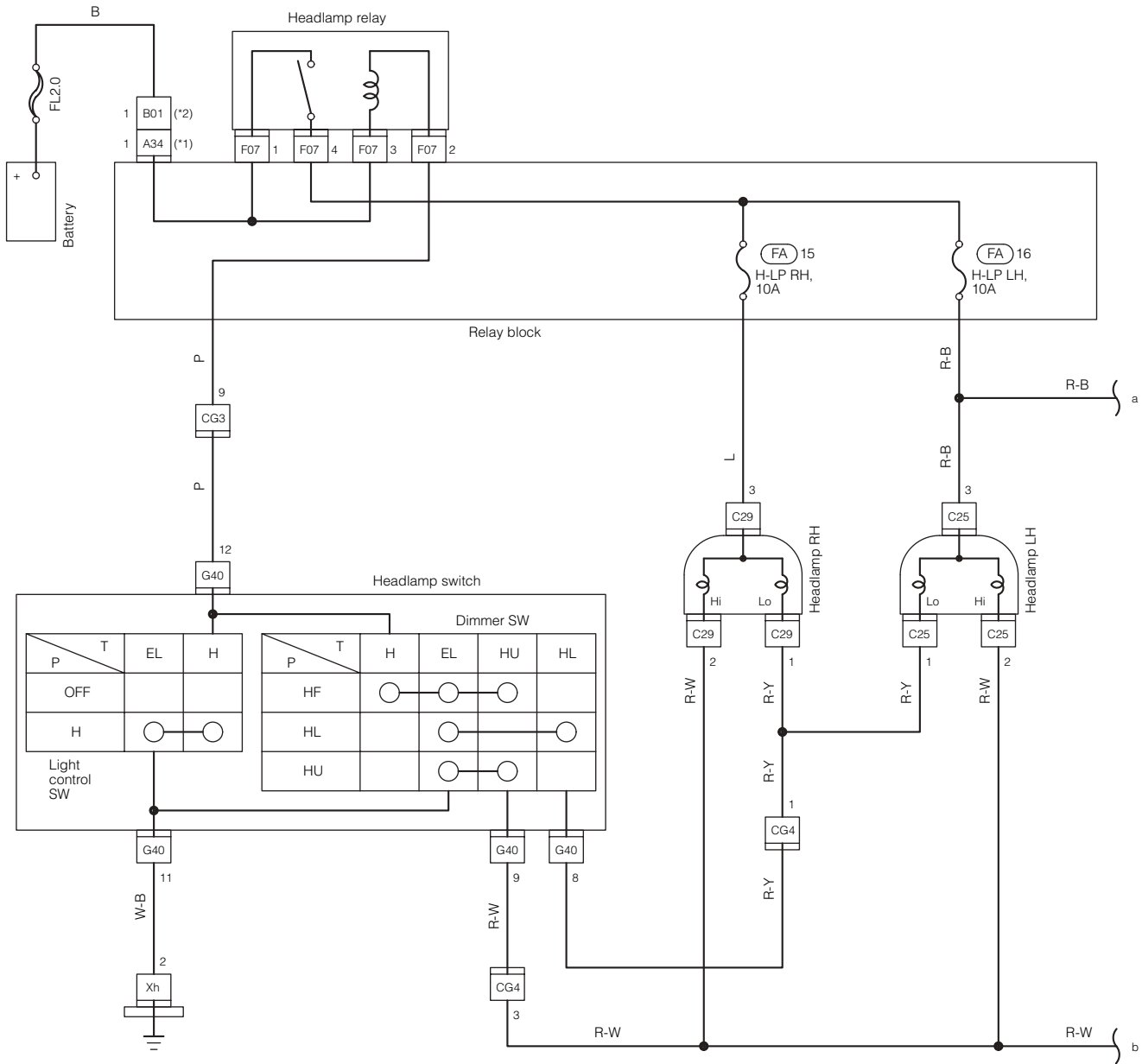


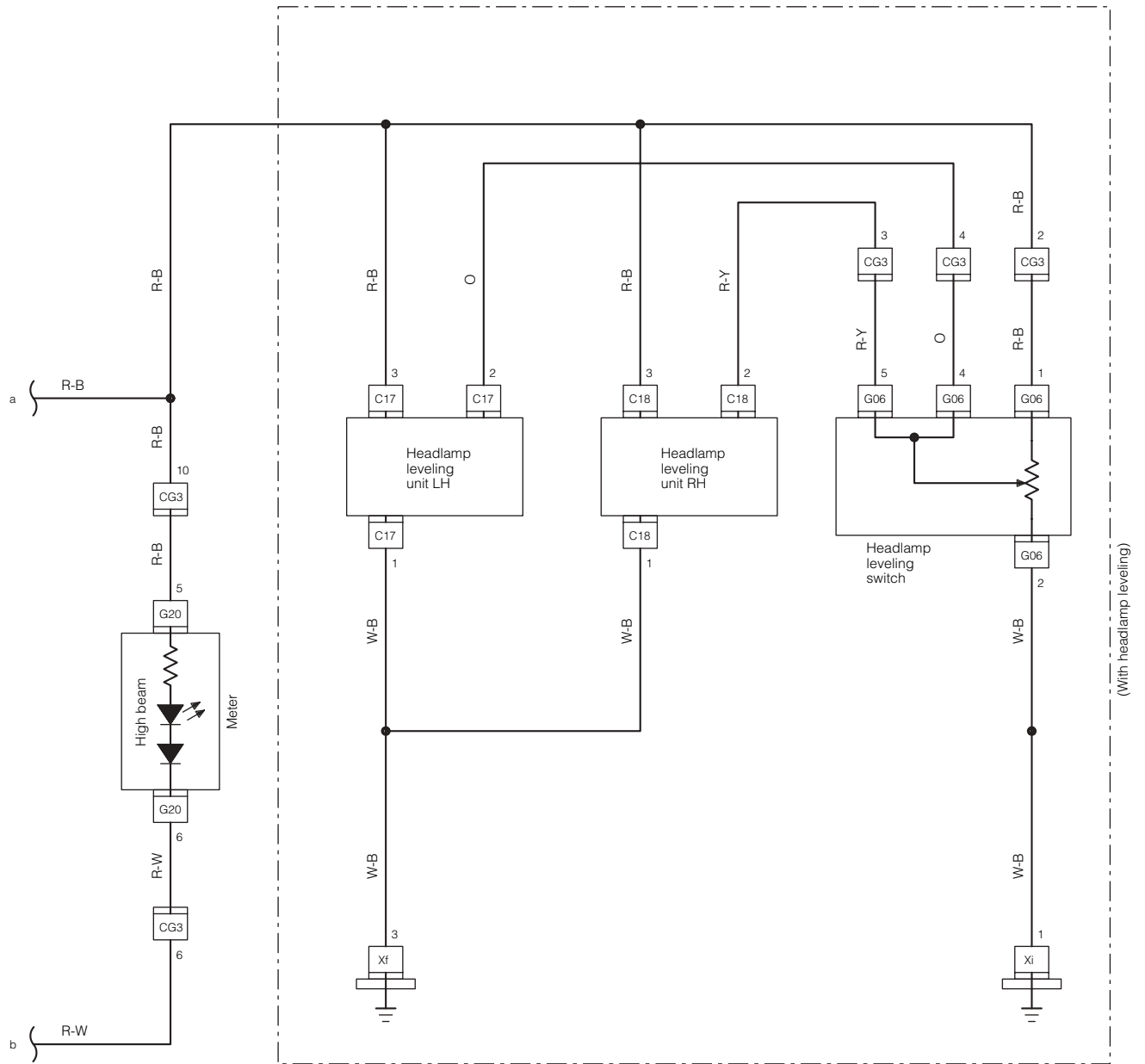




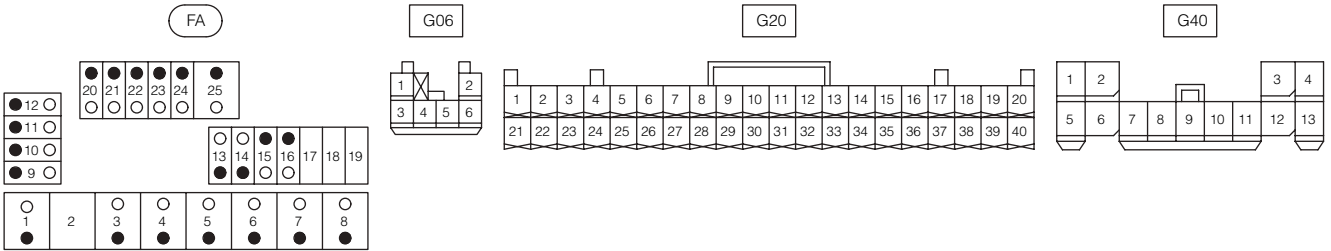
17-2 LHD VEHICLE

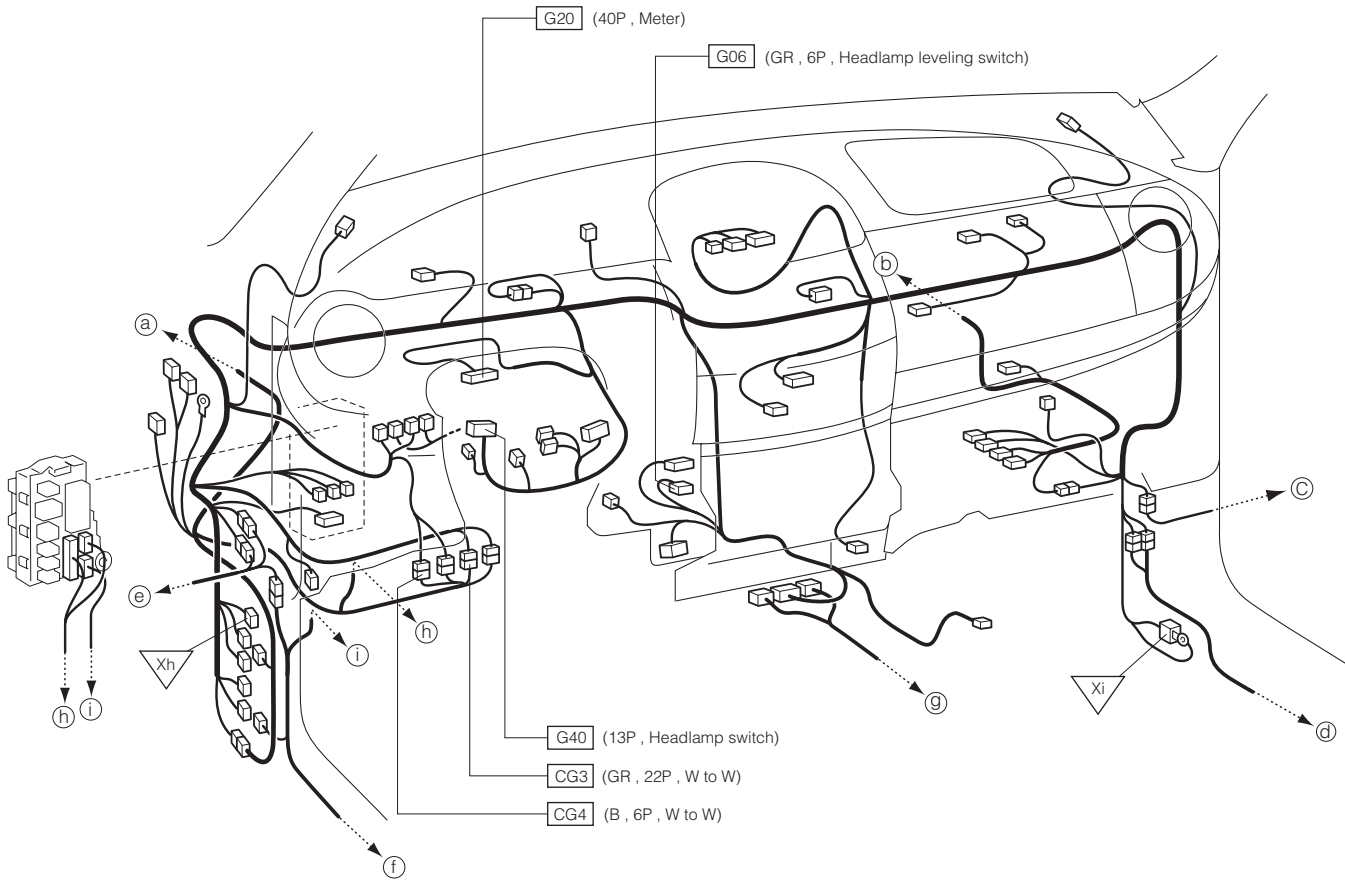
*1:1KR-FE
*2:K3-VE

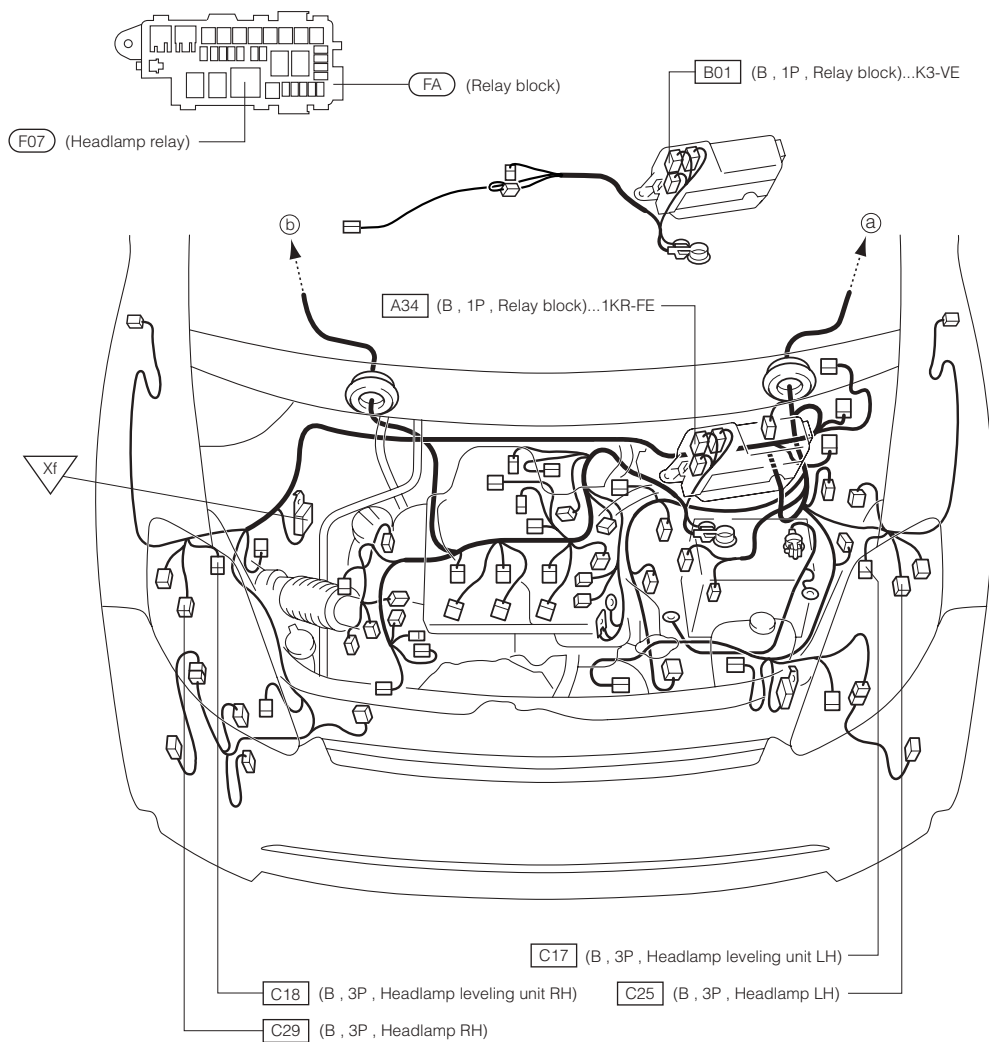




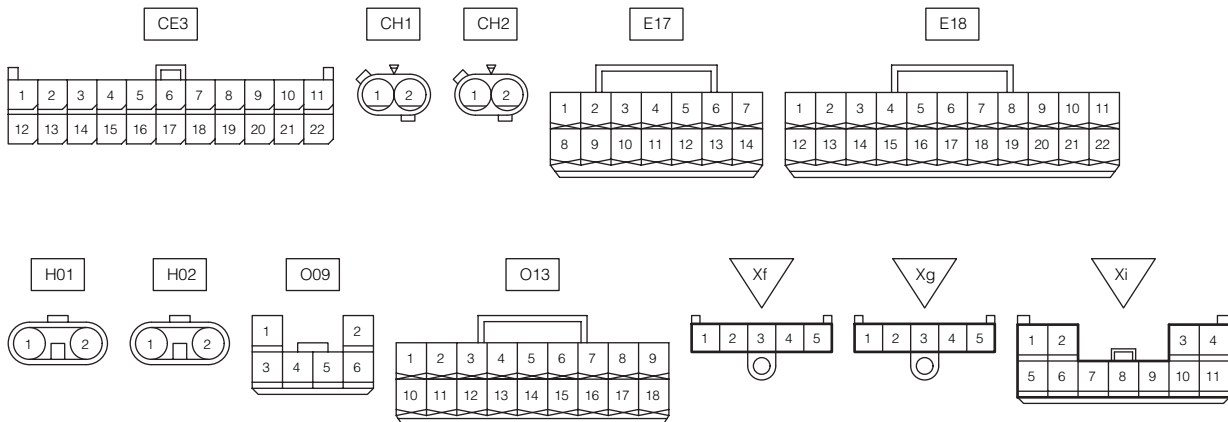
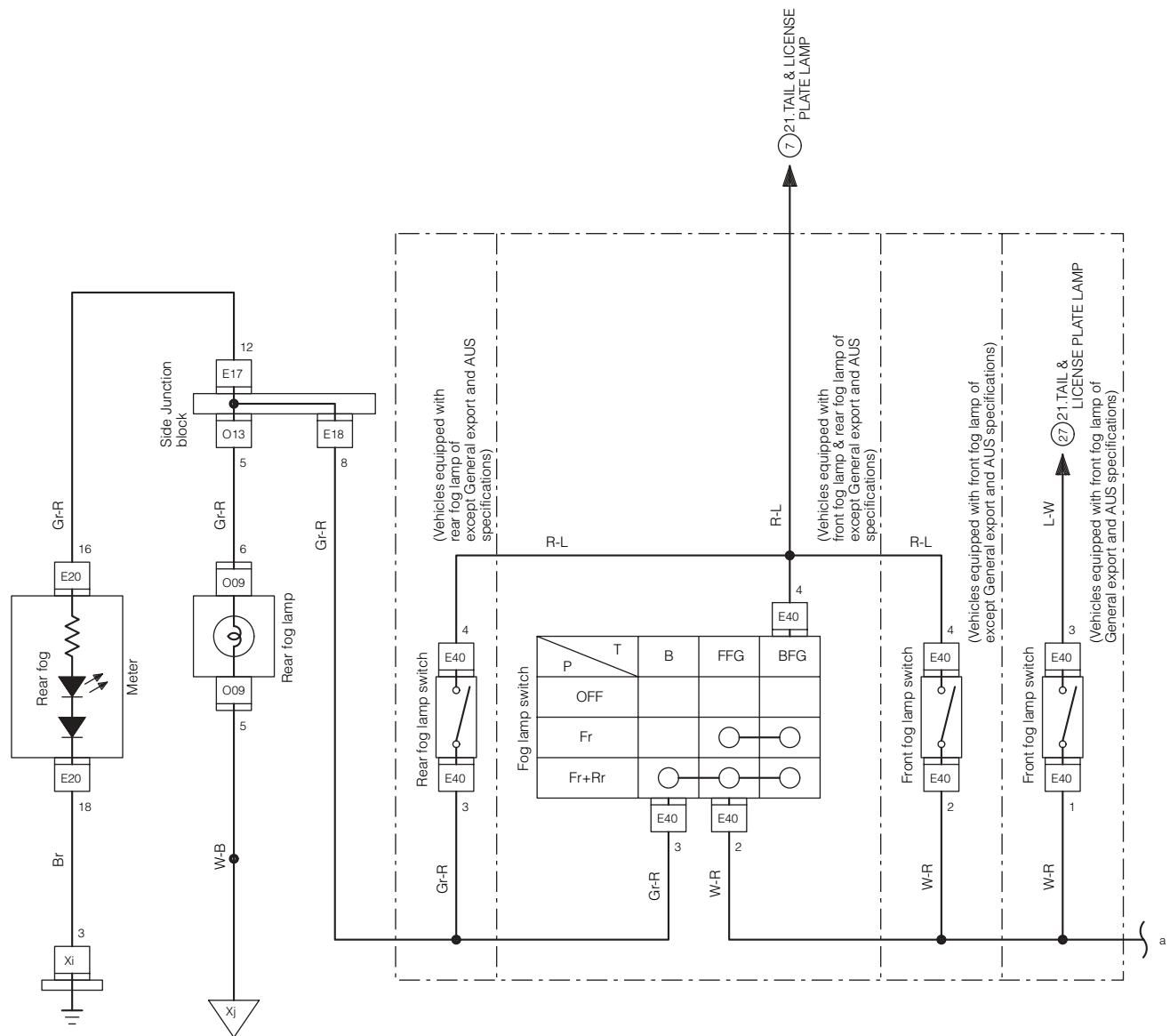
(With headlamp leveling)

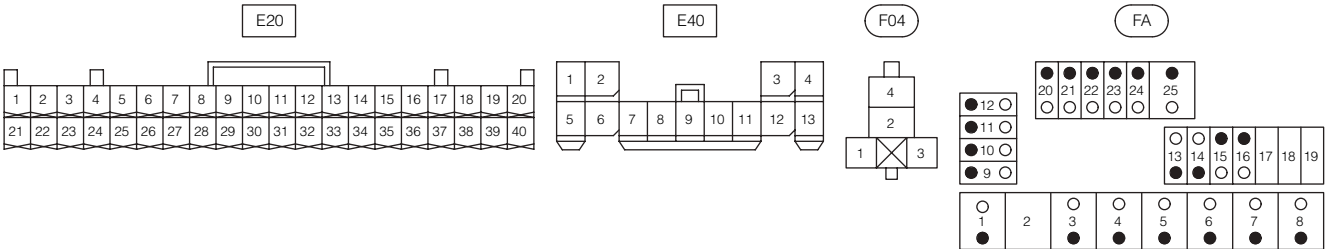
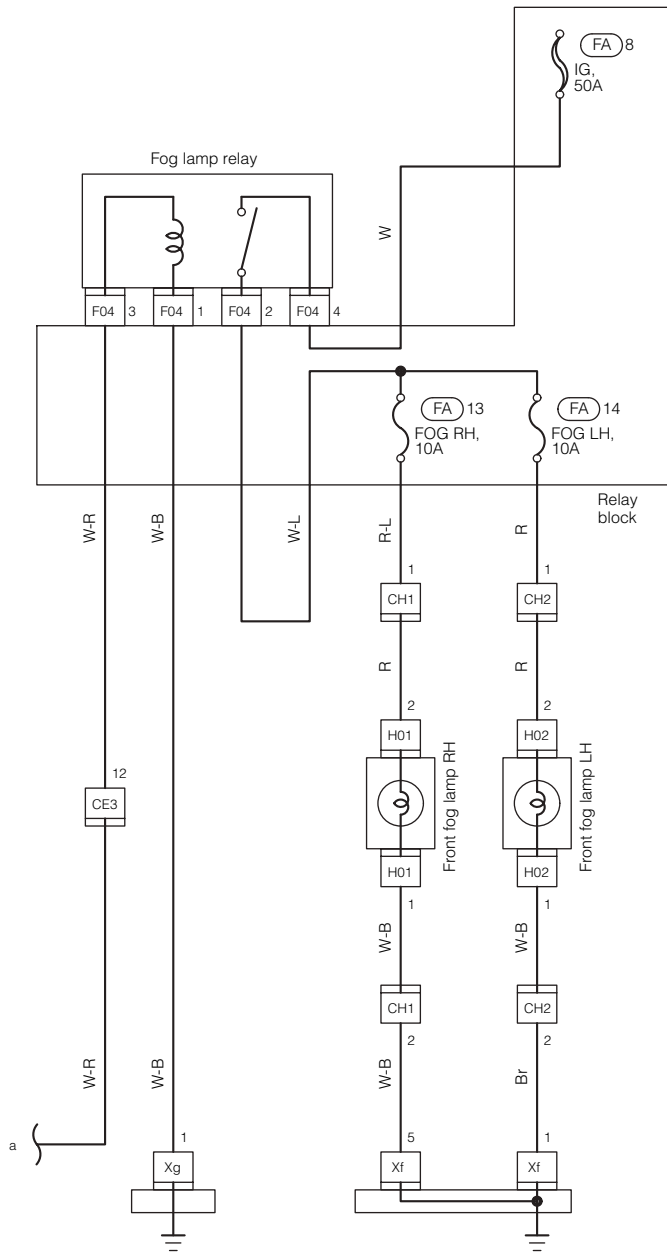


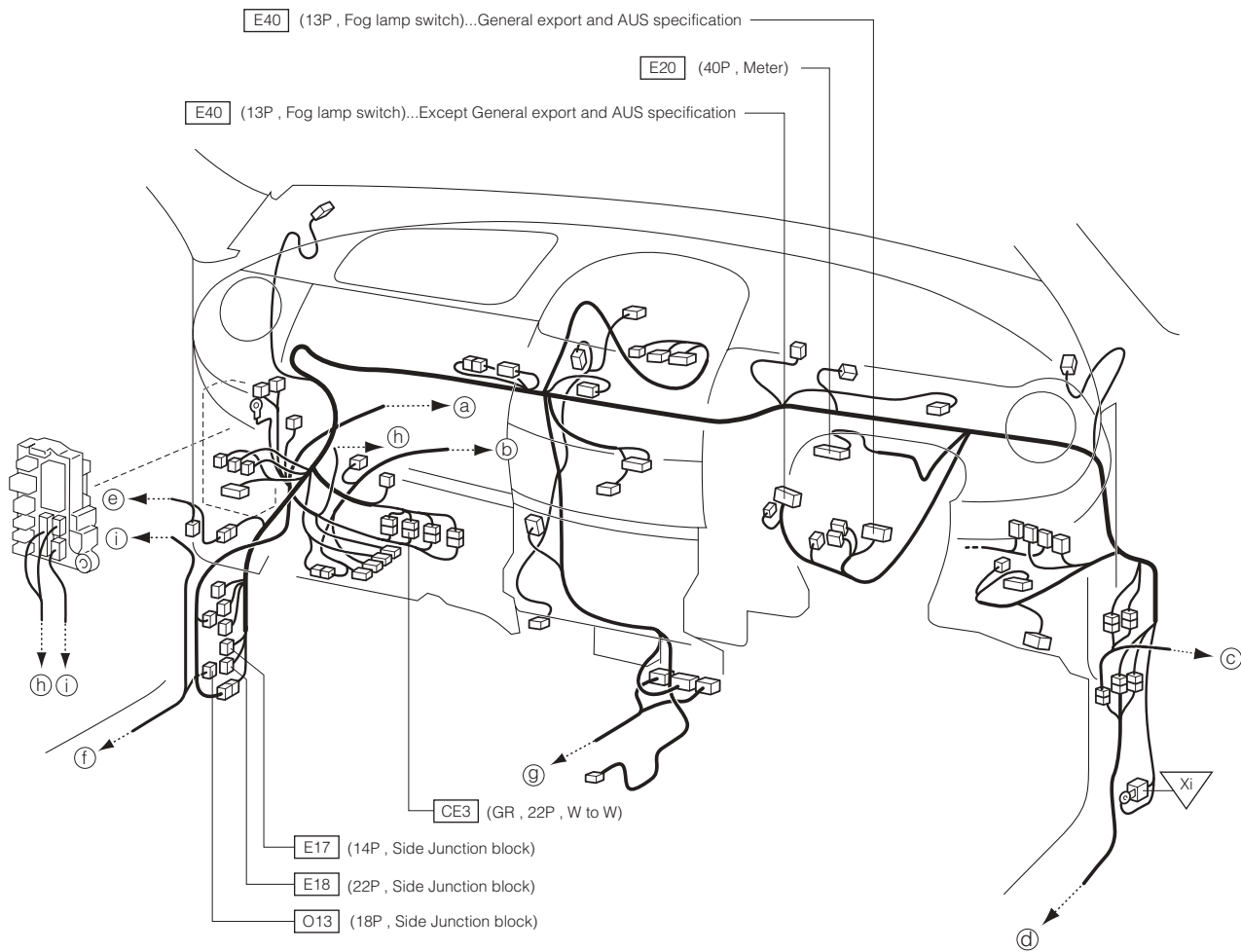


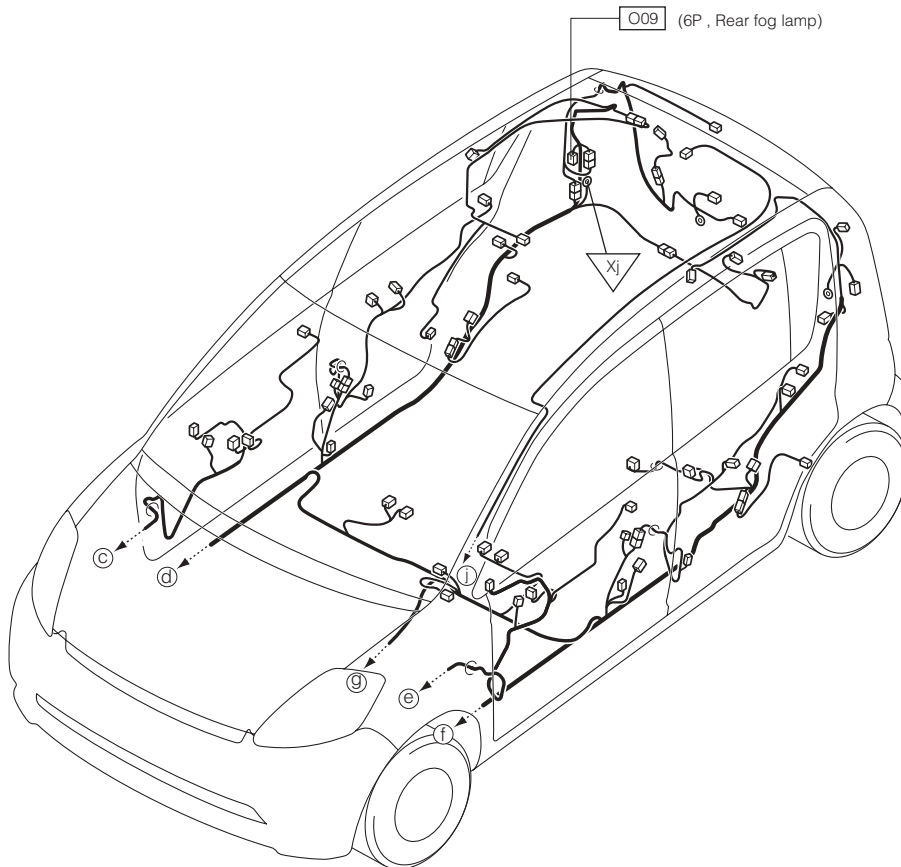
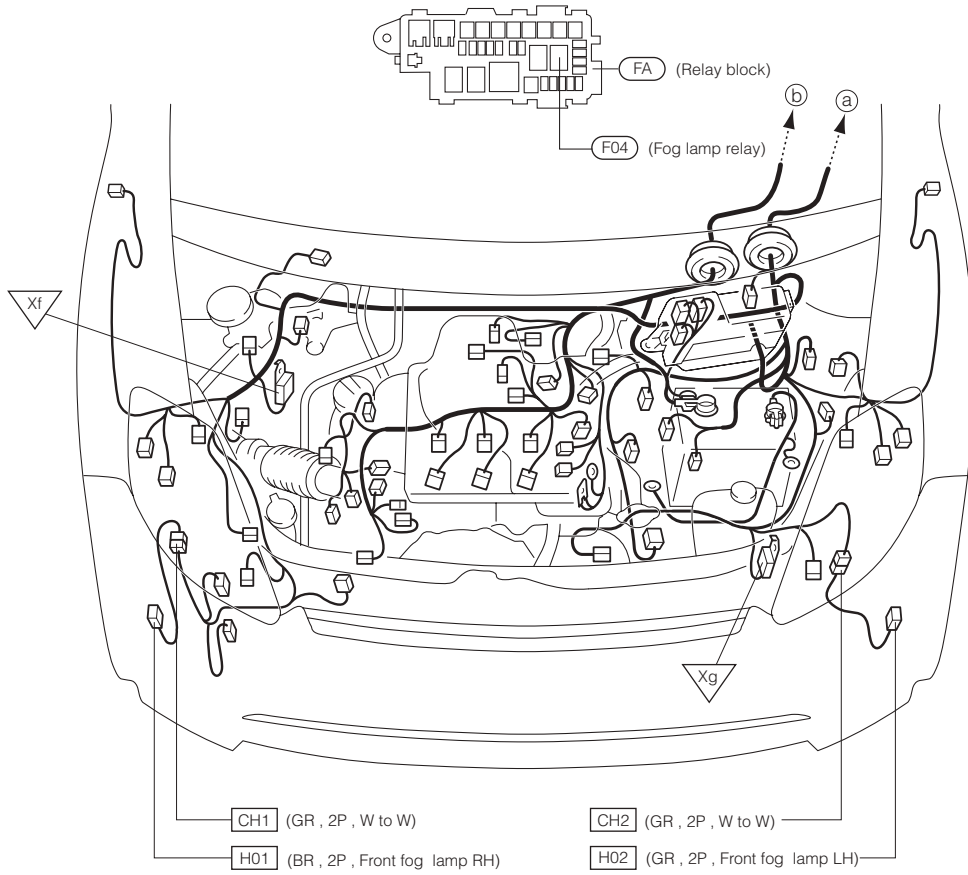


18 FOG LAMP 18-1 RHD VEHICLE

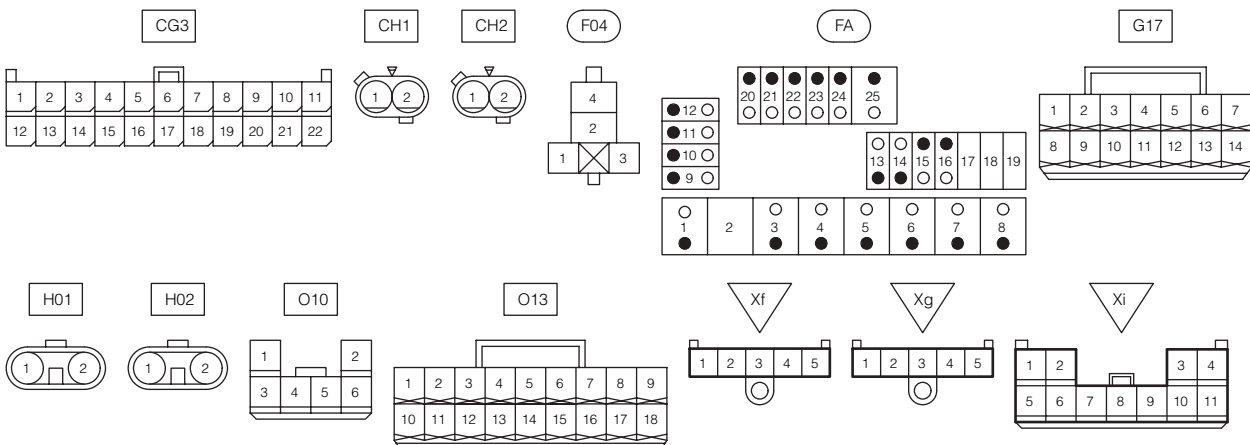
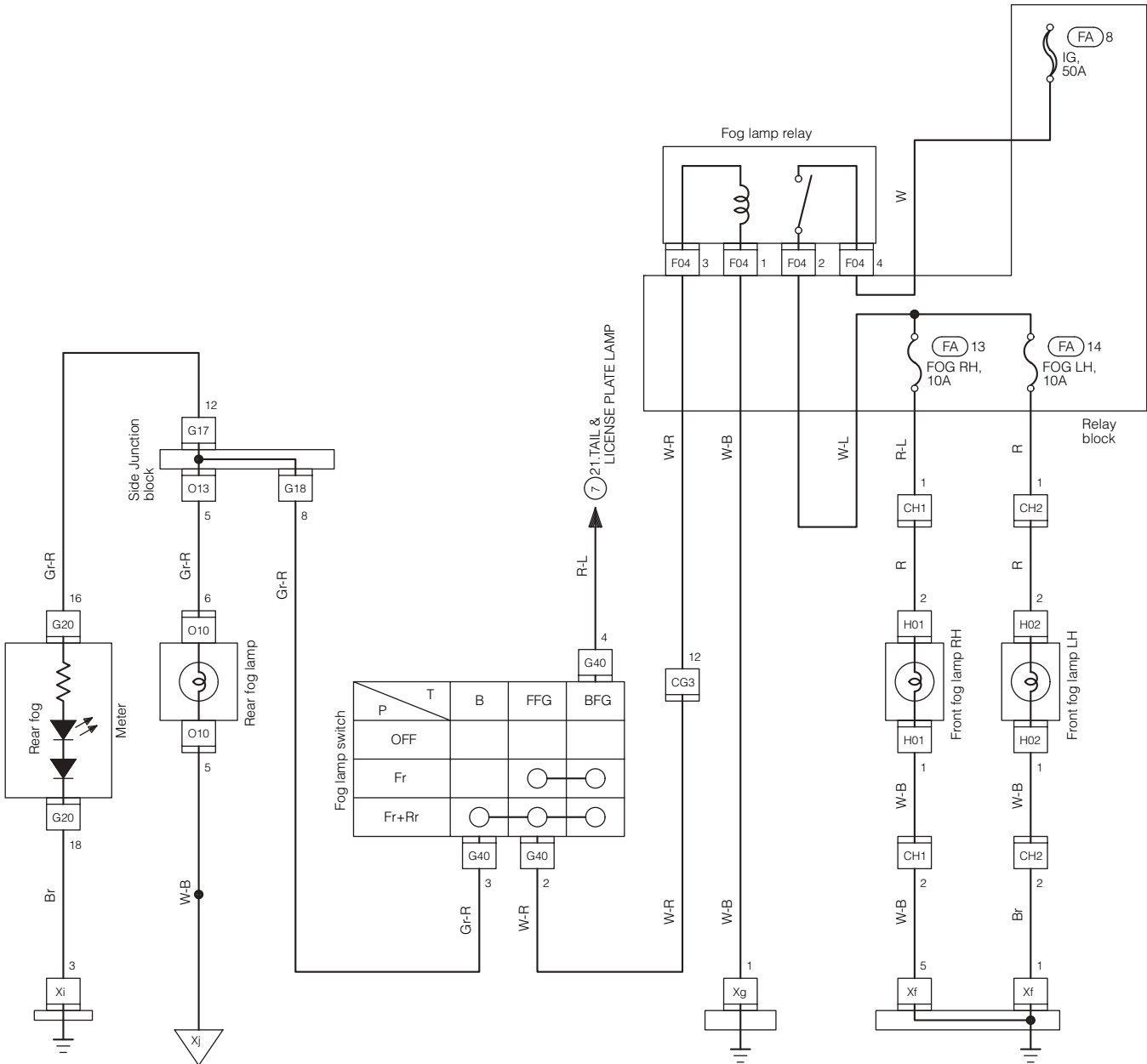




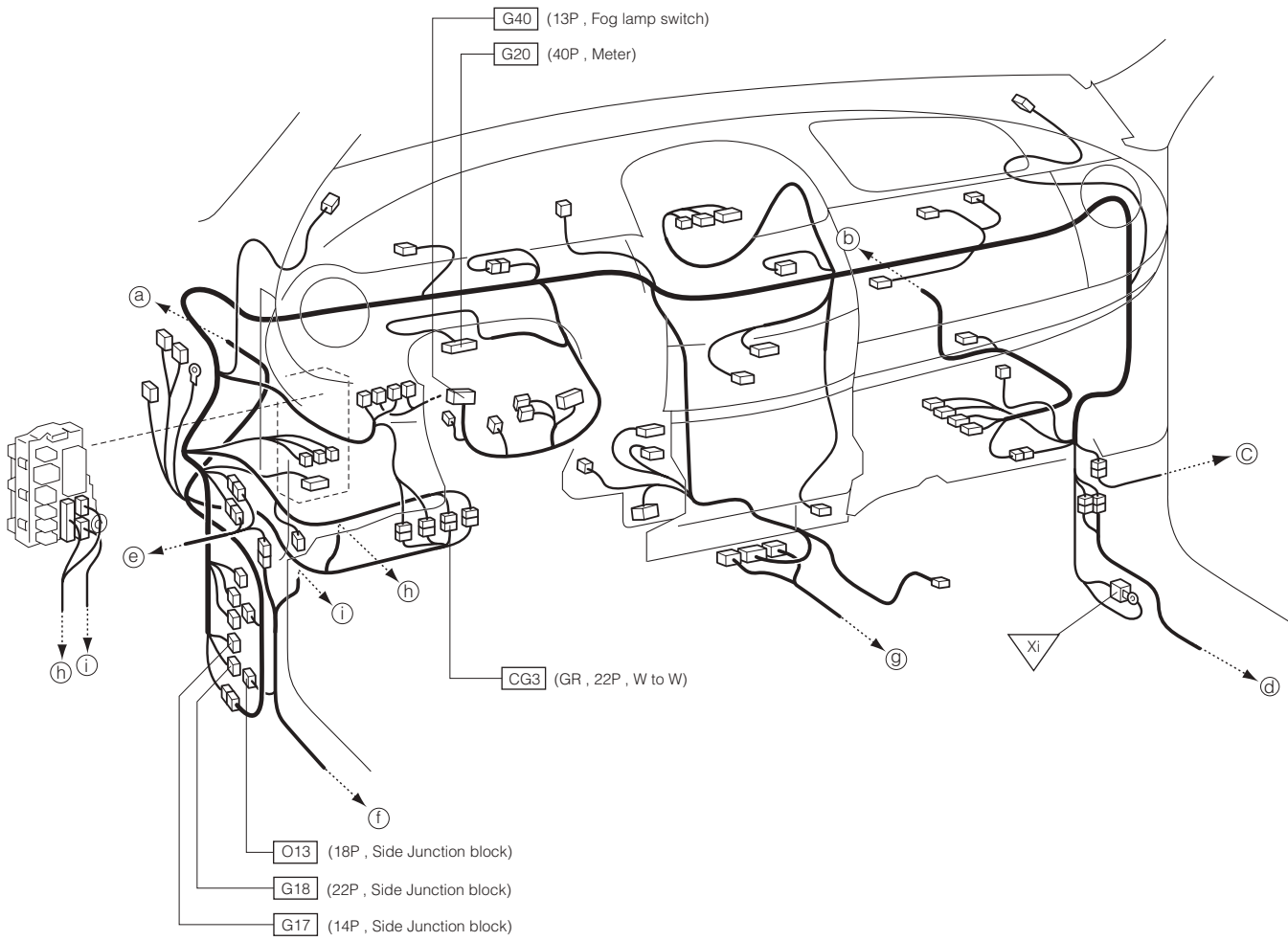


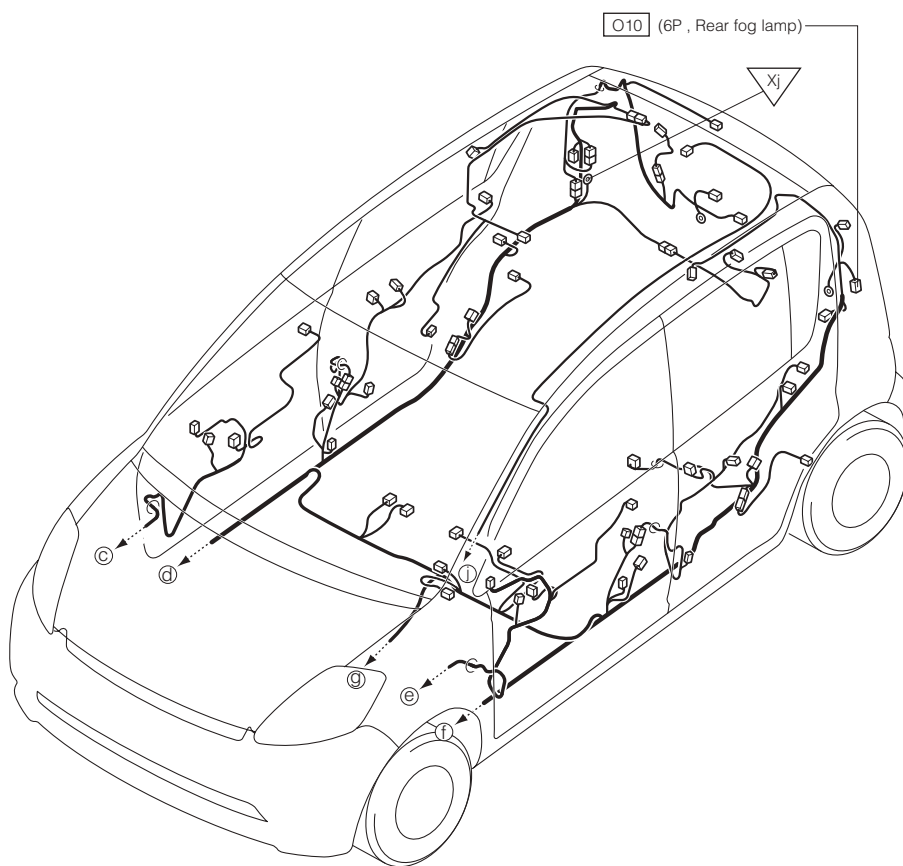
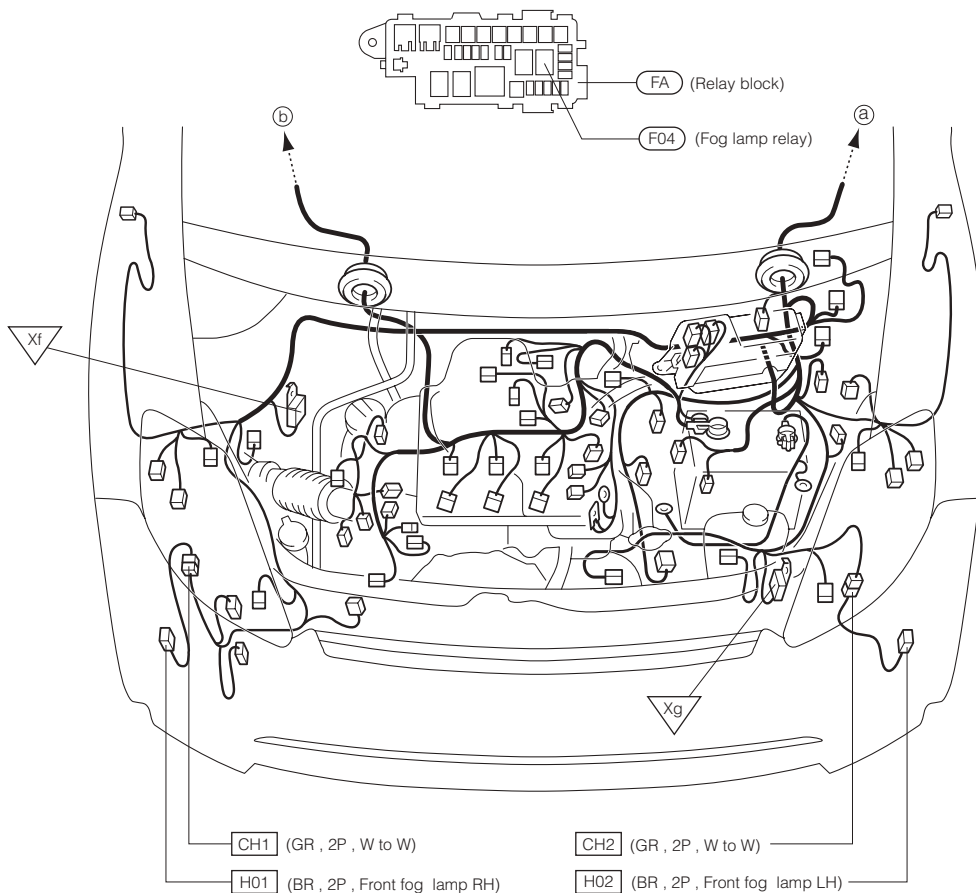


18-2 LHD VEHICLE



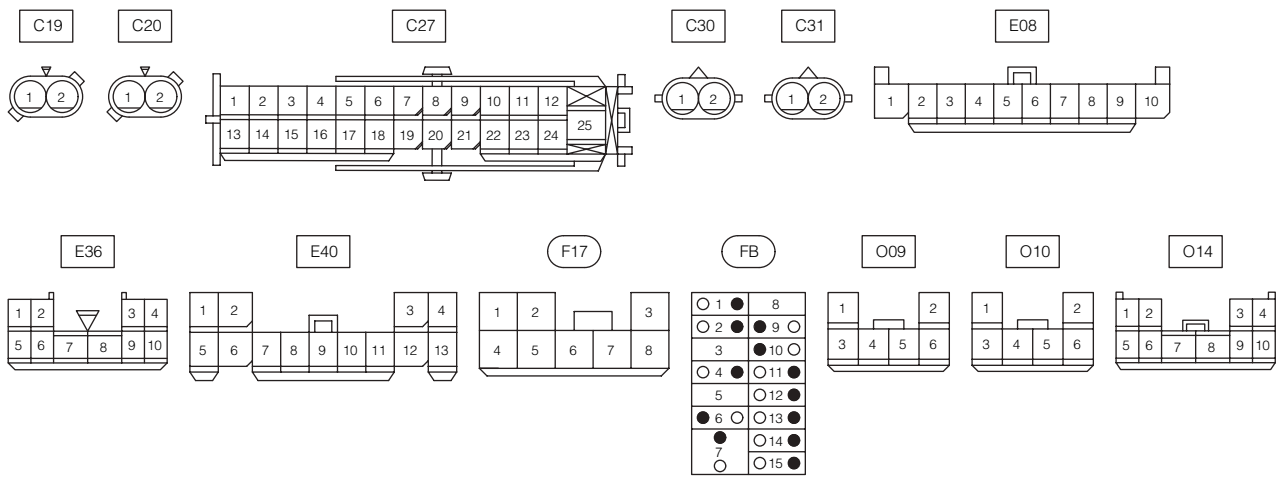
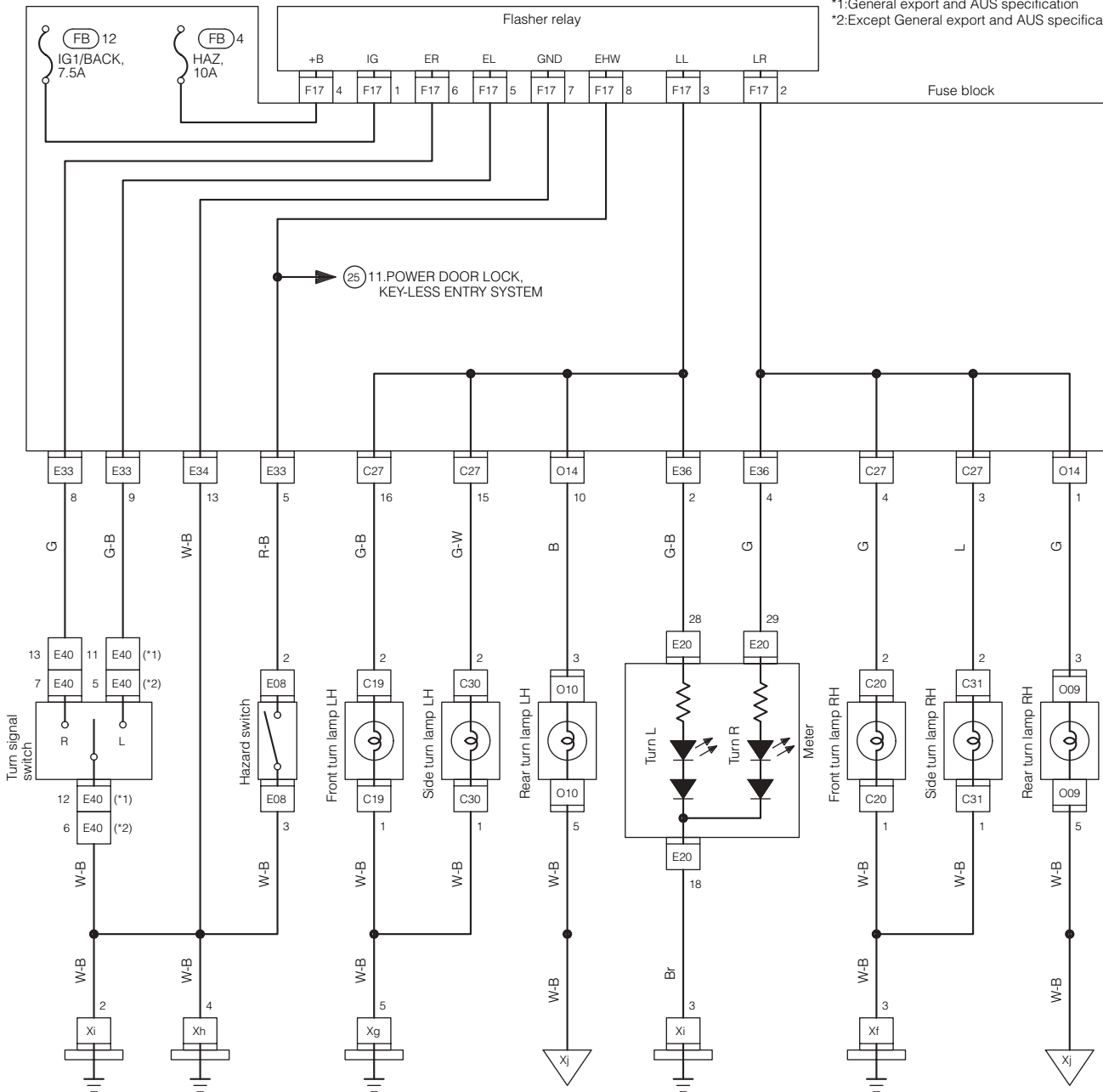


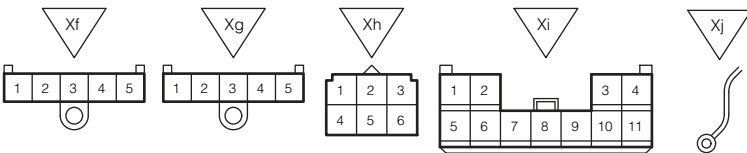
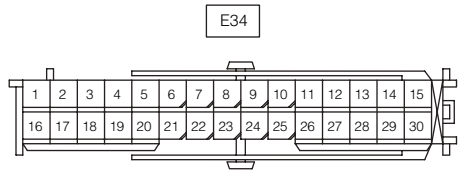
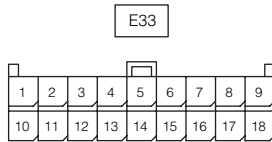


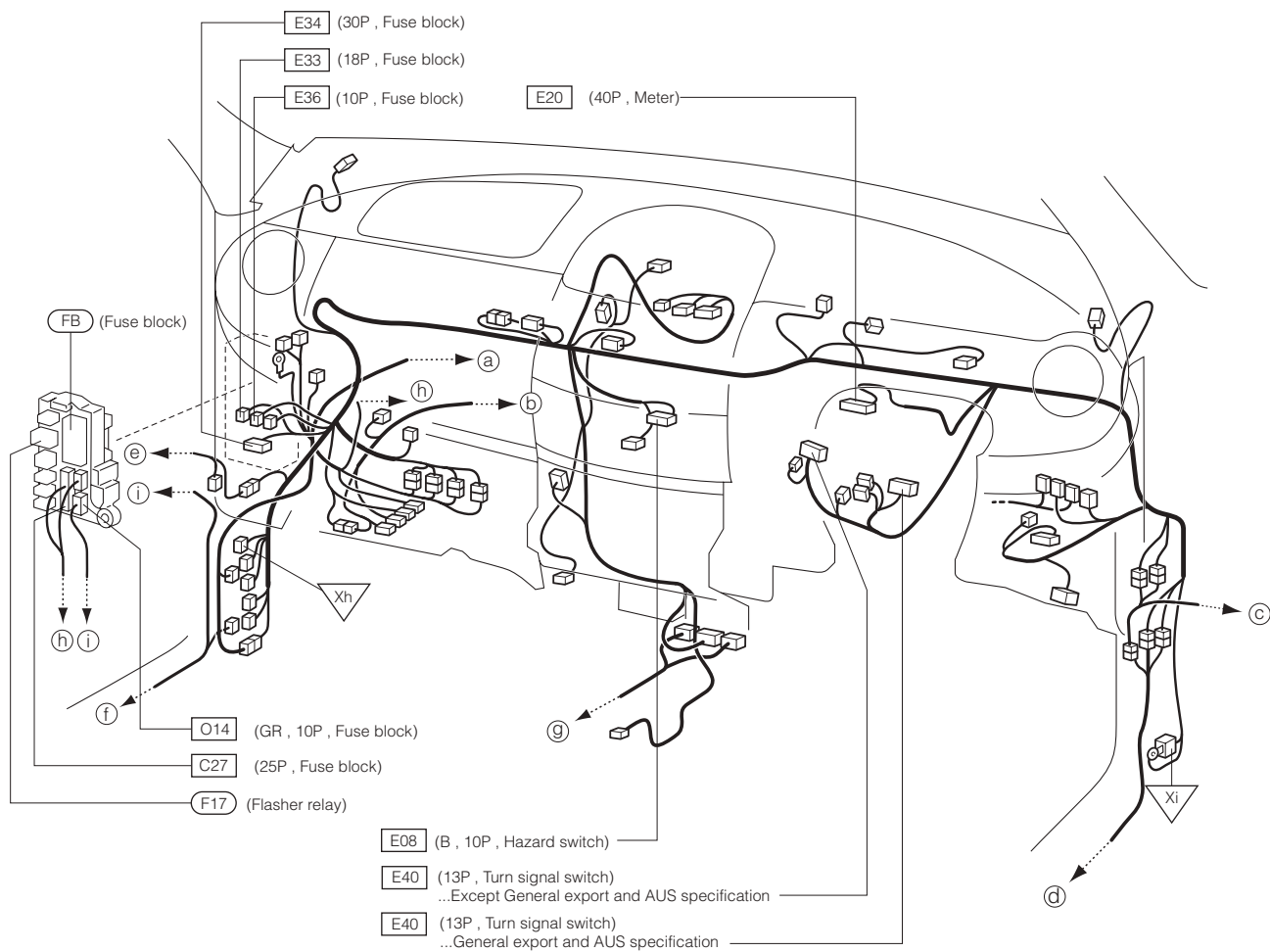


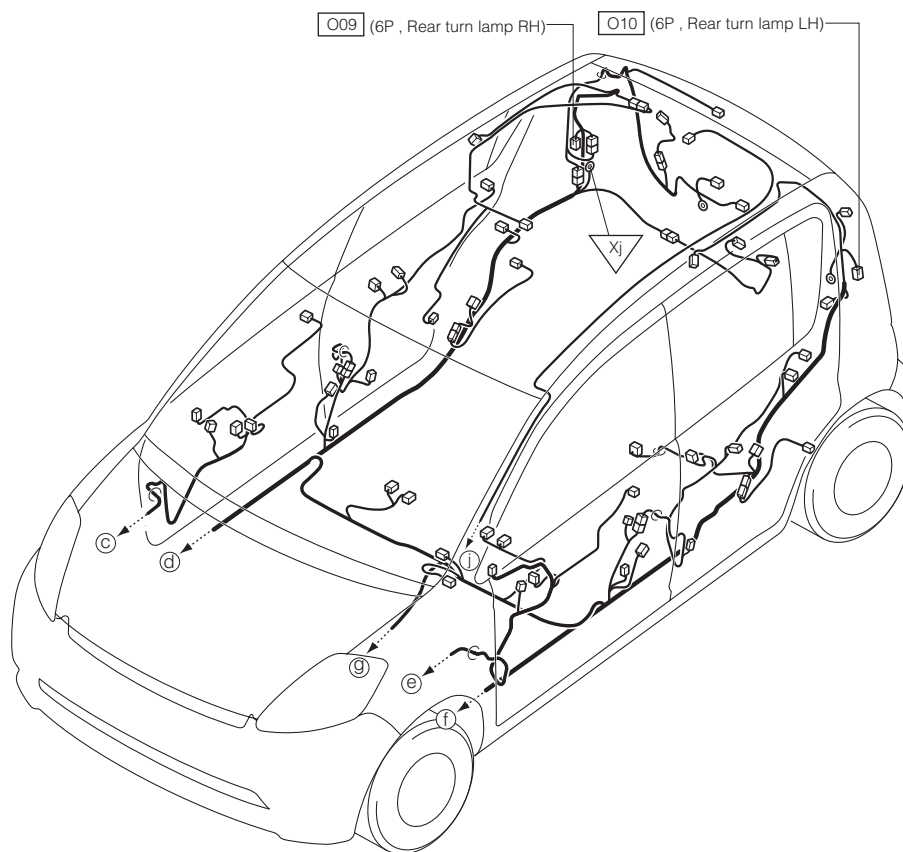
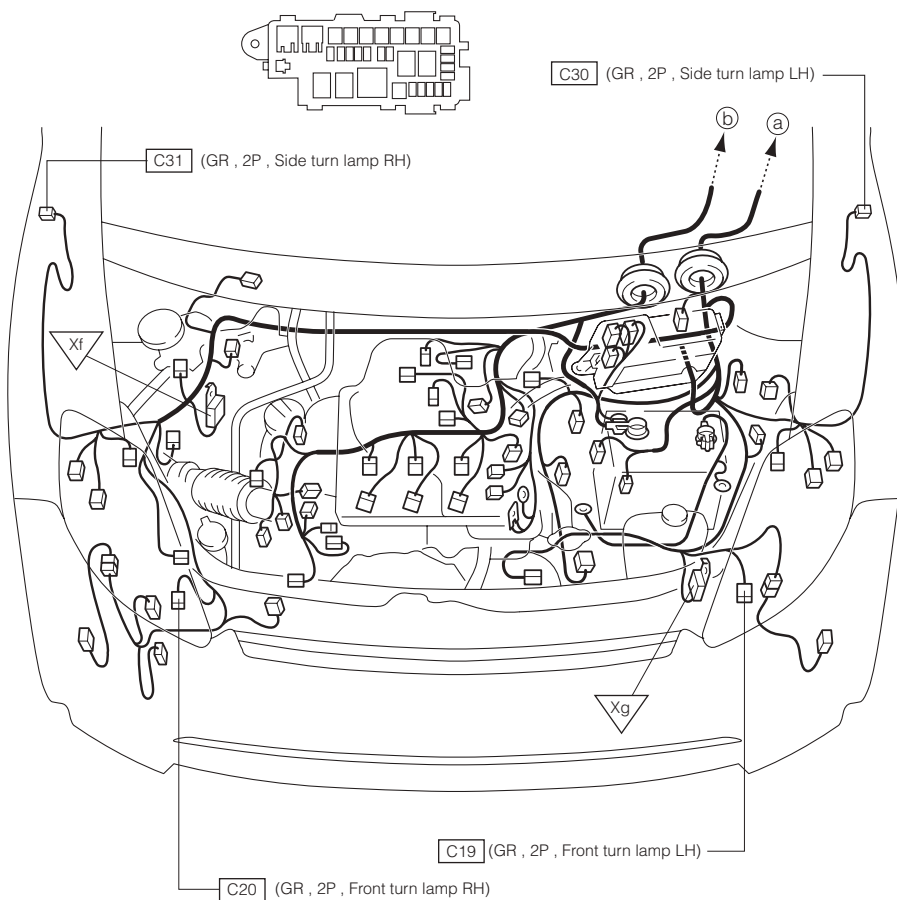
19 HAZARD WARNING & TURN SIGNAL LAMP 19-1 RHD VEHICLE

*1: General export and AUS specification
*2: Except General export and AUS specification

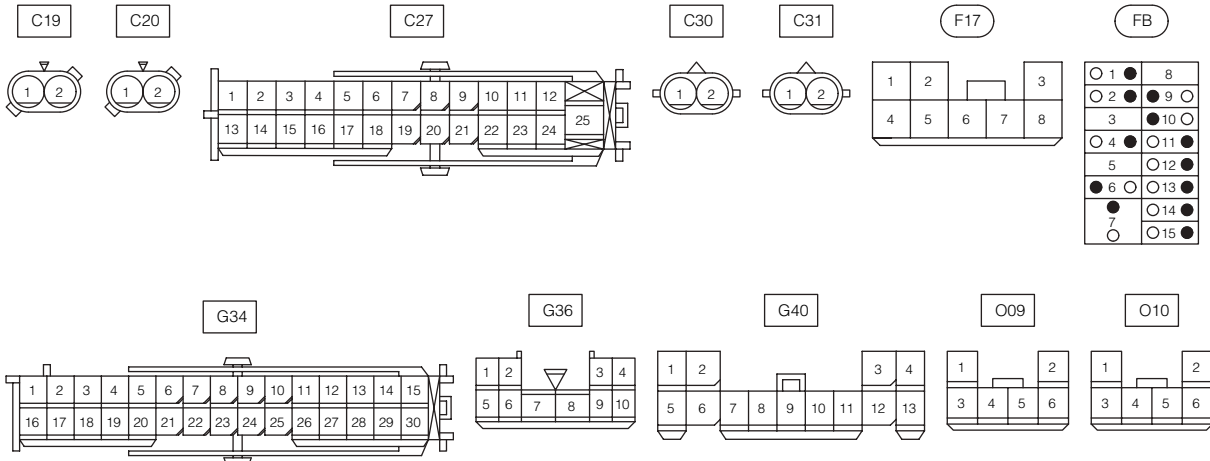
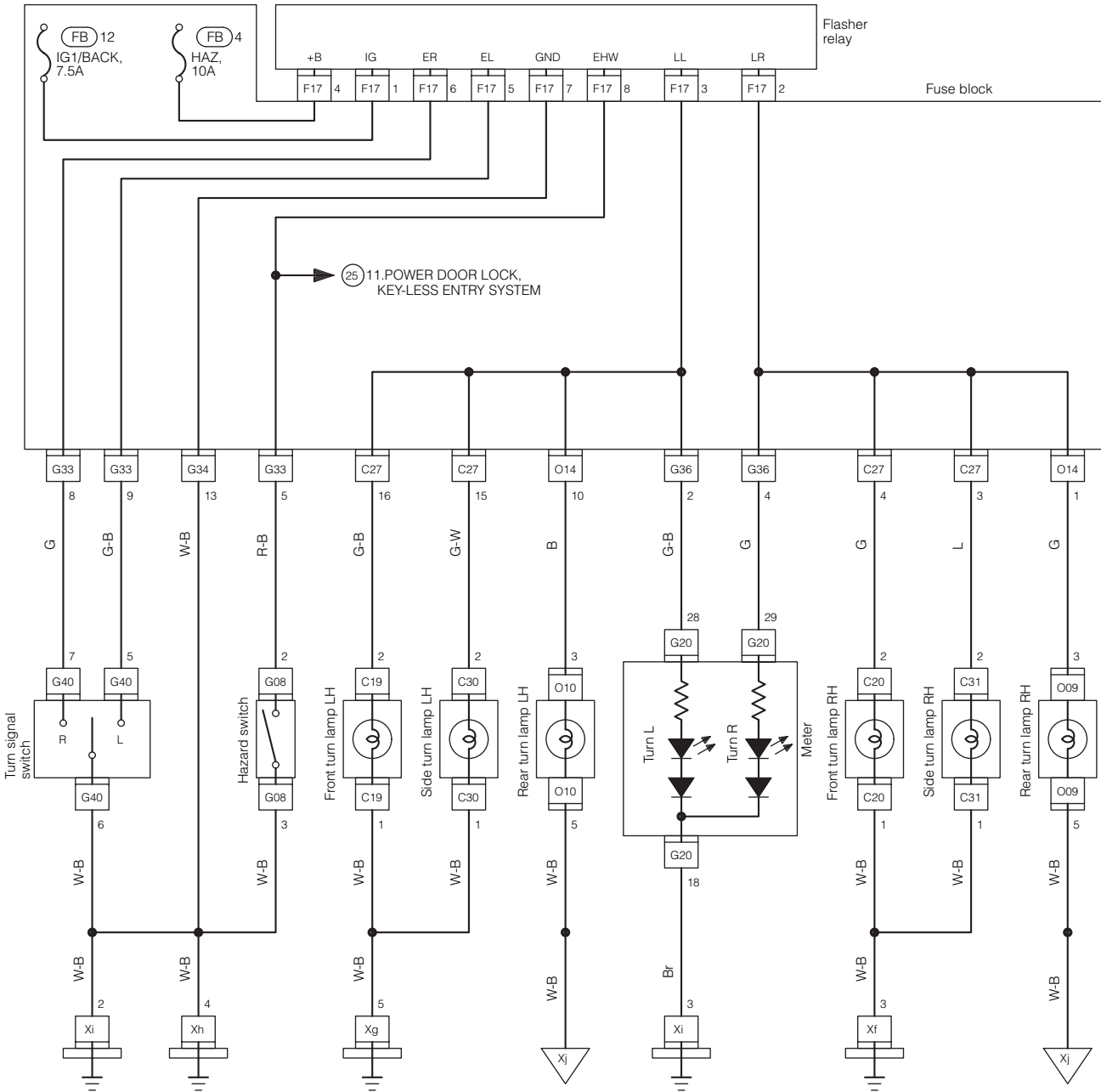


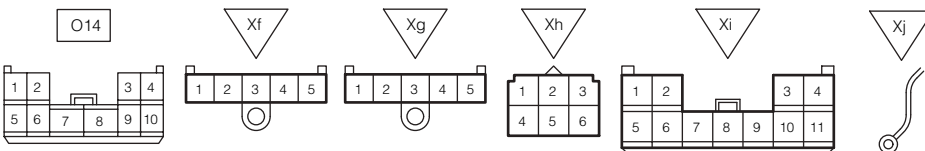
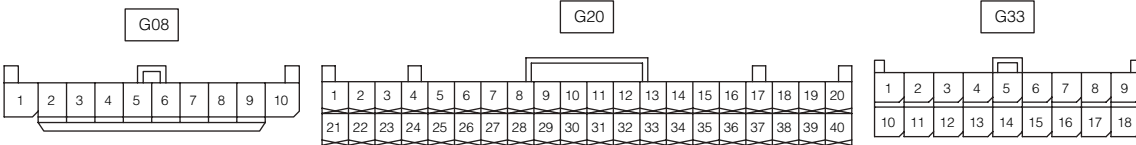


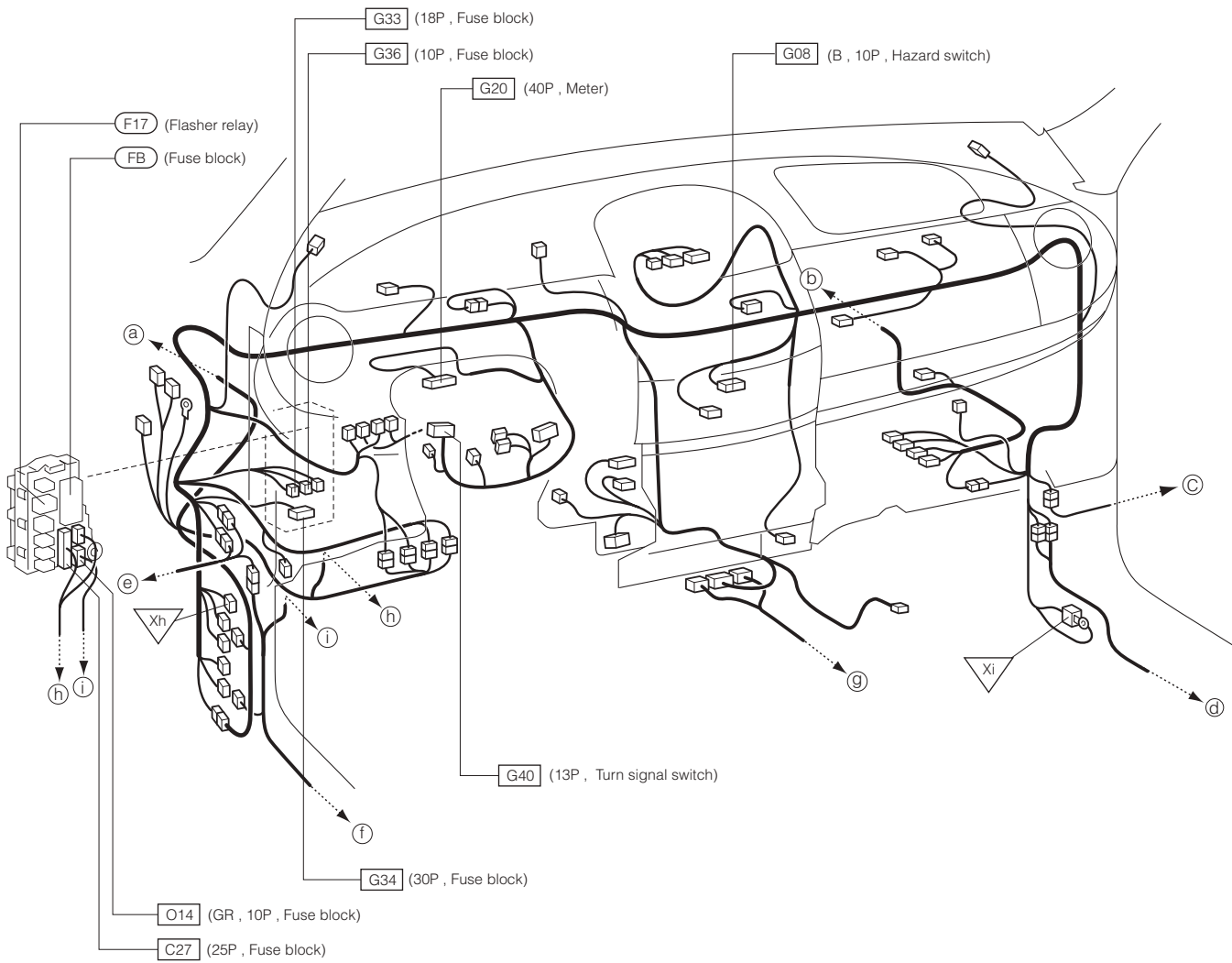


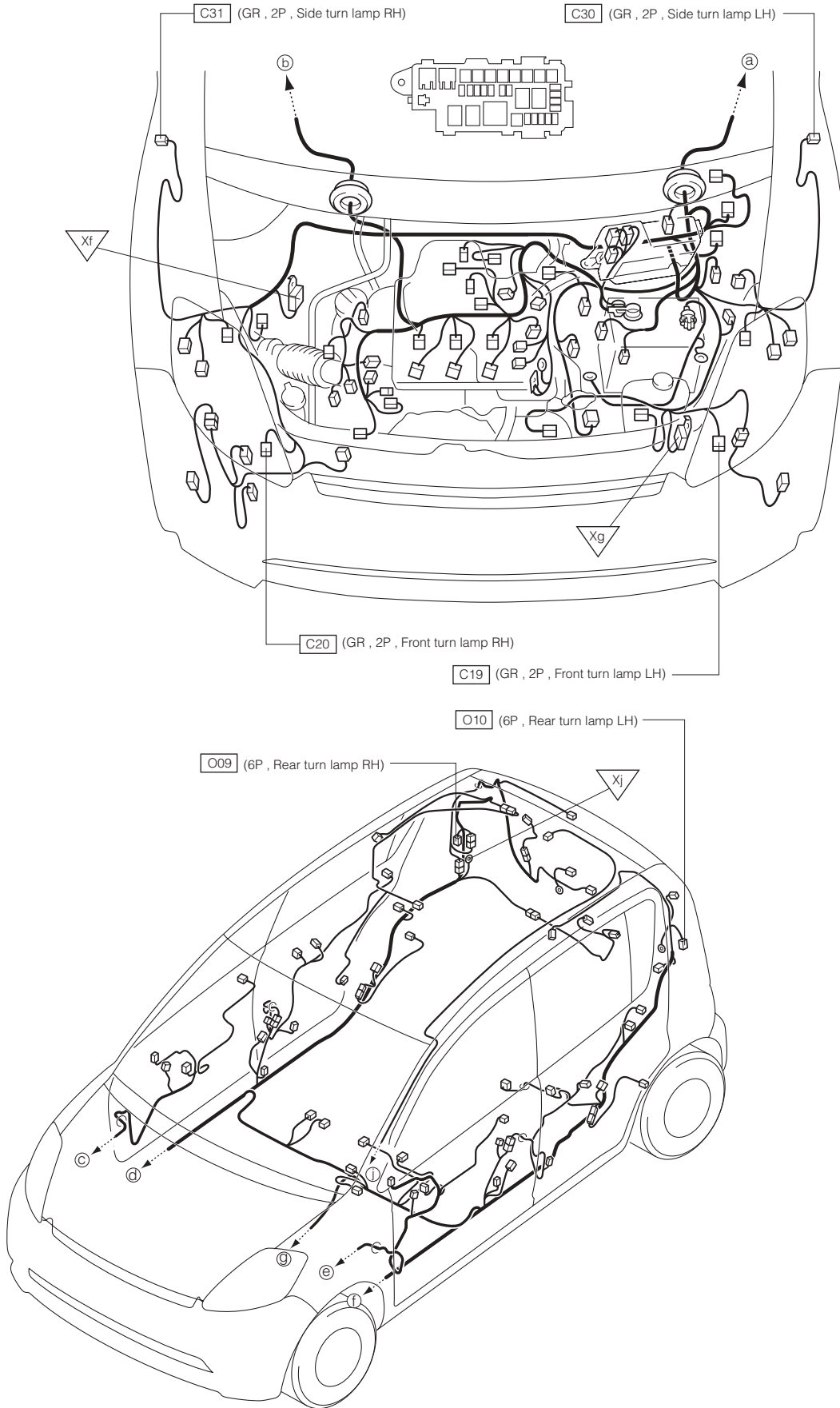


19-2 LHD VEHICLE



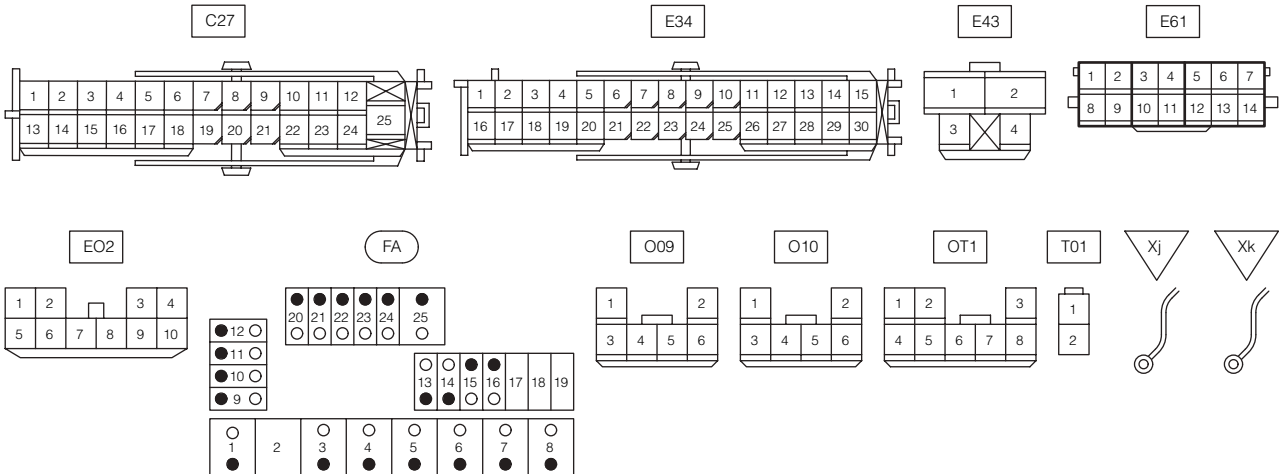
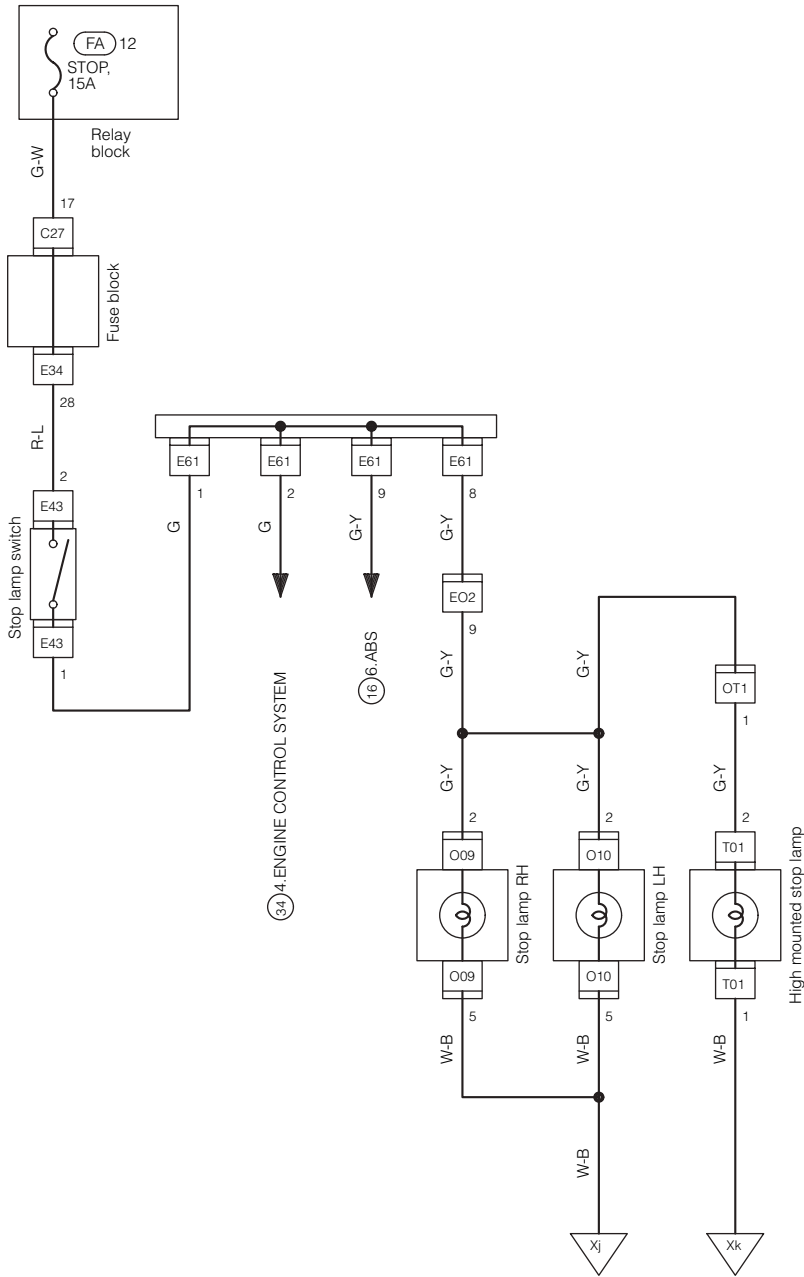




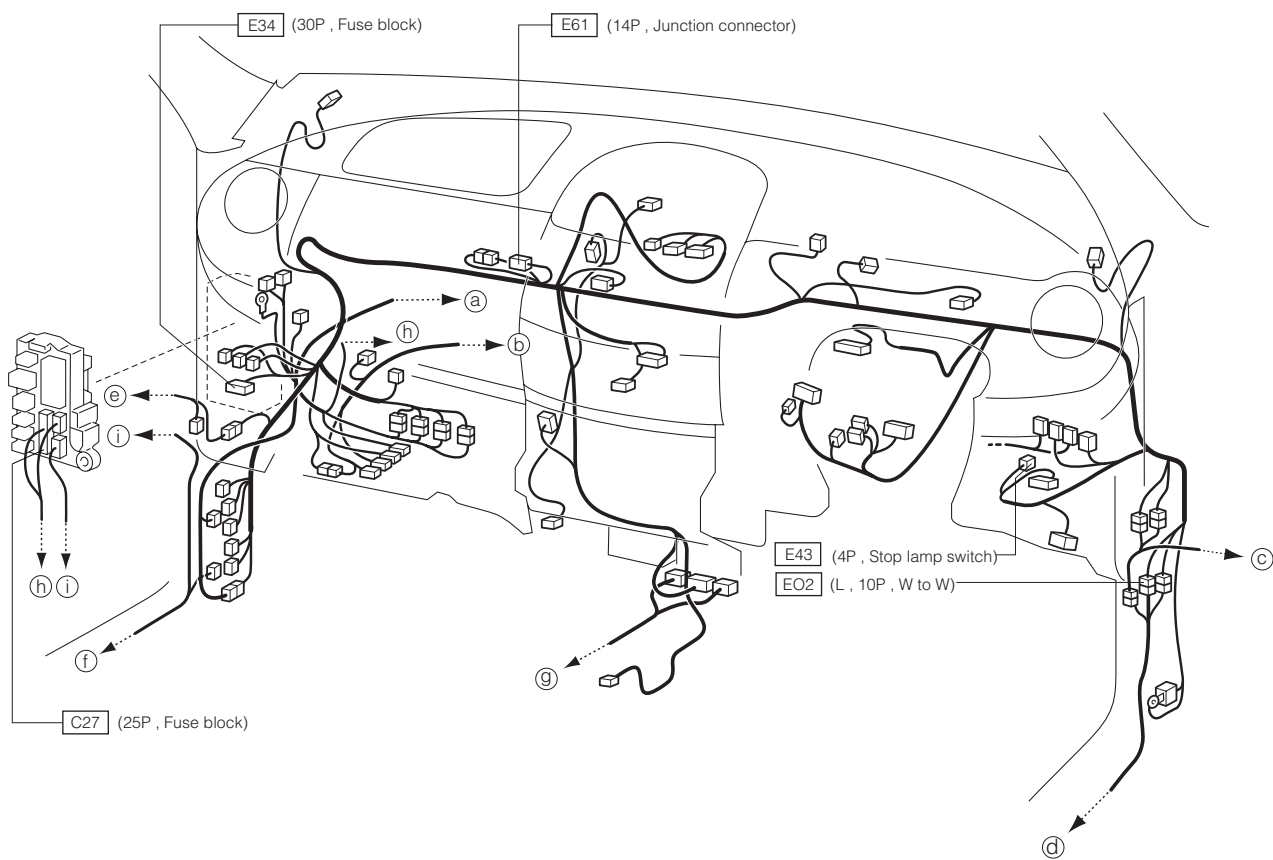


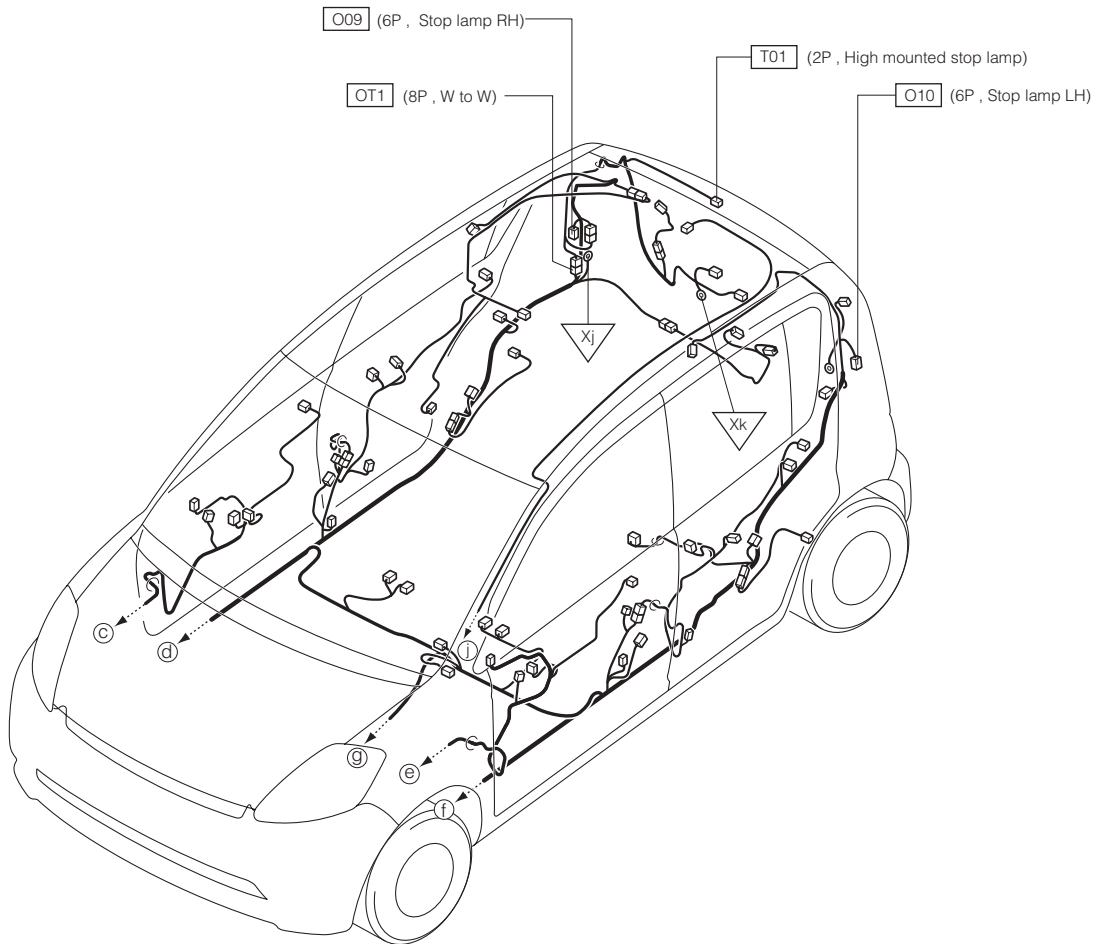
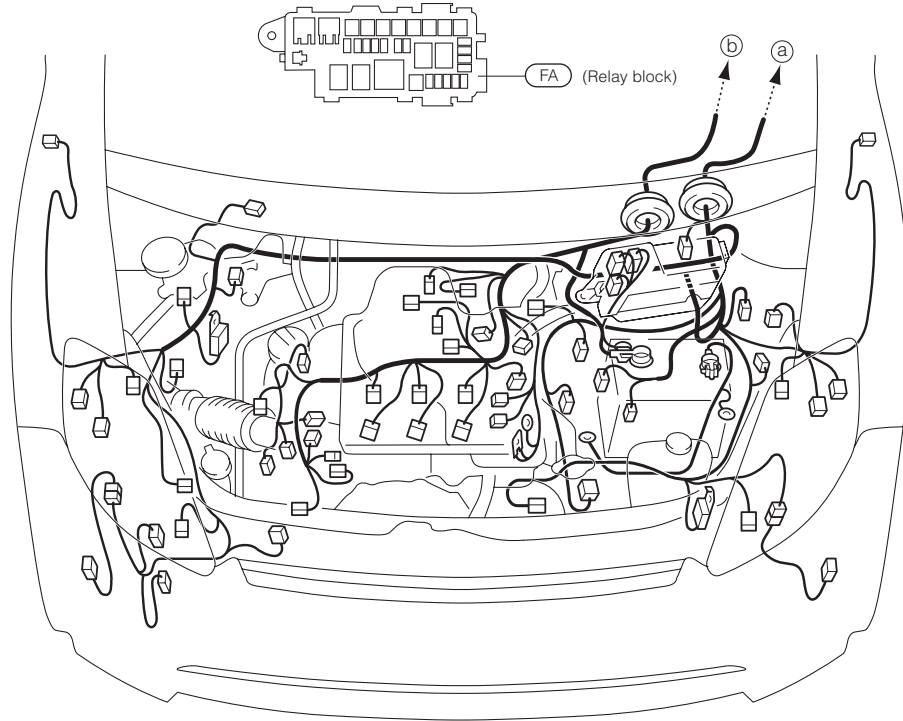
D-173

20 STOP LAMP 20-1 RHD VEHICLE

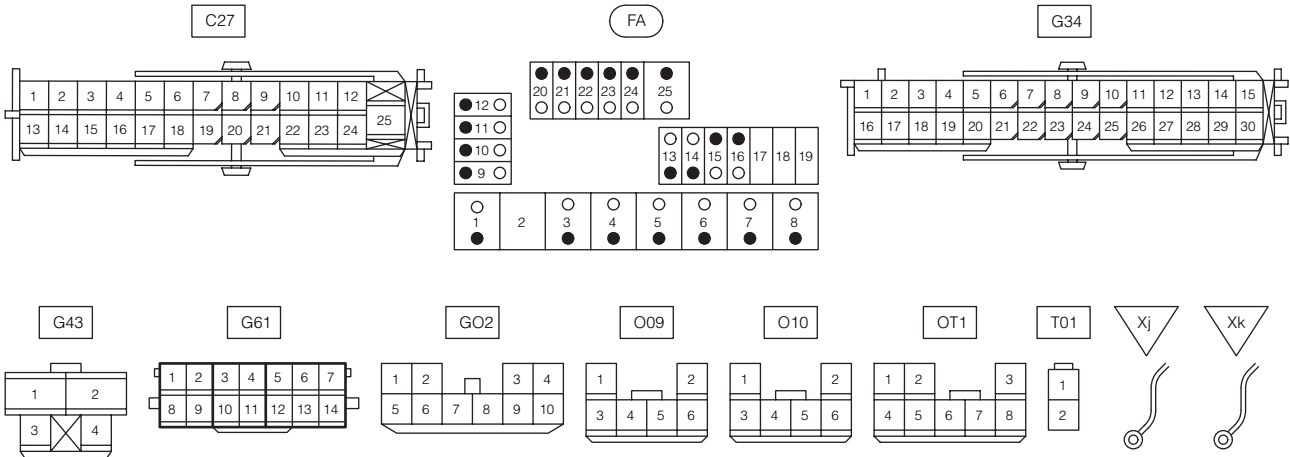
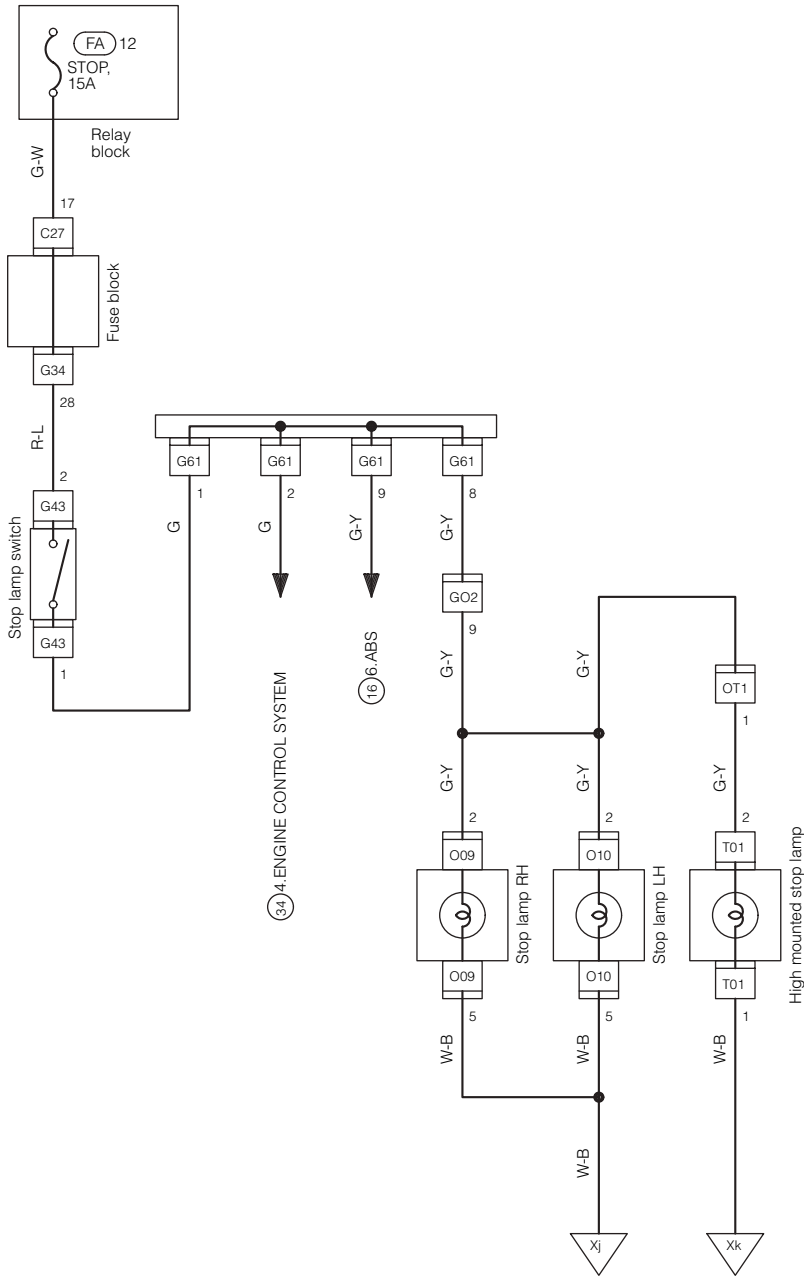


(MEMO)

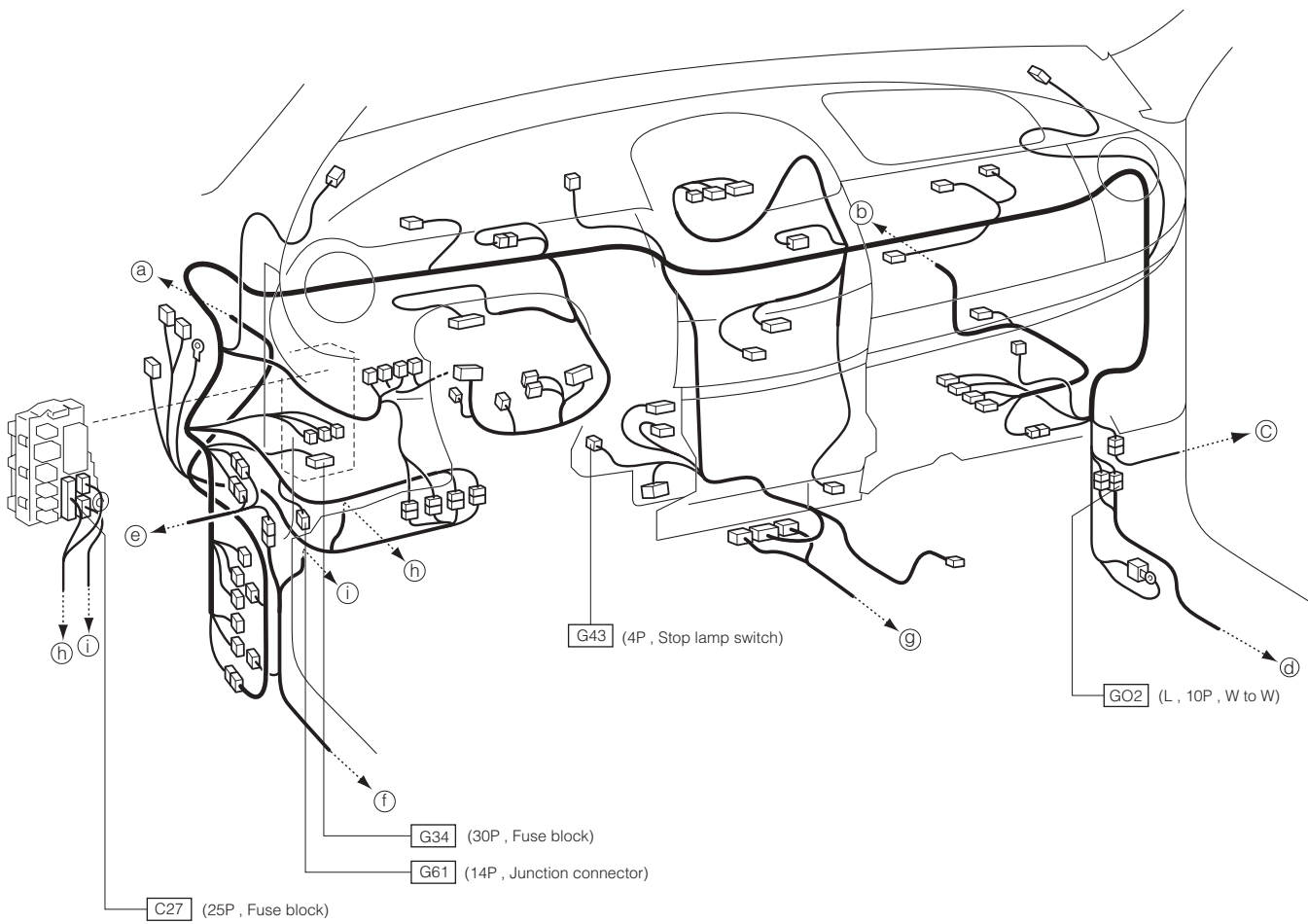


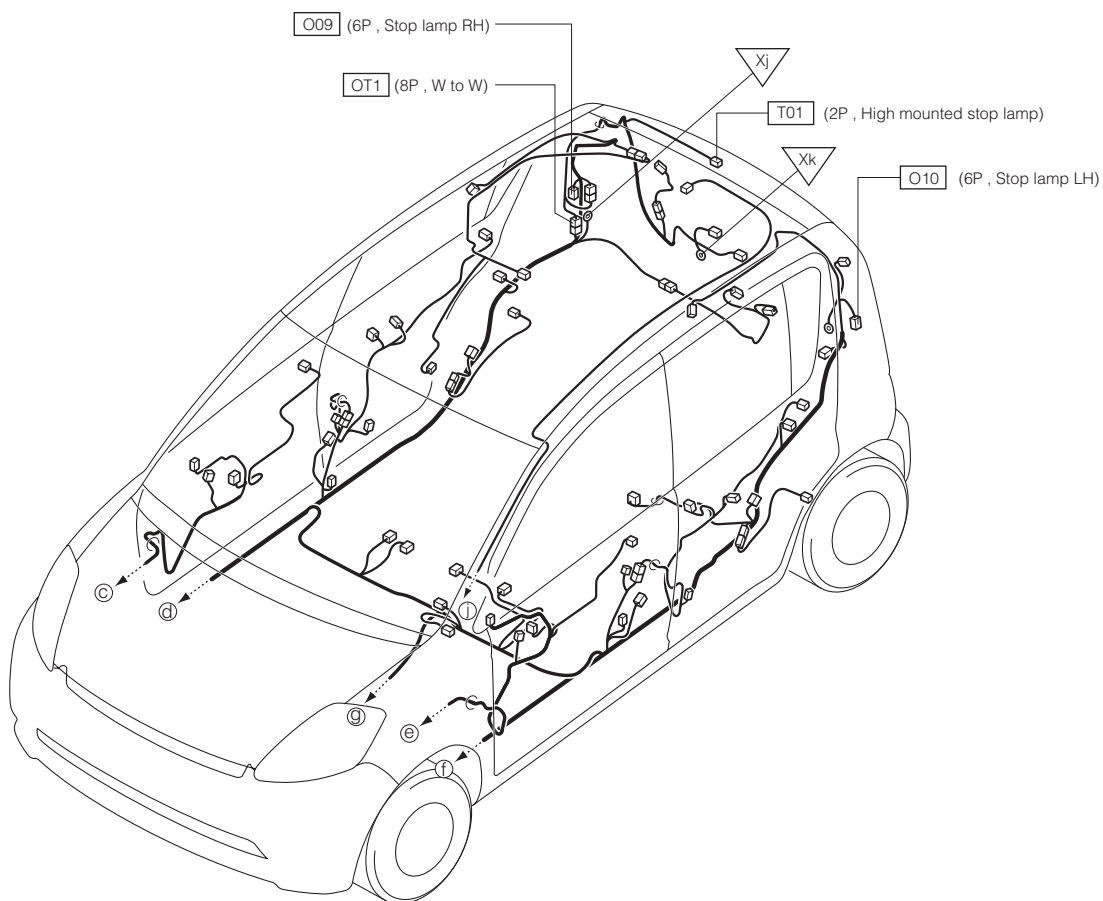
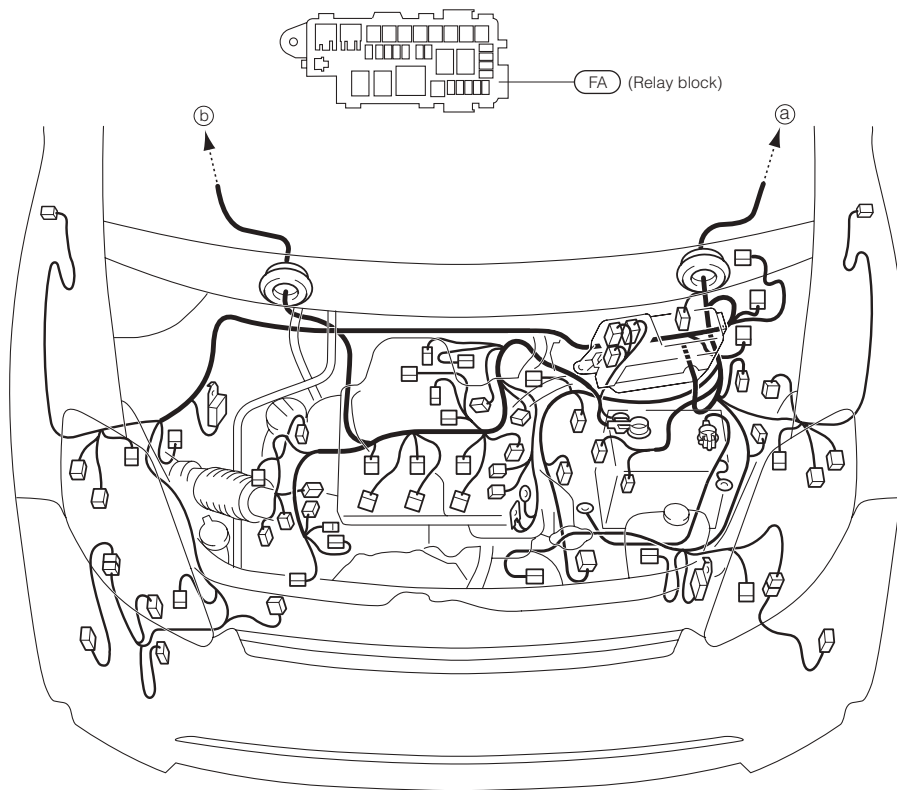


20-2 LHD VEHICLE



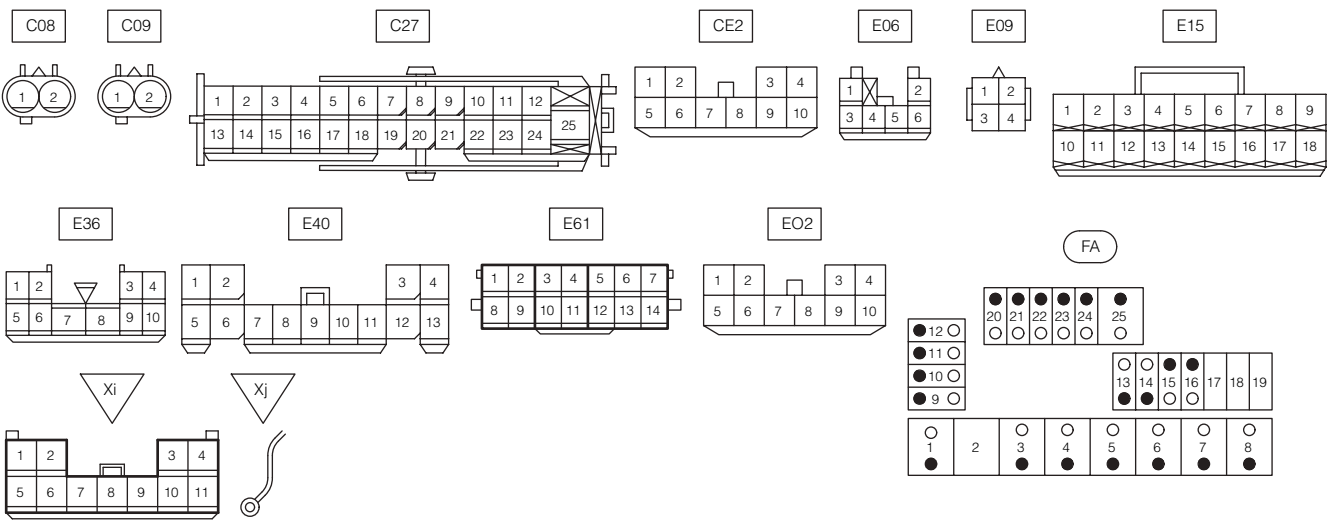
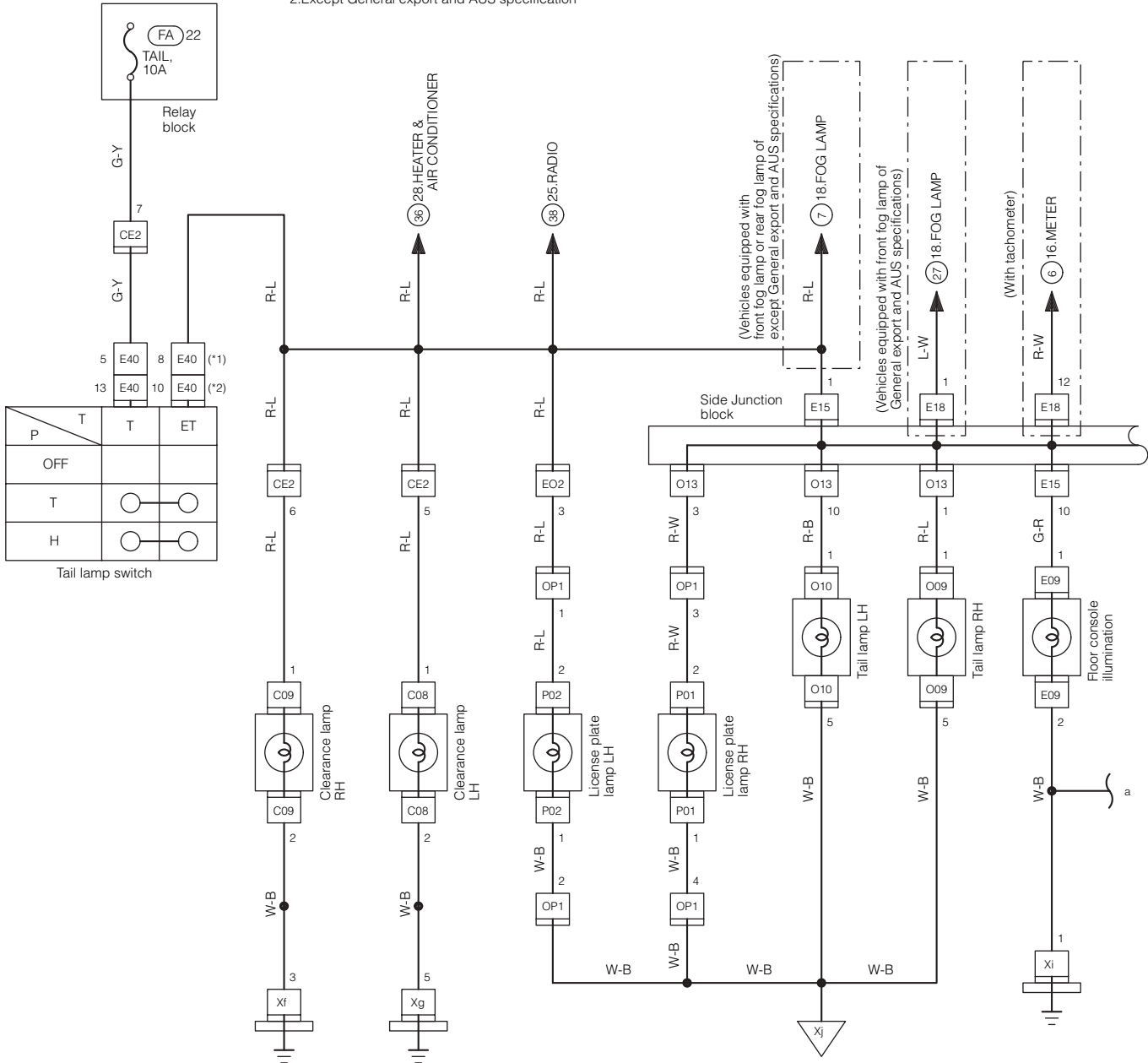
(MEMO)

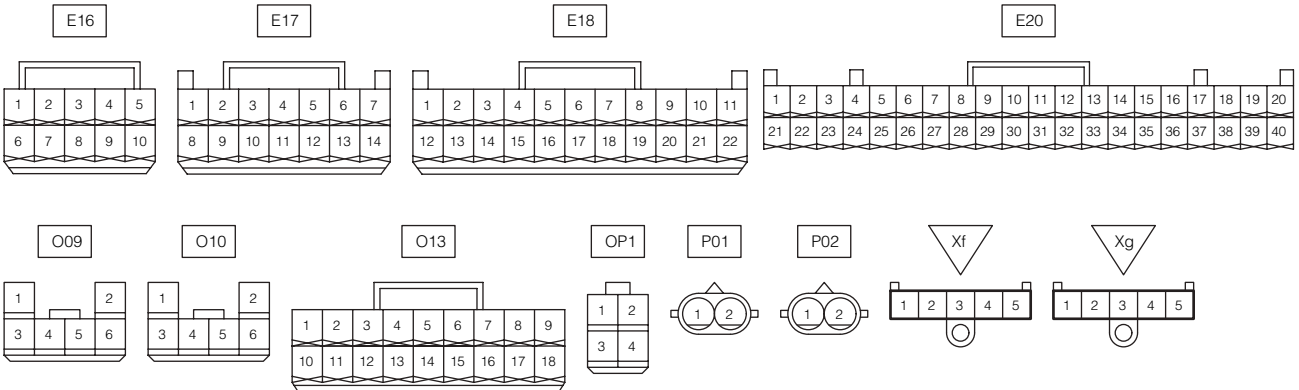
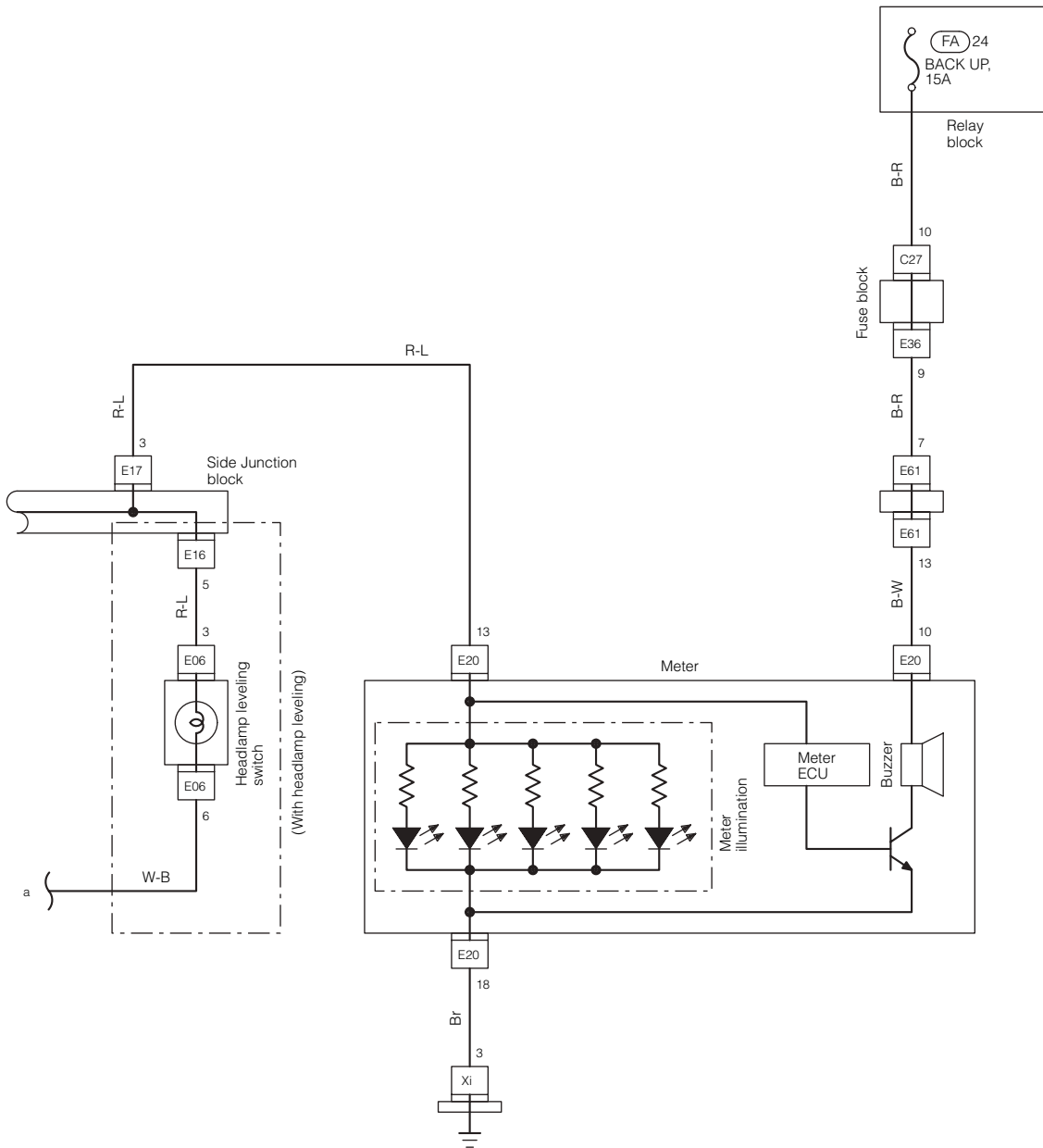


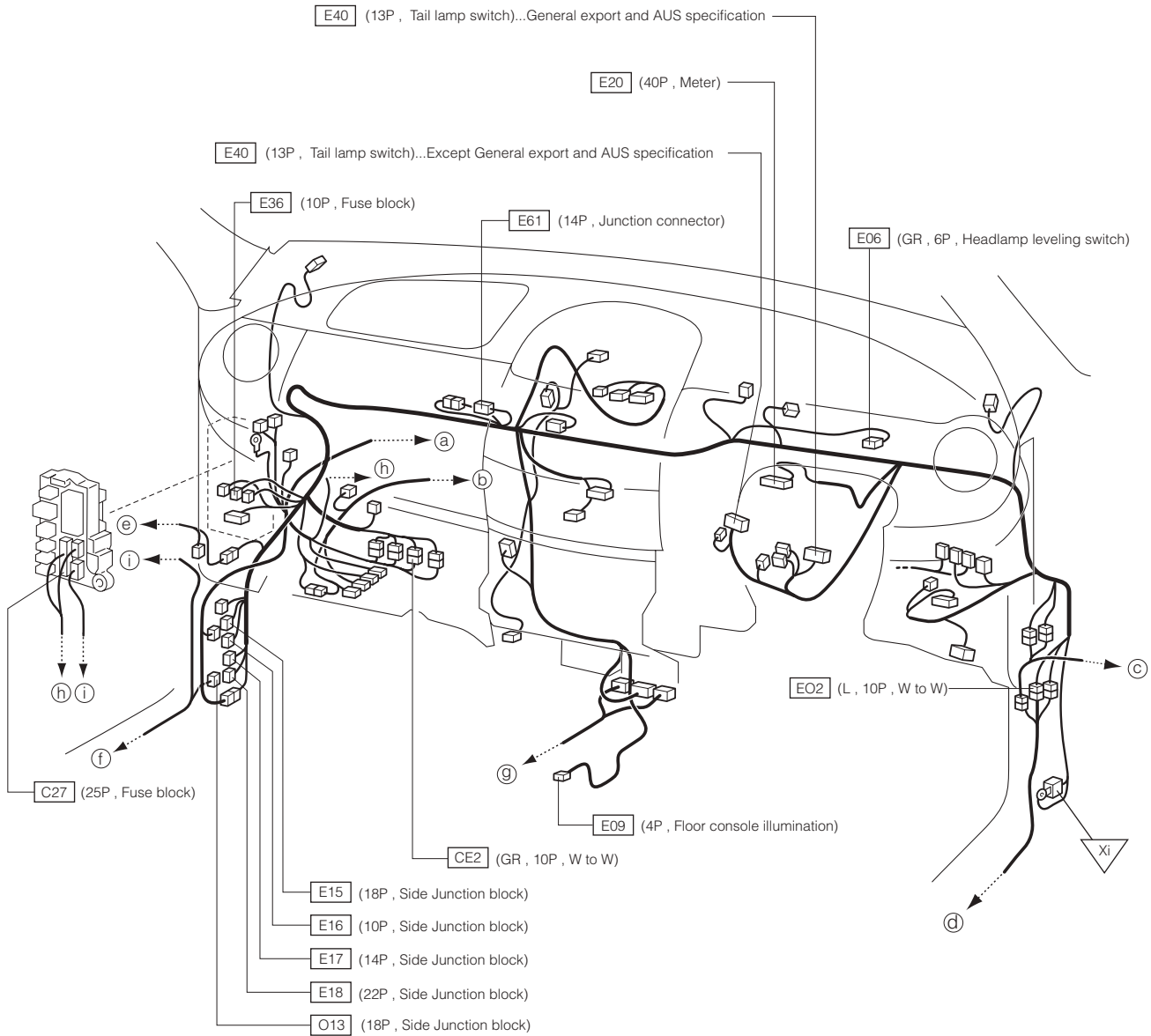


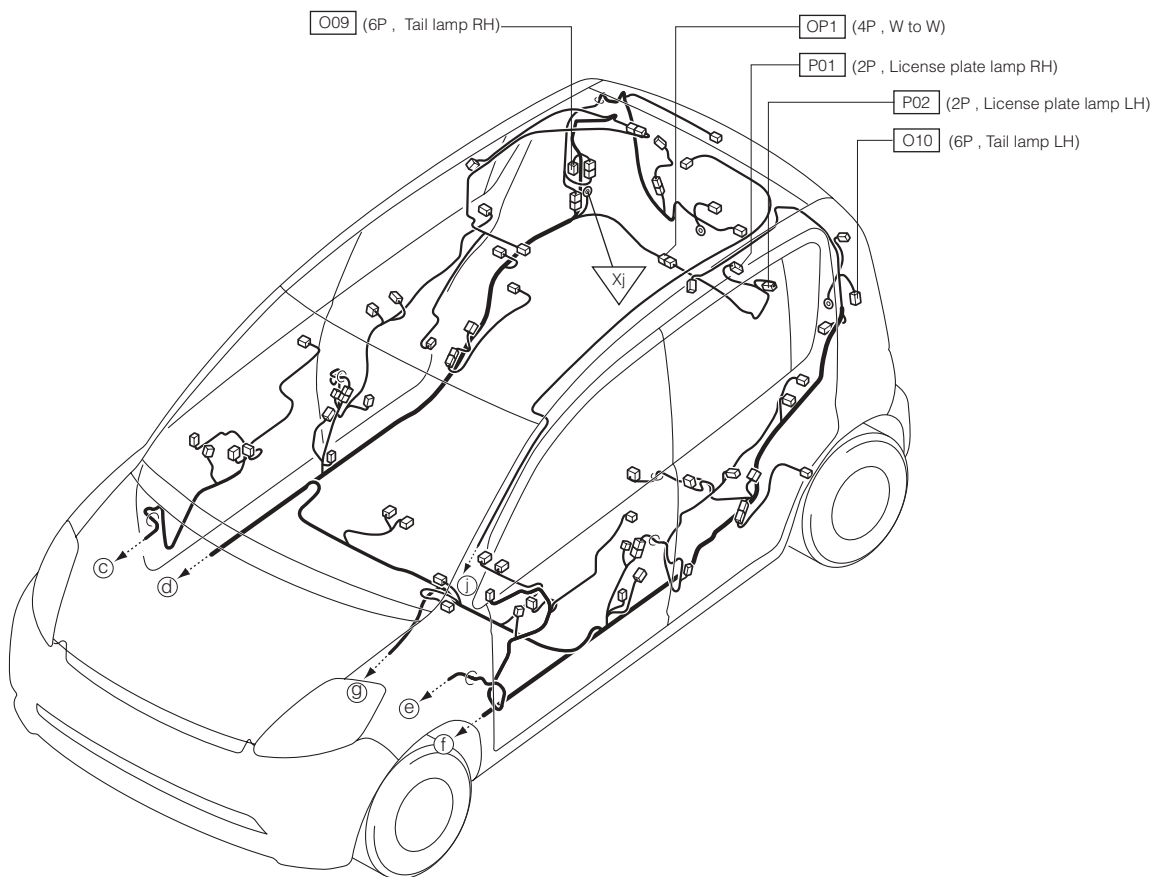
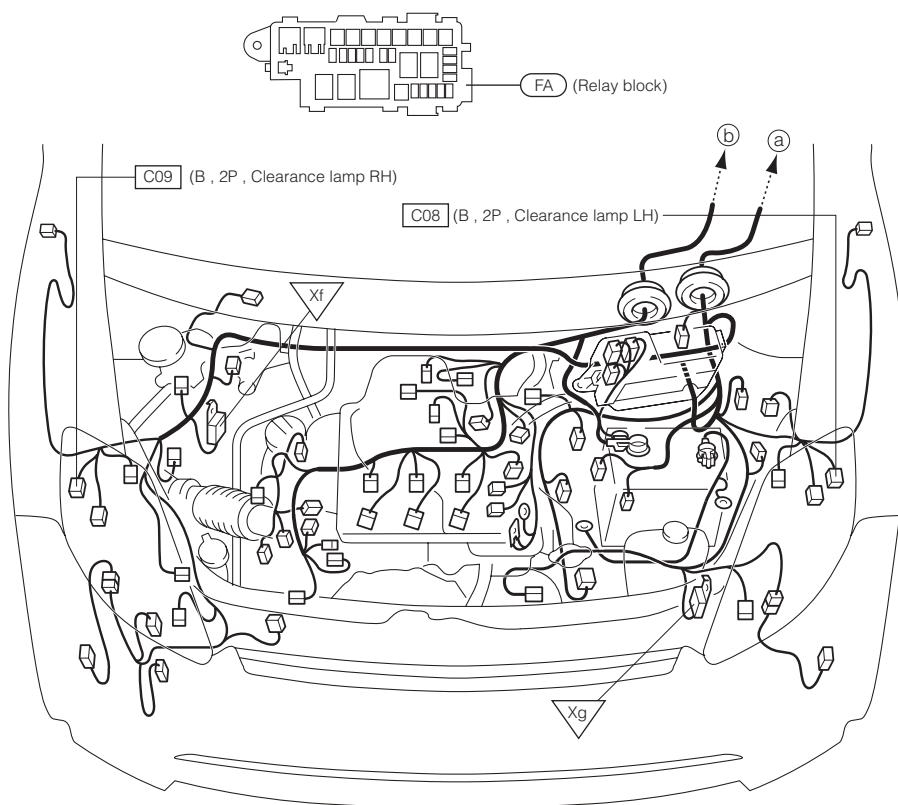
21 TAIL & LICENSE PLATE LAMP 21-1 RHD VEHICLE

*1:General export and AUS specification
*2:Except General export and AUS specification

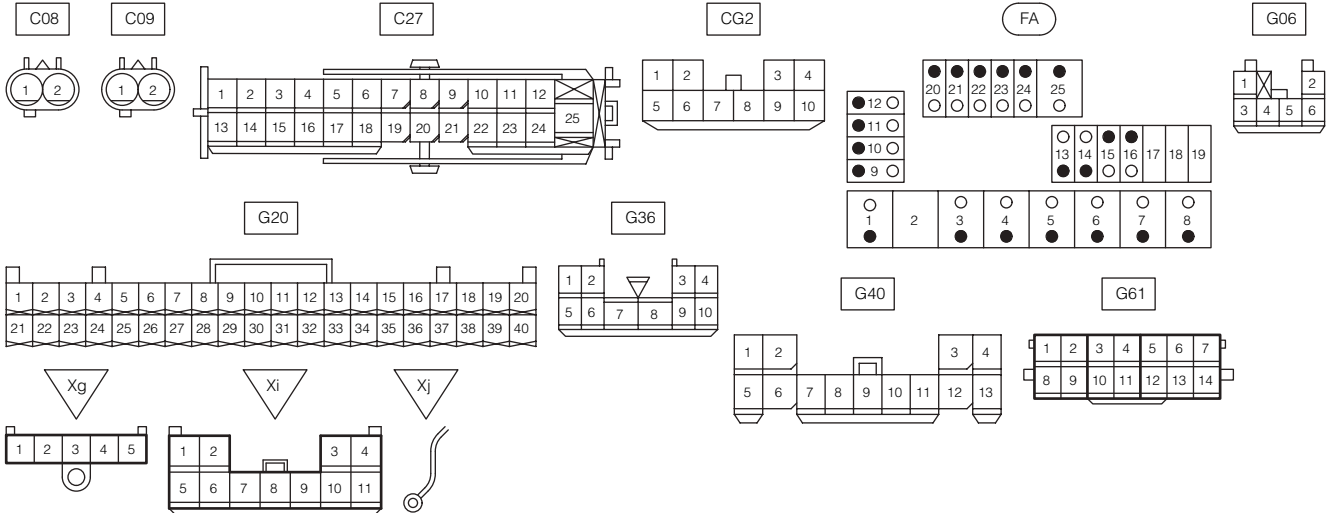
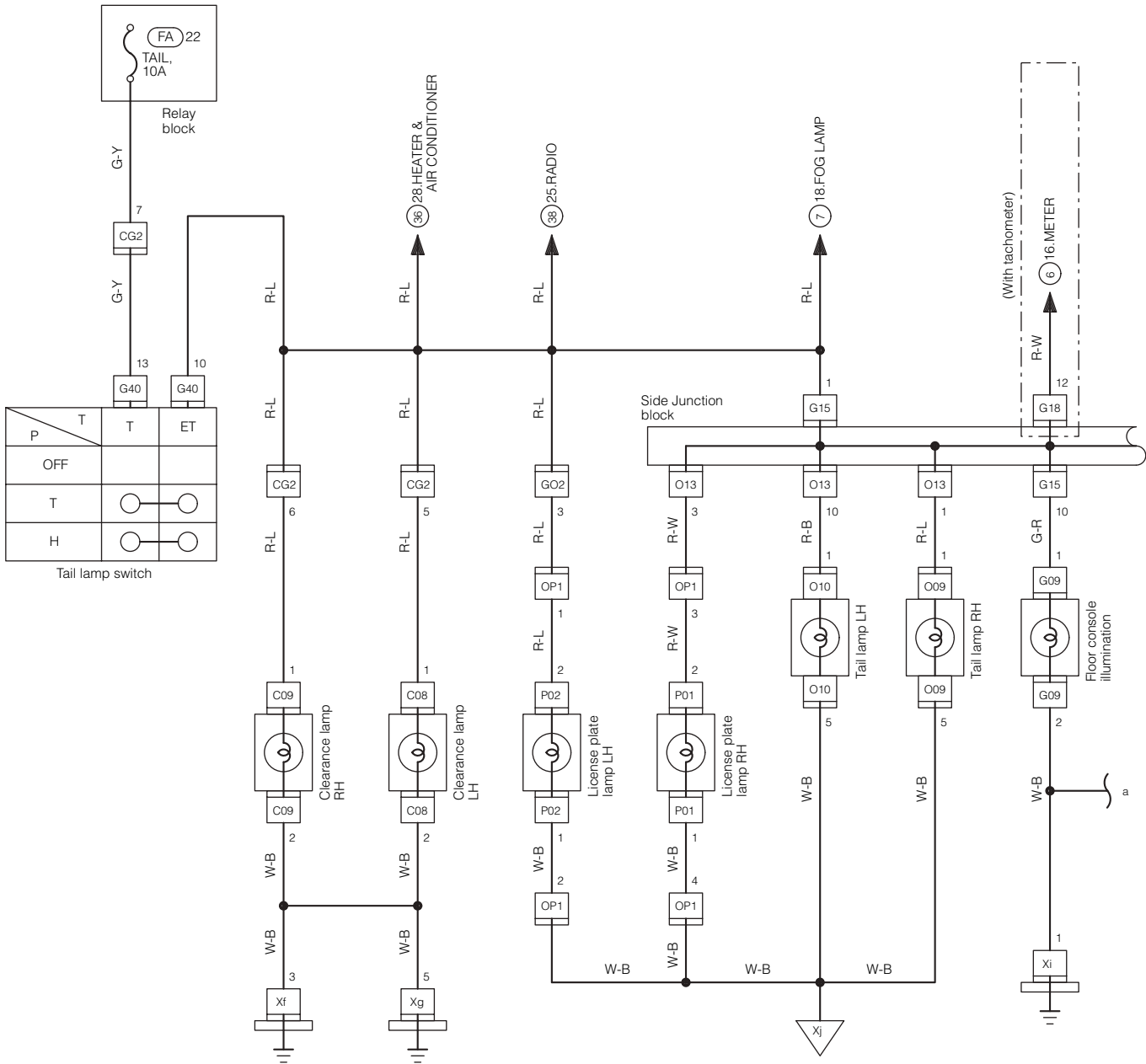


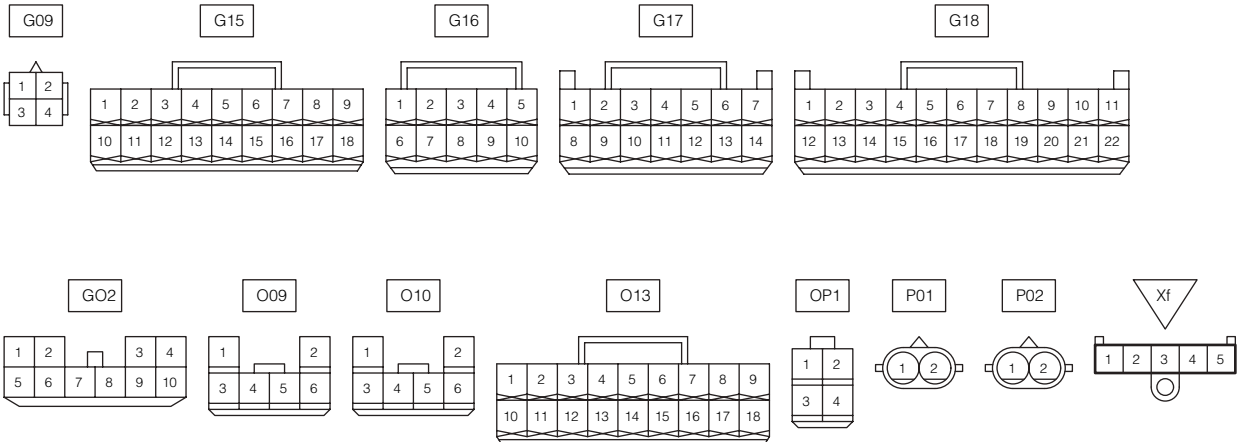
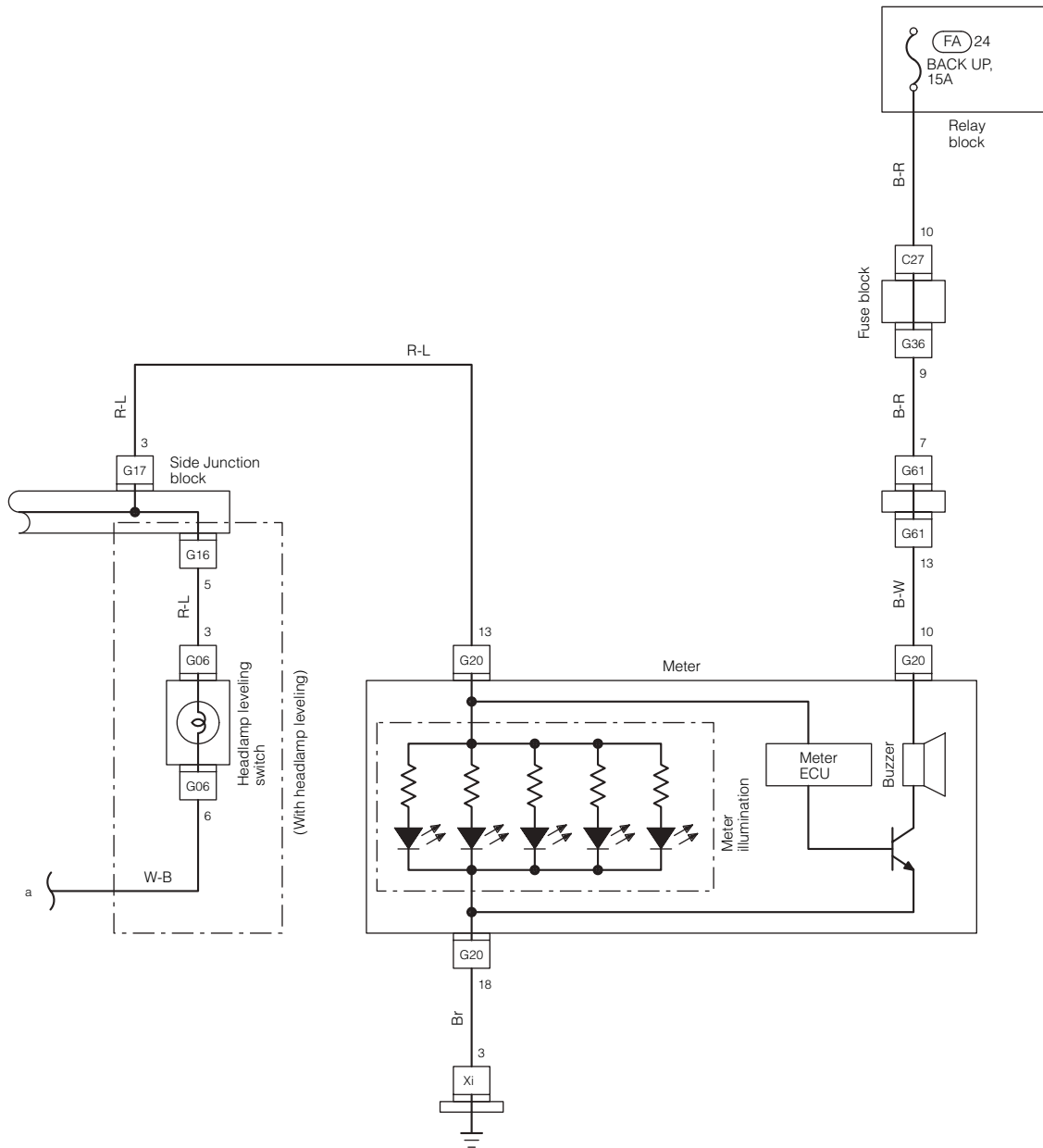


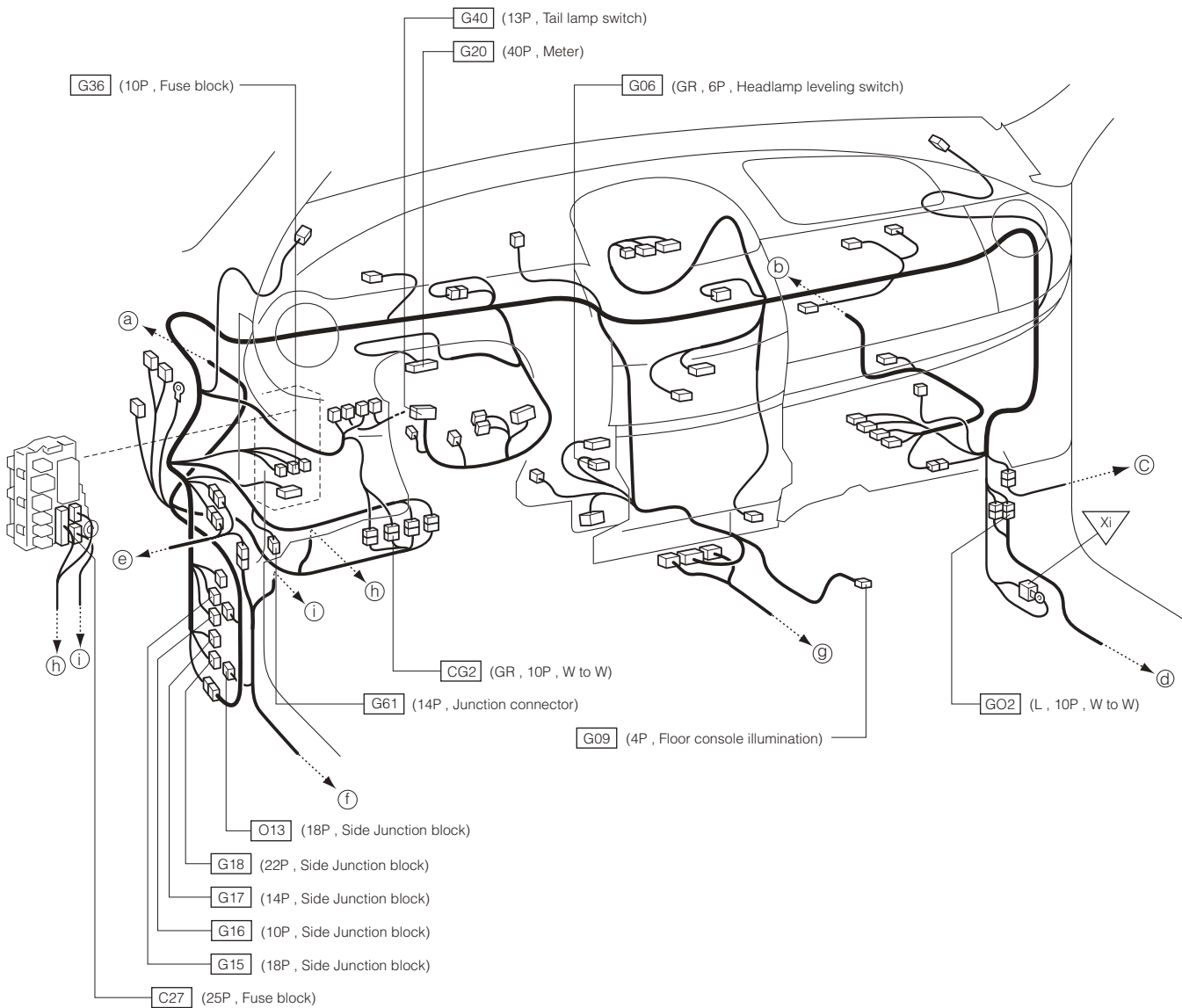


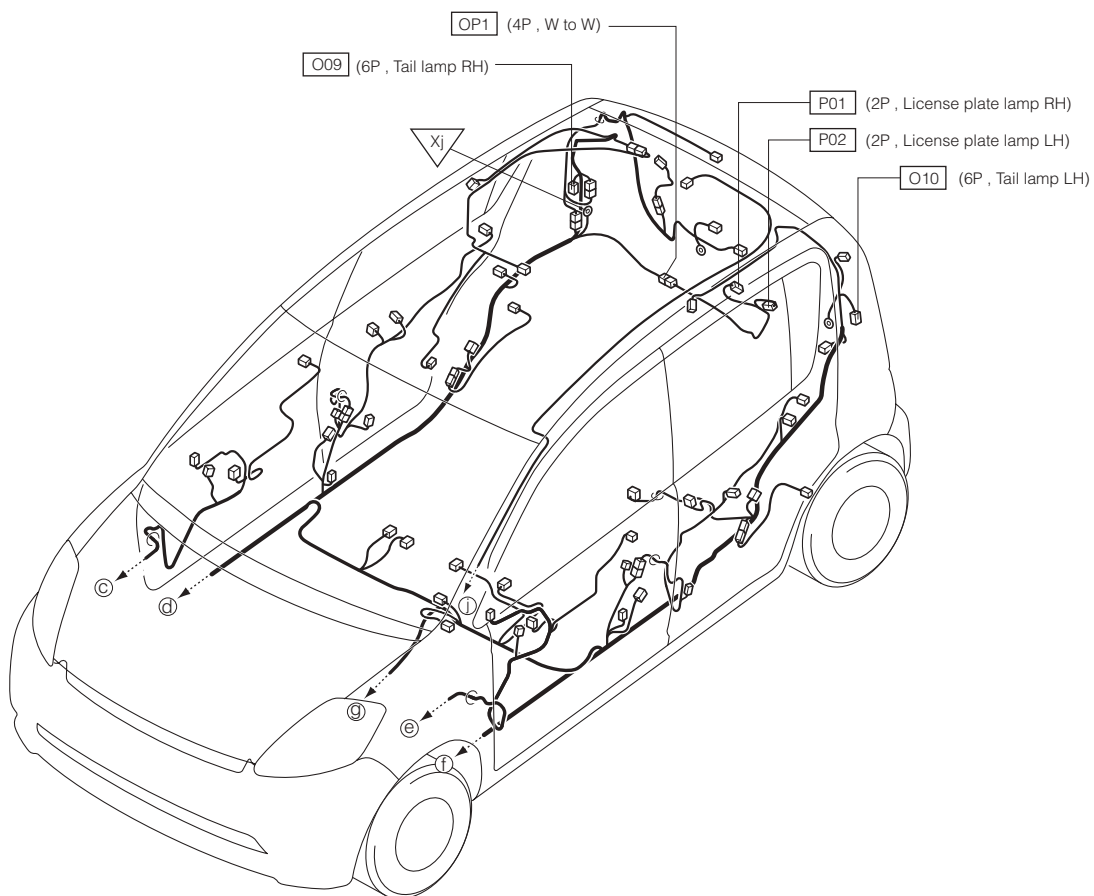
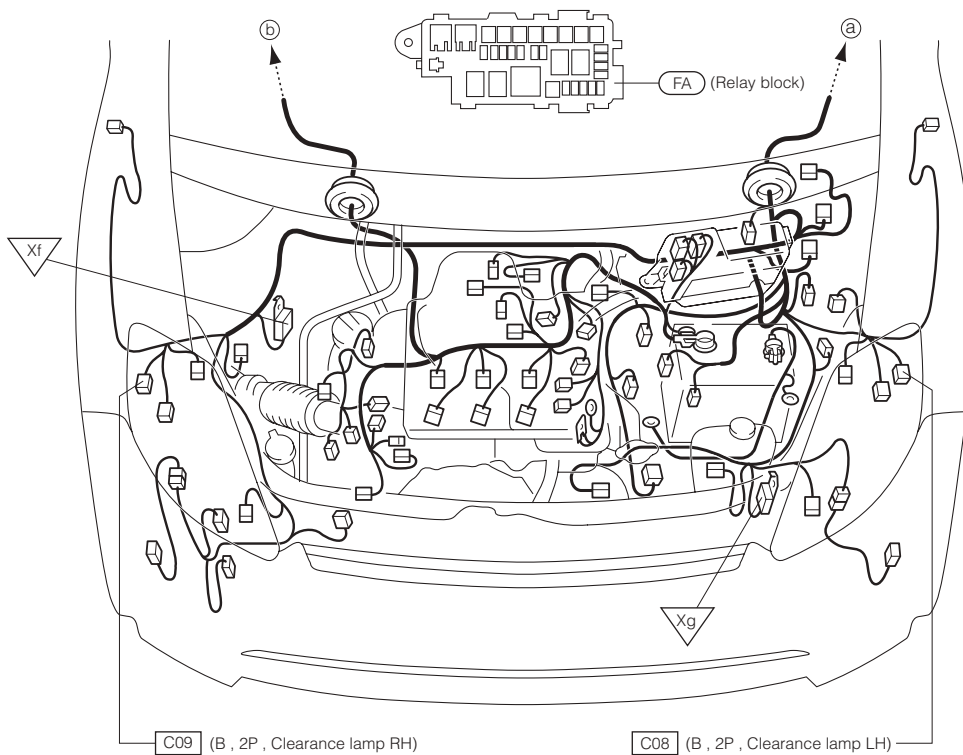


21-2 LHD VEHICLE

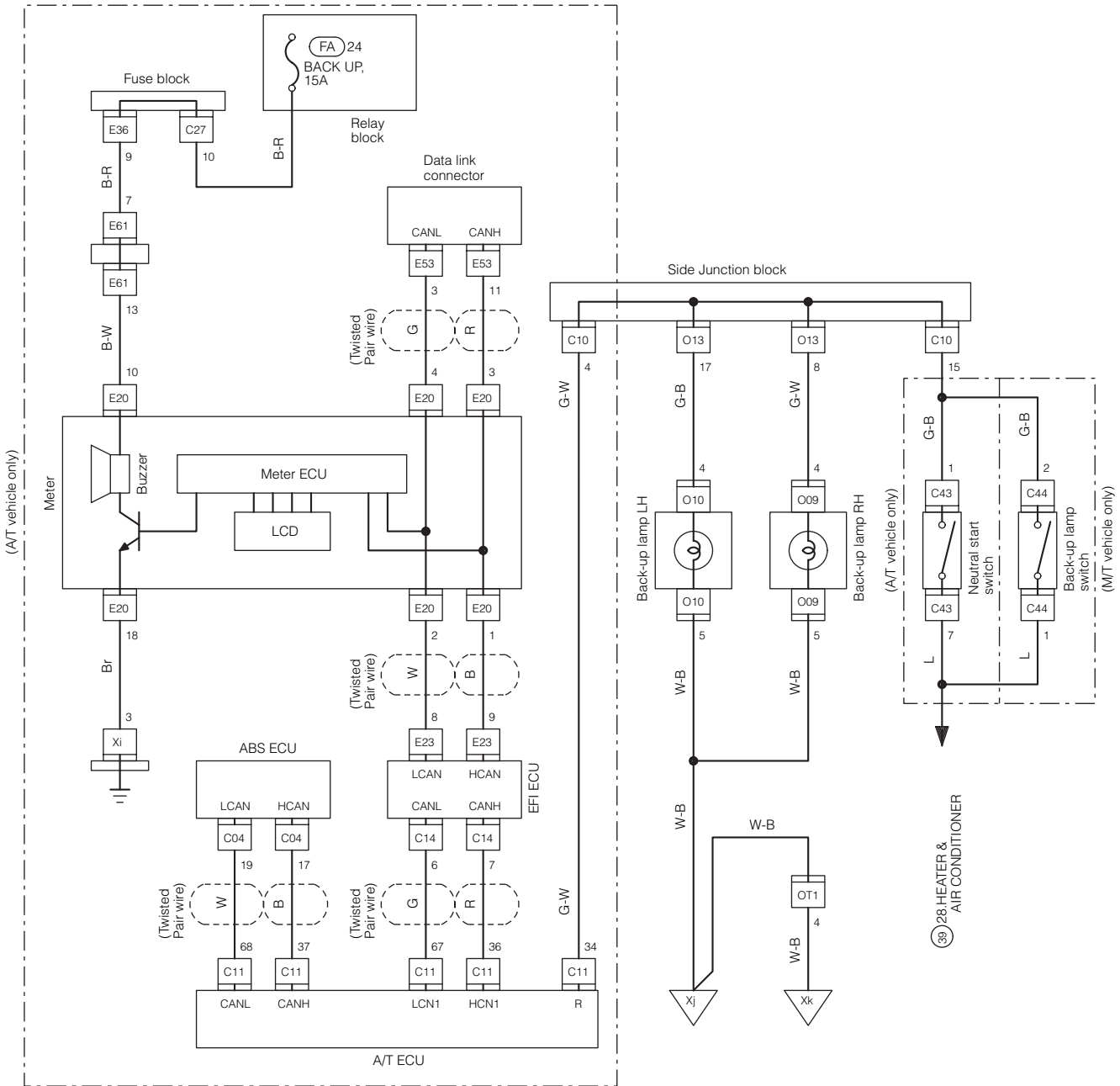




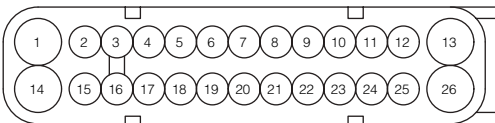




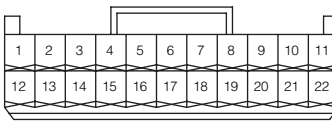
22 BACK UP LAMP 22-1 RHD VEHICLE



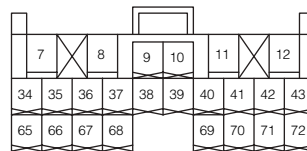
C04



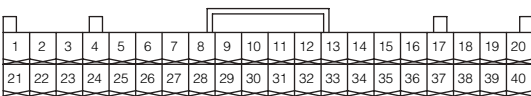
C10



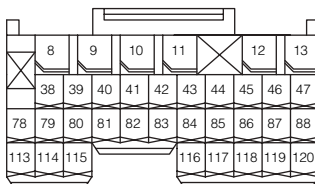
C11



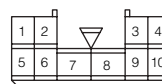
E20



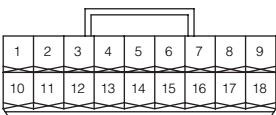
E23



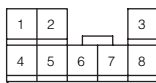
E36



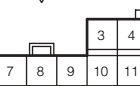
O13



OT1



Xi

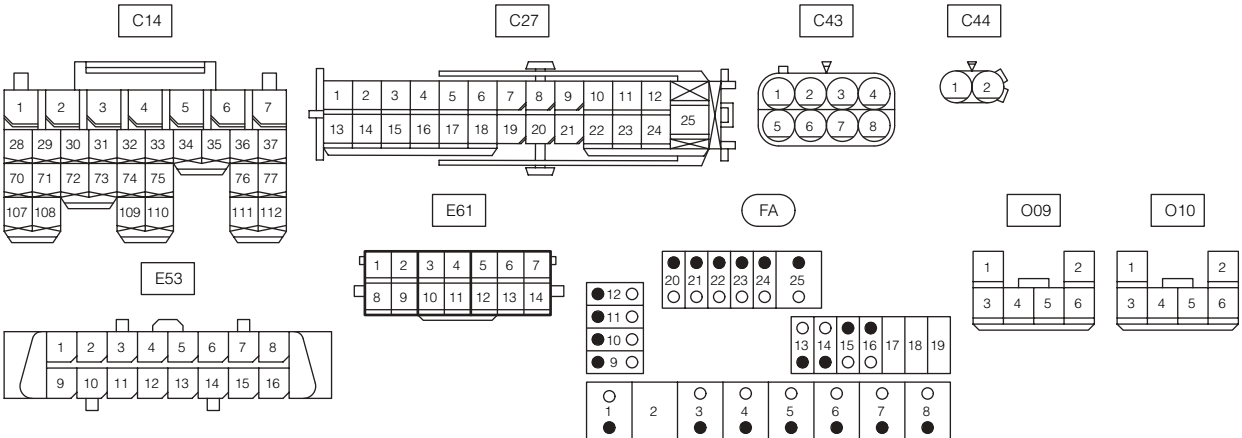


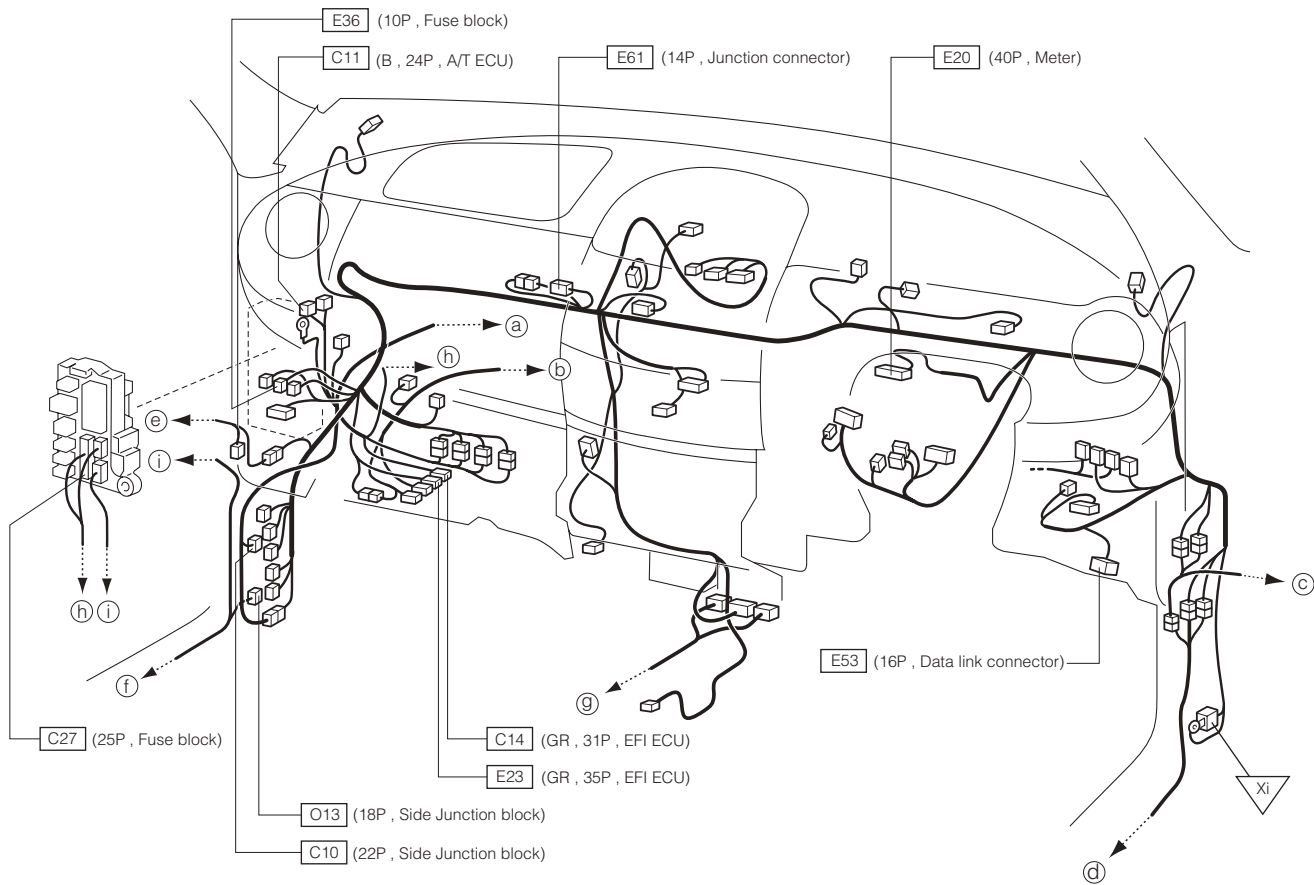
Xj

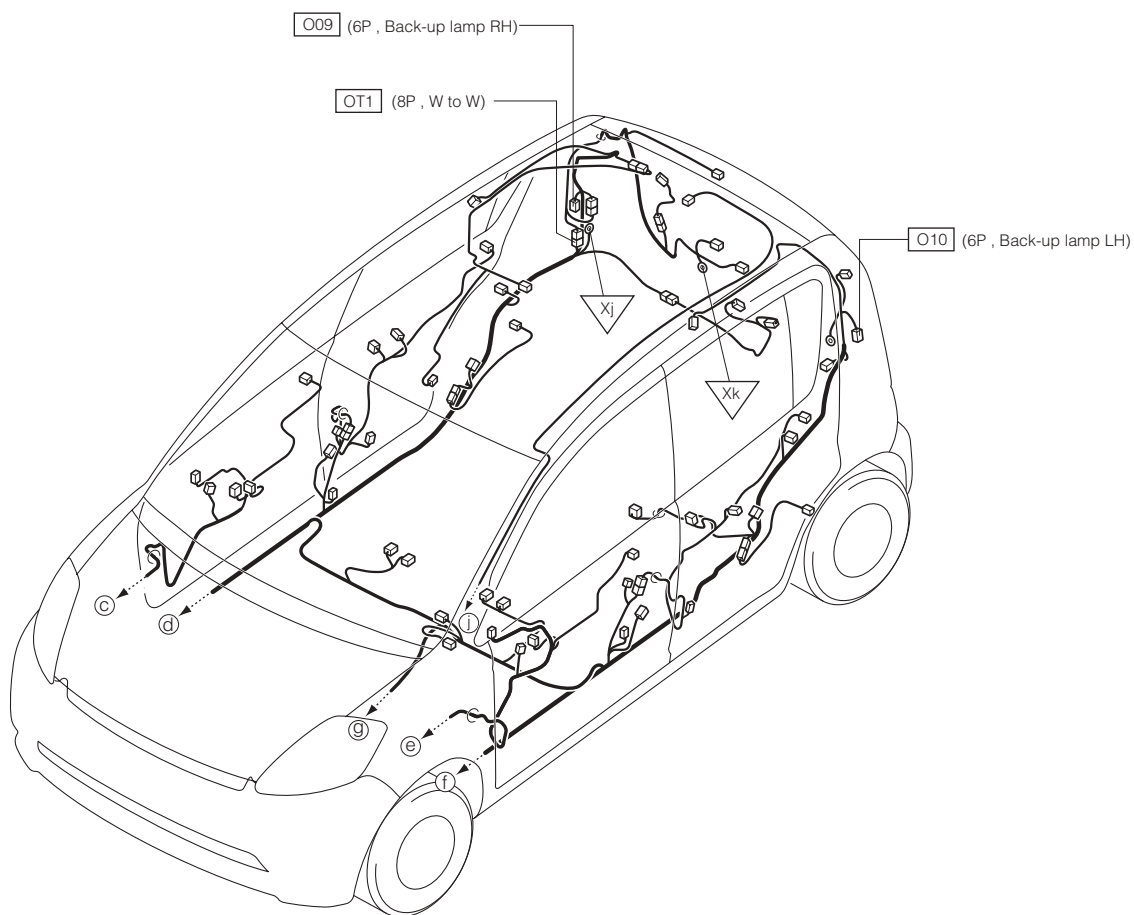
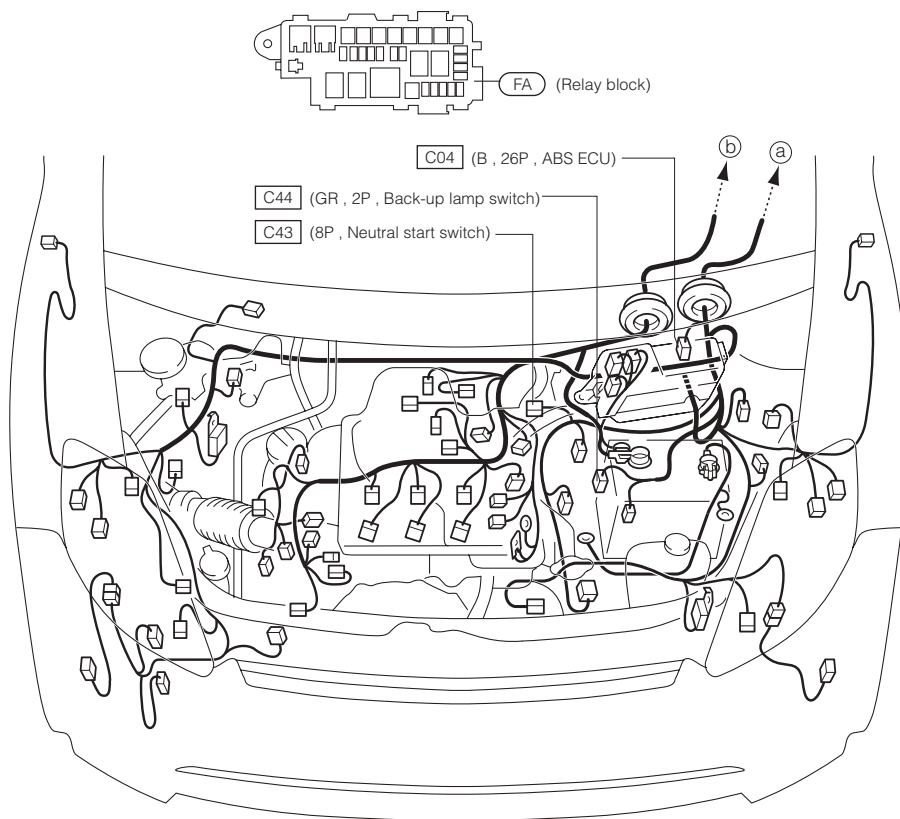


Xk

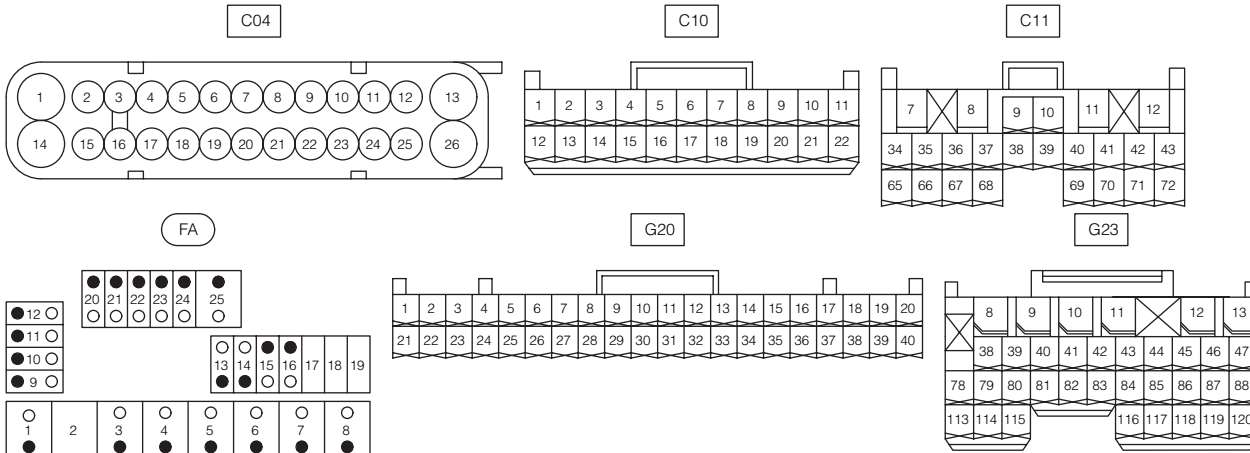
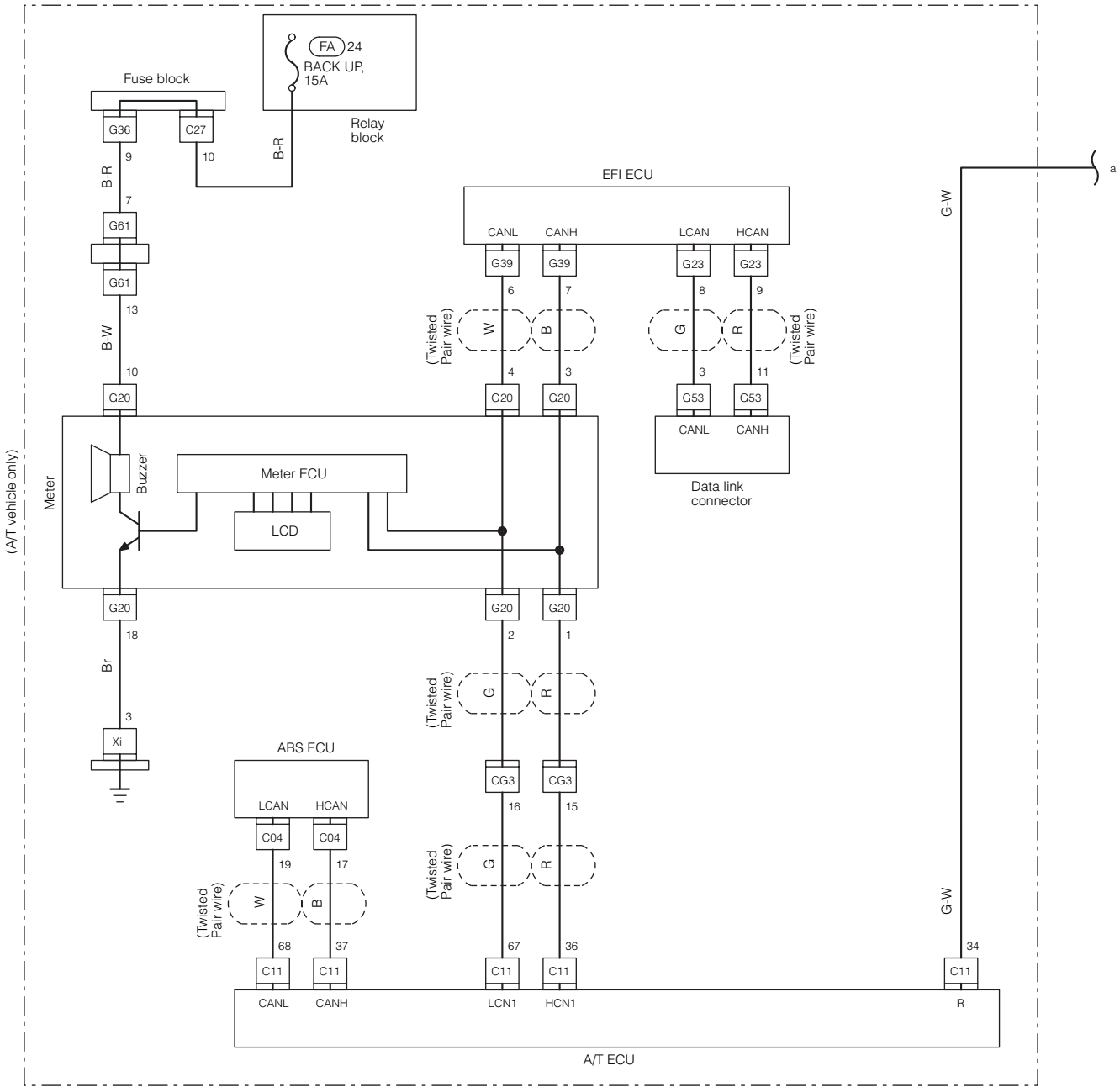


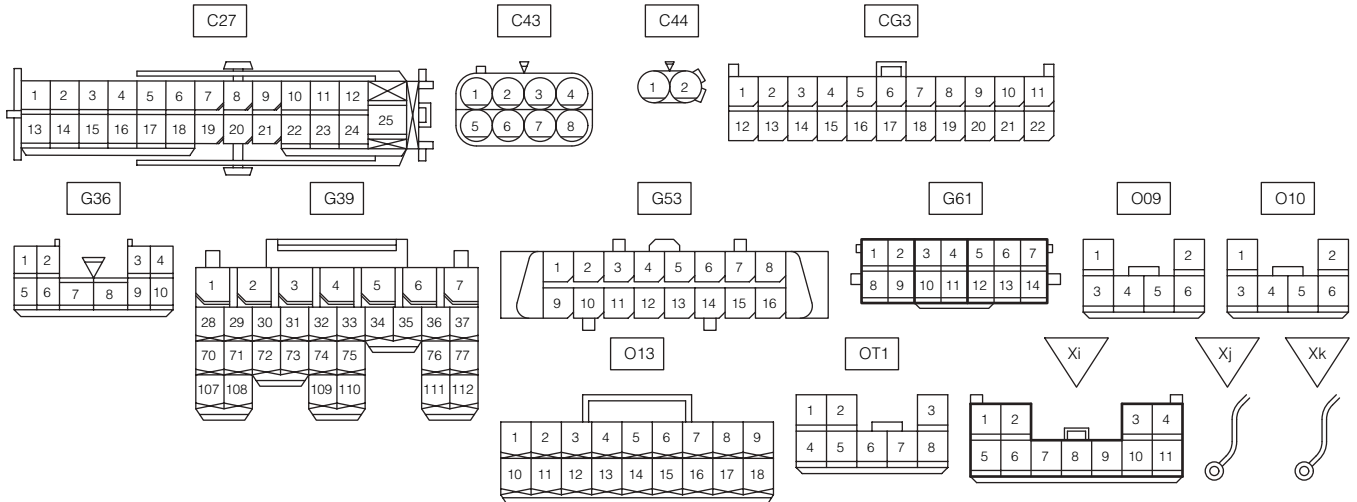
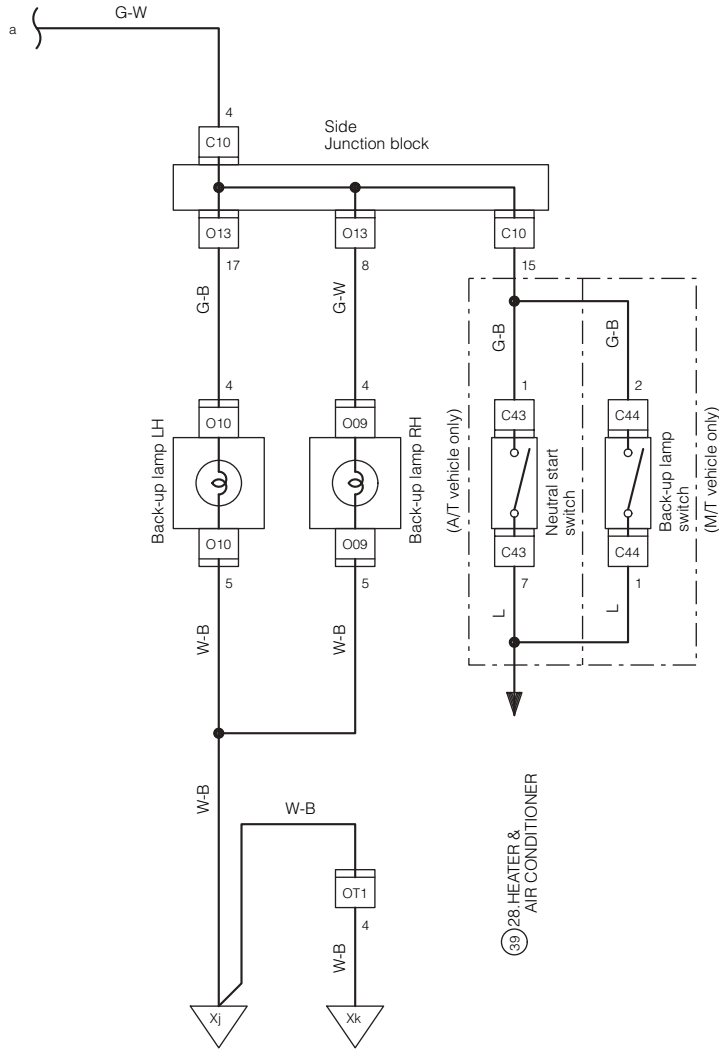


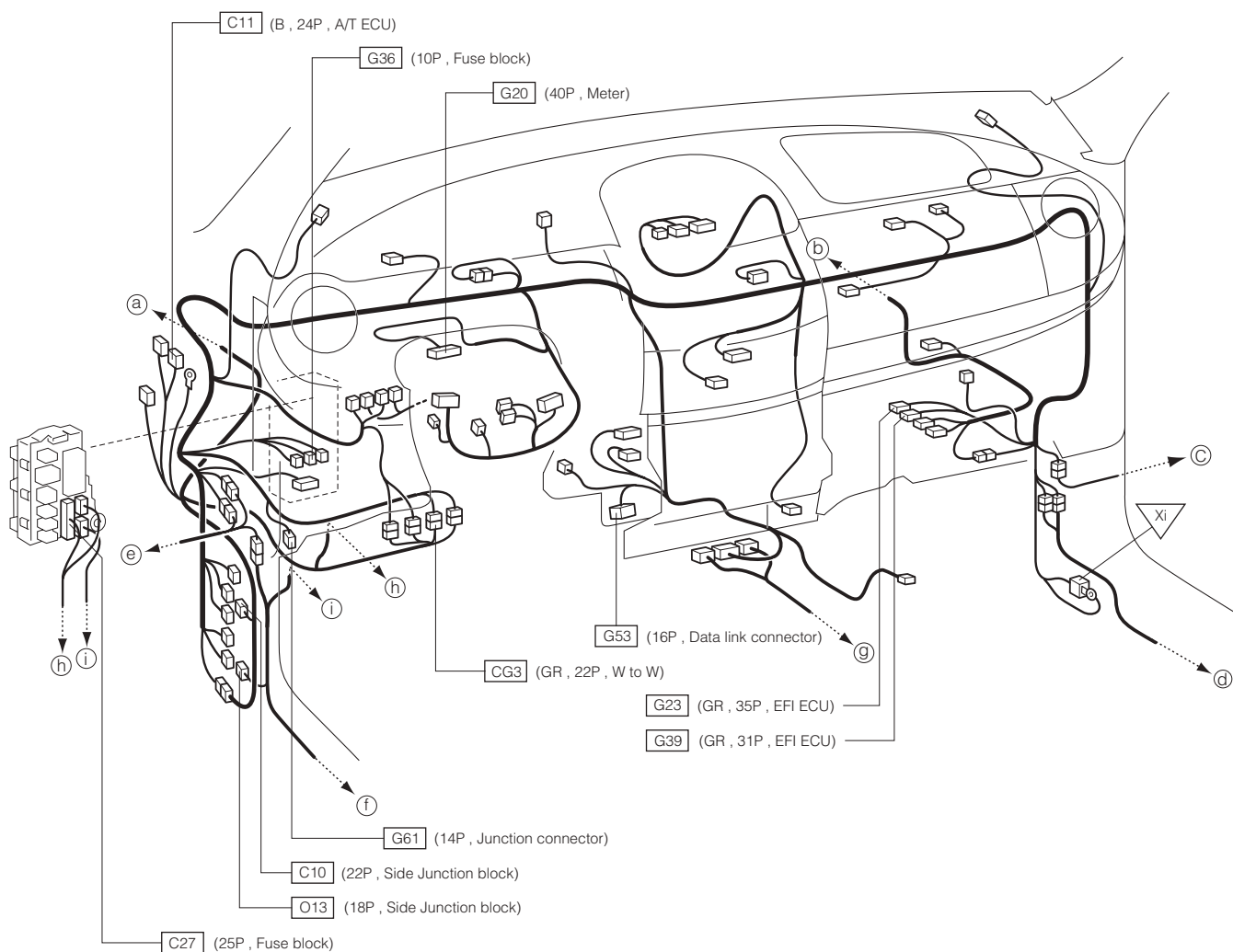


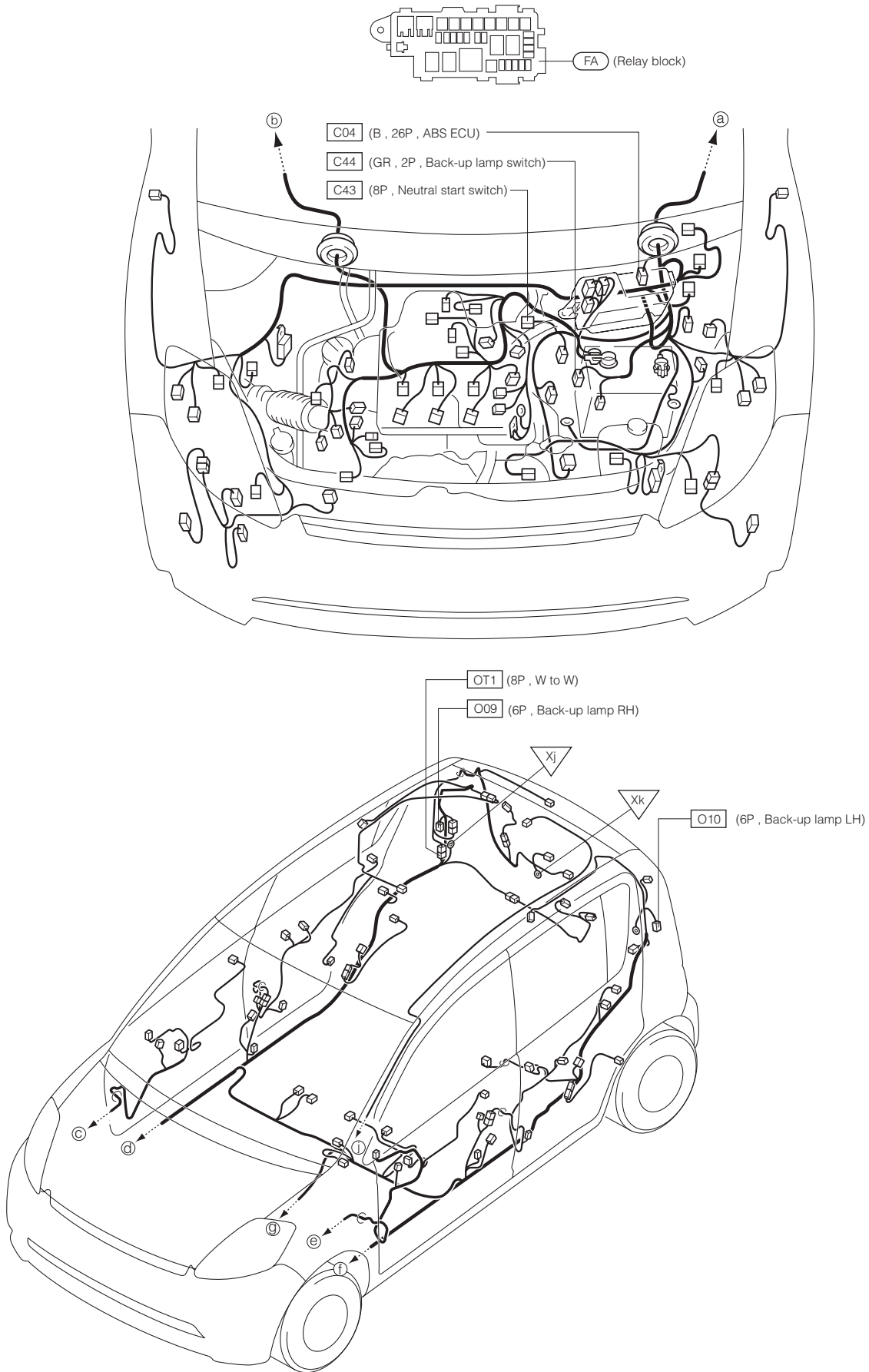


22-2 LHD VEHICLE

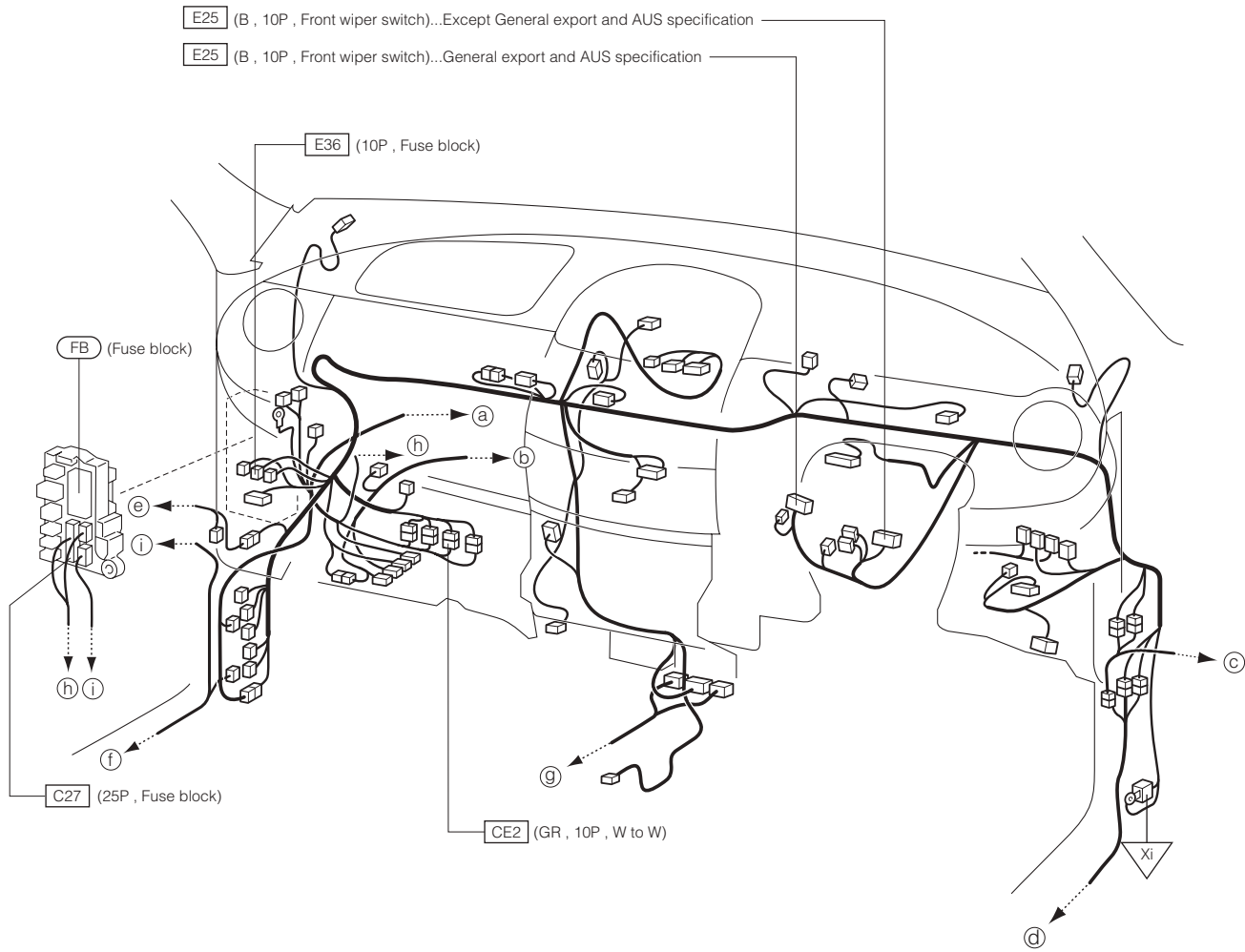


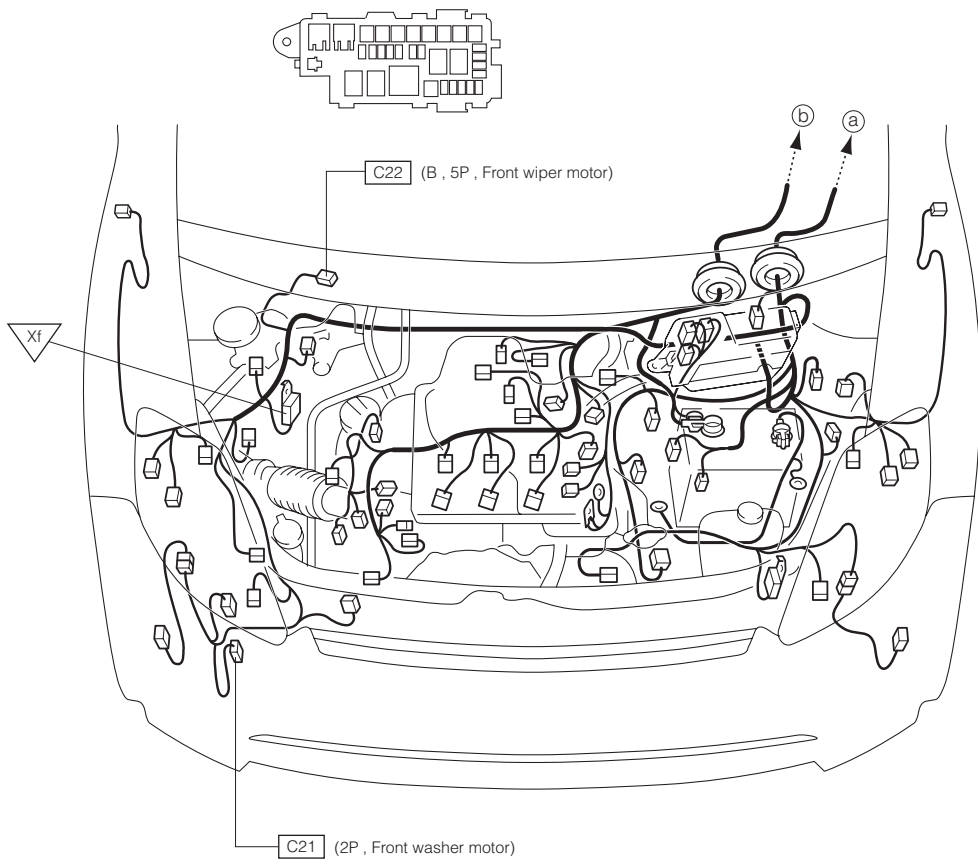




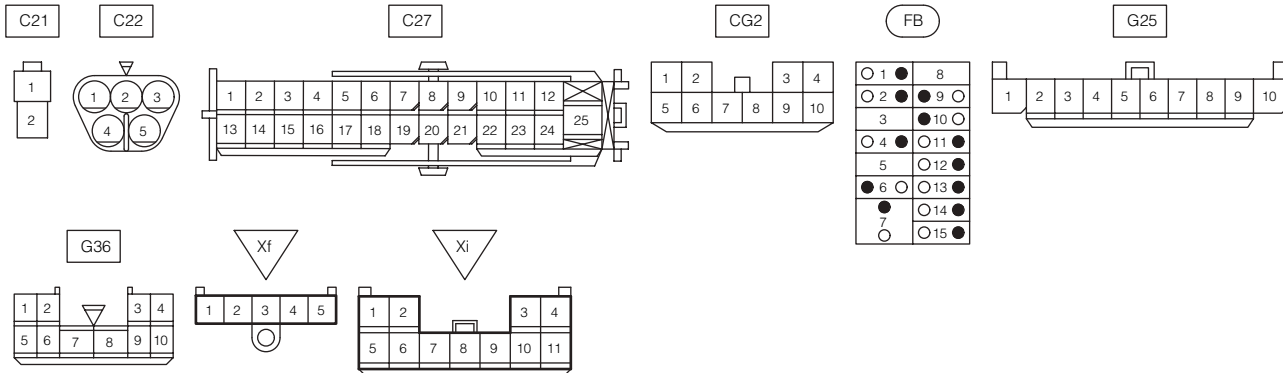
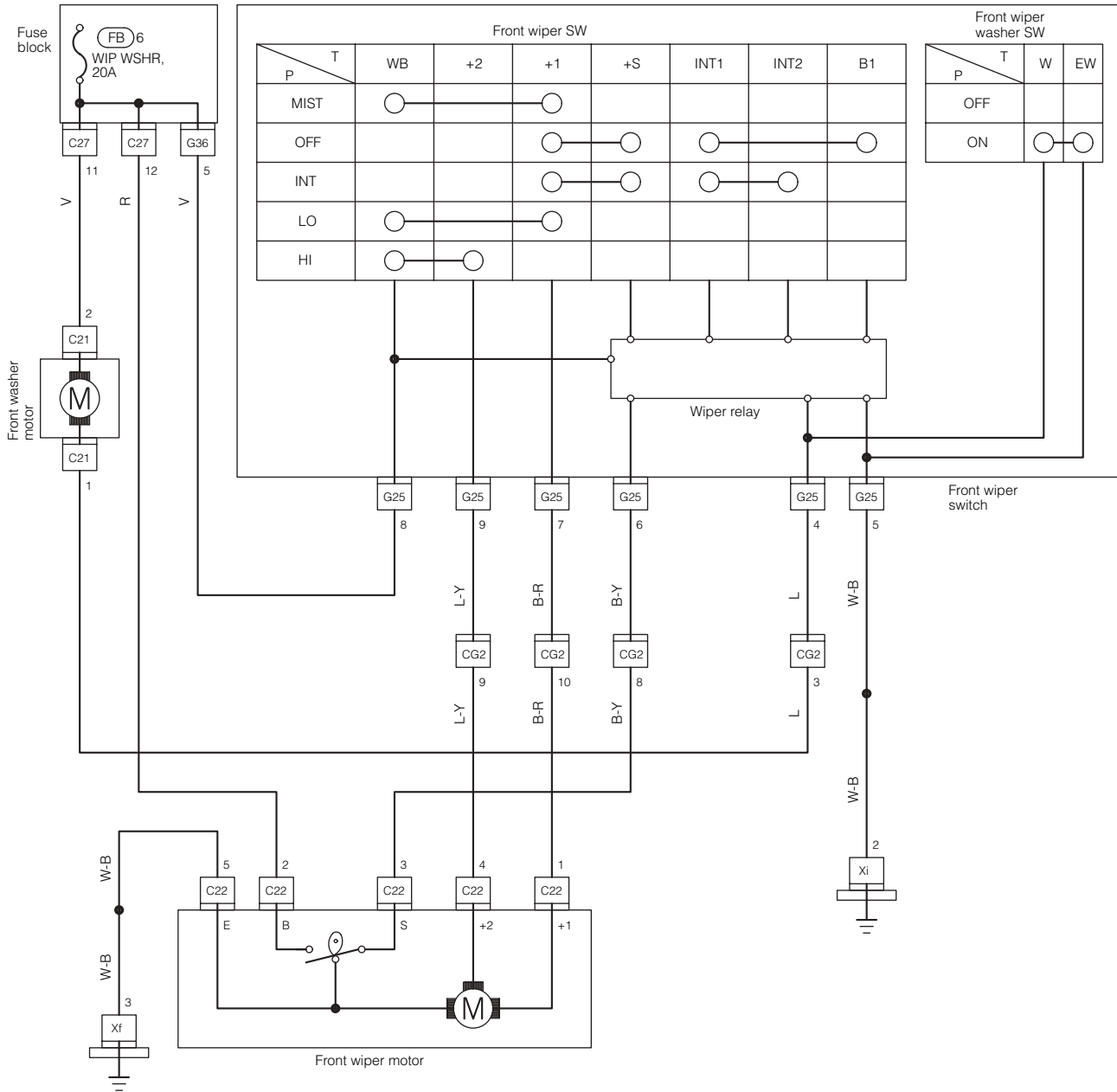


(MEMO)

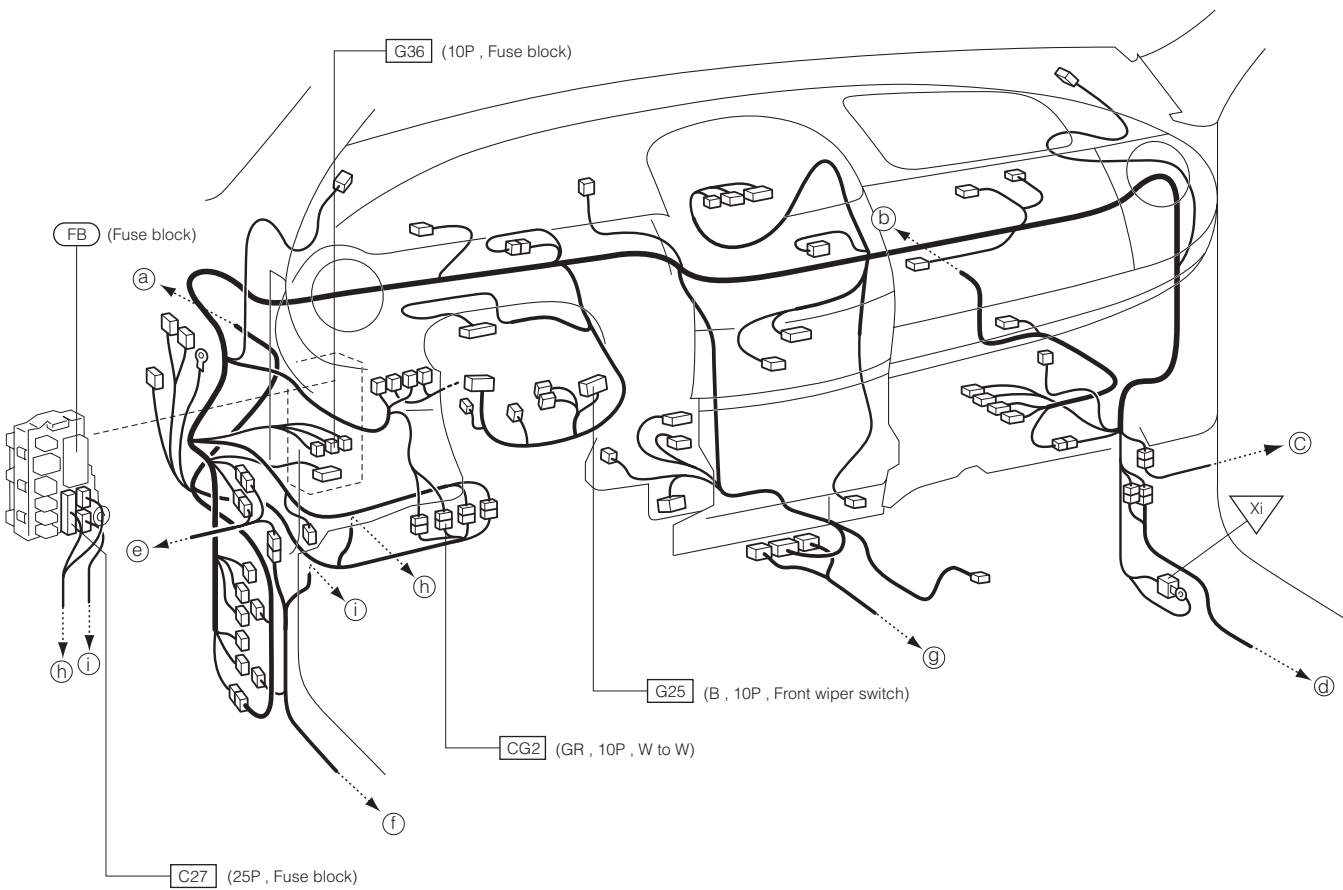


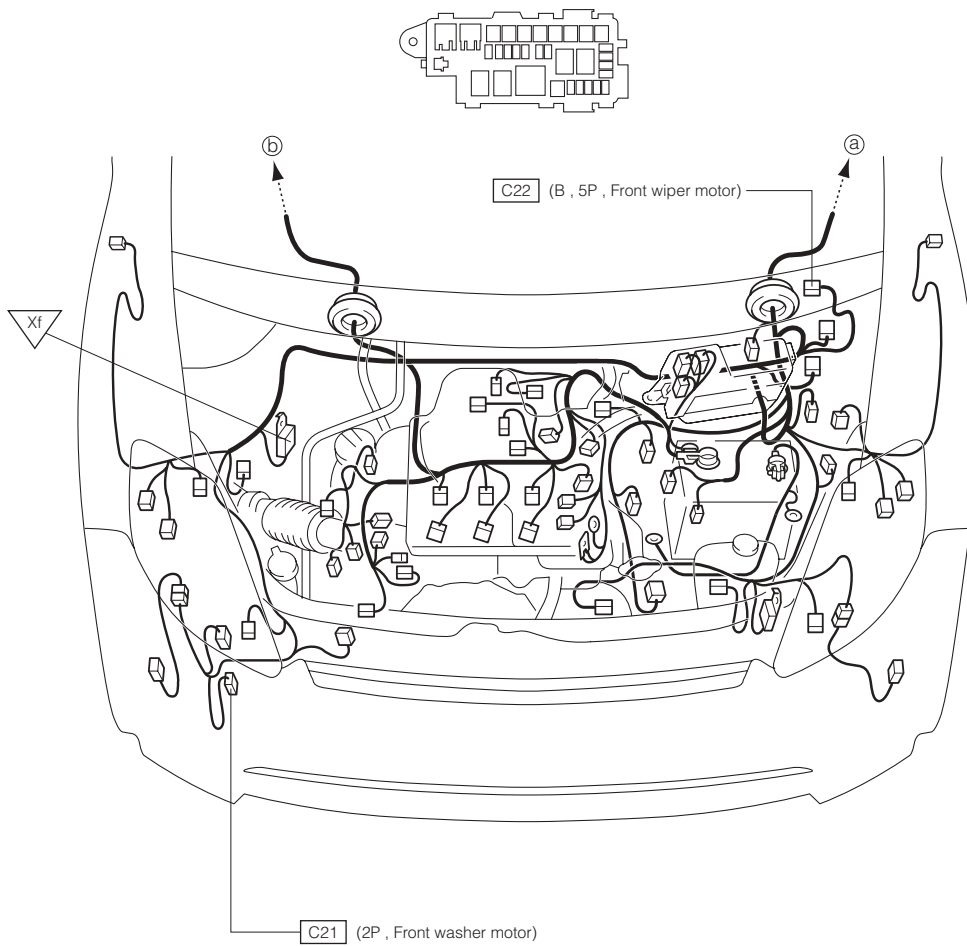


23-2 LHD VEHICLE

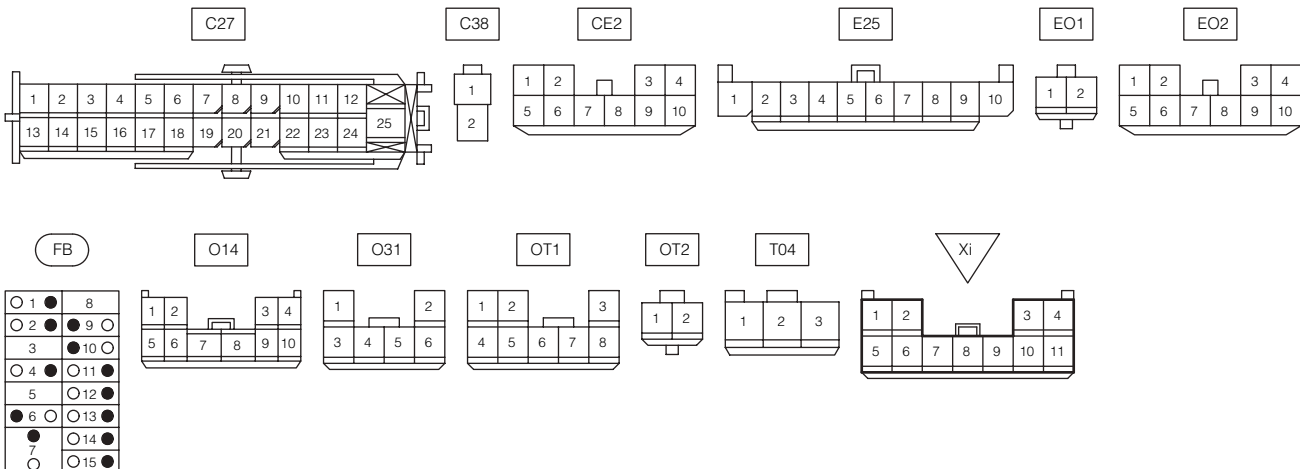
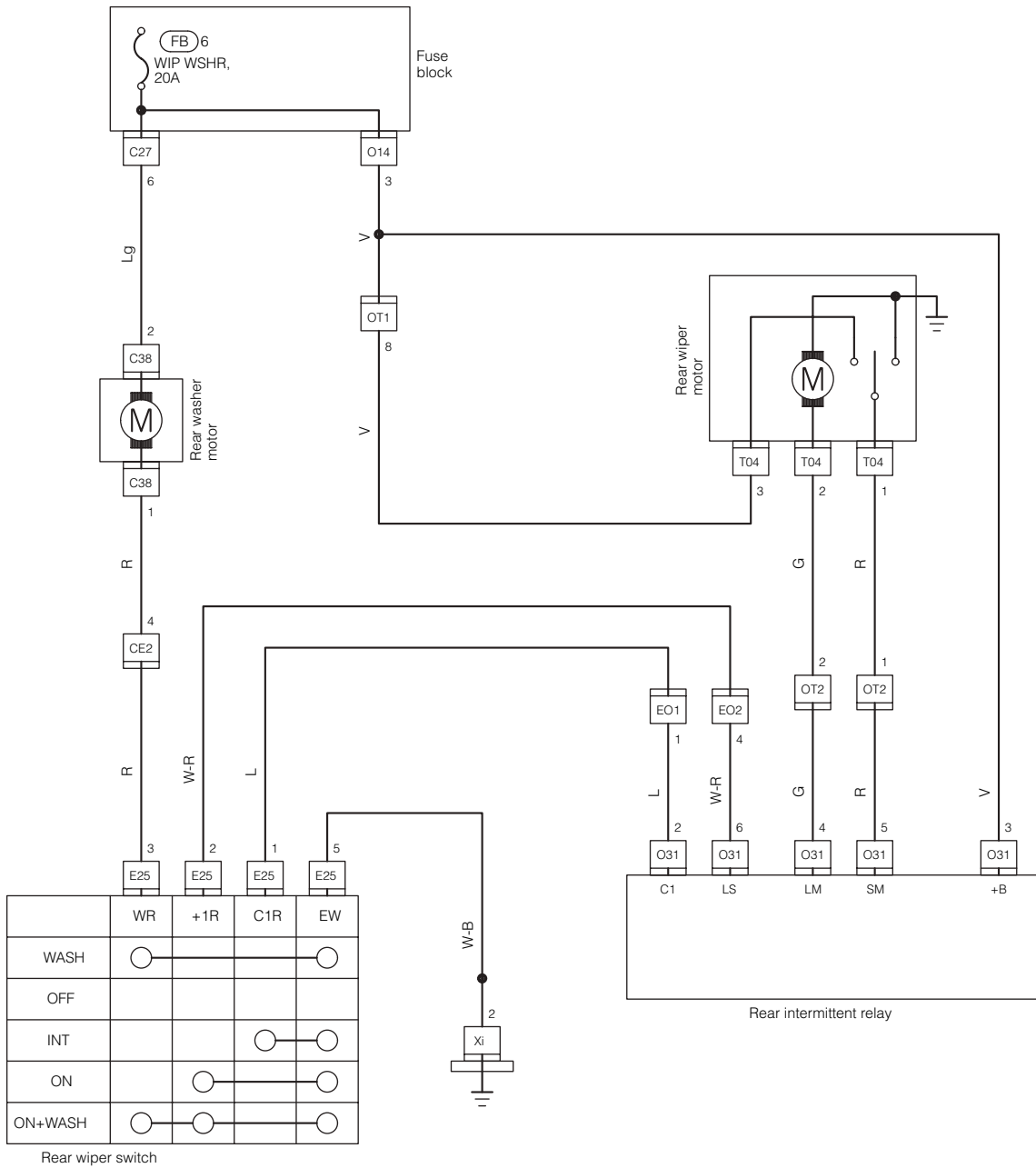


(MEMO)

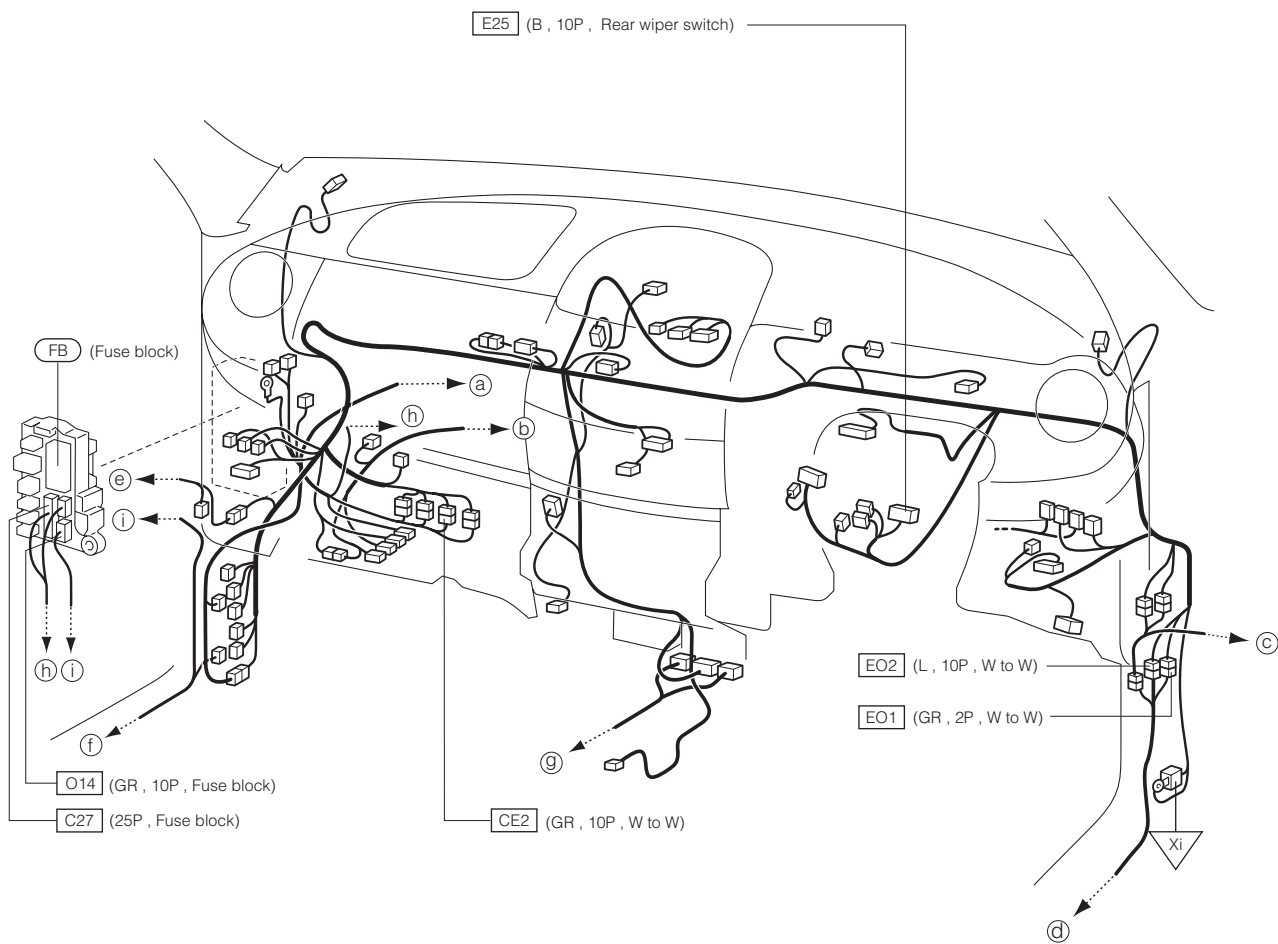


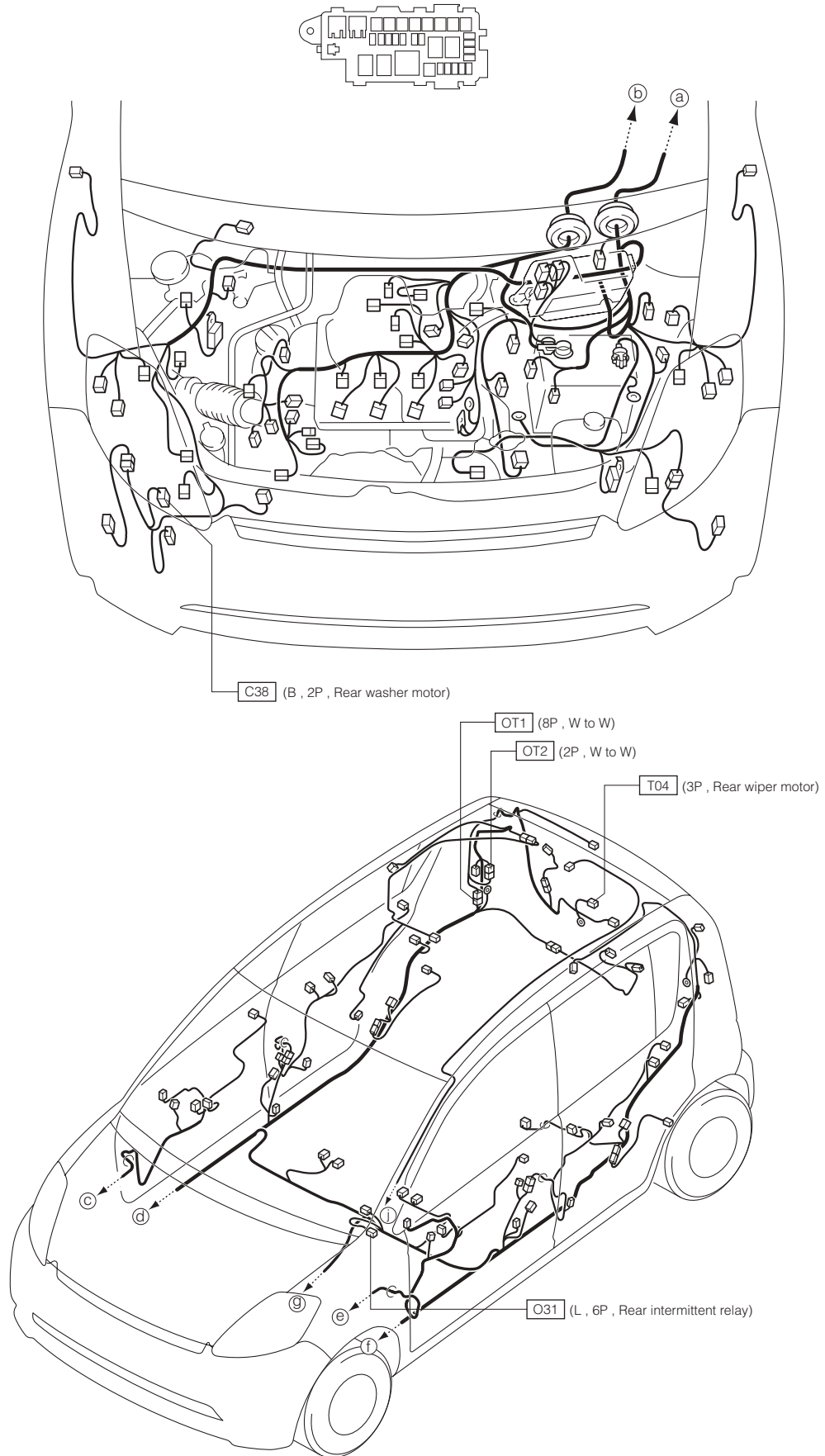


24 REAR WIPER & WASHER 24-1 RHD VEHICLE(WITH INT SYSTEM)

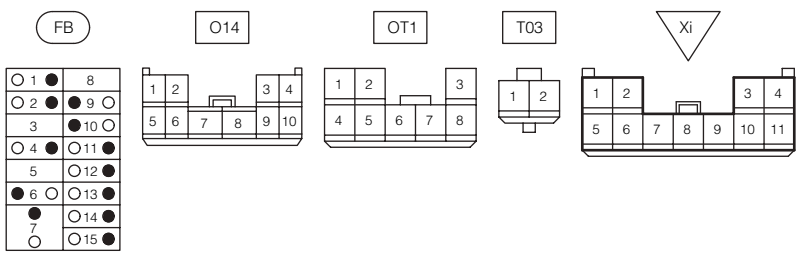
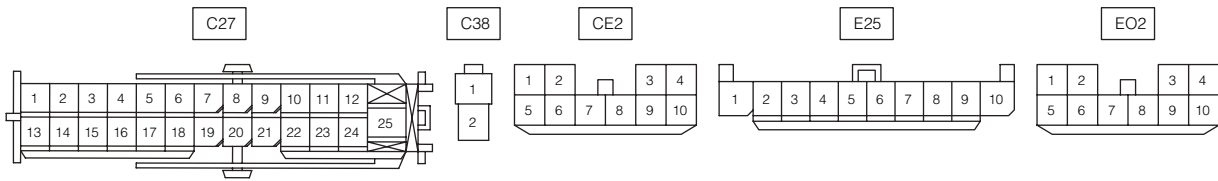
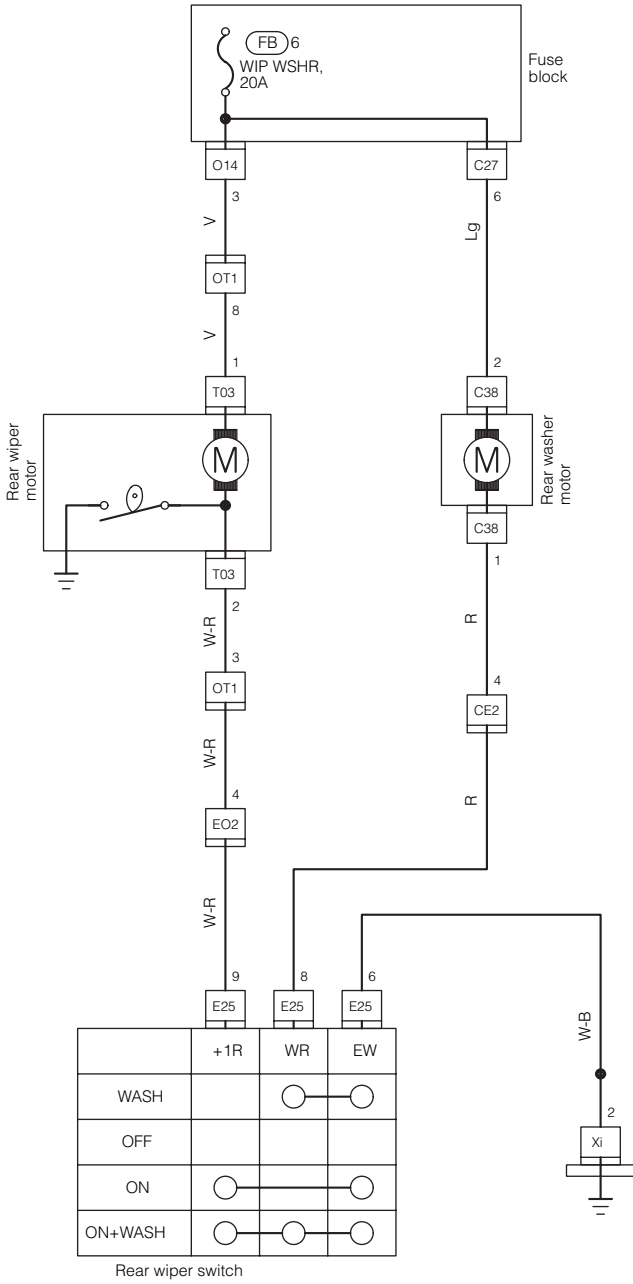


(MEMO)

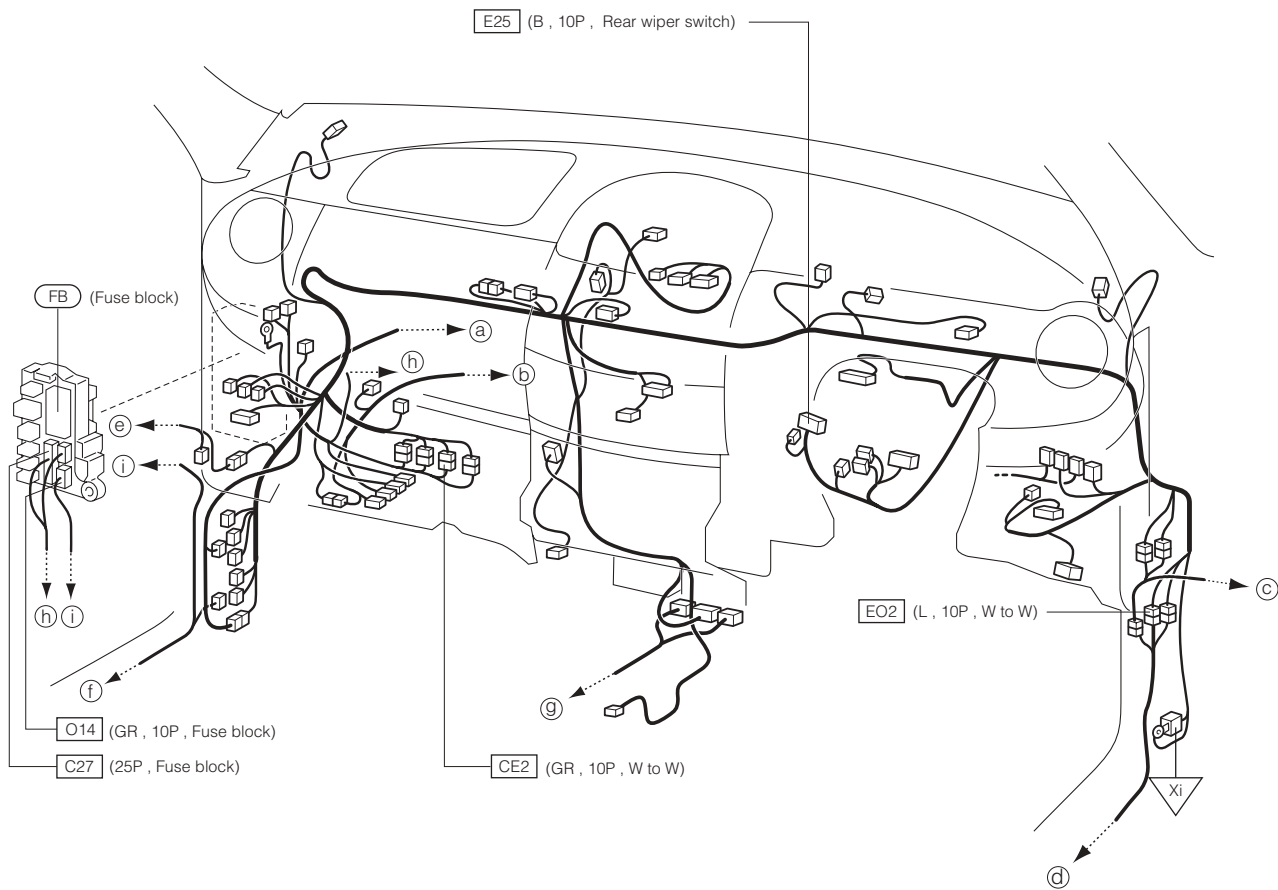


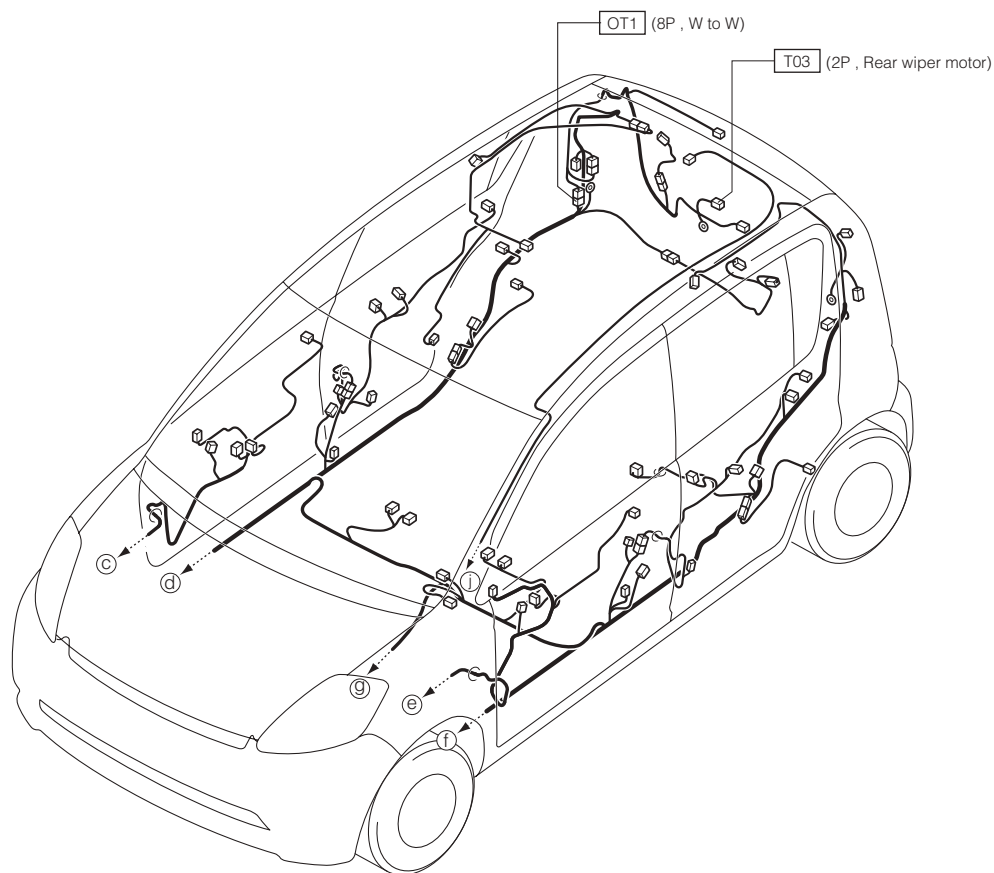
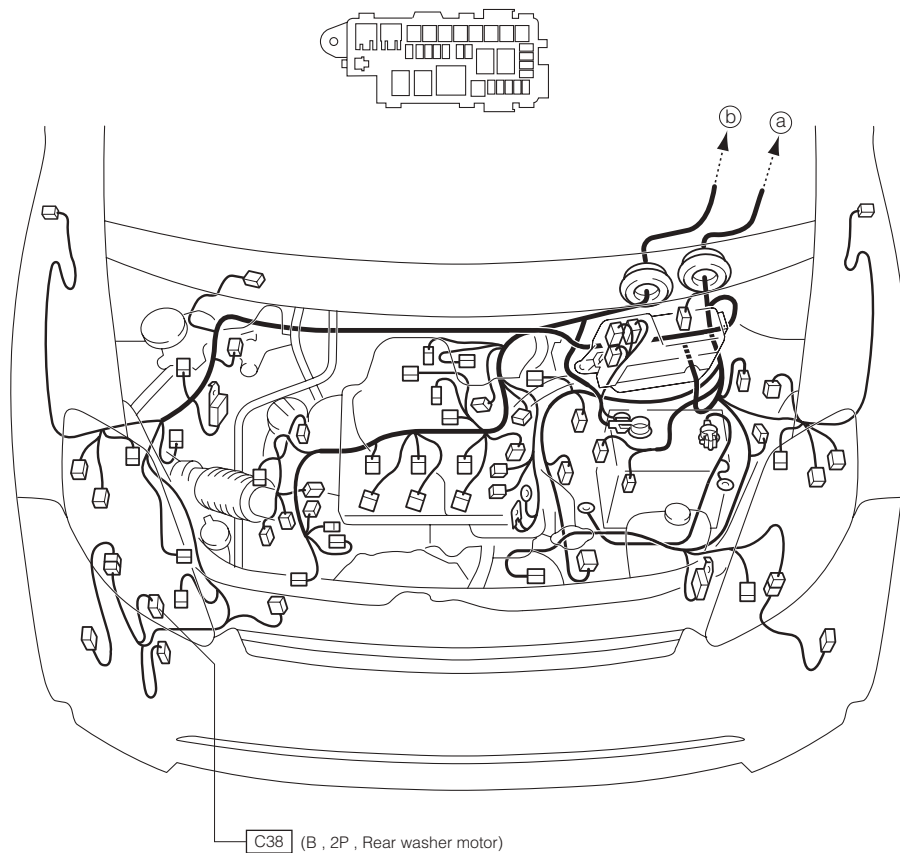


24-2 RHD VEHICLE(WITHOUT INT SYSTEM)

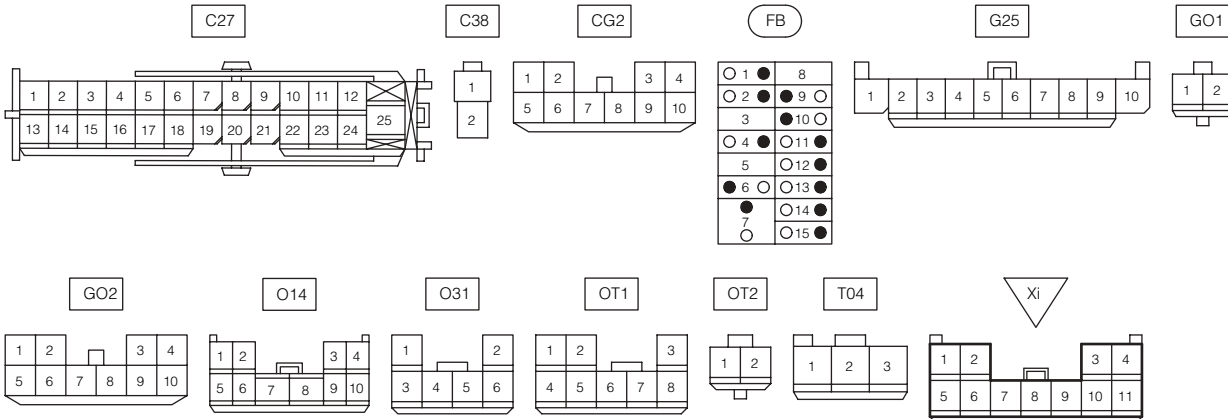
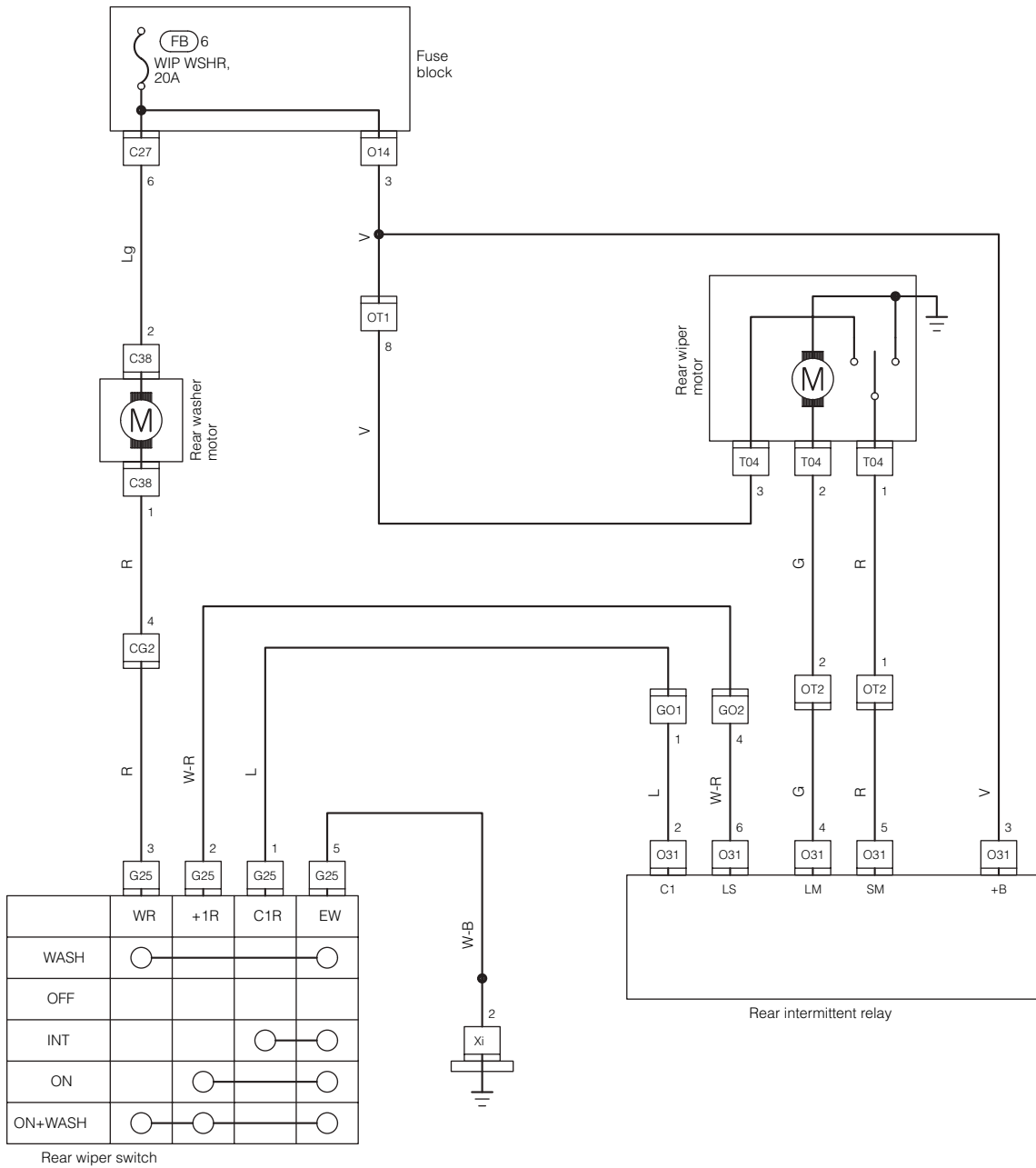


(MEMO)

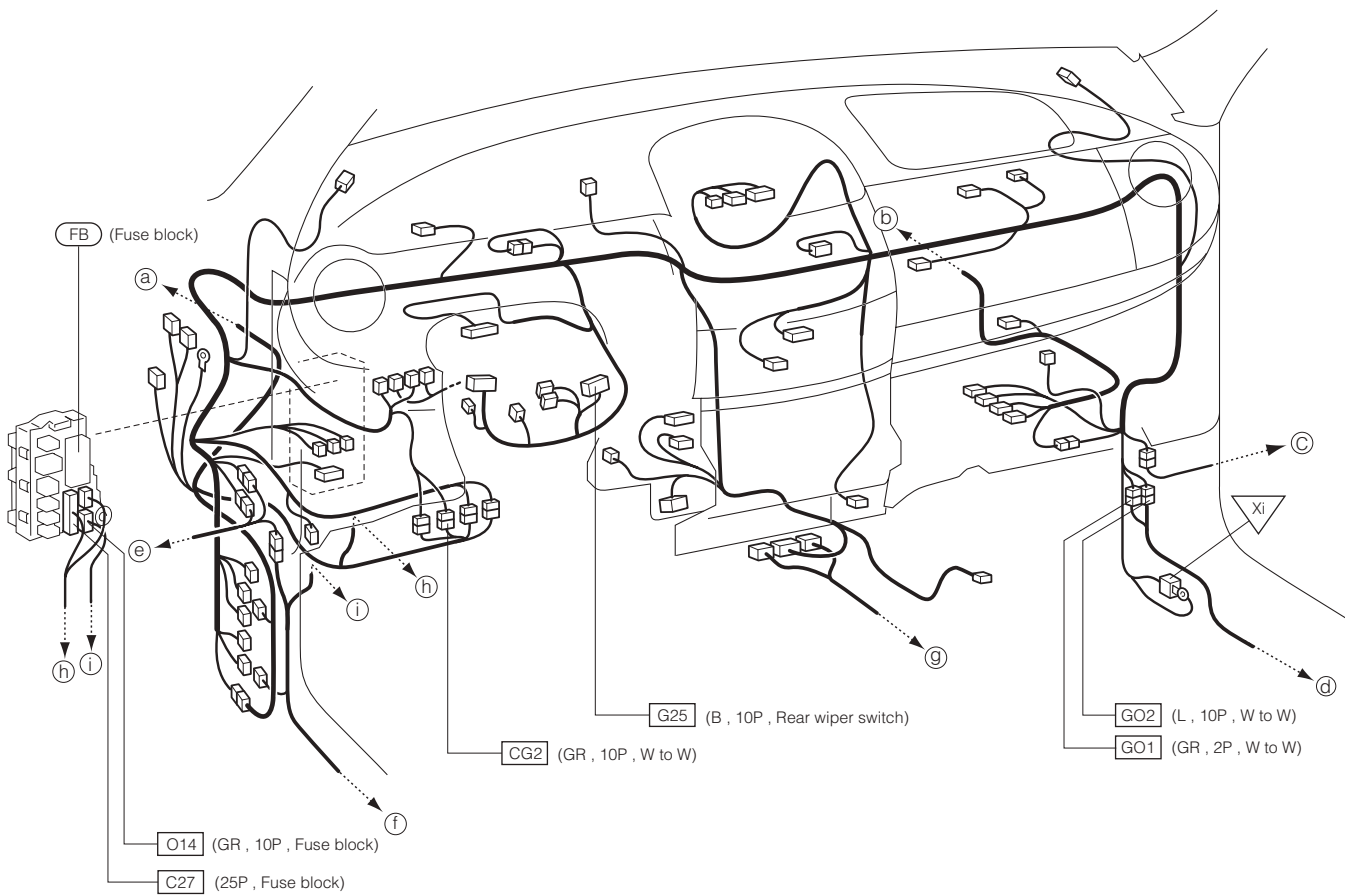


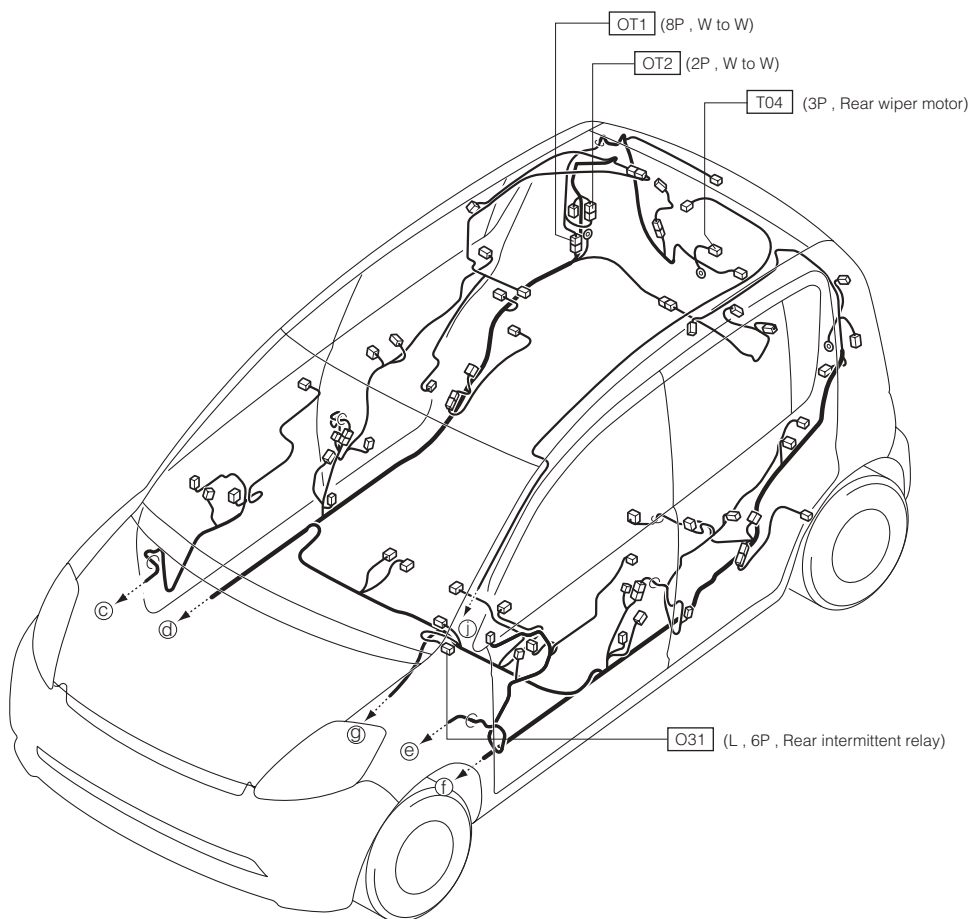
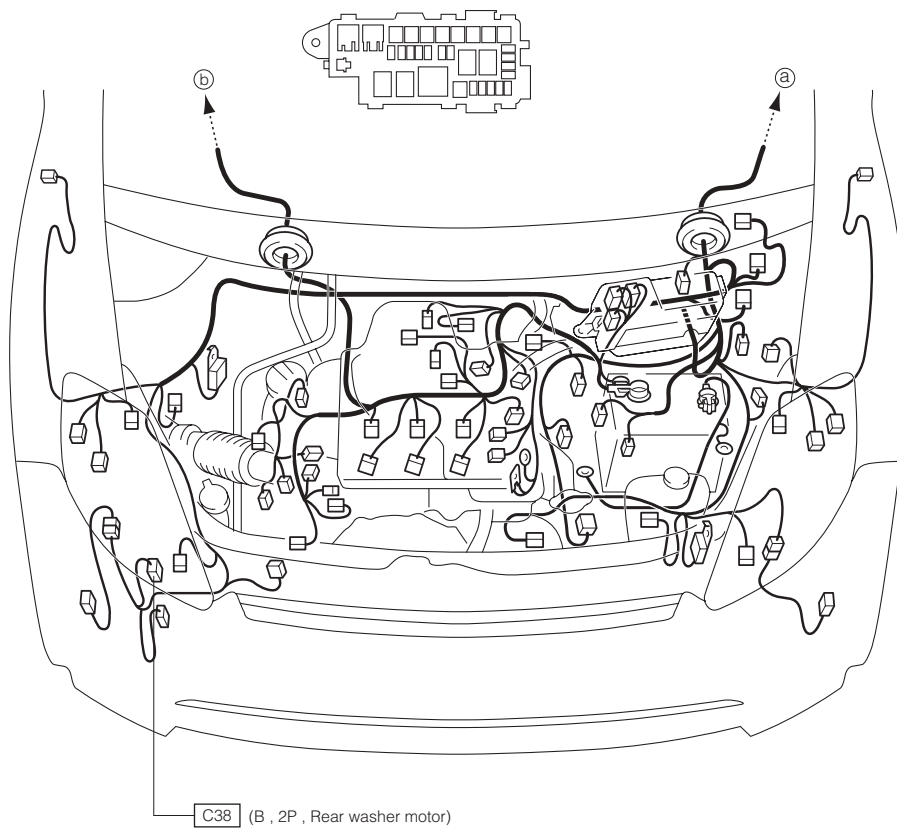


24-3 LHD VEHICLE (WITH INT SYSTEM)

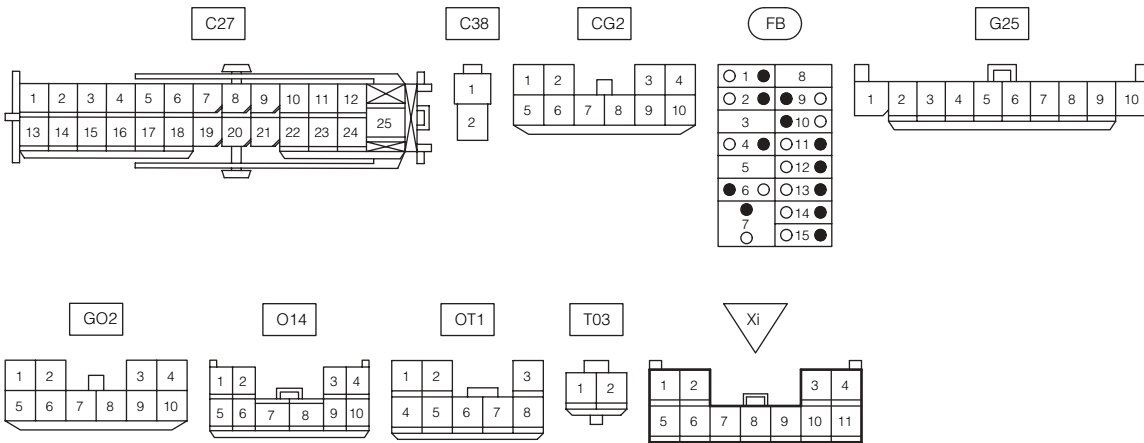
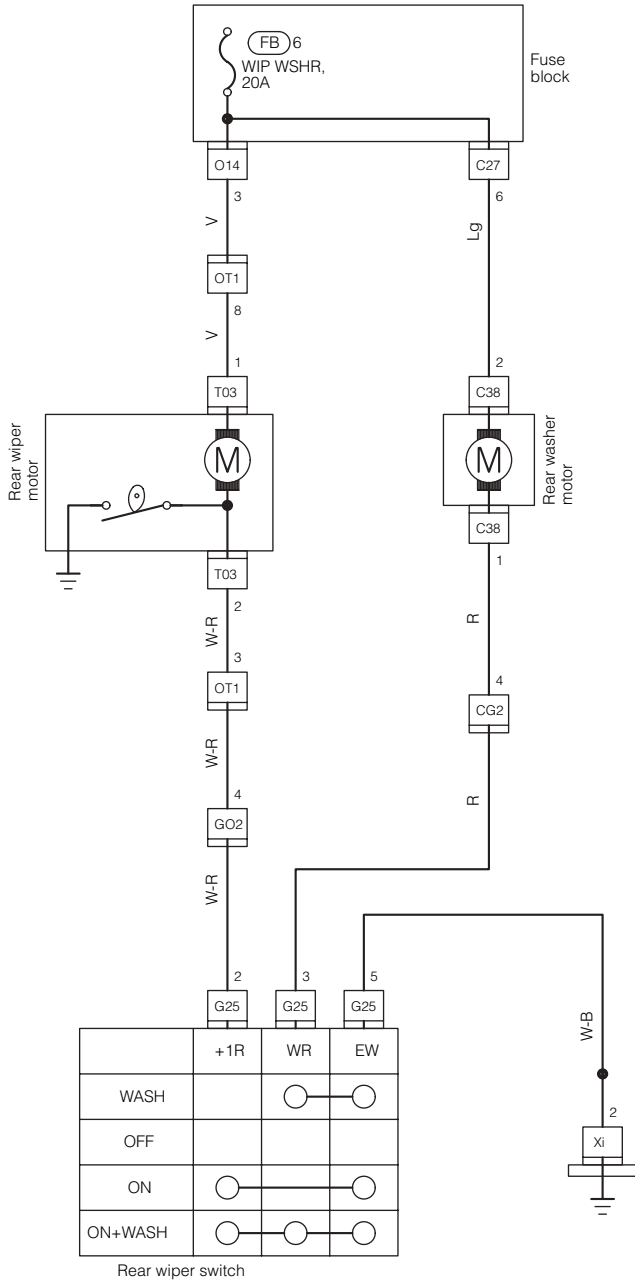


(MEMO)

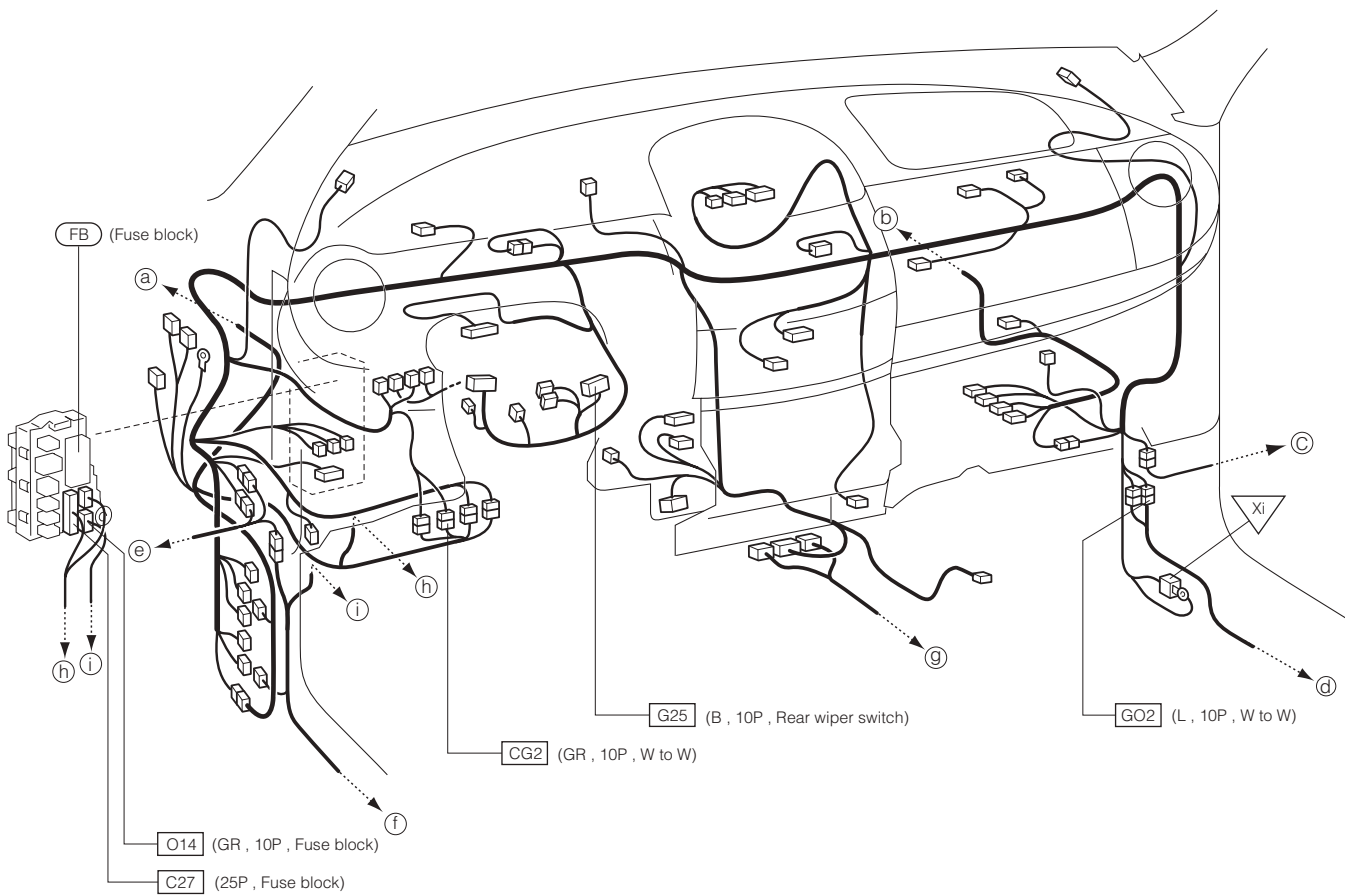


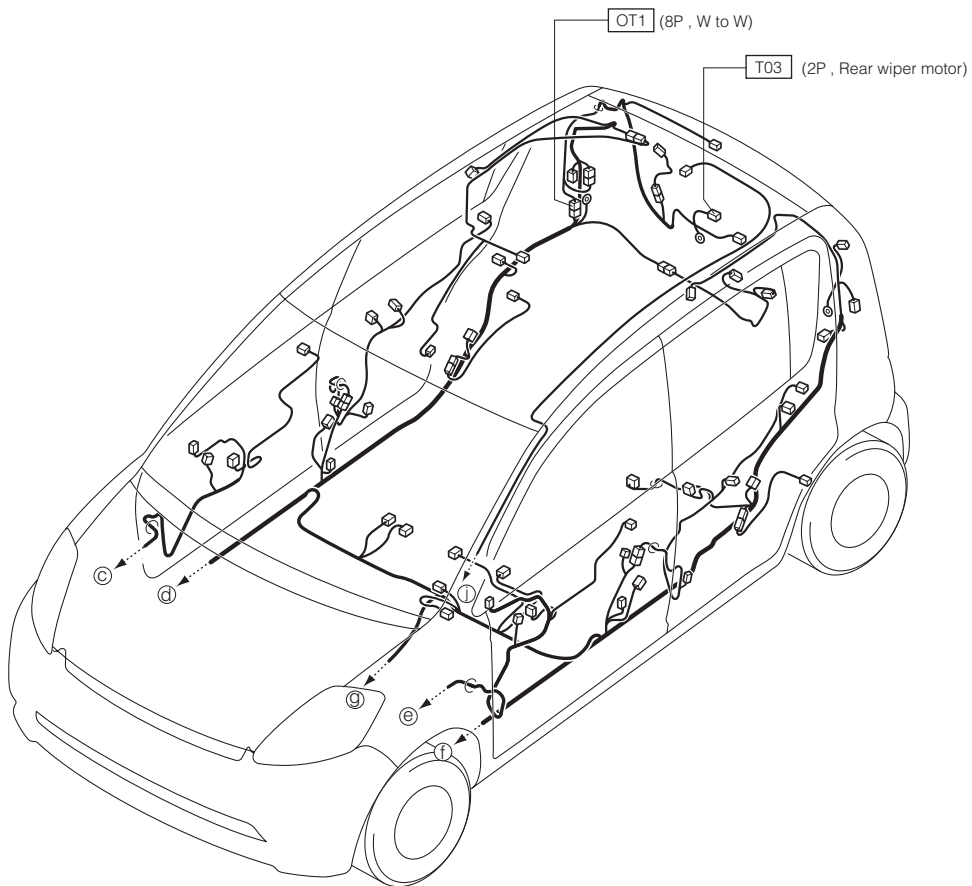
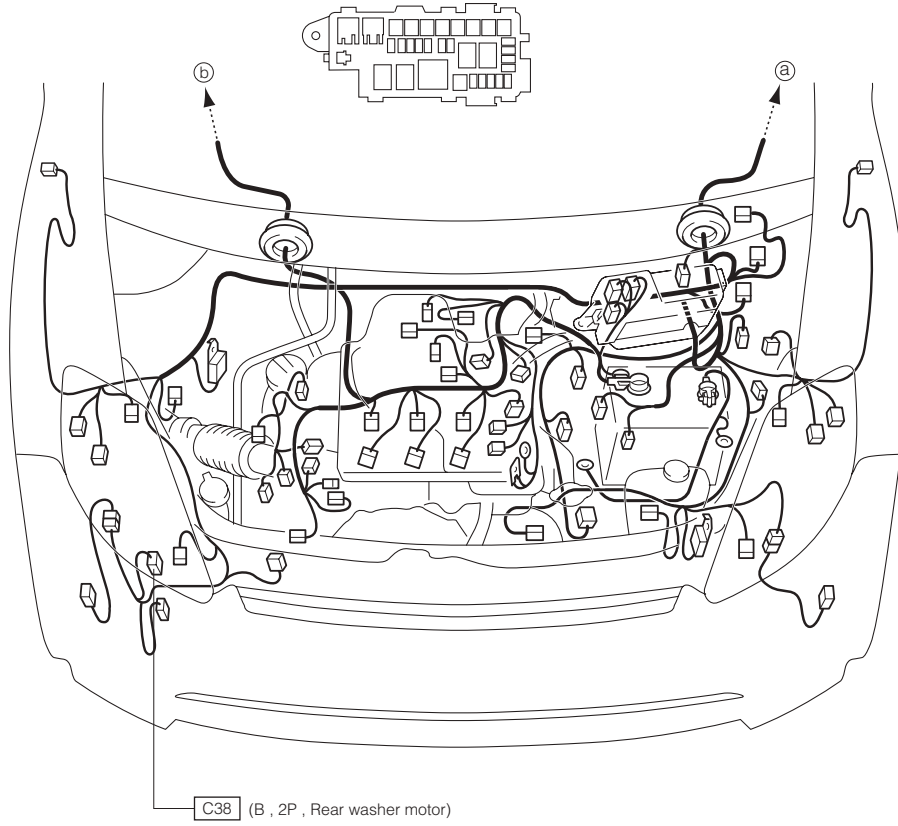


24-4 LHD VEHICLE(WITHOUT INT SYSTEM)



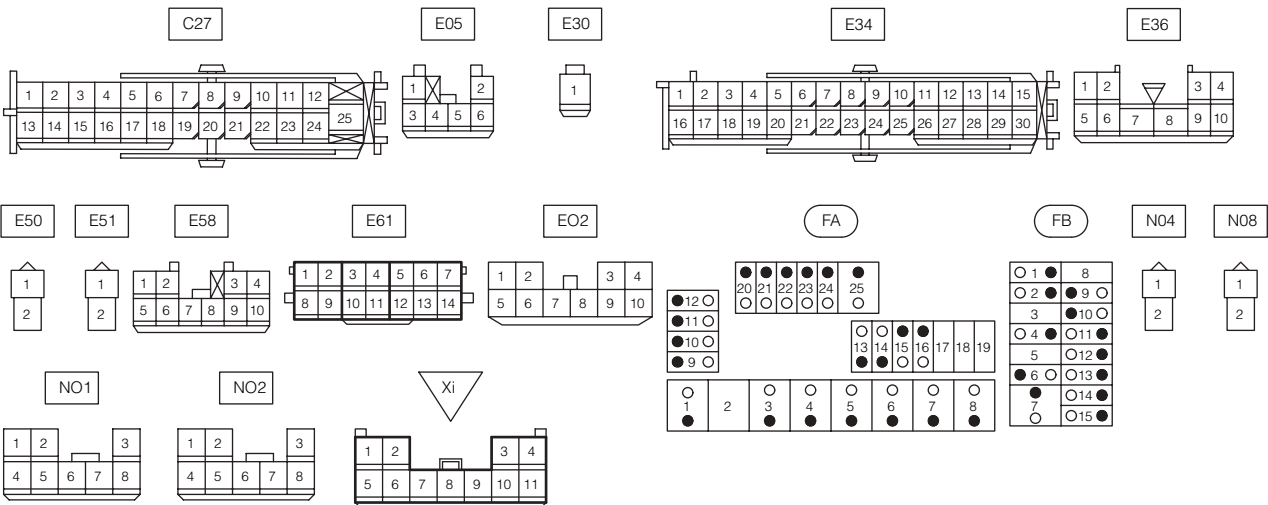
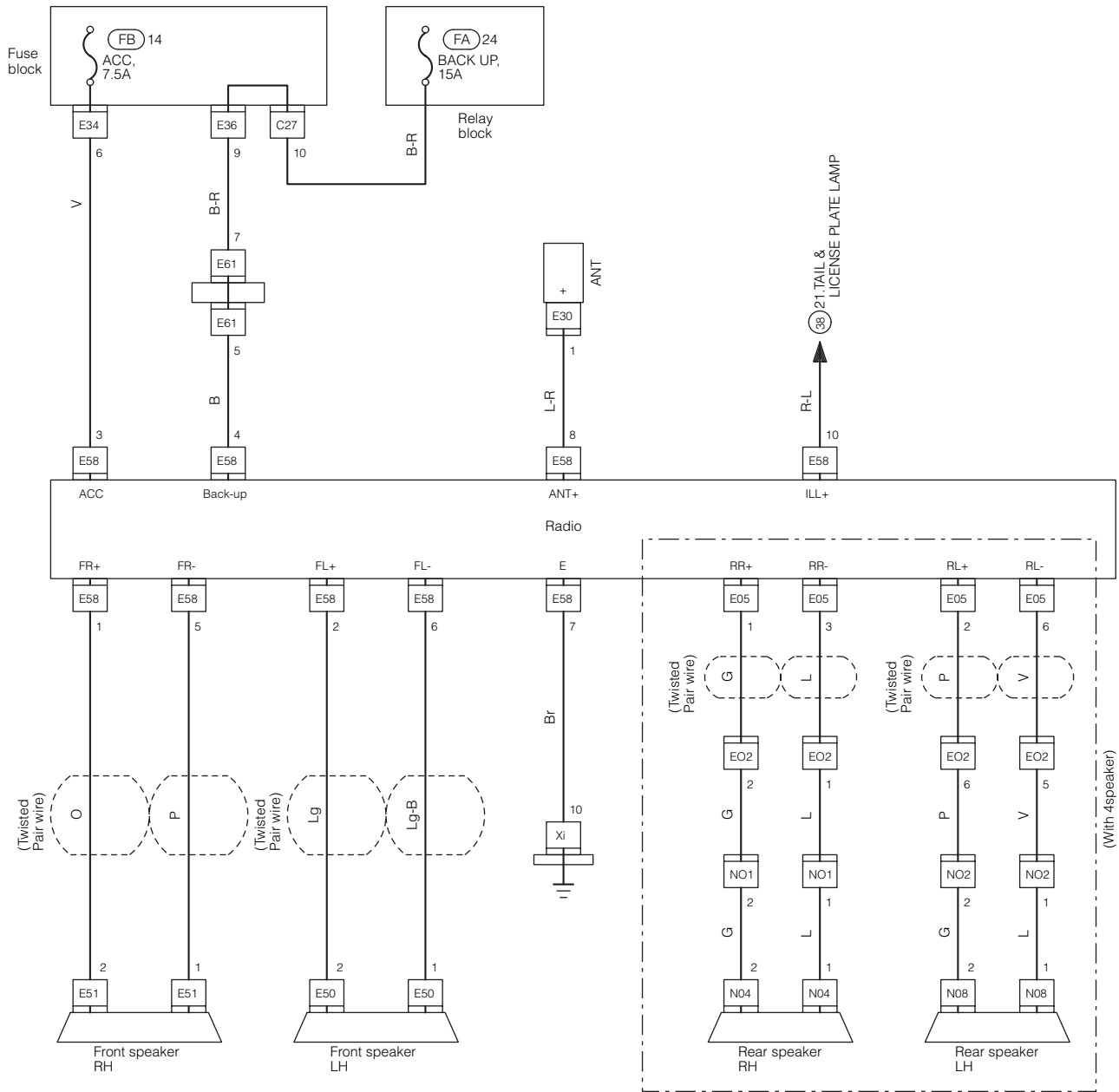
(MEMO)



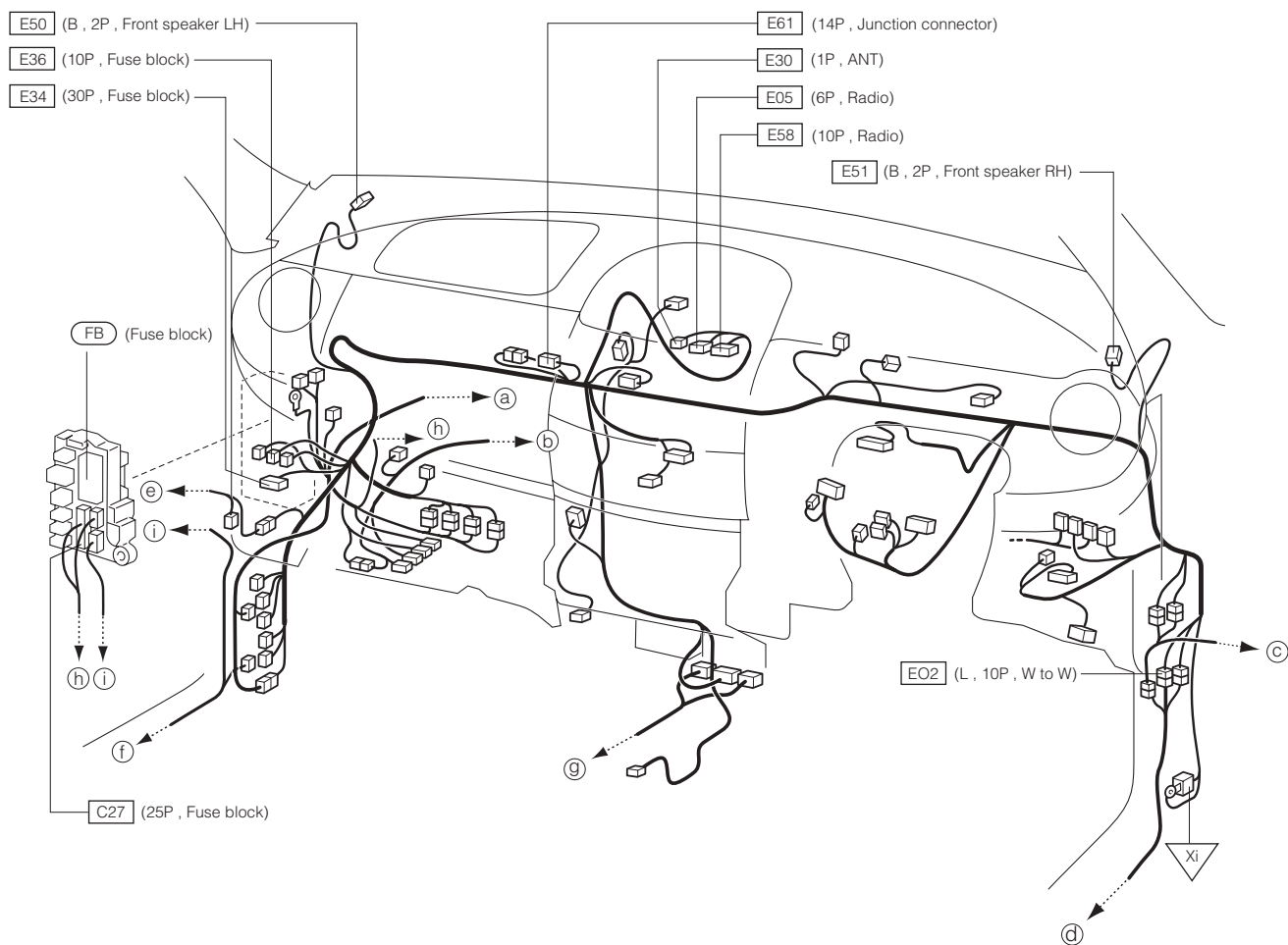


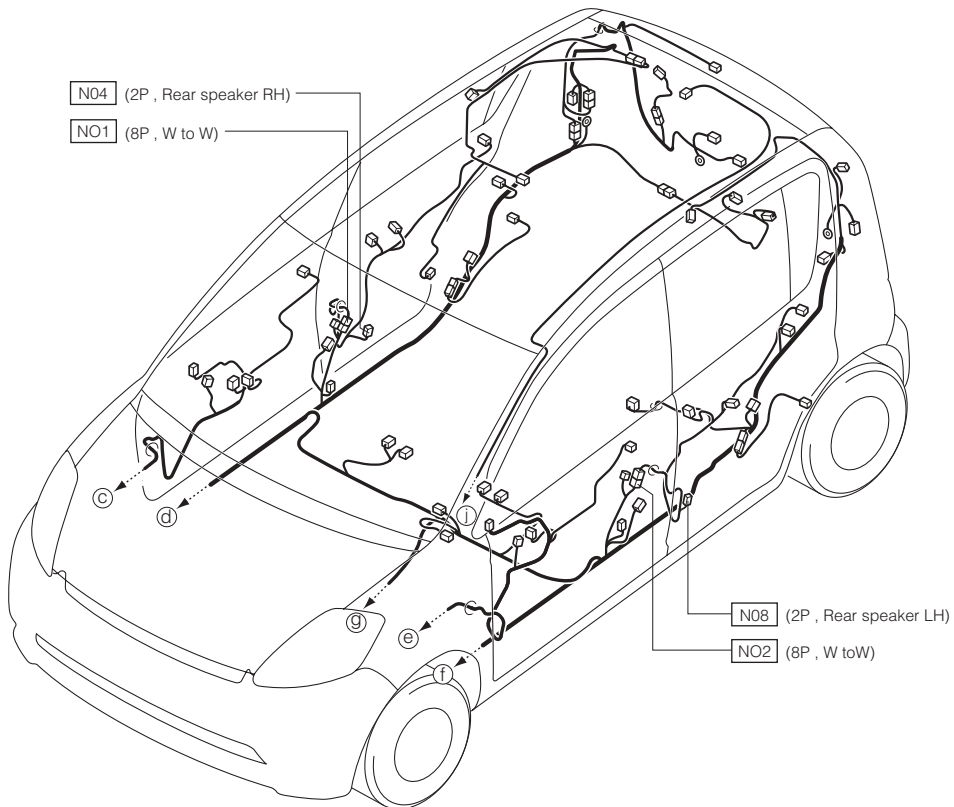
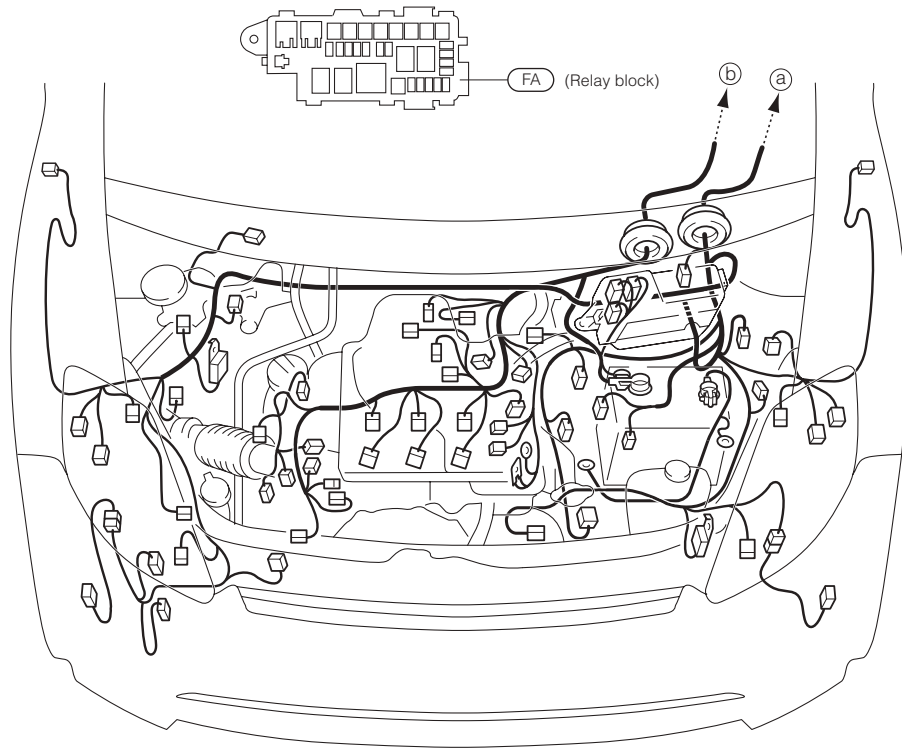
D-221

25 RADIO 25-1 RHD VEHICLE

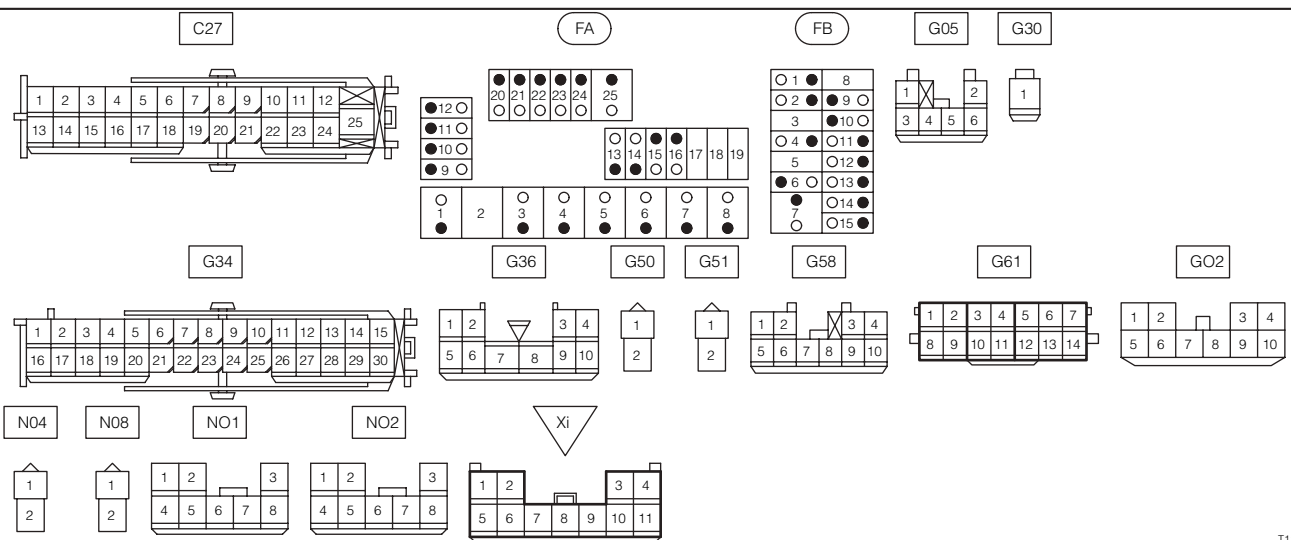
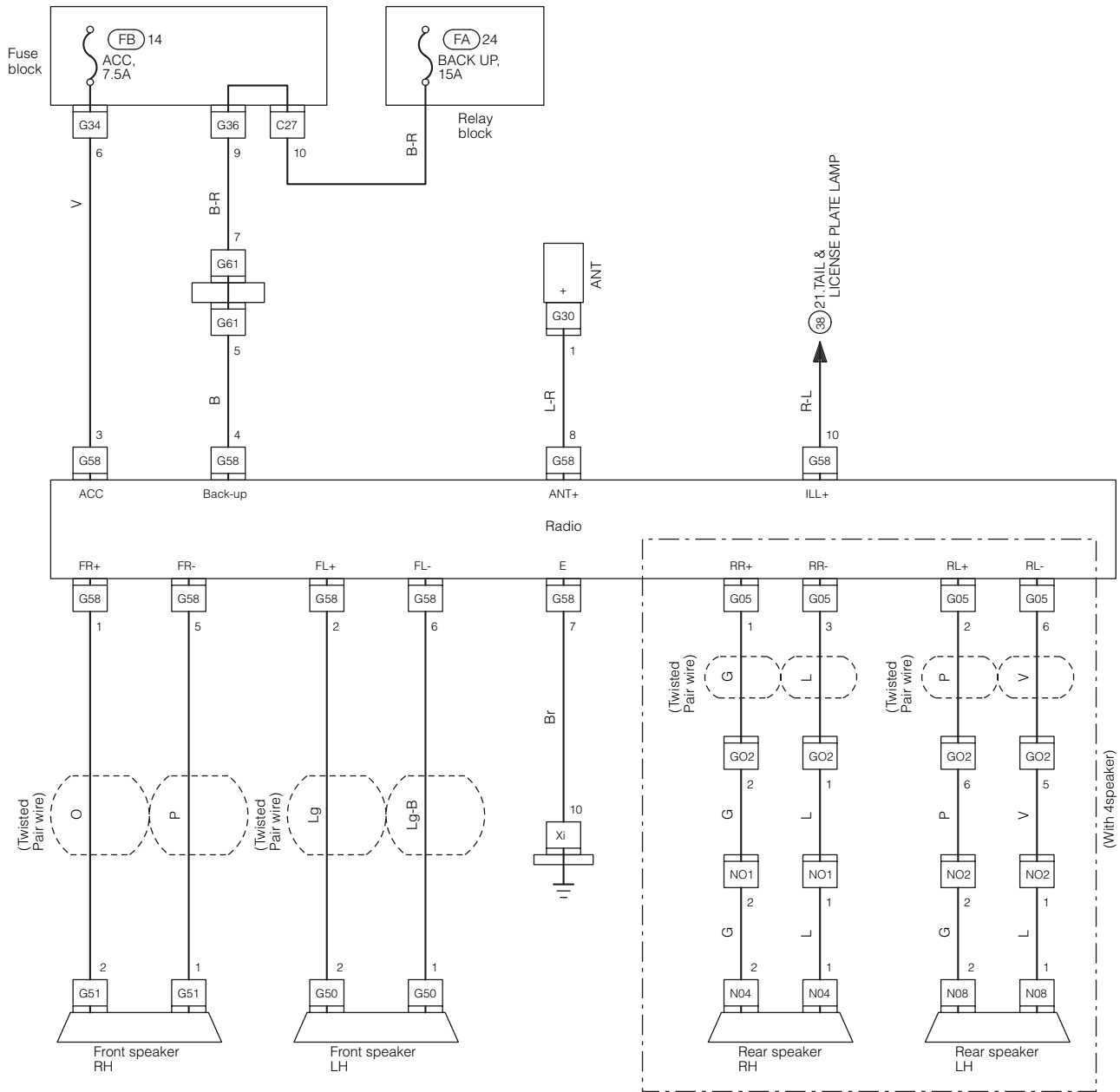


(MEMO)

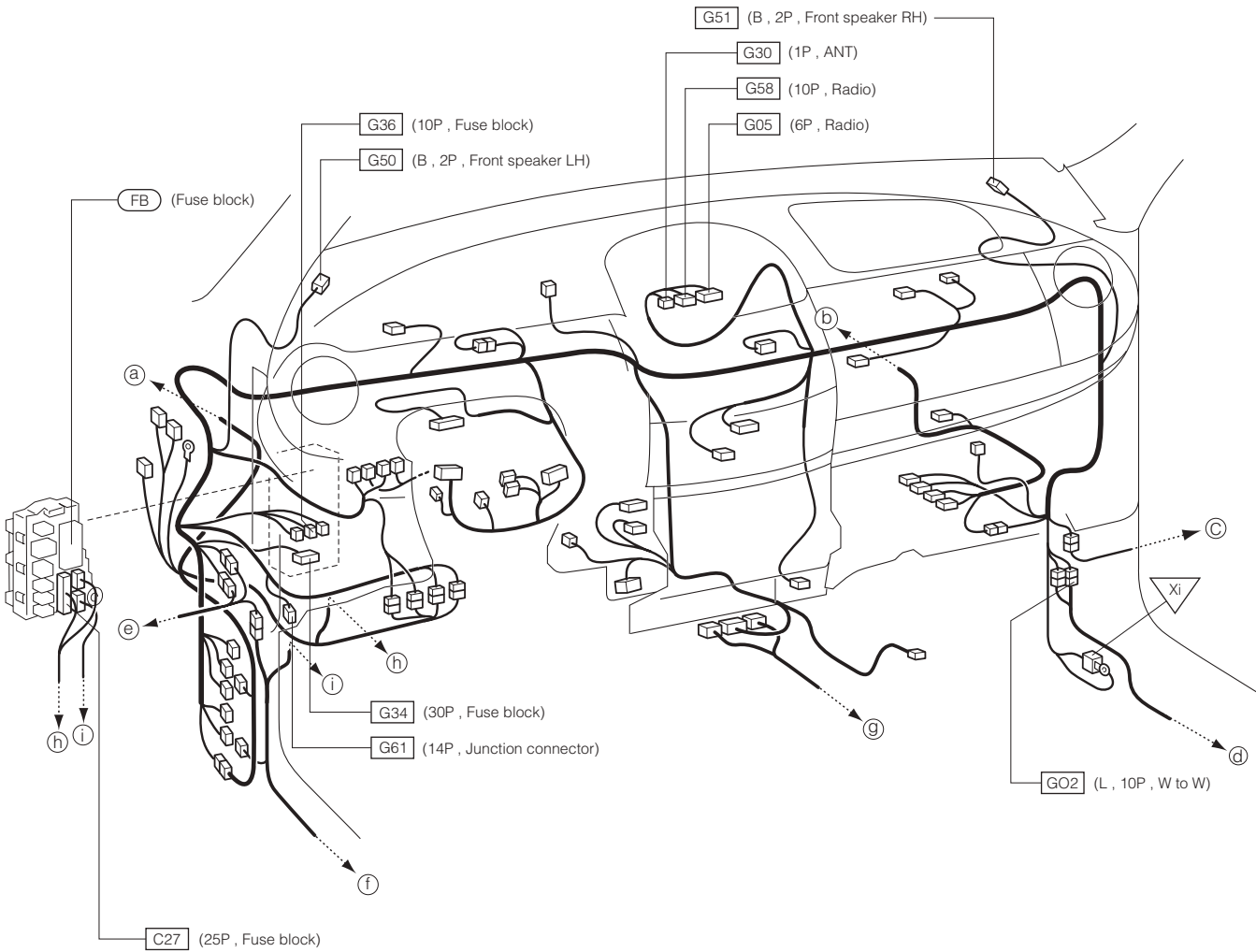


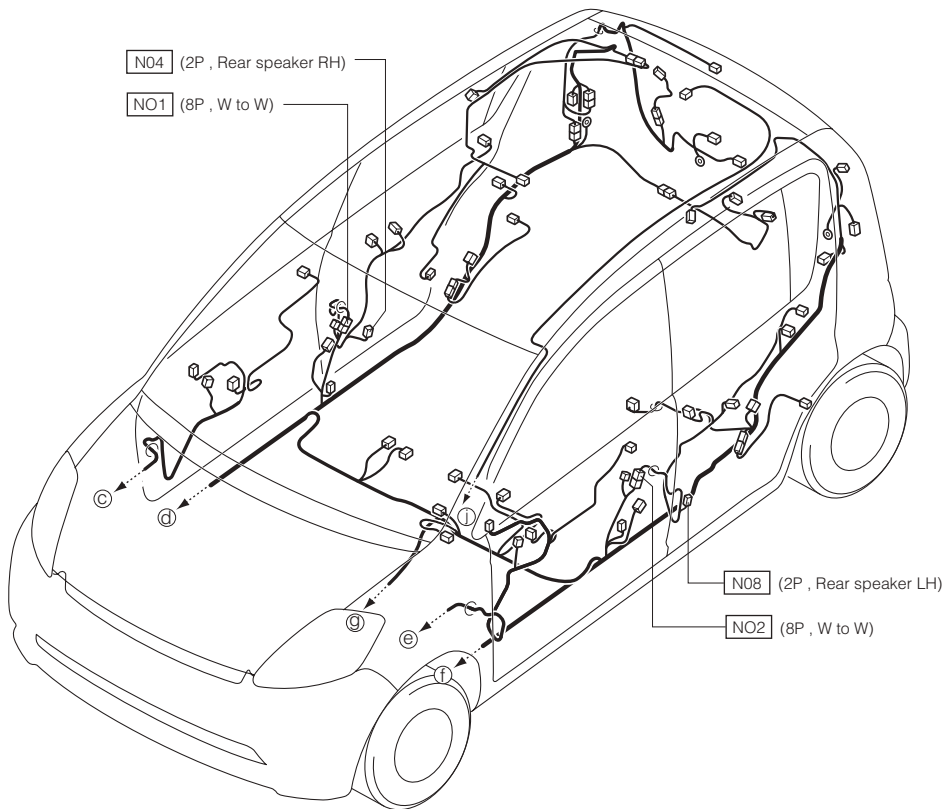
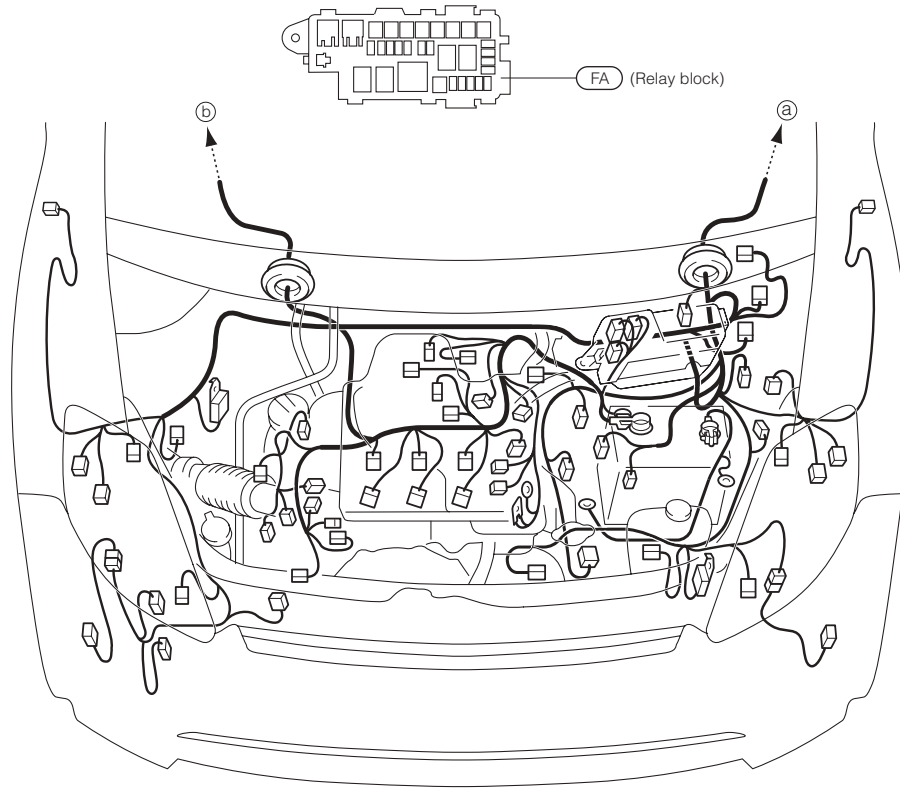


25-2 LHD VEHICLE



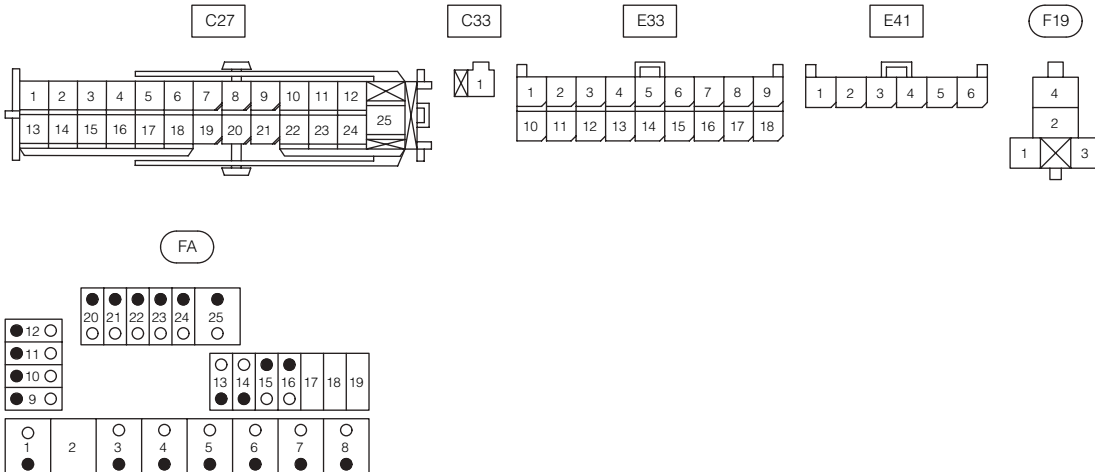
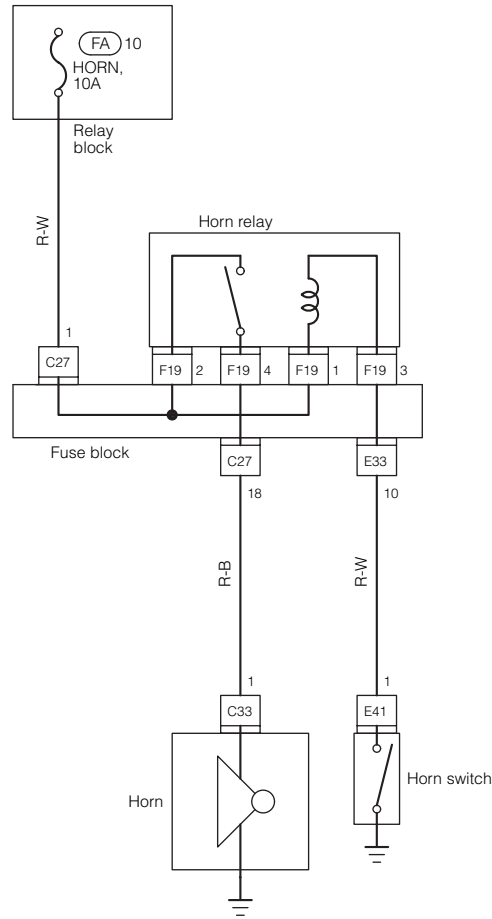
(MEMO)



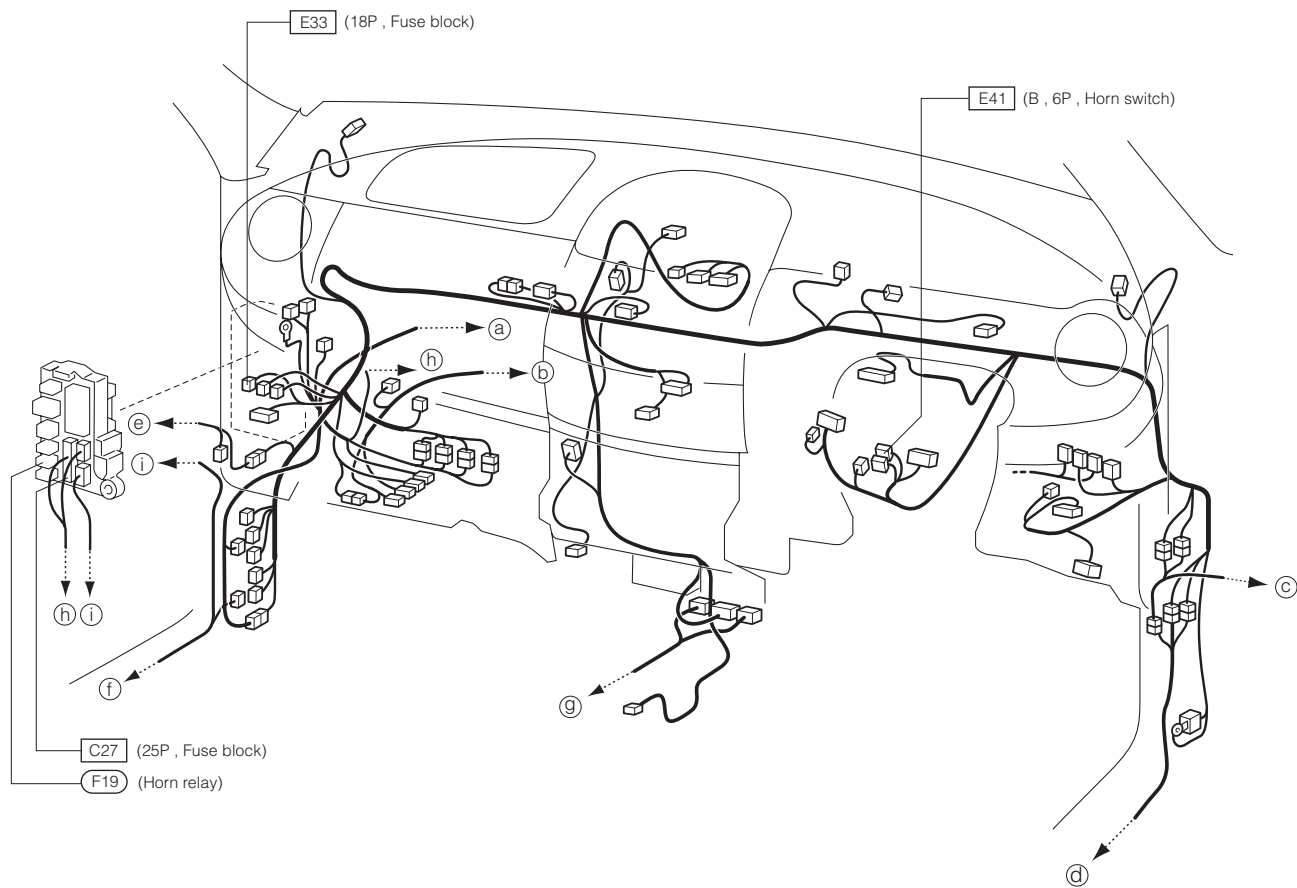


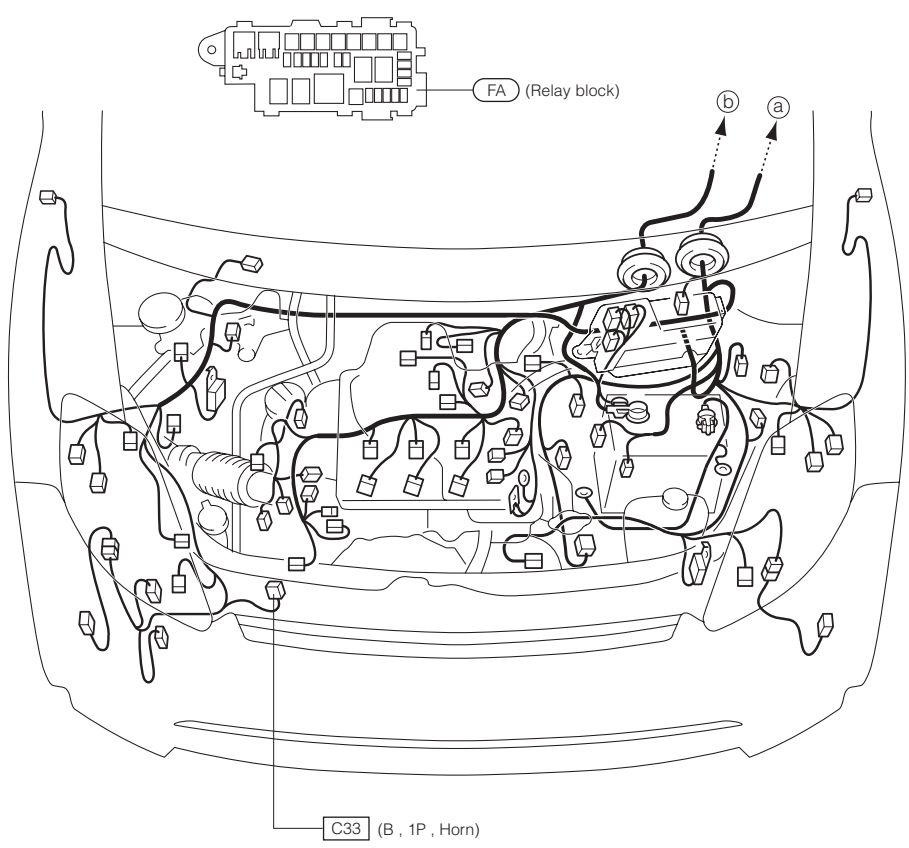
D-229

26 HORN 26-1 RHD VEHICLE

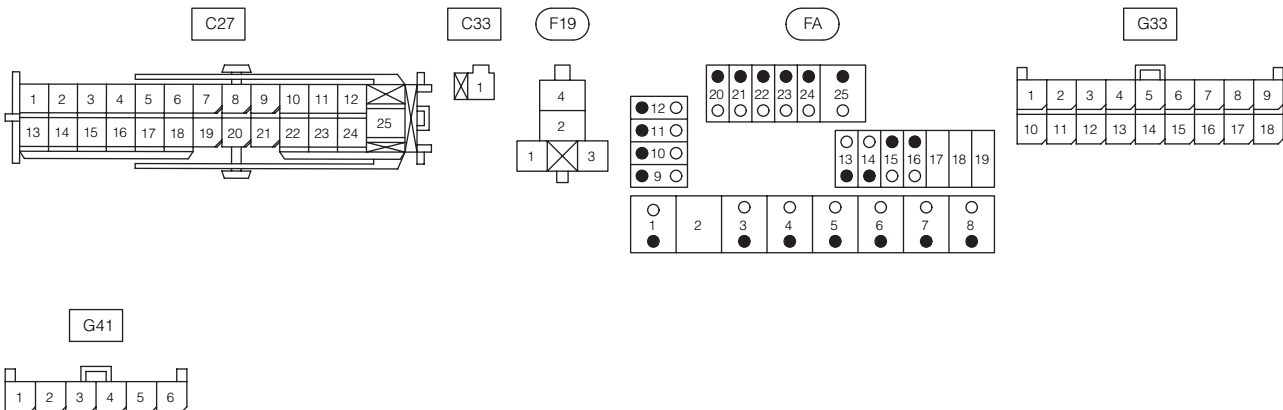
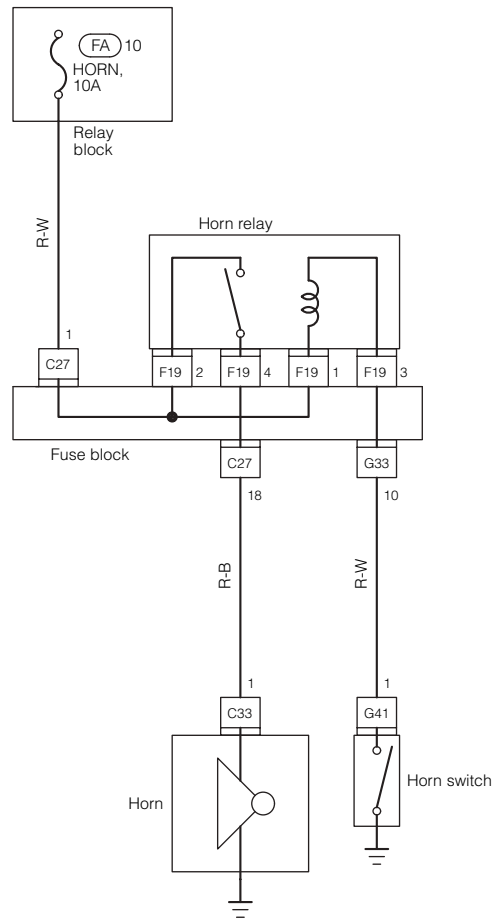


(MEMO)

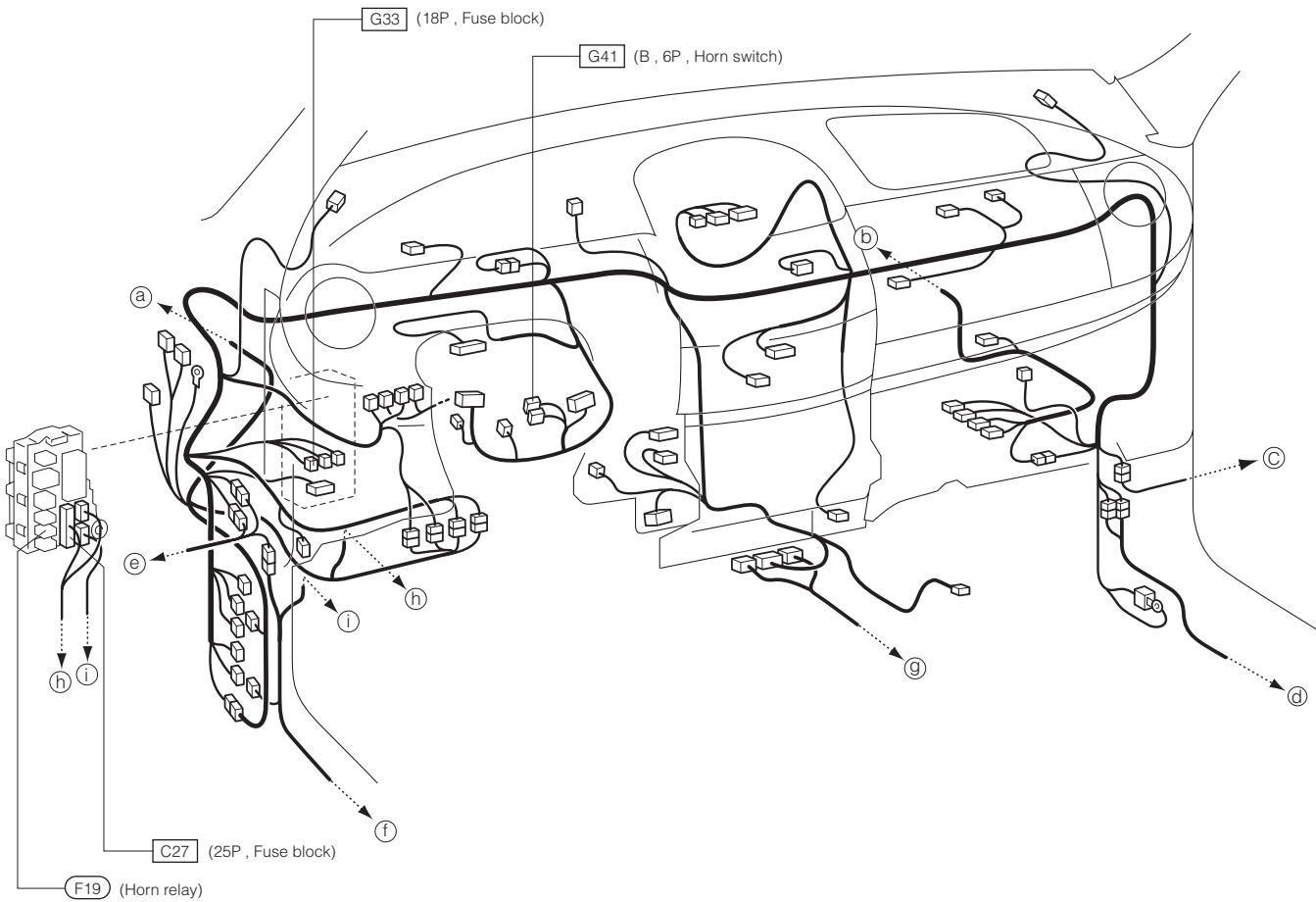


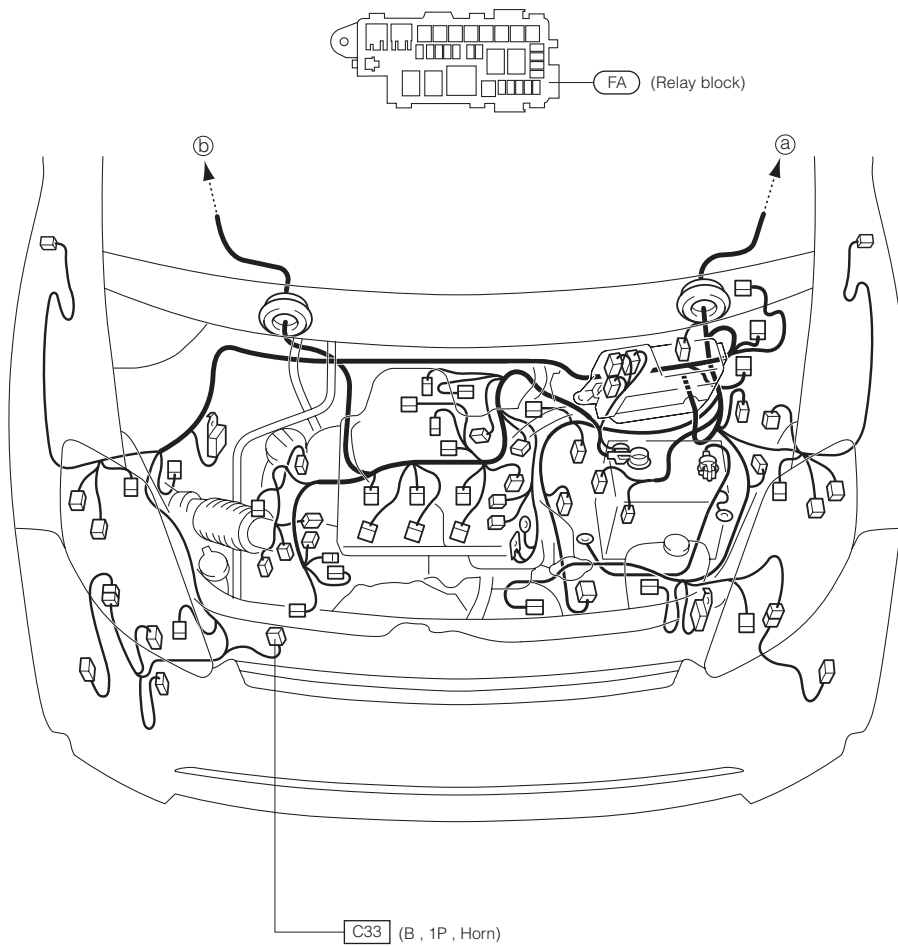


26-2 LHD VEHICLE



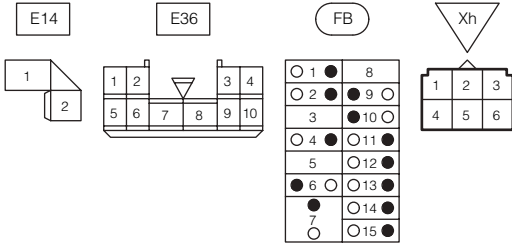
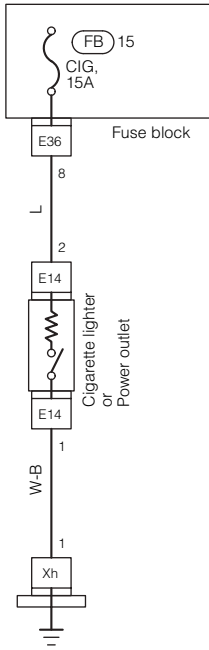
(MEMO)

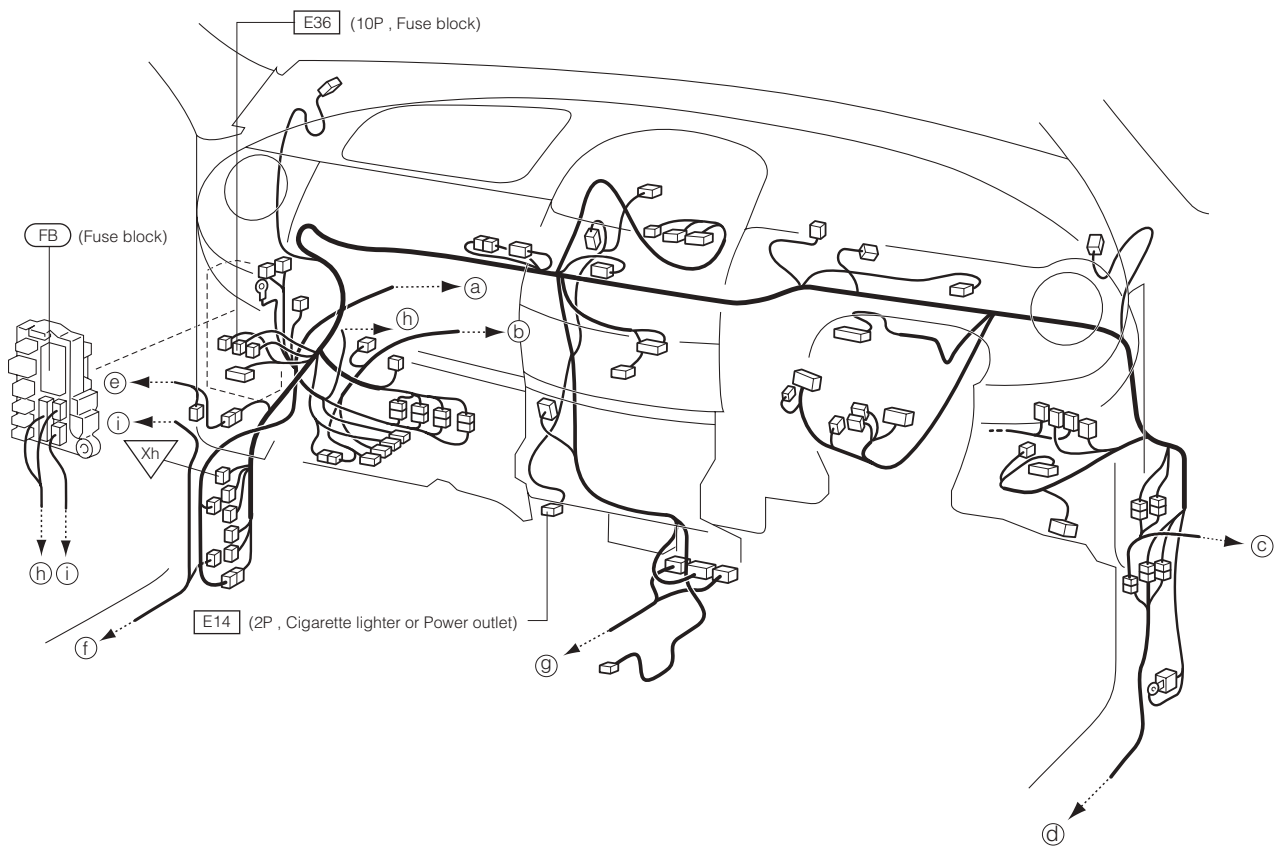




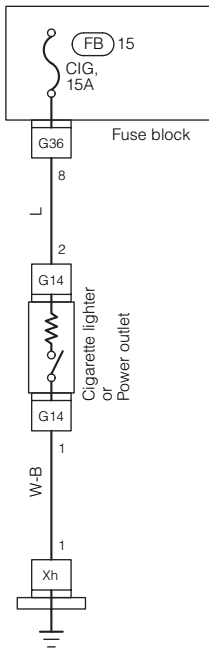
D-237

27 CIGARETTE LIGHTER, POWER OUTLET 27-1 RHD VEHICLE





27-2 LHD VEHICLE



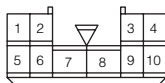
FB

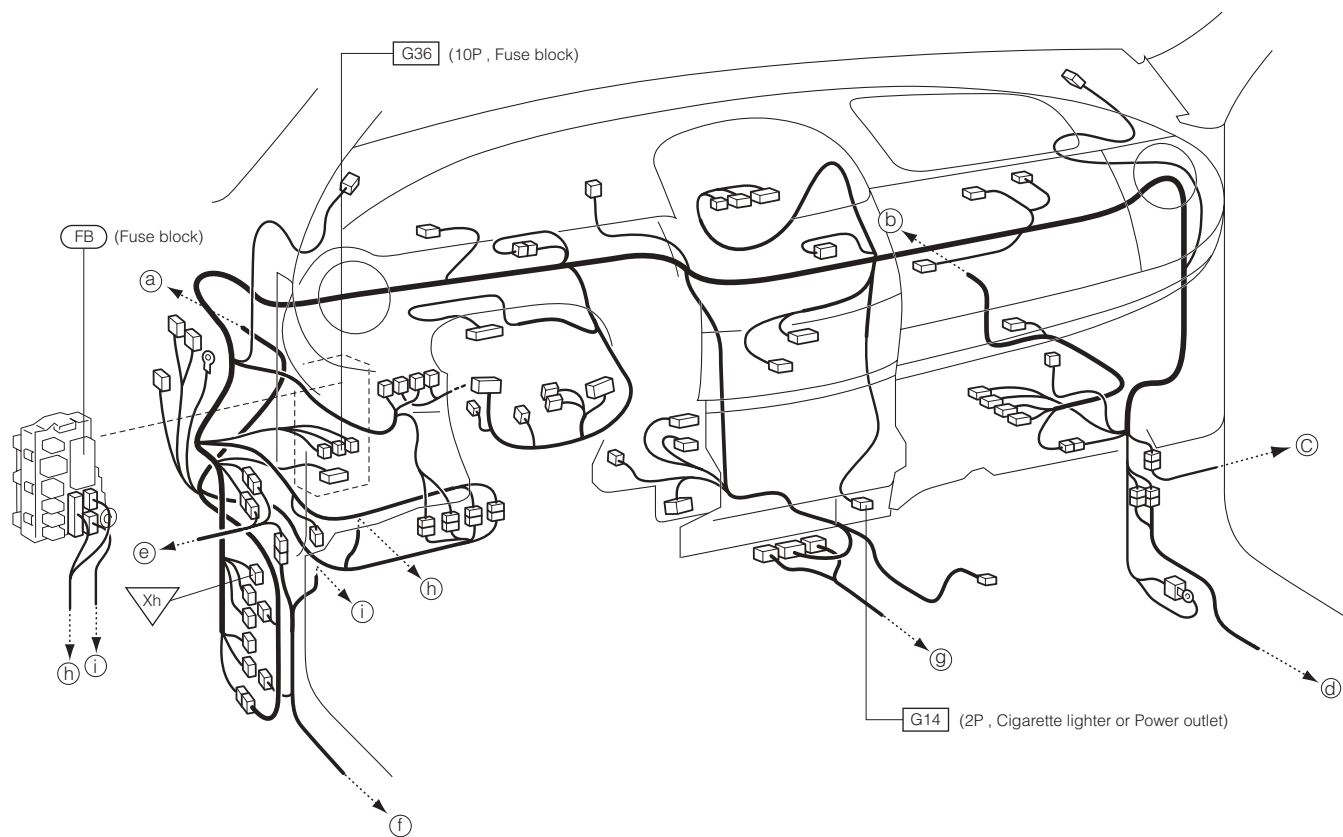
G14

G36

Xh

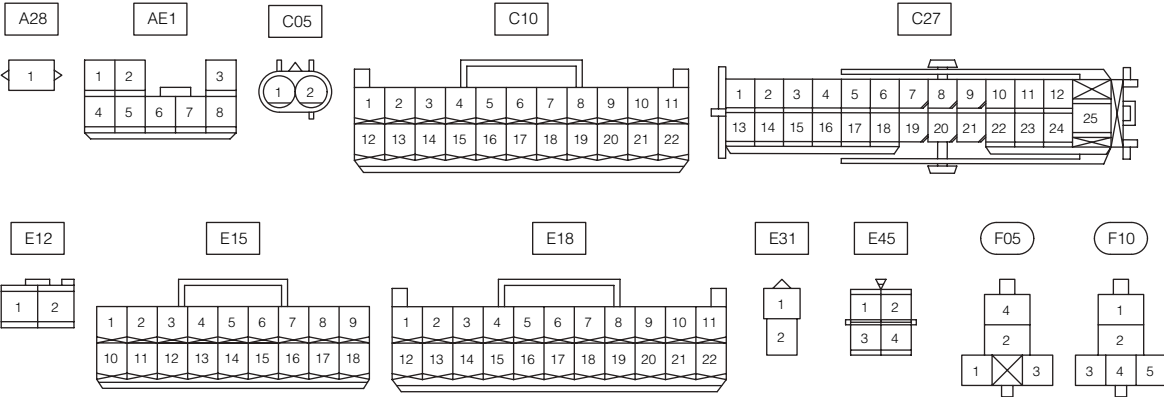
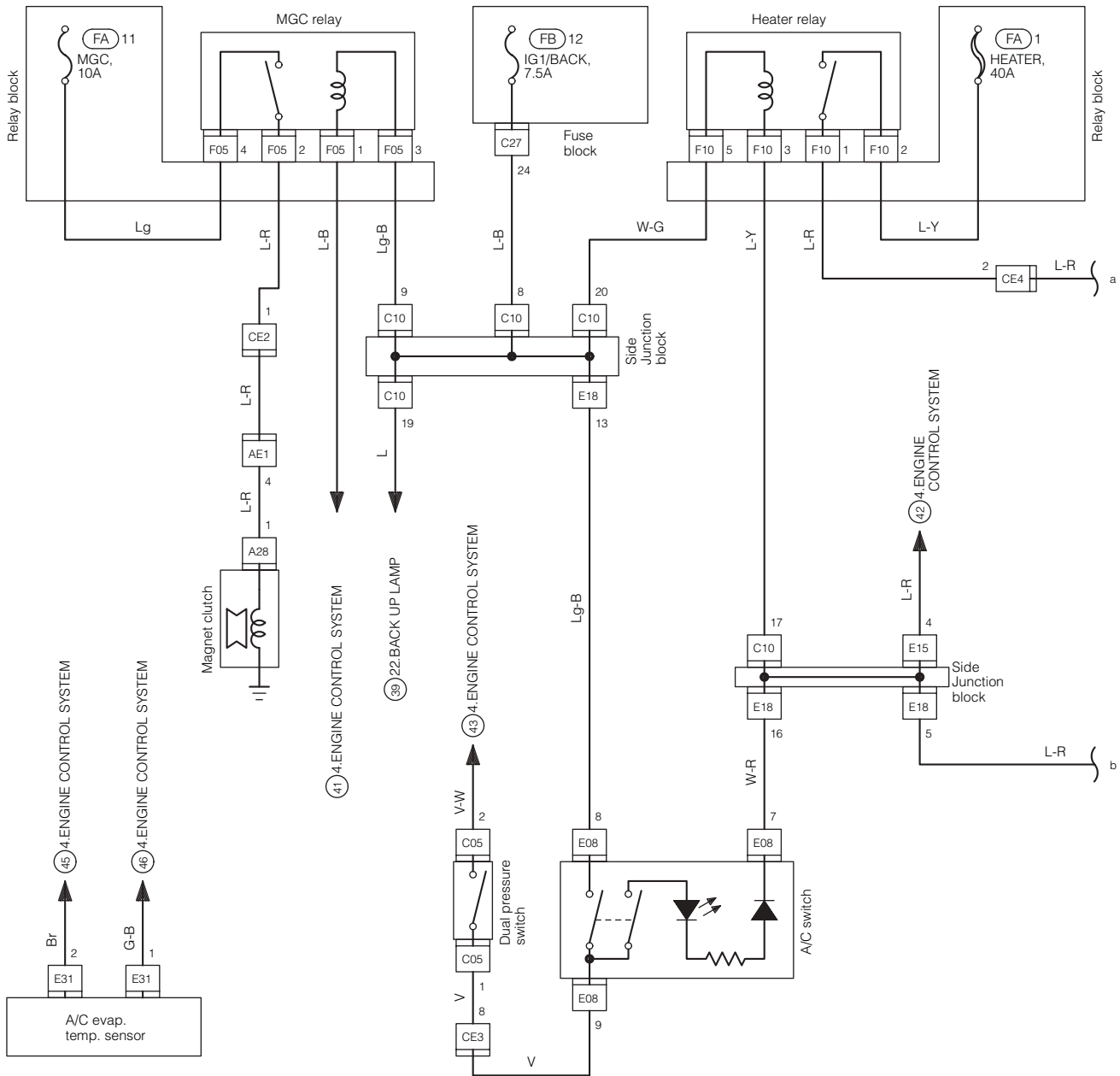
○ 1	● 8
○ 2	● 9
○ 3	● 10
○ 4	○ 11
○ 5	○ 12
● 6	○ 13
● 7	○ 14
○	○ 15

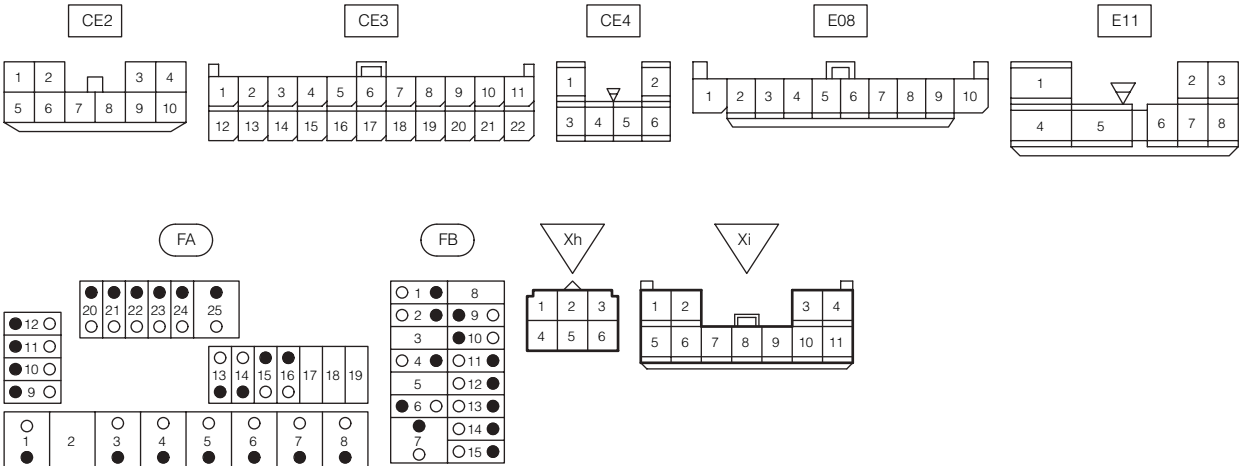
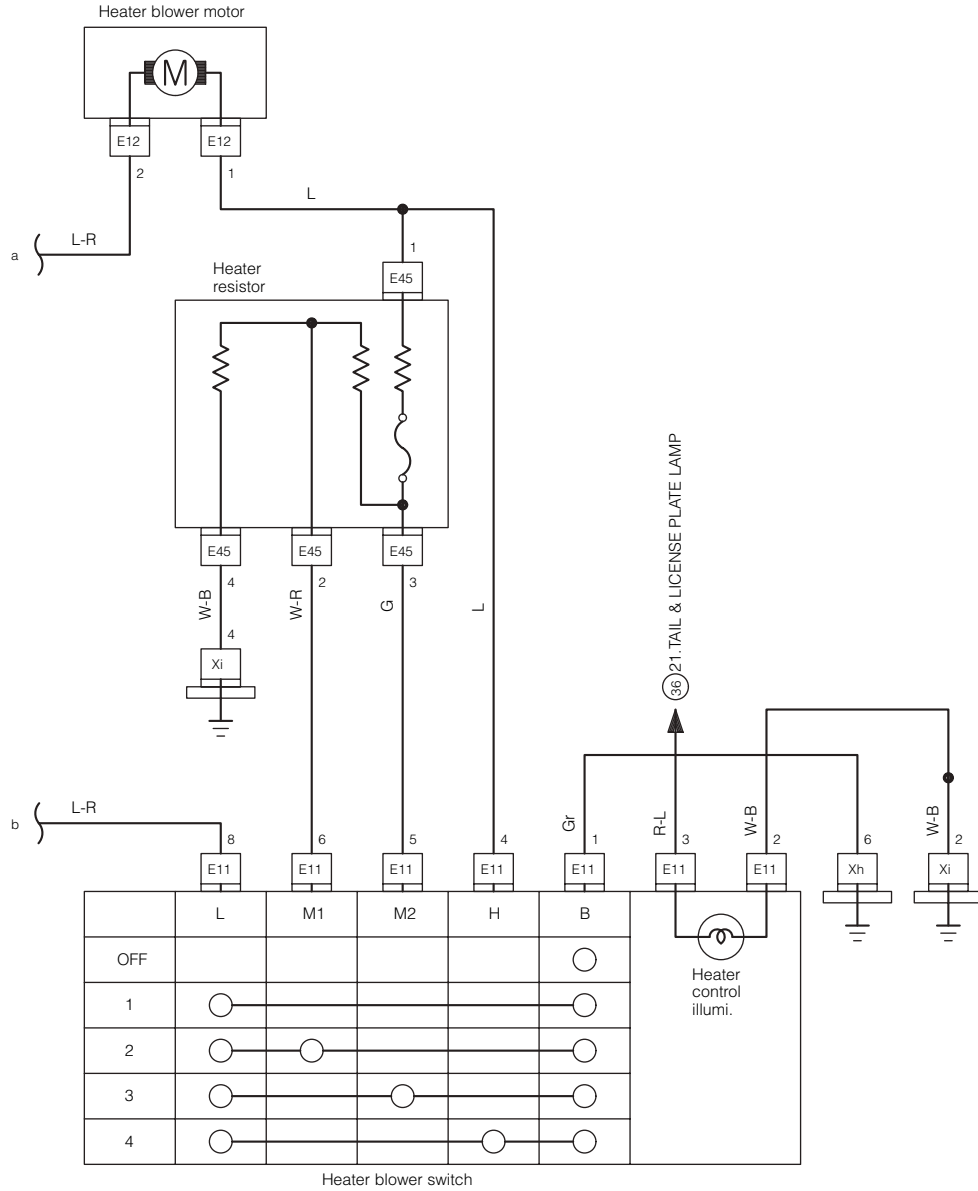


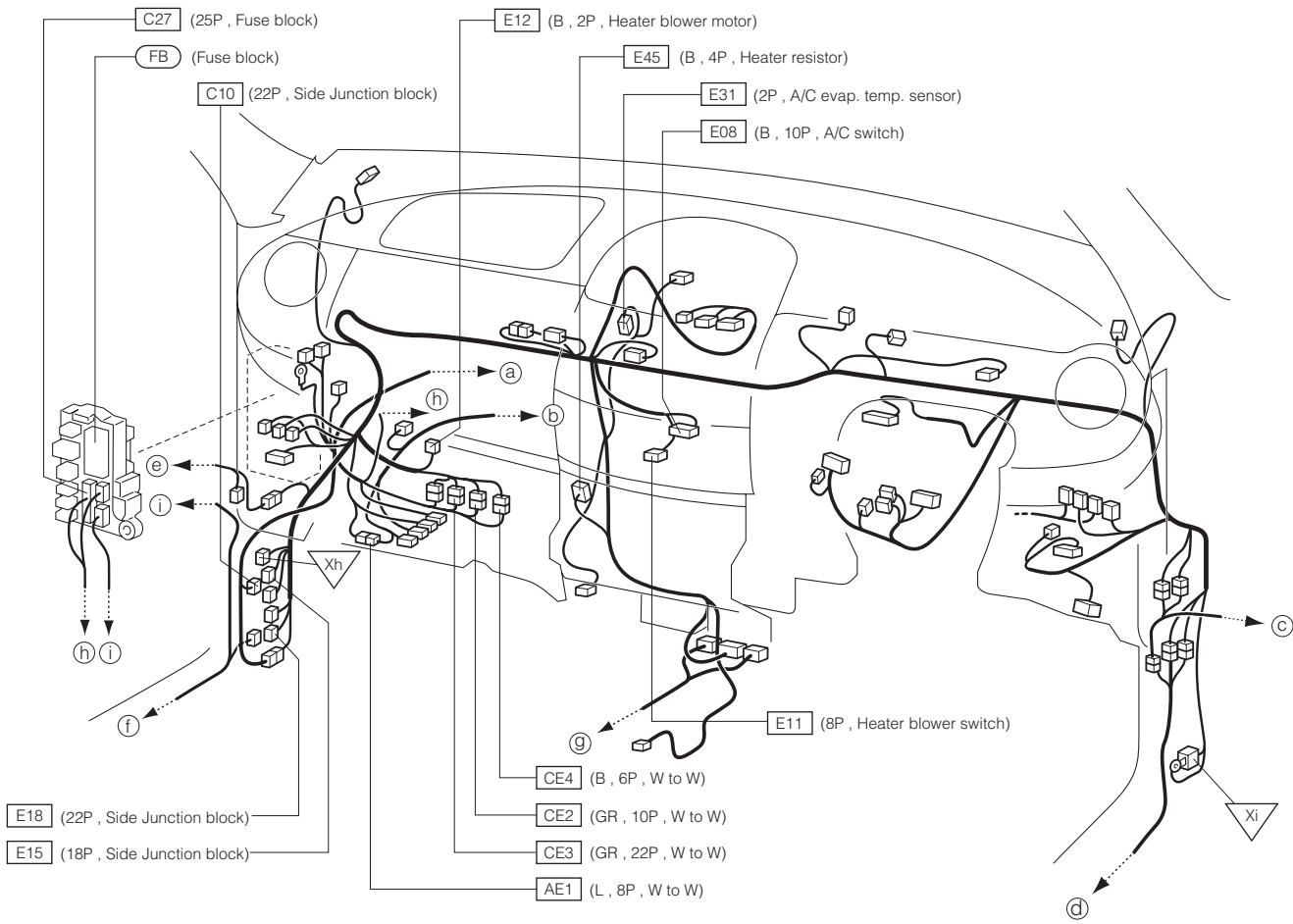


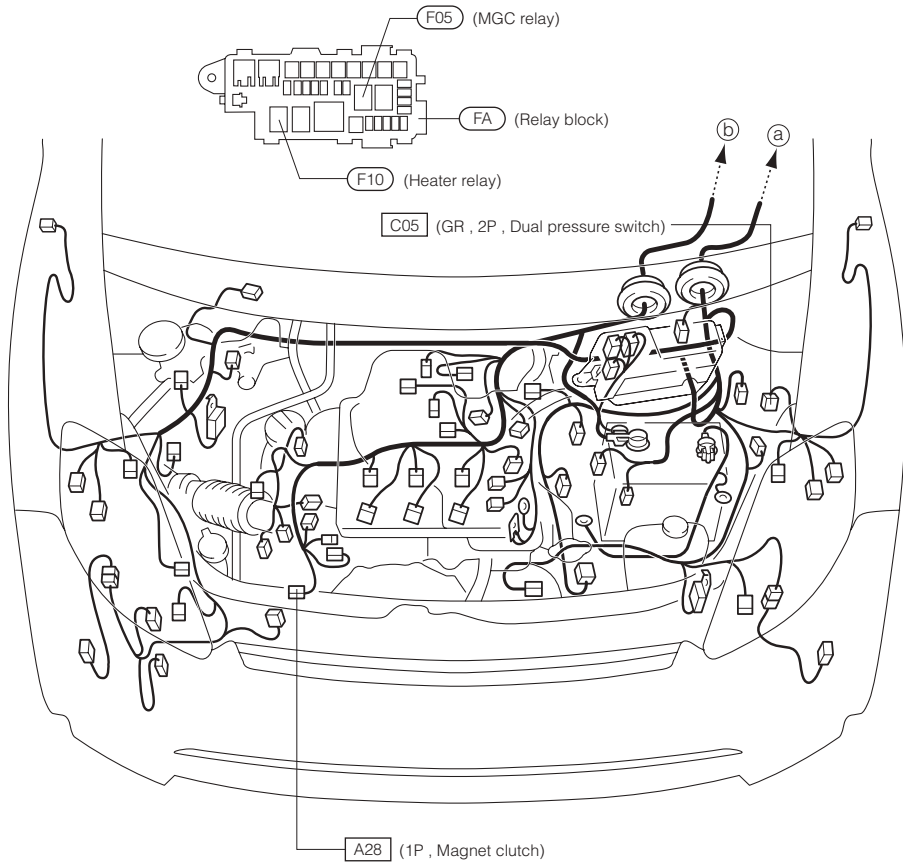
D-241

28 HEATER & AIR CONDITIONER 28-1 RHD VEHICLE

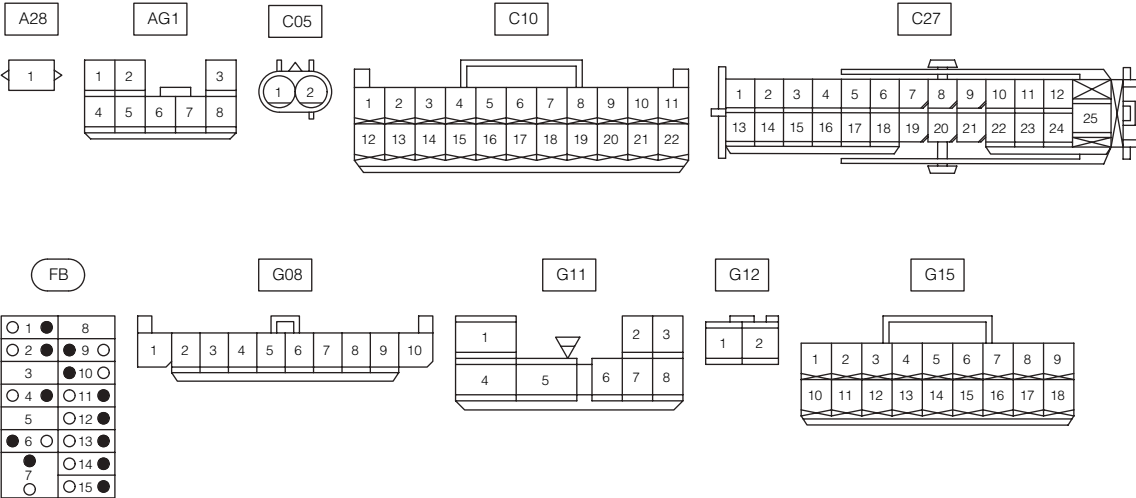
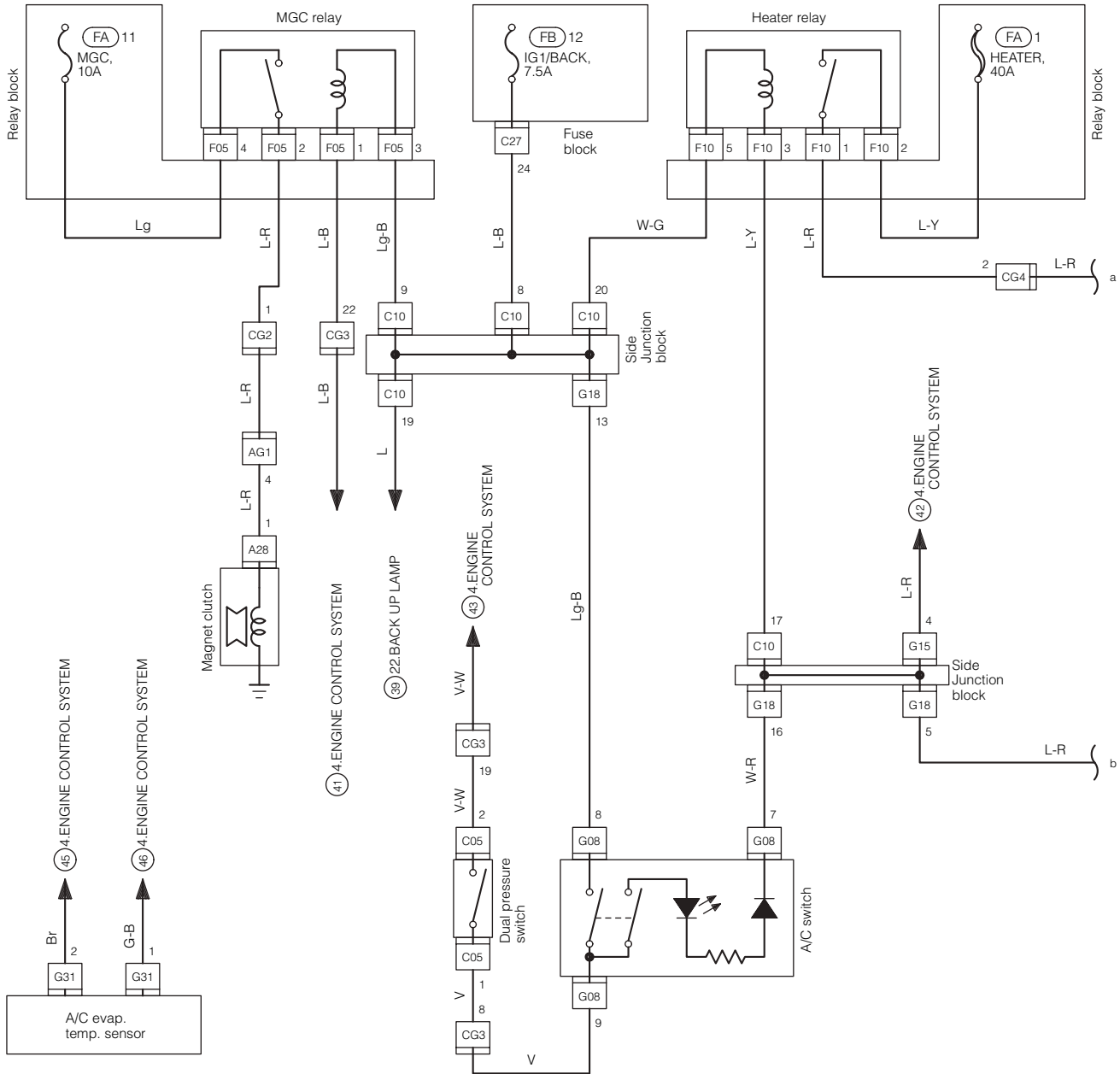


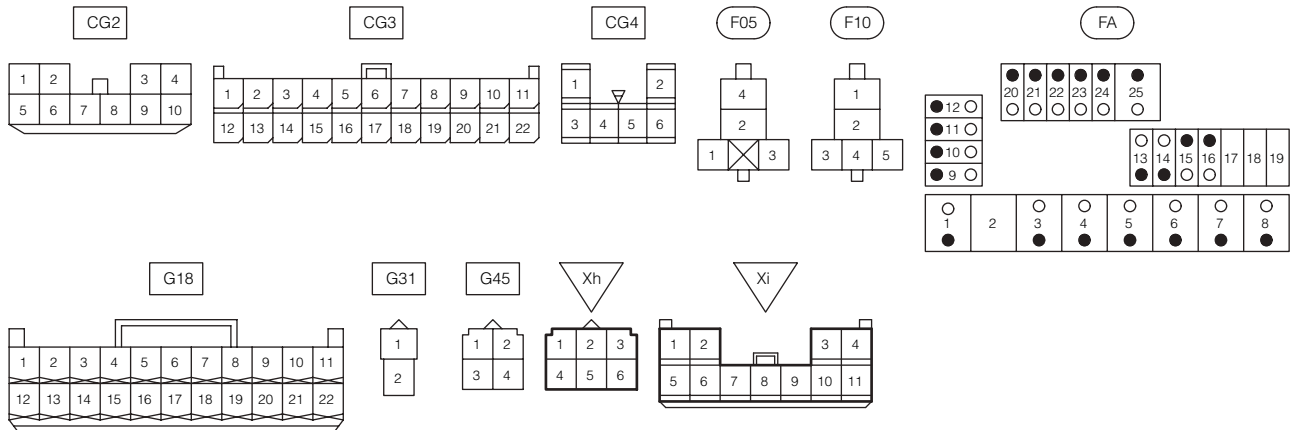
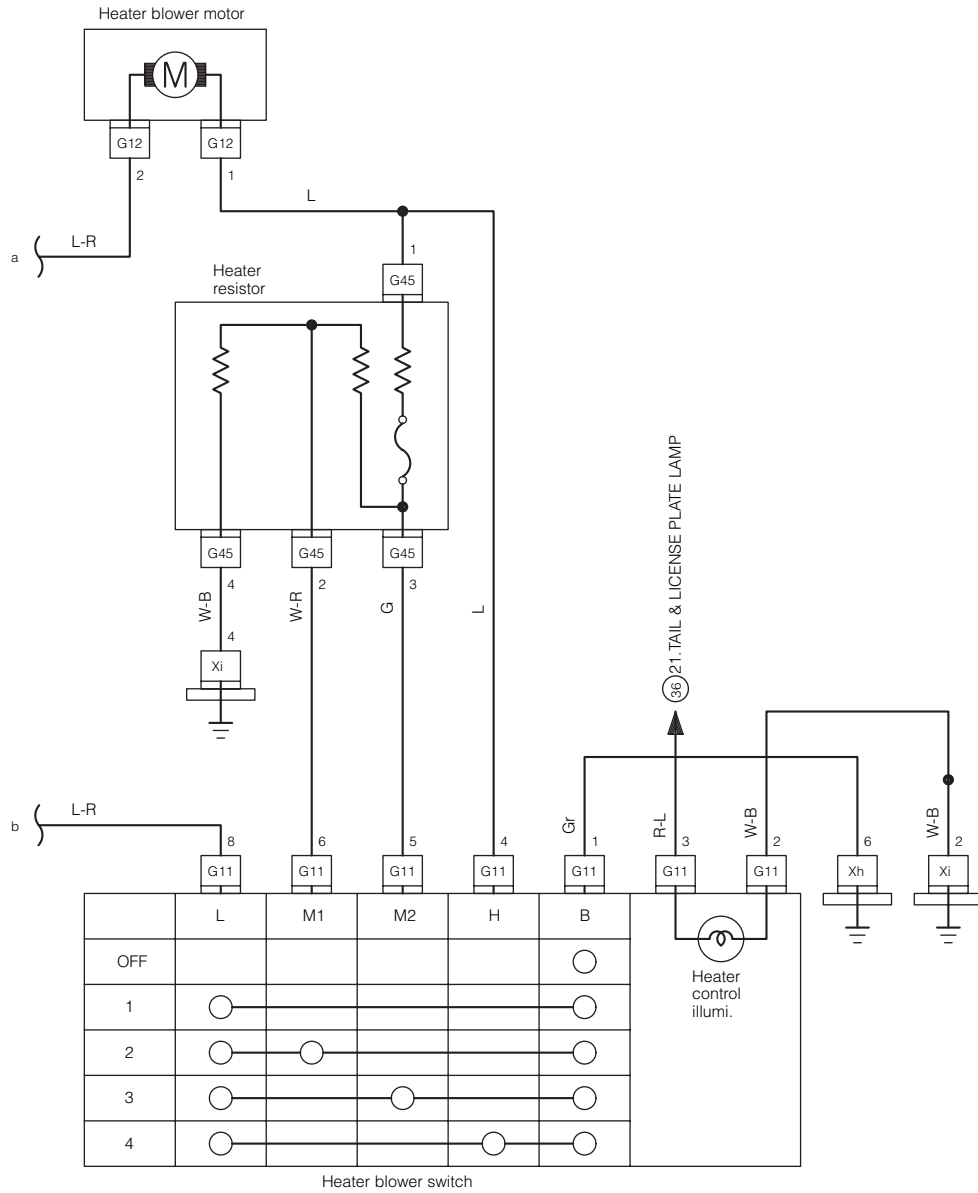


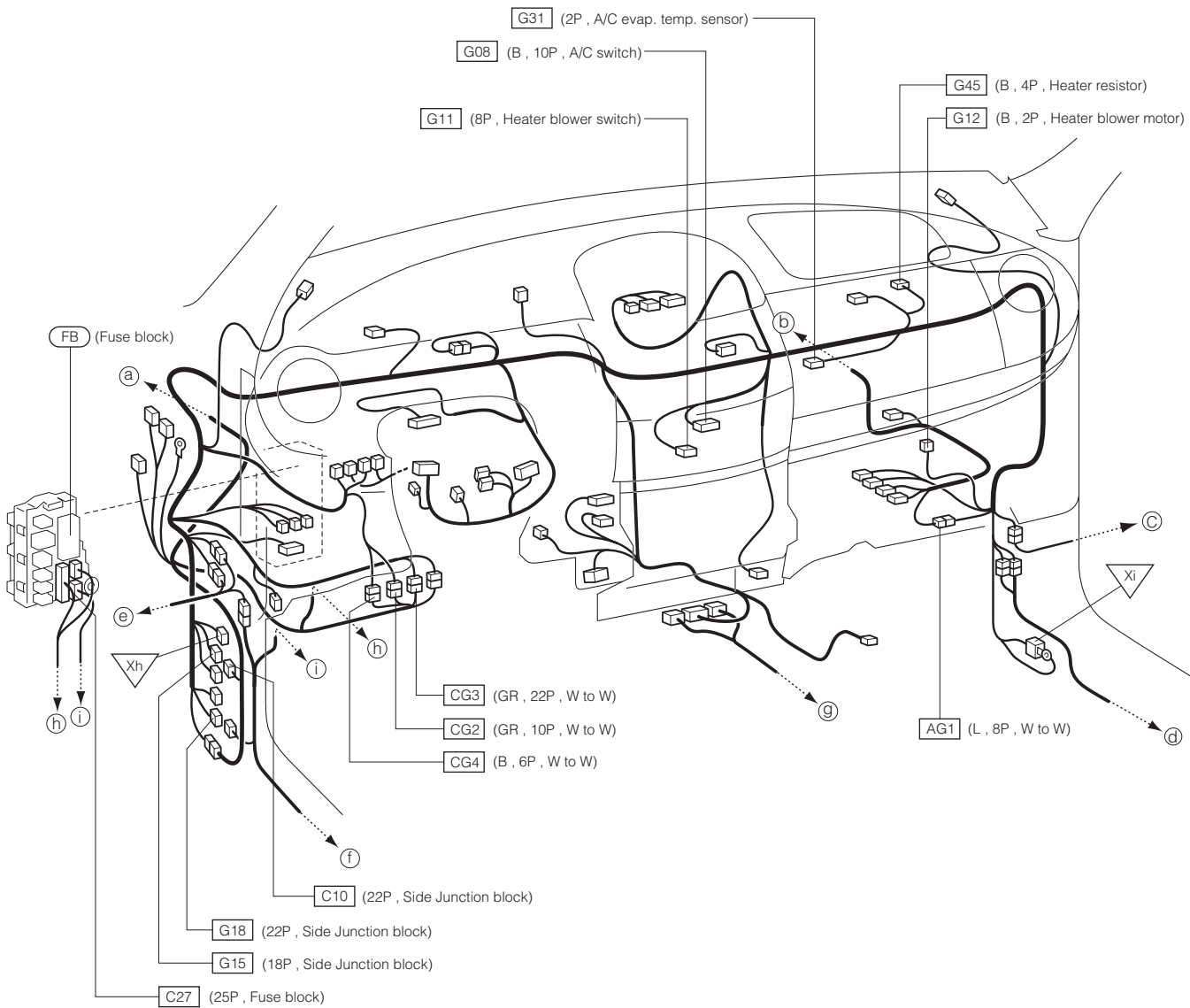


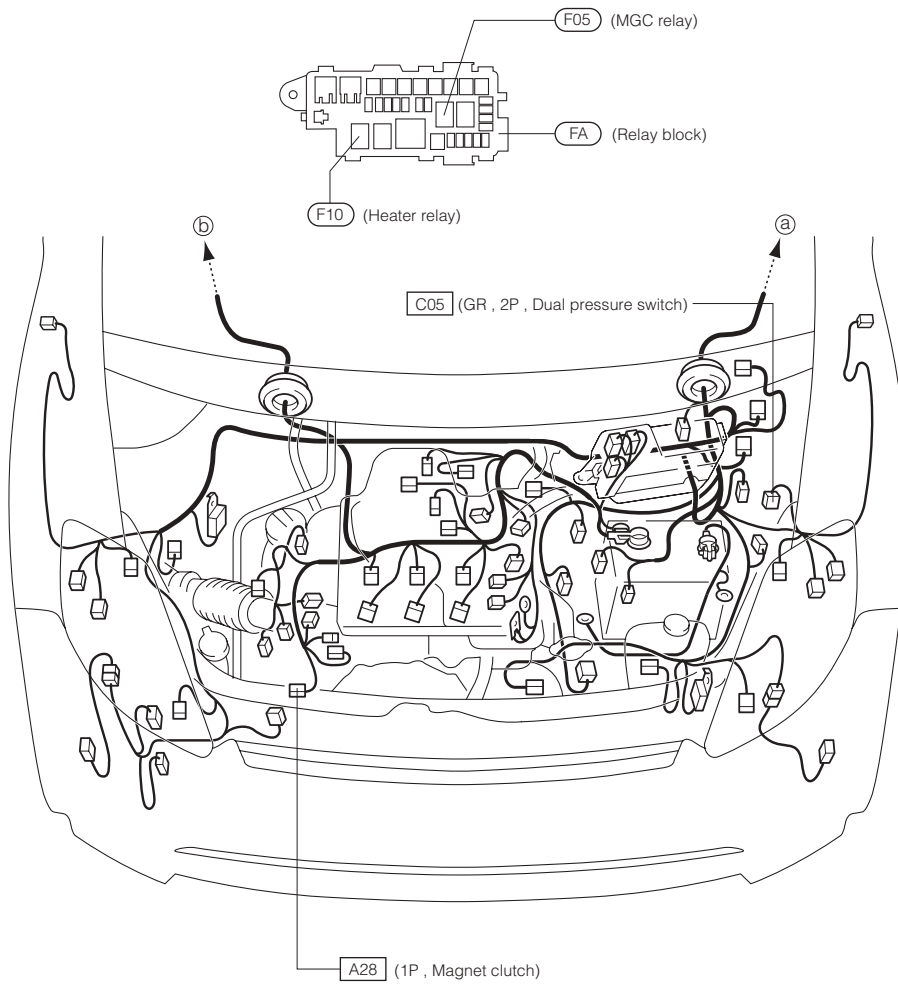


28-2 LHD VEHICLE

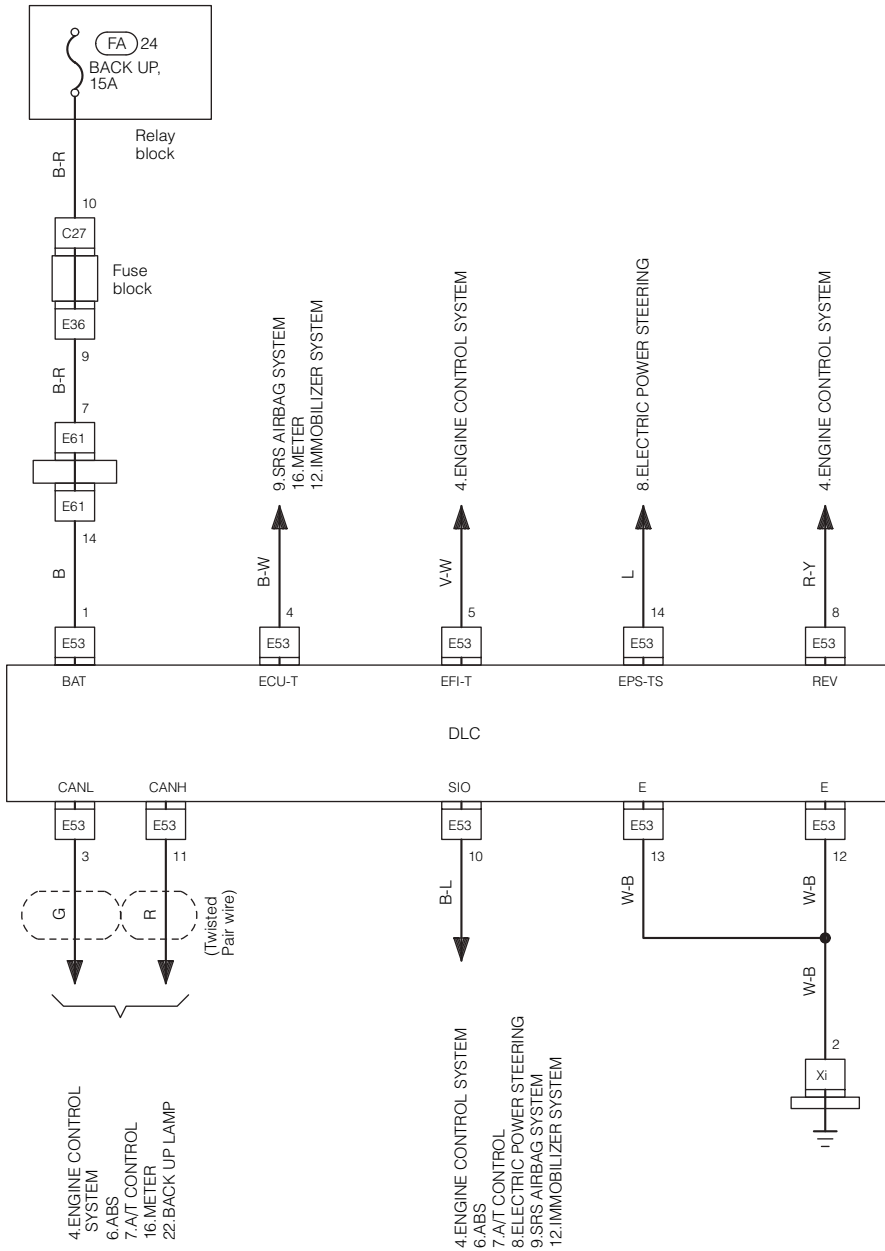




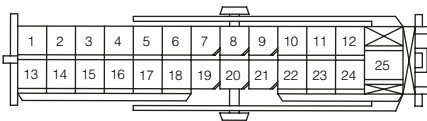




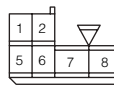
29 DATA LINK CONNECTOR 29-1 RHD VEHICLE



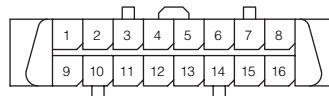
C27



E36



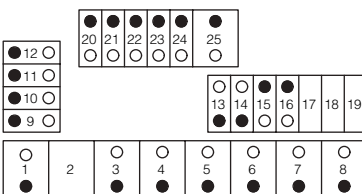
E53



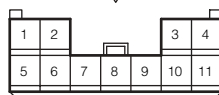
E61



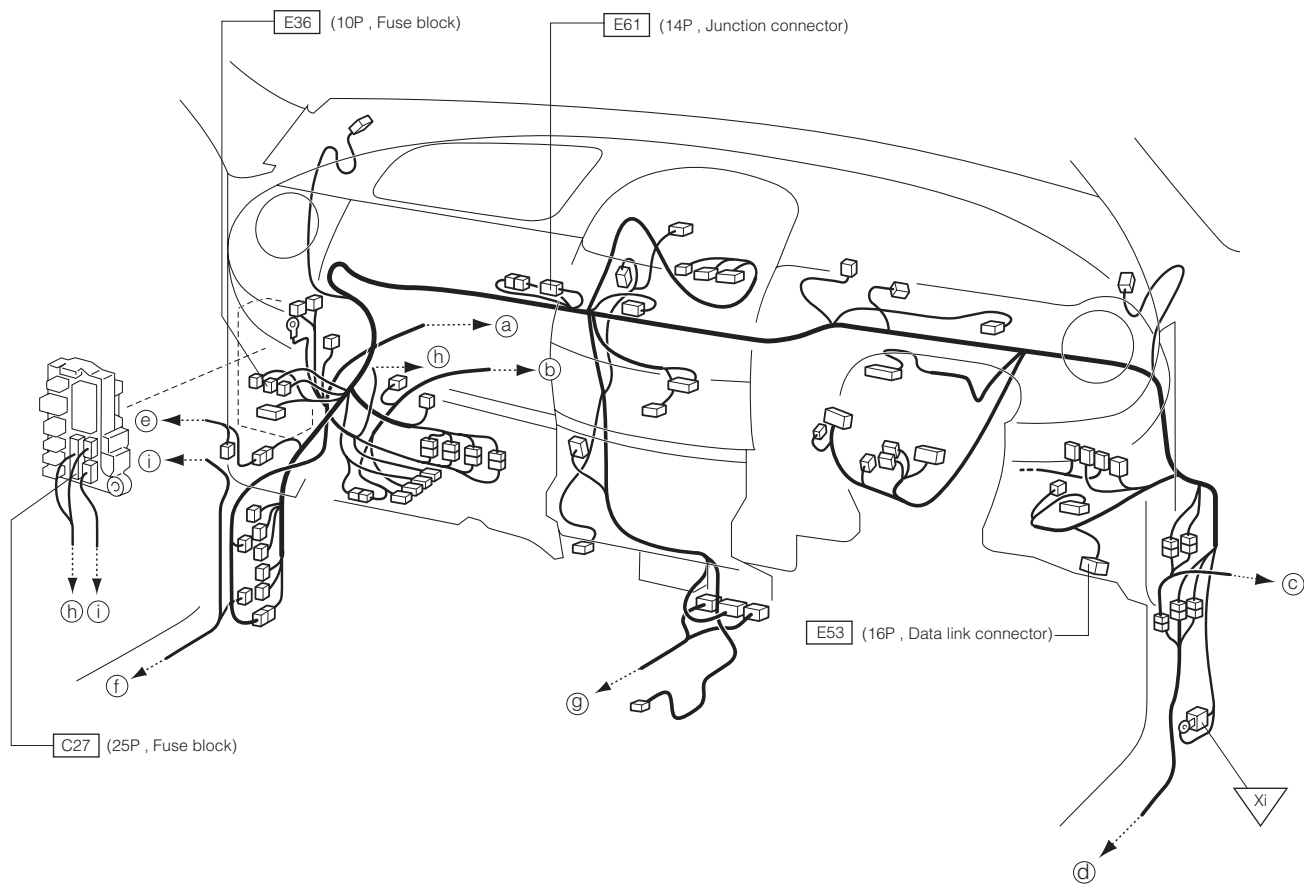
FA

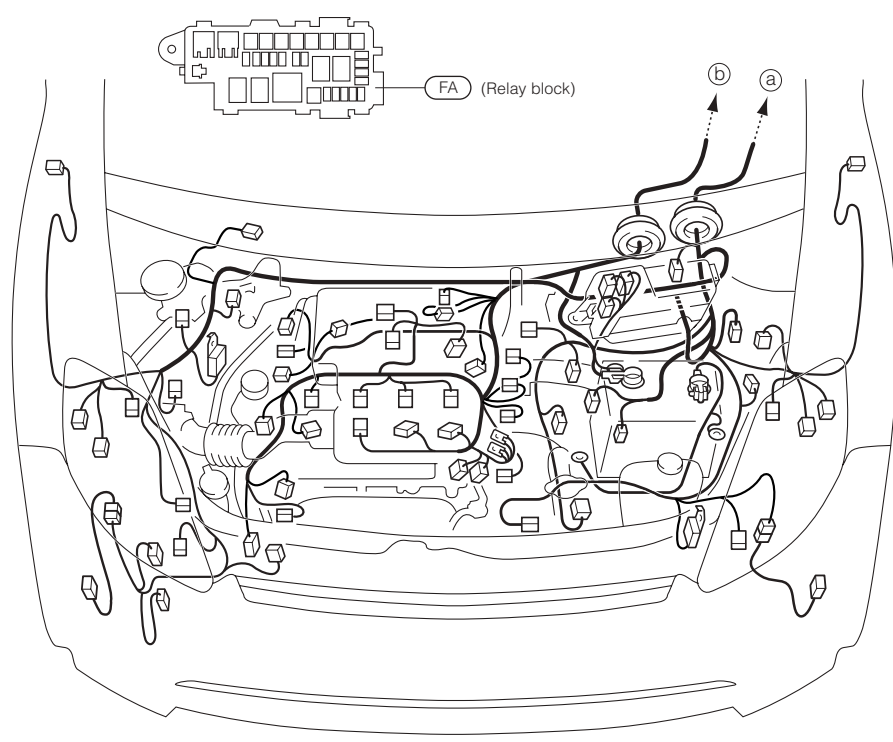


Xi

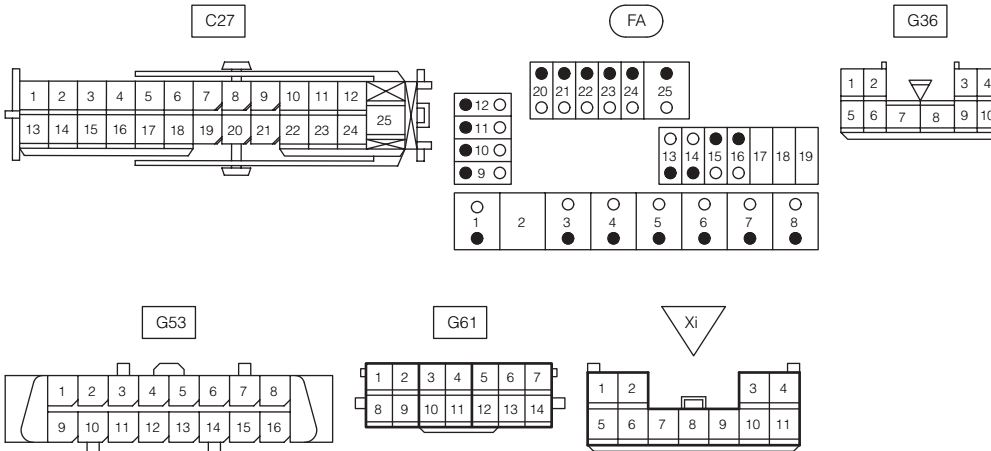
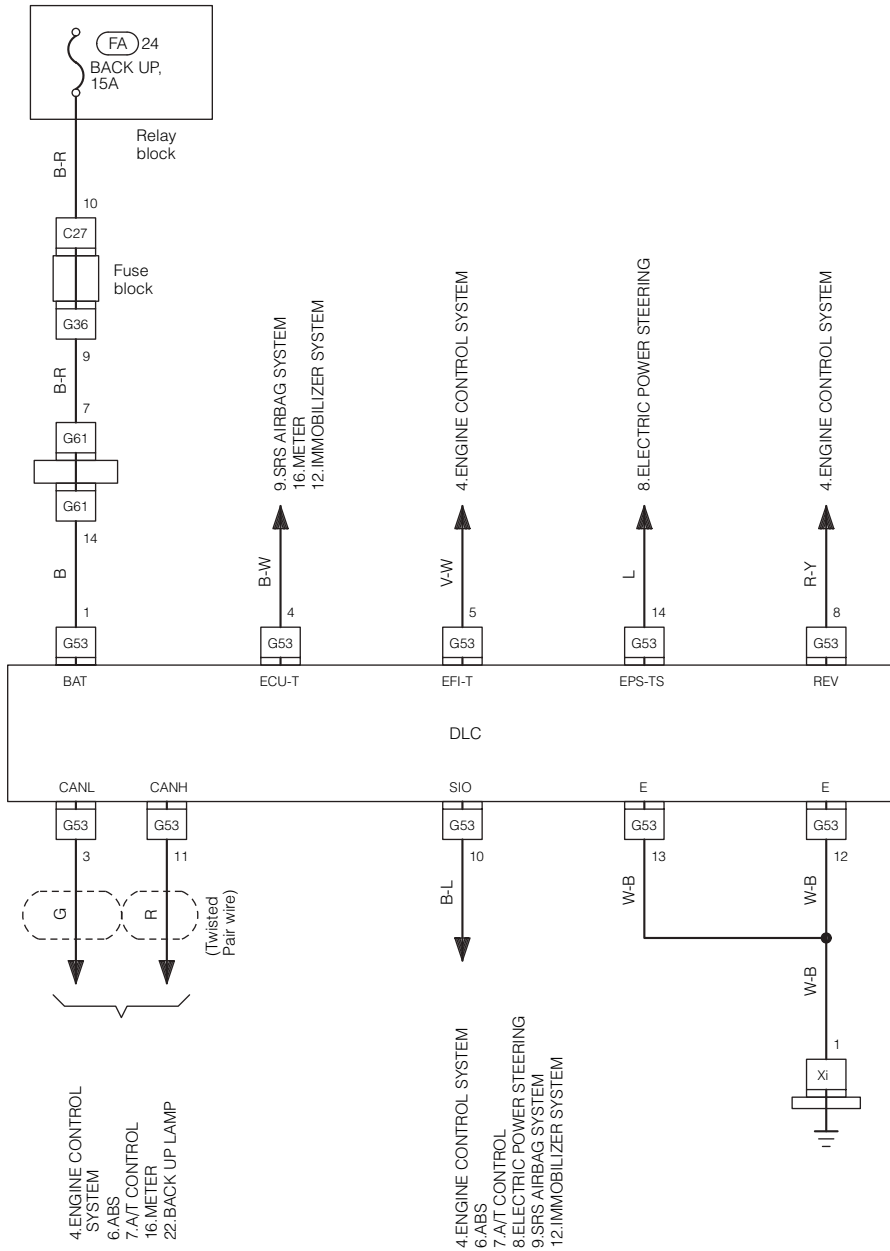


(MEMO)





29-2 LHD VEHICLE



(MEMO)

