

---

## INTRODUCTION

Thank you for choosing SUZUKI and welcome to our growing family. Your choice was a wise one; SUZUKI products are a great value that will give you years of driving pleasure.

This Owner's Manual was prepared to help you have a safe, enjoyable, and trouble-free experience with your SUZUKI. In it you will learn about the vehicle's operation, its safety features and maintenance requirements. Please read it carefully before operating your vehicle. Afterwards, keep this Manual in the glove box for future reference.

Should you resell the vehicle, please leave this Manual with it for the next owner.

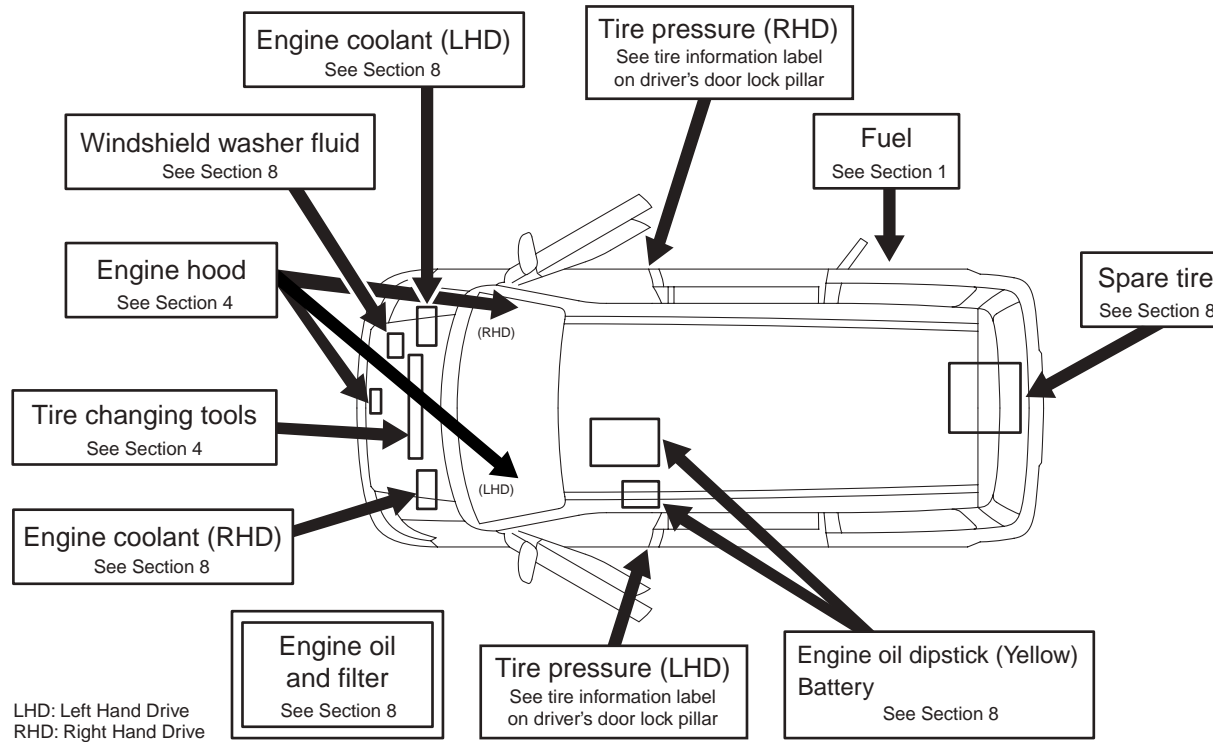
In addition to the Owner's Manual, the other booklets provided with your SUZUKI explain the vehicle's warranties. We recommend you read them as well to familiarize yourself with this important information.

When planning the regular scheduled maintenance of your SUZUKI, we recommend you visit your local SUZUKI dealership. Their factory-trained technicians will provide the best possible service and use only genuine SUZUKI parts and accessories.

**PT. INDOMOBIL SUZUKI INTERNATIONAL**

**61JS2-01E**

## SERVICE STATION GUIDE



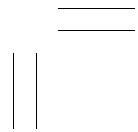
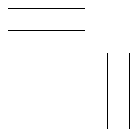
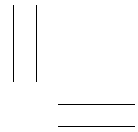
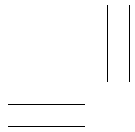
61J077

61JS2-01E

---

## TABLE OF CONTENTS

<b>BEFORE DRIVING</b>	<b>1</b>
<b>STEERING COLUMN CONTROLS</b>	<b>2</b>
<b>INSTRUMENT PANEL</b>	<b>3</b>
<b>OTHER CONTROLS AND EQUIPMENT</b>	<b>4</b>
<b>OPERATING YOUR VEHICLE</b>	<b>5</b>
<b>DRIVING TIPS</b>	<b>6</b>
<b>VEHICLE LOADING AND TOWING</b>	<b>7</b>
<b>INSPECTION AND MAINTENANCE</b>	<b>8</b>
<b>EMERGENCY SERVICE</b>	<b>9</b>
<b>BODY WORK CARE</b>	<b>10</b>
<b>GENERAL INFORMATION</b>	<b>11</b>
<b>SPECIFICATIONS</b>	<b>12</b>
<b>SUPPLEMENT</b>	<b>13</b>
<b>INDEX</b>	<b>14</b>



61JS2-01E

## FOREWORD

This manual should be considered a permanent part of the vehicle and should remain with the vehicle when resold or otherwise transferred to a new owner or operator. Please read this manual carefully before operating your new SUZUKI and review the manual from time to time. It contains important information on safety, operation and maintenance.

**PT. INDOMOBIL SUZUKI INTERNATIONAL**

**All information in this manual is based on the latest product information available at the time of publication. Due to improvements or other changes, there may be discrepancies between information in this manual and your vehicle. PT. INDOMOBIL SUZUKI INTERNATIONAL reserves the right to make production changes at any time, without notice and without incurring any obligation to make the same or similar changes to vehicles previously built or sold.**

This vehicle may not comply with standards or regulations of other countries. Before attempting to register this vehicle in any other country, check all applicable regulations and make any necessary modifications.

## IMPORTANT

### ▲ WARNING/CAUTION/NOTE

Please read this manual and follow its instructions carefully. To emphasize special information, the symbol ▲ and the words **WARNING**, **CAUTION** and *NOTE* have special meanings. These special meanings apply except when laws or regulations require that the signal words be used with a different meaning. Pay special attention to the messages highlighted by these signal words:

#### ▲ WARNING

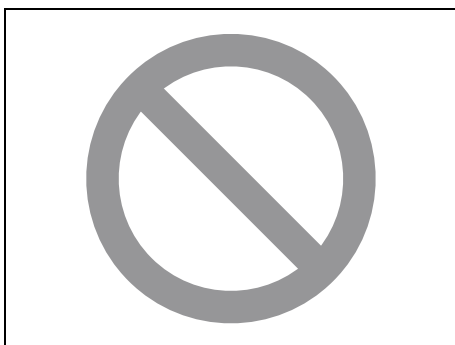
Indicates a potential hazard that could result in death or injury.

#### CAUTION

Indicates a potential hazard that could result in vehicle damage.

#### NOTE:

Indicates special information to make maintenance easier or instructions clearer.



75F135

The circle with a slash in this manual means "Don't do this" or "Don't let this happen".

## MODIFICATION WARNING

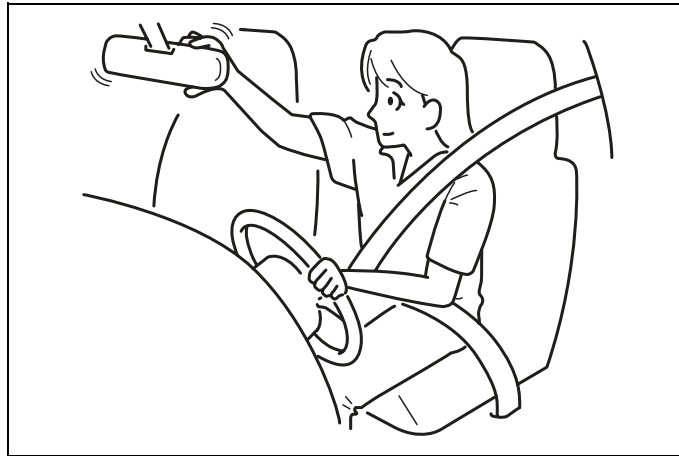
### ⚠ WARNING

Do not modify this vehicle. Modification could adversely affect safety, handling, performance, or durability and may violate governmental regulations. In addition, damage or performance problems resulting from modification may not be covered under warranty.

### CAUTION

Improper installation of mobile communication equipment such as cellular telephones or CB (Citizen's Band) radios may cause electronic interference with your vehicle's ignition system, resulting in vehicle performance problems. Consult your SUZUKI dealer or qualified service technician for advice on installing such mobile communication equipment.

**BEFORE DRIVING**

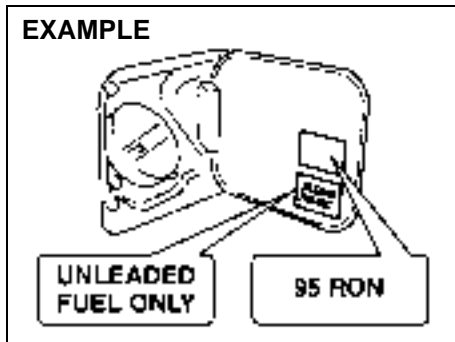


60G404

Fuel Recommendation .....	1-1
Keys .....	1-2
Door Locks .....	1-3
Windows .....	1-6
Mirrors .....	1-8
Seat Adjustment .....	1-9
Adjustable Head Restraints (if equipped) .....	1-12
Seat Belts and Child Restraint Systems .....	1-13
Supplemental Restraint System (air bags) (if equipped) .....	1-23

## BEFORE DRIVING

### Fuel Recommendation



54G001

If your vehicle is not fitted with a restrictor in the fuel filler pipe then you may use leaded or unleaded petrol with an octane number (RON) of 85 or higher. Note, it is preferable to use unleaded petrol.

If your vehicle is fitted with a restrictor in the fuel filler pipe then you **must** use unleaded petrol with an octane number (RON) of 91 or higher (or RON of 95 or higher if it is stated on the fuel filler lid). These vehicles are also identified by a label attached near the fuel filler pipe that states: "UNLEADED FUEL ONLY", "NUR UNVERBLEITES BENZIN" or "ENDAST BLYFRI BENSIN".

#### Petrol/Ethanol blends

Blends of unleaded petrol and ethanol (grain alcohol), also known as gasohol, are commercially available in some areas. Blends of this type may be used in your vehicle if they are no more than 10% ethanol. Make sure this petrol-ethanol blend has octane ratings no lower than those recommended for petrol.

#### Petrol/Methanol blends

Blends of unleaded petrol and methanol (wood alcohol) are also commercially available in some areas. **DO NOT USE** fuels containing more than 5% methanol under any circumstances. Fuel system damage or vehicle performance problems resulting from the use of such fuels are not the responsibility of SUZUKI and may not be covered under the New Vehicle Warranty. Fuels containing 5% or less methanol may be suitable for use in your vehicle if they contain cosolvents and corrosion inhibitors.

#### NOTE:

*If you are not satisfied with the driveability or fuel economy of your vehicle when you are using a petrol/alcohol blend, you should switch back to unleaded petrol containing no alcohol.*

#### CAUTION

The fuel tank has an air space to allow for fuel expansion in hot weather. If you continue to add fuel after the filler nozzle has automatically shut off or an initial blowback occurs, the air chamber will become full. Exposure to heat when fully fuelled in this manner will result in leakage due to fuel expansion. To prevent such fuel leakage, stop filling after the filler nozzle has automatically shut off, or when using an alternative non automatic system, initial vent blowback occurs.

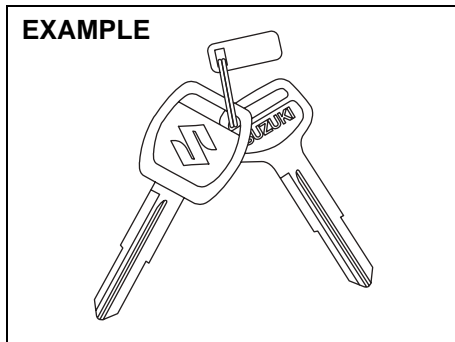
#### CAUTION

Be careful not to spill fuel containing alcohol while refueling. If fuel is spilled on the vehicle body, wipe it up immediately. Fuels containing alcohol can cause paint damage, which is not covered under the New Vehicle Limited Warranty.



**BEFORE DRIVING**

**Keys**



61J090

Your vehicle comes with a pair of identical keys. Keep the spare key in a safe place. One key can open all of the locks on the vehicle.

The key identification number is stamped on a metal tag provided with the keys or on the keys. Keep the tag (if equipped) in a safe place. If you lose your keys, you will need this number to have new keys made. Write the number below for your future reference.

KEY NUMBER:

**Immobilizer System (if equipped)**

This system is designed to help prevent vehicle theft by electronically disabling the engine starting system.

The engine can be started only with your vehicle's original immobilizer ignition key which has an electronic identification code programmed into it. The key communicates the identification code to the vehicle when the key is turned to the "ON" position. If you need to make spare keys, see your SUZUKI dealer. The vehicle must be programmed with the correct identification code for the spare keys. A key made by an ordinary locksmith will not work.

If the malfunction indicator light blinks when the ignition switch is in the "ON" position, there may be something wrong with your key or with the immobilizer system. Ask your SUZUKI dealer to inspect the system.

**NOTE:**

- If you lose your immobilizer ignition key, see your SUZUKI dealer as soon as possible to have the lost one deactivated, then have the new key made by them.
- If you own other vehicles with immobilizer keys, keep those keys away from the ignition switch when using your SUZUKI, or the engine may not be started because they may interfere with your SUZUKI's immobilizer system.

- In case of attaching any metal objects to the immobilizer key, it may not start the engine.

**CAUTION**

**The immobilizer key is a sensitive electronic instrument. To avoid damaging the immobilizer key:**

- Do not expose it to impacts, moisture or high temperature such as on the dashboard under direct sunlight.
- Keep the immobilizer key away from magnetic objects.

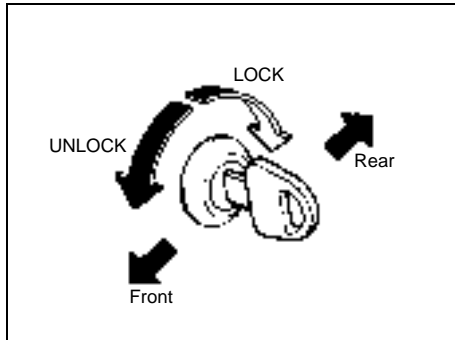
**Ignition Key Reminder (if equipped)**

A buzzer sounds intermittently to remind you to remove the ignition key if it is in the ignition switch when the driver's door is opened.

## BEFORE DRIVING

### Door Locks

#### Side Door Locks

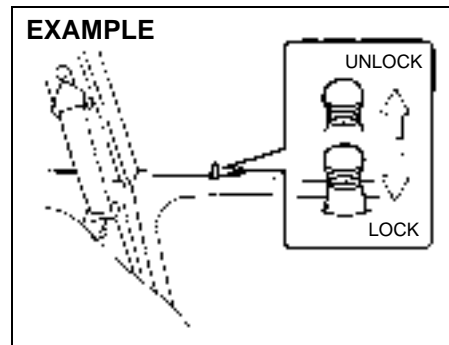


To lock a door from outside the vehicle:

- Insert the key and turn the top of the key toward the rear of the vehicle, or
- Push the lock knob down and hold the door handle up as you close the door.

To unlock a door from outside the vehicle, insert the key and turn the top of the key toward the front of the vehicle.

To lock a rear side door from outside the vehicle, push the lock knob down and close the door.

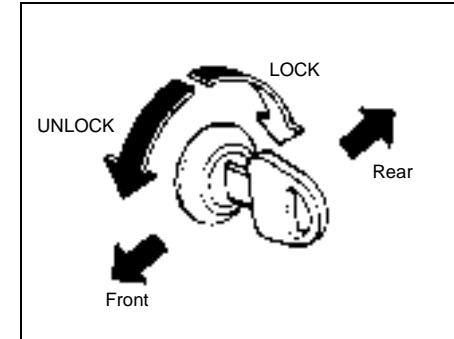


To lock a door from inside the vehicle, push the lock knob down. Pull the lock knob up to unlock the door.

**NOTE:**

*Be sure to hold the door handle up when you close a locked front door, or the door will not remain locked.*

#### Central Door Locking System (if equipped)



You can lock and unlock all the side doors and rearend door simultaneously by using the key in the driver's door lock.

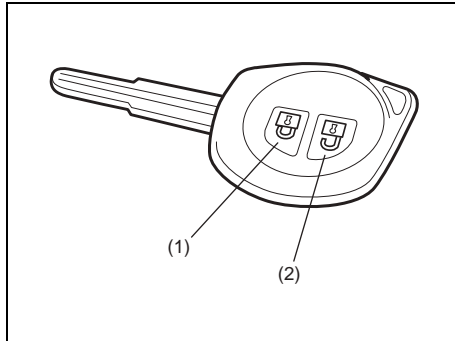
You can also lock or unlock all the side doors and rearend door by pushing down or pulling up the driver's door lock knob.

**NOTE:**

*Moving the lock knob on the passenger's door or rear side door locks or unlocks that door only.*

**BEFORE DRIVING**

**Keyless Entry System  
(if equipped)**



81A184

- (1) "LOCK" button
- (2) "UNLOCK" button

You can lock or unlock all doors simultaneously by operating the transmitter near the vehicle.

- To lock the doors, push the "LOCK" button (1) on the transmitter.
- To unlock the doors, push the "UNLOCK" button (2) on the transmitter.

The turn signal lights will flash once when the doors are locked.

The turn signal lights will flash twice and the interior light will turn on for several seconds with the switch in the "DOOR" position when the doors are unlocked.

Be sure the doors are locked after you operate the "LOCK" button (1). If no door is opened within about 30 seconds after the "UNLOCK" button (2) is operated, the doors will automatically lock again.

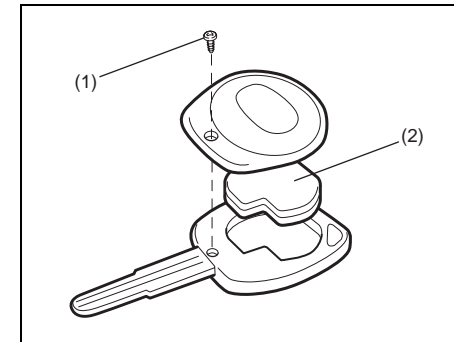
**NOTE:**

- The maximum operating distance is about 5 m (16 ft.), but this can vary depending on the surroundings, especially near other transmitting devices such as radio towers or CB (Citizen's Band) radios.
- The door locks can not be operated with the transmitter:  
if the ignition key is inserted in the ignition switch, or  
if any door is open or incompletely closed.
- If you lose your transmitter, ask your SUZUKI dealer as soon as possible for a replacement and to have the lost one deactivated.

**CAUTION**

**The transmitter is a sensitive electronic instrument. To avoid damaging the transmitter, do not expose it to impacts, moisture or high temperature (such as on the dashboard under direct sunlight).**

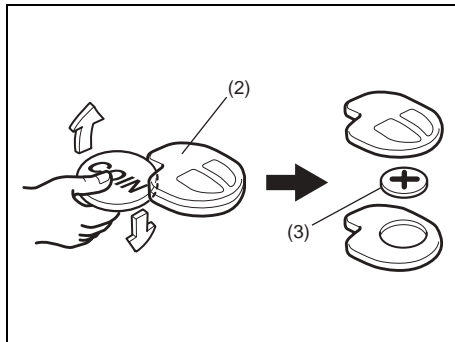
**Replacement of the transmitter battery**  
If the transmitter becomes unreliable, replace the battery.



81A185

- 1) Remove the screw (1), and open the transmitter cover.
- 2) Remove the transmitter (2).

**BEFORE DRIVING**



81A186

- 3) Put the edge of a coin or a flat blade screw driver in the slot of the transmitter (2) and pry it open.
- 4) Replace the battery (3) (Lithium disc-type CR1616 or equivalent) so its + terminal faces the "+" mark of the transmitter.
- 5) Close the transmitter and install it into the transmitter holder.
- 6) Close the transmitter cover, install and tighten the screw (1).
- 7) Make sure the door locks can be operated with the transmitter.
- 8) Dispose of the used battery properly according to applicable rules or regulations. Do not dispose of lithium batteries with ordinary household trash.

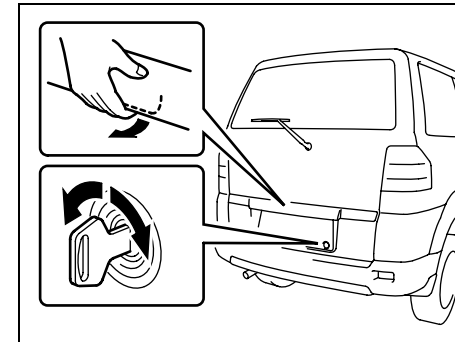
**⚠ WARNING**

Swallowing a lithium battery may cause serious internal injury. Do not allow anyone to swallow a lithium battery. Keep lithium batteries away from children and pets. If swallowed, contact physician immediately.

**CAUTION**

The transmitter is a sensitive electronic instrument. To avoid damaging the transmitter, do not expose it to dust or moisture or tamper with internal parts.

**Rearend Door Lock (for APV)**



61J001

Lock or unlock the rearend door lock by inserting and turning the key. The locking direction varies depending on the vehicle's specification. Make sure the door is locked after locking by the key.

**⚠ WARNING**

Always make sure that the rearend door is closed and latched securely. Completely closing it helps keep exhaust gases from entering the car. Completely closing the rearend door also helps prevent occupants from being thrown from the vehicle in the event of an accident.

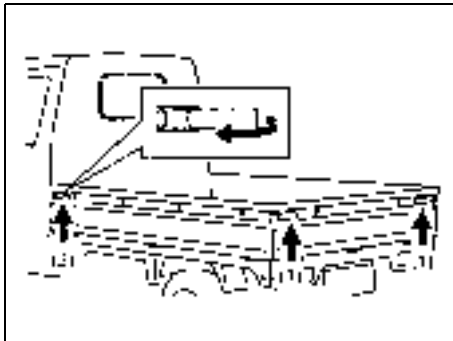
Door Locks: 3, 5, 8  
Windows: 3, 8

## BEFORE DRIVING

### CAUTION

Do not use the key to lift up the rearend door, or the key may break off in the lock.

### Tailgate and Side Gate (for CARRY)



76A003

#### Tailgate

The tailgate can be opened by pulling the lock handles (1). When closing, lock them firmly.

#### Side gate

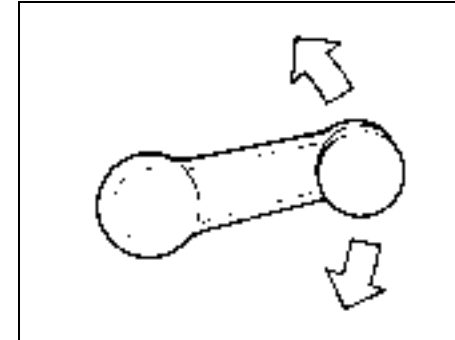
The side gates can be opened by pulling the lock handle (1) and (2). When closing, lock them firmly.

### WARNING

- Driving with the tailgate or the side gates opened will allow them to swing and hit others, causing personal injury or even death.
- The opened tailgate will hinder other drivers from finding the tail-lights, causing an accidents. Make sure all the gates are closed and locked firmly before driving.
- Always make sure that the tailgate and side gates are closed and locked firmly to prevent the things from being thrown from the vehicle in the event of an accident.

## Windows

### Manual Window Control (if equipped)



60G010

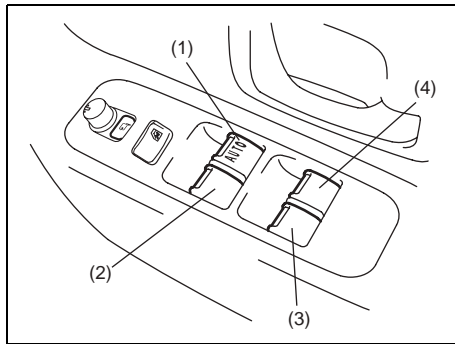
Raise or lower the door windows by turning the handle located on the door panel.

## BEFORE DRIVING

### Electric Window Controls (if equipped)

The electric windows can only be operated when the ignition switch is in the "ON" position.

#### Driver's side



61J131

The driver's door has switches (1), (2), (3), (4), to operate each window respectively. To open a window with the driver's door switches, push the top part of the switch. To close the window, lift up the top part of the switch.

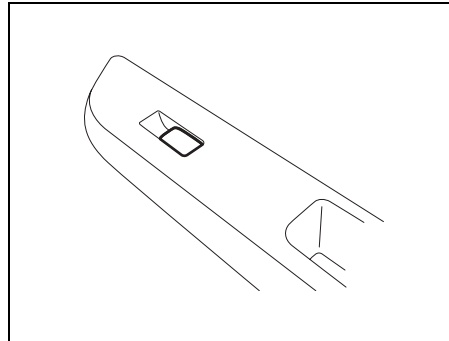
The driver's window switch has a feature to operate the window automatically without holding the switch in "Down" position.

#### AUTO-DOWN

To use auto-down, press the driver's window switch all the way down and release it.

The window will fully open. To stop the window partway, pull the switch up briefly.

#### Passenger's door

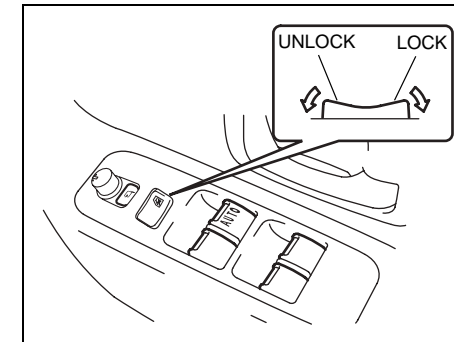


61J132

The passenger's door only has a switch to operate the passenger's window. To open a window lift up the top part of the switch as shown in the illustrations.

#### Lock switch

#### Driver's door



61J133

The driver's door also has a lock switch for the passenger's window(s). When you push the lock side of the switch, the passenger's window(s) can not be raised or lowered by operating either of the passenger's window switches. To restore normal operation, push the unlock side of the switch.

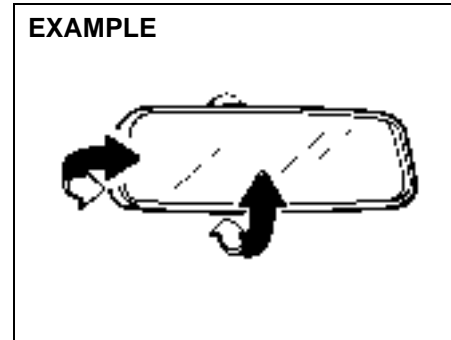
**BEFORE DRIVING**

**⚠ WARNING**

- You should always lock the passenger's window operation when there are children in the vehicle. Children can be seriously injured if they get part of their body caught by the window during operation.
- To avoid injuring an occupant by window entrapment, be sure no part of the occupant's body such as hands or head is in the path of the electric windows when closing them.
- Always remove the ignition key when leaving the vehicle even if a short time. Also do not leave children alone in a parked vehicle. Unattended children could use the electric window switches and get trapped by the window.

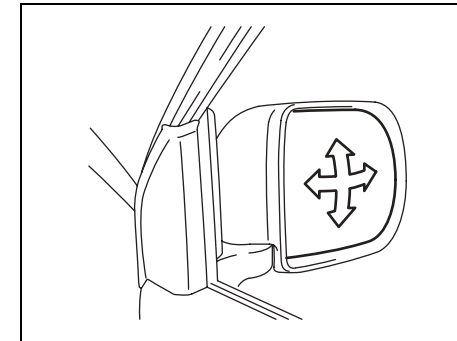
**Mirrors**

**Inside Rearview Mirror**



You can adjust the inside rearview mirror by hand so as to see the rear of your vehicle in the mirror.

**Outside Rearview Mirrors**



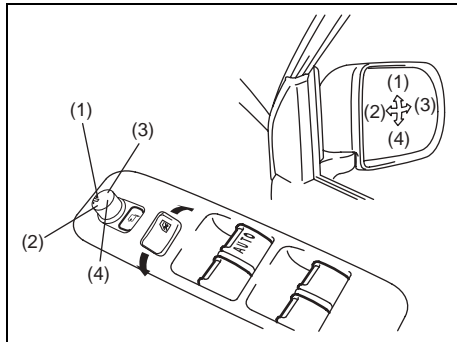
Adjust the outside rearview mirrors so you can just see the side of your vehicle in the mirrors.

**⚠ WARNING**

Be careful when judging the size or distance of a vehicle or other object seen in the side convex mirror. Be aware that objects look smaller and appear farther away than when seen in a flat mirror.

**BEFORE DRIVING**

**Electric Mirrors (if equipped)**

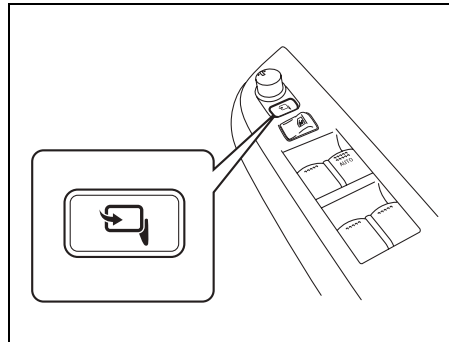


61J134

The switch to control the electric mirrors is located on the driver's door panel. You can adjust the mirrors when the ignition switch is in the "ACC" or "ON" position. To adjust the mirrors:

- 1) Move the selector switch to the left or right to select the mirror you wish to adjust.
- 2) Press the outer part of the switch that corresponds to the direction in which you wish to move the mirror.
- 3) Return the selector switch to the centre position to help prevent unintended adjustment.

**(If equipped)**



61J135

Depending on the vehicle's specification, you can fold the mirrors when you park the vehicle in a narrow space. Push the folding switch to fold and unfold the mirrors. You can fold and unfold the mirrors by hand if necessary. Make sure the mirrors are completely unfolded before you start driving.

**⚠ WARNING**

**Moving mirrors can pinch and injure a hand. Do not allow any one's hand to get near to the mirrors when folding or unfolding the mirrors.**

**Seat Adjustment**

**⚠ WARNING**

**Never attempt to adjust the driver's seat or seatback while driving. The seat or seatback could move unexpectedly, causing loss of control. Make sure that the driver's seat and seatback are properly adjusted before you start driving.**

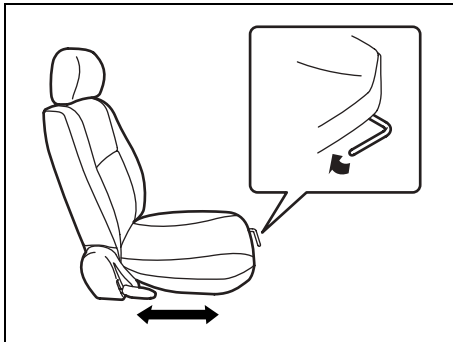
**⚠ WARNING**

**To avoid excessive seat belt slack, which reduces the effectiveness of the seat belts as a safety device, make sure that the seats are adjusted before the seat belts are fastened.**



**Adjusting Seat Position  
(if equipped)**

Front seats



61J006

The adjustment lever for each front seat is located under the front of the seat. To adjust the seat position, pull up on the adjustment lever and slide the seat forward or rearward. After adjustment, try to move the seat forward and rearward to ensure that it is securely latched.

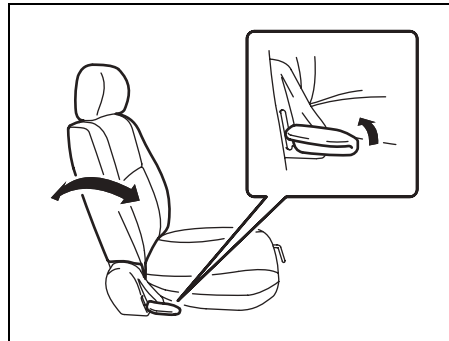
**Adjusting Seatbacks**

**⚠ WARNING**

All seatbacks should always be in an upright position when driving, or seat belt effectiveness may be reduced. Seat belts are designed to offer maximum protection when seatbacks are in the upright position.

The seatbacks can be adjusted to different angles.

Front seats (for APV)



61J007

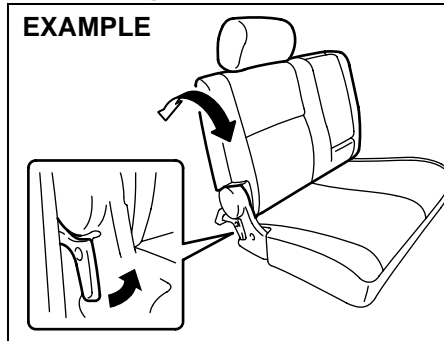
To adjust the seatback angle of front seats, pull up the lever on the outboard side of the seat, move the seatback to the desired position, and release the lever to lock the seatback in place.

*NOTE:*

*For CARRY, the seatback angle cannot be adjusted.*

**2nd row seat and 3rd row seat  
(if equipped)**

Except for rigid seat



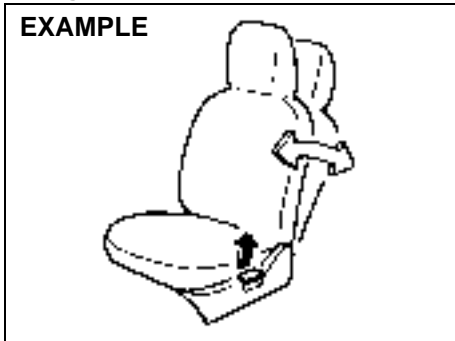
61J008

To adjust the seatback angle of the 2nd row and 3rd row seats, pull up the lever on the outboard side of the seat, move the seatback to the desired position, and release the lever to lock the seatback in place.

**BEFORE DRIVING**

For rigid seat

**EXAMPLE**



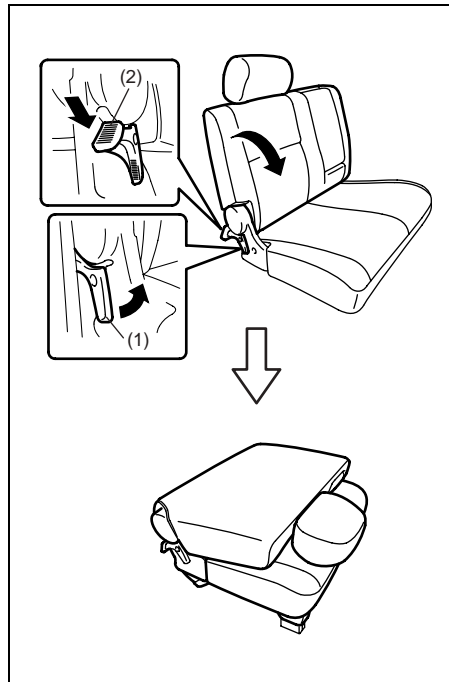
61J086

To adjust the seatback angle of the 2nd row and 3rd row seat, pull up the lever on the left side of the 2nd row seat/outboard side of the 3rd row seat, move the seatback to the desired position, and release the lever to lock the seatback in place.

**Entry to/Exit from the 3rd Row Seat (if equipped) (except for rigid seat)**

To enter to or exit from the 3rd row seat, follow the procedure below.

- 1) Lower the adjustable head restraint of the 2nd row seat (if equipped) fully.
- 2) Return the armrest (if equipped) to the stowed position.

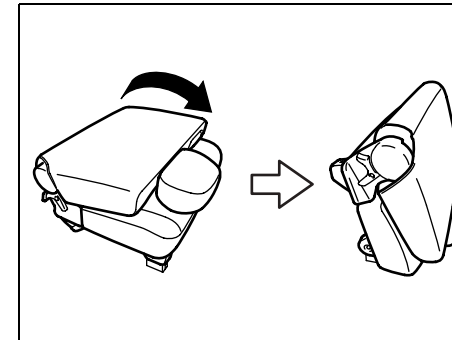


61J009

- 3) Pull up the lever (1) on outboard side of the 2nd row seat or pushing the lever (2) on the rear of the 2nd row seat. The seatback will fold forward.

**⚠ WARNING**

Do not drive the vehicle with the seatback folded forward.



61J087

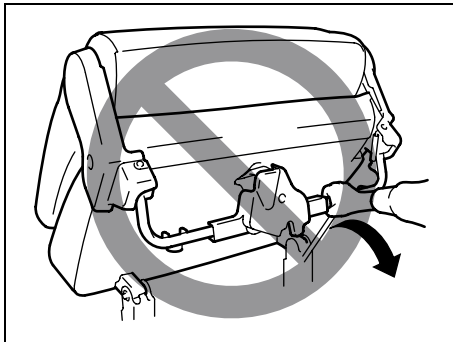
- 4) Fold the entire seat forward.

**⚠ WARNING**

After entering to or exiting from the 3rd row seat, be sure to return the seat to the normal position and it is securely latched.

BEFORE DRIVING

To return the seat to the normal position, raise the entire seat and then raise the seatback to an upright position. After returning the seat, try moving the seat and seatback to make sure they are securely latched.



61J127

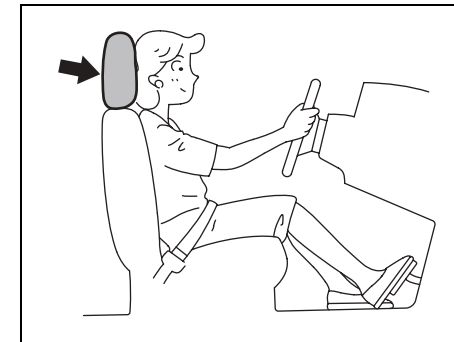
**⚠ WARNING**

When returning the 2nd row seat to the normal position, do not hold the frame as shown in the illustration, or your hand can be pinched between the frame and floor. Make sure to hold the seatback or seat cushion for returning to the normal position.

**⚠ WARNING**

- Do not drive the vehicle with the seatback folded forward.
- Before returning the 2nd row seat to its normal position, make sure that the feet of the 3rd row seat passenger are out of the way.
- After returning the seat to its normal position, make sure the seat and seatback are securely latched.

Adjustable Head Restraints  
(if equipped)



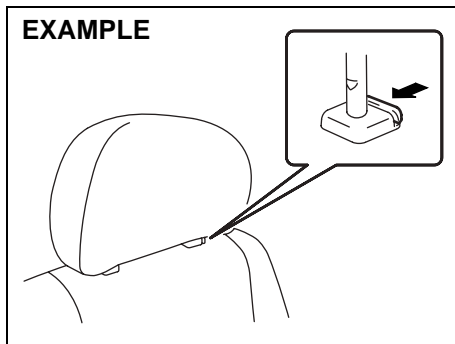
63J256

Head restraints are designed to help reduce the risk of neck injuries in the case of an accident. Adjust the head restraint to the position which places the centre of the head restraint closest to the top of your ears. If this is not possible for very tall passengers, adjust the head restraint as high as possible.

**⚠ WARNING**

- Never drive the vehicle with the head restraints removed.
- Do not attempt to adjust the head restraint while driving.

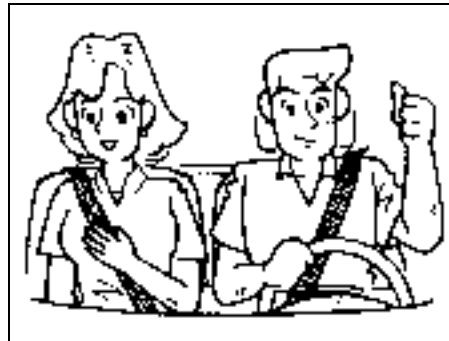
**BEFORE DRIVING**



61J010

To raise the head restraint, pull upward on the restraint until it clicks. To lower the restraint, push down on the restraint while holding in the lock lever. If a head restraint must be removed (for cleaning, replacement, etc.), push in the lock lever and pull the head restraint all the way out.

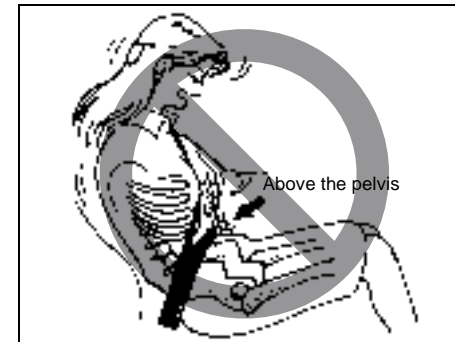
**Seat Belts and Child Restraint Systems**



65D231S

**⚠ WARNING**  
Wear Your Seat Belts at All Times.

**⚠ WARNING**  
An air bag supplements, or adds to, the frontal crash protection offered by seat belts. The driver and all passengers must be properly restrained by wearing seat belts at all times, whether or not an air bag is mounted at their seating position, to minimize the risk of severe injury or death in the event of a crash.



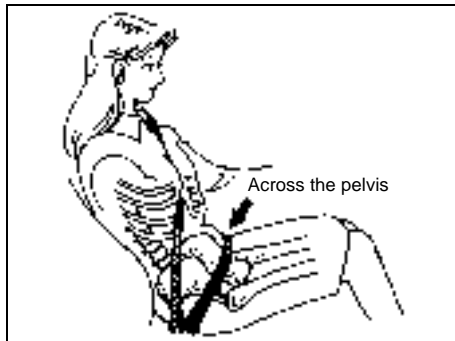
65D606

**⚠ WARNING**

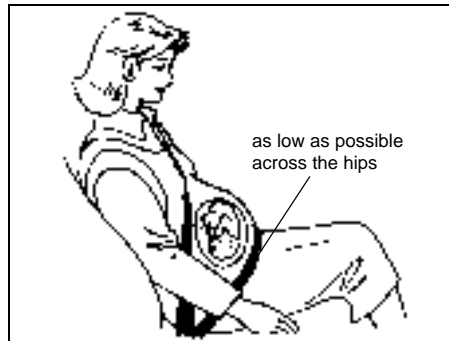
- Never allow persons to ride in the cargo area of a vehicle. In the event of an accident, there is a much greater risk of injury for persons who are not riding in a seat with their seat belt securely fastened.
- Seat belts should always be adjusted as follows:
  - the lap portion of the belt should be worn low across the pelvis, not across the waist.
  - the shoulder straps should be worn on the outside shoulder only, and never under the arm.
  - the shoulder straps should be away from your face and neck, but not falling off your shoulder.

(Continued)

**BEFORE DRIVING**



65D201



65D199

**⚠ WARNING**

(Continued)

- Seat belts should never be worn with the straps twisted and should be adjusted as tightly as is comfortable to provide the protection for which they have been designed. A slack belt will provide less protection than one which is snug.
- Make sure that each seat belt buckle is inserted into the proper buckle catch. It is possible to cross the buckles in the rear seat.

(Continued)

**⚠ WARNING**

(Continued)

- Pregnant women should use seat belts, although specific recommendations about driving should be made by the woman's medical advisor. Remember that the lap portion of the belt should be worn as low as possible across the hips, as shown in the diagram.
- Do not wear your seat belt over hard or breakable objects in your pockets or on your clothing. If an accident occurs, objects such as glasses, pens, etc. under the seat belt can cause injury.

(Continued)

**⚠ WARNING**

(Continued)

- Never use the same seat belt on more than one occupant and never attach a seat belt over an infant or child being held on an occupant's lap. Such seat belt use could cause serious injury in the event of an accident.
- Periodically inspect seat belt assemblies for excessive wear and damage. Seat belts should be replaced if webbing becomes frayed, contaminated, or damaged in any way. It is essential to replace the entire seat belt assembly after it has been worn in a severe impact, even if damage to the assembly is not obvious.
- Children age 12 and under should ride properly restrained in the rear seat.
- Infants and small children should never be transported unless they are properly restrained. Restraint systems for infants and small children can be purchased locally and should be used. Make sure that the system you purchase meets applicable safety standards. Read and follow all the directions provided by the manufacturer.

(Continued)

**BEFORE DRIVING**

**⚠ WARNING**

(Continued)

- **Avoid contamination of seat belt webbing by polishes, oils, chemicals, and particularly battery acid. Cleaning may safely be carried out using mild soap and water.**
- **For children, if the shoulder belt irritates the neck or face, move the child closer to the centre of the vehicle.**
- **All seatbacks should always be in an upright position when driving, or seat belt effectiveness may be reduced. Seat belts are designed to offer maximum protection when seatbacks are in the upright position.**

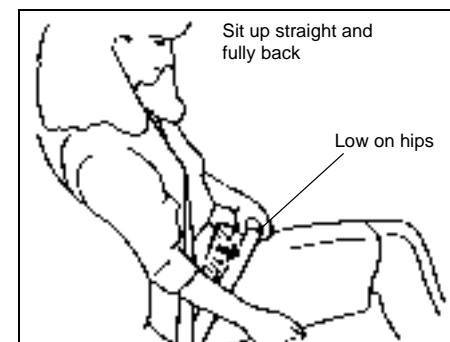
There are two types of seat belt, "Lap-shoulder belt" and "Lap belt". The type of belt provided in your vehicle depends on the vehicle specification.

**Lap-Shoulder Belt (if equipped)**

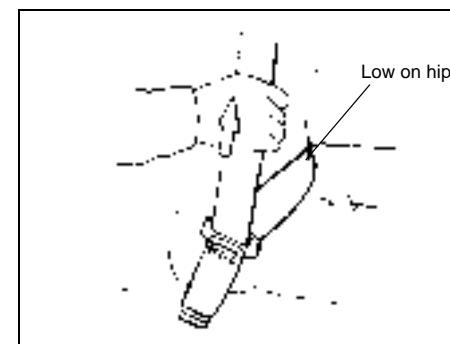
**Emergency Locking Retractor (ELR)**

The seat belt has an emergency locking retractor (ELR), which is designed to lock the seat belt only during a sudden stop or impact. It also may lock if you pull the belt across your body very quickly. If this happens, let the belt go back to unlock it, then pull the belt across your body more slowly.

**Safety reminder**



60A038

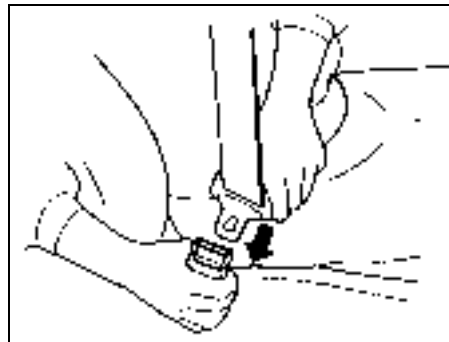


60A040

To reduce the risk of sliding under the belt during a collision, position the lap portion of the belt across your lap as low on your hips as possible and adjust it to a snug fit

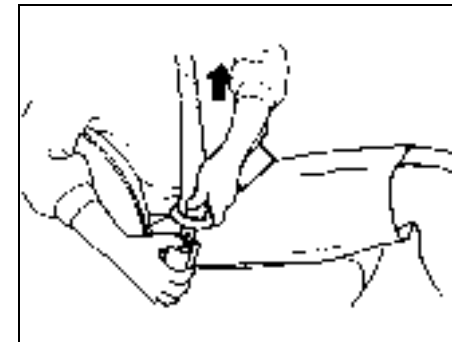
**BEFORE DRIVING**

by pulling the shoulder portion of the belt upward through the latch plate. The length of the diagonal shoulder strap adjusts itself to allow freedom of movement.



60A036

To fasten the seat belt, sit up straight and well back in the seat, pull the latch plate attached to the seat belt across your body and press it into the buckle until you hear a "click".

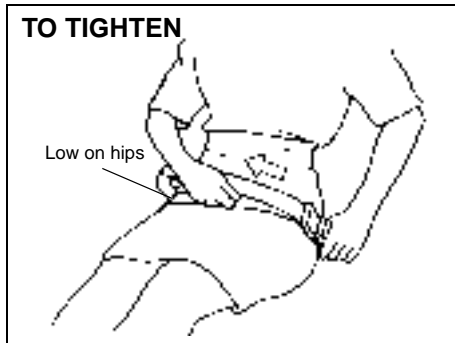


60A039

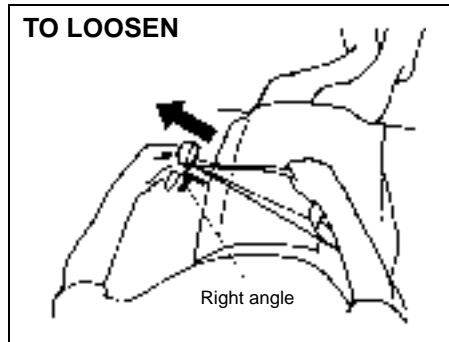
To unfasten the belt, push the red "PRESS" button on the buckle and allow the belt to retract.

**BEFORE DRIVING**

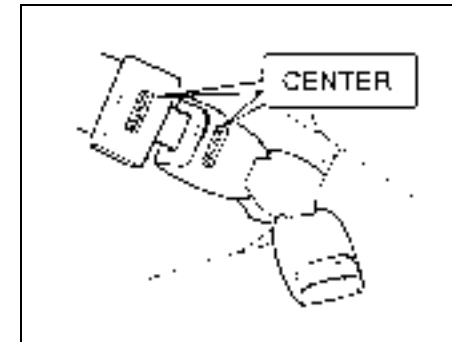
**Lap Belt (if equipped)**



Sit up straight and well back in the seat. To fasten the belt, pull the latch plate attached to the seat belt across your hips and press it into the buckle until you hear a "click". To reduce the risk of sliding under the belt during a collision, position the belt across your lap as low on your hips as possible and adjust it to a snug fit.  
To tighten the belt, pull the free end of the belt across alongside the lap strap.



To lengthen, release the latch plate from the buckle, pull the latch plate (adjuster) in the direction of the arrow, at right angles to the belt. The latch plate should then be refitted into the buckle and the belt tightened as previously described.

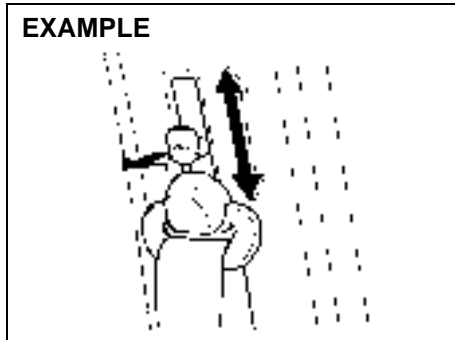


**NOTE:**  
To identify the centre seat belt buckle and latch plate in the second and third seats, "CENTER" is molded on the buckle and latch plate of the centre lap belt. The buckles are designed so a latch plate can not be inserted into the wrong buckle.



**BEFORE DRIVING**

**Shoulder Anchor Height Adjuster (if equipped)**



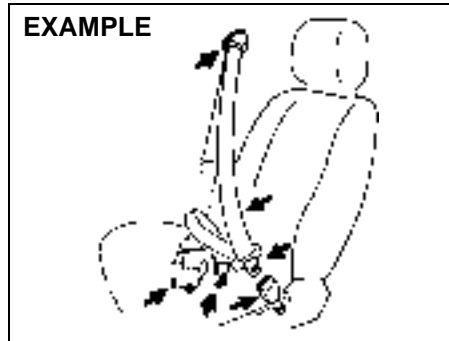
54G186

Adjust the shoulder anchor height so that the shoulder belt rides on the centre of the outboard shoulder. To adjust the shoulder anchor height, slide the anchor up or down while pulling the lock knob out. After adjustment, make sure that the anchor is securely locked.

**⚠ WARNING**

Be sure that the shoulder belt is positioned on the centre of the outside shoulder. The belt should be away from your face and neck, but not falling off your shoulder. Misadjustment of the belt could reduce the effectiveness of the safety belt in a crash.

**Seat Belt Inspection**



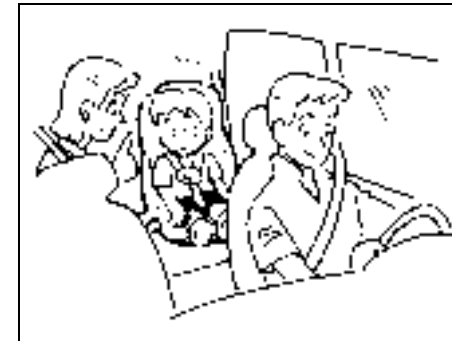
65D209S

Periodically inspect the seat belts to make sure they work properly and are not damaged. Check the webbing, buckles, latch plates, retractors, anchorages, and guide loops. Replace any seat belts which do not work properly or are damaged.

**⚠ WARNING**

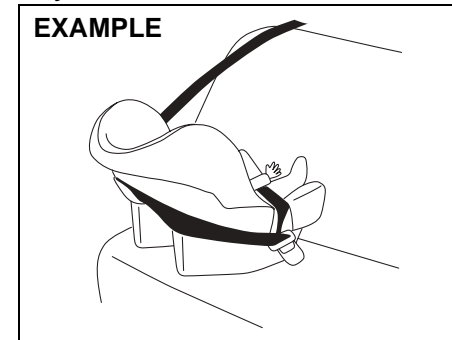
Be sure to inspect all seat belt assemblies after any collision. Any seat belt assembly which was in use during a collision (other than a very minor one) should be replaced, even if damage to the assembly is not obvious. Any seat belt assembly which was not in use during a collision should be replaced if it does not function properly, it is damaged in any way.

**Child Restraint Systems**



60G332S

**Infant restraint - second or third seat only**

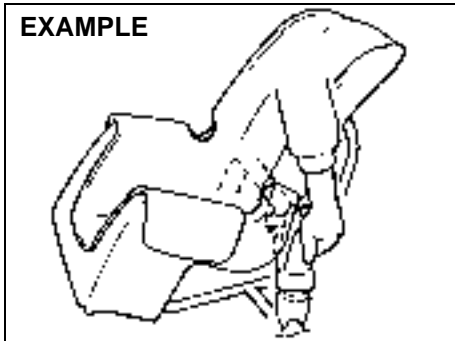


65D584

**BEFORE DRIVING**

**Child restraint**

**EXAMPLE**



65D197

SUZUKI highly recommends that you use a child restraint system to restrain infants and small children. Many different types of child restraint systems are available; make sure that the restraint system you select meets applicable safety standards.

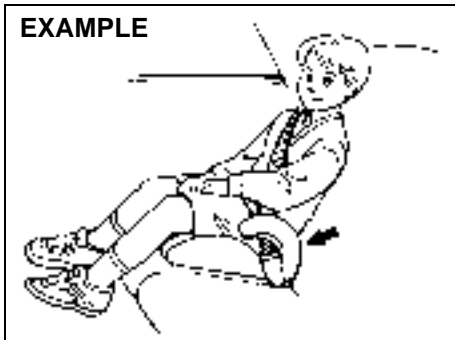
All child restraint systems are designed to be secured in vehicle seats by lap belts or the lap portion of lap-shoulder belts. Whenever possible, SUZUKI recommends that child restraint systems be installed on the rear seat. According to accident statistics, children are safer when properly restrained in rear seating positions than in front seating positions.



65D607

**Booster seat**

**EXAMPLE**



65D203

If you must use a front-facing child restraint in the front passenger's seat, adjust the passenger's seat as far back as possible.

*NOTE:*  
Observe any statutory regulation about child restraints.

**⚠ WARNING**

If your vehicle is equipped with a front passenger air bag, do not install a rear-facing child restraint in the front passenger's seat. If the passenger's air bag inflates, a child in a rear-facing child restraint could be killed or seriously injured. The back of a rear-facing child restraint would be too close to the inflating air bag.

**BEFORE DRIVING**



65D608



65D609

**⚠ WARNING**

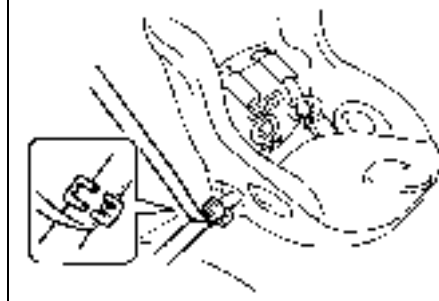
Children could be endangered in a crash if their child restraints are not properly secured in the vehicle. When installing a child restraint system, be sure to follow the instructions below. Be sure to secure the child in the restraint system according to the manufacturer's instructions.

**⚠ WARNING**

In an accident or sudden stop, the 2nd row and 3rd row seats armrest (if equipped) could fall forward. If there is a child in a rear-facing child restraint in the 2nd row and 3rd row centre seating position, the falling armrest could injure the child. Do not install a rear-facing child restraint in the 2nd row and 3rd row centre seating position.

**Installation with lap-shoulder seat belts**

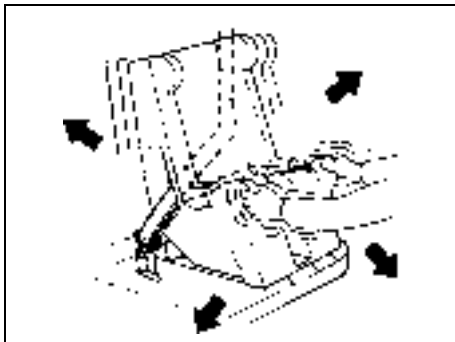
**EXAMPLE**



65D233

Install your child restraint system according to the instructions provided by the child restraint system manufacturer.

**BEFORE DRIVING**

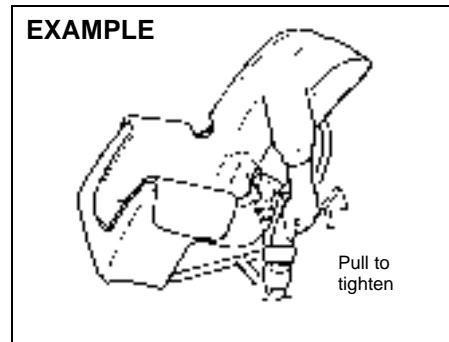


60G200

Make sure that the seat belt is securely latched.

Try to move the child restraint system in all directions, to make sure it is securely installed.

**Installation with a lap belt**

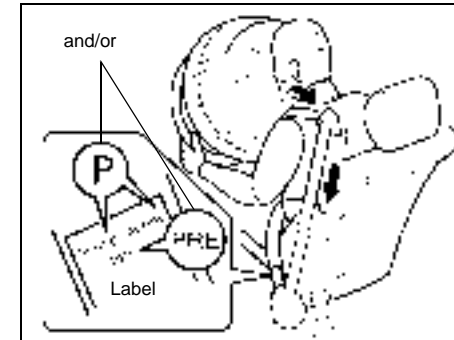


60G132

Install your child restraint system according to the instructions provided by the child restraint system manufacturer.

To lengthen or tighten the belt, refer to the "Lap Belt" item in this "Seat Belts and Child Restraint Systems" section. After making sure that the seat belt is securely latched, try moving the child restraint system in all directions, to make sure it is securely installed. If you need to tighten the belt, pull the free end of the webbing.

**Seat Belt Pretensioner System (if equipped)**



65D205

**⚠ WARNING**

**This section of the owner's manual describes your SUZUKI's SEAT BELT PRETENSIONER SYSTEM. Please read and follow ALL these instructions carefully to minimize your risk of severe injury or death.**

To determine if your vehicle is equipped with a seat belt pretensioner system at the front seating positions, check the label on the front seat belt at the bottom part. If the letters "p" and/or "PRE" appear as illustrated, your vehicle is equipped with the seat belt pretensioner system. You can use the pretensioner seat belts in the same manner as ordinary seat belts.

## **BEFORE DRIVING**

Read this section and the “Supplemental Restraint System (air bags)” section to learn more about the pretensioner system.

The seat belt pretensioner system works with the SUPPLEMENTAL RESTRAINT SYSTEM (Air Bags). The crash sensors and the electronic controller of the air bag system also control the seat belt pretensioners. When the air bags are triggered, the pretensioners are also triggered. For precautions and general information including servicing the pretensioner system, refer to the “Supplemental Restraint System (air bags)” section in addition to this “Seat Belt Pretensioner System” section, and follow all those precautions.

The pretensioner is located in each front seat belt retractor. The pretensioner tightens the seat belt so the belt fits the occupant’s body more snugly in the event of a frontal crash. The retractors will remain locked after the pretensioners are activated. Upon activation, some noise will occur and some smoke may be released. These conditions are not harmful and do not indicate a fire in the vehicle.

The driver and all passengers must be properly restrained by wearing seat belts at all times, whether or not a pretensioner is equipped at their seating position, to minimize the risk of severe injury or death in the event of a crash.

Sit fully back in the seat; sit up straight; do not lean forward or sideways. Adjust the

belt so the lap portion of the belt is worn low across the pelvis, not across the waist. Please refer to the “Seat Adjustment” section and the instructions and precautions about the seat belts in this “Seat Belts and Child Restraint Systems” section for details on proper seat and seat belt adjustments.

Please note that the pretensioners along with the air bags will activate only in severe frontal collisions. They are not designed to activate in rear impacts, side impacts, roll-overs, or minor frontal collisions. The pretensioners can be activated only once. If the pretensioners are activated (that is, if the air bags are activated), have the pretensioner system serviced by an authorized SUZUKI dealer as soon as possible.

If the “AIR BAG” light on the instrument cluster does not blink or come on briefly when the ignition switch is turned to the “ON” position, stays on for more than 10 seconds, or comes on while driving, the pretensioner system or the air bag system may not work properly. Have both systems inspected by an authorized SUZUKI dealer as soon as possible.

Service on or around the pretensioner system components or wiring must be performed only by an authorized SUZUKI dealer who is specially trained. Improper service could result in unintended activation of pretensioners or could render the pretensioner inoperative. Either of these two conditions may result in personal injury.

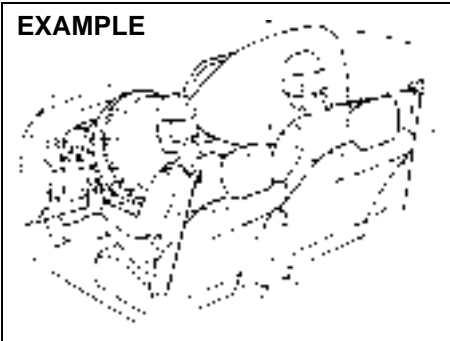
To prevent damage or unintended activation of the pretensioners, be sure the battery is disconnected and the ignition switch has been in the “LOCK” position for at least 90 seconds before performing any electrical service work on your SUZUKI.

Do not touch pretensioner system components or wiring. The wires are wrapped with yellow tape or yellow tubing, and the couplers are yellow. When scrapping your SUZUKI, ask your SUZUKI dealer, body repair shop, or scrap yard for assistance.

**BEFORE DRIVING**

**Supplemental Restraint System (air bags) (if equipped)**

**EXAMPLE**



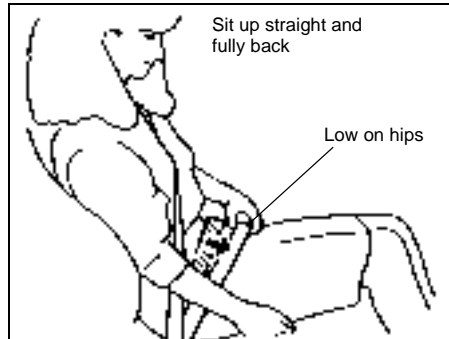
54G022

**⚠ WARNING**

This section of the owner's manual describes the protection provided by your SUZUKI's SUPPLEMENTAL RESTRAINT SYSTEM (air bags). Please read and follow ALL these instructions carefully to minimize your risk of severe injury or death in the event of a collision.

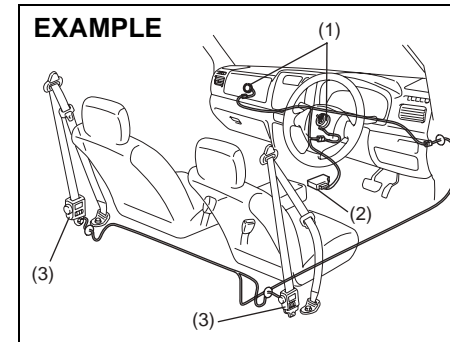


65D610



60A038

**EXAMPLE**



61J111

- (1) Air bag
- (2) Sensor & controller
- (3) Seat belt pretensioner

Your vehicle is equipped with a Supplemental Restraint System consisting of a driver air bag and a front passenger air bag, crash sensors, an electronic controller, and air bag inflators, in addition to a lap-shoulder belt at each front seating position.

The driver's air bag is located behind the centre pad of the steering wheel and the front passenger's air bag is located behind the passenger's side of the dashboard. The words "SRS AIRBAG" are molded into the air bag covers to identify the location of the air bags.

**BEFORE DRIVING**

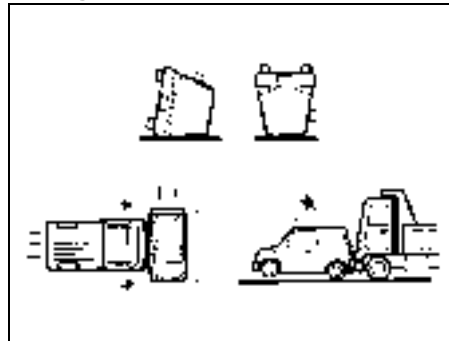
**⚠ WARNING**  
 An air bag supplements, or adds to, the frontal crash protection offered by seat belts. The driver and all passengers must be properly restrained by wearing seat belts at all times, whether or not an air bag is mounted at their seating position, to minimize the risk of severe injury or death in the event of a crash.

**Frontal collision range**



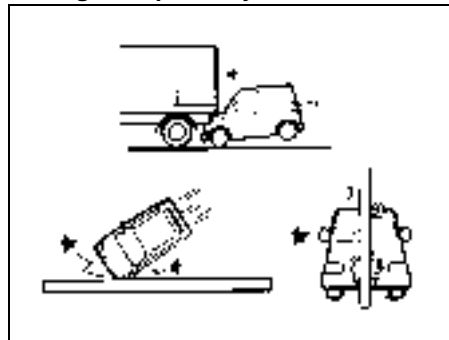
60G032

**Air bags will not inflate**



65D236

**Air bags will probably not inflate**



65D237

Air bags are designed to inflate only in severe frontal collisions. They are not designed to inflate in rear impacts, side impacts, rollovers or minor frontal collisions, since they would offer no protection in those types of accidents. Also, since an air bag deploys only one time during an accident, seat belts are needed to restrain occupants from further movements during the accident.

Therefore, an air bag is NOT a substitute for seat belts. To maximize your protection, ALWAYS WEAR YOUR SEAT BELTS. Be aware that no system can prevent all possible injuries that may occur in an accident.



63J030

If the "AIR BAG" light on the instrument cluster does not blink when the ignition switch is first turned to the "ON" position, or the "AIR BAG" light stays on, or comes on while driving, the air bag system (or the seat belt pretensioner system (if equipped)) may not work properly. Have the air bag system inspected by an authorized SUZUKI dealer as soon as possible.

**BEFORE DRIVING**



65D607

**⚠ WARNING**  
**Do not install a rear-facing child restraint in the front passenger's seat. If the passenger's front air bag inflates, a child in a rear-facing child restraint could be killed or severely injured. The back of a rear-facing child restraint would be too close to the inflating air bag.**

If you must use a front-facing child restraint in the front passenger's seat, be sure to move the front passenger's seat as far back as possible. Please refer to the "Seat Belts and Child Restraint Systems" section in the "BEFORE DRIVING" section for details on securing your child.

Air bag symbol (if equipped) meaning



60A561

You may find this label on the instrument panel. This means "Extreme Hazard! Do not use a rearward facing child restraint on a seat protected by an air bag in front of it!"

Air bag symbol

**EXAMPLE**

	<b>⚠ WARNING</b> AVERTISSEMENT ADVERTENCIA WARNUNG ATTENZIONE WAARSCHUWING VIGYÁZAT
GB	.....
F	.....
E	.....
D	.....
I	.....
NL	.....
H	.....

↓

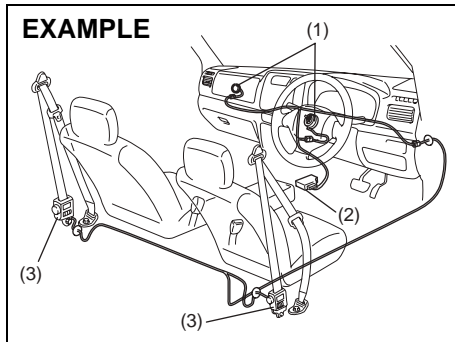
**DO NOT** place rear-facing child seat on this seat with airbag. **DEATH OR SERIOUS INJURY** can occur. The **BACK SEAT** with child restraint is the **SAFEST** place for children.

73K021

You may find this label on the sun visor.



How the system works



- (1) Air bag
- (2) Sensor & controller
- (3) Seat belt pretensioner

In a frontal collision, the crash sensors will detect rapid deceleration and send a signal to the controller. If the controller judges that the deceleration represents a severe frontal crash, the controller will trigger the inflators. The inflators inflate the air bags with nitrogen or argon gas. The inflated air bags provide a cushion for your head and upper body. The air bag inflates and deflates so quickly that you may not even realize that it has activated. The air bag will neither hinder your view nor make it harder to exit the vehicle.

Air bags must inflate quickly and forcefully in order to reduce the chance of serious or

fatal injuries. However, an unavoidable consequence of the quick inflation is that the air bag may irritate bare skin, such as the facial area. Also, upon inflation, a loud noise will occur and some powder and smoke will be released. These conditions are not harmful and do not indicate a fire in the car. Be aware, however, that some air bag components may be hot for a while after inflation.

A seat belt helps keep you in the proper position for maximum protection when an air bag inflates. Adjust your seat as far back as possible while still maintaining control of the vehicle. Sit fully back in your seat; sit up straight; do not lean over the steering wheel or dashboard. Please refer to the "Seat Adjustment" section and the "Seat Belts and Child Restraint Systems" section in the "BEFORE DRIVING" section for details on proper seat and seat belt adjustments.

**⚠ WARNING**

- The driver should not lean over the steering wheel. The front passenger should not rest his or her body against the dashboard, or otherwise get too close to the dashboard. In these situations, the out-of-position occupant would be too close to an inflating air bag, and may suffer severe injury.
- Do not attach any objects to, or place any objects over, the steering wheel or dashboard. Do not place any objects between the air bag and the driver or front passenger. These objects may interfere with air bag operation or may be propelled by the air bag in the event of a crash. Either of these conditions may cause severe injury.

## BEFORE DRIVING

---

Note that even though your vehicle may be moderately damaged in a frontal collision, the collision may not have been severe enough to trigger the air bags to inflate. If your car sustains ANY front-end damage, have the air bag system inspected by an authorized SUZUKI dealer to ensure it is in proper working order.

Your vehicle is equipped with a diagnostic module which records information about the air bag system if the air bags deploy in a crash. The module records information about overall system status, which sensors activated the deployment, and for a certain vehicle only, whether the driver's seat belt was in use.

### **Servicing the air bag system**

If the air bags inflate, have the air bags and related components replaced by an authorized SUZUKI dealer as soon as possible.

If your vehicle ever gets in deep water and the driver's floor is submerged, the air bag controller could be damaged. If it does, have the air bag system inspected by the SUZUKI dealer as soon as possible.

Special procedures are required for servicing or replacing an air bag. For that reason, only an authorized SUZUKI dealer should be allowed to service or replace your air bags. Please remind anyone who services your SUZUKI that it has air bags.

Service on or around air bag components or wiring must be performed only by an

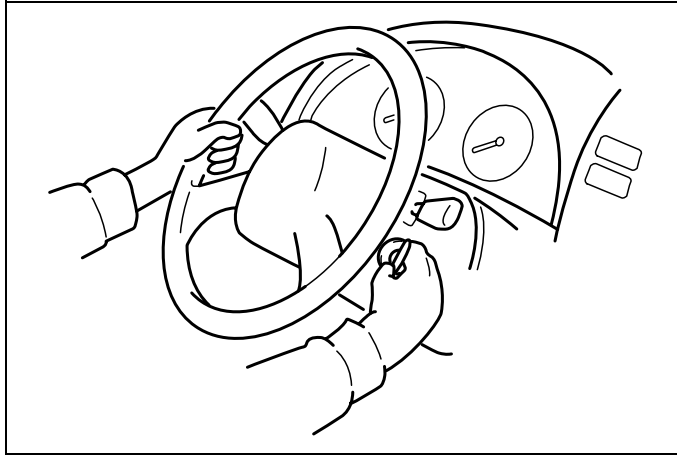
authorized SUZUKI dealer. Improper service could result in unintended air bag deployment or could render the air bag inoperative. Either of these two conditions may result in severe injury.

To prevent damage or unintended inflation of the air bag system, be sure the battery is disconnected and the ignition switch has been in the "LOCK" position for at least 90 seconds before performing any electrical service work on your SUZUKI. Do not touch air bag system components or wires. The wires are wrapped with yellow tape or yellow tubing, and the couplers are yellow for easy identification.

Scrapping a car that has an uninflated air bag can be hazardous. Ask your dealer, body repair shop or scrap yard for help with disposal.

STEERING COLUMN CONTROLS

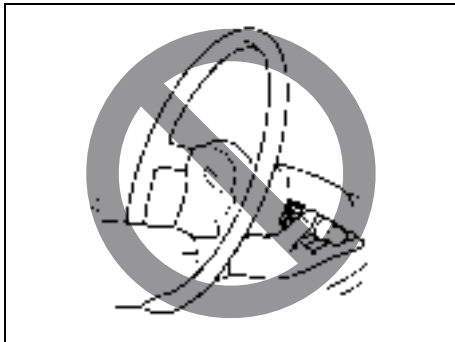
STEERING COLUMN CONTROLS



60G405

Ignition Switch .....	2-1
Lighting/Turn Signal Control Lever .....	2-2
Windscreen Wiper and Washer Lever .....	2-4
Rear Window Wiper/Washer Switch (if equipped) .....	2-5
Tilt Steering Lock Lever (if equipped) .....	2-5
Horn .....	2-6

## STEERING COLUMN CONTROLS

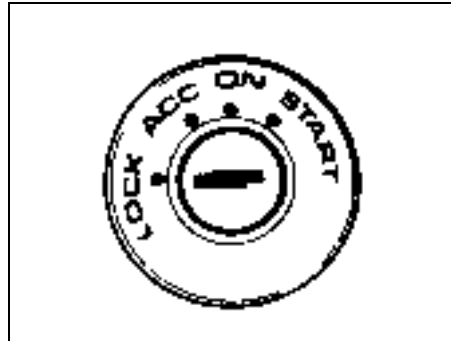


65D611

### ⚠ WARNING

To avoid possible injury, do not operate controls by reaching through the steering wheel.

## Ignition Switch



60B041

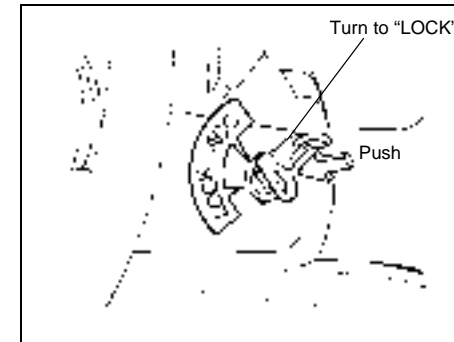
### NOTE:

For Saudi Arabia (GCC) specification vehicle, refer to the "SUPPLEMENT" section at the end of this book.

The ignition switch has the following four positions:

### LOCK

This is the normal parking position. It is the only position in which the key can be removed.



60G033

You must push in the key to turn it to the "LOCK" position. It locks the ignition, and prevents normal use of the steering wheel after the key is removed.

To release the steering lock, insert the key and turn it clockwise to one of the other positions. If you have trouble turning the key to unlock the steering, try turning the steering wheel slightly to the right or left while turning the key.

If your vehicle is equipped with the automatic transmission key inter lock system, the key can be turned to the "LOCK" position only when the gear lever is in the "P" (Park) position.

### ACC

Accessories such as the radio can operate, but the engine is off.

### ON

This is the normal operating position. All electrical systems are on.

### START

This is the position for starting the engine using the starter motor. The key should be released from this position as soon as the engine starts.



81A297S

### ⚠ WARNING

- Never remove the ignition key while the vehicle is moving. The steering wheel will lock and you will not be able to steer the vehicle.

(Continued)

### ⚠ WARNING

(Continued)

- Always remove the ignition key when leaving the vehicle even if a short time. Also do not leave children alone in a parked vehicle. Unattended children could cause accidental movement of the vehicle or could tamper with power windows or power sunroof. They also could suffer from heat stroke in warm or hot weather. These could result in severe injury or even death.

### CAUTION

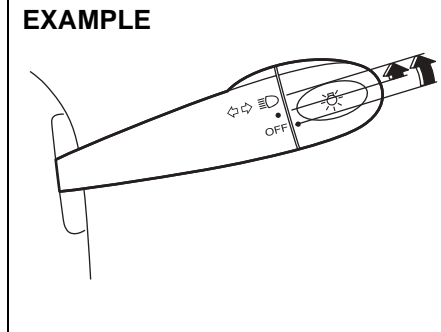
- Do not use the starter motor for more than 15 seconds at a time. If the engine does not start, wait 15 seconds before trying again. If the engine does not start after several attempts, check the fuel and ignition systems or consult your SUZUKI dealer.
- Do not leave the ignition switch in the "ON" position if the engine is not running as the battery will discharge.

## STEERING COLUMN CONTROLS

### Lighting/Turn Signal Control Lever

This control lever is located on the out-board side of the steering column. Operate the lever as described below.

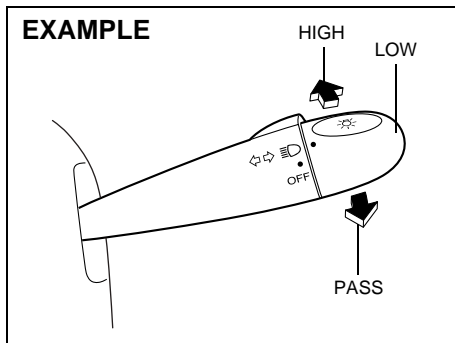
#### Lighting Operation



61J060

To turn the lights on or off, twist the knob on the end of the lever. There are three positions: in the "OFF" position all lights are off; in the middle position the front parking lights, taillights, licence plate light, and instrument lights are on, but the headlights are off; in the third position the headlights come on in addition to the other lights.

## STEERING COLUMN CONTROLS



61J061

With the headlights on, push the lever forward to switch to the high beams (main beams) or pull the lever toward you to switch to the low beams. When the high beams (main beams) are on, a light on the instrument panel will come on. To momentarily activate the high beams (main beams) as a passing signal, pull the lever slightly toward you and release it when you have completed the signal.

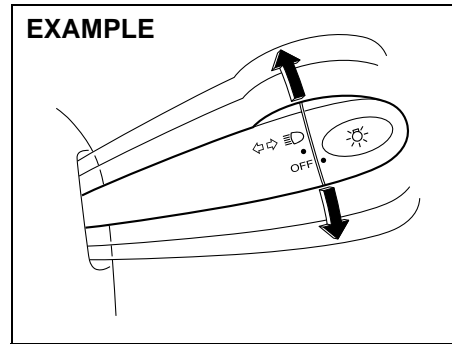
### Lights "On" reminder (if equipped)

A buzzer/chime sounds to remind you to turn off the lights if they are left on when the ignition key is removed and the driver's door is opened.

### Turn Signal Operation

With the ignition switch in the "ON" position, move the lever up or down to activate the right or left turn signals.

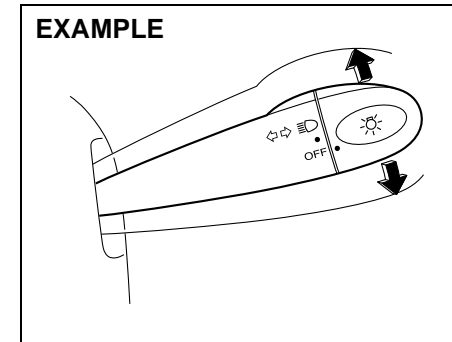
### Normal turn signal



61J062

Move the lever all the way upward or downward to signal. When the turn is completed, the signal will cancel and the lever will return to its normal position.

### Lane change signal

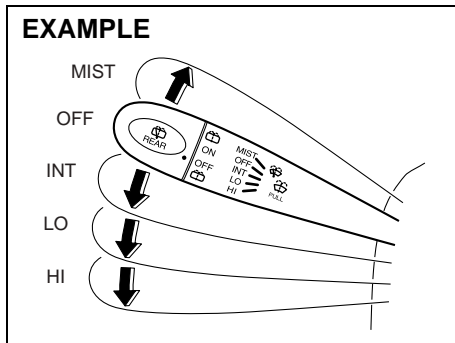


61J063

Some times, such as when changing lanes, the steering wheel is not turned far enough to cancel the turn signal. For convenience, you can flash the turn signal by moving the lever part way and holding it there. The lever will return to its normal position when you release it.

## Windscreen Wiper and Washer Lever

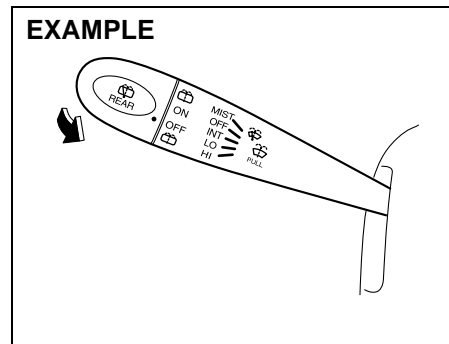
### Windscreen Wipers



To turn the windscreen wipers on, move the lever down to one of the three operating positions. In the "INT" position (if equipped), the wipers operate intermittently. The "INT" position is very convenient for driving in mist or light rain. In the "LO" position, the wipers operate at a steady low speed. In the "HI" position, the wipers operate at a steady high speed. To turn off the wipers, move the lever back to the "OFF" position.

Move the lever up and hold it to the "MIST" position, the windscreen wipers will turn on continuously at low speed.

### Windscreen Washer



To spray windscreen washer fluid, pull the lever toward you. The windscreen wipers will automatically turn on at low speed if they are not already on and the "INT" position is equipped.

### WARNING

- To prevent windscreen icing in cold weather, turn on the defroster to heat the windscreen before and during windscreen washer use.
- Do not use radiator antifreeze in the windscreen washer reservoir. It can severely impair visibility when sprayed on the windscreen, and can also damage your vehicle's paint.

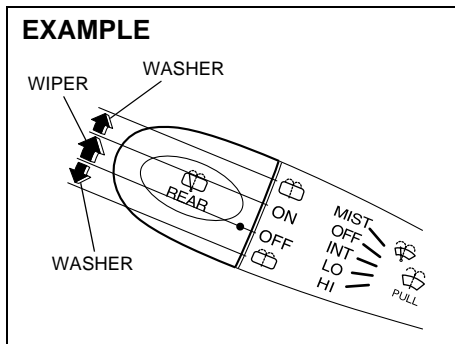
### CAUTION

To help prevent damage to the windscreen wiper and washer system components, you should take the following precautions:

- Do not continue to hold in the lever when there is no windscreen washer fluid being sprayed or the washer motor can be damaged.
- Do not attempt to remove dirt from a dry windscreen with the wipers or you can damage the windscreen and the wiper blades. Always wet the windscreen with washer fluid before operating the wipers.
- Clear ice or packed snow from the wiper blades before using the wipers.
- Check the washer fluid level regularly. Check it often when the weather is bad.
- Only fill the washer fluid reservoir 3/4 full during cold weather to allow room for expansion if the temperature falls low enough to freeze the solution.

## STEERING COLUMN CONTROLS

### Rear Window Wiper/Washer Switch (if equipped)

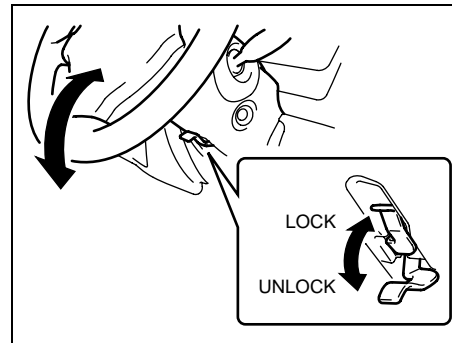


With the ignition switch in the "ON" position, twist the top of the switch forward to turn on the rear wiper. To turn the wiper off, twist the top of the switch rearward.

With the wiper in the "OFF" position, twist the top of the switch rearward and hold it there to spray window washer fluid. The wiper will automatically be on while the switch is held.

With the wiper in the "ON" position, twist the top of the switch forward and hold it there to spray window washer fluid.

### Tilt Steering Lock Lever (if equipped)



The lock lever is located under the steering column. To adjust the steering wheel height:

- 1) Push down on the lock lever to unlock the steering column.
- 2) Adjust the steering wheel to the desired height and lock the steering column by pulling the lock lever fully up.
- 3) Try moving the steering wheel up and down to make sure it is securely locked in position.

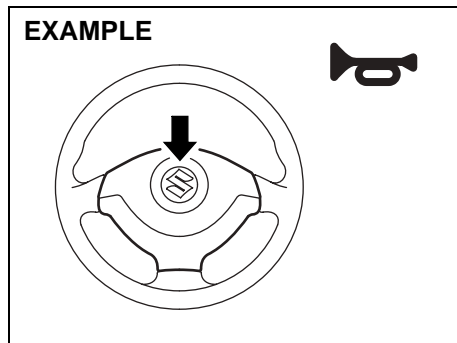
### ⚠ WARNING

Never attempt to adjust the steering wheel height while the vehicle is moving or you could lose control of the vehicle.



## STEERING COLUMN CONTROLS

### Horn



61J012

Press the horn button of the steering wheel to sound the horn. The horn will sound with the ignition switch in any position.

**STEERING COLUMN CONTROLS**

---

**MEMO**

-----

-----

-----

-----

-----

-----

-----

-----

-----

-----

-----

-----

-----

-----

-----

-----

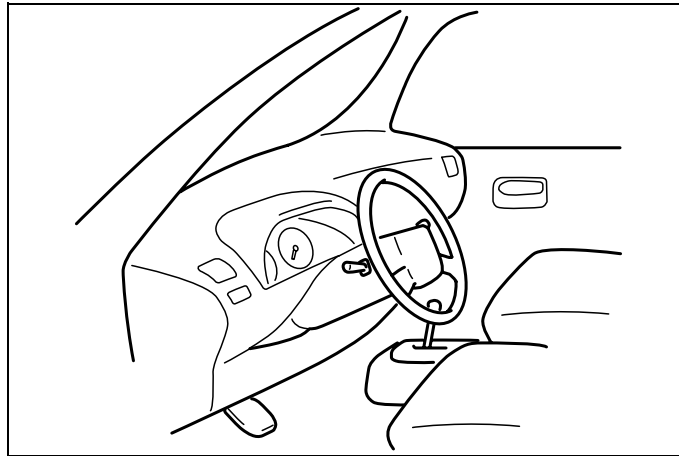
-----

-----

-----

-----

**2-7**



60G406

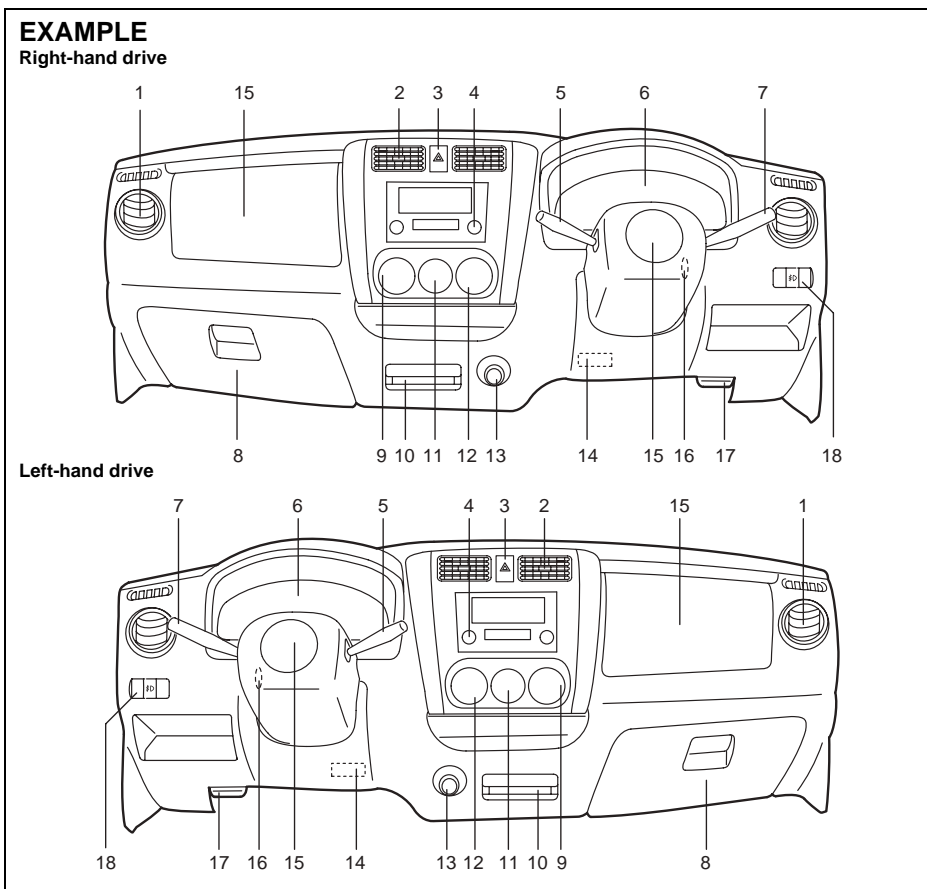
## INSTRUMENT PANEL

Instrument Panel .....	3-1
Instrument Cluster .....	3-2
Warning and Indicator Lights .....	3-3
A/T Selector Position Indicator (if equipped) .....	3-7
Speedometer/Odometer/Trip meter .....	3-7
Tachometer (if equipped) .....	3-8
Fuel Gauge .....	3-8
Temperature Gauge .....	3-9
Hazard Warning Switch .....	3-9
Heated Rear Window Switch (if equipped) .....	3-10
Headlight Leveling Switch (if equipped) .....	3-10
Fog Light Switch (if equipped) .....	3-10
Cigarette Lighter and Ashtray .....	3-11
Clock (if equipped) .....	3-11
Glove Box .....	3-12
Heating System .....	3-12
Air Conditioning System (if equipped) .....	3-16

## INSTRUMENT PANEL

### Instrument Panel

1. Side ventilator
2. Centre ventilator
3. Hazard warning switch
4. Audio ON/OFF button
5. Windscreen wiper and washer switch/  
Rear window wiper and washer switch (if equipped)
6. Instrument cluster
7. Lighting switch/Turn signal and dimmer switch
8. Glove box
9. Air flow selector (if equipped)
10. Ashtray
11. Blower speed selector (if equipped)
12. Temperature selector (if equipped)
13. Cigarette lighter (if equipped)
14. Fuse box
15. Air bag (if equipped)
16. Ignition switch
17. Bonnet release
18. Other switches (if equipped)



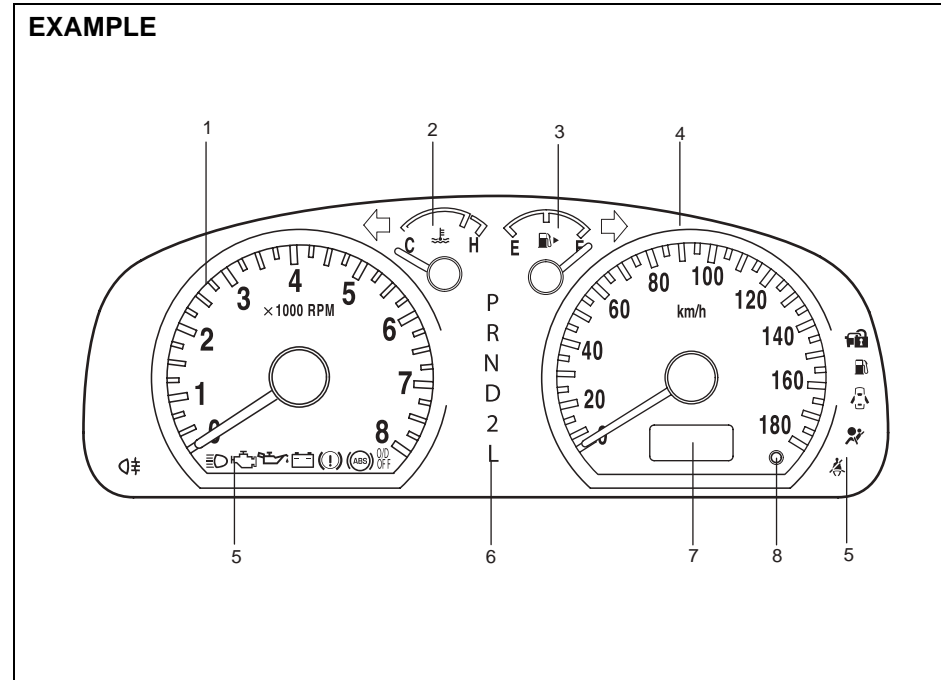
61J136

**INSTRUMENT PANEL**

**Instrument Cluster**

1. Tachometer (if equipped)
2. Temperature gauge
3. Fuel gauge
4. Speedometer
5. Warning and indicator lights
6. A/T selector position indicator (if equipped)
7. Odometer/Trip meter
8. Odometer/Trip meter selector knob

with tachometer

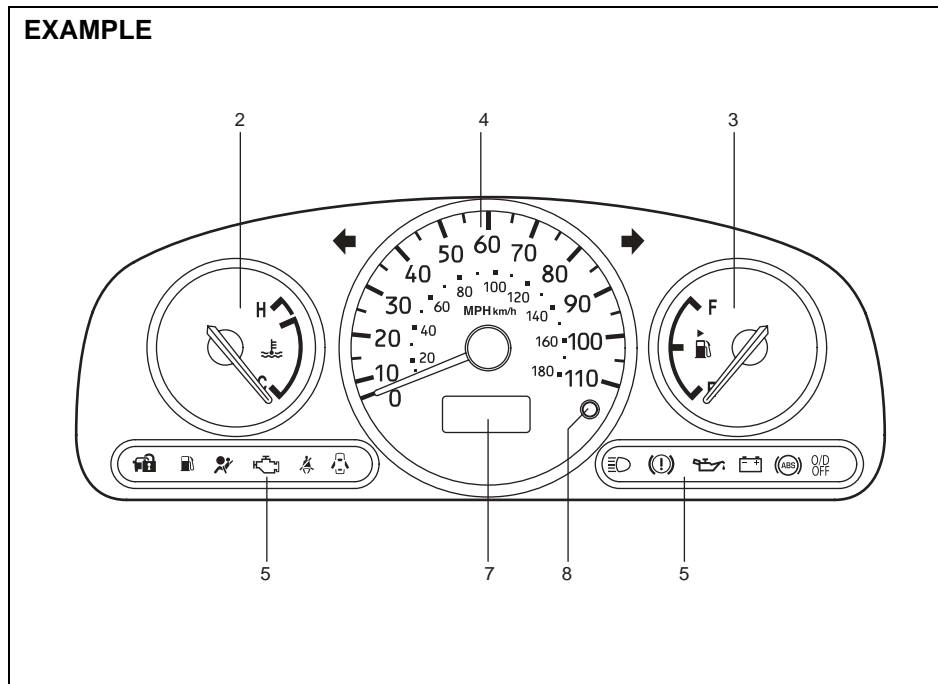


61J137

## INSTRUMENT PANEL

without tachometer

EXAMPLE



## Warning and Indicator Lights

### Brake System Warning Light



The light comes on when the parking brake is engaged with the ignition switch in the "ON" position.

The light also comes on when the fluid in the brake fluid reservoir falls below the specified level.

The light should go out after starting the engine and fully releasing the parking brake, if the fluid level in the brake fluid reservoir is adequate.

If the brake system warning light comes on while you are driving the vehicle, it may mean that there is something wrong with the vehicle's brake system. If this happens, you should:

- 1) Pull off the road and stop carefully.

**INSTRUMENT PANEL**

**⚠ WARNING**  
 Remember that stopping distance may be longer, you may have to push harder on the pedal, and the pedal may go down farther than normal.

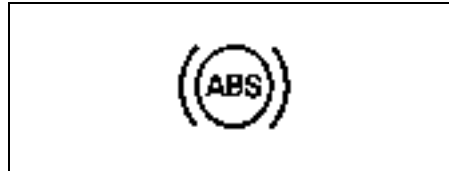
- 2) Test the brakes by carefully starting and stopping at the side of the road.
  - If you determine that it is safe, drive carefully at low speed to the nearest dealer for repairs, or
  - Have the vehicle towed to the nearest dealer for repairs.

**⚠ WARNING**  
 If any of the following conditions occur, you should immediately ask your SUZUKI dealer to inspect the brake system.

- If the brake system warning light does not go out after the engine has been started and the parking brake has been fully released.
- If the brake system warning light comes on at any time during vehicle operation.

*NOTE:*  
 Because the disc brake system is self-adjusting, the fluid level will drop as the brake pads become worn. Replenishing the brake fluid reservoir is considered normal periodic maintenance.

**Anti-lock Brake System (ABS) Warning Light (if equipped)**



65D529

When the ignition switch is turned to the "ON" position, the light comes on briefly so you can check that the light is working. If the light stays on, or comes on when driving, there may be something wrong with the ABS.

If this happens:

- 1) Pull off the road and stop carefully.
- 2) Turn the ignition switch to "LOCK" and then start the engine again.
- 3) If the warning light comes on briefly then turns off, the system is normal. If the warning light still stays on, the system will be something wrong.

If the light and the brake system warning light stay on, or come on simultaneously when driving, your ABS system is equipped with the rear brake force control function (Proportioning valve function) and there may be something wrong with both the rear brake force control function and anti-lock function of the ABS system. If one of these happens, have the system inspected by your SUZUKI dealer. If the

ABS becomes inoperative, the brake system will function as an ordinary brake system that does not have this ABS system.

**Oil Pressure Light**



50G051

This light comes on when the ignition switch is turned to the "ON" position, and goes out when the engine is started. The light will come on and remain on if there is insufficient oil pressure. If the light comes on when driving, pull off the road as soon as you can and stop the engine.

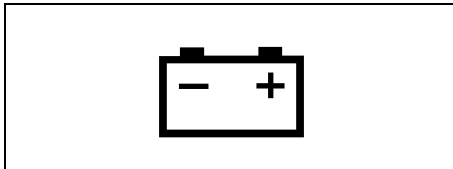
Check the oil level and add oil if necessary. If there is enough oil, the lubrication system should be inspected by your SUZUKI dealer before you drive the vehicle again.

**CAUTION**

- If you operate the engine with this light on, severe engine damage can result.
- Do not rely on the Oil Pressure Light to indicate the need to add oil. Be sure to periodically check the engine oil level.

**INSTRUMENT PANEL**

**Charging Light**



50G052

This light comes on when the ignition switch is turned to the "ON" position, and goes out when the engine is started. The light will come on and remain on if there is something wrong with the battery charging system. If the light comes on when the engine is running, the charging system should be inspected immediately by your SUZUKI dealer.

**Seat Belt Warning Light (if equipped)**



60G049

When the ignition switch is turned to the "ON" position, this light comes on as a reminder and stays on until the driver's seat belt is buckled.

**"AIR BAG" Light (if equipped)**



63J030

This light blinks or comes on for several seconds when the ignition switch is turned to the "ON" position so you can check if the light is working.

The light will come on and stay on if there is a problem in the air bag system or the seat belt pretensioner system (if equipped).

**▲ WARNING**

**If the "AIR BAG" light does not blink or come on briefly when the ignition switch is turned to the "ON" position, stays on for more than 10 seconds, or comes on while driving, the air bag system or the seat belt pretensioner system (if equipped) may not work properly. Have both systems inspected by an authorized SUZUKI dealer.**

**Malfunction Indicator Light**



65D530

Your vehicle has a computer-controlled emission control system. A malfunction indicator light is provided on the instrument panel to indicate when it is necessary to have the emission control system serviced. The malfunction indicator light comes on when the ignition switch is turned to "ON" or "START" and goes out when the engine is started.

If the malfunction indicator light comes on when the engine is running, there is a problem with the emission control system. Bring the vehicle to your SUZUKI dealer to have the problem corrected.

**CAUTION**

**Continuing to drive the vehicle when the malfunction indicator light is on can cause permanent damage to the vehicle's emission control system, and can affect fuel economy and driveability.**



Warning and Indicator Lights: 8  
A/T Selector Position Indicator: 8  
Speedometer/Odometer/Trip meter: 8

## INSTRUMENT PANEL

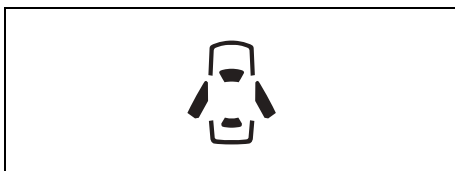
### Immobilizer System Light (if equipped)



65D239

When the ignition switch is turned to the "ON" position, this light comes on to let you know the light is working. If this light blinks with the ignition switch turned to "ON", there may be something wrong with the immobilizer system. Ask your SUZUKI dealer to have the system inspected.

### Open Door Warning Light (if equipped)



54G391

This light remains on until all doors are completely closed.

### Low Fuel Warning Light (if equipped)



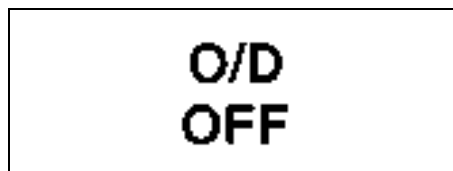
54G343

If this light comes on, fill the fuel tank immediately.

#### NOTE:

*The activation point of this light varies depending on road conditions (for example, slope or curve) and driving conditions because of fuel moving in the tank.*

### "O/D OFF" Indicator Light (if equipped)

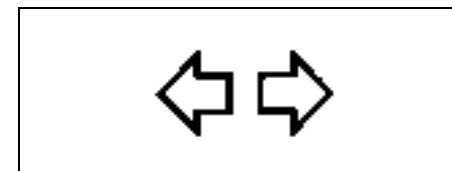


54G142

When the ignition switch is turned to the "ON" position with the 4-speed automatic transmission in the 4-speed mode (3-speeds plus overdrive), this light comes on briefly to let you know the light is working.

When the automatic transmission is converted to the 3-speed mode (overdrive is off) with the ignition switch in the "ON" position, this indicator comes on and stays on.

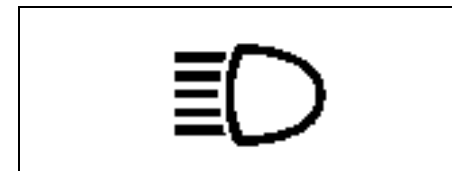
### Turn Signal Indicators



50G055

When you turn on the left or right turn signals, the corresponding green arrow on the instrument panel will flash along with the respective turn signal lights. When you turn on the hazard warning switch, both arrows will flash along with all of the turn signal lights.

### Main Beam (high beam) Indicator Light

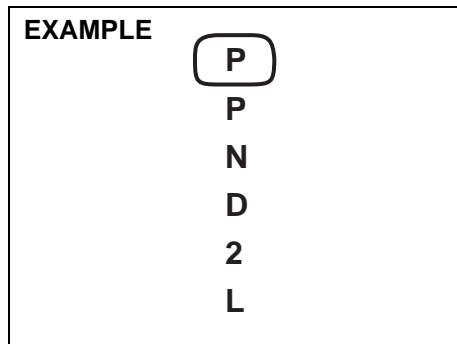


50G056

This indicator comes on when headlight main beams (high beams) are turned on.

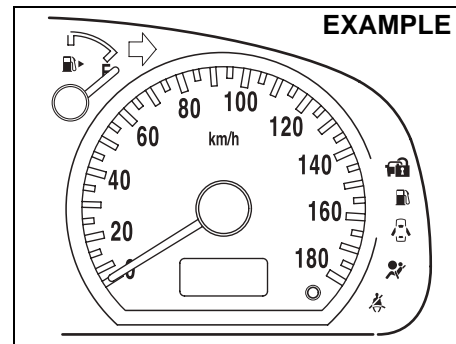
## INSTRUMENT PANEL

### A/T Selector Position Indicator (if equipped)



When the ignition switch is in the "ON" position, this indicator shows the selector position of automatic transmission.

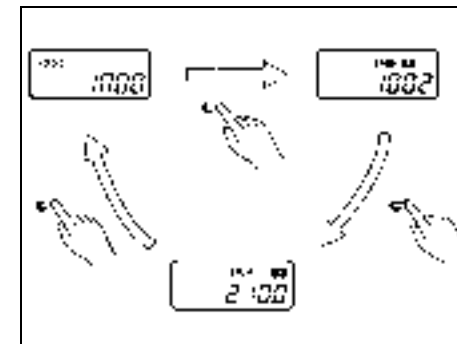
### Speedometer/Odometer/Trip meter



The speedometer indicates vehicle speed in km/h and/or mph. The odometer records the total distance the vehicle has been driven. The trip meter can be used to measure the distance traveled on short trips or between fuel stops.

#### CAUTION

Keep track of your odometer reading and check the maintenance schedule regularly for required services. Increased wear or damage to certain parts can result from failure to perform required services at the proper mileage intervals.

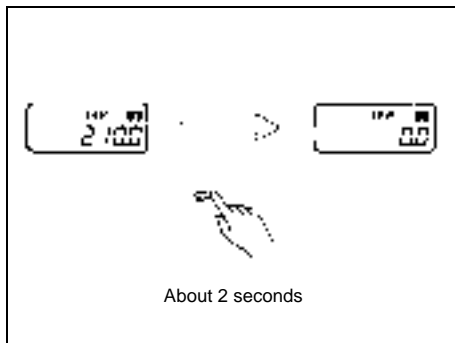


When the ignition switch is turned to "ON", the display shows the odometer or trip meter.

The display shows three types of indication; odometer, trip meter A and trip meter B. Push the selector knob quickly to switch the indication among the three.

You can use the two trip meters (A and B) independently.

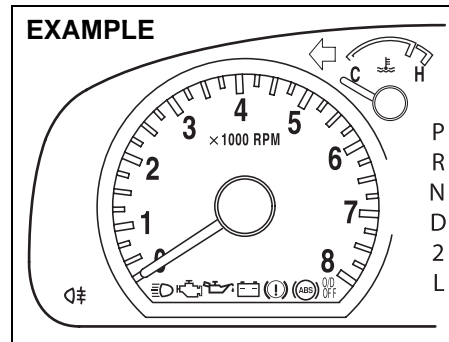
INSTRUMENT PANEL



65D060

Push the selector knob for a little while (about 2 seconds) to reset the trip meter to zero.

Tachometer (if equipped)



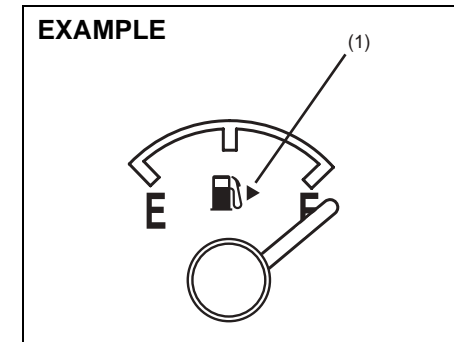
61J141

The tachometer indicates engine speed in revolutions per minute.

**CAUTION**

**Never drive with the engine speed indicator in the red zone or severe engine damage can result. When downshifting to a lower gear, make sure not to operate with excessive revolution speeds of the engine. Refer to "Downshifting maximum allowable speeds" in the "OPERATING YOUR VEHICLE" section.**

Fuel Gauge



61J142

When the ignition switch is in the "ON" position, this gauge gives an approximate indication of the amount of fuel in the fuel tank. "F" stands for full and "E" stands for empty.

If the indicator gets in the red zone (if given), refill the tank as soon as possible. If the red zone is not given and the indicator gets off the graduation of "E" (not character "E"), refill the tank as soon as possible.

The mark (1) indicates that the fuel filler door is located on the right side of the vehicle.

**NOTE:**

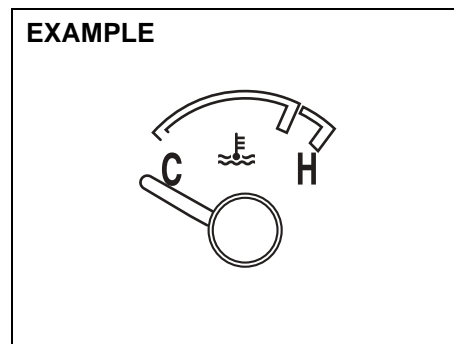
*The indicator moves a little depending on road conditions (for example, slope or*

Hazard Warning Switch: 8  
Heated Rear Window Switch: 8  
Headlight Leveling Switch: 8, 11

## INSTRUMENT PANEL

*curve) and driving conditions because of fuel moving in the tank.*

### Temperature Gauge



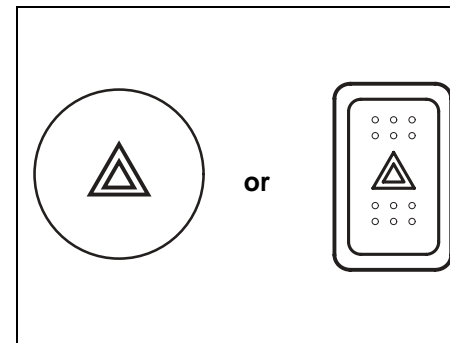
61J143

When the ignition switch is in the "ON" position, this gauge indicates the engine coolant temperature. Under normal driving conditions, the indicator should stay within the normal, acceptable temperature range between "H" and "C". If the indicator approaches "H", overheating is indicated. Follow the instructions for engine overheating in the "EMERGENCY SERVICE" section.

#### CAUTION

Continuing to drive the vehicle when engine overheating is indicated can result in severe engine damage.

### Hazard Warning Switch



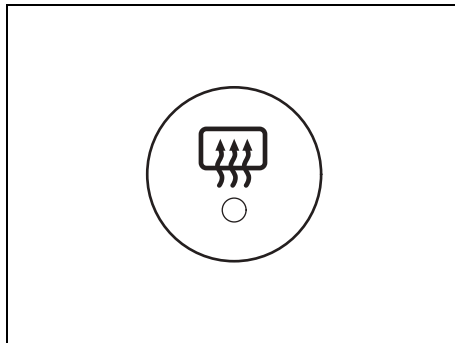
61J144

Push in the hazard warning switch to activate the hazard warning lights. All four turn signal lights and both turn signal indicators will flash simultaneously. To turn off the lights, push the switch again. Use the hazard warning lights to warn other traffic during emergency parking or when your vehicle could otherwise become a traffic hazard.

Headlight Leveling Switch: 8, 11  
 Fog Light Switch: 8  
 Cigarette Lighter and Ashtray: 3, 8

**INSTRUMENT PANEL**

**Heated Rear Window Switch (if equipped)**

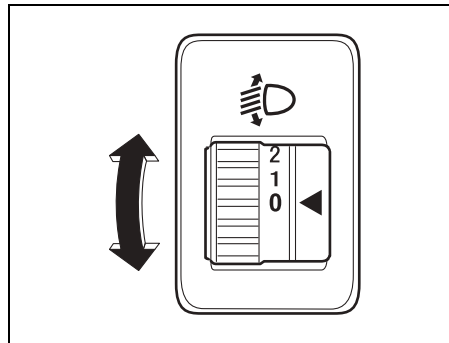


61J021

When the rear window is misted, push this switch to clear the window. An indicator light will be lit when the demister is on. The demister will only work when the ignition switch is in the "ON" position. To turn off the demister, push the switch again.

**CAUTION**  
 The heated rear window uses a large amount of electricity. Be sure to turn off after the window has become clear.

**Headlight Leveling Switch (if equipped)**

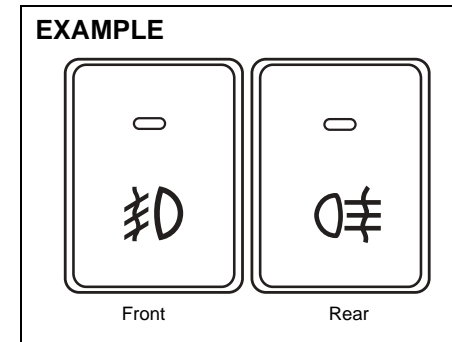


61J145

Level the headlight beam according to the load condition of your vehicle by turning this switch. The chart below shows the appropriate switch position for different vehicle-load conditions.

Vehicle Load Condition	Switch Position
Driver only	0
Driver + full cargo	2

**Fog Light Switch (if equipped)**



61J146

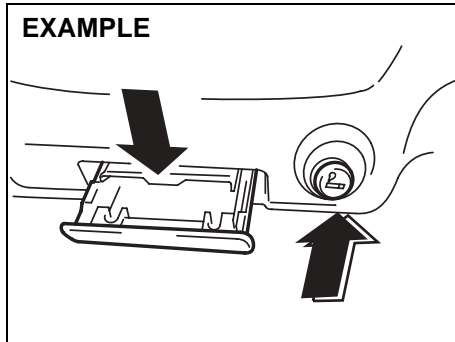
The fog light comes on when the fog light switch is pushed in with the head light switch turned to the second and/or third position.

An indicator light below the switch will be lit when the fog light is on.

*NOTE:*  
 In some countries the lighting operation may be different from the above description according to local regulations.

## INSTRUMENT PANEL

### Cigarette Lighter and Ashtray



61J147

#### Cigarette lighter (if equipped)

To use the cigarette lighter, push it all the way into the receptacle and release it. It will automatically heat up and will pop out to its normal position when it is ready for use.

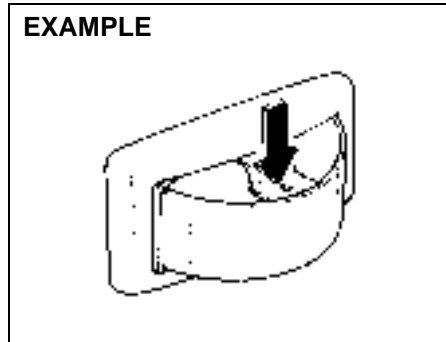
#### CAUTION

To avoid damage to the cigarette lighter socket, do not use it as other accessories' power source. Some accessories' power plug can damage the inner mechanism of the cigarette lighter socket.

#### Ashtray

To remove the front panel ashtray for cleaning, push down on the metal plate, and pull the ashtray completely out of its holder.

#### Rear (if equipped)



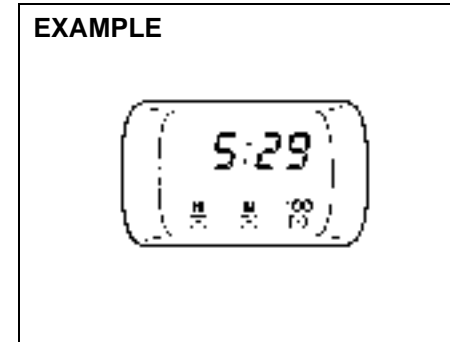
60B078

To remove the rear ashtray, push down on the tongue and pull the ashtray out of its holder.

#### ⚠ WARNING

Make sure tobacco is fully extinguished before closing the ashtrays. Never throw waste in the ashtrays: it could create a fire hazard.

### Clock (if equipped)



65D061

The clock operates as long as the battery remains connected and power is supplied to the system. To set the clock, follow the instructions below.

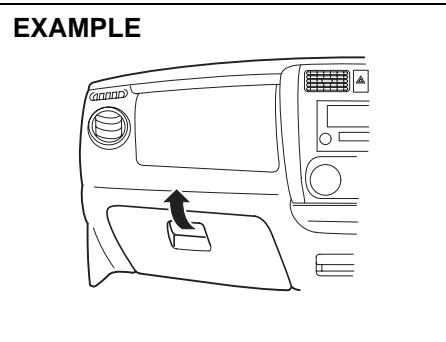
To set the minute display:

- Push the “:00” knob to reset the minute display to zero.
- Push the “M” knob to advance the minute display.

To set the hour display:

Push the “H” knob to advance the hour display.

### Glove Box



61J148

To open the glove box, pull the latch lever. To close it, push the lid until it latches securely.

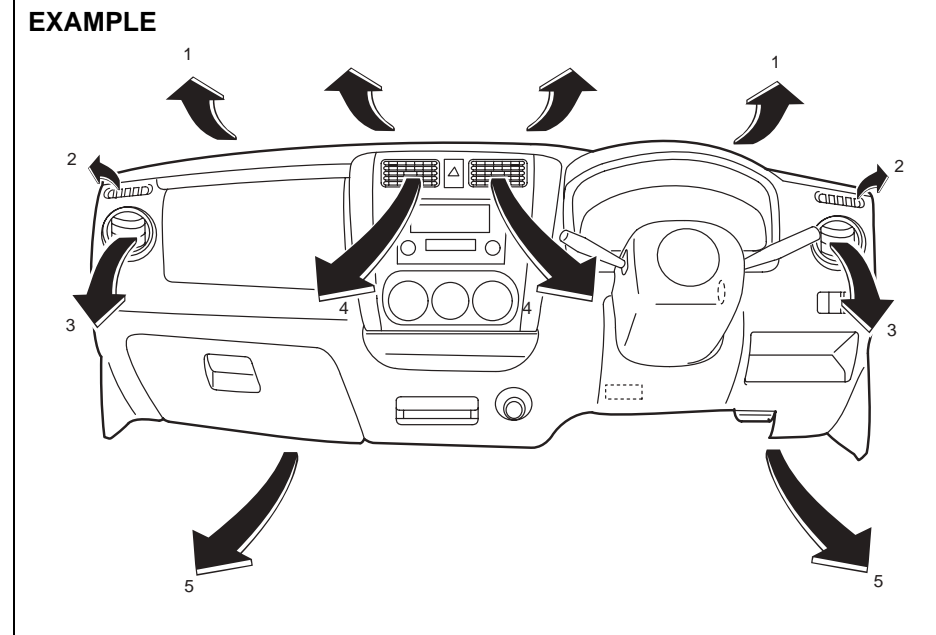
**⚠ WARNING**

Never drive with the glove box lid open. It could cause injury if an accident occurs.

### Heating System

The heating system provides heating, demisting and ventilation.

#### Front (if equipped)

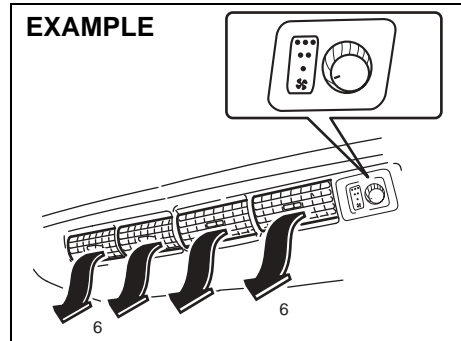


61J149

1. Windscreen demister outlet
2. Side demister outlet
3. Side outlet
4. Centre outlet
5. Floor outlet

**INSTRUMENT PANEL**

**Rear (if equipped)**

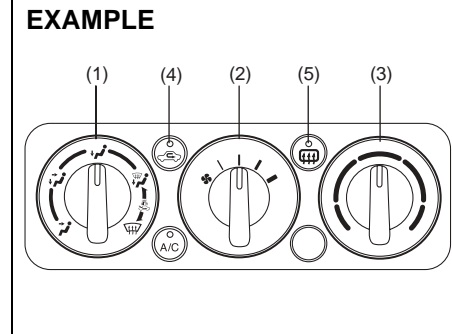


6. Overhead outlet

61J150

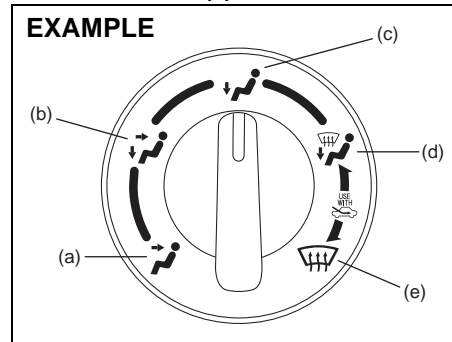
**Description of Controls**

**Front**



61J151

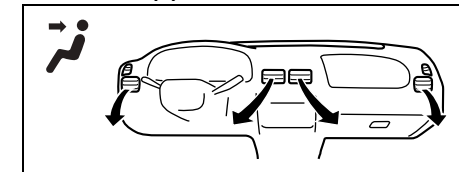
**Air flow selector (1)**



61J105

This is used to select one of the functions described below.

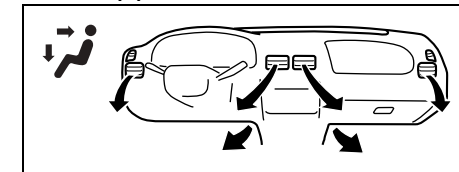
**Ventilation (a)**



54G168

Temperature-controlled air comes out of the centre and side air outlets.

**Bi-level (b)**



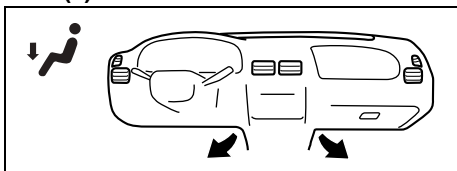
54G169

Temperature-controlled air comes out of the floor outlets and cooler air comes out of the centre and side outlets. When the temperature selector (3) is in the fully COLD position or fully HOT position, however, the air from the floor outlets and the air from the centre and side outlets will be the same temperature.



**INSTRUMENT PANEL**

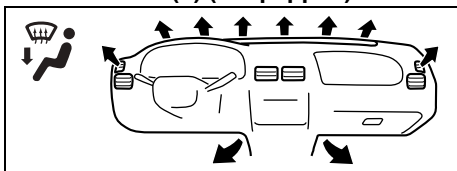
**Heat (c)**



81A170

Temperature-controlled air comes out of the floor outlets.

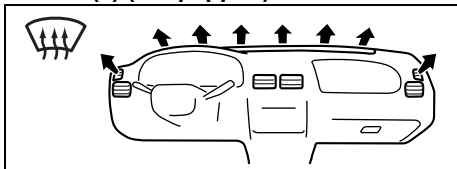
**Heat & demist (d) (if equipped)**



81A171

Temperature-controlled air comes out of the floor outlets, the windscreen demister outlets and the side demister outlets.

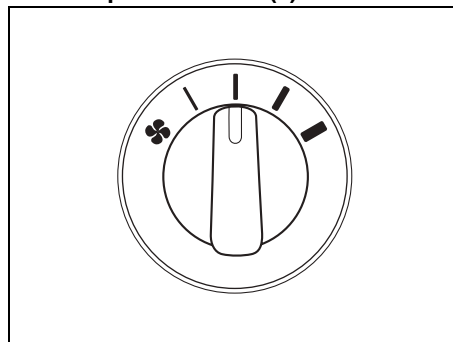
**Demist (e) (if equipped)**



81A172

Temperature-controlled air comes out of the windscreen demister outlets and the side demister outlets.

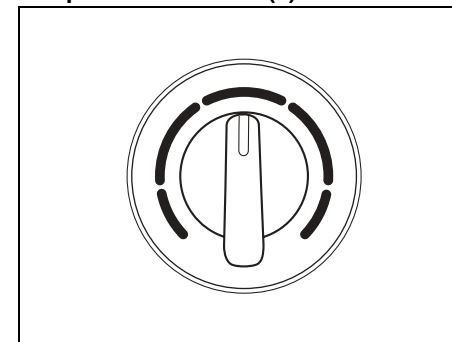
**Blower speed selector (2)**



61J163

This is used to select blower speed by turning the selector.

**Temperature selector (3)**



61J104

This is used to select the temperature by turning the selector.

**Air intake selector (4) (if equipped)**

This switch is used to select between circulating outside air (FRESH AIR) or circulating inside air (RECIRCULATED AIR).

**Heated Rear Window (5) (if equipped)**

When the rear window is misted, push this switch to clear the window.

## INSTRUMENT PANEL

### System Operating Instructions

#### Natural ventilation

Select "VENTILATION" and "FRESH AIR", the temperature selector to the desired temperature position, and the blower speed selector to "OFF". Fresh air will flow through the vehicle during driving.

#### Forced ventilation

The control settings are the same as for natural ventilation except you set the blower speed selector to a position other than "OFF".

#### Normal heating (using outside air)

Select "HEAT" and "FRESH AIR", the temperature selector to the desired temperature position and the blower speed selector to the desired blower speed position. Setting the blower speed selector to a higher blower speed position increases heating efficiency.

#### Quick heating (using recirculated air)

The control settings are the same as for normal heating except you select "RECIRCULATED AIR". If you use this heating method for an extended period of time, the air in the vehicle can become contaminated and the windows can become misty. Therefore, use this method only for quick heating and change to the normal heating method as soon as possible.

#### Cool face/Warm feet

Select "BI-LEVEL" and "FRESH AIR", the temperature selector to the desired tem-

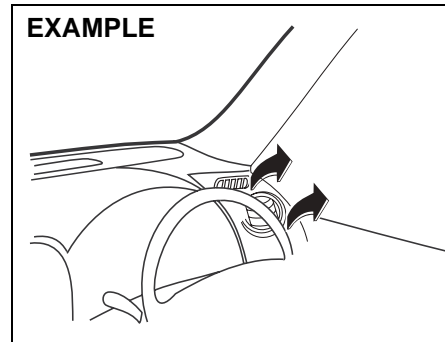
perature position, and the blower speed selector to the desired blower speed position. Unless the temperature selector is in the fully COLD position or fully HOT position, the air that comes out of the centre and side outlets will be cooler than the air that comes out of the floor outlets.

#### Demisting/Warm feet

Select "HEAT & DEMIST" and "FRESH AIR", the temperature selector to the desired temperature position, and the blower speed selector to HIGH. When the windscreen has become clear, set the blower speed selector to the desired blower speed position.

#### Demisting

Select "DEMIST" and "FRESH AIR", the temperature selector to the desired temperature position (higher temperature provides more efficient demisting), and the blower speed selector to HIGH. When the windscreen has become clear, set the blower speed selector to the desired blower speed position.

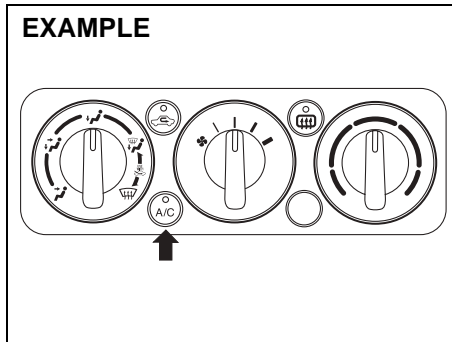


61J152

#### NOTE:

*If you need maximum demisting, adjust the temperature selector to the HOT end and adjust the side outlets so the air blows on the side window, in addition to the above Demisting steps.*

## Air Conditioning System (if equipped)



61J153

If your vehicle is equipped with air conditioner, it has an "A/C" switch located on the heater control panel. The air conditioning system can be used to provide cooling and dehumidifying, as described below. To turn on the air conditioning system, push in the "A/C" switch and set the blower speed selector to a position other than "OFF". With this "A/C" switch operation, an indicator light will come on when the air conditioning system is on. To turn off the air conditioning system, push the "A/C" switch again.

### System Operating Instructions

#### Normal cooling

Turn on the "A/C" switch, set the air flow selector to the "VENTILATION", the temperature selector to the desired temperature position, and the blower speed selector to the desired blower speed position. Setting the blower speed selector to a higher blower speed position increases cooling efficiency.

You can switch the air intake selector to either "FRESH AIR" or "RECIRCULATED AIR" as you desire. Choosing "RECIRCULATED AIR" increases cooling efficiency.

#### Quick cooling (using recirculated air)

The control settings are the same as for normal cooling except you select "RECIRCULATED AIR" and the highest blower speed.

#### NOTE:

- If you select "RECIRCULATED AIR" for an extended period of time, the air in the vehicle can become contaminated. Therefore, you should occasionally select "FRESH AIR".
- If your vehicle has been left in the sun with the windows closed, it will cool faster if you open the windows briefly while you operate the air conditioner with the air intake selector at "FRESH AIR" and the blower at high speed.

#### Dehumidifying

Turn on the "A/C" switch, set the air flow selector to the desired function position, select "FRESH AIR", the temperature selector to the desired temperature position, and the blower speed selector to the desired blower speed position.

#### NOTE:

- Because the air conditioning dehumidifies the air, turning it on will help keep the windows clear, even when blowing heated air using the "DEMIST" or "HEAT & DEMIST" functions.
- Your vehicle uses the air conditioning refrigerant HFC-134a, commonly called "R-134a". R-134a replaced R-12 around 1993 for automotive applications. Other refrigerants are available, including recycled R-12, but only R-134a should be used in your vehicle.

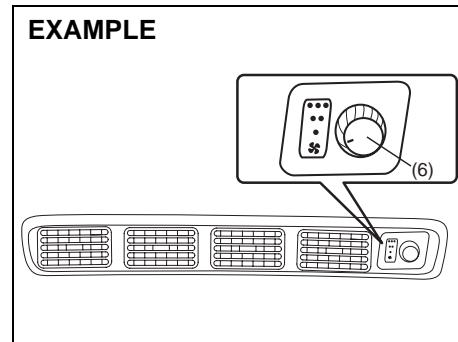
#### CAUTION

Using the wrong refrigerant may damage your air conditioning system. Use R-134a only. Do not mix or replace the R-134a with other refrigerants.

## INSTRUMENT PANEL

### Overhead Rear Air Conditioning System (if equipped)

#### Rear blower switch



61J154

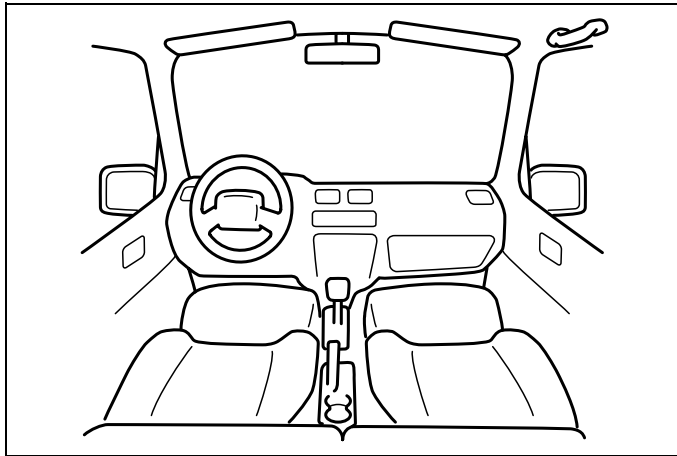
To turn on the overhead rear air conditioning system, set the rear blower switch (6) to the position other than OFF while the front air conditioning system is operating. To turn on the front air conditioning system, push in the "A/C" switch and set the blower speed selector to a position other than OFF.

During operation of the air conditioner, you may notice slight changes in engine speed. These changes are normal, the system is designed so that the compressor turns on or off to maintain the desired temperature. Less operation of the compressor results in better fuel economy.

#### Maintenance

If you do not use the air conditioner for a long period, such as during winter, it may not give the best performance when you start using it again. To help maintain optimum performance and durability of your air conditioner, it needs to be run periodically. Operate the air conditioner at least once a month for one minute with the engine idling. This circulates the refrigerant and oil and helps protect the internal components.

OTHER CONTROLS AND EQUIPMENT

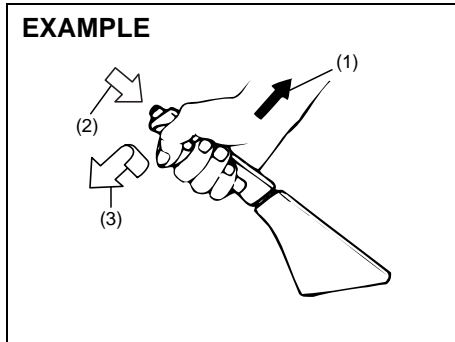


60G407

Parking Brake Lever .....	4-1
Pedal .....	4-2
Gear Lever .....	4-3
Fuel Filler Cap .....	4-3
Folding Seats (for APV) .....	4-5
Seat Armrest (if equipped) .....	4-7
Sun Visor .....	4-8
Interior Light Switch .....	4-9
Assist Grips (if equipped) .....	4-9
Frame Hooks .....	4-10
Bonnet .....	4-10
Bottle Holder (if equipped) .....	4-11
Engine Compartment .....	4-12
Tyre Changing Tool .....	4-14
Radio Antenna (if equipped) .....	4-15

**OTHER CONTROLS AND EQUIPMENT**

**Parking Brake Lever**



54G039

- (1) To apply
- (2) To release
- (3) To release

The parking brake lever is located between the seats. To apply the parking brake, hold the brake pedal down and pull the parking brake lever all the way up. To release the parking brake, hold the brake pedal down, pull up slightly on the parking brake lever, push the button on the end of the lever with your thumb, and lower the lever to its original position.

For automatic transmission vehicles, always apply the parking brake before moving the gear lever to the "P" (PARK) position. If you park on an incline and shift into "P" before applying the parking brake, the weight of the vehicle may make it difficult to shift out of "P" when you are ready to drive the vehicle.

When preparing to drive the vehicle, move the gear lever out of the "P" position before releasing the parking brake.

**⚠ WARNING**

- Never drive your vehicle with the parking brake on: rear brake effectiveness can be reduced from overheating, brake life may be shortened, or permanent brake damage may result.
- If the parking brake does not hold the vehicle securely or does not fully release, have your vehicle inspected immediately by an authorized SUZUKI dealer.

**⚠ WARNING**

Always apply the parking brake fully before leaving your vehicle or it may move, causing injury or damage. When parking, make sure the gear lever for manual transmission vehicles is in 1st gear or "R" (Reverse) and the gear lever for automatic transmission vehicles is in "P" (Park). Remember, even though the transmission is in gear or in Park, you must apply the parking brake fully.

**⚠ WARNING**

When parking the vehicle in extremely cold weather, the following procedure should be used:

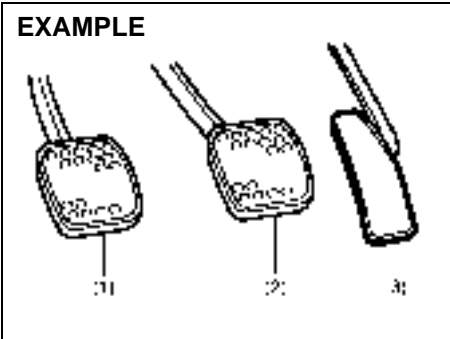
- 1) Apply the parking brake.
- 2) Shift the manual transmission into reverse or first gear, or the automatic transmission into "P" (Park).
- 3) With the engine off, get out of the vehicle and put chocks under the wheels.
- 4) Release the parking brake. When you return to your vehicle, you must remember to first apply the parking brake, then remove the wheel chocks.

**OTHER CONTROLS AND EQUIPMENT**

**Pedal**

**Manual transmission**

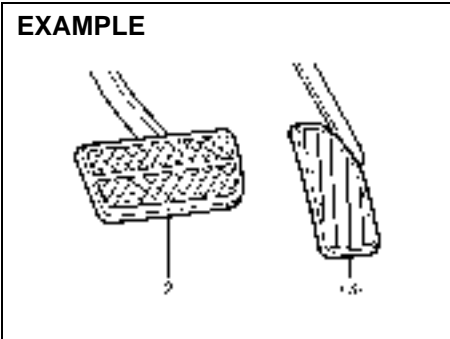
**EXAMPLE**



81A071

**Automatic transmission**

**EXAMPLE**



54G041

**Clutch Pedal (1)**

(For manual transmission)

The clutch pedal is used to disengage the drive to the wheels when starting the engine, stopping, or shifting the transmission lever. Depressing the pedal disengages the clutch.

**CAUTION**

**Do not drive with your foot resting on the clutch pedal. It could result in excessive clutch wear, clutch damage, or unexpected loss of engine braking.**

**Brake Pedal (2)**

Your SUZUKI vehicle is equipped with front disc brakes and rear drum brakes. Depressing the brake pedal applies both sets of brakes.

You may hear occasional brake squeal when you apply the brakes. This is a normal condition caused by environmental factors such as cold, wet, snow, etc.

**WARNING**

**If brake squeal is excessive and occurs each time the brakes are applied, you should have the brakes checked by your SUZUKI dealer.**

**WARNING**

**Do not "ride" the brakes by applying them continuously or resting your foot on the pedal. This will result in overheating of the brakes which could cause unpredictable braking action, longer stopping distances, or permanent brake damage.**

**Accelerator Pedal (3)**

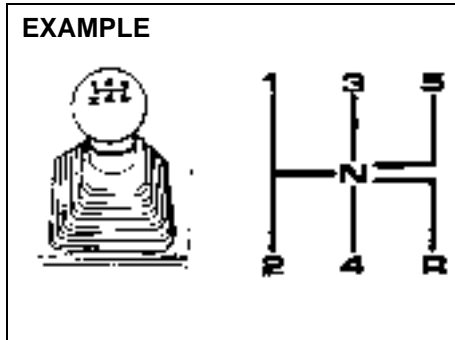
This pedal controls the speed of the engine. Depressing the accelerator pedal increases power output and speed.

## OTHER CONTROLS AND EQUIPMENT

### Gear Lever

#### Manual transmission

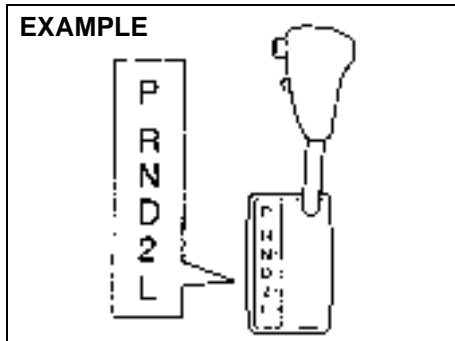
##### EXAMPLE



65D038

#### Automatic transmission

##### EXAMPLE



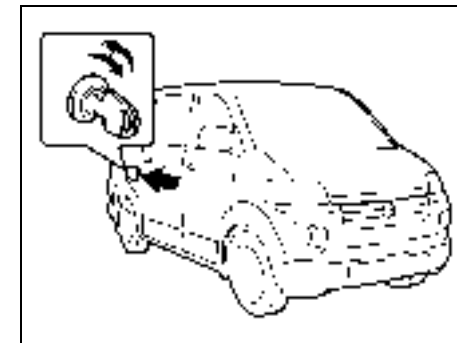
81A073

Your vehicle is equipped with either a manual transmission or automatic transmission. The gear lever for each transmission type is shown. For details on how to use the transmission, refer to "Using the Transmission" in the "OPERATING YOUR VEHICLE" section.

### Fuel Filler Cap

The fuel filler cap is located on the right side of the vehicle.

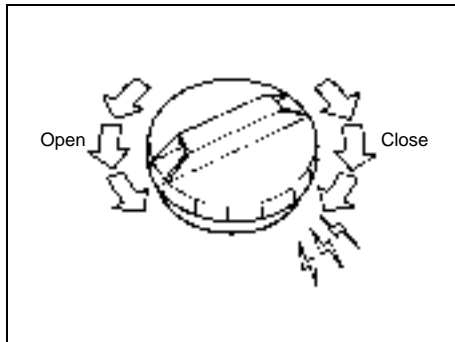
#### For APV



61J116



**OTHER CONTROLS AND EQUIPMENT**



60G069

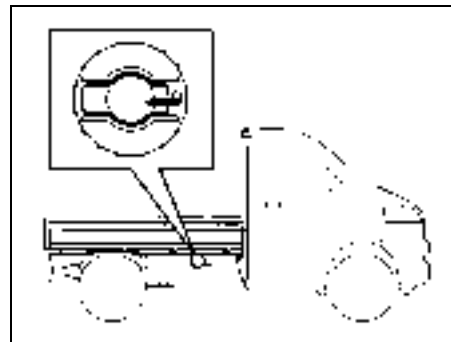
To remove the fuel cap:

- 1) Open the fuel filler door by inserting the key and turning it clockwise.
- 2) Remove the cap by turning it counterclockwise.

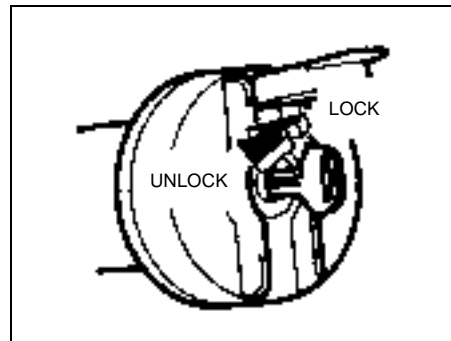
To install the fuel cap:

- 1) Turn the cap clockwise until you hear several clicks.
- 2) Close the fuel filler door. Turn the key counterclockwise to lock the door.

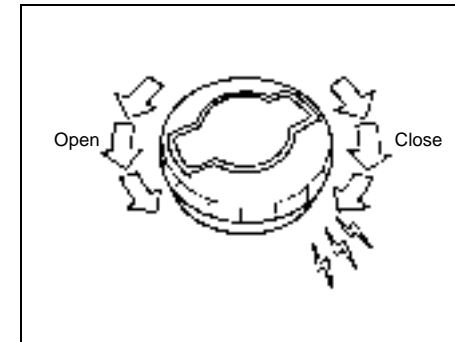
**For CARRY**



61J117



61J118



61J119

To remove the fuel filler cap:

- 1) Open the cover on the cap, insert the key into the cap and turn it counterclockwise to unlock.
- 2) Remove the key.
- 3) Remove the cap by turning it counterclockwise.

To install the fuel filler cap:

- 1) Turn the cap clockwise until you hear several clicks.
- 2) Open the cover on the cap, insert the key into the cap and turn it clockwise to lock.
- 3) Remove the key.
- 4) Make sure you hear several clicks when turning the cap counterclockwise. The clicks mean that the cap is locked.

## OTHER CONTROLS AND EQUIPMENT

### ⚠ WARNING

Remove the fuel filler cap slowly. The fuel may be under pressure and may spray out, causing injury.

### ⚠ WARNING

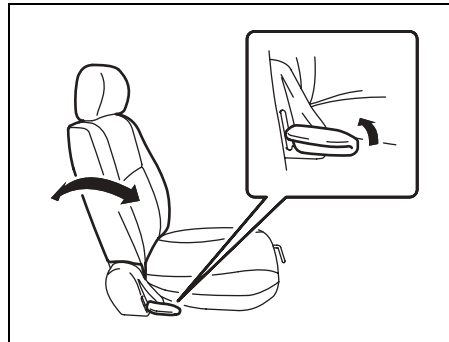
Petrol is extremely flammable. Do not smoke when refueling, and make sure there are no open flames or sparks in the area.

### ⚠ WARNING

If you need to replace the fuel cap, use a genuine SUZUKI cap. Use of an improper cap can result in a malfunction of the fuel system or emission control system. It may also result in fuel leakage in the event of an accident.

## Folding Seats (for APV)

### Front Seats



61J007

The front seats can be reclined fully back. To recline the seatback, pull up the lever on the outboard side of the seat, move the seatback to the desired position, and release the lever to lock the seatback in place.

### ⚠ WARNING

Never drive the vehicle with seats folded fully back. All seatbacks should always be in an upright position when driving, or seat belt effectiveness may be reduced. Seat belts are designed to offer maximum protection when seatbacks are in the upright position.

## 2nd Row Seat and 3rd Row Seat (if equipped) (except for rigid seat)

### 2nd row seat

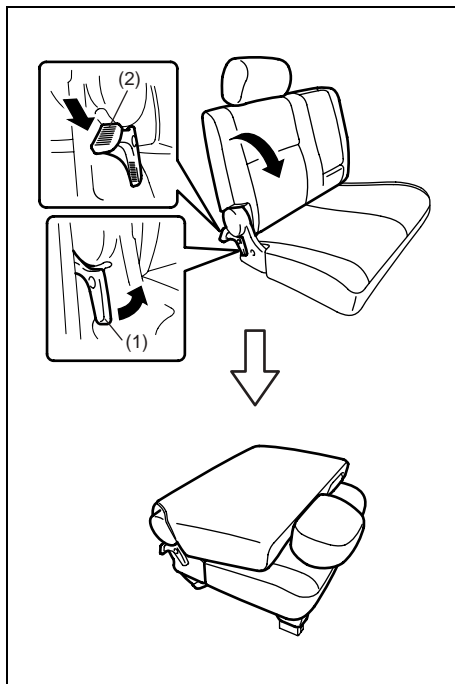
The 2nd row seat can be folded forward to enter to or exit from the 3rd row seat. To fold the 2nd row seat forward, refer to "Entry to/Exit from the 3rd Row Seat" in the "BEFORE DRIVING" section.

### 3rd row seat

The 3rd row seat can be folded forward to provide additional cargo space. To fold the 3rd row seat forward, follow the procedure below.

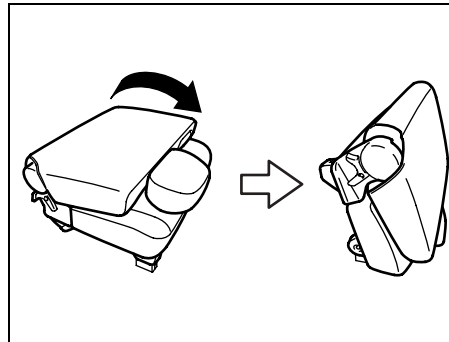
- 1) Lower the adjustable head restraint (if equipped) fully.
- 2) Return the armrest (if equipped) to the stowed position.

OTHER CONTROLS AND EQUIPMENT

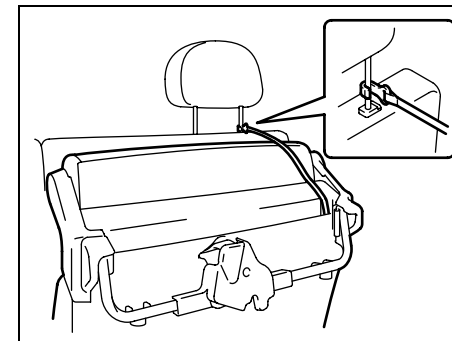
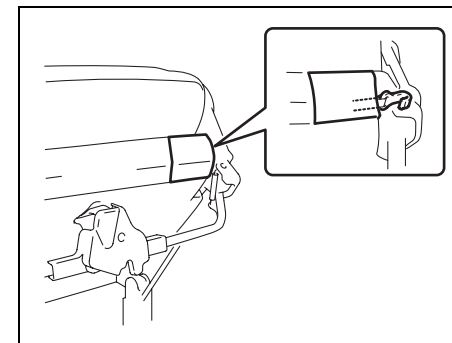


- 3) Pull up the lever (1) on outboard side of the 3rd row seat or pushing the lever (2) on the rear of the 3rd row seat. The seatback will fold forward.

**⚠ WARNING**  
Do not drive the vehicle with the seat-back folded forward.



- 4) Fold the entire seat forward.



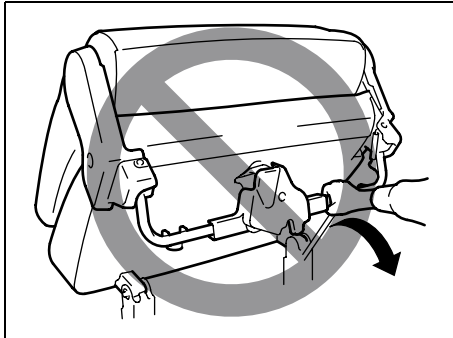
- 5) Hook the strap on the rear of the 3rd row seat to the 2nd row seat head restraint as shown in the illustration.

## OTHER CONTROLS AND EQUIPMENT

To return the seat to the normal position, follow the procedure below.

- 1) Unhook the strap and stow it into the pocket at the 3rd row seat cushion.
- 2) Raise the entire seat and then raise the seatback to an upright position.

After returning the seat, try moving the seat and seatback to make sure they are securely latched.



61J127

### ⚠ WARNING

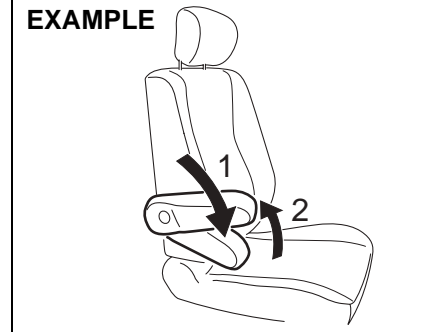
When returning the seat to the normal position, do not hold the frame as shown in the illustration, or your hand can be pinched between the frame and floor. Make sure to hold the seatback or seat cushion for returning to the normal position.

### ⚠ WARNING

- Do not drive the vehicle with the seatback folded forward.
- Before returning the 2nd row seat to its normal position, make sure that the feet of the 3rd row seat passenger are out of the way.
- After returning the seat to its normal position, make sure the seat and seatback are securely latched.
- Luggage or other cargo should be stowed in the luggage compartment with the seat in an upright position, whenever possible. If you need to carry cargo in the passenger compartment with the rear seat back folded forward, be sure to secure the cargo or it may be thrown about, causing injury. Never pile cargo higher than the seatbacks.

## Seat Armrest (if equipped)

Front seat (driver's side only)

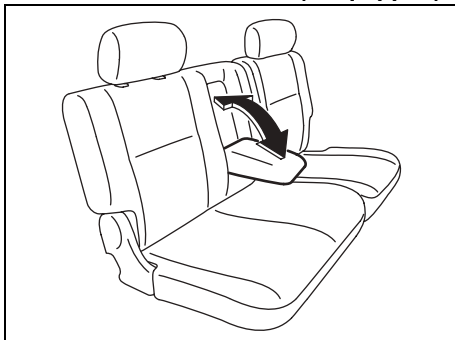


54G464

From the stowed (fully up) position, lower the armrest as far as it will go. Then raise it slowly to the desired position. When not in use, return the armrest to the stowed position.

## OTHER CONTROLS AND EQUIPMENT

### 2nd row and 3rd row seat (if equipped)



61J033

Pull down the armrest to use. When the armrest is not used, push it back in.

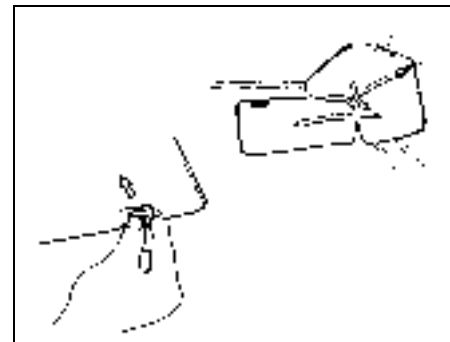
### **⚠ WARNING**

In an accident or sudden stop, the 2nd row and 3rd row seats armrest (if equipped) could fall forward. If there is a child in a rear-facing child restraint in the 2nd row and 3rd row centre seating position, the falling armrest could injure the child. Do not install a rear-facing child restraint in the 2nd row and 3rd row centre seating position.

### **CAUTION**

To avoid damage to the armrest, do not lean onto it or allow a child ride on it.

### Sun Visor



60A158

The sun visors can be pulled down to block glare coming through the windscreen, or they can be unhooked and turned to the side to block glare coming through the side window.

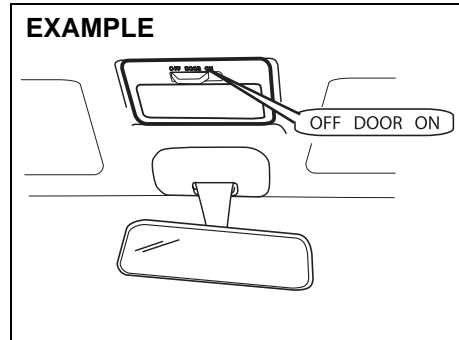
### **CAUTION**

When unhooking and hooking a sun visor, be sure to handle it by the hard plastic parts or the sun visor can be damaged.

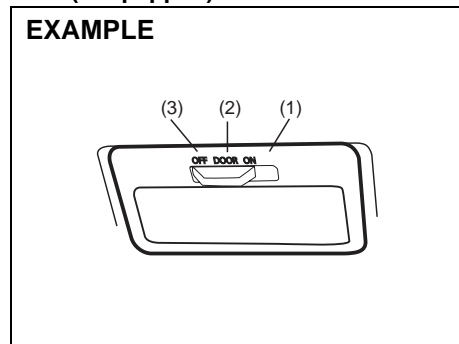
## OTHER CONTROLS AND EQUIPMENT

### Interior Light Switch

Front

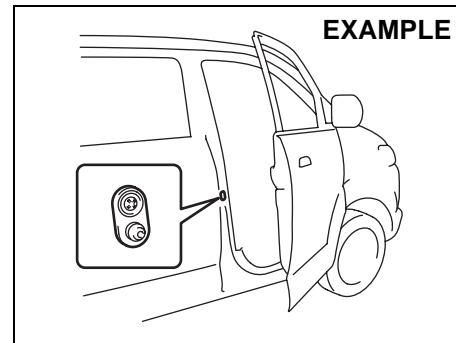


Rear (if equipped)



This light switch has three positions which function as described below:

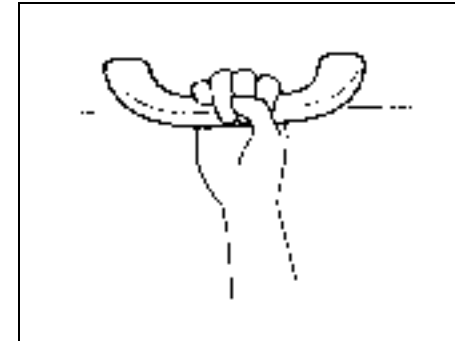
- (1) The light comes on and stays on regardless of whether the door is open or closed.
- (2) The light comes on when the door is opened.
- (3) The light remains off even when the door is opened.



**NOTE:**

The number of doors involved in the lighting operation of the interior light depends on the vehicle specification. If there is a switch (rubber projection) at the door opening as shown, the door is involved in the lighting operation.

### Assist Grips (if equipped)



60B110

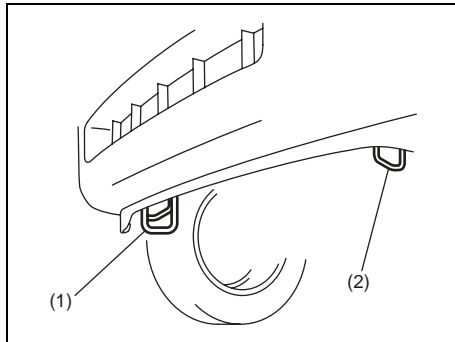
Assist grips are provided for passenger convenience.

**CAUTION**

To avoid damaging the assist grip and the molded headlining, do not hang down the assist grip.

OTHER CONTROLS AND EQUIPMENT

Frame Hooks



61J112

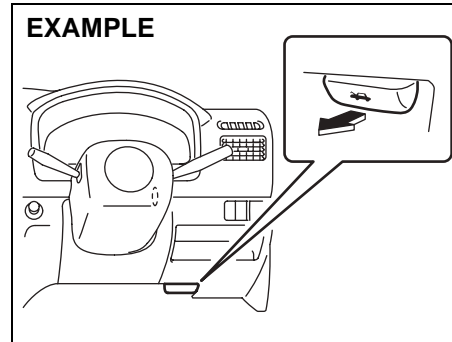
A frame hook (1) is provided on the front of the vehicle for use in emergency situations. To tow your vehicle on the road or highway, follow the instruction of "Towing" in "EMERGENCY SERVICE" section. A hook (1) is also used for shipping purpose.

The shipping hook (2) is provided on the front of the vehicle for shipping use. Do not use the shipping hook for other than shipping purpose.

**⚠ WARNING**

**Do not use the frame hook (1) to tow (or be towed by) another vehicle on the road or highway except in emergency situations.**

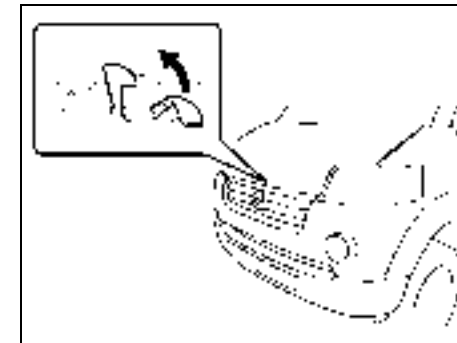
Bonnet



61J070

To open the bonnet:

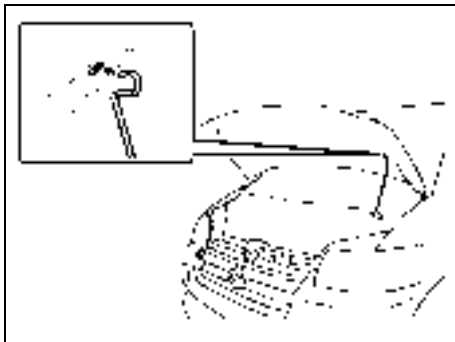
1) Pull the bonnet release handle located on the driver's outboard side of the instrument panel. This will disengage the bonnet lock halfway.



61J037

2) Push the under-bonnet release lever up with your finger, as shown in the illustration. While pushing the lever, lift up the bonnet.

## OTHER CONTROLS AND EQUIPMENT



61J038

- 3) Continue to lift up the bonnet until it is high enough to support with the prop rod.

To close the bonnet:

- 1) Lift the bonnet up slightly and remove the prop rod from the hole. Put the prop rod back to the holding clip.
- 2) Lower the bonnet to about 20 cm above the bumper, then let it drop down. Make sure the bonnet is securely latched after closing.

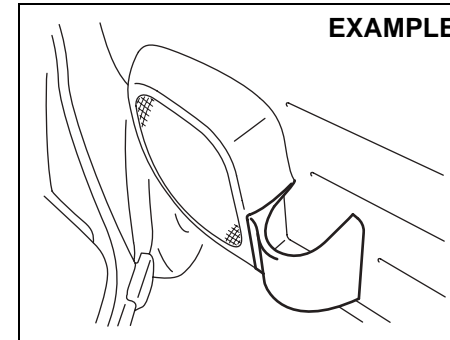
### CAUTION

Don't drop the bonnet down from higher than 20 cm above the bumper to avoid damage the bumper.

### ⚠ WARNING

Make sure the bonnet is fully closed and latched before driving. If it is not, it can fly up unexpectedly during driving, obstructing your view and resulting in an accident.

## Bottle Holder (if equipped)



61J039

The bottle holders are provided in the front door and centre console box.

### ⚠ WARNING

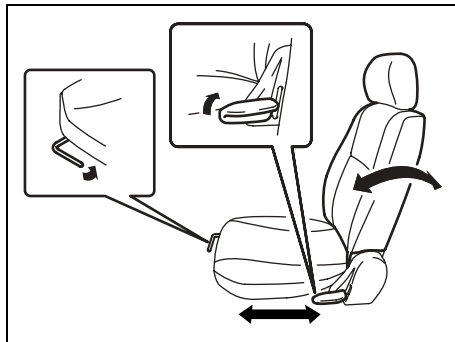
Do not use the bottle holder to hold bottles containing hot liquids, or sharp-edged, hard or breakable objects. Objects in the bottle holder may be thrown about during a sudden stop or impact, and could cause personal injury.



## OTHER CONTROLS AND EQUIPMENT

### Engine Compartment

For APV



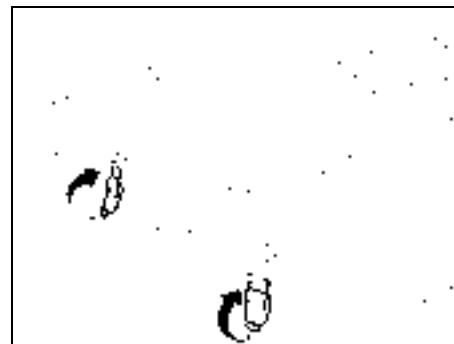
61J092

To open the engine compartment:

- 1) Adjust the front seatback to the fairly upright position.
- 2) Slide the front seat to the rearmost position.

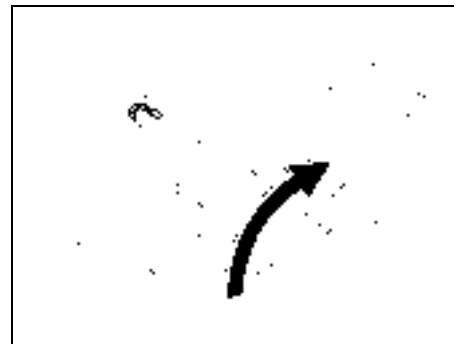
**NOTE:**

Refer to the "Seat Adjustment" section for details on how to recline the seatback and how to slide the seat.



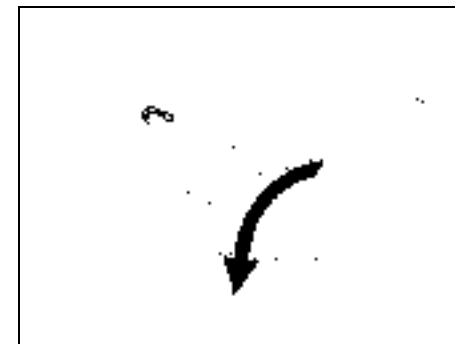
76A056

- 3) Unhook the two lock handles on the front end of the seat.



61J057

- 4) Raise the seat slowly.



61J058

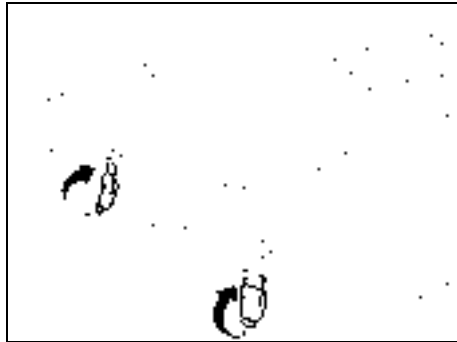
To close the engine compartment, reverse the procedure used to open the engine compartment. After closing the engine compartment, try to move the seat and seatback forward and rearward to ensure that it is securely latched.

**⚠ WARNING**

**Make sure that the seat and seatback are properly adjusted before you start driving.**

## OTHER CONTROLS AND EQUIPMENT

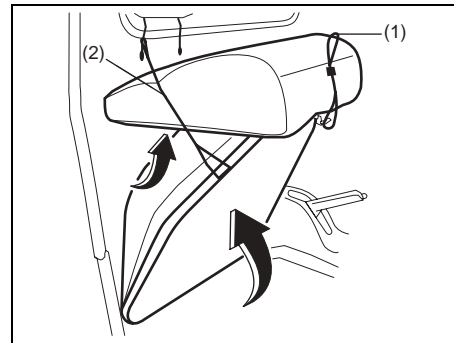
### For CARRY



76A056

To open the engine compartment:  
1) Unhook the two lock handles on the front end of the seat.

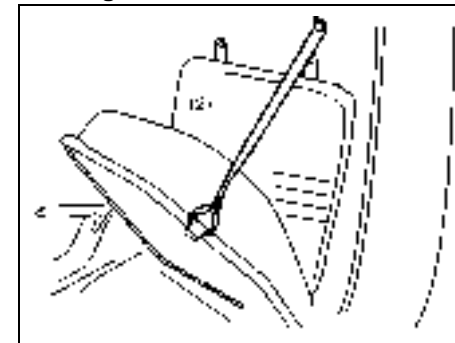
### Driver side



61J120

2) Pull the strap (1) on the bottom side of seatback and raise the seatback.

### Passenger side

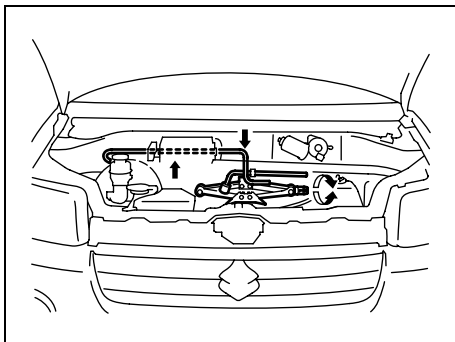


61J121

3) Raise the seat and hook the strap (2) to the front end of the seat.

## OTHER CONTROLS AND EQUIPMENT

### Tyre Changing Tool



61J050

The jack and jack handle are stowed in the compartment under the bonnet. To remove the jack, turn its shaft counter-clockwise and pull the jack out of the storage bracket. To stow the jack, place it in the storage bracket and turn the shaft clockwise until the jack is securely held in place.

#### **⚠ WARNING**

The jack should be used only to change wheels. It is important to read the jacking instructions in the "EMERGENCY SERVICE" section of this manual before attempting to use the jack.

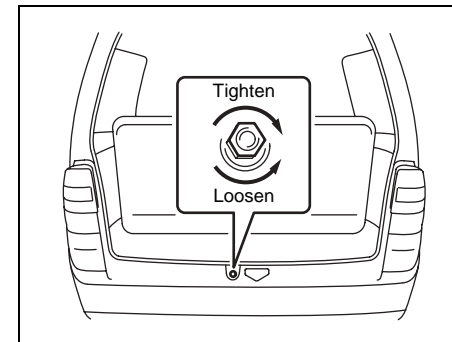
#### **⚠ WARNING**

After using the jack and jack handle, be sure to stow them securely or they can cause injury if an accident occurs.

The spare tyre is stowed under the rear floor.

To remove the spare tyre:

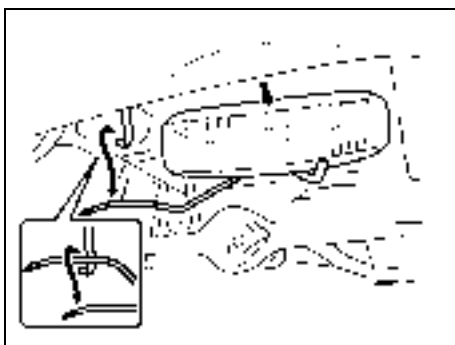
For APV



61J041

1) Loosen the spare tyre holder hook bolt.

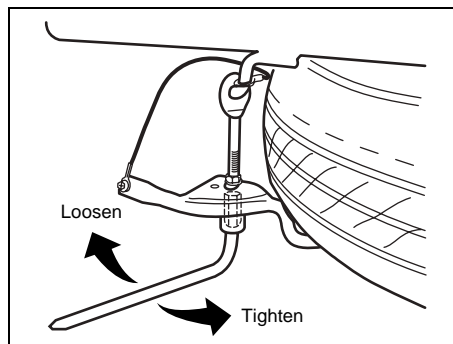
## OTHER CONTROLS AND EQUIPMENT



61J042

- 2) Unhook the spare tyre holder and lower it slowly.
- 3) Remove the tyre.

### For CARRY

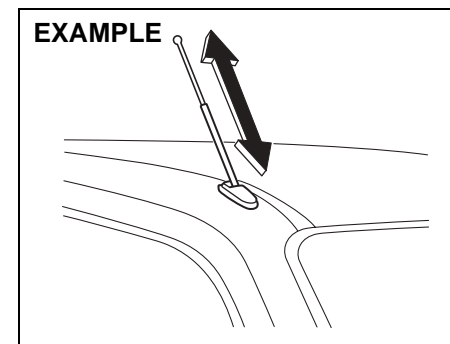


61J122

- 1) Loosen the support nut by using wheel brace.
- 2) Detach the spare tyre holder while lifting up the tyre holder.
- 3) Lower the tyre holder and remove the tyre.

To stow the replaced tyre, reverse the removal procedure.  
Make sure the tyre is properly secured.

### Radio Antenna (if equipped)



80G142

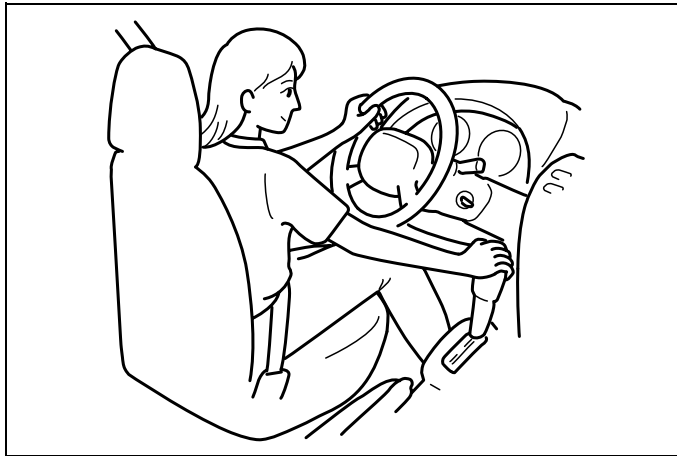
The radio antenna can be pulled in or pulled out.

### CAUTION

To avoid damage to the radio antenna, pull in the antenna in below cases.

- Using an automatic car wash.
- The antenna hits anything such as a low ceiling in a parking garage.
- Putting a car cover over your car.

## OPERATING YOUR VEHICLE

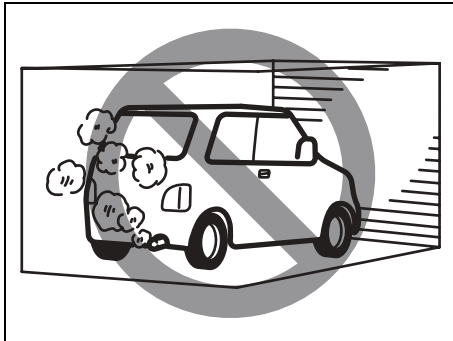


60G408

Exhaust Gas Warning .....	5-1
Daily Inspection Checklist .....	5-1
Engine Oil Consumption .....	5-2
Starting the Engine .....	5-3
Using the Transmission .....	5-4
Braking .....	5-7
Running-In .....	5-9
Catalytic Converter (if equipped) .....	5-10
Improving Fuel Economy .....	5-11

## OPERATING YOUR VEHICLE

### Exhaust Gas Warning



52D334

#### ⚠ WARNING

Avoid breathing exhaust gases. Exhaust gases contain carbon monoxide, a potentially lethal gas that is colorless and odorless. Since carbon monoxide is difficult to detect by itself, be sure to take the following precautions to help prevent carbon monoxide from entering your vehicle.

- Do not leave the engine running in garages or other confined areas.

(Continued)

#### ⚠ WARNING

(Continued)

- Do not park with the engine running for a long period of time, even in an open area. If it is necessary to sit for a short time in a parked vehicle with the engine running, make sure the air intake selector is set to "FRESH AIR" and the fan is at high speed.
- Avoid operating the vehicle with the rearend door open. If it is necessary to operate the vehicle with the rearend door open, make sure all the windows are closed, and the fan is at high speed with the air intake selector set to "FRESH AIR".
- To allow proper operation of your vehicle's ventilation system, keep the air inlet grille in front of the windscreen clear of snow, leaves, or other obstructions at all times.
- Keep the exhaust tailpipe area clear of snow and other material to help reduce the buildup of exhaust gases under the vehicle. This is particularly important when parked in blizzard conditions.
- Have the exhaust system inspected periodically for damage and leaks. Any damage or leaks should be repaired immediately.

### Daily Inspection Checklist

#### Before Driving



60A187S

- 1) Make sure that windows, mirrors, lights, and reflectors are clean and unobstructed.
- 2) Visually check the tyres for the following points:
  - the depth of the tread groove
  - abnormal wear, cracks and damage
  - loose wheel nuts
  - existence of foreign material such as nails, stones, etc.Refer to "Tyres" in "INSPECTION AND MAINTENANCE" section for details.
- 3) Look for fluid and oil leaks.

#### NOTE:

It is normal for water to drip from the air conditioning system after use.

**Daily Inspection Checklist: NO**  
**Starting the Engine: 1**

- 4) Make sure the bonnet is fully closed and latched.
- 5) Check the headlights, turn signal lights, brake lights and horn for proper operation.
- 6) Adjust the seat and head restraint (if adjustable).
- 7) Check the brake pedal and the parking brake lever.
- 8) Adjust the mirrors.
- 9) Make sure that you and all passengers have properly fastened your seat belts.
- 10) Make sure that all warning lights come on as the key is turned to the "ON" or "START" position.
- 11) Check all gauges.
- 12) Make sure that the BRAKE FLUID LEVEL WARNING light and the PARKING BRAKE INDICATOR light (if equipped) are off after the parking brake is released.

Once a week, or each time you fill your fuel tank, perform the following under-bonnet and engine compartment checks:

- 1) Engine oil level
  - 2) Coolant level
  - 3) Brake fluid level
  - 4) Power steering (if equipped) fluid level
  - 5) Windscreen washer fluid level
  - 6) Battery solution level
  - 7) Bonnet latch operation
- Pull the bonnet release handle inside the vehicle. Make sure that you cannot open the bonnet all the way without

releasing the secondary latch. Be sure to close the bonnet securely after checking for proper latch operation. See "All Latches, Hinges & Locks" of "CHASSIS AND BODY" in the "Periodic Maintenance Schedule" in the "INSPECTION AND MAINTENANCE" section for lubrication schedule.

**⚠ WARNING**

**Make sure the bonnet is fully closed and latched before driving. If it is not, it can fly up unexpectedly during driving, obstructing your view and resulting in an accident.**

Once a month, or each time you fill your fuel tank, check the tyre pressure using a tyre pressure gauge. Also check the tyre pressure of the spare tyre.

**OPERATING YOUR VEHICLE**

**Engine Oil Consumption**

It is normal for the engine to consume some engine oil during normal vehicle operation.

The amount of engine oil consumed depends on the viscosity of the oil, the quality of the oil and the conditions the vehicle is driven under.

More oil is consumed during high-speed driving and when there is frequent acceleration and deceleration. Under high loads, your engine also will consume more oil.

A new engine also consumes more oil, since its pistons, piston rings and cylinder walls have not yet become conditioned. New engines reach the normal level of oil consumption only after approximately 5000 km (3000 miles) driving.

**Oil consumption:**  
**Max. 1.0 L per 1000 km**  
**(1 Qt. per 600 miles)**

When judging the amount of oil consumption, note that the oil may become diluted and make it difficult to accurately judge the true oil level.

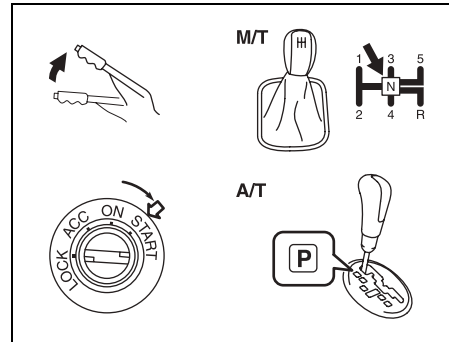
As an example, if a vehicle is used for repeated short trips, and consumes a normal amount of oil, the dipstick may not show any drop in the oil level at all, even after 1000 km (600 miles) or more of driving. This is because the oil is gradually becoming diluted with fuel or moisture, making it appear that the oil level has not changed.

## OPERATING YOUR VEHICLE

You should also be aware that the diluting ingredients evaporate out when the vehicle is subsequently driven at high speeds, such as on an expressway, making it appear that oil is excessively consumed after high-speed driving.

### Starting the Engine

#### Before Starting the Engine



- 1) Make sure the parking brake is applied fully.
- 2) Manual transmission – Change into “N” (Neutral) and depress the clutch pedal all the way to the floor. Hold it while starting the engine.  
Automatic transmission – If the gear lever is not in “P” (Park) position, change into “P” (Park). (If you need to re-start the engine while the vehicle is moving, change into “N”.)

**NOTE:**

*Automatic transmission vehicles have a starter interlock device which is designed to keep the starter from operating if the transmission is in any of the drive positions.*

#### ⚠ WARNING

**Make sure that the parking brake is applied fully and the transmission is in Neutral (or Park for vehicles with an automatic transmission) before attempting to start the engine.**

#### Starting a Cold and Warm Engine

With your foot off the accelerator pedal, crank the engine by turning the ignition key to “START”. Release the key when the engine starts.

#### CAUTION

- **Stop turning the starter immediately after the engine has started or the starter system can be damaged.**
- **Do not crank the engine for more than 15 seconds at a time. If the engine doesn't start on the first try, wait about 15 seconds before trying again.**

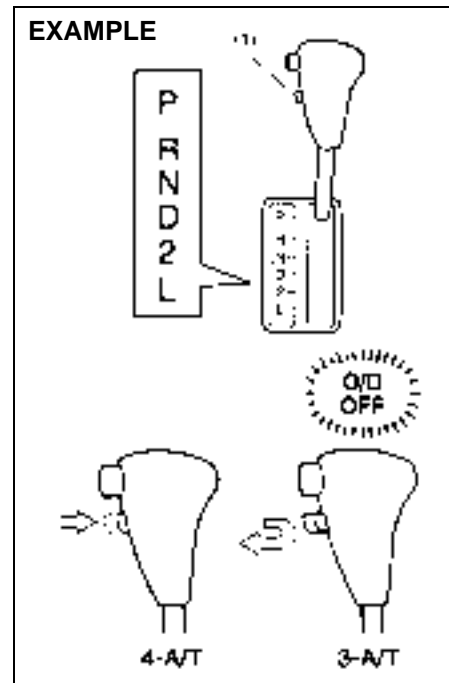
If the engine does not start after 15 seconds of cranking, wait about 15 seconds, then press down the accelerator pedal to 1/3 of its travel and try cranking the engine again. Release the key and accelerator pedal when the engine starts.



If the engine still does not start, try holding the accelerator pedal all the way to the floor while cranking. This should clear the engine if it is flooded.

### Using the Transmission

#### 4-Speed Automatic Transmission



61J108

(1) Overdrive off switch

**4-A/T:**

**4-speed automatic transmission mode**

**3-A/T:**

**3-speed automatic transmission mode**

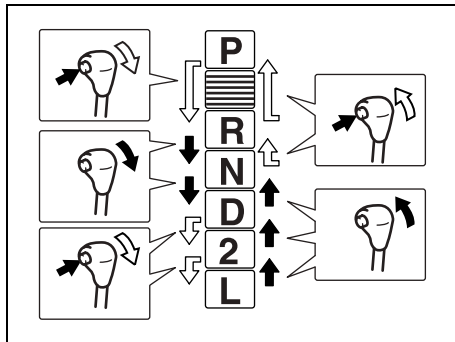
#### Overdrive off switch

The transmission is a 4-speed (3-speed plus overdrive) automatic transmission. By operating the overdrive off switch, the transmission can be converted to a 3-speed automatic transmission that will not move to the overdrive position. To convert the transmission to the 3-speed mode, push in the overdrive off switch and release it. The switch comes out and the O/D OFF indicator light in the instrument cluster comes on.

To return the transmission to the 4-speed mode, push in the overdrive off switch again. The switch remains in and the "O/D OFF" indicator light goes off.

## OPERATING YOUR VEHICLE

### Gear lever



54G069

The gear lever has a lock mechanism to help prevent accidental moving into or out of "P" (Park), into "R" (Reverse), from "D" (Drive) to "2" (Low 2) and from "2" (Low 2) to "L" (Low 1). To release the lock, push in the lock button on your side of the gear lever before changing.

Depending on vehicle's specification, some gear lever can not be changed out of "P" unless the lock button is pushed in and the brake pedal is depressed simultaneously.

### ⚠ WARNING

**Always depress the brake pedal before changing from "P" (Park) (or "N" (Neutral) if the vehicle is stationary) to a forward or reverse gear, to help prevent the vehicle from moving unexpectedly when you change.**

For all normal driving, make sure that the "O/D OFF" indicator light is off, then put the gear lever into "D" (Drive). Use the other gear lever positions as described below:

#### **P (Park)**

Use this position to lock the transmission when the vehicle is parked or when starting the engine. Change into Park only when the vehicle is completely stationary.

#### **R (Reverse)**

Use this position to reverse the vehicle from stop. Make sure that vehicle is completely stationary before changing into Reverse.

#### **N (Neutral)**

Use this position for starting the engine if the engine stalls and you need to restart it while the vehicle is moving. You may also change into Neutral and depress the brake pedal to hold the vehicle stationary during idling.

#### **D (Drive)**

Use this position for all normal driving.

With the gear lever in "D" range you can get an automatic downshift by pressing the accelerator pedal. The higher the vehicle speed is, the more you need to press the accelerator pedal to get a downshift.

#### **2 (Low 2)**

Use this position to provide extra power when climbing hills, or to provide engine braking when going down hills.

#### **L (Low 1)**

Use this position to provide maximum power when climbing steep hills or driving through deep snow or mud, or to provide maximum engine braking when going down steep hills.

#### **NOTE:**

*If you change the gear lever to a lower gear while driving faster than the maximum allowable speed for the lower gear, the transmission will not actually downshift until your speed drops below the maximum speed for the lower gear.*

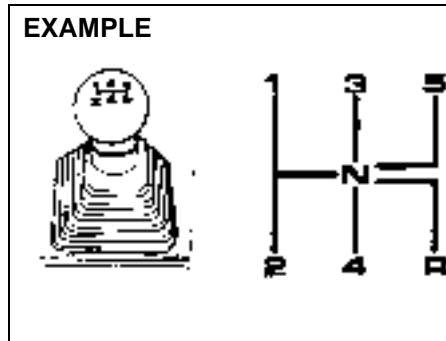
OPERATING YOUR VEHICLE

**CAUTION**

Be sure to take the following precautions to help avoid damage to the automatic transmission:

- Make sure that the vehicle is completely stationary before changing into "P" or "R".
- Do not change from "P" or "N" to "R", "D", "2", or "L" when the engine is running above idle speed.
- Do not rev the engine with the transmission in a drive position ("R", "D", "2", or "L") and the front wheels not moving.
- Do not use the accelerator to hold the vehicle on a hill. Use the vehicle's brakes.

**EXAMPLE**



65D038

**Starting off**

To start off, push in the clutch pedal and change into 1st gear. After releasing the parking brake, gradually release the clutch. When you hear a change in the engine's sound, slowly press the accelerator while continuing to gradually release the clutch.

**Gear changing**

All forward gears are synchronized, which provides for quiet, easy changing. Always push in the clutch pedal fully before changing gears.

Downshifting maximum allowable speeds

For G15A, G16A engine

Downshifting	Km/h (mph)
2nd to 1st	35 (22)
3rd to 2nd	65 (40)
4th to 3rd	85 (53)
5th to 4th	125 (78)*

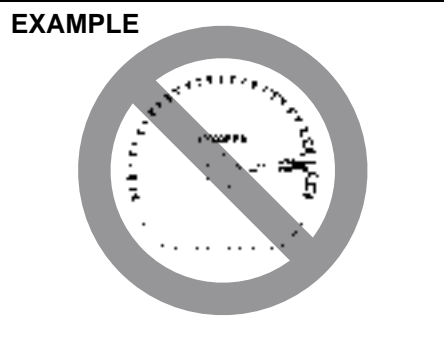
NOTE: \*

You may not accelerate to the maximum allowable speed because of the driving situation and/or the vehicle condition.

**CAUTION**

When downshifting to a lower gear, make sure not to operate with the speed faster than the maximum allowable speeds for the next lower gear, or severe engine damage can result.

## OPERATING YOUR VEHICLE



Keep the engine speed so it does not get into the red zone of tachometer.

**⚠ WARNING**

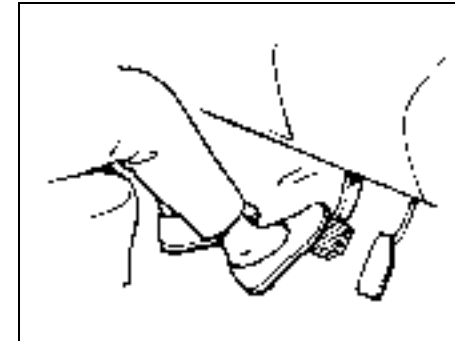
- Reduce your speed and change down to a lower gear before going down a long or steep hill. A lower gear will allow the engine to provide braking. Avoid riding the brakes or they may overheat, resulting in brake failure.
- When driving on slippery roads, be sure to slow down before changing down. Excessive and or sudden changes in engine speed may cause loss of traction, which could cause you to lose control.
- Make sure that the vehicle is completely stationary before you change into reverse.

5-7

**CAUTION**

- To help avoid clutch damage, do not use the clutch pedal as a footrest while driving or use the clutch to keep the vehicle stationary on a hill. Depress the clutch fully when changing gear.
- When changing gears or starting off, do not race the engine. Racing the engine can shorten engine life and prevent smooth operation.

## Braking



The distance needed to bring any vehicle to a halt increases with the speed of the vehicle. The braking distance needed, for example, at 60 km/h (37 mph) will be approximately 4 times greater than the braking distance needed at 30 km/h (19 mph). Start to brake the vehicle when there is plenty of distance between your vehicle and the stopping point, and slow down gradually.

**⚠ WARNING**

If water gets into the brake drums, brake performance may become poor and unpredictable. After driving through water or washing the underside of the vehicle, test the brakes while driving at a slow speed to see if they have maintained their normal effectiveness. If the brakes are less effective than normal, dry them by repeatedly applying the brakes while driving slowly until the brakes have regained their normal effectiveness.

**Servo Assisted Brakes**

Your vehicle has servo assisted brakes. If servo assistance is lost due to a stalled engine or other failures, the system is still fully operational on reserve power and you can bring the vehicle to a complete stop by pressing the brake pedal once and holding it down. The reserve power is partly used up when you depress the brake pedal and reduces each time the pedal is pressed. Apply smooth and even pressure to the pedal. Do not pump the pedal.

**⚠ WARNING**

Even without reserve power in the brake system, you can still stop the vehicle by pressing the brake pedal harder than normally required. However, the stopping distance may be longer.

**Anti-Lock Brake System (ABS)**

ABS will help you avoid skidding by electronically controlling braking pressure. It will also help you maintain steering control when braking on slippery surfaces or when braking hard.

The ABS works automatically, so you do not need any special braking technique. Just push the brake pedal down without pumping. The ABS will operate whenever it senses that the wheels are locking up. You may feel the brake pedal moves a little while the ABS is operating.

**NOTE:**

*The ABS will not work if vehicle speed is under about 6 km/h (4 mph).*

**⚠ WARNING**

- On some types of loose surfaces (such as gravel, snow-covered roads, etc.) the stopping distance required for an ABS-equipped vehicle may be slightly greater than for a comparable vehicle with a conventional brake system. With a conventional brake system, skidding tires are able to “plow” the gravel or snow layer, shortening the stopping distance, ABS minimizes this resistance effect. Allow for extra stopping distance when driving on loose surfaces.
- On regular paved roads, some drivers may be able to obtain slightly shorter stopping distances with conventional brake systems than with ABS.
- In both of the above conditions, ABS will still offer the advantage of helping you maintain directional control. However, remember that ABS will not compensate for bad road or weather conditions or poor driver judgment. Use good judgment and do not drive faster than conditions will safely allow.

## OPERATING YOUR VEHICLE



63J081

- (1) ABS warning light
- (2) Brake system warning light

### **⚠ WARNING**

If the ABS warning light (1) on the instrument panel comes on and stays on while driving, there may be a problem with the ABS system.

If this happens:

- 1) Pull off the road and stop carefully.
- 2) Turn the ignition switch to "LOCK" and then start the engine again.

If the warning light comes on briefly then turns off, the system is normal. If the warning light still stays on, have the system inspected by your SUZUKI dealer immediately.

If the ABS system becomes inoperative, the brake system will function as an ordinary brake system that has no ABS.

### **⚠ WARNING**

If the ABS warning light (1) and the Brake system warning light (2) on the instrument panel simultaneously stays on or comes on when driving, both anti-lock function and rear brake force control function (proportioning valve function) of the ABS system may have failed. If so, the rear wheels may easily skid or the vehicle can even spin in the worst case when braking on a slippery road or when hard braking even on a dry paved road. Ask your SUZUKI dealer to inspect the ABS system immediately. Drive carefully, avoiding hard braking as much as possible.

### **How the ABS Works**

A computer continuously monitors wheel speed. The computer compares the changes in wheel speed when braking. If the wheels slow suddenly, indicating a skidding situation, the computer will change braking pressure several times each second to prevent the wheels from locking. When you start your vehicle or when you accelerate after a hard stop, you may hear a momentary motor or clicking sound as the system resets or checks itself.

### **⚠ WARNING**

The ABS may not work properly if tires or wheels other than those specified in the owner's manual are used. This is because the ABS works by comparing changes in wheel speed. When replacing tires or wheels, use only the size and type specified in this owner's manual.

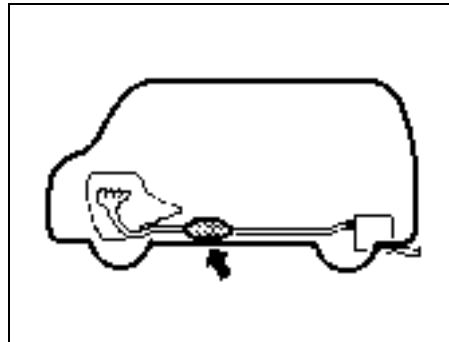
**Running-In**

**CAUTION**

The future performance and reliability of the engine depends on the care and restraint exercised during its early life. It is especially important to observe the following precautions during the initial 960 km (600 miles) of vehicle operation.

- After starting, do not race the engine. Warm it up gradually.
- Avoid prolonged vehicle operation at a constant speed. Moving parts will break in better if you vary your speed.
- Start off from a stop slowly. Avoid full throttle starts.
- If possible, avoid hard braking, especially during the first 320 km (200 miles) of driving.
- Do not drive slowly with the transmission in a high gear.
- Drive the vehicle at moderate engine speeds.
- Do not tow a trailer during the first 960 km (600 miles) of vehicle operation.

**Catalytic Converter (if equipped)**



76A044

The purpose of the catalytic converter is to minimize the amount of harmful pollutants in your vehicle's exhaust. Use of leaded fuel in vehicles equipped with catalytic converters is prohibited, because lead deactivates the pollutant-reducing components of the catalyst system.

The converter is designed to last the life of the vehicle under normal usage and when unleaded fuel is used. No special maintenance is required on the converter. However, it is very important to keep the engine properly tuned. Engine misfiring, which can result from an improperly tuned engine, may cause overheating of the catalyst. This may result in permanent heat

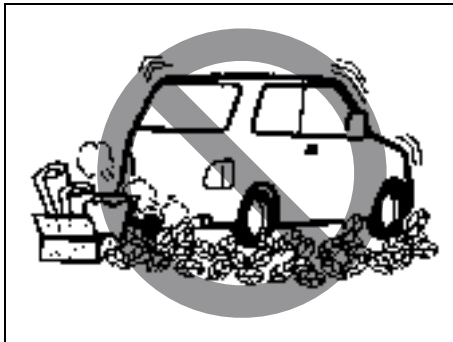
damage to the catalyst and other vehicle components.

**CAUTION**

To minimize the possibility of catalyst or other vehicle damage:

- Maintain the engine in the proper operating condition.
- In the event of an engine malfunction, particularly one involving engine misfire or other apparent loss of performance, have the vehicle serviced promptly.
- Do not turn off the engine or interrupt the ignition when the transmission is in gear and the vehicle is in motion.
- Do not try to start the engine by pushing or towing the vehicle, or coasting down a hill.
- Do not idle the engine with any spark plug wires disconnected or removed, such as during diagnostic testing.
- Do not idle the vehicle for prolonged periods if idling seems rough or there are other malfunctions.
- Do not allow the fuel tank to get near the empty level.

## OPERATING YOUR VEHICLE



54G584S

### **⚠ WARNING**

Be careful where you park and drive; the catalytic converter and other exhaust components can get very hot. As with any vehicle, do not park or operate this vehicle in areas where combustible materials such as dry grass or leaves can come in contact with a hot exhaust system.

### **Improving Fuel Economy**

The following instructions will help you improve fuel economy.

#### **Avoid excessive idling**

If you are to wait for more than a minute while you are parked, stop the engine and start it again later. When warming up a cold engine, allow the engine to idle until the temperature gauge pointer comes up to the "C" position (if the idling is not prohibited). In this position, the engine is sufficiently warm for starting off.

#### **Avoid "fast" starts**

Fast starts away from lights or stop signs will consume fuel unnecessarily and shorten engine life. Start off slowly.

#### **Avoid unnecessary stops**

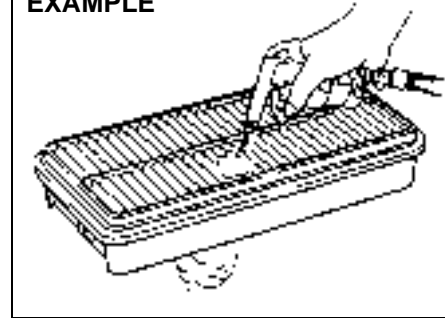
Avoid unnecessary deceleration and stopping. Try to maintain a slow, steady speed whenever possible. Slowing down and then accelerating again uses more fuel.

#### **Keep a steady cruising speed**

Keep as constant a speed as road and traffic conditions will permit.

### **Keep the air cleaner clean**

#### **EXAMPLE**



60A183S

A dirty air cleaner will cause the carburetion system to supply too much fuel to the engine for the amount of air being supplied. The result is waste of fuel due to incomplete combustion.

#### **Keep weight to a minimum**

The heavier the load, the more fuel the vehicle consumes. Take out any luggage or cargo when it is not necessary.

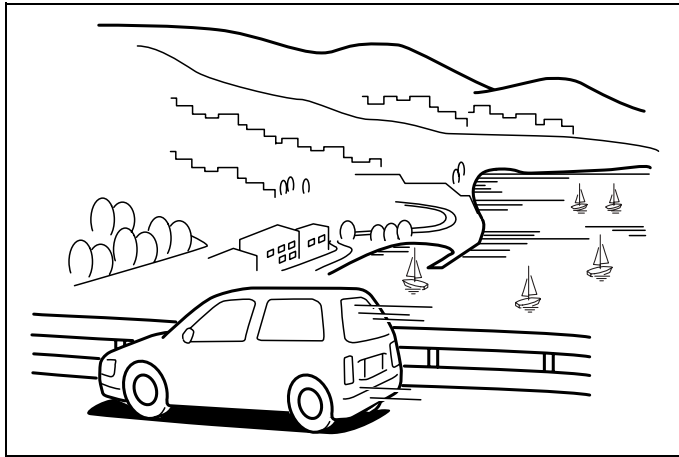
#### **Keep tyre pressures correct**

Underinflation of the tyres can waste fuel due to increased running resistance of the tyres. Keep your tyres inflated to the correct pressure shown on the label on the driver's side door or the driver's door lock pillar.



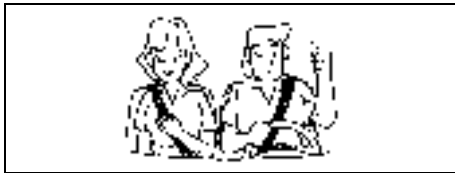
## DRIVING TIPS

High-Speed Driving ..... 6-1  
Driving on Hills ..... 6-1  
Driving on Slippery Roads ..... 6-2



60G409

## DRIVING TIPS



52D078S

### ⚠ WARNING

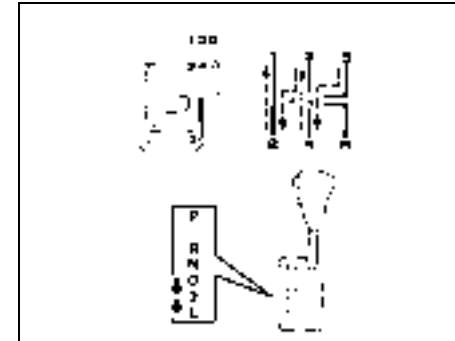
- **Wear Your Seat Belts at All Times.** Even though air bags are equipped at the front seating positions, the driver and all passengers should be properly restrained at all times, using the seat belts provided. Refer to the “Seat Belts and Child Restraint Systems” section for instructions on proper use of the seat belts.
- **Never drive while under the influence of alcohol or other drugs.** Alcohol and drugs can seriously impair your ability to drive safely, greatly increasing the risk of injury to yourself and others. You should also avoid driving when you are tired, sick, irritated, or under stress.

### High-Speed Driving

When driving at high-speed, pay attention to the following:

- Stopping distance progressively increases with vehicle speed. Apply the brakes far enough ahead of the stopping point to allow for the extra stopping distance.
- On rainy days, “Aquaplaning” can occur. “Aquaplaning” is the loss of direct contact between the road surface and the vehicle’s tyres due to a water film forming between them. Steering or braking the vehicle while “Aquaplaning” can be very difficult, and loss of control can occur. Keep speed down when the road surface is wet.
- At high speeds, the vehicle may be affected by side winds. Therefore, reduce speed and be prepared for unexpected buffeting, which can occur at the exits of tunnels, when passing by a cut of a hill, or when being overtaken by large vehicles, etc.

### Driving on Hills



61J109S

- When climbing steep hills, the car may begin to slow down and show a lack of power. If this happens, you should change to a lower gear so that the engine will again be operating in its normal power range. Change rapidly to prevent the car from losing momentum.
- When driving down a hill, the engine should be used for braking by moving to next lower gear. (Do this with EITHER an automatic or manual transmission.)

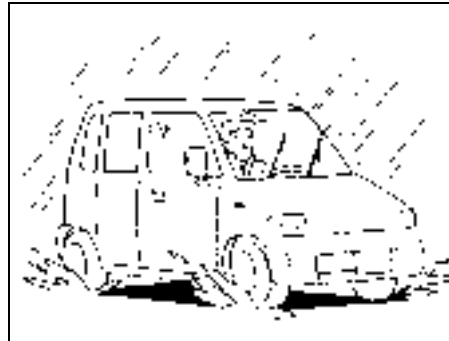
**⚠ WARNING**

Try not to hold the brake pedal down too long or too often while going down a steep or long hill. This could cause the brakes to overheat, resulting in reduced braking efficiency. Failure to take this precaution could result in loss of vehicle control.

**CAUTION**

When descending a down hill, NEVER turn the ignition key to the "OFF" position. Emission control system and automatic transmission (if equipped) damage may result.

**Driving on Slippery Roads**



76A021S

Under wet road conditions you should drive at a lower speed than on dry roads due to possible slippage of tyres during braking. When driving on icy, snow-covered, or muddy roads, reduce your speed and avoid sudden acceleration, abrupt braking, or sharp steering movements.

**Snow Chains (if equipped)**

Snow chains should only be used if they are needed to increase traction or are required by law. Make sure that the chains you use are the correct size for your vehicle's tyres. Also make sure that there is enough clearance between the fenders and the chains as installed on the tyres.

Install the chains on the rear tyres tightly, according to the chain manufacturer's instructions. Retighten the chains after

driving about 1.0 km (1/2 mile) if necessary. With the chains installed, drive slowly.

**CAUTION**

- If you hear the chains hitting against the vehicle body while driving, stop and tighten them.
- If your vehicle is equipped with full wheel caps, remove the wheel caps before installing the chains or the wheel caps can be damaged by the chain bands.

**If Your Vehicle Gets Stuck**

If your vehicle gets stuck in snow, mud, or sand, follow the directions below:

- 1) Change back and forth between a forward range (or first gear for manual transmission) and reverse. This will create a rocking motion which may give you enough momentum to free the vehicle. Press gently on the accelerator to keep wheel spin to a minimum. Remove your foot from the accelerator while changing gear. Do not race the engine. Excessive wheel spin will cause the tyres to dig deeper, making it more difficult to free the vehicle.
- 2) If your vehicle remains stuck after a few minutes of rocking, get another vehicle to pull you out.

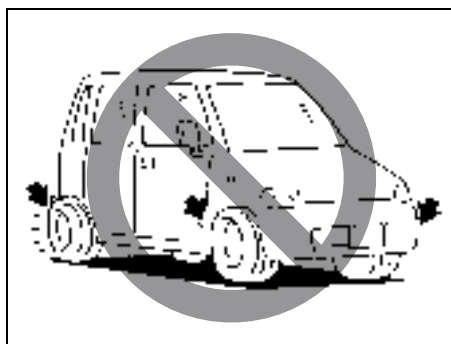
## DRIVING TIPS

### ⚠ WARNING

Do not allow anyone to stand near the vehicle when you are rocking it, and do not spin the wheels faster than an indicated 40 km/h (25 mph) on the speedometer. Personal injury and/ or vehicle damage may result from spinning the wheels too fast.

### CAUTION

Do not continue rocking the vehicle for more than a few minutes. Prolonged rocking can cause engine overheating or transmission damage.



76A096S

### ⚠ WARNING

In addition to following the driving tips in this section, it is important to observe the following precautions.

- Make sure your tyres are in good condition and always maintain the specified tyre pressure. Refer to “Tyres” in the “INSPECTION AND MAINTENANCE” section for details.
- Do not use tyres other than those specified by SUZUKI. Never use different sizes or types of tyres on the front and rear wheels. For information regarding the specified tyres, refer to the Tyre Inflation Pressure Label located on the driver’s side door pillar.

(Continued)

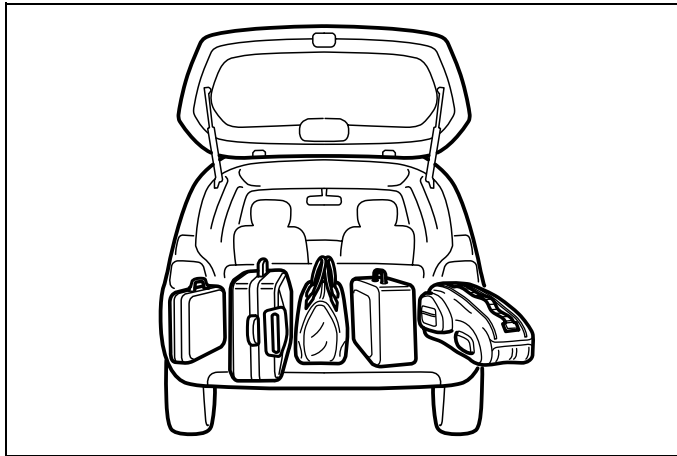
### ⚠ WARNING

(Continued)

- Never use oversized tyres or special shock absorbers and springs to raise (jack up) your vehicle. This will change the handling characteristics. Oversized tyres may also rub against the fender over bumps, causing vehicle damage or tyre failure.
- After driving through water, test the brakes while driving at a slow speed to see if they have maintained their normal effectiveness. If the brakes are less effective than normal, dry them by repeatedly applying the brakes while driving slowly until the brakes have regained their normal effectiveness.

## VEHICLE LOADING AND TOWING

Vehicle Loading .....	7-1
Trailer Towing .....	7-1
Towing Your Vehicle (recreational towing) .....	7-2



54G215

## VEHICLE LOADING AND TOWING

### Vehicle Loading

Your vehicle was designed for specific weight capacities. The weight capacities of your vehicle are indicated by the Gross Vehicle Weight Rating (GVWR) and the Gross Axle Weight Rating (GAWR, front and rear). The GVWR and GAWR (front and rear) are listed in the "SPECIFICATIONS" section.

GVWR – Maximum permissible overall weight of the fully loaded vehicle (including all the occupants, accessories and cargo).  
GAWR – (Front and Rear) Maximum permissible weight on an individual axle.

Actual weight of the loaded vehicle and actual loads at the front and rear axles can only be determined by weighing the vehicle. Compare these weights to the GVWR and GAWR (front and rear). If the gross vehicle weight or the load on either axle exceeds these ratings, you must remove enough weight to bring the load down to the rated capacity.

#### WARNING

**Never overload your vehicle. The gross vehicle weight (sum of the weights of the vehicle, all the occupants, accessories and cargo) must never exceed the Gross Vehicle Weight Rating (GVWR). In addition, never distribute a load so that the weight on either the front or rear axle exceeds the Gross Axle Weight Rating (GAWR).**

#### WARNING

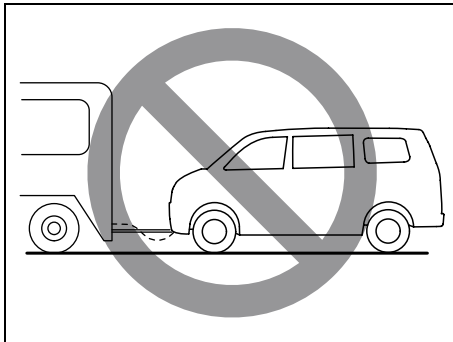
**Always distribute cargo evenly. To avoid personal injury or damage to your vehicle, always secure cargo to prevent it from shifting if the vehicle moves suddenly. Place heavier objects on the floor and as far forward in the cargo area as possible. Never pile cargo higher than the top of the seat backs.**

### Trailer Towing

Your SUZUKI was originally designed to carry people and a normal amount of cargo, not to tow a trailer. SUZUKI does not recommend you use your vehicle to tow a trailer if there is not any local regulation about towing capacity permitted (for example, registered or statutory towing capacity). Towing a trailer can adversely affect handling, durability, and fuel economy.

VEHICLE LOADING AND TOWING

**Towing Your Vehicle  
(recreational towing)**



61J128

**⚠ WARNING**

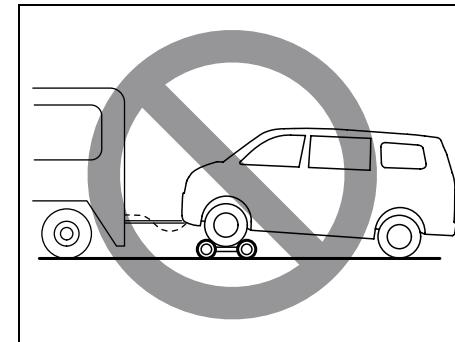
When you tow your vehicle, follow the instructions below to avoid accidents and damage to your vehicle. In addition, be sure to observe government and local requirements regarding vehicle lighting and trailer hitches or tow bars.

**⚠ WARNING**

A safety chain should always be used when you tow your vehicle.

**CAUTION**

Towing an automatic transmission vehicle with four wheels on the ground can result in damage to the automatic transmission.



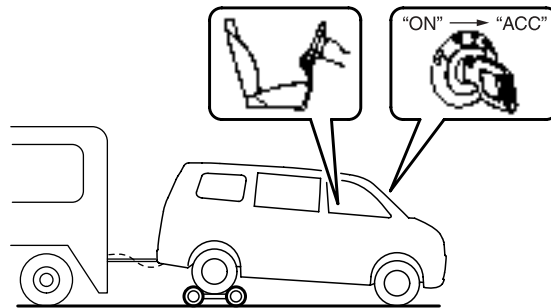
61J129

**CAUTION**

Do not tow your vehicle with the rear wheels directly on the ground (and the transmission in neutral). If you do, the transmission will be damaged fatally.

## VEHICLE LOADING AND TOWING

(All models)  
Front wheels on the ground  
and rear wheels on a dolly



61J081

Your vehicles should only be towed from the rear with the rear wheels secured to a towing dolly. Be sure to use proper towing equipment designed for recreational towing and make sure that towing speed does not exceed 90 km/h (55mph).

### To tow a vehicle with the rear wheels secured to a towing dolly:

- 1) Turn the ignition key to the "ACC" position to stop the engine and to unlock the steering wheel.

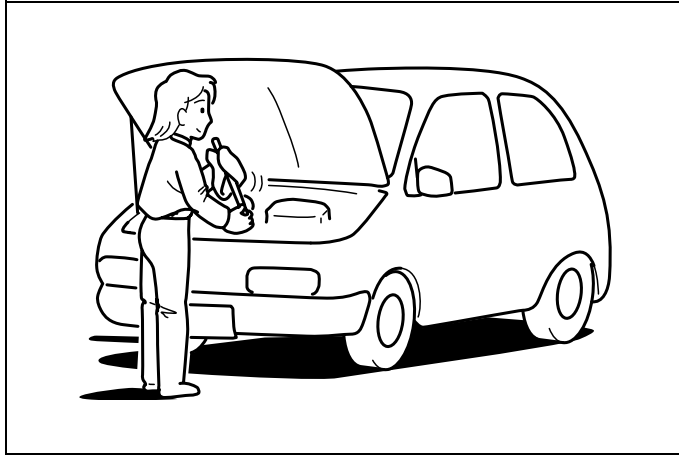
### CAUTION

**The steering column lock is not strong enough to withstand shocks transmitted from the front wheels during towing.**

- 2) Make sure the front wheels are facing straight forward and secure the steering wheel with a steering wheel clamping device designed for towing service.



**INSPECTION AND MAINTENANCE**



60G410

Maintenance Schedule ..... 8-1

Periodic Maintenance Schedule ..... 8-2

Maintenance Recommended under Severe Driving

Conditions ..... 8-5

Drive Belt ..... 8-7

Engine Oil and Filter ..... 8-7

Gear Oil ..... 8-11

Automatic Transmission (AT) Fluid ..... 8-12

Engine Coolant ..... 8-14

Windscreen Washer Fluid ..... 8-16

Air Cleaner ..... 8-16

Spark Plugs ..... 8-17

Brakes ..... 8-19

Steering ..... 8-21

Power Steering (if equipped) ..... 8-21

Clutch Pedal ..... 8-21

Tyres ..... 8-22

Battery ..... 8-25

Fuses ..... 8-26

Bulb Replacement ..... 8-28

Wiper Blades ..... 8-32

Air Conditioning System ..... 8-34

## INSPECTION AND MAINTENANCE

### ⚠ WARNING

You should take extreme care when working on your vehicle to prevent accidental injury. Here are a few precautions that you should be especially careful to observe:

- To prevent damage or unintended activation of the air bag system or seat belt pretensioner system, be sure the battery is disconnected and the ignition switch has been in the "LOCK" position for at least 90 seconds before performing any electrical service work on your SUZUKI. Do not touch air bag system components, seat belt pretensioner system components or wires.

The wires are wrapped with yellow tape or yellow tubing, and the couplers are yellow for easy identification.

- Do not leave the engine running in garages or other confined areas.
- When the engine is running, keep hands, clothing, tools, and other objects away from the fan and drive belt. Even though the fan may not be moving, it can automatically turn on without warning.

(Continued)

### ⚠ WARNING

(Continued)

- When it is necessary to do service work with the engine running, make sure that the parking brake is applied fully and the transmission is in Neutral (for manual transmission vehicles) or Park (for automatic transmission vehicles).
- Do not touch ignition wires or other ignition system parts when starting the engine or when the engine is running, or you could receive an electric shock.
- Be careful not to touch a hot engine, exhaust manifold and pipes, muffler, radiator and water hoses.
- Do not allow smoking, sparks, or flames around gasoline or the battery. Flammable fumes are present.
- Do not get under your vehicle if it is supported only with the portable jack provided in your vehicle.
- Be careful not to cause accidental short circuits between the positive and negative battery terminals.
- Keep used oil, coolant, and other fluids away from children and pets. Dispose of used fluids properly; never pour them on the ground, into sewers, etc.

## Maintenance Schedule



60A187S

The following table shows the times when you should perform regular maintenance on your vehicle. This table shows in miles, kilometers and months when you should perform inspections, adjustments, lubrication and other services. These intervals should be shortened if driving is usually done under severe conditions (refer to "Maintenance Recommended under Severe Driving Conditions").

## INSPECTION AND MAINTENANCE

### WARNING

SUZUKI recommends that maintenance on items marked with an asterisk (\*) be performed by your authorized SUZUKI dealer or a qualified service technician. If you are qualified, you may perform maintenance on the unmarked items by referring to the instructions in this section. If you are not sure whether you can successfully complete any of the unmarked maintenance jobs, ask your authorized SUZUKI dealer to do the maintenance for you.

### CAUTION

Whenever it becomes necessary to replace parts on your vehicle, it is recommended that you use genuine SUZUKI replacement parts or their equivalent.

### Periodic Maintenance Schedule

“R” : Replace or Change  
“I” : Inspect and correct or replace if necessary  
“L” : Lubricate

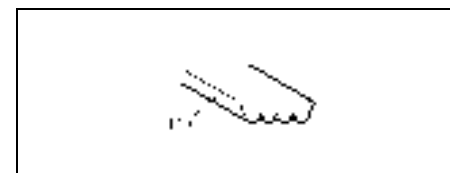
#### NOTE:

- **Class 1: with the oxygen sensor (G16A engine)**
- **Class 2: without the oxygen sensor (G15A engine)**

#### NOTE:

*This table includes services as scheduled up to 90000 km (54000 miles) mileage. Beyond 90000 km (54000 miles), carry out the same services at the same intervals respectively.*

## INSPECTION AND MAINTENANCE



61J082

- Class 1: with the oxygen sensor (G16A engine)
- Class 2: without the oxygen sensor (G15A engine)

(1) V-rib belt

*Interval: This interval should be judged by odometer reading or months, whichever comes first.			15	30	45	60	75	90
	km (x1000)							
	miles (x1000)		9	18	27	36	45	54
		months	12	24	36	48	60	72
<b>ENGINE &amp; EMISSION CONTROL</b>								
1-1. Drive belt	V-rib belt		-	-	I	-	-	R
*1-2. Camshaft timing belt			Replace every 100000 km or 60000 miles.					
*1-3. Valve lash (clearance)			-	I	-	I	-	I
1-4. Engine oil and oil filter	[Class 1 (SG, SH, SJ, SL grade oil)]		R	R	R	R	R	R
	[Class 1 (SE, SF grade oil)] [Class 2]		Replace every 10000 km (6000 miles) or 8 months.					
*1-5. Engine coolant			-	-	R	-	-	R
*1-6. Exhaust system (except catalyst)			-	I	-	I	-	I
<b>IGNITION SYSTEM</b>								
2-1. Spark plugs	When <b>unleaded</b> fuel is used	[Class 1]	-	-	R	-	-	R
		[Class 2]	-	R	-	R	-	R
	When <b>leaded</b> fuel is used, refer to "Severe Driving Condition" schedule							
<b>FUEL</b>								
3-1. Air cleaner filter element			I	I	R	I	I	R
*3-2. Fuel filter			-	-	-	R	-	-
*3-3. Fuel lines			-	I	-	I	-	I
*3-4. Fuel tank			-	-	I	-	-	I
<b>EMISSION CONTROL</b>								
*4-1. Crankcase ventilation hoses and connections		[Class 2]	-	I	-	I	-	I
*4-2. PCV valve		[Class 1]	-	-	-	-	-	I
		[Class 2]	-	-	I	-	-	I
*4-3. Fuel evaporative emission control system		[Class 1]	-	-	-	-	-	I
		[Class 2]	-	I	-	I	-	I

## INSPECTION AND MAINTENANCE

*Interval: This interval should be judged by odometer reading or months, whichever comes first.	km (x1000)	15	30	45	60	75	90
	miles (x1000)	9	18	27	36	45	54
	months	12	24	36	48	60	72
<b>CHASSIS AND BODY</b>							
5-1. Clutch (if equipped)	-		-		-		
*5-2. Brake discs and pads (front)							
Brake drums and shoes (rear)	-		-		-		
*5-3. Brake hoses and pipes	-		-		-		
*5-4. Brake fluid	-	R	-	R	-	R	
*5-5. Brake lever and cable (1st 15000 km only)		-	-	-	-	-	-
5-6. Tyres							
*5-7. Wheel discs							
*5-8. Suspension system	-		-		-		
*5-9. Propeller shaft	-	-		-	-	-	
*5-10. Manual transmission oil (l: 1st 15000 km only)		-	R	-	-	-	R
*5-11. Differential oil (R: 1st 15000 km only)	R or l	-		-		-	
5-12. Automatic transmission	Fluid level	-		-		-	
	* Fluid change	Replace every 165000 km (99000 miles).					
	* Fluid hose	-	-	-		-	-
*5-13. Steering system	-		-		-		
5-14. All latches, hinges and locks	-		-		-		
5-15. Power steering (if equipped)							

### WARNING

The shock absorbers are filled with high pressure gas. Never attempt to disassemble it or throw it into a fire. Avoid storing it near a heater or heating device. When scrapping the absorber, the gas must be released from the absorber safely. Ask your dealer for assistance.

## **INSPECTION AND MAINTENANCE**

### **Maintenance Recommended under Severe Driving Conditions**

If the car is usually used under the conditions corresponding to any severe condition code given below, it is recommended that applicable maintenance operation be performed at the particular interval as given in the chart below.

**Severe condition code**

- A – Repeated short trips/taxi use**
- B – Driving on rough and/or muddy roads**
- C – Driving on dusty roads**
- D – Driving in extremely cold weather and/or salted roads**
- E – Repeated short trips in extremely cold weather**
- F – Leaded fuel use**
- G – \_\_\_\_\_**
- H – Trailer towing (if admitted)**

Severe Condition Code	Maintenance	Maintenance Operation	Maintenance Interval
- B C D - - - -	Engine accessory drive belt (V-rib belt)	I	Every 15000 km (9000 miles) or 12 months
		R	Every 45000 km (27000 miles) or 36 months
A - C D E F - H	Engine oil and oil filter	R	Every 5000 km (3000 miles) or 4 months
A B C - E F - H	Spark plugs	R	Every 10000 km (6000 miles) or 8 months

**Maintenance Recommended under Severe Driving Conditions: 1, 2, 3, 4, 5, 6, 9, 10**

**INSPECTION AND MAINTENANCE**

Severe Condition Code	Maintenance	Maintenance Operation	Maintenance Interval
- - C - - - - -	Air cleaner filter element (Inspect or replace more frequently if necessary.)	I	Every 2500 km (1500 miles)
		R	Every 30000 km (18000 miles) or 24 months
A B - - E - - H	Automatic transmission fluid change	R	Every 30000 km (18000 miles) or 24 months
- B C D - - - H	Wheel bearings	I	Every 15000 km (9000 miles) or 12 months
A B - D E - - H	Propeller shaft	I	Every 15000 km (9000 miles) or 12 months
A B - - E - - H	Manual transmission oil Differential oil	R	First time only: 15000 km (9000 miles) or 12 months
			Second time and after: Every 30000 km (18000 miles) or 24 months reckoning from 0 km (0 mile) or 0 month
- B - - - - -	Suspension bolts and nuts	T	Every 15000 km (9000 miles) or 12 months

**NOTE:**  
*I – Inspect and correct or replace if necessary*  
*R – Replace or change*  
*T – Tighten to the specified torque*

## INSPECTION AND MAINTENANCE

### Drive Belt

#### ⚠ WARNING

Never get under the vehicle supported only by the jack provided on your vehicle. The vehicle not supported firmly can fall down and you may get injured or even death.

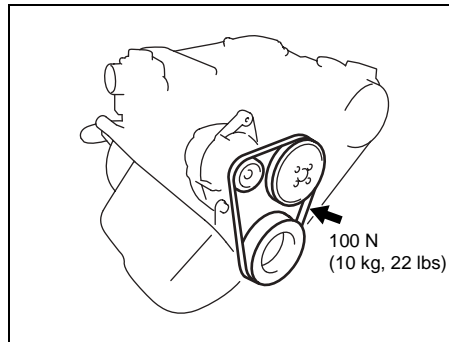
#### ⚠ WARNING

When the engine is running, keep hands, hair, clothing, tools, etc. away from the moving fan and drive belts. Even though the fan may not be moving, it can automatically turn on without warning.

Make sure the drive belt tension is correct. If the belt is too loose, insufficient battery charging, engine overheating, poor power steering, poor air conditioning, or excessive belt wear can result. When you press the belt with your thumb midway between the pulleys, there should be a deflection according to the following chart.

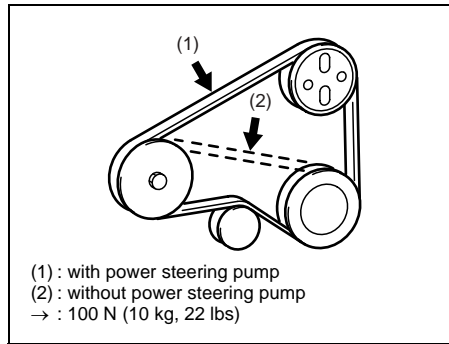
The belts should also be examined to ensure that they are not damaged.

If you need to replace or adjust the belt have it done by your SUZUKI dealer.



**Belt deflection:**  
6 – 7 mm (0.24 – 0.28 in.)

### Air conditioner belt

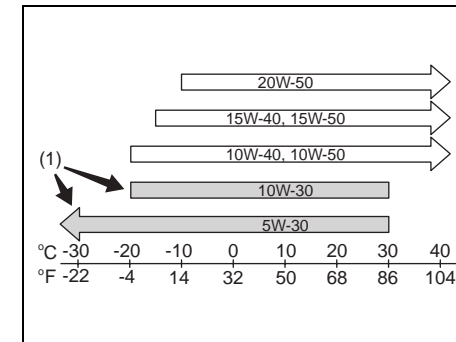


(1) : with power steering pump  
(2) : without power steering pump  
→ : 100 N (10 kg, 22 lbs)

**Belt deflection:**  
8 – 9 mm (0.31 – 0.35 in.)

### Engine Oil and Filter

#### Specified Oil



(1) Preferred

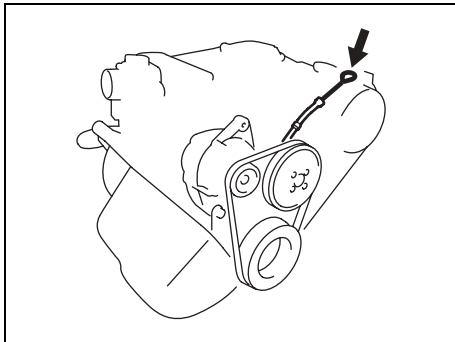
Be sure that the engine oil you use comes under the quality classification of SE, SF, SG, SH, SJ or SL. Select the appropriate oil viscosity according to the above chart.

For temperatures below  $-20^{\circ}\text{C}$  ( $-4^{\circ}\text{F}$ ), we highly recommend you use SAE 5W-30, 10W-30.



INSPECTION AND MAINTENANCE

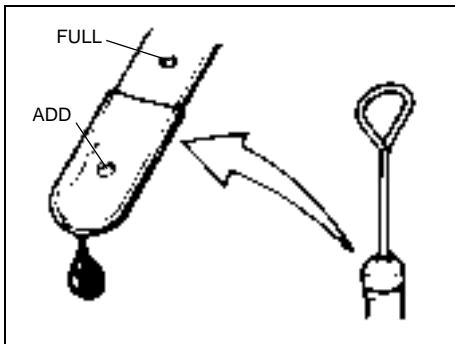
**Oil Level Check**



61J071

indication may be inaccurate if the vehicle is on a slope. The oil level should be checked either before starting the engine or at least 5 minutes after stopping the engine.

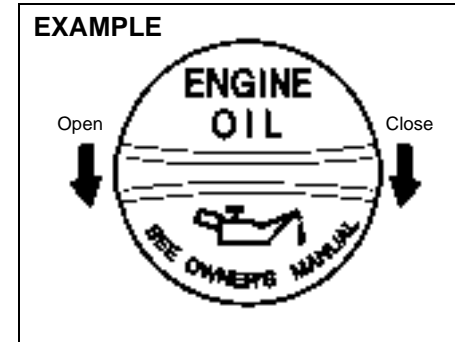
The handle of the engine oil dipstick is colored yellow for easy identification. Pull out the oil dipstick, wipe oil off with a clean cloth, insert the dipstick all the way into the engine, then remove it again. The oil on the stick should be between the upper and lower limits shown on the stick. If the oil level indication is near the lower limit, add enough oil to raise the level to the upper limit.



77A043

It is important to keep the engine oil at the correct level for proper lubrication of your vehicle's engine. Check the oil level with the vehicle on a level surface. The oil level

**Refilling**



81A147

Remove the oil filler cap and pour oil slowly through the filler hole to bring the oil level to the upper limit on the dipstick. Be careful not to overfill. Too much oil is almost as bad as too little oil. After refilling, start the engine and allow it to idle for about a minute. Stop the engine, wait about 5 minutes and check the oil level again.

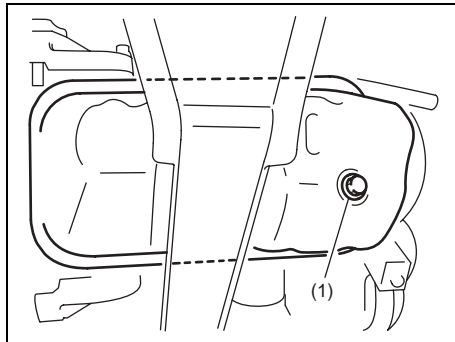
**CAUTION**

**Failure to check the oil level regularly could lead to serious engine trouble due to insufficient oil.**

## INSPECTION AND MAINTENANCE

### Changing Engine Oil and Filter

Drain the engine oil while the engine is still warm.



61J045

- 1) Remove the oil filler cap.
- 2) Place a drain pan under the drain plug (1).
- 3) Using a wrench, remove the drain plug and drain out the engine oil.

#### **⚠ WARNING**

**The engine oil temperature may be high enough to burn your fingers when the drain plug is loosened. Wait until the drain plug is cool enough to touch with your bare hands.**

**Tightening torque for drain plug (1):  
50 Nm (5.0 kg-m, 36.5 lb-ft)**

#### **⚠ WARNING**

**New and used oil can be hazardous. Children and pets may be harmed by swallowing new or used oil. Keep new and used oil and used oil filters away from children and pets.**

**Repeated, prolonged contact with used engine oil may cause [skin] cancer.**

**Brief contact with used oil may irritate skin.**

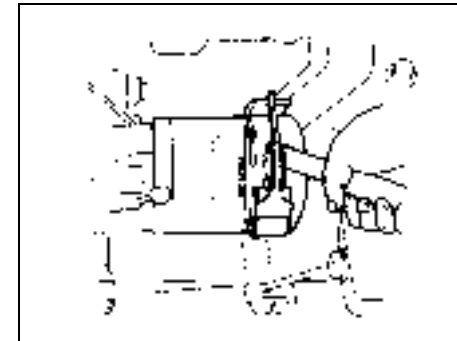
**To minimize your exposure to used oil, wear a long-sleeve shirt and moisture-proof gloves (such as dish-washing gloves) when changing oil. If oil contacts your skin, wash thoroughly with soap and water.**

**Launder any clothing or rags if wet with oil.**

**Recycle or properly dispose of used oil and filters.**

- 4) Reinstall the drain plug and gasket. Tighten the plug with a wrench to the specified torque.

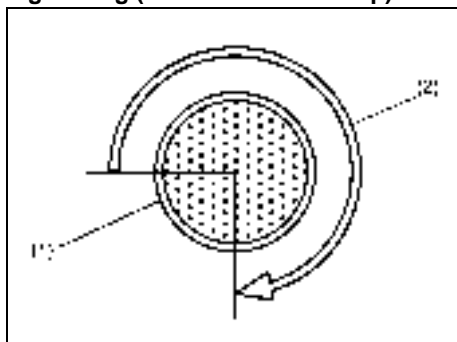
### Replace the Oil Filter



60A198

- 1) Using an oil filter wrench, turn the oil filter counterclockwise and remove it.
- 2) Using a clean rag, wipe off the mounting surface on the engine where the new filter will be seated.
- 3) Smear a little engine oil around the rubber gasket of the new oil filter.
- 4) Screw on the new filter by hand until the filter gasket contacts the mounting surface.

**Tightening (viewed from filter top)**



54G093

- (1) Oil filter
- (2) 3/4 turn

**CAUTION**

**To tighten the oil filter properly, it is important to accurately identify the position at which the filter gasket first contacts the mounting surface.**

- 5) Tighten the filter specified turn from the point of contact with the mounting surface (or to the specified torque) using an oil filter wrench.

**Tightening torque for oil filter:**  
**3/4 turn or**  
**14 Nm (1.4 kg-m, 10.5 lb-ft)**

**CAUTION**

**To prevent oil leakage, make sure that the oil filter is tight, but do not over-tighten it.**

**Refill with Oil and Check for Leaks**

- 1) Pour oil through the filler hole and install the filler cap.  
 For the approximate capacity of the oil, refer to the "CAPACITIES" item in the "SPECIFICATIONS" section.
- 2) Start the engine and look carefully for leaks at the oil filter and drain plug. Run the engine at various speeds for at least 5 minutes.
- 3) Stop the engine and wait about 5 minutes. Check the oil level again and add oil if necessary. Check for leaks again.

**CAUTION**

**When replacing the oil filter, it is recommended that you use a genuine SUZUKI replacement filter. If you use an aftermarket filter, make sure it is of equivalent quality and follow the manufacturer's instructions.**

(Continued)

**CAUTION**

(Continued)

- Oil leaks from around the oil filter or drain plug indicate incorrect installation or gasket damage. If you find any leaks or are not sure that the filter has been properly tightened, have the vehicle inspected by your SUZUKI dealer.

**INSPECTION AND MAINTENANCE**

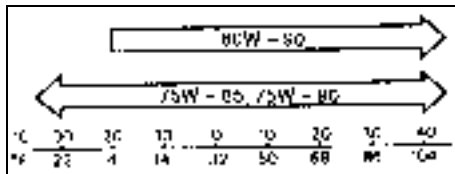
**Gear Oil**

**Manual Transmission Oil/Differential Oil**

When adding gear oil, use the appropriate viscosity and grade as shown in the chart below.

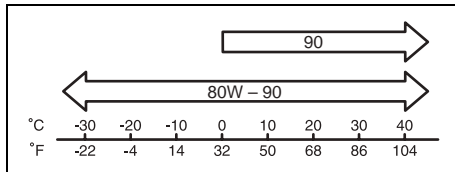
We highly recommend you use:  
 API GL-4 SAE 75W-90 for manual transmission gear oil  
 API GL-5 hypoid gear oil SAE 80W-90 for differential oil

**Manual transmission oil (API GL-4)**



54G095

**Differential oil (API GL-5 Hypoid)**



65D572

**Manual transmission**

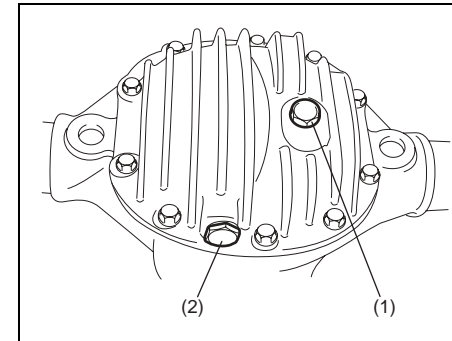


61J046

- (1) Oil filler and level plug
- (2) Oil drain plug

**Tightening torque (1) (2):**  
 23 Nm (2.3 kg-m, 17.0 lb-ft)

**Rear differential**



61J072

- (1) Oil filler/level plug
- (2) Oil drain plug

**Tightening torque (1) (2):**  
 27 Nm (2.7 kg-m, 19.5 lb-ft)

## INSPECTION AND MAINTENANCE

### Gear Oil Level Check

To check the gear oil level, use the following procedure:

- 1) Park the vehicle on a level surface with the parking brake applied. Then, stop the engine.
- 2) Remove the oil filler plug (1).
- 3) Feel the inside of the hole with your finger. If the oil level comes up to the bottom of the plug hole, the oil level is correct. If so, reinstall the plug.
- 4) If the oil level is low, add gear oil through the oil filler plug hole (1) until the oil level reaches the bottom of the filler hole, then reinstall the plug.

### Gear Oil Change

To change the gear oil in the manual transmission or differential(s), use the following procedure:

- 1) Remove the oil filler plug (1).
- 2) Remove the drain plug (2), drain the oil, and reinstall the drain plug.
- 3) Pour new gear oil of the specified type through the filler hole (1) until the oil level reaches the bottom of the filler hole.
- 4) Reinstall the filler plug.

#### **WARNING**

**After driving the vehicle, the gear oil temperature may be high enough to burn you. Wait until the oil filler plug is cool enough to touch with your bare hands before inspecting or replacing gear oil.**

#### **CAUTION**

**When tightening the plug, apply sealing compound "SUZUKI Bond No. 1215" or equivalent to the plug threads to prevent oil leakage.**

### Automatic Transmission (AT) Fluid

#### Specified Fluid

Use an automatic transmission fluid equivalent to DEXRON®-IIE or DEXRON®-III.

#### Fluid Level Check

#### **CAUTION**

**Driving with too much or too little fluid can damage the transmission.**

You must check the fluid level with the automatic transmission fluid at normal operating temperature.

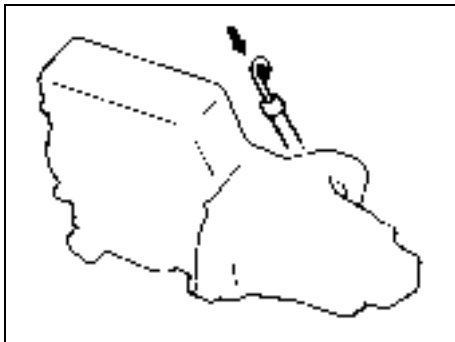
To check the fluid level:

- 1) To warm up the transmission fluid, drive the vehicle or idle the engine until the temperature gauge indicates normal operating temperature.
- 2) Then drive for ten more minutes.

#### NOTE:

*Do not check the fluid level if you have just driven the vehicle for a long time at high speed, if you have driven in city traffic in hot weather, or if the vehicle has been pulling a trailer. Wait until the fluid cools down (about 30 minutes), or the fluid level indication will not be correct.*

**INSPECTION AND MAINTENANCE**



61J110

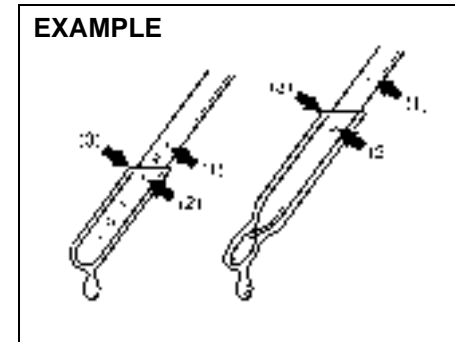
- 3) Park your vehicle on level ground.
- 4) Apply the parking brake and then start the engine in "P" (Park). Let it idle for two minutes and keep it running during the fluid level check.
- 5) With your foot on the brake pedal, move the selector lever through each range, pausing for about three seconds in each range. Then move it back to the "P" (Park) position.

**⚠ WARNING**  
 Be sure to depress the brake pedal when moving the selector lever, or the vehicle can move suddenly.



81A090

- 6) The handle of the A/T fluid dipstick is colored red for easy identification. Remove the dipstick, clean it and push it back in until the cap seats. Then pull out the dipstick.
- 7) Check both sides of the dipstick, and read the lowest level. The fluid level should be between the two marks in the "HOT" range on the dipstick.



54G273

**EXAMPLE**

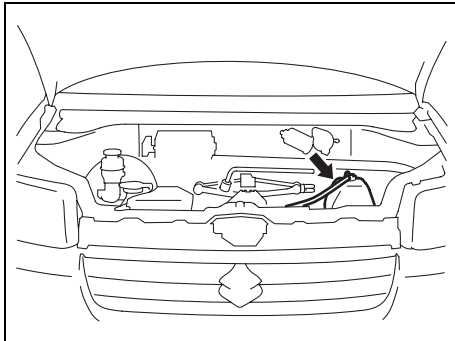
- (1) FULL HOT
  - (2) LOW HOT
  - (3) The lowest point = Fluid level
- 8) Add just enough specified fluid through the dipstick hole to fill the transmission to the proper level.

**CAUTION**  
 After checking or adding oil, be sure to insert the dipstick securely.

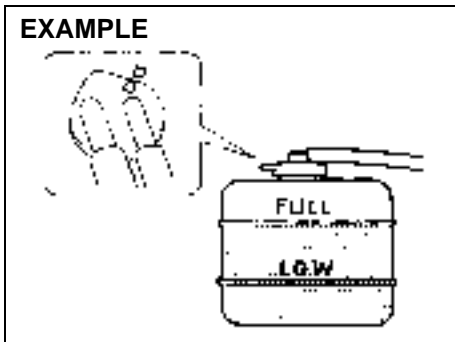
**Changing Oil**  
 Since special procedures, materials, and tools are required to change the automatic transmission oil, it is recommended that you trust this job to your authorized SUZUKI dealer.

**INSPECTION AND MAINTENANCE**

**Engine Coolant**



61J047



60A208S

**Selection of Coolant**

To maintain optimum performance and durability of your engine, use SUZUKI Genuine Coolant or equivalent.

This type of coolant is best for your cooling system as it:

- Helps maintain proper engine temperature.
- Gives proper protection against freezing and boiling.
- Gives proper protection against corrosion and rust.

Failure to use the proper coolant can damage your cooling system. Your authorized SUZUKI dealer can help you select the proper coolant.

**CAUTION**

**To avoid damaging your cooling system:**

- Always use a high quality ethylene glycol base non-silicate type coolant diluted with distilled water at the correct mixture concentration.
- Make sure that the proper mix is 50/50 coolant to distilled water and in no case higher than 70/30. Concentrations greater than 70/30 coolant to distilled water will cause overheating conditions.
- Do not use straight coolant nor plain water.

(Continued)

**CAUTION**

(Continued)

- Do not add extra inhibitors or additives. They may not be compatible with your cooling system.
- Do not mix different types of base coolants. Doing so may result in accelerated seal wear and/or the possibility of severe overheating and extensive engine/automatic transmission damage.

**Coolant Level Check**

Check the coolant level at the reservoir tank, not at the radiator. With the engine cool, the coolant level should be between the "FULL" and "LOW" marks.

**Adding Coolant**

If the coolant level is below the "LOW" mark, more coolant should be added. Remove the reservoir tank cap and add coolant until the reservoir tank level reaches the "FULL" mark. Never fill the reservoir tank above the "FULL" mark.

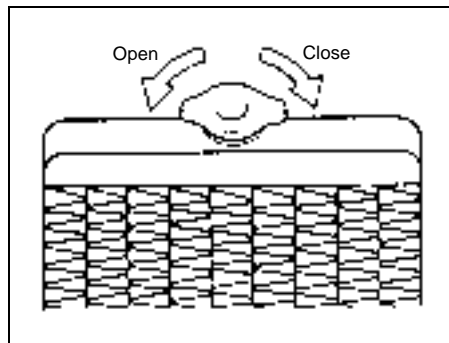
**INSPECTION AND MAINTENANCE**

**CAUTION**

- The mixture you use should contain 50% concentration of anti-freeze.
- If the lowest ambient temperature in your area is expected to be –35°C (–31°F) or below, use higher concentrations up to 60% following the instructions on the antifreeze container.
- When putting the cap on the reservoir tank, line up the arrow on the cap and the arrow on the tank. Failure to follow this can result in coolant leakage.

**⚠ WARNING**

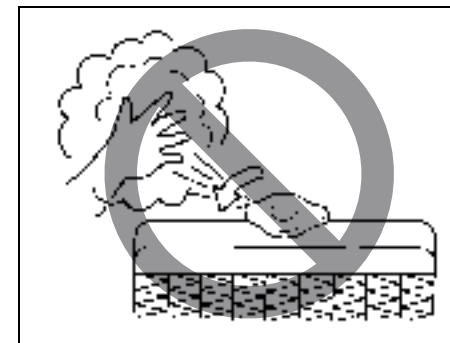
Engine coolant is harmful or fatal if swallowed or inhaled. Do not drink antifreeze or coolant solution. If swallowed, do not induce vomiting. Immediately contact a poison control centre or a physician. Avoid inhaling mist or hot vapors; if inhaled, remove to fresh air. If coolant gets in eyes, flush eyes with water and seek medical attention. Wash thoroughly after handling. Solution can be poisonous to animals. Keep out of the reach of children and animals.



60G099

For regular maintenance, you do not need to remove the radiator cap. But, if you need to remove the radiator cap for some reason, do as follows:

When the engine is cool, remove the radiator cap by turning it slowly to the left until a “stop” is felt. Do not press down while turning the cap. Wait until any pressure is released, then press down on the cap and continue turning it anticlockwise.



65D614

**⚠ WARNING**

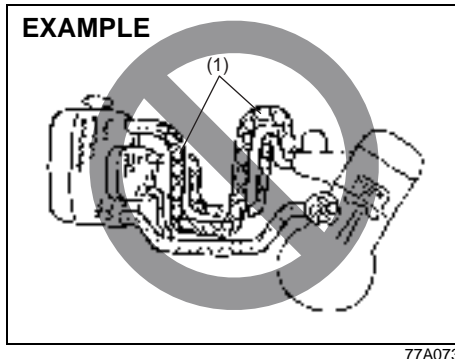
It is hazardous to remove the radiator cap when the water temperature is high, because scalding fluid and steam may be blown out under pressure. Wait until the coolant temperature has lowered before removing the cap.



Engine Coolant: 1, 2  
Windscreen Washer Fluid: 3  
Air Cleaner: 1, 2

## INSPECTION AND MAINTENANCE

### Coolant Replacement



(1) Trapped air

If you simply drain and refill the cooling system, much air will be trapped in the cooling system and the engine will overheat.

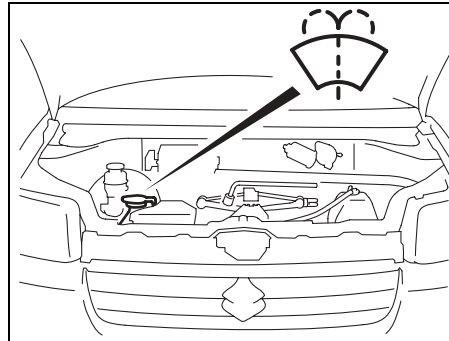
The air trapped in the cooling system must be bled when filling coolant. Trust this job to your SUZUKI dealer.

#### CAUTION

Do not drive the vehicle with the air trapped in the cooling system. If you do, the engine will overheat and can be damaged.

### Windscreen Washer Fluid

Front and rear (if equipped)



Check that there is washer fluid in the tank. Refill it if necessary. Use a good quality windscreen washer fluid, diluted with water as necessary.

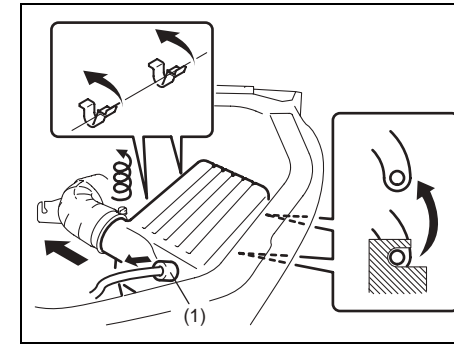
#### WARNING

Do not use "antifreeze" solution in the windscreen washer reservoir. This can severely impair visibility when sprayed on the windscreen, and can also damage your vehicle's paint.

#### CAUTION

Damage may result if the washer motor is operated with no fluid in the washer tank.

### Air Cleaner



If the air cleaner is clogged with dust, there will be greater intake resistance, resulting in decreased power output and increased fuel consumption.

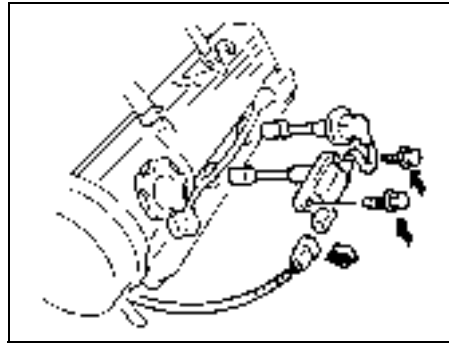
Check and clean periodically according to the following procedure:

- 1) Loosen the clamp of the hose and detach the hose from the cover.
- 2) Remove the intake air temperature coupler (1).
- 3) Unclamp the side clamps.
- 4) With the far side of the cleaner cover lifted, move the cover to the near side to remove it.
- 5) Remove the element from the air cleaner case.
- 6) This air cleaner element is of dry type. Remember that it needs cleaning according to the following method.

## INSPECTION AND MAINTENANCE

- 7) Blow off dust on cleaner element by compressed air from inside the element, or replace the element as necessary.

### Spark Plugs



76A007

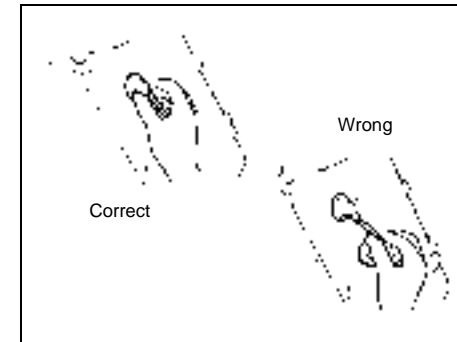
You should inspect spark plugs periodically for carbon deposits. When carbon accumulates on a spark plug, a strong spark may not be produced. Remove carbon deposits with a wire or pin and adjust the spark plug gap.

To access the spark plugs:

- 1) Remove the ignitor cover.
- 2) Disconnect the coupler while pushing the release lever.
- 3) Remove the ignitor bolts.
- 4) Pull the spark plug boots out.

**NOTE:**

*When installation, make sure the wires, couplers, sealing rubber of top cover and washers, are correctly returned in place.*

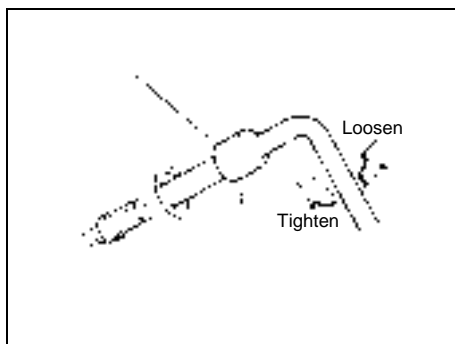


76A008

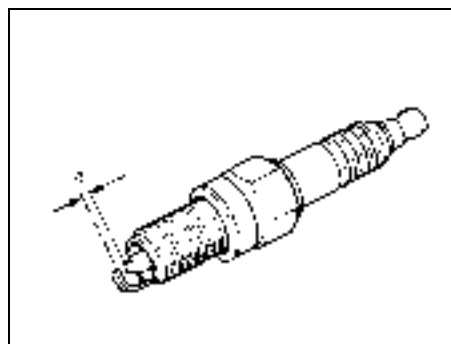
### CAUTION

**When disconnecting the spark plug cables, pull on the boot, not on the cable itself. Pulling on the cable can damage it.**

## INSPECTION AND MAINTENANCE



76A009S



60B307

Spark plug gap "a"  
K20PR-U / BKR6E:  
0.7 – 0.8 mm (0.028 – 0.031 in.)

### CAUTION

- When installing the spark plugs, screw them in with your fingers to avoid stripping the threads. Tighten with a torque wrench to 25 Nm (2.5 kg-m, 18.1 lb-ft). Do not allow contaminants to enter the engine through the spark plug holes when the plugs are removed.
- Never use spark plugs with the wrong thread size.

### CAUTION

When replacing spark plugs, you should use the brand and type specified for your vehicle. For the specified plugs, refer to the "SPECIFICATIONS" section at the end of this book. If you wish to use a brand of spark plug other than the specified plugs, consult your SUZUKI dealer.

### NOTE:

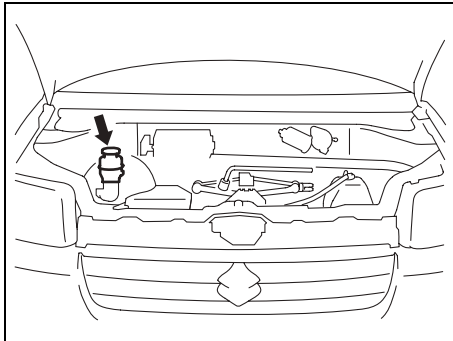
If your engine is equipped with the high-tension cord type ignition wiring and you experience some firing problem of spark plugs, such as, hard engine-starting, mis-

fire etc., the cause may be located not only on spark plugs but also on deteriorated ignition wirings (generally, used for more than 80000 km or five years). If spark plug replacement does not solve the problem, have the ignition wiring and other ignition system inspected by your SUZUKI dealer.

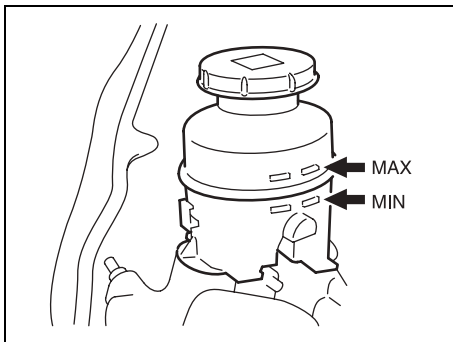
**INSPECTION AND MAINTENANCE**

**Brakes**

**Brake Fluid**



61J049



61J052

Check the brake fluid level by looking at the reservoir in the engine compartment.

Check that the fluid level is between the "MAX" and "MIN" lines. If the brake fluid level is near the "MIN" line, fill it up to the "MAX" line with SAE J1703 or DOT3 brake fluid.

**⚠ WARNING**

Failure to follow the guidelines below can result in personal injury or serious damage to the brake system.

- If the brake fluid in the reservoir drops below a certain level, the brake warning light on the instrument panel will come on (the engine must be running with the parking brake fully disengaged). Should the light come on, immediately ask your SUZUKI dealer to inspect the brake system.
- A rapid fluid loss indicates a leak in the brake system which should be inspected by your SUZUKI dealer immediately.
- Brake fluid can harm your eyes and damage painted surfaces. Use caution when refilling the reservoir.
- Do not use any fluid other than SAE J1703 or DOT3 brake fluid. Do not use reclaimed fluid or fluid that has been stored in old or open containers. It is essential that foreign particles and other liquids are kept out of the brake fluid reservoir.

**⚠ WARNING**

Brake fluid is harmful or fatal if swallowed, and harmful if it comes in contact with skin or eyes. If swallowed, do not induce vomiting. Immediately contact a poison control centre or a physician. If brake fluid gets in eyes, flush eyes with water and seek medical attention. Wash thoroughly after handling. Solution can be poisonous to animals. Keep out of the reach of children and animals.

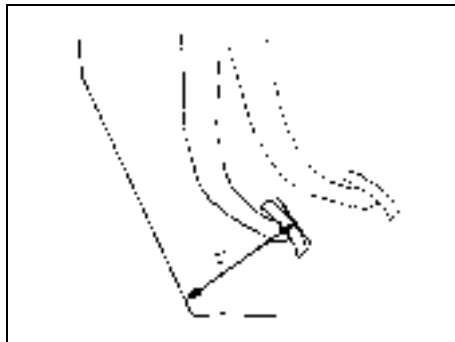
*NOTE:*

*With disc brakes, the fluid level can be expected to gradually fall as the brake pads wear.*

**Brake Pedal**

Check if the brake pedal stops at the regular height without "spongy" feeling when you depress it. If not, have the brake system inspected by your SUZUKI dealer. If you doubt the brake pedal for the regular height, check it as follows:

INSPECTION AND MAINTENANCE



60A225

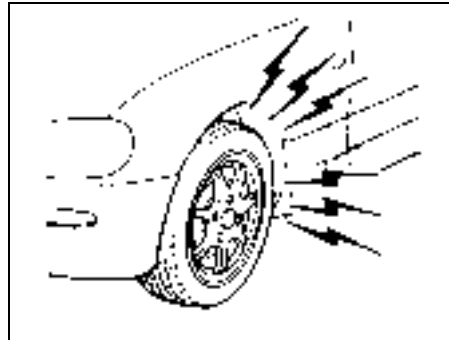
**Pedal to wall minimum distance “a”:**  
**Right Hand Drive: 185 mm (7.3 in.)**  
**Left Hand Drive: 115 mm (4.5 in.)**

With the engine running, measure the distance between the brake pedal and floor wall when the pedal is depressed with approximately 30 kg (66 lbs) of force. The minimum distance required is as specified. Since your vehicle's brake system is self-adjusting, there is no need for pedal adjustment.

If the pedal to floor wall distance as measured above is less than the minimum distance required, have your vehicle inspected by your SUZUKI dealer.

**NOTE:**

*When measuring the distance between the brake pedal and floor wall, be sure not to include the floor mat or rubber on the floor wall in your measurement.*



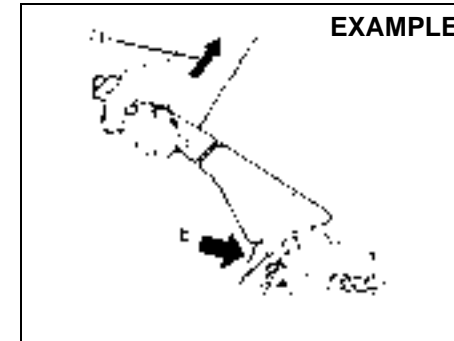
60G104S

**⚠ WARNING**

**If you experience any of the following problems with your vehicle's brake system, have the vehicle inspected immediately by your SUZUKI dealer.**

- **Poor braking performance**
- **Uneven braking (Brakes not working uniformly on all wheels.)**
- **Excessive pedal travel**
- **Brake dragging**
- **Excessive noise**
- **Pedal pulsation (Pedal pulsates when depressed.)**

**Parking Brake**



**EXAMPLE**

54G109

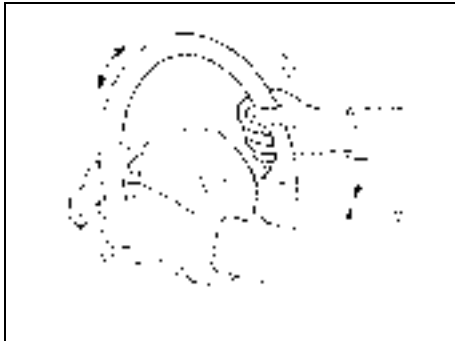
**Ratchet tooth specification “b”:**  
**5th – 7th**  
**Lever pull force (1):**  
**200 N (20 kg, 44 lbs)**

Check the parking brake for proper adjustment by counting the number of clicks made by the ratchet teeth as you slowly pull up on the parking brake lever to the point of full engagement. The parking brake lever should stop between the specified ratchet teeth and the rear wheels should be securely locked. If the parking brake is not properly adjusted or the brakes drag after the lever has been fully released, have the parking brake inspected and/or adjusted by your SUZUKI dealer.

Steering: 6  
Power Steering: 6  
Clutch Pedal: 6

## INSPECTION AND MAINTENANCE

### Steering



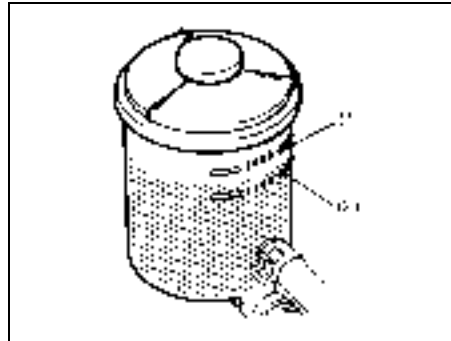
60B163

**Steering wheel play "c":**  
**0 – 30 mm (0.0 – 1.2 in.)**

Check the play of the steering wheel by gently turning it from left to right and measuring the distance that it moves before you feel slight resistance. The play should be between the specified values.

Check that the steering wheel turns easily and smoothly without rattling by turning it all the way to the right and to the left while driving very slowly in an open area. If the amount of free play is outside the specification or you find anything else to be wrong, an inspection must be performed by your SUZUKI dealer.

### Power Steering (if equipped)



54G225

(1) UPPER  
(2) LOWER

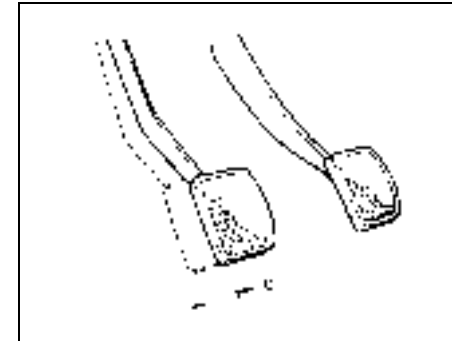
Check the steering box case, vane pump and hose connections for leaks or damage.

#### Power Steering Fluid

Check the fluid level by looking at the reservoir in the engine compartment when the fluid is cold (about room temperature).

Check that the fluid level is between the "UPPER" and "LOWER" lines. If the fluid level is near the "LOWER" line, fill it up to the "UPPER" line with an automatic transmission fluid equivalent to DEXRON®-II. Do not overfill.

### Clutch Pedal

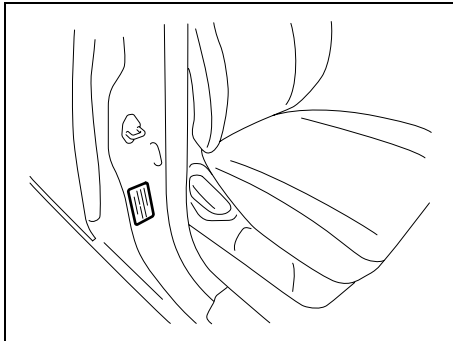


54G274

**Clutch pedal play "d":**  
**5 – 15 mm (0.2 – 0.6 in.)**

Measure the clutch pedal play by moving the clutch pedal with your hand and measuring the distance it moves until you feel slight resistance. The play in the clutch pedal should be between the specified values. If the play is more or less than the above, or clutch dragging is felt with the pedal fully depressed, have the clutch inspected by your SUZUKI dealer.

## Tyres



61J035

The front and rear tyre pressure specifications for your vehicle are listed on the Tyre Information Label. Both the front and rear tyres should have the specified tyre pressure.

Note that the value does not apply to the compact spare tyre, if equipped.

### Tyre Inspection

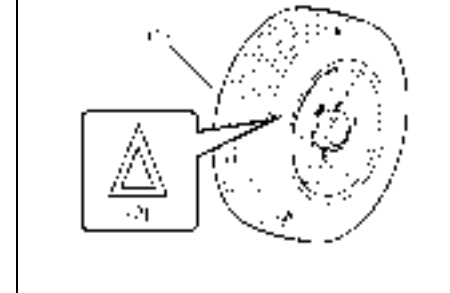
Inspect your vehicle's tyres at least once a month by performing the following checks:

- 1) Measure the air pressure with a tyre gauge. Adjust the pressure if necessary. Remember to check the spare tyre, too.

#### ▲ WARNING

- Air pressures should be checked when the tyres are cold or you may get inaccurate readings.
- Check the inflation pressure from time to time while inflating the tyre gradually, until the specified pressure is obtained.
- **Never underinflate or overinflate the tyres. Underinflation can cause unusual handling characteristics or can cause the rim to slip on the tyre bead, resulting in an accident or damage to the tyre or rim. Overinflation can cause the tyre to burst, resulting in personal injury. Overinflation can also cause unusual handling characteristics which may result in an accident.**

### EXAMPLE



54G136

- (1) Tread wear indicator
  - (2) Indicator location mark
- 2) Check that the depth of the tread groove is more than 1.6 mm (0.06 in.). To help you check this, the tyres have molded-in tread wear indicators in the grooves. When the indicators appear on the tread surface, the remaining depth of the tread is 1.6 mm (0.06 in.) or less and the tyre should be replaced.
  - 3) Check for abnormal wear, cracks and damage. Any tyres with cracks or other damage should be replaced. If any tyres show abnormal wear, have them inspected by your SUZUKI dealer.

**INSPECTION AND MAINTENANCE**

**⚠ WARNING**  
 Hitting curbs and running over rocks can damage tyres and affect wheel alignment. Be sure to have tyres and wheel alignment checked periodically by your SUZUKI dealer.

- 4) Check for loose wheel nuts.
- 5) Check that there are no nails, stones or other objects sticking into the tyres.

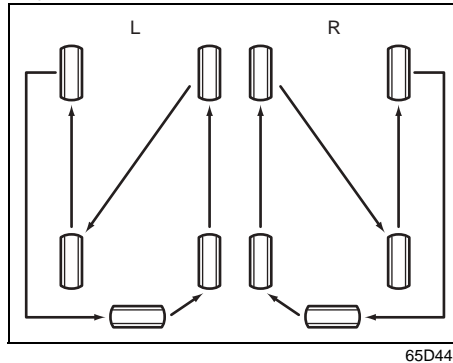
**⚠ WARNING**

- Your SUZUKI is equipped with tyres which are all the same type and size. This is important to ensure proper steering and handling of the vehicle. Never mix tyres of different size or type on the four wheels of your vehicle. The size and type of tyres used should be only those approved by SUZUKI as standard or optional equipment for your vehicle.
- Replacing the wheels and tyres equipped on your vehicle with certain combinations of aftermarket wheels and tyres can significantly change the steering and handling characteristics of your vehicle.
- Therefore, use only those wheel and tyre combinations approved by SUZUKI as standard or optional equipment for your vehicle.

**CAUTION**  
 Replacing the original tyres with tyres of a different size may result in false speedometer or odometer readings. Check with your SUZUKI dealer before purchasing replacement tyres that differ in size from the original tyres.

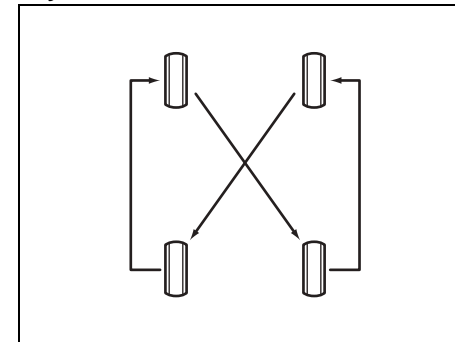
**Tyre Rotation**

**5-tyre rotation**



L: Left hand drive  
 R: Right hand drive

**4-tyre rotation**

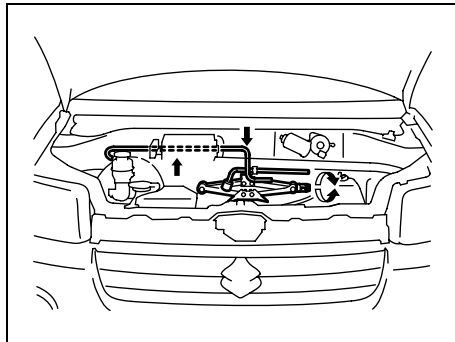


65D459

To avoid uneven wear of your tyres and to prolong their life, rotate the tyres as illustrated. Tyres should be rotated every 10000 km (6000 miles). After rotation, adjust front and rear tyre pressures to the specification listed on your vehicle's Tyre Information Label.



**Changing Wheels**



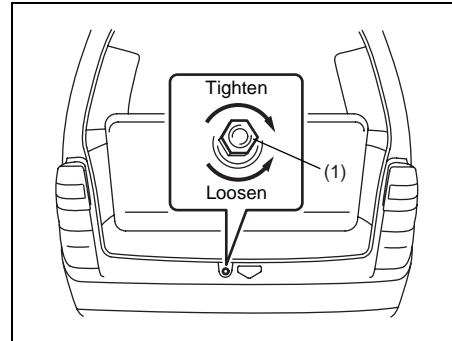
61J050

To change a wheel, use the following procedure:

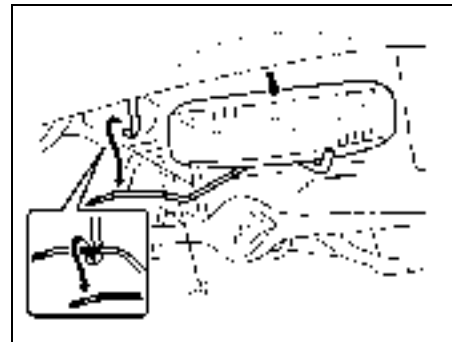
- 1) Remove the jack, tools and spare wheel from the vehicle.  
To remove the spare wheel under the rear floor, loosen the support bolt (1) (for APV) or support nut (2) (for CARRY) by using wheel brace (4), unhook the tyre holder (3) and lower it slowly.
- 2) Loosen, but do not remove the wheel nuts.
- 3) Jack up the vehicle (follow the jacking instructions in the "EMERGENCY SERVICE" section in this manual).
- 4) Remove the wheel nuts and wheel.
- 5) Install the new wheel and replace the wheel nuts with their cone shaped end facing the wheel.

Tighten each nut snugly by hand until the wheel is securely seated on the hub.

(For APV)

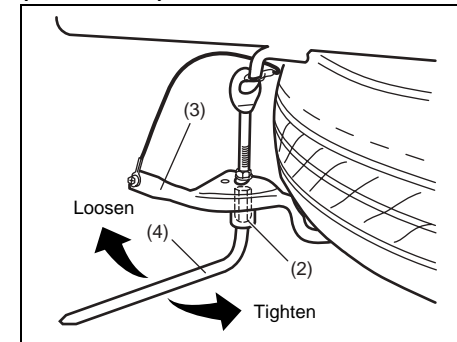


61J067

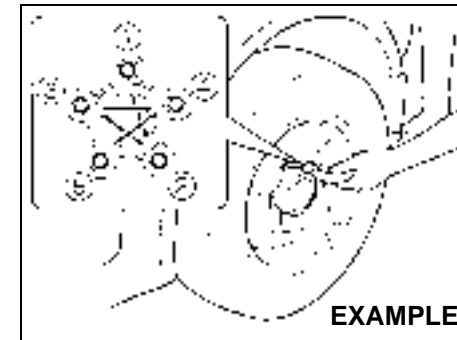


61J123

(For CARRY)



61J124



81A057

**Tightening torque for wheel nut:  
85 Nm (8.5 kg-m, 61.5 lb-ft)**

## INSPECTION AND MAINTENANCE

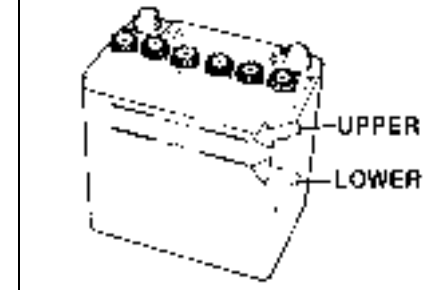
- 6) Lower the jack and fully tighten the nuts to the specified torque in a crisscross fashion with a wrench as shown in the illustration.

### Battery

#### ⚠ WARNING

- Batteries produce flammable hydrogen gas. Keep flames and sparks away from the battery or an explosion may occur. Never smoke when working in the vicinity of the battery.
- When checking or servicing the battery, disconnect the negative cable. Be careful not to cause a short circuit by allowing metal objects to contact the battery posts and the vehicle at the same time.
- To avoid harm to yourself or damage to your vehicle or battery, follow the jump starting instructions in the "EMERGENCY SERVICE" section of this manual if it is necessary to jump start your vehicle.

#### EXAMPLE (traditional type)



54G118

For maintenance-free battery (cap-less type), you need not add water. For traditional type battery, which has water filler caps, the level of the battery solution must be kept between the "UPPER" and the "LOWER" level lines at all times. If the level is found to be below the "LOWER" level line, add distilled water to the "UPPER" level line. You should periodically check the battery, battery terminals, and battery hold-down bracket for corrosion. Remove corrosion using a stiff brush and ammonia mixed with water, or baking soda mixed with water. After removing corrosion, rinse with clean water.

If your vehicle is not going to be driven for a month or longer, disconnect the cable from the negative terminal of the battery to help prevent discharge.

**INSPECTION AND MAINTENANCE**

**Fuses**

Your vehicle has three types of fuses, as described below:

**Main fuse**

The main fuse takes current directly from the battery.

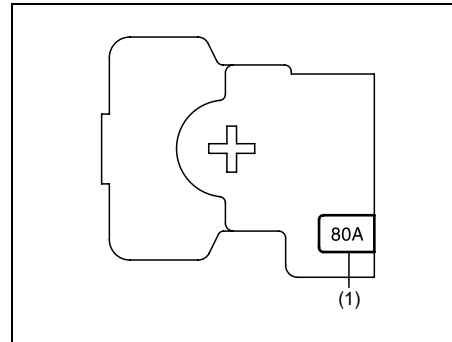
**Primary fuses**

These fuses are between the main fuse and individual fuses, and are for electrical load groups.

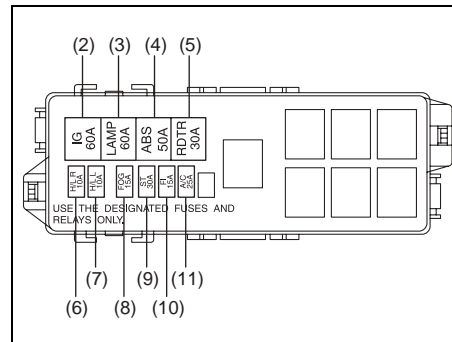
**Individual fuses**

These fuses are for individual electrical circuits.

**Fuses in the Engine Compartment**



61J083

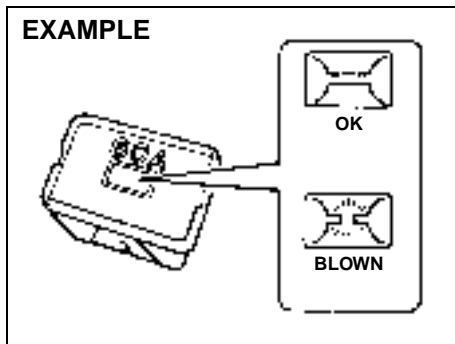


61J157

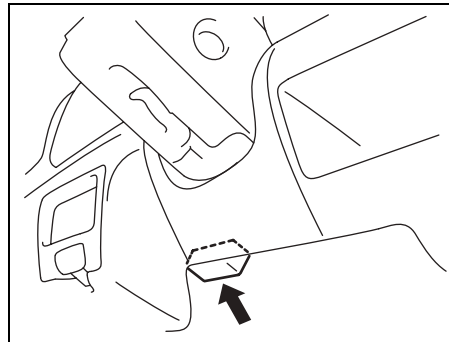
MAIN FUSE / PRIMARY FUSE		
(1)	80A	All electric load
(2)	60A	Ignition
(3)	60A	Lamp
(4)	50A	ABS (if equipped)
(5)	30A	Radiator
(6)	10A	Head lamp, Right
(7)	10A	Head lamp, Left
(8)	15A	Fog lamp
(9)	30A	Starter
(10)	15A	Fuel injection
(11)	25A	Air conditioner

The main fuse is located in the engine compartment. The primary fuses are located in the front hood. If the main fuse blows, no electrical component will function. If a primary fuse blows, no electrical component in the corresponding load group will function. When replacing the main fuse or a primary fuse, use a genuine SUZUKI replacement.

**INSPECTION AND MAINTENANCE**

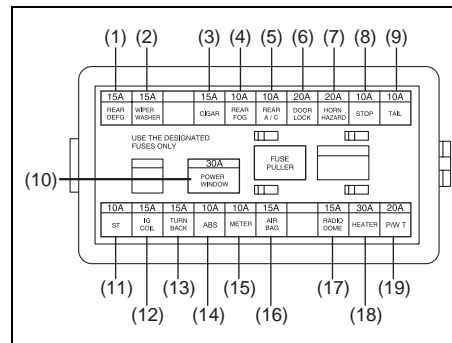


**Fuse under the Dash Board**



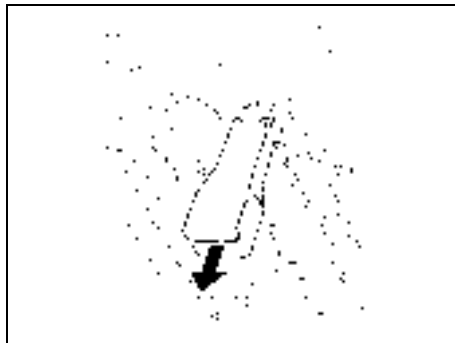
**⚠ WARNING**

If the main fuse or a primary fuse blows, be sure to have your vehicle inspected by an authorized SUZUKI dealer. Always use a genuine SUZUKI replacement. Never use a substitute such as a wire even for a temporary repair, or extensive electrical damage and a fire can result.



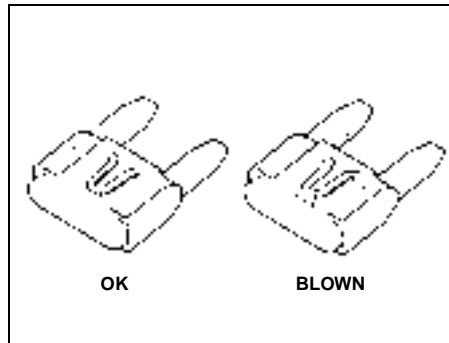
MAIN FUSE / PRIMARY FUSE		
(1)	15A	Rear defogger
(2)	15A	Wiper/Washer
(3)	15A	Cigar lighter
(4)	10A	Rear fog
(5)	10A	Rear air conditioner
(6)	20A	Door lock
(7)	20A	Horn/Hazard
(8)	10A	Stop lamp
(9)	10A	Tail lamp
(10)	30A	Power window
(11)	10A	Starter
(12)	15A	Ignition coil
(13)	15A	Turn lamp/Back lamp
(14)	10A	ABS (if equipped)
(15)	10A	Meter
(16)	15A	Air bag
(17)	15A	Radio/Dome
(18)	30A	Heater
(19)	20A	Power Window

## INSPECTION AND MAINTENANCE



76A011

The individual fuse box is located under the driver's side of the dashboard. Remove the fuse box cover by pushing in at both ends and pulling off the cover. To remove a fuse, use the fuse puller provided in the fuse box.



65D046

### ⚠ WARNING

Always be sure to replace a blown fuse with a fuse of the correct amperage. Never use a substitute such as aluminum foil or wire to replace a blown fuse. If you replace a fuse and the new one blows in a short period of time, you may have a major electrical problem. Have your vehicle inspected immediately by your SUZUKI dealer.

#### NOTE:

Make sure that the fuse box always carries spare fuses.

## Bulb Replacement

### ⚠ WARNING

- Light bulbs can be hot enough to burn your finger right after being turned off. This is true especially for halogen headlight bulbs. Replace the bulbs after they become cool enough.
- The headlight bulbs are filled with pressurized halogen gas. They can burst and injure you if they are hit or dropped. Handle them carefully.

### CAUTION

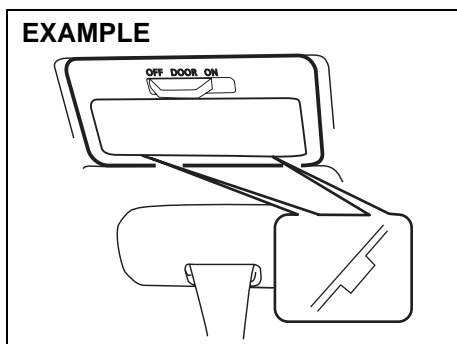
The oils from your skin may cause a halogen bulb to overheat and burst when the lights are on. Grasp a new bulb with a clean cloth.

### CAUTION

Frequent replacement of a bulb indicates the need for an inspection of the electrical system. This should be carried out by your SUZUKI dealer.

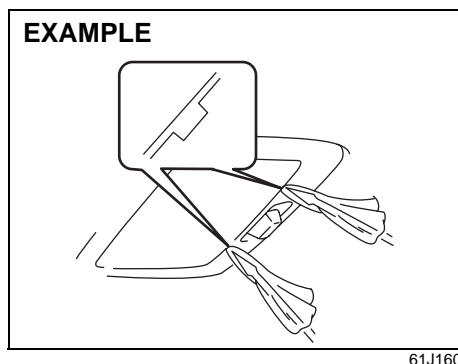
## INSPECTION AND MAINTENANCE

### Interior Light (if equipped)



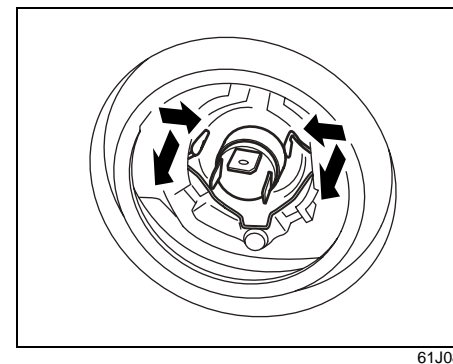
Pull down the lens by using a plane screw driver covered with a soft cloth as shown. To install it, simply push it back in. The bulb can be removed by simply pulling it out. When replacing the bulb, make sure that the contact springs are holding the bulb securely.

### Rear Interior Light (if equipped)



Pull down the lens by using a plane screw driver covered with a soft cloth as shown. To install it, simply push it back in. The bulb can be removed by simply pulling it out.

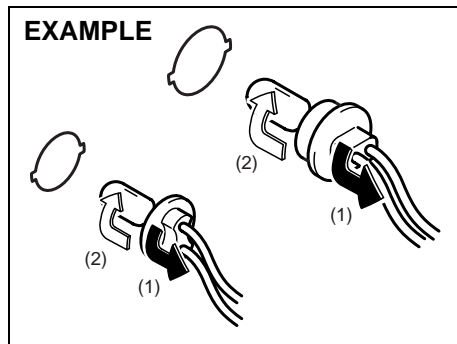
### Headlight



Open the bonnet. Remove the socket and rubber cover. Then unhook the bulb holding spring and replace the bulb.

**Other General Lights**

**Bulb holder**

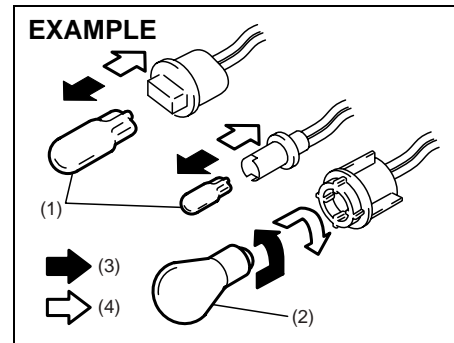


54G123

- (1) Removal
- (2) Installation

To remove a bulb holder from a light housing, turn the holder counterclockwise and pull it out. To install the holder, push the holder in and turn it clockwise.

**Bulb**



54G124

- (3) Removal
- (4) Installation

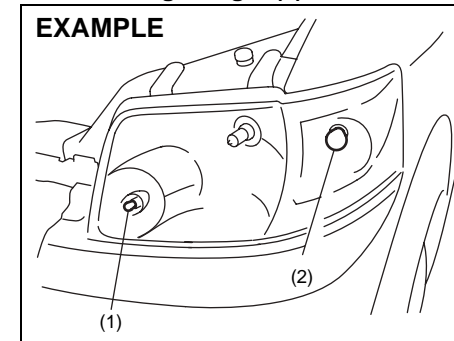
There are two types of bulb, "Full glass type" (1) and "Glass/metal type" (2).

To remove and install a full glass type bulb (1), simply pull out or push in the bulb.

To remove a glass metal type bulb (2) from a bulb holder, push in the bulb and turn it counterclockwise. To install a new bulb, push it in and turn it clockwise.

You can access the individual bulb or bulb holders as follows.

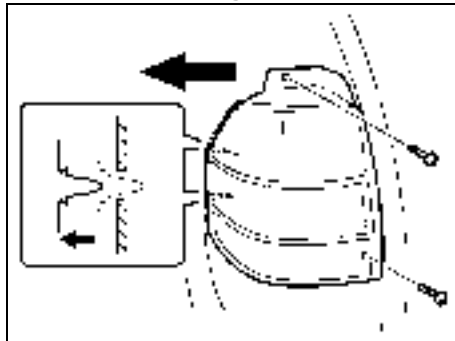
**Front parking light (1)  
Front turn signal light (2)**



61J161

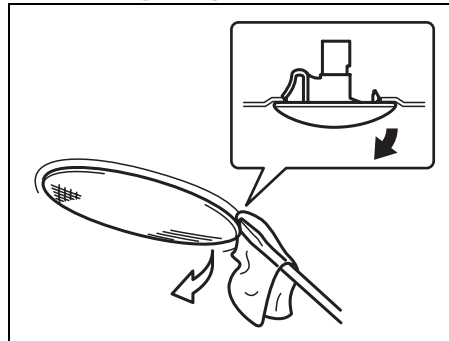
## INSPECTION AND MAINTENANCE

Rear combination light (for APV)



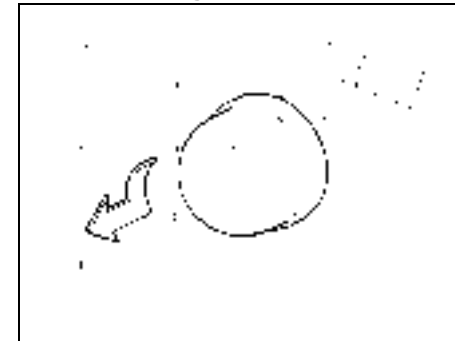
61J055

Side turn signal light



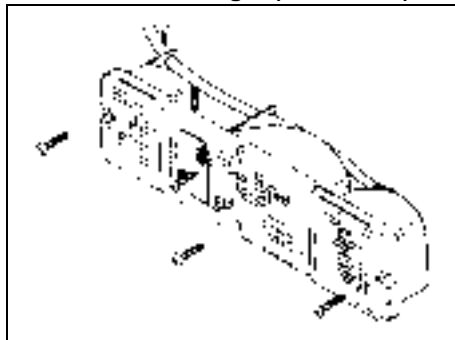
63J096

License plate light



75F087

Rear combination light (for CARRY)



61J125

As the bulb is built-in type, the light assembly must be replaced. Pry off the light assembly using a plane screw driver covered with a piece of cloth at the front side of the housing. Note that this removal method can break the light housing.



**Wiper Blades**



54G129

If the wiper blades become brittle or damaged, or make streaks when wiping, replace the wiper blades.

To install new wiper blades, follow the procedures below.

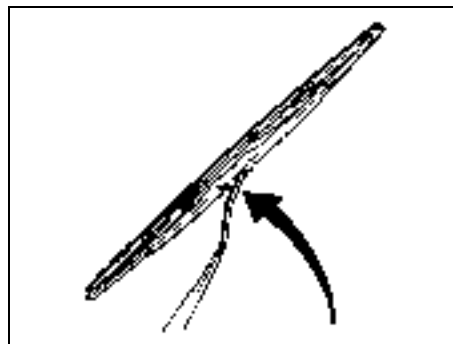
**CAUTION**

**To avoid scratching or breaking the window, do not let the wiper arm strike the window while replacing the wiper blade.**

**NOTE:**

*Some wiper blades may be different from the ones described here depending on vehicle specifications. If so, consult your SUZUKI dealer for proper replacement method.*

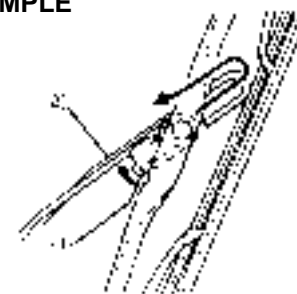
For windscreen wipers and some rear wipers:



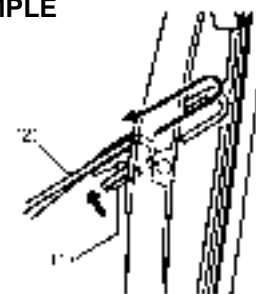
70G119

- 1) Hold the wiper arm away from the window.

**EXAMPLE**



**EXAMPLE**

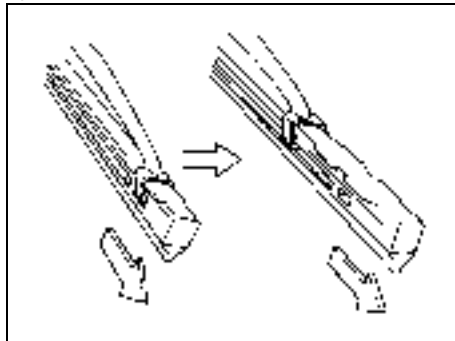


54G130

- 2) Squeeze lock (1) towards wiper arm (2) and remove the wiper frame from the arm as shown.
- 3) Unlock the lock end of the wiper blade and slide the blade out as shown.

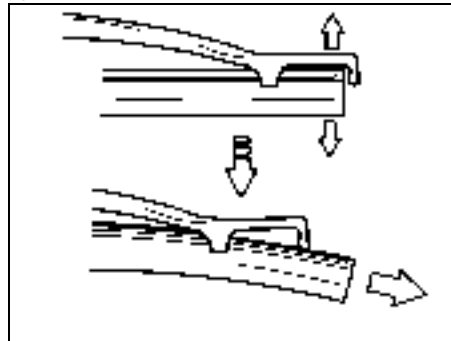
## INSPECTION AND MAINTENANCE

### Type A (Removal)

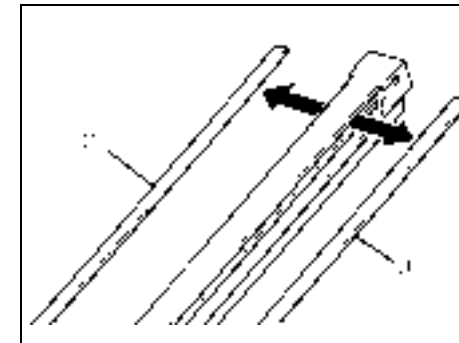


60A260

### Type B

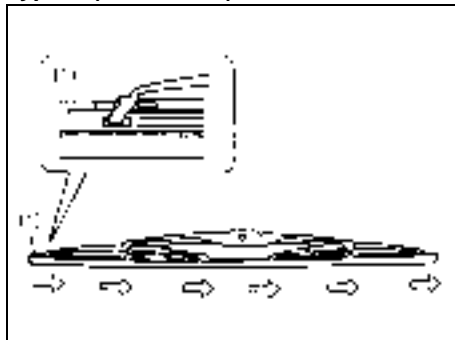


65D151



54G135

### Type A (Installation)



54G132

(1) Locked end

### NOTE:

*For Type B, do not flex the wiper blade frame end more than necessary. If you do, it can break off.*

(1) Retainer

- 4) If the new blade is provided without the two metal retainers, move them from the old blade to the new one.
- 5) Install the new blade in the reverse order of removal, with the locked end positioned toward the wiper arm. Make sure the blade is properly retained by all the hooks. Lock the blade end into place.
- 6) Reinstall wiper frame to arm, making sure that the lock lever is snapped securely into the arm.

### **Air Conditioning System**

If you do not use the air conditioner for a long period, such as during winter, it may not give the best performance when you start using it again. To help maintain optimum performance and durability of your air conditioner, it needs to be run periodically. Operate the air conditioner at least once a month for one minute with the engine idling. This circulates the refrigerant and oil and helps protect the internal components.

**INSPECTION AND MAINTENANCE**

---

**MEMO**

-----

-----

-----

-----

-----

-----

-----

-----

-----

-----

-----

-----

-----

-----

-----

-----

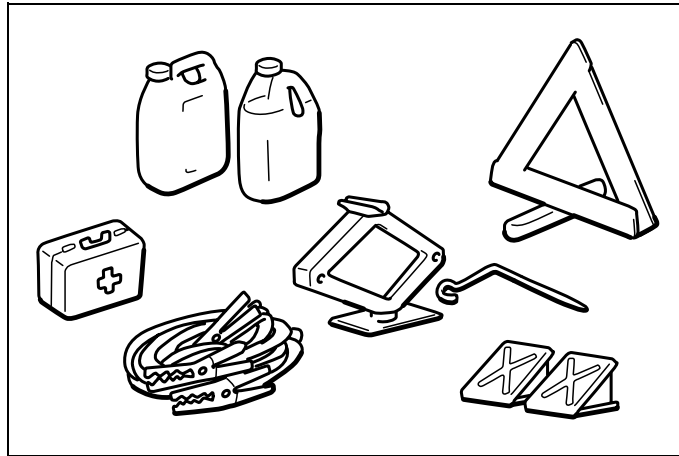
-----

-----

-----

-----

## EMERGENCY SERVICE

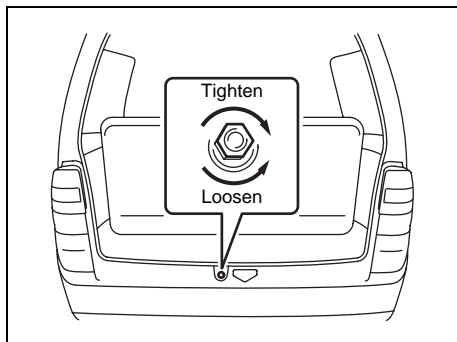
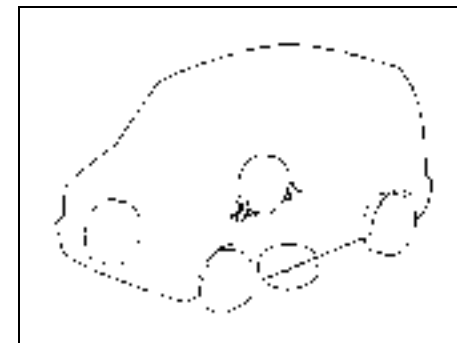
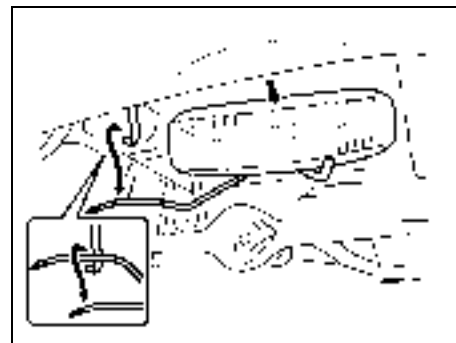
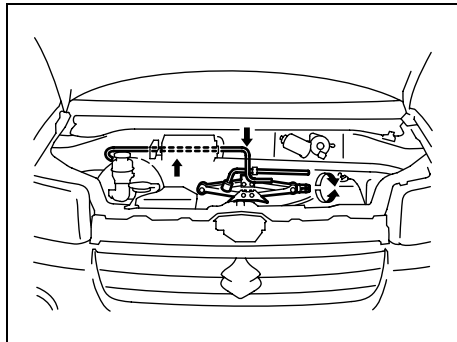


60G411

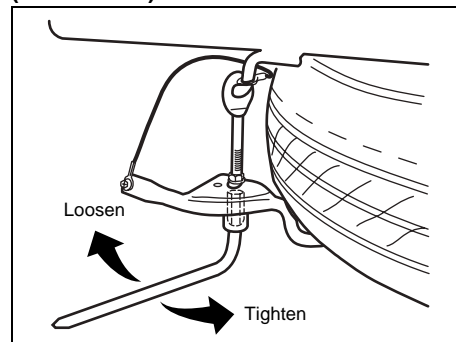
Jacking Instructions .....	9-1
Jump Starting Instructions .....	9-3
Towing .....	9-4
Emergency Remedies .....	9-5

**EMERGENCY SERVICE**

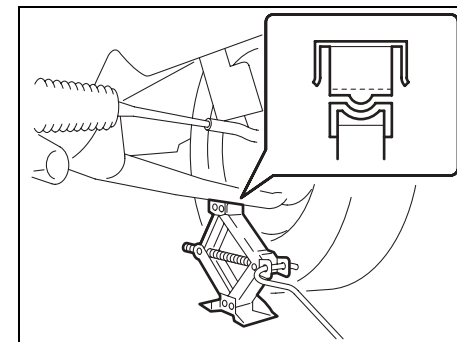
**Jacking Instructions**



**(For CARRY)**

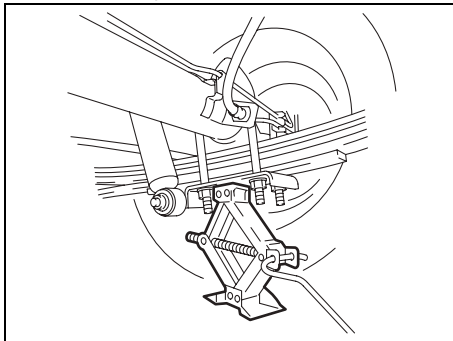


**Front wheel**



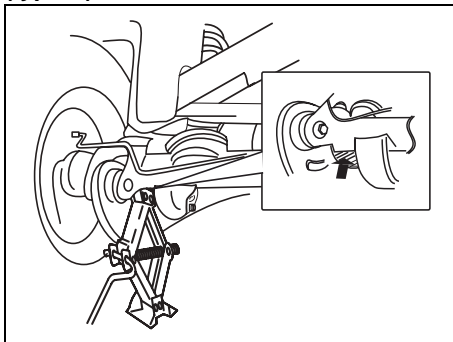
## EMERGENCY SERVICE

Rear wheel (type A)



61J076

(type B)



61J162

Contact support surface (upper surface) of jack to the rear axle tube and its rear end to the bracket (between trailing arm and shock absorber brackets).

### ⚠ WARNING

- Use the jack only to change wheels on level, hard ground.
- Never jack up the vehicle on an inclined surface.
- Never raise the vehicle with the jack in a location other than under the specified jacking point (shown in the illustration) near the wheel to be changed.
- Never get under the vehicle when it is supported by the jack.
- Never run the engine when the vehicle is supported by the jack and never allow passengers to remain in the vehicle.

- 1) Place the vehicle on level, hard ground.
- 2) Apply the parking brake firmly and select "P" (Park) if your vehicle has an automatic transmission, or change into "R" (Reverse) if your vehicle has a manual transmission. Chock the front and rear of the wheel diagonally opposite of the wheel being lifted.
- 3) Turn on the hazard warning flasher if your vehicle is near traffic.
- 4) Position the jack vertically and raise the jack by turning the jack handle clockwise until the jack head recess fits the jacking point.
- 5) Continue to raise the jack slowly and smoothly until the tyre clears the

ground. Do not raise the vehicle more than necessary.

## EMERGENCY SERVICE

### Jump Starting Instructions

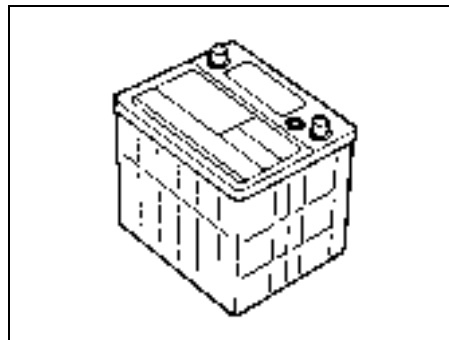
#### ⚠ WARNING

- Never attempt to jump start your vehicle if the battery appears to be frozen. Batteries in this condition may explode or rupture if jump starting is attempted.
- When making jump lead connections, be certain that your hands and the jump leads remain clear from pulleys, belts, or fans.
- Batteries produce flammable hydrogen gas. Keep flames and sparks away from the battery or an explosion may occur. Never smoke when working in the vicinity of the battery.
- If the booster battery you use for jump starting is installed in another vehicle, make sure the two vehicles are not touching each other.
- If your battery discharges repeatedly, for no apparent reason, have your vehicle inspected by an authorized SUZUKI dealer.
- To avoid harm to yourself or damage to your vehicle or battery, follow the jump starting instructions below precisely and in order. If you are in doubt, call for qualified road service.

#### CAUTION

Your vehicle should not be started by pushing or towing. This starting method could result in permanent damage to the catalytic converter. Use jump leads to start a vehicle with a weak or flat battery.

When Jump Starting Your Vehicle, Use the Following Procedure:

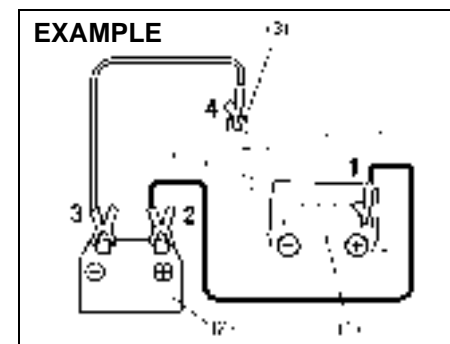


60A269

- 1) Use only a 12 volt battery to jump start your vehicle. Position the good 12 V battery close to your vehicle so that the jump leads will reach both batteries. When using a battery installed on another vehicle, DO NOT LET THE VEHICLES TOUCH. Apply the parking brakes fully on both vehicles.

- 2) Turn off all vehicle accessories, except those necessary for safety reasons (for example, headlights or hazard lights).

#### EXAMPLE



76A037

- 3) Make jump lead connections as follows:
  1. Connect one end of the first jump lead to the positive (+) terminal of the flat battery (1).
  2. Connect the other end to the positive (+) terminal of the booster battery (2).
  3. Connect one end of the second jump lead to the negative (-) terminal of the booster battery (2).
  4. Make the final connection to an unpainted, heavy metal part (i.e. engine hook (3)) of the engine of the vehicle with the flat battery (1).



## EMERGENCY SERVICE

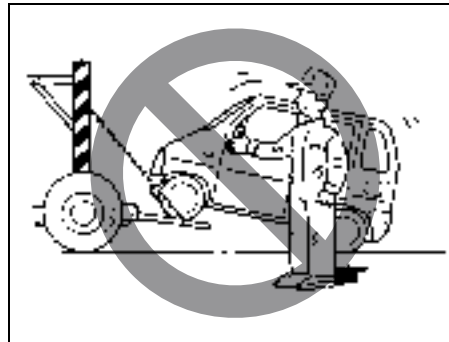
### **⚠ WARNING**

**Never connect the jump lead directly to the negative (-) terminal of the discharged battery, or an explosion may occur.**

- 4) If the booster battery you are using is fitted to another vehicle, start the engine of the vehicle with the booster battery. Run the engine at moderate speed.
- 5) Start the engine of the vehicle with the flat battery.
- 6) Remove the jump leads in the exact reverse order in which you connected them.

### Towing

If you need to have your vehicle towed, contact a professional service. Your dealer can provide you with detailed towing instructions.



76A097

### CAUTION

**Towing your vehicle with the drive wheels on the ground can result in damage to the manual transmission.**

### CAUTION

**To help avoid damage to your vehicle during towing, proper equipment and towing procedures must be used.**

### 2-Wheel Drive (2WD) Manual Transmission

Your vehicle can be towed from the rear with the rear wheels lifted and the front wheels on the ground, provided the ignition key is turned to the "ACC" position to unlock the steering wheel, and the front wheels are facing straight forward and the steering wheel is secured with a steering wheel clamping device designed for towing.

If your vehicle is towed from the front with the front wheels lifted, be sure to secure the rear wheels on a towing dolly.

## EMERGENCY SERVICE

### Emergency Remedies

#### If the Starter Does Not Operate

- 1) Try turning the ignition switch to the "START" position with the headlights turned on to determine the battery condition. If the headlights go excessively dim or go off, it usually means that either the battery is flat or the battery terminal contact is poor. Recharge the battery or correct battery terminal contact as necessary.
- 2) If the headlights remain bright, check the fuses. If the reason for failure of the starter is not obvious, there may be a major electrical problem. Have the vehicle inspected by your authorized SUZUKI dealer.

#### If the Engine is Flooded

If the engine is flooded with petrol, it may be hard to start. If this happens, press the accelerator pedal all the way to the floor and hold it there while cranking the engine. (Do not operate the starter motor for more than 15 seconds).

#### If the Engine Overheats

The engine could overheat temporarily under severe driving conditions. If the engine coolant temperature gauge indicates overheating during driving:

- 1) Turn off the air conditioner, if equipped.
- 2) Take the vehicle to a safe place and park.

- 3) Let the engine run at normal idle speed for a few minutes until the indicator is within the normal, acceptable temperature range between "H" and "C".

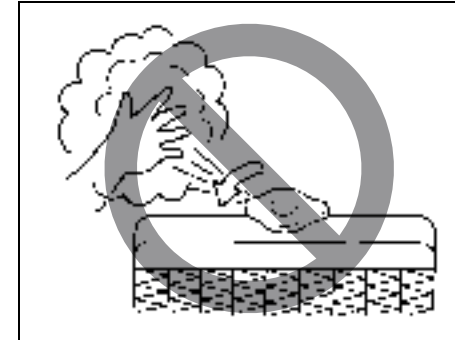
#### ⚠ WARNING

**If you see or hear escaping steam, stop the vehicle in a safe place and immediately turn off the engine to let it cool. Do not open the bonnet when steam is present. When the steam can no longer be seen or heard, open the hood to see if the coolant is still boiling. If it is, you must wait until it stops boiling before you proceed.**

If the temperature indication does not come down to within the normal, acceptable range:

- 1) Turn off the engine and check that the water pump belt and pulleys are not damaged or slipping. If any abnormality is found, correct it.
- 2) Check the coolant level in the reservoir. If it is found to be lower than the "LOW" line, look for leaks at the radiator, water pump, and radiator and heater hoses. If you locate any leaks that may have caused the overheating, do not run the engine until these problems have been corrected.
- 3) If you do not find a leak, carefully add coolant to the reservoir and then the radiator, if necessary. (Refer to "Engine

Coolant" in the "INSPECTION AND MAINTENANCE" section.)



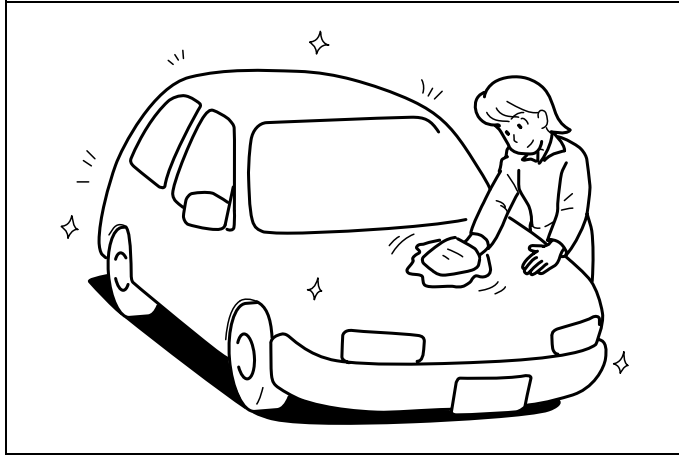
65D614

#### ⚠ WARNING

- It is hazardous to remove the radiator cap when the water temperature is high, because scalding fluid and steam may be blown out under pressure. The cap should only be taken off when the coolant temperature has lowered.
- To help prevent personal injury, keep hands, tools and clothing away from the engine cooling fan and air-conditioner fan (if equipped). These electric fans can automatically turn on without warning.

## BODY WORK CARE

Corrosion Prevention ..... 10-1  
Vehicle Cleaning ..... 10-2



60G412

## BODY WORK CARE

### Corrosion Prevention

It is important to take good care of your vehicle to protect it from corrosion. Listed below are instructions for how to maintain your vehicle to prevent corrosion. Please read and follow these instructions carefully.

#### Important Information About Corrosion

##### Common causes of corrosion

- 1) Accumulation of road salt, dirt, moisture, or chemicals in hard to reach areas of the vehicle underbody or frame.
- 2) Chipping, scratches and any damage to treated or painted metal surfaces resulting from minor accidents or abrasion by stones and gravel.

##### Environmental conditions which accelerate corrosion

- 1) Road salt, dust control chemicals, sea air or industrial pollution will all accelerate the corrosion of metal.
- 2) High humidity will increase the rate of corrosion particularly when the temperature range is just above the freezing point.
- 3) Moisture in certain areas of a vehicle for an extended period of time may promote corrosion even though other body sections may be completely dry.
- 4) High temperatures will cause an accelerated rate of corrosion to parts of the

vehicle which are not well ventilated to permit quick drying.

This information illustrates the necessity of keeping your vehicle (particularly the underbody) as clean and dry as possible. It is equally important to repair any damage to the paint or protective coatings as soon as possible.

#### How to Help Prevent Corrosion

##### Wash your vehicle frequently

The best way to preserve the finish on your vehicle and to help avoid corrosion is to keep it clean with frequent washing.

Wash your vehicle at least once during the winter and once immediately after the winter. Keep your vehicle, particularly the underside, as clean and dry as possible. If you frequently drive on salted roads, your vehicle should be washed at least once a month during the winter. If you live near the ocean, your vehicle should be washed at least once a month throughout the year.

For washing instructions, refer to the "Vehicle Cleaning" section.

##### Remove foreign material deposits

Foreign material such as salts, chemicals, road oil or tar, tree sap, bird droppings and industrial fall-out may damage the finish of your vehicle if it is left on painted surfaces. Remove these types of deposits as quickly as possible. If these deposits are difficult to wash off, an additional cleaner may be

required. Be sure that any cleaner you use is not harmful to painted surfaces and is specifically intended for your purposes. Follow the manufacturer's directions when using these special cleaners.

#### WARNING

**Foreign material can lodge between the fuel tank of your vehicle and the skid plate which covers it. You should periodically clean out any foreign material which has accumulated in this area, since it could create a fire hazard.**

#### Repair finish damage

Carefully examine your vehicle for damage to the painted surfaces. Should you find any chips or scratches in the paint, touch them up immediately to prevent corrosion from starting. If the chips or scratches have gone through to the bare metal, have a qualified body shop make the repair.

#### Keep passenger and luggage compartments clean

Moisture, dirt or mud can accumulate under the floor mats and may cause corrosion. Occasionally, check under these mats to ensure that this area is clean and dry. More frequent checks are necessary if the vehicle is used off road or in wet weather.

Certain cargos such as chemicals, fertilizers, cleaners, salts, etc. are extremely cor-

rosive by nature. These products should be transported in sealed containers. If a spill or leak does occur, clean and dry the area immediately.

#### Use mud and gravel shields

The use of mud and gravel shields will help protect your vehicle, especially if you frequently drive on gravel or salted roads. Full-size shields, which extend as close to the road as is practical, are the best. The fittings for such shields should also be corrosion resistant. Please check with your authorized SUZUKI dealer for information on these shields.

#### Store your vehicle in a dry, well-ventilated area

Do not park your vehicle in a damp, poorly ventilated area. If you often wash your vehicle in the garage or if you frequently drive it in when wet, your garage may be damp. The high humidity in the garage may cause or accelerate corrosion. A wet vehicle may corrode even in a heated garage if the ventilation is poor.

#### ⚠ WARNING

Do not apply additional undercoating or rust preventive coating on or around exhaust system components such as the catalytic converter, exhaust pipes, etc. A fire could be started if the undercoating substance becomes overheated.

### Vehicle Cleaning



76G044S

#### ⚠ WARNING

When cleaning the interior or exterior of the vehicle, NEVER USE flammable solvents such as lacquer thinners, petrol, benzene or cleaning materials such as bleaches or strong household detergents. The materials could cause personal injury or damage to the vehicle.

### Cleaning the Interior

#### Vinyl upholstery

Prepare a solution of soap or mild detergent mixed with warm water. Apply the solution to the vinyl with a sponge or soft cloth and let it soak for a few minutes to loosen dirt.

Rub the surface with a clean, damp cloth to remove dirt and the soap solution. If some dirt still remains on the surface, repeat this procedure.

#### Fabric upholstery

Remove loose dirt with a vacuum cleaner. Using a mild soap solution, rub stained areas with a clean damp cloth. To remove soap, rub the areas again with a cloth dampened with water. Repeat this until the stain is removed, or use a commercial fabric cleaner for tougher stains. If you use a fabric cleaner, carefully follow the manufacturer's instructions and precautions.

#### Seat belts

Clean seat belts with a mild soap and water. Do not use bleach or dye on the belts. They may weaken the fabric in the belts.

#### Vinyl floor mats

Ordinary dirt can be removed from vinyl with water or mild soap. Use a brush to help loosen dirt. After the dirt is loosened, rinse the mat thoroughly with water and dry it in the shade.

## BODY WORK CARE

### Carpets

Remove dirt and soil as much as possible with a vacuum cleaner. Using a mild soap solution, rub stained areas with a clean damp cloth. To remove soap, rub the areas again with a cloth dampened with water. Repeat this until the stain is removed, or use a commercial carpet cleaner for tougher stains. If you use a carpet cleaner, carefully follow the manufacturer's instructions and precautions.

### Cleaning the Exterior

#### CAUTION

It is important that your vehicle be kept clean and free from dirt. Failure to keep your vehicle clean may result in fading of the paint or corrosion to various parts of the vehicle body.

### Washing



76A025S

#### ⚠ WARNING

- Never attempt to wash and wax your vehicle with the engine running.
- When cleaning the underside of the body and fender, where there may be sharp-edged parts, you should wear gloves and a long sleeved shirt to protect your hands and arms from being cut.
- After washing your vehicle, carefully test the brakes before driving to make sure they have maintained their normal effectiveness.

When washing the vehicle, park it where direct sunlight does not fall on it and follow the instructions below:

- 1) Flush the underside of body and wheel housings with pressurized water to remove mud and debris. Use plenty of water.

#### CAUTION

- When washing the vehicle, avoid directing steam or hot water of more than 80°C (176°F) on plastic parts.
- To avoid damaging engine components, do not use pressurized water in the engine compartment.

- 2) Rinse the body to loosen the dirt. Remove dirt and mud from the body exterior with running water. You may use a soft sponge or brush. Do not use hard materials which can scratch the paint or plastic. Remember that the headlight covers or lenses are made of plastic in many cases.

#### CAUTION

To avoid damage to the paint or plastic surface, do not wipe the dirt off without ample water. Be sure to follow above procedure.

- 3) Wash the entire exterior with a mild detergent or car wash soap using a

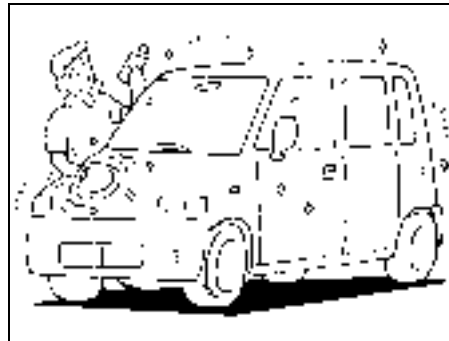
sponge or soft cloth. The sponge or cloth should be frequently soaked in the soap solution.

**CAUTION**

**When using a commercial car wash product, observe the cautions specified by the manufacturer. Never use strong household detergents or soaps.**

- 4) Once the dirt has been completely removed, rinse off the detergent with running water.
- 5) After rinsing, wipe off the vehicle body with a wet chamois or cloth and allow it to dry in the shade.
- 6) Check carefully for damage to painted surfaces. If there is any damage, "touch-up" the damage following the procedure below:
  1. Clean all damaged spots and allow them to dry.
  2. Stir the paint and "touch-up" the damaged spots lightly using a small brush.
  3. Allow the paint to dry completely.

**Waxing**



76A026S

After washing the vehicle, waxing and polishing are recommended to further protect and beautify the paint.

- Only use waxes and polishes of good quality.
- When using waxes and polishes, observe the precautions specified by the manufacturers.

**BODY WORK CARE**

---

**MEMO**

-----

-----

-----

-----

-----

-----

-----

-----

-----

-----

-----

-----

-----

-----

-----

-----

-----

-----

-----

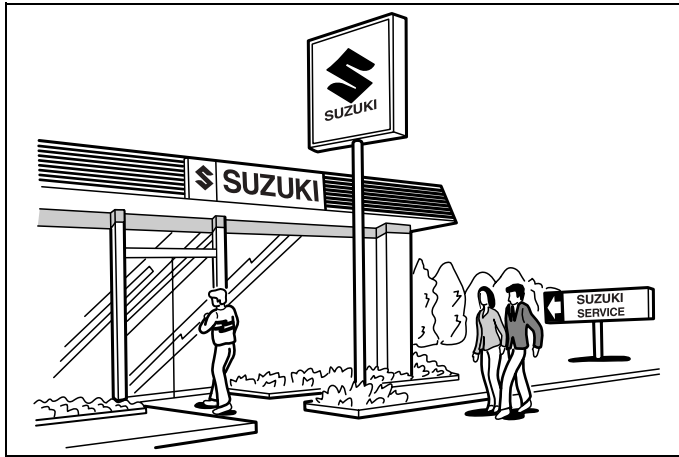
-----

**10-5**



## GENERAL INFORMATION

Vehicle Identification ..... 11-1

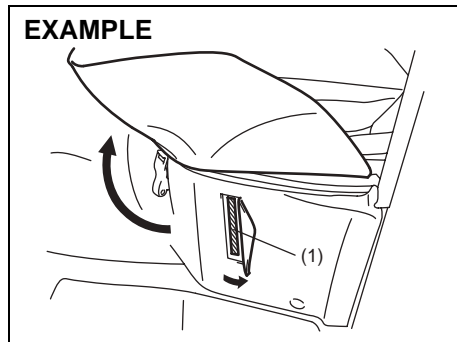


54G072

## GENERAL INFORMATION

### Vehicle Identification

#### Chassis Serial Number



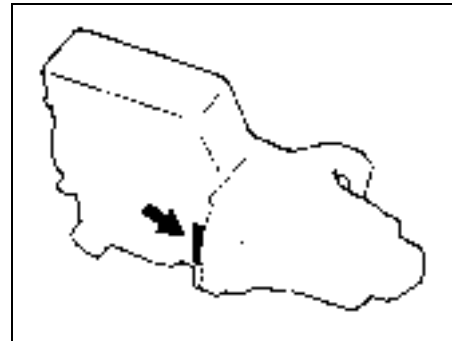
(1) Stamping position of the chassis serial number

The chassis serial number is stamped on the side panel under the front seat, driver's side or passenger's side.

The chassis and/or engine serial numbers are used to register the vehicle. They are also used to assist your dealer when ordering or referring to special service information. Whenever you have occasion to consult your SUZUKI dealer, remember to identify your vehicle with this number. Should you find the number difficult to read, you will also find it on the identification plate.

11-1

#### Engine Serial Number



The engine serial number is stamped on the cylinder block as shown in the illustration.

**SPECIFICATIONS**

**SPECIFICATIONS**

*NOTE:*

*Specifications are subject to change without notice.*

M/T: Manual transmission  
A/T: Automatic transmission

ITEM: Dimensions	UNIT: mm (in.)	Panel Van	Commercial Van	GA	GL	GLX	CARRY
Overall length		4155 (163.6)	←	←	4230 (166.5)	←	4155 (163.6)
Overall width		1655 (65.2)	←	←	←	←	1680 (66.1)
Overall height	185R14C	1880 (74.0)	←	–	–	–	1915 (75.4)
	185/80R14	1865 (73.4)	–	1865 (73.4)	←	←	–
Wheelbase		2625 (103.3)	←	←	←	←	←
Track	front	1435 (56.5)	←	←	←	←	←
	rear	1435 (56.5)	←	←	←	←	←
Ground clearance	185R14C	190 (7.5)	←	–	–	–	190 (7.5)
	185/80R14	180 (7.1)	–	180 (7.1)	←	←	–

ITEM: Mass (weight)	UNIT: kg (lbs)	Panel Van	Commercial Van	GA	GL	GLX	CARRY
Kerb mass (weight)		1140 – 1175 (2513 – 2590)	1170 – 1195 (2579 – 2634)	1210 – 1235 (2668 – 2723)	1250 – 1270 (2756 – 2800)	1300 – 1340 (2866 – 2954)	1080 – 1115 (2381 – 2458)
Gross vehicle mass (weight) rating		1950 (4299)	←	←	←	←	←
Gross axle mass (weight) rating	front	1100 (2425)	←	←	←	←	←
	rear	1220 (2690)	←	←	←	←	←

## SPECIFICATIONS

ITEM: Engine			
Type	G15A (16 valve SOHC)		G16A (16 valve SOHC)
Number of cylinders	4		4
Bore	75.0 mm (2.95 in.)		75.0 mm (2.95 in.)
Stroke	84.5 mm (3.32 in.)		90.0 mm (3.54 in.)
Piston displacement	1493 cm <sup>3</sup> (1493 cc, 91.1 cu.in)		1590 cm <sup>3</sup> (1590 cc, 97.0 cu.in)
Compression ratio	8.9 : 1	9.5 : 1	9.5 : 1

ITEM : Electrical	
Standard spark plug	DENSO K20PR-U, NGK BKR6E
Battery	G15A (M/T): 12V 36B20R/35 AH, G15A (A/T) and G16A: 12V 55B24R/45 AH
Fuses	See "INSPECTION AND MAINTENANCE" section.

ITEM: Light		WATTAGE	BULB No.
Headlight		12V 60/55W	H4
Turn signal light	front	12V 21W	PY21W (GL, GLX), P21W (other than GL, GLX)
	rear	12V 21W	PY21W (APV), P21W (CARRY)
Parking light		12V 5W	W5W
Brake/tail light		12V 21/5W	P21/5W (GL, GLX, CARRY), P21W/W5W (other than GL, GLX, CARRY)
Licence plate light		12V 5W	W5W
Reversing light		12V 21W	P21W
Dome light	front	12V 5W	W5W
	rear	12V 5W	W5W
High mount stop light		12V 18W	W16W (APV), W5W (CARRY)
Side turn light		12V 5W	WY5W (Assembly replacement)

12-2

**SPECIFICATIONS**

<b>ITEM: Wheel and Suspension</b>	<b>Panel Van</b>	<b>Commercial Van</b>	<b>GA</b>	<b>GL</b>	<b>GLX</b>	<b>CARRY</b>
Tyre size, front and rear	185R14C 185/80R14	185R14C	185/80R14	←	←	185R14C
Rim size	14 x 5J					
Tyre pressures	For the specified tyre pressure, see the Tyre Information Label located on the driver's door lock pillar.					

<b>ITEM: Steering</b>	<b>Panel Van</b>	<b>Commercial Van</b>	<b>GA</b>	<b>GL</b>	<b>GLX</b>	<b>CARRY</b>
Toe-in	0 ± 1.5 mm (0 ± 0.06 in.)					←
Camber angle	0° 45' (Positive)					←
Caster angle	3° 30'					←

<b>ITEM: Capacities (approx.)</b>	<b>Panel Van</b>	<b>Commercial Van</b>	<b>GA</b>	<b>GL</b>	<b>GLX</b>	<b>CARRY</b>
Coolant	5.5 L (9.7 Imp pt) (fully empty condition)					←
Fuel tank	46 L (10.1 Imp gal)					←
Engine oil	3.5 L (6.2 Imp pt)					←
Transmission oil	M/T	1.9 L (3.3 Imp pt) ± 0.1 L				←
	A/T	6.9 L (12.1 Imp pt)				—
Rear differential oil	1.6 L (2.8 Imp pt) ± 0.1 L					←

**SPECIFICATIONS**

---

**MEMO**

-----

-----

-----

-----

-----

-----

-----

-----

-----

-----

-----

-----

-----

-----

-----

-----

-----

-----

-----

-----

**12-4**

---

## SUPPLEMENT

For Australia ..... 13-1  
For Saudi Arabia (GCC) Specification Vehicle ..... 13-2

## SUPPLEMENT

### 1. For Australia

#### Built Date

Built date is located on Vehicle Identification plate.

“Built Date” means – the calendar month and the year in which the body shell and power train sub-assemblies are conjoined and the vehicle is driven or moved from the production line.

#### Seat Belt Warning

Follow this WARNING in addition to the SEAT BELT instruction in this book.

##### WARNING

**Seat belts are designed to bear upon the bony structure of the body, and should be worn low across the front of the pelvis or the pelvis, chest and shoulders, as applicable; wearing the lap section of the belt across the abdominal area must be avoided.**

- Seat belts should be adjusted as firmly as possible, consistent with comfort, to provide the protection for which they have been designed. A slack belt will greatly reduce the protection afforded to the wearer.
- Care should be taken to avoid contamination of the webbing with polishes, oils and chemicals, and particularly battery acid. Cleaning may safely be carried out using mild soap and water. The belt should be replaced if webbing becomes frayed, contaminated or damaged.
- It is essential to replace the entire assembly after it has been worn in a severe impact even if damage to the assembly is not obvious.
- Belts should not be worn with straps twisted.

(Continued)

##### WARNING

(Continued)

- Each belt assembly must only be used by one occupant; it is dangerous to put a belt around a child being carried on the occupant's lap.

In the case where a “*Seat Belt Assembly*” incorporates an “*Automatic Length Adjusting and Locking Retractor*” or an “*Emergency Locking Retractor*”.

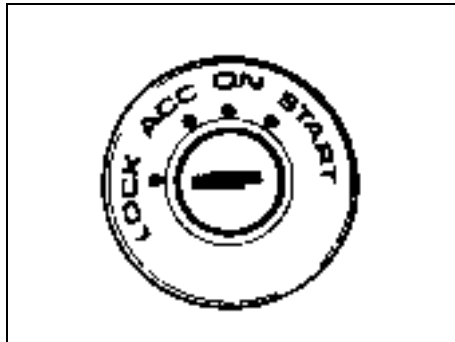
##### WARNING

- No modifications or additions should be made by the user which will either prevent the seat belt adjusting devices from operating to remove slack, or prevent the seat belt assembly from being adjusted to remove slack.
- Referring to the SEAT BELT instruction in this book, adjust the seat belt so that the lap and sash portions of the *Seat Belt Assembly* fit as firmly as possible consistent with comfort.



## 2. For Saudi Arabia (GCC) Specification Vehicle

### Ignition Switch



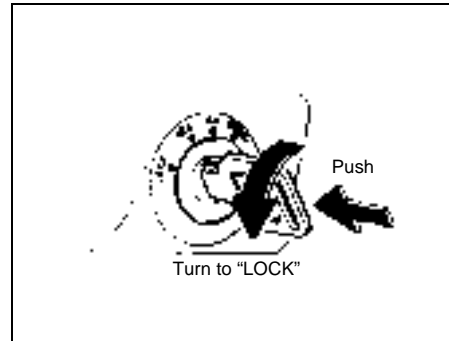
60B041

The ignition switch has the following four positions:

#### (LOCK)

This is the normal parking position. It is the only position in which the key can be removed.

### Manual transmission vehicles

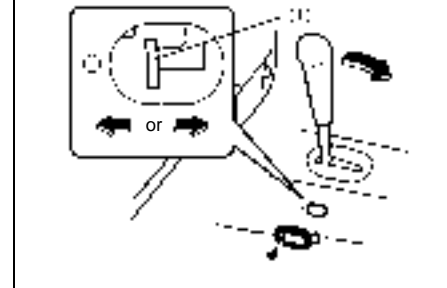


60B224

You must push in the key to turn it to the "LOCK" position. It locks the ignition, and prevents normal use of the steering wheel after the key is removed.

### Automatic transmission vehicles

#### EXAMPLE



52D155

The shift lever must be in the "P" (Park) position to turn the key to the "LOCK" position. It locks the ignition and prevents normal use of the steering wheel and shift lever.

If the shift lever can not be shifted out of "P" (Park) in the normal way, pushing the shift lever lock cam (1) to the movable direction with the key in the "ON" or "ACC" position will permit movement of the shift lever out of "P" (Park). The shift lever can be moved back to "P" (Park) without pushing the shift lever lock cam (1).

To release the steering lock, insert the key and turn it clockwise to one of the other positions. If you have trouble turning the key to unlock the steering, try turning the steering wheel slightly to the right or left while turning the key.

## SUPPLEMENT

### (ACC)

Accessories such as the radio can operate, but the engine is off.

### (ON)

This is the normal operating position. All electrical systems are on.

### (START)

This is the position for starting the engine using the starter motor. The key should be released from this position as soon as the engine starts.

### WARNING

- For manual transmission vehicles, never remove the ignition key while the vehicle is moving. The steering wheel will lock and you will not be able to steer the vehicle.
- Do not leave children alone in a parked vehicle, and always remove the keys. Unattended children could cause accidental movement of the vehicle, which could result in severe personal injury.

### CAUTION

- Do not turn the starter motor for more than 15 seconds at a time. If the engine does not start, wait five to ten seconds before trying again. If the engine does not start after several attempts, check the fuel and ignition systems or consult your SUZUKI dealer.
- Do not leave the ignition switch in the "ON" position if the engine is not running or the battery will discharge.

### Technical data

Max power : 68.0 kw/5750 rpm

Max torque : 127 Nm/4500 rpm

Max speed : 145 km/h (M/T)

140 km/h (A/T)

## البطارية

## تحذير

تنتج البطاريات غاز الهيدروجين للتهديد هنا بعد التجهيز والشرور عن البطارية والا قد يحدث انفجار كذلك لا تدخن أبداً حين العمل قرب البطارية

## تحذير

عند فحص أو صيانة البطارية، فصل الكيل السالب، حرصاً ألا تسبب دائرة قصر يترك الجسم معينة تسمى أقطاب البطارية والسبيرة لنظير الوقت

## تحذير

لتجنب الأذى الشخصي أو إتلاف السيارة أو البطارية اتبع تعليمات بدء الحركة بكيلاات العبور المذكورة في قسم خدمة الفلوازي، من هذا لتدليل ان كان من الضروري بدء حركة السيارة بكيلاات العبور

## بطارية باغظية في الأعلى



يجب اءة ان مستوى محلول "السيارة بين حطلي المستوى العلوي "UPPER" والسفلي "LOWER" في كسر الأوقات اذا وجدت ان المستوى هو تحت خط المستوى "LOWER" عند أضف ماء فقط، لم حط المستوى "UPPER" ينبغي ان تفحص دورياً البطارية وأطراف وصل البطارية ومسدند تنسب البطارية سانسحة للصدأ ازل الصدأ استعمالاً فرشاة فاسجية وشمار عمزوحاً بالماء، أو صودا الجير عمزوجة بالماء بعد ازالة الصدأ، اشعب بماء نظيف

اذا كنت لن نعم فماده سيارتك لتسهر أو لتطول، عندها افصل الكيل من اطراف السالب لبطارية المساعدة في منع التفريغ

## احتياطات في اعادة شحن البطارية

حيث ان غاز الهيدروجين المنهبط يتولد في البطارية ويخرج منها عند الشحن لهذا نأكد من اتباع الاجراءات اثناء قبل اعادة الشحن

- 1- ارفع الفتحة من مقشاح الإشعال وأوقف تشغيل كل الملحقات.
- 2- افصل الكيل من الطرف السالب لبطارية اذا كانت البطارية في السيارة
- 3- ارفع اغطية البطارية اذا كانت الاغطية مزودة وتيار الشحن الكهربائي هو 6 أمبير أو أكثر و هذه الحالة لا تتجاوز 5 أمبير استعمال تياراً كهربائياً 3 أمبير أو أقل حين عدم نزع الاغطية أو اما كانت البطارية غير مزودة بالاعطية أصلاً
- 4- أوقف تشغيل الشاحن عند فحص وفصل كيبلاات الشاحن من البطارية.

## تحذير

لا نشحن البطارية أبداً في مساطو محصورة مثل المراب أبعد النهب والتمرر عن البطارية ولا قد يحدث انفجار كذلك لا تدخن أبداً حين العمل قرب البطارية

**SUPPLEMENT**

---

**MEMO**

-----

-----

-----

-----

-----

-----

-----

-----

-----

-----

-----

-----

-----

-----

-----

-----

-----

-----

-----

-----

**13-5**

## INDEX

## Symbols

“AIR BAG” Light .....3-5

“O/D OFF” Indicator Light .....3-6

## Numerics

4-Speed Automatic Transmission .....5-4

## A

A/T Selector Position Indicator .....3-7

Accelerator Pedal .....4-2

Adding Coolant .....8-14

Adjustable Head Restraints .....1-12

Adjusting Seat Position .....1-10

Adjusting Seatbacks .....1-10

Air Cleaner .....8-16

Air Conditioning System .....3-16, 8-34

Anti-Lock Brake System (ABS) .....5-8

Assist Grips .....4-9

Automatic Transmission (AT) Fluid .....8-12

## B

Battery .....8-25

Bonnet .....4-10

Bottle Holder .....4-11

Brake Fluid .....8-19

Brake Pedal .....4-2, 8-19

Brake System Warning Light .....3-3

Brakes .....8-19

Braking .....5-7

Bulb Replacement .....8-28

## C

Catalytic Converter .....5-10

Central Door Locking System .....1-3

Changing Engine Oil and Filter .....8-9

Changing Wheels .....8-24

Charging Light .....3-5

Chassis Serial Number .....11-1

Child Restraint Systems .....1-18

Cigarette Lighter and Ashtray .....3-11

Clock .....3-11

Clutch Pedal .....4-2, 8-21

Coolant Level Check .....8-14

Coolant Replacement .....8-16

Corrosion Prevention .....10-1

## D

Daily Inspection Checklist .....5-1

Differential Oil .....8-11

Door Locks .....1-3

Drive Belt .....8-7

Driving on Hills .....6-1

Driving on Slippery Roads .....6-2

## E

Electric Mirrors .....1-9

Electric Window Controls .....1-7

Emergency Locking Retractor (ELR) .....1-15

Emergency Remedies .....9-5

Engine Compartment .....4-12

Engine Coolant .....8-14

## INDEX

Engine Oil and Filter .....	8-7	How the ABS Works .....	5-9
Engine Oil Consumption .....	5-2	<b>I</b>	
Engine Serial Number .....	11-1	If Your Vehicle Gets Stuck .....	6-2
Entry to/Exit from the 3rd Row Seat .....	1-11	Ignition Key Reminder .....	1-2
Exhaust Gas Warning .....	5-1	Ignition Switch .....	2-1, 13-2
<b>F</b>		Immobilizer System .....	1-2
Fluid Level Check .....	8-12	Improving Fuel Economy .....	5-11
Fog Light Switch .....	3-10	Inside Rearview Mirror .....	1-8
Folding Seats (for APV) .....	4-5	Instrument Cluster .....	3-2
For Australia .....	13-1	Instrument Panel .....	3-1
For Saudi Arabia (GCC) Specification Vehicle .....	13-2	Interior Light Switch .....	4-9
Frame Hooks .....	4-10	<b>J</b>	
Fuel Filler Cap .....	4-3	Jacking Instructions .....	9-1
Fuel Gauge .....	3-8	Jump Starting Instructions .....	9-3
Fuel Recommendation .....	1-1	<b>K</b>	
Fuse under the Dash Board .....	8-27	Keyless Entry System .....	1-4
Fuses .....	8-26	Keys .....	1-2
Fuses in the Engine Compartment .....	8-26	<b>L</b>	
<b>G</b>		Lap Belt .....	1-17
Gear Lever .....	4-3	Lap-Shoulder Belt .....	1-15
Gear Oil .....	8-11	Lighting Operation .....	2-2
Gear Oil Change .....	8-12	Lighting/Turn Signal Control Lever .....	2-2
Gear Oil Level Check .....	8-12	Lights "On" reminder .....	2-3
Glove Box .....	3-12	Low Fuel Warning Light .....	3-6
<b>H</b>		<b>M</b>	
Hazard Warning Switch .....	3-9	Main Beam (high beam) Indicator Light .....	3-6
Headlight Leveling Switch .....	3-10	Maintenance Recommended under Severe Driving	
Heated Rear Window Switch .....	3-10	Conditions .....	8-5
Heating System .....	3-12	Maintenance Schedule .....	8-1
High-Speed Driving .....	6-1	Malfunction Indicator Light .....	3-5
Horn .....	2-6		

14-2

## INDEX

Manual Transmission Oil .....	8-11	Seat Belt Pretensioner System .....	1-21
Manual Window Control .....	1-6	Seat Belt Warning .....	13-1
Mirrors .....	1-8	Seat Belt Warning Light .....	3-5
<b>O</b>		Seat Belts and Child Restraint Systems .....	1-13
Odometer .....	3-7	Selection of Coolant .....	8-14
Oil Level Check .....	8-8	Servo Assisted Brakes .....	5-8
Oil Pressure Light .....	3-4	Shoulder Anchor Height Adjuster .....	1-18
Open Door Warning Light .....	3-6	Side Door Locks .....	1-3
Outside Rearview Mirrors .....	1-8	Snow Chains .....	6-2
<b>P</b>		Spark Plugs .....	8-17
Parking Brake .....	8-20	SPECIFICATIONS .....	12-1
Parking Brake Lever .....	4-1	Specified Fluid .....	8-12
Pedal .....	4-2	Specified Oil .....	8-7
Periodic Maintenance Schedule .....	8-2	Speedometer .....	3-7
Petrol/Ethanol blends .....	1-1	Starting the Engine .....	5-3
Petrol/Methanol blends .....	1-1	Steering .....	8-21
Power Steering .....	8-21	Sun Visor .....	4-8
Power Steering Fluid .....	8-21	Supplemental Restraint System (air bags) .....	1-23
<b>R</b>		<b>T</b>	
Radio Antenna .....	4-15	Tachometer .....	3-8
Rear Window Wiper/Washer Switch .....	2-5	Tailgate and Side Gate (for CARRY) .....	1-6
Rearend Door Lock (for APV) .....	1-5	Temperature Gauge .....	3-9
Refill with Oil and Check for Leaks .....	8-10	Tilt Steering Lock Lever .....	2-5
Refilling .....	8-8	Towing .....	9-4
Replace the Oil Filter .....	8-9	Towing Your Vehicle (recreational towing) .....	7-2
Replacement of the transmitter battery .....	1-4	Trailer Towing .....	7-1
Running-In .....	5-10	Trip meter .....	3-7
<b>S</b>		Turn Signal Indicators .....	3-6
Seat Adjustment .....	1-9	Turn Signal Operation .....	2-3
Seat Armrest .....	4-7	Tyre Changing Tool .....	4-14
Seat Belt Inspection .....	1-18	Tyre Inspection .....	8-22

14-3

61JS2-01E

## INDEX

---

Tyre Rotation .....	8-23
Tyres .....	8-22
<b>U</b>	
Using the Transmission .....	5-4
<b>V</b>	
Vehicle Cleaning .....	10-2
Vehicle Identification .....	11-1
Vehicle Loading .....	7-1
<b>W</b>	
Warning and Indicator Lights .....	3-3
Washing .....	10-3
Waxing .....	10-4
Windows .....	1-6
Windscreen Washer .....	2-4
Windscreen Washer Fluid .....	8-16
Windscreen Wiper and Washer Lever .....	2-4
Windscreen Wipers .....	2-4
Wiper Blades .....	8-32