

ENGLISH

9.5 mm

**SERVICE STATION INFORMATION**

**Fuel recommendation:**  
See page 1-1

**Engine oil recommendation:**  
Quality: SG, SH, SJ, SL or SM  
Viscosity: SAE **0W-20**, 5W-30, 10W-30, 10W-40,  
15W-40, 20W-40

For further details, see "Engine Oil and Filter" in the  
"INSPECTION AND MAINTENANCE" section.

**Brake and clutch fluid:**  
DOT3 or SAE J1703

**Automatic transaxle fluid:**  
SUZUKI ATF AW-1

**Tire cold pressure:**  
See the "Tire Information Label" located on the  
driver's door lock pillar.

®



**SUZUKI MOTOR CORPORATION** Part No. 99011-60MK1-14E July, 2015 英



99011-60MK1-14E

Printed in Indonesia

Suzuki Red: Magenta 100%, Yellow 100%  
Suzuki Blue: Cyan 100%, Magenta 70%  
Takumi Blue: Cyan 100%, Black 85%  
Black



ERTIGA

99011-60MK1-14E

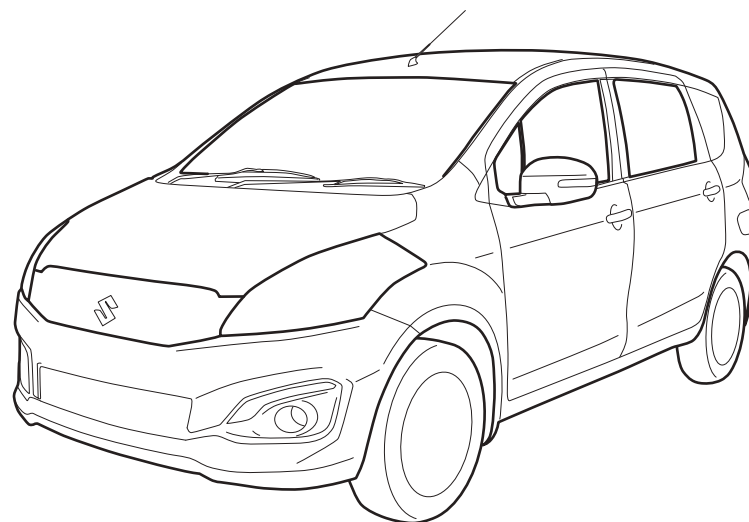
# ERTIGA

## OWNER'S MANUAL

Keep With Vehicle At All Times.  
Contains Important Information  
On Safety, Operation & Maintenance.



This owner's manual applies to the ERTIGA series.



60MK041

*NOTE: The illustrated model is one of the ERTIGA series.*

© 2015 **SUZUKI MOTOR CORPORATION** All rights reserved.

No part of this document may be reproduced or transmitted in any form or by any means, electronic or mechanical, for any purpose, without the express written permission of Suzuki Motor Corporation.

**60MK1-14E**

## FOREWORD

This manual should be considered a permanent part of the vehicle and should remain with the vehicle when resold or otherwise transferred to a new owner or operator. Please read this manual carefully before operating your new SUZUKI and review the manual from time to time. It contains important information on safety, operation and maintenance.

### **SUZUKI MOTOR CORPORATION**

**All information in this manual is based on the latest product information available at the time of publication. Due to improvements or other changes, there may be discrepancies between information in this manual and your vehicle. SUZUKI MOTOR CORPORATION reserves the right to make production changes at any time, without notice and without incurring any obligation to make the same or similar changes to vehicles previously built or sold.**

This vehicle may not comply with standards or regulations of other countries. Before attempting to register this vehicle in any other country, check all applicable regulations and make any necessary modifications.

## IMPORTANT

### **▲ WARNING/▲ CAUTION/NOTICE/NOTE**

Please read this manual and follow its instructions carefully. To emphasize special information, the symbol ▲ and the words **WARNING**, **CAUTION**, **NOTICE** and **NOTE** have special meanings. Pay particular attention to messages highlighted by these signal words:

#### **▲ WARNING**

Indicates a potential hazard that could result in death or serious injury.

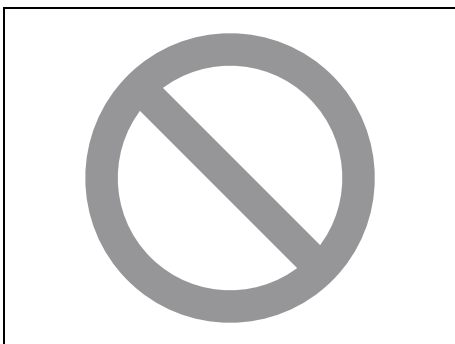
#### **▲ CAUTION**

Indicates a potential hazard that could result in minor or moderate injury.

#### **NOTICE**

Indicates a potential hazard that could result in vehicle damage.

*NOTE:*  
Indicates special information to make maintenance easier or instructions clearer.



75F135

The circle with a slash in this manual means "Don't do this" or "Don't let this happen".

## MODIFICATION WARNING

### **WARNING**

Do not modify this vehicle. Modification could adversely affect safety, handling, performance, or durability and may violate governmental regulations. In addition, damage or performance problems resulting from modification may not be covered under warranty.

### **NOTICE**

Improper installation of mobile communication equipment such as cellular telephones or CB (Citizen's Band) radios may cause electronic interference with your vehicle's ignition system, resulting in vehicle performance problems. Consult your SUZUKI dealer or qualified service technician for advice on installing such mobile communication equipment.

---

## INTRODUCTION

Thank you for choosing SUZUKI and welcome to our growing family. Your choice was a wise one; SUZUKI products are a great value that will give you years of driving pleasure.

This Owner's Manual was prepared to help you have a safe, enjoyable, and trouble-free experience with your SUZUKI. In it you will learn about the vehicle's operation, its safety features and maintenance requirements. Please read it carefully before operating your vehicle. Afterwards, keep this Manual in the glove box for future reference.

Should you resell the vehicle, please leave this Manual with it for the next owner.

In addition to the Owner's Manual, the other booklets provided with your SUZUKI explain the vehicle's warranties. We recommend you read them as well to familiarize yourself with this important information.

When planning the regular scheduled maintenance of your SUZUKI, we recommend you visit your local SUZUKI dealership. Their factory-trained technicians will provide the best possible service and use only genuine SUZUKI parts and accessories.

**SUZUKI MOTOR CORPORATION**

**60MK1-14E**

---

## RECOMMENDATION OF GENUINE SUZUKI PARTS AND ACCESSORIES USE

SUZUKI strongly recommends the use of genuine SUZUKI parts and accessories. Genuine SUZUKI parts and accessories are built to the highest standards of quality and performance, and are designed to fit your vehicle's exact specifications.

A wide variety of non-genuine replacement parts and accessories for SUZUKI vehicles are currently available in the market. Using these parts and accessories can affect the vehicle performance and shorten its useful life. Therefore, installation of non-genuine SUZUKI parts and accessories is not covered under warranty.

### **Non-Genuine SUZUKI Parts and Accessories**

Some parts and accessories may be approved by certain authorities in your country.

Some parts and accessories are sold as SUZUKI-authorized replacement parts and accessories. Some genuine SUZUKI parts and accessories are sold as re-use parts and accessories. These parts and accessories are non-genuine SUZUKI parts and accessories and use of these parts is not covered under warranty.

### **Re-use of Genuine SUZUKI Parts and Accessories**

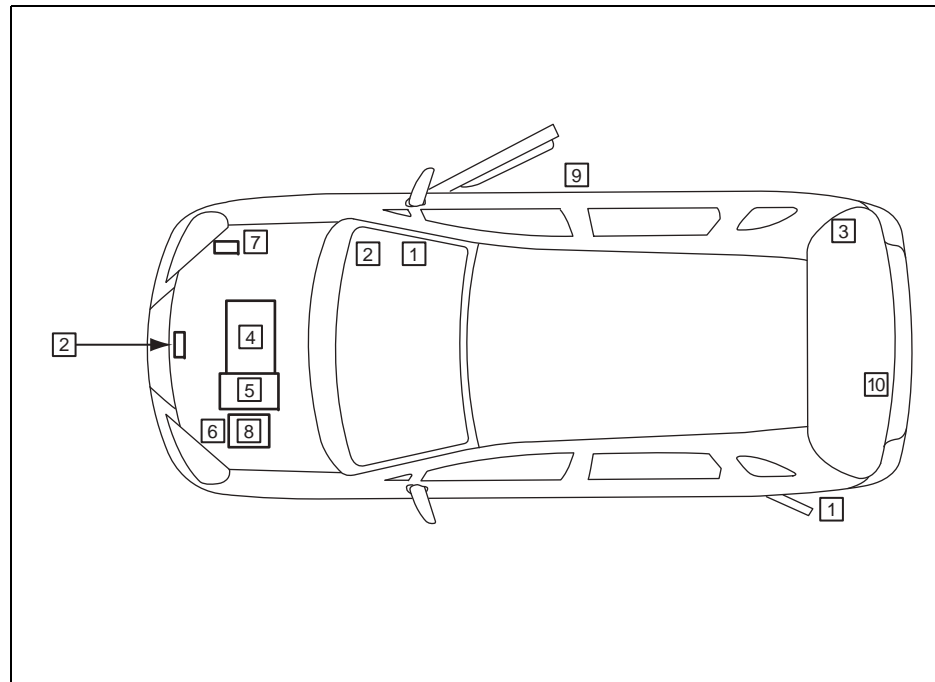
The resale or re-use of the following items which could give rise to safety hazards for users is expressly forbidden:

- Air bag components and all other pyrotechnic items, including their components (e.g. cushion, control devices and sensors)
- Seat belt system, including their components (e.g. webbing, buckles, and retractors)

The air bag and seat belt pretensioner components contain explosive chemicals. These components should be removed and disposed of properly by SUZUKI-authorized service shop or scrap yard to avoid unintended explosion before scrapping.

## SERVICE STATION GUIDE

1. Fuel (see section 1)
2. Engine hood (see section 5)
3. Tire changing tools (see section 8)
4. Engine oil dipstick <Yellow> (see section 7)
5. Automatic transaxle fluid dipstick <Red> (see section 7)
6. Engine coolant (see section 7)
7. Windshield washer fluid (see section 7)
8. Battery (see section 7)
9. Tire pressure (see Tire Information Label on driver's door lock pillar)
10. Spare tire (see section 7)



60MK022

60MK1-14E

**MEMO**

-----

-----

-----

-----

-----

-----

-----

-----

-----

-----

-----

-----

-----

-----

-----

-----

-----

-----

-----

-----



---

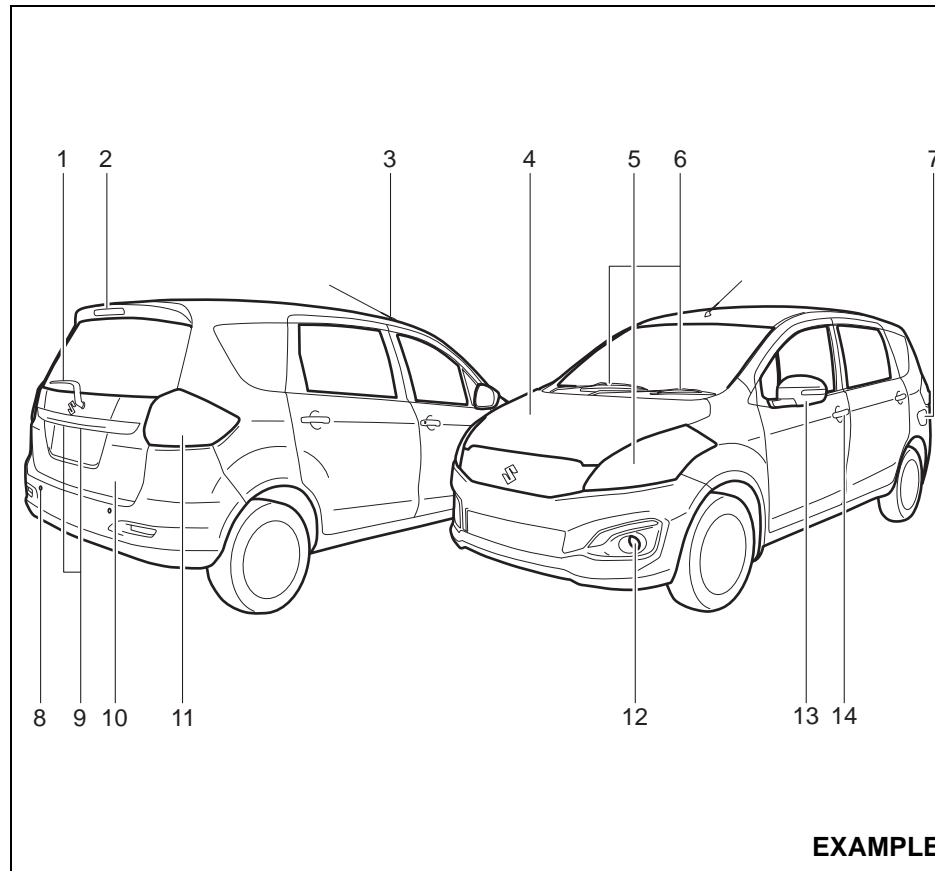
## TABLE OF CONTENTS

<b>FUEL RECOMMENDATION</b>	<b>1</b>
<b>BEFORE DRIVING</b>	<b>2</b>
<b>OPERATING YOUR VEHICLE</b>	<b>3</b>
<b>DRIVING TIPS</b>	<b>4</b>
<b>OTHER CONTROLS AND EQUIPMENT</b>	<b>5</b>
<b>VEHICLE LOADING AND TOWING</b>	<b>6</b>
<b>INSPECTION AND MAINTENANCE</b>	<b>7</b>
<b>EMERGENCY SERVICE</b>	<b>8</b>
<b>APPEARANCE CARE</b>	<b>9</b>
<b>GENERAL INFORMATION</b>	<b>10</b>
<b>SPECIFICATIONS</b>	<b>11</b>
<b>INDEX</b>	<b>12</b>

## ILLUSTRATED TABLE OF CONTENTS

### EXTERIOR

1. Rear Window Wiper (P.2-57)
2. High-mount Stop Light (if equipped) (P.7-30)
3. Radio Antenna (P.5-6)
4. Engine Hood (P.5-38)
5. Headlight (P.2-52, 7-27)
6. Windshield Wiper (P.2-55)
7. Fuel Filler Cap (P.5-37)
8. Parking Sensor (if equipped) (P.3-12)
9. License Plate Light (P.7-30)
10. Tailgate (P.2-4)
11. Rear Combination Light (P.7-30)
12. Front Fog Light (if equipped) (P.2-54, 7-29)
13. Outside Rearview Mirror (P.2-13)
14. Door Locks (P.2-2)



EXAMPLE

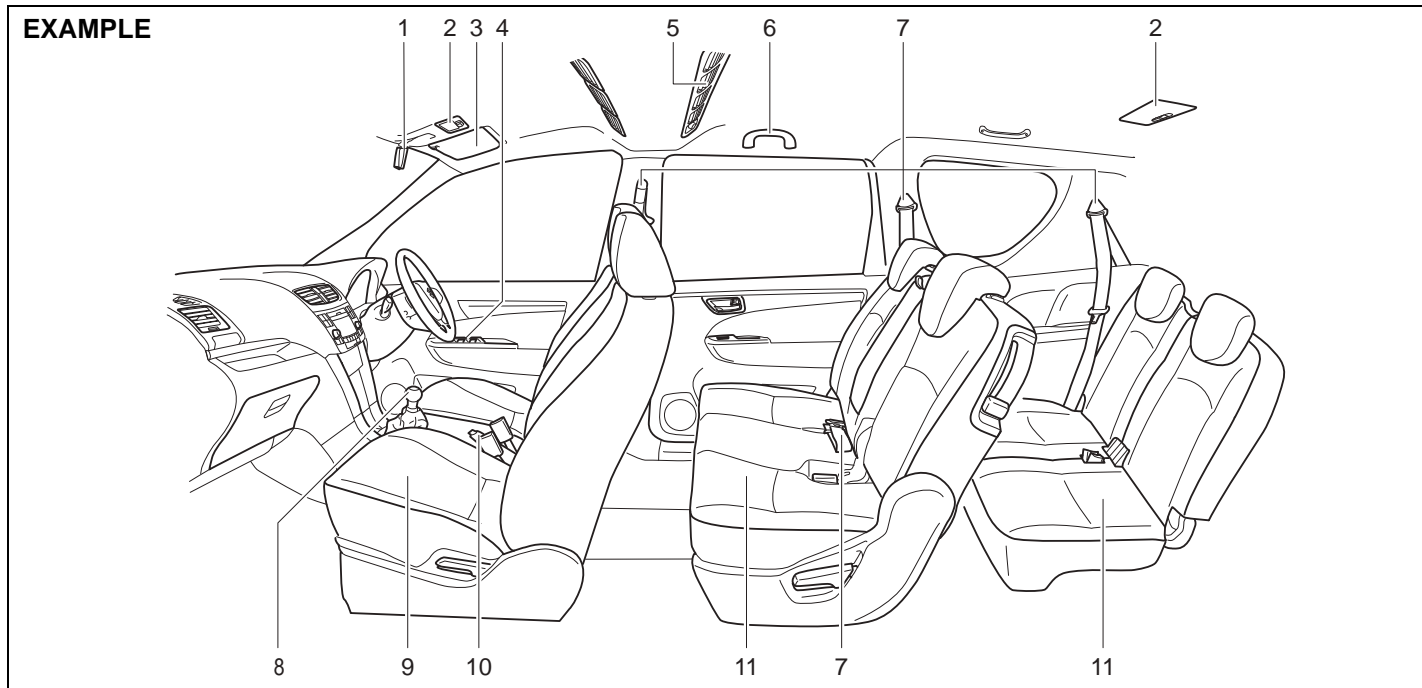
60MK042

60MK1-14E

## ILLUSTRATED TABLE OF CONTENTS

### INTERIOR

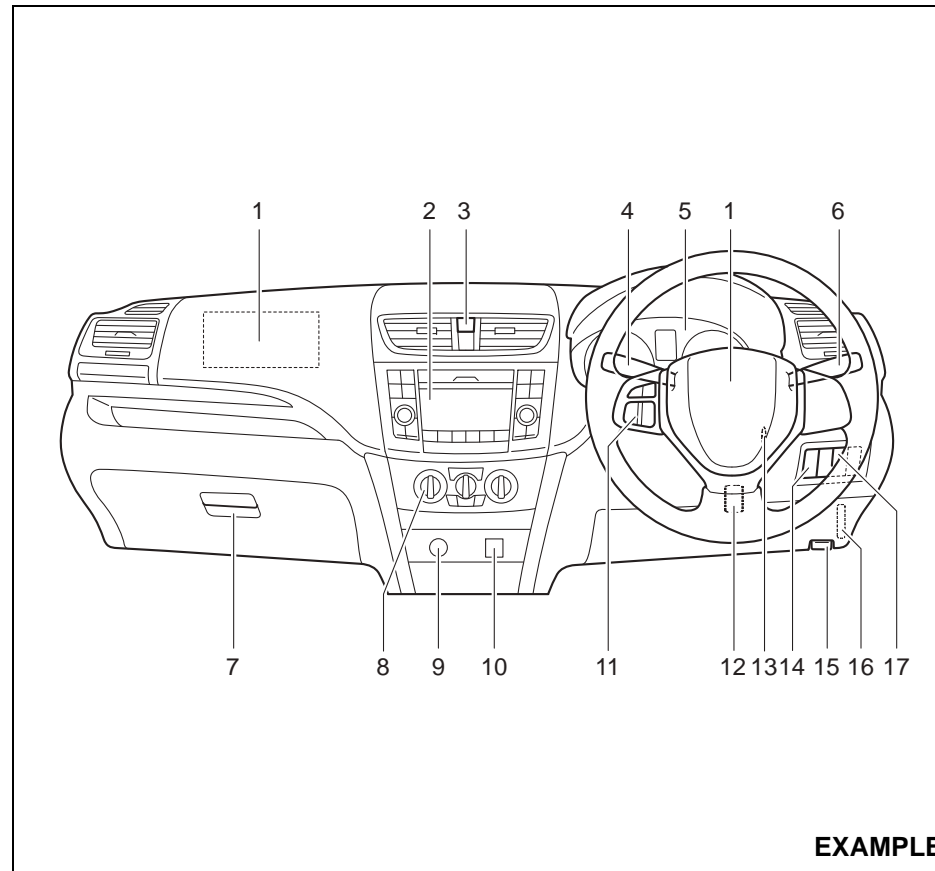
- |   |  |                                 |
|---|--|---------------------------------|
| 1. Inside Rearview Mirror (P.2-13)  | 5. Overhead Rear Air Conditioning System (if equipped) (P.5-3) | 9. Front Seats (P.2-14)         |
| 2. Interior Light (P.5-40, 7-27)  | 6. Assist Grips (P.5-42)                                       | 10. Parking Brake Lever (P.3-5) |
| 3. Sun Visor (P.5-39)   | 7. Seat Belts (P.2-21)   | 11. Rear Seats (P.2-16)         |
| 4. Electric Mirrors Control Switch (P.2-13)/<br>Electric Window Controls (P.2-10) | 8. Gearshift Lever (P.3-9)                                     |                                 |



## ILLUSTRATED TABLE OF CONTENTS

### INSTRUMENT PANEL

1. Front Air Bags (P.2-33)
2. Audio (if equipped) (P.5-7)
3. Hazard Warning Switch (P.2-55)
4. Windshield Wiper and Washer Lever (P.2-55)/Rear Window Wiper and Washer Switch (P.2-57)
5. Instrument Cluster (P.2-38)
6. Lighting Control Lever (P.2-52)/ Turn Signal Control Lever (P.2-54)
7. Glove Box (P.5-43)
8. Air Conditioning System (P.5-1)
9. Accessory Socket (P.5-41)
10. Universal Serial Bus (USB) Socket (if equipped) (P.5-42)
11. Remote Audio Controls (if equipped) (P.5-30)
12. Tilt Steering Lock Lever (P.2-57)
13. Ignition Switch (P.3-3)
14. Parking Sensor Switch (if equipped) (P.3-15)
15. Engine Hood Release Handle (P.5-38)
16. Fuse Box (P.7-23)
17. Front Fog Light Switch (if equipped) (P.2-54)



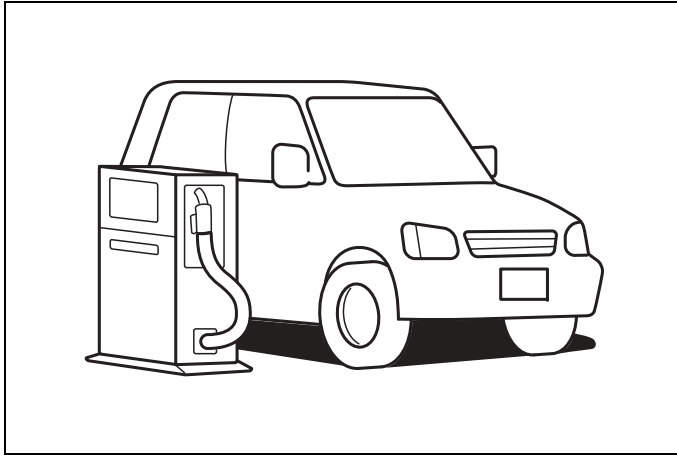
60MK044

60MK1-14E

## FUEL RECOMMENDATION

1

Fuel Recommendation ..... 1-1

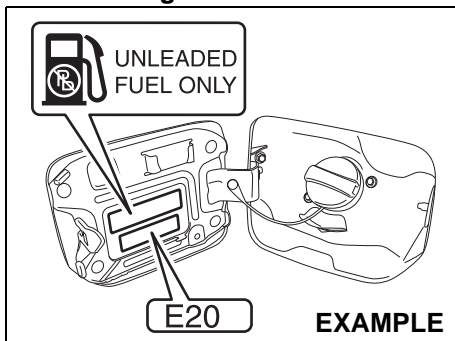


65D394

## FUEL RECOMMENDATION

### Fuel Recommendation

#### Gasoline Engine



60MK040

If your vehicle is not fitted with a restrictor in the fuel filler pipe then you may use leaded or unleaded gasoline with an octane number (RON) of 85 or higher. Note, it is preferable to use unleaded gasoline.

If your vehicle is fitted with a restrictor in the fuel filler pipe then you **must** use unleaded gasoline with an octane number (RON) of 91 or higher (or RON of 95 or higher if it is stated on the fuel filler lid). These vehicles are also identified by a label attached near the fuel filler pipe that states: "UNLEADED FUEL ONLY", "NUR UNVERBLEITES BENZIN", "ENDAST BLYFRI BENSIN" or "SOLO GASOLINA SIN PLOMO".

If the "RON 95" label is attached, you must use unleaded gasoline with an octane number (RON) of 95 or higher.

#### Gasoline/Ethanol blends

Blends of unleaded gasoline and ethanol (grain alcohol), also known as gasohol, are commercially available in some areas. Blends of this type may be used in your vehicle if they are no more than 20% ethanol. Make sure the gasoline-ethanol blend fuel has octane ratings no lower than those recommended for pure gasoline.

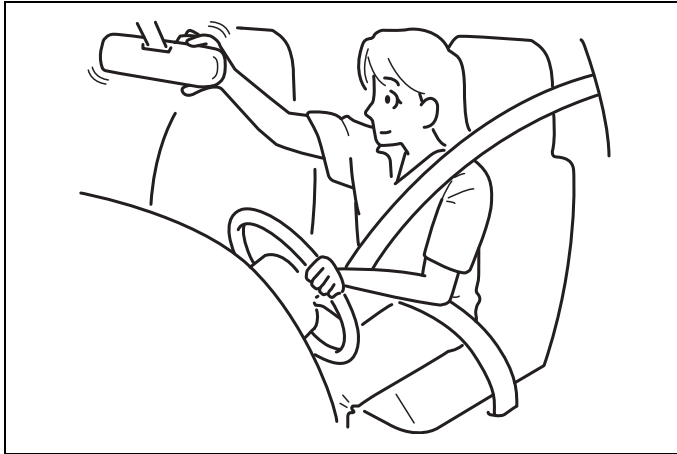
#### NOTICE

**Be careful not to spill fuel containing alcohol while refueling. If fuel is spilled on the vehicle body, wipe it up immediately. Fuels containing alcohol can cause paint damage, which is not covered under the New Vehicle Limited Warranty.**

#### NOTICE

**The fuel tank has an air space to allow for fuel expansion in hot weather. If you continue to add fuel after the filler nozzle has automatically shut off or an initial blowback occurs, the air chamber will become full. Exposure to heat when fully fuelled in this manner will result in leakage due to fuel expansion. To prevent such fuel leakage, stop filling after the filler nozzle has automatically shut off, or when using an alternative non-automatic system, initial vent blowback occurs.**

**BEFORE DRIVING**



60G404

Keys ..... 2-1

Door Locks ..... 2-2

Keyless Entry System Transmitter (if equipped) ..... 2-5

Theft Deterrent Alarm System (if equipped) ..... 2-7

Windows ..... 2-10

Mirrors ..... 2-13

Front Seats ..... 2-14

Rear Seats ..... 2-16

Seat Belts and Child Restraint Systems ..... 2-21

Supplemental Restraint System (air bags) ..... 2-32

Instrument Cluster ..... 2-38

Warning and Indicator Lights ..... 2-40

Speedometer ..... 2-45

Tachometer (if equipped) ..... 2-45

Fuel Gauge ..... 2-46

Temperature Gauge ..... 2-46

Brightness Control ..... 2-47

Information Display ..... 2-48

Lighting Control Lever ..... 2-52

Front Fog Light Switch (if equipped) ..... 2-54

Turn Signal Control Lever ..... 2-54

Hazard Warning Switch ..... 2-55

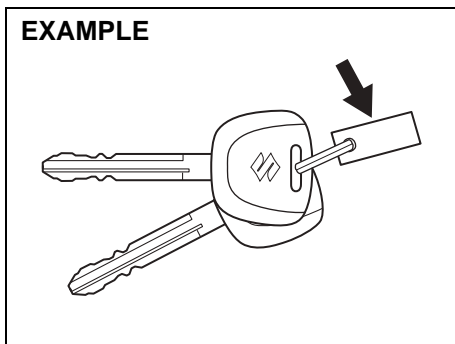
Windshield Wiper and Washer Lever ..... 2-55

Tilt Steering Lock Lever ..... 2-57

Horn ..... 2-58

## BEFORE DRIVING

### Keys



Your vehicle comes with a pair of identical keys. Keep the spare key in a safe place. One key can open all of the locks on the vehicle.

The key identification number is stamped on a metal tag provided with the keys or on the keys. Keep the tag (if equipped) in a safe place. If you lose your keys, you will need this number to have new keys made. Write the number below for your future reference.

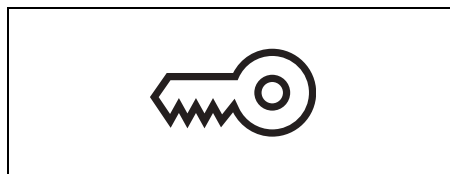
KEY NUMBER:

2-1

### Immobilizer System

This system is designed to help prevent vehicle theft by electronically disabling the engine starting system.

The engine can be started only with your vehicle's original immobilizer ignition key which has an electronic identification code programmed into it. The key communicates the identification code to the vehicle when the ignition switch is turned to the "ON" position. If you need to make spare keys, see your SUZUKI dealer. The vehicle must be programmed with the correct identification code for the spare keys. A key made by an ordinary locksmith will not work.



If the immobilizer system light blinks when the ignition switch is in the "ON" position, the engine will not start.

**NOTE:**

*If this light blinks, turn the ignition switch to the "LOCK" position, then turn it back to the "ON" position.*

*If the light still blinks with the ignition switch turned to the "ON" position, there may be something wrong with your key or with the*

*immobilizer system. Ask your SUZUKI dealer to inspect the system.*

**NOTE:**

- *If you lose your immobilizer ignition key, see your SUZUKI dealer as soon as possible to have the lost one deactivated, then have the new key made by them.*
- *If you own other vehicles with immobilizer keys, keep those keys away from the ignition switch when using your SUZUKI, or the engine may not be started because they may interfere with your SUZUKI's immobilizer system.*
- *If you attach any metal objects to the immobilizer key, it may not start the engine.*

#### NOTICE

**The immobilizer key is a sensitive electronic instrument. To avoid damaging the immobilizer key:**

- **Do not expose it to impacts, moisture or high temperature such as on the dashboard under direct sunlight.**
- **Keep the immobilizer key away from magnetic objects.**

60MK1-14E

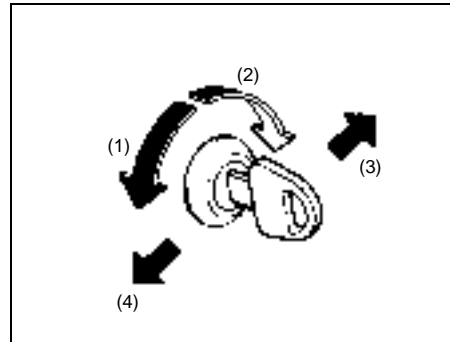


### Ignition Key Reminder

A buzzer sounds intermittently to remind you to remove the ignition key if it is in the ignition switch when the driver's door is opened.

### Door Locks

#### Side Door Locks



60B008

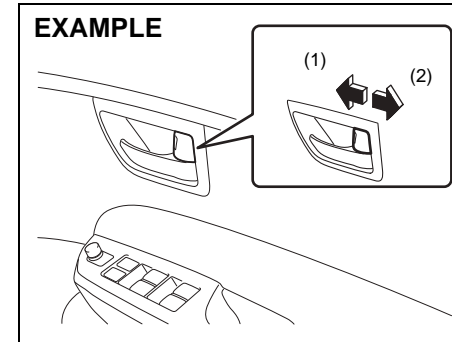
- (1) UNLOCK
- (2) LOCK
- (3) Front
- (4) Rear

To lock a front door from outside the vehicle:

- Insert the key and turn the top of the key toward the front of the vehicle, or
- Turn the lock knob forward, then pull and hold the door handle as you close the door.

To unlock a front door from outside the vehicle, insert the key and turn the top of the key toward the rear of the vehicle.

#### EXAMPLE



74LHT0201

- (1) LOCK
- (2) UNLOCK

To lock a door from inside the vehicle, turn the lock knob forward. Turn the lock knob rearward to unlock the door.

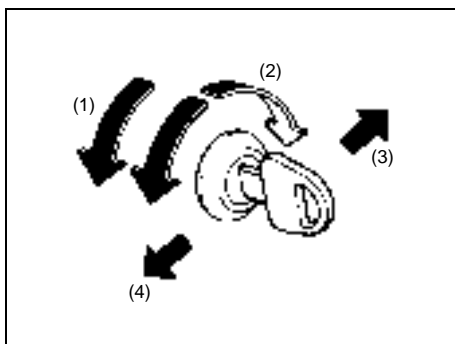
To lock a rear door from outside the vehicle, turn the lock knob forward and close the door. You do not need to pull and hold the door handle as you close the door.

**NOTE:**

*Be sure to hold the door handle when you close a locked front door, or the door will not remain locked.*

## BEFORE DRIVING

### Central Door Locking System



54G294

- (1) UNLOCK
- (2) LOCK
- (3) Front
- (4) Rear

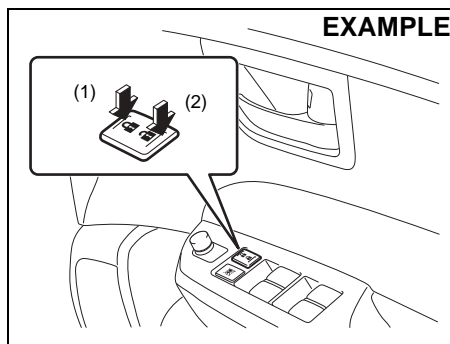
You can lock and unlock all doors (including the tailgate) simultaneously by using the key in the driver's door lock.

To lock all doors simultaneously, insert the key in the driver's door lock and turn the top of the key toward the front of the vehicle once.

To unlock all doors simultaneously, insert the key in the driver's door lock and turn the top of the key toward the rear of the vehicle twice.

To unlock the driver's door only, insert the key in that door lock and turn the top of the key toward the rear of the vehicle once.

2-3



60MK045

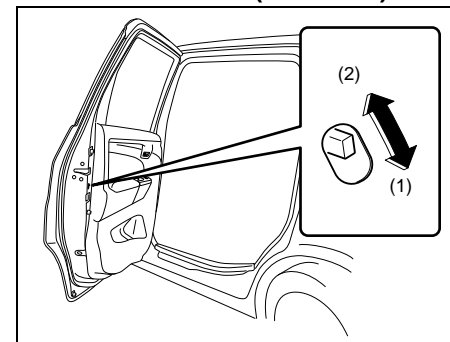
- (1) LOCK
- (2) UNLOCK

You can also lock or unlock all doors by depressing the front or rear of the switch, respectively.

#### NOTE:

*If your vehicle is equipped with the keyless entry system, you can also lock or unlock all doors by operating the transmitter. Refer to "Keyless Entry System Transmitter" in this section.*

### Child-Proof Locks (rear door)



60MH006

- (1) LOCK
- (2) UNLOCK

Each of the rear doors is equipped with a child-proof lock which can be used to help prevent unwanted opening of the door from inside the vehicle. When the lock lever is in the "LOCK" position (1), the rear door can only be opened from outside. When the lock lever is in the "UNLOCK" position (2), the rear door can be opened from inside or outside.

#### ⚠ WARNING

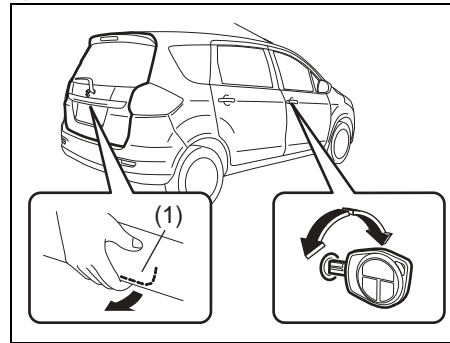
**Be sure to place the child-proof lock in the "LOCK" position whenever children are seated in the rear.**

60MK1-14E

Tailgate

**⚠ WARNING**  
 Always make sure that the tailgate is closed and latched securely. Completely closing the tailgate helps prevent occupants from being thrown from the vehicle in the event of an accident. Completely closing it also helps keep exhaust gases from entering the vehicle.

Type 1



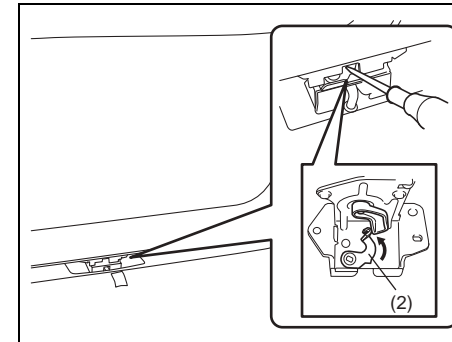
60MK046

You can lock and unlock the tailgate by using the key in the driver's door lock.

To open the tailgate, pull up and hold the tailgate handle (1) and lift the tailgate.

If you cannot unlatch the tailgate by pulling up the tailgate handle (1) due to a discharged battery or malfunction, follow the procedures below to unlatch the tailgate from inside the vehicle.

- 1) Fold the 3rd row seat forward for easier access. Refer to "Folding Rear Seats" section for details on how to fold the 3rd row seat forward.



60MH008

- 2) Push open the tailgate from inside by pushing up on the emergency lever (2) using a flat blade screwdriver or the jack handle. The tailgate will be latched again by closing the tailgate simply.

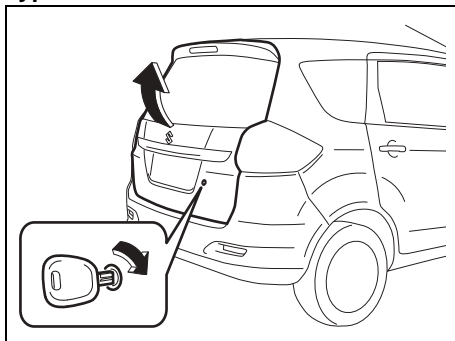
If the tailgate cannot be unlatched by pulling up the tailgate handle (1), have the vehicle inspected by your SUZUKI dealer.

**⚠ CAUTION**

- To avoid injury, do not use your finger to push the emergency lever.
- Make sure there is no one near the tailgate when pushing open the tailgate from inside the vehicle.

## BEFORE DRIVING

### Type 2



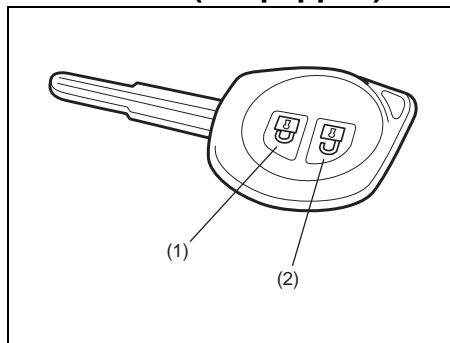
60MK047

To open the tailgate, insert the key and turn it clockwise to unlatch and lift the tailgate.

#### NOTICE

**Do not use the key to lift up the tailgate, or the key may break off in the lock.**

### Keyless Entry System Transmitter (if equipped)



81A184

- (1) "LOCK" button
- (2) "UNLOCK" button

You can lock or unlock all doors (including the tailgate) simultaneously by operating the transmitter near the vehicle.

- To lock the doors, push the "LOCK" button (1) once.
- To unlock only the driver's door, push the "UNLOCK" button (2) once.
- To unlock other doors, push the "UNLOCK" button (2) once again.

The turn signal lights will flash once when the doors are locked.

When the doors are unlocked:

- The turn signal lights will flash twice.
- If the interior light switch is in the "DOOR" position, the interior light will turn on for about 15 seconds and then fade out. If you insert the key into the ignition switch during this time, the light will start to fade out immediately.

Be sure the doors are locked after you operate the "LOCK" button (1).

#### NOTE:

*If no door is opened within about 30 seconds after the "UNLOCK" button (2) is operated, the doors will automatically lock again.*

#### NOTE:

- *The maximum operating distance of the keyless entry system transmitter is about 5 m (16 ft.), but this can vary depending on the surroundings, especially near other transmitting devices such as radio towers or CB (Citizen's Band) radios.*
- *The door locks cannot be operated with the transmitter, if the ignition key is inserted in the ignition switch.*
- *When any door is open, the door locks can be operated only unlock with the transmitter.*
- *If you lose one of the transmitters, ask your SUZUKI dealer as soon as possible for a replacement. Be sure to have your dealer program the new transmitter code*

## BEFORE DRIVING

*in your vehicle's memory so that the old code is erased.*

### NOTICE

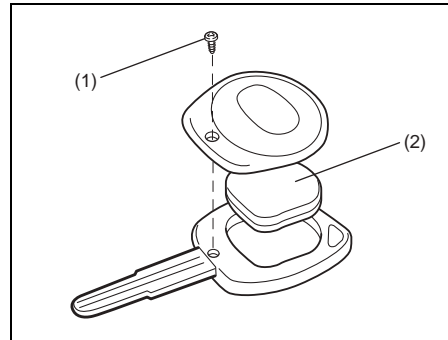
The transmitter is a sensitive electronic instrument. To avoid damaging the transmitter:

- Do not expose it to impacts, moisture or high temperature such as by leaving it on the dashboard under direct sunlight.
- Keep the transmitter away from magnetic objects such as a television.

### Replacement of the Battery

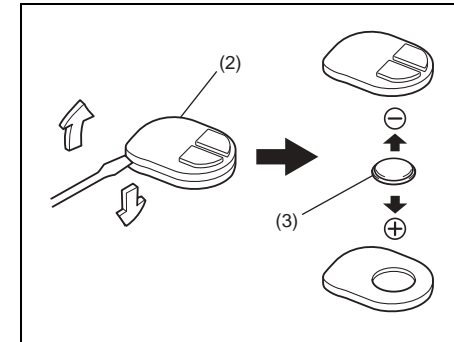
If the transmitter becomes unreliable, replace the battery.

To replace the battery of the transmitter:



68LM248

- 1) Remove the screw (1), and open the transmitter cover.
- 2) Remove the transmitter (2).



68LM249

- (3) Lithium disc type battery:  
CR1616 or equivalent

- 3) Put the edge of a flat blade screwdriver in the slot of the transmitter (2) and pry it open.
- 4) Replace the battery (3) so its + terminal faces the "+" mark of the transmitter.
- 5) Close the transmitter and install it into the transmitter holder.
- 6) Close the transmitter cover, install and tighten the screw (1).
- 7) Make sure the door locks can be operated with the transmitter.
- 8) Dispose of the used battery properly according to applicable rules or regulations. Do not dispose of lithium batteries with ordinary household trash.

## BEFORE DRIVING

### WARNING

Swallowing a lithium battery may cause serious internal injury. Do not allow anyone to swallow a lithium battery. Keep lithium batteries away from children and pets. If swallowed, contact a physician immediately.

### NOTICE

The transmitter is a sensitive electronic instrument. To avoid damaging it, do not expose it to dust or moisture or tamper with internal parts.

### Theft Deterrent Alarm System (if equipped)

The theft deterrent alarm system is armed in about 20 seconds after you lock the doors.

Keyless entry system – Use the transmitter.

Once the system is armed, any attempt to open a door by using any other means (\*) than the keyless entry system transmitter will cause the alarm to be triggered.

\* These means include the following:

- The key
- The lock lever on a door
- The power door locking switch

### NOTE:

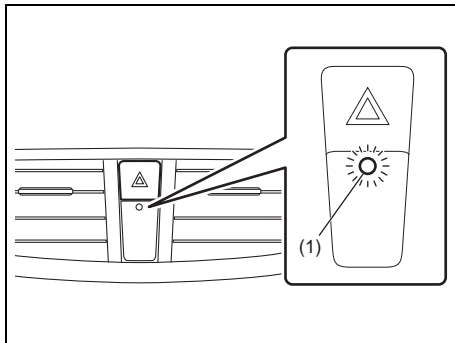
- *The theft deterrent alarm system generates alarms when any of the predetermined conditions is met. However, the system does not have any function of blocking unauthorized entry into your vehicle.*
- *Always use the keyless entry system transmitter to unlock the doors when the theft deterrent alarm system has been armed. Using a key instead will trigger the alarm.*
- *If a person who does not know the theft deterrent alarm system is going to drive your vehicle, we recommend you explain the system and its operation to the person, or disable the system beforehand. Mistakenly triggering the alarm may cause a nuisance to others.*
- *Even if the theft deterrent alarm system is armed, you should still be careful to guard against theft. Do not leave money or things of value in your vehicle.*

## BEFORE DRIVING

### How to arm the theft deterrent alarm system (when enabled)

Lock the doors using the keyless entry system transmitter. The theft deterrent light (1) will start blinking, and the theft deterrent alarm system will be armed in about 20 seconds.

While the system is being armed, the indicator continues to blink at approximately 2-second intervals.



71LST0203

### NOTE:

- To prevent the alarm from being accidentally triggered, avoid arming it while anyone remains inside the vehicle. The alarm will be triggered if any person inside unlocks a door by operating the lock lever or power door locking switch.
- The theft deterrent alarm system is not armed when all doors are locked using the key from outside, or using the door lock levers or the power door locking switch from inside.
- If any of the doors is not operated within approximately 30 seconds after the doors have been unlocked using the keyless entry system transmitter, the doors are automatically locked again. At the same time, the theft deterrent alarm system is armed if the system is in the enabled state.

### How to disarm the theft deterrent alarm system

Simply unlock the doors using the keyless entry system transmitter. The theft deterrent light will go out, indicating that the theft deterrent alarm system is disarmed.

### How to stop the alarm

Should the alarm be triggered accidentally, turn the ignition switch to "ON" position. The alarm will then stop.

### NOTE:

- Even after the alarm has stopped, if you lock the doors using the keyless entry system transmitter, the theft deterrent alarm system will be rearmed with a delay of about 20 seconds.
- If you disconnect the battery while the theft deterrent alarm system is in the armed condition or the alarm is actually in operation, the alarm will be triggered or re-triggered when the battery is then reconnected, although, in the latter case, the alarm remains stopped for the period between disconnection and reconnection of the battery.
- Even after the alarm has stopped at the end of the predetermined operation time, it will be triggered again if any door is opened without disarming the theft deterrent alarm system.

## BEFORE DRIVING

### Checking whether the alarm has been triggered during parking

If the alarm was triggered due to an unauthorized entry into the vehicle and you then turn the ignition switch to "ON" position, the theft deterrent light will blink rapidly for about 8 seconds and a buzzer will beep 4 times during this period. If this happens, check whether your vehicle has been broken into while you were away from it.

### Enabling and disabling the theft deterrent alarm system

The theft deterrent alarm system can be either "enabled" or "disabled".

#### When enabled (factory setting)

When the system is enabled, it causes the hazard warning lights to flash for about 40 seconds if any of the alarm trigger conditions is met. The system also causes the interior buzzer to beep intermittently for about 10 seconds, which is followed by intermittent sounding of the horn for about 30 seconds.

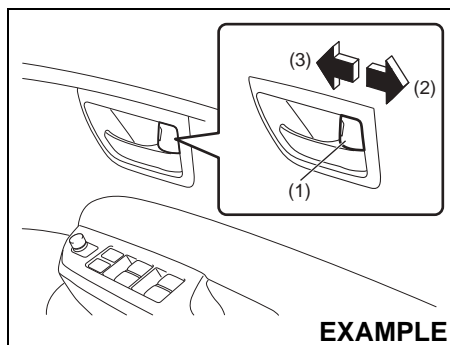
The theft deterrent light continues to blink during this time.

#### When disabled

When the system is disabled, it stays disarmed even if you perform any system arming operation.

### How to switch the state of the theft deterrent alarm system

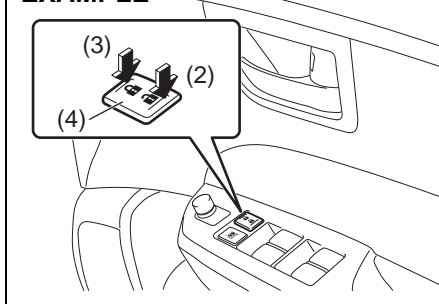
You can switch the theft deterrent alarm system from the enabled state to the disabled state, and vice versa, using the following method.



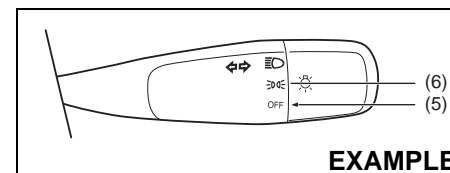
EXAMPLE

60MK048

### EXAMPLE



- (2) UNLOCK
- (3) LOCK



EXAMPLE

60MK035



- 1) With the ignition switch in the "ON" position, close all the doors and turn the lock knob (1) on the driver's door in the unlocking direction (2) (rearward). Turn the knob on the lighting control lever to the OFF position (5).

**NOTE:**

All operations included in the following steps 2) and 3) must be completed within 15 seconds.

- 2) Turn the knob on the lighting control lever to the ㄱ position (6) and then to the OFF position (5). Repeat this operation 4 times with the control finally lever set to the OFF position.
- 3) Push the lock end (3) (forward end) of the power door lock switch (4) to lock the doors, and then the unlock end (2) (backward end) to unlock the doors. Repeat these operations 3 times and finally push the lock end of the switch.

Every time you perform the series of the above steps, the state of the theft deterrent alarm system changes from the currently selected one to the other. You can check whether the system is enabled or disabled by the number of interior buzzer beeps at the end of the procedure as follows.

System state	Number of beeps
Disabled	Once
Enabled	4 times

**NOTE:**

- You cannot disable the theft deterrent alarm system while it is in the armed condition.
- If you fail to complete the operations in step 2) and 3) within 15 seconds, perform the procedure again from the beginning.
- Make sure all doors are closed when performing the above procedure.

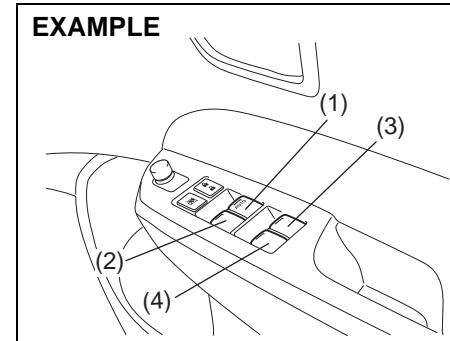
## Windows

### Electric Window Controls

The electric windows can only be operated when the ignition switch is in the "ON" position.

**Driver's side**

**EXAMPLE**

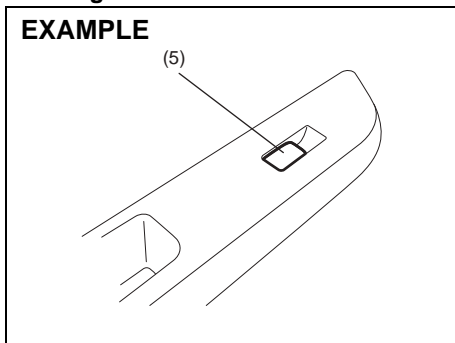


60MK049

The driver's door has a switch (1) to operate the driver's window, and a switch (2) to operate the front passenger's window or there are switches (3), (4), to operate the rear right and left passenger windows, respectively.

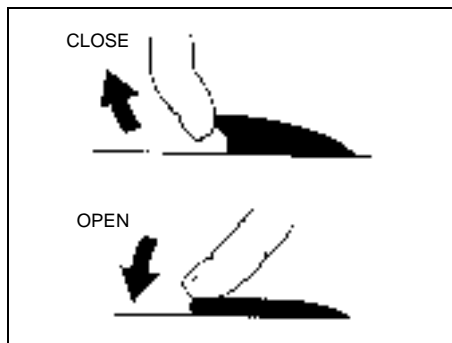
## BEFORE DRIVING

### Passenger's door



74LHT0205

The passenger's door has a switch (5) to operate the passenger's window.

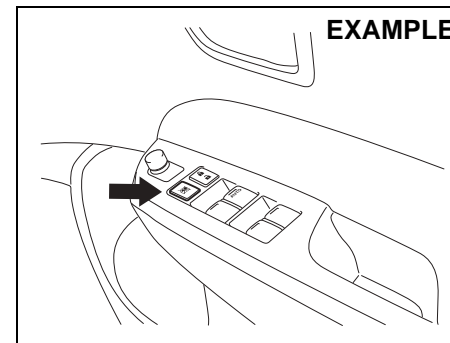


81A009

To open a window, push the top part of the switch and to close the window lift up the top part of the switch.

The driver's window has an "auto-down" feature for added convenience (at toll booths or drive-through restaurants, for example). This means you can open the window without holding the window switch in the "Down" position. Press the driver's window switch completely down and release it. To stop the window before it reaches the bottom, pull the switch up briefly.

### Lock switch



60MK050

The driver's door also has a lock switch for the passenger's windows. When you push in the lock switch, the passenger's windows cannot be raised or lowered by operating any of the switches (2), (3), (4) or (5). To restore normal operation, release the lock switch by pushing again.

**⚠ WARNING**

- You should always lock the passenger's window operation when there are children in the vehicle. Children can be seriously injured if they get part of their body caught by the window during operation.
- To avoid injuring an occupant by window entrapment, be sure no part of the occupant's body such as hands or head is in the path of the electric windows when closing them.
- Always remove the ignition key when leaving the vehicle even if only for a short time. Also do not leave children alone in a parked vehicle. Unattended children could use the electric window switches and get trapped by the window.

**NOTE:**

*If you drive with one of the rear windows open, you may hear a loud sound caused by air vibration. To reduce the sound, open the driver's or front passenger's window, or narrow the rear window opening.*

**Pinching Prevention Function**

The driver's window is equipped with the pinching prevention function. The function detects a foreign object caught in the window while being closed by the "auto-up" feature, which you can close the window without holding the window switch in the "Up" position, and stops the window closing to prevent damage.

**⚠ WARNING**

**To avoid injuring an occupant by window entrapment, be sure no part of the occupant's body such as hands or head is in the path of the electric window when closing it. The function may not detect the object depending on size, hardness, and position of the object caught by the closing window.**

**⚠ CAUTION**

- The pinching prevention function does not act while you are holding the window switch in the "Up" position.
- The pinching prevention function may not detect an object caught in the window just before the window is fully closed.

**NOTE:**

*Even if you cannot close the window by the auto-up feature because there may be something wrong with the pinching prevention function, you can close the window by holding the window switch in the "Up" position.*

*If you drive in extreme off-road condition, the pinching prevention function may operate accidentally because the window react to vehicle jolting.*

**The Pinching Prevention Function Initialization**

When you disconnect and re-connect the battery or replace the fuse, the function will be deactivated. In this condition, the auto-down feature will be deactivated, while the auto-up feature may remain being activated. The pinching prevention function needs to be initialized.

To initialize the pinching prevention function, use the following procedure:

- 1) Turn the ignition switch to the "ON" position.
- 2) Open the driver's window fully by holding the window switch in the "Down" position.
- 3) Close the driver's window by holding the switch in the "Up" position, and keep holding the switch for 2 seconds after the window fully closed.
- 4) Check the driver's window if the auto-down/up feature work.

## BEFORE DRIVING

### **⚠ WARNING**

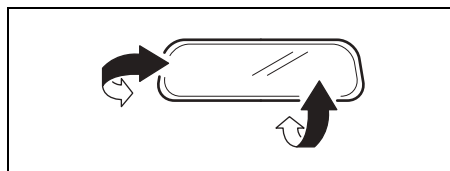
Whenever you disconnect and reconnect the battery or replace the fuse, the pinching prevention function needs to be initialized. The pinching prevention function will not be activated until the initialization complete.

If the auto-down/up feature would not work after initialization, there might be something wrong with the pinching prevention function. Have your vehicle inspected by an authorized SUZUKI dealer.

## Mirrors

### Inside Rearview Mirror

You can adjust the inside rearview mirror by hand so as to see the rear of your vehicle in the mirror.



74LHT0235

### Outside Rearview Mirrors

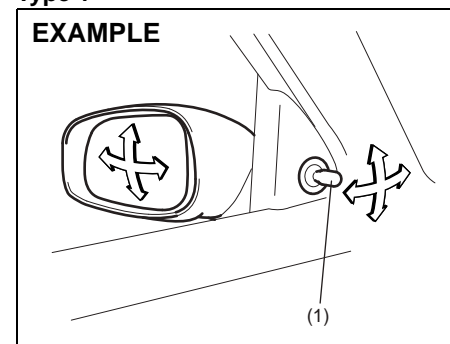
Adjust the outside rearview mirrors so you can just see the side of your vehicle in the mirrors.

### **⚠ WARNING**

Be careful when judging the size or distance of a vehicle or other object seen in the side convex mirror. Be aware that objects look smaller and appear farther away than when seen in a flat mirror.

### Type 1

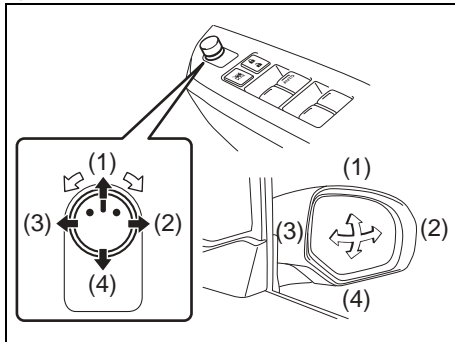
#### EXAMPLE



77J009

You can adjust the outside rearview mirrors by hand with the knob (1) located on the driver's or front passenger's door panel.

## Type 2

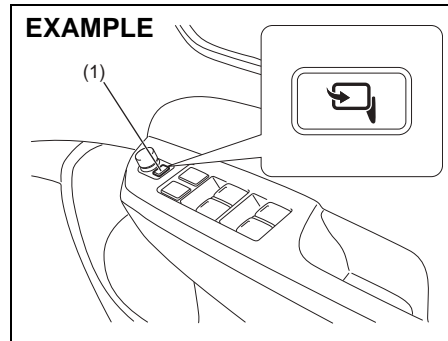


60MK051

The switch to control the electric mirrors is located on the driver's door panel. You can adjust the mirrors when the ignition switch is in the "ACC" or "ON" position. To adjust the mirrors:

- 1) Move the selector switch to the left or right to select the mirror you wish to adjust.
- 2) Press the outer part of the switch that corresponds to the direction in which you wish to move the mirror.
- 3) Return the selector switch to the center position to help prevent unintended adjustment.

## Outside Rearview Mirrors Folding Switch (if equipped)



71LST0207

You can fold the mirrors when you park the vehicle in a narrow space. When the ignition switch is in the "ACC" or "ON" position, push the folding switch (1) to fold and unfold the mirrors.

Make sure the mirrors are completely unfolded before you start driving.

**CAUTION**

**Moving mirrors can pinch and injure a hand. Do not allow any one's hand to get near the mirrors when folding and unfolding the mirrors.**

## Front Seats

## Seat Adjustment

**WARNING**

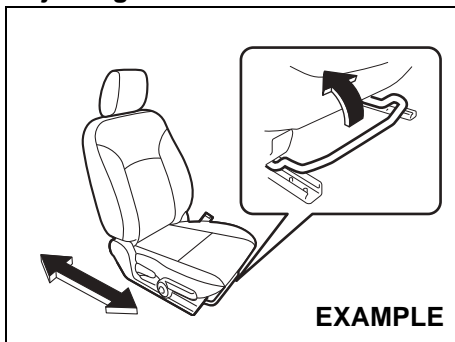
Never attempt to adjust the driver's seat or seatback while driving. The seat or seatback could move unexpectedly, causing loss of control. Make sure that the driver's seat and seatback are properly adjusted before you start driving.

**WARNING**

To avoid excessive seat belt slack, which reduces the effectiveness of the seat belts as a safety device, make sure that the seats are adjusted before the seat belts are fastened.

## BEFORE DRIVING

### Adjusting Seat Position

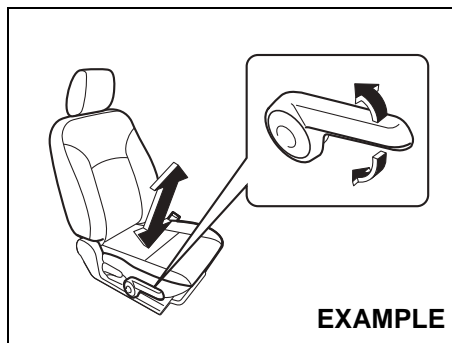


**EXAMPLE**

60MH011

The adjustment lever for each front seat is located under the front of the seat. To adjust the seat position, pull up on the adjustment lever and slide the seat forward or rearward.

After adjustment, try to move the seat forward and rearward to ensure that it is securely latched.



**EXAMPLE**

60MH012

If the driver's seat is equipped with a seat height adjuster lever on the outboard side of the seat, raise or lower the seat by pulling up or down the adjuster lever.

### Adjusting Seatbacks

#### **⚠ WARNING**

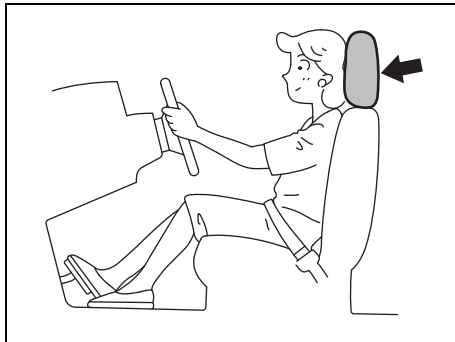
All seatbacks should always be in an upright position when driving, or seat belt effectiveness may be reduced. Seat belts are designed to offer maximum protection when seatbacks are in the upright position.



**EXAMPLE**

60MH013

To adjust the seatback angle of front seats, pull up the lever on the outboard side of the seat, move the seatback to the desired position, and release the lever to lock the seatback in place.

**Head Restraints**

63J246

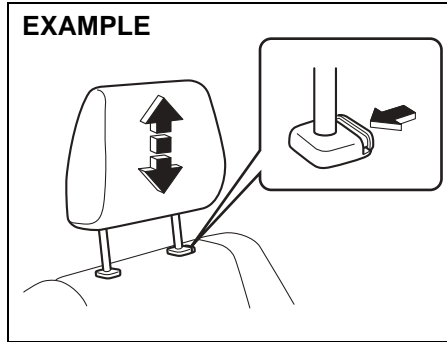
Head restraints are designed to help reduce the risk of neck injuries in the case of an accident. Adjust the head restraint to the position which places the center of the head restraint closest to the top of your ears. If this is not possible for very tall passengers, adjust the head restraint as high as possible.

**⚠ WARNING**

- Never drive the vehicle with the head restraints removed.
- Do not attempt to adjust the head restraint while driving.

**NOTE:**

*It may be necessary to recline the seat-back to provide enough overhead clearance to remove the head restraint.*

**Front****EXAMPLE**

80JS082

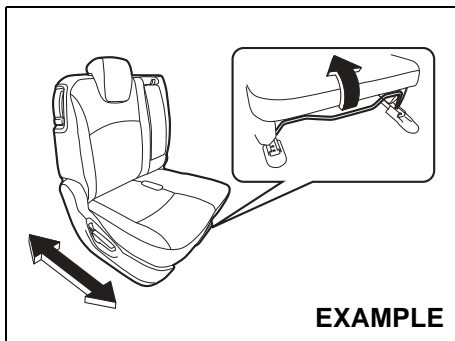
To raise the front head restraint, pull upward on the restraint until it clicks. To lower the restraint, push down on the restraint while holding in the lock lever. If a head restraint must be removed (for cleaning, replacement, etc.), push in the lock lever and pull the head restraint all the way out.

**Rear Seats****Seat Adjustment****⚠ WARNING**

To avoid excessive seat belt slack, which reduces the effectiveness of the seat belts as a safety device, make sure that the seats are adjusted before the seat belts are fastened.

## BEFORE DRIVING

### Adjusting Seat Position (for 2nd row seats)



60MH014

The adjustment levers for 2nd row seats are located under the front of the seats. To adjust the seat position, pull up on the adjustment lever and slide the seat forward or rearward.

After adjustment, try to move the seat forward and rearward to ensure that it is securely latched.

#### **NOTICE**

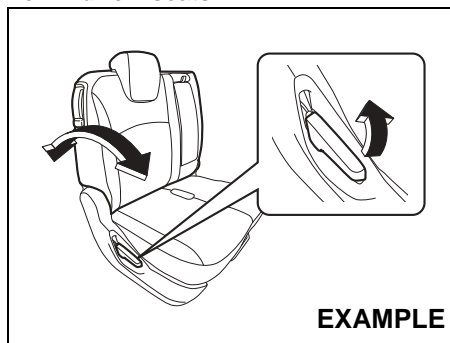
**When the 3rd row seat is folded forward, adjust the 2nd row seat not to reach the 3rd row seat.**

### Adjusting Seatbacks

#### **WARNING**

All seatbacks should always be in an upright position when driving, or seat belt effectiveness may be reduced. Seat belts are designed to offer maximum protection when seatbacks are in the upright position.

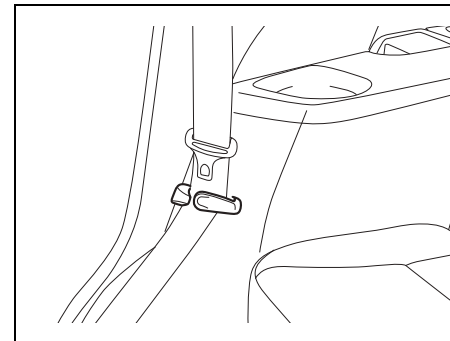
#### For 2nd row seats



60MH015

To adjust the seatback angle of 2nd row seats, pull up the lever on the outboard side of the seat, move the seatback to the desired position, and release the lever to lock the seatback in place.

### Walk-in Type Seats (for 2nd row seats)

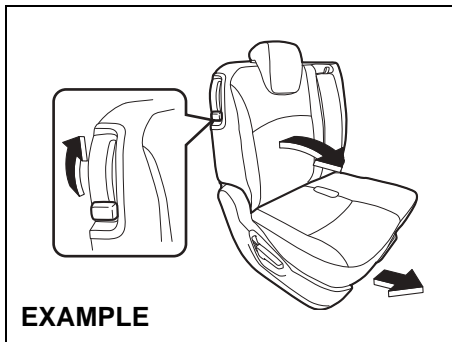


#### **NOTE:**

To enter to or exit from the 3rd row seat, hook the webbing of the outboard lap-shoulder belt of 2nd row seat before moving the 2nd row seat.



## BEFORE DRIVING



The walk-in type seat can be moved to provide easy entry to and exit from the 3rd row seats. You can move a walk-in seat by pulling up the lever on the outboard side of the seatback and pushing the seatback forward.

### **⚠ WARNING**

- After using the walk-in function, be sure to return the folded seatback to an upright position.
- Before returning a walk-in seat to its normal seating position, make sure that the feet of the passenger in the 3rd row seat are out of the way.
- After returning the seat to its normal seating position, make sure it is securely latched.

### Head Restraints (if equipped)

Head restraints are designed to help reduce the risk of neck injuries in the case of an accident.

### **⚠ WARNING**

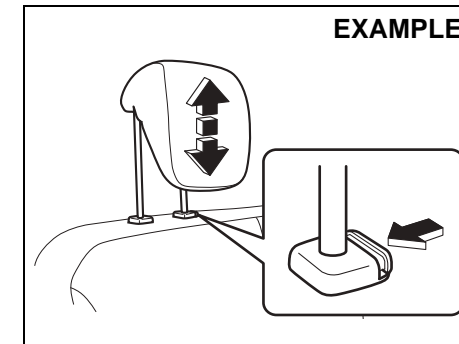
- Never drive the vehicle with the head restraints removed.
- Do not attempt to adjust the head restraint while driving.

#### NOTE:

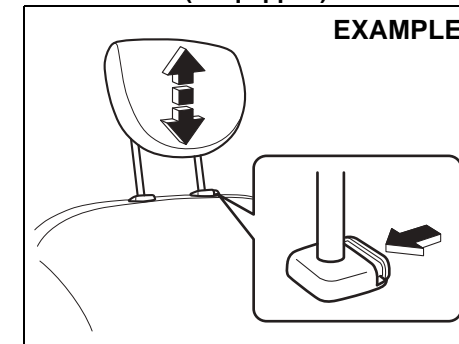
*It may be necessary to fold forward the seatback to provide enough overhead clearance to remove the head restraint.*

Adjust the head restraint to the position which places the center of the head restraint closest to the top of your ears. If this is not possible for very tall passengers, adjust the head restraint as high as possible.

### 2nd row seats



### 3rd row seats (if equipped)



## BEFORE DRIVING

To raise the rear head restraint, pull upward on the restraint until it clicks. To lower the restraint, push down on the restraint while holding in the lock lever. If a head restraint must be removed (for cleaning, replacement, etc.), push in the lock lever and pull the head restraint all the way out.

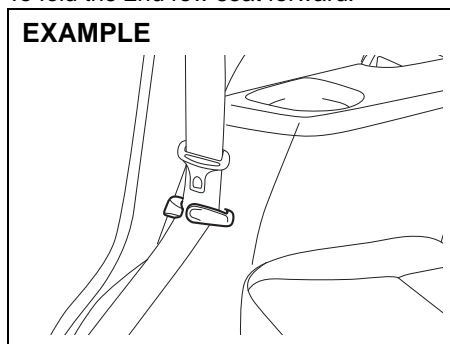
When installing a child restraint system, raise the head restraint to the most upper position.

### Folding Rear Seats

The rear seat of your vehicle can be folded forward to provide additional cargo space.

#### 2nd row seats

To fold the 2nd row seat forward:



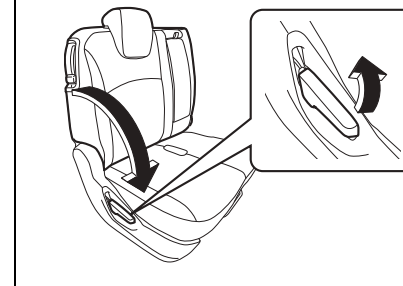
- 1) Hook the webbing of the outboard lap-shoulder belts in the belt hangers.

#### NOTICE

- When you move a seatback, make sure the belt webbing is hooked in the seat belt hangers so the seat belts are not caught by the seatback. This helps prevent damage to the belt system.
- Make sure the belt webbing is not twisted.

- 2) Lower the head restraint fully.
- 3) Store the seat belt buckles in the seat cushion slit.

#### EXAMPLE



- 4) Pull up the lever on the outboard side of the seat, and fold the seatback forward.

#### NOTICE

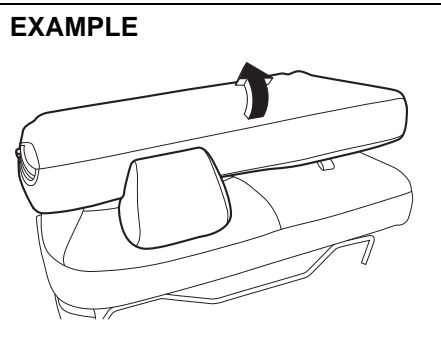
When the 2nd row seat head restraint reaches the front seatback, slide the front seat forward.

#### ⚠ WARNING

If you need to carry cargo in the passenger compartment with the 2nd row seatback folded forward, be sure to secure the cargo or it may be thrown about, causing injury. Never pile cargo higher than the seatback.

## BEFORE DRIVING

To return the seat to the normal position, follow the procedure below.



Raise the seatback until it locks into place.

**NOTE:**  
When the seatback is locked in the folded position, pull up the lever on the outboard side of the seat to unlatch the seatback.

After returning the seat, try moving the seatback to make sure they are securely latched.

### 3rd row seats

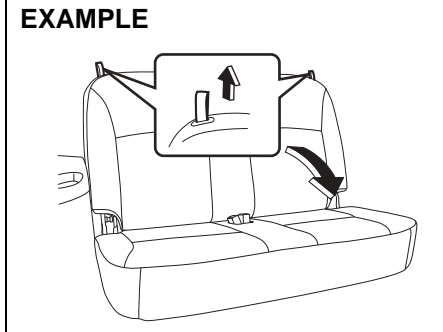
To fold the 3rd row seat(s) forward:

- 1) Lower the head restraint (if equipped) fully.
- 2) Store the seat belt buckles in the seat cushion slit.

#### NOTICE

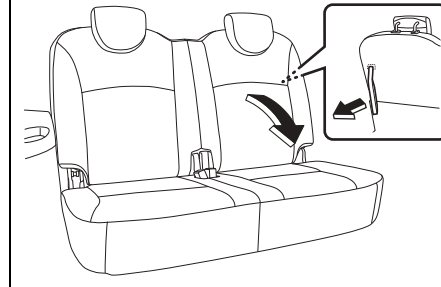
For type B seat, store both of the seat belt buckles in the seat cushion slit before folding seat(s). This helps prevent being dropped under the seat cushion.

### Type A



### Type B

#### EXAMPLE



- 3) For type A seat, pull up the both release straps on the top of seat, and fold the seatback forward.  
For type B seat, pull the release strap on behind the seatback, and fold the seatback forward.

#### NOTICE

When the 3rd row seat head restraint reaches the 2nd row seatback, slide the 2nd row seat forward.

## BEFORE DRIVING

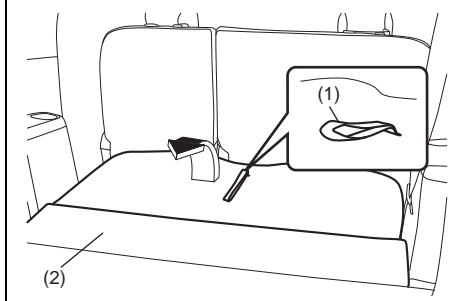
### ⚠ WARNING

If you need to carry cargo in the passenger compartment with the 3rd row seatback folded forward, be sure to secure the cargo or it may be thrown about, causing injury. Never pile cargo higher than the seatback.

To return the seat to the normal position, follow the procedure below.

### Type A

#### EXAMPLE

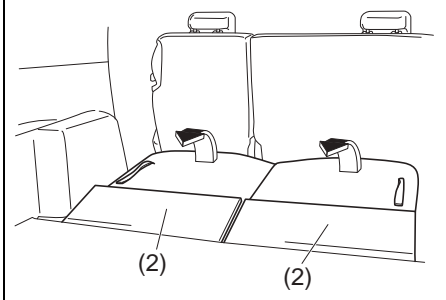


Raise the seatback until it locks into place.

When you raise the seat from back of it, pull the strap (1).

### Type B

#### EXAMPLE



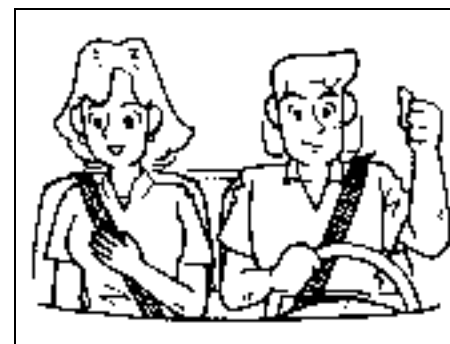
Raise the seatback until it locks into place.

### NOTICE

Do not pull the luggage flap (2) (if equipped) or place any luggage when the luggage flap is pull toward rear. Otherwise, the luggage flap (2) will be damaged.

After returning the seat, try moving the seatback to make sure they are securely latched.

## Seat Belts and Child Restraint Systems



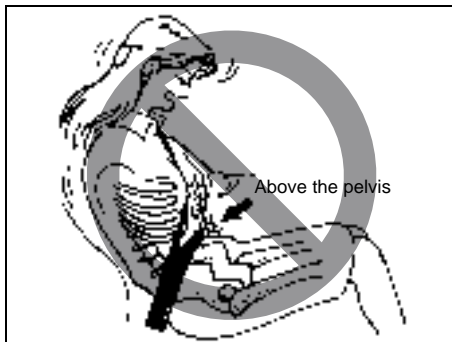
### ⚠ WARNING

Wear Your Seat Belts at All Times.

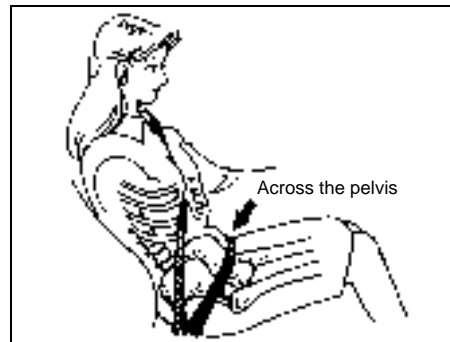
### ⚠ WARNING

An air bag supplements, or adds to, the frontal crash protection offered by seat belts. The driver and all passengers must be properly restrained by wearing seat belts at all times, whether or not an air bag is mounted at their seating position, to minimize the risk of severe injury or death in the event of a crash.

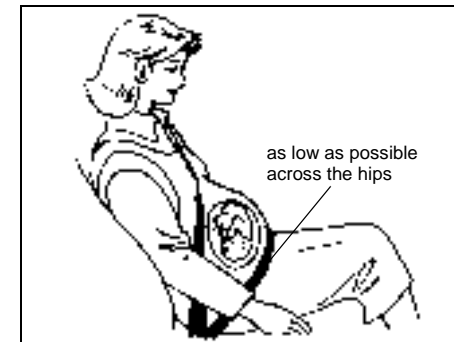
## BEFORE DRIVING



65D606



65D201



65D199

### ⚠ WARNING

- Never allow persons to ride in the cargo area of a vehicle. In the event of an accident, there is a much greater risk of injury for persons who are not riding in a seat with their seat belt securely fastened.
- Seat belts should always be adjusted as follows:
  - the lap portion of the belt should be worn low across the pelvis, not across the waist.
  - the shoulder straps should be worn on the outside shoulder only, and never under the arm.
  - the shoulder straps should be away from your face and neck, but not falling off your shoulder.

(Continued)

### ⚠ WARNING

(Continued)

- Seat belts should never be worn with the straps twisted and should be adjusted as tightly as is comfortable to provide the protection for which they have been designed. A slack belt will provide less protection than one which is snug.
- Make sure that each seat belt buckle is inserted into the proper buckle catch. It is possible to cross the buckles in the rear seat.

(Continued)

### ⚠ WARNING

(Continued)

- Pregnant women should use seat belts, although specific recommendations about driving should be made by the woman's medical advisor. Remember that the lap portion of the belt should be worn as low as possible across the hips, as shown in the diagram.
- Do not wear your seat belt over hard or breakable objects in your pockets or on your clothing. If an accident occurs, objects such as glasses, pens, etc. under the seat belt can cause injury.

(Continued)

## BEFORE DRIVING

### ⚠ WARNING

(Continued)

- **Never use the same seat belt on more than one occupant and never attach a seat belt over an infant or child being held on an occupant's lap. Such seat belt use could cause serious injury in the event of an accident.**
- **Periodically inspect seat belt assemblies for excessive wear and damage. Seat belts should be replaced if webbing becomes frayed, contaminated, or damaged in any way. It is essential to replace the entire seat belt assembly after it has been worn in a severe impact, even if damage to the assembly is not obvious.**
- **Children age 12 and under should ride properly restrained in the rear seat.**
- **Infants and small children should never be transported unless they are properly restrained. Restraint systems for infants and small children can be purchased locally and should be used. Make sure that the system you purchase meets applicable safety standards. Read and follow all the directions provided by the manufacturer.**

(Continued)

### ⚠ WARNING

(Continued)

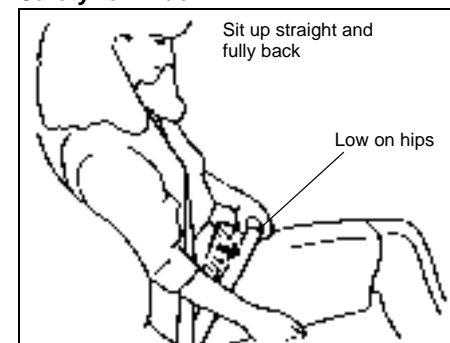
- **For children, if the shoulder belt irritates the neck or face, move the child closer to the center of the vehicle.**
- **Avoid contamination of seat belt webbing by polishes, oils, chemicals, and particularly battery acid. Cleaning may safely be carried out using mild soap and water.**
- **Do not insert any items such as coins, clips, etc. into the seat belt buckles, and be careful not to spill liquids into these parts. If foreign materials get into a seat belt buckle, the seat belt may not work properly.**
- **All seatbacks should always be in an upright position when driving, or seat belt effectiveness may be reduced. Seat belts are designed to offer maximum protection when seatbacks are in the upright position.**

## Lap-Shoulder Belt

### Emergency Locking Retractor (ELR)

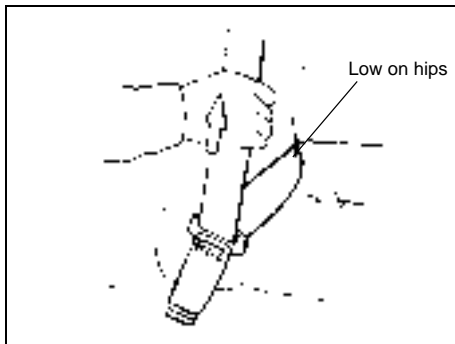
The seat belt has an emergency locking retractor (ELR), which is designed to lock the seat belt only during a sudden stop or impact. It also may lock if you pull the belt across your body very quickly. If this happens, let the belt go back to unlock it, then pull the belt across your body more slowly.

### Safety reminder



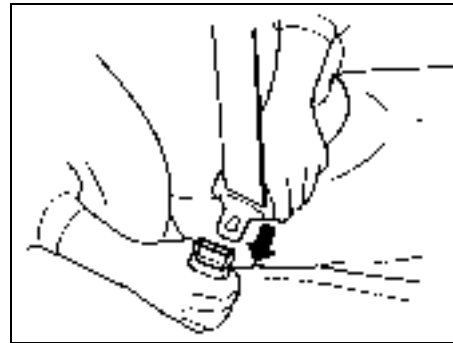
60A038

## BEFORE DRIVING

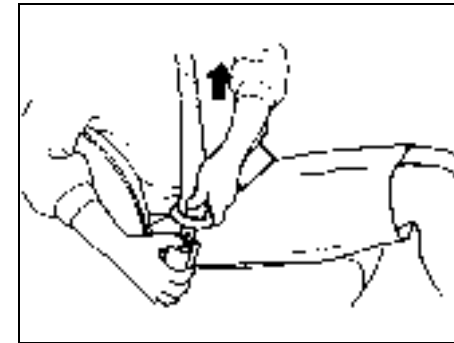


To reduce the risk of sliding under the belt during a collision, position the lap portion of the belt across your lap as low on your hips as possible and adjust it to a snug fit by pulling the shoulder portion of the belt upward through the latch plate. The length of the diagonal shoulder strap adjusts itself to allow freedom of movement.

### All Seat Belts Except Center of 2nd Row Seat



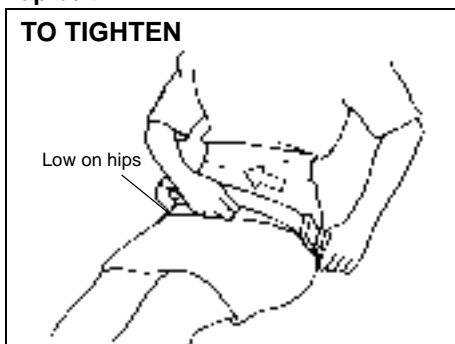
To fasten the seat belt, sit up straight and well back in the seat, pull the latch plate attached to the seat belt across your body and press it straight into the buckle until you hear a "click".



To unfasten the seat belt, push the button on the buckle and retract the belt slowly while attaching a hand to the belt or/and the latch plate.

## BEFORE DRIVING

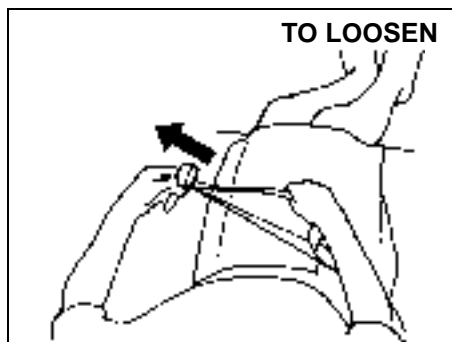
### Center Seat Belt of 2nd Row Seat Lap belt



60MH021

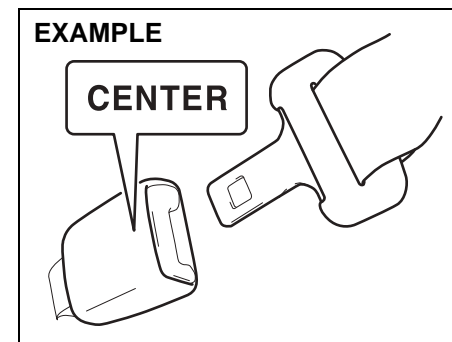
Sit up straight and well back in the seat. To fasten the belt, pull the latch plate attached to the seat belt across your hips and press it straight into the buckle until you hear a "click". To reduce the risk of sliding under the belt during a collision, position the belt across your lap as low on your hips as possible and adjust it to a snug fit.

To tighten the belt, pull the free end of the belt across alongside the lap strap.



60MH022

To lengthen, release the latch plate from the buckle, pull the latch plate (adjuster) in the direction of the arrow. The latch plate should then be refitted into the buckle and the belt tightened as previously described.



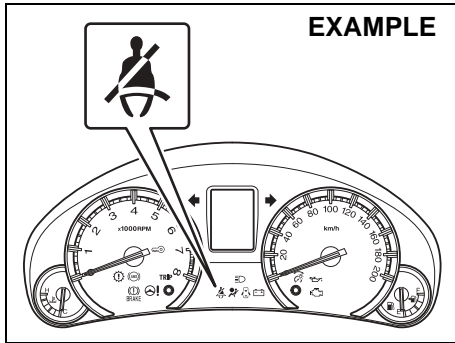
80J2008

#### NOTE:

The word "CENTER" is marked into the buckle for the rear center belt. The buckles are designed so a latch plate cannot be inserted into the wrong buckle.



**Driver's Seat Belt Reminder**



60MK026

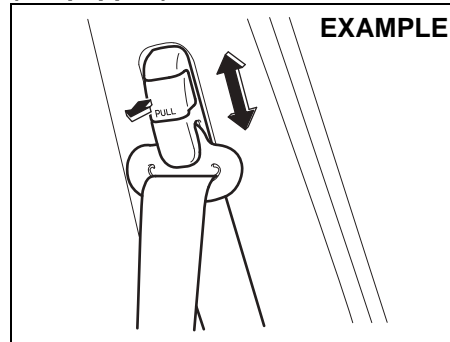
When the driver does not buckle his or her seat belt with the ignition switch in the "ON" position, the driver's seat belt reminder light in the instrument cluster will blink until the driver's seat belt is buckled.

The reminder will be automatically canceled when the driver's seat belt is buckled or the ignition switch is turned off.

**⚠ WARNING**

It is absolutely essential that the driver and passengers wear their seat belts at all times. Persons who are not wearing seat belts have a much greater risk of injury if an accident occurs. Make a regular habit of buckling your seat belt before putting the key in the ignition.

**Shoulder Anchor Height Adjuster (if equipped)**



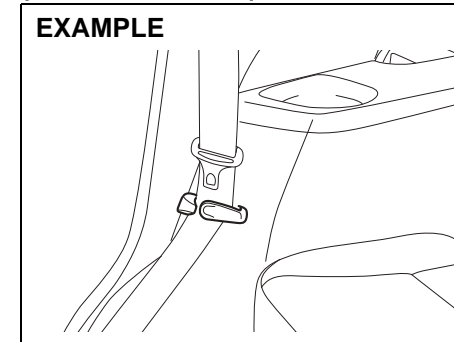
64J198

Adjust the shoulder anchor height so that the shoulder belt rides on the center of the outboard shoulder. To move upward, slide the anchor up. To move downward, slide the anchor down while pulling the lock knob out. After adjustment, make sure that the anchor is securely locked.

**⚠ WARNING**

Be sure that the shoulder belt is positioned on the center of the outside shoulder. The belt should be away from your face and neck, but not falling off your shoulder. Misadjustment of the belt could reduce the effectiveness of the safety belt in a crash.

**Seat Belt Hanger (for 2nd row seats)**



60MH016

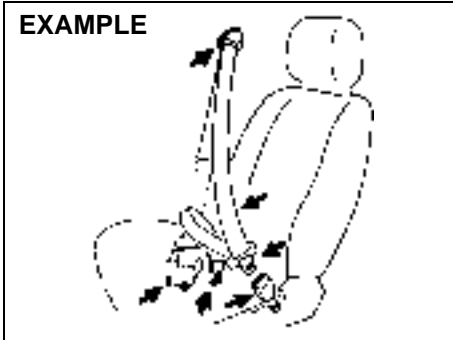
**NOTE:**

To enter to or exit from the 3rd row seat, hook the webbing of the outboard lap-shoulder belt of 2nd row seat before moving the 2nd row seat.

## BEFORE DRIVING

### Seat Belt Inspection

#### EXAMPLE



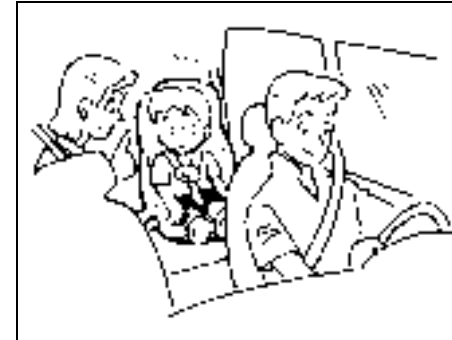
65D209S

Periodically inspect the seat belts to make sure they work properly and are not damaged. Check the webbing, buckles, latch plates, retractors, anchorages, and guide loops. Replace any seat belts which do not work properly or are damaged.

#### ⚠ WARNING

Be sure to inspect all seat belt assemblies after any collision. Any seat belt assembly which was in use during a collision (other than a very minor one) should be replaced, even if damage to the assembly is not obvious. Any seat belt assembly which was not in use during a collision should be replaced if it does not function properly, it is damaged in any way or the seat belt pretensioners were activated (that is, if the front air bags were activated).

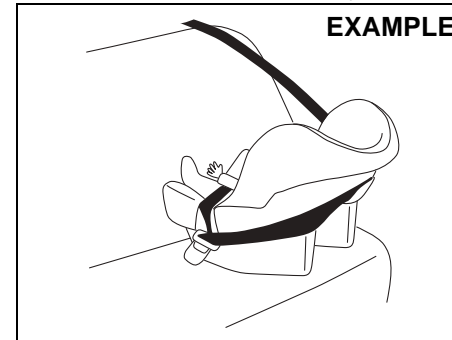
### Child Restraint Systems



60G332S

#### Infant restraint - rear seat only

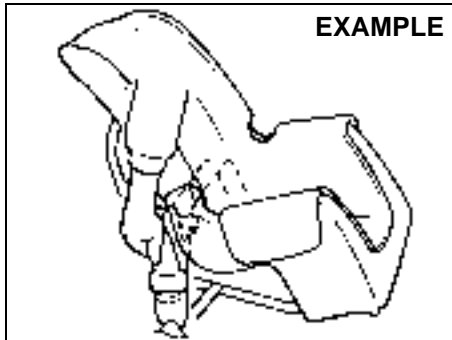
#### EXAMPLE



80JC007

## BEFORE DRIVING

### Child restraint

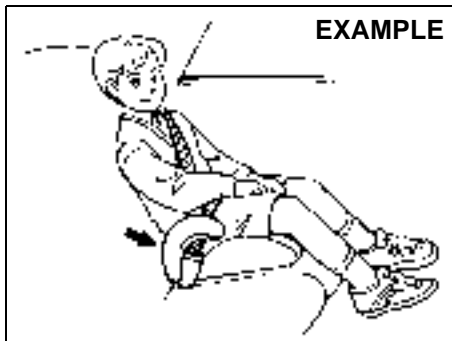


80JC016

SUZUKI highly recommends that you use a child restraint system to restrain infants and small children. Many different types of child restraint systems are available; make sure that the restraint system you select meets applicable safety standards.

All child restraint systems are designed to be secured in vehicle seats by either seat belts (lap belts or the lap portion of lap-shoulder belts). Whenever possible, SUZUKI recommends that child restraint systems be installed on the rear seat. According to accident statistics, children are safer when properly restrained in rear seating positions than in front seating positions.

### Booster seat



80JC008

If you must use a front-facing child restraint in the front passenger's seat, adjust the passenger's seat as far back as possible.

**NOTE:**

*Observe any statutory regulation about child restraints.*



58MS030

### **⚠ WARNING**

**If your vehicle is equipped with a front passenger air bag, do not install a rear-facing child restraint in the front passenger's seat. If the passenger's air bag inflates, a child in a rear-facing child restraint could be killed or seriously injured. The back of a rear-facing child restraint would be too close to the inflating air bag.**

## BEFORE DRIVING

### **⚠ WARNING**

If you install a child restraint system in the 2nd row seat, slide the seat installed the child restraint system as far back as possible. If you install a child restraint system in the 3rd row seat, slide the seat in front of the seat installed a child restraint system enough forward so that the child's feet do not contact the front seat-back. These will help avoid injury to the child in the event of an accident.



65D608

### **⚠ WARNING**

Children could be endangered in a crash if their child restraint systems are not properly secured in the vehicle. When installing a child restraint system, be sure to follow the instructions below. Be sure to secure the child in the restraint system according to the manufacturer's instructions.



65D609

### **⚠ WARNING**

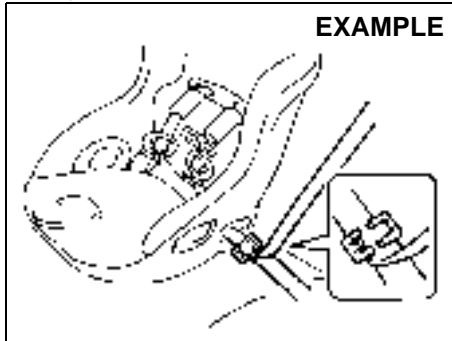
In an accident or sudden stop, the rear seat armrest (if equipped) could fall forward. If there is a child in a rear-facing child restraint in the center seating position, the falling armrest could injure the child. Make sure the armrest is back in the seat when not in use.

**Installation with Lap-Shoulder Seat Belts**

**NOTICE**

Before installing a child restraint system in the rear seat, raise the head restraint (if equipped) to the most upper position.

**ELR type belt**



80JC021

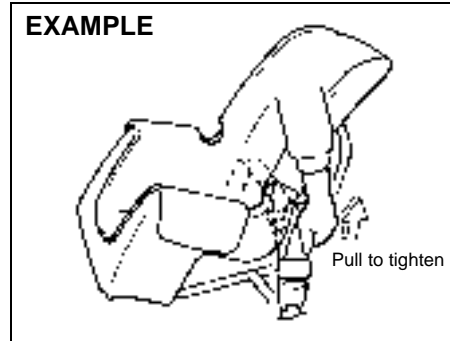
Install your child restraint system according to the instructions provided by the child restraint system manufacturer.

Make sure that the seat belt is securely latched.

Try to move the child restraint system in all directions to make sure it is securely installed.

**Installation with a Lap Belt**

**EXAMPLE**

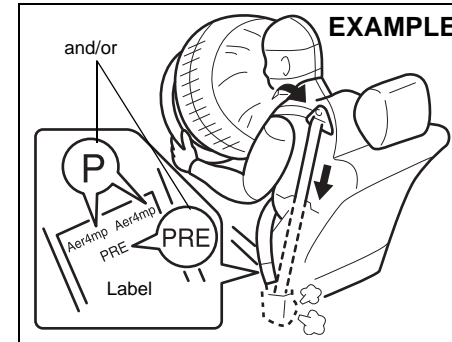


60G132

Install your child restraint system according to the instructions provided by the child restraint system manufacturer.

To lengthen or tighten the belt, refer to the "Lap-belt" item in this "Seat Belts and Child Restraint Systems" section. After making sure that the seat belt is securely latched, try moving the child restraint system in all directions, to make sure it is securely installed. If you need to tighten the belt, pull the free end of the webbing.

**Seat Belt Pretensioner System**



63J269

**WARNING**

This section of the owner's manual describes your SUZUKI's SEAT BELT PRETENSIONER SYSTEM. Please read and follow ALL these instructions carefully to minimize your risk of severe injury or death.

To determine if your vehicle is equipped with a seat belt pretensioner system at the front seating positions, check the label on the front seat belt at the bottom part. If the letters "p" and/or "PRE" appear as illustrated, your vehicle is equipped with the seat belt pretensioner system. You can use the pretensioner seat belts in the same manner as ordinary seat belts.

## BEFORE DRIVING

Read this section and the “Supplemental Restraint System (air bags)” section to learn more about the pretensioner system.

The seat belt pretensioner system works with the SUPPLEMENTAL RESTRAINT SYSTEM (Air Bags). The crash sensors and the electronic controller of the air bag system also control the seat belt pretensioners. The pretensioners are triggered only when there is a frontal crash severe enough to trigger the air bags. For precautions and general information including servicing the pretensioner system, refer to the “Supplemental Restraint System (air bags)” section in addition to this “Seat Belt Pretensioner System” section, and follow all those precautions.

The pretensioner is located in each front seat belt retractor. The pretensioner tightens the seat belt so the belt fits the occupant's body more snugly in the event of a frontal crash. The retractors will remain locked after the pretensioners are activated. Upon activation, some noise will occur and some smoke may be released. These conditions are not harmful and do not indicate a fire in the vehicle.

The driver and all passengers must be properly restrained by wearing seat belts at all times, whether or not a pretensioner is equipped at their seating position, to minimize the risk of severe injury or death in the event of a crash.

Sit fully back in the seat; sit up straight; do not lean forward or sideways. Adjust the belt so the lap portion of the belt is worn low across the pelvis, not across the waist. Please refer to the “Seat Adjustment” section and the instructions and precautions about the seat belts in this “Seat Belts and Child Restraint Systems” section for details on proper seat and seat belt adjustments.

Please note that the pretensioners along with the air bags will activate in severe frontal collisions. They are not designed to activate in side impacts, rear impacts, roll-overs, or minor frontal collisions. The pretensioners can be activated only once. If the pretensioners are activated (that is, if the air bags are activated), have the pretensioner system serviced by an authorized SUZUKI dealer as soon as possible.

If the “AIR BAG” light on the instrument cluster does not blink or come on briefly when the ignition switch is turned to the “ON” position, stays on for more than 10 seconds, or comes on while driving, the pretensioner system or the air bag system may not work properly. Have both systems inspected by an authorized SUZUKI dealer as soon as possible.

Service on or around the pretensioner system components or wiring must be performed only by an authorized SUZUKI dealer who is specially trained. Improper

service could result in unintended activation of pretensioners or could render the pretensioner inoperative. Either of these two conditions may result in personal injury.

To prevent damage or unintended activation of the pretensioners, be sure the battery is disconnected and the ignition switch has been in the “LOCK” position for at least 90 seconds before performing any electrical service work on your SUZUKI.

Do not touch pretensioner system components or wiring. The wires are wrapped with yellow tape or yellow tubing, and the couplers are yellow. When scrapping your SUZUKI, ask your SUZUKI dealer, body repair shop, or scrap yard for assistance.

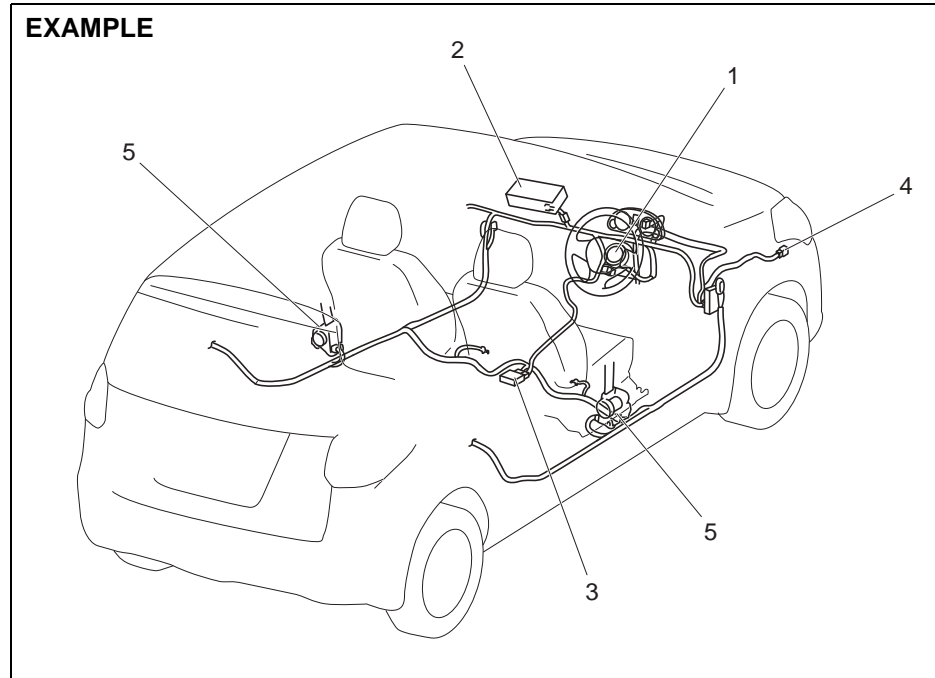
## Supplemental Restraint System (air bags)

### ⚠ WARNING

This section of the owner's manual describes the protection provided by your SUZUKI's SUPPLEMENTAL RESTRAINT SYSTEM (air bags). Please read and follow ALL these instructions carefully to minimize your risk of severe injury or death in the event of a collision.

Your vehicle is equipped with a Supplemental Restraint System consisting of the following components in addition to a lap-shoulder belt at each front seating position.

1. Driver's front air bag module
2. Front passenger's front air bag module
3. Air bag controller
4. Forward crash sensor
5. Seat belt pretensioners



60MK069

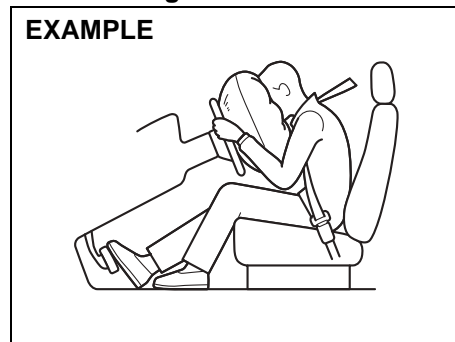
## BEFORE DRIVING



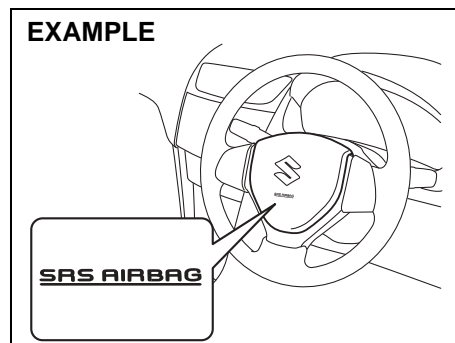
63J030

If the "AIR BAG" light on the instrument cluster does not blink or come on when the ignition switch is first turned to the "ON" position, or the "AIR BAG" light stays on, or comes on while driving, the air bag system (or the seat belt pretensioner system) may not work properly. Have the air bag system inspected by an authorized SUZUKI dealer as soon as possible.

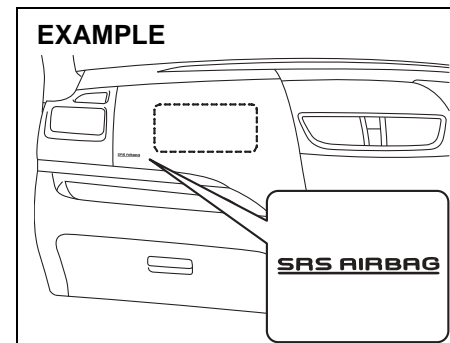
### Front Air Bags



63J113



74LHT0217



74LHT0237

The driver's front air bag is located behind the center pad of the steering wheel and the front passenger's front air bag is located behind the passenger's side of the dashboard. The words "SRS AIRBAG" are molded into the air bag covers to identify the location of the air bags.



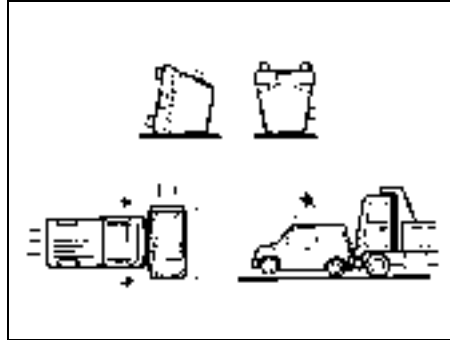
## BEFORE DRIVING

### Frontal collision range

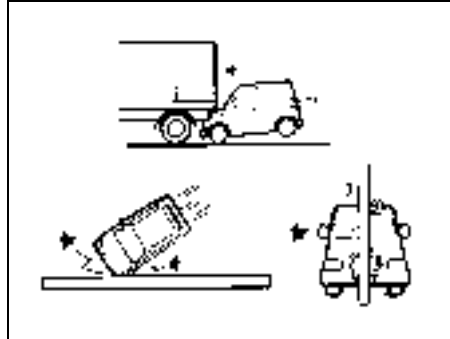


Front air bags are designed to inflate in severe frontal collisions.

### Front air bags will not inflate



### Front air bags will probably not inflate



Front air bags are not designed to inflate in rear impacts, side impacts, rollovers or minor frontal collisions, since they would offer no protection in those types of acci-

dents. Remember, since an air bag deploys only one time during an accident, seat belts are needed to restrain occupants from further movements during the accident.

Therefore, an air bag is NOT a substitute for seat belts. To maximize your protection, ALWAYS WEAR YOUR SEAT BELTS. Be aware that no system can prevent all possible injuries that may occur in an accident.

### ⚠ WARNING

An air bag supplements, or adds to, the crash protection offered by seat belts. The driver and all passengers must be properly restrained by wearing seat belts at all times, whether or not an air bag is mounted at their seating position, to minimize the risk of severe injury or death in the event of a crash.

## BEFORE DRIVING



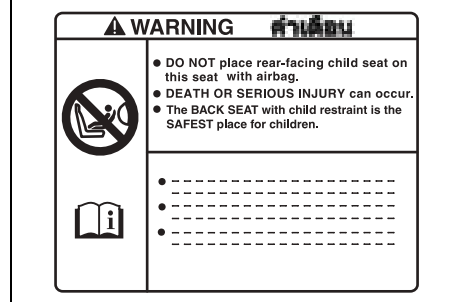
### **⚠ WARNING**

Do not install a rear-facing child restraint in the front passenger's seat. If the passenger's front air bag inflates, a child in a rear-facing child restraint could be killed or severely injured. The back of a rear-facing child restraint would be too close to the inflating air bag.

If you must use a front-facing child restraint in the front passenger's seat, be sure to move the front passenger's seat as far back as possible. Please refer to "Seat Belts and Child Restraint Systems" in this section for details on securing your child.

### Air bag symbol meaning

#### EXAMPLE



You may find this label on the sun visor.

### **⚠ WARNING**

Do not use a rearward facing child restraint on a seat protected by an airbag in front of it.

### **⚠ WARNING**

If the AIR BAG light in the instrument cluster ever comes on and stays on, it means that something may be wrong with the air bag system. If this ever happens, have the vehicle serviced immediately, because the air bags may not offer the protection for which they were designed.

### How the System Works

In a frontal collision, the crash sensors will detect rapid deceleration, and if the controller judges that the deceleration represents a severe frontal crash, the controller will trigger the inflators. The inflators inflate the appropriate air bags with nitrogen or argon gas. The inflated air bags provide a cushion for your head and upper body. The air bag inflates and deflates so quickly that you may not even realize that it has activated. The air bag will neither hinder your view nor make it harder to exit the vehicle.

Air bags must inflate quickly and forcefully in order to reduce the chance of serious or fatal injuries. However, an unavoidable consequence of the quick inflation is that the air bag may irritate bare skin, such as the facial area against a front air bag. Also, upon inflation, a loud noise will occur and some powder and smoke will be released. These conditions are not harmful and do not indicate a fire in the vehicle. Be aware, however, that some air bag components may be hot for a while after inflation.

A seat belt helps keep you in the proper position for maximum protection when an air bag inflates. Adjust your seat as far back as possible while still maintaining control of the vehicle. Sit fully back in your seat; sit up straight; do not lean over the steering wheel or dashboard. Please refer to the "Seat Adjustment" section and the "Seat Belts and Child Restraint Systems" in this section for details on proper seat and seat belt adjustments.



65D610

### ⚠ WARNING

- **The driver should not lean over the steering wheel. The front passenger should not rest his or her body against the dashboard, or otherwise get too close to the dashboard. In these situations, the out-of-position occupant would be too close to an inflating air bag, and may suffer severe injury.**
- **Do not attach any objects to, or place any objects over, the steering wheel or dashboard. Do not place any objects between the air bag and the driver or front passenger. These objects may interfere with air bag operation or may be propelled by the air bag in the event of a crash. Either of these conditions may cause severe injury.**

## BEFORE DRIVING

---

Note that even though your vehicle may be moderately damaged in a collision, the collision may not have been severe enough to trigger the air bags to inflate. If your vehicle sustains ANY front-end or side damage, have the air bag system inspected by an authorized SUZUKI dealer to ensure it is in proper working order.

Your vehicle is equipped with a diagnostic module which records information about the air bag system if the air bags deploy in a crash. The module records information about overall system status, which sensors activated the deployment.

### **Servicing the air bag system**

If the air bags inflate, have the air bags and related components replaced by an authorized SUZUKI dealer as soon as possible.

If your vehicle ever gets in deep water and the driver's floor is submerged, the air bag controller could be damaged. If it does, have the air bag system inspected by the SUZUKI dealer as soon as possible.

Special procedures are required for servicing or replacing an air bag. For that reason, only an authorized SUZUKI dealer should be allowed to service or replace your air bags. Please remind anyone who services your SUZUKI that it has air bags.

Service on or around air bag components or wiring must be performed only by an authorized SUZUKI dealer. Improper service could result in unintended air bag deployment or could render the air bag inoperative. Either of these two conditions may result in severe injury.

To prevent damage or unintended inflation of the air bag system, be sure the battery is disconnected and the ignition switch has been in the "LOCK" position for at least 90 seconds before performing any electrical service work on your SUZUKI. Do not touch air bag system components or wires. The wires are wrapped with yellow tape or yellow tubing, and the couplers are yellow for easy identification.

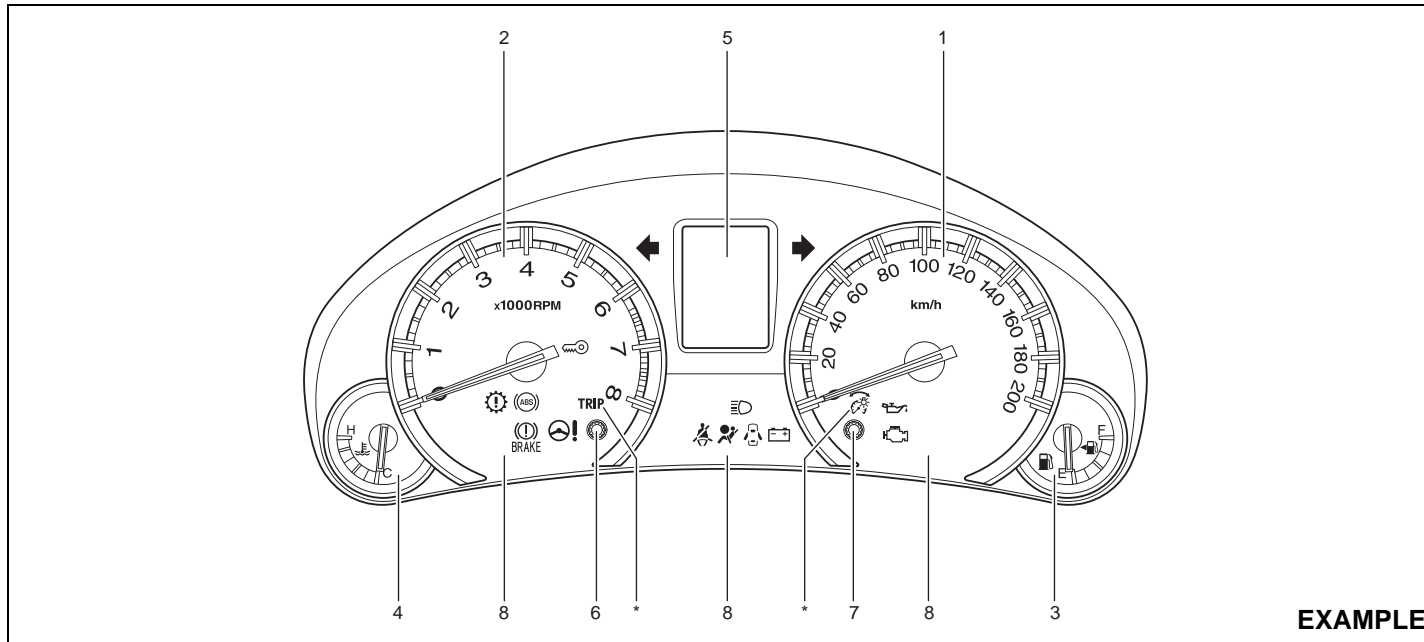
Scrapping a vehicle that has an uninflated air bag can be hazardous. Ask your dealer, body repair shop or scrap yard for help with disposal.

## BEFORE DRIVING

### Instrument Cluster

1. Speedometer
2. Tachometer (if equipped)
3. Fuel gauge
4. Temperature gauge
5. Information display
6. Trip meter selector knob
7. Indicator selector knob
8. Warning and indicator lights

with tachometer

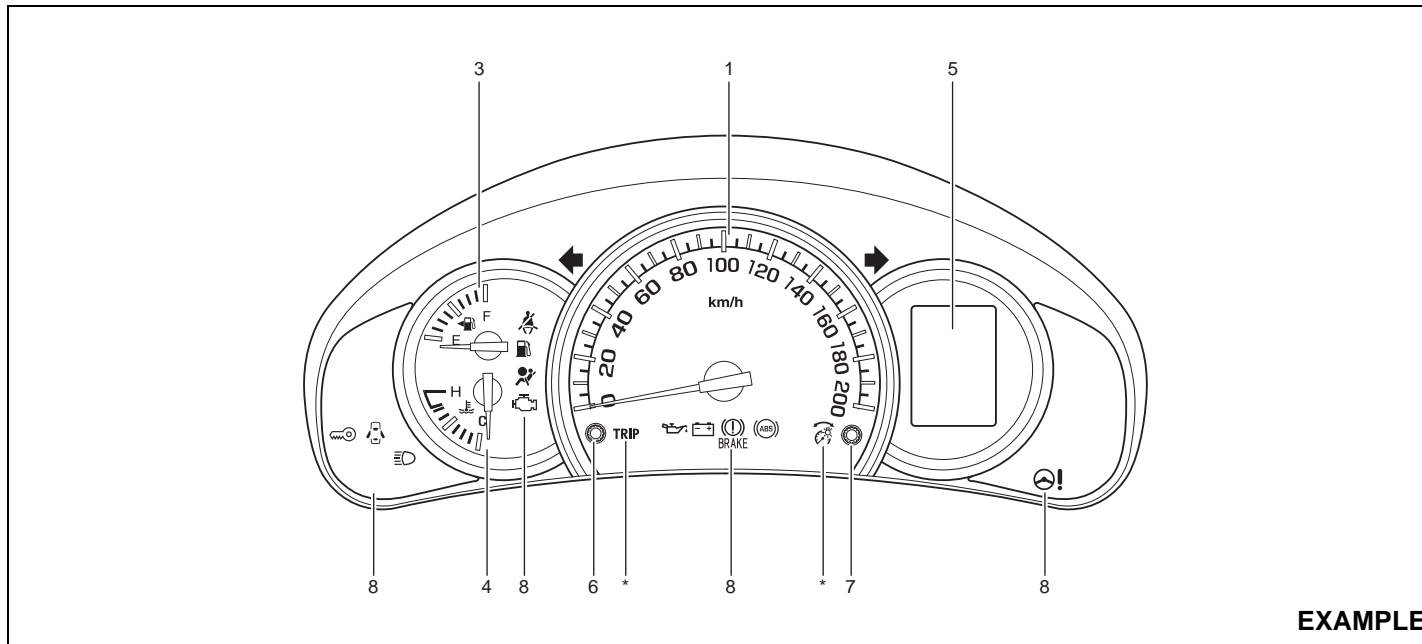


60MK027

\* These marks are explanation of the knobs 6 and 7. Refer to "Brightness Control" or "Information Display" in this section for detail of knobs.

## BEFORE DRIVING

without tachometer



60MK006

\* These marks are explanation of the knobs 6 and 7. Refer to “Brightness Control” or “Information Display” in this section for detail of knobs.

## Warning and Indicator Lights

### Brake System Warning Light



65D477

Three different types of operations exist depending on the vehicle's specification.

- 1) The light comes on briefly when the ignition switch is turned to the "ON" position.
- 2) The light comes on when the parking brake is engaged with the ignition switch in the "ON" position.
- 3) The light comes on when under either or both of above two conditions.

The light also comes on when the fluid in the brake fluid reservoir falls below the specified level.

The light should go out after starting the engine and fully releasing the parking brake, if the fluid level in the brake fluid reservoir is adequate.

The light also comes on together with the ABS warning light when the rear brake force control function (proportioning valve function) of the ABS system fails.

If the brake system warning light comes on while you are driving the vehicle, it may mean that there is something wrong with the vehicle's brake system. If this happens, you should:

- 1) Pull off the road and stop carefully.

#### **⚠ WARNING**

**Remember that stopping distance may be longer, you may have to push harder on the pedal, and the pedal may go down farther than normal.**

- 2) Test the brakes by carefully starting and stopping on the shoulder of the road.
  - If you determine that it is safe, drive cautiously at low speed to the nearest dealer for repairs, or
  - Have the vehicle towed to the nearest dealer for repairs.

#### **⚠ WARNING**

**If any of the following conditions occur, you should immediately ask your SUZUKI dealer to inspect the brake system.**

- If the brake system warning light does not go out after the engine has been started and the parking brake has been fully released.
- If the brake system warning light does not come on when the ignition switch is turned to the "ON" position.
- If the brake system warning light comes on at any time during vehicle operation.

#### *NOTE:*

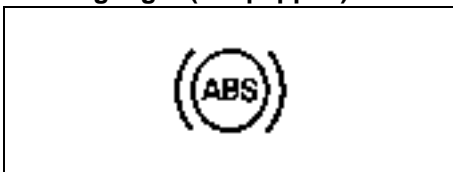
*Because the brake system is self-adjusting, the fluid level will drop as the brake pads become worn. Replenishing the brake fluid reservoir is considered normal periodic maintenance.*

#### *NOTE:*

*(Parking Brake Reminder Buzzer)  
A buzzer sounds intermittently to remind you to release the parking brake if you start the vehicle without releasing the parking brake. Make sure that the parking brake is fully released and the brake system warning light turns off.*

## BEFORE DRIVING

### Anti-Lock Brake System (ABS) Warning Light (if equipped)



65D529

When the ignition switch is turned to the "ON" position, the light comes on briefly so you can check that the light is working.

If the light stays on, or comes on when driving, there may be something wrong with the ABS.

If this happens:

- 1) Pull off the road and stop carefully.
- 2) Turn the ignition switch to "LOCK" and then start the engine again.

If the warning light comes on briefly then turns off, the system is normal. If the warning light still stays on, the system will be something wrong.

If the light and the brake system warning light stay on, or come on simultaneously when driving, your ABS system is equipped with the rear brake force control function (proportioning valve function) and there may be something wrong with both the rear brake force control function and anti-lock function of the ABS system.

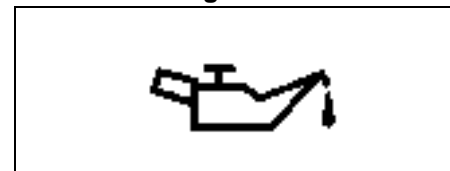
If one of these happens, have the system inspected by your SUZUKI dealer.

2-41

If the ABS becomes inoperative, the brake system will function as an ordinary brake system that does not have this ABS system.

For details of ABS system, refer to "Anti-Lock Brake System (ABS) (if equipped)" in the "OPERATING YOUR VEHICLE" section.

### Oil Pressure Light



50G051

This light comes on when the ignition switch is turned to the "ON" position, and goes out when the engine is started. The light will come on and remain on if there is insufficient oil pressure. If the light comes on when driving, pull off the road as soon as you can and stop the engine.

Check the oil level and add oil if necessary. If there is enough oil, the lubrication system should be inspected by your SUZUKI dealer before you drive the vehicle again.

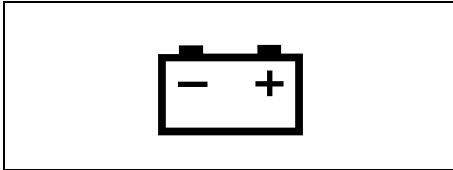
#### NOTICE

- If you operate the engine with this light on, severe engine damage can result.
- Do not rely on the oil pressure light to indicate the need to add oil. Be sure to periodically check the engine oil level.



## BEFORE DRIVING

### Charging Light



50G052

This light comes on when the ignition switch is turned to the "ON" position, and goes out when the engine is started. The light will come on and remain on if there is something wrong with the battery charging system. If the light comes on when the engine is running, the charging system should be inspected immediately by your SUZUKI dealer.

### Driver's Seat Belt Reminder Light



60G049

If the driver's seat belt is unbuckled when the ignition switch is turned to the "ON" position, this light will blink until the driver's seat belt is buckled.

For details about the seat belt reminder, refer to "Seat Belts and Child Restraint Systems" in this section.

### "AIR BAG" Light



63J030

This light blinks or comes on for several seconds when the ignition switch is turned to the "ON" position so you can check if the light is working.

The light will come on and stay on if there is a problem in the air bag system or the seat belt pretensioner system.

#### WARNING

**If the "AIR BAG" light does not blink or come on briefly when the ignition switch is turned to the "ON" position, stays on for more than 10 seconds, or comes on while driving, the air bag system or the seat belt pretensioner system may not work properly. Have both systems inspected by an authorized SUZUKI dealer.**

### Malfunction Indicator Light



65D530

Your vehicle has a computer-controlled emission control system. A malfunction indicator light is provided on the instrument panel to indicate when it is necessary to have the emission control system serviced. The malfunction indicator light comes on when the ignition switch is turned to the "ON" position to let you know the light is working and goes out when the engine is started.

If the malfunction indicator light comes on or blinks when the engine is running, there is a damage in the emission control system.

Bring the vehicle to your SUZUKI dealer to have the damage fixed.

Also, if this light comes on when the engine is running, there is the problem with the automatic transaxle system. Ask your SUZUKI dealer to have the system inspected.

## BEFORE DRIVING

### NOTICE

Continuing to drive the vehicle when the malfunction indicator light is on or blinking can cause permanent damage to the vehicle's emission control system, and can affect fuel economy and driveability.

### Transaxle Warning Light (if equipped)

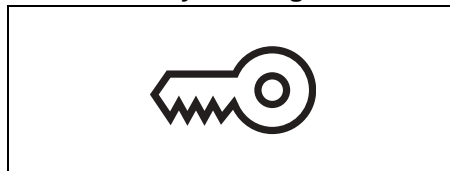


81A262

This light comes on briefly when the ignition switch is turned to the "ON" position so you can check the light is working.

If this light comes on when the engine is running, there is the problem with the automatic transaxle system. Ask your SUZUKI dealer to have the system inspected.

### Immobilizer System Light



80JM122

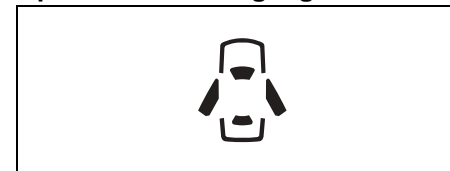
When the ignition switch is turned to the "ON" position, this light comes on briefly so you can check that the light is working. If this light blinks with the ignition switch is turned to the "ON", the engine will not start.

#### NOTE:

*If this light blinks, turn the ignition switch to the "LOCK" position, then turn it back to the "ON" position.*

*If the light still blinks with the ignition switch turned to the "ON" position, there may be something wrong with your key or with the immobilizer system. Ask your SUZUKI dealer to inspect the system.*

### Open Door Warning Light



54G391

- For vehicles without keyless entry system; This light remains on until all front doors and the tailgate are completely closed.

If any door (including the tailgate) is open when the vehicle is moving, a ding sounds to remind you to close all doors completely.

- For vehicles with keyless entry system; This light remains on until all doors (including the tailgate) are completely closed.

If any door (including the tailgate) is open when the vehicle is moving, a ding sounds to remind you to close all doors completely.

## BEFORE DRIVING

### Low Fuel Warning Light



54G343

If this light comes on, fill the fuel tank immediately.

When this light comes on, a ding sounds once to remind you to fill the fuel.

If you do not fill the fuel, a ding sounds every time when the ignition switch is turned to the "ON" position.

**NOTE:**

*The activation point of this light varies depending on road conditions (for example, slope or curve) and driving conditions because of fuel moving in the tank.*

### Electric Power Steering Light



79J039

This light comes on when the ignition switch is turned to the "ON" position, and goes out when the engine is started.

If this light comes on while driving, the power steering system may not work properly. Have the system inspected by your SUZUKI dealer.

**NOTE:**

*Following operations of the steering wheel while parking or driving at a very low-speed may have steering effort bigger gradually. This is not a malfunction of the steering system, but the power steering control system limits the power assist in order to prevent them from overheating.*

- *The steering wheel is operated very often.*
- *The steering wheel is kept in a fully turned position for a long while.*

*When the power steering control system cool down, the power steering system back to the original condition.*

*However, repeating these operations could cause the power steering system damaged.*

**NOTE:**

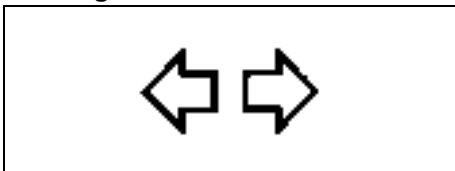
*If the power steering system does not work properly, you will feel heavier to steer but you still will be able to steer.*

**NOTE:**

*If the steering is operated, you may hear a noise. This is normal and indicates that the power steering system works properly.*

## BEFORE DRIVING

### Turn Signal Indicators



50G055

When you turn on the left or right turn signals, the corresponding green arrow on the instrument panel will blink along with the respective turn signal lights. When you turn on the hazard warning switch, both arrows will blink along with all of the turn signal lights.

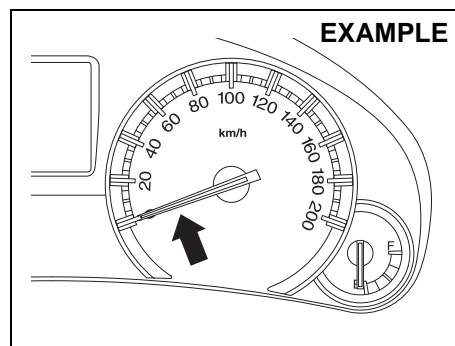
### Main Beam (high beam) Indicator Light



50G056

This indicator comes on when headlight main beams (high beams) are turned on.

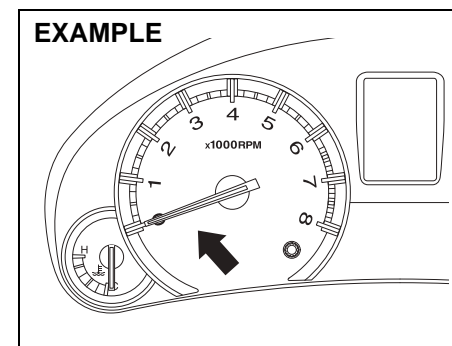
### Speedometer



68LM223

The speedometer indicates vehicle speed in km/h.

### Tachometer (if equipped)



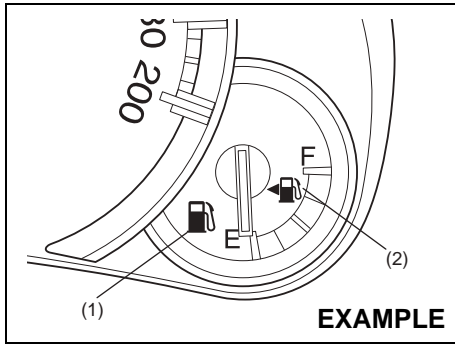
68LM224

The tachometer indicates engine speed in revolutions per minute.

#### **NOTICE**

Never drive the vehicle with the engine revving in the red zone or severe engine damage can result. Keep the engine speed below the red zone even when downshifting to a lower gear position. Refer to "Downshifting maximum allowable speeds" in the "OPERATING YOUR VEHICLE" section.

### Fuel Gauge



When the ignition switch is in the "ON" position, this gauge gives an approximate indication of the amount of fuel in the fuel tank. "F" stands for full and "E" stands for empty.

If the indicator gets off the graduation of "E" (not character "E"), refill the tank as soon as possible.

**NOTE:**  
The indicator moves a little depending on road conditions (for example, slope or curve) and driving conditions because of fuel moving in the tank.

If the low fuel warning light (1) comes on, fill the fuel tank immediately.

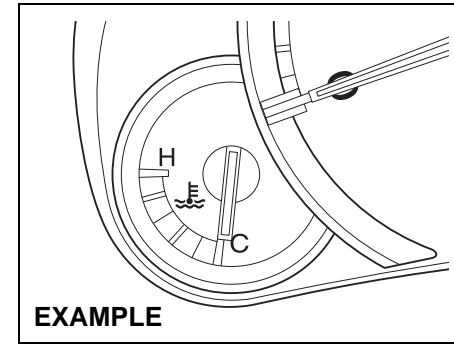
When the low fuel warning light (1) comes on, a ding sounds once to remind you to fill the fuel.

If you do not fill the fuel, a ding sounds every time when the ignition switch is turned to "ON" position.

**NOTE:**  
The activation point of the low fuel warning light (1) varies depending on road conditions (for example, slope or curve) and driving conditions because of fuel moving in the tank.

The mark (2) indicates that the fuel filler door is located on the left side of the vehicle.

### Temperature Gauge



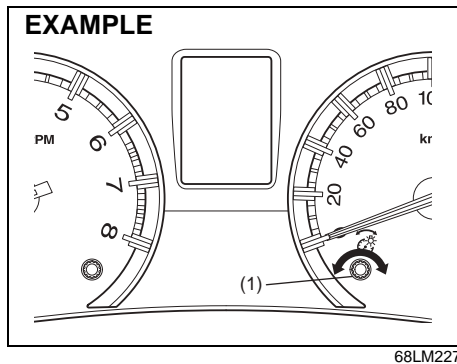
When the ignition switch is in the "ON" position, this gauge indicates the engine coolant temperature. Under normal driving conditions, the indicator should stay within the normal, acceptable temperature range between "H" and "C". If the indicator approaches "H", overheating is indicated. Follow the instructions for engine overheating in the "EMERGENCY SERVICE" section.

**NOTICE**

Continuing to drive the vehicle when engine overheating is indicated can result in severe engine damage.

## BEFORE DRIVING

### Brightness Control



When the ignition switch is turned to the "ON" position, the pointer lights come on.

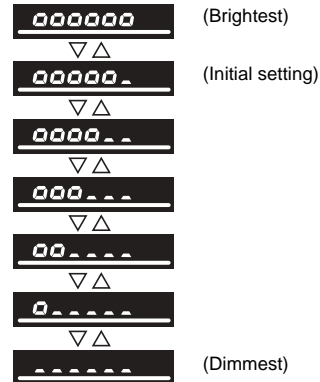
Your vehicle has a system to automatically dim the brightness of the instrument panel lights when the position lights or headlights are on.

When the position lights and/or headlights are ON, you can control the meter illumination intensity.

To increase the brightness of the instrument panel lights, turn the brightness control knob (1) clockwise.

To reduce the brightness of the instrument panel lights, turn the brightness control knob (1) counterclockwise.

#### EXAMPLE



#### WARNING

If you attempt to adjust the display while driving, you could lose control of the vehicle.

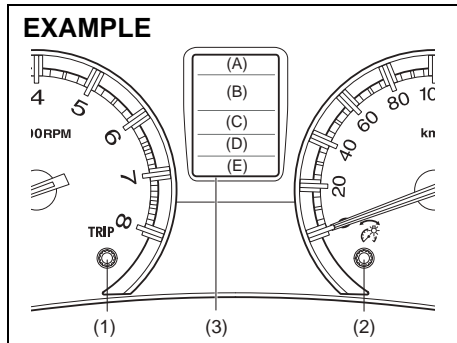
Do not attempt to adjust the display while driving.

#### NOTE:

- If you do not turn the brightness control knob within about 10 seconds of activating the brightness control display, the brightness control display will be canceled automatically.
- When you reconnect the battery, the brightness of the instrument panel lights will be reinitialized. Readjust the brightness according to your preference.

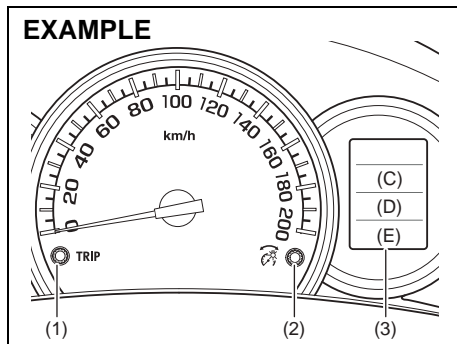
**Information Display**

with tachometer



60MK028

without tachometer



60MK029

- (1) Trip meter selector knob
- (2) Indicator selector knob
- (3) Information display

When the ignition switch is in the "ON" position, the information display shows the following information.

**Display (A)**  
Thermometer (if equipped)

**Display (B)**  
(for automatic transaxle vehicle)  
Transaxle selector position indicator

**Display (C)**  
Trip meter / Instantaneous fuel consumption / Average fuel consumption / Driving range

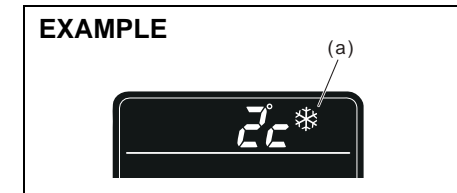
**Display (D)**  
Odometer

**Display (E)**  
Clock

**Thermometer (if equipped)**

When the ignition switch is in the "ON" position, the display (A) shows the thermometer.

The thermometer indicates the outside temperature.



68LM258

If the outside temperature nears freezing, the mark (a) will appear on the display.

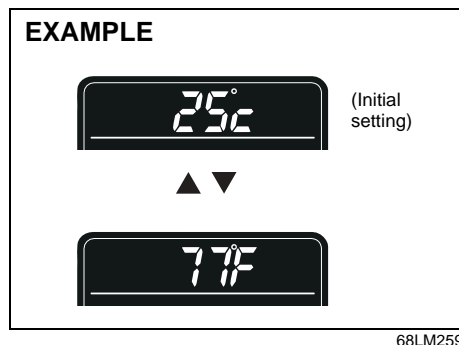
**NOTE:**

- The outside temperature indication is not the actual outside temperature when driving at low speed, or when stopped.
- If there is something wrong with the thermometer, or just after the ignition switch is turned to the "ON" position, the display may not indicate the outside temperature.

## BEFORE DRIVING

When the display (C) shows the driving range, you can change the unit of temperature.

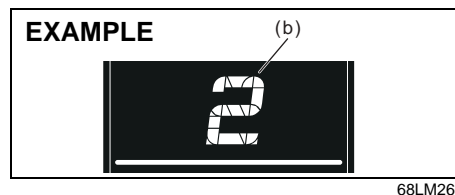
To change the unit of temperature, while pushing and holding the trip meter selector knob (1), turn the indicator selector knob (2).



**NOTE:**

When you reconnect the negative (-) terminal to the battery, the unit of temperature will be reinitialized. Change the unit again to your preference.

### Transaxle selector position indicator (for automatic transaxle vehicles)



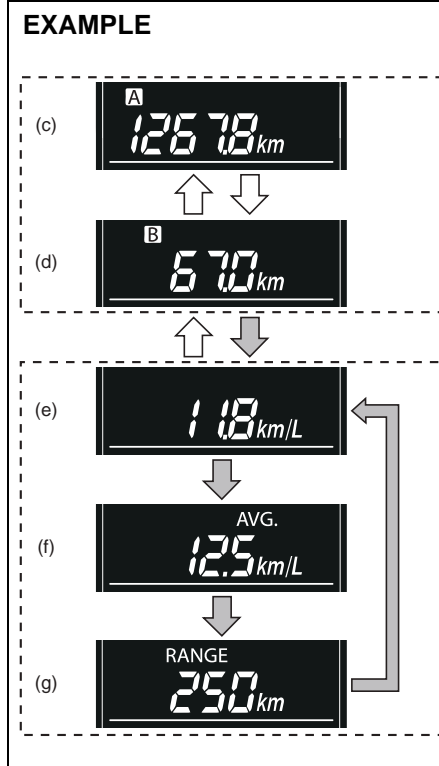
When the ignition switch is in the "ON" position, the display (B) indicates the gear position (b).

For details on how to use the transaxle, refer to "Using the Transaxle" in the "OPERATING YOUR VEHICLE" section.

### Trip meter / Instantaneous fuel consumption / Average fuel consumption / Driving range



When the ignition switch is in the "ON" position, the display (C) shows one of the following five indications, trip meter A, trip meter B, Instantaneous fuel consumption, Average fuel consumption or Driving range.

To switch the display indication (C), push the trip meter selector knob (1) or the indicator selector knob (2) quickly.





## BEFORE DRIVING

	Push the trip meter selector knob (1).
	Push the indicator selector knob (2).

- (c) Trip meter A
- (d) Trip meter B
- (e) Instantaneous fuel consumption
- (f) Average fuel consumption
- (g) Driving range

### **WARNING**

**If you attempt to adjust the display while driving, you could lose control of the vehicle.**

**Do not attempt to adjust the display while driving.**

#### NOTE:

- *Indications will change when you push and release a knob.*
- *The display shows estimated values. Indications may not be the same as actual values.*

#### Trip meter

The trip meter can be used to measure the distance traveled on short trips or between fuel stops.

You can use the trip meter A or trip meter B independently.

To reset the trip meter to zero, push and hold the trip meter selector knob (1) for a while when the display shows the trip meter.

#### NOTE:

*The indicated maximum value of the trip meter is 9999.9. When you run past the maximum value, the indicated value will return to 0.0.*

#### Instantaneous fuel consumption

The display shows the value of instantaneous fuel consumption only when the vehicle is moving.

#### NOTE:

- *The display does not show the value unless the vehicle is moving.*
- *The indicated maximum value of instantaneous fuel consumption is 30. No more than 30 will be indicated on the display even if the actual instantaneous fuel consumption is higher.*
- *The indication on the display may be delayed if fuel consumption is greatly affected by driving conditions.*
- *The display shows estimated values. Indications may not be the same as actual values.*
- *You can change the units that instantaneous fuel consumption is displayed in. Refer to "Average fuel consumption" in this section.*

## BEFORE DRIVING

### Average fuel consumption

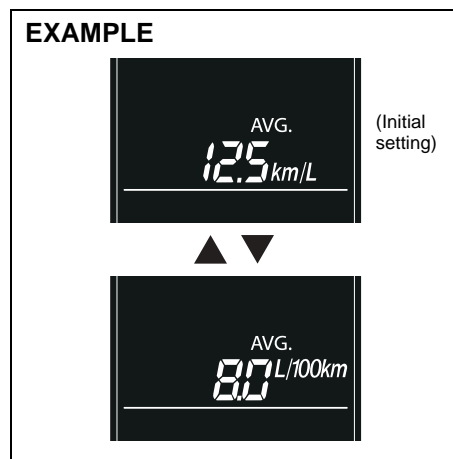
If you selected average fuel consumption the last time you drove the vehicle, the display shows the last value of average fuel consumption from previous driving when the ignition switch is turned to the "ON" position. Unless you reset the value of average fuel consumption, the display indicates the value of average fuel consumption which includes average fuel consumption during previous driving.

To reset the average fuel consumption to zero, push and hold the indicator selector knob (2) for a while when the display shows the average fuel consumption.

#### NOTE:

*When you reset the indication or reconnect the negative (-) terminal to the battery, the value of average fuel consumption will be shown after driving for a while.*

To change the unit of average fuel consumption, while pushing and holding the trip meter selector knob (1), turn the indicator selector knob (2).



#### NOTE:

- When you change the units that average fuel consumption is displayed in, the instantaneous fuel consumption units will be changed automatically.
- When you reconnect the negative (-) terminal to the battery, the unit of the average fuel consumption will be reinitialized. Change the unit again to your preference.

### Driving range

If you selected driving range the last time you drove the vehicle, the display indicates "---" for a few seconds and then indicates the current driving range when the ignition switch is turned to the "ON" position.

The driving range shown in the display is the approximate distance you can drive until the fuel gauge indicates "E", based on current driving conditions.

When the low fuel warning light comes on, the display "---" will appear.

If the low fuel warning light comes on, fill the fuel tank immediately regardless of the value of driving range shown in the display.

As the driving range after refueling is calculated based on the most recent driving condition, the value is different each time you refuel.

#### NOTE:

- If you refuel when the ignition switch is in the "ON" position, the driving range may not indicate the correct value.
- When you reconnect the negative (-) terminal to the battery, the value of driving range will be shown after driving for a while.

**Odometer**

When the ignition switch is in the "ON" position, the display (D) shows the odometer.

The odometer records the total distance the vehicle has been driven.

**NOTICE**

**Keep track of your odometer reading and check the maintenance schedule regularly for required services. Increased wear or damage to certain parts can result from failure to perform required services at the proper mileage intervals.**

**Clock**

When the ignition switch is in the "ON" position, the display (E) shows the time.

To change the time indication:

- 1) Push the trip meter selector knob (1) and the indicator selector knob (2) together.
- 2) To change the hour indication, turn the indicator selector knob (2) left or right repeatedly when the hour indication blinks. To change the hour indication quickly, turn and hold the indicator selector knob (2). To set the hour indication, push the indicator selector knob (2) and the minute indication will blink.
- 3) To change the minute indication, turn the indicator selector knob (2) left or right repeatedly when the minute indication blinks. To change the minute indication quickly, turn and hold the indicator selector knob (2). To set the minute indication, push the indicator selector knob (2).

**WARNING**

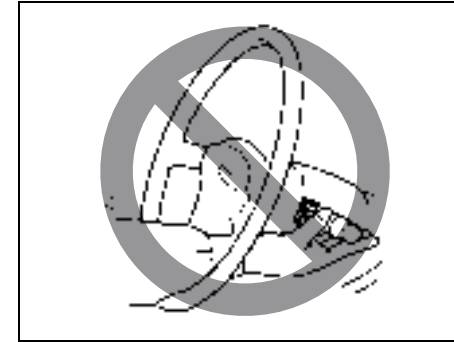
**If you attempt to adjust the display while driving, you could lose control of the vehicle.**

**Do not attempt to adjust the display while driving.**

**NOTE:**

*When you reconnect the negative (-) terminal to the battery, the clock indication will be reinitialized. Change the indication again to your preference.*

**Lighting Control Lever**



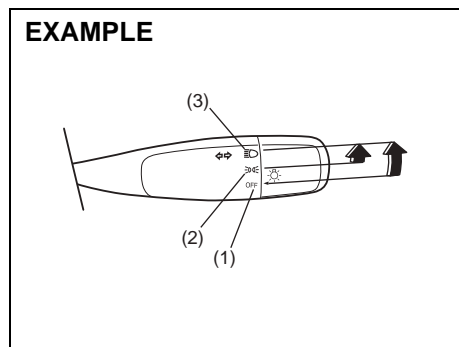
65D611

**WARNING**

**To avoid possible injury, do not operate controls by reaching through the steering wheel.**

## BEFORE DRIVING

### Lighting Operation



To turn the lights on or off, twist the knob on the end of the lever. There are three positions:

**OFF (1)**

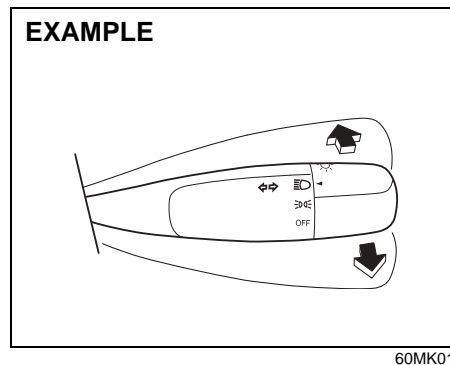
All lights are off.

**☰ (2)**

Front position lights, tail lights, license plate light and instrument lights are on, but headlights are off.

**☰ (3)**

Front position lights, tail lights, license plate light, instrument lights and headlights are on.



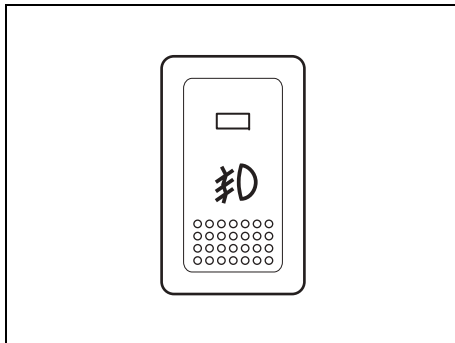
With the headlights on, push the lever forward to switch to the high beams (main beams) or pull the lever toward you to switch to the low beams. When the high beams (main beams) are on, a light on the instrument panel will come on. To momentarily activate the high beams (main beams) as a passing signal, pull the lever slightly toward you and release it when you have completed the signal.

### Light Reminder Buzzer

A buzzer sounds to remind you to turn off the lights if they are left on when the ignition key is removed and the driver's door is opened.

## BEFORE DRIVING

### Front Fog Light Switch (if equipped)



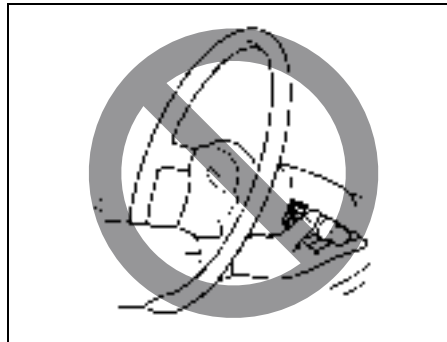
64J058

The front fog light comes on when the fog light switch is pushed in with the position lights, tail lights and/or the headlights are on. An indicator light above the switch will be lit when the front fog light is on.

**NOTE:**

*In some countries the lighting operation may be different from the above description according to local regulations.*

### Turn Signal Control Lever



65D611

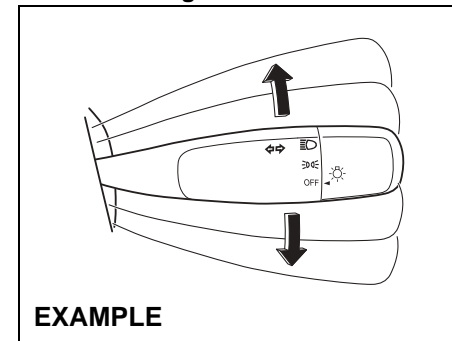
**⚠ WARNING**

**To avoid possible injury, do not operate controls by reaching through the steering wheel.**

### Turn Signal Operation

With the ignition switch in the "ON" position, move the lever up or down to activate the right or left turn signals.

#### Normal turn signal



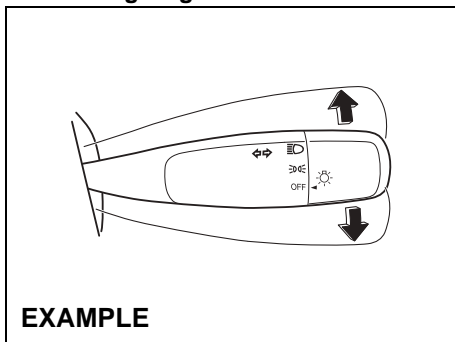
**EXAMPLE**

60MK013

Move the lever all the way upward or downward to signal. When the turn is completed, the signal will cancel and the lever will return to its normal position.

## BEFORE DRIVING

### Lane change signal



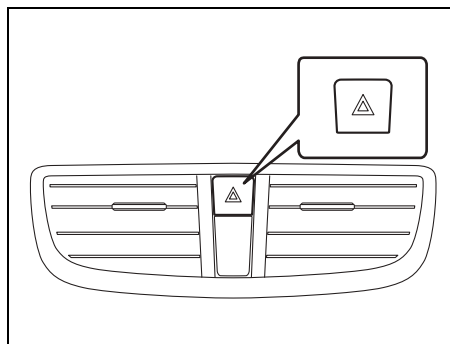
60MK014

Sometimes, such as when changing lanes, the steering wheel is not turned far enough to cancel the turn signal. For convenience, you can flash the turn signal by moving the lever part way and holding it there. The lever will return to its normal position when you release it.

#### NOTE:

*The turn signal and its indicator flash three times even if you return the lever immediately after moving it.*

### Hazard Warning Switch



74LHT0229

Push in the hazard warning switch to activate the hazard warning lights. All turn signal lights and both turn signal indicators will flash simultaneously. To turn off the lights, push the switch again. Use the hazard warning lights to warn other traffic during emergency parking or when your vehicle could otherwise become a traffic hazard.

### Windshield Wiper and Washer Lever



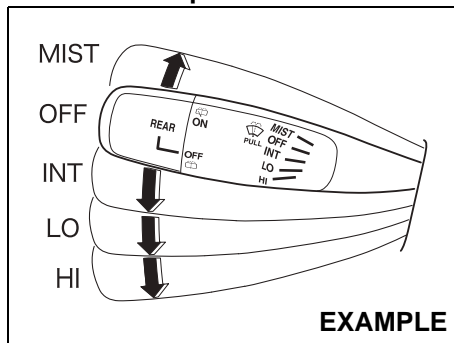
57L21128

#### **⚠ WARNING**

**To avoid possible injury, do not operate controls by reaching through the steering wheel.**

**Wiper and Washer Operation**

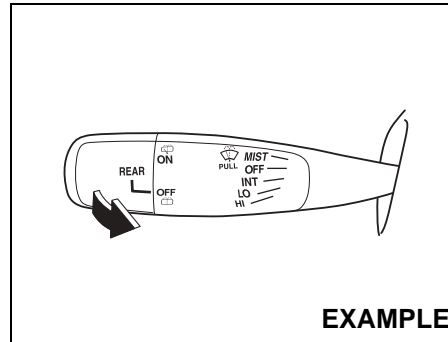
When the ignition switch is in the "ON" position, you can use the wiper/washer lever or switch.

**Windshield Wipers****EXAMPLE**

74LHT0230

To turn the windshield wipers on, move the lever down to one of the three operating positions. In the "INT" position, the wipers operate intermittently. The "INT" position is very convenient for driving in mist or light rain. In the "LO" position, the wipers operate at a steady low speed. In the "HI" position, the wipers operate at a steady high speed. To turn off the wipers, move the lever back to the "OFF" position.

Move the lever up and hold it to the "MIST" position, the windshield wipers will turn on continuously at low speed.

**Windshield Washer****EXAMPLE**

74LHT0231

To spray windshield washer fluid, pull the lever toward you. The windshield wipers will automatically turn on at low speed if they are not already on and the "INT" position is equipped.

**WARNING**

- To prevent windshield icing in cold weather, turn on the defroster to heat the windshield before and during windshield washer use.
- Do not use radiator antifreeze in the windshield washer reservoir. It can severely impair visibility when sprayed on the windshield, and can also damage your vehicle's paint.

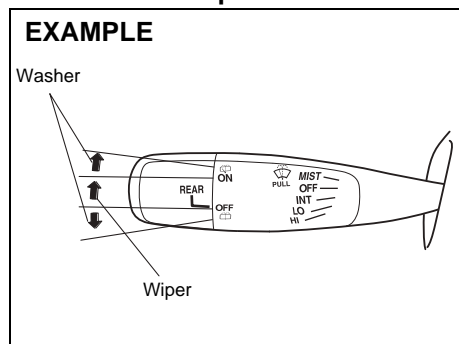
**NOTICE**

To help prevent damage to the windshield wiper and washer system components, you should take the following precautions:

- Do not continue to hold in the lever when there is no windshield washer fluid being sprayed or the washer motor can be damaged.
- Do not attempt to remove dirt from a dry windshield with the wipers or you can damage the windshield and the wiper blades. Always wet the windshield with washer fluid before operating the wipers.
- Clear ice or packed snow from the wiper blades before using the wipers.
- Check the washer fluid level regularly. Check it often when the weather is bad.
- Only fill the washer fluid reservoir 3/4 full during cold weather to allow room for expansion if the temperature falls low enough to freeze the solution.

## BEFORE DRIVING

### Rear Window Wiper/Washer Switch



To turn the rear wiper on, twist the rear wiper switch on the end of the lever forward to the "ON" position. To turn the rear wiper off, twist the switch rearward to the "OFF" position.

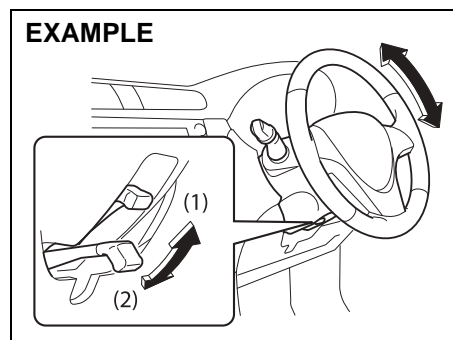
To spray window washer fluid, twist the switch rearward from the "OFF" position, or twist the switch forward from the "ON" position. The rear wiper will turn on automatically while spraying the window washer fluid.

#### NOTICE

Clear ice or snow from the rear window and rear wiper blade before using the rear wiper. Accumulated ice or snow could prevent the wiper blade from moving, causing damage to the wiper motor.

2-57

### Tilt Steering Lock Lever



- (1) LOCK
- (2) UNLOCK

The lock lever is located under the steering column. To adjust the steering wheel height:

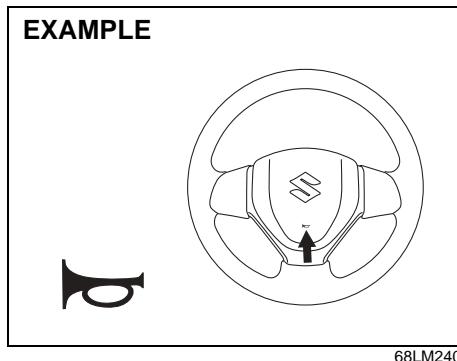
- 1) Push down the lock lever to unlock the steering column.
- 2) Adjust the steering wheel to the desired height and lock the steering column by pulling up the lock lever.
- 3) Try moving the steering wheel up and down to make sure it is securely locked in position.

#### ⚠ WARNING

Never attempt to adjust the steering wheel while the vehicle is moving or you could lose control of the vehicle.



## Horn



Press the horn button of the steering wheel to sound the horn. The horn will sound with the ignition switch in any position.

**BEFORE DRIVING**

---

**MEMO**

-----

-----

-----

-----

-----

-----

-----

-----

-----

-----

-----

-----

-----

-----

-----

-----

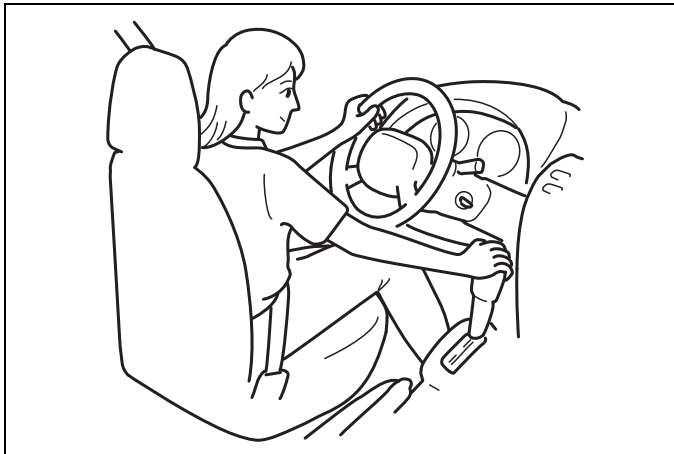
-----

-----

-----

-----

## OPERATING YOUR VEHICLE

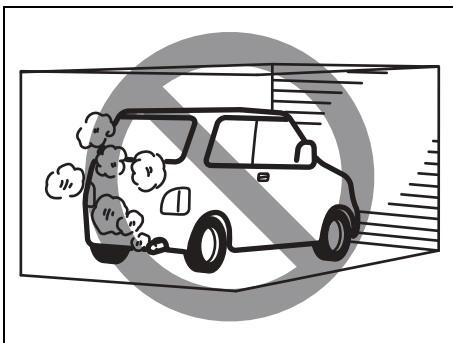


60G408

Exhaust Gas Warning .....	3-1
Daily Inspection Checklist .....	3-1
Engine Oil Consumption .....	3-2
Ignition Switch .....	3-3
Parking Brake Lever .....	3-5
Pedal .....	3-7
Starting the Engine .....	3-8
Using the Transaxle .....	3-9
Parking Sensors (if equipped) .....	3-12
Braking .....	3-16

## OPERATING YOUR VEHICLE

### Exhaust Gas Warning



52D334

#### ⚠ WARNING

Avoid breathing exhaust gases. Exhaust gases contain carbon monoxide, a potentially lethal gas that is colorless and odorless. Since carbon monoxide is difficult to detect by itself, be sure to take the following precautions to help prevent carbon monoxide from entering your vehicle.

- Do not leave the engine running in garages or other confined areas.

(Continued)

#### ⚠ WARNING

(Continued)

- Do not park with the engine running for a long period of time, even in an open area. If it is necessary to sit for a short time in a parked vehicle with the engine running, make sure the air intake selector is set to "FRESH AIR" and the blower is at high speed.
- Avoid operating the vehicle with the tailgate or trunk open. If it is necessary to operate the vehicle with the tailgate or trunk open, make sure the sunroof (if equipped) and all windows are closed, and the blower is at high speed with the air intake selector set to "FRESH AIR".
- To allow proper operation of your vehicle's ventilation system, keep the air inlet grille in front of the windshield clear of snow, leaves or other obstructions at all times.
- Keep the exhaust tailpipe area clear of snow and other material to help reduce the buildup of exhaust gases under the vehicle. This is particularly important when parked in blizzard conditions.
- Have the exhaust system inspected periodically for damage and leaks. Any damage or leaks should be repaired immediately.

### Daily Inspection Checklist

#### Before Driving



60A187S

- 1) Make sure that windows, mirrors, lights and reflectors are clean and unobstructed.
- 2) Visually check the tires for the following points:
  - the depth of the tread groove
  - abnormal wear, cracks and damage
  - loose wheel nuts
  - existence of foreign material such as nails, stones, etc.Refer to "Tires" in "INSPECTION AND MAINTENANCE" section for details.
- 3) Look for fluid and oil leaks.

#### NOTE:

*It is normal for water to drip from the air conditioning system after use.*

## OPERATING YOUR VEHICLE

- 4) Make sure the hood is fully closed and latched.
- 5) Check the headlights, turn signal lights, brake lights and horn for proper operation.
- 6) Adjust the seat and head restraint (if equipped).
- 7) Check the brake pedal and the parking brake lever.
- 8) Adjust the mirrors.
- 9) Make sure that you and all passengers have properly fastened your seat belts.
- 10) Make sure that all warning lights come on as the key is turned to the "ON" position.
- 11) Check all gauges.
- 12) Make sure that the BRAKE SYSTEM WARNING light turns off when the parking brake is released.

Once a week, or each time you fill your fuel tank, perform the following under-hood checks:

- 1) Engine oil level
- 2) Coolant level
- 3) Brake fluid level
- 4) Battery solution level
- 5) Windshield washer fluid level
- 6) Hood latch operation

Pull the hood release handle inside the vehicle. Make sure that you cannot open the hood all the way without releasing the secondary latch. Be sure to close the hood securely after checking for proper latch operation. See the

item "All latches, hinges and locks" of "CHASSIS AND BODY" in the "Periodic Maintenance Schedule" in the "INSPECTION AND MAINTENANCE" section for lubrication schedule.

### WARNING

**Make sure the hood is fully closed and latched before driving. If it is not, it can fly up unexpectedly during driving, obstructing your view and resulting in an accident.**

Once a month, or each time you fill your fuel tank, check the tire pressure using a tire pressure gauge. Also check the tire pressure of the spare tire.

### Engine Oil Consumption

It is normal for the engine to consume some engine oil during normal vehicle operation.

The amount of engine oil consumed depends on the viscosity of the oil, the quality of the oil and the conditions the vehicle is driven under.

More oil is consumed during high-speed driving and when there is frequent acceleration and deceleration. Under high loads, your engine also will consume more oil.

A new engine also consumes more oil, since its pistons, piston rings and cylinder walls have not yet become conditioned. New engines reach the normal level of oil consumption only after approximately 5000 km (3000 miles) driving.

#### Oil consumption:

**Max. 1.0 L per 1000 km  
(1 Qt. per 600 miles)**

When judging the amount of oil consumption, note that the oil may become diluted and make it difficult to accurately judge the true oil level.

As an example, if a vehicle is used for repeated short trips, and consumes a normal amount of oil, the dipstick may not show any drop in the oil level at all, even after 1000 km (600 miles) or more of driving. This is because the oil is gradually becoming diluted with fuel or moisture,

## OPERATING YOUR VEHICLE

making it appear that the oil level has not changed.

You should also be aware that the diluting ingredients evaporate out when the vehicle is subsequently driven at high speeds, such as on an expressway, making it appear that oil is excessively consumed after high-speed driving.

### Ignition Switch



65D611

#### **WARNING**

**To avoid possible injury, do not operate controls by reaching through the steering wheel.**

### EXAMPLE



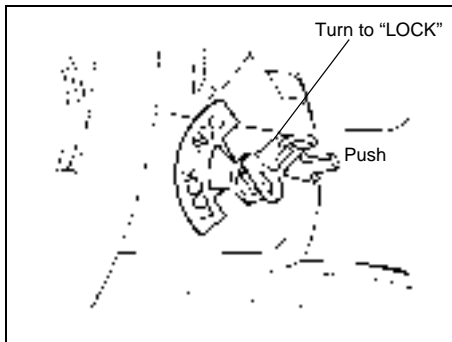
60B041

The ignition switch has the following four positions:

#### **LOCK**

This is the normal parking position. It is the only position in which the key can be removed.

## OPERATING YOUR VEHICLE



60G033

- **Manual transaxle vehicles**

You must push in the key to turn it to the "LOCK" position. It locks the ignition, and prevents normal use of the steering wheel after the key is removed.

- **Automatic transaxle vehicles**

The gearshift lever must be in the "P" (Park) position to turn the key to the "LOCK" position. It locks the ignition and prevents normal use of the steering wheel and gearshift lever.

To release the steering lock, insert the key and turn it clockwise to one of the other positions. If you have trouble turning the key to unlock the steering, try turning the steering wheel slightly to the right or left while turning the key.

### **ACC**

Accessories such as the radio can operate, but the engine is off.

### **ON**

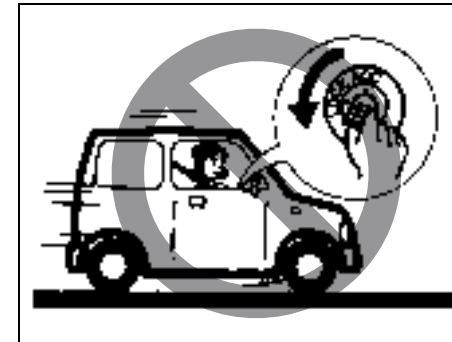
This is the normal operating position. All electrical systems are on.

### **START**

This is the position for starting the engine using the starter motor. The key should be released from this position as soon as the engine starts.

### **Ignition key reminder**

A buzzer sounds intermittently to remind you to remove the ignition key if it is in the ignition switch when the driver's door is opened.



81A297S

### **⚠ WARNING**

- **Never return the ignition switch to the "LOCK" position and remove the ignition key while the vehicle is moving. The steering wheel will lock and you will not be able to steer the vehicle.**

(Continued)

## OPERATING YOUR VEHICLE

### WARNING

(Continued)

- Always return the ignition switch to the "LOCK" position and remove the ignition key when leaving the vehicle even if only for a short time. Also do not leave children alone in a parked vehicle. Unattended children could cause accidental movement of the vehicle or could tamper with power windows or power sunroof. They also could suffer from heat stroke in warm or hot weather. These could result in severe injury or even death.

### NOTICE

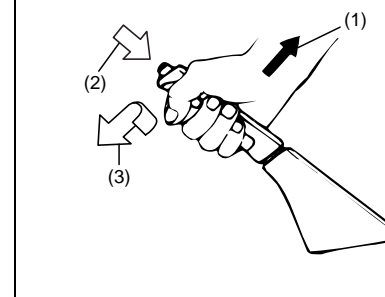
- Do not use the starter motor for more than 12 seconds at a time. If the engine does not start, wait 15 seconds before trying again. If the engine does not start after several attempts, check the fuel and ignition systems or consult your SUZUKI dealer.
- Do not leave the ignition switch in the "ON" position if the engine is not running as the battery will discharge.

### NOTICE

If you stop the engine while the vehicle is in motion, the automatic transaxle may be damaged. Avoid stopping the engine while driving.

## Parking Brake Lever

### EXAMPLE



54G039

- (1) To set
- (2) To release
- (3) To release

The parking brake lever is located between the seats. To set the parking brake, hold the brake pedal down and pull the parking brake lever all the way up. To release the parking brake, hold the brake pedal down, pull up slightly on the parking brake lever, push the button on the end of the lever with your thumb, and lower the lever to its original position.



## OPERATING YOUR VEHICLE

For automatic transaxle vehicles, always set the parking brake before moving the gearshift lever to the "P" (PARK) position. If you park on an incline and shift into "P" before setting the parking brake, the weight of the vehicle may make it difficult to shift out of "P" when you are ready to drive the vehicle.

When preparing to drive the vehicle, move the gearshift lever out of the "P" position before releasing the parking brake.

### WARNING

- Never drive your vehicle with the parking brake on: rear brake effectiveness can be reduced from overheating, brake life may be shortened, or permanent brake damage may result.
- If the parking brake does not hold the vehicle securely or does not fully release, have your vehicle inspected immediately by an authorized SUZUKI dealer.

### WARNING

**Always set the parking brake fully before leaving your vehicle or it may move, causing injury or damage. When parking, make sure the gearshift lever for manual transaxle vehicles is in 1st gear or "R" (Reverse) and the gearshift lever for automatic transaxle vehicles is in "P" (Park). Remember, even though the transaxle is in gear, you must set the parking brake fully.**

### WARNING

When parking the vehicle in extremely cold weather, the following procedure should be used:

- 1) Set the parking brake.
- 2) Manual transaxle - turn off the engine, then shift into reverse or first gear.  
Automatic transaxle - shift into "P" (Park) and turn off the engine.
- 3) Get out of the vehicle and put chocks under the wheels.
- 4) Release the parking brake.  
When you return to your vehicle, you must remember to first set the parking brake, then remove the wheel chocks.

### **Parking Brake Reminder Buzzer**

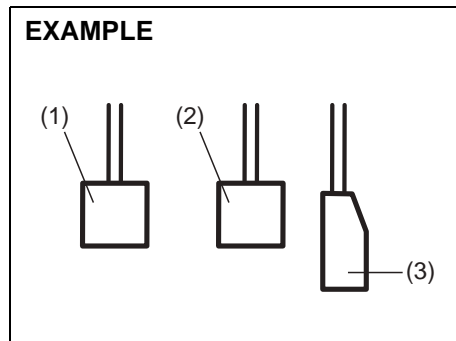
A buzzer sounds intermittently to remind you to release the parking brake if you start the vehicle without releasing the parking brake. Make sure that the parking brake is fully released and the brake system warning light turns off.

## OPERATING YOUR VEHICLE

### Pedal

#### Manual transaxle

##### EXAMPLE



80J2121

#### Clutch Pedal (1) (for manual transaxle)

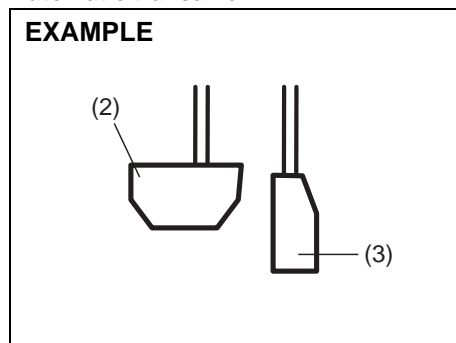
The clutch pedal is used to disengage the drive to the wheels when starting the engine, stopping, or shifting the gearshift lever. Depressing the pedal disengages the clutch.

##### ⚠ WARNING

Do not drive with your foot resting on the clutch pedal. It could result in excessive clutch wear, clutch damage, or unexpected loss of engine braking.

#### Automatic transaxle

##### EXAMPLE



80J2122

#### Brake Pedal (2)

Your SUZUKI vehicle is equipped with front disc brakes and rear drum brakes. Depressing the brake pedal applies both sets of brakes.

You may hear occasional brake squeal when you apply the brakes. This is a normal condition caused by environmental factors such as cold, wet, snow, etc.

##### ⚠ WARNING

If brake squeal is excessive and occurs each time the brakes are applied, you should have the brakes checked by your SUZUKI dealer.

##### ⚠ WARNING

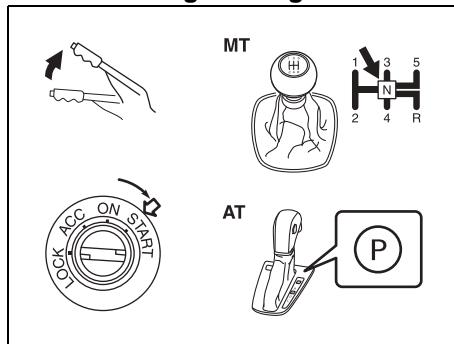
Do not "ride" the brakes by applying them continuously or resting your foot on the pedal. This will result in overheating of the brakes which could cause unpredictable braking action, longer stopping distances, or permanent brake damage.

#### Accelerator Pedal (3)

This pedal controls the speed of the engine. Depressing the accelerator pedal increases power output and speed.

## Starting the Engine

### Before Starting the Engine



58MS20304

- 1) Make sure the parking brake is set fully.
- 2) Manual transaxle – Shift into “N” (Neutral) and depress the clutch pedal all the way to the floor. Hold the clutch pedal while starting the engine.  
Automatic transaxle – If the gearshift lever is not in “P” (Park) position, shift into “P” (Park). (If you need to re-start the engine while the vehicle is moving, shift into “N”.)

**NOTE:**

Automatic transaxle vehicles have a starter interlock device which is designed to keep the starter from operating if the transaxle is in any of the drive positions.

**WARNING**

**Make sure that the parking brake is set fully and the transaxle is in Neutral (or Park for vehicles with an automatic transaxle) before attempting to start the engine.**

### Starting a Cold and Warm Engine

With your foot off the accelerator pedal, crank the engine by turning the ignition key to “START”. Release the key when the engine starts.

**NOTICE**

- Stop turning the starter immediately after the engine has started or the starter system can be damaged.
- Do not crank the engine for more than 12 seconds at a time. If the engine doesn’t start on the first try, wait about 15 seconds before trying again.

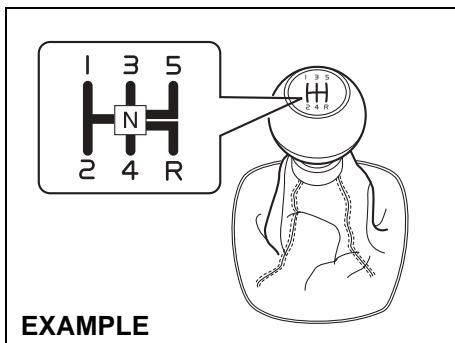
If the engine does not start after 12 seconds of cranking, wait about 15 seconds, then press down the accelerator pedal to 1/3 of its travel and try cranking the engine again. Release the key and accelerator pedal when the engine starts.

If the engine still does not start, try holding the accelerator pedal all the way to the floor while cranking. This should clear the engine if it is flooded.

## OPERATING YOUR VEHICLE

### Using the Transaxle

#### Manual Transaxle



#### Starting off

To start off, depress the clutch pedal all the way to the floor and shift into 1st gear. After releasing the parking brake, gradually release the clutch. When you hear a change in the engine's sound, slowly press the accelerator while continuing to gradually release the clutch.

#### Shifting

All forward gears are synchronized, which provides for quiet and easy shifting. Always depress the clutch pedal all the way to the floor before shifting gears. Keep the engine speed does not rise into the red zone of the tachometer.

#### Downshifting maximum allowable speeds

Downshifting	km/h (mph)
2nd to 1st	35 (22)
3rd to 2nd	75 (47)
4th to 3rd	105 (65)
5th to 4th	140 (87)*

#### \*NOTE:

*You may not accelerate to the maximum allowable speed because of the driving situation and/or the vehicle condition.*

#### NOTICE

**When downshifting to a lower gear, make sure not to downshift at the speed faster than the maximum allowable speeds, or severe engine damage can result.**

#### ⚠ WARNING

- Reduce your speed and downshift to a lower gear before going down a long or steep hill. A lower gear will allow the engine to provide braking. Avoid riding the brakes or they may overheat, resulting in brake failure.
- When driving on slippery roads, be sure to slow down before downshifting. Excessive and/or sudden changes in engine speed may cause loss of traction, which could cause you to lose control.

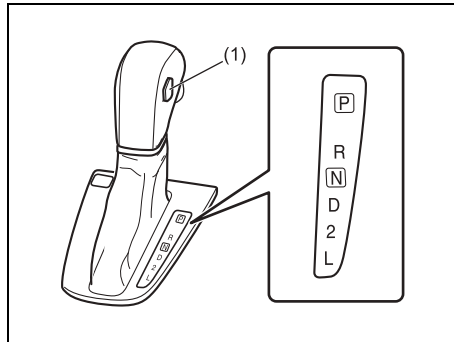
#### NOTICE

**Make sure that the vehicle is completely stationary before you shift into reverse.**

#### NOTICE

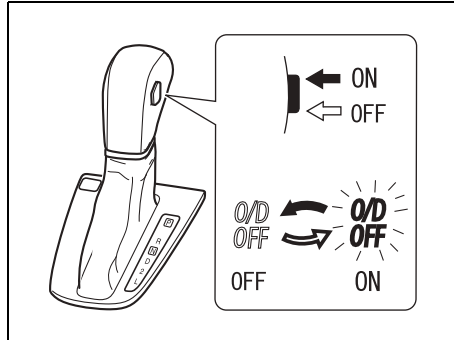
- To help avoid clutch damage, do not use the clutch pedal as a footrest while driving or use the clutch to keep the vehicle stationary on a slope. Depress the clutch fully when shifting.
- When shifting or starting off, do not race the engine. Racing the engine can shorten engine life and cause negative effect to smooth shifting.

**4-Speed Automatic Transaxle**



58MS20301

(1) Overdrive off switch



58MS20302

**Overdrive off switch**

The transaxle is a 4-speed (3-speed plus overdrive) automatic transaxle. By operating the overdrive off switch, the transaxle can be converted to a 3-speed automatic transaxle that will not move to the overdrive position. To convert the transaxle to the 3-speed mode, push in the overdrive off switch and release it.

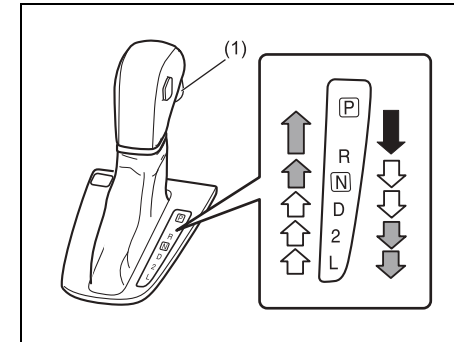
To return the transaxle to the 4-speed mode, push in the overdrive off switch again.

When the ignition switch is turned to the "ACC" position, the transaxle in the 3-speed mode is converted to the 4-speed mode automatically.

The 3-speed mode is suitable for the following driving conditions:

- Driving on hilly, winding roads
  - You can drive more smoothly with less frequent gear changing
- Going down a steep hill
  - Some engine braking is provided

**Gearshift lever**



58MS20303

(1) knob button




The gearshift lever is designed so that it cannot be shifted out of the "P" position unless the ignition switch is in the "ON" position and the brake pedal is depressed.

**⚠ WARNING**

**Always depress the brake pedal before shifting from "P" (Park) (or "N" (Neutral) if the vehicle is stationary) to a forward or reverse gear, to help prevent the vehicle from moving unexpectedly when you shift.**

The gearshift lever has a lock mechanism to help prevent accidental shifting. To shift the gearshift lever:

## OPERATING YOUR VEHICLE

	Shift with the knob button (1) pushed in and the brake pedal depressed.
	Shift with the knob button (1) pushed in.
	Shift without the knob button (1) pushed in.

**NOTE:**

- Always shift the gearshift lever without pushing in the knob button (1) except when you shift from "P" to "R", from "D" to "2", from "2" to "L", from "N" to "R" or from "R" to "P". If you always push in the knob button (1) when shifting the gearshift lever, you could shift into "P", "R", "2", or "L" by mistake.
- If driver's or passenger's knee hits the gearshift lever while driving, the lever could move and the gear could be changed unexpectedly.

Use the gearshift lever positions as described below:

### P (Park)

Use this position to lock the transaxle when the vehicle is parked or when starting the engine. Shift into Park only when the vehicle is completely stationary.

### R (Reverse)

Use this position to reverse the vehicle from stop. Make sure that vehicle is completely stationary before shifting into Reverse.

### N (Neutral)

Use this position for starting the engine if the engine stalls and you need to restart it while the vehicle is moving. You may also shift into Neutral and depress the brake pedal to hold the vehicle stationary during idling.

### D (Drive)

Use this position for all normal driving.

With the gearshift lever in "D" range you can get an automatic downshift by pressing the accelerator pedal. The higher the vehicle speed is, the more you need to press the accelerator pedal to get a downshift.

### 2 (Low 2)

Use this position to provide extra power when climbing hills, or to provide engine braking when going down hills.

### L (Low 1)

Use this position to provide maximum power when climbing steep hills or driving through deep snow or mud, or to provide maximum engine braking when going down steep hills.

**NOTE:**

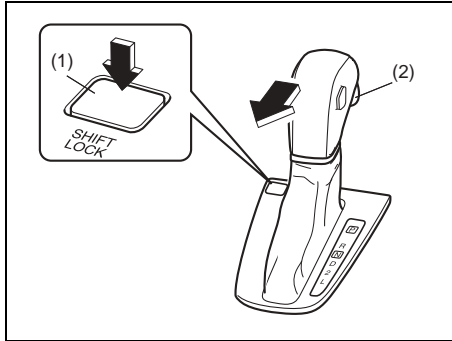
*If you move the gearshift lever to a lower gear while driving faster than the maximum allowable speed for the lower gear, the transaxle will not actually downshift until your speed drops below the maximum speed for the lower gear.*

### NOTICE

**Be sure to take the following precautions to help avoid damage to the automatic transaxle:**

- Make sure that the vehicle is completely stationary before shifting into "P" or "R".
- Do not shift from "P" or "N" to "R", "D", "2", or "L" when the engine is running above idle speed.
- Do not rev the engine with the transaxle in a drive position ("R", "D", "2", or "L") and the front wheels not moving.
- Do not use the accelerator to hold the vehicle on a hill. Use the vehicle's brakes.

**If You Cannot Shift Automatic Transaxle Gearshift Lever Out of "P" (PARK)**



71LS10309

Vehicles with an automatic transaxle have an electrically operated park-lock feature. If the vehicle's battery is discharged, or there is some other electrical failure, the automatic transaxle cannot be shifted out of Park in the normal way. Jump starting may correct the condition. If not, follow the procedure described below. This procedure will permit shifting the transaxle out of Park.

- 1) Be sure the parking brake is firmly applied.
- 2) If the engine is running, stop the engine.
- 3) Make sure the key is in the "ON" or "ACC" position.

- 4) With the release button (1) pushed, push the knob button (2) and shift the gearshift lever to the desired position.

This procedure is for emergency use only. If repeated use of this procedure is necessary, or the procedure does not work as described, take the vehicle to your dealer for repair.

**Parking Sensors (if equipped)**

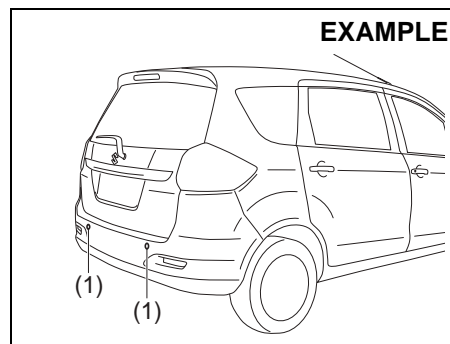
- The parking sensor system uses ultrasonic sensors to detect obstacles near the rear bumper. If obstacles are sensed while you are parking or moving the vehicle slowly, the system warns you by sounding a buzzer.
- The system emits an ultrasonic wave and the relevant sensor detects the return of the wave reflected by an obstacle. The system measures the time taken by the ultrasonic wave to reach the obstacle and return from it, from which it determines the obstacle's position.
- The parking sensor function can be used when the ignition switch is turned to the "ON" position, the gearshift lever is in the "R" position and the parking sensor switch is in the "ON" position. This function is helpful in the following cases: pulling over to the curb; parallel-parking the vehicle; steering the vehicle into a garage; driving along an alley; and moving slowly in a place with obstacles.

## OPERATING YOUR VEHICLE

### ⚠ WARNING

- The parking sensor warns you of obstacles with buzzers. However, you must still pay full attention yourself while driving.
- The sensors can detect obstacles only within a limited area and only when the vehicle is moving within a limited speed range. So, in tricky areas, you must move the vehicle slowly while checking around it using your direct vision or rearview mirrors. There is increased risk of an accident if you control the vehicle relying only on the parking sensor.

### Sensor Locations



(1) Rear sensors (2 places)

### NOTICE

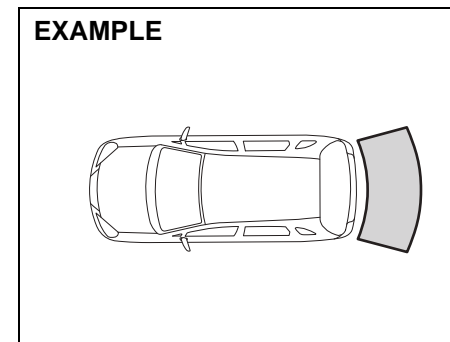
- Avoid hitting the sensor areas or directing the nozzle of a high-pressure car washer onto the sensor areas. Otherwise, the sensors may be damaged.
- If the bumper hits a hard object, the sensors on it may not work properly. If this occurs, have the sensors inspected by an authorized SUZUKI dealer.

### Working sensors

The sensors that work depends on the position of the gearshift lever as follows:

Gearshift lever position	Automatic transaxle	
	R	N, D, 2 or L
Rear sensors	On	Off

### Approximate areas where obstacles can be detected



- An obstacle within about 20 cm (8 in) from a sensor or just below a sensor is not detectable.
- The sensors can detect an obstacle up to about 1.5 m (5 ft) from the rear of vehicle.



**▲ WARNING**

- Under the following conditions, the parking sensor system may not work normally because the sensors cannot detect obstacles correctly.
  - Sensors are covered with mud, ice or other materials. (Such materials must be removed for normal operation.)
  - Sensors are wet from water splashes or heavy rain.
  - Sensors are covered by a hand, sticker, accessory, etc.
  - There is an accessory or other object attached within the sensor's sensing area.
  - Items such as tow hooks, commercially available corner poles, radio antenna, etc. are installed on the bumper.
  - The height of the bumper is changed due to alteration to the suspension or other causes.
  - The sensor areas are extremely hot from direct sunlight or cold due to freezing weather.
  - The vehicle is on a rough surface, slope, gravel road or grass field.
  - The vehicle is at a steep angle.

(Continued)

**▲ WARNING**

(Continued)

- Sensors have intercepted ultrasonic noise from another vehicle's horn, engine, air braking system (large vehicles), or parking sensor.
- Obstacles are too close to the sensors.
- Sensors are at an angle to a highly reflective object such as glass. (Ultrasonic waves are not reflected back from the obstacle.)
- Sensors may not be able to correctly detect the following types of obstacles:
  - Objects made of a thin material like wire netting and ropes
  - Square-shaped curbstones or other objects with sharp edges
  - Tall objects with a large upper part like a road sign
  - Low-profile objects such as curbstones
  - Sound-absorbing objects such as cotton and snow

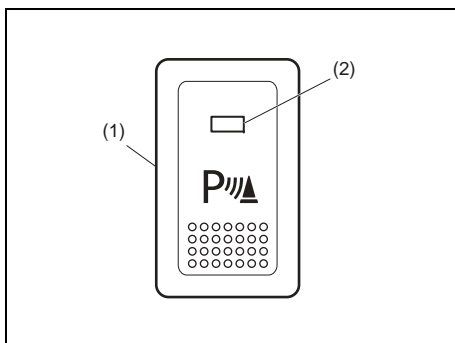
NOTE:

- *Thin poles or obstacles lower than the sensors may become undetectable as the vehicle moves closer to them even if they have been detected from longer distances.*
- *The system may calculate the distance to a road sign or similar obstacle to be shorter than the actual distance.*

## OPERATING YOUR VEHICLE

### How to Use the Parking Sensor

#### Parking sensor switch



61MS403

- (1) Parking sensor switch  
(2) Indicator

- When the ignition switch is in the “ON” position and the indicator light in the parking sensor switch is on, indicating that the parking sensor is ready for operation under the following conditions:
  - The gearshift lever is in the “R” position.
- To deactivate the parking sensor, push the parking sensor switch and make sure the indicator light goes off.

Switch position	State
<b>EXAMPLE</b> 	<b>ON</b> <ul style="list-style-type: none"> <li>• When the indicator light is on and all necessary conditions are met, system becomes ready for operation.</li> </ul>
<b>EXAMPLE</b> 	<b>OFF</b> <ul style="list-style-type: none"> <li>• The system does not operate. Push the switch to turn off the indicator if you do not wish to use the parking sensor.</li> </ul>

#### NOTE:

- If you push the parking sensor switch from the OFF to ON position when the ignition switch is in the “ON” position, the inside buzzer sounds.
- When the gearshift lever is shifted to the “R” position with the system ON, a buzzer will sound once.

**Obstacle Indication by Parking Sensor**

Upon detecting an obstacle, the parking sensor causes an interior buzzer to sound.

- A buzzer located behind the rear seat sounds when a sensor at the rear detects an obstacle.
- Warnings when obstacles are detected by sensors

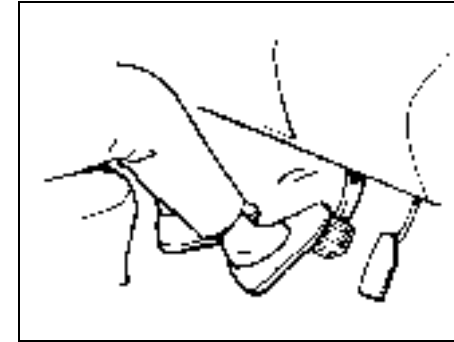
Distance (approx.)	Buzzer
100 – 150 cm (39 – 59 in)	Short beeps at short intervals
60 – 100 cm (24 – 39 in)	Short beeps at very short intervals
Less than 60 cm (24 in)	Continuous beep

**Warning and Indicator Messages**

If there is a problem or warning regarding the parking sensor system, a buzzer and the status of the indicator on the parking sensor inform it. Follow its instruction.

- The buzzer sounds intermittently. The indicated sensor is contaminated. Wipe it clean with a soft cloth. If the buzzer does not stop after wiping, there may be problem with the parking sensor system. Have your vehicle inspected by an authorized SUZUKI dealer.
- The indicator does not come on when the parking sensor switch is pressed. The indicator goes off while operating. There may be a problem with the parking sensor system, Have your vehicle inspected by an authorized SUZUKI dealer.

**Braking**



60G165S

The distance needed to bring any vehicle to a halt increases with the speed of the vehicle. The braking distance needed, for example, at 60 km/h (37 mph) will be approximately 4 times greater than the braking distance needed at 30 km/h (19 mph). Start to brake the vehicle when there is plenty of distance between your vehicle and the stopping point, and slow down gradually.

## OPERATING YOUR VEHICLE

### WARNING

If water gets into the brake drums, brake performance may become poor and unpredictable. After driving through water or washing the underside of the vehicle, test the brakes while driving at a slow speed to see if they have maintained their normal effectiveness. If the brakes are less effective than normal, dry them by repeatedly applying the brakes while driving slowly until the brakes have regained their normal effectiveness.

### Power-Assisted Brakes

Your vehicle has power-assisted brakes. If power assistance is lost due to a stalled engine or other failures, the system is still fully operational on reserve power and you can bring the vehicle to a complete stop by pressing the brake pedal once and holding it down. The reserve power is partly used up when you depress the brake pedal and reduces each time the pedal is pressed. Apply smooth and even pressure to the pedal. Do not pump the pedal.

### WARNING

Even without reserve power in the brake system, you can still stop the vehicle by pressing the brake pedal harder than normally required. However, the stopping distance may be longer.

### Brake Assist System (if equipped)

When you slam the brakes on, the brake assist system judges as an emergency stop and provides more powerful braking for a driver who cannot hold down the brake pedal firmly.

#### NOTE:

*If you quickly and forcefully depress the brakes, you may hear a clicking sound in the brake pedal. This is normal and indicates that the brake assist system is activated properly.*

### Anti-Lock Brake System (ABS) (if equipped)

ABS will help you avoid skidding by electronically controlling braking pressure. It will also help you maintain steering control when braking on slippery surfaces or when braking hard.

The ABS works automatically, so you do not need any special braking technique. Just push the brake pedal down without pumping. The ABS will operate whenever it senses that the wheels are locking up.

You may feel the brake pedal moves a little while the ABS is operating.

#### NOTE:

*The ABS will not work if vehicle speed is under about 10 km/h (6mph).*

### WARNING

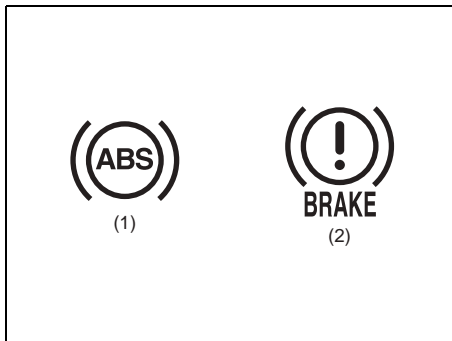
- On some types of loose surfaces (such as gravel, snow-covered roads, etc.) the stopping distance required for an ABS-equipped vehicle may be slightly greater than for a comparable vehicle with a conventional brake system. With a conventional brake system, skidding tires are able to “plow” the gravel or snow layer, shortening the stopping distance. ABS minimizes this resistance effect. Allow for extra stopping distance when driving on loose surfaces.
- On regular paved roads, some drivers may be able to obtain slightly shorter stopping distances with conventional brake systems than with ABS.

(Continued)

**▲ WARNING**

(Continued)

- In both of the above conditions, ABS will still offer the advantage of helping you maintain directional control. However, remember that ABS will not compensate for bad road or weather conditions or poor driver judgment. Use good judgment and do not drive faster than conditions will safely allow.



63J081

- (1) ABS warning light
- (2) Brake system warning light

**▲ WARNING**

- If the ABS warning light (1) on the instrument panel comes on and stays on while driving, there may be a problem with the ABS system. Ask your SUZUKI dealer to inspect the ABS system immediately. If the ABS system becomes inoperative, the brake system will function as an ordinary brake system that has no ABS.
- If the ABS warning light (1) and the Brake system warning light (2) on the instrument panel simultaneously stays on or comes on when driving, both anti-lock function and rear brake force control function (proportioning valve function) of the ABS system may have failed. If so, the rear wheels may easily skid or the vehicle can even spin in the worst case when braking on a slippery road or when hard braking even on a dry paved road. Ask your SUZUKI dealer to inspect the ABS system immediately. Drive carefully, avoiding hard braking as much as possible.

**How the ABS Works**

A computer continuously monitors wheel speed. The computer compares the changes in wheel speed when braking. If the wheels slow suddenly, indicating a skidding situation, the computer will change braking pressure several times each second to prevent the wheels from locking. When you start your vehicle or when you accelerate after a hard stop, you may hear a momentary motor or clicking noise as the system resets or checks itself.

**▲ WARNING**

The ABS may not work properly if tires or wheels other than those specified in the owner's manual are used. This is because the ABS works by comparing changes in wheel speed. When replacing tires or wheels, use only the size and type specified in this owner's manual.

**OPERATING YOUR VEHICLE**

---

**MEMO**

-----

-----

-----

-----

-----

-----

-----

-----

-----

-----

-----

-----

-----

-----

-----

-----

-----

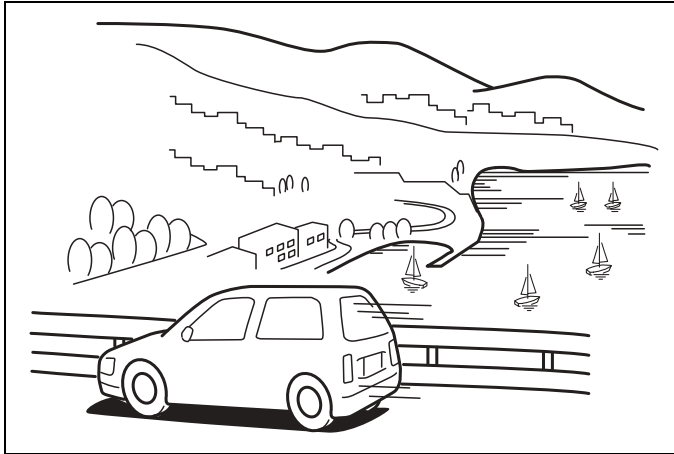
-----

-----

-----

-----

## DRIVING TIPS



60G409

Running-in .....	4-1
Catalytic Converter .....	4-1
Improving Fuel Economy .....	4-2
Highway Driving .....	4-3
Driving on Hills .....	4-3
Driving on Slippery Roads .....	4-4

## DRIVING TIPS



52D078S

### ⚠ WARNING

- **Wear Your Seat Belts at All Times.** Even though air bags are equipped at the front seating positions, the driver and all passengers should be properly restrained at all times, using the seat belts provided. Refer to the "Seat Belts and Child Restraint Systems" section for instructions on proper use of the seat belts.
- **Never drive while under the influence of alcohol or other drugs.** Alcohol and drugs can seriously impair your ability to drive safely, greatly increasing the risk of injury to yourself and others. You should also avoid driving when you are tired, sick, irritated, or under stress.

## Running-in

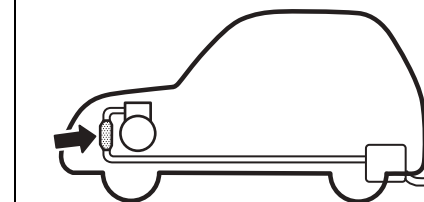
### NOTICE

The future performance and reliability of the engine depends on the care and restraint exercised during its early life. It is especially important to observe the following precautions during the initial 960 km (600 miles) of vehicle operation.

- After starting, do not race the engine. Warm it up gradually.
- Avoid prolonged vehicle operation at a constant speed. Moving parts will break in better if you vary your speed.
- Start off from a stop slowly. Avoid full throttle starts.
- Avoid hard braking, especially during the first 320 km (200 miles) of driving.
- Do not drive slowly with the trans-axle in a high gear.
- Drive the vehicle at moderate engine speeds.
- Do not tow a trailer during the first 960 km (600 miles) of vehicle operation.

## Catalytic Converter

### EXAMPLE



80G106

The purpose of the catalytic converter is to minimize the amount of harmful pollutants in your vehicle's exhaust. Use of leaded fuel in vehicles equipped with catalytic converters is prohibited, because lead deactivates the pollutant-reducing components of the catalyst system.

The converter is designed to last the life of the vehicle under normal usage and when unleaded fuel is used. No special maintenance is required on the converter. However, it is very important to keep the engine properly tuned. Engine misfiring, which can result from an improperly tuned engine, may cause overheating of the catalyst. This may result in permanent heat damage to the catalyst and other vehicle components.



**NOTICE**

To avoid damaging catalyst or other vehicle damage:

- Maintain the engine in the proper operating condition.
- In the event of an engine malfunction, particularly one involving engine misfiring or other apparent loss of performance, have the vehicle serviced promptly.
- Do not turn off the engine or interrupt the ignition when the transaxle is in gear and the vehicle is in motion.
- Do not try to start the engine by pushing or towing the vehicle, or coasting down a hill.
- Do not idle the engine with any spark plug wires disconnected or removed, such as during diagnostic testing.
- Do not idle the vehicle for prolonged periods if idling seems rough or there are other malfunctions.
- Do not allow the fuel tank to get near the empty level.
- Avoid driving your vehicle at excessively high engine speed in or around the red zone of the tachometer (if equipped).



54G584S

**⚠ WARNING**

Be careful in areas where you park and drive; the catalytic converter and other exhaust components can get very hot. As with any vehicle, do not park or operate this vehicle in areas where combustible materials such as dry grass or leaves can come in contact with a hot exhaust system.

**Improving Fuel Economy**

The following instructions will help you improve fuel economy.

**Avoid excessive idling**

If you are to wait for more than a minute while you are parked, stop the engine and start it again later. When warming up a cold engine, allow the engine to idle until the temperature gauge pointer comes up to the "C" position (if the idling is not prohibited). In this position, the engine is sufficiently warm for starting off.

**Avoid "fast" starts**

Fast starts away from lights or stop signs will consume fuel unnecessarily and shorten engine life. Start off slowly.

**Avoid unnecessary stops**

Avoid unnecessary deceleration and stopping. Try to maintain a slow, steady speed whenever possible. Slowing down and then accelerating again uses more fuel.

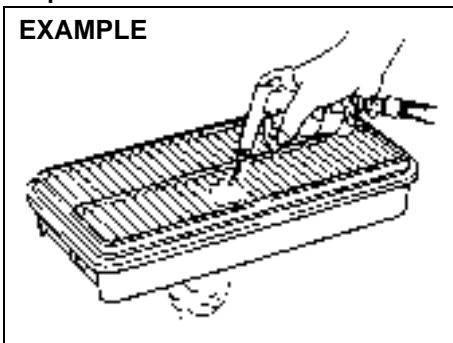
**Keep a steady cruising speed**

Keep as constant a speed as road and traffic conditions will permit.

## DRIVING TIPS

### Keep the air cleaner clean

#### EXAMPLE



60A183S

If the air cleaner is clogged with dust, there will be greater intake resistance, resulting in decreased power output and increased fuel consumption.

#### Keep weight to a minimum

The heavier the load, the more fuel the vehicle consumes. Take out any luggage or cargo when it is not necessary.

#### Keep tire pressures correct

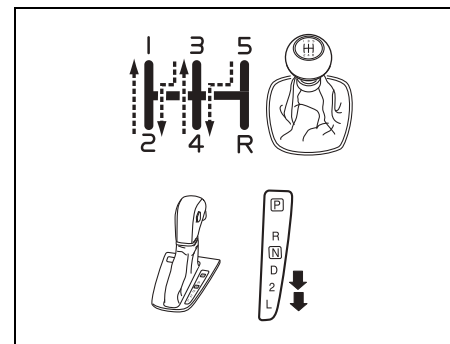
Underinflation of the tires can waste fuel due to increased running resistance of the tires. Keep your tires inflated to the correct pressure shown on the label on the driver's side door or the driver's door lock pillar.

### Highway Driving

When driving at highway speeds, pay attention to the following:

- Stopping distance progressively increases with vehicle speed. Apply the brakes far enough ahead of the stopping point to allow for the extra stopping distance.
- On rainy days, "Hydroplaning" can occur. "Hydroplaning" is the loss of direct contact between the road surface and the vehicle's tires due to a water film forming between them. Steering or braking the vehicle while "Hydroplaning" can be very difficult, and loss of control can occur. Keep speed down when the road surface is wet.
- At high speeds, the vehicle may be affected by side winds. Therefore, reduce speed and be prepared for unexpected buffeting, which can occur at the exits of tunnels, when passing by a cut of a hill, or when being overtaken by large vehicles, etc.

### Driving on Hills



58MS20401

- When climbing steep hills, the vehicle may begin to slow down and show a lack of power. If this happens, you should shift to a lower gear so that the engine will again be operating in its normal power range. Shift rapidly to prevent the vehicle from losing momentum.
- When driving down a hill, the engine should be used for braking by shifting to next lower gear. (Do this with EITHER an automatic or manual transaxle.)

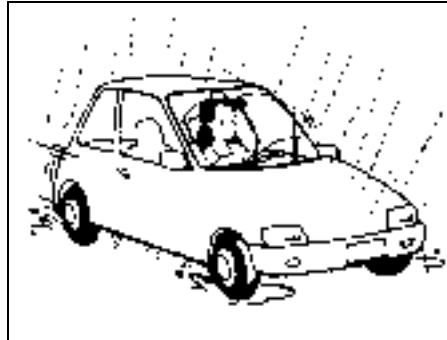
**▲ WARNING**

Try not to hold the brake pedal down too long or too often while going down a steep or long hill. This could cause the brakes to overheat, resulting in reduced braking efficiency. Failure to take this precaution could result in loss of vehicle control.

**NOTICE**

When descending a down hill, NEVER turn the ignition key to the "LOCK" position. Emission control system and automatic transaxle damage may result.

**Driving on Slippery Roads**



60G089S

Under wet road conditions you should drive at a lower speed than on dry roads due to possible slippage of tires during braking. When driving on icy, snow-covered, or muddy roads, reduce your speed and avoid sudden acceleration, abrupt braking, or sharp steering movements.

**Tire Chains**

Tire chains should only be used if they are needed to increase traction or are required by law. Make sure that the chains you use are the correct size for your vehicle's tires. Also make sure that there is enough clearance between the fenders and the chains as installed on the tires.

Install the chains on the front tires tightly, according to the chain manufacturer's instructions. Retighten the chains after driving about 1.0 km (1/2 mile) if necessary. With the chains installed, drive slowly.

**NOTICE**

- If you hear the chains hitting against the vehicle body while driving, stop and tighten them.
- If your vehicle is equipped with full wheel caps, remove the wheel caps before installing the chains or the wheel caps can be damaged by the chain bands.

## DRIVING TIPS

### If Your Vehicle Gets Stuck

If your vehicle gets stuck in snow, mud, or sand, follow the directions below:

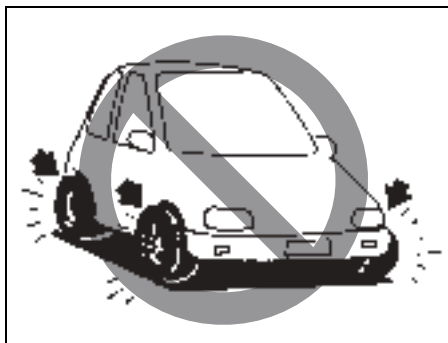
- 1) Shift the transaxle back and forth between a forward range (or first gear for manual transaxle) and reverse. This will create a rocking motion which may give you enough momentum to free the vehicle. Press gently on the accelerator to keep wheel spinning to a minimum wheel rpm. Remove your foot from the accelerator while shifting.  
Do not race the engine. Excessive wheel spin will cause the tires to dig deeper, making it more difficult to free the vehicle.
- 2) If your vehicle remains stuck after a few minutes of rocking, get another vehicle to pull your vehicle out.

#### **▲ WARNING**

Do not allow anyone to stand near the vehicle when you are rocking it, and do not spin the wheels faster than an indicated 40 km/h (25 mph) on the speedometer. Personal injury and/ or vehicle damage may result from spinning the wheels too fast.

#### **NOTICE**

Do not continue rocking the vehicle for more than a few minutes. Prolonged rocking can cause engine overheating or transaxle damage.



54G638S

#### **▲ WARNING**

In addition to following the driving tips in this section, it is important to observe the following precautions.

- Make sure your tires are in good condition and always maintain the specified tire pressure. Refer to "Tires" in the "INSPECTION AND MAINTENANCE" section for details.

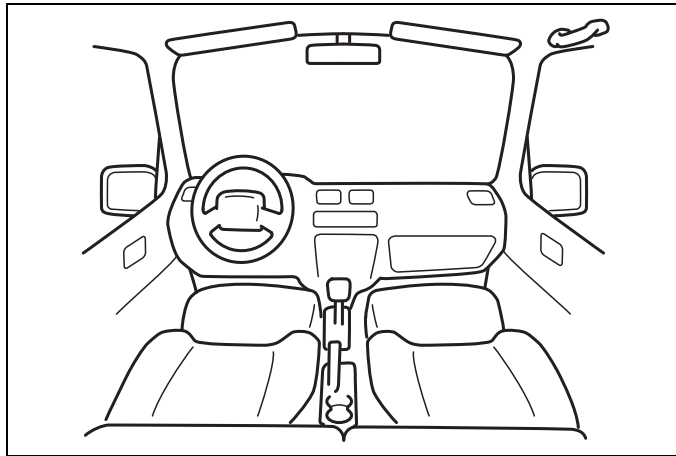
(Continued)

#### **▲ WARNING**

(Continued)

- Do not use tires other than those specified by SUZUKI. Never use different sizes or types of tires on the front and rear wheels. For information regarding the specified tires, refer to the Tire Information Label located on the driver's door lock pillar.
- Never use oversized tires or special shock absorbers and springs to raise (jack up) your vehicle. This will change the handling characteristics. Oversized tires may also rub against the fender over bumps, causing vehicle damage or tire failure.
- After driving through water, test the brakes while driving at a slow speed to see if they have maintained their normal effectiveness. If the brakes are less effective than normal, dry them by repeatedly applying the brakes while driving slowly until the brakes have regained their normal effectiveness.

OTHER CONTROLS AND EQUIPMENT



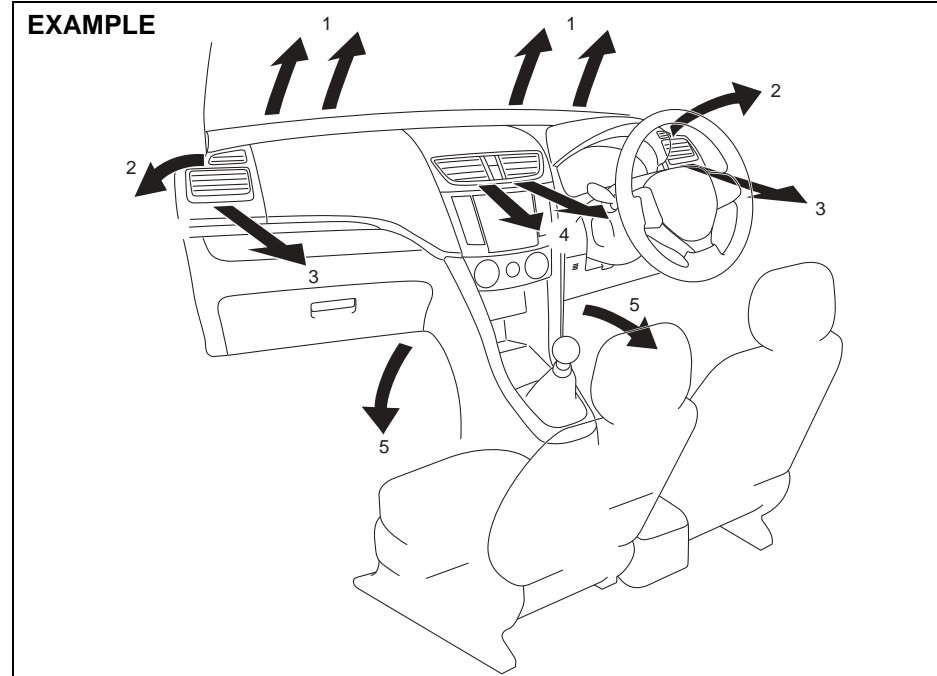
60G407

Air Conditioning System .....	5-1
Radio Antenna .....	5-6
Audio System (if equipped) .....	5-7
Fuel Filler Cap .....	5-37
Engine Hood .....	5-38
Sun Visor .....	5-39
Interior Light Switch .....	5-40
Accessory Socket .....	5-41
Universal Serial Bus (USB) Socket (if equipped) .....	5-42
Assist Grips .....	5-42
Glove Box .....	5-43
Cup Holder and Storage Area .....	5-43
Front Seat Back Pocket (if equipped) .....	5-44
Armrest (if equipped) .....	5-45
Footrest (if equipped) .....	5-45
Floor Mats (if equipped) .....	5-46
Luggage Box (if equipped) .....	5-46
Frame Hooks .....	5-47

## OTHER CONTROLS AND EQUIPMENT

### Air Conditioning System

#### Air Outlet

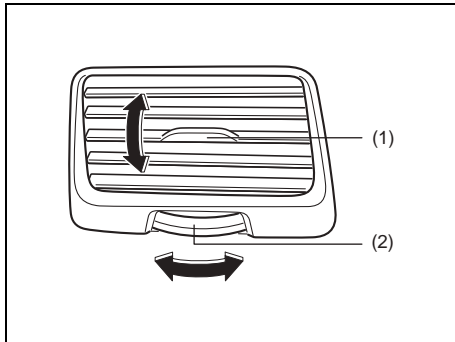


60MH064

1. Windshield defroster outlet
2. Side defroster outlet
3. Side outlet
4. Center outlet
5. Floor outlet

## OTHER CONTROLS AND EQUIPMENT

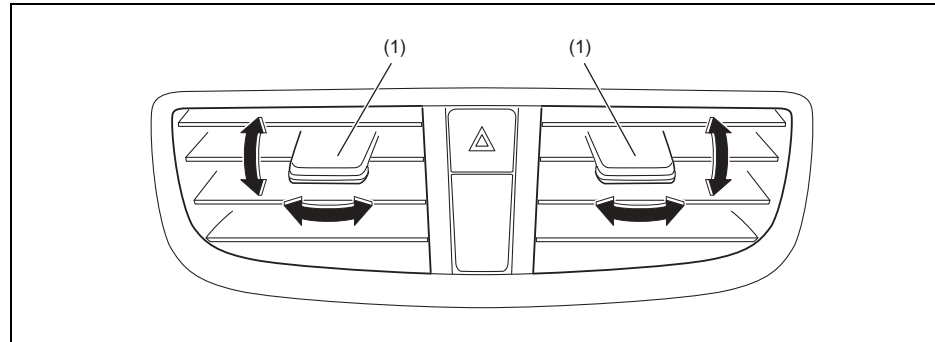
**Side outlet**



68LM502

Move the knob (1) vertically and the dial (2) horizontally, to adjust the direction of airflow as desired. When "Open", air comes out from the side outlets regardless of the airflow selector position.

**Center outlet**

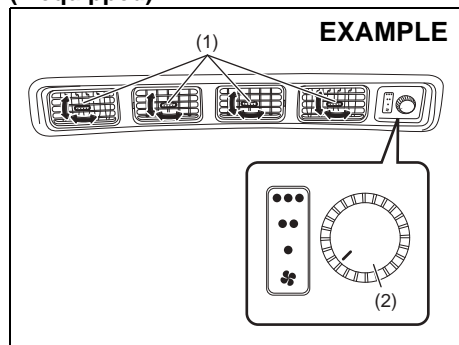


74LHT0502

Move the knob (1) vertically or horizontally to adjust the direction of airflow as desired.

## OTHER CONTROLS AND EQUIPMENT

### Overhead rear air conditioning system (if equipped)



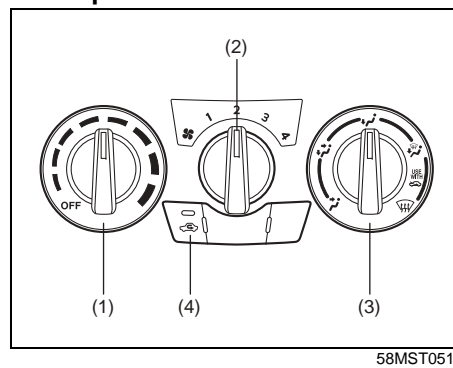
To turn on the overhead rear air conditioning system, set the blower speed selector of the air conditioning system to a position other than "OFF" and set the rear blower switch (2) to a position other than "OFF". Move the knob (1) vertically or horizontally to adjust the direction of airflow as desired.

If you need cold air to come out, turn on the temperature selector with air conditioning switch. Refer to "Temperature selector with air conditioning switch" in this section.

During operation of the air conditioner, you may notice slight changes in engine speed. These changes are normal, the system is designed so that the compressor turns on or off to maintain the desired temperature. Less operation of the compressor results in better fuel economy.

5-3

### Description of Controls



#### Temperature selector with air conditioning switch (1)

This is used to select the temperature by turning the selector.

Also, this is used to turn on and off the air conditioning system by turning the selector. To turn on the air conditioning system, turn the selector to a position other than "OFF". When this selector is in the "OFF", the air conditioning system will not turn on.

### NOTE:

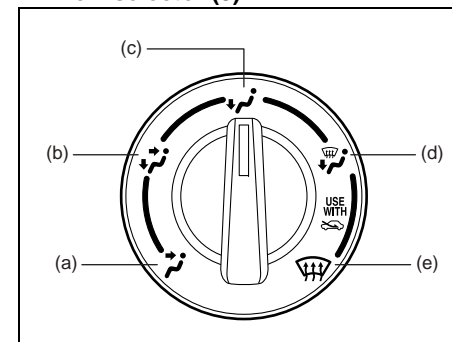
*During operation of the air conditioner, you may notice slight changes in engine speed. These changes are normal, the system is designed so that the compressor turns on or off to maintain the desired temperature.*

*Less operation of the compressor results in better fuel economy.*

#### Blower speed selector (2)

This is used to turn on the blower and to select blower speed by turning the selector.

#### Air flow selector (3)

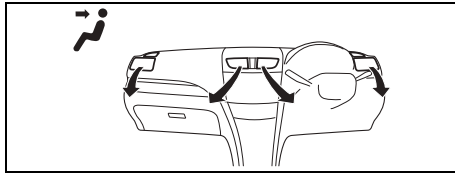


This is used to select one of the functions described below.



## OTHER CONTROLS AND EQUIPMENT

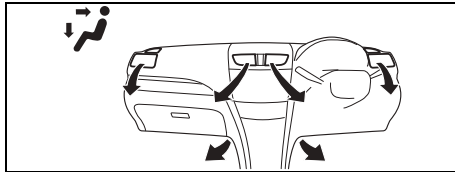
### Ventilation (a)



74LHT0504

Temperature-controlled air comes out of the center and side air outlets.

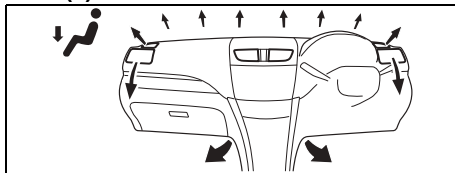
### Bi-level (b)



74LHT0505

Temperature-controlled air comes out of the center, side and floor outlets.

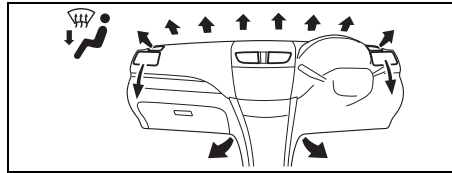
### Foot (c)



74LHT0506

Temperature-controlled air comes out of the floor outlets and the side outlets, also comes out of the windshield outlets and also comes slightly out of the side outlets.

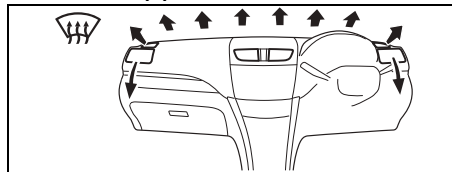
### Foot & windshield (d)



74LHT0507

Temperature-controlled air comes out of the floor outlets, the windshield outlets, and the side outlets.

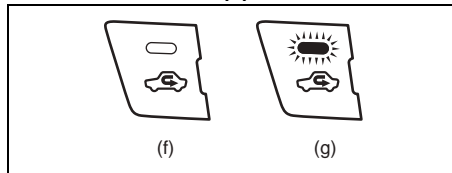
### Windshield (e)



74LHT0508

Temperature-controlled air comes out of the windshield outlets and the side outlets.

### Air intake selector (4)



(f)

(g)

68LM511

This selector is used to select the following modes.

### Fresh Air (f)

When this mode is selected, the indicator light will go off and outside air is used.

### Recirculated Air (g)

When this mode is selected, the indicator light will come on, outside air is shut out and inside air is recirculated. This mode is suitable when driving through dusty or polluted air such as in a tunnel, or when attempting to quickly cool down the interior.

“FRESH AIR” and “RECIRCULATED AIR” are switched alternately each time the air intake selector is pushed.

### NOTE:

*If you select “RECIRCULATED AIR” for an extended period of time, the air in the vehicle can become contaminated. Therefore, you should occasionally select “FRESH AIR”.*

### System Operating Instructions

#### Natural ventilation

Select “VENTILATION” and “FRESH AIR”, the temperature selector to the desired temperature position, and the blower speed selector to a position other than “OFF”. Fresh air will flow through the vehicle during driving.

#### Forced ventilation

The control settings are the same as for natural ventilation except you set the

## OTHER CONTROLS AND EQUIPMENT

blower speed selector to a position other than "OFF".

### Normal cooling

Set the air flow selector to "VENTILATION", the temperature selector to the desired temperature position (other than "OFF") and the blower speed selector to the desired blower speed position. Setting the blower speed selector to a higher blower speed position increases cooling efficiency.

You can switch the air intake selector to either "FRESH AIR" or "RECIRCULATED AIR" as you desire. Choosing "RECIRCULATED AIR" increases cooling efficiency.

### Quick cooling (using recirculated air)

The control settings are the same as for normal cooling except you select "RECIRCULATED AIR" and the highest blower speed.

#### NOTE:

- If you select "RECIRCULATED AIR" for an extended period of time, the air in the vehicle can become contaminated. Therefore, you should occasionally select "FRESH AIR".
- If your vehicle has been left in the sun with the windows closed, it will cool faster if you open the windows briefly while you operate the air conditioning system with the air intake selector at "FRESH AIR" and the blower at high speed.

### Dehumidifying

Set the air flow selector to a desired air flow selector position, the temperature selector to the desired temperature position (other than "OFF") and the blower speed selector to the desired blower speed position. Also select "FRESH AIR".

#### NOTE:

*Because the air conditioning system dehumidifies the air, turning it on will help keep the windows clear.*

### Maintenance

If you do not use the air conditioning system for a long period, such as during winter, it may not give the best performance when you start using it again. To help maintain optimum performance and durability of your air conditioning system, it needs to be run periodically. Operate the air conditioning system at least once a month for one minute with the engine idling. This circulates the refrigerant and oil and helps protect the internal components.

If your air conditioning system is equipped with air filters, clean or replace them as specified in the "Maintenance Schedule" in the "INSPECTION AND MAINTENANCE" section. Have this job done by your SUZUKI dealer as the lower glove box must be lowered for this job.

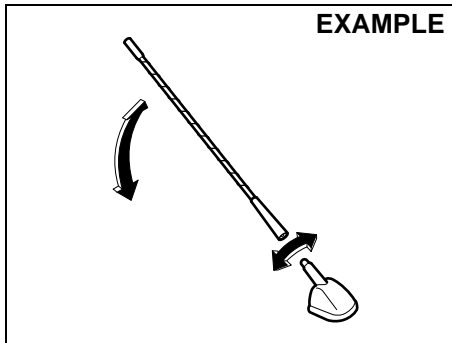
#### NOTE:

*Your vehicle uses the air conditioning system refrigerant HFC-134a, commonly called "R-134a". R-134a replaced R-12 around 1993 for automotive applications. Other refrigerants are available, including recycled R-12, but only R-134a should be used in your vehicle.*

#### NOTICE

**Using the wrong refrigerant may damage your air conditioning system. Use R-134a only. Do not mix or replace the R-134a with other refrigerants.**

## Radio Antenna



68KH052

The radio antenna on the roof is removable. To remove the antenna, turn it counterclockwise. To reinstall the antenna, turn it clockwise firmly by hand.

### **NOTICE**

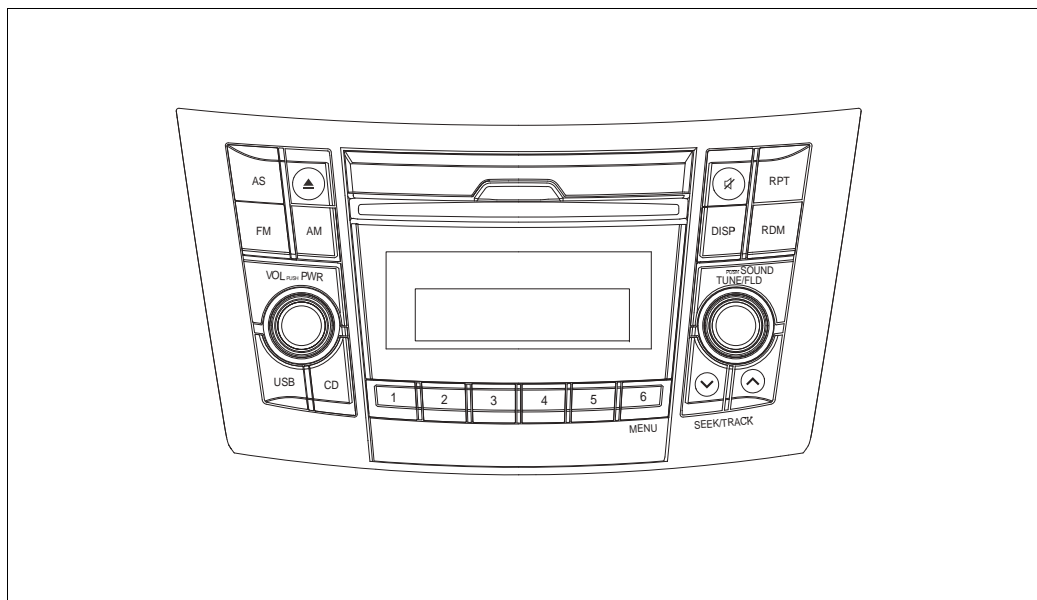
To avoid damage to the radio antenna:

- Remove the antenna when using an automatic car wash.
- Remove the antenna when the antenna hits anything such as a low ceiling in a parking garage or putting a car cover over your vehicle.

## OTHER CONTROLS AND EQUIPMENT

---

### Audio System (if equipped)



AM/FM CD PLAYER

## Safety Information

### **▲ WARNING**

If you pay extended attention to operating the audio system or viewing the audio system display while driving, an accident can occur. If you set the sound volume too loud, it could prevent you from being aware of road and traffic conditions.

- Keep your eyes on the road and your mind on the drive. Avoid paying extended attention to operating the audio system or viewing the audio system display.
- Familiarize yourself with the audio system controls and operation of the audio system before driving.
- Preset your favorite radio stations before driving so that you can quickly tune to them using the pre-sets.
- Set the sound volume to a level that will allow you to continue to be aware of road and traffic conditions while driving.

## Notes on Discs

### Precautions

- When the inside of the vehicle is very cold and the player is used soon after switching on the heater, condensation may form on the disc or the optical parts of the player and proper playback may not be possible. If condensation forms on the disc, wipe it off with a soft cloth. If condensation forms on the optical parts of the player, do not use the player for about one hour. This will allow the condensation to disappear normally.
- Driving on extremely bumpy roads which cause severe vibrations may cause sound to skip.
- This unit uses a precision mechanism. Even in the event that trouble arises, never open the case, disassemble the unit, or lubricate the rotating parts. Please bring the unit to an authorized SUZUKI dealer.

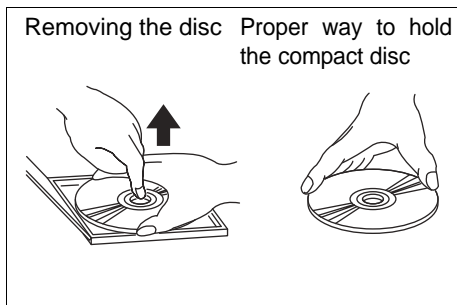
### Cautions on Handling



This unit has been designed specifically for playback of compact discs bearing mark (A) shown above.

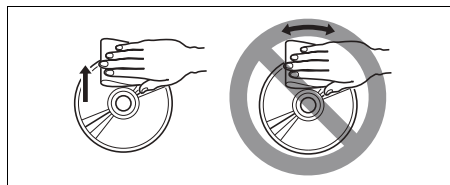
No other discs can be played.

## OTHER CONTROLS AND EQUIPMENT

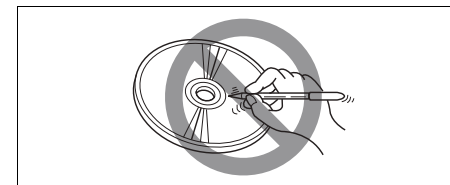


To remove the compact disc from its storage case, press down on the center of the case and lift the disc out, holding it carefully by the edges.

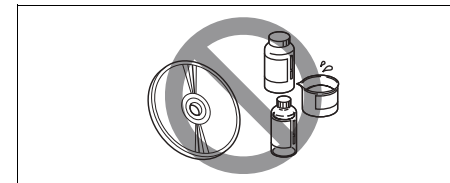
Always handle the compact disc by the edges.  
Never touch the surface.



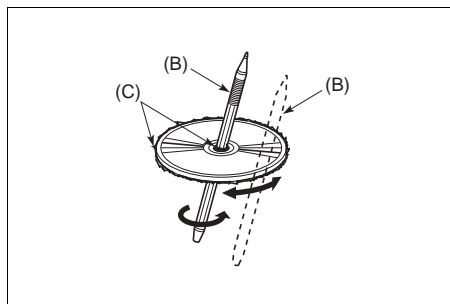
To remove fingermarks and dust, use a soft cloth, and wipe in a straight line from the center of the compact disc to the circumference.



Never stick labels on the surface of the compact disc or write on the surface with a pencil or pen.

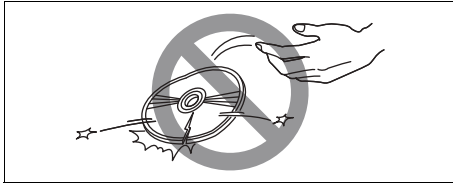


Do not use any solvents such as commercially available cleaners, anti-static spray, or thinner to clean compact discs.

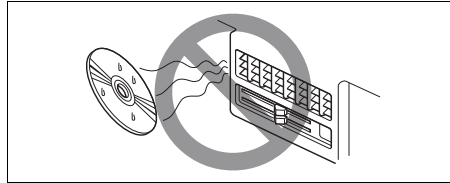


New discs may have some roughness around the edges. The unit may not work or the sound may skip if such discs are used. Use a ball-point pen (B), etc. to remove the roughness (C) from the edges of the disc before inserting it into the unit.

## OTHER CONTROLS AND EQUIPMENT



Do not use compact discs that have large scratches, are misshaped, or cracked, etc. Use of such discs will cause damage or prevent the system from operating properly.



Do not expose compact discs to direct sunlight or any heat source.

**NOTE:**

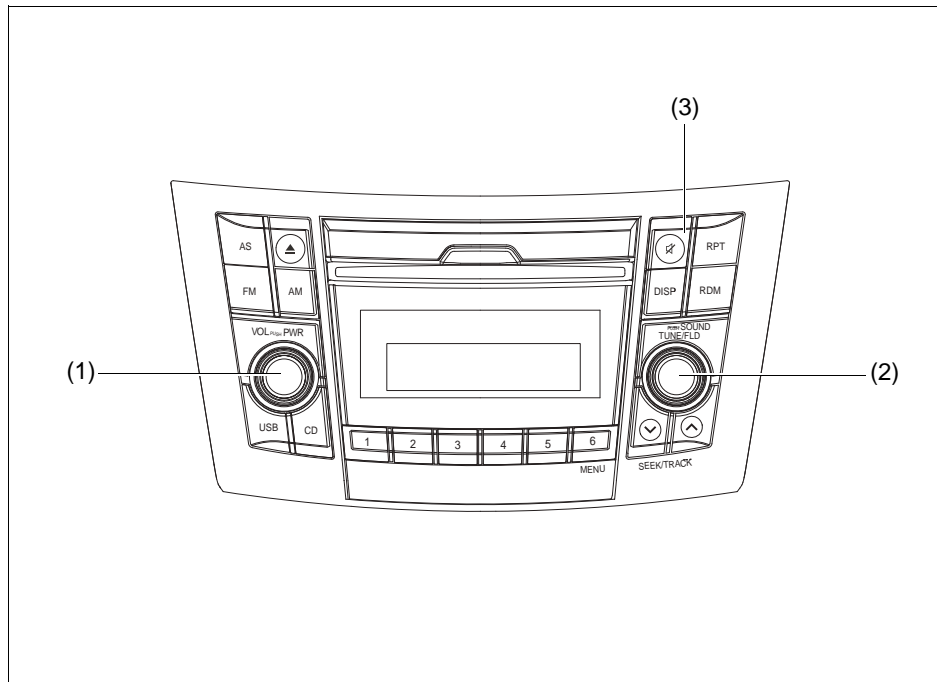
- Do not use commercially available CD protection sheets or discs equipped with stabilizers, etc.  
*These may get caught in the internal mechanism and damage the disc.*
- It may be impossible to play CD-R discs with this unit due to the recording conditions.
- CD-RW discs cannot be played with this unit.

**⚠ WARNING**

This is a class I laser product. Use of controls or adjustments or performance of procedures other than those specified herein may result in hazardous radiation exposure. Do not open covers and do not attempt to repair this unit by yourself. Refer servicing to qualified personnel.

## OTHER CONTROLS AND EQUIPMENT

### Basic Operations



- (1) VOL PUSH POWER knob
- (2) TUNE FOLDER PUSH SOUND knob
- (3) MUTE button

#### Turning power on/off

Press the VOL PUSH POWER knob (1).  
The unit starts in the function mode it was in when the power was turned off last.

#### Adjusting the volume

Turn the VOL PUSH POWER knob (1).  
Turning it clockwise increases the volume; turning it counterclockwise decreases the volume.

#### NOTE:

*While driving, adjust the volume to an extent that sound and/or noise coming from outside the vehicle can be heard.*

#### Mute

Press the MUTE button (3) to mute the sound. To cancel the mute, press the MUTE button (3) again.

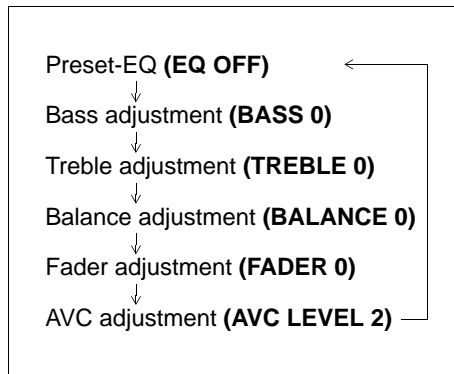


## OTHER CONTROLS AND EQUIPMENT

### Adjusting bass/treble/balance /fader

- 1) Press the TUNE FOLDER PUSH SOUND knob (2).

Each time the knob is pressed, sound adjustment will change as follows:



- 2) Turn the TUNE FOLDER PUSH SOUND knob (2) to adjust the sound.

### Adjusting the AVC (Auto volume control)

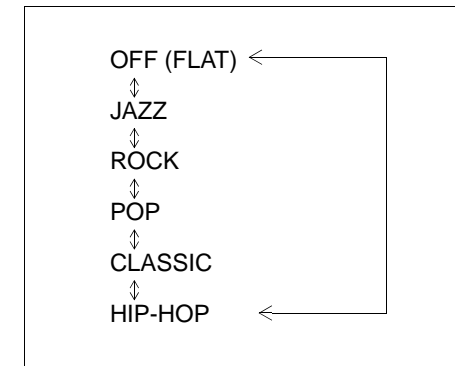
The Auto Volume Control (AVC) function automatically adjusts (increases/decreases) the sound volume in accordance with vehicle speed. The AVC control is provided with three selectable levels (LEVEL OFF, 1, 2, 3). The range of volume adjustment increases together with the LEVEL number.

- 1) Press the TUNE FOLDER PUSH SOUND knob (2) until the AVC adjustment mode is selected.
- 2) Turn the TUNE FOLDER PUSH SOUND knob (2) to select the desired AVC adjustment level. (Initial setting: LEVEL 2)

### Preset-EQ

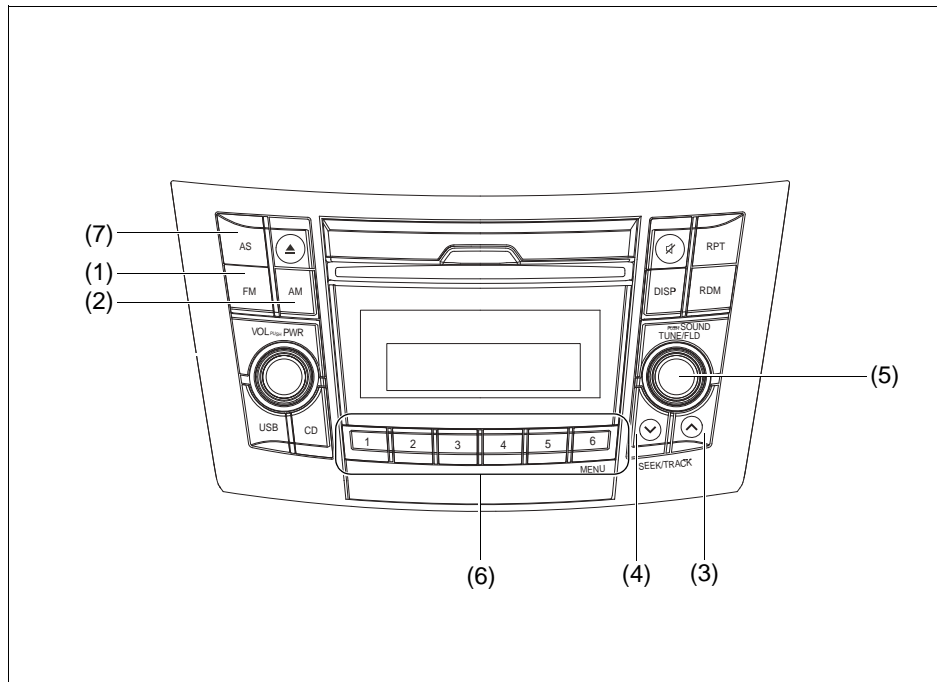
Preset-EQ calls up various sound types in accordance with the listening music type.

- 1) Press the TUNE FOLDER PUSH SOUND knob (2) several times until "PRESET-EQ" appears.
- 2) Turn the TUNE FOLDER PUSH SOUND knob (2). Each time the knob is turned, preset EQ mode will change as follows:

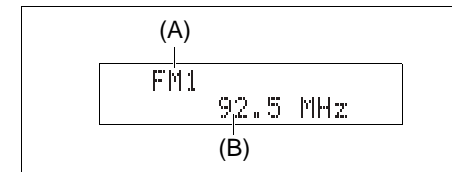


## OTHER CONTROLS AND EQUIPMENT

### Listening to the Radio



### Display



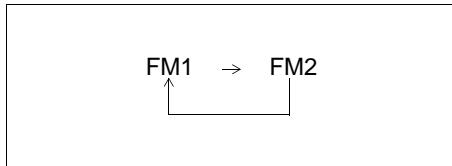
- (1) FM button
- (2) AM button
- (3) Up button
- (4) Down button
- (5) TUNE FOLDER PUSH SOUND knob
- (6) Preset buttons ([1] to [6])
- (7) AS button

- (A) Band
- (B) Frequency

## OTHER CONTROLS AND EQUIPMENT

### Selecting the FM band

Press the FM button (1).  
Each time the button is pressed, the reception band will change as follows:



### Selecting the AM band

Press the AM button (2).

### Seek tuning

Press the seek Up button (3) or the seek Down button (4).  
The unit stops searching for a station at a frequency where a broadcast station is available.

### Manual tuning

Turn the TUNE FOLDER PUSH SOUND knob (5).  
The frequency being received is displayed.

### Preset memory

- 1) Select the desired station.
- 2) Hold down a desired button ([1] to [6]) of the Preset buttons (6) to which you want to store the station for 2 seconds or longer.

### Auto store

Hold down the AS button (7) for 2 seconds or longer.

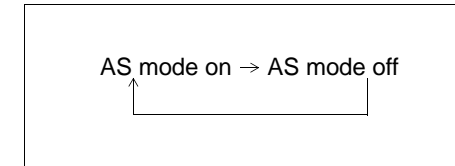
Six stations in good reception will automatically be stored to the Preset buttons (6) in order, starting from a station whose frequency is the lowest.

### NOTE:

- *Auto store can be released by pressing AS button (7) while auto store is under way.*
- *When the auto store is performed, the station previously stored in the memory at the position is overwritten.*
- *When there are fewer than 6 stations that can be stored even if 1 round of auto store operation is performed, no station will be stored at the remaining Preset buttons (6).*
- *6 stations can be preset for FM1 and FM2 in common, and 6 stations for AM in auto store mode.*

### Auto store mode on/off

Press the AS button (7).  
Each time the button is pressed, the mode is switched as follows:

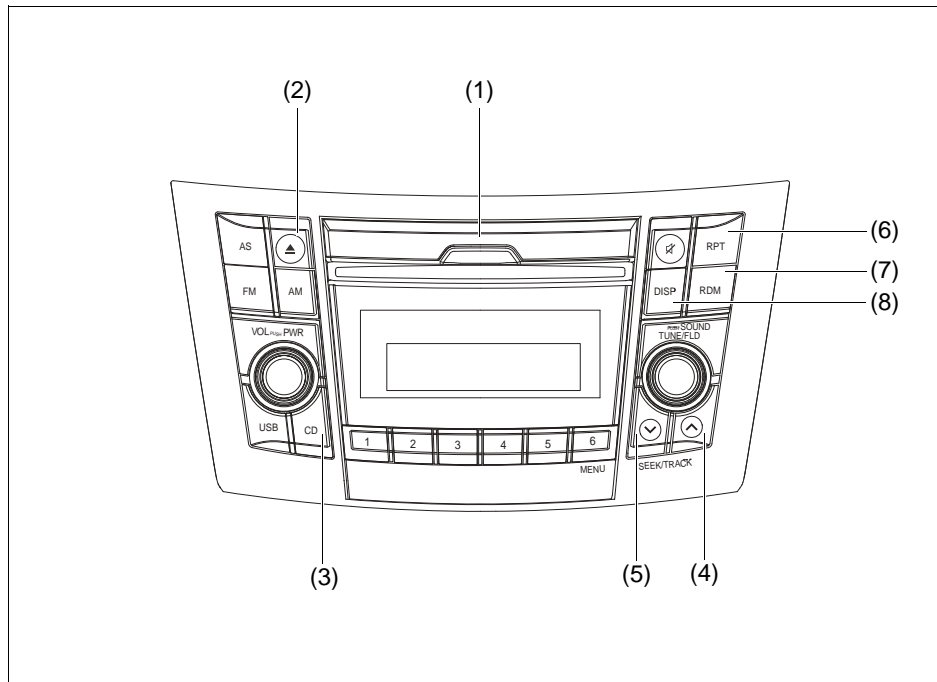


### Radio Reception

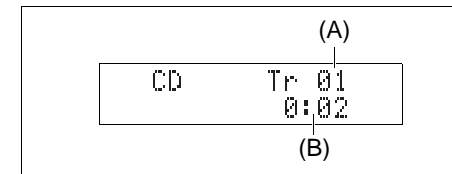
Radio reception can be affected by environment, atmospheric conditions, or radio signal's power and distance from the station. Nearby mountains and buildings may interfere or deflect radio reception, causing poor reception. Poor reception or radio static can also be caused by electric current from overhead wires or high voltage power lines.

## OTHER CONTROLS AND EQUIPMENT

### Listening to a CD



### Display



- (1) Insertion slot
- (2) Eject button
- (3) CD button
- (4) Up button
- (5) Down button
- (6) RPT button
- (7) RDM button
- (8) DISP button

- (A) Track number
- (B) Play time

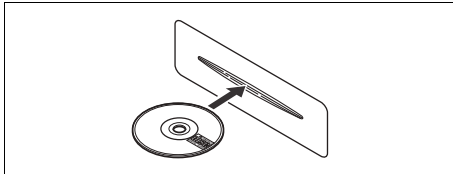
#### NOTE:

*This product does not support 8 cm CD (sometimes called as "mini single CD", "3-inch CD", "CD3", etc.).*

## OTHER CONTROLS AND EQUIPMENT



- CDs or CD-ROMs carrying no mark (A) cannot be used.
- Some discs recorded in CD-R/CD-RW format may sometimes be impossible to use.



- A CD is to be inserted with its label side up.
- When there is a CD already in the unit, it is impossible to insert another CD without ejecting the CD in the unit. Do not use force to insert a CD into the CD insertion slot.

### NOTICE

- **Never insert your finger or hand into the CD insertion slot. Never insert foreign objects.**
- **Never insert a CD with glue coming out from adhesive tape or a rental CD label or with a trace indicating that adhesive tape or a rental CD label has been removed. This may cause the CD not to eject or result in a malfunction.**

### Selecting a CD mode

Press the CD button (3).

### Loading a CD

Insert a CD in the Insertion slot (1).  
When a CD is loaded, play starts.

### Ejecting a CD

Press the Eject button (2).

When the ignition switch is in the "LOCK" position, the CD remained ejected for around 15 seconds or longer will automatically be drawn inside the unit. (Auto reload function)

The backup eject function:

This function allows you to eject a CD by pressing the Eject button (2) even when the ignition switch is in the "LOCK" position.

### NOTICE

**If you forcefully try to push an ejected CD inside the unit before auto reloading, the disc surface might be scratched.**  
**When reloading a CD, remove it from the unit completely before reloading.**

### Listening to a CD

When a CD is inserted, playback will automatically start.

When a CD is already inside the unit, press the CD button (3) to start playback.

## OTHER CONTROLS AND EQUIPMENT

### Selecting a track

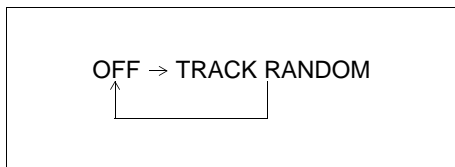
- Press the Up button (4) to listen to the next track.
- Press the Down button (5) twice to listen to the previous track.  
When the Down button (5) is pressed once, the track currently being played will start from the beginning again.

### Fast forwarding/Rewinding a track

- Hold down the Up button (4) to fast forward the track.
- Hold down the Down button (5) to fast rewind the track.

### Random playback

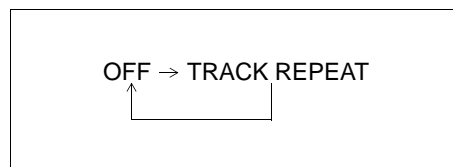
Press the RDM button (7).  
Each time the button is pressed, the mode will change as follows:



- TRACK RANDOM  
The random indicator "RDM" will light.  
The tracks in the loaded disc will be played in random order.

### Repeat playback

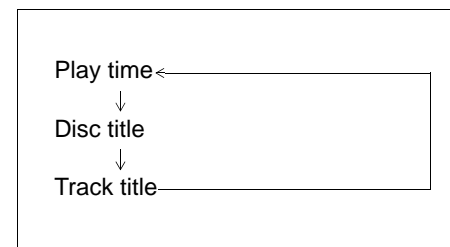
Press the RPT button (6).  
Each time the button is pressed, the mode will change as follows:



- TRACK REPEAT  
The repeat indicator "RPT" will light.  
The track currently being played will be played repeatedly.

### Display change

Press the DISP button (8).  
Each time the button is pressed, display will change as follows:

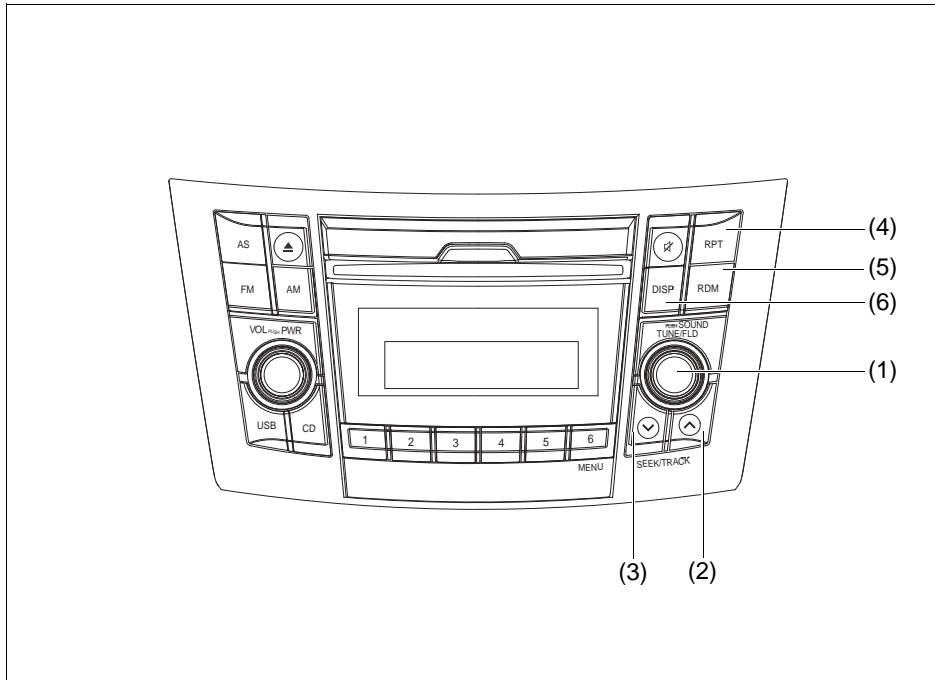


#### NOTE:

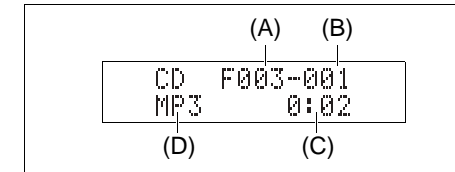
- "NO TITLE" will be displayed when there is no text information in the disc currently being played.
- If text data contains more than 12 characters, the ">" mark will appear at the right end. Holding down the DISP button (8) for 1 second or longer can display the next page.

## OTHER CONTROLS AND EQUIPMENT

### Listening to an MP3/WMA/AAC Disc



### Display



- (1) TUNE FOLDER PUSH SOUND knob
  - (2) Up button
  - (3) Down button
  - (4) RPT button
  - (5) RDM button
  - (6) DISP button
- 
- (A) Folder number
  - (B) Track number
  - (C) Play time
  - (D) Disc type

## OTHER CONTROLS AND EQUIPMENT

### Selecting a folder

Turn the TUNE FOLDER PUSH SOUND knob (1) to select a folder.

### Selecting a track

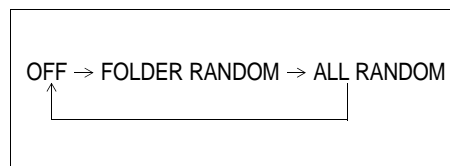
- Press the Up button (2) to listen to the next track.
- Press the Down button (3) twice to listen to the previous track.  
When the Down button (3) is pressed once, the track currently being played will start from the beginning again.

### Fast forwarding/Rewinding a track

- Hold down the Up button (2) to fast forward the track.
- Hold down the Down button (3) to fast rewind the track.

### Random playback

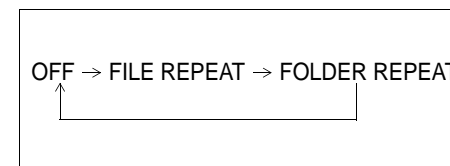
Press the RDM button (5).  
Each time the button is pressed, the mode will change as follows:



- FOLDER RANDOM  
The random indicator "RDM.F" will light.  
The tracks in the current folder will be played in random order.
- ALL RANDOM  
The random indicator "RDM" will light.  
The tracks in the loaded disc will be played in random order.

### Repeat playback

Press the RPT button (4).  
Each time the button is pressed, the mode will change as follows:



- FILE REPEAT  
The repeat indicator "RPT" will light.  
The track currently being played will be played repeatedly.
- FOLDER REPEAT  
The repeat indicator "RPT.F" will light.  
All tracks in the currently selected folder will be played repeatedly.

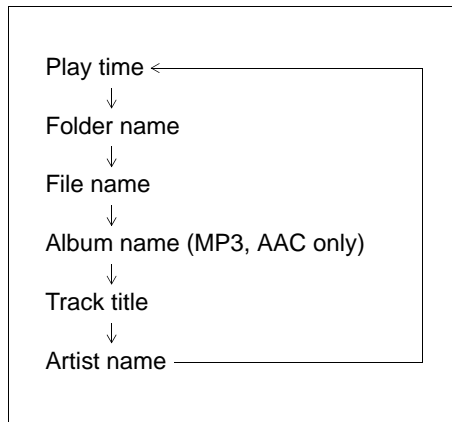


## OTHER CONTROLS AND EQUIPMENT

### Display change

Press the DISP button (6).

Each time the button is pressed, display will change as follows:



#### NOTE:

- “NO TITLE” will be displayed when there is no text information in the disc currently being played.
- If text data contains more than 12 characters, the “>” mark will appear at the right end. Holding down the DISP button (6) for 1 second or longer can display the next page.

### Notes on MP3/WMA/AAC

#### What is MP3?

- MP3 (MPEG audio layer3) is an audio compression format that has become the standard format among PC users. Its merit is that the original audio data is compressed to approximately 1/10 and high sound quality is maintained. This means that it is possible to store the data of approximately 10 music CDs on a single CD-R/RW disc, which in turn makes it possible to play music for a long time without having to change the disc.

#### What is WMA?

- An abbreviation of “Windows Media Audio,” WMA is an audio compression format developed by Microsoft.
- WMA files for which the DRM (Digital Rights Management) function is ON cannot be played.
- Windows Media™ and the Windows® logo are trademarks or registered trademarks of Microsoft Corporation in the United States and other countries.

#### What is AAC?

- An abbreviation of “Advanced Audio Coding,” AAC is an audio compression format used by MPEG2 and MPEG4.

### Points to remember when making MP3/WMA/AAC files

#### Common

- High bit rate and high sampling frequency are recommended for high quality sounds.
- Selecting VBR (Variable Bit Rate) is not recommended. Selecting VBR may cause display of incorrect playing time and jumpiness of playback.
- Playback sound quality varies depending on the encoding environment. For details, refer to the user manual of the encoding software and the writing software in use.

#### NOTICE

**Never assign the “.mp3”, “.wma”, or “.m4a” file name extension to a file if it is not in the MP3/WMA/AAC format file. Failure to observe this may result in damage to the speaker due to noise production.**

### Recording MP3/WMA/AAC files on a CD media

- It is recommended not to write both CD-DA files and MP3/WMA/AAC files on a disc.
- If both CD-DA files and MP3/WMA/AAC files are on the same disc, tracks may not be played in the correct order or some tracks may not be played at all.

## OTHER CONTROLS AND EQUIPMENT

---

- When storing both MP3 data and WMA data on the same disc, sort and place them in different folders.
- Do not write files other than MP3/WMA/AAC files and unnecessary folders on a disc.
- MP3/WMA/AAC files should be named to meet the standards and the file system specifications as shown below.
- The file extension “.mp3”, “.wma” or “.m4a” should be assigned to files based on their format independently.
- You may encounter a trouble in playing MP3/WMA/AAC files or displaying information of MP3/WMA/AAC files depending on the writing software or CD recorder in use.
- This unit does not have a play list function.
- It is recommended to write discs in Disc-at-Once mode even though Multi-session mode is supported.

### Compression formats

#### MP3

- Bit rate:
  - MPEG1 Audio Layer III: 32 k - 320 kbps
  - MPEG2 Audio Layer III: 8 k - 160 kbps
  - MPEG2.5 Audio Layer III: 8 k - 160 kbps
- Sampling frequency:
  - MPEG1 Audio Layer III: 32 k/44.1 k/48 kHz
  - MPEG2 Audio Layer III: 16 k/22.05 k/24 kHz
  - MPEG2.5 Audio Layer III: 8 k/11.025 k/12 kHz

#### WMA (Ver. 7, Ver. 8, Ver. 9\*)

- Bit rate: CBR 32 k - 320 kbps
- Sampling frequency: 32 k/44.1 k/48 kHz
- \* WMA 9 Professional/LossLess/Voice are not supported.

#### AAC\*

- Bit rate: ABR 16k - 320 kbbs
- Sampling frequency: 32 k/44.1 k/48 kHz
- \* Apple Lossless is not supported.

### Supported file systems

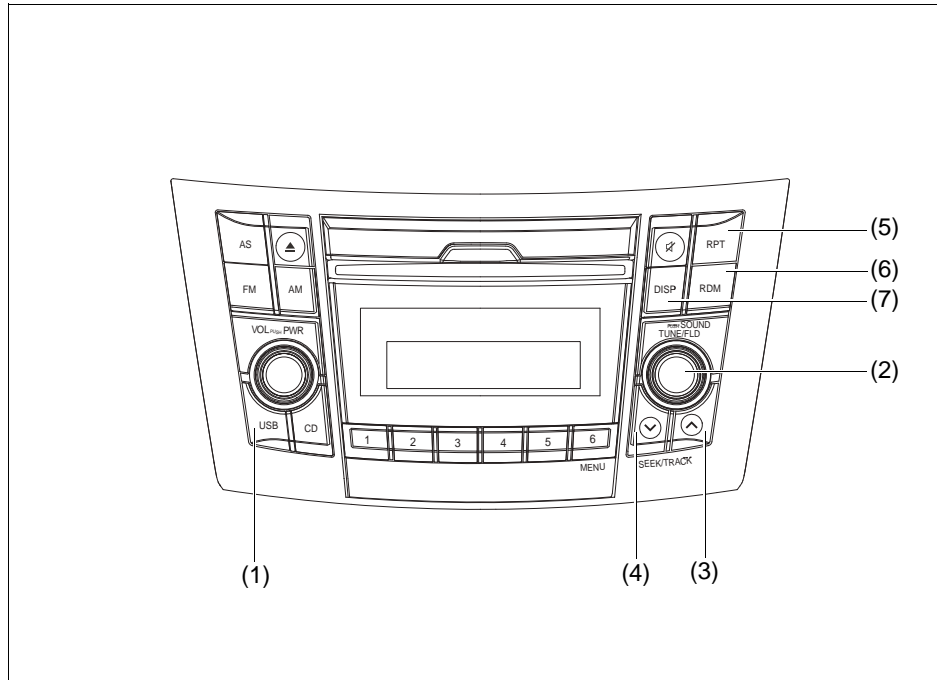
ISO 9660 Level 1/Level 2, Joliet, Romeo

### Maximum number of files/folders

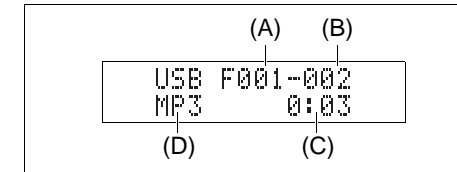
- Maximum number of files: 512
- Maximum number of files in a folder: 255
- Maximum depth of tree structure: 8
- Maximum number of folders: 255 (Root folder is included.)

## OTHER CONTROLS AND EQUIPMENT

### Listening to files stored in a USB device



### Display



- (1) USB button
- (2) TUNE FOLDER PUSH SOUND knob
- (3) Up button
- (4) Down button
- (5) RPT button
- (6) RDM button
- (7) DISP button

- (A) Folder number
- (B) Track number
- (C) Play time
- (D) File type

## OTHER CONTROLS AND EQUIPMENT

### NOTICE

**Do not connect any USB device other than a USB memory or a USB audio player. Do not connect multiple USB devices to the USB connector using a USB hub, etc. Supplying power to multiple USB devices from the connector could cause overheating and smoking.**

#### Selecting a USB device mode

Press the USB button (1).

#### Selecting a folder

Turn the TUNE FOLDER PUSH SOUND knob (2) to select the desired folder.

#### Selecting a track

- Press the Up button (3) to listen to the next track.
- Press the Down button (4) twice to listen to the previous track.  
When the Down button (4) is pressed once, the track currently being played will start from the beginning again.

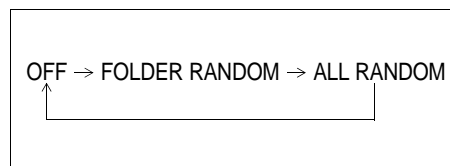
#### Fast forwarding/Rewinding a track

- Hold down the Up button (3) to fast forward the track.
- Hold down the Down button (4) to fast rewind the track.

#### Random playback

Press the RDM button (6).

Each time the button is pressed, the mode will change as follows:

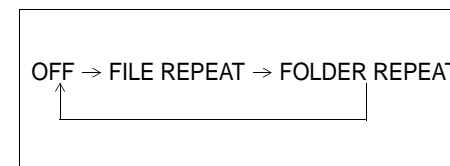


- FOLDER RANDOM  
The random indicator "RDM.F" will light.  
The tracks in the currently selected folder will be played in random order.
- ALL RANDOM  
The random indicator "RDM" will light.  
The tracks in the connected USB device will be played in random order.

#### Repeat playback

Press the RPT button (5).

Each time the button is pressed, the mode will change as follows:

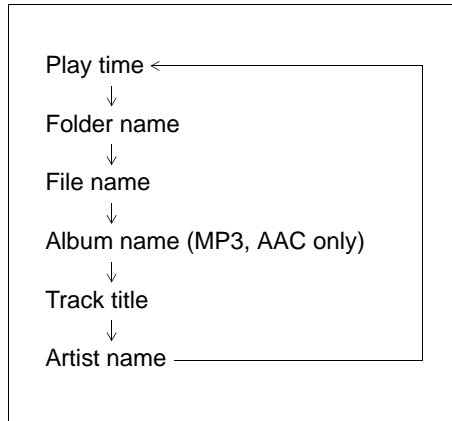


- FILE REPEAT  
The repeat indicator "RPT" will light.  
The track currently being played will be played repeatedly.
- FOLDER REPEAT  
The repeat indicator "RPT.F" will light.  
All the tracks in the folder currently selected will be played repeatedly.

## OTHER CONTROLS AND EQUIPMENT

### Display change

Press the DISP button (7). Each time the button is pressed, display will change as follows:



#### NOTE:

- "NO TITLE" will be displayed when there is no text information in the disc currently being played.
- If text data contains more than 12 characters, the ">" mark will appear at the right end. Holding down the DISP button (7) for 1 second or longer can display the next page.

### Notes on USB device

#### Compatible USB devices

- USB Mass Storage Class  
For details as to whether your USB memory/USB Audio is compatible with USB Mass Storage Class, please contact the USB memory/USB Audio manufacturer.
- USB Standard Compatibility 1.1/2.0 Full Speed
- File System FAT12/16/32, VFAT
- Maximum current less than 1.0 A
- If devices such as USB hub, extension cable are connected to the audio system, it may not be recognized. In such case connect the USB device directly to the audio system.
- Devices such as MP3 player/Mobile phone/digital camera may not be recognized by the audio system for playing music.

#### USB device connection

- When connecting a USB device, make sure that the connector is pushed all the way into the port.
- Do not leave the USB device for long periods of time in places inside the vehicle where the temperature can rise too high.
- Back up any important data beforehand. We cannot accept responsibility for any lost data.

- It is recommended not to connect a USB device that contains data files other than MP3/WMA/AAC format.

#### Recording MP3/WMA/AAC files on a USB device

- Playback or display may not be possible depending on the type of USB device in use or the condition of the recording.
- Depending on the connected USB memory, the files may be played in different order from the order that the files were stored.

#### Compression formats

##### MP3

- Bit rate:  
MPEG1 Audio Layer III: 32 k - 320 kbps  
MPEG2 Audio Layer III: 8 k - 160 kbps  
MPEG2.5 Audio Layer III: 8 k - 160 kbps
- Sampling frequency:  
MPEG1 Audio Layer III: 32 k/44.1 k/48 kHz  
MPEG2 Audio Layer III: 16 k/22.05 k/24 kHz  
MPEG2.5 Audio Layer III: 8 k/11.025 k/12 kHz

##### WMA (Ver. 7, Ver. 8, Ver. 9\*)

- Bit rate: CBR 32 k - 320 kbps
- Sampling frequency: 32 k/44.1 k/48 kHz
- \* WMA 9 Professional/LossLess/Voice are not supported.

##### AAC\*

- Bit rate: ABR 16k - 320 kbbs
- Sampling frequency: 32 k/44.1 k/48 kHz
- \* Apple Lossless is not supported.

## OTHER CONTROLS AND EQUIPMENT

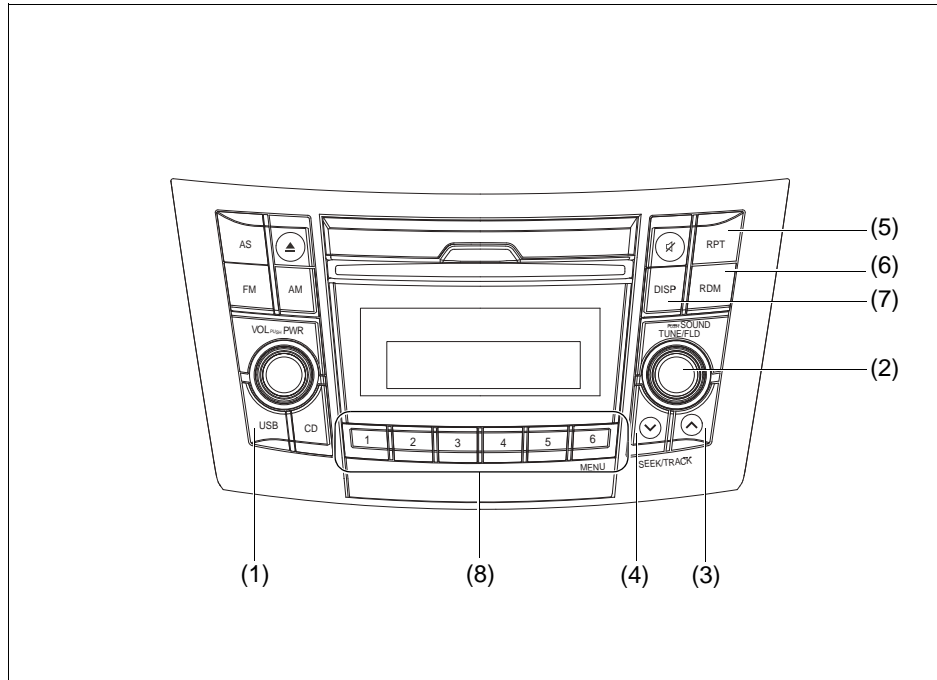
---

### Maximum number of files/folders

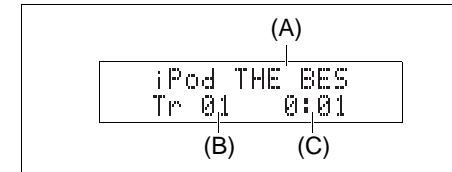
- Maximum number of files: 2500
- Maximum number of files in a folder: 255
- Maximum depth of tree structure: 8
- Maximum number of folders: 255  
(Root folder is included.)

## OTHER CONTROLS AND EQUIPMENT

### Listening to an iPod®



### Display



- (1) USB button
- (2) TUNE FOLDER PUSH SOUND knob
- (3) Up button
- (4) Down button
- (5) RPT button
- (6) RDM button
- (7) DISP button
- (8) Preset buttons ([1] to [6])

- (A) Track title
- (B) Track number
- (C) Play time

## OTHER CONTROLS AND EQUIPMENT

### Selecting an iPod® mode

Press the USB button (1).

### Selecting a track

- Press the Up button (3) to listen to the next track.
- Press the Down button (4) twice to listen to the previous track.  
When the Down button (4) is pressed once, the track currently being played will start from the beginning again.

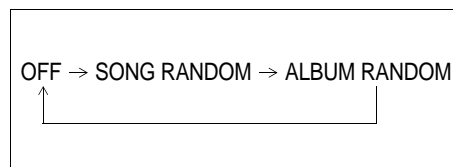
### Fast forwarding/Rewinding a track

- Hold down the Up button (3) to fast forward the track.
- Hold down the Down button (4) to fast rewind the track.

### Random playback

Press the RDM button (6).

Each time the button is pressed, the mode will change as follows:

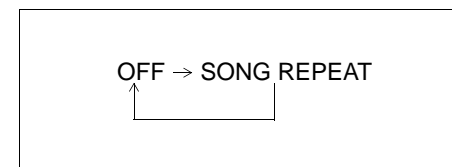


- SONG RANDOM  
The random indicator "RDM" will light.  
The tracks in the iPod® will be played in random order.
- ALBUM RANDOM  
The random indicator "D.RDM" will light.  
The albums in the iPod® will be played in random order.

### Repeat playback

Press the RPT button (5).

Each time the button is pressed, the mode will change as follows:



- SONG REPEAT  
The repeat indicator "RPT" will light.  
The track currently being played will be played repeatedly.



## OTHER CONTROLS AND EQUIPMENT

### Display change

Press the DISP button (7).  
Each time the button is pressed, display will change as follows:

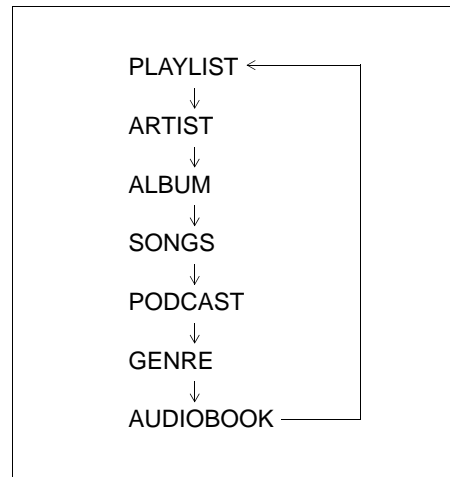


#### NOTE:

If text data contains more than 12 characters, the ">" mark will appear at the right end. Holding down the DISP button (7) for 1 second or longer can display the next page.

### Playing Mode selection

- 1) Press the button numbered [6] of the Preset buttons (8) for 1 second or longer.
- 2) Turn the TUNE FOLDER PUSH SOUND knob (2).  
Each time the knob is turned, the mode will change as follows:



- 3) Press the TUNE FOLDER PUSH SOUND knob (2) to select the desired mode.

#### NOTE:

- When the button numbered [6] of the Preset buttons (8) is pressed, the previous mode will be displayed.

## OTHER CONTROLS AND EQUIPMENT

---

### Notes on iPod®

#### Supported iPod®

- iPod® touch (5th generation)
- iPod® touch (4th generation)
- iPod® touch (3rd generation)
- iPod® touch (2nd generation)
- iPod® touch (1st generation)
- iPod® classic
- iPod® nano (7th generation)
- iPod® nano (6th generation)
- iPod® nano (5th generation)
- iPod® nano (4th generation)
- iPod® nano (3rd generation)
- iPod® nano (2nd generation)
- iPod® nano (1st generation)
- iPod® (5th generation)
- iPhone® 5
- iPhone® 4S
- iPhone® 4
- iPhone® 3GS
- iPhone® 3G
- iPhone®

\* Some functions may not be available depending on the model of iPod®.

\* iPod® is a trademark of Apple Inc., registered in the U.S. and other countries.

\* iPhone® is a trademark of Apple Inc., registered in the U.S. and other countries.

\* Apple is not responsible for the operation of this device or its compliance with safety and regulatory standards.

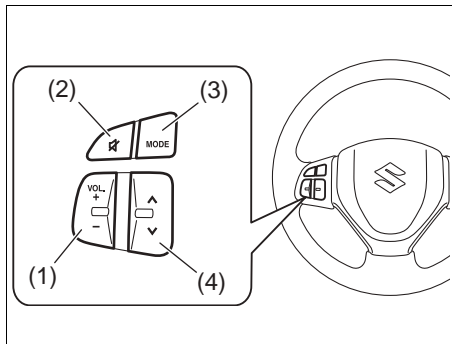
#### iPod® connection

- Make sure to detach the iPod® after turning the ignition switch to the “LOCK” position. The iPod® may not be shut down when it is being connected and may result in battery depletion.
- Please do not connect iPod® accessories such as an iPod® remote control or headphones while connecting the iPod® with the unit. The unit may not operate correctly.

## OTHER CONTROLS AND EQUIPMENT

### Remote Audio Controls (if equipped)

Controlling of basic functions of the audio system is available using the switches on the steering wheel.



60MK036

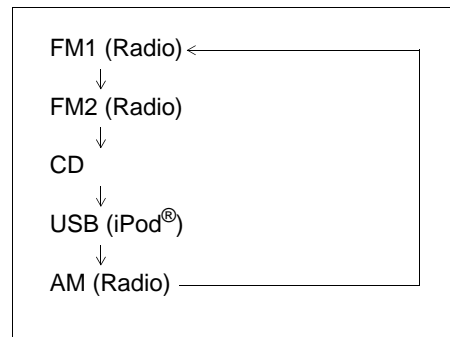
#### Adjusting the volume

- To increase the volume, hold down “+” of the VOL switch (1). The volume will keep on being increased until the switch is released.
- To decrease the volume, hold down “-” of the VOL switch (1). The volume will keep on being decreased until the switch is released.
- To mute the sound, press the switch (2).

#### Selecting the mode

Press the switch (3).

Each time the button is pressed, the mode will change as follows:



It is possible to turn on the audio system by pressing the switch (3).

#### Selecting the radio station (FM1, FM2, AM mode)

- To select the next preset station, press “^” of the switch (4) only for a moment.
- To select the previous preset station, press “v” of the switch (4) only for a moment.
- To scan a higher frequency radio station, press “^” of the switch (4) for 1 second or longer.
- To scan a lower frequency radio station, press “v” of the switch (4) for 1 second or longer.

#### Selecting the track (CD, USB (iPod®), mode)

- To skip to the next track, press “^” of the switch (4) only for a moment.
- To skip to the previous track, press “v” of the switch (4) twice only for a moment.

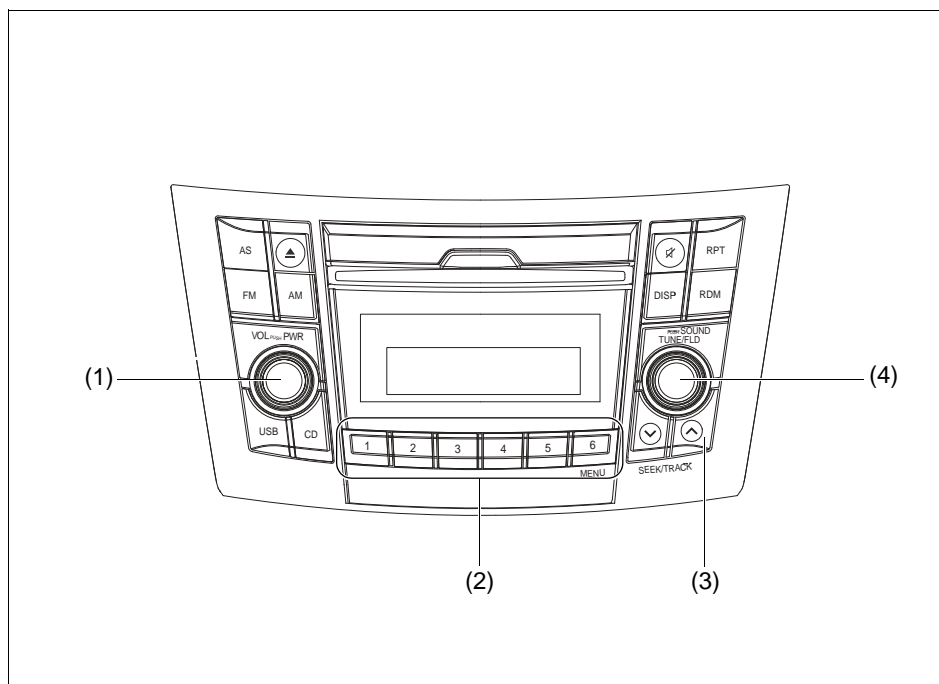
When the switch (4) is pushed down once only for a moment, the track currently being played will start from the beginning again.

#### Fast forwarding/Rewinding a track

- To fast forward, press “^” of the switch (4) for 1 second or longer.
- To fast rewind, press “v” of the switch (4) for 1 second or longer.

## OTHER CONTROLS AND EQUIPMENT

### Anti-Theft Feature



- (1) VOL PUSH POWER knob
- (2) Preset buttons ([1] to [6])
- (3) Up button
- (4) TUNE FOLDER PUSH SOUND knob

## OTHER CONTROLS AND EQUIPMENT

The anti-theft function is intended to discourage thefts, such as that the audio system becomes inoperable when it is installed on other vehicles.

This function works by entering a Personal Identification Number (PIN).

When the unit is disconnected from its power source, such as when the audio system is removed or the battery is disconnected, the unit will become inoperable until the PIN is reentered.

### Setting the Anti-Theft Function

- 1) Press the VOL PUSH POWER knob (1) to power off.
- 2) Hold down the buttons numbered [1] and [6] of the Preset buttons (2) and press the VOL PUSH POWER knob (1).  
“SECURITY” will be displayed.
- 3) Press the Up button (3) and the button numbered [1] of the Preset buttons (2) simultaneously.
- 4) Enter a 4-digit number to be registered as PIN using the buttons numbered [1] - [4] of the Preset buttons (2).
- 5) Hold down the TUNE FOLDER PUSH SOUND knob (4) for 1 second or longer to set the anti-theft function.

#### NOTE:

*Take a note of the registered PIN and keep it for the future use.*

### Canceling the anti-theft feature

To cancel the anti-theft function, delete the registered PIN.

- 1) Press the VOL PUSH POWER knob (1) to power off.
- 2) Hold down the buttons numbered [1] and [6] of the Preset buttons (2) and press the VOL PUSH POWER knob (1).  
“PIN ENTRY” will be displayed.
- 3) Press the Up button (3) and the button numbered [1] of the Preset buttons (2) simultaneously.
- 4) Enter a 4-digit number to be registered as PIN using the buttons numbered [1] - [4] of the Preset buttons (2).
- 5) Hold down the TUNE FOLDER PUSH SOUND knob (4) for 1 second or longer to delete the registered PIN. The indication “----” will be displayed and the anti-theft function will be canceled.

#### NOTE:

*To change your PIN, first delete your current PIN, then set a new one.*

## OTHER CONTROLS AND EQUIPMENT

---

### Confirming the Personal Identification Number (PIN)

When the main power source is disconnected such as when the battery is replaced, etc, it is required to enter the PIN to make the unit operable again.

- 1) Set the ignition switch to the "ACC" position.  
"SECURITY" will be displayed.
- 2) Press the Up button (3) and the button numbered [1] of the Preset buttons (2) simultaneously.
- 3) Enter a 4-digit number to be registered as PIN using the buttons numbered [1] - [4] of the Preset buttons (2).
- 4) Hold down TUNE FOLDER PUSH SOUND knob (4) for 1 second or longer.

When the PIN same as registered is entered, the power of the audio system will be turned off automatically and it will become operable again.

#### NOTE:

*If an incorrect PIN is entered, "ERROR" and the total number of incorrect entry attempts will be displayed.*

*If an incorrect PIN is entered 10 times or more, "HELP" will be displayed and the audio system will become inoperable.*

## OTHER CONTROLS AND EQUIPMENT

### Troubleshooting

When encountered a problem, check and follow the instructions as described below.

If the described suggestions do not solve the problem, it is recommended to take the unit to your authorized SUZUKI dealer.

Problem	Possible cause	Possible solution
---------	----------------	-------------------

#### Common

Unable to operate	The security function is on.	When "SECURITY" is displayed, enter the ID. When "HELP" is displayed, contact your authorized SUZUKI dealer.
Unable to turn on the power (no sound). (No sound is produced)	Fuse is blown.	Contact your authorized SUZUKI dealer.

#### Radio

Much noise	It may not be exactly tuned in to the station.	Tune it in exactly to the station.
Unable to receive by auto tuning	There may be no station emitting signals powerful enough.	Pick up a station by manual tuning.

#### CD

Sound skips or noise produced	The disc is dirty.	Wipe the disc with a soft cloth.
	The disc has a major scratch or is warped.	Replace the disc with the one with no scratch and also not warped.

## OTHER CONTROLS AND EQUIPMENT

Problem	Possible cause	Possible solution
---------	----------------	-------------------

### MP3/WMA/AAC

No playback	The disc contains unsupported formatted data.	Check the file format.
Sound skips or noise produced	Sound skipping may occur when playing VBR (Variable Bit Rate) files.	It is not recommended to play VBR files.

### USB

Playback does not start when the USB device is connected.	There is no supported format file to play on this unit.	Check the file format.
	The current consumption of the USB device exceeds 1.0 A.	Use an USB device with a current consumption lower than 1.0 A.



## OTHER CONTROLS AND EQUIPMENT

### Error Display Messages

Display	Possible cause	Possible solution
---------	----------------	-------------------

#### CD

<b>ERROR 1</b>	The disc cannot be read.	Insert the disc with its label side up. Check the disc if it is not warped or is free of flaws. When ERROR 1 does not disappear even when a normal disc is inserted, contact your dealer.
<b>ERROR 3</b>	The player developed an error of an unidentified cause.	When the CD is in the unit, press the CD eject button to remove the disc. When the disc cannot be ejected, contact your dealer.

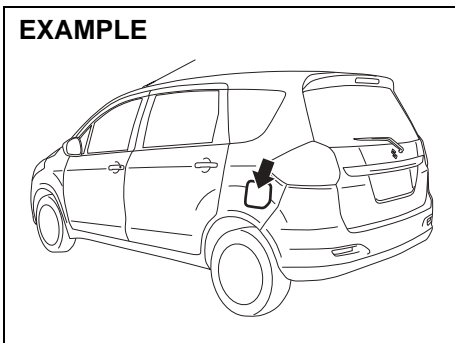
#### USB/iPod®

<b>ERROR 1</b>	The USB device is disconnected.	Check the connection of the USB device.
<b>ERROR 2</b>	Impossible to communicate correctly with the USB device.	Unplug the USB device and plug it again. Check the USB device.
<b>ERROR 3</b>	Inoperable due to an unidentified cause.	Unplug the USB device and plug it again. When ERROR 3 does not disappear, contact your dealer.
<b>ERROR 4</b>	The current consumption of the USB device exceeds 1.0 A.	Check the USB device.

## OTHER CONTROLS AND EQUIPMENT

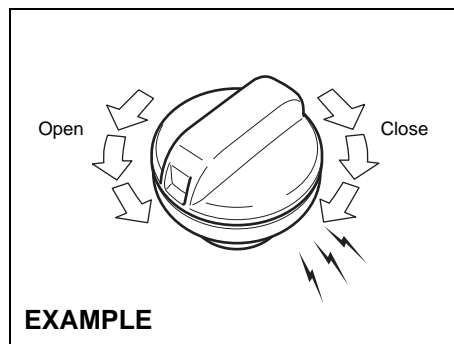
### Fuel Filler Cap

#### EXAMPLE



60MK057

The fuel filler cap is located on the left rear side of the vehicle. The fuel filler door can be unlocked by pulling up the opener lever located on the outboard side of the driver's seat and locked by simply closing the door.



#### EXAMPLE

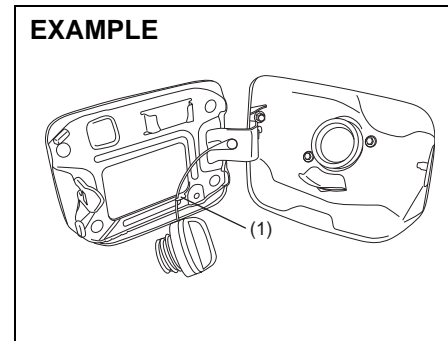
57L51093

To remove the fuel filler cap:  
1) Open the fuel filler door.  
2) Remove the cap by turning it counter-clockwise.

#### CAUTION

Remove the fuel filler cap slowly. The fuel may be under pressure and may spray out, causing injury.

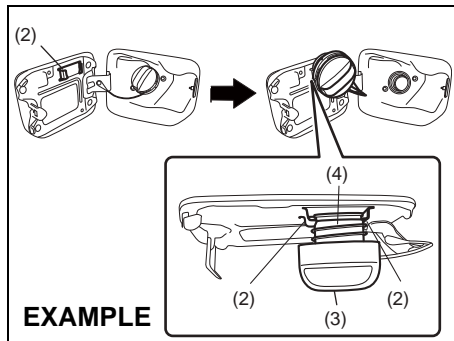
#### EXAMPLE



60MH066

**NOTE:**  
If the hook (1) is equipped with the fuel filler door, hold the fuel filler cap when refueling.

## OTHER CONTROLS AND EQUIPMENT



### NOTE:

You can also use the cap holder (2) to hold the fuel filler cap (3) by hooking the groove (4) when refueling.

To reinstall the fuel filler cap:

- 1) Turn the cap clockwise until you hear several clicks.
- 2) Close the fuel filler door.

### ⚠ WARNING

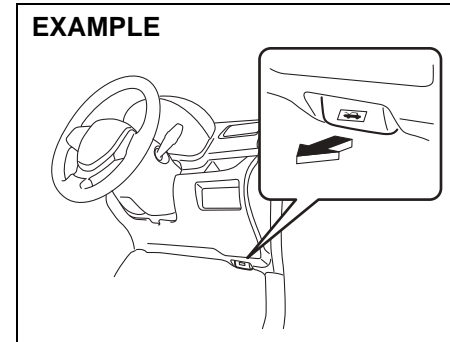
Fuel is extremely flammable. Do not smoke when refueling, and make sure there are no open flames or sparks in the area.

### ⚠ WARNING

If you need to replace the fuel cap, use a genuine SUZUKI cap. Use of an improper cap can result in a malfunction of the fuel system or emission control system. It may also result in fuel leakage in the event of an accident.

## Engine Hood

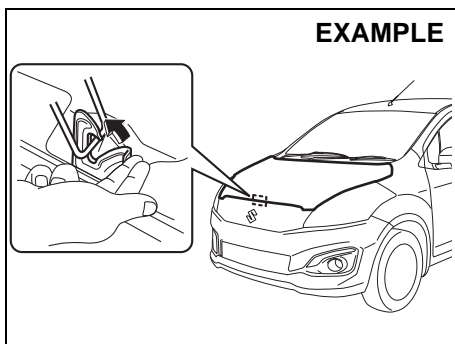
### EXAMPLE



To open the engine hood:

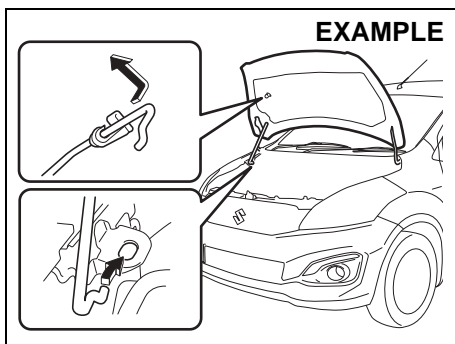
- 1) Pull the hood release handle located on the outboard side of the driver's side of the instrument panel. This will disengage the engine hood lock halfway.

## OTHER CONTROLS AND EQUIPMENT



60MK058

- 2) Push the under-hood release lever sideways with your finger, as shown in the illustration. While pushing the lever, lift up the engine hood.

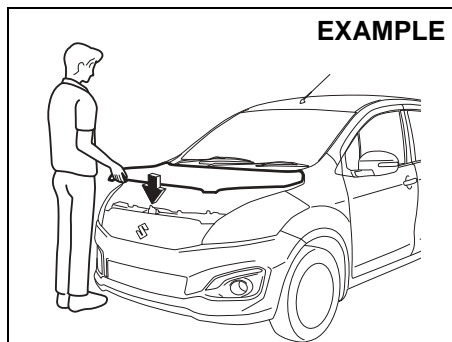


60MK059

- 3) Continue to lift up the hood until it is high enough to support with the prop rod.

To close the engine hood:

- 1) Lift the hood up slightly and remove the prop rod from the hole. Put the prop rod back to the holding clip.



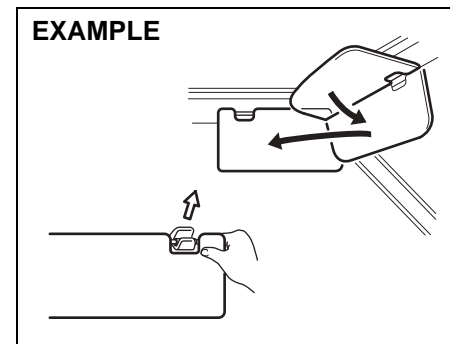
60MK060

- 2) Lower the hood to about 20 cm above the hood latch, then let it drop down. Make sure the hood is securely latched after closing.

### **WARNING**

**Make sure the hood is fully closed and latched before driving. If it is not, it can fly up unexpectedly during driving, obstructing your view and resulting in an accident.**

## Sun Visor



79J161

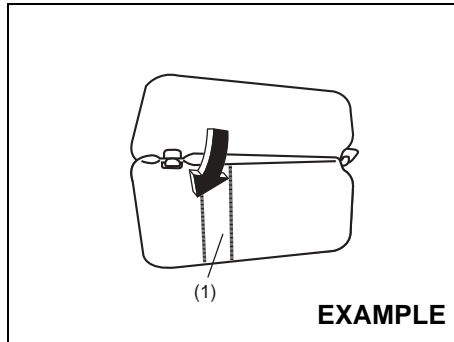
The sun visors can be pulled down to block glare coming through the windshield, or they can be unhooked and turned to the side to block glare coming through the side window.

### **NOTICE**

**When unhooking and hooking a sun visor, be sure to handle it by the hard plastic parts or the sun visor can be damaged.**

## OTHER CONTROLS AND EQUIPMENT

### Card holder



74LHT0516

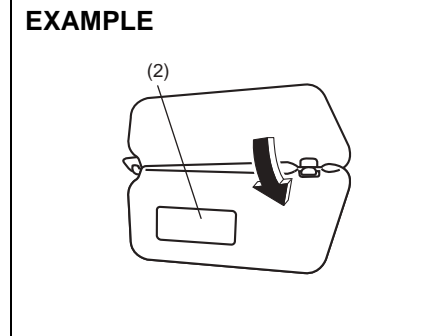
(1) Card holder

You can put a card in the card holder (1) on the back of the sun visor.

#### **NOTICE**

When you park your vehicle outdoors in direct sunlight or in hot weather, do not leave plastic cards in the holder. The heat may distort them.

### Vanity mirror (if equipped)



74LHT0532

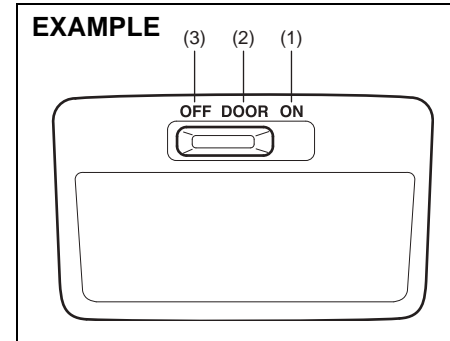
(2) Vanity mirror

#### **WARNING**

When using the vanity mirror, do not move too close to a front air bag location or lean against it. If the front air bag is accidentally inflated, it could hit you hard.

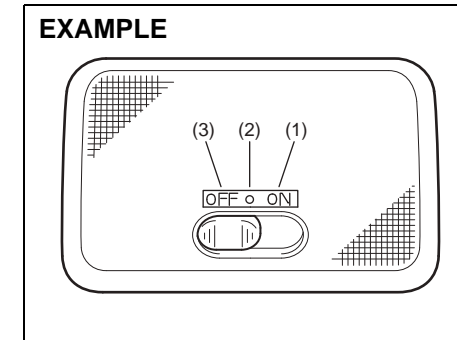
### Interior Light Switch

Front (if equipped)  
Center (if equipped)



64J104

Rear



64J211

## OTHER CONTROLS AND EQUIPMENT

This light switch has three positions which function as described below:

### ON (1)

The light comes on and stays on regardless of whether the door is open or closed.

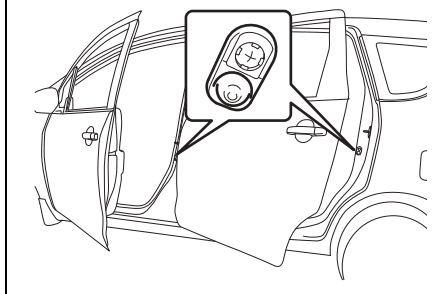
### DOOR (2)

The light comes on when the door is opened. After closing all doors, the light will remain on for about 15 seconds and then fade out. If you insert the key during this time, the light will start to fade out immediately. After removing the key from the ignition switch, the light will turn on for about 15 seconds and then fade out.

### OFF (3)

The light remains off even when the door is opened.

### EXAMPLE



60MH034

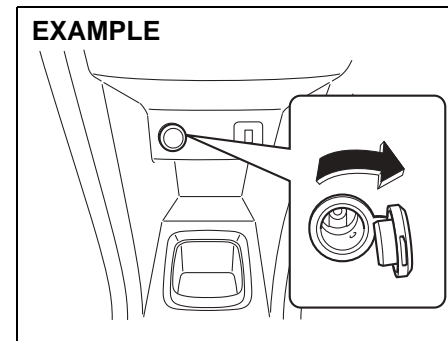
### NOTE:

*The number of doors involved in the lighting operation of the interior light depends on the vehicle specification. If there is a switch (rubber projection) at the door opening as shown, the door is involved in the lighting operation. The tailgate is also involved in this operation even without the rubber projection depending on the vehicle specification.*

## Accessory Socket

### Front

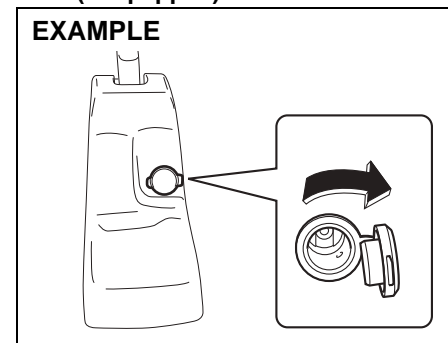
### EXAMPLE



74LHT0517

### Rear (if equipped)

### EXAMPLE



60MK061

The accessory socket will work when the ignition switch is in the "ACC" or "ON" position.

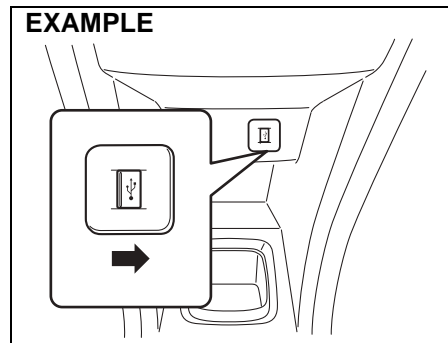
## OTHER CONTROLS AND EQUIPMENT

Each socket can be used to provide 12 volt/120 watt/10 ampere power for electrical accessories when used alone. Make sure that the cap remains on the socket when the socket is not in use.

### NOTICE

- To prevent the fuse from being blown, when using sockets at the same time, do not exceed the total combined power capacity of 12 volt/120 watt/10 ampere.
- Use of inappropriate electrical accessories can cause damage to your vehicle's electrical system. Make sure that any electrical accessories you use are designed to plug into this type of socket.

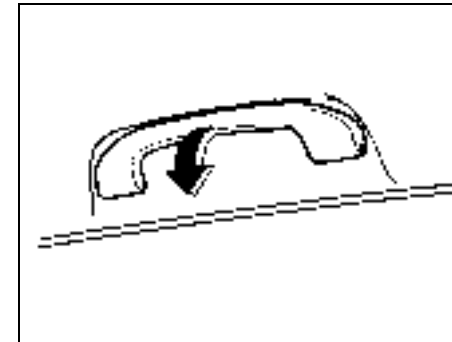
### Universal Serial Bus (USB) Socket (if equipped)



58MST0506

Connect your portable digital music player, etc. to this socket to enjoy music through the vehicle's audio system using it as a source. Refer to "Audio System" in this section.

### Assist Grips



54G249

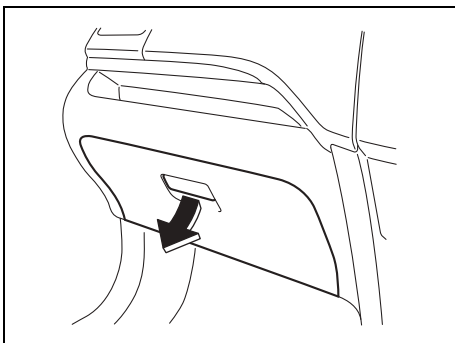
Assist grips are provided for convenience.

### NOTICE

To avoid damaging the assist grip and the molded headlining, do not hang down the assist grip.

## OTHER CONTROLS AND EQUIPMENT

### Glove Box



74LHT0519

To open the glove box, pull the latch lever. To close it, push the lid until it latches securely.

#### **⚠ WARNING**

Never drive with the glove box lid open. It could cause injury if an accident occurs.

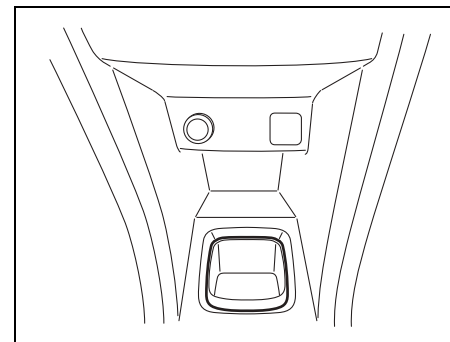
### Cup Holder and Storage Area

#### **⚠ WARNING**

Failure to take the precautions listed below could cause personal injury or vehicle damage.

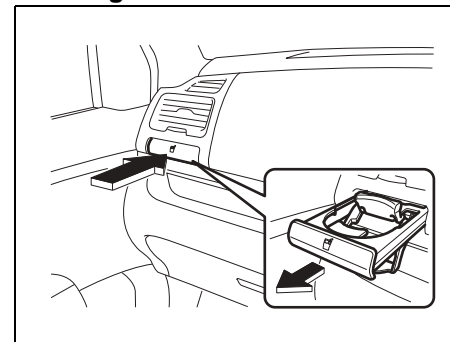
- Be careful when you are using the cup holders to hold a cup containing hot liquid. Spilling out hot liquid can cause burn injury.
- Do not use the cup holders to hold sharp-edged, hard, or breakable objects. Objects in the cup holders may be thrown about during a sudden stop or impact, and could cause personal injury.
- Be careful not to spill liquid or insert any foreign materials into the moving part of the gearshift lever, or any electrical components. Liquid or foreign materials may damage these parts.

### Front



74LHT0520

### Passenger side



74LHT0529

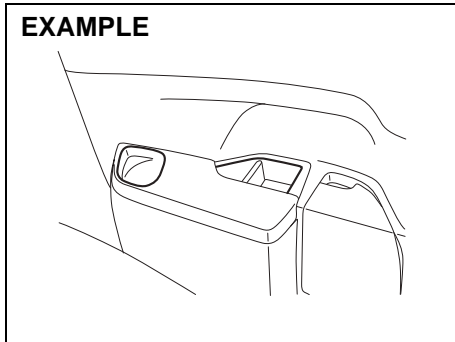
To use the cup holder, push it. The cup holder slides out automatically. After using the holder, push it back to return it.



## OTHER CONTROLS AND EQUIPMENT

### 3rd row seats

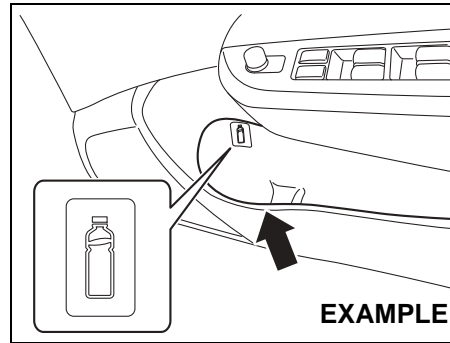
EXAMPLE



60MH035

### Bottle holder

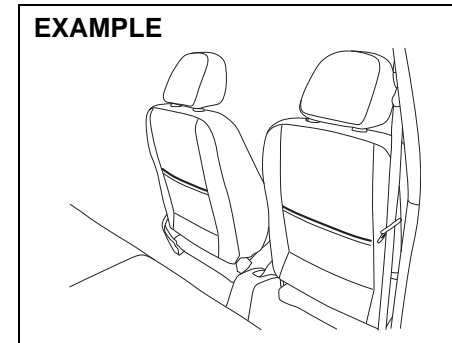
#### Front seats



60MH068

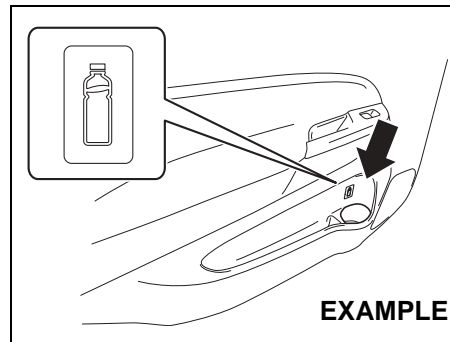
### Front Seat Back Pocket (if equipped)

EXAMPLE



60MH078

### 2nd row seats



60MK062

You should hold a bottle with a cap in the holder.

This pocket is provided for holding light and soft things such as gloves, newspapers or magazines.

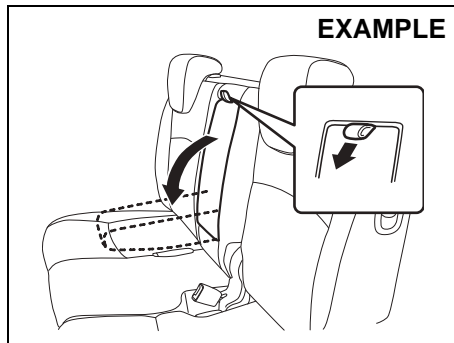
#### **CAUTION**

Do not put hard or breakable objects in the pocket. If an accident occurs, objects such as bottles, cans, etc. can injure the occupants in the rear seat.

## OTHER CONTROLS AND EQUIPMENT

### Armrest (if equipped)

2nd row seat



60MH037

To use the armrest, pull the strap and lower the armrest. When not in use, push back in the seat until the armrest is secured.

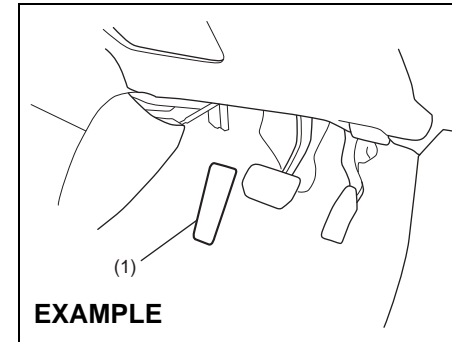
#### **⚠ WARNING**

In an accident or sudden stop, the rear armrest (if equipped) could fall forward. If there is a child in a rear-facing child restraint in the center seating position, the falling armrest could injure the child. Make sure the armrest is secured in the stowed position when not in use.

#### **NOTICE**

To avoid damage to the armrest, do not lean on it or allow a child to sit on it.

### Footrest (if equipped)

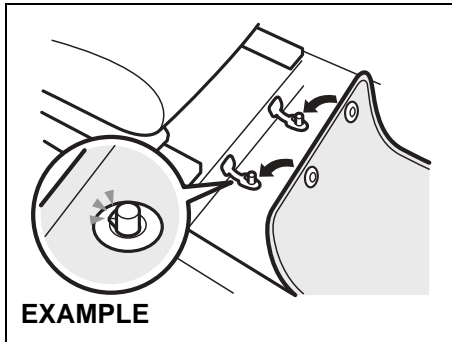


60MK030

Use the footrest (1) as a support for your left foot.

## OTHER CONTROLS AND EQUIPMENT

### Floor Mats (if equipped)



60MK020

To prevent the driver's side floor mat from sliding forward and possibly interfering with the operation of the pedals, genuine SUZUKI floor mats are recommended.

Whenever you put the driver's side floor mat back in the vehicle after it has been removed, be sure to hook the floor mat grommets to the fasteners and position the floor mat properly in the footwell.

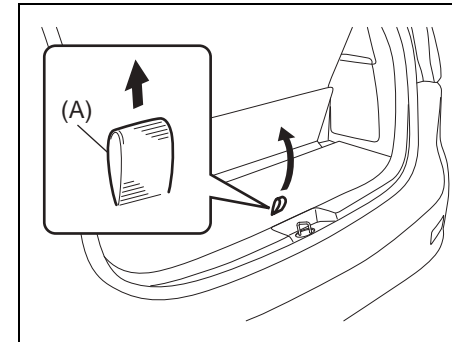
When you replace the floor mats in your vehicle with a different type such as all-weather floor mats, we highly recommend using genuine SUZUKI floor mats for proper fitting.

### **⚠ WARNING**

Failure to take the following precautions may result in the driver's side floor mat interfering with the pedals and causing a loss of vehicle control or an accident.

- Make sure that the floor mat grommets are hooked to the fasteners.
- Never place additional floor mats on top of the existing floor mat.

### Luggage Box (if equipped)



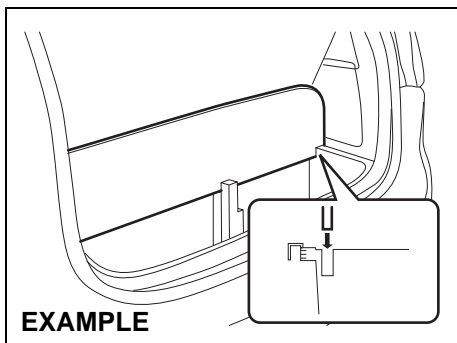
60MK063

Pull up the straps (A) of the luggage box cover to use the box.

### **NOTICE**

Do not allow items in the box to extend above the top of the box. Otherwise, the box or cover may be damaged.

## OTHER CONTROLS AND EQUIPMENT



**NOTE:**  
The luggage box cover can be held open as shown in the above illustration.

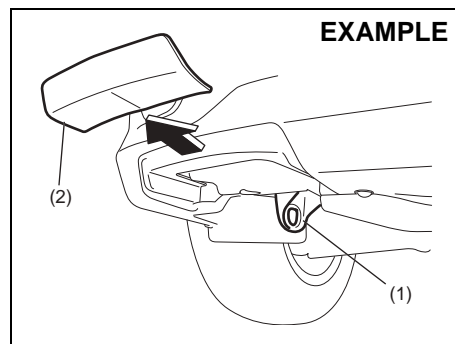
### **NOTICE**

If the luggage box cover is held open while driving, it can be damaged.

Do not hold open the luggage box cover while driving.

## Frame Hooks

### Front



To access the frame hook (1), remove the cover (2).

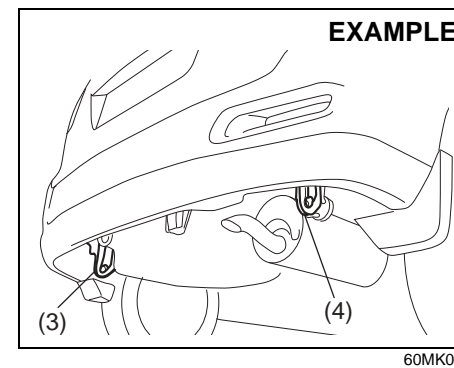
The frame hook (1) is provided on the front of the vehicle for use in emergency situations and sea shipping purposes only.

### **NOTICE**

When you use the frame hook (1), avoid the driving that gives significant physical shock on hook. Such operation can damage the hook, or the vehicle body.

Do not accelerate suddenly.

### Rear



The frame hook (3) is provided on the rear of the vehicle for use in emergency situations and trailer/train/sea shipping purposes only.

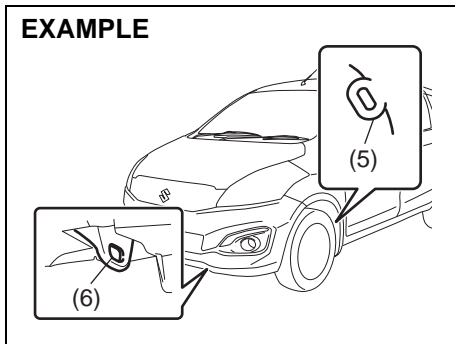
### **NOTICE**

When you use the frame hook (3), avoid the driving that gives significant physical shock on hook. Such operation can damage the hook, the vehicle body or the drive system.

- Do not accelerate suddenly.
- Do not tow the vehicle heavier than your vehicle.

To tow your vehicle on the road or highway, follow the instruction of "Towing" in "EMERGENCY SERVICE" section.

Other Hooks



The hook (4) is provided for trailer/train/sea shipping purposes only.  
The hook (5) (or opposite side) is provided for trailer/train shipping purposes only. The hook (6) is provided for sea shipping purpose only.

**⚠ WARNING**

Do not use the frame hooks to tow another vehicle or to have your vehicle towed on the road or highway. The hook (1) is designed for use in emergency situations such as if your vehicle or another vehicle gets stuck in deep mud or snow, and sea shipping only. The hook (3) is designed for use in emergency situations and trailer/train/sea shipping only. The hooks (4) and (5) are provided for trailer/train shipping purposes only. The hook (6) is provided for sea shipping purpose only.

**NOTICE**

Never use the hooks (1) for trailer/train shipping purposes to prevent damage to the vehicle.

**OTHER CONTROLS AND EQUIPMENT**

---

**MEMO**

-----

-----

-----

-----

-----

-----

-----

-----

-----

-----

-----

-----

-----

-----

-----

-----

-----

-----

-----

-----

## VEHICLE LOADING AND TOWING

Vehicle Loading ..... 6-1  
Trailer Towing ..... 6-1



54G215

## VEHICLE LOADING AND TOWING

### Vehicle Loading

Your vehicle was designed for specific weight capacities. The weight capacities of your vehicle are indicated by the Gross Vehicle Weight Rating (GVWR) and the Permissible maximum Axle Weight (PAW, front and rear). The GVWR and PAW (front and rear) are listed in the "SPECIFICATIONS" section.

GVWR – Maximum permissible overall weight of the fully loaded vehicle (including all the occupants, accessories and cargo plus the trailer nose weight if towing a trailer).

PAW – (Front and Rear) Maximum permissible weight on an individual axle.

Actual weight of the loaded vehicle and actual loads at the front and rear axles can only be determined by weighing the vehicle. Compare these weights to the GVWR and PAW (front and rear). If the gross vehicle weight or the load on either axle exceeds these ratings, you must remove enough weight to bring the load down to the rated capacity.

#### WARNING

**Never overload your vehicle. The gross vehicle weight (sum of the weights of the vehicle, all the occupants, accessories, cargo plus trailer nose weight if towing a trailer) must never exceed the Gross Vehicle Weight Rating (GVWR). In addition, never distribute a load so that the weight on either the front or rear axle exceeds the Permissible maximum Axle Weight (PAW).**

#### WARNING

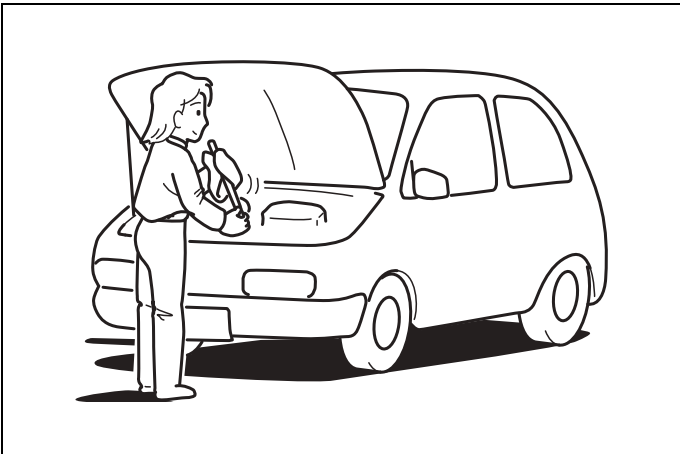
**Always distribute cargo evenly. To avoid personal injury or damage to your vehicle, always secure cargo to prevent it from shifting if the vehicle moves suddenly. Place heavier objects on the floor and as far forward in the cargo area as possible. Never pile cargo higher than the top of the seat backs.**

### Trailer Towing

Your SUZUKI was originally designed to carry people and a normal amount of cargo, not to tow a trailer. SUZUKI does not recommend you use your vehicle to tow a trailer. Towing a trailer can adversely affect handling, durability, and fuel economy.



**INSPECTION AND MAINTENANCE**



60G410

Maintenance Schedule ..... 7-2  
Periodic Maintenance Schedule ..... 7-2  
Maintenance Recommended under Severe  
Driving Conditions ..... 7-5  
Drive Belt ..... 7-7  
Engine Oil and Filter ..... 7-7  
Engine Coolant ..... 7-11  
Air Cleaner ..... 7-13  
Spark Plugs ..... 7-13  
Gear Oil ..... 7-15  
Clutch Pedal ..... 7-16  
Automatic Transaxle (AT) Fluid ..... 7-16  
Brakes ..... 7-17  
Steering ..... 7-19  
Tires ..... 7-20  
Battery ..... 7-22  
Fuses ..... 7-23  
Headlight Aiming ..... 7-26  
Bulb Replacement ..... 7-26  
Wiper Blades ..... 7-31  
Windshield Washer Fluid ..... 7-35  
Air Conditioning System ..... 7-35

## INSPECTION AND MAINTENANCE



60B128S

### **⚠ WARNING**

You should take extreme care when working on your vehicle to prevent accidental injury. Here are a few precautions that you should be especially careful to observe:

- To prevent damage or unintended activation of the air bag system or seat belt pretensioner system, be sure the battery is disconnected and the ignition switch has been in the "LOCK" position for at least 90 seconds before performing any electrical service work on your SUZUKI. Do not touch air bag system components, seat belt pretensioner system components or wires. The wires are wrapped with yellow tape or yellow tubing, and the couplers are yellow for easy identification.
- Do not leave the engine running in garages or other confined areas.

(Continued)

### **⚠ WARNING**

(Continued)

- When the engine is running, keep hands, clothing, tools, and other objects away from the fan and drive belt. Even though the fan may not be moving, it can automatically turn on without warning.
- When it is necessary to do service work with the engine running, make sure that the parking brake is set fully and the transaxle is in Neutral (for manual transaxle vehicles) or Park (for automatic transaxle vehicles). Do not touch ignition wires or other ignition system parts when starting the engine or when the engine is running, or you could receive an electric shock.
- Be careful not to touch a hot engine, exhaust manifold and pipes, muffler, radiator and water hoses.
- Do not allow smoking, sparks, or flames around fuel or the battery. Flammable fumes are present.
- Do not get under your vehicle if it is supported only with the portable jack provided in your vehicle.
- Be careful not to cause accidental short circuits between the positive and negative battery terminals.

(Continued)

### **⚠ WARNING**

(Continued)

- Keep used oil, coolant, and other fluids away from children and pets. Dispose of used fluids properly; never pour them on the ground, into sewers, etc.

**Maintenance Schedule**

The following table shows the times when you should perform regular maintenance on your vehicle. This table shows in miles, kilometers and months when you should perform inspections, adjustments, lubrication and other services. These intervals should be shortened if driving is usually done under severe conditions (refer to "Maintenance Recommended under Severe Driving Conditions").

**▲ WARNING**  
SUZUKI recommends that maintenance on items marked with an asterisk (\*) be performed by your authorized SUZUKI dealer or a qualified service technician. If you are qualified, you may perform maintenance on the unmarked items by referring to the instructions in this section. If you are not sure whether you can successfully complete any of the unmarked maintenance jobs, ask your authorized SUZUKI dealer to do the maintenance for you.

**NOTICE**  
Whenever it becomes necessary to replace parts on your vehicle, it is recommended that you use genuine SUZUKI replacement parts or their equivalent.

**Periodic Maintenance Schedule**

- "R" : Replace or Change
- "I" : Inspect, clean, adjust, lubricate or replace as necessary
- "L" : Lubricate

*NOTE:*  
This table includes services as scheduled up to 90000 km (54000 miles) mileage. Beyond 90000 km (54000 miles), carry out the same services at the same intervals respectively.

## INSPECTION AND MAINTENANCE

- For Item 2-1. "Nickel plugs", replace every 50000 km if the local law requires.

*Interval: This interval should be judged by odometer reading or months, whichever comes first.	km (x1000)	15	30	45	60	75	90
	miles (x1000)	9	18	27	36	45	54
	months	12	24	36	48	60	72
<b>ENGINE</b>							
1-1. Engine accessory drive belt	Tension check, *Adjustment, *Replacement	-	-	I	-	-	R
*1-2. Valve clearance		-	I	-	I	-	I
1-3. Engine oil and engine oil filter		R	R	R	R	R	R
1-4. Engine coolant		-	-	R	-	-	R
*1-5. Exhaust system (except catalyst)		-	I	-	I	-	I
<b>IGNITION</b>							
2-1. Spark plugs							
When <b>unleaded</b> fuel is used	Nickel plug	-	-	R	-	-	R
When <b>leaded</b> fuel is used, refer to "Severe Driving Condition" schedule.							
<b>FUEL</b>							
3-1. Air cleaner filter element	Paved-road Dusty condition	I	I	R	I	I	R
*3-2. Fuel lines *3-3. Fuel filter *3-4. Fuel tank							
Refer to "Severe Driving condition" schedule.							
<b>EMISSION CONTROL SYSTEM</b>							
*4-1. PCV valve		-	-	-	-	-	I
*4-2. Fuel evaporative emission control system		-	-	-	-	-	I

## INSPECTION AND MAINTENANCE

*Interval: This interval should be judged by odometer reading or months, whichever comes first.	km (x1000)	15	30	45	60	75	90
	miles (x1000)	9	18	27	36	45	54
	months	12	24	36	48	60	72
<b>BRAKE</b>							
*5-1. Brake discs and pads (front)		I	I	I	I	I	I
Brake drums and shoes (rear)		-	I	-	I	-	I
*5-2. Brake hoses and pipes		-	I	-	I	-	I
5-3. Brake fluid	Check, *Replacement	-	R	-	R	-	R
5-4. Brake lever and cable	Check, *Adjustment (1st 15000 km only)	I	-	-	-	-	-
<b>CHASSIS AND BODY</b>							
*6-1. Clutch (pedal and fluid level)		I	I	I	I	I	I
6-2. Tires/Wheels		I	I	I	I	I	I
*6-3. Drive axle boots		-	-	I	-	-	I
*6-4. Suspension system		-	I	-	I	-	I
*6-5. Steering system		-	I	-	I	-	I
*6-6. Manual transaxle oil	Genuine "SUZUKI GEAR OIL 75W-80"	Inspect every 30000 km (18000 miles) or 24 months.					
	Other than "SUZUKI GEAR OIL 75W-80" (I: 1st 15000 km only)	Replace every 150000 km (90000 miles) or 120 months.					
6-7. Automatic transaxle	Fluid level	I	-	R	-	-	R
	* Fluid change	-	I	-	I	-	I
	* Fluid hose	Replace every 165000 km (99000 miles)					
6-8. All latches, hinges and locks		-	-	-	I	-	-
*6-9. Air conditioner filter element (if equipped)		-	I	-	I	-	R

### ⚠ WARNING

**The shock absorbers are filled with high pressure gas. Never attempt to disassemble them or throw them into a fire. Avoid storing them near a heater or heating device. When scrapping the absorber, the gas must be released from the absorber safely. Ask your dealer for assistance.**

## INSPECTION AND MAINTENANCE

### Maintenance Recommended under Severe Driving Conditions

If the vehicle is usually used under the conditions corresponding to any severe condition code given below, it is recommended that applicable maintenance operation be performed at the particular interval as given in the chart below.

#### Severe condition code

- A – Repeated short trips
- B – Driving on rough and/or muddy roads
- C – Driving on dusty roads
- D – Driving in extremely cold weather and/or salted roads
- E – Repeated short trips in extremely cold weather
- F – Leaded fuel use
- G – \_\_\_\_\_
- H – Trailer towing (if admitted)

Severe Condition Code	Maintenance		Maintenance Operation	Maintenance Interval
- B C D - - - -	Engine accessory drive belt		I	Every 15000 km (9000 miles) or 12 months
			R	Every 45000 km (27000 miles) or 36 months
A - C D E F - H	Engine oil and oil filter		R	Every 7500 km (4500 miles) or 6 months
A B C - E F - H	Spark plugs	Nickel plug	R	Every 10000 km (6000 miles) or 8 months
- - C - - - - -	Air cleaner filter element*1		I	Every 2500 km (1500 miles)
			R	Every 30000 km (18000 miles) or 24 months

**INSPECTION AND MAINTENANCE**

Severe Condition Code	Maintenance	Maintenance Operation	Maintenance Interval
- B - - E - - H	Automatic transaxle fluid change	R	Every 30000 km (18000 miles) or 24 months
- B C D - - - H	Wheel bearings	I	Every 15000 km (9000 miles) or 12 months
- B - D E - - H	Drive axle boots	I	Every 15000 km (9000 miles) or 12 months
- B - - E - - H	Manual transmission oil (Genuine "SUZUKI GEAR OIL 75W-80")	I	Every 30000 km (18000 miles) or 24 months
		R	Every 60000 km (36000 miles) or 48 months
- B - - E - - H	Manual transmission oil (Other than "SUZUKI GEAR OIL 75W-80")	R	Every 30000 km (18000 miles) or 24 months
- - C D - - - -	Air conditioner filter element (if equipped) (Clean more frequently if the air flow from the air conditioner decreases.)	I	Every 15000 km (9000 miles) or 12 months
		R	Every 45000 km (27000 miles) or 36 months

**NOTE:**

*I – Inspect, clean, adjust, lubricate or replace as necessary*

*R – Replace or change*

*T – Tighten to the specified torque*

*\*1 Inspect or replace more frequently if necessary.*

## INSPECTION AND MAINTENANCE

### Drive Belt

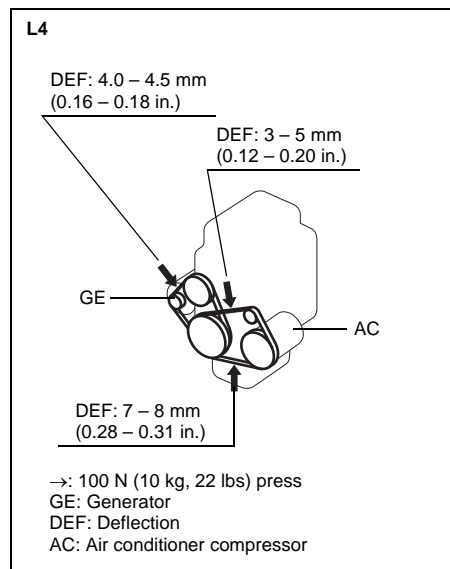
#### **⚠ WARNING**

**When the engine is running, keep hands, hair, clothing, tools, etc. away from the moving fan and drive belts.**

Make sure the drive belt tension is correct. If the belt is too loose, insufficient battery charging, engine overheating, poor power steering, poor air conditioning, or excessive belt wear can result. When you press the belt with your thumb midway between the pulleys, there should be a deflection according to the following chart.

The belts should also be examined to ensure that they are not damaged.

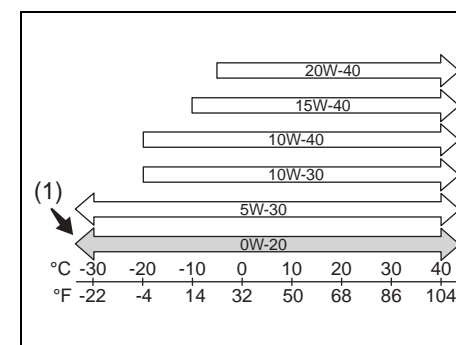
If you need to replace or adjust the belt have it done by your SUZUKI dealer.



52LM013

### Engine Oil and Filter

#### Specified Oil



60MK103

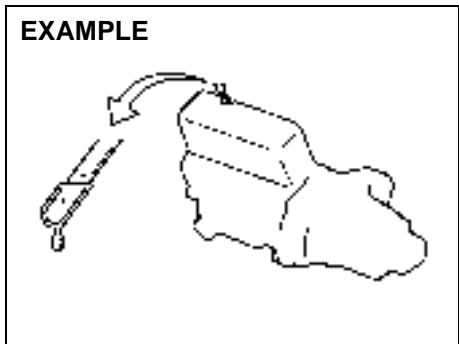
(1) Preferred

Be sure that the engine oil you use comes under the quality classification of SG, SH, SJ, SL or SM. Select the appropriate oil viscosity according to the above chart.

SAE 0W-20 (1) is the best choice for good fuel economy, and good starting in cold weather.

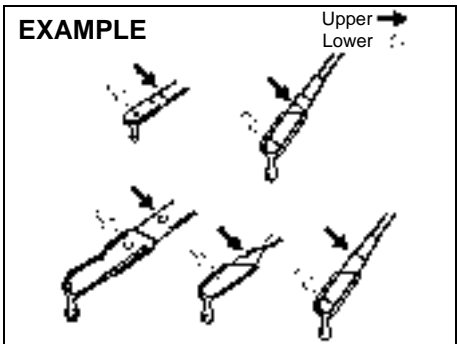


**Oil Level Check**



It is important to keep the engine oil at the correct level for proper lubrication of your vehicle's engine. Check the oil level with the vehicle on a level surface. The oil level indication may be inaccurate if the vehicle is on a slope. The oil level should be checked either before starting the engine or at least 5 minutes after stopping the engine.

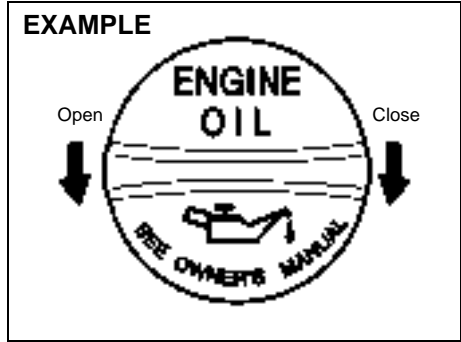
The handle of the engine oil dipstick is colored yellow for easy identification.



Pull out the oil dipstick, wipe oil off with a clean cloth, insert the dipstick all the way into the engine, then remove it again. The oil on the stick should be between the upper and lower limits shown on the stick. If the oil level indication is near the lower limit, add enough oil to raise the level to the upper limit.

**NOTICE**  
Failure to check the oil level regularly could lead to serious engine trouble due to insufficient oil.

**Refilling**

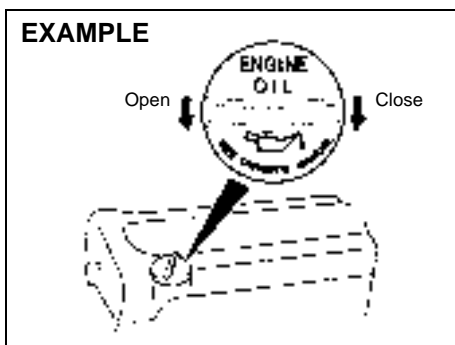


Remove the oil filler cap and pour oil slowly through the filler hole to bring the oil level to the upper limit on the dipstick. Be careful not to overfill. Too much oil is almost as bad as too little oil. After refilling, start the engine and allow it to idle for about a minute. Stop the engine, wait about 5 minutes and check the oil level again.

## INSPECTION AND MAINTENANCE

### Changing Engine Oil and Filter

Drain the engine oil while the engine is still warm.

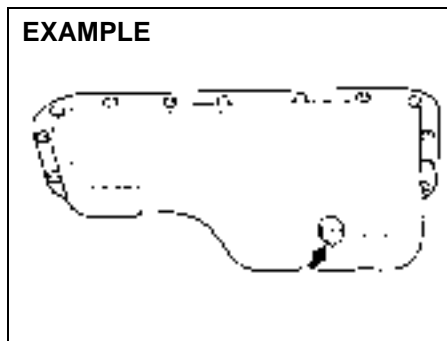


- 1) Remove the oil filler cap.
- 2) Place a drain pan under the drain plug.
- 3) Using a wrench, remove the drain plug and drain out the engine oil.

#### **CAUTION**

The engine oil temperature may be high enough to burn your fingers when the drain plug is loosened. Wait until the drain plug is cool enough to touch with your bare hands.

#### **EXAMPLE**



**Tightening torque for drain plug**  
35 Nm (3.5 kg-m, 25.3 lb-ft)

#### **WARNING**

New and used oil can be hazardous. Children and pets may be harmed by swallowing new or used oil. Keep new and used oil and used oil filters away from children and pets. Repeated, prolonged contact with used engine oil may cause skin cancer. Brief contact with used oil may irritate skin.

(Continued)

#### **WARNING**

(Continued)

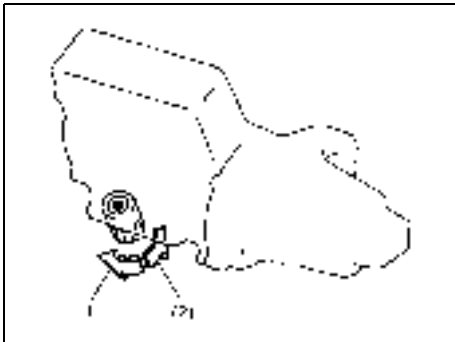
To minimize your exposure to used oil, wear a long-sleeve shirt and moisture-proof gloves (such as dishwashing gloves) when changing oil. If oil contacts your skin, wash thoroughly with soap and water. Launder any clothing or rags if wet with oil. Recycle or properly dispose of used oil and filters.

- 4) Reinstall the drain plug and gasket. Tighten the plug with a wrench to the specified torque.

**INSPECTION AND MAINTENANCE**

**Replace the Oil Filter**

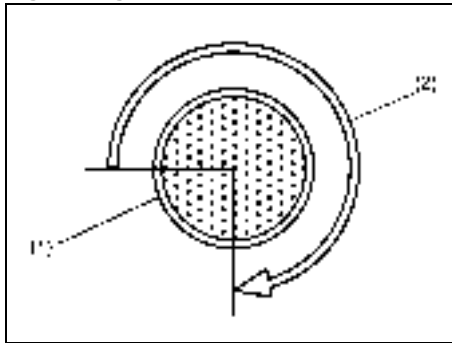
- 1) Using an oil filter wrench, turn the oil filter counterclockwise and remove it.
- 2) Using a clean rag, wipe off the mounting surface on the engine where the new filter will be seated.
- 3) Smear a little engine oil around the rubber gasket of the new oil filter.
- 4) Screw on the new filter by hand until the filter gasket contacts the mounting surface.



54G092

- (1) Loosen
- (2) Tighten

**Tightening (viewed from filter top)**



54G093

- (1) Oil filter
- (2) 3/4 turn

**NOTICE**

To tighten the oil filter properly, it is important to accurately identify the position at which the filter gasket first contacts the mounting surface.

- 5) Tighten the filter specified turn from the point of contact with the mounting surface (or to the specified torque) using an oil filter wrench.

**Tightening torque for oil filter**  
**3/4 turn or**  
**14 Nm (1.4 kg-m, 10.1 lb-ft)**

**NOTICE**

To prevent oil leakage, make sure that the oil filter is tight, but do not over-tighten it.

## INSPECTION AND MAINTENANCE

### Refill with Oil and Check for Leaks

- 1) Pour oil through the filler hole and install the filler cap.  
For the approximate capacity of the oil, refer to the "Capacities" item in the "SPECIFICATIONS" section.
- 2) Start the engine and look carefully for leaks at the oil filter and drain plug. Run the engine at various speeds for at least 5 minutes.
- 3) Stop the engine and wait about 5 minutes. Check the oil level again and add oil if necessary. Check for leaks again.

#### NOTICE

- When replacing the oil filter, it is recommended that you use a genuine SUZUKI replacement filter. If you use an aftermarket filter, make sure it is of equivalent quality and follow the manufacturer's instructions.
- Oil leaks from around the oil filter or drain plug indicate incorrect installation or gasket damage. If you find any leaks or are not sure that the filter has been properly tightened, have the vehicle inspected by your SUZUKI dealer.

### Engine Coolant

#### Selection of Coolant

To maintain optimum performance and durability of your engine, use SUZUKI Genuine Coolant or equivalent.

This type of coolant is best for your cooling system as it:

- Helps maintain proper engine temperature.
- Gives proper protection against freezing and boiling.
- Gives proper protection against corrosion and rust.

Failure to use the proper coolant can damage your cooling system. Your authorized SUZUKI dealer can help you select the proper coolant.

#### NOTICE

##### To avoid damaging your cooling system:

- Always use a high quality ethylene glycol base non-silicate type coolant diluted with distilled water at the correct mixture concentration.
- Make sure that the proper mix is 50/50 coolant to distilled water and in no case higher than 70/30. Concentrations greater than 70/30 coolant to distilled water will cause overheating conditions.
- Do not use straight coolant nor plain water.
- Do not add extra inhibitors or additives. They may not be compatible with your cooling system.
- Do not mix different types of base coolants. Doing so may result in accelerated seal wear and/or the possibility of severe overheating and extensive engine/automatic transaxle damage.

## INSPECTION AND MAINTENANCE

### Coolant Level Check

Check the coolant level at the reservoir tank, not at the radiator. With the engine cool, the coolant level should be between the "FULL" and "LOW" marks.

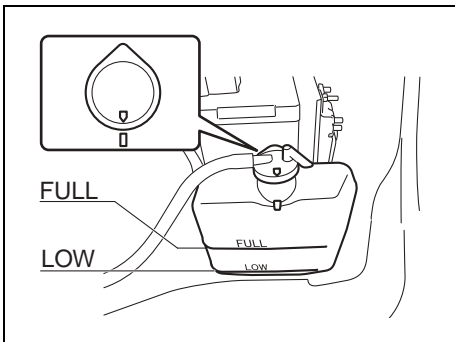
### Adding Coolant

#### **▲ WARNING**

Engine coolant is harmful or fatal if swallowed or inhaled. Do not drink antifreeze or coolant solution. If swallowed, do not induce vomiting. Immediately contact a poison control center or a physician. Avoid inhaling mist or hot vapors; if inhaled, remove to fresh air. If coolant gets in eyes, flush eyes with water and seek medical attention. Wash thoroughly after handling. Solution can be poisonous to animals. Keep out of the reach of children and animals.

#### **NOTICE**

- The mixture you use should contain 50% concentration of antifreeze.
- If the lowest ambient temperature in your area is expected to be  $-35^{\circ}\text{C}$  ( $-31^{\circ}\text{F}$ ) or below, use higher concentrations up to 60% following the instructions on the antifreeze container.



60MH043

If the coolant level is below the "LOW" mark, more coolant should be added. Remove the reservoir tank cap and add coolant until the reservoir tank level reaches the "FULL" mark. Never fill the reservoir tank above the "FULL" mark.

#### **NOTICE**

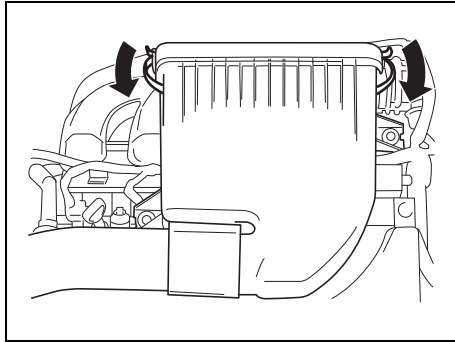
When putting the cap on the reservoir tank, line up the mark on the cap and the mark on the tank. Failure to follow this can result in coolant leakage.

### Coolant Replacement

Since special procedures are required, we recommend you take your vehicle to your SUZUKI dealer for coolant replacement.

## INSPECTION AND MAINTENANCE

### Air Cleaner



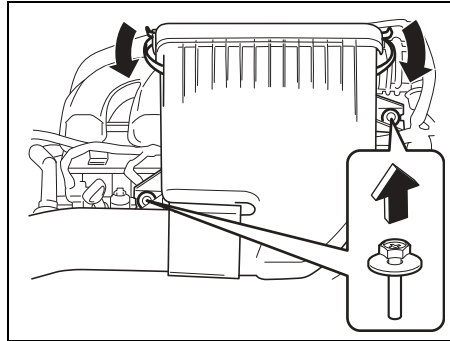
60MH045

If the air cleaner is clogged with dust, there will be greater intake resistance, resulting in decreased power output and increased fuel consumption.

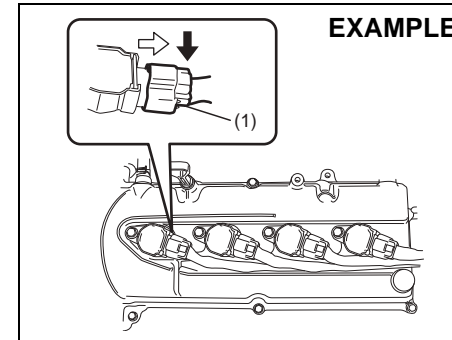
Unclamp the side clamps and remove the element from the air cleaner case. If it appears to be dirty, replace it with a new one.  
Clamp the side clamps securely.

### Spark Plugs

For nickel spark plugs (traditional type):  
You should inspect spark plugs periodically for carbon deposits. When carbon accumulates on a spark plug, a strong spark may not be produced. Remove carbon deposits with a wire or pin and adjust the spark plug gap.



60MH046



EXAMPLE

80JM125

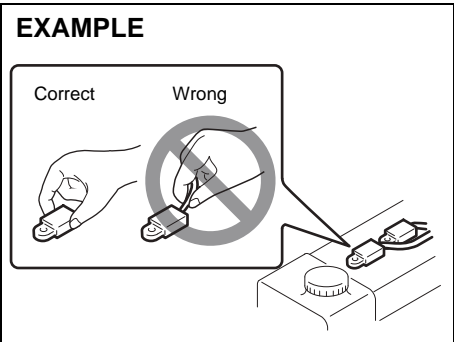
To access the spark plug:

- 1) Unclamp the side clamps and loosen the screws, then remove the air cleaner case.
- 2) If necessary, disconnect the coupler (1) while pushing the release lever.
- 3) Remove the bolts.
- 4) Pull the ignition coils out.

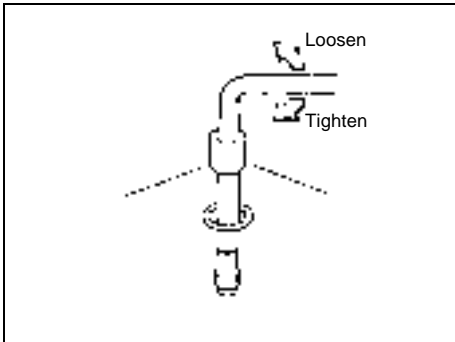
**NOTE:**

*When installation, make sure the wires, couplers, sealing rubber of air cleaner assy and washers, are correctly returned in place.*

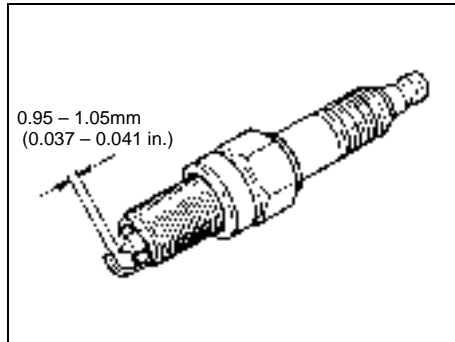
INSPECTION AND MAINTENANCE



- NOTICE**
- When pulling the ignition coils out, do not pull on the cable. Pulling on the cable can damage it.
  - When servicing the iridium/platinum spark plugs (slender center electrode type plugs), do not touch the center electrode, as it is easy to damage.



- NOTICE**
- When installing the spark plugs, screw them in with your fingers to avoid stripping the threads. Tighten with a torque wrench to 17.5 Nm (1.8 kg-m, 13.0 lb-ft). Do not allow contaminants to enter the engine through the spark plug holes when the plugs are removed.
  - Never use spark plugs with the wrong thread size.



- NOTICE**
- When replacing spark plugs, you should use the brand and type specified for your vehicle. For the specified plugs, refer to the “SPECIFICATIONS” section at the end of this book. If you wish to use a brand of spark plug other than the specified plugs, consult your SUZUKI dealer.

## INSPECTION AND MAINTENANCE

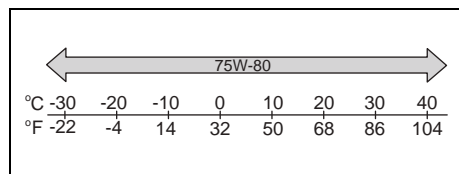
### Gear Oil

#### Specified Gear Oil

When adding gear oil, use gear oil with the appropriate viscosity and grade as shown in the chart below.

We highly recommend you use: "SUZUKI GEAR OIL 75W-80" for manual transaxle gear oil.

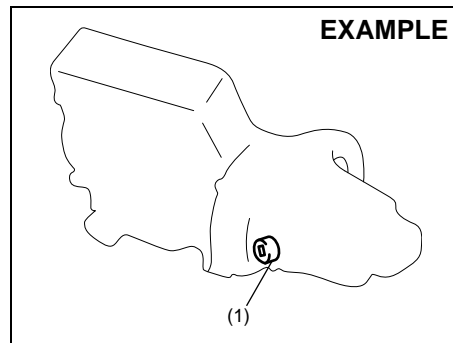
#### Manual transaxle oil



68LM728

### Gear Oil Level Check

#### Manual transaxle



60MH047

(1) Oil filler and level plug

To check the gear oil level, use the following procedure:

- 1) Park the vehicle on a level surface with the parking brake applied. Then, stop the engine.
- 2) Remove the oil filler and level plug (1).
- 3) Check the inside of the hole with your finger. If the oil level comes up to the bottom of the plug hole, the oil level is correct. If so, reinstall the plug.

- 4) If the oil level is low, add gear oil through the oil filler and level plug hole (1) until the oil level reaches the bottom of the filler hole, then reinstall the plug.

#### Tightening torque for oil filler and level plug (1)

Manual transaxle:

21 Nm (2.1 kg-m, 15.2 lb-ft)

#### CAUTION

After driving the vehicle, the gear oil temperature may be high enough to burn you. Wait until the oil filler plug is cool enough to touch with your bare hands before inspecting gear oil level.

#### NOTICE

When tightening the plug, apply the following sealing compound or equivalent to the plug threads to prevent oil leakage.

SUZUKI Bond No. "1216E" or "1217G"

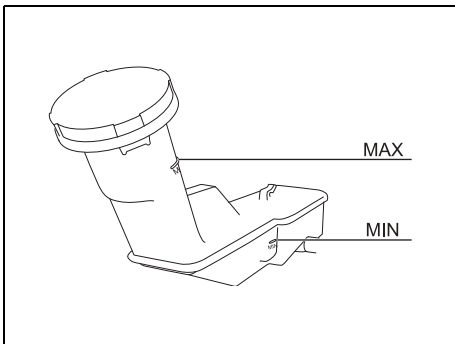
#### Gear Oil Change

Since special procedures, materials and tools are required, it is recommended that you trust this job to your authorized SUZUKI dealer.



**Clutch Pedal**

**Fluid Control Clutch**



60MH048

Check the clutch pedal for smooth operation and clutch fluid level from time to time. If clutch dragging is felt with the pedal fully depressed, have the clutch inspected by your SUZUKI dealer. If the clutch fluid level is near the "MIN" line, fill it up to the "MAX" line with SAE J1703 or DOT3 brake fluid.

**Automatic Transaxle (AT) Fluid**

**Specified Fluid**

Use an automatic transaxle fluid SUZUKI ATF AW-1.

**Fluid Level Check**

**NOTICE**

**Driving with too much or too little fluid can damage the transaxle.**

You must check the fluid level with the automatic transaxle fluid at normal operating temperature.

To check the fluid level:

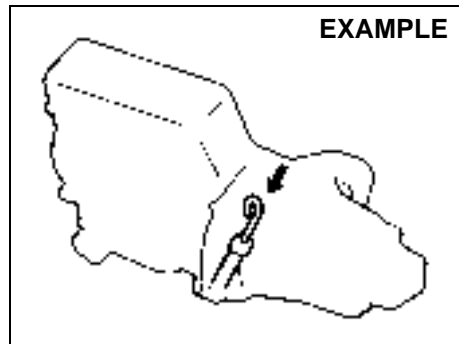
- 1) To warm up the transaxle fluid, drive the vehicle or idle the engine until the temperature gauge indicates normal operating temperature.
- 2) Then drive for ten more minutes.

**NOTICE**

**Be sure to use the specified automatic transaxle fluid. Using automatic transaxle fluid other than SUZUKI ATF AW-1 may damage the automatic transaxle of your vehicle.**

**NOTE:**

*Do not check the fluid level if you have just driven the vehicle for a long time at high speed, if you have driven in city traffic in hot weather, or if the vehicle has been pulling a trailer. Wait until the fluid cools down (about 30 minutes), or the fluid level indication will not be correct.*



63J125

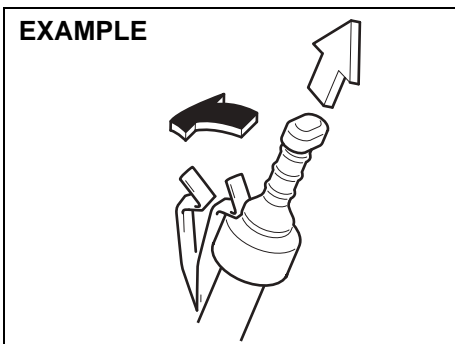
- 3) Park your vehicle on level ground.
- 4) Apply the parking brake and then start the engine in "P" (Park). Let it idle for two minutes and keep it running during the fluid level check.
- 5) With your foot on the brake pedal, move the gearshift lever through each range, pausing for about three seconds in each range. Then move it back to the "P" (Park) position.

## INSPECTION AND MAINTENANCE

### ⚠ WARNING

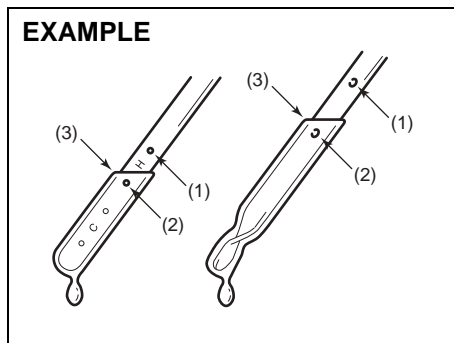
Be sure to depress the brake pedal when moving the gearshift lever, or the vehicle can move suddenly.

### EXAMPLE



- 6) The handle of the A/T fluid dipstick is colored red for easy identification. Remove the dipstick, clean it and push it back in until the cap seats. Then pull out the dipstick.
- 7) Check both sides of the dipstick, and read the lowest level. The fluid level should be between the two marks in the "HOT" range on the dipstick.

### EXAMPLE



- (1) FULL HOT
- (2) LOW HOT
- (3) The lowest point = Fluid level

- 8) Add just enough specified fluid through the dipstick hole to fill the transaxle oil to the proper level.

### NOTICE

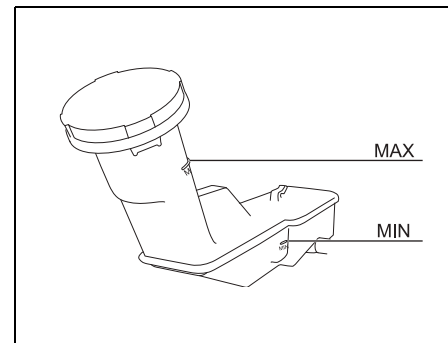
After checking or adding oil, be sure to insert the dipstick securely.

### Changing Oil

Since special procedures, materials, and tools are required to change the automatic transaxle oil, it is recommended that you trust this job to your authorized SUZUKI dealer.

## Brakes

### Brake Fluid



Check the brake fluid level by looking at the reservoir in the engine compartment. Check that the fluid level is between the "MAX" and "MIN" lines. If the brake fluid level is near the "MIN" line, fill it up to the "MAX" line with SAE J1703 or DOT3 brake fluid.

**▲ WARNING**

Failure to follow the guidelines below can result in personal injury or serious damage to the brake system.

- If the brake fluid in the reservoir drops below a certain level, the brake warning light on the instrument panel will come on (the engine must be running with the parking brake fully disengaged). Should the light come on, immediately ask your SUZUKI dealer to inspect the brake system.
- A rapid fluid loss indicates a leak in the brake system which should be inspected by your SUZUKI dealer immediately.
- Do not use any fluid other than SAE J1703 or DOT3 brake fluid. Do not use reclaimed fluid or fluid that has been stored in old or open containers. It is essential that foreign particles and other liquids are kept out of the brake fluid reservoir.

**▲ CAUTION**

Brake fluid can harm your eyes and damage painted surfaces. Use caution when refilling the reservoir.

**▲ WARNING**

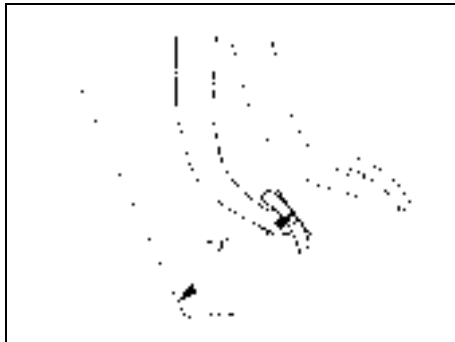
Brake fluid is harmful or fatal if swallowed, and harmful if it comes in contact with skin or eyes. If swallowed, do not induce vomiting. Immediately contact a poison control center or a physician. If brake fluid gets in eyes, flush eyes with water and seek medical attention. Wash thoroughly after handling. Solution can be poisonous to animals. Keep out of the reach of children and animals.

*NOTE:*

*With disc brakes, the fluid level can be expected to gradually fall as the brake pads wear.*

**Brake Pedal**

Check if the brake pedal stops at the regular height without "spongy" feeling when you depress it. If not, have the brake system inspected by your SUZUKI dealer. If you doubt the brake pedal for the regular height, check it as follows:



54G108

**Pedal to floor carpet minimum distance "a": 59 mm (2.3 in.)**

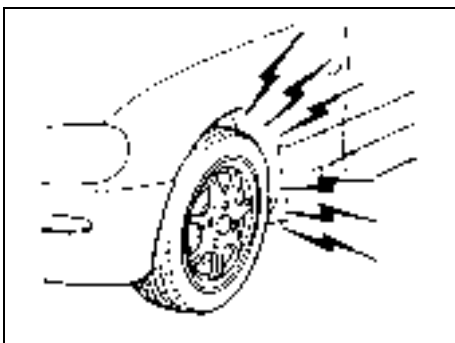
With the engine running, measure the distance between the brake pedal and floor carpet when the pedal is depressed with approximately 30 kg (66 lbs) of force. The minimum distance required is as specified. Since your vehicle's brake system is self-adjusting, there is no need for pedal adjustment.

If the pedal to floor carpet distance as measured above is less than the minimum distance required, have your vehicle inspected by your SUZUKI dealer.

*NOTE:*

*When measuring the distance between the brake pedal and floor wall, be sure not to include the floor mat or rubber on the floor wall in your measurement.*

## INSPECTION AND MAINTENANCE



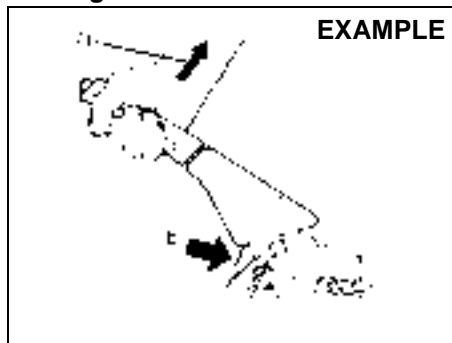
60G104S

### ▲ WARNING

If you experience any of the following problems with your vehicle's brake system, have the vehicle inspected immediately by your SUZUKI dealer.

- Poor braking performance
- Uneven braking (brakes not working uniformly on all wheels.)
- Excessive pedal travel
- Brake dragging
- Excessive noise

### Parking Brake



EXAMPLE

54G109

Ratchet tooth specification "b":

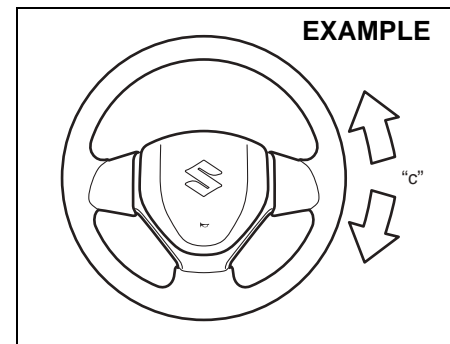
4th – 9th

Lever pull force (1):

200 N (20 kg, 44 lbs)

Check the parking brake for proper adjustment by counting the number of clicks made by the ratchet teeth as you slowly pull up on the parking brake lever to the point of full engagement. The parking brake lever should stop between the specified ratchet teeth and the rear wheels should be securely locked. If the parking brake is not properly adjusted or the brakes drag after the lever has been fully released, have the parking brake inspected and/or adjusted by your SUZUKI dealer.

### Steering



EXAMPLE

68LM708

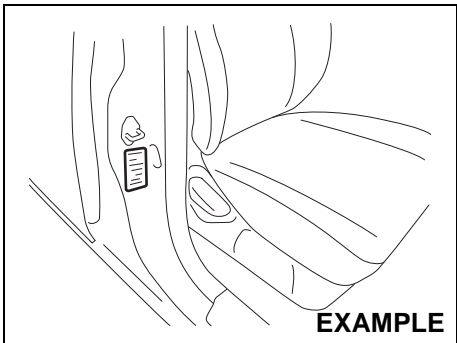
Steering wheel play "c":

0 – 30 mm (0.0 – 1.2 in.)

Check the play of the steering wheel by gently turning it from left to right and measuring the distance that it moves before you feel slight resistance. The play should be between the specified values.

Check that the steering wheel turns easily and smoothly without rattling by turning it all the way to the right and to the left while driving very slowly in an open area. If the amount of free play is outside the specification or you find anything else to be wrong, an inspection must be performed by your SUZUKI dealer.

## Tires



The front and rear tire pressure specifications for your vehicle are listed on the Tire Information Label. Both the front and rear tires should have the specified tire pressure.

Note that the value does not apply to the compact spare tire, if equipped.

### Tire Inspection

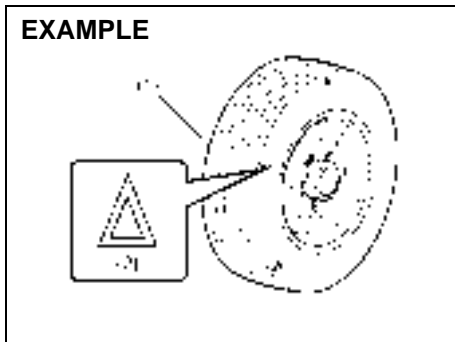
Inspect your vehicle's tires at least once a month by performing the following checks:

- 1) Measure the air pressure with a tire gauge. Adjust the pressure if necessary. Remember to check the spare tire, too.

#### ⚠ WARNING

- Air pressures should be checked when the tires are cold or you may get inaccurate readings.
- Check the inflation pressure from time to time while inflating the tire gradually, until the specified pressure is obtained.
- **Never underinflate or overinflate the tires.**  
Underinflation can cause unusual handling characteristics or can cause the rim to slip on the tire bead, resulting in an accident or damage to the tire or rim.  
Overinflation can cause the tire to burst, resulting in personal injury. Overinflation can also cause unusual handling characteristics which may result in an accident.

### EXAMPLE



- (1) Tread wear indicator
- (2) Indicator location mark

- 2) Check that the depth of the tread groove is more than 1.6 mm (0.06 in.). To help you check this, the tires have molded-in tread wear indicators in the grooves. When the indicators appear on the tread surface, the remaining depth of the tread is 1.6 mm (0.06 in.) or less and the tire should be replaced.
- 3) Check for abnormal wear, cracks and damage. Any tires with cracks or other damage should be replaced. If any tires show abnormal wear, have them inspected by your SUZUKI dealer.

## INSPECTION AND MAINTENANCE

### ⚠ CAUTION

Hitting curbs and running over rocks can damage tires and affect wheel alignment. Be sure to have tires and wheel alignment checked periodically by your SUZUKI dealer.

- 4) Check for loose wheel nuts.
- 5) Check that there are no nails, stones or other objects sticking into the tires.

### ⚠ WARNING

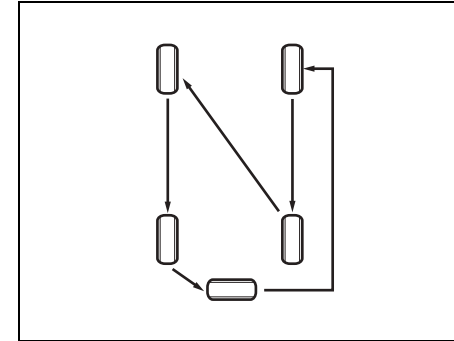
- Your SUZUKI is equipped with tires which are all the same type and size. This is important to ensure proper steering and handling of the vehicle. Never mix tires of different size or type on the four wheels of your vehicle. The size and type of tires used should be only those approved by SUZUKI as standard or optional equipment for your vehicle.
- Replacing the wheels and tires equipped on your vehicle with certain combinations of aftermarket wheels and tires can significantly change the steering and handling characteristics of your vehicle.
- Therefore, use only those wheel and tire combinations approved by SUZUKI as standard or optional equipment for your vehicle.

### NOTICE

Replacing the original tires with tires of a different size may result in false speedometer or odometer readings. Check with your SUZUKI dealer before purchasing replacement tires that differ in size from the original tires.

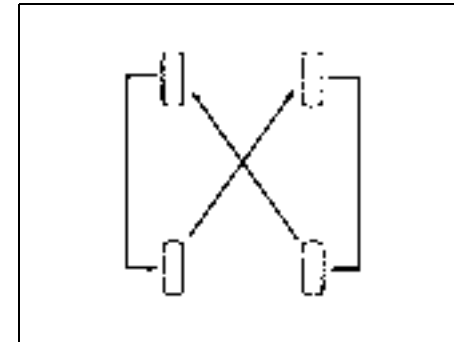
### Tire Rotation

#### 5-tire rotation



80JK040

#### 4-tire rotation



54G114

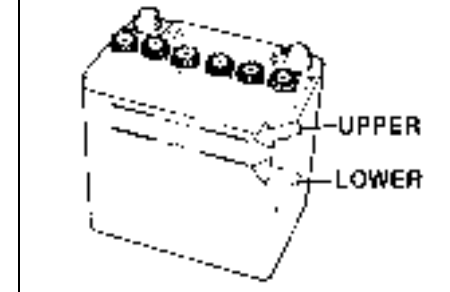
To avoid uneven wear of your tires and to prolong their life, rotate the tires as illustrated. Tires should be rotated every 10000 km (6000 miles). After rotation, adjust front and rear tire pressures to the specification listed on your vehicle's Tire Information Label.

## Battery

### ⚠ WARNING

- **Batteries produce flammable hydrogen gas. Keep flames and sparks away from the battery or an explosion may occur. Never smoke when working in the vicinity of the battery.**
- **When checking or servicing the battery, disconnect the negative cable. Be careful not to cause a short circuit by allowing metal objects to contact the battery posts and the vehicle at the same time.**
- **To avoid harm to yourself or damage to your vehicle or battery, follow the jump starting instructions in the "EMERGENCY SERVICE" section of this manual if it is necessary to jump start your vehicle.**

### EXAMPLE (traditional type)



54G118

For maintenance-free battery (cap-less type), you need not add water. For traditional type battery, which has water filler caps, the level of the battery solution must be kept between the "UPPER" and the "LOWER" level lines at all times. If the level is found to be below the "LOWER" level line, add distilled water to the "UPPER" level line. You should periodically check the battery, battery terminals, and battery hold-down bracket for corrosion. Remove corrosion using a stiff brush and ammonia mixed with water, or baking soda mixed with water. After removing corrosion, rinse with clean water.

If your vehicle is not going to be driven for a month or longer, disconnect the cable from the negative terminal of the battery to help prevent discharge.

## INSPECTION AND MAINTENANCE

### Fuses

Your vehicle has three types of fuses, as described below:

#### Main fuse

The main fuse takes current directly from the battery.

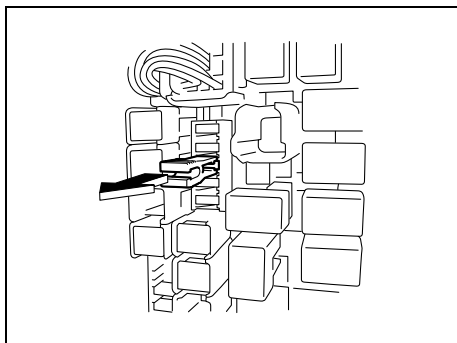
#### Primary fuses

These fuses are between the main fuse and individual fuses, and are for electrical load groups.

#### Individual fuses

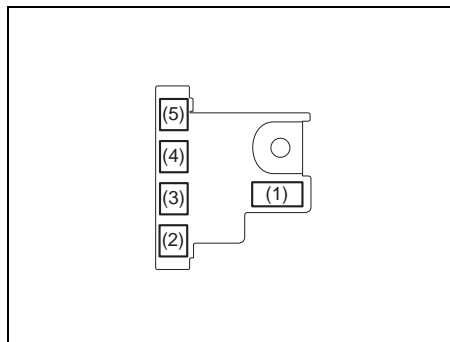
These fuses are for individual electrical circuits.

To remove a fuse, use the fuse puller provided in the fuse box.

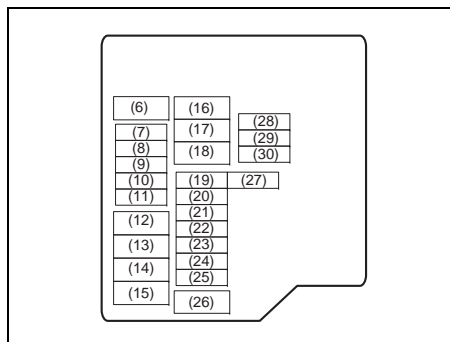


63J095

### Fuses in the Engine Compartment



60MK008



60MK009

### MAIN FUSE / PRIMARY FUSE

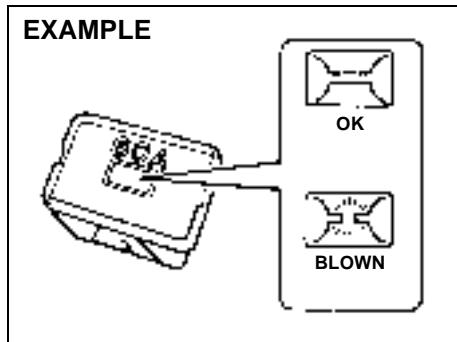
(1)	100 A	FL1
(2)	100 A	FL2
(3)	100 A	FL3
(4)	50 A	FL4
(5)	80 A	FL5
(6)	50 A	Ignition switch -2
(7)	–	Blank
(8)	15 A	A/T controller
(9)	–	Blank
(10)	10 A	Air compressor
(11)	15 A	FI
(12)	–	Blank
(13)	60 A	Power steering
(14)	30 A	Radiator fan
(15)	40 A	ABS motor
(16)	40 A	Blower fan
(17)	30 A	Starting motor
(18)	–	Blank
(19)	30 A	Back up
(20)	–	Blank
(21)	15 A	Head light (Left)



## INSPECTION AND MAINTENANCE

(22)	25 A	ABS control module
(23)	15 A	Head light (Right)
(24)	20 A	Front fog light
(25)	–	Blank
(26)	40 A	Ignition switch
(27)	7.5 A	Starting Signal
(28)	–	Blank
(29)	–	Blank
(30)	–	Blank

The main fuse, primary fuses and some of the individual fuses are located in the engine compartment. If the main fuse blows, no electrical component will function. If a primary fuse blows, no electrical component in the corresponding load group will function. When replacing the main fuse, a primary fuse or an individual fuse, use a genuine SUZUKI replacement. To remove a fuse, use the fuse puller provided in the fuse box. The amperage of each fuse is shown in the back of the fuse box cover.



### **⚠ WARNING**

If the main fuse or a primary fuse blows, be sure to have your vehicle inspected by an authorized SUZUKI dealer. Always use a genuine SUZUKI replacement. Never use a substitute such as a wire even for a temporary repair, or extensive electrical damage and a fire can result.

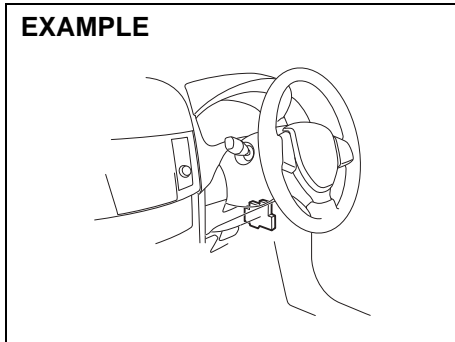
#### *NOTE:*

*Make sure that the fuse box always carries spare fuses.*

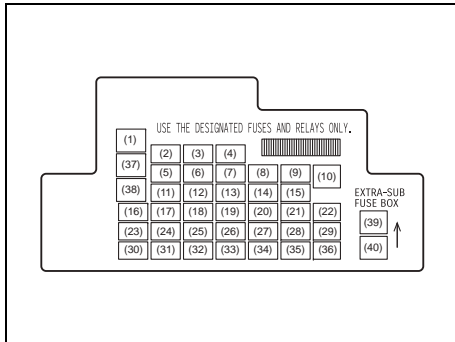
## INSPECTION AND MAINTENANCE

### Fuses under the Dash Board

#### EXAMPLE



74LHT0711

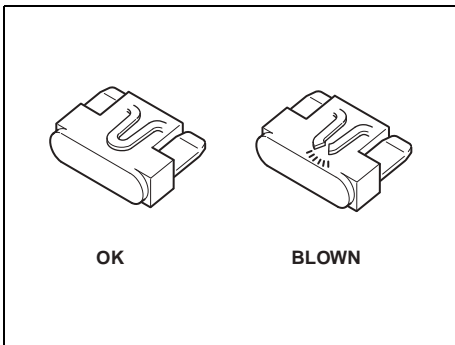


60MK033

PRIMARY FUSE		
(1)	–	Blank
(2)	20 A	Power window timer
(3)	–	Blank
(4)	20 A	Rear defogger
(5)	–	Blank
(6)	–	Blank
(7)	–	Blank
(8)	7.5 A	Starting Signal
(9)	15 A	ACC-2
(10)	30 A	Power window
(11)	10 A	Hazard
(12)	–	Blank
(13)	15 A	Ignition coil
(14)	10 A	ABS control module
(15)	15 A	ACC
(16)	–	Blank
(17)	15 A	Horn
(18)	10 A	Stop light
(19)	10 A	Air bag
(20)	10 A	Back-up light

(21)	15 A	Rear wiper / Washer
(22)	25 A	Front wiper
(23)	7.5 A	Dome light
(24)	–	Blank
(25)	7.5 A	RR fog lamp
(26)	–	Blank
(27)	7.5 A	Ignition-1 signal
(28)	–	Blank
(29)	–	Blank
(30)	15 A	Radio
(31)	10 A	Tail lamp
(32)	20 A	D/L
(33)	7.5 A	Cruise control
(34)	10 A	Meter
(35)	7.5 A	Ignition-2 signal
(36)	–	Blank
(37)	–	Blank
(38)	–	Blank
(39)	7.5 A	Rear blower fan
(40)	–	Blank

**INSPECTION AND MAINTENANCE**



81A283

**Headlight Aiming**

Since special procedures are required, we recommend you take your vehicle to your SUZUKI dealer for headlight alignment.

**⚠ WARNING**

Always be sure to replace a blown fuse with a fuse of the correct amperage. Never use a substitute such as aluminum foil or wire to replace a blown fuse. If you replace a fuse and the new one blows in a short period of time, you may have a major electrical problem. Have your vehicle inspected immediately by your SUZUKI dealer.

**Bulb Replacement**

**⚠ CAUTION**

- Light bulbs can be hot enough to burn your finger right after being turned off. This is true especially for halogen headlight bulbs. Replace the bulbs after they become cool enough.
- The headlight bulbs are filled with pressurized halogen gas. They can burst and injure you if they are hit or dropped. Handle them carefully.

**NOTICE**

The oils from your skin may cause a halogen bulb to overheat and burst when the lights are on. Grasp a new bulb with a clean cloth.

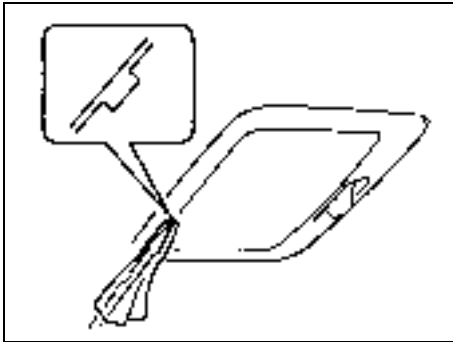
**NOTICE**

Frequent replacement of a bulb indicates the need for an inspection of the electrical system. This should be carried out by your SUZUKI dealer.

## INSPECTION AND MAINTENANCE

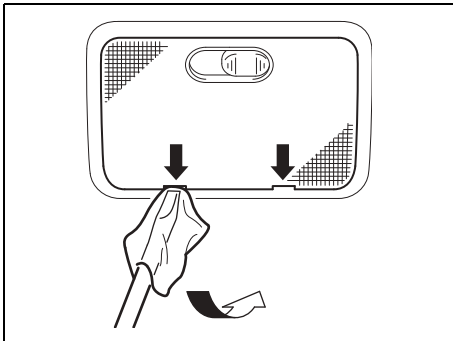
### Interior Light

#### Front / Center



60G115

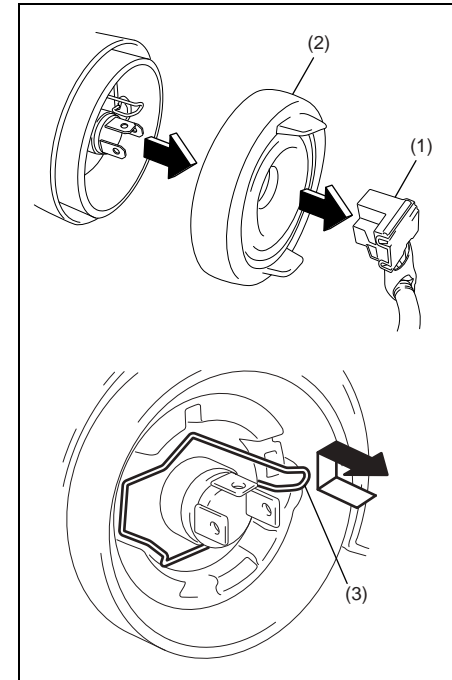
#### Rear



67LH084

Pull down the lens by using a flat blade screwdriver covered with a soft cloth as shown. To install it, simply push it back in. The bulb can be removed by simply pulling it out. When replacing the bulb, make sure that the contact springs are holding the bulb securely.

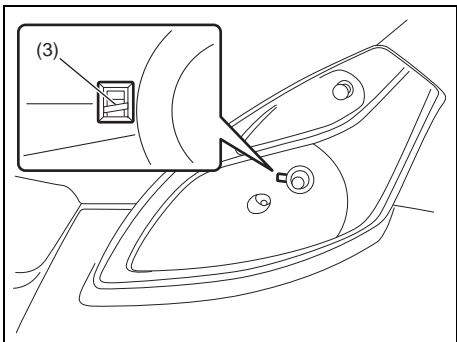
### Headlight



60MK037

Open the engine hood. Disconnect the coupler (1). Remove the sealing rubber (2). Push the retaining spring (3) forward and unhook it. Then remove the bulb. Install a new bulb in the reverse order of removal.

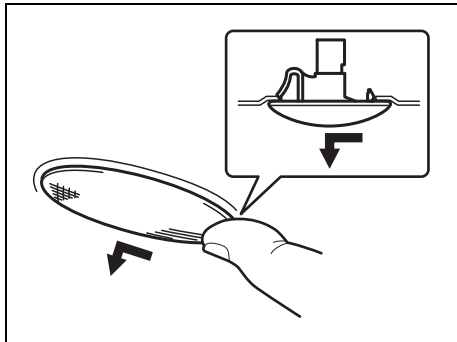
**INSPECTION AND MAINTENANCE**



60MH050

**NOTE:**  
You can see the position of retaining spring (3) from the hole of headlight.

**Side Turn Signal Light (if equipped)**

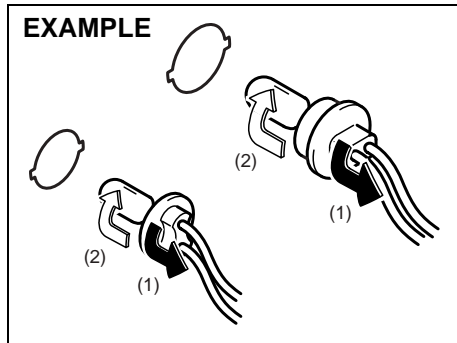


64J195

As the bulb is built-in type, the light assembly must be replaced. Remove the light assembly by sliding the light housing to left with your finger.

**Other General Lights**

**Bulb holder**



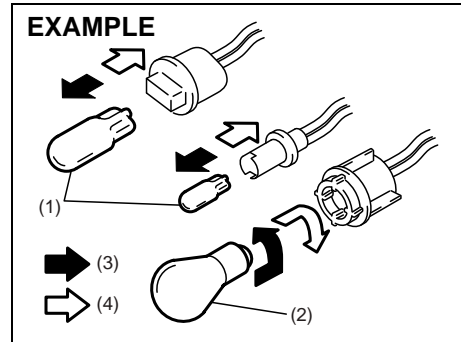
54G123

- (1) Removal
- (2) Installation

To remove a bulb holder from a light housing, turn the holder counterclockwise and pull it out. To install the holder, push the holder in and turn it clockwise.

## INSPECTION AND MAINTENANCE

### Bulb



54G124

- (3) Removal
- (4) Installation

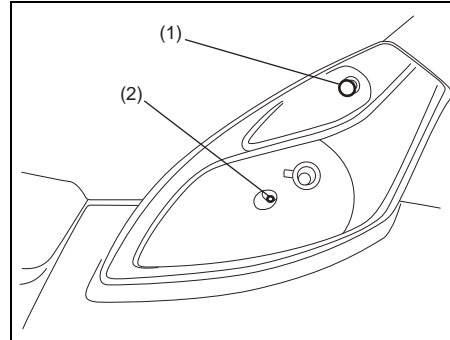
There are two types of bulb, "Full glass type" (1) and "Glass/metal type" (2).

To remove and install a full glass type bulb (1), simply pull out or push in the bulb.

To remove a glass metal type bulb (2) from a bulb holder, push in the bulb and turn it counterclockwise. To install a new bulb, push it in and turn it clockwise.

You can access the individual bulb or bulb holders as follows.

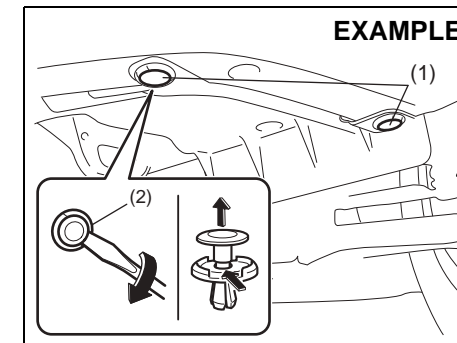
### Front turn signal light (1) Front position light (2) (if equipped)



60MH051

### Front fog light (if equipped)

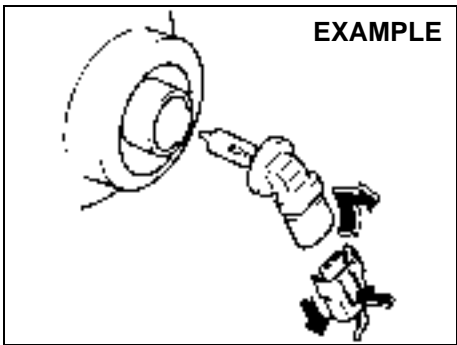
- 1) Start the engine. Turn the steering wheel to the opposite side of the replacing fog light to replace the bulb easily. Then turn off the engine.



60MH052

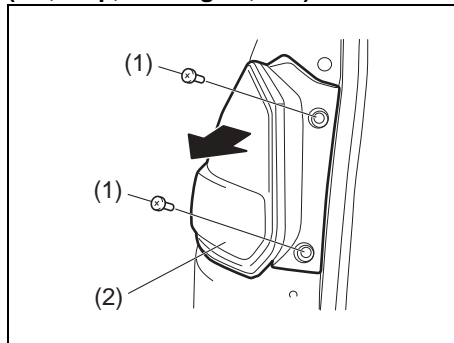
- 2) Insert a flat blade screwdriver into the hole (2) and remove the clips (1) by twist the driver as shown in the illustration.

**INSPECTION AND MAINTENANCE**



- 3) Open the fender cover. Disconnect the coupler with pushing the lock release. Turn the bulb holder counterclockwise and remove it.

**Rear combination light  
(tail, stop, turn signal, etc.)**

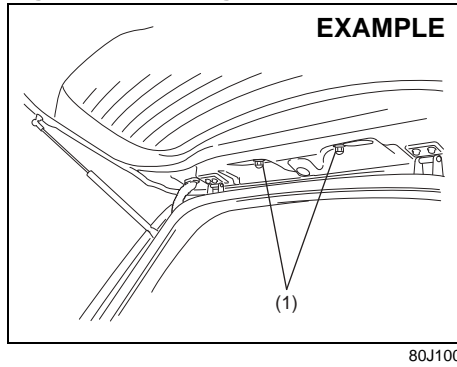


Remove the screw (1). Remove the combination light (2) by pulling it outside.

**License plate light**

Since special procedures are required, we recommend you take your vehicle to your SUZUKI dealer for bulb replacement.

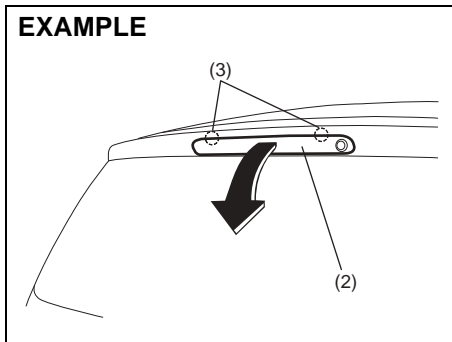
**High-mount stop light (if equipped)**



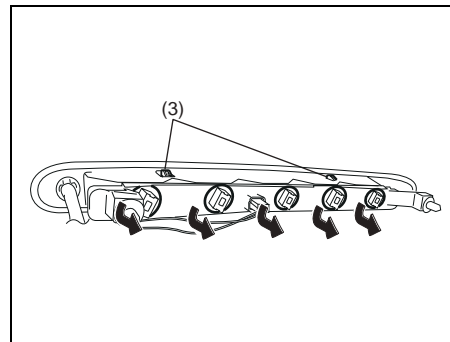
To remove a high-mount stop light housing the following procedure:

- 1) Open the tailgate, and remove the nuts (1) as shown in the illustration.

## INSPECTION AND MAINTENANCE



- 2) Close the tailgate. Release the claws (3) of the light housing by a flat blade screwdriver, etc. The claws are shown in the next illustration. Remove a high-mount stop light housing (2) from the tailgate.



- 3) Remove the each bulb.  
4) Replace the bulbs.  
To install a high-mounted stop light housing in the reverse order of removal.

## Wiper Blades



If the wiper blades become brittle or damaged, or make streaks when wiping, replace the wiper blades.

To install new wiper blades, follow the procedures below.

### **NOTICE**

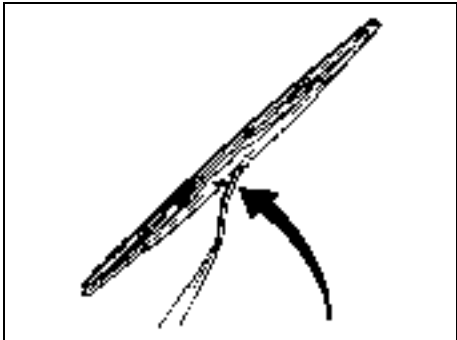
**To avoid scratching or breaking the window, do not let the wiper arm strike the window while replacing the wiper blade.**

### *NOTE:*

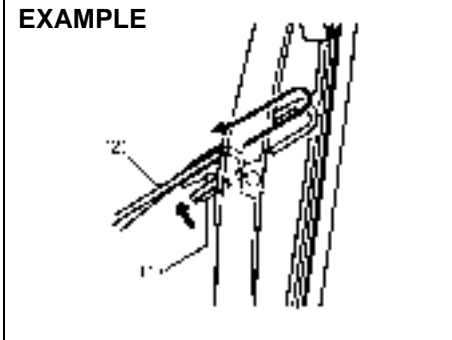
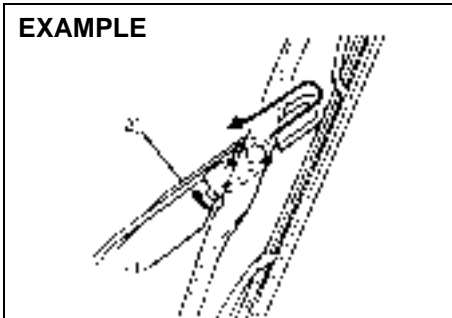
*Some wiper blades may be different from the ones described here depending on vehicle specifications. If so, consult your SUZUKI dealer for proper replacement method.*



For windshield wipers:

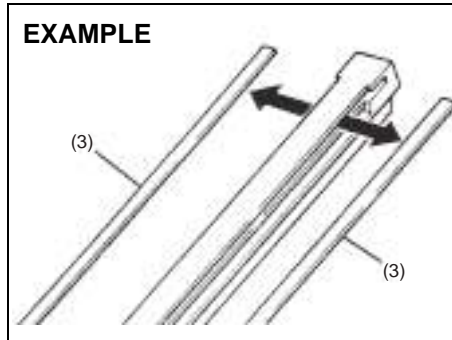
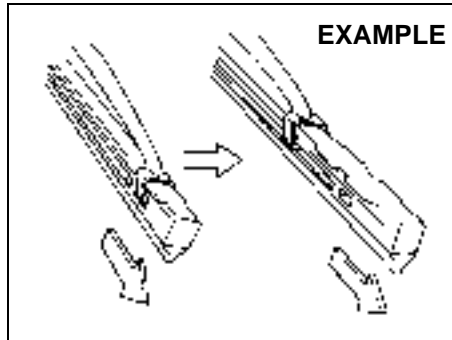


1) Hold the wiper arm away from the window.



2) Squeeze lock (1) towards wiper arm (2) and remove the wiper frame from the arm as shown.

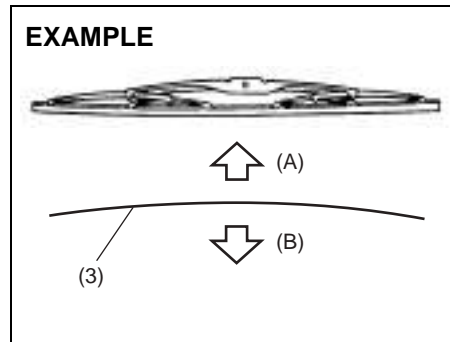
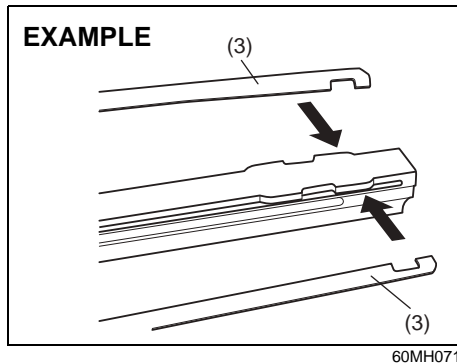
3) Unlock the lock end of the wiper blade and slide the blade out as shown.



(3) Retainer

## INSPECTION AND MAINTENANCE

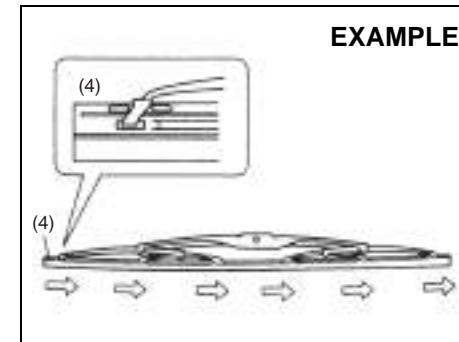
- 4) If the new blade is provided without the two metal retainers, move them from the old blade to the new one.



- (A) Up  
(B) Down

**NOTE:**

*When you install the metal retainers (3), make sure the direction of metal retainers as shown in the above illustrations.*

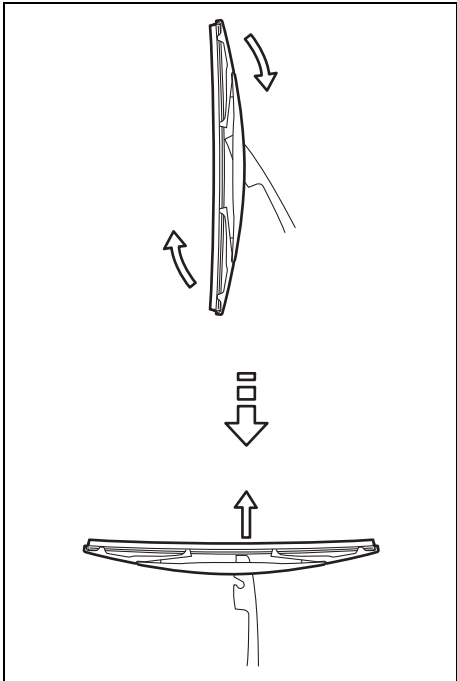


- (4) Locked end

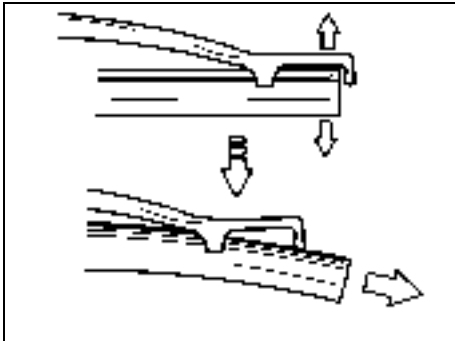
- 5) Install the new blade in the reverse order of removal, with the locked end positioned toward the wiper arm. Make sure the blade is properly retained by all the hooks. Lock the blade end into place.
- 6) Reinstall wiper frame to arm, making sure that the lock lever is snapped securely into the arm.

**INSPECTION AND MAINTENANCE**

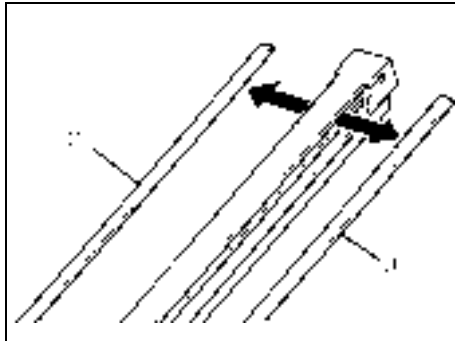
**For rear wipers:**



- 1) Hold the wiper arm away from the window.
- 2) Remove the wiper frame from the arm as shown.
- 3) Slide the blade out as shown.



**NOTE:**  
*Do not flex the wiper blade frame end more than necessary. If you do, it can break off.*

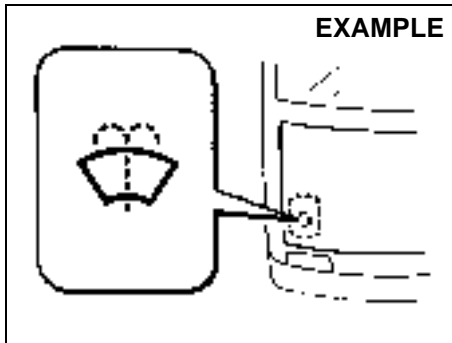


(1) Retainer

- 4) If the new blade is provided without the two metal retainers, move them from the old blade to the new one.
- 5) Install the new blade in the reverse order of removal.  
Make sure the blade is properly retained by all the hooks.
- 6) Reinstall wiper frame to arm in the reverse order of removal.

## INSPECTION AND MAINTENANCE

### Windshield Washer Fluid



80JM078

Check that there is washer fluid in the tank. Refill it if necessary. Use a good quality windshield washer fluid, diluted with water as necessary.

#### **▲ WARNING**

Do not use "anti-freeze" solution in the windshield washer reservoir. This can severely impair visibility when sprayed on the windshield, and also damage your vehicle's paint.

#### **NOTICE**

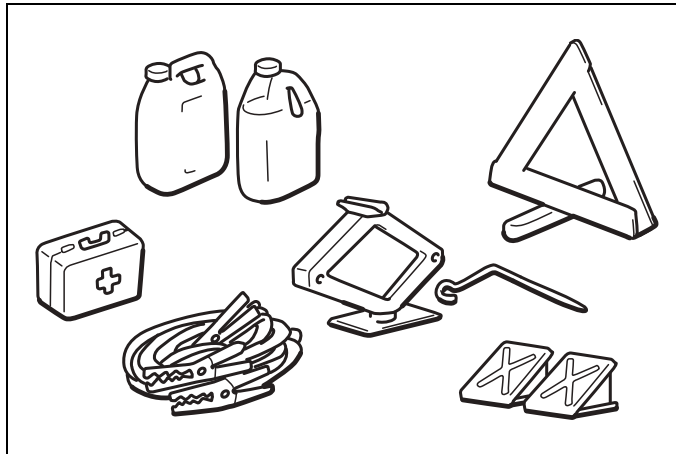
Damage may result if the washer motor is operated with no fluid in the washer tank.

7-35

### Air Conditioning System

If you do not use the air conditioning system for a long period, such as during winter, it may not give the best performance when you start using it again. To help maintain optimum performance and durability of your air conditioning system, it needs to be run periodically. Operate the air conditioning system at least once a month for one minute with the engine idling. This circulates the refrigerant and oil and helps protect the internal components.

## EMERGENCY SERVICE

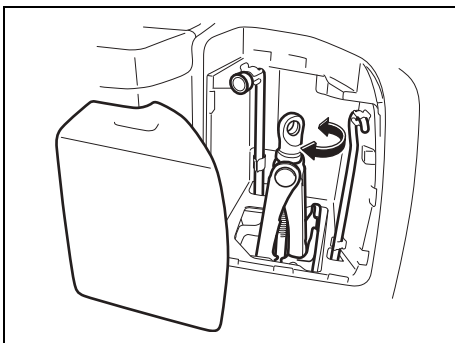


60G411

Tire Changing Tool .....	8-1
Jacking Instructions .....	8-2
Jump Starting Instructions .....	8-6
Towing .....	8-7
If the Starter Does Not Operate .....	8-8
If the Engine is Flooded .....	8-8
If the Engine Overheats .....	8-9

## EMERGENCY SERVICE

### Tire Changing Tool



60MK031

The tire changing tools are stowed in the side of the luggage compartment. Remove the cover to access the tools.

To remove the jack, turn its shaft counter-clockwise and pull the jack out of the storage bracket.

To stow the jack, place it in the storage bracket and turn the shaft clockwise until the jack is securely held in place.

#### WARNING

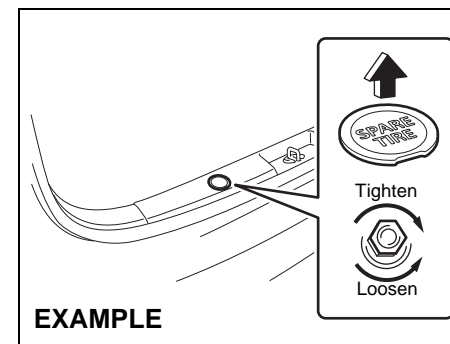
After using the tire changing tools, be sure to stow them securely or they can cause injury if an accident occurs.

#### CAUTION

The jack should be used only to change wheels. It is important to read the jacking instructions in this section before attempting to use the jack.

The spare tire is stowed under the rear floor.

To remove the spare tire:



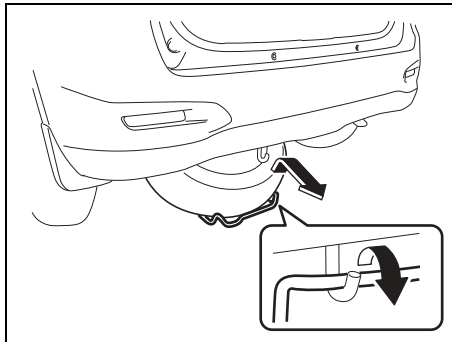
60MH058

#### EXAMPLE

- 1) Remove the cap and loosen the spare tire holder hook bolt with the lug wrench.

#### NOTICE

Loose the spare tire holder hook bolt until you can remove the hook by yourself. If the bolt is loosen too much, the hook might off and the spare tire might drop off to the ground.



60MK066

**NOTICE**  
Tighten the spare tire holder hook bolt securely. However, do not overtighten the bolt, it may be warped or broken.

Tightening torque for the spare tire holder hook bolt  
30 Nm (3.0 kg-m, 21.7 lb-ft)

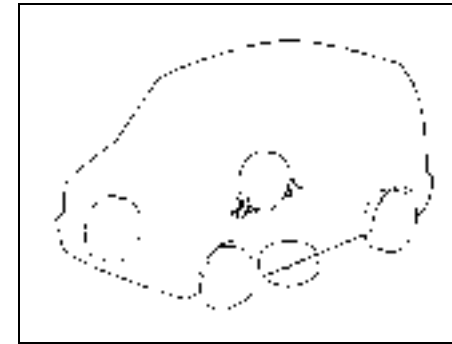
- 2) Unhook the spare tire holder and lower it slowly.
- 3) Remove the tire.

To install the spare tire:

- 1) Install the spare tire facing up the outside of the wheel in the reverse order of removal.
- 2) Tighten the spare tire holder hook bolt securely.

**⚠ WARNING**  
Do not drive your vehicle with the loose spare tire holder hook bolt, otherwise it may come loose or the spare tire may drop off, which can result in an accident.

### Jacking Instructions



75F062

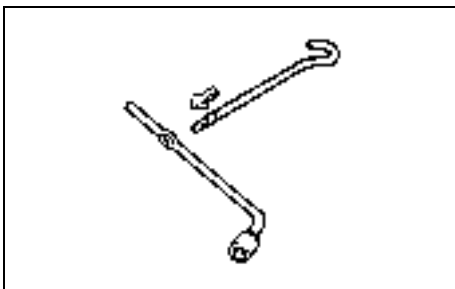
- 1) Place the vehicle on level, hard ground.
- 2) Set the parking brake firmly and shift into "P" (Park) if your vehicle has an automatic transaxle, or shift into "R" (Reverse) if your vehicle has a manual transaxle.

**⚠ WARNING**

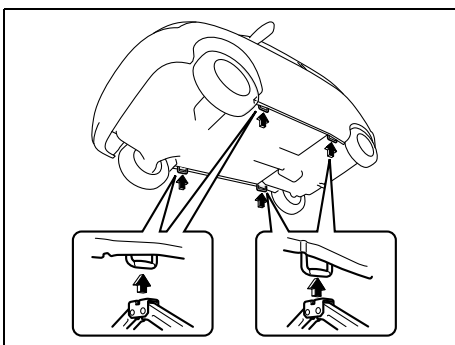
- Be sure to shift into "P" (Park) for an automatic transaxle vehicle, or into "R" (Reverse) for a manual transaxle vehicle when you jack up the vehicle.
- Never jack up the vehicle with the transaxle in "N" (Neutral). Otherwise, unstable jack may cause an accident.

## EMERGENCY SERVICE

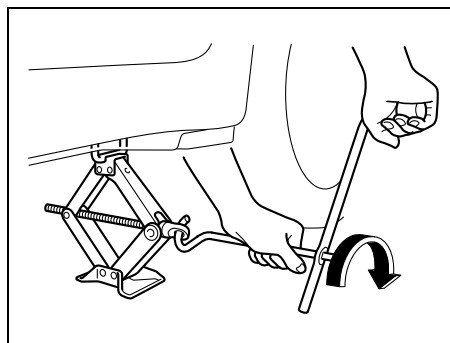
- 3) Turn on the hazard warning flasher if your vehicle is near traffic.
- 4) Block the front and rear of the wheel diagonally opposite of the wheel being lifted.
- 5) Place the spare wheel near the wheel being lifted as shown in the illustration in case that the jack slips.



54G253



63J100



60MK032

- 6) Position the jack at an angle as shown in the illustration and raise the jack by turning the jack handle clockwise until the jack-head groove fits around the jacking bar beneath the vehicle body.
- 7) Continue to raise the jack slowly and smoothly until the tire clears the ground. Do not raise the vehicle more than necessary.

### **⚠ WARNING**

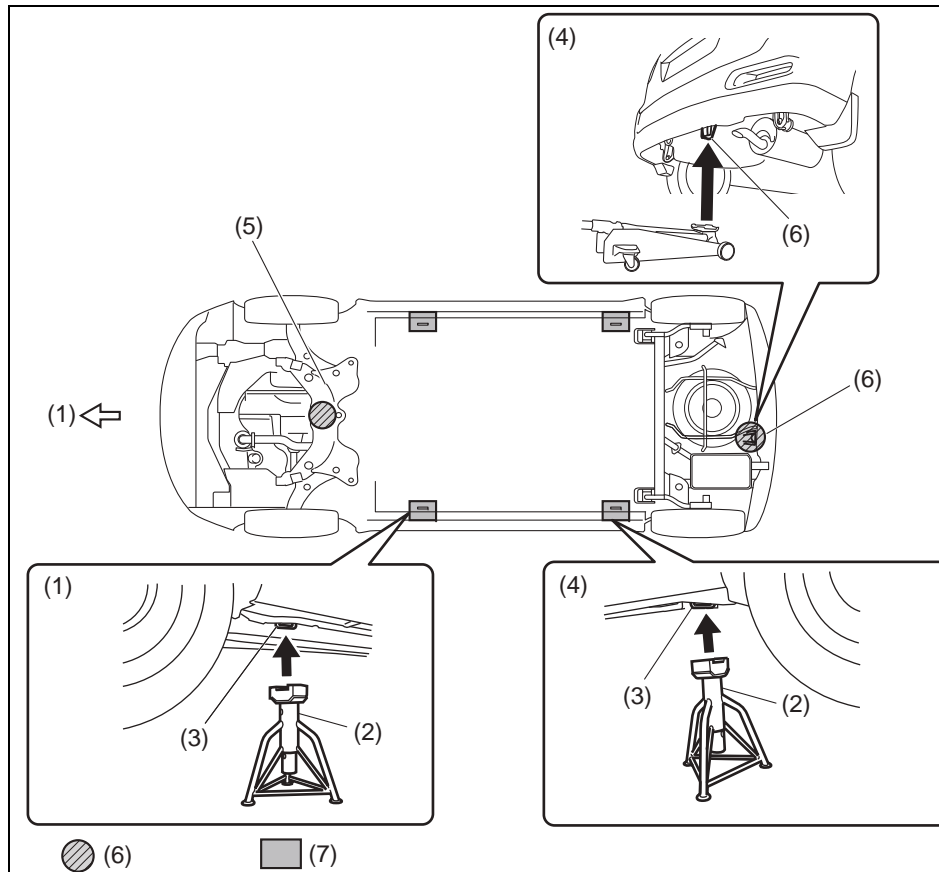
- Use the jack only to change wheels on level, hard ground.
- Never jack up the vehicle on an inclined surface.
- Never raise the vehicle with the jack in a location other than the specified jacking point (shown in the illustration) near the wheel to be changed. Especially, do not raise the vehicle with a jack at a part of the torsion beam which is located under the vehicle body, between rear wheels.
- Make sure that the jack is raised at least 51 mm (2 inches) before it contacts the flange. Use of the jack when it is within 51 mm (2 inches) of being fully collapsed may result in failure of the jack.
- No person should place any portion of their body under a vehicle that is supported by a jack.
- Never run the engine when the vehicle is supported by the jack and never allow passengers to remain in the vehicle.

### **To Raise the Vehicle with a Garage Jack**

- Apply the garage jack to one of the points indicated below.
- Always support the raised vehicle with jack stands (commercially available) at the points indicated below.



## EMERGENCY SERVICE



60MK067

- (1) Front
- (2) Jack stand
- (3) Jacking point for onboard jack
- (4) Rear
- (5) Front suspension frame
- (6) Jacking point for garage jack
- (7) Application point for two-column lift and jack stand

### NOTICE

- Never apply a garage jack to the exhaust pipe or engine undercover and rear torsion beam.
- When you apply a garage jack to the rear jacking point, it may interfere with the rear bumper depending on the shape of the garage jack.

### NOTE:

For more details, please contact an authorized SUZUKI dealer.

## EMERGENCY SERVICE

### Changing Wheels

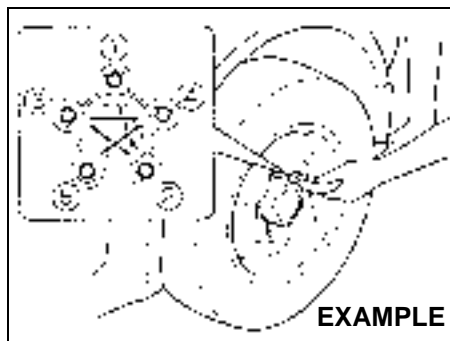
To change a wheel, use the following procedure:

- 1) Remove the jack, tools and spare wheel from the vehicle.
- 2) Loosen, but do not remove the wheel nuts.
- 3) Jack up the vehicle (follow the jacking instructions in this section).

#### **▲ WARNING**

- Be sure to shift into "P" (Park) in automatic transaxle, or shift into "R" (Reverse) in manual transaxle when you jack up the vehicle.
- Never jack up the vehicle with the transaxle in "N" (Neutral). Otherwise, unstable jack may cause an accident.

- 4) Remove the wheel nuts and wheel.
- 5) Before installing the new wheel, clean any mud or dirt off from the surface of the wheel and hub with a clean cloth. Clean the hub carefully; it may be hot from driving.
- 6) Install the new wheel and replace the wheel nuts with their cone shaped end facing the wheel. Tighten each nuts snugly by hand until the wheel is securely seated on the hub.



81A057

**Tightening torque for wheel nuts  
100 Nm (10.0 kg-m, 72.3 lb-ft)**

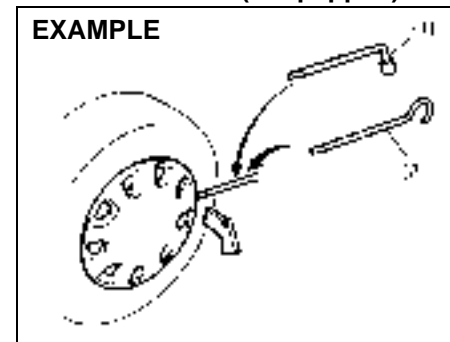
- 7) Lower the jack and fully tighten the nuts in a crisscross fashion with a wrench as shown in the illustration.

#### **▲ WARNING**

**Use genuine wheel nuts and tighten them to the specified torque as soon as possible after changing wheels. Incorrect wheel nuts or improperly tightened wheel nuts may come loose or fall off, which can result in an accident. If you do not have a torque wrench, have the wheel nuts torque checked by an authorized SUZUKI dealer.**

### Full Wheel Cover (if equipped)

#### EXAMPLE



60MK038

(1) or (2) Flat end tool

Your vehicle includes two tools, a lug wrench and a jack crank, one of which has a flat end.

Use the tool with the flat end to remove the full wheel cap, as shown above.

#### EXAMPLE



60MH074

When installing the cover, make sure that it is positioned so that it does not cover or foul the air valve.

**After Changing Wheels**

Stow the tire changing tools (jack, jack handle and lug wrench) in place. Also, stow the flat tire in the spare tire stowed position. Refer to "Tire Changing Tool" in this section.

**NOTICE**

Repair or replace the flat tire immediately. If the flat tire is placed in the spare tire stowed position for long time, it can cause vehicle shakiness, noise, or scratches.

**Jump Starting Instructions****⚠ WARNING**

- Never attempt to jump start your vehicle if the battery appears to be frozen. Batteries in this condition may explode or rupture if jump starting is attempted.
- When making jump lead connections, be certain that your hands and the jump leads remain clear from pulleys, belts, or fans.
- Batteries produce flammable hydrogen gas. Keep flames and sparks away from the battery or an explosion may occur. Never smoke when working in the vicinity of the battery.
- If the booster battery you use for jump starting is installed in another vehicle, make sure the two vehicles are not touching each other.
- If your battery discharges repeatedly, for no apparent reason, have your vehicle inspected by an authorized SUZUKI dealer.
- To avoid harm to yourself or damage to your vehicle or battery, follow the jump starting instructions below precisely and in order. If you are in doubt, call for qualified road service.

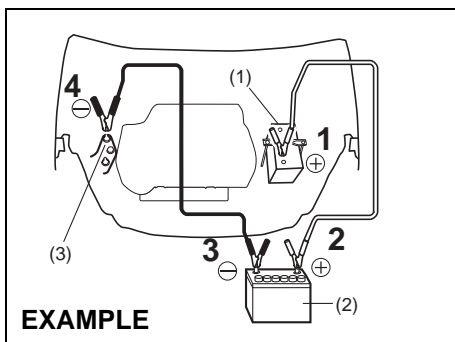
**NOTICE**

Your vehicle should not be started by pushing or towing. This starting method could result in permanent damage to the catalytic converter. Use jump leads to start a vehicle with a weak or flat battery.

**When Jump Starting Your Vehicle, Use the Following Procedure:**

- 1) Use only a 12-volt battery to jump start your vehicle. Position the good 12-volt battery close to your vehicle so that the jump leads will reach both batteries. When using a battery installed on another vehicle, DO NOT LET THE VEHICLES TOUCH. Set the parking brakes fully on both vehicles.
- 2) Turn off all vehicle accessories, except those necessary for safety reasons (for example, headlights or hazard lights).

## EMERGENCY SERVICE



54MN259

3) Make jump lead connections as follows:

1. Connect one end of the first jump lead to the positive (+) terminal of the flat battery (1).
2. Connect the other end to the positive (+) terminal of the booster battery (2).
3. Connect one end of the second jump lead to the negative (-) terminal of the booster battery (2).
4. Make the final connection to an unpainted, heavy metal part (i.e. engine mount bracket (3)) of the engine of the vehicle with the flat battery (1).

### **⚠ WARNING**

**Never connect the jump lead directly to the negative (-) terminal of the discharged battery, or an explosion may occur.**

### **⚠ CAUTION**

**Connect the jump lead to the engine mount bracket securely. If the jump lead disconnects from the engine mount bracket because of vibration at the start of the engine, the jump lead could be caught in the drive belts.**

- 4) If the booster battery you are using is fitted to another vehicle, start the engine of the vehicle with the booster battery. Run the engine at moderate speed.
- 5) Start the engine of the vehicle with the flat battery.
- 6) Remove the jump leads in the exact reverse order in which you connected them.

## Towing

If you need to have your vehicle towed, contact a professional service. Your dealer can provide you with detailed towing instructions.

### **NOTICE**

**To help avoid damage to your vehicle during towing, proper equipment and towing procedures must be used.**

### **2-Wheel Drive (2WD) Automatic Transaxle**

Automatic transaxle vehicles may be towed using either of the following methods.

- 1) From the front, with the front wheels lifted and the rear wheels on the ground. Before towing, make sure that the parking brake is released.
- 2) From the rear, with the rear wheels lifted and a dolly under the front wheels.

### **NOTICE**

**Towing your vehicle with the front wheels on the ground can result in damage to the automatic transaxle.**

### 2-Wheel Drive (2WD) Manual Transaxle

Manual transaxle vehicles may be towed using either of the following methods.

- 1) From the front, with the front wheels lifted and the rear wheels on the ground. Before towing, make sure that the parking brake is released.
- 2) From the rear, with the rear wheels lifted and the front wheels on the ground, provided the steering and drivetrain are in operational condition. Before towing, make sure that transaxle is in neutral, the steering wheel is unlocked (the ignition key should be in the "ACC" position), and the steering wheel is secured with a clamping device designed for towing service.

**NOTICE**

The steering column is not strong enough to withstand shocks transmitted from the front wheels during towing. Always unlock the steering wheel before towing.

### If the Starter Does Not Operate

- 1) Try turning the ignition switch to the "START" position with the headlights turned on to determine the battery condition. If the headlights go excessively dim or go off, it usually means that either the battery is flat or the battery terminal contact is poor. Recharge the battery or correct battery terminal contact as necessary.
- 2) If the headlights remain bright, check the fuses. If the reason for failure of the starter is not obvious, there may be a major electrical problem. Have the vehicle inspected by your authorized SUZUKI dealer.

### If the Engine is Flooded

If the engine is flooded with gasoline, it may be hard to start. If this happens, press the accelerator pedal all the way to the floor and hold it there while cranking the engine. (Do not operate the starter motor for more than 12 seconds).

## EMERGENCY SERVICE

### If the Engine Overheats

The engine could overheat temporarily under severe driving conditions. If the engine coolant temperature gauge indicates overheating during driving:

- 1) Turn off the air conditioner, if equipped.
- 2) Take the vehicle to a safe place and park.
- 3) Let the engine run at the normal idle speed for a few minutes until the indicator is within the normal, acceptable temperature range between "H" and "C".

#### **▲ WARNING**

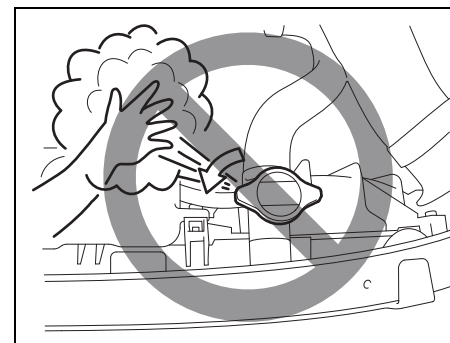
**If you see or hear escaping steam, stop the vehicle in a safe place and immediately turn off the engine to let it cool. Do not open the hood when steam is present. When the steam can no longer be seen or heard, open the hood to see if the coolant is still boiling. If it is, you must wait until it stops boiling before you proceed.**

If the temperature indication does not come down to within the normal, acceptable range:

- 1) Turn off the engine and check that the water pump belt and pulleys are not damaged or slipping. If any abnormality is found, correct it.
- 2) Check the coolant level in the reservoir. If it is found to be lower than the "LOW" line, look for leaks at the radiator, water pump, and radiator and heater hoses. If you locate any leaks that may have caused the overheating, do not run the engine until these problems have been corrected.
- 3) If you do not find a leak, carefully add coolant to the reservoir and then the radiator, if necessary. (Refer to "Engine Coolant" in the "INSPECTION AND MAINTENANCE" section.)

#### *NOTE:*

*If your engine overheats and you are unsure what to do, contact your SUZUKI dealer.*



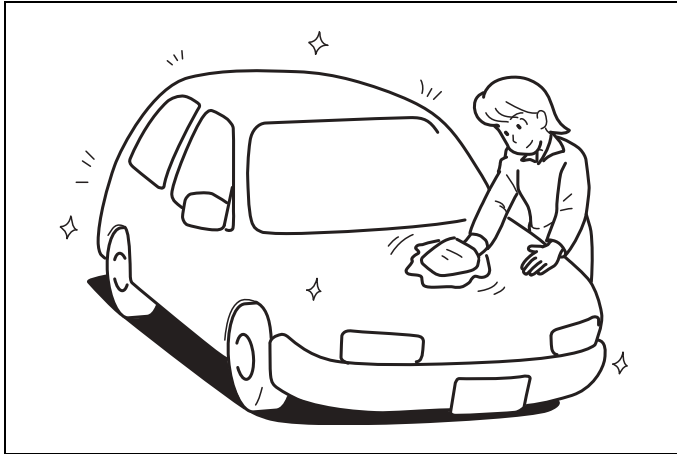
79J007

#### **▲ WARNING**

- It is hazardous to remove the radiator cap (or degassing tank cap for a diesel engine) when the water temperature is high, because scalding fluid and steam may be blown out under pressure. The cap should only be taken off when the coolant temperature has lowered.
- To help prevent personal injury, keep hands, tools and clothing away from the engine cooling fan and air-conditioner fan (if equipped). These electric fans can automatically turn on without warning.

## APPEARANCE CARE

Corrosion Prevention ..... 9-1  
Vehicle Cleaning ..... 9-2



60G412

## APPEARANCE CARE

### Corrosion Prevention

It is important to take good care of your vehicle to protect it from corrosion. Listed below are instructions for how to maintain your vehicle to prevent corrosion. Please read and follow these instructions carefully.

#### Important Information About Corrosion

##### Common causes of corrosion

- 1) Accumulation of road salt, dirt, moisture, or chemicals in hard-to-reach areas of the vehicle underbody or frame.
- 2) Chipping, scratches and any damage to treated or painted metal surfaces resulting from minor accidents or abrasion by stones and gravel.

##### Environmental conditions which accelerate corrosion

- 1) Road salt, dust control chemicals, sea air or industrial pollution will all accelerate the corrosion of metal.
- 2) High humidity will increase the rate of corrosion particularly when the temperature range is just above the freezing point.
- 3) Moisture in certain areas of a vehicle for an extended period of time may promote corrosion even though other body sections may be completely dry.
- 4) High temperatures will cause an accelerated rate of corrosion to parts of the

vehicle which are not well ventilated to permit quick drying.

This information illustrates the necessity of keeping your vehicle (particularly the underbody) as clean and dry as possible. It is equally important to repair any damage to the paint or protective coatings as soon as possible.

#### How to Help Prevent Corrosion

##### Wash your vehicle frequently

The best way to preserve the finish on your vehicle and to help avoid corrosion is to keep it clean with frequent washing.

Wash your vehicle at least once during the winter and once immediately after the winter. Keep your vehicle, particularly the underside, as clean and dry as possible.

If you frequently drive on salted roads, your vehicle should be washed at least once a month during the winter. If you live near the ocean, your vehicle should be washed at least once a month throughout the year.

For washing instructions, refer to the "Vehicle Cleaning" section.

##### Remove foreign material deposits

Foreign material such as salts, chemicals, road oil or tar, tree sap, bird droppings and industrial fall-out may damage the finish of your vehicle if it is left on painted surfaces. Remove these types of deposits as quickly as possible. If these deposits are difficult to

wash off, an additional cleaner may be required. Be sure that any cleaner you use is not harmful to painted surfaces and is specifically intended for your purposes. Follow the manufacturer's directions when using these special cleaners.

##### Repair finish damage

Carefully examine your vehicle for damage to the painted surfaces. Should you find any chips or scratches in the paint, touch them up immediately to prevent corrosion from starting. If the chips or scratches have gone through to the bare metal, have a qualified body shop make the repair.

##### Keep passenger and luggage compartments clean

Moisture, dirt or mud can accumulate under the floor mats and may cause corrosion. Occasionally, check under these mats to ensure that this area is clean and dry. More frequent checks are necessary if the vehicle is used off road or in wet weather.

Certain cargos such as chemicals, fertilizers, cleaners, salts, etc. are extremely corrosive by nature. These products should be transported in sealed containers. If a spill or leak does occur, clean and dry the area immediately.



**Store your vehicle in a dry, well-ventilated area**

Do not park your vehicle in a damp, poorly ventilated area. If you often wash your vehicle in the garage or if you frequently drive it in when wet, your garage may be damp. The high humidity in the garage may cause or accelerate corrosion. A wet vehicle may corrode even in a heated garage if the ventilation is poor.

**⚠ WARNING**

Do not apply additional undercoating or rust preventive coating on or around exhaust system components such as the catalytic converter, exhaust pipes, etc. A fire could be started if the undercoating substance becomes overheated.

**Vehicle Cleaning**



76G044S

**⚠ WARNING**

When cleaning the interior or exterior of the vehicle, **NEVER USE** flammable solvents such as lacquer thinners, gasoline, benzene or cleaning materials such as bleaches or strong household detergents. The materials could cause personal injury or damage to the vehicle.

**Cleaning the Interior**

**Vinyl upholstery**

Prepare a solution of soap or mild detergent mixed with warm water. Apply the solution to the vinyl with a sponge or soft cloth and let it soak for a few minutes to loosen dirt.

Rub the surface with a clean, damp cloth to remove dirt and the soap solution. If some dirt still remains on the surface, repeat this procedure.

**Fabric upholstery**

Remove loose dirt with a vacuum cleaner. Using a mild soap solution, rub stained areas with a clean damp cloth. To remove soap, rub the areas again with a cloth dampened with water. Repeat this until the stain is removed, or use a commercial fabric cleaner for tougher stains. If you use a fabric cleaner, carefully follow the manufacturer's instructions and precautions.

## APPEARANCE CARE

### Seat belts

Clean seat belts with a mild soap and water. Do not use bleach or dye on the belts. They may weaken the fabric in the belts.

### Vinyl floor mats

Ordinary dirt can be removed from vinyl with water or mild soap. Use a brush to help loosen dirt. After the dirt is loosened, rinse the mat thoroughly with water and dry it in the shade.

### Carpets

Remove dirt and soil as much as possible with a vacuum cleaner. Using a mild soap solution, rub stained areas with a clean damp cloth. To remove soap, rub the areas again with a cloth dampened with water. Repeat this until the stain is removed, or use a commercial carpet cleaner for tougher stains. If you use a carpet cleaner, carefully follow the manufacturer's instructions and precautions.

### Instrument panel and console

Remove loose dirt with a vacuum cleaner. Gently wipe dirt off with a tightly squeezed damp clean cloth. Repeat this until the dirt is removed.

#### NOTICE

**Do not use chemical products that contain silicon to wipe electrical components such as the air conditioning system, audio, navigation system, or other switches. These will cause damage to the components.**

### Cleaning the Exterior

#### NOTICE

**It is important that your vehicle be kept clean and free from dirt. Failure to keep your vehicle clean may result in fading of the paint or corrosion to various parts of the vehicle body.**

### Caring for Aluminum Wheels

#### NOTE:

- Do not use an acidic or alkaline detergent to wash aluminum wheels. These types of detergent will cause permanent spots, discoloration and cracks on finished surfaces.
- Do not use a bristle brush and soap containing an abrasive material. These will damage finished surfaces.

## APPEARANCE CARE

### Washing



60B212S

#### **▲ WARNING**

- Never attempt to wash and wax your vehicle with the engine running.
- When cleaning the underside of the body and fender, where there may be sharp-edged parts, you should wear gloves and a long-sleeved shirt to protect your hands and arms from being cut.
- After washing your vehicle, carefully test the brakes before driving to make sure they have maintained their normal effectiveness.

When washing the vehicle, park it where direct sunlight does not fall on it and follow the instructions below:

- 1) Flush the underside of body and wheel housings with pressurized water to remove mud and debris. Use plenty of water.

#### **NOTICE**

**When washing the vehicle:**

- Avoid directing steam or hot water of more than 80°C (176°F) on plastic parts.
- To avoid damaging engine components, do not use pressurized water in the engine compartment.

- 2) Rinse the body to loosen the dirt. Remove dirt and mud from the body exterior with running water. You may use a soft sponge or brush. Do not use hard materials which can scratch the paint or plastic. Remember that the headlight covers or lenses are made of plastic in many cases.

#### **NOTICE**

**To avoid damage to the paint or plastic surface, do not wipe the dirt off without ample water. Be sure to follow above procedure.**

- 3) Wash the entire exterior with a mild detergent or car wash soap using a sponge or soft cloth. The sponge or cloth should be frequently soaked in the soap solution.

#### **NOTICE**

**When using a commercial car wash product, observe the cautions specified by the manufacturer. Never use strong household detergents or soaps.**

- 4) Once the dirt has been completely removed, rinse off the detergent with running water.
- 5) After rinsing, wipe off the vehicle body with a wet chamois or cloth and allow it to dry in the shade.
- 6) Check carefully for damage to painted surfaces. If there is any damage, "touch-up" the damage following the procedure below:
  1. Clean all damaged spots and allow them to dry.

## APPEARANCE CARE

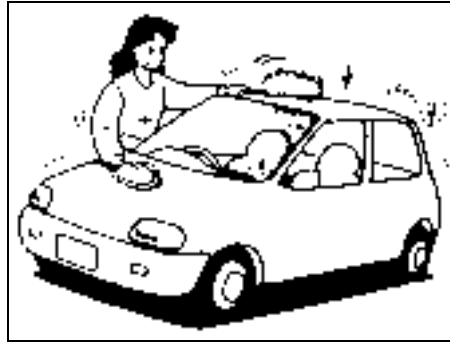
---

2. Stir the paint and “touch-up” the damaged spots lightly using a small brush.
3. Allow the paint to dry completely.

### **NOTICE**

**If you use an automatic car wash, make sure that your vehicle's body parts, such as spoilers, cannot be damaged. If you are in doubt, consult the car wash operator for advice.**

### **Waxing**



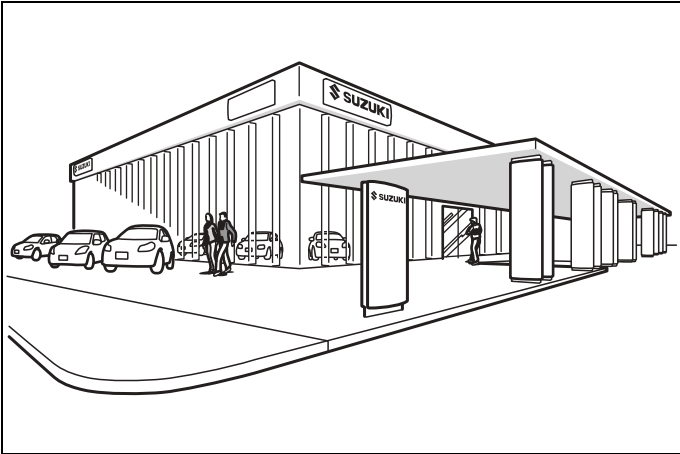
60B211S

After washing the vehicle, waxing and polishing are recommended to further protect and beautify the paint.

- Only use waxes and polishes of good quality.
- When using waxes and polishes, observe the precautions specified by the manufacturers.

# GENERAL INFORMATION

Vehicle Identification ..... 10-1

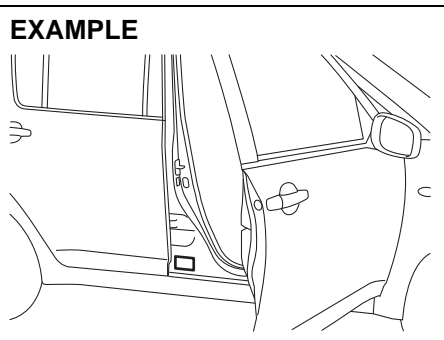


84MM01001

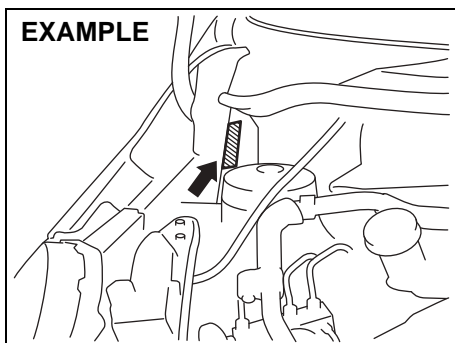
## GENERAL INFORMATION

### Vehicle Identification

#### Chassis Serial Number



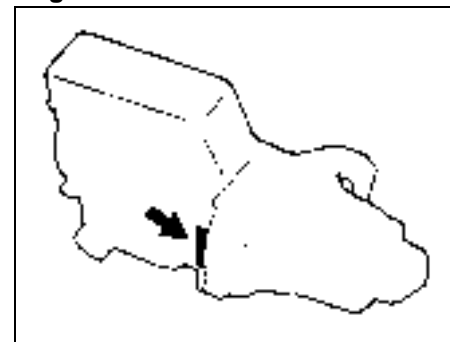
74LHT1001



74LHT1002

The chassis and/or engine serial numbers are used to register the vehicle. They are also used to assist your dealer when ordering or referring to special service information. Whenever you have occasion to consult your SUZUKI dealer, remember to identify your vehicle with this number. Should you find the number difficult to read, you will also find it on the identification plate.

#### Engine Serial Number



60G128

The engine serial number is stamped on the cylinder block as shown in the illustration.

## SPECIFICATIONS

### SPECIFICATIONS

**NOTE:**

*Specifications are subject to change without notice.*

M/T: Manual transaxle  
A/T: Automatic transaxle

ITEM: Dimensions		UNIT: mm (in.)
Overall length		4265 (167.9)
Overall width		1695 (66.7)
Overall height		1685 (66.3)
Wheelbase		2740 (107.9)
Track	Front	1480 (58.3)
	Rear	1490 (58.7)
Ground clearance		185 (7.3)

ITEM: Mass (weight)		UNIT: kg (lbs)
Curb mass (weight)		1155 - 1185 (2546 - 2612)
Gross vehicle mass (weight) rating	M/T	1765 (3891)
	A/T	1775 (3913)
Permissible maximum Axle Weight	Front	820 (1808)
	Rear	990 (2183)

11

11-1

60MK1-14E

## SPECIFICATIONS

---

<b>ITEM: Engine</b>	
Type	K14B (DOHC)
Number of cylinders	4
Bore	73.0 mm (2.87 in.)
Stroke	82.0 mm (3.23 in.)
Piston displacement	1373 cm <sup>3</sup> (1373 cc, 83.8 cu.in)
Compression ratio	11.0 : 1

<b>ITEM: Electrical</b>	
Standard spark plug	NGK LKR6F-10
Battery	12V 34B19L
Fuses	See "INSPECTION AND MAINTENANCE" section.



## SPECIFICATIONS

ITEM: Lights		WATTAGE	BULB No.
Headlight		12V 60/55W	H4
Turn signal light	Front	12V 21W	PY21W
	Rear	12V 21W	PY21W
Side turn signal light (on fender)		12V 5W	WY5W
Side turn signal light (on outside rearview mirror)		LED	–
Position light		12V 5W	W5W
		LED	–
Tail/brake light		12V 21/5W	P21/5W
License plate light		12V 5W	W5W
Reversing light		12V 16W	W16W
Interior light (front) (center)		12V 10W	–
Interior light (rear)		12V 10W	–
Front fog light		12V 55W	H11
High mount stop light		12V 5W	W5W
		LED	–

## SPECIFICATIONS

ITEM: Wheels and Tires	
Tire size, front and rear	185/65R15 88H <sup>*1</sup>
Rim size	185/65R15 tire: 15X5 1/2J
Tire pressures	For the specified tire pressure, see the Tire Information Label located on the driver's door lock pillar.

\*1 If you cannot prepare a tire with the specified load index rate and speed symbol, prepare a tire with higher load index rate and speed symbol.

ITEM: Capacities (approx.)		
Coolant (including reservoir tank)	M/T	3.6 L (6.3 Imp pt)
	A/T	4.1 L (7.2 Imp pt)
Fuel tank		45 L (9.9 Imp gal)
Engine oil		3.1 L (5.5 Imp pt) (replacement with oil filter)
Transaxle oil	M/T	2.6 L (4.5 Imp pt)
	A/T	5.0 L (8.8 Imp pt)

**INDEX**

**Symbols**

“AIR BAG” Light ..... 2-42

**Numerics**

4-Speed Automatic Transaxle ..... 3-10

**A**

Accelerator Pedal ..... 3-7

Accessory Socket..... 5-41

Adding Coolant ..... 7-12

Adjusting Seat Position ..... 2-15

Adjusting Seat Position (for 2nd row seats) ..... 2-17

Adjusting Seatbacks ..... 2-15, 2-17

Air Cleaner ..... 7-13

Air Conditioning System..... 5-1, 7-35

All Seat Belts Except Center of 2nd Row Seat..... 2-24

Anti-Lock Brake System (ABS) ..... 3-17

Anti-Lock Brake System (ABS) Warning Light ..... 2-41

Anti-Theft Feature..... 5-31

Armrest ..... 5-45

Assist Grips..... 5-42

Audio System..... 5-7

Automatic Transaxle ..... 3-10

Automatic Transaxle (AT) Fluid..... 7-16

Average fuel consumption..... 2-49, 2-51

**B**

Battery ..... 7-22

Bottle holder..... 5-44

Brake Assist System ..... 3-17

Brake Fluid ..... 7-17

Brake Pedal ..... 3-7, 7-18

Brake System Warning Light ..... 2-40

Brakes ..... 7-17

Braking..... 3-16

Brightness Control..... 2-47

Bulb Replacement..... 7-26

**C**

Catalytic Converter ..... 4-1

CD Player ..... 5-15

Center Seat Belt of 2nd Row Seat ..... 2-25

Central Door Locking System..... 2-3

Changing Engine Oil and Filter..... 7-9

Changing Wheels ..... 8-5

Charging Light..... 2-42

Chassis Serial Number ..... 10-1

Child Restraint Systems..... 2-27

Child-Proof Locks (rear door) ..... 2-3

Clock ..... 2-52

Clutch Pedal ..... 3-7, 7-16

Coolant Level Check..... 7-12

Coolant Replacement ..... 7-12

Corrosion Prevention ..... 9-1

Cup Holder and Storage Area ..... 5-43

**D**

Daily Inspection Checklist..... 3-1

Door Locks ..... 2-2

Downshifting maximum allowable speeds ..... 3-9

Drive Belt ..... 7-7

Driver’s Seat Belt Reminder ..... 2-26

Driver’s Seat Belt Reminder Light ..... 2-42

Driving on Hills..... 4-3

Driving on Slippery Roads ..... 4-4

## INDEX

---

Driving range.....	2-51	<b>G</b>	
<b>E</b>		Gasoline Engine .....	1-1
Electric Power Steering Light.....	2-44	Gasoline/Ethanol blends .....	1-1
Electric Window Controls .....	2-10	Gear Oil .....	7-15
Emergency Locking Retractor (ELR) .....	2-23	Gear Oil Change.....	7-15
Engine Coolant .....	7-11	Gear Oil Level Check .....	7-15
Engine Hood.....	5-38	Gearshift Lever .....	3-9
Engine Oil and Filter .....	7-7	Glove Box .....	5-43
Engine Oil Consumption.....	3-2	<b>H</b>	
Engine Serial Number .....	10-1	Hazard Warning Switch .....	2-55
Exhaust Gas Warning.....	3-1	Head Restraints.....	2-16, 2-18
<b>F</b>		Headlight Aiming.....	7-26
Floor Mats.....	5-46	Highway Driving .....	4-3
Fluid Control Clutch .....	7-16	Horn.....	2-58
Fluid Level Check .....	7-16	How the ABS Works.....	3-18
Folding Rear Seats .....	2-19	<b>I</b>	
Footrest .....	5-45	If the Engine is Flooded.....	8-8
Frame Hooks .....	5-47	If the Engine Overheats .....	8-9
Front Air Bags.....	2-33	If the Starter Does Not Operate.....	8-8
Front Fog Light Switch.....	2-54	If Your Vehicle Gets Stuck .....	4-5
Front Seat Back Pocket.....	5-44	Ignition Key Reminder .....	2-2
Front Seats .....	2-14	Ignition Switch.....	3-3
Fuel Filler Cap .....	5-37	Immobilizer System .....	2-1
Fuel Gauge .....	2-46	Immobilizer System Light.....	2-43
Fuel Recommendation .....	1-1	Improving Fuel Economy .....	4-2
Full Wheel Cover.....	8-5	Information Display.....	2-48
Fuses .....	7-23	Inside Rearview Mirror.....	2-13
Fuses in the Engine Compartment .....	7-23	Installation with a Lap Belt.....	2-30
Fuses under the Dash Board.....	7-25	Installation with Lap-Shoulder Seat Belts .....	2-30
		Instantaneous fuel consumption .....	2-50
		Instrument Cluster .....	2-38

12-2

## INDEX

Interior Light.....	7-27	Outside Rearview Mirrors.....	2-13
Interior Light Switch.....	5-40	Outside Rearview Mirrors Folding Switch.....	2-14
iPod®.....	5-26	Overhead rear air conditioning system.....	5-3
<b>J</b>		<b>P</b>	
Jacking Instructions.....	8-2	Parking Brake.....	7-19
Jump Starting Instructions.....	8-6	Parking Brake Lever.....	3-5
<b>K</b>		Pedal.....	3-7
Keyless Entry System Transmitter.....	2-5	Periodic Maintenance Schedule.....	7-2
Keys.....	2-1	Pinching Prevention Function.....	2-12
<b>L</b>		Power-Assisted Brakes.....	3-17
Lap-Shoulder Belt.....	2-23	<b>R</b>	
Light Reminder Buzzer.....	2-53	Radio.....	5-13
Lighting Control Lever.....	2-52	Radio Antenna.....	5-6
Lighting Operation.....	2-53	Rear Seats.....	2-16
Low Fuel Warning Light.....	2-44	Rear Window Wiper/Washer Switch.....	2-57
Luggage Box.....	5-46	Refill with Oil and Check for Leaks.....	7-11
<b>M</b>		Refilling.....	7-8
Main Beam (high beam) Indicator Light.....	2-45	Replace the Oil Filter.....	7-10
Maintenance Recommended under Severe Driving Conditions.....	7-5	Replacement of the Battery.....	2-6
Maintenance Schedule.....	7-2	Running-in.....	4-1
Malfunction Indicator Light.....	2-42	<b>S</b>	
Manual Transaxle.....	3-9	Seat Adjustment.....	2-14, 2-16
Mirrors.....	2-13	Seat Belt Hanger.....	2-26
MP3/WMA/AAC Disc.....	5-18	Seat Belt Inspection.....	2-27
<b>O</b>		Seat Belt Pretensioner System.....	2-30
Odometer.....	2-52	Seat Belts and Child Restraint Systems.....	2-21
Oil Level Check.....	7-8	Selection of Coolant.....	7-11
Oil Pressure Light.....	2-41	Shoulder Anchor Height Adjuster.....	2-26
Open Door Warning Light.....	2-43	Side Door Locks.....	2-2
		Spark Plugs.....	7-13
		SPECIFICATIONS.....	11-1

12-3

60MK1-14E

## INDEX

---

Specified Fluid .....	7-16
Specified Gear Oil .....	7-15
Specified Oil .....	7-7
Speedometer .....	2-45
Starting a Cold and Warm Engine .....	3-8
Starting the Engine .....	3-8
Steering .....	7-19
Sun Visor .....	5-39
Supplemental Restraint System (air bags).....	2-32
<b>T</b>	
Tachometer .....	2-45
Tailgate .....	2-4
Temperature Gauge .....	2-46
Theft Deterrent Alarm System .....	2-7
Thermometer .....	2-48
Tilt Steering Lock Lever .....	2-57
Tire Chains .....	4-4
Tire Changing Tool .....	8-1
Tire Inspection .....	7-20
Tire Rotation.....	7-21
Tires .....	7-20
To Raise the Vehicle with a Garage Jack .....	8-3
Towing .....	8-7
Trailer Towing .....	6-1
Transaxle selector position indicator (for automatic transaxle vehicles).....	2-49
Transaxle Warning Light.....	2-43
Trip meter .....	2-50
Turn Signal Control Lever.....	2-54
Turn Signal Indicators .....	2-45
Turn Signal Operation .....	2-54

12-4

## U

Universal Serial Bus (USB) Socket.....	5-42
USB device .....	5-22
Using the Transaxle .....	3-9







## V

Vehicle Cleaning .....	9-2
Vehicle Identification .....	10-1
Vehicle Loading.....	6-1

## W

Walk-in Type Seats (for 2nd row seats) .....	2-17
Warning and Indicator Lights .....	2-40
Warning and Indicator Messages .....	3-16
Washing .....	9-4
Waxing .....	9-5
Windows .....	2-10
Windshield Washer .....	2-56
Windshield Washer Fluid .....	7-35
Windshield Wiper and Washer Lever .....	2-55
Windshield Wipers .....	2-56
Wiper and Washer Operation.....	2-56
Wiper Blades .....	7-31

## BATTERY LABEL SYMBOL MEANINGS

	No smoking, no naked flames, no sparks		Battery acid
	Shield eyes		Note operating instructions
	Keep away from children		Explosive gas

Prepared by  
**SUZUKI MOTOR CORPORATION**

July, 2015

Part No. 99011-60MK1-14E  
Printed in Indonesia

TP212

**60MK1-14E**