

**2014
Scion xD
Quick Reference Guide**

2014 Scion xD

This *Quick Reference Guide* is a summary of basic vehicle operations. It contains brief descriptions of fundamental operations so you can locate and use the vehicle's main equipment quickly and easily.

The *Quick Reference Guide* is not intended as a substitute for the *Owner's Manual* located in the vehicle's glove box. We strongly encourage you to review the *Owner's Manual* and supplementary manuals so you will have a better understanding of the vehicle's capabilities and limitations.

Your dealership and the entire staff of Scion, a marque of Toyota Motor Sales, U.S.A., Inc., wish you many years of satisfied driving in your new SCION xD.

A word about safe vehicle operations

This *Quick Reference Guide* is not a full description of Scion xD operations. Every Scion xD owner should review the *Owner's Manual* that accompanies this vehicle.

Pay special attention to the boxed information highlighted in color throughout the *Owner's Manual*. Each box contains safe operating instructions to help you avoid injury or equipment malfunction.

All information in this *Quick Reference Guide* is current at the time of printing. Toyota reserves the right to make changes at any time without notice.

INDEX

OVERVIEW

Engine maintenance	7
Fuel tank door release and cap	6
Hood release	7
Indicator symbols	4-5
Instrument cluster	4
Instrument panel	2-3
Keyless entry¹	6
Light control-Instrument panel	7

FEATURES/OPERATIONS

Air Conditioning/Heating	12
Automatic Transmission	8
Bottle holders	15
Clock	13
Cruise control	11
Cup holders	15
Lights & turn signals	10
Multi-Information Display	14
Parking brake	8
Power outlet	15
Seat adjustments	9
Seat-Folding down rear seat	9
Seats-Head restraints	8
Steering wheel switches	14
Tilt steering wheel	12
USB port/AUX port	13
Windows	11
Windshield wipers & washers	10

SAFETY AND

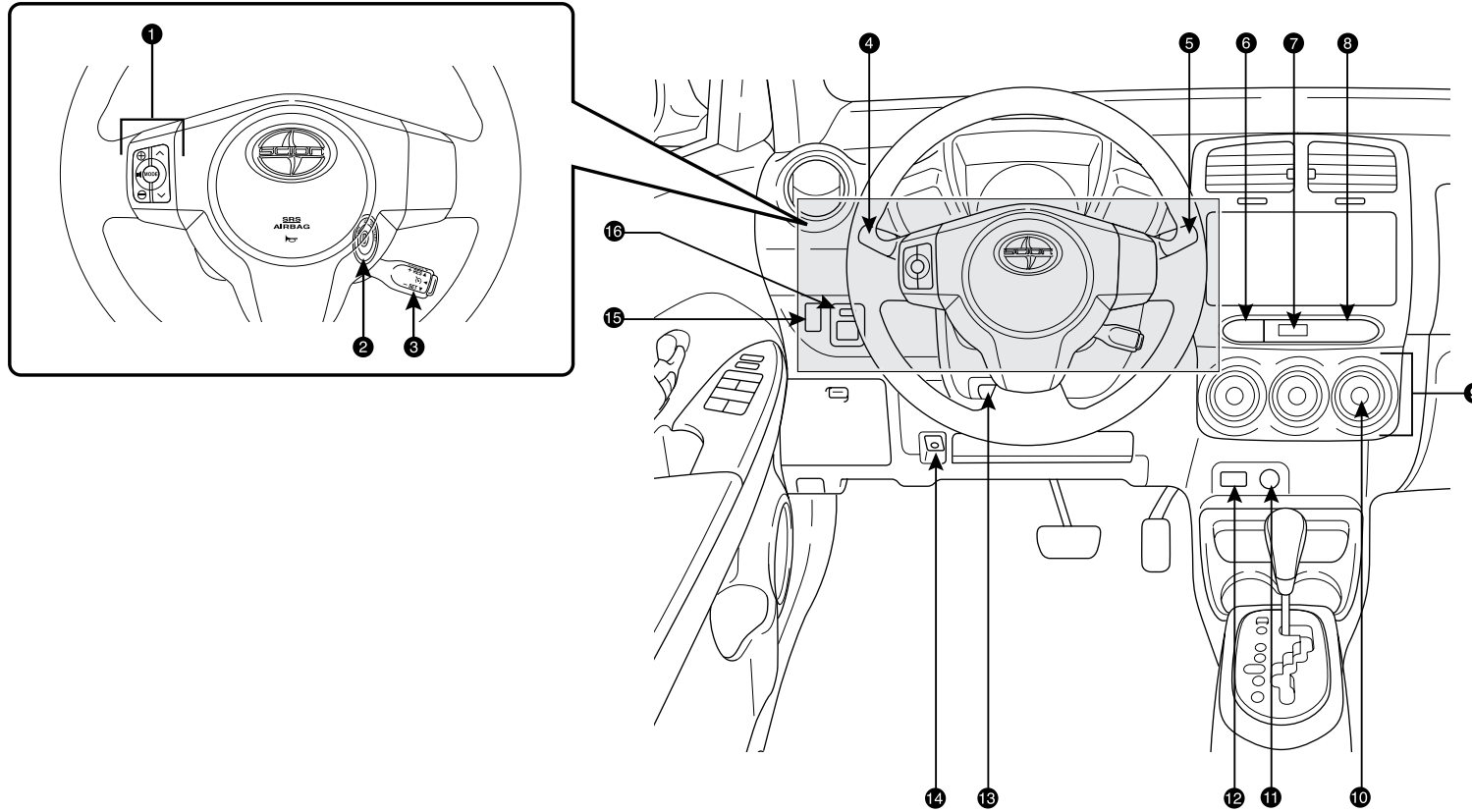
EMERGENCY FEATURES

Door locks	16
Doors-Child safety locks	16
Floor mat installation	19
Seat belts	16
Seat belts-Shoulder belt anchor	16
Spare tire & tools	17
Star Safety System™	18-19
Tire Pressure Monitoring (warning) System	17

¹ Visit your Toyota dealer for information on customizing this feature.

OVERVIEW

Instrument panel

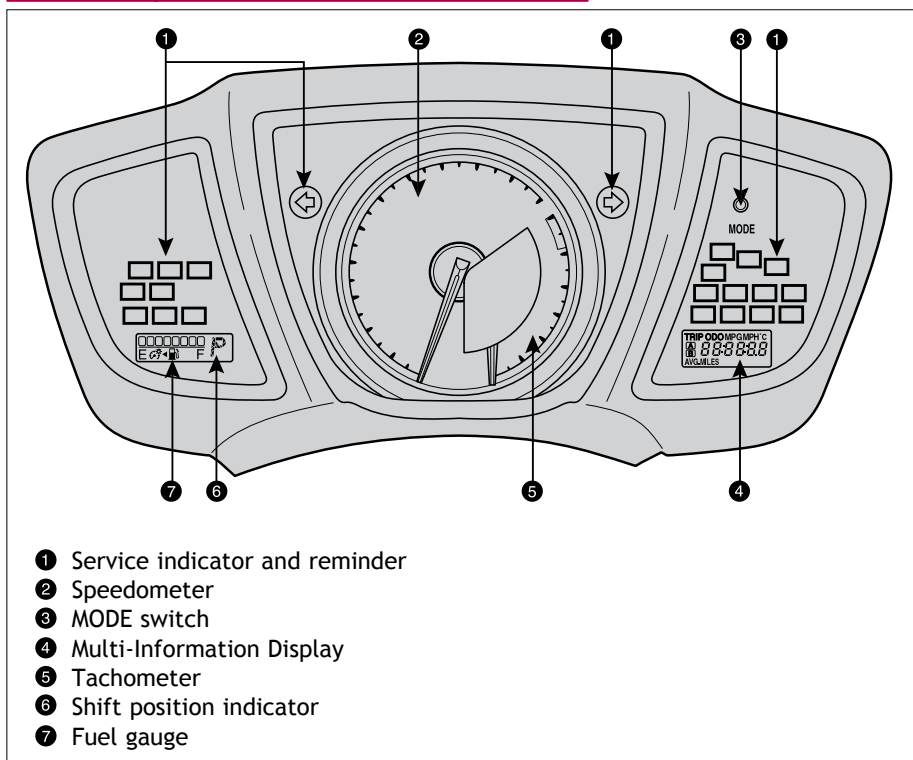


- ❶ Steering wheel audio controls*
- ❷ Ignition switch
- ❸ Cruise control
- ❹ Headlight and turn signal controls
- ❺ Wiper and washer controls
- ❻ Emergency flasher button
- ❼ Clock
- ❽ Front passenger occupant classification indicator/Front passenger seat belt reminder light

- ❾ Air Conditioning controls
- ❿ Rear window defogger button
- ⓫ 12V DC power outlet
- ⓬ USB port/AUX port*
- ⓭ Tilt steering lock release
- ⓮ Tire Pressure Monitoring (warning) System reset
- ⓯ Instrument panel light control
- ⓰ Power rearview mirror controls

* For details, refer to the *SCION Audio System Owner's Manual* or *SCION Navigation System Owner's Manual*.

Instrument cluster



- Low Tire Pressure Warning¹
- Low windshield washer fluid level warning
- Low engine coolant temperature indicator
- High engine coolant temperature warning
- Maintenance/Service required indicator¹
- Front passenger occupant classification indicator
- Headlight low beam indicator
- Headlight high beam indicator
- Turn signal indicator
- Low fuel level warning
- Slip indicator¹
- Vehicle Stability Control OFF indicator¹
- Traction Control OFF indicator¹
- Cruise control indicator²
- Electric power steering system warning¹
- Anti-lock Brake System warning¹

Indicator symbols

For details, refer to “Indicators and warning lights,” Section 2-2, 2014 Owner’s Manual.

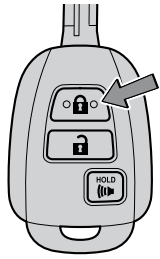
- BRAKE Brake system warning¹
- Driver seat belt reminder
(alarm will sound if speed is over 12 mph)
- Front passenger seat belt reminder
(alarm will sound if speed is over 12 mph)
- Charging system warning¹
- Malfunction/Check Engine indicator¹
- Low engine oil pressure warning¹
- Open door warning
- Airbag SRS warning¹

¹ If indicator does not turn off within a few seconds of starting engine, there may be a malfunction. Have vehicle inspected by your Toyota dealer.

² If this light flashes, refer to “Cruise control,” Section 2-4, 2014 Owner’s Manual.

Keyless entry

Locking operation



Push

Unlocking operation



Push ONCE: Driver door
TWICE: ALL doors

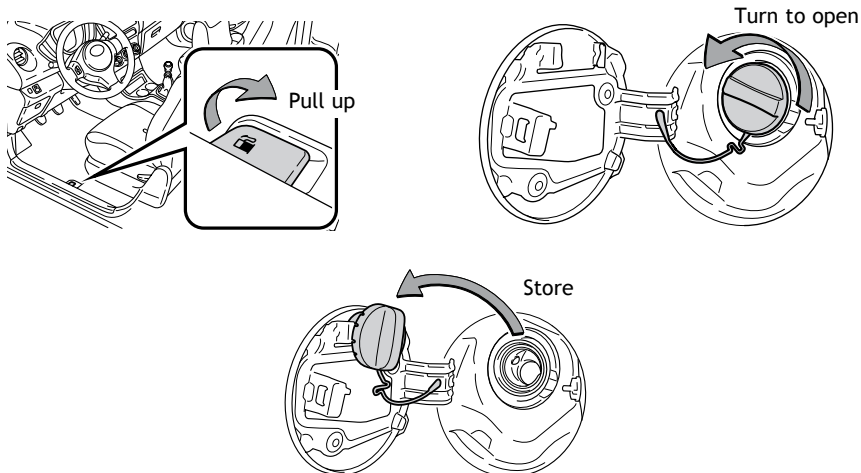
NOTE: If a door is not opened within 30 seconds of unlocking, all doors will relock for safety.

Panic button



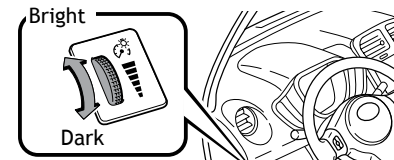
Push and hold

Fuel tank door release and cap

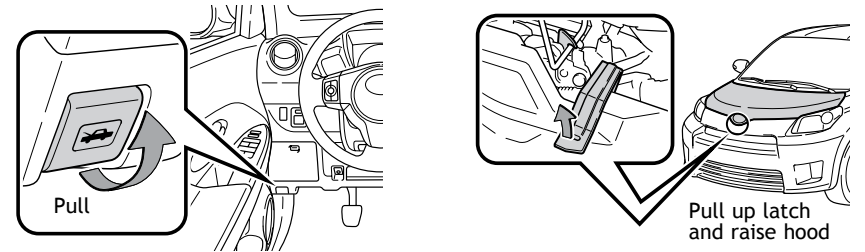


NOTE: Tighten until one click is heard. If the cap is not tightened enough, Check Engine "CHECK" indicator may illuminate.

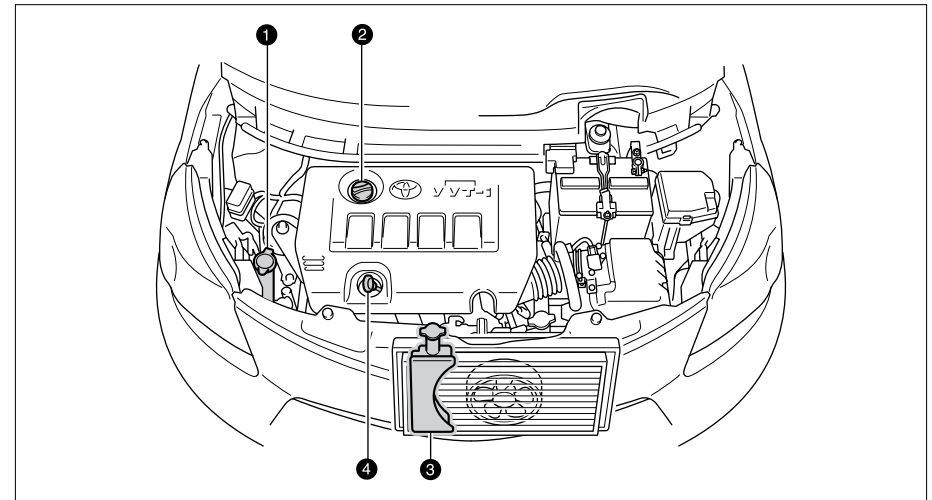
Light control-Instrument panel



Hood release



Engine maintenance

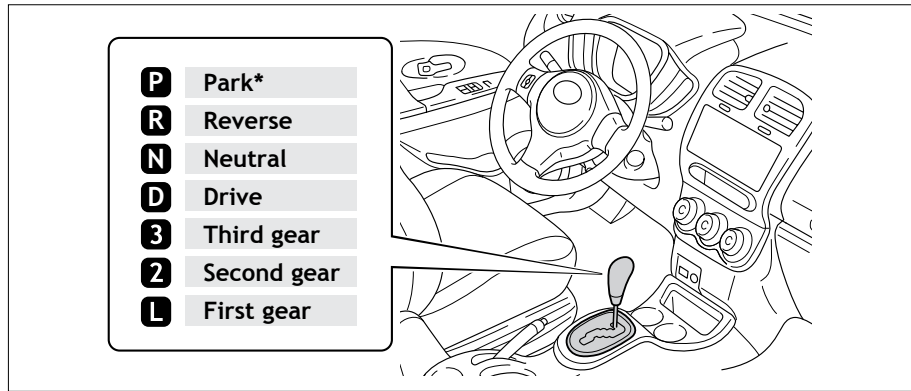


- 1 Windshield washer fluid tank
- 2 Engine oil filler cap
- 3 Engine coolant reservoir
- 4 Engine oil level dipstick

NOTE: Regularly scheduled maintenance, including oil changes, will help extend the life of your vehicle and maintain performance. Please refer to the "Warranty & Maintenance Guide."

FEATURES/OPERATIONS

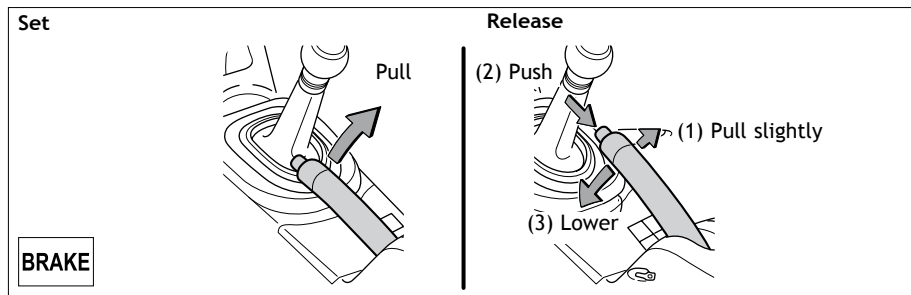
Automatic Transmission (if equipped)



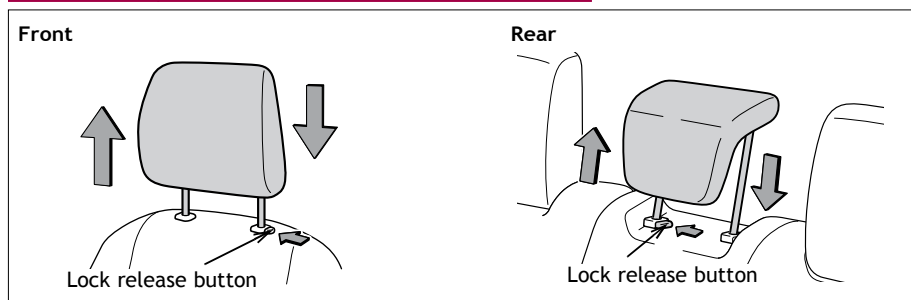
* The ignition switch must be "ON" and the brake pedal depressed to shift from Park.

Downshifting increases power going uphill, or provides engine braking downhill. For best fuel economy during normal driving conditions, always drive with the shift lever in the "D" position.

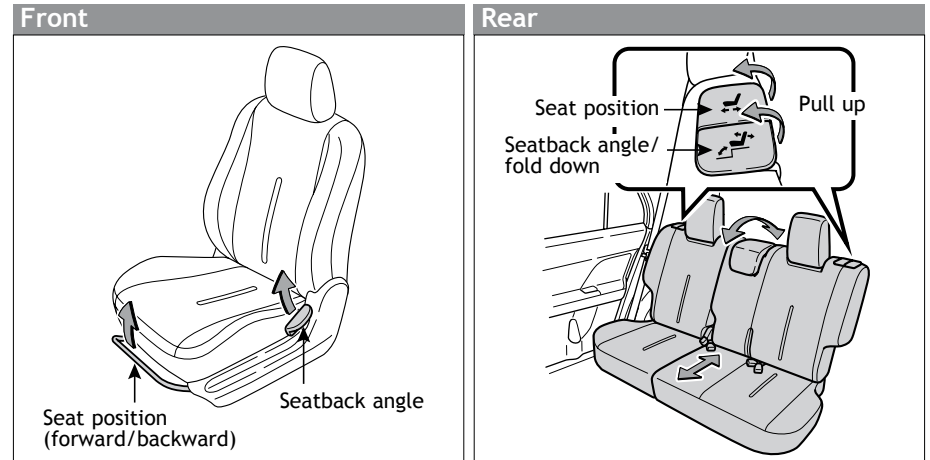
Parking brake



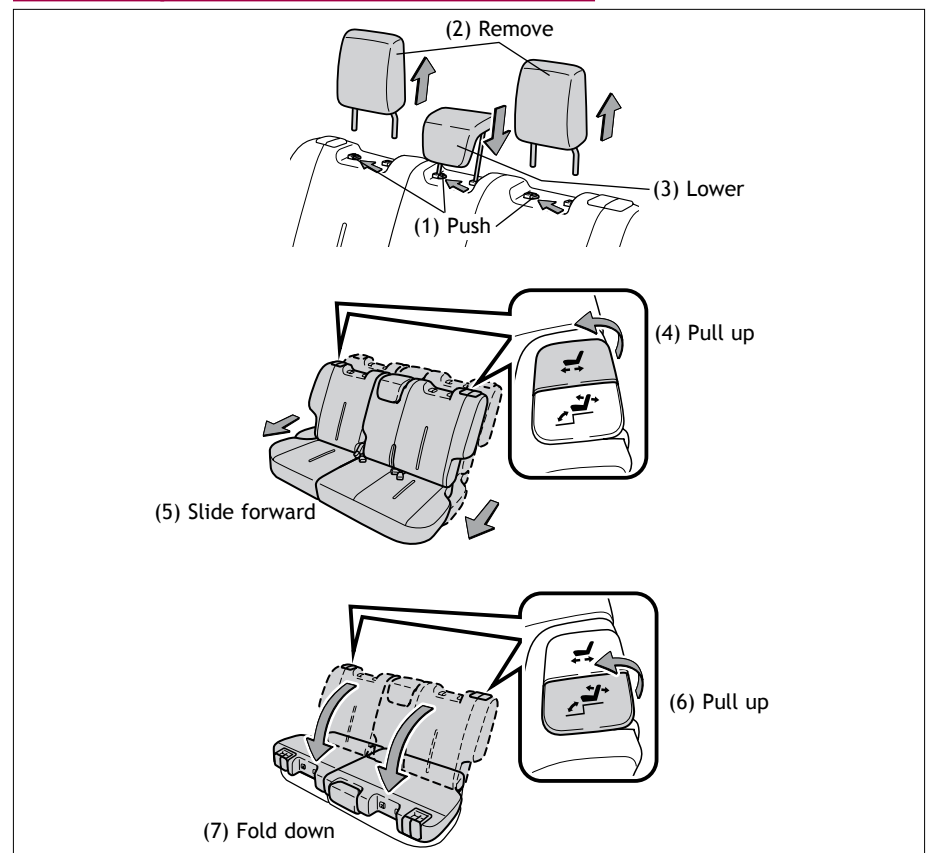
Seats-Head restraints



Seat adjustments

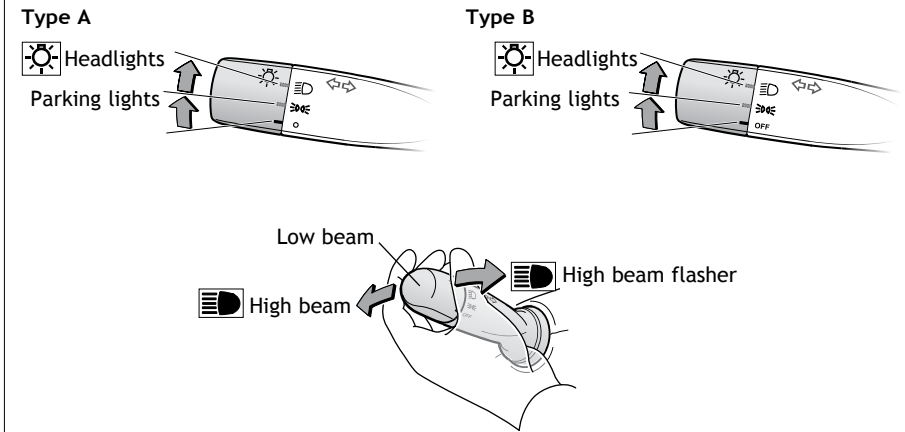


Seat-Folding down rear seat

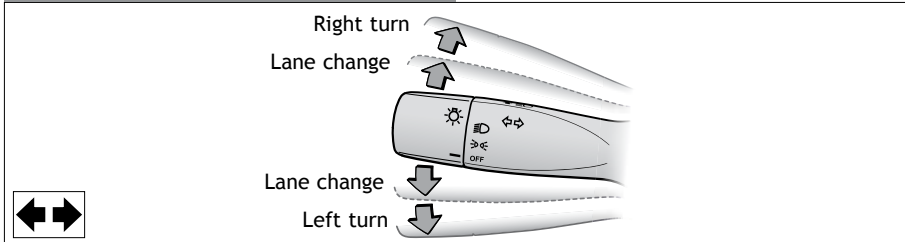


Lights & turn signals

Headlights

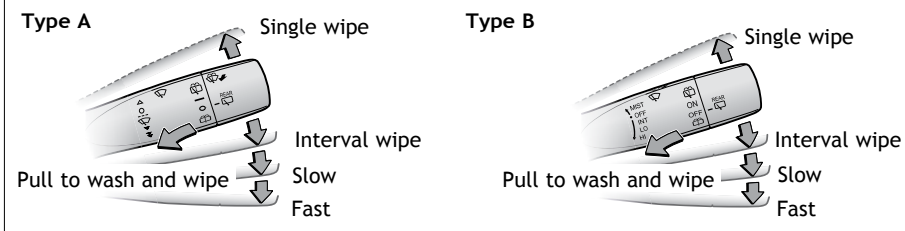


Turn signals

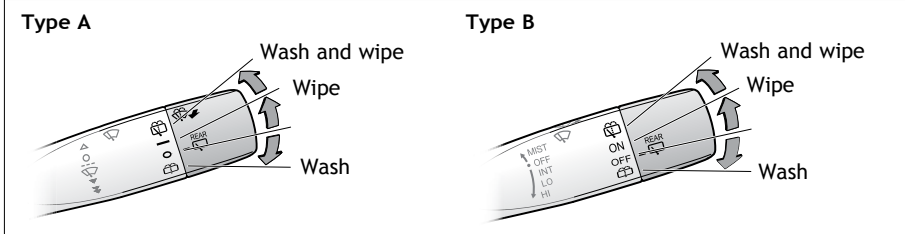


Windshield wipers & washers

Front

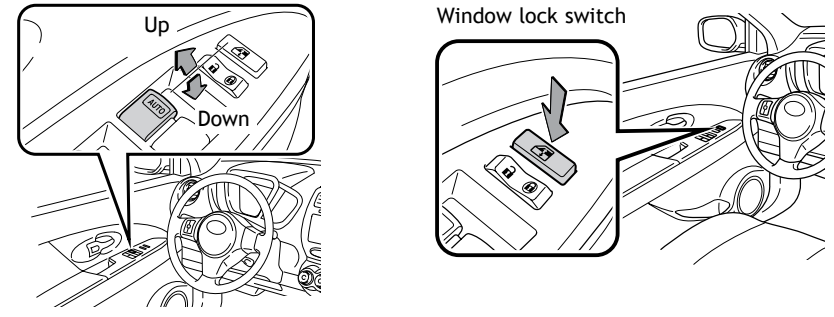


Rear



Windows

Driver side



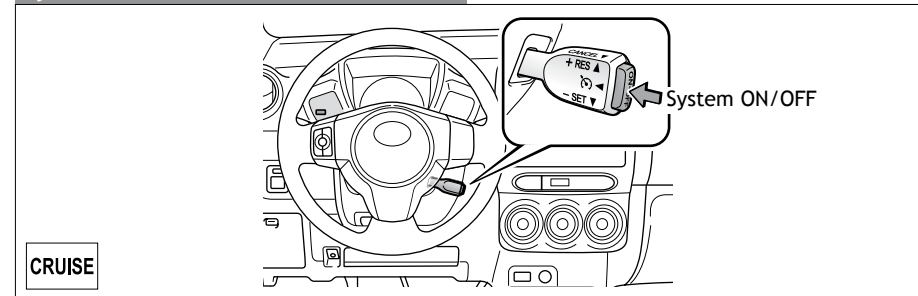
Automatic down operation (driver side only)

Push the switch completely down and release to fully open. To stop the window partway, operate the switch in the opposite direction.

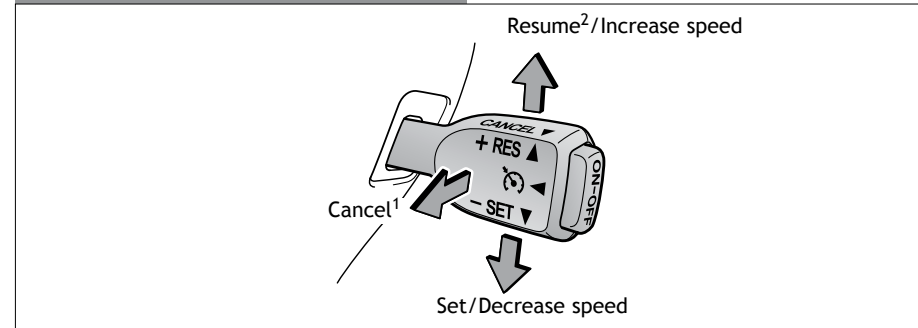
Window lock switch Deactivates all passenger windows. Driver's window remains operable.

Cruise control

System ON/OFF



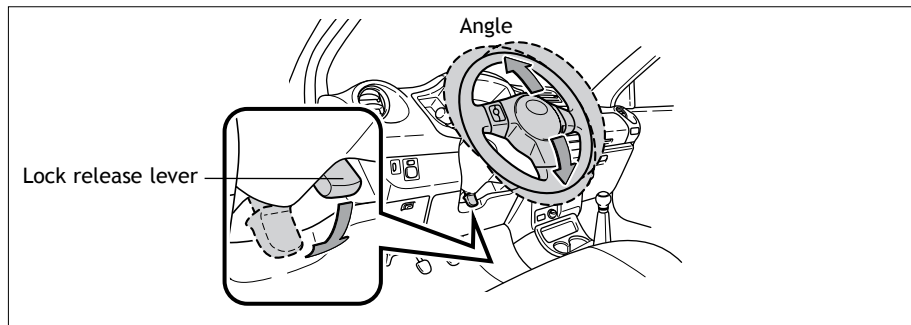
Functions



¹ The set speed may also be cancelled by depressing the brake pedal or the clutch pedal (manual transmission only).

² The set speed may be resumed once vehicle speed reaches 25 mph.

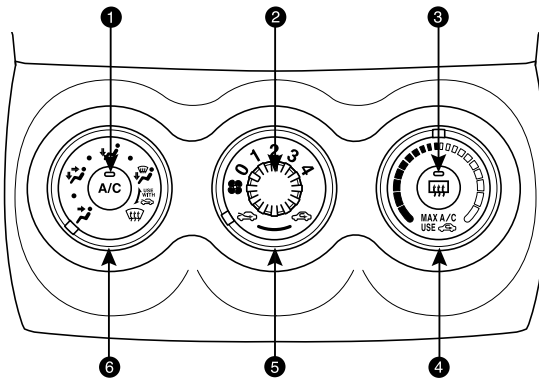
Tilt steering wheel



Hold wheel, push lever down, set angle and return lever.

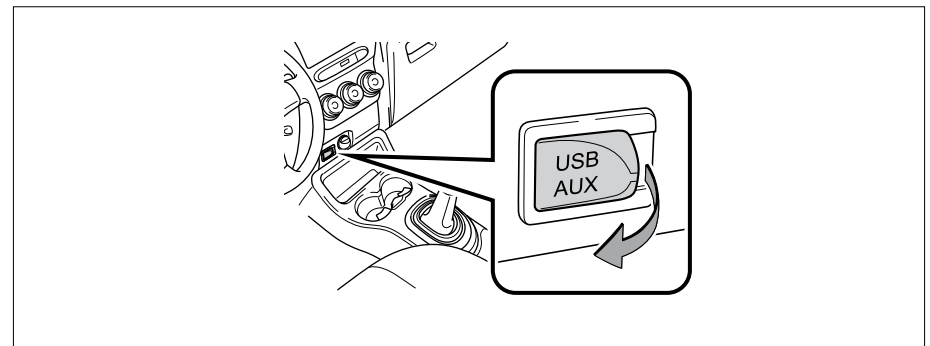
NOTE: Do not attempt to adjust while the vehicle is in motion.

Air Conditioning/Heating



- ❶ Air Conditioning ON/OFF
Use fresh air to quickly cool interior, then change to recirculate for cooler air.
- ❷ Fan speed
- ❸ Rear window defogger
- ❹ Temperature selector
- ❺ Recirculate cabin air (fresh air when OFF)
- ❻ Airflow vent
In “” or “” mode, use with the air intake selector position in “” to reduce window fogging.

USB port/AUX port



USB port

By connecting a USB-compatible portable audio device or USB memory to the USB port, you can listen to music from the portable audio device or USB memory through the vehicle’s speaker system.

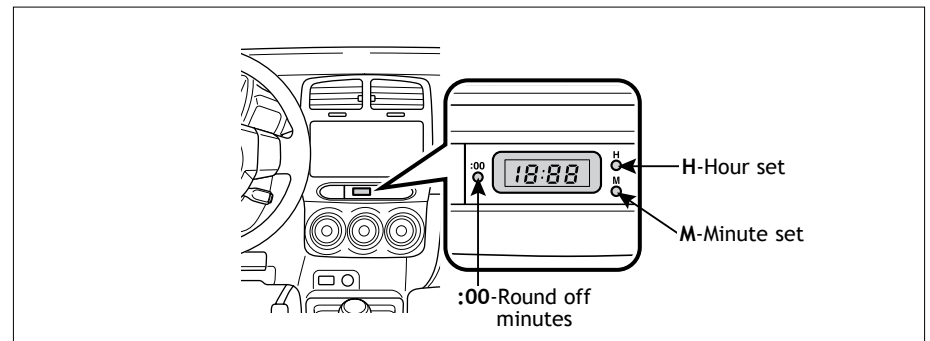
AUX port

By inserting a mini plug into the AUX port, you can listen to music from a portable audio device through the vehicle’s speaker system while in AUX mode.

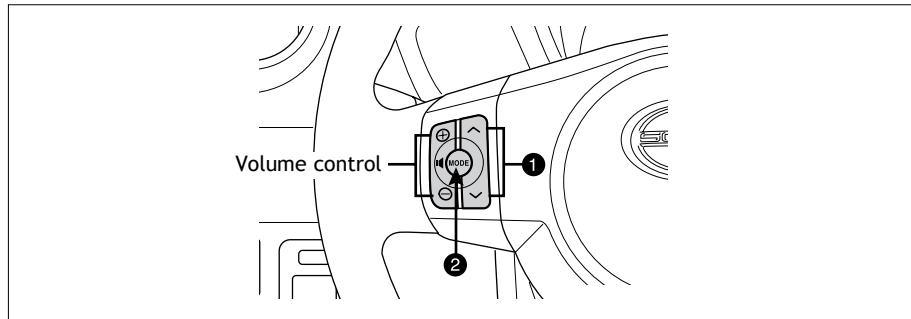
If you do not have a SCION genuine audio system, you will not be able to use the AUX port/USB port.

Refer to the *SCION Audio or Navigation System Owner’s Manual* for more details.

Clock



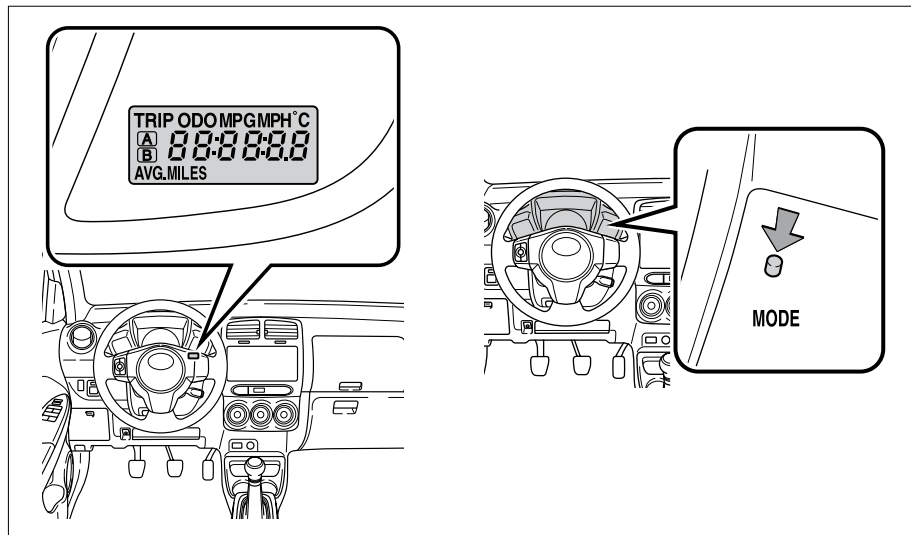
Steering wheel switches



- ❶ “**∨** **∧**”
 -In **radio mode** Push to select a preset station; push and hold to seek the next strong station.
 -In **CD mode** Push to skip up or down to a next/previous track.
- ❷ “**MODE**”
 Push to turn audio ON and select an audio mode. Push and hold to turn the audio system OFF.

Refer to the *SCION Audio or Navigation System Owner's Manual* for more details.

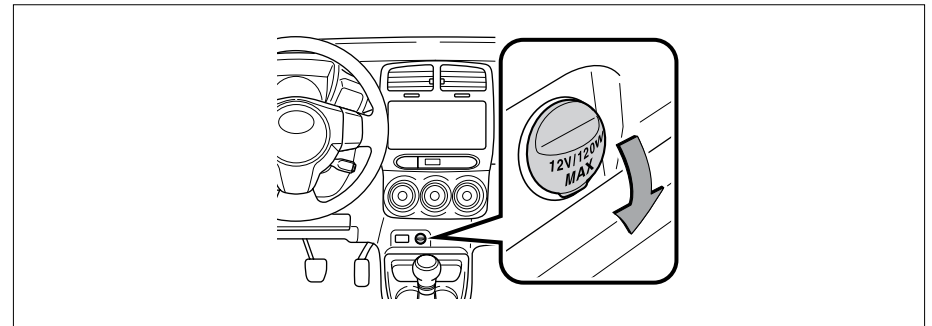
Multi-Information Display



Push button to change information in the following succession:

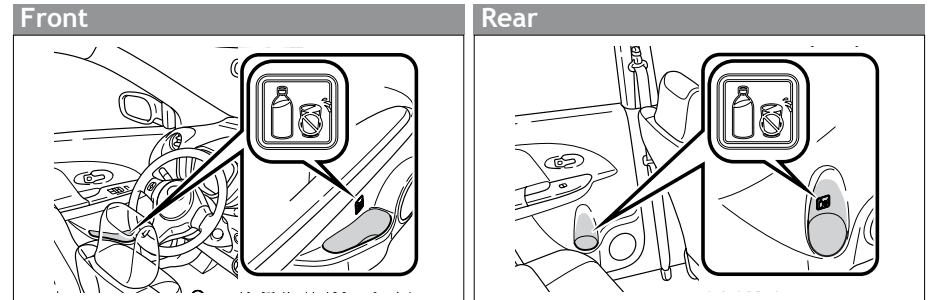
- (1) Odometer
- (2) Trip meters
- (3) Current gas mileage (MPG)
- (4) Average gas mileage (AVG/MPG)
- (5) Average vehicle speed from engine start (AVG/MPH)
- (6) Miles left on remaining fuel (RANGE/MI)

Power outlet

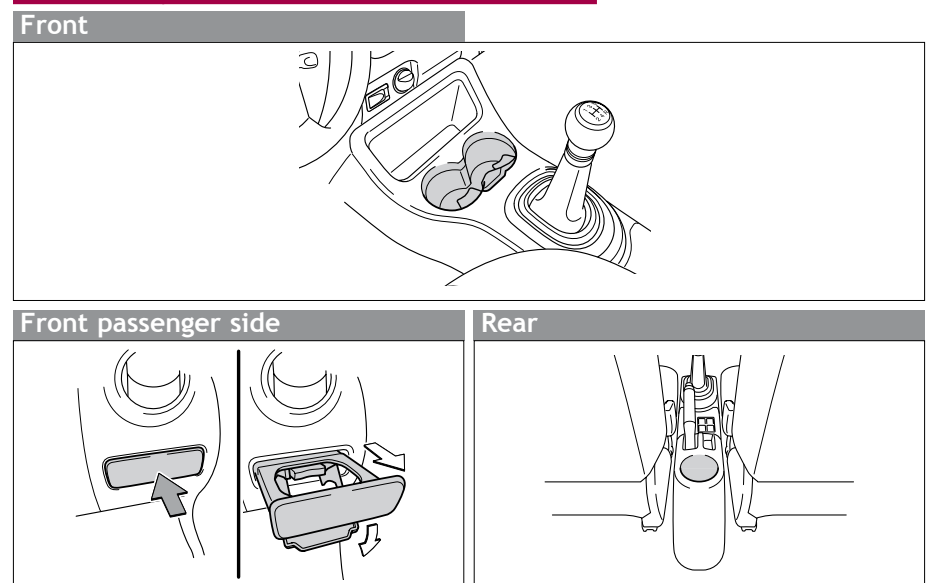


Designed for car accessories. Key must be in the “ACC” or “ON” position for use.

Bottle holders

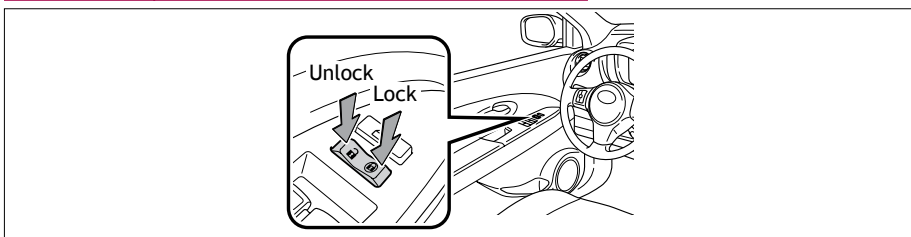


Cup holders

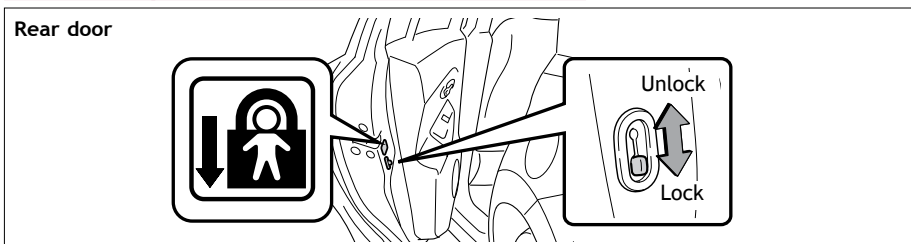


SAFETY AND EMERGENCY FEATURES

Door locks

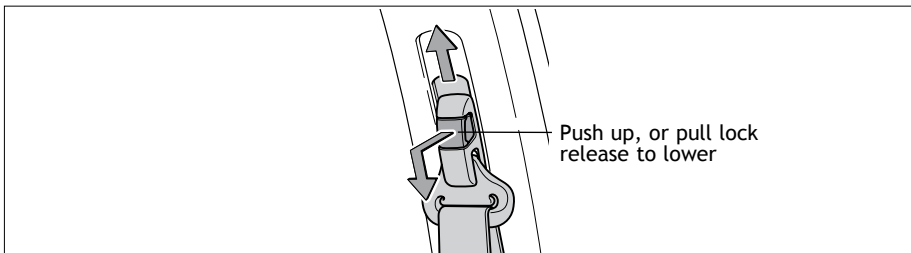


Doors-Child safety locks

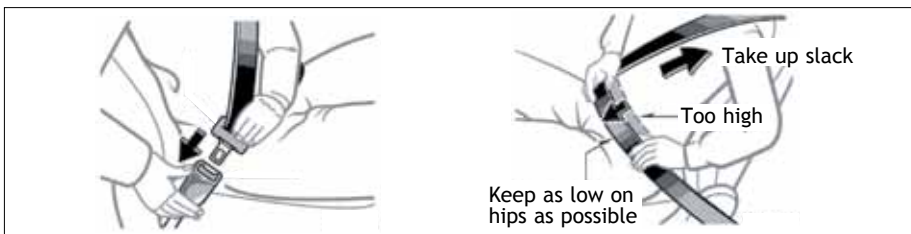


Moving the lever downward will allow the door to be opened only from the outside.

Seat belts-Shoulder belt anchor



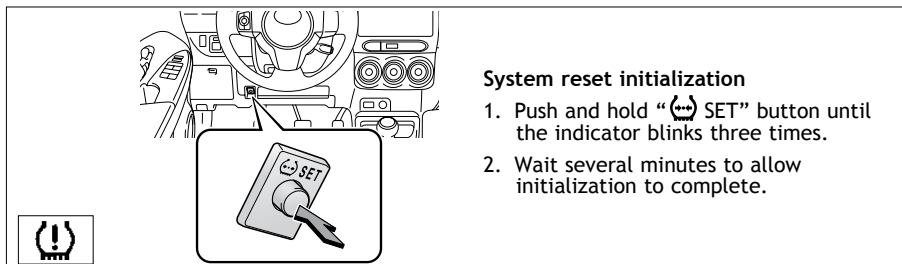
Seat belts



If belt is fully extended, then retracted even slightly, it cannot be re-extended beyond that point, unless fully retracted again. This feature is used to help hold child restraint systems securely.

To find more information about seat belts, and how to install a child restraint system, refer to the *Owner's Manual*.

Tire Pressure Monitoring (warning) System



System reset initialization

1. Push and hold "SET" button until the indicator blinks three times.
2. Wait several minutes to allow initialization to complete.

After adjusting tire pressures, or after tires have been replaced, turn the ignition switch to "ON" and press and hold the "SET" button until indicator blinks three times. Let the vehicle sit for a few minutes to allow initialization to complete.

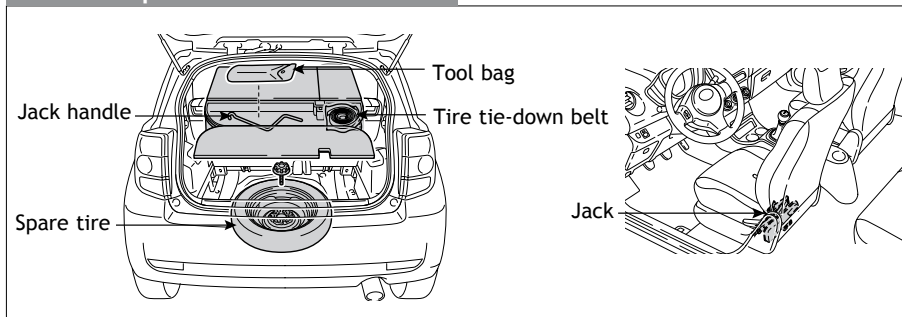
Refer to the load label on the door jamb or the *Owner's Manual* for tire inflation specifications.

If the tire pressure indicator flashes for more than 60 seconds and then remains on, take the vehicle to your local Scion dealer.

NOTE: The warning light may come on due to temperature changes or changes in tire pressure from natural air leakage. If the system has not been initialized recently, setting the tire pressures to factory specifications should turn off the light.

Spare tire & tools

Tool and spare tire location



Removing the spare tire



Refer to the *Owner's Manual* for jack positioning and tire changing procedures.

Star Safety System™

All new Toyota vehicles come standard with the Star Safety System™, which combines Vehicle Stability Control (VSC), Traction Control (TRAC), Anti-lock Braking System (ABS), Electronic Brake-force Distribution (EBD), Brake Assist (BA) and Smart Stop Technology (SST).

Vehicle Stability Control (VSC)

VSC helps prevent loss of traction during cornering by reducing engine power and applying brake force to selected wheels.

Toyota's VSC monitors steering angle and the direction your vehicle is traveling. When it senses that the front or rear wheels begin to lose traction, VSC reduces engine power and applies braking to selected wheels. This helps restore traction and vehicle control.

Traction Control (TRAC)

VSC helps prevent loss of traction during cornering by reducing engine power, and Traction Control helps maintain traction on loose gravel and wet, icy, or uneven surfaces by applying brake force to the spinning wheel(s).

Toyota's TRAC sensors are activated when one of the drive wheels starts to slip. TRAC limits engine output and applies the brakes to the spinning wheel. This transfers power to the wheels that still have traction to help keep you on track.

Anti-Lock Brake System (ABS)

ABS helps prevent brakes from locking up by “pulsing” brake pressure to each wheel. This limits brake lockup and helps provide directional control for the current road conditions.

Toyota's ABS sensors detect which wheels are locking up and limits wheel lockup by “pulsing” each wheel's brakes independently. Pulsing releases brake pressure repeatedly for fractions of a second. This helps the tires attain the traction that current road conditions will allow, helping you to stay in directional control.

Electronic Brake Force Distribution (EBD)

Toyota's ABS technology has Electronic Brake-force Distribution (EBD) to help maintain control and balance when braking. Abrupt stops can cause a vehicle to tilt forward, reducing the braking power of the rear wheels. EBD responds to sudden stops by redistributing brake force to enhance the braking effectiveness of all four wheels.

Brake Assist (BA)

Brake Assist is designed to detect sudden or “panic” braking, and then add braking pressure to help decrease the vehicle's stopping distance. When there's only a split second to react, Brake Assist can add additional brake pressure more quickly than just the driver alone can.

Smart Stop Technology (SST)

Smart Stop Technology automatically reduces engine power when the accelerator and brake pedals are pressed simultaneously under certain conditions.

SST engages when the accelerator is depressed first and the brakes are applied firmly for longer than one-half second at speeds greater than five miles per hour.

SST doesn't engage if the brake pedal is depressed before the accelerator pedal, allowing vehicles to start on a steep hill and safely accelerate without rolling backward.

Floor mat installation

There are two types of Toyota floor mats: carpeted and all-weather. Each vehicle has model-specific floor mats. Installation is easy.

To keep your floor mat properly positioned, follow these steps:

- Only use floor mats designed for your specific model.
- Use only one floor mat at a time, using the retaining hooks to keep the mat in place.
- Install floor mats right side up.

