

WIRING DIAGRAMS

1993 Nissan Sentra

1993 WIRING DIAGRAMS
Nissan Wiring Diagrams

Nissan; NX, Sentra

IDENTIFICATION

COMPONENT LOCATION MENU

COMPONENT LOCATIONS MENU

Component	Figure No. (Location)
A/C RELAY	7 (B 26)
A/T CONTROL SYSTEM	12 (A-E 44-47)
AAC VALVE (2.0L)	3 (A 10)
ABS SYSTEM	5 (D-E 16-19)
AIR REG (2.0L)	3 (A 10)
ALTERNATOR	1 (B 3)
AUTO SEAT BELT SYSTEM	5 (B-C 17-19)
BACK-UP LIGHT SWITCH	13 (D 49)
BATTERY	1 (A 2)
BLOWER MOTOR	7 (A 26)
BRAKE FLUID LEVEL SWITCH	13 (C 48)
BULB CHECK RELAY	13 (D 48)
BUZZER	6 (E 20)
CHECK CONNECTOR (1.6L)	2 (A-B 7)
CHECK CONNECTOR (2.0L)	3 (B 11)
CIGARETTE LIGHTER	4 (A 15)
CIRCUIT BREAKERS	4 (E 14)
CLUTCH INTERLOCK RELAY	1 (A 2)
CLUTCH INTERLOCK SWITCH	1 (A 2)
COMBINATION FLASHER UNIT	4 (C 12)
CRUISE CONTROL SYSTEM	6 (A-B 20-23)
DEFOGGER SYSTEM	13 (D-E 48-50)
DIRECTIONAL SWITCH	4 (D 12)
DOOR LATCH SWITCH	5 (B 18-19)
DOOR SWITCH	13 (B 48)
DUAL PRES SWITCH	7 (B 26)
ECM (1.6L)	2 (A-E 4)
ECM (2.0L)	3 (A-E 8)
ECM RELAY (1.6L)	2 (A 5)
ECM RELAY (2.0L)	3 (A 9)
ELR CANCEL SWITCH	5 (B, C 17)
FAN SWITCH	7 (B 24)
FICD SOLENOID (1.6L)	2 (A 6)
FICD SOLENOID (2.0L)	3 (E 8)
FOG LIGHT SWITCH & RELAY	13 (A 48-50)
FRONT LIMIT SWITCH	5 (C 18-19)
FRONT WIPER SYSTEM	8 (D 28-31)
FUEL PUMP	3 (A 6, 11)
FUEL PUMP RELAY	3 (A 7, 11)
FUEL TANK UNIT	12 (C-D 44)
FUSE BLOCK	4 (B-D 13-14)
FUSE/FUSE LINK BOX	1 (D 2-3)
HAZARD SWITCH	4 (B 12)
HORN RELAY	1 (C 1)
IGNITION COIL	3 (C 7, 11)
IGNITION RELAY (#3)	4 (E 15)

IGNITION SWITCH	4 (E 12)
ILLUMINATOR CONTROL SWITCH	8 (A 28)
INHIBITOR RELAY	1 (B 3)
INHIBITOR SWITCH (1.6L)	13 (C 49)
INHIBITOR SWITCH (2.0L)	13 (A-B 49)
INSTRUMENT CLUSTER (DIGITAL)	10 (C-E 36-39)
INSTRUMENT CLUSTER (W/TACH)	9 (A-C 32-35)
INSTRUMENT CLUSTER (W/O TACH)	10 (A-B 36-39)
INTERIOR LIGHT	8 (A-C 31)
KEY SWITCH	5 (B-C 16)
LEFT FRONT DOOR SWITCH	13 (A 48)
LIGHTING SWITCH	8 (A 28)
LIMIT SWITCH	5 (C 16-19)
LOCK KNOB SWITCH	11 (D 41, B 42)
LOCKUP CONTROL SWITCH	6 (C 23)
LUGGAGE ROOM LIGHT	8 (C 30)
NEUTRAL SWITCH	3 (E 4, 8)
OVERDRIVE CANCEL SWITCH	6 (C 22)
OIL PRESSURE SWITCH	13 (C 48)
PARKING BRAKE SWITCH	13 (C 48)
POWER MIRRORS	7 (E 24-26)
POWER WINDOW SYSTEM	11 (A-E 40-43)
PUSH CONTROL UNIT	7 (A 24)
RADIATOR FAN SYSTEM	7 (C-E 24-27)
REAR LIMIT SWITCH	5 (C 16)
REAR WIPER SYSTEM	8 (D-E 28-29)
SHIFT LOCK CONTROL UNIT	5 (A 16)
SRS CONTROL UNIT	5 (A-B 19)
STARTER MOTOR	1 (A 3)
STOP LIGHT SWITCH	13 (B-C 49)
SUNROOF RELAY	4 (E 15)
SUNROOF SYSTEM	8 (E 29-31)
THERMAL TRANSMITTER	13 (D 48)
TIME CONTROL UNIT	6 (D-E 20, C-D 23, E 23)
TRUNK ROOM LIGHT	8 (A 30)
WIPER SWITCH	8 (C-D 30-31)

GROUND LOCATION MENU

GROUND LOCATIONS MENU

Component	Figure No. (Location)
GROUND A: (LOCATION UNAVAILABLE)	1 (A 1)
GROUND B: (BEHIND RIGHT HEADLT 1.6L) (REAR OF ENGINE 2.0L)	1 (C 2)
GROUND C: (RIGHT FRONT ENGINE COMPARTMENT)	1 (E 3)
GROUND D: (LEFT FRONT ENGINE COMPARTMENT)	1 (E 3)
GROUND E: (1.6) (RIGHT REAR SIDE OF ENGINE)	2 (E 6)
GROUND E: (2.0) (RIGHT REAR SIDE OF ENGINE)	3 (C 11)
GROUND F: (RIGHT KICK PANEL)	5 (E 16)
GROUND G: (BEHIND LEFT REAR QUARTER WINDOW) (SEDAN)	6 (C 21)
GROUND H: (NEAR REAR WIPER MOTOR)	6 (C 21)
GROUND I: (UNDER LEFT FRONT SEAT)	6 (C 21)
GROUND J: (COUPE) (LOCATION UNAVAILABLE)	8 (B 30)
GROUND J: (SEDAN) (LOCATION UNAVAILABLE)	8 (B 30)
GROUND K: (LOCATION UNAVAILABLE)	8 (E 31)
GROUND L: (LEFT KICK PANEL)	9 (E 34)
GROUND M: (RIGHT KICK PANEL)	9 (E 34)

WIRING DIAGRAM

COMPONENT LOCATOR:

20A RELAY	B 24
AFT CONTROL SYSTEM	A-E 24-47
AAQ VALVE (2.0L)	A 10
ABS SYSTEM	D-E 16-19
AIR REG (2.0L)	A 10
ALTERNATOR	D 3
AUTO SEAT BELT SYSTEM	B-C 17-19
BACK-UP LT SW	D 49
BATTERY	A 2
BLOWER MOTOR	A 26
BRAKE FLUID LEVEL SW	C 46
BULB CHECK RELAY	D 46
BUZZER	E 20
CHECK DOWN (1.6L)	A-7
CHECK DOWN (2.0L)	B 17
CKG LTR. INDICATORS	A 15
CIRCUIT BREAKERS	E 14
CLUTCH INTERLOCK RELAY	A 2
CLUTCH INTERLOCK SW	A 2
COMBINATION FLASHER UNIT	D 12
CRUISE CONTROL SYSTEM	A-B 20-23
DEFOGGER SYSTEM	C-E 48-50
DIR SW	D 12
DOOR LATCH SW	D 18-19
DOOR SW	B 48
DUAL PRES SW	B 26
ECM (1.6L)	A-E 4
ECM RELAY (1.6L)	A 5
ECM RELAY (2.0L)	A 9
ELC CANCEL SW	B 17, D 17
FAN SW	B 24
H2O SOL (1.6L)	A 6
H2O SOL (2.0L)	E 8
FOG LT SW & RELAY	A 48-50
FRONT LIMIT SW	C 18-19
FRONT WIPER SYSTEM	D 18-21
FUEL PUMP	A 6, A 11
FUEL PUMP RELAY	A 7, A 11
FUEL TANK UNIT	D 48
FUSE BLOCK	B-D 13-14
FUSE/FUS LINK BOX	D 4
GROUND A	A 1
GROUND B	C 2
GROUND C	E 3
GROUND D	E 11
GROUND E	E 18
GROUND F	E 21
GROUND G	E 21
GROUND H	E 21
GROUND I	E 21
GROUND J (COUPE)	B 30
GROUND K (SEDAN)	B 30
GROUND L	E 31
GROUND M	E 34
GROUND N	E 34
HAZARD SW	B 42
HORN RELAY	C 1
IGNITION COIL	C 7, C 11
IGNITION RELAY #1	E 15
IGNITION SW	E 12
ILLUM CONTROL SW	B 28
INHIBITOR RELAY	B 3
INHIBITOR SW (1.6L)	C 49
INHIBITOR SW (2.0L)	B-E 49
INST CLSTR (DIGITAL)	D-E 38-39
INST CLSTR SW TACH	A-C 38-38
INST CLSTR (ANALOG TACH)	A-C 38-38
INTERIOR LTS	A-C 23
KEY SW	B-C 15
LEFT FRONT DOOR SW	A 46
LIGHTING SW	A 26
LIMIT SW	C 18-19
LOCK KNOB SW	B 42, D 44
LOCKUP CONTROL SOL	C 23
LOUVER ROOM LT	C 30
NEUTRAL SW	E 4, E 8
OD CANCEL SW	C 22
OD PRES SW	C 46
PARKING BRAKE SW	C 46
POWER MIRRORS	E 24-24
POWER WINDOW SYSTEM	A-E 41-43
PUSH CONTROL UNIT	A 24
RAD FAN SYSTEM	C-E 84-87
REAR LIMIT SW	C 16
REAR WIPER SYSTEM	D-E 28-28
SHIFT LOCK CONTROL UNIT	A 16
SRS CONTROL UNIT	A-19
STARTER MOTOR	A 3
STOP LT SW	B-C 48
SUNROOF RELAY	B-E 15
SUNROOF SYSTEM	E 28-31
THERMAL TRANSMITTER	D 48
TIME CONTROL UNIT	D-E 20, C-D 23, E 23
TRUNK ROOM LT	A 30
WIPER SW	C 7, 30-31

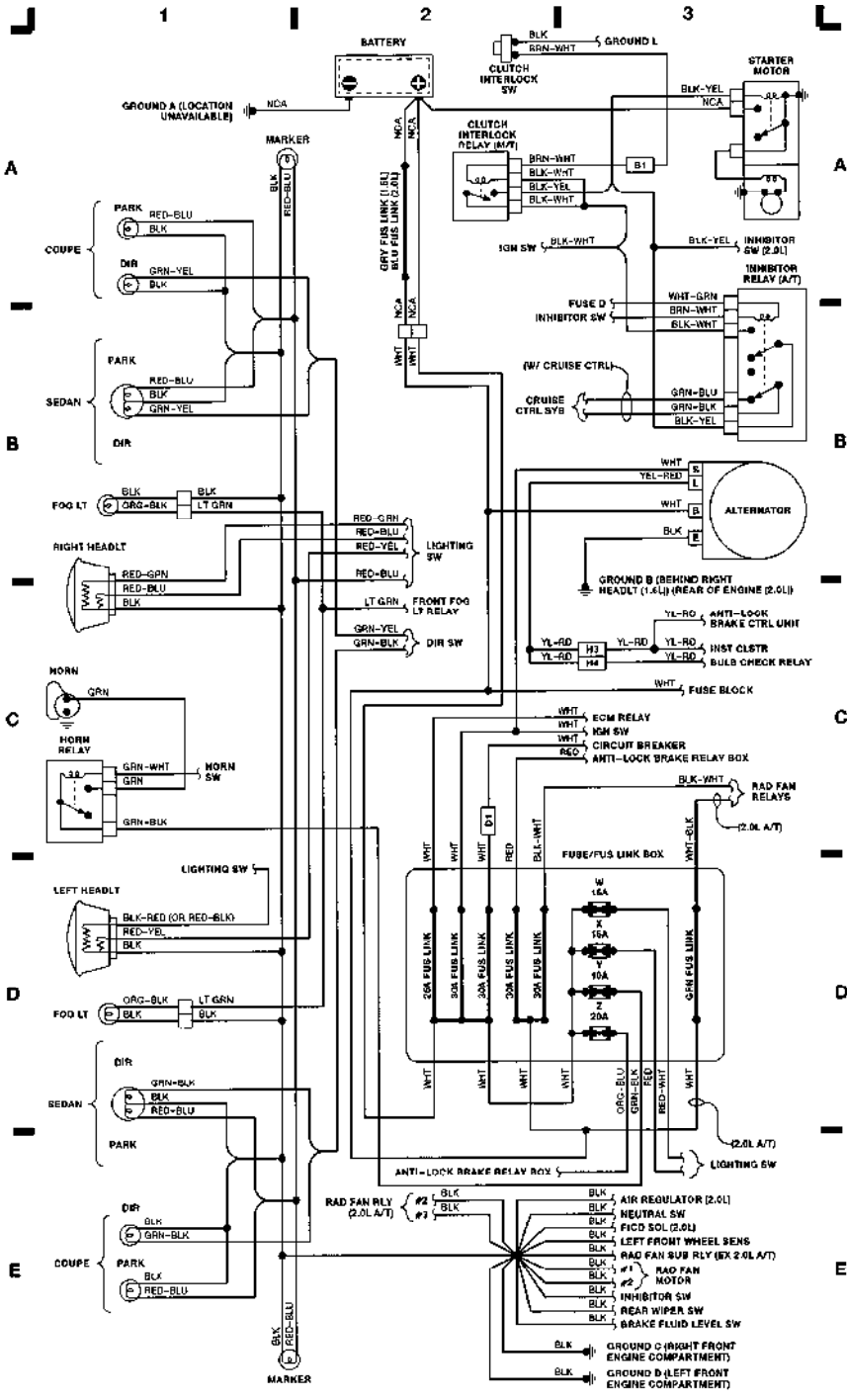


Fig. 1: Engine Compartment, Headlights, Alternator (Grid 1-3)

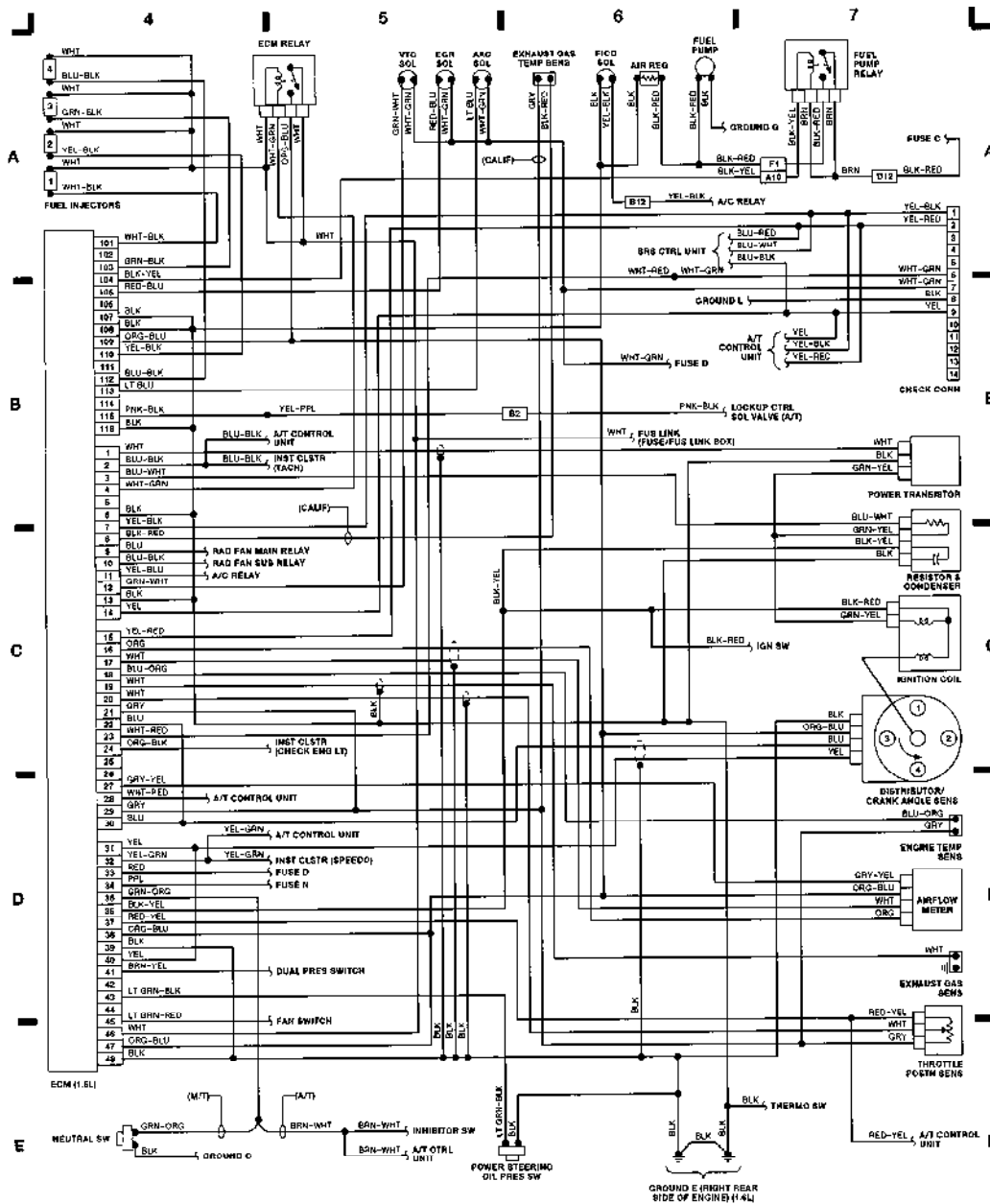
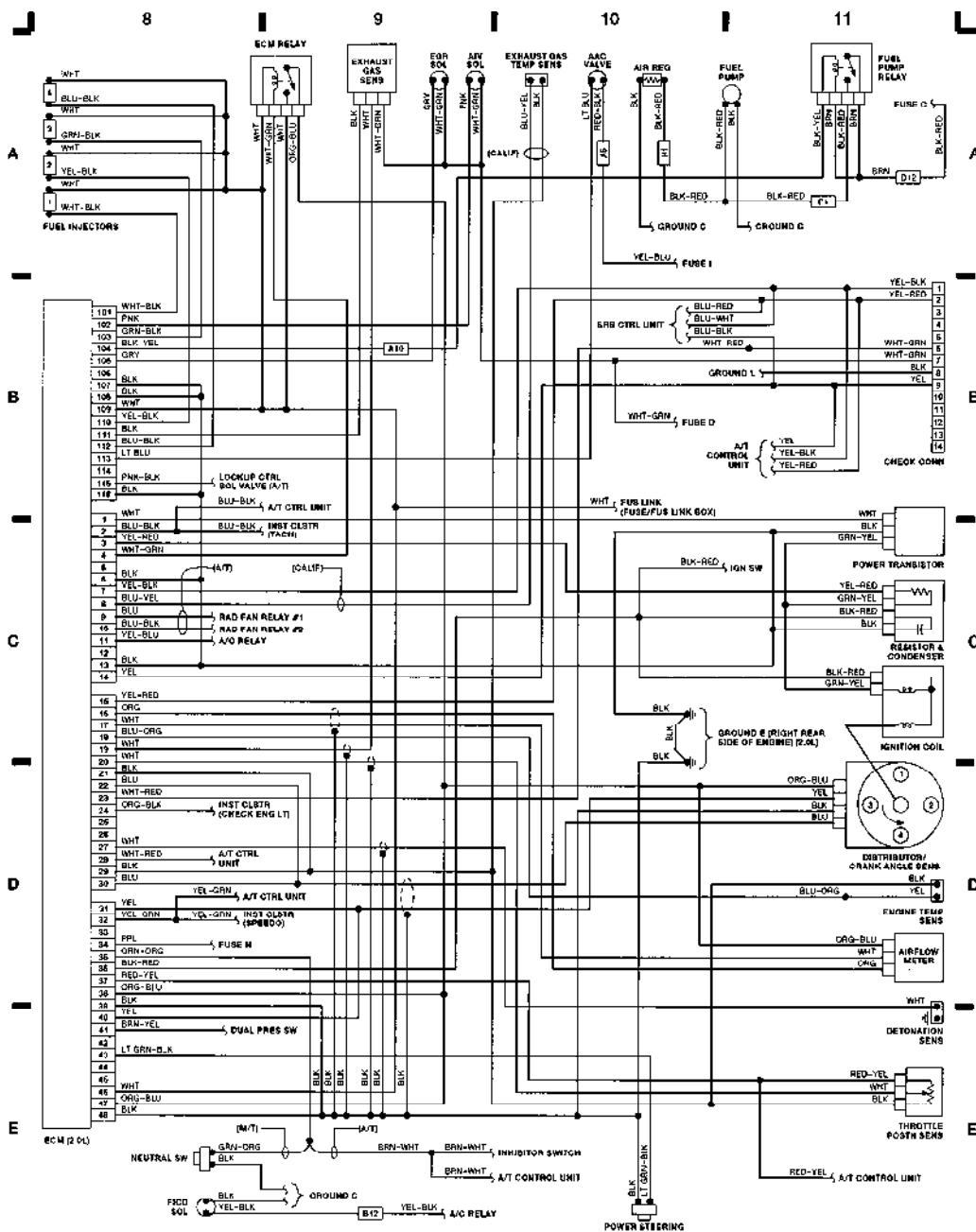


Fig. 2: ECM (1.6L), Fuel Injectors, Ignition Coil (Grid 4-7)



94F30499
Fig. 3: ECM (2.0L), Fuel Injectors, Ignition Coil (Grid 8-11)

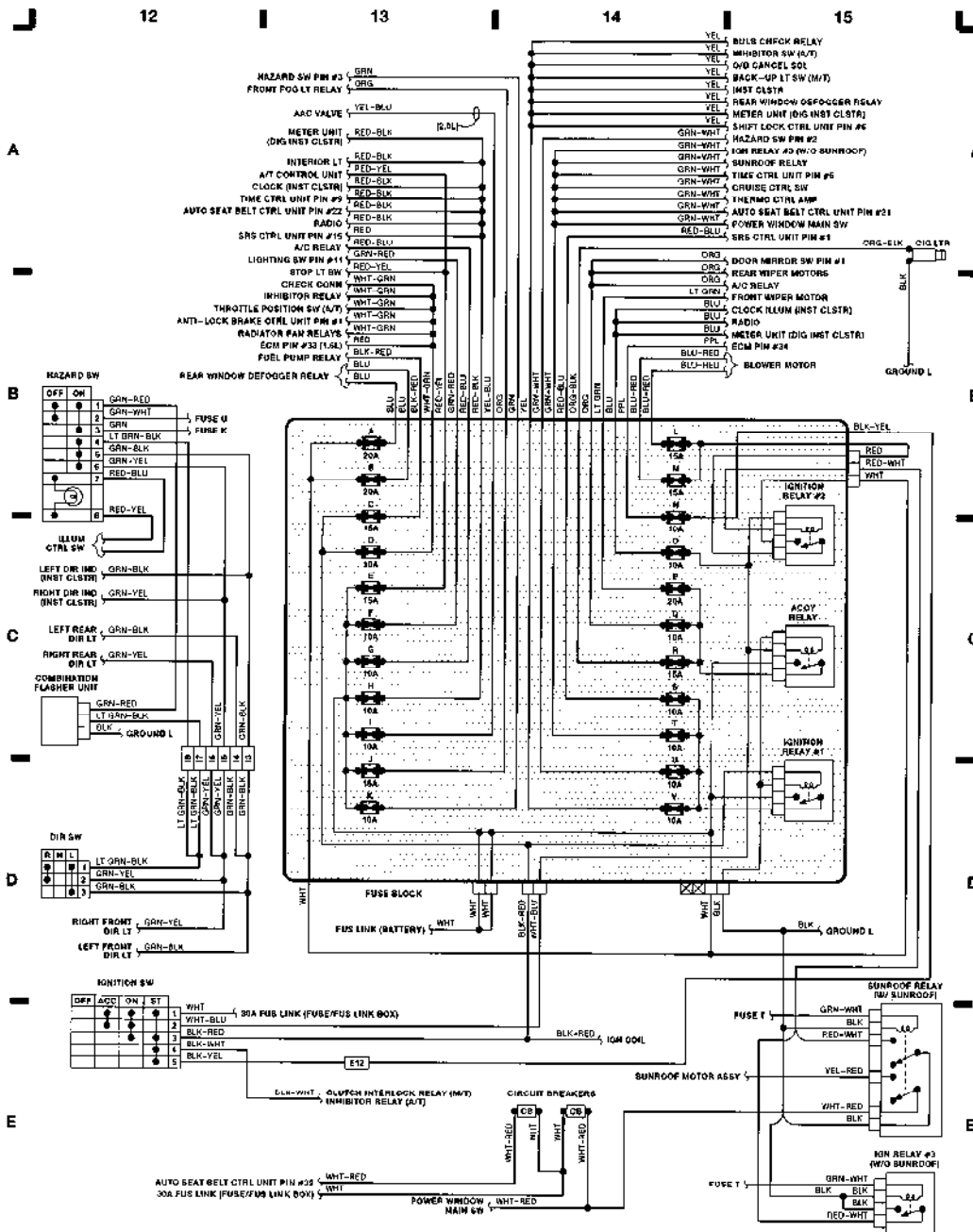


Fig. 4: Fuse Block, Ignition Sw, Sunroof Relay (Grid 12-15)

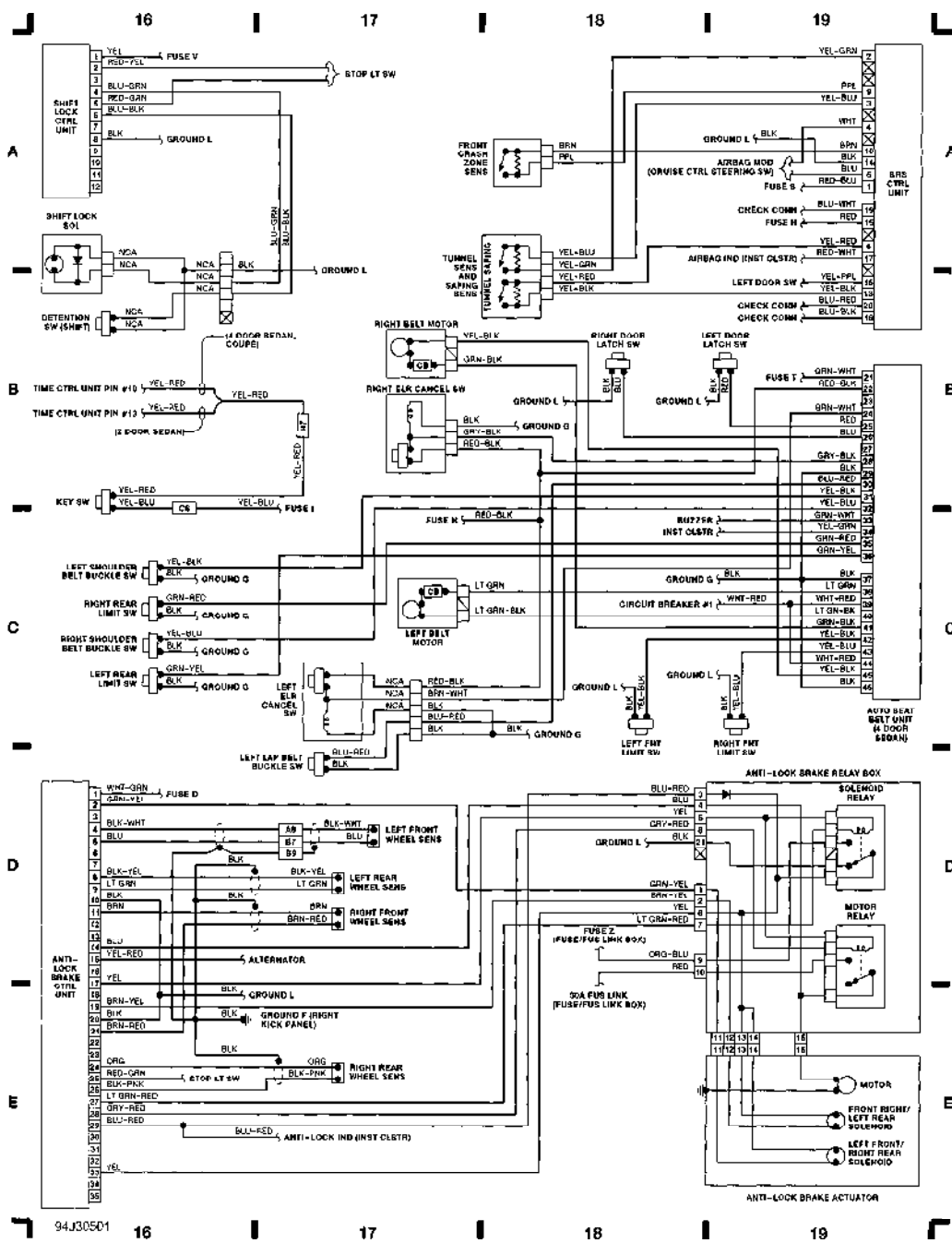
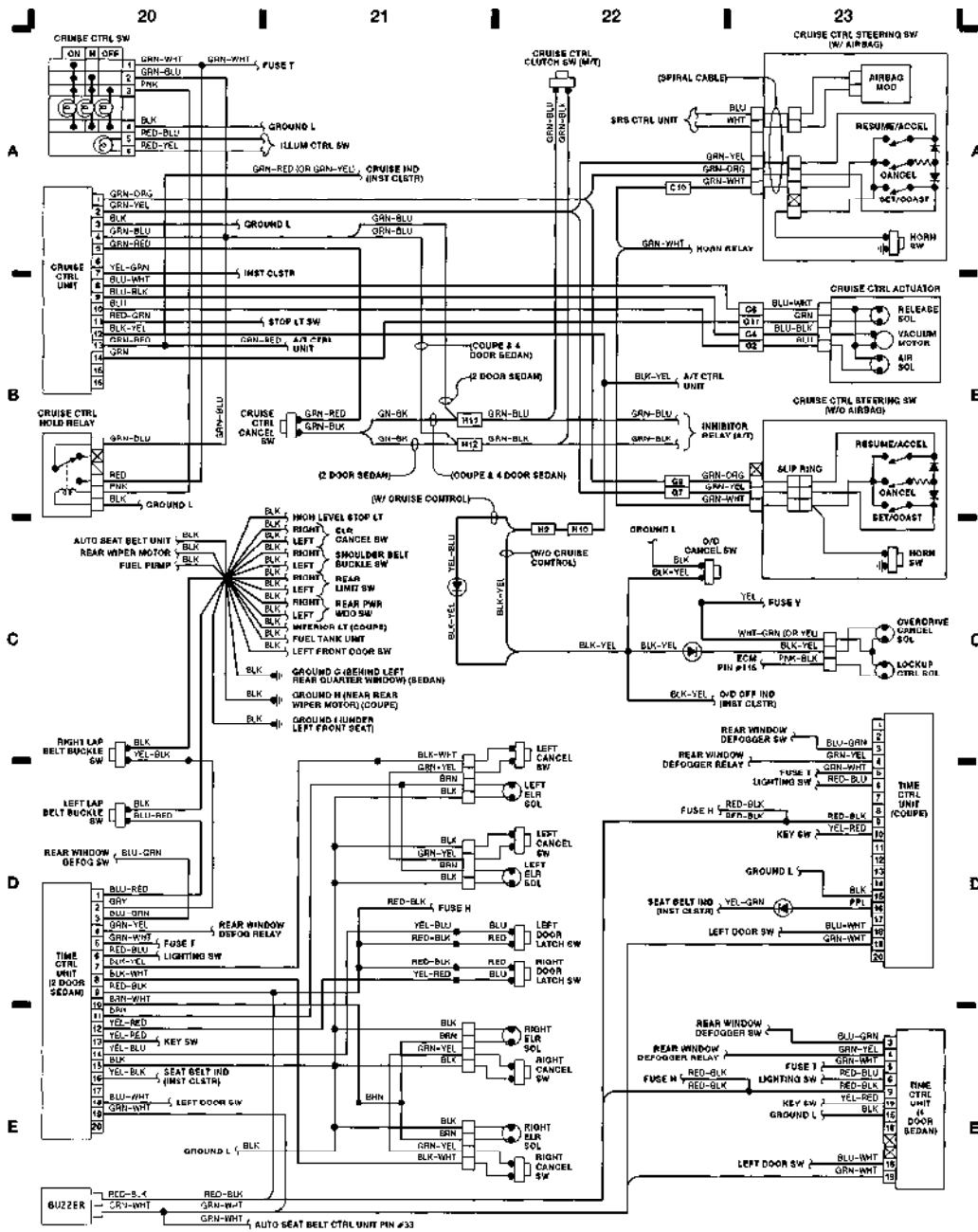


Fig. 5: Shift Lock Ctrl Unit, Anti-Lock Brakes (Grid 16-19)



94A30502 20 21 22 23
 Fig. 6: Cruise Ctrl, Time Ctrl Units, Buzzer (Grid 20-23)

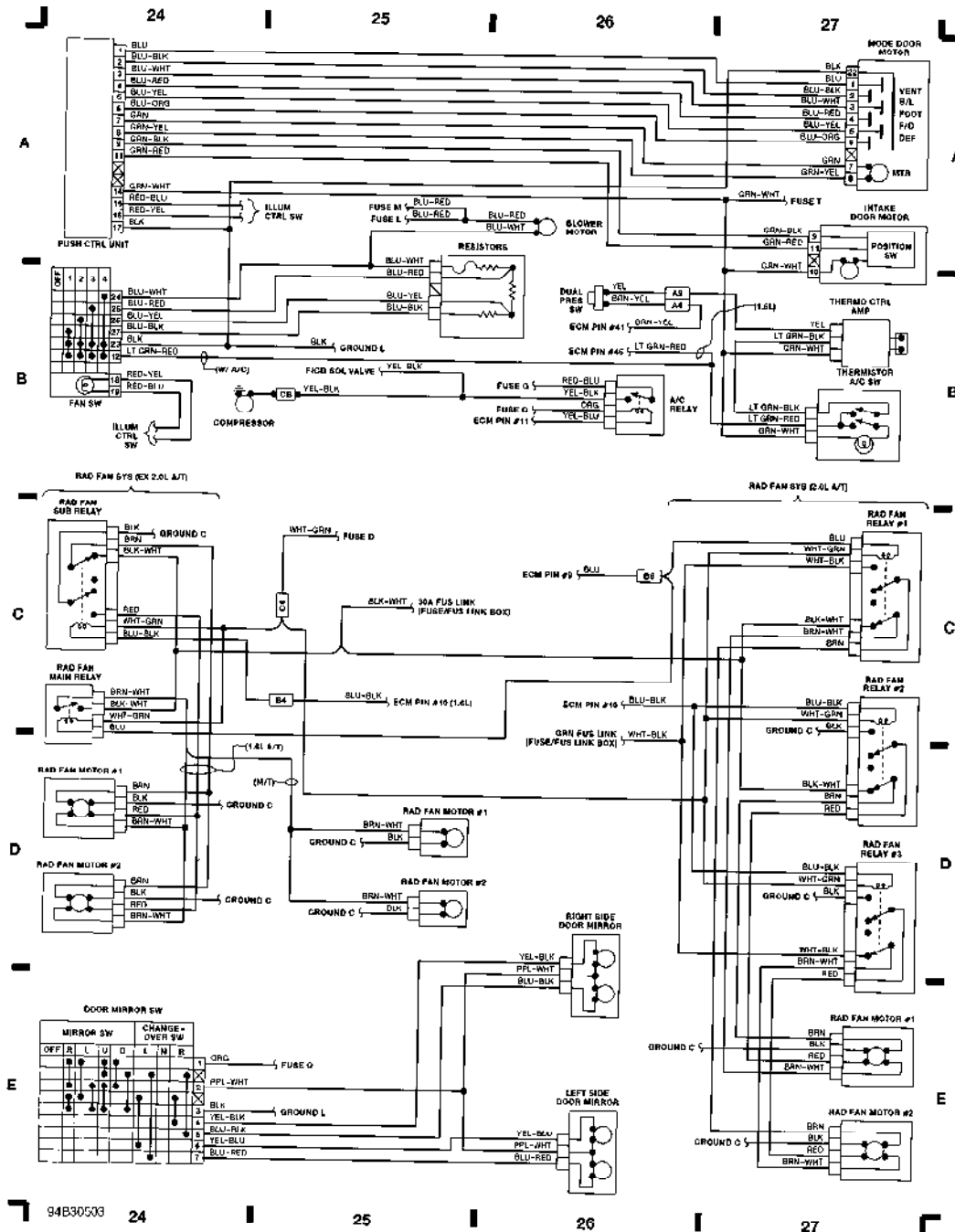


Fig. 7: Push Ctrl Unit, Door Mirror Sw, Fan Sw (Grid 24-27)

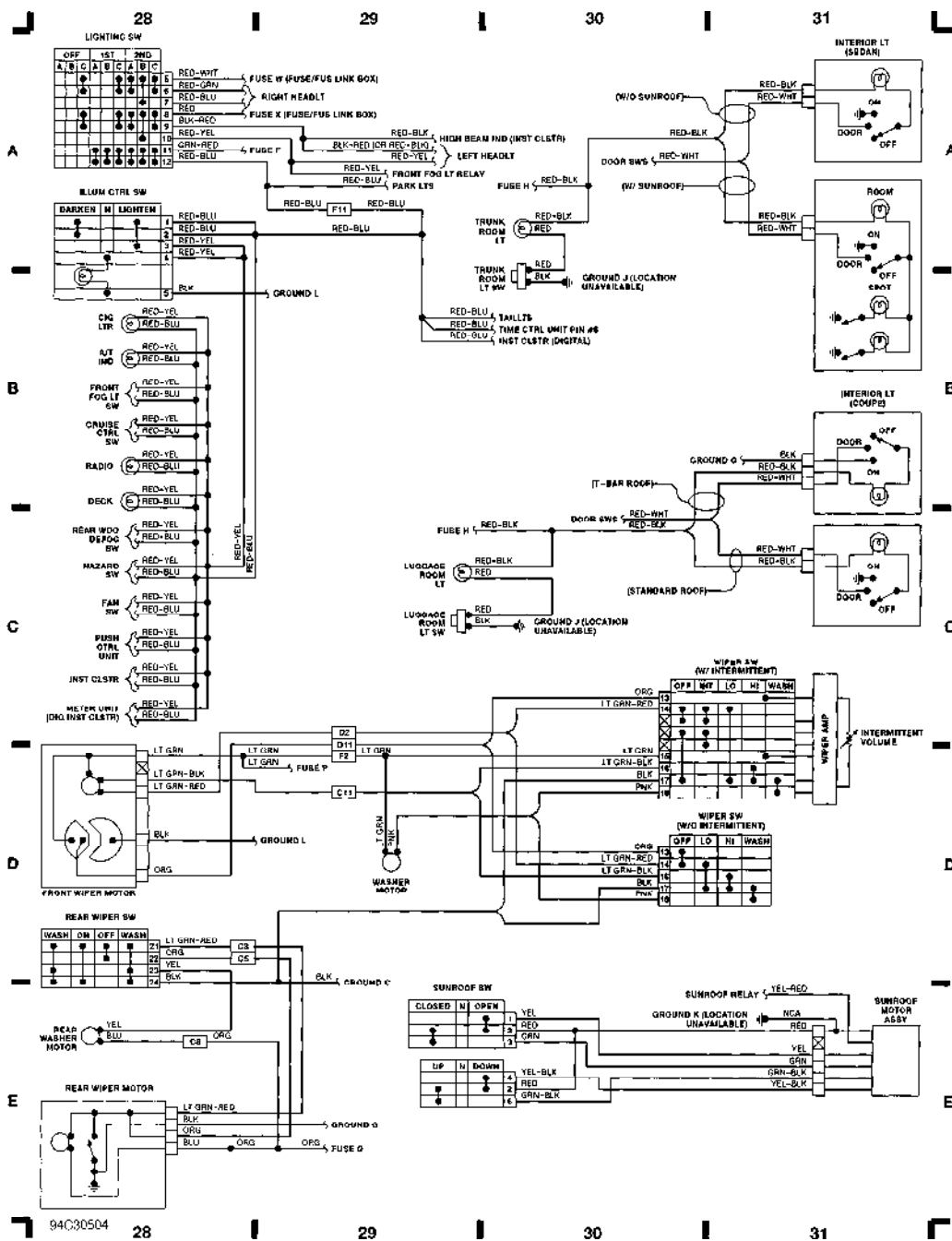


Fig. 8: Courtesy Lights, Rear Wiper, Sunroof (Grid 28-31)

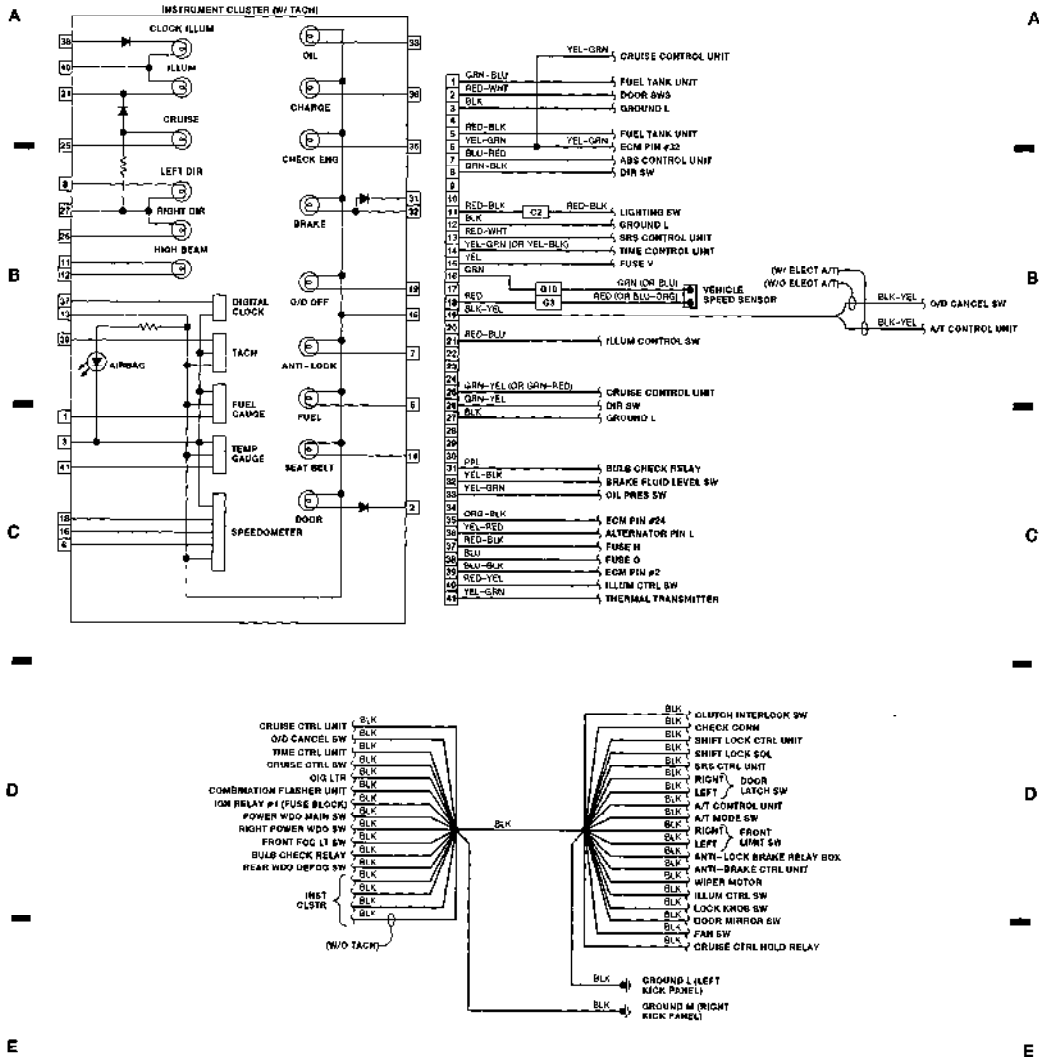
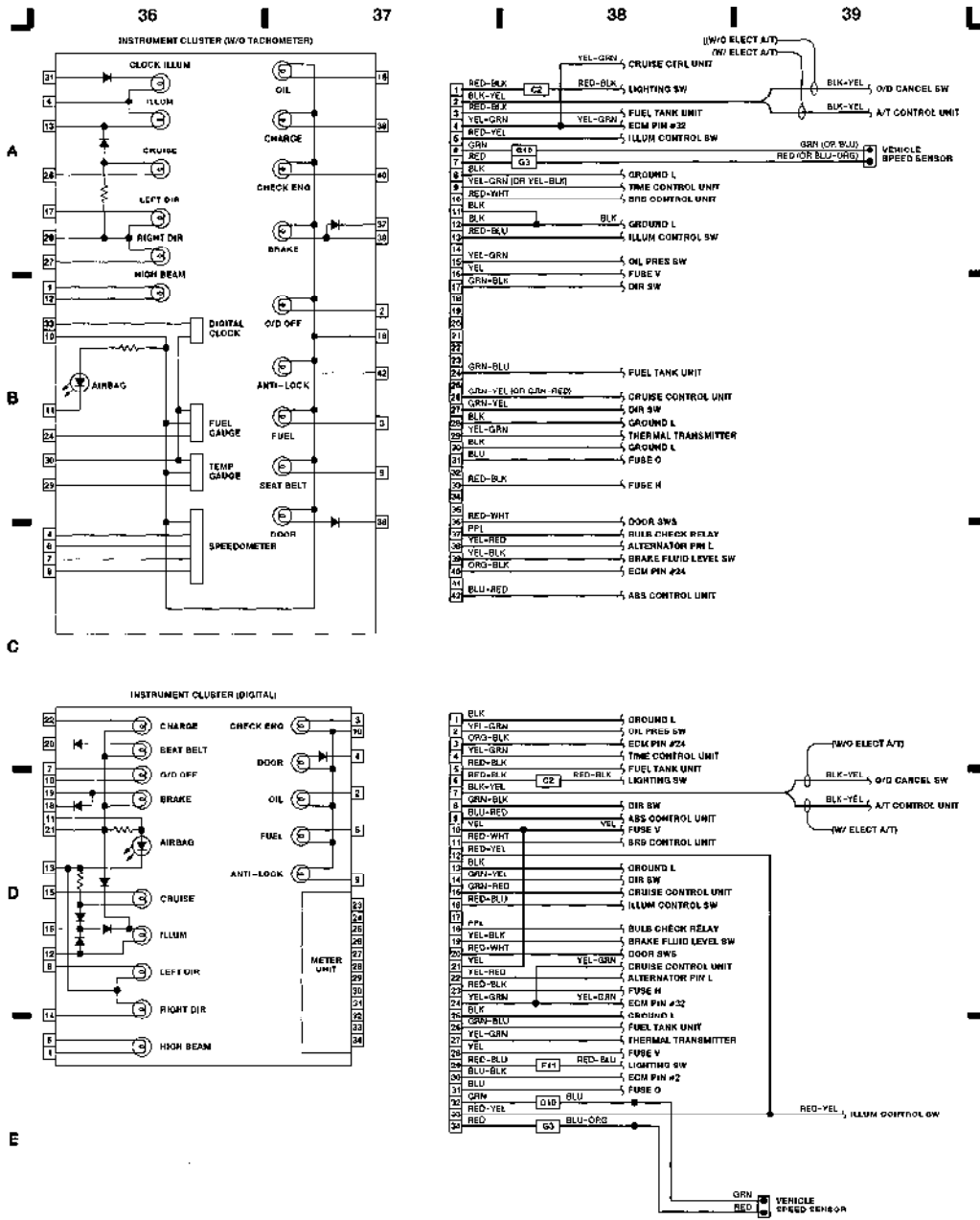


Fig. 9: Instrument Cluster (W/ Tach) (Grid 32-35)



94E30506
 Fig. 10: Instrument Clstr (W/O Tach & Digital) (Grid 36-39)

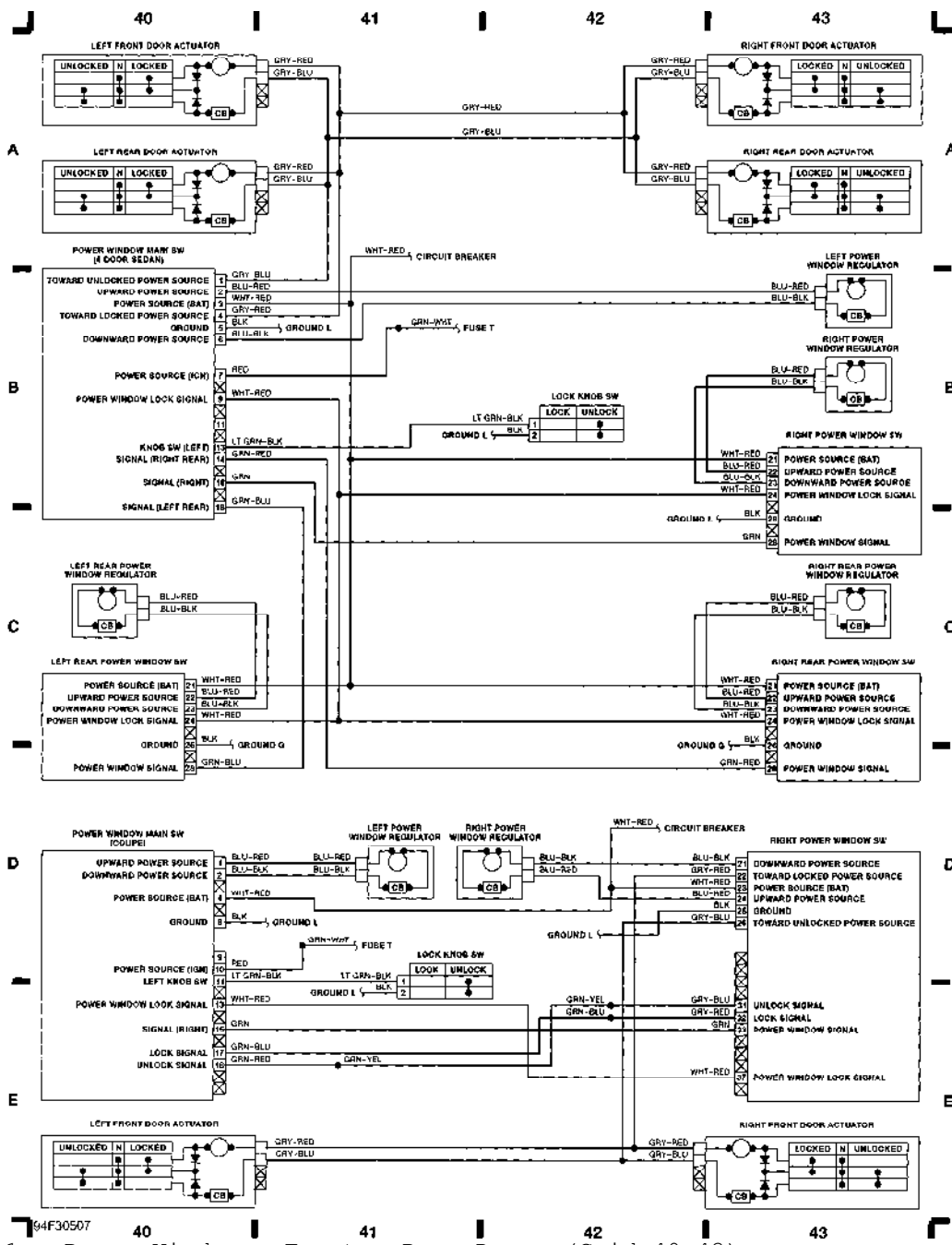


Fig. 11: Power Windows, Front & Rear Doors (Grid 40-43)

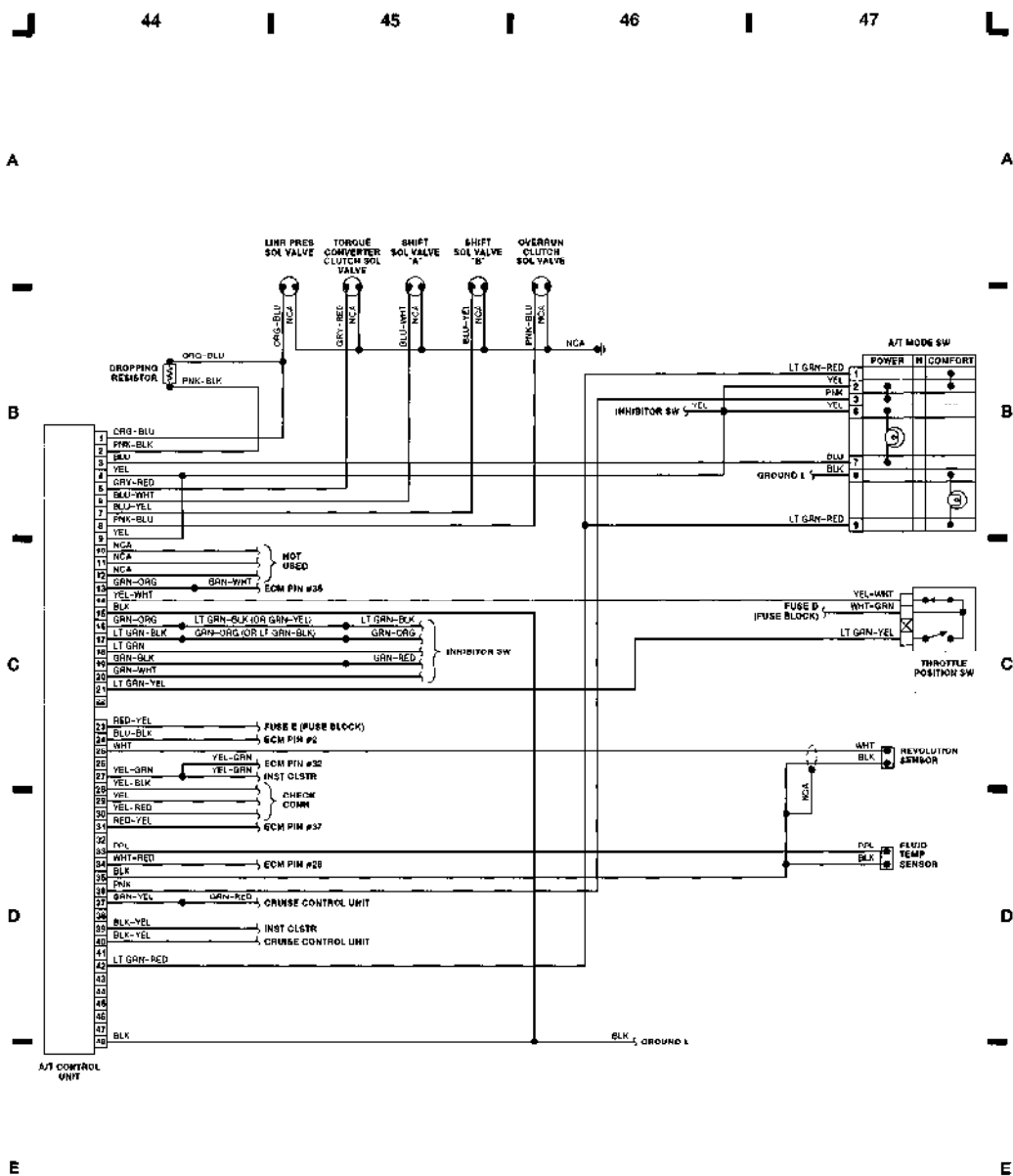


Fig. 12: A/T Control Unit, A/T Mode Switch (Grid 44-47)

