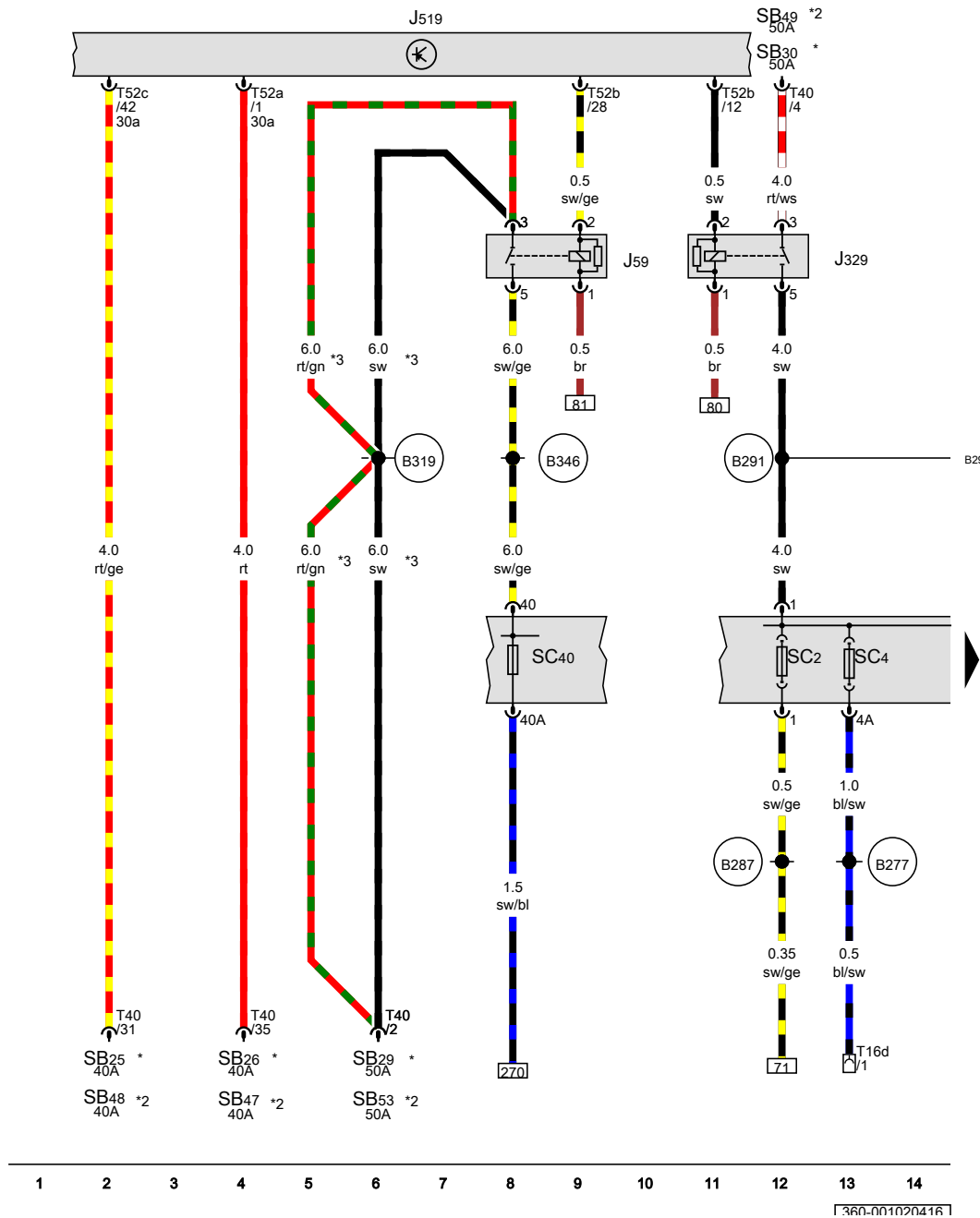


Basic equipment

From November 2010

X-contact relief relay, Terminal 15 voltage supply relay, Onboard supply control unit, 16-pin connector



- J59 X-contact relief relay
- J329 Terminal 15 voltage supply relay
- J519 Onboard supply control unit
- SC2 Fuse 2 on fuse holder C
- SC4 Fuse 4 on fuse holder C
- SB25 Fuse 25 on fuse holder B
- SB26 Fuse 26 on fuse holder B
- SB29 Fuse 29 on fuse holder B
- SB30 Fuse 30 on fuse holder B
- SC40 Fuse 40 on fuse holder C
- SB47 Fuse 47 on fuse holder B
- SB48 Fuse 48 on fuse holder B
- SB49 Fuse 49 on fuse holder B
- SB53 Fuse 53 on fuse holder B
- T16d 16-pin connector
- T40 40-pin connector
- T52a 52-pin connector, black
- T52b 52-pin connector, white
- T52c 52-pin connector, brown

- (B277) Positive connection 1 (15a) in main wiring harness
- (B287) Positive connection 11 (15a) in main wiring harness
- (B291) Positive connection 15 (15a) in main wiring harness
- (B319) Positive connection 5 (30a) in main wiring harness
- (B346) Connection 1 (75), in main wiring harness
- * Fuses in E-box, Low
- *2 Fuses in E-box, High
- *3 gradual introduction

- ws = white
- sw = black
- ro = red
- rt = red
- br = brown
- gn = green
- bl = blue
- gr = grey
- li = purple
- vi = purple
- ge = yellow
- or = orange
- rs = pink

Fuse 5 on fuse holder C, Fuse 39 on fuse holder C

- SF1 Fuse 1 in fuse holder F
- SA4 Fuse 4 in fuse holder A
- SC5 Fuse 5 on fuse holder C
- SA5 Fuse 5 in fuse holder A
- SC7 Fuse 7 on fuse holder C
- SC13 Fuse 13 on fuse holder C
- SC15 Fuse 15 on fuse holder C
- SC16 Fuse 16 on fuse holder C
- SC39 Fuse 39 on fuse holder C
- T16d 16-pin connector

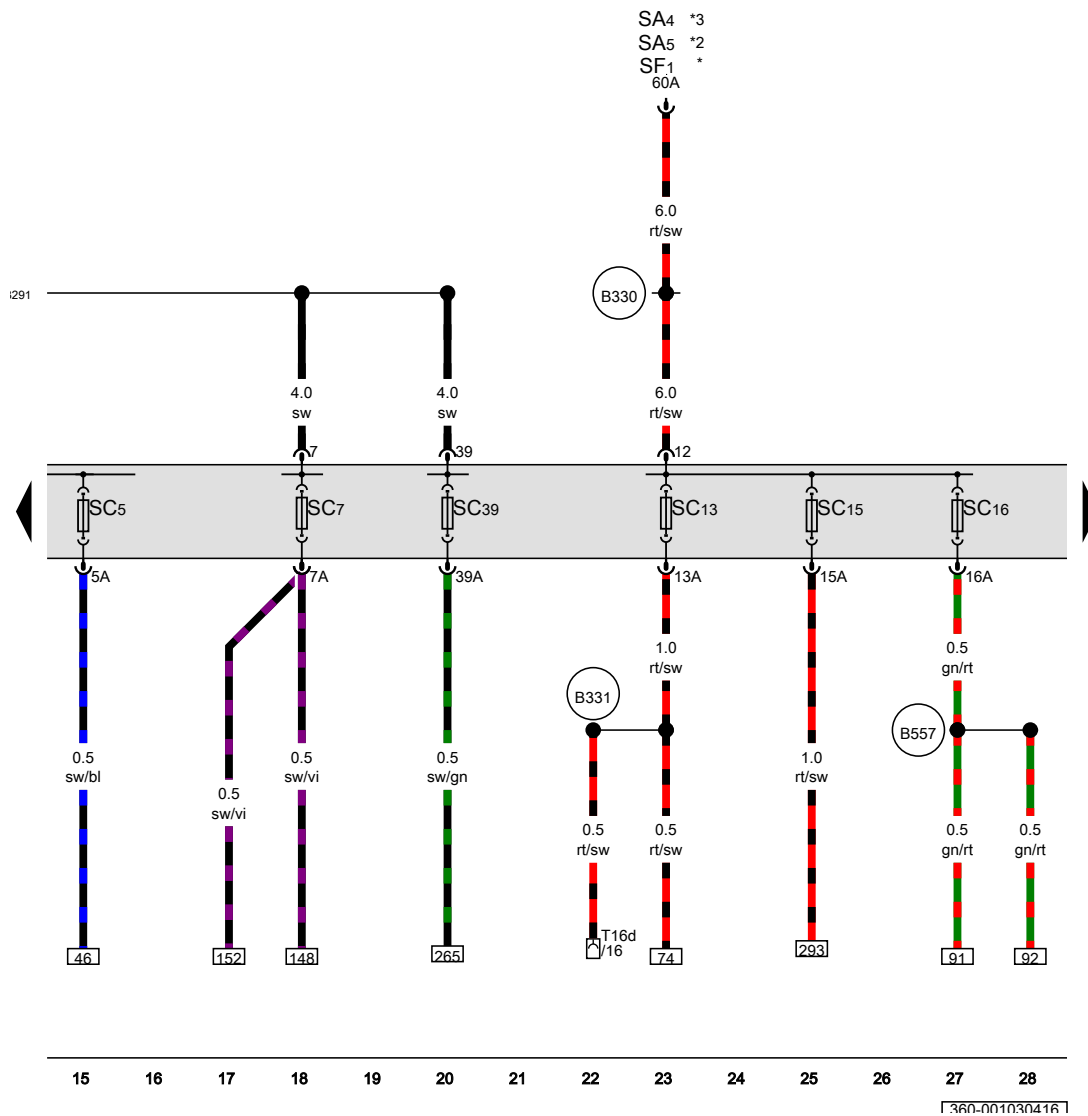
B291 Positive connection 15 (15a) in main wiring harness

B330 Positive connection 16 (30a) in main wiring harness

B331 Positive connection 17 (30a) in main wiring harness

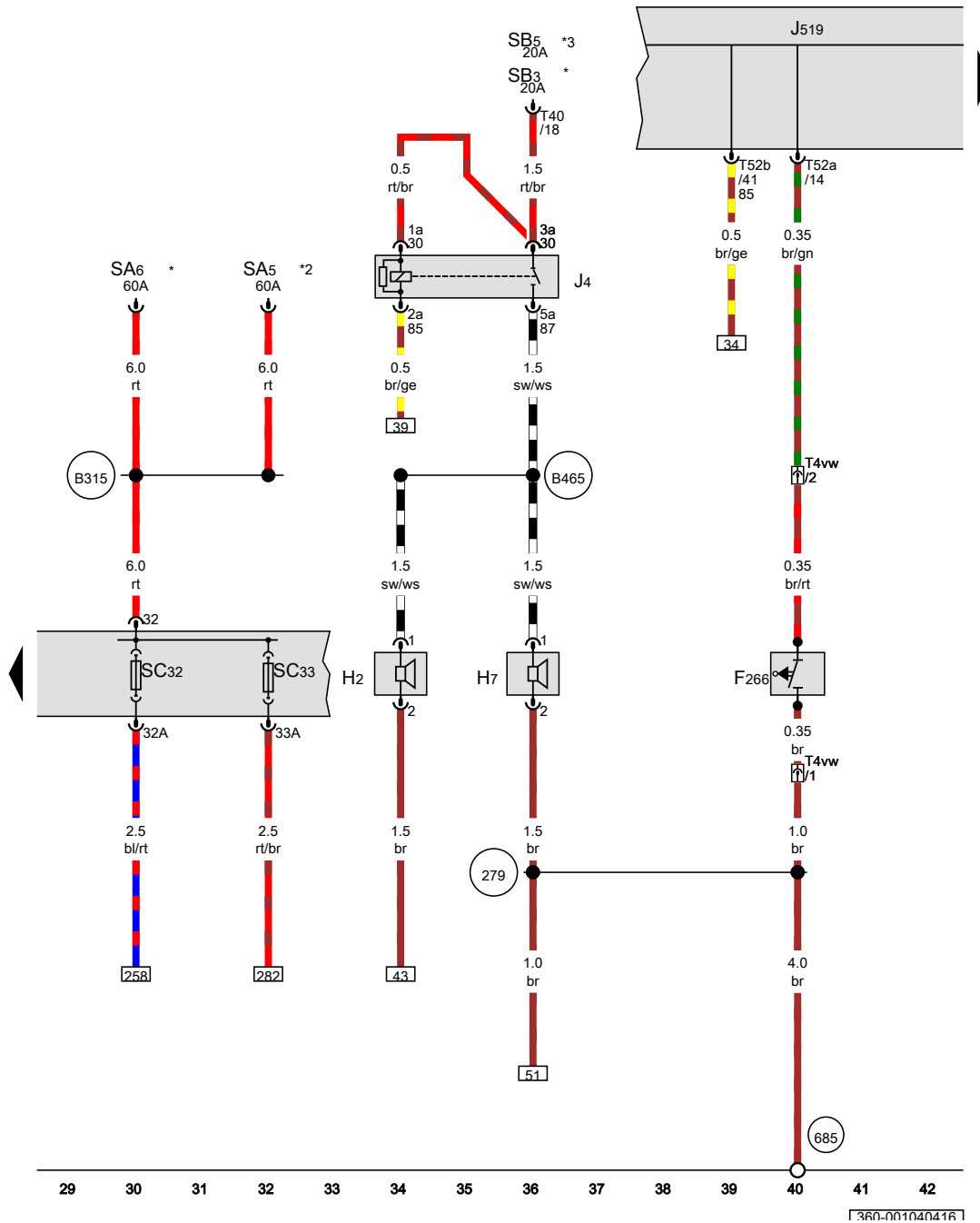
B557 Positive connection 21 (30a) in main wiring harness

- * Only models with battery in luggage compartment
- *2 Fuses in E-box, High
- *3 Fuses in E-box, Low



- ws = white
- sw = black
- ro = red
- rt = red
- br = brown
- gn = green
- bl = blue
- gr = grey
- li = purple
- vi = purple
- ge = yellow
- or = orange
- rs = pink

1360-001030416



Bonnet contact switch, Treble horn, Bass horn, Dual tone horn relay, Onboard supply control unit

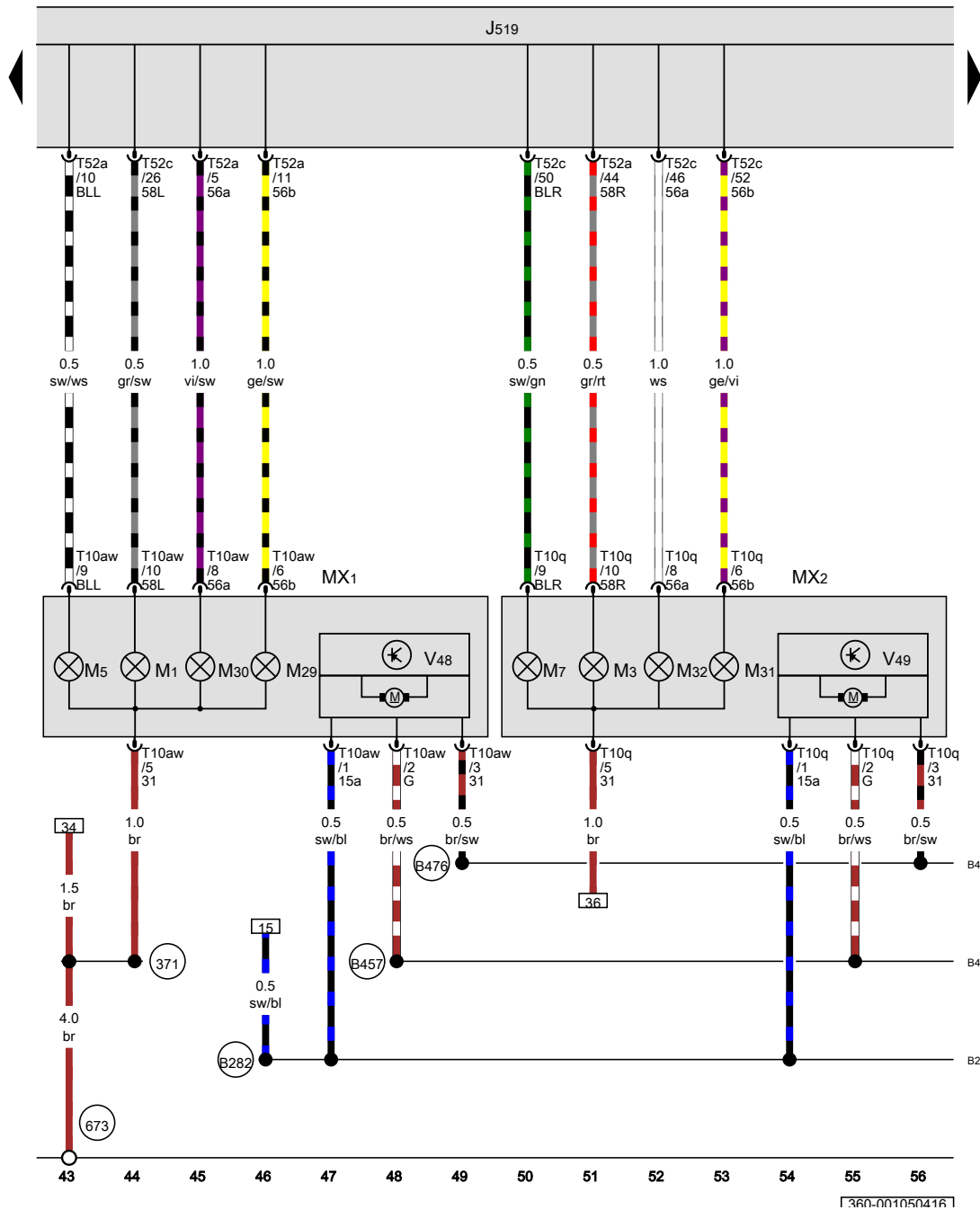
- F266 Bonnet contact switch
- H2 Treble horn
- H7 Bass horn
- J4 Dual tone horn relay
- J519 Onboard supply control unit
- SB3 Fuse 3 on fuse holder B
- SB5 Fuse 5 on fuse holder B
- SA5 Fuse 5 in fuse holder A
- SA6 Fuse 6 in fuse holder A
- SC32 Fuse 32 on fuse holder C
- SC33 Fuse 33 on fuse holder C
- T4vw 4-pin connector, behind right headlight
- T40 40-pin connector
- T52a 52-pin connector, black
- T52b 52-pin connector, white

- 279 Earth connection 5, in interior wiring harness
- 685 Earth point 1 at front of right longitudinal member
- B315 Positive connection 1 (30a) in main wiring harness
- B465 Connection 1, in main wiring harness

- * Fuses in E-box, Low
- *2 Only models with battery in luggage compartment
- *3 Fuses in E-box, High

- ws = white
- sw = black
- ro = red
- rt = red
- br = brown
- gn = green
- bl = blue
- gr = grey
- li = purple
- vi = purple
- ge = yellow
- or = orange
- rs = pink

1360-001040416



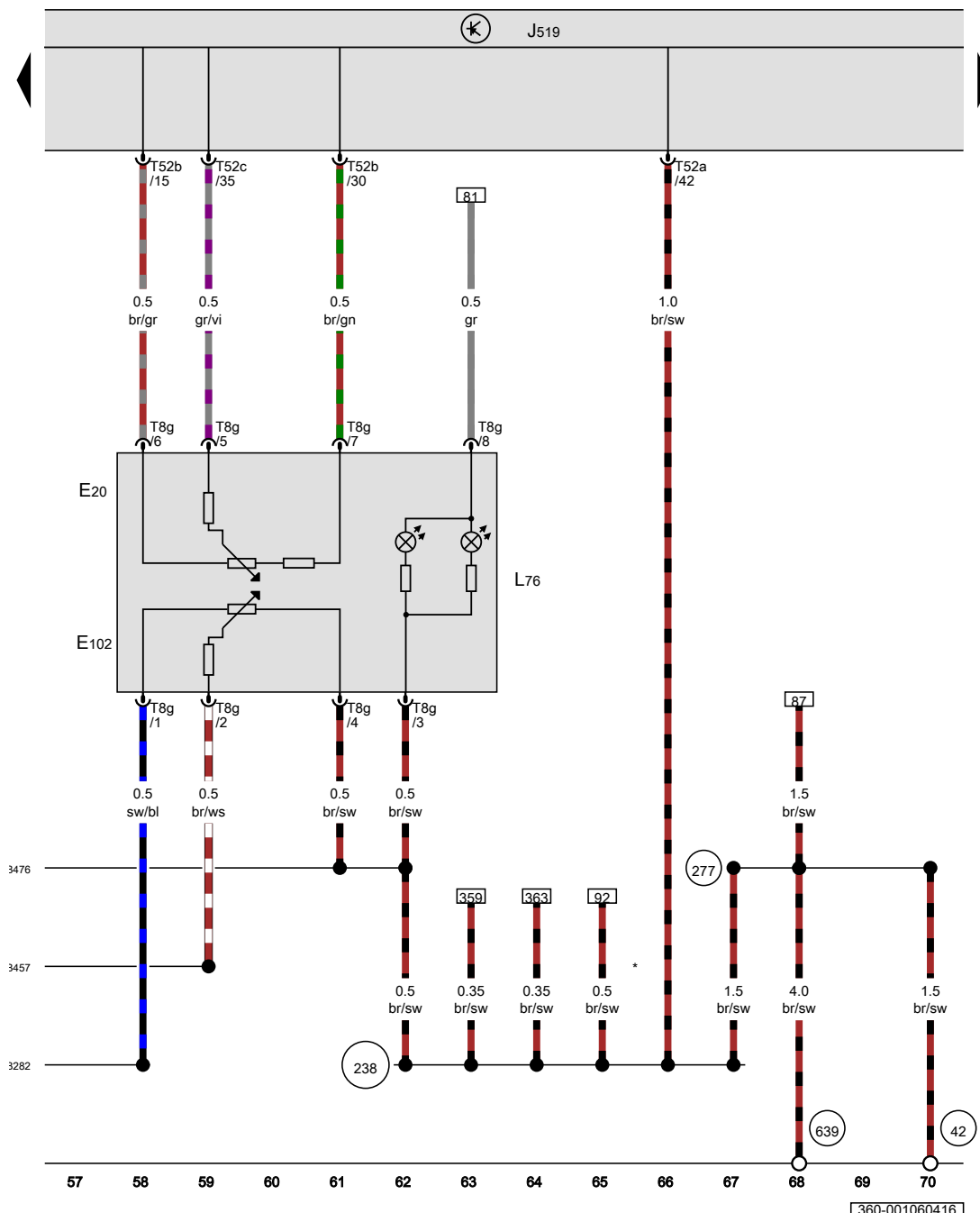
Onboard supply control unit, Front left headlight, Front right headlight

- J519 Onboard supply control unit
- M1 Left side light bulb
- MX1 Front left headlight
- MX2 Front right headlight
- M3 Right side light bulb
- M5 Front left turn signal bulb
- M7 Front right turn signal bulb
- M29 Left headlight dipped beam bulb
- M30 Left headlight main beam bulb
- M31 Right headlight dipped beam bulb
- M32 Right headlight main beam bulb
- T10aw 10-pin connector
- T10q 10-pin connector
- T52a 52-pin connector, black
- T52c 52-pin connector, brown
- V48 Left headlight range control motor
- V49 Right headlight range control motor

- (371) Earth connection 6, in main wiring harness
- (673) Earth point 3, on front of left longitudinal member
- (B282) Positive connection 6 (15a) in main wiring harness
- (B457) Connection 1 (potentiometer), in main wiring harness
- (B476) Connection 12, in main wiring harness

- ws = white
- sw = black
- ro = red
- rt = red
- br = brown
- gn = green
- bl = blue
- gr = grey
- li = purple
- vi = purple
- ge = yellow
- or = orange
- rs = pink

360-001050416



Switch and instrument illumination regulator, Headlight range control regulator, Onboard supply control unit

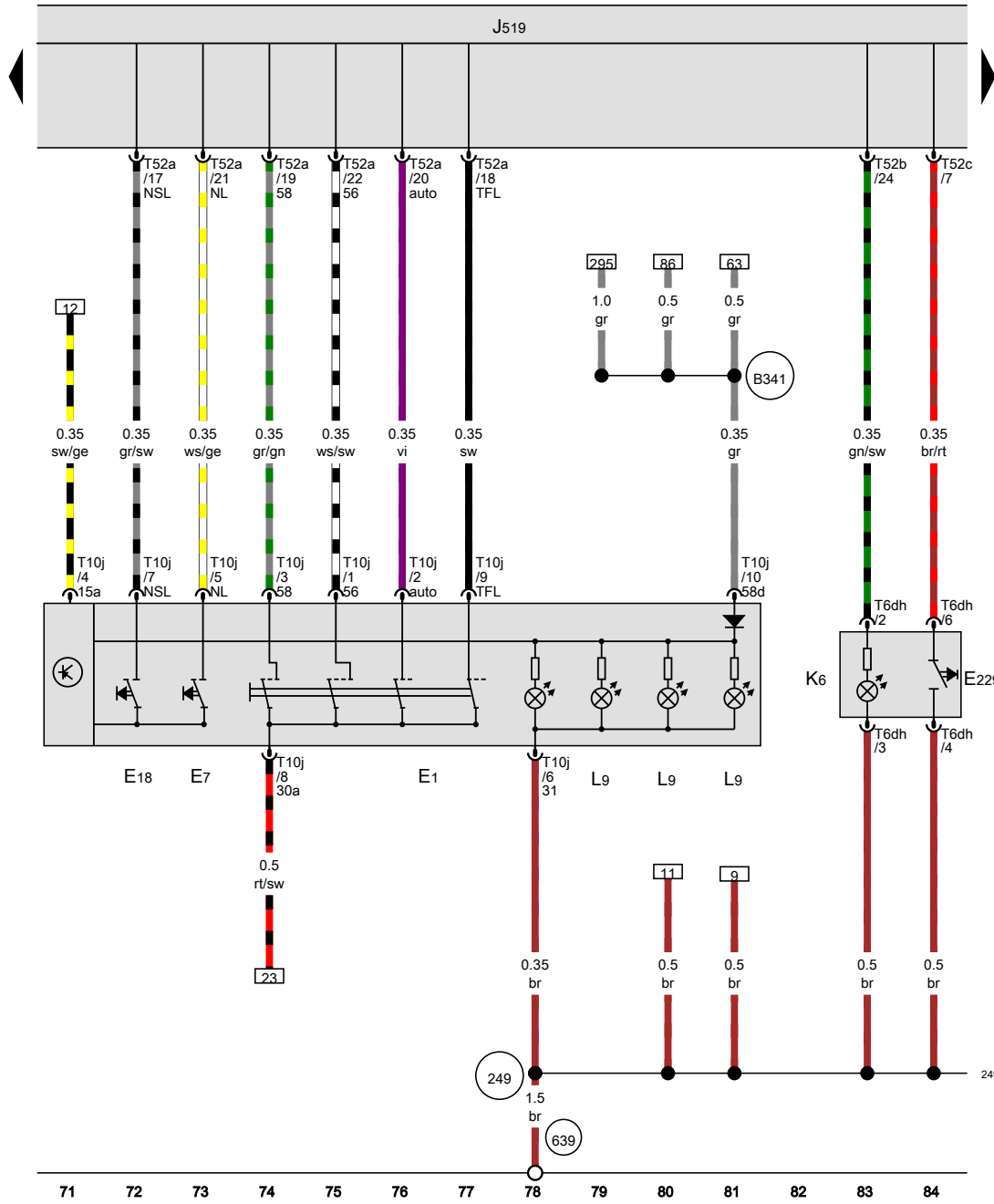
- E20 Switch and instrument illumination regulator
- E102 Headlight range control regulator
- J519 Onboard supply control unit
- L76 Button illumination bulb
- T8g 8-pin connector
- T52a 52-pin connector, black
- T52b 52-pin connector, white
- T52c 52-pin connector, brown

- (42) Earth point, next to steering column
- (238) Earth connection 1, in interior wiring harness
- (277) Earth connection 3, in interior wiring harness
- (639) Earth point, left A-pillar
- (B282) Positive connection 6 (15a) in main wiring harness
- (B457) Connection 1 (potentiometer), in main wiring harness
- (B476) Connection 12, in main wiring harness

* Only models with stop/start system

- ws = white
- sw = black
- ro = red
- rt = red
- br = brown
- gn = green
- bl = blue
- gr = grey
- li = purple
- vi = purple
- ge = yellow
- or = orange
- rs = pink

1360-001060416



Light switch, Hazard warning lights button, Onboard supply control unit

- E1 Light switch
- E7 Fog light switch
- E18 Rear fog light switch
- E229 Hazard warning lights button
- J519 Onboard supply control unit
- K6 Indicator lamp for hazard warning light
- L9 Light switch illumination bulb
- T6dh 6-pin connector
- T10j 10-pin connector
- T52a 52-pin connector, black
- T52b 52-pin connector, white
- T52c 52-pin connector, brown

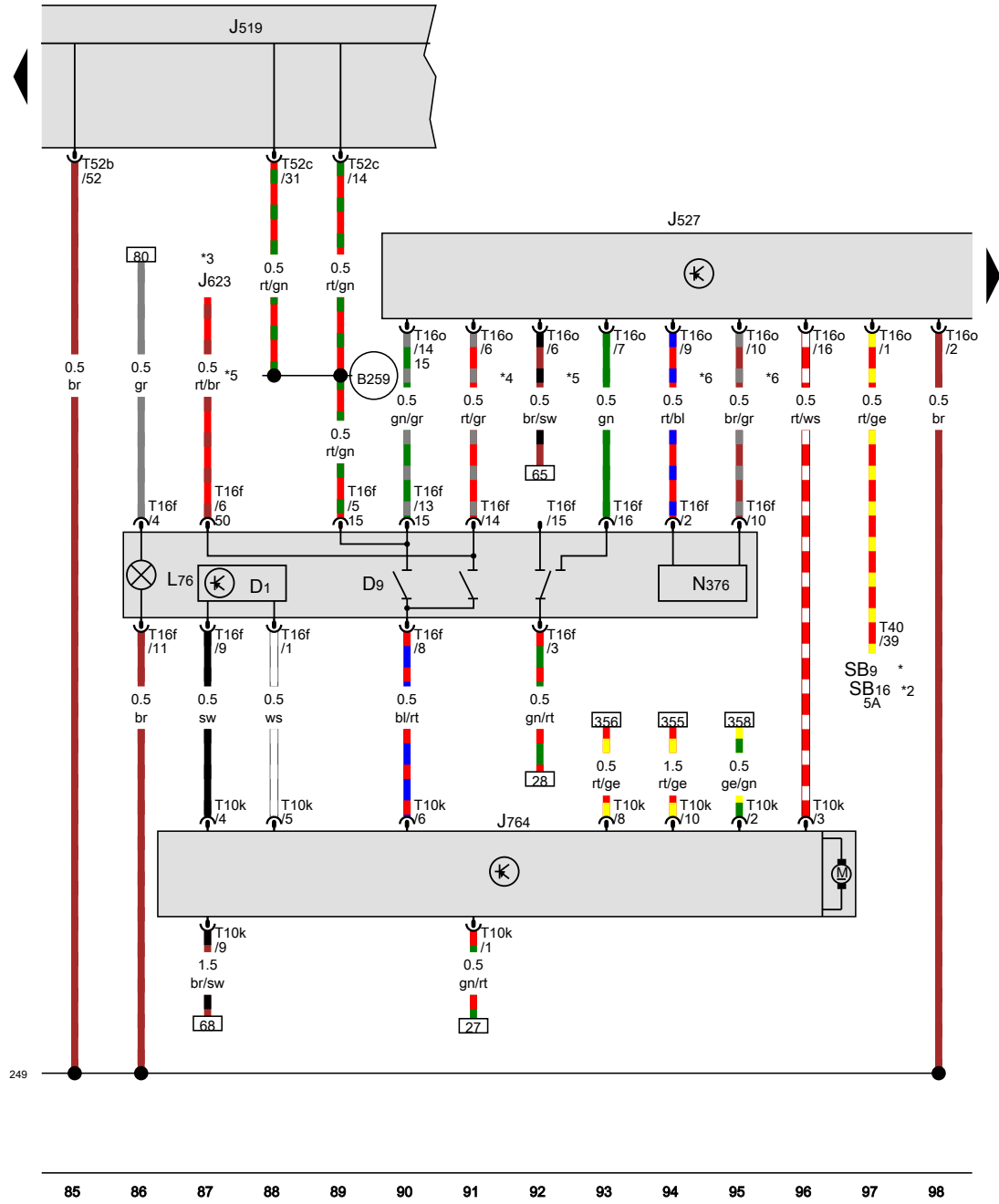
249 Earth connection 2, in interior wiring harness

639 Earth point, left A-pillar

B341 Connection 2 (58d), in main wiring harness

- ws = white
- sw = black
- ro = red
- rt = red
- br = brown
- gn = green
- bl = blue
- gr = grey
- li = purple
- vi = purple
- ge = yellow
- or = orange
- rs = pink

1360-001070416



Electronic ignition lock, Onboard supply control unit, Steering column electronics control unit, Control unit for electronic steering column lock

- D1 Immobiliser reading unit
- D9 Electronic ignition lock
- J519 Onboard supply control unit
- J527 Steering column electronics control unit
- J623 Engine control unit
- J764 Control unit for electronic steering column lock
- L76 Button illumination bulb
- N376 Ignition key withdrawal lock solenoid
- SB9 Fuse 9 on fuse holder B
- SB16 Fuse 16 on fuse holder B
- T10k 10-pin connector
- T16f 16-pin connector
- T16o 16-pin connector
- T40 40-pin connector
- T52b 52-pin connector, white
- T52c 52-pin connector, brown

- 249 Earth connection 2, in interior wiring harness
- B259 Connection (start/stop signal), in interior wiring harness

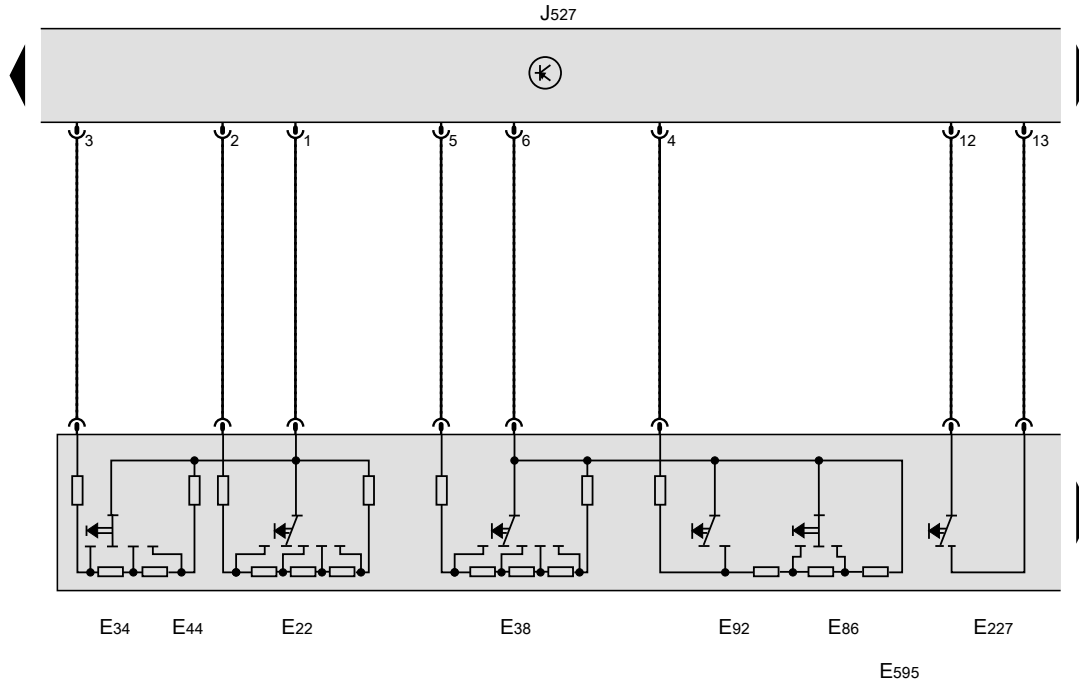
- * Fuses in E-box, Low
- *2 Fuses in E-box, High
- *3 see applicable current flow diagram for engine
- *4 Only models with no start/stop system
- *5 Only models with stop/start system
- *6 Only models with Tiptronic

- ws = white
- sw = black
- ro = red
- rt = red
- br = brown
- gn = green
- bl = blue
- gr = grey
- li = purple
- vi = purple
- ge = yellow
- or = orange
- rs = pink

1360-001080416

Steering column combination switch, Steering column electronics control unit

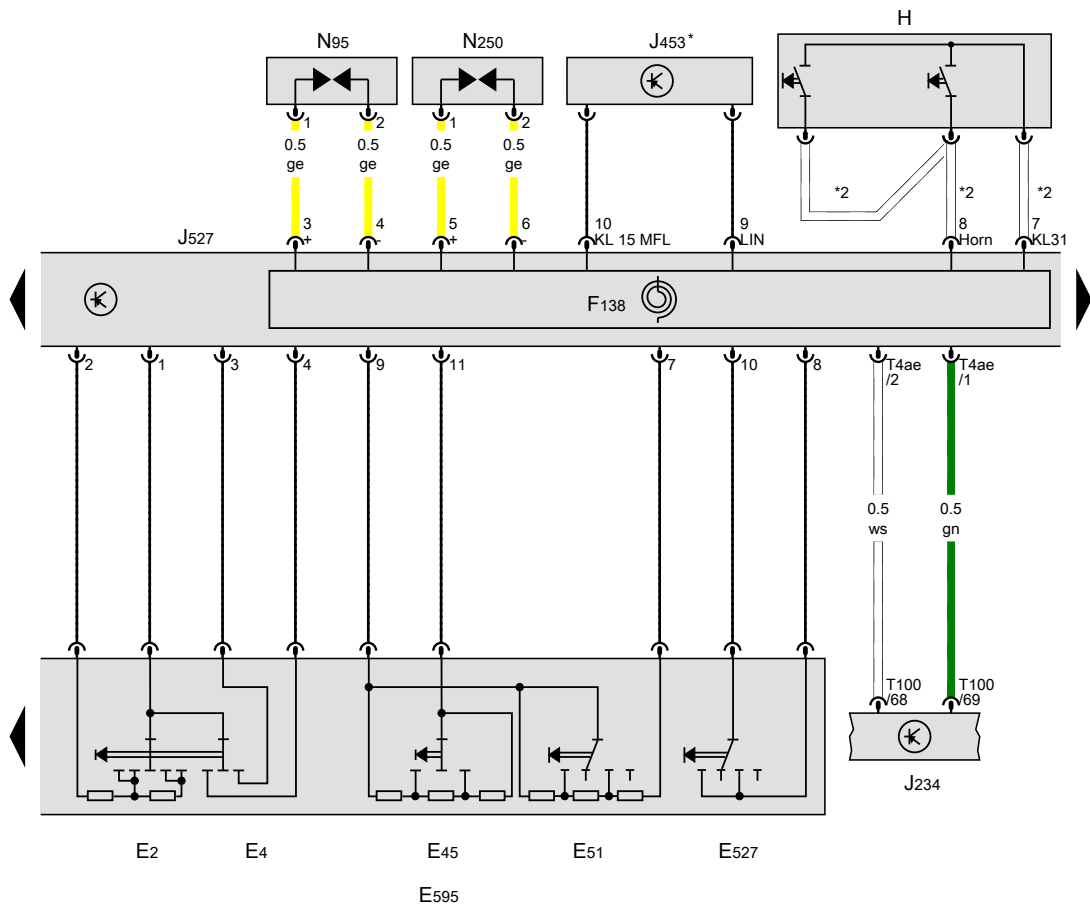
- E22 Intermittent wiper switch
- E34 Rear wiper switch
- E38 Intermittent wiper regulator
- E44 Washer pump switch (automatic wash/wipe and headlight washer system)
- E86 Multifunction display call-up button
- E92 Reset button
- E227 Cruise control system (CCS) SET button
- E595 Steering column combination switch
- J527 Steering column electronics control unit



- ws = white
- sw = black
- ro = red
- rt = red
- br = brown
- gn = green
- bl = blue
- gr = grey
- li = purple
- vi = purple
- ge = yellow
- or = orange
- rs = pink

99 100 101 102 103 104 105 106 107 108 109 110 111 112

360-001090416



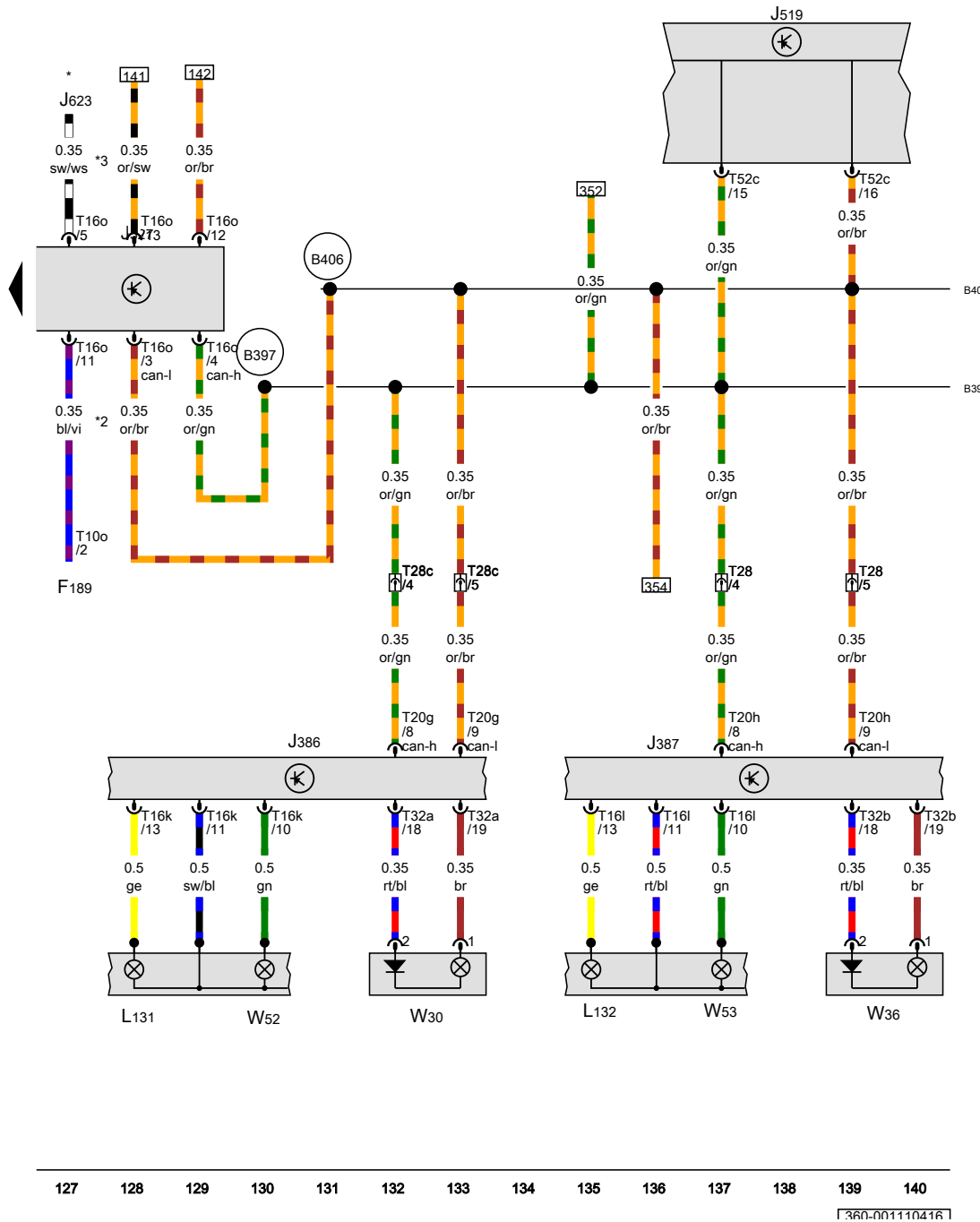
Steering column combination switch, Airbag coil connector and return ring with slip ring, Horn plate, Multifunction steering wheel control unit, Steering column electronics control unit, Driver side airbag igniter

- E2 Turn signal switch
- E4 Headlight dipper and flasher switch
- E45 Cruise control system switch
- E51 Cruise control system master switch
- E527 Button to temporarily switch cruise control system (CCS) off
- E595 Steering column combination switch
- F138 Airbag coil connector and return ring with slip ring
- H Horn plate
- J234 Airbag control unit
- J453 Multifunction steering wheel control unit
- J527 Steering column electronics control unit
- N95 Driver side airbag igniter
- N250 Driver side airbag igniter 2
- T4ae 4-pin connector
- T100 100-pin connector
- * Only models with multifunction steering wheel
- *2 Flat conductor

- ws = white
- sw = black
- ro = red
- rt = red
- br = brown
- gn = green
- bl = blue
- gr = grey
- li = purple
- vi = purple
- ge = yellow
- or = orange
- rs = pink

113 114 115 116 117 118 119 120 121 122 123 124 125 126

1360-001100416



Driver door control unit, Front passenger door control unit, Onboard supply control unit, Steering column electronics control unit, Driver side door warning lamp, Front passenger side door warning lamp, Driver side entry light in exterior mirror, Front passenger side entry light in exterior mirror

- F189 Tiptronic switch
- J386 Driver door control unit
- J387 Front passenger door control unit
- J519 Onboard supply control unit
- J527 Steering column electronics control unit
- J623 Engine control unit
- L131 Driver side turn signal repeater bulb
- L132 Front passenger side turn signal repeater bulb
- T10o 10-pin connector
- T16k 16-pin connector
- T16l 16-pin connector
- T16o 16-pin connector
- T20g 20-pin connector
- T20h 20-pin connector
- T28 28-pin connector, in right A-pillar coupling station
- T28c 28-pin connector, in left A-pillar coupling station
- T32a 32-pin connector
- T32b 32-pin connector
- T52c 52-pin connector, brown
- W30 Driver side door warning lamp
- W36 Front passenger side door warning lamp
- W52 Driver side entry light in exterior mirror
- W53 Front passenger side entry light in exterior mirror

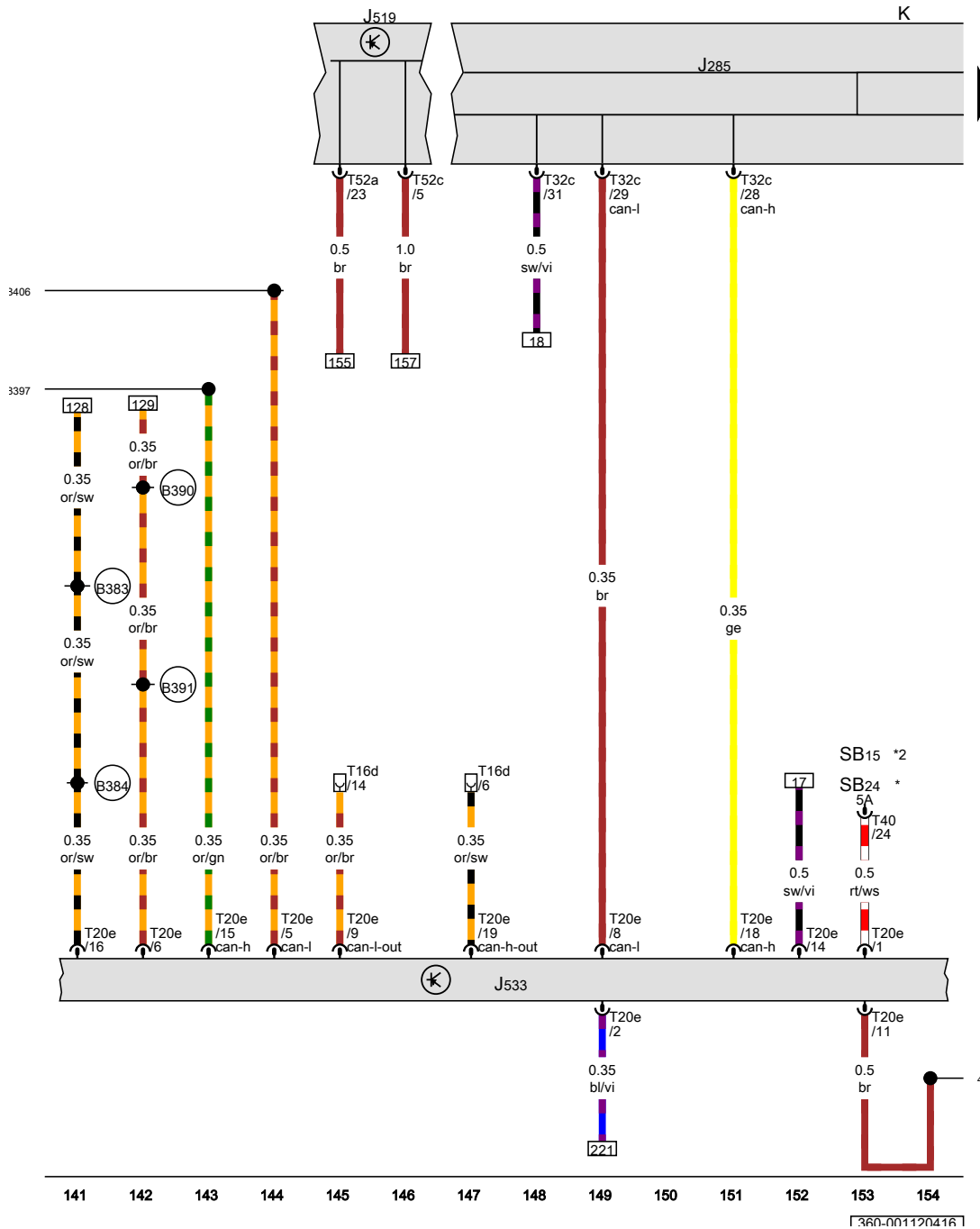
- (B397) Connection 1 (convenience CAN bus, high), in main wiring harness
- (B406) Connection 1 (convenience CAN bus, low), in main wiring harness

- * see applicable current flow diagram for engine
- *2 Only models with Tiptronic
- *3 Only models with cruise control system (CCS)

- ws = white
- sw = black
- ro = red
- rt = red
- br = brown
- gn = green
- bl = blue
- gr = grey
- li = purple
- vi = purple
- ge = yellow
- or = orange
- rs = pink

127 128 129 130 131 132 133 134 135 136 137 138 139 140

1360-001110416



Control unit in dash panel insert, Onboard supply control unit, Data bus diagnostic interface, Dash panel insert

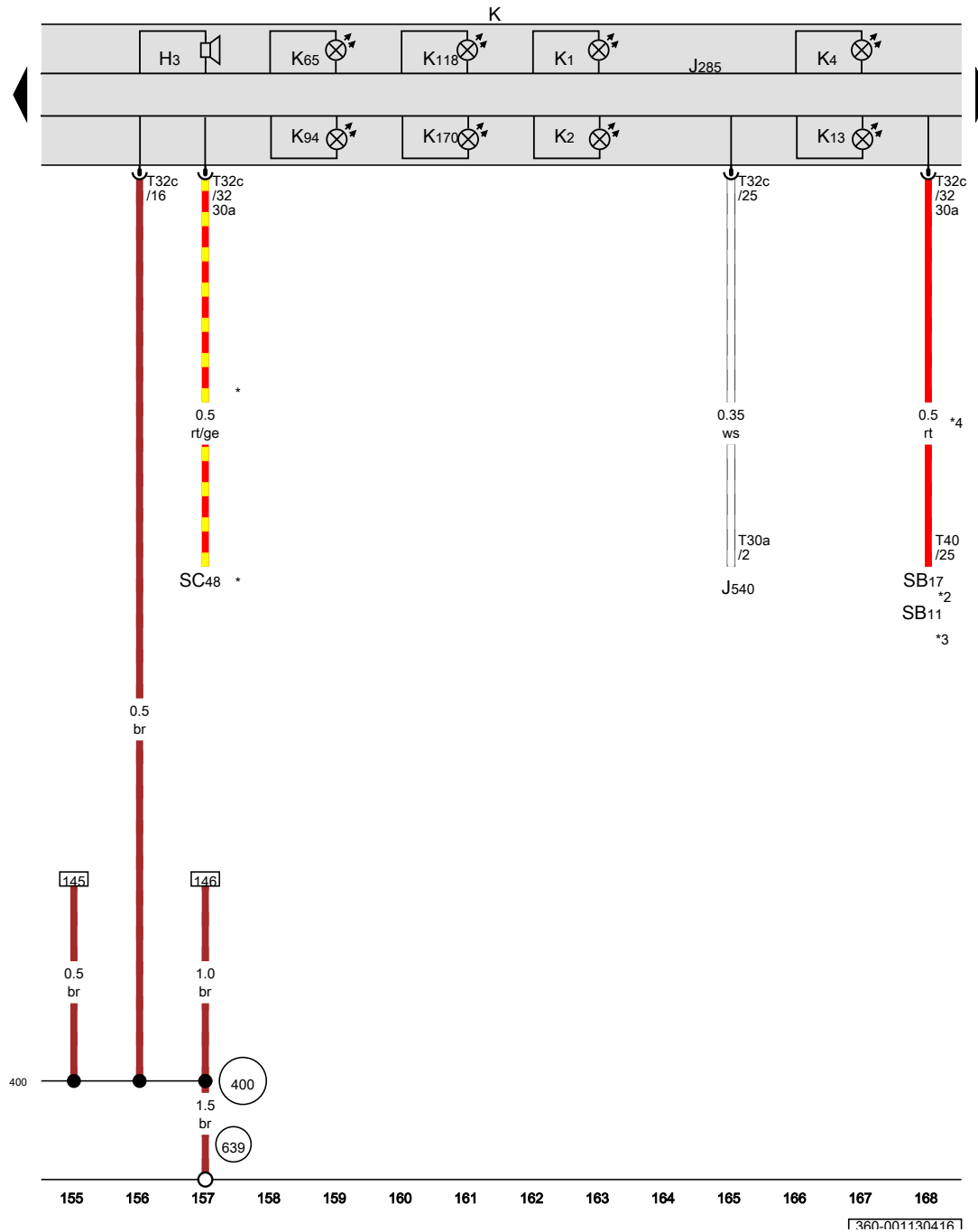
- J285 Control unit in dash panel insert
- J519 Onboard supply control unit
- J533 Data bus diagnostic interface
- K Dash panel insert
- SB15 Fuse 15 on fuse holder B
- SB24 Fuse 24 on fuse holder B
- T16d 16-pin connector, on diagnostic connection
- T20e 20-pin connector
- T32c 32-pin connector
- T40 40-pin connector
- T52a 52-pin connector, black
- T52c 52-pin connector, brown

- 400 Earth connection 35, in main wiring harness
- B383 Connection 1 (powertrain CAN bus, high), in main wiring harness
- B384 Connection 2 (powertrain CAN bus, high), in main wiring harness
- B390 Connection 1 (powertrain CAN bus, low), in main wiring harness
- B391 Connection 2 (powertrain CAN bus, low), in main wiring harness
- B397 Connection 1 (convenience CAN bus, high), in main wiring harness
- B406 Connection 1 (convenience CAN bus, low), in main wiring harness

* Fuses in E-box, High
 *2 Fuses in E-box, Low

- ws = white
- ro = red
- rt = red
- br = brown
- gn = green
- bl = blue
- gr = grey
- li = purple
- vi = purple
- ge = yellow
- or = orange
- rs = pink

1360-001120416



Control unit in dash panel insert, Dash panel insert

- H3 Buzzer and gong
- J285 Control unit in dash panel insert
- J540 Control unit for electromechanical parking brake
- K Dash panel insert
- K1 Main beam warning lamp
- K2 Alternator warning lamp
- K4 Side light warning lamp
- K13 Rear fog light warning lamp
- K65 Left turn signal warning lamp
- K94 Right turn signal warning lamp
- K118 Brake system warning lamp
- K170 Bulb failure warning lamp
- SB11 Fuse 11 on fuse holder B
- SB17 Fuse 17 on fuse holder B
- SC48 Fuse 48 on fuse holder C
- T30a 30-pin connector
- T32c 32-pin connector
- T40 40-pin connector

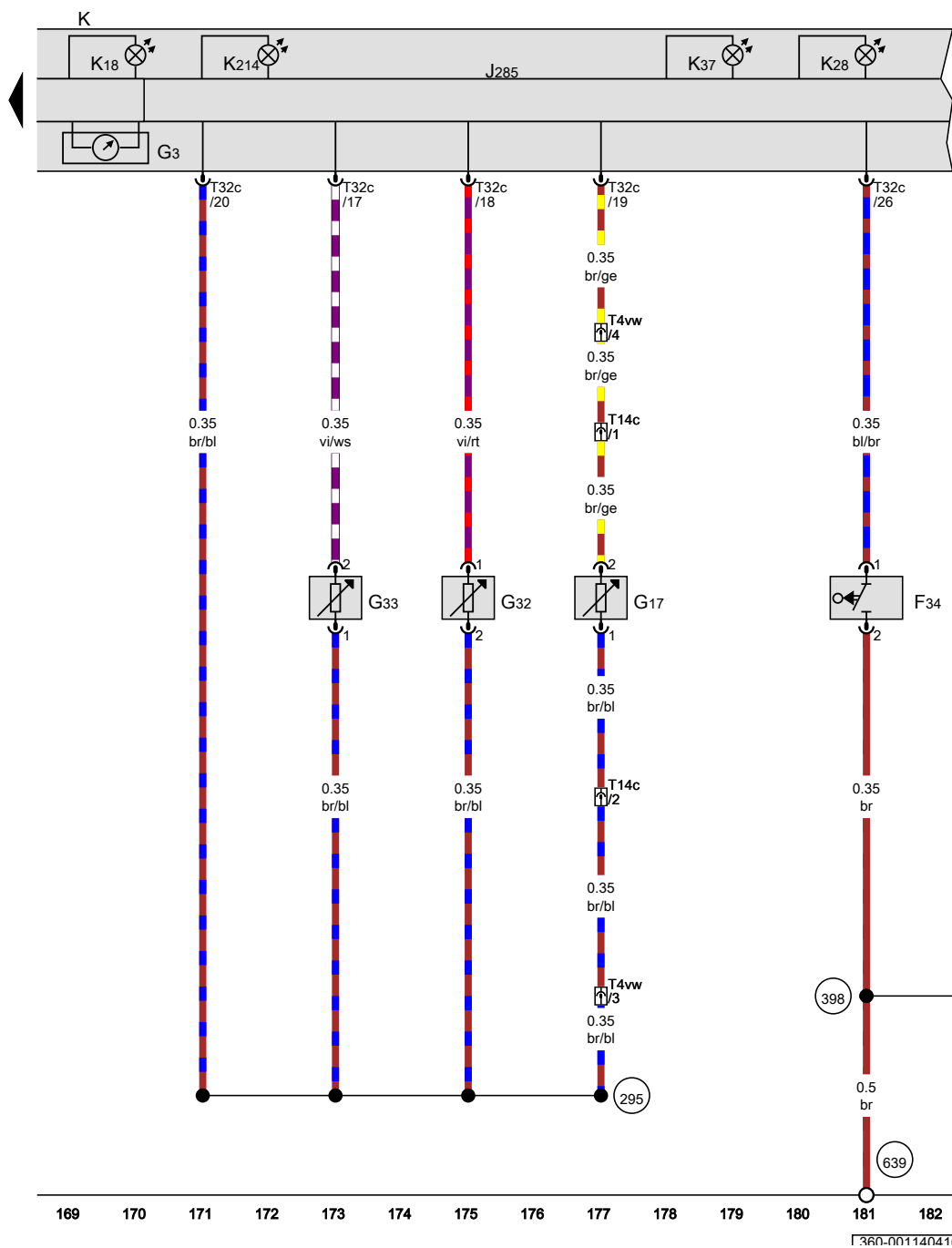
400 Earth connection 35, in main wiring harness

639 Earth point, left A-pillar

- * Only models with stop/start system
- *2 Fuses in E-box, High
- *3 Fuses in E-box, Low
- *4 Only models with no start/stop system

- ws = white
- sw = black
- ro = red
- rt = red
- br = brown
- gn = green
- bl = blue
- gr = grey
- li = purple
- vi = purple
- ge = yellow
- or = orange
- rs = pink

360-001130416

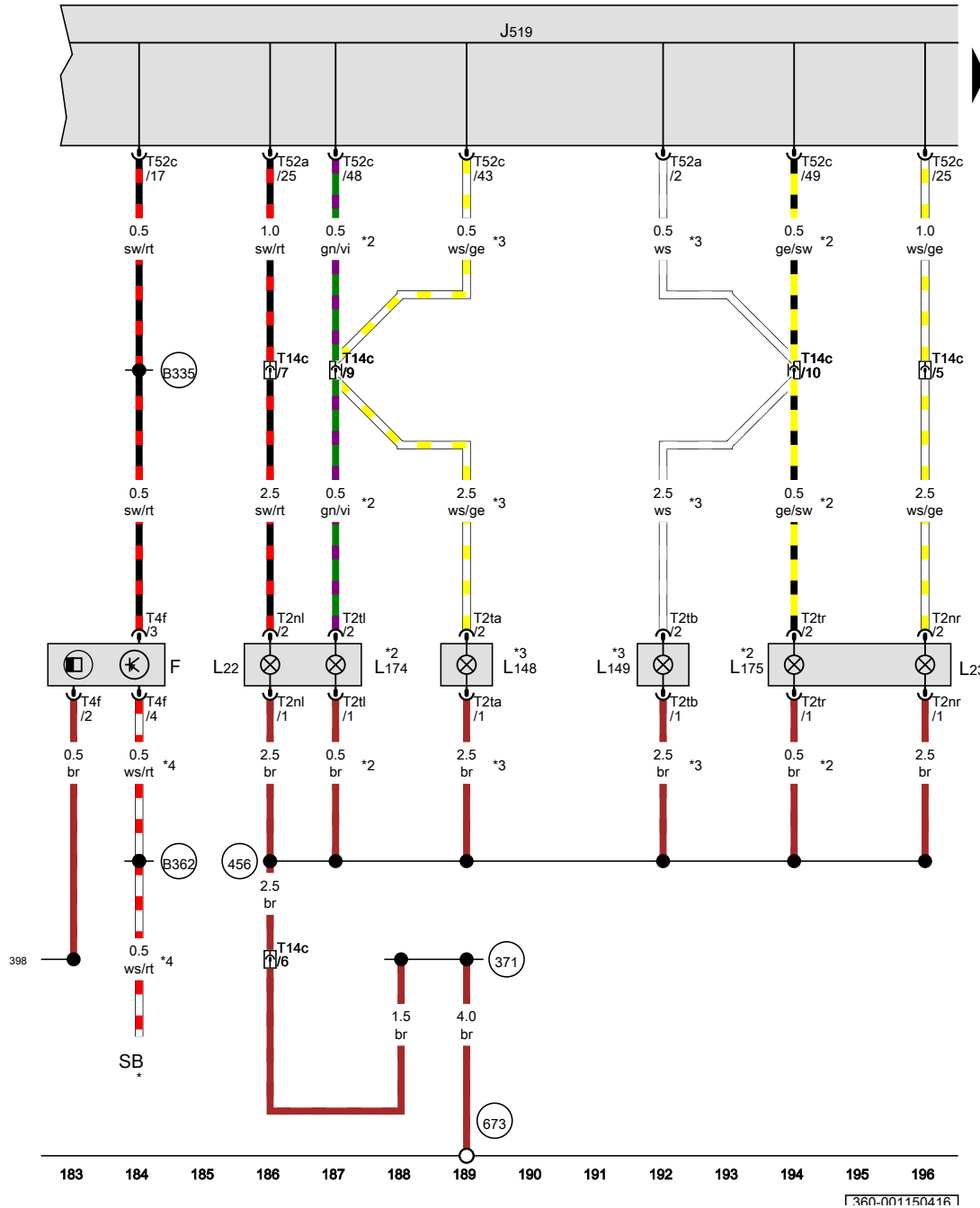


Brake fluid level warning contact, Ambient temperature sensor, Coolant shortage indicator sender, Windscreen washer fluid level sender, Control unit in dash panel insert, Dash panel insert

- F34 Brake fluid level warning contact
- G3 Coolant temperature gauge
- G17 Ambient temperature sensor
- G32 Coolant shortage indicator sender
- G33 Windscreen washer fluid level sender
- J285 Control unit in dash panel insert
- K Dash panel insert
- K18 Trailer operation warning lamp
- K28 Coolant temperature and coolant shortage warning lamp
- K37 Washer fluid level warning lamp
- K214 Electric parking brake and handbrake fault warning lamp
- T4vw 4-pin connector
- T14c 14-pin connector, near front bumper
- T32c 32-pin connector

- 295 Earth connection 10, in interior wiring harness
- 398 Earth connection 33, in main wiring harness
- 639 Earth point, left A-pillar

- ws = white
- sw = black
- ro = red
- rt = red
- br = brown
- gn = green
- bl = blue
- gr = grey
- li = purple
- vi = purple
- ge = yellow
- or = orange
- rs = pink



Brake light switch, Left fog light bulb, Right fog light bulb, Left cornering light bulb, Right cornering light bulb, Left daytime running light bulb, Right daytime running light bulb

- F Brake light switch
- J519 Onboard supply control unit
- L22 Left fog light bulb
- L23 Right fog light bulb
- L148 Left cornering light bulb
- L149 Right cornering light bulb
- L174 Left daytime running light bulb
- L175 Right daytime running light bulb
- SB Fuse holder B
- T2nl 2-pin connector
- T2nr 2-pin connector
- T2ta 2-pin connector, black
- T2tb 2-pin connector, black
- T2tl 2-pin connector
- T2tr 2-pin connector
- T4f 4-pin connector
- T14c 14-pin connector, near front bumper
- T52a 52-pin connector, black
- T52c 52-pin connector, brown

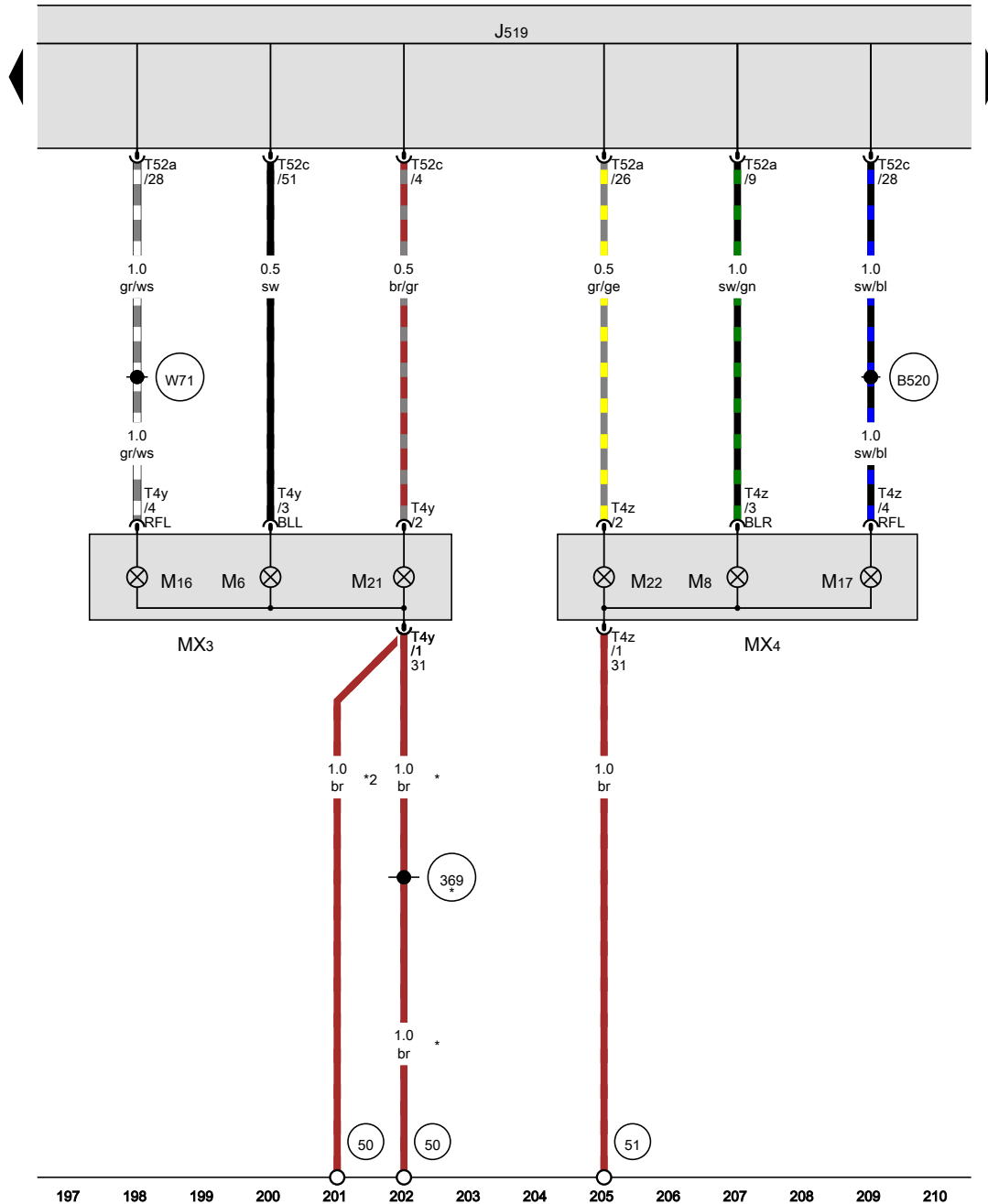
- 371 Earth connection 6, in main wiring harness
- 398 Earth connection 33, in main wiring harness
- 456 Earth connection 1, front bumper wiring harness
- 673 Earth point 3, on front of left longitudinal member
- B335 Connection 1 (54), in main wiring harness
- B362 Positive connection 13 (87a) in main wiring harness

- ws = white
- sw = black
- ro = red
- rt = red
- br = brown
- gn = green
- bl = blue
- gr = grey
- li = purple
- vi = purple
- ge = yellow
- or = orange
- rs = pink

- * see applicable current flow diagram for engine
- *2 Only models with daytime running lights
- *3 Only models with static cornering light
- *4 Wiring colour depends on equipment

360-001150416

Left tail light, Right tail light, Rear left turn signal bulb, Rear right turn signal bulb, Left reversing light bulb, Right reversing light bulb

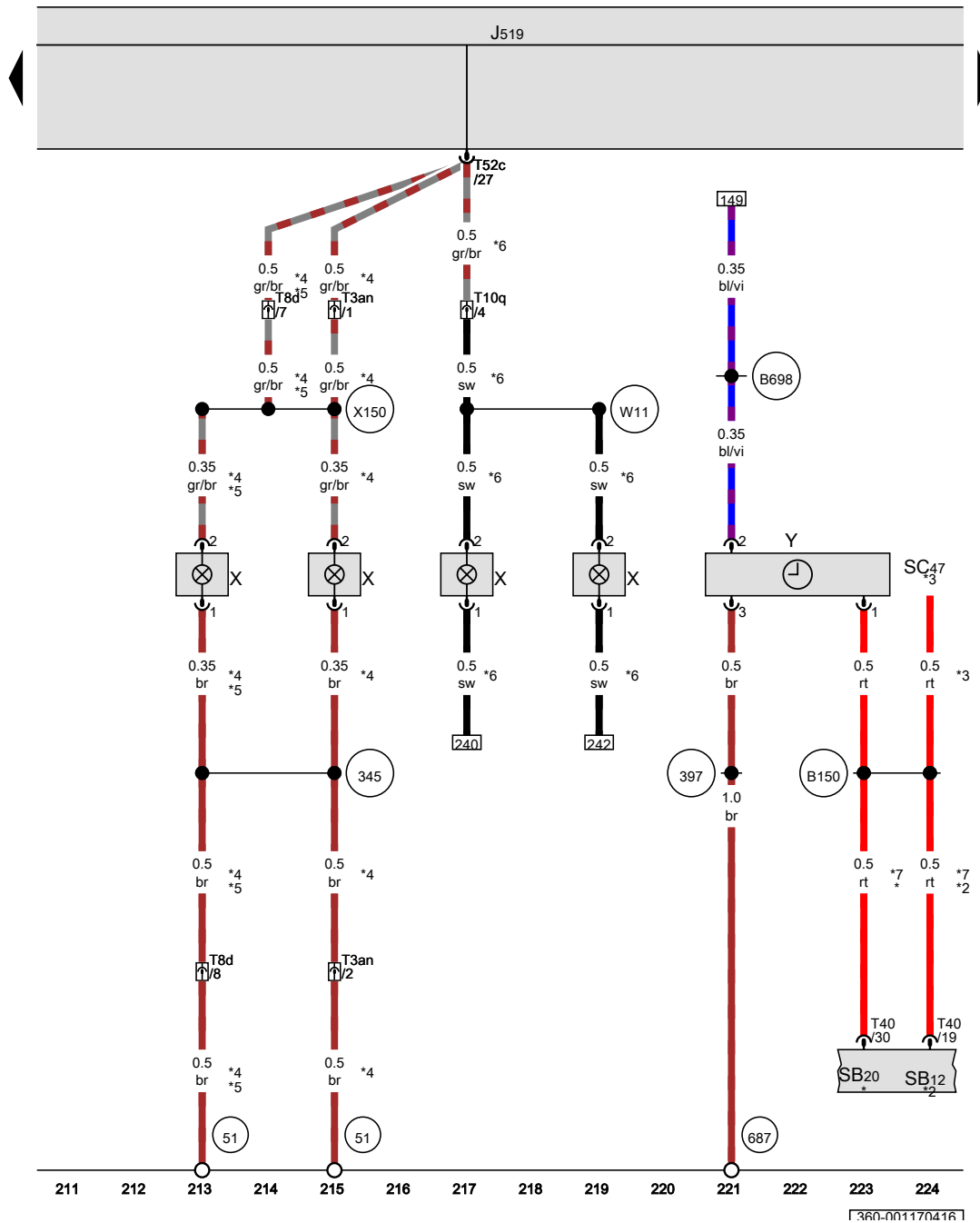


- J519 Onboard supply control unit
- MX3 Left tail light
- MX4 Right tail light
- M6 Rear left turn signal bulb
- M8 Rear right turn signal bulb
- M16 Left reversing light bulb
- M17 Right reversing light bulb
- M21 Left brake and tail light bulb
- M22 Right brake and tail light bulb
- T4y 4-pin connector
- T4z 4-pin connector
- T52a 52-pin connector, black
- T52c 52-pin connector, brown

- 50 Earth point, on left in luggage compartment
- 51 Earth point, on right in luggage compartment
- 369 Earth connection 4, in main wiring harness
- B520 Connection (RL), in main wiring harness
- W71 Connection (reversing light), in rear wiring harness
- * Saloon
- *2 Estate

- ws = white
- sw = black
- ro = red
- rt = red
- br = brown
- gn = green
- bl = blue
- gr = grey
- li = purple
- vi = purple
- ge = yellow
- or = orange
- rs = pink

1360-001160416



Number plate light, Analogue clock

- J519 Onboard supply control unit
- SB12 Fuse 12 on fuse holder B
- SB20 Fuse 20 on fuse holder B
- SC47 Fuse 47 on fuse holder C
- T3an 3-pin connector, in rear bumper
- T8d 8-pin connector, in rear bumper
- T10q 10-pin connector, in rear left side panel
- T40 40-pin connector
- T52c 52-pin connector, brown
- X Number plate light
- Y Analogue clock

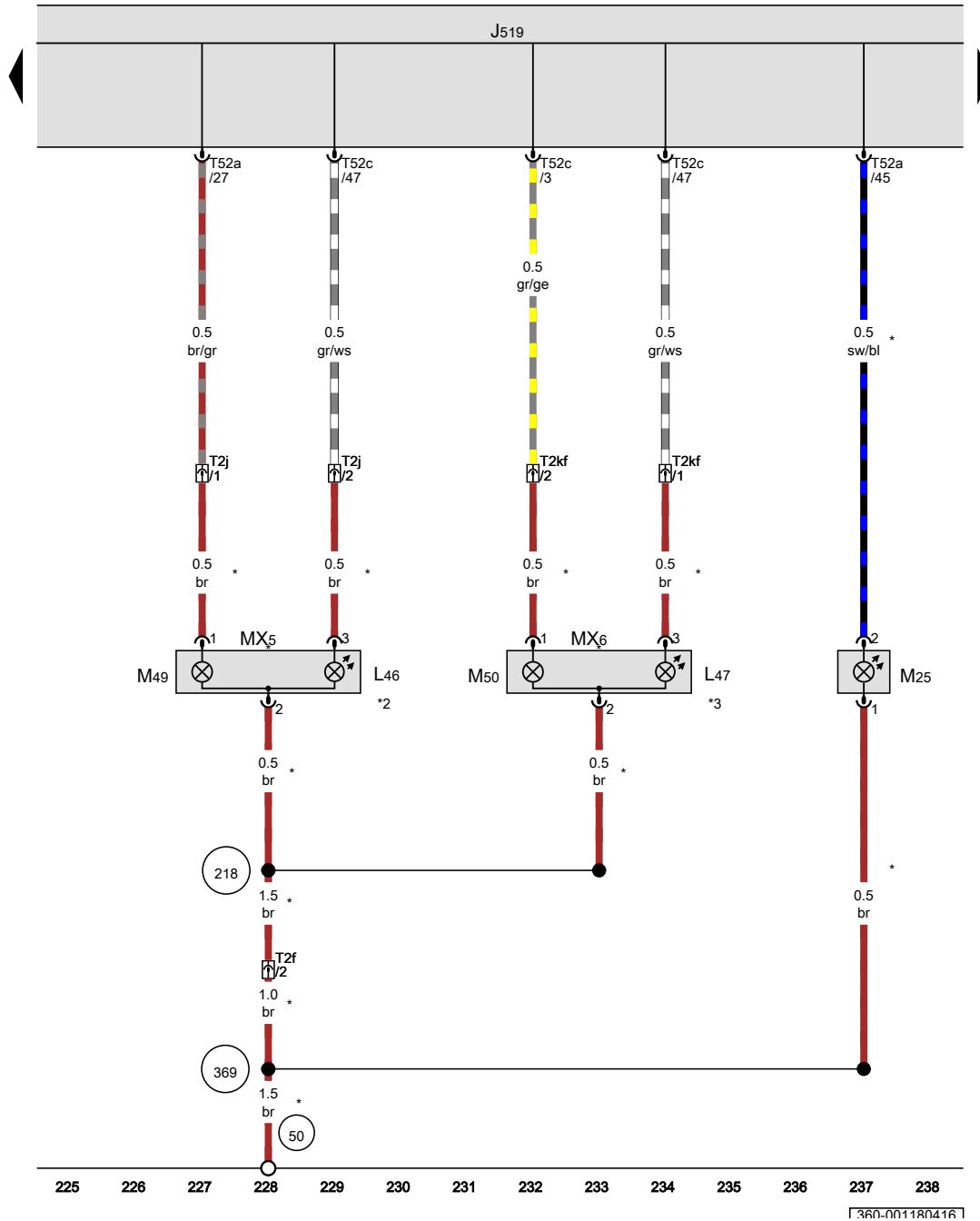
- 51 Earth point, on right in luggage compartment
- 345 Earth connection, in bumper wiring harness
- 397 Earth connection 32, in main wiring harness
- 687 Earth point 1, on centre tunnel
- B150 Positive connection 2 (30a), in interior wiring harness
- B698 Connection 3 (LIN bus) in main wiring harness
- W11 Connection (58), in rear lid wiring harness
- X150 Connection (58), rear bumper wiring harness

- * Fuses in E-box, High
- *2 Fuses in E-box, Low
- *3 Only models with start/stop system
- *4 Saloon
- *5 Only models with parking aid (PDC)
- *6 Estate
- *7 Only models with no start/stop system

- ws = white
- sw = black
- ro = red
- rt = red
- br = brown
- gn = green
- bl = blue
- gr = grey
- li = purple
- vi = purple
- ge = yellow
- or = orange
- rs = pink

1360-001170416

Rear left fog light bulb, Rear right fog light bulb, Left tail light 2, Right tail light 2, High-level brake light bulb



- J519 Onboard supply control unit
- L46 Rear left fog light bulb
- L47 Rear right fog light bulb
- MX5 Left tail light 2
- MX6 Right tail light 2
- M25 High-level brake light bulb
- M49 Left tail light bulb 2
- M50 Right tail light bulb 2
- T2f 2-pin connector, Coupling point for rear lid
- T2j 2-pin connector, Coupling point for rear lid
- T2kf 2-pin connector
- T52a 52-pin connector, black
- T52c 52-pin connector, brown

- 50 Earth point, on left in luggage compartment
- 218 Earth connection 1, in rear lid wiring harness
- 369 Earth connection 4, in main wiring harness

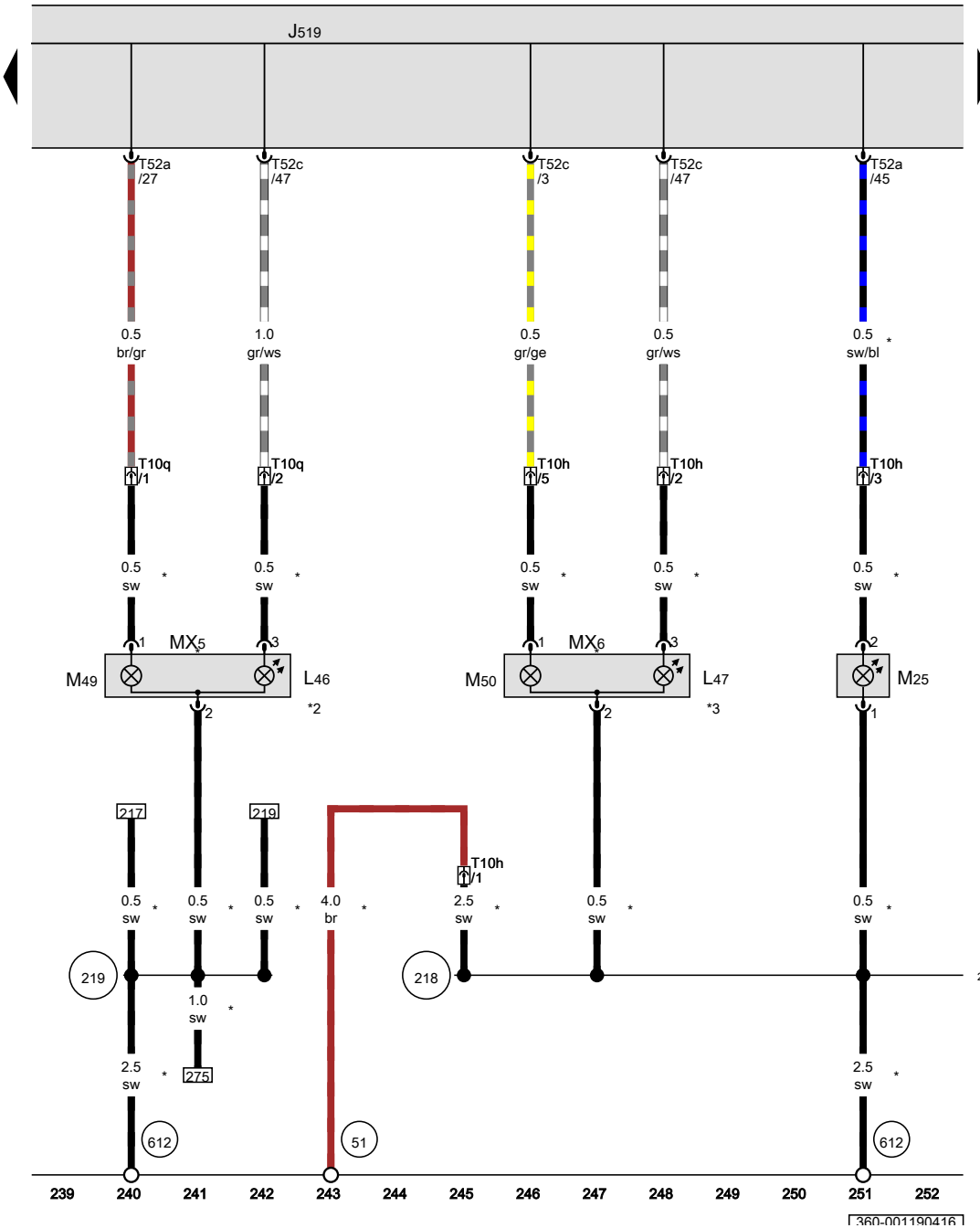
- * Saloon
- *2 Only left-hand drive models
- *3 Only right-hand drive models

- ws = white
- sw = black
- ro = red
- rt = red
- br = brown
- gn = green
- bl = blue
- gr = grey
- li = purple
- vi = purple
- ge = yellow
- or = orange
- rs = pink

Rear left fog light bulb, Rear right fog light bulb, Left tail light 2, Right tail light 2, High-level brake light bulb

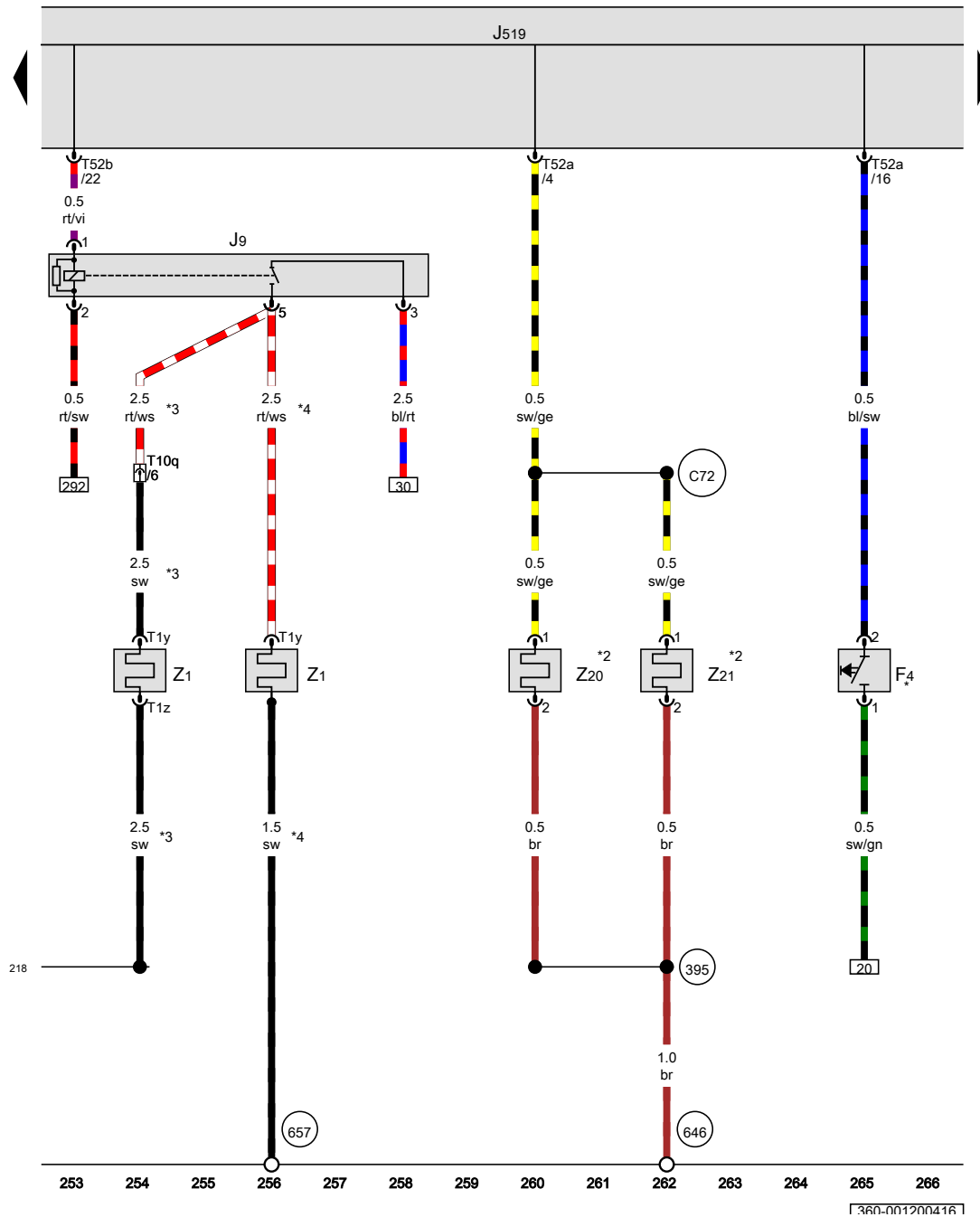
- J519 Onboard supply control unit
- L46 Rear left fog light bulb
- L47 Rear right fog light bulb
- MX5 Left tail light 2
- MX6 Right tail light 2
- M25 High-level brake light bulb
- M49 Left tail light bulb 2
- M50 Right tail light bulb 2
- T10h 10-pin connector, in rear right side panel
- T10q 10-pin connector, in rear left side panel
- T52a 52-pin connector, black
- T52c 52-pin connector, brown

- 51 Earth point, on right in luggage compartment
- 218 Earth connection 1, in rear lid wiring harness
- 219 Earth connection 2, in rear lid wiring harness
- 612 Earth point, centre on rear lid
- * Estate
- *2 Only left-hand drive models
- *3 Only right-hand drive models



- ws = white
- sw = black
- ro = red
- rt = red
- br = brown
- gn = green
- bl = blue
- gr = grey
- li = purple
- vi = purple
- ge = yellow
- or = orange
- rs = pink

1360-001190416



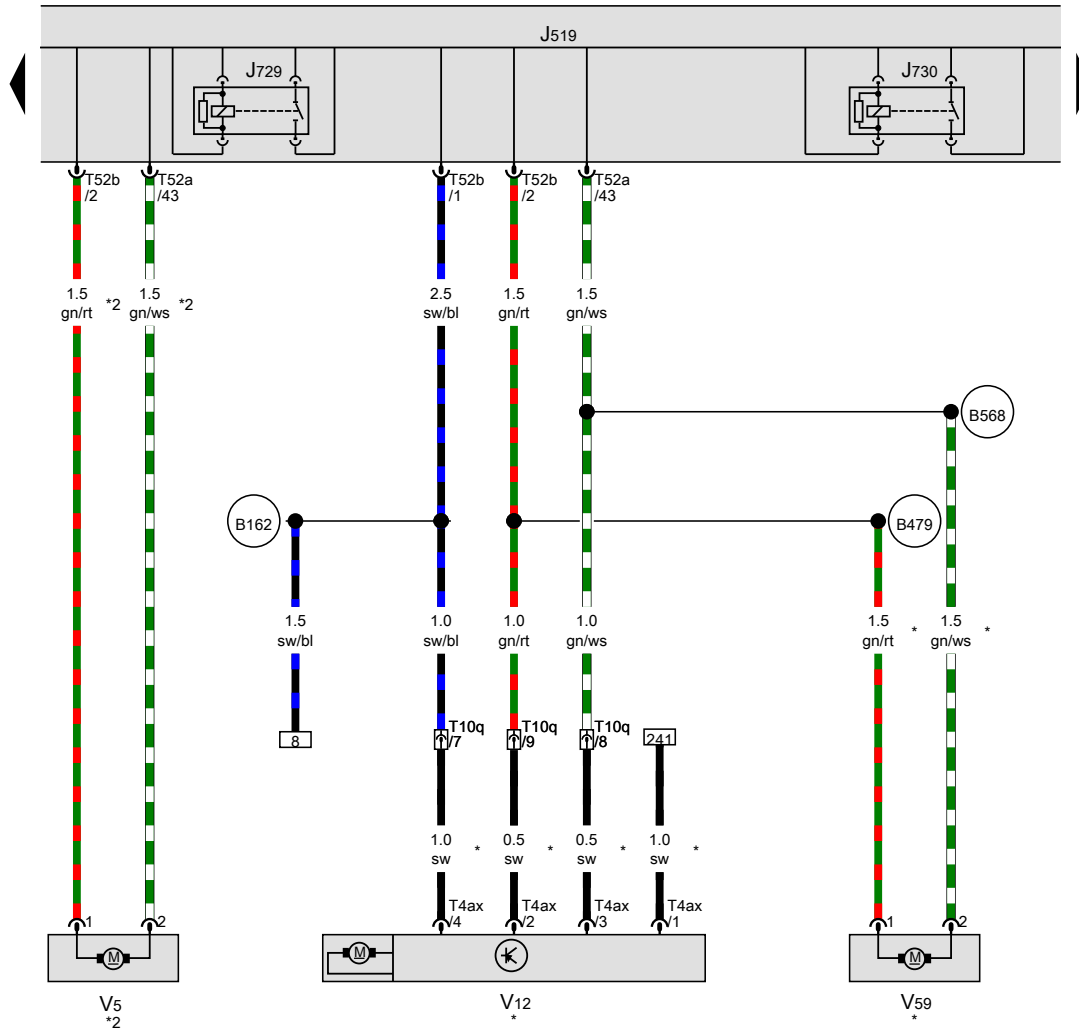
Reversing light switch, Heated rear window relay, Heated rear window, Left washer jet heater element, Right washer jet heater element

- F4 Reversing light switch
- J9 Heated rear window relay
- J519 Onboard supply control unit
- T1y Single connector
- T1z Single connector
- T10q 10-pin connector, in rear left side panel
- T52a 52-pin connector, black
- T52b 52-pin connector, white
- Z1 Heated rear window
- Z20 Left washer jet heater element
- Z21 Right washer jet heater element

- (218) Earth connection 1, in rear lid wiring harness
- (395) Earth connection 30, in main wiring harness
- (646) Earth point 2, on bulkhead
- (657) Earth point 1, on left near rear window
- (C72) Positive connection in heated washer jet wiring harness
- * Not for models with dual clutch gearbox
- *2 Only models with heated washer jets
- *3 Estate
- *4 Saloon

- ws = white
- sw = black
- ro = red
- rt = red
- br = brown
- gn = green
- bl = blue
- gr = grey
- li = purple
- vi = purple
- ge = yellow
- or = orange
- rs = pink

1360-001200416



Double washer pump relay 1, Double washer pump relay 2, Washer pump, Rear window wiper motor, Windscreen and rear window washer pump

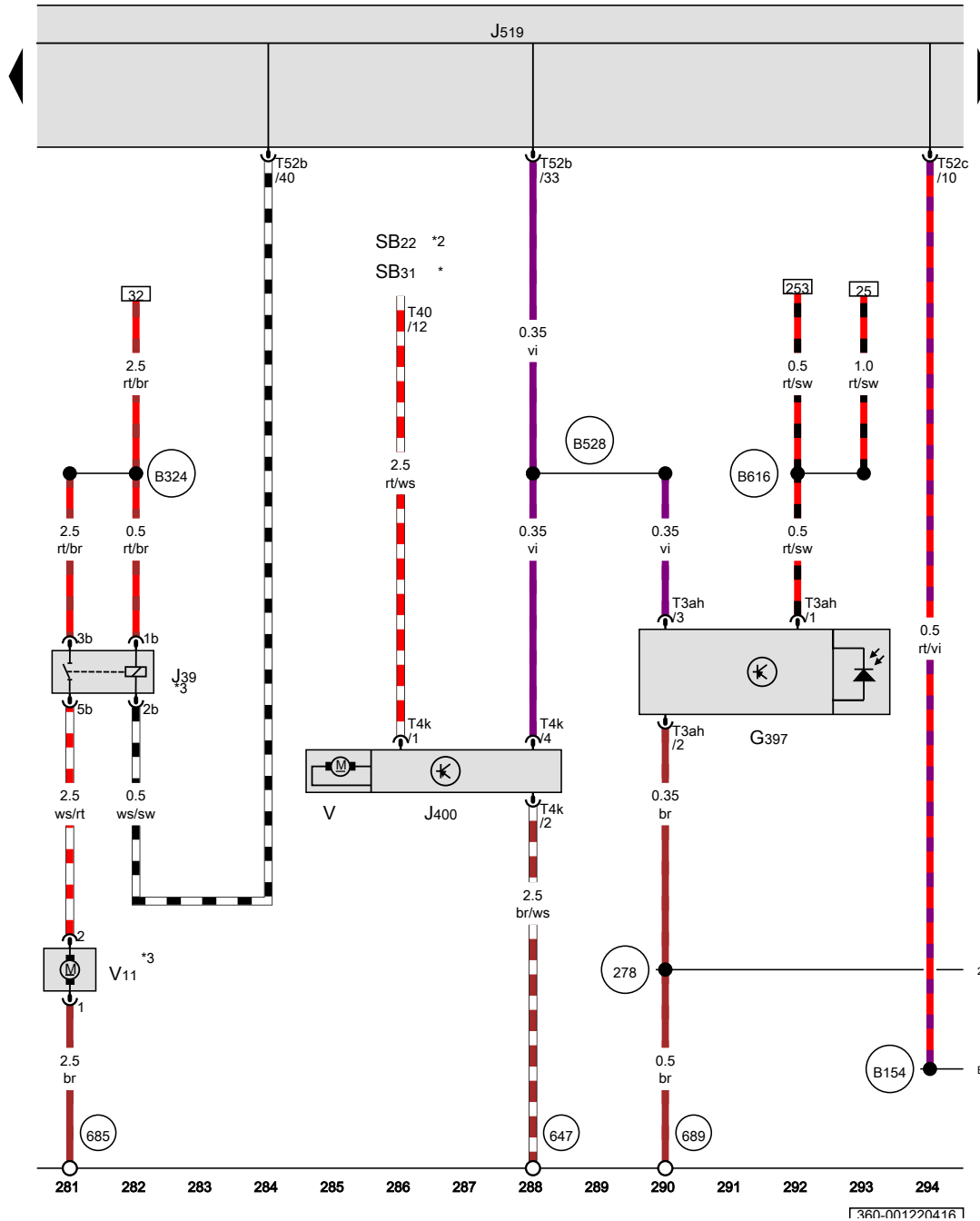
- J519 Onboard supply control unit
- J729 Double washer pump relay 1
- J730 Double washer pump relay 2
- T4ax 4-pin connector
- T10q 10-pin connector, in rear left side panel
- T52a 52-pin connector, black
- T52b 52-pin connector, white
- V5 Washer pump
- V12 Rear window wiper motor, black
- V59 Windscreen and rear window washer pump

- B162 Connection (75a), in interior wiring harness
- B479 Connection 15, in main wiring harness
- B568 Connection 35, in main wiring harness
- * Estate
- *2 Saloon

- ws = white
- sw = black
- ro = red
- rt = red
- br = brown
- gn = green
- bl = blue
- gr = grey
- li = purple
- vi = purple
- ge = yellow
- or = orange
- rs = pink

267 268 269 270 271 272 273 274 275 276 277 278 279 280

1360-001210416



Rain and light sensor, Headlight washer system relay, Wiper motor control unit, Windscreen wiper motor, Headlight washer system pump

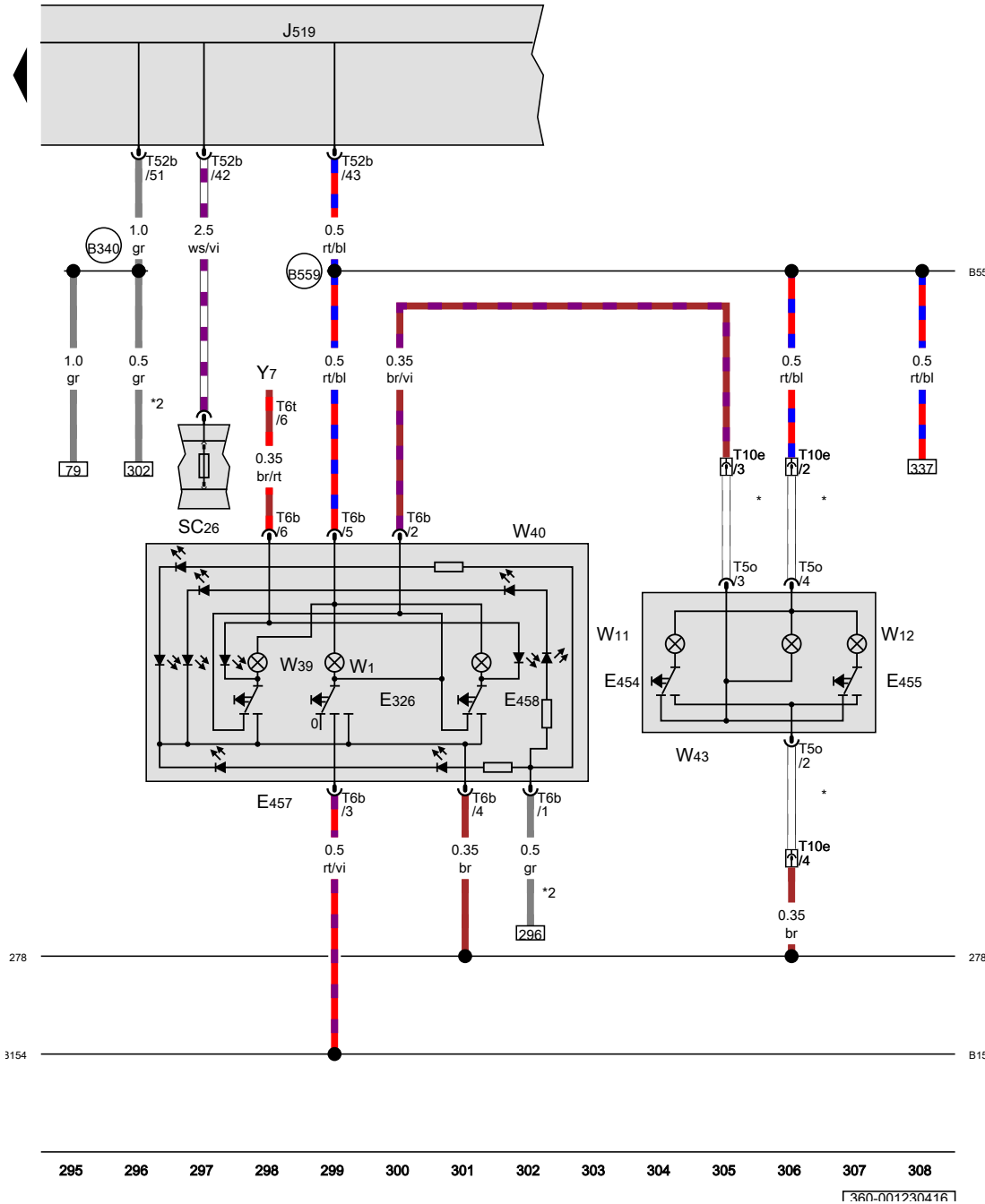
- G397 Rain and light sensor
- J39 Headlight washer system relay
- J400 Wiper motor control unit
- J519 Onboard supply control unit
- SB22 Fuse 22 on fuse holder B
- SB31 Fuse 31 on fuse holder B
- T3ah 3-pin connector
- T4k 4-pin connector
- T40 40-pin connector
- T52b 52-pin connector, white
- T52c 52-pin connector, brown
- V Windscreen wiper motor
- V11 Headlight washer system pump

- (278) Earth connection 4, in interior wiring harness
- (647) Earth point 3, on bulkhead
- (685) Earth point 1 at front of right longitudinal member
- (689) Earth point, at front, central in roof
- (B154) Connection 1 (DCt), in interior wiring harness
- (B324) Positive connection 10 (30a) in main wiring harness
- (B528) Connection 1 (LIN bus) in main wiring harness
- (B616) Positive connection 12 (30a), in interior wiring harness

* Fuses in E-box, High
 *2 Fuses in E-box, Low
 *3 Only models with headlight washer system

- ws = white
- sw = black
- ro = red
- rt = red
- br = brown
- gn = green
- bl = blue
- gr = grey
- li = purple
- vi = purple
- ge = yellow
- or = orange
- rs = pink

1360-001220416



Front interior light button, Driver side reading light button, Front passenger side reading light button, Front interior light, Left centre reading light, Right centre reading light, Rear interior light

- E326 Front interior light button
- E454 Rear left reading light button
- E455 Rear right reading light button
- E457 Driver side reading light button
- E458 Front passenger side reading light button
- J519 Onboard supply control unit
- SC26 Fuse 26 on fuse holder C
- T5o 5-pin connector
- T6b 6-pin connector
- T6t 6-pin connector
- T10e 10-pin connector
- T52b 52-pin connector, white
- W1 Front interior light
- W11 Rear left reading light
- W12 Rear right reading light
- W39 Left centre reading light
- W40 Right centre reading light
- W43 Rear interior light
- Y7 Automatic anti-dazzle interior mirror

(278) Earth connection 4, in interior wiring harness

(B154) Connection 1 (DCt), in interior wiring harness

(B340) Connection 1 (58d), in main wiring harness

(B559) Positive connection 1 (30g), in main wiring harness

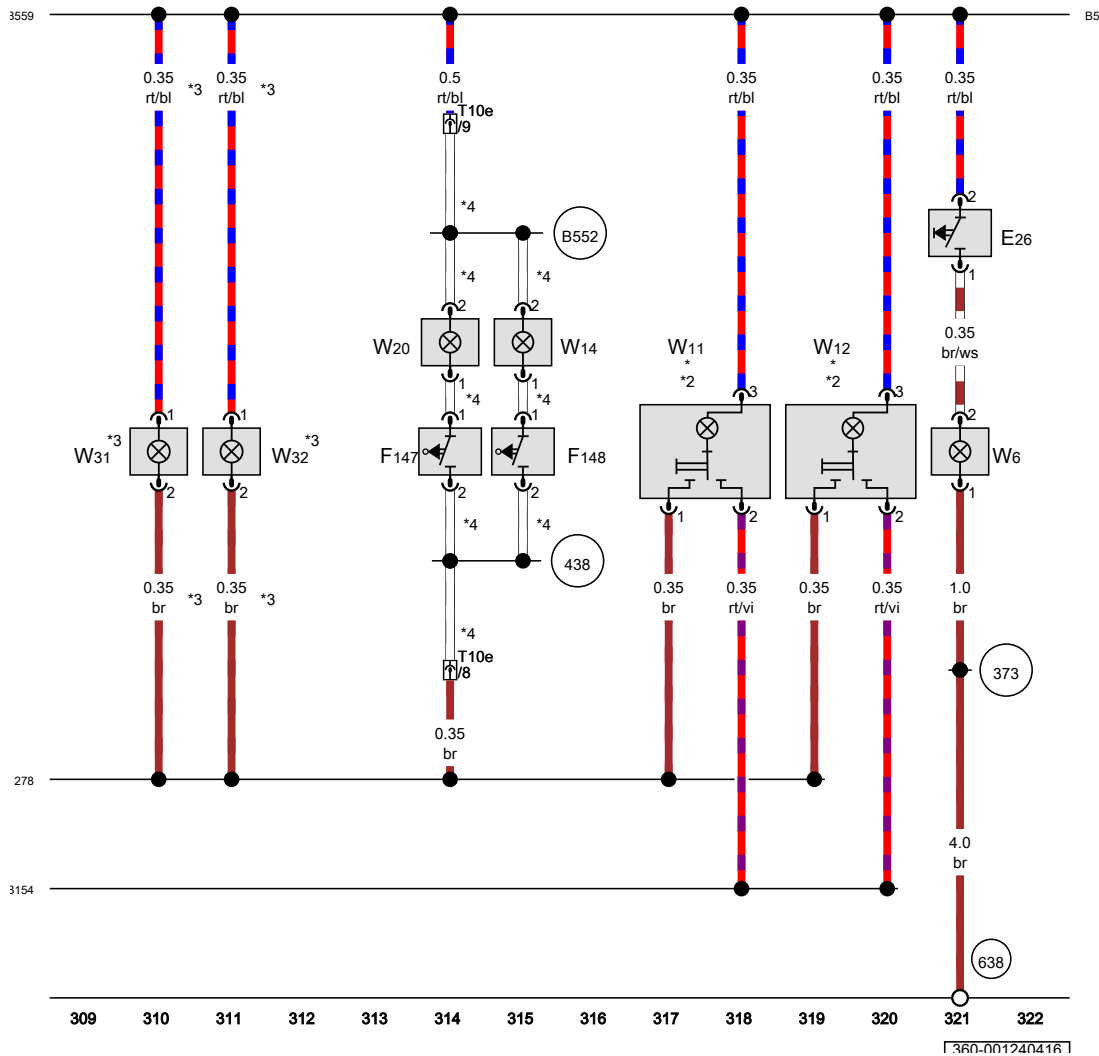
* Flat conductor

*2 Only models with sliding/tilting sunroof

- ws = white
- sw = black
- ro = red
- rt = red
- br = brown
- gn = green
- bl = blue
- gr = grey
- li = purple
- vi = purple
- ge = yellow
- or = orange
- rs = pink

1360-001230416

Glove compartment light switch, Driver vanity mirror contact switch, Glove compartment light, Rear left reading light, Rear right reading light, Front passenger side illuminated vanity mirror, Driver side illuminated vanity mirror

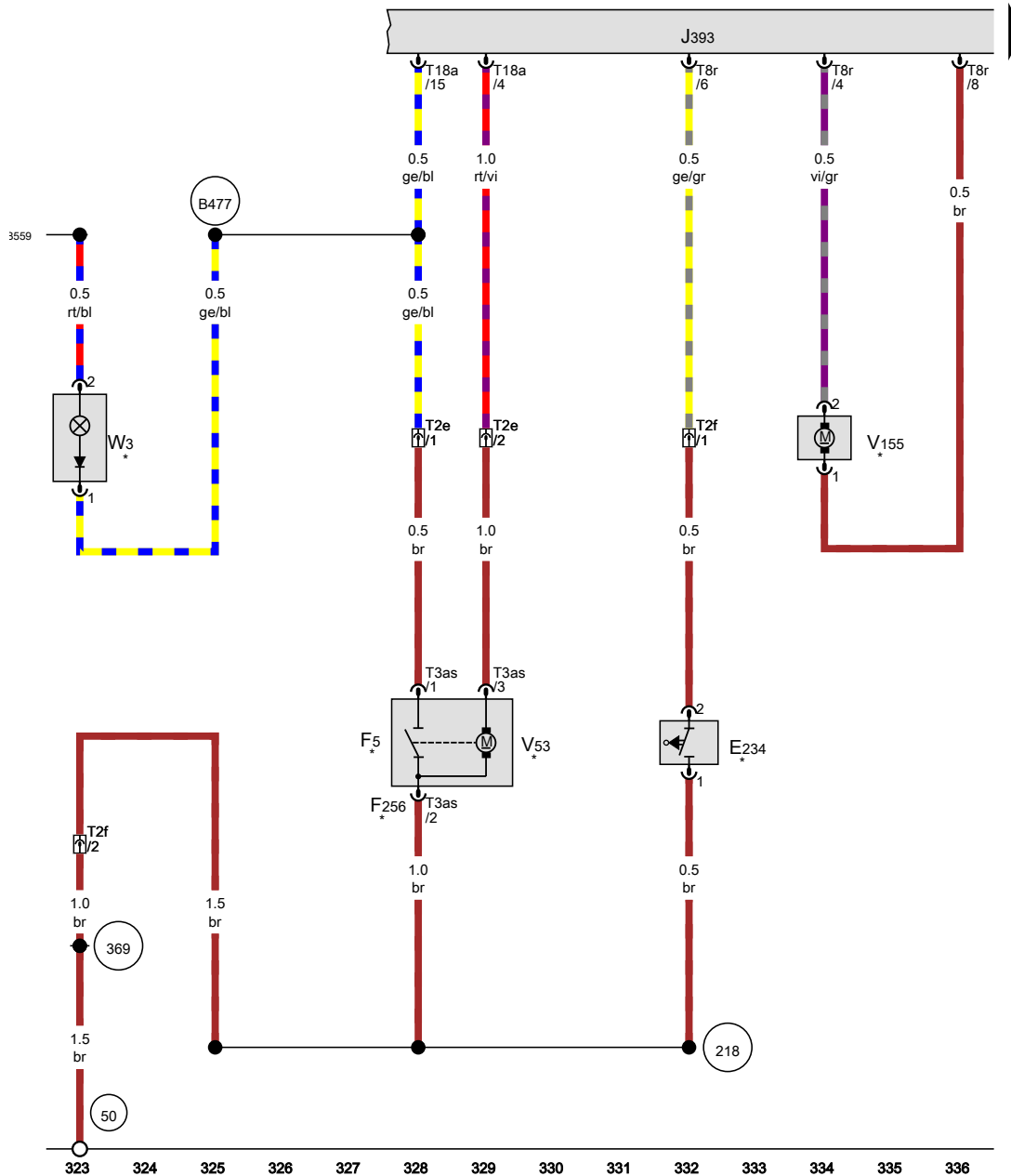


- E26 Glove compartment light switch
- F147 Driver vanity mirror contact switch
- F148 Front passenger vanity mirror contact switch
- T10e 10-pin connector
- W6 Glove compartment light
- W11 Rear left reading light
- W12 Rear right reading light
- W14 Front passenger side illuminated vanity mirror
- W20 Driver side illuminated vanity mirror
- W31 Front left entry light
- W32 Front right entry light

- (278) Earth connection 4, in interior wiring harness
- (373) Earth connection 8, in main wiring harness
- (438) Earth connection 3, in roof wiring harness
- (638) Earth point, on right A-pillar
- (B154) Connection 1 (DCt), in interior wiring harness
- (B552) Positive connection 2, in roof wiring harness
- (B559) Positive connection 1 (30g), in main wiring harness
- * Only models with panoramic sliding sunroof
- *2 Estate
- *3 According to equipment
- *4 Flat conductor

- ws = white
- sw = black
- ro = red
- rt = red
- br = brown
- gn = green
- bl = blue
- gr = grey
- li = purple
- vi = purple
- ge = yellow
- or = orange
- rs = pink

1360-001240416



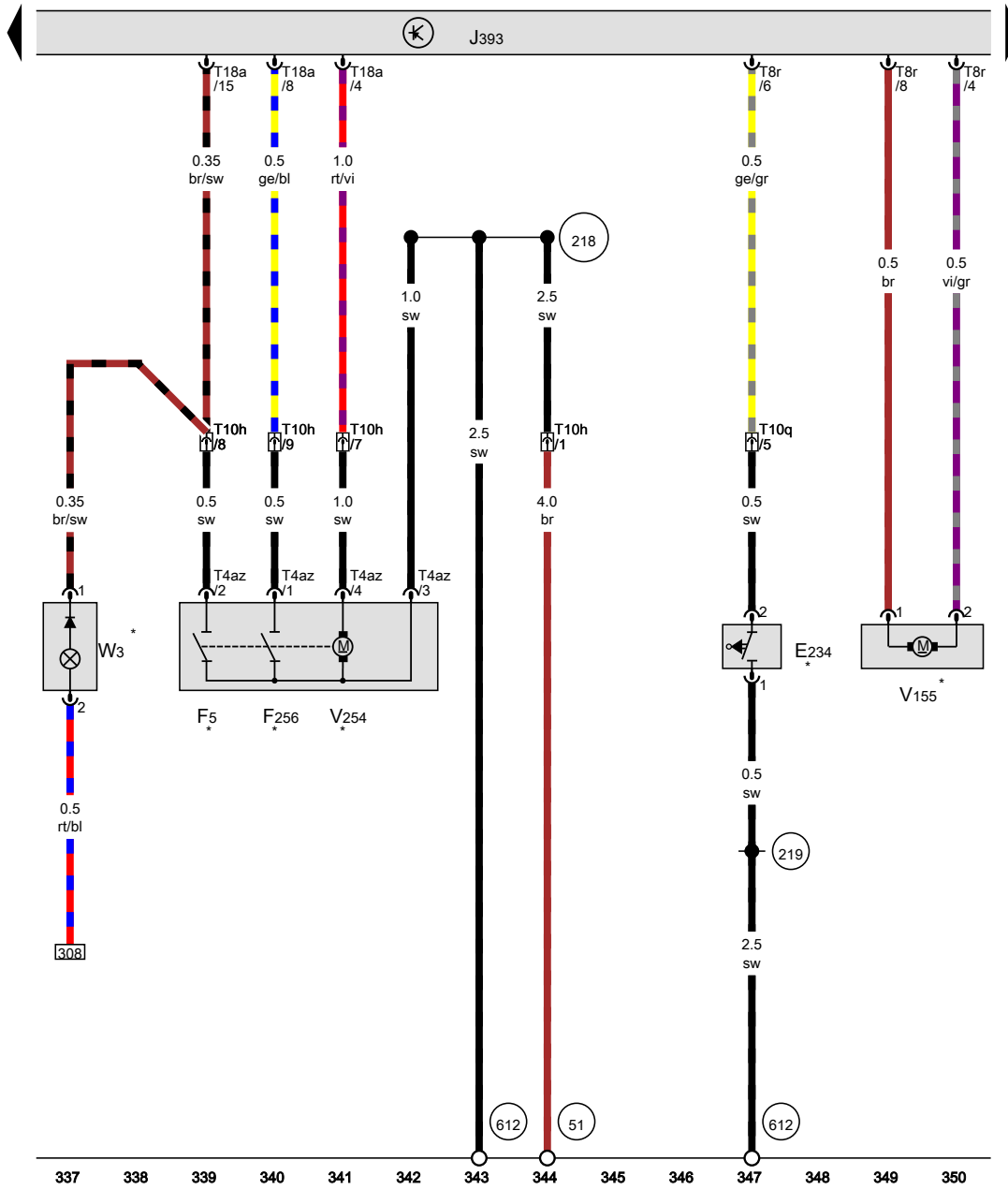
Rear lid handle release button, Luggage compartment light switch, Convenience system central control unit, Tank filler flap locking motor, Luggage compartment light

- E234 Rear lid handle release button
- F5 Luggage compartment light switch
- F256 Rear lid lock unit
- J393 Convenience system central control unit
- T2e 2-pin connector, Coupling point for rear lid
- T2f 2-pin connector, Coupling point for rear lid
- T3as 3-pin connector
- T8r 8-pin connector
- T18a 18-pin connector
- V53 Rear lid central locking motor
- V155 Tank filler flap locking motor
- W3 Luggage compartment light

- 50 Earth point, on left in luggage compartment
- 218 Earth connection 1, in rear lid wiring harness
- 369 Earth connection 4, in main wiring harness
- B477 Connection 13, in main wiring harness
- B559 Positive connection 1 (30g), in main wiring harness
- * Saloon

- ws = white
- sw = black
- ro = red
- rt = red
- br = brown
- gn = green
- bl = blue
- gr = grey
- li = purple
- vi = purple
- ge = yellow
- or = orange
- rs = pink

1360-001250416



Rear lid handle release button, Luggage compartment light switch, Rear lid lock unit, Convenience system central control unit, Tank filler flap locking motor, Rear lid electric opener motor, Luggage compartment light

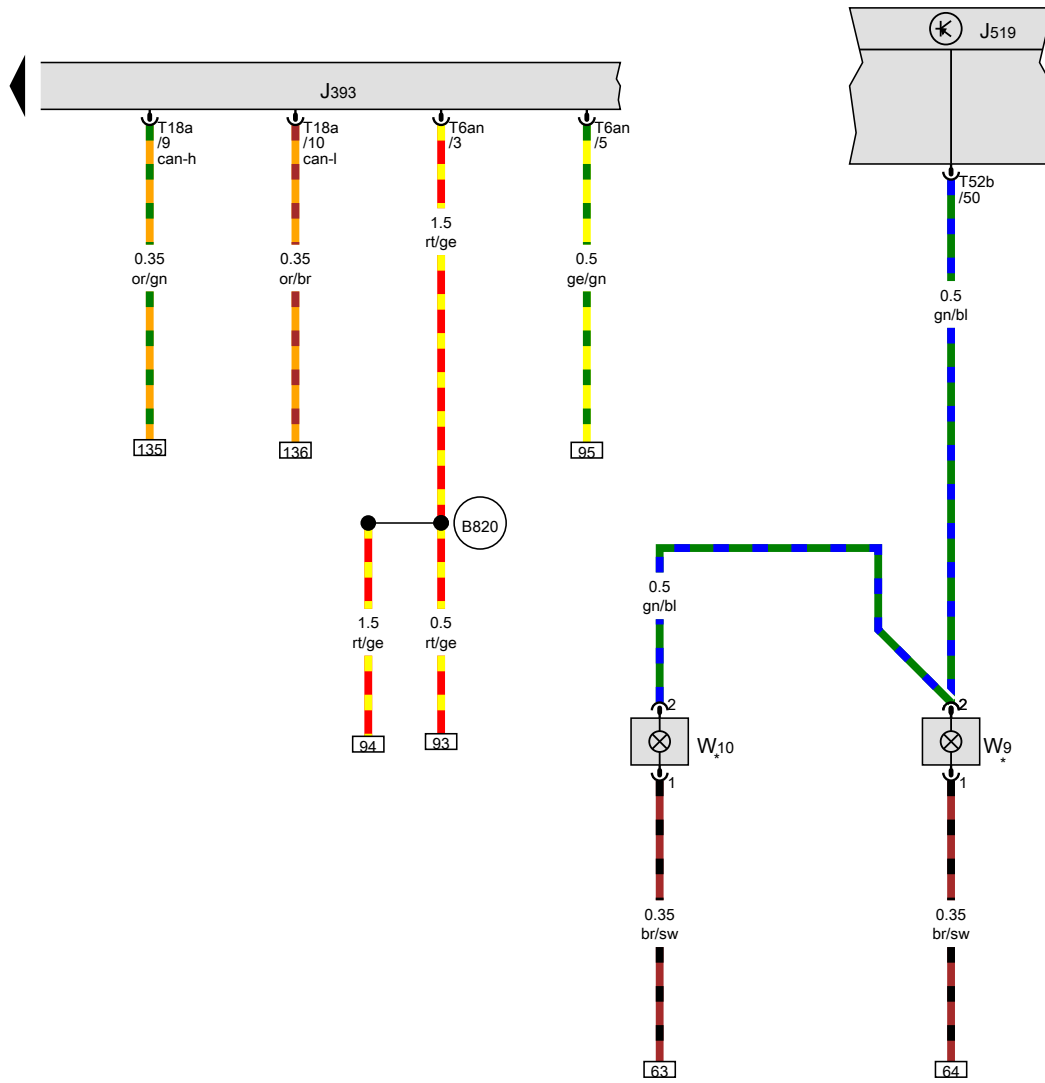
- E234 Rear lid handle release button
- F5 Luggage compartment light switch
- F256 Rear lid lock unit
- J393 Convenience system central control unit
- T4az 4-pin connector
- T8r 8-pin connector
- T10h 10-pin connector, in rear right side panel
- T10q 10-pin connector, in rear left side panel
- T18a 18-pin connector
- V155 Tank filler flap locking motor
- V254 Rear lid electric opener motor
- W3 Luggage compartment light

- 51 Earth point, on right in luggage compartment
- 218 Earth connection 1, in rear lid wiring harness
- 219 Earth connection 2, in rear lid wiring harness
- 612 Earth point, centre on rear lid

* Estate

- ws = white
- sw = black
- ro = red
- rt = red
- br = brown
- gn = green
- bl = blue
- gr = grey
- li = purple
- vi = purple
- ge = yellow
- or = orange
- rs = pink

1360-001260416



Convenience system central control unit, Left footwell light, Right footwell light

- J393 Convenience system central control unit
- J519 Onboard supply control unit
- T6an 6-pin connector
- T18a 18-pin connector
- T52b 52-pin connector, white
- W9 Left footwell light
- W10 Right footwell light
- (B820) Connection (electronic steering column lock) in main wiring harness
- * Only models with footwell illumination

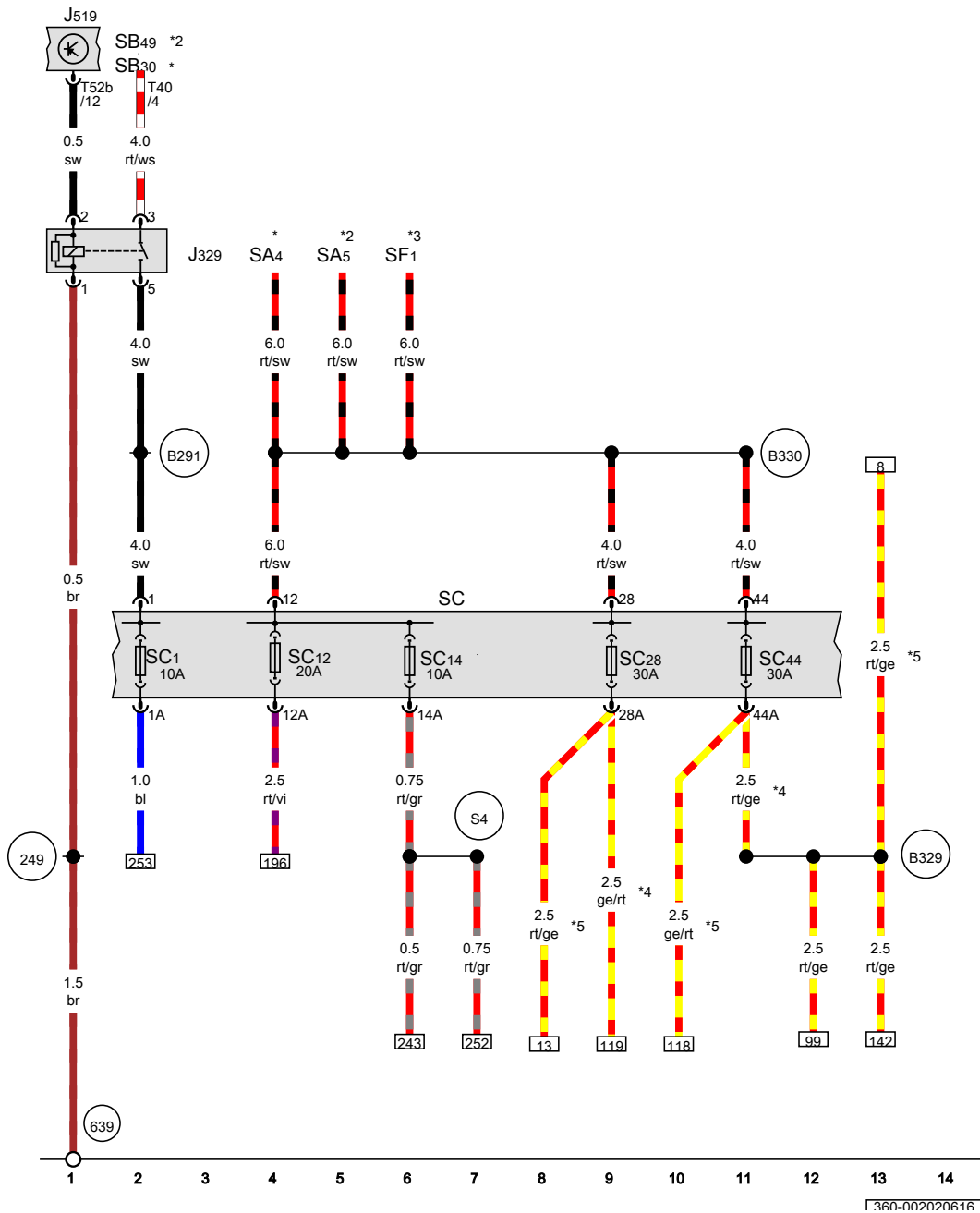
- ws = white
- sw = black
- ro = red
- rt = red
- br = brown
- gn = green
- bl = blue
- gr = grey
- li = purple
- vi = purple
- ge = yellow
- or = orange
- rs = pink

351 352 353 354 355 356 357 358 359 360 361 362 363 364

[360-001270416]

Convenience system

From November 2010



Terminal 15 voltage supply relay, Fuse holder C

- J329 Terminal 15 voltage supply relay
- J519 Onboard supply control unit
- SC1 Fuse 1 on fuse holder C
- SF1 Fuse 1 in fuse holder F
- SA4 Fuse 4 in fuse holder A
- SA5 Fuse 5 in fuse holder A
- SC12 Fuse 12 on fuse holder C
- SC14 Fuse 14 on fuse holder C
- SC28 Fuse 28 on fuse holder C
- SB30 Fuse 30 on fuse holder B
- SB49 Fuse 49 on fuse holder B
- SC Fuse holder C
- SC44 Fuse 44 on fuse holder C
- T40 40-pin connector
- T52b 52-pin connector

- 249 Earth connection 2, in interior wiring harness
- 639 Earth point, left A-pillar
- B291 Positive connection 15 (15a) in main wiring harness
- B329 Positive connection 15 (30a) in main wiring harness
- B330 Positive connection 16 (30a) in main wiring harness
- S4 Positive connection (30) 2, in central locking wiring harness
- * Fuses in E-box, Low
- *2 Fuses in E-box, High
- *3 Only models with battery in luggage compartment
- *4 Only left-hand drive models
- *5 Only right-hand drive models

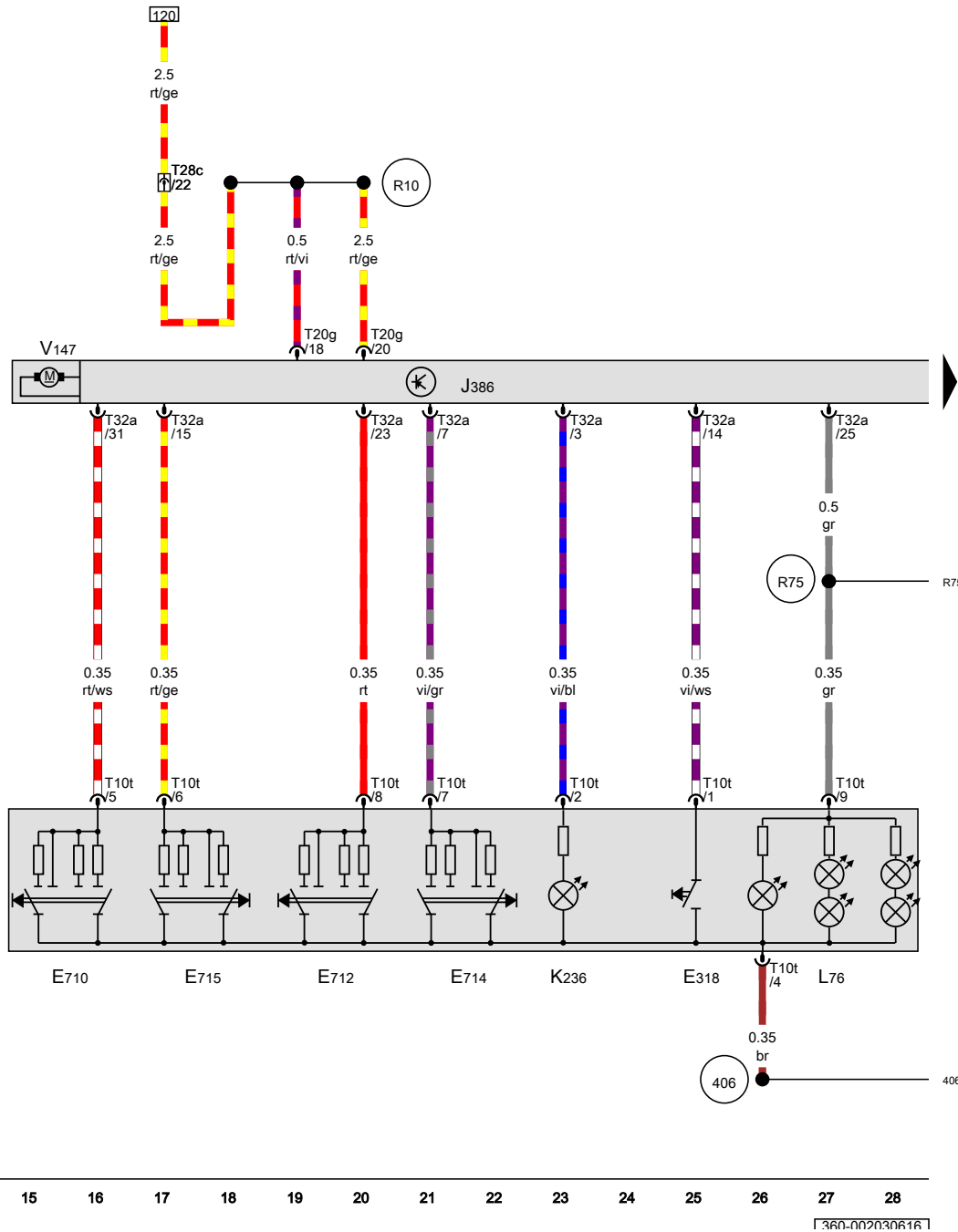
- ws = white
- sw = black
- ro = red
- rt = red
- br = brown
- gn = green
- bl = blue
- gr = grey
- li = purple
- vi = purple
- ge = yellow
- or = orange
- rs = pink

1360-002020616

Front driver side window regulator button, Front passenger side window regulator button, in driver door, Driver door control unit, Driver side window regulator motor

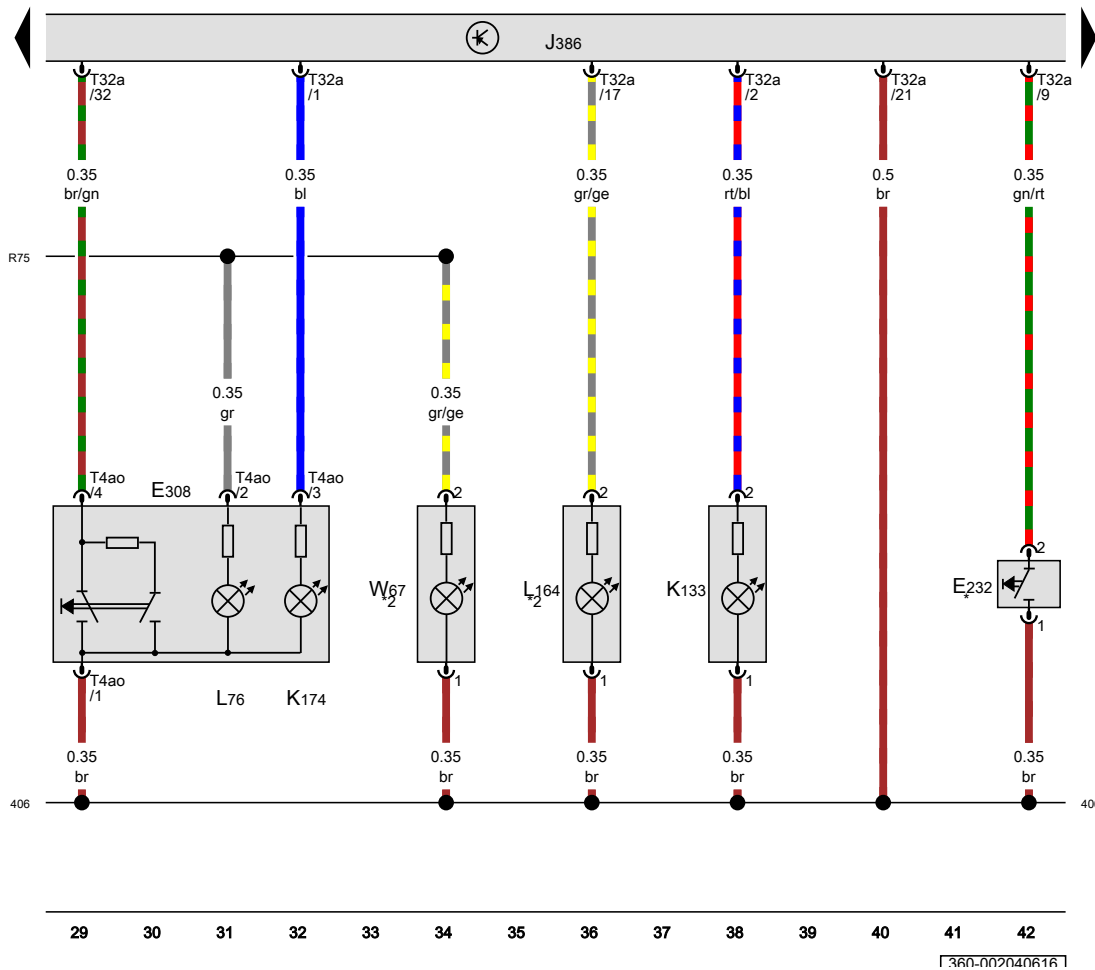
- E318 Childproof lock button
- E710 Front driver side window regulator button
- E712 Rear driver side window regulator button, in driver door
- E714 Rear passenger side window regulator button, in driver door
- E715 Front passenger side window regulator button, in driver door
- J386 Driver door control unit
- K236 Warning light for activated childproof lock
- L76 Button illumination bulb
- T10t 10-pin connector
- T20g 20-pin connector
- T28c 28-pin connector, in left A-pillar coupling station
- T32a 32-pin connector
- V147 Driver side window regulator motor

- 406 Earth connection 5, in drive side door wiring harness
- R10 Positive connection 1 (30), in driver door wiring harness
- R75 Connection 1 (58d), in door control unit wiring harness



Key operated switch to block release of rear lid remote, Driver side interior locking button for central locking system, Driver door control unit, Central locking SAFELOCK function warning lamp, Driver door ambient lighting bulb, Light conductor for front left sill panel moulding ambient lighting

- E232 Key operated switch to block release of rear lid remote
- E308 Driver side interior locking button for central locking system
- J386 Driver door control unit
- K133 Central locking SAFELOCK function warning lamp
- K174 Driver side interior locking warning lamp
- L76 Button illumination bulb
- L164 Driver door ambient lighting bulb
- T4ao 4-pin connector
- T32a 32-pin connector
- W67 Light conductor for front left sill panel moulding ambient lighting



- 406 Earth connection 5, in drive side door wiring harness
- R75 Connection 1 (58d), in door control unit wiring harness
- * Only for American markets
- *2 Only models with footwell illumination

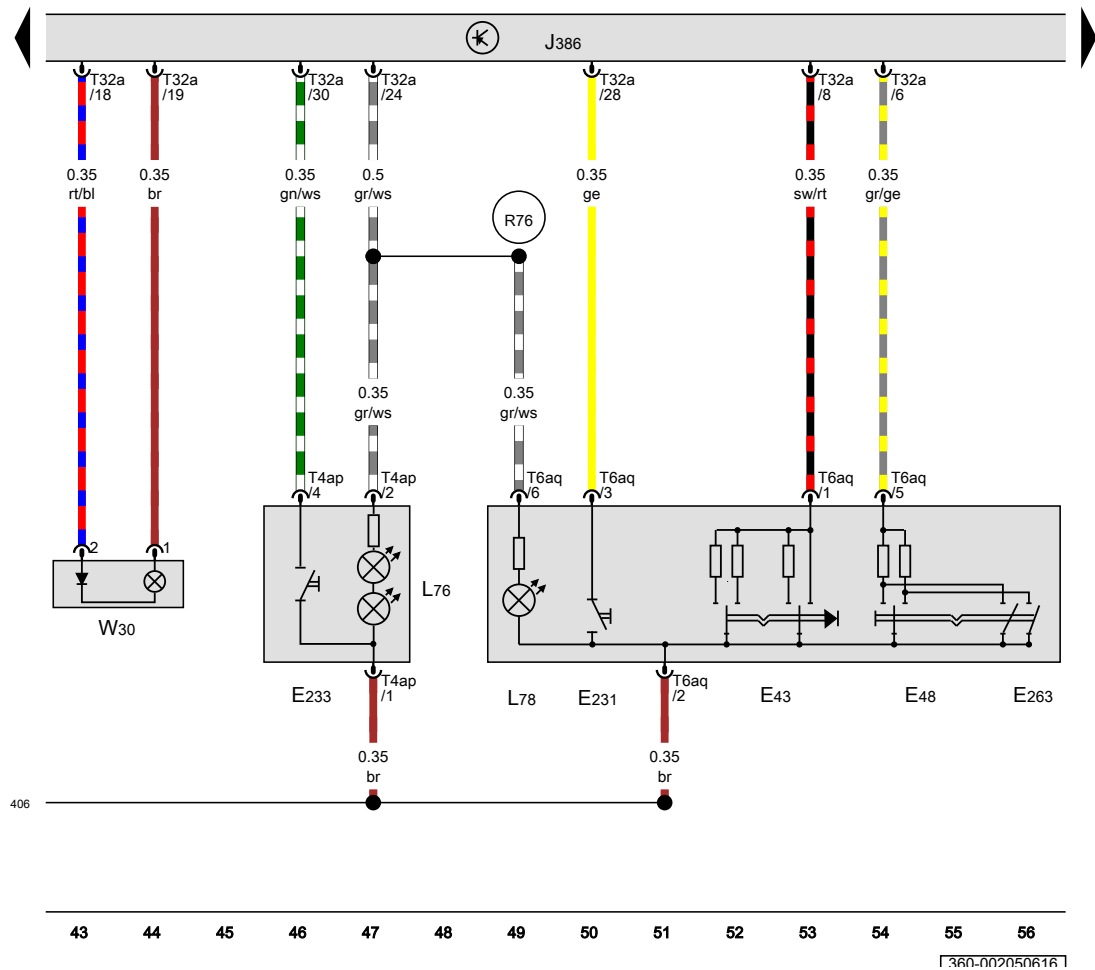
- ws = white
- sw = black
- ro = red
- rt = red
- br = brown
- gn = green
- bl = blue
- gr = grey
- li = purple
- vi = purple
- ge = yellow
- or = orange
- rs = pink

1360-002040616

Mirror adjustment switch, Exterior mirror heater button, Rear lid remote release button, Driver door control unit, Driver side door warning lamp

- E43 Mirror adjustment switch
- E48 Mirror adjustment changeover switch
- E231 Exterior mirror heater button
- E233 Rear lid remote release button
- E263 Fold-in mirror switch
- J386 Driver door control unit
- L76 Button illumination bulb
- L78 Mirror adjustment switch illumination bulb
- T4ap 4-pin connector
- T6aq 6-pin connector
- T32a 32-pin connector
- W30 Driver side door warning lamp

- 406 Earth connection 5, in drive side door wiring harness
- R76 Connection 2 (58d), in door control unit wiring harness

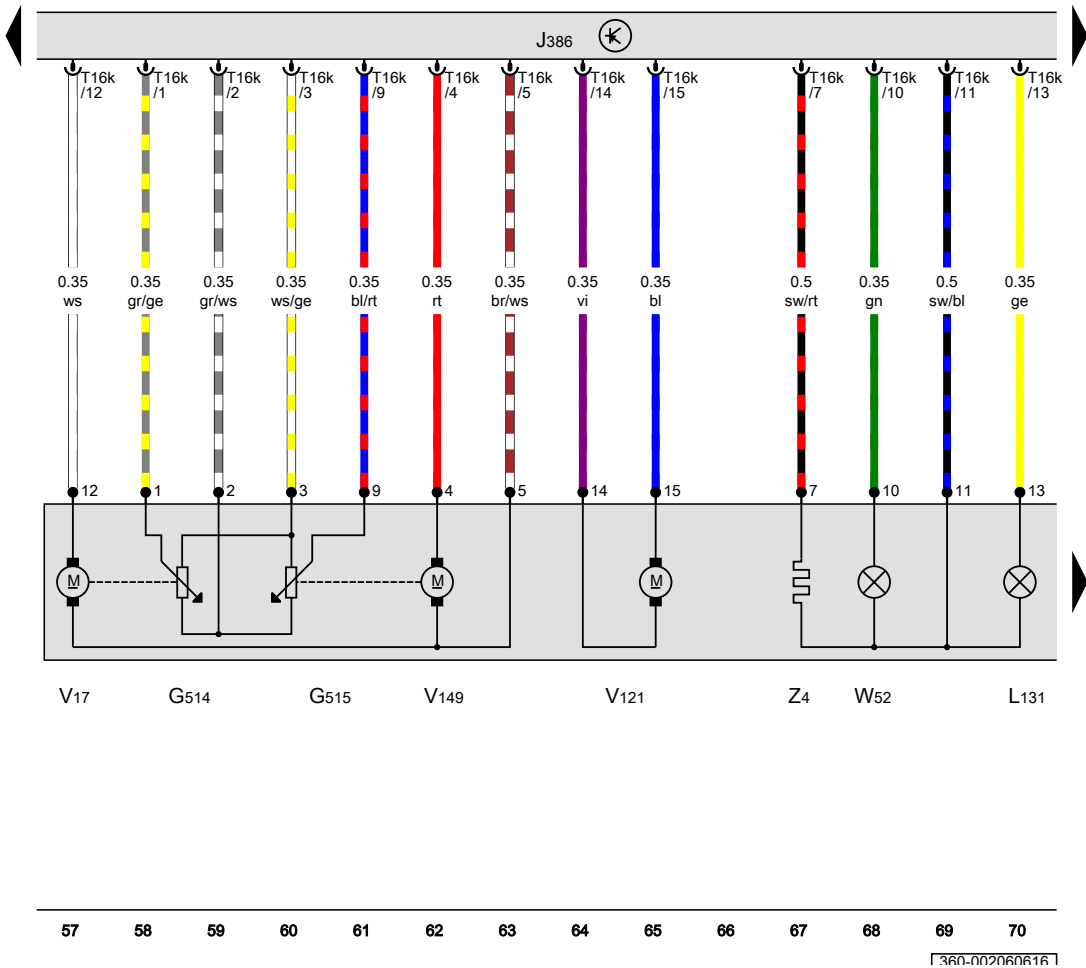


- ws = white
- sw = black
- ro = red
- rt = red
- br = brown
- gn = green
- bl = blue
- gr = grey
- li = purple
- vi = purple
- ge = yellow
- or = orange
- rs = pink

1360-002050616

Potentiometer for horizontal adjustment of driver side mirror,
 Potentiometer for vertical adjustment of driver side mirror,
 Driver door control unit, Driver side mirror adjustment motor
 2, Driver side fold-in mirror motor, Driver side mirror
 adjustment motor, Heated exterior mirror on driver side

- G514 Potentiometer for horizontal adjustment of driver side mirror
- G515 Potentiometer for vertical adjustment of driver side mirror
- J386 Driver door control unit
- L131 Driver side turn signal repeater bulb
- T16k 16-pin connector
- V17 Driver side mirror adjustment motor 2
- V121 Driver side fold-in mirror motor
- V149 Driver side mirror adjustment motor
- W52 Driver side entry light in exterior mirror
- Z4 Heated exterior mirror on driver side



- ws = white
- sw = black
- ro = red
- rt = red
- br = brown
- gn = green
- bl = blue
- gr = grey
- li = purple
- vi = purple
- ge = yellow
- or = orange
- rs = pink

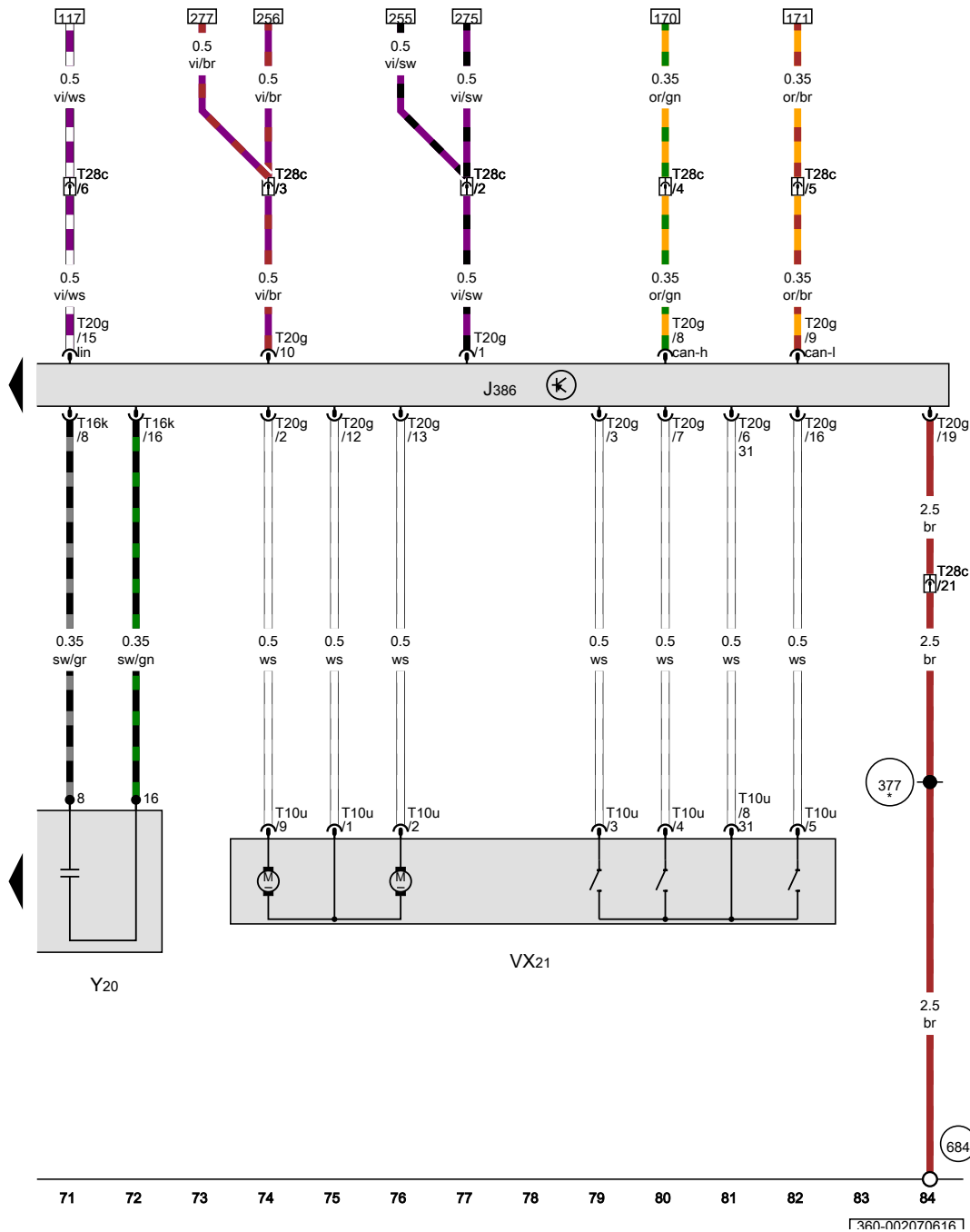
Driver door control unit, Driver door lock unit

- J386 Driver door control unit
- T10u 10-pin connector
- T16k 16-pin connector
- T20g 20-pin connector
- T28c 28-pin connector, in left A-pillar coupling station
- VX21 Driver door lock unit
- Y20 Driver side automatic anti-dazzle exterior mirror

377 Earth connection 12, in main wiring harness

684 Earth point on front of left side member

* According to equipment



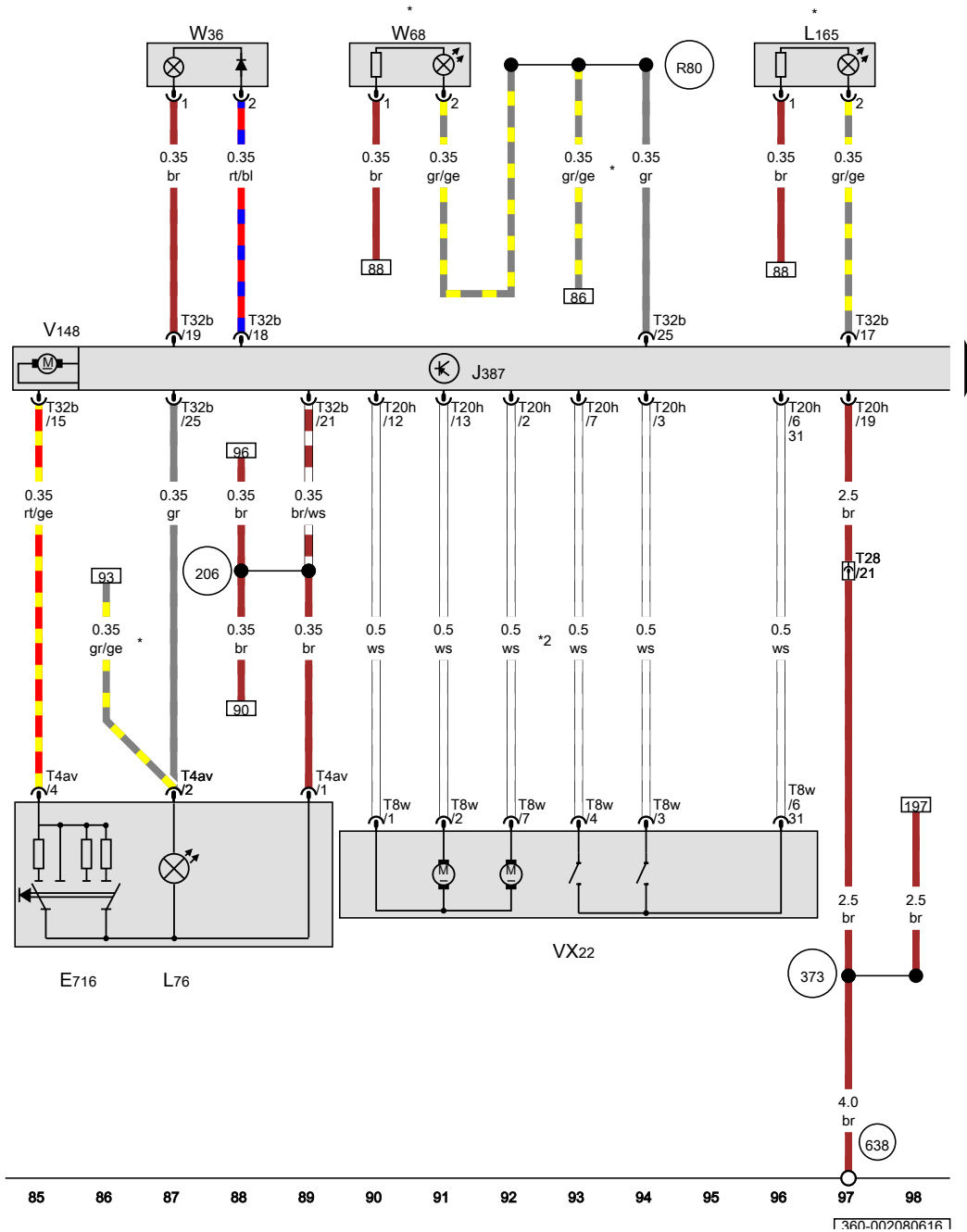
- ws = white
- sw = black
- ro = red
- rt = red
- br = brown
- gn = green
- bl = blue
- gr = grey
- li = purple
- vi = purple
- ge = yellow
- or = orange
- rs = pink

360-002070616

Front passenger side window regulator button, Front passenger door control unit, Front passenger door ambient lighting bulb, Front passenger door lock unit, Front passenger side window regulator motor, Front passenger side door warning lamp, Light conductor for front right sill panel moulding ambient lighting

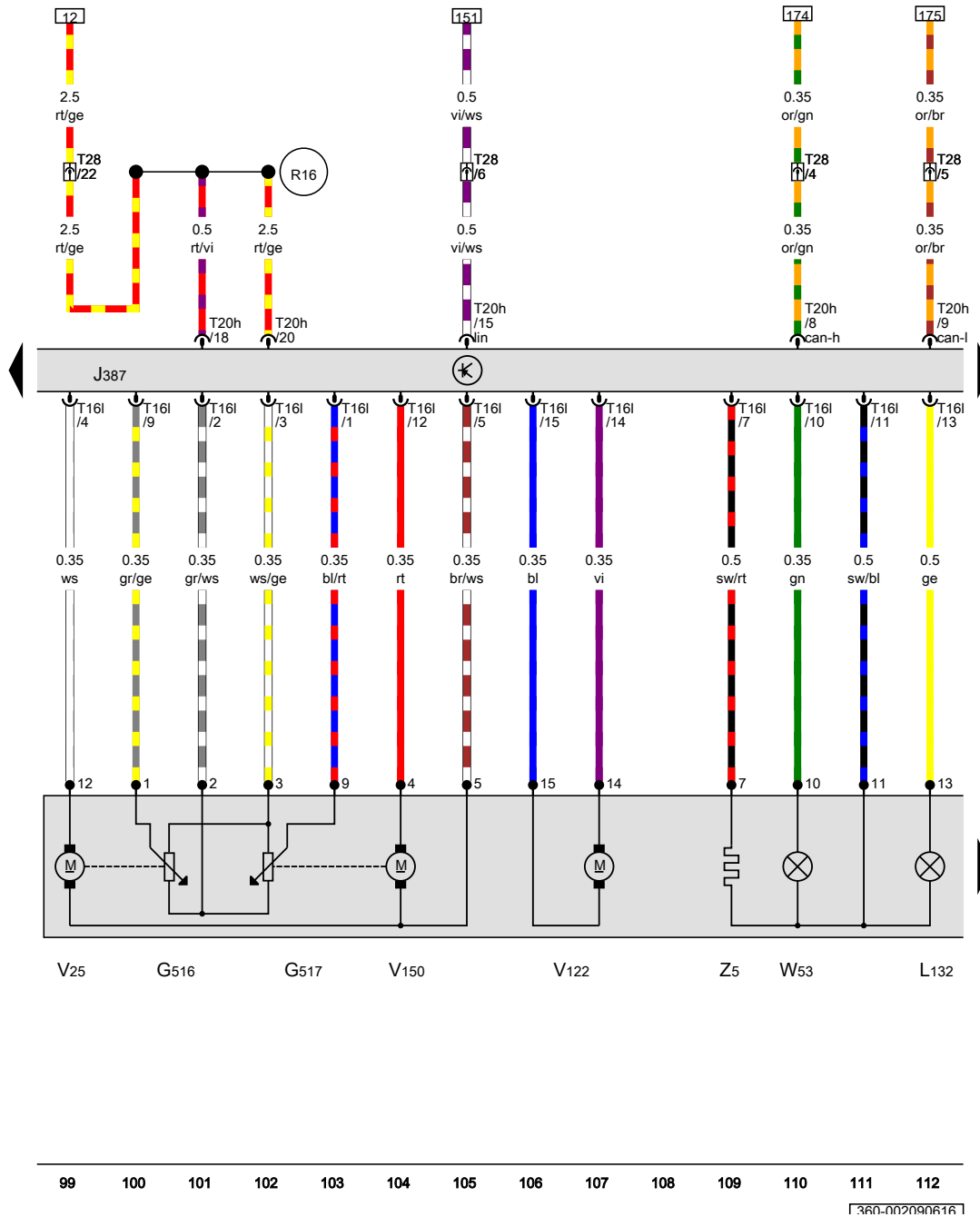
- E716 Front passenger side window regulator button
- J387 Front passenger door control unit
- L76 Button illumination bulb
- L165 Front passenger door ambient lighting bulb
- T4av 4-pin connector
- T8w 8-pin connector
- T20h 20-pin connector
- T28 28-pin connector, in right A-pillar coupling station
- T32b 32-pin connector
- VX22 Front passenger door lock unit
- V148 Front passenger side window regulator motor
- W36 Front passenger side door warning lamp
- W68 Light conductor for front right sill panel moulding ambient lighting

- 206 Earth connection, in front passenger door wiring harness
- 373 Earth connection 8, in main wiring harness
- 638 Earth point, on right A-pillar
- R80 Connection 3 (58d), in door control unit wiring harness
- * Only models with footwell illumination
- *2 According to equipment



- ws = white
- sw = black
- ro = red
- rt = red
- br = brown
- gn = green
- bl = blue
- gr = grey
- li = purple
- vi = purple
- ge = yellow
- or = orange
- rs = pink

360-002080616



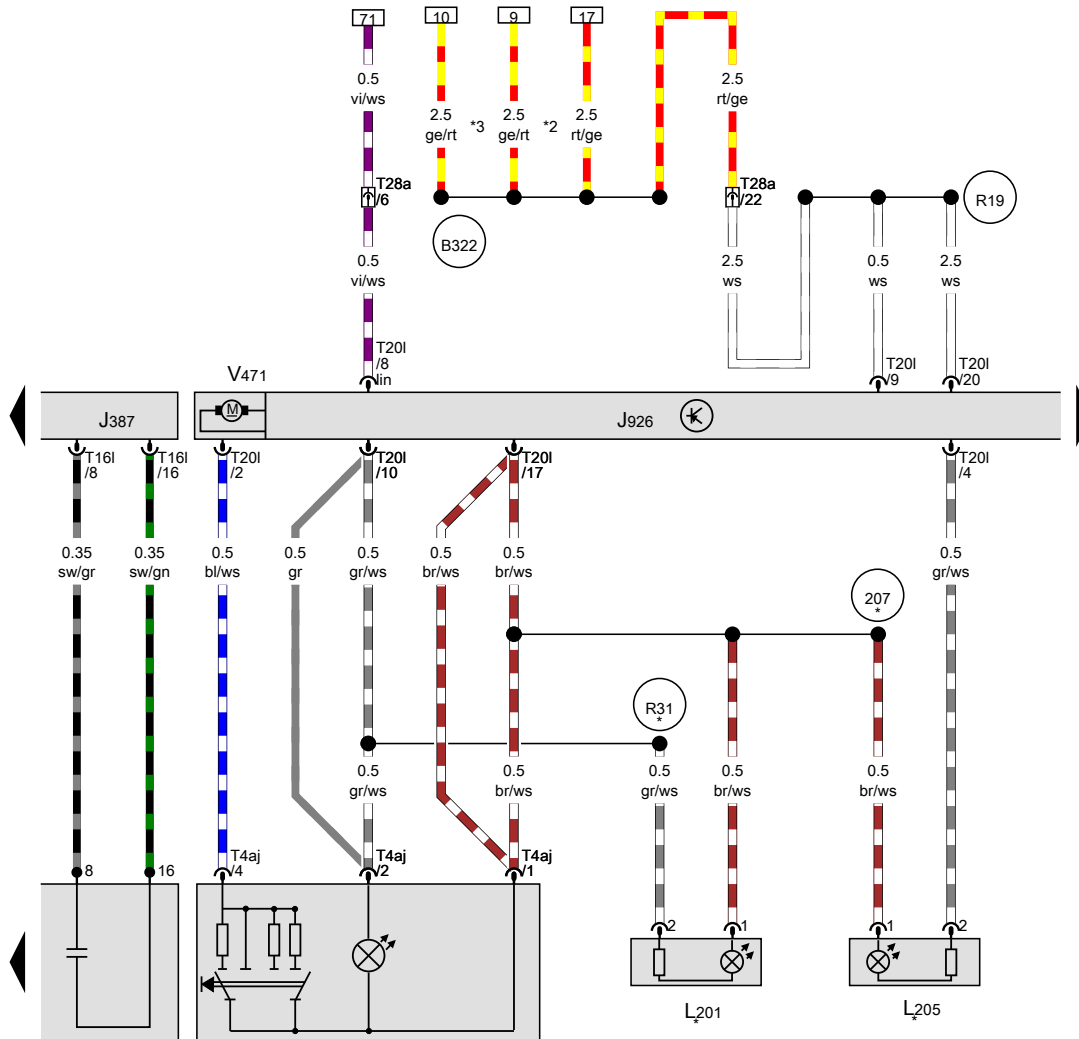
Potentiometer for horizontal adjustment of front passenger side mirror, Potentiometer for vertical adjustment of front passenger side mirror, Front passenger door control unit, Front passenger side mirror adjustment motor 2, Front passenger side fold-in mirror motor, Front passenger side mirror adjustment motor, Heated exterior mirror on front passenger side

- G516 Potentiometer for horizontal adjustment of front passenger side mirror
- G517 Potentiometer for vertical adjustment of front passenger side mirror
- J387 Front passenger door control unit
- L132 Front passenger side turn signal repeater bulb
- T16l 16-pin connector
- T20h 20-pin connector
- T28 28-pin connector, in right A-pillar coupling station
- V25 Front passenger side mirror adjustment motor 2
- V122 Front passenger side fold-in mirror motor
- V150 Front passenger side mirror adjustment motor
- W53 Front passenger side entry light in exterior mirror
- Z5 Heated exterior mirror on front passenger side
- R16 Positive connection 1 (30), in front passenger door wiring harness

- ws = white
- sw = black
- ro = red
- rt = red
- br = brown
- gn = green
- bl = blue
- gr = grey
- li = purple
- vi = purple
- ge = yellow
- or = orange
- rs = pink

99 100 101 102 103 104 105 106 107 108 109 110 111 112

1360-002090616



Rear driver side window regulator button, Front passenger door control unit, Rear driver side door control unit, Light 1 for rear left door background lighting, Light 2 for rear left door background lighting, Rear driver side window regulator motor

- E711 Rear driver side window regulator button
- J387 Front passenger door control unit
- J926 Rear driver side door control unit
- L76 Button illumination bulb
- L201 Light 1 for rear left door background lighting
- L205 Light 2 for rear left door background lighting
- T4aj 4-pin connector
- T16i 16-pin connector
- T20i 20-pin connector
- T28a 28-pin connector, on left B-pillar
- V471 Rear driver side window regulator motor
- Y21 Front passenger side automatic anti-dazzle exterior mirror

- (207) Earth connection, in rear left door wiring harness
- (B322) Positive connection 8 (30a) in main wiring harness
- (R19) Positive connection 1 (30), in rear left door wiring harness
- (R31) Connection 1, in rear left door wiring harness
- * Only models with footwell illumination
- *2 Only left-hand drive models
- *3 Only right-hand drive models

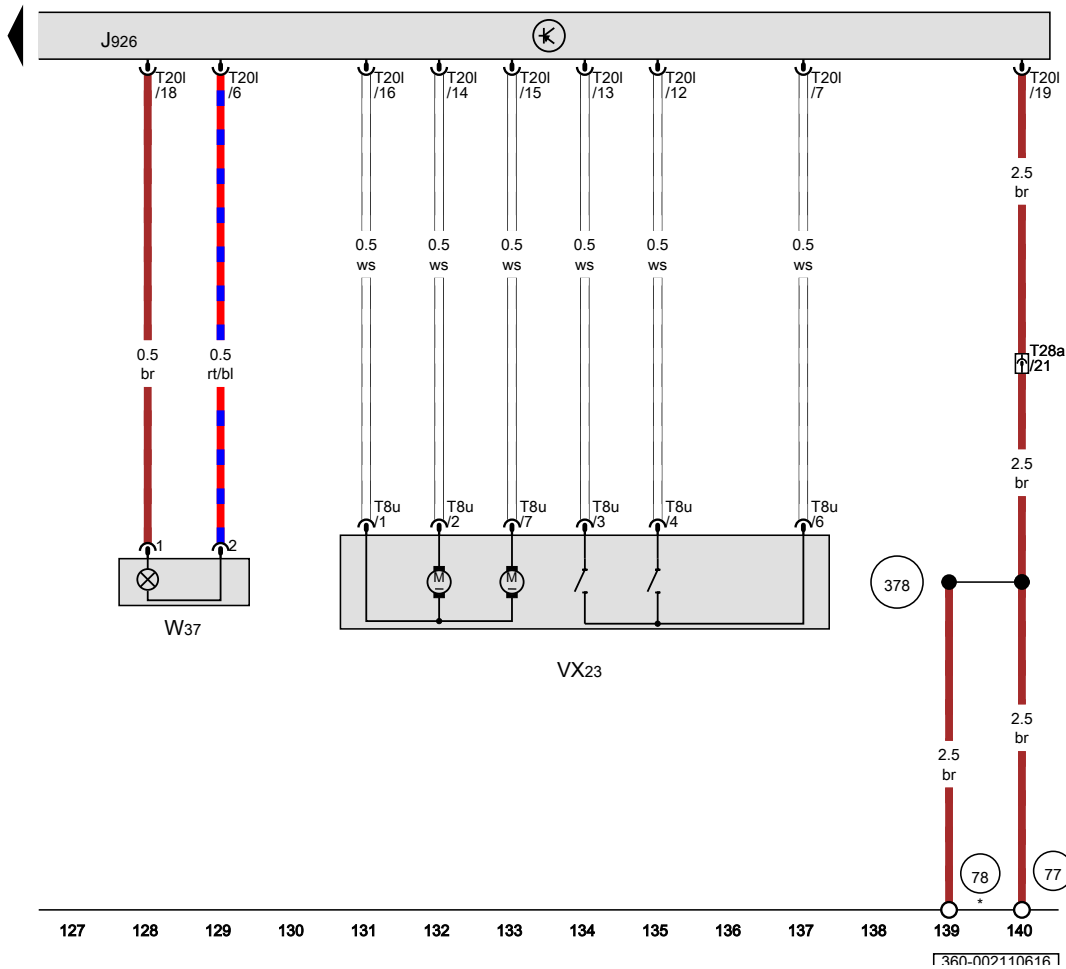
- ws = white
- sw = black
- ro = red
- rt = red
- br = brown
- gn = green
- bl = blue
- gr = grey
- li = purple
- vi = purple
- ge = yellow
- or = orange
- rs = pink

Rear driver side door control unit, Rear left door lock unit, Rear left door warning lamp

- J926 Rear driver side door control unit
- T8u 8-pin connector
- T20l 20-pin connector
- T28a 28-pin connector, on left B-pillar
- VX23 Rear left door lock unit
- W37 Rear left door warning lamp

- 77 Earth point, lower part of left B-pillar
- 78 Earth point, lower part of right B-pillar
- 378 Earth connection 13, in main wiring harness

* Only right-hand drive models



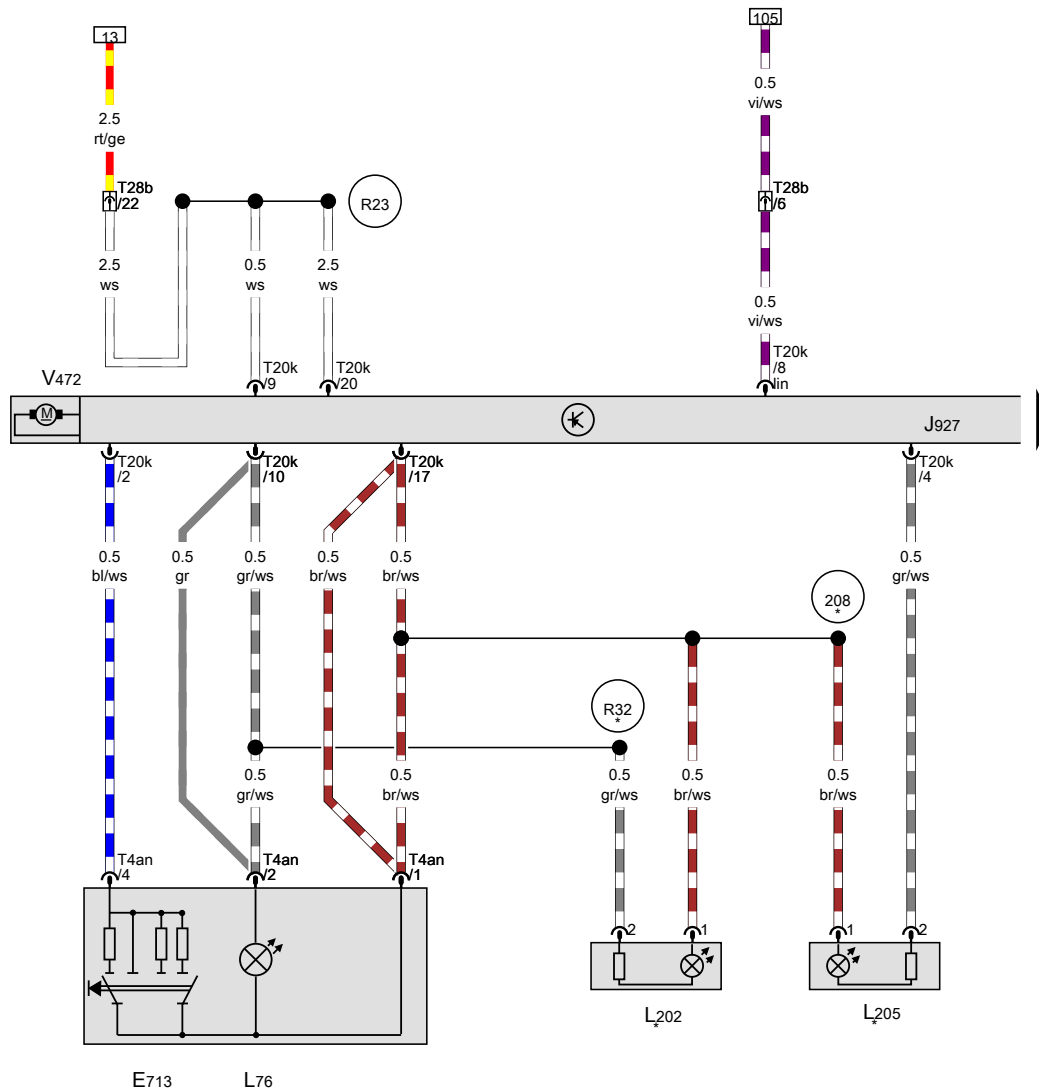
- ws = white
- sw = black
- ro = red
- rt = red
- br = brown
- gn = green
- bl = blue
- gr = grey
- li = purple
- vi = purple
- ge = yellow
- or = orange
- rs = pink

1360-002110616

Rear passenger side window regulator button, Rear passenger side door control unit, Light 1 for rear right door background lighting, Light 2 for rear left door background lighting, Rear passenger side window regulator motor

- E713 Rear passenger side window regulator button
- J927 Rear passenger side door control unit
- L76 Button illumination bulb
- L202 Light 1 for rear right door background lighting
- L205 Light 2 for rear left door background lighting
- T4an 4-pin connector
- T20k 20-pin connector
- T28b 28-pin connector, on right B-pillar
- V472 Rear passenger side window regulator motor

- (208) Earth connection, in rear right door wiring harness
- (R23) Positive connection 1 (30), in rear right door wiring harness
- (R32) Connection 2, in rear right door wiring harness
- * Only models with footwell illumination



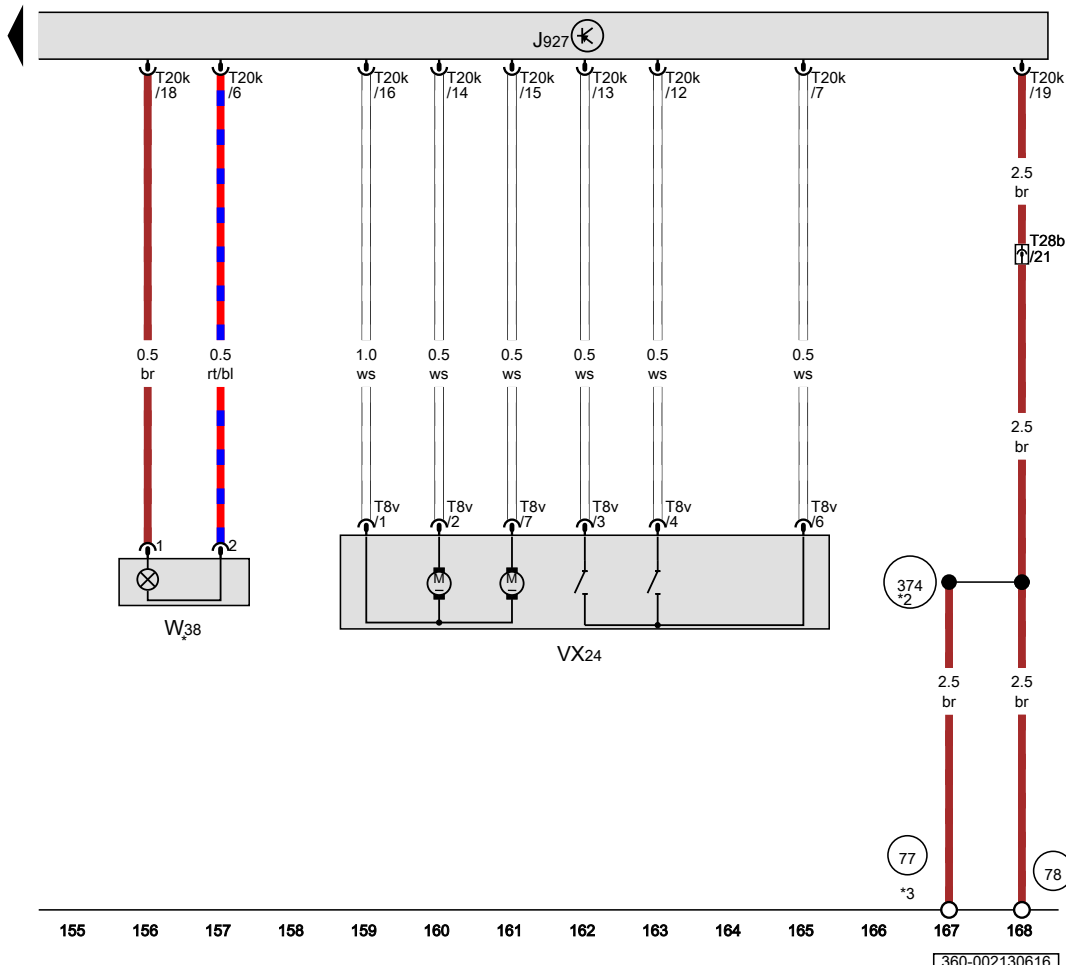
- ws = white
- sw = black
- ro = red
- rt = red
- br = brown
- gn = green
- bl = blue
- gr = grey
- li = purple
- vi = purple
- ge = yellow
- or = orange
- rs = pink

Rear passenger side door control unit, Rear right door lock unit, Rear right door warning lamp

- J927 Rear passenger side door control unit
- T8v 8-pin connector
- T20k 20-pin connector
- T28b 28-pin connector, on right B-pillar
- VX24 Rear right door lock unit
- W38 Rear right door warning lamp

- 77 Earth point, lower part of left B-pillar
- 78 Earth point, lower part of right B-pillar
- 374 Earth connection 9, in main wiring harness

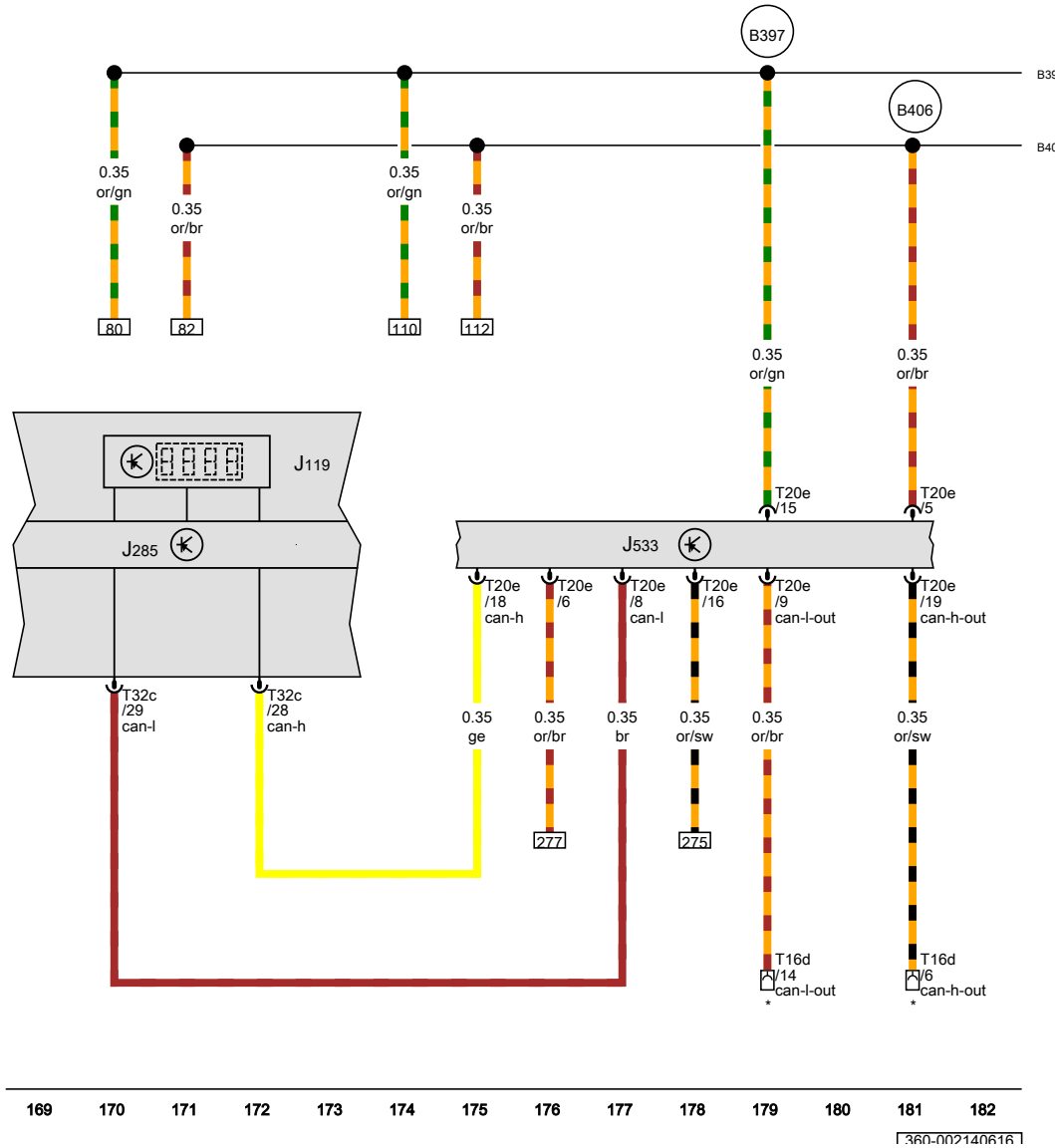
- * Only models with footwell illumination
- *2 According to equipment
- *3 Only right-hand drive models



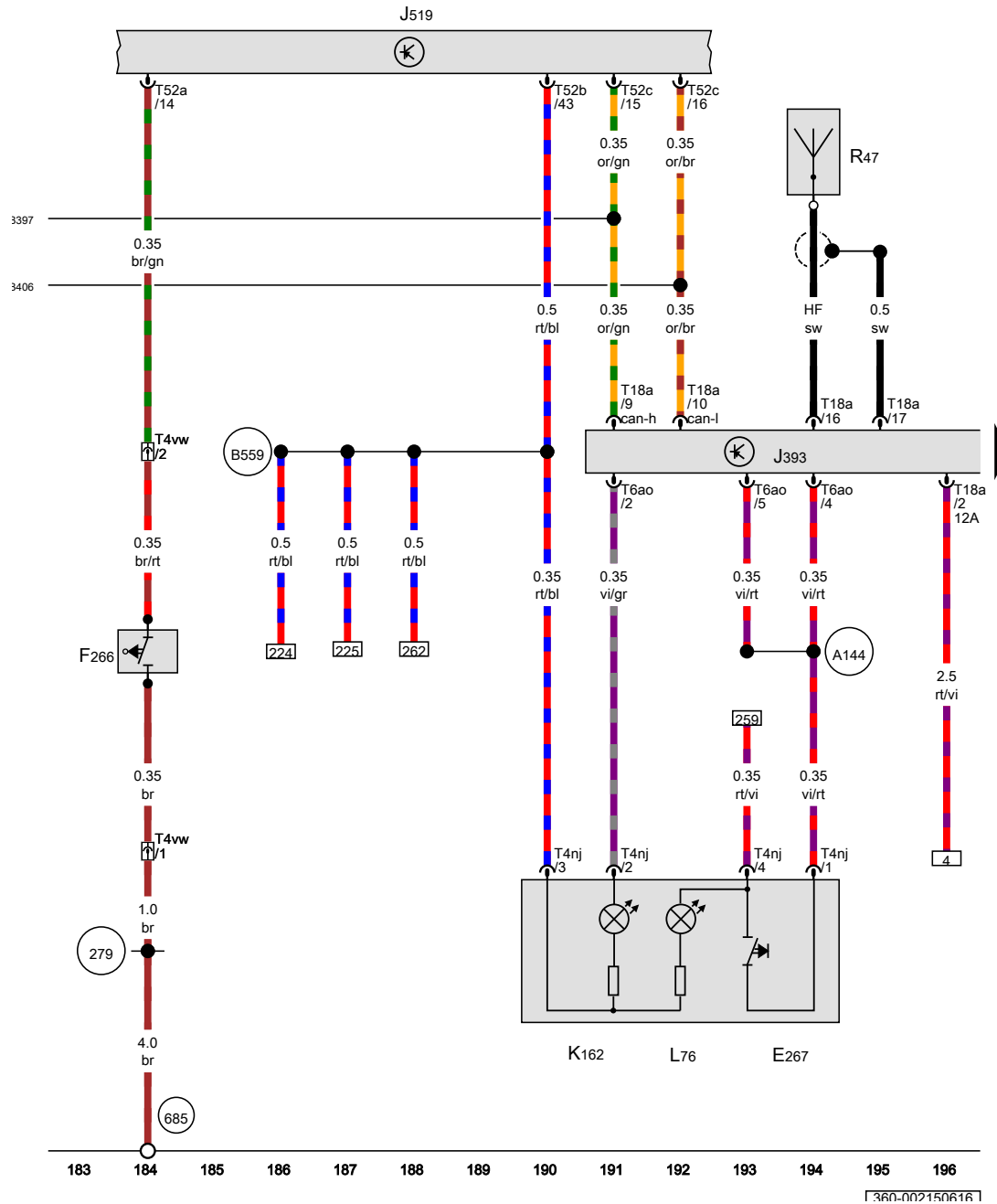
Control unit in dash panel insert, Data bus diagnostic interface

- J119 Multifunction indicator
- J285 Control unit in dash panel insert
- J533 Data bus diagnostic interface
- T16d 16-pin connector, on diagnostic connection
- T20e 20-pin connector
- T32c 32-pin connector

- B397 Connection 1 (convenience CAN bus, high), in main wiring harness
- B406 Connection 1 (convenience CAN bus, low), in main wiring harness
- * Diagnostic connection



- ws = white
- sw = black
- ro = red
- rt = red
- br = brown
- gn = green
- bl = blue
- gr = grey
- li = purple
- vi = purple
- ge = yellow
- or = orange
- rs = pink



Interior monitoring deactivation switch, Bonnet contact switch, Convenience system central control unit, Onboard supply control unit, Central locking and anti-theft alarm system aerial

- E267 Interior monitoring deactivation switch
- F266 Bonnet contact switch
- J393 Convenience system central control unit
- J519 Onboard supply control unit
- K162 Interior monitoring off warning lamp
- L76 Button illumination bulb
- R47 Central locking and anti-theft alarm system aerial
- T4nj 4-pin connector
- T4vw 4-pin connector, behind right headlight
- T6ao 6-pin connector
- T18a 18-pin connector
- T52a 52-pin connector
- T52b 52-pin connector
- T52c 52-pin connector

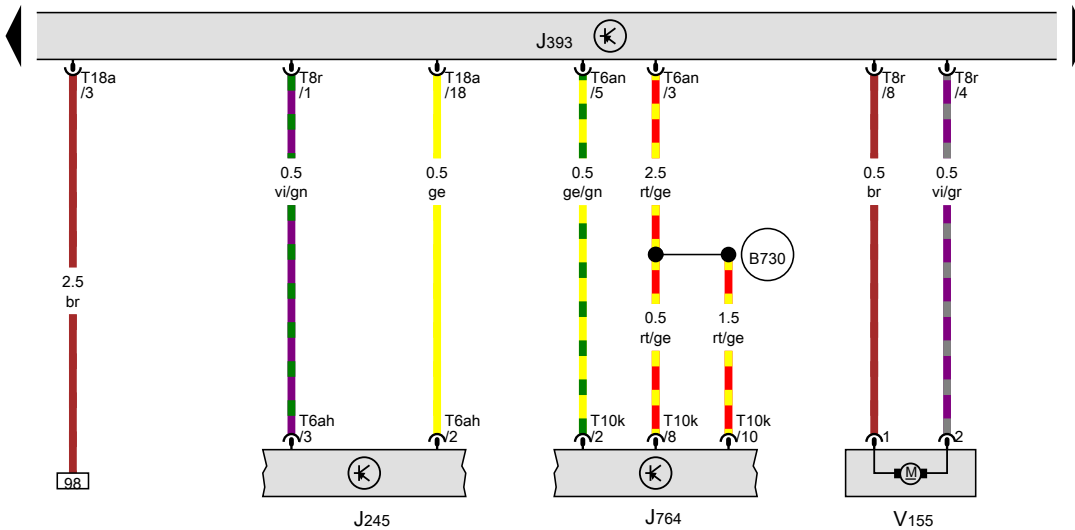
- (279) Earth connection 5, in interior wiring harness
- (685) Earth point 1 at front of right longitudinal member
- (A144) Connection (interior monitoring) in dash panel wiring harness
- (B397) Connection 1 (convenience CAN bus, high), in main wiring harness
- (B406) Connection 1 (convenience CAN bus, low), in main wiring harness
- (B559) Positive connection 1 (30g), in main wiring harness

- ws = white
- sw = black
- ro = red
- rt = red
- br = brown
- gn = green
- bl = blue
- gr = grey
- li = purple
- vi = purple
- ge = yellow
- or = orange
- rs = pink

360-002150616

Convenience system central control unit, Tank filler flap locking motor

- J245 Sliding sunroof adjustment control unit
- J393 Convenience system central control unit
- J764 Control unit for electronic steering column lock
- T6ah 6-pin connector
- T6an 6-pin connector
- T8r 8-pin connector
- T10k 10-pin connector
- T18a 18-pin connector
- V155 Tank filler flap locking motor
- B730** Connection, in wiring harness for steering column adjustment



- ws = white
- sw = black
- ro = red
- rt = red
- br = brown
- gn = green
- bl = blue
- gr = grey
- li = purple
- vi = purple
- ge = yellow
- or = orange
- rs = pink

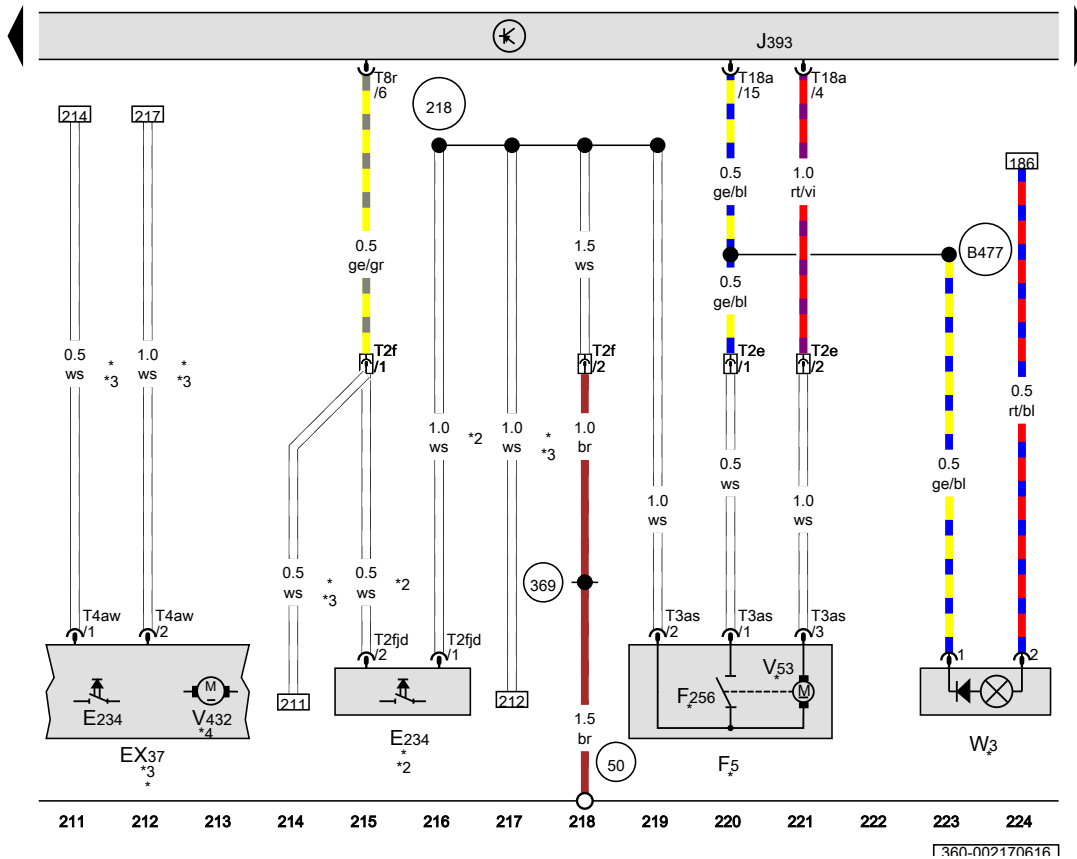
Rear lid handle release button, Luggage compartment light switch, Rear lid lock unit, Convenience system central control unit, Rear lid central locking motor, Luggage compartment light

- EX37 Rear lid handle
- E234 Rear lid handle release button
- F5 Luggage compartment light switch
- F256 Rear lid lock unit
- J393 Convenience system central control unit
- T2e 2-pin connector, Coupling point for rear lid
- T2f 2-pin connector, Coupling point for rear lid
- T2fjd 2-pin connector, black
- T3as 3-pin connector
- T4aw 4-pin connector, black
- T8r 8-pin connector
- T18a 18-pin connector
- V53 Rear lid central locking motor
- V432 Emblem motor
- W3 Luggage compartment light

- 50 Earth point, on left in luggage compartment
- 218 Earth connection 1, in rear lid wiring harness
- 369 Earth connection 4, in main wiring harness
- B477 Connection 13, in main wiring harness

- * Saloon
- *2 Only models with no reversing camera system
- *3 Only models with reversing camera system
- *4 see applicable current flow diagram for reversing camera (Rear Assist)

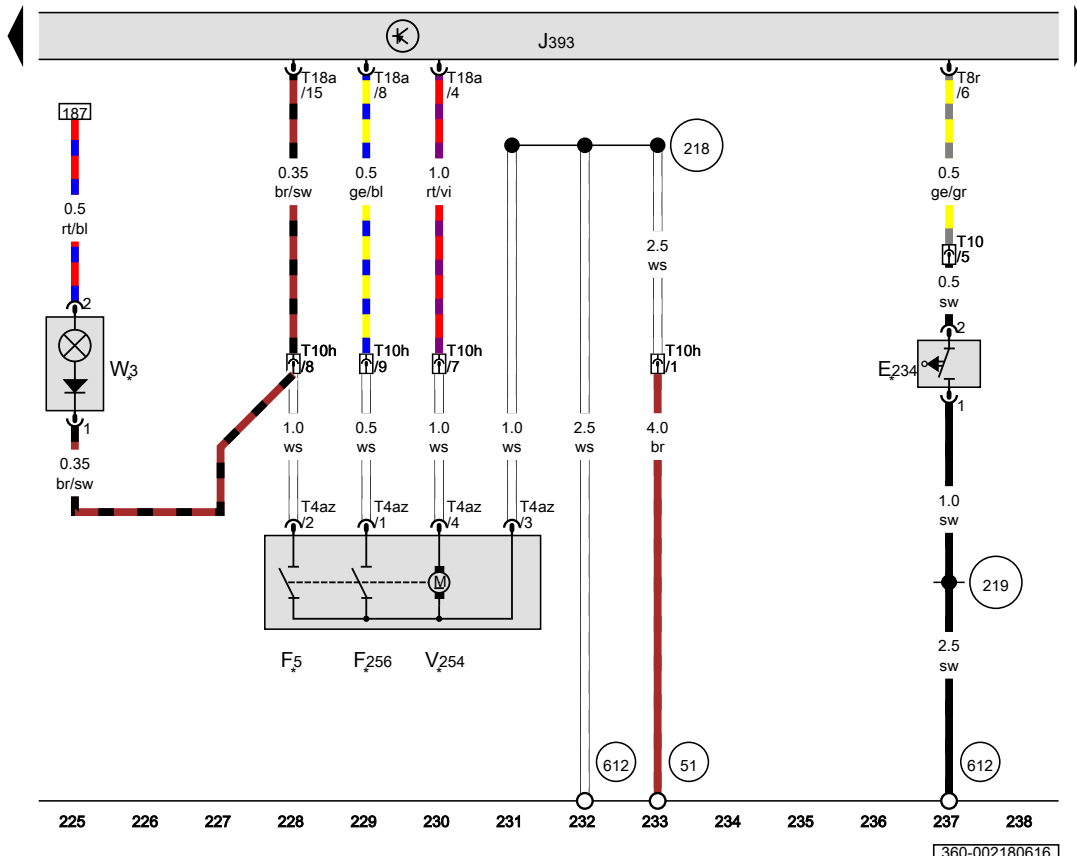
- ws = white
- sw = black
- ro = red
- rt = red
- br = brown
- gn = green
- bl = blue
- gr = grey
- li = purple
- vi = purple
- ge = yellow
- or = orange
- rs = pink



Rear lid handle release button, Luggage compartment light switch, Rear lid lock unit, Convenience system central control unit, Rear lid electric opener motor, Luggage compartment light

- E234 Rear lid handle release button
- F5 Luggage compartment light switch
- F256 Rear lid lock unit
- J393 Convenience system central control unit
- T4az 4-pin connector
- T8r 8-pin connector
- T10 10-pin connector, on left in luggage compartment
- T10h 10-pin connector, Coupling point for rear lid, on right in luggage compartment
- T18a 18-pin connector
- V254 Rear lid electric opener motor
- W3 Luggage compartment light

- 51 Earth point, on right in luggage compartment
- 218 Earth connection 1, in rear lid wiring harness
- 219 Earth connection 2, in rear lid wiring harness
- 612 Earth point, centre on rear lid
- * Estate

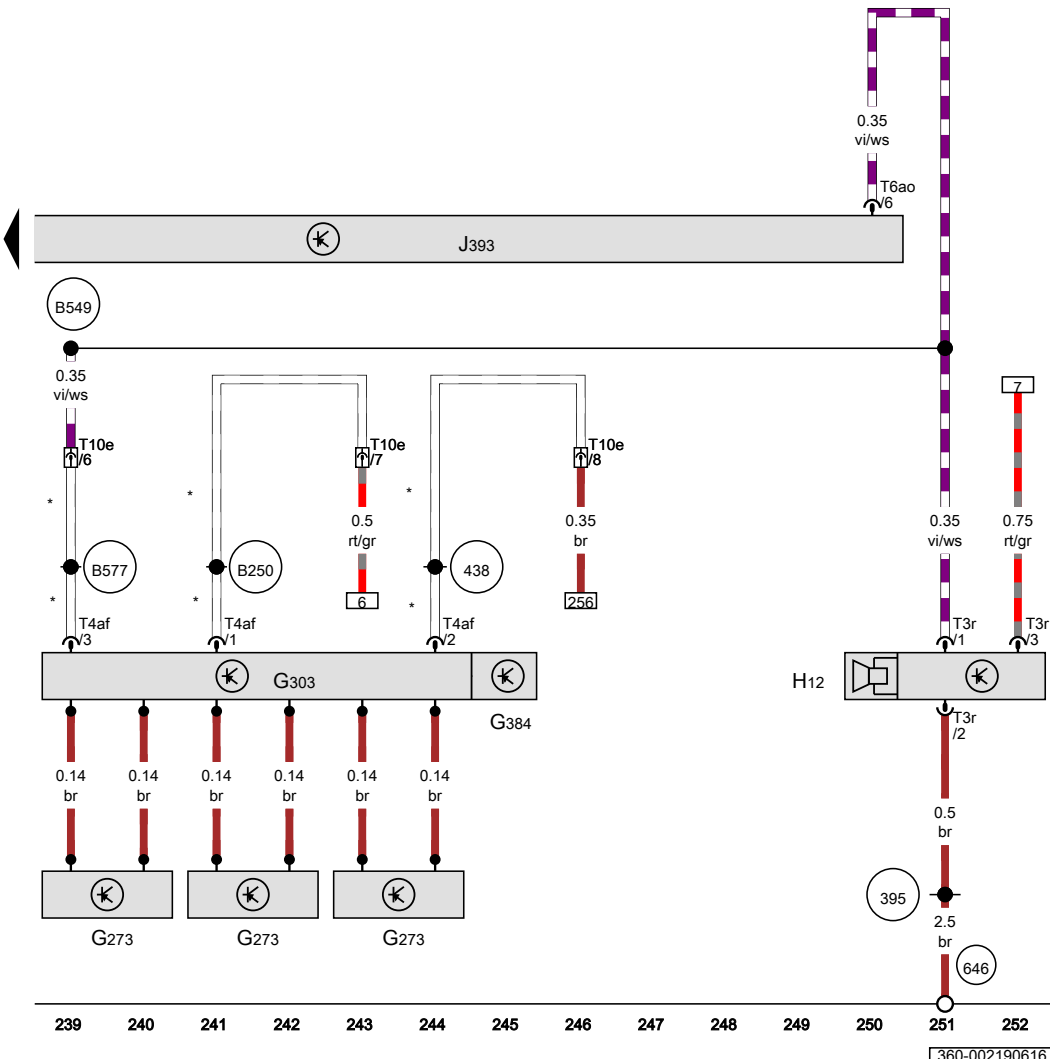


- ws = white
- sw = black
- ro = red
- rt = red
- br = brown
- gn = green
- bl = blue
- gr = grey
- li = purple
- vi = purple
- ge = yellow
- or = orange
- rs = pink

Interior monitoring sensor, Interior monitor send and receive module 1, Vehicle inclination sender, Alarm horn, Convenience system central control unit

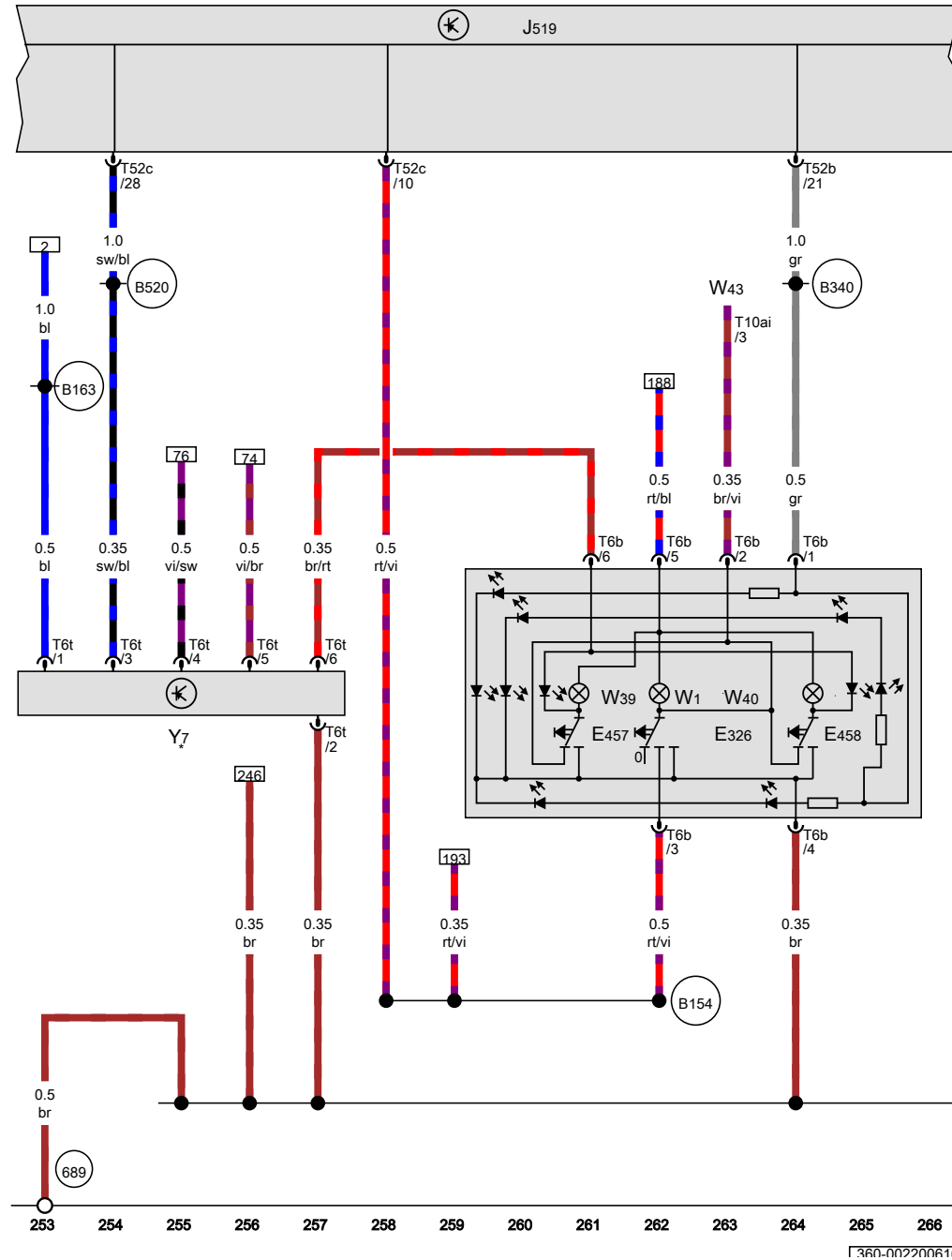
- G273 Interior monitoring sensor
- G303 Interior monitor send and receive module 1
- G384 Vehicle inclination sender
- H12 Alarm horn
- J393 Convenience system central control unit
- T3r 3-pin connector
- T4af 4-pin connector
- T6ao 6-pin connector
- T10e 10-pin connector, in roof

- 395 Earth connection 30, in main wiring harness
- 438 Earth connection 3, in roof wiring harness
- 646 Earth point 2, on bulkhead
- B250 Positive connection, in roof wiring harness
- B549 Connection 2 (LIN bus) in main wiring harness
- B577 LIN bus connection, in roof wiring harness
- * Flat conductor



- ws = white
- sw = black
- ro = red
- rt = red
- br = brown
- gn = green
- bl = blue
- gr = grey
- li = purple
- vi = purple
- ge = yellow
- or = orange
- rs = pink

1360-002190616



Onboard supply control unit, Front interior light, Automatic anti-dazzle interior mirror

- E326 Front interior light button
- E457 Driver side reading light button
- E458 Front passenger side reading light button
- J519 Onboard supply control unit
- T6b 6-pin connector
- T6t 6-pin connector
- T10ai 10-pin connector
- T52b 52-pin connector
- T52c 52-pin connector
- W1 Front interior light
- W39 Left centre reading light
- W40 Right centre reading light
- W43 Rear interior light
- Y7 Automatic anti-dazzle interior mirror

(278) Earth connection 4, in interior wiring harness

(689) Earth point, at front, central in roof

(B154) Connection 1 (DCt), in interior wiring harness

(B163) Positive connection 1 (15), in interior wiring harness

(B340) Connection 1 (58d), in main wiring harness

(B520) Connection (RL), in main wiring harness

* Only models with no main beam assist function

- ws = white
- sw = black
- ro = red
- rt = red
- br = brown
- gn = green
- bl = blue
- gr = grey
- li = purple
- vi = purple
- ge = yellow
- or = orange
- rs = pink

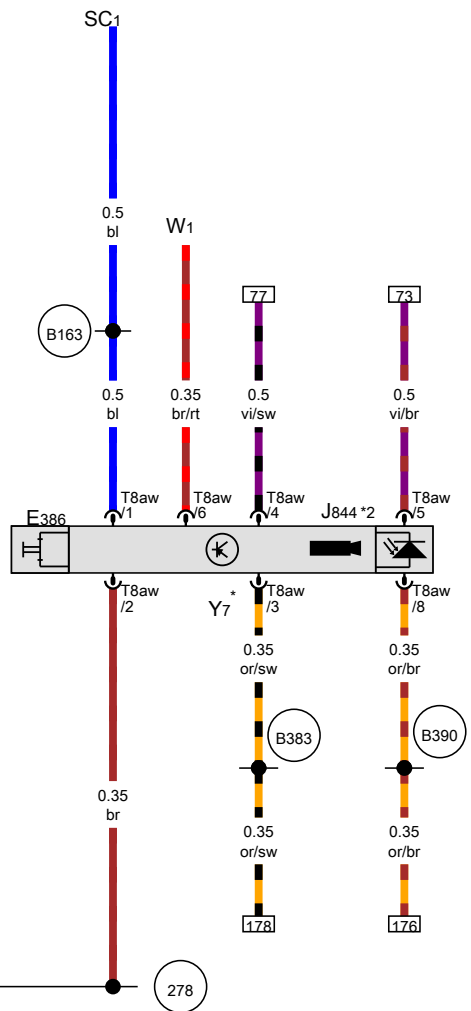
1360-002200616

Anti-dazzle interior mirror button, Main beam assist control unit, Automatic anti-dazzle interior mirror

- E386 Anti-dazzle interior mirror button
- J844 Main beam assist control unit
- SC1 Fuse 1 on fuse holder C
- T8aw 8-pin connector
- W1 Front interior light
- Y7 Automatic anti-dazzle interior mirror

- 278 Earth connection 4, in interior wiring harness
- B163 Positive connection 1 (15), in interior wiring harness
- B383 Connection 1 (powertrain CAN bus, high), in main wiring harness
- B390 Connection 1 (powertrain CAN bus, low), in main wiring harness

* According to equipment
 *2 Only models with main beam assist



- ws = white
- sw = black
- ro = red
- rt = red
- br = brown
- gn = green
- bl = blue
- gr = grey
- li = purple
- vi = purple
- ge = yellow
- or = orange
- rs = pink

278

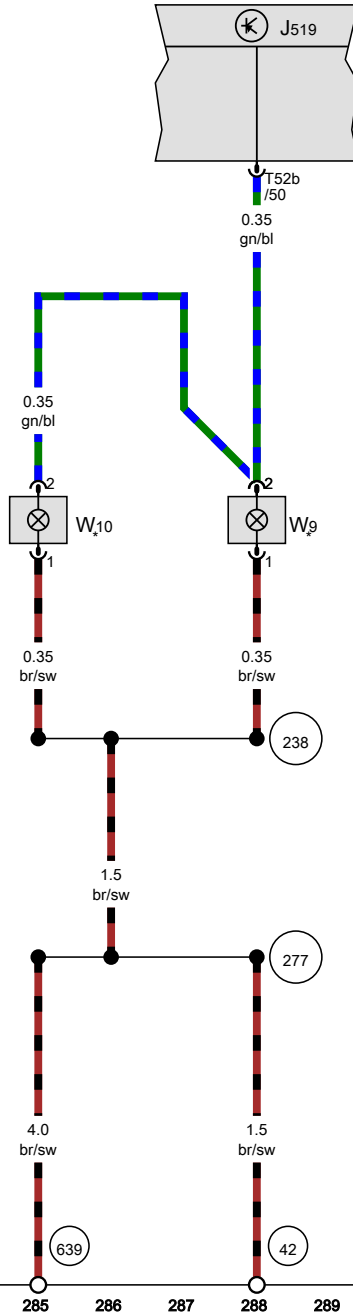
267 268 269 270 271 272 273 274 275 276 277 278 279 280

1360-002210616

Left footwell light, Right footwell light

- J519 Onboard supply control unit
- T52b 52-pin connector
- W9 Left footwell light
- W10 Right footwell light

- 42 Earth point, next to steering column
- 238 Earth connection 1, in interior wiring harness
- 277 Earth connection 3, in interior wiring harness
- 639 Earth point, left A-pillar
- * Only models with footwell illumination

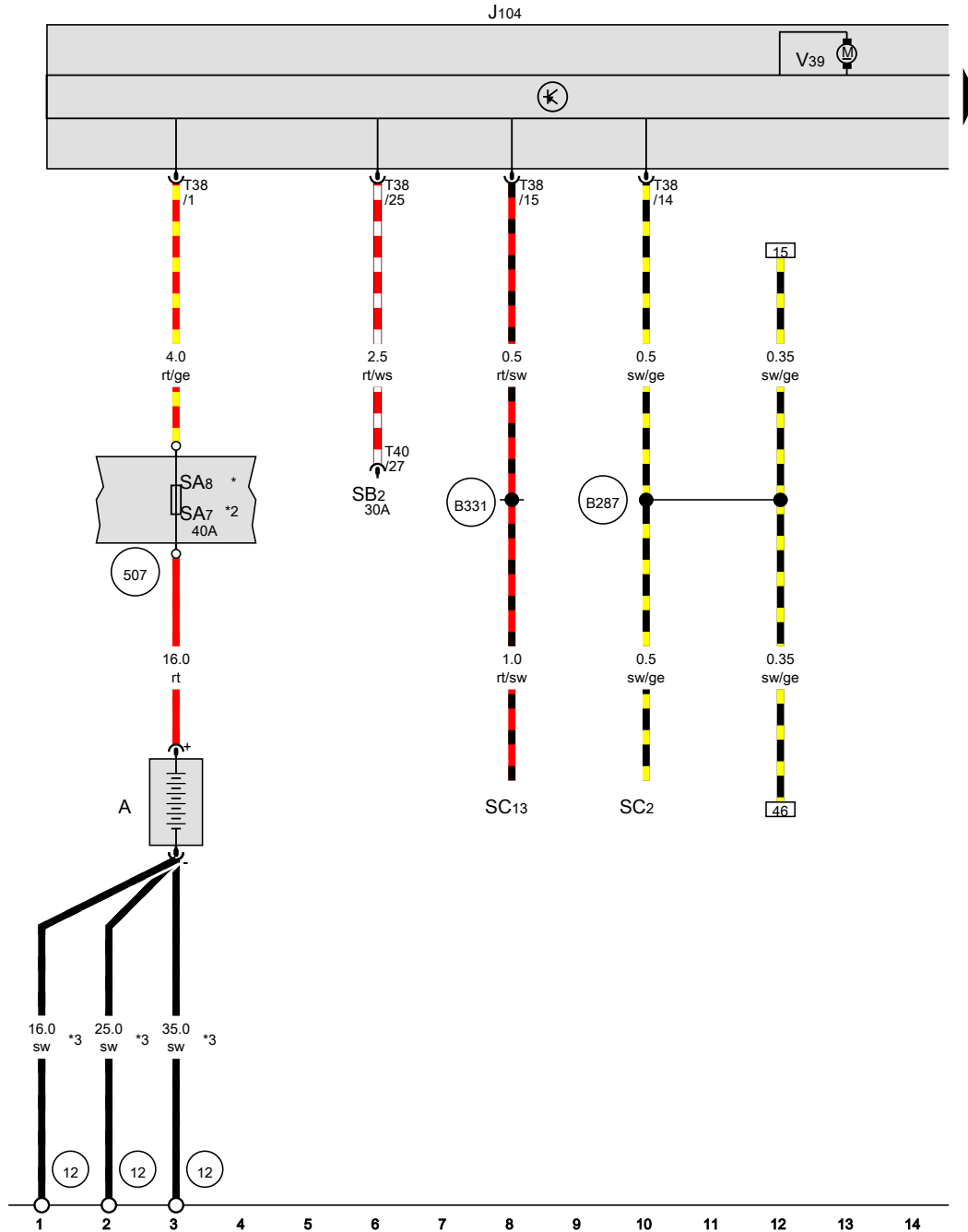


- ws = white
- sw = black
- ro = red
- rt = red
- br = brown
- gn = green
- bl = blue
- gr = grey
- li = purple
- vi = purple
- ge = yellow
- or = orange
- rs = pink

360-002220616

Anti-lock brake system (ABS) with electronic differential lock (EDL) and traction control system (TCS) and electronic stabilisation program (ESP)

From November 2010



Battery, ABS control unit

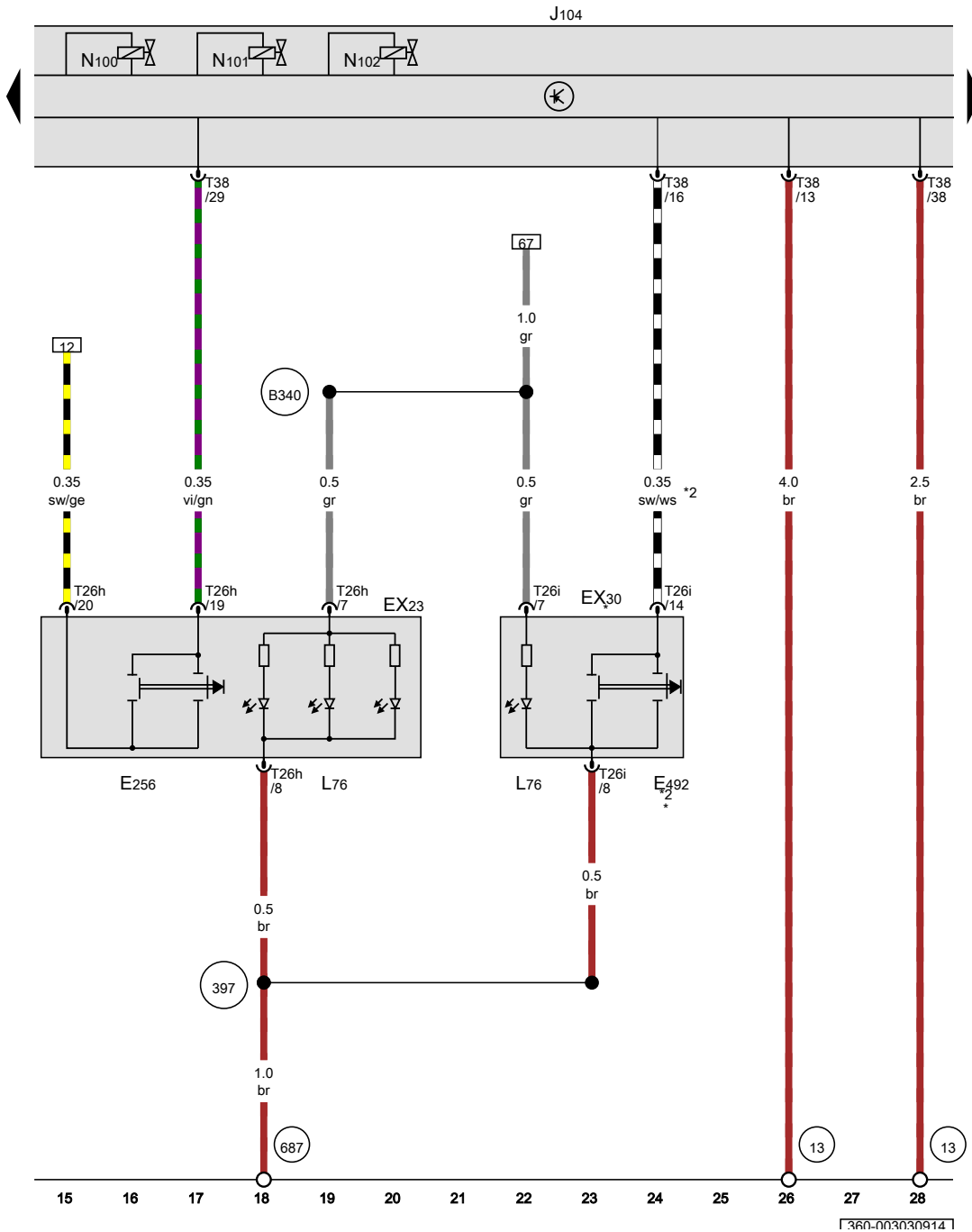
- A Battery
- J104 ABS control unit
- SB2 Fuse 2 on fuse holder B
- SC2 Fuse 2 on fuse holder C
- SA7 Fuse 7 in fuse holder A
- SA8 Fuse 8 in fuse holder A
- SC13 Fuse 13 on fuse holder C
- T38 38-pin connector
- T40 40-pin connector
- V39 ABS return flow pump

- 12 Earth point, on left in engine compartment
- 507 Threaded connection (30), on battery fuse holder
- B287 Positive connection 11 (15a) in main wiring harness
- B331 Positive connection 17 (30a) in main wiring harness

- * Fuses in E-box, Low
- *2 Fuses in E-box, High
- *3 Cross section depends on equipment

- ws = white
- sw = black
- ro = red
- rt = red
- br = brown
- gn = green
- bl = blue
- gr = grey
- li = purple
- vi = purple
- ge = yellow
- or = orange
- rs = pink

1360-003020914



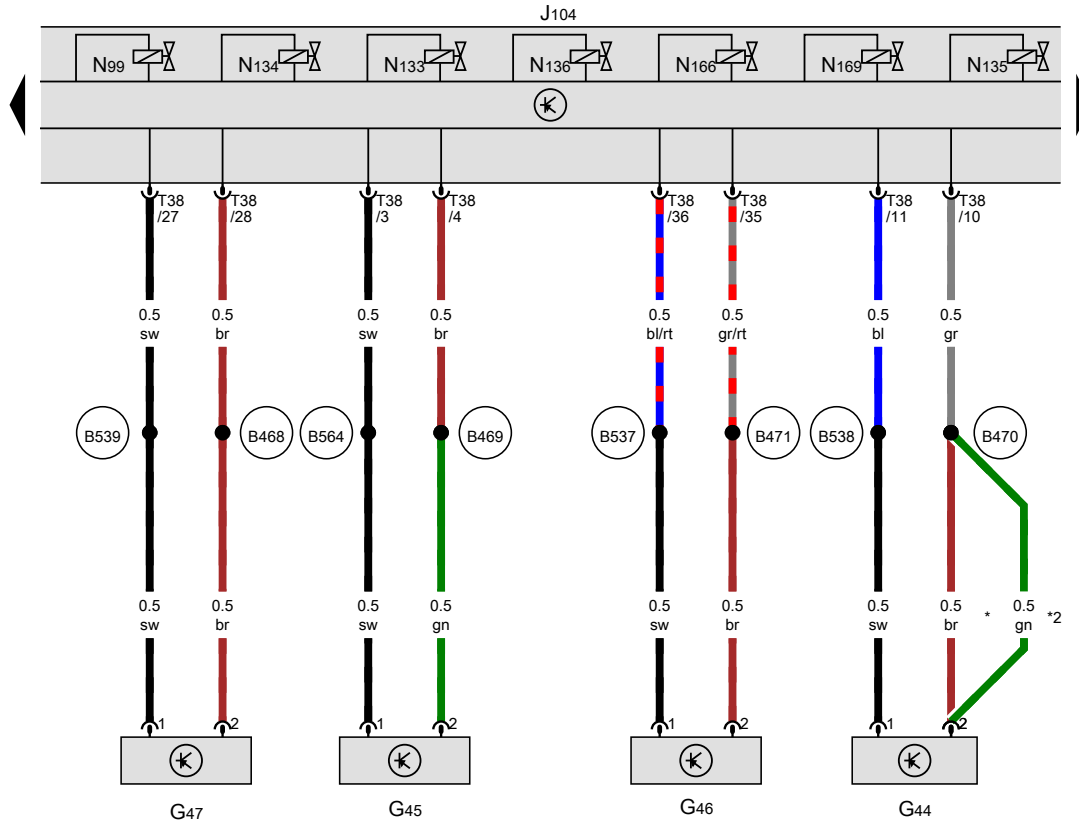
Switch module 1 in centre console, Switch module 2 in centre console, TCS and ESP button, Tyre Pressure Loss Indicator button, ABS control unit

- EX23 Switch module 1 in centre console
- EX30 Switch module 2 in centre console
- E256 TCS and ESP button
- E492 Tyre Pressure Loss Indicator button
- J104 ABS control unit
- L76 Button illumination bulb
- N100 Front right ABS outlet valve
- N101 Front left ABS inlet valve
- N102 Front left ABS outlet valve
- T26h 26-pin connector
- T26i 26-pin connector
- T38 38-pin connector

- 13 Earth point, on right in engine compartment
- 397 Earth connection 32, in main wiring harness
- 687 Earth point 1, on centre tunnel
- B340 Connection 1 (58d), in main wiring harness
- * According to equipment
- *2 Up to May 2011

- ws = white
- sw = black
- ro = red
- rt = red
- br = brown
- gn = green
- bl = blue
- gr = grey
- li = purple
- vi = purple
- ge = yellow
- or = orange
- rs = pink

1360-003030914 1



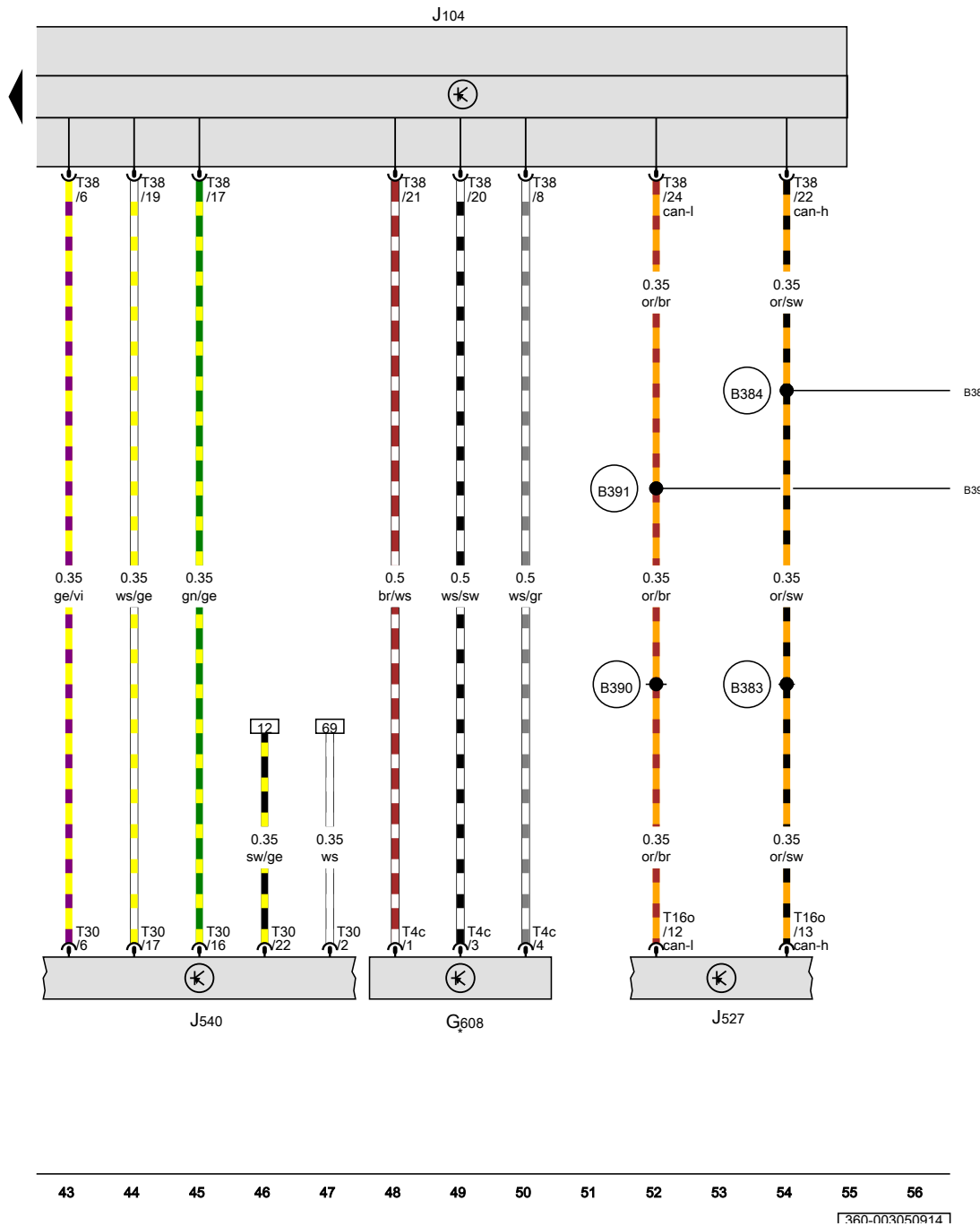
Front left speed sensor, ABS control unit

- G44 Rear right speed sensor
- G45 Front right speed sensor
- G46 Rear left speed sensor
- G47 Front left speed sensor
- J104 ABS control unit
- N99 Front right ABS inlet valve
- N133 Rear right ABS inlet valve
- N134 Rear left ABS inlet valve
- N135 Rear right ABS outlet valve
- N136 Rear left ABS outlet valve
- N166 Front right EDL changeover valve
- N169 Front left EDL outlet valve
- T38 38-pin connector

- B468 Connection 4, in main wiring harness
- B469 Connection 5, in main wiring harness
- B470 Connection 6, in main wiring harness
- B471 Connection 7, in main wiring harness
- B537 Connection 28, in main wiring harness
- B538 Connection 29, in main wiring harness
- B539 Connection 30, in main wiring harness
- B564 Connection 31, in main wiring harness

* Only models with all-wheel drive
 *2 Only models with no all-wheel drive

- ws = white
- sw = black
- ro = red
- rt = red
- br = brown
- gn = green
- bl = blue
- gr = grey
- li = purple
- vi = purple
- ge = yellow
- or = orange
- rs = pink



Vacuum sender, ABS control unit, Steering column electronics control unit, Control unit for electromechanical parking brake

- G608 Vacuum sender
- J104 ABS control unit
- J527 Steering column electronics control unit
- J540 Control unit for electromechanical parking brake
- T4c 4-pin connector
- T16o 16-pin connector
- T30 30-pin connector
- T38 38-pin connector

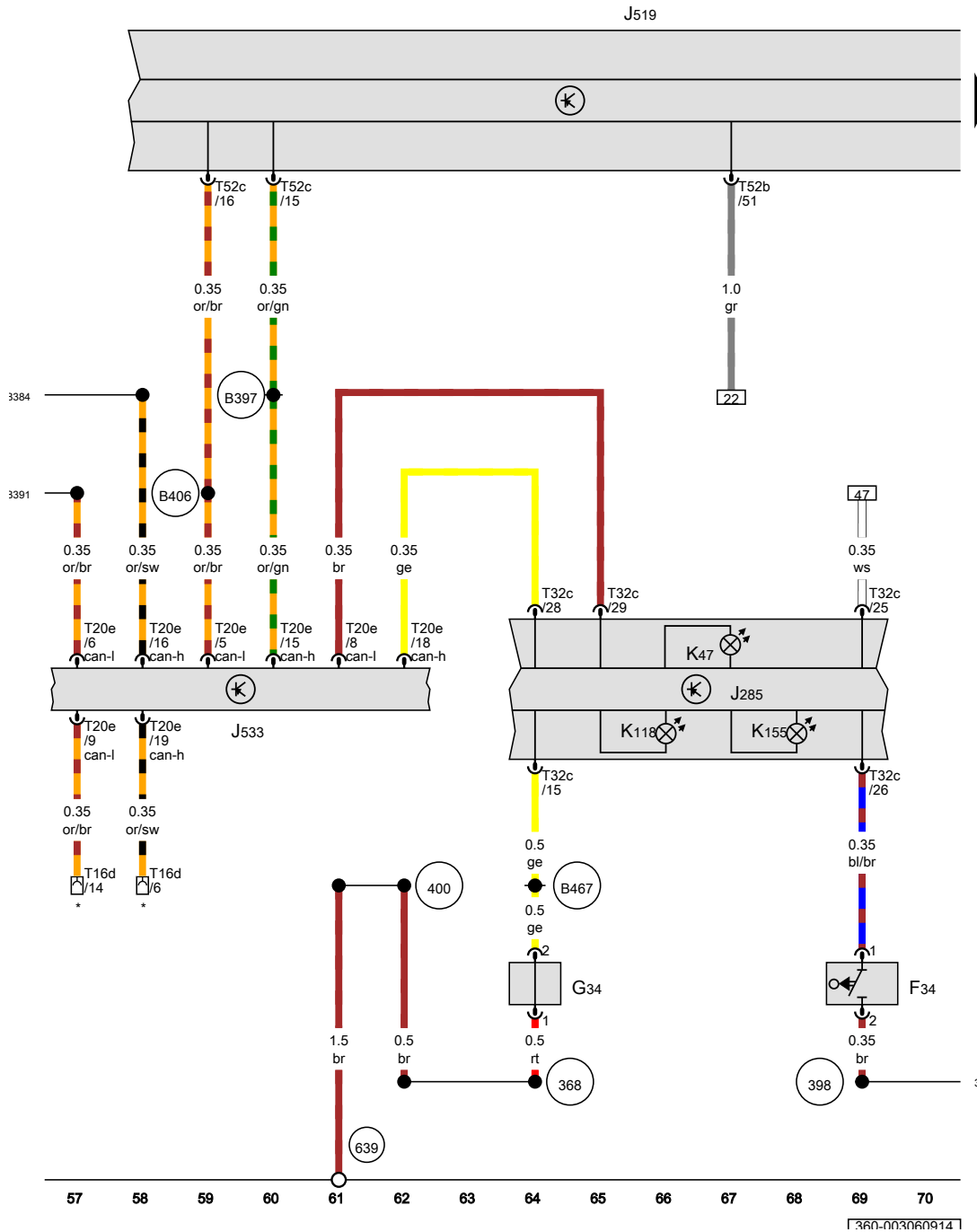
- B383 Connection 1 (powertrain CAN bus, high), in main wiring harness
- B384 Connection 2 (powertrain CAN bus, high), in main wiring harness
- B390 Connection 1 (powertrain CAN bus, low), in main wiring harness
- B391 Connection 2 (powertrain CAN bus, low), in main wiring harness

* According to equipment

- ws = white
- sw = black
- ro = red
- rt = red
- br = brown
- gn = green
- bl = blue
- gr = grey
- li = purple
- vi = purple
- ge = yellow
- or = orange
- rs = pink

43 44 45 46 47 48 49 50 51 52 53 54 55 56

1360-003050914



Brake fluid level warning contact, Front left brake pad wear sender, Control unit in dash panel insert, Onboard supply control unit, Data bus diagnostic interface

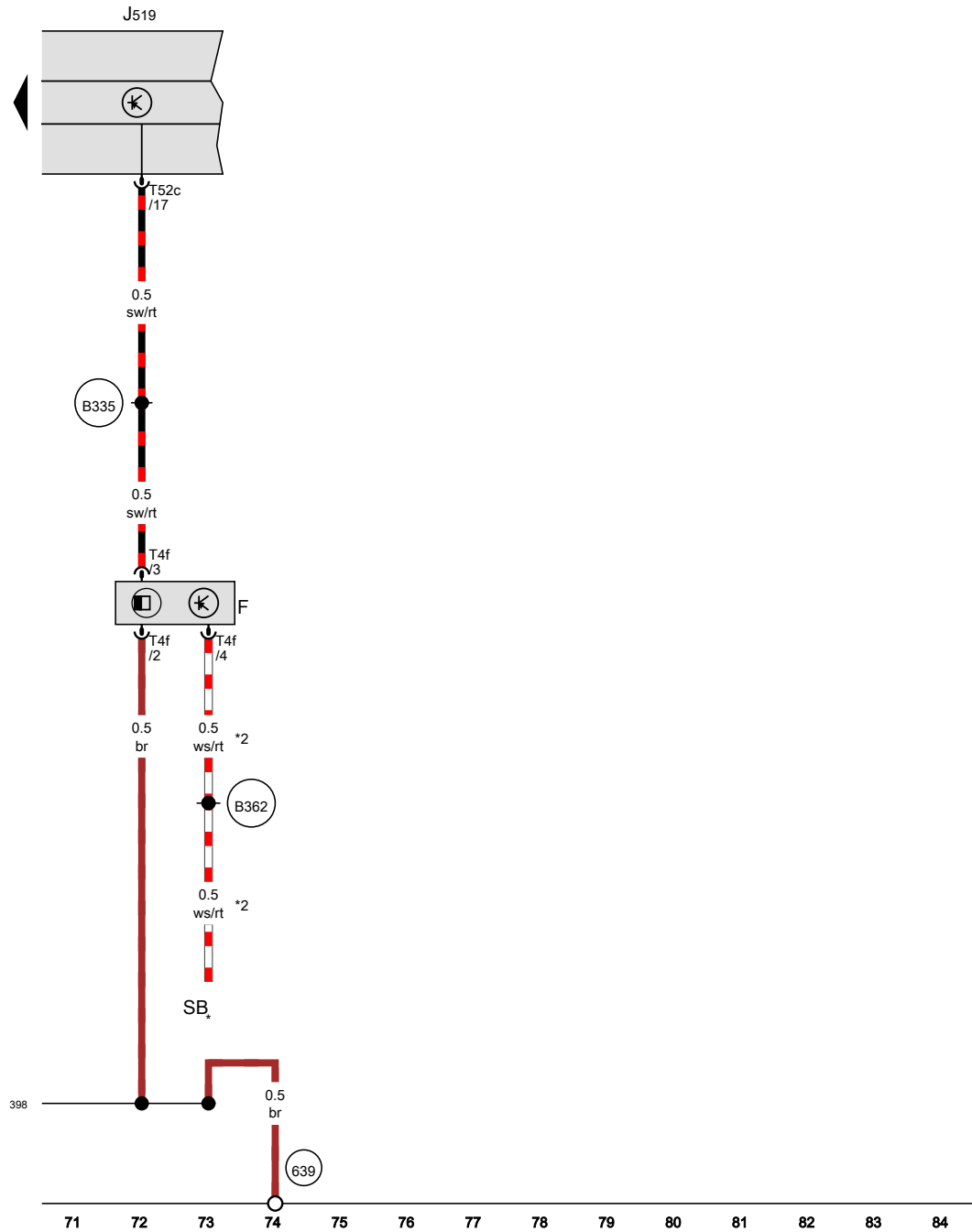
- F34 Brake fluid level warning contact
- G34 Front left brake pad wear sender
- J285 Control unit in dash panel insert
- J519 Onboard supply control unit
- J533 Data bus diagnostic interface
- K47 ABS warning lamp
- K118 Brake system warning lamp
- K155 ESP and TCS warning lamp
- T16d 16-pin connector
- T20e 20-pin connector
- T32c 32-pin connector
- T52b 52-pin connector
- T52c 52-pin connector

- 368 Earth connection 3, in main wiring harness
- 398 Earth connection 33, in main wiring harness
- 400 Earth connection 35, in main wiring harness
- 639 Earth point, left A-pillar
- B384 Connection 2 (powertrain CAN bus, high), in main wiring harness
- B391 Connection 2 (powertrain CAN bus, low), in main wiring harness
- B397 Connection 1 (convenience CAN bus, high), in main wiring harness
- B406 Connection 1 (convenience CAN bus, low), in main wiring harness
- B467 Connection 3, in main wiring harness

* Diagnostic connection

- ws = white
- sw = black
- ro = red
- rt = red
- br = brown
- gn = green
- bl = blue
- gr = grey
- li = purple
- vi = purple
- ge = yellow
- or = orange
- rs = pink

360-003060914



Brake light switch, Onboard supply control unit

- F Brake light switch
- J519 Onboard supply control unit
- SB Fuse holder B
- T4f 4-pin connector
- T52c 52-pin connector

- 398 Earth connection 33, in main wiring harness
- 639 Earth point, left A-pillar
- B335 Connection 1 (54), in main wiring harness
- B362 Positive connection 13 (87a) in main wiring harness

* see applicable current flow diagram for engine
 *2 Wiring colour depends on equipment

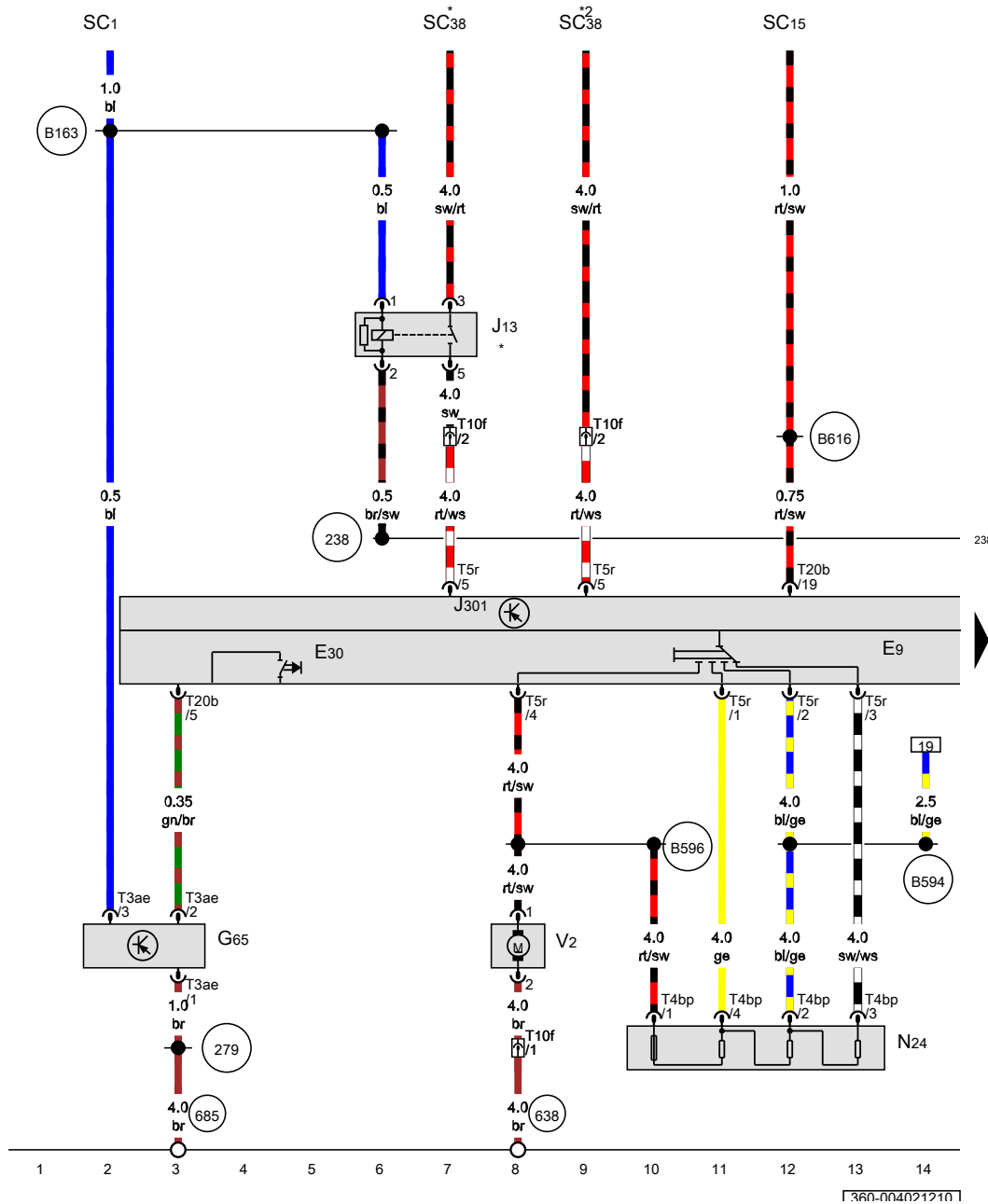
- ws = white
- sw = black
- ro = red
- rt = red
- br = brown
- gn = green
- bl = blue
- gr = grey
- li = purple
- vi = purple
- ge = yellow
- or = orange
- rs = pink

360-003070914

Air conditioning system

From November 2010

High-pressure sender, Fresh air blower relay, Fresh air blower series resistor with overheating fuse, Fresh air blower



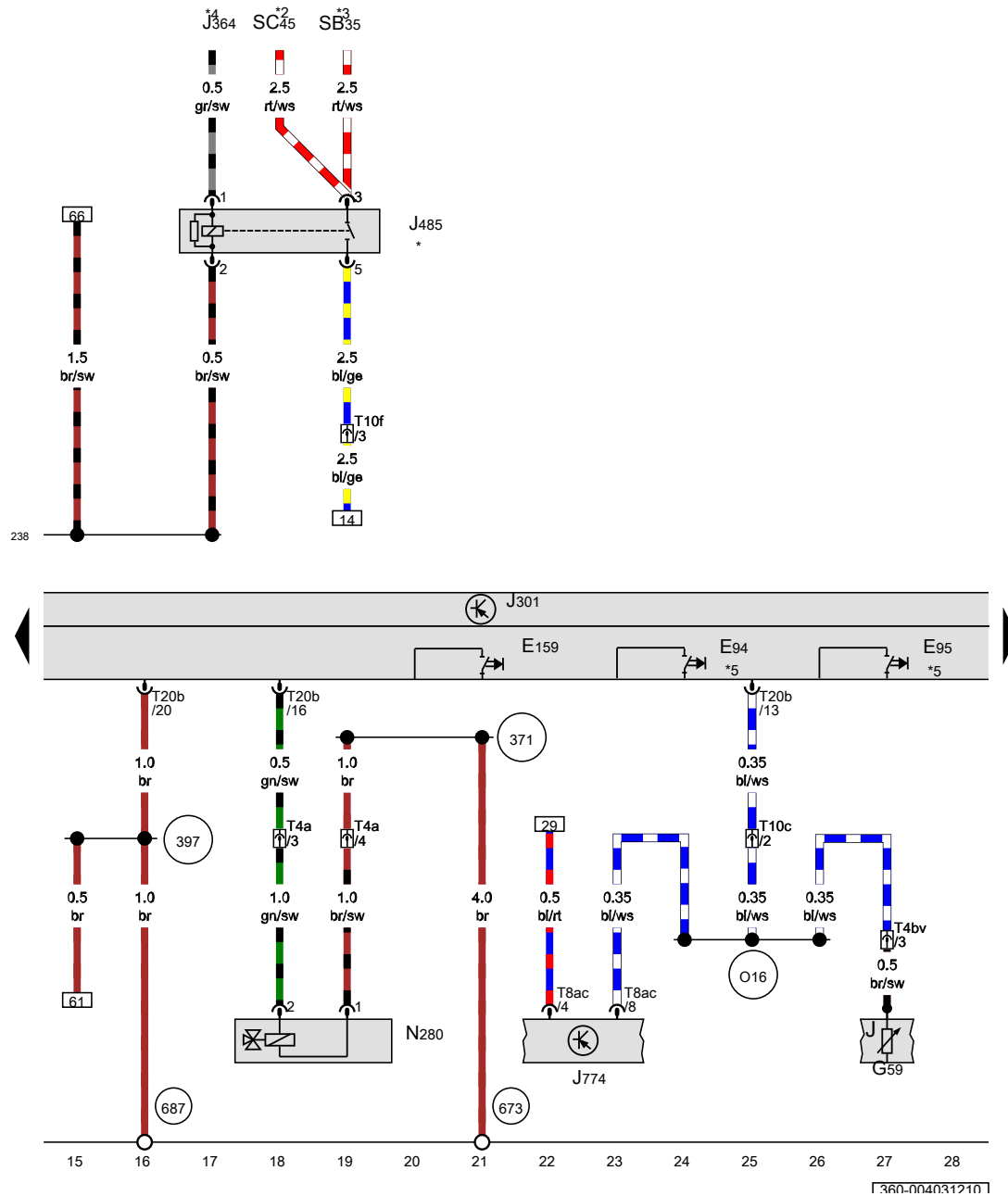
- E9 Fresh air blower switch
- E30 Air conditioning system switch
- G65 High-pressure sender
- J13 Fresh air blower relay
- J301 Air conditioning system control unit
- N24 Fresh air blower series resistor with overheating fuse
- SC1 Fuse 1 on fuse holder C
- SC15 Fuse 15 on fuse holder C
- SC38 Fuse 38 on fuse holder C
- T3ae 3-pin connector
- T4bp 4-pin connector
- T5r 5-pin connector
- T10f 10-pin connector, on heater and air conditioner unit
- T20b 20-pin connector
- V2 Fresh air blower, black

- 238 Earth connection 1, in interior wiring harness
- 279 Earth connection 5, in interior wiring harness
- 638 Earth point, on right A-pillar
- 685 Earth point 1 at front of right longitudinal member
- B163 Positive connection 1 (15), in interior wiring harness
- B594 Connection 1, in Climatic wiring harness
- B596 Connection 3, in Climatic wiring harness
- B616 Positive connection 12 (30a), in interior wiring harness

* Only models with auxiliary heating
 *2 Only models with no auxiliary heater

- ws = white
- sw = black
- ro = red
- br = brown
- gn = green
- bl = blue
- gr = grey
- li = purple
- ge = yellow
- or = orange
- rs = pink

1360-004021210 1



- ws = white
- sw = black
- ro = red
- br = brown
- gn = green
- bl = blue
- gr = grey
- li = purple
- ge = yellow
- or = orange
- rs = pink

Driver seat temperature sensor, Auxiliary heater control unit, Air conditioner compressor regulating valve

- E94 Heated driver seat regulator
- E95 Heated front passenger seat regulator
- E159 Fresh air and air recirculation flap switch
- G59 Driver seat temperature sensor
- J301 Air conditioning system control unit
- J364 Auxiliary heater control unit
- J485 Auxiliary heater operation relay
- J774 Heated front seats control unit
- N280 Air conditioner compressor regulating valve, on air conditioner compressor
- SB35 Fuse 35 on fuse holder B
- SC45 Fuse 45 on fuse holder C
- T4a 4-pin connector, near starter
- T4bv 4-pin connector
- T8ac 8-pin connector
- T10c 10-pin connector, under driver seat
- T10f 10-pin connector, on heater and air conditioner unit
- T20b 20-pin connector

- (238) Earth connection 1, in interior wiring harness
- (371) Earth connection 6, in main wiring harness
- (397) Earth connection 32, in main wiring harness
- (673) Earth point 3, on front of left longitudinal member
- (687) Earth point 1, on centre tunnel
- (O16) Connection 5, in seat heating wiring harness

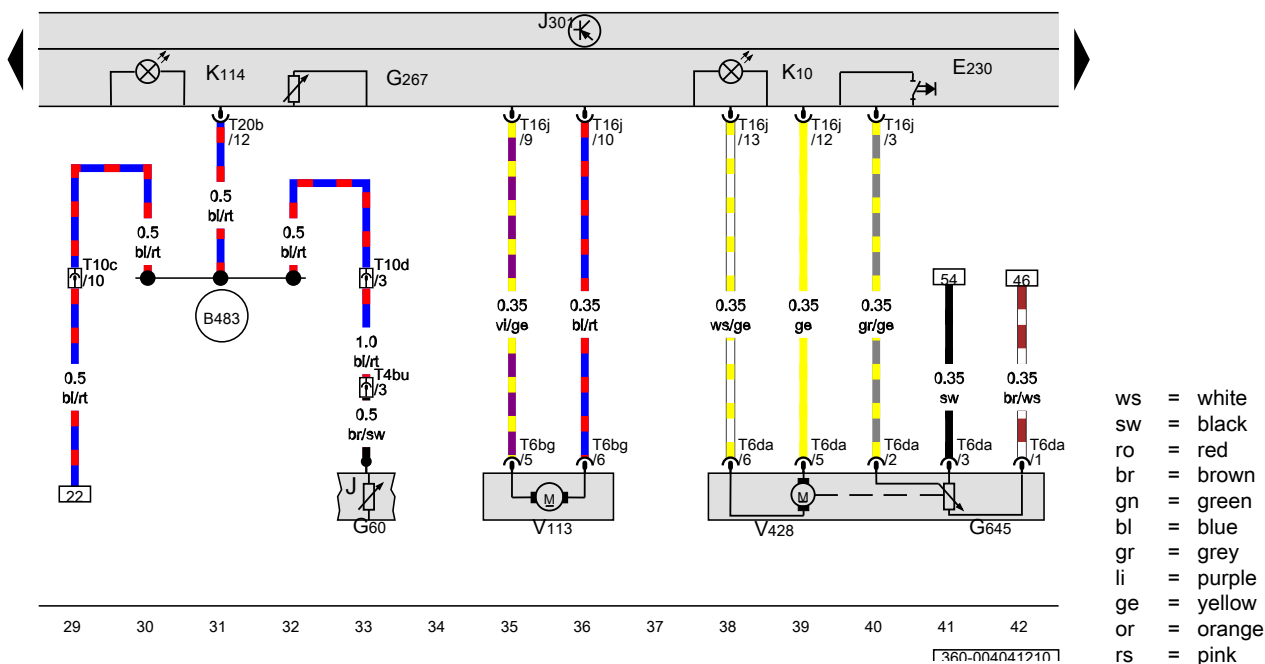
- * Only models with auxiliary coolant heater
- *2 Only models with second battery
- *3 Only models with no second battery
- *4 see applicable current flow diagram for auxiliary coolant heater
- *5 Only models with seat heating

Γ360-004031210 1

Heated rear window button, Front passenger seat temperature sensor, Potentiometer for temperature selection rotary knob, Air recirculation flap control motor, Air distribution flap control motor

- E230 Heated rear window button
- G60 Front passenger seat temperature sensor
- G267 Potentiometer for temperature selection rotary knob
- G645 Potentiometer for air distribution flap control motor
- J301 Air conditioning system control unit
- K10 Heated rear window warning lamp
- K114 Fresh air and air recirculation warning lamp
- T4bu 4-pin connector
- T6bg 6-pin connector
- T6da 6-pin connector
- T10c 10-pin connector, under driver seat
- T10d 10-pin connector
- T16j 16-pin connector
- T20b 20-pin connector
- V113 Air recirculation flap control motor
- V428 Air distribution flap control motor, blue

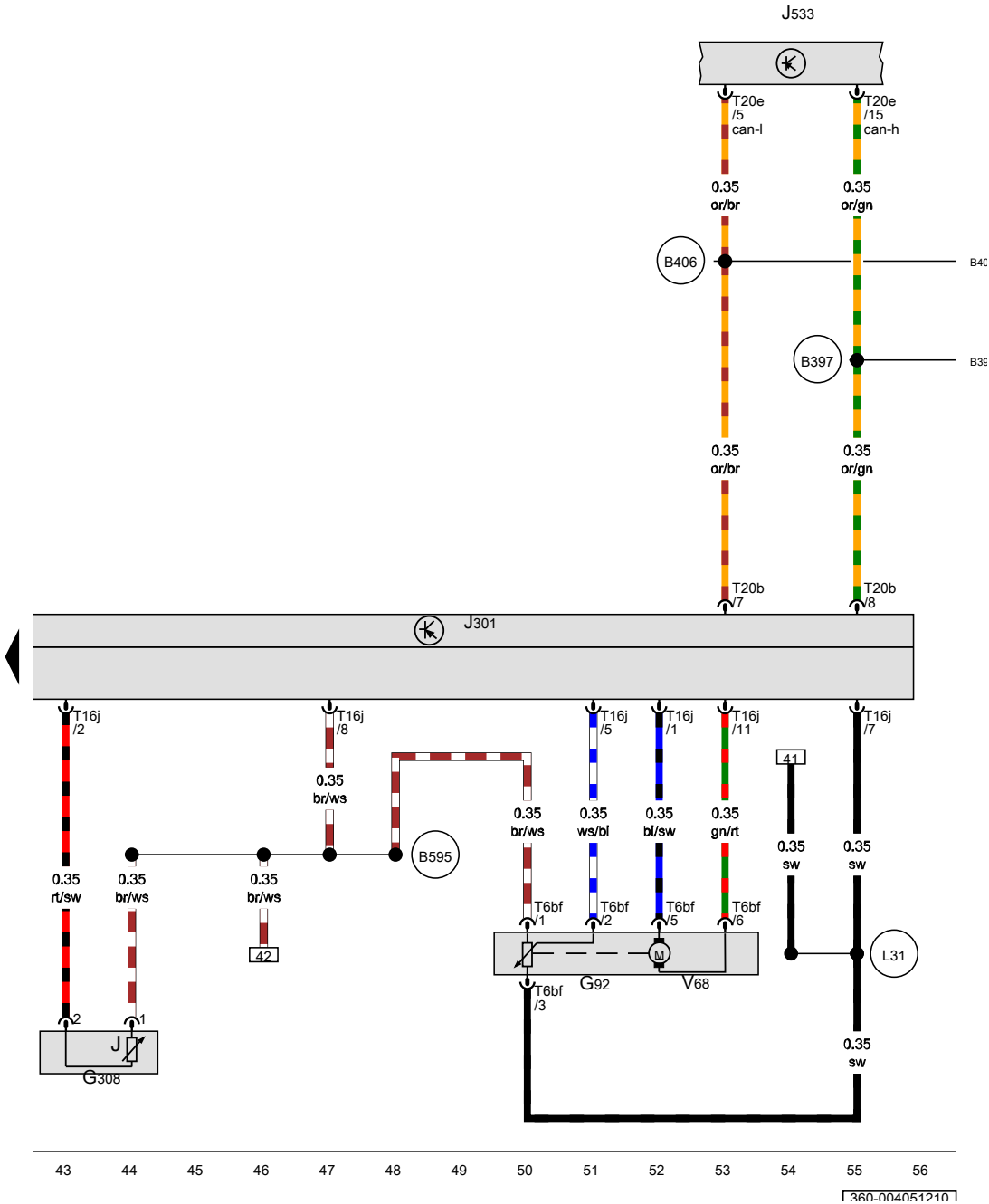
B483 Connection 19, in main wiring harness



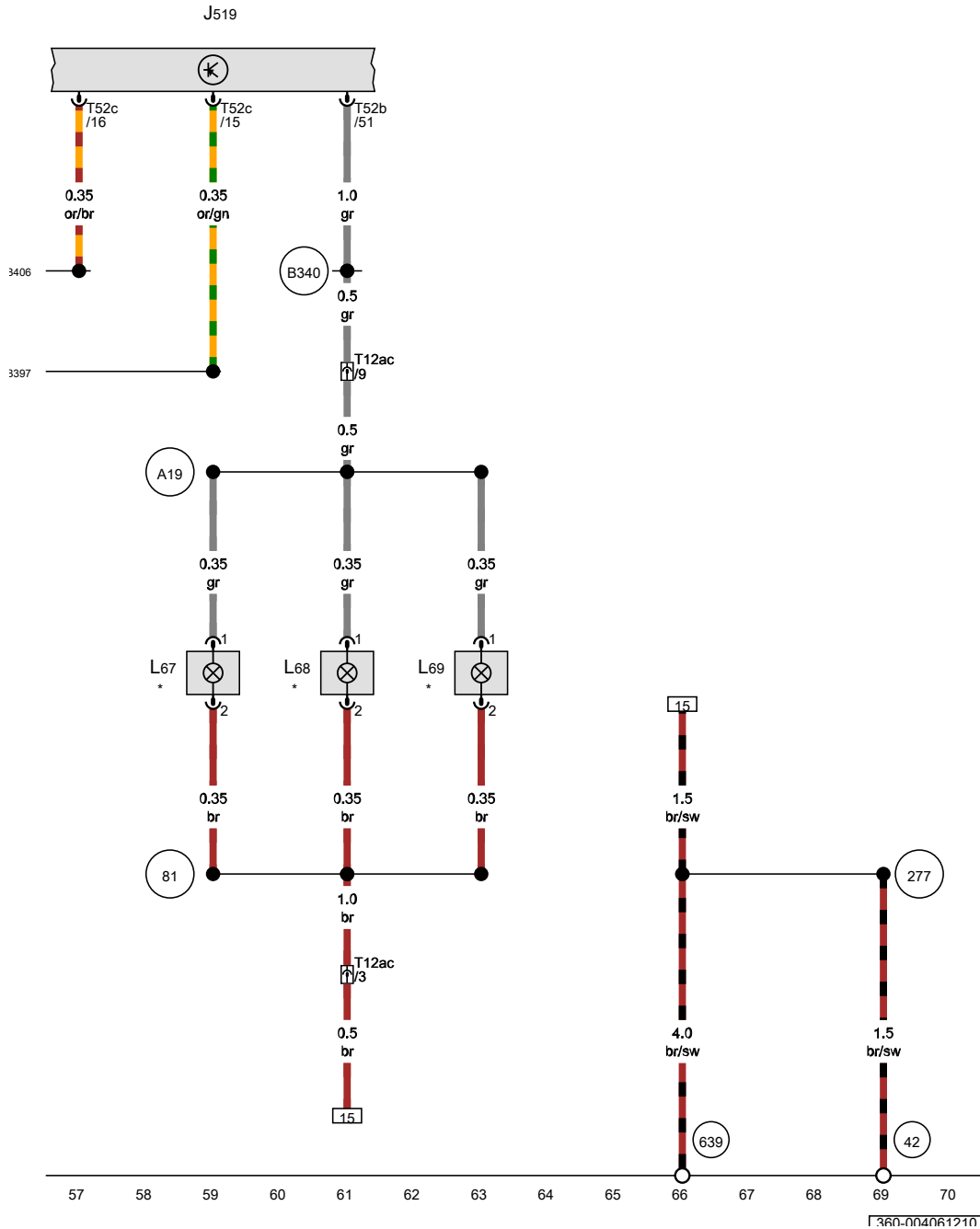
1360-004041210

Potentiometer for temperature flap control motor, Evaporator temperature sensor, Temperature flap control motor

- G92 Potentiometer for temperature flap control motor
- G308 Evaporator temperature sensor
- J301 Air conditioning system control unit
- J533 Data bus diagnostic interface
- T6bf 6-pin connector
- T16j 16-pin connector
- T20b 20-pin connector
- T20e 20-pin connector
- V68 Temperature flap control motor
- B397 Connection 1 (convenience CAN bus, high), in main wiring harness
- B406 Connection 1 (convenience CAN bus, low), in main wiring harness
- B595 Connection 2, in Climatic wiring harness
- L31 Connection (5V), in air conditioning system wiring harness



1360-004051210



Dash panel left vent illumination bulb, Dash panel central vent illumination, Dash panel right vent illumination bulb

- J519 Onboard supply control unit
- L67 Dash panel left vent illumination bulb
- L68 Dash panel central vent illumination
- L69 Dash panel right vent illumination bulb
- T12ac 12-pin connector
- T52b 52-pin connector
- T52c 52-pin connector
- 42 Earth point, next to steering column
- 81 Earth connection 1, in dash panel wiring harness
- 277 Earth connection 3, in interior wiring harness
- 639 Earth point, left A-pillar
- A19 Connection (58d), in dash panel wiring harness
- B340 Connection 1 (58d), in main wiring harness
- B397 Connection 1 (convenience CAN bus, high), in main wiring harness
- B406 Connection 1 (convenience CAN bus, low), in main wiring harness
- * According to equipment

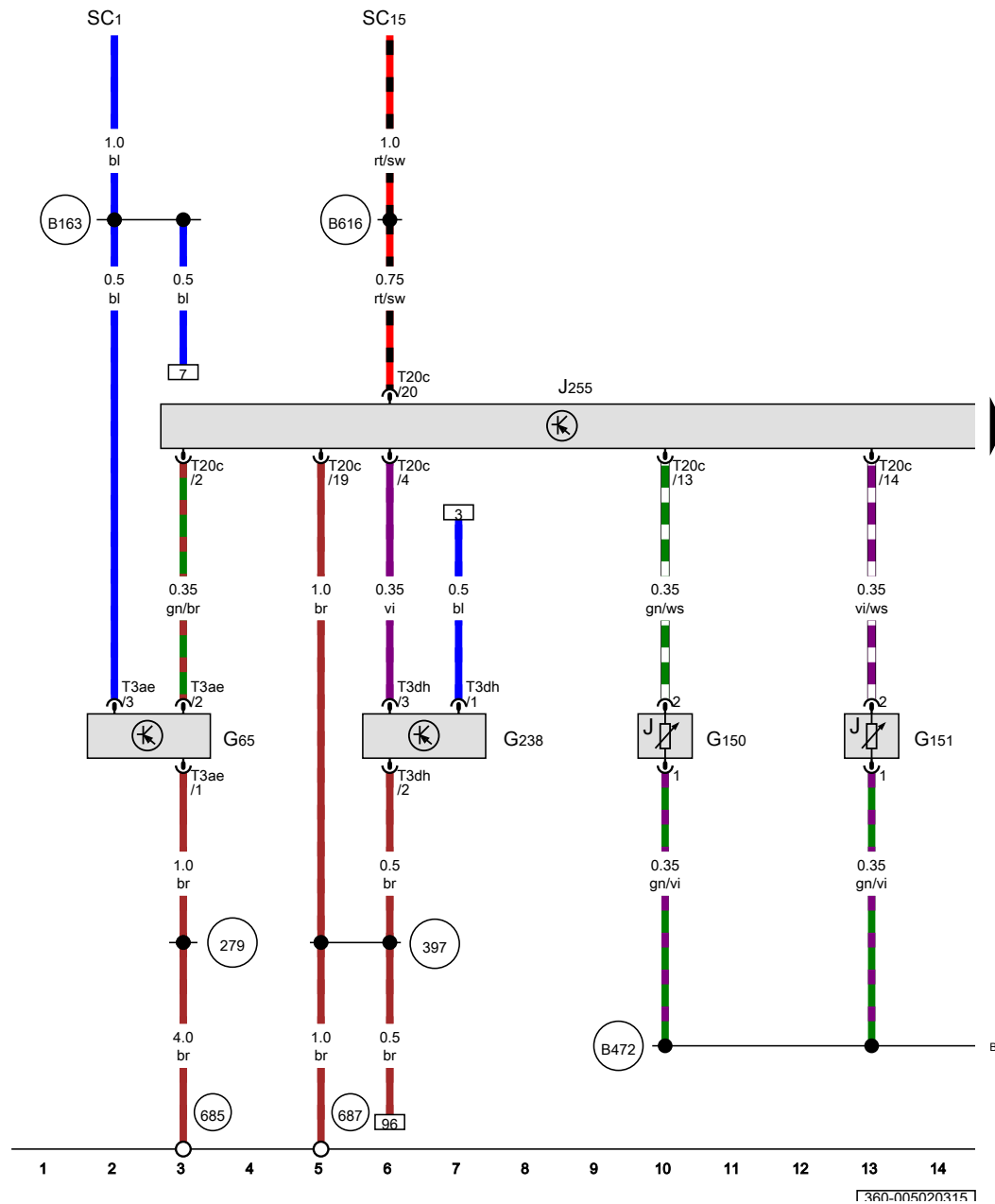
Climatronic

From November 2010

High-pressure sender, Left vent temperature sender, Right vent temperature sender, Climatronic control unit

- G65 High-pressure sender
- G150 Left vent temperature sender
- G151 Right vent temperature sender
- G238 Air quality sensor
- J255 Climatronic control unit
- SC1 Fuse 1 on fuse holder C
- SC15 Fuse 15 on fuse holder C
- T3ae 3-pin connector
- T3dh 3-pin connector
- T20c 20-pin connector

- 279 Earth connection 5, in interior wiring harness
- 397 Earth connection 32, in main wiring harness
- 685 Earth point 1 at front of right longitudinal member
- 687 Earth point 1, on centre tunnel
- B163 Positive connection 1 (15), in interior wiring harness
- B472 Connection 8, in main wiring harness
- B616 Positive connection 12 (30a), in interior wiring harness



- ws = white
- sw = black
- ro = red
- rt = red
- br = brown
- gn = green
- bl = blue
- gr = grey
- li = purple
- vi = purple
- ge = yellow
- or = orange
- rs = pink

[360-005020315]

Sunlight penetration photosensor, Potentiometer for indirect ventilation flap control motor, Climatronic control unit, Indirect ventilation flap control motor

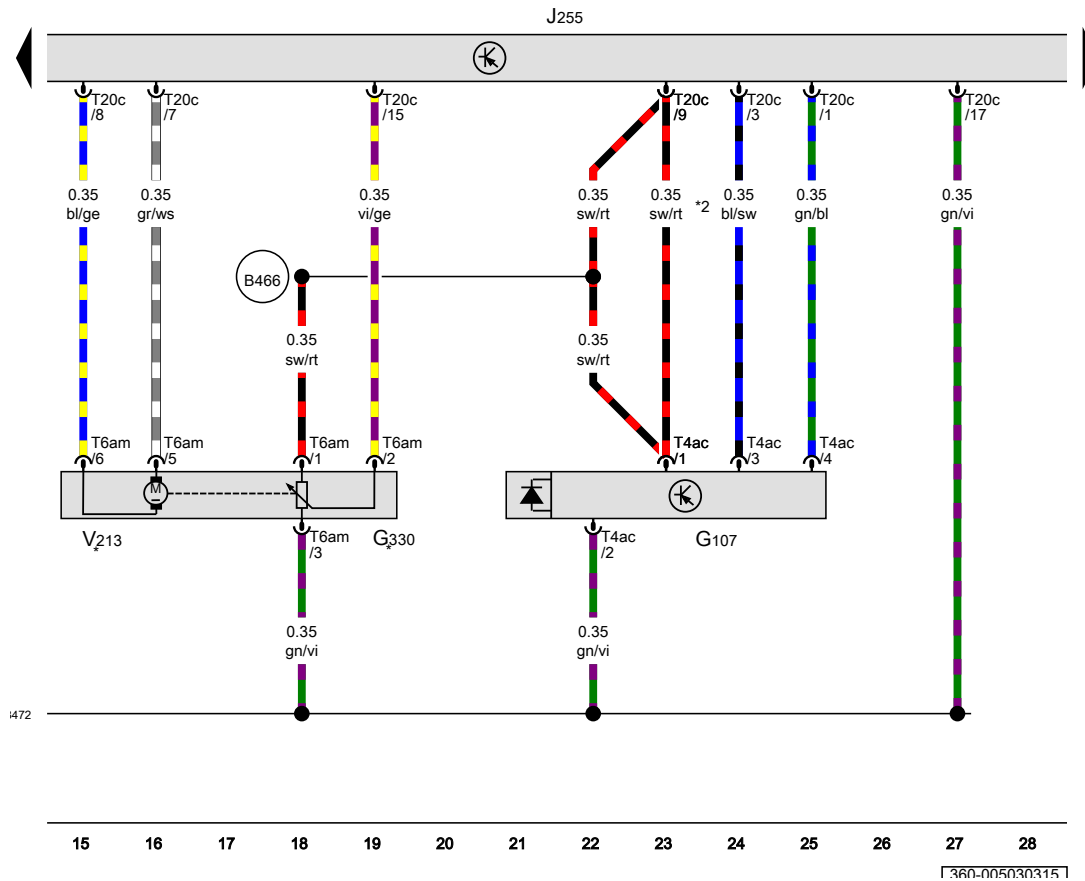
- G107 Sunlight penetration photosensor
- G330 Potentiometer for indirect ventilation flap control motor
- J255 Climatronic control unit
- T4ac 4-pin connector
- T6am 6-pin connector
- T20c 20-pin connector
- V213 Indirect ventilation flap control motor

B466 Connection 2, in main wiring harness

B472 Connection 8, in main wiring harness

* According to equipment

*2 Only for countries with hot climate



- ws = white
- sw = black
- ro = red
- rt = red
- br = brown
- gn = green
- bl = blue
- gr = grey
- li = purple
- vi = purple
- ge = yellow
- or = orange
- rs = pink

Driver seat temperature sensor, Front passenger seat temperature sensor, Climatronic control unit, Air conditioner compressor regulating valve

- G59 Driver seat temperature sensor
- G60 Front passenger seat temperature sensor
- J255 Climatronic control unit
- J774 Heated front seats control unit
- N280 Air conditioner compressor regulating valve
- T4a 4-pin connector
- T4bu 4-pin connector
- T4bv 4-pin connector
- T8ac 8-pin connector
- T10c 10-pin connector, under driver seat
- T20c 20-pin connector

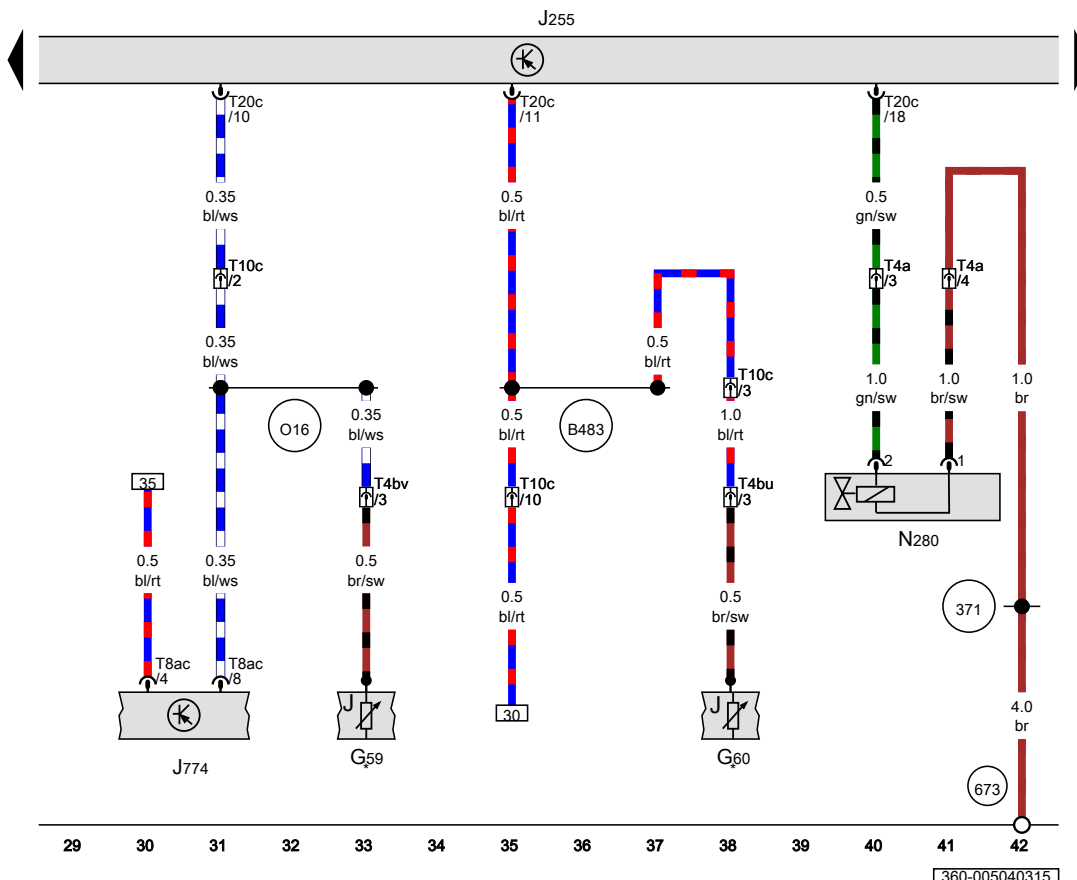
371 Earth connection 6, in main wiring harness

673 Earth point 3, on front of left longitudinal member

B483 Connection 19, in main wiring harness

O16 Connection 5, in seat heating wiring harness

* see applicable current flow diagram for seat heating



- ws = white
- sw = black
- ro = red
- rt = red
- br = brown
- gn = green
- bl = blue
- gr = grey
- li = purple
- vi = purple
- ge = yellow
- or = orange
- rs = pink

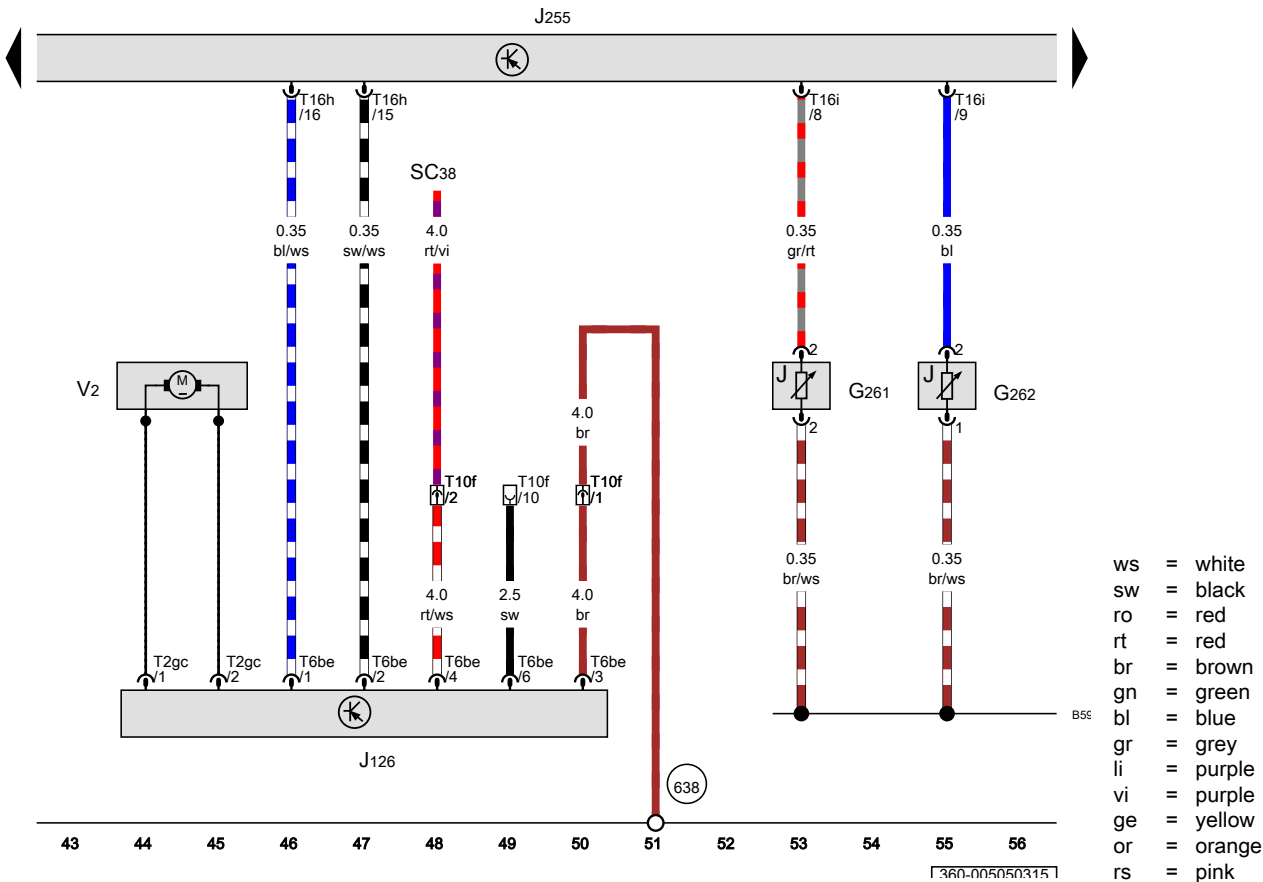
360-005040315

Left footwell vent temperature sender, Right footwell vent temperature sender, Fresh air blower control unit, Climatronic control unit

- G261 Left footwell vent temperature sender
- G262 Right footwell vent temperature sender
- J126 Fresh air blower control unit
- J255 Climatronic control unit
- SC38 Fuse 38 on fuse holder C
- T2gc 2-pin connector
- T6be 6-pin connector
- T10f 10-pin connector, near heater blower
- T16h 16-pin connector
- T16i 16-pin connector
- V2 Fresh air blower

638 Earth point, on right A-pillar

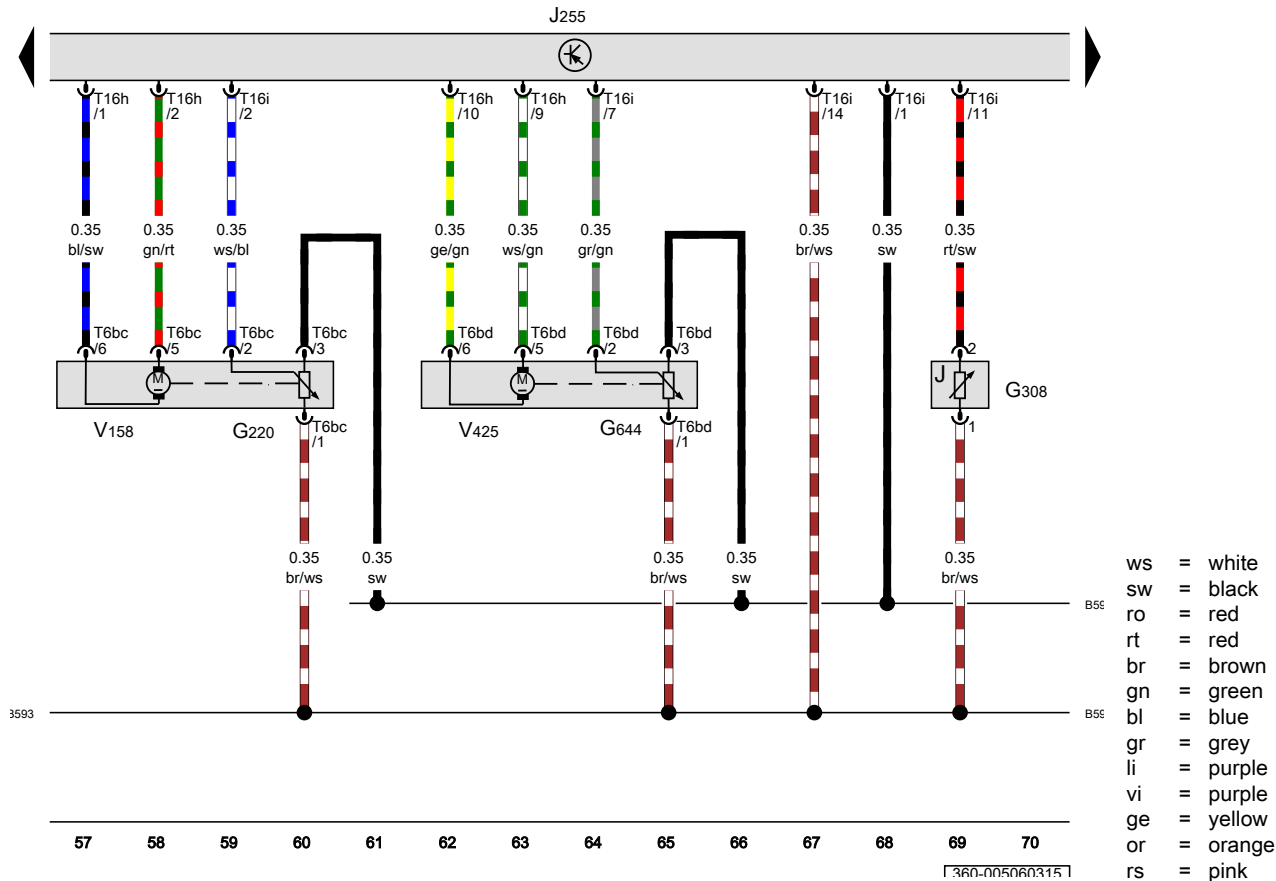
B593 Connection 2, in Climatronic wiring harness



1360-005050315

Evaporator temperature sensor, Climatronic control unit

- G220 Potentiometer for left temperature flap control motor
- G308 Evaporator temperature sensor
- G644 Potentiometer for fresh air/air recirculation, air flow flap control motor
- J255 Climatronic control unit
- T6bc 6-pin connector
- T6bd 6-pin connector
- T16h 16-pin connector
- T16i 16-pin connector
- V158 Left temperature flap control motor
- V425 Fresh air/air recirculation, air flow flap control motor
- B592 Connection 1, in Climatronic wiring harness
- B593 Connection 2, in Climatronic wiring harness



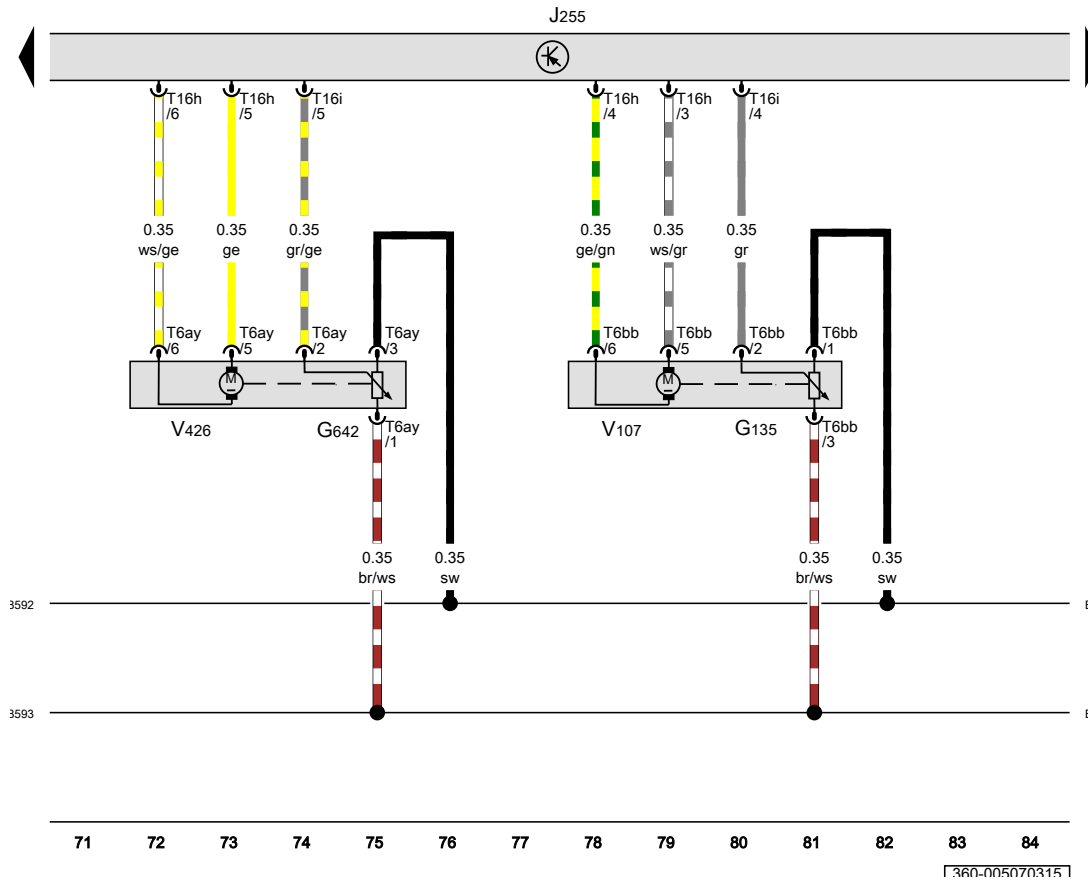
1360-005060315

Potentiometer for defroster flap control motor,
 Potentiometer for front air distribution flap control motor,
 Climatronic control unit, Defroster flap control motor, Front
 air distribution flap control motor

- G135 Potentiometer for defroster flap control motor
- G642 Potentiometer for front air distribution flap control motor
- J255 Climatronic control unit
- T6ay 6-pin connector
- T6bb 6-pin connector
- T16h 16-pin connector
- T16i 16-pin connector
- V107 Defroster flap control motor
- V426 Front air distribution flap control motor

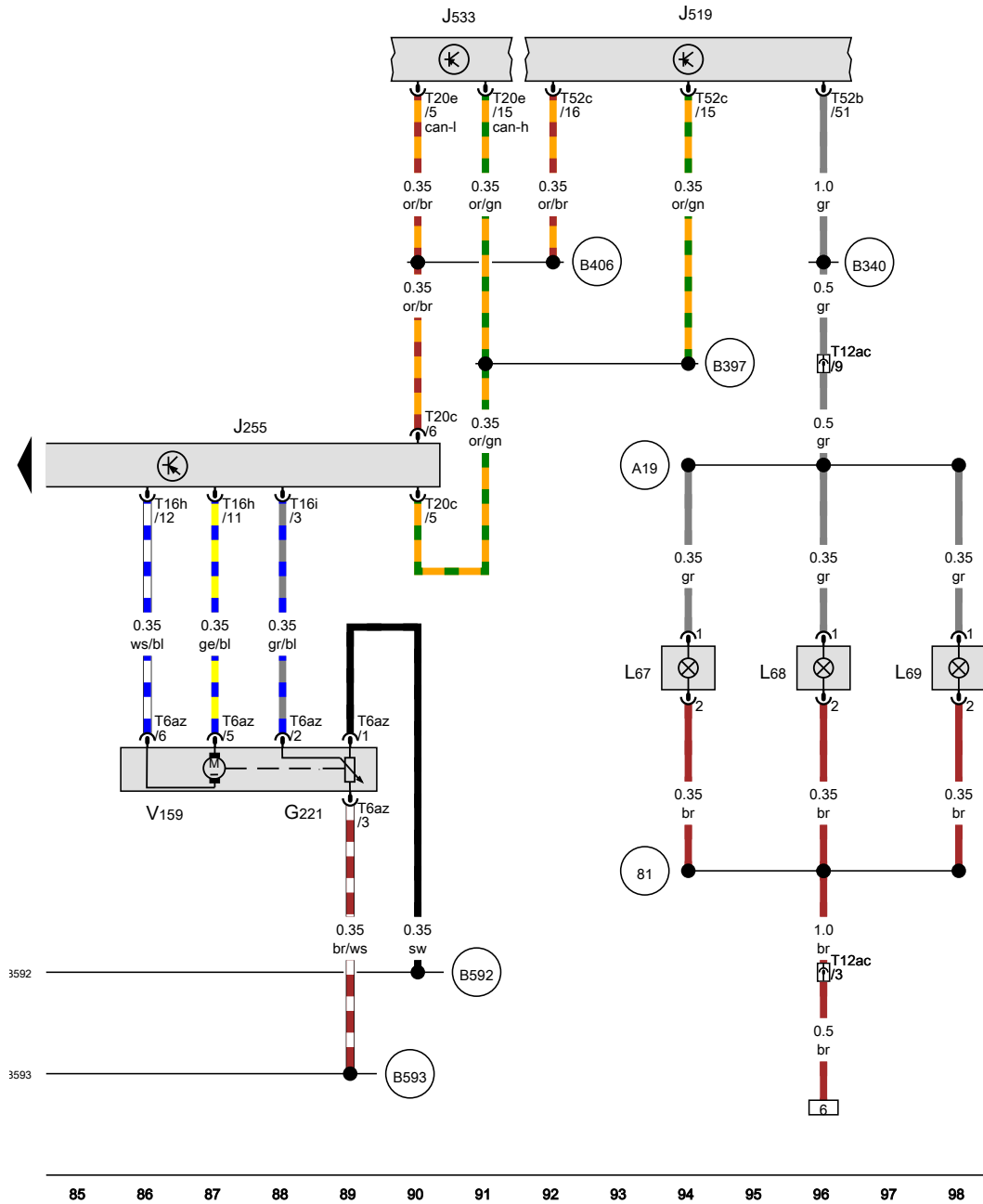
B592 Connection 1, in Climatronic wiring harness

B593 Connection 2, in Climatronic wiring harness



- ws = white
- sw = black
- ro = red
- rt = red
- br = brown
- gn = green
- bl = blue
- gr = grey
- li = purple
- vi = purple
- ge = yellow
- or = orange
- rs = pink

1360-005070315



Potentiometer for right temperature flap control motor, Climatronic control unit, Dash panel left vent illumination bulb, Dash panel central vent illumination, Dash panel right vent illumination bulb, Right temperature flap control motor

- G221 Potentiometer for right temperature flap control motor
- J255 Climatronic control unit
- J519 Onboard supply control unit
- J533 Data bus diagnostic interface
- L67 Dash panel left vent illumination bulb
- L68 Dash panel central vent illumination
- L69 Dash panel right vent illumination bulb
- T6az 6-pin connector
- T12ac 12-pin connector
- T16h 16-pin connector
- T16i 16-pin connector
- T20c 20-pin connector
- T20e 20-pin connector
- T52b 52-pin connector
- T52c 52-pin connector
- V159 Right temperature flap control motor

- 81 Earth connection 1, in dash panel wiring harness
- A19 Connection (58d), in dash panel wiring harness
- B340 Connection 1 (58d), in main wiring harness
- B397 Connection 1 (convenience CAN bus, high), in main wiring harness
- B406 Connection 1 (convenience CAN bus, low), in main wiring harness
- B592 Connection 1, in Climatronic wiring harness
- B593 Connection 2, in Climatronic wiring harness

- ws = white
- sw = black
- ro = red
- rt = red
- br = brown
- gn = green
- bl = blue
- gr = grey
- li = purple
- vi = purple
- ge = yellow
- or = orange
- rs = pink

1360-005080315

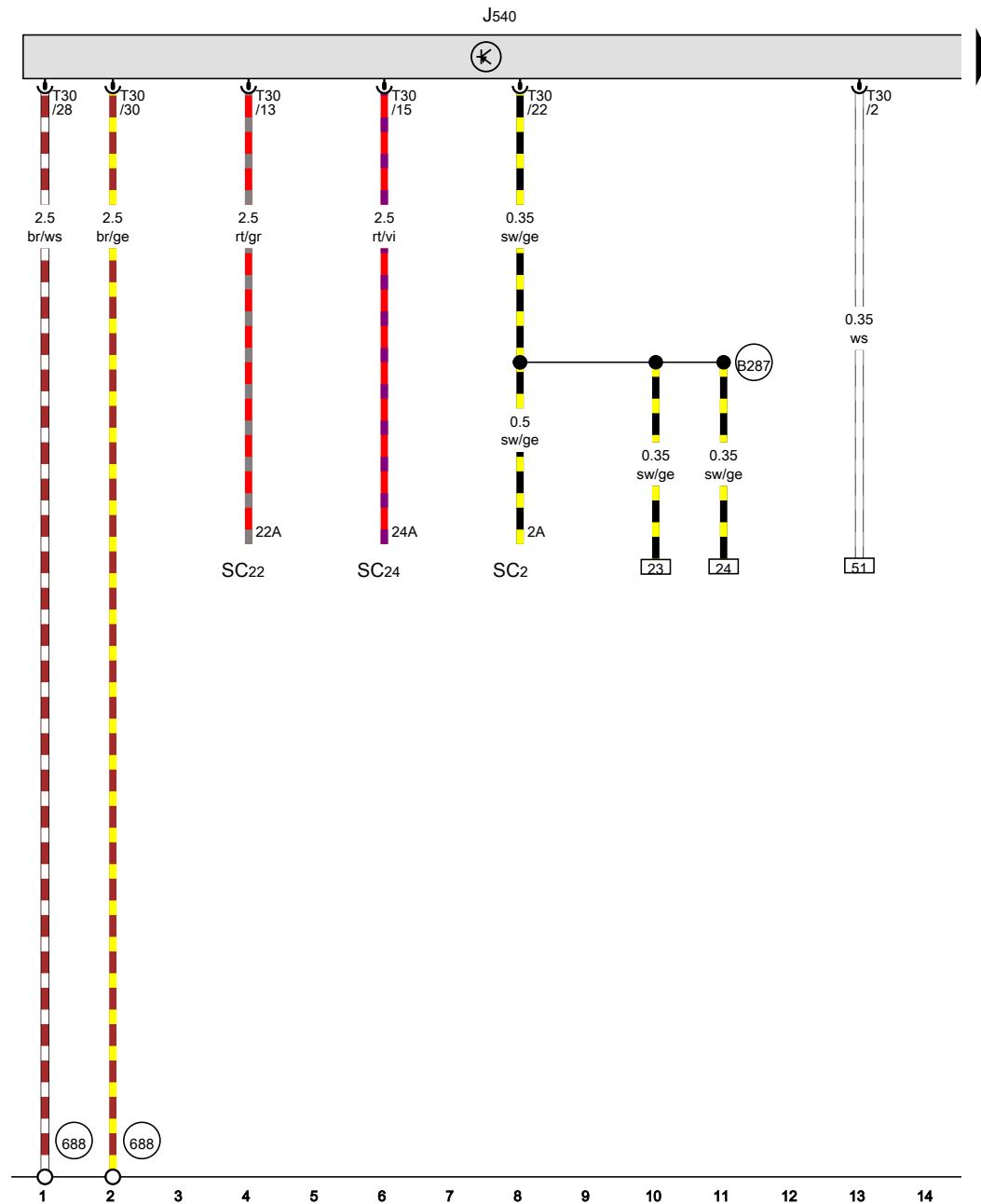
Electromechanical parking brake

From November 2010

Control unit for electromechanical parking brake, Fuse 2 on fuse holder C, Fuse 22 on fuse holder C, Fuse 24 on fuse holder C

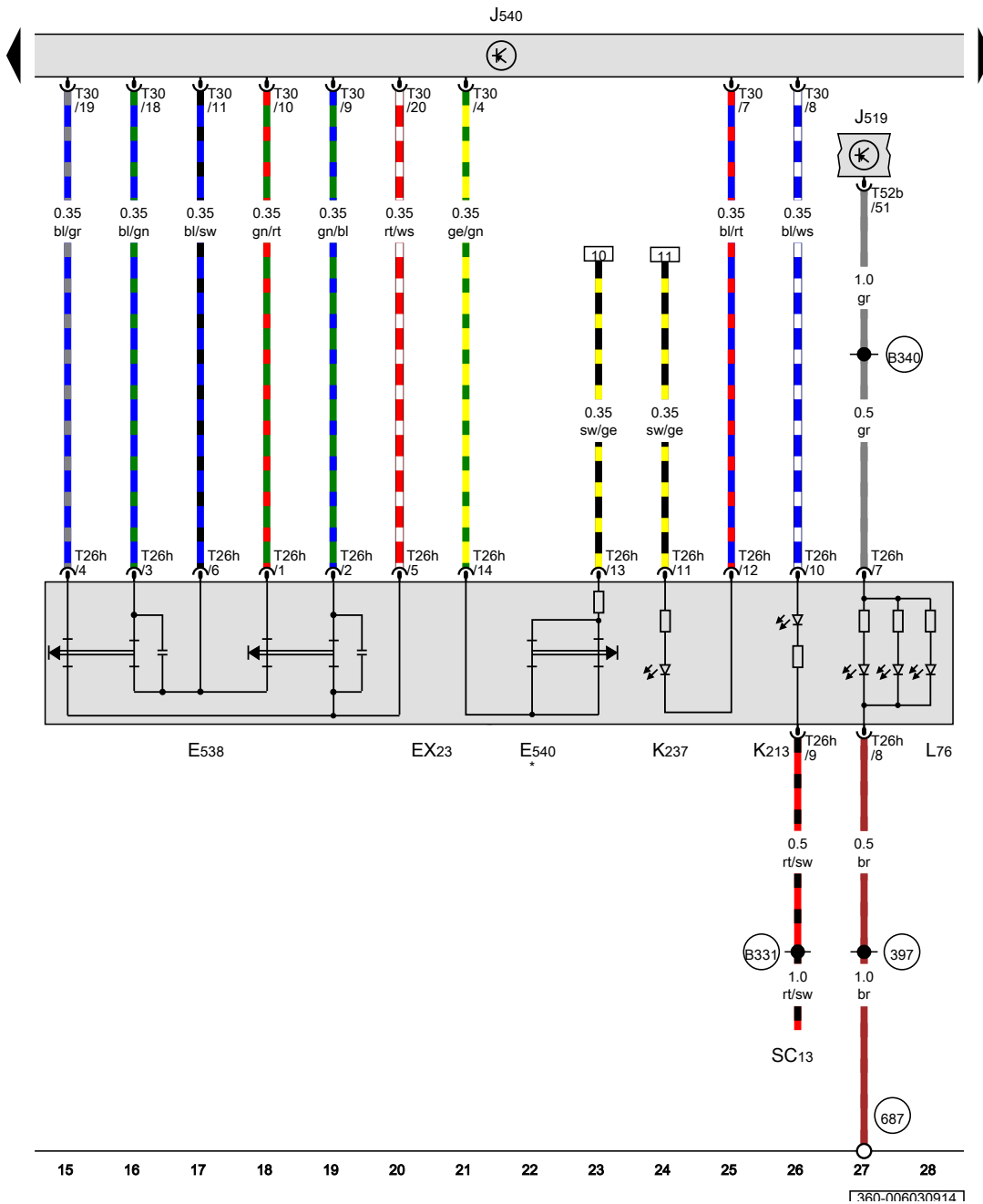
- J540 Control unit for electromechanical parking brake
- SC2 Fuse 2 on fuse holder C
- SC22 Fuse 22 on fuse holder C
- SC24 Fuse 24 on fuse holder C
- T30 30-pin connector

- 688 Earth point 2, on centre tunnel
- B287 Positive connection 11 (15a) in main wiring harness



- ws = white
- sw = black
- ro = red
- rt = red
- br = brown
- gn = green
- bl = blue
- gr = grey
- li = purple
- vi = purple
- ge = yellow
- or = orange
- rs = pink

1360-006020914

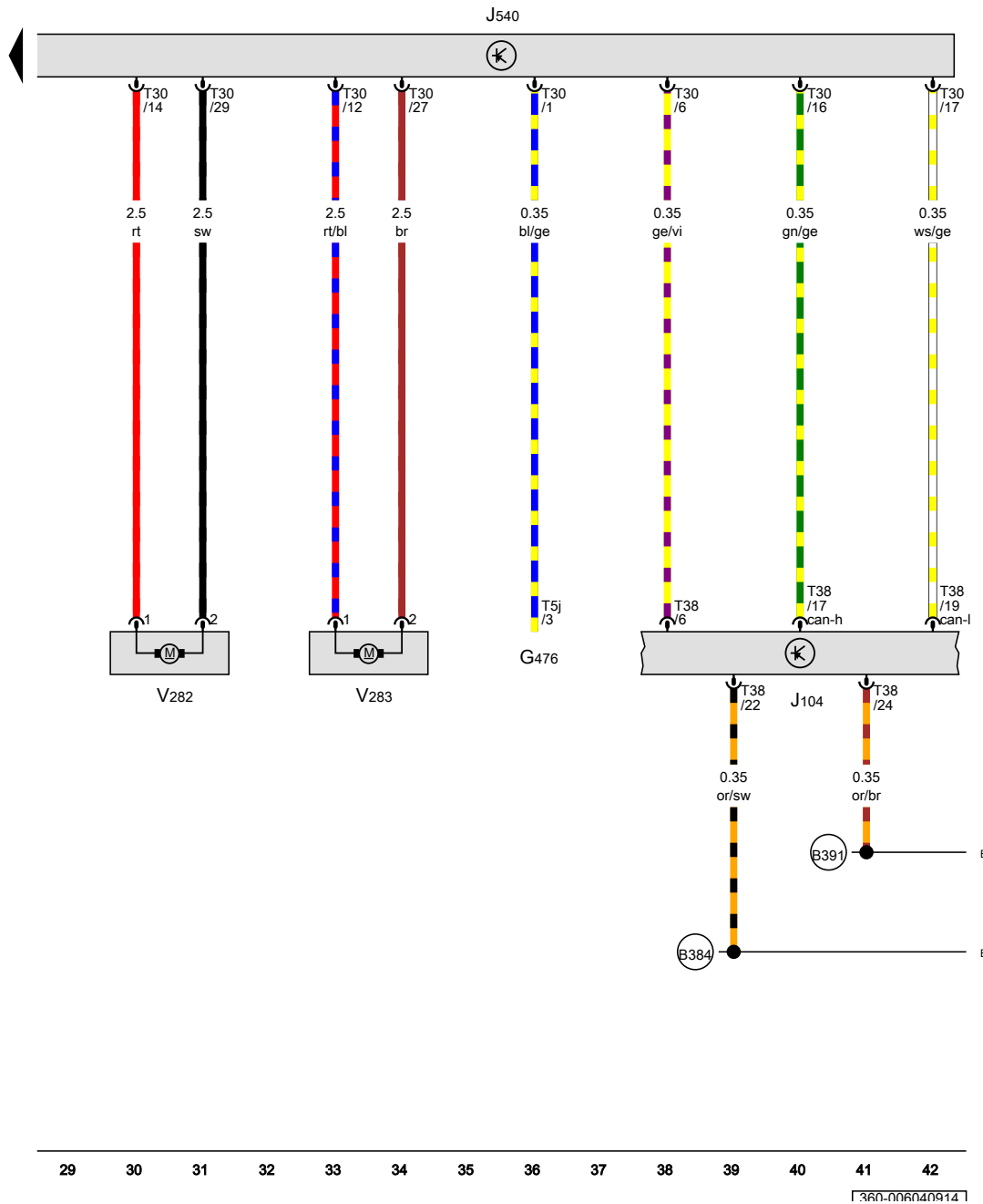


Switch module 1 in centre console, Electromechanical parking brake button, Auto-hold button, Control unit for electromechanical parking brake, Electromechanical parking brake warning lamp, Auto-hold warning lamp

- EX23 Switch module 1 in centre console
- E538 Electromechanical parking brake button
- E540 Auto-hold button
- J519 Onboard supply control unit
- J540 Control unit for electromechanical parking brake
- K213 Electromechanical parking brake warning lamp
- K237 Auto-hold warning lamp
- L76 Button illumination bulb
- SC13 Fuse 13 on fuse holder C
- T26h 26-pin connector
- T30 30-pin connector
- T52b 52-pin connector

- 397 Earth connection 32, in main wiring harness
- 687 Earth point 1, on centre tunnel
- B331 Positive connection 17 (30a) in main wiring harness
- B340 Connection 1 (58d), in main wiring harness
- * Only models with manual gearbox and Auto Hold function

- ws = white
- sw = black
- ro = red
- rt = red
- br = brown
- gn = green
- bl = blue
- gr = grey
- li = purple
- vi = purple
- ge = yellow
- or = orange
- rs = pink



Clutch position sender, ABS control unit, Control unit for electromechanical parking brake, Left parking brake motor, Right parking brake motor

- G476 Clutch position sender
- J104 ABS control unit
- J540 Control unit for electromechanical parking brake
- T5j 5-pin connector
- T30 30-pin connector
- T38 38-pin connector
- V282 Left parking brake motor
- V283 Right parking brake motor

- (B384) Connection 2 (powertrain CAN bus, high), in main wiring harness
- (B391) Connection 2 (powertrain CAN bus, low), in main wiring harness

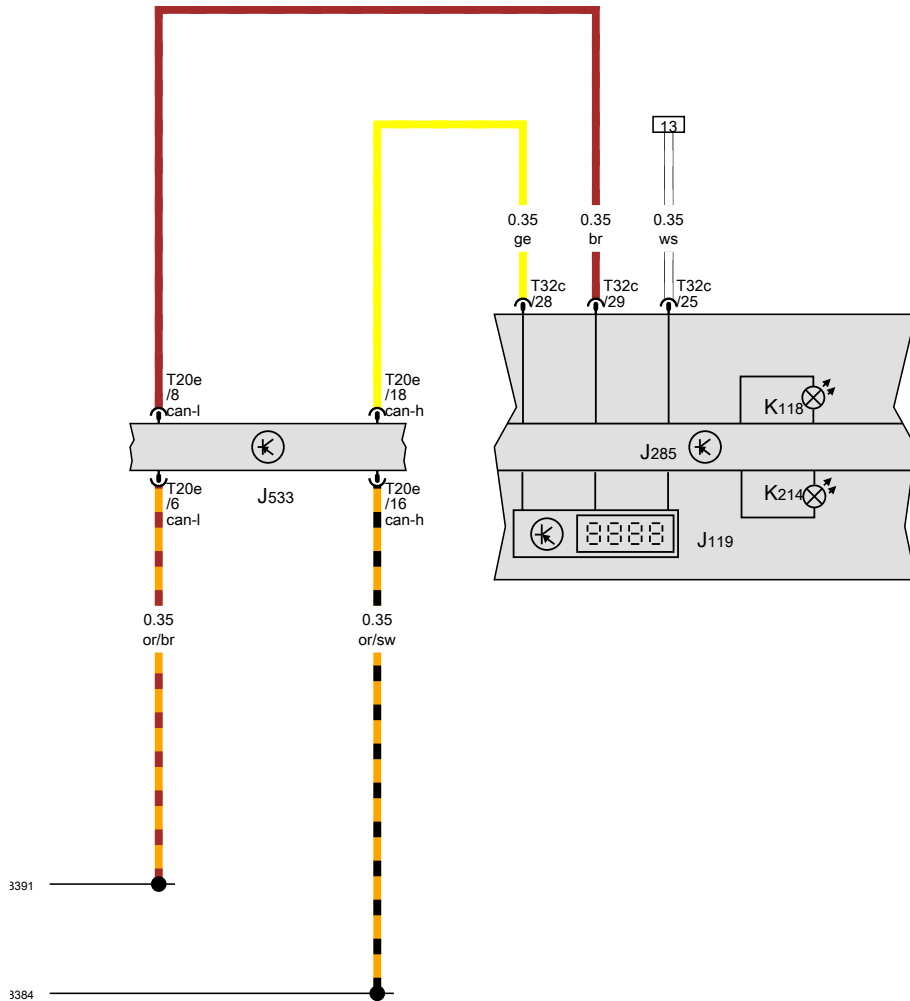
- ws = white
- sw = black
- ro = red
- rt = red
- br = brown
- gn = green
- bl = blue
- gr = grey
- li = purple
- vi = purple
- ge = yellow
- or = orange
- rs = pink

Control unit in dash panel insert, Data bus diagnostic interface, Brake system warning lamp, Electric parking brake and handbrake fault warning lamp

- J119 Multifunction indicator
- J285 Control unit in dash panel insert
- J533 Data bus diagnostic interface
- K118 Brake system warning lamp
- K214 Electric parking brake and handbrake fault warning lamp
- T20e 20-pin connector
- T32c 32-pin connector

B384 Connection 2 (powertrain CAN bus, high), in main wiring harness

B391 Connection 2 (powertrain CAN bus, low), in main wiring harness



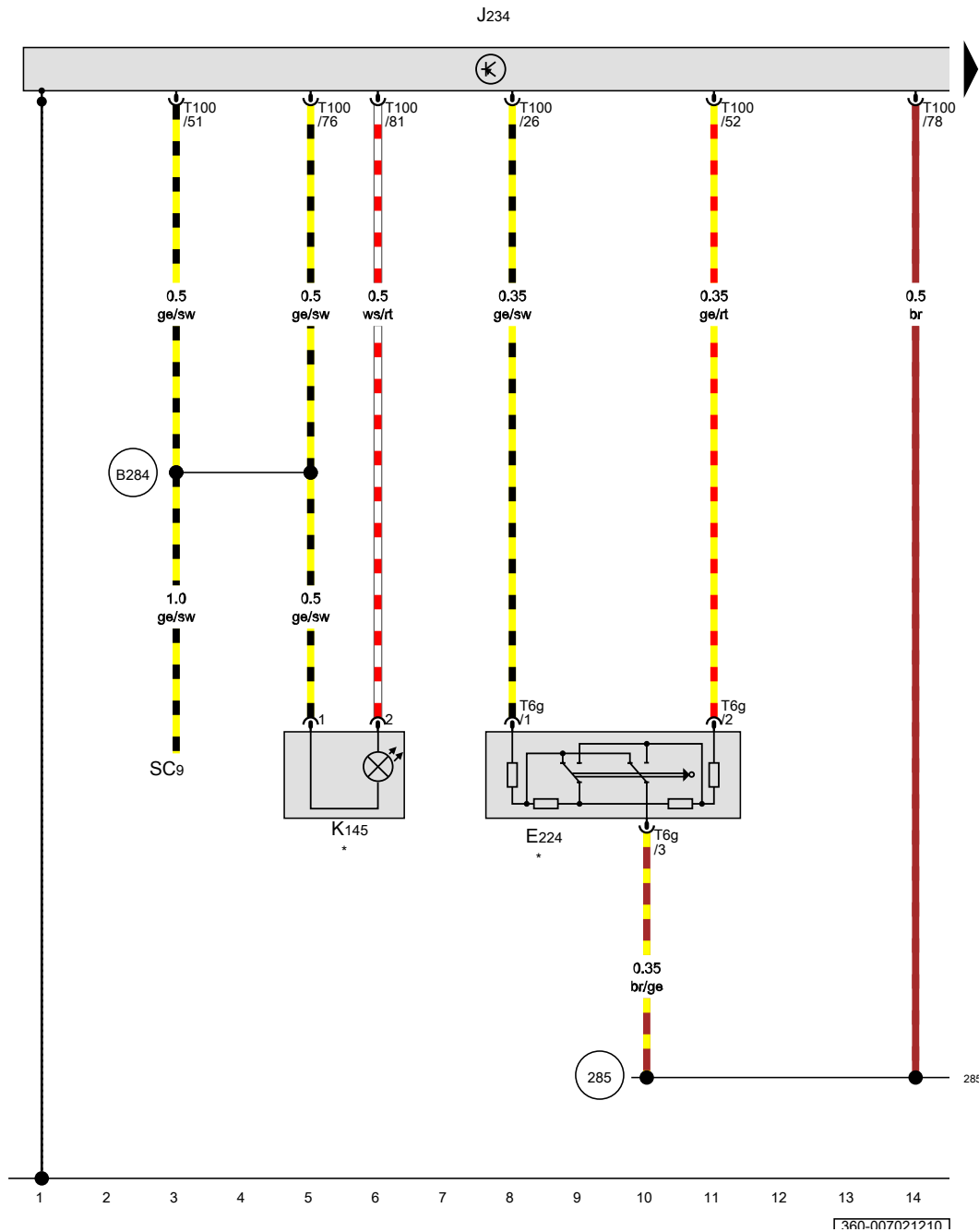
- ws = white
- sw = black
- ro = red
- rt = red
- br = brown
- gn = green
- bl = blue
- gr = grey
- li = purple
- vi = purple
- ge = yellow
- or = orange
- rs = pink

43 44 45 46 47 48 49 50 51 52 53 54 55 56

1360-006050914

Airbag systems with no rear side airbags

From November 2010



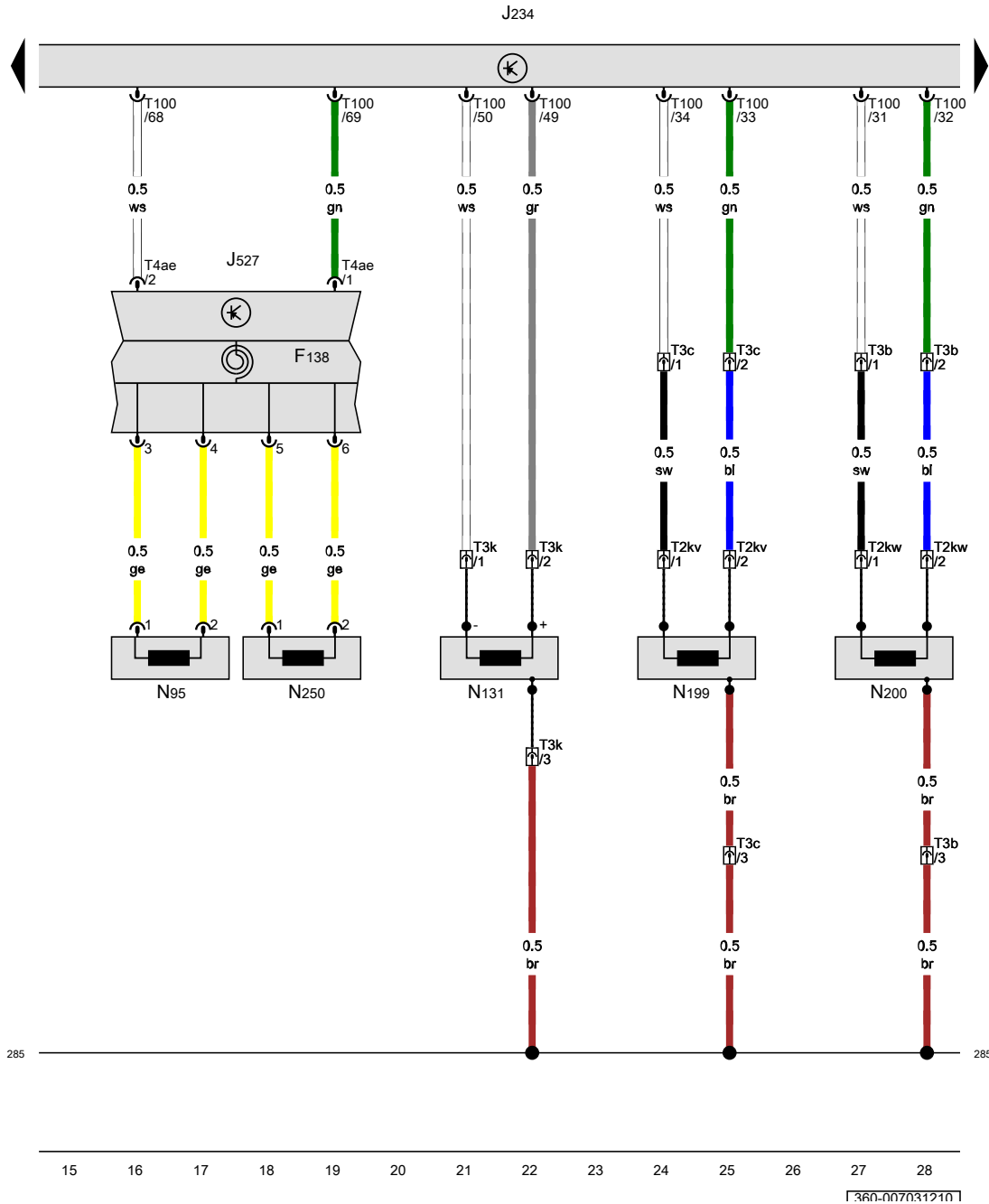
Key operated switch to deactivate front passenger side airbag, Airbag control unit, Front passenger side airbag deactivated warning lamp

- E224 Key operated switch to deactivate front passenger side airbag
- J234 Airbag control unit
- K145 Front passenger side airbag deactivated warning lamp
- SC9 Fuse 9 on fuse holder C
- T6g 6-pin connector
- T100 100-pin connector

285 Earth connection 7, in interior wiring harness

B284 Positive connection 8 (15a) in main wiring harness

* Only models with key operated switch to deactivate front passenger airbag

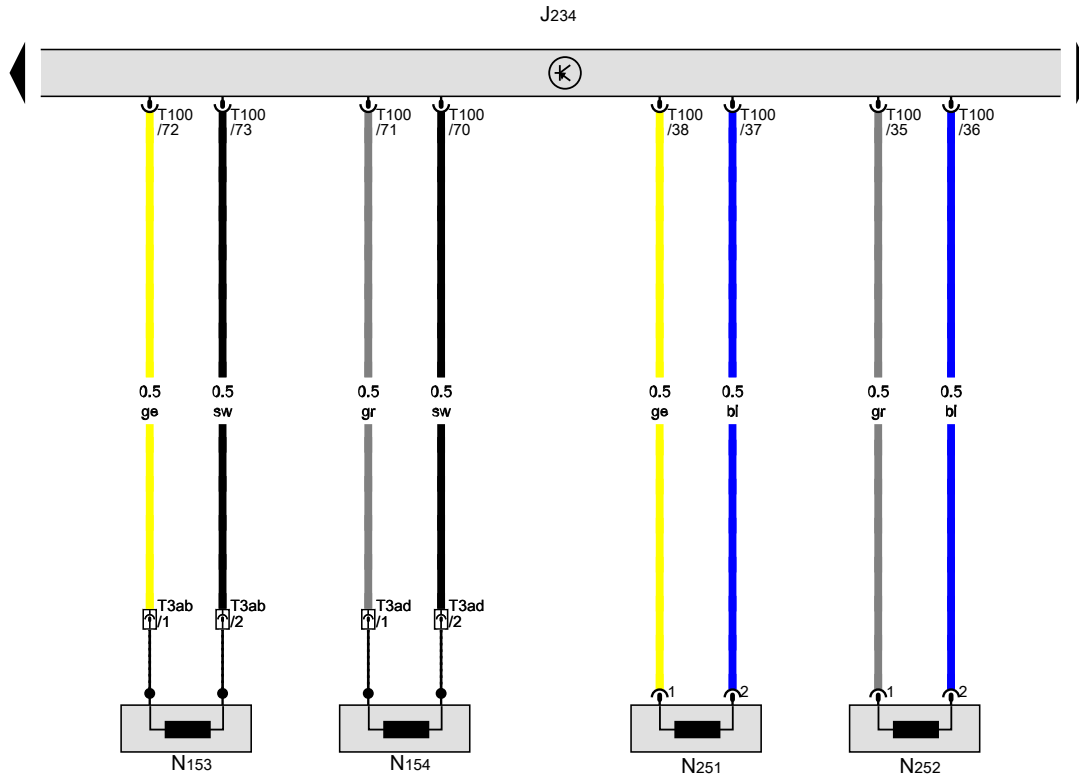


Airbag coil connector and return ring with slip ring, Airbag control unit, Steering column electronics control unit, Driver side airbag igniter, Front passenger side airbag igniter 1, Side airbag igniter on driver side, Side airbag igniter on front passenger side, Driver side airbag igniter 2

- F138 Airbag coil connector and return ring with slip ring
- J234 Airbag control unit
- J527 Steering column electronics control unit
- N95 Driver side airbag igniter
- N131 Front passenger side airbag igniter 1
- N199 Side airbag igniter on driver side
- N200 Side airbag igniter on front passenger side
- N250 Driver side airbag igniter 2
- T2kv 2-pin connector, in driver seat
- T2kw 2-pin connector
- T3b 3-pin connector, under front passenger seat
- T3c 3-pin connector, under driver seat
- T3k 3-pin connector, behind glove compartment
- T4ae 4-pin connector
- T100 100-pin connector

285 Earth connection 7, in interior wiring harness

- ws = white
- sw = black
- ro = red
- br = brown
- gn = green
- bl = blue
- gr = grey
- li = purple
- ge = yellow
- or = orange
- rs = pink

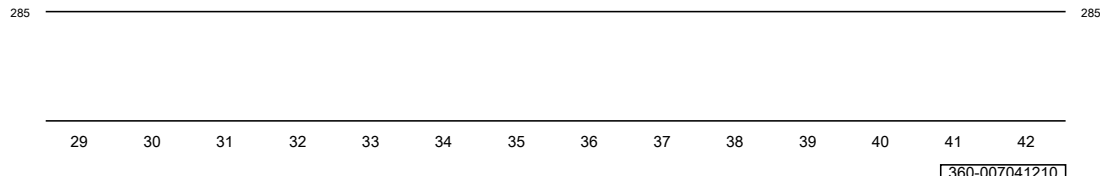


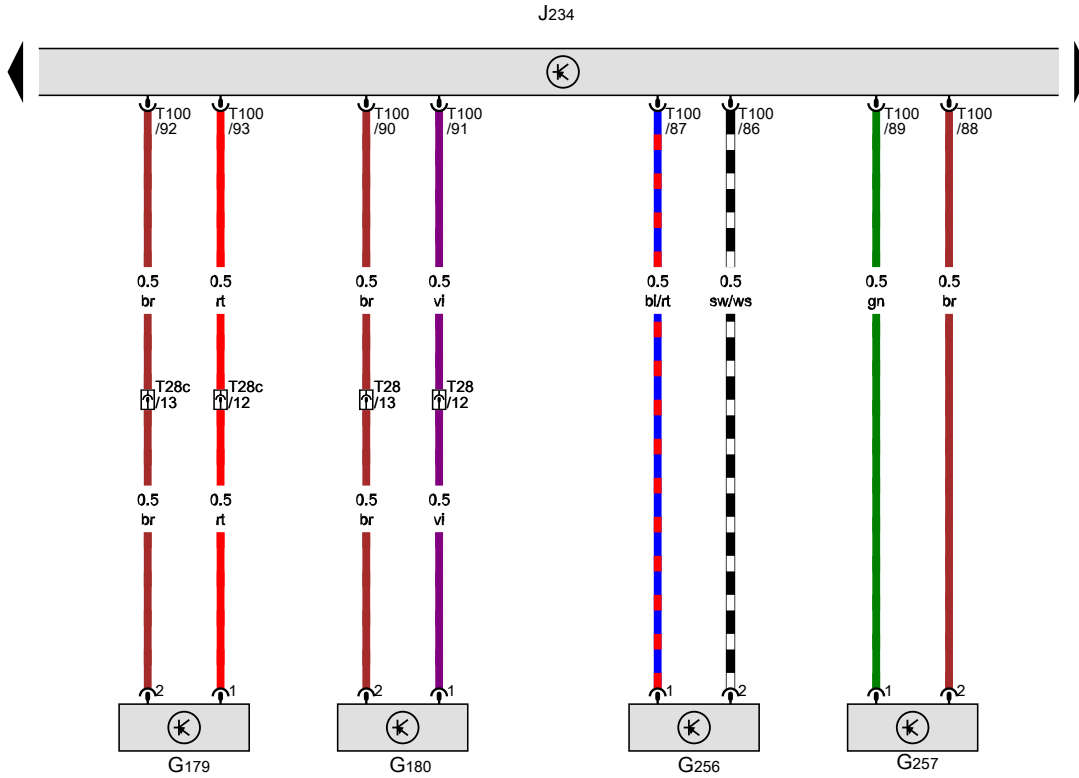
Airbag control unit, Driver seat belt tensioner igniter 1, Front passenger seat belt tensioner igniter 1, Driver side curtain airbag igniter, Front passenger side curtain airbag igniter

- J234 Airbag control unit
- N153 Driver seat belt tensioner igniter 1
- N154 Front passenger seat belt tensioner igniter 1
- N251 Driver side curtain airbag igniter
- N252 Front passenger side curtain airbag igniter
- T3ab 3-pin connector, yellow
- T3ad 3-pin connector, yellow
- T100 100-pin connector

285 Earth connection 7, in interior wiring harness

- ws = white
- sw = black
- ro = red
- br = brown
- gn = green
- bl = blue
- gr = grey
- li = purple
- ge = yellow
- or = orange
- rs = pink





Side airbag crash sensor on driver side, Side airbag crash sensor on front passenger side, Rear side airbag crash sensor on driver side, Rear side airbag crash sensor on front passenger side, Airbag control unit

- G179 Side airbag crash sensor on driver side
- G180 Side airbag crash sensor on front passenger side
- G256 Rear side airbag crash sensor on driver side
- G257 Rear side airbag crash sensor on front passenger side
- J234 Airbag control unit
- T28 28-pin connector, in right A-pillar coupling station
- T28c 28-pin connector, in left A-pillar coupling station
- T100 100-pin connector
- 285 Earth connection 7, in interior wiring harness

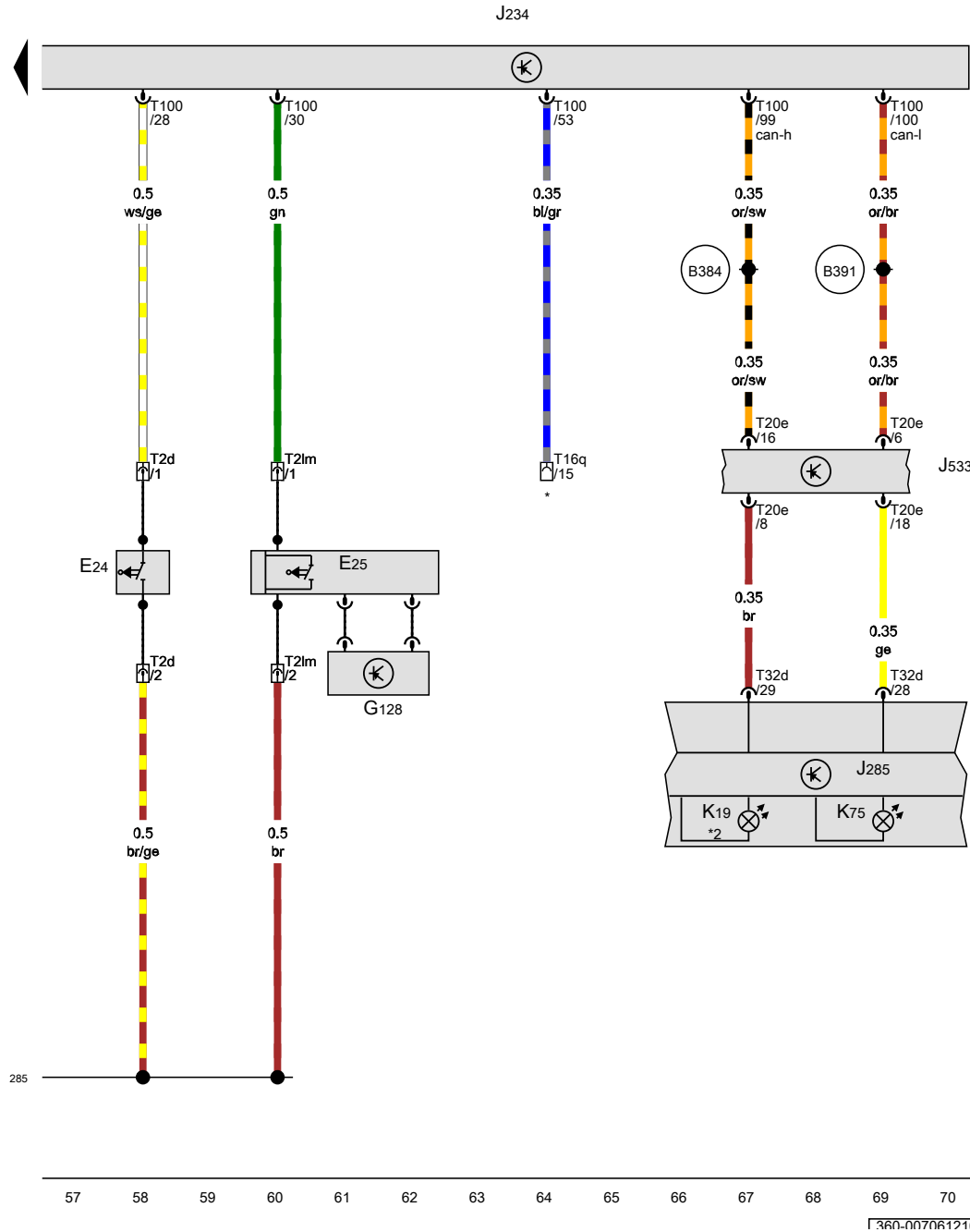
- ws = white
- sw = black
- ro = red
- br = brown
- gn = green
- bl = blue
- gr = grey
- li = purple
- ge = yellow
- or = orange
- rs = pink

285

285

43 44 45 46 47 48 49 50 51 52 53 54 55 56

360-007051210



Front passenger side belt switch, Seat occupied sensor, front passenger side, Airbag control unit, Control unit in dash panel insert, Data bus diagnostic interface, Seat belt warning system warning lamp, Airbag warning lamp

- E24 Driver side belt switch
- E25 Front passenger side belt switch
- G128 Seat occupied sensor, front passenger side
- J234 Airbag control unit
- J285 Control unit in dash panel insert
- J533 Data bus diagnostic interface
- K19 Seat belt warning system warning lamp
- K75 Airbag warning lamp
- T2d 2-pin connector, on driver seat
- T2lm 2-pin connector, on front passenger seat
- T16q 16-pin connector, on diagnostic connection
- T20e 20-pin connector
- T32d 32-pin connector
- T100 100-pin connector

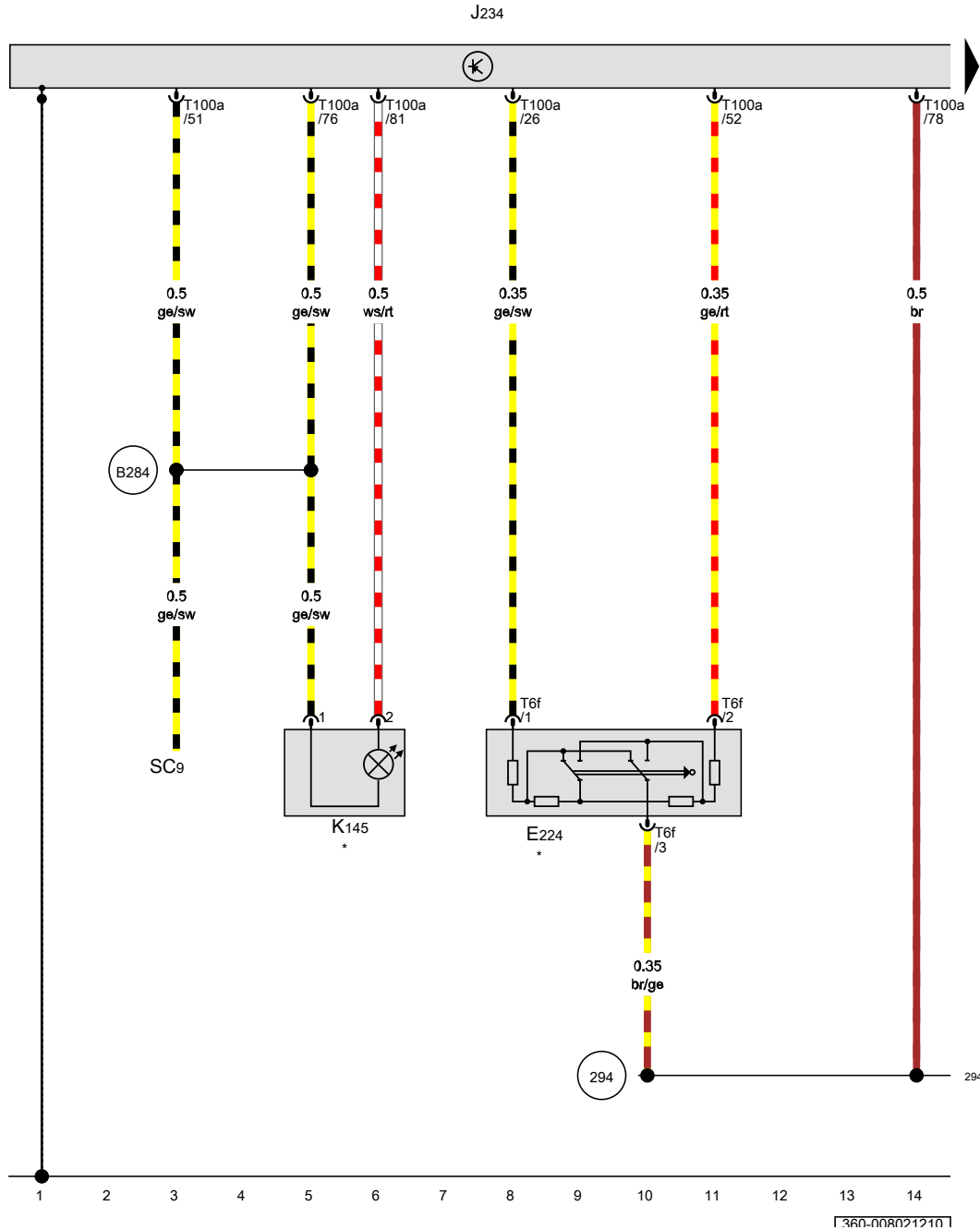
- (285) Earth connection 7, in interior wiring harness
- (B384) Connection 2 (powertrain CAN bus, high), in main wiring harness
- (B391) Connection 2 (powertrain CAN bus, low), in main wiring harness
- * Diagnostic connection
- *2 According to equipment

- ws = white
- sw = black
- ro = red
- br = brown
- gn = green
- bl = blue
- gr = grey
- li = purple
- ge = yellow
- or = orange
- rs = pink

1360-0070612101

Airbag systems with rear side airbags

From November 2010



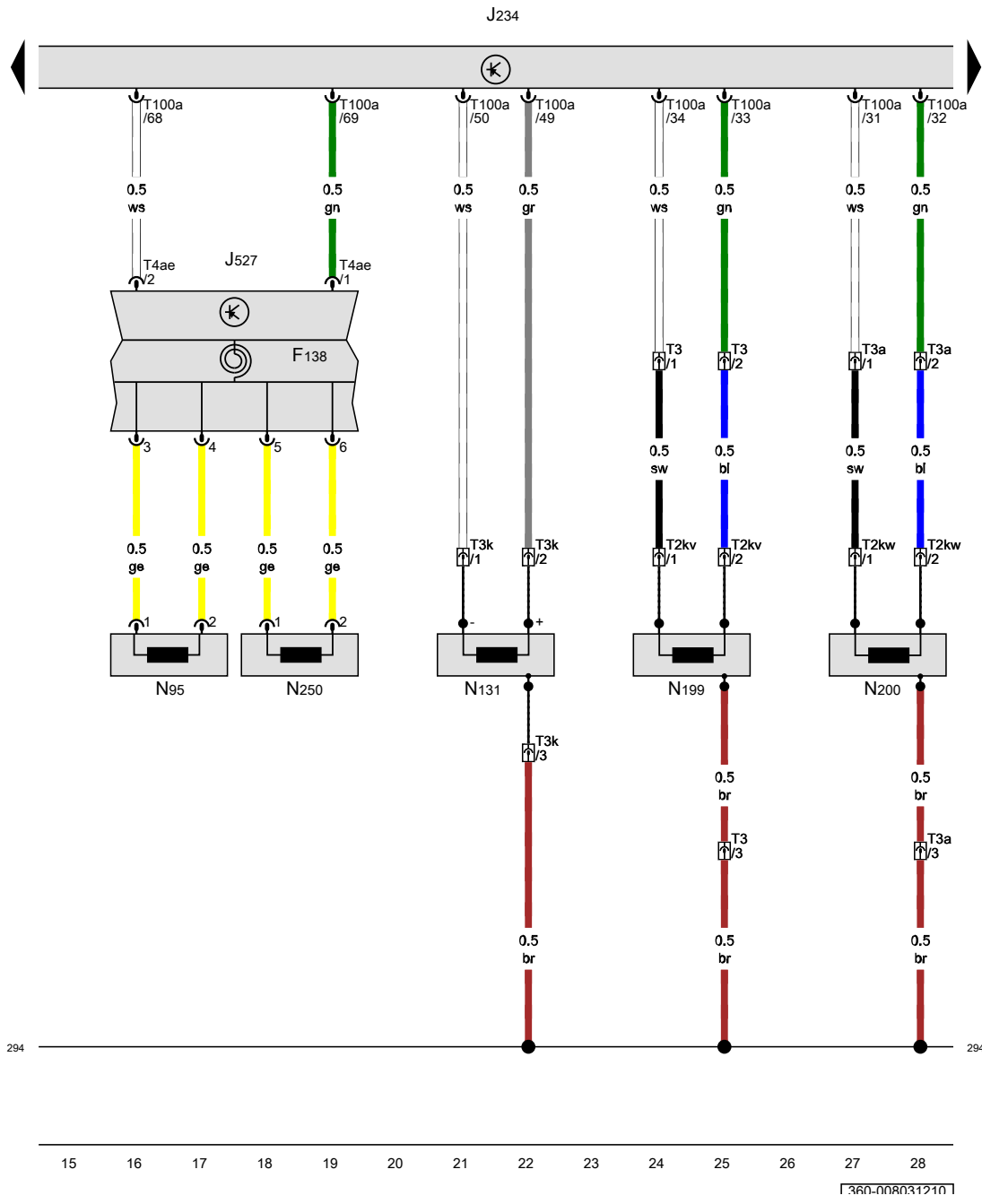
Key operated switch to deactivate front passenger side airbag, Airbag control unit, Front passenger side airbag deactivated warning lamp

- E224 Key operated switch to deactivate front passenger side airbag
- J234 Airbag control unit
- K145 Front passenger side airbag deactivated warning lamp
- SC9 Fuse 9 on fuse holder C
- T6f 6-pin connector
- T100a 100-pin connector

294 Earth connection 9, in interior wiring harness

B284 Positive connection 8 (15a) in main wiring harness

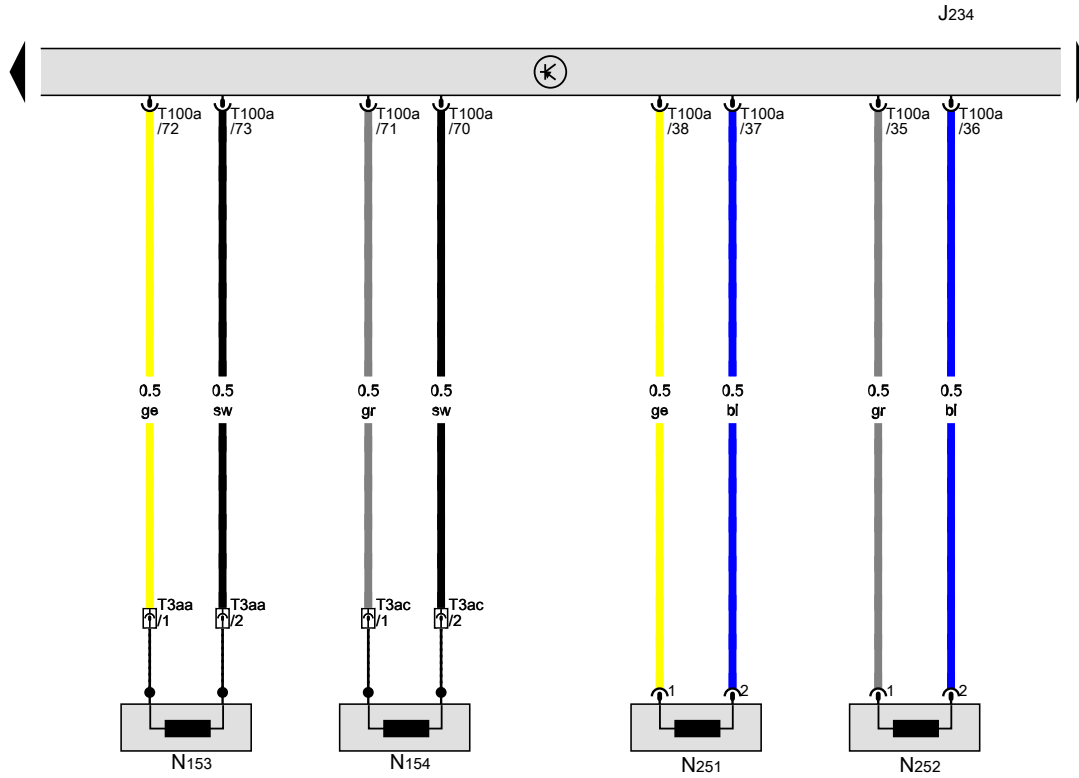
* Only models with key operated switch to deactivate front passenger airbag



Airbag coil connector and return ring with slip ring, Airbag control unit, Steering column electronics control unit, Driver side airbag igniter, Front passenger side airbag igniter 1, Side airbag igniter on driver side, Side airbag igniter on front passenger side, Driver side airbag igniter 2

- F138 Airbag coil connector and return ring with slip ring
- J234 Airbag control unit
- J527 Steering column electronics control unit
- N95 Driver side airbag igniter
- N131 Front passenger side airbag igniter 1
- N199 Side airbag igniter on driver side
- N200 Side airbag igniter on front passenger side
- N250 Driver side airbag igniter 2
- T2kv 2-pin connector, in driver seat
- T2kw 2-pin connector
- T3 3-pin connector, under driver seat
- T3a 3-pin connector, under front passenger seat
- T3k 3-pin connector, behind glove compartment
- T4ae 4-pin connector
- T100a 100-pin connector

294 Earth connection 9, in interior wiring harness



Airbag control unit, Driver seat belt tensioner igniter 1, Front passenger seat belt tensioner igniter 1, Driver side curtain airbag igniter, Front passenger side curtain airbag igniter

- J234 Airbag control unit
- N153 Driver seat belt tensioner igniter 1
- N154 Front passenger seat belt tensioner igniter 1
- N251 Driver side curtain airbag igniter
- N252 Front passenger side curtain airbag igniter
- T3aa 3-pin connector, yellow
- T3ac 3-pin connector, yellow
- T100a 100-pin connector

294 Earth connection 9, in interior wiring harness

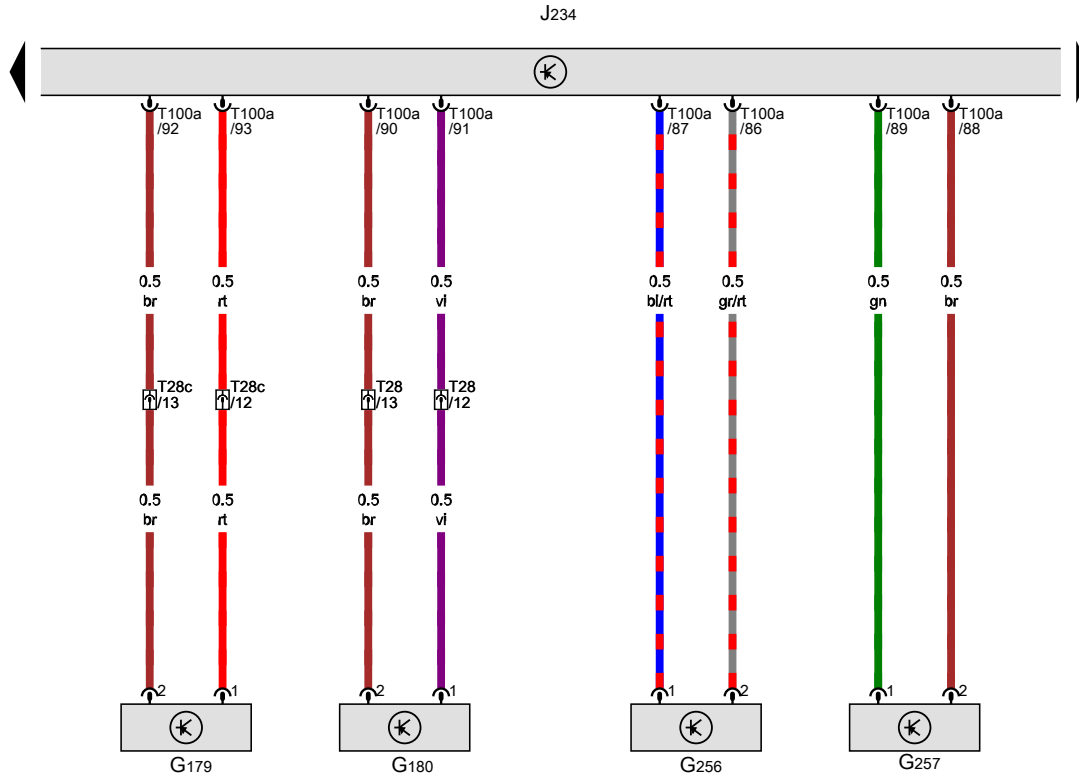
294

294

29 30 31 32 33 34 35 36 37 38 39 40 41 42

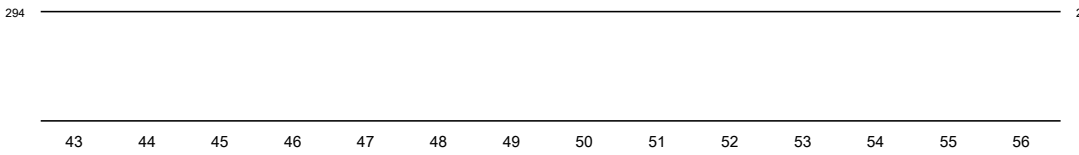
1360-008041210

- ws = white
- sw = black
- ro = red
- br = brown
- gn = green
- bl = blue
- gr = grey
- li = purple
- ge = yellow
- or = orange
- rs = pink



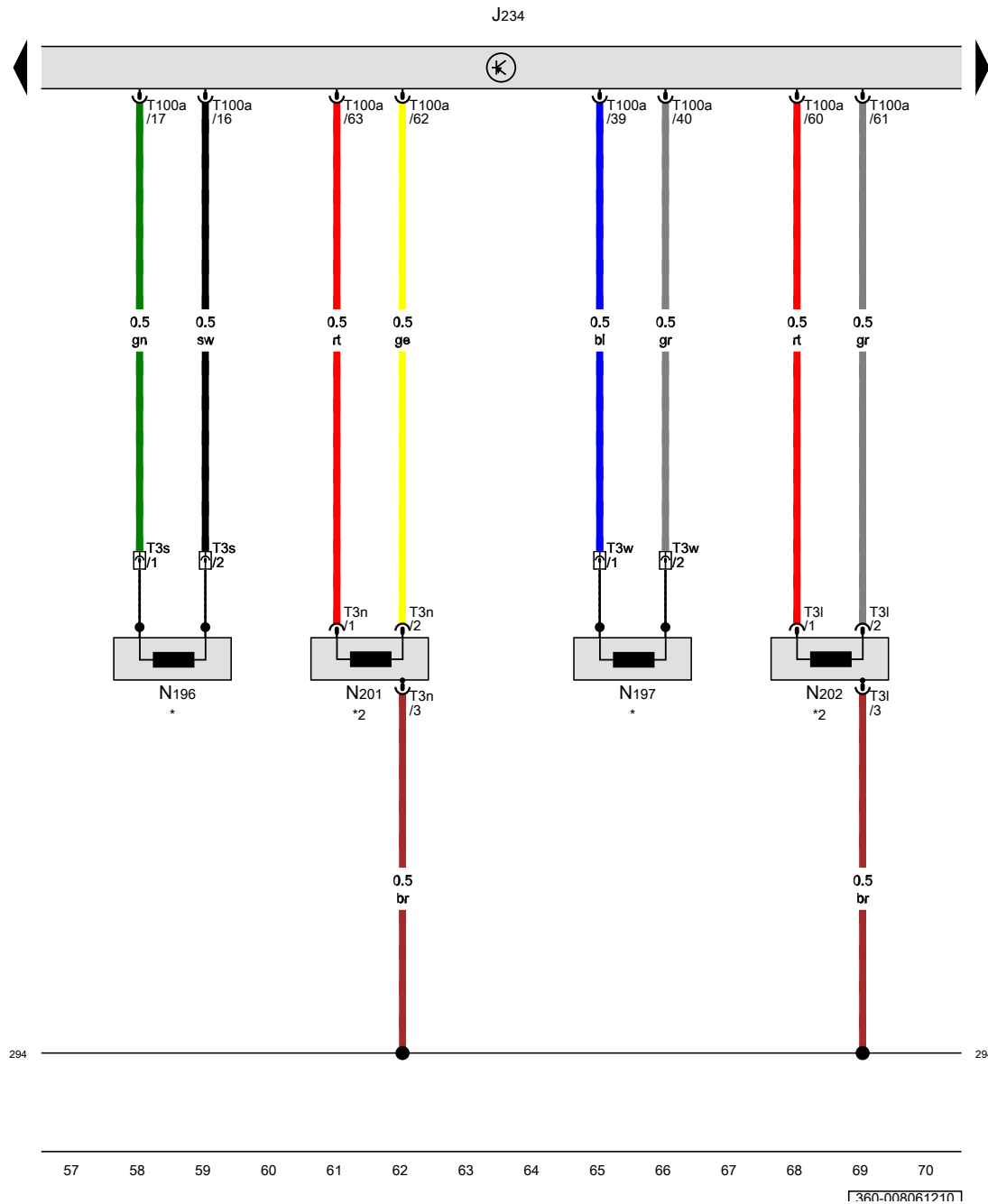
Side airbag crash sensor on driver side, Side airbag crash sensor on front passenger side, Rear side airbag crash sensor on driver side, Rear side airbag crash sensor on front passenger side, Airbag control unit

- G179 Side airbag crash sensor on driver side
- G180 Side airbag crash sensor on front passenger side
- G256 Rear side airbag crash sensor on driver side
- G257 Rear side airbag crash sensor on front passenger side
- J234 Airbag control unit
- T28 28-pin connector, in right A-pillar coupling station
- T28c 28-pin connector, in left A-pillar coupling station
- T100a 100-pin connector
- 294 Earth connection 9, in interior wiring harness



- ws = white
- sw = black
- ro = red
- br = brown
- gn = green
- bl = blue
- gr = grey
- li = purple
- ge = yellow
- or = orange
- rs = pink

360-008051210



Airbag control unit, Rear belt tensioner igniter on driver side, Rear belt tensioner igniter on front passenger side, Rear side airbag igniter on driver side, Rear side airbag igniter on front passenger side

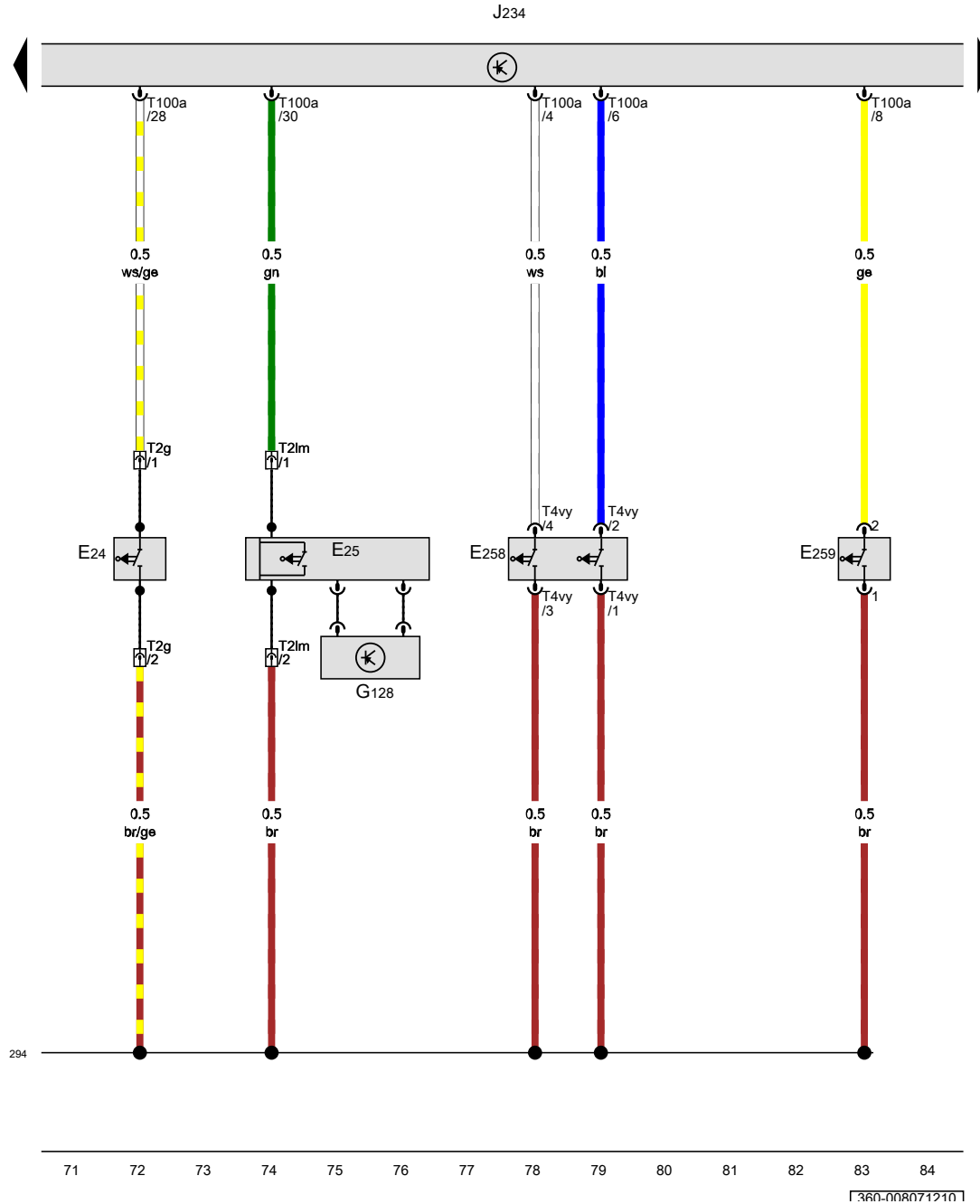
- J234 Airbag control unit
- N196 Rear belt tensioner igniter on driver side
- N197 Rear belt tensioner igniter on front passenger side
- N201 Rear side airbag igniter on driver side
- N202 Rear side airbag igniter on front passenger side
- T3l 3-pin connector
- T3n 3-pin connector
- T3s 3-pin connector, yellow
- T3w 3-pin connector, yellow
- T100a 100-pin connector

294 Earth connection 9, in interior wiring harness

- * Only models with rear belt tensioner
- *2 Only models with rear side airbag

- ws = white
- sw = black
- ro = red
- br = brown
- gn = green
- bl = blue
- gr = grey
- li = purple
- ge = yellow
- or = orange
- rs = pink

1360-008061210

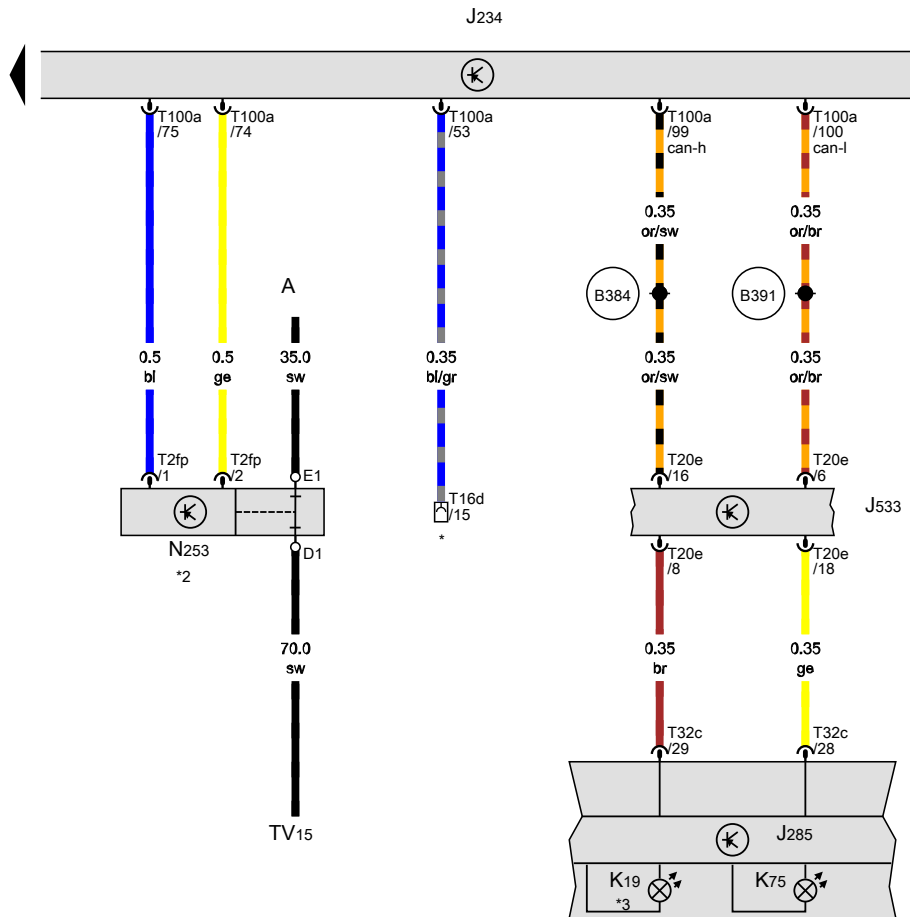


Front passenger side belt switch, Rear belt switch, driver side, Rear belt switch, front passenger side, Seat occupied sensor, front passenger side, Airbag control unit

- E24 Driver side belt switch
- E25 Front passenger side belt switch
- E258 Rear belt switch, driver side
- E259 Rear belt switch, front passenger side
- G128 Seat occupied sensor, front passenger side
- J234 Airbag control unit
- T2g 2-pin connector, on driver seat
- T2lm 2-pin connector, on front passenger seat
- T4vy 4-pin connector
- T100a 100-pin connector

(294) Earth connection 9, in interior wiring harness

- ws = white
- sw = black
- ro = red
- br = brown
- gn = green
- bl = blue
- gr = grey
- li = purple
- ge = yellow
- or = orange
- rs = pink



Airbag control unit, Control unit in dash panel insert, Data bus diagnostic interface, Seat belt warning system warning lamp, Airbag warning lamp, Battery isolation igniter

- A Battery
- J234 Airbag control unit
- J285 Control unit in dash panel insert
- J533 Data bus diagnostic interface
- K19 Seat belt warning system warning lamp
- K75 Airbag warning lamp
- N253 Battery isolation igniter
- T2fp 2-pin connector
- T16d 16-pin connector, on diagnostic connection
- T20e 20-pin connector
- T32c 32-pin connector
- T100a 100-pin connector
- TV15 Wiring connector
- B384 Connection 2 (powertrain CAN bus, high), in main wiring harness
- B391 Connection 2 (powertrain CAN bus, low), in main wiring harness
- * Diagnostic connection
- *2 Only models with battery in luggage compartment
- *3 According to equipment

- ws = white
- sw = black
- ro = red
- br = brown
- gn = green
- bl = blue
- gr = grey
- li = purple
- ge = yellow
- or = orange
- rs = pink

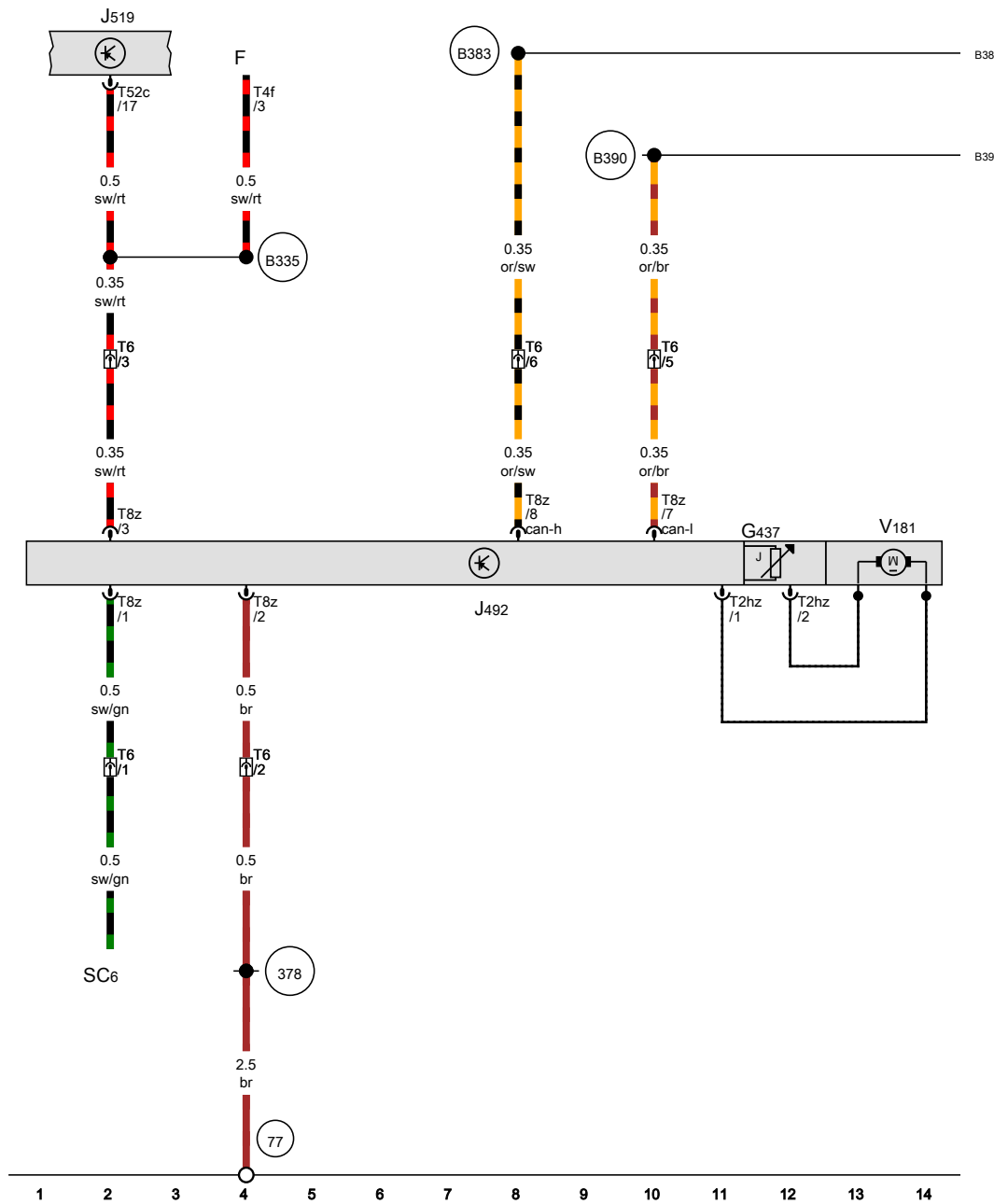
85 86 87 88 89 90 91 92 93 94 95 96 97 98

360-008081210

All-wheel drive (4Motion)

From November 2010

Oil pressure and oil temperature sender, All-wheel drive control unit, All-wheel drive coupling pump

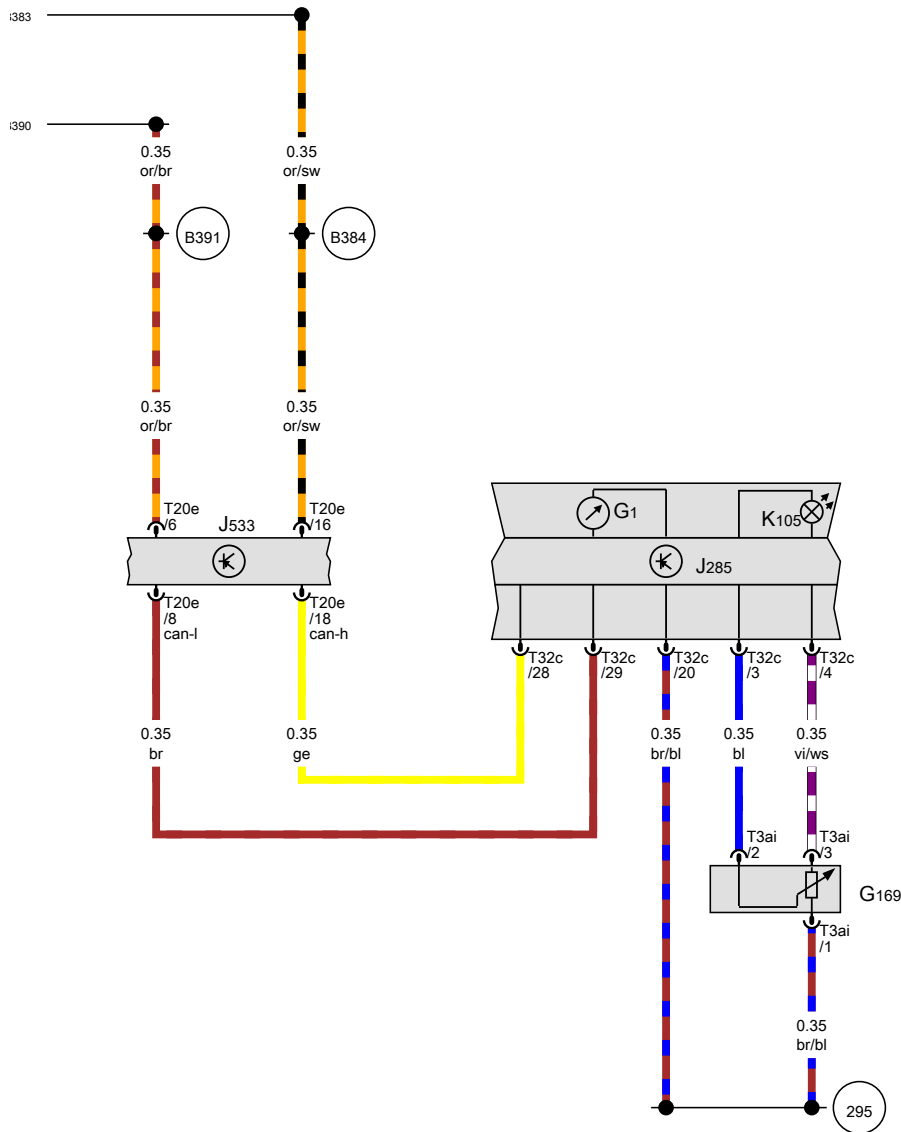


- F Brake light switch
- G437 Oil pressure and oil temperature sender
- J492 All-wheel drive control unit
- J519 Onboard supply control unit
- SC6 Fuse 6 on fuse holder C
- T2hz 2-pin connector
- T4f 4-pin connector
- T6 6-pin connector
- T8z 8-pin connector
- T52c 52-pin connector
- V181 All-wheel drive coupling pump
- 77 Earth point, lower part of left B-pillar
- 378 Earth connection 13, in main wiring harness
- B335 Connection 1 (54), in main wiring harness
- B383 Connection 1 (powertrain CAN bus, high), in main wiring harness
- B390 Connection 1 (powertrain CAN bus, low), in main wiring harness

- ws = white
- sw = black
- ro = red
- rt = red
- br = brown
- gn = green
- bl = blue
- gr = grey
- li = purple
- vi = purple
- ge = yellow
- or = orange
- rs = pink

1360-009020416

Fuel gauge, Fuel gauge sender 2, Control unit in dash panel insert, Reserve fuel warning lamp



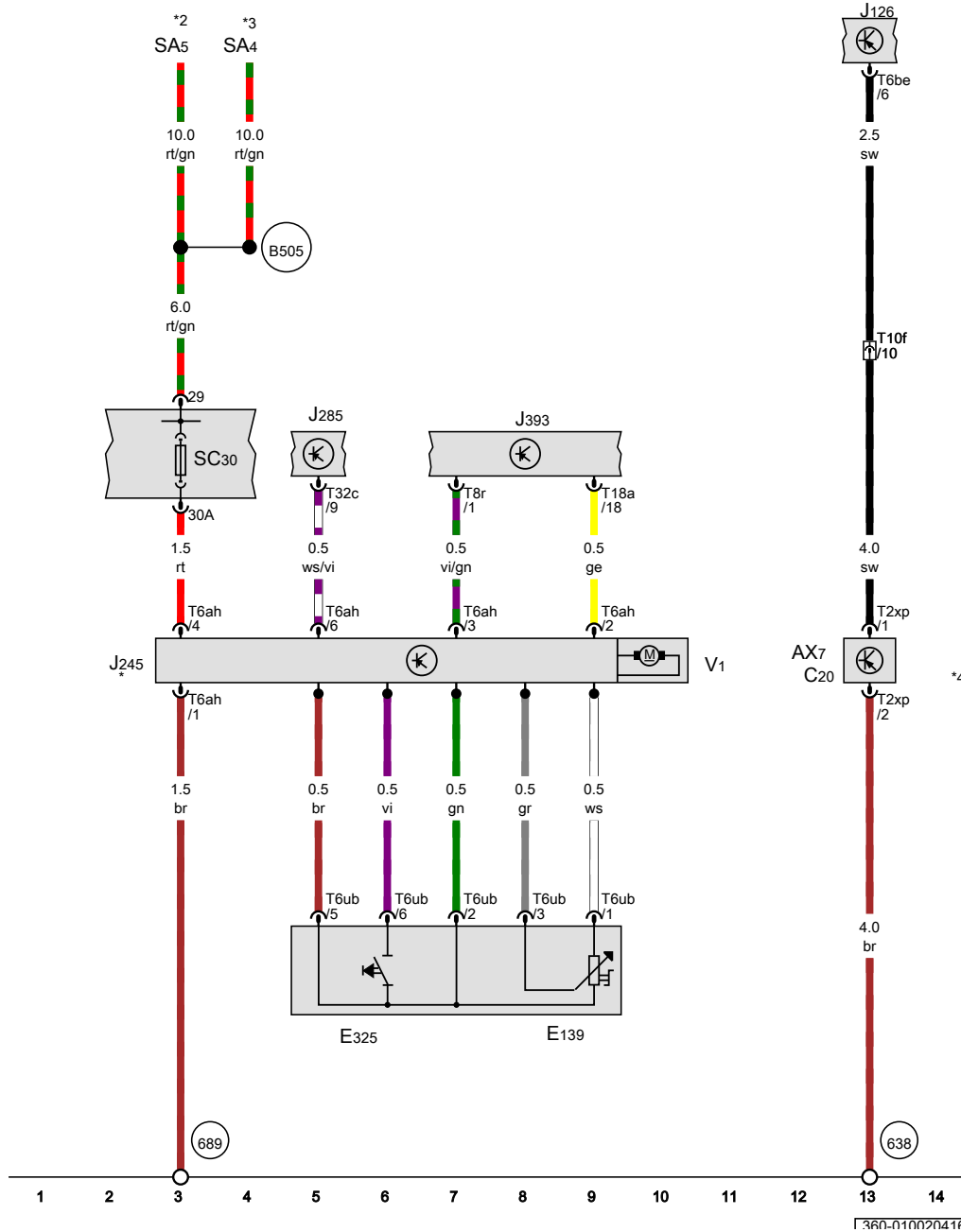
- G1 Fuel gauge
- G169 Fuel gauge sender 2
- J285 Control unit in dash panel insert
- J533 Data bus diagnostic interface
- K105 Reserve fuel warning lamp
- T3ai 3-pin connector
- T20e 20-pin connector
- T32c 32-pin connector
- 295 Earth connection 10, in interior wiring harness
- B383 Connection 1 (powertrain CAN bus, high), in main wiring harness
- B384 Connection 2 (powertrain CAN bus, high), in main wiring harness
- B390 Connection 1 (powertrain CAN bus, low), in main wiring harness
- B391 Connection 2 (powertrain CAN bus, low), in main wiring harness

- ws = white
- sw = black
- ro = red
- rt = red
- br = brown
- gn = green
- bl = blue
- gr = grey
- li = purple
- vi = purple
- ge = yellow
- or = orange
- rs = pink

Electric sliding sunroof

From November 2010

Solar roof, Sliding sunroof adjustment regulator, Sunroof button, Sliding sunroof adjustment control unit



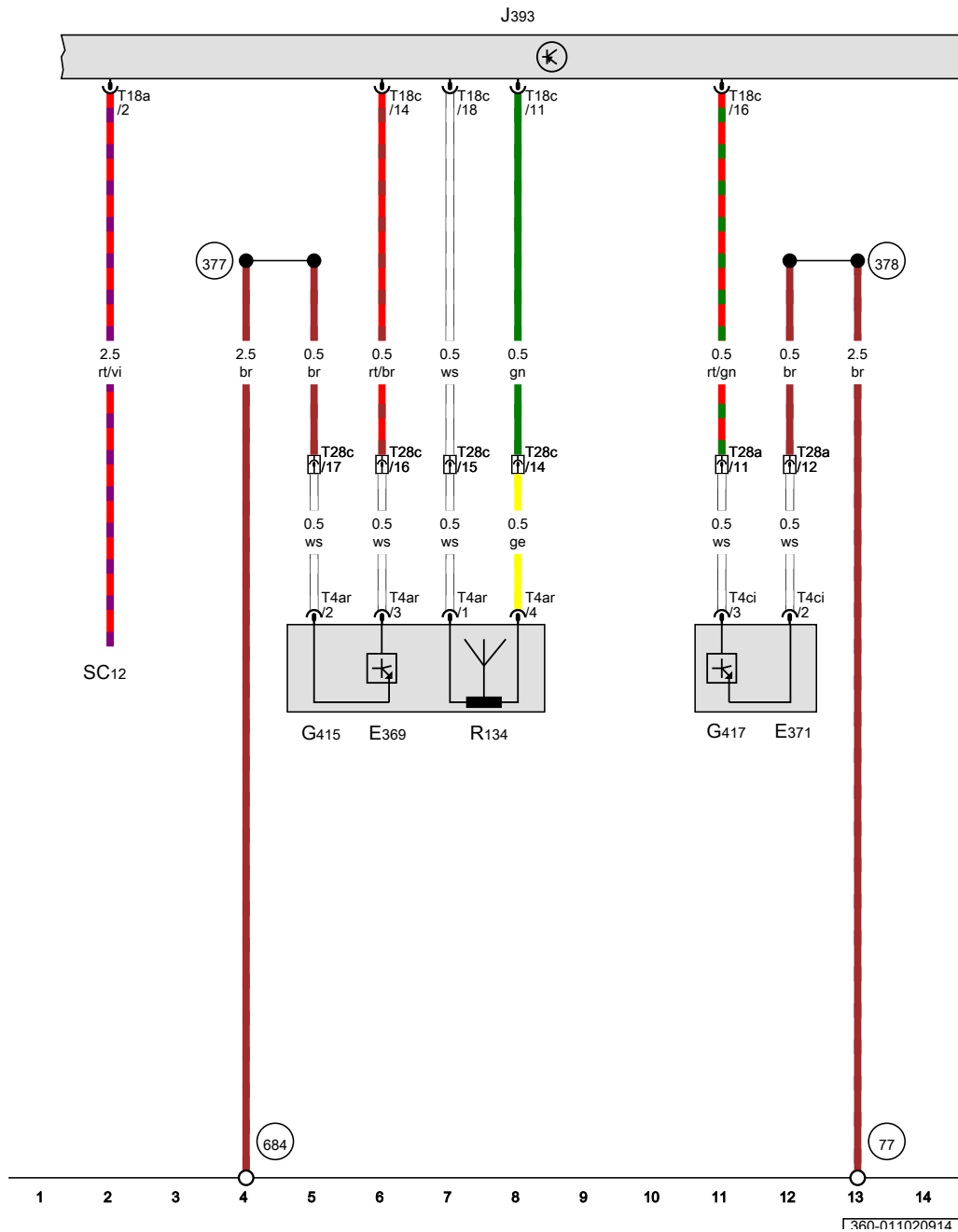
- AX7 Solar roof
- C20 Solar cells
- E139 Sliding sunroof adjustment regulator
- E325 Sunroof button
- J126 Fresh air blower control unit
- J245 Sliding sunroof adjustment control unit
- J285 Control unit in dash panel insert
- J393 Convenience system central control unit
- SA4 Fuse 4 in fuse holder A
- SA5 Fuse 5 in fuse holder A
- SC30 Fuse 30 on fuse holder C
- T2xp 2-pin connector
- T6ah 6-pin connector
- T6be 6-pin connector
- T6ub 6-pin connector
- T8r 8-pin connector
- T10f 10-pin connector, near convenience system central control unit, black
- T18a 18-pin connector
- T32c 32-pin connector
- V1 Sliding sunroof motor
- 638 Earth point, on right A-pillar
- 689 Earth point, at front, central in roof
- B505 Positive connection 9 (30a), in interior wiring harness
- * Saloon
- *2 Fuses in E-box, Low
- *3 Fuses in E-box, High
- *4 Only models with solar roof

Γ360-010020416 1

Entry and start authorisation

From November 2010

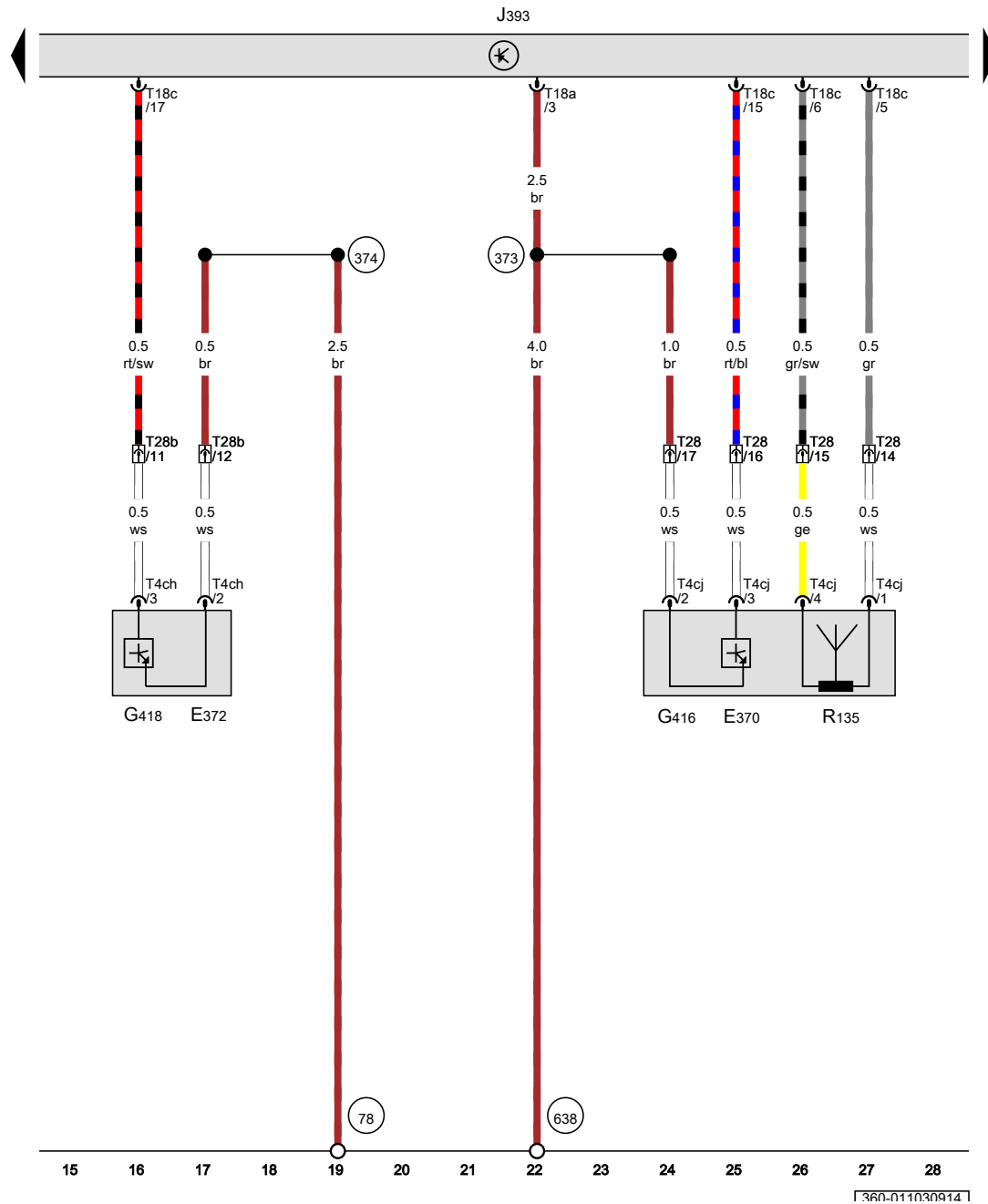
Driver door exterior handle central locking button, Rear left door exterior handle central locking button, Convenience system central control unit, Driver side aerial for entry and start system



- E369 Driver door exterior handle central locking button
- E371 Rear left door exterior handle central locking button
- G415 Driver door exterior handle contact sensor
- G417 Contact sensor for rear left exterior door handle
- J393 Convenience system central control unit
- R134 Driver side aerial for entry and start system
- SC12 Fuse 12 on fuse holder C
- T4ar 4-pin connector
- T4ci 4-pin connector
- T18a 18-pin connector
- T18c 18-pin connector
- T28a 28-pin connector, on left B-pillar
- T28c 28-pin connector, in left A-pillar coupling station
- 77 Earth point, lower part of left B-pillar
- 377 Earth connection 12, in main wiring harness
- 378 Earth connection 13, in main wiring harness
- 684 Earth point on front of left side member

- ws = white
- sw = black
- ro = red
- rt = red
- br = brown
- gn = green
- bl = blue
- gr = grey
- li = purple
- vi = purple
- ge = yellow
- or = orange
- rs = pink

1360-011020914



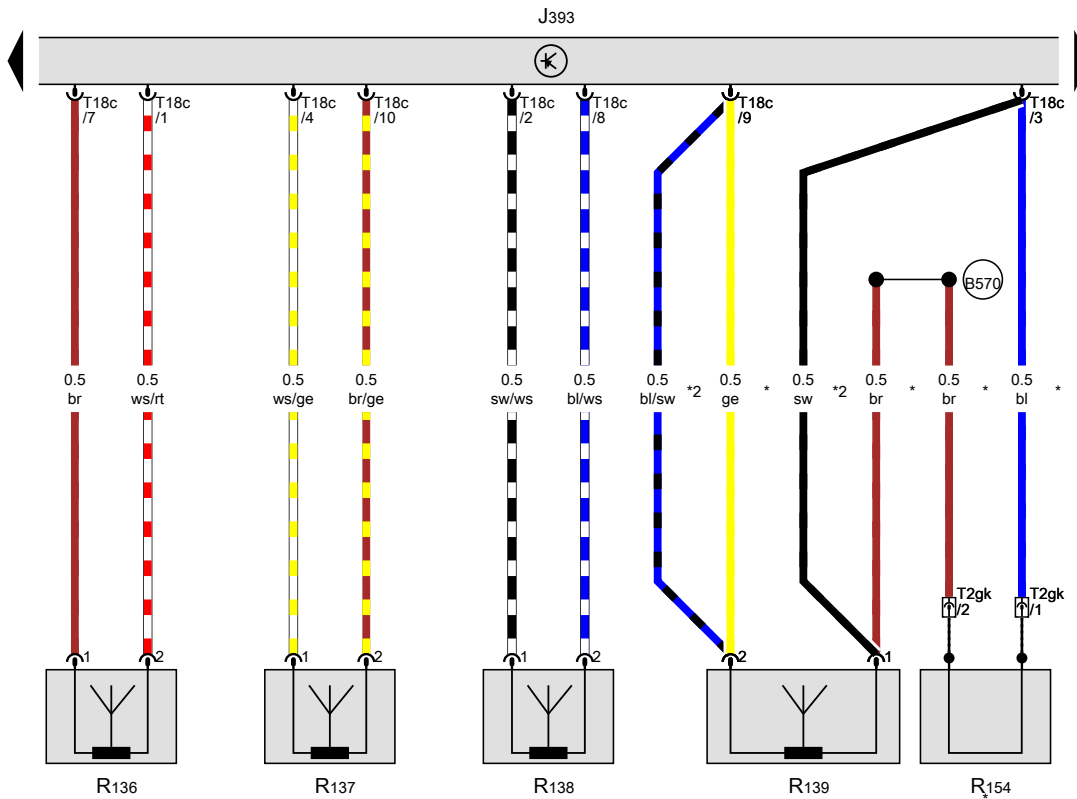
Front passenger door exterior handle central locking button,
Rear right door exterior handle central locking button,
Convenience system central control unit, Passenger side
aerial for entry and start system

- E370 Front passenger door exterior handle central locking button
- E372 Rear right door exterior handle central locking button
- G416 Front passenger door exterior handle contact sensor
- G418 Contact sensor for rear right exterior door handle
- J393 Convenience system central control unit
- R135 Passenger side aerial for entry and start system
- T4ch 4-pin connector
- T4cj 4-pin connector
- T18a 18-pin connector
- T18c 18-pin connector
- T28 28-pin connector, in right A-pillar coupling station
- T28b 28-pin connector, on right B-pillar

- 78 Earth point, lower part of right B-pillar
- 373 Earth connection 8, in main wiring harness
- 374 Earth connection 9, in main wiring harness
- 638 Earth point, on right A-pillar

- ws = white
- sw = black
- ro = red
- rt = red
- br = brown
- gn = green
- bl = blue
- gr = grey
- li = purple
- vi = purple
- ge = yellow
- or = orange
- rs = pink

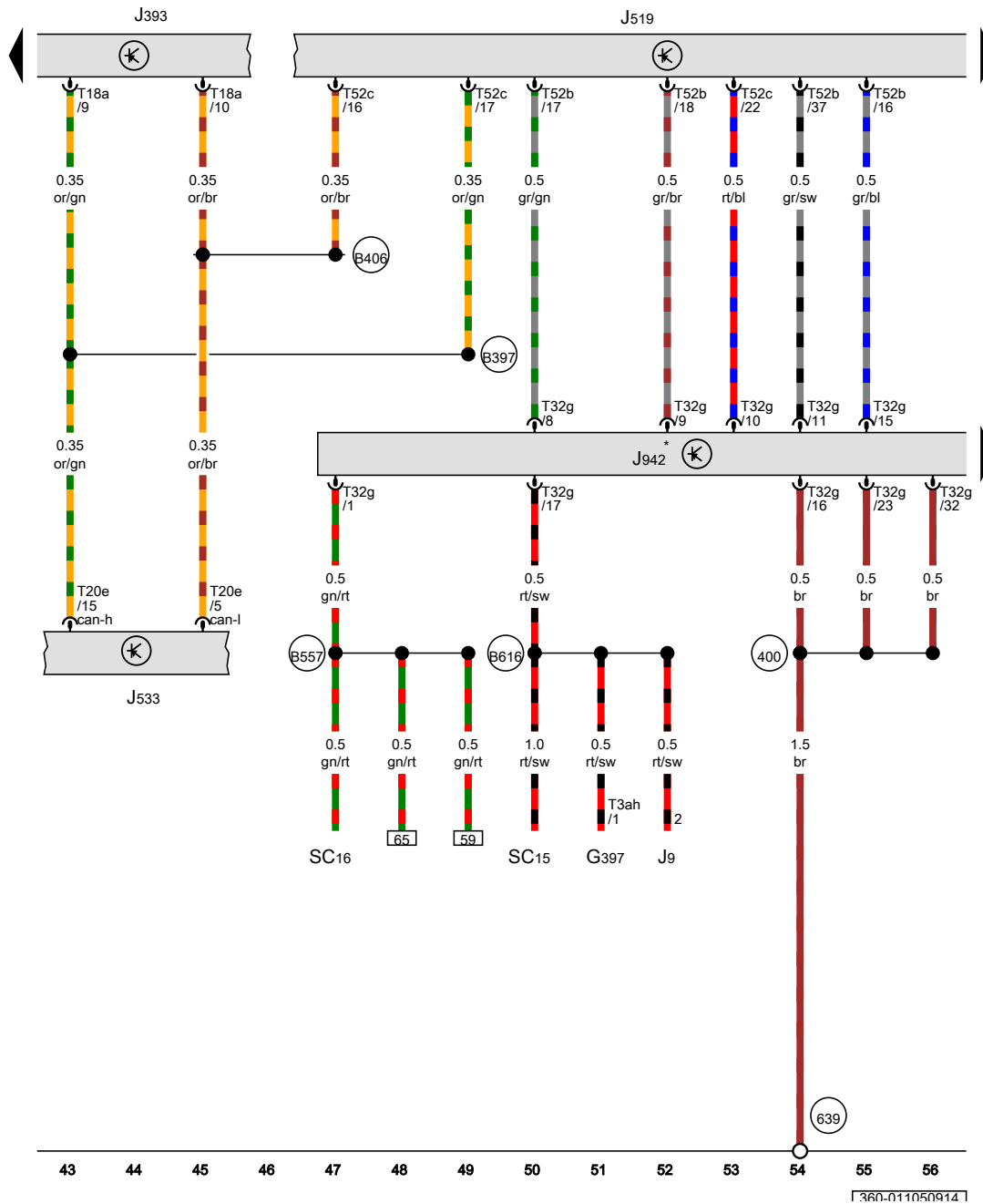
1360-011030914



Convenience system central control unit, Rear bumper aerial for entry and start system, Luggage compartment aerial for entry and start system, Interior aerial 1 for entry and start system, Interior aerial 2 for entry and start system, Aerial 3 in interior for access and start authorisation

- J393 Convenience system central control unit
- R136 Rear bumper aerial for entry and start system
- R137 Luggage compartment aerial for entry and start system
- R138 Interior aerial 1 for entry and start system
- R139 Interior aerial 2 for entry and start system
- R154 Aerial 3 in interior for access and start authorisation
- T2gk 2-pin connector
- T18c 18-pin connector
- B570 Connection 37, in main wiring harness
- * Saloon
- *2 Estate

- ws = white
- sw = black
- ro = red
- rt = red
- br = brown
- gn = green
- bl = blue
- gr = grey
- li = purple
- vi = purple
- ge = yellow
- or = orange
- rs = pink

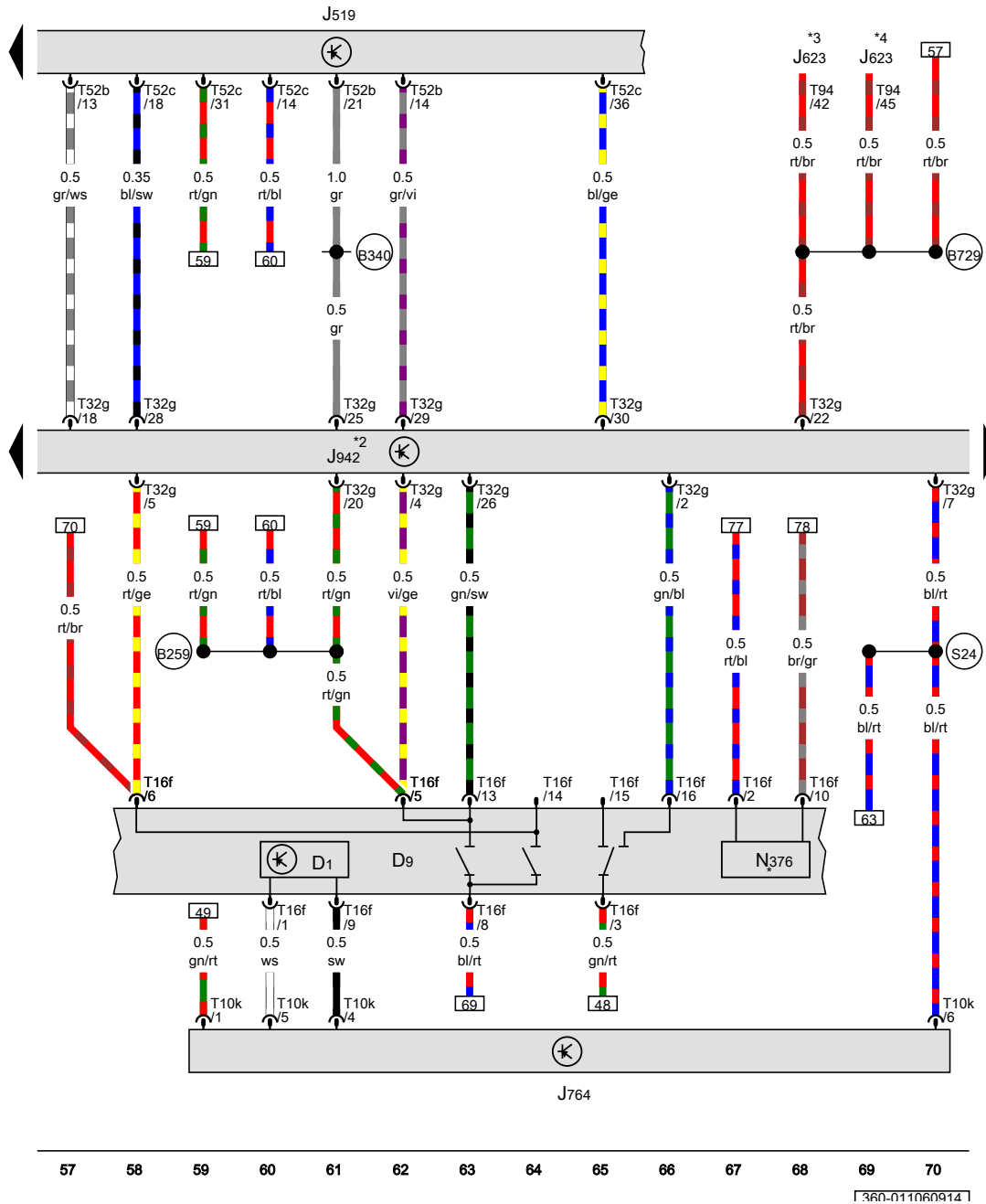


Convenience system central control unit, Onboard supply control unit, Data bus diagnostic interface, Control unit for terminal control and engine start

- G397 Rain and light sensor
- J9 Heated rear window relay
- J393 Convenience system central control unit
- J519 Onboard supply control unit
- J533 Data bus diagnostic interface
- J942 Control unit for terminal control and engine start
- SC15 Fuse 15 on fuse holder C
- SC16 Fuse 16 on fuse holder C
- T3ah 3-pin connector
- T18a 18-pin connector
- T20e 20-pin connector
- T32g 32-pin connector
- T52b 52-pin connector, white
- T52c 52-pin connector, brown

- 400 Earth connection 35, in main wiring harness
- 639 Earth point, left A-pillar
- B397 Connection 1 (convenience CAN bus, high), in main wiring harness
- B406 Connection 1 (convenience CAN bus, low), in main wiring harness
- B557 Positive connection 21 (30a) in main wiring harness
- B616 Positive connection 12 (30a), in interior wiring harness
- * Only models with start/stop system

- ws = white
- sw = black
- ro = red
- rt = red
- br = brown
- gn = green
- bl = blue
- gr = grey
- li = purple
- vi = purple
- ge = yellow
- or = orange
- rs = pink



Electronic ignition lock, Onboard supply control unit, Control unit for electronic steering column lock, Control unit for terminal control and engine start

- D1 Immobiliser reading unit
 - D9 Electronic ignition lock
 - J519 Onboard supply control unit
 - J623 Engine control unit
 - J764 Control unit for electronic steering column lock
 - J942 Control unit for terminal control and engine start
 - N376 Ignition key withdrawal lock solenoid
 - T10k 10-pin connector
 - T16f 16-pin connector
 - T32g 32-pin connector
 - T52b 52-pin connector, white
 - T52c 52-pin connector, brown
 - T94 94-pin connector
-
- (B259) Connection (start/stop signal), in interior wiring harness
 - (B340) Connection 1 (58d), in main wiring harness
 - (B729) Connection 1 (50), in main wiring harness
 - (S24) Positive connection (30) 3, in central locking wiring harness
-
- * Only models with Tiptronic
 - *2 Only models with start/stop system
 - *3 Only models with petrol engine
 - *4 Only models with diesel engine

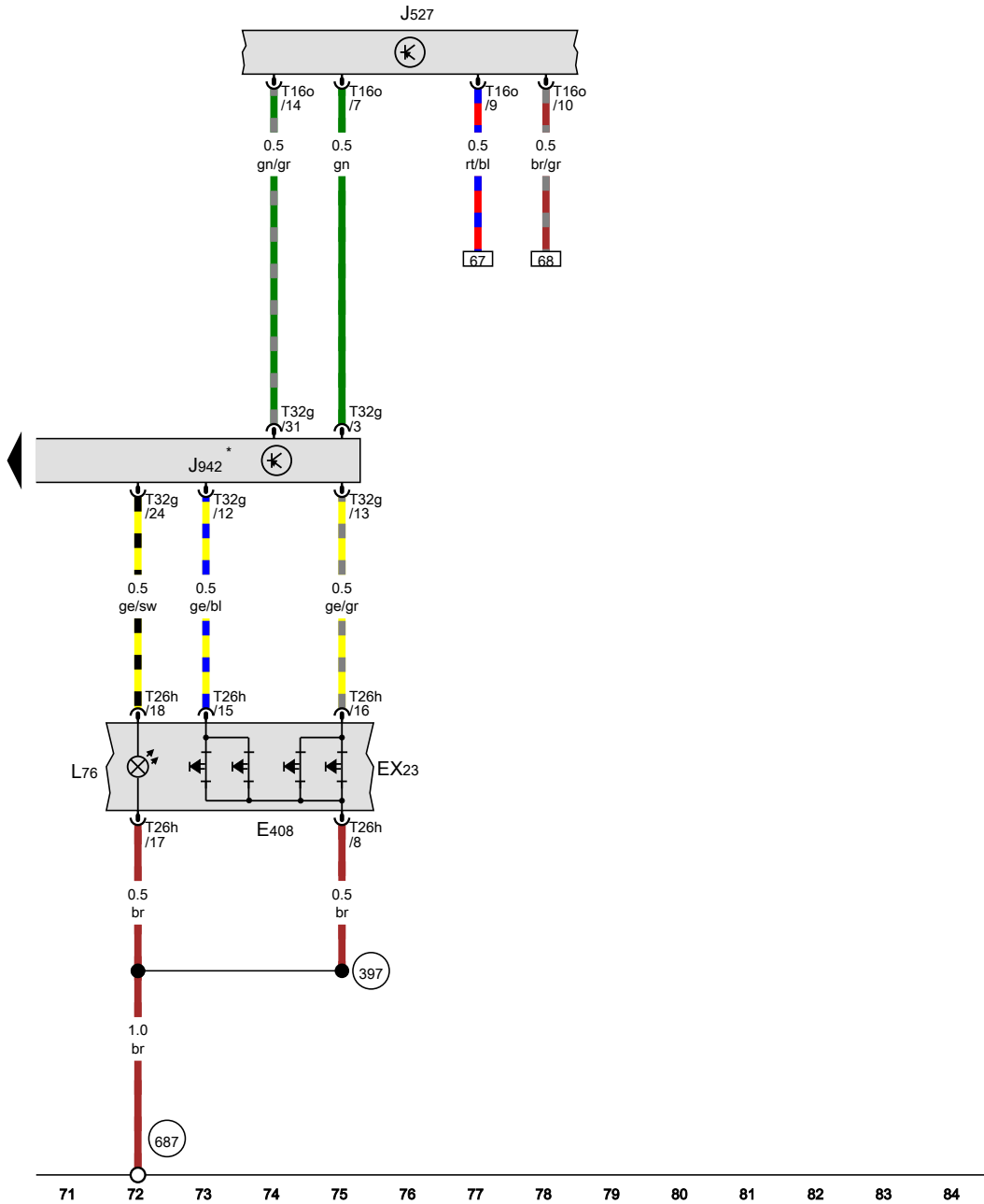
- ws = white
- sw = black
- ro = red
- rt = red
- br = brown
- gn = green
- bl = blue
- gr = grey
- li = purple
- vi = purple
- ge = yellow
- or = orange
- rs = pink

360-011060914

Switch module 1 in centre console, Entry and start authorisation button, Steering column electronics control unit, Control unit for terminal control and engine start

- EX23 Switch module 1 in centre console
- E408 Entry and start authorisation button
- J527 Steering column electronics control unit
- J942 Control unit for terminal control and engine start
- L76 Button illumination bulb
- T16o 16-pin connector
- T26h 26-pin connector
- T32g 32-pin connector

- 397 Earth connection 32, in main wiring harness
- 687 Earth point 1, on centre tunnel
- * Only models with start/stop system



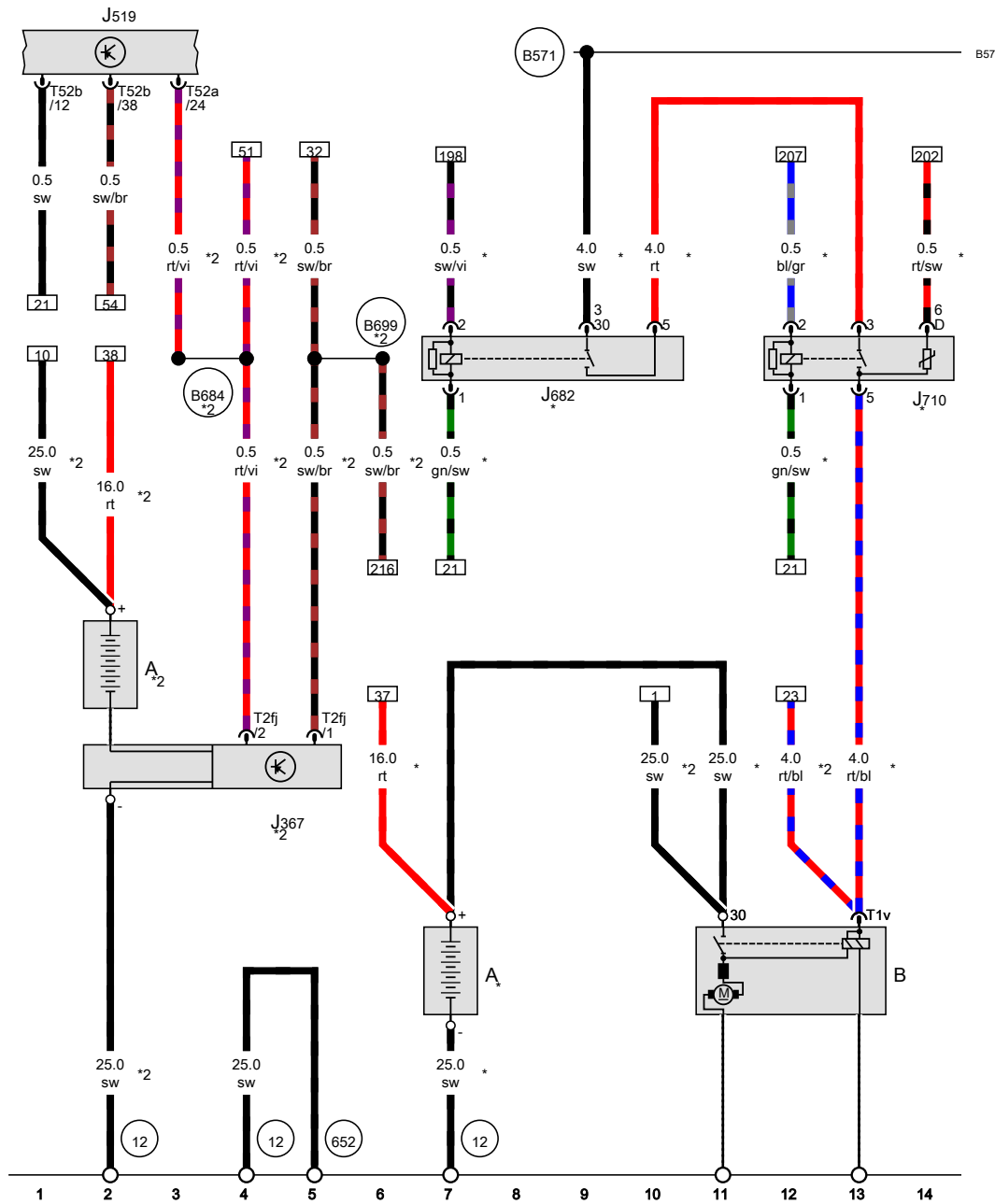
- ws = white
- sw = black
- ro = red
- rt = red
- br = brown
- gn = green
- bl = blue
- gr = grey
- li = purple
- vi = purple
- ge = yellow
- or = orange
- rs = pink

360-011070914

1.6l diesel engine , CAYC

From November 2010

Battery, Starter, Battery monitor control unit, Onboard supply control unit, Terminal 50 voltage supply relay, Voltage supply relay 2

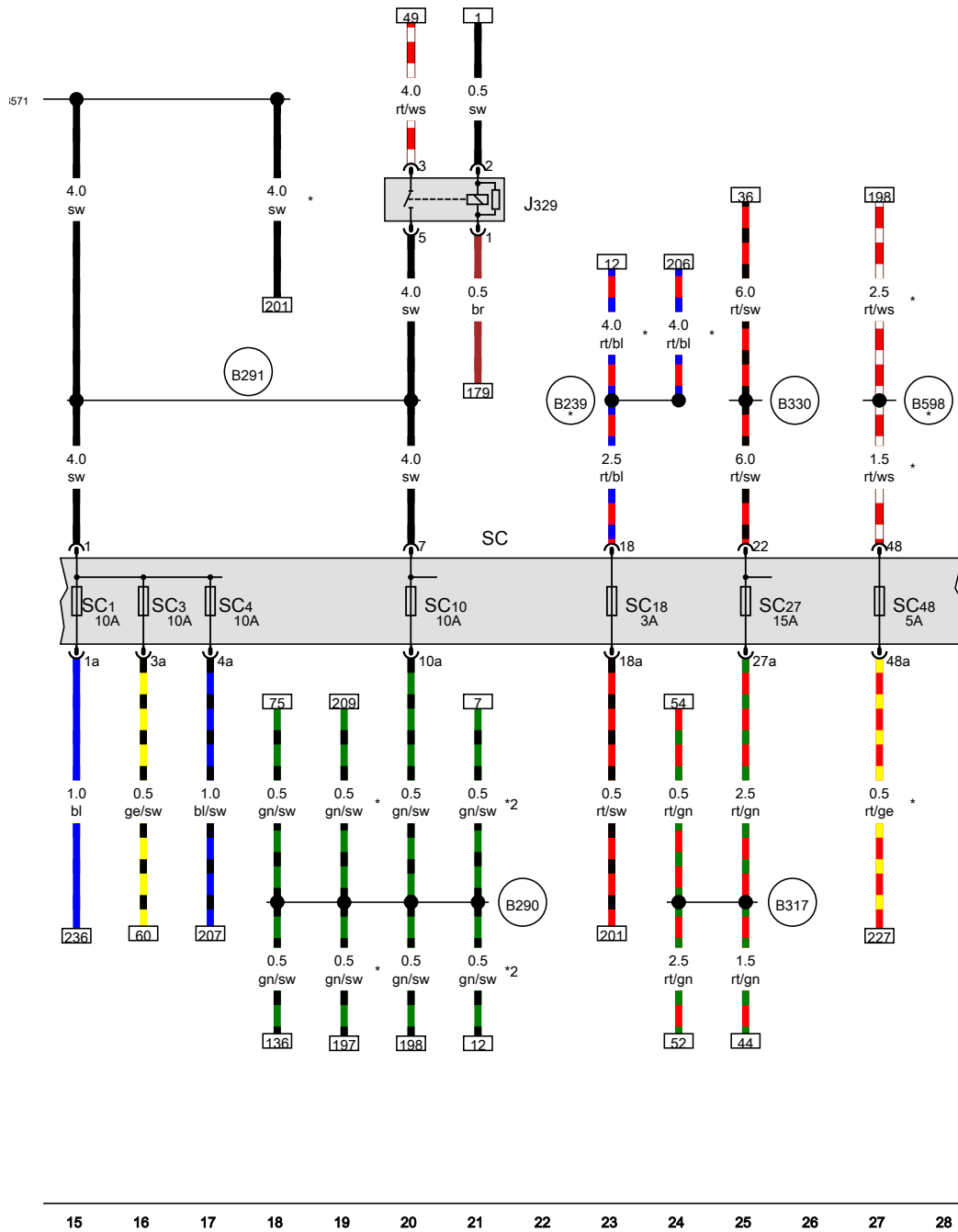


- A Battery
- B Starter
- J367 Battery monitor control unit
- J519 Onboard supply control unit
- J682 Terminal 50 voltage supply relay
- J710 Voltage supply relay 2
- T1ac Single connector
- T1v Single connector
- T2fj 2-pin connector
- T52a 52-pin connector
- T52b 52-pin connector

- 12 Earth point, on left in engine compartment
- 652 Earth point, engine and gearbox earth
- B571 Connection 38, in main wiring harness
- B684 Positive connection 24 (30a) in main wiring harness
- B699 Connection 4 (LIN bus) in main wiring harness
- * Only models with no start/stop system
- *2 Only models with start/stop system

- ws = white
- sw = black
- ro = red
- rt = red
- br = brown
- gn = green
- bl = blue
- gr = grey
- li = purple
- vi = purple
- ge = yellow
- or = orange
- rs = pink

1360-012020914



Terminal 15 voltage supply relay, Fuse holder C

- J329 Terminal 15 voltage supply relay
- SC Fuse holder C
- SC1 Fuse 1 on fuse holder C
- SC3 Fuse 3 on fuse holder C
- SC4 Fuse 4 on fuse holder C
- SC10 Fuse 10 on fuse holder C
- SC18 Fuse 18 on fuse holder C
- SC27 Fuse 27 on fuse holder C
- SC48 Fuse 48 on fuse holder C

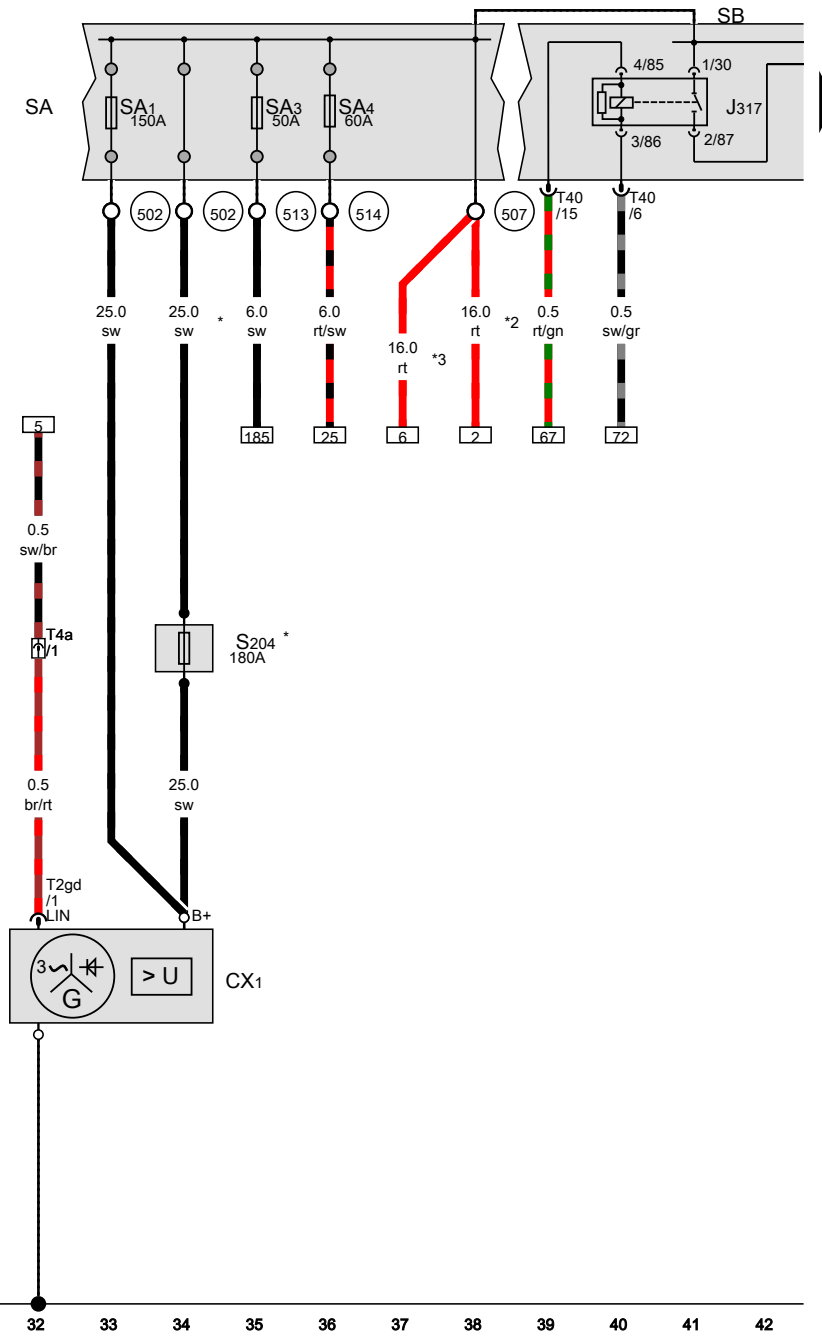
- B239 Positive connection 1 (50), in interior wiring harness
- B290 Positive connection 14 (15a) in main wiring harness
- B291 Positive connection 15 (15a) in main wiring harness
- B317 Positive connection 3 (30a) in main wiring harness
- B330 Positive connection 16 (30a) in main wiring harness
- B571 Connection 38, in main wiring harness
- B598 Positive connection 11 (30a), in interior wiring harness

- * Only models with start/stop system
- *2 Only models with no start/stop system

ws = white
 sw = black
 ro = red
 rt = red
 br = brown
 gn = green
 bl = blue
 gr = grey
 li = purple
 vi = purple
 ge = yellow
 or = orange
 rs = pink

15 16 17 18 19 20 21 22 23 24 25 26 27 28

1360-012030914



Terminal 30 voltage supply relay, Fuse holder A, Fuse holder B

- CX1 Alternator with voltage regulator
- J317 Terminal 30 voltage supply relay
- SA Fuse holder A
- SA1 Fuse 1 in fuse holder A
- SA3 Fuse 3 in fuse holder A
- SA4 Fuse 4 in fuse holder A
- S204 Fuse 1 (30)
- SB Fuse holder B
- T1a Single connector
- T1ac Single connector
- T2gd 2-pin connector
- T2xr 2-pin connector
- T4a 4-pin connector, near starter
- T40 40-pin connector

- 502 Threaded connection 1 (30a) on relay plate
- 507 Threaded connection (30), on battery fuse holder
- 513 Threaded connection 3 (30a) on relay plate
- 514 Threaded connection 4 (30a) on relay plate

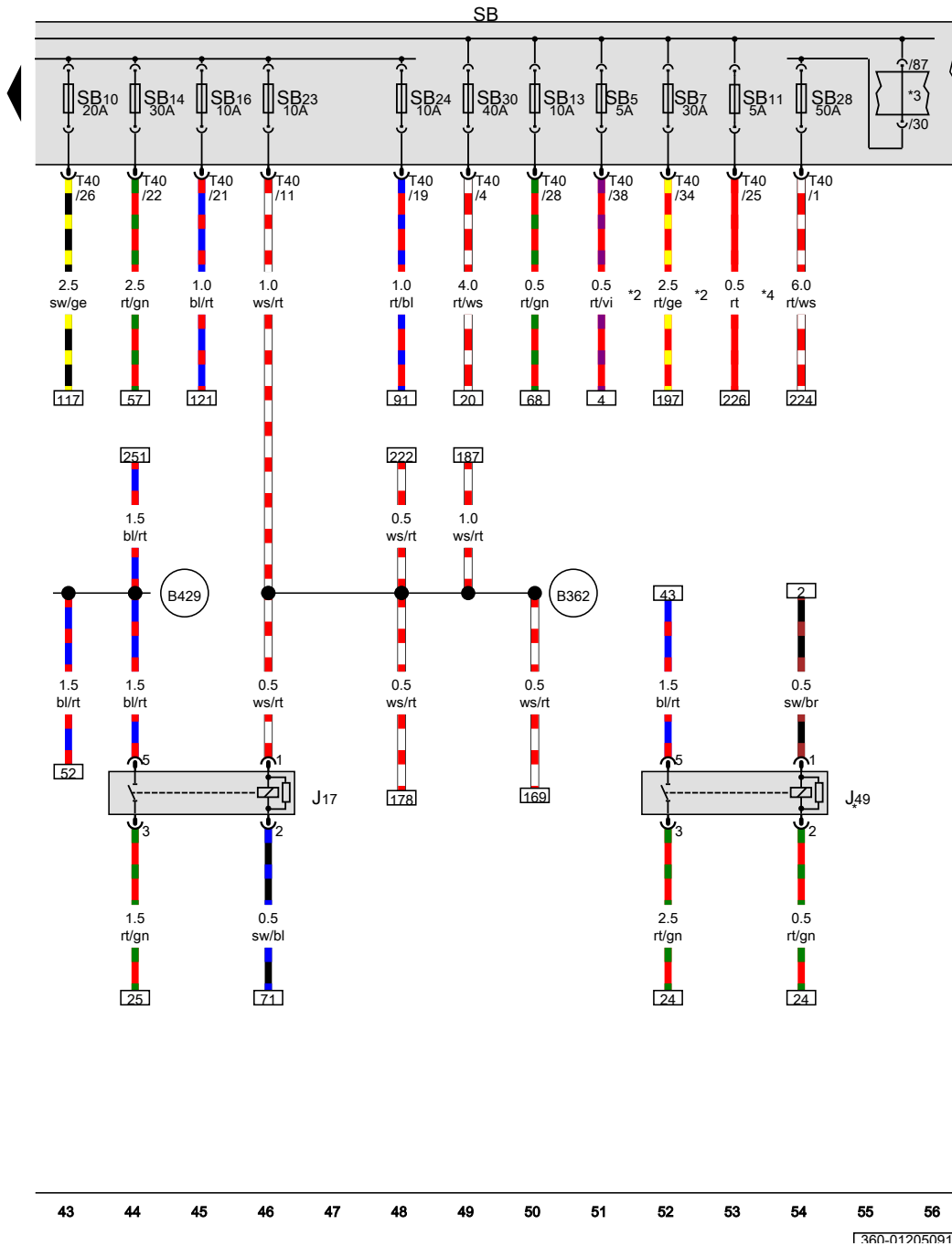
- * According to equipment
- *2 Only models with start/stop system
- *3 Only models with no start/stop system

- ws = white
- sw = black
- ro = red
- rt = red
- br = brown
- gn = green
- bl = blue
- gr = grey
- li = purple
- vi = purple
- ge = yellow
- or = orange
- rs = pink

29 30 31 32 33 34 35 36 37 38 39 40 41 42

360-012040914

Fuel pump relay, Electric fuel pump 2 relay, Fuse holder B



- J17 Fuel pump relay
- J49 Electric fuel pump 2 relay
- SB Fuse holder B
- SB5 Fuse 5 on fuse holder B
- SB7 Fuse 7 on fuse holder B
- SB10 Fuse 10 on fuse holder B
- SB11 Fuse 11 on fuse holder B
- SB13 Fuse 13 on fuse holder B
- SB14 Fuse 14 on fuse holder B
- SB16 Fuse 16 on fuse holder B
- SB23 Fuse 23 on fuse holder B
- SB24 Fuse 24 on fuse holder B
- SB28 Fuse 28 on fuse holder B
- SB30 Fuse 30 on fuse holder B
- T40 40-pin connector
- B362 Positive connection 13 (87a) in main wiring harness
- B429 Connection (EFPR), in main wiring harness
- * Only models with auxiliary heating
- *2 Only models with start/stop system
- *3 Push-in bridge on relay slot
- *4 Only models with no start/stop system

- ws = white
- sw = black
- ro = red
- rt = red
- br = brown
- gn = green
- bl = blue
- gr = grey
- li = purple
- vi = purple
- ge = yellow
- or = orange
- rs = pink

43 44 45 46 47 48 49 50 51 52 53 54 55 56

360-012050914

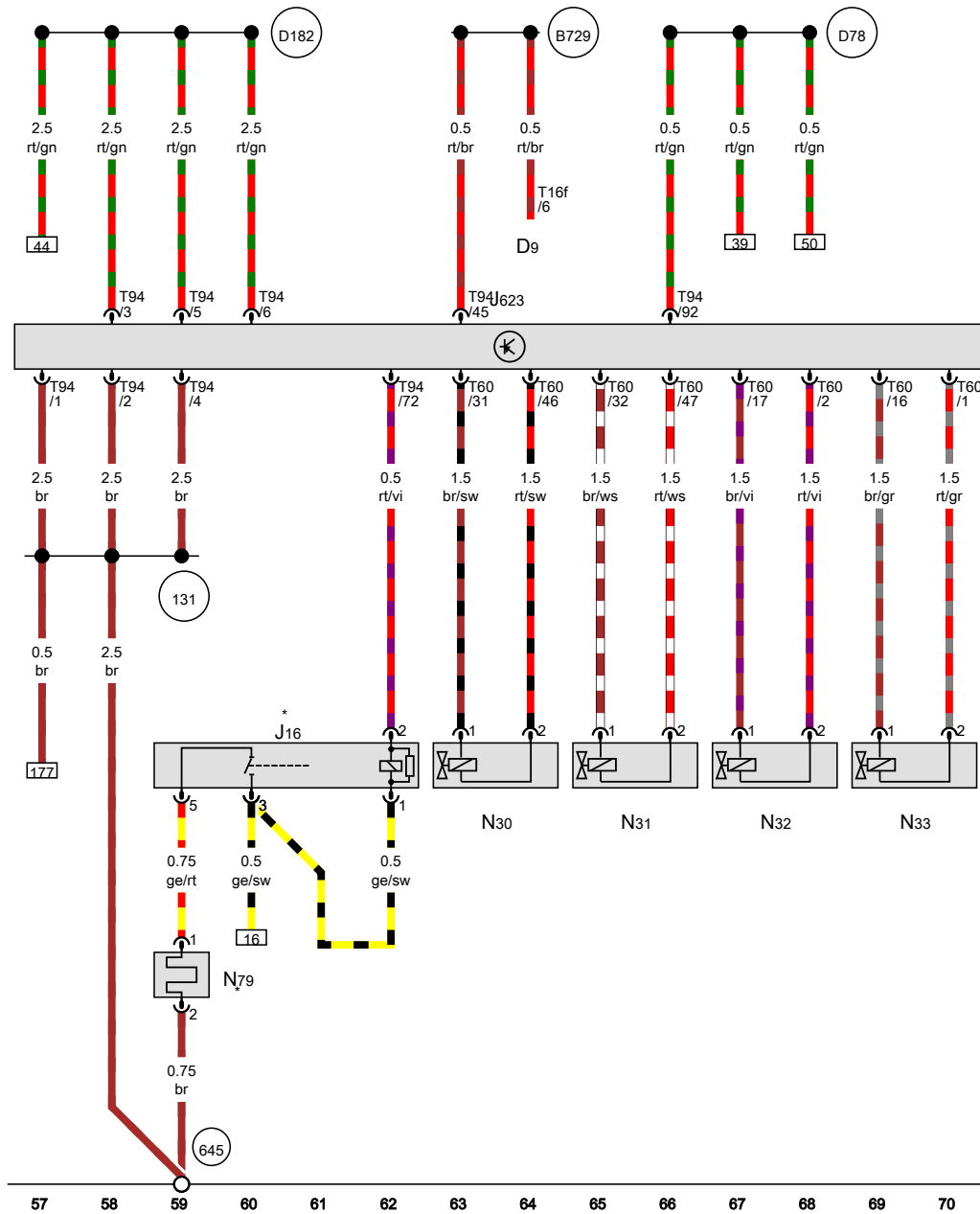
Electronic ignition lock, Current supply relay, Engine control unit, Injector, cylinder 1, Injector, cylinder 2, Injector, cylinder 3, Injector, cylinder 4, Heater element for crankcase breather

- D9 Electronic ignition lock
- J16 Current supply relay
- J623 Engine control unit
- N30 Injector, cylinder 1
- N31 Injector, cylinder 2
- N32 Injector, cylinder 3
- N33 Injector, cylinder 4
- N79 Heater element for crankcase breather
- T16f 16-pin connector
- T60 60-pin connector
- T94 94-pin connector

- 131 Earth connection 2, in engine compartment wiring harness
- 645 Earth point 1, on bulkhead
- B729 Connection 1 (50), in main wiring harness
- D78 Positive connection 1 (30a), in engine compartment wiring harness
- D182 Connection 3 (87a) in engine compartment wiring harness

* Only for countries with cold climate

- ws = white
- sw = black
- ro = red
- rt = red
- br = brown
- gn = green
- bl = blue
- gr = grey
- li = purple
- vi = purple
- ge = yellow
- or = orange
- rs = pink

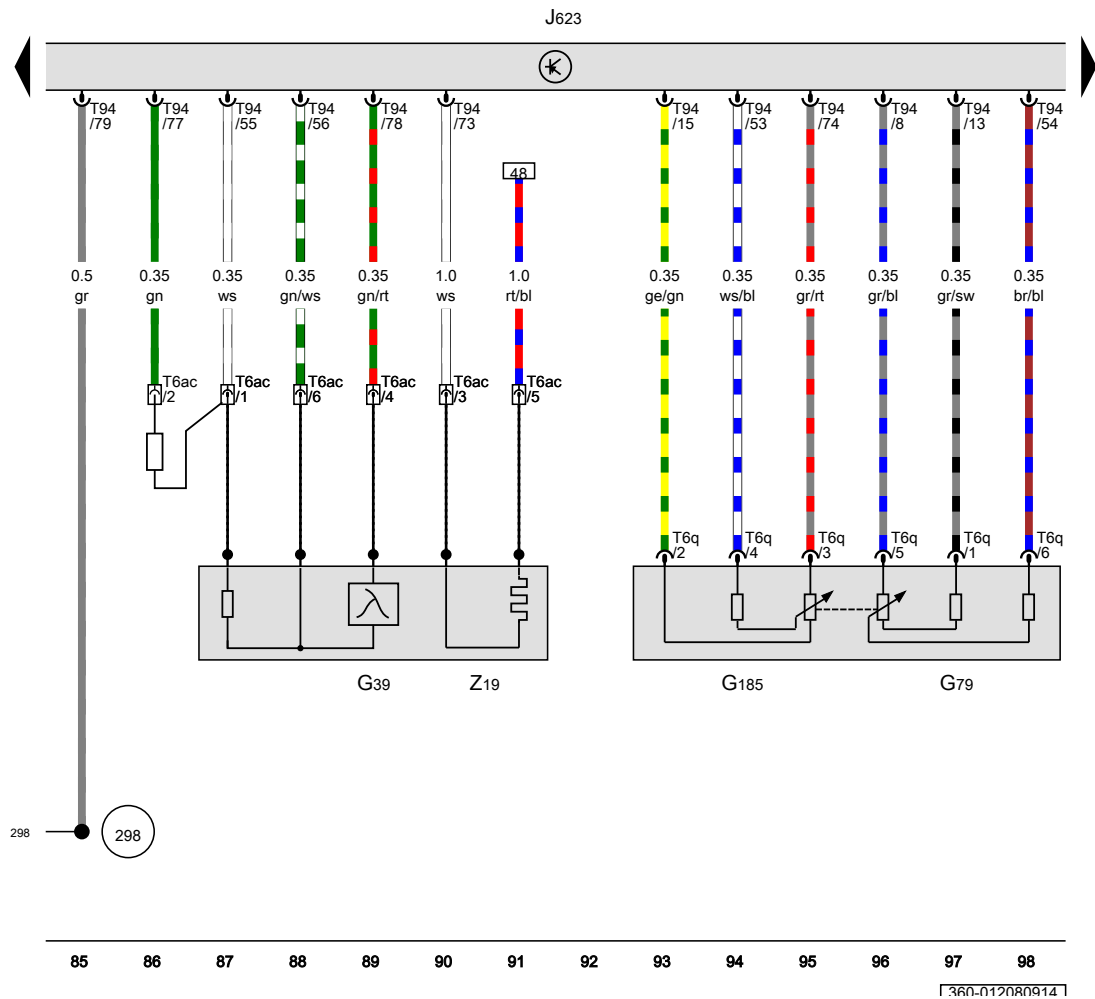


360-012060914

Lambda probe, Accelerator position sender, Engine control unit

- G39 Lambda probe
- G79 Accelerator position sender
- G185 Accelerator position sender 2
- J623 Engine control unit
- T6ac 6-pin connector, near Lambda probe
- T6q 6-pin connector
- T94 94-pin connector
- Z19 Lambda probe heater

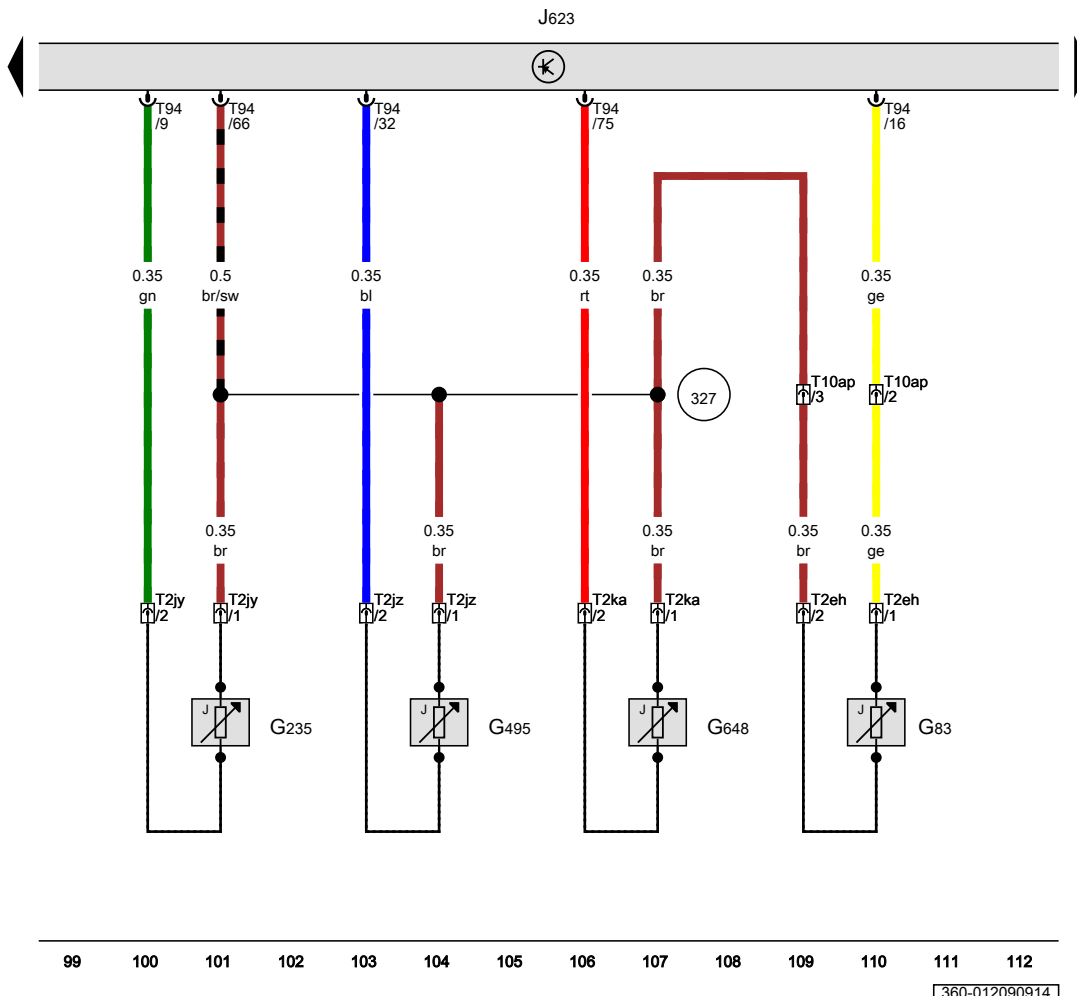
- 298 Earth connection 13, in interior wiring harness



360-012080914

Radiator outlet coolant temperature sender, Exhaust gas temperature sender 1, Exhaust gas temperature sender 3, Exhaust gas temperature sender 4, Engine control unit

- G83 Radiator outlet coolant temperature sender
- G235 Exhaust gas temperature sender 1
- G495 Exhaust gas temperature sender 3
- G648 Exhaust gas temperature sender 4
- J623 Engine control unit
- T2eh 2-pin connector
- T2jy 2-pin connector, black
- T2jz 2-pin connector, brown
- T2ka 2-pin connector, dark brown
- T10ap 10-pin connector, near left headlight
- T94 94-pin connector
- 327 Earth connection (sender earth), in engine compartment wiring harness



- ws = white
- sw = black
- ro = red
- rt = red
- br = brown
- gn = green
- bl = blue
- gr = grey
- li = purple
- vi = purple
- ge = yellow
- or = orange
- rs = pink

99 100 101 102 103 104 105 106 107 108 109 110 111 112

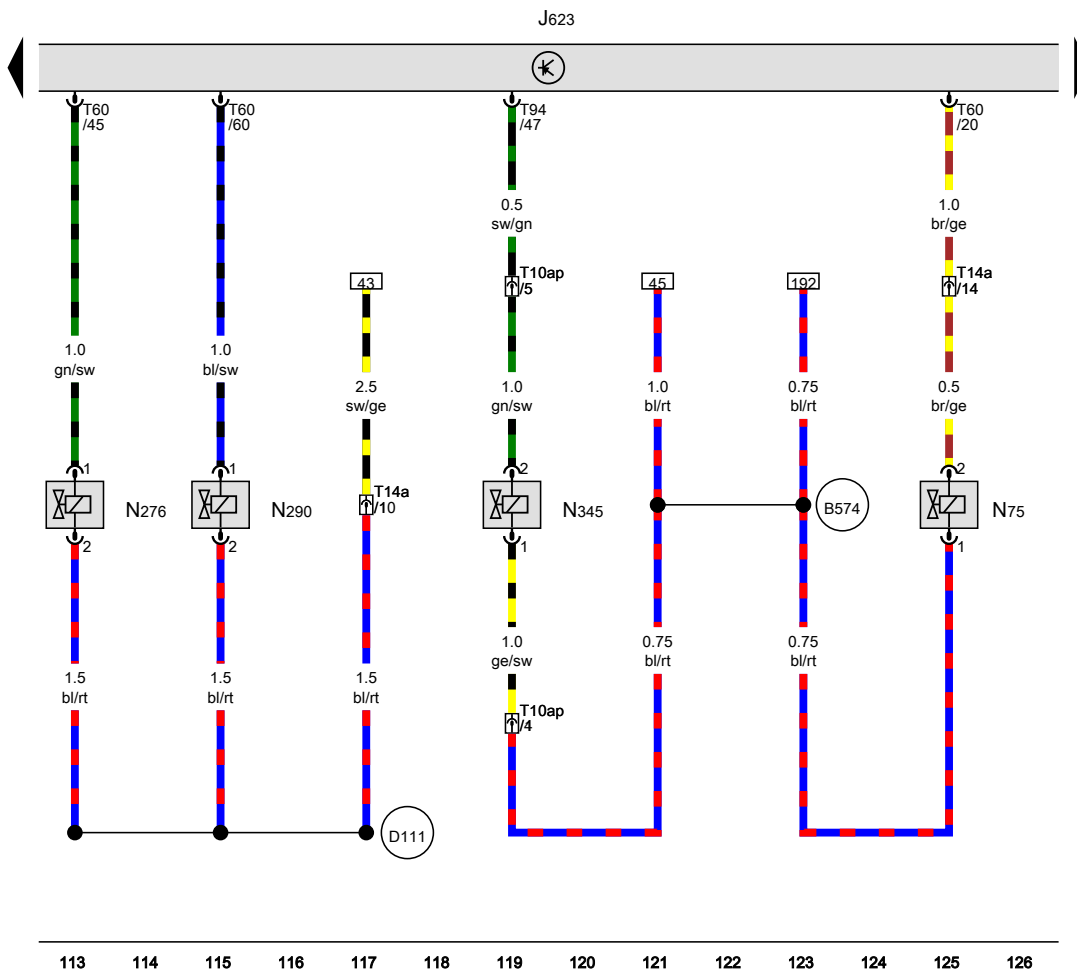
360-012090914

Engine control unit, Charge pressure control solenoid valve, Fuel pressure regulating valve, Fuel metering valve, Exhaust gas recirculation cooler changeover valve

- J623 Engine control unit
- N75 Charge pressure control solenoid valve
- N276 Fuel pressure regulating valve
- N290 Fuel metering valve
- N345 Exhaust gas recirculation cooler changeover valve
- T10ap 10-pin connector, near left headlight
- T14a 14-pin connector, on left in engine compartment
- T60 60-pin connector
- T94 94-pin connector

(B574) Positive connection 20 (87a) in main wiring harness

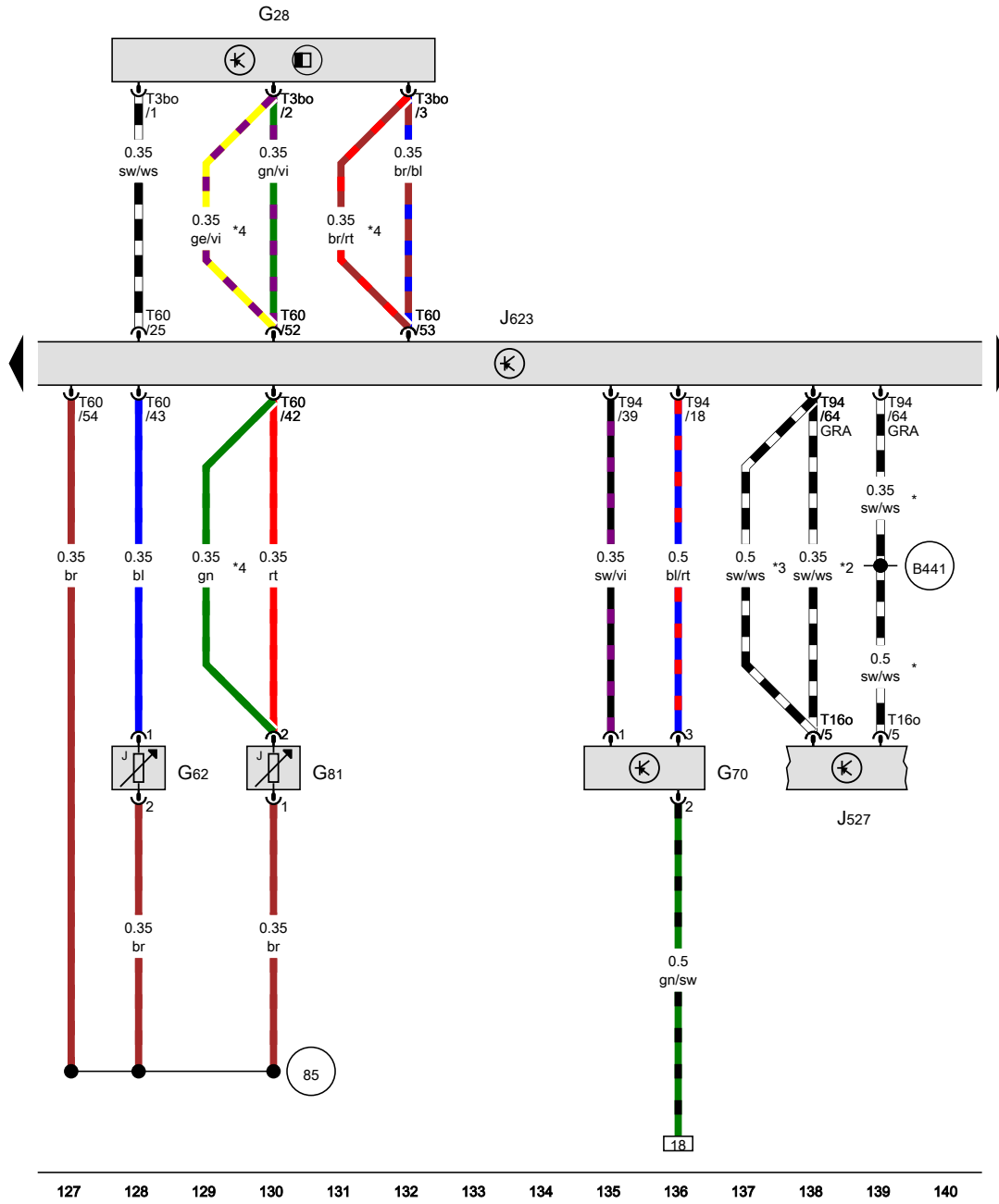
(D111) Connection 9 in engine compartment wiring harness



- ws = white
- sw = black
- ro = red
- rt = red
- br = brown
- gn = green
- bl = blue
- gr = grey
- li = purple
- vi = purple
- ge = yellow
- or = orange
- rs = pink

113 114 115 116 117 118 119 120 121 122 123 124 125 126

360-012100914



Engine speed sender, Coolant temperature sender, Air mass meter, Fuel temperature sender, Steering column electronics control unit, Engine control unit

- G28 Engine speed sender
- G62 Coolant temperature sender
- G70 Air mass meter
- G81 Fuel temperature sender
- J527 Steering column electronics control unit
- J623 Engine control unit
- T3bo 3-pin connector
- T16o 16-pin connector
- T60 60-pin connector
- T94 94-pin connector

85 Earth connection 1, in engine compartment wiring harness

B441 Connection (CCS), in main wiring harness

- * Only models with adaptive cruise control (ACC)
- *2 Only models with cruise control system (CCS)
- *3 gradual introduction
- *4 From May 2011

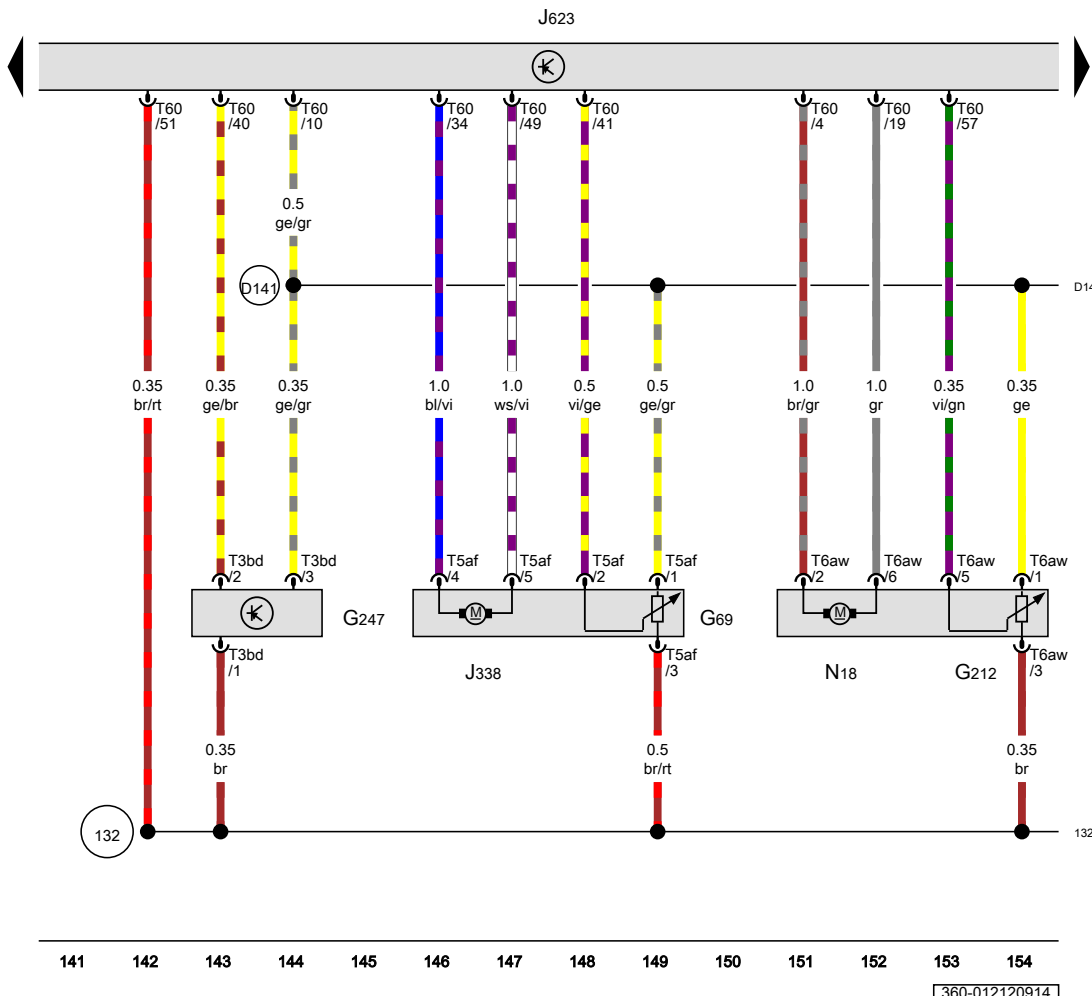
- ws = white
- sw = black
- ro = red
- rt = red
- br = brown
- gn = green
- bl = blue
- gr = grey
- li = purple
- vi = purple
- ge = yellow
- or = orange
- rs = pink

Throttle valve potentiometer, Exhaust gas recirculation potentiometer, Fuel pressure sender, Throttle valve module, Engine control unit, Exhaust gas recirculation valve

- G69 Throttle valve potentiometer
- G212 Exhaust gas recirculation potentiometer
- G247 Fuel pressure sender
- J338 Throttle valve module
- J623 Engine control unit
- N18 Exhaust gas recirculation valve
- T3bd 3-pin connector
- T5af 5-pin connector
- T6aw 6-pin connector
- T60 60-pin connector

132 Earth connection 3, in engine compartment wiring harness

D141 Connection (5V) in engine prewiring harness



1360-012120914

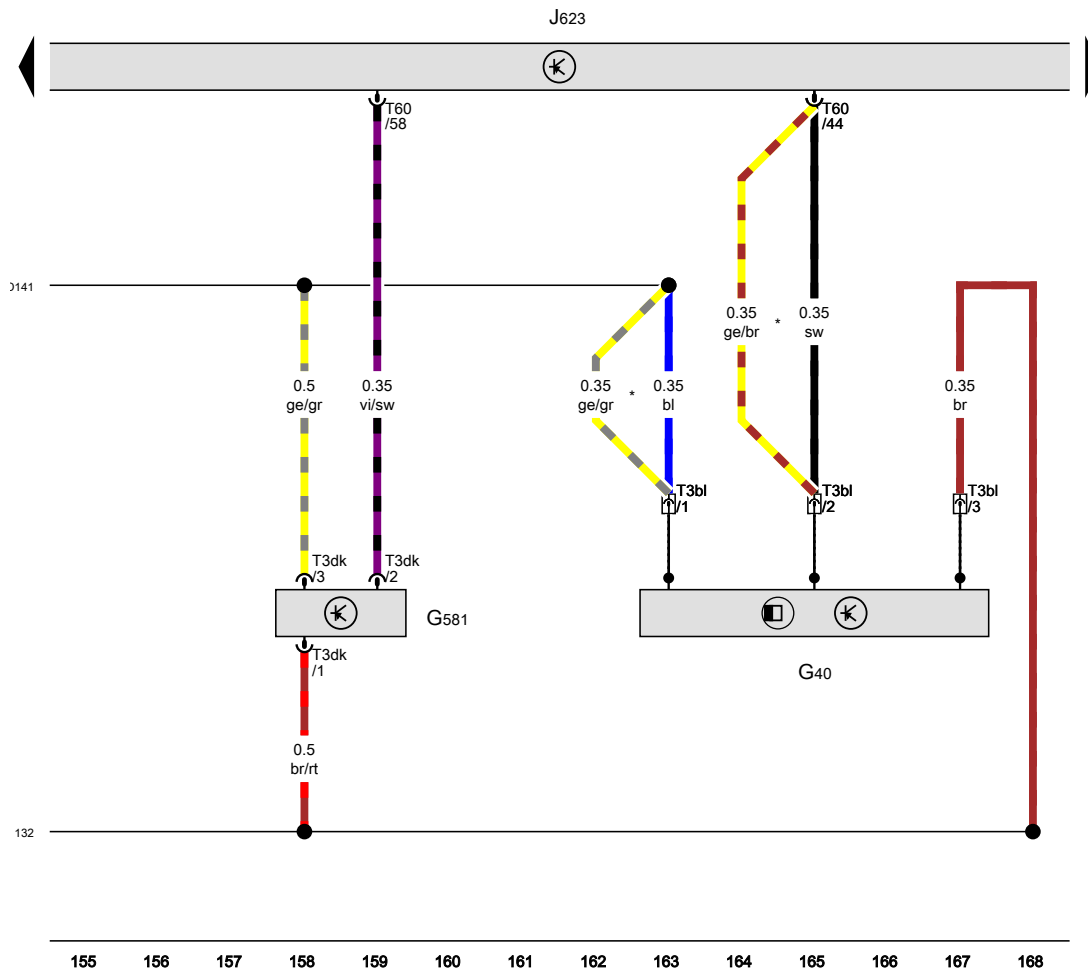
Hall sender, Position sender for charge pressure positioner, Engine control unit

- G40 Hall sender
- G581 Position sender for charge pressure positioner
- J623 Engine control unit
- T3bl 3-pin connector, grey
- T3dk 3-pin connector
- T60 60-pin connector

132 Earth connection 3, in engine compartment wiring harness

D141 Connection (5V) in engine prewiring harness

* From May 2011



- ws = white
- sw = black
- ro = red
- rt = red
- br = brown
- gn = green
- bl = blue
- gr = grey
- li = purple
- vi = purple
- ge = yellow
- or = orange
- rs = pink

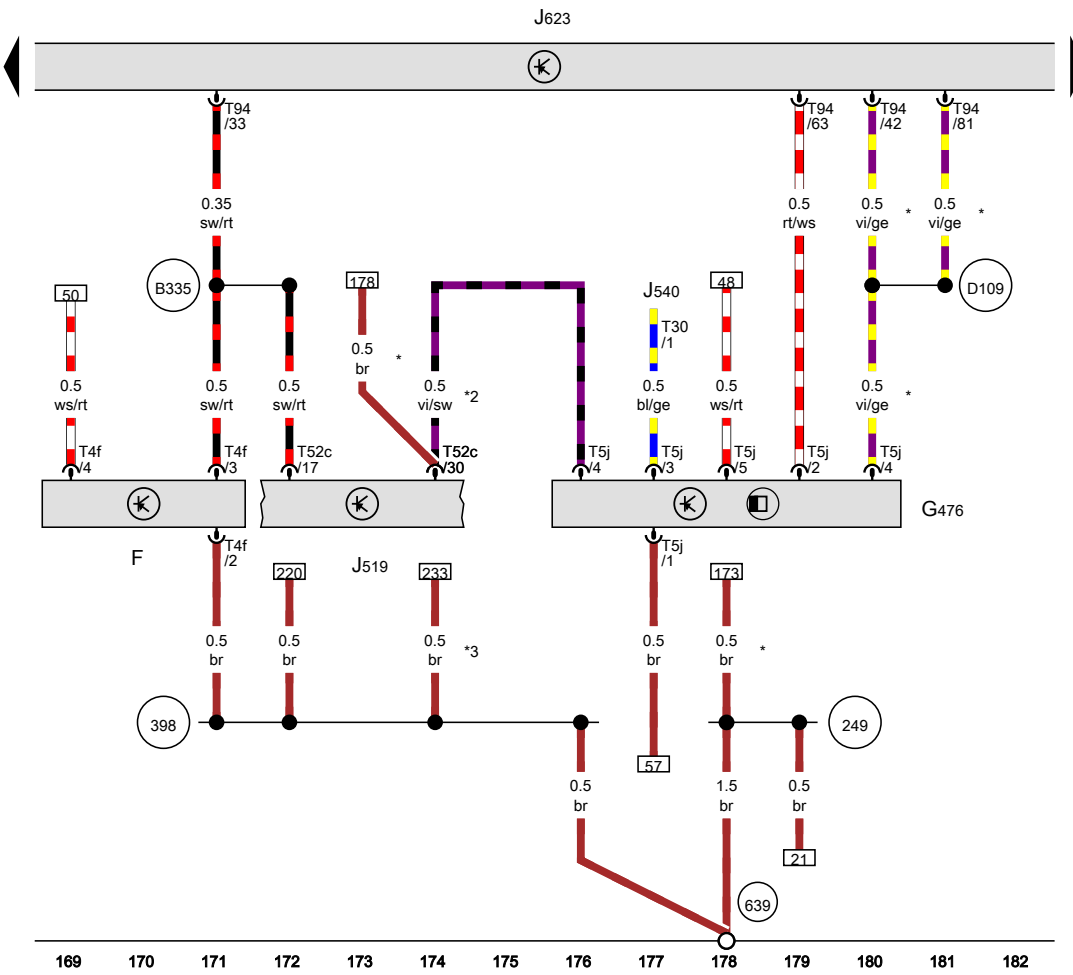
360-012130914

Brake light switch, Clutch position sender, Onboard supply control unit, Engine control unit

- F Brake light switch
- G476 Clutch position sender
- J519 Onboard supply control unit
- J540 Control unit for electromechanical parking brake
- J623 Engine control unit
- T4f 4-pin connector
- T5j 5-pin connector
- T30 30-pin connector
- T52c 52-pin connector
- T94 94-pin connector

- 249 Earth connection 2, in interior wiring harness
- 398 Earth connection 33, in main wiring harness
- 639 Earth point, left A-pillar
- B335 Connection 1 (54), in main wiring harness
- D109 Connection 7 in engine compartment wiring harness

- * Only models with start/stop system
- *2 Only models with no start/stop system
- *3 Only models with extended servicing intervals (ESI)



- ws = white
- sw = black
- ro = red
- rt = red
- br = brown
- gn = green
- bl = blue
- gr = grey
- li = purple
- vi = purple
- ge = yellow
- or = orange
- rs = pink

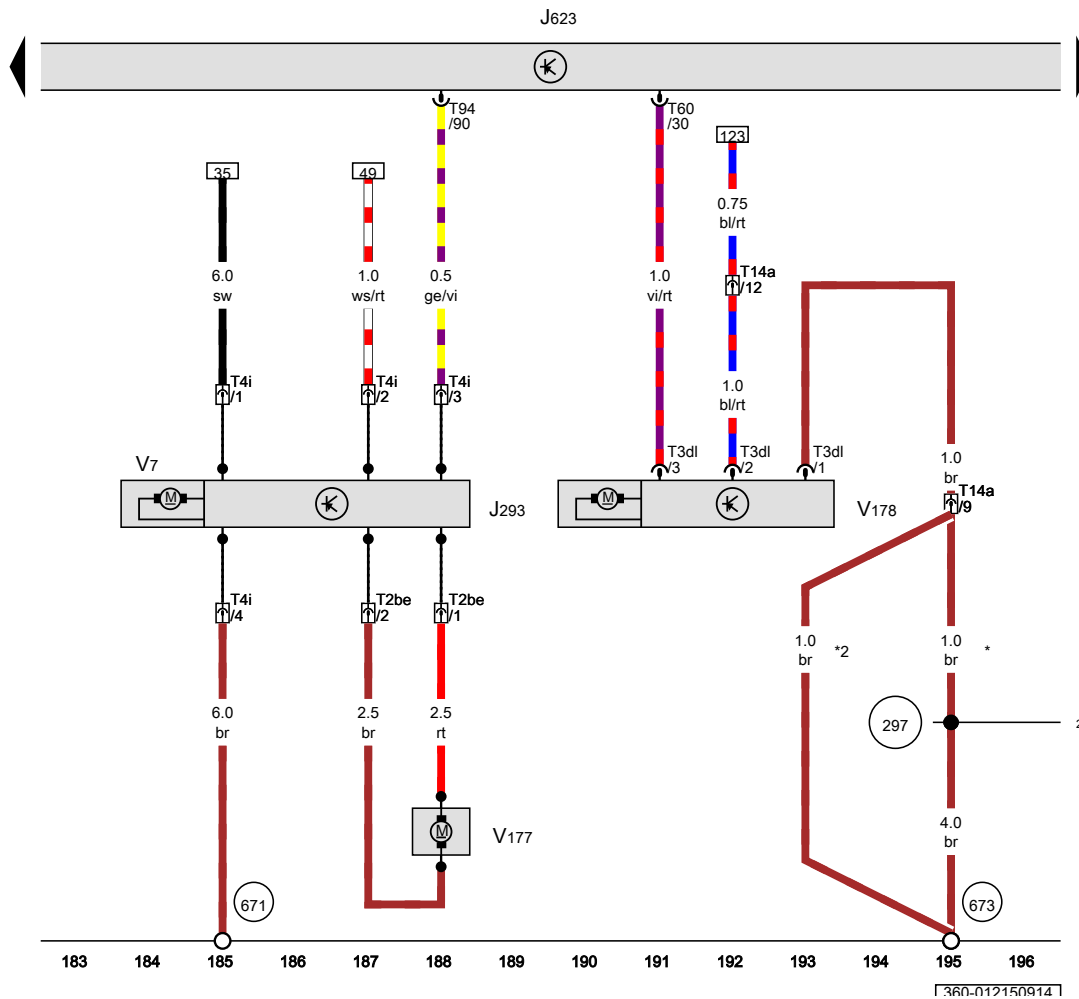
169 170 171 172 173 174 175 176 177 178 179 180 181 182

360-012140914

Radiator fan control unit, Engine control unit, Radiator fan, Radiator fan 2, Coolant circulation pump 2

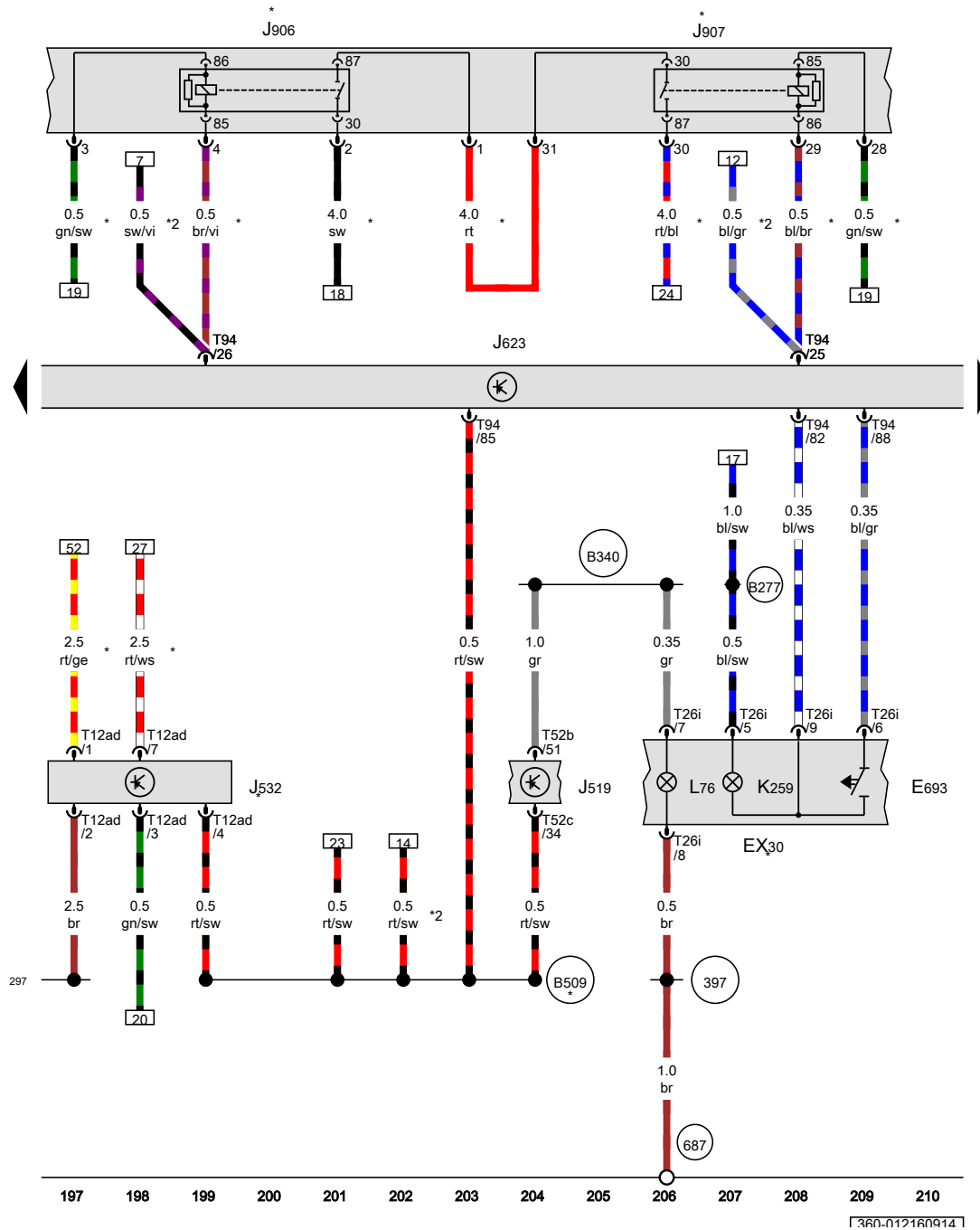
- J293 Radiator fan control unit
- J623 Engine control unit
- T2be 2-pin connector, on lock carrier
- T3dl 3-pin connector
- T4i 4-pin connector, on lock carrier
- T14a 14-pin connector, on left in engine compartment
- T60 60-pin connector
- T94 94-pin connector
- V7 Radiator fan
- V177 Radiator fan 2
- V178 Coolant circulation pump 2

- 297 Earth connection 12, in interior wiring harness
- 671 Earth point 1, on front of left longitudinal member
- 673 Earth point 3, on front of left longitudinal member
- * Only models with start/stop system
- *2 Only models with no start/stop system



- ws = white
- sw = black
- ro = red
- rt = red
- br = brown
- gn = green
- bl = blue
- gr = grey
- li = purple
- vi = purple
- ge = yellow
- or = orange
- rs = pink

360-012150914



Switch module 2 in centre console, Start/Stop operation button, Onboard supply control unit, Voltage stabiliser, Engine control unit, Starter relay 1, Starter relay 2

- EX30 Switch module 2 in centre console
- E693 Start/Stop operation button
- J519 Onboard supply control unit
- J532 Voltage stabiliser
- J623 Engine control unit
- J906 Starter relay 1
- J907 Starter relay 2
- K259 Start/Stop operation warning lamp
- L76 Button illumination bulb
- T12ad 12-pin connector
- T26i 26-pin connector
- T52b 52-pin connector
- T52c 52-pin connector
- T94 94-pin connector

- (297) Earth connection 12, in interior wiring harness
- (397) Earth connection 32, in main wiring harness
- (687) Earth point 1, on centre tunnel
- (B277) Positive connection 1 (15a) in main wiring harness
- (B340) Connection 1 (58d), in main wiring harness
- (B509) Connection 3 (diagnosis), in main wiring harness
- * Only models with start/stop system
- *2 Only models with no start/stop system

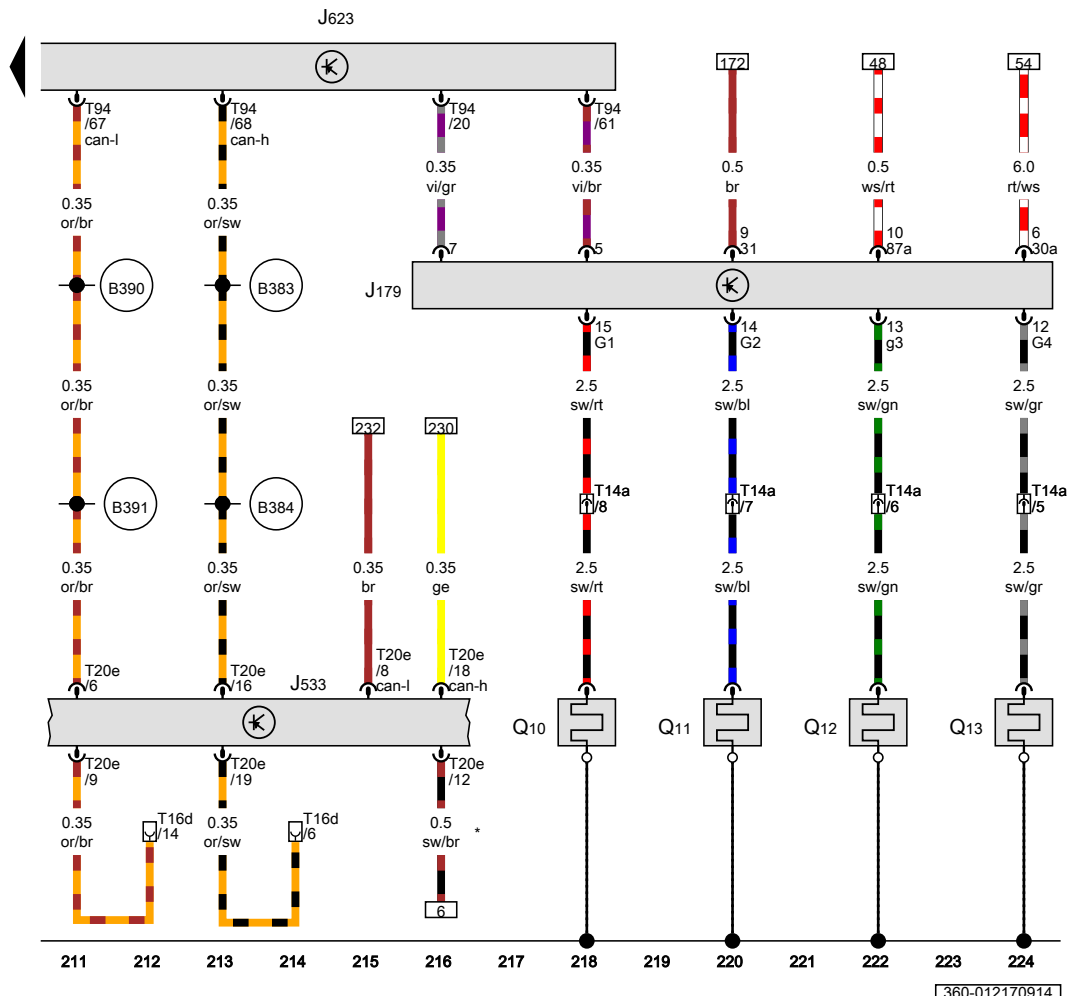
- ws = white
- sw = black
- ro = red
- rt = red
- br = brown
- gn = green
- bl = blue
- gr = grey
- li = purple
- vi = purple
- ge = yellow
- or = orange
- rs = pink

360-012160914

Automatic glow period control unit, Data bus diagnostic interface, Engine control unit, Glow plug 1, Glow plug 2, Glow plug 3, Glow plug 4

- J179 Automatic glow period control unit
- J533 Data bus diagnostic interface
- J623 Engine control unit
- Q10 Glow plug 1
- Q11 Glow plug 2
- Q12 Glow plug 3
- Q13 Glow plug 4
- T14a 14-pin connector, on left in engine compartment
- T16d 16-pin connector
- T20e 20-pin connector
- T94 94-pin connector

- B383 Connection 1 (powertrain CAN bus, high), in main wiring harness
- B384 Connection 2 (powertrain CAN bus, high), in main wiring harness
- B390 Connection 1 (powertrain CAN bus, low), in main wiring harness
- B391 Connection 2 (powertrain CAN bus, low), in main wiring harness
- * Only models with start/stop system



- ws = white
- sw = black
- ro = red
- rt = red
- br = brown
- gn = green
- bl = blue
- gr = grey
- li = purple
- vi = purple
- ge = yellow
- or = orange
- rs = pink

360-012170914

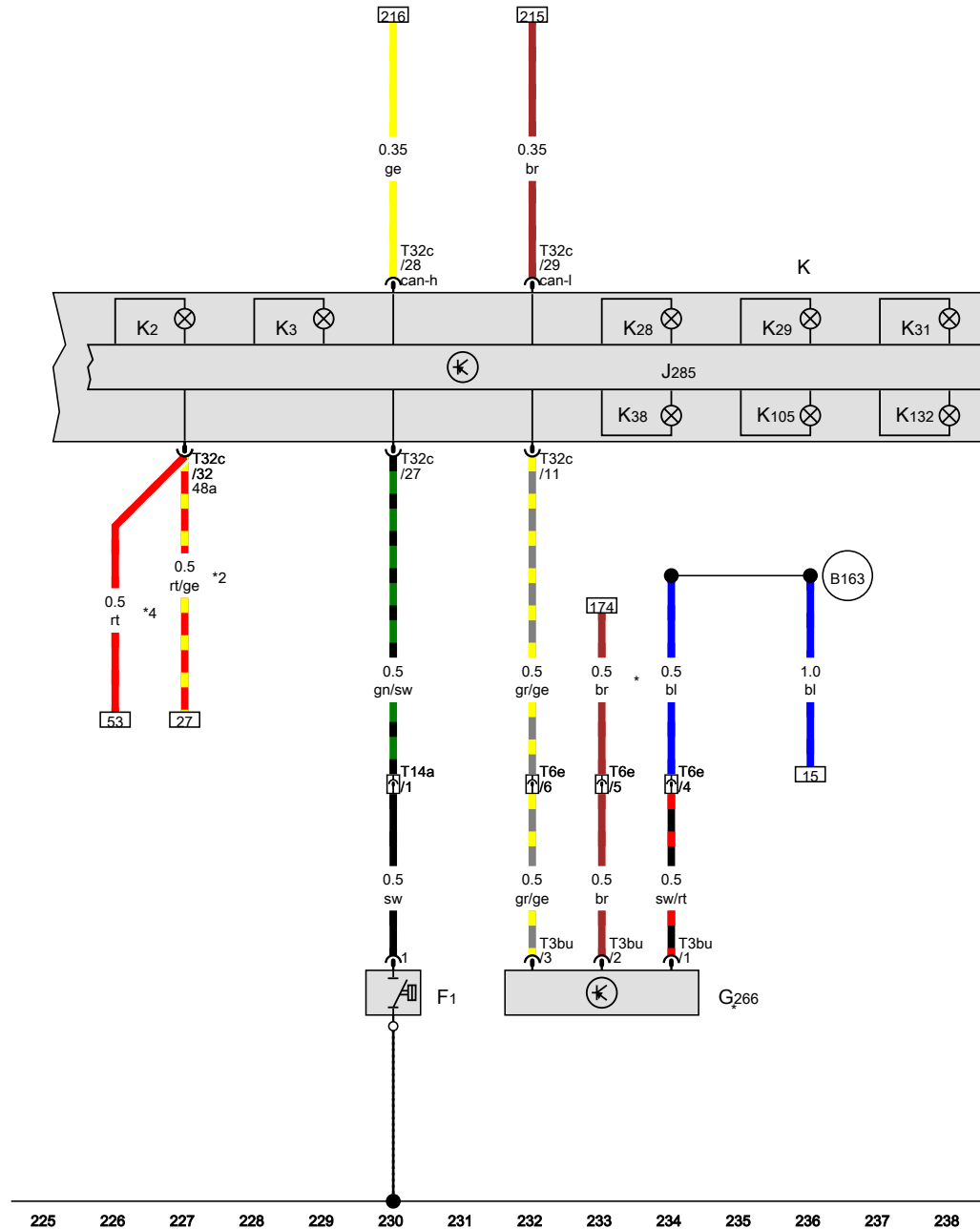
Oil pressure switch, Oil level and oil temperature sender, Control unit in dash panel insert, Dash panel insert, Alternator warning lamp, Oil pressure warning lamp, Coolant temperature and coolant shortage warning lamp, Glow period warning lamp, Cruise control system warning lamp, Oil level warning lamp, Reserve fuel warning lamp, Electronic power control fault lamp

- F1 Oil pressure switch
- G266 Oil level and oil temperature sender
- J285 Control unit in dash panel insert
- K Dash panel insert
- K2 Alternator warning lamp
- K3 Oil pressure warning lamp
- K28 Coolant temperature and coolant shortage warning lamp
- K29 Glow period warning lamp
- K31 Cruise control system warning lamp
- K38 Oil level warning lamp
- K105 Reserve fuel warning lamp
- K132 Electronic power control fault lamp
- T3bu 3-pin connector
- T6e 6-pin connector, front left in engine compartment
- T14a 14-pin connector, on left in engine compartment
- T32c 32-pin connector

B163 Positive connection 1 (15), in interior wiring harness

- * Only models with extended servicing intervals (ESI)
- *2 Only models with start/stop system
- *3 Push-in bridge on relay slot
- *4 Only models with no start/stop system

- ws = white
- sw = black
- ro = red
- rt = red
- br = brown
- gn = green
- bl = blue
- gr = grey
- li = purple
- vi = purple
- ge = yellow
- or = orange
- rs = pink



360-012180914

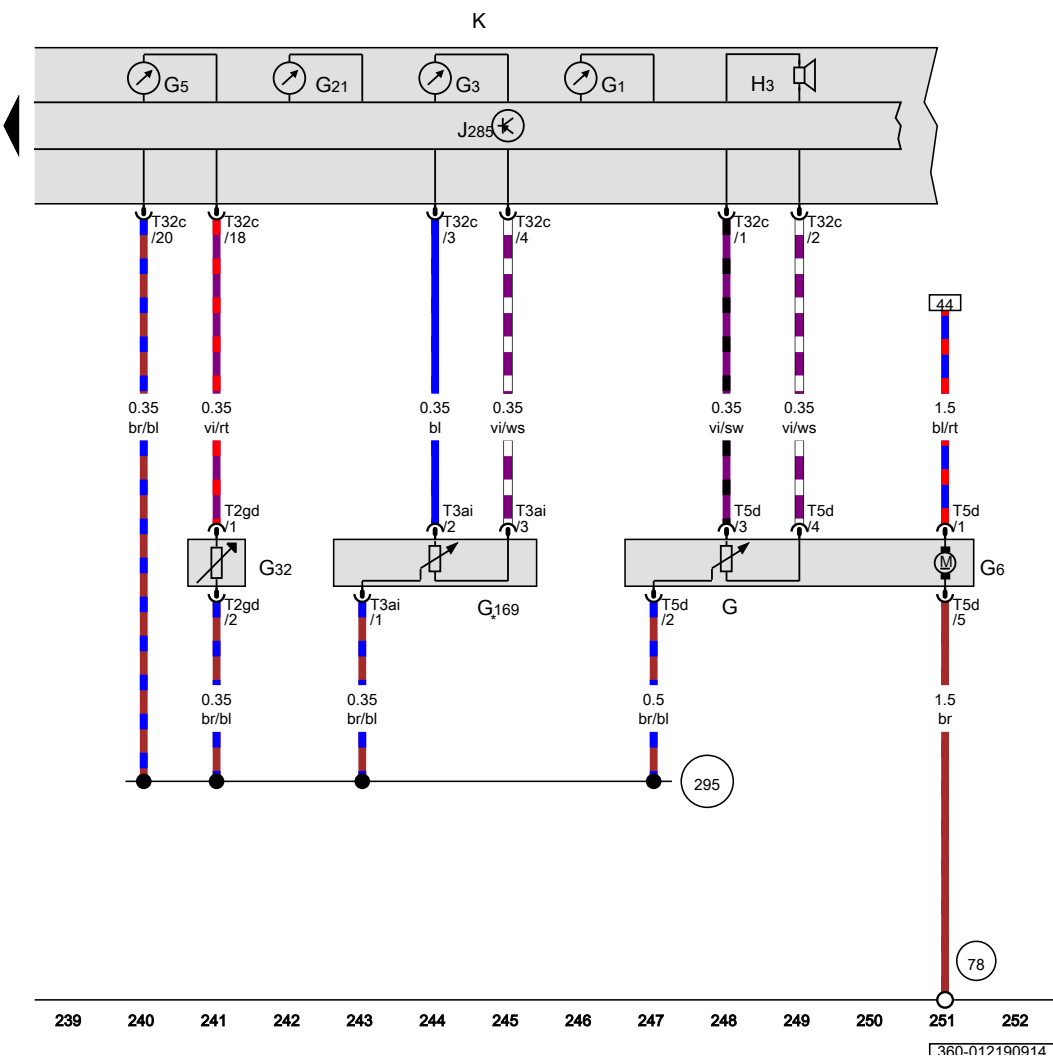
Fuel gauge sender, Fuel gauge, Coolant temperature gauge, Rev. counter, Fuel system pressurisation pump, Speedometer, Coolant shortage indicator sender, Buzzer and gong, Control unit in dash panel insert, Dash panel insert

- G Fuel gauge sender
- G1 Fuel gauge
- G3 Coolant temperature gauge
- G5 Rev. counter
- G6 Fuel system pressurisation pump
- G21 Speedometer
- G32 Coolant shortage indicator sender
- G169 Fuel gauge sender 2
- H3 Buzzer and gong
- J285 Control unit in dash panel insert
- K Dash panel insert
- T2gd 2-pin connector
- T3ai 3-pin connector
- T5d 5-pin connector
- T32c 32-pin connector

78 Earth point, lower part of right B-pillar

295 Earth connection 10, in interior wiring harness

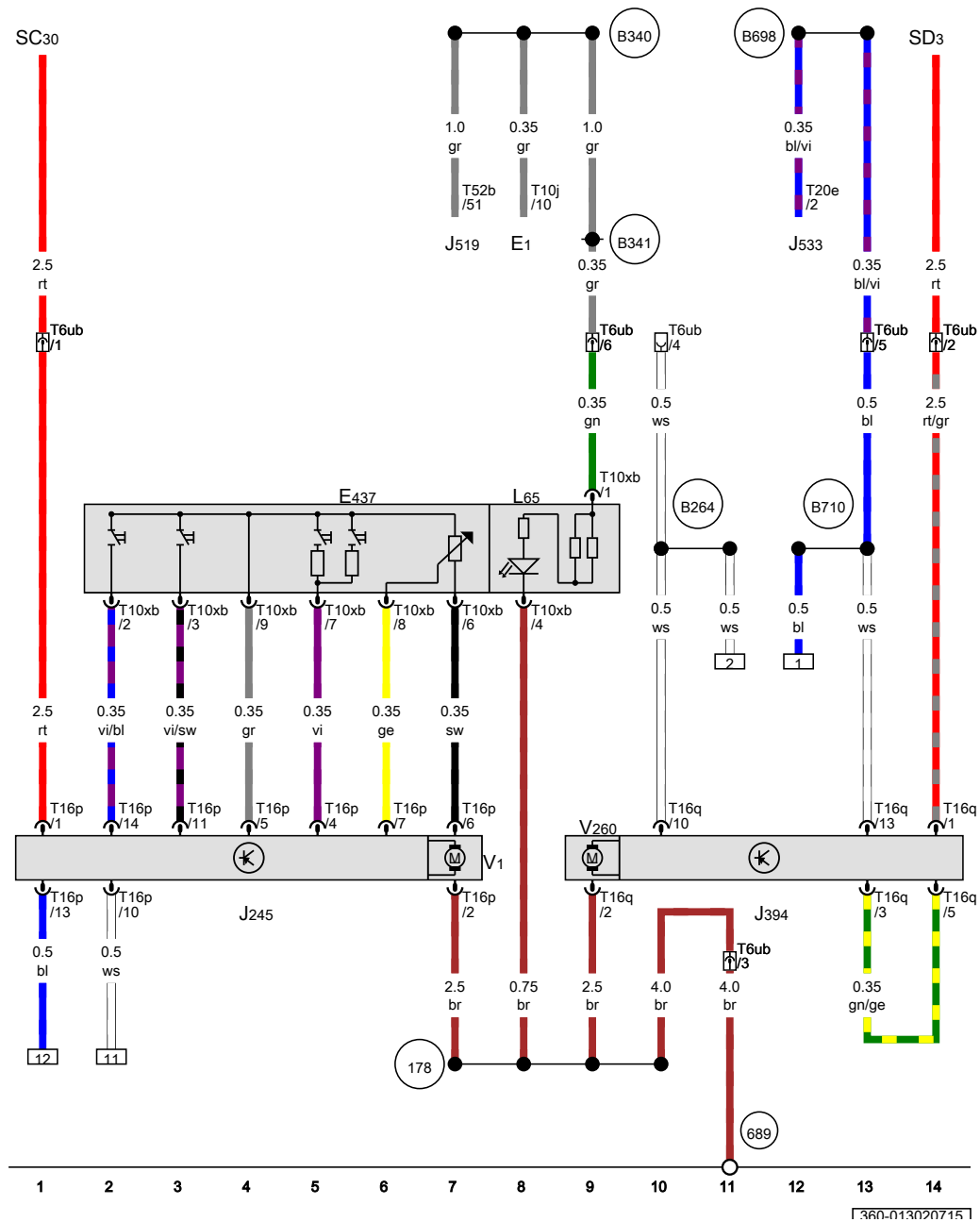
* Only models with all-wheel drive



Panoramic sliding sunroof

From November 2010

Sun blind and sunroof button, Sliding sunroof adjustment control unit, Sunroof roller blind control unit, Fuse 3 on fuse holder D



- E1 Light switch
- E437 Sun blind and sunroof button
- J245 Sliding sunroof adjustment control unit
- J394 Sunroof roller blind control unit
- J519 Onboard supply control unit
- J533 Data bus diagnostic interface
- L65 Sliding sunroof switch illumination bulb
- SD3 Fuse 3 on fuse holder D
- SC30 Fuse 30 on fuse holder C
- T6ub 6-pin connector, on roof module, in interior light switch trim, sunroof, black
- T10j 10-pin connector
- T10xb 10-pin connector
- T16p 16-pin connector
- T16q 16-pin connector
- T20e 20-pin connector
- T52b 52-pin connector
- V1 Sliding sunroof motor
- V260 Sunroof roller blind motor

- (178) Earth connection, in sliding sunroof wiring harness
- (689) Earth point, at front, central in roof
- (B264) Connection 1, in roof wiring harness
- (B340) Connection 1 (58d), in main wiring harness
- (B341) Connection 2 (58d), in main wiring harness
- (B698) Connection 3 (LIN bus) in main wiring harness
- (B710) Connection 5 (LIN bus) in main wiring harness

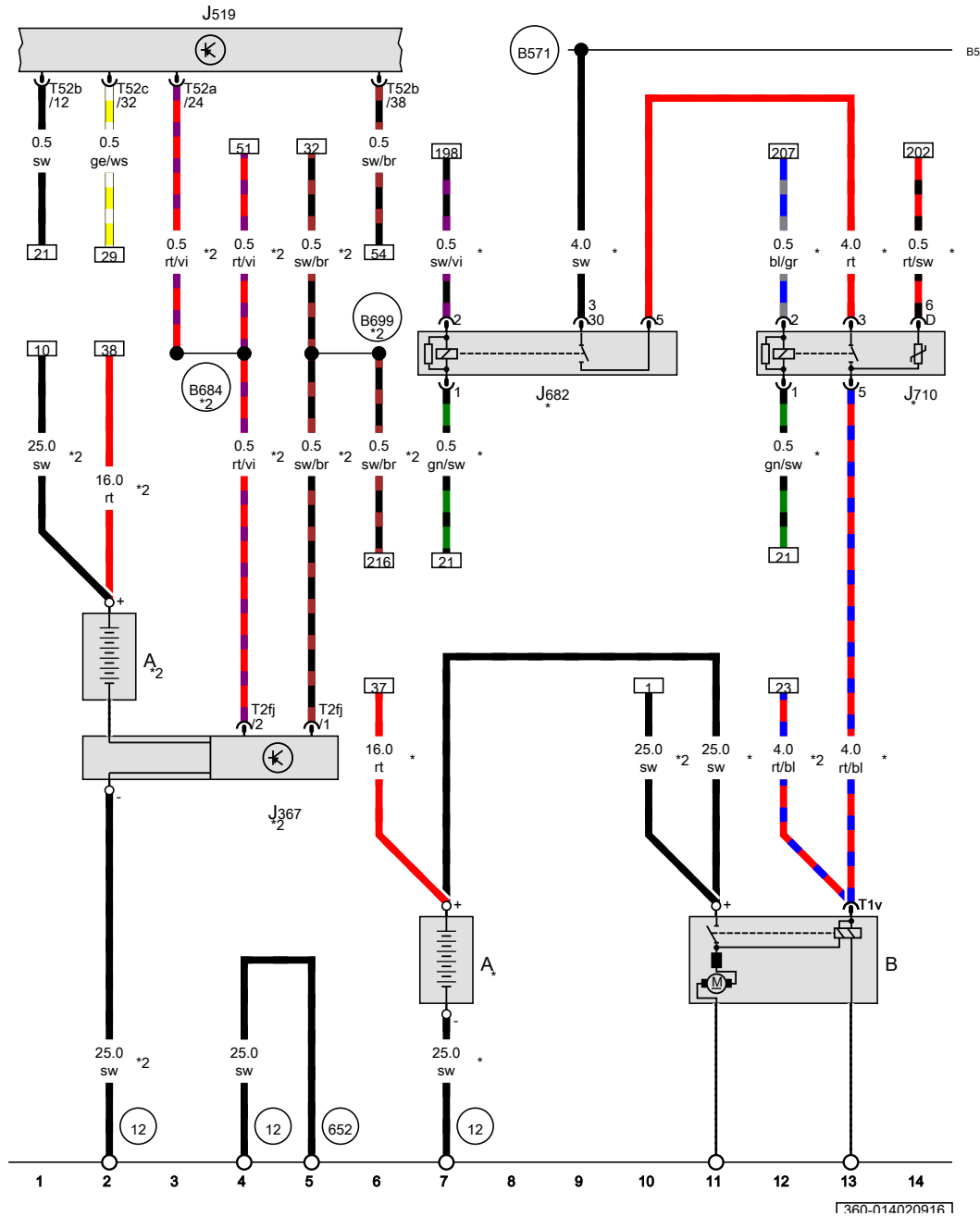
- ws = white
- sw = black
- ro = red
- rt = red
- br = brown
- gn = green
- bl = blue
- gr = grey
- li = purple
- vi = purple
- ge = yellow
- or = orange
- rs = pink

1360-013020715

2.0l diesel engine , CFFA,CFFB,CFGB,CLLA

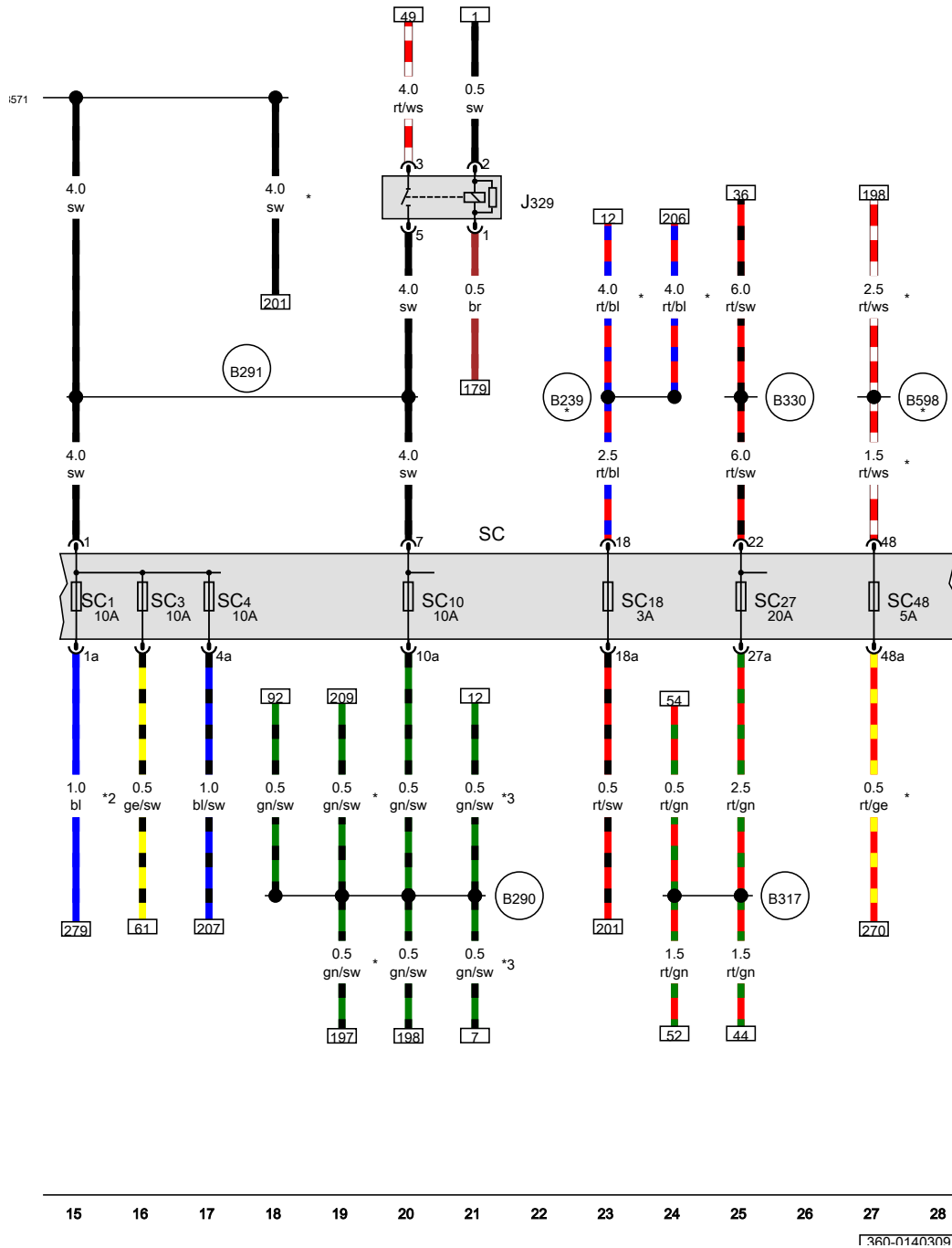
From November 2010

Battery, Starter, Battery monitor control unit, Onboard supply control unit, Terminal 50 voltage supply relay, Voltage supply relay 2



- A Battery
- B Starter
- J367 Battery monitor control unit
- J519 Onboard supply control unit
- J682 Terminal 50 voltage supply relay
- J710 Voltage supply relay 2
- T1v 1-pin connector
- T2fj 2-pin connector
- T52a 52-pin connector
- T52b 52-pin connector
- T52c 52-pin connector
- 12 Earth point, on left in engine compartment
- 652 Earth point, engine and gearbox earth
- B571 Connection 38, in main wiring harness
- B684 Positive connection 24 (30a) in main wiring harness
- B699 Connection 4 (LIN bus) in main wiring harness
- * Only models with no start/stop system
- *2 Only models with start/stop system

- ws = white
- sw = black
- ro = red
- rt = red
- br = brown
- gn = green
- bl = blue
- gr = grey
- li = purple
- vi = purple
- ge = yellow
- or = orange
- rs = pink



Terminal 15 voltage supply relay, Fuse holder C

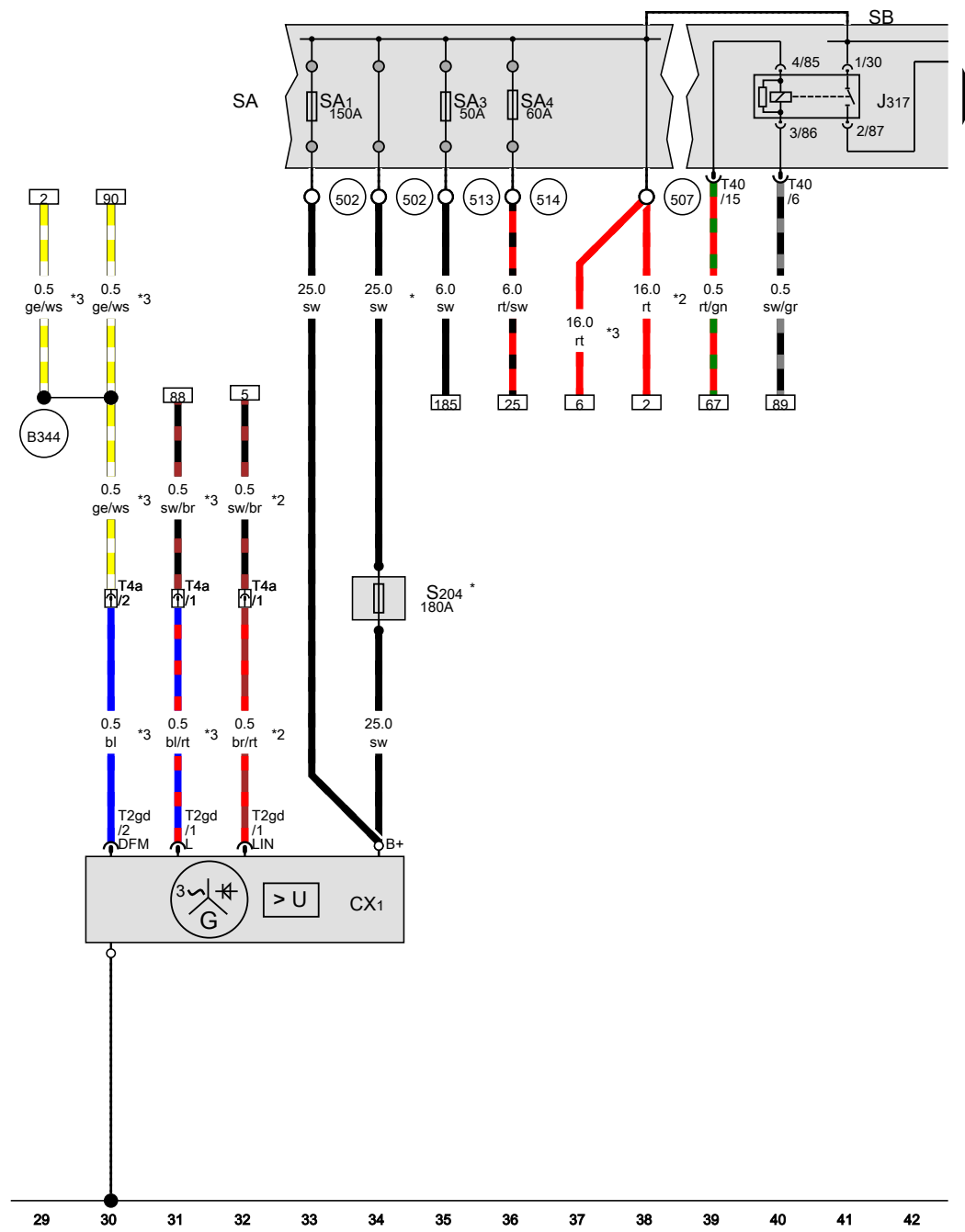
- J329 Terminal 15 voltage supply relay
- SC Fuse holder C
- SC1 Fuse 1 on fuse holder C
- SC3 Fuse 3 on fuse holder C
- SC4 Fuse 4 on fuse holder C
- SC10 Fuse 10 on fuse holder C
- SC18 Fuse 18 on fuse holder C
- SC27 Fuse 27 on fuse holder C
- SC48 Fuse 48 on fuse holder C

- (B239) Positive connection 1 (50), in interior wiring harness
- (B290) Positive connection 14 (15a) in main wiring harness
- (B291) Positive connection 15 (15a) in main wiring harness
- (B317) Positive connection 3 (30a) in main wiring harness
- (B330) Positive connection 16 (30a) in main wiring harness
- (B571) Connection 38, in main wiring harness
- (B598) Positive connection 11 (30a), in interior wiring harness
- * Only models with start/stop system
- *2 Only models with extended servicing intervals (ESI)
- *3 Only models with no start/stop system

ws = white
 sw = black
 ro = red
 rt = red
 br = brown
 gn = green
 bl = blue
 gr = grey
 li = purple
 vi = purple
 ge = yellow
 or = orange
 rs = pink

15 16 17 18 19 20 21 22 23 24 25 26 27 28

1360-014030916



Terminal 30 voltage supply relay, Fuse holder A, Fuse holder B

- CX1 Alternator with voltage regulator
- J317 Terminal 30 voltage supply relay
- SA Fuse holder A
- SA1 Fuse 1 on fuse holder A
- SA3 Fuse 3 on fuse holder A
- SA4 Fuse 4 on fuse holder A
- S204 Fuse 1 (30)
- SB Fuse holder B
- T2gd 2-pin connector
- T4a 4-pin connector, near starter
- T40 40-pin connector

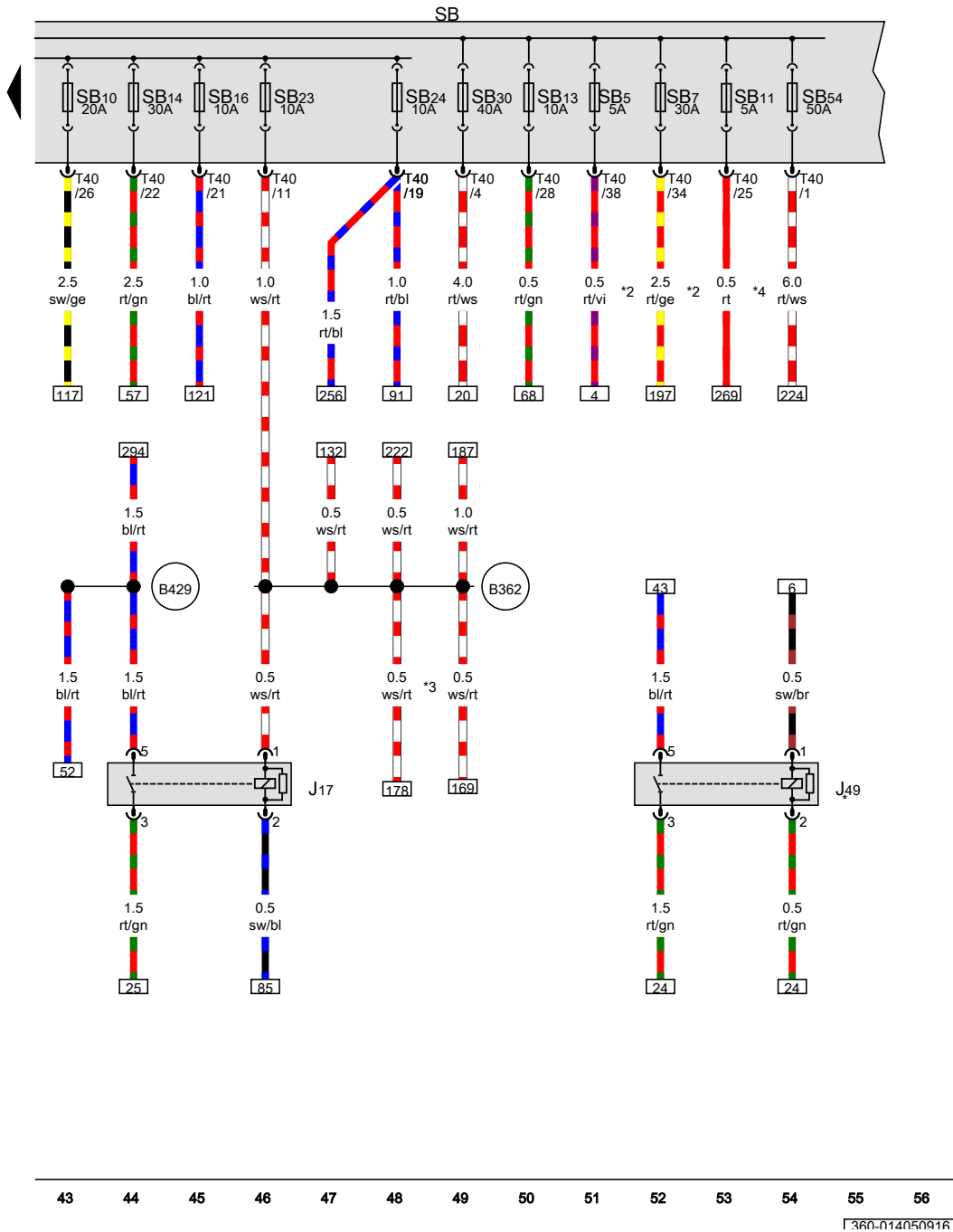
- 502 Threaded connection 1 (30a) on relay plate
- 507 Threaded connection (30), on battery fuse holder
- 513 Threaded connection 3 (30a) on relay plate
- 514 Threaded connection 4 (30a) on relay plate
- B344 Connection 1 (61), in main wiring harness

- * According to equipment
- *2 Only models with start/stop system
- *3 Only models with no start/stop system

- ws = white
- sw = black
- ro = red
- rt = red
- br = brown
- gn = green
- bl = blue
- gr = grey
- li = purple
- vi = purple
- ge = yellow
- or = orange
- rs = pink

1360-014040916

Fuel pump relay, Electric fuel pump 2 relay, Fuse holder B



- J17 Fuel pump relay
- J49 Electric fuel pump 2 relay
- SB Fuse holder B
- SB5 Fuse 5 on fuse holder B
- SB7 Fuse 7 on fuse holder B
- SB10 Fuse 10 on fuse holder B
- SB11 Fuse 11 on fuse holder B
- SB13 Fuse 13 on fuse holder B
- SB14 Fuse 14 on fuse holder B
- SB16 Fuse 16 on fuse holder B
- SB23 Fuse 23 on fuse holder B
- SB24 Fuse 24 on fuse holder B
- SB30 Fuse 30 on fuse holder B
- SB54 Fuse 54 on fuse holder B
- T40 40-pin connector

B362 Positive connection 13 (87a) in main wiring harness

B429 Connection (EFPR), in main wiring harness

- * Only models with auxiliary heating
- *2 Only models with start/stop system
- *3 Only models with manual gearbox
- *4 Only models with no start/stop system

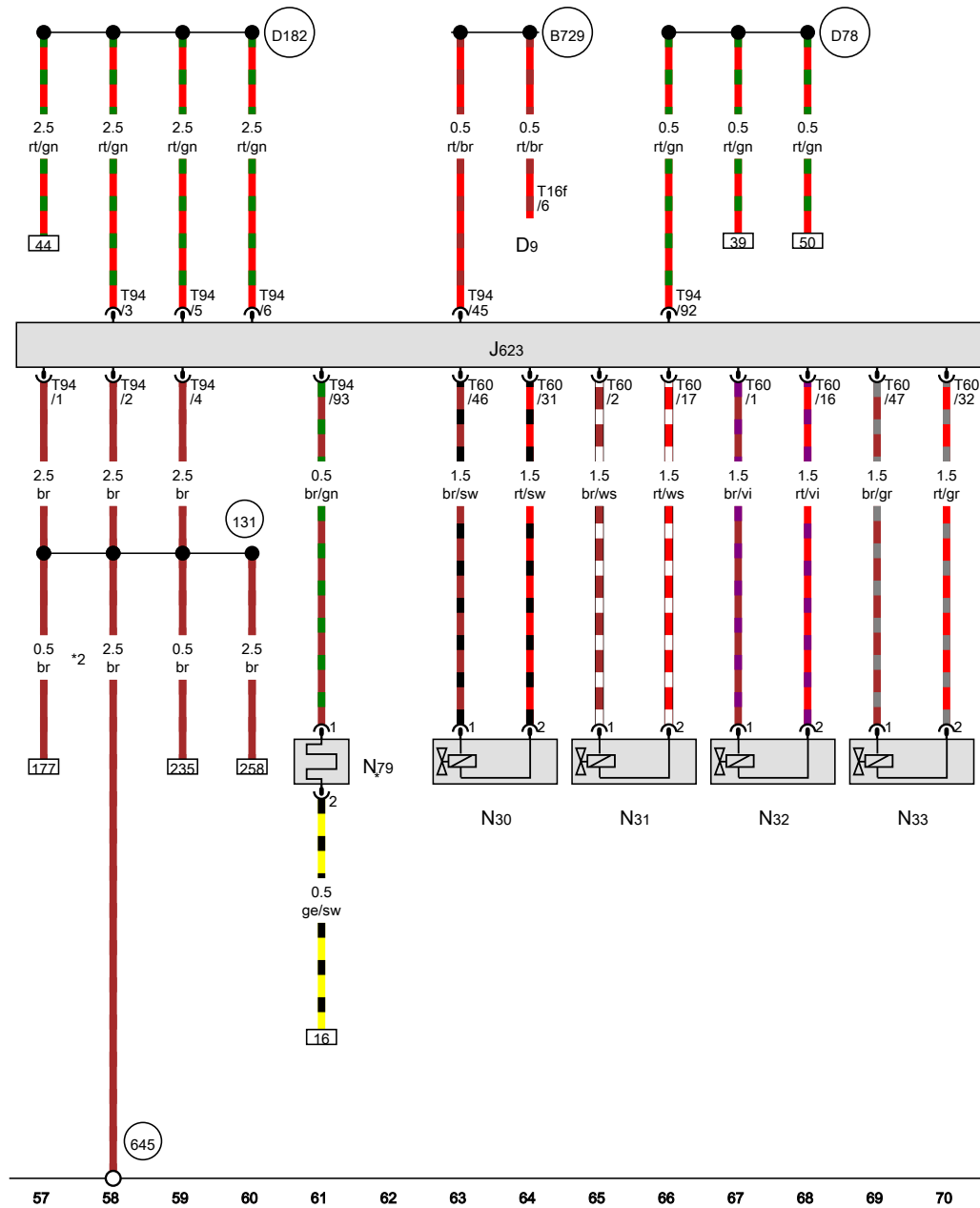
- ws = white
- sw = black
- ro = red
- rt = red
- br = brown
- gn = green
- bl = blue
- gr = grey
- li = purple
- vi = purple
- ge = yellow
- or = orange
- rs = pink

Electronic ignition lock, Engine control unit, Injector, cylinder 1, Injector, cylinder 2, Injector, cylinder 3, Injector, cylinder 4, Heater element for crankcase breather

- D9 Electronic ignition lock
- J623 Engine control unit
- N30 Injector, cylinder 1
- N31 Injector, cylinder 2
- N32 Injector, cylinder 3
- N33 Injector, cylinder 4
- N79 Heater element for crankcase breather
- T16f 16-pin connector
- T60 60-pin connector
- T94 94-pin connector

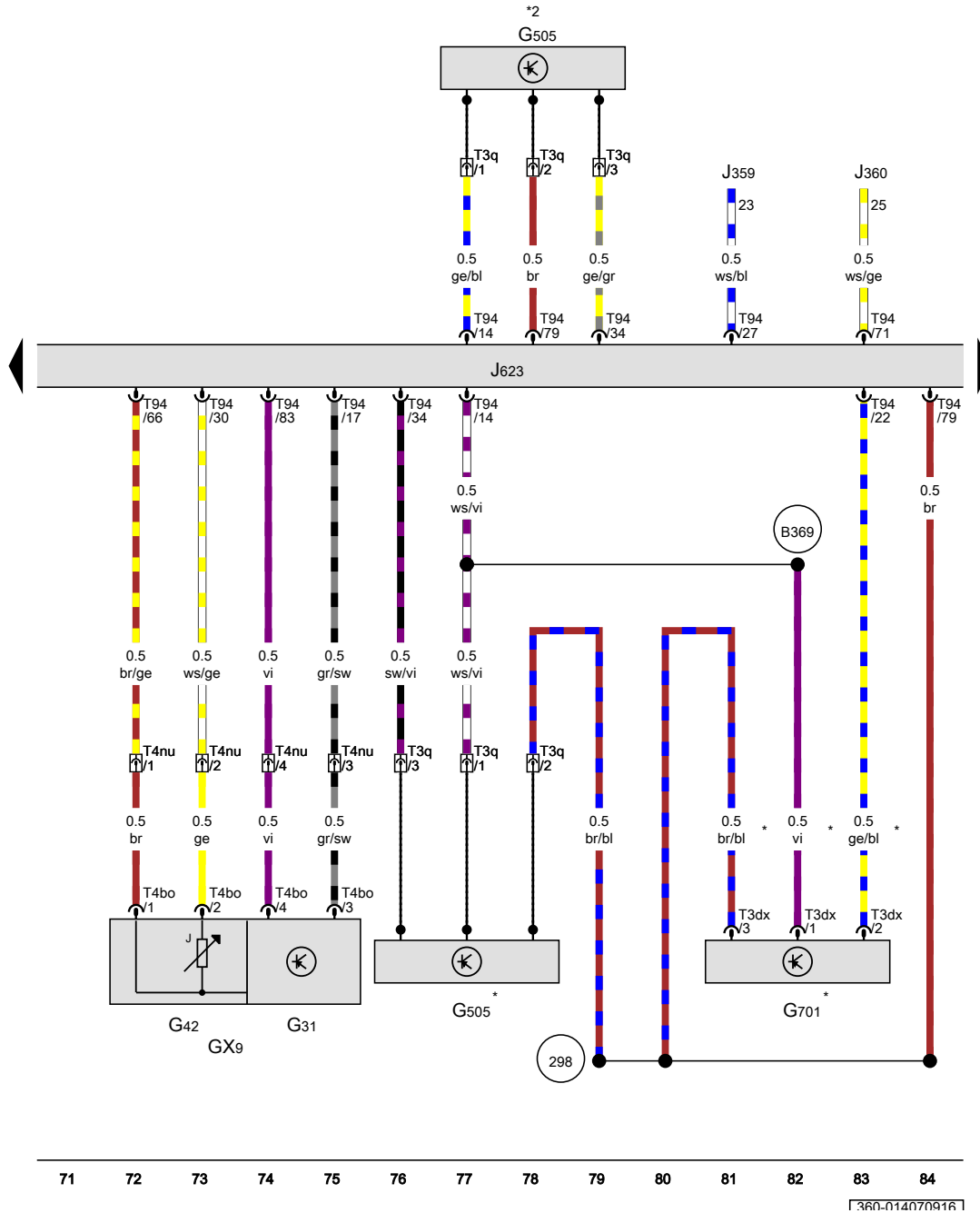
- 131 Earth connection 2, in engine compartment wiring harness
- 645 Earth point 1, on bulkhead
- B729 Connection 1 (50), in main wiring harness
- D78 Positive connection 1 (30a), in engine compartment wiring harness
- D182 Connection 3 (87a), in engine compartment wiring harness

* Only for countries with cold climate
 *2 Only models with manual gearbox



- ws = white
- sw = black
- ro = red
- rt = red
- br = brown
- gn = green
- bl = blue
- gr = grey
- li = purple
- vi = purple
- ge = yellow
- or = orange
- rs = pink

1360-014060916



Intake manifold sender, Charge pressure sender, Intake air temperature sender, Pressure differential sender, Gearbox neutral position sender, Low heat output relay, High heat output relay, Engine control unit

- GX9 Intake manifold sender
- G31 Charge pressure sender
- G42 Intake air temperature sender
- G505 Pressure differential sender
- G701 Gearbox neutral position sender
- J359 Low heat output relay
- J360 High heat output relay
- J623 Engine control unit
- T3dx 3-pin connector
- T3q 3-pin connector, black
- T4bo 4-pin connector
- T4nu 4-pin connector, black, on gearbox
- T94 94-pin connector

298 Earth connection 13, in interior wiring harness

B369 Connection 1 (5V), in main wiring harness

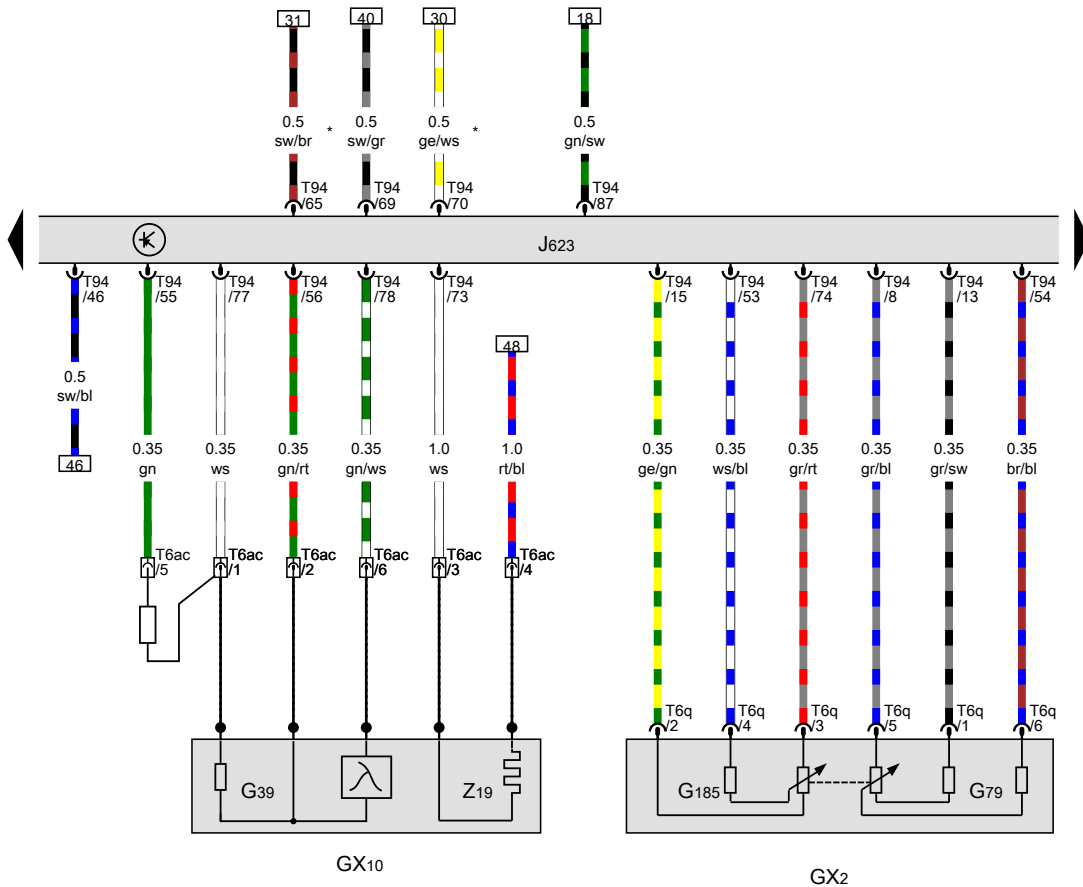
* Only models with start/stop system
 *2 Only models with no start/stop system

- ws = white
- sw = black
- ro = red
- rt = red
- br = brown
- gn = green
- bl = blue
- gr = grey
- li = purple
- vi = purple
- ge = yellow
- or = orange
- rs = pink

360-014070916

Accelerator pedal module, Lambda probe 1 before catalytic converter, Lambda probe, Accelerator position sender, Engine control unit

- GX2 Accelerator pedal module
- GX10 Lambda probe 1 before catalytic converter
- G39 Lambda probe
- G79 Accelerator position sender
- G185 Accelerator position sender 2
- J623 Engine control unit
- T6ac 6-pin connector, near Lambda probe
- T6q 6-pin connector
- T94 94-pin connector
- Z19 Lambda probe heater
- * Only models with no start/stop system



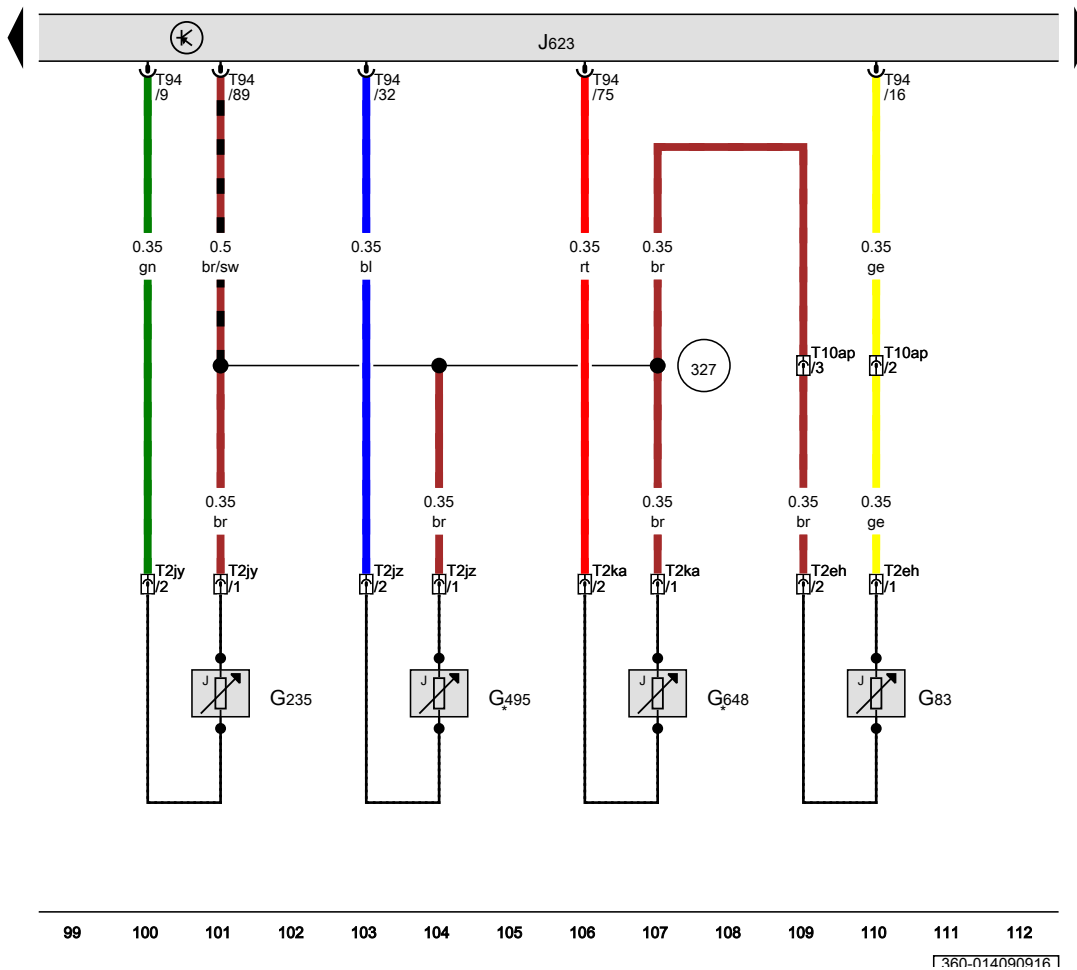
- ws = white
- sw = black
- ro = red
- rt = red
- br = brown
- gn = green
- bl = blue
- gr = grey
- li = purple
- vi = purple
- ge = yellow
- or = orange
- rs = pink

Radiator outlet coolant temperature sender, Exhaust gas temperature sender 1, Exhaust gas temperature sender 3, Exhaust gas temperature sender 4, Engine control unit

- G83 Radiator outlet coolant temperature sender
- G235 Exhaust gas temperature sender 1
- G495 Exhaust gas temperature sender 3
- G648 Exhaust gas temperature sender 4
- J623 Engine control unit
- T2eh 2-pin connector
- T2jy 2-pin connector, black
- T2jz 2-pin connector, brown
- T2ka 2-pin connector, dark brown
- T10ap 10-pin connector, near left headlight
- T94 94-pin connector

327 Earth connection (sender earth), in engine compartment wiring harness

* According to equipment



- ws = white
- sw = black
- ro = red
- rt = red
- br = brown
- gn = green
- bl = blue
- gr = grey
- li = purple
- vi = purple
- ge = yellow
- or = orange
- rs = pink

99 100 101 102 103 104 105 106 107 108 109 110 111 112

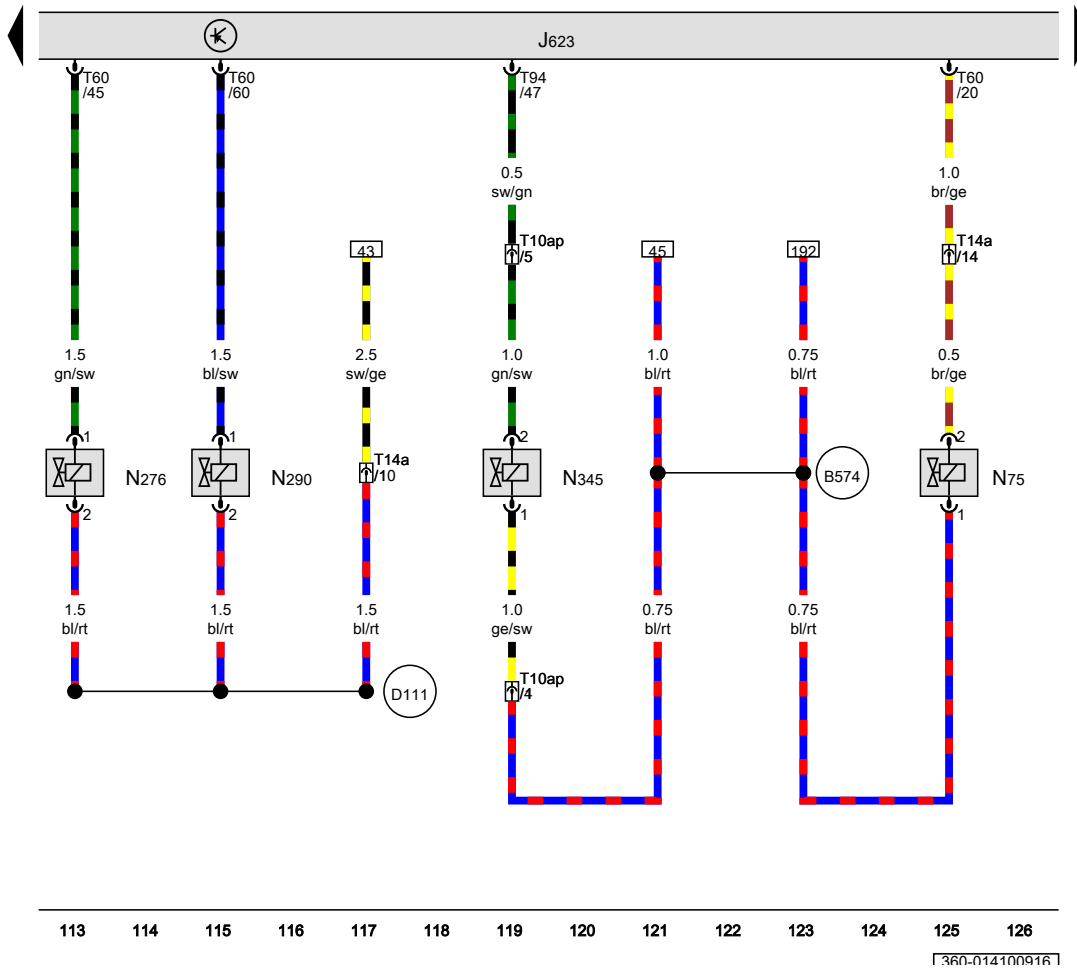
360-014090916

Engine control unit, Charge pressure control solenoid valve, Fuel pressure regulating valve, Fuel metering valve, Exhaust gas recirculation cooler changeover valve

- J623 Engine control unit
- N75 Charge pressure control solenoid valve
- N276 Fuel pressure regulating valve
- N290 Fuel metering valve
- N345 Exhaust gas recirculation cooler changeover valve
- T10ap 10-pin connector, near left headlight
- T14a 14-pin connector, on left in engine compartment
- T60 60-pin connector
- T94 94-pin connector

(B574) Positive connection 20 (87a) in main wiring harness

(D111) Connection 9 in engine compartment wiring harness



- ws = white
- sw = black
- ro = red
- rt = red
- br = brown
- gn = green
- bl = blue
- gr = grey
- li = purple
- vi = purple
- ge = yellow
- or = orange
- rs = pink

1360-014100916

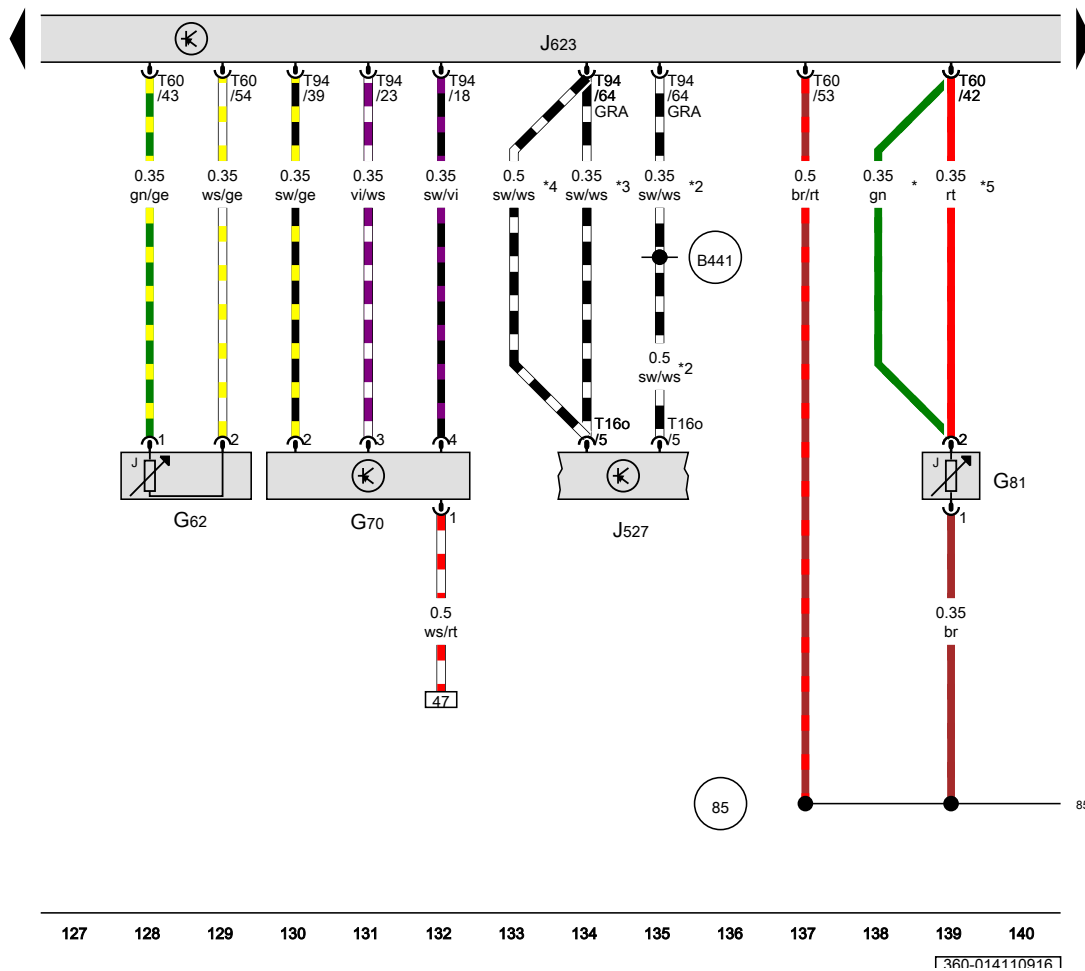
Coolant temperature sender, Air mass meter, Fuel temperature sender, Steering column electronics control unit, Engine control unit

- G62 Coolant temperature sender
- G70 Air mass meter
- G81 Fuel temperature sender
- J527 Steering column electronics control unit
- J623 Engine control unit
- T16o 16-pin connector
- T60 60-pin connector
- T94 94-pin connector

85 Earth connection 1, in engine compartment wiring harness

B441 Connection (CCS), in main wiring harness

- * From October 2011
- *2 Only models with adaptive cruise control (ACC)
- *3 Only models with cruise control system (CCS)
- *4 gradual introduction
- *5 Up to October 2011



- ws = white
- sw = black
- ro = red
- rt = red
- br = brown
- gn = green
- bl = blue
- gr = grey
- li = purple
- vi = purple
- ge = yellow
- or = orange
- rs = pink

127 128 129 130 131 132 133 134 135 136 137 138 139 140

360-014110916

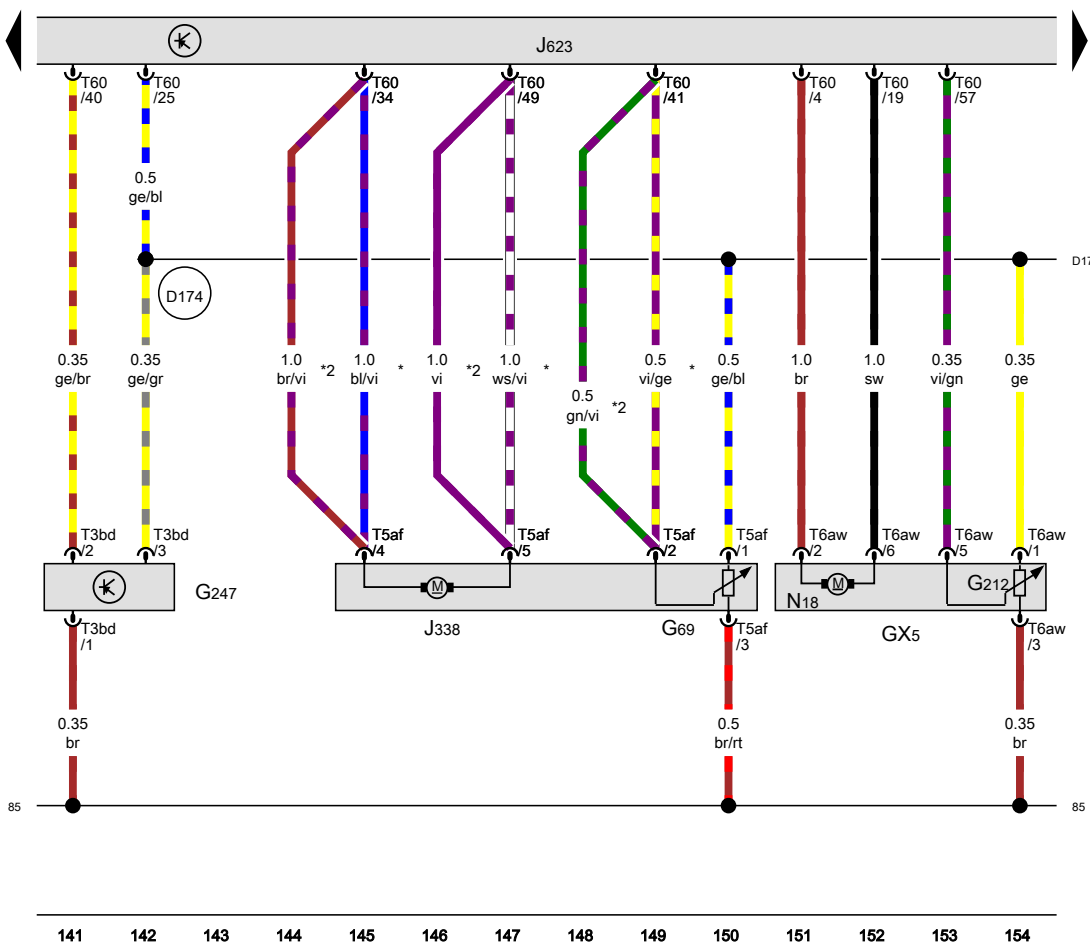
Exhaust gas recirculation valve 1, Throttle valve potentiometer, Fuel pressure sender, Throttle valve module, Engine control unit, Exhaust gas recirculation valve

- GX5 Exhaust gas recirculation valve 1
- G69 Throttle valve potentiometer
- G212 Exhaust gas recirculation potentiometer
- G247 Fuel pressure sender
- J338 Throttle valve module
- J623 Engine control unit
- N18 Exhaust gas recirculation valve
- T3bd 3-pin connector
- T5af 5-pin connector
- T6aw 6-pin connector
- T60 60-pin connector

85 Earth connection 1, in engine compartment wiring harness

D174 Connection 2 (5V) in engine prewiring harness

* Up to October 2011
 *2 From November 2011



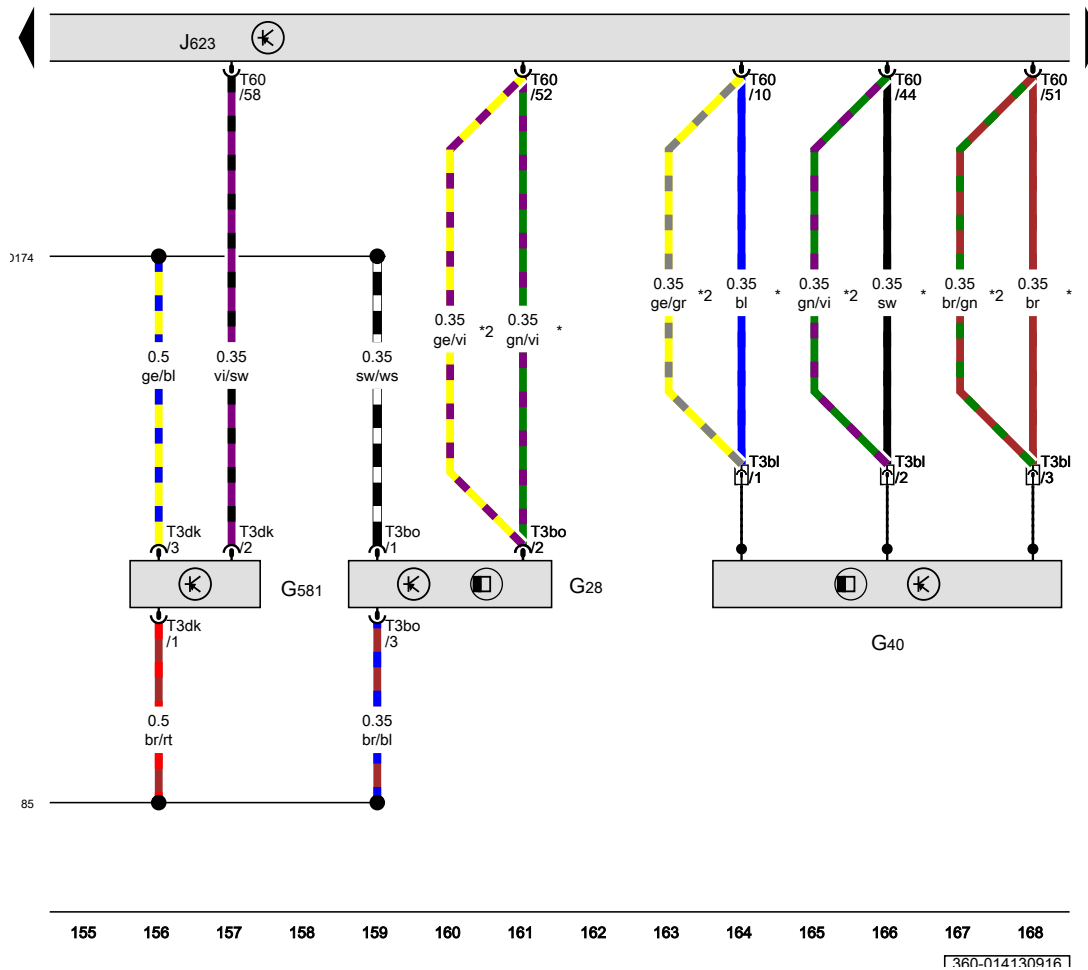
- ws = white
- sw = black
- ro = red
- rt = red
- br = brown
- gn = green
- bl = blue
- gr = grey
- li = purple
- vi = purple
- ge = yellow
- or = orange
- rs = pink

1360-014120916

Engine speed sender, Hall sender, Position sender for charge pressure positioner, Engine control unit

- G28 Engine speed sender
- G40 Hall sender
- G581 Position sender for charge pressure positioner
- J623 Engine control unit
- T3bl 3-pin connector, grey
- T3bo 3-pin connector
- T3dk 3-pin connector
- T60 60-pin connector

- 85 Earth connection 1, in engine compartment wiring harness
- D174 Connection 2 (5V) in engine prewiring harness
- * Up to October 2011
- *2 From November 2011



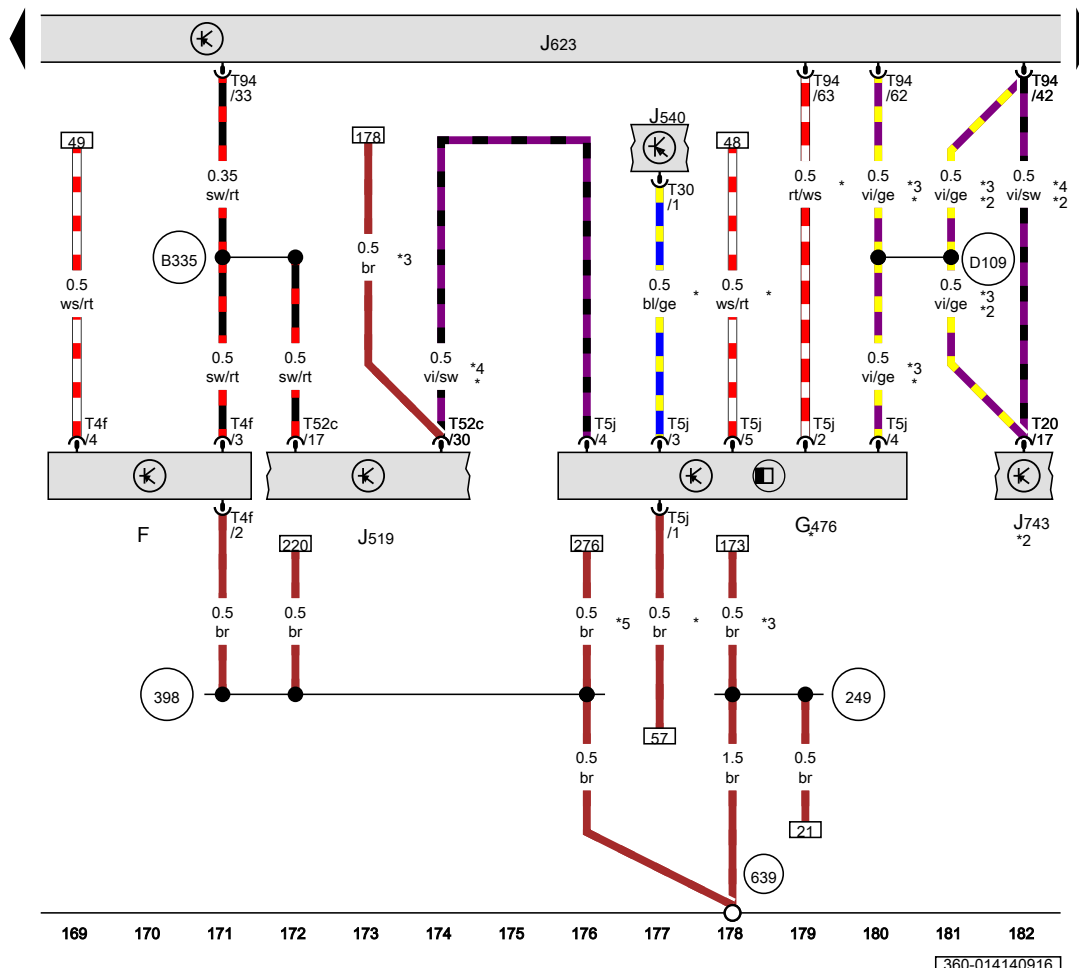
- ws = white
- sw = black
- ro = red
- rt = red
- br = brown
- gn = green
- bl = blue
- gr = grey
- li = purple
- vi = purple
- ge = yellow
- or = orange
- rs = pink

1360-014130916

Brake light switch, Clutch position sender, Onboard supply control unit, Engine control unit

- F Brake light switch
- G476 Clutch position sender
- J519 Onboard supply control unit
- J540 Control unit for electromechanical parking brake
- J623 Engine control unit
- J743 Mechatronic unit for dual clutch gearbox
- T4f 4-pin connector
- T5j 5-pin connector
- T20 20-pin connector
- T30 30-pin connector
- T52c 52-pin connector
- T94 94-pin connector

- 249 Earth connection 2, in interior wiring harness
- 398 Earth connection 33, in main wiring harness
- 639 Earth point, left A-pillar
- B335 Connection 1 (54), in main wiring harness
- D109 Connection 7 in engine compartment wiring harness
- * Only models with manual gearbox
- *2 Only models with dual clutch gearbox (DSG)
- *3 Only models with start/stop system
- *4 Only models with no start/stop system
- *5 Only models with extended servicing intervals (ESI)



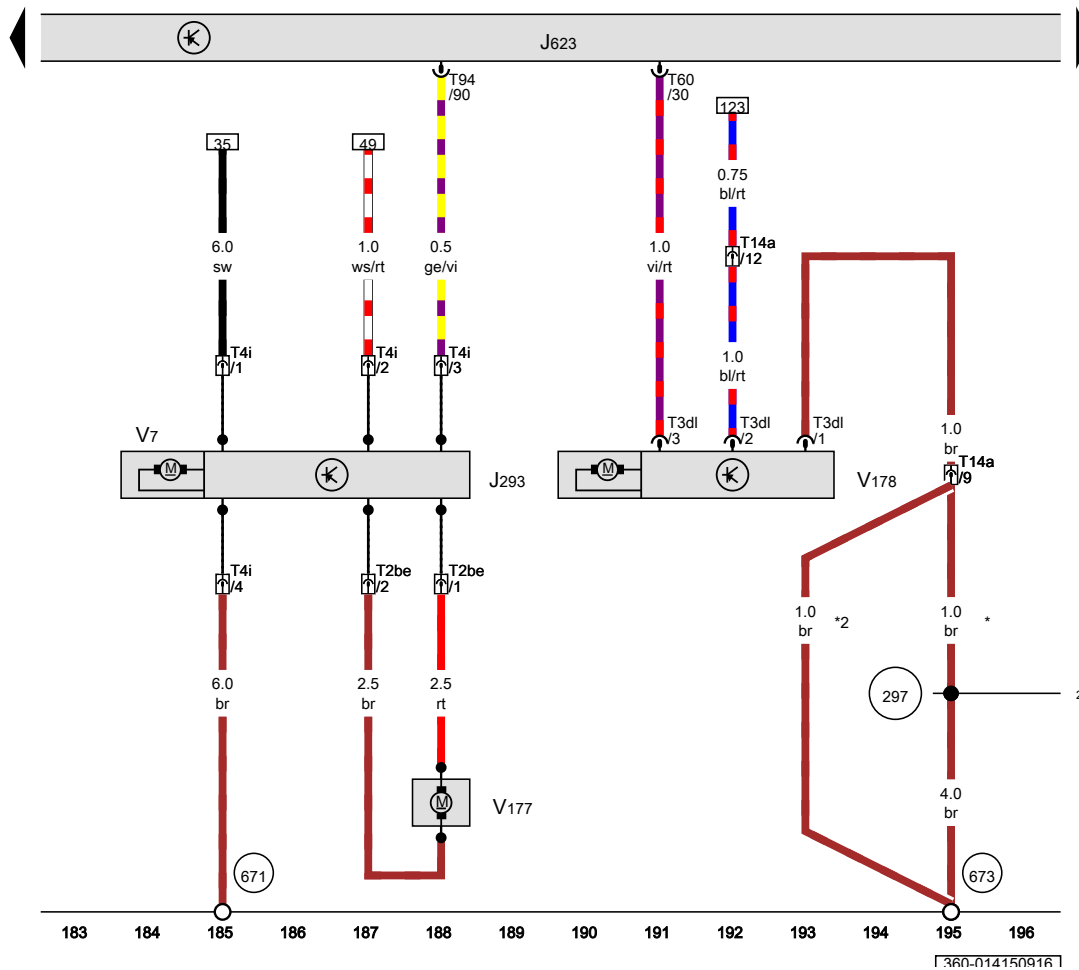
- ws = white
- sw = black
- ro = red
- rt = red
- br = brown
- gn = green
- bl = blue
- gr = grey
- li = purple
- vi = purple
- ge = yellow
- or = orange
- rs = pink

1360-014140916

Radiator fan control unit, Engine control unit, Radiator fan, Radiator fan 2, Coolant circulation pump 2

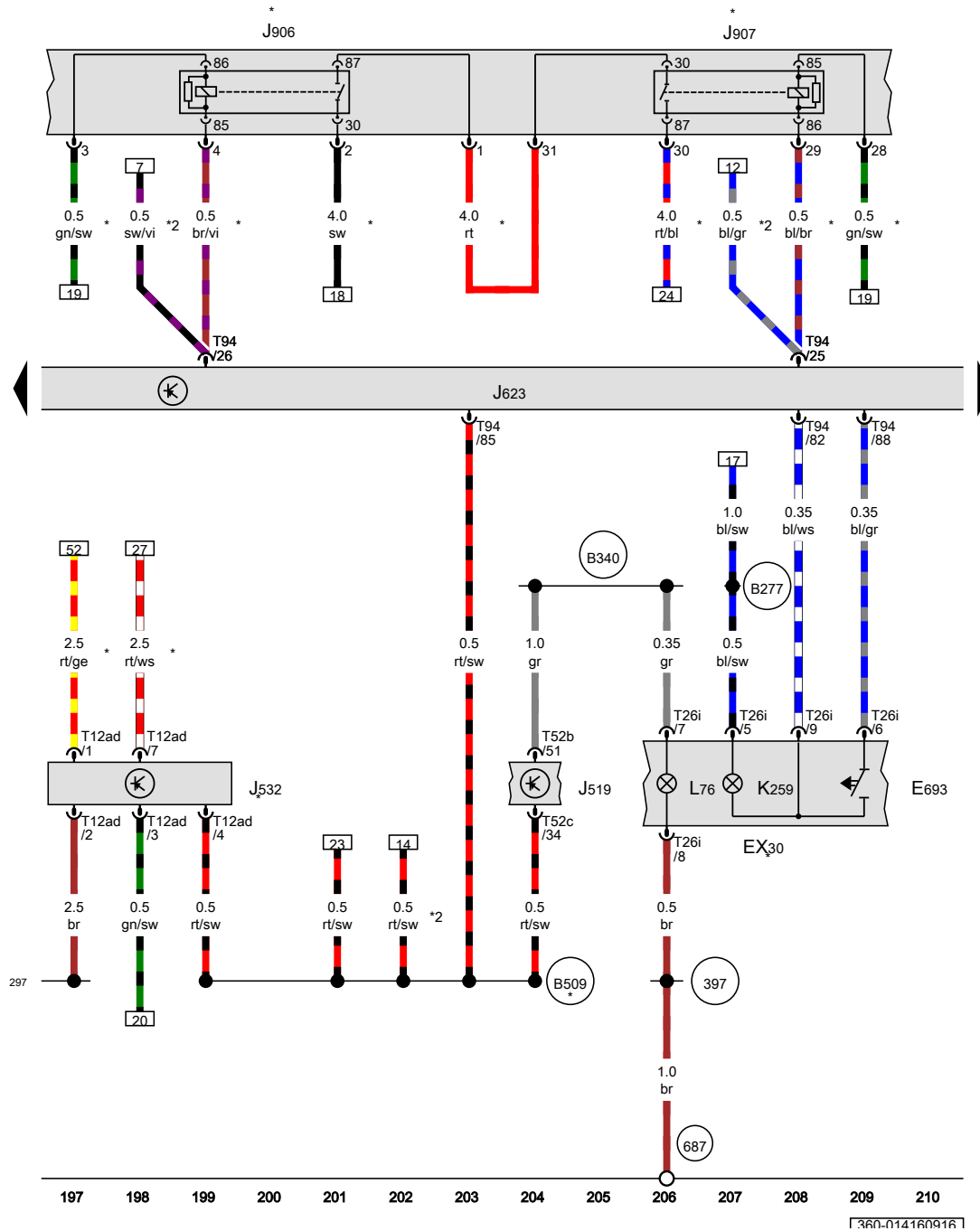
- J293 Radiator fan control unit
- J623 Engine control unit
- T2be 2-pin connector, on lock carrier
- T3dl 3-pin connector
- T4i 4-pin connector, on lock carrier
- T14a 14-pin connector, on left in engine compartment
- T60 60-pin connector
- T94 94-pin connector
- V7 Radiator fan
- V177 Radiator fan 2
- V178 Coolant circulation pump 2

- 297 Earth connection 12, in interior wiring harness
- 671 Earth point 1, on front of left longitudinal member
- 673 Earth point 3, on front of left longitudinal member
- * Only models with start/stop system
- *2 Only models with no start/stop system



- ws = white
- sw = black
- ro = red
- rt = red
- br = brown
- gn = green
- bl = blue
- gr = grey
- li = purple
- vi = purple
- ge = yellow
- or = orange
- rs = pink

360-014150916



Switch module 2 in centre console, Start/Stop operation button, Onboard supply control unit, Voltage stabiliser, Engine control unit, Starter relay 1, Starter relay 2

- EX30 Switch module 2 in centre console
- E693 Start/Stop operation button
- J519 Onboard supply control unit
- J532 Voltage stabiliser
- J623 Engine control unit
- J906 Starter relay 1
- J907 Starter relay 2
- K259 Start/Stop operation warning lamp
- L76 Button illumination bulb
- T12ad 12-pin connector
- T26i 26-pin connector
- T52b 52-pin connector
- T52c 52-pin connector
- T94 94-pin connector

- (297) Earth connection 12, in interior wiring harness
- (397) Earth connection 32, in main wiring harness
- (687) Earth point 1, on centre tunnel
- (B277) Positive connection 1 (15a) in main wiring harness
- (B340) Connection 1 (58d), in main wiring harness
- (B509) Connection 3 (diagnosis), in main wiring harness
- * Only models with start/stop system
- *2 Only models with no start/stop system

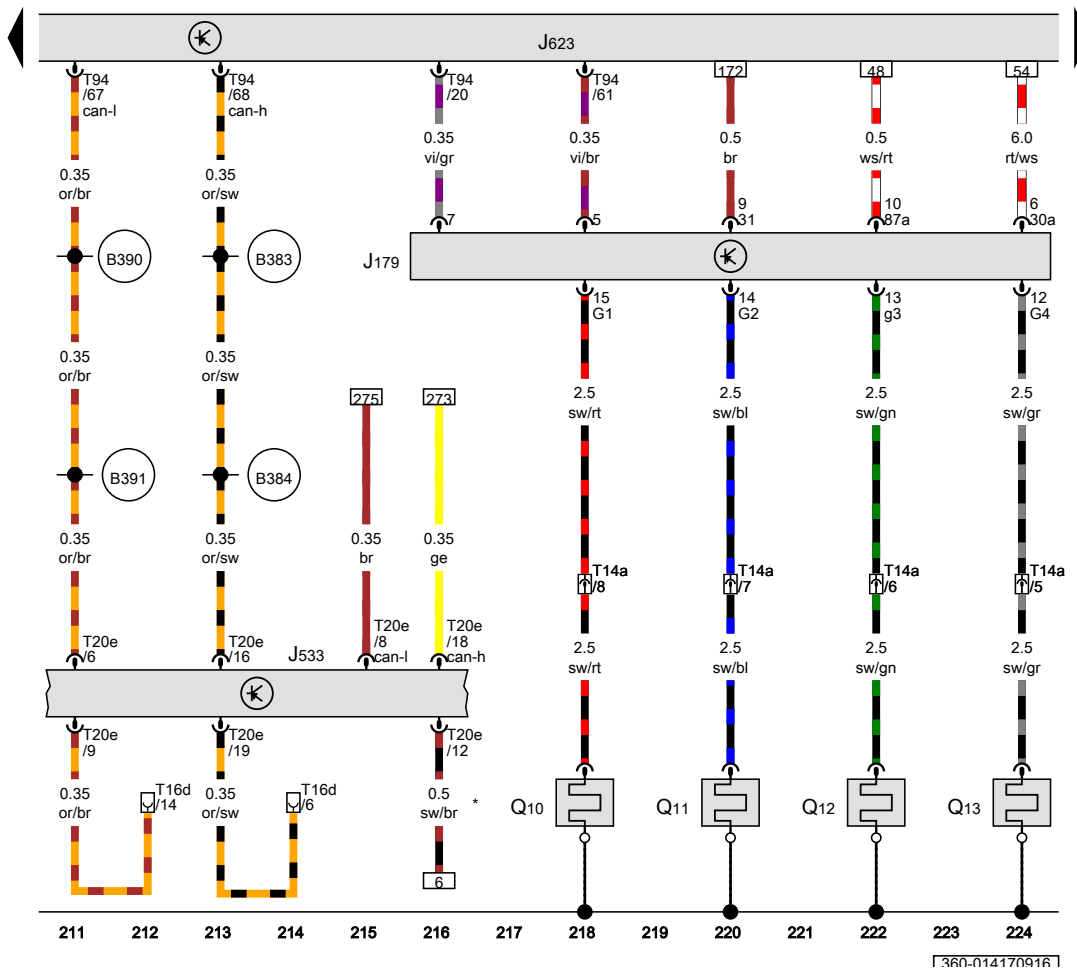
- ws = white
- sw = black
- ro = red
- rt = red
- br = brown
- gn = green
- bl = blue
- gr = grey
- li = purple
- vi = purple
- ge = yellow
- or = orange
- rs = pink

1360-014160916

Automatic glow period control unit, Data bus diagnostic interface, Engine control unit, Glow plug 1, Glow plug 2, Glow plug 3, Glow plug 4

- J179 Automatic glow period control unit
- J533 Data bus diagnostic interface
- J623 Engine control unit
- Q10 Glow plug 1
- Q11 Glow plug 2
- Q12 Glow plug 3
- Q13 Glow plug 4
- T14a 14-pin connector, on left in engine compartment
- T16d 16-pin connector
- T20e 20-pin connector
- T94 94-pin connector

- B383 Connection 1 (powertrain CAN bus, high), in main wiring harness
- B384 Connection 2 (powertrain CAN bus, high), in main wiring harness
- B390 Connection 1 (powertrain CAN bus, low), in main wiring harness
- B391 Connection 2 (powertrain CAN bus, low), in main wiring harness
- * Only models with start/stop system



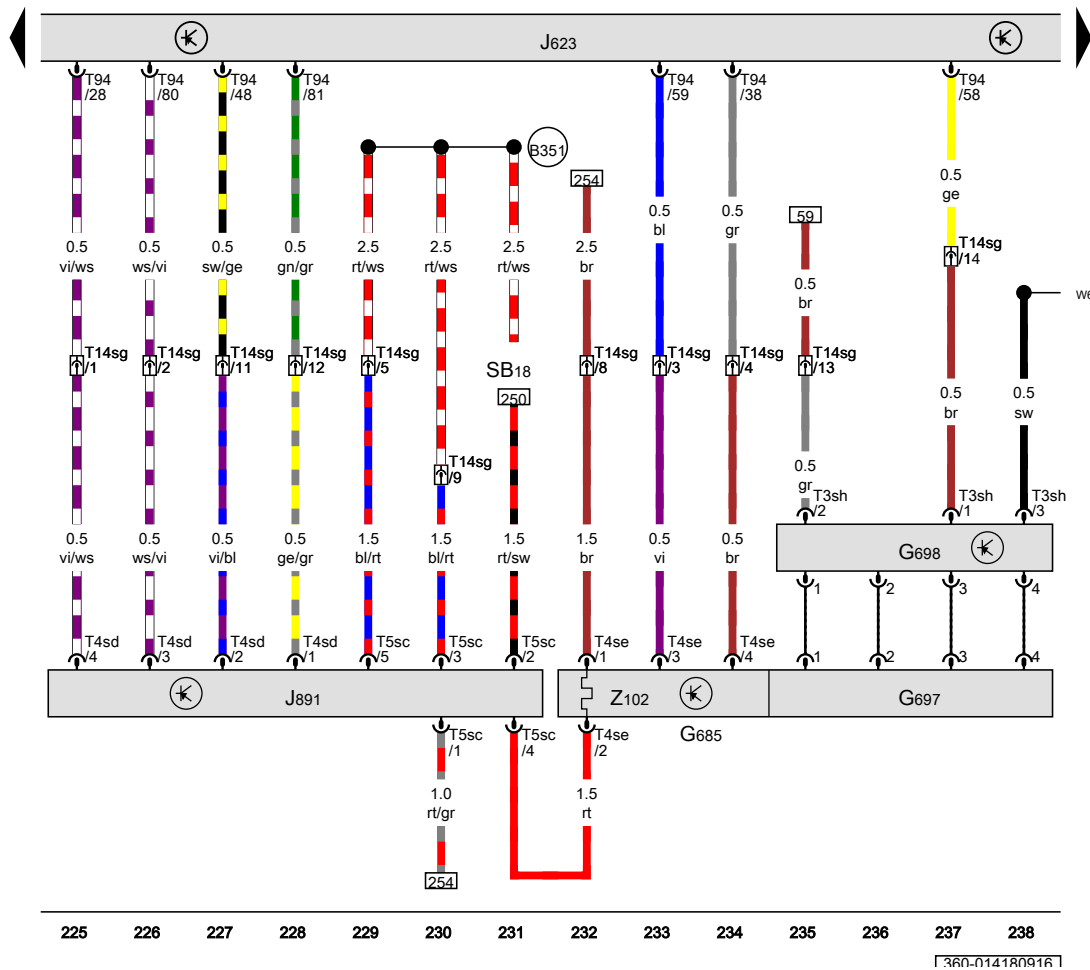
- ws = white
- sw = black
- ro = red
- rt = red
- br = brown
- gn = green
- bl = blue
- gr = grey
- li = purple
- vi = purple
- ge = yellow
- or = orange
- rs = pink

360-014170916

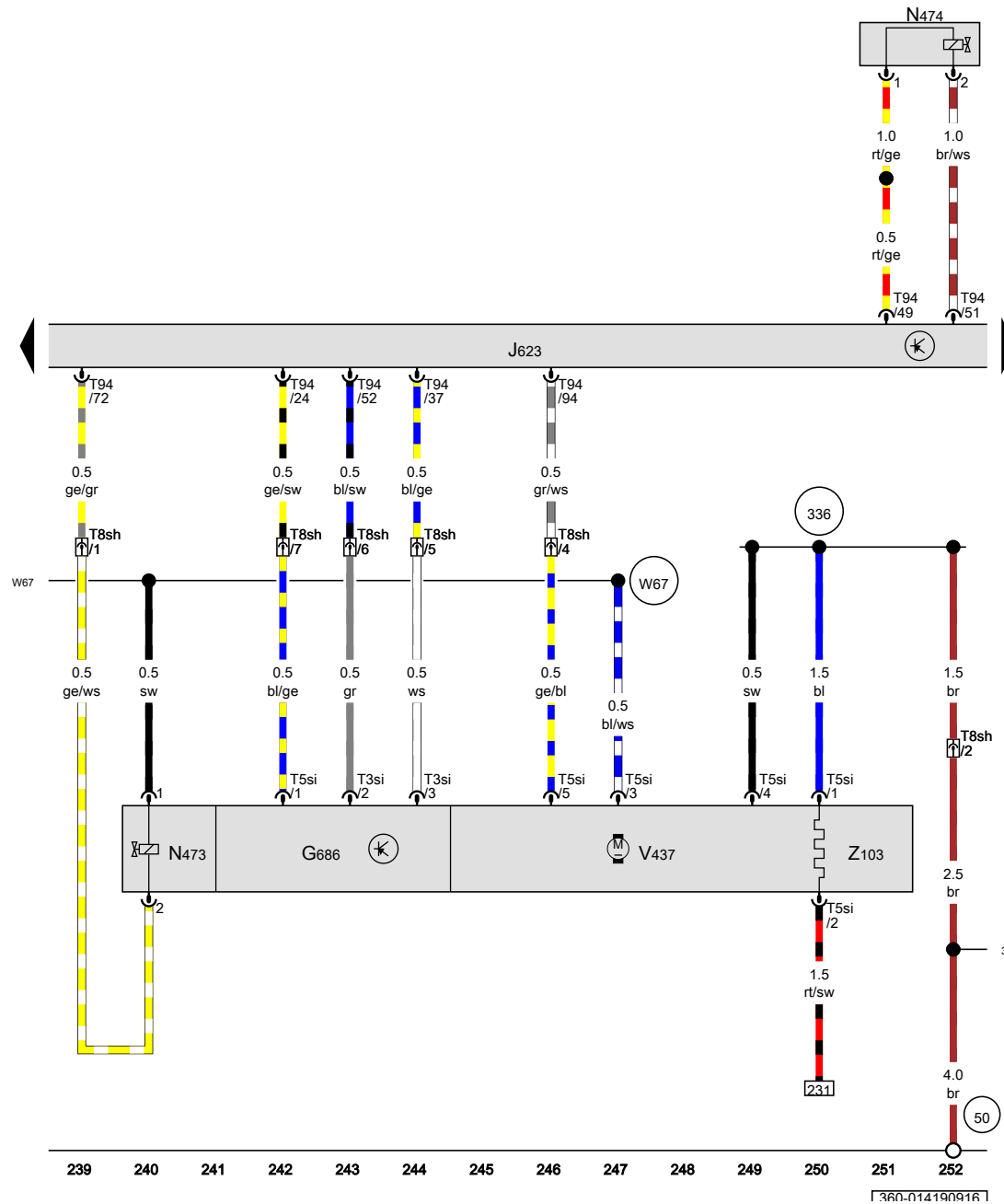
Temperature sender for reducing agent, Reducing agent level sender, Evaluation unit for reducing agent level, Engine control unit, Control unit for reducing agent heater

- G685 Temperature sender for reducing agent
- G697 Reducing agent level sender
- G698 Evaluation unit for reducing agent level
- J623 Engine control unit
- J891 Control unit for reducing agent heater
- SB18 Fuse 18 on fuse holder B
- T3sh 3-pin connector
- T4sd 4-pin connector
- T4se 4-pin connector
- T5sc 5-pin connector
- T14sg 14-pin connector
- T94 94-pin connector
- Z102 Heater for reducing agent tank (heater circuit 1)

- B351 Positive connection 2 (87a) in main wiring harness
- W67 Connection (87), in floor wiring harness



- ws = white
- sw = black
- ro = red
- rt = red
- br = brown
- gn = green
- bl = blue
- gr = grey
- li = purple
- vi = purple
- ge = yellow
- or = orange
- rs = pink



Pressure sender for reducing agent metering system,
 Engine control unit, Reversing valve for reducing agent,
 Injector for reducing agent, Pump for reducing agent

- G686 Pressure sender for reducing agent metering system
- J623 Engine control unit
- N473 Reversing valve for reducing agent
- N474 Injector for reducing agent
- T3si 3-pin connector
- T5si 5-pin connector
- T8sh 8-pin connector
- T94 94-pin connector
- V437 Pump for reducing agent
- Z103 Heater for reducing agent pump (heater circuit 2)

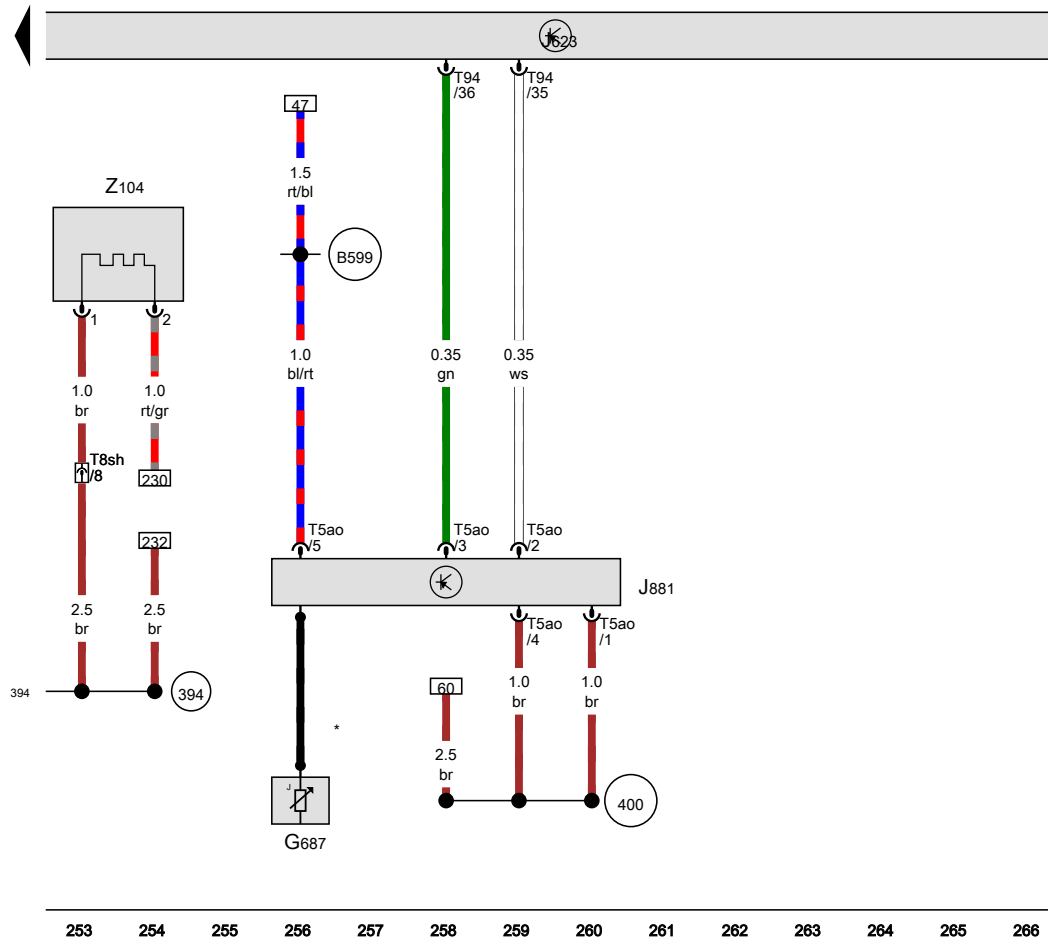
- 50 Earth point, on left in luggage compartment
- 336 Earth connection 1, in floor wiring harness
- 394 Earth connection 29, in main wiring harness
- W67 Connection (87), in floor wiring harness

- ws = white
- sw = black
- ro = red
- rt = red
- br = brown
- gn = green
- bl = blue
- gr = grey
- li = purple
- vi = purple
- ge = yellow
- or = orange
- rs = pink

NOx sender 2, Engine control unit, Control unit for NOx sender 2, Heater for reducing agent line (heater circuit 2)

- G687 NOx sender 2
- J623 Engine control unit
- J881 Control unit for NOx sender 2
- T5ao 5-pin connector
- T8sh 8-pin connector
- T94 94-pin connector
- Z104 Heater for reducing agent line (heater circuit 2)

- 394 Earth connection 29, in main wiring harness
- 400 Earth connection 35, in main wiring harness
- B599 Positive connection 3 (87a), in interior wiring harness
- * Adapter wire

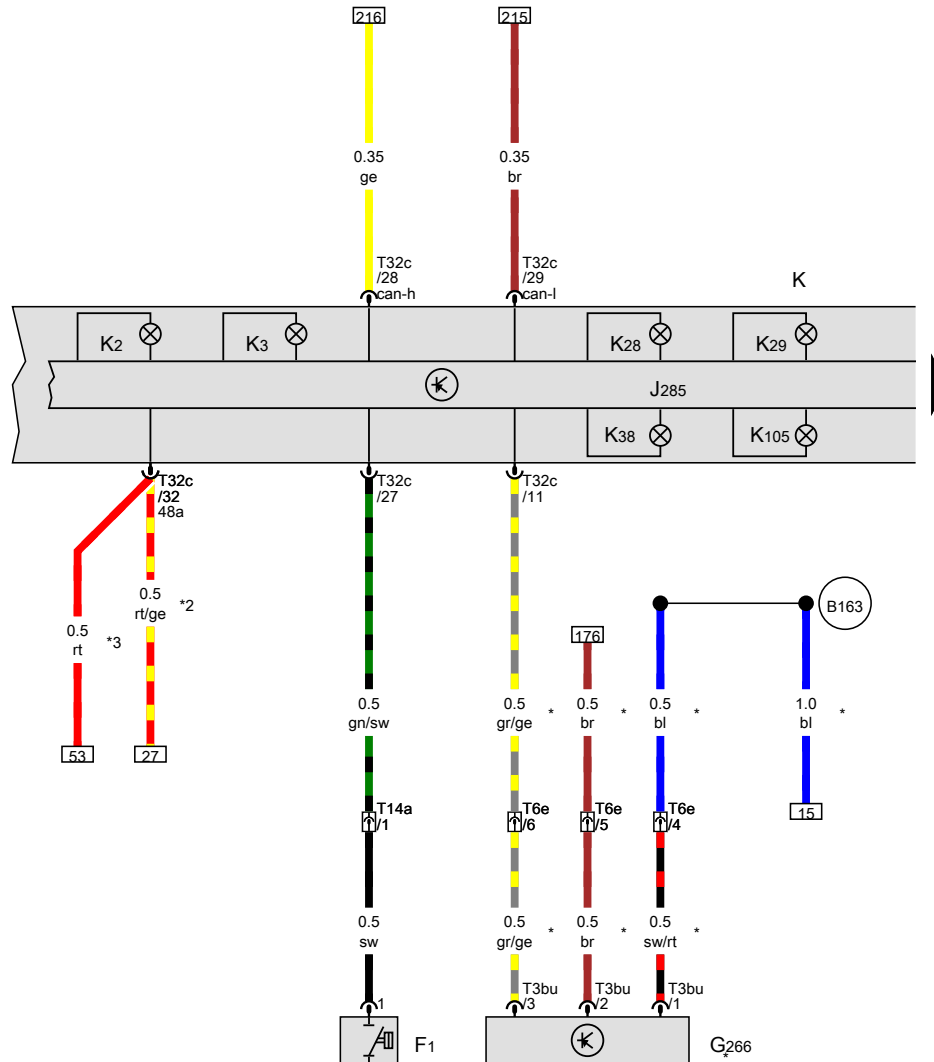


360-014200916

Oil pressure switch, Oil level and oil temperature sender, Control unit in dash panel insert, Dash panel insert, Alternator warning lamp, Oil pressure warning lamp, Coolant temperature and coolant shortage warning lamp, Glow period warning lamp, Oil level warning lamp, Reserve fuel warning lamp

- F1 Oil pressure switch
- G266 Oil level and oil temperature sender
- J285 Control unit in dash panel insert
- K Dash panel insert
- K2 Alternator warning lamp
- K3 Oil pressure warning lamp
- K28 Coolant temperature and coolant shortage warning lamp
- K29 Glow period warning lamp
- K38 Oil level warning lamp
- K105 Reserve fuel warning lamp
- T3bu 3-pin connector
- T6e 6-pin connector, front left in engine compartment
- T14a 14-pin connector, on left in engine compartment
- T32c 32-pin connector

- B163 Positive connection 1 (15), in interior wiring harness
- * Only models with extended servicing intervals (ESI)
- *2 Only models with start/stop system
- *3 Only models with no start/stop system



- ws = white
- sw = black
- ro = red
- rt = red
- br = brown
- gn = green
- bl = blue
- gr = grey
- li = purple
- vi = purple
- ge = yellow
- or = orange
- rs = pink

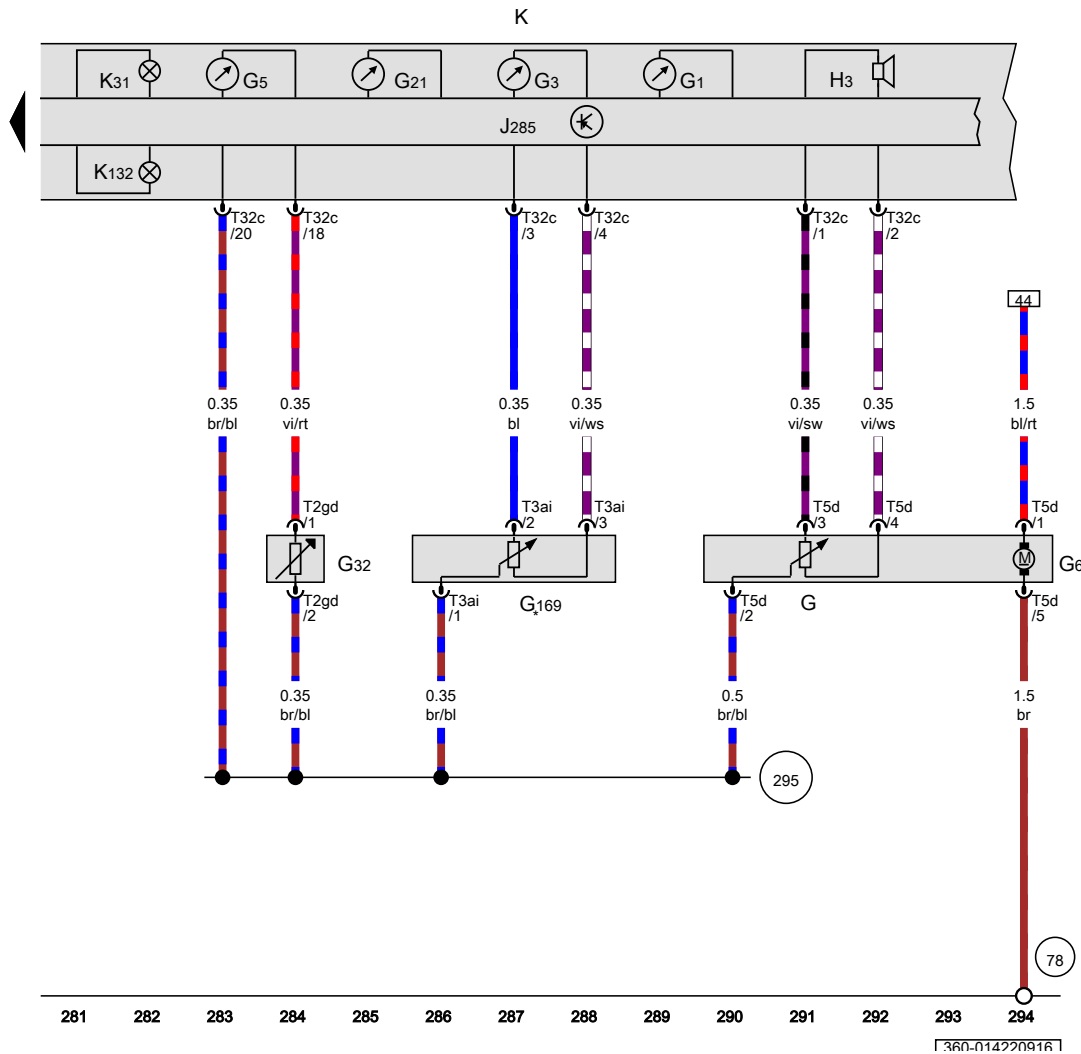
Fuel gauge sender, Fuel gauge, Coolant temperature gauge, Rev. counter, Fuel system pressurisation pump, Speedometer, Coolant shortage indicator sender, Buzzer and gong, Control unit in dash panel insert, Dash panel insert, Cruise control system warning lamp, Electronic power control fault lamp

- G Fuel gauge sender
- G1 Fuel gauge
- G3 Coolant temperature gauge
- G5 Rev. counter
- G6 Fuel system pressurisation pump
- G21 Speedometer
- G32 Coolant shortage indicator sender
- G169 Fuel gauge sender 2
- H3 Buzzer and gong
- J285 Control unit in dash panel insert
- K Dash panel insert
- K31 Cruise control system warning lamp
- K132 Electronic power control fault lamp
- T2gd 2-pin connector
- T3ai 3-pin connector
- T5d 5-pin connector
- T32c 32-pin connector

78 Earth point, lower part of right B-pillar

295 Earth connection 10, in interior wiring harness

* Only models with all-wheel drive



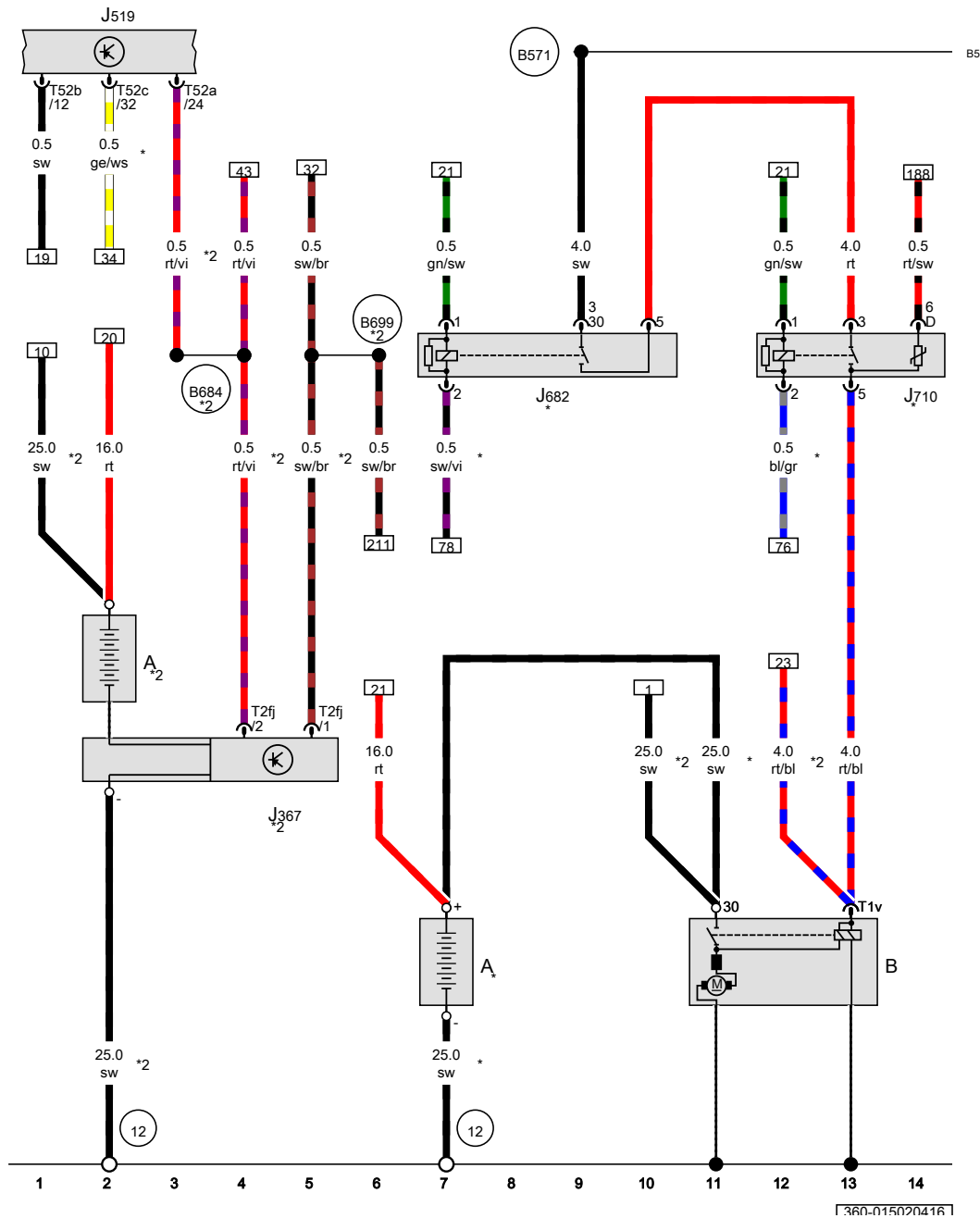
- ws = white
- sw = black
- ro = red
- rt = red
- br = brown
- gn = green
- bl = blue
- gr = grey
- li = purple
- vi = purple
- ge = yellow
- or = orange
- rs = pink

1360-014220916

1.4l petrol engine , CAXA

From November 2010

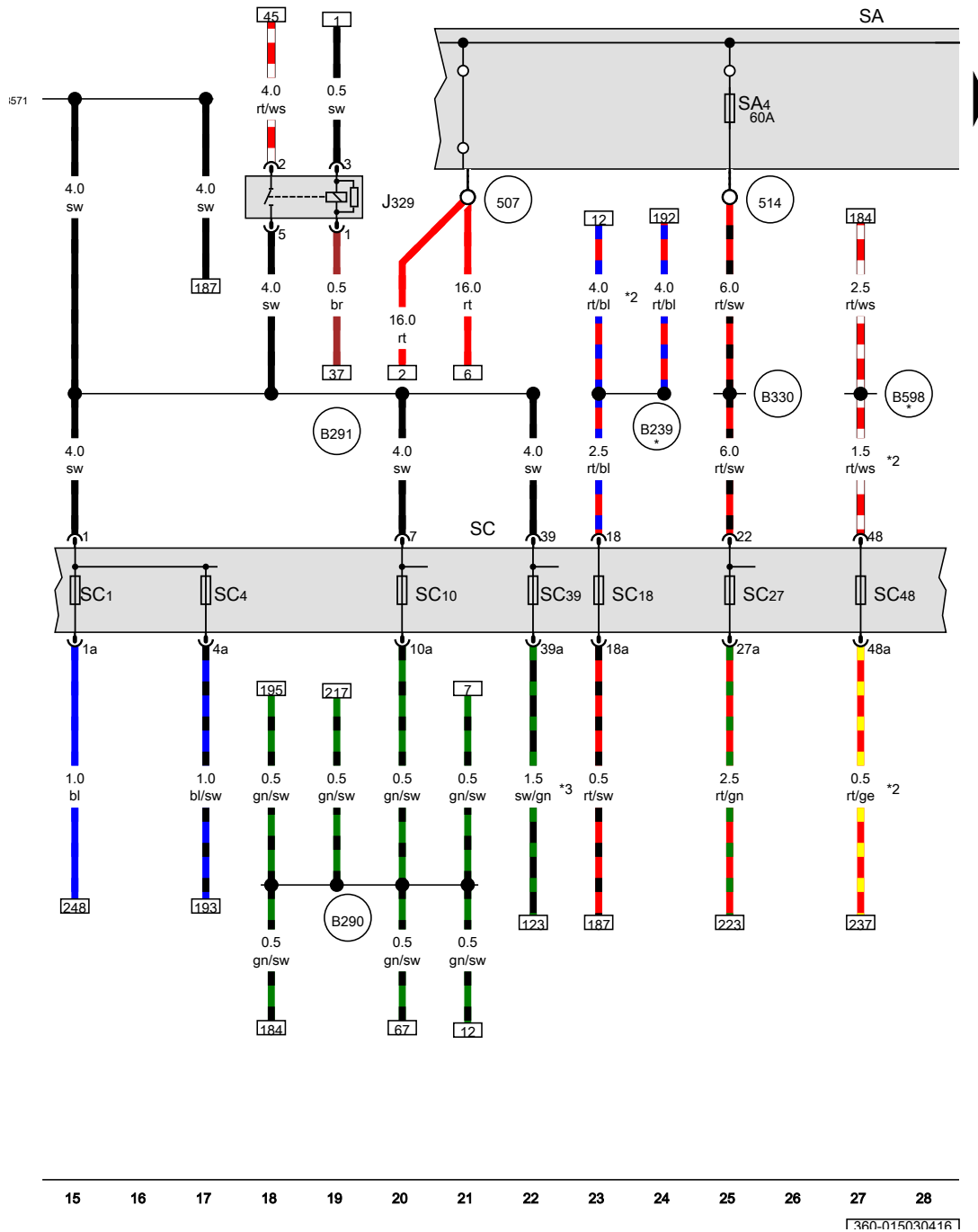
Battery, Starter, Battery monitor control unit, Onboard supply control unit, Terminal 50 voltage supply relay, Voltage supply relay 2



- A Battery
- B Starter
- J367 Battery monitor control unit
- J519 Onboard supply control unit
- J682 Terminal 50 voltage supply relay
- J710 Voltage supply relay 2
- T1v Single connector
- T2fj 2-pin connector
- T52a 52-pin connector
- T52b 52-pin connector
- T52c 52-pin connector

- 12 Earth point, on left in engine compartment
- B571 Connection 38, in main wiring harness
- B684 Positive connection 24 (30a) in main wiring harness
- B699 Connection 4 (LIN bus) in main wiring harness
- * Only models with no start/stop system
- *2 Only models with start/stop system

- ws = white
- sw = black
- ro = red
- rt = red
- br = brown
- gn = green
- bl = blue
- gr = grey
- li = purple
- vi = purple
- ge = yellow
- or = orange
- rs = pink



Terminal 15 voltage supply relay, Fuse holder A, Fuse holder C

- J329 Terminal 15 voltage supply relay
- SA Fuse holder A
- SC1 Fuse 1 on fuse holder C
- SA4 Fuse 4 in fuse holder A
- SC Fuse holder C
- SC4 Fuse 4 on fuse holder C
- SC10 Fuse 10 on fuse holder C
- SC18 Fuse 18 on fuse holder C
- SC27 Fuse 27 on fuse holder C
- SC39 Fuse 39 on fuse holder C
- SC48 Fuse 48 on fuse holder C

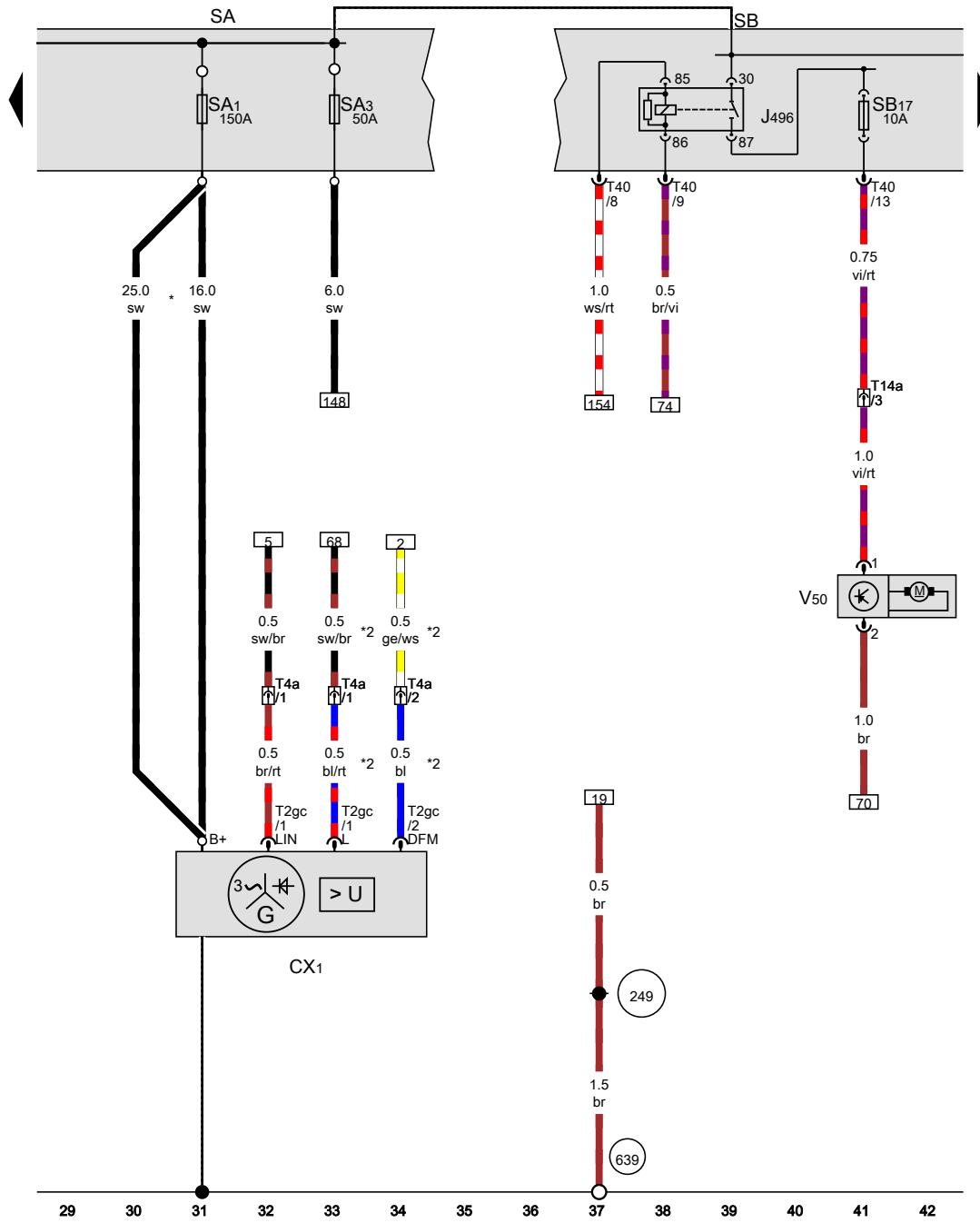
- (507) Threaded connection (30), on battery fuse holder
- (514) Threaded connection 4 (30a) on relay plate
- (B239) Positive connection 1 (50), in interior wiring harness
- (B290) Positive connection 14 (15a) in main wiring harness
- (B291) Positive connection 15 (15a) in main wiring harness
- (B330) Positive connection 16 (30a) in main wiring harness
- (B571) Connection 38, in main wiring harness
- (B598) Positive connection 11 (30a), in interior wiring harness

* Only models with stop/start system
 *2 Only models with start/stop system
 *3 Only models with equipment for Japan

ws = white
 sw = black
 ro = red
 rt = red
 br = brown
 gn = green
 bl = blue
 gr = grey
 li = purple
 vi = purple
 ge = yellow
 or = orange
 rs = pink

15 16 17 18 19 20 21 22 23 24 25 26 27 28

1360-015030416



Alternator with voltage regulator, Additional coolant pump relay, Fuse holder A, Fuse holder B, Coolant circulation pump

- CX1 Alternator with voltage regulator
- J496 Additional coolant pump relay
- SA Fuse holder A
- SA1 Fuse 1 in fuse holder A
- SA3 Fuse 3 in fuse holder A
- SB Fuse holder B
- SB17 Fuse 17 on fuse holder B
- T2gc 2-pin connector
- T4a 4-pin connector, near starter
- T14a 14-pin connector
- T40 40-pin connector
- V50 Coolant circulation pump

249 Earth connection 2, in interior wiring harness

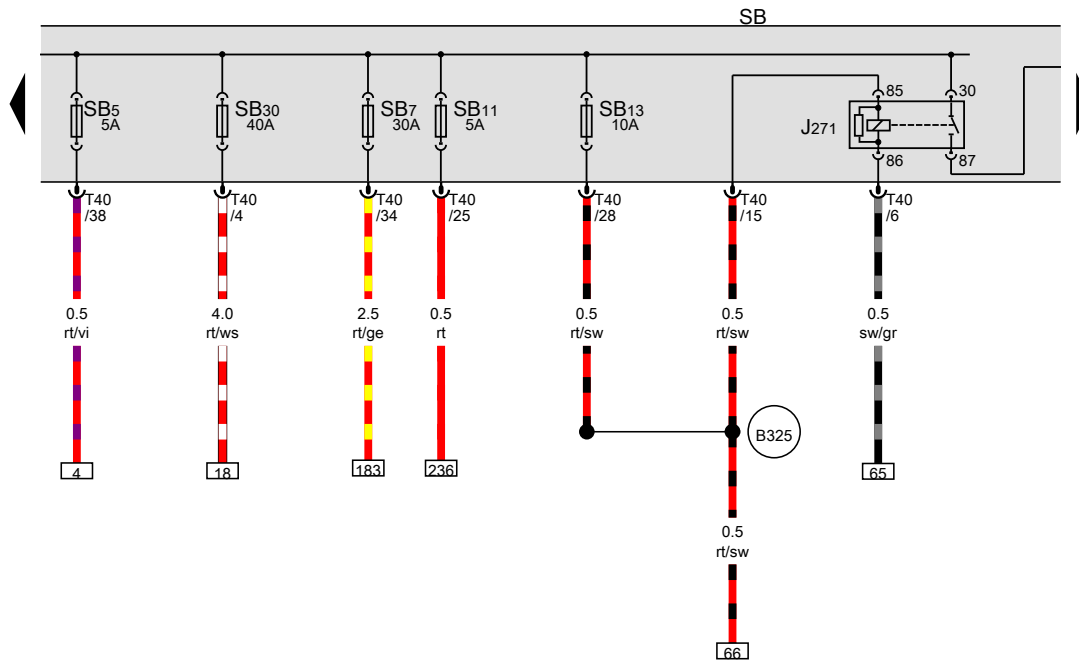
639 Earth point, left A-pillar

* Only models with 140A alternator

*2 Only models with no start/stop system

- ws = white
- sw = black
- ro = red
- rt = red
- br = brown
- gn = green
- bl = blue
- gr = grey
- li = purple
- vi = purple
- ge = yellow
- or = orange
- rs = pink

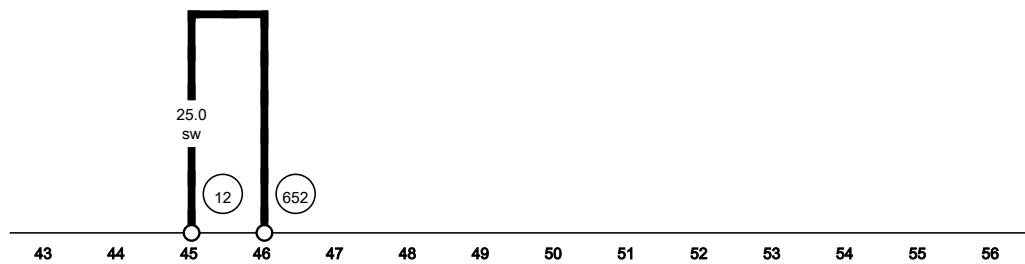
1360-015040416



Main relay, Fuse holder B

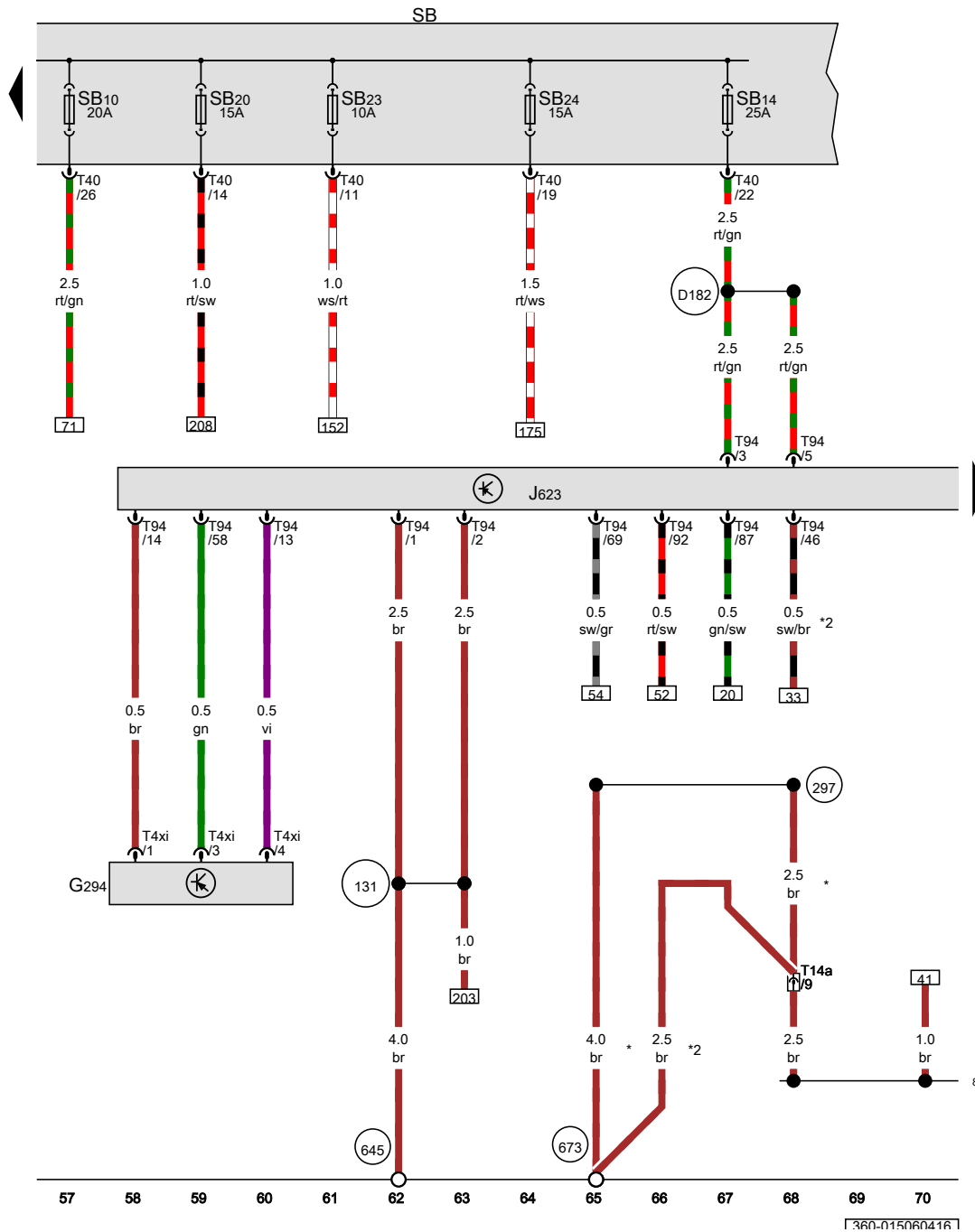
- J271 Main relay
- SB Fuse holder B
- SB5 Fuse 5 on fuse holder B
- SB7 Fuse 7 on fuse holder B
- SB11 Fuse 11 on fuse holder B
- SB13 Fuse 13 on fuse holder B
- SB30 Fuse 30 on fuse holder B
- T40 40-pin connector

- 12 Earth point, on left in engine compartment
- 652 Earth point, engine and gearbox earth
- B325 Positive connection 11 (30a) in main wiring harness



- ws = white
- sw = black
- ro = red
- rt = red
- br = brown
- gn = green
- bl = blue
- gr = grey
- li = purple
- vi = purple
- ge = yellow
- or = orange
- rs = pink

360-015050416



Engine control unit, Fuse holder B

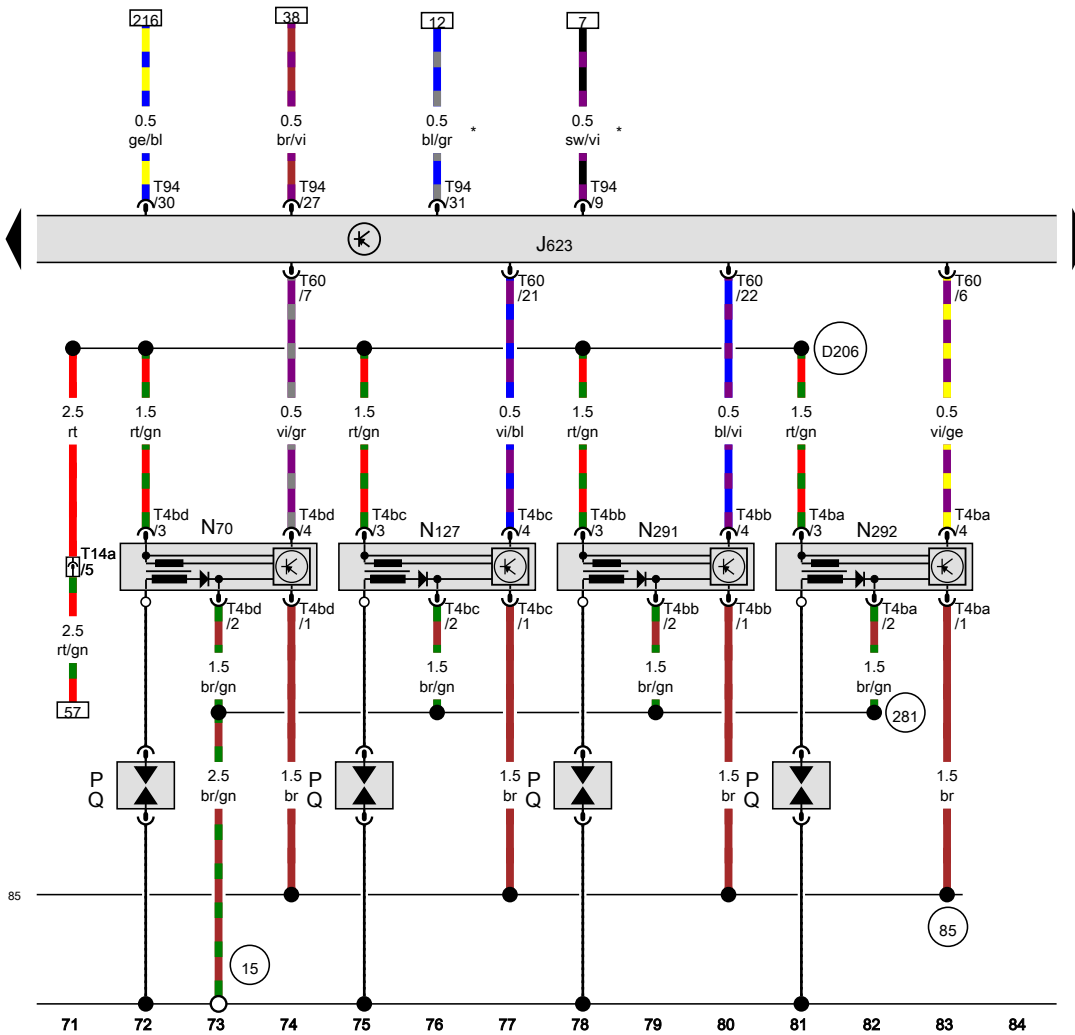
- G294 Brake servo pressure sensor
- J623 Engine control unit, central in plenum chamber
- SB Fuse holder B
- SB10 Fuse 10 on fuse holder B
- SB14 Fuse 14 on fuse holder B
- SB20 Fuse 20 on fuse holder B
- SB23 Fuse 23 on fuse holder B
- SB24 Fuse 24 on fuse holder B
- T4xi 4-pin connector
- T14a 14-pin connector
- T40 40-pin connector
- T94 94-pin connector

- 85 Earth connection 1, in engine compartment wiring harness
- 131 Earth connection 2, in engine compartment wiring harness
- 297 Earth connection 12, in interior wiring harness
- 645 Earth point 1, on bulkhead
- 673 Earth point 3, on front of left longitudinal member
- D182 Connection 3 (87a), in engine compartment wiring harness
- * Only models with start/stop system
- *2 Only models with no start/stop system

- ws = white
- sw = black
- ro = red
- rt = red
- br = brown
- gn = green
- bl = blue
- gr = grey
- li = purple
- vi = purple
- ge = yellow
- or = orange
- rs = pink

Engine control unit, Ignition coil 1 with output stage, Ignition coil 2 with output stage, Ignition coil 3 with output stage, Ignition coil 4 with output stage, Spark plug connector, Spark plugs

- J623 Engine control unit, central in plenum chamber
- N70 Ignition coil 1 with output stage
- N127 Ignition coil 2 with output stage
- N291 Ignition coil 3 with output stage
- N292 Ignition coil 4 with output stage
- P Spark plug connector
- Q Spark plugs
- T4ba 4-pin connector
- T4bb 4-pin connector
- T4bc 4-pin connector
- T4bd 4-pin connector
- T14a 14-pin connector
- T60 60-pin connector
- T94 94-pin connector



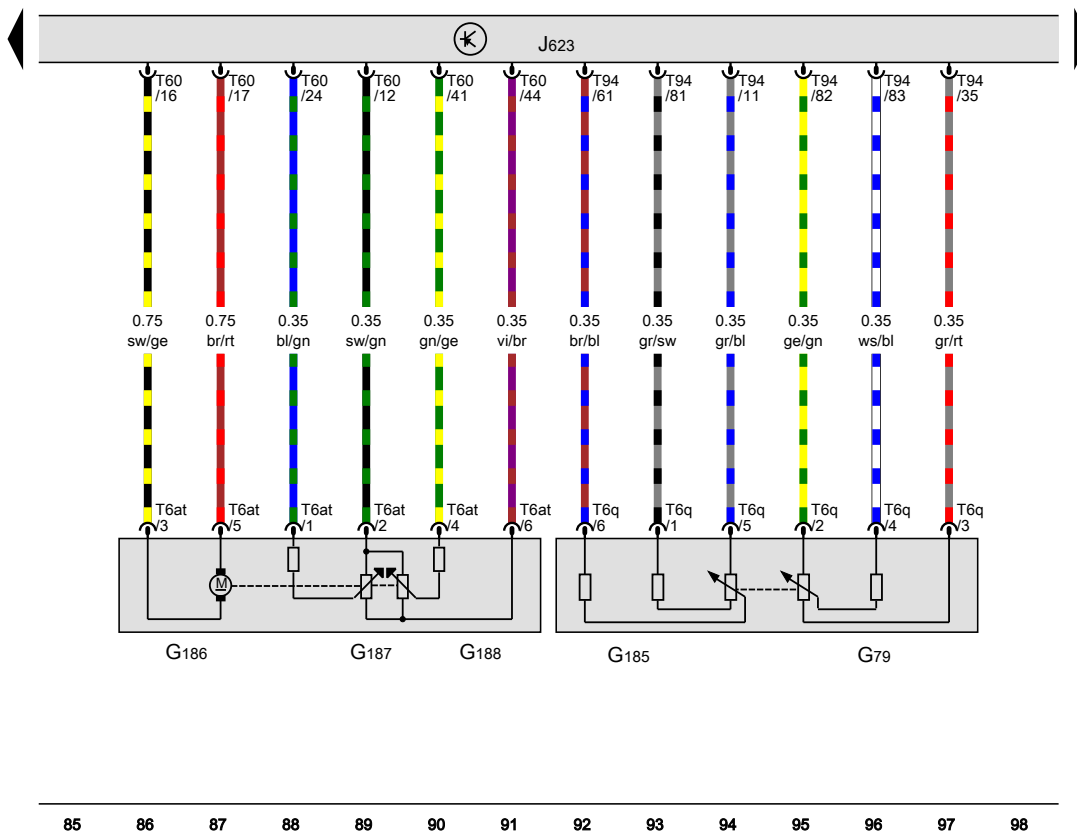
- 15 Earth point, on cylinder head
- 85 Earth connection 1, in engine compartment wiring harness
- 281 Earth point 1, engine prewiring harness
- D206 Connection 4 (87a) in engine prewiring harness
- * Only models with no start/stop system

- ws = white
- sw = black
- ro = red
- rt = red
- br = brown
- gn = green
- bl = blue
- gr = grey
- li = purple
- vi = purple
- ge = yellow
- or = orange
- rs = pink

1360-015070416

Accelerator position sender, Accelerator position sender 2, Throttle valve drive for electric throttle, Throttle valve drive angle sender 1 for electric throttle, Throttle valve drive angle sender 2 for electric throttle, Engine control unit

- G79 Accelerator position sender
- G185 Accelerator position sender 2
- G186 Throttle valve drive for electric throttle
- G187 Throttle valve drive angle sender 1 for electric throttle
- G188 Throttle valve drive angle sender 2 for electric throttle
- J623 Engine control unit, central in plenum chamber
- T6at 6-pin connector
- T6q 6-pin connector
- T60 60-pin connector
- T94 94-pin connector



- ws = white
- sw = black
- ro = red
- rt = red
- br = brown
- gn = green
- bl = blue
- gr = grey
- li = purple
- vi = purple
- ge = yellow
- or = orange
- rs = pink

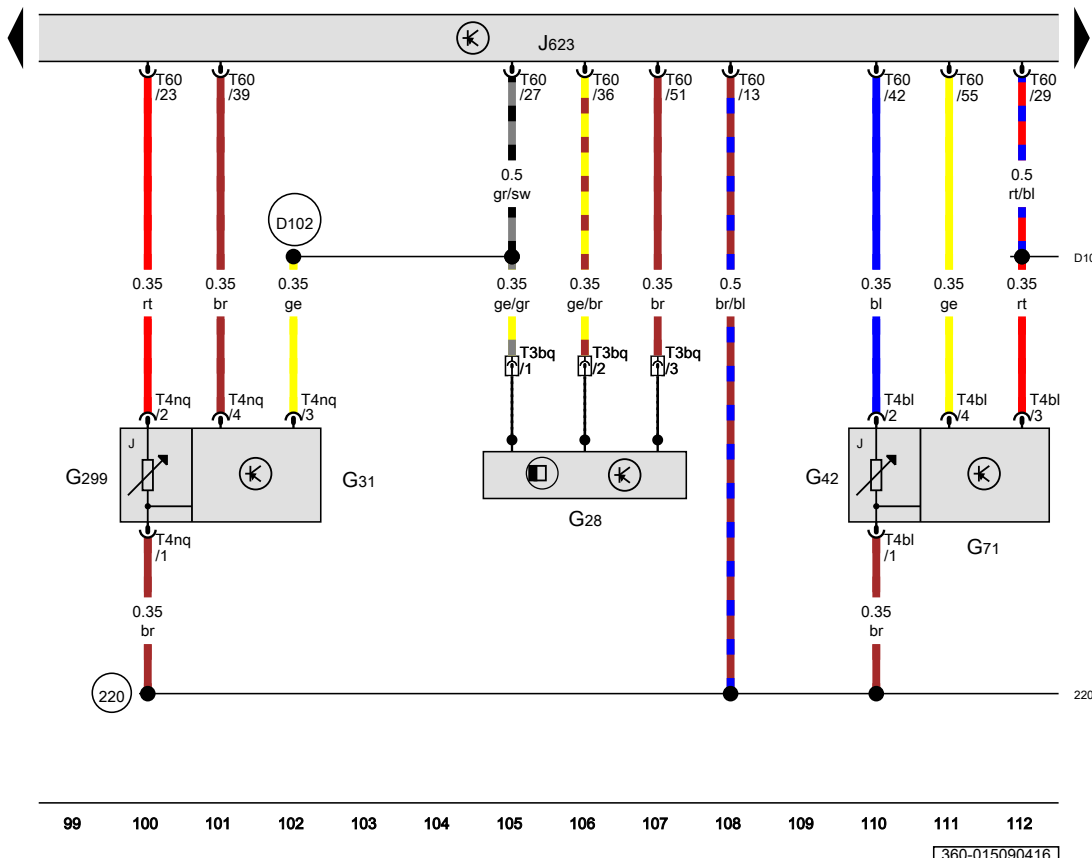
85 86 87 88 89 90 91 92 93 94 95 96 97 98

1360-015080416

Engine speed sender, Charge pressure sender, Intake air temperature sender, Intake manifold pressure sender, Intake air temperature sender 2, Engine control unit

- G28 Engine speed sender
- G31 Charge pressure sender
- G42 Intake air temperature sender
- G71 Intake manifold pressure sender
- G299 Intake air temperature sender 2
- J623 Engine control unit, central in plenum chamber
- T3bq 3-pin connector
- T4bl 4-pin connector
- T4nq 4-pin connector
- T60 60-pin connector

- (220) Earth connection (sender earth), in engine wiring harness
- (D101) Connection 1 in engine compartment wiring harness
- (D102) Connection 2 in engine compartment wiring harness

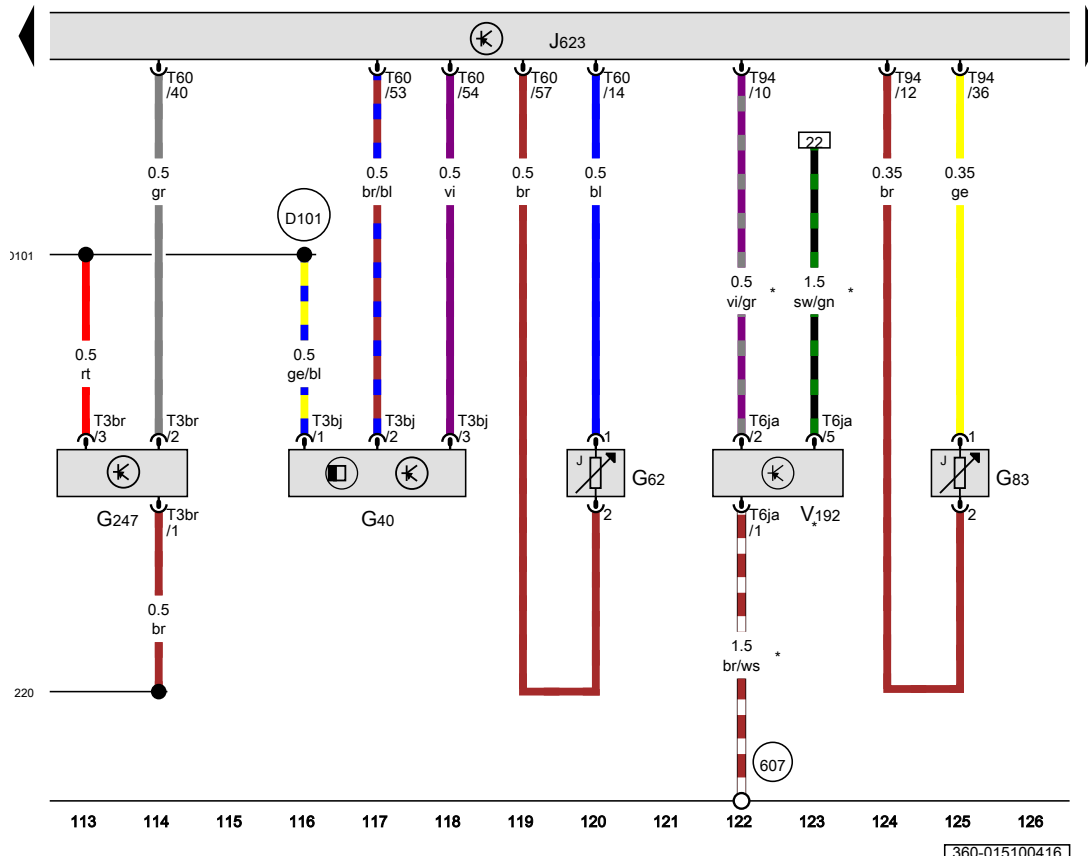


- ws = white
- sw = black
- ro = red
- rt = red
- br = brown
- gn = green
- bl = blue
- gr = grey
- li = purple
- vi = purple
- ge = yellow
- or = orange
- rs = pink

Hall sender, Coolant temperature sender, Radiator outlet coolant temperature sender, Fuel pressure sender, Engine control unit, Vacuum pump for brakes

- G40 Hall sender
- G62 Coolant temperature sender
- G83 Radiator outlet coolant temperature sender, black
- G247 Fuel pressure sender
- J623 Engine control unit, central in plenum chamber
- T3bj 3-pin connector
- T3br 3-pin connector
- T6ja 6-pin connector
- T60 60-pin connector
- T94 94-pin connector
- V192 Vacuum pump for brakes

- 220 Earth connection (sender earth), in engine wiring harness
- 607 Earth point, on left in plenum chamber
- D101 Connection 1 in engine compartment wiring harness
- * Only models with equipment for Japan

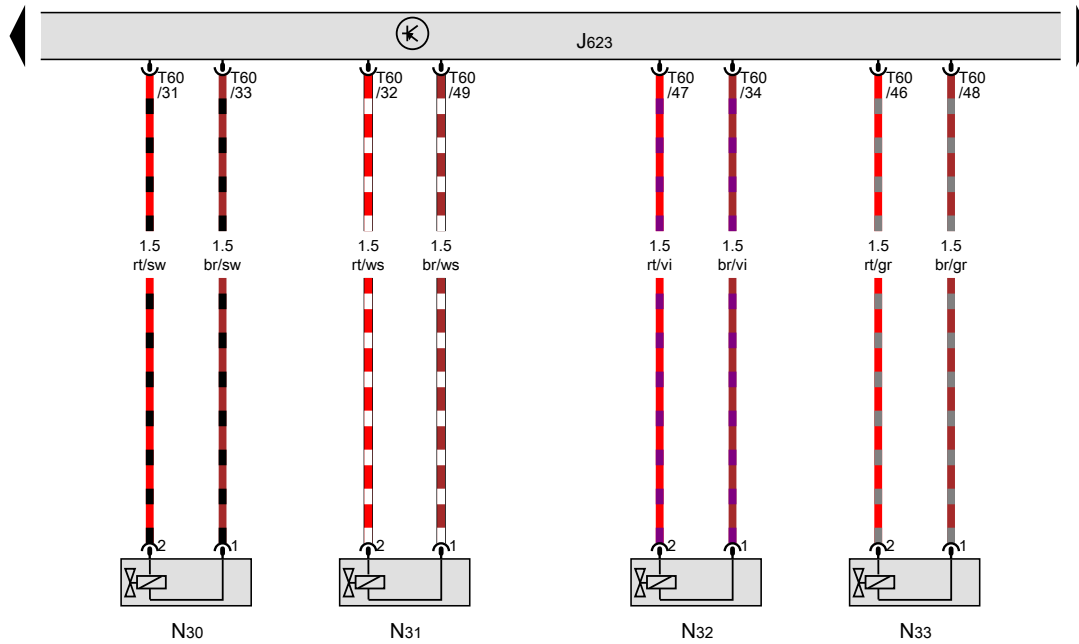


- ws = white
- sw = black
- ro = red
- rt = red
- br = brown
- gn = green
- bl = blue
- gr = grey
- li = purple
- vi = purple
- ge = yellow
- or = orange
- rs = pink

1360-015100416

Engine control unit, Injector, cylinder 1, Injector, cylinder 2, Injector, cylinder 3, Injector, cylinder 4

- J623 Engine control unit, central in plenum chamber
- N30 Injector, cylinder 1
- N31 Injector, cylinder 2
- N32 Injector, cylinder 3
- N33 Injector, cylinder 4
- T60 60-pin connector



- ws = white
- sw = black
- ro = red
- rt = red
- br = brown
- gn = green
- bl = blue
- gr = grey
- li = purple
- vi = purple
- ge = yellow
- or = orange
- rs = pink

127 128 129 130 131 132 133 134 135 136 137 138 139 140

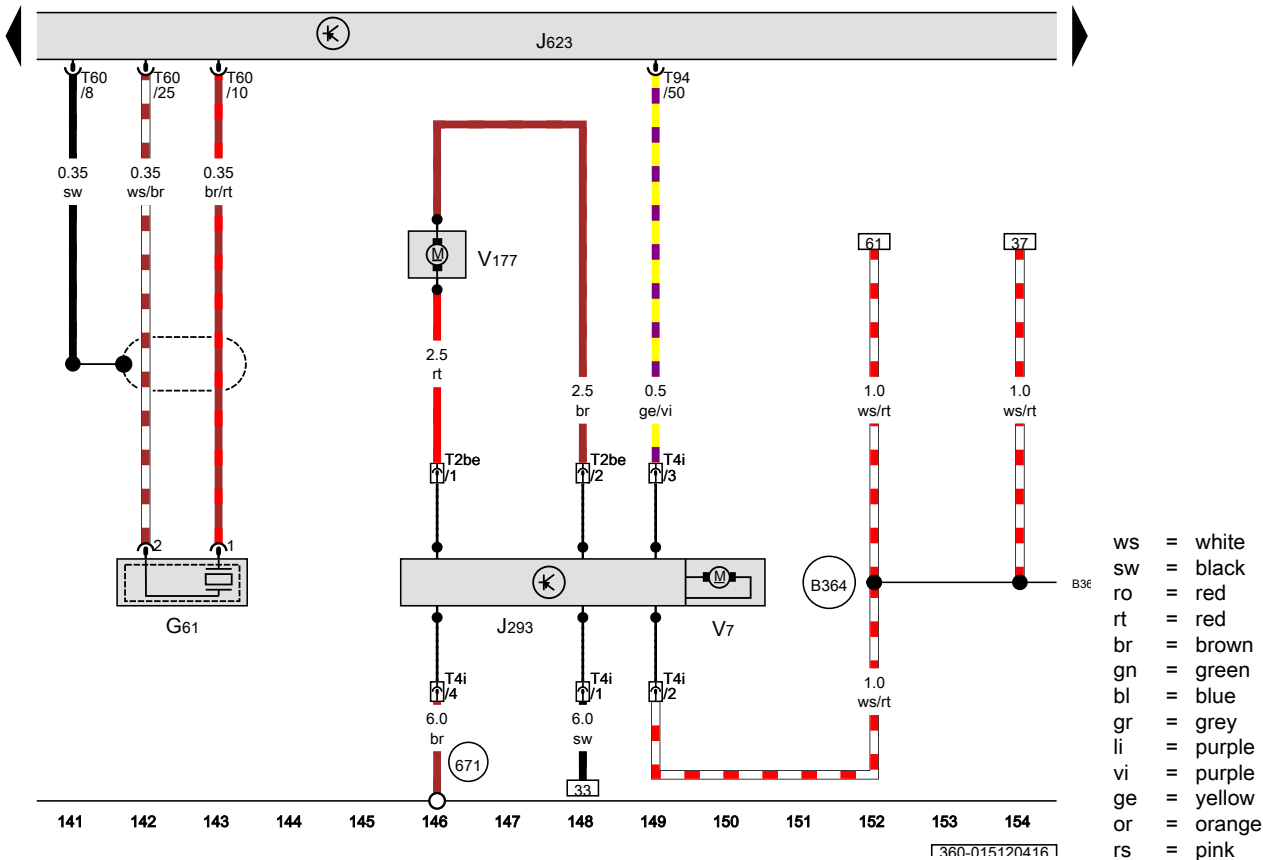
[360-015110416]

Knock sensor 1, Radiator fan control unit, Engine control unit, Radiator fan, Radiator fan 2

- G61 Knock sensor 1
- J293 Radiator fan control unit
- J623 Engine control unit, central in plenum chamber
- T2be 2-pin connector, on lock carrier
- T4i 4-pin connector, on lock carrier
- T60 60-pin connector
- T94 94-pin connector
- V7 Radiator fan
- V177 Radiator fan 2

671 Earth point 1, on front of left longitudinal member

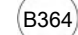
B364 Positive connection 15 (87a) in main wiring harness

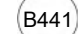


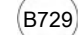
1360-015120416

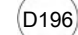
Electronic ignition lock, Steering column electronics control unit, Engine control unit, Charge pressure control solenoid valve, Activated charcoal filter solenoid valve 1, Camshaft control valve 1, Turbocharger air recirculation valve

- D9 Electronic ignition lock
- J527 Steering column electronics control unit
- J623 Engine control unit, central in plenum chamber
- N75 Charge pressure control solenoid valve
- N80 Activated charcoal filter solenoid valve 1
- N205 Camshaft control valve 1
- N249 Turbocharger air recirculation valve
- T14a 14-pin connector
- T16f 16-pin connector
- T16o 16-pin connector
- T60 60-pin connector
- T94 94-pin connector

 B364 Positive connection 15 (87a) in main wiring harness

 B441 Connection (CCS), in main wiring harness

 B729 Connection 1 (50), in main wiring harness

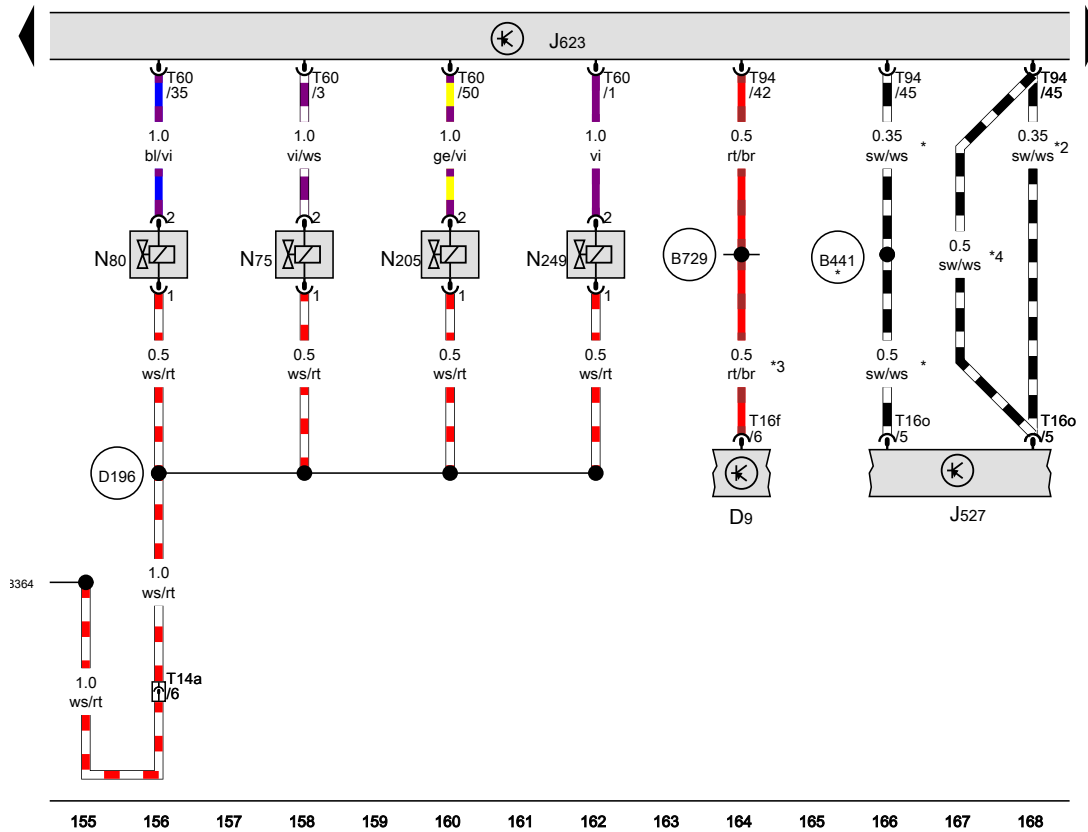
 D196 Connection 2 (87a) in engine prewiring harness

* Only models with adaptive cruise control (ACC)

*2 Speed signal

*3 Only models with start/stop system

*4 gradual introduction



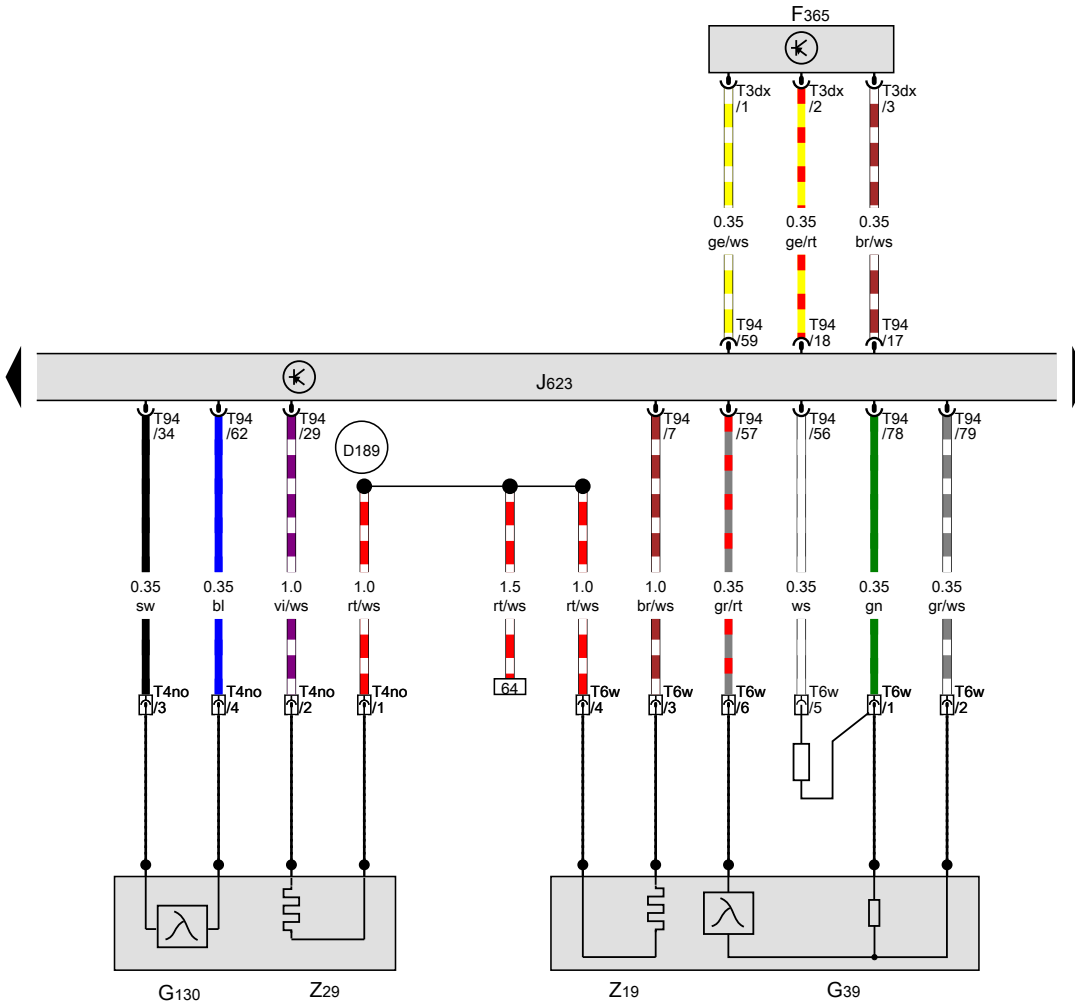
- ws = white
- sw = black
- ro = red
- rt = red
- br = brown
- gn = green
- bl = blue
- gr = grey
- li = purple
- vi = purple
- ge = yellow
- or = orange
- rs = pink

1360-015130416

Gearbox neutral position switch, Lambda probe, Lambda probe after catalytic converter, Engine control unit, Lambda probe heater, Lambda probe 1 heater after catalytic converter

- F365 Gearbox neutral position switch
- G39 Lambda probe
- G130 Lambda probe after catalytic converter
- J623 Engine control unit, central in plenum chamber
- T3dx 3-pin connector
- T4no 4-pin connector
- T6w 6-pin connector
- T94 94-pin connector
- Z19 Lambda probe heater
- Z29 Lambda probe 1 heater after catalytic converter

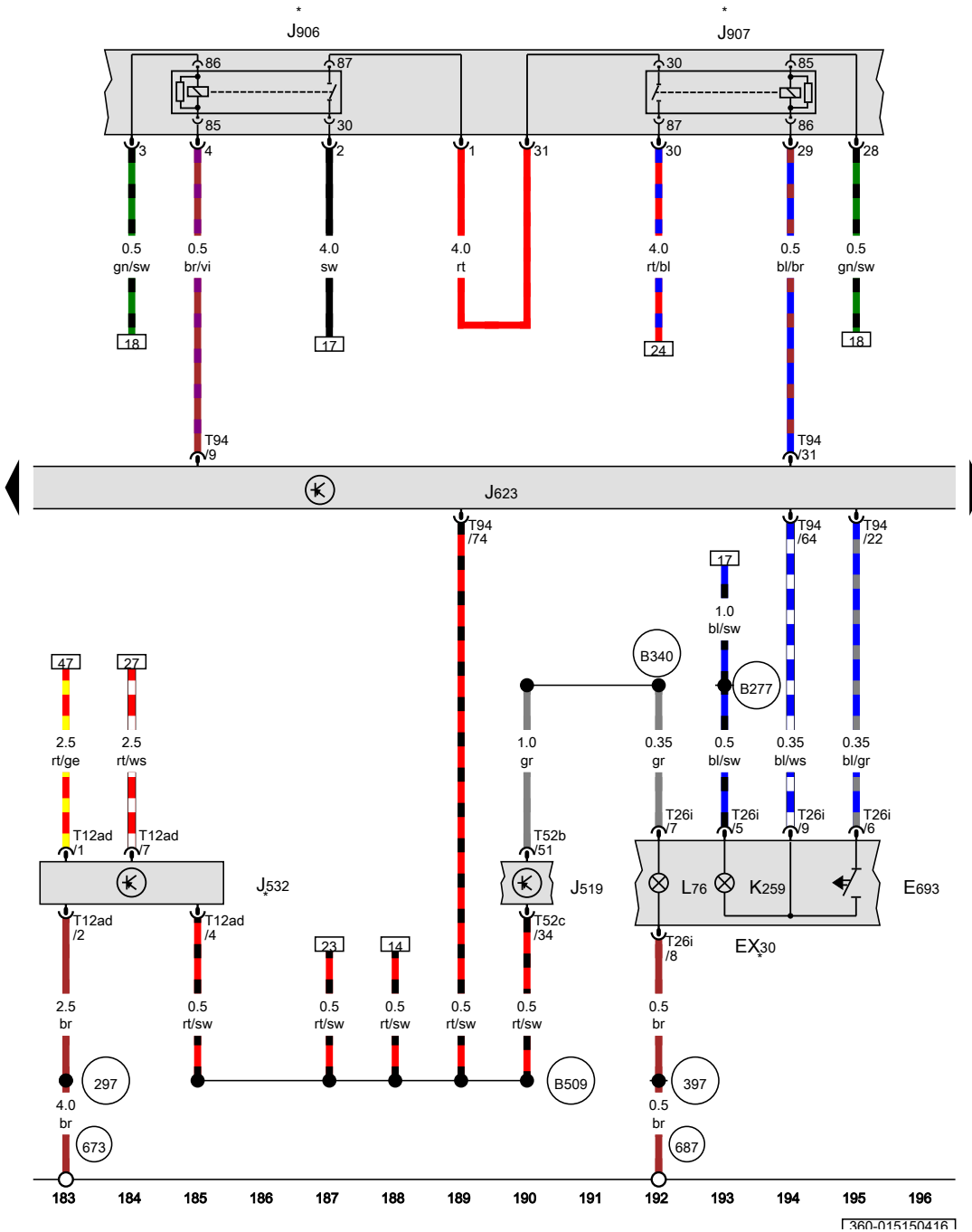
D189 Connection (87a) in engine prewiring harness



- ws = white
- sw = black
- ro = red
- rt = red
- br = brown
- gn = green
- bl = blue
- gr = grey
- li = purple
- vi = purple
- ge = yellow
- or = orange
- rs = pink

169 170 171 172 173 174 175 176 177 178 179 180 181 182

1360-015140416



Switch module 2 in centre console, Start/Stop operation button, Onboard supply control unit, Voltage stabiliser, Engine control unit, Starter relay 1, Starter relay 2

- EX30 Switch module 2 in centre console
- E693 Start/Stop operation button
- J519 Onboard supply control unit
- J532 Voltage stabiliser
- J623 Engine control unit, central in plenum chamber
- J906 Starter relay 1
- J907 Starter relay 2
- K259 Start/Stop operation warning lamp
- L76 Button illumination bulb
- T12ad 12-pin connector
- T26i 26-pin connector
- T52b 52-pin connector
- T52c 52-pin connector
- T94 94-pin connector

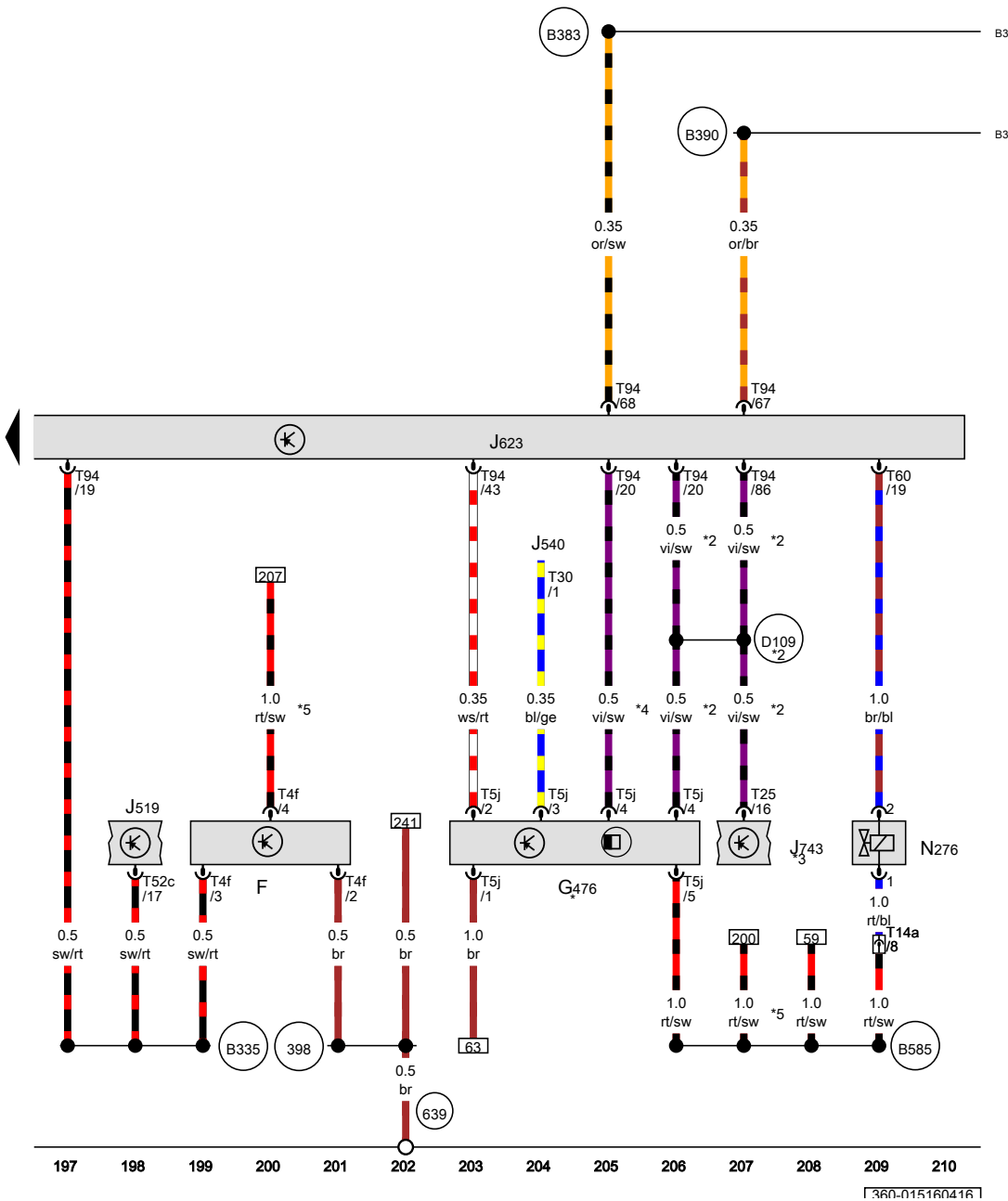
- (297) Earth connection 12, in interior wiring harness
- (397) Earth connection 32, in main wiring harness
- (673) Earth point 3, on front of left longitudinal member
- (687) Earth point 1, on centre tunnel
- (B277) Positive connection 1 (15a) in main wiring harness
- (B340) Connection 1 (58d), in main wiring harness
- (B509) Connection 3 (diagnosis), in main wiring harness

* Only models with start/stop system

- ws = white
- sw = black
- ro = red
- rt = red
- br = brown
- gn = green
- bl = blue
- gr = grey
- li = purple
- vi = purple
- ge = yellow
- or = orange
- rs = pink

360-015150416

Brake light switch, Clutch position sender, Engine control unit, Fuel pressure regulating valve



- F Brake light switch
- G476 Clutch position sender
- J519 Onboard supply control unit
- J540 Control unit for electromechanical parking brake
- J623 Engine control unit, central in plenum chamber
- J743 Mechatronic unit for dual clutch gearbox
- N276 Fuel pressure regulating valve
- T4f 4-pin connector
- T5j 5-pin connector
- T14a 14-pin connector, on left in engine compartment
- T25 25-pin connector
- T30 30-pin connector
- T52c 52-pin connector
- T60 60-pin connector
- T94 94-pin connector

- 398 Earth connection 33, in main wiring harness
- 639 Earth point, left A-pillar
- B335 Connection 1 (54), in main wiring harness
- B383 Connection 1 (powertrain CAN bus, high), in main wiring harness
- B390 Connection 1 (powertrain CAN bus, low), in main wiring harness
- B585 Positive connection 2 (87a), in interior wiring harness
- D109 Connection 7 in engine compartment wiring harness

- * Only models with manual gearbox
- *2 Only models with start/stop system
- *3 Only models with dual clutch gearbox (DSG)
- *4 Only models with no start/stop system
- *5 Wiring colour depends on equipment

- ws = white
- sw = black
- ro = red
- rt = red
- br = brown
- gn = green
- bl = blue
- gr = grey
- li = purple
- vi = purple
- ge = yellow
- or = orange
- rs = pink

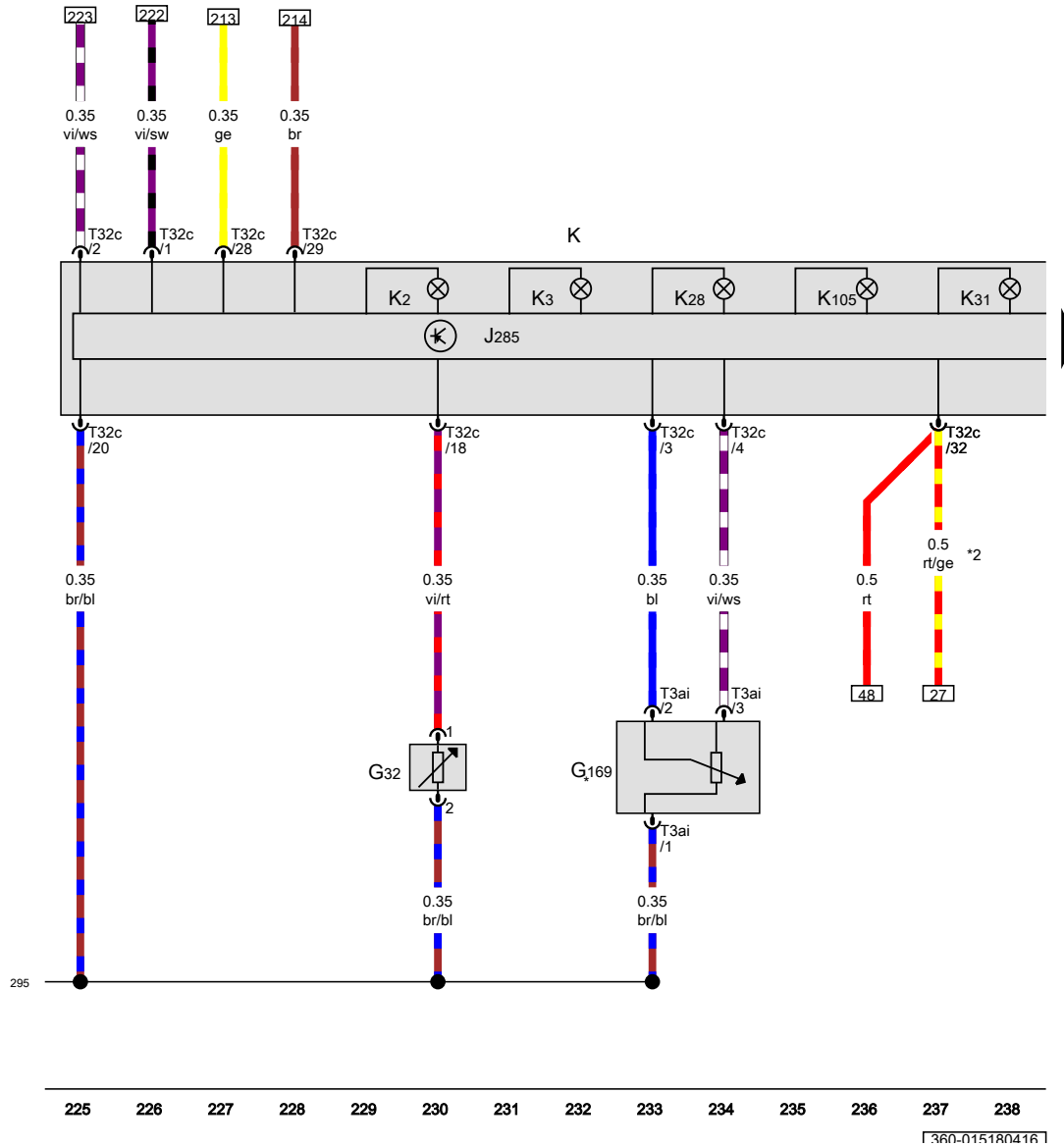
1360-015160416

Coolant shortage indicator sender, Fuel gauge sender 2, Control unit in dash panel insert, Dash panel insert, Alternator warning lamp, Oil pressure warning lamp, Coolant temperature and coolant shortage warning lamp, Cruise control system warning lamp, Reserve fuel warning lamp

- G32 Coolant shortage indicator sender
- G169 Fuel gauge sender 2
- J285 Control unit in dash panel insert
- K Dash panel insert
- K2 Alternator warning lamp
- K3 Oil pressure warning lamp
- K28 Coolant temperature and coolant shortage warning lamp
- K31 Cruise control system warning lamp
- K105 Reserve fuel warning lamp
- T3ai 3-pin connector
- T32c 32-pin connector

295 Earth connection 10, in interior wiring harness

- * Only models with all-wheel drive
- *2 Only models with start/stop system

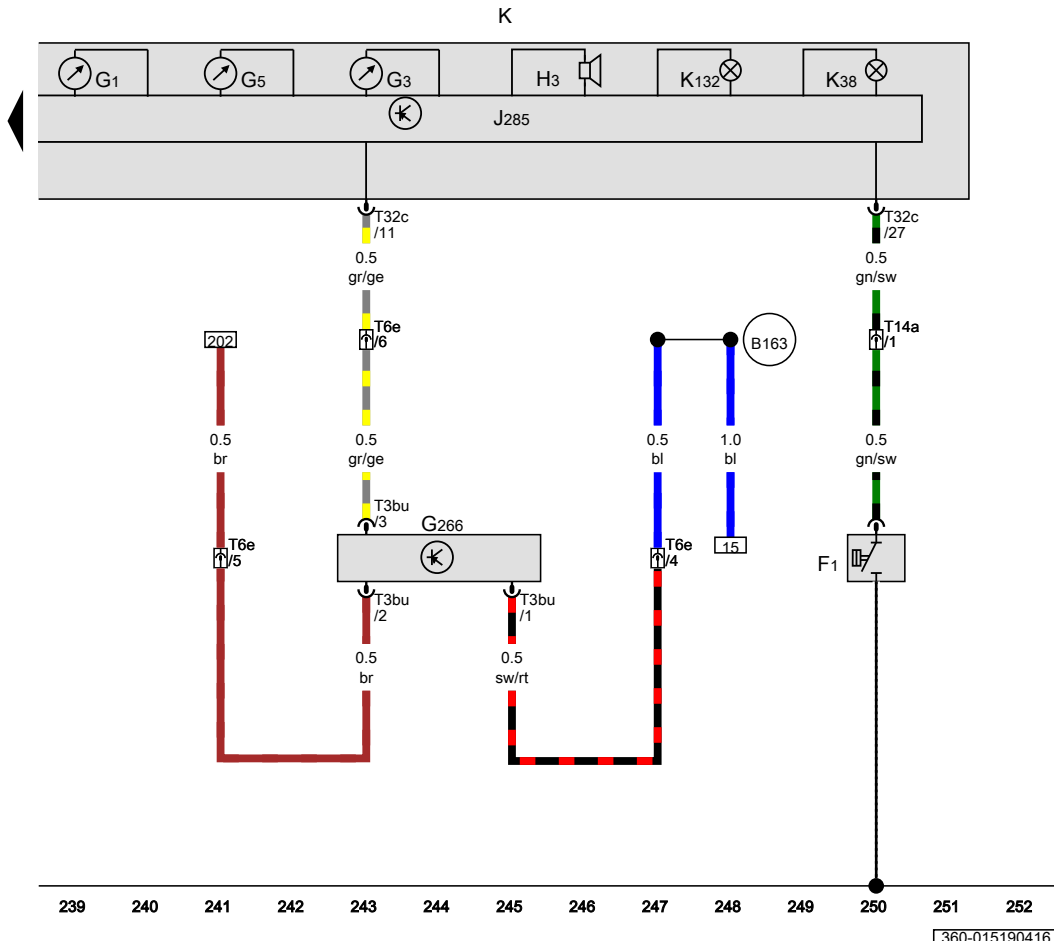


- ws = white
- sw = black
- ro = red
- rt = red
- br = brown
- gn = green
- bl = blue
- gr = grey
- li = purple
- vi = purple
- ge = yellow
- or = orange
- rs = pink

1360-015180416

Oil pressure switch, Fuel gauge, Coolant temperature gauge, Rev. counter, Oil level and oil temperature sender, Buzzer and gong, Control unit in dash panel insert, Dash panel insert, Oil level warning lamp, Electronic power control fault lamp

- F1 Oil pressure switch
- G1 Fuel gauge
- G3 Coolant temperature gauge
- G5 Rev. counter
- G266 Oil level and oil temperature sender
- H3 Buzzer and gong
- J285 Control unit in dash panel insert
- K Dash panel insert
- K38 Oil level warning lamp
- K132 Electronic power control fault lamp
- T3bu 3-pin connector
- T6e 6-pin connector
- T14a 14-pin connector, on left in engine compartment
- T32c 32-pin connector
- B163** Positive connection 1 (15), in interior wiring harness



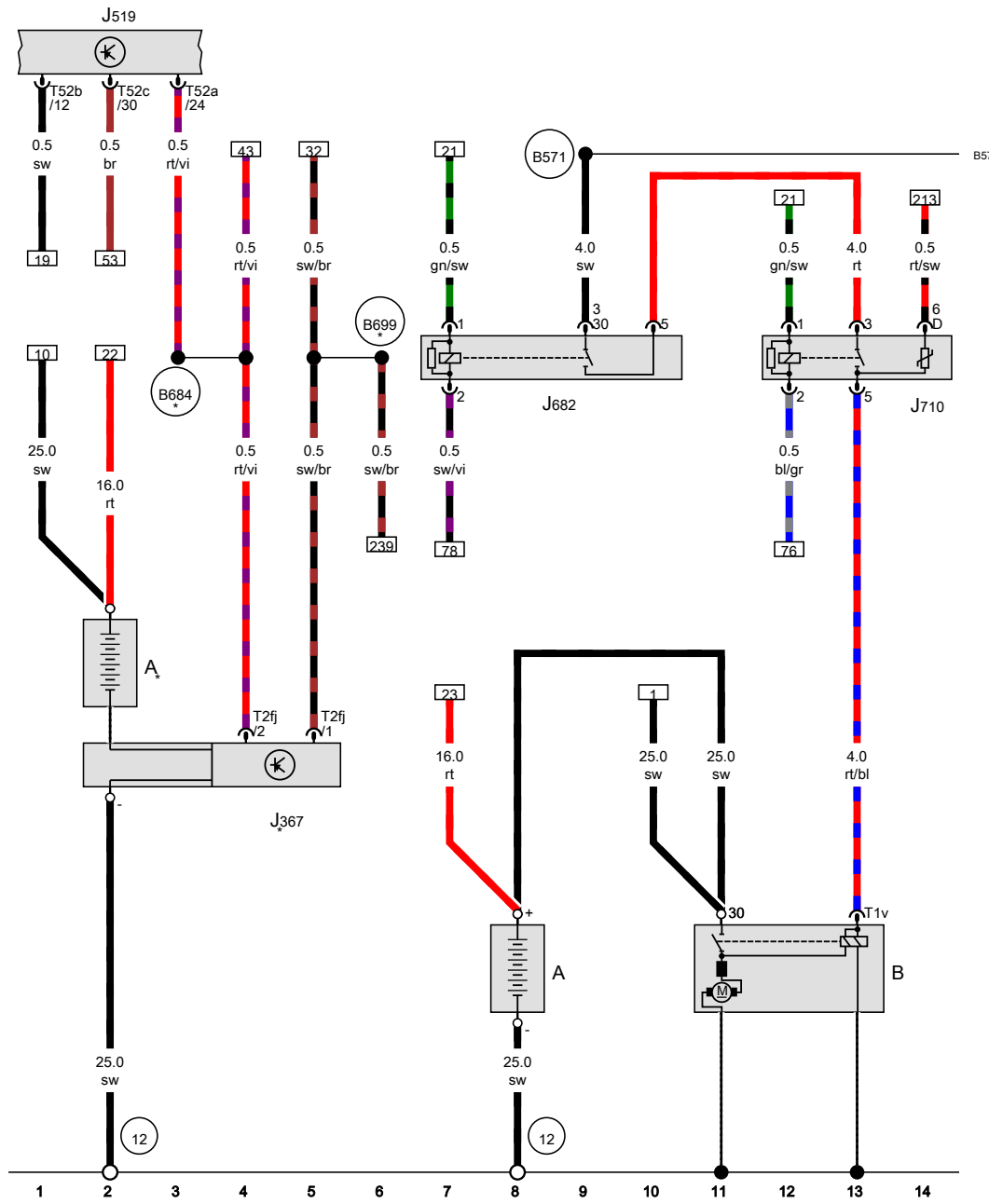
- ws = white
- sw = black
- ro = red
- rt = red
- br = brown
- gn = green
- bl = blue
- gr = grey
- li = purple
- vi = purple
- ge = yellow
- or = orange
- rs = pink

1360-015190416

1.4l petrol engine , CDGA

From November 2010

Battery, Starter, Battery monitor control unit, Onboard supply control unit, Terminal 50 voltage supply relay, Voltage supply relay 2

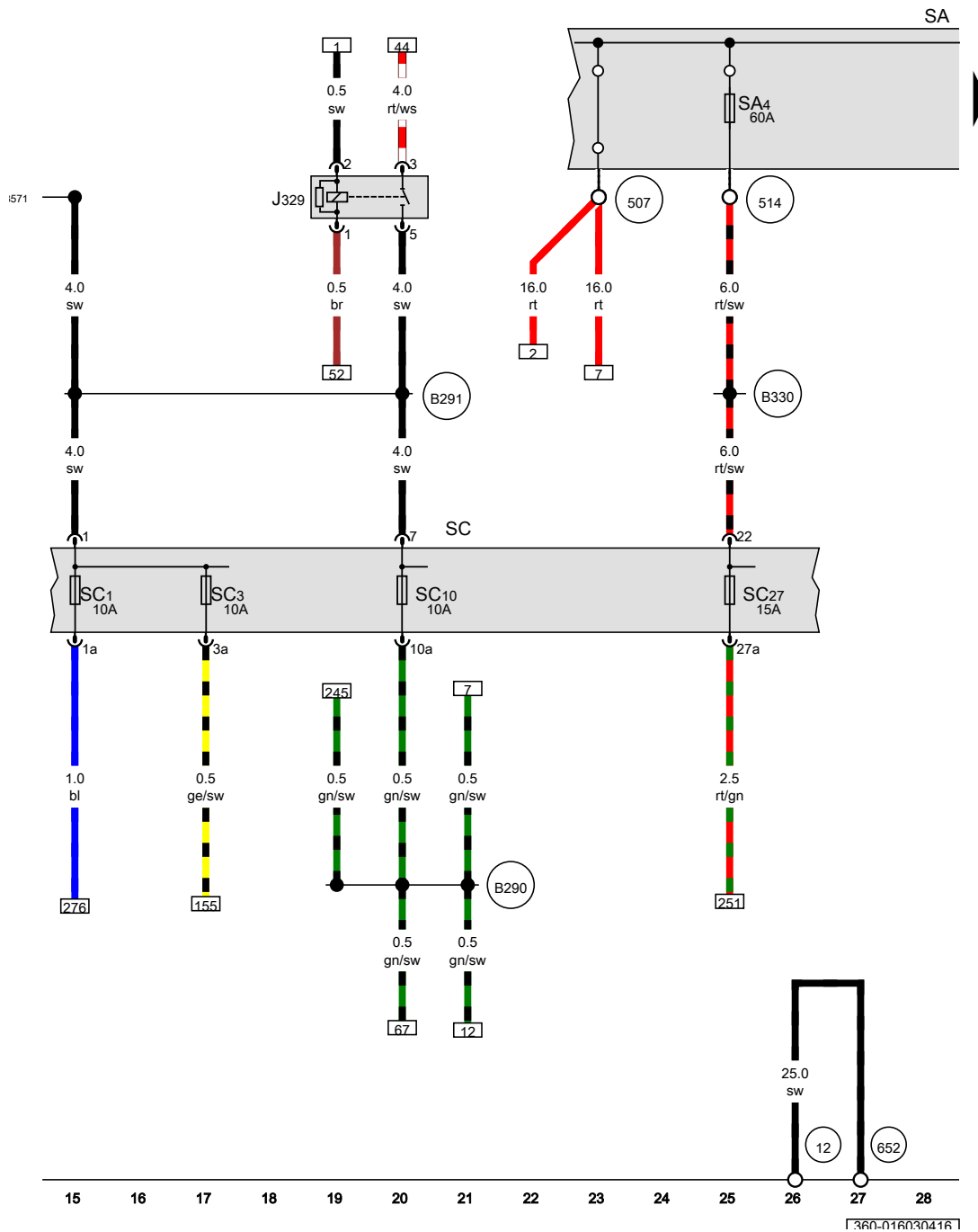


- A Battery
- B Starter
- J367 Battery monitor control unit
- J519 Onboard supply control unit
- J682 Terminal 50 voltage supply relay
- J710 Voltage supply relay 2
- T1v Single connector
- T2fj 2-pin connector
- T52a 52-pin connector
- T52b 52-pin connector
- T52c 52-pin connector

- 12 Earth point, on left in engine compartment
- B571 Connection 38, in main wiring harness
- B684 Positive connection 24 (30a) in main wiring harness
- B699 Connection 4 (LIN bus) in main wiring harness
- * Only models with energy recovery

- ws = white
- sw = black
- ro = red
- rt = red
- br = brown
- gn = green
- bl = blue
- gr = grey
- li = purple
- vi = purple
- ge = yellow
- or = orange
- rs = pink

1360-016020416



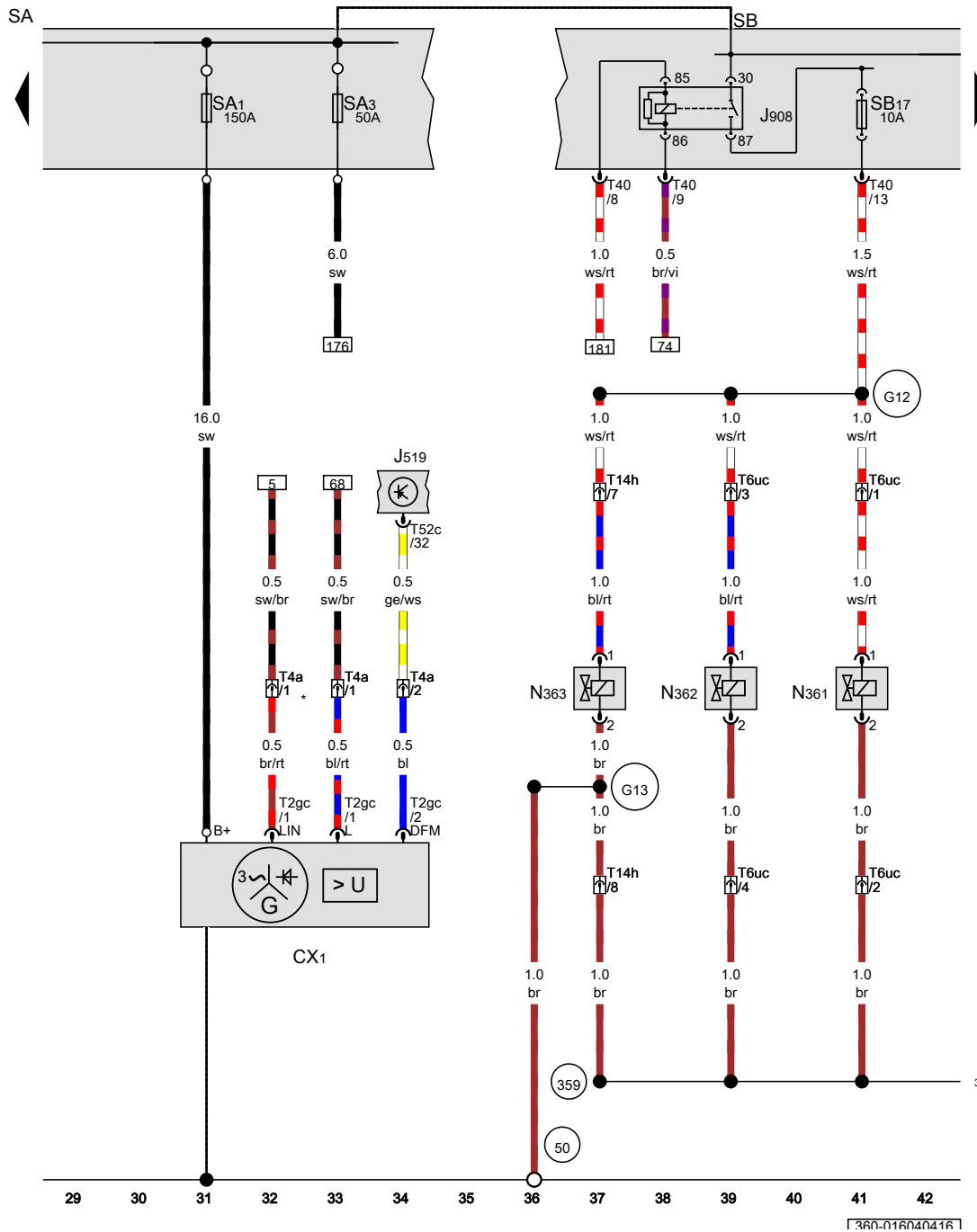
Terminal 15 voltage supply relay, Fuse holder A, Fuse holder C

- J329 Terminal 15 voltage supply relay
- SA Fuse holder A
- SC Fuse holder C
- SC1 Fuse 1 on fuse holder C
- SC3 Fuse 3 on fuse holder C
- SA4 Fuse 4 in fuse holder A
- SC10 Fuse 10 on fuse holder C
- SC27 Fuse 27 on fuse holder C

- 12 Earth point, on left in engine compartment
- 507 Threaded connection (30), on battery fuse holder
- 514 Threaded connection 4 (30a) on relay plate
- 652 Earth point, engine and gearbox earth
- B290 Positive connection 14 (15a) in main wiring harness
- B291 Positive connection 15 (15a) in main wiring harness
- B330 Positive connection 16 (30a) in main wiring harness
- B571 Connection 38, in main wiring harness

- ws = white
- sw = black
- ro = red
- rt = red
- br = brown
- gn = green
- bl = blue
- gr = grey
- li = purple
- vi = purple
- ge = yellow
- or = orange
- rs = pink

1360-016030416



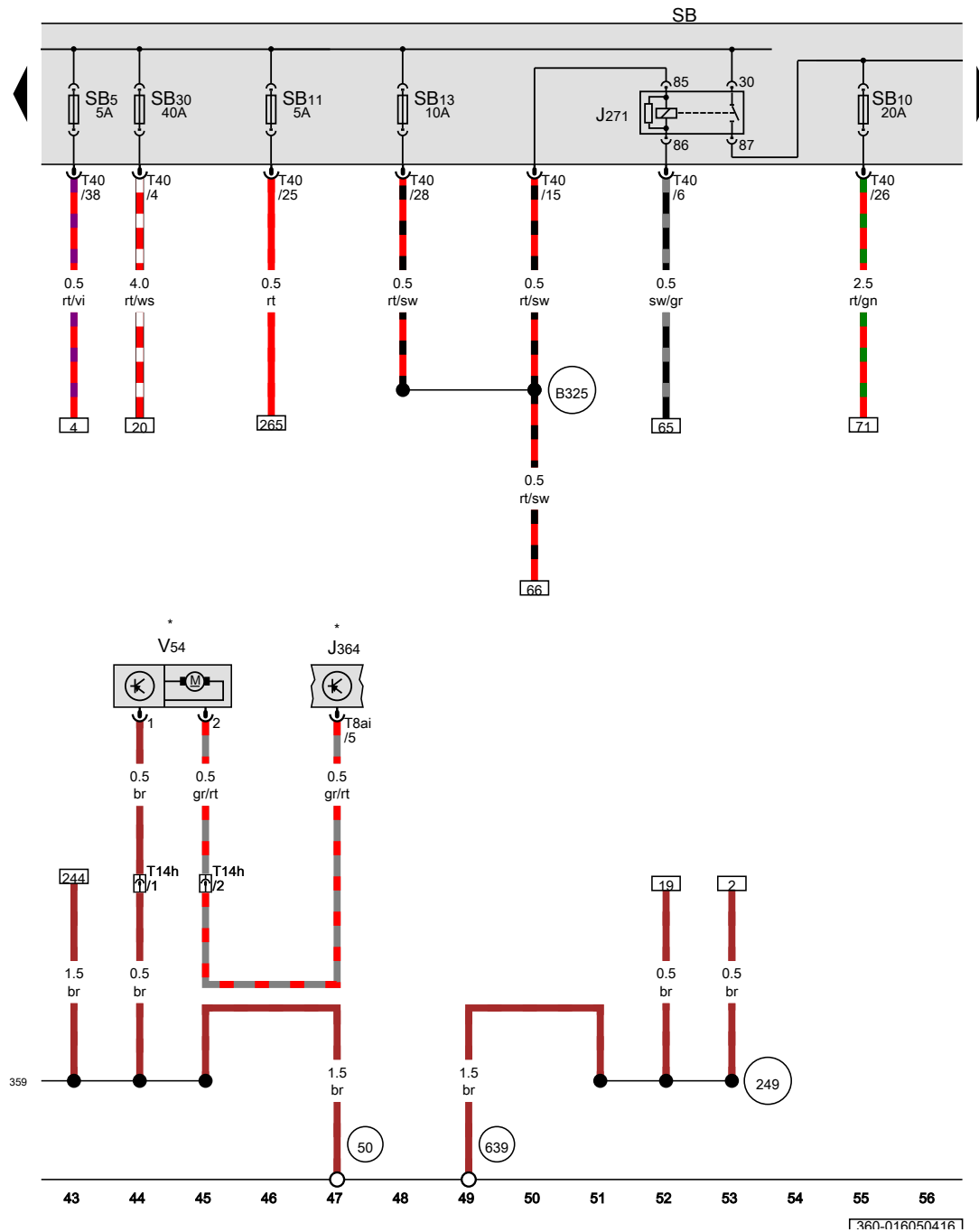
Alternator with voltage regulator, Relay for gas shut-off valves, Fuel tank shut-off valve 1, Fuel tank shut-off valve 2, Fuel tank shut-off valve 3, Fuse holder A, Fuse holder B

- CX1 Alternator with voltage regulator
- J519 Onboard supply control unit
- J908 Relay for gas shut-off valves
- N361 Fuel tank shut-off valve 1
- N362 Fuel tank shut-off valve 2
- N363 Fuel tank shut-off valve 3
- SA Fuse holder A
- SA1 Fuse 1 in fuse holder A
- SA3 Fuse 3 in fuse holder A
- SB Fuse holder B
- SB17 Fuse 17 on fuse holder B
- T2gc 2-pin connector
- T4a 4-pin connector, near starter
- T6uc 6-pin connector
- T14h 14-pin connector
- T40 40-pin connector
- T52c 52-pin connector

- 50 Earth point, on left in luggage compartment
- 359 Earth connection, in gas mode wiring harness
- G12 Connection 1 in gas mode wiring harness
- G13 Connection 2 in gas mode wiring harness
- * Only models with energy recovery

- ws = white
- sw = black
- ro = red
- rt = red
- br = brown
- gn = green
- bl = blue
- gr = grey
- li = purple
- vi = purple
- ge = yellow
- or = orange
- rs = pink

360-016040416



Main relay, Fuse holder B, Metering pump

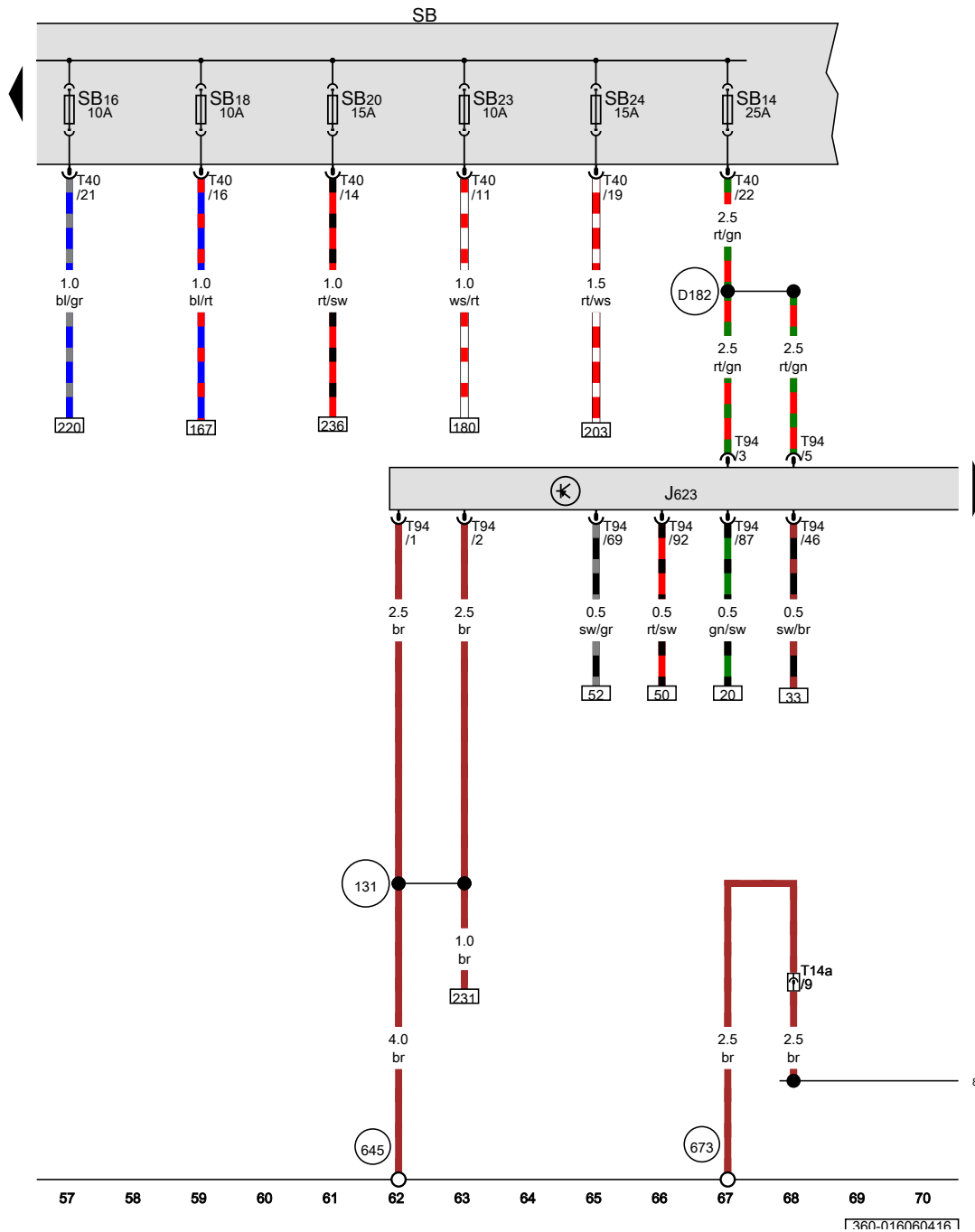
- J271 Main relay
- J364 Auxiliary heater control unit
- SB Fuse holder B
- SB5 Fuse 5 on fuse holder B
- SB10 Fuse 10 on fuse holder B
- SB11 Fuse 11 on fuse holder B
- SB13 Fuse 13 on fuse holder B
- SB30 Fuse 30 on fuse holder B
- T8ai 8-pin connector
- T14h 14-pin connector
- T40 40-pin connector
- V54 Metering pump

- 50 Earth point, on left in luggage compartment
- 249 Earth connection 2, in interior wiring harness
- 359 Earth connection, in gas mode wiring harness
- 639 Earth point, left A-pillar
- B325 Positive connection 11 (30a) in main wiring harness

* Only models with auxiliary coolant heater

- ws = white
- sw = black
- ro = red
- rt = red
- br = brown
- gn = green
- bl = blue
- gr = grey
- li = purple
- vi = purple
- ge = yellow
- or = orange
- rs = pink

360-016050416



Engine control unit, Fuse holder B

- J623 Engine control unit, central in plenum chamber
- SB Fuse holder B
- SB14 Fuse 14 on fuse holder B
- SB16 Fuse 16 on fuse holder B
- SB18 Fuse 18 on fuse holder B
- SB20 Fuse 20 on fuse holder B
- SB23 Fuse 23 on fuse holder B
- SB24 Fuse 24 on fuse holder B
- T14a 14-pin connector
- T40 40-pin connector
- T94 94-pin connector

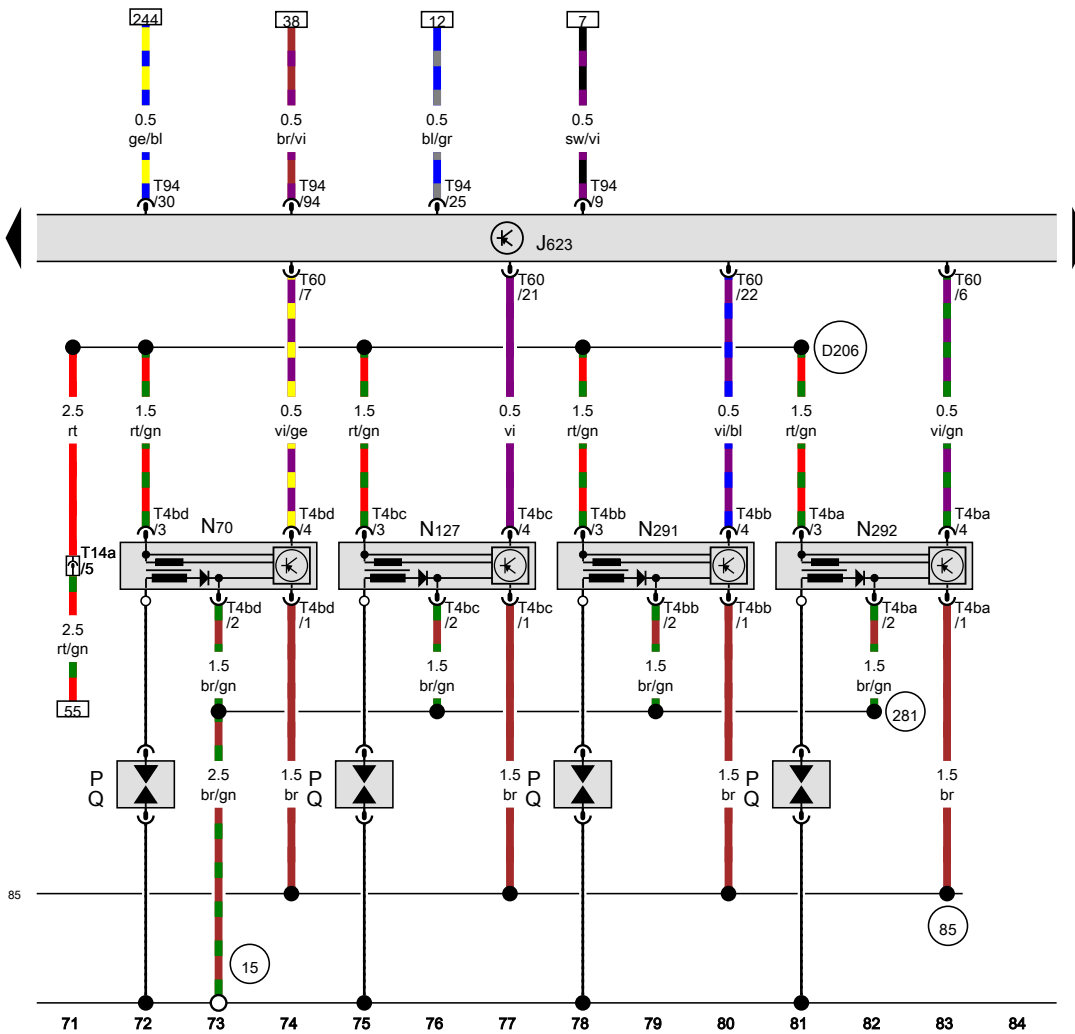
- 85 Earth connection 1, in engine compartment wiring harness
- 131 Earth connection 2, in engine compartment wiring harness
- 645 Earth point 1, on bulkhead
- 673 Earth point 3, on front of left longitudinal member
- D182 Connection 3 (87a), in engine compartment wiring harness

- ws = white
- sw = black
- ro = red
- rt = red
- br = brown
- gn = green
- bl = blue
- gr = grey
- li = purple
- vi = purple
- ge = yellow
- or = orange
- rs = pink

1360-016060416

Engine control unit, Ignition coil 1 with output stage, Ignition coil 2 with output stage, Ignition coil 3 with output stage, Ignition coil 4 with output stage, Spark plug connector, Spark plugs

- J623 Engine control unit, central in plenum chamber
- N70 Ignition coil 1 with output stage
- N127 Ignition coil 2 with output stage
- N291 Ignition coil 3 with output stage
- N292 Ignition coil 4 with output stage
- P Spark plug connector
- Q Spark plugs
- T4ba 4-pin connector
- T4bb 4-pin connector
- T4bc 4-pin connector
- T4bd 4-pin connector
- T14a 14-pin connector
- T60 60-pin connector
- T94 94-pin connector



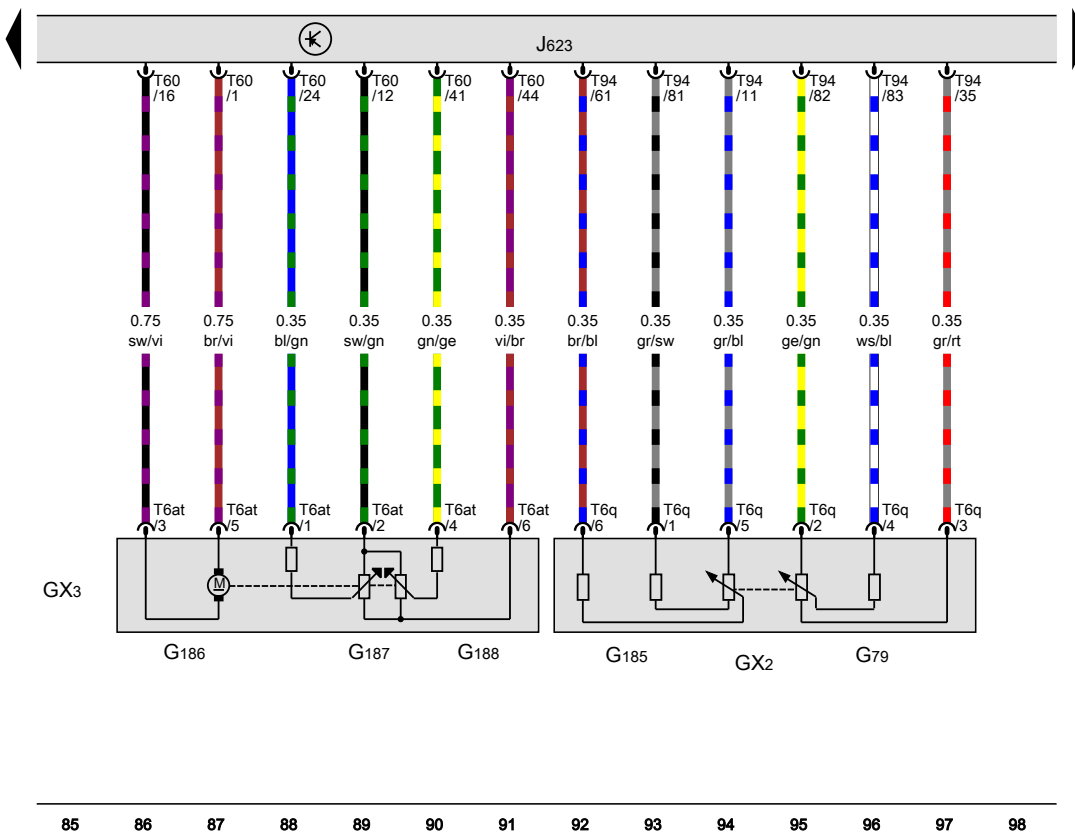
- 15 Earth point, on cylinder head
- 85 Earth connection 1, in engine compartment wiring harness
- 281 Earth point 1, engine prewiring harness
- D206 Connection 4 (87a) in engine prewiring harness

- ws = white
- sw = black
- ro = red
- rt = red
- br = brown
- gn = green
- bl = blue
- gr = grey
- li = purple
- vi = purple
- ge = yellow
- or = orange
- rs = pink

360-016070416

Accelerator pedal module, Throttle valve module, Accelerator position sender, Accelerator position sender 2, Throttle valve drive for electric throttle, Throttle valve drive angle sender 1 for electric throttle, Throttle valve drive angle sender 2 for electric throttle, Engine control unit

- GX2 Accelerator pedal module
- GX3 Throttle valve module
- G79 Accelerator position sender
- G185 Accelerator position sender 2
- G186 Throttle valve drive for electric throttle
- G187 Throttle valve drive angle sender 1 for electric throttle
- G188 Throttle valve drive angle sender 2 for electric throttle
- J623 Engine control unit, central in plenum chamber
- T6at 6-pin connector
- T6q 6-pin connector
- T60 60-pin connector
- T94 94-pin connector



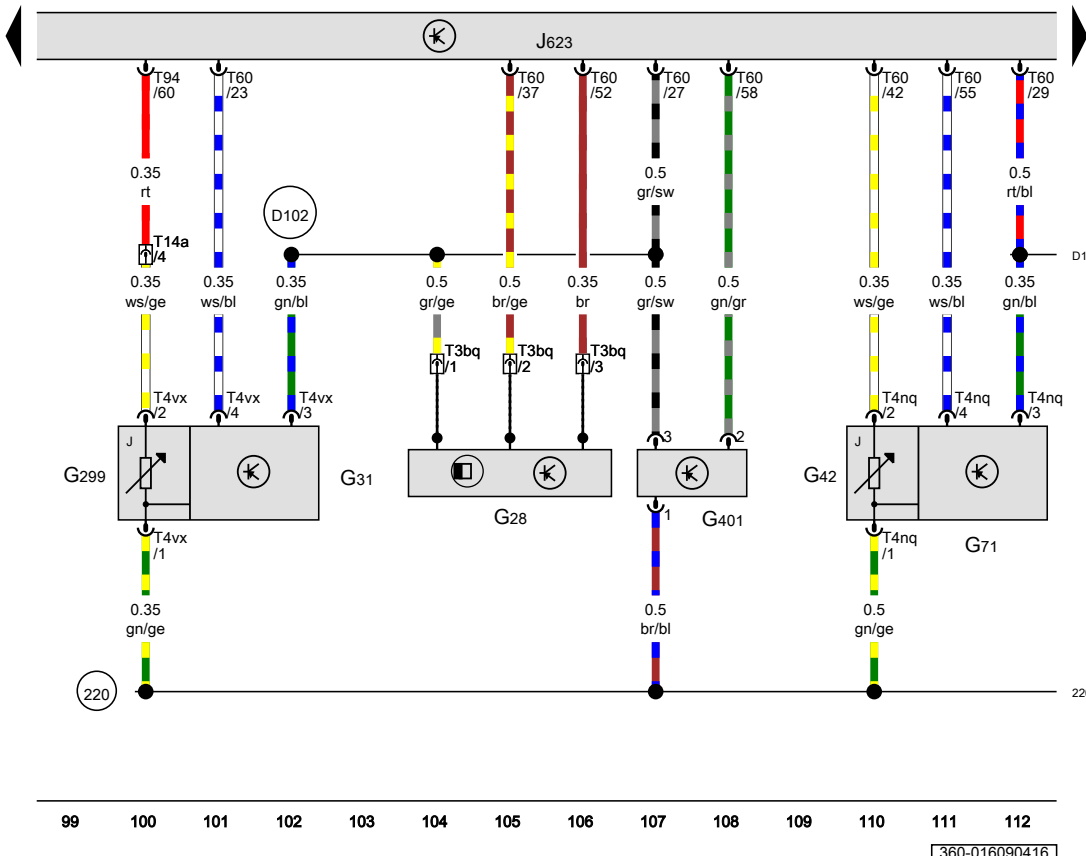
- ws = white
- sw = black
- ro = red
- rt = red
- br = brown
- gn = green
- bl = blue
- gr = grey
- li = purple
- vi = purple
- ge = yellow
- or = orange
- rs = pink

360-016080416

Engine speed sender, Charge pressure sender, Intake air temperature sender, Intake manifold pressure sender, Intake air temperature sender 2, Gas rail sensor, Engine control unit

- G28 Engine speed sender
- G31 Charge pressure sender
- G42 Intake air temperature sender
- G71 Intake manifold pressure sender
- G299 Intake air temperature sender 2
- G401 Gas rail sensor
- J623 Engine control unit, central in plenum chamber
- T3bq 3-pin connector
- T4nq 4-pin connector
- T4vx 4-pin connector
- T14a 14-pin connector, on left in engine compartment
- T60 60-pin connector
- T94 94-pin connector


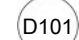
- (220) Earth connection (sender earth), in engine wiring harness
- (D101) Connection 1 in engine compartment wiring harness
- (D102) Connection 2 in engine compartment wiring harness

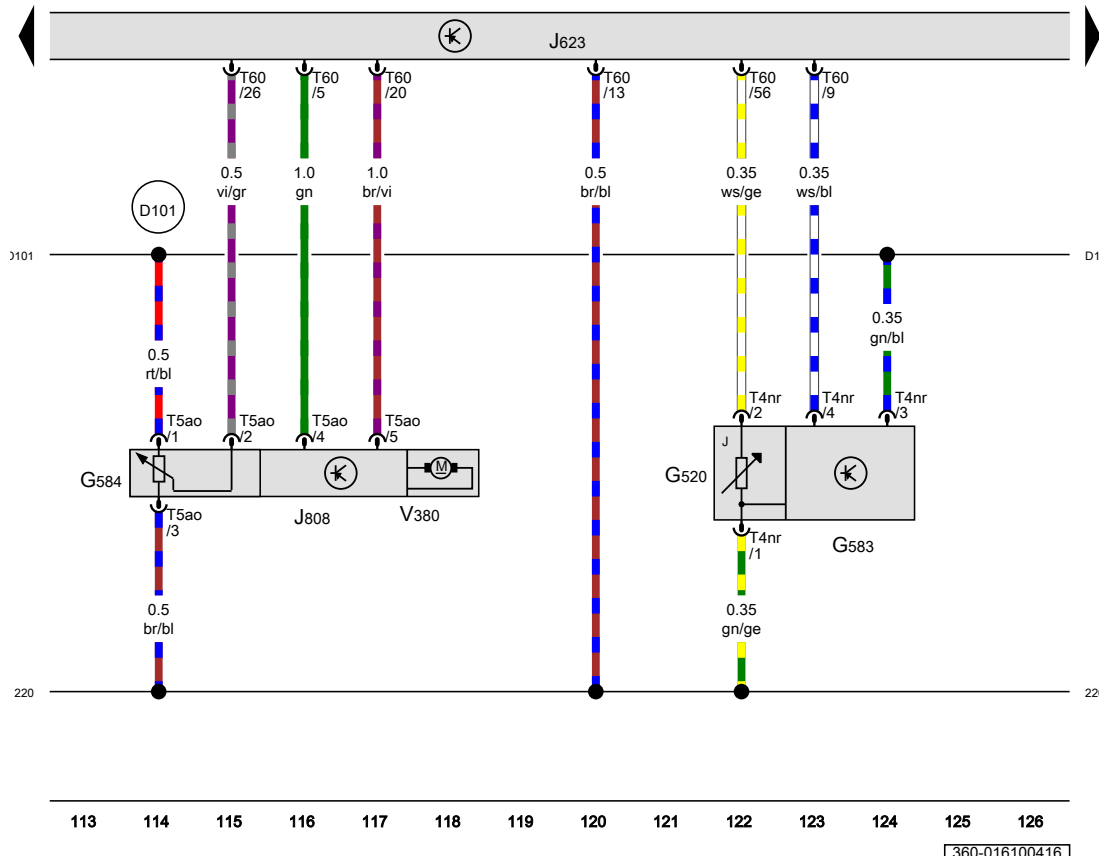


- ws = white
- sw = black
- ro = red
- rt = red
- br = brown
- gn = green
- bl = blue
- gr = grey
- li = purple
- vi = purple
- ge = yellow
- or = orange
- rs = pink

Intake air temperature sender 3, Intake manifold pressure sender 3, Regulating flap potentiometer, Engine control unit, Regulating flap control unit, Regulating flap position control motor

- G520 Intake air temperature sender 3
- G583 Intake manifold pressure sender 3
- G584 Regulating flap potentiometer
- J623 Engine control unit, central in plenum chamber
- J808 Regulating flap control unit
- T4nr 4-pin connector
- T5ao 5-pin connector
- T60 60-pin connector
- V380 Regulating flap position control motor

-  220 Earth connection (sender earth), in engine wiring harness
-  D101 Connection 1 in engine compartment wiring harness



- ws = white
- sw = black
- ro = red
- rt = red
- br = brown
- gn = green
- bl = blue
- gr = grey
- li = purple
- vi = purple
- ge = yellow
- or = orange
- rs = pink

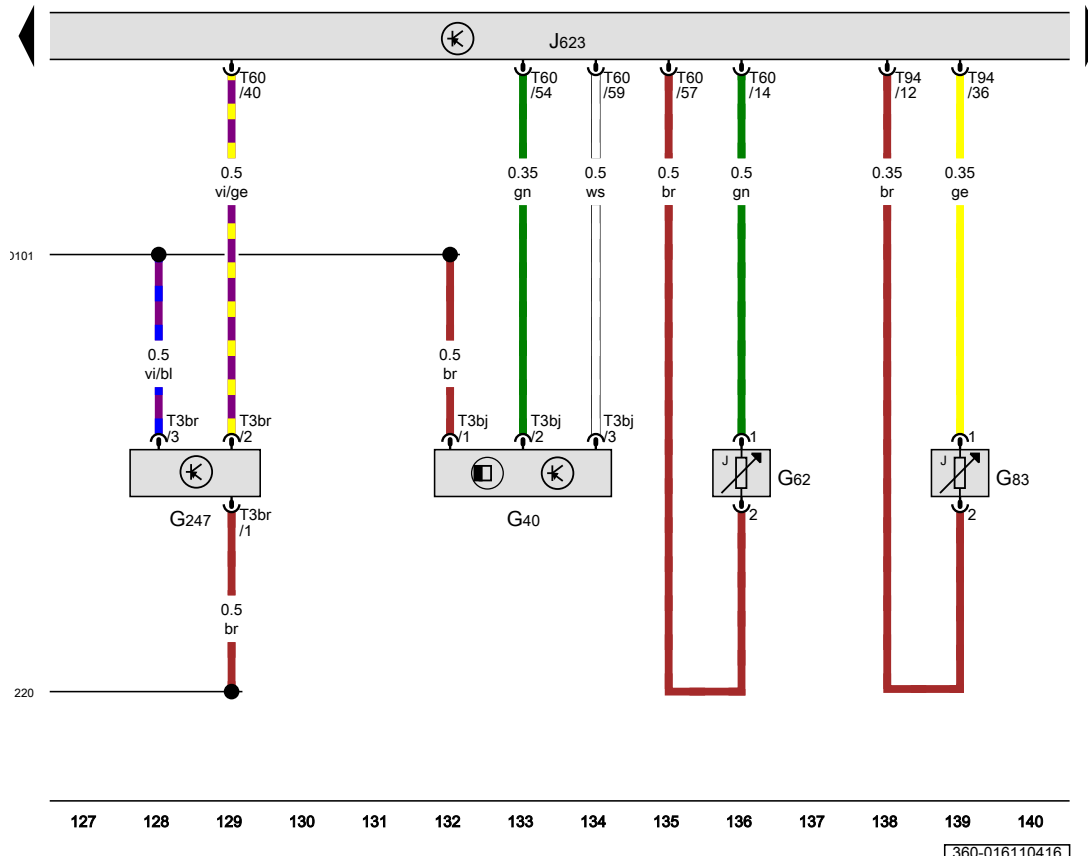
113 114 115 116 117 118 119 120 121 122 123 124 125 126
 [360-016100416]

Hall sender, Coolant temperature sender, Radiator outlet coolant temperature sender, Fuel pressure sender, Engine control unit

- G40 Hall sender
- G62 Coolant temperature sender
- G83 Radiator outlet coolant temperature sender, black
- G247 Fuel pressure sender
- J623 Engine control unit, central in plenum chamber
- T3bj 3-pin connector
- T3br 3-pin connector
- T60 60-pin connector
- T94 94-pin connector

220 Earth connection (sender earth), in engine wiring harness

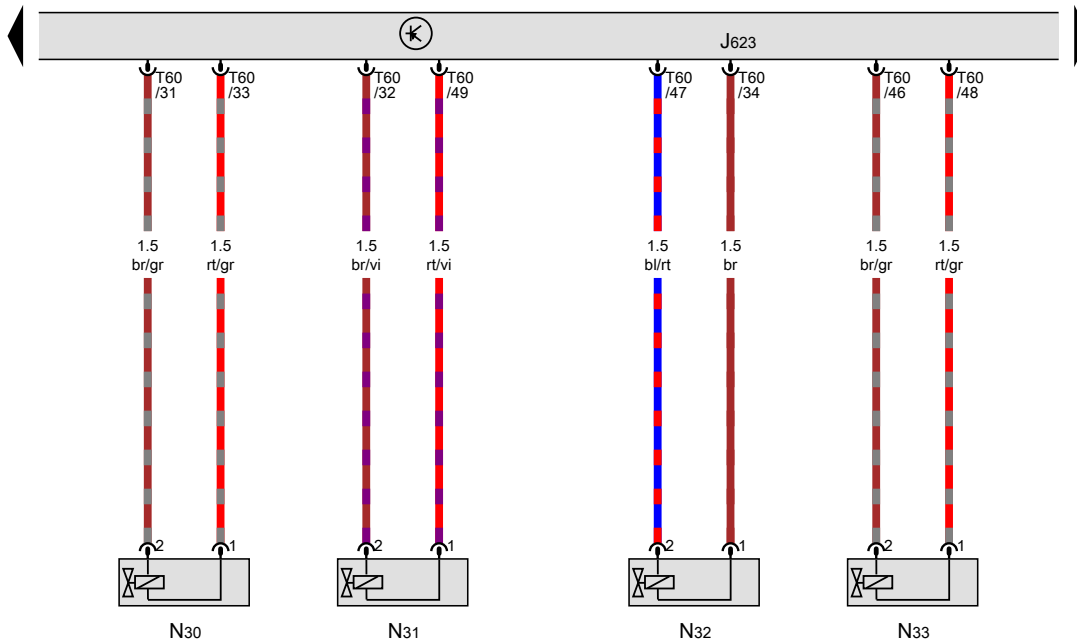
D101 Connection 1 in engine compartment wiring harness



- ws = white
- sw = black
- ro = red
- rt = red
- br = brown
- gn = green
- bl = blue
- gr = grey
- li = purple
- vi = purple
- ge = yellow
- or = orange
- rs = pink

Engine control unit, Injector, cylinder 1, Injector, cylinder 2, Injector, cylinder 3, Injector, cylinder 4

- J623 Engine control unit, central in plenum chamber
- N30 Injector, cylinder 1
- N31 Injector, cylinder 2
- N32 Injector, cylinder 3
- N33 Injector, cylinder 4
- T60 60-pin connector



- ws = white
- sw = black
- ro = red
- rt = red
- br = brown
- gn = green
- bl = blue
- gr = grey
- li = purple
- vi = purple
- ge = yellow
- or = orange
- rs = pink

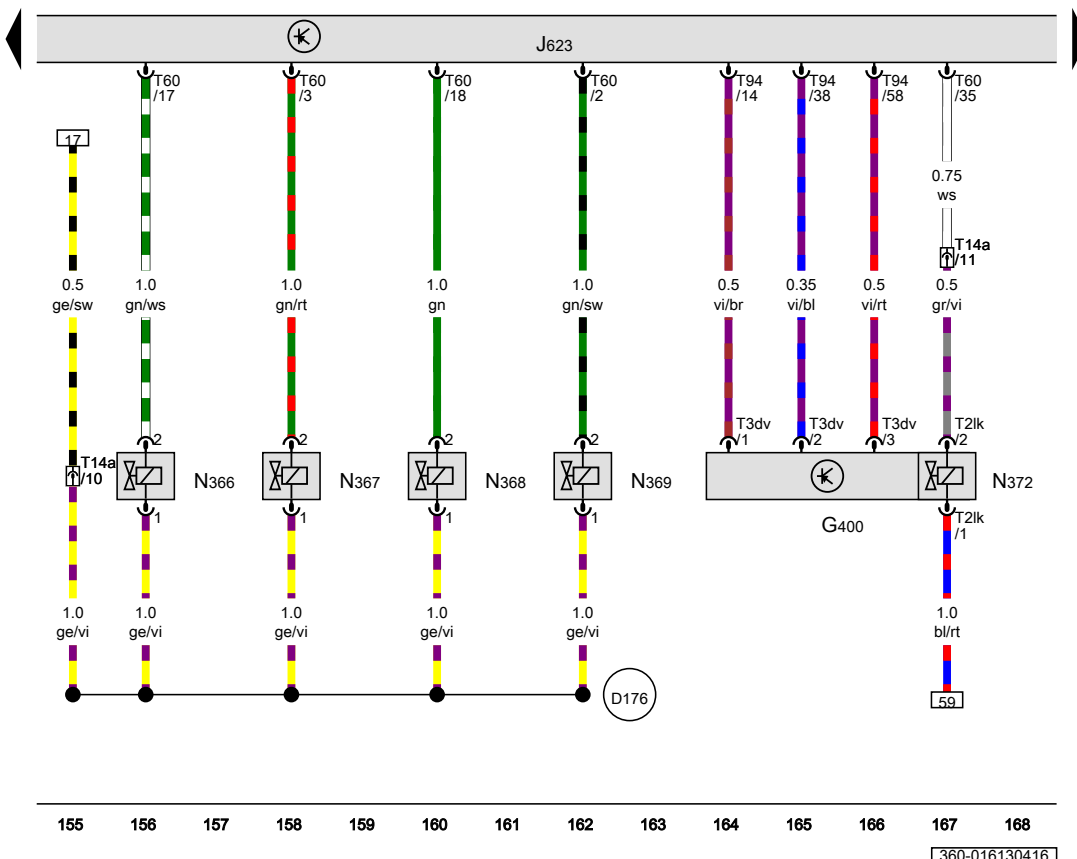
141 142 143 144 145 146 147 148 149 150 151 152 153 154

[360-016120416]

Tank pressure sensor, Engine control unit, Gas injection valve 1, Gas injection valve 2, Gas injection valve 3, Gas injection valve 4, High-pressure valve for gas mode

- G400 Tank pressure sensor
- J623 Engine control unit, central in plenum chamber
- N366 Gas injection valve 1
- N367 Gas injection valve 2
- N368 Gas injection valve 3
- N369 Gas injection valve 4
- N372 High-pressure valve for gas mode
- T21k 2-pin connector
- T3dv 3-pin connector
- T14a 14-pin connector, on left in engine compartment
- T60 60-pin connector
- T94 94-pin connector

D176 Connection (gas injector), in engine compartment wiring harness



- ws = white
- sw = black
- ro = red
- rt = red
- br = brown
- gn = green
- bl = blue
- gr = grey
- li = purple
- vi = purple
- ge = yellow
- or = orange
- rs = pink

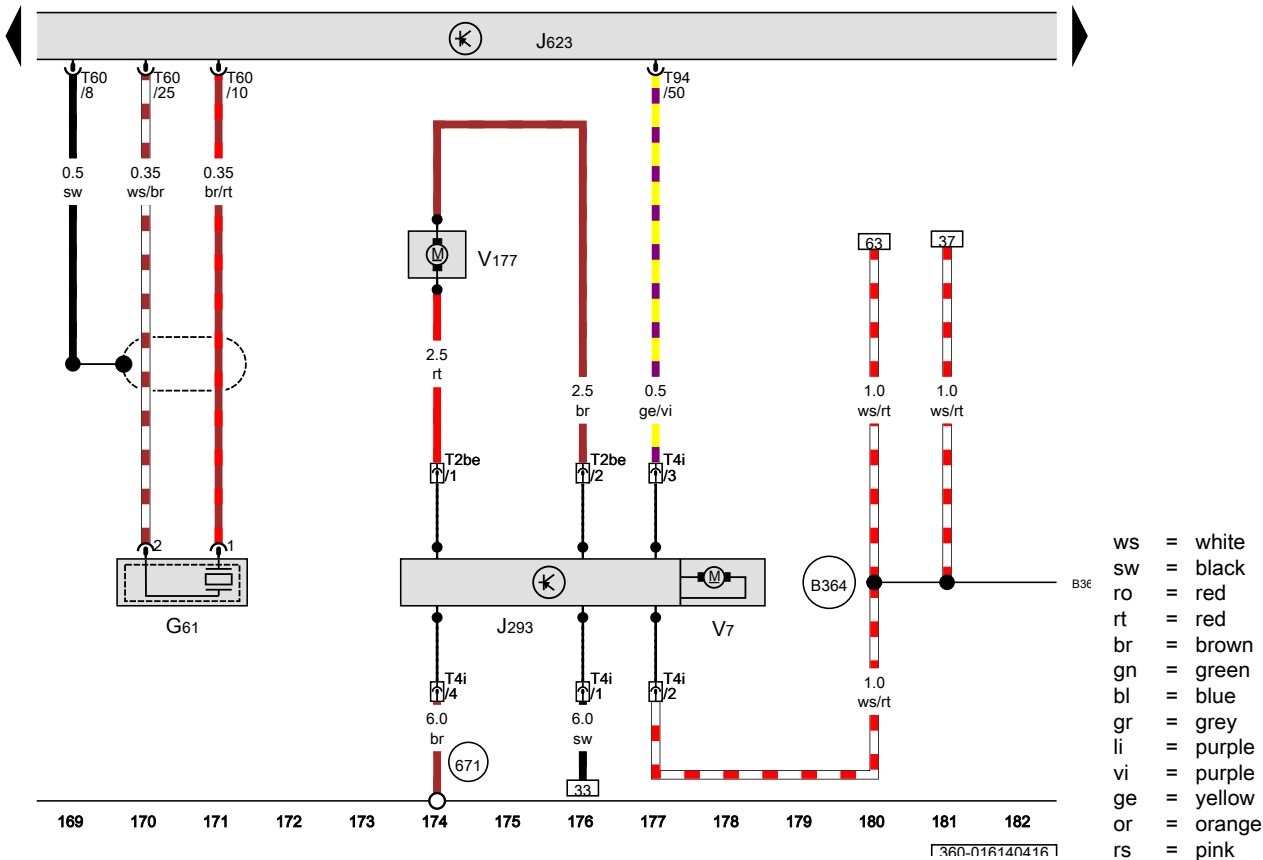
360-016130416

Knock sensor 1, Radiator fan control unit, Engine control unit, Radiator fan, Radiator fan 2

- G61 Knock sensor 1
- J293 Radiator fan control unit
- J623 Engine control unit, central in plenum chamber
- T2be 2-pin connector, on lock carrier
- T4i 4-pin connector, on lock carrier
- T60 60-pin connector
- T94 94-pin connector
- V7 Radiator fan
- V177 Radiator fan 2

671 Earth point 1, on front of left longitudinal member

B364 Positive connection 15 (87a) in main wiring harness



360-016140416

Steering column electronics control unit, Engine control unit, Charge pressure control solenoid valve, Activated charcoal filter solenoid valve 1, Camshaft control valve 1, Turbocharger air recirculation valve

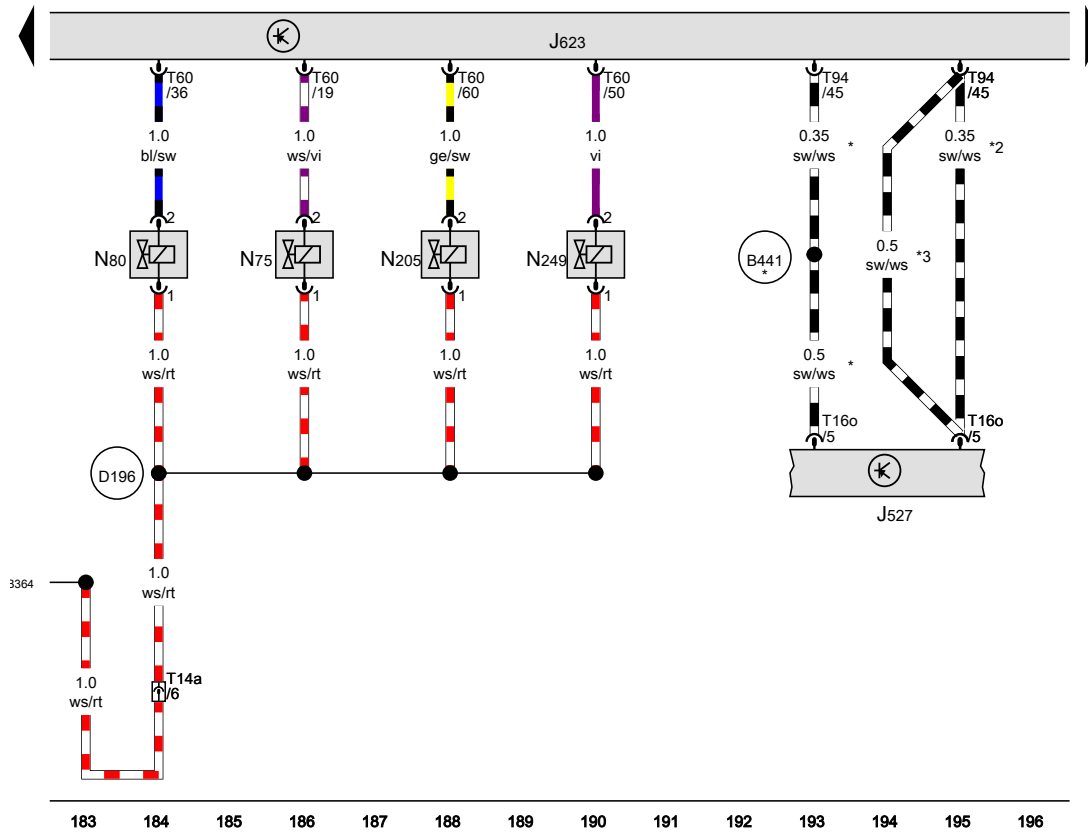
- J527 Steering column electronics control unit
- J623 Engine control unit, central in plenum chamber
- N75 Charge pressure control solenoid valve
- N80 Activated charcoal filter solenoid valve 1
- N205 Camshaft control valve 1
- N249 Turbocharger air recirculation valve
- T14a 14-pin connector
- T16o 16-pin connector
- T60 60-pin connector
- T94 94-pin connector

B364 Positive connection 15 (87a) in main wiring harness

B441 Connection (CCS), in main wiring harness

D196 Connection 2 (87a) in engine prewiring harness

- * Only models with adaptive cruise control (ACC)
- *2 Speed signal
- *3 gradual introduction



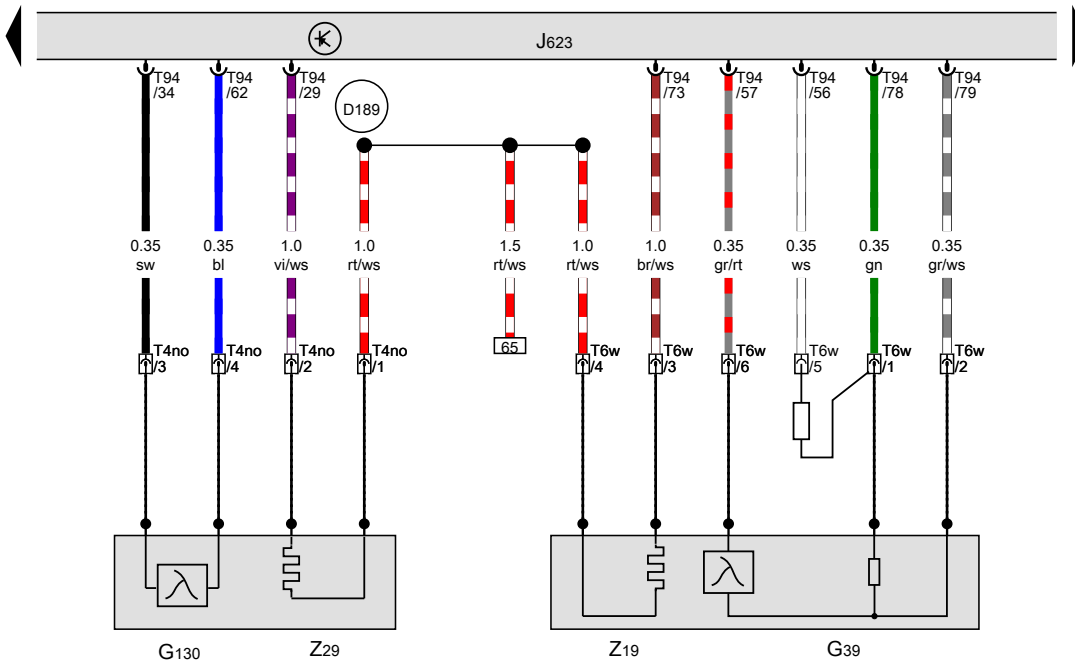
- ws = white
- sw = black
- ro = red
- rt = red
- br = brown
- gn = green
- bl = blue
- gr = grey
- li = purple
- vi = purple
- ge = yellow
- or = orange
- rs = pink

360-016150416

Lambda probe, Lambda probe after catalytic converter, Engine control unit, Lambda probe heater, Lambda probe 1 heater after catalytic converter

- G39 Lambda probe
- G130 Lambda probe after catalytic converter
- J623 Engine control unit, central in plenum chamber
- T4no 4-pin connector
- T6w 6-pin connector
- T94 94-pin connector
- Z19 Lambda probe heater
- Z29 Lambda probe 1 heater after catalytic converter

D189 Connection (87a) in engine prewiring harness

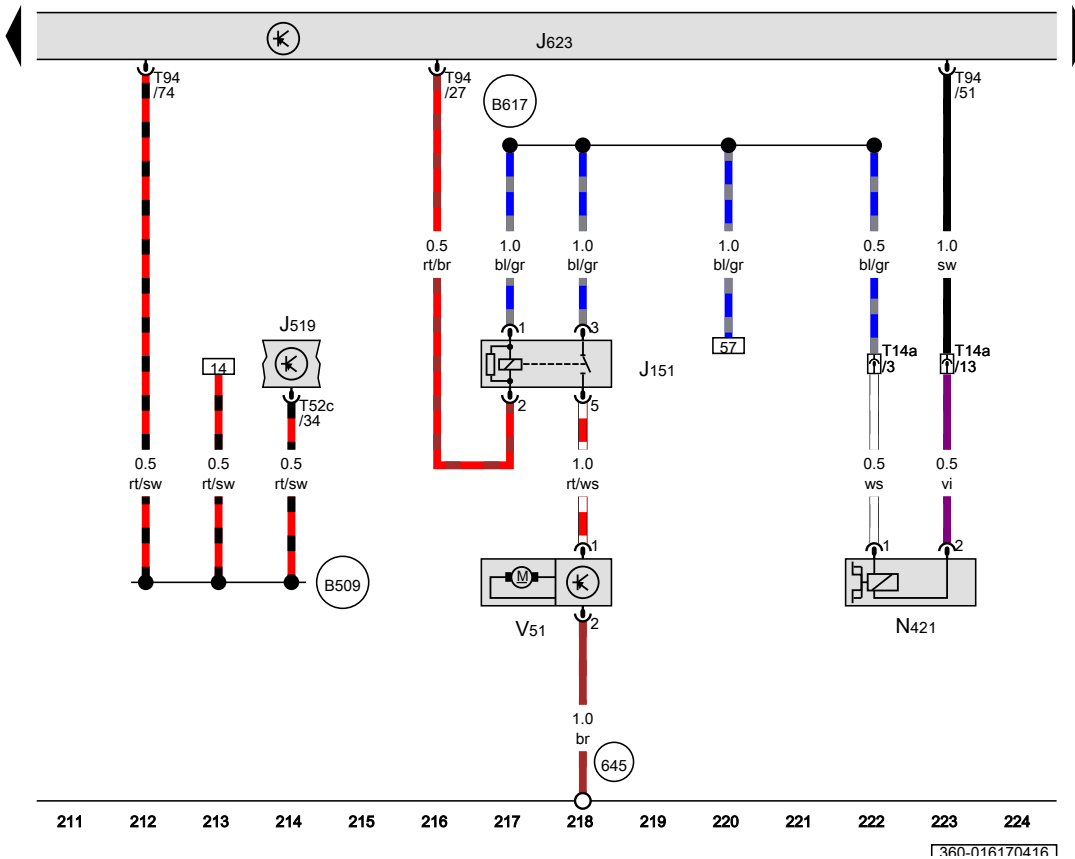


- ws = white
- sw = black
- ro = red
- rt = red
- br = brown
- gn = green
- bl = blue
- gr = grey
- li = purple
- vi = purple
- ge = yellow
- or = orange
- rs = pink

Continued coolant circulation relay, Onboard supply control unit, Engine control unit, Magnetic clutch for supercharger, Continued coolant circulation pump

- J151 Continued coolant circulation relay
- J519 Onboard supply control unit
- J623 Engine control unit, central in plenum chamber
- N421 Magnetic clutch for supercharger
- T14a 14-pin connector, on left in engine compartment
- T52c 52-pin connector
- T94 94-pin connector
- V51 Continued coolant circulation pump

- 645 Earth point 1, on bulkhead
- B509 Connection 3 (diagnosis), in main wiring harness
- B617 Positive connection 5 (87a), in interior wiring harness

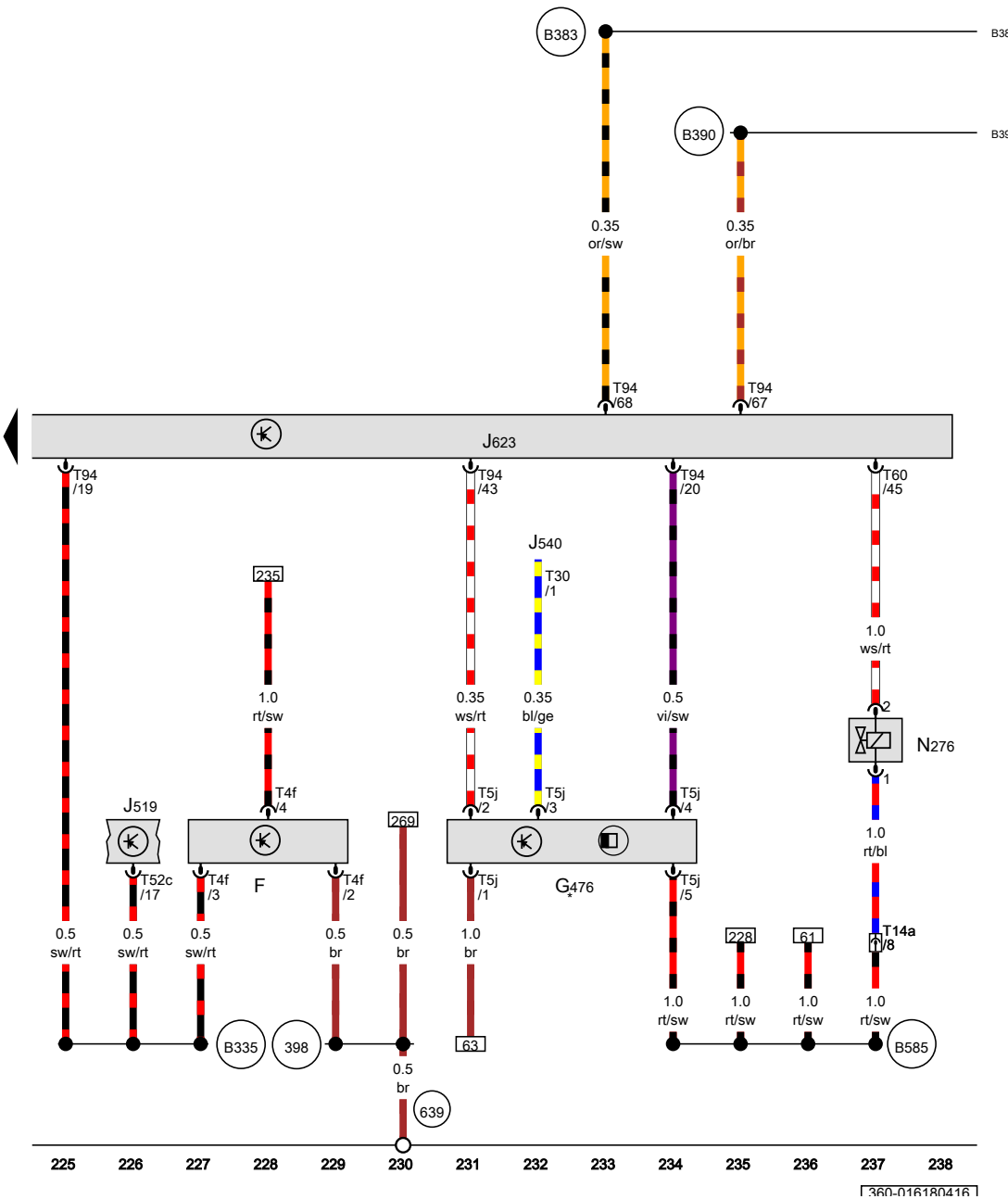


- ws = white
- sw = black
- ro = red
- rt = red
- br = brown
- gn = green
- bl = blue
- gr = grey
- li = purple
- vi = purple
- ge = yellow
- or = orange
- rs = pink

Brake light switch, Clutch position sender, Engine control unit, Fuel pressure regulating valve

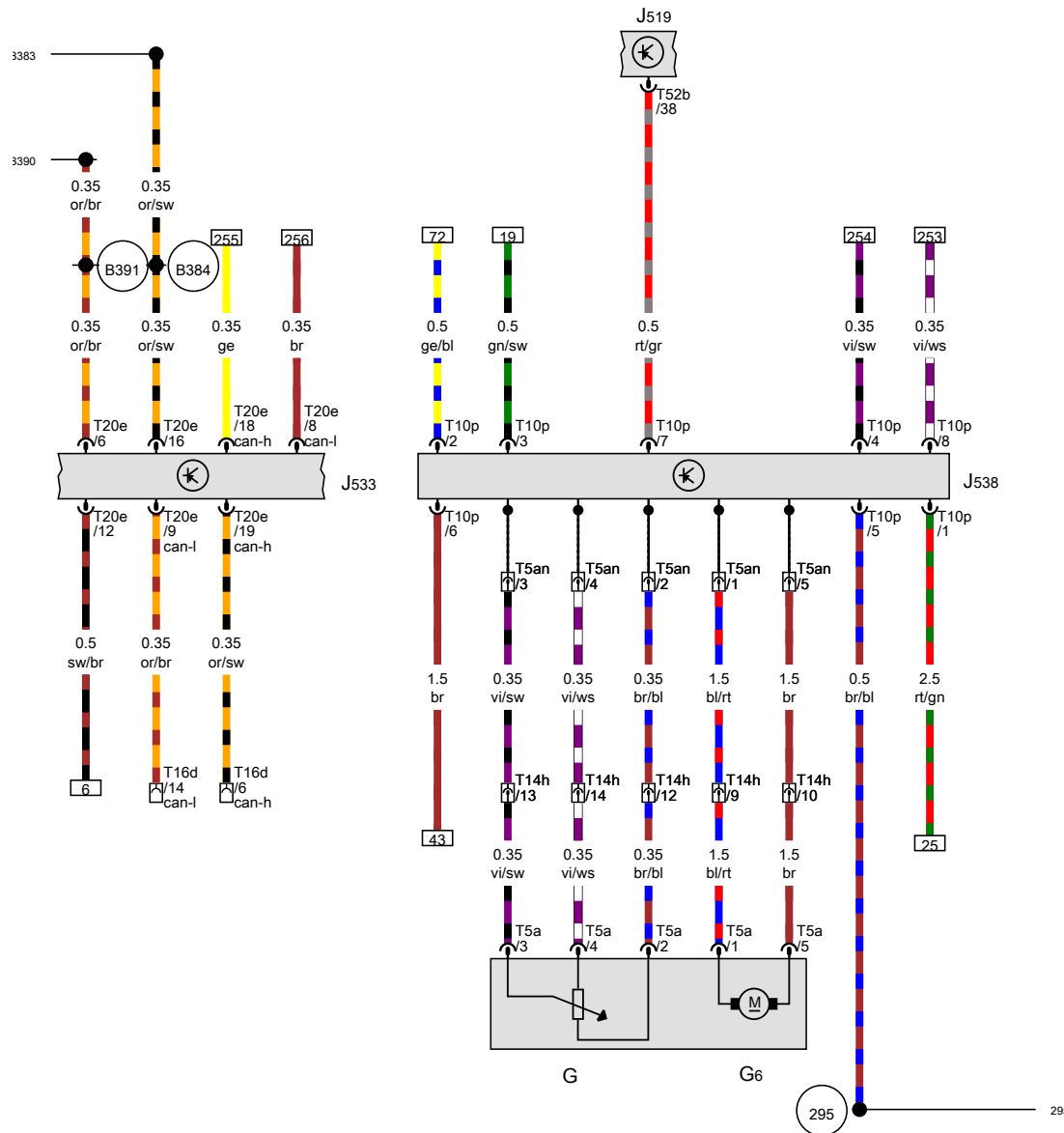
- F Brake light switch
- G476 Clutch position sender
- J519 Onboard supply control unit
- J540 Control unit for electromechanical parking brake
- J623 Engine control unit, central in plenum chamber
- N276 Fuel pressure regulating valve
- T4f 4-pin connector
- T5j 5-pin connector
- T14a 14-pin connector, on left in engine compartment
- T30 30-pin connector
- T52c 52-pin connector
- T60 60-pin connector
- T94 94-pin connector

- 398 Earth connection 33, in main wiring harness
- 639 Earth point, left A-pillar
- B335 Connection 1 (54), in main wiring harness
- B383 Connection 1 (powertrain CAN bus, high), in main wiring harness
- B390 Connection 1 (powertrain CAN bus, low), in main wiring harness
- B585 Positive connection 2 (87a), in interior wiring harness
- * Only models with manual gearbox



- ws = white
- sw = black
- ro = red
- rt = red
- br = brown
- gn = green
- bl = blue
- gr = grey
- li = purple
- vi = purple
- ge = yellow
- or = orange
- rs = pink

1360-016180416



Fuel gauge sender, Fuel system pressurisation pump, Onboard supply control unit, Data bus diagnostic interface, Fuel pump control unit

- G Fuel gauge sender
- G6 Fuel system pressurisation pump
- J519 Onboard supply control unit
- J533 Data bus diagnostic interface
- J538 Fuel pump control unit
- T5a 5-pin connector
- T5an 5-pin connector
- T10p 10-pin connector
- T14h 14-pin connector
- T16d 16-pin connector, on diagnostic connection
- T20e 20-pin connector
- T52b 52-pin connector

- 295 Earth connection 10, in interior wiring harness
- B383 Connection 1 (powertrain CAN bus, high), in main wiring harness
- B384 Connection 2 (powertrain CAN bus, high), in main wiring harness
- B390 Connection 1 (powertrain CAN bus, low), in main wiring harness
- B391 Connection 2 (powertrain CAN bus, low), in main wiring harness

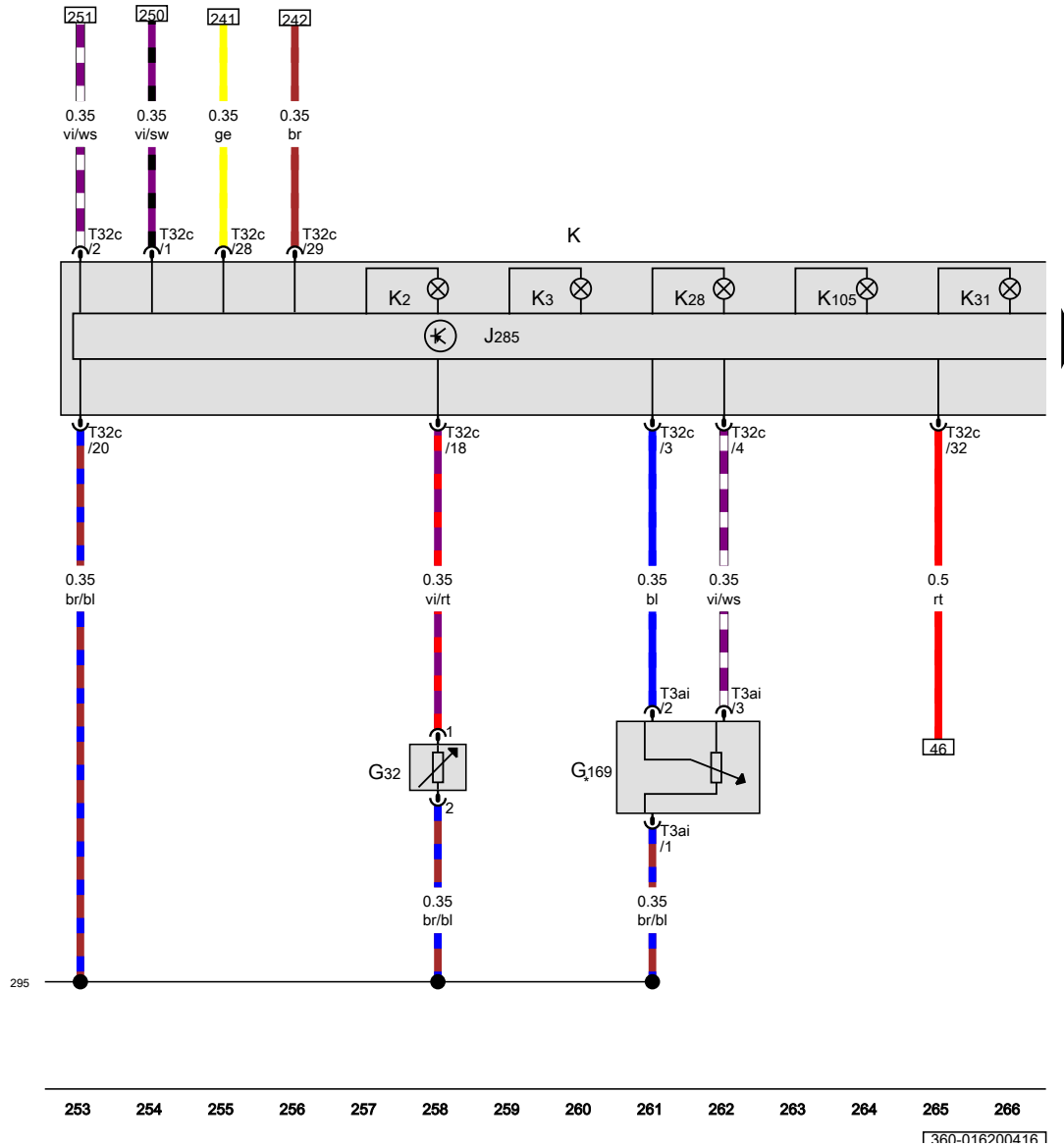
- ws = white
- sw = black
- ro = red
- rt = red
- br = brown
- gn = green
- bl = blue
- gr = grey
- li = purple
- vi = purple
- ge = yellow
- or = orange
- rs = pink

Coolant shortage indicator sender, Fuel gauge sender 2, Control unit in dash panel insert, Dash panel insert, Alternator warning lamp, Oil pressure warning lamp, Coolant temperature and coolant shortage warning lamp, Cruise control system warning lamp, Reserve fuel warning lamp

- G32 Coolant shortage indicator sender
- G169 Fuel gauge sender 2
- J285 Control unit in dash panel insert
- K Dash panel insert
- K2 Alternator warning lamp
- K3 Oil pressure warning lamp
- K28 Coolant temperature and coolant shortage warning lamp
- K31 Cruise control system warning lamp
- K105 Reserve fuel warning lamp
- T3ai 3-pin connector
- T32c 32-pin connector

295 Earth connection 10, in interior wiring harness

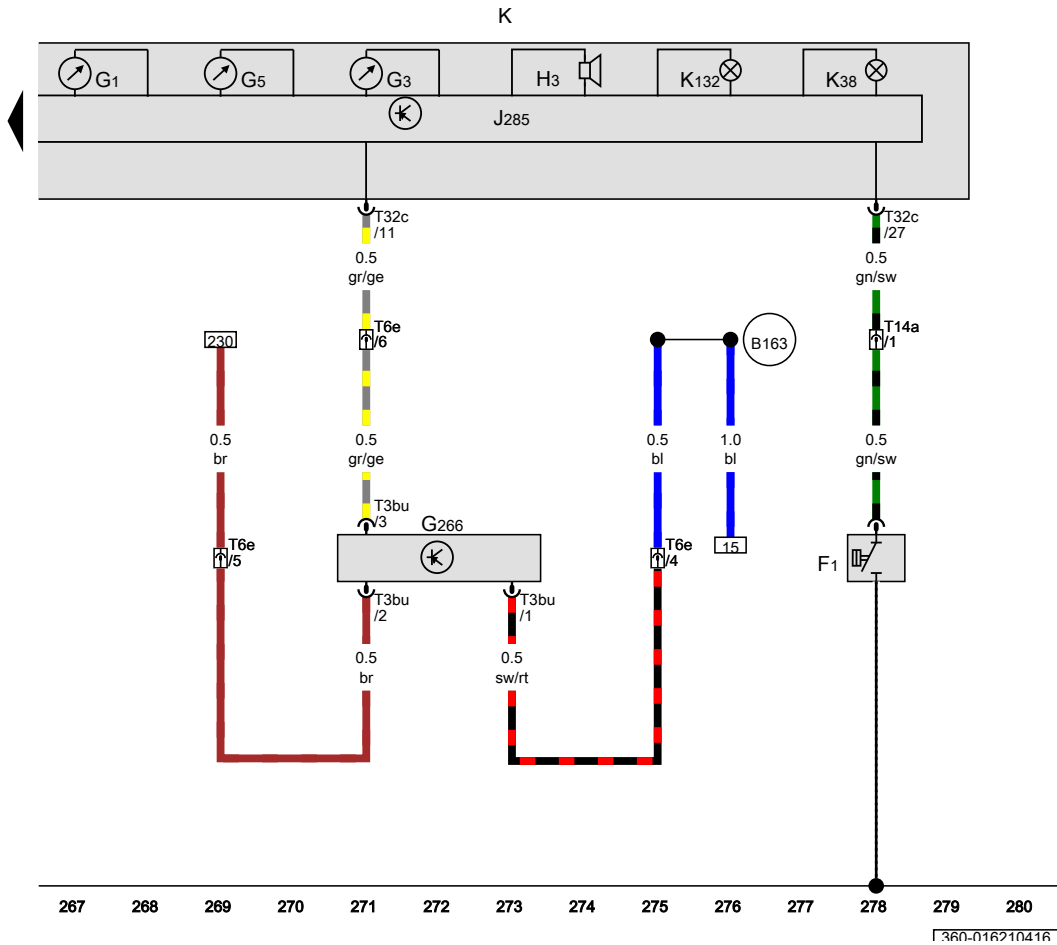
* Only models with all-wheel drive



1360-016200416

Oil pressure switch, Fuel gauge, Coolant temperature gauge, Rev. counter, Oil level and oil temperature sender, Buzzer and gong, Control unit in dash panel insert, Dash panel insert, Oil level warning lamp, Electronic power control fault lamp

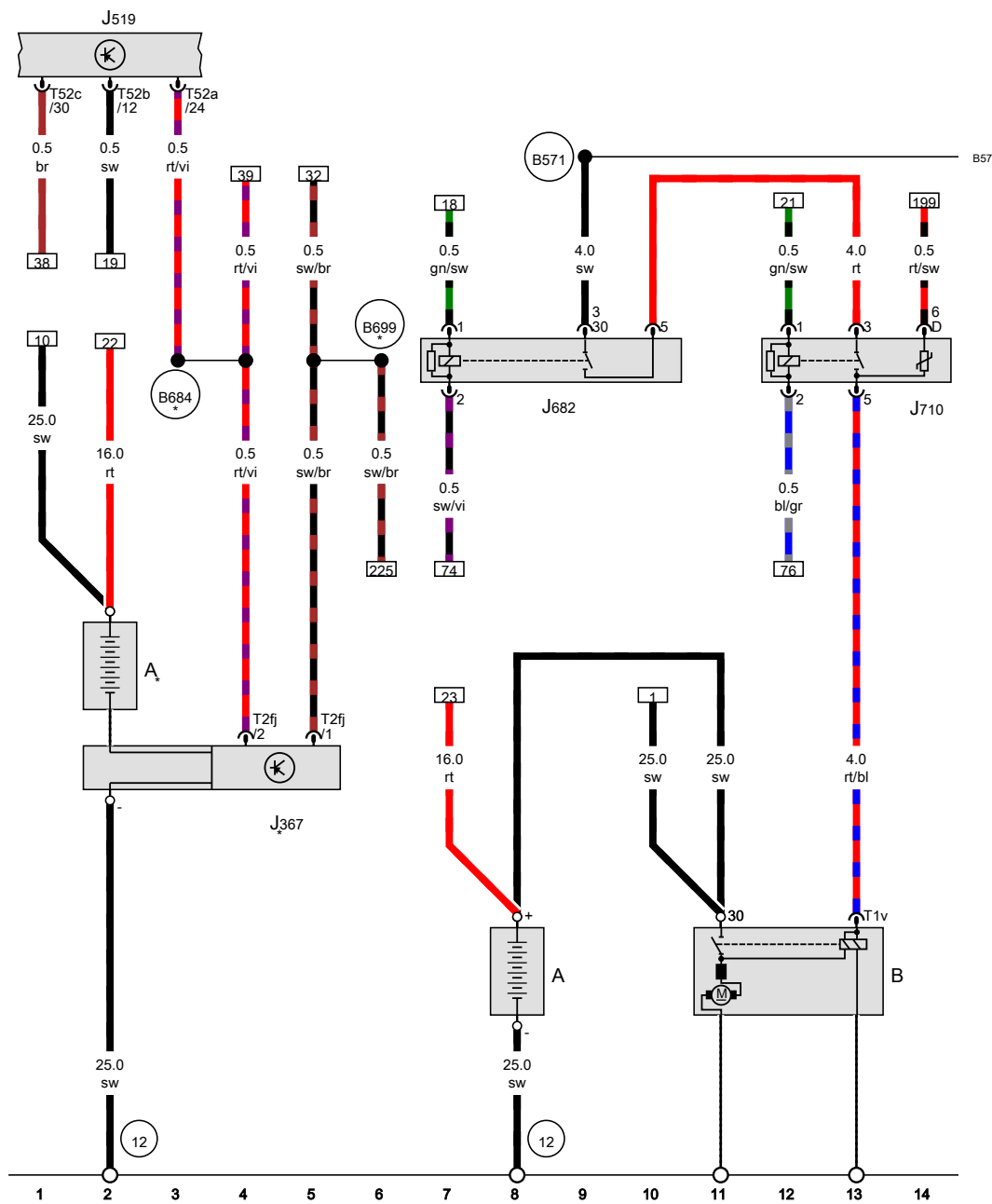
- F1 Oil pressure switch
- G1 Fuel gauge
- G3 Coolant temperature gauge
- G5 Rev. counter
- G266 Oil level and oil temperature sender
- H3 Buzzer and gong
- J285 Control unit in dash panel insert
- K Dash panel insert
- K38 Oil level warning lamp
- K132 Electronic power control fault lamp
- T3bu 3-pin connector
- T6e 6-pin connector
- T14a 14-pin connector, on left in engine compartment
- T32c 32-pin connector
- B163** Positive connection 1 (15), in interior wiring harness



1.4l petrol engine , CKMA,CTHD

From November 2010

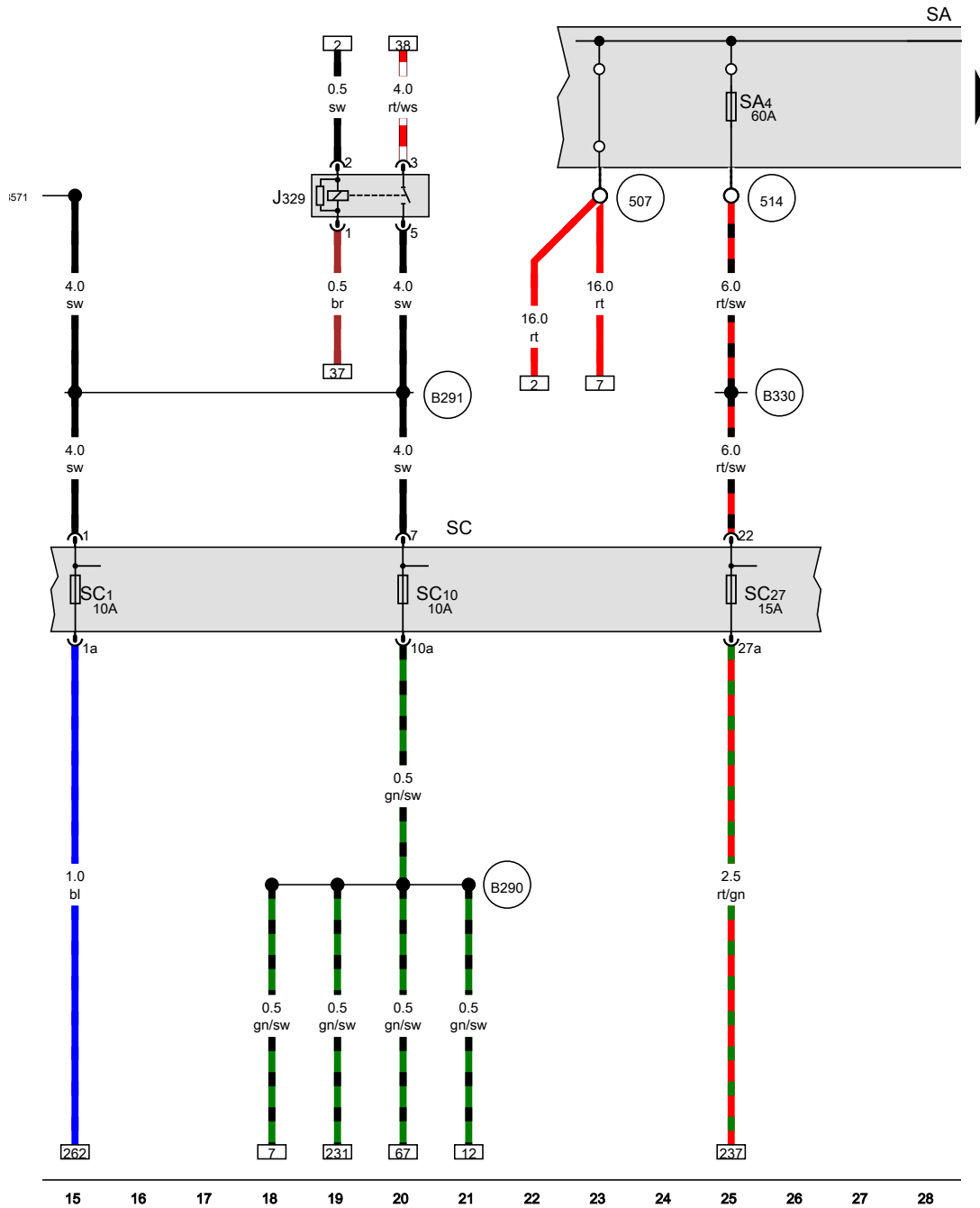
Battery, Starter, Battery monitor control unit, Onboard supply control unit, Terminal 50 voltage supply relay, Voltage supply relay 2



- A Battery
- B Starter
- J367 Battery monitor control unit
- J519 Onboard supply control unit
- J682 Terminal 50 voltage supply relay
- J710 Voltage supply relay 2
- T1ac Single connector
- T1v Single connector
- T2fj 2-pin connector
- T52a 52-pin connector
- T52b 52-pin connector
- T52c 52-pin connector
- 12 Earth point, on left in engine compartment
- B571 Connection 38, in main wiring harness
- B684 Positive connection 24 (30a) in main wiring harness
- B699 Connection 4 (LIN bus) in main wiring harness
- * Only models with energy recovery

- ws = white
- sw = black
- ro = red
- rt = red
- br = brown
- gn = green
- bl = blue
- gr = grey
- li = purple
- vi = purple
- ge = yellow
- or = orange
- rs = pink

1360-017020416



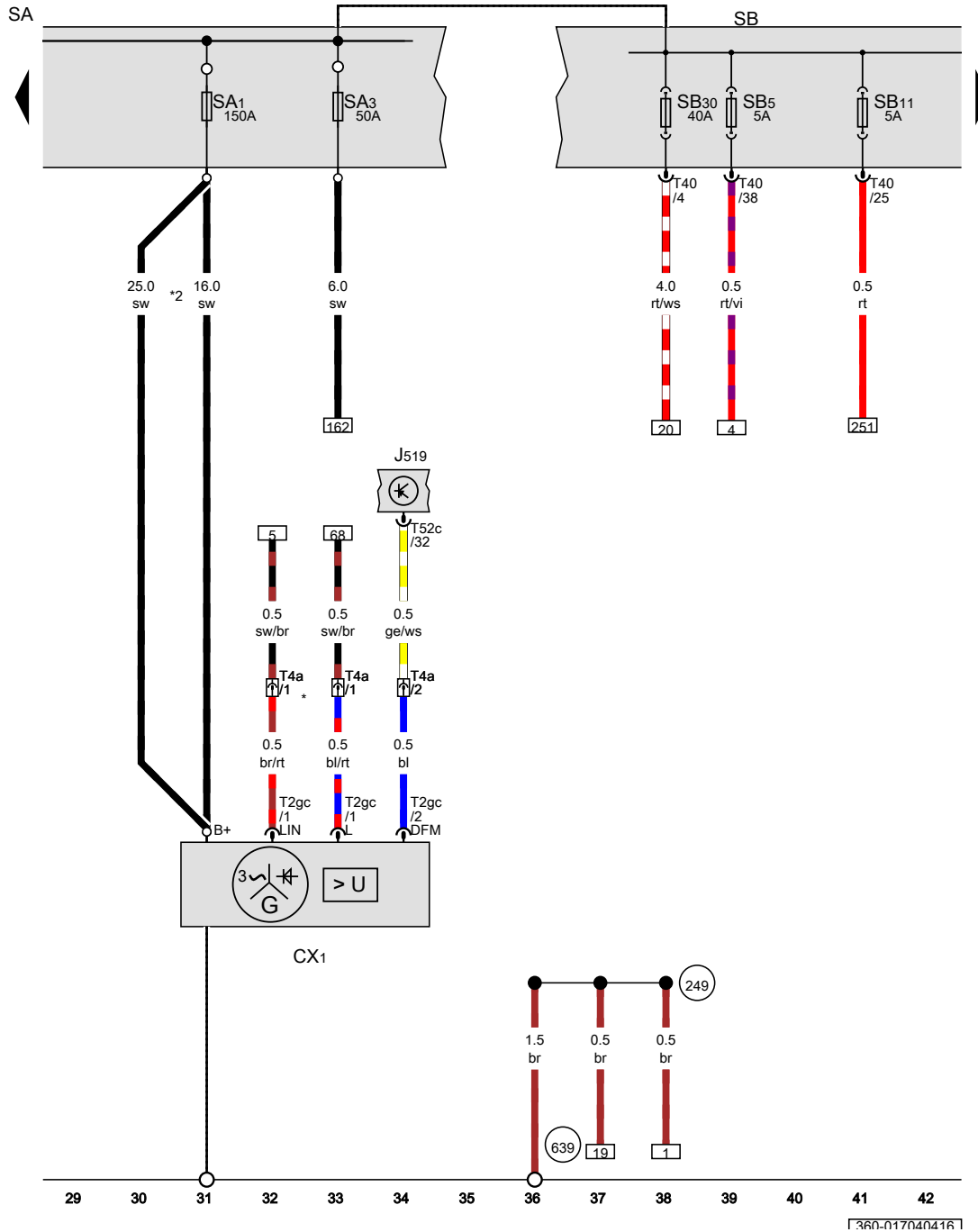
Terminal 15 voltage supply relay, Fuse holder A, Fuse holder C

- J329 Terminal 15 voltage supply relay
- SA Fuse holder A
- SC1 Fuse 1 on fuse holder C
- SA4 Fuse 4 in fuse holder A
- SC Fuse holder C
- SC10 Fuse 10 on fuse holder C
- SC27 Fuse 27 on fuse holder C

- 507 Threaded connection (30), on battery fuse holder
- 514 Threaded connection 4 (30a) on relay plate
- B290 Positive connection 14 (15a) in main wiring harness
- B291 Positive connection 15 (15a) in main wiring harness
- B330 Positive connection 16 (30a) in main wiring harness
- B571 Connection 38, in main wiring harness

- ws = white
- sw = black
- ro = red
- rt = red
- br = brown
- gn = green
- bl = blue
- gr = grey
- li = purple
- vi = purple
- ge = yellow
- or = orange
- rs = pink

1360-017030416 1

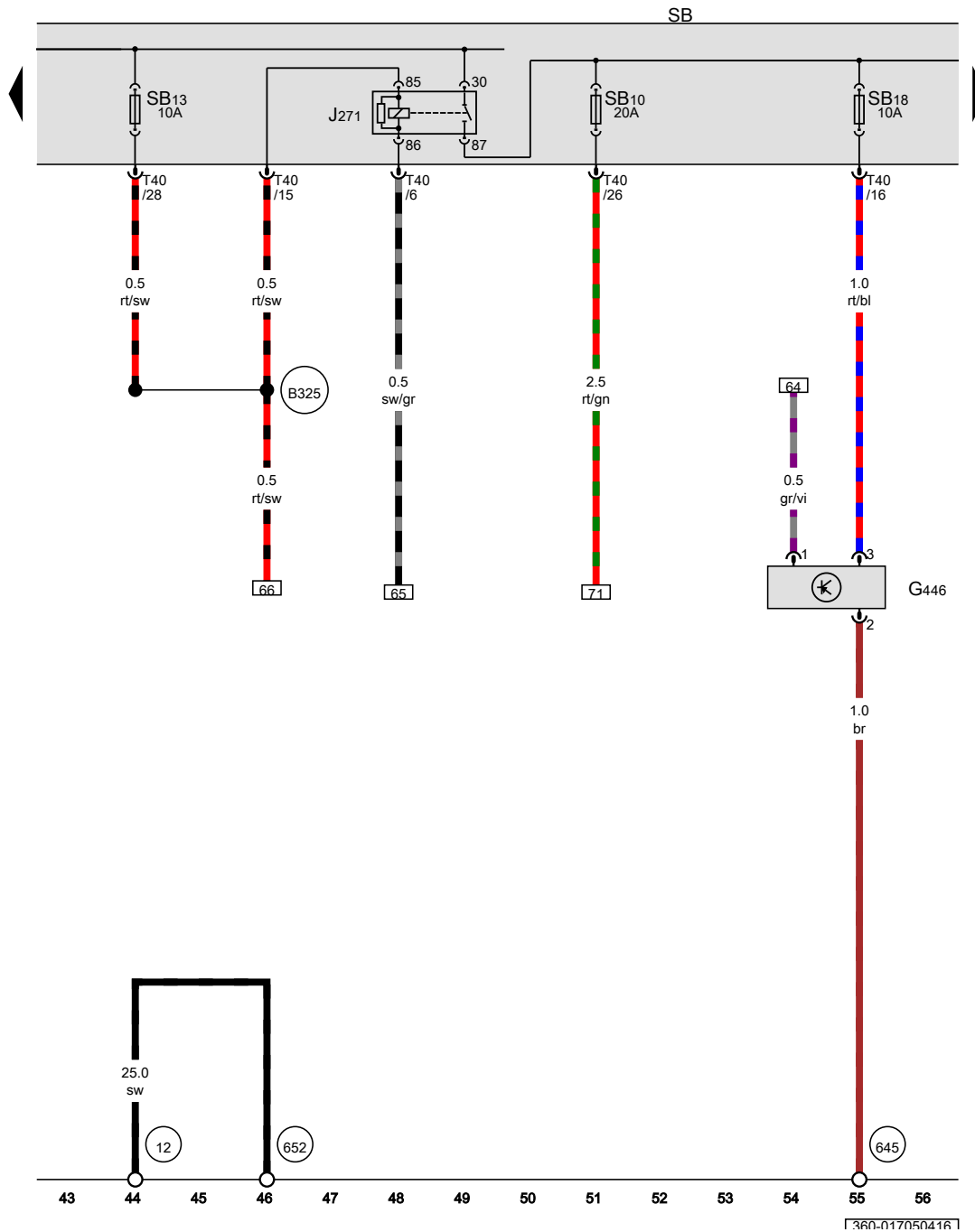


Alternator with voltage regulator, Fuse holder A, Fuse holder B

- CX1 Alternator with voltage regulator
- J519 Onboard supply control unit
- SA Fuse holder A
- SA1 Fuse 1 in fuse holder A
- SA3 Fuse 3 in fuse holder A
- SB Fuse holder B
- SB5 Fuse 5 on fuse holder B
- SB11 Fuse 11 on fuse holder B
- SB30 Fuse 30 on fuse holder B
- T2gc 2-pin connector
- T4a 4-pin connector, near starter
- T40 40-pin connector
- T52c 52-pin connector
- 249 Earth connection 2, in interior wiring harness
- 639 Earth point, left A-pillar
- * Only models with energy recovery
- *2 Only models with 140A alternator

- ws = white
- sw = black
- ro = red
- rt = red
- br = brown
- gn = green
- bl = blue
- gr = grey
- li = purple
- vi = purple
- ge = yellow
- or = orange
- rs = pink

1360-017040416

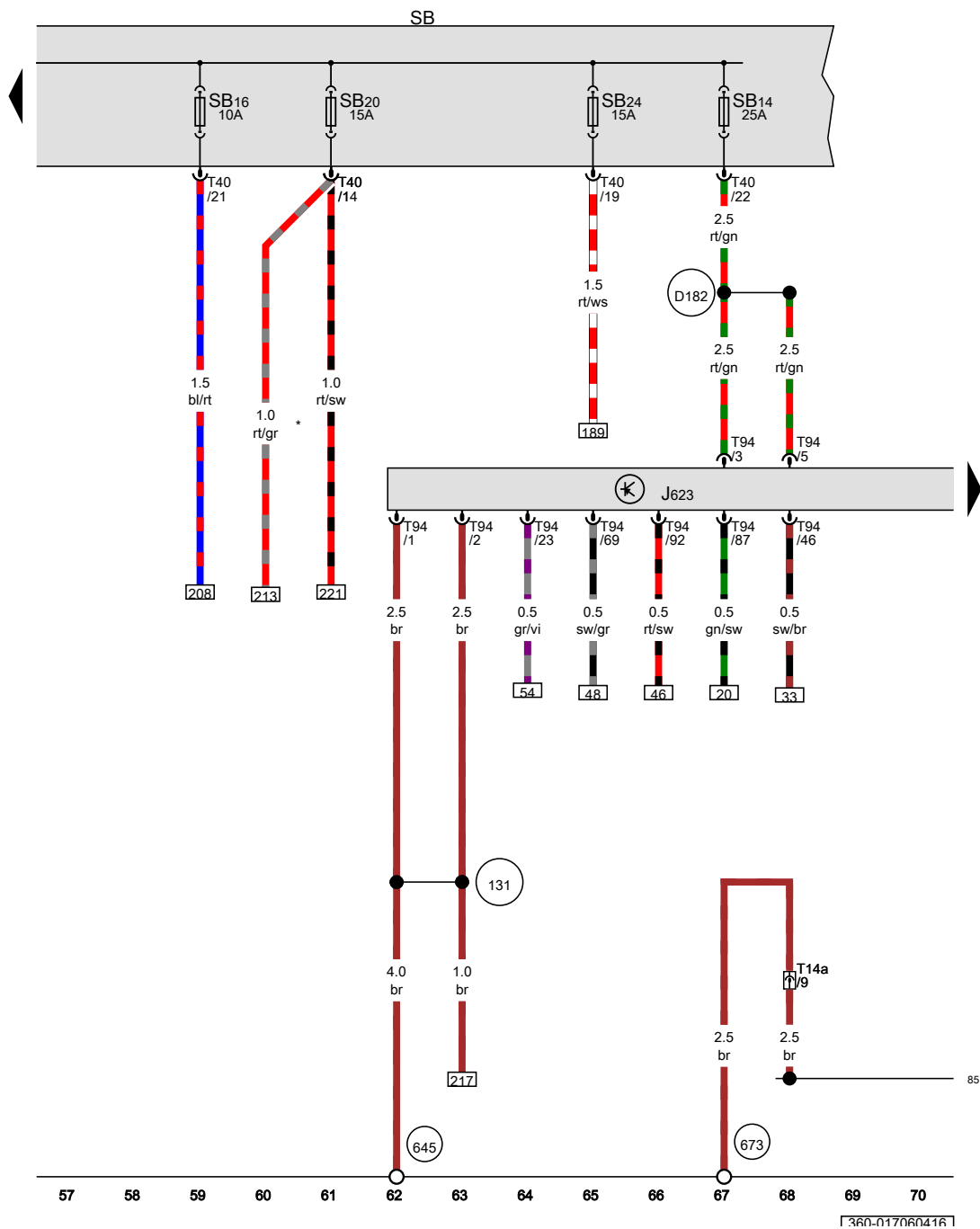


Fuel quality sender, Main relay, Fuse holder B

- G446 Fuel quality sender
- J271 Main relay
- SB Fuse holder B
- SB10 Fuse 10 on fuse holder B
- SB13 Fuse 13 on fuse holder B
- SB18 Fuse 18 on fuse holder B
- T40 40-pin connector
- 12 Earth point, on left in engine compartment
- 645 Earth point 1, on bulkhead
- 652 Earth point, engine and gearbox earth
- B325 Positive connection 11 (30a) in main wiring harness

- ws = white
- sw = black
- ro = red
- rt = red
- br = brown
- gn = green
- bl = blue
- gr = grey
- li = purple
- vi = purple
- ge = yellow
- or = orange
- rs = pink

360-017050416



Engine control unit, Fuse holder B

- J623 Engine control unit, central in plenum chamber
- SB Fuse holder B
- SB14 Fuse 14 on fuse holder B
- SB16 Fuse 16 on fuse holder B
- SB20 Fuse 20 on fuse holder B
- SB24 Fuse 24 on fuse holder B
- T14a 14-pin connector
- T40 40-pin connector
- T94 94-pin connector

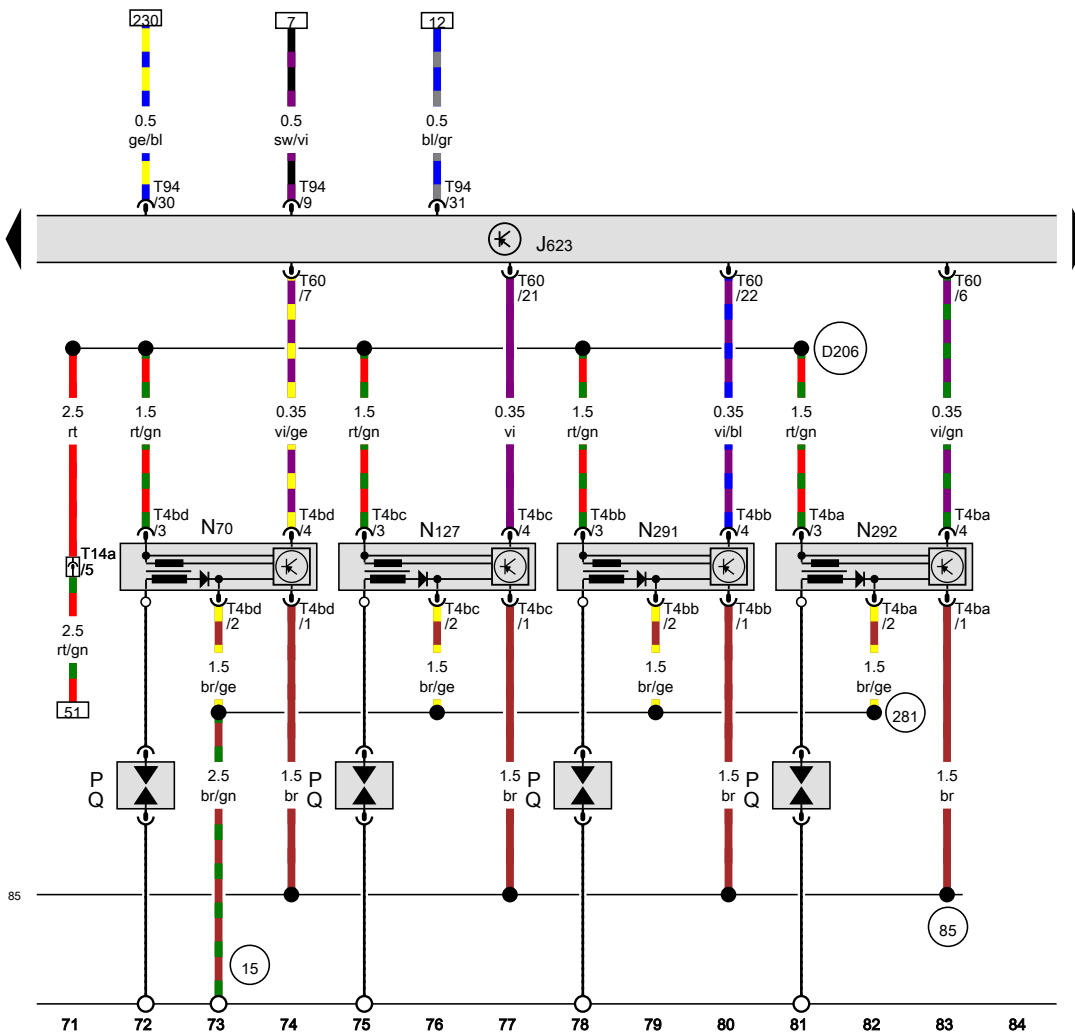
- (85) Earth connection 1, in engine compartment wiring harness
- (131) Earth connection 2, in engine compartment wiring harness
- (645) Earth point 1, on bulkhead
- (673) Earth point 3, on front of left longitudinal member
- (D182) Connection 3 (87a), in engine compartment wiring harness
- * Only models with dual clutch gearbox (DSG)

- ws = white
- sw = black
- ro = red
- rt = red
- br = brown
- gn = green
- bl = blue
- gr = grey
- li = purple
- vi = purple
- ge = yellow
- or = orange
- rs = pink

1360-017060416

Engine control unit, Ignition coil 1 with output stage, Ignition coil 2 with output stage, Ignition coil 3 with output stage, Ignition coil 4 with output stage, Spark plug connector, Spark plugs

- J623 Engine control unit, central in plenum chamber
- N70 Ignition coil 1 with output stage
- N127 Ignition coil 2 with output stage
- N291 Ignition coil 3 with output stage
- N292 Ignition coil 4 with output stage
- P Spark plug connector
- Q Spark plugs
- T4ba 4-pin connector
- T4bb 4-pin connector
- T4bc 4-pin connector
- T4bd 4-pin connector
- T14a 14-pin connector
- T60 60-pin connector
- T94 94-pin connector



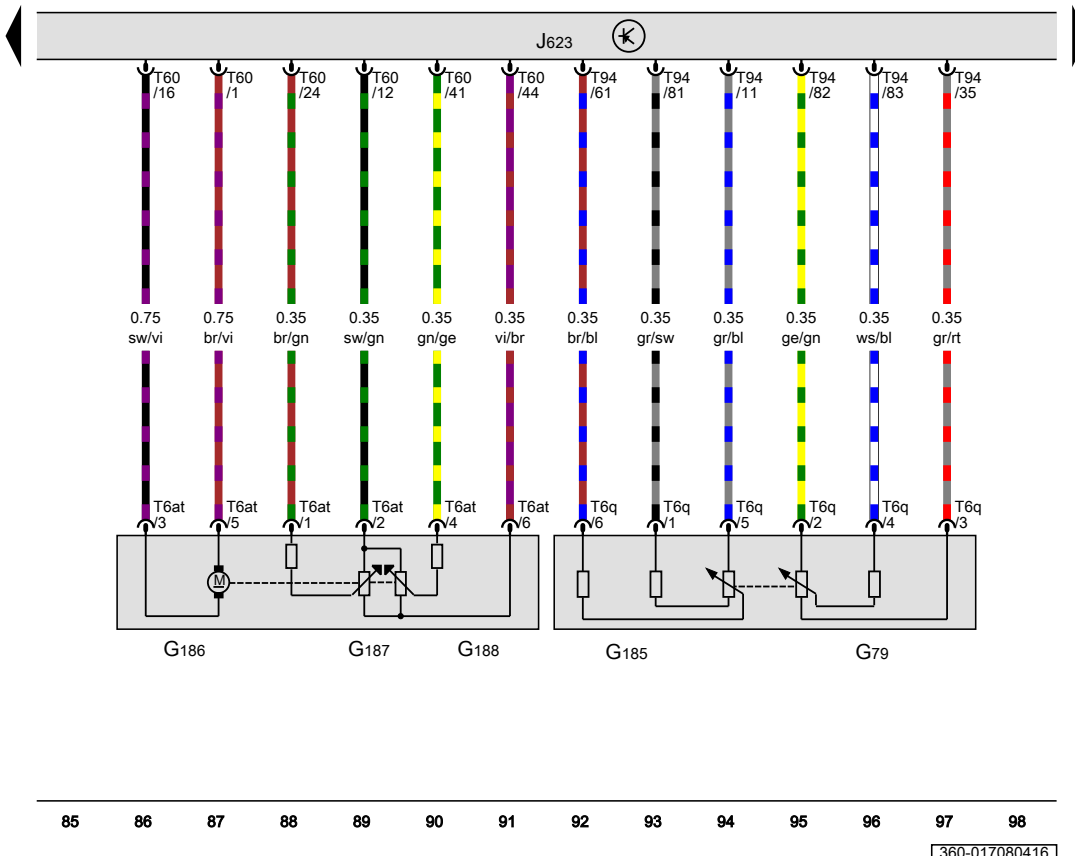
- 15 Earth point, on cylinder head
- 85 Earth connection 1, in engine compartment wiring harness
- 281 Earth point 1, engine prewiring harness
- D206 Connection 4 (87a) in engine prewiring harness

- ws = white
- sw = black
- ro = red
- rt = red
- br = brown
- gn = green
- bl = blue
- gr = grey
- li = purple
- vi = purple
- ge = yellow
- or = orange
- rs = pink

1360-017070416

Accelerator position sender, Accelerator position sender 2, Throttle valve drive for electric throttle, Throttle valve drive angle sender 1 for electric throttle, Throttle valve drive angle sender 2 for electric throttle, Engine control unit

- G79 Accelerator position sender
- G185 Accelerator position sender 2
- G186 Throttle valve drive for electric throttle
- G187 Throttle valve drive angle sender 1 for electric throttle
- G188 Throttle valve drive angle sender 2 for electric throttle
- J623 Engine control unit, central in plenum chamber
- T6at 6-pin connector
- T6q 6-pin connector
- T60 60-pin connector
- T94 94-pin connector



- ws = white
- sw = black
- ro = red
- rt = red
- br = brown
- gn = green
- bl = blue
- gr = grey
- li = purple
- vi = purple
- ge = yellow
- or = orange
- rs = pink

85 86 87 88 89 90 91 92 93 94 95 96 97 98

1360-017080416

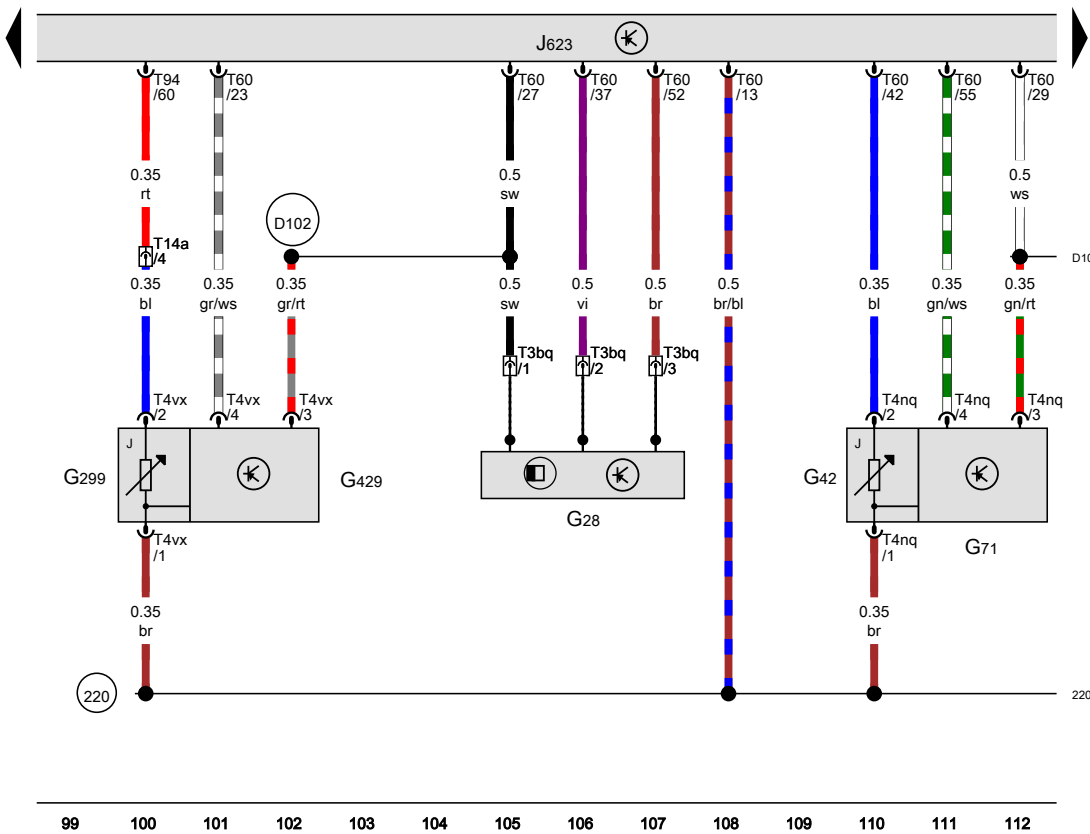
Engine speed sender, Intake air temperature sender, Intake manifold pressure sender, Intake air temperature sender 2, Intake manifold pressure sender 2, Engine control unit

- G28 Engine speed sender
- G42 Intake air temperature sender
- G71 Intake manifold pressure sender
- G299 Intake air temperature sender 2
- G429 Intake manifold pressure sender 2
- J623 Engine control unit, central in plenum chamber
- T3bq 3-pin connector
- T4nq 4-pin connector
- T4vx 4-pin connector
- T14a 14-pin connector, on left in engine compartment
- T60 60-pin connector
- T94 94-pin connector

220 Earth connection (sender earth), in engine wiring harness

D101 Connection 1 in engine compartment wiring harness

D102 Connection 2 in engine compartment wiring harness





- ws = white
- sw = black
- ro = red
- rt = red
- br = brown
- gn = green
- bl = blue
- gr = grey
- li = purple
- vi = purple
- ge = yellow
- or = orange
- rs = pink

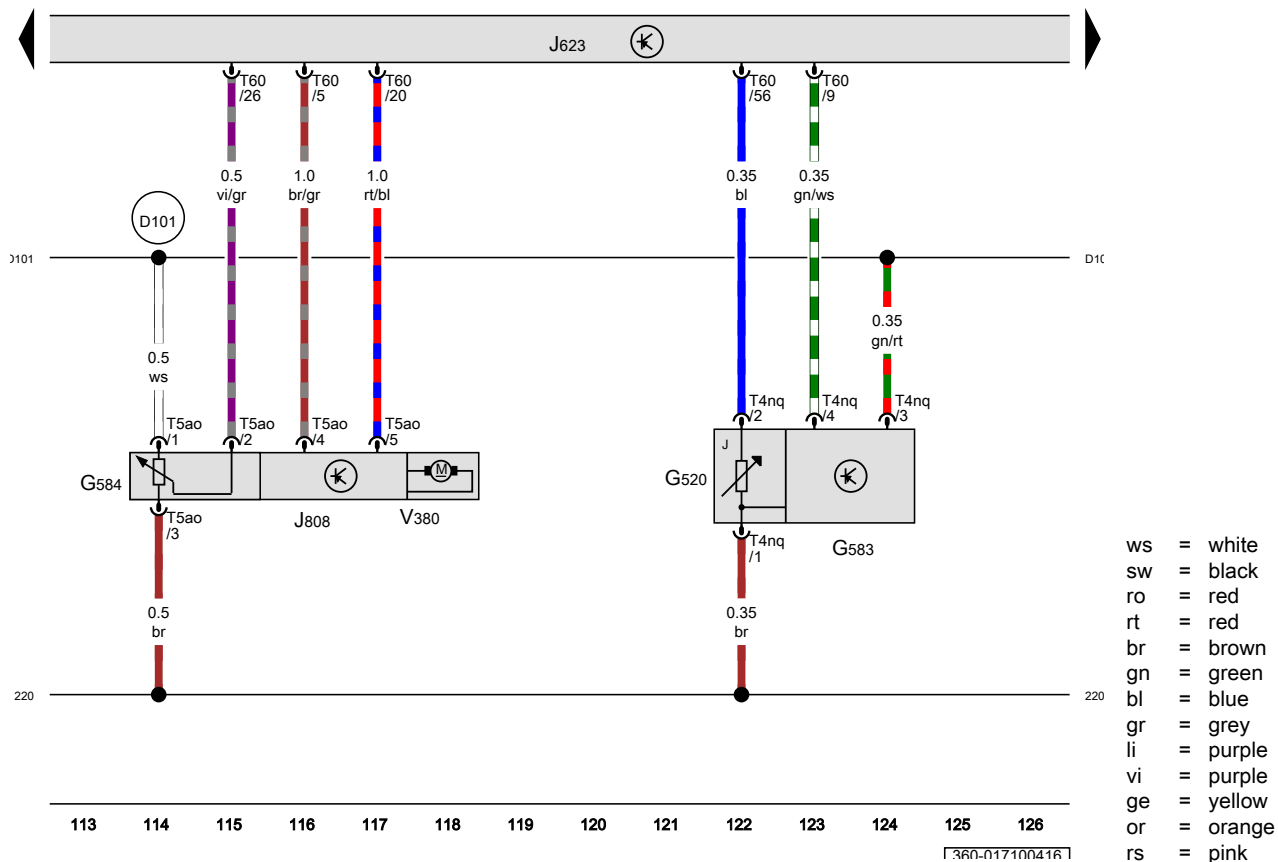
99 100 101 102 103 104 105 106 107 108 109 110 111 112

1360-017090416

Intake air temperature sender 3, Intake manifold pressure sender 3, Regulating flap potentiometer, Engine control unit, Regulating flap control unit, Regulating flap position control motor

- G520 Intake air temperature sender 3
- G583 Intake manifold pressure sender 3
- G584 Regulating flap potentiometer
- J623 Engine control unit, central in plenum chamber
- J808 Regulating flap control unit
- T4nq 4-pin connector
- T5ao 5-pin connector
- T60 60-pin connector
- V380 Regulating flap position control motor

-  220 Earth connection (sender earth), in engine wiring harness
-  D101 Connection 1 in engine compartment wiring harness



- ws = white
- sw = black
- ro = red
- rt = red
- br = brown
- gn = green
- bl = blue
- gr = grey
- li = purple
- vi = purple
- ge = yellow
- or = orange
- rs = pink

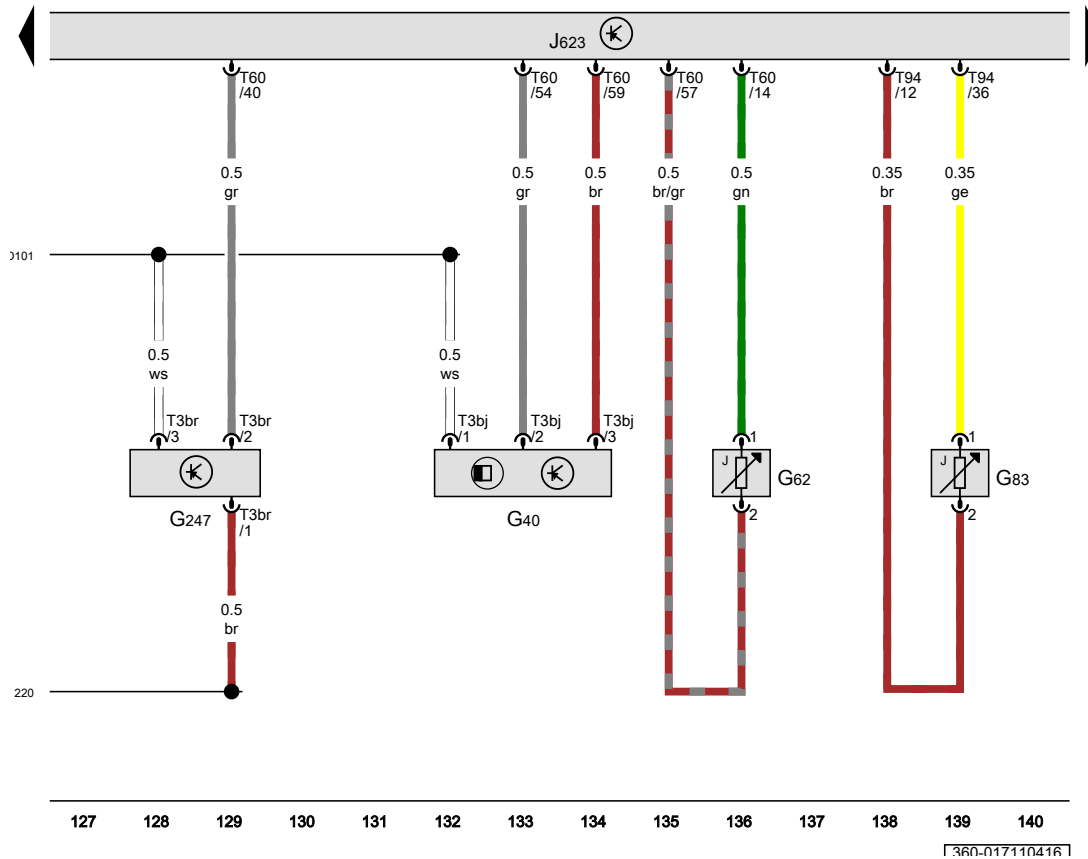
360-017100416

Hall sender, Coolant temperature sender, Radiator outlet coolant temperature sender, Fuel pressure sender, Engine control unit

- G40 Hall sender
- G62 Coolant temperature sender
- G83 Radiator outlet coolant temperature sender, black
- G247 Fuel pressure sender
- J623 Engine control unit, central in plenum chamber
- T3bj 3-pin connector
- T3br 3-pin connector
- T60 60-pin connector
- T94 94-pin connector

220 Earth connection (sender earth), in engine wiring harness

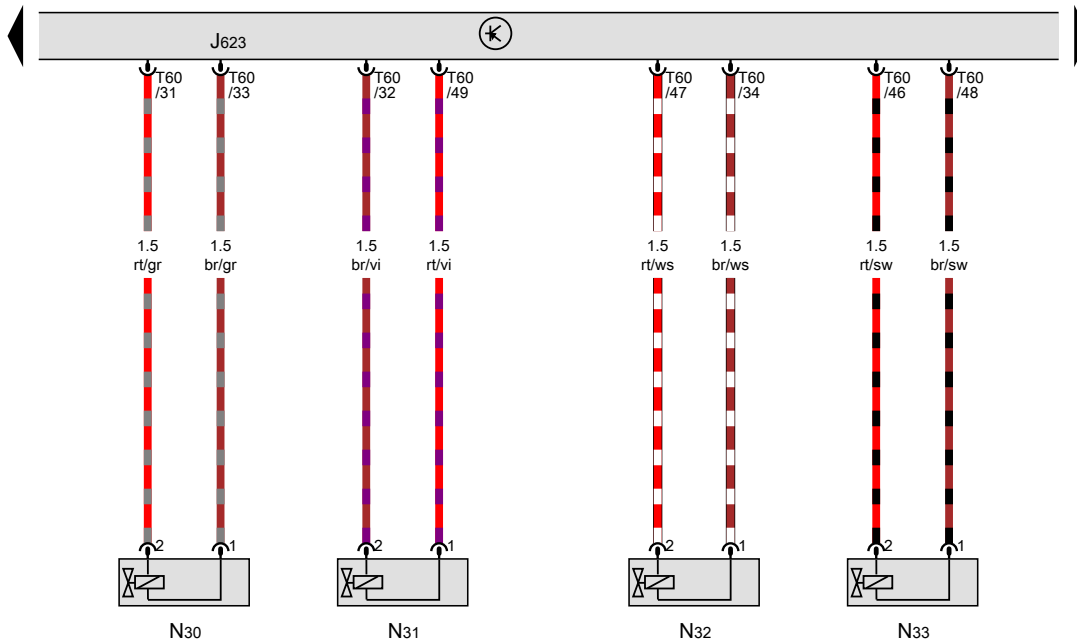
D101 Connection 1 in engine compartment wiring harness



- ws = white
- sw = black
- ro = red
- rt = red
- br = brown
- gn = green
- bl = blue
- gr = grey
- li = purple
- vi = purple
- ge = yellow
- or = orange
- rs = pink

Engine control unit, Injector, cylinder 1, Injector, cylinder 2, Injector, cylinder 3, Injector, cylinder 4

- J623 Engine control unit, central in plenum chamber
- N30 Injector, cylinder 1
- N31 Injector, cylinder 2
- N32 Injector, cylinder 3
- N33 Injector, cylinder 4
- T60 60-pin connector



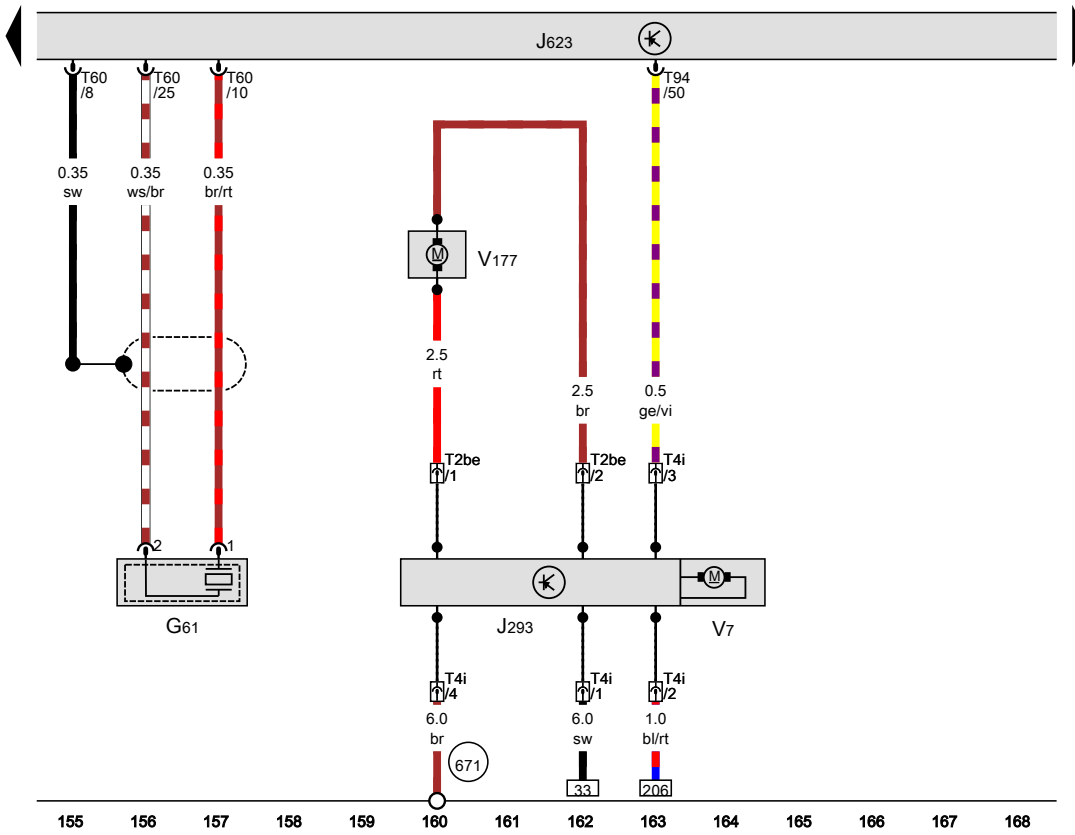
- ws = white
- sw = black
- ro = red
- rt = red
- br = brown
- gn = green
- bl = blue
- gr = grey
- li = purple
- vi = purple
- ge = yellow
- or = orange
- rs = pink

141 142 143 144 145 146 147 148 149 150 151 152 153 154

[360-017120416]

Knock sensor 1, Radiator fan control unit, Engine control unit, Radiator fan, Radiator fan 2

- G61 Knock sensor 1
- J293 Radiator fan control unit
- J623 Engine control unit, central in plenum chamber
- T2be 2-pin connector, on lock carrier
- T4i 4-pin connector, on lock carrier
- T60 60-pin connector
- T94 94-pin connector
- V7 Radiator fan
- V177 Radiator fan 2
- 671 Earth point 1, on front of left longitudinal member



- ws = white
- sw = black
- ro = red
- rt = red
- br = brown
- gn = green
- bl = blue
- gr = grey
- li = purple
- vi = purple
- ge = yellow
- or = orange
- rs = pink

360-017130416

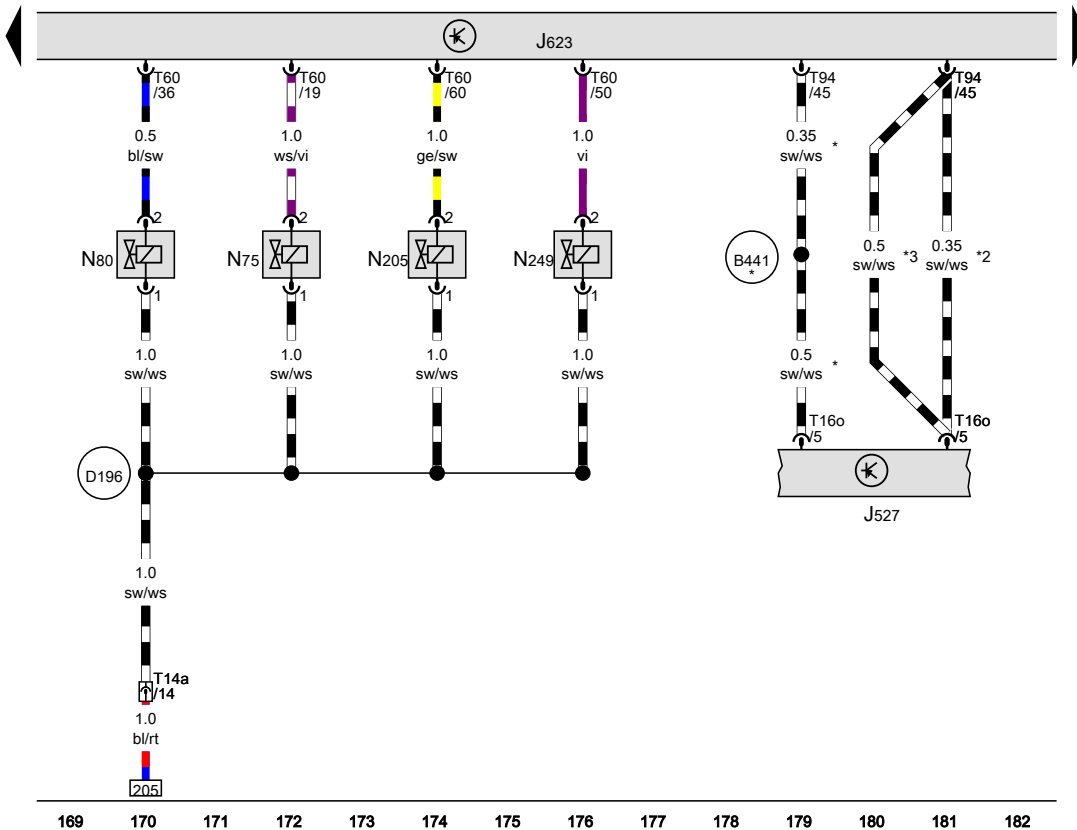
Steering column electronics control unit, Engine control unit, Charge pressure control solenoid valve, Activated charcoal filter solenoid valve 1, Camshaft control valve 1, Turbocharger air recirculation valve

- J527 Steering column electronics control unit
- J623 Engine control unit, central in plenum chamber
- N75 Charge pressure control solenoid valve
- N80 Activated charcoal filter solenoid valve 1
- N205 Camshaft control valve 1
- N249 Turbocharger air recirculation valve
- T14a 14-pin connector
- T16o 16-pin connector
- T60 60-pin connector
- T94 94-pin connector

B441 Connection (CCS), in main wiring harness

D196 Connection 2 (87a) in engine prewiring harness

- * Only models with adaptive cruise control (ACC)
- *2 Speed signal
- *3 gradual introduction



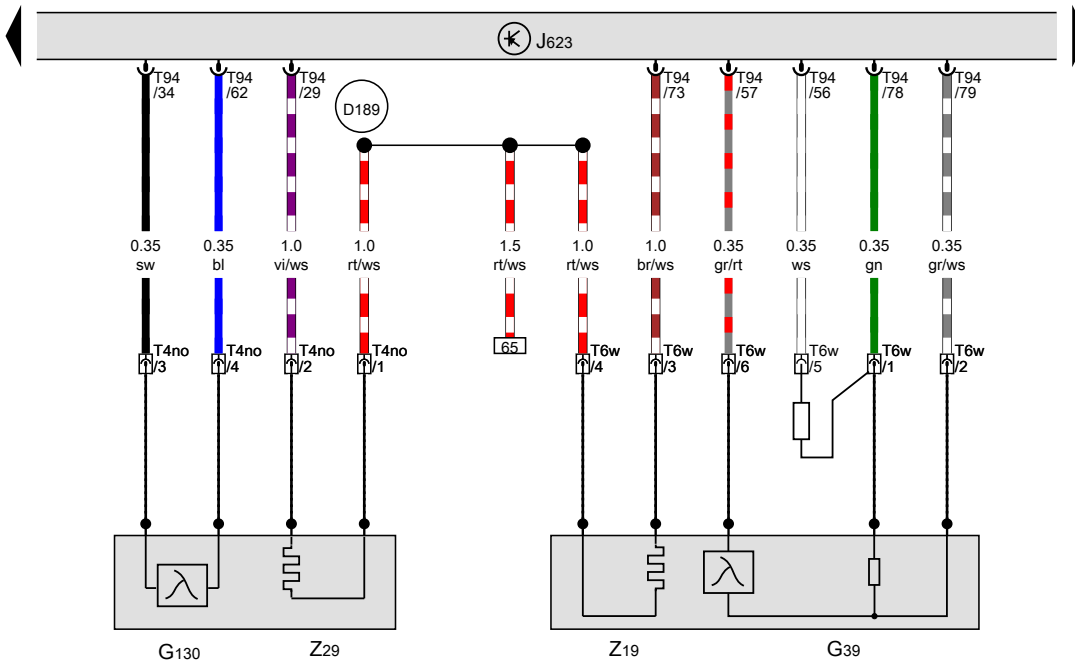
- ws = white
- sw = black
- ro = red
- rt = red
- br = brown
- gn = green
- bl = blue
- gr = grey
- li = purple
- vi = purple
- ge = yellow
- or = orange
- rs = pink

360-017140416

Lambda probe, Lambda probe after catalytic converter, Engine control unit, Lambda probe heater, Lambda probe 1 heater after catalytic converter

- G39 Lambda probe
- G130 Lambda probe after catalytic converter
- J623 Engine control unit, central in plenum chamber
- T4no 4-pin connector
- T6w 6-pin connector
- T94 94-pin connector
- Z19 Lambda probe heater
- Z29 Lambda probe 1 heater after catalytic converter

D189 Connection (87a) in engine prewiring harness



- ws = white
- sw = black
- ro = red
- rt = red
- br = brown
- gn = green
- bl = blue
- gr = grey
- li = purple
- vi = purple
- ge = yellow
- or = orange
- rs = pink

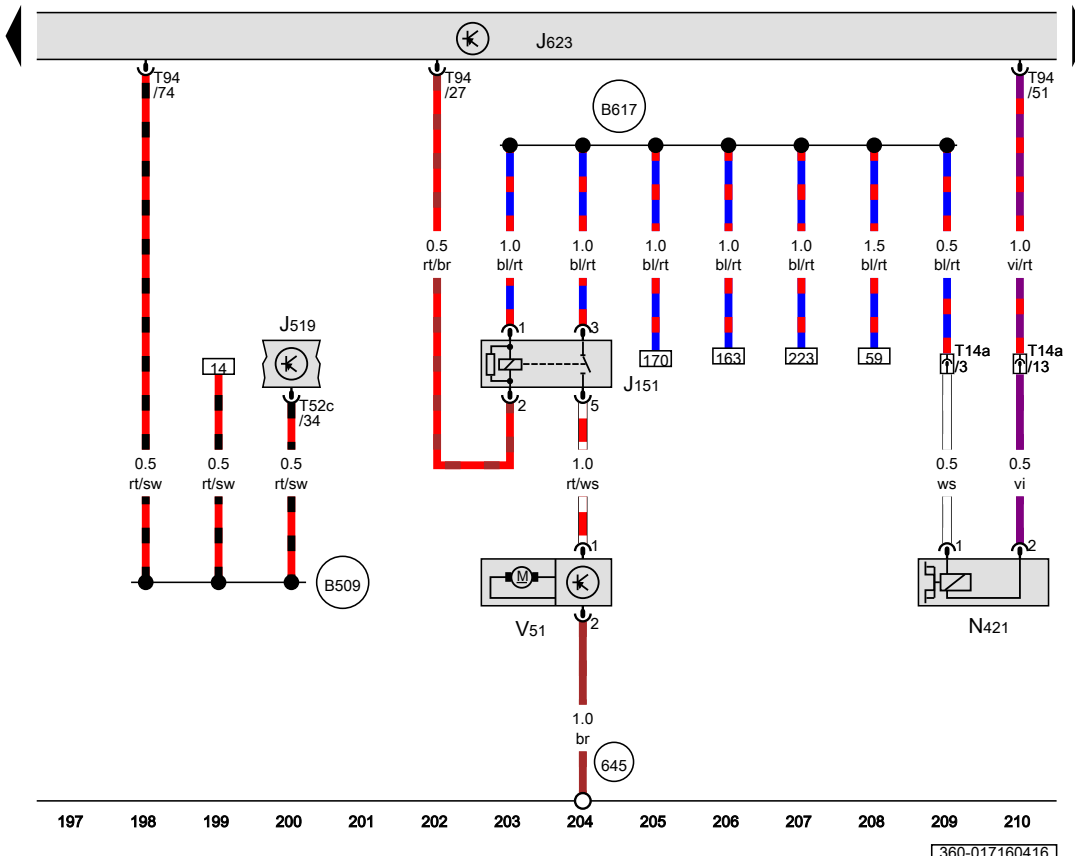
183 184 185 186 187 188 189 190 191 192 193 194 195 196

1360-017150416

Continued coolant circulation relay, Onboard supply control unit, Engine control unit, Magnetic clutch for supercharger, Continued coolant circulation pump

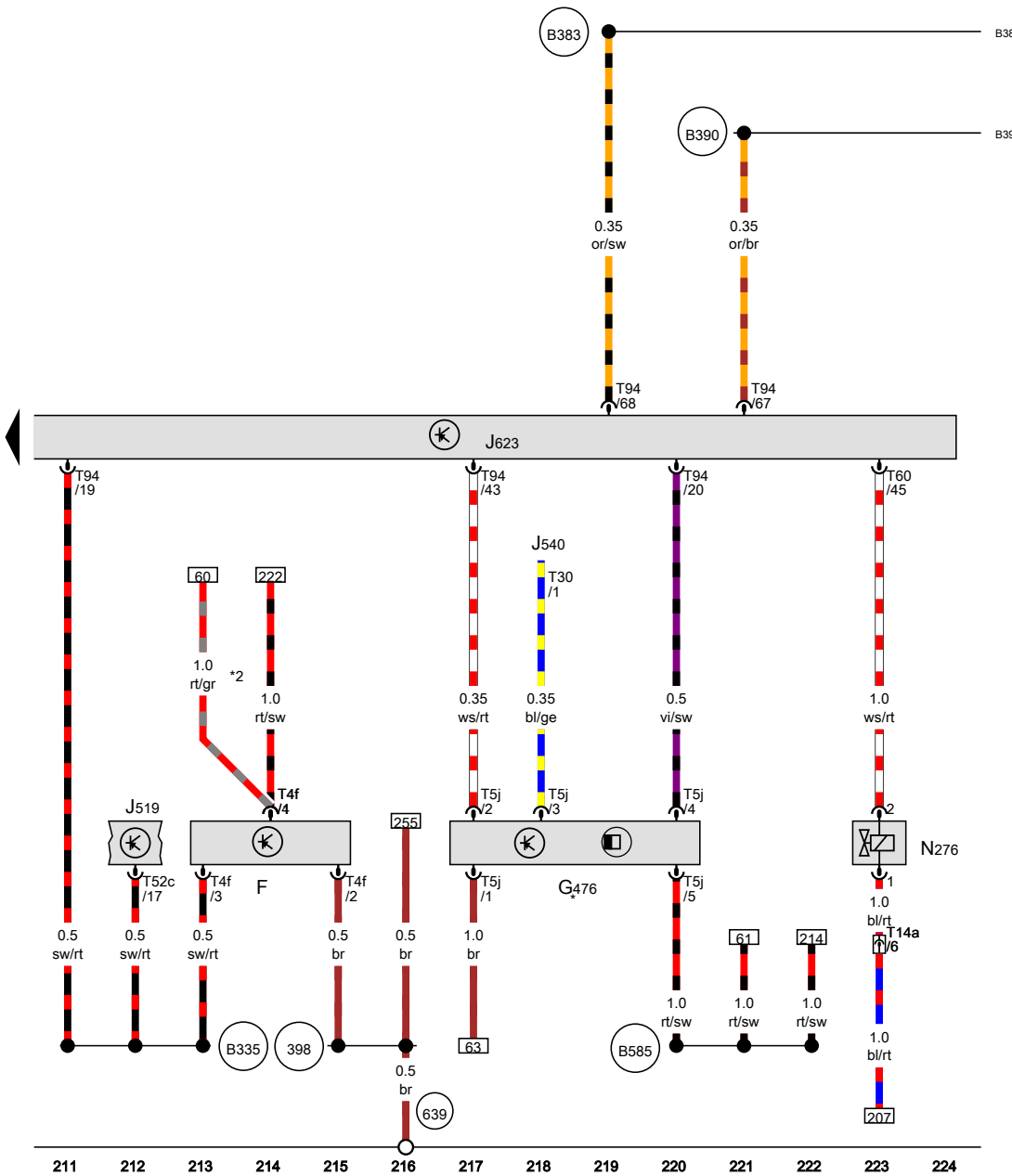
- J151 Continued coolant circulation relay
- J519 Onboard supply control unit
- J623 Engine control unit, central in plenum chamber
- N421 Magnetic clutch for supercharger
- T14a 14-pin connector, on left in engine compartment
- T52c 52-pin connector
- T94 94-pin connector
- V51 Continued coolant circulation pump

- 645 Earth point 1, on bulkhead
- B509 Connection 3 (diagnosis), in main wiring harness
- B617 Positive connection 5 (87a), in interior wiring harness



- ws = white
- sw = black
- ro = red
- rt = red
- br = brown
- gn = green
- bl = blue
- gr = grey
- li = purple
- vi = purple
- ge = yellow
- or = orange
- rs = pink

Brake light switch, Clutch position sender, Engine control unit, Fuel pressure regulating valve

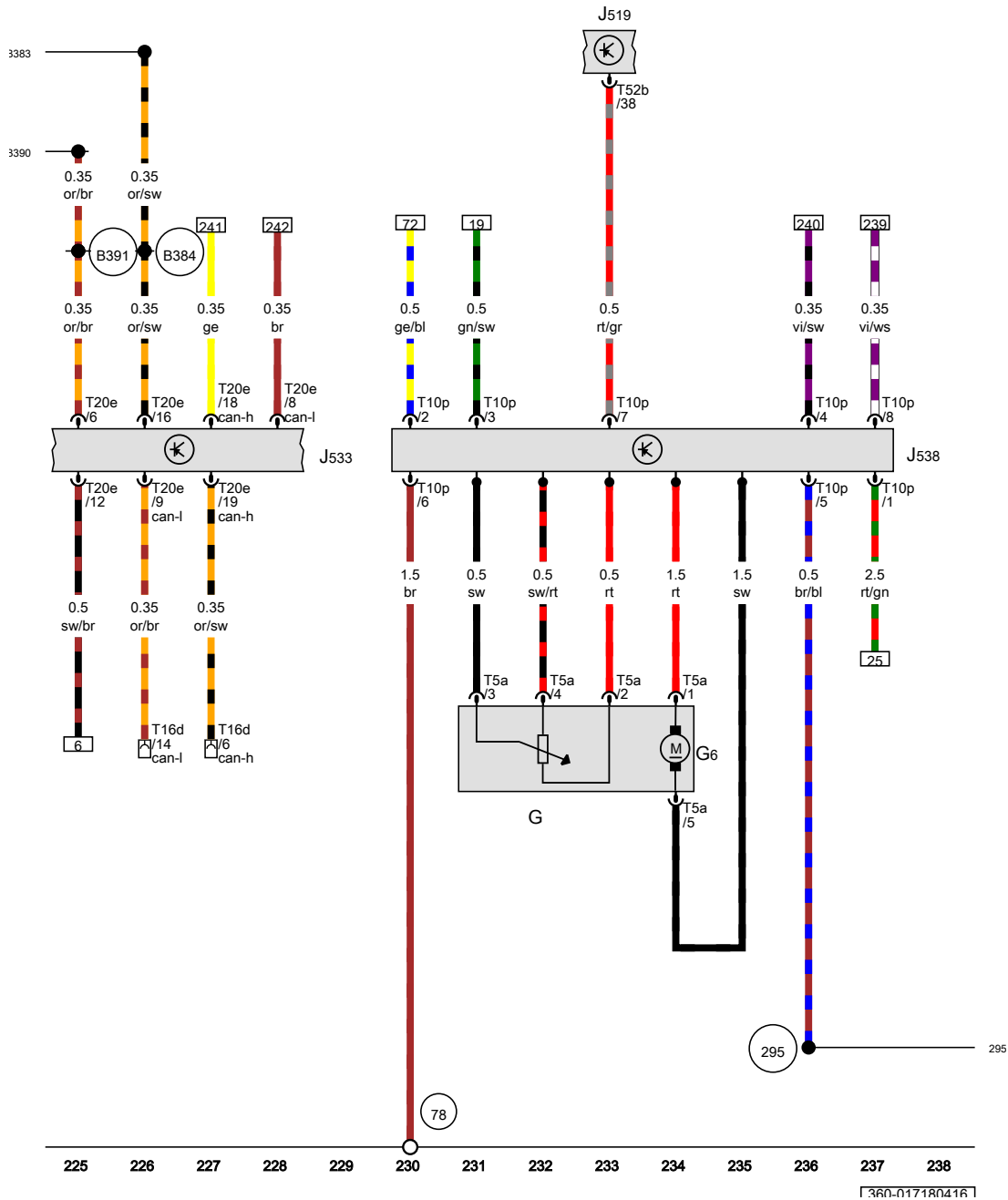


- F Brake light switch
- G476 Clutch position sender
- J519 Onboard supply control unit
- J540 Control unit for electromechanical parking brake
- J623 Engine control unit, central in plenum chamber
- N276 Fuel pressure regulating valve
- T4f 4-pin connector
- T5j 5-pin connector
- T14a 14-pin connector, on left in engine compartment
- T30 30-pin connector
- T52c 52-pin connector
- T60 60-pin connector
- T94 94-pin connector

- 398 Earth connection 33, in main wiring harness
- 639 Earth point, left A-pillar
- B335 Connection 1 (54), in main wiring harness
- B383 Connection 1 (powertrain CAN bus, high), in main wiring harness
- B390 Connection 1 (powertrain CAN bus, low), in main wiring harness
- B585 Positive connection 2 (87a), in interior wiring harness
- * Only models with manual gearbox
- *2 Only models with dual clutch gearbox (DSG)

- ws = white
- sw = black
- ro = red
- rt = red
- br = brown
- gn = green
- bl = blue
- gr = grey
- li = purple
- vi = purple
- ge = yellow
- or = orange
- rs = pink

1360-017170416



- ws = white
- sw = black
- ro = red
- rt = red
- br = brown
- gn = green
- bl = blue
- gr = grey
- li = purple
- vi = purple
- ge = yellow
- or = orange
- rs = pink

Fuel gauge sender, Fuel system pressurisation pump,
Onboard supply control unit, Data bus diagnostic interface,
Fuel pump control unit

- G Fuel gauge sender
- G6 Fuel system pressurisation pump
- J519 Onboard supply control unit
- J533 Data bus diagnostic interface
- J538 Fuel pump control unit
- T5a 5-pin connector
- T10p 10-pin connector
- T16d 16-pin connector, on diagnostic connection
- T20e 20-pin connector
- T52b 52-pin connector

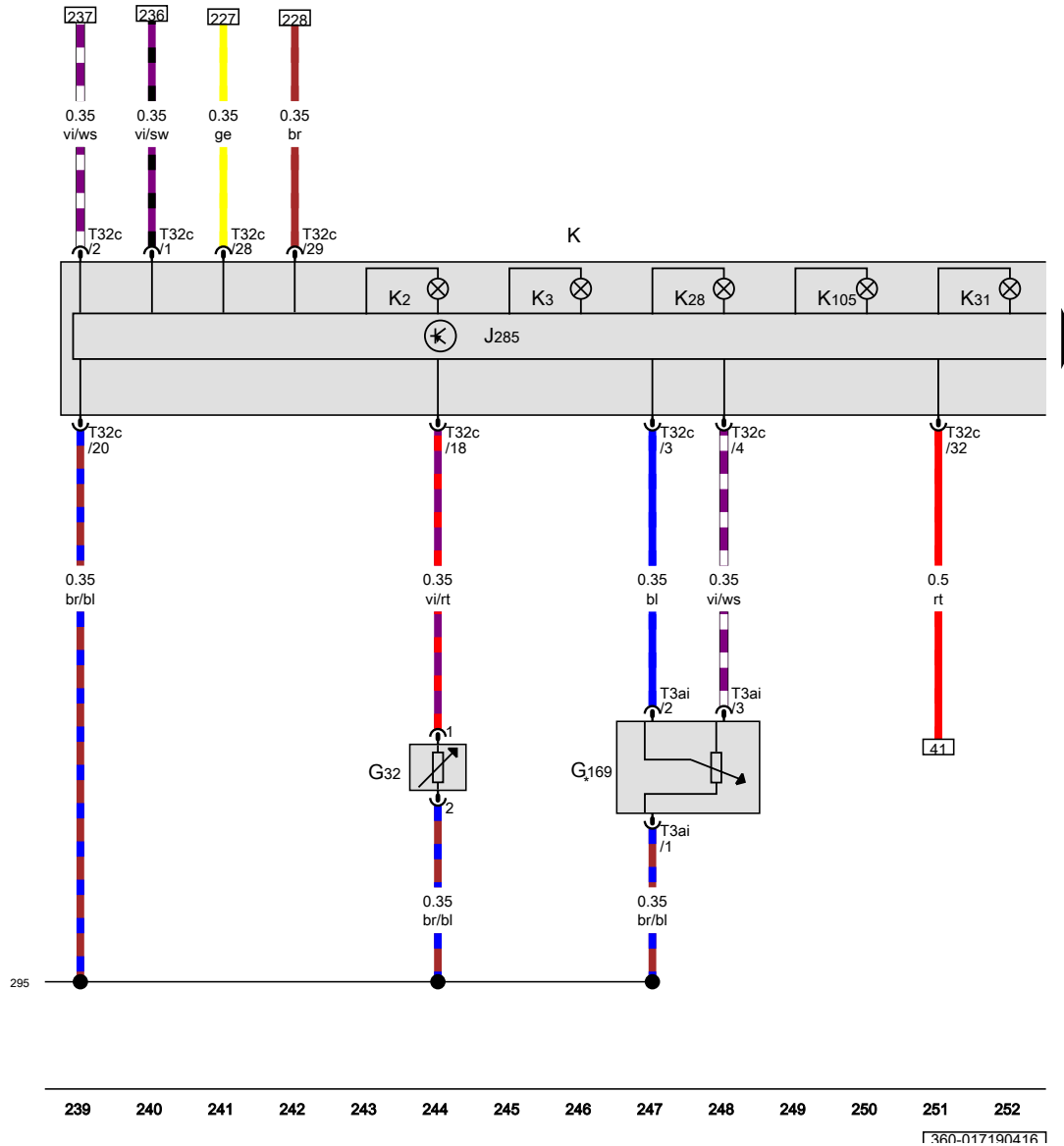
- 78 Earth point, lower part of right B-pillar
- 295 Earth connection 10, in interior wiring harness
- B383 Connection 1 (powertrain CAN bus, high), in main wiring harness
- B384 Connection 2 (powertrain CAN bus, high), in main wiring harness
- B390 Connection 1 (powertrain CAN bus, low), in main wiring harness
- B391 Connection 2 (powertrain CAN bus, low), in main wiring harness

Coolant shortage indicator sender, Fuel gauge sender 2, Control unit in dash panel insert, Dash panel insert, Alternator warning lamp, Oil pressure warning lamp, Coolant temperature and coolant shortage warning lamp, Cruise control system warning lamp, Reserve fuel warning lamp

- G32 Coolant shortage indicator sender
- G169 Fuel gauge sender 2
- J285 Control unit in dash panel insert
- K Dash panel insert
- K2 Alternator warning lamp
- K3 Oil pressure warning lamp
- K28 Coolant temperature and coolant shortage warning lamp
- K31 Cruise control system warning lamp
- K105 Reserve fuel warning lamp
- T3ai 3-pin connector
- T32c 32-pin connector

295 Earth connection 10, in interior wiring harness

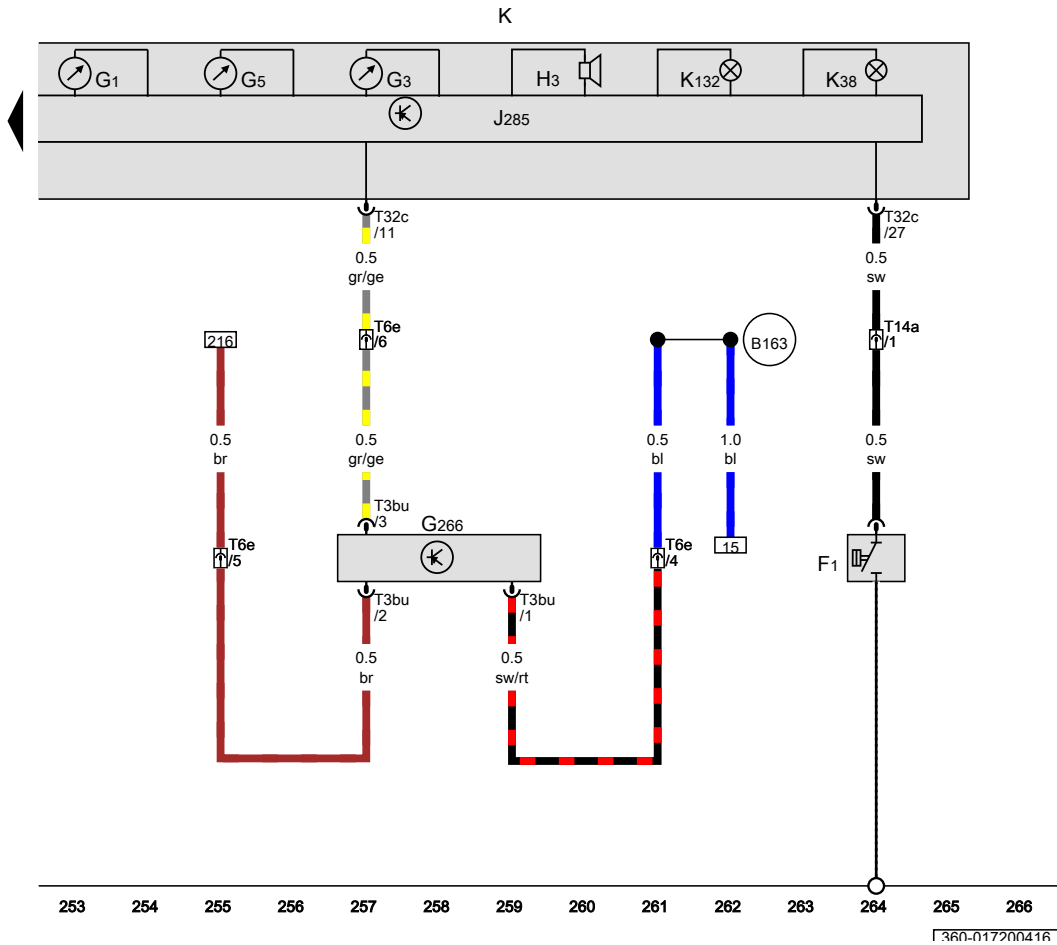
* Only models with all-wheel drive



1360-017190416

Oil pressure switch, Fuel gauge, Coolant temperature gauge, Rev. counter, Oil level and oil temperature sender, Buzzer and gong, Control unit in dash panel insert, Dash panel insert, Oil level warning lamp, Electronic power control fault lamp

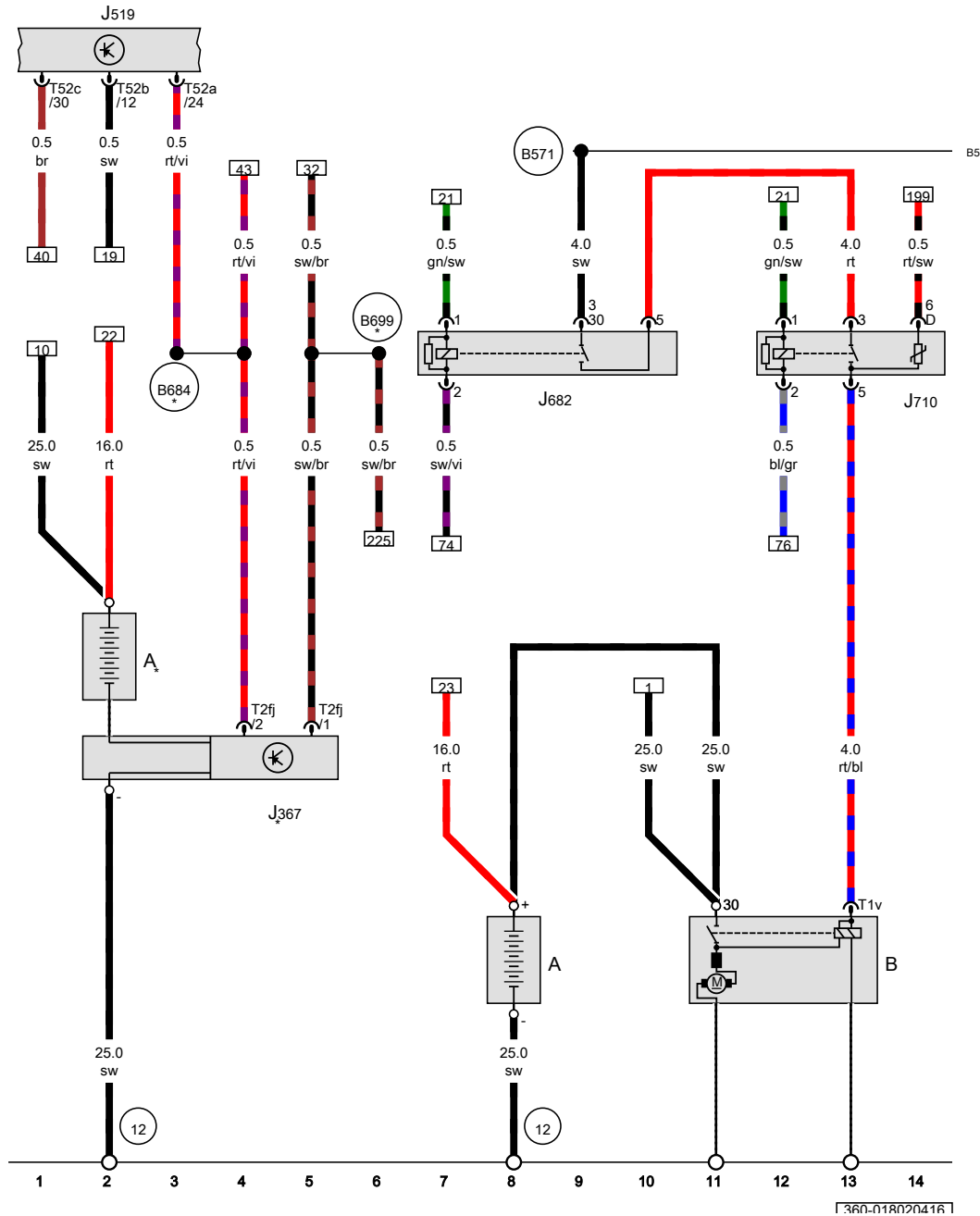
- F1 Oil pressure switch
- G1 Fuel gauge
- G3 Coolant temperature gauge
- G5 Rev. counter
- G266 Oil level and oil temperature sender
- H3 Buzzer and gong
- J285 Control unit in dash panel insert
- K Dash panel insert
- K38 Oil level warning lamp
- K132 Electronic power control fault lamp
- T3bu 3-pin connector
- T6e 6-pin connector
- T14a 14-pin connector, on left in engine compartment
- T32c 32-pin connector
- B163** Positive connection 1 (15), in interior wiring harness



1.8l petrol engine , CDAA,CDAB

From November 2010

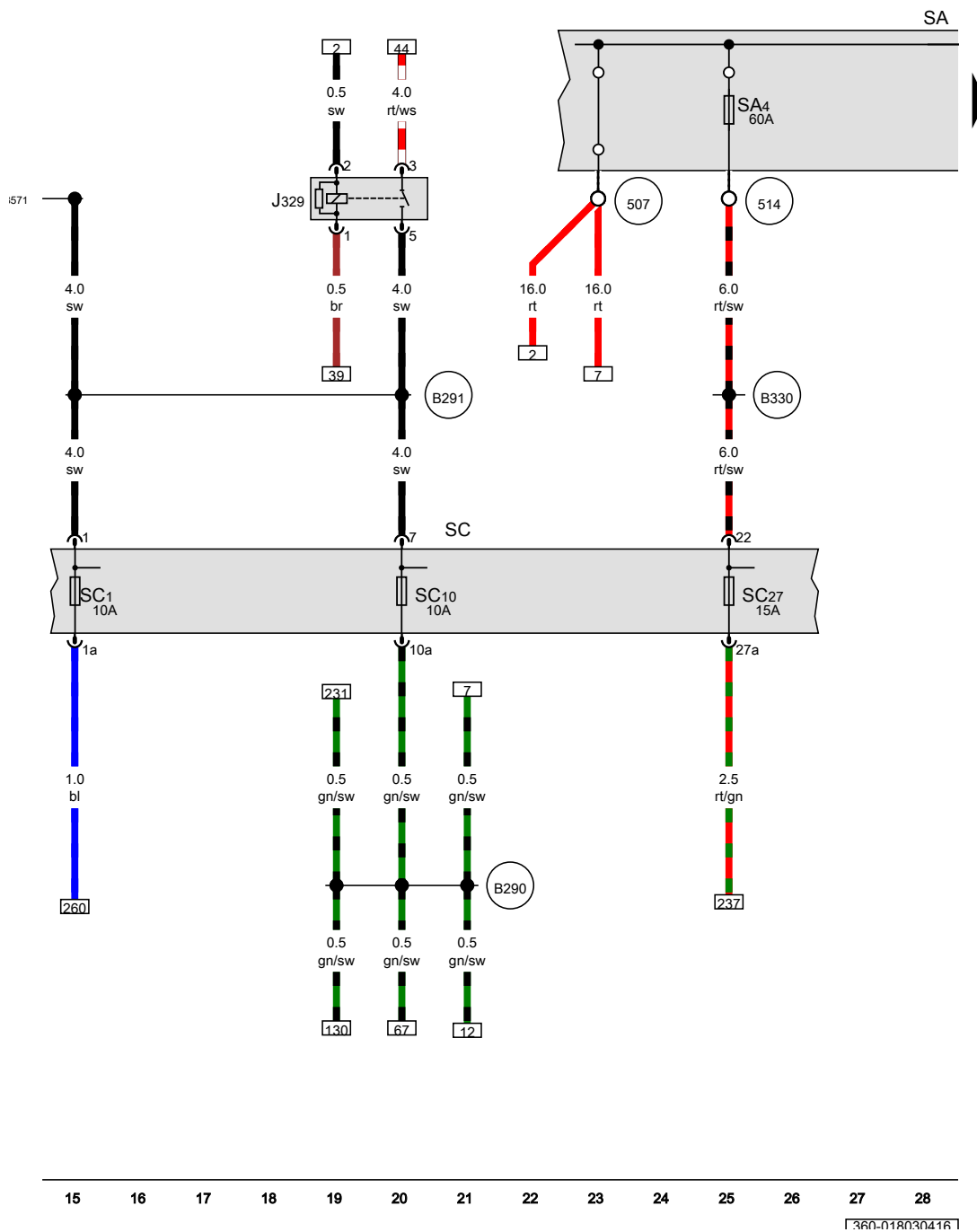
Battery, Starter, Battery monitor control unit, Onboard supply control unit, Terminal 50 voltage supply relay, Voltage supply relay 2



- A Battery
- B Starter
- J367 Battery monitor control unit
- J519 Onboard supply control unit
- J682 Terminal 50 voltage supply relay
- J710 Voltage supply relay 2
- T1ac Single connector
- T1v Single connector
- T2fj 2-pin connector
- T52a 52-pin connector
- T52b 52-pin connector
- T52c 52-pin connector

- 12 Earth point, on left in engine compartment
- B571 Connection 38, in main wiring harness
- B684 Positive connection 24 (30a) in main wiring harness
- B699 Connection 4 (LIN bus) in main wiring harness
- * Only models with energy recovery

- ws = white
- sw = black
- ro = red
- rt = red
- br = brown
- gn = green
- bl = blue
- gr = grey
- li = purple
- vi = purple
- ge = yellow
- or = orange
- rs = pink



Terminal 15 voltage supply relay, Fuse holder A, Fuse holder C

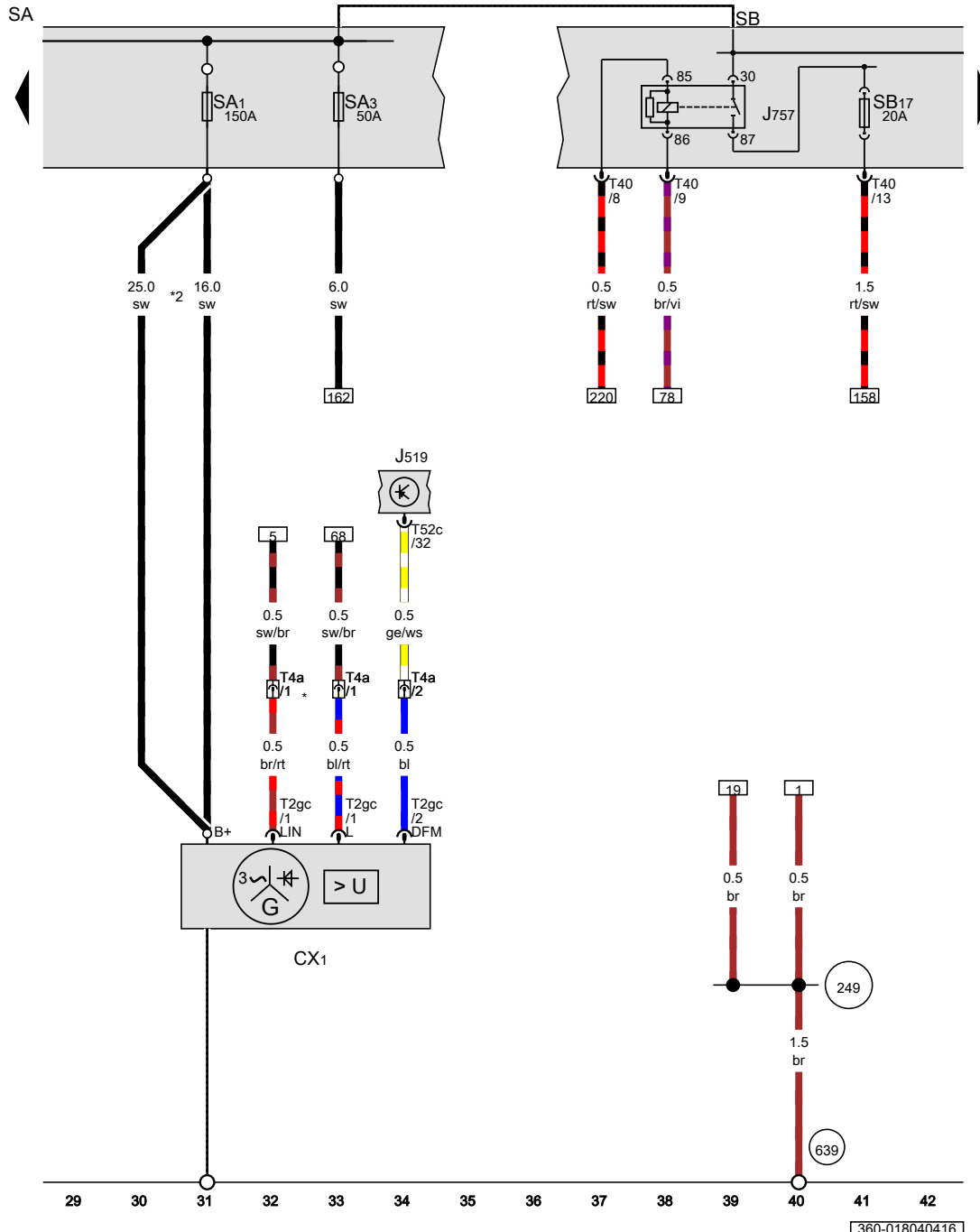
- J329 Terminal 15 voltage supply relay
- SA Fuse holder A
- SA4 Fuse 4 in fuse holder A
- SC Fuse holder C
- SC1 Fuse 1 on fuse holder C
- SC10 Fuse 10 on fuse holder C
- SC27 Fuse 27 on fuse holder C

- 507 Threaded connection (30), on battery fuse holder
- 514 Threaded connection 4 (30a) on relay plate
- B290 Positive connection 14 (15a) in main wiring harness
- B291 Positive connection 15 (15a) in main wiring harness
- B330 Positive connection 16 (30a) in main wiring harness
- B571 Connection 38, in main wiring harness

- ws = white
- sw = black
- ro = red
- rt = red
- br = brown
- gn = green
- bl = blue
- gr = grey
- li = purple
- vi = purple
- ge = yellow
- or = orange
- rs = pink

15 16 17 18 19 20 21 22 23 24 25 26 27 28

1360-018030416



Alternator with voltage regulator, Engine component current supply relay, Fuse holder A, Fuse holder B

- CX1 Alternator with voltage regulator
- J519 Onboard supply control unit
- J757 Engine component current supply relay
- SA Fuse holder A
- SA1 Fuse 1 in fuse holder A
- SA3 Fuse 3 in fuse holder A
- SB Fuse holder B
- SB17 Fuse 17 on fuse holder B
- T2gc 2-pin connector
- T4a 4-pin connector, near starter
- T40 40-pin connector
- T52c 52-pin connector

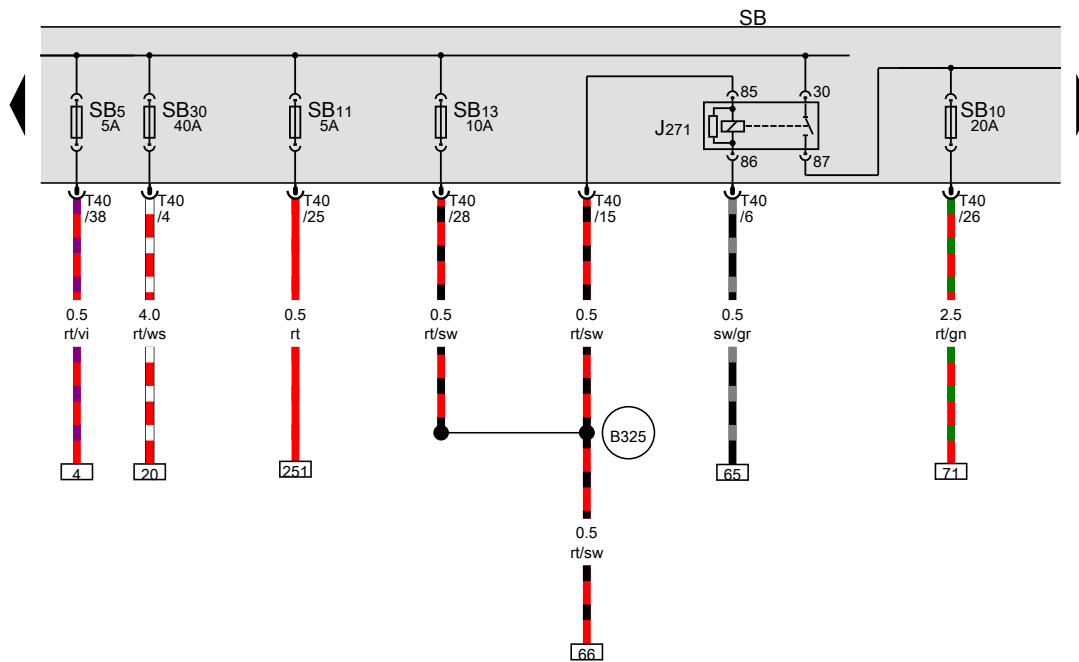
249 Earth connection 2, in interior wiring harness

639 Earth point, left A-pillar

- * Only models with energy recovery
- *2 Only models with 140A alternator

- ws = white
- sw = black
- ro = red
- rt = red
- br = brown
- gn = green
- bl = blue
- gr = grey
- li = purple
- vi = purple
- ge = yellow
- or = orange
- rs = pink

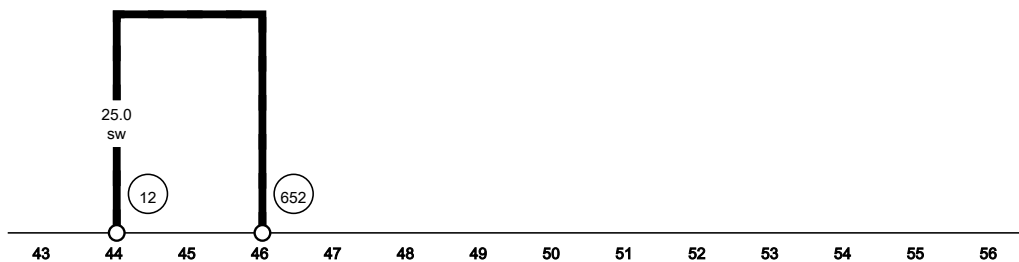
1360-018040416



Main relay, Fuse holder B

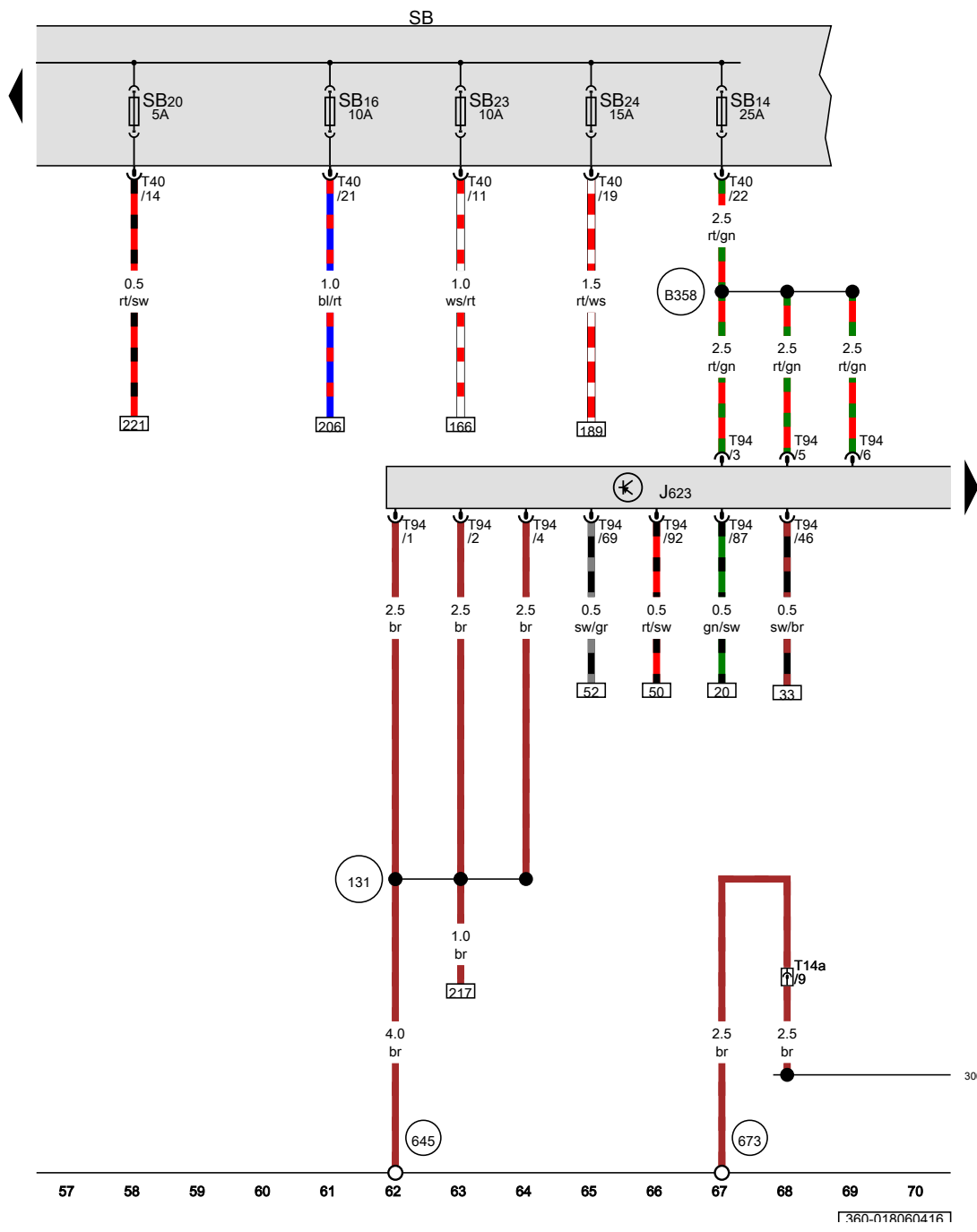
- J271 Main relay
- SB Fuse holder B
- SB5 Fuse 5 on fuse holder B
- SB10 Fuse 10 on fuse holder B
- SB11 Fuse 11 on fuse holder B
- SB13 Fuse 13 on fuse holder B
- SB30 Fuse 30 on fuse holder B
- T40 40-pin connector

- 12 Earth point, on left in engine compartment
- 652 Earth point, engine and gearbox earth
- B325 Positive connection 11 (30a) in main wiring harness



- ws = white
- sw = black
- ro = red
- rt = red
- br = brown
- gn = green
- bl = blue
- gr = grey
- li = purple
- vi = purple
- ge = yellow
- or = orange
- rs = pink

360-018050416



Engine control unit, Fuse holder B

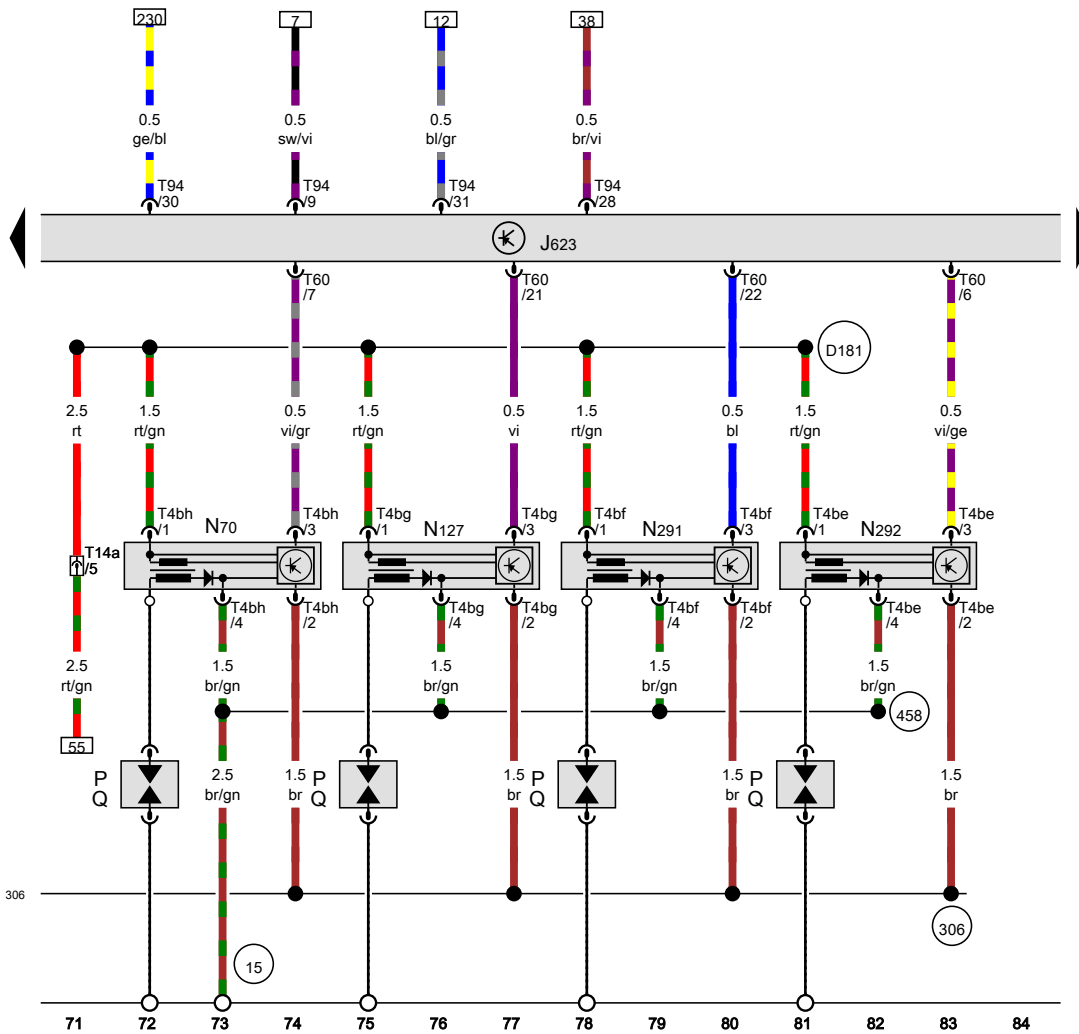
- J623 Engine control unit, central in plenum chamber
- SB Fuse holder B
- SB14 Fuse 14 on fuse holder B
- SB16 Fuse 16 on fuse holder B
- SB20 Fuse 20 on fuse holder B
- SB23 Fuse 23 on fuse holder B
- SB24 Fuse 24 on fuse holder B
- T14a 14-pin connector, front left in engine compartment
- T40 40-pin connector
- T94 94-pin connector

- 131 Earth connection 2, in engine compartment wiring harness
- 306 Earth connection (ignition coils), in engine prewiring harness
- 645 Earth point 1, on bulkhead
- 673 Earth point 3, on front of left longitudinal member
- B358 Positive connection 9 (87a) in main wiring harness

- ws = white
- sw = black
- ro = red
- rt = red
- br = brown
- gn = green
- bl = blue
- gr = grey
- li = purple
- vi = purple
- ge = yellow
- or = orange
- rs = pink

Engine control unit, Ignition coil 1 with output stage, Ignition coil 2 with output stage, Ignition coil 3 with output stage, Ignition coil 4 with output stage, Spark plug connector, Spark plugs

- J623 Engine control unit, central in plenum chamber
- N70 Ignition coil 1 with output stage
- N127 Ignition coil 2 with output stage
- N291 Ignition coil 3 with output stage
- N292 Ignition coil 4 with output stage
- P Spark plug connector
- Q Spark plugs
- T4be 4-pin connector
- T4bf 4-pin connector
- T4bg 4-pin connector
- T4bh 4-pin connector
- T14a 14-pin connector, front left in engine compartment
- T60 60-pin connector
- T94 94-pin connector



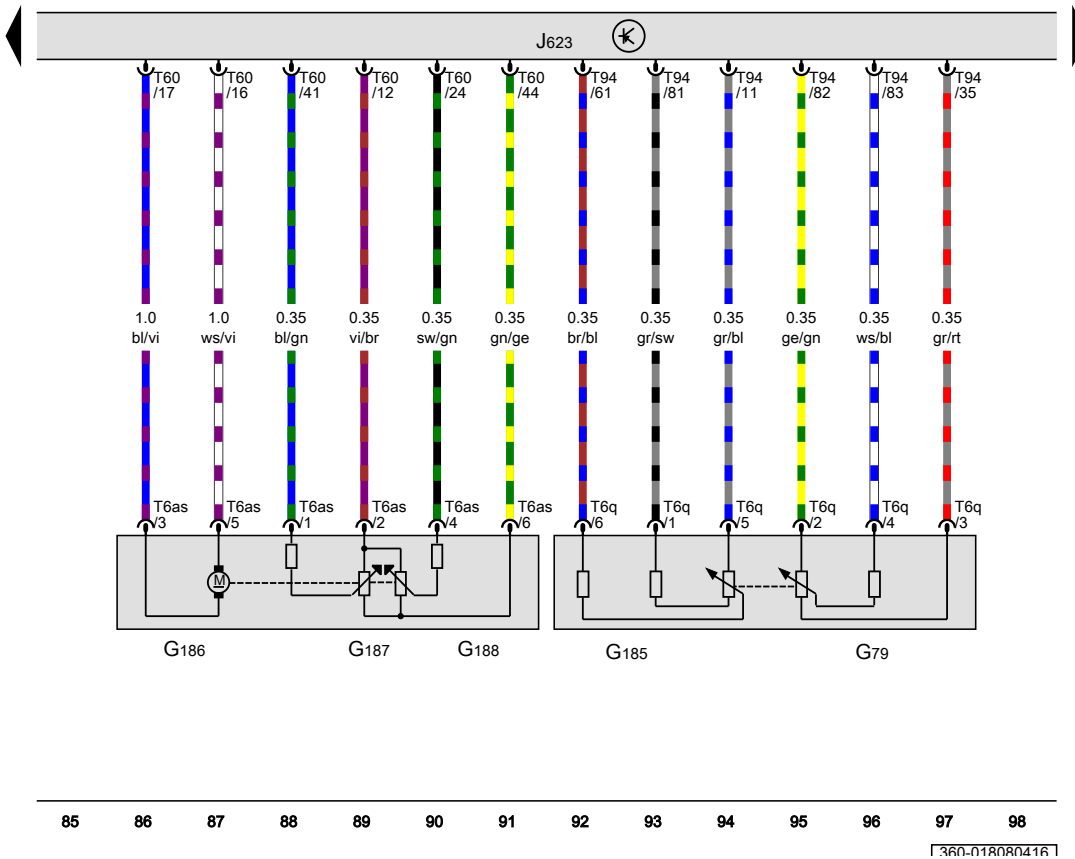
- 15 Earth point, on cylinder head
- 306 Earth connection (ignition coils), in engine prewiring harness
- 458 Earth point 3, engine prewiring harness
- D181 Connection 2 (87a), in engine compartment wiring harness

- ws = white
- sw = black
- ro = red
- rt = red
- br = brown
- gn = green
- bl = blue
- gr = grey
- li = purple
- vi = purple
- ge = yellow
- or = orange
- rs = pink

360-018070416

Accelerator position sender, Accelerator position sender 2, Throttle valve drive for electric throttle, Throttle valve drive angle sender 1 for electric throttle, Throttle valve drive angle sender 2 for electric throttle, Engine control unit

- G79 Accelerator position sender
- G185 Accelerator position sender 2
- G186 Throttle valve drive for electric throttle
- G187 Throttle valve drive angle sender 1 for electric throttle
- G188 Throttle valve drive angle sender 2 for electric throttle
- J623 Engine control unit, central in plenum chamber
- T6as 6-pin connector
- T6q 6-pin connector
- T60 60-pin connector
- T94 94-pin connector

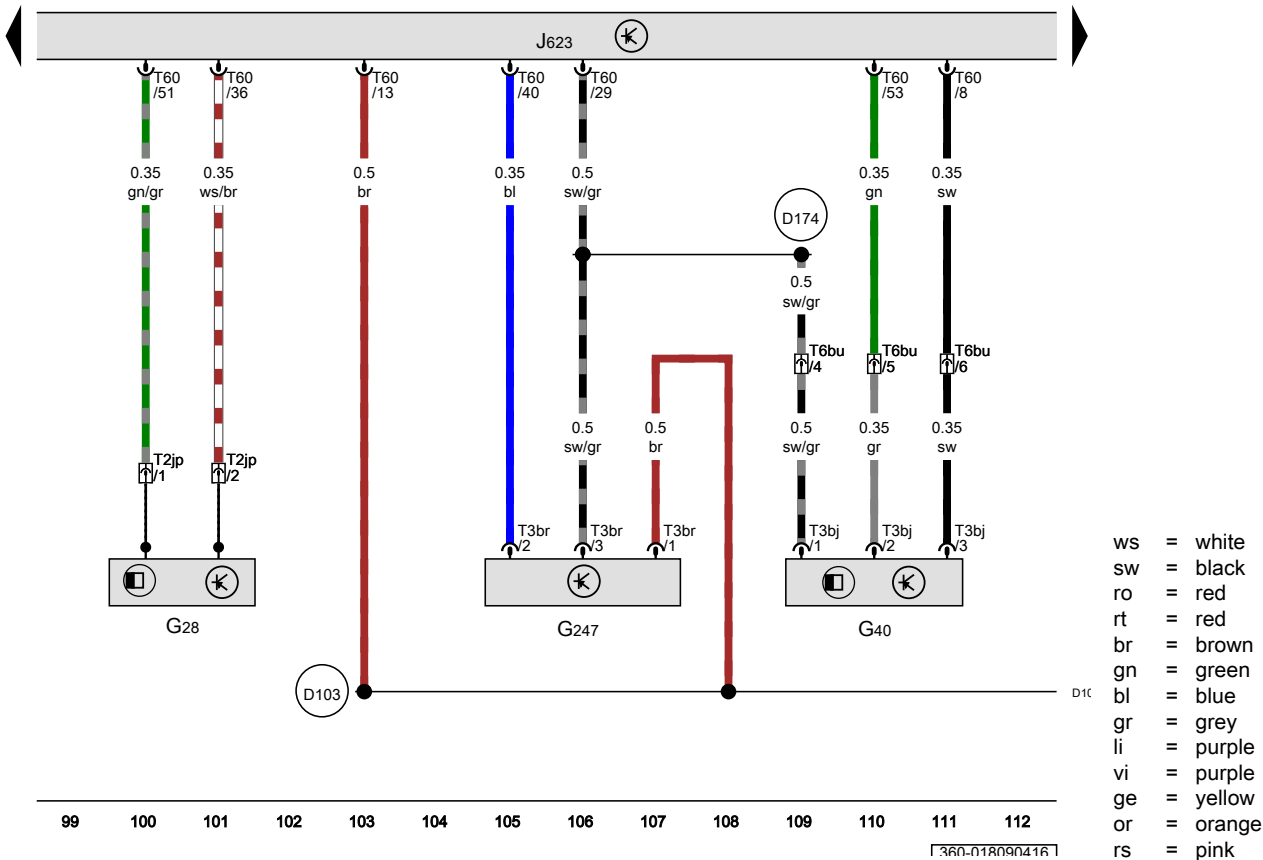


Engine speed sender, Hall sender, Fuel pressure sender, Engine control unit

- G28 Engine speed sender
- G40 Hall sender
- G247 Fuel pressure sender
- J623 Engine control unit, central in plenum chamber
- T2jp 2-pin connector
- T3bj 3-pin connector
- T3br 3-pin connector
- T6bu 6-pin connector, near cylinder head
- T60 60-pin connector

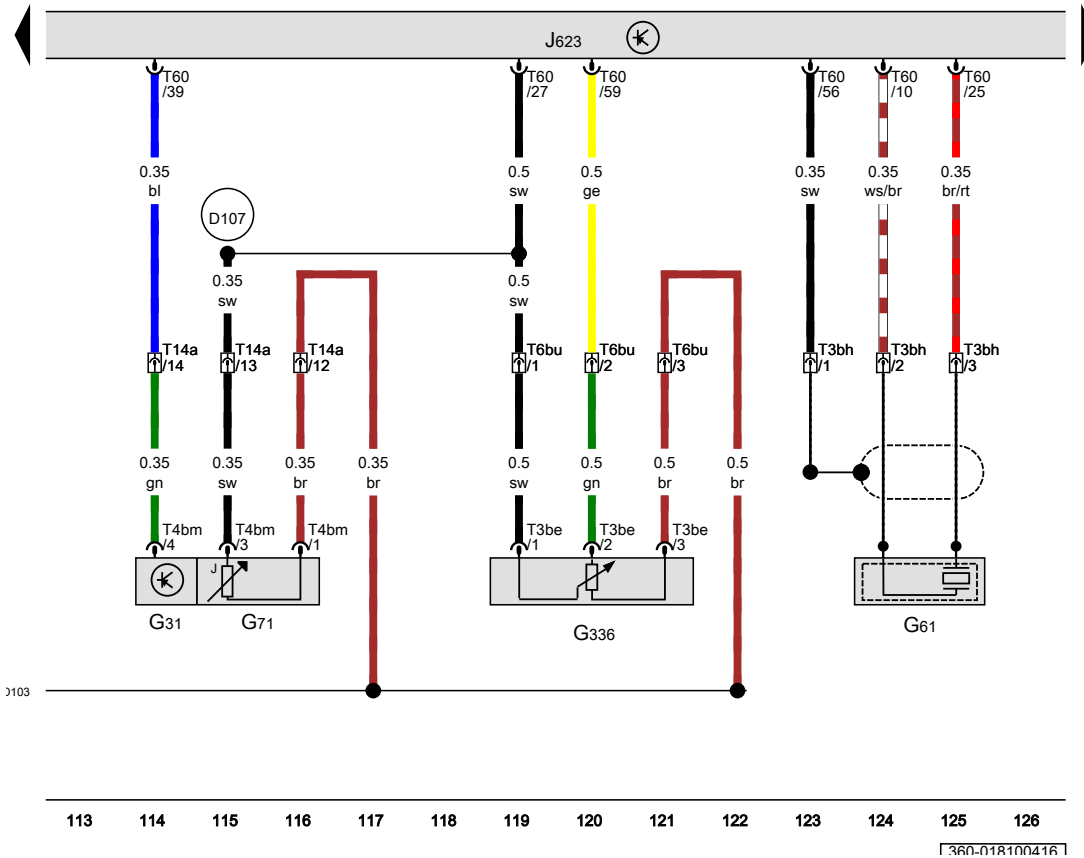
D103 Connection 3 in engine compartment wiring harness

D174 Connection 2 (5V) in engine prewiring harness



Charge pressure sender, Knock sensor 1, Intake manifold pressure sender, Intake manifold flap potentiometer, Engine control unit

- G31 Charge pressure sender
- G61 Knock sensor 1
- G71 Intake manifold pressure sender
- G336 Intake manifold flap potentiometer
- J623 Engine control unit, central in plenum chamber
- T3be 3-pin connector
- T3bh 3-pin connector
- T4bm 4-pin connector
- T6bu 6-pin connector, near cylinder head
- T14a 14-pin connector, front left in engine compartment
- T60 60-pin connector
- D103 Connection 3 in engine compartment wiring harness
- D107 Connection 5 in engine compartment wiring harness



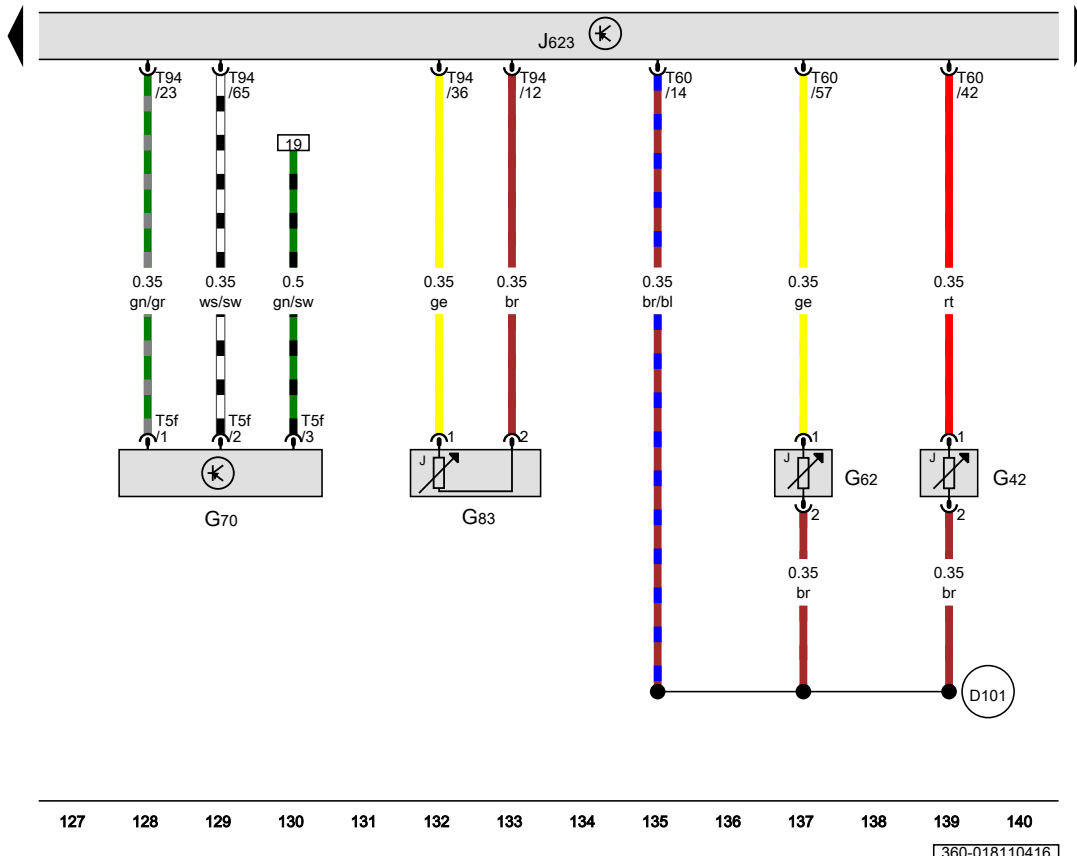
- ws = white
- sw = black
- ro = red
- rt = red
- br = brown
- gn = green
- bl = blue
- gr = grey
- li = purple
- vi = purple
- ge = yellow
- or = orange
- rs = pink

360-018100416

Intake air temperature sender, Coolant temperature sender, Air mass meter, Radiator outlet coolant temperature sender, Engine control unit

- G42 Intake air temperature sender
- G62 Coolant temperature sender
- G70 Air mass meter
- G83 Radiator outlet coolant temperature sender, black
- J623 Engine control unit, central in plenum chamber
- T5f 5-pin connector
- T60 60-pin connector
- T94 94-pin connector

D101 Connection 1 in engine compartment wiring harness

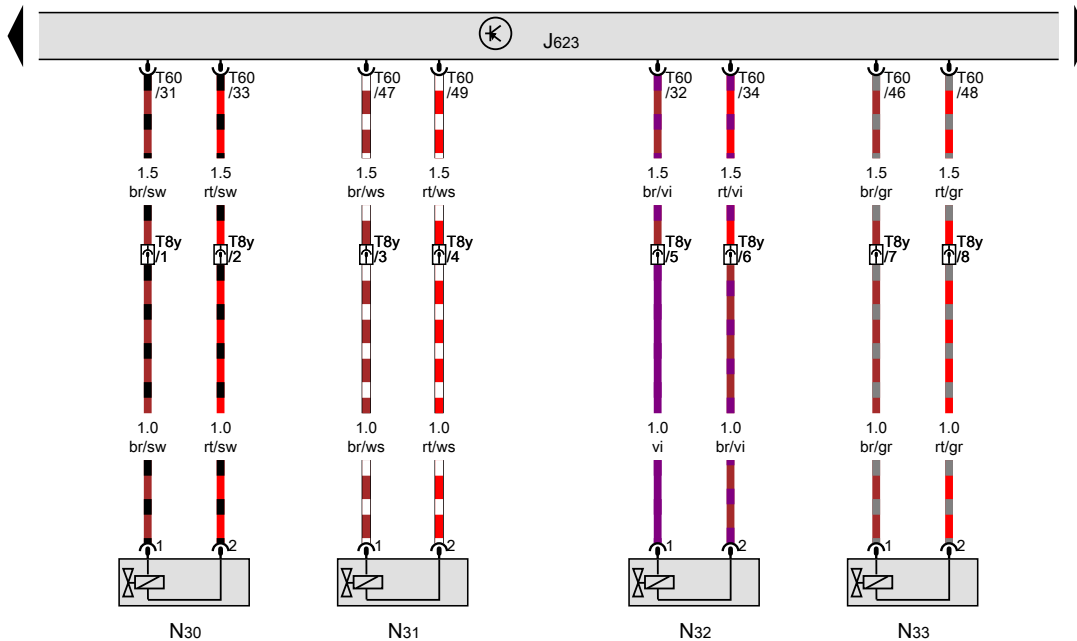


127 128 129 130 131 132 133 134 135 136 137 138 139 140

[360-018110416]

Engine control unit, Injector, cylinder 1, Injector, cylinder 2, Injector, cylinder 3, Injector, cylinder 4

- J623 Engine control unit, central in plenum chamber
- N30 Injector, cylinder 1
- N31 Injector, cylinder 2
- N32 Injector, cylinder 3
- N33 Injector, cylinder 4
- T8y 8-pin connector, near cylinder head
- T60 60-pin connector



- ws = white
- sw = black
- ro = red
- rt = red
- br = brown
- gn = green
- bl = blue
- gr = grey
- li = purple
- vi = purple
- ge = yellow
- or = orange
- rs = pink

141 142 143 144 145 146 147 148 149 150 151 152 153 154

1360-018120416

Electronic ignition lock, Radiator fan control unit, Engine control unit, Fuel pressure regulating valve, Radiator fan, Radiator fan 2

- D9 Electronic ignition lock
- J293 Radiator fan control unit
- J623 Engine control unit, central in plenum chamber
- J942 Control unit for terminal control and engine start
- N276 Fuel pressure regulating valve
- T2be 2-pin connector, on lock carrier
- T4i 4-pin connector, on lock carrier
- T14a 14-pin connector, front left in engine compartment
- T16f 16-pin connector
- T32g 32-pin connector
- T60 60-pin connector
- T94 94-pin connector
- V7 Radiator fan
- V177 Radiator fan 2

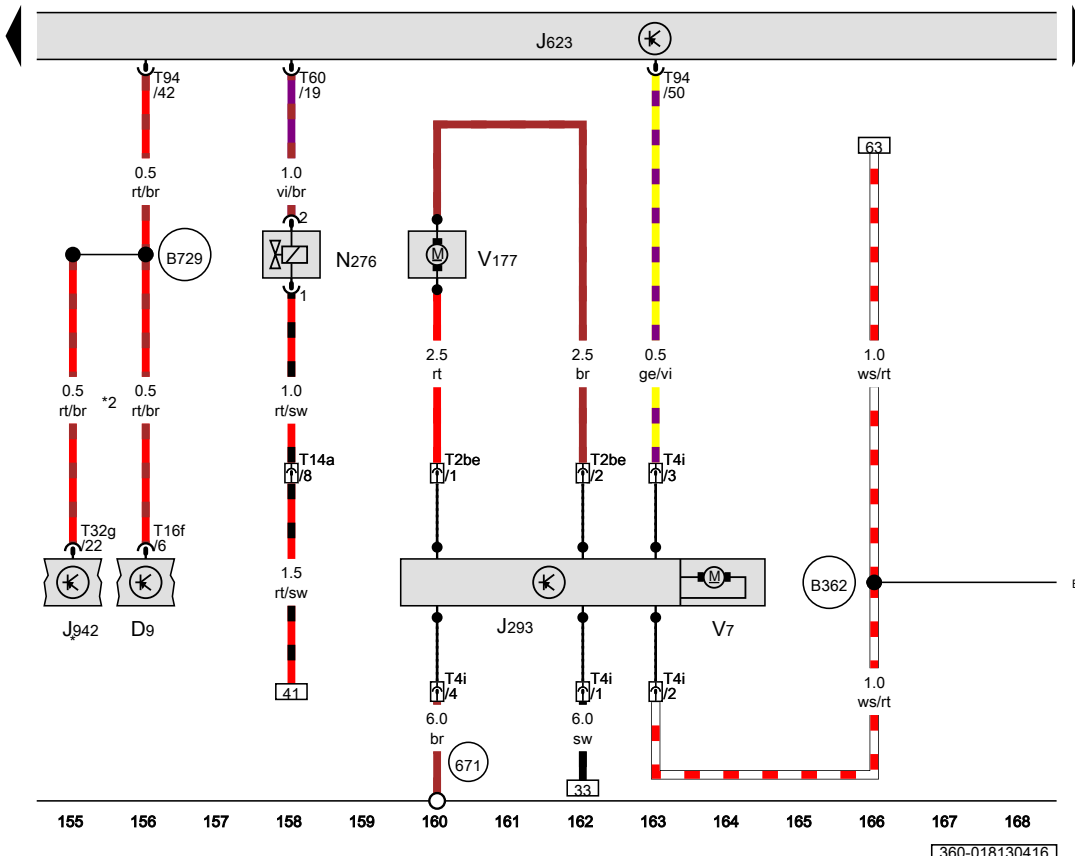
671 Earth point 1, on front of left longitudinal member

B362 Positive connection 13 (87a) in main wiring harness

B729 Connection 1 (50), in main wiring harness

* see applicable current flow diagram for entry and start authorisation

*2 Only models with entry and start authorisation

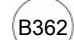



- ws = white
- sw = black
- ro = red
- rt = red
- br = brown
- gn = green
- bl = blue
- gr = grey
- li = purple
- vi = violet
- ge = yellow
- or = orange
- rs = pink

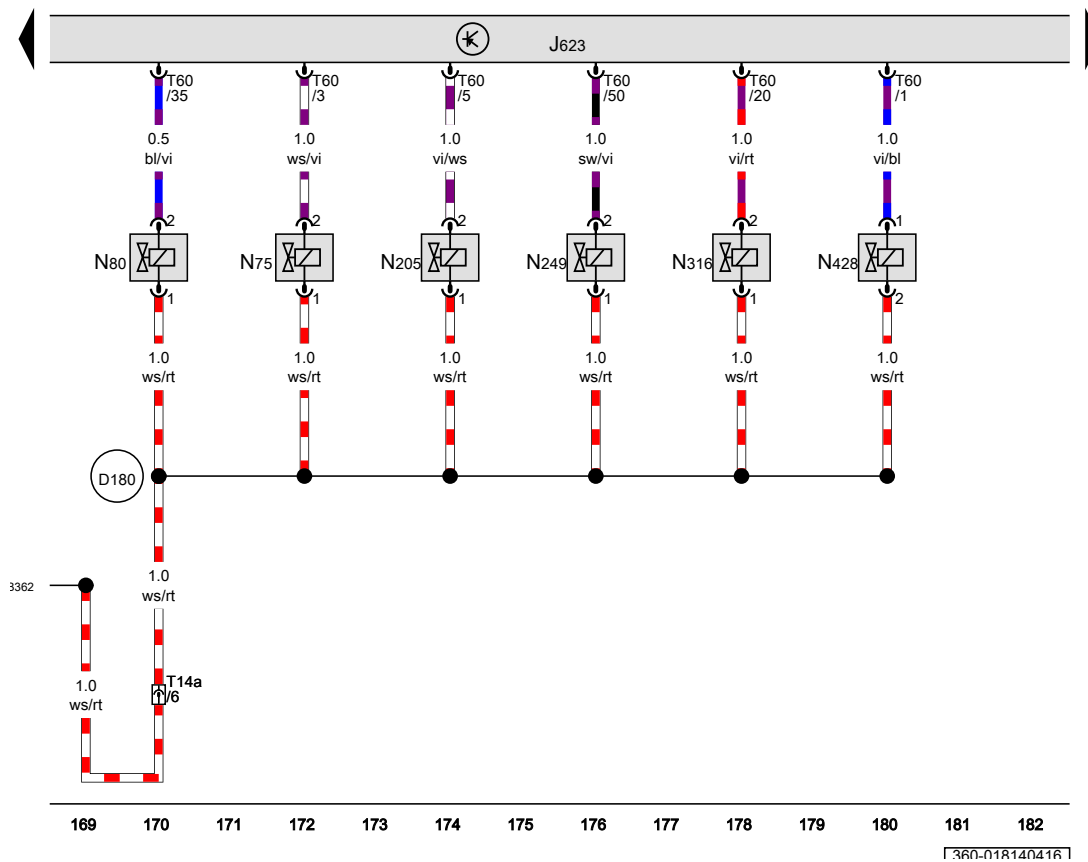
360-018130416

Engine control unit, Charge pressure control solenoid valve, Activated charcoal filter solenoid valve 1, Camshaft control valve 1, Turbocharger air recirculation valve, Intake manifold flap valve, Valve for oil pressure control

- J623 Engine control unit, central in plenum chamber
- N75 Charge pressure control solenoid valve
- N80 Activated charcoal filter solenoid valve 1
- N205 Camshaft control valve 1
- N249 Turbocharger air recirculation valve
- N316 Intake manifold flap valve
- N428 Valve for oil pressure control
- T14a 14-pin connector, front left in engine compartment
- T60 60-pin connector

 Positive connection 13 (87a) in main wiring harness

 Connection (87a), in engine compartment wiring harness

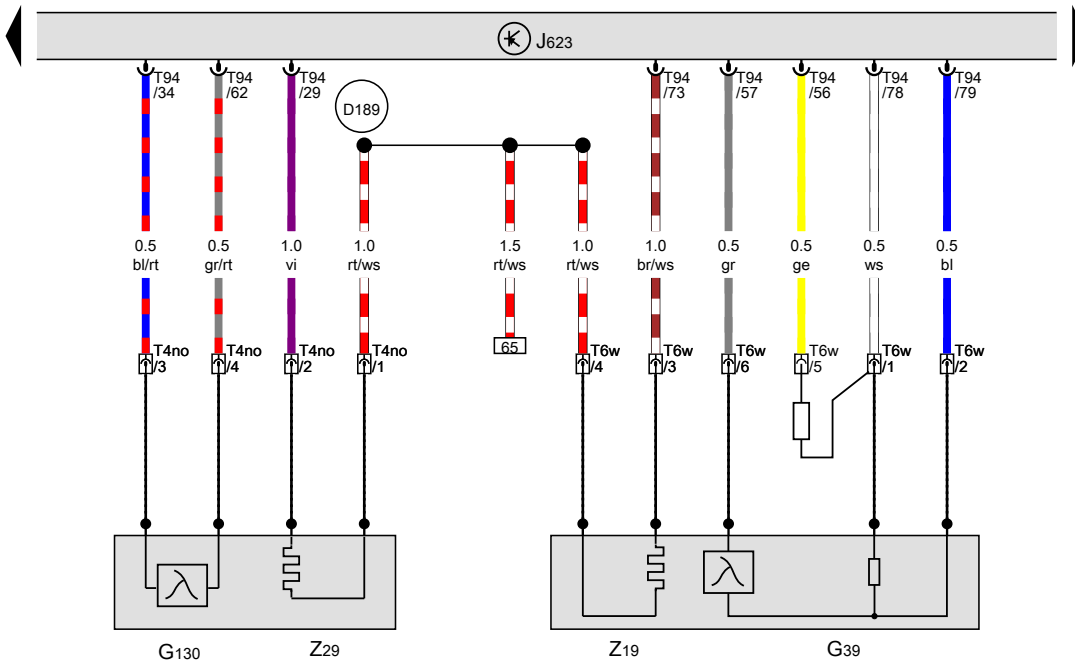


- ws = white
- sw = black
- ro = red
- rt = red
- br = brown
- gn = green
- bl = blue
- gr = grey
- li = purple
- vi = purple
- ge = yellow
- or = orange
- rs = pink

Lambda probe, Lambda probe after catalytic converter, Engine control unit, Lambda probe heater, Lambda probe 1 heater after catalytic converter

- G39 Lambda probe
- G130 Lambda probe after catalytic converter
- J623 Engine control unit, central in plenum chamber
- T4no 4-pin connector
- T6w 6-pin connector
- T94 94-pin connector
- Z19 Lambda probe heater
- Z29 Lambda probe 1 heater after catalytic converter

D189 Connection (87a) in engine prewiring harness



- ws = white
- sw = black
- ro = red
- rt = red
- br = brown
- gn = green
- bl = blue
- gr = grey
- li = purple
- vi = purple
- ge = yellow
- or = orange
- rs = pink

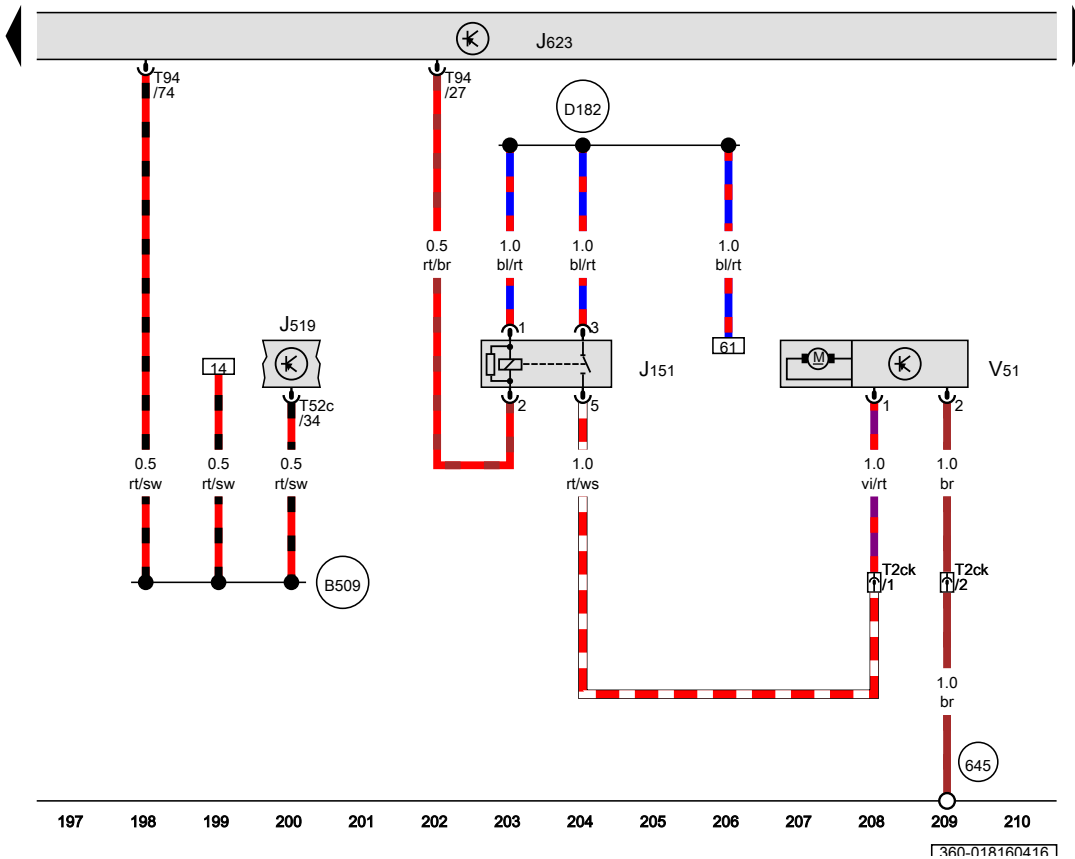
183 184 185 186 187 188 189 190 191 192 193 194 195 196

360-018150416

Continued coolant circulation relay, Onboard supply control unit, Engine control unit, Continued coolant circulation pump

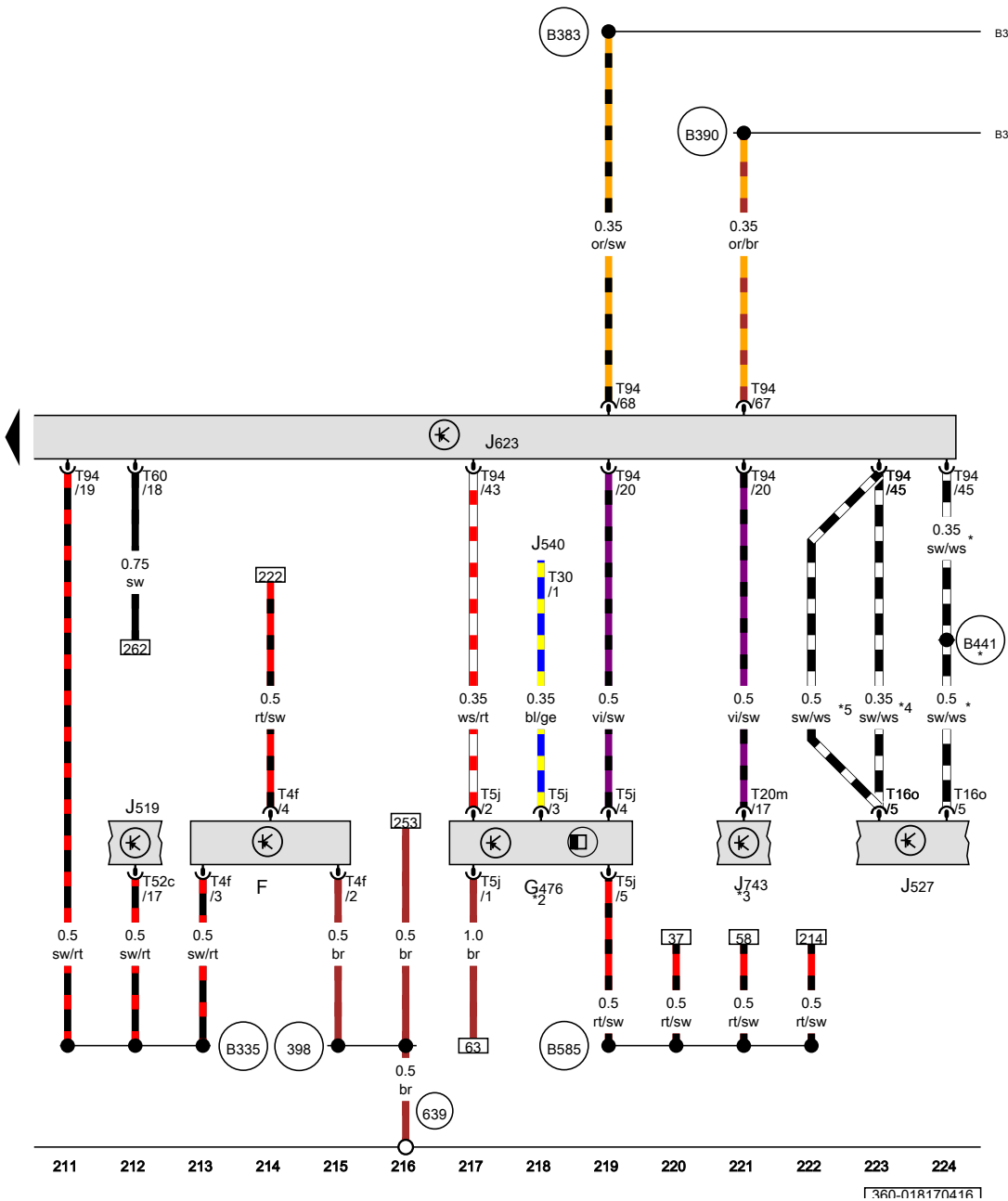
- J151 Continued coolant circulation relay
- J519 Onboard supply control unit
- J623 Engine control unit, central in plenum chamber
- T2ck 2-pin connector, near starter
- T52c 52-pin connector
- T94 94-pin connector
- V51 Continued coolant circulation pump

- 645 Earth point 1, on bulkhead
- B509 Connection 3 (diagnosis), in main wiring harness
- D182 Connection 3 (87a), in engine compartment wiring harness



- ws = white
- sw = black
- ro = red
- rt = red
- br = brown
- gn = green
- bl = blue
- gr = grey
- li = purple
- vi = purple
- ge = yellow
- or = orange
- rs = pink

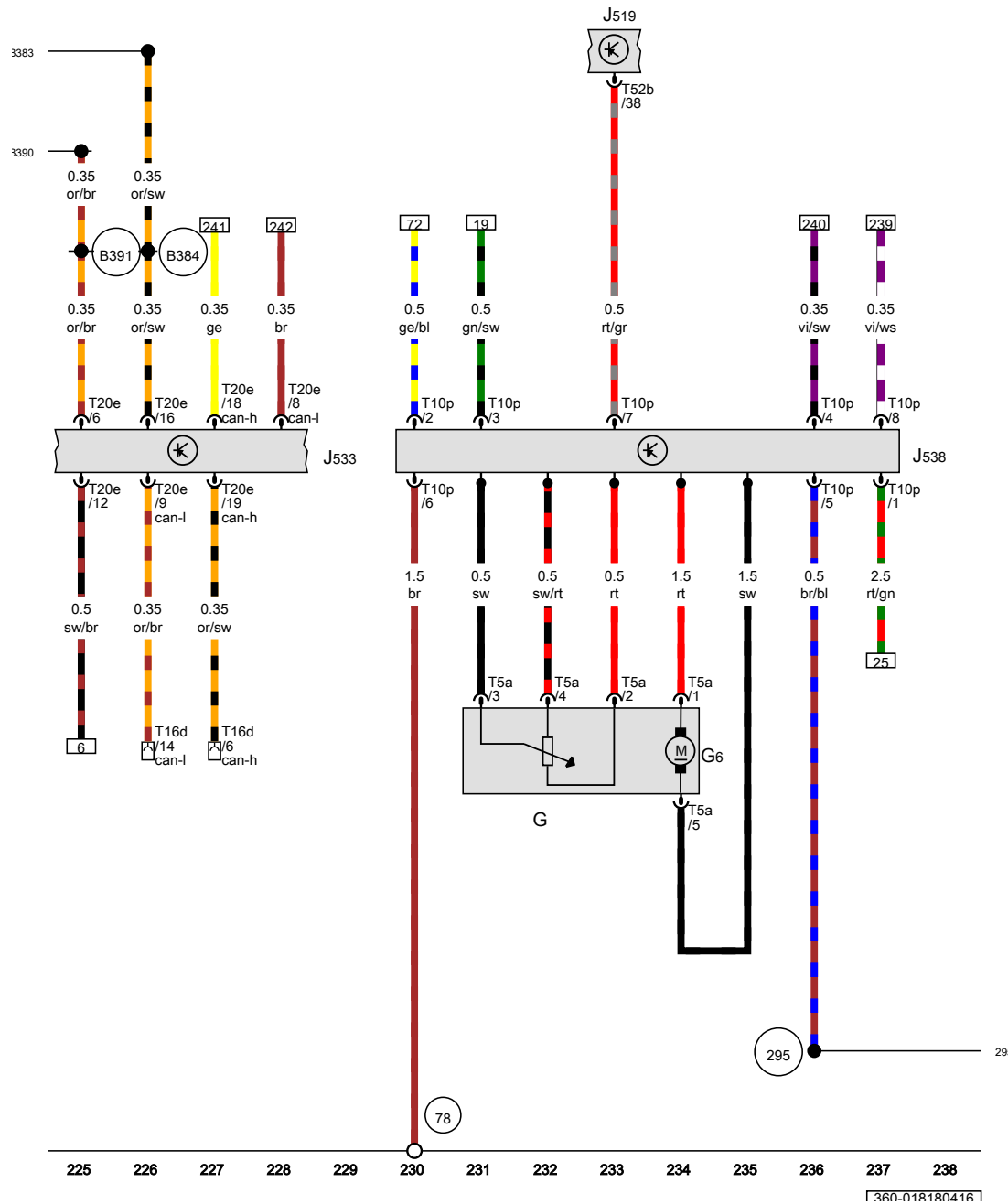
Brake light switch, Clutch position sender, Steering column electronics control unit, Engine control unit



- F Brake light switch
 - G476 Clutch position sender
 - J519 Onboard supply control unit
 - J527 Steering column electronics control unit
 - J540 Control unit for electromechanical parking brake
 - J623 Engine control unit, central in plenum chamber
 - J743 Mechatronic unit for dual clutch gearbox
 - T4f 4-pin connector
 - T5j 5-pin connector
 - T16o 16-pin connector
 - T20m 20-pin connector
 - T30 30-pin connector
 - T52c 52-pin connector
 - T60 60-pin connector
 - T94 94-pin connector
- 398 Earth connection 33, in main wiring harness
 - 639 Earth point, left A-pillar
 - B335 Connection 1 (54), in main wiring harness
 - B383 Connection 1 (powertrain CAN bus, high), in main wiring harness
 - B390 Connection 1 (powertrain CAN bus, low), in main wiring harness
 - B441 Connection (CCS), in main wiring harness
 - B585 Positive connection 2 (87a), in interior wiring harness
- * Only models with adaptive cruise control (ACC)
 - *2 Only models with manual gearbox
 - *3 Only models with dual clutch gearbox 02E
 - *4 Speed signal
 - *5 gradual introduction

ws = white
 sw = black
 ro = red
 rt = red
 br = brown
 gn = green
 bl = blue
 gr = grey
 li = purple
 vi = purple
 ge = yellow
 or = orange
 rs = pink

1360-01R170416



Fuel gauge sender, Fuel system pressurisation pump, Onboard supply control unit, Data bus diagnostic interface, Fuel pump control unit

- G Fuel gauge sender
- G6 Fuel system pressurisation pump
- J519 Onboard supply control unit
- J533 Data bus diagnostic interface
- J538 Fuel pump control unit
- T5a 5-pin connector
- T10p 10-pin connector
- T16d 16-pin connector, on diagnostic connection
- T20e 20-pin connector
- T52b 52-pin connector

- 78 Earth point, lower part of right B-pillar
- 295 Earth connection 10, in interior wiring harness
- B383 Connection 1 (powertrain CAN bus, high), in main wiring harness
- B384 Connection 2 (powertrain CAN bus, high), in main wiring harness
- B390 Connection 1 (powertrain CAN bus, low), in main wiring harness
- B391 Connection 2 (powertrain CAN bus, low), in main wiring harness

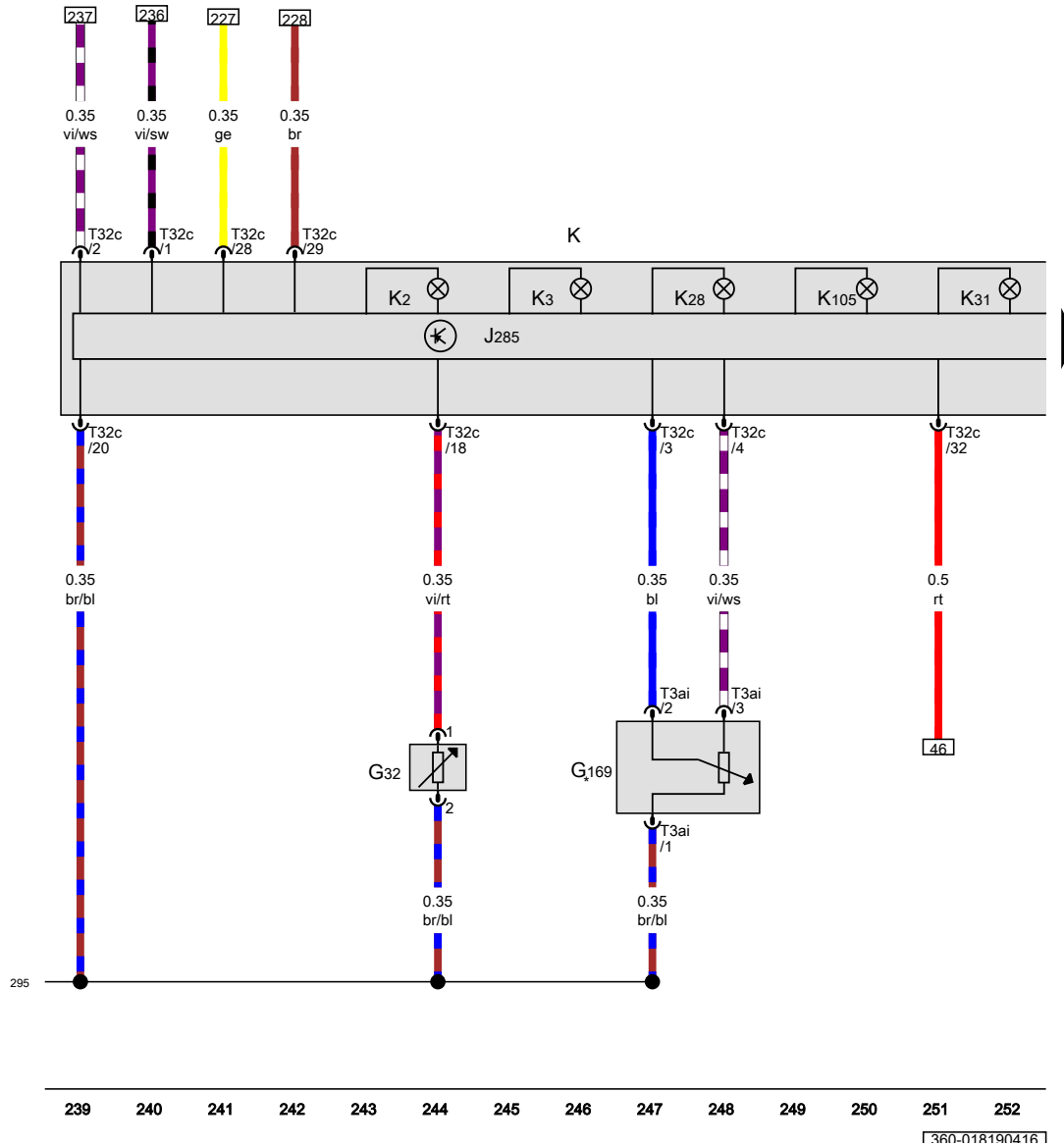
- ws = white
- sw = black
- ro = red
- rt = red
- br = brown
- gn = green
- bl = blue
- gr = grey
- li = purple
- vi = purple
- ge = yellow
- or = orange
- rs = pink

Coolant shortage indicator sender, Fuel gauge sender 2, Control unit in dash panel insert, Dash panel insert, Alternator warning lamp, Oil pressure warning lamp, Coolant temperature and coolant shortage warning lamp, Cruise control system warning lamp, Reserve fuel warning lamp

- G32 Coolant shortage indicator sender
- G169 Fuel gauge sender 2
- J285 Control unit in dash panel insert
- K Dash panel insert
- K2 Alternator warning lamp
- K3 Oil pressure warning lamp
- K28 Coolant temperature and coolant shortage warning lamp
- K31 Cruise control system warning lamp
- K105 Reserve fuel warning lamp
- T3ai 3-pin connector
- T32c 32-pin connector

295 Earth connection 10, in interior wiring harness

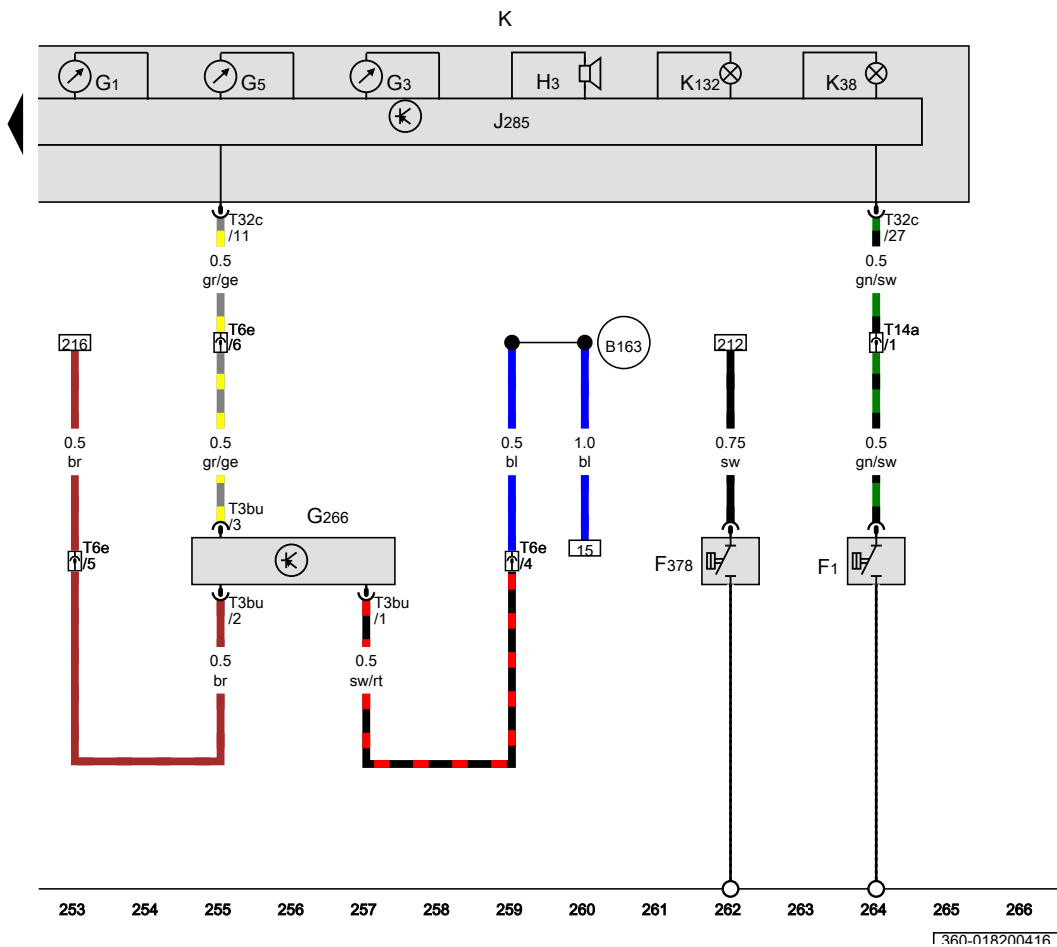
* Only models with all-wheel drive



1360-018190416

Oil pressure switch, Oil pressure switch for reduced oil pressure, Fuel gauge, Coolant temperature gauge, Rev. counter, Oil level and oil temperature sender, Buzzer and gong, Control unit in dash panel insert, Dash panel insert, Oil level warning lamp, Electronic power control fault lamp

- F1 Oil pressure switch
- F378 Oil pressure switch for reduced oil pressure
- G1 Fuel gauge
- G3 Coolant temperature gauge
- G5 Rev. counter
- G266 Oil level and oil temperature sender
- H3 Buzzer and gong
- J285 Control unit in dash panel insert
- K Dash panel insert
- K38 Oil level warning lamp
- K132 Electronic power control fault lamp
- T3bu 3-pin connector
- T6e 6-pin connector, front left in engine compartment
- T14a 14-pin connector, front left in engine compartment
- T32c 32-pin connector
- B163 Positive connection 1 (15), in interior wiring harness

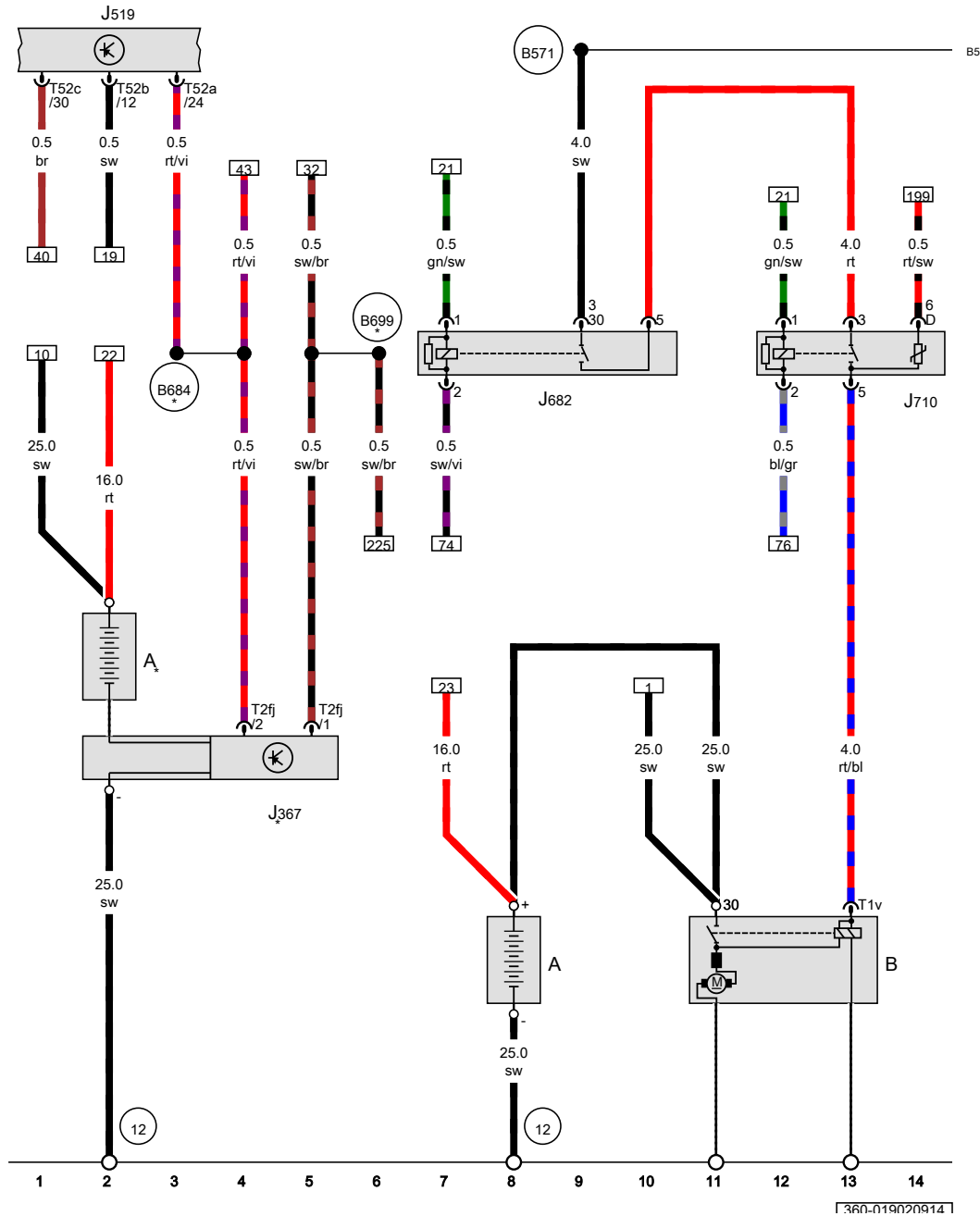


- ws = white
- sw = black
- ro = red
- rt = red
- br = brown
- gn = green
- bl = blue
- gr = grey
- li = purple
- vi = purple
- ge = yellow
- or = orange
- rs = pink

2.0l petrol engine , CCZB

From November 2010

Battery, Starter, Battery monitor control unit, Onboard supply control unit, Terminal 50 voltage supply relay, Voltage supply relay 2

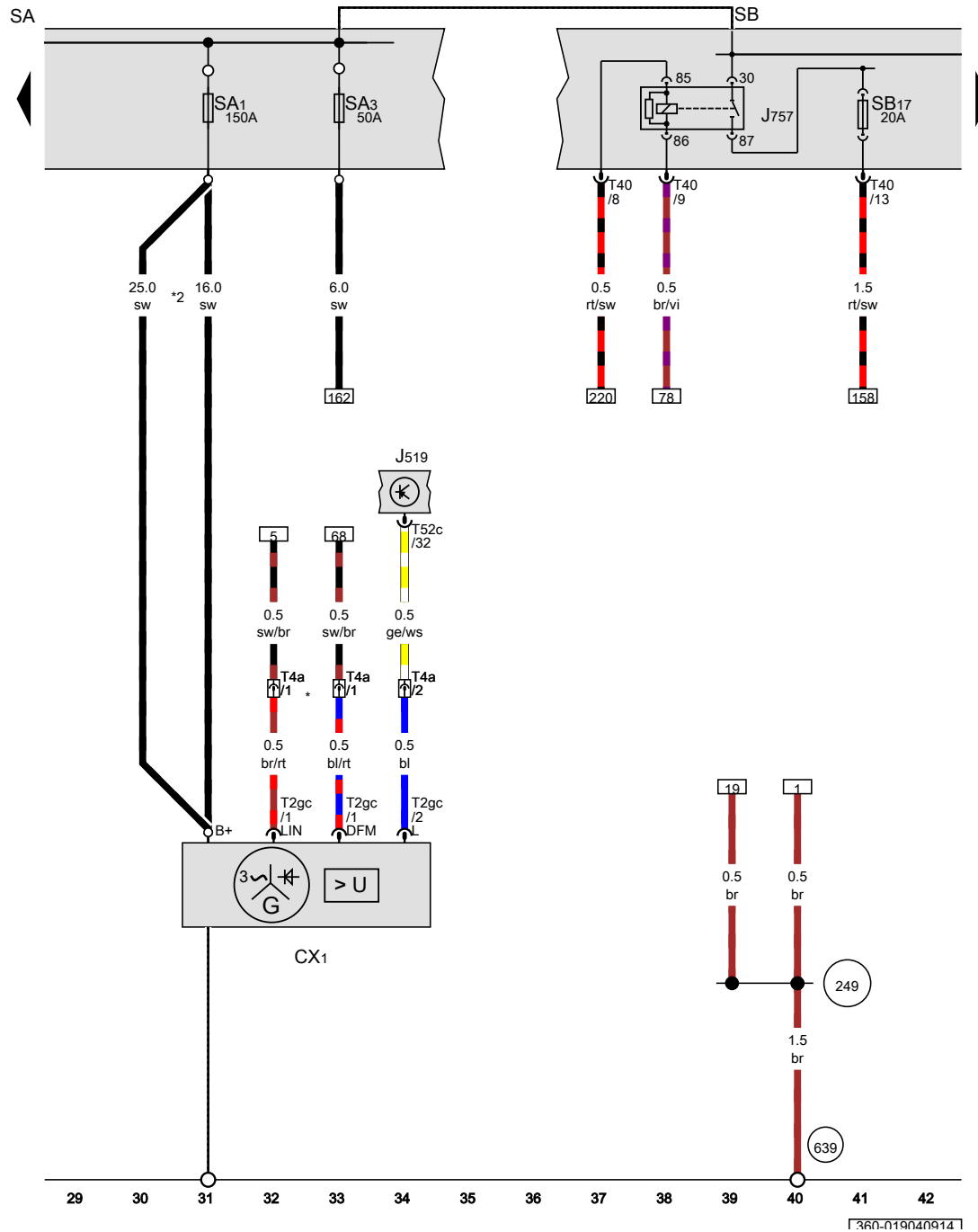


- A Battery
- B Starter
- J367 Battery monitor control unit
- J519 Onboard supply control unit
- J682 Terminal 50 voltage supply relay
- J710 Voltage supply relay 2
- T1v Single connector
- T2fj 2-pin connector
- T52a 52-pin connector
- T52b 52-pin connector
- T52c 52-pin connector

- 12 Earth point, on left in engine compartment
- B571 Connection 38, in main wiring harness
- B684 Positive connection 24 (30a) in main wiring harness
- B699 Connection 4 (LIN bus) in main wiring harness
- * Only models with energy recovery

- ws = white
- sw = black
- ro = red
- rt = red
- br = brown
- gn = green
- bl = blue
- gr = grey
- li = purple
- vi = purple
- ge = yellow
- or = orange
- rs = pink

1360-019020914



Alternator with voltage regulator, Engine component current supply relay, Fuse holder A, Fuse holder B

- CX1 Alternator with voltage regulator
- J519 Onboard supply control unit
- J757 Engine component current supply relay
- SA Fuse holder A
- SA1 Fuse 1 in fuse holder A
- SA3 Fuse 3 in fuse holder A
- SB Fuse holder B
- SB17 Fuse 17 on fuse holder B
- T2gc 2-pin connector
- T4a 4-pin connector, near starter
- T40 40-pin connector
- T52c 52-pin connector

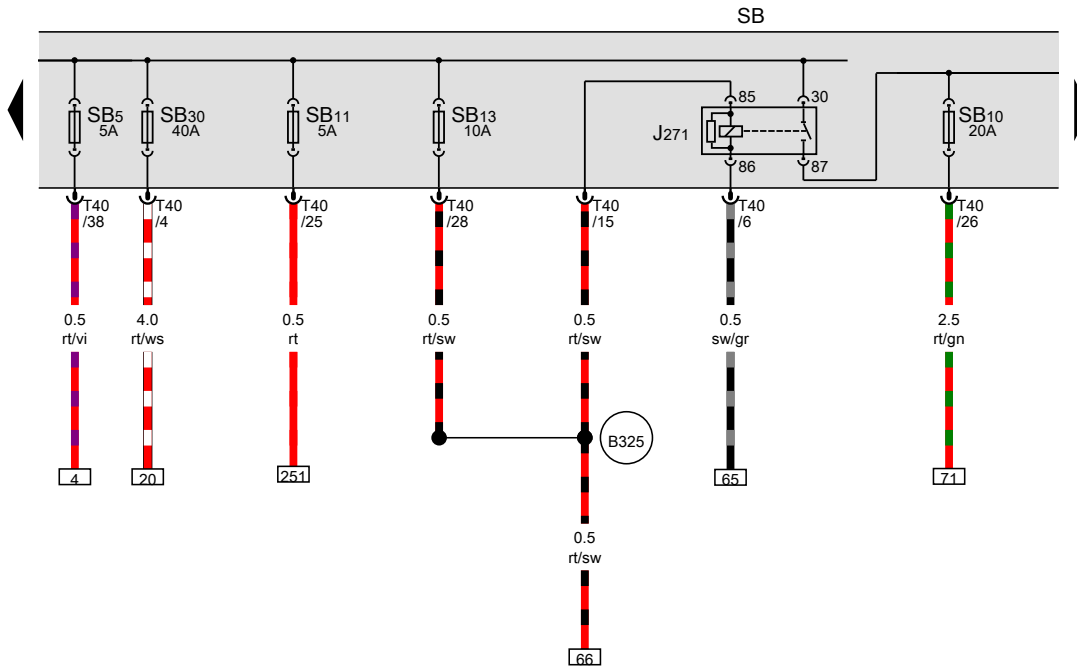
249 Earth connection 2, in interior wiring harness

639 Earth point, left A-pillar

- * Only models with energy recovery
- *2 Only models with 140 A alternator

- ws = white
- sw = black
- ro = red
- rt = red
- br = brown
- gn = green
- bl = blue
- gr = grey
- li = purple
- vi = purple
- ge = yellow
- or = orange
- rs = pink

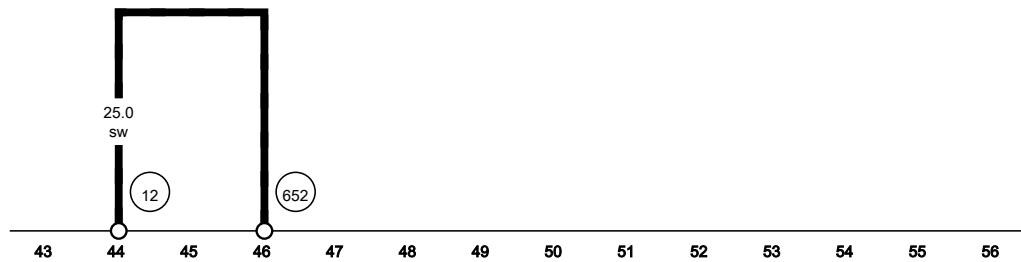
360-019040914



Main relay, Fuse holder B

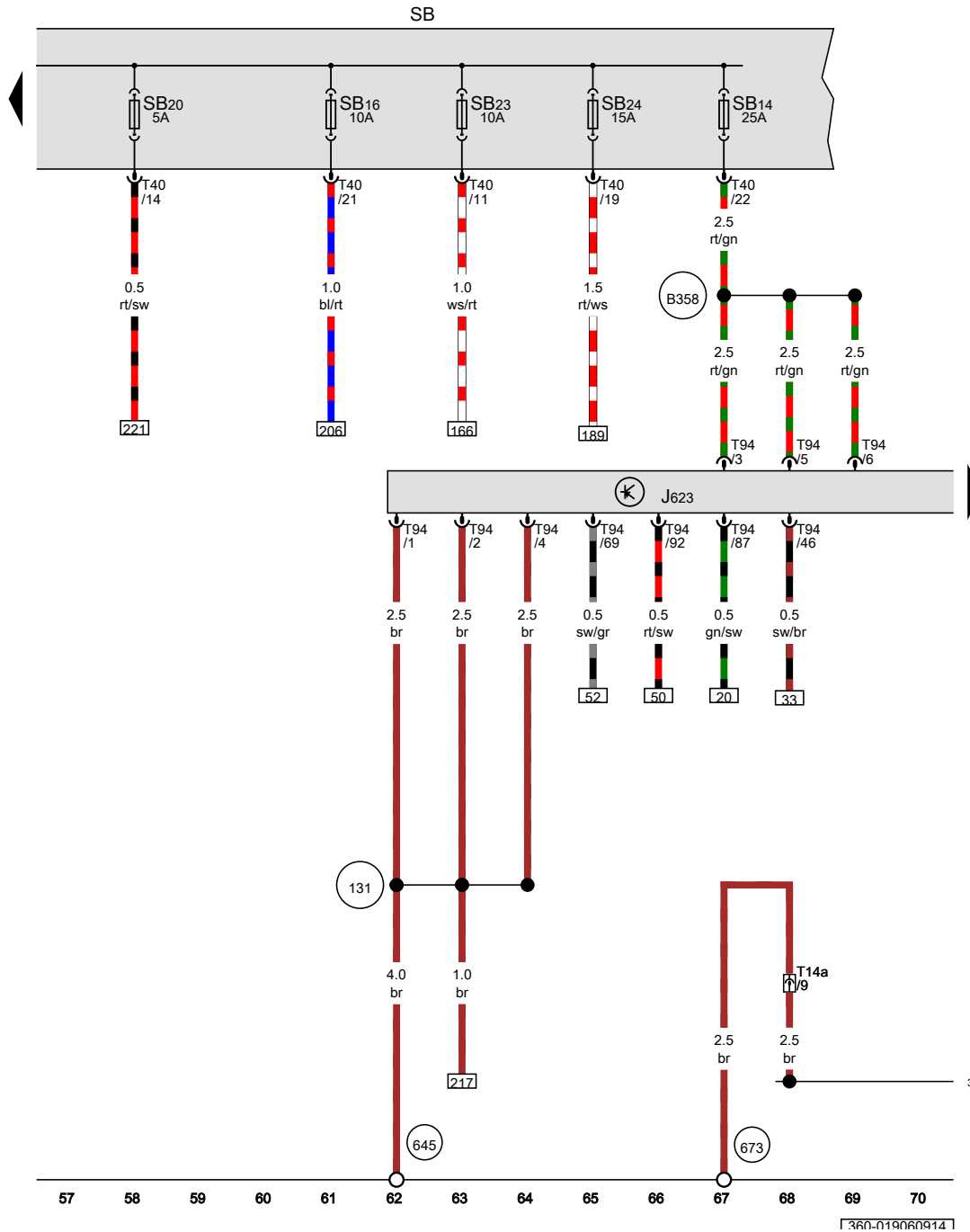
- J271 Main relay
- SB Fuse holder B
- SB5 Fuse 5 on fuse holder B
- SB10 Fuse 10 on fuse holder B
- SB11 Fuse 11 on fuse holder B
- SB13 Fuse 13 on fuse holder B
- SB30 Fuse 30 on fuse holder B
- T40 40-pin connector

- (12) Earth point, on left in engine compartment
- (652) Earth point, engine and gearbox earth
- (B325) Positive connection 11 (30a) in main wiring harness



- ws = white
- sw = black
- ro = red
- rt = red
- br = brown
- gn = green
- bl = blue
- gr = grey
- li = purple
- vi = purple
- ge = yellow
- or = orange
- rs = pink

360-019050914



Engine control unit, Fuse holder B

- J623 Engine control unit, central in plenum chamber
- SB Fuse holder B
- SB14 Fuse 14 on fuse holder B
- SB16 Fuse 16 on fuse holder B
- SB20 Fuse 20 on fuse holder B
- SB23 Fuse 23 on fuse holder B
- SB24 Fuse 24 on fuse holder B
- T14a 14-pin connector
- T40 40-pin connector
- T94 94-pin connector

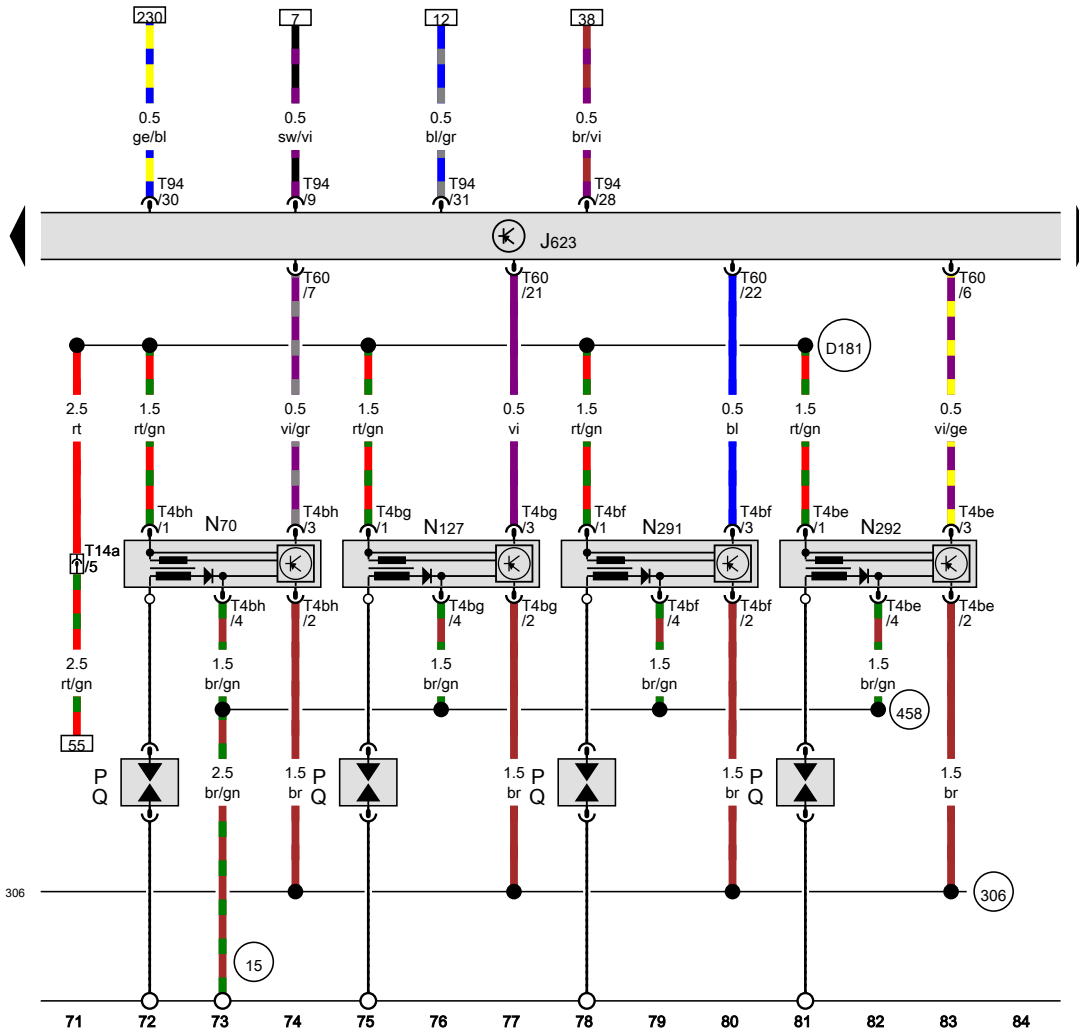
- 131 Earth connection 2, in engine compartment wiring harness
- 306 Earth connection (ignition coils), in engine prewiring harness
- 645 Earth point 1, on bulkhead
- 673 Earth point 3, on front of left longitudinal member
- B358 Positive connection 9 (87a) in main wiring harness

- ws = white
- sw = black
- ro = red
- rt = red
- br = brown
- gn = green
- bl = blue
- gr = grey
- li = purple
- vi = purple
- ge = yellow
- or = orange
- rs = pink

360-019060914

Engine control unit, Ignition coil 1 with output stage, Ignition coil 2 with output stage, Ignition coil 3 with output stage, Ignition coil 4 with output stage, Spark plug connector, Spark plugs

- J623 Engine control unit, central in plenum chamber
- N70 Ignition coil 1 with output stage
- N127 Ignition coil 2 with output stage
- N291 Ignition coil 3 with output stage
- N292 Ignition coil 4 with output stage
- P Spark plug connector
- Q Spark plugs
- T4be 4-pin connector
- T4bf 4-pin connector
- T4bg 4-pin connector
- T4bh 4-pin connector
- T14a 14-pin connector
- T60 60-pin connector
- T94 94-pin connector



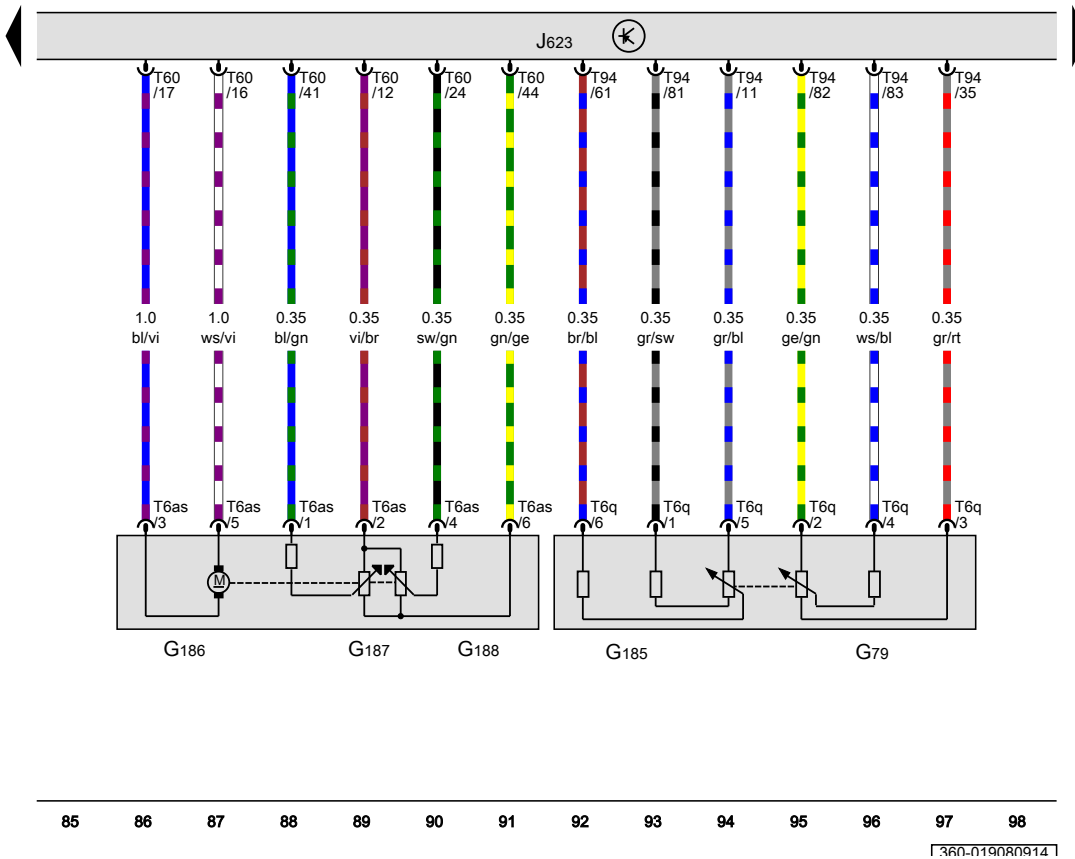
- 15 Earth point, on cylinder head
- 306 Earth connection (ignition coils), in engine prewiring harness
- 458 Earth point 3, engine prewiring harness
- D181 Connection 2 (87a) in engine compartment wiring harness

- ws = white
- sw = black
- ro = red
- rt = red
- br = brown
- gn = green
- bl = blue
- gr = grey
- li = purple
- vi = purple
- ge = yellow
- or = orange
- rs = pink

360-019070914

Accelerator position sender, Accelerator position sender 2, Throttle valve drive for electric throttle, Throttle valve drive angle sender 1 for electric throttle, Throttle valve drive angle sender 2 for electric throttle, Engine control unit

- G79 Accelerator position sender
- G185 Accelerator position sender 2
- G186 Throttle valve drive for electric throttle
- G187 Throttle valve drive angle sender 1 for electric throttle
- G188 Throttle valve drive angle sender 2 for electric throttle
- J623 Engine control unit, central in plenum chamber
- T6as 6-pin connector
- T6q 6-pin connector
- T60 60-pin connector
- T94 94-pin connector



- ws = white
- sw = black
- ro = red
- rt = red
- br = brown
- gn = green
- bl = blue
- gr = grey
- li = purple
- vi = purple
- ge = yellow
- or = orange
- rs = pink

85 86 87 88 89 90 91 92 93 94 95 96 97 98

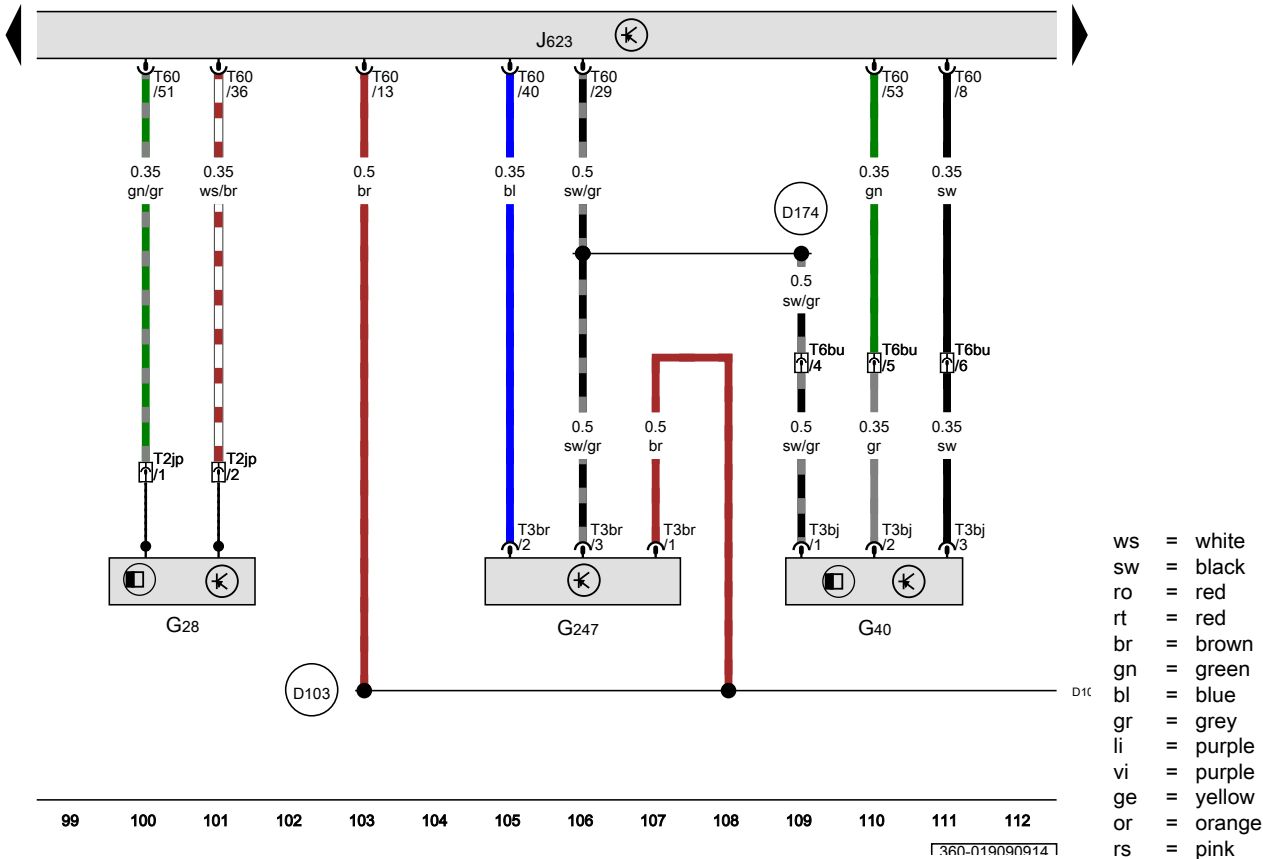
360-019080914

Engine speed sender, Hall sender, Fuel pressure sender, Engine control unit

- G28 Engine speed sender
- G40 Hall sender
- G247 Fuel pressure sender
- J623 Engine control unit, central in plenum chamber
- T2jp 2-pin connector
- T3bj 3-pin connector
- T3br 3-pin connector
- T6bu 6-pin connector, near cylinder head
- T60 60-pin connector

D103 Connection 3 in engine compartment wiring harness

D174 Connection 2 (5V) in engine prewiring harness

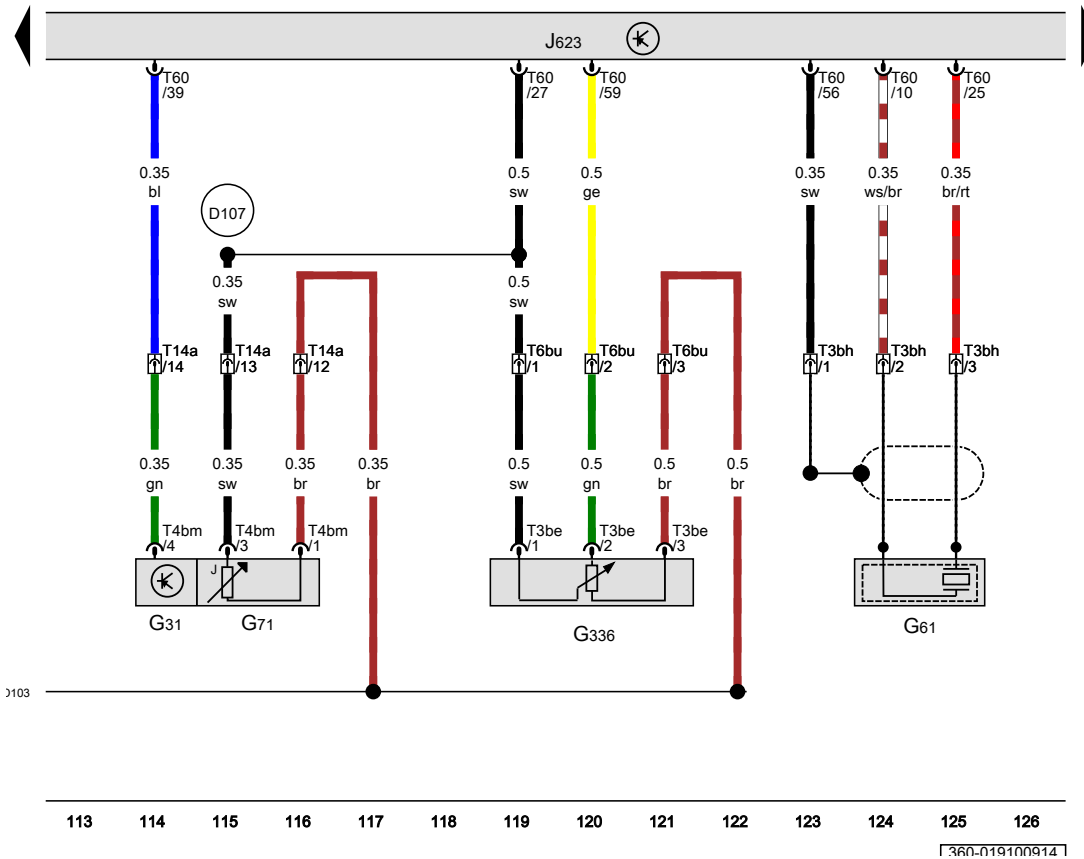


Charge pressure sender, Knock sensor 1, Intake manifold pressure sender, Intake manifold flap potentiometer, Engine control unit

- G31 Charge pressure sender
- G61 Knock sensor 1
- G71 Intake manifold pressure sender
- G336 Intake manifold flap potentiometer
- J623 Engine control unit, central in plenum chamber
- T3be 3-pin connector
- T3bh 3-pin connector
- T4bm 4-pin connector
- T6bu 6-pin connector, near cylinder head
- T14a 14-pin connector, on left in engine compartment
- T60 60-pin connector

D103 Connection 3 in engine compartment wiring harness

D107 Connection 5 in engine compartment wiring harness

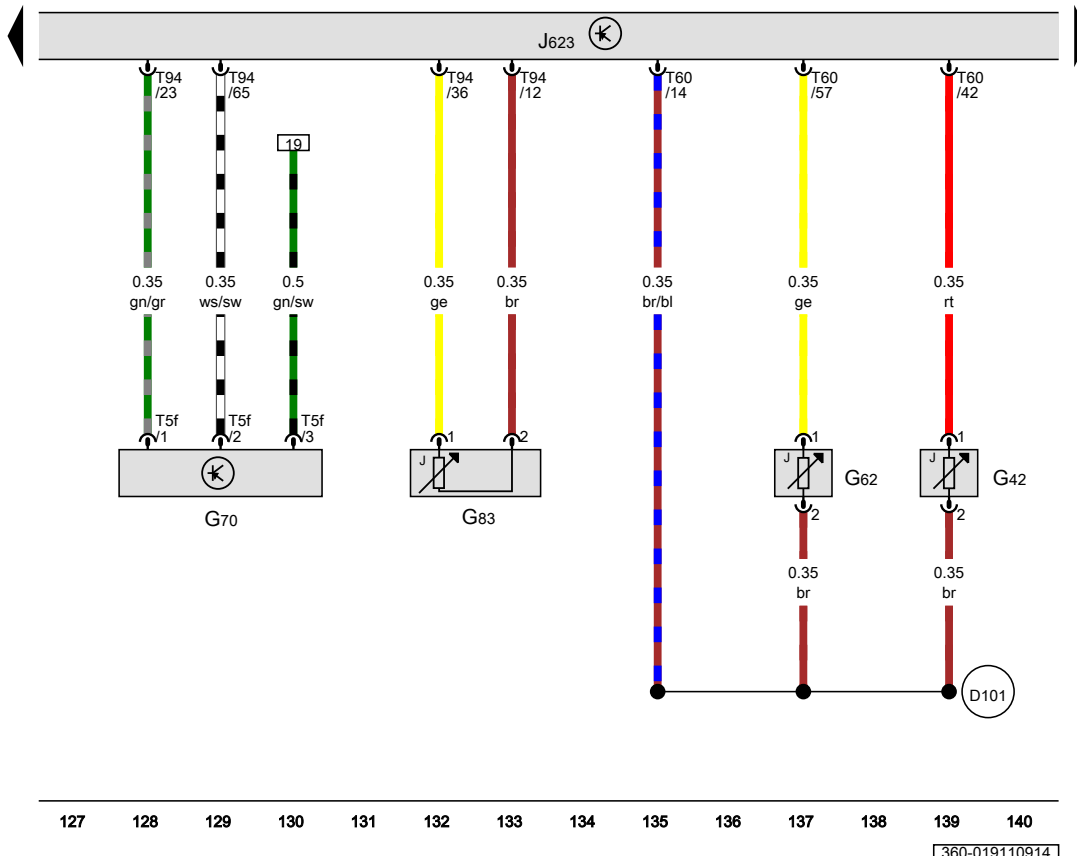


- ws = white
- sw = black
- ro = red
- rt = red
- br = brown
- gn = green
- bl = blue
- gr = grey
- li = purple
- vi = purple
- ge = yellow
- or = orange
- rs = pink

Intake air temperature sender, Coolant temperature sender, Air mass meter, Radiator outlet coolant temperature sender, Engine control unit

- G42 Intake air temperature sender
- G62 Coolant temperature sender
- G70 Air mass meter
- G83 Radiator outlet coolant temperature sender, black
- J623 Engine control unit, central in plenum chamber
- T5f 5-pin connector
- T60 60-pin connector
- T94 94-pin connector

D101 Connection 1 in engine compartment wiring harness



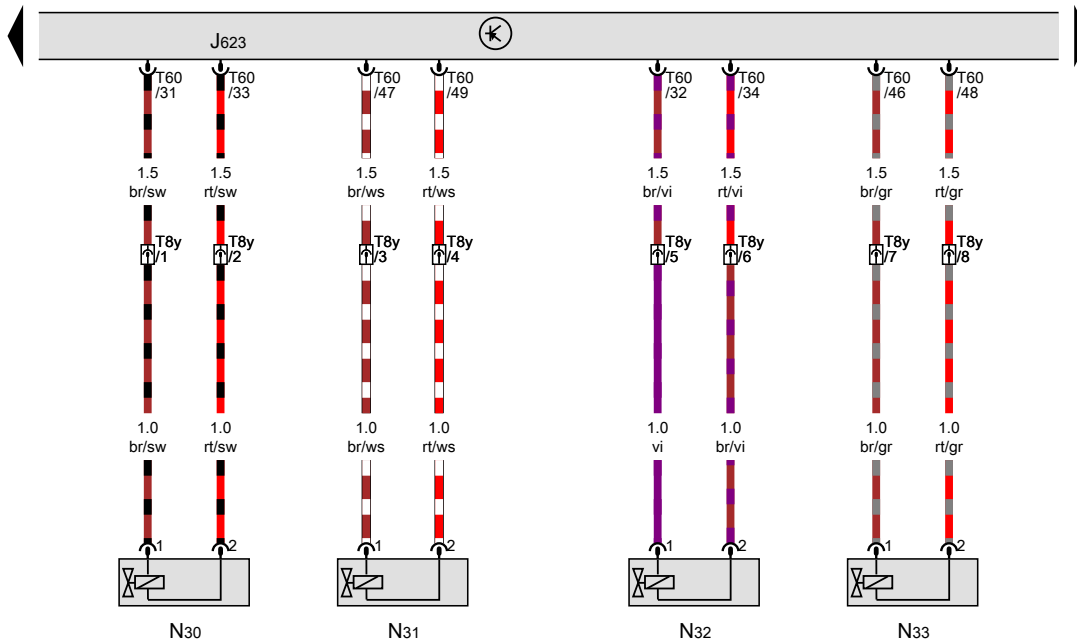
- ws = white
- sw = black
- ro = red
- rt = red
- br = brown
- gn = green
- bl = blue
- gr = grey
- li = purple
- vi = purple
- ge = yellow
- or = orange
- rs = pink

127 128 129 130 131 132 133 134 135 136 137 138 139 140

360-019110914

Engine control unit, Injector, cylinder 1, Injector, cylinder 2, Injector, cylinder 3, Injector, cylinder 4

- J623 Engine control unit, central in plenum chamber
- N30 Injector, cylinder 1
- N31 Injector, cylinder 2
- N32 Injector, cylinder 3
- N33 Injector, cylinder 4
- T8y 8-pin connector, near cylinder head
- T60 60-pin connector



- ws = white
- sw = black
- ro = red
- rt = red
- br = brown
- gn = green
- bl = blue
- gr = grey
- li = purple
- vi = purple
- ge = yellow
- or = orange
- rs = pink

141 142 143 144 145 146 147 148 149 150 151 152 153 154

360-019120914

Electronic ignition lock, Radiator fan control unit, Engine control unit, Fuel pressure regulating valve, Radiator fan, Radiator fan 2

- D9 Electronic ignition lock
- J293 Radiator fan control unit
- J623 Engine control unit, central in plenum chamber
- J942 Control unit for terminal control and engine start
- N276 Fuel pressure regulating valve
- T2be 2-pin connector, on lock carrier
- T4i 4-pin connector, on lock carrier
- T14a 14-pin connector, on left in engine compartment
- T16f 16-pin connector
- T32g 32-pin connector
- T60 60-pin connector
- T94 94-pin connector
- V7 Radiator fan
- V177 Radiator fan 2

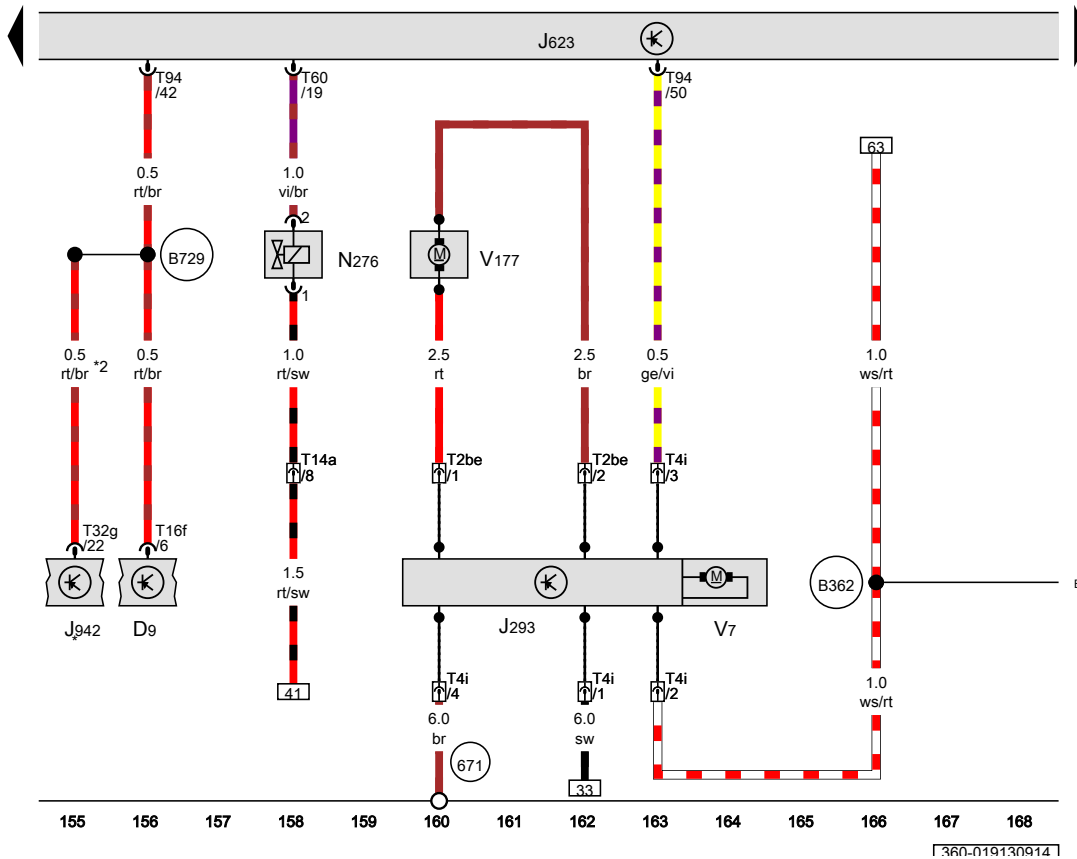
671 Earth point 1, on front of left longitudinal member

B362 Positive connection 13 (87a) in main wiring harness

B729 Connection 1 (50), in main wiring harness

* see applicable current flow diagram for entry and start authorisation

*2 Only models with entry and start authorisation



- ws = white
- sw = black
- ro = red
- rt = red
- br = brown
- gn = green
- bl = blue
- gr = grey
- li = purple
- vi = purple
- ge = yellow
- or = orange
- rs = pink

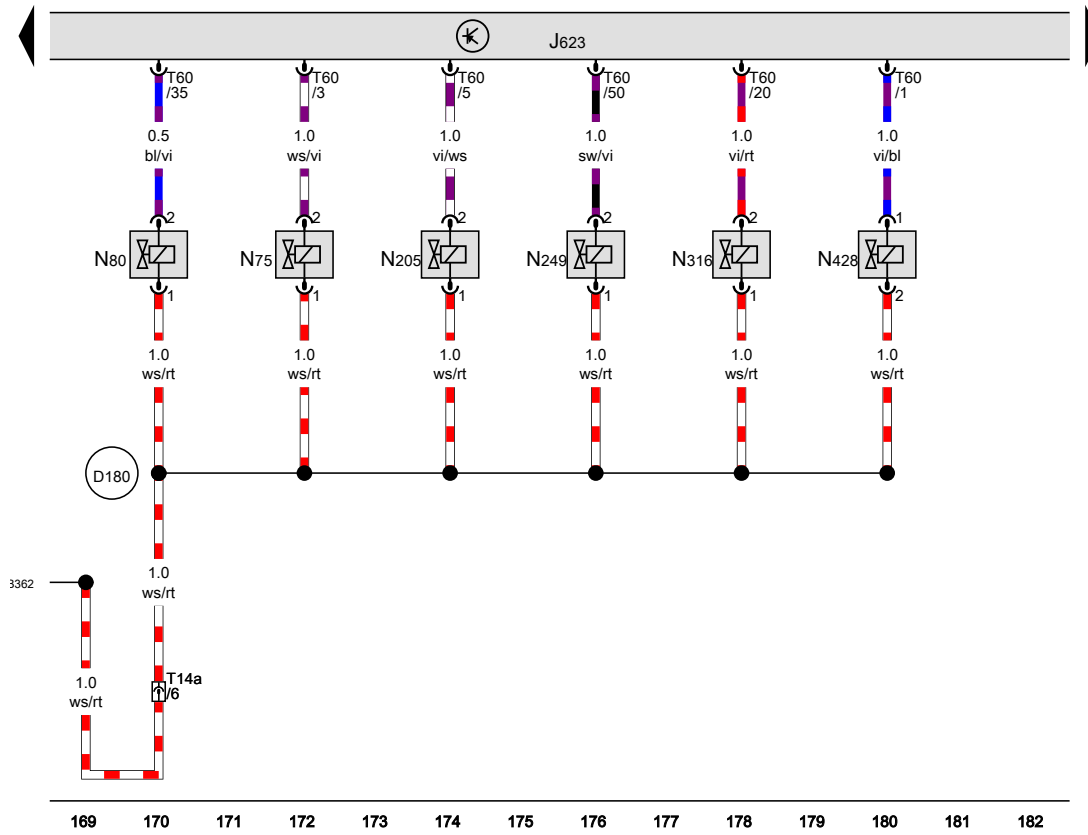
360-019130914

Engine control unit, Charge pressure control solenoid valve, Activated charcoal filter solenoid valve 1, Camshaft control valve 1, Turbocharger air recirculation valve, Intake manifold flap valve, Valve for oil pressure control

- J623 Engine control unit, central in plenum chamber
- N75 Charge pressure control solenoid valve
- N80 Activated charcoal filter solenoid valve 1
- N205 Camshaft control valve 1
- N249 Turbocharger air recirculation valve
- N316 Intake manifold flap valve
- N428 Valve for oil pressure control
- T14a 14-pin connector
- T60 60-pin connector

B362 Positive connection 13 (87a) in main wiring harness

D180 Connection (87a), in engine compartment wiring harness



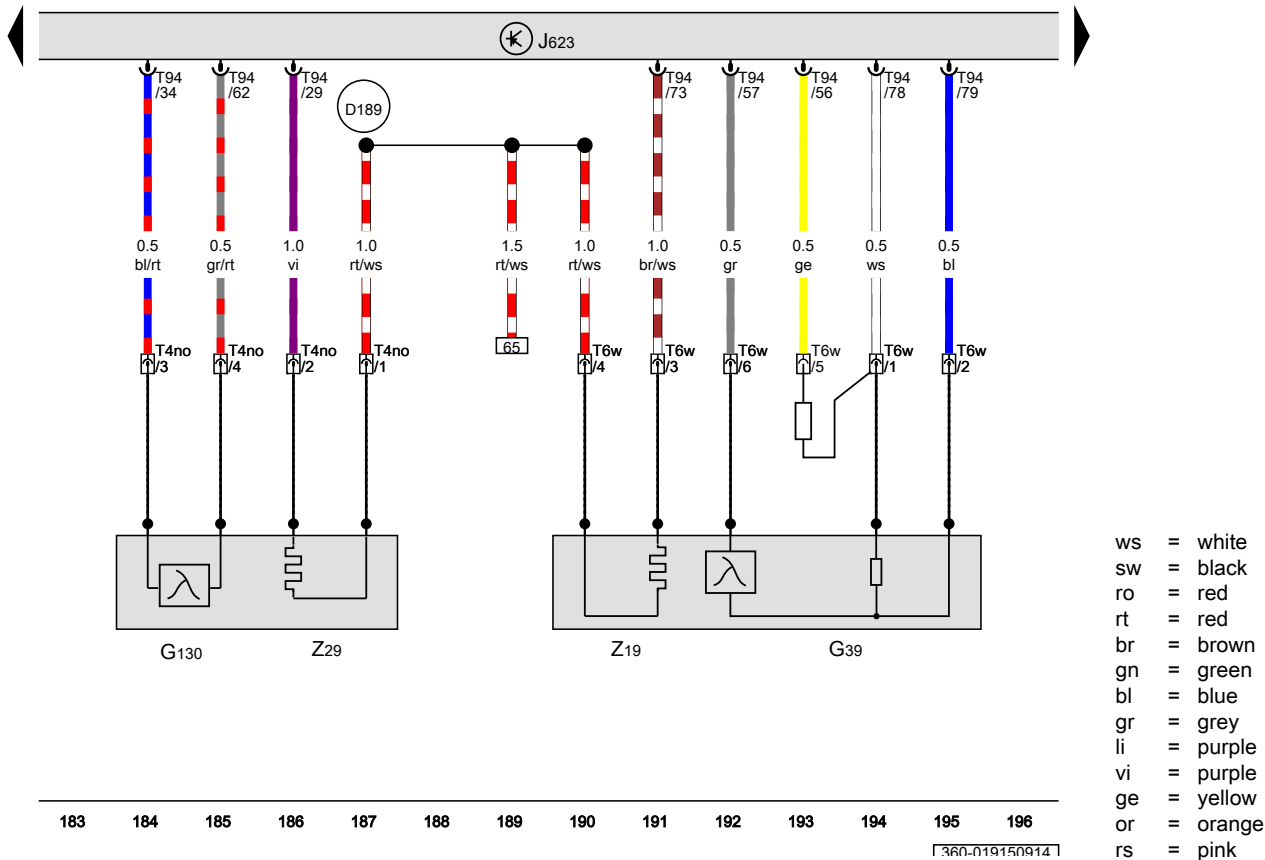
- ws = white
- sw = black
- ro = red
- rt = red
- br = brown
- gn = green
- bl = blue
- gr = grey
- li = purple
- vi = purple
- ge = yellow
- or = orange
- rs = pink

360-019140914

Lambda probe, Lambda probe after catalytic converter, Engine control unit, Lambda probe heater, Lambda probe 1 heater after catalytic converter

- G39 Lambda probe
- G130 Lambda probe after catalytic converter
- J623 Engine control unit, central in plenum chamber
- T4no 4-pin connector
- T6w 6-pin connector
- T94 94-pin connector
- Z19 Lambda probe heater
- Z29 Lambda probe 1 heater after catalytic converter

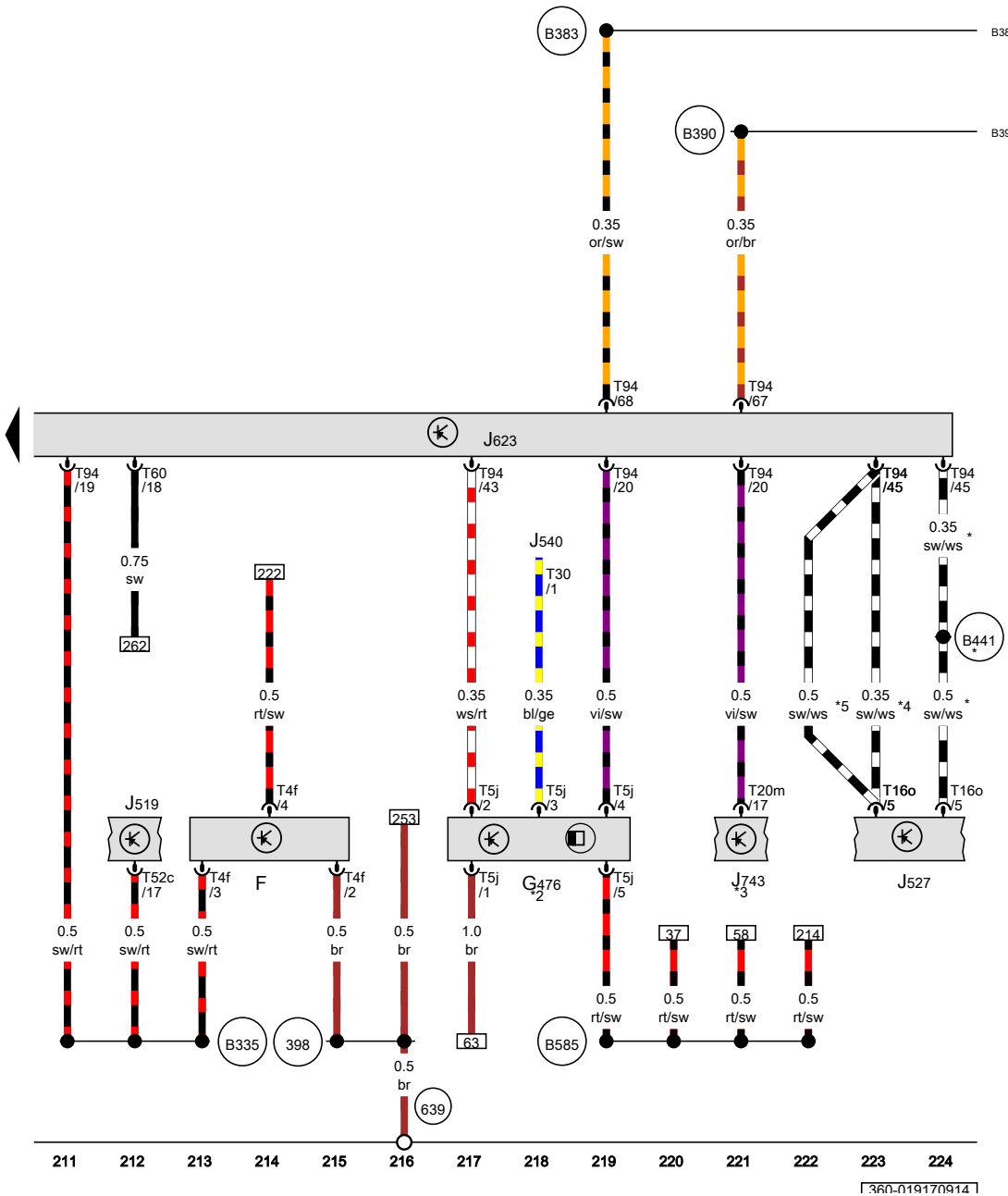
D189 Connection (87a) in engine prewiring harness



183 184 185 186 187 188 189 190 191 192 193 194 195 196

360-019150914

Brake light switch, Clutch position sender, Steering column electronics control unit, Engine control unit



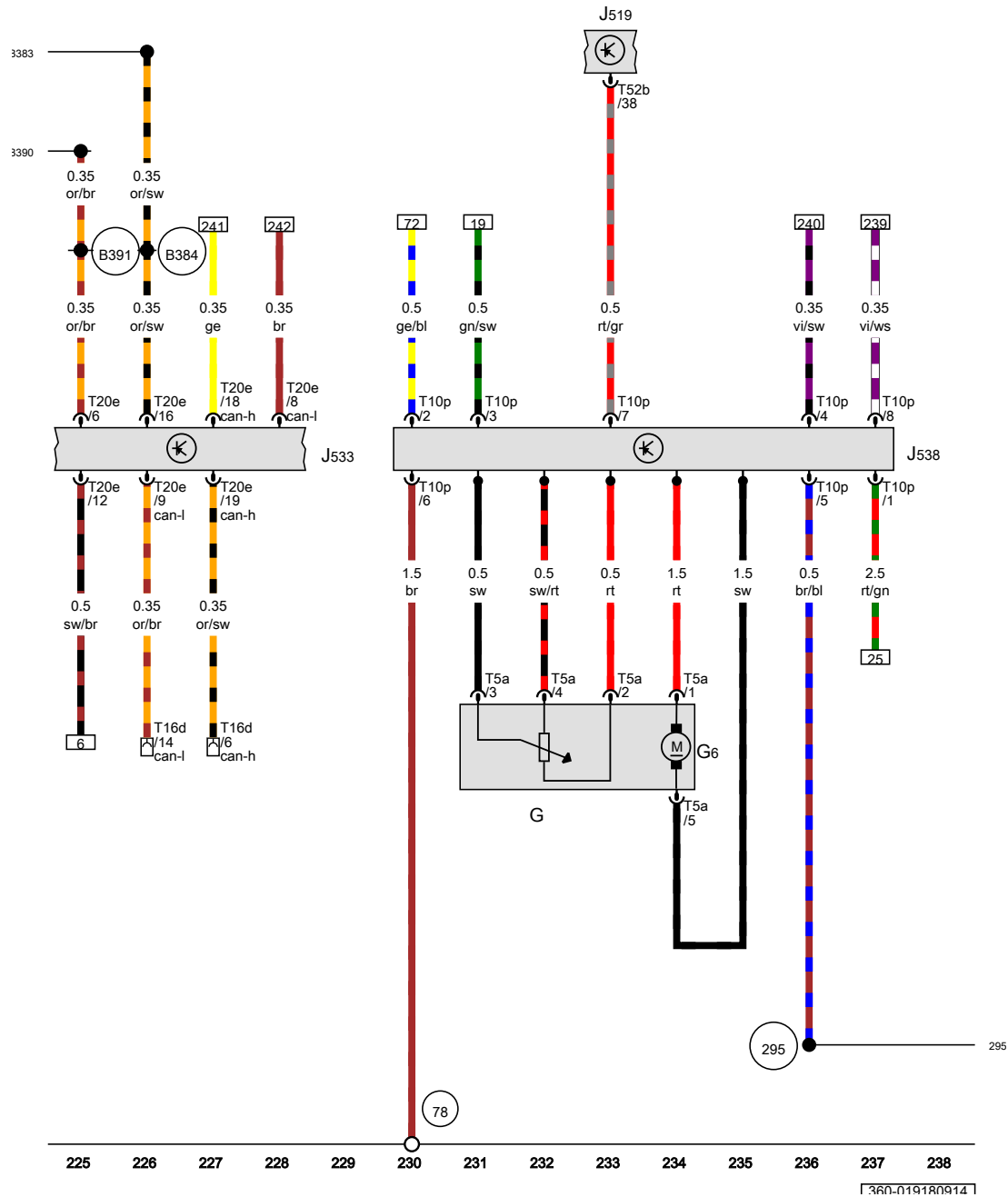
- F Brake light switch
- G476 Clutch position sender
- J519 Onboard supply control unit
- J527 Steering column electronics control unit
- J540 Control unit for electromechanical parking brake
- J623 Engine control unit, central in plenum chamber
- J743 Mechatronic unit for dual clutch gearbox
- T4f 4-pin connector
- T5j 5-pin connector
- T16o 16-pin connector
- T20m 20-pin connector
- T30 30-pin connector
- T52c 52-pin connector
- T60 60-pin connector
- T94 94-pin connector

- 398 Earth connection 33, in main wiring harness
- 639 Earth point, left A-pillar
- B335 Connection 1 (54), in main wiring harness
- B383 Connection 1 (powertrain CAN bus, high), in main wiring harness
- B390 Connection 1 (powertrain CAN bus, low), in main wiring harness
- B441 Connection (CCS), in main wiring harness
- B585 Positive connection 2 (87a), in interior wiring harness

- * Only models with adaptive cruise control (ACC)
- *2 Only models with manual gearbox
- *3 Only models with dual clutch gearbox 02E
- *4 Speed signal
- *5 gradual introduction

- ws = white
- sw = black
- ro = red
- rt = red
- br = brown
- gn = green
- bl = blue
- gr = grey
- li = purple
- vi = purple
- ge = yellow
- or = orange
- rs = pink

1360-019170914



Fuel gauge sender, Fuel system pressurisation pump, Onboard supply control unit, Data bus diagnostic interface, Fuel pump control unit

- G Fuel gauge sender
- G6 Fuel system pressurisation pump
- J519 Onboard supply control unit
- J533 Data bus diagnostic interface
- J538 Fuel pump control unit
- T5a 5-pin connector
- T10p 10-pin connector
- T16d 16-pin connector, on diagnostic connection
- T20e 20-pin connector
- T52b 52-pin connector

- 78 Earth point, lower part of right B-pillar
- 295 Earth connection 10, in interior wiring harness
- B383 Connection 1 (powertrain CAN bus, high), in main wiring harness
- B384 Connection 2 (powertrain CAN bus, high), in main wiring harness
- B390 Connection 1 (powertrain CAN bus, low), in main wiring harness
- B391 Connection 2 (powertrain CAN bus, low), in main wiring harness

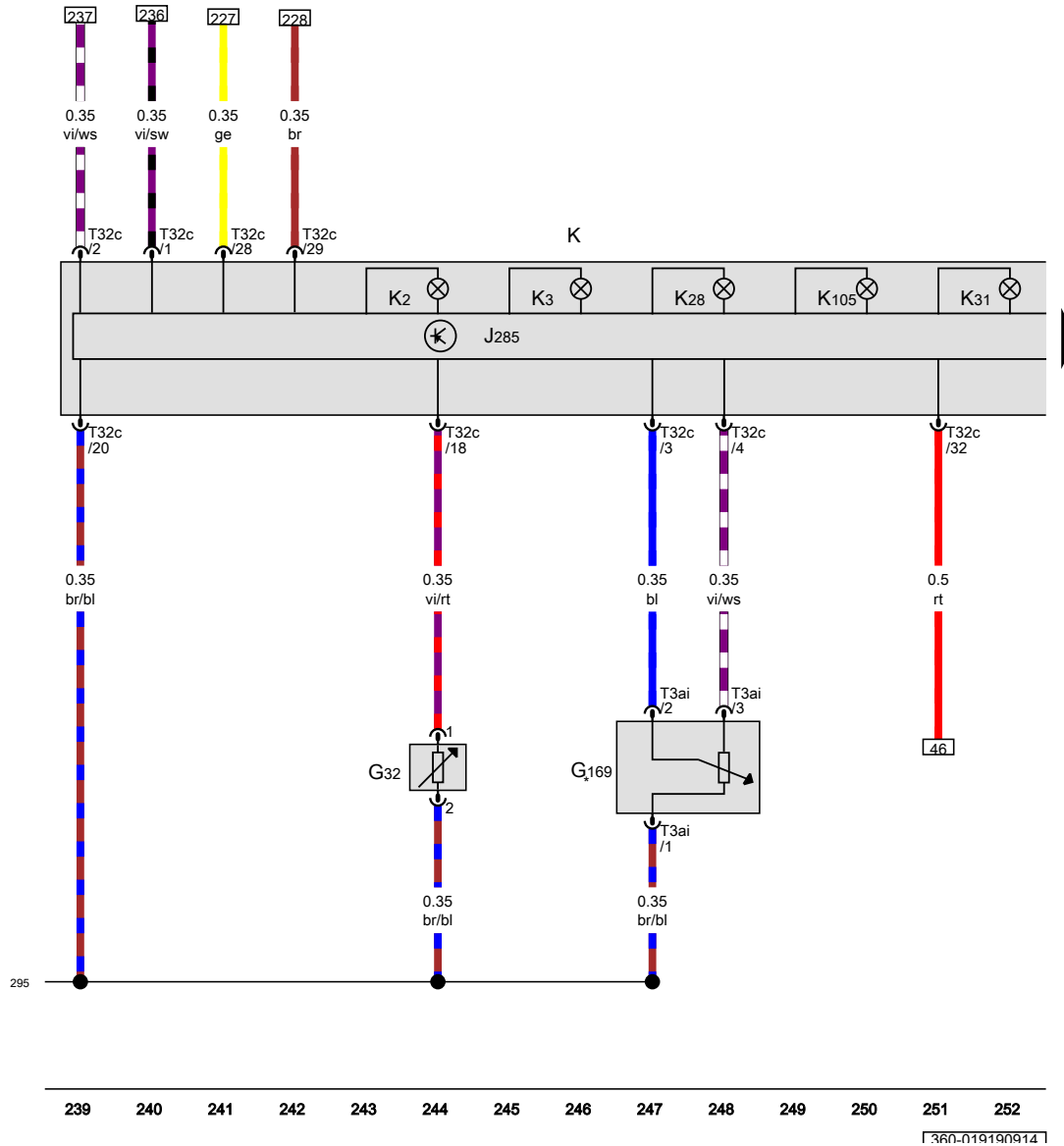
- ws = white
- sw = black
- ro = red
- rt = red
- br = brown
- gn = green
- bl = blue
- gr = grey
- li = purple
- vi = purple
- ge = yellow
- or = orange
- rs = pink

Coolant shortage indicator sender, Fuel gauge sender 2, Control unit in dash panel insert, Dash panel insert, Alternator warning lamp, Oil pressure warning lamp, Coolant temperature and coolant shortage warning lamp, Cruise control system warning lamp, Reserve fuel warning lamp

- G32 Coolant shortage indicator sender
- G169 Fuel gauge sender 2
- J285 Control unit in dash panel insert
- K Dash panel insert
- K2 Alternator warning lamp
- K3 Oil pressure warning lamp
- K28 Coolant temperature and coolant shortage warning lamp
- K31 Cruise control system warning lamp
- K105 Reserve fuel warning lamp
- T3ai 3-pin connector
- T32c 32-pin connector

295 Earth connection 10, in interior wiring harness

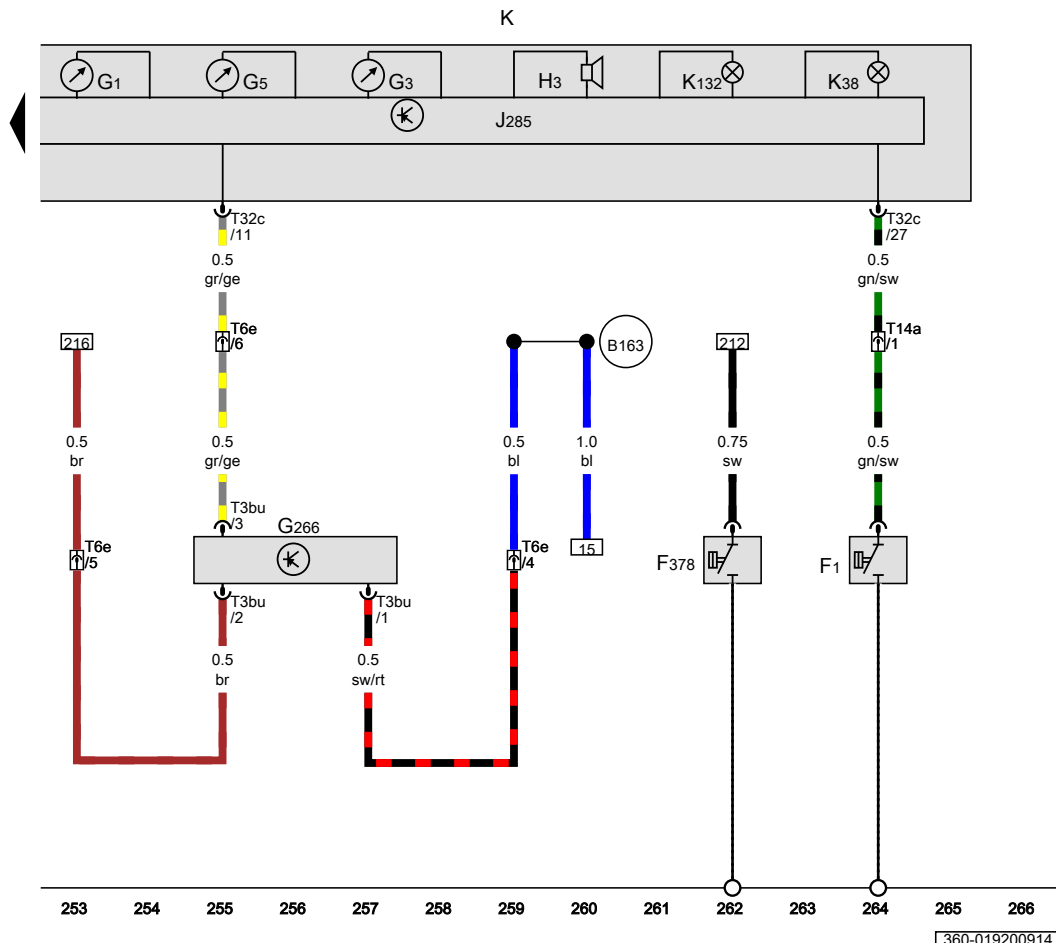
* Only models with all-wheel drive



360-019190914

Oil pressure switch, Oil pressure switch for reduced oil pressure, Fuel gauge, Coolant temperature gauge, Rev. counter, Oil level and oil temperature sender, Buzzer and gong, Control unit in dash panel insert, Dash panel insert, Oil level warning lamp, Electronic power control fault lamp

- F1 Oil pressure switch
- F378 Oil pressure switch for reduced oil pressure
- G1 Fuel gauge
- G3 Coolant temperature gauge
- G5 Rev. counter
- G266 Oil level and oil temperature sender
- H3 Buzzer and gong
- J285 Control unit in dash panel insert
- K Dash panel insert
- K38 Oil level warning lamp
- K132 Electronic power control fault lamp
- T3bu 3-pin connector
- T6e 6-pin connector
- T14a 14-pin connector, on left in engine compartment
- T32c 32-pin connector
- B163** Positive connection 1 (15), in interior wiring harness

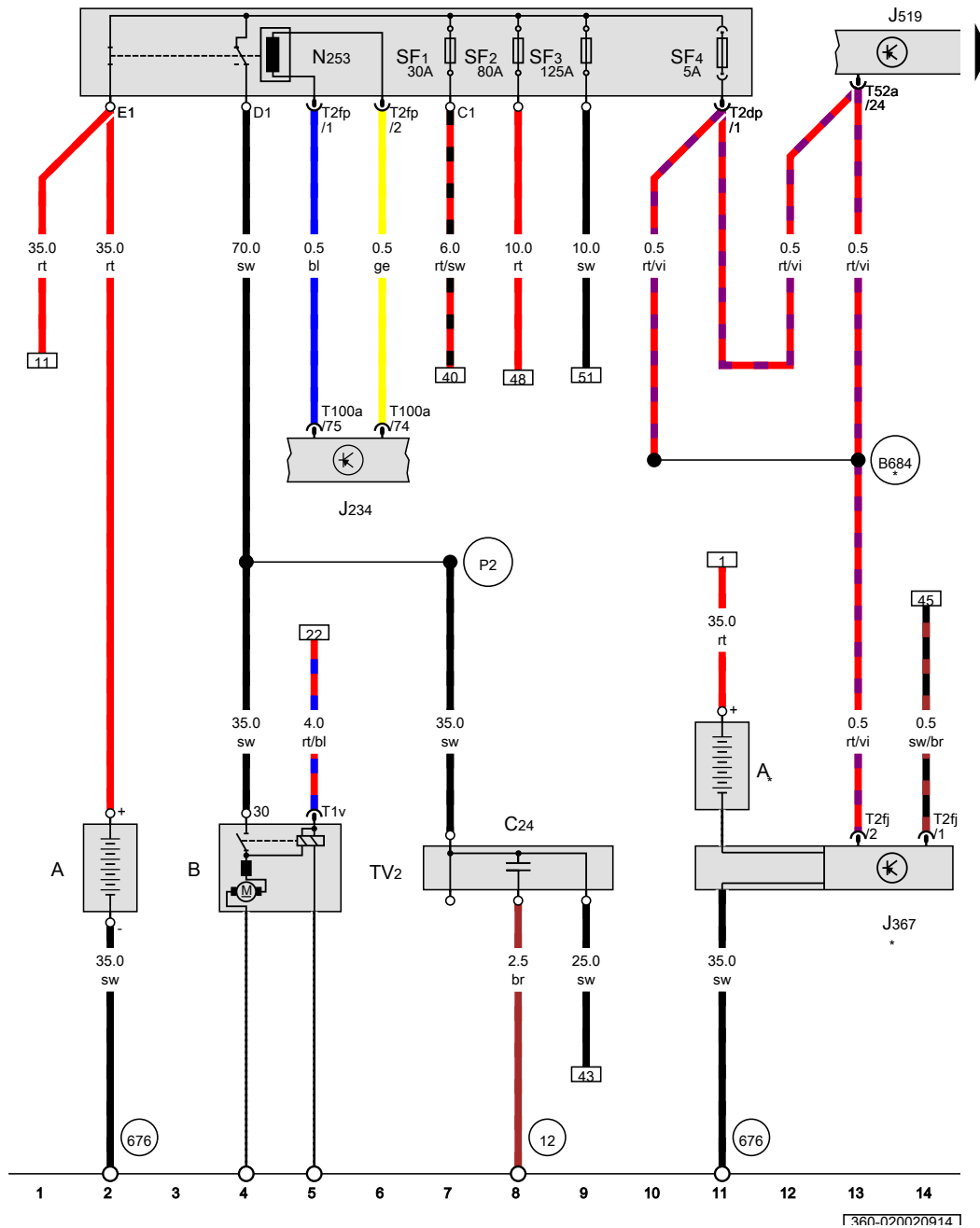


- ws = white
- sw = black
- ro = red
- rt = red
- br = brown
- gn = green
- bl = blue
- gr = grey
- li = purple
- vi = purple
- ge = yellow
- or = orange
- rs = pink

1360-019200914

3.6l petrol engine , BWS

From November 2010

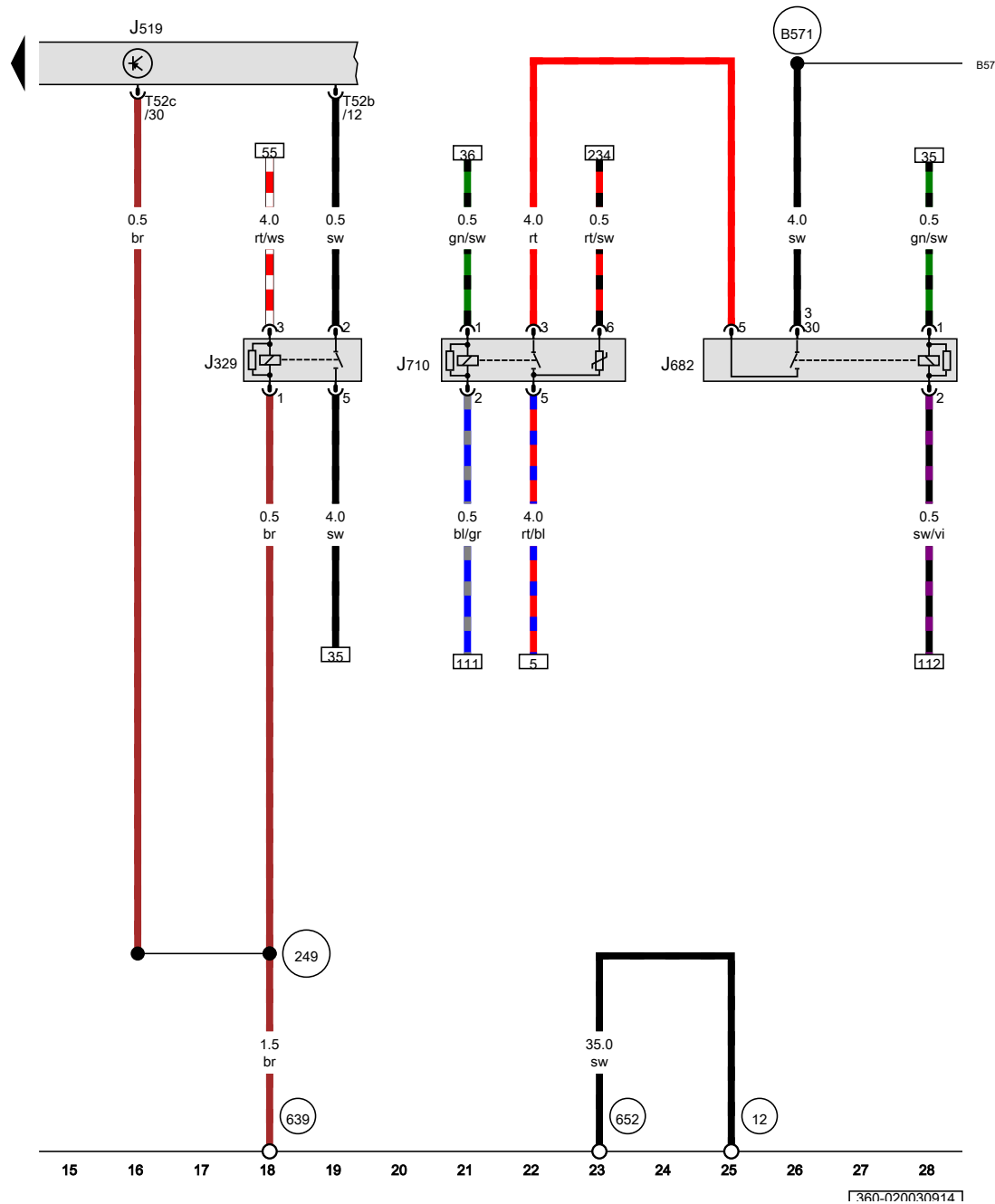


Battery, Starter, Airbag control unit, Battery monitor control unit, Onboard supply control unit, Fuse 1 in fuse holder F, Fuse 2 in fuse holder F, Fuse 3 in fuse holder F, Fuse 4 in fuse holder F, Terminal 30 wiring junction

- A Battery
- B Starter
- C24 Suppression filter
- J234 Airbag control unit
- J367 Battery monitor control unit
- J519 Onboard supply control unit
- N253 Battery isolation igniter
- SF1 Fuse 1 in fuse holder F
- SF2 Fuse 2 in fuse holder F
- SF3 Fuse 3 in fuse holder F
- SF4 Fuse 4 in fuse holder F
- T1v Single connector
- T2dp 2-pin connector
- T2fj 2-pin connector
- T2fp 2-pin connector
- T52a 52-pin connector
- T100a 100-pin connector
- TV2 Terminal 30 wiring junction
- 12 Earth point, on left in engine compartment
- 676 Earth point 2, on left in luggage compartment
- B684 Positive connection 24 (30a) in main wiring harness
- P2 Positive connection (30), in battery wiring harness
- * Only models with energy recovery

- ws = white
- sw = black
- ro = red
- rt = red
- br = brown
- gn = green
- bl = blue
- gr = grey
- li = purple
- vi = purple
- ge = yellow
- or = orange
- rs = pink

Γ360-020020914



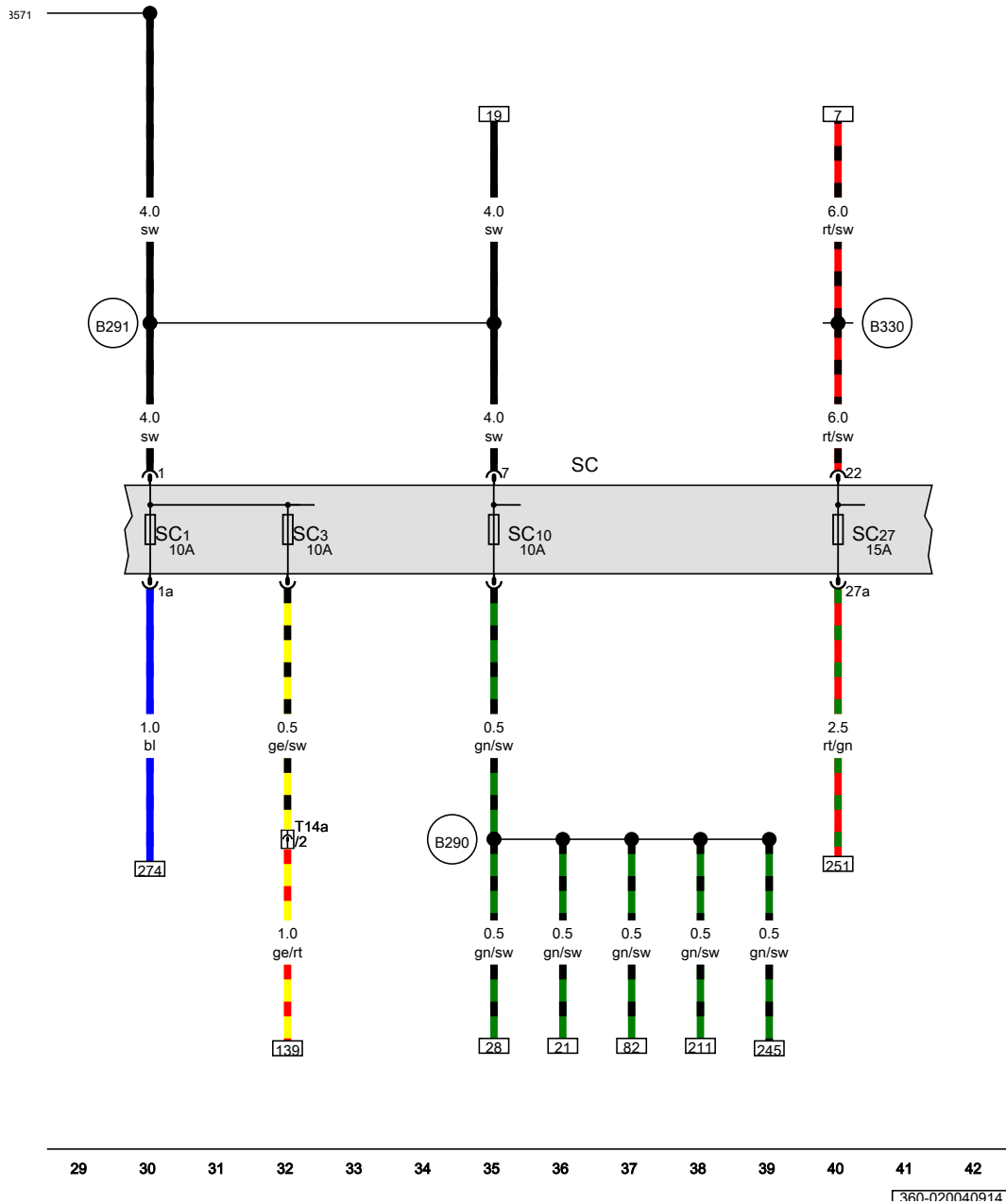
Terminal 15 voltage supply relay, Onboard supply control unit, Terminal 50 voltage supply relay, Voltage supply relay 2

- J329 Terminal 15 voltage supply relay
- J519 Onboard supply control unit
- J682 Terminal 50 voltage supply relay
- J710 Voltage supply relay 2
- T52b 52-pin connector
- T52c 52-pin connector

- 12 Earth point, on left in engine compartment
- 249 Earth connection 2, in interior wiring harness
- 639 Earth point, left A-pillar
- 652 Earth point, engine and gearbox earth
- B571 Connection 38, in main wiring harness

- ws = white
- sw = black
- ro = red
- rt = red
- br = brown
- gn = green
- bl = blue
- gr = grey
- li = purple
- vi = purple
- ge = yellow
- or = orange
- rs = pink

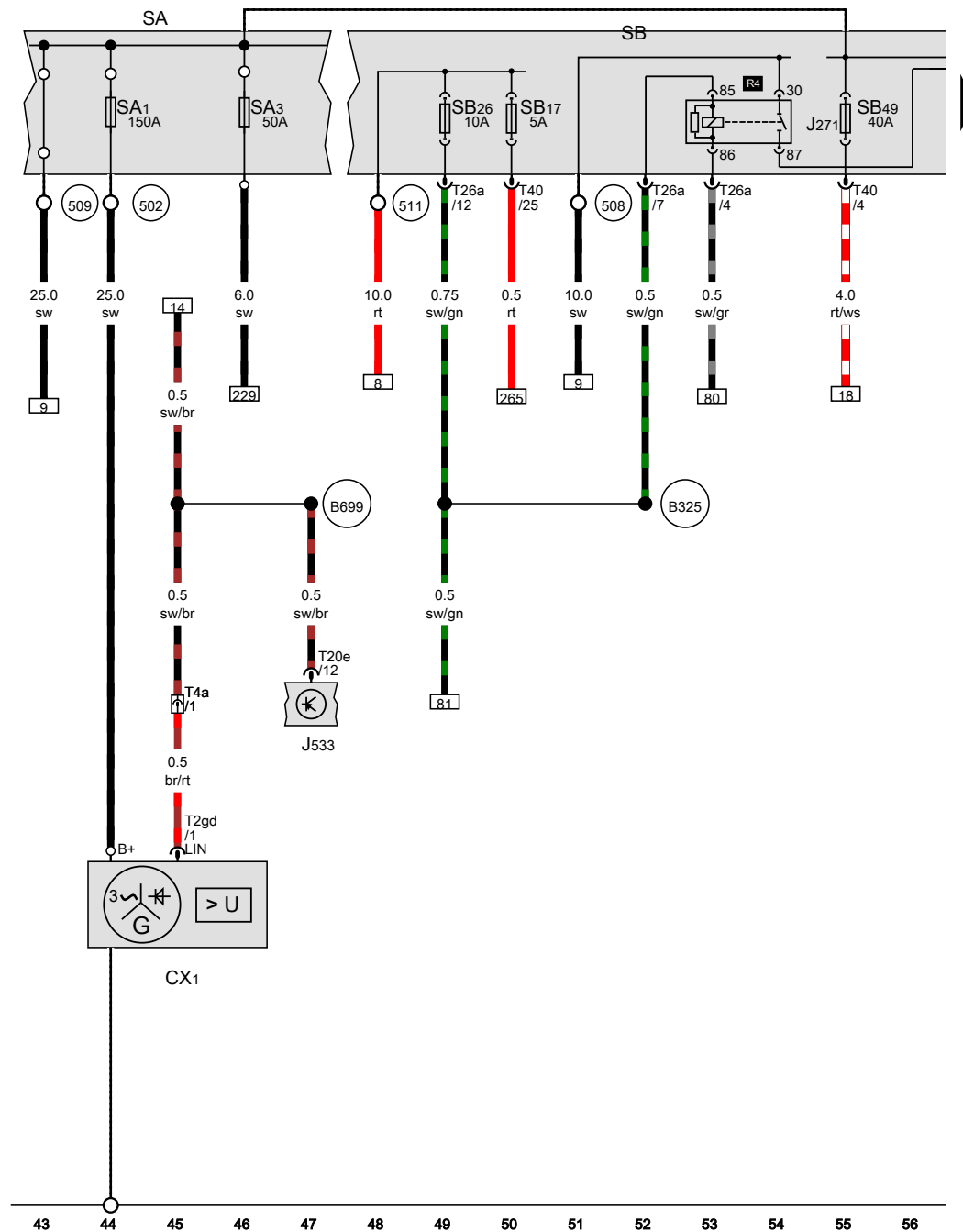
1360-020030914



Fuse holder C

- SC Fuse holder C
- SC1 Fuse 1 on fuse holder C
- SC3 Fuse 3 on fuse holder C
- SC10 Fuse 10 on fuse holder C
- SC27 Fuse 27 on fuse holder C
- T14a 14-pin connector, on left in engine compartment
- B290 Positive connection 14 (15a) in main wiring harness
- B291 Positive connection 15 (15a) in main wiring harness
- B330 Positive connection 16 (30a) in main wiring harness
- B571 Connection 38, in main wiring harness

- ws = white
- sw = black
- ro = red
- rt = red
- br = brown
- gn = green
- bl = blue
- gr = grey
- li = purple
- vi = purple
- ge = yellow
- or = orange
- rs = pink



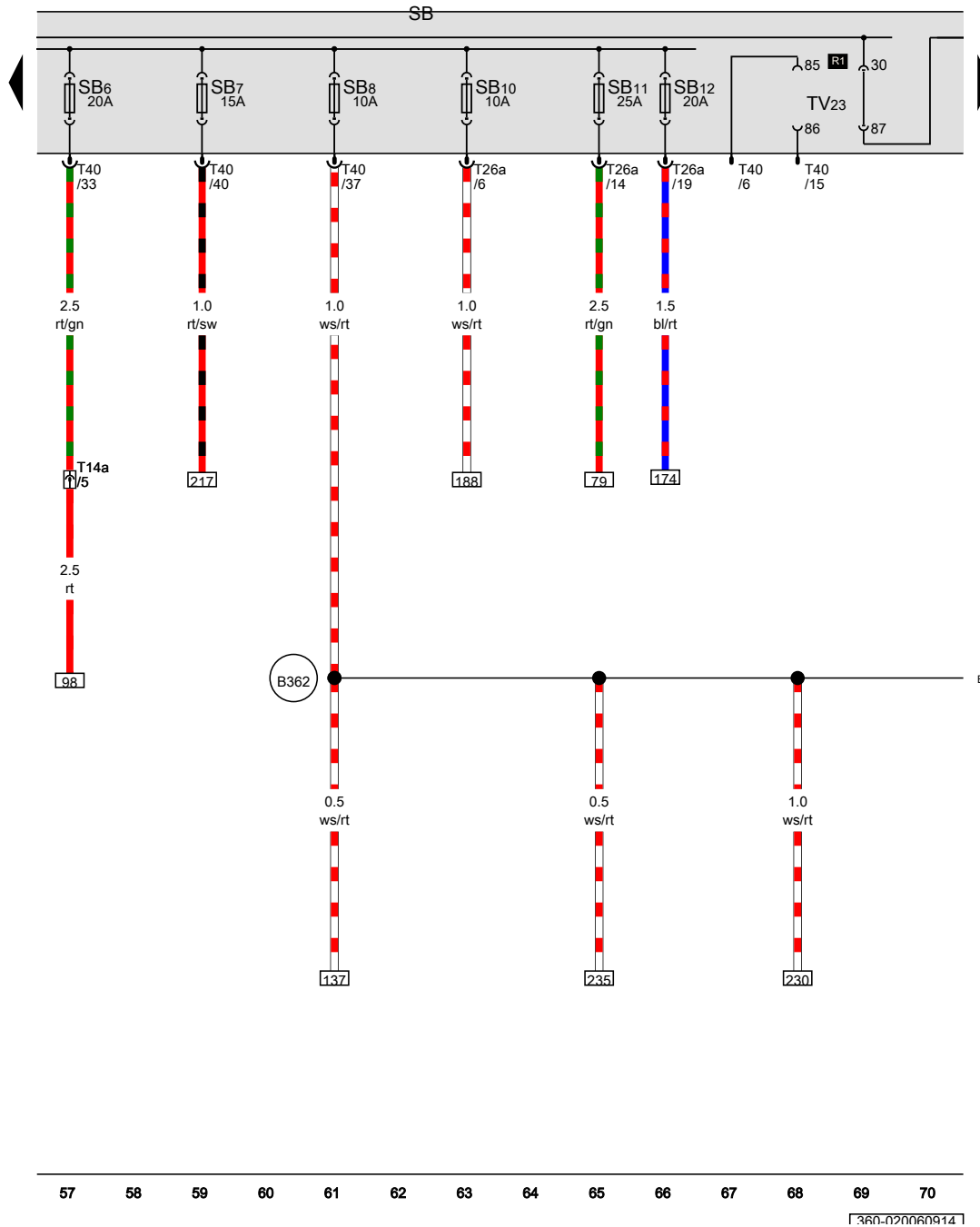
Alternator with voltage regulator, Main relay, Fuse holder A, Fuse holder B

- CX1 Alternator with voltage regulator
- J271 Main relay
- J533 Data bus diagnostic interface
- SA Fuse holder A
- SA1 Fuse 1 in fuse holder A
- SA3 Fuse 3 in fuse holder A
- SB Fuse holder B
- SB17 Fuse 17 on fuse holder B
- SB26 Fuse 26 on fuse holder B
- SB49 Fuse 49 on fuse holder B
- T2gd 2-pin connector
- T4a 4-pin connector, near starter
- T20e 20-pin connector
- T26a 26-pin connector
- T40 40-pin connector

- 502 Threaded connection 1 (30a) on relay plate
- 508 Threaded connection (30) on E-box
- 509 Threaded connection 1 (29), on E-box
- 511 Threaded connection 2 (30), on E-box
- B325 Positive connection 11 (30a) in main wiring harness
- B699 Connection 4 (LIN bus) in main wiring harness

- ws = white
- sw = black
- ro = red
- rt = red
- br = brown
- gn = green
- bl = blue
- gr = grey
- li = purple
- vi = purple
- ge = yellow
- or = orange
- rs = pink

360-020050914

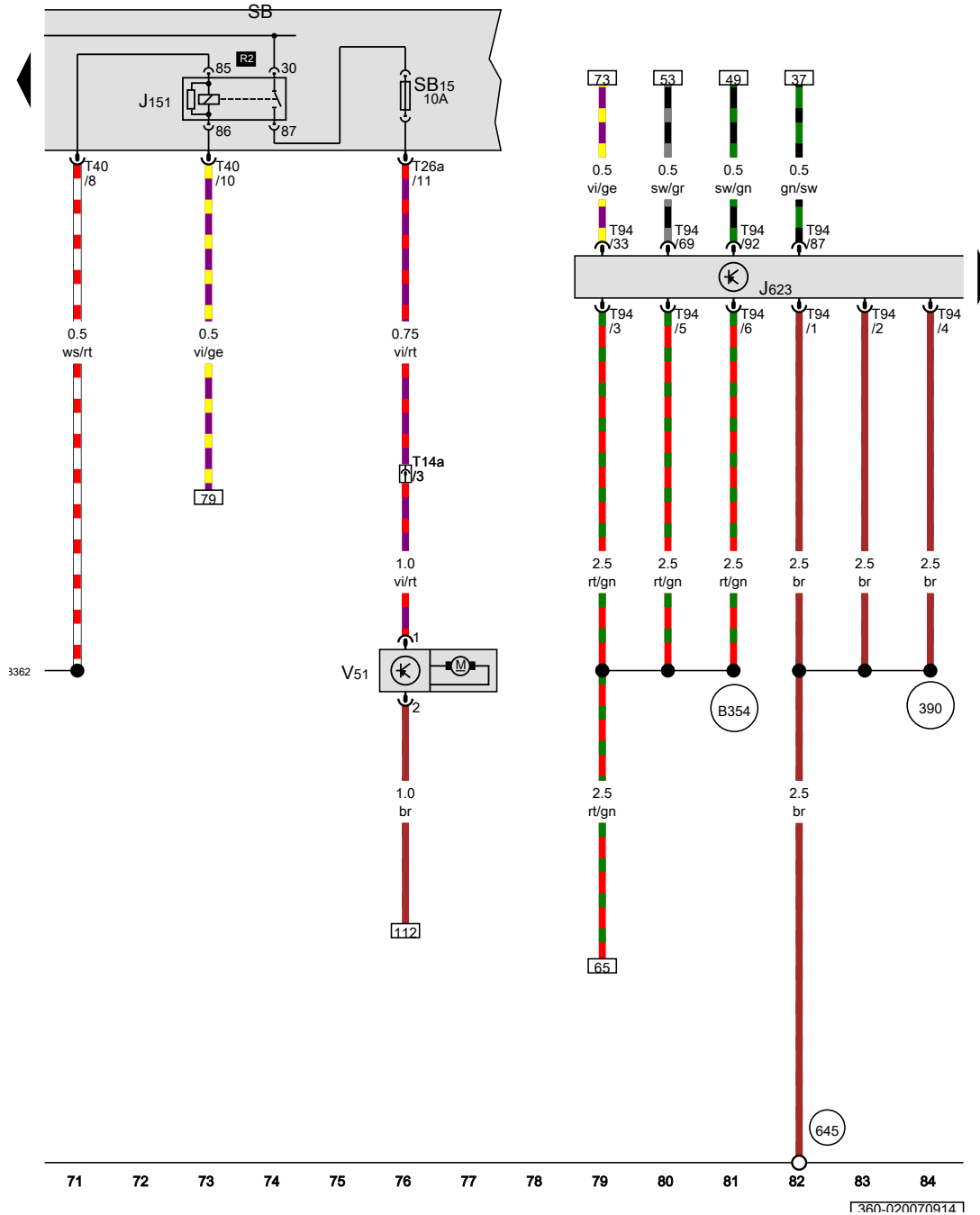


Fuse holder B

- SB Fuse holder B
- SB6 Fuse 6 on fuse holder B
- SB7 Fuse 7 on fuse holder B
- SB8 Fuse 8 on fuse holder B
- SB10 Fuse 10 on fuse holder B
- SB11 Fuse 11 on fuse holder B
- SB12 Fuse 12 on fuse holder B
- T14a 14-pin connector, on left in engine compartment
- T26a 26-pin connector
- TV23 Push-in bridge
- T40 40-pin connector
- B362 Positive connection 13 (87a) in main wiring harness

- ws = white
- sw = black
- ro = red
- rt = red
- br = brown
- gn = green
- bl = blue
- gr = grey
- li = purple
- vi = purple
- ge = yellow
- or = orange
- rs = pink

1360-020060914



Continued coolant circulation relay, Engine control unit, Fuse holder B, Continued coolant circulation pump

- J151 Continued coolant circulation relay
- J623 Engine control unit
- SB Fuse holder B
- SB15 Fuse 15 on fuse holder B
- T14a 14-pin connector
- T26a 26-pin connector
- T40 40-pin connector
- T94 94-pin connector
- V51 Continued coolant circulation pump

- 390 Earth connection 25, in main wiring harness
- 645 Earth point 1, on bulkhead
- B354 Positive connection 5 (87a) in main wiring harness
- B362 Positive connection 13 (87a) in main wiring harness

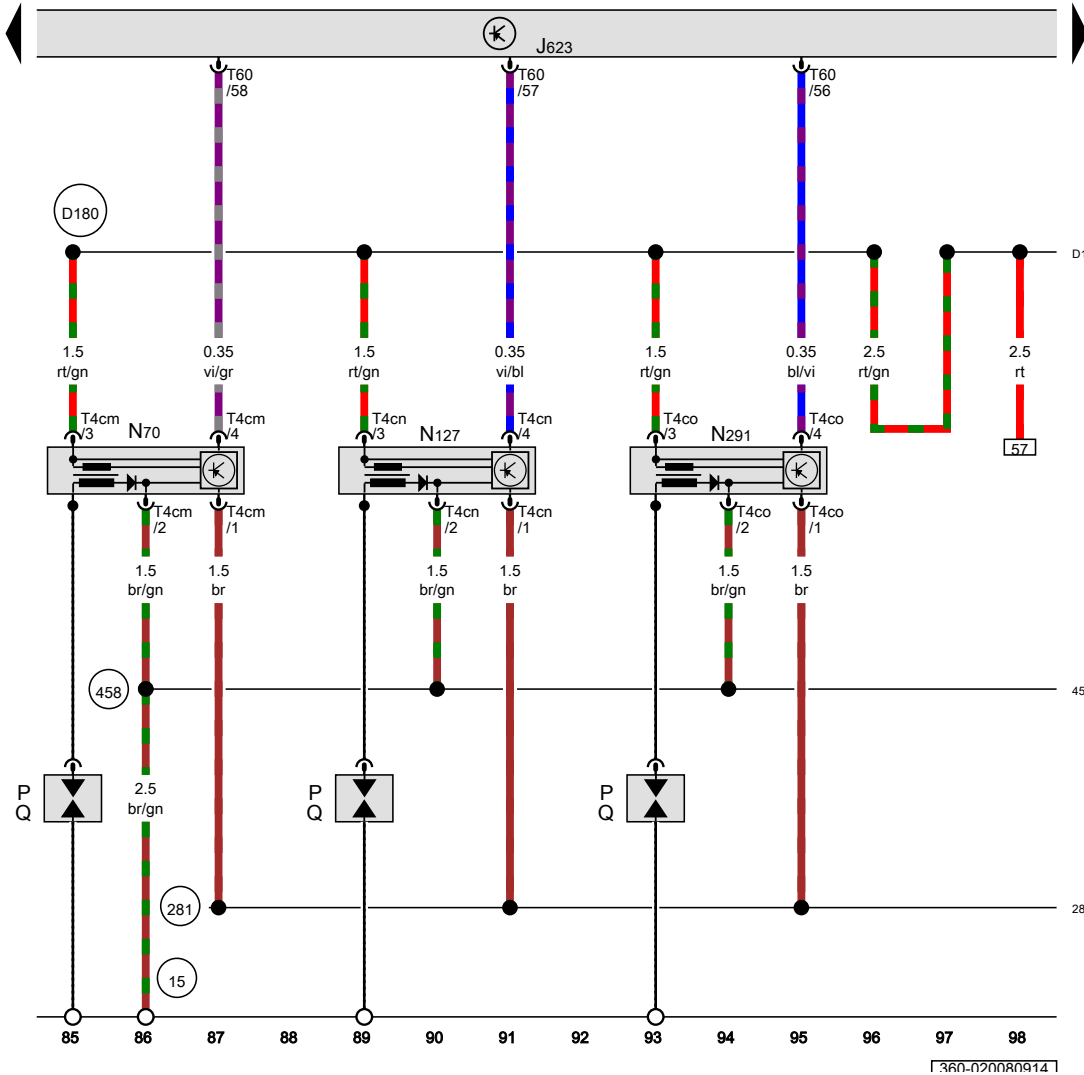
- ws = white
- sw = black
- ro = red
- rt = red
- br = brown
- gn = green
- bl = blue
- gr = grey
- li = purple
- vi = purple
- ge = yellow
- or = orange
- rs = pink

1360-020070914

Engine control unit, Ignition coil 1 with output stage, Ignition coil 2 with output stage, Ignition coil 3 with output stage, Spark plug connector, Spark plugs

- J623 Engine control unit
- N70 Ignition coil 1 with output stage
- N127 Ignition coil 2 with output stage
- N291 Ignition coil 3 with output stage
- P Spark plug connector
- Q Spark plugs
- T4cm 4-pin connector
- T4cn 4-pin connector
- T4co 4-pin connector
- T60 60-pin connector

- 15 Earth point, on cylinder head
- 281 Earth point 1, engine prewiring harness
- 458 Earth point 3, engine prewiring harness
- D180 Connection (87a), in engine compartment wiring harness
- D189 Connection (87a) in engine prewiring harness



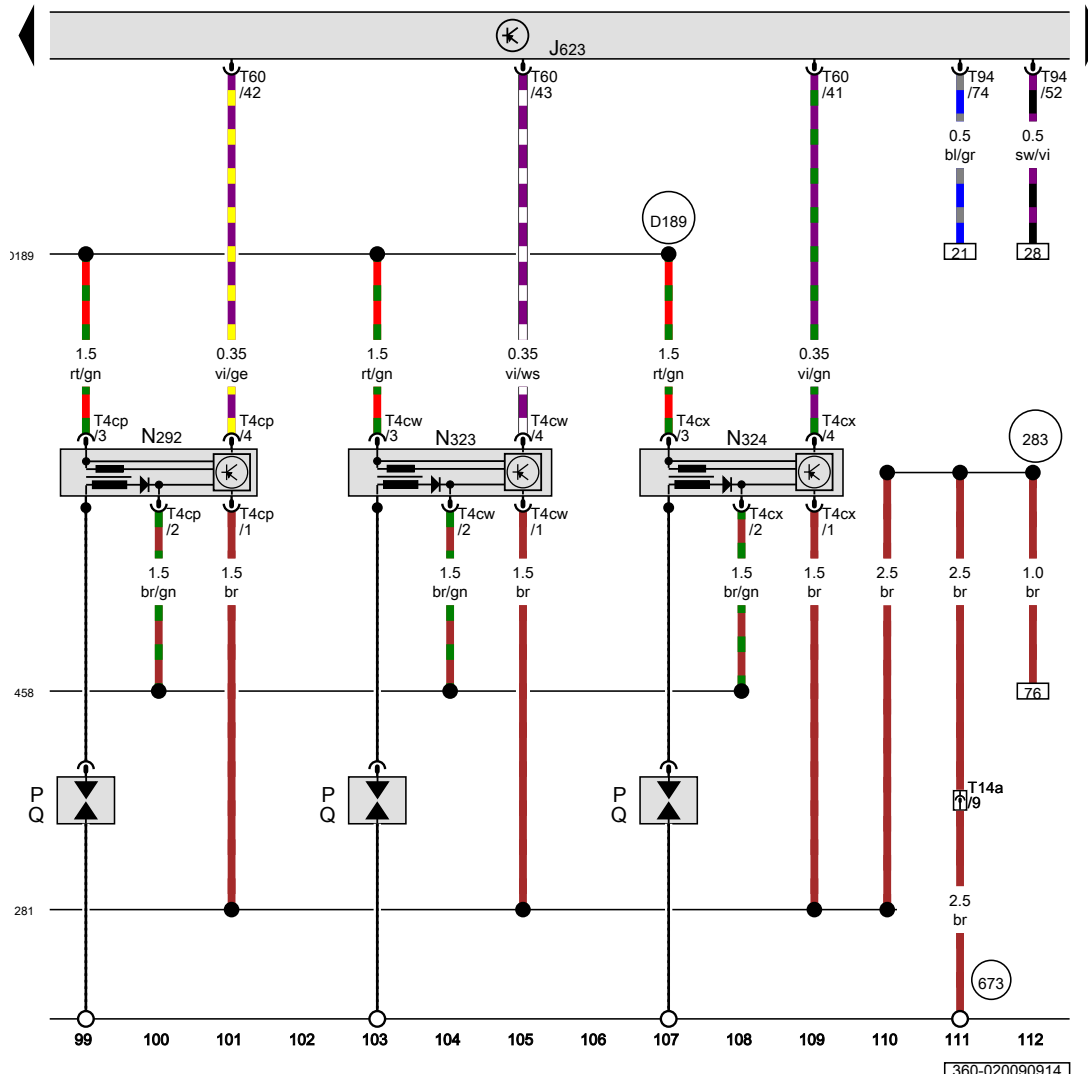
- ws = white
- sw = black
- ro = red
- rt = red
- br = brown
- gn = green
- bl = blue
- gr = grey
- li = purple
- vi = purple
- ge = yellow
- or = orange
- rs = pink

360-020080914

Engine control unit, Ignition coil 4 with output stage, Ignition coil 5 with output stage, Ignition coil 6 with output stage, Spark plug connector, Spark plugs

- J623 Engine control unit
- N292 Ignition coil 4 with output stage
- N323 Ignition coil 5 with output stage
- N324 Ignition coil 6 with output stage
- P Spark plug connector
- Q Spark plugs
- T4cp 4-pin connector
- T4cw 4-pin connector
- T4cx 4-pin connector
- T14a 14-pin connector
- T60 60-pin connector
- T94 94-pin connector

- (281) Earth point 1, engine prewiring harness
- (283) Earth point 2, engine prewiring harness
- (458) Earth point 3, engine prewiring harness
- (673) Earth point 3, on front of left longitudinal member
- (D189) Connection (87a) in engine prewiring harness

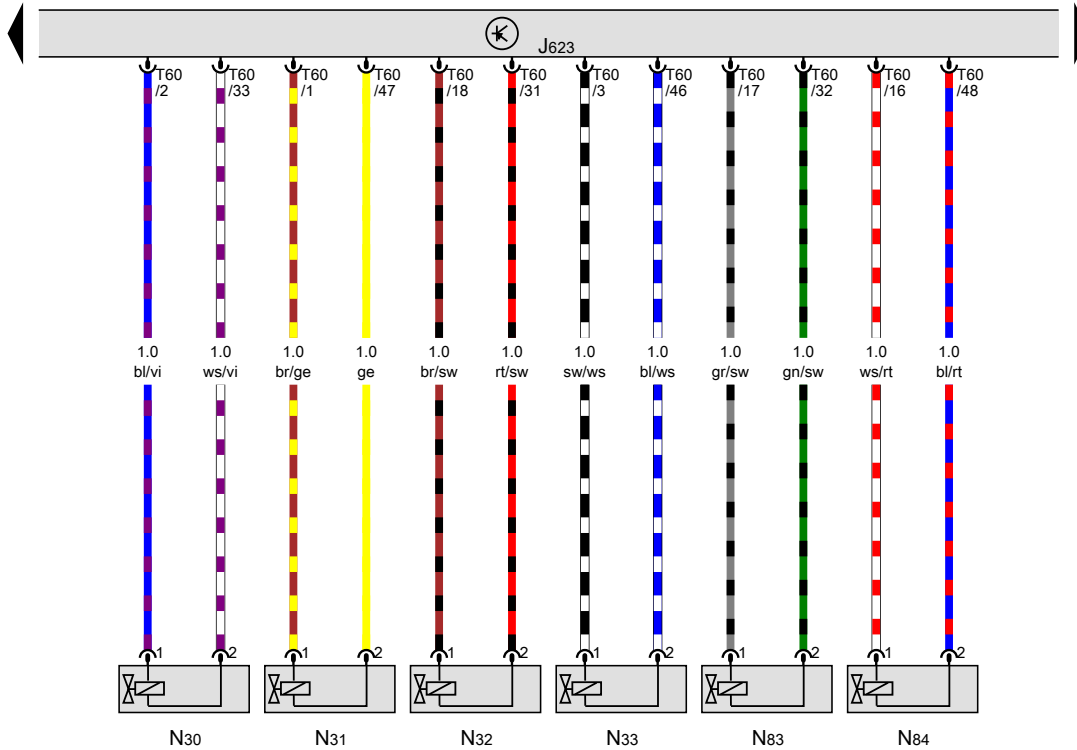


- ws = white
- sw = black
- ro = red
- rt = red
- br = brown
- gn = green
- bl = blue
- gr = grey
- li = purple
- vi = purple
- ge = yellow
- or = orange
- rs = pink

1360-020090914

Engine control unit, Injector, cylinder 1, Injector, cylinder 2, Injector, cylinder 3, Injector, cylinder 4, Injector, cylinder 5, Injector, cylinder 6

- J623 Engine control unit
- N30 Injector, cylinder 1
- N31 Injector, cylinder 2
- N32 Injector, cylinder 3
- N33 Injector, cylinder 4
- N83 Injector, cylinder 5
- N84 Injector, cylinder 6
- T60 60-pin connector



- ws = white
- sw = black
- ro = red
- rt = red
- br = brown
- gn = green
- bl = blue
- gr = grey
- li = purple
- vi = purple
- ge = yellow
- or = orange
- rs = pink

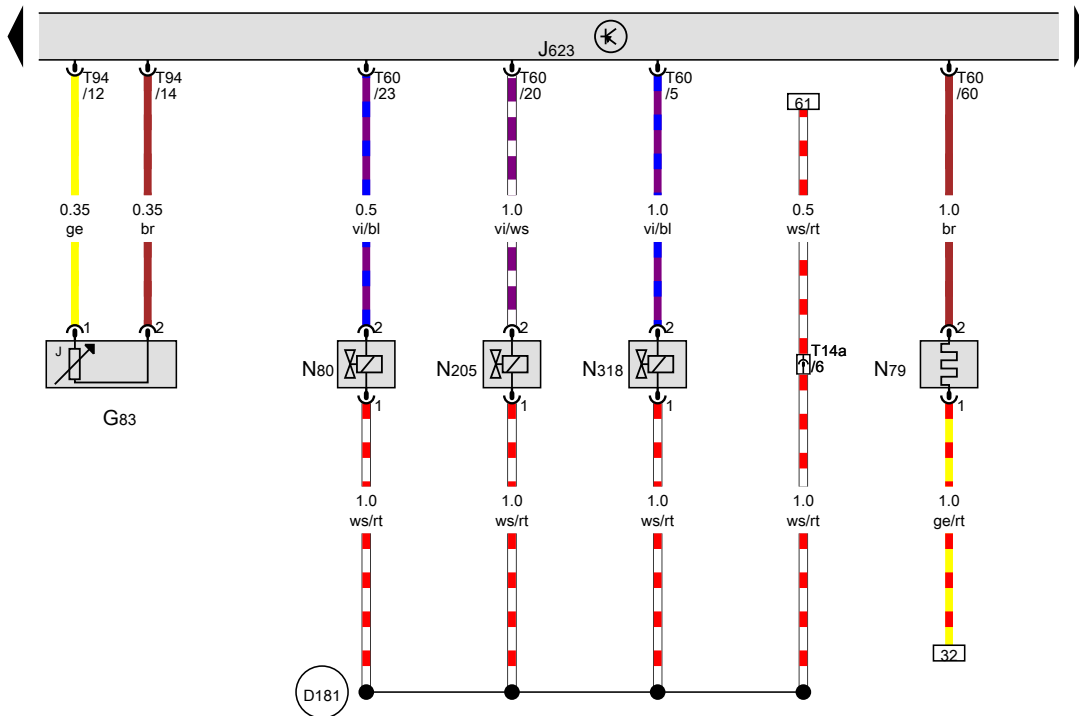
113 114 115 116 117 118 119 120 121 122 123 124 125 126

360-020100914

Radiator outlet coolant temperature sender, Engine control unit, Heater element for crankcase breather, Activated charcoal filter solenoid valve 1, Camshaft control valve 1, Exhaust camshaft control valve 1

- G83 Radiator outlet coolant temperature sender
- J623 Engine control unit
- N79 Heater element for crankcase breather
- N80 Activated charcoal filter solenoid valve 1
- N205 Camshaft control valve 1
- N318 Exhaust camshaft control valve 1
- T14a 14-pin connector, on left in engine compartment
- T60 60-pin connector
- T94 94-pin connector

D181 Connection 2 (87a) in engine compartment wiring harness

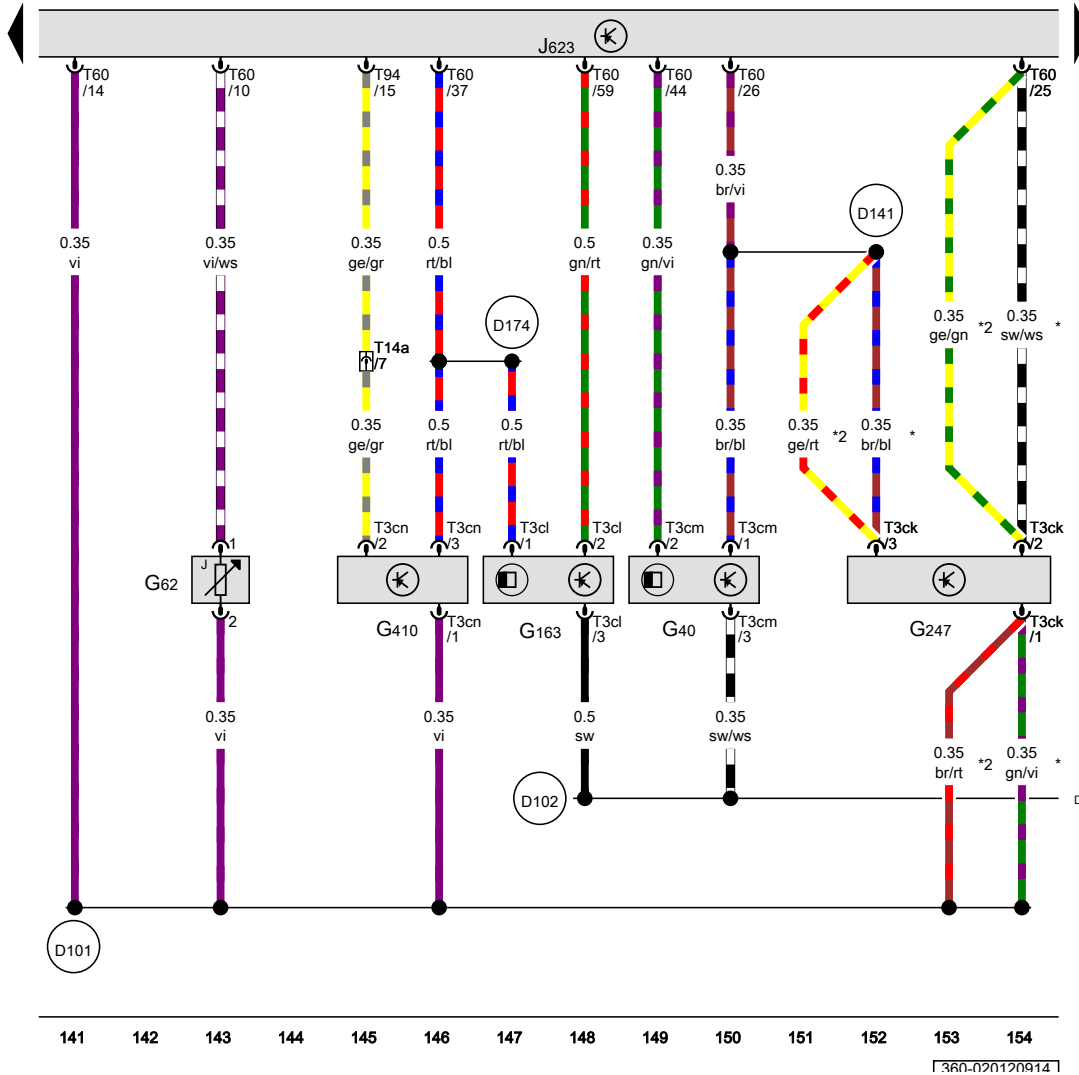


- ws = white
- sw = black
- ro = red
- rt = red
- br = brown
- gn = green
- bl = blue
- gr = grey
- li = purple
- vi = purple
- ge = yellow
- or = orange
- rs = pink

Hall sender, Coolant temperature sender, Hall sender 2, Fuel pressure sender, Fuel pressure sender for low-pressure, Engine control unit

- G40 Hall sender
- G62 Coolant temperature sender
- G163 Hall sender 2
- G247 Fuel pressure sender
- G410 Fuel pressure sender for low-pressure
- J623 Engine control unit
- T3ck 3-pin connector
- T3cl 3-pin connector
- T3cm 3-pin connector
- T3cn 3-pin connector
- T14a 14-pin connector, on left in engine compartment
- T60 60-pin connector
- T94 94-pin connector

- D101 Connection 1 in engine compartment wiring harness
- D102 Connection 2 in engine compartment wiring harness
- D141 Connection (5V) in engine prewiring harness
- D174 Connection 2 (5V) in engine prewiring harness
- * Up to November 2012
- *2 From November 2012



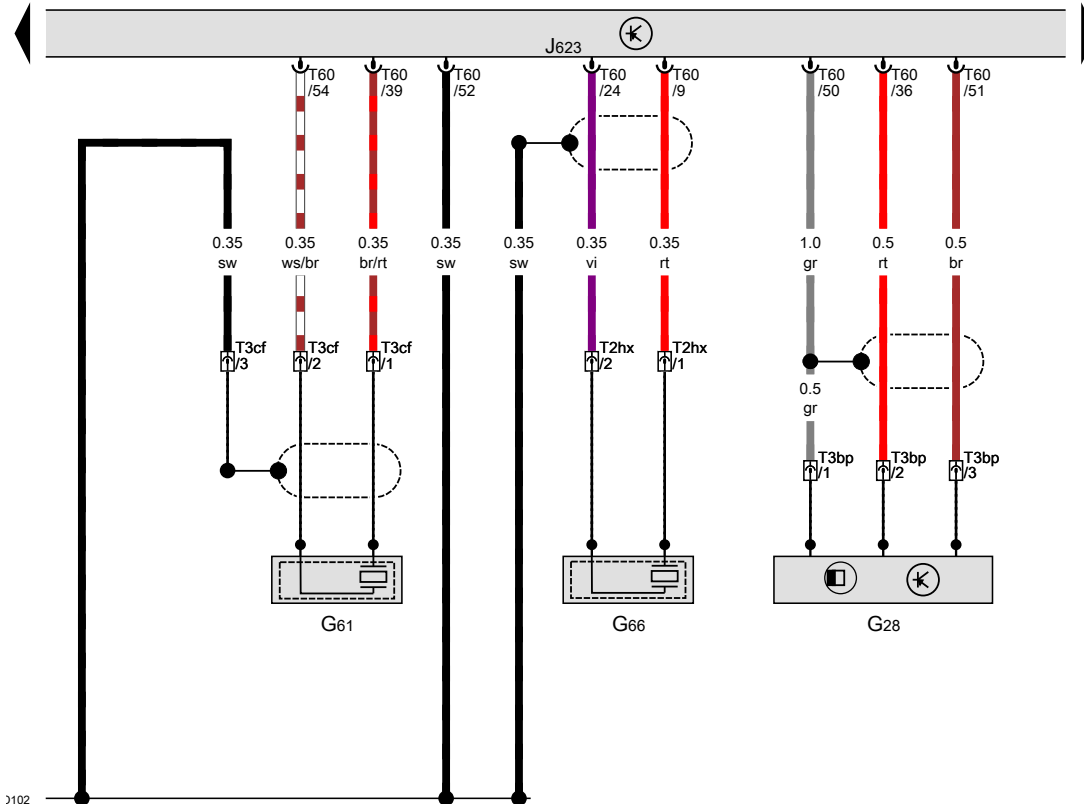
- ws = white
- sw = black
- ro = red
- rt = red
- br = brown
- gn = green
- bl = blue
- gr = grey
- li = purple
- vi = purple
- ge = yellow
- or = orange
- rs = pink

1360-020120914

Engine speed sender, Knock sensor 1, Knock sensor 2, Engine control unit

- G28 Engine speed sender
- G61 Knock sensor 1
- G66 Knock sensor 2
- J623 Engine control unit
- T2hx 2-pin connector
- T3bp 3-pin connector
- T3cf 3-pin connector
- T60 60-pin connector

D102 Connection 2 in engine compartment wiring harness



- ws = white
- sw = black
- ro = red
- rt = red
- br = brown
- gn = green
- bl = blue
- gr = grey
- li = purple
- vi = purple
- ge = yellow
- or = orange
- rs = pink

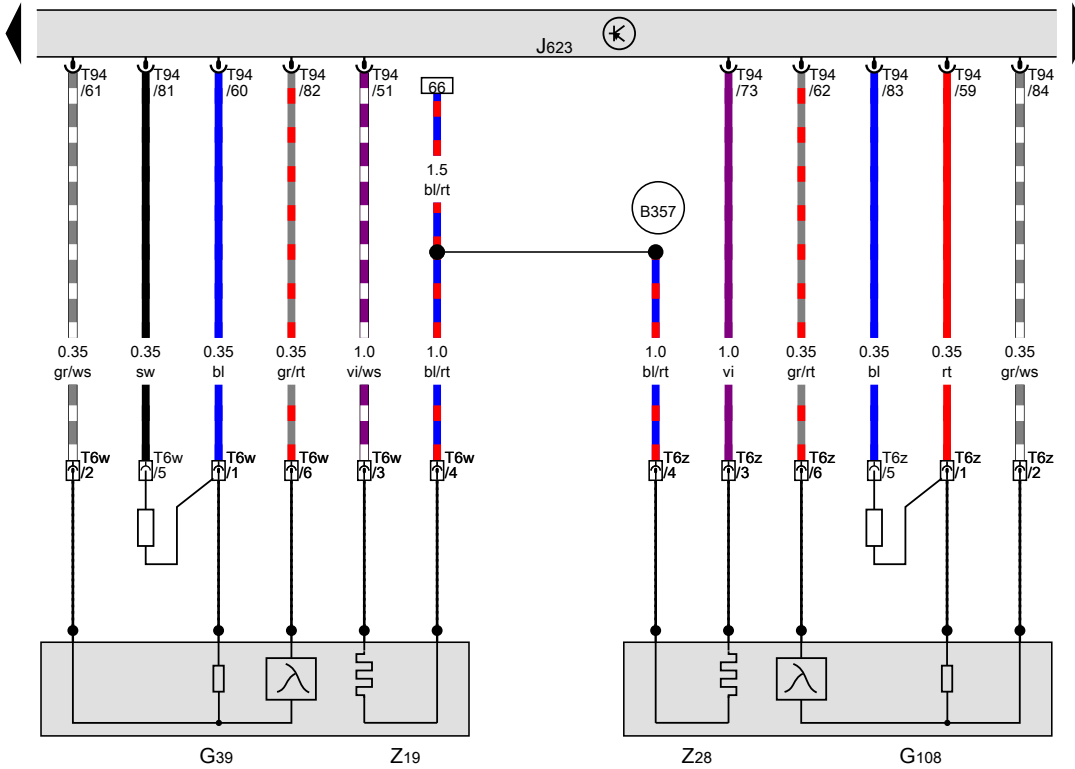
155 156 157 158 159 160 161 162 163 164 165 166 167 168

360-020130914

Lambda probe, Lambda probe 2, Engine control unit,
 Lambda probe heater, Lambda probe heater 2

- G39 Lambda probe
- G108 Lambda probe 2
- J623 Engine control unit
- T6w 6-pin connector
- T6z 6-pin connector, brown
- T94 94-pin connector
- Z19 Lambda probe heater
- Z28 Lambda probe heater 2

B357 Positive connection 8 (87a) in main wiring harness

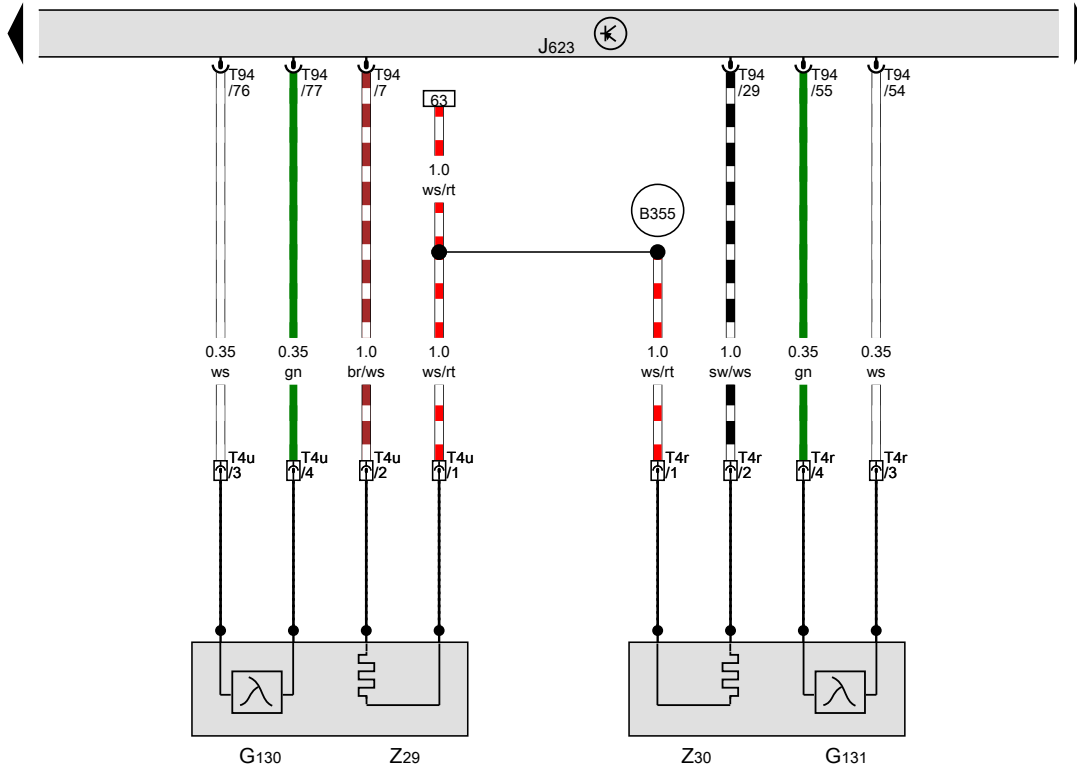


- ws = white
- sw = black
- ro = red
- rt = red
- br = brown
- gn = green
- bl = blue
- gr = grey
- li = purple
- vi = purple
- ge = yellow
- or = orange
- rs = pink

Lambda probe after catalytic converter, Lambda probe 2 after catalytic converter, Engine control unit, Lambda probe 1 heater after catalytic converter, Lambda probe 2 heater after catalytic converter

- G130 Lambda probe after catalytic converter
- G131 Lambda probe 2 after catalytic converter
- J623 Engine control unit
- T4r 4-pin connector, near Lambda probe
- T4u 4-pin connector, near Lambda probe
- T94 94-pin connector
- Z29 Lambda probe 1 heater after catalytic converter
- Z30 Lambda probe 2 heater after catalytic converter

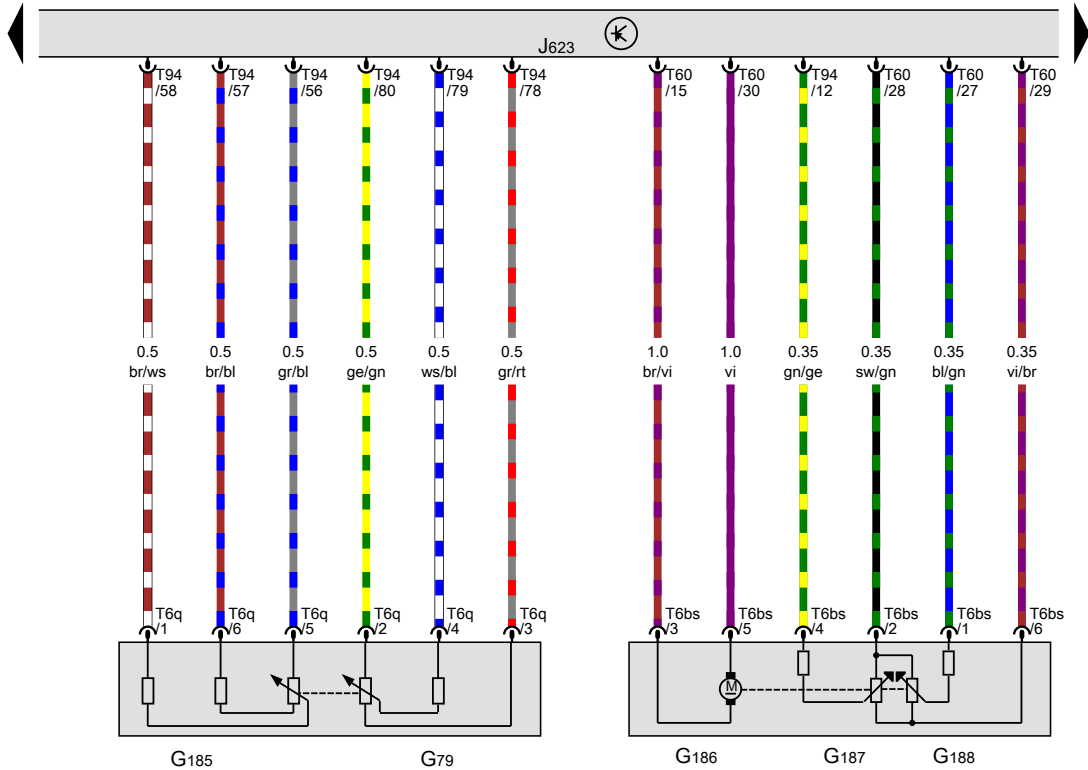
B355 Positive connection 6 (87a) in main wiring harness



- ws = white
- sw = black
- ro = red
- rt = red
- br = brown
- gn = green
- bl = blue
- gr = grey
- li = purple
- vi = purple
- ge = yellow
- or = orange
- rs = pink

Accelerator position sender, Accelerator position sender 2, Throttle valve drive for electric throttle, Throttle valve drive angle sender 1 for electric throttle, Throttle valve drive angle sender 2 for electric throttle, Engine control unit

- G79 Accelerator position sender
- G185 Accelerator position sender 2
- G186 Throttle valve drive for electric throttle
- G187 Throttle valve drive angle sender 1 for electric throttle
- G188 Throttle valve drive angle sender 2 for electric throttle
- J623 Engine control unit
- T6bs 6-pin connector
- T6q 6-pin connector
- T60 60-pin connector
- T94 94-pin connector



- ws = white
- sw = black
- ro = red
- rt = red
- br = brown
- gn = green
- bl = blue
- gr = grey
- li = purple
- vi = purple
- ge = yellow
- or = orange
- rs = pink

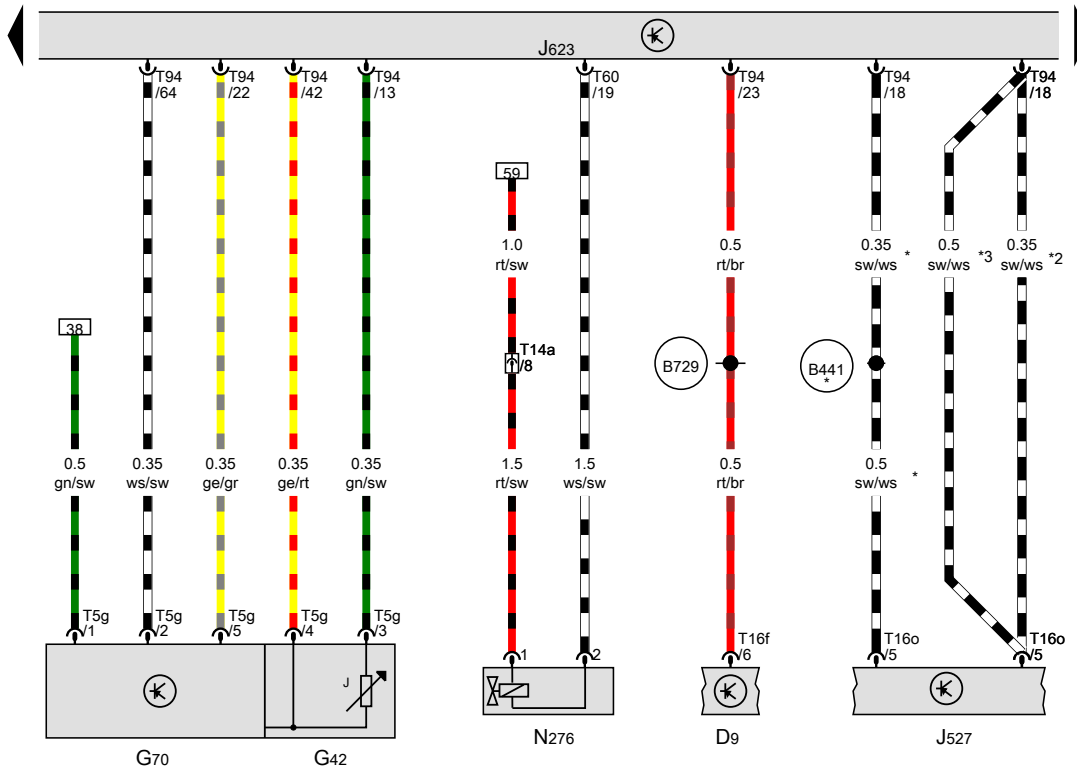
Electronic ignition lock, Intake air temperature sender, Air mass meter, Steering column electronics control unit, Engine control unit, Fuel pressure regulating valve

- D9 Electronic ignition lock
- G42 Intake air temperature sender
- G70 Air mass meter
- J527 Steering column electronics control unit
- J623 Engine control unit
- N276 Fuel pressure regulating valve
- T5g 5-pin connector
- T14a 14-pin connector, on left in engine compartment
- T16f 16-pin connector
- T16o 16-pin connector
- T60 60-pin connector
- T94 94-pin connector

B441 Connection (CCS), in main wiring harness

B729 Connection 1 (50), in main wiring harness

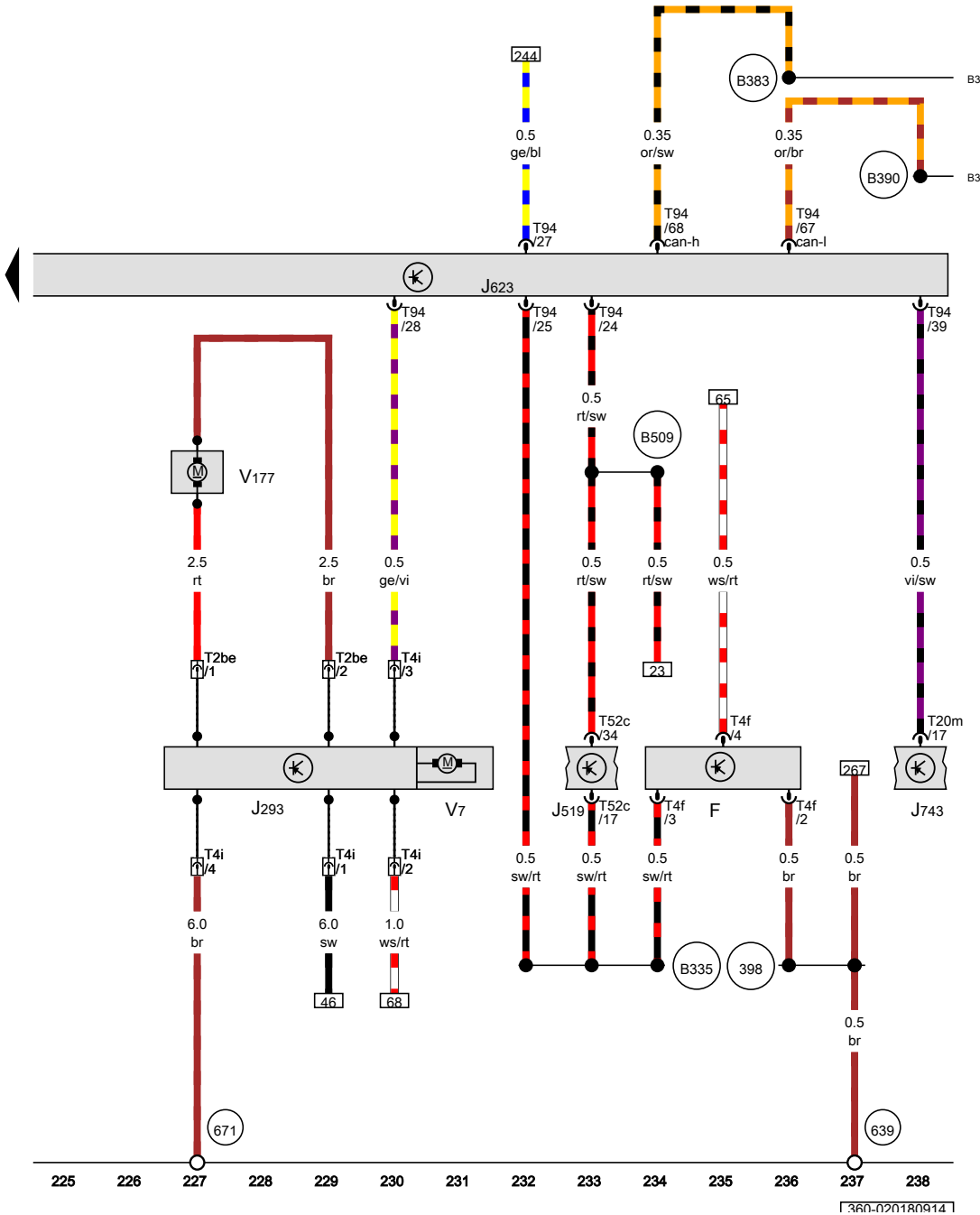
- * Only models with adaptive cruise control (ACC)
- *2 Speed signal
- *3 gradual introduction



- ws = white
- sw = black
- ro = red
- rt = red
- br = brown
- gn = green
- bl = blue
- gr = grey
- li = purple
- vi = purple
- ge = yellow
- or = orange
- rs = pink

211 212 213 214 215 216 217 218 219 220 221 222 223 224

1360-020170914



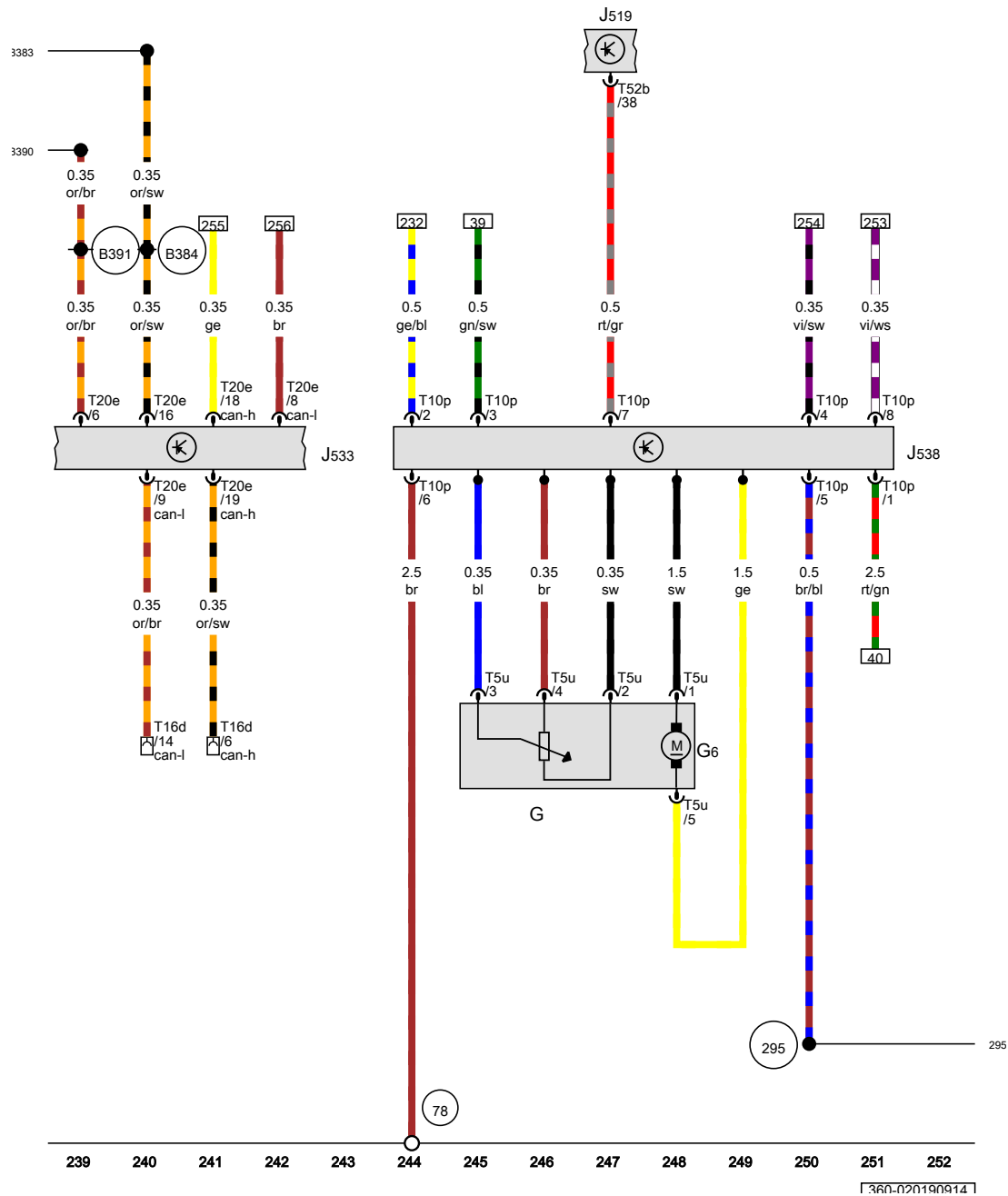
Brake light switch, Radiator fan control unit, Engine control unit, Mechatronic unit for dual clutch gearbox, Radiator fan, Radiator fan 2

- F Brake light switch
- J293 Radiator fan control unit
- J519 Onboard supply control unit
- J623 Engine control unit
- J743 Mechatronic unit for dual clutch gearbox
- T2be 2-pin connector, on lock carrier
- T4f 4-pin connector
- T4i 4-pin connector, on lock carrier
- T20m 20-pin connector
- T52c 52-pin connector
- T94 94-pin connector
- V7 Radiator fan
- V177 Radiator fan 2

- 398 Earth connection 33, in main wiring harness
- 639 Earth point, left A-pillar
- 671 Earth point 1, on front of left longitudinal member
- B335 Connection 1 (54), in main wiring harness
- B383 Connection 1 (powertrain CAN bus, high), in main wiring harness
- B390 Connection 1 (powertrain CAN bus, low), in main wiring harness
- B509 Connection 3 (diagnosis), in main wiring harness

- ws = white
- sw = black
- ro = red
- rt = red
- br = brown
- gn = green
- bl = blue
- gr = grey
- li = purple
- vi = purple
- ge = yellow
- or = orange
- rs = pink

1360-020180914



- ws = white
- sw = black
- ro = red
- rt = red
- br = brown
- gn = green
- bl = blue
- gr = grey
- li = purple
- vi = purple
- ge = yellow
- or = orange
- rs = pink

Fuel gauge sender, Fuel system pressurisation pump, Onboard supply control unit, Data bus diagnostic interface, Fuel pump control unit

- G Fuel gauge sender
- G6 Fuel system pressurisation pump
- J519 Onboard supply control unit
- J533 Data bus diagnostic interface
- J538 Fuel pump control unit
- T5u 5-pin connector
- T10p 10-pin connector
- T16d 16-pin connector, on diagnostic connection
- T20e 20-pin connector
- T52b 52-pin connector

- 78 Earth point, lower part of right B-pillar
- 295 Earth connection 10, in interior wiring harness
- B383 Connection 1 (powertrain CAN bus, high), in main wiring harness
- B384 Connection 2 (powertrain CAN bus, high), in main wiring harness
- B390 Connection 1 (powertrain CAN bus, low), in main wiring harness
- B391 Connection 2 (powertrain CAN bus, low), in main wiring harness

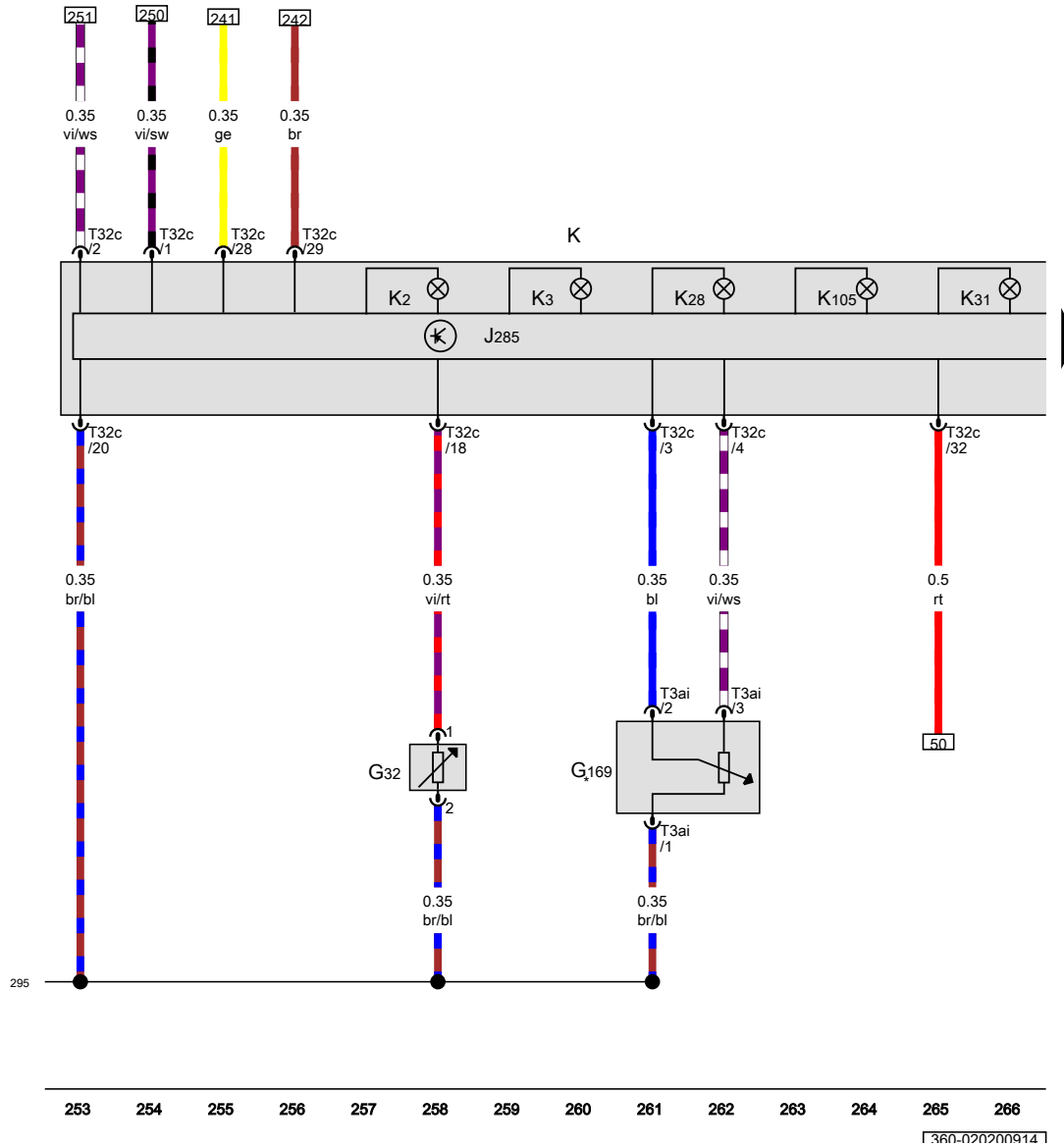
1360-020190914

Coolant shortage indicator sender, Fuel gauge sender 2, Control unit in dash panel insert, Dash panel insert, Alternator warning lamp, Oil pressure warning lamp, Coolant temperature and coolant shortage warning lamp, Cruise control system warning lamp, Reserve fuel warning lamp

- G32 Coolant shortage indicator sender
- G169 Fuel gauge sender 2
- J285 Control unit in dash panel insert
- K Dash panel insert
- K2 Alternator warning lamp
- K3 Oil pressure warning lamp
- K28 Coolant temperature and coolant shortage warning lamp
- K31 Cruise control system warning lamp
- K105 Reserve fuel warning lamp
- T3ai 3-pin connector
- T32c 32-pin connector

295 Earth connection 10, in interior wiring harness

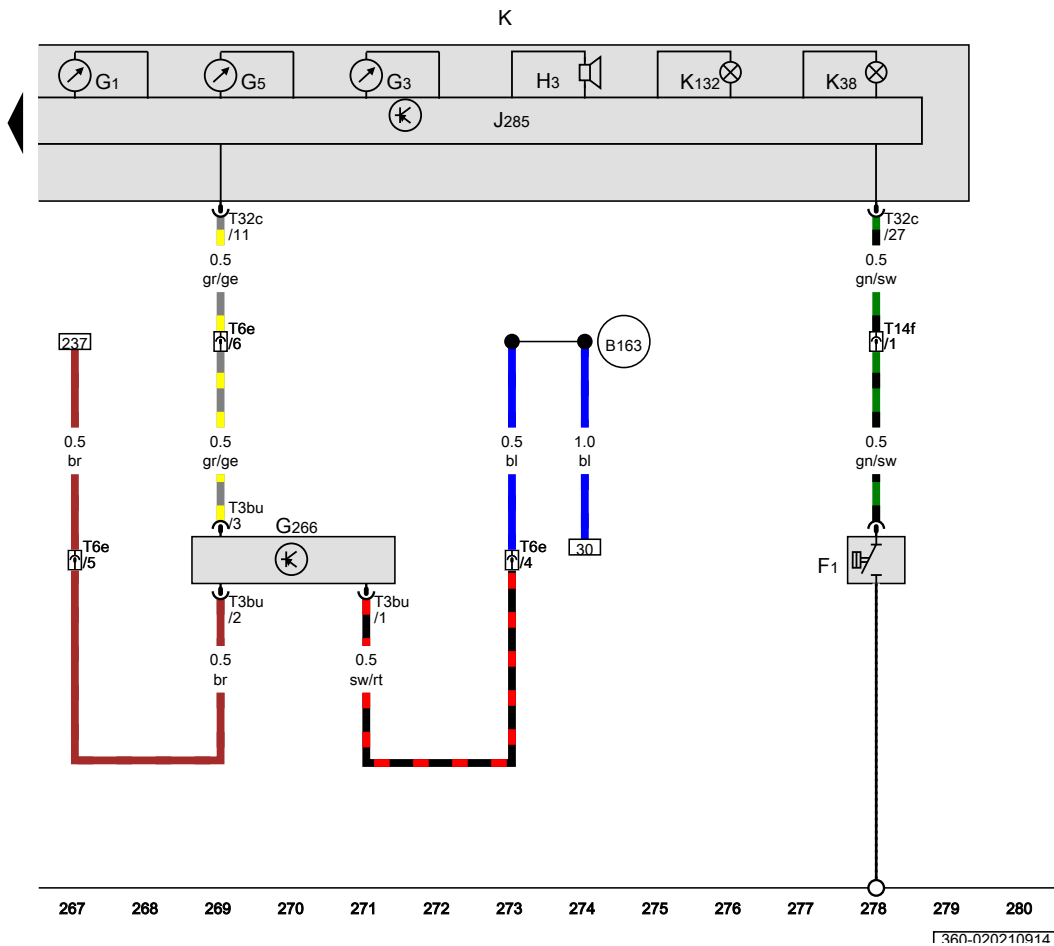
* Only models with all-wheel drive



1360-020200914

Oil pressure switch, Fuel gauge, Coolant temperature gauge, Rev. counter, Oil level and oil temperature sender, Buzzer and gong, Control unit in dash panel insert, Dash panel insert, Oil level warning lamp, Electronic power control fault lamp

- F1 Oil pressure switch
- G1 Fuel gauge
- G3 Coolant temperature gauge
- G5 Rev. counter
- G266 Oil level and oil temperature sender
- H3 Buzzer and gong
- J285 Control unit in dash panel insert
- K Dash panel insert
- K38 Oil level warning lamp
- K132 Electronic power control fault lamp
- T3bu 3-pin connector
- T6e 6-pin connector
- T14f 14-pin connector, on left in engine compartment
- T32c 32-pin connector
- B163** Positive connection 1 (15), in interior wiring harness



- ws = white
- sw = black
- ro = red
- rt = red
- br = brown
- gn = green
- bl = blue
- gr = grey
- li = purple
- vi = purple
- ge = yellow
- or = orange
- rs = pink

1360-020210914

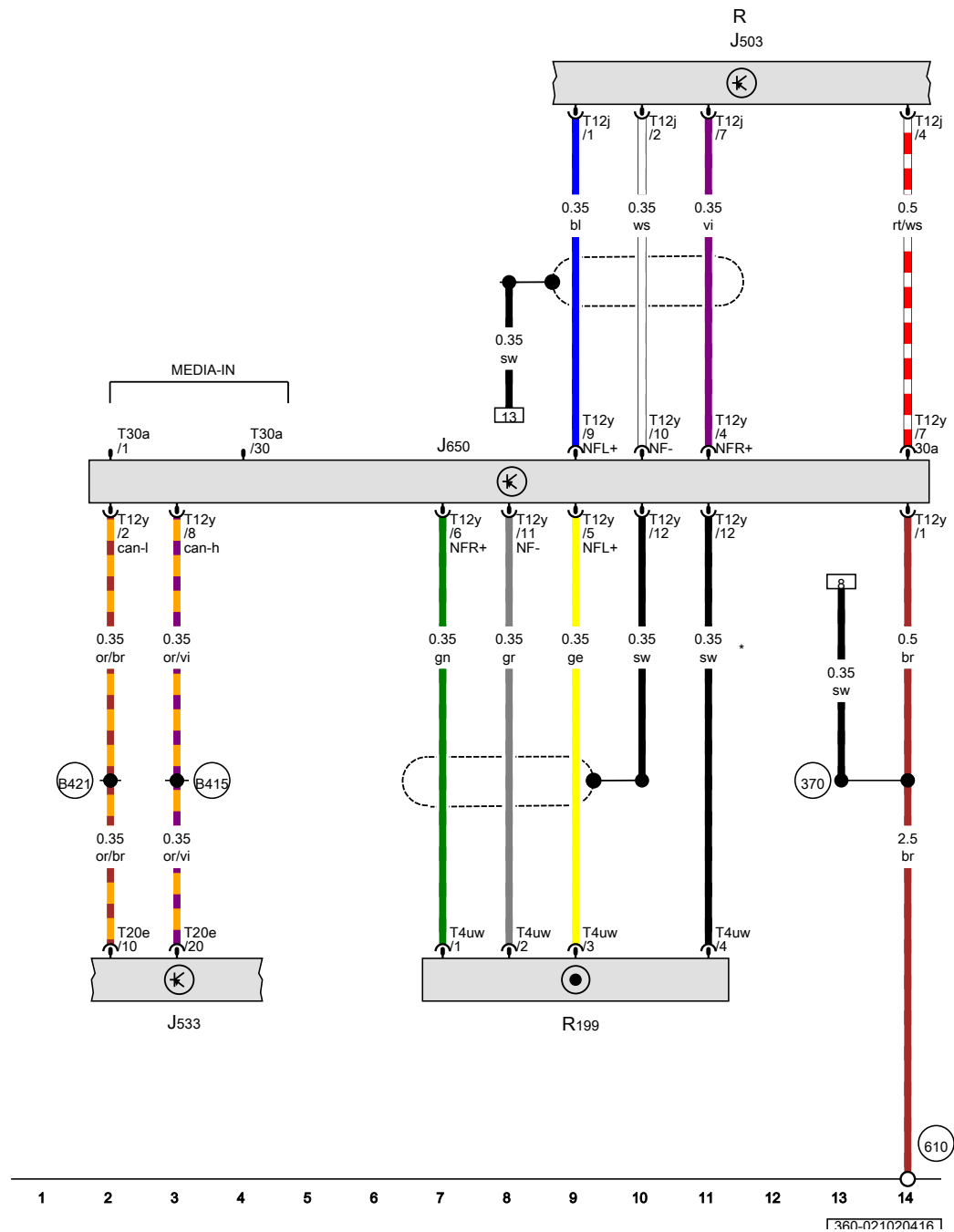
Multimedia socket MEDIA-IN

From November 2010

Control unit with display for radio and navigation, Data bus diagnostic interface, Multimedia system control unit, Connection for external audio sources

- J503 Control unit with display for radio and navigation
- J533 Data bus diagnostic interface
- J650 Multimedia system control unit
- R Radio
- R199 Connection for external audio sources
- T4uw 4-pin connector
- T12j 12-pin connector, blue
- T12y 12-pin connector, black
- T20e 20-pin connector

- 370 Earth connection 5, in main wiring harness
- 610 Earth point (audio), front below centre console
- B415 Connection 1 (infotainment CAN bus, high), in main wiring harness
- B421 Connection 1 (infotainment CAN bus, low), in main wiring harness
- * Only models with centre armrest



- ws = white
- sw = black
- ro = red
- rt = red
- br = brown
- gn = green
- bl = blue
- gr = grey
- li = purple
- vi = purple
- ge = yellow
- or = orange
- rs = pink

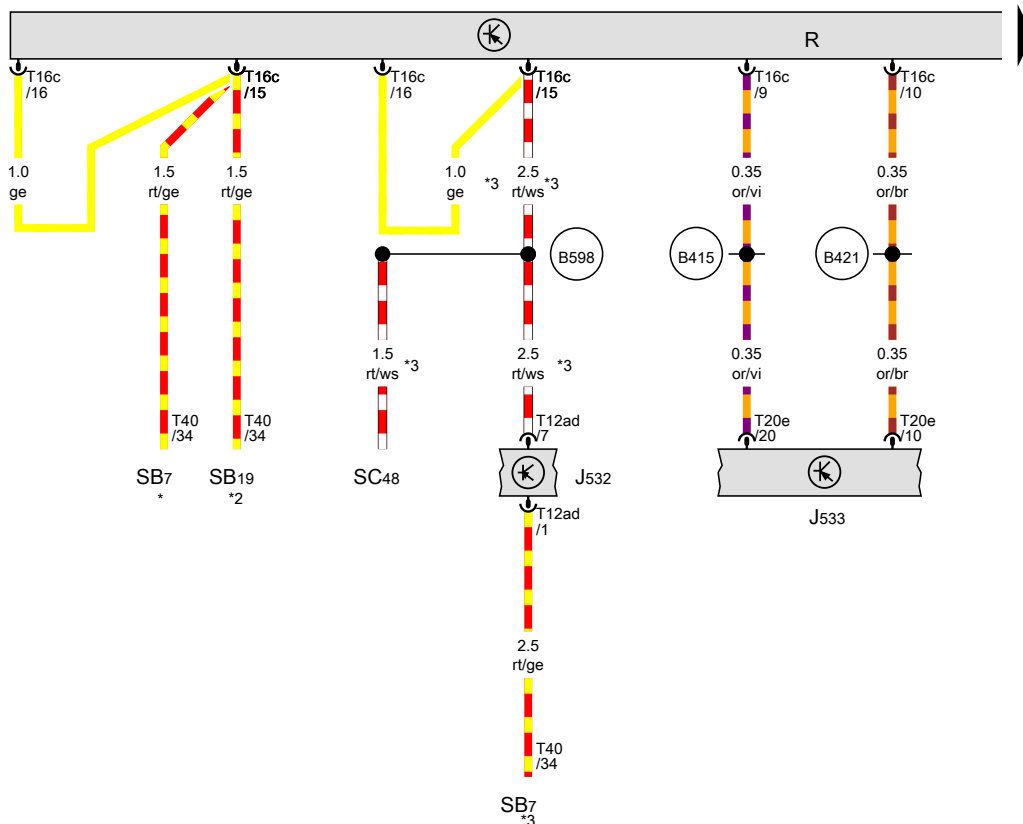
Radio system

From November 2010

Data bus diagnostic interface, Radio

- J532 Voltage stabiliser
- J533 Data bus diagnostic interface
- R Radio
- SB7 Fuse 7 on fuse holder B
- SB19 Fuse 19 on fuse holder B
- SC48 Fuse 48 on fuse holder C
- T12ad 12-pin connector
- T16c 16-pin connector, black
- T20e 20-pin connector
- T40 40-pin connector

- B415** Connection 1 (infotainment CAN bus, high), in main wiring harness
- B421** Connection 1 (infotainment CAN bus, low), in main wiring harness
- B598** Positive connection 11 (30a), in interior wiring harness
- * Fuses in E-box, Low
- *2 Fuses in E-box, High
- *3 Only models with start/stop system



- ws = white
- sw = black
- ro = red
- rt = red
- br = brown
- gn = green
- bl = blue
- gr = grey
- li = purple
- vi = purple
- ge = yellow
- or = orange
- rs = pink

1 2 3 4 5 6 7 8 9 10 11 12 13 14
1360-022020416 1

Radio, CD changer

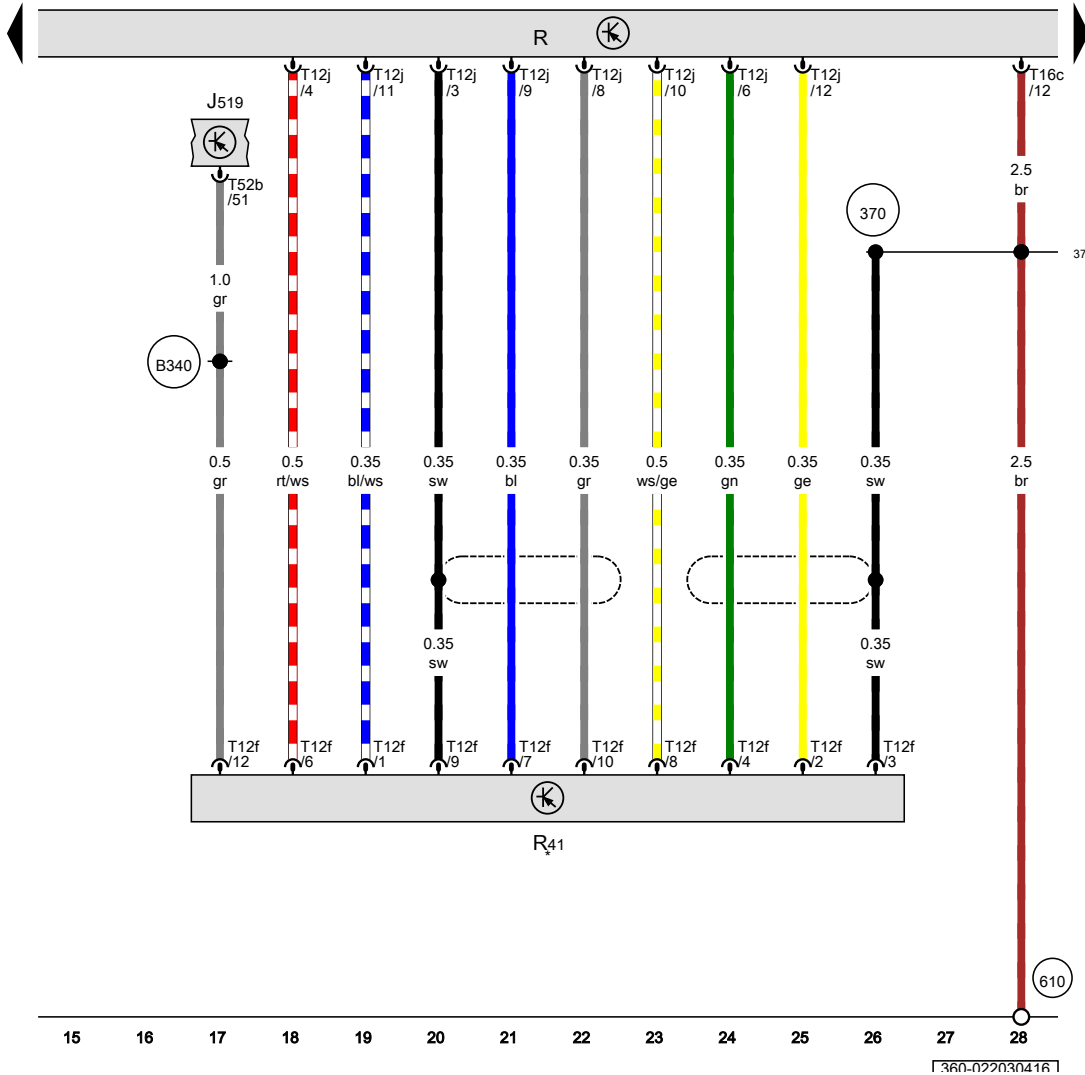
- J519 Onboard supply control unit
- R Radio
- R41 CD changer
- T12f 12-pin connector, black
- T12j 12-pin connector, blue
- T16c 16-pin connector, black
- T52b 52-pin connector

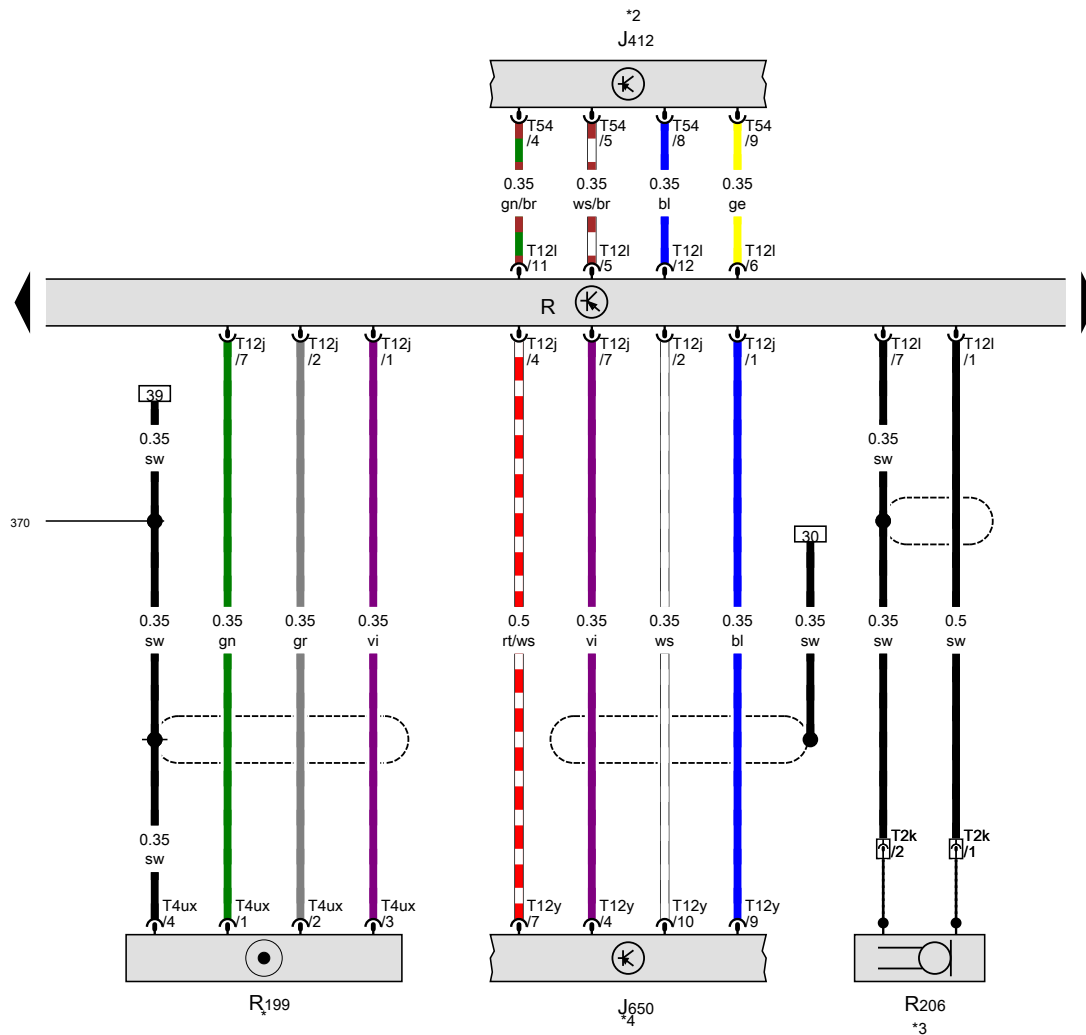
370 Earth connection 5, in main wiring harness

610 Earth point (audio), front below centre console

B340 Connection 1 (58d), in main wiring harness

* Only models with CD changer/ prepared for CD changer





Mobile telephone operating electronics control unit, Radio, Connection for external audio sources, Voice command microphone

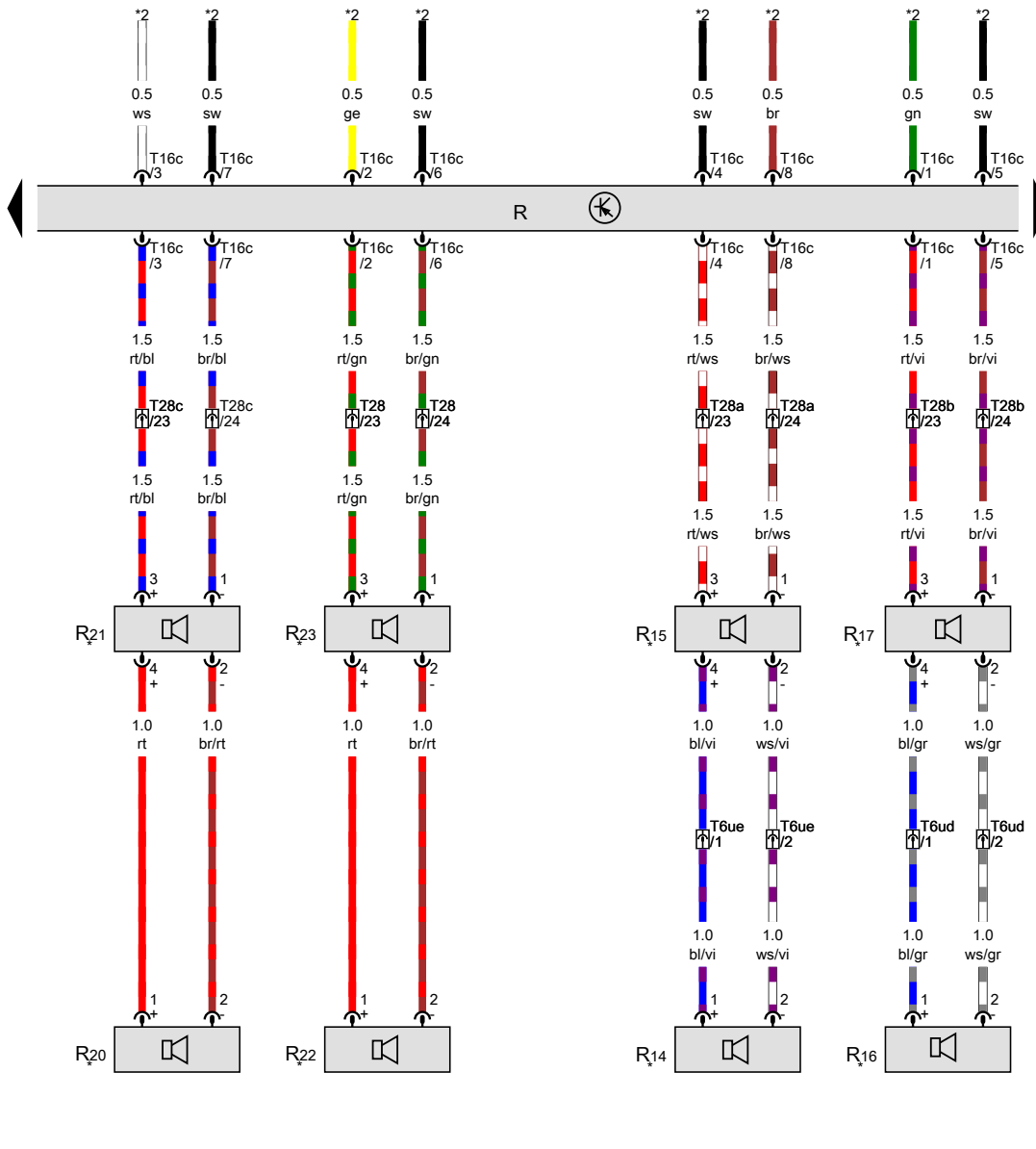
- J412 Mobile telephone operating electronics control unit
- J650 Multimedia system control unit
- R Radio
- R199 Connection for external audio sources
- R206 Voice command microphone
- T2k 2-pin connector
- T4ux 4-pin connector
- T12j 12-pin connector, blue
- T12l 12-pin connector, green
- T12y 12-pin connector
- T54 54-pin connector

370 Earth connection 5, in main wiring harness

- * Only models with multimedia socket for external audio source see applicable current flow diagram for telephone systems
- *2 Only models with voice control
- *3 Only models with voice control
- *4 see applicable current flow diagram for multimedia system

- ws = white
- sw = black
- ro = red
- rt = red
- br = brown
- gn = green
- bl = blue
- gr = grey
- li = purple
- vi = purple
- ge = yellow
- or = orange
- rs = pink

Radio, Rear left treble loudspeaker, Rear left bass loudspeaker, Rear right treble loudspeaker, Rear right bass loudspeaker, Front left bass loudspeaker, Front right treble loudspeaker, Front right bass loudspeaker



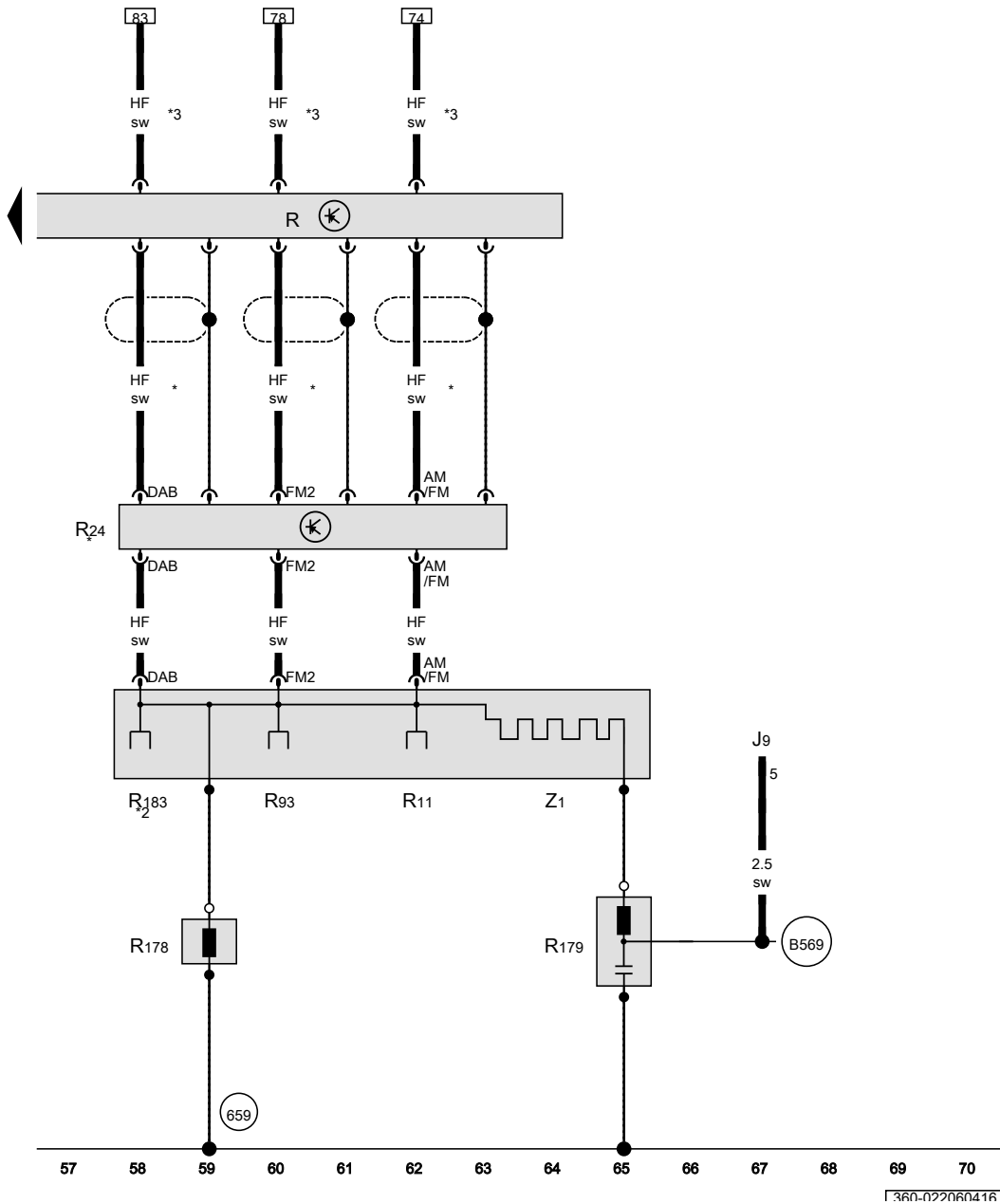
- R Radio
- R14 Rear left treble loudspeaker
- R15 Rear left bass loudspeaker
- R16 Rear right treble loudspeaker
- R17 Rear right bass loudspeaker
- R20 Front left treble loudspeaker
- R21 Front left bass loudspeaker
- R22 Front right treble loudspeaker
- R23 Front right bass loudspeaker
- T6ud 6-pin connector, in rear right door
- T6ue 6-pin connector, in rear left door
- T16c 16-pin connector
- T28 28-pin connector, in right A-pillar coupling station
- T28a 28-pin connector, on left B-pillar
- T28b 28-pin connector, on right B-pillar
- T28c 28-pin connector, in left A-pillar coupling station
- * Only models with no sound system
- *2 see applicable current flow diagram for sound system

- ws = white
- sw = black
- ro = red
- rt = red
- br = brown
- gn = green
- bl = blue
- gr = grey
- li = purple
- vi = purple
- ge = yellow
- or = orange
- rs = pink

43 44 45 46 47 48 49 50 51 52 53 54 55 56

1360-022050416

Heated rear window relay, Radio, Radio aerial 2, Frequency modulation (FM) frequency filter in positive wire



- J9 Heated rear window relay
- R Radio
- R11 Aerial
- R24 Aerial amplifier
- R93 Radio aerial 2
- R178 Frequency modulation (FM) frequency filter in negative wire
- R179 Frequency modulation (FM) frequency filter in positive wire
- R183 Digital radio aerial
- Z1 Heated rear window

659 Earth point 1, on right near rear window

B569 Connection 36, in main wiring harness

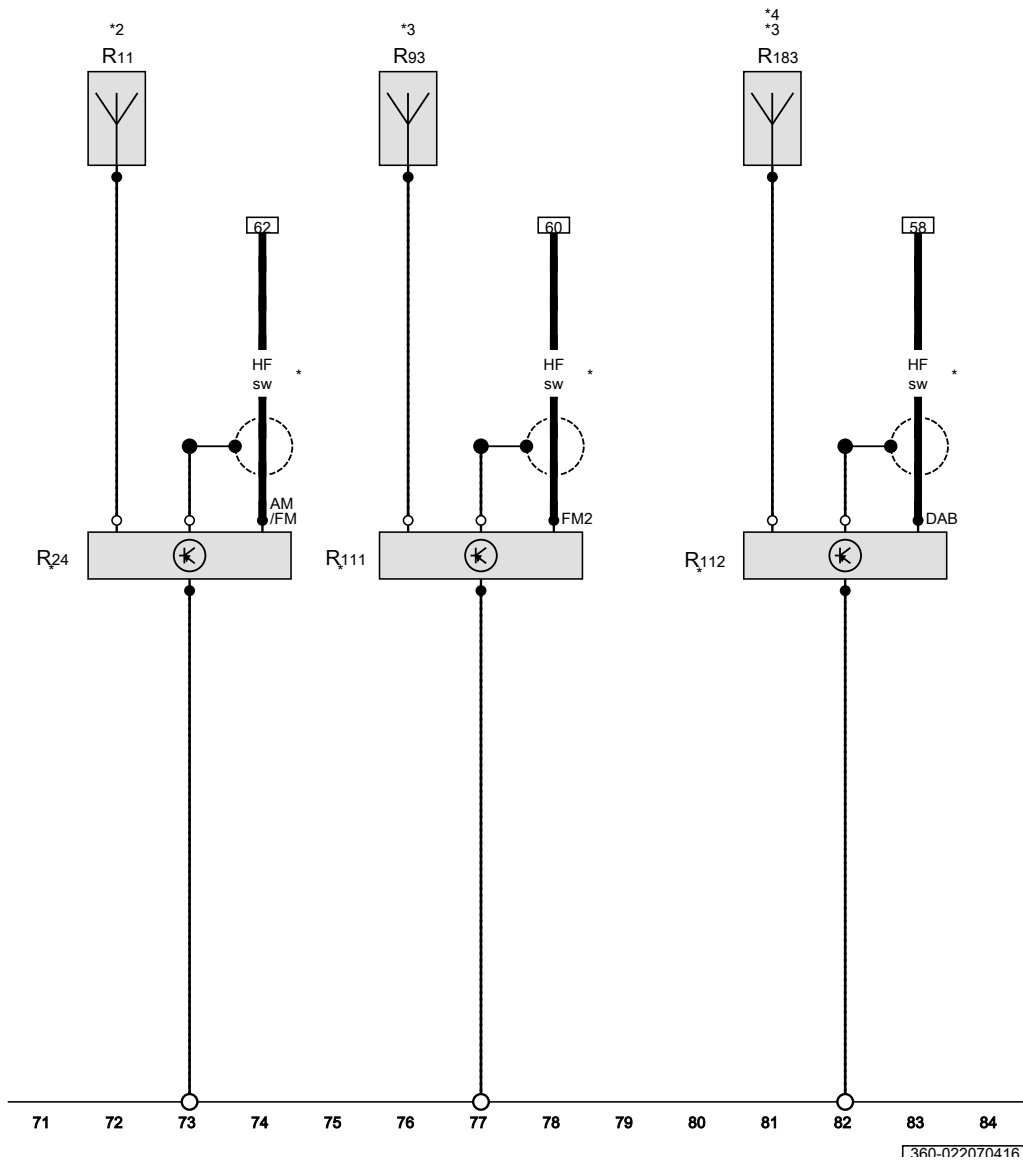
- * Saloon
- *2 Only models with digital radio
- *3 Estate

- ws = white
- sw = black
- ro = red
- rt = red
- br = brown
- gn = green
- bl = blue
- gr = grey
- li = purple
- vi = purple
- ge = yellow
- or = orange
- rs = pink

360-022060416

Aerial, Aerial amplifier, Radio aerial 2, Aerial amplifier 2, Aerial amplifier 3, Digital radio aerial

- R11 Aerial
- R24 Aerial amplifier
- R93 Radio aerial 2
- R111 Aerial amplifier 2
- R112 Aerial amplifier 3
- R183 Digital radio aerial
- * Estate
- *2 Left side window aerial
- *3 Right side window aerial
- *4 Only models with digital radio



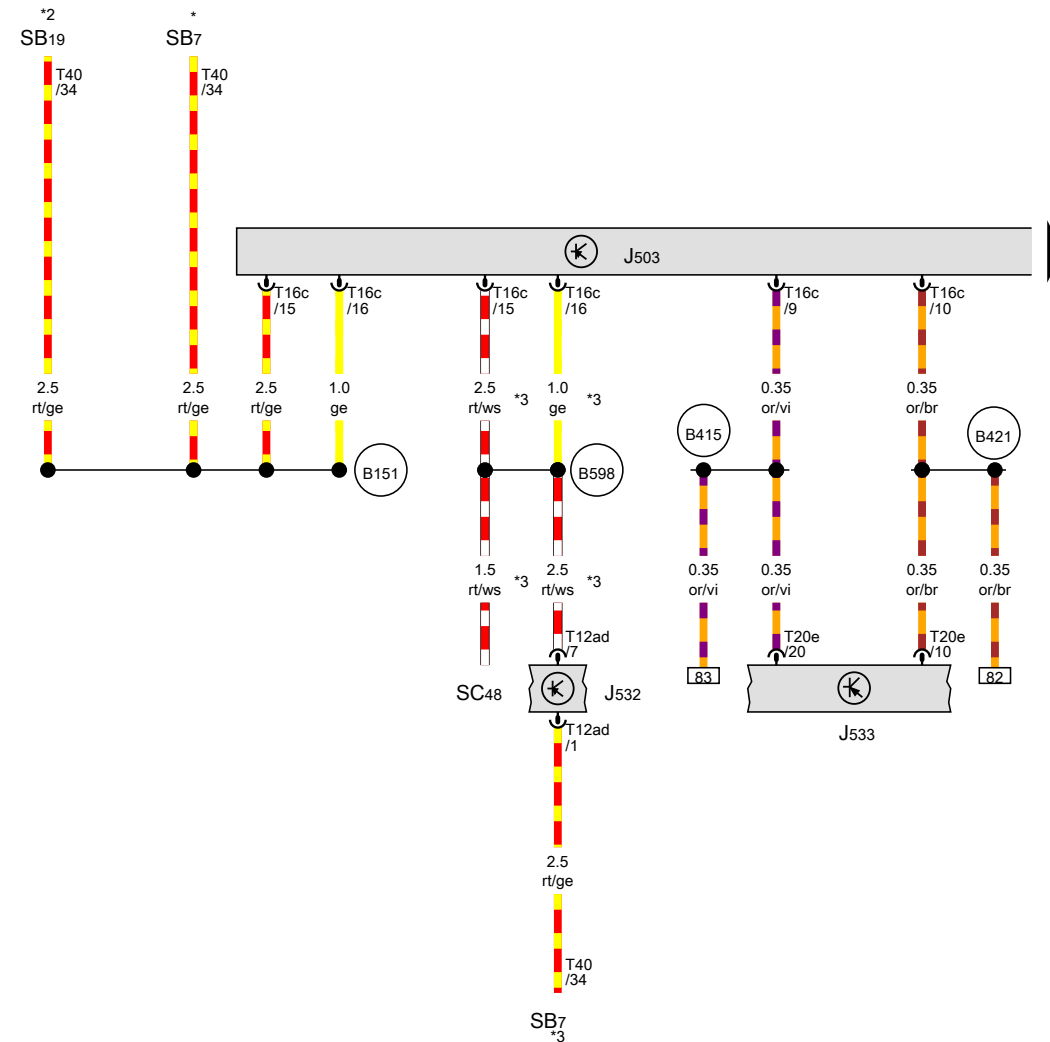
- ws = white
- sw = black
- ro = red
- rt = red
- br = brown
- gn = green
- bl = blue
- gr = grey
- li = purple
- vi = purple
- ge = yellow
- or = orange
- rs = pink

360-022070416

Radio navigation system

From November 2010

Control unit with display for radio and navigation, Data bus diagnostic interface



- J503 Control unit with display for radio and navigation
- J532 Voltage stabiliser
- J533 Data bus diagnostic interface
- SB7 Fuse 7 on fuse holder B
- SB19 Fuse 19 on fuse holder B
- SC48 Fuse 48 on fuse holder C
- T12ad 12-pin connector
- T16c 16-pin connector, black
- T20e 20-pin connector
- T40 40-pin connector

- B151 Positive connection 3 (30a), in interior wiring harness
- B415 Connection 1 (infotainment CAN bus, high), in main wiring harness
- B421 Connection 1 (infotainment CAN bus, low), in main wiring harness
- B598 Positive connection 11 (30a), in interior wiring harness

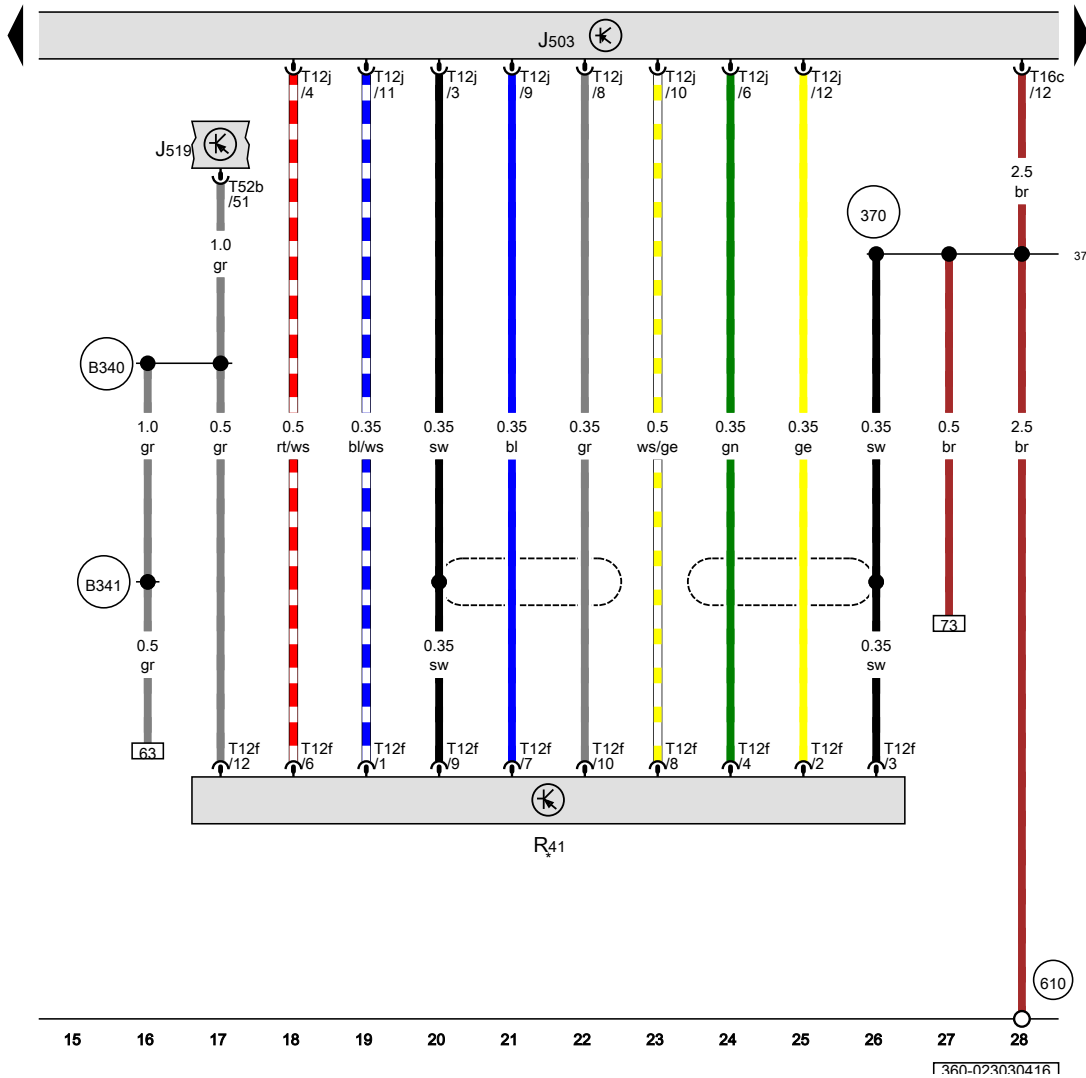
- * Fuses in E-box, Low
- *2 Fuses in E-box, High
- *3 Only models with start/stop system

- ws = white
- sw = black
- ro = red
- rt = red
- br = brown
- gn = green
- bl = blue
- gr = grey
- li = purple
- vi = purple
- ge = yellow
- or = orange
- rs = pink

Control unit with display for radio and navigation, CD changer

- J503 Control unit with display for radio and navigation
- J519 Onboard supply control unit
- R41 CD changer
- T12f 12-pin connector, black
- T12j 12-pin connector, blue
- T16c 16-pin connector, black
- T52b 52-pin connector

- 370 Earth connection 5, in main wiring harness
- 610 Earth point (audio), front below centre console
- B340 Connection 1 (58d), in main wiring harness
- B341 Connection 2 (58d), in main wiring harness
- * Only models with CD changer/ prepared for CD changer



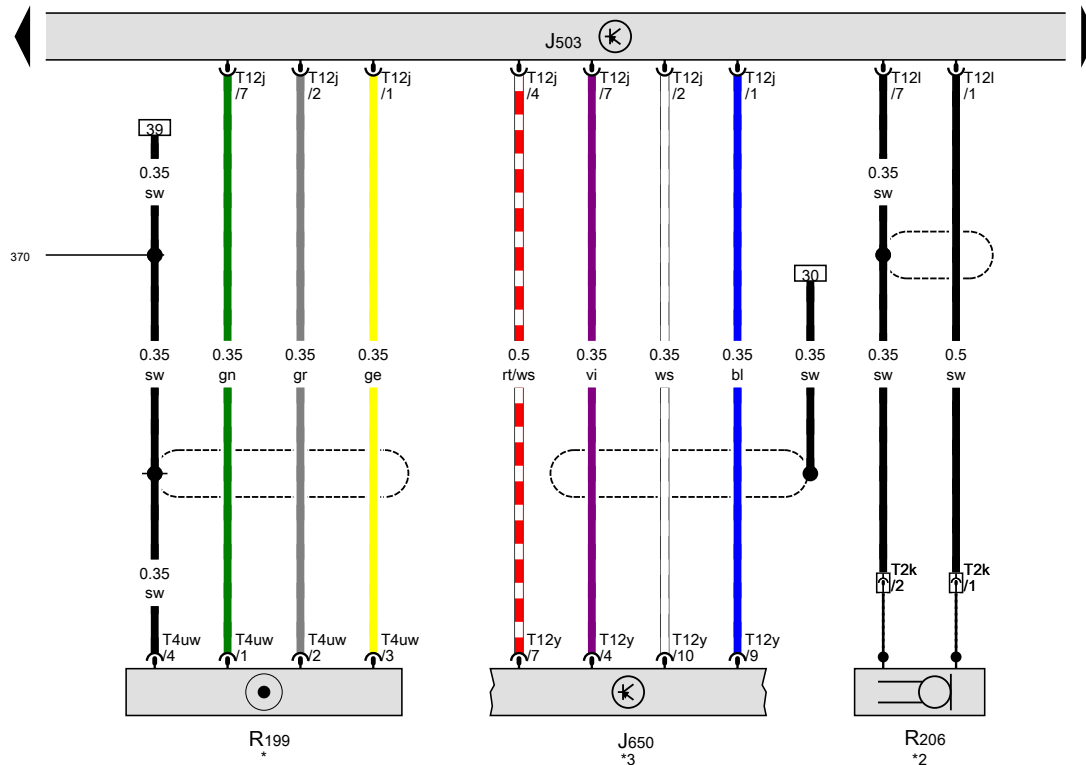
- ws = white
- sw = black
- ro = red
- rt = red
- br = brown
- gn = green
- bl = blue
- gr = grey
- li = purple
- vi = purple
- ge = yellow
- or = orange
- rs = pink

360-023030416

Control unit with display for radio and navigation,
Connection for external audio sources, Voice command microphone

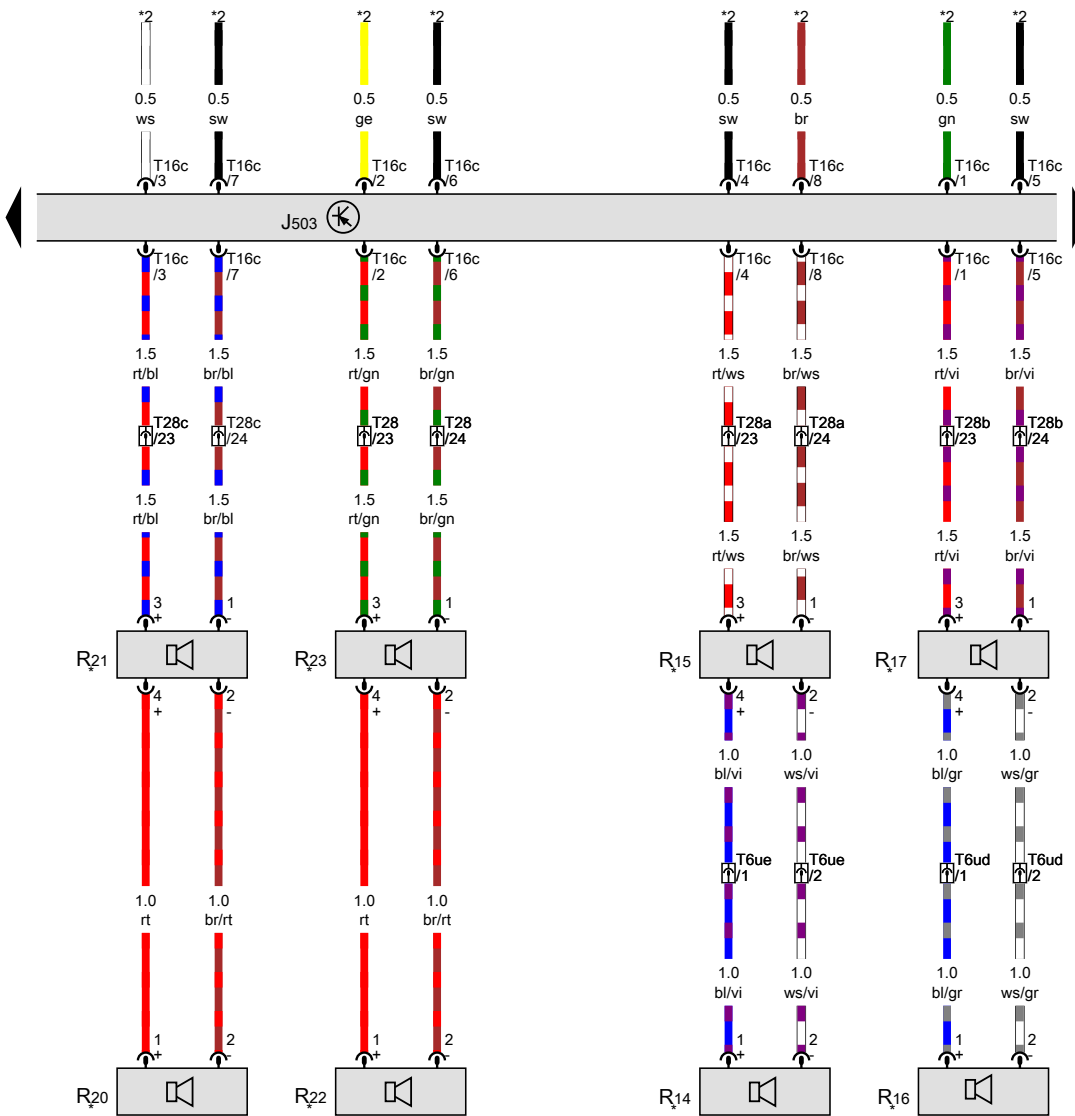
- J503 Control unit with display for radio and navigation
- J650 Multimedia system control unit
- R199 Connection for external audio sources
- R206 Voice command microphone
- T2k 2-pin connector
- T4uw 4-pin connector
- T12j 12-pin connector, blue
- T12l 12-pin connector, green
- T12y 12-pin connector

- 370 Earth connection 5, in main wiring harness
- * Only models with multimedia socket for external audio source
- *2 Only models with voice control
- *3 see applicable current flow diagram for multimedia system



- ws = white
- sw = black
- ro = red
- rt = red
- br = brown
- gn = green
- bl = blue
- gr = grey
- li = purple
- vi = purple
- ge = yellow
- or = orange
- rs = pink

Control unit with display for radio and navigation, Rear left treble loudspeaker, Rear left bass loudspeaker, Rear right treble loudspeaker, Rear right bass loudspeaker, Front left bass loudspeaker, Front right treble loudspeaker, Front right bass loudspeaker



- J503 Control unit with display for radio and navigation
- R14 Rear left treble loudspeaker
- R15 Rear left bass loudspeaker
- R16 Rear right treble loudspeaker
- R17 Rear right bass loudspeaker
- R20 Front left treble loudspeaker
- R21 Front left bass loudspeaker
- R22 Front right treble loudspeaker
- R23 Front right bass loudspeaker
- T6ud 6-pin connector, in rear right door
- T6ue 6-pin connector, in rear left door
- T16c 16-pin connector
- T28 28-pin connector, in right A-pillar coupling station
- T28a 28-pin connector, on left B-pillar
- T28b 28-pin connector, on right B-pillar
- T28c 28-pin connector, in left A-pillar coupling station
- * Only models with no sound system
- *2 see applicable current flow diagram for sound system

- ws = white
- sw = black
- ro = red
- rt = red
- br = brown
- gn = green
- bl = blue
- gr = grey
- li = purple
- vi = purple
- ge = yellow
- or = orange
- rs = pink

43 44 45 46 47 48 49 50 51 52 53 54 55 56

360-023050416

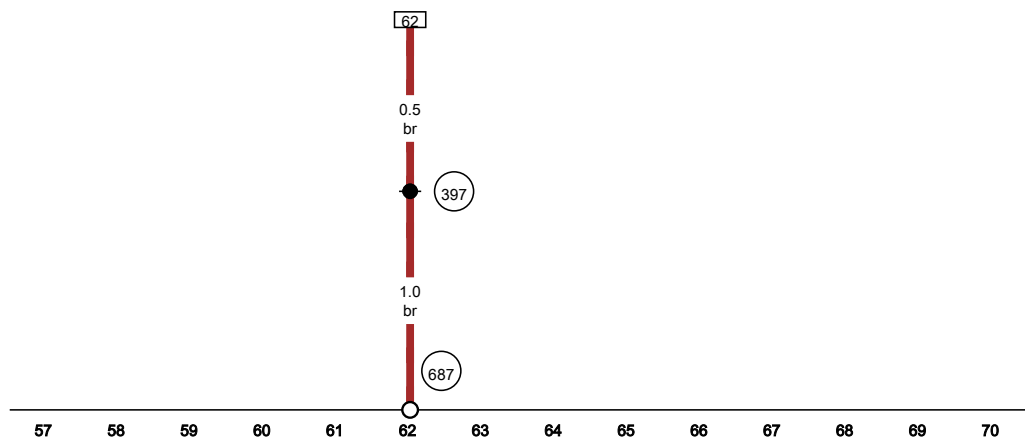
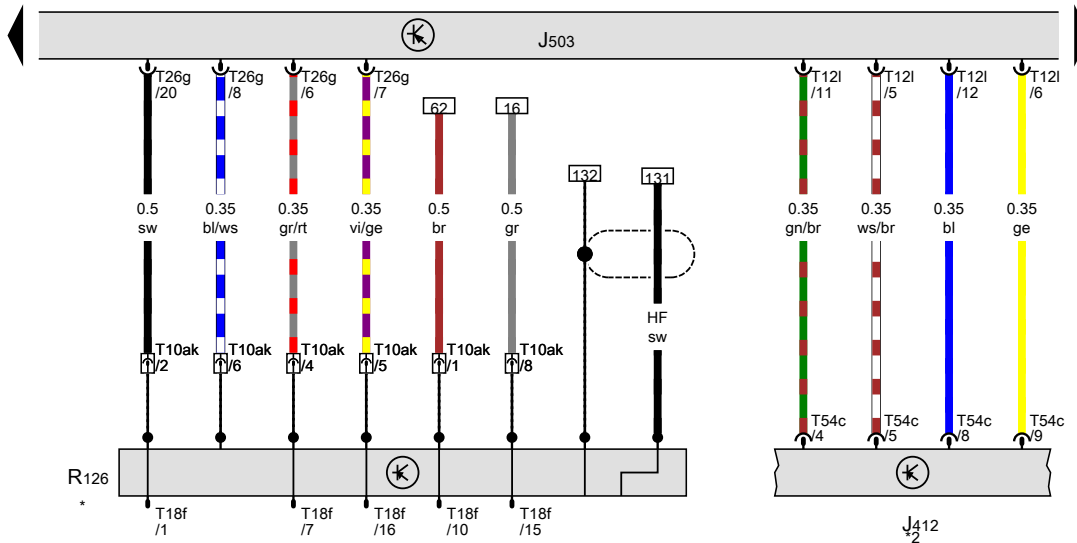
Mobile telephone operating electronics control unit, Control unit with display for radio and navigation, Telephone bracket

- J412 Mobile telephone operating electronics control unit
- J503 Control unit with display for radio and navigation
- R126 Telephone bracket
- T10ak 10-pin connector, behind dash panel, centre
- T12l 12-pin connector, green
- T26g 26-pin connector, black
- T54c 54-pin connector

397 Earth connection 32, in main wiring harness

687 Earth point 1, on centre tunnel

* Only models with radio navigation system RNS 315
 *2 see applicable current flow diagram for telephone systems



- ws = white
- sw = black
- ro = red
- rt = red
- br = brown
- gn = green
- bl = blue
- gr = grey
- li = purple
- vi = purple
- ge = yellow
- or = orange
- rs = pink

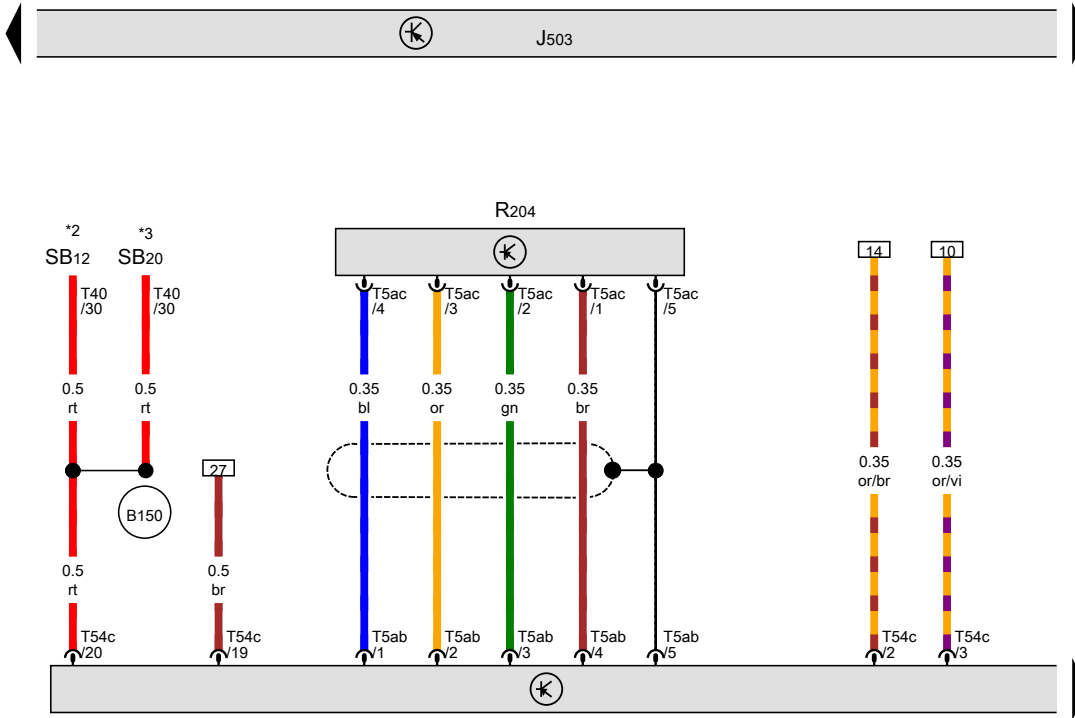
1360-023060416

Control unit with display for radio and navigation, TV tuner

- J503 Control unit with display for radio and navigation
- R78 TV tuner
- R204 TV card reader
- SB12 Fuse 12 on fuse holder B
- SB20 Fuse 20 on fuse holder B
- T5ab 5-pin connector
- T5ac 5-pin connector
- T40 40-pin connector
- T54c 54-pin connector

B150 Positive connection 2 (30a), in interior wiring harness

- * Only models with TV tuner
- *2 Fuses in E-box, Low
- *3 Fuses in E-box, High



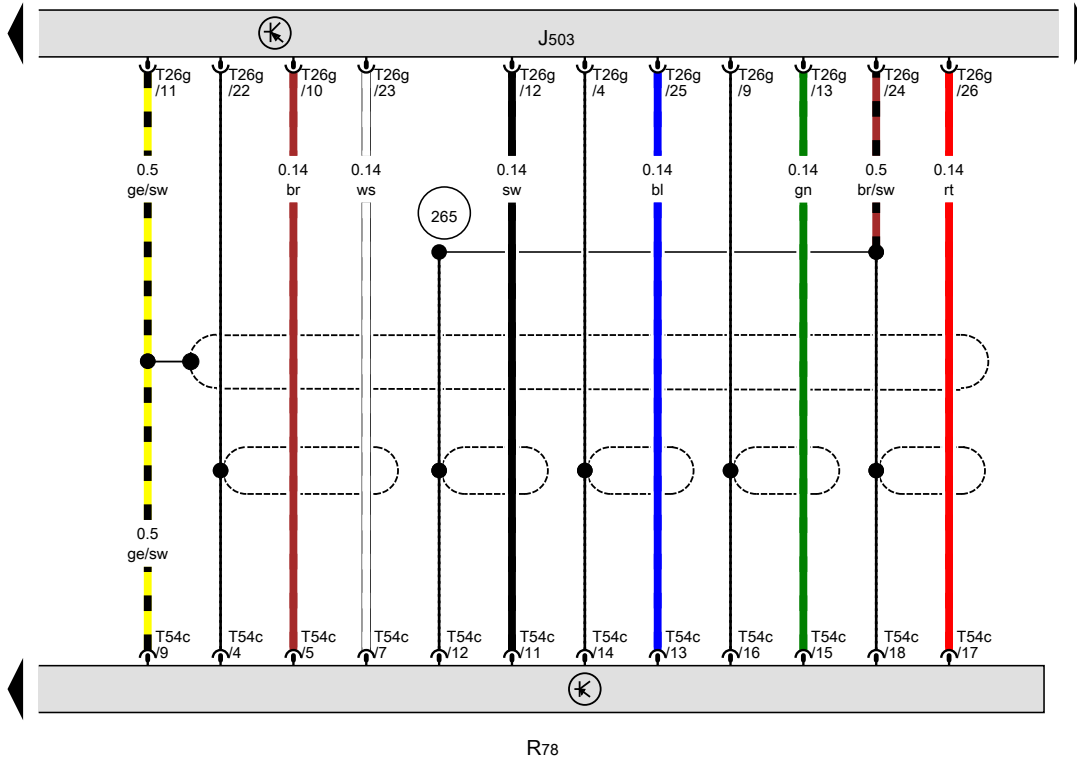
- ws = white
- sw = black
- ro = red
- rt = red
- br = brown
- gn = green
- bl = blue
- gr = grey
- li = purple
- vi = purple
- ge = yellow
- or = orange
- rs = pink

71 72 73 74 75 76 77 78 79 80 81 82 83 84

1360-023070416

Control unit with display for radio and navigation, TV tuner

- J503 Control unit with display for radio and navigation
- R78 TV tuner
- T26g 26-pin connector, black
- T54c 54-pin connector
- 265 Earth connection (internal screening), in navigation wiring harness



- ws = white
- sw = black
- ro = red
- rt = red
- br = brown
- gn = green
- bl = blue
- gr = grey
- li = purple
- vi = purple
- ge = yellow
- or = orange
- rs = pink

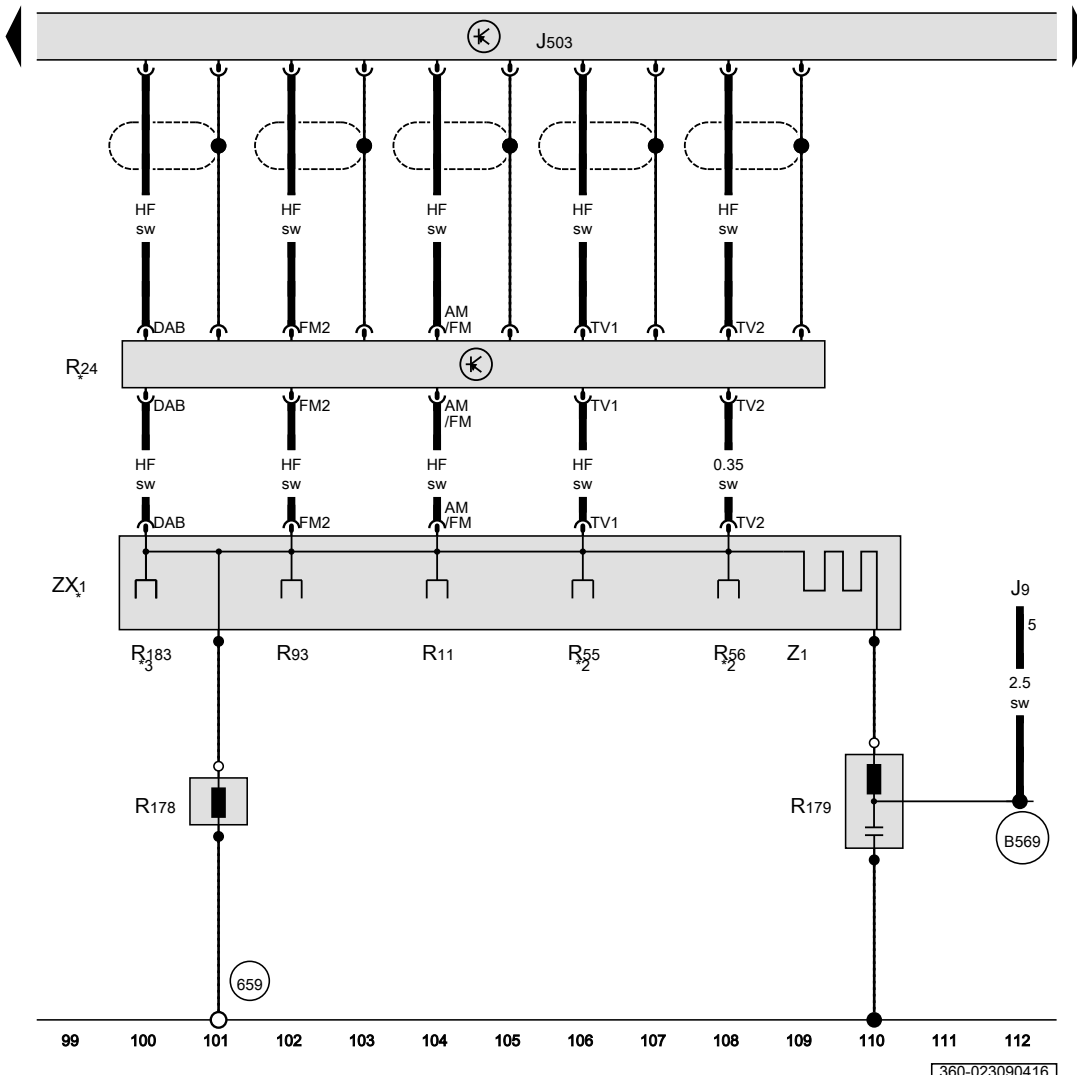
85 86 87 88 89 90 91 92 93 94 95 96 97 98

1360-023080416

Heated rear window relay, Control unit with display for radio and navigation, Radio aerial 2, Frequency modulation (FM) frequency filter in positive wire, Digital radio aerial

- J9 Heated rear window relay
- J503 Control unit with display for radio and navigation
- R11 Aerial
- R24 Aerial amplifier
- R55 TV aerial 1
- R56 TV aerial 2
- R93 Radio aerial 2
- R178 Frequency modulation (FM) frequency filter in negative wire
- R179 Frequency modulation (FM) frequency filter in positive wire
- R183 Digital radio aerial
- ZX1 Rear window
- Z1 Heated rear window

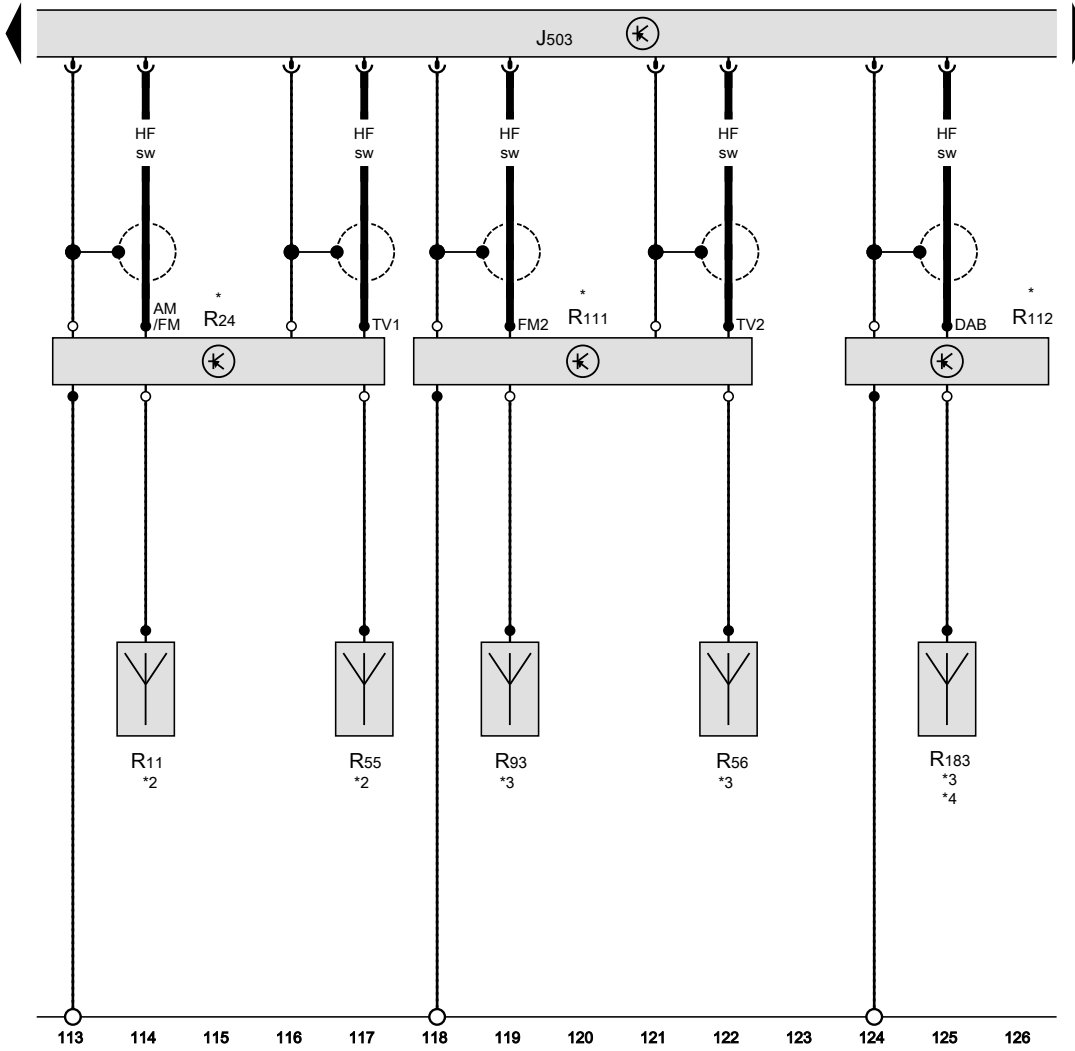
- 659 Earth point 1, on right near rear window
- B569 Connection 36, in main wiring harness
- * Saloon
- *2 Only models with TV tuner
- *3 Only models with digital radio



- ws = white
- sw = black
- ro = red
- rt = red
- br = brown
- gn = green
- bl = blue
- gr = grey
- li = purple
- vi = purple
- ge = yellow
- or = orange
- rs = pink

Control unit with display for radio and navigation, Aerial, Aerial amplifier, TV aerial 1, TV aerial 2, Radio aerial 2, Aerial amplifier 2, Aerial amplifier 3, Digital radio aerial

- J503 Control unit with display for radio and navigation
- R11 Aerial
- R24 Aerial amplifier
- R55 TV aerial 1
- R56 TV aerial 2
- R93 Radio aerial 2
- R111 Aerial amplifier 2
- R112 Aerial amplifier 3
- R183 Digital radio aerial
- * Estate
- *2 Left side window aerial
- *3 Right side window aerial
- *4 Only models with digital radio

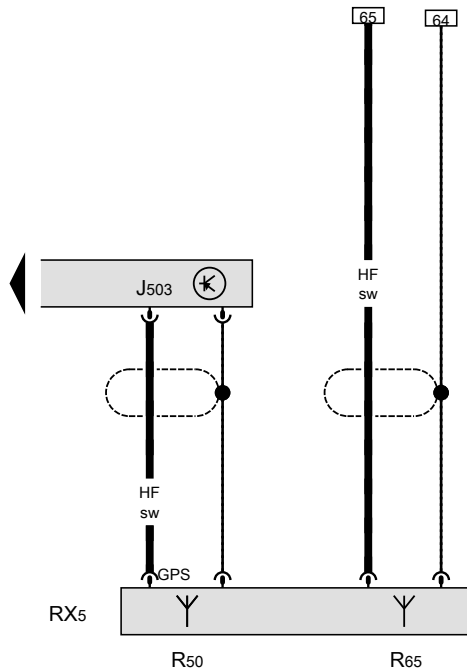


- ws = white
- sw = black
- ro = red
- rt = red
- br = brown
- gn = green
- bl = blue
- gr = grey
- li = purple
- vi = purple
- ge = yellow
- or = orange
- rs = pink

1360-023100416

Control unit with display for radio and navigation, GPS aerial

- J503 Control unit with display for radio and navigation
- RX5 Roof aerial
- R50 GPS aerial
- R65 Telephone aerial



- ws = white
- sw = black
- ro = red
- rt = red
- br = brown
- gn = green
- bl = blue
- gr = grey
- li = purple
- vi = purple
- ge = yellow
- or = orange
- rs = pink

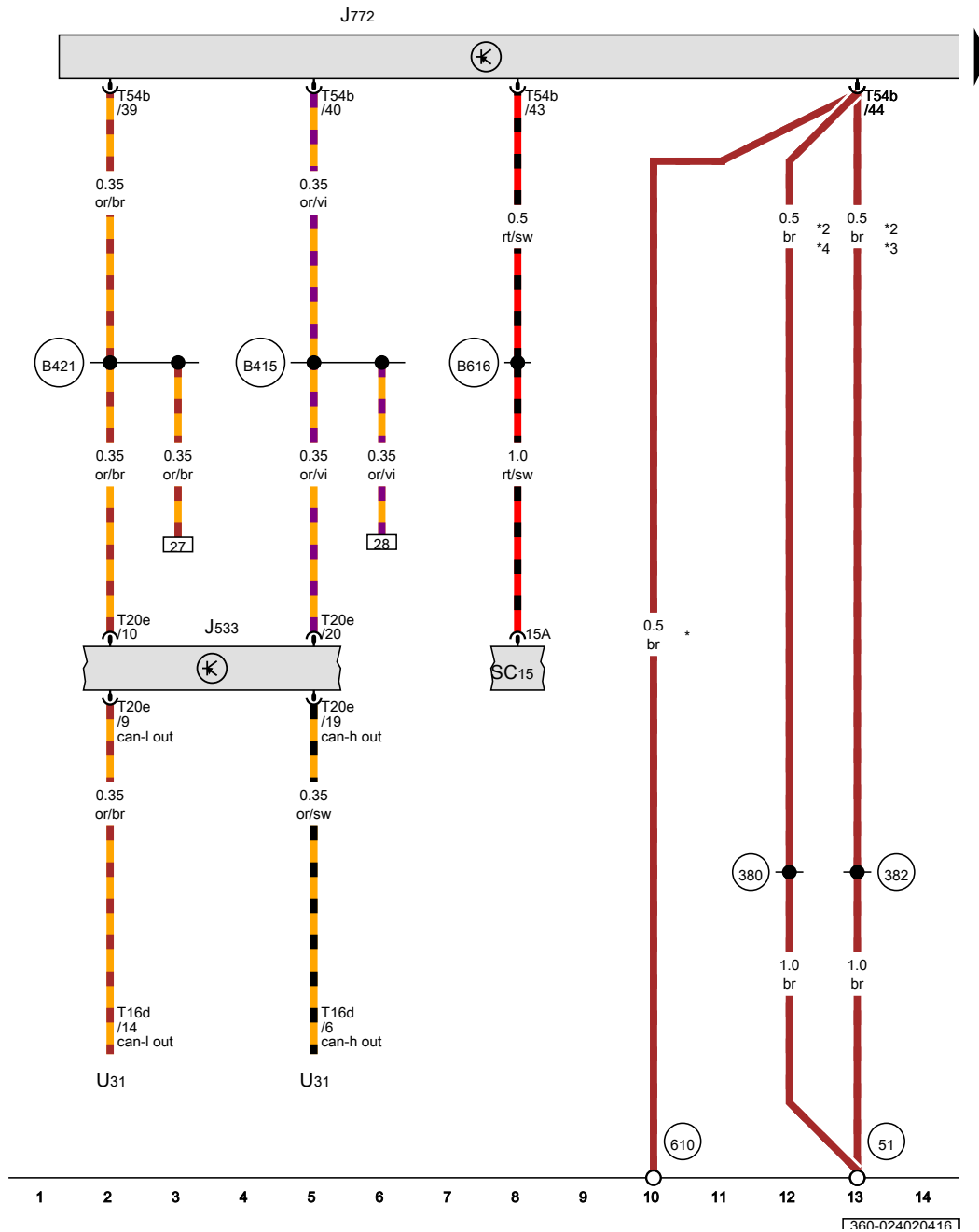
127 128 129 130 131 132 133 134 135 136 137 138 139 140

[360-023110416]

Reversing camera (Rear Assist)

From November 2010

Data bus diagnostic interface, Reversing camera system control unit, Diagnostic connection



- J533 Data bus diagnostic interface
- J772 Reversing camera system control unit
- SC15 Fuse 15 on fuse holder C
- T16d 16-pin connector
- T20e 20-pin connector
- T54b 54-pin connector
- U31 Diagnostic connection

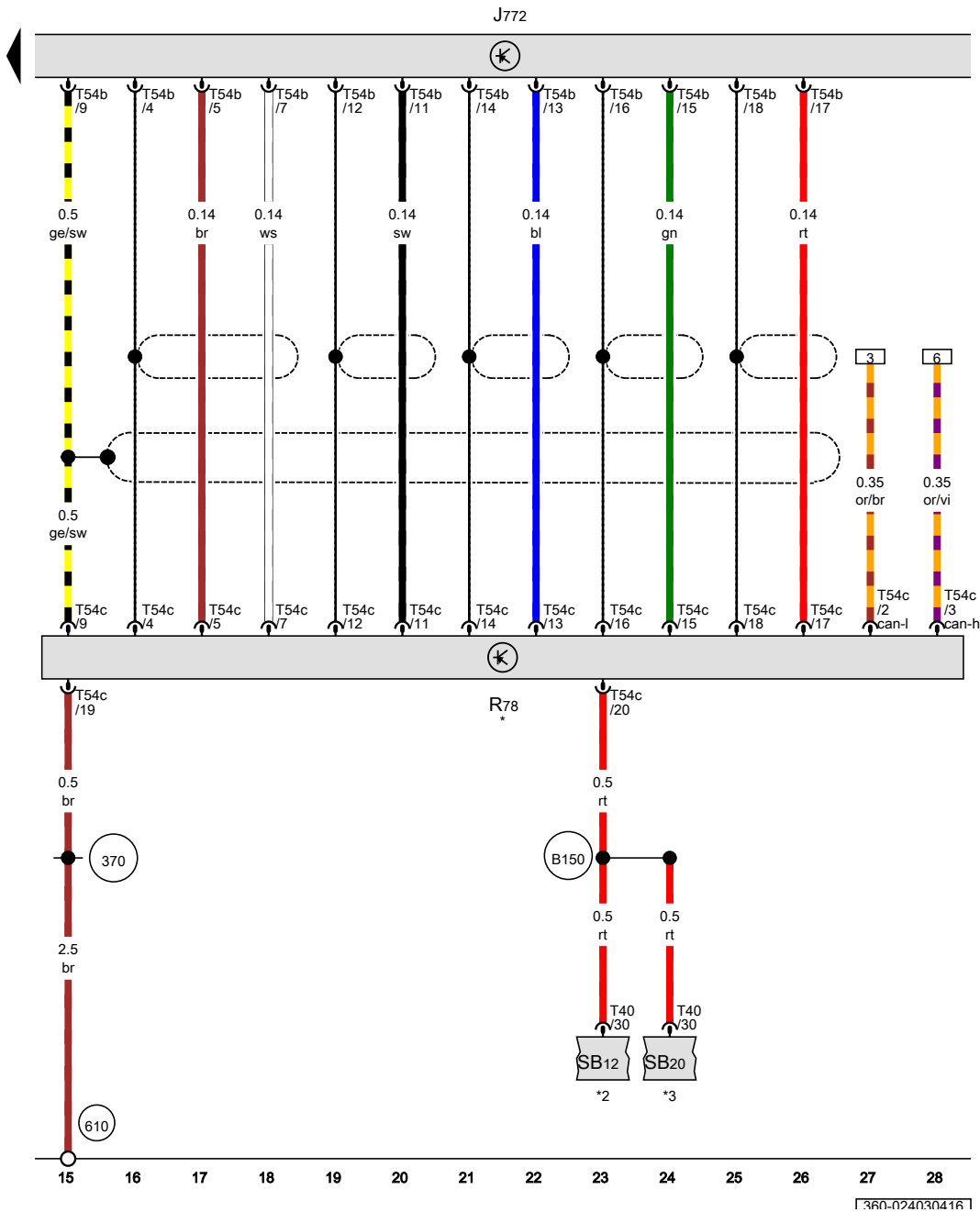
- 51 Earth point, on right in luggage compartment
- 380 Earth connection 15, in main wiring harness
- 382 Earth connection 17, in main wiring harness
- 610 Earth point (audio), front below centre console
- B415 Connection 1 (infotainment CAN bus, high), in main wiring harness
- B421 Connection 1 (infotainment CAN bus, low), in main wiring harness
- B616 Positive connection 12 (30a), in interior wiring harness

- * Only models with TV tuner
- *2 Only models with no TV receiver
- *3 Saloon
- *4 Estate

- ws = white
- sw = black
- ro = red
- rt = red
- br = brown
- gn = green
- bl = blue
- gr = grey
- li = purple
- vi = purple
- ge = yellow
- or = orange
- rs = pink

1360-024020416 1

Reversing camera system control unit, TV tuner



- J772 Reversing camera system control unit
- R78 TV tuner
- SB12 Fuse 12 on fuse holder B
- SB20 Fuse 20 on fuse holder B
- T40 40-pin connector
- T54b 54-pin connector
- T54c 54-pin connector

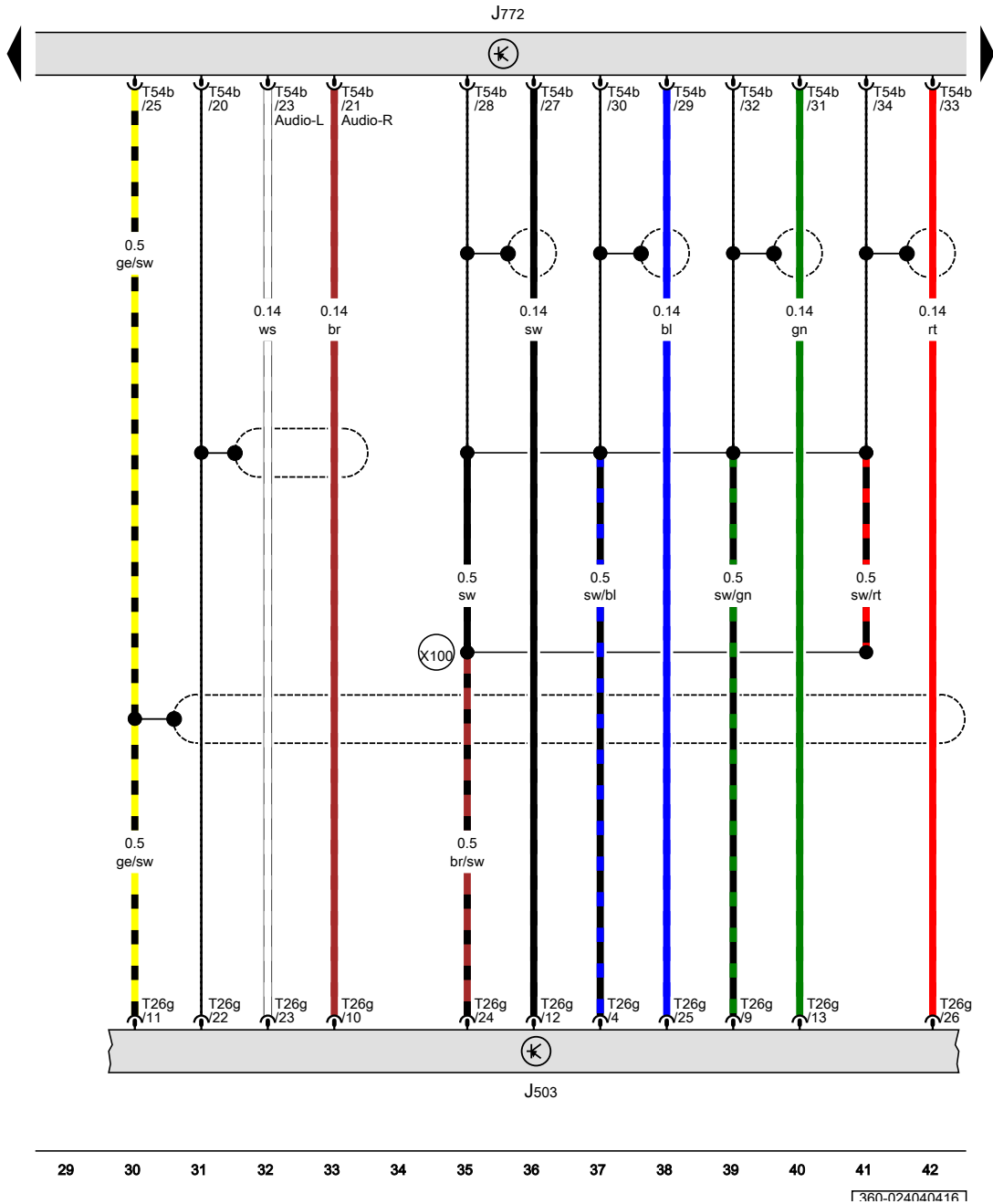
- 370 Earth connection 5, in main wiring harness
- 610 Earth point (audio), front below centre console
- B150 Positive connection 2 (30a), in interior wiring harness
- * Only models with TV tuner
- *2 Fuses in E-box, Low
- *3 Fuses in E-box, High

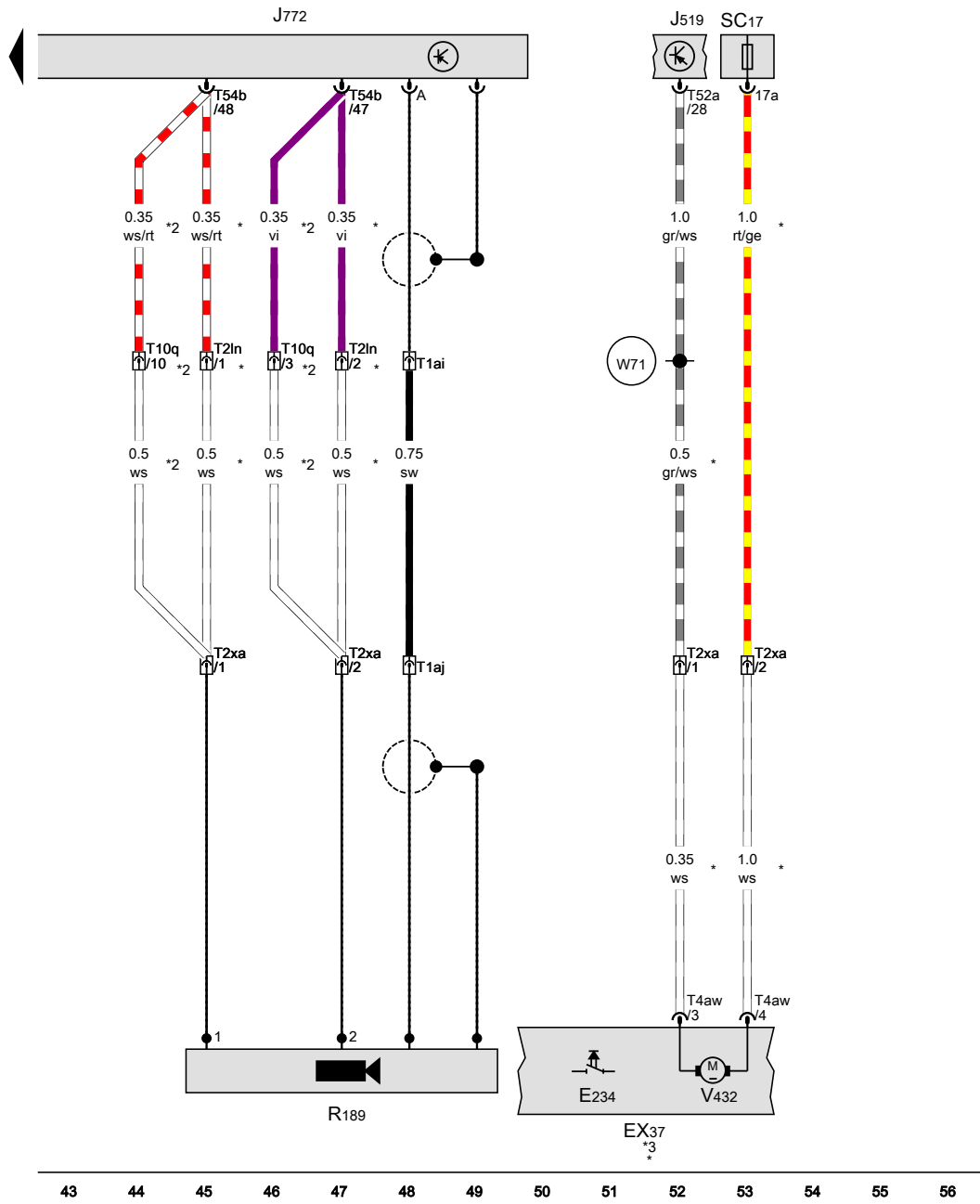
- ws = white
- sw = black
- ro = red
- rt = red
- br = brown
- gn = green
- bl = blue
- gr = grey
- li = purple
- vi = purple
- ge = yellow
- or = orange
- rs = pink

1360-024030416

Control unit with display for radio and navigation, Reversing camera system control unit

- J503 Control unit with display for radio and navigation
- J772 Reversing camera system control unit
- T26g 26-pin connector
- T54b 54-pin connector
- X100 Connection (screening), in optional equipment wiring harness





Onboard supply control unit, Reversing camera system control unit, Reversing camera

- EX37 Rear lid handle
- E234 Rear lid handle release button
- J519 Onboard supply control unit
- J772 Reversing camera system control unit
- R189 Reversing camera
- SC17 Fuse 17 on fuse holder C
- T1ai Single connector
- T1aj Single connector
- T2ln 2-pin connector
- T2xa 2-pin connector, in rear lid
- T4aw 4-pin connector
- T10q 10-pin connector, in rear left side panel
- T52a 52-pin connector, black
- T54b 54-pin connector
- V432 Emblem motor

W71 Connection (reversing light), in rear wiring harness

- * Saloon
- *2 Estate
- *3 see applicable current flow diagram for convenience system

- ws = white
- sw = black
- ro = red
- rt = red
- br = brown
- gn = green
- bl = blue
- gr = grey
- li = purple
- vi = purple
- ge = yellow
- or = orange
- rs = pink

1360-024050416

57 58 59 60 61 62 63 64 65 66 67 68 69 70

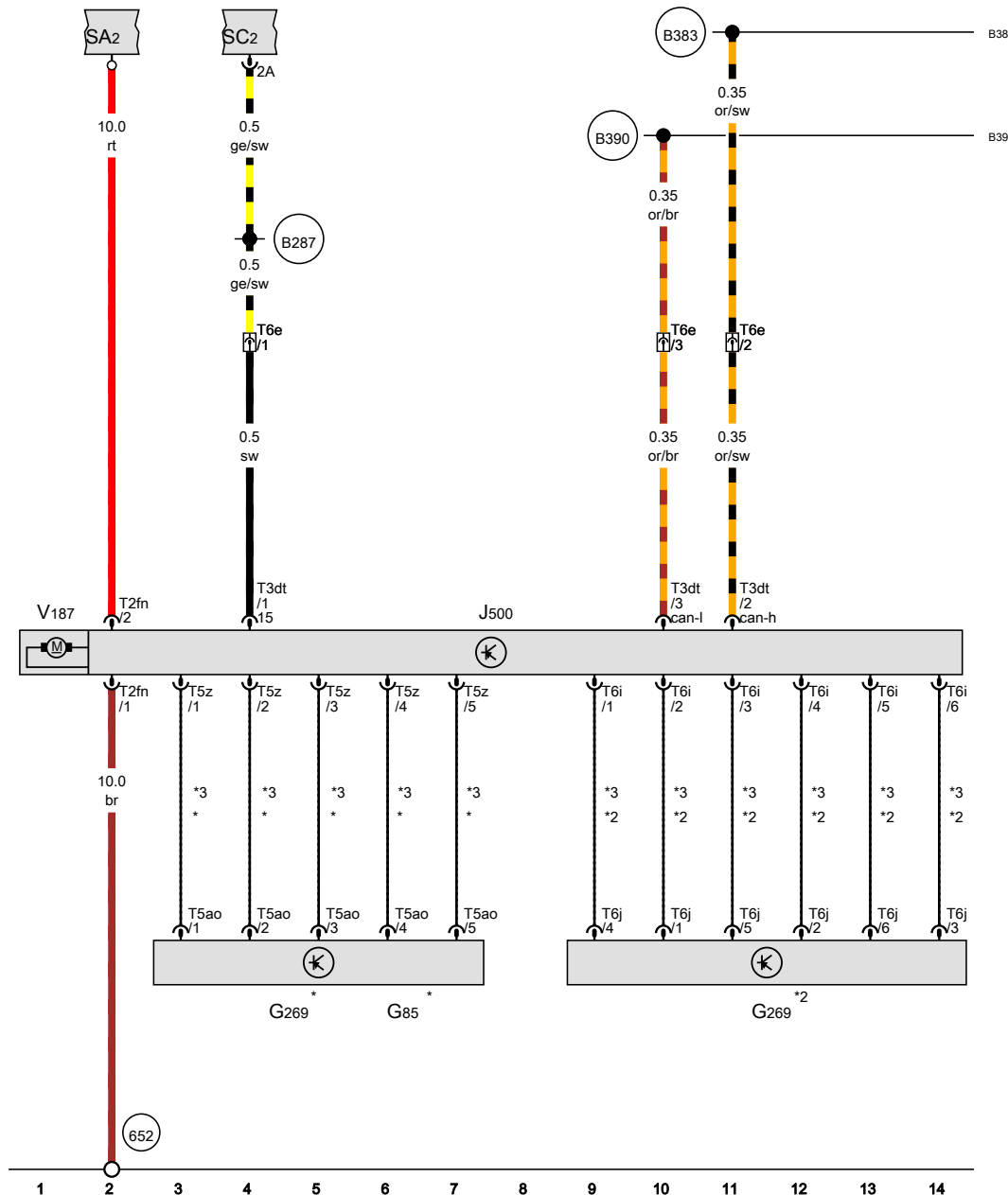
[360-024060416]

- ws = white
- sw = black
- ro = red
- rt = red
- br = brown
- gn = green
- bl = blue
- gr = grey
- li = purple
- vi = purple
- ge = yellow
- or = orange
- rs = pink

Electromechanical power steering

From November 2010

Steering angle sender, Steering moment sender, Power steering control unit, Fuse 2 in fuse holder A, Fuse 2 on fuse holder C, Electromechanical power steering motor

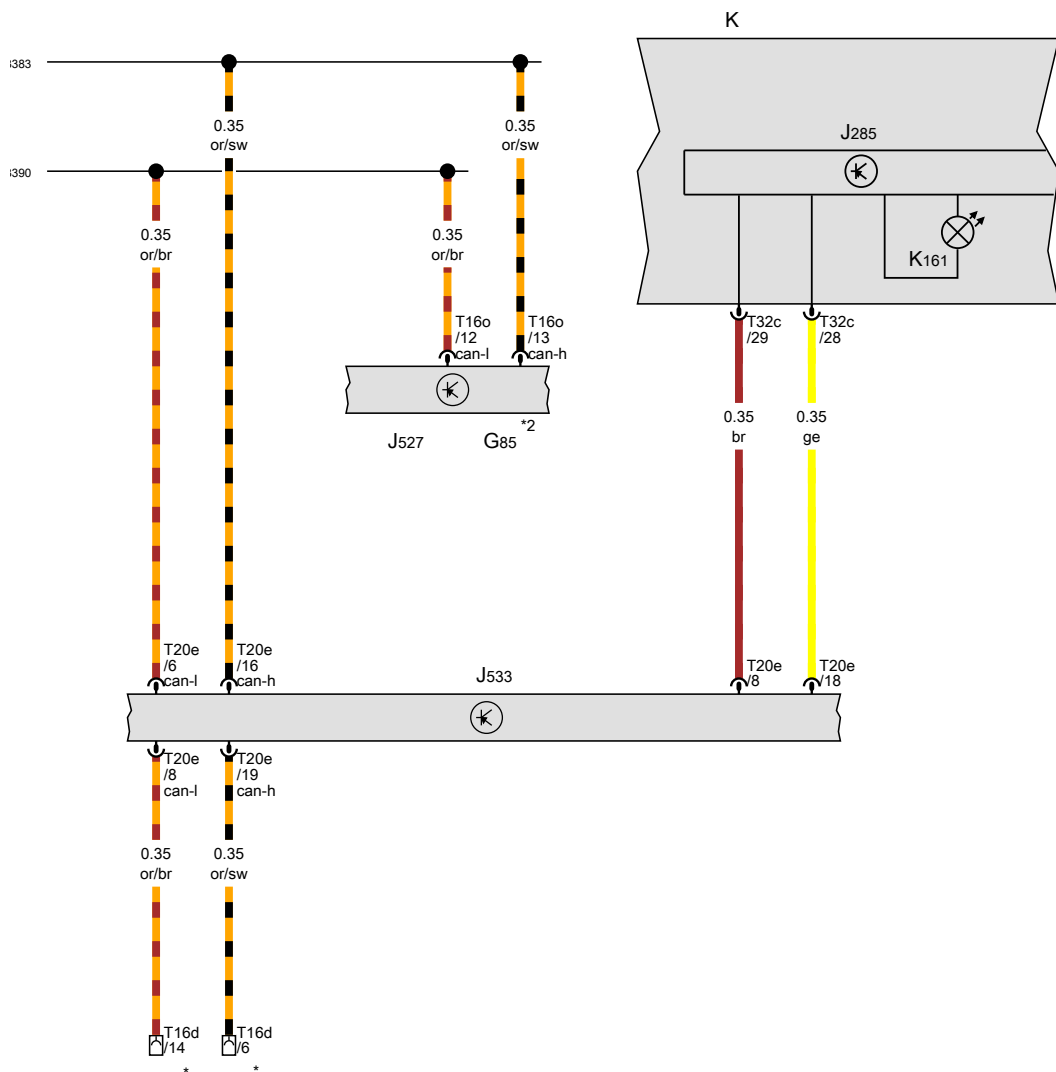


- G85 Steering angle sender
- G269 Steering moment sender
- J500 Power steering control unit
- SA2 Fuse 2 in fuse holder A
- SC2 Fuse 2 on fuse holder C
- T2fn 2-pin connector
- T3dt 3-pin connector
- T5ao 5-pin connector
- T5z 5-pin connector
- T6e 6-pin connector
- T6i 6-pin connector
- T6j 6-pin connector
- V187 Electromechanical power steering motor

- (652) Earth point, engine and gearbox earth
- (B287) Positive connection 11 (15a) in main wiring harness
- (B383) Connection 1 (powertrain CAN bus, high), in main wiring harness
- (B390) Connection 1 (powertrain CAN bus, low), in main wiring harness
- * Only right-hand drive models
- *2 Only left-hand drive models
- *3 Adapter wire

- ws = white
- sw = black
- ro = red
- rt = red
- br = brown
- gn = green
- bl = blue
- gr = grey
- li = purple
- vi = purple
- ge = yellow
- or = orange
- rs = pink

1360-025020914



Steering angle sender, Control unit in dash panel insert, Steering column electronics control unit, Data bus diagnostic interface, Electromechanical power steering warning lamp

- G85 Steering angle sender
- J285 Control unit in dash panel insert
- J527 Steering column electronics control unit
- J533 Data bus diagnostic interface
- K Dash panel insert
- K161 Electromechanical power steering warning lamp
- T16d 16-pin connector, on diagnostic connection
- T16o 16-pin connector
- T20e 20-pin connector
- T32c 32-pin connector

B383 Connection 1 (powertrain CAN bus, high), in main wiring harness

B390 Connection 1 (powertrain CAN bus, low), in main wiring harness

* Diagnostic connection

*2 Only left-hand drive models

- ws = white
- sw = black
- ro = red
- rt = red
- br = brown
- gn = green
- bl = blue
- gr = grey
- li = purple
- vi = purple
- ge = yellow
- or = orange
- rs = pink

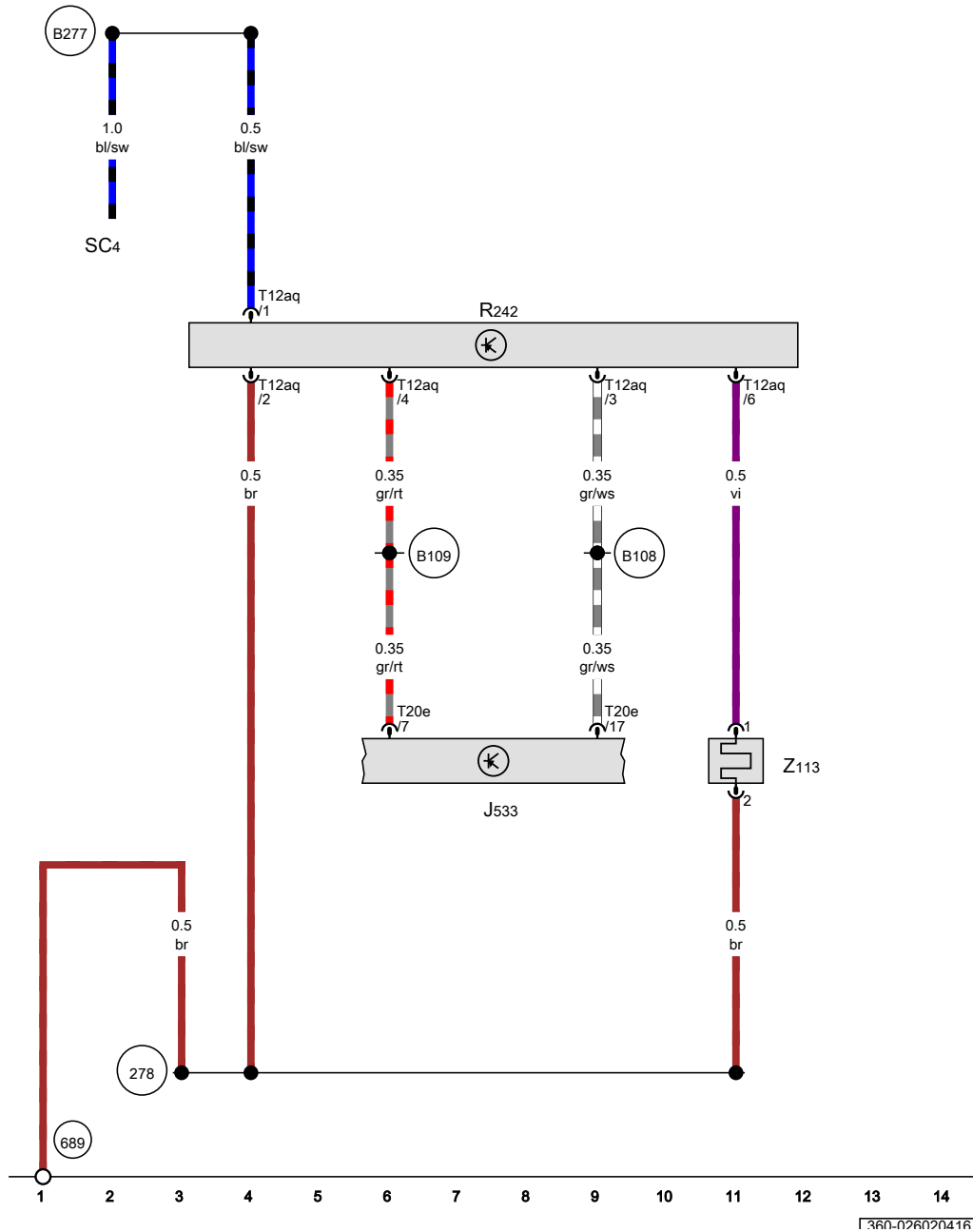
15 16 17 18 19 20 21 22 23 24 25 26 27 28

1360-025030914

Front camera for driver assist systems

From November 2010

Data bus diagnostic interface, Front camera for driver assist systems, Windscreen heater for front sensors



- J533 Data bus diagnostic interface
- R242 Front camera for driver assist systems
- SC4 Fuse 4 on fuse holder C
- T12aq 12-pin connector
- T20e 20-pin connector
- Z113 Windscreen heater for front sensors
- (B277) Positive connection 1 (15a) in main wiring harness
- (278) Earth connection 4, in interior wiring harness
- (689) Earth point, at front, central in roof
- (B108) Connection 1 (CAN bus extended high), in main wiring harness
- (B109) Connection 1 (CAN bus extended low), in main wiring harness

- ws = white
- sw = black
- ro = red
- rt = red
- br = brown
- gn = green
- bl = blue
- gr = grey
- li = purple
- vi = purple
- ge = yellow
- or = orange
- rs = pink

1360-026020416 1

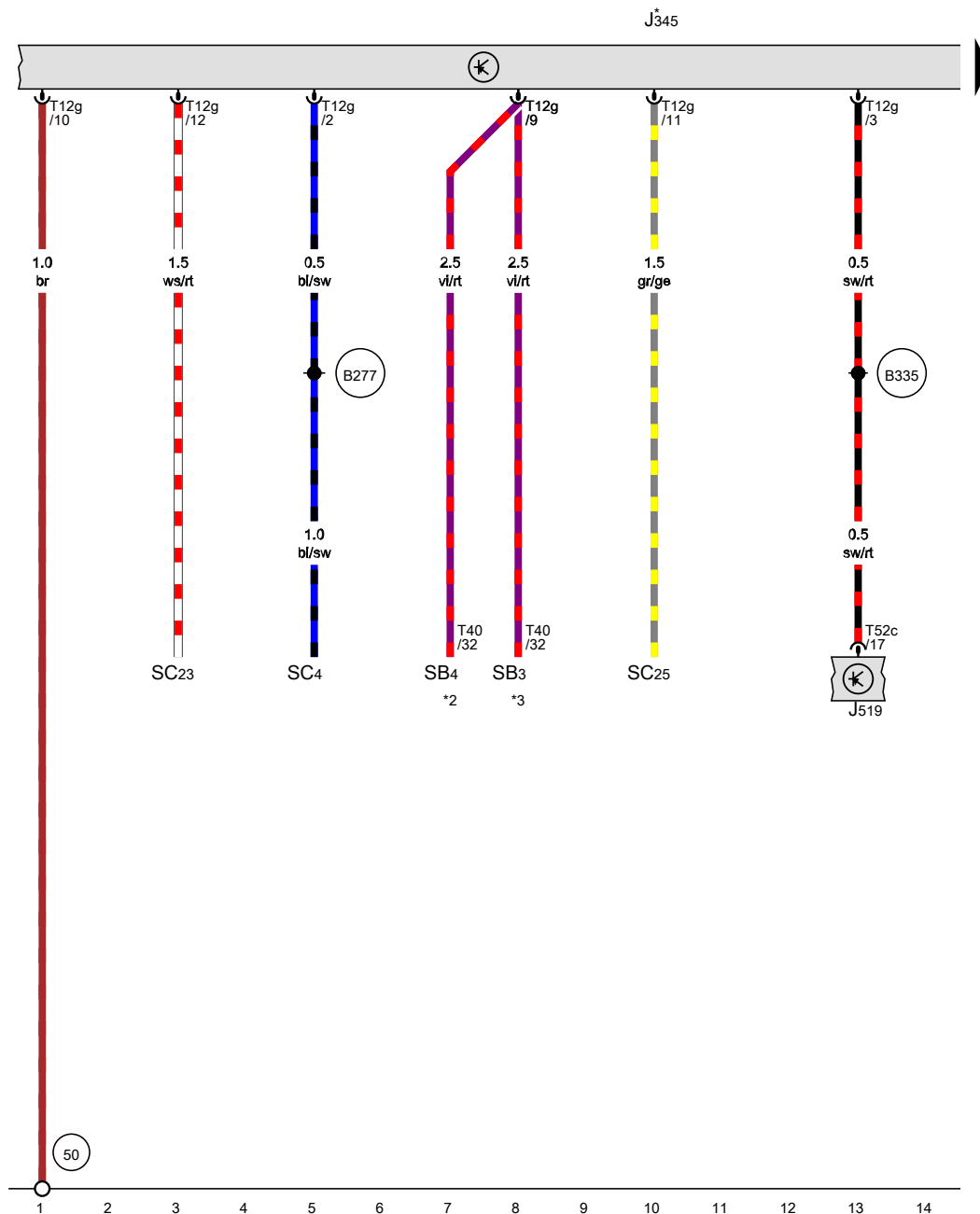
Preparation for trailer coupling

From November 2010

Trailer detector control unit, Onboard supply control unit, Fuse 23 on fuse holder C

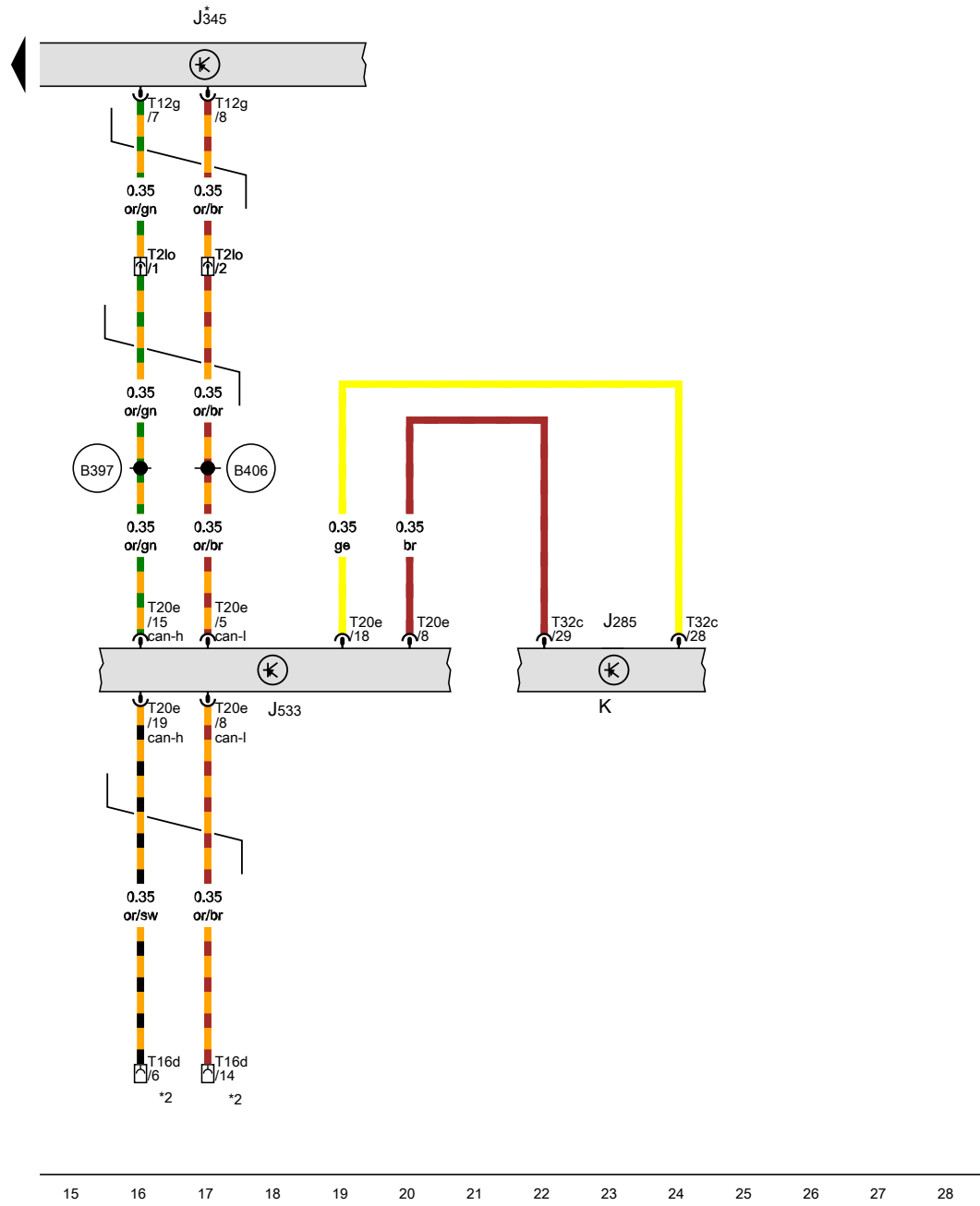
- J345 Trailer detector control unit
- J519 Onboard supply control unit
- SB3 Fuse 3 on fuse holder B
- SB4 Fuse 4 on fuse holder B
- SC4 Fuse 4 on fuse holder C
- SC23 Fuse 23 on fuse holder C
- SC25 Fuse 25 on fuse holder C
- T12g 12-pin connector
- T40 40-pin connector
- T52c 52-pin connector

- (50) Earth point, on left in luggage compartment
- (B277) Positive connection 1 (15a) in main wiring harness
- (B335) Connection 1 (54), in main wiring harness
- * Not included in preparation for system/component
- *2 Fuses in E-box, Low
- *3 Fuses in E-box, High



- ws = white
- sw = black
- ro = red
- br = brown
- gn = green
- bl = blue
- gr = grey
- li = purple
- ge = yellow
- or = orange
- rs = pink

1360-027020710 1



Control unit in dash panel insert, Trailer detector control unit, Data bus diagnostic interface, Dash panel insert

- J285 Control unit in dash panel insert
- J345 Trailer detector control unit
- J533 Data bus diagnostic interface
- K Dash panel insert
- T2lo 2-pin connector, near onboard supply control unit
- T12g 12-pin connector
- T16d 16-pin connector, on diagnostic connection
- T20e 20-pin connector
- T32c 32-pin connector
- B397 Connection 1 (convenience CAN bus, high), in main wiring harness
- B406 Connection 1 (convenience CAN bus, low), in main wiring harness
- * Not included in preparation for system/component
- *2 Diagnostic connection

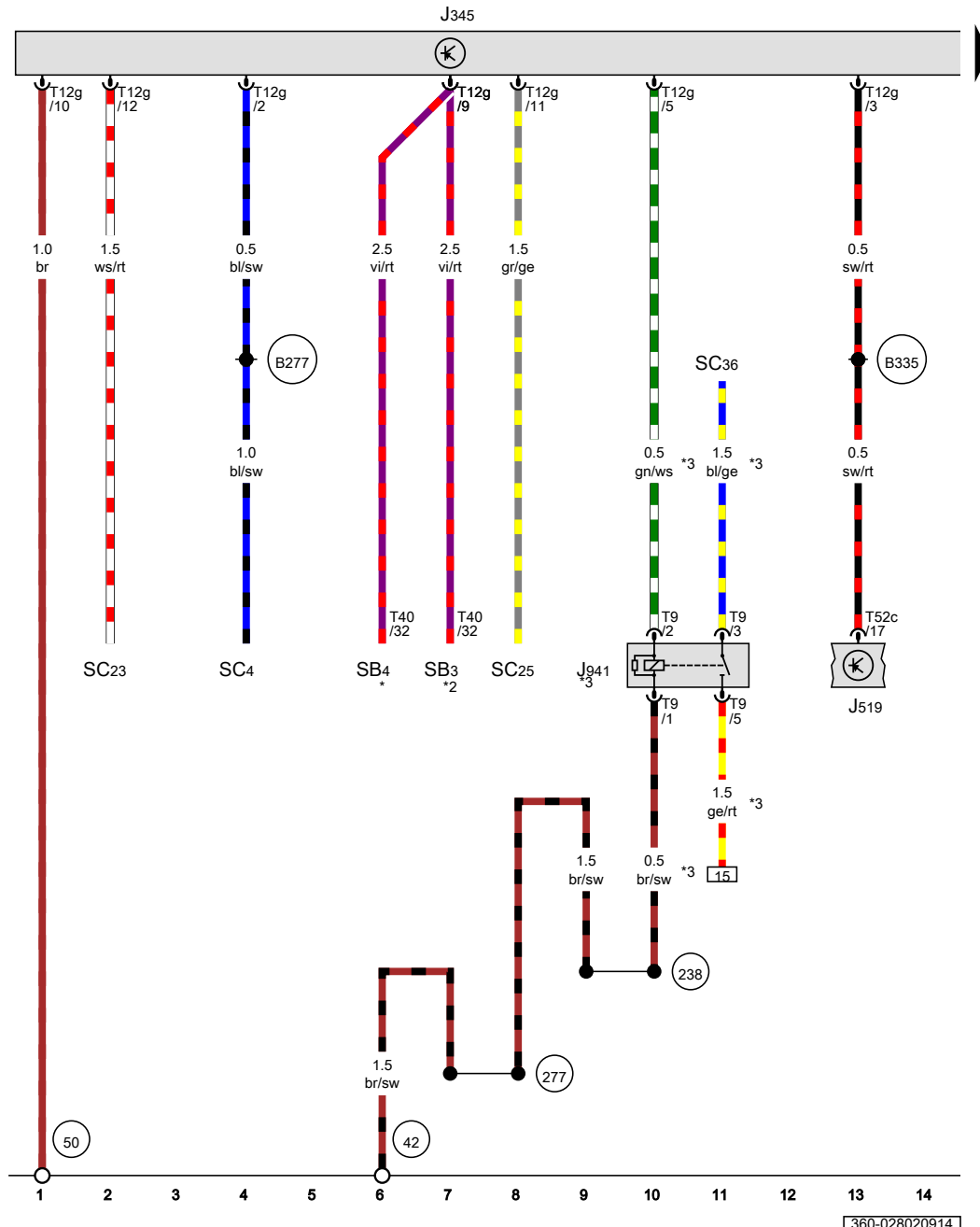
- ws = white
- sw = black
- ro = red
- br = brown
- gn = green
- bl = blue
- gr = grey
- li = purple
- ge = yellow
- or = orange
- rs = pink

1360-027030710 1

Trailer coupling

From November 2010

Trailer detector control unit, Onboard supply control unit, Trailer voltage supply relay, Fuse 23 on fuse holder C



- J345 Trailer detector control unit
- J519 Onboard supply control unit
- J941 Trailer voltage supply relay
- SB3 Fuse 3 on fuse holder B
- SB4 Fuse 4 on fuse holder B
- SC4 Fuse 4 on fuse holder C
- SC23 Fuse 23 on fuse holder C
- SC25 Fuse 25 on fuse holder C
- SC36 Fuse 36 on fuse holder C
- T1 Single connector
- T9 9-pin connector
- T12g 12-pin connector
- T40 40-pin connector
- T52c 52-pin connector

- 42 Earth point, next to steering column
- 50 Earth point, on left in luggage compartment
- 238 Earth connection 1, in interior wiring harness
- 277 Earth connection 3, in interior wiring harness
- B277 Positive connection 1 (15a) in main wiring harness
- B335 Connection 1 (54), in main wiring harness
- * Fuses in E-box, Low
- *2 Fuses in E-box, High
- *3 From May 2012

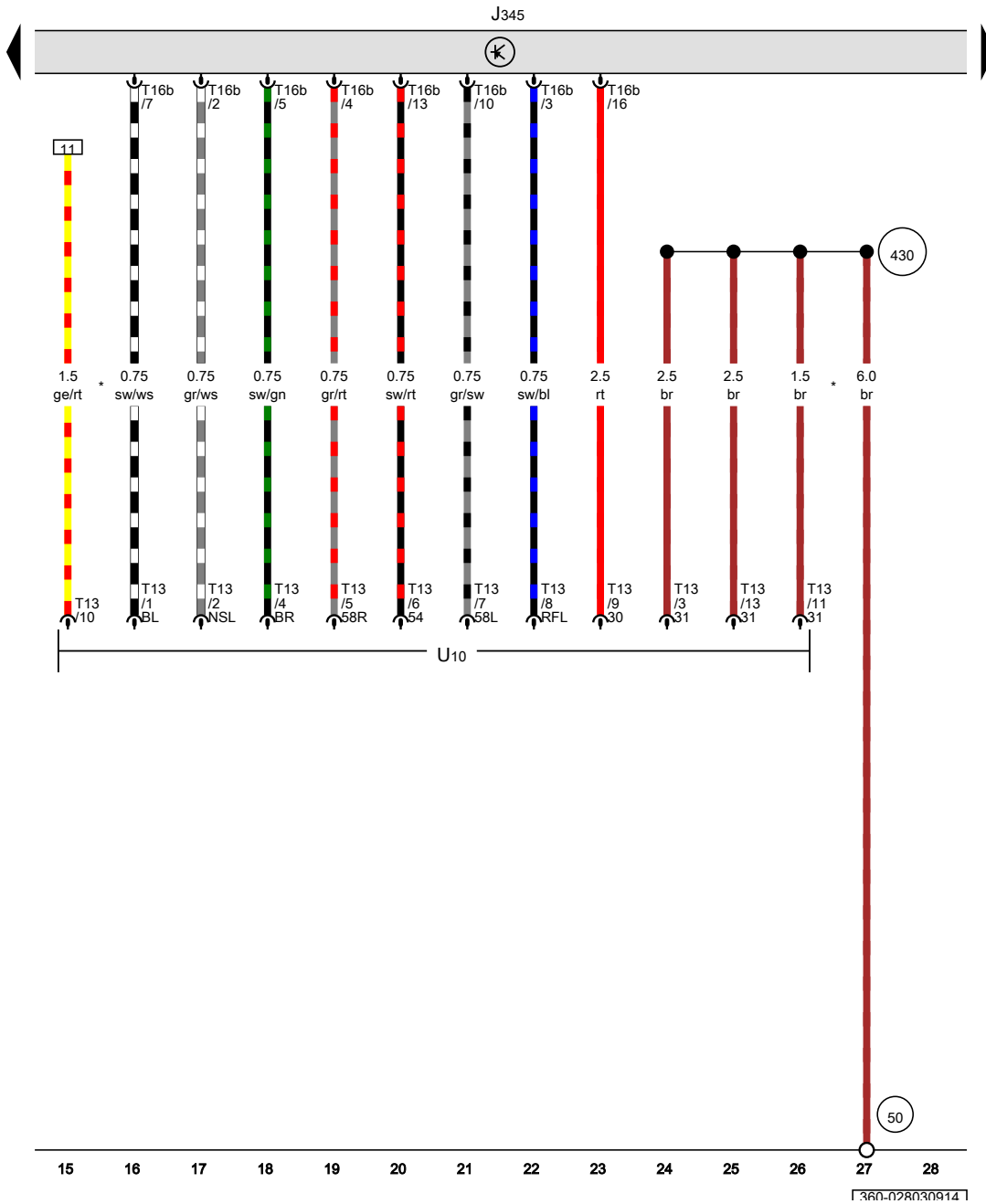
- ws = white
- sw = black
- ro = red
- rt = red
- br = brown
- gn = green
- bl = blue
- gr = grey
- li = purple
- vi = purple
- ge = yellow
- or = orange
- rs = pink

1360-028020914

Trailer detector control unit, Trailer socket

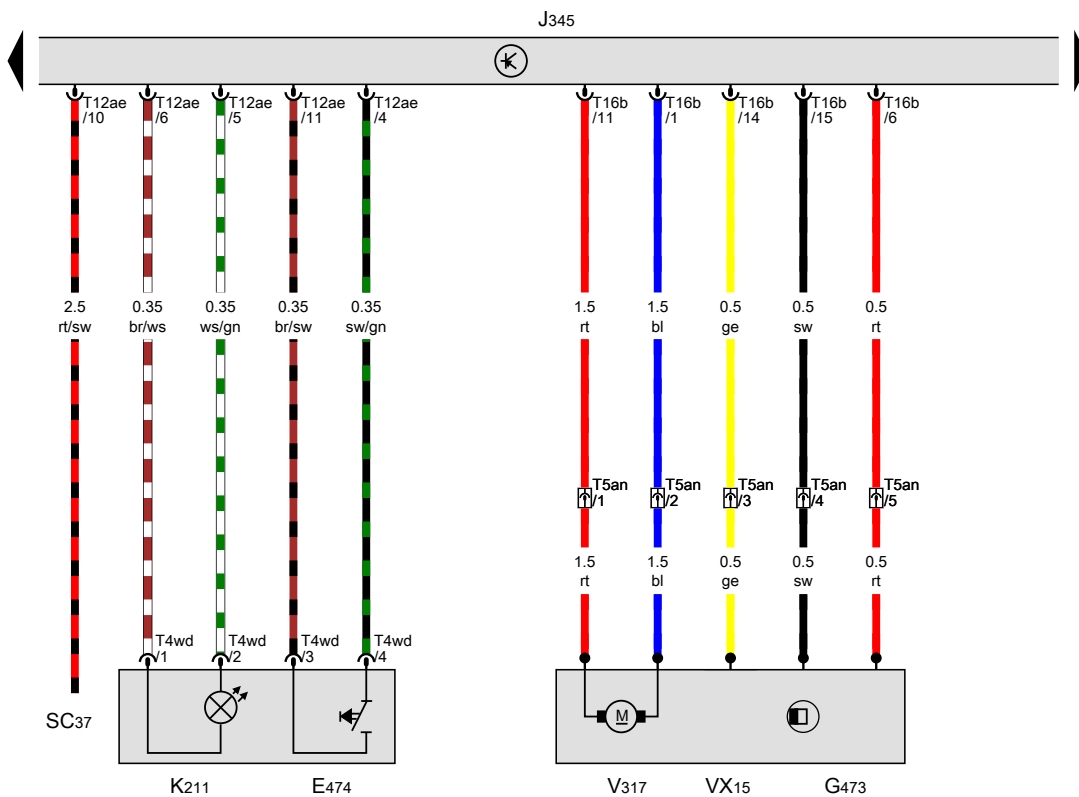
- J345 Trailer detector control unit
- T13 13-pin connector
- T16b 16-pin connector
- U10 Trailer socket

- 50 Earth point, on left in luggage compartment
- 430 Earth connection, in towing bracket wiring harness
- * From May 2012



- ws = white
- sw = black
- ro = red
- rt = red
- br = brown
- gn = green
- bl = blue
- gr = grey
- li = purple
- vi = purple
- ge = yellow
- or = orange
- rs = pink

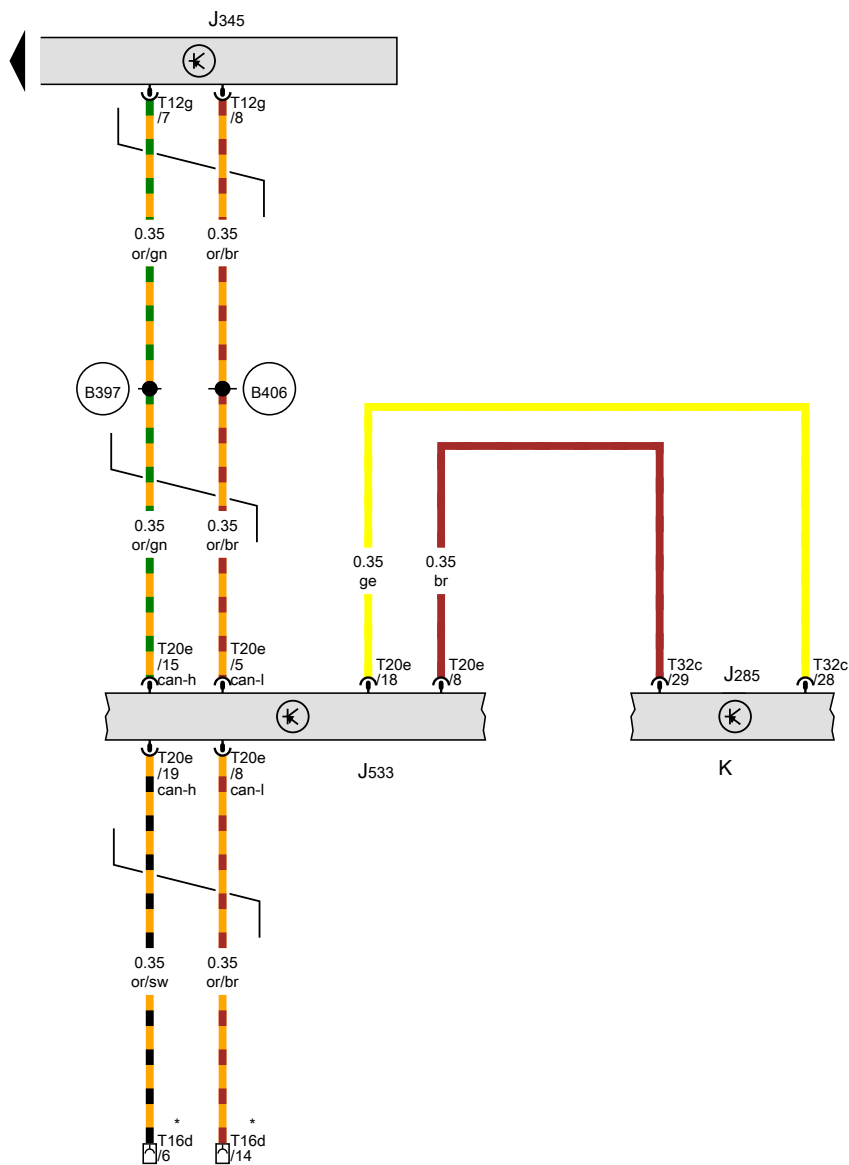
1360-028030914



Electric hinged tow coupling attachment button, Trailer coupling motor Hall sender, Trailer detector control unit, Trailer towing coupling, Hinged tow attachment ball head motor

- E474 Electric hinged tow coupling attachment button
- G473 Trailer coupling motor Hall sender
- J345 Trailer detector control unit
- K211 Extending tow ball coupling warning lamp
- SC37 Fuse 37 on fuse holder C
- T4wd 4-pin connector
- T5an 5-pin connector
- T12ae 12-pin connector
- T16b 16-pin connector
- VX15 Trailer towing coupling
- V317 Hinged tow attachment ball head motor

- ws = white
- sw = black
- ro = red
- rt = red
- br = brown
- gn = green
- bl = blue
- gr = grey
- li = purple
- vi = purple
- ge = yellow
- or = orange
- rs = pink



Control unit in dash panel insert, Trailer detector control unit, Data bus diagnostic interface, Dash panel insert

- J285 Control unit in dash panel insert
- J345 Trailer detector control unit
- J533 Data bus diagnostic interface
- K Dash panel insert
- T12g 12-pin connector
- T16d 16-pin connector, on diagnostic connection
- T20e 20-pin connector
- T32c 32-pin connector
- B397** Connection 1 (convenience CAN bus, high), in main wiring harness
- B406** Connection 1 (convenience CAN bus, low), in main wiring harness
- * Diagnostic connection

- ws = white
- sw = black
- ro = red
- rt = red
- br = brown
- gn = green
- bl = blue
- gr = grey
- li = purple
- vi = purple
- ge = yellow
- or = orange
- rs = pink

43 44 45 46 47 48 49 50 51 52 53 54 55 56

360-028050914

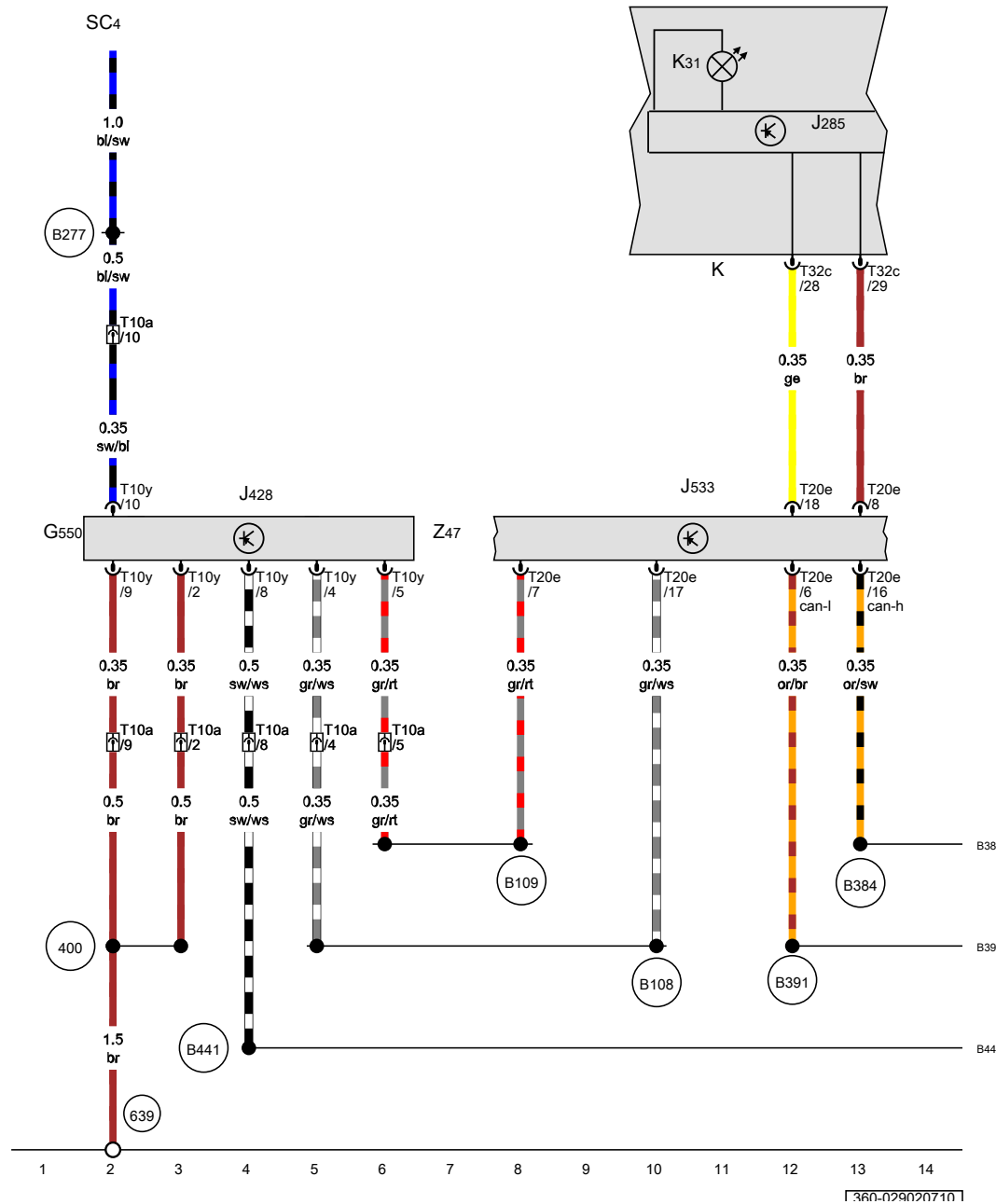
Adaptive cruise control

From November 2010

Sensor for adaptive cruise control, Control unit in dash panel insert, Adaptive cruise control unit, Data bus diagnostic interface, Cruise control system warning lamp, Sensor heater for adaptive cruise control system

- G550 Sensor for adaptive cruise control
- J285 Control unit in dash panel insert
- J428 Adaptive cruise control unit
- J533 Data bus diagnostic interface
- K Dash panel insert
- K31 Cruise control system warning lamp
- SC4 Fuse 4 on fuse holder C
- T10a 10-pin connector, in front bumper on left
- T10y 10-pin connector
- T20e 20-pin connector
- T32c 32-pin connector
- Z47 Sensor heater for adaptive cruise control system

- 400 Earth connection 35, in main wiring harness
- 639 Earth point, left A-pillar
- B108 Connection 1 (CAN bus extended high), in main wiring harness
- B109 Connection 1 (CAN bus extended low), in main wiring harness
- B277 Positive connection 1 (15a) in main wiring harness
- B384 Connection 2 (powertrain CAN bus, high), in main wiring harness
- B391 Connection 2 (powertrain CAN bus, low), in main wiring harness
- B441 Connection (CCS), in main wiring harness



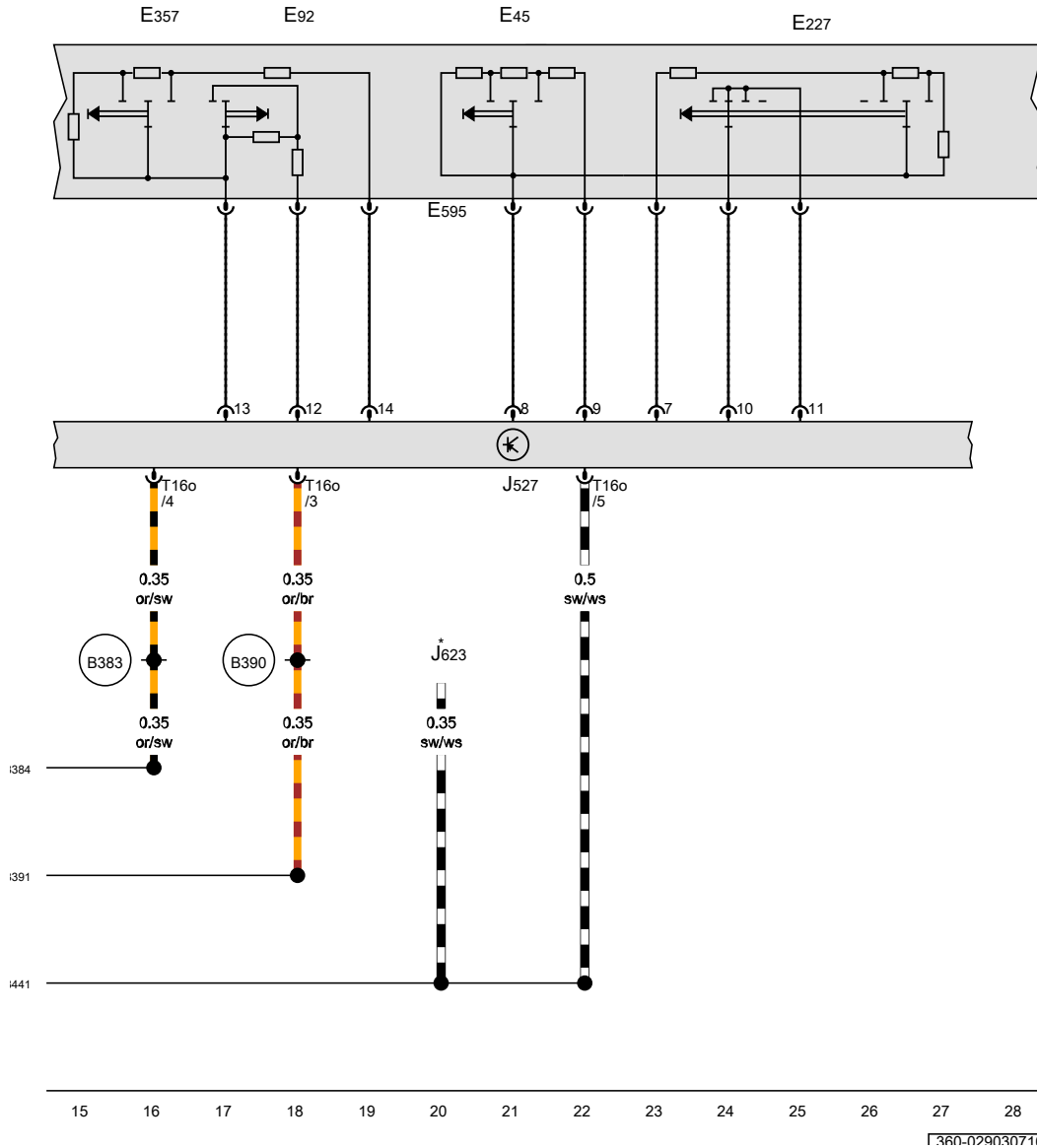
- ws = white
- sw = black
- ro = red
- br = brown
- gn = green
- bl = blue
- gr = grey
- li = purple
- ge = yellow
- or = orange
- rs = pink

Cruise control system switch, Reset button, Cruise control system (CCS) SET button, Adaptive cruise control button, Steering column combination switch, Steering column electronics control unit

- E45 Cruise control system switch
- E92 Reset button
- E227 Cruise control system (CCS) SET button
- E357 Adaptive cruise control button
- E595 Steering column combination switch
- J527 Steering column electronics control unit
- J623 Engine control unit
- T16o 16-pin connector

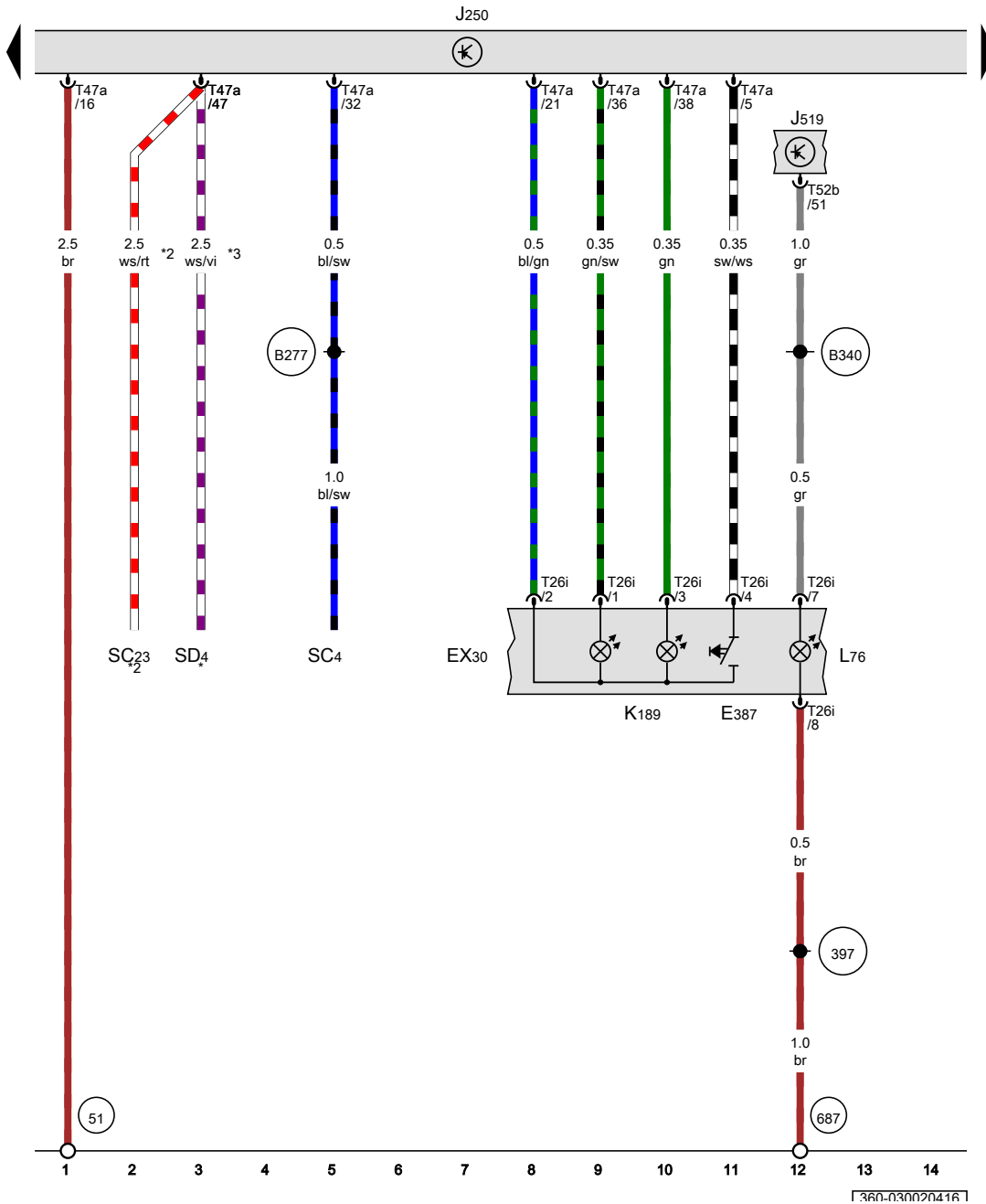
- B383 Connection 1 (powertrain CAN bus, high), in main wiring harness
- B384 Connection 2 (powertrain CAN bus, high), in main wiring harness
- B390 Connection 1 (powertrain CAN bus, low), in main wiring harness
- B391 Connection 2 (powertrain CAN bus, low), in main wiring harness
- B441 Connection (CCS), in main wiring harness

* see applicable current flow diagram for engine



Dynamic Chassis Control

From November 2010



Switch module 2 in centre console, Shock absorber damping adjustment button, Electronically controlled damping control unit

- EX30 Switch module 2 in centre console
- E387 Shock absorber damping adjustment button
- J250 Electronically controlled damping control unit
- J519 Onboard supply control unit
- K189 Shock absorber damping adjustment warning lamp
- L76 Button illumination bulb
- SC4 Fuse 4 on fuse holder C
- SD4 Fuse 4 on fuse holder D
- SC23 Fuse 23 on fuse holder C
- T26i 26-pin connector
- T47a 47-pin connector
- T52b 52-pin connector

51 Earth point, on right in luggage compartment

397 Earth connection 32, in main wiring harness

687 Earth point 1, on centre tunnel

B277 Positive connection 1 (15a) in main wiring harness

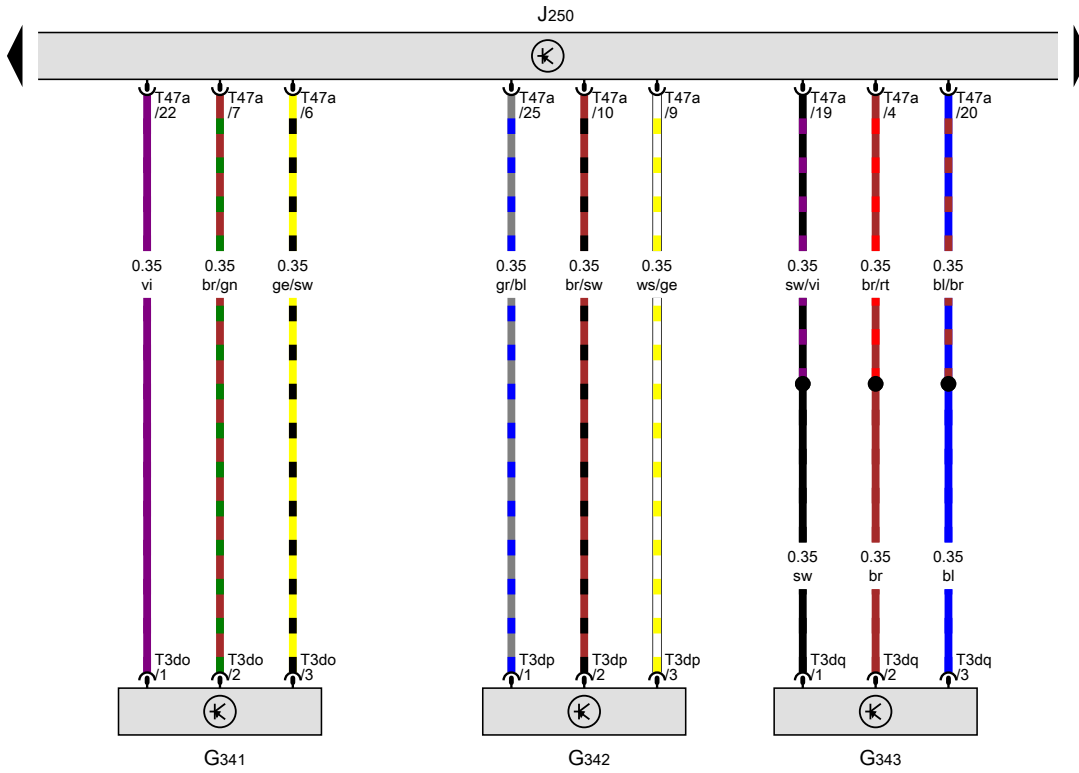
B340 Connection 1 (58d), in main wiring harness

- * Left-hand drive models
- *2 Only right-hand drive models
- *3 Only left-hand drive models

1360-030020416 1

Front left body acceleration sender, Front right body acceleration sender, Rear body acceleration sender, Electronically controlled damping control unit

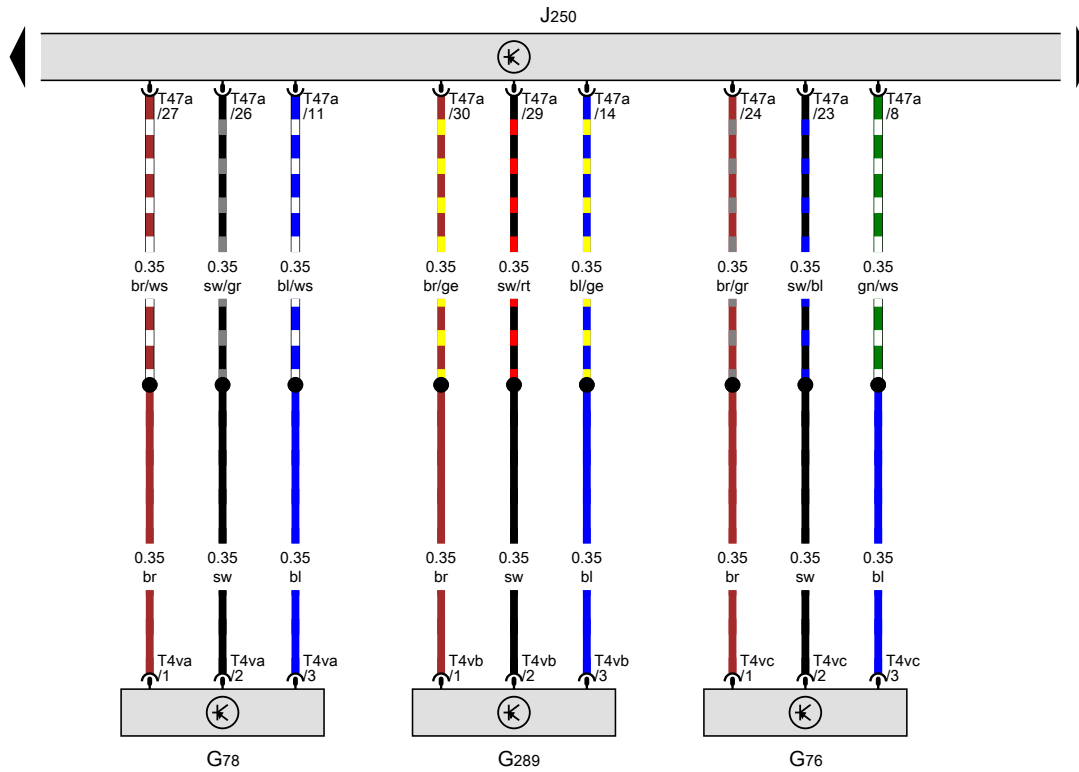
- G341 Front left body acceleration sender
- G342 Front right body acceleration sender
- G343 Rear body acceleration sender
- J250 Electronically controlled damping control unit
- T3do 3-pin connector
- T3dp 3-pin connector
- T3dq 3-pin connector
- T47a 47-pin connector



- ws = white
- sw = black
- ro = red
- rt = red
- br = brown
- gn = green
- bl = blue
- gr = grey
- li = purple
- vi = purple
- ge = yellow
- or = orange
- rs = pink

15 16 17 18 19 20 21 22 23 24 25 26 27 28

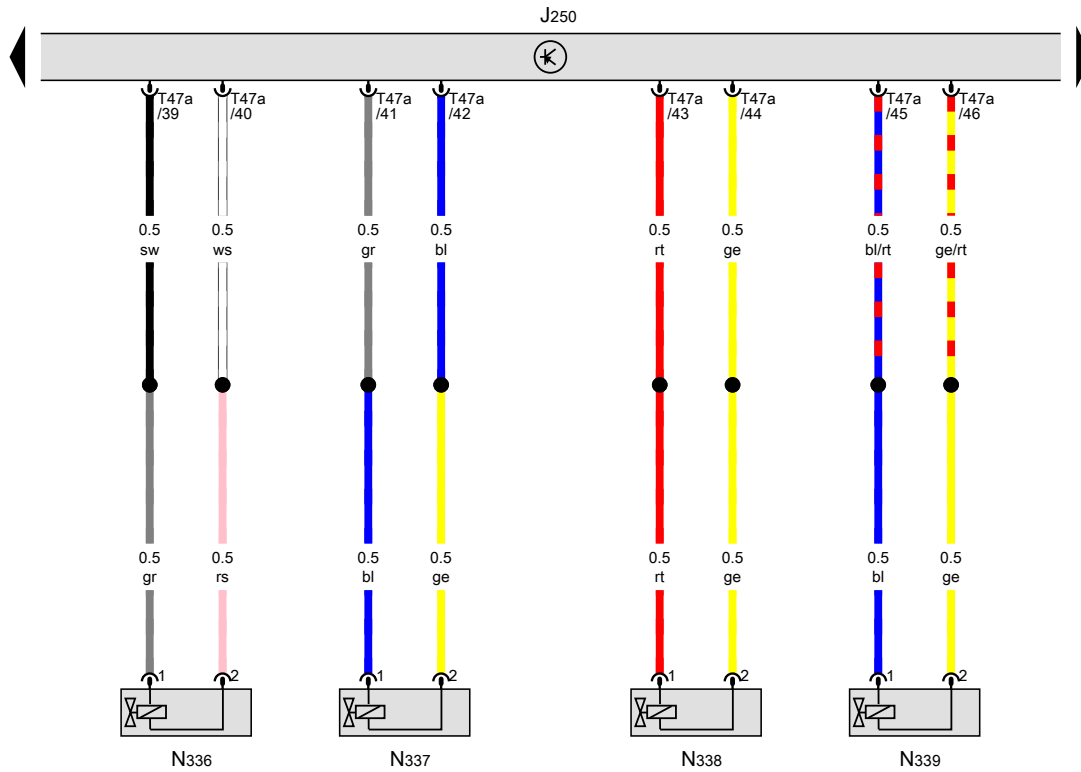
1360-030030416 1



Rear left vehicle level sender, Front left vehicle level sender, Front right vehicle level sender, Electronically controlled damping control unit

- G76 Rear left vehicle level sender
- G78 Front left vehicle level sender
- G289 Front right vehicle level sender
- J250 Electronically controlled damping control unit
- T4va 4-pin connector
- T4vb 4-pin connector
- T4vc 4-pin connector
- T47a 47-pin connector

- ws = white
- sw = black
- ro = red
- rt = red
- br = brown
- gn = green
- bl = blue
- gr = grey
- li = purple
- vi = purple
- ge = yellow
- or = orange
- rs = pink



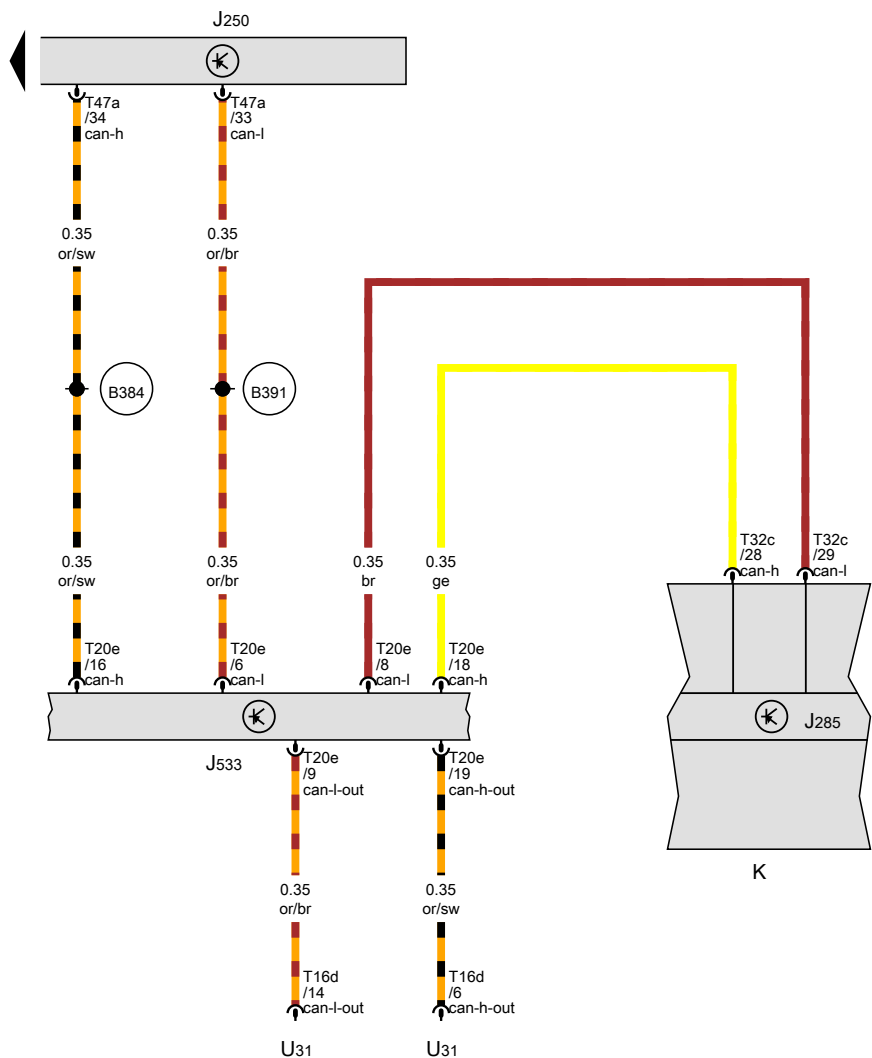
Electronically controlled damping control unit, Front left shock absorber damping adjustment valve, Front right shock absorber damping adjustment valve, Rear left shock absorber damping adjustment valve, Rear right shock absorber damping adjustment valve

- J250 Electronically controlled damping control unit
- N336 Front left shock absorber damping adjustment valve
- N337 Front right shock absorber damping adjustment valve
- N338 Rear left shock absorber damping adjustment valve
- N339 Rear right shock absorber damping adjustment valve
- T47a 47-pin connector

- ws = white
- sw = black
- ro = red
- rt = red
- br = brown
- gn = green
- bl = blue
- gr = grey
- li = purple
- vi = purple
- ge = yellow
- or = orange
- rs = pink

43 44 45 46 47 48 49 50 51 52 53 54 55 56

1360-030050416



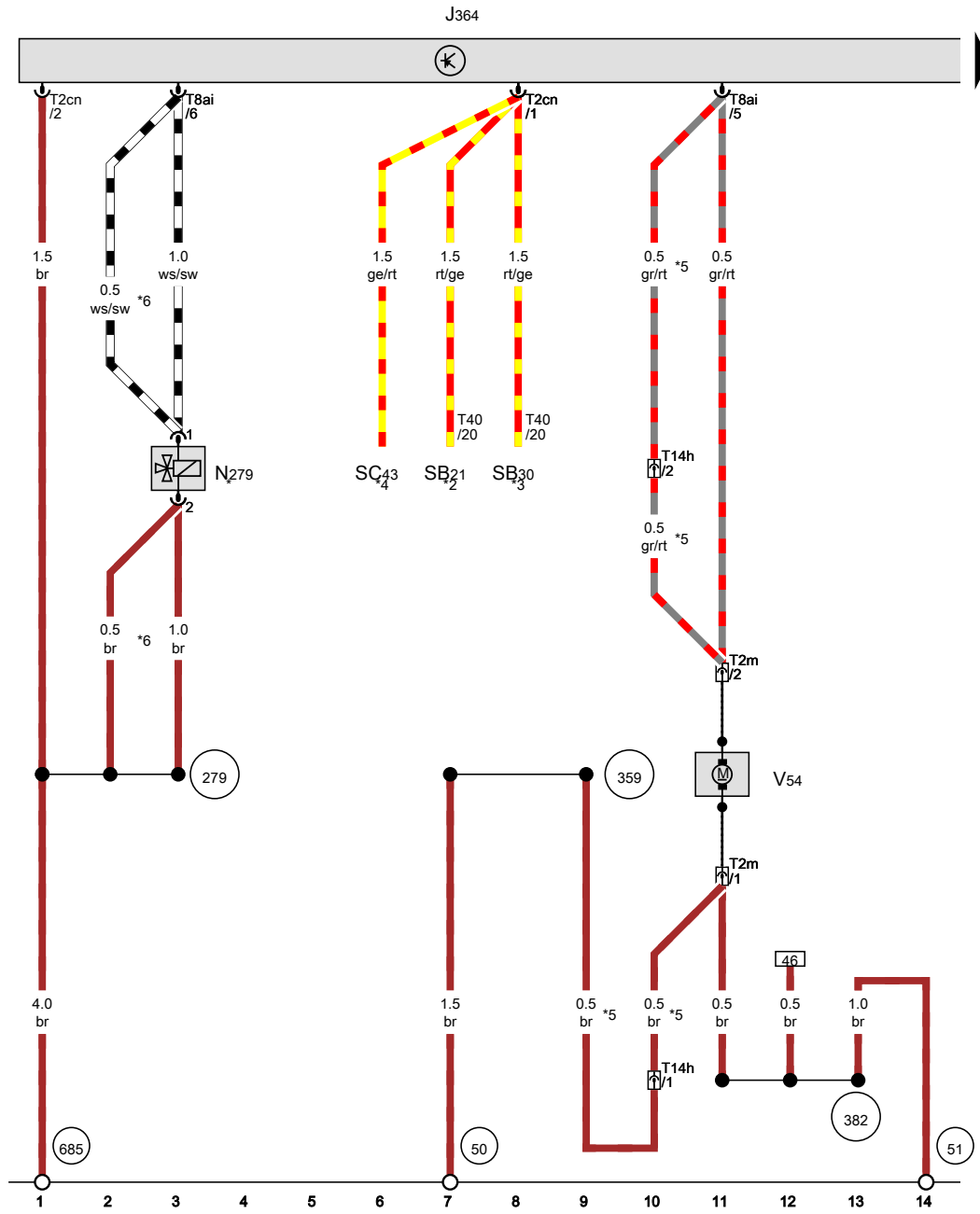
Electronically controlled damping control unit, Control unit in dash panel insert, Data bus diagnostic interface, Dash panel insert, Diagnostic connection

- J250 Electronically controlled damping control unit
- J285 Control unit in dash panel insert
- J533 Data bus diagnostic interface
- K Dash panel insert
- T16d 16-pin connector
- T20e 20-pin connector
- T32c 32-pin connector
- T47a 47-pin connector
- U31 Diagnostic connection, on diagnostic connection
- B384** Connection 2 (powertrain CAN bus, high), in main wiring harness
- B391** Connection 2 (powertrain CAN bus, low), in main wiring harness

- ws = white
- sw = black
- ro = red
- rt = red
- br = brown
- gn = green
- bl = blue
- gr = grey
- li = purple
- vi = purple
- ge = yellow
- or = orange
- rs = pink

Auxiliary coolant heater

From November 2010



Auxiliary heater control unit, Heater coolant shut-off valve, Metering pump

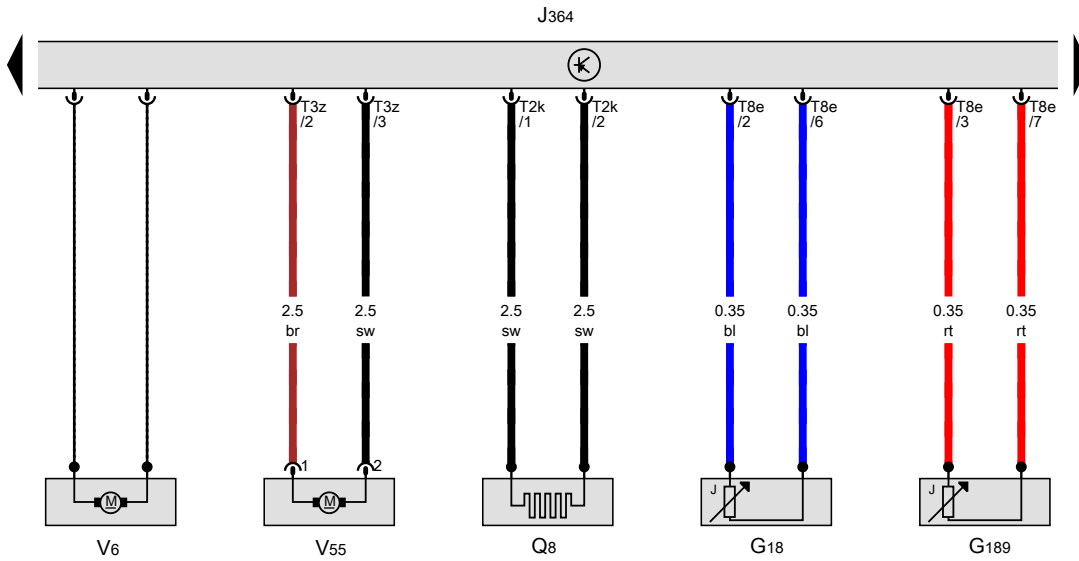
- J364 Auxiliary heater control unit
- N279 Heater coolant shut-off valve
- SB21 Fuse 21 on fuse holder B
- SB30 Fuse 30 on fuse holder B
- SC43 Fuse 43 on fuse holder C
- T2cn 2-pin connector
- T2m 2-pin connector, near fuel tank
- T8ai 8-pin connector
- T14h 14-pin connector
- T40 40-pin connector
- V54 Metering pump

- 50 Earth point, on left in luggage compartment
- 51 Earth point, on right in luggage compartment
- 279 Earth connection 5, in interior wiring harness
- 359 Earth connection, in gas mode wiring harness
- 382 Earth connection 17, in main wiring harness
- 685 Earth point 1 at front of right longitudinal member

- * Only models with 6-cylinder engine
- *2 Fuses in E-box, Low
- *3 Fuses in E-box, High
- *4 Only models with second battery
- *5 Only models with natural gas engine
- *6 From November 2013

- ws = white
- sw = black
- ro = red
- rt = red
- br = brown
- gn = green
- bl = blue
- gr = grey
- li = purple
- vi = purple
- ge = yellow
- or = orange
- rs = pink

Γ360-0310209141



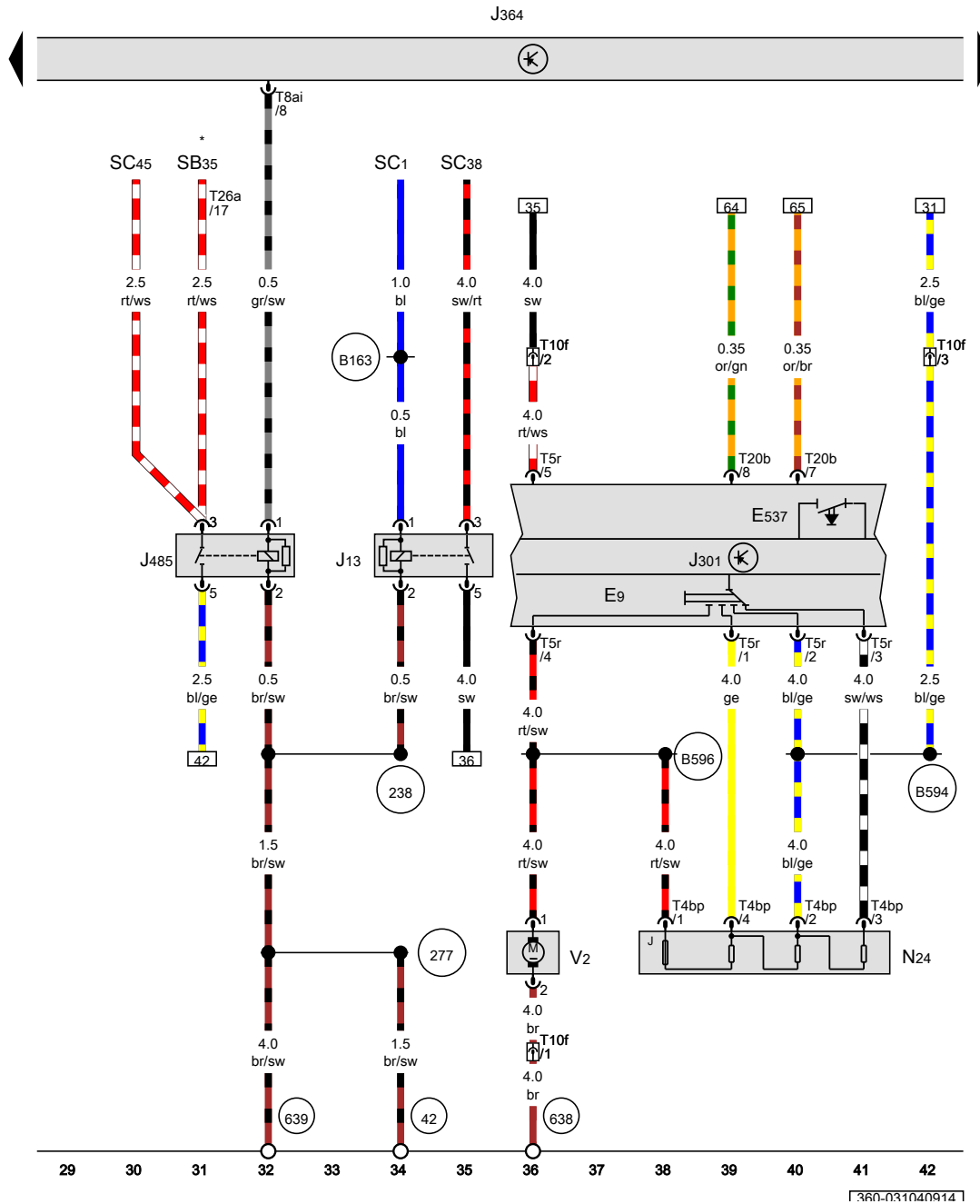
Temperature sensor, Overheating sensor, Auxiliary heater control unit, Glow plug with flame monitor, Combustion air blower, Circulation pump

- G18 Temperature sensor
- G189 Overheating sensor
- J364 Auxiliary heater control unit
- Q8 Glow plug with flame monitor
- T2k 2-pin connector
- T3z 3-pin connector
- T8e 8-pin connector
- V6 Combustion air blower
- V55 Circulation pump

- ws = white
- sw = black
- ro = red
- rt = red
- br = brown
- gn = green
- bl = blue
- gr = grey
- li = purple
- vi = purple
- ge = yellow
- or = orange
- rs = pink

15 16 17 18 19 20 21 22 23 24 25 26 27 28

1360-031030914



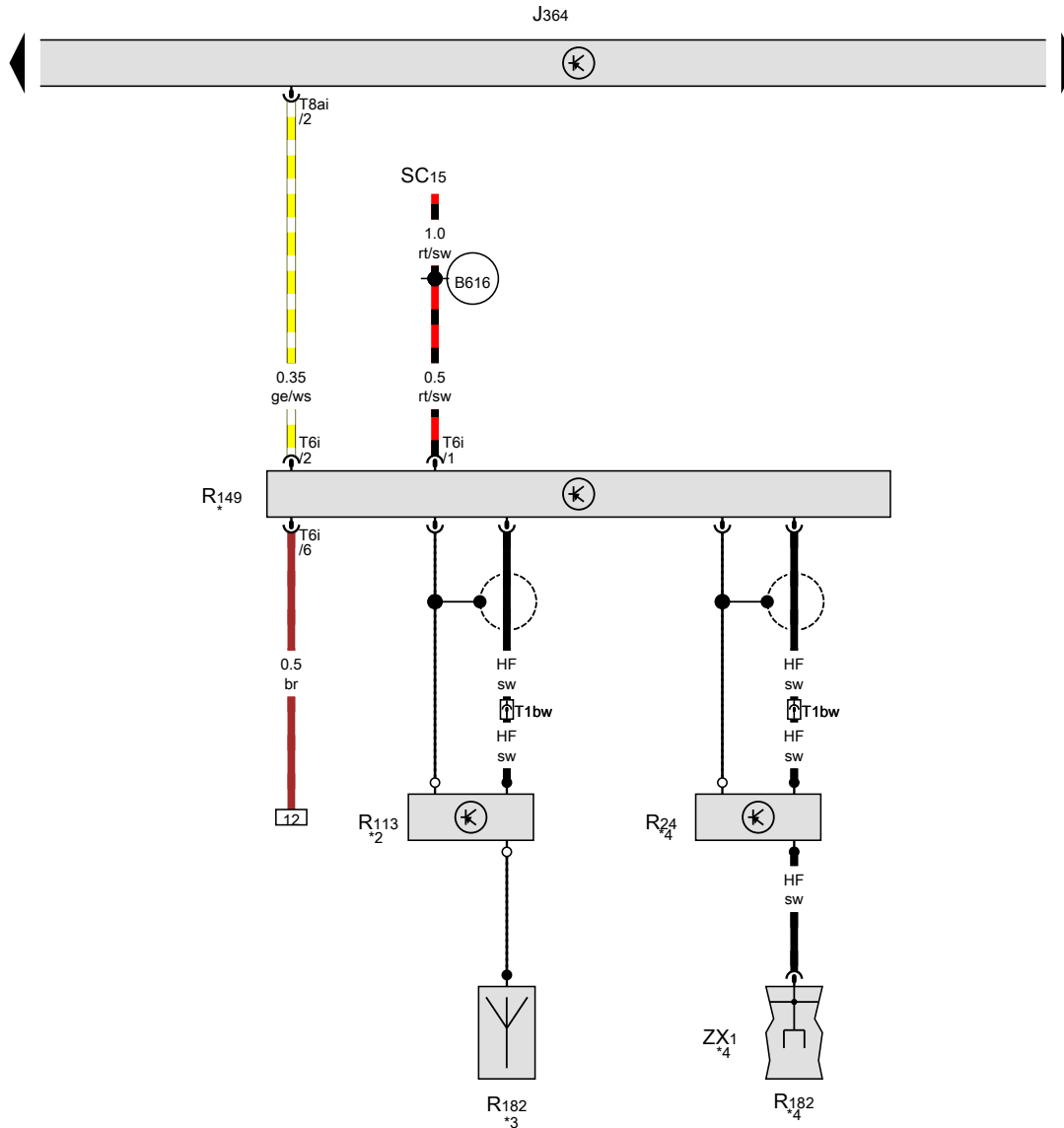
Fresh air blower relay, Air conditioning system control unit, Auxiliary heater control unit, Auxiliary heater operation relay, Fresh air blower series resistor with overheating fuse, Fresh air blower

- E9 Fresh air blower switch
- E537 Instant heating button
- J13 Fresh air blower relay
- J301 Air conditioning system control unit
- J364 Auxiliary heater control unit
- J485 Auxiliary heater operation relay
- N24 Fresh air blower series resistor with overheating fuse
- SC1 Fuse 1 on fuse holder C
- SB35 Fuse 35 on fuse holder B
- SC38 Fuse 38 on fuse holder C
- SC45 Fuse 45 on fuse holder C
- T4bp 4-pin connector
- T5r 5-pin connector
- T8ai 8-pin connector
- T10f 10-pin connector
- T20b 20-pin connector
- T26a 26-pin connector
- V2 Fresh air blower, black

- 42 Earth point, next to steering column
- 238 Earth connection 1, in interior wiring harness
- 277 Earth connection 3, in interior wiring harness
- 638 Earth point, on right A-pillar
- 639 Earth point, left A-pillar
- B163 Positive connection 1 (15), in interior wiring harness
- B594 Connection 1, in Climatic wiring harness
- B596 Connection 3, in Climatic wiring harness
- * Only models with 6-cylinder engine

- ws = white
- sw = black
- ro = red
- rt = red
- br = brown
- gn = green
- bl = blue
- gr = grey
- li = purple
- vi = purple
- ge = yellow
- or = orange
- rs = pink

1360-031040914

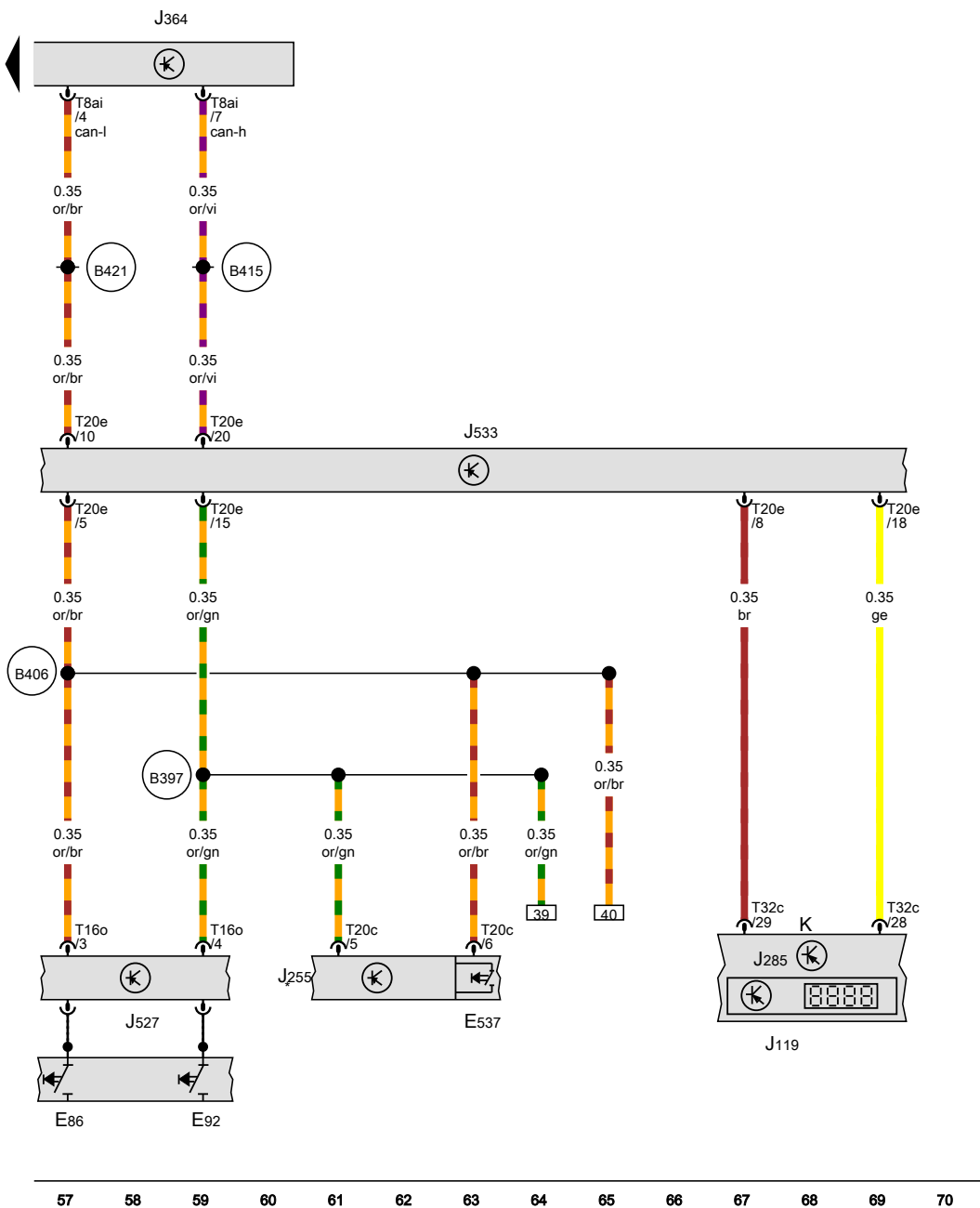


Auxiliary heater control unit, Aerial amplifier, Aerial amplifier 4, Auxiliary heater aerial

- J364 Auxiliary heater control unit
- R24 Aerial amplifier
- R113 Aerial amplifier 4
- R149 Remote control receiver for auxiliary coolant heater
- R182 Auxiliary heater aerial
- SC15 Fuse 15 on fuse holder C
- T1bw Single connector
- T6i 6-pin connector
- T8ai 8-pin connector
- ZX1 Rear window
- B616** Positive connection 12 (30a), in interior wiring harness

- * Only models with remote controlled auxiliary coolant heater
- *2 Estate
- *3 Left side window aerial
- *4 Saloon

- ws = white
- sw = black
- ro = red
- rt = red
- br = brown
- gn = green
- bl = blue
- gr = grey
- li = purple
- vi = purple
- ge = yellow
- or = orange
- rs = pink



Auxiliary heater control unit, Steering column electronics control unit, Dash panel insert

- E86 Multifunction display call-up button
- E92 Reset button
- E537 Instant heating button
- J119 Multifunction indicator
- J255 Climatronic control unit
- J285 Control unit in dash panel insert
- J364 Auxiliary heater control unit
- J527 Steering column electronics control unit
- J533 Data bus diagnostic interface
- K Dash panel insert
- T8ai 8-pin connector
- T16o 16-pin connector
- T20c 20-pin connector
- T20e 20-pin connector
- T32c 32-pin connector

B397 Connection 1 (convenience CAN bus, high), in main wiring harness

B406 Connection 1 (convenience CAN bus, low), in main wiring harness

B415 Connection 1 (infotainment CAN bus, high), in main wiring harness

B421 Connection 1 (infotainment CAN bus, low), in main wiring harness

* Only models with Climatronic

- ws = white
- sw = black
- ro = red
- rt = red
- br = brown
- gn = green
- bl = blue
- gr = grey
- li = purple
- vi = purple
- ge = yellow
- or = orange
- rs = pink

360-031060914

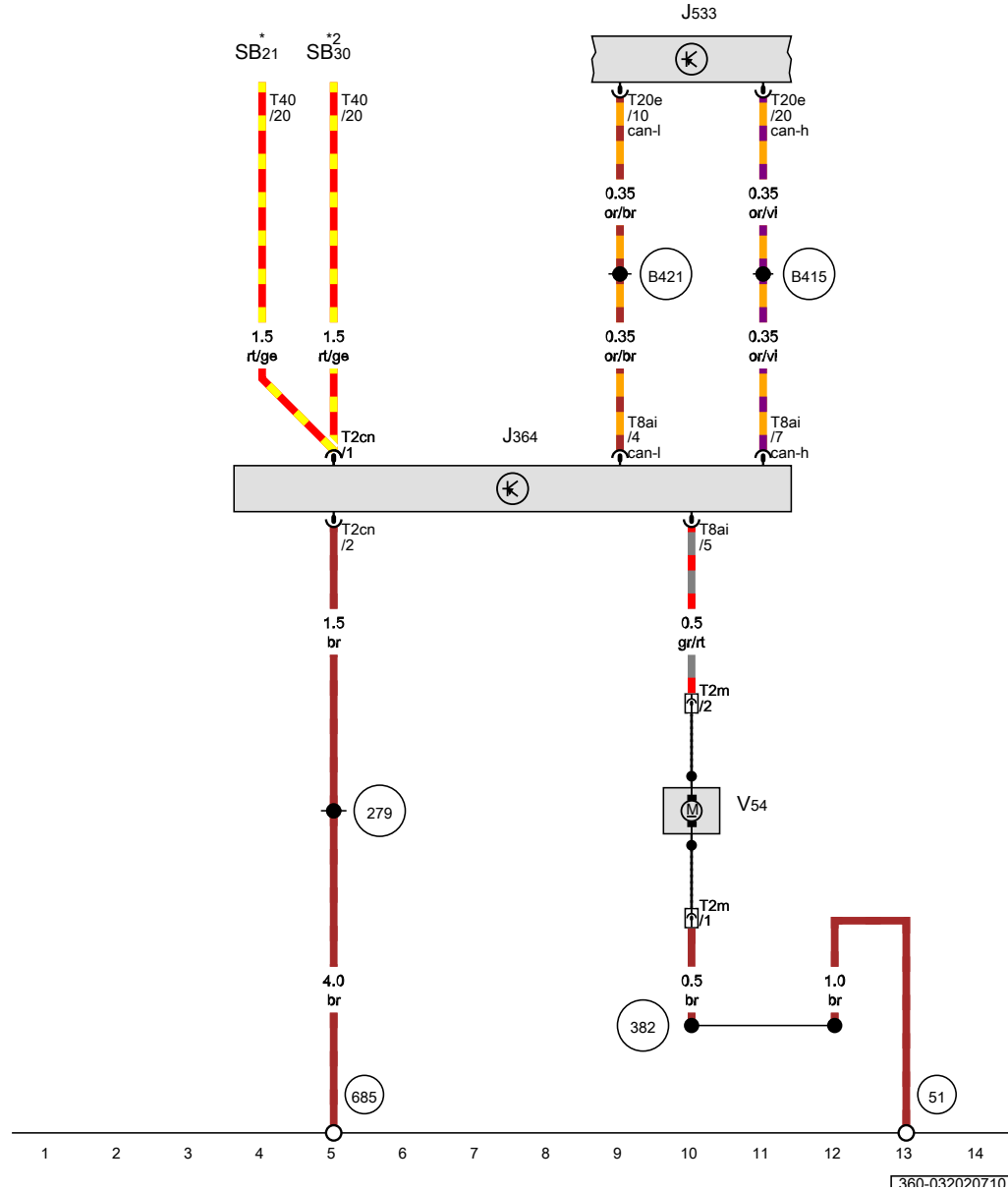
Supplementary heater

From November 2010

Auxiliary heater control unit, Metering pump

- J364 Auxiliary heater control unit
- J533 Data bus diagnostic interface
- SB21 Fuse 21 on fuse holder B
- SB30 Fuse 30 on fuse holder B
- T2cn 2-pin connector
- T2m 2-pin connector, near fuel tank
- T8ai 8-pin connector
- T20e 20-pin connector
- T40 40-pin connector
- V54 Metering pump

- (51) Earth point, on right in luggage compartment
- (279) Earth connection 5, in interior wiring harness
- (382) Earth connection 17, in main wiring harness
- (685) Earth point 1 at front of right longitudinal member
- (B415) Connection 1 (infotainment CAN bus, high), in main wiring harness
- (B421) Connection 1 (infotainment CAN bus, low), in main wiring harness
- * Fuses in E-box, Low
- *2 Fuses in E-box, High

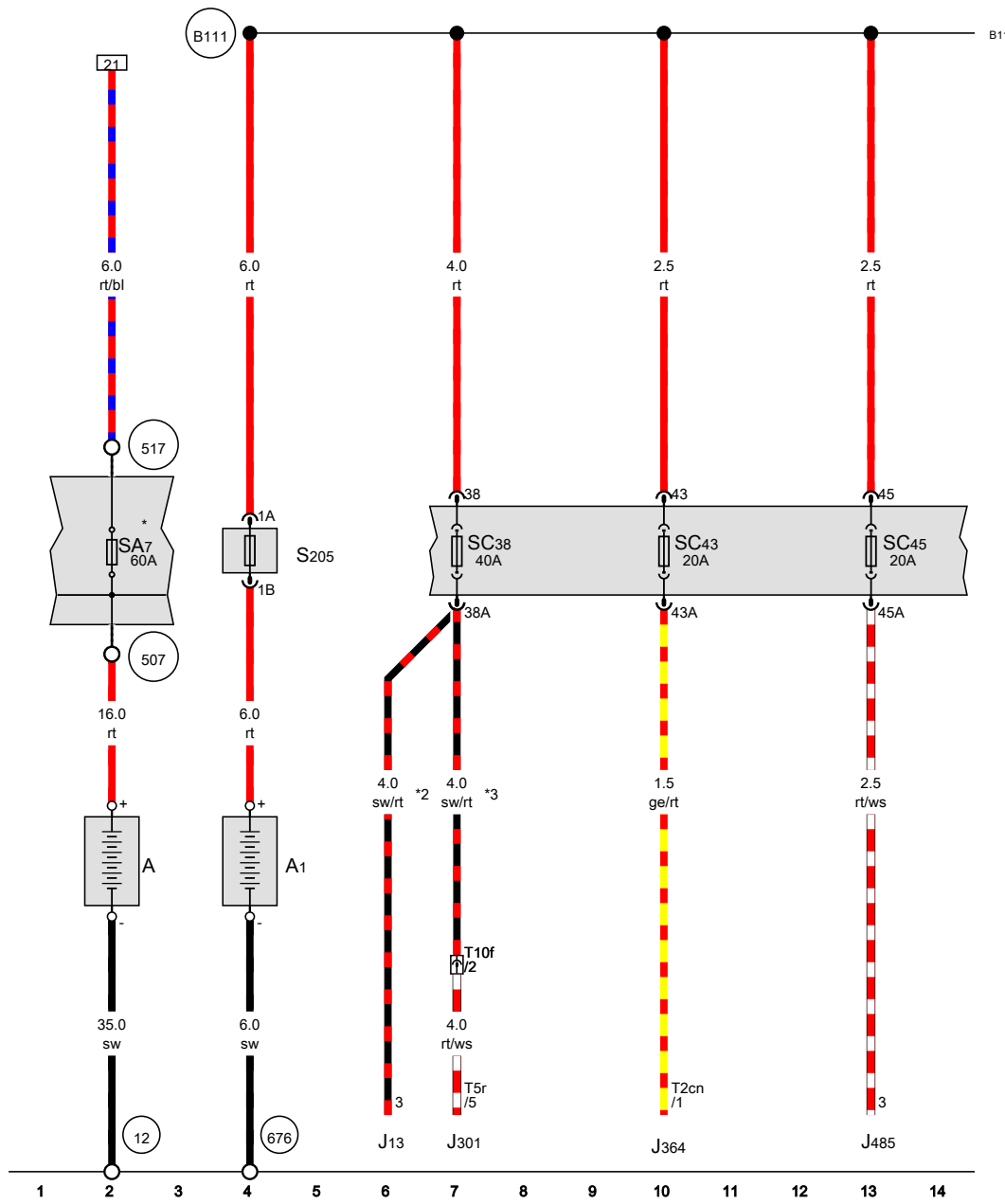


- ws = white
- sw = black
- ro = red
- br = brown
- gn = green
- bl = blue
- gr = grey
- li = purple
- ge = yellow
- or = orange
- rs = pink

1360-032020710 1

Second battery
From November 2010

Second battery, Fuse 2 (30)



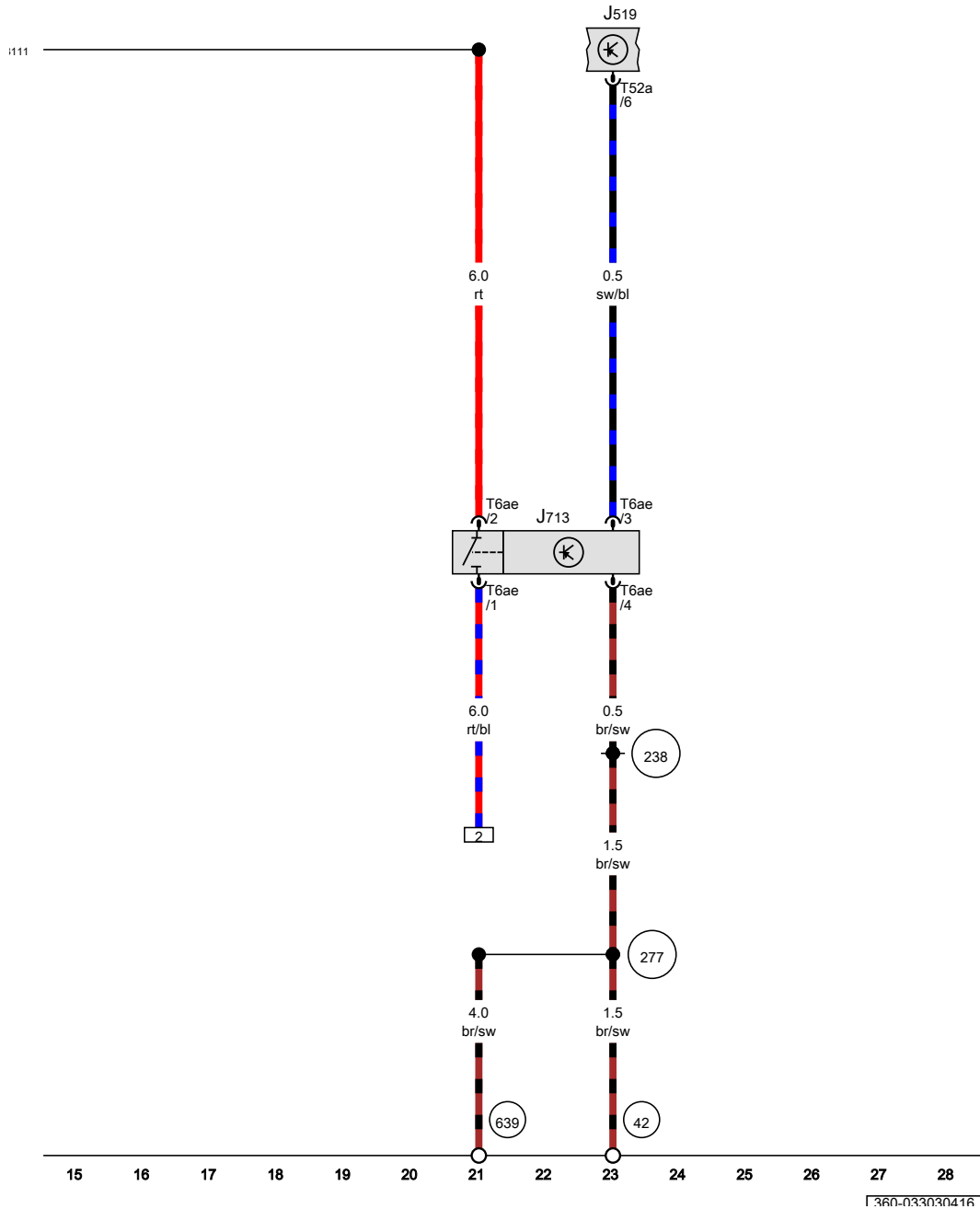
- A Battery
- A1 Second battery
- J13 Fresh air blower relay
- J301 Air conditioning system control unit
- J364 Auxiliary heater control unit
- J485 Auxiliary heater operation relay
- SA7 Fuse 7 in fuse holder A
- SC38 Fuse 38 on fuse holder C
- SC43 Fuse 43 on fuse holder C
- SC45 Fuse 45 on fuse holder C
- S205 Fuse 2 (30)
- T2cn 2-pin connector
- T5r 5-pin connector
- T10f 10-pin connector

- 12 Earth point, on left in engine compartment
- 507 Threaded connection (30), on battery fuse holder
- 517 Threaded connection 7 (30a) on relay plate
- 676 Earth point 2, on left in luggage compartment
- B111 Positive connection 1 (30a), in interior wiring harness

- * Fuses in E-box, Low
- *2 Only models with auxiliary heating
- *3 Only models with no auxiliary heater

- ws = white
- sw = black
- ro = red
- rt = red
- br = brown
- gn = green
- bl = blue
- gr = grey
- li = purple
- vi = purple
- ge = yellow
- or = orange
- rs = pink

1360-033020416 1



Onboard supply control unit, Second battery charging circuit relay

- J519 Onboard supply control unit
- J713 Second battery charging circuit relay
- T6ae 6-pin connector
- T52a 52-pin connector

- 42 Earth point, next to steering column
- 238 Earth connection 1, in interior wiring harness
- 277 Earth connection 3, in interior wiring harness
- 639 Earth point, left A-pillar
- B111 Positive connection 1 (30a), in interior wiring harness

- ws = white
- sw = black
- ro = red
- rt = red
- br = brown
- gn = green
- bl = blue
- gr = grey
- li = purple
- vi = purple
- ge = yellow
- or = orange
- rs = pink

1360-033030416 1

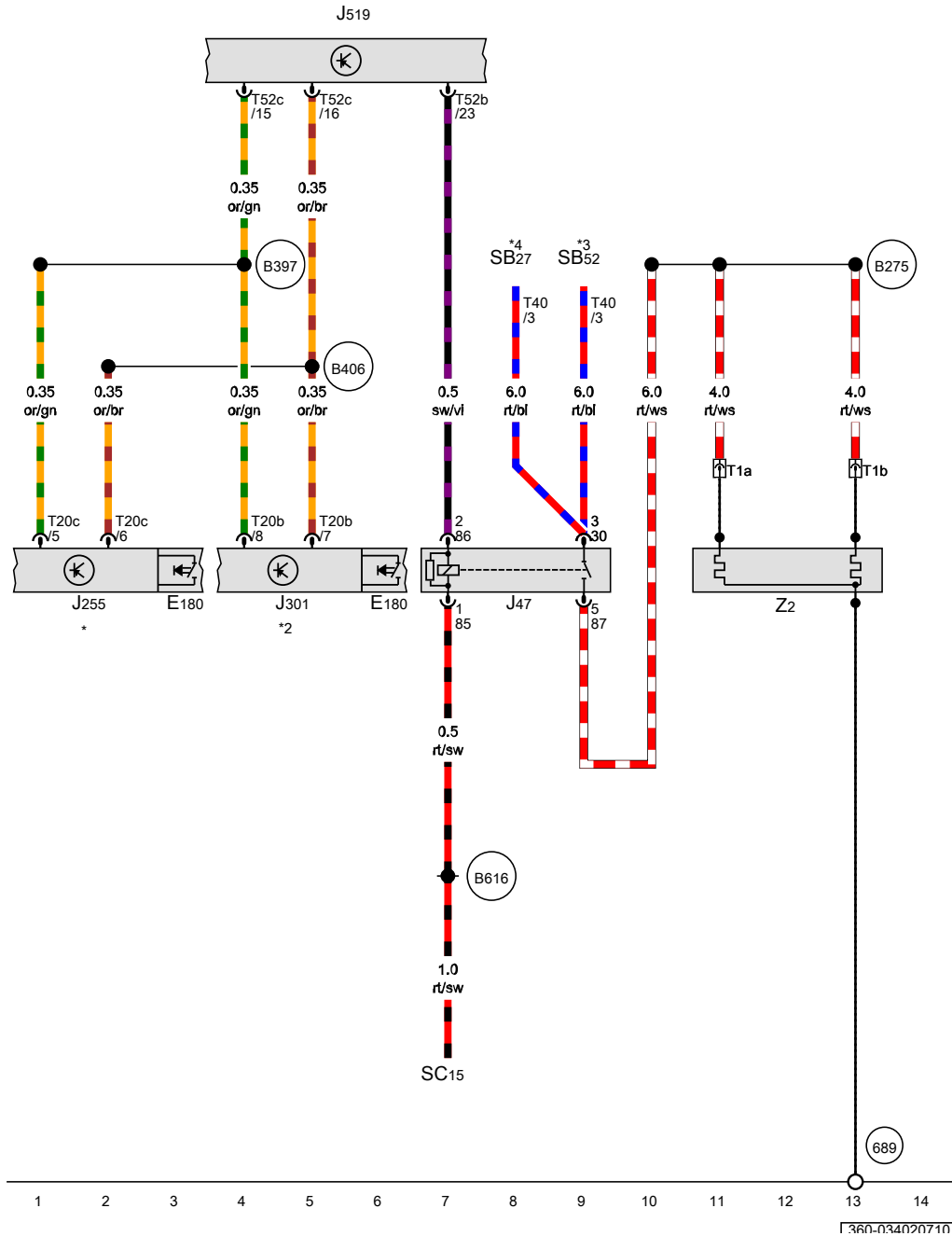
Windscreen heater

From November 2010

Heated windscreen relay, Onboard supply control unit, Heated windscreen

- E180 Heated windscreen switch
- J47 Heated windscreen relay
- J255 Climatronic control unit
- J301 Air conditioning system control unit
- J519 Onboard supply control unit
- SC15 Fuse 15 on fuse holder C
- SB27 Fuse 27 on fuse holder B
- SB52 Fuse 52 on fuse holder B
- T1a Single connector, black
- T1b Single connector
- T20b 20-pin connector
- T20c 20-pin connector
- T40 40-pin connector
- T52b 52-pin connector
- T52c 52-pin connector
- Z2 Heated windscreen

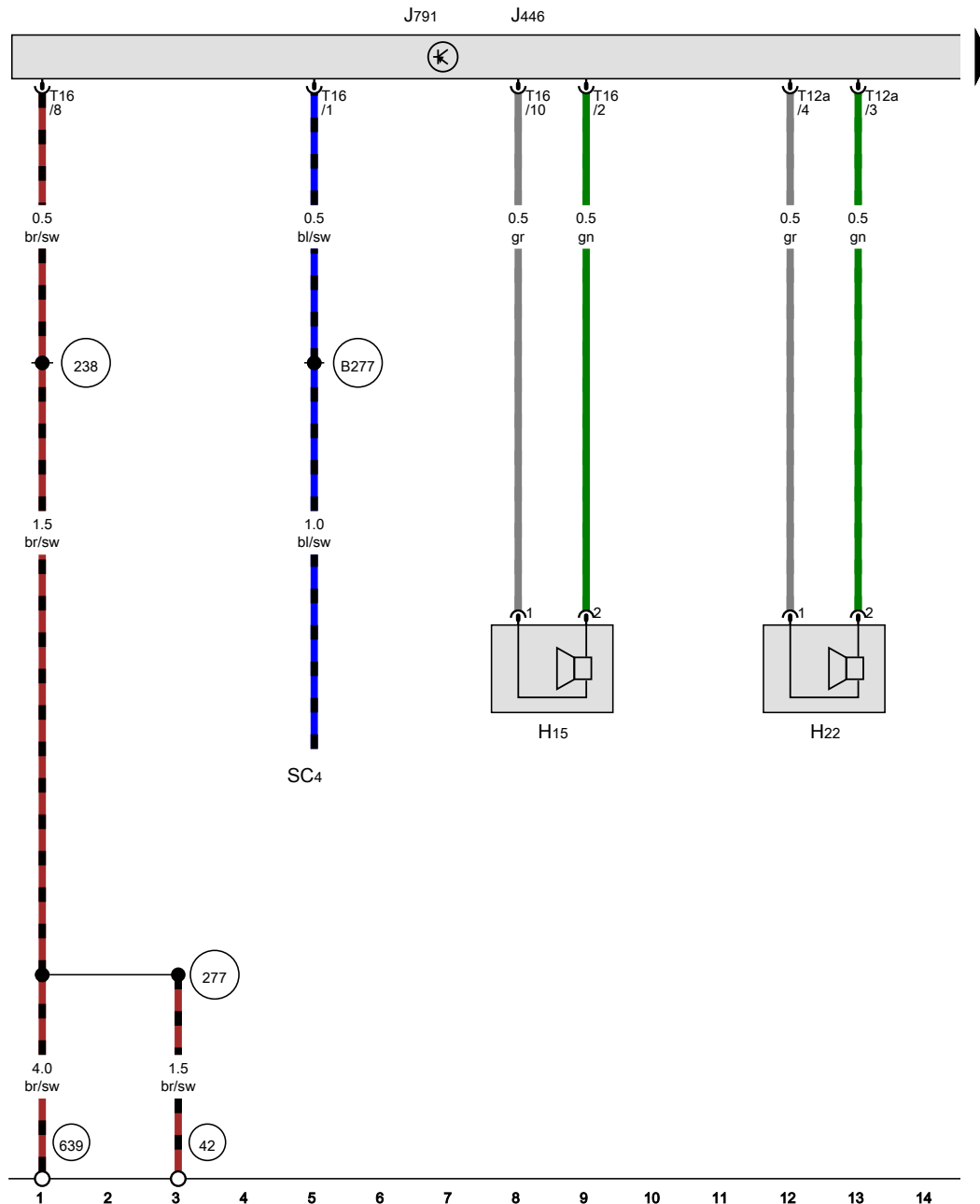
- 689 Earth point, at front, central in roof
- B275 Positive connection (87), in main wiring harness
- B397 Connection 1 (convenience CAN bus, high), in main wiring harness
- B406 Connection 1 (convenience CAN bus, low), in main wiring harness
- B616 Positive connection 12 (30a), in interior wiring harness
- * Only models with Climatronic
- *2 Only models with air conditioning system
- *3 Fuses in E-box, High
- *4 Fuses in E-box, Low



- ws = white
- sw = black
- ro = red
- br = brown
- gn = green
- bl = blue
- gr = grey
- li = purple
- ge = yellow
- or = orange
- rs = pink

Parking aid (PDC) with park assist steering (Park Assist)

From November 2010



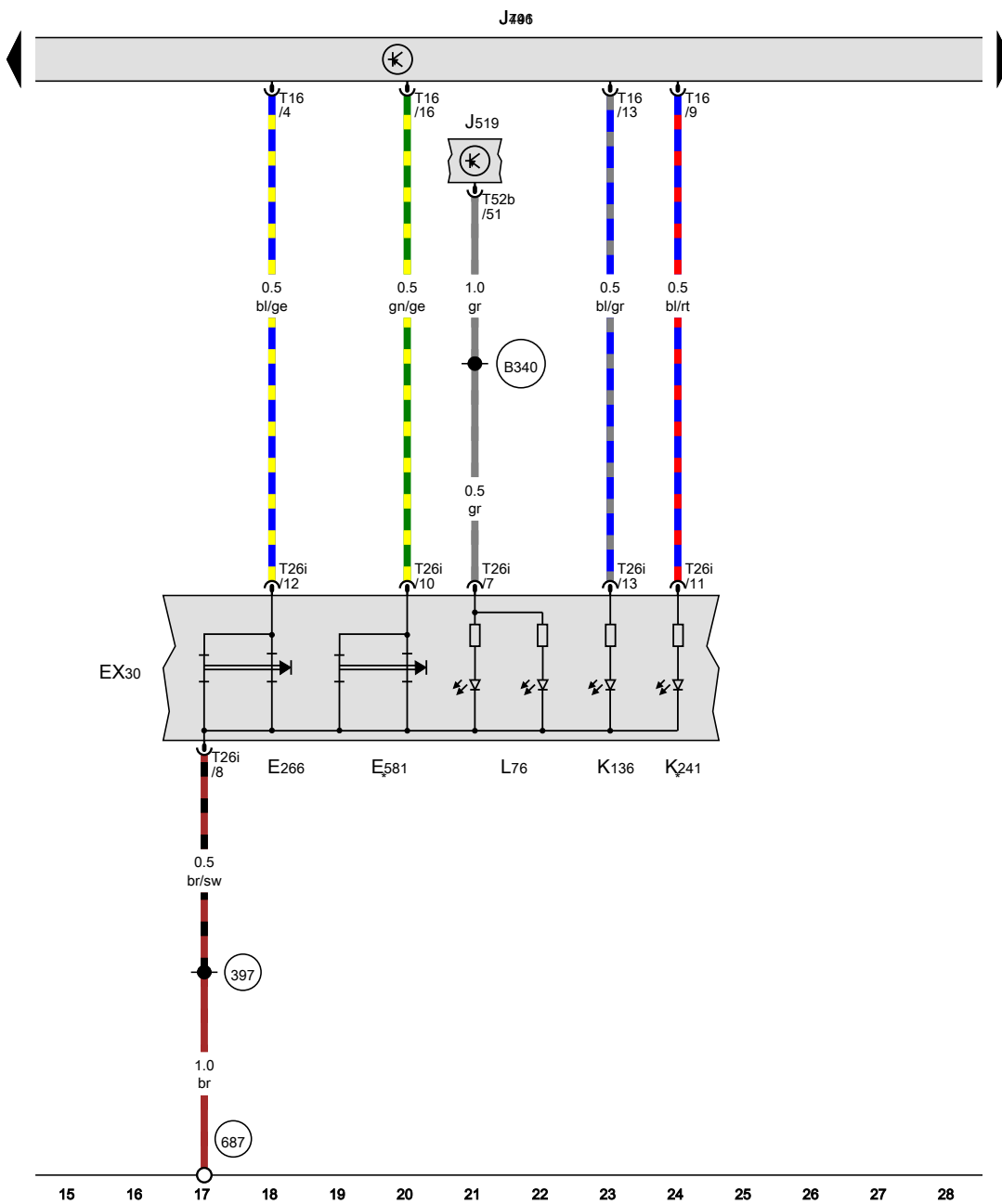
Rear parking aid warning buzzer, Front parking aid warning buzzer, Parking aid control unit, Park assist steering control unit, Fuse 4 on fuse holder C

- H15 Rear parking aid warning buzzer
- H22 Front parking aid warning buzzer
- J446 Parking aid control unit
- J791 Park assist steering control unit
- SC4 Fuse 4 on fuse holder C
- T12a 12-pin connector, brown
- T16 16-pin connector, brown

- 42 Earth point, next to steering column
- 238 Earth connection 1, in interior wiring harness
- 277 Earth connection 3, in interior wiring harness
- 639 Earth point, left A-pillar
- B277 Positive connection 1 (15a) in main wiring harness

- ws = white
- sw = black
- ro = red
- rt = red
- br = brown
- gn = green
- bl = blue
- gr = grey
- li = purple
- vi = purple
- ge = yellow
- or = orange
- rs = pink

360-035020416 1



Switch module 2 in centre console, Parking aid button, Park assist steering button, Parking aid control unit, Park assist steering control unit, Parking aid warning lamp, Warning light for park assist steering

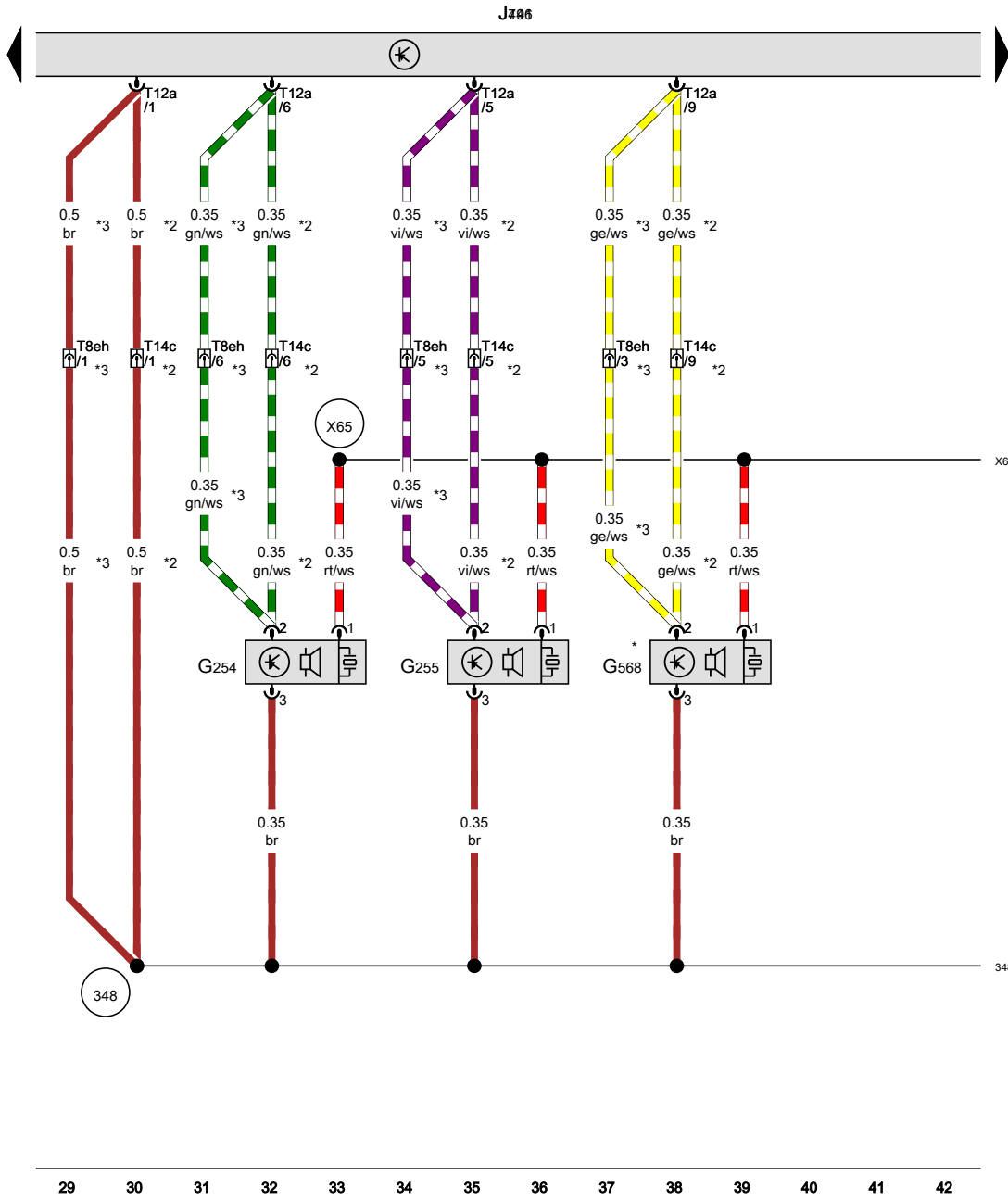
- EX30 Switch module 2 in centre console
- E266 Parking aid button
- E581 Park assist steering button
- J446 Parking aid control unit
- J519 Onboard supply control unit
- J791 Park assist steering control unit
- K136 Parking aid warning lamp
- K241 Warning light for park assist steering
- L76 Button illumination bulb
- T16 16-pin connector, brown
- T26i 26-pin connector
- T52b 52-pin connector

- 397 Earth connection 32, in main wiring harness
- 687 Earth point 1, on centre tunnel
- B340 Connection 1 (58d), in main wiring harness

* Only models with park assist steering

- ws = white
- sw = black
- ro = red
- rt = red
- br = brown
- gn = green
- bl = blue
- gr = grey
- li = purple
- vi = purple
- ge = yellow
- or = orange
- rs = pink

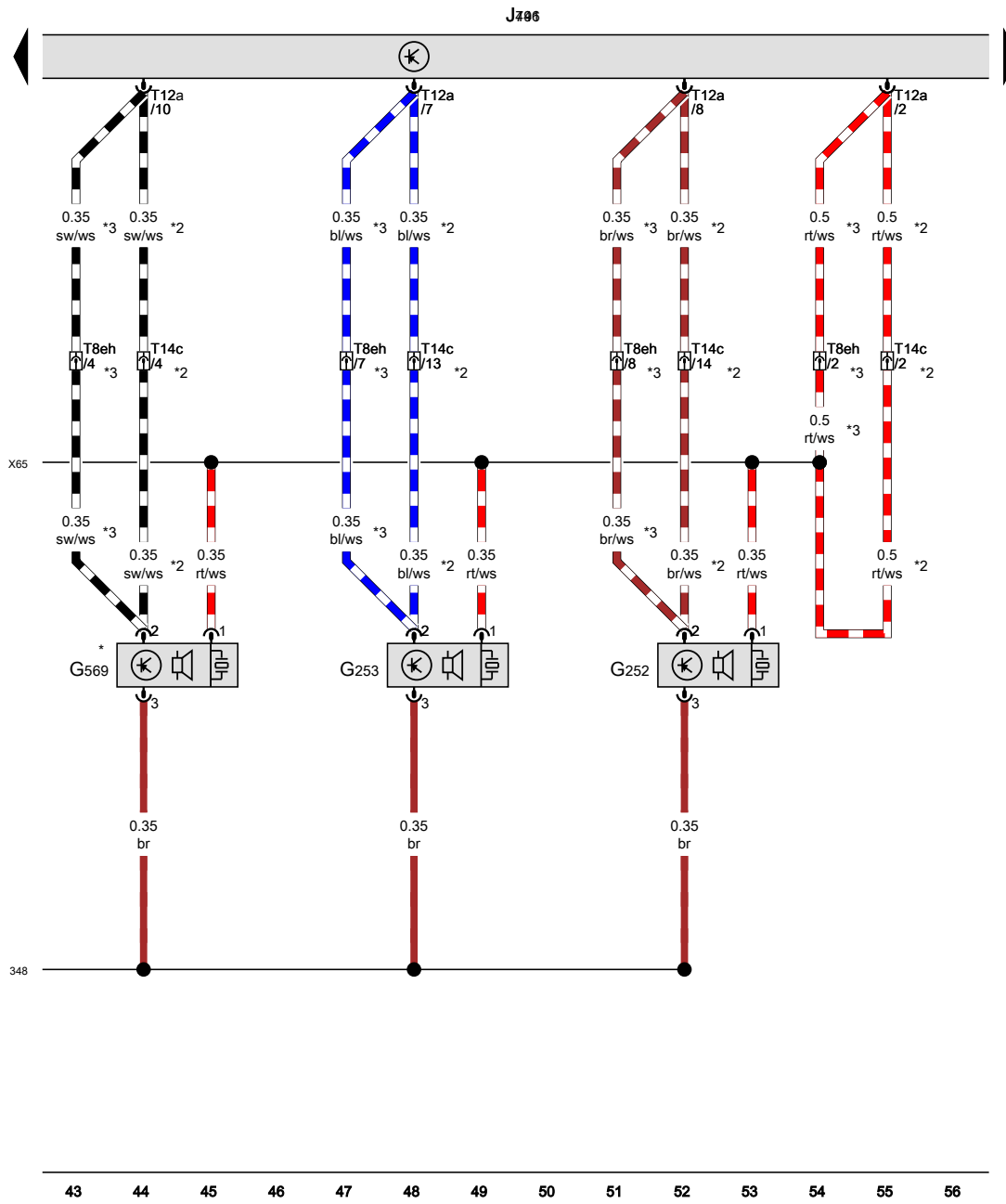
1360-035030416 1



Front centre left parking aid sender, Front left parking aid sender, Front left sender for park assist steering on left side of vehicle, Parking aid control unit, Park assist steering control unit

- G254 Front centre left parking aid sender
- G255 Front left parking aid sender
- G568 Front left sender for park assist steering on left side of vehicle
- J446 Parking aid control unit
- J791 Park assist steering control unit
- T8eh 8-pin connector, black
- T12a 12-pin connector, brown
- T14c 14-pin connector, on front left longitudinal member, black
- 348 Earth connection (parking aid), in front bumper wiring harness
- X65 Connection (parking aid), in front bumper wiring harness
- * Only models with park assist steering
- *2 From November 2012
- *3 Up to November 2012

- ws = white
- sw = black
- ro = red
- rt = red
- br = brown
- gn = green
- bl = blue
- gr = grey
- li = purple
- vi = purple
- ge = yellow
- or = orange
- rs = pink



Front right parking aid sender, Front centre right parking aid sender, Front right sender for park assist steering on right side of vehicle, Parking aid control unit, Park assist steering control unit

- G252 Front right parking aid sender
- G253 Front centre right parking aid sender
- G569 Front right sender for park assist steering on right side of vehicle
- J446 Parking aid control unit
- J791 Park assist steering control unit
- T8eh 8-pin connector, black
- T12 12-pin connector, black
- T12a 12-pin connector, brown
- T14c 14-pin connector, on front left longitudinal member, black

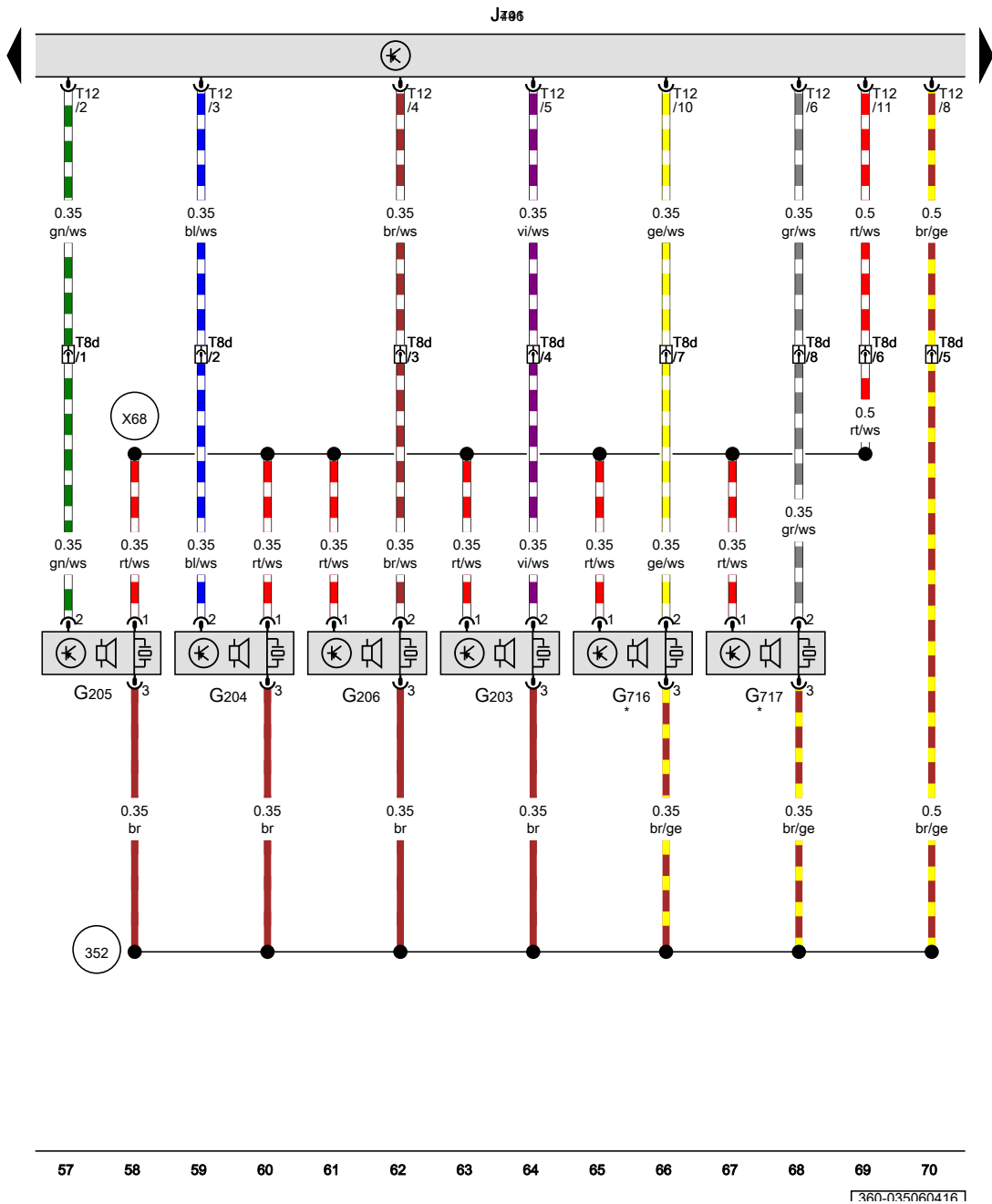
348 Earth connection (parking aid), in front bumper wiring harness

X65 Connection (parking aid), in front bumper wiring harness

- * Only models with park assist steering
- *2 From November 2012
- *3 Up to November 2012

- ws = white
- sw = black
- ro = red
- rt = red
- br = brown
- gn = green
- bl = blue
- gr = grey
- li = purple
- vi = purple
- ge = yellow
- or = orange
- rs = pink

360-035050416

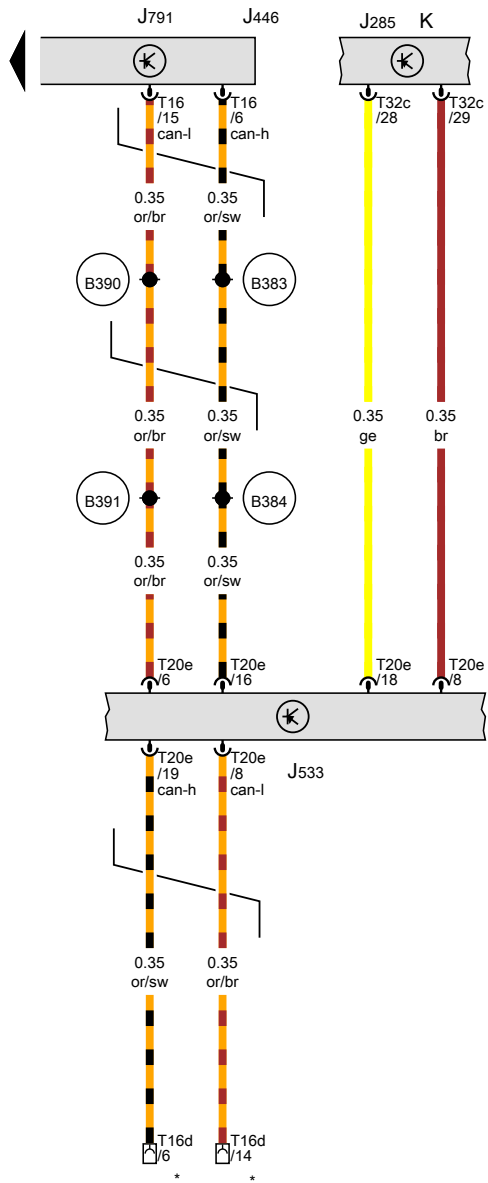


Rear left parking aid sender, Rear centre left parking aid sender, Rear centre right parking aid sender, Rear right parking aid sender, Rear left park assist steering sender, Rear right park assist steering sender, Parking aid control unit, Park assist steering control unit

- G203 Rear left parking aid sender
- G204 Rear centre left parking aid sender
- G205 Rear centre right parking aid sender
- G206 Rear right parking aid sender
- G716 Rear left park assist steering sender
- G717 Rear right park assist steering sender
- J446 Parking aid control unit
- J791 Park assist steering control unit
- T8d 8-pin connector, under rear bumper on right, black
- T12 12-pin connector, black

- (352) Earth connection (parking aid), in rear bumper wiring harness
- (X68) Positive connection (parking aid), in rear bumper wiring harness
- * Only models with park assist steering

- ws = white
- sw = black
- ro = red
- rt = red
- br = brown
- gn = green
- bl = blue
- gr = grey
- li = purple
- vi = purple
- ge = yellow
- or = orange
- rs = pink



Control unit in dash panel insert, Parking aid control unit, Data bus diagnostic interface, Park assist steering control unit, Dash panel insert

- J285 Control unit in dash panel insert
- J446 Parking aid control unit
- J533 Data bus diagnostic interface
- J791 Park assist steering control unit
- K Dash panel insert
- T16 16-pin connector, brown
- T16d 16-pin connector, on diagnostic connection
- T20e 20-pin connector
- T32c 32-pin connector

- B383 Connection 1 (powertrain CAN bus, high), in main wiring harness
- B384 Connection 2 (powertrain CAN bus, high), in main wiring harness
- B390 Connection 1 (powertrain CAN bus, low), in main wiring harness
- B391 Connection 2 (powertrain CAN bus, low), in main wiring harness
- * Diagnostic connection

- ws = white
- sw = black
- ro = red
- rt = red
- br = brown
- gn = green
- bl = blue
- gr = grey
- li = purple
- vi = purple
- ge = yellow
- or = orange
- rs = pink

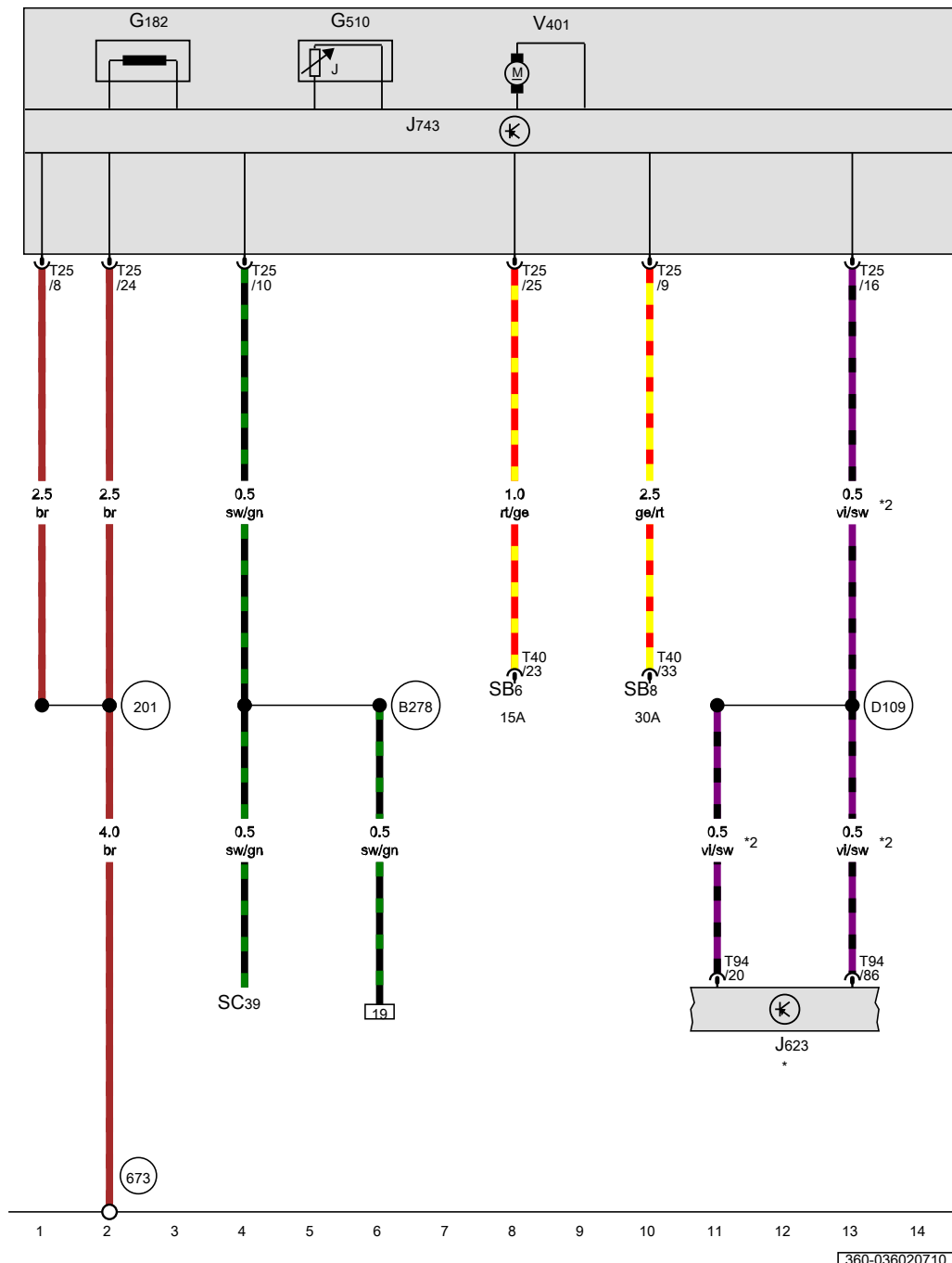
Dual clutch gearbox 0AM

From November 2010

Gearbox input speed sender, Engine control unit, Mechatronic unit for dual clutch gearbox, Hydraulic pump motor

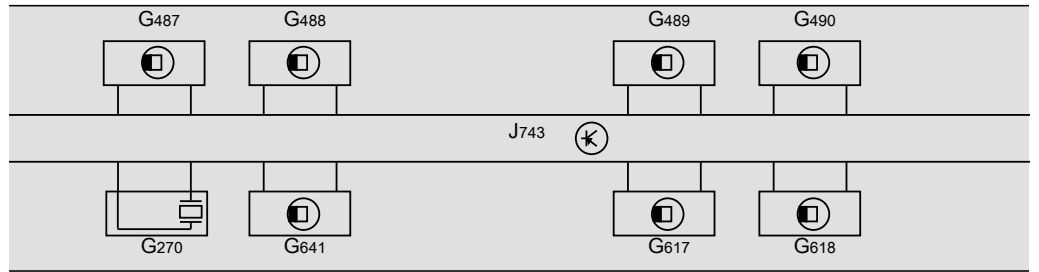
- G182 Gearbox input speed sender
- G510 Temperature sender in control unit
- J623 Engine control unit
- J743 Mechatronic unit for dual clutch gearbox
- SB6 Fuse 6 on fuse holder B
- SB8 Fuse 8 on fuse holder B
- SC39 Fuse 39 on fuse holder C
- T25 25-pin connector
- T40 40-pin connector
- T94 94-pin connector
- V401 Hydraulic pump motor

- 201 Earth connection 5, in engine compartment wiring harness
- 673 Earth point 3, on front of left longitudinal member
- B278 Positive connection 2 (15a) in main wiring harness
- D109 Connection 7 in engine compartment wiring harness
- * see applicable current flow diagram for engine
- *2 According to equipment



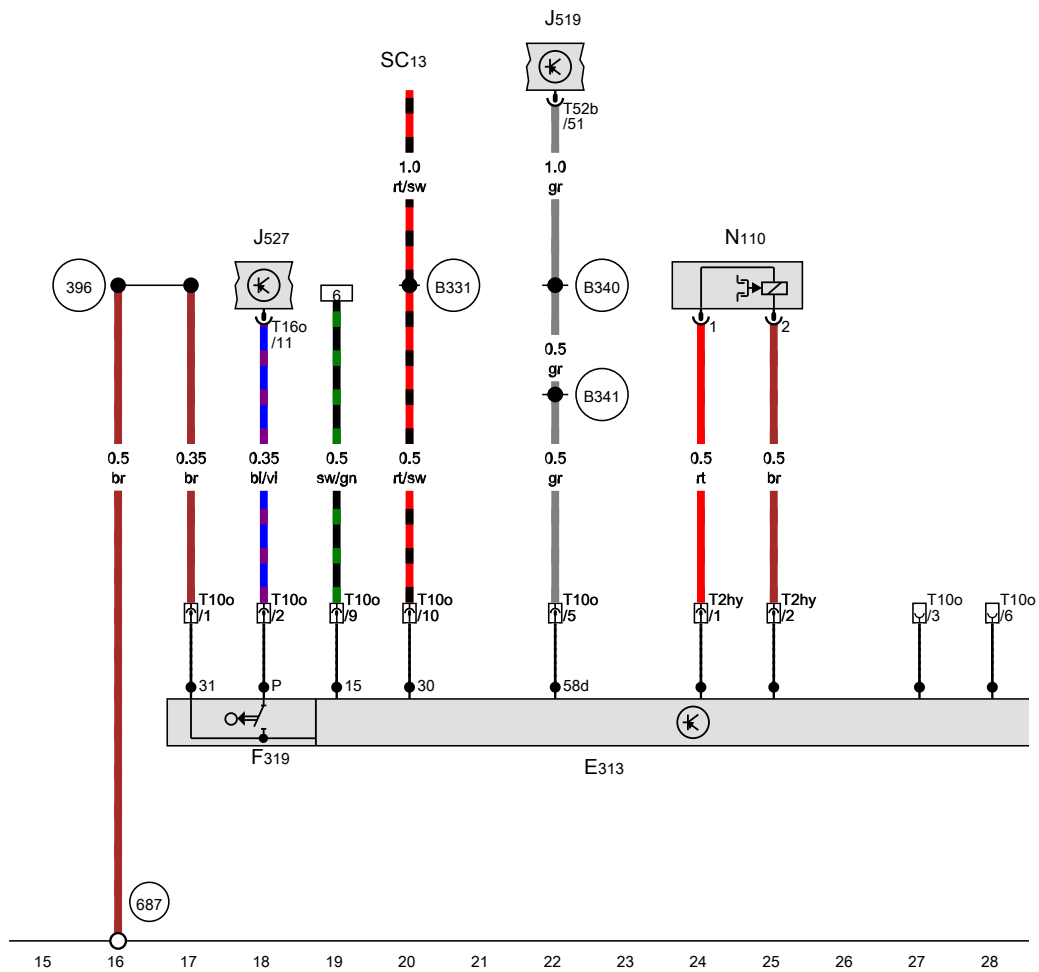
- ws = white
- sw = black
- ro = red
- br = brown
- gn = green
- bl = blue
- gr = grey
- li = purple
- ge = yellow
- or = orange
- rs = pink

1360-036020710 1



Selector lever locked in position P switch, Gearbox hydraulic pressure sender, Gear selector movement sensor 1, Gear selector movement sensor 2, Gear selector movement sensor 3, Gear selector movement sensor 4, Clutch travel sender 1, Clutch travel sender 2, Gearbox input speed sender 3, Mechatronic unit for dual clutch gearbox

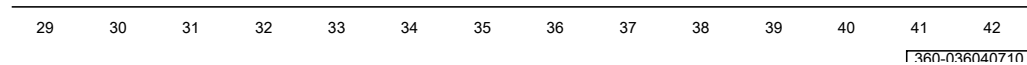
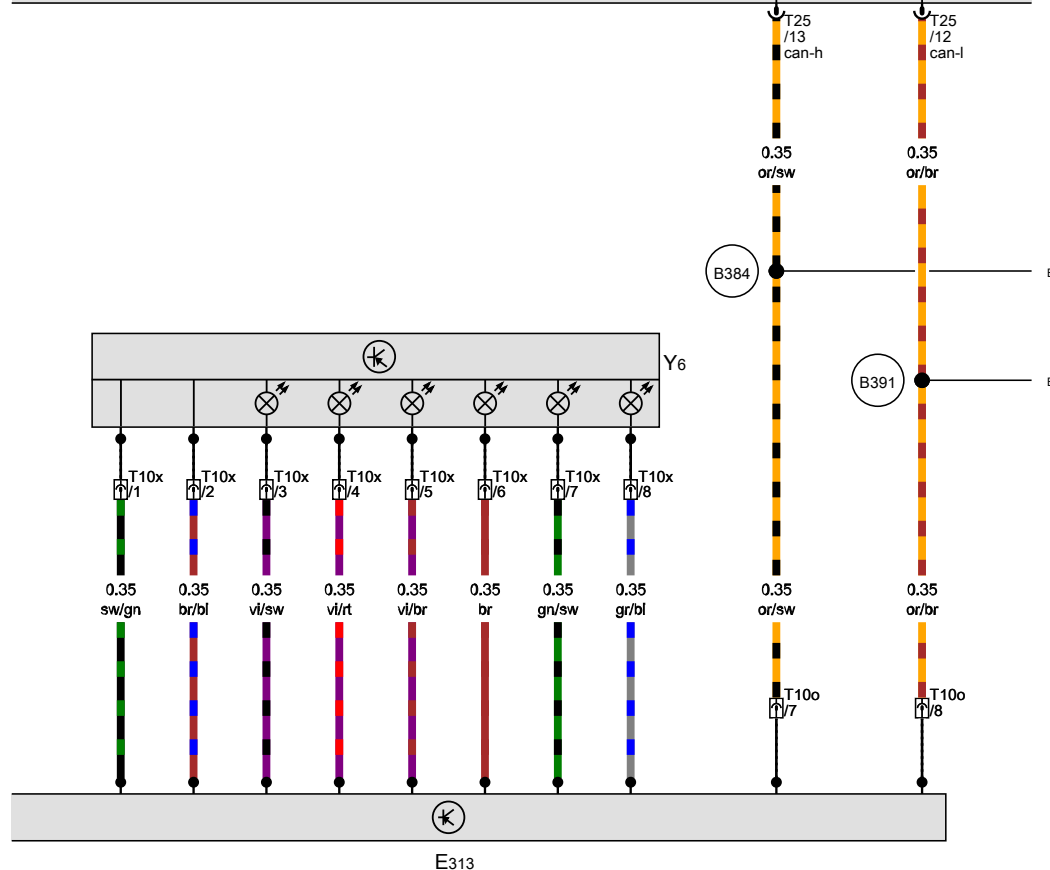
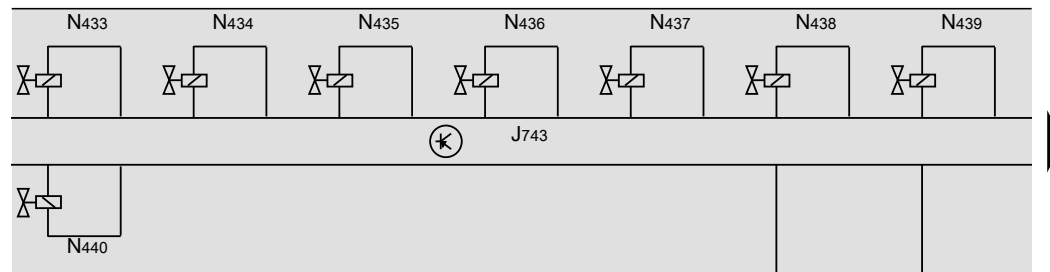
- E313 Selector lever
- F319 Selector lever locked in position P switch
- G270 Gearbox hydraulic pressure sender
- G487 Gear selector movement sensor 1
- G488 Gear selector movement sensor 2
- G489 Gear selector movement sensor 3
- G490 Gear selector movement sensor 4
- G617 Clutch travel sender 1
- G618 Clutch travel sender 2
- G641 Gearbox input speed sender 3
- J519 Onboard supply control unit
- J527 Steering column electronics control unit
- J743 Mechatronic unit for dual clutch gearbox
- N110 Selector lever lock solenoid
- SC13 Fuse 13 on fuse holder C
- T2hy 2-pin connector
- T10o 10-pin connector, under selector lever
- T16o 16-pin connector
- T52b 52-pin connector



- 396 Earth connection 31, in main wiring harness
- 687 Earth point 1, on centre tunnel
- B331 Positive connection 17 (30a) in main wiring harness
- B340 Connection 1 (58d), in main wiring harness
- B341 Connection 2 (58d), in main wiring harness

- ws = white
- sw = black
- ro = red
- br = brown
- gn = green
- bl = blue
- gr = grey
- li = purple
- ge = yellow
- or = orange
- rs = pink

1360-036030710 1

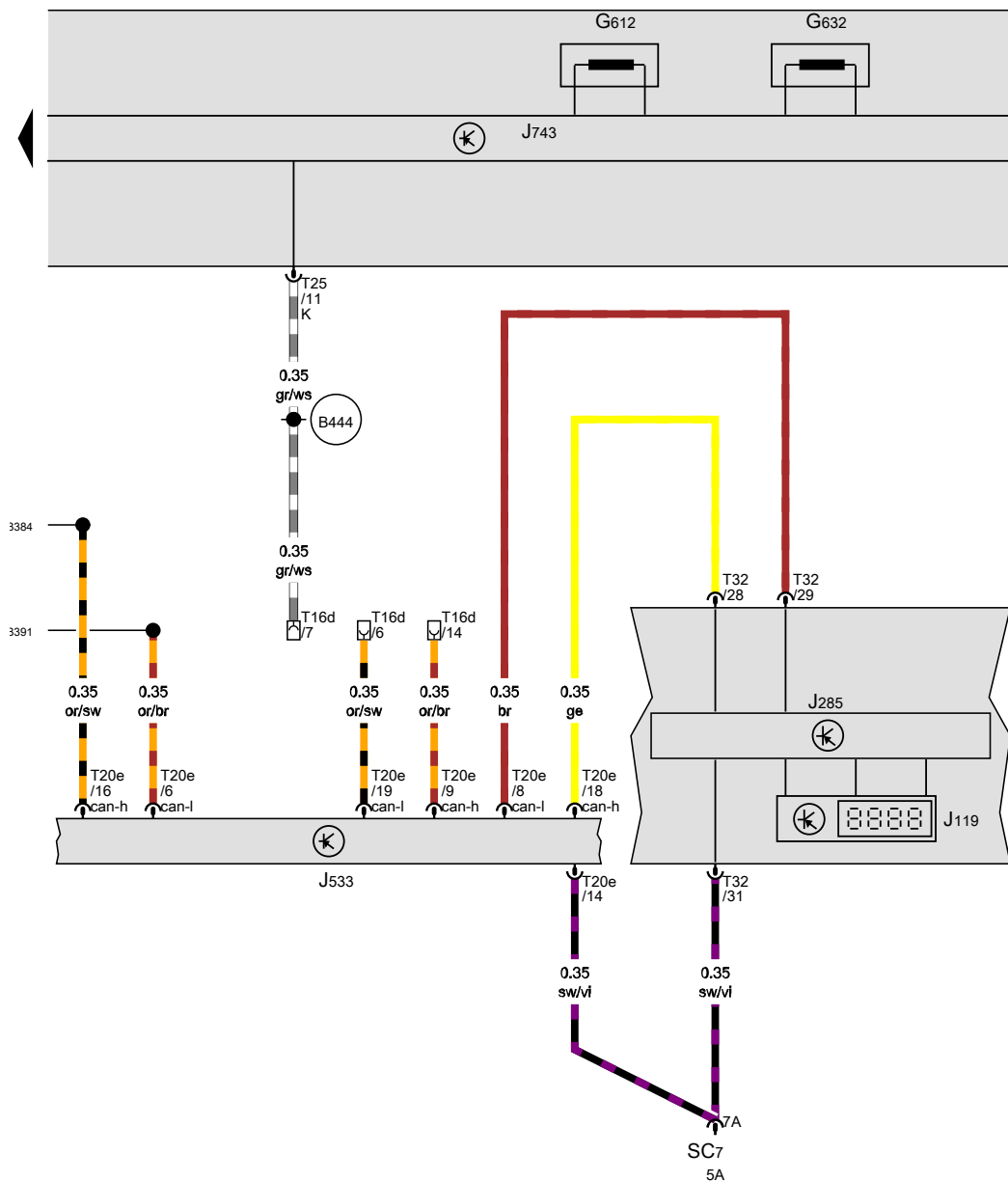


Mechatronic unit for dual clutch gearbox, Selector lever position display

- E313 Selector lever
- J743 Mechatronic unit for dual clutch gearbox
- N433 Valve 1 in sub-gearbox 1
- N434 Valve 2 in sub-gearbox 1
- N435 Valve 3 in sub-gearbox 1
- N436 Valve 4 in sub-gearbox 1
- N437 Valve 1 in sub-gearbox 2
- N438 Valve 2 in sub-gearbox 2
- N439 Valve 3 in sub-gearbox 2
- N440 Valve 4 in sub-gearbox 2
- T10o 10-pin connector, under selector lever
- T10x 10-pin connector
- T25 25-pin connector
- Y6 Selector lever position display

- B384 Connection 2 (powertrain CAN bus, high), in main wiring harness
- B391 Connection 2 (powertrain CAN bus, low), in main wiring harness

- ws = white
- sw = black
- ro = red
- br = brown
- gn = green
- bl = blue
- gr = grey
- li = purple
- ge = yellow
- or = orange
- rs = pink



Gearbox input speed sender 2, Gearbox input speed sender 1, Multifunction indicator, Control unit in dash panel insert, Data bus diagnostic interface, Mechatronic unit for dual clutch gearbox

- G612 Gearbox input speed sender 2
- G632 Gearbox input speed sender 1
- J119 Multifunction indicator
- J285 Control unit in dash panel insert
- J533 Data bus diagnostic interface
- J743 Mechatronic unit for dual clutch gearbox
- SC7 Fuse 7 on fuse holder C
- T16d 16-pin connector, on diagnostic connection
- T20e 20-pin connector
- T25 25-pin connector
- T32 32-pin connector

- (B384) Connection 2 (powertrain CAN bus, high), in main wiring harness
- (B391) Connection 2 (powertrain CAN bus, low), in main wiring harness
- (B444) Connection 1 (diagnosis), in main wiring harness

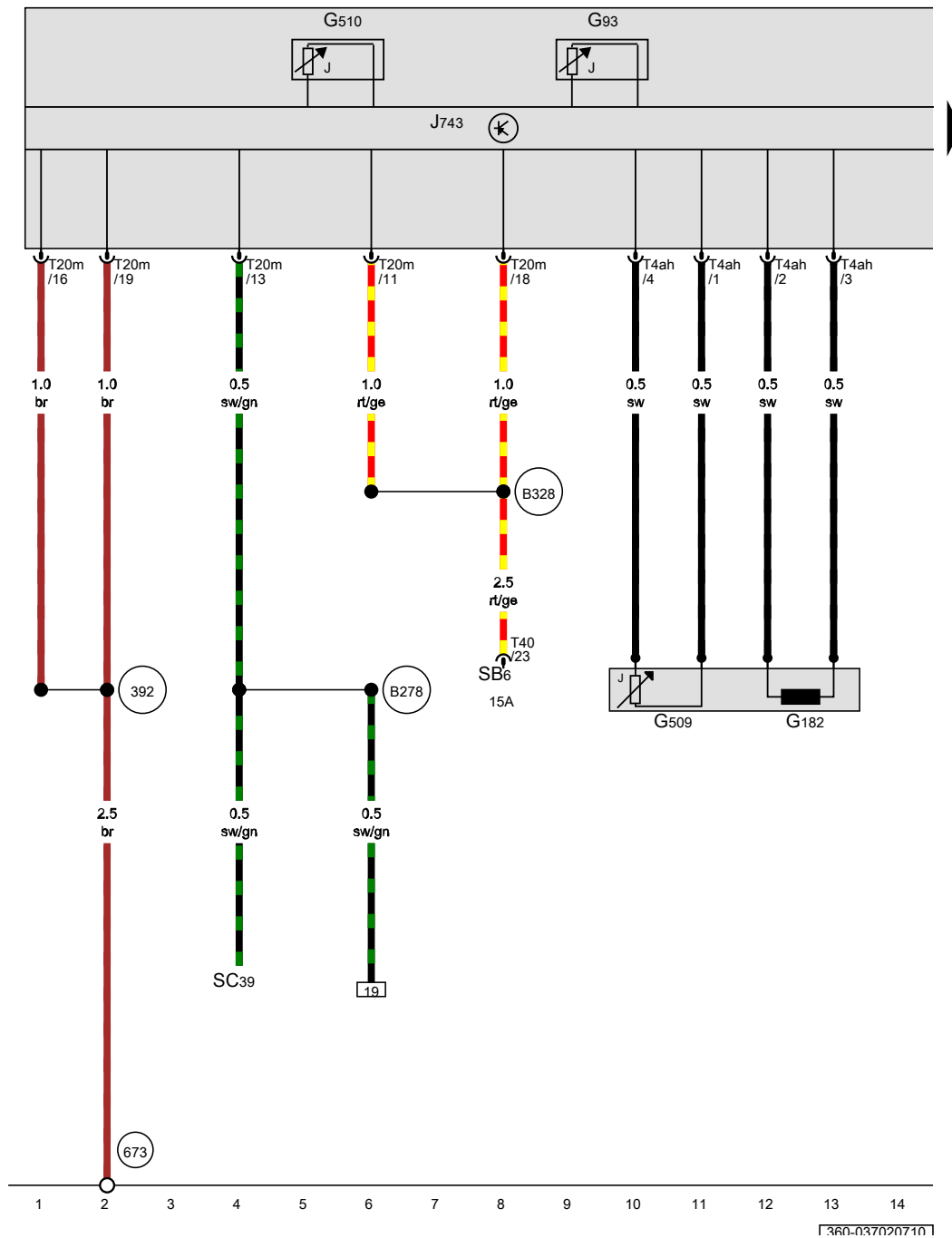
- ws = white
- sw = black
- ro = red
- br = brown
- gn = green
- bl = blue
- gr = grey
- li = purple
- ge = yellow
- or = orange
- rs = pink

43 44 45 46 47 48 49 50 51 52 53 54 55 56

360-036050710

Dual clutch gearbox 02E

From November 2010



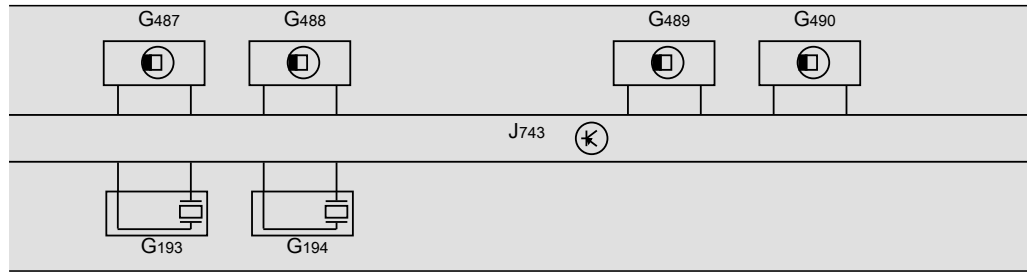
Gearbox oil temperature sender, Gearbox input speed sender, Clutch temperature sender, Temperature sender in control unit, Mechatronic unit for dual clutch gearbox

- G93 Gearbox oil temperature sender
- G182 Gearbox input speed sender
- G509 Clutch temperature sender
- G510 Temperature sender in control unit
- J743 Mechatronic unit for dual clutch gearbox
- SB6 Fuse 6 on fuse holder B
- SC39 Fuse 39 on fuse holder C
- T4ah 4-pin connector
- T20m 20-pin connector
- T40 40-pin connector

- 392 Earth connection 27, in main wiring harness
- 673 Earth point 3, on front of left longitudinal member
- B278 Positive connection 2 (15a) in main wiring harness
- B328 Positive connection 14 (30a) in main wiring harness

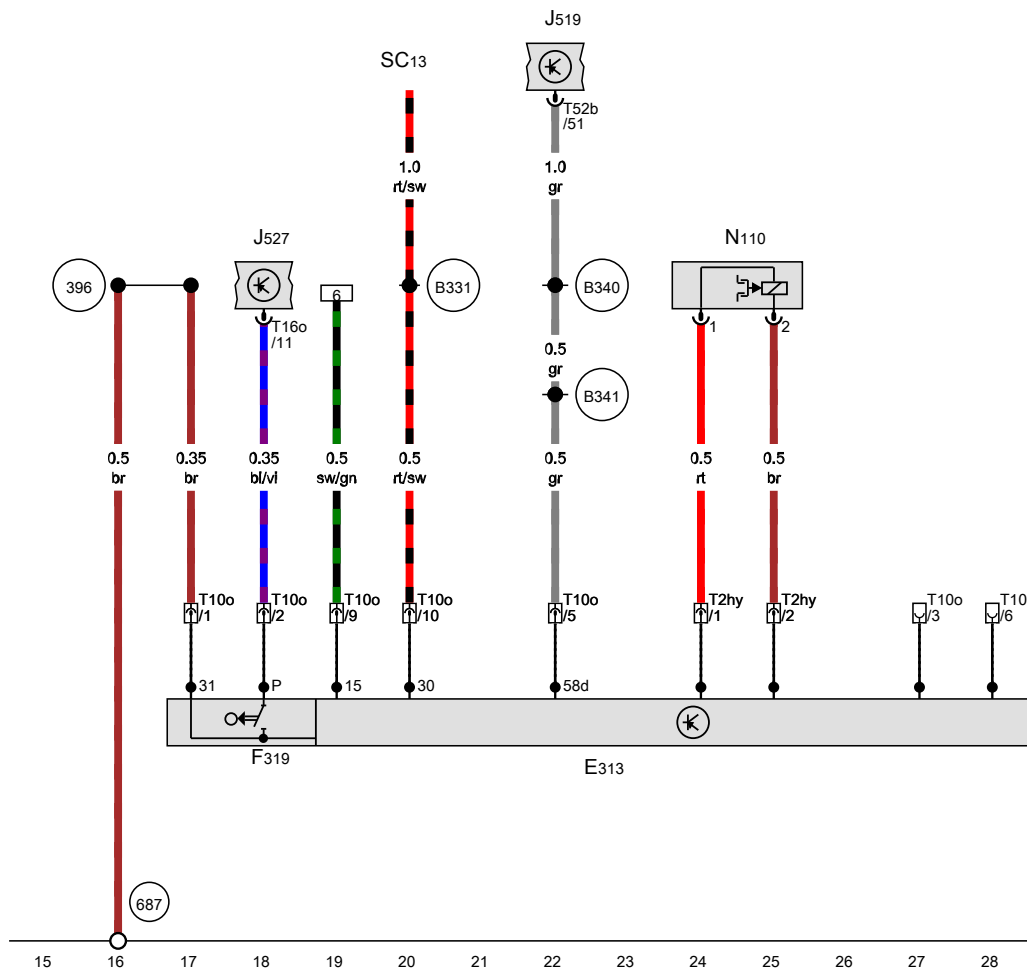
- ws = white
- sw = black
- ro = red
- br = brown
- gn = green
- bl = blue
- gr = grey
- li = purple
- ge = yellow
- or = orange
- rs = pink

1360-037020710 1



Selector lever locked in position P switch, Automatic gearbox hydraulic pressure sender 1, Automatic gearbox hydraulic pressure sender 2, Gear selector movement sensor 1, Gear selector movement sensor 2, Gear selector movement sensor 3, Gear selector movement sensor 4, Mechatronic unit for dual clutch gearbox

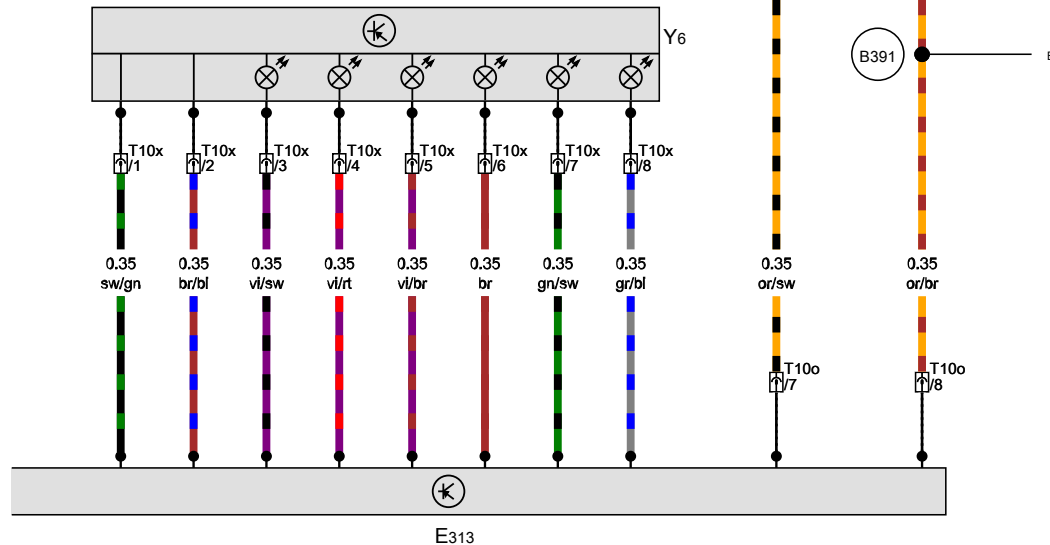
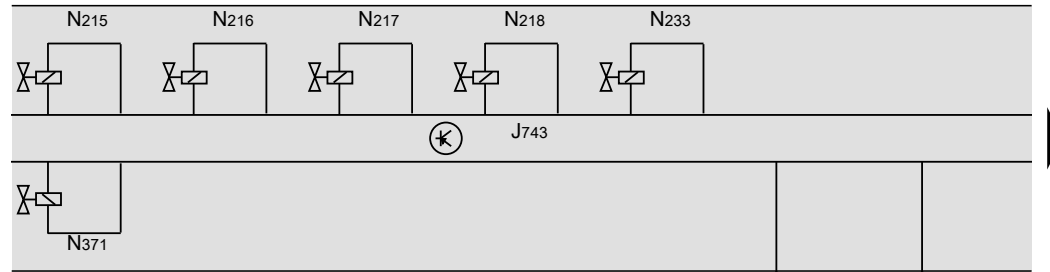
- E313 Selector lever
- F319 Selector lever locked in position P switch
- G193 Automatic gearbox hydraulic pressure sender 1
- G194 Automatic gearbox hydraulic pressure sender 2
- G487 Gear selector movement sensor 1
- G488 Gear selector movement sensor 2
- G489 Gear selector movement sensor 3
- G490 Gear selector movement sensor 4
- J519 Onboard supply control unit
- J527 Steering column electronics control unit
- J743 Mechatronic unit for dual clutch gearbox
- N110 Selector lever lock solenoid
- SC13 Fuse 13 on fuse holder C
- T2hy 2-pin connector
- T10o 10-pin connector, under selector lever
- T16o 16-pin connector
- T52b 52-pin connector



- 396 Earth connection 31, in main wiring harness
- 687 Earth point 1, on centre tunnel
- B331 Positive connection 17 (30a) in main wiring harness
- B340 Connection 1 (58d), in main wiring harness
- B341 Connection 2 (58d), in main wiring harness

- ws = white
- sw = black
- ro = red
- br = brown
- gn = green
- bl = blue
- gr = grey
- li = purple
- ge = yellow
- or = orange
- rs = pink

1360-037030710 1



29 30 31 32 33 34 35 36 37 38 39 40 41 42

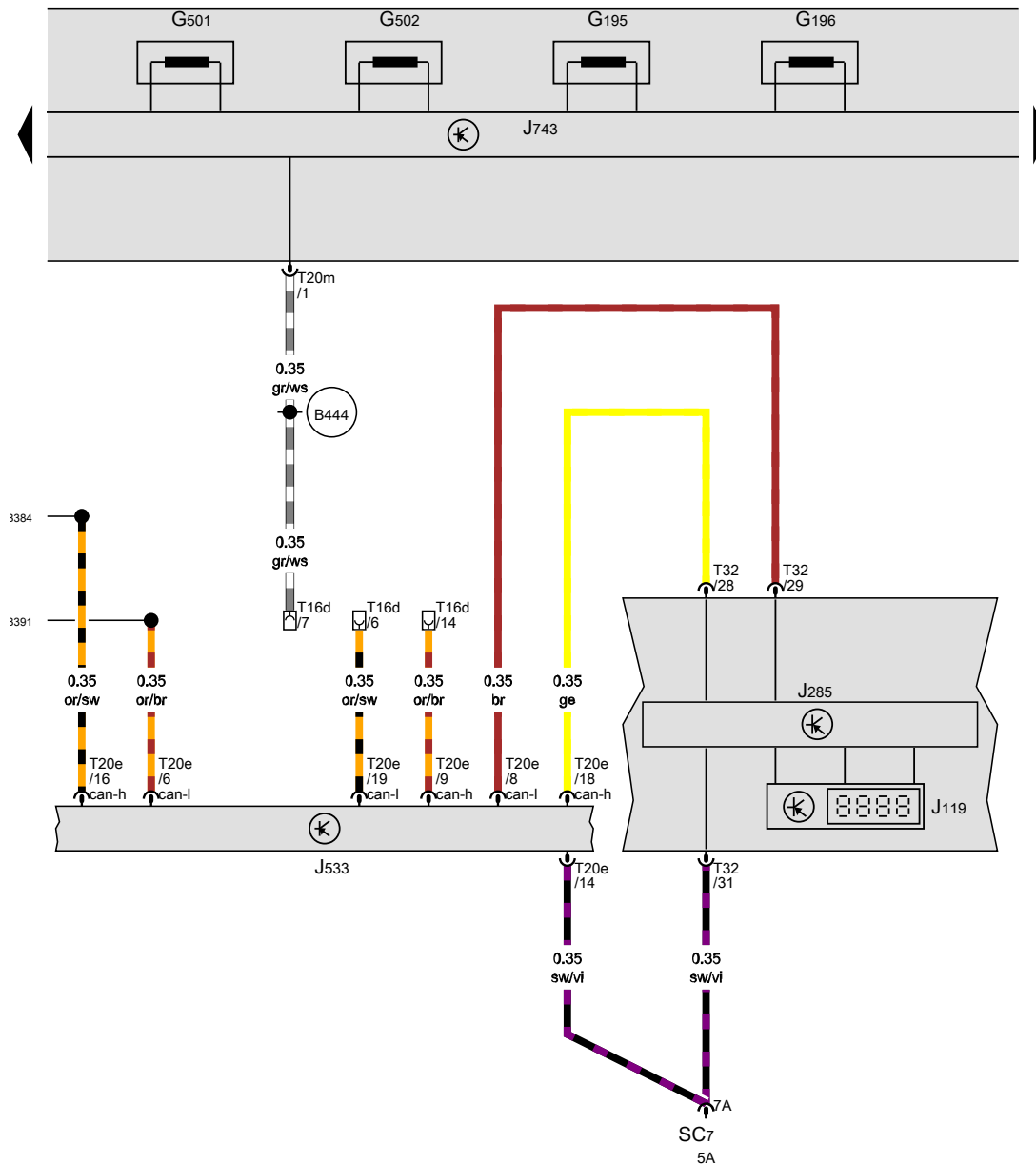
1360-037040710

Mechatronic unit for dual clutch gearbox, Selector lever position display

- E313 Selector lever
- J743 Mechatronic unit for dual clutch gearbox
- N215 Automatic gearbox pressure regulating valve 1
- N216 Automatic gearbox pressure regulating valve 2
- N217 Automatic gearbox pressure regulating valve 3
- N218 Automatic gearbox pressure regulating valve 4
- N233 Automatic gearbox pressure regulating valve 5
- N371 Automatic gearbox pressure regulating valve 6
- T10o 10-pin connector, under selector lever
- T10x 10-pin connector
- T20m 20-pin connector
- Y6 Selector lever position display

- B384 Connection 2 (powertrain CAN bus, high), in main wiring harness
- B391 Connection 2 (powertrain CAN bus, low), in main wiring harness

- ws = white
- sw = black
- ro = red
- br = brown
- gn = green
- bl = blue
- gr = grey
- li = purple
- ge = yellow
- or = orange
- rs = pink



Gearbox output speed sender, Gearbox output speed sender 2, Input shaft speed sender 1, Input shaft speed sender 2, Multifunction indicator, Control unit in dash panel insert, Data bus diagnostic interface, Mechatronic unit for dual clutch gearbox

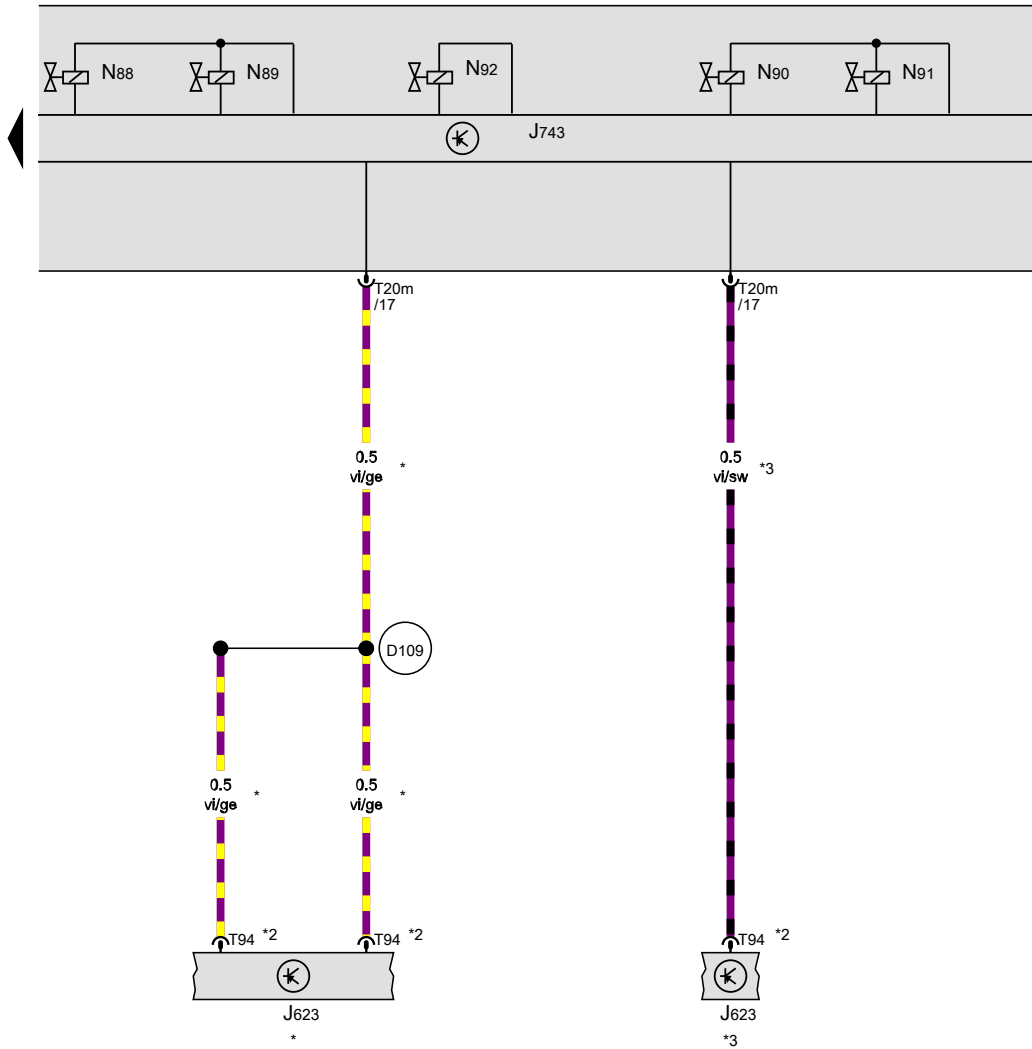
- G195 Gearbox output speed sender
- G196 Gearbox output speed sender 2
- G501 Input shaft speed sender 1
- G502 Input shaft speed sender 2
- J119 Multifunction indicator
- J285 Control unit in dash panel insert
- J533 Data bus diagnostic interface
- J743 Mechatronic unit for dual clutch gearbox
- SC7 Fuse 7 on fuse holder C
- T16d 16-pin connector, on diagnostic connection
- T20e 20-pin connector
- T20m 20-pin connector
- T32 32-pin connector

- B384 Connection 2 (powertrain CAN bus, high), in main wiring harness
- B391 Connection 2 (powertrain CAN bus, low), in main wiring harness
- B444 Connection 1 (diagnosis), in main wiring harness

- ws = white
- sw = black
- ro = red
- br = brown
- gn = green
- bl = blue
- gr = grey
- li = purple
- ge = yellow
- or = orange
- rs = pink

43 44 45 46 47 48 49 50 51 52 53 54 55 56

1360-037050710



Engine control unit, Mechatronic unit for dual clutch gearbox, Solenoid valve 1, Solenoid valve 2, Solenoid valve 3, Solenoid valve 4

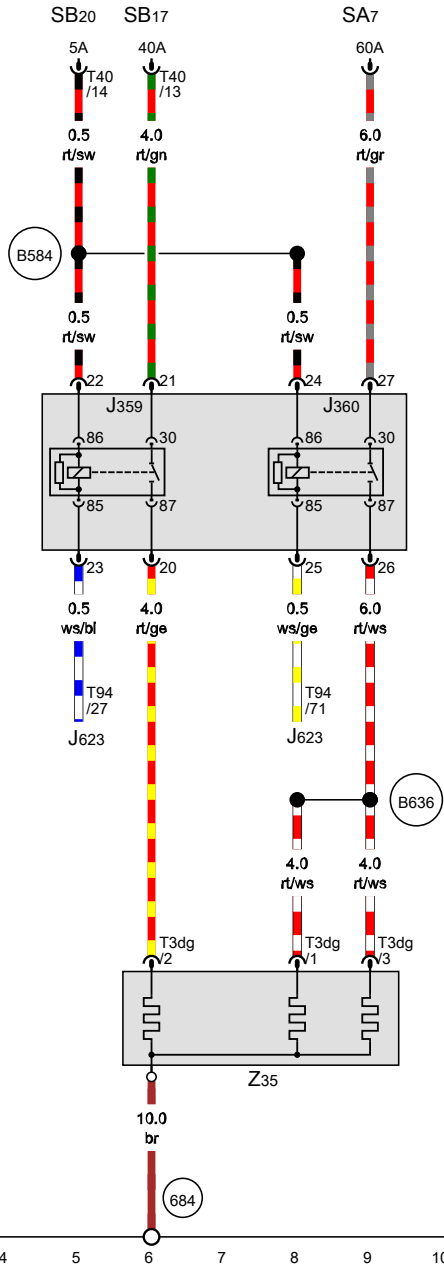
- J623 Engine control unit
- J743 Mechatronic unit for dual clutch gearbox
- N88 Solenoid valve 1
- N89 Solenoid valve 2
- N90 Solenoid valve 3
- N91 Solenoid valve 4
- N92 Solenoid valve 5
- T20m 20-pin connector
- T94 94-pin connector
- D109 Connection 7 in engine compartment wiring harness
- * Only models with diesel engines
- *2 see applicable current flow diagram for engine
- *3 Only models with petrol engine

- ws = white
- sw = black
- ro = red
- br = brown
- gn = green
- bl = blue
- gr = grey
- li = purple
- ge = yellow
- or = orange
- rs = pink

Auxiliary air heater (PTC)

From November 2010

Low heat output relay, High heat output relay, Auxiliary air heater element



- J359 Low heat output relay, on additional relay carrier
- J360 High heat output relay, on additional relay carrier
- J623 Engine control unit
- SA7 Fuse 7 in fuse holder A
- SB17 Fuse 17 on fuse holder B
- SB20 Fuse 20 on fuse holder B
- T3dg 3-pin connector
- T40 40-pin connector
- T94 94-pin connector
- Z35 Auxiliary air heater element

- 684 Earth point on front of left side member
- B584 Positive connection 1 (87a), in interior wiring harness
- B636 Connection (supplementary heater), in main wiring harness

- ws = white
- sw = black
- ro = red
- br = brown
- gn = green
- bl = blue
- gr = grey
- li = purple
- ge = yellow
- or = orange
- rs = pink

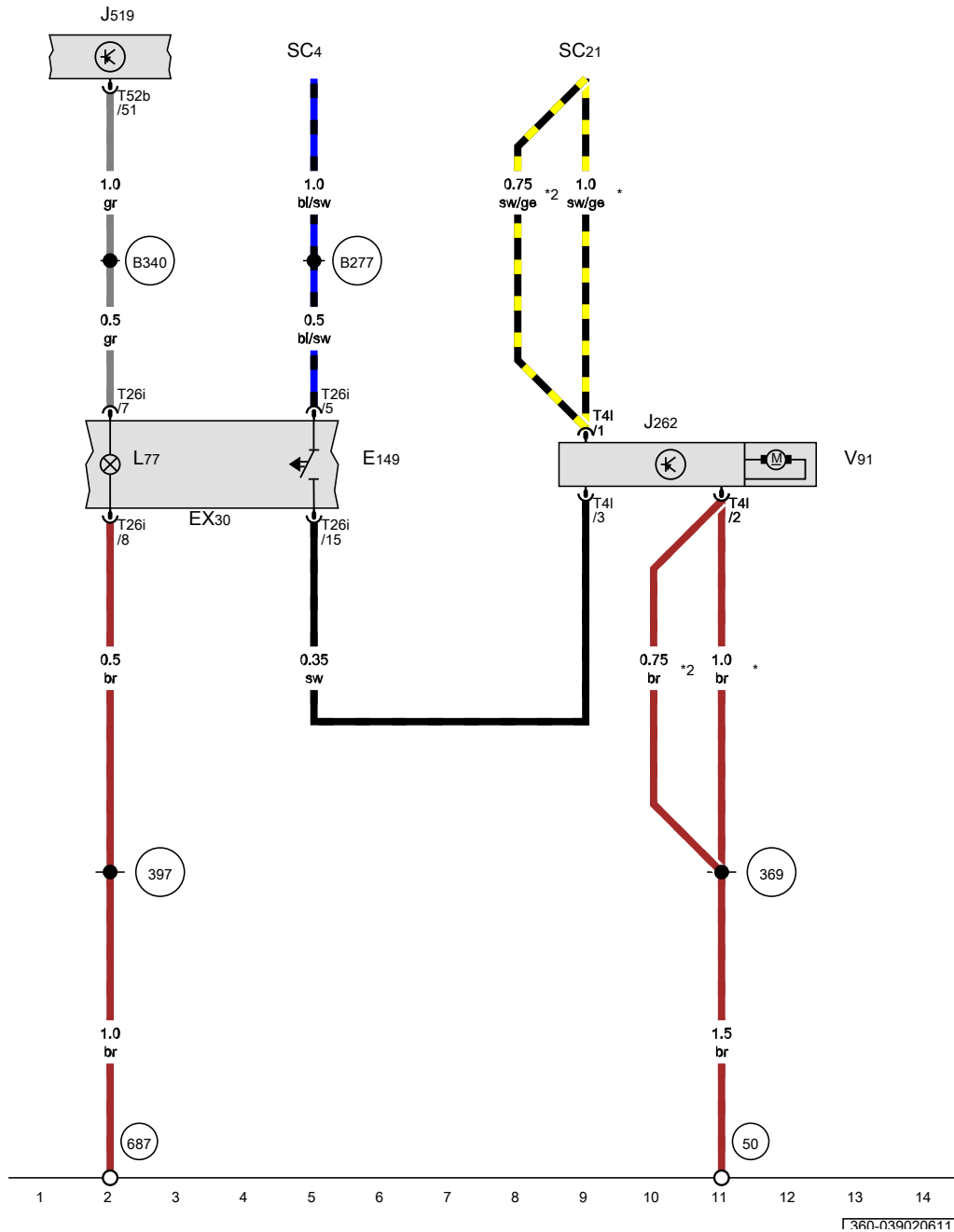
1 2 3 4 5 6 7 8 9 10 11 12 13 14

1360-038020710 1

Rear roller blind

From November 2010

Switch module 2 in centre console, Rear roller blind switch, Rear roller blind control unit, Rear roller blind motor



- EX30 Switch module 2 in centre console
- E149 Rear roller blind switch
- J262 Rear roller blind control unit
- J519 Onboard supply control unit
- L77 Rear roller blind switch illumination bulb
- SC4 Fuse 4 on fuse holder C
- SC21 Fuse 21 on fuse holder C
- T41 4-pin connector
- T26i 26-pin connector
- T52b 52-pin connector
- V91 Rear roller blind motor

- 50 Earth point, on left in luggage compartment
- 369 Earth connection 4, in main wiring harness
- 397 Earth connection 32, in main wiring harness
- 687 Earth point 1, on centre tunnel
- B277 Positive connection 1 (15a) in main wiring harness
- B340 Connection 1 (58d), in main wiring harness

* Up to April 2011
 *2 From May 2011

- ws = white
- sw = black
- ro = red
- br = brown
- gn = green
- bl = blue
- gr = grey
- li = purple
- ge = yellow
- or = orange
- rs = pink

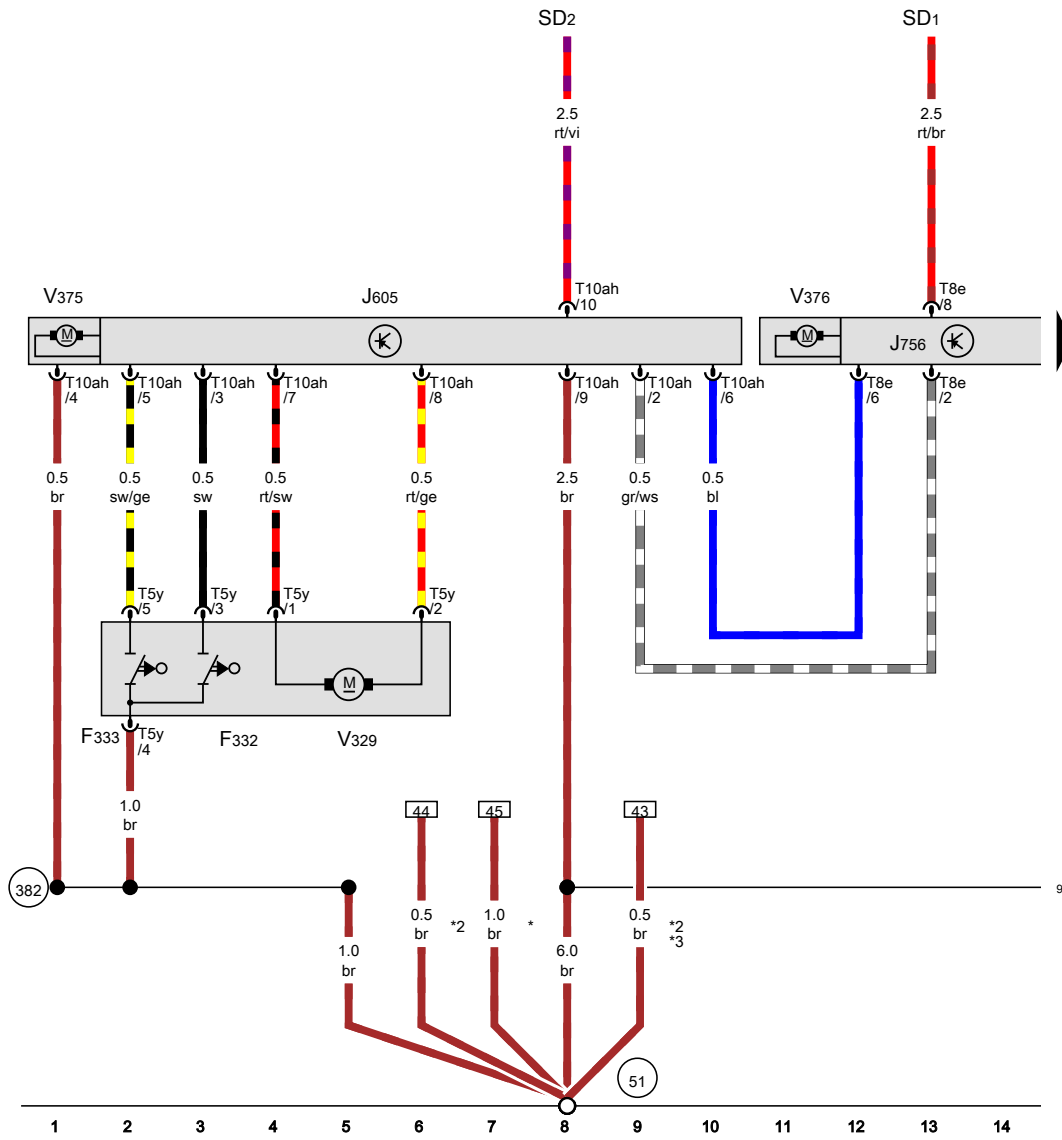
360-039020611

Electrically operated rear lid

From November 2010

Power latching system limit switch, luggage compartment unlocked, Power latching system limit switch, luggage compartment locked, Rear lid control unit, Rear lid control unit 2, Power latching motor, Motor in rear lid control unit, Motor in rear lid control unit 2

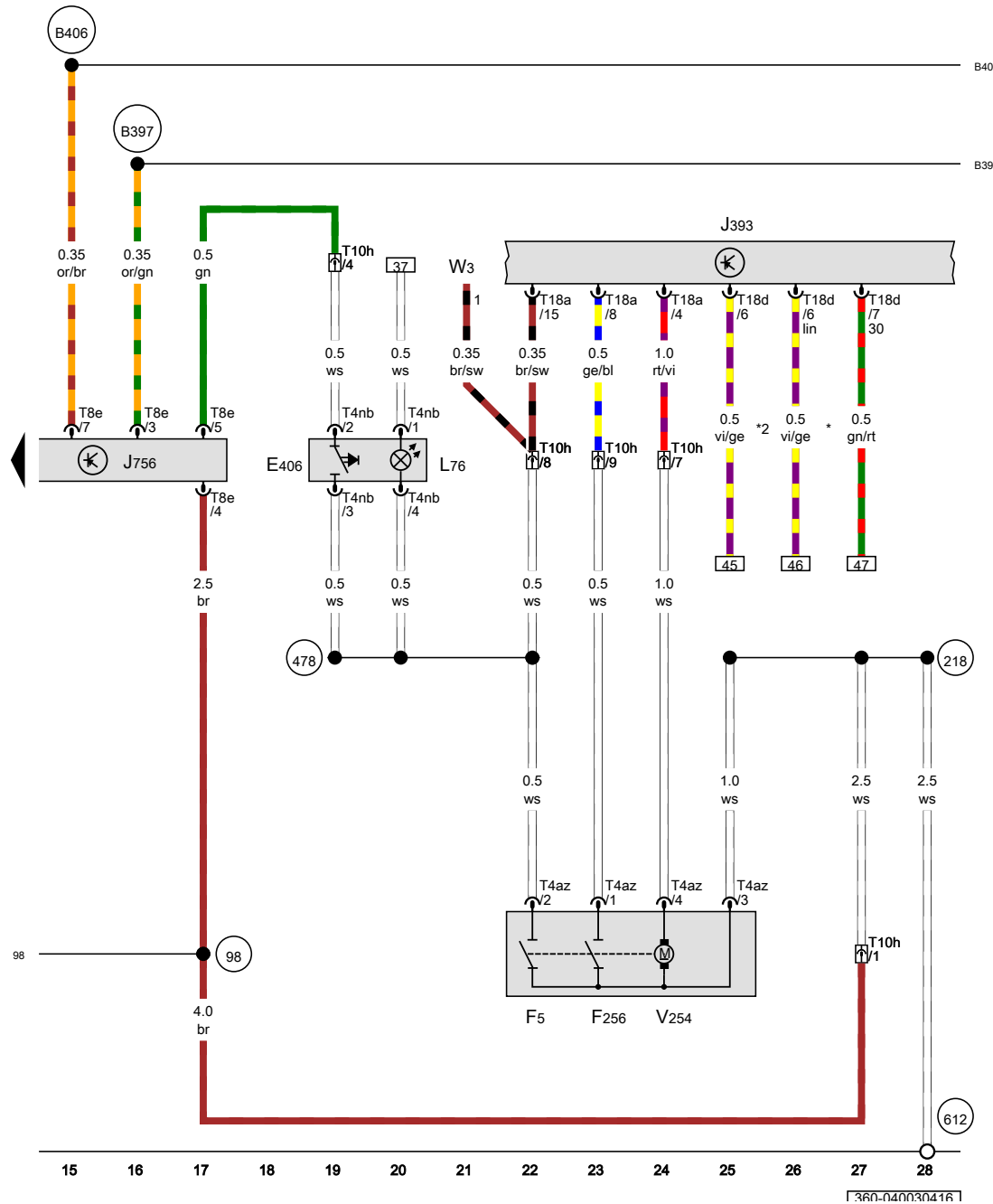
- F332 Power latching system limit switch, luggage compartment unlocked
- F333 Power latching system limit switch, luggage compartment locked
- J605 Rear lid control unit, on rear left roof frame
- J756 Rear lid control unit 2, on rear right roof frame
- SD1 Fuse 1 on fuse holder D
- SD2 Fuse 2 on fuse holder D
- T5y 5-pin connector
- T8e 8-pin connector
- T10ah 10-pin connector
- V329 Power latching motor
- V375 Motor in rear lid control unit
- V376 Motor in rear lid control unit 2



- 51 Earth point, on right in luggage compartment
- 98 Earth connection, in rear lid wiring harness
- 382 Earth connection 17, in main wiring harness
- * Estate
- *2 Saloon
- *3 Only models with parking aid (PDC)

- ws = white
- sw = black
- ro = red
- rt = red
- br = brown
- gn = green
- bl = blue
- gr = grey
- li = purple
- vi = purple
- ge = yellow
- or = orange
- rs = pink

1360-040020416



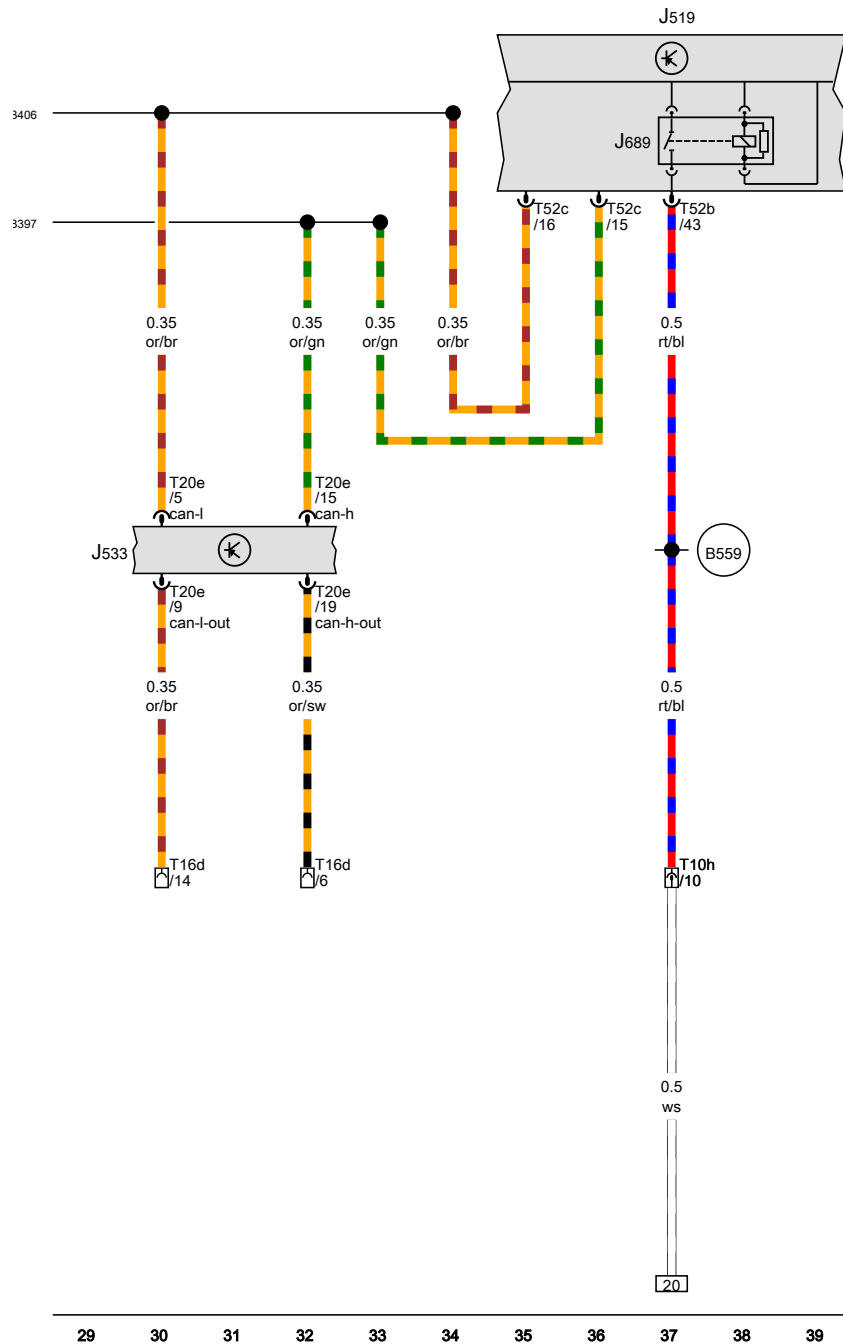
Button to close rear lid in luggage compartment, Luggage compartment light switch, Rear lid lock unit, Convenience system central control unit, Rear lid control unit 2, Rear lid electric opener motor

- E406 Button to close rear lid in luggage compartment
- F5 Luggage compartment light switch
- F256 Rear lid lock unit
- J393 Convenience system central control unit
- J756 Rear lid control unit 2, on rear right roof frame
- L76 Button illumination bulb
- T4az 4-pin connector
- T4nb 4-pin connector
- T8e 8-pin connector
- T10h 10-pin connector, in rear right side panel
- T18a 18-pin connector
- T18d 18-pin connector, black
- V254 Rear lid electric opener motor
- W3 Luggage compartment light

- 98 Earth connection, in rear lid wiring harness
- 218 Earth connection 1, in rear lid wiring harness
- 478 Earth connection 3, in rear lid wiring harness
- 612 Earth point, centre on rear lid
- B397 Connection 1 (convenience CAN bus, high), in main wiring harness
- B406 Connection 1 (convenience CAN bus, low), in main wiring harness
- * Estate
- *2 Saloon

- ws = white
- sw = black
- ro = red
- rt = red
- br = brown
- gn = green
- bl = blue
- gr = grey
- li = purple
- vi = purple
- ge = yellow
- or = orange
- rs = pink

1360-040030416 1



Onboard supply control unit, Data bus diagnostic interface, Terminal 30 voltage supply relay 2

- J519 Onboard supply control unit
- J533 Data bus diagnostic interface
- J689 Terminal 30 voltage supply relay 2
- T10h 10-pin connector, in rear right side panel
- T16d 16-pin connector, on diagnostic connection
- T20e 20-pin connector
- T52b 52-pin connector
- T52c 52-pin connector

- (B397) Connection 1 (convenience CAN bus, high), in main wiring harness
- (B406) Connection 1 (convenience CAN bus, low), in main wiring harness
- (B559) Positive connection 1 (30g), in main wiring harness

- ws = white
- sw = black
- ro = red
- rt = red
- br = brown
- gn = green
- bl = blue
- gr = grey
- li = purple
- vi = purple
- ge = yellow
- or = orange
- rs = pink

360-040040416

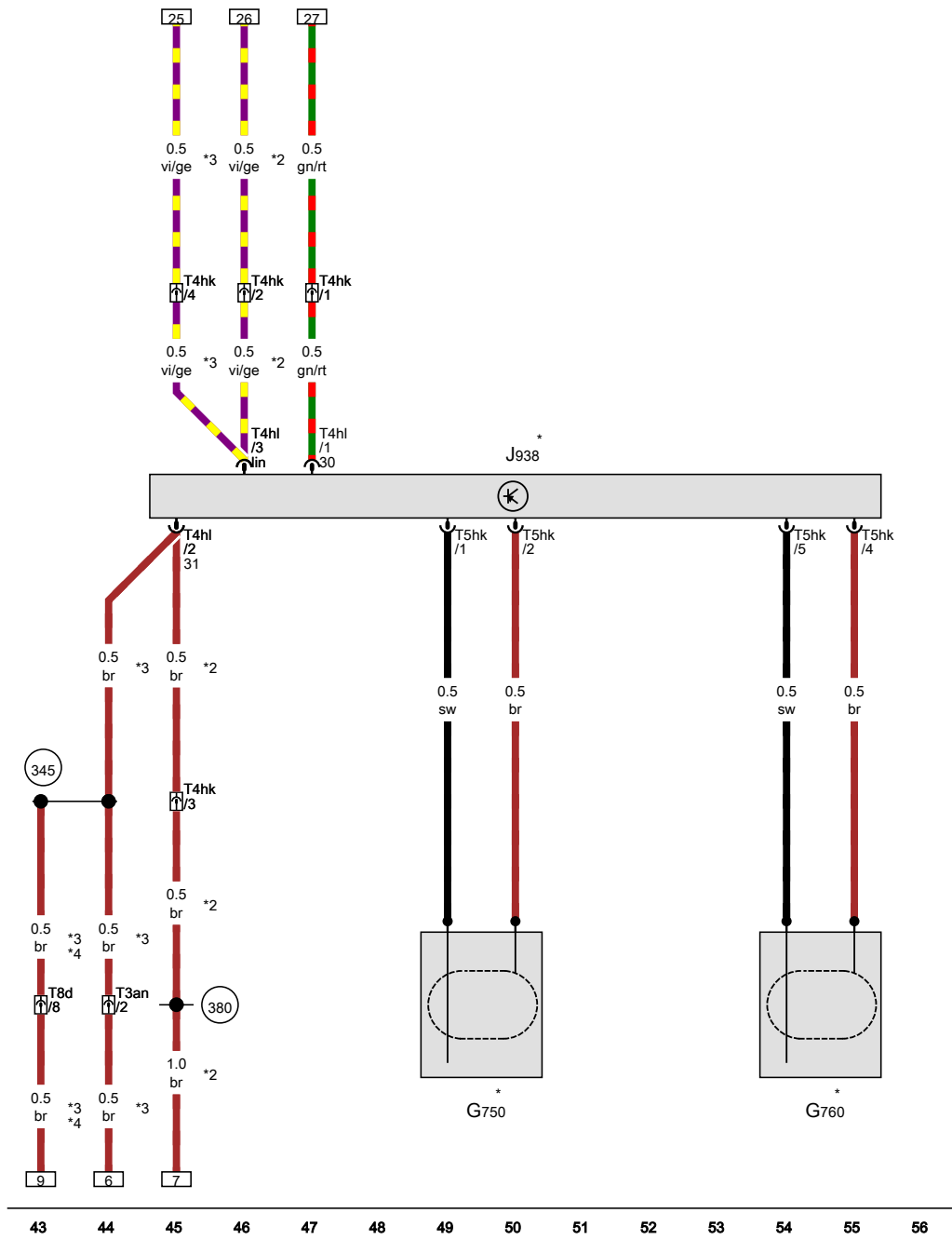
Rear lid power opening sender, Rear lid power opening sender 2, Rear lid power opening control unit

- G750 Rear lid power opening sender, in rear bumper
- G760 Rear lid power opening sender 2, in rear bumper
- J938 Rear lid power opening control unit, behind rear bumper on right
- T3an 3-pin connector
- T4hk 4-pin connector
- T4hl 4-pin connector
- T5hk 5-pin connector
- T8d 8-pin connector

345 Earth connection, in bumper wiring harness

380 Earth connection 15, in main wiring harness

- * According to equipment
- *2 Estate
- *3 Saloon
- *4 Only models with parking aid (PDC)



- ws = white
- sw = black
- ro = red
- rt = red
- br = brown
- gn = green
- bl = blue
- gr = grey
- li = purple
- vi = purple
- ge = yellow
- or = orange
- rs = pink

360-040050416

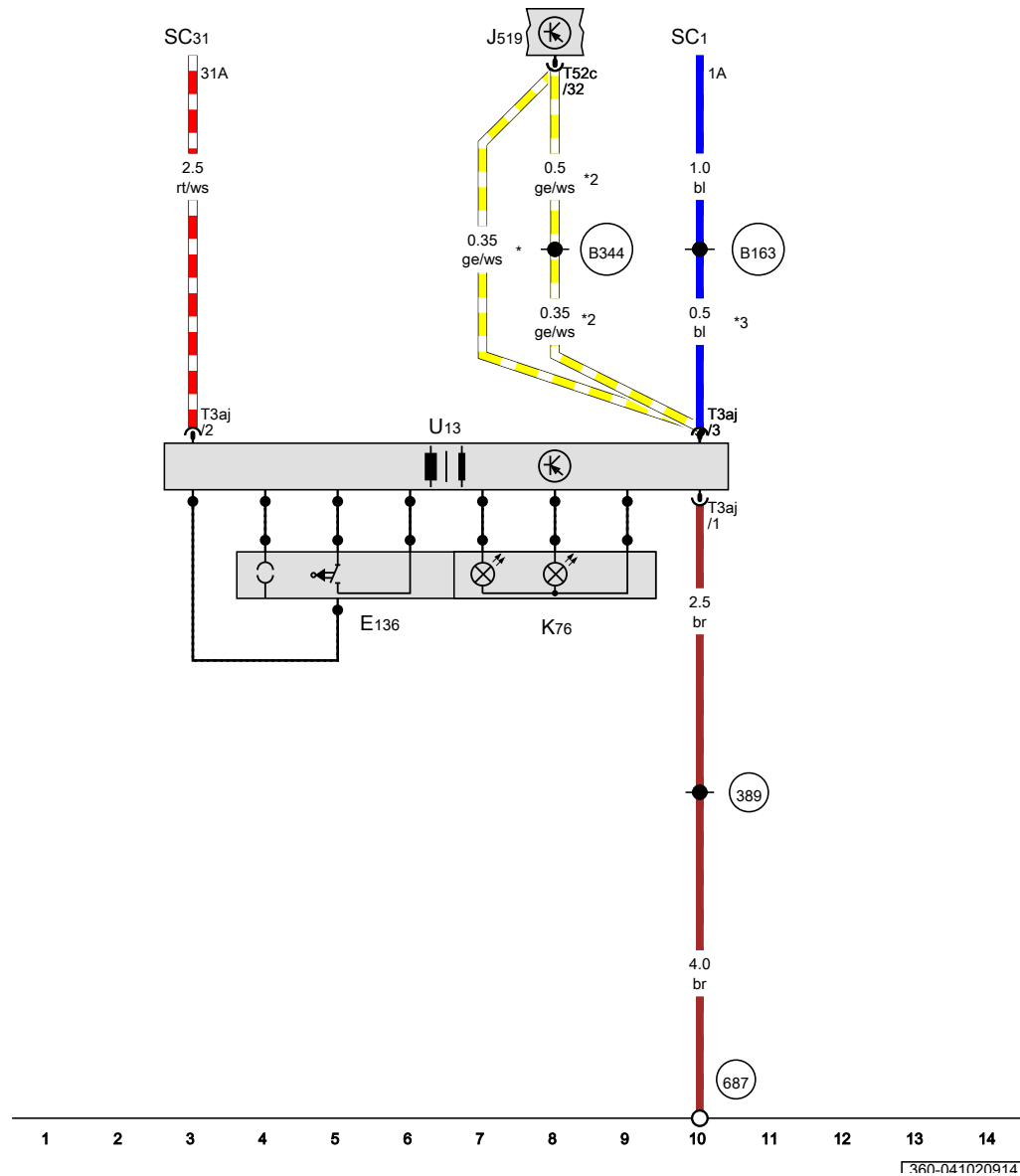
DC/AC converter with socket

From November 2010

DC/AC converter switch, Electric socket warning lamp, DC/AC converter with socket, 12 V - 230 V

- E136 DC/AC converter switch
- J519 Onboard supply control unit
- K76 Electric socket warning lamp
- SC1 Fuse 1 on fuse holder C
- SC31 Fuse 31 on fuse holder C
- T3aj 3-pin connector
- T52c 52-pin connector
- U13 DC/AC converter with socket, 12 V - 230 V

- (389) Earth connection 24, in main wiring harness
- (687) Earth point 1, on centre tunnel
- (B163) Positive connection 1 (15), in interior wiring harness
- (B344) Connection 1 (61), in main wiring harness
- * Only models with energy recovery
- *2 Only models with no start/stop system
- *3 Only models with start/stop system



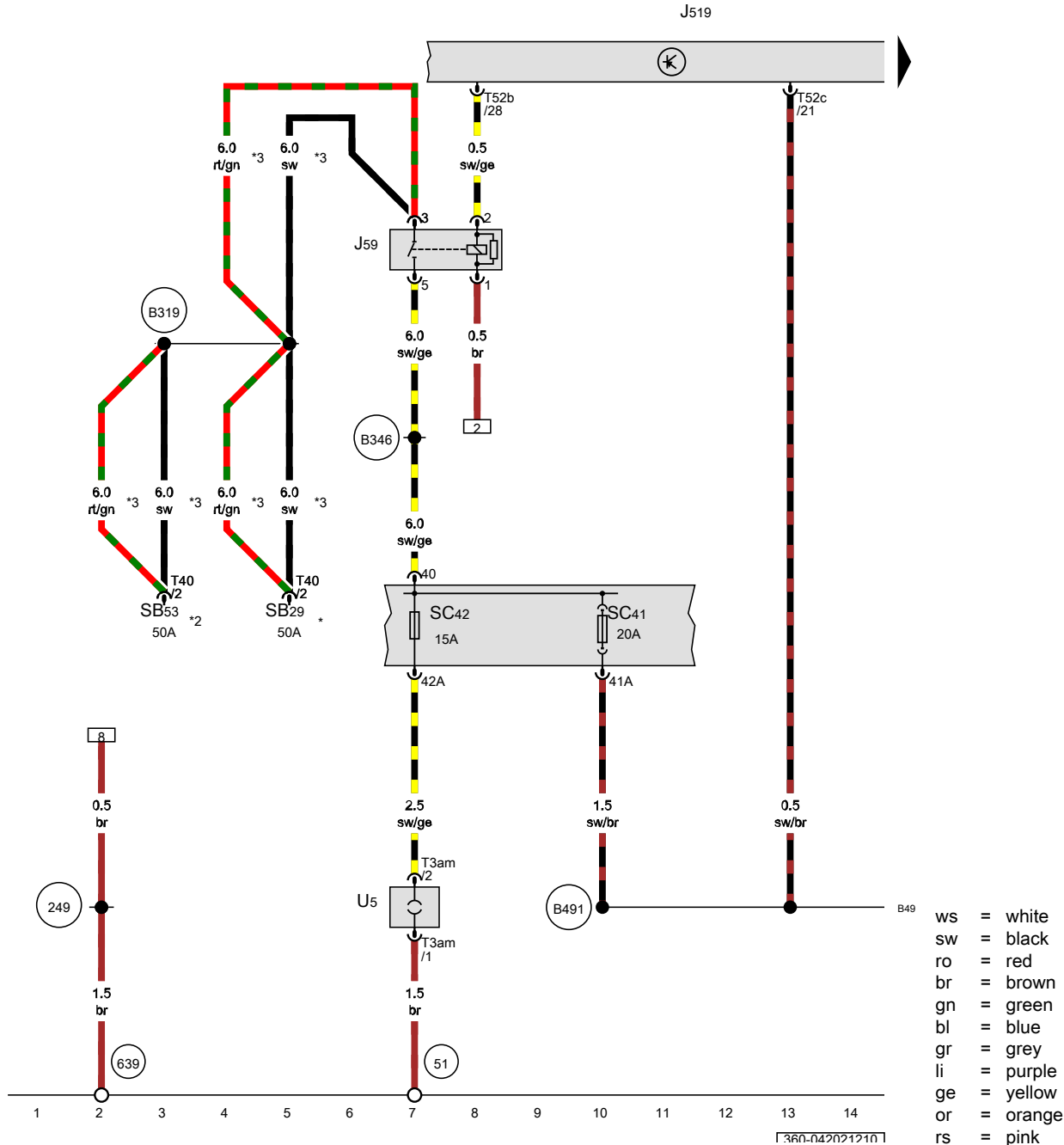
- ws = white
- sw = black
- ro = red
- rt = red
- br = brown
- gn = green
- bl = blue
- gr = grey
- li = purple
- vi = purple
- ge = yellow
- or = orange
- rs = pink

1360-041020914

Cigarette lighter and 12 V sockets

From November 2010

X-contact relief relay, Onboard supply control unit, Fuse 41 on fuse holder C, 12 V socket



- J59 X-contact relief relay
- J519 Onboard supply control unit
- SB29 Fuse 29 on fuse holder B
- SC41 Fuse 41 on fuse holder C
- SC42 Fuse 42 on fuse holder C
- SB53 Fuse 53 on fuse holder B
- T3am 3-pin connector
- T40 40-pin connector
- T52b 52-pin connector
- T52c 52-pin connector
- U5 12 V socket, in luggage compartment

51 Earth point, on right in luggage compartment

249 Earth connection 2, in interior wiring harness

639 Earth point, left A-pillar

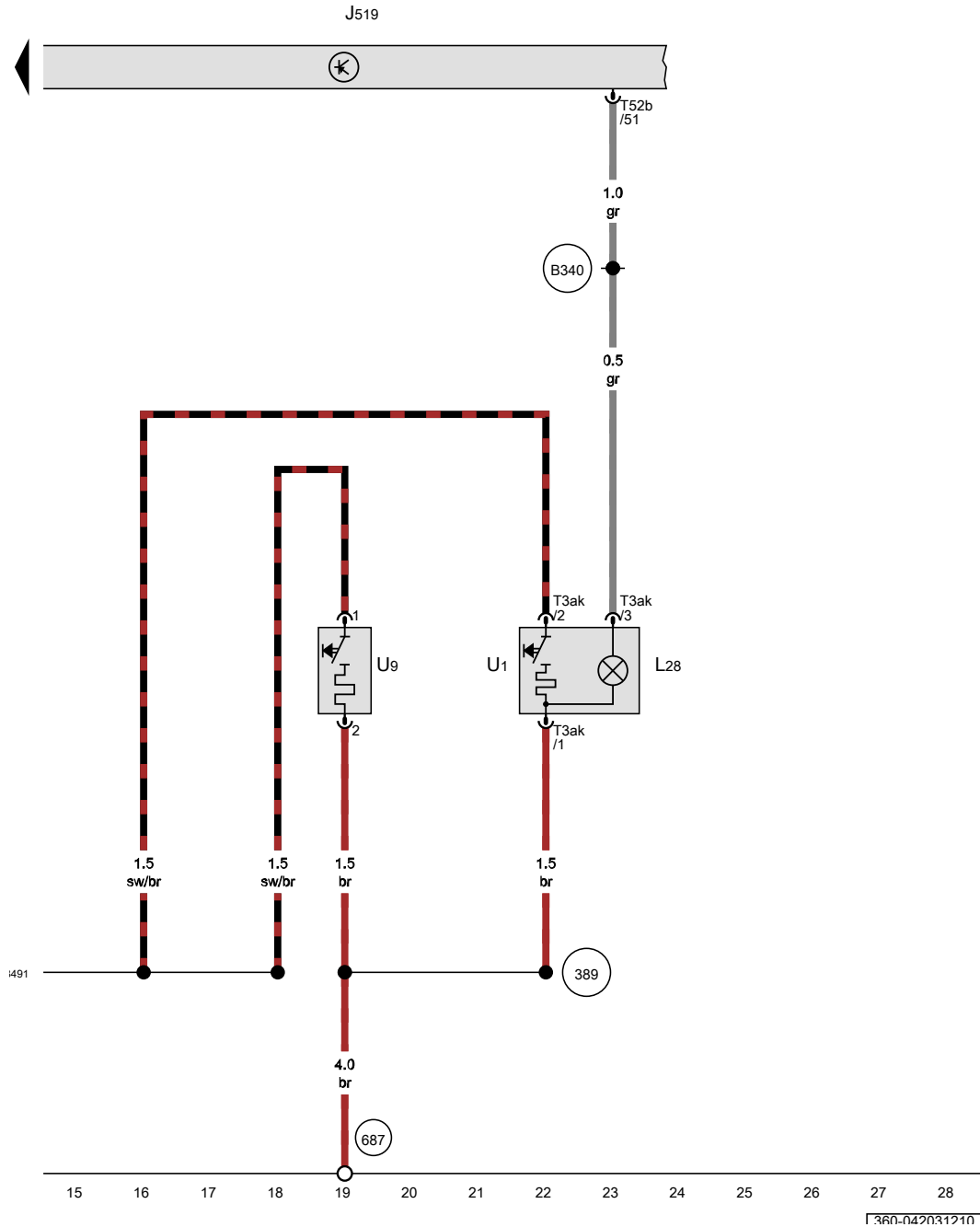
B319 Positive connection 5 (30a) in main wiring harness

B346 Connection 1 (75), in main wiring harness

B491 Positive connection (75), in interior wiring harness

- * Fuses in E-box, Low
- *2 Fuses in E-box, High
- *3 gradual introduction

- ws = white
- sw = black
- ro = red
- br = brown
- gn = green
- bl = blue
- gr = grey
- li = purple
- ge = yellow
- or = orange
- rs = pink



Onboard supply control unit, Cigarette lighter illumination bulb, Cigarette lighter, Rear cigarette lighter

- J519 Onboard supply control unit
- L28 Cigarette lighter illumination bulb
- T3ak 3-pin connector
- T52b 52-pin connector
- U1 Cigarette lighter
- U9 Rear cigarette lighter

- 389 Earth connection 24, in main wiring harness
- 687 Earth point 1, on centre tunnel
- B340 Connection 1 (58d), in main wiring harness
- B491 Positive connection (75), in interior wiring harness

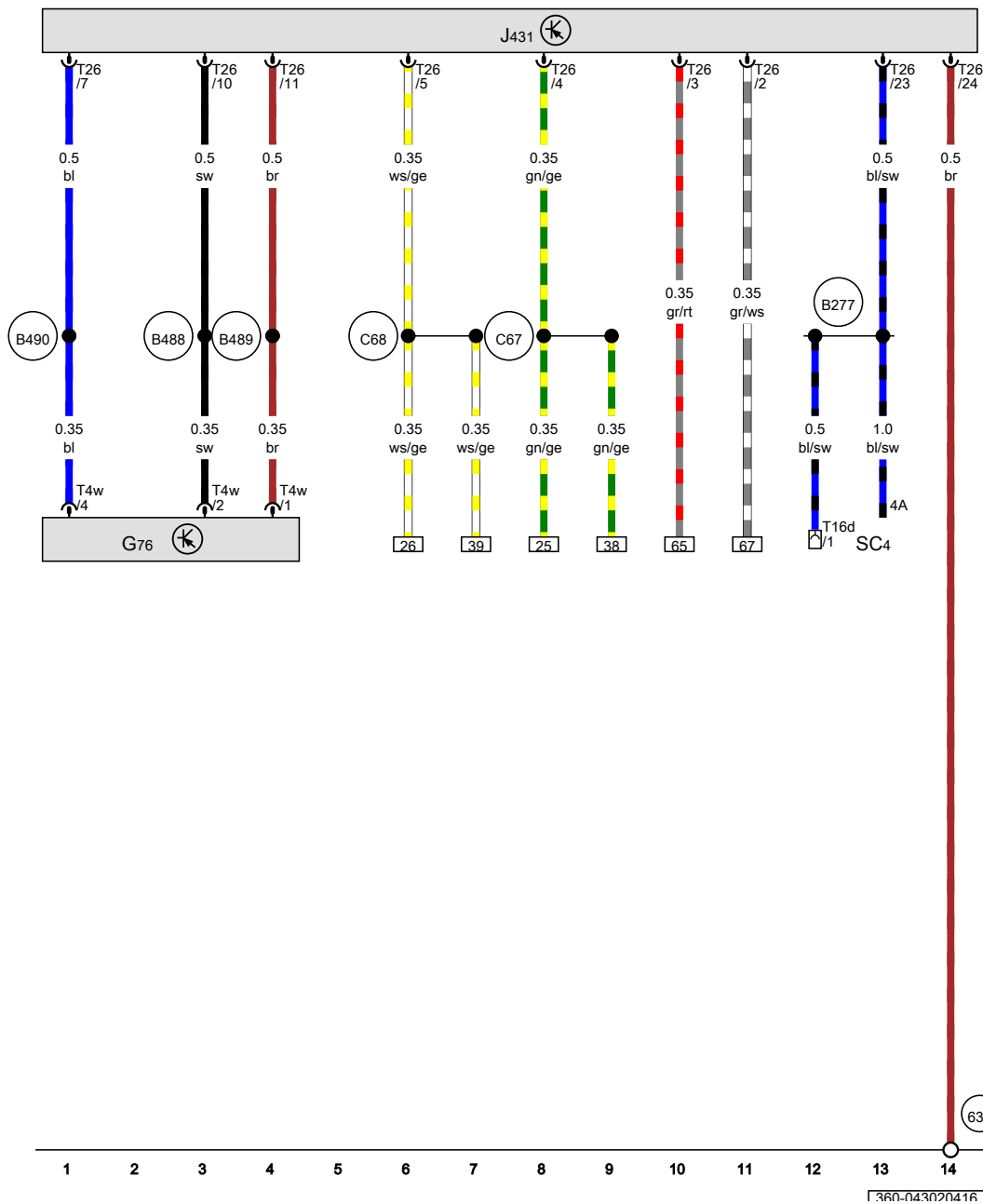
- ws = white
- sw = black
- ro = red
- br = brown
- gn = green
- bl = blue
- gr = grey
- li = purple
- ge = yellow
- or = orange
- rs = pink

1360-042031210 1

Gas discharge headlights (bi-xenon) with automatic headlight range control and cornering light

From November 2010

Rear left vehicle level sender, Headlight range control unit

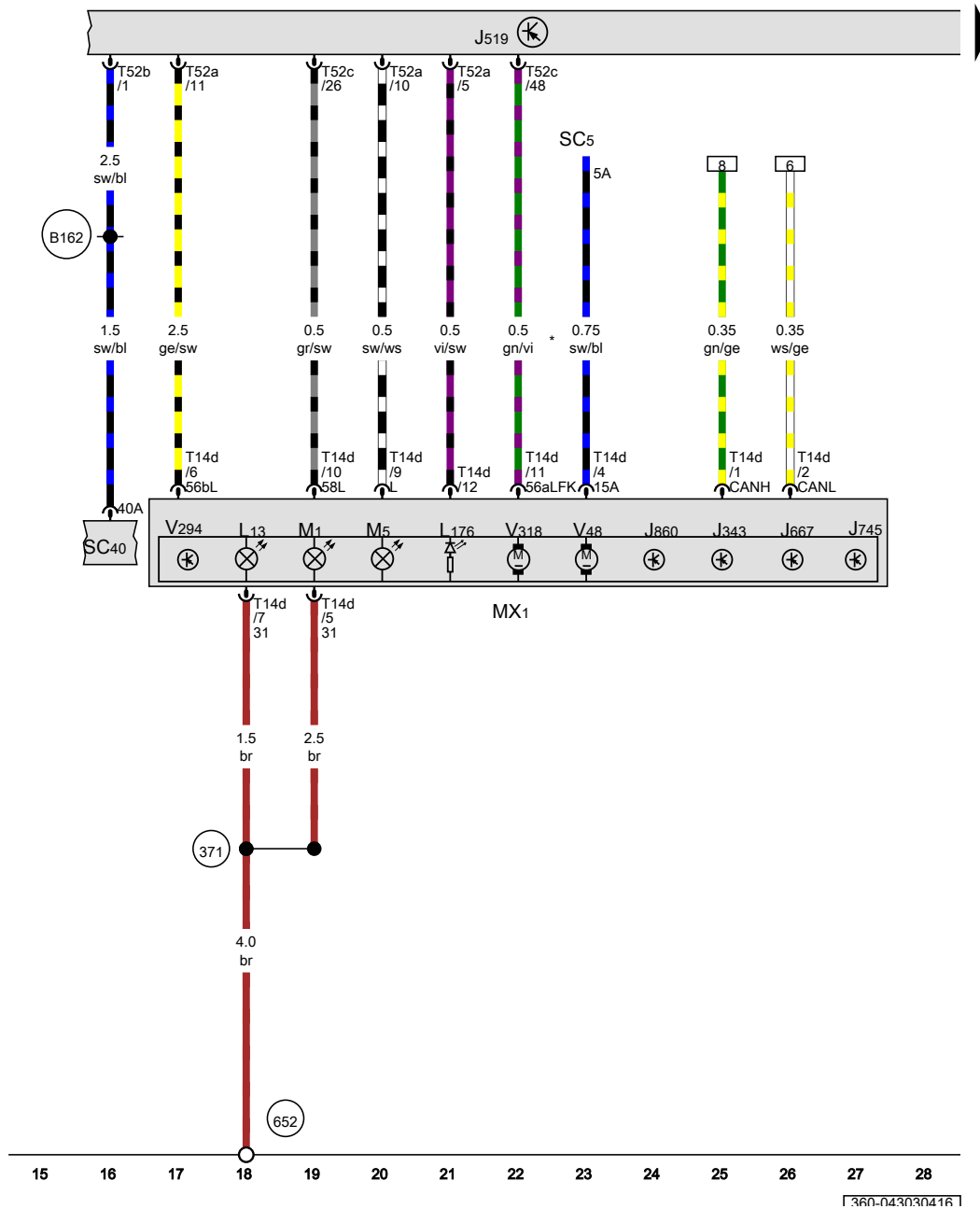


- G76 Rear left vehicle level sender
- J431 Headlight range control unit
- SC4 Fuse 4 on fuse holder C
- T4w 4-pin connector
- T16d 16-pin connector, on diagnostic connection
- T26 26-pin connector

- (B38) Earth point, on right A-pillar
- (B277) Positive connection 1 (15a) in main wiring harness
- (B488) Connection 24, in main wiring harness
- (B489) Connection 25, in main wiring harness
- (B490) Connection 26, in main wiring harness
- (C67) Connection (CAN bus, high), in headlight wiring harness
- (C68) Connection (CAN bus, low), in headlight wiring harness

1360-043020416 1

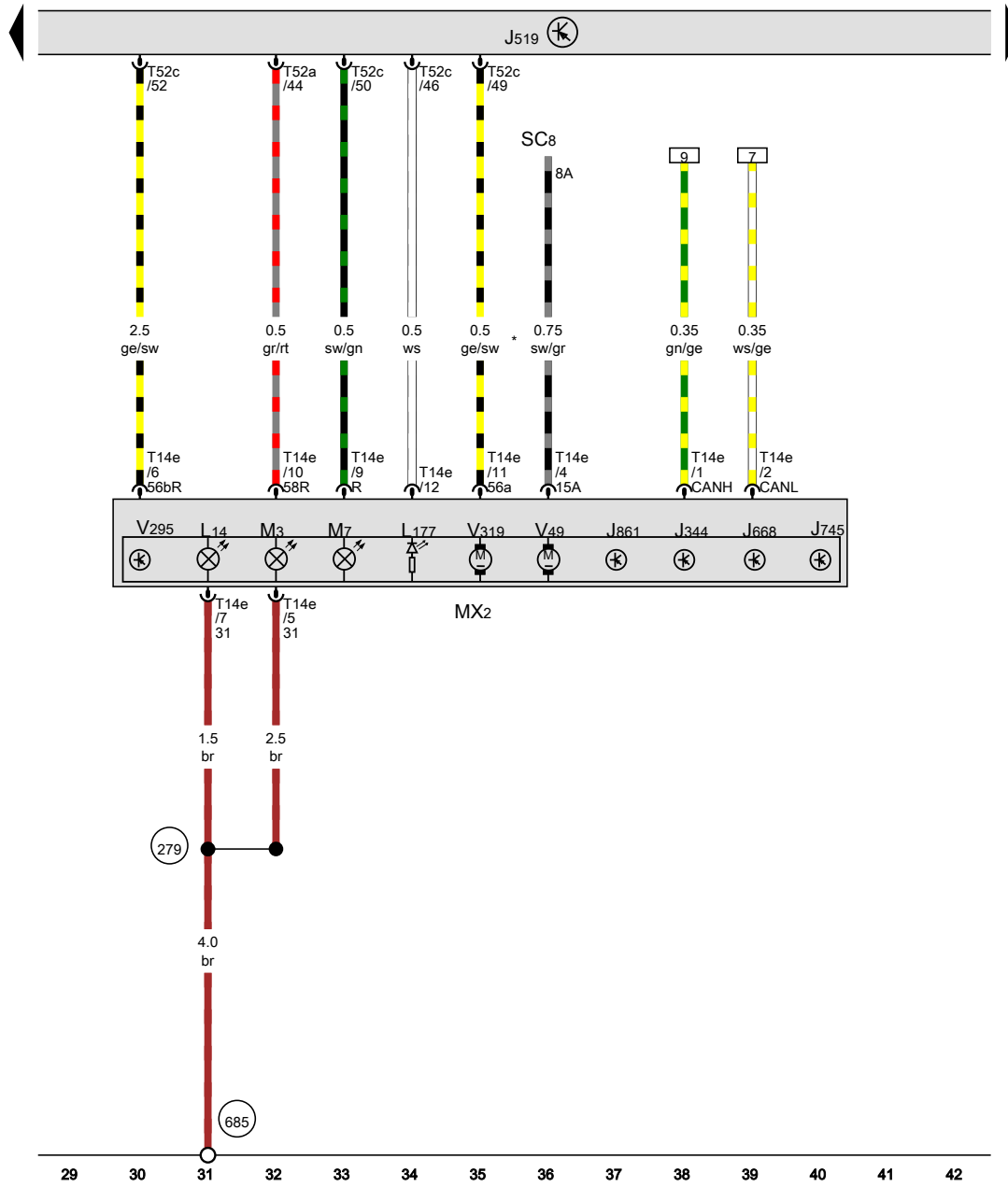
Left gas discharge bulb control unit, Onboard supply control unit, Output module for left headlight, Control unit for cornering light and headlight range control, Control unit for left daytime running light and side light, Front left headlight



- J343 Left gas discharge bulb control unit
- J519 Onboard supply control unit
- J667 Output module for left headlight
- J745 Control unit for cornering light and headlight range control
- J860 Control unit for left daytime running light and side light
- L13 Left gas discharge (xenon) bulb
- L176 Left LED module for daytime running light and side light
- MX1 Front left headlight
- M1 Left side light bulb
- M5 Front left turn signal bulb
- SC5 Fuse 5 on fuse holder C
- SC40 Fuse 40 on fuse holder C
- T14d 14-pin connector
- T52a 52-pin connector
- T52b 52-pin connector
- T52c 52-pin connector
- V48 Left headlight range control motor
- V294 Left dip beam screen motor
- V318 Left dynamic cornering light control motor

- 371 Earth connection 6, in main wiring harness
- 652 Earth point, engine and gearbox earth
- B162 Connection (75a), in interior wiring harness
- * Only models with dynamic cornering light

- ws = white
- sw = black
- ro = red
- rt = red
- br = brown
- gn = green
- bl = blue
- gr = grey
- li = purple
- vi = purple
- ge = yellow
- or = orange
- rs = pink



Right gas discharge bulb control unit, Onboard supply control unit, Output module for right headlight, Control unit for cornering light and headlight range control, Control unit for right daytime running light and side light, Front right headlight

- J344 Right gas discharge bulb control unit
- J519 Onboard supply control unit
- J668 Output module for right headlight
- J745 Control unit for cornering light and headlight range control
- J861 Control unit for right daytime running light and side light
- L14 Right gas discharge (xenon) bulb
- L177 Right LED module for daytime running light and side light
- MX2 Front right headlight
- M3 Right side light bulb
- M7 Front right turn signal bulb
- SC8 Fuse 8 on fuse holder C
- T14e 14-pin connector
- T52a 52-pin connector
- T52c 52-pin connector
- V49 Right headlight range control motor
- V295 Right dip beam screen motor
- V319 Right dynamic cornering light control motor

279 Earth connection 5, in interior wiring harness

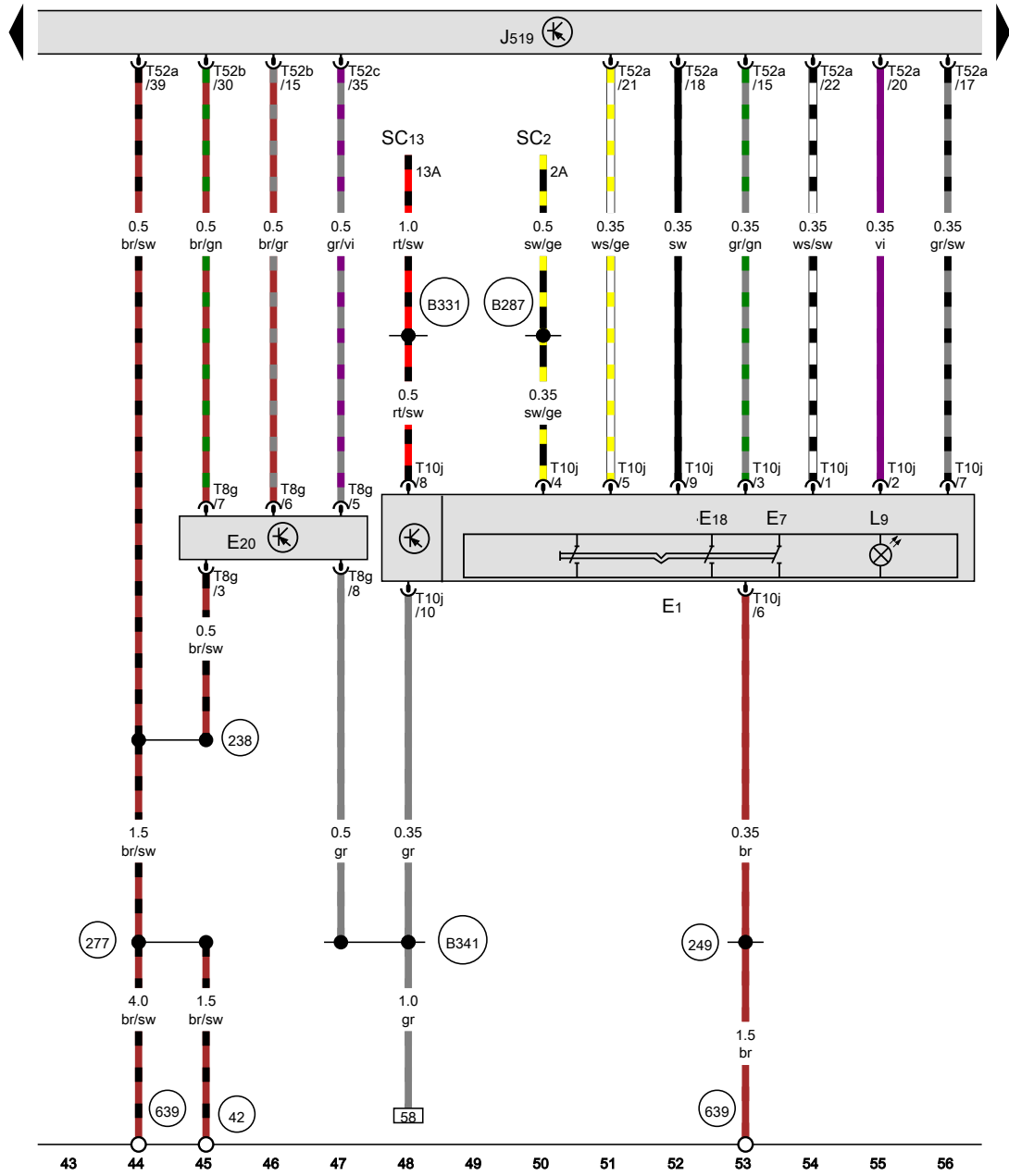
685 Earth point 1 at front of right longitudinal member

* Only models with dynamic cornering light

- ws = white
- sw = black
- ro = red
- rt = red
- br = brown
- gn = green
- bl = blue
- gr = grey
- li = purple
- vi = purple
- ge = yellow
- or = orange
- rs = pink

1360-043040416

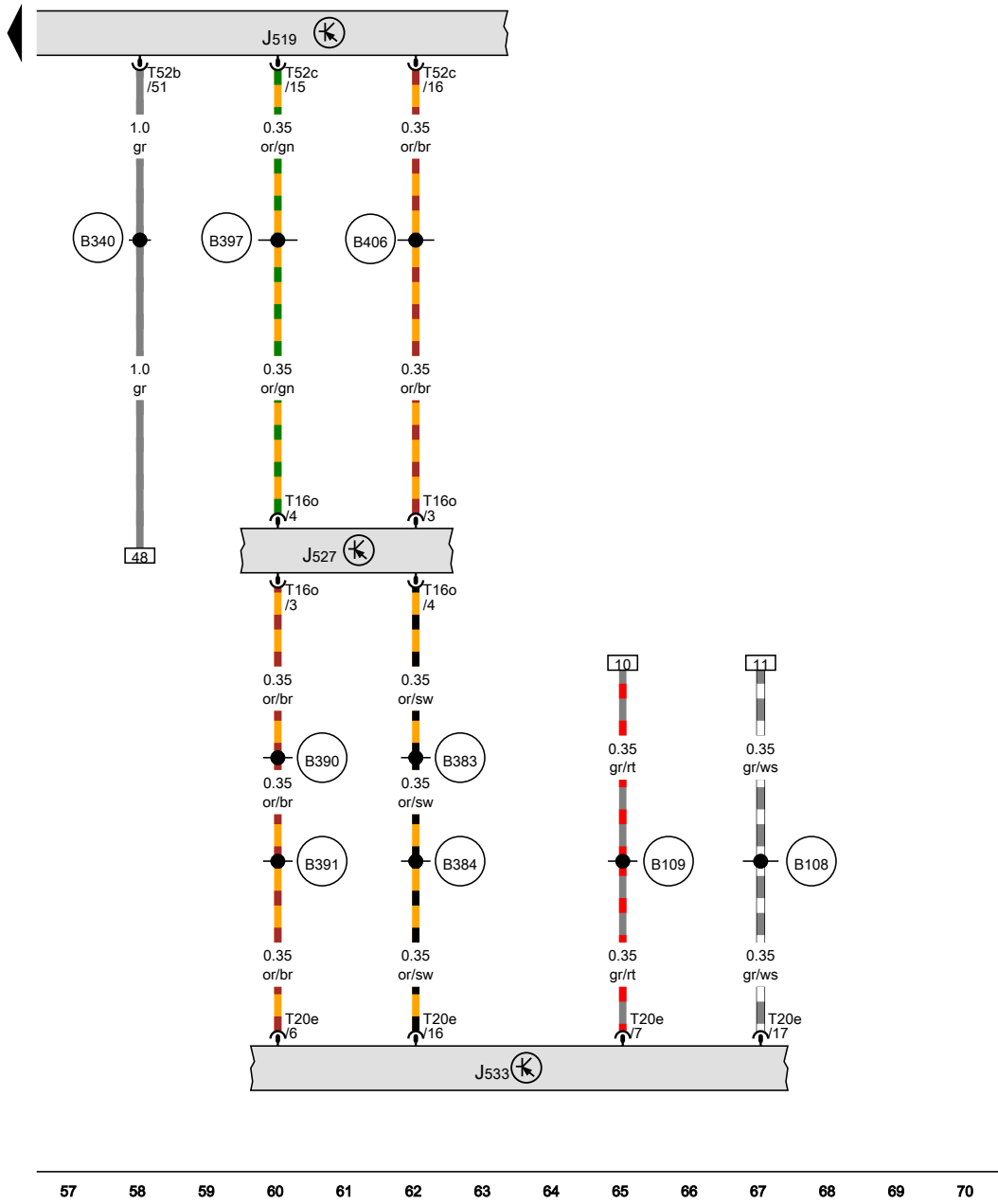
Light switch, Switch and instrument illumination regulator, Onboard supply control unit



- E1 Light switch
- E7 Fog light switch
- E18 Rear fog light switch
- E20 Switch and instrument illumination regulator
- J519 Onboard supply control unit
- L9 Light switch illumination bulb
- SC2 Fuse 2 on fuse holder C
- SC13 Fuse 13 on fuse holder C
- T8g 8-pin connector
- T10j 10-pin connector
- T52a 52-pin connector
- T52b 52-pin connector
- T52c 52-pin connector
- 42 Earth point, next to steering column
- 238 Earth connection 1, in interior wiring harness
- 249 Earth connection 2, in interior wiring harness
- 277 Earth connection 3, in interior wiring harness
- 639 Earth point, left A-pillar
- B287 Positive connection 11 (15a) in main wiring harness
- B331 Positive connection 17 (30a) in main wiring harness
- B341 Connection 2 (58d), in main wiring harness

- ws = white
- sw = black
- ro = red
- rt = red
- br = brown
- gn = green
- bl = blue
- gr = grey
- li = purple
- vi = purple
- ge = yellow
- or = orange
- rs = pink

1360-043050416



Onboard supply control unit, Steering column electronics control unit, Data bus diagnostic interface

- J519 Onboard supply control unit
- J527 Steering column electronics control unit
- J533 Data bus diagnostic interface
- T16o 16-pin connector
- T20e 20-pin connector
- T52b 52-pin connector
- T52c 52-pin connector

- B108 Connection 1 (CAN bus extended high), in main wiring harness
- B109 Connection 1 (CAN bus extended low), in main wiring harness
- B340 Connection 1 (58d), in main wiring harness
- B383 Connection 1 (powertrain CAN bus, high), in main wiring harness
- B384 Connection 2 (powertrain CAN bus, high), in main wiring harness
- B390 Connection 1 (powertrain CAN bus, low), in main wiring harness
- B391 Connection 2 (powertrain CAN bus, low), in main wiring harness
- B397 Connection 1 (convenience CAN bus, high), in main wiring harness
- B406 Connection 1 (convenience CAN bus, low), in main wiring harness

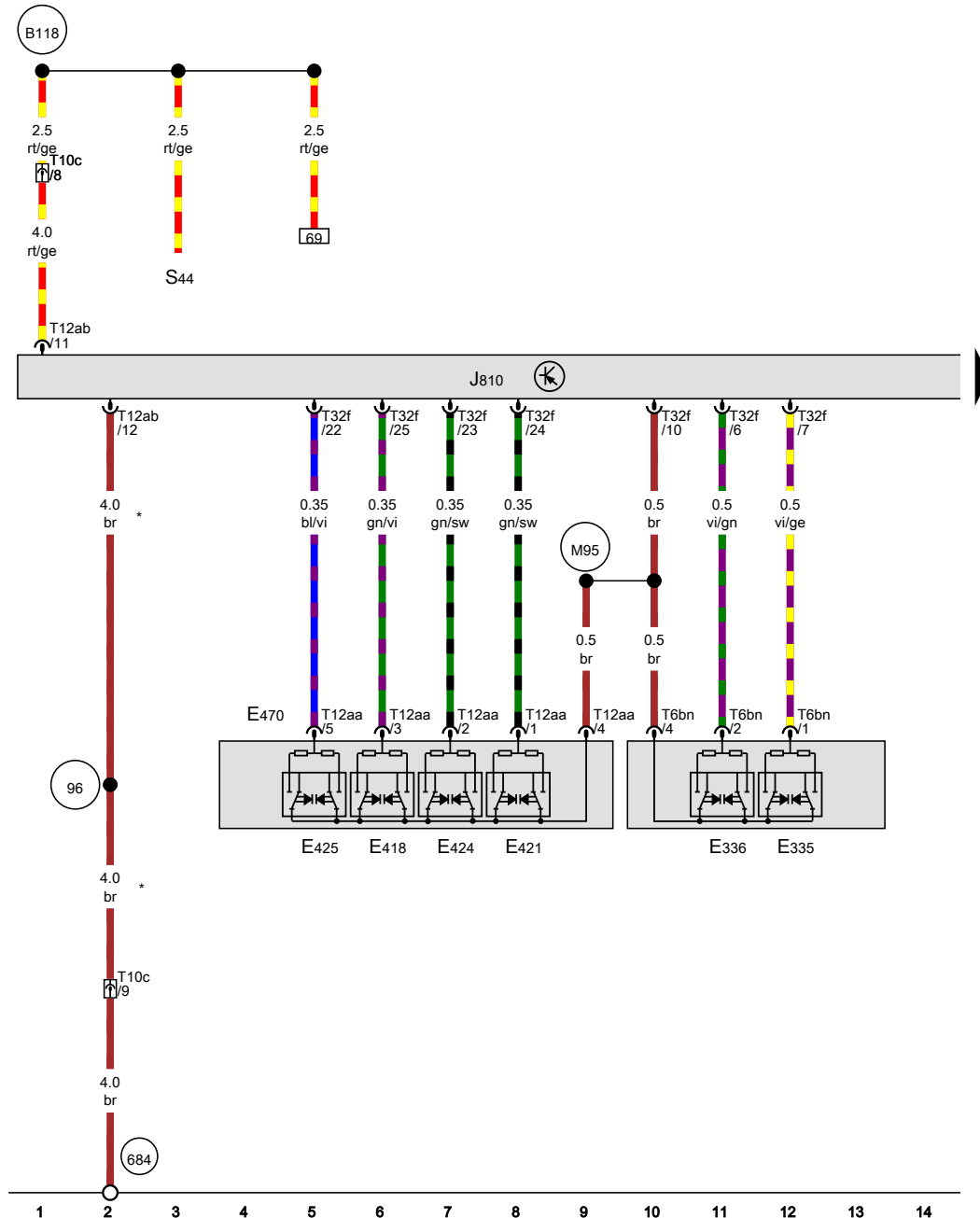
- ws = white
- sw = black
- ro = red
- rt = red
- br = brown
- gn = green
- bl = blue
- gr = grey
- li = purple
- vi = purple
- ge = yellow
- or = orange
- rs = pink

57 58 59 60 61 62 63 64 65 66 67 68 69 70

1360-043060416

Electric seat adjustment with memory function , (3L6),(8I1)

From November 2010



Lumbar support height adjustment button, Lumbar support longitudinal adjustment button, Driver seat adjustment operating unit, Driver seat adjustment control unit, Driver seat adjustment thermal fuse 1

- E335 Lumbar support height adjustment button
- E336 Lumbar support longitudinal adjustment button
- E418 Seat longitudinal adjustment button
- E421 Rake adjustment button
- E424 Seat height adjustment button
- E425 Backrest adjustment button
- E470 Driver seat adjustment operating unit
- J810 Driver seat adjustment control unit
- S44 Driver seat adjustment thermal fuse 1
- T6bn 6-pin connector
- T10c 10-pin connector
- T12aa 12-pin connector
- T12ab 12-pin connector
- T32f 32-pin connector

- 96 Earth connection 1, in seat heating wiring harness
- 684 Earth point on front of left side member
- B118 Connection (driver side seat adjustment), in interior wiring harness
- M95 Connection 3, seat adjustment wiring harness

* Cross section depends on equipment

- ws = white
- sw = black
- ro = red
- rt = red
- br = brown
- gn = green
- bl = blue
- gr = grey
- li = purple
- vi = purple
- ge = yellow
- or = orange
- rs = pink

1360-044020715

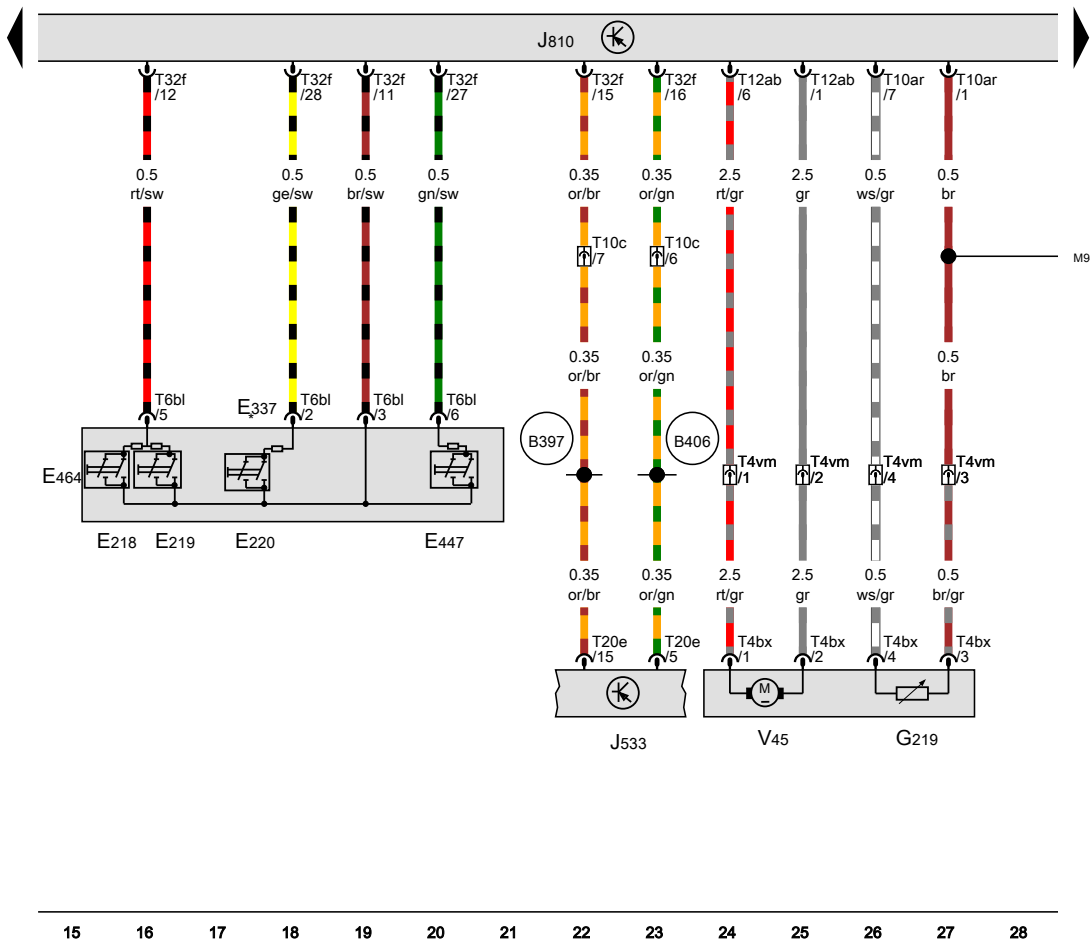
Massage function button, Driver operating unit for memory settings, Backrest adjustment sender for driver seat, Data bus diagnostic interface, Driver seat adjustment control unit, Driver seat backrest adjustment motor

- E218 Seat memory position button 1
- E219 Seat memory position button 2
- E220 Seat memory position button 3
- E337 Massage function button
- E447 Seat position memory button
- E464 Driver operating unit for memory settings
- G219 Backrest adjustment sender for driver seat
- J533 Data bus diagnostic interface
- J810 Driver seat adjustment control unit
- T4bx 4-pin connector
- T4vm 4-pin connector
- T6bl 6-pin connector
- T10ar 10-pin connector
- T10c 10-pin connector
- T12ab 12-pin connector
- T20e 20-pin connector
- T32f 32-pin connector
- V45 Driver seat backrest adjustment motor

- B397 Connection 1 (convenience CAN bus, high), in main wiring harness
- B406 Connection 1 (convenience CAN bus, low), in main wiring harness
- M94 Connection 2, seat adjustment wiring harness

* According to equipment

- ws = white
- sw = black
- ro = red
- rt = red
- br = brown
- gn = green
- bl = blue
- gr = grey
- li = purple
- vi = purple
- ge = yellow
- or = orange
- rs = pink



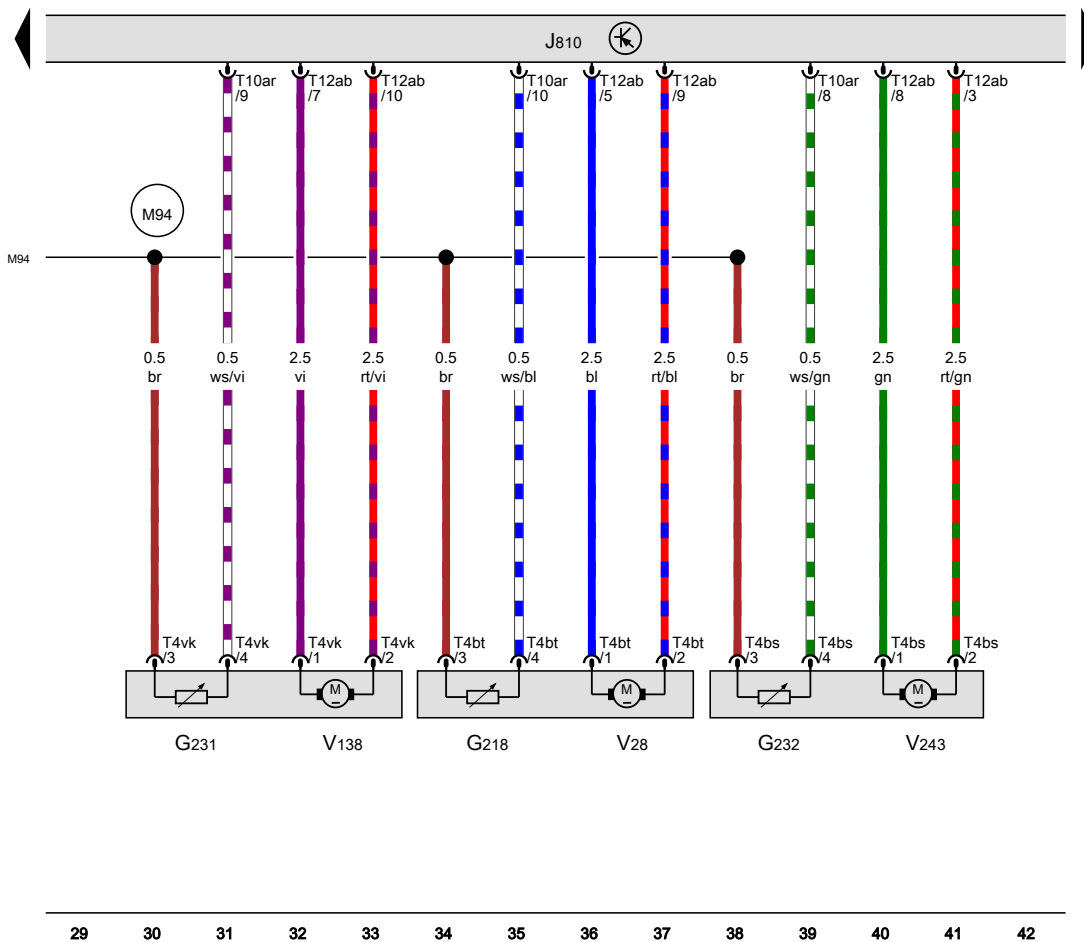
15 16 17 18 19 20 21 22 23 24 25 26 27 28

1360-044030715

Longitudinal adjustment sender for driver seat, Height adjustment sender for driver seat, Rake adjustment sender for driver seat, Driver seat adjustment control unit, Driver seat longitudinal adjustment motor, Driver seat height adjustment motor, Driver seat rake adjustment motor

- G218 Longitudinal adjustment sender for driver seat
- G231 Height adjustment sender for driver seat
- G232 Rake adjustment sender for driver seat
- J810 Driver seat adjustment control unit
- T4bs 4-pin connector
- T4bt 4-pin connector
- T4vk 4-pin connector
- T10ar 10-pin connector
- T12ab 12-pin connector
- V28 Driver seat longitudinal adjustment motor
- V138 Driver seat height adjustment motor
- V243 Driver seat rake adjustment motor

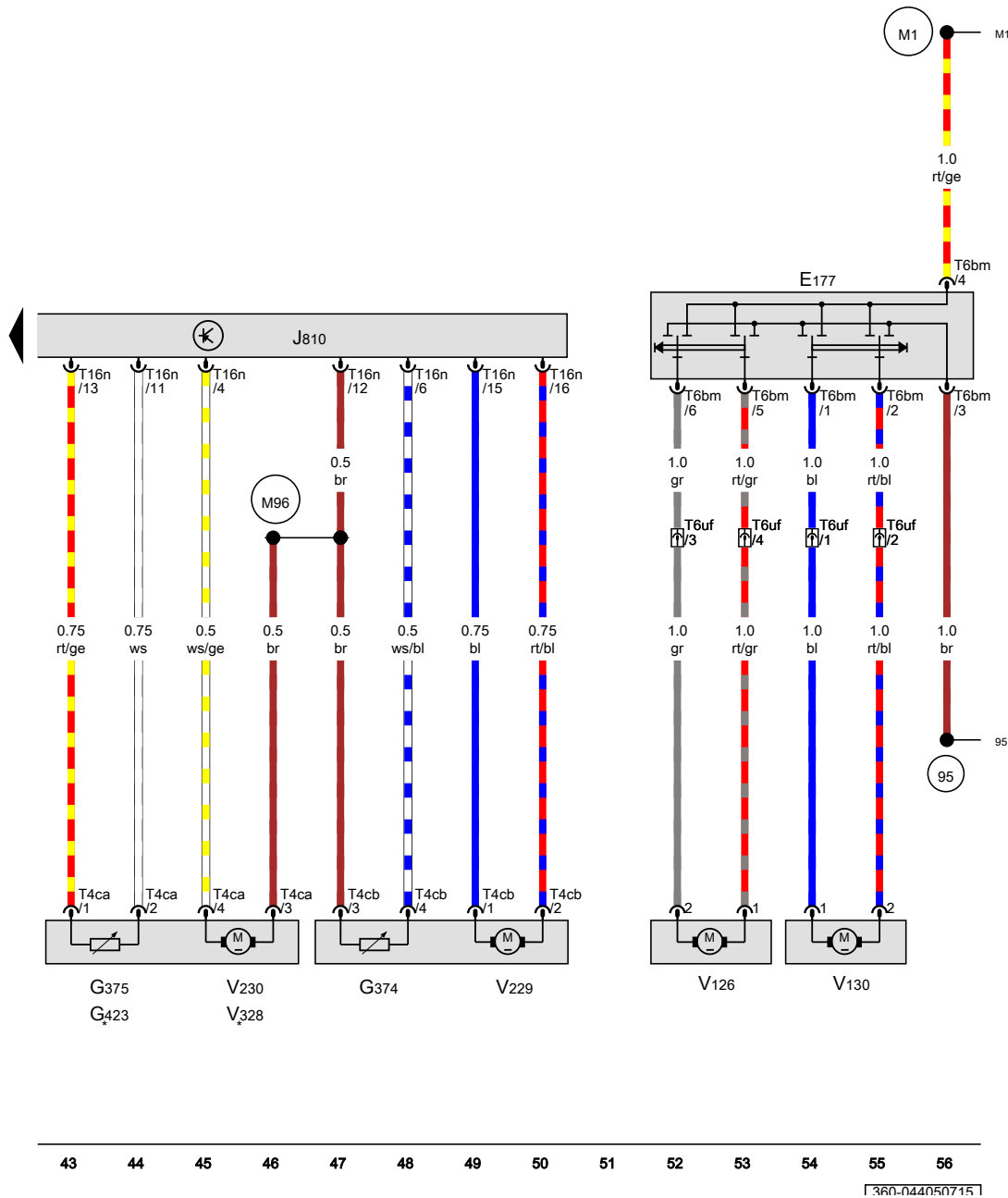
M94 Connection 2, seat adjustment wiring harness



- ws = white
- sw = black
- ro = red
- rt = red
- br = brown
- gn = green
- bl = blue
- gr = grey
- li = purple
- vi = purple
- ge = yellow
- or = orange
- rs = pink

29 30 31 32 33 34 35 36 37 38 39 40 41 42

1360-0440407151



Front passenger seat lumbar support adjustment switch, Lumbar support height adjustment sender, Lumbar support longitudinal adjustment sender, Potentiometer for height adjustment of lumbar support with massage function, Driver seat adjustment control unit, Front passenger seat lumbar support longitudinal adjustment motor, Front passenger seat lumbar support height adjustment motor, Lumbar support height adjustment motor, Lumbar support longitudinal adjustment motor, Lumbar support massage function pump

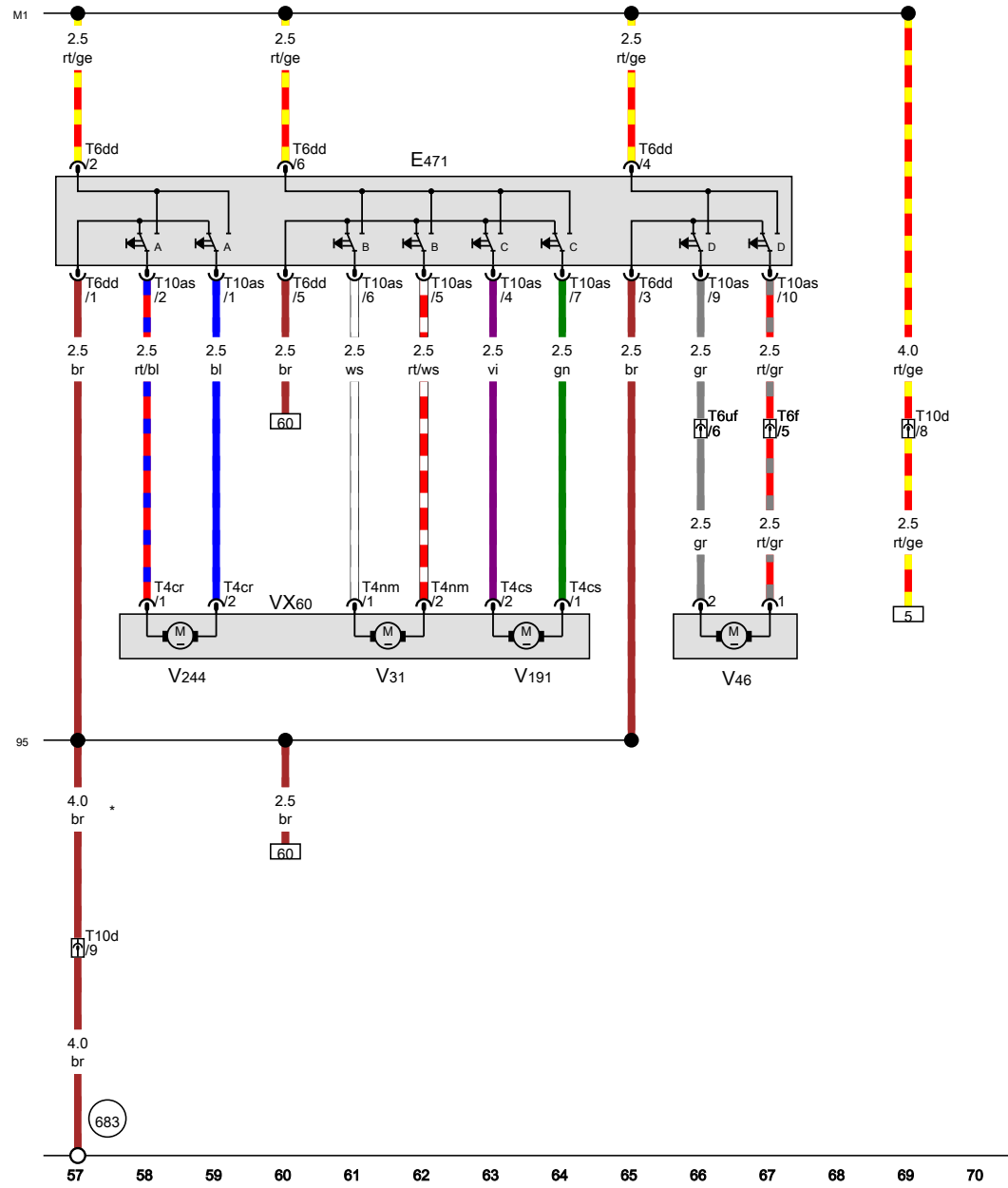
- E177 Front passenger seat lumbar support adjustment switch
- G374 Lumbar support height adjustment sender
- G375 Lumbar support longitudinal adjustment sender
- G423 Potentiometer for height adjustment of lumbar support with massage function
- J810 Driver seat adjustment control unit
- T4ca 4-pin connector
- T4cb 4-pin connector
- T6bm 6-pin connector
- T6uf 6-pin connector
- T16n 16-pin connector
- V126 Front passenger seat lumbar support longitudinal adjustment motor
- V130 Front passenger seat lumbar support height adjustment motor
- V229 Lumbar support height adjustment motor
- V230 Lumbar support longitudinal adjustment motor
- V328 Lumbar support massage function pump

- 95 Earth connection 1, in seat adjustment wiring harness
- M1 Positive connection 1 (30), in seat adjustment wiring harness
- M96 Connection 4, seat adjustment wiring harness

* According to equipment

- ws = white
- sw = black
- ro = red
- rt = red
- br = brown
- gn = green
- bl = blue
- gr = grey
- li = purple
- vi = purple
- ge = yellow
- or = orange
- rs = pink

Front passenger seat adjustment operating unit, Front passenger seat backrest adjustment motor, Front passenger seat pan



- E471 Front passenger seat adjustment operating unit
- T4cr 4-pin connector
- T4cs 4-pin connector
- T4nm 4-pin connector
- T6dd 6-pin connector
- T6f 6-pin connector
- T6uf 6-pin connector
- T10as 10-pin connector
- T10d 10-pin connector
- V31 Front passenger seat longitudinal adjustment motor
- V46 Front passenger seat backrest adjustment motor
- VX60 Front passenger seat pan
- V191 Front passenger seat height adjustment motor
- V244 Front passenger seat rake adjustment motor

- 95 Earth connection 1, in seat adjustment wiring harness
- 683 Earth point on front of right side member
- M1 Positive connection 1 (30), in seat adjustment wiring harness
- * Cross section depends on equipment

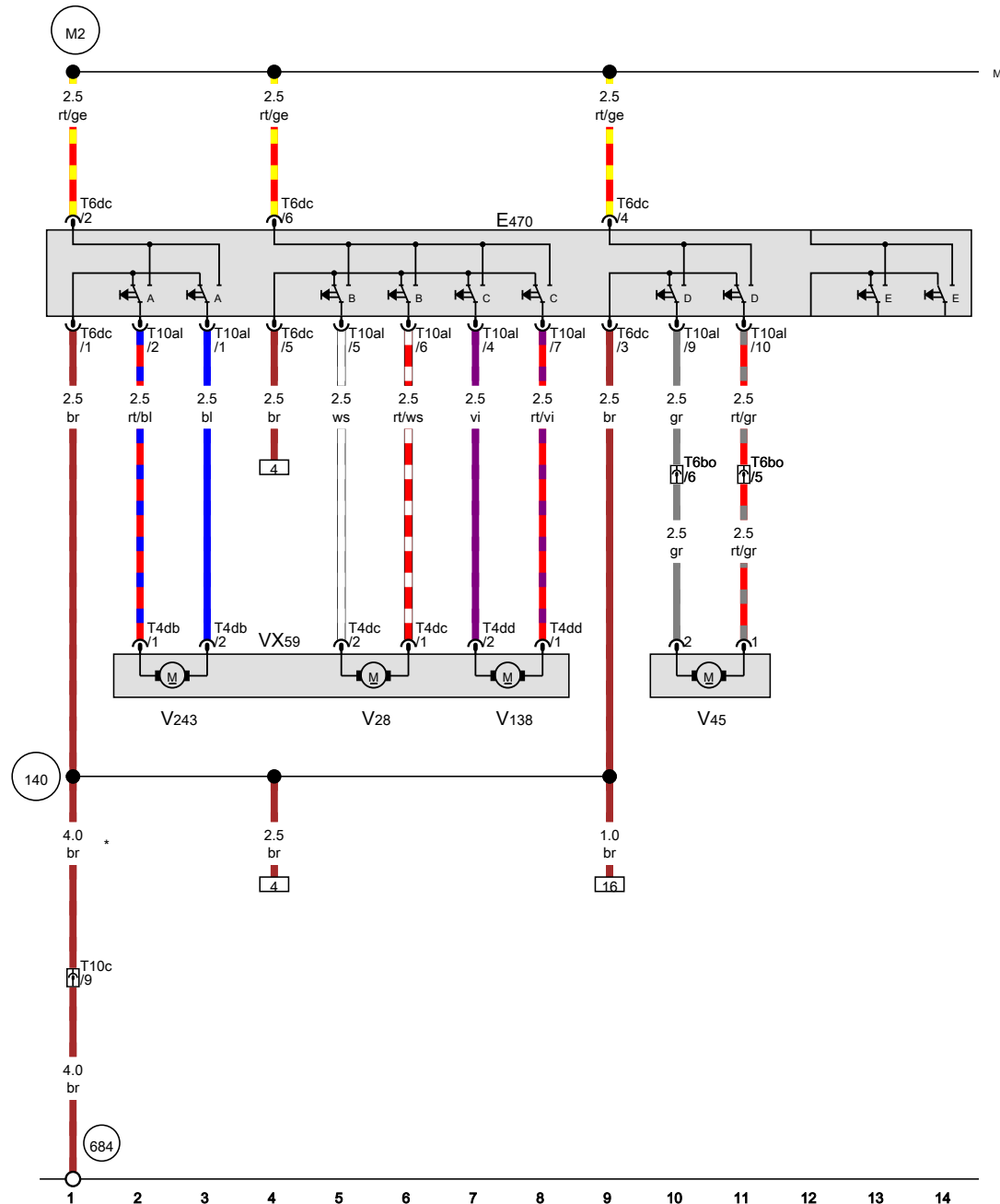
- ws = white
- sw = black
- ro = red
- rt = red
- br = brown
- gn = green
- bl = blue
- gr = grey
- li = purple
- vi = purple
- ge = yellow
- or = orange
- rs = pink

1360-044060715

Electric seat adjustment with no memory function , (3PB),(3L4),(8I0)

From November 2010

Driver seat adjustment operating unit, Driver seat backrest adjustment motor, Driver seat pan

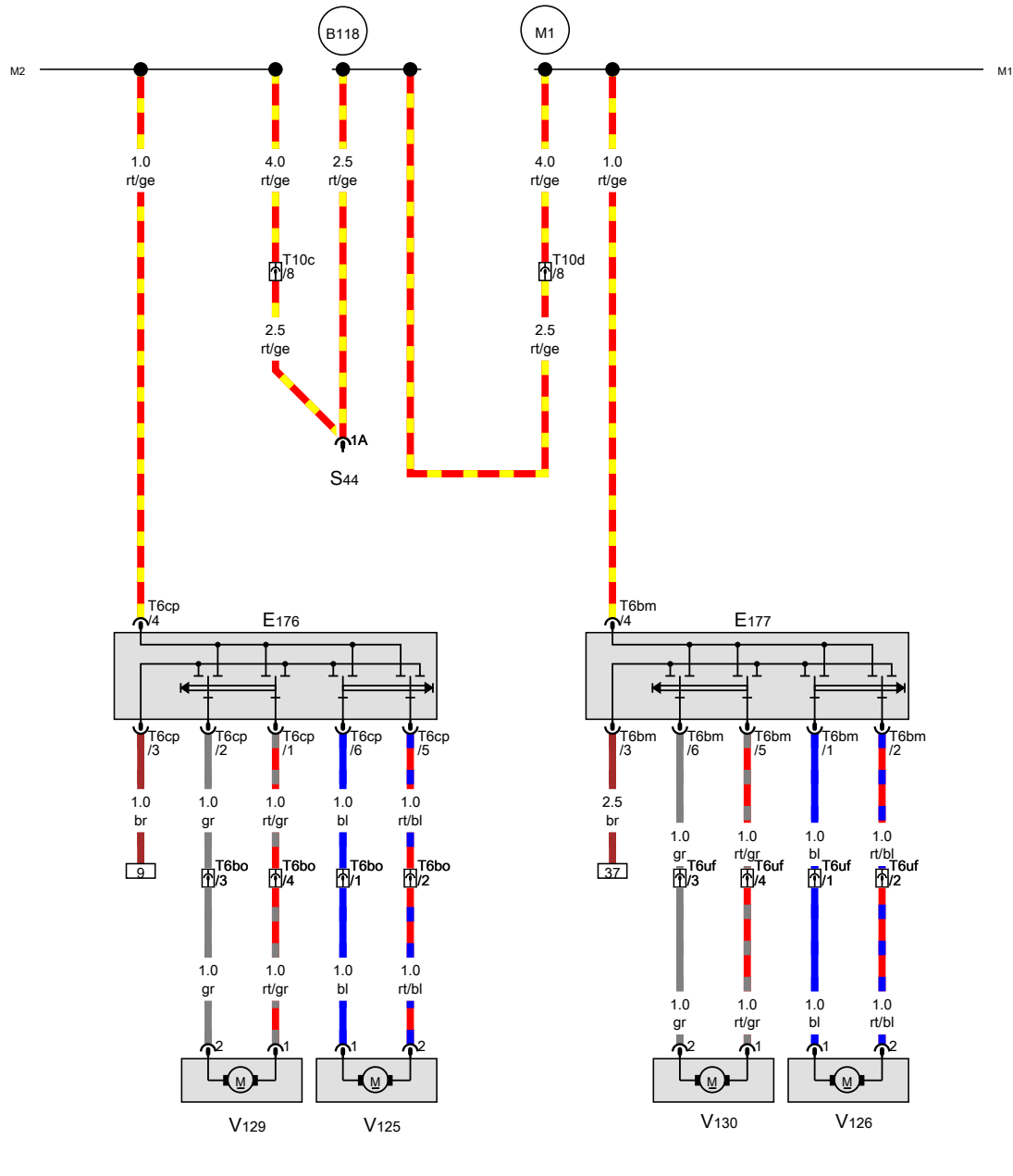


- E470 Driver seat adjustment operating unit
- T4db 4-pin connector
- T4dc 4-pin connector
- T4dd 4-pin connector
- T6bo 6-pin connector
- T6dc 6-pin connector
- T10al 10-pin connector
- T10c 10-pin connector, under driver seat
- V28 Driver seat longitudinal adjustment motor
- V45 Driver seat backrest adjustment motor
- VX59 Driver seat pan
- V138 Driver seat height adjustment motor
- V243 Driver seat rake adjustment motor

- 140 Earth connection 2, in seat adjustment wiring harness
- 684 Earth point on front of left side member
- M2 Positive connection 2 (30), in seat adjustment wiring harness
- * Cross section depends on equipment

- ws = white
- sw = black
- ro = red
- rt = red
- br = brown
- gn = green
- bl = blue
- gr = grey
- li = purple
- vi = purple
- ge = yellow
- or = orange
- rs = pink

1360-045020715



Driver seat lumbar support adjustment switch, Front passenger seat lumbar support adjustment switch, Driver seat adjustment thermal fuse 1, Driver seat lumbar support longitudinal adjustment motor, Front passenger seat lumbar support longitudinal adjustment motor, Driver seat lumbar support height adjustment motor, Front passenger seat lumbar support height adjustment motor

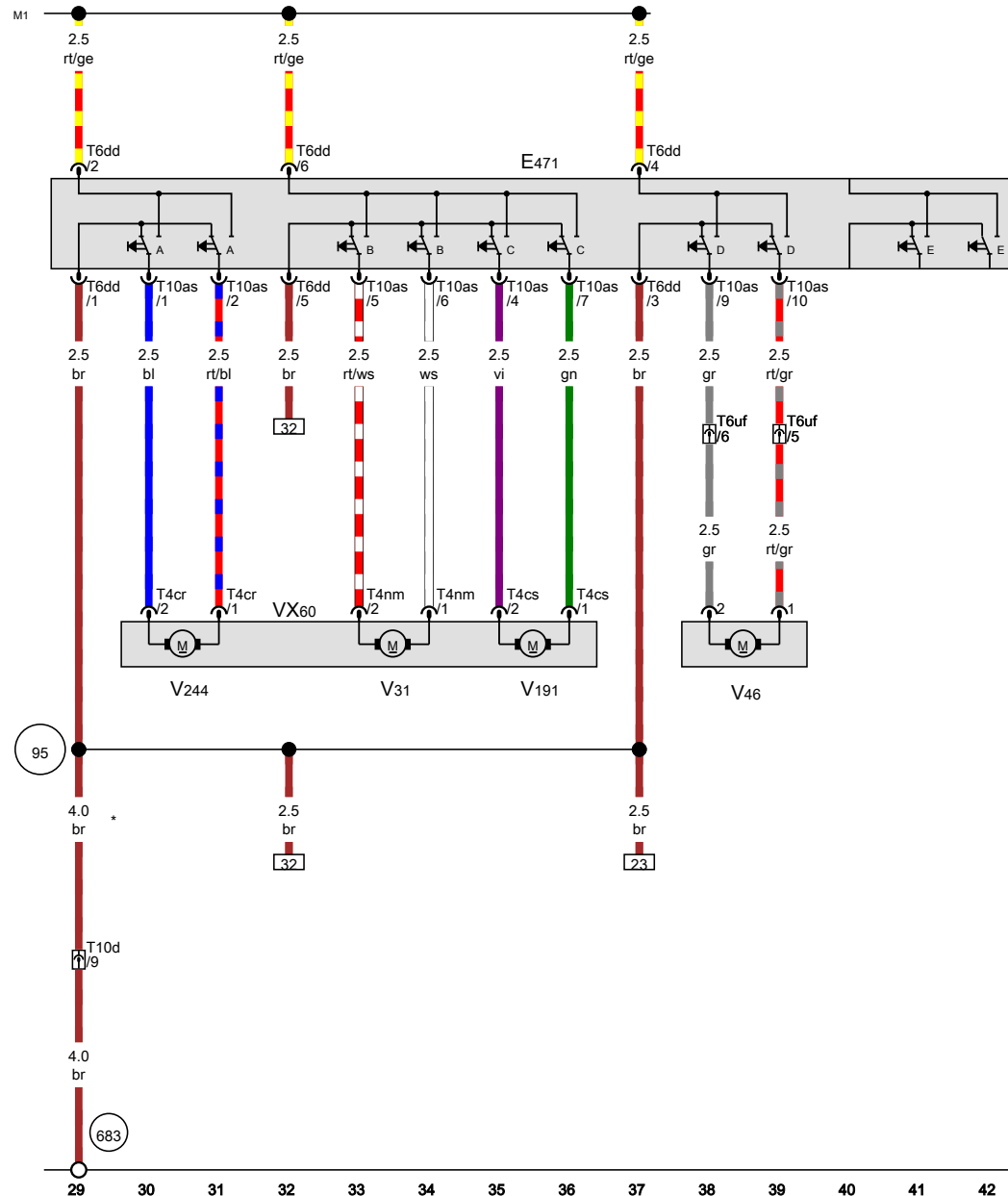
- E176 Driver seat lumbar support adjustment switch
- E177 Front passenger seat lumbar support adjustment switch
- S44 Driver seat adjustment thermal fuse 1
- T6bm 6-pin connector
- T6bo 6-pin connector
- T6cp 6-pin connector
- T6uf 6-pin connector
- T10c 10-pin connector, under driver seat
- T10d 10-pin connector, under front passenger seat
- V125 Driver seat lumbar support longitudinal adjustment motor
- V126 Front passenger seat lumbar support longitudinal adjustment motor
- V129 Driver seat lumbar support height adjustment motor
- V130 Front passenger seat lumbar support height adjustment motor
- B118 Connection (driver side seat adjustment), in interior wiring harness
- M1 Positive connection 1 (30), in seat adjustment wiring harness
- M2 Positive connection 2 (30), in seat adjustment wiring harness

- ws = white
- sw = black
- ro = red
- rt = red
- br = brown
- gn = green
- bl = blue
- gr = grey
- li = purple
- vi = purple
- ge = yellow
- or = orange
- rs = pink

15 16 17 18 19 20 21 22 23 24 25 26 27 28

1360-045030715

Front passenger seat adjustment operating unit, Front passenger seat backrest adjustment motor, Front passenger seat pan



- E471 Front passenger seat adjustment operating unit
- T4cr 4-pin connector
- T4cs 4-pin connector
- T4nm 4-pin connector
- T6dd 6-pin connector
- T6uf 6-pin connector
- T10as 10-pin connector
- T10d 10-pin connector, under front passenger seat
- V31 Front passenger seat longitudinal adjustment motor
- V46 Front passenger seat backrest adjustment motor
- VX60 Front passenger seat pan
- V191 Front passenger seat height adjustment motor
- V244 Front passenger seat rake adjustment motor

- 95 Earth connection 1, in seat adjustment wiring harness
- 683 Earth point on front of right side member
- M1 Positive connection 1 (30), in seat adjustment wiring harness
- * Cross section depends on equipment

- ws = white
- sw = black
- ro = red
- rt = red
- br = brown
- gn = green
- bl = blue
- gr = grey
- li = purple
- vi = purple
- ge = yellow
- or = orange
- rs = pink

360-045040715

Electrically adjustable backrest and lumbar support , (3PD),(3PG),(7P1)

From November 2010

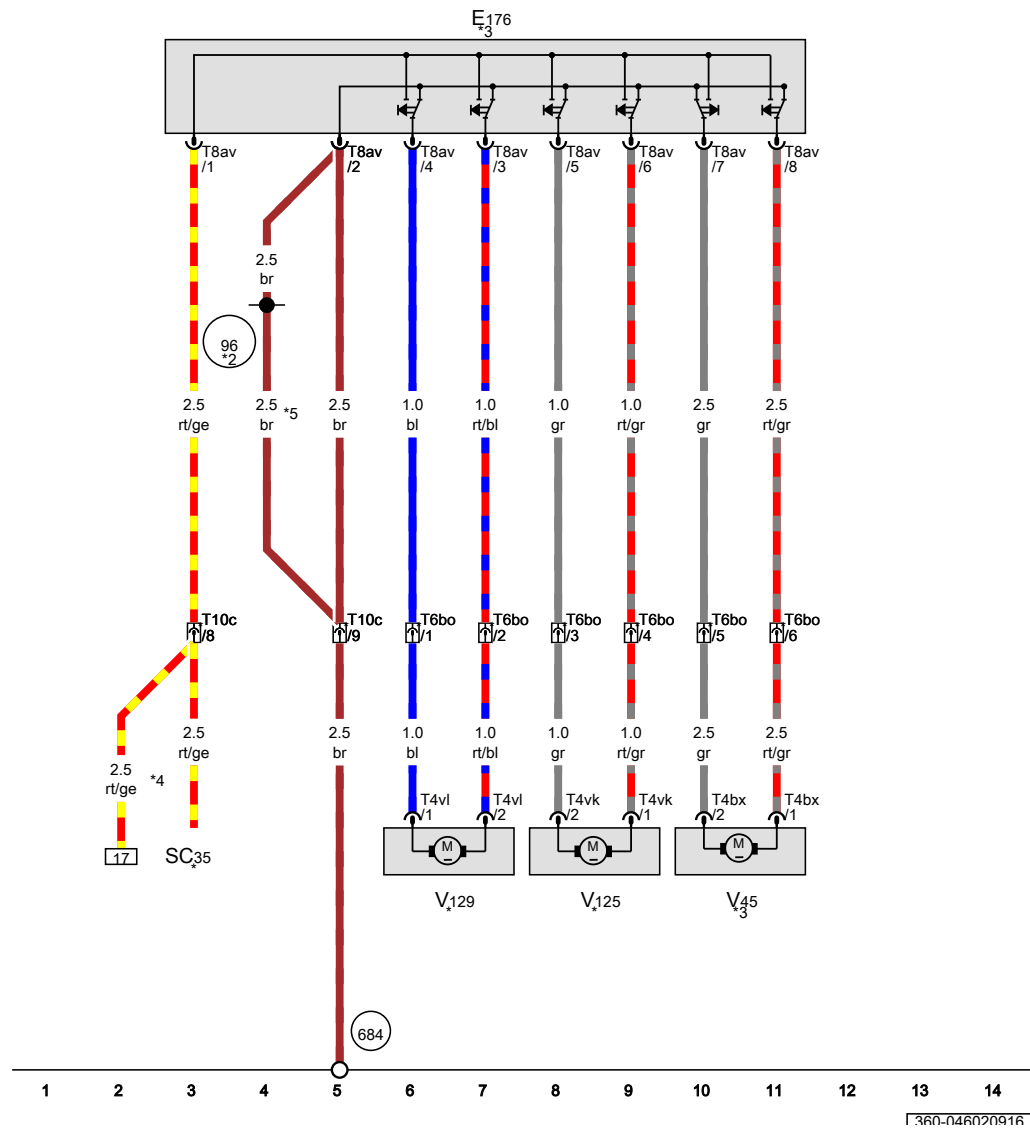
Driver seat lumbar support adjustment switch, Fuse 35 on fuse holder C, Driver seat backrest adjustment motor, Driver seat lumbar support longitudinal adjustment motor, Driver seat lumbar support height adjustment motor

- E176 Driver seat lumbar support adjustment switch
- SC35 Fuse 35 on fuse holder C
- T4bx 4-pin connector
- T4vk 4-pin connector
- T4vl 4-pin connector
- T6bo 6-pin connector
- T8av 8-pin connector
- T10c 10-pin connector
- V45 Driver seat backrest adjustment motor
- V125 Driver seat lumbar support longitudinal adjustment motor
- V129 Driver seat lumbar support height adjustment motor

96 Earth connection 1, in seat heating wiring harness

684 Earth point on front of left side member

- * Only left-hand drive models
- *2 According to equipment
- *3 Left-hand drive models
- *4 Electrically adjustable driver and front passenger seats
- *5 Cross section depends on equipment



- ws = white
- sw = black
- ro = red
- rt = red
- br = brown
- gn = green
- bl = blue
- gr = grey
- li = purple
- vi = purple
- ge = yellow
- or = orange
- rs = pink

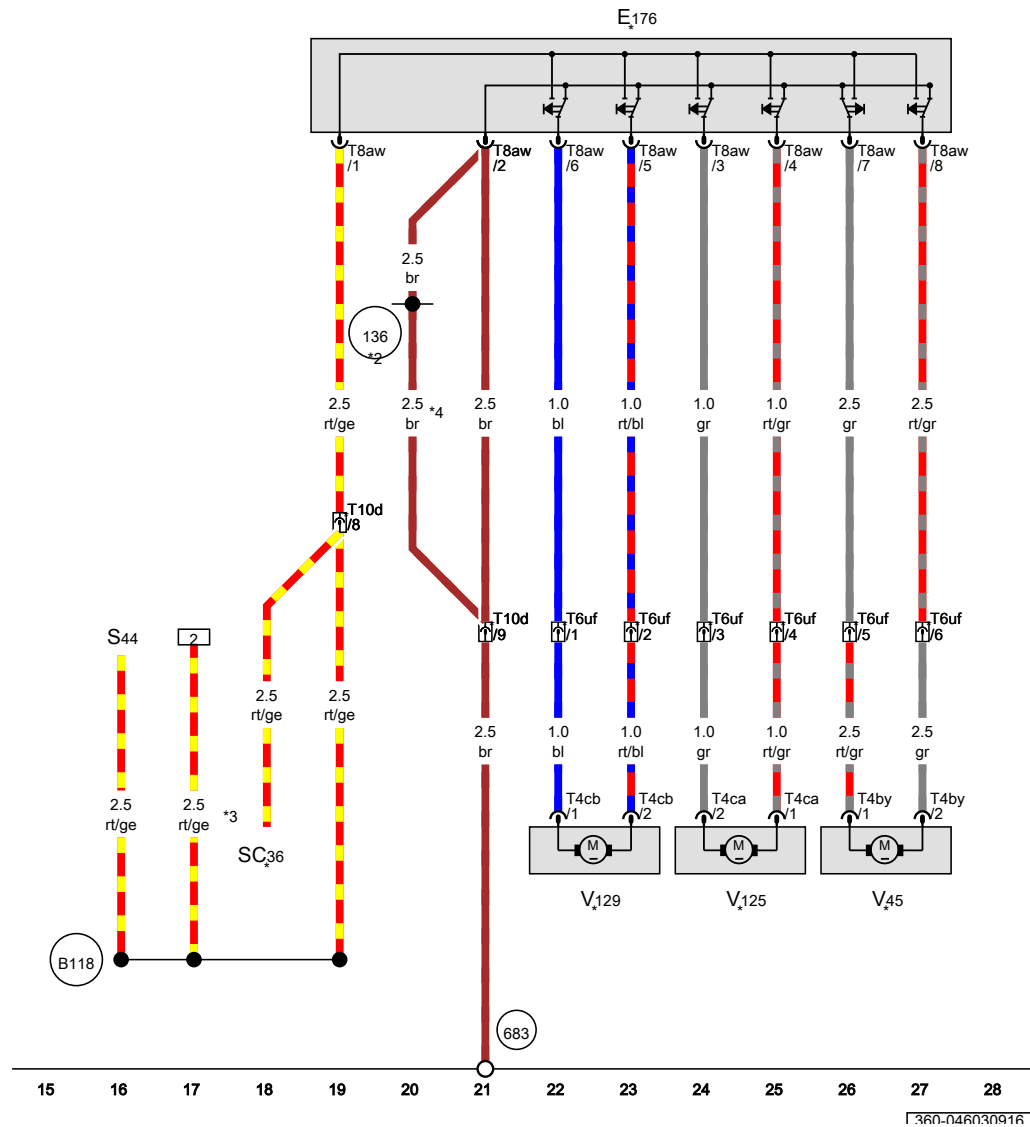
1360-046020916

Driver seat lumbar support adjustment switch, Driver seat adjustment thermal fuse 1, Driver seat backrest adjustment motor, Driver seat lumbar support longitudinal adjustment motor, Driver seat lumbar support height adjustment motor

- E176 Driver seat lumbar support adjustment switch
- SC36 Fuse 36 on fuse holder C
- S44 Driver seat adjustment thermal fuse 1
- T1 1-pin connector
- T4by 4-pin connector
- T4ca 4-pin connector
- T4cb 4-pin connector
- T6uf 6-pin connector
- T8aw 8-pin connector
- T10d 10-pin connector
- V45 Driver seat backrest adjustment motor
- V125 Driver seat lumbar support longitudinal adjustment motor
- V129 Driver seat lumbar support height adjustment motor

- 136 Earth connection 2, in seat heating wiring harness
- 683 Earth point on front of right side member
- B118 Connection (driver side seat adjustment), in interior wiring harness

- * Only right-hand drive models
- *2 According to equipment
- *3 Electrically adjustable driver and front passenger seats
- *4 Cross section depends on equipment



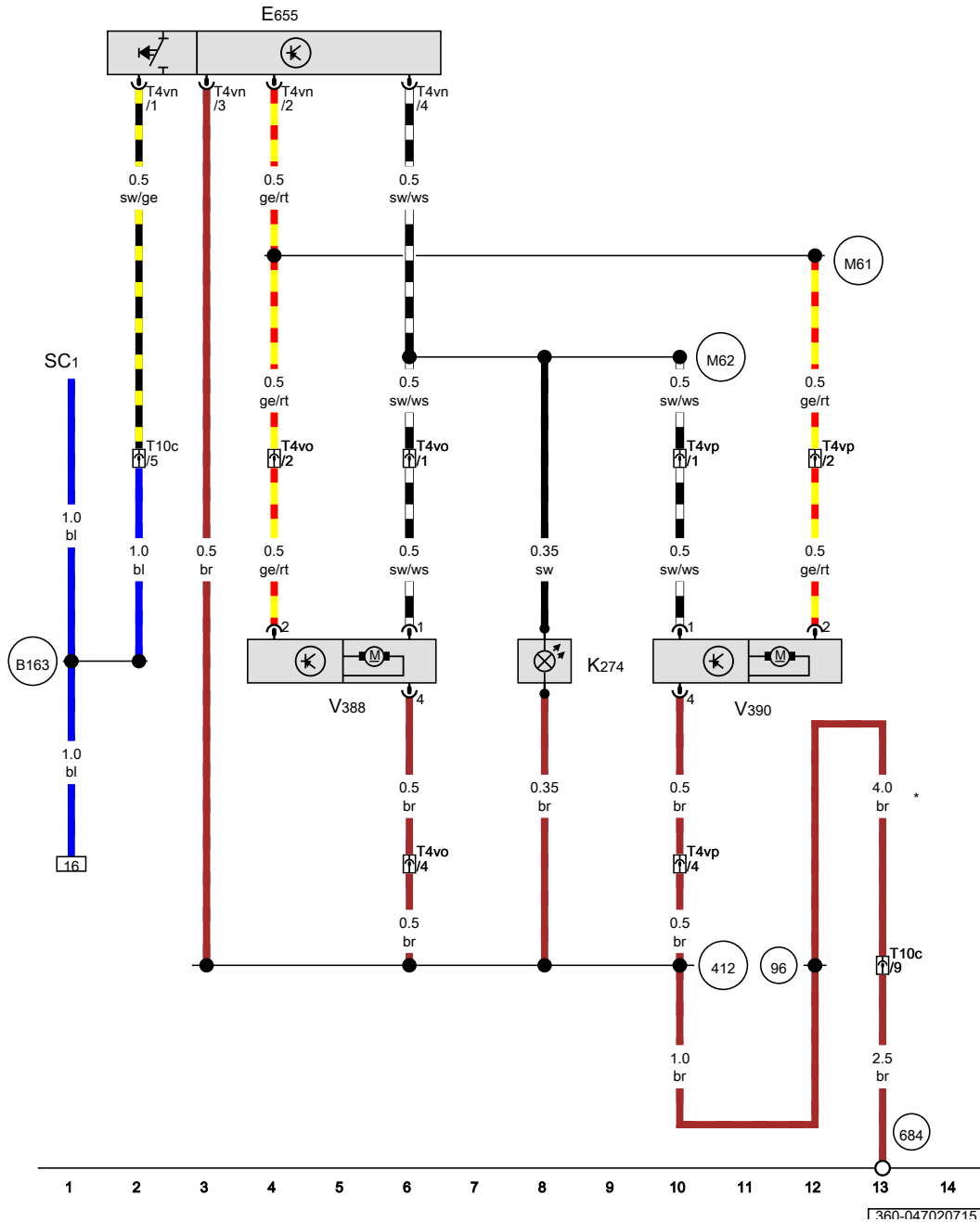
- ws = white
- sw = black
- ro = red
- rt = red
- br = brown
- gn = green
- bl = blue
- gr = grey
- li = purple
- vi = purple
- ge = yellow
- or = orange
- rs = pink

1360-046030916 1

Seat ventilation , (4D3)

From November 2010

Seat ventilation switch, Seat ventilation warning lamp 1, Driver seat backrest fan, Driver seat cushion fan



- E655 Seat ventilation switch
- K274 Seat ventilation warning lamp 1
- SC1 Fuse 1 on fuse holder C
- T4vn 4-pin connector
- T4vo 4-pin connector, white
- T4vp 4-pin connector, white
- T10c 10-pin connector
- V388 Driver seat backrest fan
- V390 Driver seat cushion fan

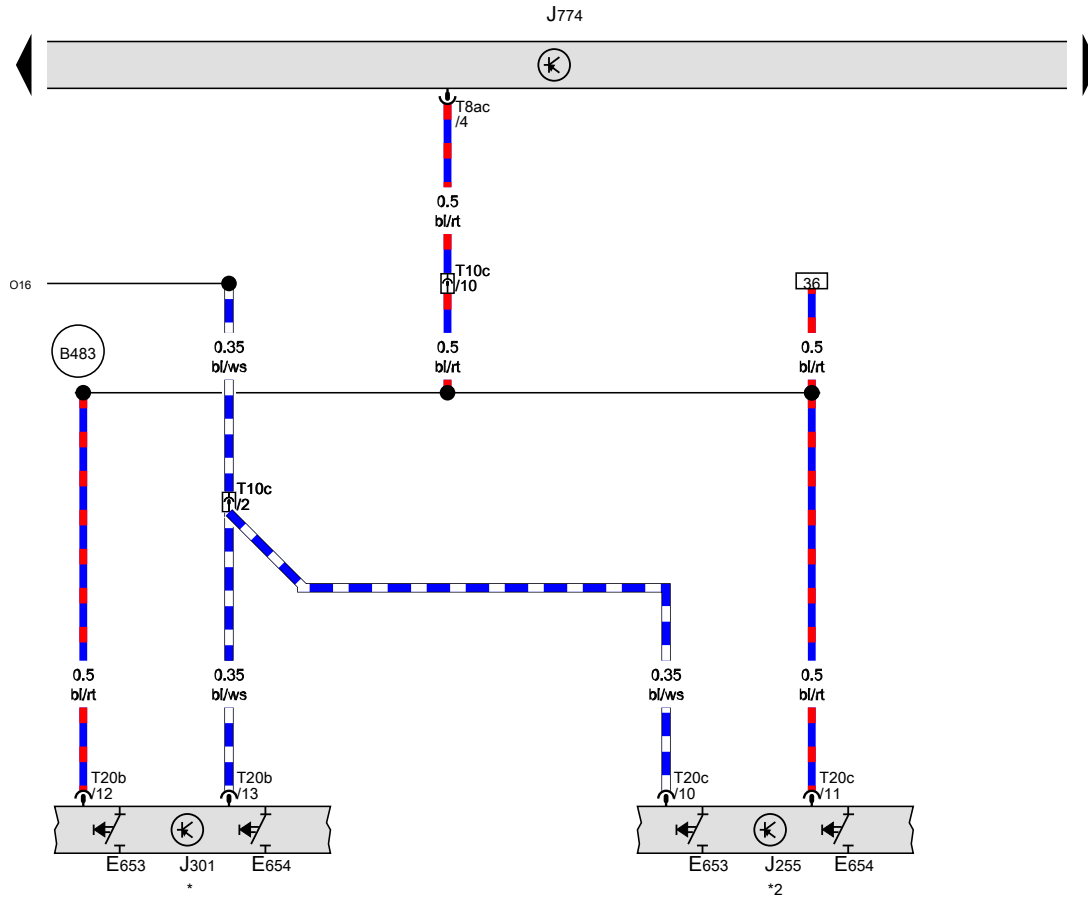
- 96 Earth connection 1, in seat heating wiring harness
- 412 Earth connection 3, in seat adjustment wiring harness
- 684 Earth point on front of left side member
- B163 Positive connection 1 (15), in interior wiring harness
- M61 Connection 1, in rear seat wiring harness
- M62 Connection 2, in rear seat wiring harness
- * Cross section depends on equipment

- ws = white
- sw = black
- ro = red
- rt = red
- br = brown
- gn = green
- bl = blue
- gr = grey
- li = purple
- vi = purple
- ge = yellow
- or = orange
- rs = pink

360-047020715

Seat heating

From November 2010



Button for left seat heating, Button for right seat heating, Climatronic control unit, Air conditioning system control unit, Heated front seats control unit

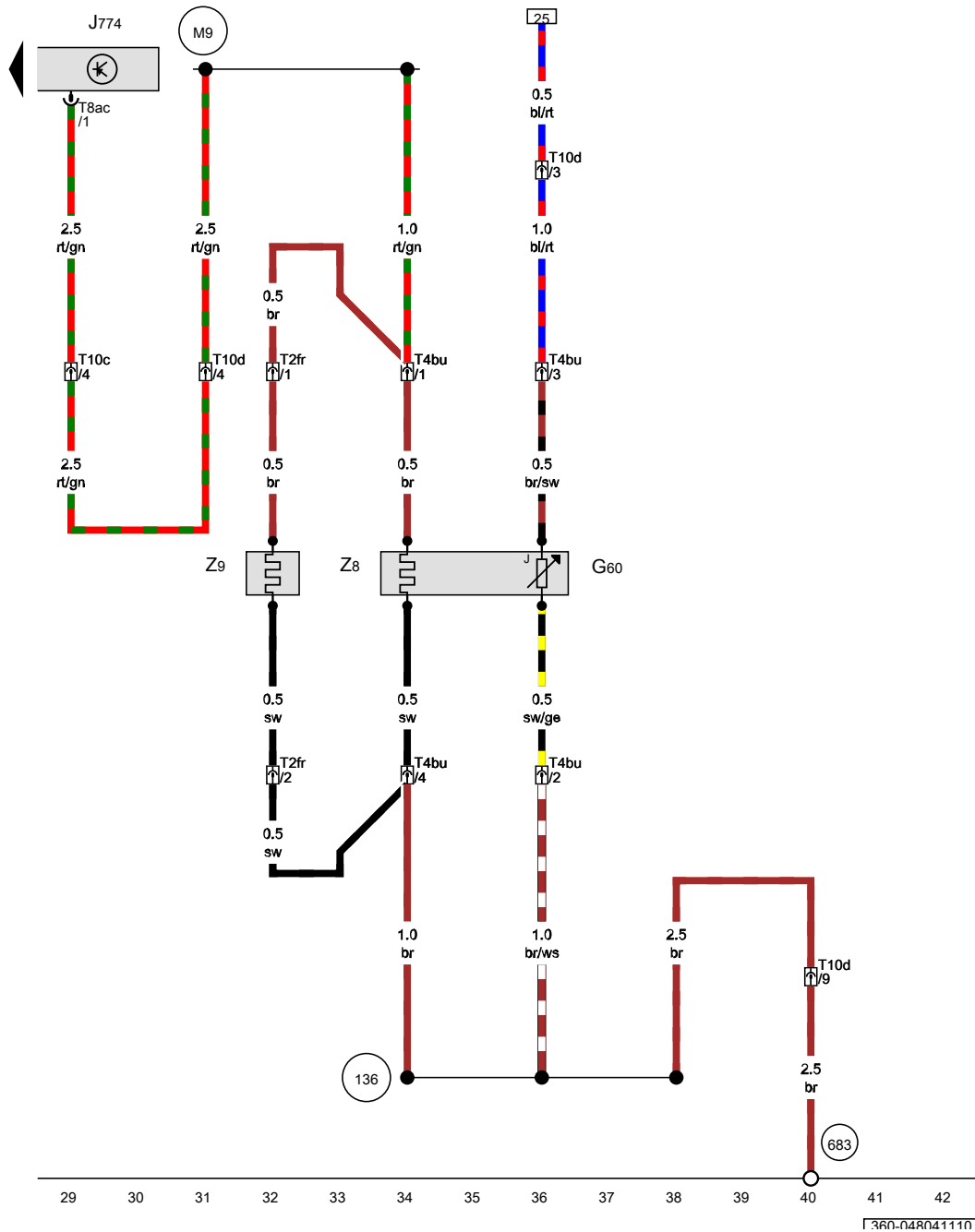
- E653 Button for left seat heating
- E654 Button for right seat heating
- J255 Climatronic control unit
- J301 Air conditioning system control unit
- J774 Heated front seats control unit
- T8ac 8-pin connector
- T10c 10-pin connector, under driver seat
- T20b 20-pin connector
- T20c 20-pin connector

- B483** Connection 19, in main wiring harness
- O16** Connection 5, in seat heating wiring harness
- * Only models with air conditioning system
- *2 Only models with Climatronic

- ws = white
- sw = black
- ro = red
- br = brown
- gn = green
- bl = blue
- gr = grey
- li = purple
- ge = yellow
- or = orange
- rs = pink

15 16 17 18 19 20 21 22 23 24 25 26 27 28

1360-0480311101



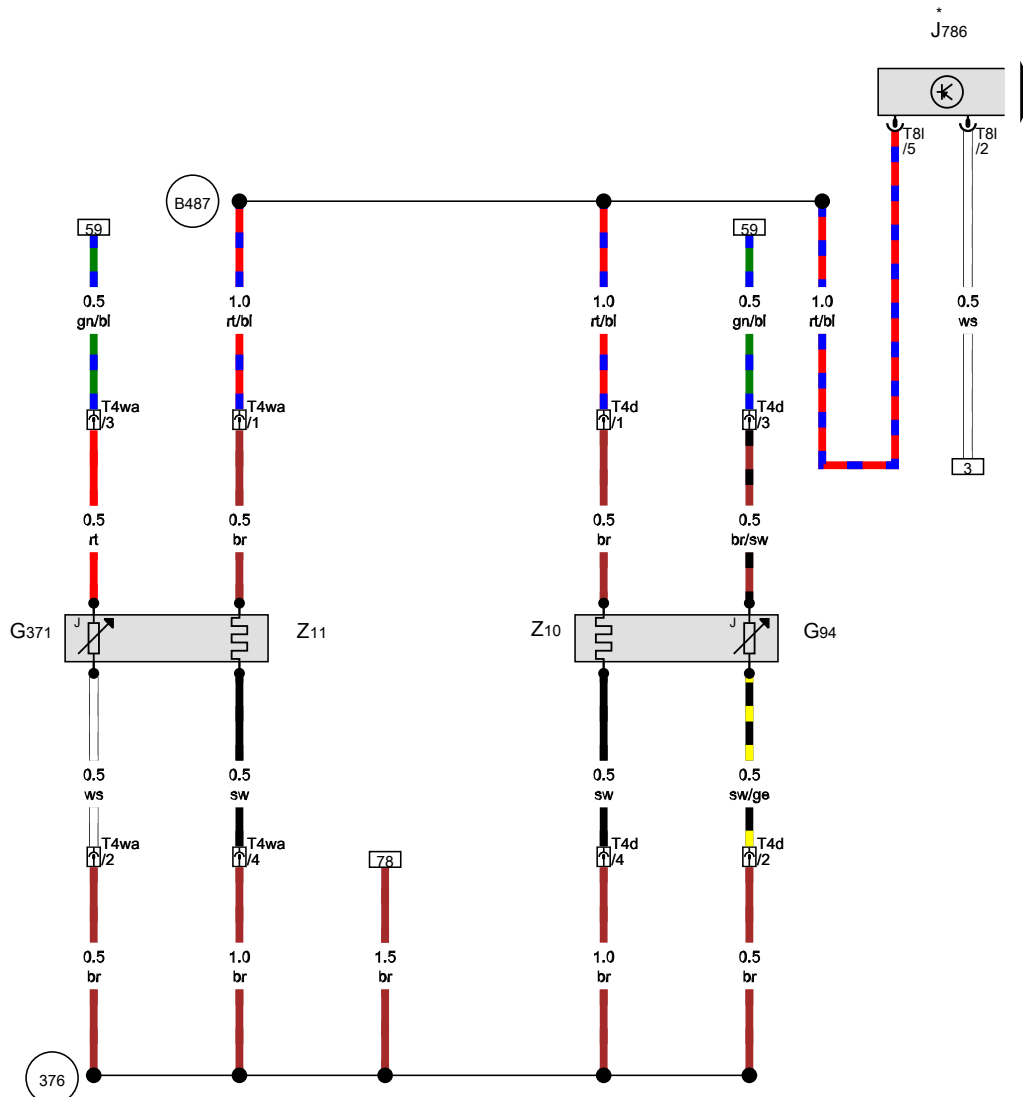
Front passenger seat temperature sensor, Heated front seats control unit, Heated seat cushion for front passenger seat, Heated backrest for front passenger seat

- G60 Front passenger seat temperature sensor
- J774 Heated front seats control unit
- T2fr 2-pin connector
- T4bu 4-pin connector
- T8ac 8-pin connector
- T10c 10-pin connector, under driver seat
- T10d 10-pin connector, Coupling point under front passenger seat
- Z8 Heated seat cushion for front passenger seat
- Z9 Heated backrest for front passenger seat

- (136) Earth connection 2, in seat heating wiring harness
- (683) Earth point on front of right side member
- (M9) Connection, in seat adjustment wiring harness

- ws = white
- sw = black
- ro = red
- br = brown
- gn = green
- bl = blue
- gr = grey
- li = purple
- ge = yellow
- or = orange
- rs = pink

1360-048041110



Rear left seat temperature sensor, Seat backrest temperature sender, Heated rear seats control unit, Heated bench seat cushion for rear left seat, Heated backrest for rear left seat

- G94 Rear left seat temperature sensor
- G371 Seat backrest temperature sender
- J786 Heated rear seats control unit
- T4d 4-pin connector
- T4wa 4-pin connector
- T8l 8-pin connector
- Z10 Heated bench seat cushion for rear left seat
- Z11 Heated backrest for rear left seat

376 Earth connection 11, in main wiring harness

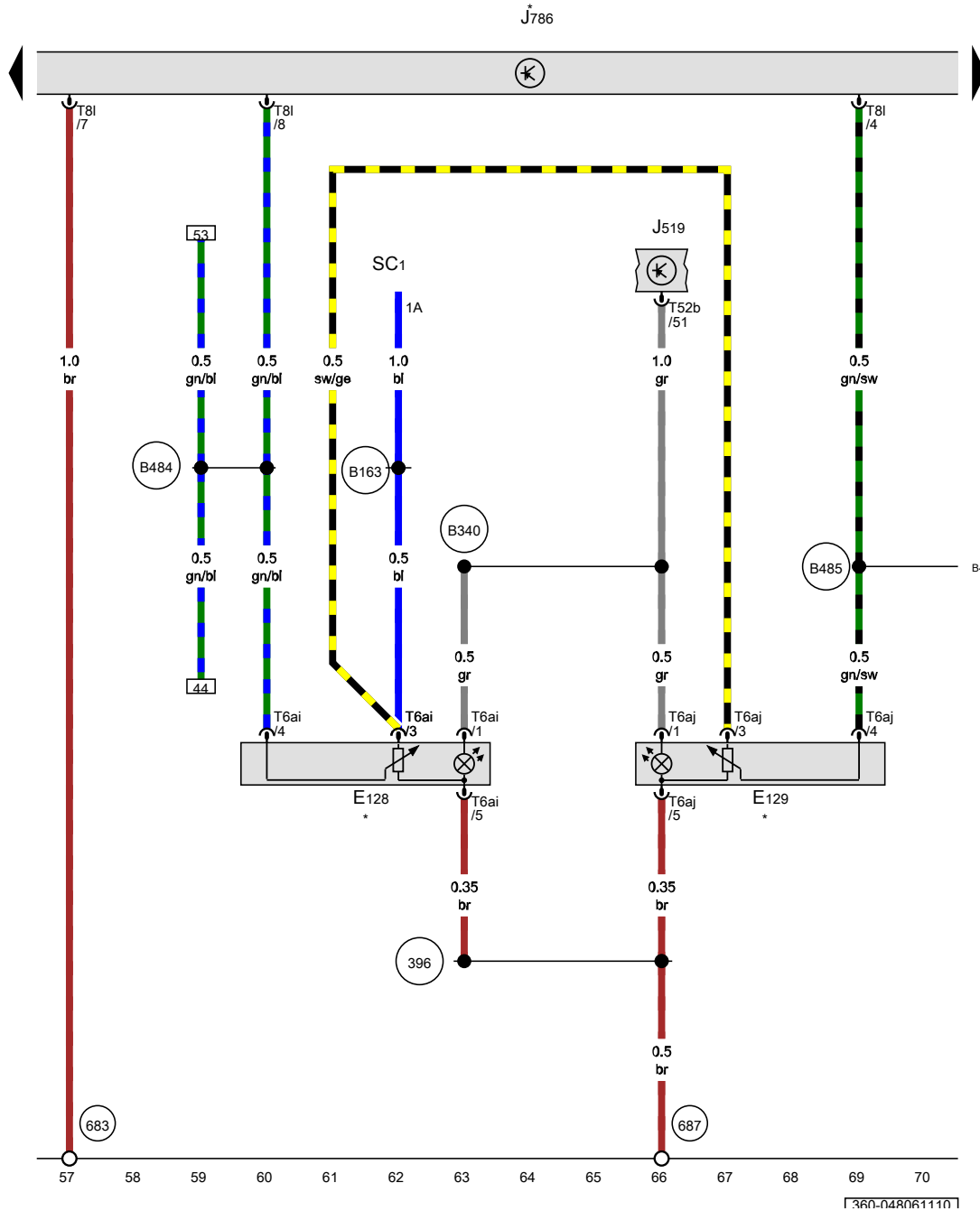
B487 Connection 23, in main wiring harness

* Only models with heated rear seats

- ws = white
- sw = black
- ro = red
- br = brown
- gn = green
- bl = blue
- gr = grey
- li = purple
- ge = yellow
- or = orange
- rs = pink

43 44 45 46 47 48 49 50 51 52 53 54 55 56

1360-048051110



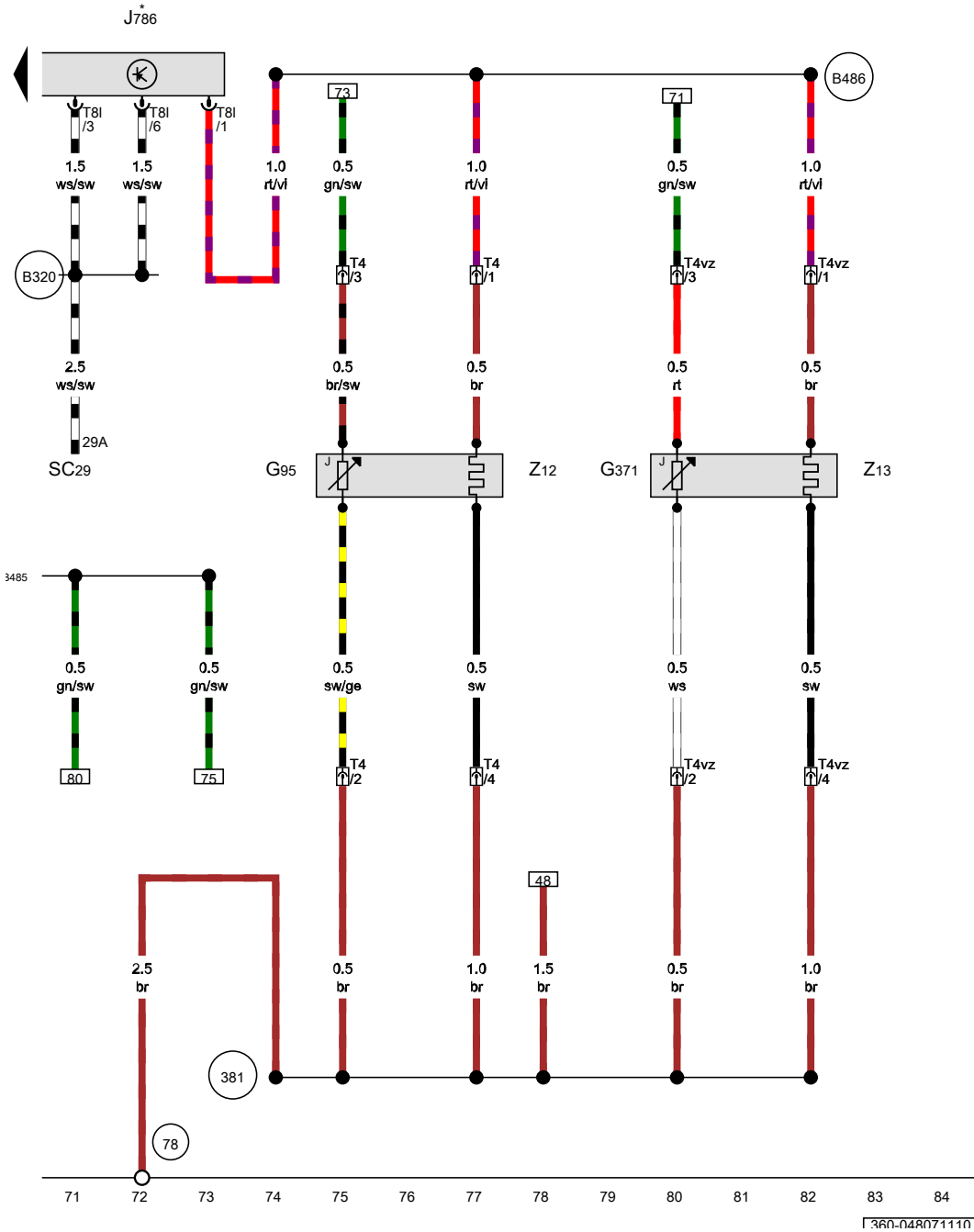
Heated rear left seat switch with regulator, Heated rear right seat switch with regulator, Heated rear seats control unit

- E128 Heated rear left seat switch with regulator
- E129 Heated rear right seat switch with regulator
- J519 Onboard supply control unit
- J786 Heated rear seats control unit
- SC1 Fuse 1 on fuse holder C
- T6ai 6-pin connector
- T6aj 6-pin connector
- T8l 8-pin connector
- T52b 52-pin connector

- 396 Earth connection 31, in main wiring harness
- 683 Earth point on front of right side member
- 687 Earth point 1, on centre tunnel
- B163 Positive connection 1 (15), in interior wiring harness
- B340 Connection 1 (58d), in main wiring harness
- B484 Connection 20, in main wiring harness
- B485 Connection 21, in main wiring harness
- * Only models with heated rear seats

- ws = white
- sw = black
- ro = red
- br = brown
- gn = green
- bl = blue
- gr = grey
- li = purple
- ge = yellow
- or = orange
- rs = pink

1360-048061110



Rear right seat temperature sensor, Seat backrest temperature sender, Heated rear seats control unit, Fuse 29 on fuse holder C, Heated bench seat cushion for rear right seat, Heated backrest for rear right seat

- G95 Rear right seat temperature sensor
- G371 Seat backrest temperature sender
- J786 Heated rear seats control unit
- SC29 Fuse 29 on fuse holder C
- T4 4-pin connector
- T4vz 4-pin connector
- T81 8-pin connector
- Z12 Heated bench seat cushion for rear right seat
- Z13 Heated backrest for rear right seat

78 Earth point, lower part of right B-pillar

381 Earth connection 16, in main wiring harness

B320 Positive connection 6 (30a) in main wiring harness

B485 Connection 21, in main wiring harness

B486 Connection 22, in main wiring harness

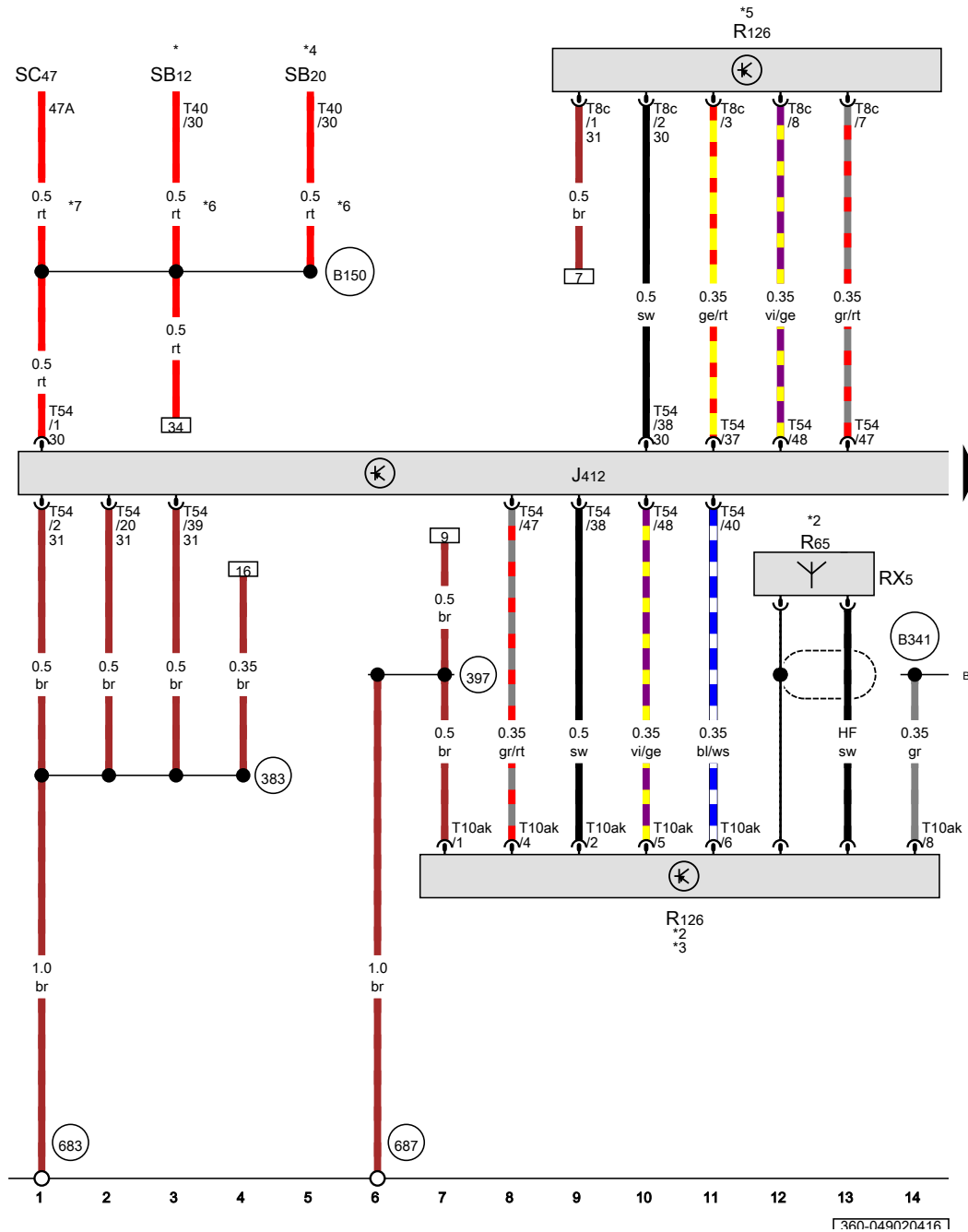
* Only models with heated rear seats

- ws = white
- sw = black
- ro = red
- br = brown
- gn = green
- bl = blue
- gr = grey
- li = purple
- ge = yellow
- or = orange
- rs = pink

1360-048071110

Mobile telephone systems

From November 2010



Mobile telephone operating electronics control unit, Roof aerial, Telephone aerial, Telephone bracket

- J412 Mobile telephone operating electronics control unit
- RX5 Roof aerial
- R65 Telephone aerial
- R126 Telephone bracket
- SB12 Fuse 12 on fuse holder B
- SB20 Fuse 20 on fuse holder B
- SC47 Fuse 47 on fuse holder C
- T8c 8-pin connector
- T10ak 10-pin connector
- T40 40-pin connector
- T54 54-pin connector

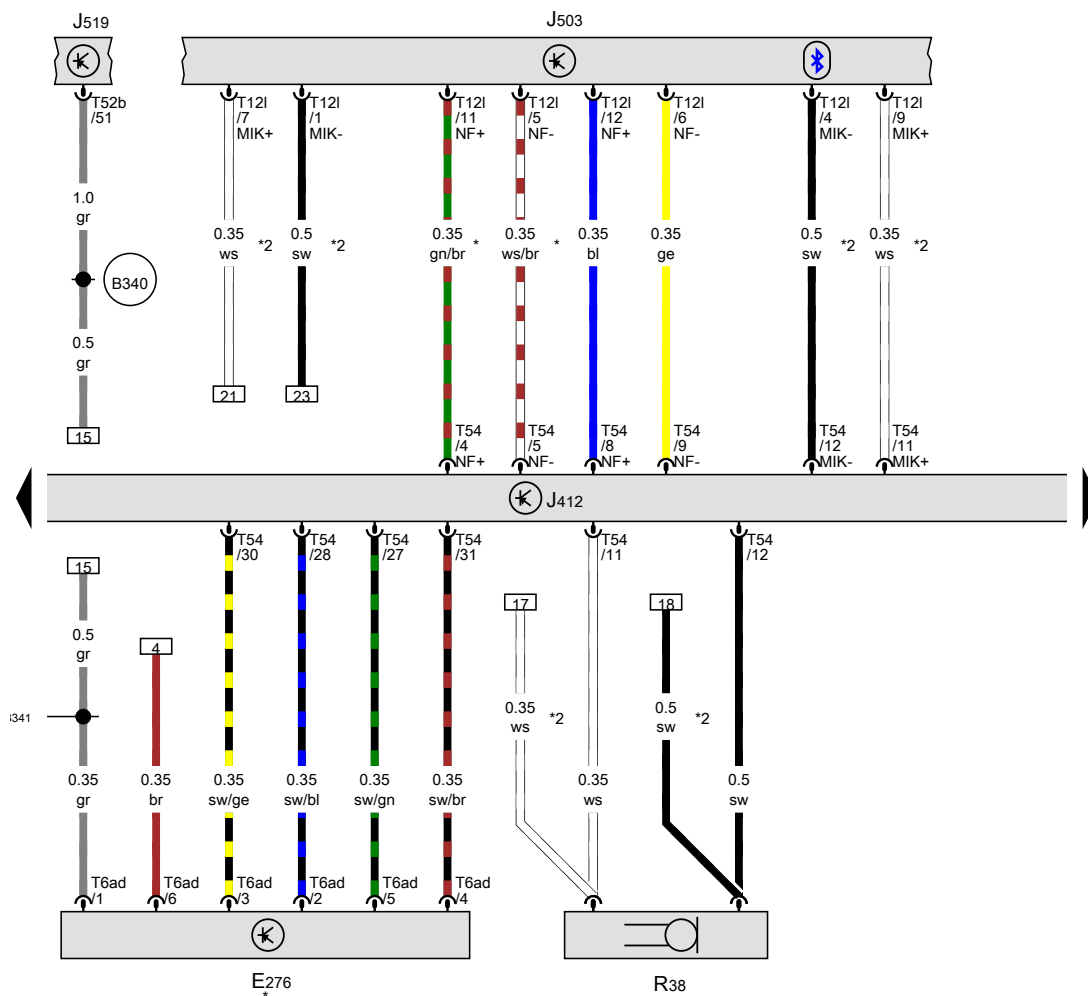
- 383 Earth connection 18, in main wiring harness
- 397 Earth connection 32, in main wiring harness
- 683 Earth point on front of right side member
- 687 Earth point 1, on centre tunnel
- B150 Positive connection 2 (30a), in interior wiring harness
- B341 Connection 2 (58d), in main wiring harness

- * Fuses in E-box, Low
- *2 According to equipment
- *3 From May 2011
- *4 Fuses in E-box, High
- *5 Up to April 2011
- *6 Only models with no start/stop system
- *7 Only models with start/stop system

- ws = white
- sw = black
- ro = red
- rt = red
- br = brown
- gn = green
- bl = blue
- gr = grey
- li = purple
- vi = purple
- ge = yellow
- or = orange
- rs = pink

1360-049020416

Mobile telephone operating electronics control unit, Control unit with display for radio and navigation, Onboard supply control unit, Telephone microphone



- E276 Emergency assistance call button
- J412 Mobile telephone operating electronics control unit
- J503 Control unit with display for radio and navigation
- J519 Onboard supply control unit
- R38 Telephone microphone
- T6ad 6-pin connector
- T121 12-pin connector, green
- T52b 52-pin connector
- T54 54-pin connector

B340 Connection 1 (58d), in main wiring harness

B341 Connection 2 (58d), in main wiring harness

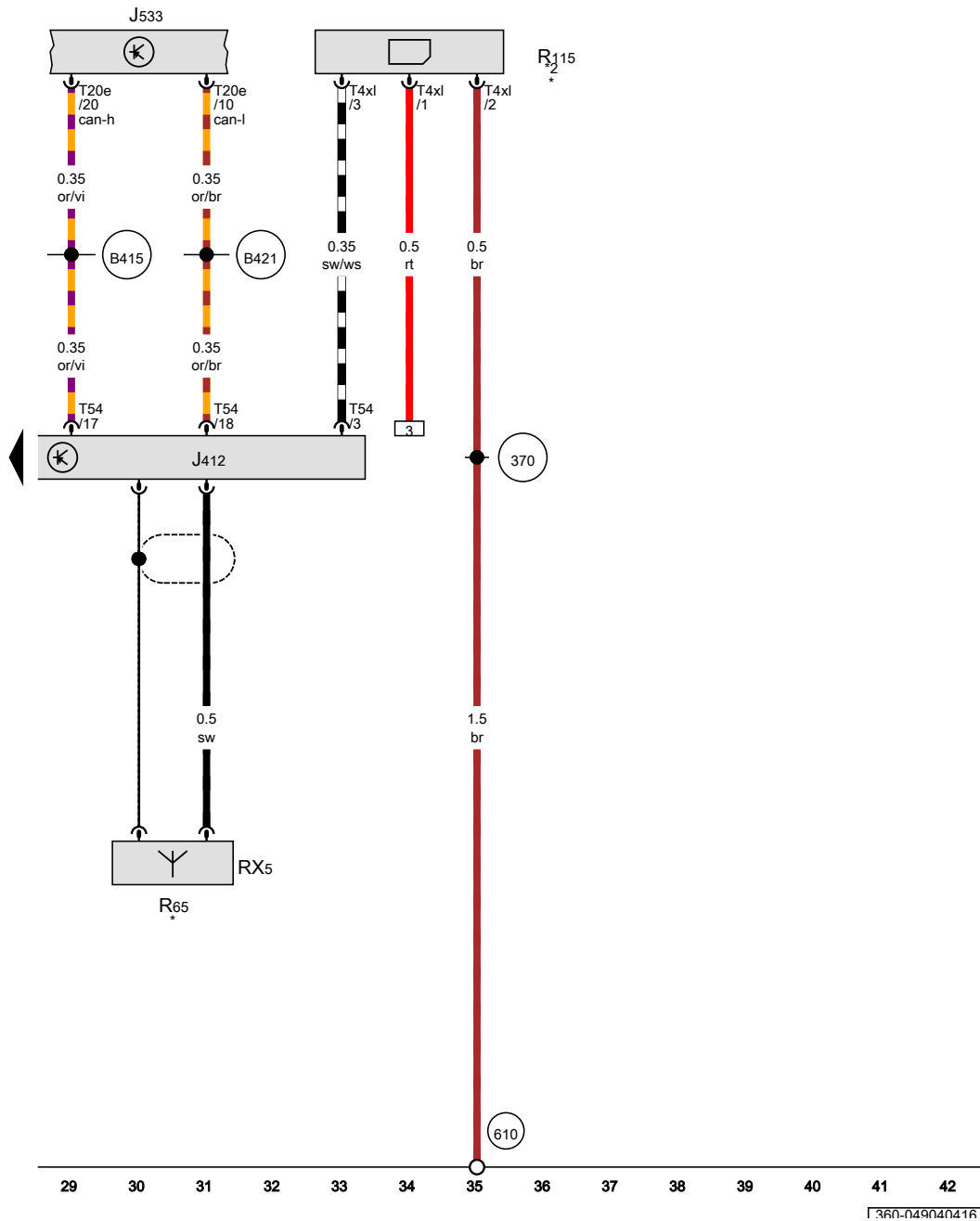
* According to equipment

*2 Only models with voice control

- ws = white
- sw = black
- ro = red
- rt = red
- br = brown
- gn = green
- bl = blue
- gr = grey
- li = purple
- vi = purple
- ge = yellow
- or = orange
- rs = pink

15 16 17 18 19 20 21 22 23 24 25 26 27 28

1360-049030416



Mobile telephone operating electronics control unit, Data bus diagnostic interface, Roof aerial, Telephone aerial, Chip card reader for telephone

- J412 Mobile telephone operating electronics control unit
- J533 Data bus diagnostic interface
- RX5 Roof aerial
- R65 Telephone aerial
- R115 Chip card reader for telephone, in glove compartment
- T4xl 4-pin connector, black
- T20e 20-pin connector
- T54 54-pin connector

- 370 Earth connection 5, in main wiring harness
- 610 Earth point (audio), front below centre console
- B415 Connection 1 (infotainment CAN bus, high), in main wiring harness
- B421 Connection 1 (infotainment CAN bus, low), in main wiring harness

* Only models with preparation for mobile telephone (Premium)
 *2 Pre-wired component

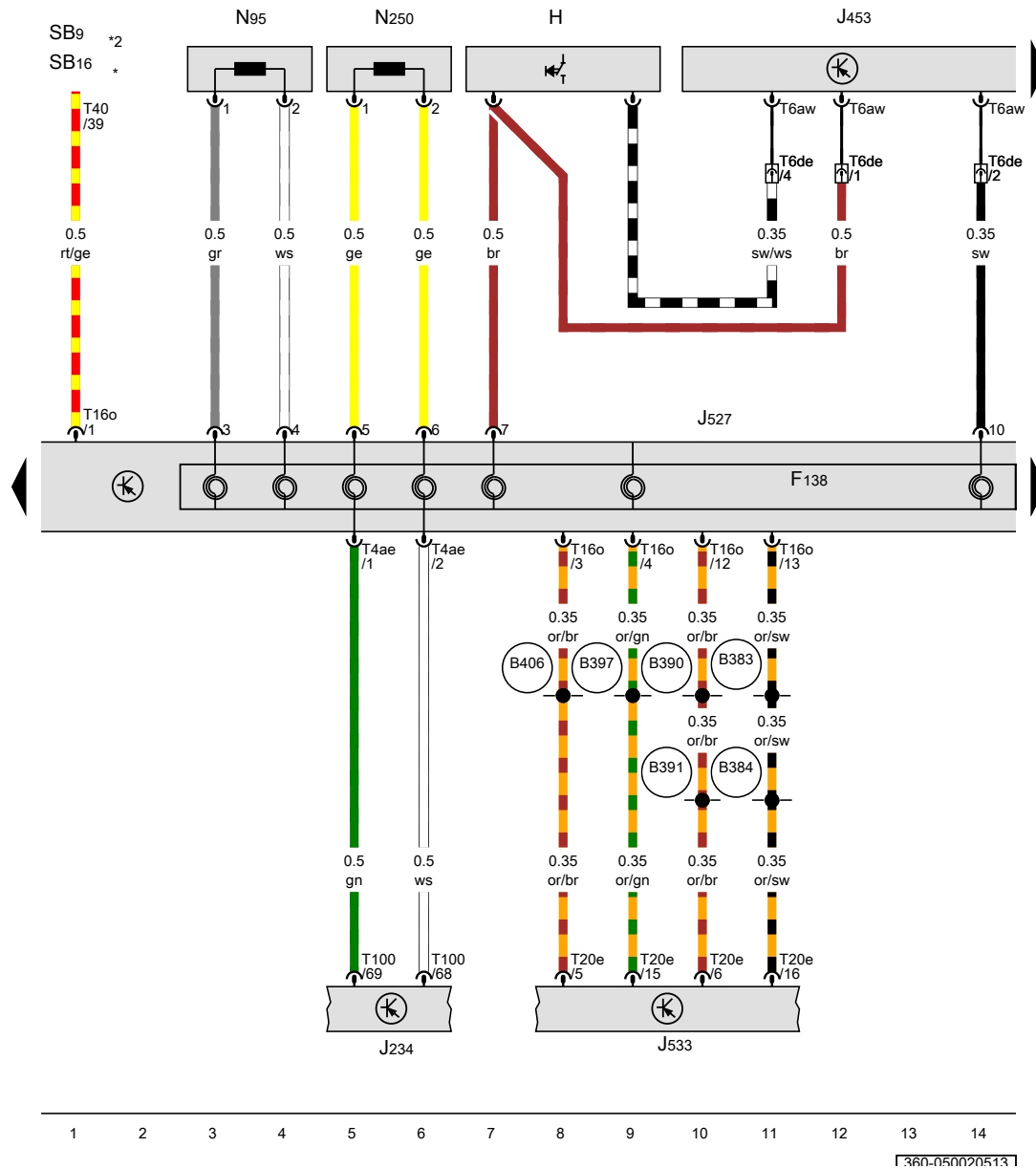
- ws = white
- sw = black
- ro = red
- rt = red
- br = brown
- gn = green
- bl = blue
- gr = grey
- li = purple
- vi = purple
- ge = yellow
- or = orange
- rs = pink

1360-049040416

Multifunction steering wheel

From November 2010

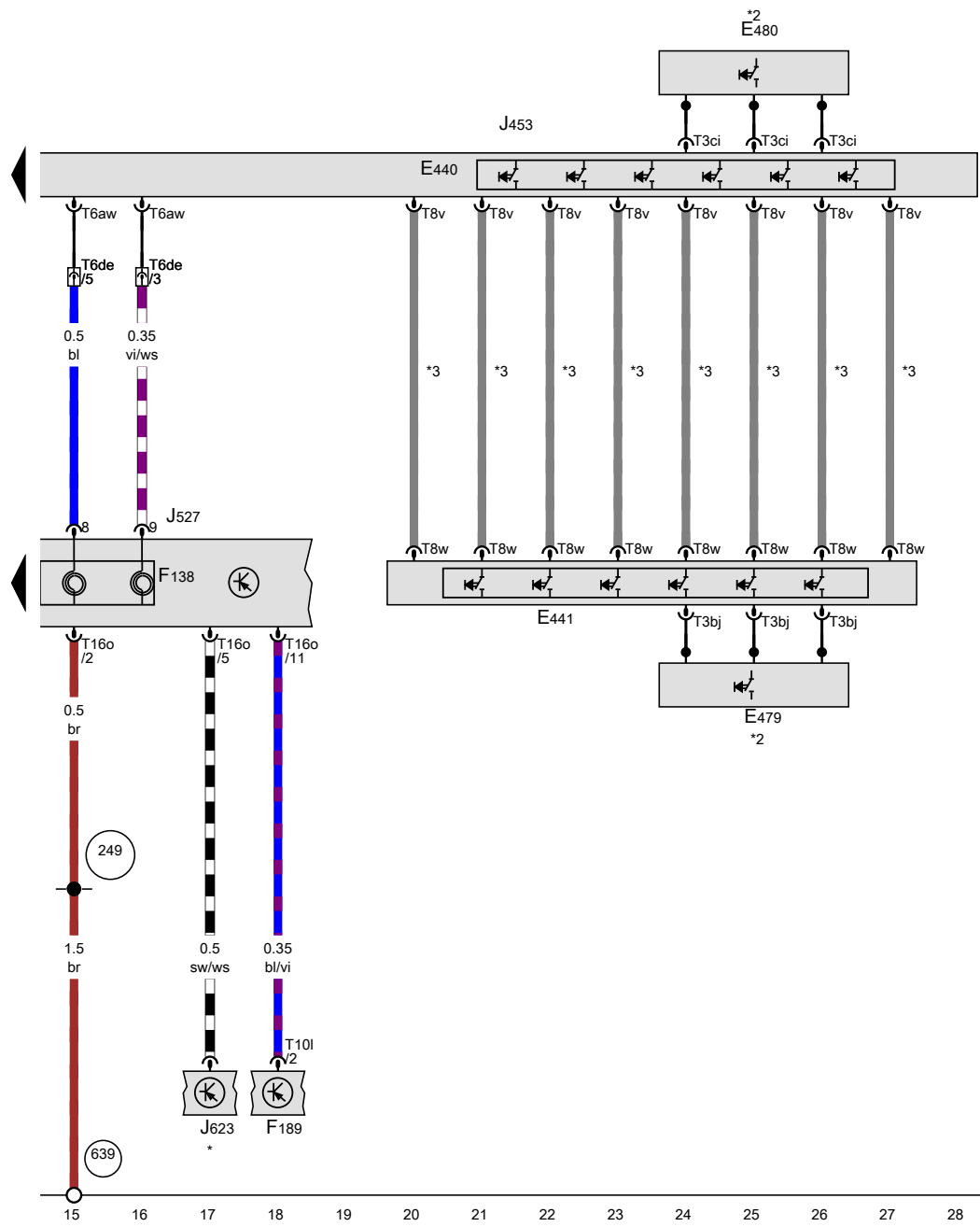
Airbag coil connector and return ring with slip ring, Horn plate, Airbag control unit, Multifunction steering wheel control unit, Steering column electronics control unit, Driver side airbag igniter, Driver side airbag igniter 2



- F138 Airbag coil connector and return ring with slip ring
- H Horn plate
- J234 Airbag control unit
- J453 Multifunction steering wheel control unit
- J527 Steering column electronics control unit
- J533 Data bus diagnostic interface
- N95 Driver side airbag igniter
- N250 Driver side airbag igniter 2
- SB9 Fuse 9 on fuse holder B
- SB16 Fuse 16 on fuse holder B
- T4ae 4-pin connector
- T6aw 6-pin connector
- T6de 6-pin connector
- T160 16-pin connector
- T20e 20-pin connector
- T40 40-pin connector
- T100 100-pin connector

- (B383) Connection 1 (powertrain CAN bus, high), in main wiring harness
- (B384) Connection 2 (powertrain CAN bus, high), in main wiring harness
- (B390) Connection 1 (powertrain CAN bus, low), in main wiring harness
- (B391) Connection 2 (powertrain CAN bus, low), in main wiring harness
- (B397) Connection 1 (convenience CAN bus, high), in main wiring harness
- (B406) Connection 1 (convenience CAN bus, low), in main wiring harness

* Fuses in E-box, High
 *2 Fuses in E-box, Low



Multifunction buttons on left in steering wheel, Multifunction buttons on right in steering wheel, Tiptronic switch (shift up), Tiptronic switch (shift down), Airbag coil connector and return ring with slip ring, Multifunction steering wheel control unit, Steering column electronics control unit

- E440 Multifunction buttons on left in steering wheel
- E441 Multifunction buttons on right in steering wheel
- E479 Tiptronic switch (shift up)
- E480 Tiptronic switch (shift down)
- F138 Airbag coil connector and return ring with slip ring
- F189 Tiptronic switch
- J453 Multifunction steering wheel control unit
- J527 Steering column electronics control unit
- J623 Engine control unit
- T3bj 3-pin connector
- T3ci 3-pin connector
- T6aw 6-pin connector
- T6de 6-pin connector
- T8v 8-pin connector
- T8w 8-pin connector
- T10l 10-pin connector
- T16o 16-pin connector

- 249 Earth connection 2, in interior wiring harness
- 639 Earth point, left A-pillar

- * see applicable current flow diagram for engine
- *2 According to equipment
- *3 Adapter wire

- ws = white
- sw = black
- ro = red
- rt = red
- br = brown
- gn = green
- bl = blue
- gr = grey
- li = purple
- vi = purple
- ge = yellow
- or = orange
- rs = pink

1360-050030513

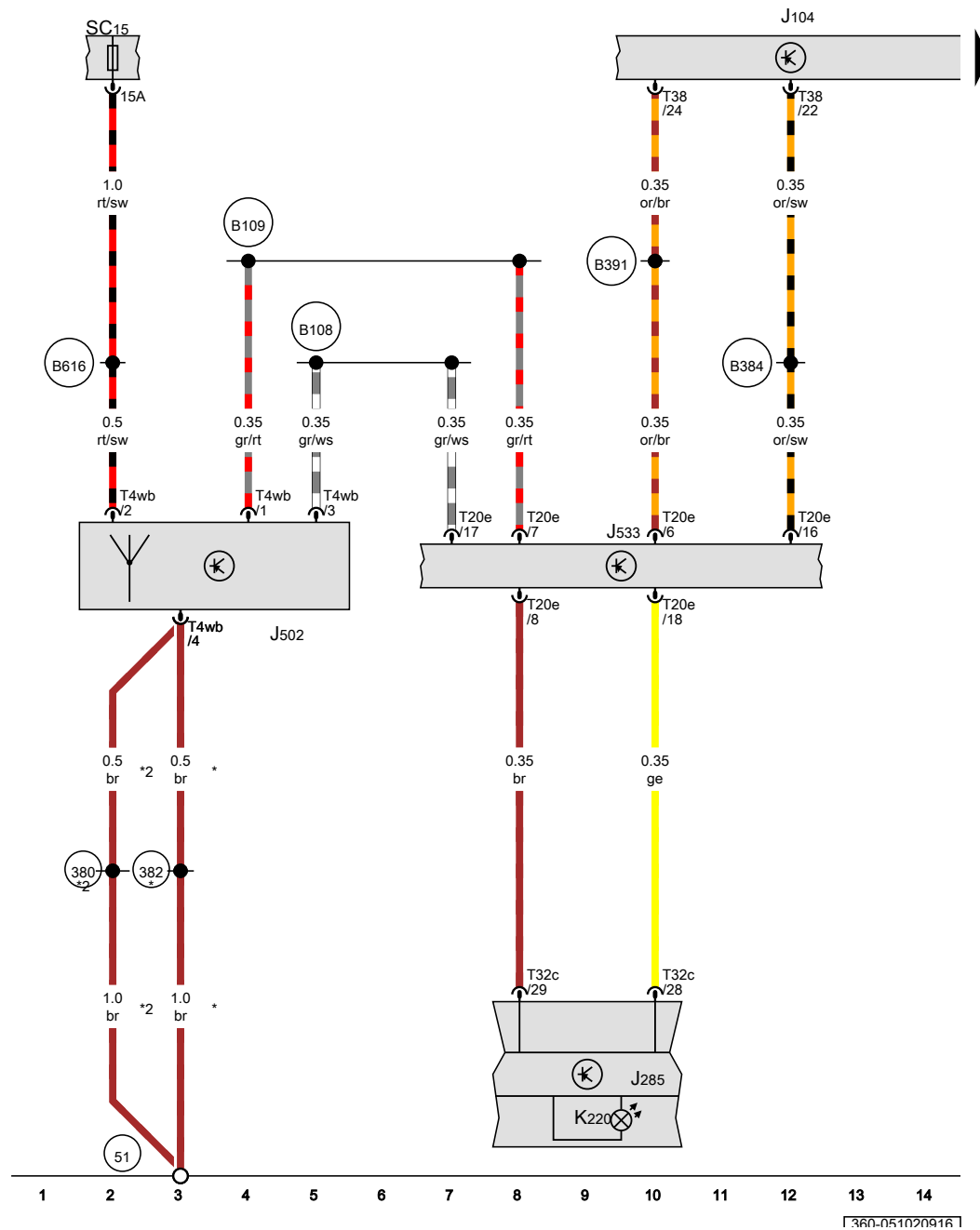
Tyre Pressure Monitoring System , (7K3),(7K4)

From November 2010

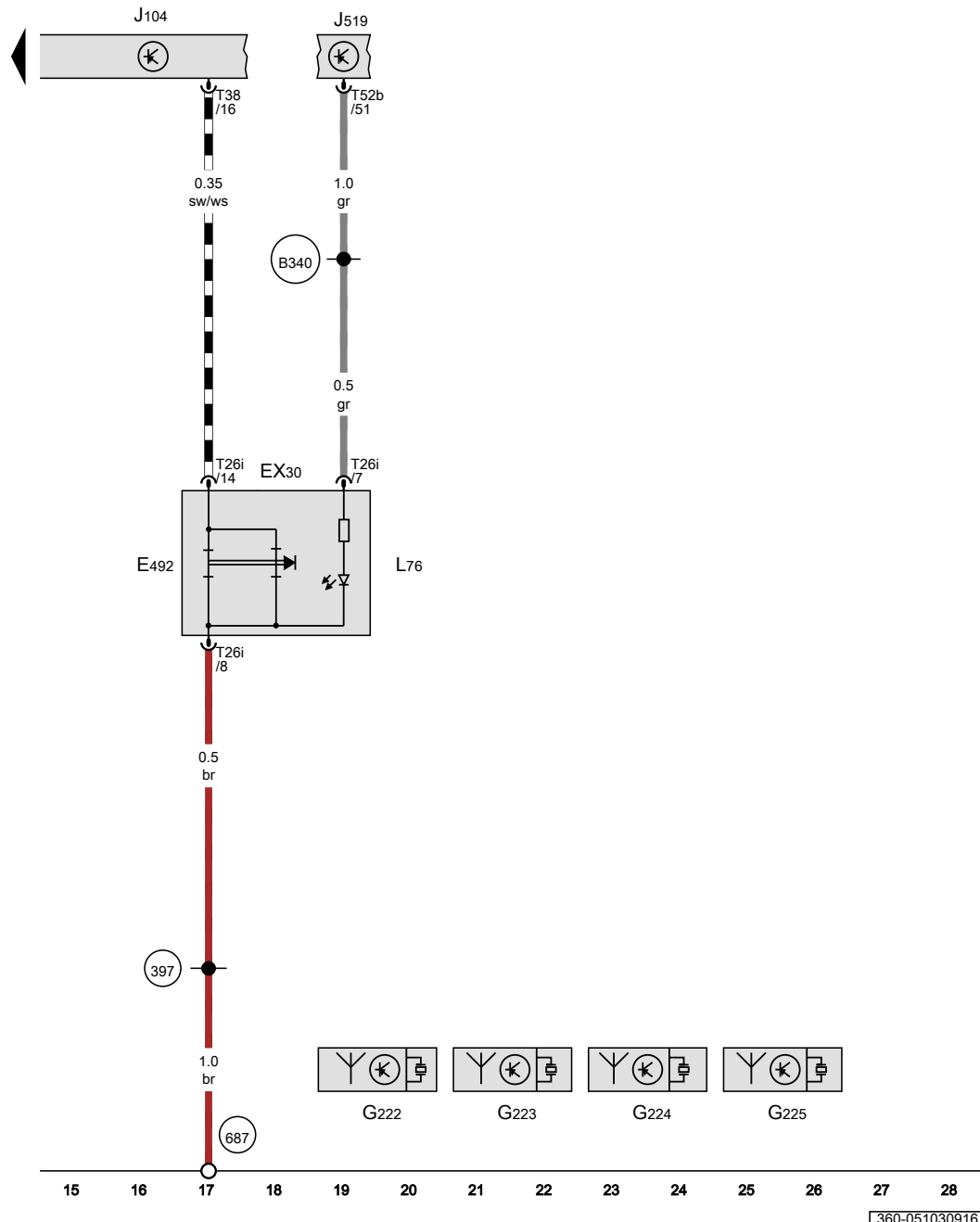
Tyre Pressure Monitoring System control unit

- J104 ABS control unit
- J285 Control unit in dash panel insert
- J502 Tyre Pressure Monitoring System control unit, behind rear bumper on right
- J533 Data bus diagnostic interface
- K220 Tyre Pressure Loss Indicator warning lamp
- SC15 Fuse 15 on fuse holder C
- T4wb 4-pin connector
- T20e 20-pin connector
- T32c 32-pin connector
- T38 38-pin connector

- 51 Earth point, on right in luggage compartment
- 380 Earth connection 15, in main wiring harness
- 382 Earth connection 17, in main wiring harness
- B108 Connection 1 (CAN bus extended high), in main wiring harness
- B109 Connection 1 (CAN bus extended low), in main wiring harness
- B384 Connection 2 (powertrain CAN bus, high), in main wiring harness
- B391 Connection 2 (powertrain CAN bus, low), in main wiring harness
- B616 Positive connection 12 (30a), in interior wiring harness
- * Saloon
- *2 Estate



1360-051020916 1



Switch module 2 in centre console, Tyre Pressure Loss Indicator button, Front left tyre pressure sensor, Front right tyre pressure sensor, Rear left tyre pressure sensor, Rear right tyre pressure sensor, Button illumination bulb

- EX30 Switch module 2 in centre console
- E492 Tyre Pressure Loss Indicator button
- G222 Front left tyre pressure sensor
- G223 Front right tyre pressure sensor
- G224 Rear left tyre pressure sensor
- G225 Rear right tyre pressure sensor
- J104 ABS control unit
- J519 Onboard supply control unit
- L76 Button illumination bulb
- T26i 26-pin connector
- T38 38-pin connector
- T52b 52-pin connector, white

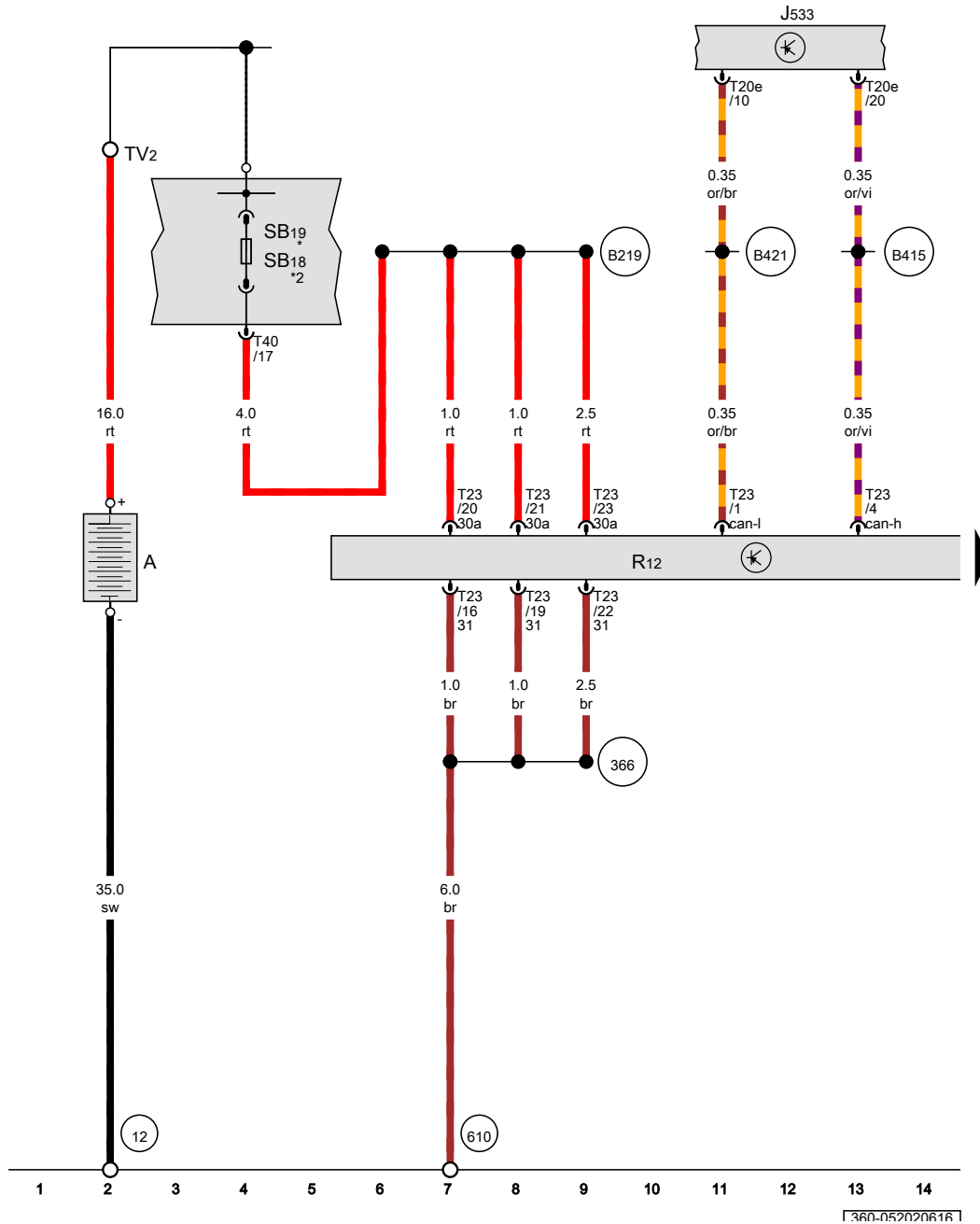
- 397 Earth connection 32, in main wiring harness
- 687 Earth point 1, on centre tunnel
- B340 Connection 1 (58d), in main wiring harness

- ws = white
- sw = black
- ro = red
- rt = red
- br = brown
- gn = green
- bl = blue
- gr = grey
- li = purple
- vi = purple
- ge = yellow
- or = orange
- rs = pink

Sound system DYNAUDIO , (9VE)

From November 2010

Battery, Data bus diagnostic interface, Amplifier, Fuse 18 on fuse holder B, Fuse 19 on fuse holder B, Terminal 30 wiring junction



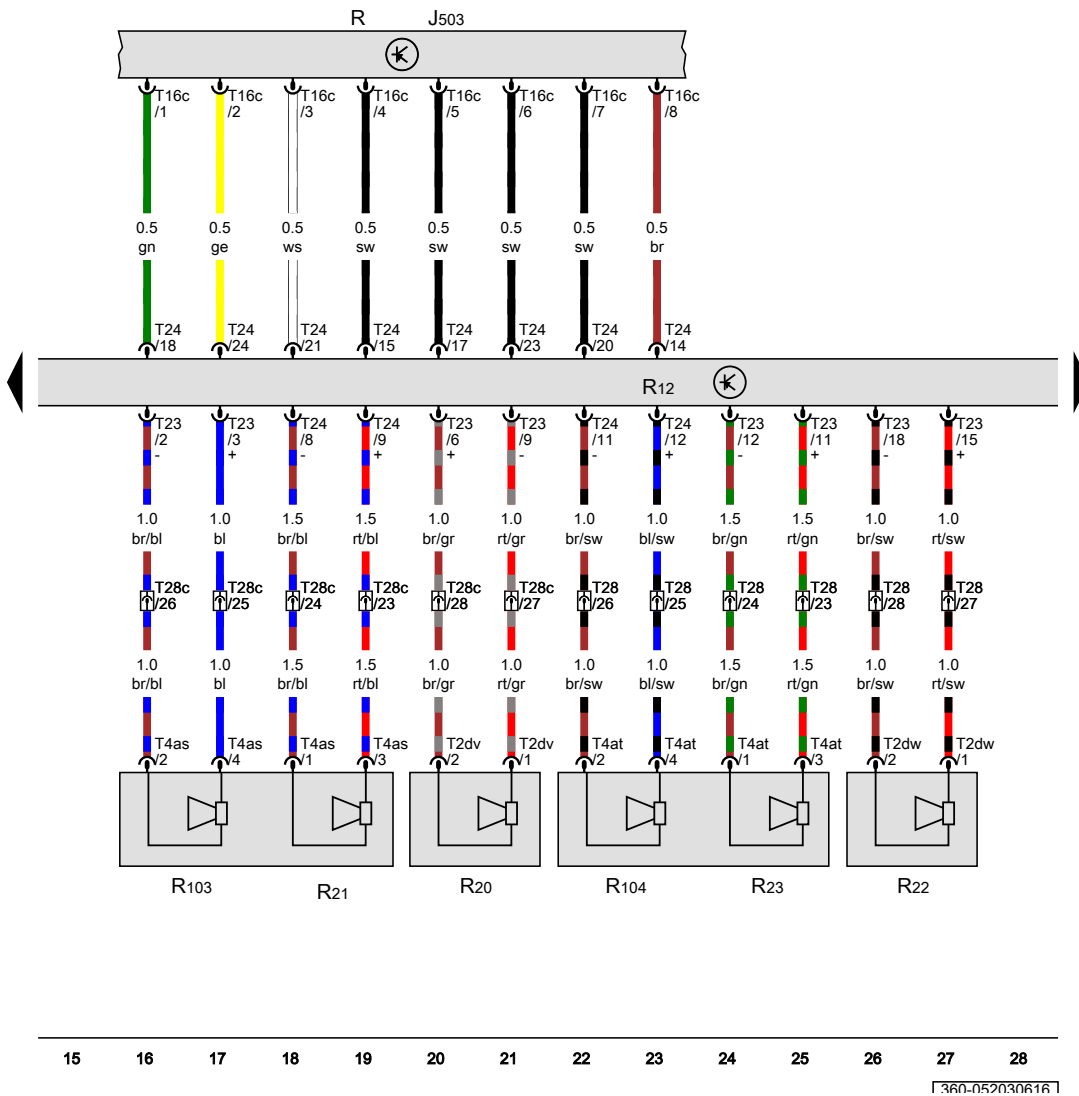
- A Battery
- J533 Data bus diagnostic interface
- R12 Amplifier
- SB18 Fuse 18 on fuse holder B
- SB19 Fuse 19 on fuse holder B
- T20e 20-pin connector
- TV2 Terminal 30 wiring junction
- T23 23-pin connector
- T40 40-pin connector
- 12 Earth point, on left in engine compartment
- 366 Earth connection 1, in main wiring harness
- 610 Earth point (audio), front below centre console
- B219 Positive connection 4 (30a), in interior wiring harness
- B415 Connection 1 (infotainment CAN bus, high), in main wiring harness
- B421 Connection 1 (infotainment CAN bus, low), in main wiring harness
- * Fuses in E-box, Low
- *2 Fuses in E-box, High

- ws = white
- sw = black
- ro = red
- rt = red
- br = brown
- gn = green
- bl = blue
- gr = grey
- li = purple
- vi = purple
- ge = yellow
- or = orange
- rs = pink

1360-052020616

Control unit with display for radio and navigation, Radio, Amplifier, Front left treble loudspeaker, Front left bass loudspeaker, Front right treble loudspeaker, Front right bass loudspeaker, Front right mid-range loudspeaker

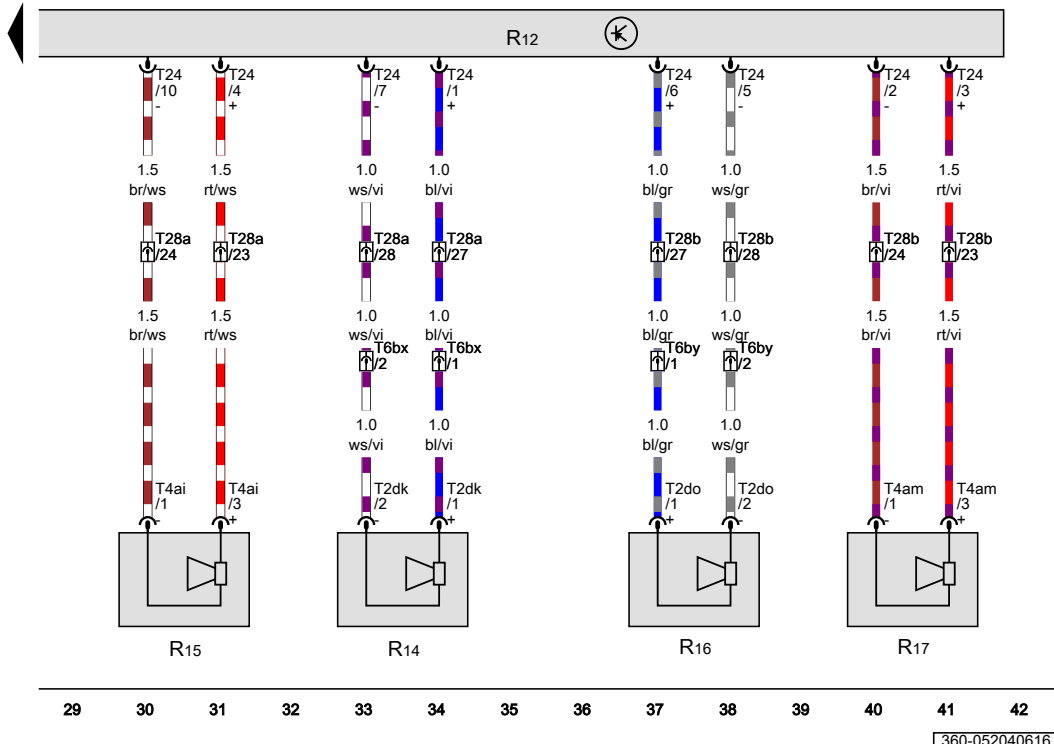
- J503 Control unit with display for radio and navigation
- R Radio
- R12 Amplifier
- R20 Front left treble loudspeaker
- R21 Front left bass loudspeaker
- R22 Front right treble loudspeaker
- R23 Front right bass loudspeaker
- R103 Front left mid-range loudspeaker
- R104 Front right mid-range loudspeaker
- T2dv 2-pin connector
- T2dw 2-pin connector
- T4as 4-pin connector
- T4at 4-pin connector
- T16c 16-pin connector
- T23 23-pin connector
- T24 24-pin connector
- T28 28-pin connector, on lower section of right A-pillar
- T28c 28-pin connector, on lower section of left A-pillar



- ws = white
- sw = black
- ro = red
- rt = red
- br = brown
- gn = green
- bl = blue
- gr = grey
- li = purple
- vi = purple
- ge = yellow
- or = orange
- rs = pink

Amplifier, Rear left treble loudspeaker, Rear left bass loudspeaker, Rear right treble loudspeaker, Rear right bass loudspeaker

- R12 Amplifier
- R14 Rear left treble loudspeaker
- R15 Rear left bass loudspeaker
- R16 Rear right treble loudspeaker
- R17 Rear right bass loudspeaker
- T2dk 2-pin connector
- T2do 2-pin connector
- T4ai 4-pin connector
- T4am 4-pin connector
- T6bx 6-pin connector
- T6by 6-pin connector
- T24 24-pin connector
- T28a 28-pin connector, on left B-pillar
- T28b 28-pin connector, on right B-pillar

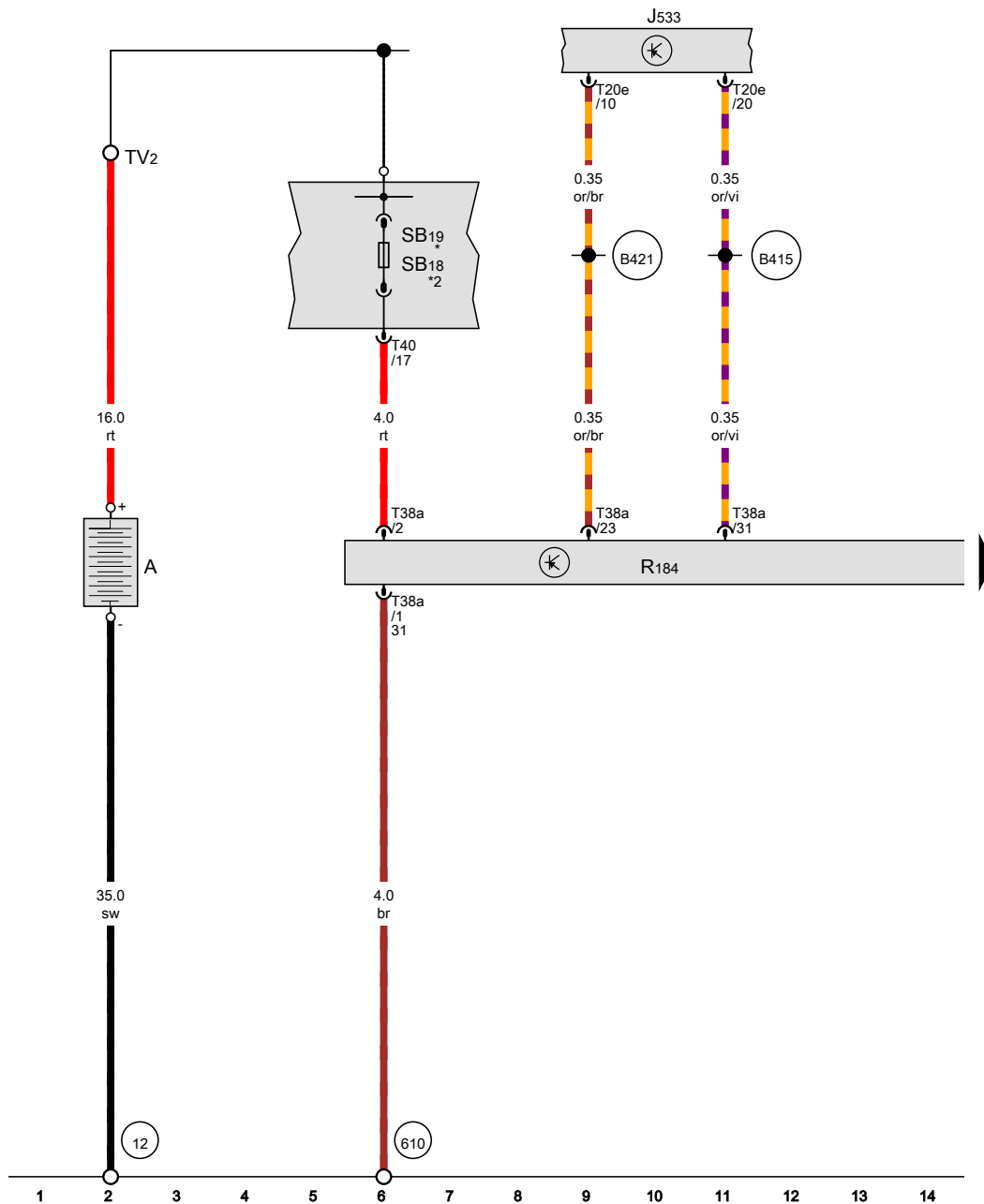


- ws = white
- sw = black
- ro = red
- rt = red
- br = brown
- gn = green
- bl = blue
- gr = grey
- li = purple
- vi = purple
- ge = yellow
- or = orange
- rs = pink

"Volkswagen Sound" sound system , (9VQ)

From November 2010

Battery, Data bus diagnostic interface, Digital sound package amplifier, Fuse 18 on fuse holder B, Fuse 19 on fuse holder B, Terminal 30 wiring junction



- A Battery
- J533 Data bus diagnostic interface
- R184 Digital sound package amplifier
- SB18 Fuse 18 on fuse holder B
- SB19 Fuse 19 on fuse holder B
- T20e 20-pin connector
- T38a 38-pin connector
- TV2 Terminal 30 wiring junction
- T40 40-pin connector

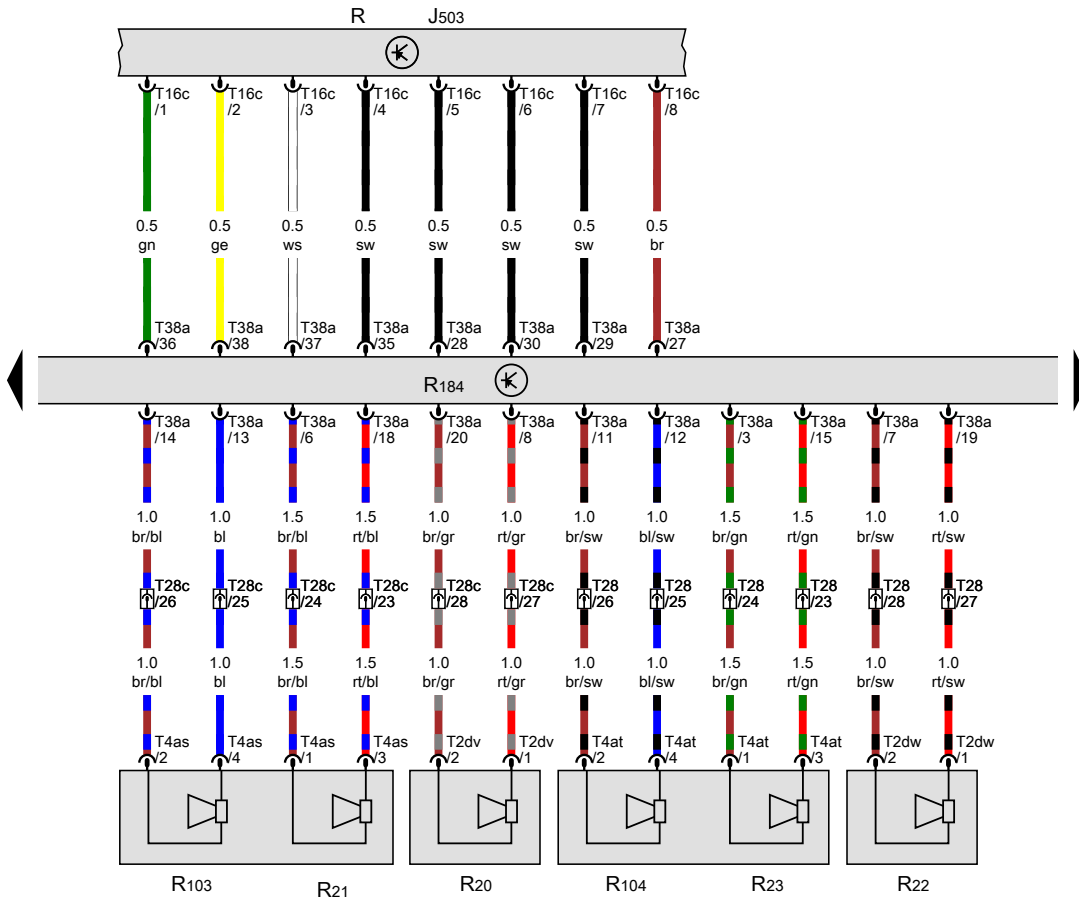
- 12 Earth point, on left in engine compartment
- 610 Earth point (audio), front below centre console
- B415 Connection 1 (infotainment CAN bus, high), in main wiring harness
- B421 Connection 1 (infotainment CAN bus, low), in main wiring harness
- * Fuses in E-box, Low
- *2 Fuses in E-box, High

- ws = white
- sw = black
- ro = red
- rt = red
- br = brown
- gn = green
- bl = blue
- gr = grey
- li = purple
- vi = purple
- ge = yellow
- or = orange
- rs = pink

1360-053020616 1

Control unit with display for radio and navigation, Radio, Front left treble loudspeaker, Front left bass loudspeaker, Front right treble loudspeaker, Front right bass loudspeaker, Front right mid-range loudspeaker, Digital sound package amplifier

- J503 Control unit with display for radio and navigation
- R Radio
- R20 Front left treble loudspeaker
- R21 Front left bass loudspeaker
- R22 Front right treble loudspeaker
- R23 Front right bass loudspeaker
- R103 Front left mid-range loudspeaker
- R104 Front right mid-range loudspeaker
- R184 Digital sound package amplifier
- T2dv 2-pin connector
- T2dw 2-pin connector
- T4as 4-pin connector
- T4at 4-pin connector
- T16c 16-pin connector
- T28 28-pin connector, on lower section of right A-pillar
- T28c 28-pin connector, on lower section of left A-pillar
- T38a 38-pin connector



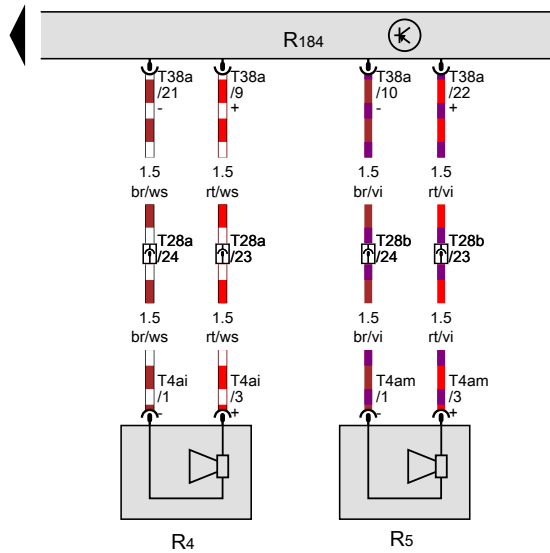
- ws = white
- sw = black
- ro = red
- rt = red
- br = brown
- gn = green
- bl = blue
- gr = grey
- li = purple
- vi = purple
- ge = yellow
- or = orange
- rs = pink

15 16 17 18 19 20 21 22 23 24 25 26 27 28

1360-053030616

Rear left loudspeaker, Rear right loudspeaker, Digital sound package amplifier

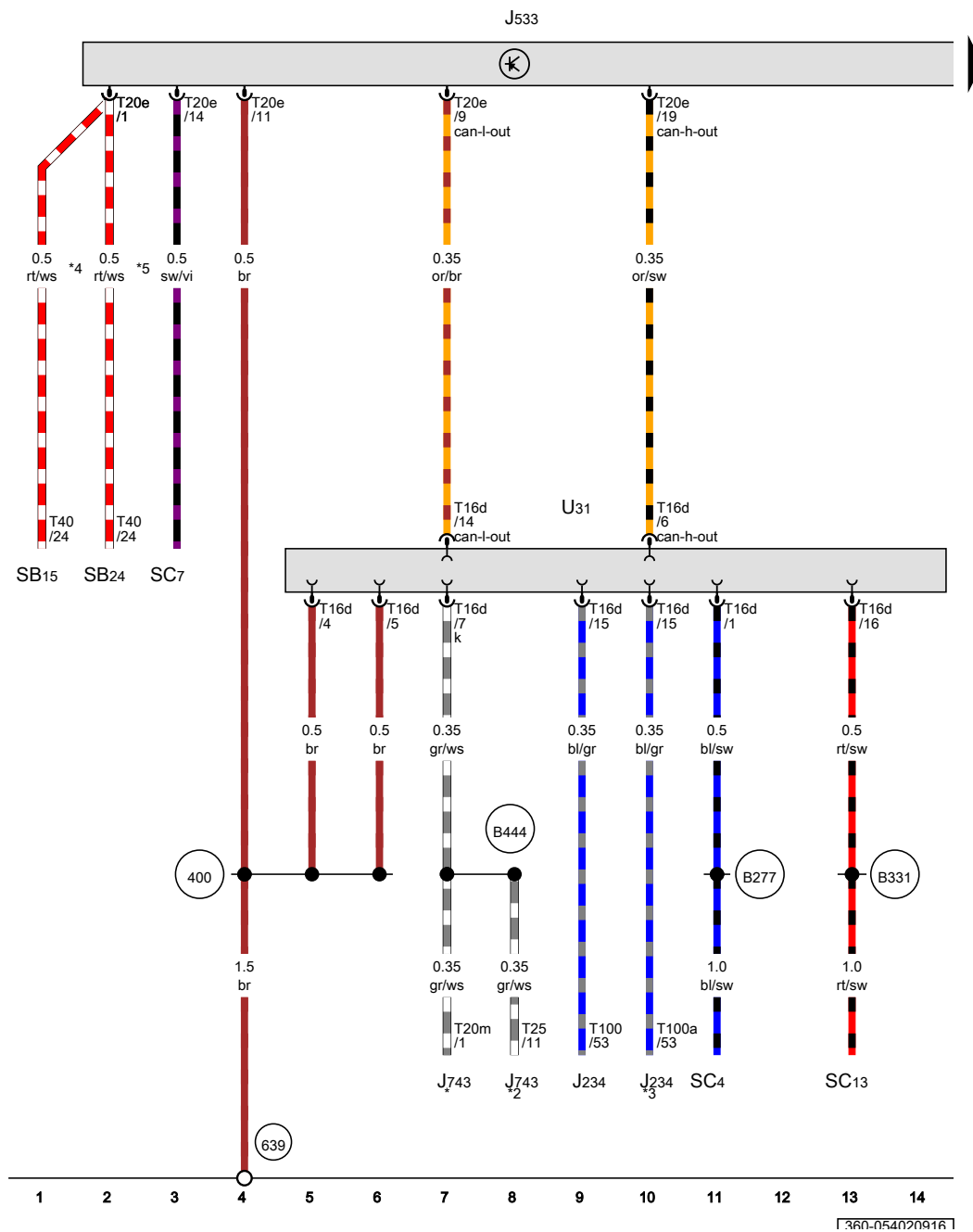
- R4 Rear left loudspeaker
- R5 Rear right loudspeaker
- R184 Digital sound package amplifier
- T4ai 4-pin connector
- T4am 4-pin connector
- T28a 28-pin connector, on left B-pillar
- T28b 28-pin connector, on right B-pillar
- T38a 38-pin connector



- ws = white
- sw = black
- ro = red
- rt = red
- br = brown
- gn = green
- bl = blue
- gr = grey
- li = purple
- vi = purple
- ge = yellow
- or = orange
- rs = pink

CAN and LIN bus networking, powertrain CAN, diagnosis CAN, dash panel CAN, convenience CAN

From November 2010



Data bus diagnostic interface, Diagnostic connection

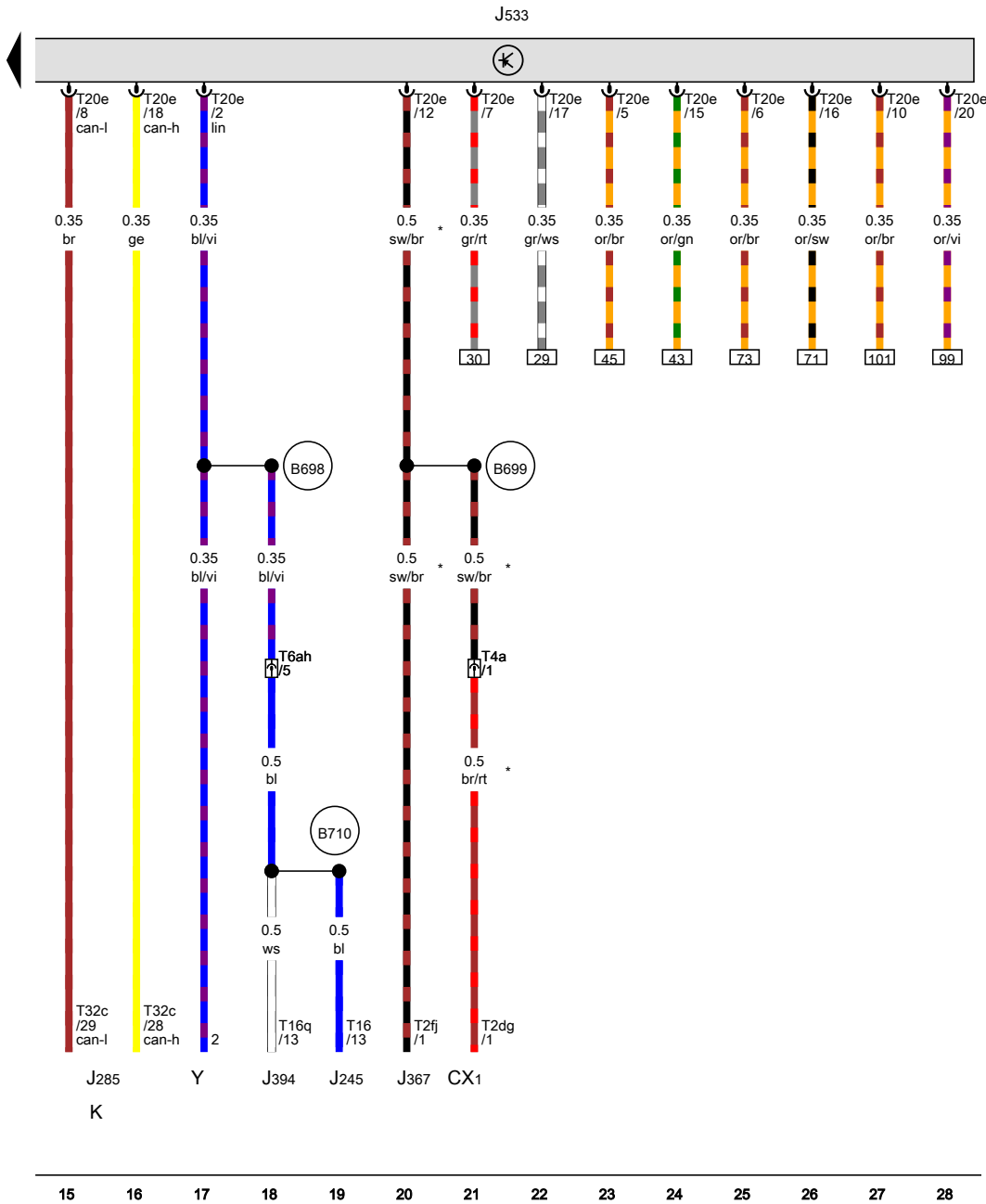
- J234 Airbag control unit
- J533 Data bus diagnostic interface
- J743 Mechatronic unit for dual clutch gearbox
- SC4 Fuse 4 on fuse holder C
- SC7 Fuse 7 on fuse holder C
- SC13 Fuse 13 on fuse holder C
- SB15 Fuse 15 on fuse holder B
- SB24 Fuse 24 on fuse holder B
- T16d 16-pin connector
- T20e 20-pin connector
- T20m 20-pin connector
- T25 25-pin connector
- T40 40-pin connector
- T100 100-pin connector
- T100a 100-pin connector
- U31 Diagnostic connection

- 400 Earth connection 35, in main wiring harness
- 639 Earth point, left A-pillar
- B277 Positive connection 1 (15a) in main wiring harness
- B331 Positive connection 17 (30a) in main wiring harness
- B444 Connection 1 (diagnosis), in main wiring harness

- * Only models with dual clutch gearbox 02E
- *2 Only models with dual clutch gearbox 0AM
- *3 Only models with rear side airbag
- *4 Fuses in E-box, Low
- *5 Fuses in E-box, High

- ws = white
- sw = black
- ro = red
- rt = red
- br = brown
- gn = green
- bl = blue
- gr = grey
- li = purple
- vi = purple
- ge = yellow
- or = orange
- rs = pink

1360-054020916



Data bus diagnostic interface

- CX1 Alternator with voltage regulator
- J245 Sliding sunroof adjustment control unit
- J285 Control unit in dash panel insert
- J367 Battery monitor control unit
- J394 Sunroof roller blind control unit
- J533 Data bus diagnostic interface
- K Dash panel insert
- T2dg 2-pin connector
- T2fj 2-pin connector
- T4a 4-pin connector
- T6ah 6-pin connector
- T16 16-pin connector
- T16q 16-pin connector
- T20e 20-pin connector
- T32c 32-pin connector
- Y Analogue clock

B698 Connection 3 (LIN bus) in main wiring harness

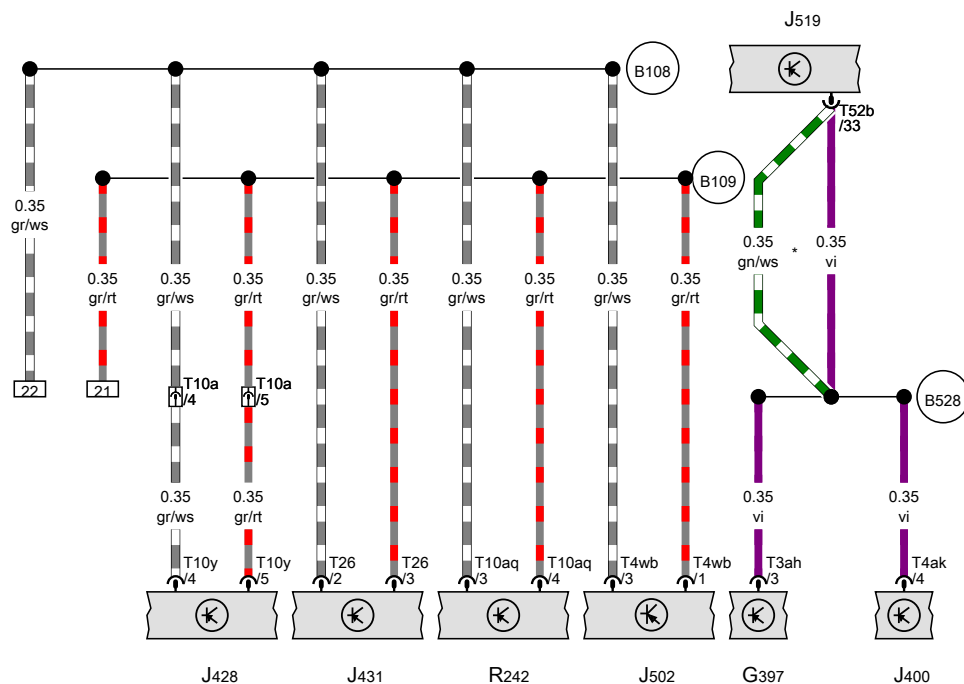
B699 Connection 4 (LIN bus) in main wiring harness

B710 Connection 5 (LIN bus) in main wiring harness

* Only models with start/stop system

- ws = white
- sw = black
- ro = red
- rt = red
- br = brown
- gn = green
- bl = blue
- gr = grey
- li = purple
- vi = purple
- ge = yellow
- or = orange
- rs = pink

1360-054030916



Tyre Pressure Monitoring System control unit, Connection 1 (CAN bus extended high), in main wiring harness, Connection 1 (CAN bus extended low), in main wiring harness, Connection 1 (LIN bus) in main wiring harness

- G397 Rain and light sensor
- J400 Wiper motor control unit
- J428 Adaptive cruise control unit
- J431 Headlight range control unit
- J502 Tyre Pressure Monitoring System control unit
- J519 Onboard supply control unit
- R242 Front camera for driver assist systems
- T3ah 3-pin connector
- T4ak 4-pin connector
- T4wb 4-pin connector
- T10a 10-pin connector
- T10aq 10-pin connector
- T10y 10-pin connector
- T26 26-pin connector
- T52b 52-pin connector

B108 Connection 1 (CAN bus extended high), in main wiring harness

B109 Connection 1 (CAN bus extended low), in main wiring harness

B528 Connection 1 (LIN bus) in main wiring harness

* From November 2013

- ws = white
- sw = black
- ro = red
- rt = red
- br = brown
- gn = green
- bl = blue
- gr = grey
- li = purple
- vi = purple
- ge = yellow
- or = orange
- rs = pink

29 30 31 32 33 34 35 36 37 38 39 40 41 42

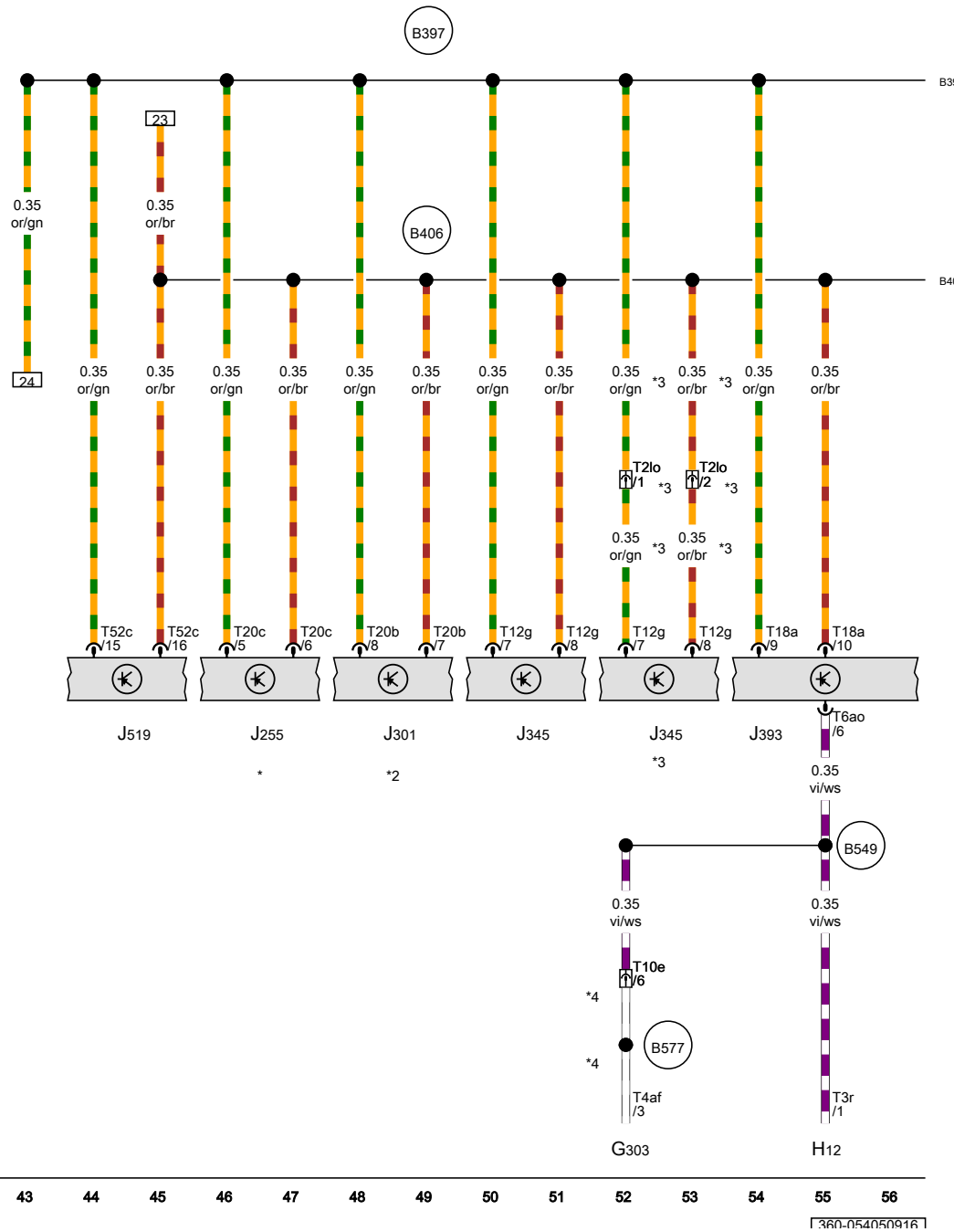
1360-0540409161

Connection 1 (convenience CAN bus, high), in main wiring harness, Connection 1 (convenience CAN bus, low), in main wiring harness, Connection 2 (LIN bus) in main wiring harness, LIN bus connection, in roof wiring harness

- G303 Interior monitor send and receive module 1
- H12 Alarm horn
- J255 Climatronic control unit
- J301 Air conditioning system control unit
- J345 Trailer detector control unit
- J393 Convenience system central control unit
- J519 Onboard supply control unit
- T2lo 2-pin connector
- T3r 3-pin connector
- T4af 4-pin connector
- T6ao 6-pin connector
- T10e 10-pin connector
- T12g 12-pin connector
- T18a 18-pin connector
- T20b 20-pin connector
- T20c 20-pin connector
- T52c 52-pin connector

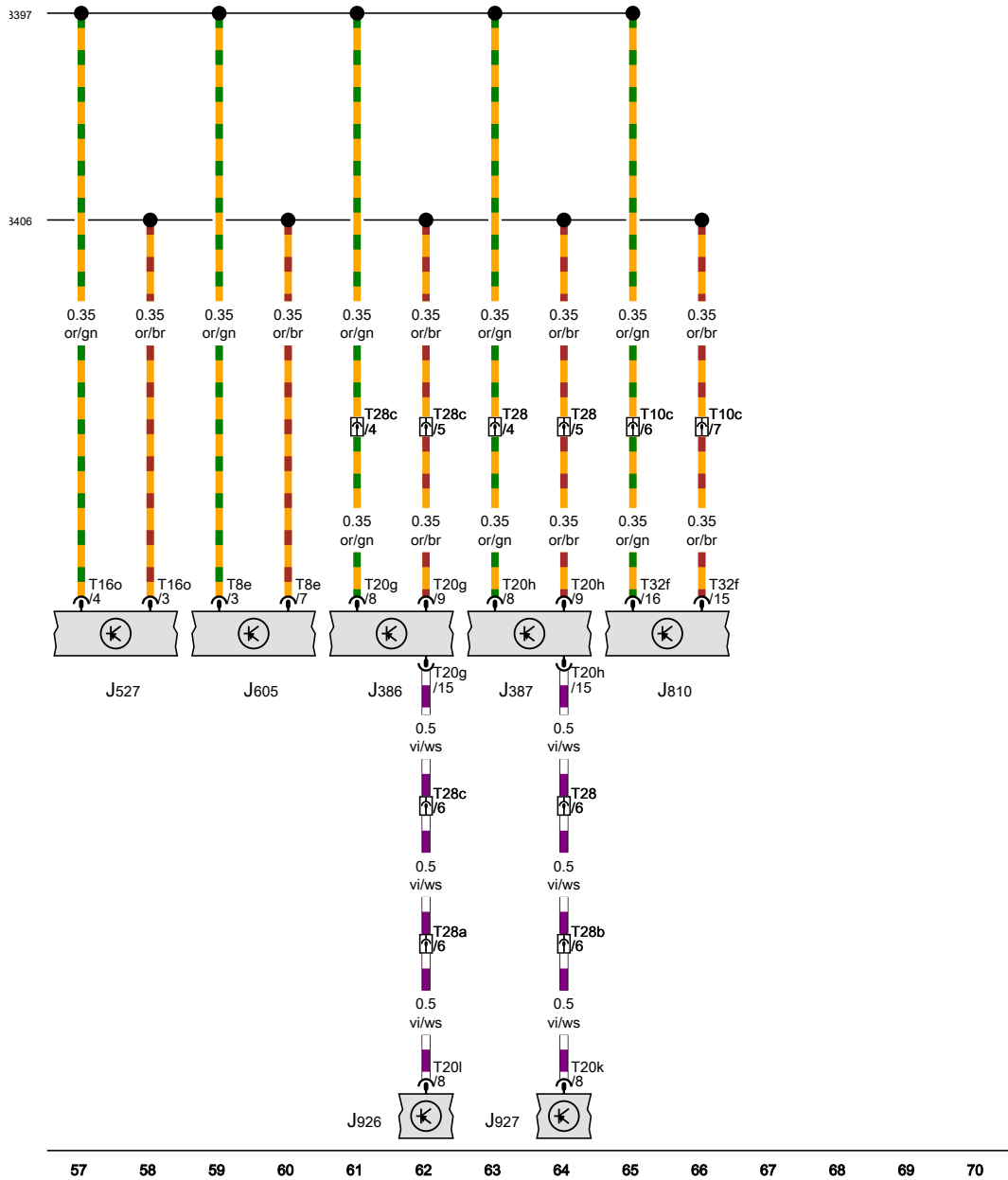
- B397** Connection 1 (convenience CAN bus, high), in main wiring harness
 - B406** Connection 1 (convenience CAN bus, low), in main wiring harness
 - B549** Connection 2 (LIN bus) in main wiring harness
 - B577** LIN bus connection, in roof wiring harness
- * Only models with Climatronic
 *2 Only models with air conditioning system
 *3 Only models with preparation for trailer coupling
 *4 Flat conductor

- ws = white
- sw = black
- ro = red
- rt = red
- br = brown
- gn = green
- bl = blue
- gr = grey
- li = purple
- vi = purple
- ge = yellow
- or = orange
- rs = pink



43 44 45 46 47 48 49 50 51 52 53 54 55 56

1360-054050916



Connection 1 (convenience CAN bus, high), in main wiring harness, Connection 1 (convenience CAN bus, low), in main wiring harness

- J386 Driver door control unit
- J387 Front passenger door control unit
- J527 Steering column electronics control unit
- J605 Rear lid control unit
- J810 Driver seat adjustment control unit
- J926 Rear driver side door control unit
- J927 Rear passenger side door control unit
- T8e 8-pin connector
- T10c 10-pin connector
- T16o 16-pin connector
- T20g 20-pin connector
- T20h 20-pin connector
- T20k 20-pin connector
- T20l 20-pin connector
- T28 28-pin connector
- T28a 28-pin connector
- T28b 28-pin connector
- T28c 28-pin connector
- T32f 32-pin connector

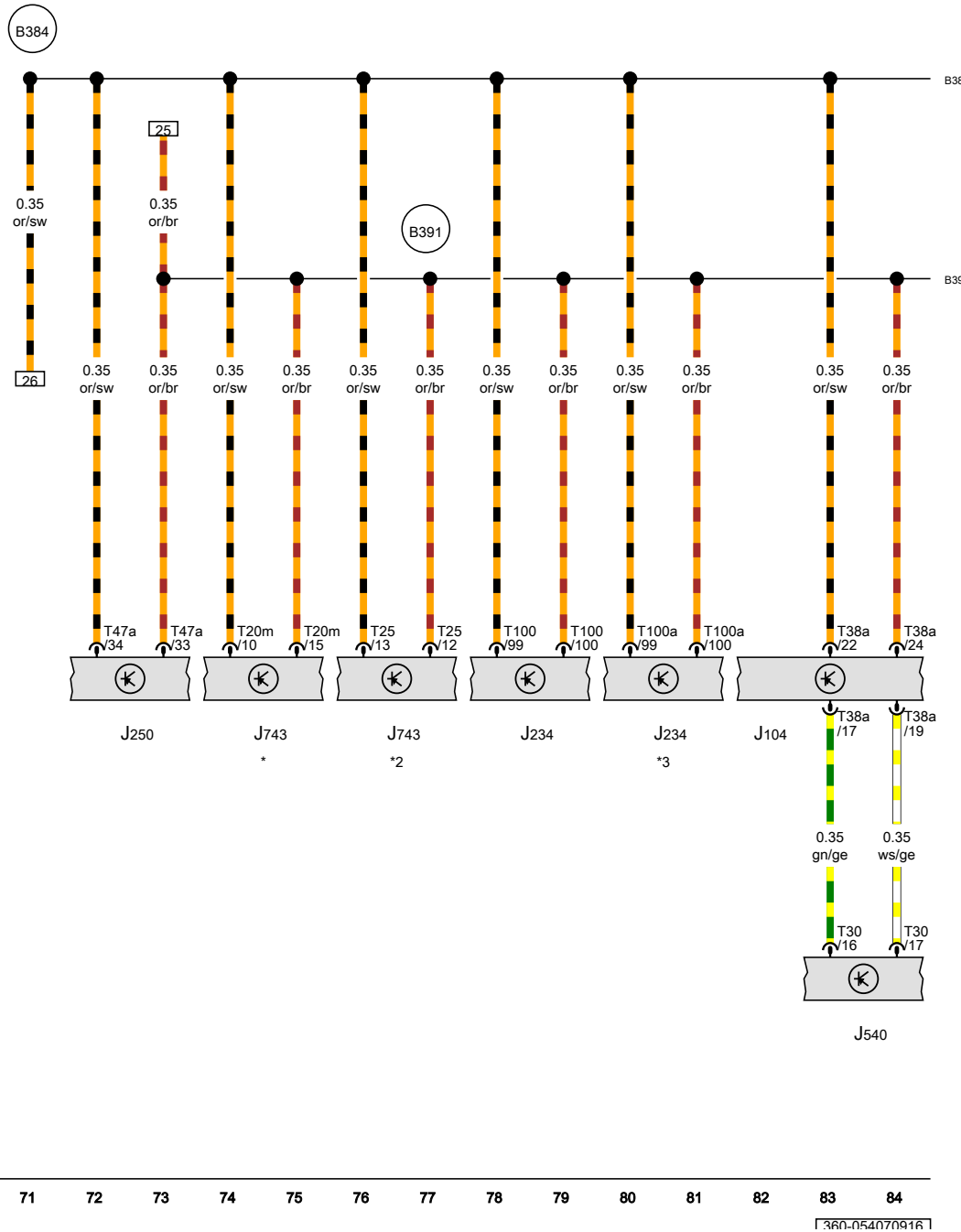
- B397 Connection 1 (convenience CAN bus, high), in main wiring harness
- B406 Connection 1 (convenience CAN bus, low), in main wiring harness

- ws = white
- sw = black
- ro = red
- rt = red
- br = brown
- gn = green
- bl = blue
- gr = grey
- li = purple
- vi = purple
- ge = yellow
- or = orange
- rs = pink

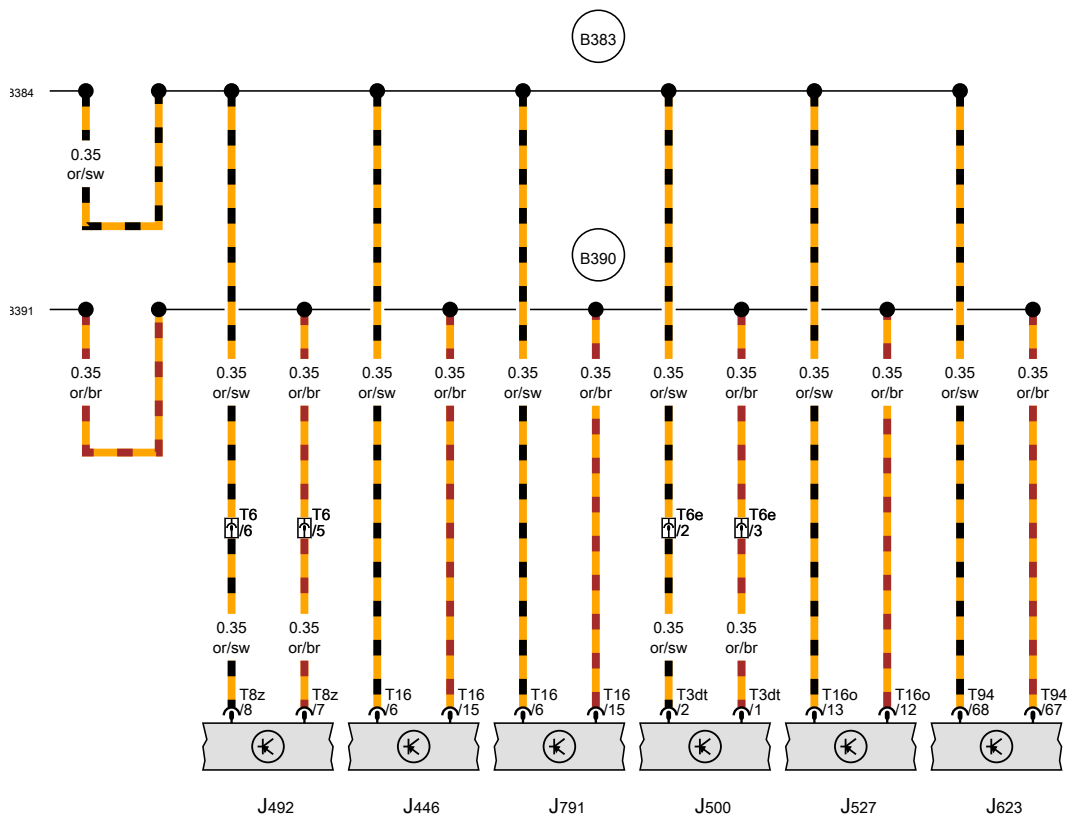
Connection 2 (powertrain CAN bus, high), in main wiring harness, Connection 2 (powertrain CAN bus, low), in main wiring harness

- J104 ABS control unit
- J234 Airbag control unit
- J250 Electronically controlled damping control unit
- J540 Control unit for electromechanical parking brake
- J743 Mechatronic unit for dual clutch gearbox
- T20m 20-pin connector
- T25 25-pin connector
- T30 30-pin connector
- T38a 38-pin connector
- T47a 47-pin connector
- T100 100-pin connector
- T100a 100-pin connector

- B384 Connection 2 (powertrain CAN bus, high), in main wiring harness
- B391 Connection 2 (powertrain CAN bus, low), in main wiring harness
- * Only models with dual clutch gearbox 02E
- *2 Only models with dual clutch gearbox 0AM
- *3 Only models with rear side airbag



1360-054070916



Connection 1 (powertrain CAN bus, high), in main wiring harness, Connection 2 (powertrain CAN bus, high), in main wiring harness, Connection 1 (powertrain CAN bus, low), in main wiring harness, Connection 2 (powertrain CAN bus, low), in main wiring harness

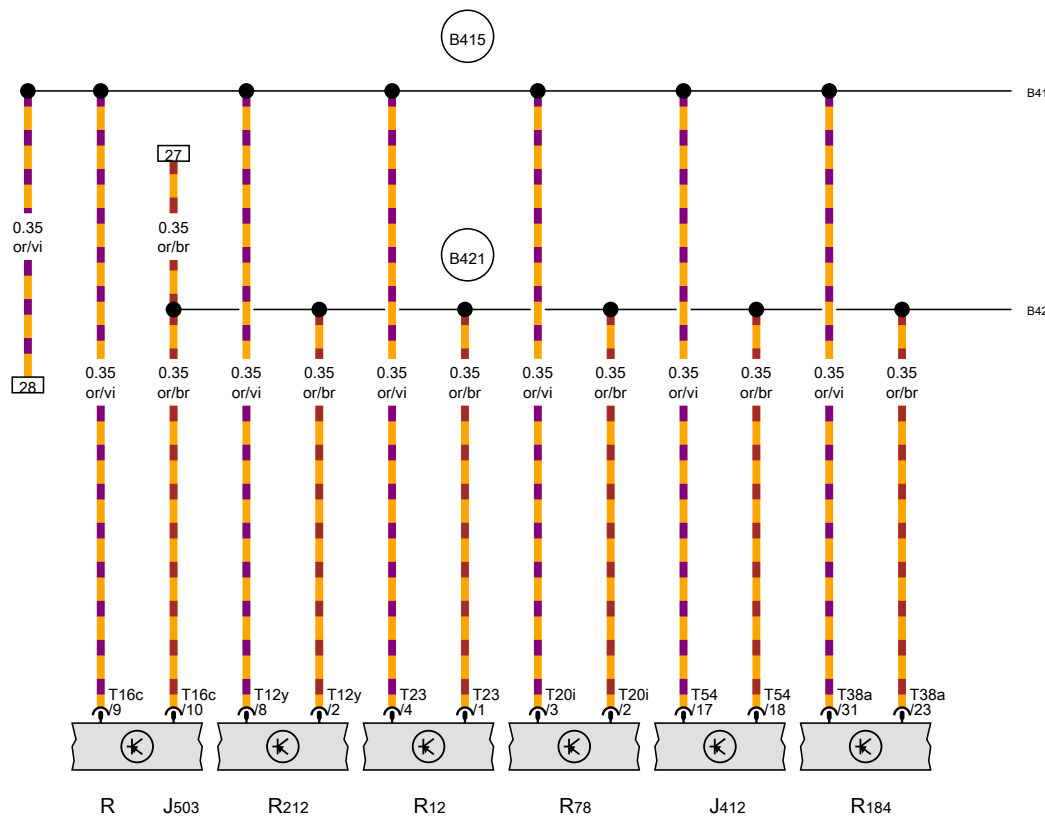
- J446 Parking aid control unit
- J492 All-wheel drive control unit
- J500 Power steering control unit
- J527 Steering column electronics control unit
- J623 Engine control unit
- J791 Park assist steering control unit
- T3dt 3-pin connector
- T6 6-pin connector
- T6e 6-pin connector
- T8z 8-pin connector
- T16 16-pin connector
- T16o 16-pin connector
- T94 94-pin connector

- B383 Connection 1 (powertrain CAN bus, high), in main wiring harness
- B384 Connection 2 (powertrain CAN bus, high), in main wiring harness
- B390 Connection 1 (powertrain CAN bus, low), in main wiring harness
- B391 Connection 2 (powertrain CAN bus, low), in main wiring harness

- ws = white
- sw = black
- ro = red
- rt = red
- br = brown
- gn = green
- bl = blue
- gr = grey
- li = purple
- vi = purple
- ge = yellow
- or = orange
- rs = pink

85 86 87 88 89 90 91 92 93 94 95 96 97 98

1360-054080916

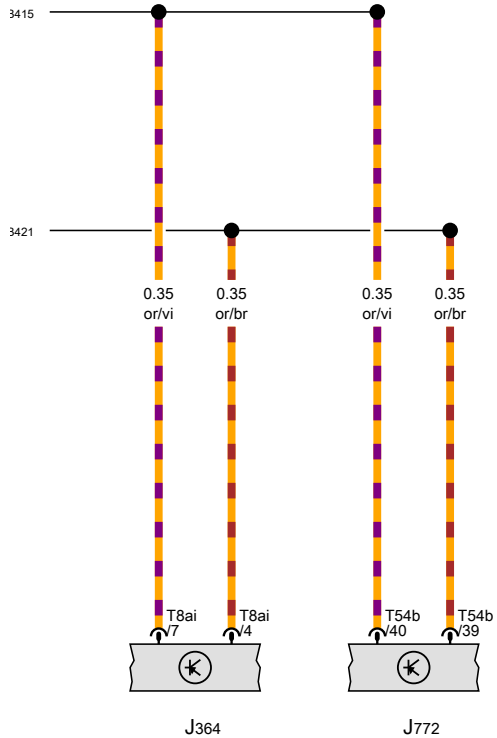


Connection 1 (infotainment CAN bus, high), in main wiring harness, Connection 1 (infotainment CAN bus, low), in main wiring harness

- J412 Mobile telephone operating electronics control unit
- J503 Control unit with display for radio and navigation
- R Radio
- R12 Amplifier
- R78 TV tuner
- R184 Digital sound package amplifier
- R212 Camera for night vision system
- T12y 12-pin connector
- T16c 16-pin connector
- T20i 20-pin connector
- T23 23-pin connector
- T38a 38-pin connector
- T54 54-pin connector

- B415 Connection 1 (infotainment CAN bus, high), in main wiring harness
- B421 Connection 1 (infotainment CAN bus, low), in main wiring harness

- ws = white
- sw = black
- ro = red
- rt = red
- br = brown
- gn = green
- bl = blue
- gr = grey
- li = purple
- vi = purple
- ge = yellow
- or = orange
- rs = pink



Connection 1 (infotainment CAN bus, high), in main wiring harness, Connection 1 (infotainment CAN bus, low), in main wiring harness

- J364 Auxiliary heater control unit
- J772 Reversing camera system control unit
- T8ai 8-pin connector
- T54b 54-pin connector

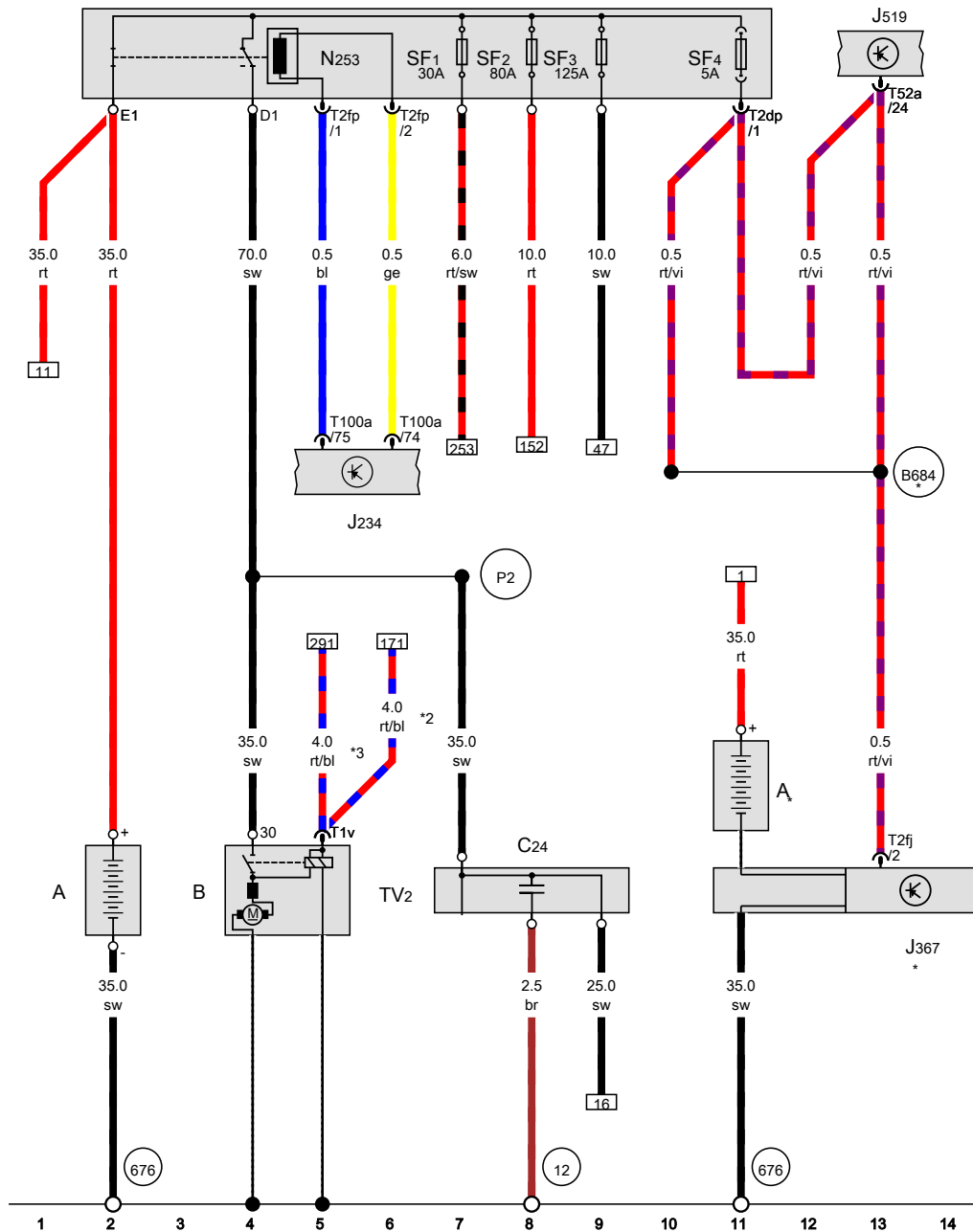
B415 Connection 1 (infotainment CAN bus, high), in main wiring harness

B421 Connection 1 (infotainment CAN bus, low), in main wiring harness

- ws = white
- sw = black
- ro = red
- rt = red
- br = brown
- gn = green
- bl = blue
- gr = grey
- li = purple
- vi = purple
- ge = yellow
- or = orange
- rs = pink

Fuse assignment for E-box, High

From November 2010

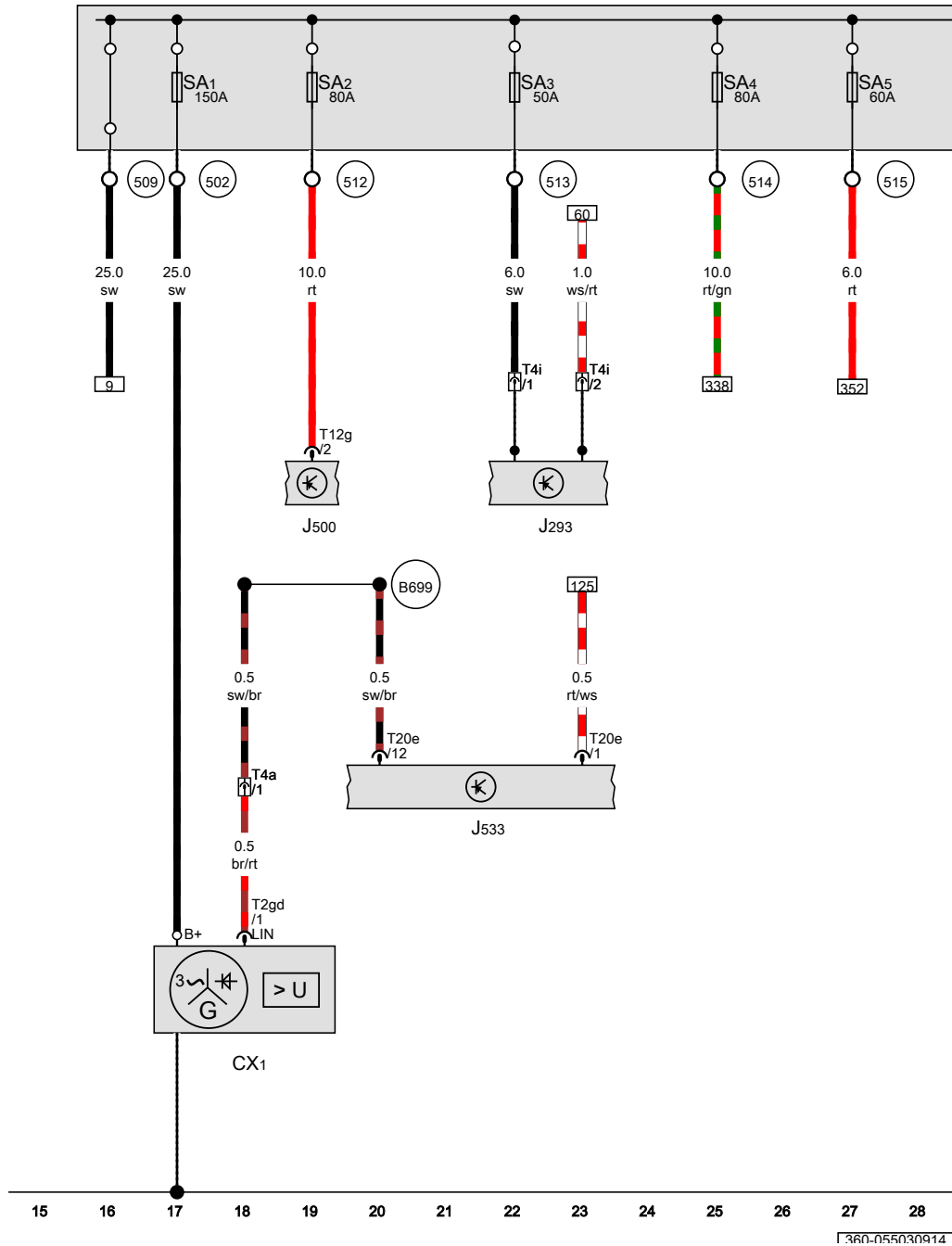


Battery, Starter, Suppression filter, Battery monitor control unit, Fuse 1 in fuse holder F, Fuse 2 in fuse holder F, Fuse 3 in fuse holder F, Fuse 4 in fuse holder F, Terminal 30 wiring junction

- A Battery
- B Starter
- C24 Suppression filter
- J234 Airbag control unit
- J367 Battery monitor control unit
- J519 Onboard supply control unit
- N253 Battery isolation igniter
- SF1 Fuse 1 in fuse holder F
- SF2 Fuse 2 in fuse holder F
- SF3 Fuse 3 in fuse holder F
- SF4 Fuse 4 in fuse holder F
- T1v Single connector
- T2dp 2-pin connector
- T2fj 2-pin connector
- T2fp 2-pin connector
- T52a 52-pin connector
- T100a 100-pin connector
- TV2 Terminal 30 wiring junction
- 12 Earth point, on left in engine compartment
- 676 Earth point 2, on left in luggage compartment
- B684 Positive connection 24 (30a) in main wiring harness
- P2 Positive connection (30), in battery wiring harness
- * Only models with energy recovery
- *2 Only models with no start/stop system
- *3 Only models with start/stop system

- ws = white
- sw = black
- ro = red
- rt = red
- br = brown
- gn = green
- bl = blue
- gr = grey
- li = purple
- vi = purple
- ge = yellow
- or = orange
- rs = pink

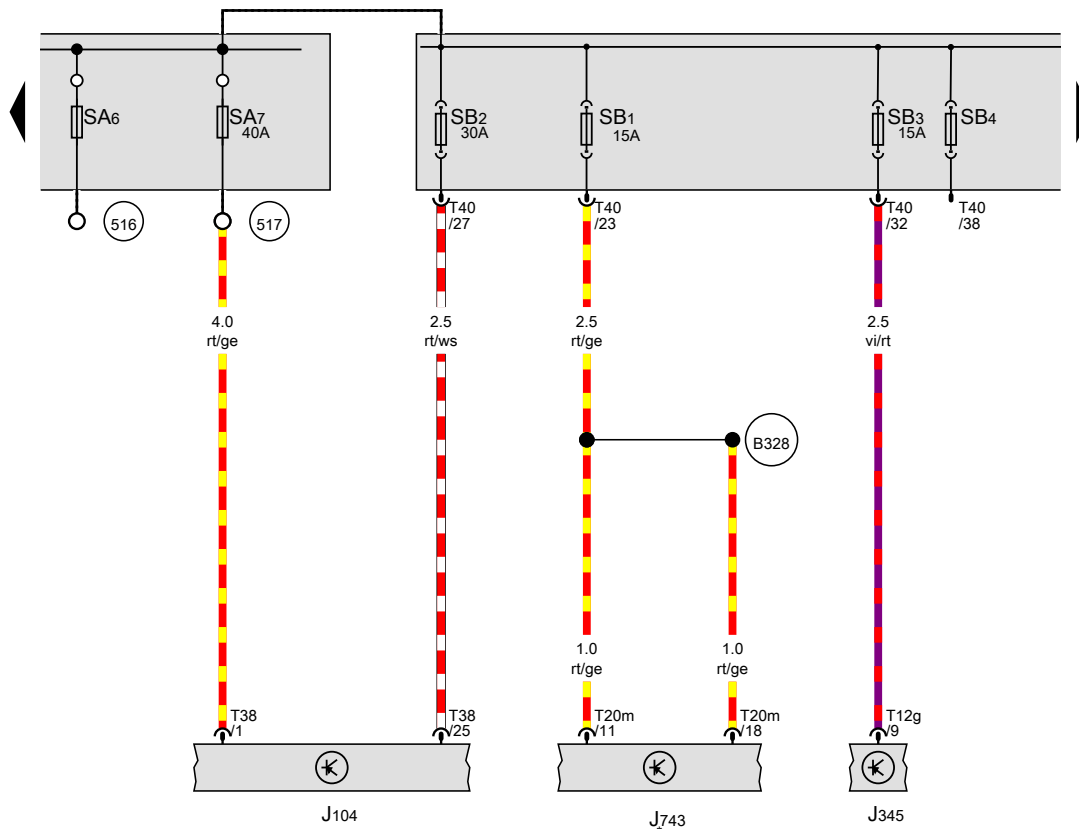
Γ360-055020914



Fuse 1 in fuse holder A, Fuse 2 in fuse holder A, Fuse 3 in fuse holder A, Fuse 4 in fuse holder A, Fuse 5 in fuse holder A

- CX1 Alternator with voltage regulator
- J293 Radiator fan control unit
- J500 Power steering control unit
- J533 Data bus diagnostic interface
- SA1 Fuse 1 in fuse holder A
- SA2 Fuse 2 in fuse holder A
- SA3 Fuse 3 in fuse holder A
- SA4 Fuse 4 in fuse holder A
- SA5 Fuse 5 in fuse holder A
- T2gd 2-pin connector
- T4a 4-pin connector, near starter
- T4i 4-pin connector, on lock carrier
- T12g 12-pin connector
- T20e 20-pin connector

- 502 Threaded connection 1 (30a) on relay plate
- 509 Threaded connection 1 (29), on E-box
- 512 Threaded connection 2 (30a) on relay plate
- 513 Threaded connection 3 (30a) on relay plate
- 514 Threaded connection 4 (30a) on relay plate
- 515 Threaded connection 5 (30a) on relay plate
- B699 Connection 4 (LIN bus) in main wiring harness



Fuse 1 on fuse holder B, Fuse 2 on fuse holder B, Fuse 3 on fuse holder B, Fuse 4 on fuse holder B, Fuse 6 in fuse holder A, Fuse 7 in fuse holder A

- J104 ABS control unit
- J345 Trailer detector control unit
- J743 Mechatronic unit for dual clutch gearbox
- SB1 Fuse 1 on fuse holder B
- SB2 Fuse 2 on fuse holder B
- SB3 Fuse 3 on fuse holder B
- SB4 Fuse 4 on fuse holder B
- SA6 Fuse 6 in fuse holder A
- SA7 Fuse 7 in fuse holder A
- T12g 12-pin connector
- T20m 20-pin connector
- T38 38-pin connector
- T40 40-pin connector

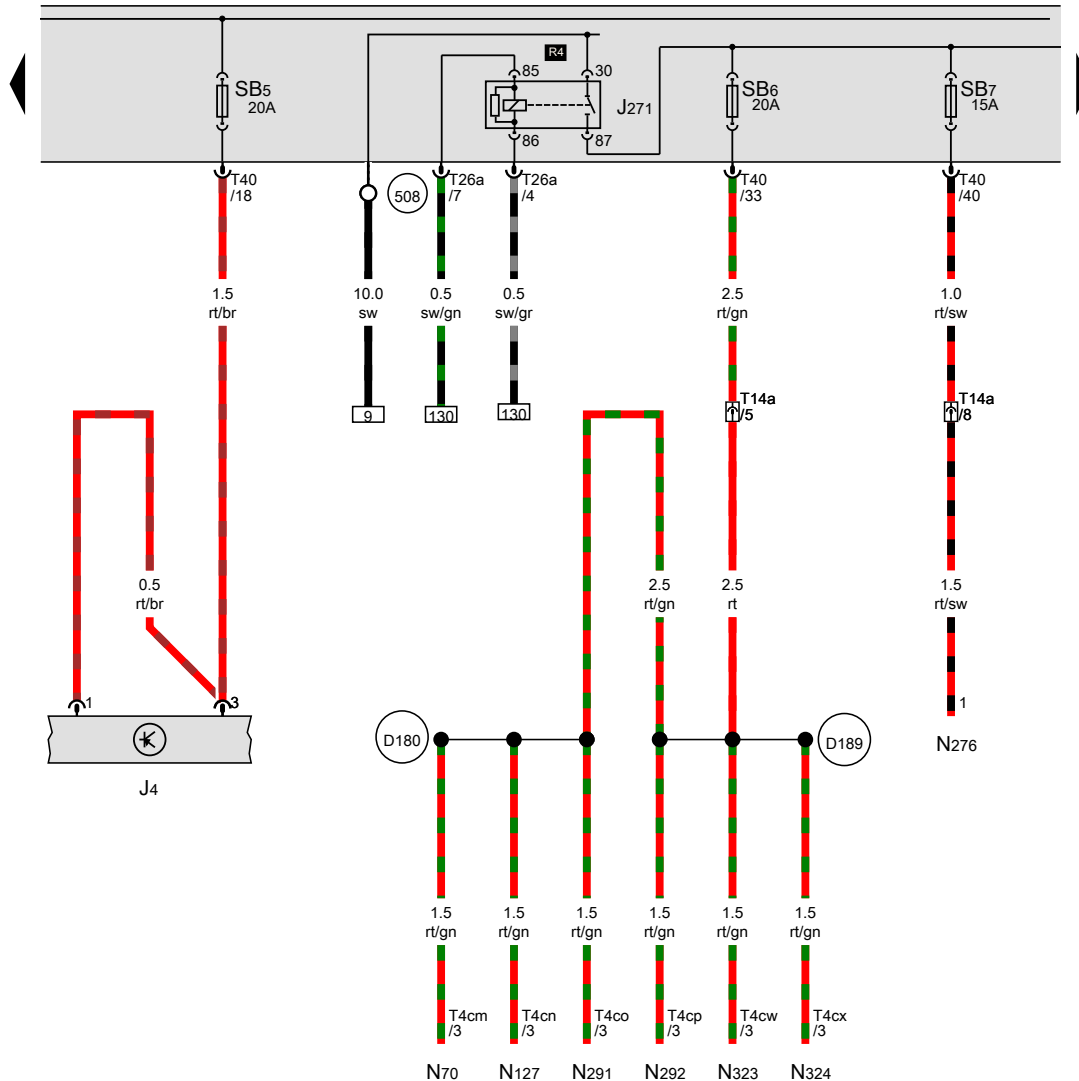
516 Threaded connection 6 (30a) on relay plate

517 Threaded connection 7 (30a) on relay plate

B328 Positive connection 14 (30a) in main wiring harness

* Only models with dual clutch gearbox 02E

- ws = white
- sw = black
- ro = red
- rt = red
- br = brown
- gn = green
- bl = blue
- gr = grey
- li = purple
- vi = purple
- ge = yellow
- or = orange
- rs = pink



Main relay, Fuse 5 on fuse holder B, Fuse 6 on fuse holder B, Fuse 7 on fuse holder B

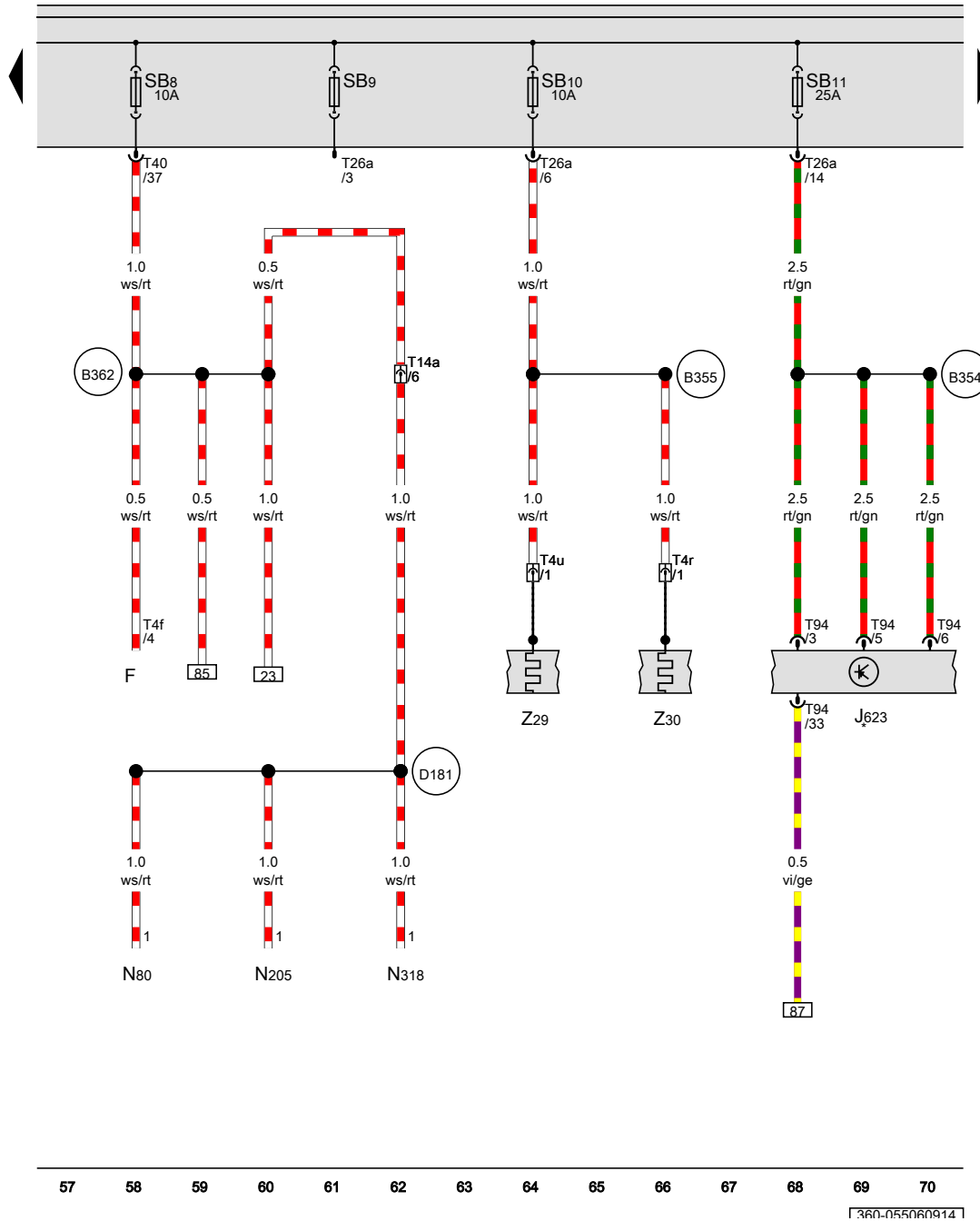
- J4 Dual tone horn relay
- J271 Main relay
- N70 Ignition coil 1 with output stage
- N127 Ignition coil 2 with output stage
- N276 Fuel pressure regulating valve
- N291 Ignition coil 3 with output stage
- N292 Ignition coil 4 with output stage
- N323 Ignition coil 5 with output stage
- N324 Ignition coil 6 with output stage
- SB5 Fuse 5 on fuse holder B
- SB6 Fuse 6 on fuse holder B
- SB7 Fuse 7 on fuse holder B
- T4cm 4-pin connector
- T4cn 4-pin connector
- T4co 4-pin connector
- T4cp 4-pin connector
- T4cw 4-pin connector
- T4cx 4-pin connector
- T14a 14-pin connector, on left in engine compartment
- T26a 26-pin connector
- T40 40-pin connector

- 508 Threaded connection (30) on E-box
- D180 Connection (87a), in engine compartment wiring harness
- D189 Connection (87a) in engine prewiring harness

- ws = white
- sw = black
- ro = red
- rt = red
- br = brown
- gn = green
- bl = blue
- gr = grey
- li = purple
- vi = purple
- ge = yellow
- or = orange
- rs = pink

43 44 45 46 47 48 49 50 51 52 53 54 55 56

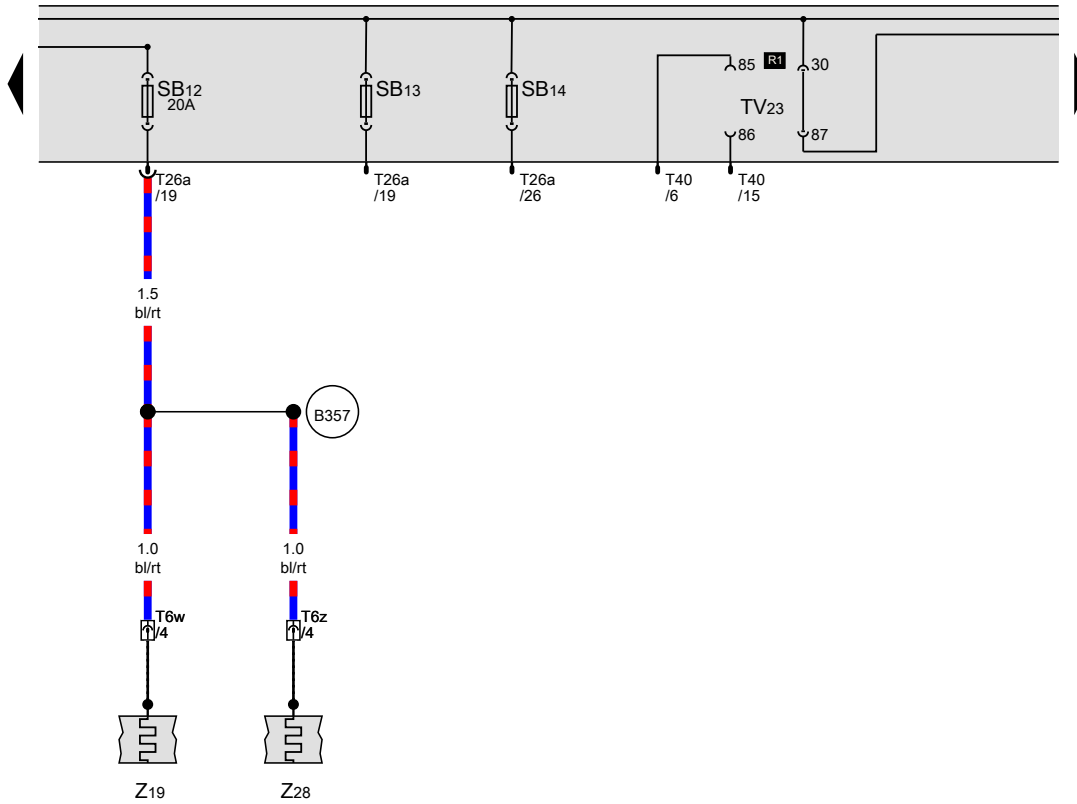
360-055050914



Fuse 8 on fuse holder B, Fuse 9 on fuse holder B, Fuse 10 on fuse holder B, Fuse 11 on fuse holder B

- F Brake light switch
- J623 Engine control unit
- N80 Activated charcoal filter solenoid valve 1
- N205 Camshaft control valve 1
- N318 Exhaust camshaft control valve 1
- SB8 Fuse 8 on fuse holder B
- SB9 Fuse 9 on fuse holder B
- SB10 Fuse 10 on fuse holder B
- SB11 Fuse 11 on fuse holder B
- T4f 4-pin connector
- T4r 4-pin connector
- T4u 4-pin connector
- T14a 14-pin connector, on left in engine compartment
- T26a 26-pin connector
- T40 40-pin connector
- T94 94-pin connector
- Z29 Lambda probe 1 heater after catalytic converter
- Z30 Lambda probe 2 heater after catalytic converter
- B354 Positive connection 5 (87a) in main wiring harness
- B355 Positive connection 6 (87a) in main wiring harness
- B362 Positive connection 13 (87a) in main wiring harness
- D181 Connection 2 (87a) in engine compartment wiring harness
- * Only models with 6-cylinder engine

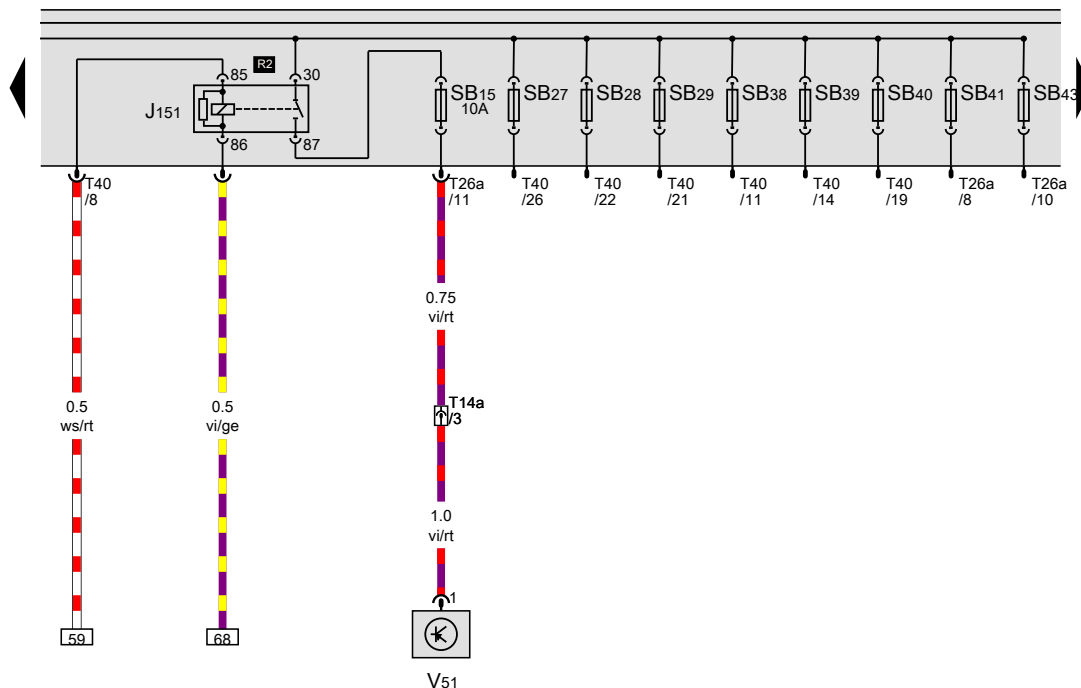
- ws = white
- sw = black
- ro = red
- rt = red
- br = brown
- gn = green
- bl = blue
- gr = grey
- li = purple
- vi = purple
- ge = yellow
- or = orange
- rs = pink



Fuse 12 on fuse holder B, Fuse 13 on fuse holder B, Fuse 14 on fuse holder B

- SB12 Fuse 12 on fuse holder B
- SB13 Fuse 13 on fuse holder B
- SB14 Fuse 14 on fuse holder B
- T6w 6-pin connector
- T6z 6-pin connector
- T26a 26-pin connector
- TV23 Push-in bridge
- Z19 Lambda probe heater
- Z28 Lambda probe heater 2
- B357** Positive connection 8 (87a) in main wiring harness

- ws = white
- sw = black
- ro = red
- rt = red
- br = brown
- gn = green
- bl = blue
- gr = grey
- li = purple
- vi = purple
- ge = yellow
- or = orange
- rs = pink



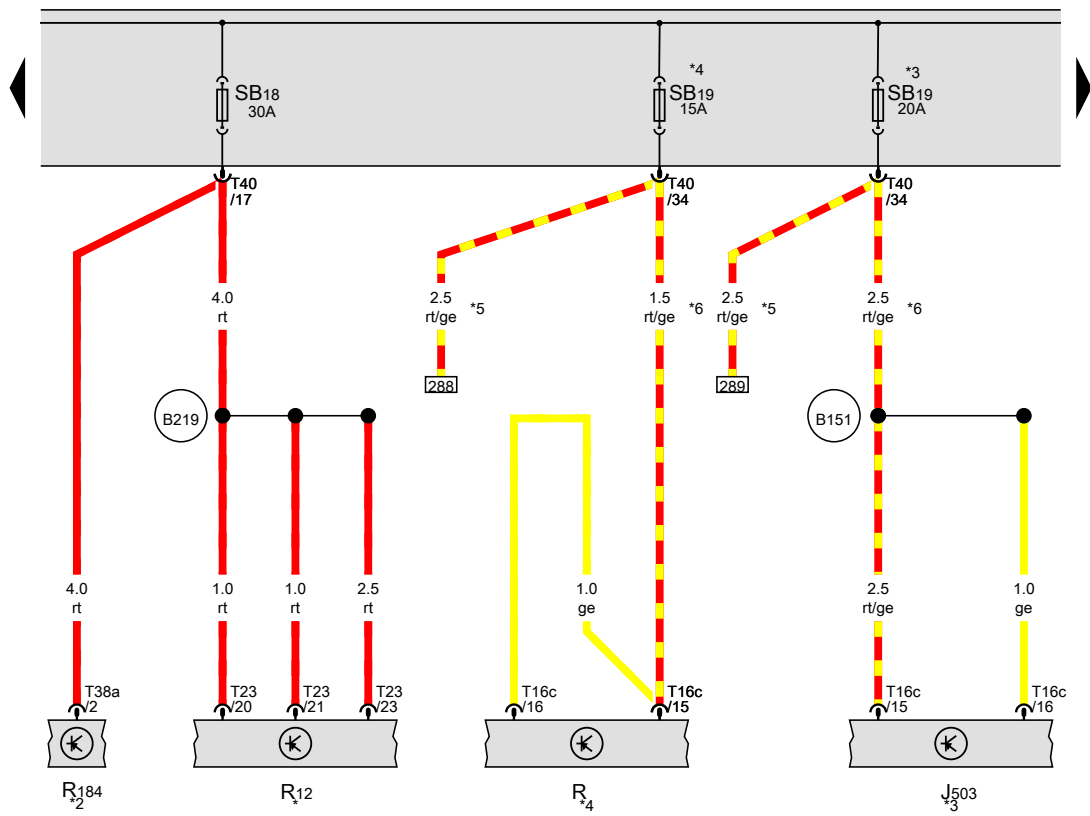
Continued coolant circulation relay, Fuse 27 on fuse holder B, Fuse 28 on fuse holder B, Fuse 29 on fuse holder B, Fuse 38 on fuse holder B, Fuse 39 on fuse holder B, Fuse 40 on fuse holder B, Fuse 41 on fuse holder B, Fuse 43 on fuse holder B, Continued coolant circulation pump

- J151 Continued coolant circulation relay
- SB15 Fuse 15 on fuse holder B
- SB27 Fuse 27 on fuse holder B
- SB28 Fuse 28 on fuse holder B
- SB29 Fuse 29 on fuse holder B
- SB38 Fuse 38 on fuse holder B
- SB39 Fuse 39 on fuse holder B
- SB40 Fuse 40 on fuse holder B
- SB41 Fuse 41 on fuse holder B
- SB43 Fuse 43 on fuse holder B
- T14a 14-pin connector
- T26a 26-pin connector
- T40 40-pin connector
- V51 Continued coolant circulation pump

- ws = white
- sw = black
- ro = red
- rt = red
- br = brown
- gn = green
- bl = blue
- gr = grey
- li = purple
- vi = purple
- ge = yellow
- or = orange
- rs = pink

85 86 87 88 89 90 91 92 93 94 95 96 97 98

360-055080914



Fuse 18 on fuse holder B, Fuse 19 on fuse holder B

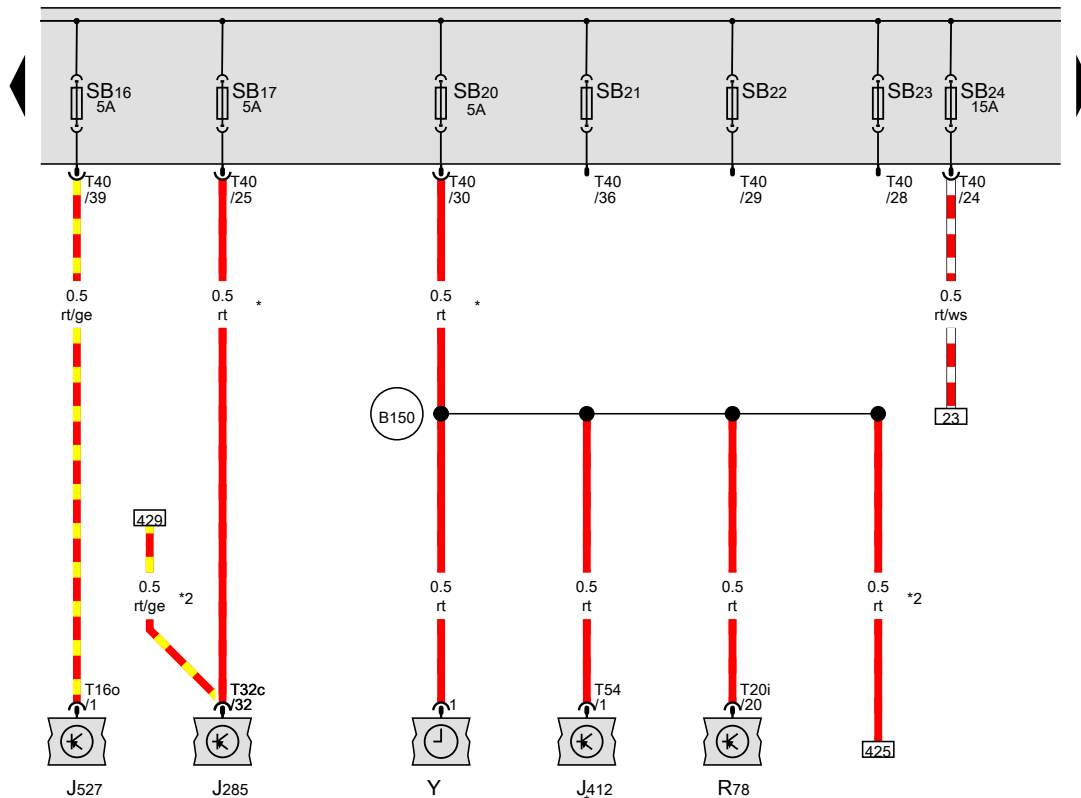
- J503 Control unit with display for radio and navigation
- R Radio
- R12 Amplifier
- R184 Digital sound package amplifier
- SB18 Fuse 18 on fuse holder B
- SB19 Fuse 19 on fuse holder B
- T16c 16-pin connector
- T23 23-pin connector
- T38a 38-pin connector
- T40 40-pin connector

(B151) Positive connection 3 (30a), in interior wiring harness

(B219) Positive connection 4 (30a), in interior wiring harness

- * Only models with 12-channel sound system
- *2 Only models with 8-channel sound system
- *3 Only models with navigation system
- *4 Only models with radio
- *5 Only models with start/stop system
- *6 Only models with no start/stop system

- ws = white
- sw = black
- ro = red
- rt = red
- br = brown
- gn = green
- bl = blue
- gr = grey
- li = purple
- vi = purple
- ge = yellow
- or = orange
- rs = pink



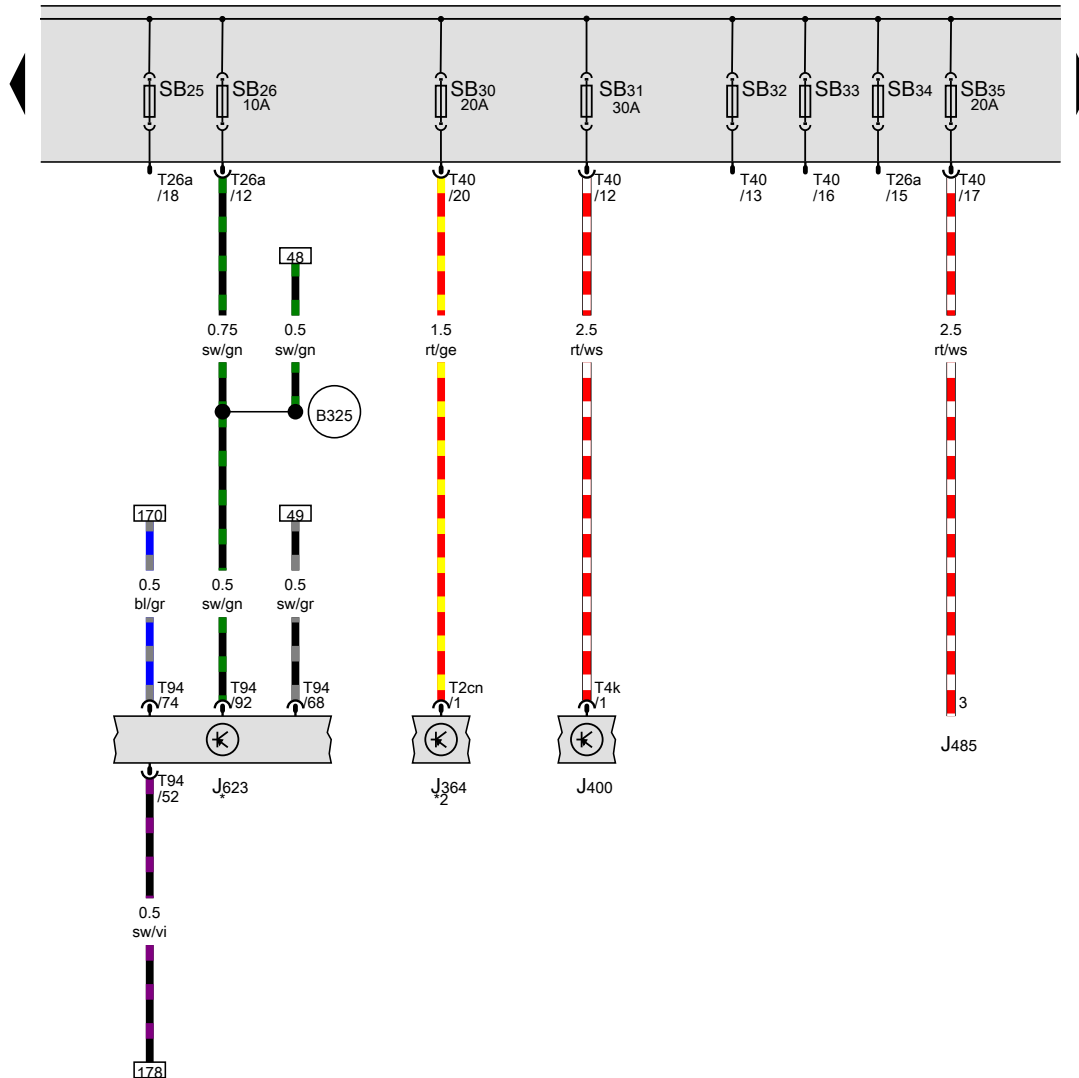
Fuse 16 on fuse holder B, Fuse 17 on fuse holder B, Fuse 20 on fuse holder B, Fuse 21 on fuse holder B, Fuse 22 on fuse holder B, Fuse 23 on fuse holder B, Fuse 24 on fuse holder B

- J285 Control unit in dash panel insert
- J412 Mobile telephone operating electronics control unit
- J527 Steering column electronics control unit
- R78 TV tuner
- SB16 Fuse 16 on fuse holder B
- SB17 Fuse 17 on fuse holder B
- SB20 Fuse 20 on fuse holder B
- SB21 Fuse 21 on fuse holder B
- SB22 Fuse 22 on fuse holder B
- SB23 Fuse 23 on fuse holder B
- SB24 Fuse 24 on fuse holder B
- T16o 16-pin connector
- T20i 20-pin connector
- T32c 32-pin connector
- T40 40-pin connector
- T54 54-pin connector
- Y Analogue clock

B150 Positive connection 2 (30a), in interior wiring harness

- * Only models with no start/stop system
- *2 Only models with start/stop system

- ws = white
- sw = black
- ro = red
- rt = red
- br = brown
- gn = green
- bl = blue
- gr = grey
- li = purple
- vi = purple
- ge = yellow
- or = orange
- rs = pink



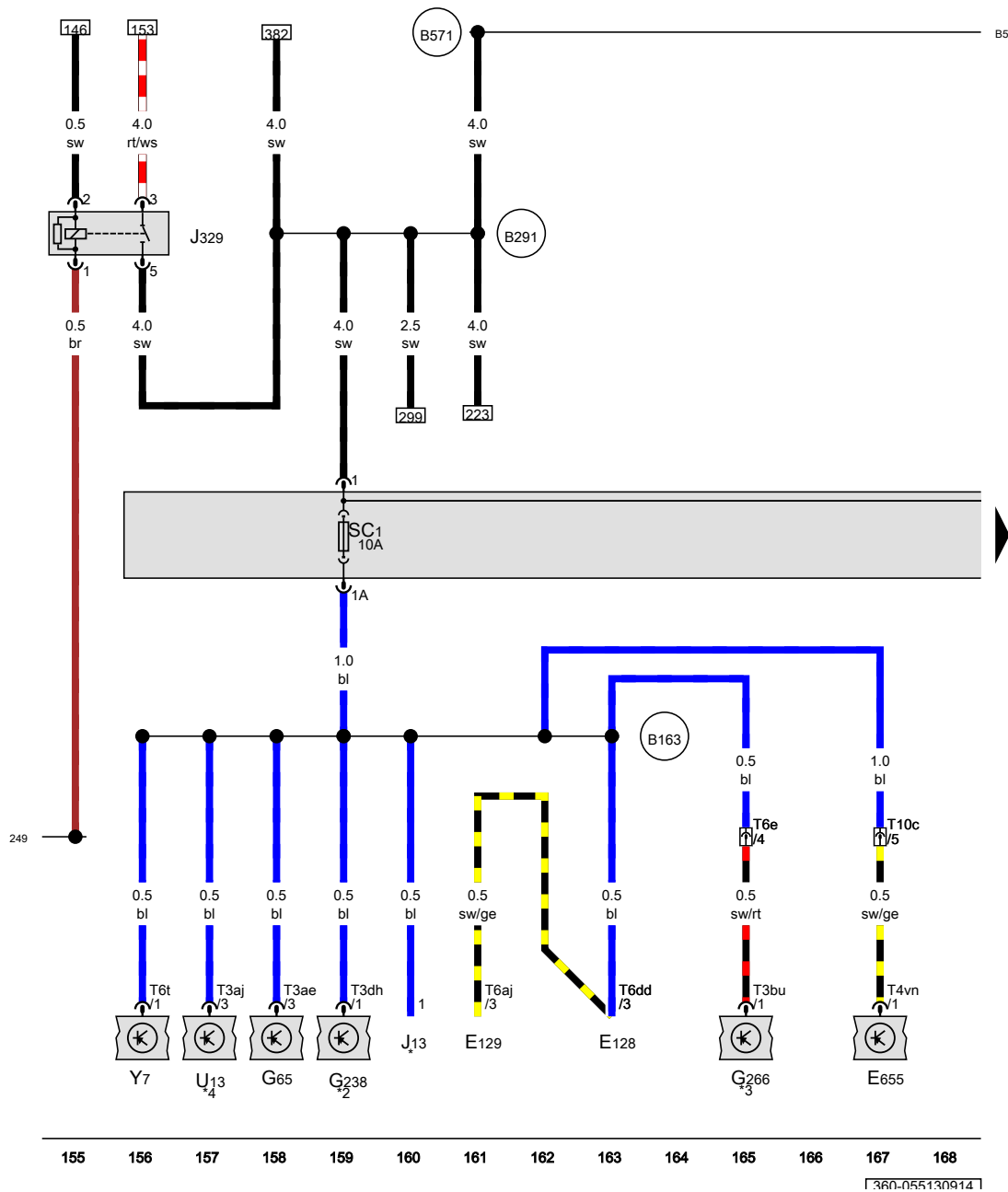
Fuse 25 on fuse holder B, Fuse 26 on fuse holder B, Fuse 30 on fuse holder B, Fuse 31 on fuse holder B, Fuse 32 on fuse holder B, Fuse 33 on fuse holder B, Fuse 34 on fuse holder B, Fuse 35 on fuse holder B

- J364 Auxiliary heater control unit
- J400 Wiper motor control unit
- J485 Auxiliary heater operation relay
- J623 Engine control unit
- SB25 Fuse 25 on fuse holder B
- SB26 Fuse 26 on fuse holder B
- SB30 Fuse 30 on fuse holder B
- SB31 Fuse 31 on fuse holder B
- SB32 Fuse 32 on fuse holder B
- SB33 Fuse 33 on fuse holder B
- SB34 Fuse 34 on fuse holder B
- SB35 Fuse 35 on fuse holder B
- T2cn 2-pin connector
- T4k 4-pin connector
- T26a 26-pin connector
- T40 40-pin connector
- T94 94-pin connector

B325 Positive connection 11 (30a) in main wiring harness

- * Only models with 6-cylinder engine
- *2 Only models with auxiliary coolant heater

- ws = white
- sw = black
- ro = red
- rt = red
- br = brown
- gn = green
- bl = blue
- gr = grey
- li = purple
- vi = purple
- ge = yellow
- or = orange
- rs = pink



Terminal 15 voltage supply relay, Fuse 1 on fuse holder C

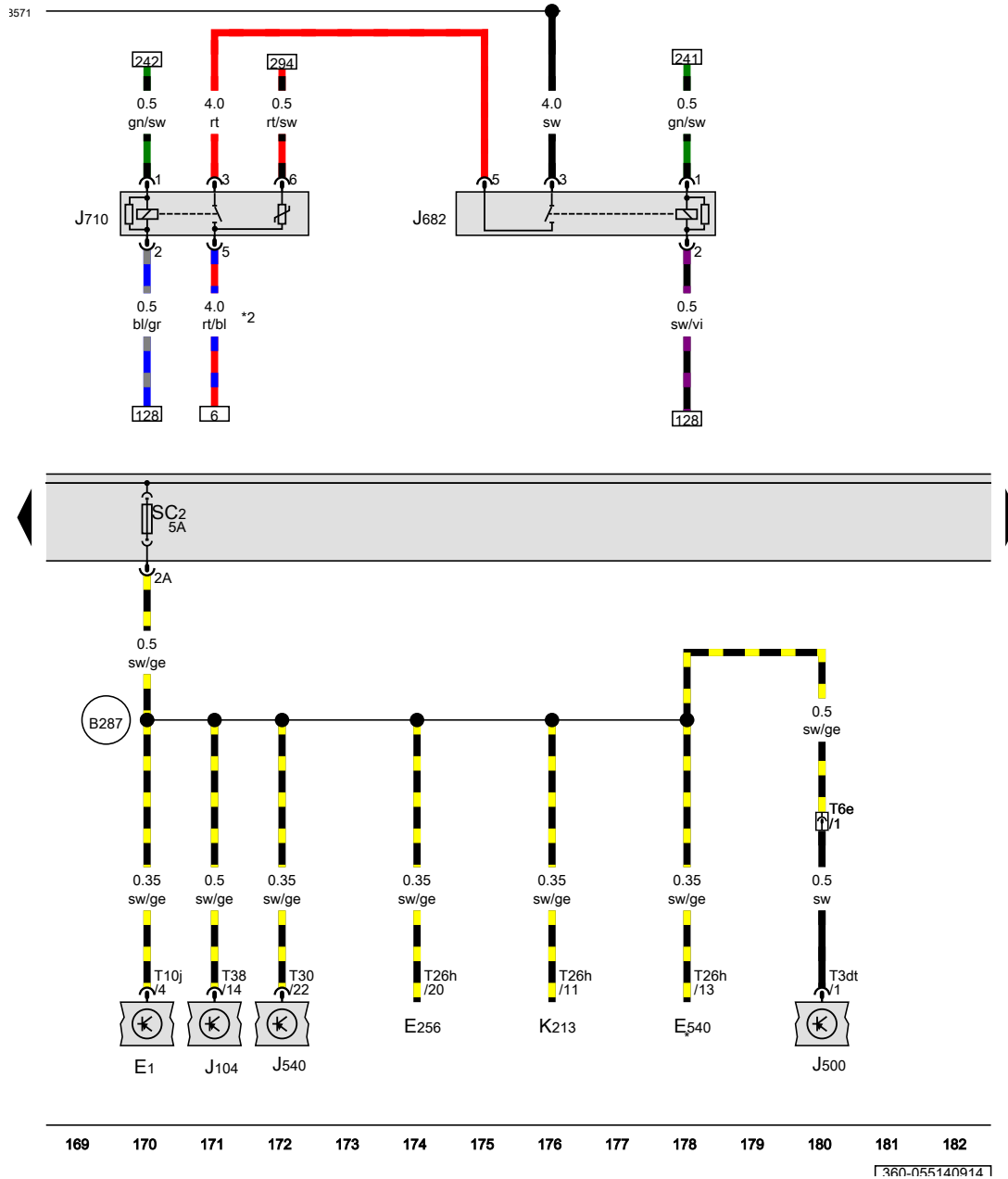
- E128 Heated rear left seat switch with regulator
- E129 Heated rear right seat switch with regulator
- E655 Seat ventilation switch
- G65 High-pressure sender
- G238 Air quality sensor
- G266 Oil level and oil temperature sender
- J13 Fresh air blower relay
- J329 Terminal 15 voltage supply relay
- SC1 Fuse 1 on fuse holder C
- T3ae 3-pin connector
- T3aj 3-pin connector
- T3bu 3-pin connector
- T3dh 3-pin connector
- T4vn 4-pin connector
- T6aj 6-pin connector
- T6dd 6-pin connector
- T6e 6-pin connector, front left in engine compartment
- T6t 6-pin connector
- T10c 10-pin connector, under driver seat
- U13 DC/AC converter with socket, 12 V - 230 V
- Y7 Automatic anti-dazzle interior mirror

- (249) Earth connection 2, in interior wiring harness
- (B163) Positive connection 1 (15), in interior wiring harness
- (B291) Positive connection 15 (15a) in main wiring harness
- (B571) Connection 38, in main wiring harness

- * Only models with auxiliary heating
- *2 Only models with Climatronic
- *3 Only models with extended servicing intervals (ESI)
- *4 Only models with start/stop system

- ws = white
- sw = black
- ro = red
- rt = red
- br = brown
- gn = green
- bl = blue
- gr = grey
- li = purple
- vi = purple
- ge = yellow
- or = orange
- rs = pink

Terminal 50 voltage supply relay, Voltage supply relay 2, Fuse 2 on fuse holder C



- E1 Light switch
- E256 TCS and ESP button
- E540 Auto-hold button
- J104 ABS control unit
- J500 Power steering control unit
- J540 Control unit for electromechanical parking brake
- J682 Terminal 50 voltage supply relay
- J710 Voltage supply relay 2
- K213 Electromechanical parking brake warning lamp
- SC2 Fuse 2 on fuse holder C
- T3dt 3-pin connector
- T6e 6-pin connector
- T10j 10-pin connector
- T26h 26-pin connector
- T30 30-pin connector
- T38 38-pin connector
- B287 Positive connection 11 (15a) in main wiring harness
- B571 Connection 38, in main wiring harness
- * Only models with manual gearbox and Auto Hold function
- *2 Only models with no start/stop system

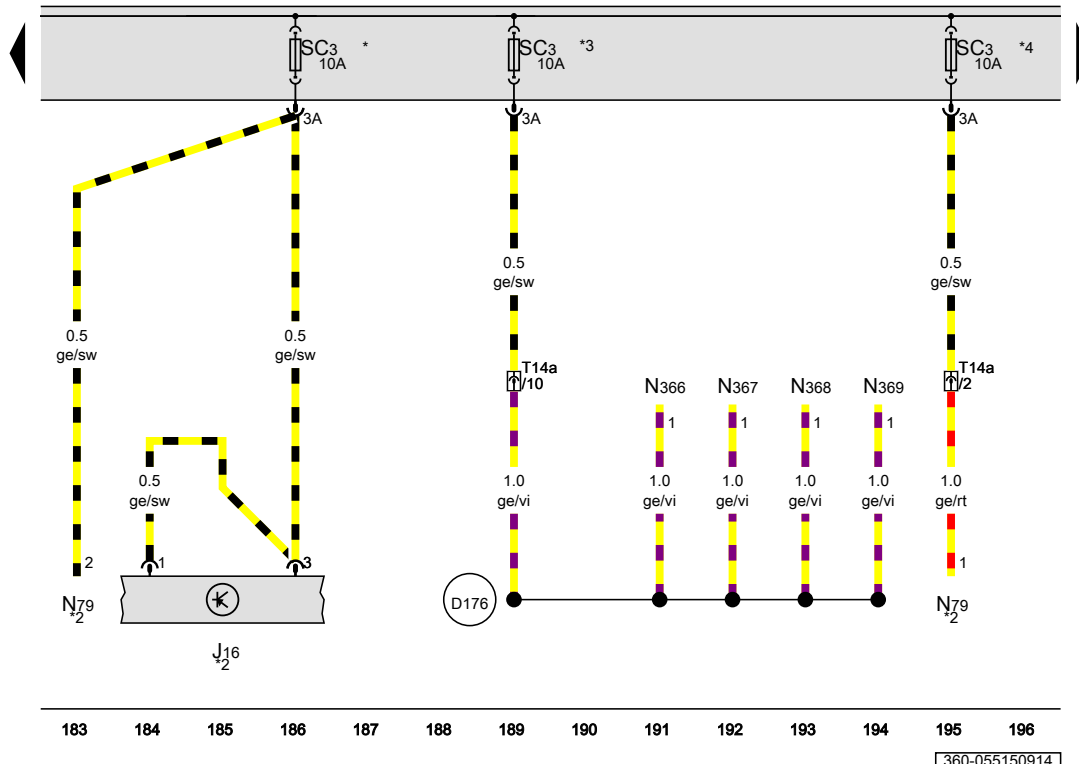
- ws = white
- sw = black
- ro = red
- rt = red
- br = brown
- gn = green
- bl = blue
- gr = grey
- li = purple
- vi = purple
- ge = yellow
- or = orange
- rs = pink

Fuse 3 on fuse holder C

- J16 Current supply relay
- N79 Heater element for crankcase breather
- N366 Gas injection valve 1
- N367 Gas injection valve 2
- N368 Gas injection valve 3
- N369 Gas injection valve 4
- SC3 Fuse 3 on fuse holder C
- T14a 14-pin connector, on left in engine compartment

D176 Connection (gas injector), in engine compartment wiring harness

- * Only models with diesel engine
- *2 see applicable current flow diagram for engine
- *3 Only models with natural gas engine
- *4 Only models with 6-cylinder engine



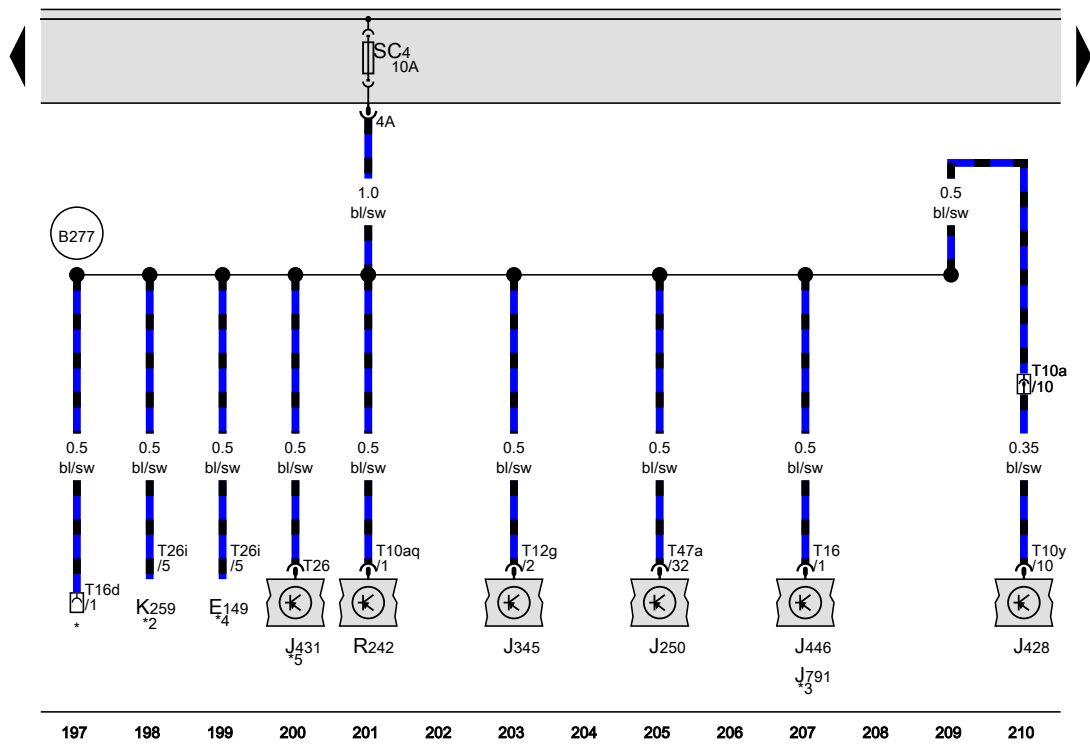
- ws = white
- sw = black
- ro = red
- rt = red
- br = brown
- gn = green
- bl = blue
- gr = grey
- li = purple
- vi = purple
- ge = yellow
- or = orange
- rs = pink

Fuse 4 on fuse holder C

- E149 Rear roller blind switch
- J250 Electronically controlled damping control unit
- J345 Trailer detector control unit
- J428 Adaptive cruise control unit
- J431 Headlight range control unit
- J446 Parking aid control unit
- J791 Park assist steering control unit
- K259 Start/Stop operation warning lamp
- R242 Front camera for driver assist systems
- SC4 Fuse 4 on fuse holder C
- T10a 10-pin connector, in front bumper on left
- T10aq 10-pin connector
- T10y 10-pin connector
- T12g 12-pin connector
- T16 16-pin connector
- T16d 16-pin connector, on diagnostic connection
- T26 26-pin connector
- T26i 26-pin connector
- T47a 47-pin connector

B277 Positive connection 1 (15a) in main wiring harness

- * Diagnostic connection
- *2 Only models with start/stop system
- *3 Only models with park assist steering
- *4 Only vehicles with electric rear roller blind
- *5 Headlight with gas discharge light



- ws = white
- sw = black
- ro = red
- rt = red
- br = brown
- gn = green
- bl = blue
- gr = grey
- li = purple
- vi = purple
- ge = yellow
- or = orange
- rs = pink

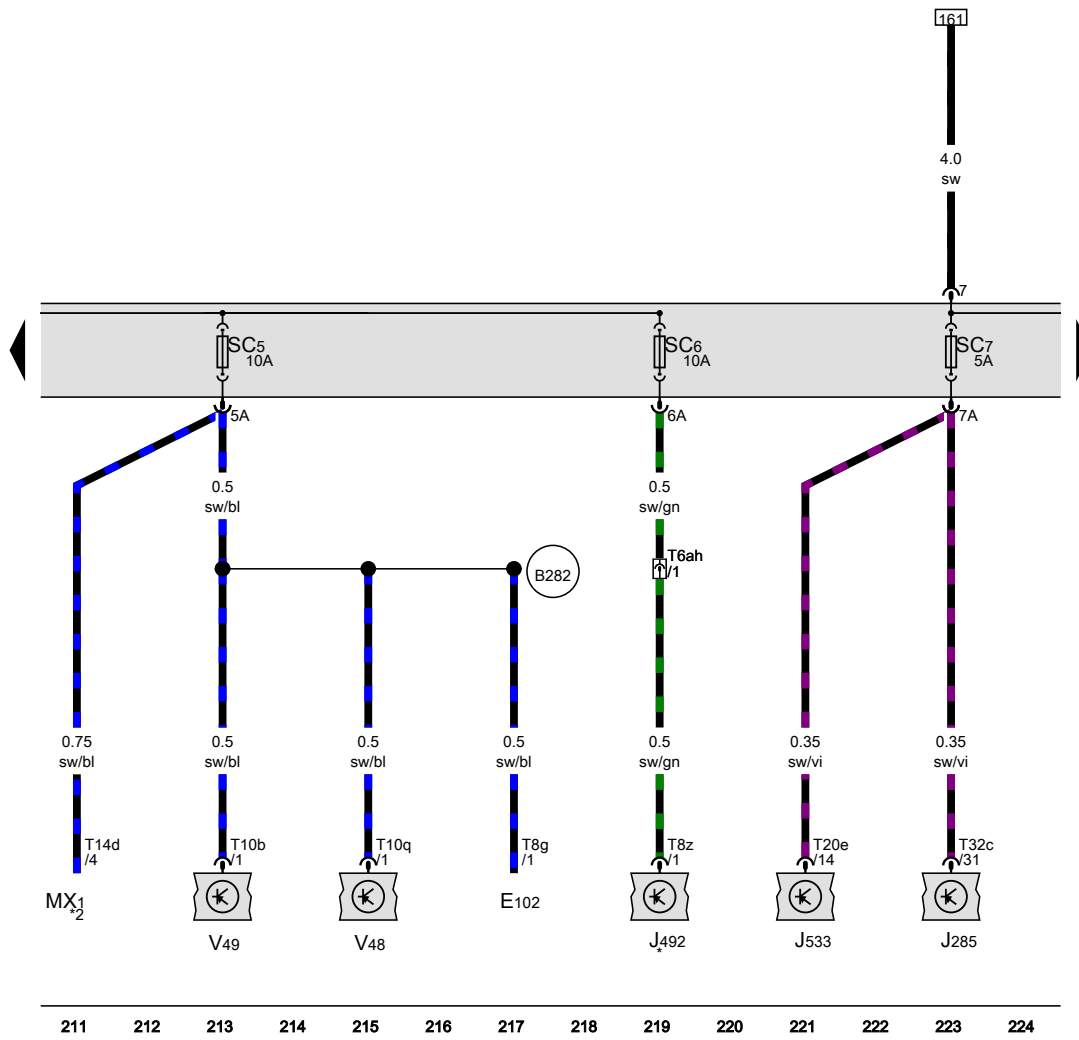
360-055160914

Fuse 5 on fuse holder C, Fuse 6 on fuse holder C, Fuse 7 on fuse holder C

- E102 Headlight range control regulator
- J285 Control unit in dash panel insert
- J492 All-wheel drive control unit
- J533 Data bus diagnostic interface
- MX1 Front left headlight
- SC5 Fuse 5 on fuse holder C
- SC6 Fuse 6 on fuse holder C
- SC7 Fuse 7 on fuse holder C
- T6ah 6-pin connector
- T8g 8-pin connector
- T8z 8-pin connector
- T10b 10-pin connector
- T10q 10-pin connector
- T14d 14-pin connector
- T20e 20-pin connector
- T32c 32-pin connector
- V48 Left headlight range control motor
- V49 Right headlight range control motor

B282 Positive connection 6 (15a) in main wiring harness

- * Only models with all-wheel drive
- *2 Headlight with gas discharge light



- ws = white
- sw = black
- ro = red
- rt = red
- br = brown
- gn = green
- bl = blue
- gr = grey
- li = purple
- vi = purple
- ge = yellow
- or = orange
- rs = pink

211 212 213 214 215 216 217 218 219 220 221 222 223 224

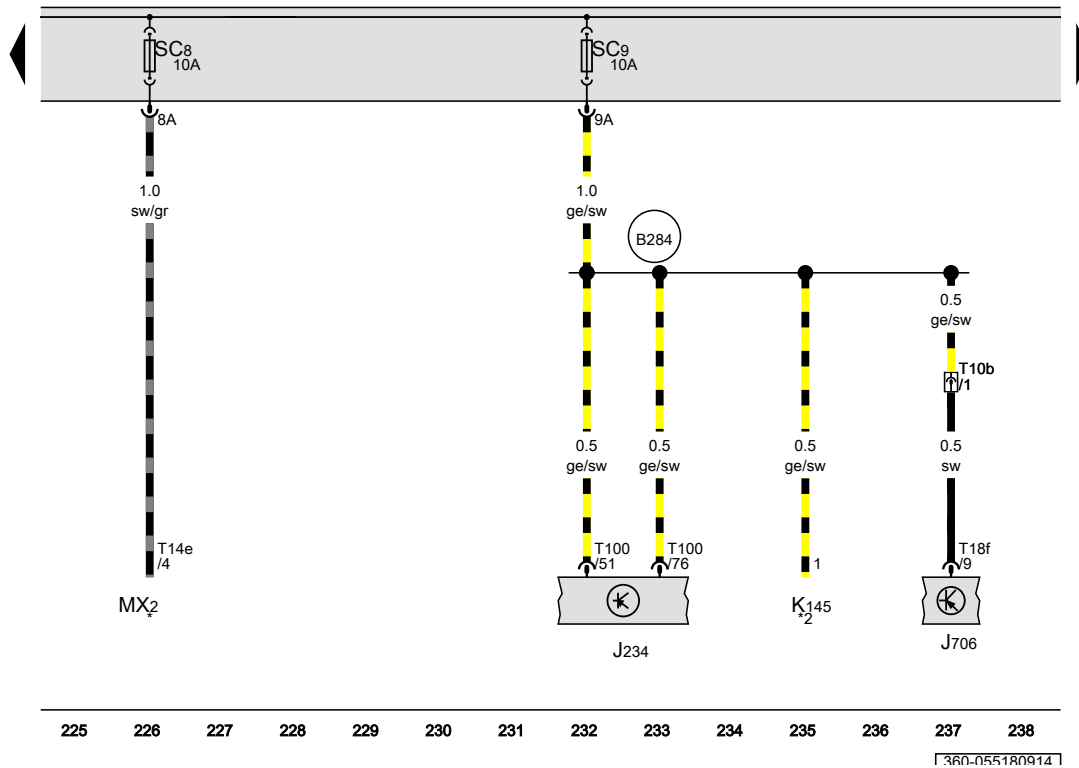
360-055170914

Fuse 8 on fuse holder C, Fuse 9 on fuse holder C

- J234 Airbag control unit
- J706 Seat occupied recognition control unit
- K145 Front passenger side airbag deactivated warning lamp
- MX2 Front right headlight
- SC8 Fuse 8 on fuse holder C
- SC9 Fuse 9 on fuse holder C
- T10b 10-pin connector
- T14e 14-pin connector
- T18f 18-pin connector
- T100 100-pin connector

B284 Positive connection 8 (15a) in main wiring harness

- * Headlight with gas discharge light
- *2 Only models with key operated switch to deactivate front passenger airbag



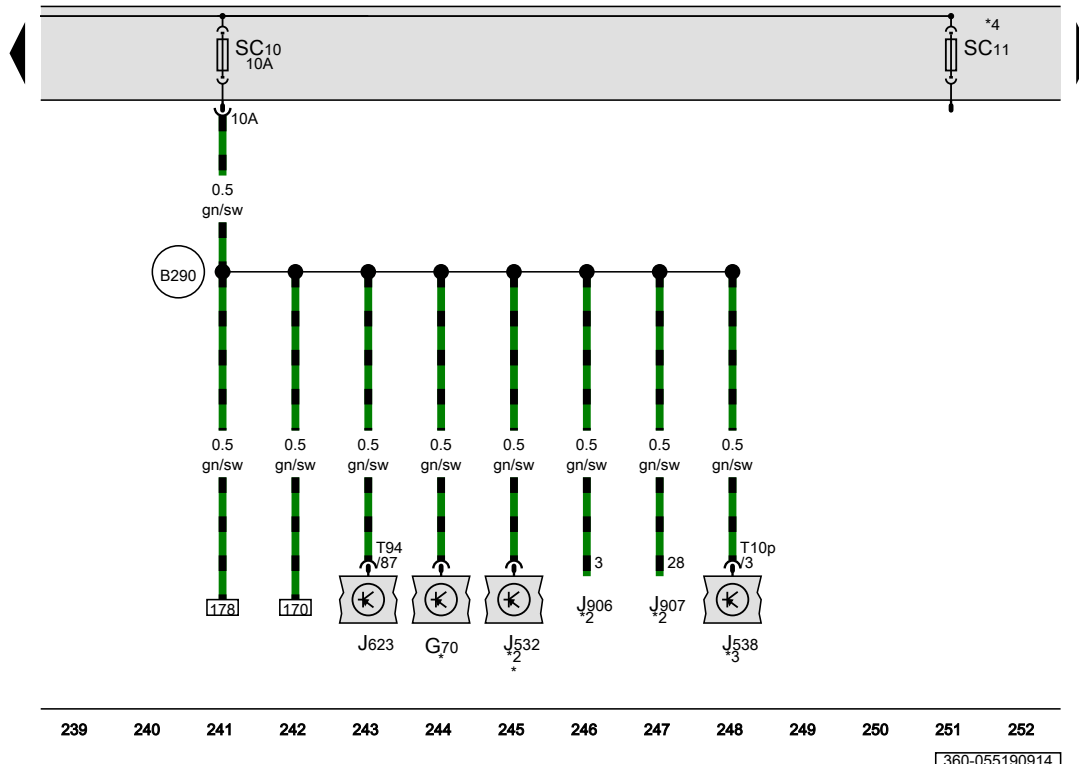
- ws = white
- sw = black
- ro = red
- rt = red
- br = brown
- gn = green
- bl = blue
- gr = grey
- li = purple
- vi = purple
- ge = yellow
- or = orange
- rs = pink

Fuse 10 on fuse holder C, Fuse 11 on fuse holder C

- G70 Air mass meter
- J532 Voltage stabiliser
- J538 Fuel pump control unit
- J623 Engine control unit
- J906 Starter relay 1
- J907 Starter relay 2
- SC10 Fuse 10 on fuse holder C
- SC11 Fuse 11 on fuse holder C
- T10p 10-pin connector
- T94 94-pin connector

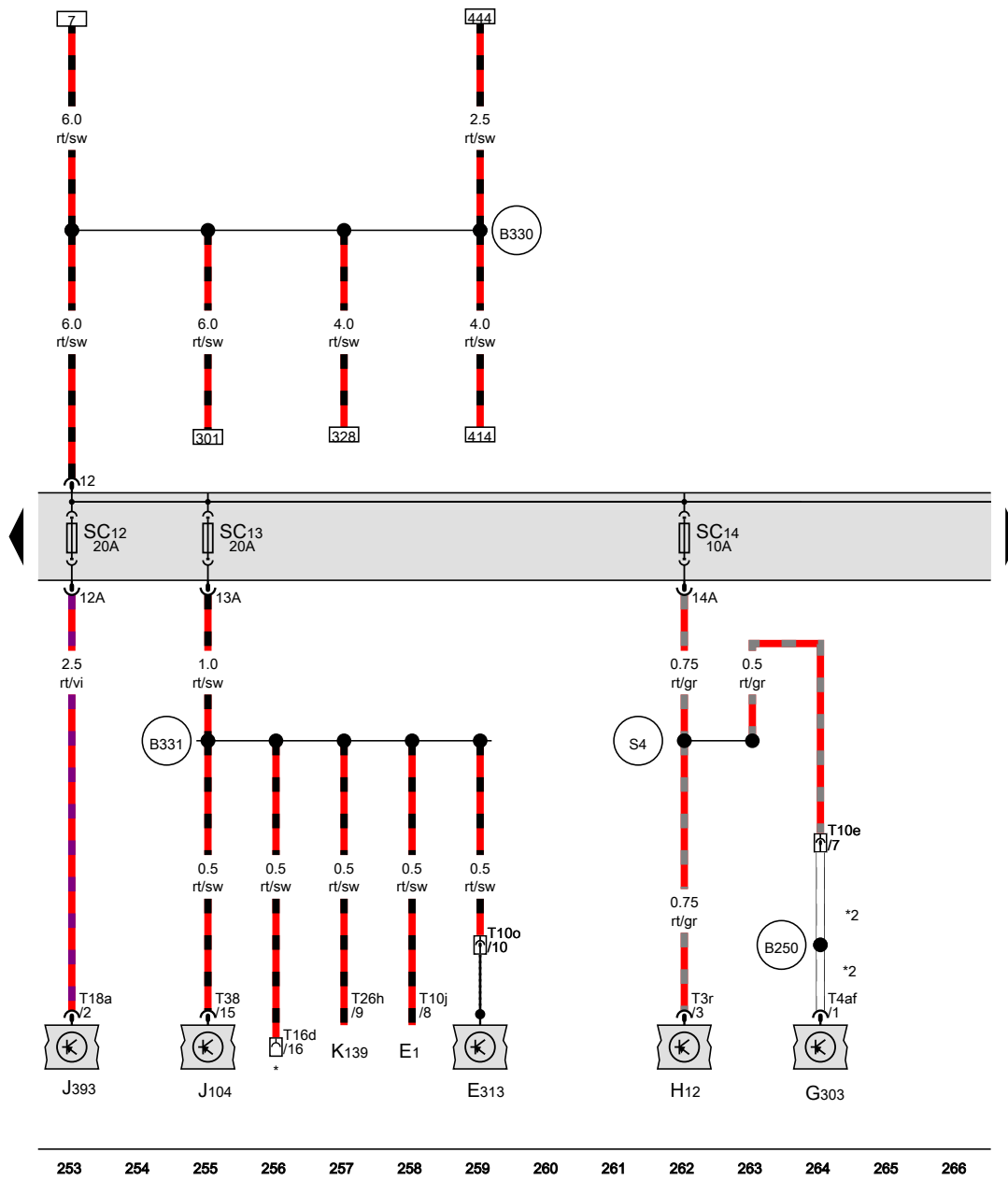
B290 Positive connection 14 (15a) in main wiring harness

- * see applicable current flow diagram for engine
- *2 Only models with start/stop system
- *3 Only models with petrol engine
- *4 Only applicable to special vehicles



- ws = white
- sw = black
- ro = red
- rt = red
- br = brown
- gn = green
- bl = blue
- gr = grey
- li = purple
- vi = purple
- ge = yellow
- or = orange
- rs = pink

Fuse 12 on fuse holder C, Fuse 13 on fuse holder C, Fuse 14 on fuse holder C



- E1 Light switch
- E313 Selector lever
- G303 Interior monitor send and receive module 1
- H12 Alarm horn
- J104 ABS control unit
- J393 Convenience system central control unit
- K139 Handbrake warning lamp
- SC12 Fuse 12 on fuse holder C
- SC13 Fuse 13 on fuse holder C
- SC14 Fuse 14 on fuse holder C
- T3r 3-pin connector
- T4af 4-pin connector
- T10e 10-pin connector, in roof
- T10j 10-pin connector
- T10o 10-pin connector, under selector lever
- T16d 16-pin connector, on diagnostic connection
- T18a 18-pin connector
- T26h 26-pin connector
- T38 38-pin connector
- B250 Positive connection, in roof wiring harness
- B330 Positive connection 16 (30a) in main wiring harness
- B331 Positive connection 17 (30a) in main wiring harness
- S4 Positive connection (30) 2, in central locking wiring harness
- * Diagnostic connection
- *2 Flat conductor

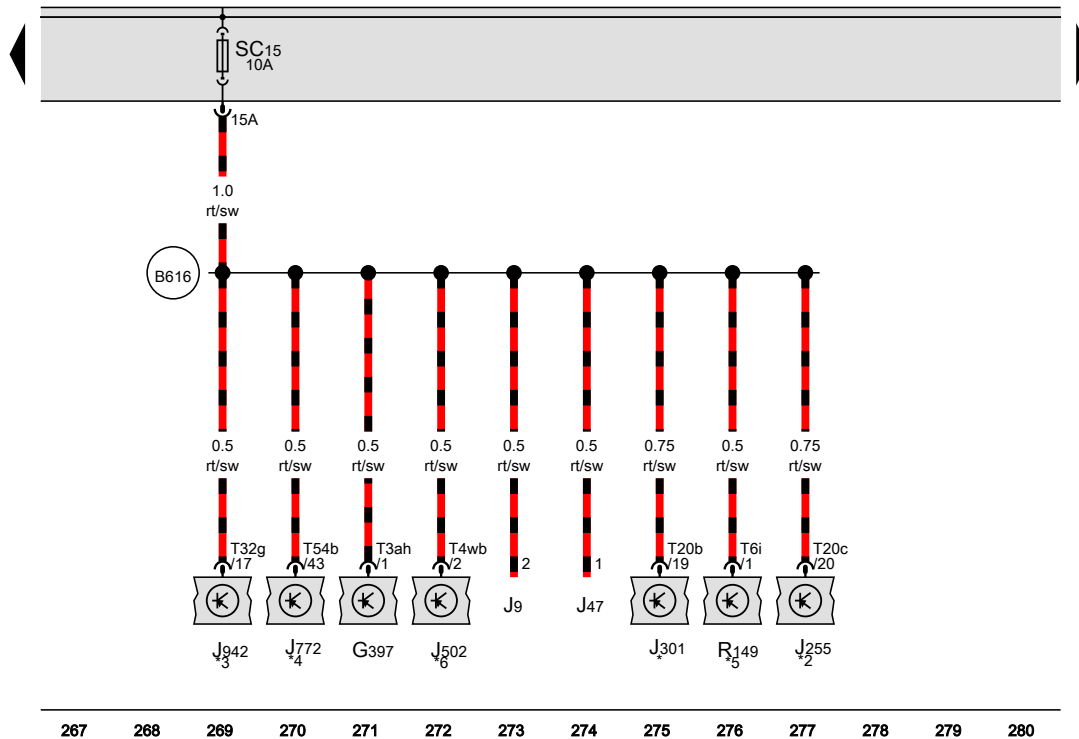
- ws = white
- sw = black
- ro = red
- rt = red
- br = brown
- gn = green
- bl = blue
- gr = grey
- li = purple
- vi = purple
- ge = yellow
- or = orange
- rs = pink

Fuse 15 on fuse holder C

- G397 Rain and light sensor
- J9 Heated rear window relay
- J47 Heated windscreen relay
- J255 Climatronic control unit
- J301 Air conditioning system control unit
- J502 Tyre Pressure Monitoring System control unit
- J772 Reversing camera system control unit
- J942 Control unit for terminal control and engine start
- R149 Remote control receiver for auxiliary coolant heater
- SC15 Fuse 15 on fuse holder C
- T3ah 3-pin connector
- T4wb 4-pin connector
- T6i 6-pin connector
- T20b 20-pin connector
- T20c 20-pin connector
- T32g 32-pin connector
- T54b 54-pin connector

B616 Positive connection 12 (30a), in interior wiring harness

- * Only models with air conditioning system
- *2 Only models with Climatronic
- *3 Only models with start/stop system
- *4 Only models with reversing camera system
- *5 Only models with remote controlled auxiliary coolant heater
- *6 Only models with Tyre Pressure Monitoring System



- ws = white
- sw = black
- ro = red
- rt = red
- br = brown
- gn = green
- bl = blue
- gr = grey
- li = purple
- vi = purple
- ge = yellow
- or = orange
- rs = pink

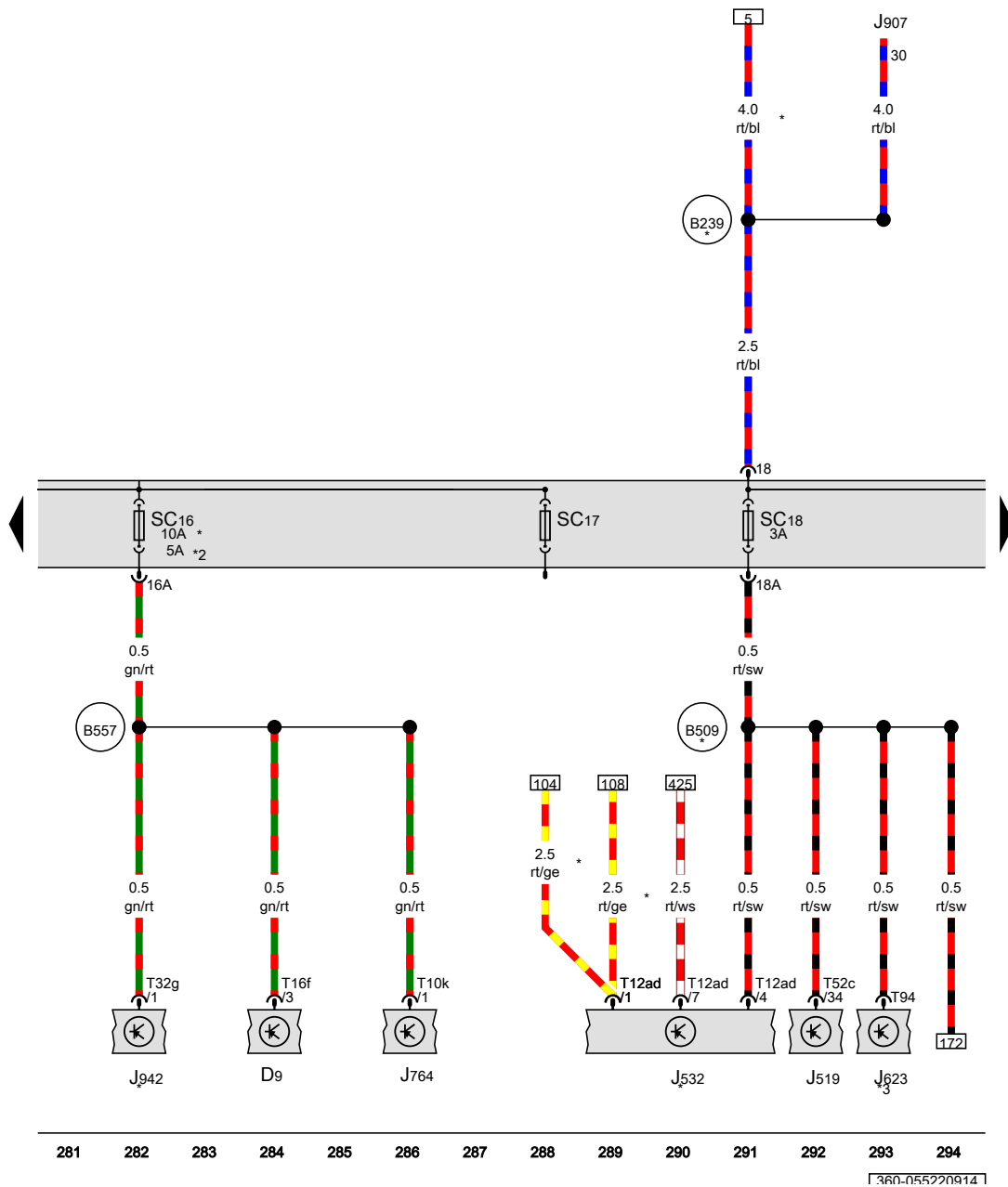
267 268 269 270 271 272 273 274 275 276 277 278 279 280

360-055210914

Fuse 16 on fuse holder C, Fuse 17 on fuse holder C, Fuse 18 on fuse holder C

- D9 Electronic ignition lock
- J519 Onboard supply control unit
- J532 Voltage stabiliser
- J623 Engine control unit
- J764 Control unit for electronic steering column lock
- J907 Starter relay 2
- J942 Control unit for terminal control and engine start
- SC16 Fuse 16 on fuse holder C
- SC17 Fuse 17 on fuse holder C
- SC18 Fuse 18 on fuse holder C
- T10k 10-pin connector
- T12ad 12-pin connector
- T16f 16-pin connector
- T32g 32-pin connector
- T52c 52-pin connector
- T94 94-pin connector

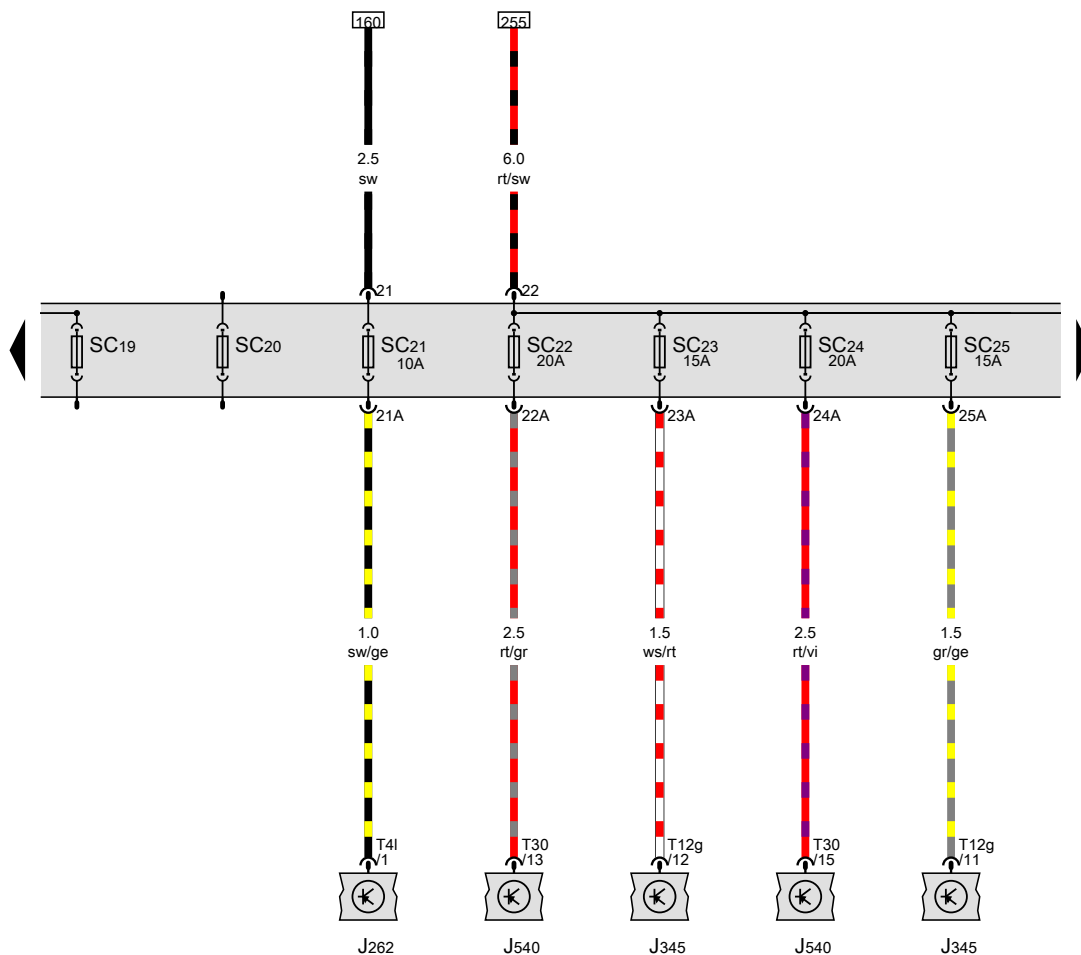
- (B239) Positive connection 1 (50), in interior wiring harness
 - (B509) Connection 3 (diagnosis), in main wiring harness
 - (B557) Positive connection 21 (30a) in main wiring harness
- * Only models with start/stop system
 *2 Only models with no start/stop system
 *3 see applicable current flow diagram for engine



- ws = white
- sw = black
- ro = red
- rt = red
- br = brown
- gn = green
- bl = blue
- gr = grey
- li = purple
- vi = purple
- ge = yellow
- or = orange
- rs = pink

Fuse 19 on fuse holder C, Fuse 20 on fuse holder C, Fuse 21 on fuse holder C, Fuse 22 on fuse holder C, Fuse 23 on fuse holder C, Fuse 24 on fuse holder C, Fuse 25 on fuse holder C

- J262 Rear roller blind control unit
- J345 Trailer detector control unit
- J540 Control unit for electromechanical parking brake
- SC19 Fuse 19 on fuse holder C
- SC20 Fuse 20 on fuse holder C
- SC21 Fuse 21 on fuse holder C
- SC22 Fuse 22 on fuse holder C
- SC23 Fuse 23 on fuse holder C
- SC24 Fuse 24 on fuse holder C
- SC25 Fuse 25 on fuse holder C
- T4I 4-pin connector
- T12g 12-pin connector
- T30 30-pin connector



- ws = white
- sw = black
- ro = red
- rt = red
- br = brown
- gn = green
- bl = blue
- gr = grey
- li = purple
- vi = purple
- ge = yellow
- or = orange
- rs = pink

295 296 297 298 299 300 301 302 303 304 305 306 307 308

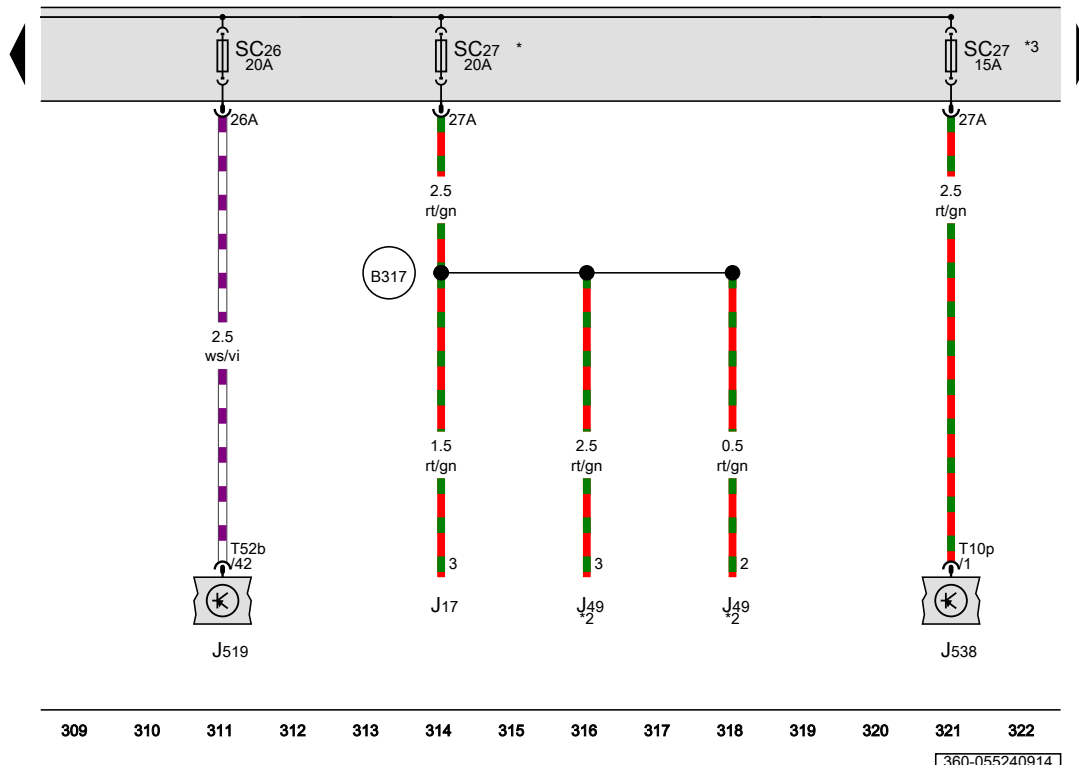
360-055230914

Fuse 26 on fuse holder C, Fuse 27 on fuse holder C

- J17 Fuel pump relay
- J49 Electric fuel pump 2 relay
- J519 Onboard supply control unit
- J538 Fuel pump control unit
- SC26 Fuse 26 on fuse holder C
- SC27 Fuse 27 on fuse holder C
- T10p 10-pin connector
- T52b 52-pin connector

B317 Positive connection 3 (30a) in main wiring harness

- * Only models with diesel engine
- *2 Only models with auxiliary heating
- *3 Only models with petrol engine



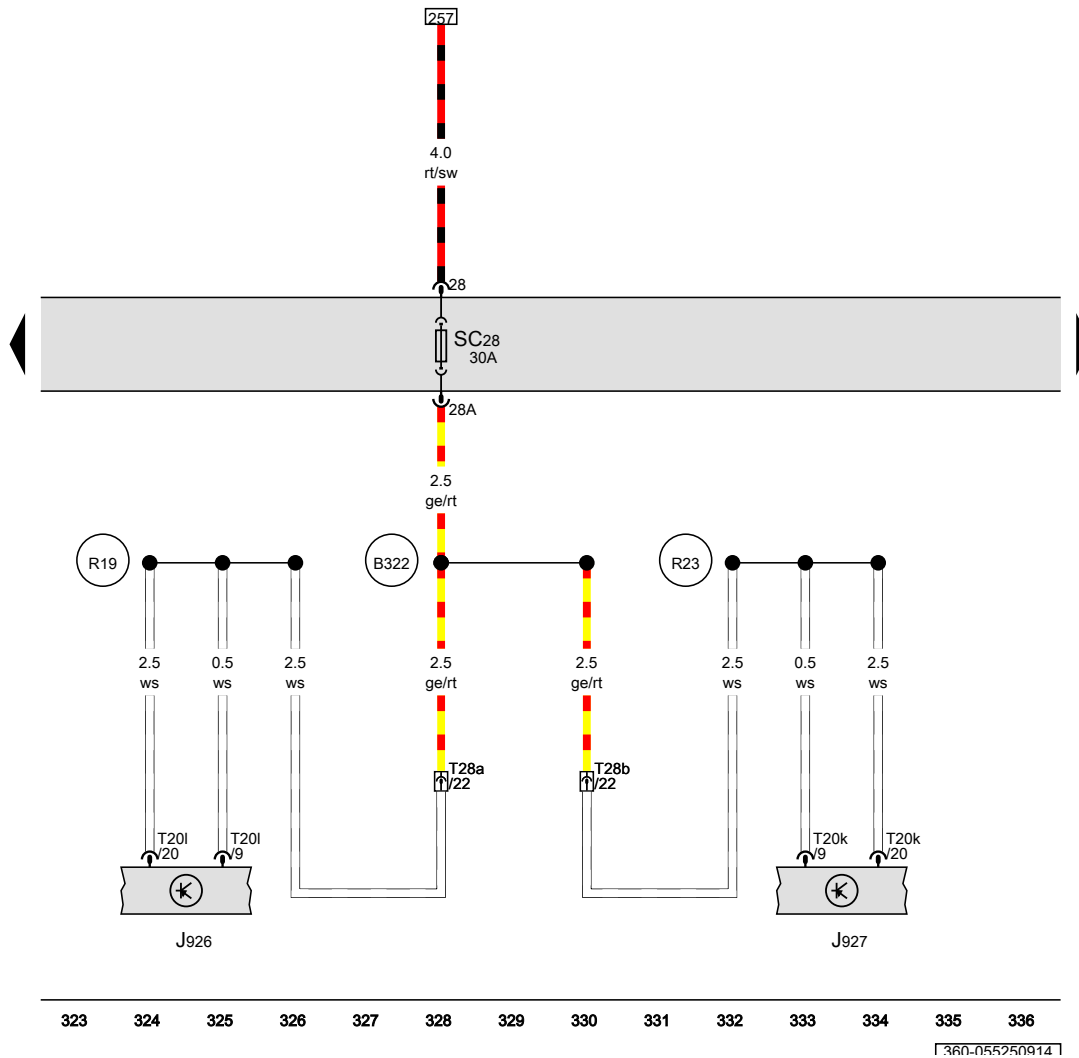
- ws = white
- sw = black
- ro = red
- rt = red
- br = brown
- gn = green
- bl = blue
- gr = grey
- li = purple
- vi = purple
- ge = yellow
- or = orange
- rs = pink

1360-055240914

Fuse 28 on fuse holder C

- J926 Rear driver side door control unit
- J927 Rear passenger side door control unit
- SC28 Fuse 28 on fuse holder C
- T20k 20-pin connector
- T20l 20-pin connector
- T28a 28-pin connector, on left B-pillar
- T28b 28-pin connector, on right B-pillar

- B322 Positive connection 8 (30a) in main wiring harness
- R19 Positive connection 1 (30), in rear left door wiring harness
- R23 Positive connection 1 (30), in rear right door wiring harness



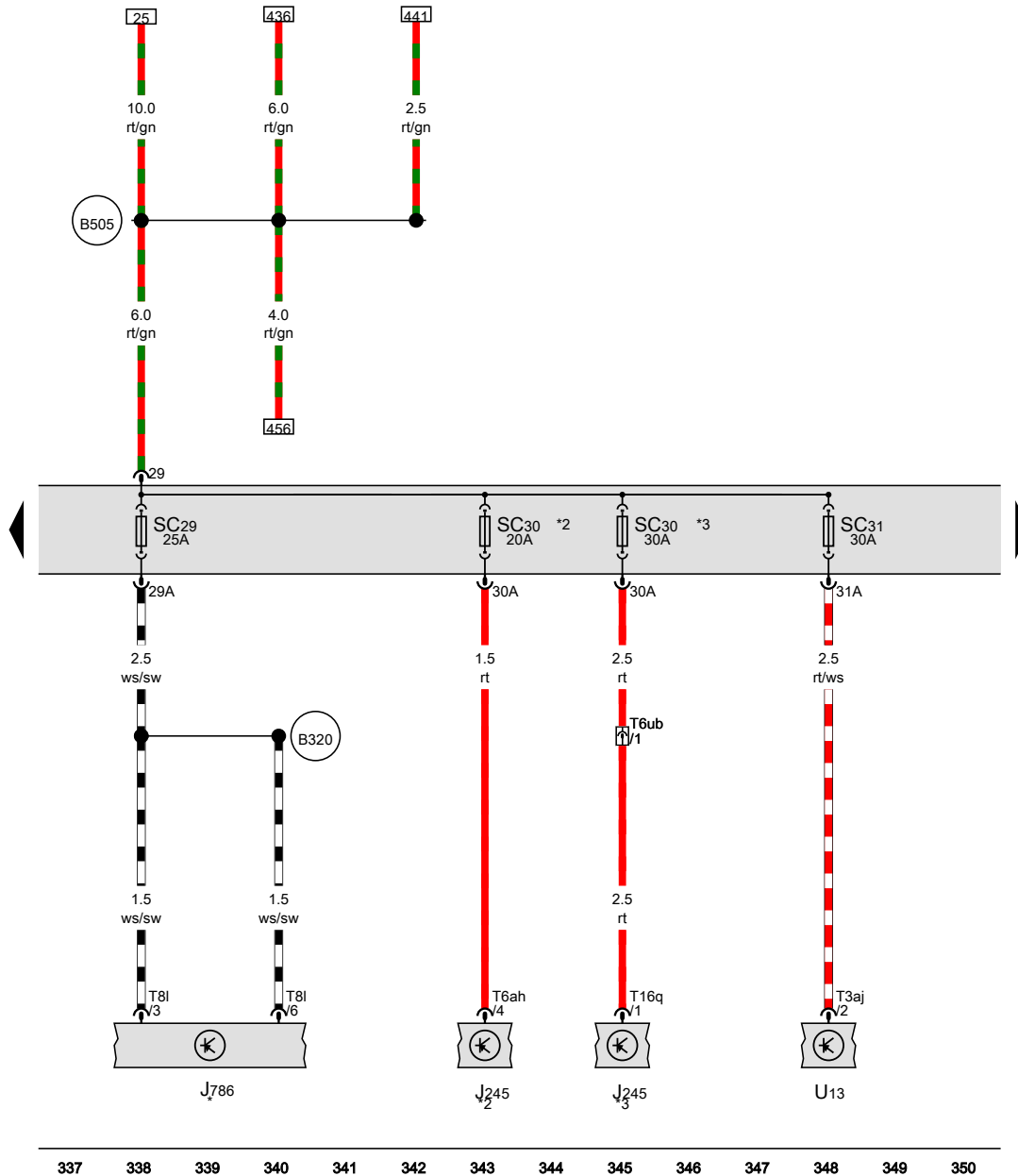
- ws = white
- sw = black
- ro = red
- rt = red
- br = brown
- gn = green
- bl = blue
- gr = grey
- li = purple
- vi = purple
- ge = yellow
- or = orange
- rs = pink

Fuse 29 on fuse holder C, Fuse 30 on fuse holder C, Fuse 31 on fuse holder C

- J245 Sliding sunroof adjustment control unit
- J786 Heated rear seats control unit
- SC29 Fuse 29 on fuse holder C
- SC30 Fuse 30 on fuse holder C
- SC31 Fuse 31 on fuse holder C
- T3aj 3-pin connector
- T6ah 6-pin connector
- T6ub 6-pin connector
- T8l 8-pin connector
- T16q 16-pin connector
- U13 DC/AC converter with socket, 12 V - 230 V

- B320 Positive connection 6 (30a) in main wiring harness
- B505 Positive connection 9 (30a), in interior wiring harness

- * Only models with heated rear seats
- *2 Saloon
- *3 Estate



- ws = white
- sw = black
- ro = red
- rt = red
- br = brown
- gn = green
- bl = blue
- gr = grey
- li = purple
- vi = purple
- ge = yellow
- or = orange
- rs = pink

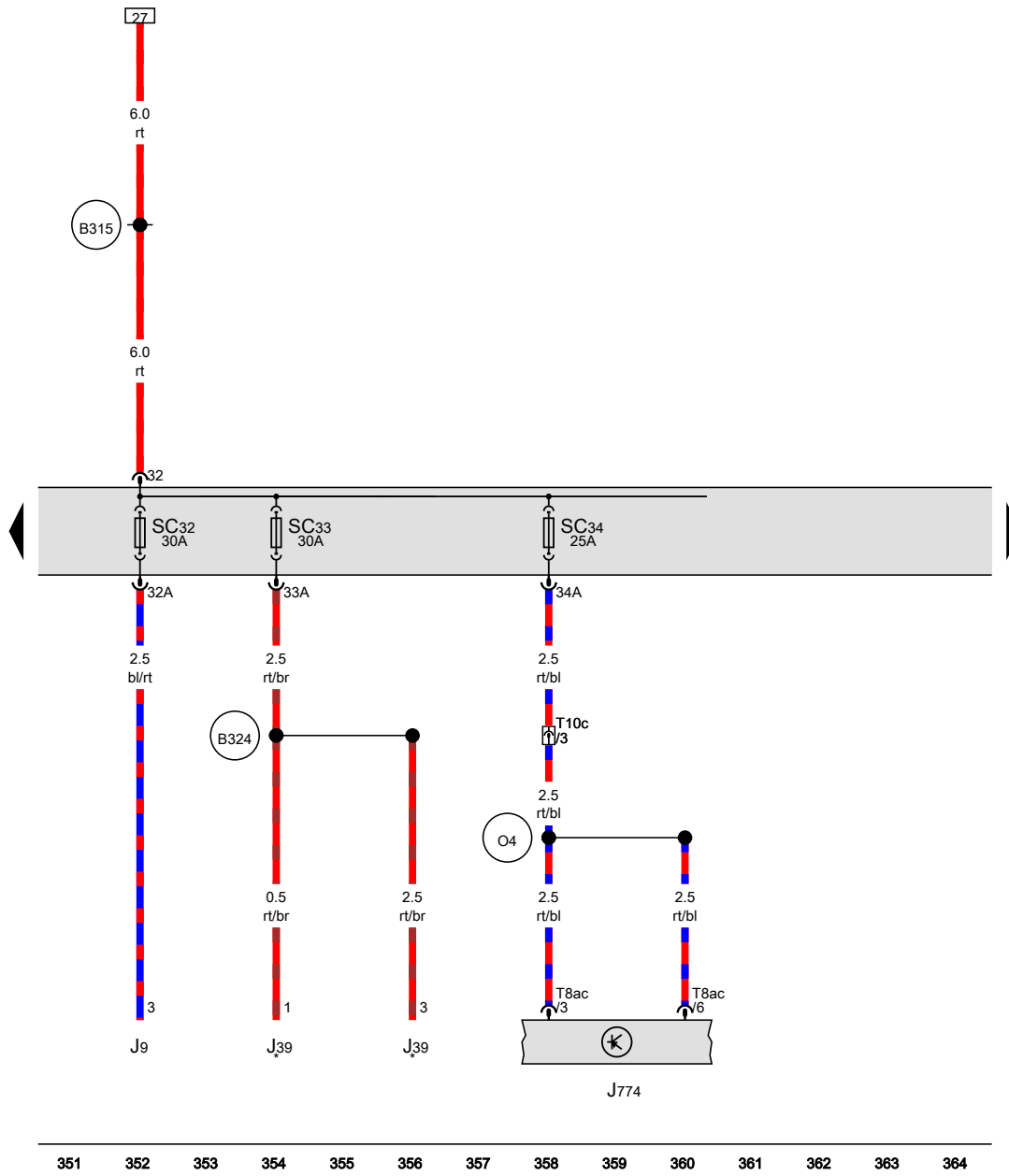
337 338 339 340 341 342 343 344 345 346 347 348 349 350

360-055260914

Fuse 32 on fuse holder C, Fuse 33 on fuse holder C, Fuse 34 on fuse holder C

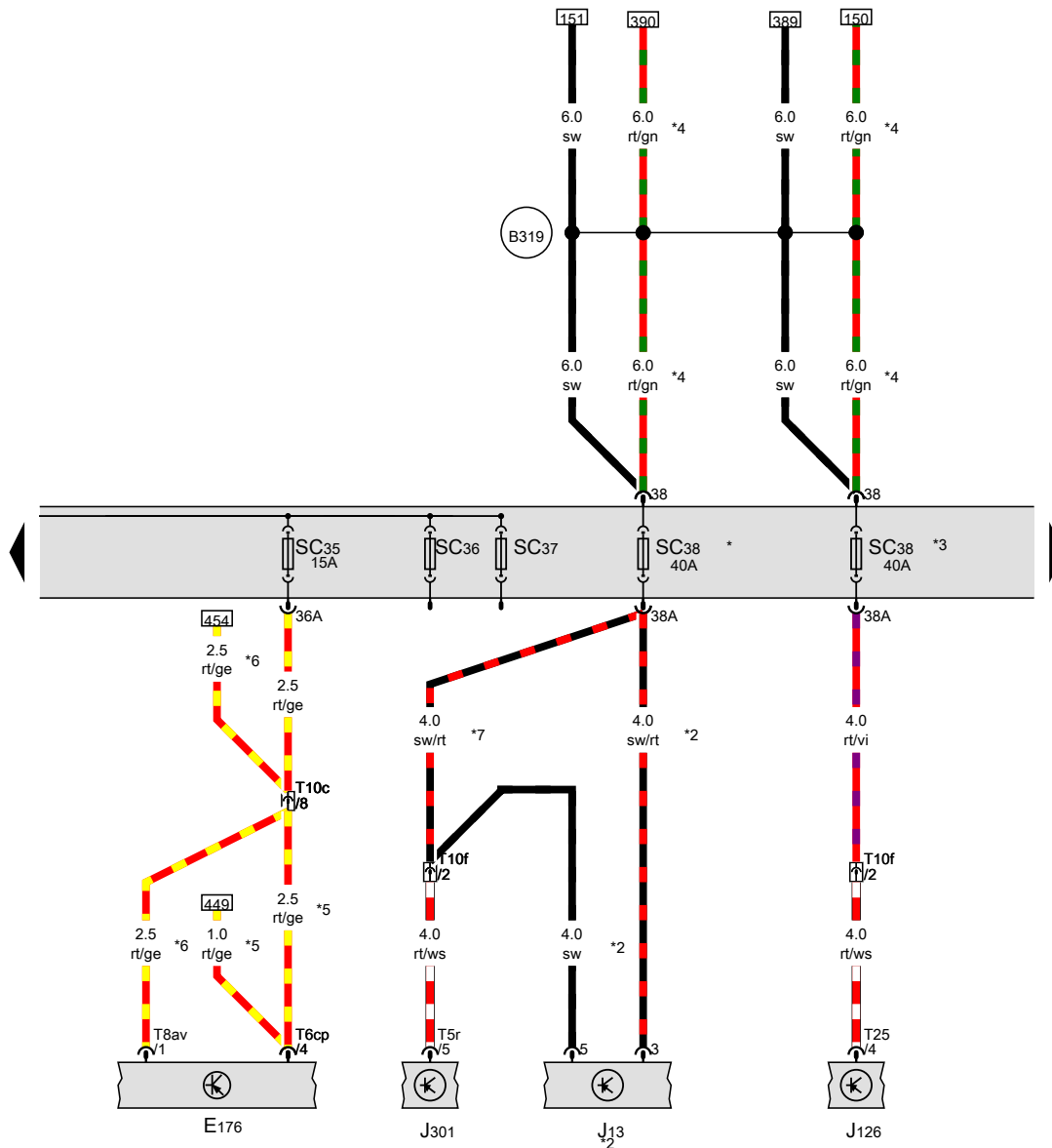
- J9 Heated rear window relay
- J39 Headlight washer system relay
- J774 Heated front seats control unit
- SC32 Fuse 32 on fuse holder C
- SC33 Fuse 33 on fuse holder C
- SC34 Fuse 34 on fuse holder C
- T8ac 8-pin connector
- T10c 10-pin connector, under driver seat

- B315** Positive connection 1 (30a) in main wiring harness
- B324** Positive connection 10 (30a) in main wiring harness
- O4** Positive connection (30as), in seat heating wiring harness
- * Only models with headlight washer system



360-055270914

Fuse 35 on fuse holder C, Fuse 36 on fuse holder C, Fuse 37 on fuse holder C, Fuse 38 on fuse holder C

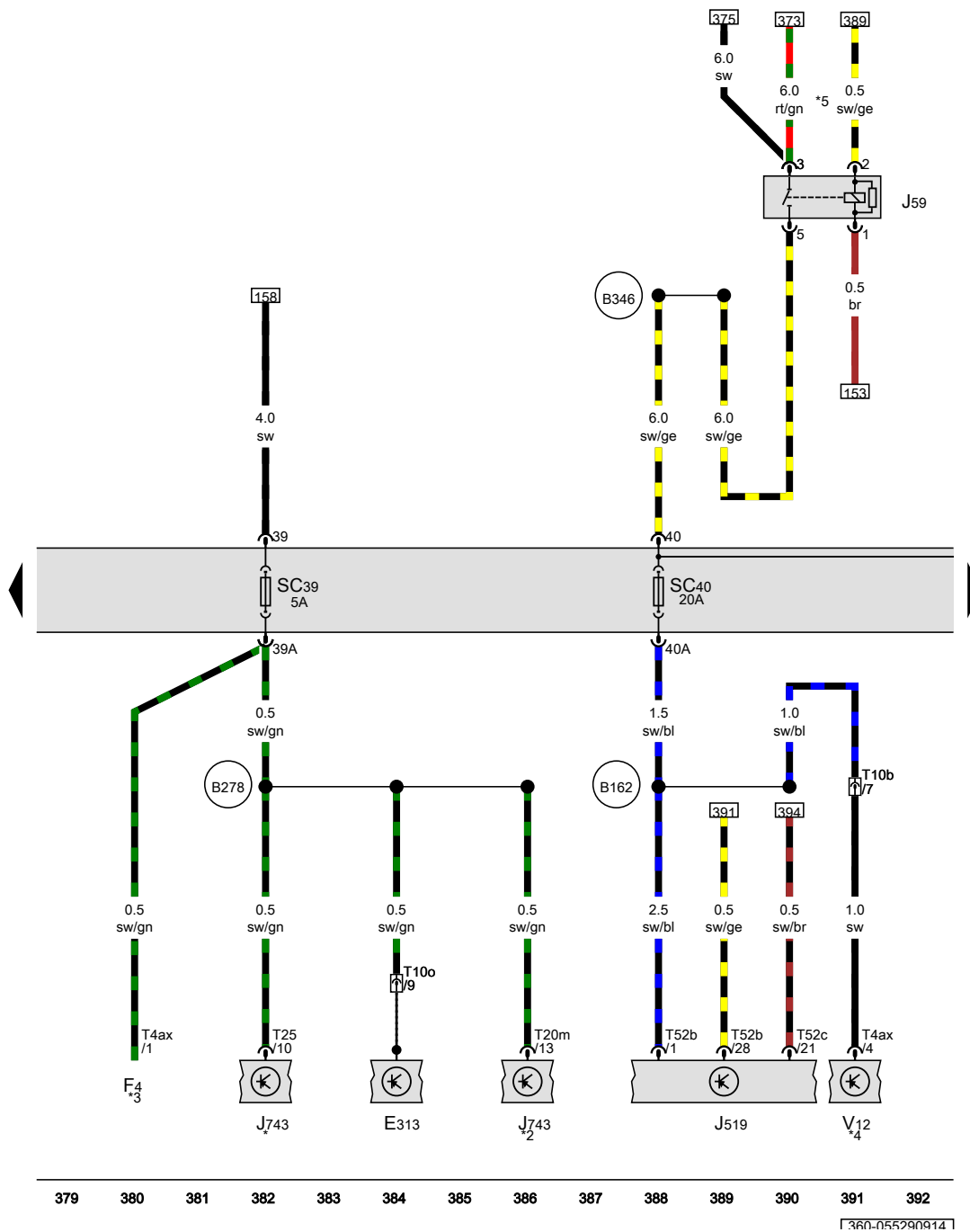


- E176 Driver seat lumbar support adjustment switch
- J13 Fresh air blower relay
- J126 Fresh air blower control unit
- J301 Air conditioning system control unit
- SC35 Fuse 35 on fuse holder C
- SC36 Fuse 36 on fuse holder C
- SC37 Fuse 37 on fuse holder C
- SC38 Fuse 38 on fuse holder C
- T5r 5-pin connector
- T6cp 6-pin connector
- T8av 8-pin connector
- T10c 10-pin connector, under driver seat
- T10f 10-pin connector
- T25 25-pin connector

B319 Positive connection 5 (30a) in main wiring harness

- * Only models with air conditioning system
- *2 Only models with auxiliary heating
- *3 Only models with Climatronic
- *4 gradual introduction
- *5 According to equipment
- *6 Only models with adjustable lumbar support
- *7 Only models with no auxiliary heater function

- ws = white
- sw = black
- ro = red
- rt = red
- br = brown
- gn = green
- bl = blue
- gr = grey
- li = purple
- vi = purple
- ge = yellow
- or = orange
- rs = pink



Fuse 39 on fuse holder C, Fuse 40 on fuse holder C

- E313 Selector lever
- F4 Reversing light switch
- J519 Onboard supply control unit
- J743 Mechatronic unit for dual clutch gearbox
- SC39 Fuse 39 on fuse holder C
- SC40 Fuse 40 on fuse holder C
- T4ax 4-pin connector
- T10b 10-pin connector, Coupling point for rear lid
- T10o 10-pin connector, under selector lever
- T20m 20-pin connector
- T25 25-pin connector
- T52b 52-pin connector
- T52c 52-pin connector
- V12 Rear window wiper motor

B162 Connection (75a), in interior wiring harness

B278 Positive connection 2 (15a) in main wiring harness

B346 Connection 1 (75), in main wiring harness

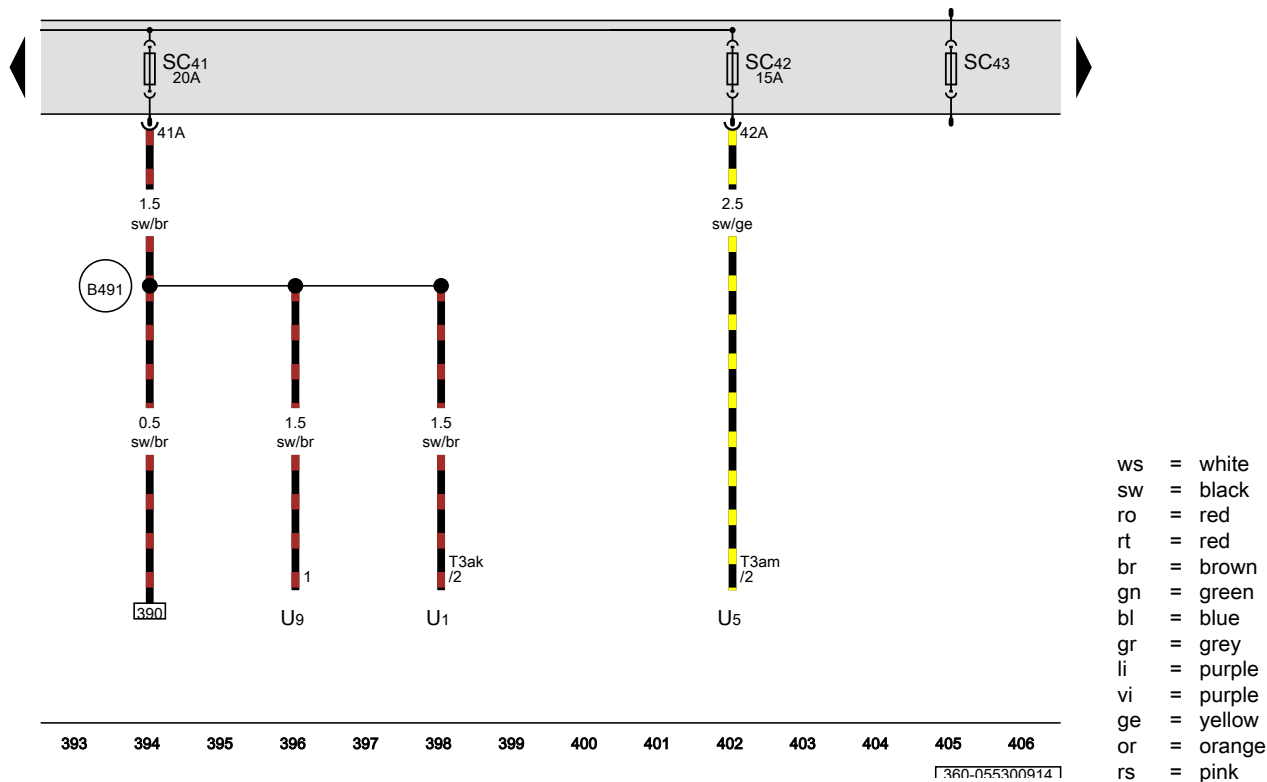
- * Only models with dual clutch gearbox 0AM
- *2 Only models with dual clutch gearbox 02E
- *3 Not for models with dual clutch gearbox
- *4 Estate
- *5 gradual introduction

- ws = white
- sw = black
- ro = red
- rt = red
- br = brown
- gn = green
- bl = blue
- gr = grey
- li = purple
- vi = purple
- ge = yellow
- or = orange
- rs = pink

Fuse 41 on fuse holder C, Fuse 42 on fuse holder C, Fuse 43 on fuse holder C

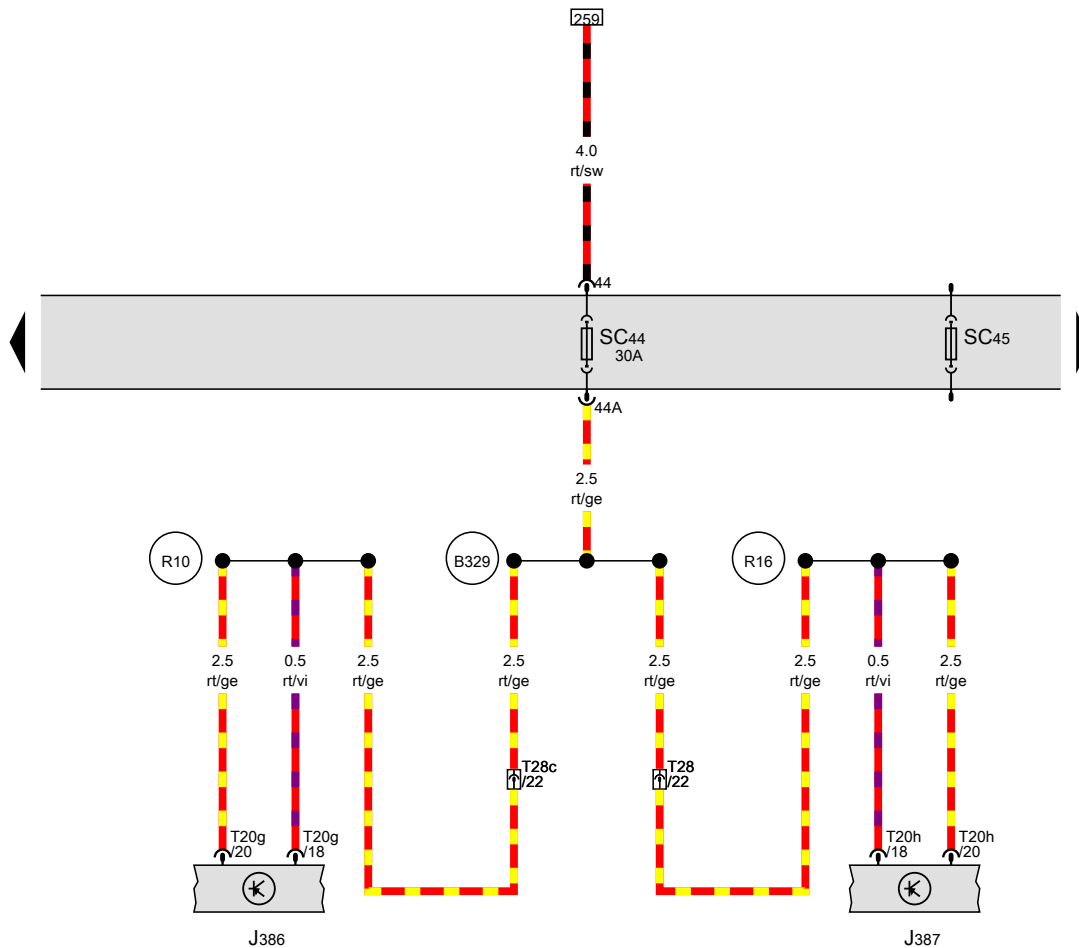
- SC41 Fuse 41 on fuse holder C
- SC42 Fuse 42 on fuse holder C
- SC43 Fuse 43 on fuse holder C
- T3ak 3-pin connector
- T3am 3-pin connector
- U1 Cigarette lighter
- U5 12 V socket
- U9 Rear cigarette lighter

B491 Positive connection (75), in interior wiring harness



Fuse 44 on fuse holder C, Fuse 45 on fuse holder C

- J386 Driver door control unit
- J387 Front passenger door control unit
- SC44 Fuse 44 on fuse holder C
- SC45 Fuse 45 on fuse holder C
- T20g 20-pin connector
- T20h 20-pin connector
- T28 28-pin connector, in right A-pillar coupling station
- T28c 28-pin connector, in left A-pillar coupling station
- B329** Positive connection 15 (30a) in main wiring harness
- R10** Positive connection 1 (30), in driver door wiring harness
- R16** Positive connection 1 (30), in front passenger door wiring harness



- ws = white
- sw = black
- ro = red
- rt = red
- br = brown
- gn = green
- bl = blue
- gr = grey
- li = purple
- vi = purple
- ge = yellow
- or = orange
- rs = pink

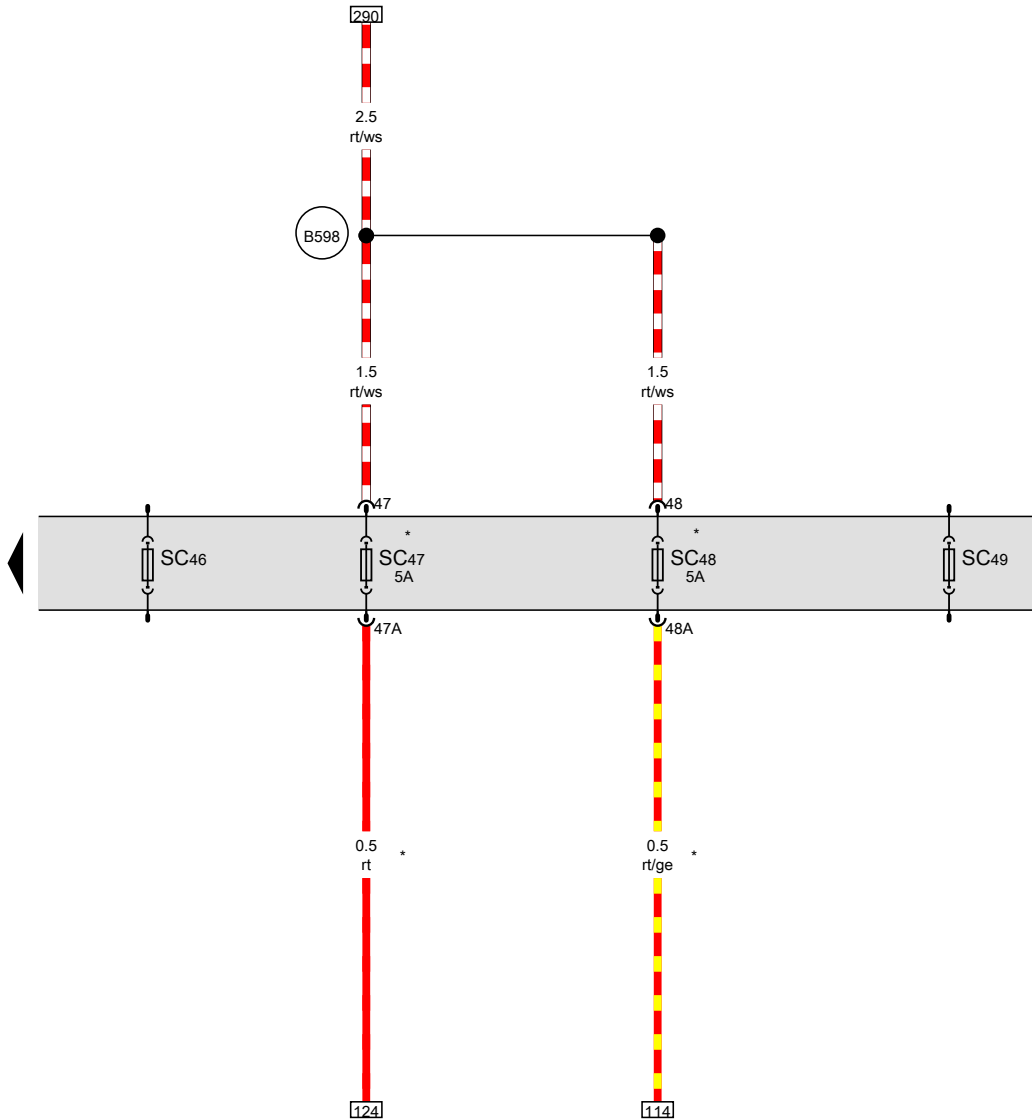
407 408 409 410 411 412 413 414 415 416 417 418 419 420

360-055310914

Fuse 46 on fuse holder C, Fuse 47 on fuse holder C, Fuse 48 on fuse holder C, Fuse 49 on fuse holder C

- SC46 Fuse 46 on fuse holder C
- SC47 Fuse 47 on fuse holder C
- SC48 Fuse 48 on fuse holder C
- SC49 Fuse 49 on fuse holder C

- B598 Positive connection 11 (30a), in interior wiring harness
- * Only models with start/stop system



- ws = white
- sw = black
- ro = red
- rt = red
- br = brown
- gn = green
- bl = blue
- gr = grey
- li = purple
- vi = purple
- ge = yellow
- or = orange
- rs = pink

421 422 423 424 425 426 427 428 429 430 431 432 433 434

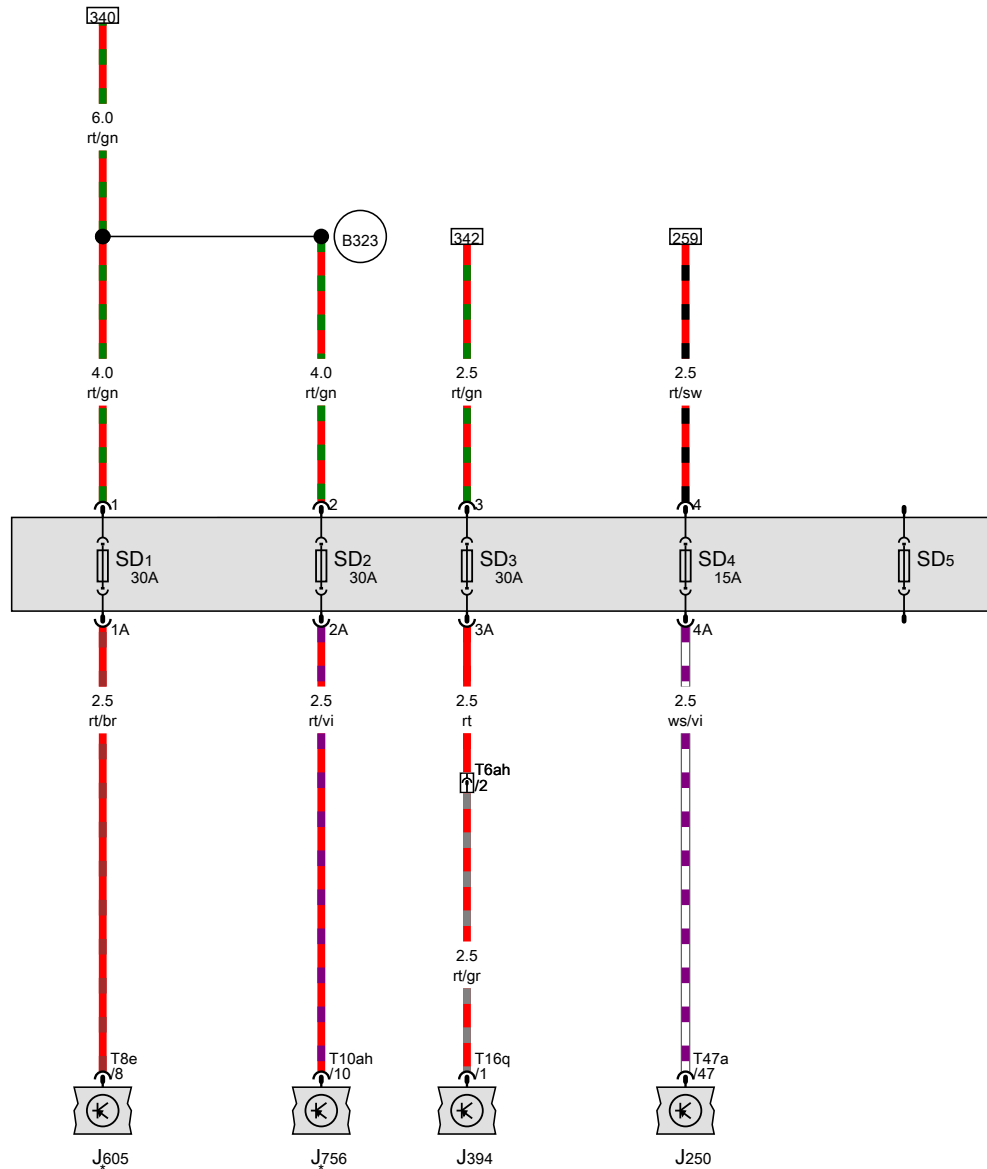
360-055320914

Fuse 1 on fuse holder D, Fuse 2 on fuse holder D, Fuse 3 on fuse holder D, Fuse 4 on fuse holder D, Fuse 5 on fuse holder D

- J250 Electronically controlled damping control unit
- J394 Sunroof roller blind control unit
- J605 Rear lid control unit
- J756 Rear lid control unit 2
- SD1 Fuse 1 on fuse holder D
- SD2 Fuse 2 on fuse holder D
- SD3 Fuse 3 on fuse holder D
- SD4 Fuse 4 on fuse holder D
- SD5 Fuse 5 on fuse holder D
- T6ah 6-pin connector
- T8e 8-pin connector
- T10ah 10-pin connector
- T16q 16-pin connector
- T47a 47-pin connector

B323 Positive connection 9 (30a) in main wiring harness

* Estate



- ws = white
- sw = black
- ro = red
- rt = red
- br = brown
- gn = green
- bl = blue
- gr = grey
- li = purple
- vi = violet
- ge = yellow
- or = orange
- rs = pink

435 436 437 438 439 440 441 442 443 444 445 446 447 448

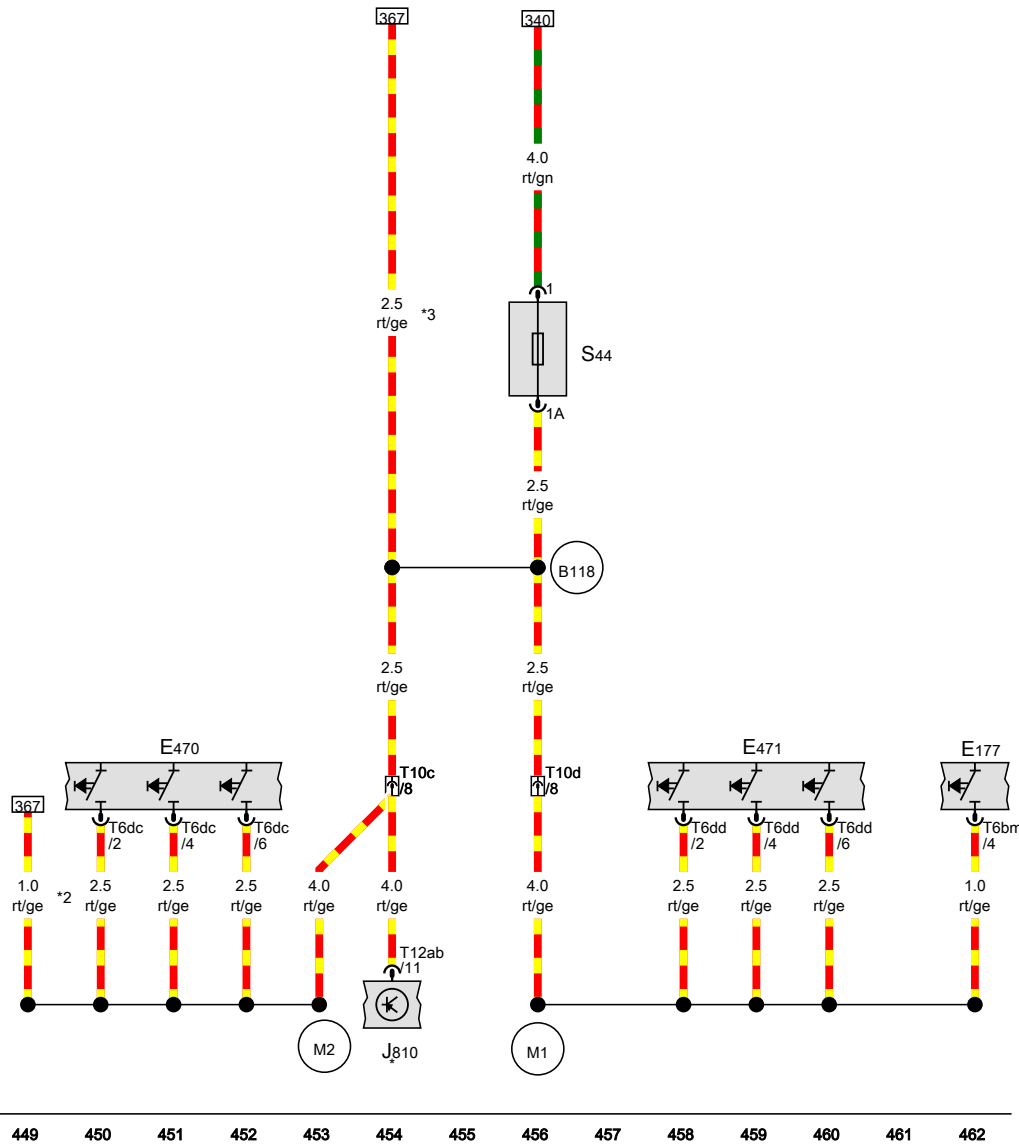
360-055330914

Driver seat adjustment thermal fuse 1

- E177 Front passenger seat lumbar support adjustment switch
- E470 Driver seat adjustment operating unit
- E471 Front passenger seat adjustment operating unit
- J810 Driver seat adjustment control unit
- S44 Driver seat adjustment thermal fuse 1
- T6bm 6-pin connector
- T6dc 6-pin connector
- T6dd 6-pin connector
- T10c 10-pin connector
- T10d 10-pin connector
- T12ab 12-pin connector

- (B118) Connection (driver side seat adjustment), in interior wiring harness
- (M1) Positive connection 1 (30), in seat adjustment wiring harness
- (M2) Positive connection 2 (30), in seat adjustment wiring harness

- * Only models with seat adjustment and memory function
- *2 According to equipment
- *3 Only models with adjustable lumbar support



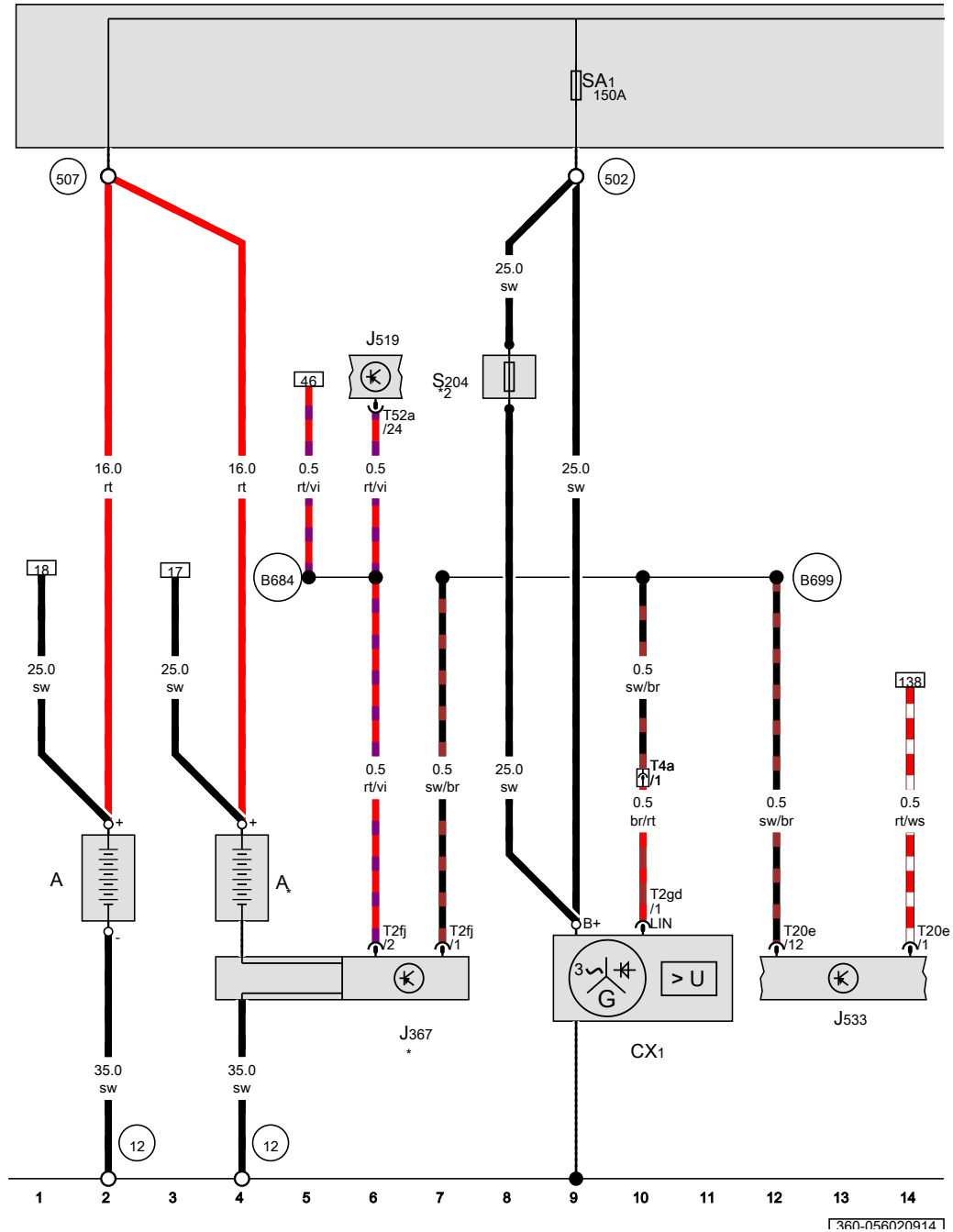
- ws = white
- sw = black
- ro = red
- rt = red
- br = brown
- gn = green
- bl = blue
- gr = grey
- li = purple
- vi = purple
- ge = yellow
- or = orange
- rs = pink

360-055340914

Fuse assignment for E-box, Low

From November 2010

Battery, Battery monitor control unit, Fuse 1 in fuse holder A, Fuse 1 (30)



- A Battery
- CX1 Alternator with voltage regulator
- J367 Battery monitor control unit
- J519 Onboard supply control unit
- J533 Data bus diagnostic interface
- SA1 Fuse 1 in fuse holder A
- S204 Fuse 1 (30)
- T2fj 2-pin connector
- T2gd 2-pin connector
- T4a 4-pin connector, near starter
- T20e 20-pin connector
- T52a 52-pin connector

- 12 Earth point, on left in engine compartment
- 502 Threaded connection 1 (30a) on relay plate
- 507 Threaded connection (30), on battery fuse holder
- B684 Positive connection 24 (30a) in main wiring harness
- B699 Connection 4 (LIN bus) in main wiring harness
- * Only models with energy recovery
- *2 According to equipment

- ws = white
- sw = black
- ro = red
- rt = red
- br = brown
- gn = green
- bl = blue
- gr = grey
- li = purple
- vi = purple
- ge = yellow
- or = orange
- rs = pink

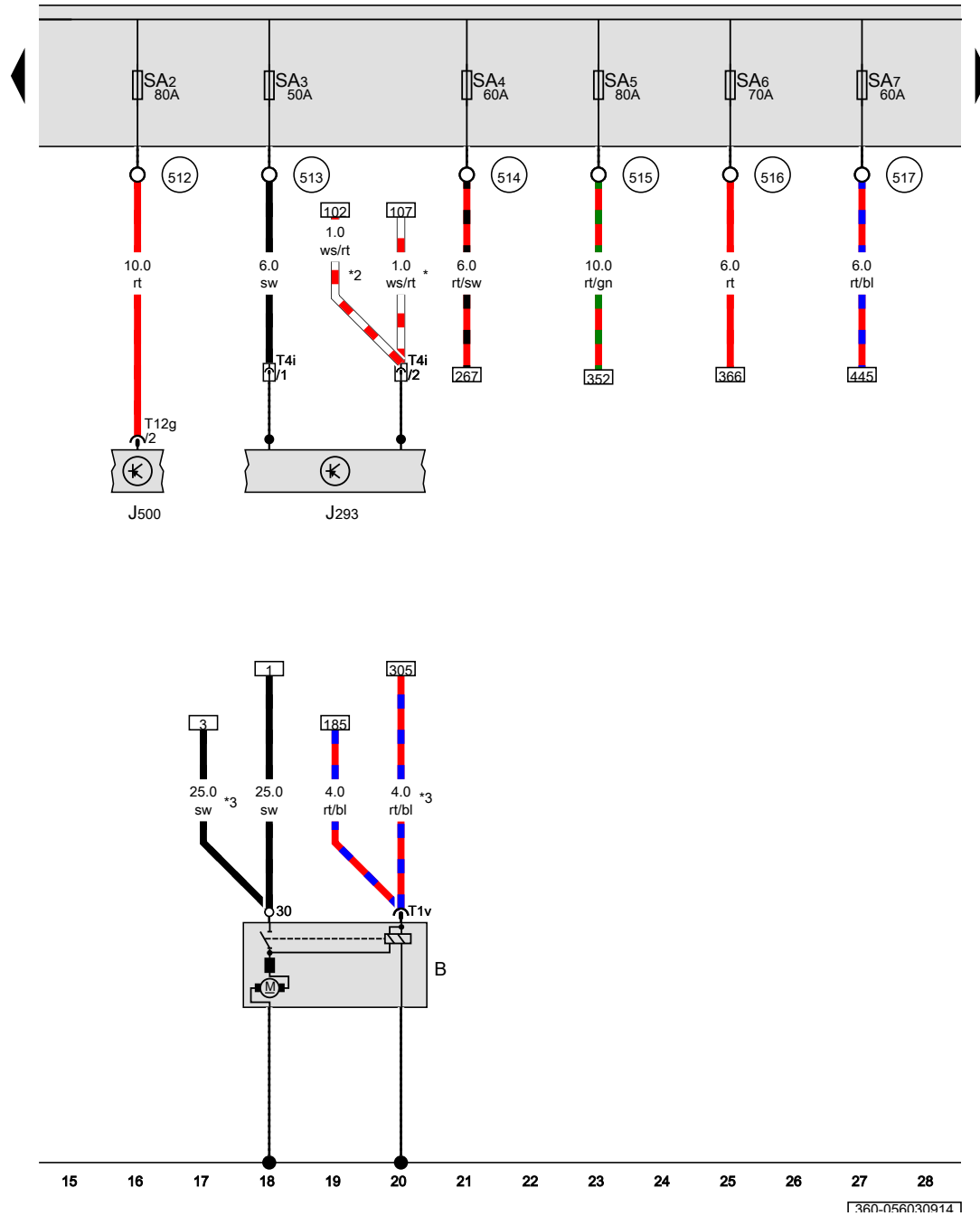
1360-056020914

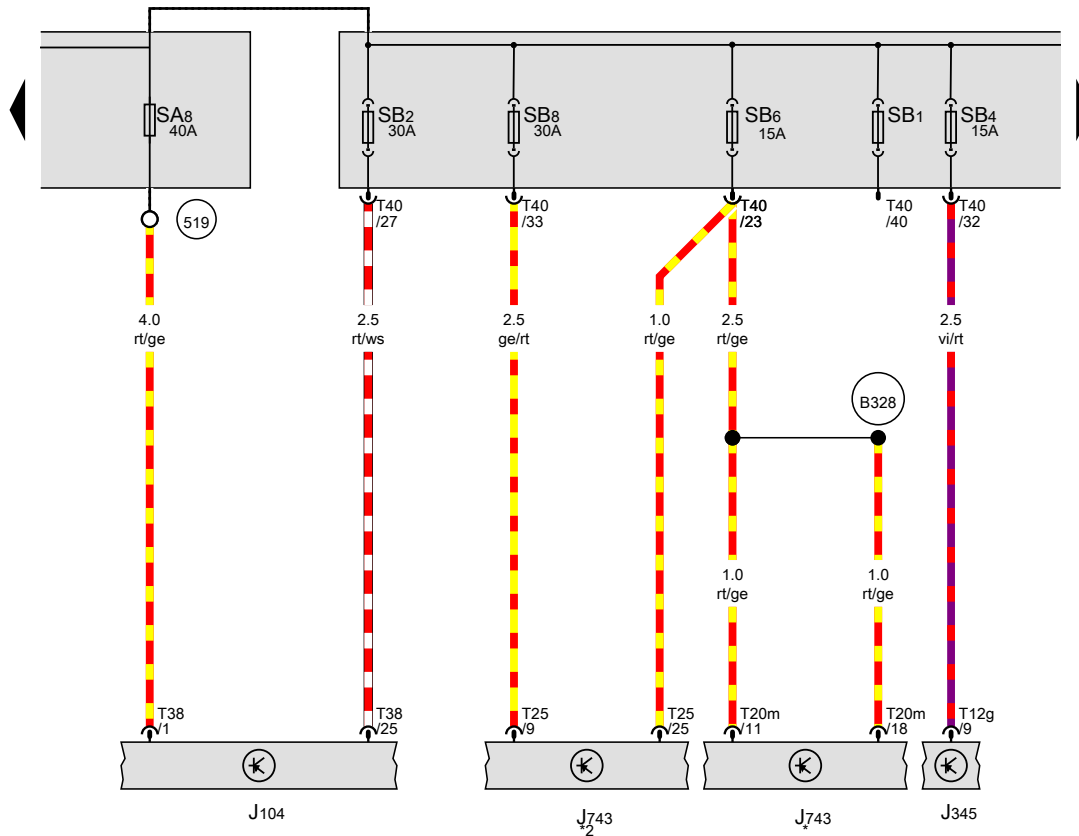
Starter, Fuse 2 in fuse holder A, Fuse 3 in fuse holder A, Fuse 4 in fuse holder A, Fuse 5 in fuse holder A, Fuse 6 in fuse holder A, Fuse 7 in fuse holder A

- B Starter
- J293 Radiator fan control unit
- J500 Power steering control unit
- SA2 Fuse 2 in fuse holder A
- SA3 Fuse 3 in fuse holder A
- SA4 Fuse 4 in fuse holder A
- SA5 Fuse 5 in fuse holder A
- SA6 Fuse 6 in fuse holder A
- SA7 Fuse 7 in fuse holder A
- T1v Single connector
- T4i 4-pin connector, on lock carrier
- T12g 12-pin connector

- 512 Threaded connection 2 (30a) on relay plate
- 513 Threaded connection 3 (30a) on relay plate
- 514 Threaded connection 4 (30a) on relay plate
- 515 Threaded connection 5 (30a) on relay plate
- 516 Threaded connection 6 (30a) on relay plate
- 517 Threaded connection 7 (30a) on relay plate
- * Only models with petrol engine
- *2 Only models with diesel engine
- *3 Only models with start/stop system

- ws = white
- sw = black
- ro = red
- rt = red
- br = brown
- gn = green
- bl = blue
- gr = grey
- li = purple
- vi = purple
- ge = yellow
- or = orange
- rs = pink





Fuse 1 on fuse holder B, Fuse 2 on fuse holder B, Fuse 4 on fuse holder B, Fuse 6 on fuse holder B, Fuse 8 on fuse holder B, Fuse 8 in fuse holder A

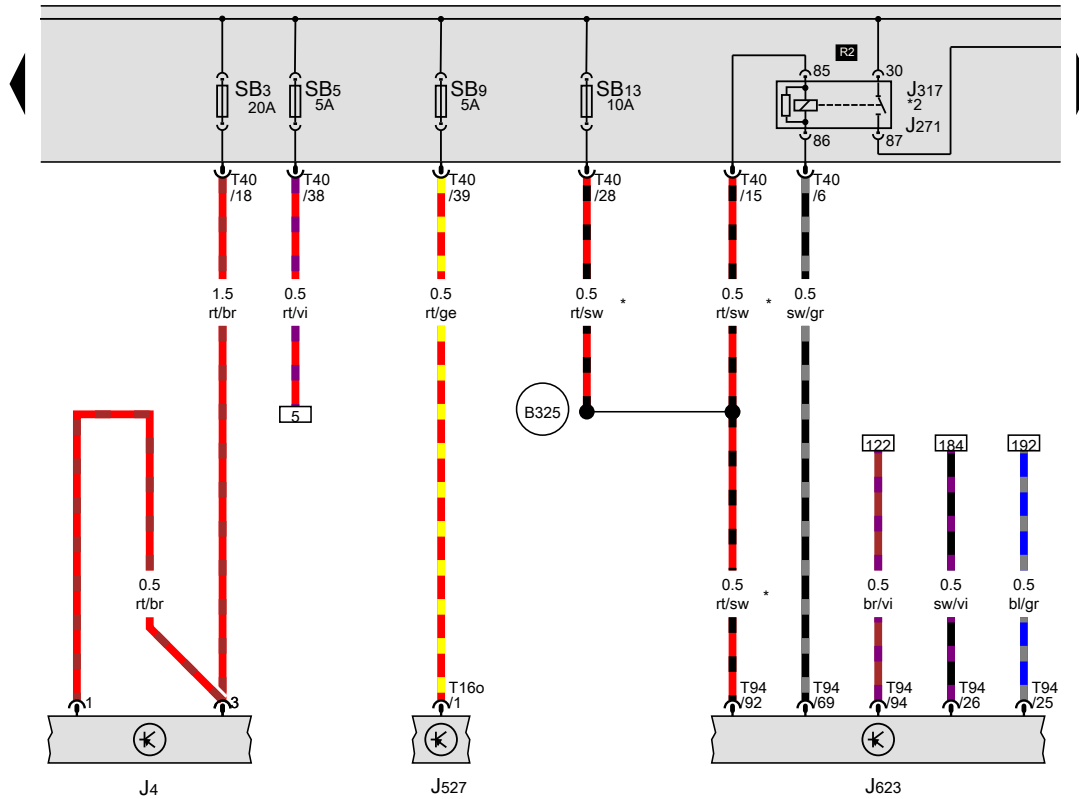
- J104 ABS control unit
- J345 Trailer detector control unit
- J743 Mechatronic unit for dual clutch gearbox
- SB1 Fuse 1 on fuse holder B
- SB2 Fuse 2 on fuse holder B
- SB4 Fuse 4 on fuse holder B
- SB6 Fuse 6 on fuse holder B
- SB8 Fuse 8 on fuse holder B
- SA8 Fuse 8 in fuse holder A
- T12g 12-pin connector
- T20m 20-pin connector
- T25 25-pin connector
- T38 38-pin connector
- T40 40-pin connector

519 Threaded connection (30), on flat conductor

B328 Positive connection 14 (30a) in main wiring harness

- * Only models with dual clutch gearbox 02E
- *2 Only models with dual clutch gearbox 0AM

- ws = white
- sw = black
- ro = red
- rt = red
- br = brown
- gn = green
- bl = blue
- gr = grey
- li = purple
- vi = purple
- ge = yellow
- or = orange
- rs = pink

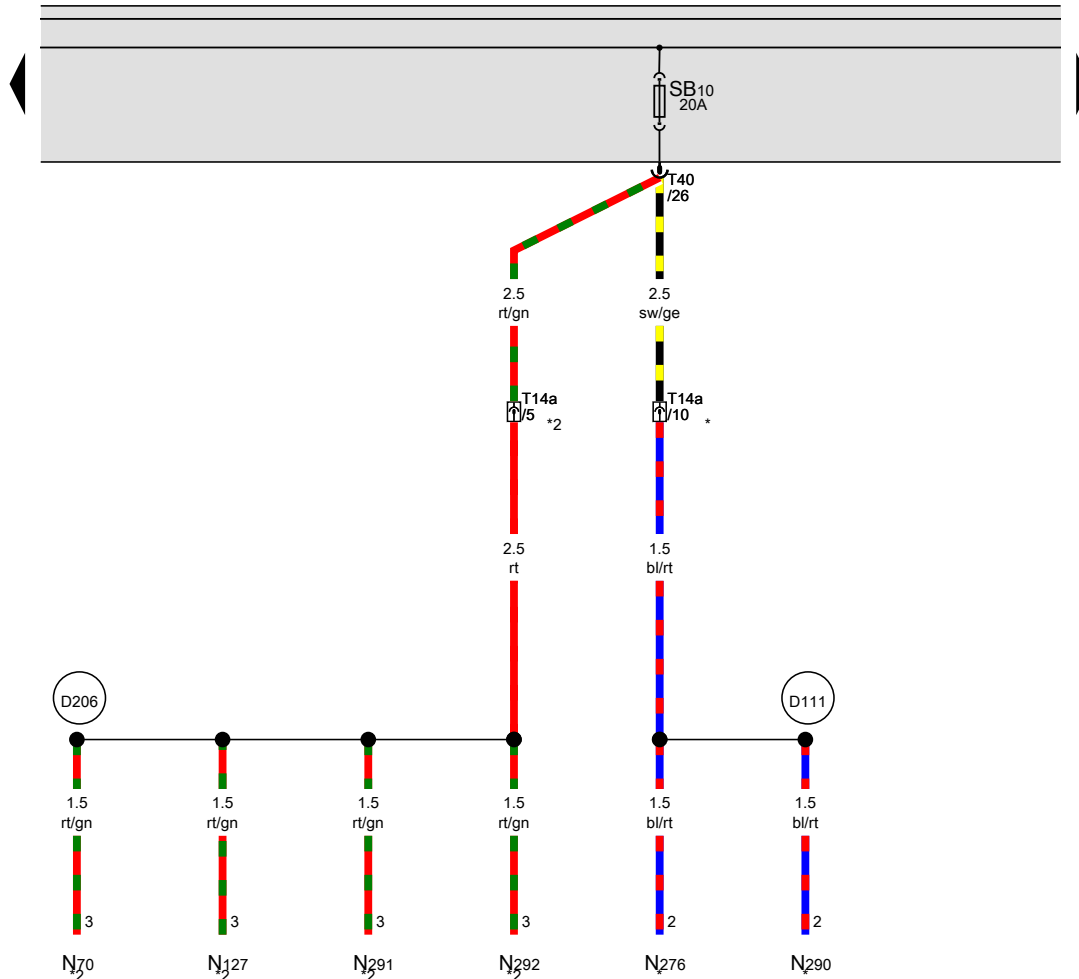


Main relay, Fuse 3 on fuse holder B, Fuse 5 on fuse holder B, Fuse 9 on fuse holder B, Fuse 13 on fuse holder B

- J4 Dual tone horn relay
- J271 Main relay
- J317 Terminal 30 voltage supply relay
- J527 Steering column electronics control unit
- J623 Engine control unit
- SB3 Fuse 3 on fuse holder B
- SB5 Fuse 5 on fuse holder B
- SB9 Fuse 9 on fuse holder B
- SB13 Fuse 13 on fuse holder B
- T160 16-pin connector
- T40 40-pin connector
- T94 94-pin connector
- B325 Positive connection 11 (30a) in main wiring harness

* Wiring colour depends on equipment
 *2 Only models with diesel engine

- ws = white
- sw = black
- ro = red
- rt = red
- br = brown
- gn = green
- bl = blue
- gr = grey
- li = purple
- vi = purple
- ge = yellow
- or = orange
- rs = pink



Fuse 10 on fuse holder B

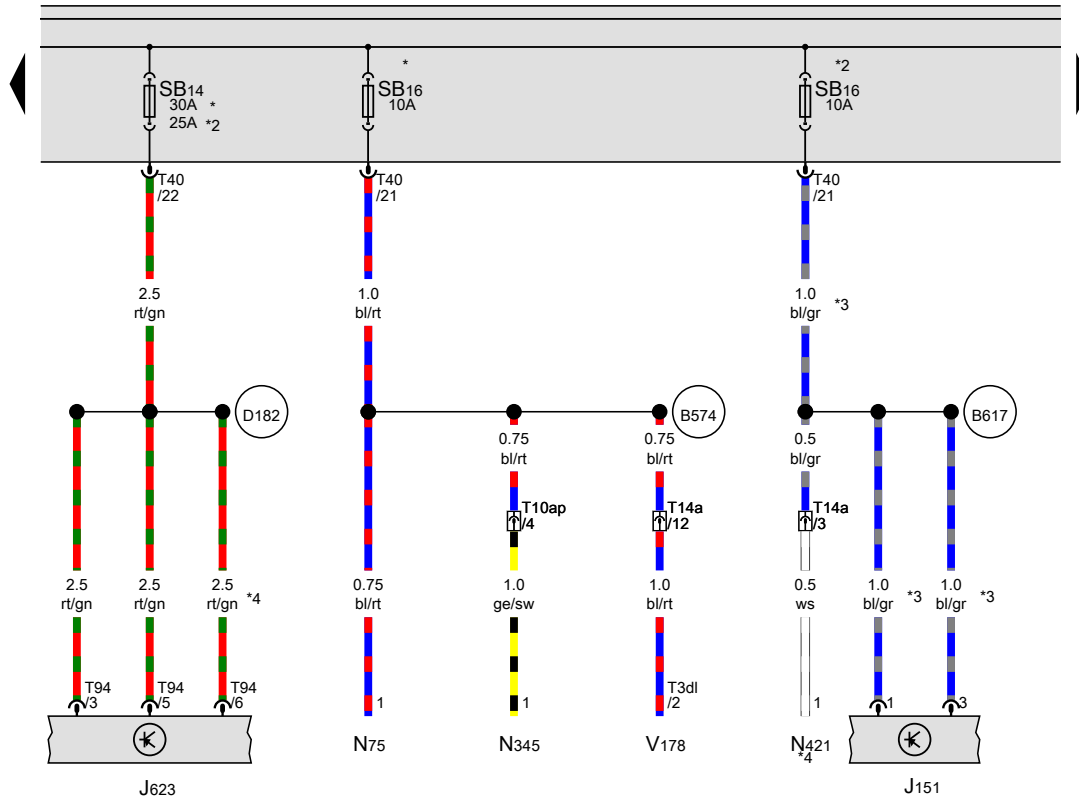
- N70 Ignition coil 1 with output stage
- N127 Ignition coil 2 with output stage
- N276 Fuel pressure regulating valve
- N290 Fuel metering valve
- N291 Ignition coil 3 with output stage
- N292 Ignition coil 4 with output stage
- SB10 Fuse 10 on fuse holder B
- T14a 14-pin connector, on left in engine compartment
- T40 40-pin connector

D111 Connection 9 in engine compartment wiring harness

D206 Connection 4 (87a) in engine prewiring harness

* Only models with diesel engine
 *2 Only models with petrol engine

- ws = white
- sw = black
- ro = red
- rt = red
- br = brown
- gn = green
- bl = blue
- gr = grey
- li = purple
- vi = purple
- ge = yellow
- or = orange
- rs = pink



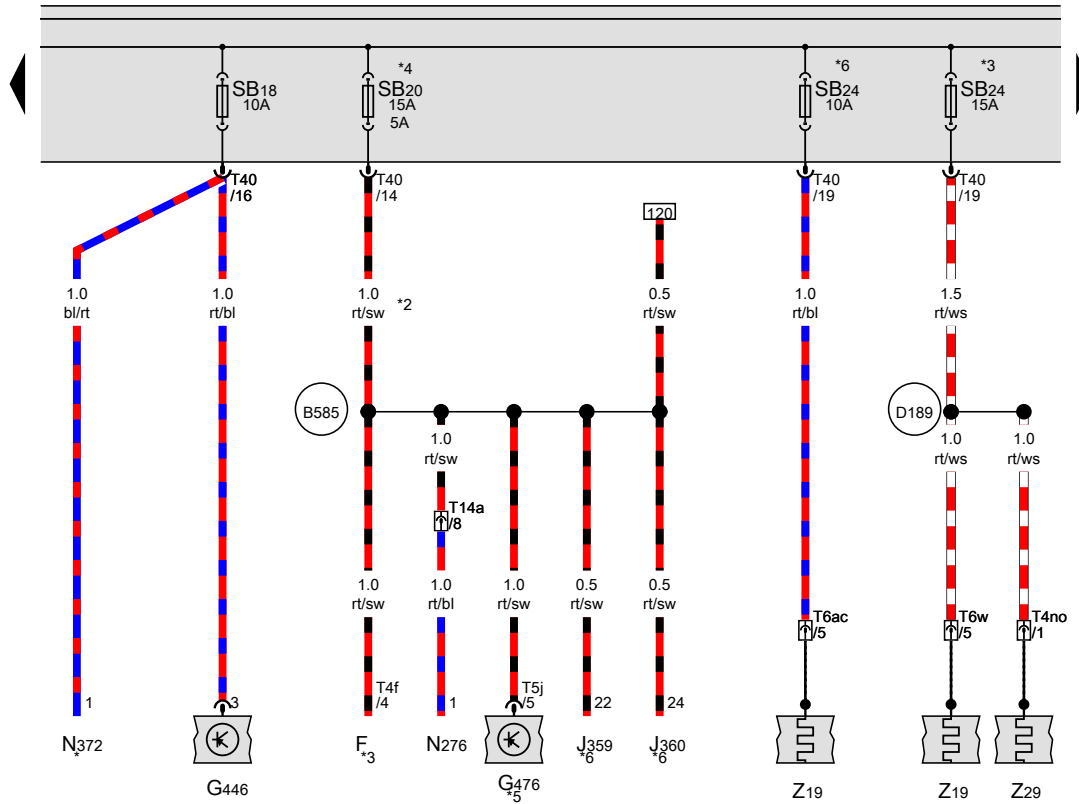
Fuse 14 on fuse holder B, Fuse 16 on fuse holder B

- J151 Continued coolant circulation relay
- J623 Engine control unit
- N75 Charge pressure control solenoid valve
- N345 Exhaust gas recirculation cooler changeover valve
- N421 Magnetic clutch for supercharger
- SB14 Fuse 14 on fuse holder B
- SB16 Fuse 16 on fuse holder B
- T3dl 3-pin connector
- T10ap 10-pin connector, near left headlight
- T14a 14-pin connector, on left in engine compartment
- T40 40-pin connector
- T94 94-pin connector
- V178 Coolant circulation pump 2

- (B574) Positive connection 20 (87a) in main wiring harness
- (B617) Positive connection 5 (87a), in interior wiring harness
- (D182) Connection 3 (87a) in engine compartment wiring harness

- * Only models with diesel engine
- *2 Only models with petrol engine
- *3 Wiring colour depends on equipment
- *4 According to equipment

- ws = white
- sw = black
- ro = red
- rt = red
- br = brown
- gn = green
- bl = blue
- gr = grey
- li = purple
- vi = purple
- ge = yellow
- or = orange
- rs = pink



Fuse 18 on fuse holder B, Fuse 20 on fuse holder B, Fuse 24 on fuse holder B

- F Brake light switch
- G446 Fuel quality sender
- G476 Clutch position sender
- J359 Low heat output relay
- J360 High heat output relay
- N276 Fuel pressure regulating valve
- N372 High-pressure valve for gas mode
- SB18 Fuse 18 on fuse holder B
- SB20 Fuse 20 on fuse holder B
- SB24 Fuse 24 on fuse holder B
- T4f 4-pin connector
- T4no 4-pin connector
- T5j 5-pin connector
- T6ac 6-pin connector
- T6w 6-pin connector
- T14a 14-pin connector, on left in engine compartment
- T40 40-pin connector
- Z19 Lambda probe heater
- Z29 Lambda probe 1 heater after catalytic converter

B585 Positive connection 2 (87a), in interior wiring harness

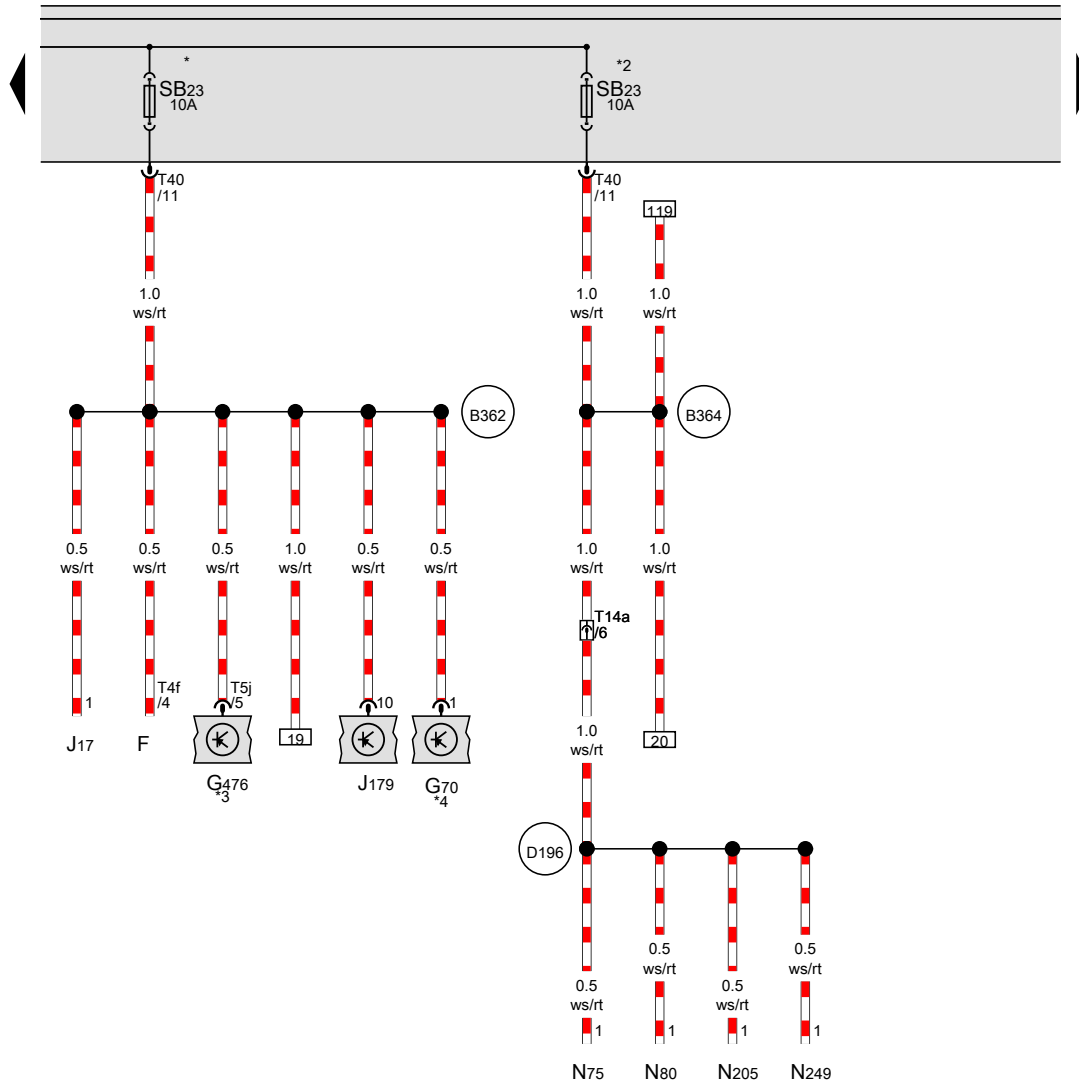
D189 Connection (87a) in engine prewiring harness

- * Only models with natural gas engine
- *2 Cross section depends on equipment
- *3 Only models with petrol engine
- *4 see applicable current flow diagram for engine
- *5 Only models with manual gearbox
- *6 Only models with diesel engine

- ws = white
- sw = black
- ro = red
- rt = red
- br = brown
- gn = green
- bl = blue
- gr = grey
- li = purple
- vi = purple
- ge = yellow
- or = orange
- rs = pink

85 86 87 88 89 90 91 92 93 94 95 96 97 98

360-056080914



Fuse 23 on fuse holder B

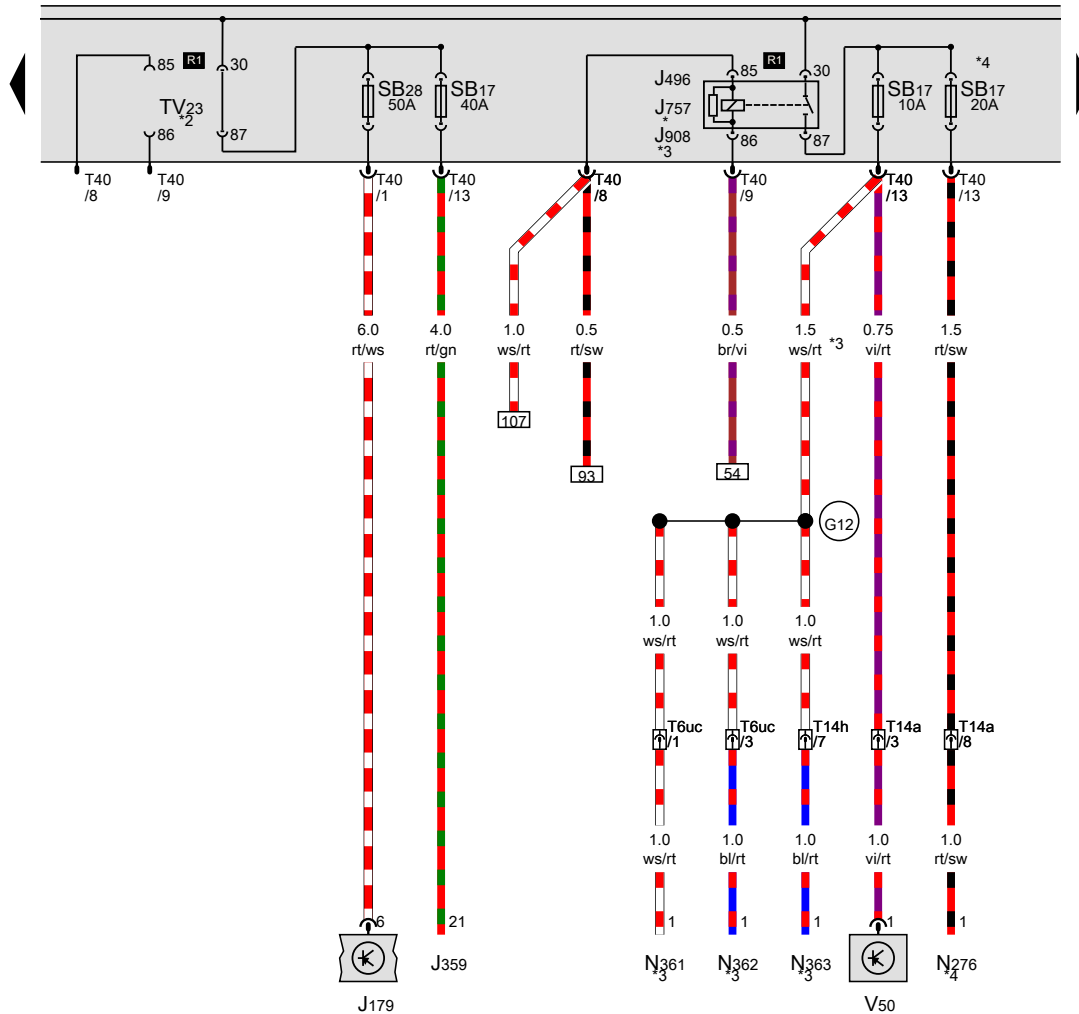
- F Brake light switch
- G70 Air mass meter
- G476 Clutch position sender
- J17 Fuel pump relay
- J179 Automatic glow period control unit
- N75 Charge pressure control solenoid valve
- N80 Activated charcoal filter solenoid valve 1
- N205 Camshaft control valve 1
- N249 Turbocharger air recirculation valve
- SB23 Fuse 23 on fuse holder B
- T4f 4-pin connector
- T5j 5-pin connector
- T14a 14-pin connector, on left in engine compartment
- T40 40-pin connector

- B362 Positive connection 13 (87a) in main wiring harness
- B364 Positive connection 15 (87a) in main wiring harness
- D196 Connection 2 (87a) in engine prewiring harness

- * Only models with diesel engine
- *2 Only models with petrol engine
- *3 Only models with manual gearbox
- *4 Only models with 2.0l engine

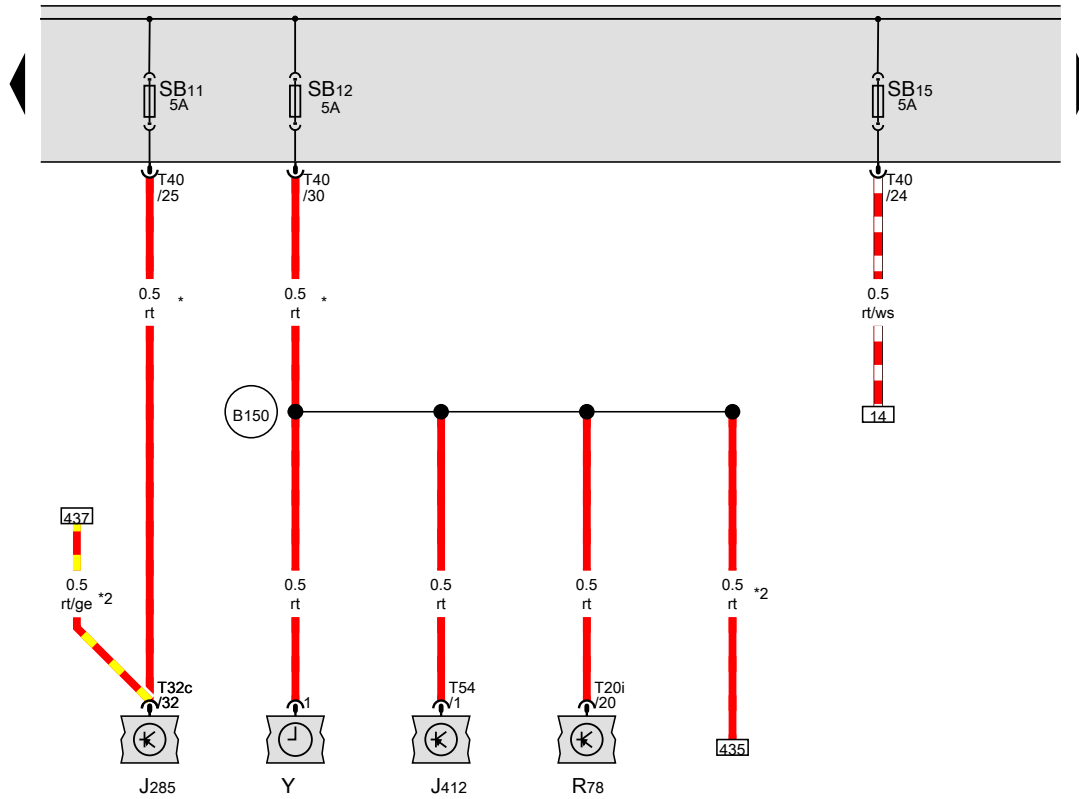
ws = white
 sw = black
 ro = red
 rt = red
 br = brown
 gn = green
 bl = blue
 gr = grey
 li = purple
 vi = purple
 ge = yellow
 or = orange
 rs = pink

Engine component current supply relay, Fuse 28 on fuse holder B, Coolant circulation pump



- J179 Automatic glow period control unit
- J359 Low heat output relay
- J496 Additional coolant pump relay
- J757 Engine component current supply relay
- J908 Relay for gas shut-off valves
- N276 Fuel pressure regulating valve
- N361 Fuel tank shut-off valve 1
- N362 Fuel tank shut-off valve 2
- N363 Fuel tank shut-off valve 3
- SB17 Fuse 17 on fuse holder B
- SB28 Fuse 28 on fuse holder B
- T6uc 6-pin connector
- T14a 14-pin connector
- T14h 14-pin connector
- TV23 Push-in bridge
- T40 40-pin connector
- V50 Coolant circulation pump
- G12 Connection 1 in gas mode wiring harness
- * Only models with petrol engine
- *2 Only models with diesel engine
- *3 Only models with natural gas engine
- *4 see applicable current flow diagram for engine

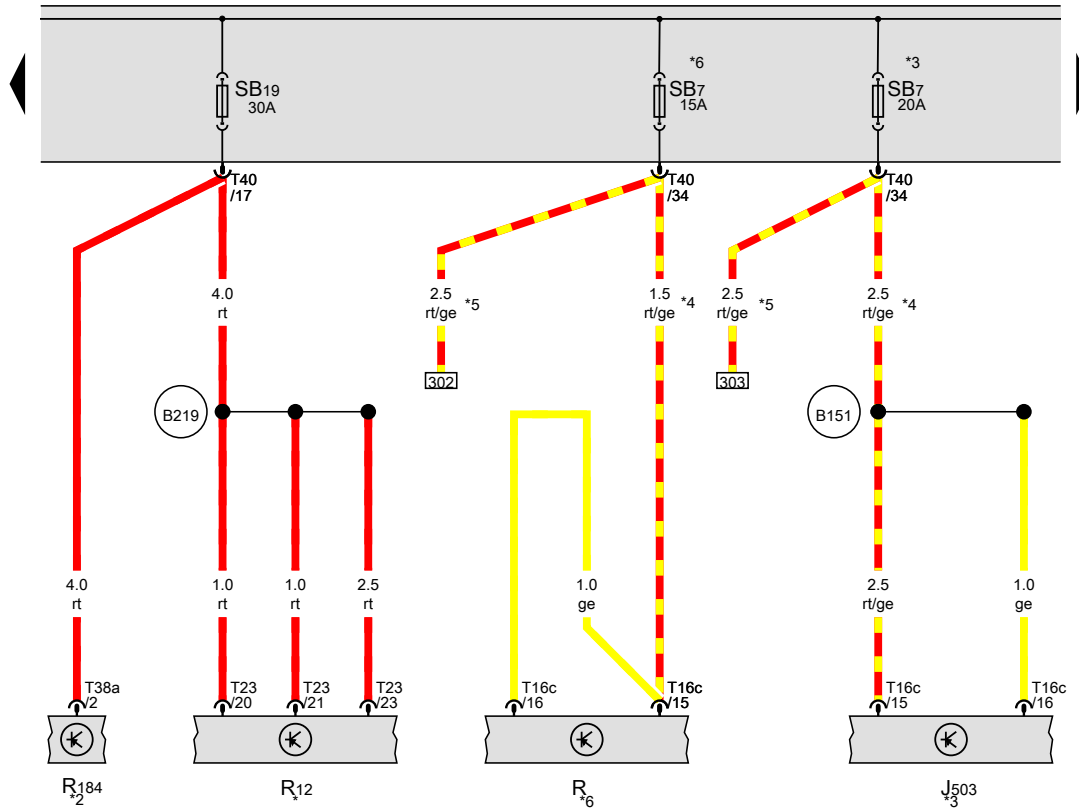
ws = white
 sw = black
 ro = red
 rt = red
 br = brown
 gn = green
 bl = blue
 gr = grey
 li = purple
 vi = purple
 ge = yellow
 or = orange
 rs = pink



Fuse 11 on fuse holder B, Fuse 12 on fuse holder B, Fuse 15 on fuse holder B

- J285 Control unit in dash panel insert
- J412 Mobile telephone operating electronics control unit
- R78 TV tuner
- SB11 Fuse 11 on fuse holder B
- SB12 Fuse 12 on fuse holder B
- SB15 Fuse 15 on fuse holder B
- T20i 20-pin connector
- T32c 32-pin connector
- T40 40-pin connector
- T54 54-pin connector
- Y Analogue clock
- B150 Positive connection 2 (30a), in interior wiring harness
- * Only models with no start/stop system
- *2 Only models with start/stop system

- ws = white
- sw = black
- ro = red
- rt = red
- br = brown
- gn = green
- bl = blue
- gr = grey
- li = purple
- vi = purple
- ge = yellow
- or = orange
- rs = pink



Fuse 7 on fuse holder B, Fuse 19 on fuse holder B

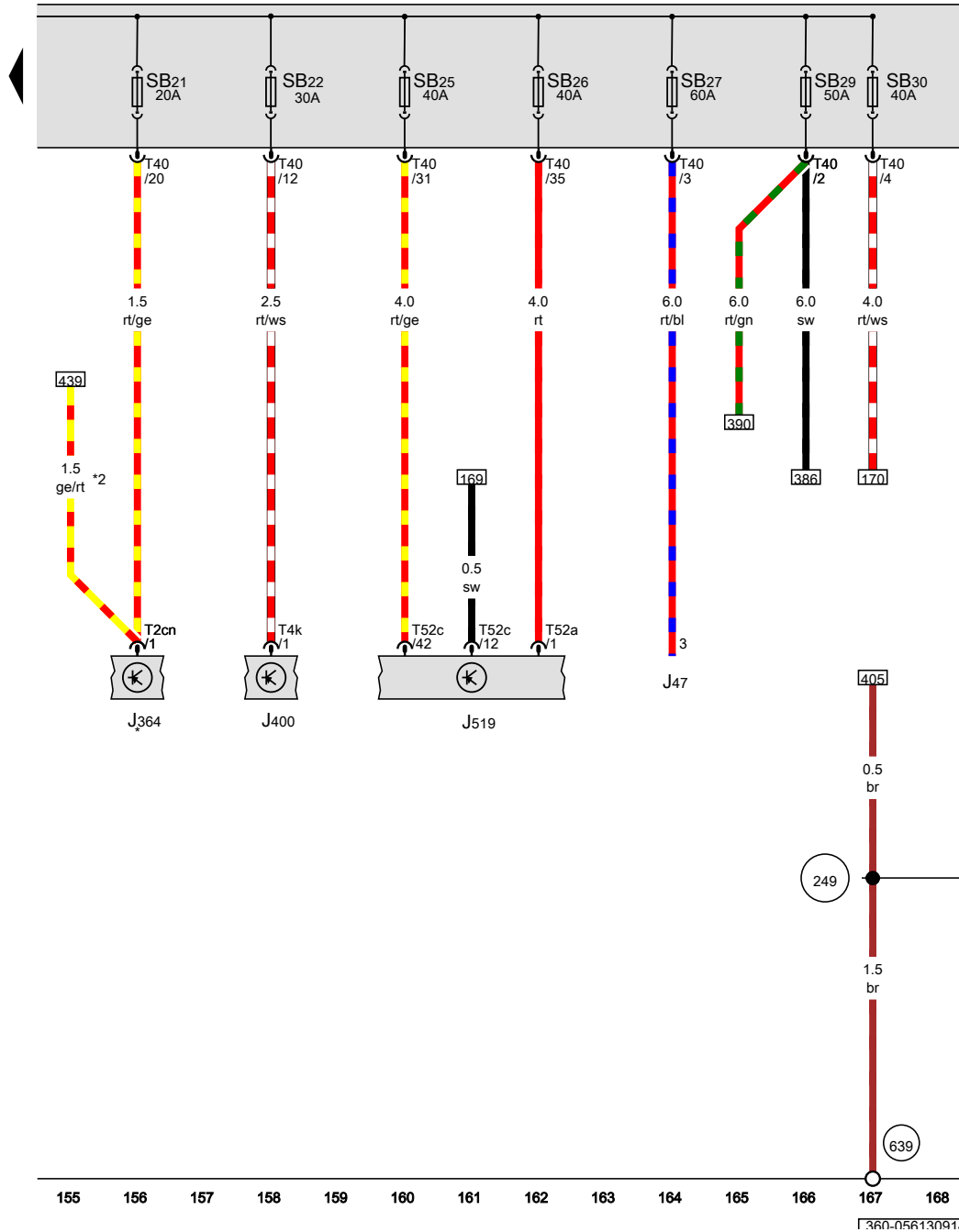
- J503 Control unit with display for radio and navigation
- R Radio
- R12 Amplifier
- R184 Digital sound package amplifier
- SB7 Fuse 7 on fuse holder B
- SB19 Fuse 19 on fuse holder B
- T16c 16-pin connector
- T23 23-pin connector
- T38a 38-pin connector
- T40 40-pin connector

(B151) Positive connection 3 (30a), in interior wiring harness

(B219) Positive connection 4 (30a), in interior wiring harness

- * Only models with 12-channel sound system
- *2 Only models with 8-channel sound system
- *3 Only models with navigation system
- *4 Only models with no start/stop system
- *5 Only models with start/stop system
- *6 Only models with radio

- ws = white
- sw = black
- ro = red
- rt = red
- br = brown
- gn = green
- bl = blue
- gr = grey
- li = purple
- vi = purple
- ge = yellow
- or = orange
- rs = pink



Fuse 21 on fuse holder B, Fuse 22 on fuse holder B, Fuse 25 on fuse holder B, Fuse 26 on fuse holder B, Fuse 27 on fuse holder B, Fuse 29 on fuse holder B, Fuse 30 on fuse holder B

- J47 Heated windscreen relay
- J364 Auxiliary heater control unit
- J400 Wiper motor control unit
- J519 Onboard supply control unit
- SB21 Fuse 21 on fuse holder B
- SB22 Fuse 22 on fuse holder B
- SB25 Fuse 25 on fuse holder B
- SB26 Fuse 26 on fuse holder B
- SB27 Fuse 27 on fuse holder B
- SB29 Fuse 29 on fuse holder B
- SB30 Fuse 30 on fuse holder B
- T2cn 2-pin connector
- T4k 4-pin connector
- T40 40-pin connector
- T52a 52-pin connector
- T52c 52-pin connector

249 Earth connection 2, in interior wiring harness

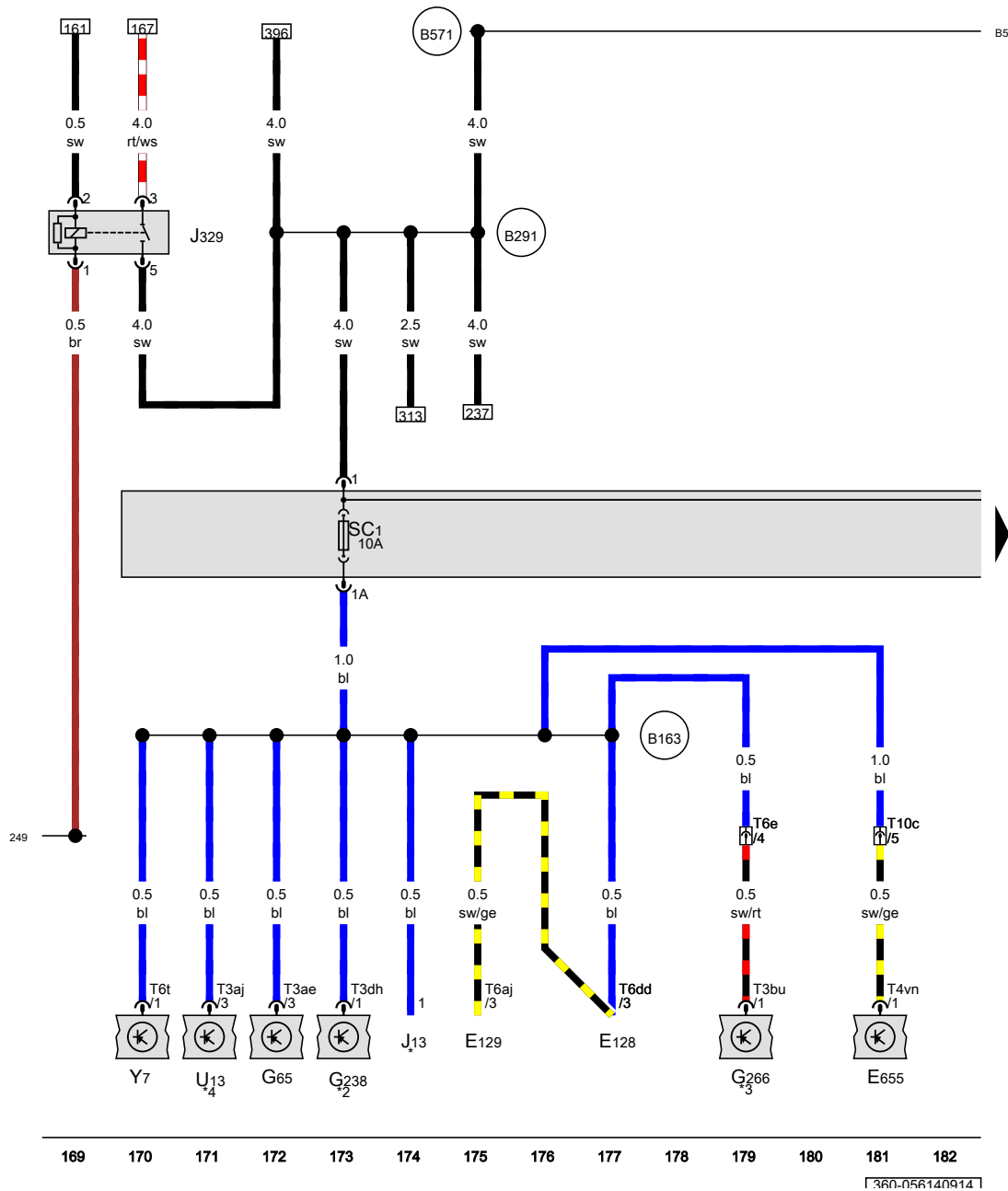
639 Earth point, left A-pillar

* Only models with auxiliary coolant heater

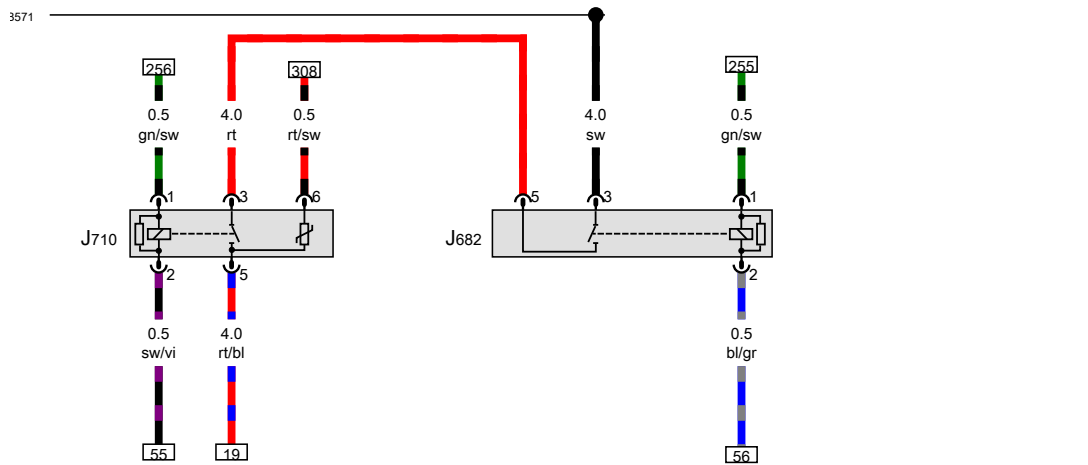
*2 Only models with second battery

- ws = white
- sw = black
- ro = red
- rt = red
- br = brown
- gn = green
- bl = blue
- gr = grey
- li = purple
- vi = purple
- ge = yellow
- or = orange
- rs = pink

Terminal 15 voltage supply relay, Fuse 1 on fuse holder C

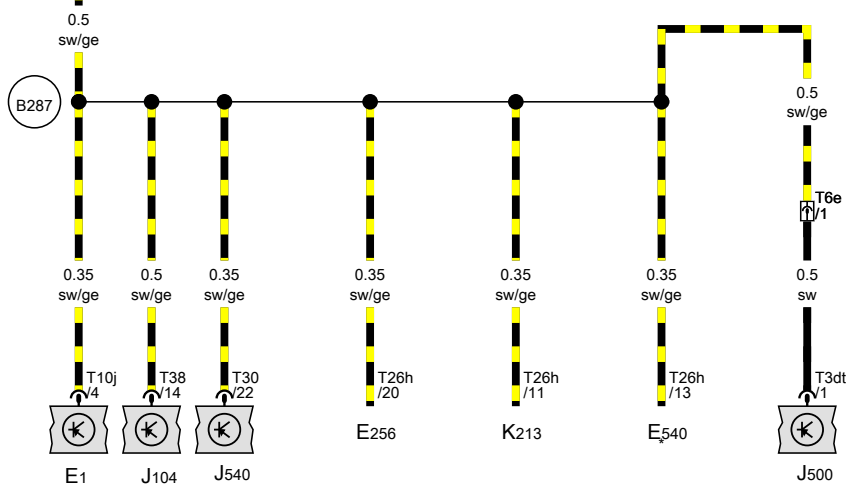


- E128 Heated rear left seat switch with regulator
- E129 Heated rear right seat switch with regulator
- E655 Seat ventilation switch
- G65 High-pressure sender
- G238 Air quality sensor
- G266 Oil level and oil temperature sender
- J13 Fresh air blower relay
- J329 Terminal 15 voltage supply relay
- SC1 Fuse 1 on fuse holder C
- T3ae 3-pin connector
- T3aj 3-pin connector
- T3bu 3-pin connector
- T3dh 3-pin connector
- T4vn 4-pin connector
- T6aj 6-pin connector
- T6dd 6-pin connector
- T6e 6-pin connector, front left in engine compartment
- T6t 6-pin connector
- T10c 10-pin connector, under driver seat
- U13 DC/AC converter with socket, 12 V - 230 V
- Y7 Automatic anti-dazzle interior mirror
- 249 Earth connection 2, in interior wiring harness
- B163 Positive connection 1 (15), in interior wiring harness
- B291 Positive connection 15 (15a) in main wiring harness
- B571 Connection 38, in main wiring harness
- * Only models with auxiliary heating
- *2 Only models with Climatronic
- *3 Only models with extended servicing intervals (ESI)
- *4 Only models with start/stop system



Terminal 50 voltage supply relay, Voltage supply relay 2, Fuse 2 on fuse holder C

- E1 Light switch
- E256 TCS and ESP button
- E540 Auto-hold button
- J104 ABS control unit
- J500 Power steering control unit
- J540 Control unit for electromechanical parking brake
- J682 Terminal 50 voltage supply relay
- J710 Voltage supply relay 2
- K213 Electromechanical parking brake warning lamp
- SC2 Fuse 2 on fuse holder C
- T3dt 3-pin connector
- T6e 6-pin connector
- T10j 10-pin connector
- T26h 26-pin connector
- T30 30-pin connector
- T38 38-pin connector
- (B287) Positive connection 11 (15a) in main wiring harness
- (B571) Connection 38, in main wiring harness
- * Only models with manual gearbox and Auto Hold function



- ws = white
- sw = black
- ro = red
- rt = red
- br = brown
- gn = green
- bl = blue
- gr = grey
- li = purple
- vi = purple
- ge = yellow
- or = orange
- rs = pink

183 184 185 186 187 188 189 190 191 192 193 194 195 196

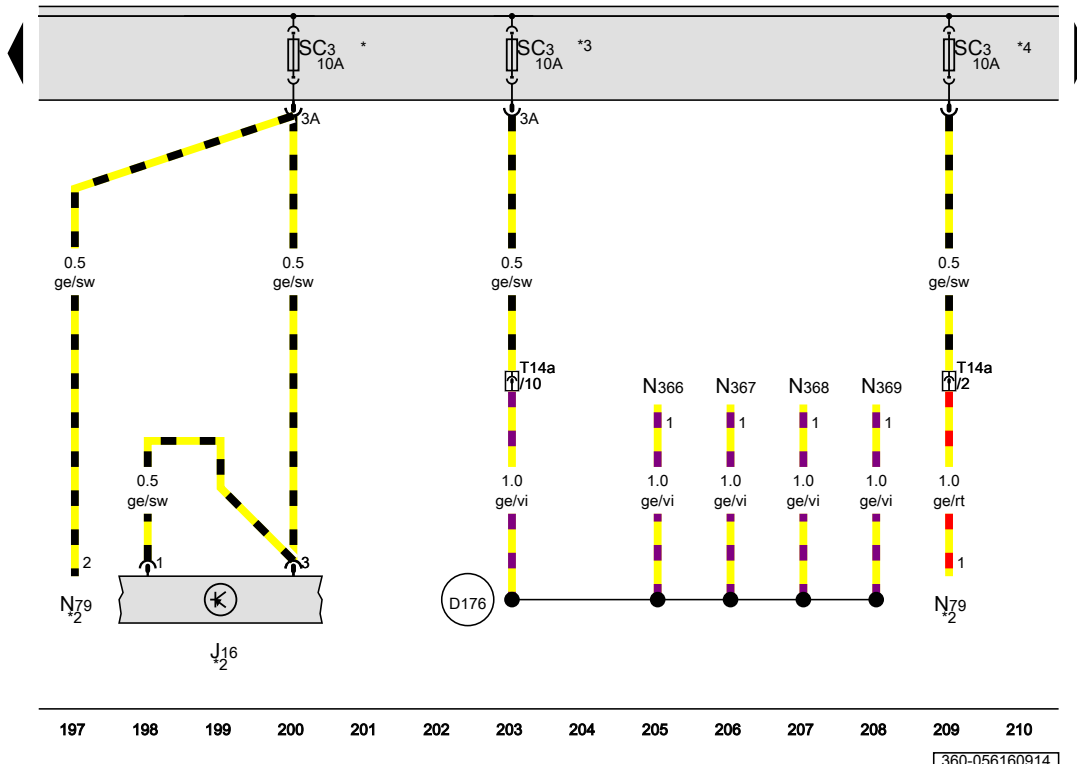
360-056150914

Fuse 3 on fuse holder C

- J16 Current supply relay
- N79 Heater element for crankcase breather
- N366 Gas injection valve 1
- N367 Gas injection valve 2
- N368 Gas injection valve 3
- N369 Gas injection valve 4
- SC3 Fuse 3 on fuse holder C
- T14a 14-pin connector, on left in engine compartment

D176 Connection (gas injector), in engine compartment wiring harness

- * Only models with diesel engine
- *2 see applicable current flow diagram for engine
- *3 Only models with natural gas engine
- *4 Only models with 6-cylinder engine



- ws = white
- sw = black
- ro = red
- rt = red
- br = brown
- gn = green
- bl = blue
- gr = grey
- li = purple
- vi = purple
- ge = yellow
- or = orange
- rs = pink

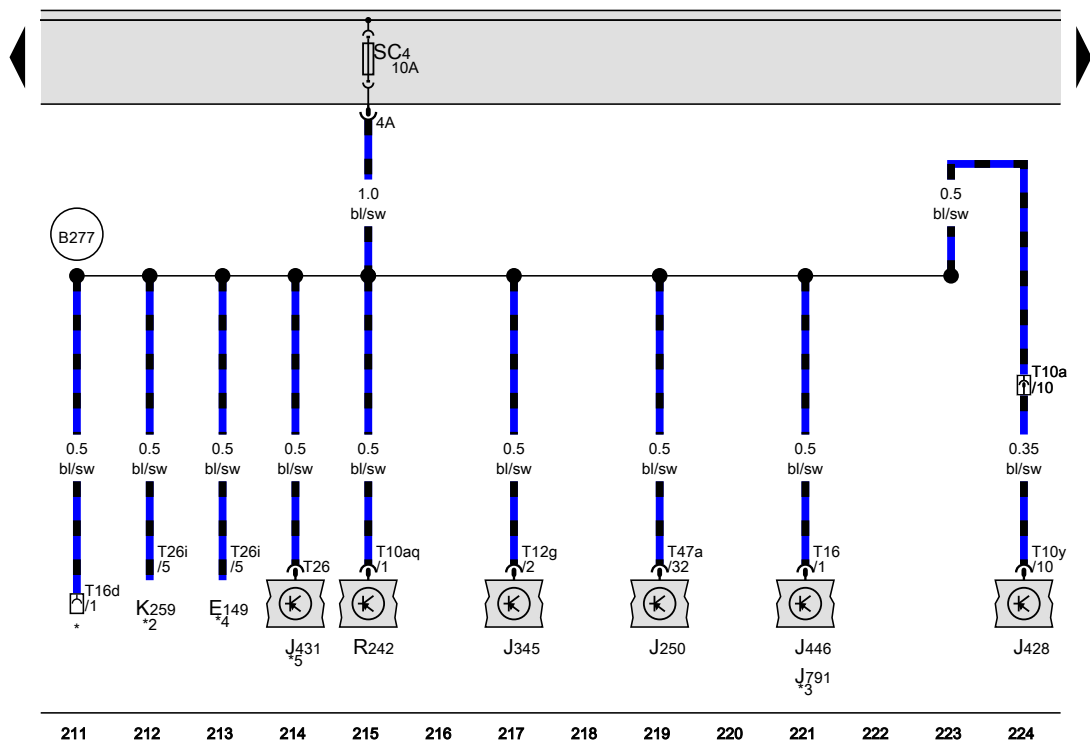
360-056160914

Fuse 4 on fuse holder C

- E149 Rear roller blind switch
- J250 Electronically controlled damping control unit
- J345 Trailer detector control unit
- J428 Adaptive cruise control unit
- J431 Headlight range control unit
- J446 Parking aid control unit
- J791 Park assist steering control unit
- K259 Start/Stop operation warning lamp
- R242 Front camera for driver assist systems
- SC4 Fuse 4 on fuse holder C
- T10a 10-pin connector, in front bumper on left
- T10aq 10-pin connector
- T10y 10-pin connector
- T12g 12-pin connector
- T16 16-pin connector
- T16d 16-pin connector, on diagnostic connection
- T26 26-pin connector
- T26i 26-pin connector
- T47a 47-pin connector

B277 Positive connection 1 (15a) in main wiring harness

- * Diagnostic connection
- *2 Only models with start/stop system
- *3 Only models with park assist steering
- *4 Only vehicles with electric rear roller blind
- *5 Headlight with gas discharge light



- ws = white
- sw = black
- ro = red
- rt = red
- br = brown
- gn = green
- bl = blue
- gr = grey
- li = purple
- vi = purple
- ge = yellow
- or = orange
- rs = pink

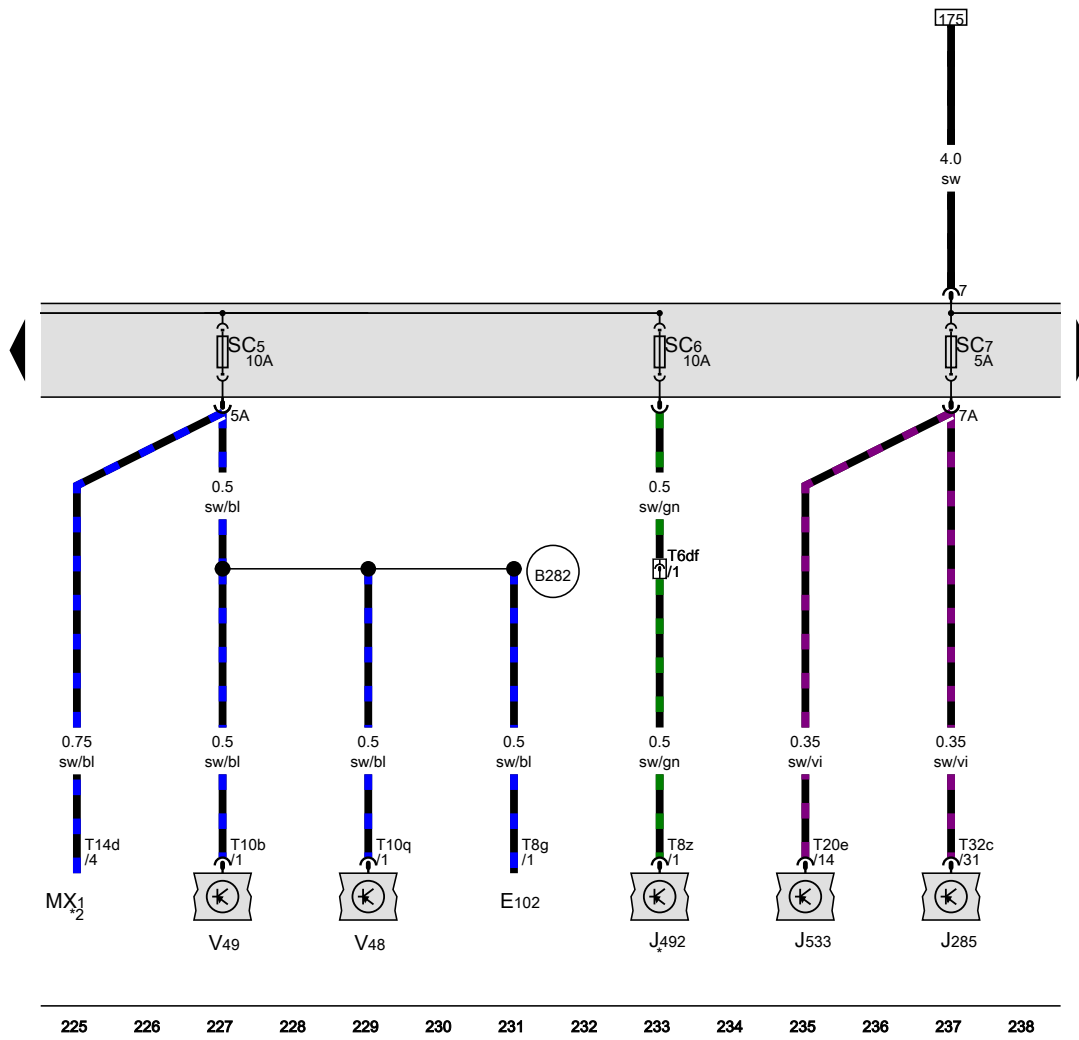
360-056170914

Fuse 5 on fuse holder C, Fuse 6 on fuse holder C, Fuse 7 on fuse holder C

- E102 Headlight range control regulator
- J285 Control unit in dash panel insert
- J492 All-wheel drive control unit
- J533 Data bus diagnostic interface
- MX1 Front left headlight
- SC5 Fuse 5 on fuse holder C
- SC6 Fuse 6 on fuse holder C
- SC7 Fuse 7 on fuse holder C
- T6df 6-pin connector
- T8g 8-pin connector
- T8z 8-pin connector
- T10b 10-pin connector
- T10q 10-pin connector
- T14d 14-pin connector
- T20e 20-pin connector
- T32c 32-pin connector
- V48 Left headlight range control motor
- V49 Right headlight range control motor

B282 Positive connection 6 (15a) in main wiring harness

- * Only models with all-wheel drive
- *2 Headlight with gas discharge light



- ws = white
- sw = black
- ro = red
- rt = red
- br = brown
- gn = green
- bl = blue
- gr = grey
- li = purple
- vi = purple
- ge = yellow
- or = orange
- rs = pink

225 226 227 228 229 230 231 232 233 234 235 236 237 238

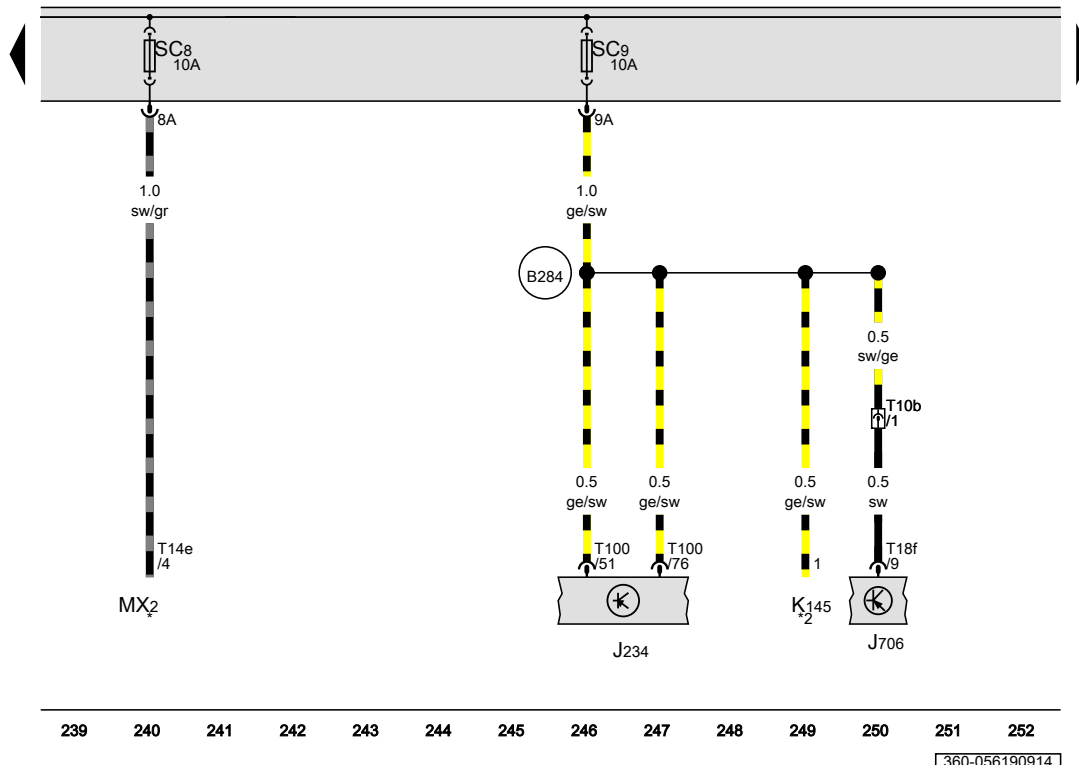
360-056180914

Fuse 8 on fuse holder C, Fuse 9 on fuse holder C

- J234 Airbag control unit
- J706 Seat occupied recognition control unit
- K145 Front passenger side airbag deactivated warning lamp
- MX2 Front right headlight
- SC8 Fuse 8 on fuse holder C
- SC9 Fuse 9 on fuse holder C
- T10b 10-pin connector
- T14e 14-pin connector
- T18f 18-pin connector
- T100 100-pin connector

B284 Positive connection 8 (15a) in main wiring harness

- * Headlight with gas discharge light
- *2 Only models with key operated switch to deactivate front passenger airbag



- ws = white
- sw = black
- ro = red
- rt = red
- br = brown
- gn = green
- bl = blue
- gr = grey
- li = purple
- vi = purple
- ge = yellow
- or = orange
- rs = pink

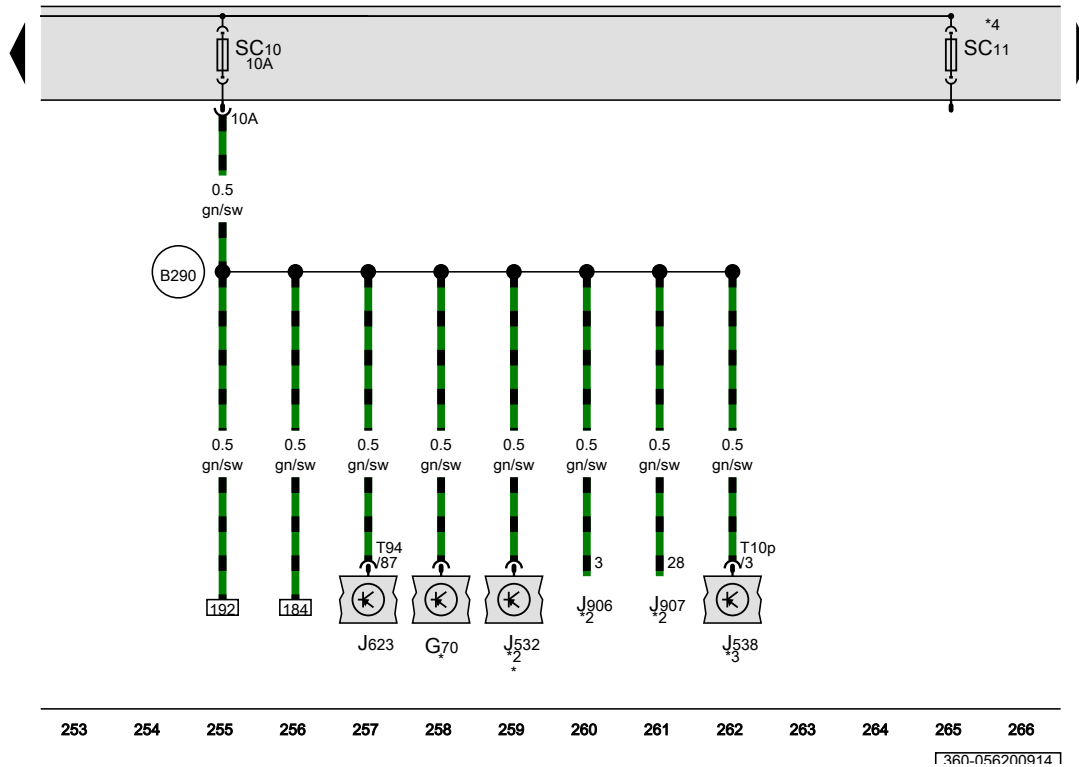
360-056190914

Fuse 10 on fuse holder C, Fuse 11 on fuse holder C

- G70 Air mass meter
- J532 Voltage stabiliser
- J538 Fuel pump control unit
- J623 Engine control unit
- J906 Starter relay 1
- J907 Starter relay 2
- SC10 Fuse 10 on fuse holder C
- SC11 Fuse 11 on fuse holder C
- T10p 10-pin connector
- T94 94-pin connector

B290 Positive connection 14 (15a) in main wiring harness

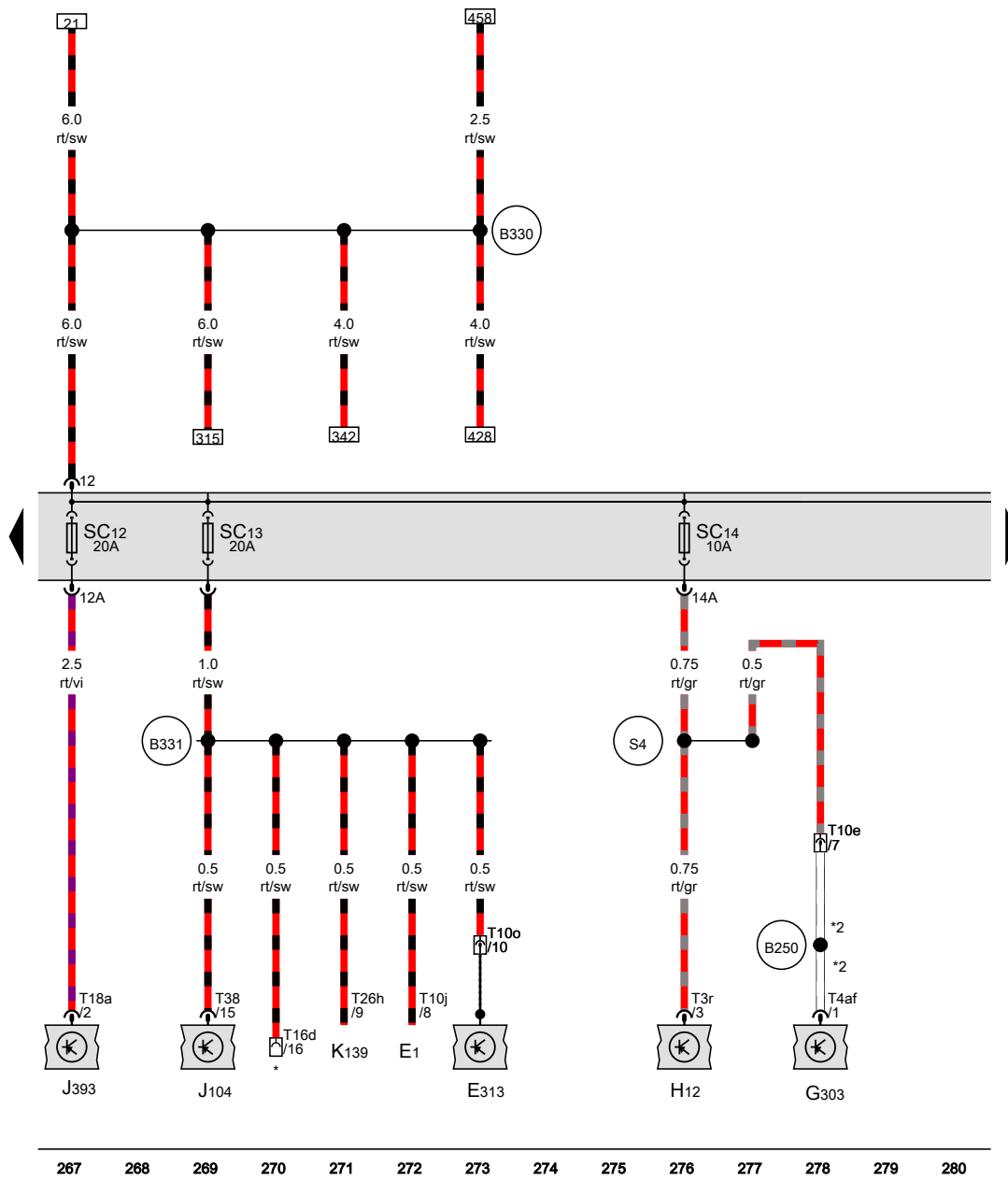
- * see applicable current flow diagram for engine
- *2 Only models with start/stop system
- *3 Only models with petrol engine
- *4 Only applicable to special vehicles



- ws = white
- sw = black
- ro = red
- rt = red
- br = brown
- gn = green
- bl = blue
- gr = grey
- li = purple
- vi = purple
- ge = yellow
- or = orange
- rs = pink

360-056200914

Fuse 12 on fuse holder C, Fuse 13 on fuse holder C, Fuse 14 on fuse holder C



- E1 Light switch
- E313 Selector lever
- G303 Interior monitor send and receive module 1
- H12 Alarm horn
- J104 ABS control unit
- J393 Convenience system central control unit
- K139 Handbrake warning lamp
- SC12 Fuse 12 on fuse holder C
- SC13 Fuse 13 on fuse holder C
- SC14 Fuse 14 on fuse holder C
- T3r 3-pin connector
- T4af 4-pin connector
- T10e 10-pin connector, in roof
- T10j 10-pin connector
- T10o 10-pin connector, under selector lever
- T16d 16-pin connector, on diagnostic connection
- T18a 18-pin connector
- T26h 26-pin connector
- T38 38-pin connector
- B250 Positive connection, in roof wiring harness
- B330 Positive connection 16 (30a) in main wiring harness
- B331 Positive connection 17 (30a) in main wiring harness
- S4 Positive connection (30) 2, in central locking wiring harness
- * Diagnostic connection
- *2 Flat conductor

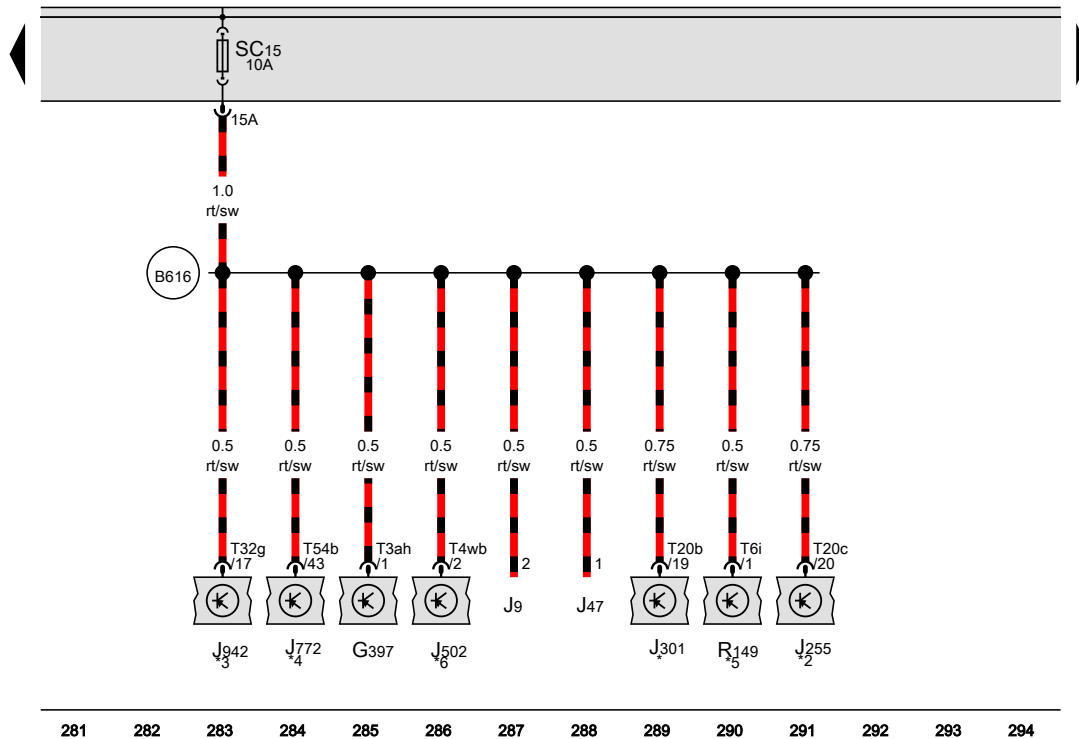
- ws = white
- sw = black
- ro = red
- rt = red
- br = brown
- gn = green
- bl = blue
- gr = grey
- li = purple
- vi = purple
- ge = yellow
- or = orange
- rs = pink

Fuse 15 on fuse holder C

- G397 Rain and light sensor
- J9 Heated rear window relay
- J47 Heated windscreen relay
- J255 Climatronic control unit
- J301 Air conditioning system control unit
- J502 Tyre Pressure Monitoring System control unit
- J772 Reversing camera system control unit
- J942 Control unit for terminal control and engine start
- R149 Remote control receiver for auxiliary coolant heater
- SC15 Fuse 15 on fuse holder C
- T3ah 3-pin connector
- T4wb 4-pin connector
- T6i 6-pin connector
- T20b 20-pin connector
- T20c 20-pin connector
- T32g 32-pin connector
- T54b 54-pin connector

B616 Positive connection 12 (30a), in interior wiring harness

- * Only models with air conditioning system
- *2 Only models with Climatronic
- *3 Only models with start/stop system
- *4 Only models with reversing camera system
- *5 Only models with remote controlled auxiliary coolant heater
- *6 Only models with Tyre Pressure Monitoring System



- ws = white
- sw = black
- ro = red
- rt = red
- br = brown
- gn = green
- bl = blue
- gr = grey
- li = purple
- vi = purple
- ge = yellow
- or = orange
- rs = pink

360-056220914

Fuse 16 on fuse holder C, Fuse 17 on fuse holder C, Fuse 18 on fuse holder C

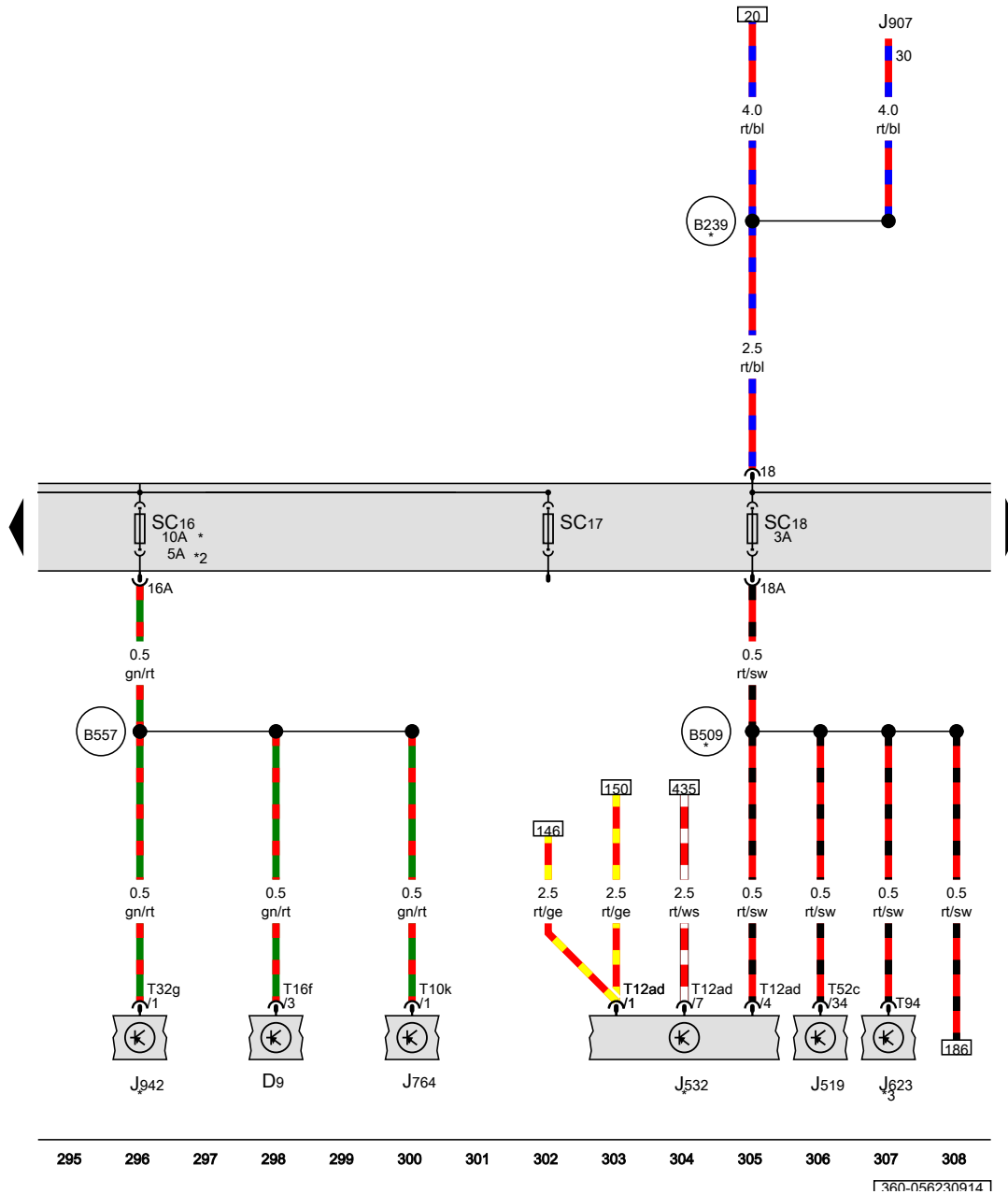
- D9 Electronic ignition lock
- J519 Onboard supply control unit
- J532 Voltage stabiliser
- J623 Engine control unit
- J764 Control unit for electronic steering column lock
- J907 Starter relay 2
- J942 Control unit for terminal control and engine start
- SC16 Fuse 16 on fuse holder C
- SC17 Fuse 17 on fuse holder C
- SC18 Fuse 18 on fuse holder C
- T10k 10-pin connector
- T12ad 12-pin connector
- T16f 16-pin connector
- T32g 32-pin connector
- T52c 52-pin connector
- T94 94-pin connector

B239 Positive connection 1 (50), in interior wiring harness

B509 Connection 3 (diagnosis), in main wiring harness

B557 Positive connection 21 (30a) in main wiring harness

- * Only models with start/stop system
- *2 Only models with no start/stop system
- *3 see applicable current flow diagram for engine

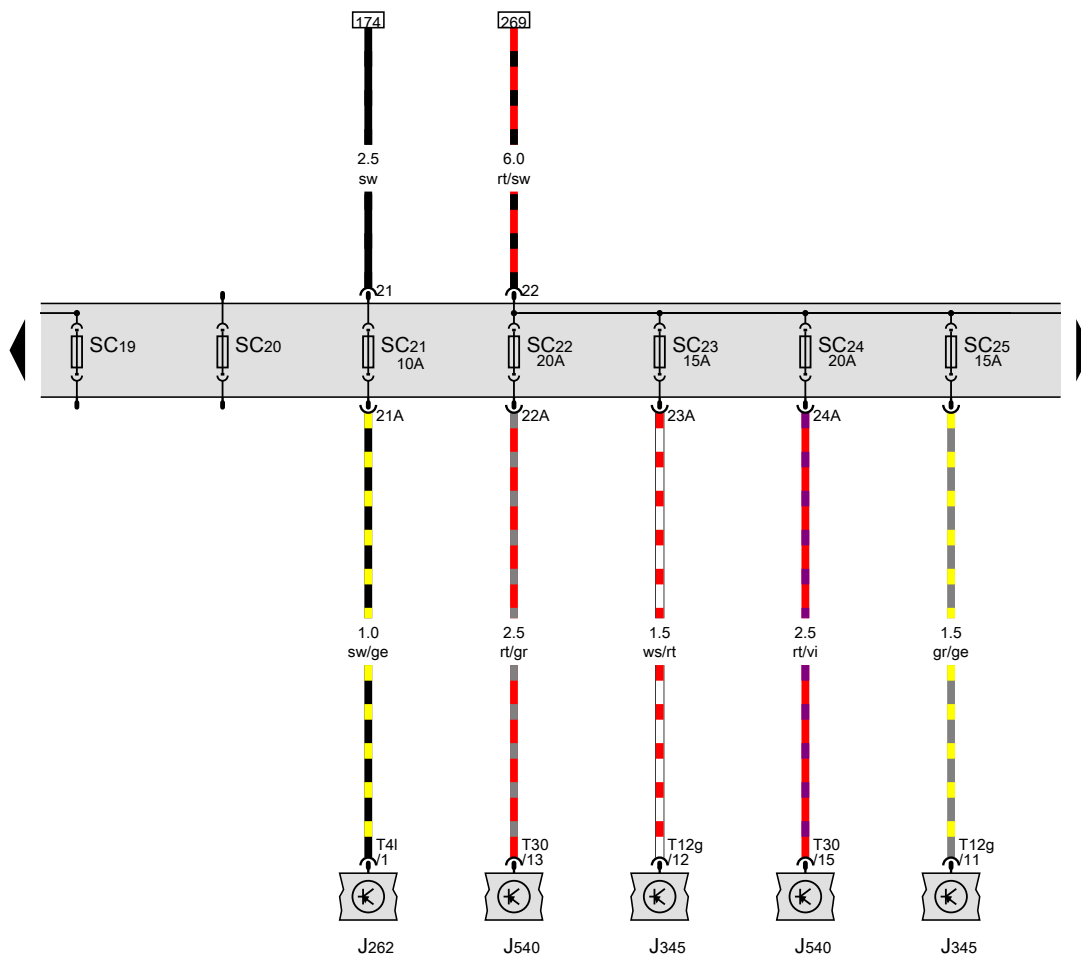


- ws = white
- sw = black
- ro = red
- rt = red
- br = brown
- gn = green
- bl = blue
- gr = grey
- li = purple
- vi = purple
- ge = yellow
- or = orange
- rs = pink

360-056230914

Fuse 19 on fuse holder C, Fuse 20 on fuse holder C, Fuse 21 on fuse holder C, Fuse 22 on fuse holder C, Fuse 23 on fuse holder C, Fuse 24 on fuse holder C, Fuse 25 on fuse holder C

- J262 Rear roller blind control unit
- J345 Trailer detector control unit
- J540 Control unit for electromechanical parking brake
- SC19 Fuse 19 on fuse holder C
- SC20 Fuse 20 on fuse holder C
- SC21 Fuse 21 on fuse holder C
- SC22 Fuse 22 on fuse holder C
- SC23 Fuse 23 on fuse holder C
- SC24 Fuse 24 on fuse holder C
- SC25 Fuse 25 on fuse holder C
- T4I 4-pin connector
- T12g 12-pin connector
- T30 30-pin connector



- ws = white
- sw = black
- ro = red
- rt = red
- br = brown
- gn = green
- bl = blue
- gr = grey
- li = purple
- vi = purple
- ge = yellow
- or = orange
- rs = pink

309 310 311 312 313 314 315 316 317 318 319 320 321 322

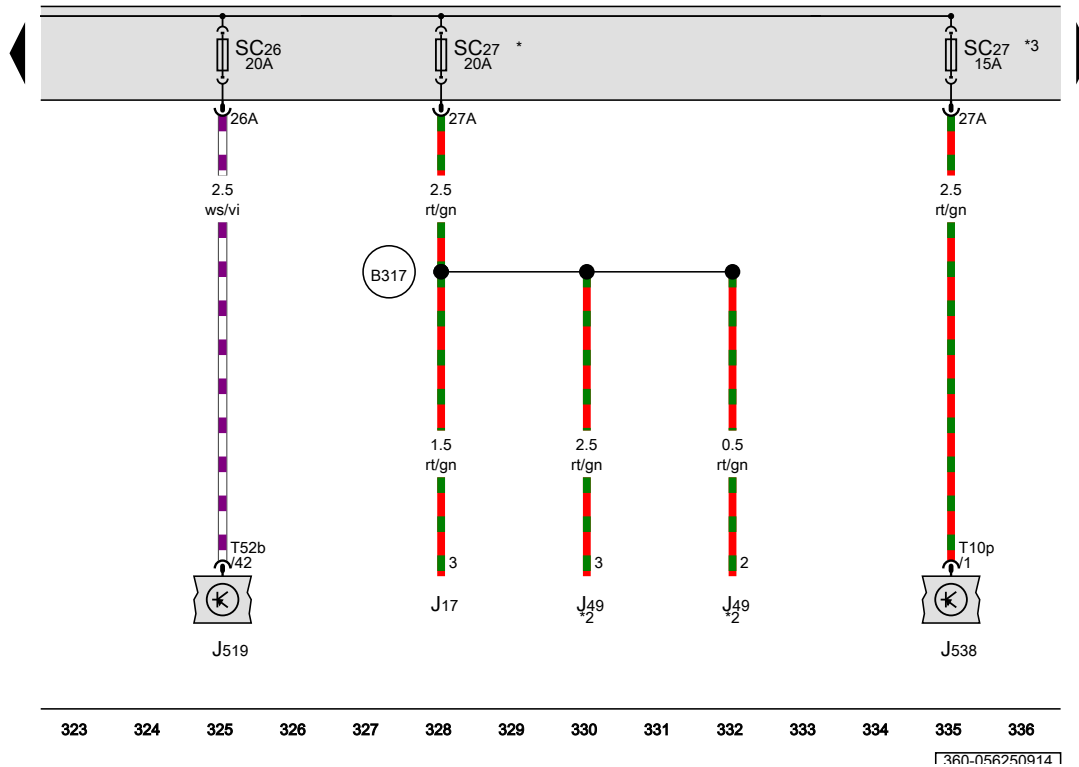
360-056240914

Fuse 26 on fuse holder C, Fuse 27 on fuse holder C

- J17 Fuel pump relay
- J49 Electric fuel pump 2 relay
- J519 Onboard supply control unit
- J538 Fuel pump control unit
- SC26 Fuse 26 on fuse holder C
- SC27 Fuse 27 on fuse holder C
- T10p 10-pin connector
- T52b 52-pin connector

B317 Positive connection 3 (30a) in main wiring harness

- * Only models with diesel engine
- *2 Only models with auxiliary heating
- *3 Only models with petrol engine

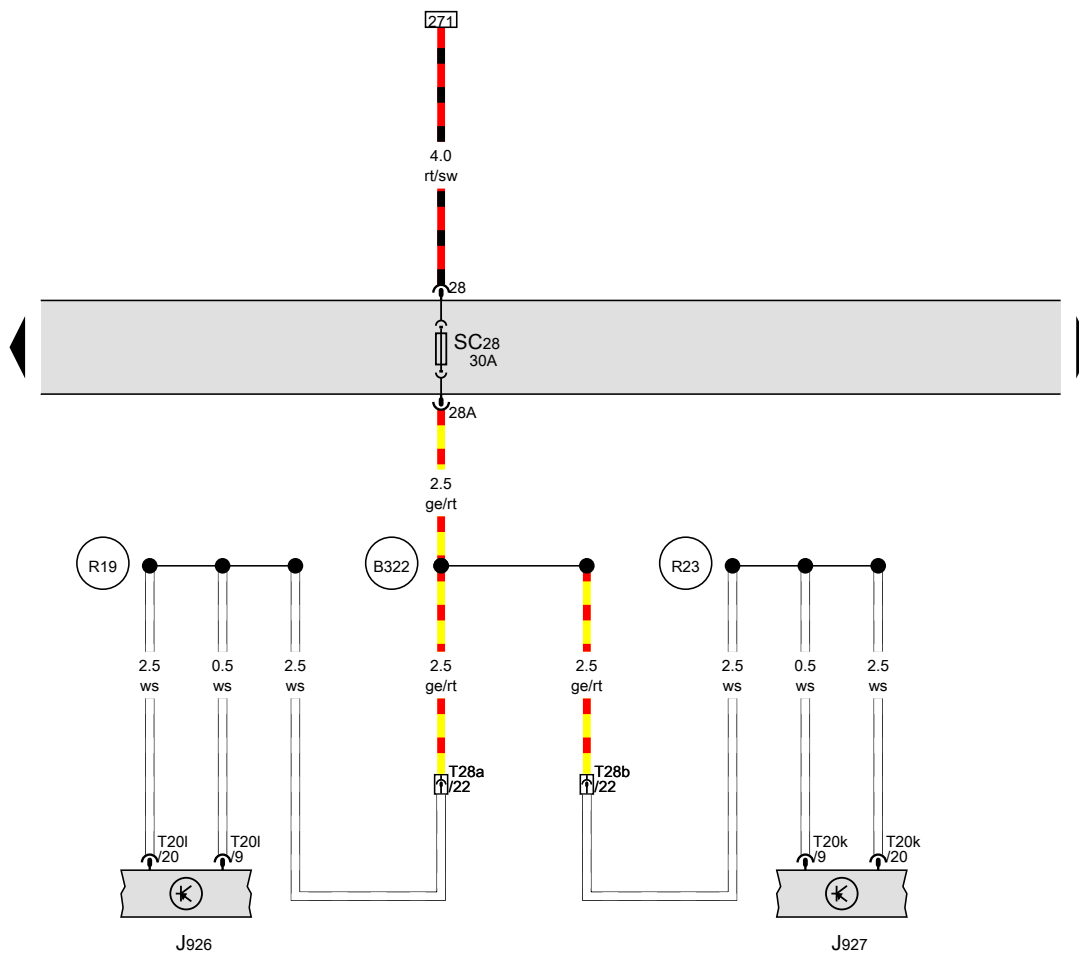


323 324 325 326 327 328 329 330 331 332 333 334 335 336
 [360-056250914]

Fuse 28 on fuse holder C

- J926 Rear driver side door control unit
- J927 Rear passenger side door control unit
- SC28 Fuse 28 on fuse holder C
- T20k 20-pin connector
- T20l 20-pin connector
- T28a 28-pin connector, on left B-pillar
- T28b 28-pin connector, on right B-pillar

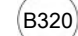
- B322 Positive connection 8 (30a) in main wiring harness
- R19 Positive connection 1 (30), in rear left door wiring harness
- R23 Positive connection 1 (30), in rear right door wiring harness

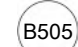


- ws = white
- sw = black
- ro = red
- rt = red
- br = brown
- gn = green
- bl = blue
- gr = grey
- li = purple
- vi = purple
- ge = yellow
- or = orange
- rs = pink

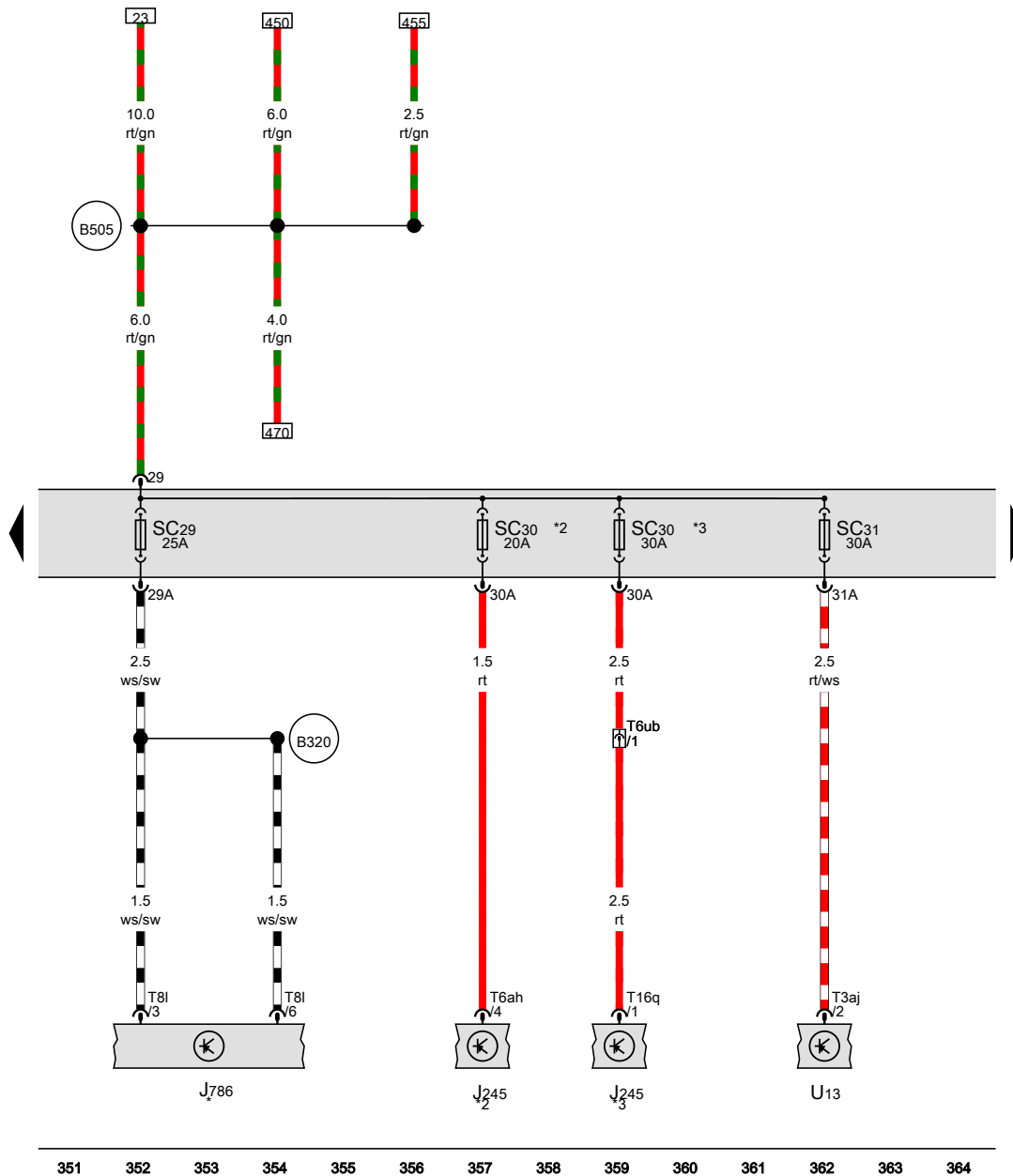
Fuse 29 on fuse holder C, Fuse 30 on fuse holder C, Fuse 31 on fuse holder C

- J245 Sliding sunroof adjustment control unit
- J786 Heated rear seats control unit
- SC29 Fuse 29 on fuse holder C
- SC30 Fuse 30 on fuse holder C
- SC31 Fuse 31 on fuse holder C
- T3aj 3-pin connector
- T6ah 6-pin connector
- T6ub 6-pin connector
- T8l 8-pin connector
- T16q 16-pin connector
- U13 DC/AC converter with socket, 12 V - 230 V

 B320 Positive connection 6 (30a) in main wiring harness

 B505 Positive connection 9 (30a), in interior wiring harness

- * Only models with heated rear seats
- *2 Saloon
- *3 Estate



- ws = white
- sw = black
- ro = red
- rt = red
- br = brown
- gn = green
- bl = blue
- gr = grey
- li = purple
- vi = purple
- ge = yellow
- or = orange
- rs = pink

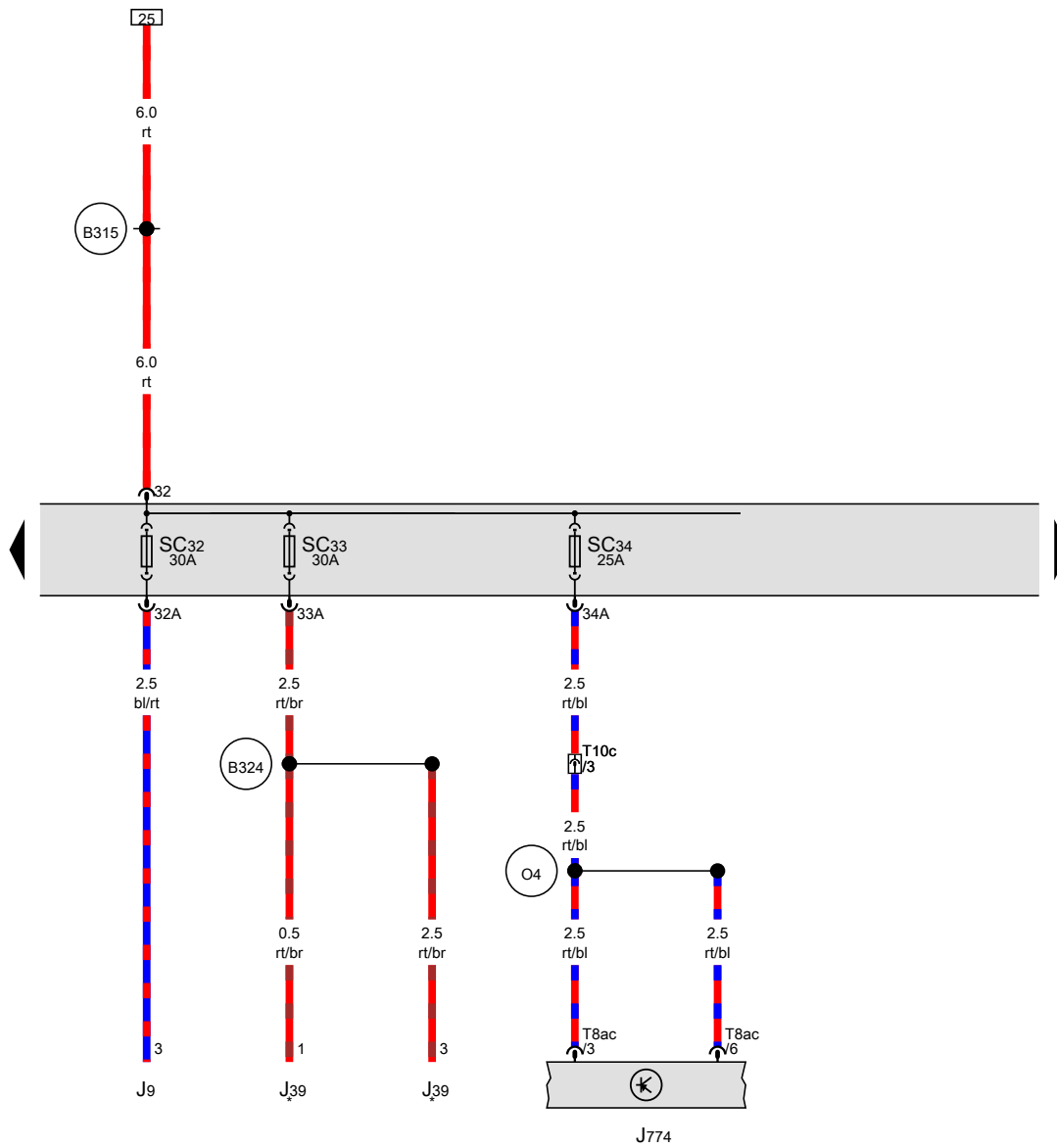
351 352 353 354 355 356 357 358 359 360 361 362 363 364

360-056270914

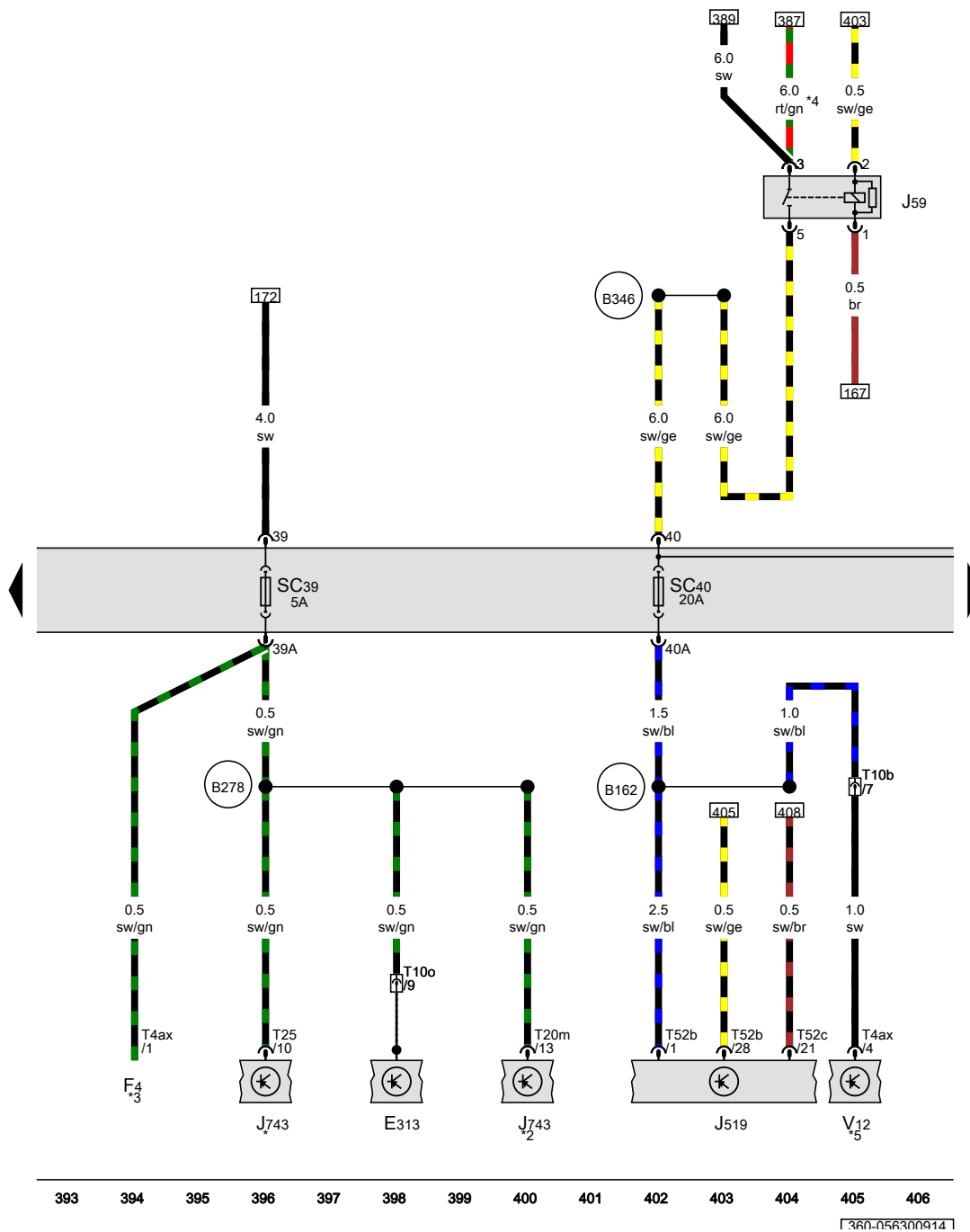
Fuse 32 on fuse holder C, Fuse 33 on fuse holder C, Fuse 34 on fuse holder C

- J9 Heated rear window relay
- J39 Headlight washer system relay
- J774 Heated front seats control unit
- SC32 Fuse 32 on fuse holder C
- SC33 Fuse 33 on fuse holder C
- SC34 Fuse 34 on fuse holder C
- T8ac 8-pin connector
- T10c 10-pin connector, under driver seat

- B315 Positive connection 1 (30a) in main wiring harness
- B324 Positive connection 10 (30a) in main wiring harness
- O4 Positive connection (30as), in seat heating wiring harness
- * Only models with headlight washer system



- ws = white
- sw = black
- ro = red
- rt = red
- br = brown
- gn = green
- bl = blue
- gr = grey
- li = purple
- vi = purple
- ge = yellow
- or = orange
- rs = pink



Fuse 39 on fuse holder C, Fuse 40 on fuse holder C

- E313 Selector lever
- F4 Reversing light switch
- J59 X-contact relief relay
- J519 Onboard supply control unit
- J743 Mechatronic unit for dual clutch gearbox
- SC39 Fuse 39 on fuse holder C
- SC40 Fuse 40 on fuse holder C
- T4ax 4-pin connector
- T10b 10-pin connector, in rear left side panel
- T10o 10-pin connector, under selector lever
- T20m 20-pin connector
- T25 25-pin connector
- T52b 52-pin connector
- T52c 52-pin connector
- V12 Rear window wiper motor

B162 Connection (75a), in interior wiring harness

B278 Positive connection 2 (15a) in main wiring harness

B346 Connection 1 (75), in main wiring harness

- * Only models with dual clutch gearbox 0AM
- *2 Only models with dual clutch gearbox 02E
- *3 Not for models with dual clutch gearbox
- *4 gradual introduction
- *5 Estate

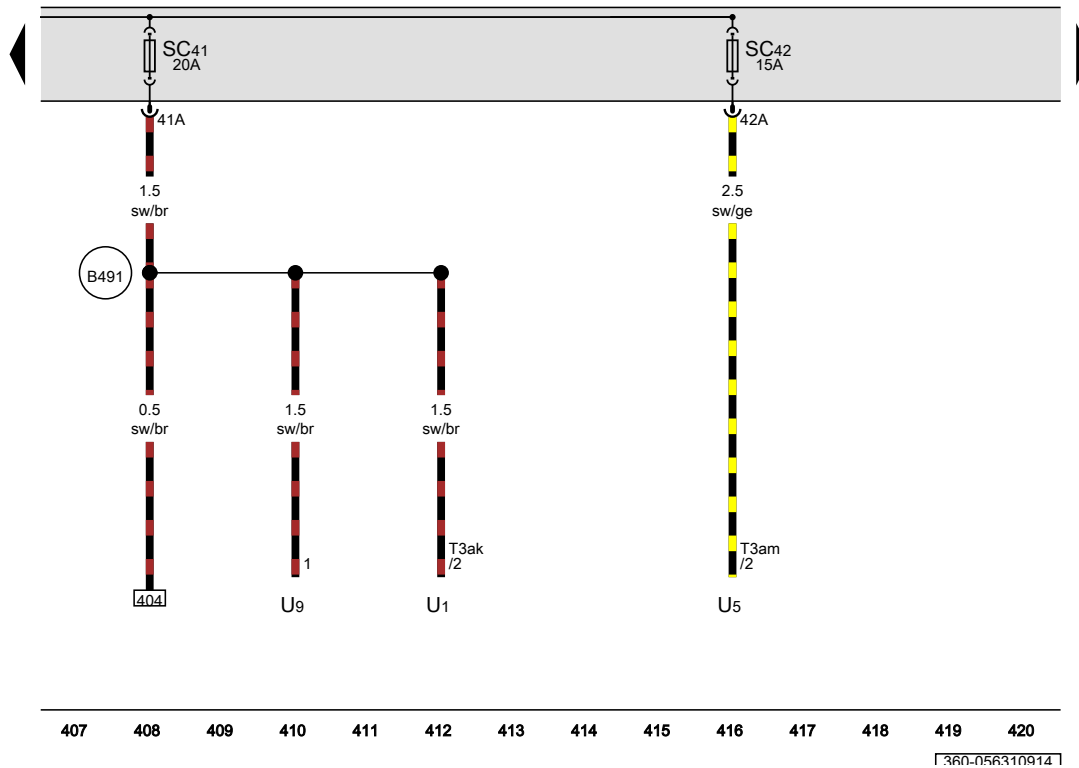
- ws = white
- sw = black
- ro = red
- rt = red
- br = brown
- gn = green
- bl = blue
- gr = grey
- li = purple
- vi = purple
- ge = yellow
- or = orange
- rs = pink

393 394 395 396 397 398 399 400 401 402 403 404 405 406

360-056300914

Fuse 41 on fuse holder C, Fuse 42 on fuse holder C

- SC41 Fuse 41 on fuse holder C
- SC42 Fuse 42 on fuse holder C
- T3ak 3-pin connector
- T3am 3-pin connector
- U1 Cigarette lighter
- U5 12 V socket
- U9 Rear cigarette lighter
- B491** Positive connection (75), in interior wiring harness



- ws = white
- sw = black
- ro = red
- rt = red
- br = brown
- gn = green
- bl = blue
- gr = grey
- li = purple
- vi = purple
- ge = yellow
- or = orange
- rs = pink

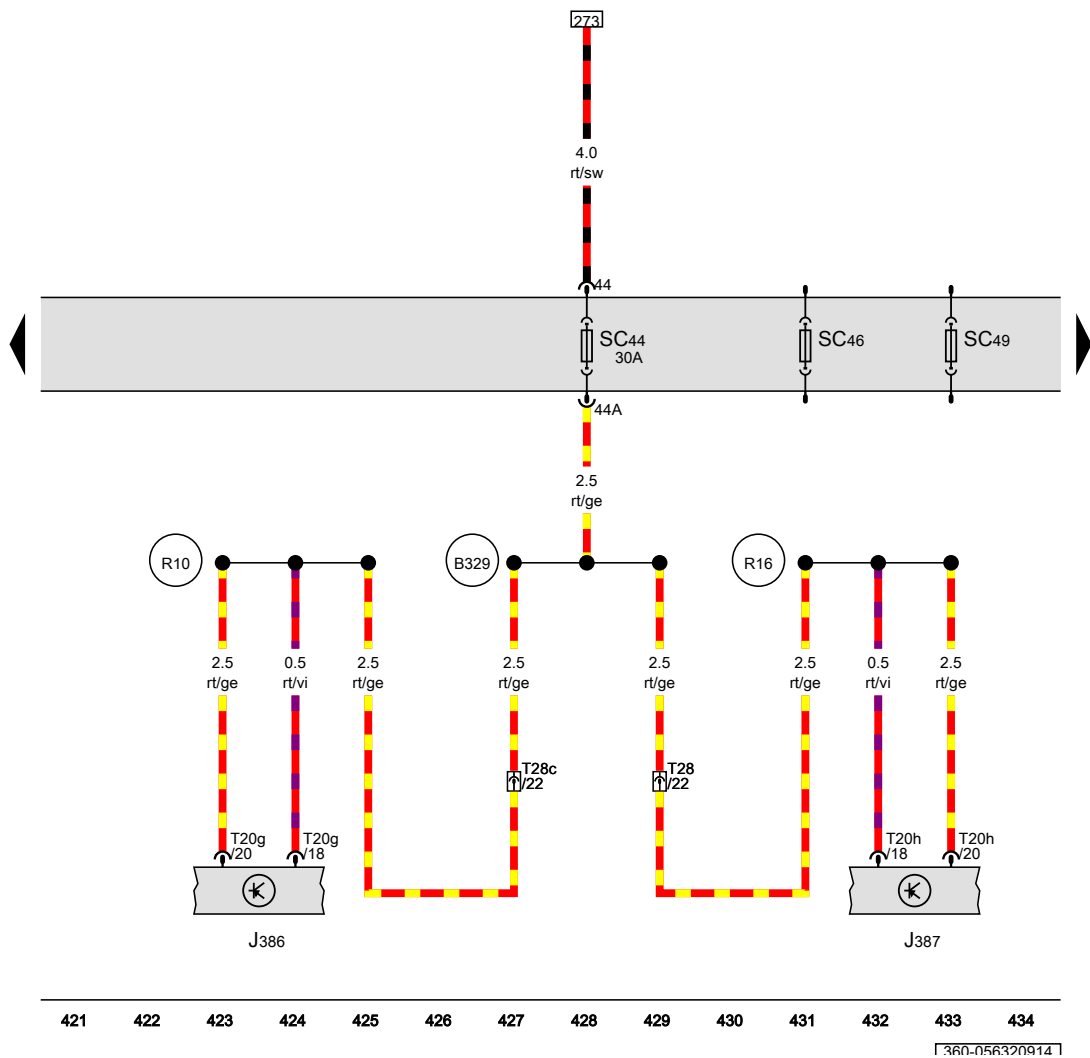
407 408 409 410 411 412 413 414 415 416 417 418 419 420

360-056310914

Fuse 44 on fuse holder C, Fuse 46 on fuse holder C, Fuse 49 on fuse holder C

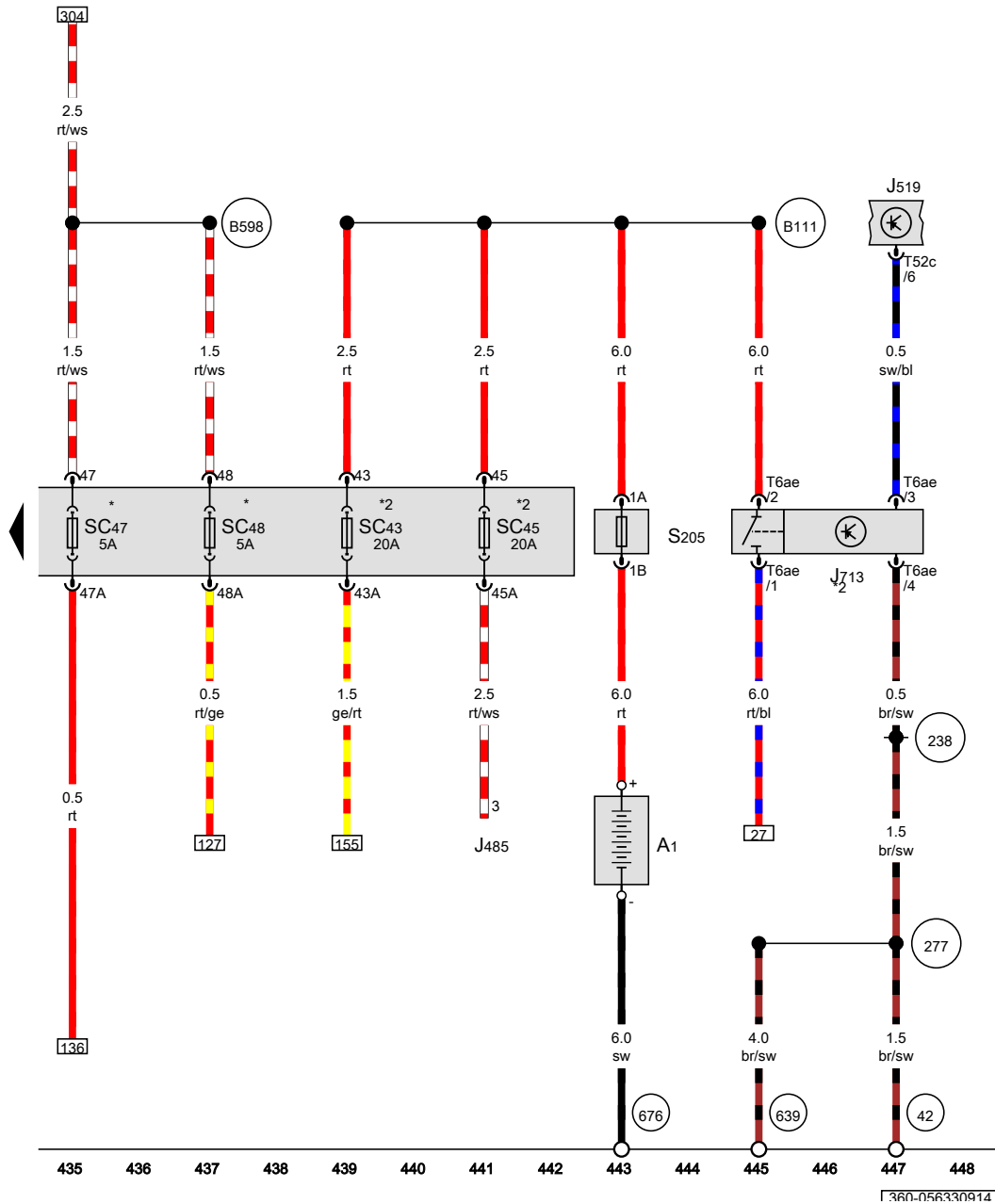
- J386 Driver door control unit
- J387 Front passenger door control unit
- SC44 Fuse 44 on fuse holder C
- SC46 Fuse 46 on fuse holder C
- SC49 Fuse 49 on fuse holder C
- T20g 20-pin connector
- T20h 20-pin connector
- T28 28-pin connector, in right A-pillar coupling station
- T28c 28-pin connector, in left A-pillar coupling station

- B329 Positive connection 15 (30a) in main wiring harness
- R10 Positive connection 1 (30), in driver door wiring harness
- R16 Positive connection 1 (30), in front passenger door wiring harness



- ws = white
- sw = black
- ro = red
- rt = red
- br = brown
- gn = green
- bl = blue
- gr = grey
- li = purple
- vi = purple
- ge = yellow
- or = orange
- rs = pink

Second battery, Onboard supply control unit, Second battery charging circuit relay, Fuse 43 on fuse holder C, Fuse 45 on fuse holder C, Fuse 47 on fuse holder C, Fuse 48 on fuse holder C, Fuse 2 (30)



- A1 Second battery
- J485 Auxiliary heater operation relay
- J519 Onboard supply control unit
- J713 Second battery charging circuit relay
- SC43 Fuse 43 on fuse holder C
- SC45 Fuse 45 on fuse holder C
- SC47 Fuse 47 on fuse holder C
- SC48 Fuse 48 on fuse holder C
- S205 Fuse 2 (30)
- T6ae 6-pin connector
- T52c 52-pin connector

- 42 Earth point, next to steering column
- 238 Earth connection 1, in interior wiring harness
- 277 Earth connection 3, in interior wiring harness
- 639 Earth point, left A-pillar
- 676 Earth point 2, on left in luggage compartment
- B111 Positive connection 1 (30a), in interior wiring harness
- B598 Positive connection 11 (30a), in interior wiring harness
- * Only models with start/stop system
- *2 Only models with second battery

- ws = white
- sw = black
- ro = red
- rt = red
- br = brown
- gn = green
- bl = blue
- gr = grey
- li = purple
- vi = purple
- ge = yellow
- or = orange
- rs = pink

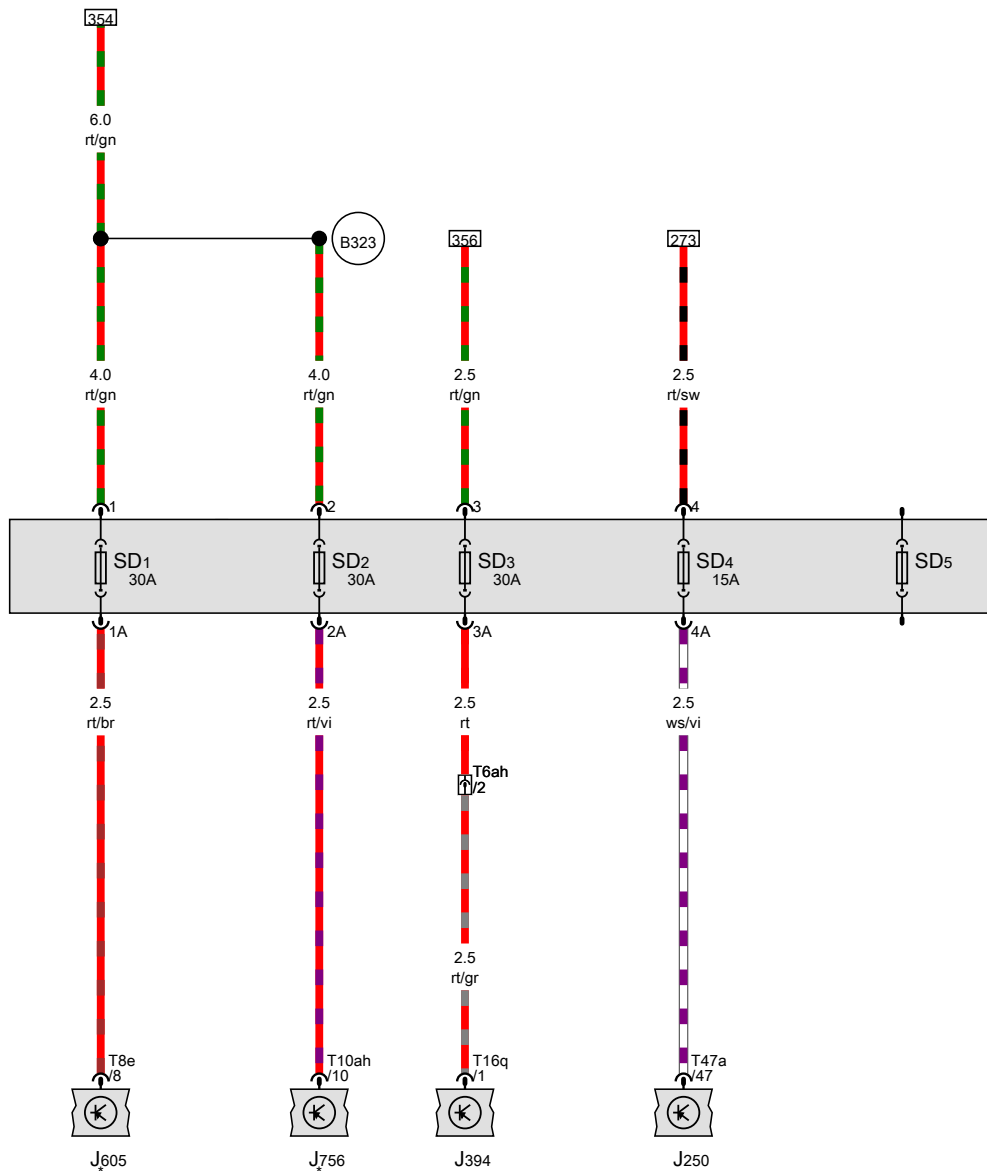
360-056330914

Fuse 1 on fuse holder D, Fuse 2 on fuse holder D, Fuse 3 on fuse holder D, Fuse 4 on fuse holder D, Fuse 5 on fuse holder D

- J250 Electronically controlled damping control unit
- J394 Sunroof roller blind control unit
- J605 Rear lid control unit
- J756 Rear lid control unit 2
- SD1 Fuse 1 on fuse holder D
- SD2 Fuse 2 on fuse holder D
- SD3 Fuse 3 on fuse holder D
- SD4 Fuse 4 on fuse holder D
- SD5 Fuse 5 on fuse holder D
- T6ah 6-pin connector
- T8e 8-pin connector
- T10ah 10-pin connector
- T16q 16-pin connector
- T47a 47-pin connector

B323 Positive connection 9 (30a) in main wiring harness

* Estate



449 450 451 452 453 454 455 456 457 458 459 460 461 462

1360-056340914

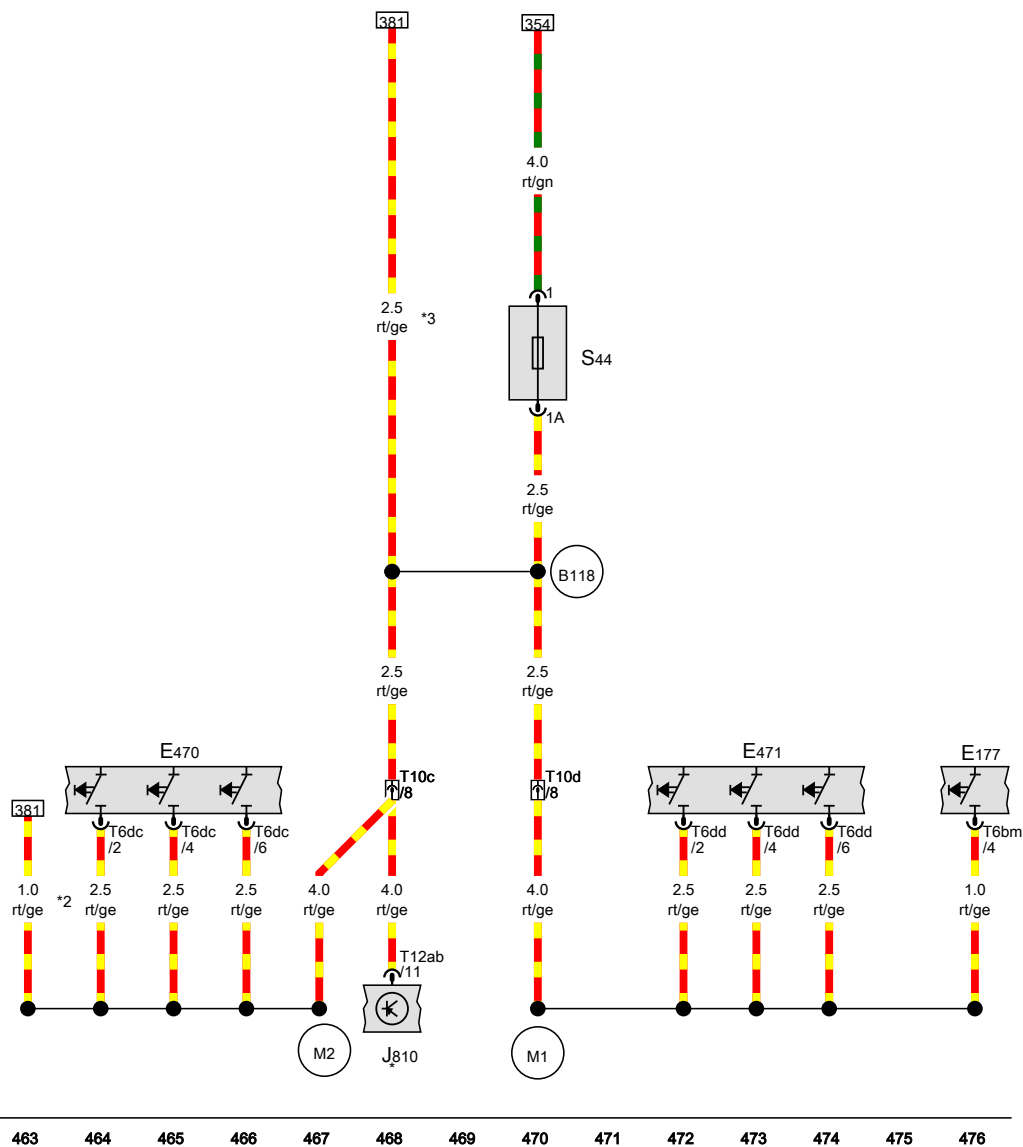
- ws = white
- sw = black
- ro = red
- rt = red
- br = brown
- gn = green
- bl = blue
- gr = grey
- li = purple
- vi = purple
- ge = yellow
- or = orange
- rs = pink

Driver seat adjustment thermal fuse 1

- E177 Front passenger seat lumbar support adjustment switch
- E470 Driver seat adjustment operating unit
- E471 Front passenger seat adjustment operating unit
- J810 Driver seat adjustment control unit
- S44 Driver seat adjustment thermal fuse 1
- T6bm 6-pin connector
- T6dc 6-pin connector
- T6dd 6-pin connector
- T10c 10-pin connector, under driver seat
- T10d 10-pin connector
- T12ab 12-pin connector

- (B118) Connection (driver side seat adjustment), in interior wiring harness
- (M1) Positive connection 1 (30), in seat adjustment wiring harness
- (M2) Positive connection 2 (30), in seat adjustment wiring harness

- * Only models with seat adjustment and memory function
- *2 According to equipment
- *3 Only models with adjustable lumbar support



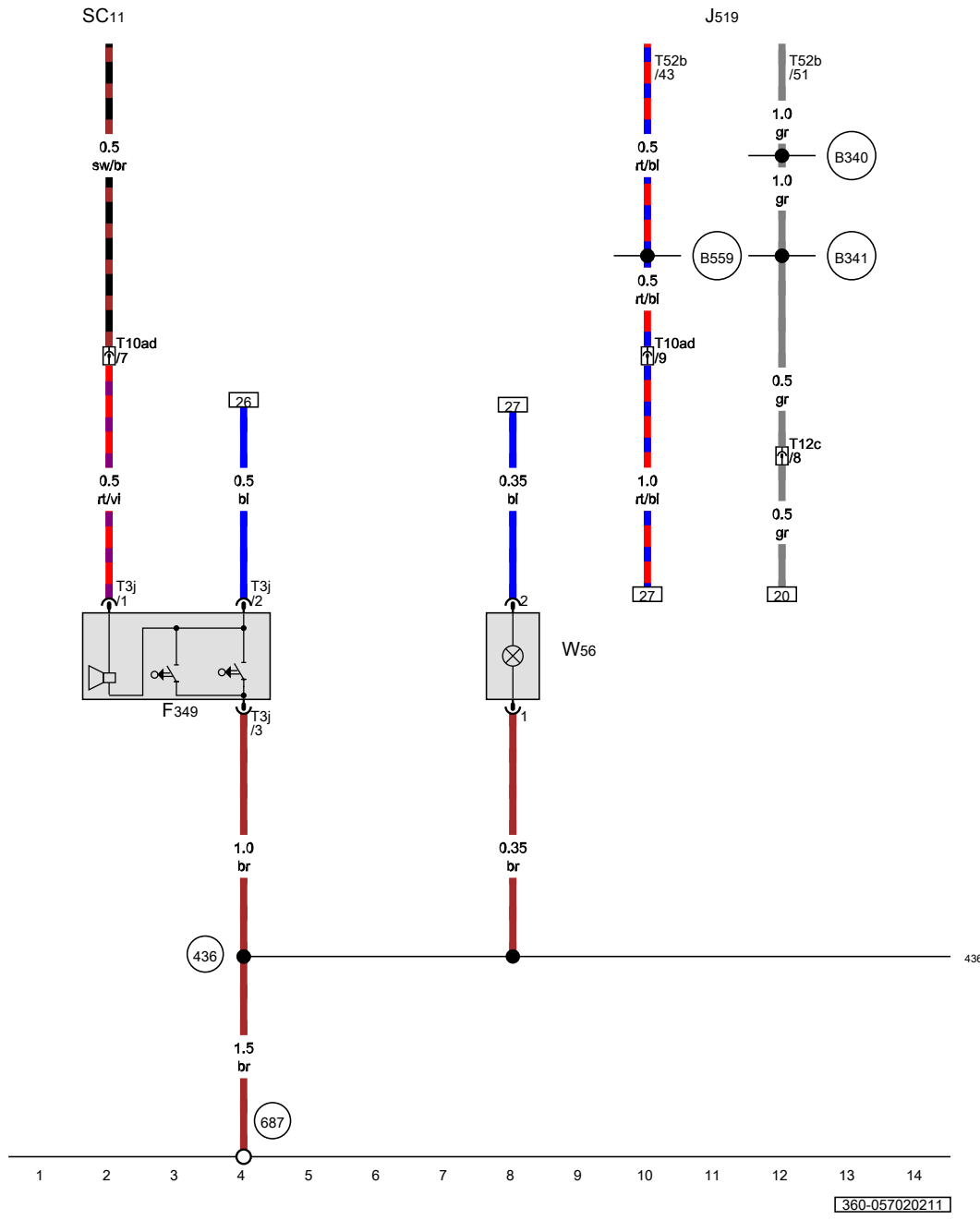
- ws = white
- sw = black
- ro = red
- rt = red
- br = brown
- gn = green
- bl = blue
- gr = grey
- li = purple
- vi = purple
- ge = yellow
- or = orange
- rs = pink

360-056350914

Driving school equipment

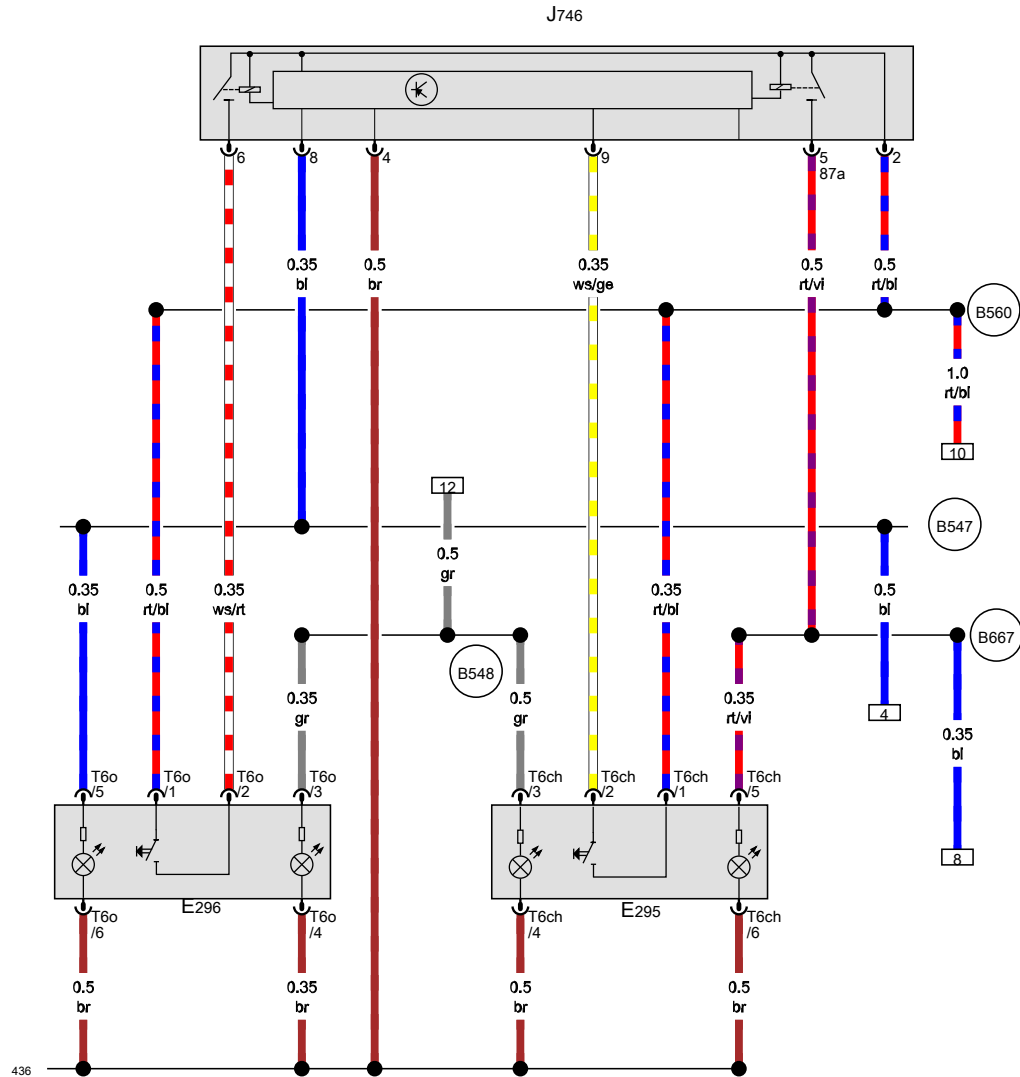
From February 2011

Warning buzzer for pedal switch on front passenger side, Onboard supply control unit, Driving school vehicle footwell illumination



- F349 Warning buzzer for pedal switch on front passenger side
- J519 Onboard supply control unit
- SC11 Fuse 11 on fuse holder C
- T3j 3-pin connector
- T10ad 10-pin connector
- T12c 12-pin connector
- T52b 52-pin connector
- W56 Driving school vehicle footwell illumination
- 436 Earth connection 1, in driving school wiring harness
- 687 Earth point 1, on centre tunnel
- B340 Connection 1 (58d), in main wiring harness
- B341 Connection 2 (58d), in main wiring harness
- B559 Positive connection 1 (30g) in main wiring harness

- ws = white
- sw = black
- ro = red
- br = brown
- gn = green
- bl = blue
- gr = grey
- li = purple
- ge = yellow
- or = orange
- rs = pink



Footwell light switch, Warning buzzer switch, Driving school mode relay

- E295 Footwell light switch
- E296 Warning buzzer switch
- J746 Driving school mode relay
- T6ch 6-pin connector
- T6o 6-pin connector

- (436) Earth connection 1, in driving school wiring harness
- (B547) Connection 1, in driving school vehicle wiring harness
- (B548) Connection (58), in driving school vehicle wiring harness
- (B560) Positive connection 1 (30g), in driving school wiring harness
- (B667) Connection 2, in driving school vehicle wiring harness

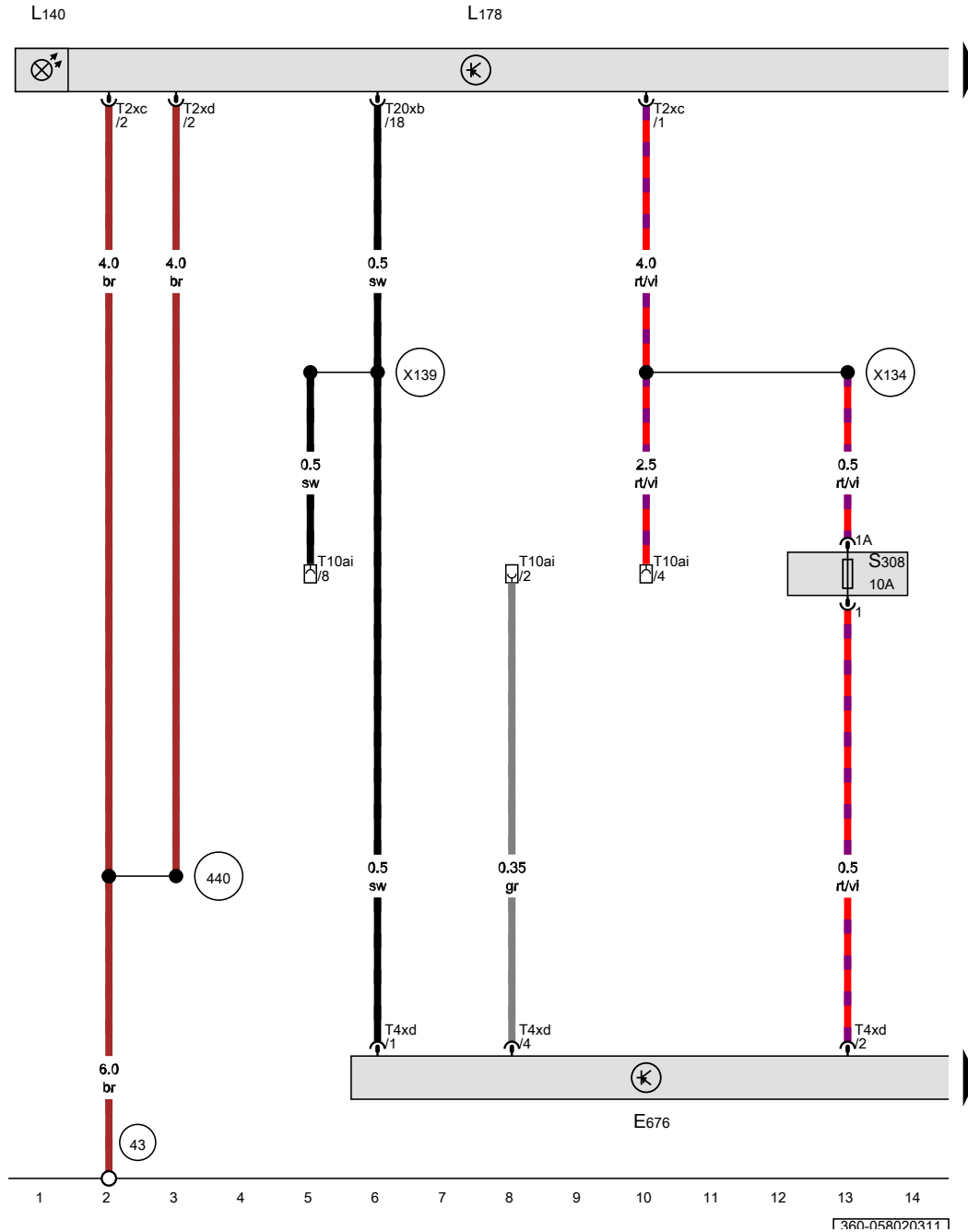
- ws = white
- sw = black
- ro = red
- br = brown
- gn = green
- bl = blue
- gr = grey
- li = purple
- ge = yellow
- or = orange
- rs = pink

15 16 17 18 19 20 21 22 23 24 25 26 27 28

360-057030211

Special signal system RTK-7, analogue, with/without video self-surveillance

From March 2011



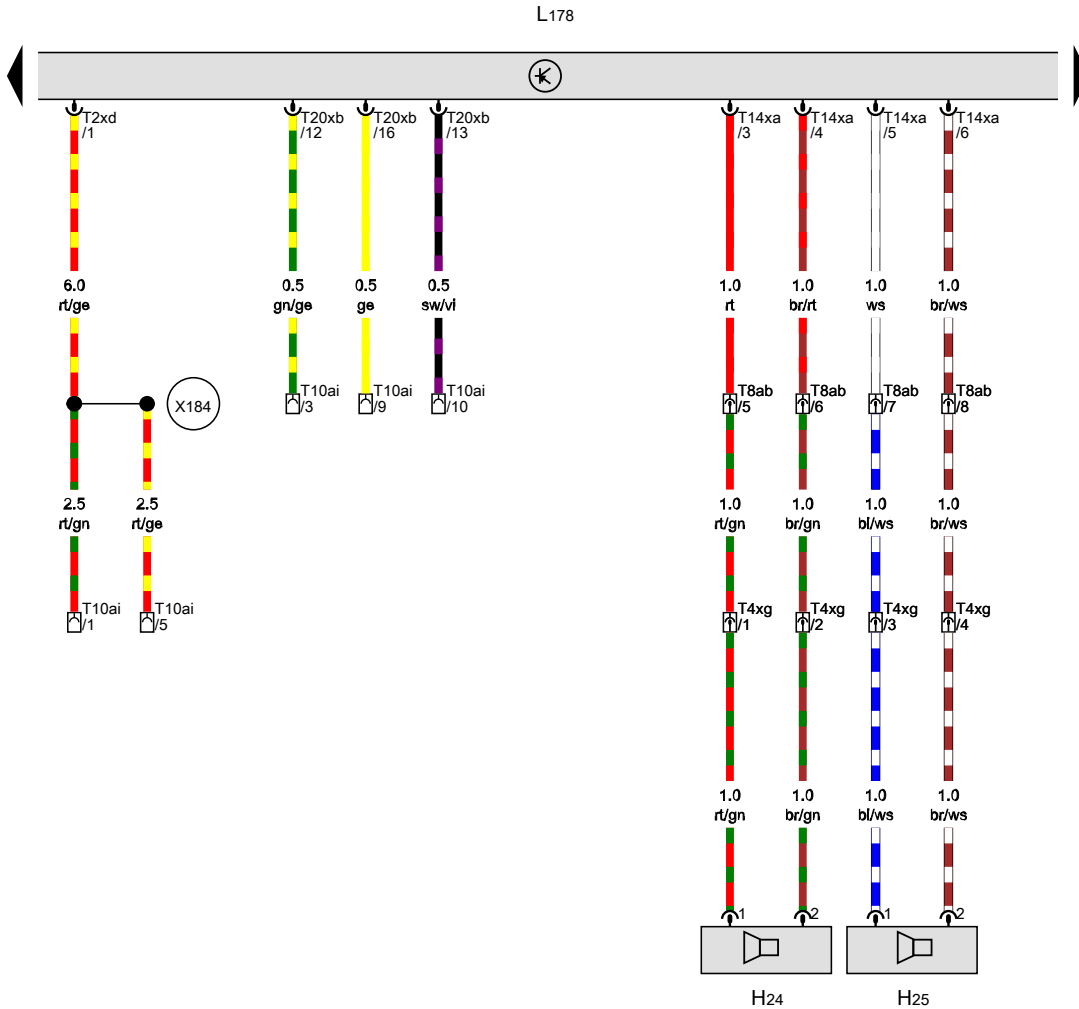
Operating unit for special signal system, Flashing light 1, blue, Special signal system with light bar and lettering, Special vehicle fuse 18

- E676 Operating unit for special signal system
- L140 Flashing light 1, blue
- L178 Special signal system with light bar and lettering
- S308 Special vehicle fuse 18
- T2xc 2-pin connector
- T2xd 2-pin connector
- T4xd 4-pin connector
- T10ai 10-pin connector
- T20xb 20-pin connector

- 43 Earth point, lower part of right A-pillar
- 440 Earth connection 1, in siren system wiring harness
- X134 Connection 1, in siren system wiring harness
- X139 Positive connection 1 (15a) in siren system wiring harness

- ws = white
- sw = black
- ro = red
- br = brown
- gn = green
- bl = blue
- gr = grey
- li = purple
- ge = yellow
- or = orange
- rs = pink

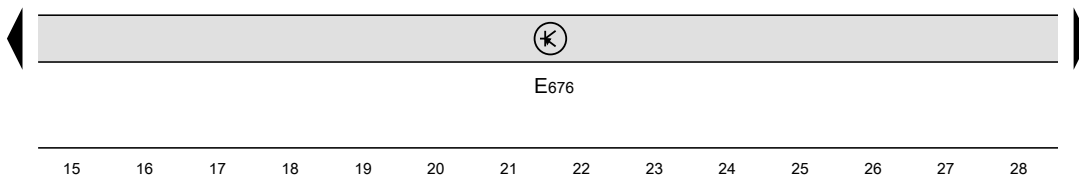
1360-058020311



Operating unit for special signal system, Power horn 1, Power horn 2, Special signal system with light bar and lettering

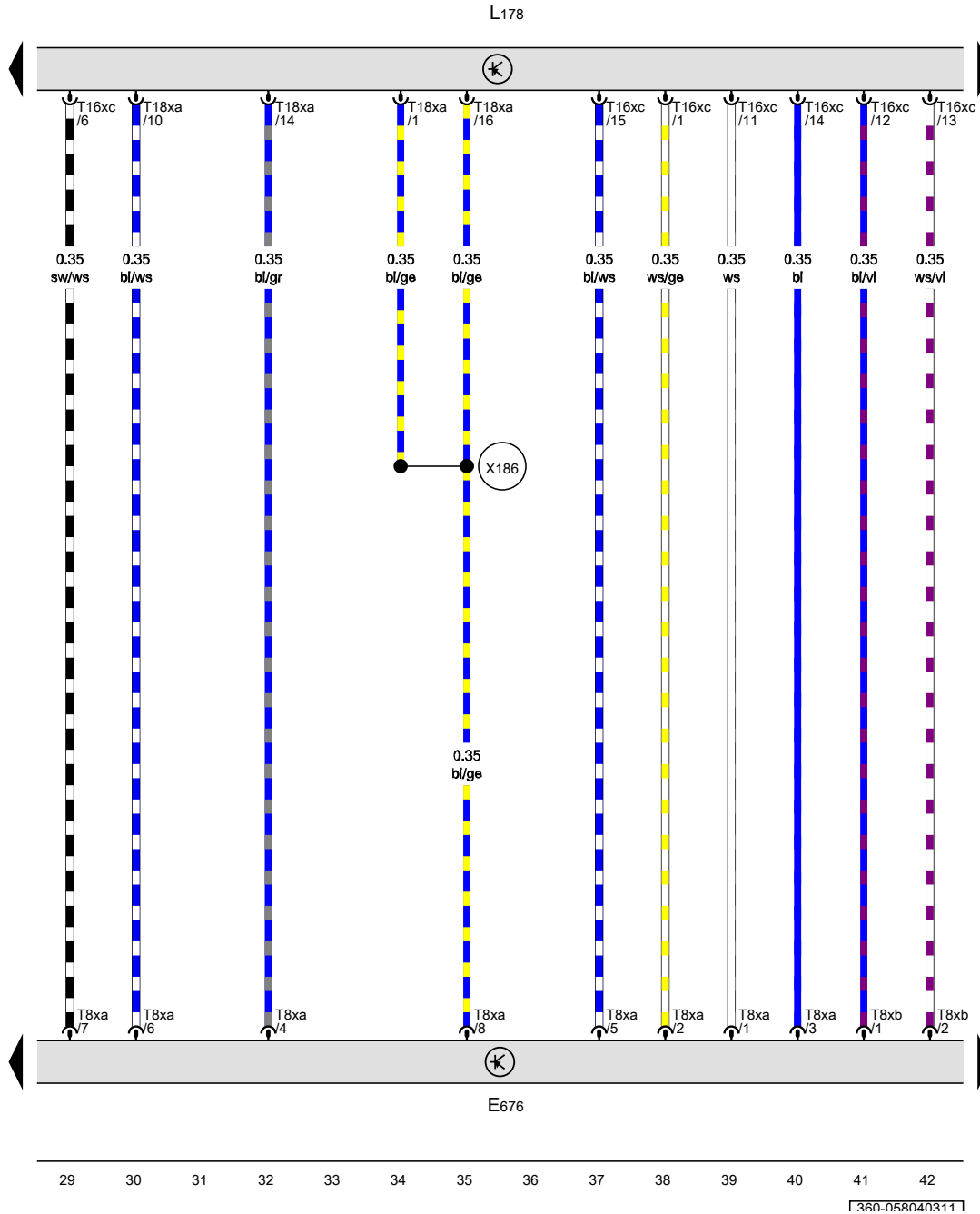
- E676 Operating unit for special signal system
- H24 Power horn 1
- H25 Power horn 2
- L178 Special signal system with light bar and lettering
- T2xd 2-pin connector
- T4xg 4-pin connector
- T8ab 8-pin connector
- T10ai 10-pin connector
- T14xa 14-pin connector
- T20xb 20-pin connector

X184 Connection 3, in siren system wiring harness



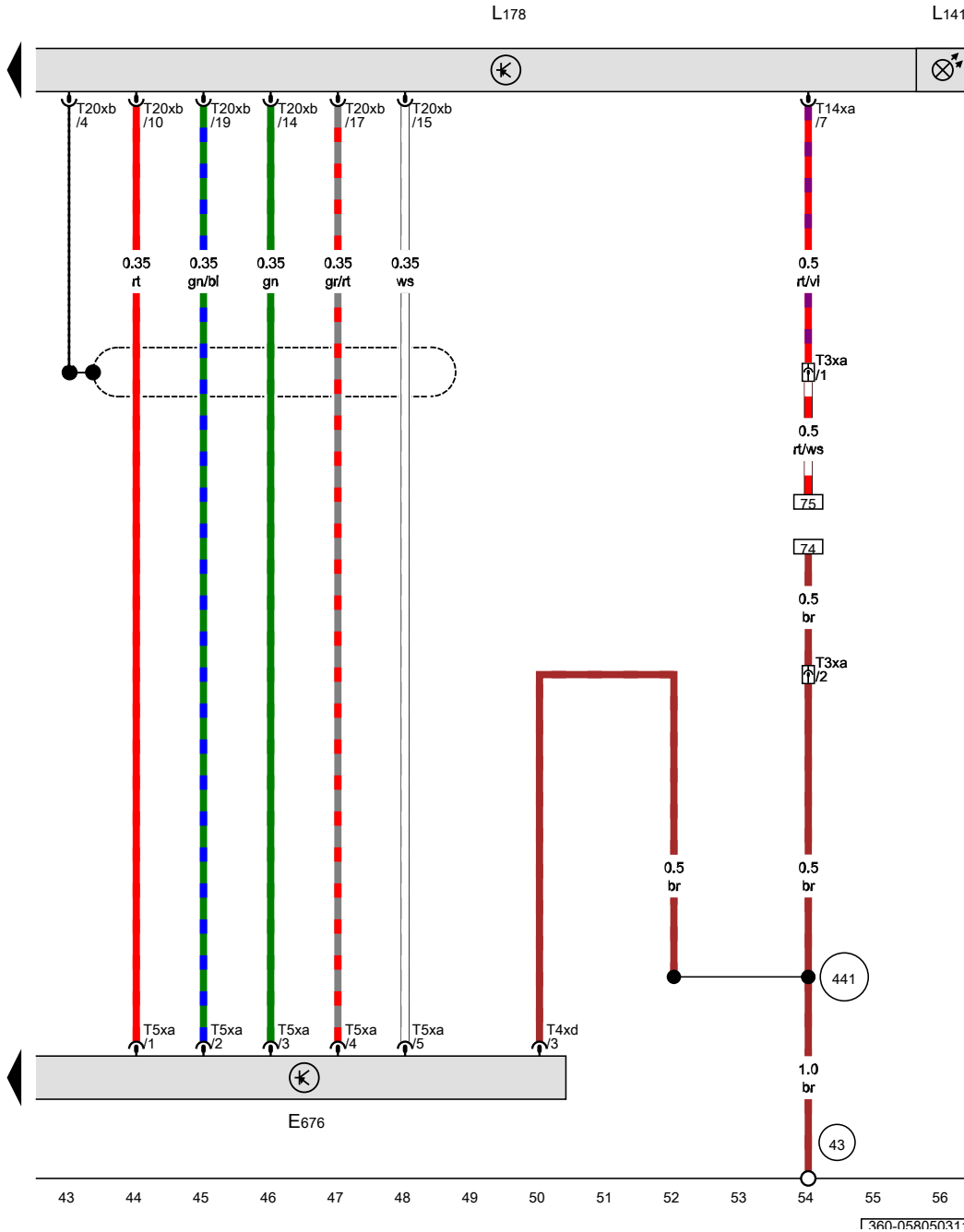
- ws = white
- sw = black
- ro = red
- br = brown
- gn = green
- bl = blue
- gr = grey
- li = purple
- ge = yellow
- or = orange
- rs = pink

1360-058030311



Operating unit for special signal system, Special signal system with light bar and lettering

- E676 Operating unit for special signal system
- L178 Special signal system with light bar and lettering
- T8xa 8-pin connector
- T8xb 8-pin connector
- T16xc 16-pin connector
- T18xa 18-pin connector
- (X186) Connection 5, in siren system wiring harness

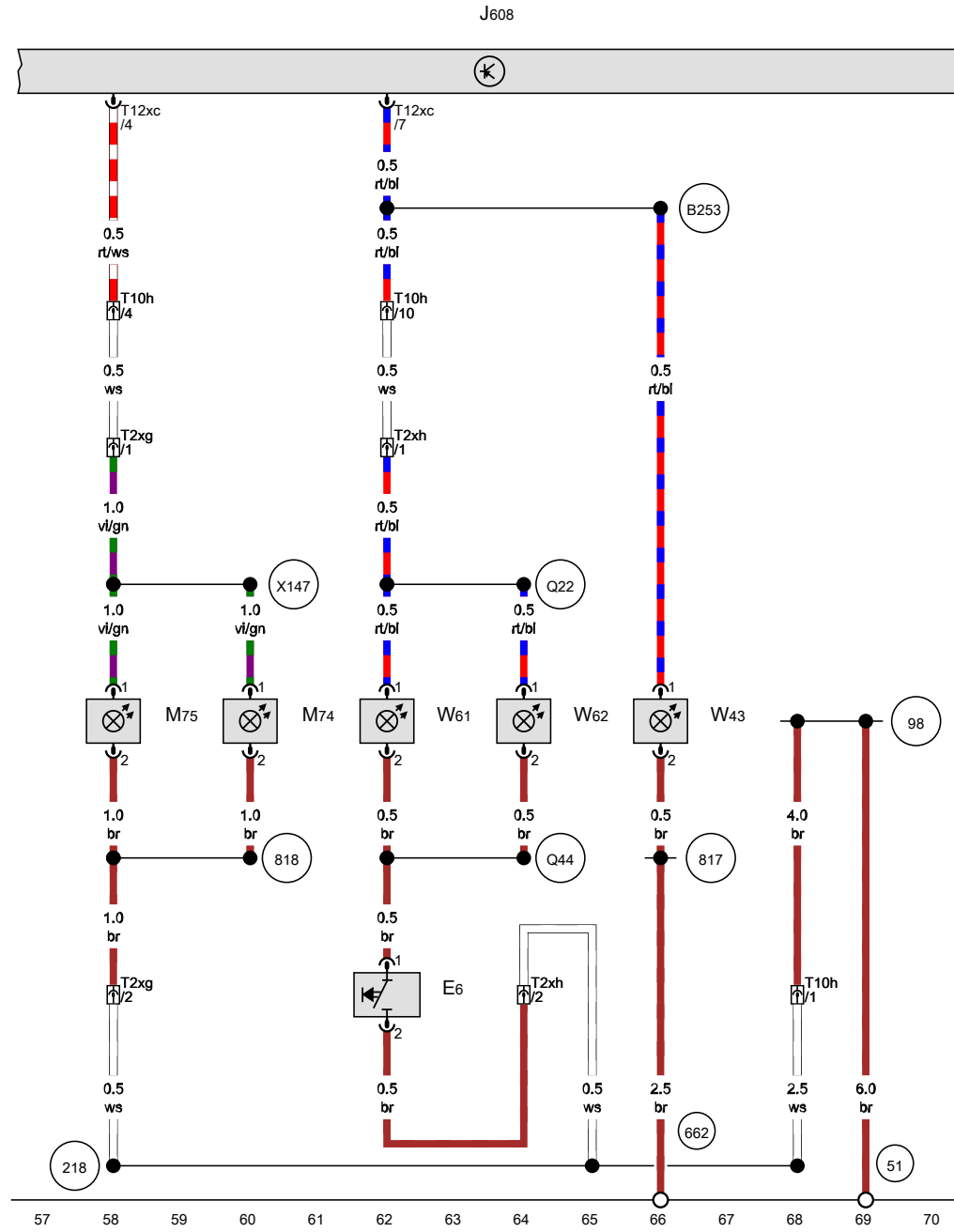


Operating unit for special signal system, Flashing light 2, blue, Special signal system with light bar and lettering

- E676 Operating unit for special signal system
- L141 Flashing light 2, blue
- L178 Special signal system with light bar and lettering
- T3xa 3-pin connector
- T4xd 4-pin connector
- T5xa 5-pin connector
- T14xa 14-pin connector
- T20xb 20-pin connector

- 43 Earth point, lower part of right A-pillar
- 441 Earth connection 2, in siren system wiring harness

360-0580503111



360-058060311

Special vehicle control unit, Right flashing light in rear lid, Left flashing light in rear lid, Surround lighting 1 in rear lid, Surround lighting 2 in rear lid

- E6 Interior light rear switch
- J608 Special vehicle control unit
- M74 Right flashing light in rear lid
- M75 Left flashing light in rear lid
- T2xg 2-pin connector
- T2xh 2-pin connector
- T10h 10-pin connector
- T12xc 12-pin connector
- W43 Rear interior light
- W61 Surround lighting 1 in rear lid
- W62 Surround lighting 2 in rear lid

- 51 Earth point, on right in luggage compartment
- 98 Earth connection, in rear lid wiring harness
- 218 Earth connection 1, in rear lid wiring harness
- 662 Earth point, rear left side panel
- 817 Earth connection 7, in optional equipment wiring harness
- 818 Earth connection 8, in optional equipment wiring harness
- B253 Positive connection 1 (30a, police), in interior wiring harness
- Q22 Connection 1, in rear lid wiring harness
- Q44 Connection 2, in rear lid wiring harness
- X147 Positive connection 6 (30), in optional equipment wiring harness

- ws = white
- sw = black
- ro = red
- br = brown
- gn = green
- bl = blue
- gr = grey
- li = purple
- ge = yellow
- or = orange
- rs = pink

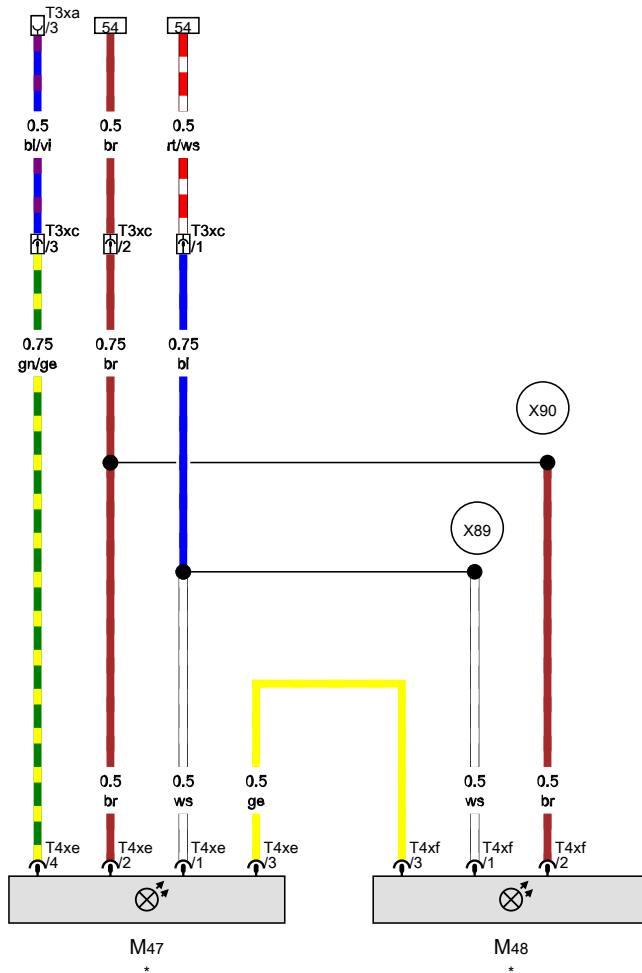
Left flashing light, Right flashing light

- M47 Left flashing light
- M48 Right flashing light
- T3xa 3-pin connector
- T3xc 3-pin connector
- T4xe 4-pin connector
- T4xf 4-pin connector

X89 Connection 1 (blue flashing/rotating light), in optional equipment wiring harness

X90 Connection 2 (blue flashing/rotating light), in optional equipment wiring harness

* According to equipment



- ws = white
- sw = black
- ro = red
- br = brown
- gn = green
- bl = blue
- gr = grey
- li = purple
- ge = yellow
- or = orange
- rs = pink

71 72 73 74 75 76 77 78 79 80 81 82 83 84

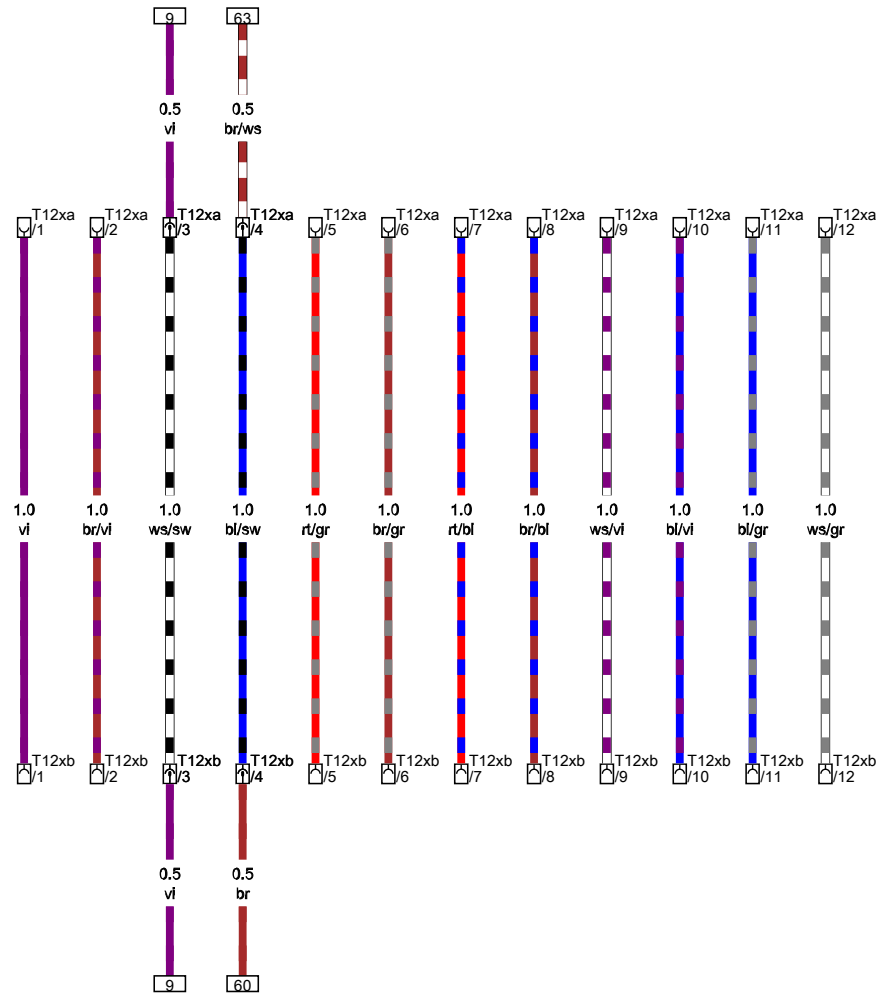
[360-058070311]

230 V system for special vehicles

From March 2011

12-pin connector, 12-pin connector

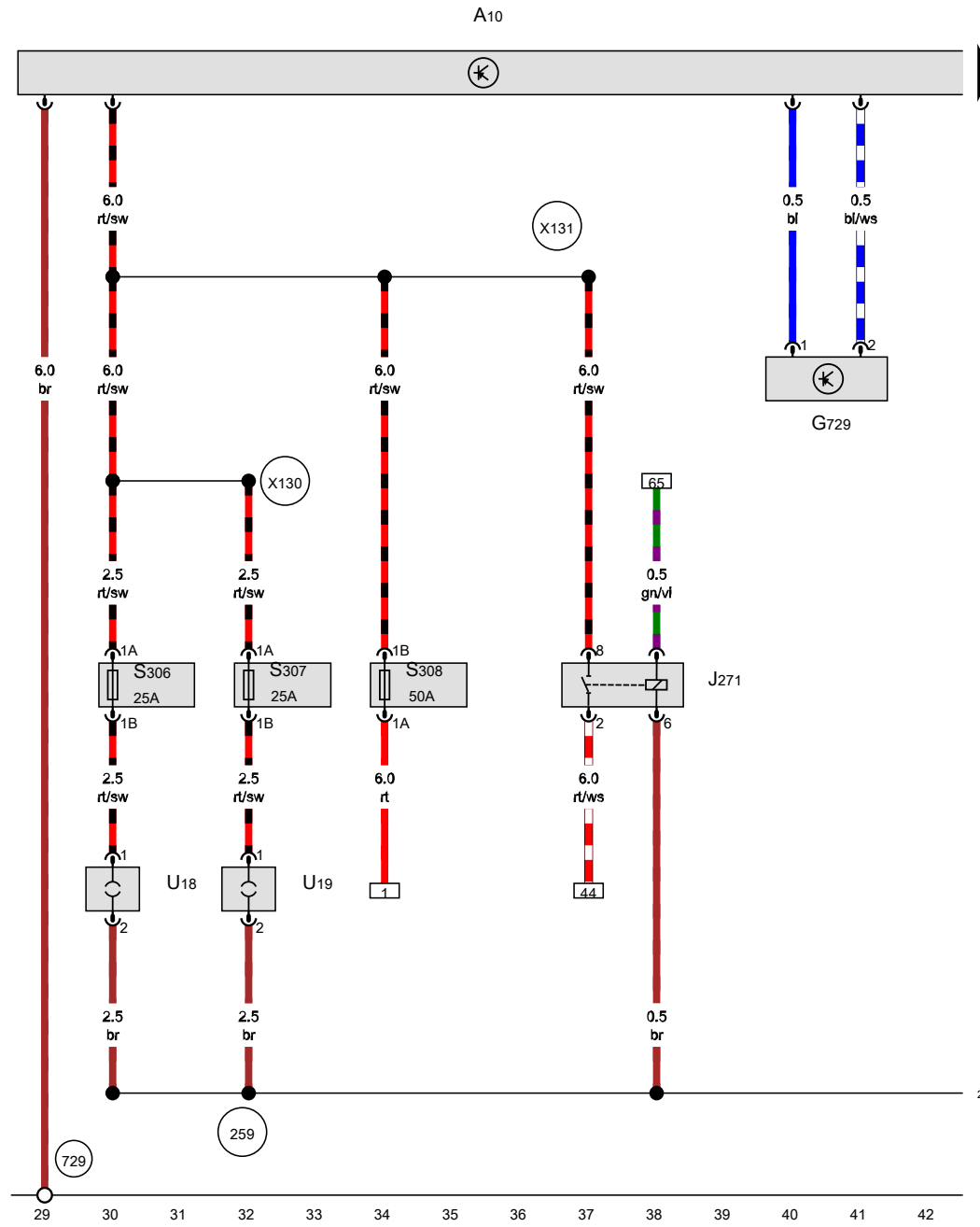
T12xa 12-pin connector, in luggage compartment
 T12xb 12-pin connector, under centre console



- ws = white
- sw = black
- ro = red
- br = brown
- gn = green
- bl = blue
- gr = grey
- li = purple
- ge = yellow
- or = orange
- rs = pink

15 16 17 18 19 20 21 22 23 24 25 26 27 28

1360-059030311

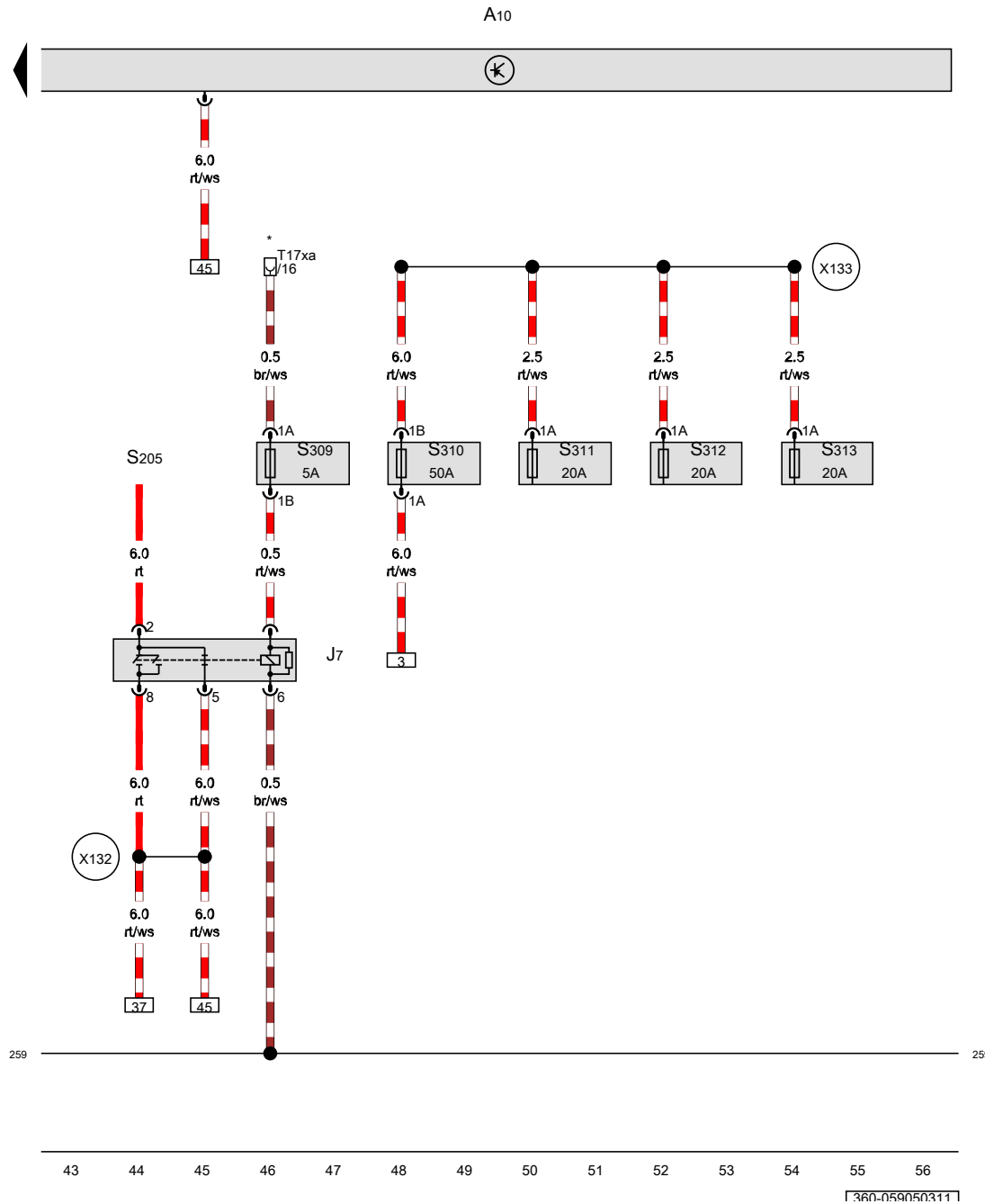


Battery charger, 230 or 110 Volt/12 Volt, Battery temperature sender, Main relay, Special vehicle fuse 16, Special vehicle fuse 17, Special vehicle fuse 18, 12 V socket 2, 12 V socket 3

- A10 Battery charger, 230 or 110 Volt/12 Volt
- G729 Battery temperature sender
- J271 Main relay
- S306 Special vehicle fuse 16
- S307 Special vehicle fuse 17
- S308 Special vehicle fuse 18
- U18 12 V socket 2
- U19 12 V socket 3
- (259) Earth connection 2, in optional equipment wiring harness
- (729) Earth point, on left rear wheel housing
- (X130) Connection 3, in optional equipment wiring harness
- (X131) Connection 4, in optional equipment wiring harness

- ws = white
- sw = black
- ro = red
- br = brown
- gn = green
- bl = blue
- gr = grey
- li = purple
- ge = yellow
- or = orange
- rs = pink

360-059040311

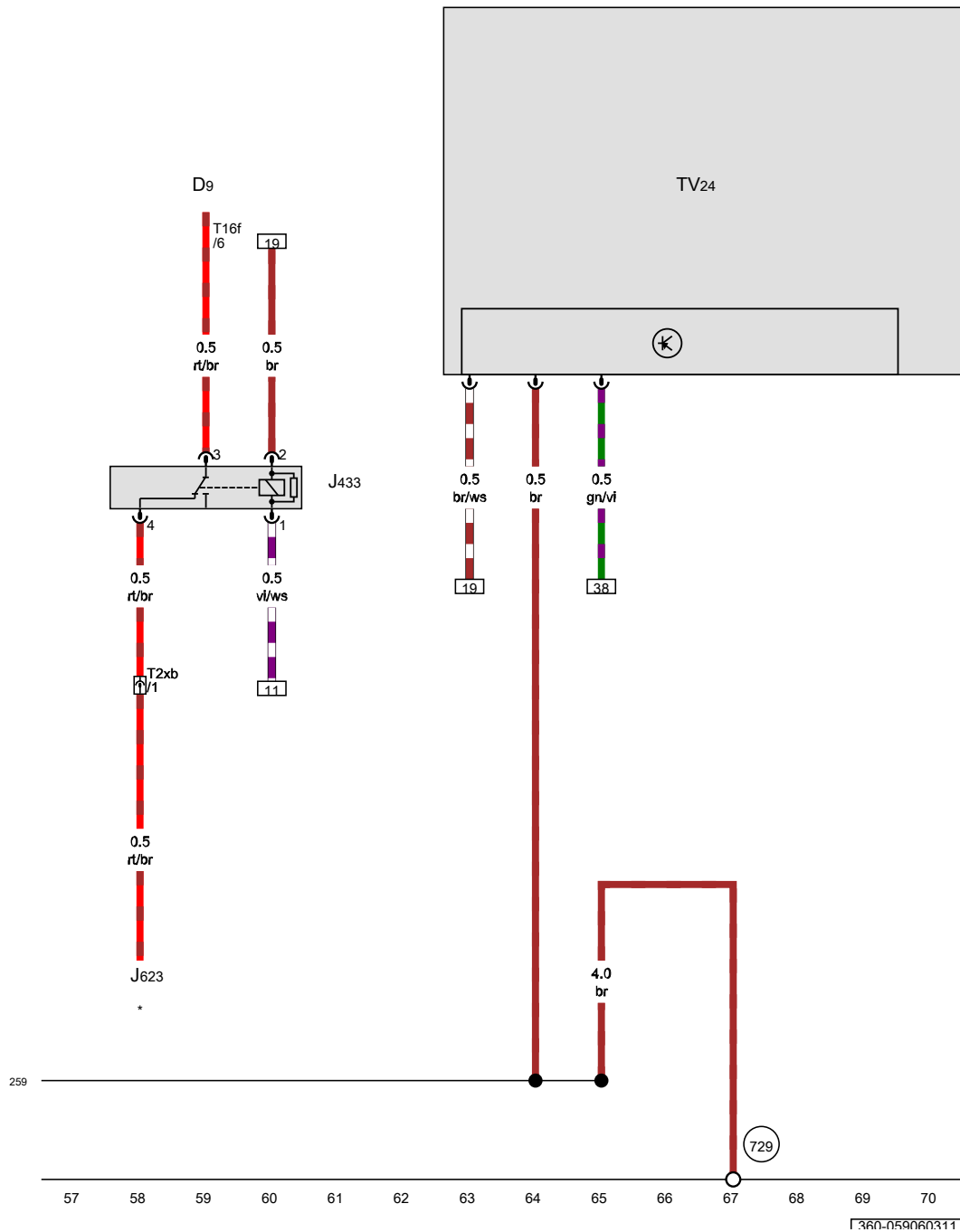


Battery charger, 230 or 110 Volt/12 Volt, Battery isolation relay, Fuse 2 (30)

- A10 Battery charger, 230 or 110 Volt/12 Volt
- J7 Battery isolation relay
- S205 Fuse 2 (30)
- S309 Special vehicle fuse 19
- S310 Special vehicle fuse 20
- S311 Special vehicle fuse 21
- S312 Special vehicle fuse 22
- S313 Special vehicle fuse 23
- T17xa 17-pin connector

- (259) Earth connection 2, in optional equipment wiring harness
- (X132) Connection 5, in optional equipment wiring harness
- (X133) Connection 6, in optional equipment wiring harness
- * Connection for 2-way radio

- ws = white
- sw = black
- ro = red
- br = brown
- gn = green
- bl = blue
- gr = grey
- li = purple
- ge = yellow
- or = orange
- rs = pink



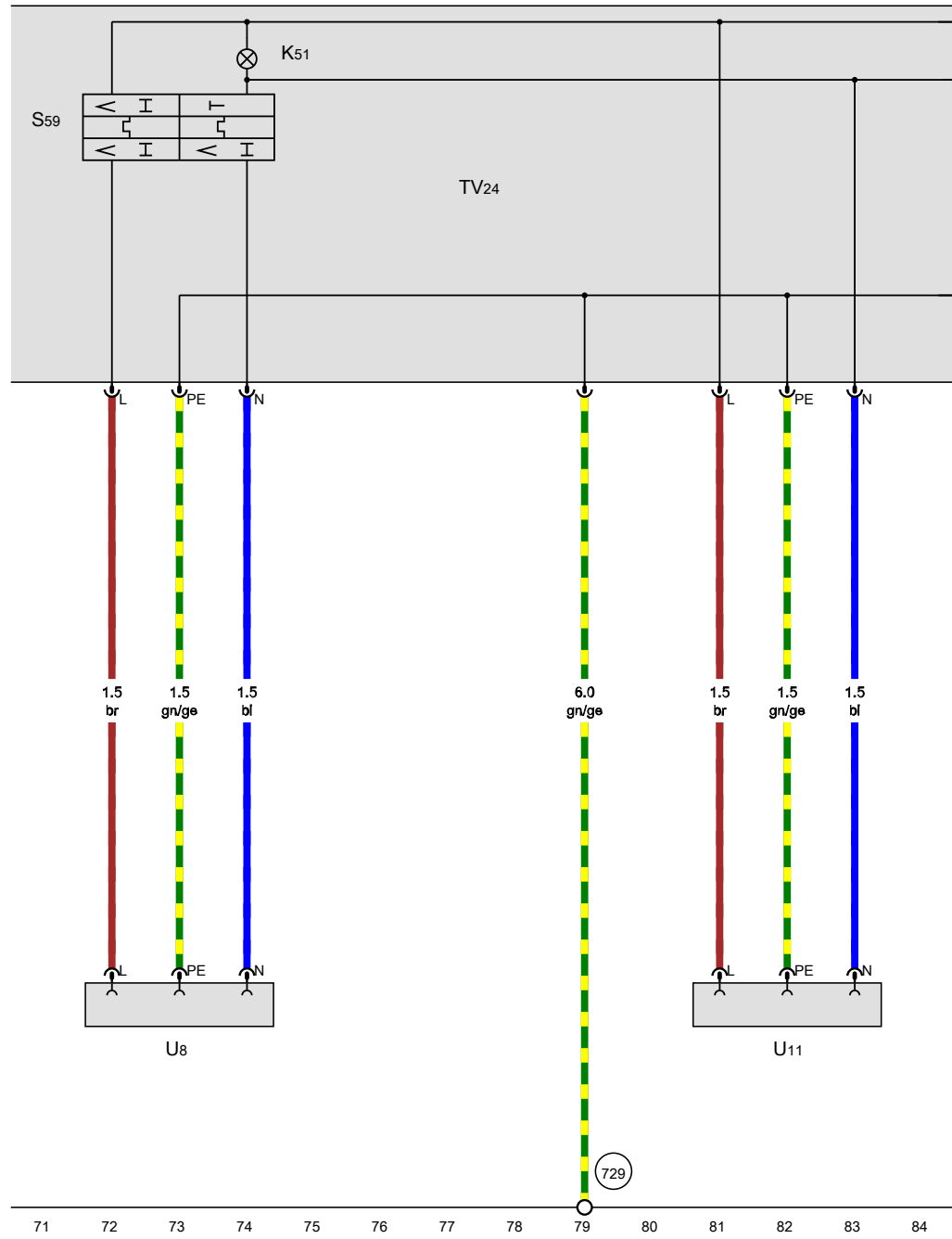
Starter inhibitor relay, Distribution box

- D9 Electronic ignition lock
- J433 Starter inhibitor relay
- J623 Engine control unit
- T2xb 2-pin connector
- T16f 16-pin connector
- TV24 Distribution box

259 Earth connection 2, in optional equipment wiring harness

729 Earth point, on left rear wheel housing

* see applicable current flow diagram for engine



220 V automatic personnel protection circuit breaker,
Distribution box, Exterior socket, 230 V, 110 V, Interior
socket, 230 V, 110 V

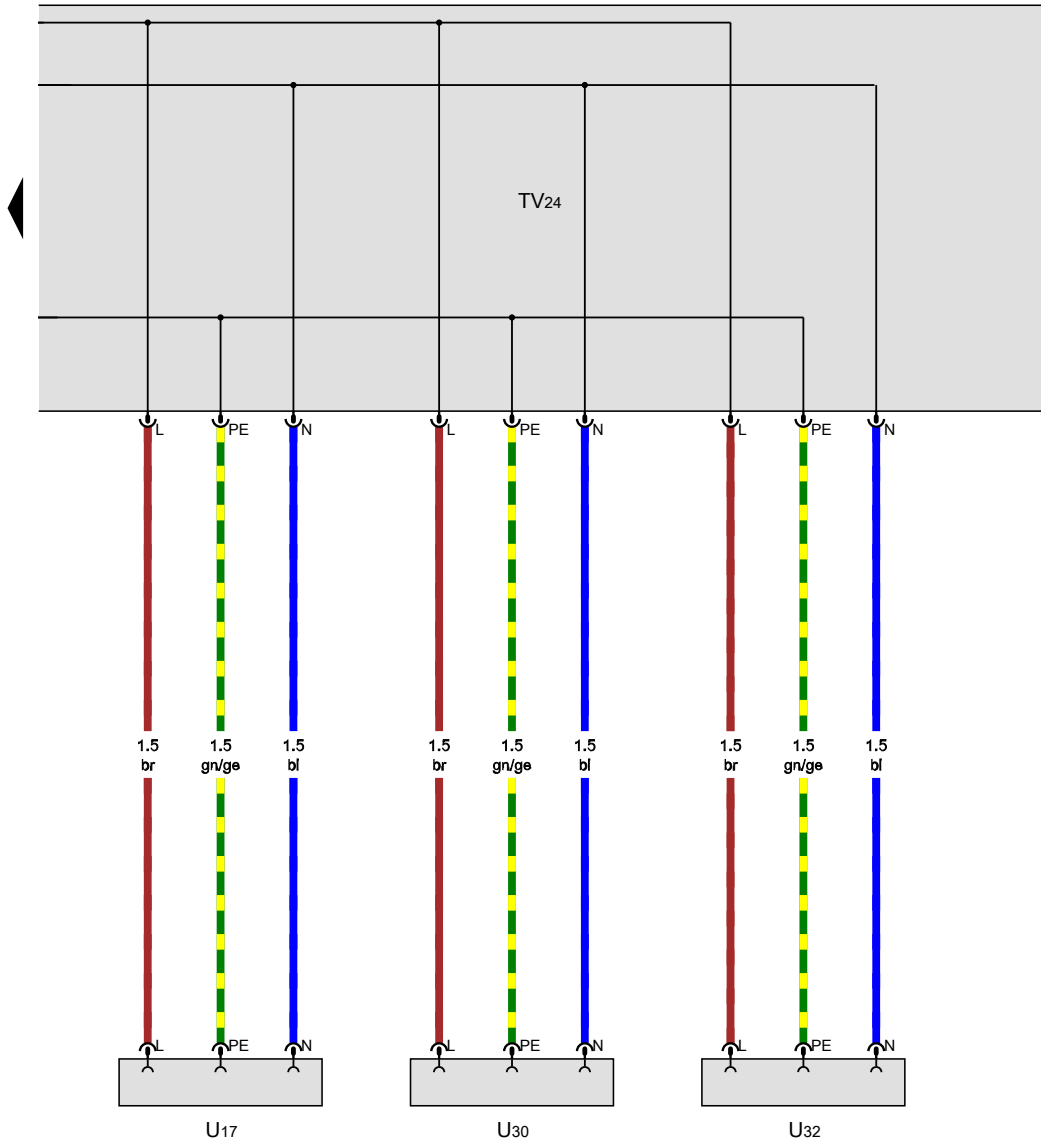
- K51 Operational readiness warning lamp
- S59 220 V automatic personnel protection circuit breaker
- TV24 Distribution box
- U8 Exterior socket, 230 V, 110 V
- U11 Interior socket, 230 V, 110 V
- 729 Earth point, on left rear wheel housing

- ws = white
- sw = black
- ro = red
- br = brown
- gn = green
- bl = blue
- gr = grey
- li = purple
- ge = yellow
- or = orange
- rs = pink

360-059070311

Distribution box, Interior socket 2, 230 V, 110 V, Interior socket 3, 230 V, 110 V, Interior socket 4, 230 V, 110 V

- TV24 Distribution box
- U17 Interior socket 2, 230 V, 110 V
- U30 Interior socket 3, 230 V, 110 V
- U32 Interior socket 4, 230 V, 110 V



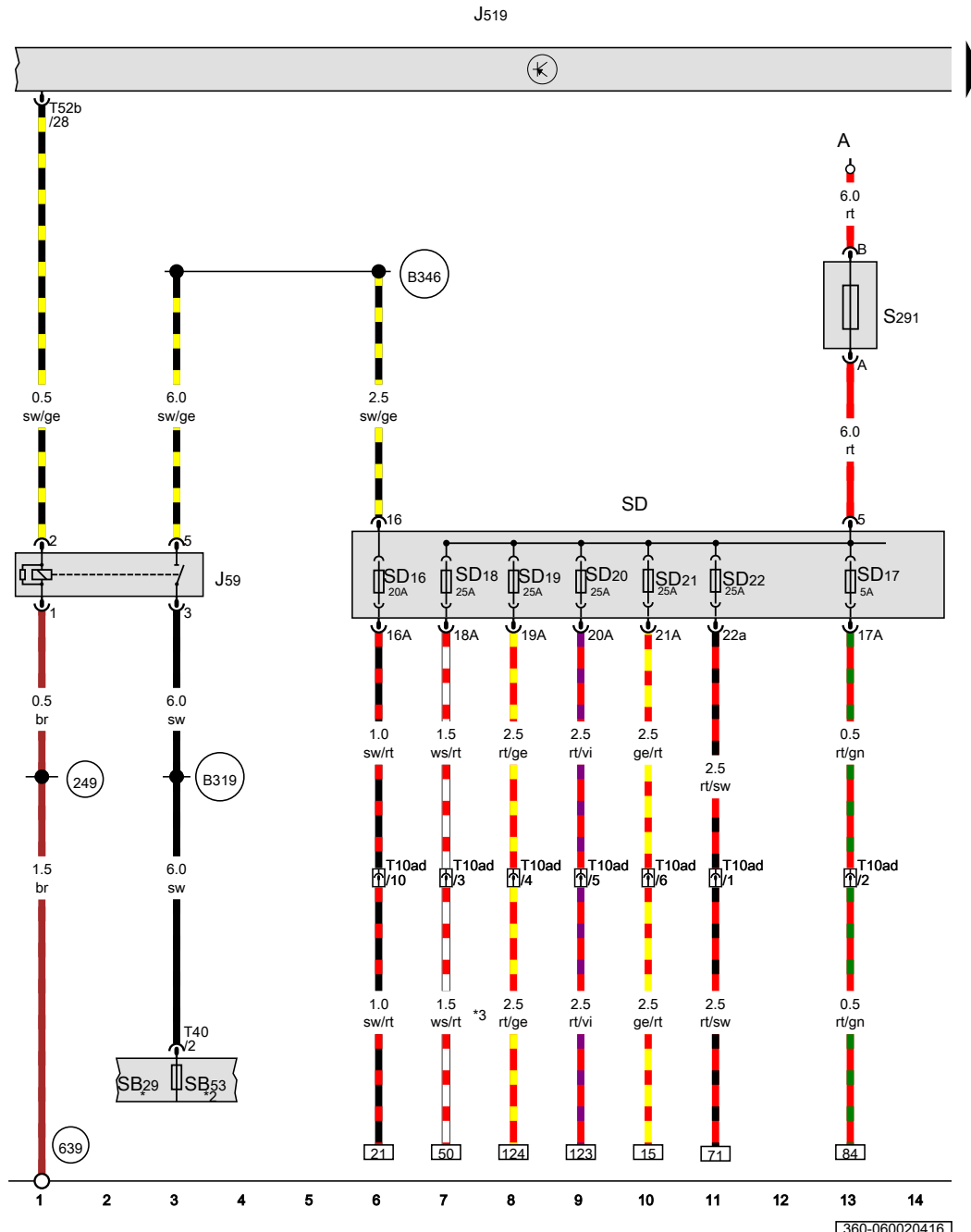
- ws = white
- sw = black
- ro = red
- br = brown
- gn = green
- bl = blue
- gr = grey
- li = purple
- ge = yellow
- or = orange
- rs = pink

85 86 87 88 89 90 91 92 93 94 95 96 97 98

[360-059080311]

Special equipment, police

From November 2010



X-contact relief relay, Onboard supply control unit, Fuse holder D

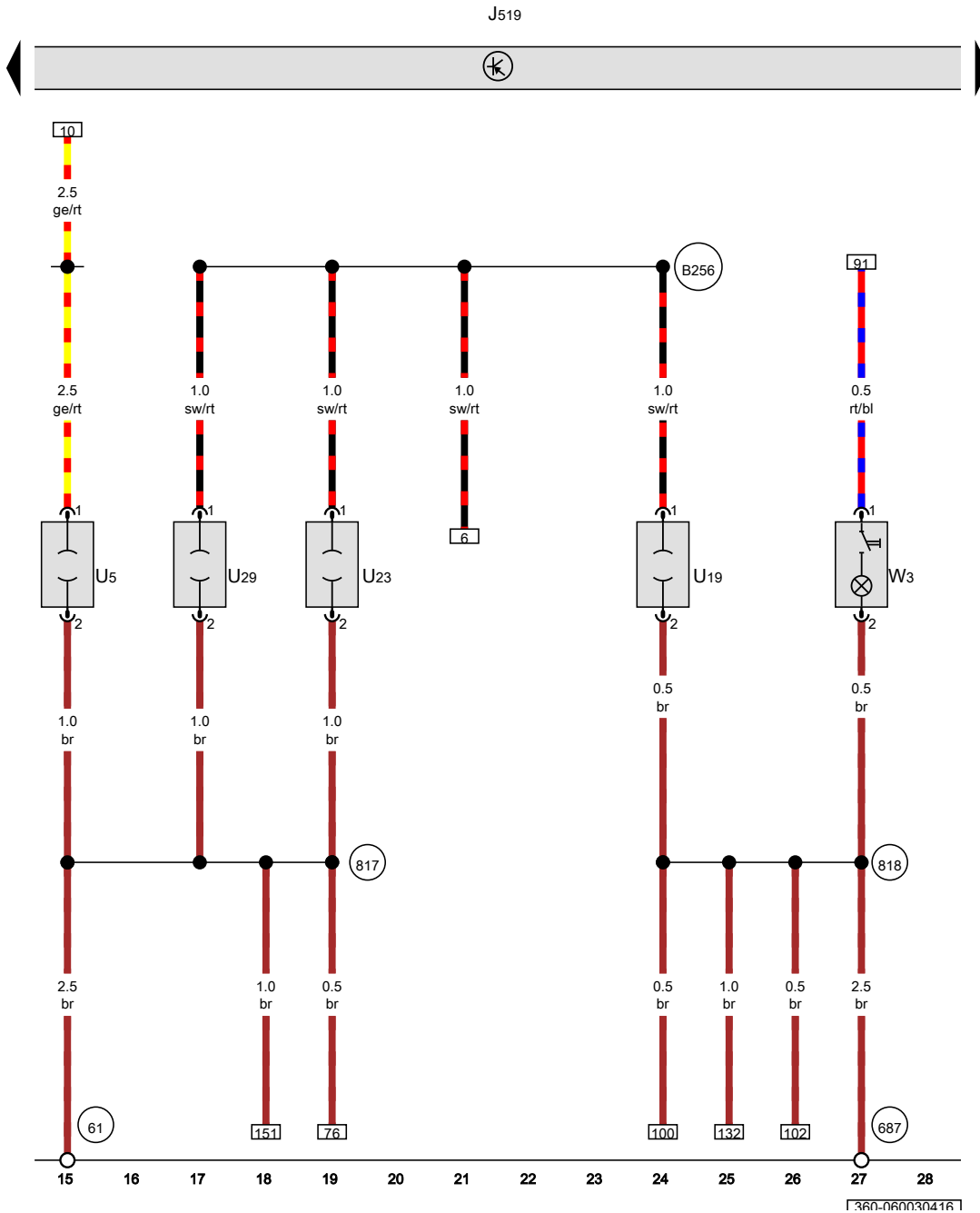
- A Battery
- J59 X-contact relief relay
- J519 Onboard supply control unit
- SD Fuse holder D, Fuse carrier on right of dash panel
- SD16 Fuse 16 on fuse holder D
- SD17 Fuse 17 on fuse holder D
- SD18 Fuse 18 on fuse holder D
- SD19 Fuse 19 on fuse holder D
- SD20 Fuse 20 on fuse holder D
- SD21 Fuse 21 on fuse holder D
- SD22 Fuse 22 on fuse holder D
- SB29 Fuse 29 on fuse holder B
- SB53 Fuse 53 on fuse holder B
- S291 Special vehicle fuse 1
- T10ad 10-pin connector, behind left side trim in luggage compartment
- T40 40-pin connector
- T52b 52-pin connector

- (249) Earth connection 2, in interior wiring harness
- (639) Earth point, left A-pillar
- (B319) Positive connection 5 (30a) in main wiring harness
- (B346) Connection 1 (75), in main wiring harness

- * E-box low
- *2 E-box high
- *3 Connection for 2-way radio

- ws = white
- sw = black
- ro = red
- rt = red
- br = brown
- gn = green
- bl = blue
- gr = grey
- li = purple
- vi = purple
- ge = yellow
- or = orange
- rs = pink

1360-060020416

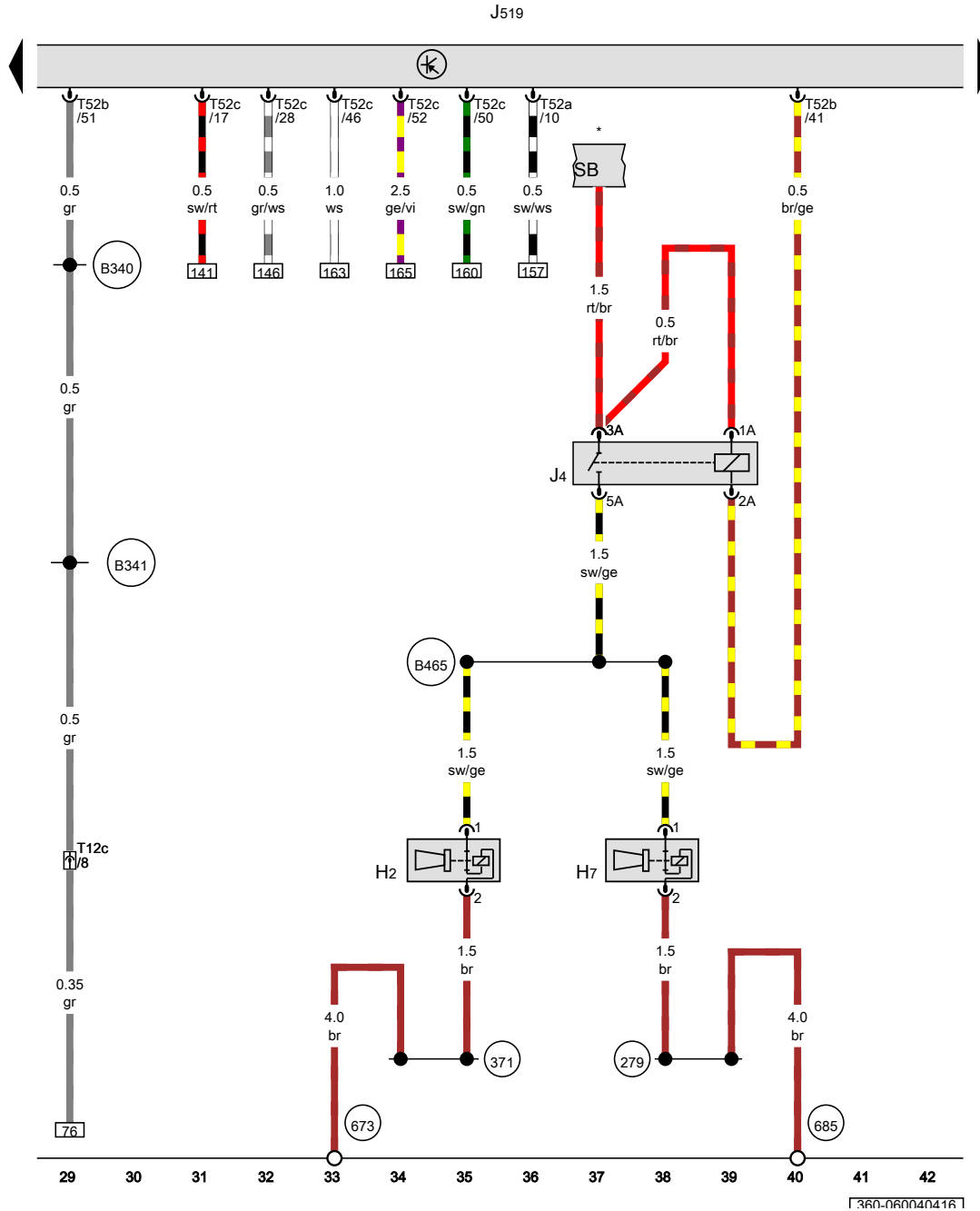


Onboard supply control unit, 12 V socket, 12 V socket 3, Charging station for torch, Charging station 2 for torch, Luggage compartment light

- J519 Onboard supply control unit
- U5 12 V socket
- U19 12 V socket 3
- U23 Charging station for torch
- U29 Charging station 2 for torch
- W3 Luggage compartment light
- 61 Earth point, left C-pillar
- 687 Earth point 1, on centre tunnel
- 817 Earth connection 7, in optional equipment wiring harness
- 818 Earth connection 8, in optional equipment wiring harness
- B256 Positive connection (75x, police), in interior wiring harness

- ws = white
- sw = black
- ro = red
- rt = red
- br = brown
- gn = green
- bl = blue
- gr = grey
- li = purple
- vi = purple
- ge = yellow
- or = orange
- rs = pink

1360-060030416 1



Treble horn, Bass horn, Dual tone horn relay, Onboard supply control unit

- H2 Treble horn
- H7 Bass horn
- J4 Dual tone horn relay
- J519 Onboard supply control unit
- SB Fuse holder B
- T1 Single connector
- T12c 12-pin connector, on left under dash panel
- T52a 52-pin connector
- T52b 52-pin connector
- T52c 52-pin connector

279 Earth connection 5, in interior wiring harness

371 Earth connection 6, in main wiring harness

673 Earth point 3, on front of left longitudinal member

685 Earth point 1 at front of right longitudinal member

B340 Connection 1 (58d), in main wiring harness

B341 Connection 2 (58d), in main wiring harness

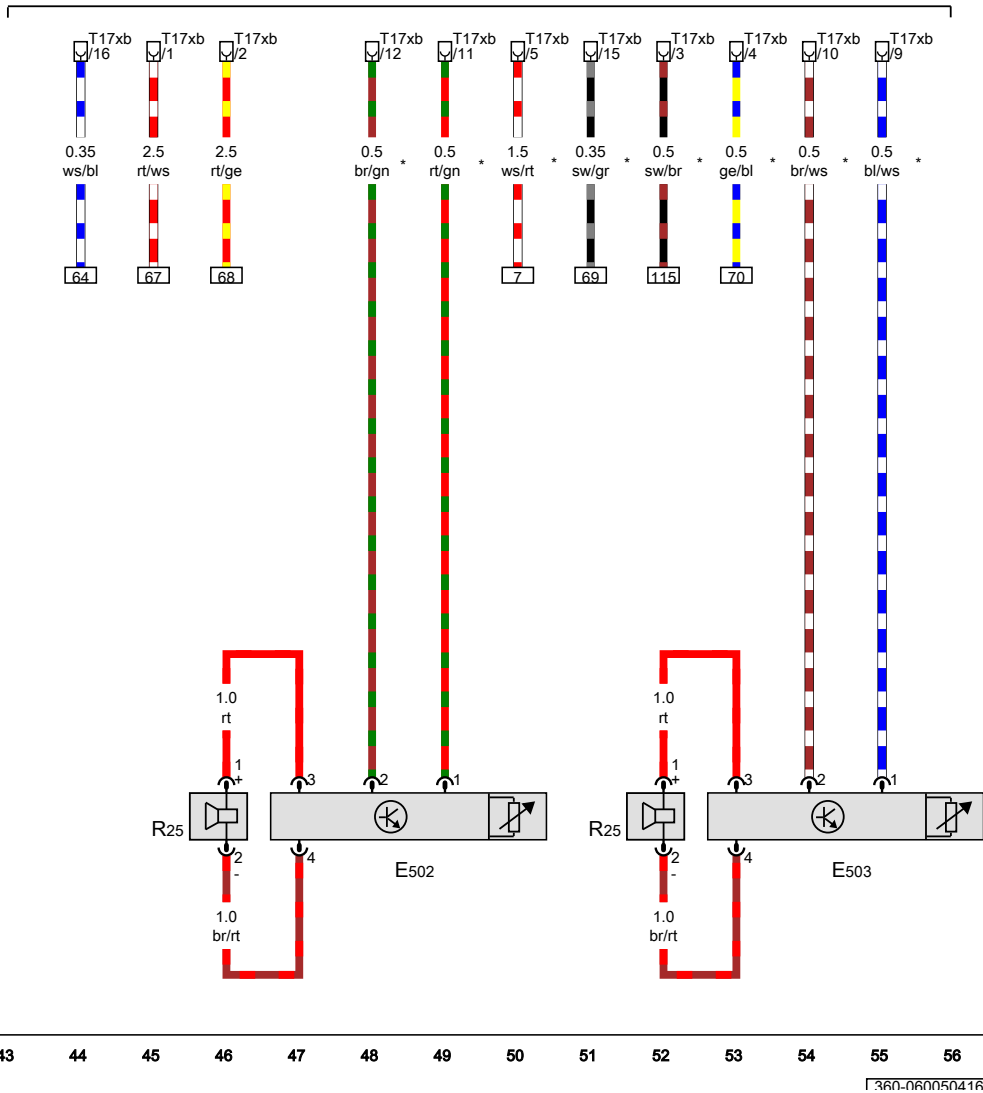
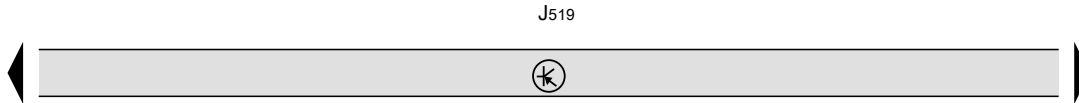
B465 Connection 1, in main wiring harness

* see applicable current flow diagram for basic equipment

- ws = white
- sw = black
- ro = red
- rt = red
- br = brown
- gn = green
- bl = blue
- gr = grey
- li = purple
- vi = purple
- ge = yellow
- or = orange
- rs = pink

Onboard supply control unit, Two-way radio loudspeaker

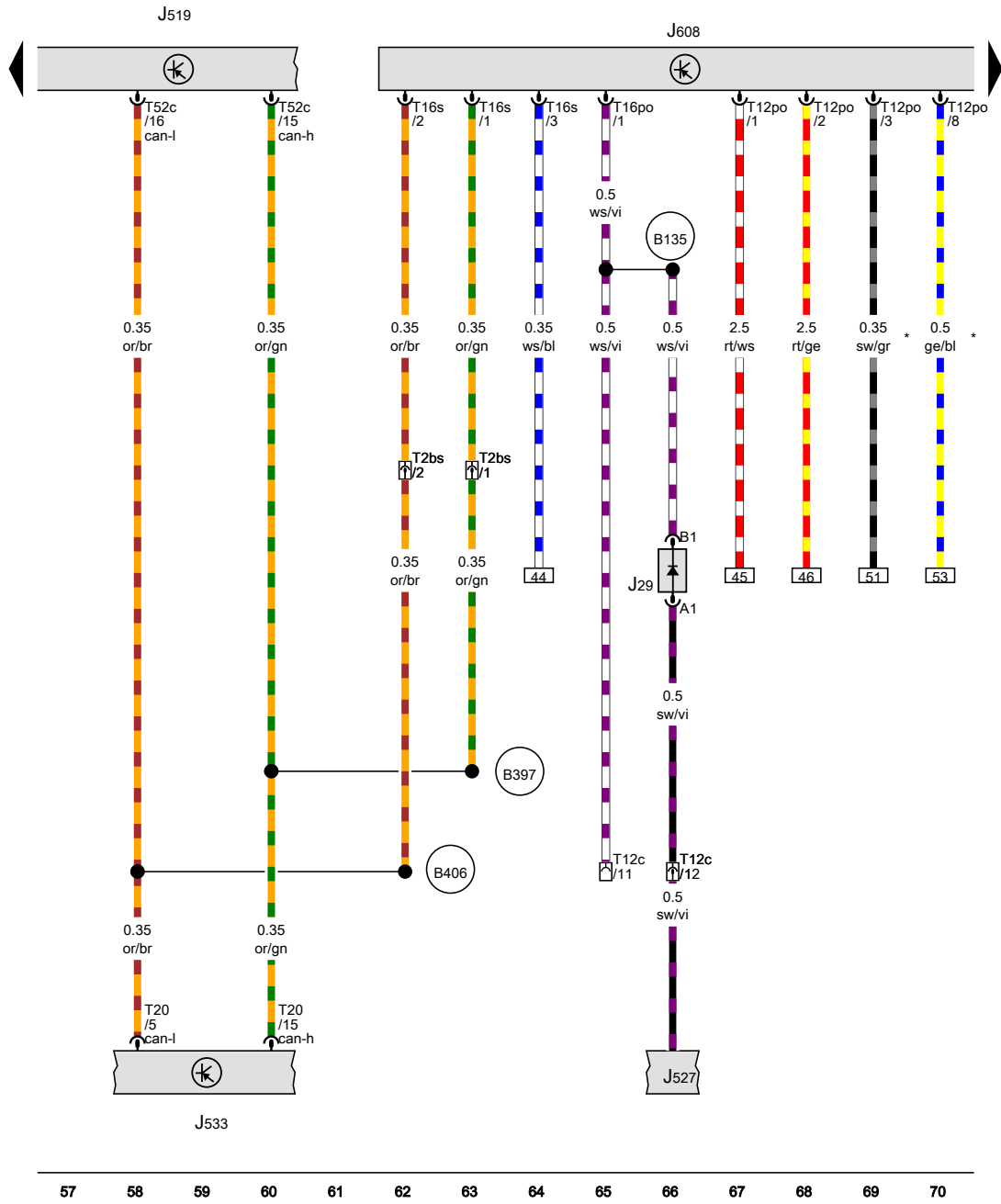
- E502 2-way radio loudspeaker volume control 1
- E503 2-way radio loudspeaker volume control 2
- J519 Onboard supply control unit
- R25 Two-way radio loudspeaker
- T17xb 17-pin connector, on left C-pillar
- * Connection for 2-way radio



- ws = white
- sw = black
- ro = red
- rt = red
- br = brown
- gn = green
- bl = blue
- gr = grey
- li = purple
- vi = purple
- ge = yellow
- or = orange
- rs = pink

43 44 45 46 47 48 49 50 51 52 53 54 55 56

1360-060050416



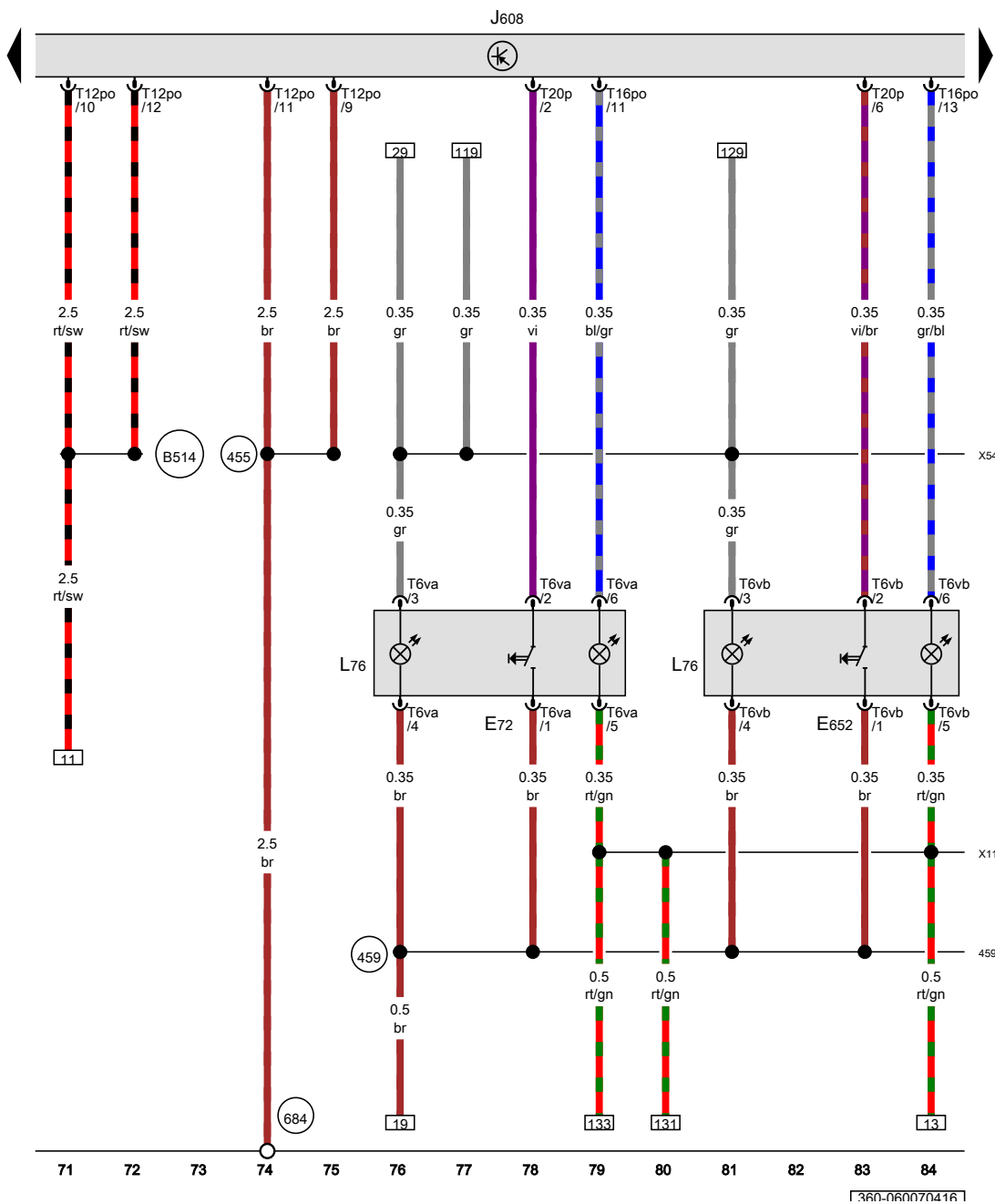
Blocking diode, Onboard supply control unit, Data bus diagnostic interface, Special vehicle control unit

- J29 Blocking diode
- J519 Onboard supply control unit
- J527 Steering column electronics control unit
- J533 Data bus diagnostic interface, in left footwell, near centre console
- J608 Special vehicle control unit, under driver seat
- T2bs 2-pin connector, behind dash panel, centre
- T12c 12-pin connector, on left under dash panel
- T12po 12-pin connector
- T16 16-pin connector
- T16po 16-pin connector
- T16s 16-pin connector
- T20 20-pin connector
- T52c 52-pin connector

- B135 Connection 1 (15a), in interior wiring harness
- B397 Connection 1 (convenience CAN bus, high), in main wiring harness
- B406 Connection 1 (convenience CAN bus, low), in main wiring harness
- * Connection for 2-way radio

- ws = white
- sw = black
- ro = red
- rt = red
- br = brown
- gn = green
- bl = blue
- gr = grey
- li = purple
- vi = purple
- ge = yellow
- or = orange
- rs = pink

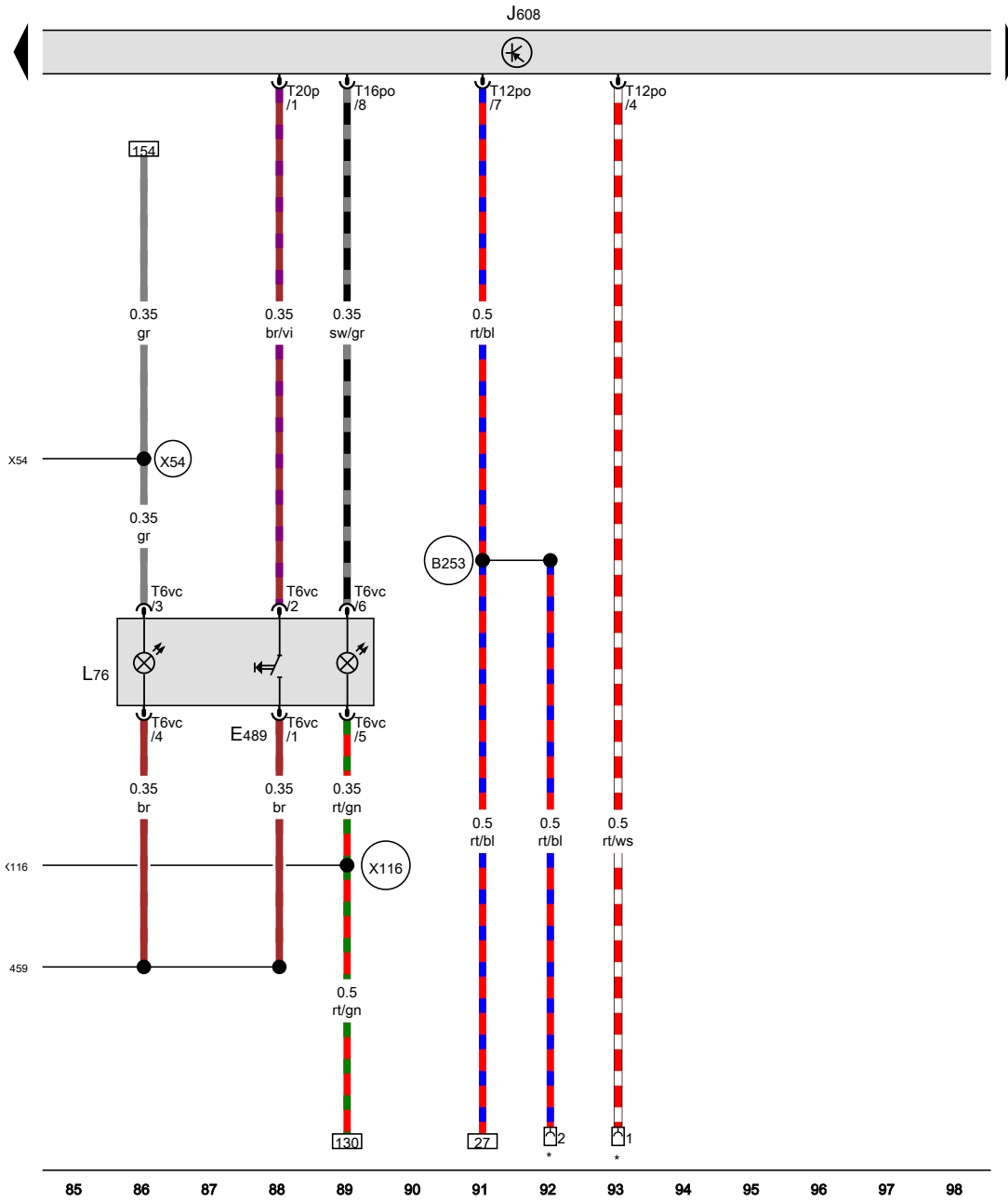
2-way radio switch, Button for daytime running light switch-off, Special vehicle control unit



- E72 2-way radio switch
- E652 Button for daytime running light switch-off
- J608 Special vehicle control unit, under driver seat
- L76 Button illumination bulb
- T6va 6-pin connector
- T6vb 6-pin connector
- T12po 12-pin connector
- T16po 16-pin connector
- T20p 20-pin connector

- (455) Earth connection 5, in optional equipment wiring harness
- (459) Earth connection 15, in interior wiring harness
- (684) Earth point on front of left side member
- (B514) Positive connection 10 (30a), in interior wiring harness
- (X54) Positive connection (58), in optional equipment wiring harness
- (X116) Positive connection 2 (30), in optional equipment wiring harness

- ws = white
- sw = black
- ro = red
- rt = red
- br = brown
- gn = green
- bl = blue
- gr = grey
- li = purple
- vi = purple
- ge = yellow
- or = orange
- rs = pink



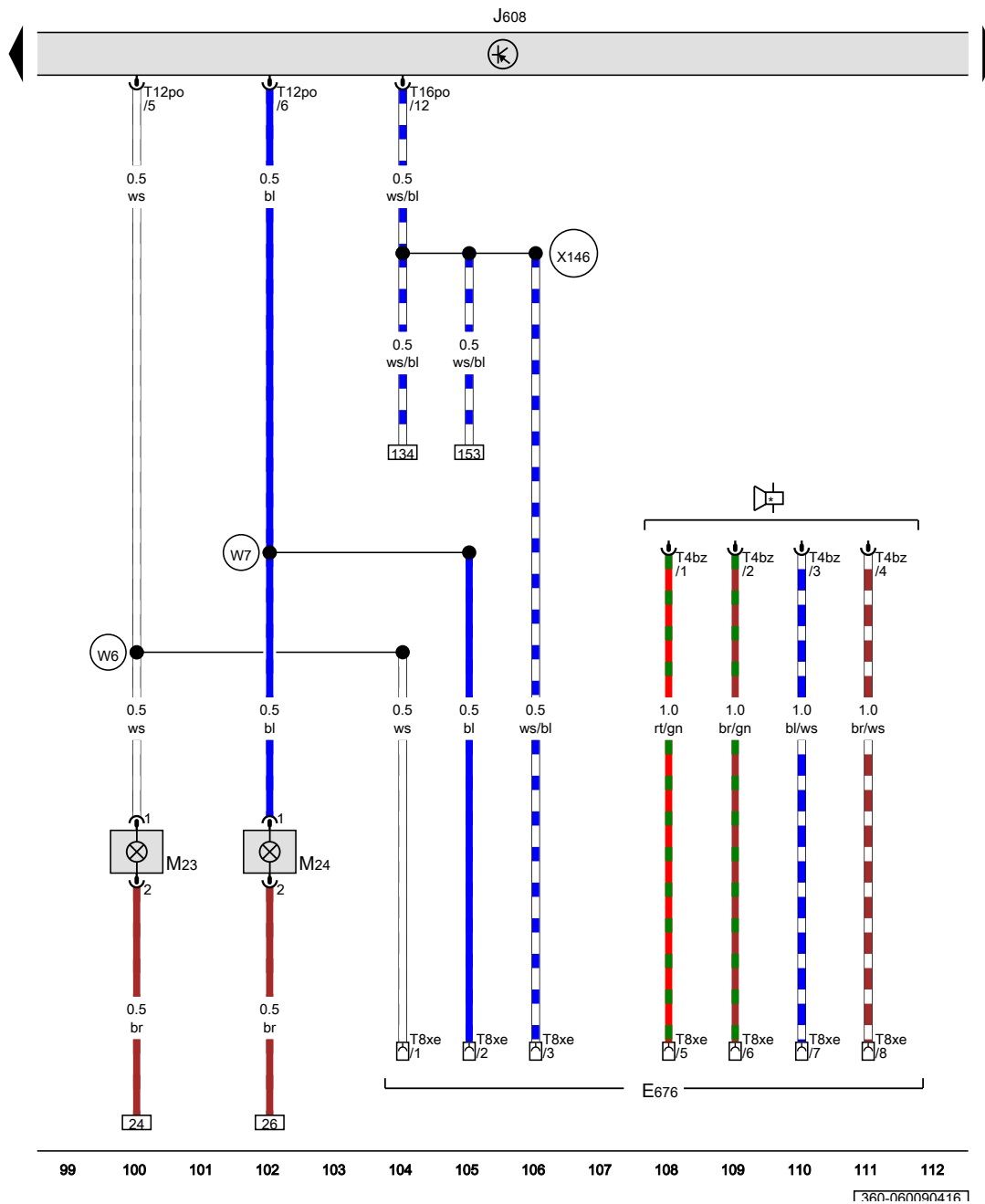
Ignition bypass button, Special vehicle control unit

- E489 Ignition bypass button
- J608 Special vehicle control unit, under driver seat
- L76 Button illumination bulb
- T2 2-pin connector, under roof trim
- T2br 2-pin connector, in rear lid
- T6vc 6-pin connector
- T12po 12-pin connector
- T16po 16-pin connector
- T20p 20-pin connector

- (459) Earth connection 15, in interior wiring harness
- (B253) Positive connection 1 (30a, police), in interior wiring harness
- (X54) Positive connection (58), in optional equipment wiring harness
- (X116) Positive connection 2 (30), in optional equipment wiring harness
- * Connection for rear flashing light

- ws = white
- sw = black
- ro = red
- rt = red
- br = brown
- gn = green
- bl = blue
- gr = grey
- li = purple
- vi = purple
- ge = yellow
- or = orange
- rs = pink

360-060080416

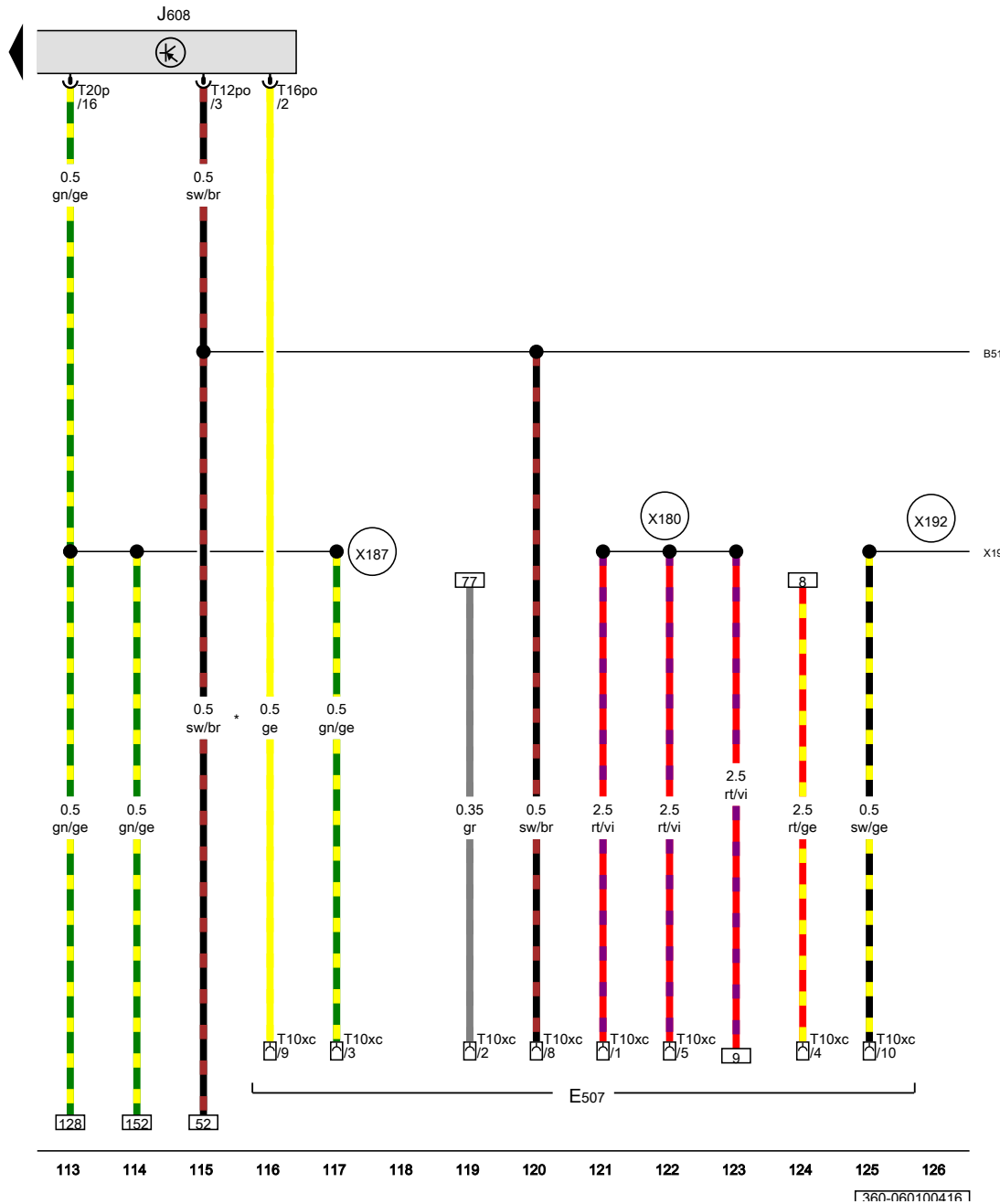


Special vehicle control unit, Left roof mounted turn signal bulb, Right roof mounted turn signal bulb

- E676 Operating unit for special signal system
- J608 Special vehicle control unit, under driver seat
- M23 Left roof mounted turn signal bulb
- M24 Right roof mounted turn signal bulb
- T4bz 4-pin connector
- T8xe 8-pin connector, behind left side trim in luggage compartment
- T12po 12-pin connector
- T16po 16-pin connector

- W6 Connection (left turn signal), in rear wiring harness
- W7 Connection (right turn signal), in rear wiring harness
- X146 Connection 8, in optional equipment wiring harness
- * Connection for pressure chamber loudspeaker

- ws = white
- sw = black
- ro = red
- rt = red
- br = brown
- gn = green
- bl = blue
- gr = grey
- li = purple
- vi = purple
- ge = yellow
- or = orange
- rs = pink



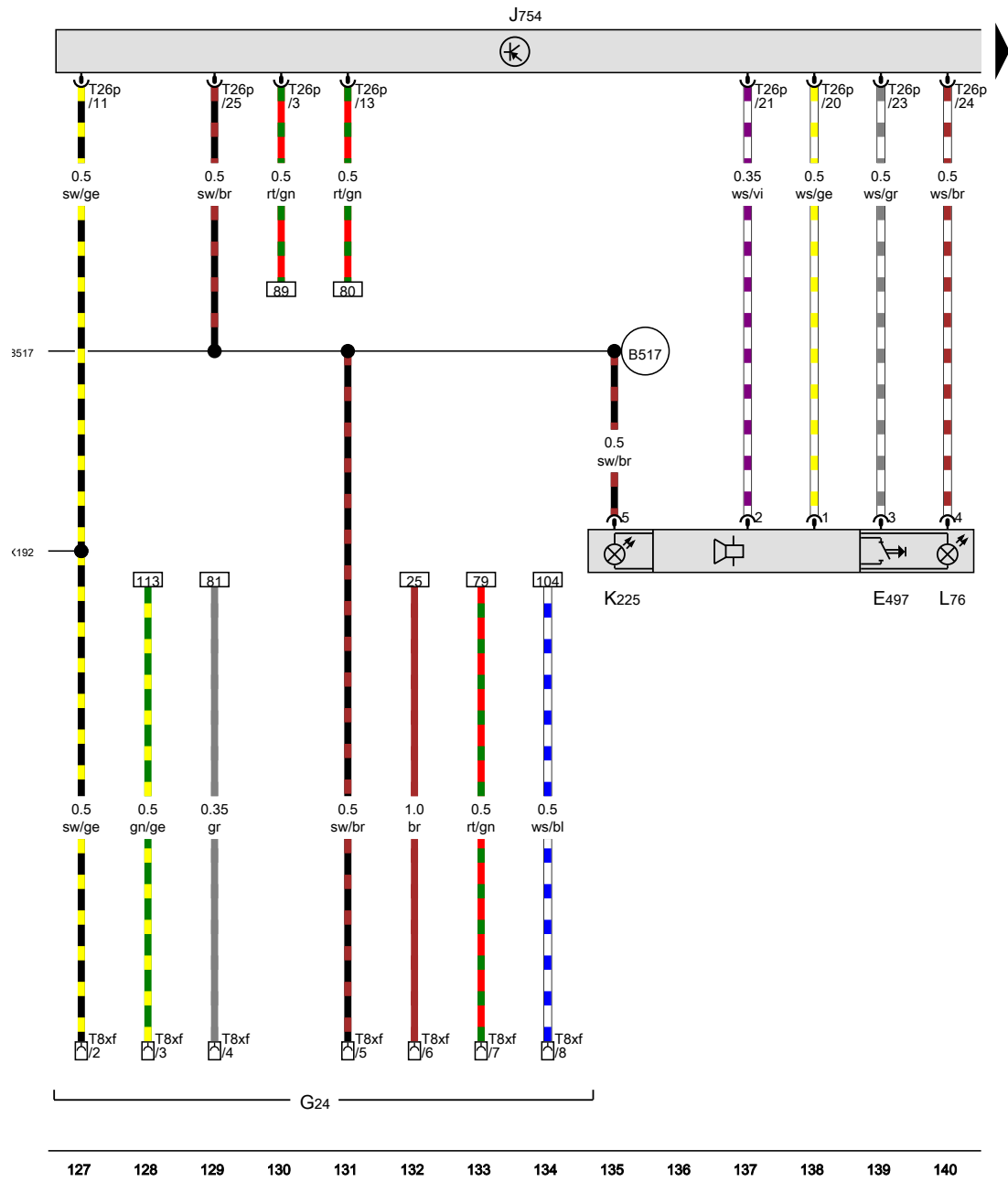
Operating unit for special signals, Special vehicle control unit

- E507 Operating unit for special signals
- J608 Special vehicle control unit, under driver seat
- T10xc 10-pin connector, in front centre console
- T12po 12-pin connector
- T16po 16-pin connector
- T20p 20-pin connector

- (B517) Positive connection 5 (15a), in interior wiring harness
- (X180) Positive connection 5 (30a) in siren system wiring harness
- (X187) Connection 6, in siren system wiring harness
- (X192) Connection 11, in siren system wiring harness
- * Connection for 2-way radio

- ws = white
- sw = black
- ro = red
- rt = red
- br = brown
- gn = green
- bl = blue
- gr = grey
- li = purple
- vi = purple
- ge = yellow
- or = orange
- rs = pink

360-060100416



Accident data recorder button, Tachograph, Accident data memory

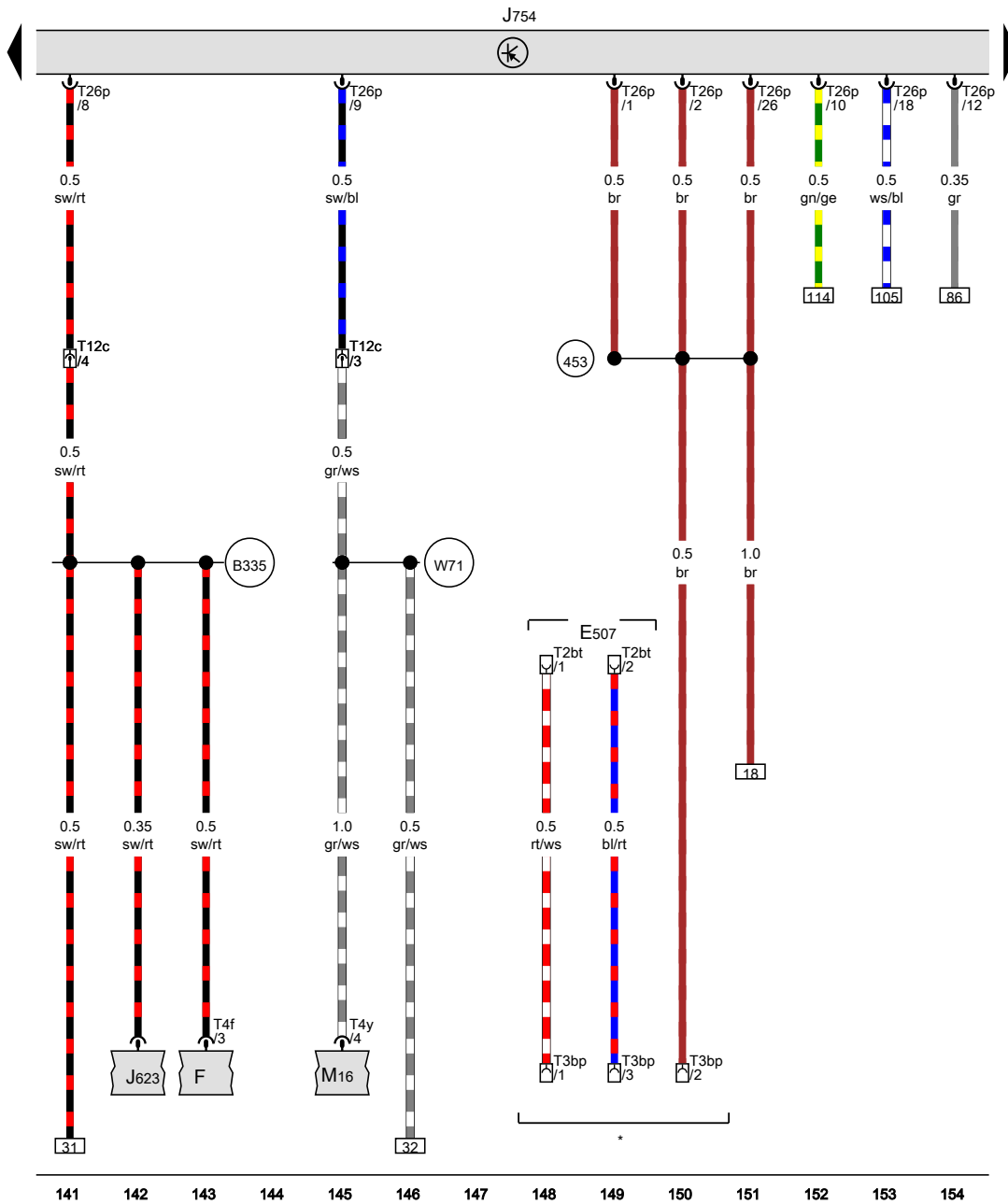
- E497 Accident data recorder button
- G24 Tachograph
- J754 Accident data memory, under front passenger seat
- K225 Accident recorder warning lamp
- L76 Button illumination bulb
- T8xf 8-pin connector, behind dash panel, centre
- T26p 26-pin connector

(B517) Positive connection 5 (15a), in interior wiring harness

(X192) Connection 11, in siren system wiring harness

- ws = white
- sw = black
- ro = red
- rt = red
- br = brown
- gn = green
- bl = blue
- gr = grey
- li = purple
- vi = purple
- ge = yellow
- or = orange
- rs = pink

1360-060110416



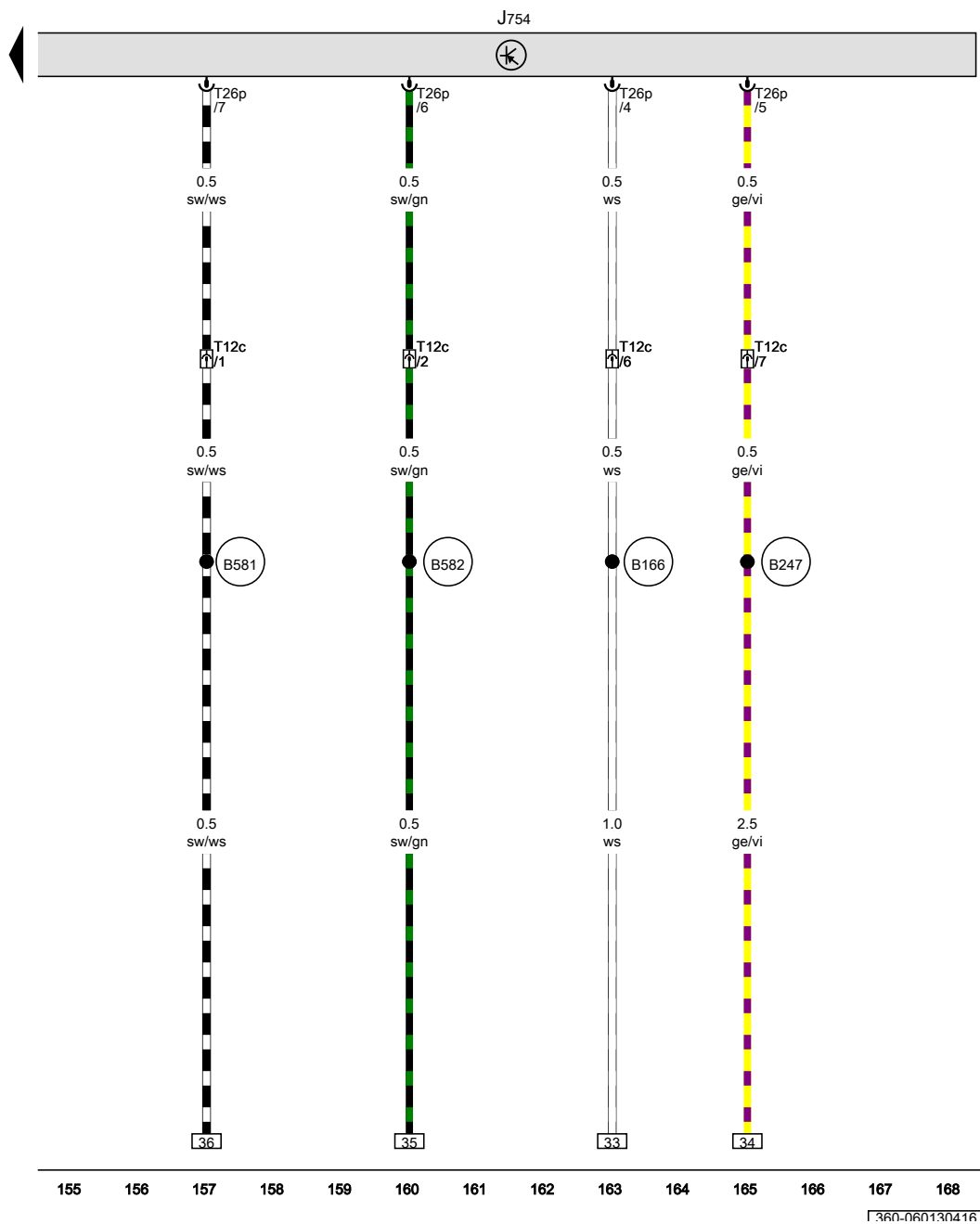
Accident data memory

- E507 Operating unit for special signals
- F Brake light switch
- J623 Engine control unit
- J754 Accident data memory, under front passenger seat
- M16 Left reversing light bulb
- T2bt 2-pin connector
- T3bp 3-pin connector, behind front bumper on left
- T4f 4-pin connector
- T4y 4-pin connector
- T12c 12-pin connector, on left under dash panel
- T26p 26-pin connector

- (453) Earth connection 3, in optional equipment wiring harness
- (B335) Connection 1 (54), in main wiring harness
- (W71) Connection (reversing light), in rear wiring harness
- * Connection for front flashing light

- ws = white
- sw = black
- ro = red
- rt = red
- br = brown
- gn = green
- bl = blue
- gr = grey
- li = purple
- vi = purple
- ge = yellow
- or = orange
- rs = pink

360-060120416



Accident data memory

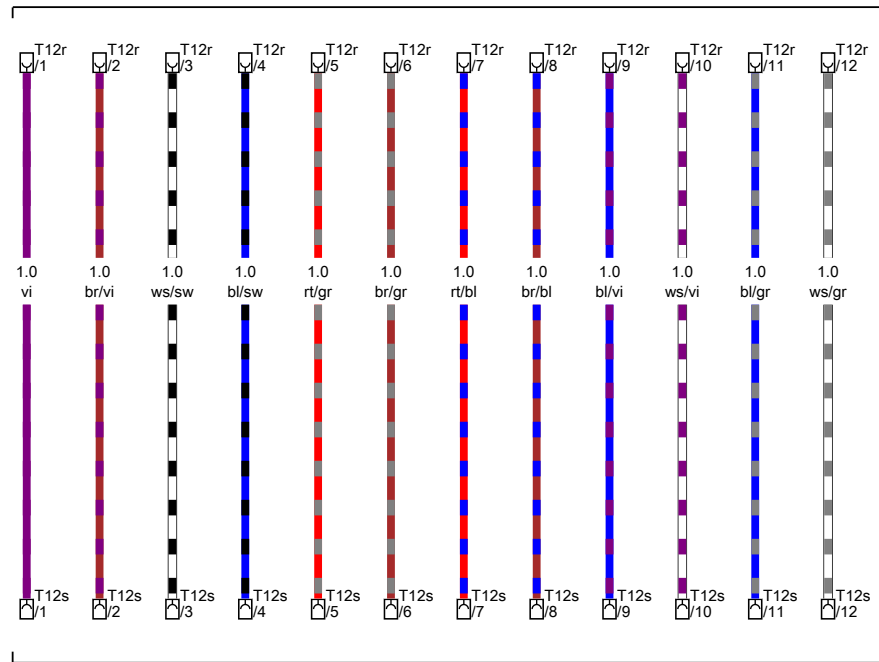
- J754 Accident data memory, under front passenger seat
- T12c 12-pin connector, on left under dash panel
- T26p 26-pin connector

- B166 Connection (56a), in interior wiring harness
- B247 Connection 2 (56b), in interior wiring harness
- B581 Positive connection (left indicator lamp), in interior wiring harness
- B582 Positive connection (right indicator lamp), interior wiring harness

- ws = white
- sw = black
- ro = red
- rt = red
- br = brown
- gn = green
- bl = blue
- gr = grey
- li = purple
- vi = purple
- ge = yellow
- or = orange
- rs = pink

12-pin connector

- T12r 12-pin connector, behind centre console
- T12s 12-pin connector, in luggage compartment
- * Connection for 2-way radio



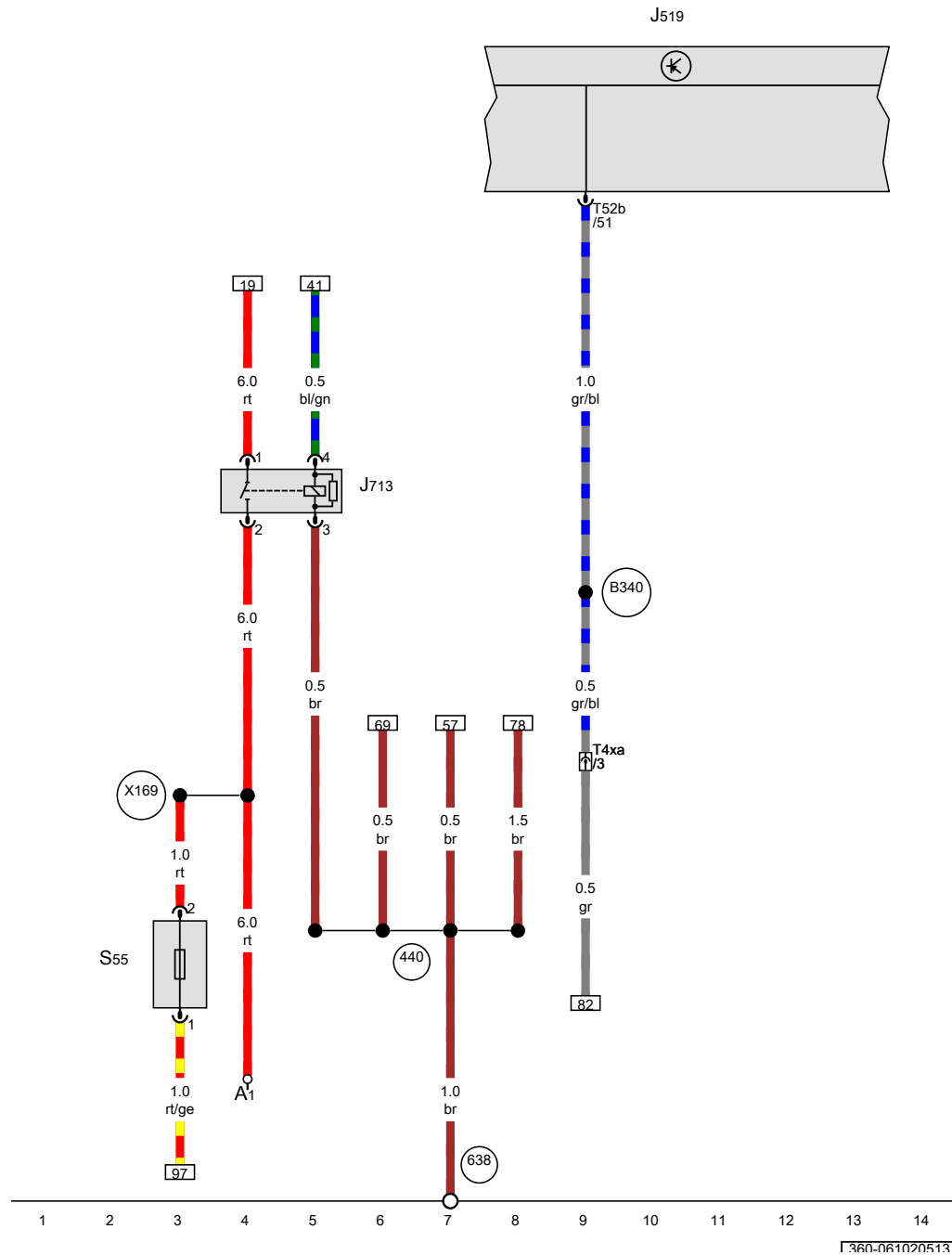
- ws = white
- sw = black
- ro = red
- rt = red
- br = brown
- gn = green
- bl = blue
- gr = grey
- li = purple
- vi = purple
- ge = yellow
- or = orange
- rs = pink

Taxi equipment
From November 2010

Second battery, Onboard supply control unit, Second battery charging circuit relay

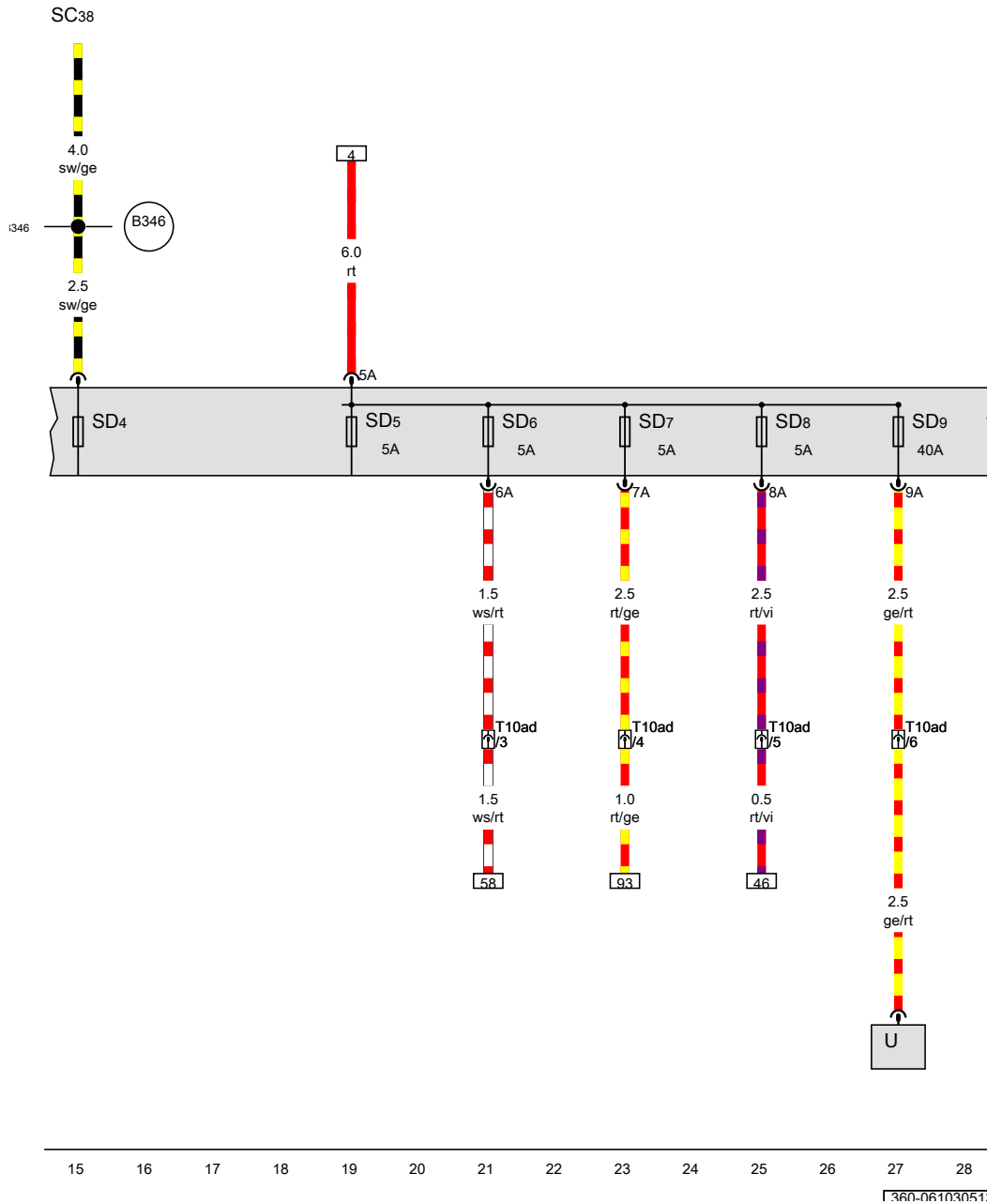
- A1 Second battery
- J519 Onboard supply control unit
- J713 Second battery charging circuit relay
- S55 Two-way radio fuse
- T4xa 4-pin connector
- T52b 52-pin connector

- (440) Earth connection 1, in siren system wiring harness
- (638) Earth point, on right A-pillar
- (B340) Connection 1 (58d), in main wiring harness
- (X169) Connection 17, in taxi wiring harness



- ws = white
- sw = black
- ro = red
- rt = red
- br = brown
- gn = green
- bl = blue
- gr = grey
- li = purple
- vi = purple
- ge = yellow
- or = orange
- rs = pink

1360-061020513



Fuse 4 on fuse holder D, Fuse 5 on fuse holder D, Fuse 6 on fuse holder D, Fuse 7 on fuse holder D, Fuse 8 on fuse holder D, Fuse 9 on fuse holder D

- SD4 Fuse 4 on fuse holder D
- SD5 Fuse 5 on fuse holder D
- SD6 Fuse 6 on fuse holder D
- SD7 Fuse 7 on fuse holder D
- SD8 Fuse 8 on fuse holder D
- SD9 Fuse 9 on fuse holder D
- SC38 Fuse 38 on fuse holder C
- T1 Single connector
- T10ad 10-pin connector, on lower section of right A-pillar
- U Electric socket

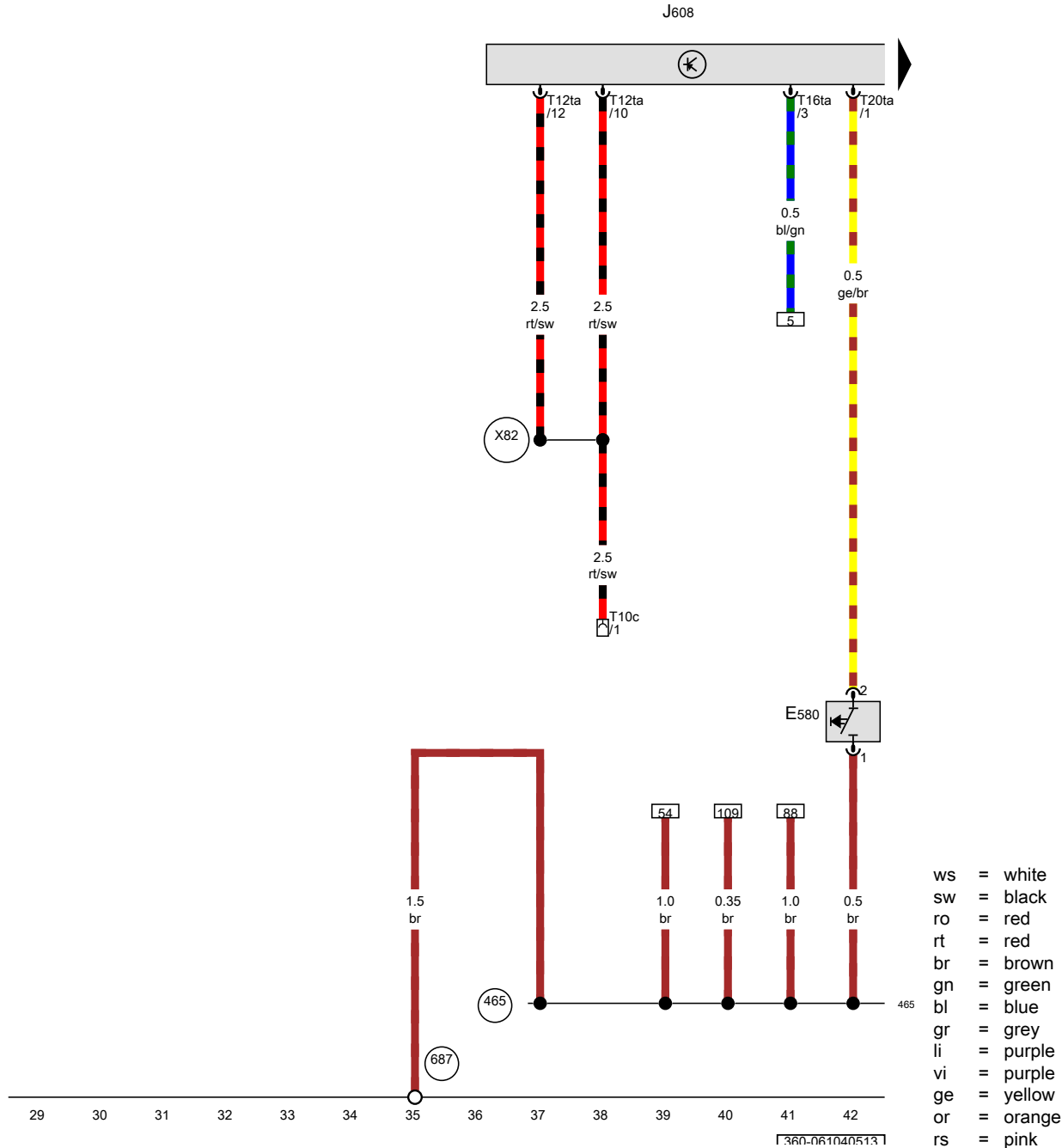
B346 Connection 1 (75), in main wiring harness

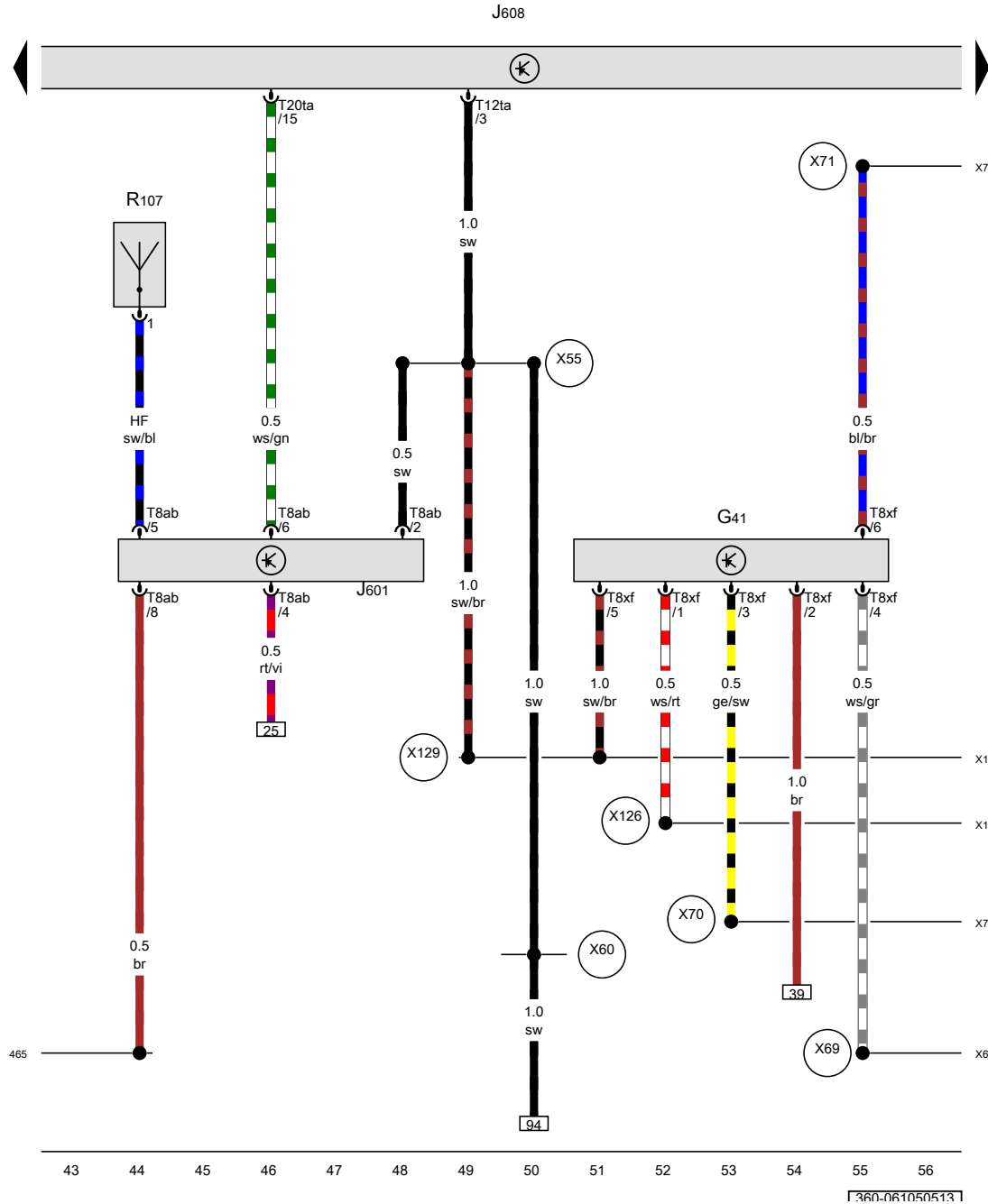
- ws = white
- sw = black
- ro = red
- rt = red
- br = brown
- gn = green
- bl = blue
- gr = grey
- li = purple
- vi = purple
- ge = yellow
- or = orange
- rs = pink

Passive Taxi alarm button, Special vehicle control unit

- E580 Passive Taxi alarm button
- J608 Special vehicle control unit, black
- T10c 10-pin connector
- T12ta 12-pin connector
- T16ta 16-pin connector
- T20ta 20-pin connector

- 465 Earth connection 4, in taxi wiring harness
- 687 Earth point 1, on centre tunnel
- X82 Positive connection 1 (30a), in taxi wiring harness





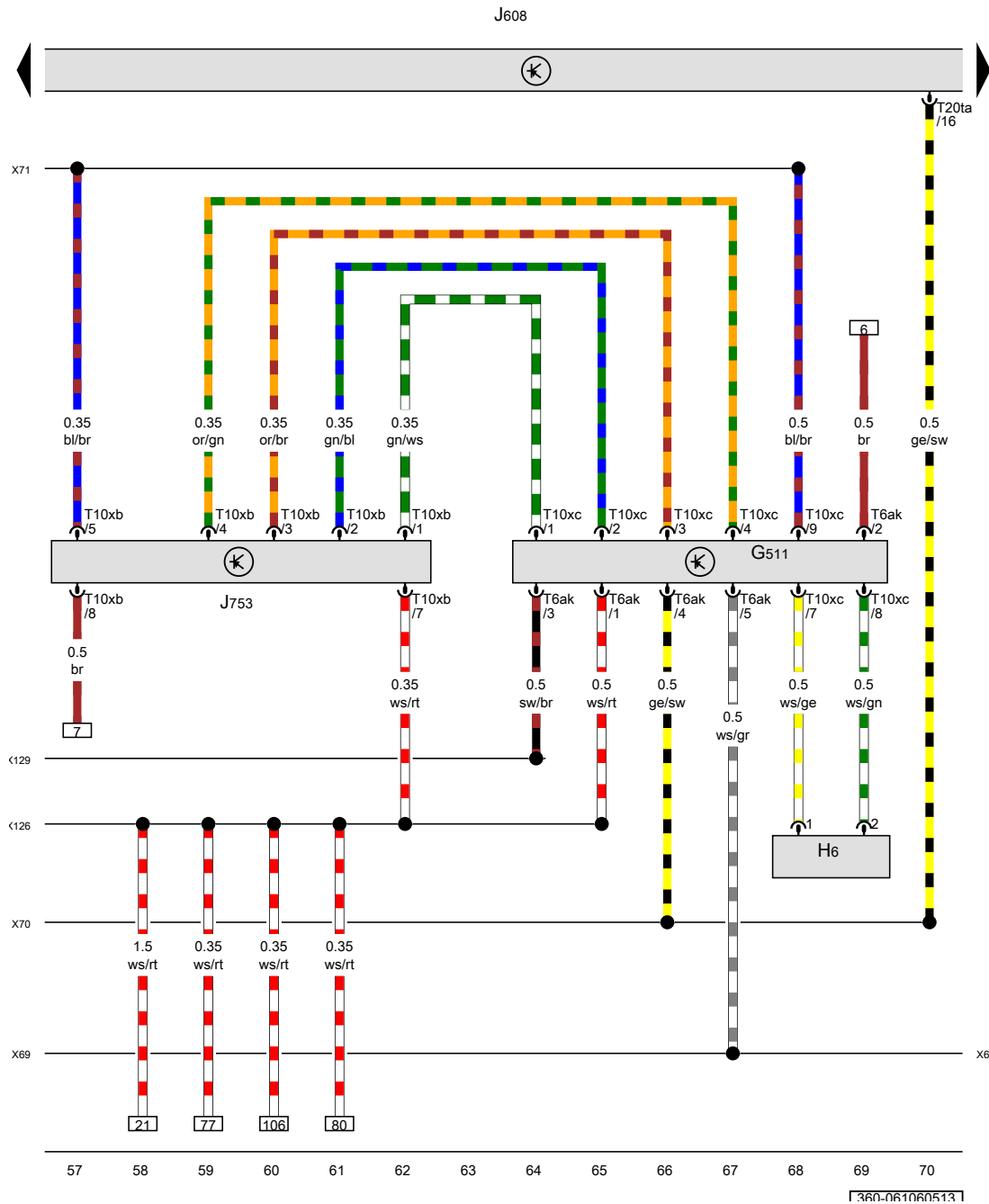
Taximeter, Taxi alarm remote control, control unit, Special vehicle control unit, Remote controlled taxi alarm aerial

- G41 Taximeter
- J601 Taxi alarm remote control, control unit
- J608 Special vehicle control unit, black
- R107 Remote controlled taxi alarm aerial
- T8ab 8-pin connector
- T8xf 8-pin connector
- T12ta 12-pin connector
- T20ta 20-pin connector

- (465) Earth connection 4, in taxi wiring harness
- (X55) Positive connection (15), in optional equipment wiring harness
- (X60) Positive connection 2 (15a), in optional equipment wiring harness
- (X69) Connection 1, in taxi wiring harness
- (X70) Connection 2, in taxi wiring harness
- (X71) Connection 3, in taxi wiring harness
- (X126) Positive connection 2 (30a), in taxi wiring harness
- (X129) Positive connection 1 (15), in taxi wiring harness

- ws = white
- sw = black
- ro = red
- rt = red
- br = brown
- gn = green
- bl = blue
- gr = grey
- li = purple
- vi = purple
- ge = yellow
- or = orange
- rs = pink

1360-061050513



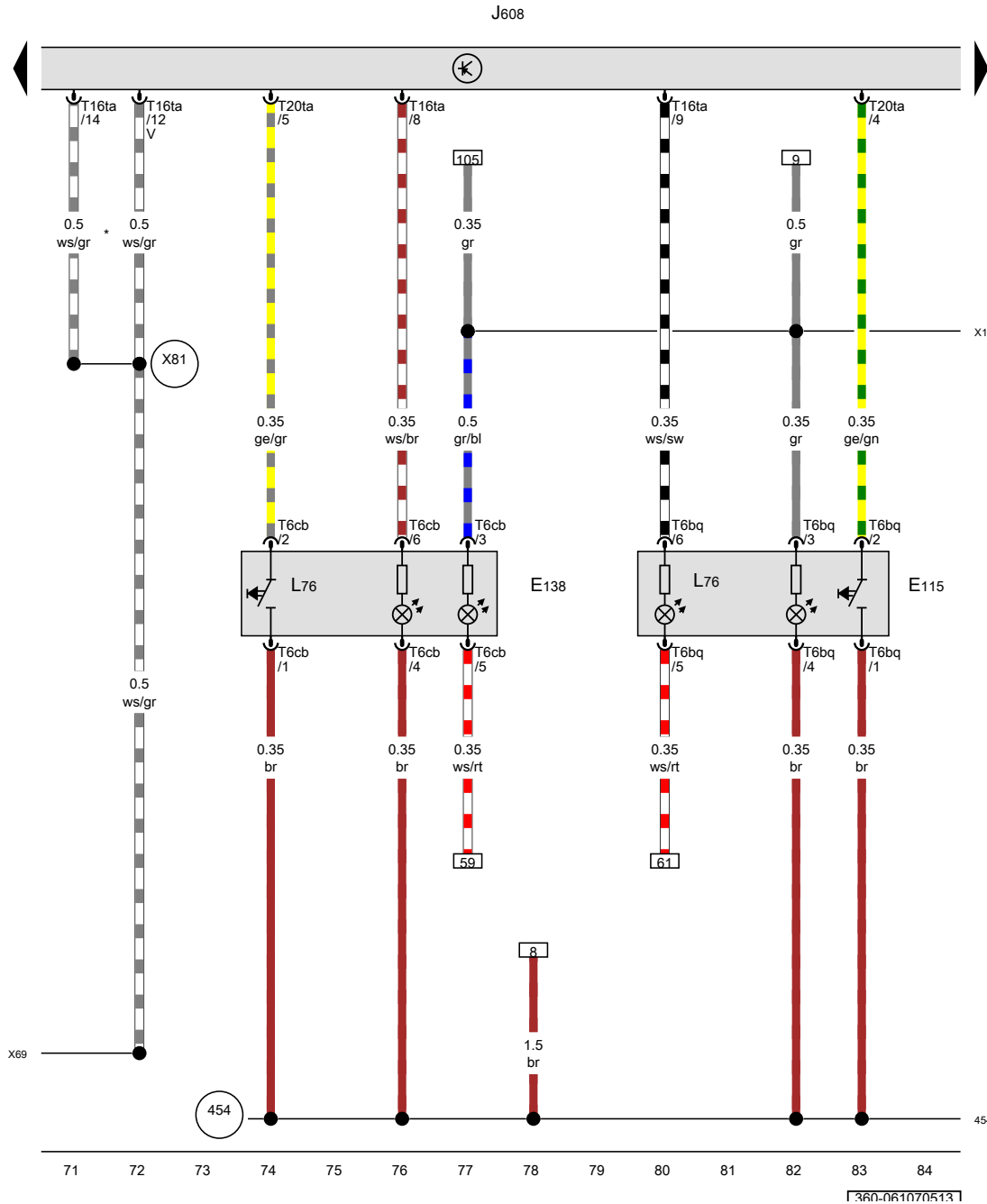
Mirror taximeter, Contact in ignition and starter switch for ignition key warning system, Special vehicle control unit, Data transmission control unit

- G511 Mirror taximeter
- H6 Contact in ignition and starter switch for ignition key warning system
- J608 Special vehicle control unit, black
- J753 Data transmission control unit
- T6ak 6-pin connector
- T10xb 10-pin connector
- T10xc 10-pin connector
- T20ta 20-pin connector

- (X69) Connection 1, in taxi wiring harness
- (X70) Connection 2, in taxi wiring harness
- (X71) Connection 3, in taxi wiring harness
- (X126) Positive connection 2 (30a), in taxi wiring harness
- (X129) Positive connection 1 (15), in taxi wiring harness

- ws = white
- sw = black
- ro = red
- rt = red
- br = brown
- gn = green
- bl = blue
- gr = grey
- li = purple
- vi = purple
- ge = yellow
- or = orange
- rs = pink

1360-061060513



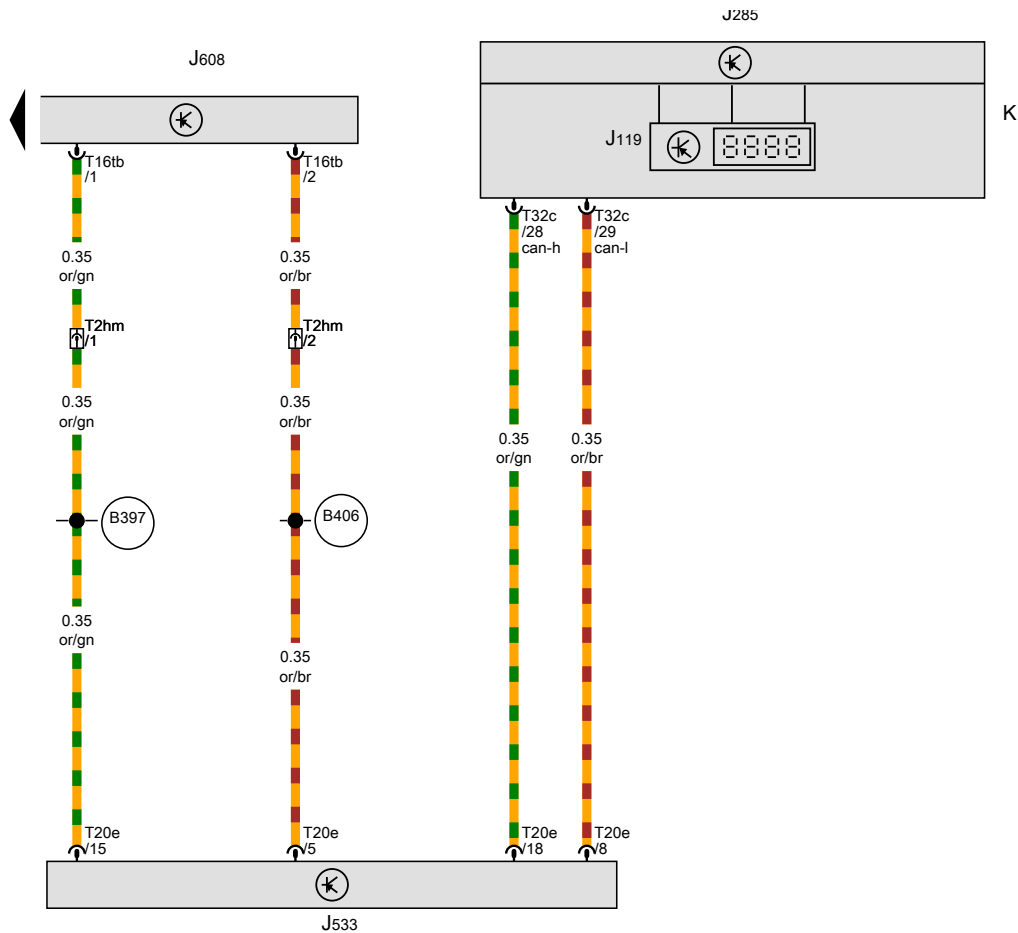
Interior light switch (taxi), Taxi sign switch, Special vehicle control unit

- E115 Interior light switch (taxi)
- E138 Taxi sign switch
- J608 Special vehicle control unit, black
- L76 Button illumination bulb
- T6bq 6-pin connector
- T6cb 6-pin connector
- T16ta 16-pin connector
- T20ta 20-pin connector

- 454 Earth connection 4, in optional equipment wiring harness
- X69 Connection 1, in taxi wiring harness
- X81 Connection 4, in taxi wiring harness
- X154 Connection (58), in taxi wiring harness
- * From May 2011

- ws = white
- sw = black
- ro = red
- rt = red
- br = brown
- gn = green
- bl = blue
- gr = grey
- li = purple
- vi = purple
- ge = yellow
- or = orange
- rs = pink

1360-061070513



Data bus diagnostic interface, Special vehicle control unit, Dash panel insert

- J119 Multifunction indicator
- J285 Control unit in dash panel insert
- J533 Data bus diagnostic interface
- J608 Special vehicle control unit, black
- K Dash panel insert
- T2hm 2-pin connector
- T16tb 16-pin connector
- T20e 20-pin connector
- T32c 32-pin connector

- B397 Connection 1 (convenience CAN bus, high), in main wiring harness
- B406 Connection 1 (convenience CAN bus, low), in main wiring harness

- ws = white
- sw = black
- ro = red
- rt = red
- br = brown
- gn = green
- bl = blue
- gr = grey
- li = purple
- vi = purple
- ge = yellow
- or = orange
- rs = pink

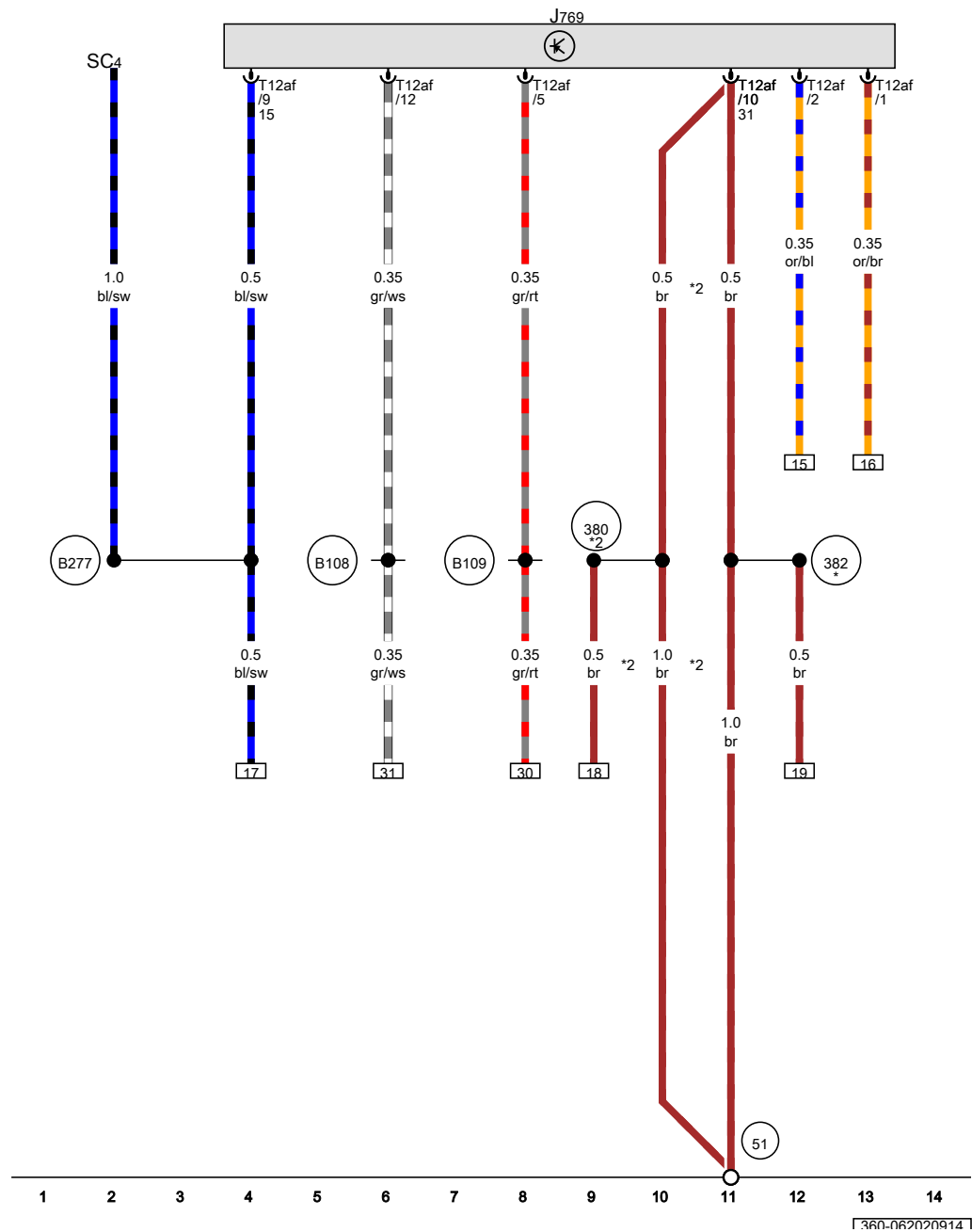
Lane change assist

From May 2011

Lane change assist control unit

J769 Lane change assist control unit
 SC4 Fuse 4 on fuse holder C
 T12af 12-pin connector

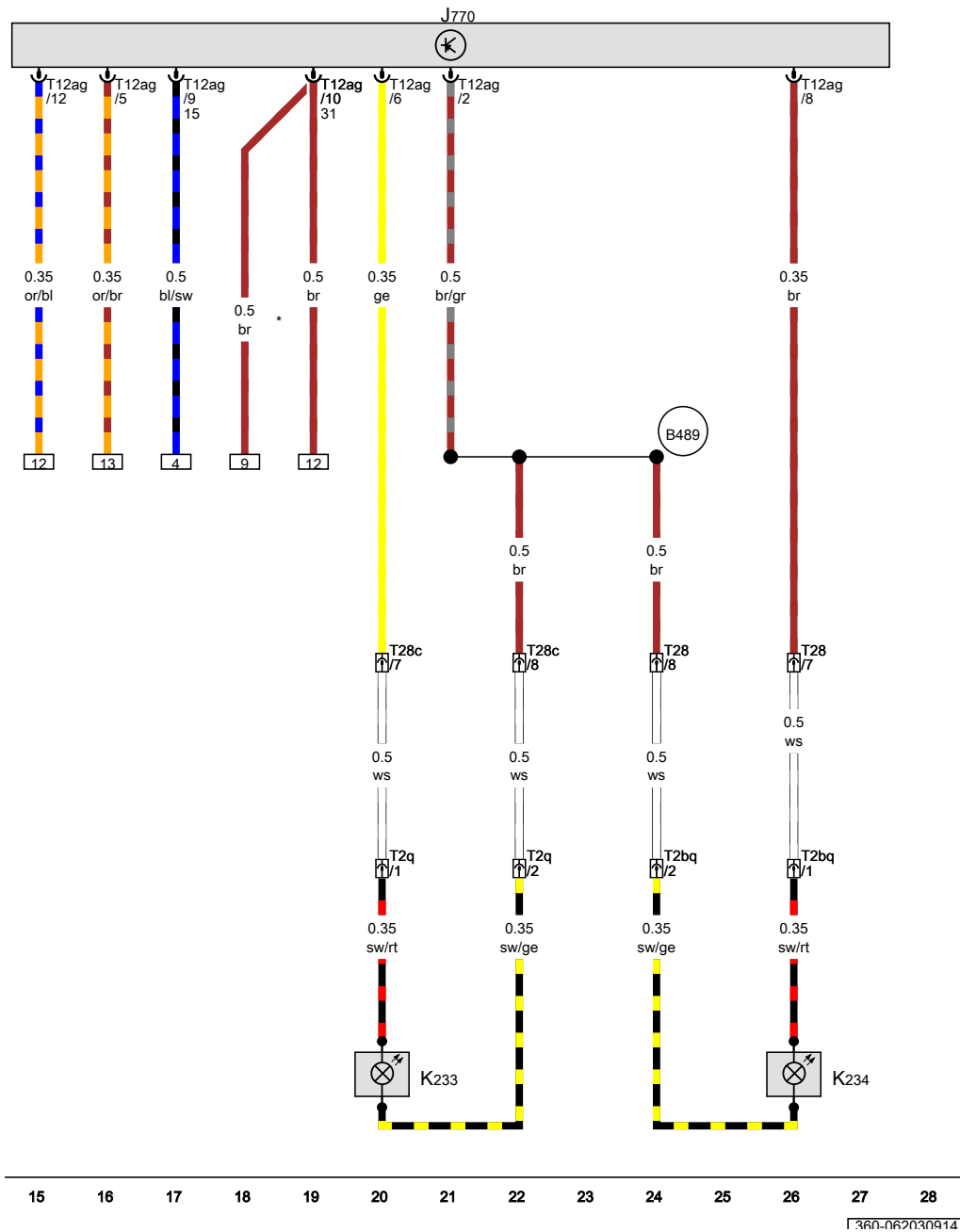
- 51 Earth point, on right in luggage compartment
- 380 Earth connection 15, in main wiring harness
- 382 Earth connection 17, in main wiring harness
- B108 Connection 1 (CAN bus extended high), in main wiring harness
- B109 Connection 1 (CAN bus extended low), in main wiring harness
- B277 Positive connection 1 (15a) in main wiring harness
- * Saloon
- *2 Estate



ws = white
 sw = black
 ro = red
 rt = red
 br = brown
 gn = green
 bl = blue
 gr = grey
 li = purple
 vi = purple
 ge = yellow
 or = orange
 rs = pink

Lane change assist control unit 2, Lane change assist warning lamp in driver side exterior mirror, Lane change assist warning lamp in front passenger side exterior mirror

- J770 Lane change assist control unit 2
- K233 Lane change assist warning lamp in driver side exterior mirror
- K234 Lane change assist warning lamp in front passenger side exterior mirror
- T2bq 2-pin connector
- T2q 2-pin connector
- T12ag 12-pin connector
- T28 28-pin connector
- T28c 28-pin connector
- B489 Connection 25, in main wiring harness
- * Estate



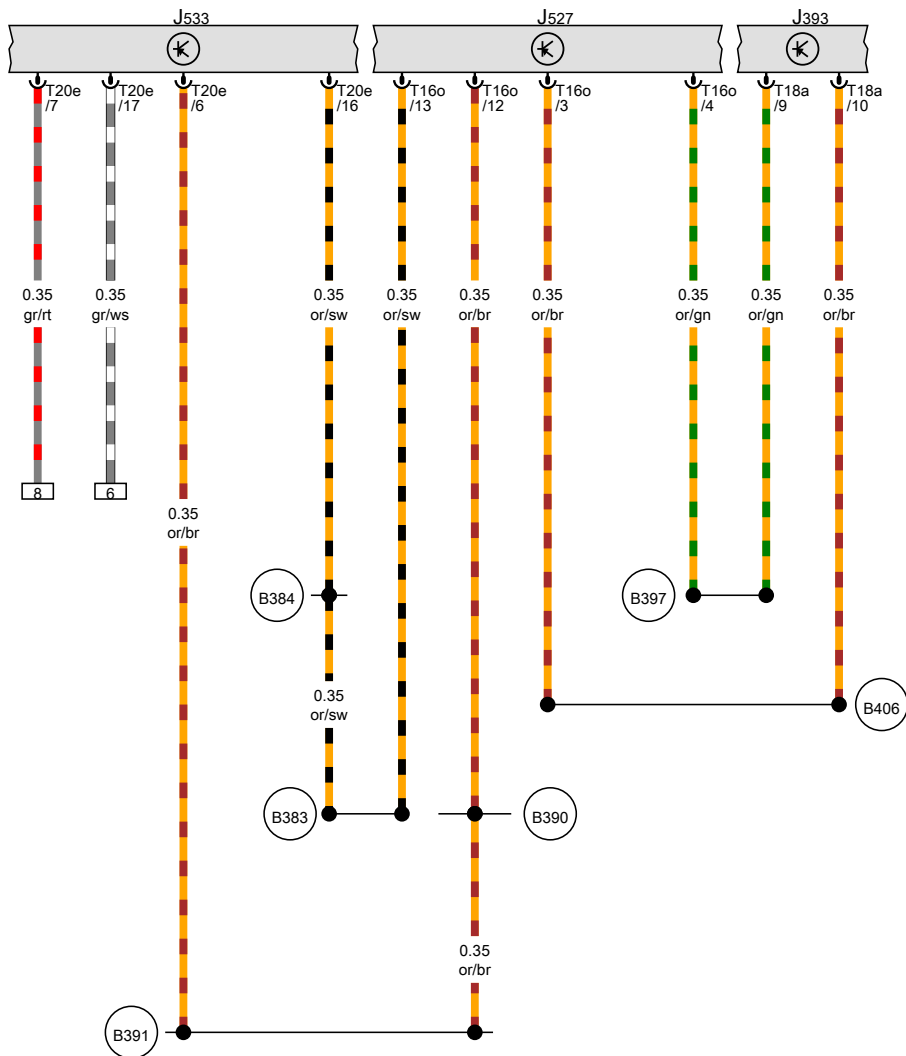
- ws = white
- sw = black
- ro = red
- rt = red
- br = brown
- gn = green
- bl = blue
- gr = grey
- li = purple
- vi = purple
- ge = yellow
- or = orange
- rs = pink

1360-062030914

Convenience system central control unit, Steering column electronics control unit, Data bus diagnostic interface

- J393 Convenience system central control unit
- J527 Steering column electronics control unit
- J533 Data bus diagnostic interface
- T16o 16-pin connector
- T18a 18-pin connector
- T20e 20-pin connector

- B383 Connection 1 (powertrain CAN bus, high), in main wiring harness
- B384 Connection 2 (powertrain CAN bus, high), in main wiring harness
- B390 Connection 1 (powertrain CAN bus, low), in main wiring harness
- B391 Connection 2 (powertrain CAN bus, low), in main wiring harness
- B397 Connection 1 (convenience CAN bus, high), in main wiring harness
- B406 Connection 1 (convenience CAN bus, low), in main wiring harness



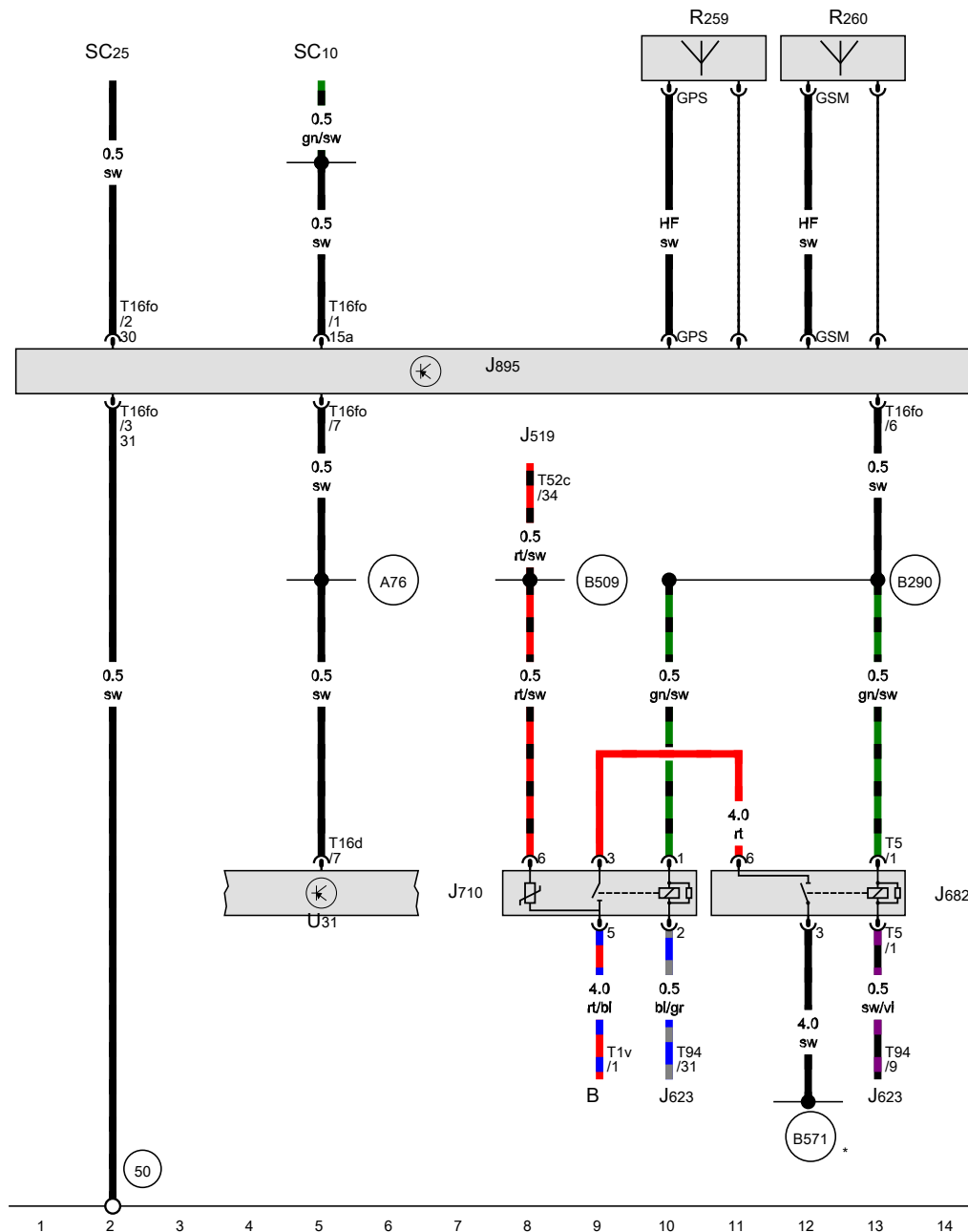
- ws = white
- sw = black
- ro = red
- rt = red
- br = brown
- gn = green
- bl = blue
- gr = grey
- li = purple
- vi = purple
- ge = yellow
- or = orange
- rs = pink

29 30 31 32 33 34 35 36 37 38 39 40 41 42

1360-062040914

Vehicle location system

From May 2012



Starter, Control unit for vehicle location system, Vehicle location system aerial 1, Vehicle location system aerial 2, Diagnostic connection

- B Starter
- J519 Onboard supply control unit
- J623 Engine control unit
- J682 Terminal 50 voltage supply relay
- J710 Voltage supply relay 2
- J895 Control unit for vehicle location system
- R259 Vehicle location system aerial 1
- R260 Vehicle location system aerial 2
- SC10 Fuse 10 on fuse holder C
- SC25 Fuse 25 on fuse holder C
- T1v Single connector
- T5 5-pin connector
- T16d 16-pin connector
- T16fo 16-pin connector
- T52c 52-pin connector
- T94 94-pin connector
- U31 Diagnostic connection

- (50) Earth point, on left in luggage compartment
- (A76) Connection (K-diagnosis wire), in dash panel wiring harness
- (B290) Positive connection 14 (15a) in main wiring harness
- (B509) Connection 3 (diagnosis), in main wiring harness
- (B571) Connection 38, in main wiring harness
- * see applicable current flow diagram for engine

- ws = white
- sw = black
- ro = red
- br = brown
- gn = green
- bl = blue
- gr = grey
- li = purple
- ge = yellow
- or = orange
- rs = pink

1360-0630204121

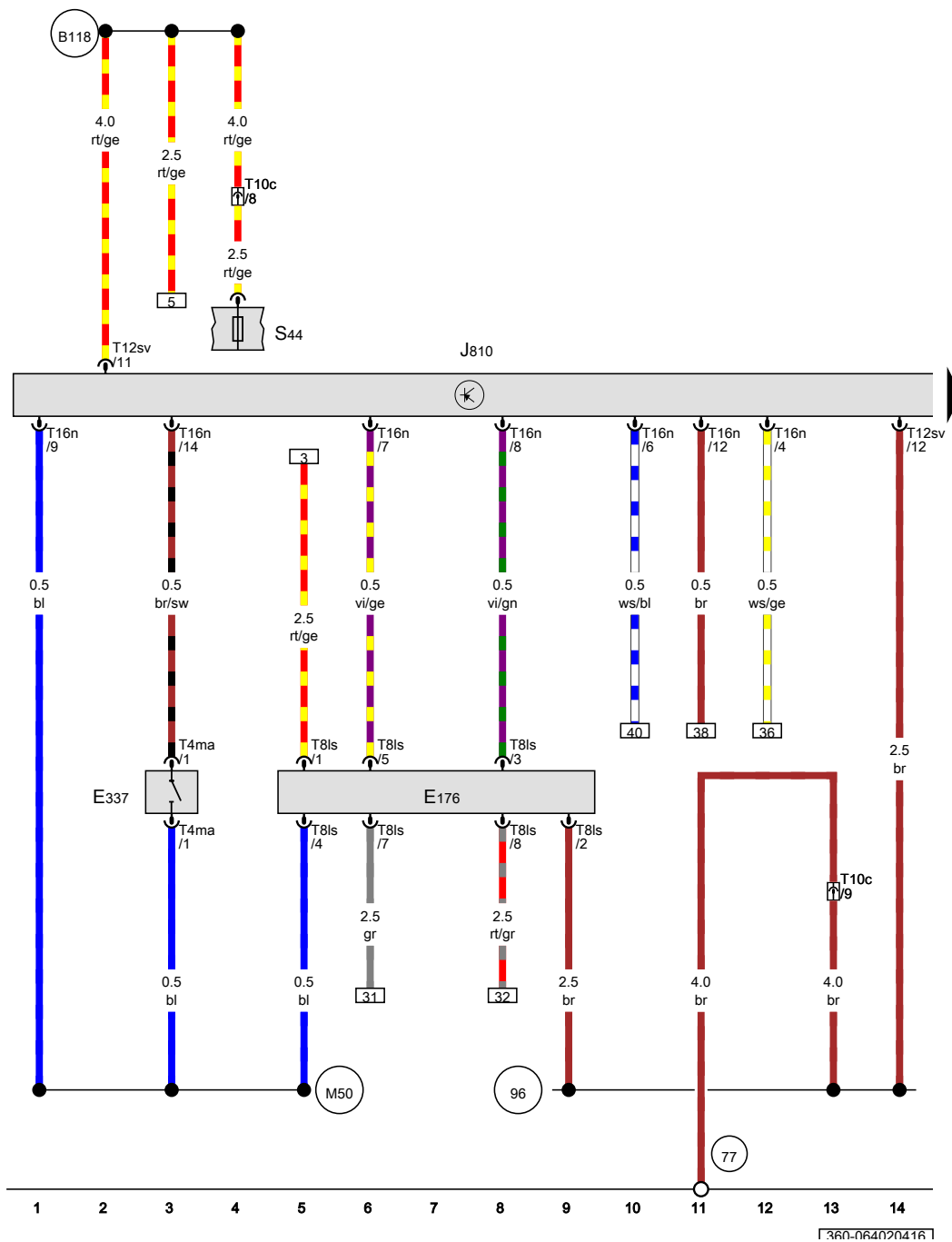
Electrically adjustable backrest and lumbar support , (3PD),(3PG),(7P7),(7P8),(8I2),(8I3)

From May 2011

Driver seat lumbar support adjustment switch, Massage function button, Driver seat adjustment control unit

- E176 Driver seat lumbar support adjustment switch
- E337 Massage function button
- J810 Driver seat adjustment control unit
- S44 Driver seat adjustment thermal fuse 1
- T4ma 4-pin connector
- T8ls 8-pin connector, brown
- T10c 10-pin connector, on driver seat
- T12sv 12-pin connector
- T16n 16-pin connector, black

- (77) Earth point, lower part of left B-pillar
- (96) Earth connection 1, in seat heating wiring harness
- (B118) Connection (driver side seat adjustment), in interior wiring harness
- (M50) Connection 10, in driver seat wiring harness

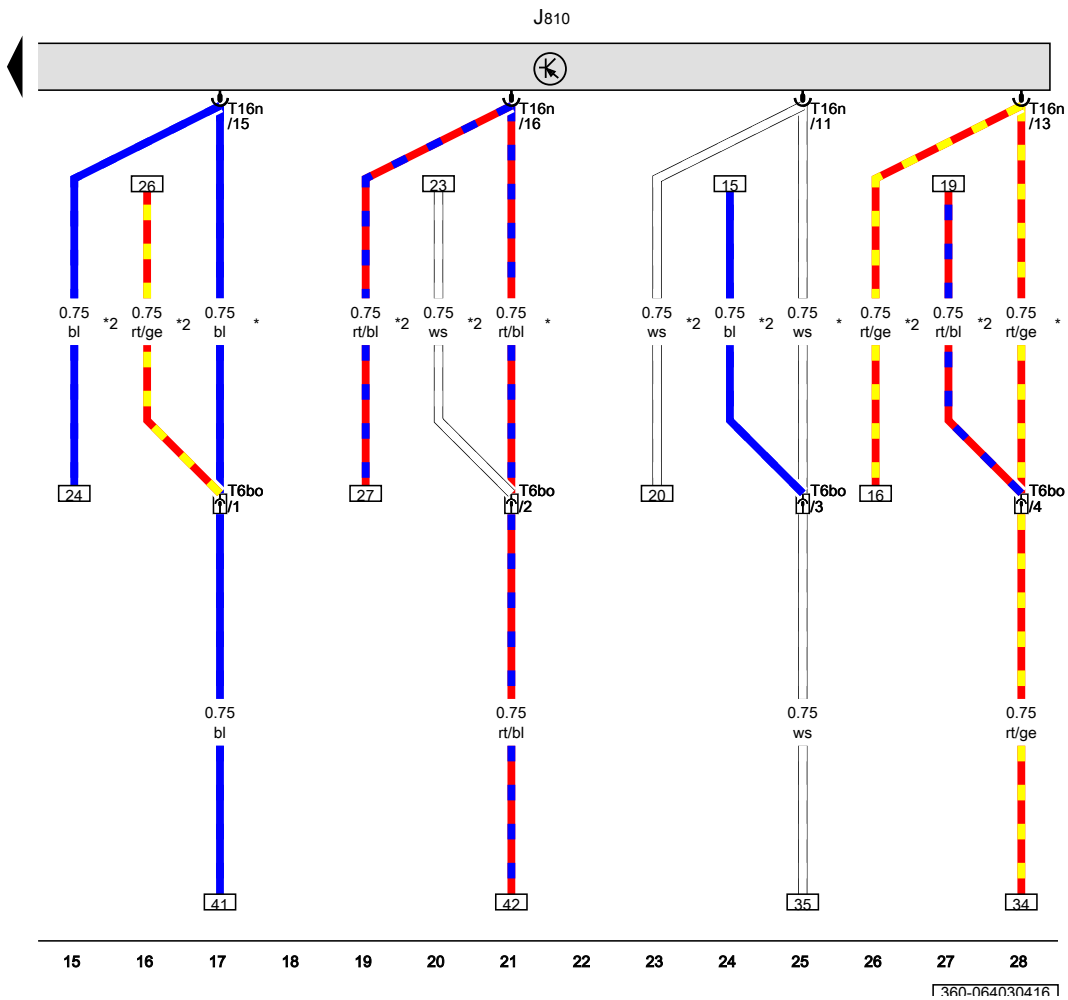


- ws = white
- sw = black
- ro = red
- rt = red
- br = brown
- gn = green
- bl = blue
- gr = grey
- li = purple
- vi = purple
- ge = yellow
- or = orange
- rs = pink

1360-064020416

Driver seat adjustment control unit

- J810 Driver seat adjustment control unit
- T6bo 6-pin connector, black
- T16n 16-pin connector, black
- * Only left-hand drive models
- *2 Only right-hand drive models



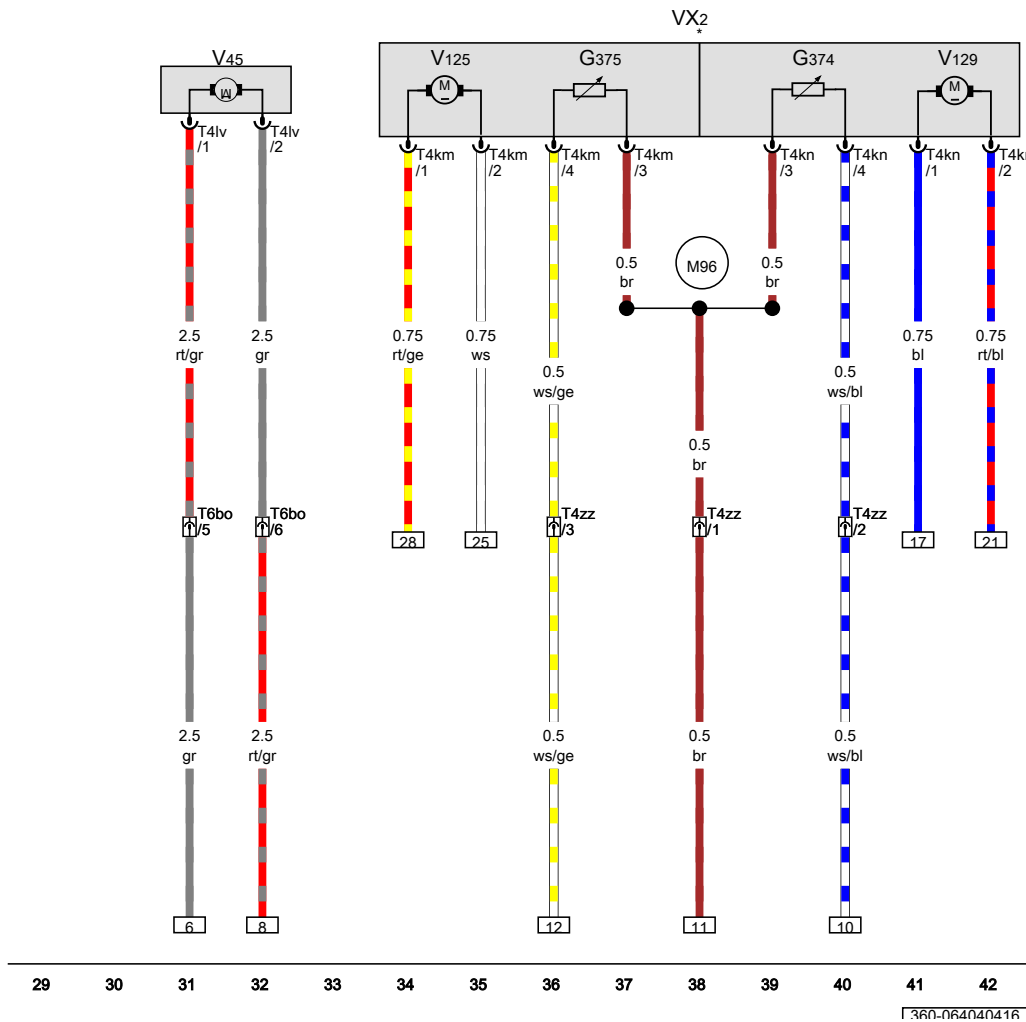
- ws = white
- sw = black
- ro = red
- rt = red
- br = brown
- gn = green
- bl = blue
- gr = grey
- li = purple
- vi = purple
- ge = yellow
- or = orange
- rs = pink

Lumbar support longitudinal adjustment sender, Lumbar support for driver seat, Driver seat backrest adjustment motor, Driver seat lumbar support longitudinal adjustment motor, Driver seat lumbar support height adjustment motor

- G374 Lumbar support height adjustment sender
- G375 Lumbar support longitudinal adjustment sender
- T4km 4-pin connector, black
- T4kn 4-pin connector, black
- T4lv 4-pin connector
- T4zz 4-pin connector
- T6bo 6-pin connector, black
- VX2 Lumbar support for driver seat
- V45 Driver seat backrest adjustment motor
- V125 Driver seat lumbar support longitudinal adjustment motor
- V129 Driver seat lumbar support height adjustment motor

M96 Connection 4, seat adjustment wiring harness

* Lumbar support with massage

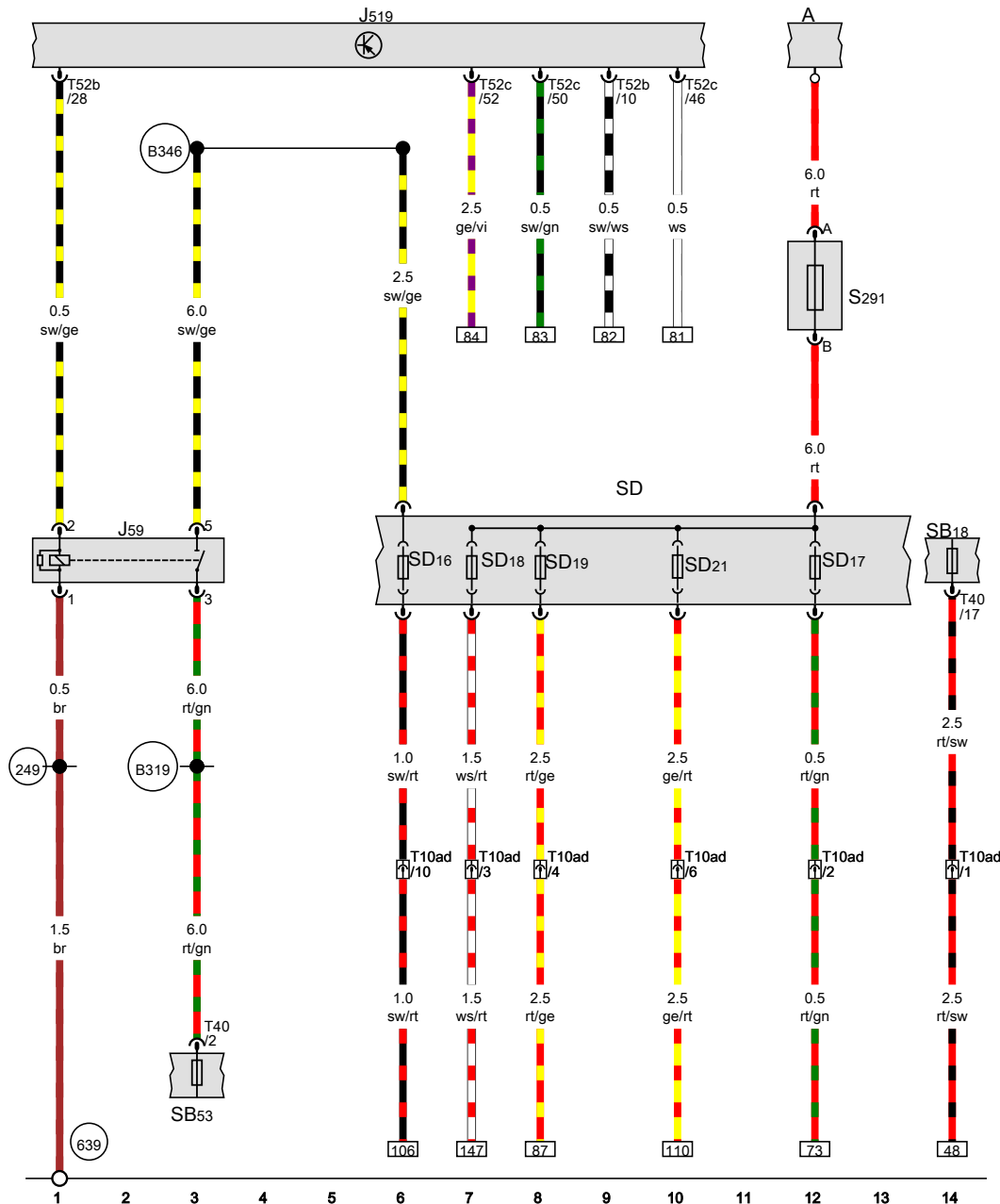


- ws = white
- sw = black
- ro = red
- rt = red
- br = brown
- gn = green
- bl = blue
- gr = grey
- li = purple
- vi = purple
- ge = yellow
- or = orange
- rs = pink

1360-064040416

Criminal investigation department, response vehicles (civil response vehicle, doctors emergency response vehicle)

From May 2011



1360-065020913

X-contact relief relay, Onboard supply control unit, Fuse holder D

- A Battery
- J59 X-contact relief relay
- J519 Onboard supply control unit
- SD16 Fuse 16 on fuse holder D
- SD17 Fuse 17 on fuse holder D
- SD18 Fuse 18 on fuse holder D
- SB18 Fuse 18 on fuse holder B
- SD19 Fuse 19 on fuse holder D
- SD21 Fuse 21 on fuse holder D
- SB53 Fuse 53 on fuse holder B
- S291 Special vehicle fuse 1
- SD Fuse holder D, Fuse carrier on right of dash panel
- T10ad 10-pin connector, on left A-pillar
- T40 40-pin connector
- T52b 52-pin connector, white
- T52c 52-pin connector, brown

249 Earth connection 2, in interior wiring harness

639 Earth point, left A-pillar

B319 Positive connection 5 (30a) in main wiring harness

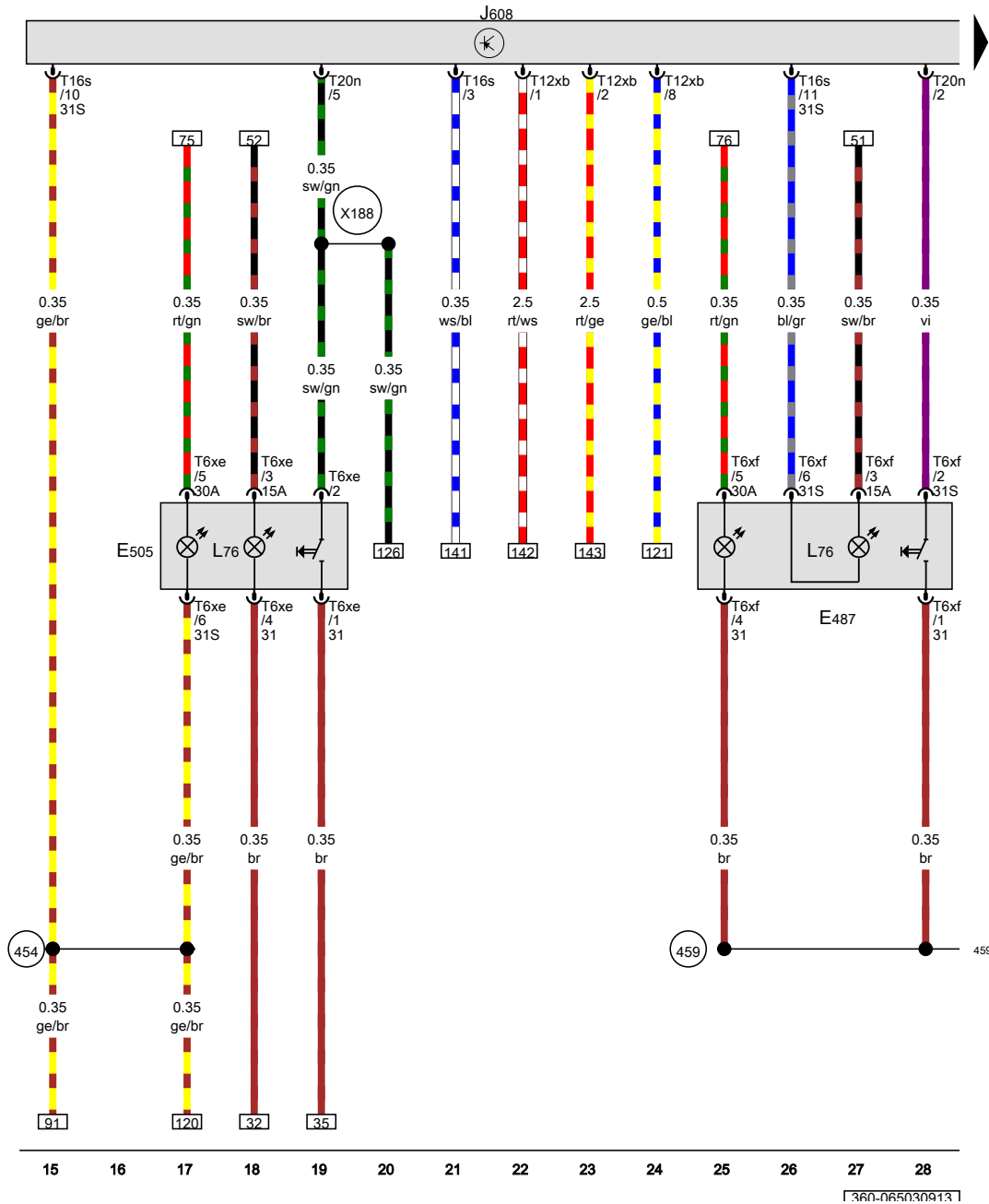
B346 Connection 1 (75), in main wiring harness

- ws = white
- sw = black
- ro = red
- rt = red
- br = brown
- gn = green
- bl = blue
- gr = grey
- li = purple
- vi = purple
- ge = yellow
- or = orange
- rs = pink

Hands-free system button, Special signal system changeover button, Special vehicle control unit

- E487 Hands-free system button
- E505 Special signal system changeover button
- J608 Special vehicle control unit
- L76 Button illumination bulb
- T6xe 6-pin connector
- T6xf 6-pin connector
- T12xb 12-pin connector
- T16s 16-pin connector
- T20n 20-pin connector

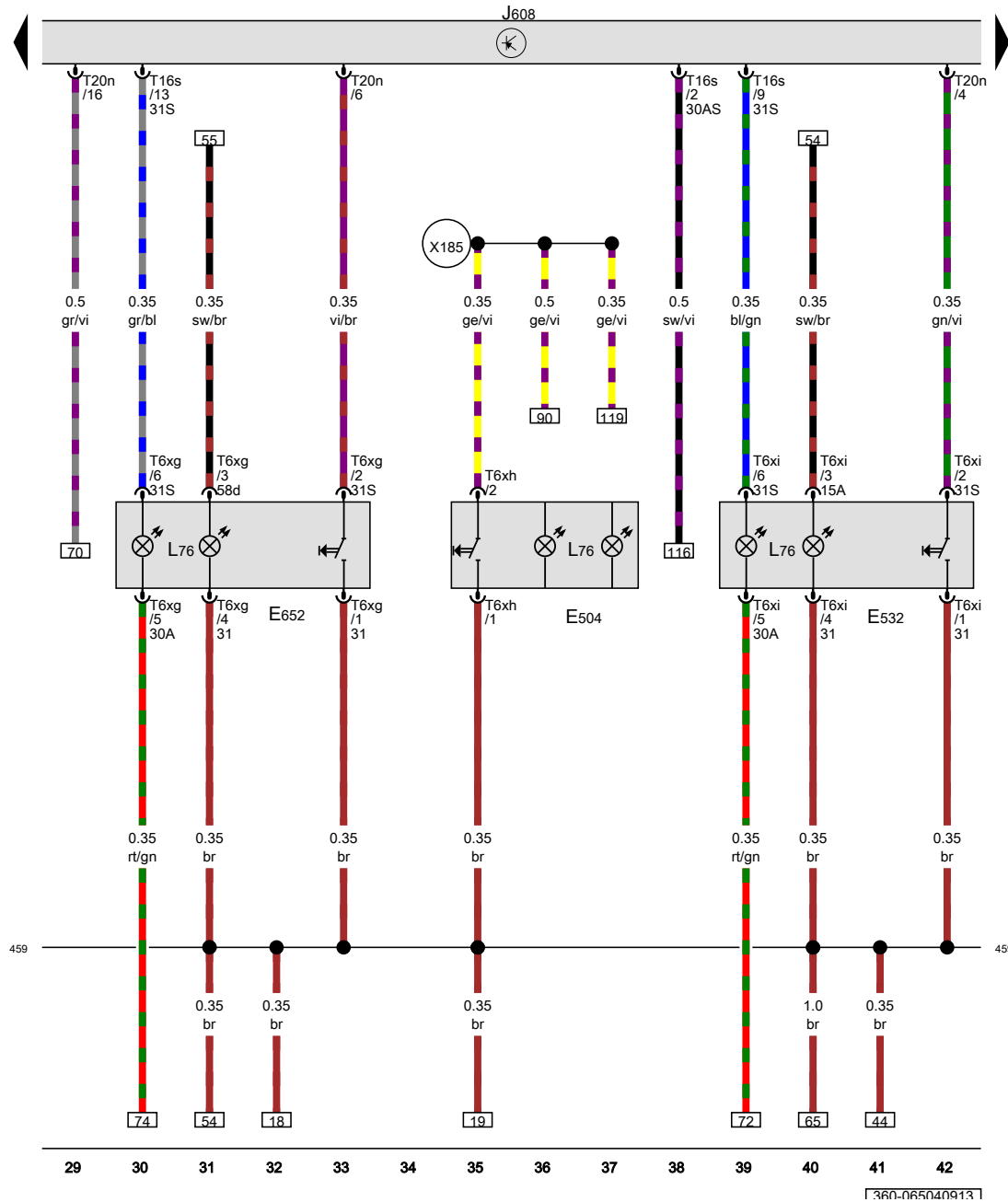
- 454 Earth connection 4, in optional equipment wiring harness
- 459 Earth connection 15, in interior wiring harness
- X188 Connection 7, in siren system wiring harness



- ws = white
- sw = black
- ro = red
- rt = red
- br = brown
- gn = green
- bl = blue
- gr = grey
- li = purple
- vi = purple
- ge = yellow
- or = orange
- rs = pink

1360-065030913

Functional test button for special signal system, Button to deactivate interior lights, Button for daytime running light switch-off, Special vehicle control unit



- E504 Functional test button for special signal system
- E532 Button to deactivate interior lights
- E652 Button for daytime running light switch-off
- J608 Special vehicle control unit
- L76 Button illumination bulb
- T6xg 6-pin connector
- T6xh 6-pin connector
- T6xi 6-pin connector
- T16s 16-pin connector
- T20n 20-pin connector

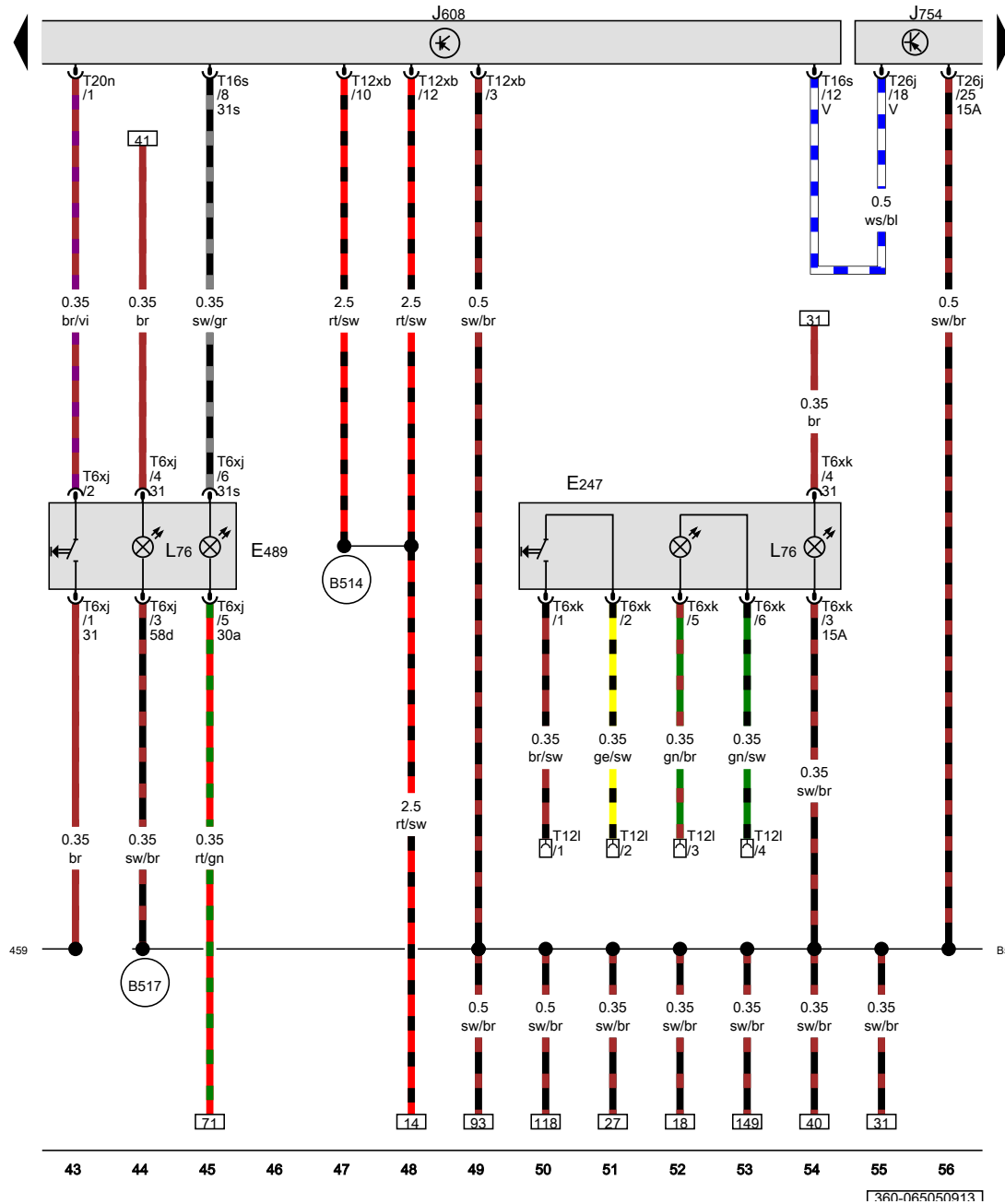
459 Earth connection 15, in interior wiring harness

X185 Connection 4, in siren system wiring harness

- ws = white
- sw = black
- ro = red
- rt = red
- br = brown
- gn = green
- bl = blue
- gr = grey
- li = purple
- vi = purple
- ge = yellow
- or = orange
- rs = pink

1360-065040913

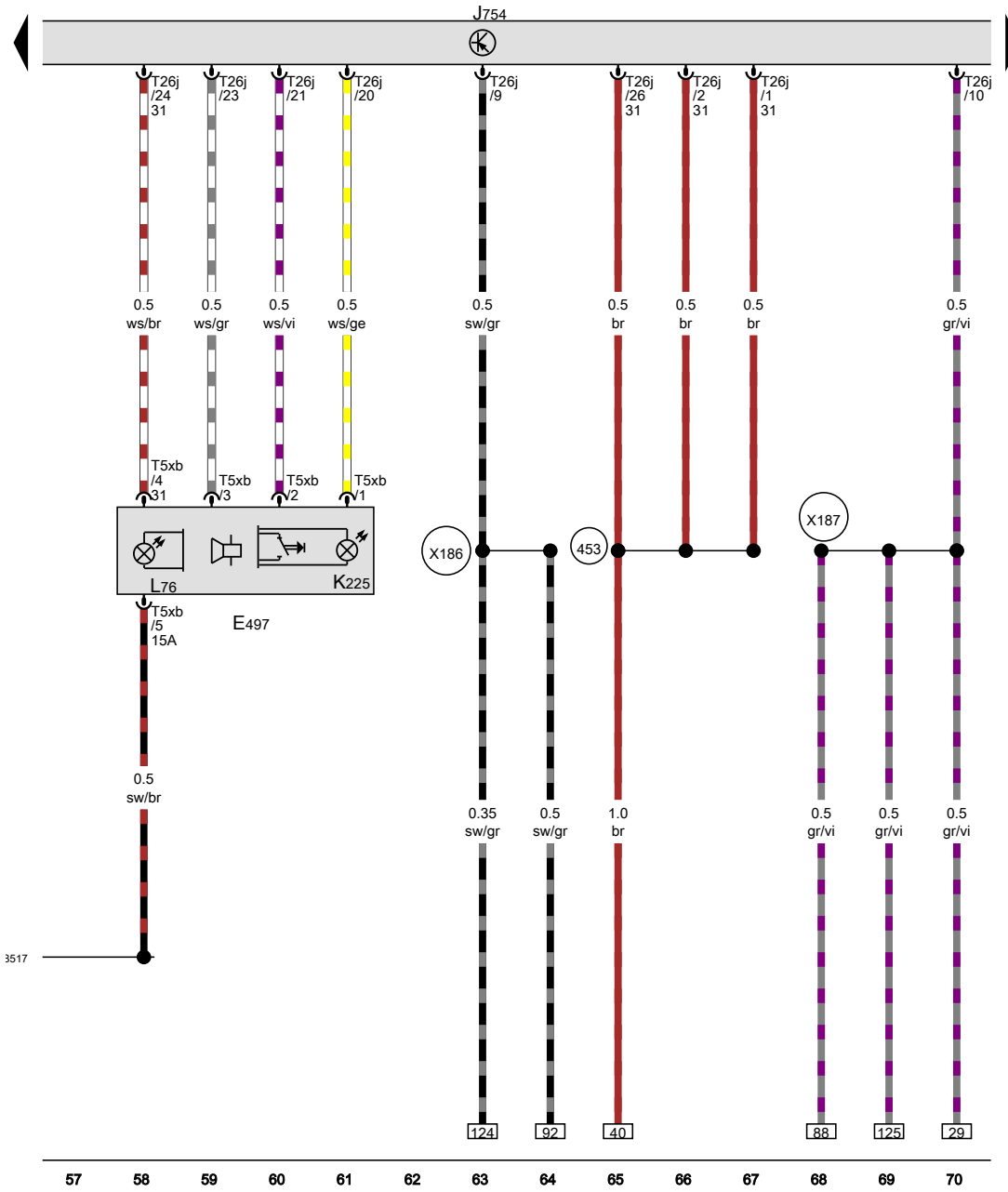
Switch to trip alarm, Ignition bypass button, Special vehicle control unit, Accident data memory



- E247 Switch to trip alarm
- E489 Ignition bypass button
- J608 Special vehicle control unit
- J754 Accident data memory
- L76 Button illumination bulb
- T6xj 6-pin connector
- T6xk 6-pin connector
- T12l 12-pin connector, in luggage compartment
- T12xb 12-pin connector
- T16s 16-pin connector
- T20n 20-pin connector
- T26j 26-pin connector
- 459 Earth connection 15, in interior wiring harness
- B514 Positive connection 10 (30a), in interior wiring harness
- B517 Positive connection 5 (15a), in interior wiring harness

- ws = white
- sw = black
- ro = red
- rt = red
- br = brown
- gn = green
- bl = blue
- gr = grey
- li = purple
- vi = purple
- ge = yellow
- or = orange
- rs = pink

1360-065050913



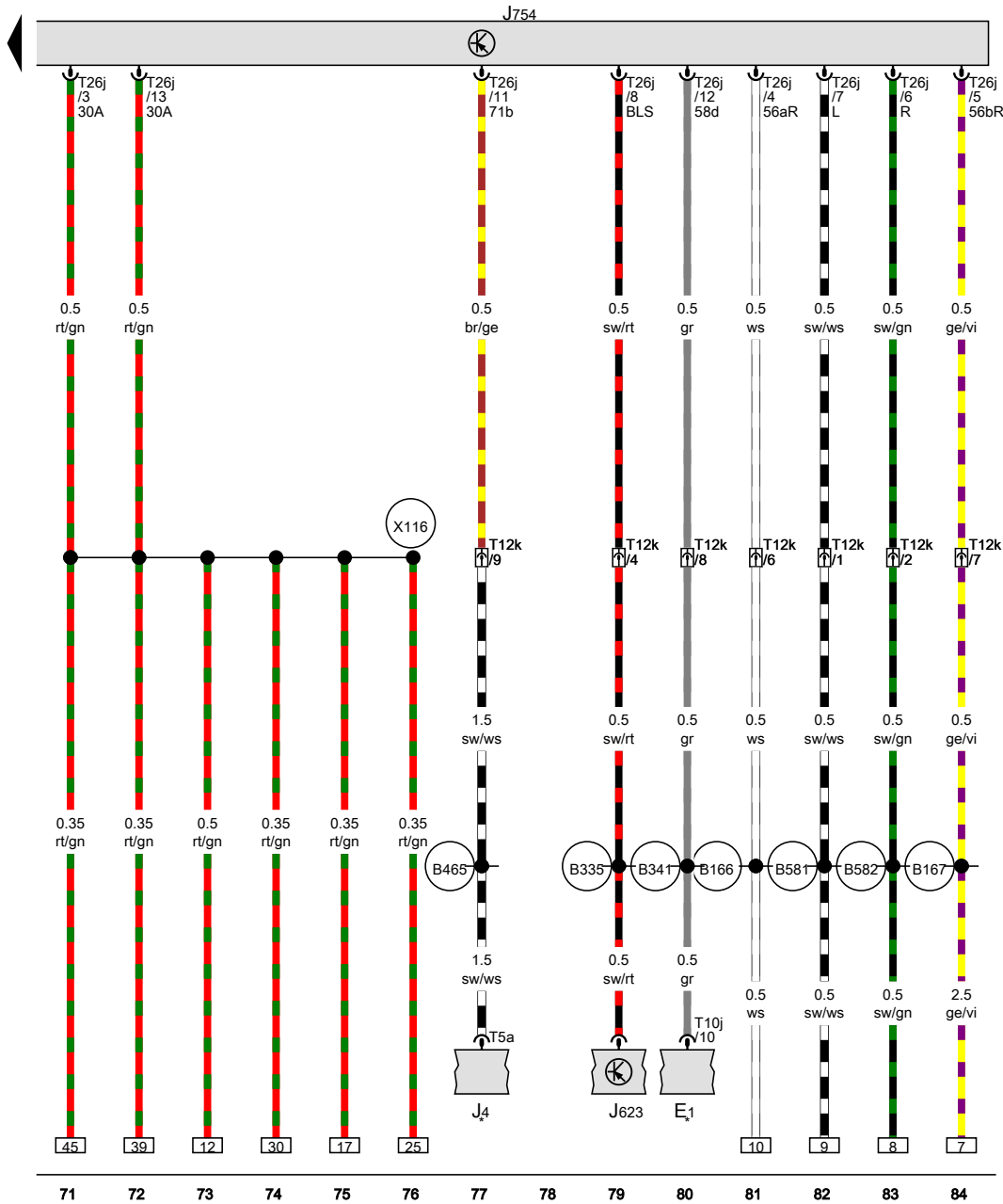
Accident data recorder button, Accident data memory, Accident recorder warning lamp

- E497 Accident data recorder button
- J754 Accident data memory
- K225 Accident recorder warning lamp
- L76 Button illumination bulb
- T5xb 5-pin connector
- T26j 26-pin connector

- (453) Earth connection 3, in optional equipment wiring harness
- (B517) Positive connection 5 (15a), in interior wiring harness
- (X186) Connection 5, in siren system wiring harness
- (X187) Connection 6, in siren system wiring harness

- ws = white
- sw = black
- ro = red
- rt = red
- br = brown
- gn = green
- bl = blue
- gr = grey
- li = purple
- vi = purple
- ge = yellow
- or = orange
- rs = pink

360-065060913



Accident data memory

- E1 Light switch
- J4 Dual tone horn relay
- J623 Engine control unit
- J754 Accident data memory
- T5a 5-pin connector
- T10j 10-pin connector
- T12k 12-pin connector, on left under dash panel
- T26j 26-pin connector

- (B166) Connection (56a), in interior wiring harness
- (B167) Connection (56b), in interior wiring harness
- (B335) Connection 1 (54), in main wiring harness
- (B341) Connection 2 (58d), in main wiring harness
- (B465) Connection 1, in main wiring harness
- (B581) Positive connection (left indicator lamp), in interior wiring harness
- (B582) Positive connection (right indicator lamp), interior wiring harness
- (X116) Positive connection 2 (30), in optional equipment wiring harness

* see applicable current flow diagram for basic equipment

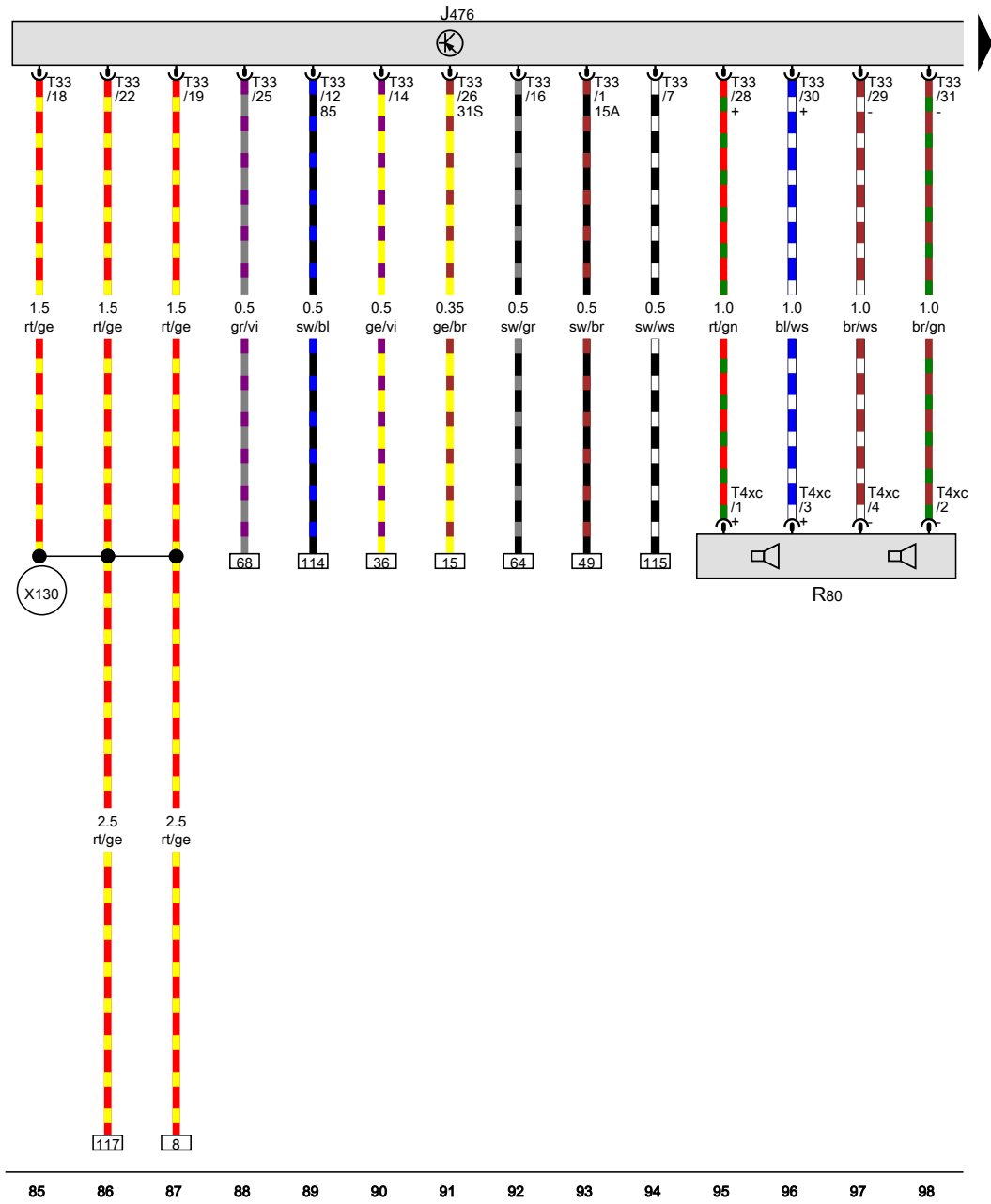
- ws = white
- sw = black
- ro = red
- rt = red
- br = brown
- gn = green
- bl = blue
- gr = grey
- li = purple
- vi = purple
- ge = yellow
- or = orange
- rs = pink

1360-065070913

Personal danger alarm control unit, Loudspeaker for special signals

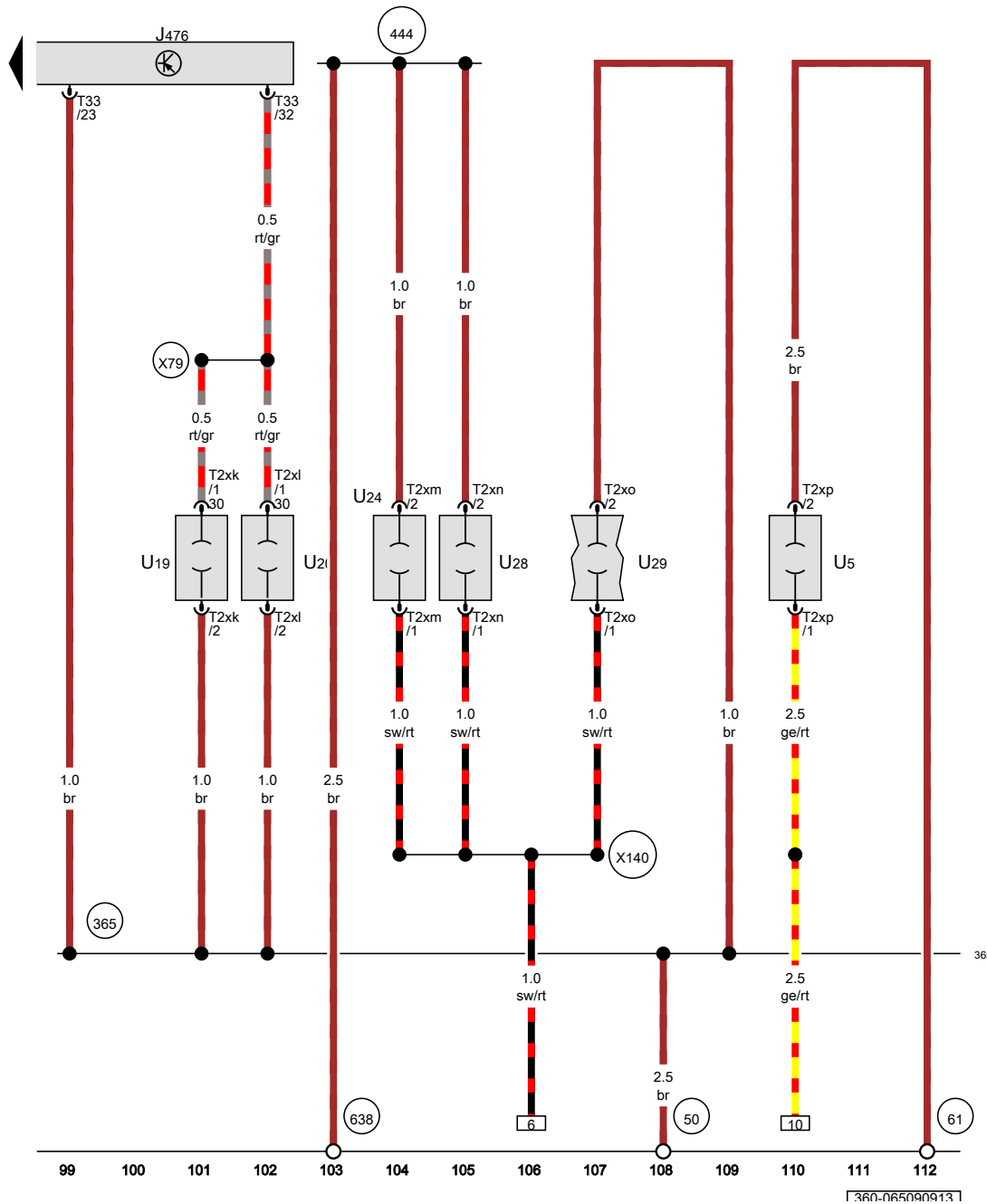
- J476 Personal danger alarm control unit
- R80 Loudspeaker for special signals
- T4xc 4-pin connector
- T33 33-pin connector

X130 Connection 3, in optional equipment wiring harness



- ws = white
- sw = black
- ro = red
- rt = red
- br = brown
- gn = green
- bl = blue
- gr = grey
- li = purple
- vi = purple
- ge = yellow
- or = orange
- rs = pink

360-065080913



Personal danger alarm control unit, 12 V socket 3, 12 V socket 4, Charging station for hand-held 2-way radio, Charging station 2 for hand-held 2-way radio

- J476 Personal danger alarm control unit
- T2xk 2-pin connector
- T2xl 2-pin connector
- T2xm 2-pin connector
- T2xn 2-pin connector
- T2xo 2-pin connector
- T2xp 2-pin connector
- T33 33-pin connector
- U5 12 V socket
- U19 12 V socket 3
- U20 12 V socket 4
- U24 Charging station for hand-held 2-way radio
- U28 Charging station 2 for hand-held 2-way radio
- U29 Charging station 2 for torch

- 50 Earth point, on left in luggage compartment
- 61 Earth point, left C-pillar
- 365 Earth connection 2 (LF), in dash panel wiring harness
- 444 Earth connection 5, in siren system wiring harness
- 638 Earth point, on right A-pillar
- X79 Connection 2, in optional equipment wiring harness
- X140 Positive connection 2 (15a) in siren system wiring harness

- ws = white
- sw = black
- ro = red
- rt = red
- br = brown
- gn = green
- bl = blue
- gr = grey
- li = purple
- vi = purple
- ge = yellow
- or = orange
- rs = pink

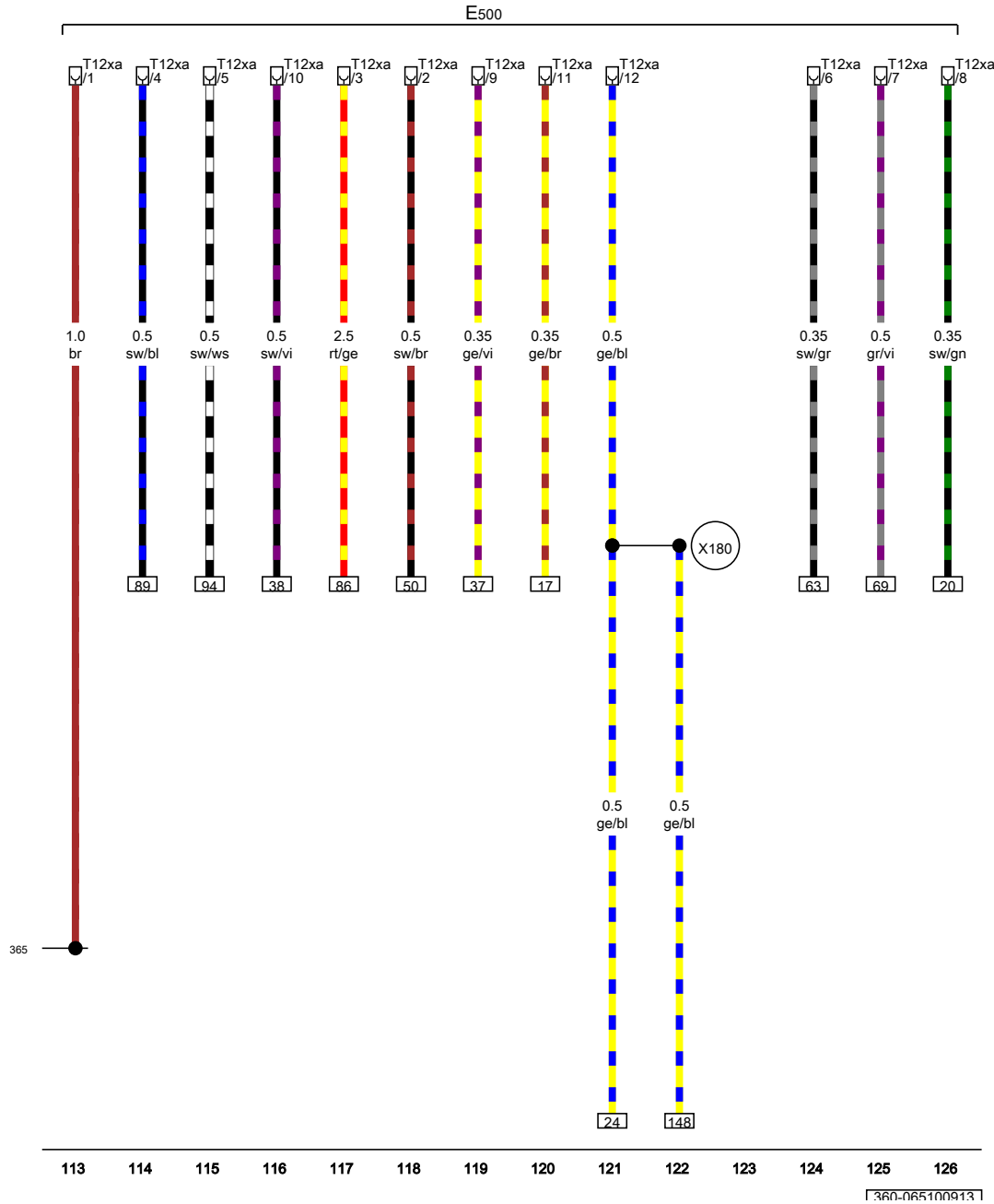
360-065090913

Alarm rotary and pull switch

E500 Alarm rotary and pull switch
 T12xa 12-pin connector

365 Earth connection 2 (LF), in dash panel wiring harness

X180 Positive connection 5 (30a) in siren system wiring harness

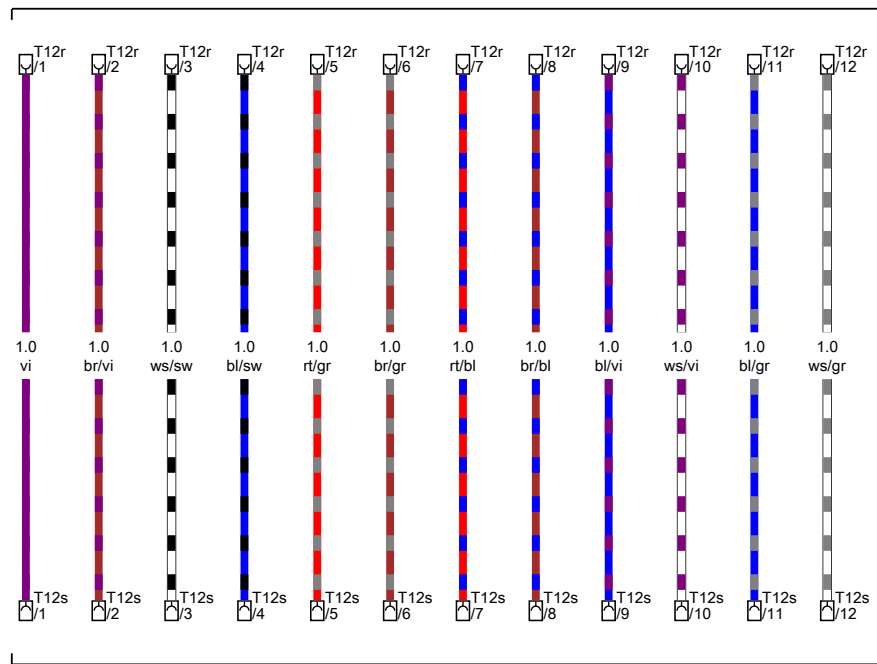


- ws = white
- sw = black
- ro = red
- rt = red
- br = brown
- gn = green
- bl = blue
- gr = grey
- li = purple
- vi = purple
- ge = yellow
- or = orange
- rs = pink

360-065100913

12-pin connector

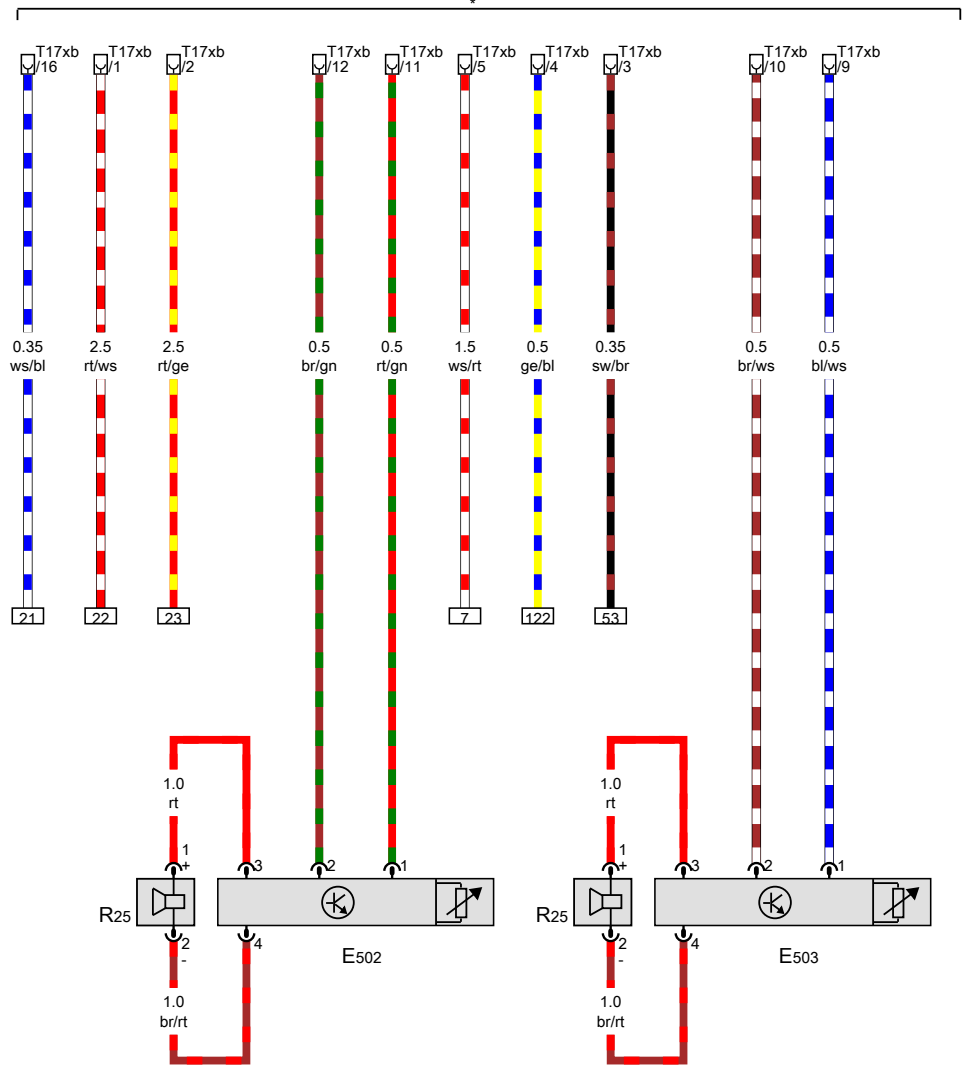
- T12r 12-pin connector, behind centre console
- T12s 12-pin connector, in luggage compartment
- * Connection for 2-way radio



- ws = white
- sw = black
- ro = red
- rt = red
- br = brown
- gn = green
- bl = blue
- gr = grey
- li = purple
- vi = purple
- ge = yellow
- or = orange
- rs = pink

2-way radio loudspeaker volume control 1, 2-way radio loudspeaker volume control 2, Two-way radio loudspeaker

- E502 2-way radio loudspeaker volume control 1
- E503 2-way radio loudspeaker volume control 2
- R25 Two-way radio loudspeaker
- T17xb 17-pin connector
- * Connection for 2-way radio



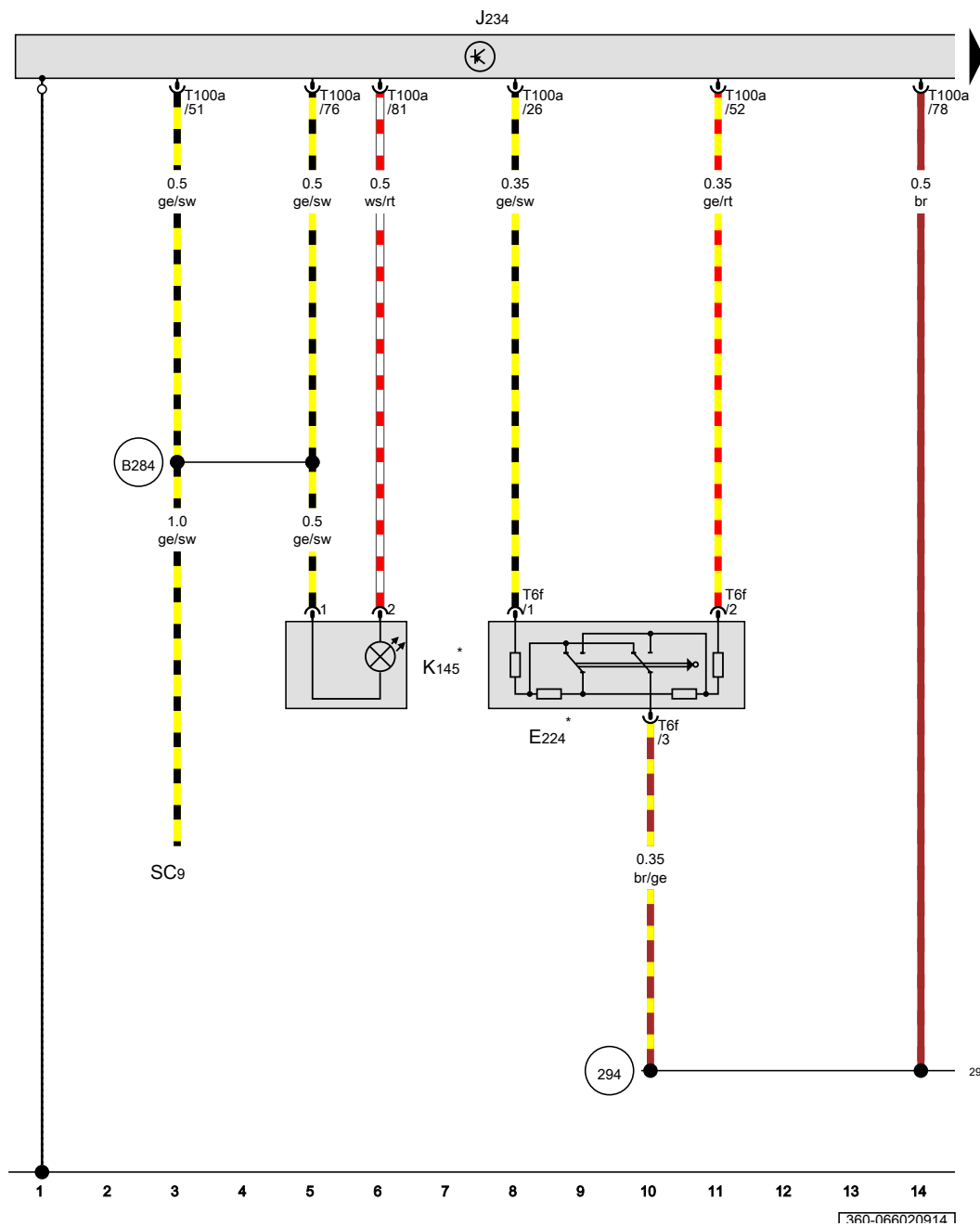
- ws = white
- sw = black
- ro = red
- rt = red
- br = brown
- gn = green
- bl = blue
- gr = grey
- li = purple
- vi = purple
- ge = yellow
- or = orange
- rs = pink

141 142 143 144 145 146 147 148 149 150 151 152 153 154

360-065120913

Airbag systems for RHD vehicles

From November 2010



Key operated switch to deactivate front passenger side airbag, Airbag control unit, Front passenger side airbag deactivated warning lamp

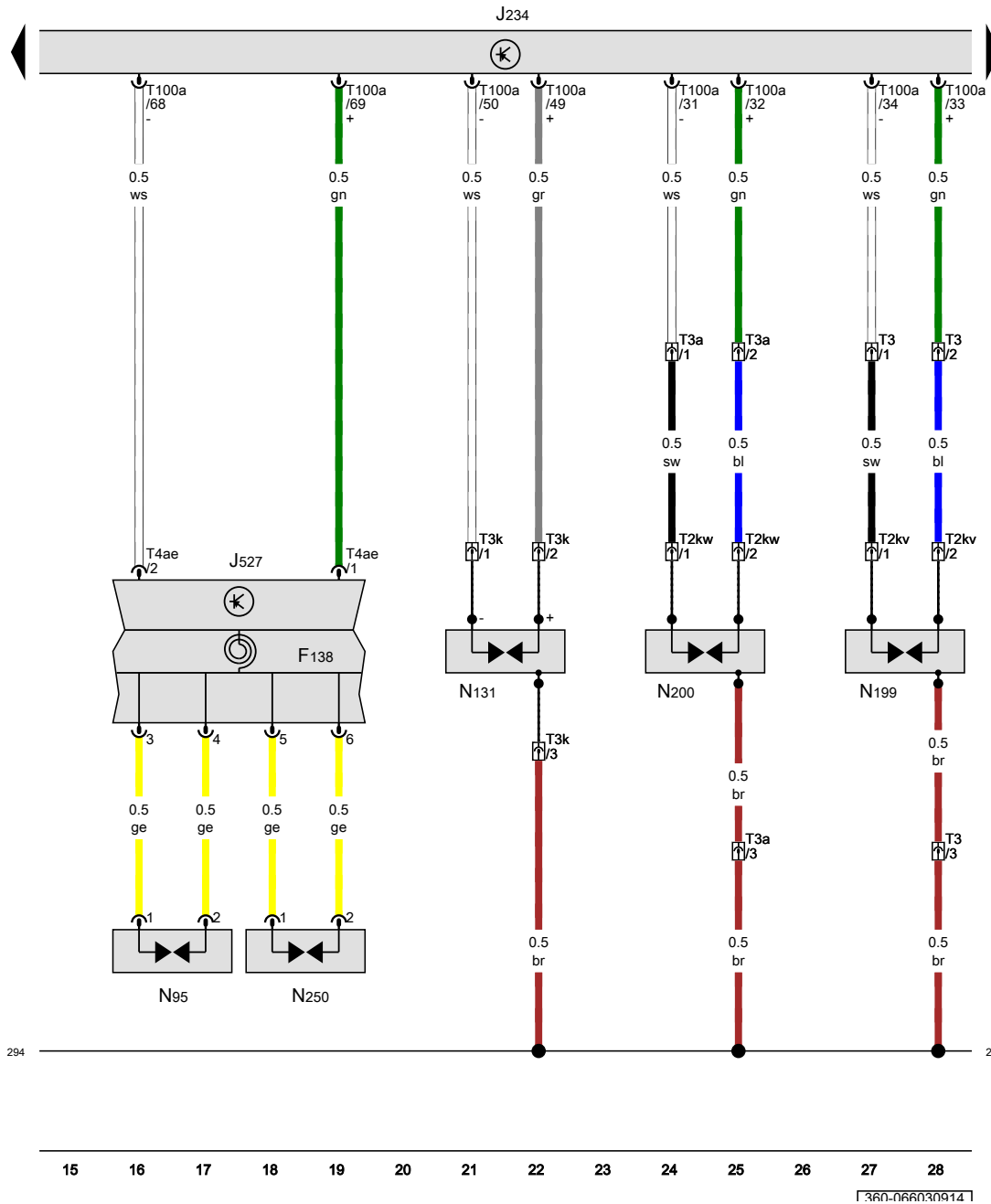
- E224 Key operated switch to deactivate front passenger side airbag
- J234 Airbag control unit
- K145 Front passenger side airbag deactivated warning lamp
- SC9 Fuse 9 on fuse holder C
- T6f 6-pin connector
- T100a 100-pin connector

294 Earth connection 9, in interior wiring harness

B284 Positive connection 8 (15a) in main wiring harness

* Only models with key operated switch to deactivate front passenger airbag

- ws = white
- sw = black
- ro = red
- rt = red
- br = brown
- gn = green
- bl = blue
- gr = grey
- li = purple
- vi = purple
- ge = yellow
- or = orange
- rs = pink

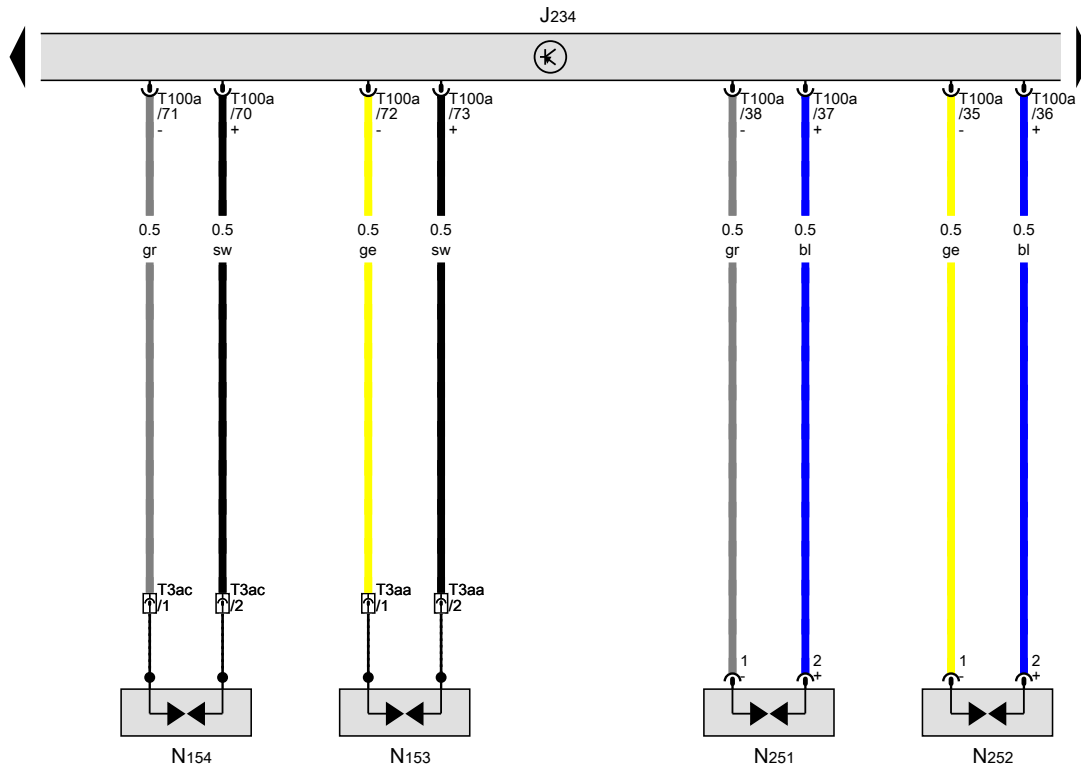


Airbag coil connector and return ring with slip ring, Airbag control unit, Steering column electronics control unit, Driver side airbag igniter, Front passenger side airbag igniter 1, Side airbag igniter on driver side, Side airbag igniter on front passenger side, Driver side airbag igniter 2

- F138 Airbag coil connector and return ring with slip ring
- J234 Airbag control unit
- J527 Steering column electronics control unit
- N95 Driver side airbag igniter
- N131 Front passenger side airbag igniter 1
- N199 Side airbag igniter on driver side
- N200 Side airbag igniter on front passenger side
- N250 Driver side airbag igniter 2
- T2kv 2-pin connector, in driver seat
- T2kw 2-pin connector
- T3 3-pin connector, under driver seat
- T3a 3-pin connector, under front passenger seat
- T3k 3-pin connector, behind glove compartment
- T4ae 4-pin connector
- T100a 100-pin connector

294 Earth connection 9, in interior wiring harness

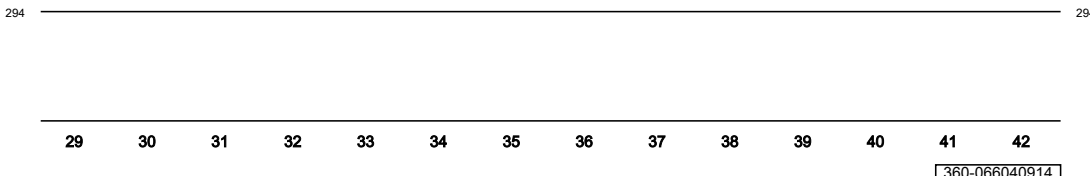
- ws = white
- sw = black
- ro = red
- rt = red
- br = brown
- gn = green
- bl = blue
- gr = grey
- li = purple
- vi = purple
- ge = yellow
- or = orange
- rs = pink



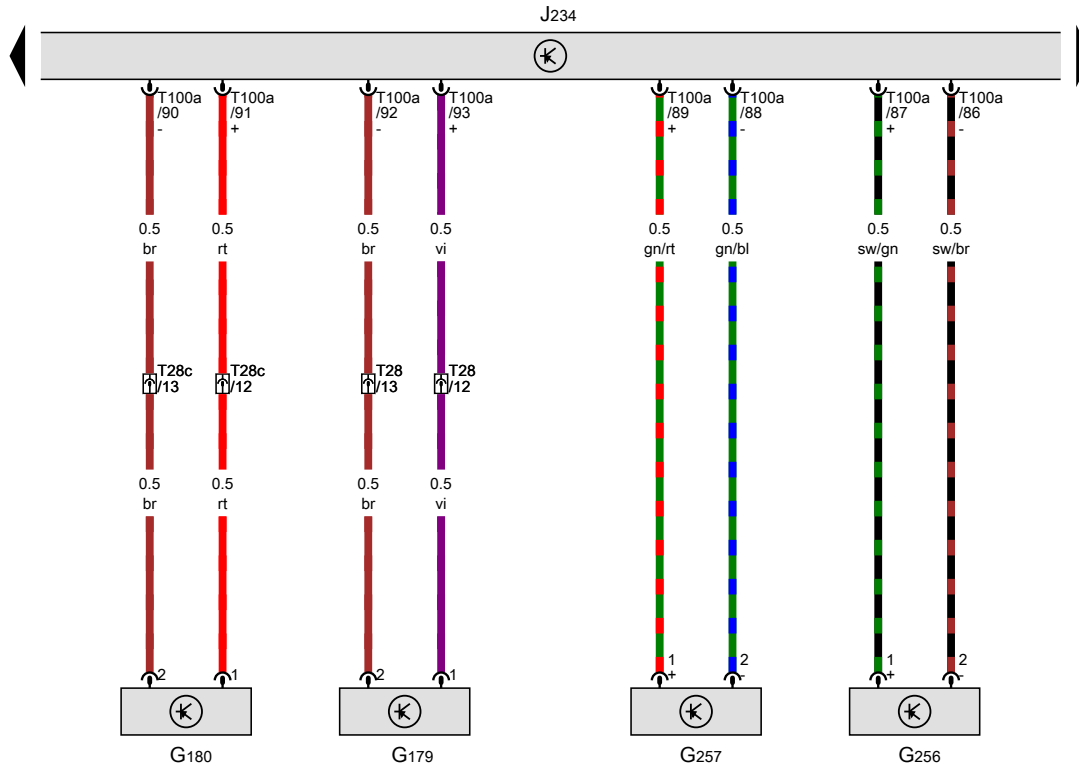
Airbag control unit, Driver seat belt tensioner igniter 1, Front passenger seat belt tensioner igniter 1, Driver side curtain airbag igniter, Front passenger side curtain airbag igniter

- J234 Airbag control unit
- N153 Driver seat belt tensioner igniter 1
- N154 Front passenger seat belt tensioner igniter 1
- N251 Driver side curtain airbag igniter
- N252 Front passenger side curtain airbag igniter
- T3aa 3-pin connector, yellow
- T3ac 3-pin connector, yellow
- T100a 100-pin connector

294 Earth connection 9, in interior wiring harness



- ws = white
- sw = black
- ro = red
- rt = red
- br = brown
- gn = green
- bl = blue
- gr = grey
- li = purple
- vi = purple
- ge = yellow
- or = orange
- rs = pink



Side airbag crash sensor on driver side, Side airbag crash sensor on front passenger side, Rear side airbag crash sensor on driver side, Rear side airbag crash sensor on front passenger side, Airbag control unit

- G179 Side airbag crash sensor on driver side
- G180 Side airbag crash sensor on front passenger side
- G256 Rear side airbag crash sensor on driver side
- G257 Rear side airbag crash sensor on front passenger side
- J234 Airbag control unit
- T28 28-pin connector, in right A-pillar coupling station
- T28c 28-pin connector, in left A-pillar coupling station
- T100a 100-pin connector
- 294 Earth connection 9, in interior wiring harness

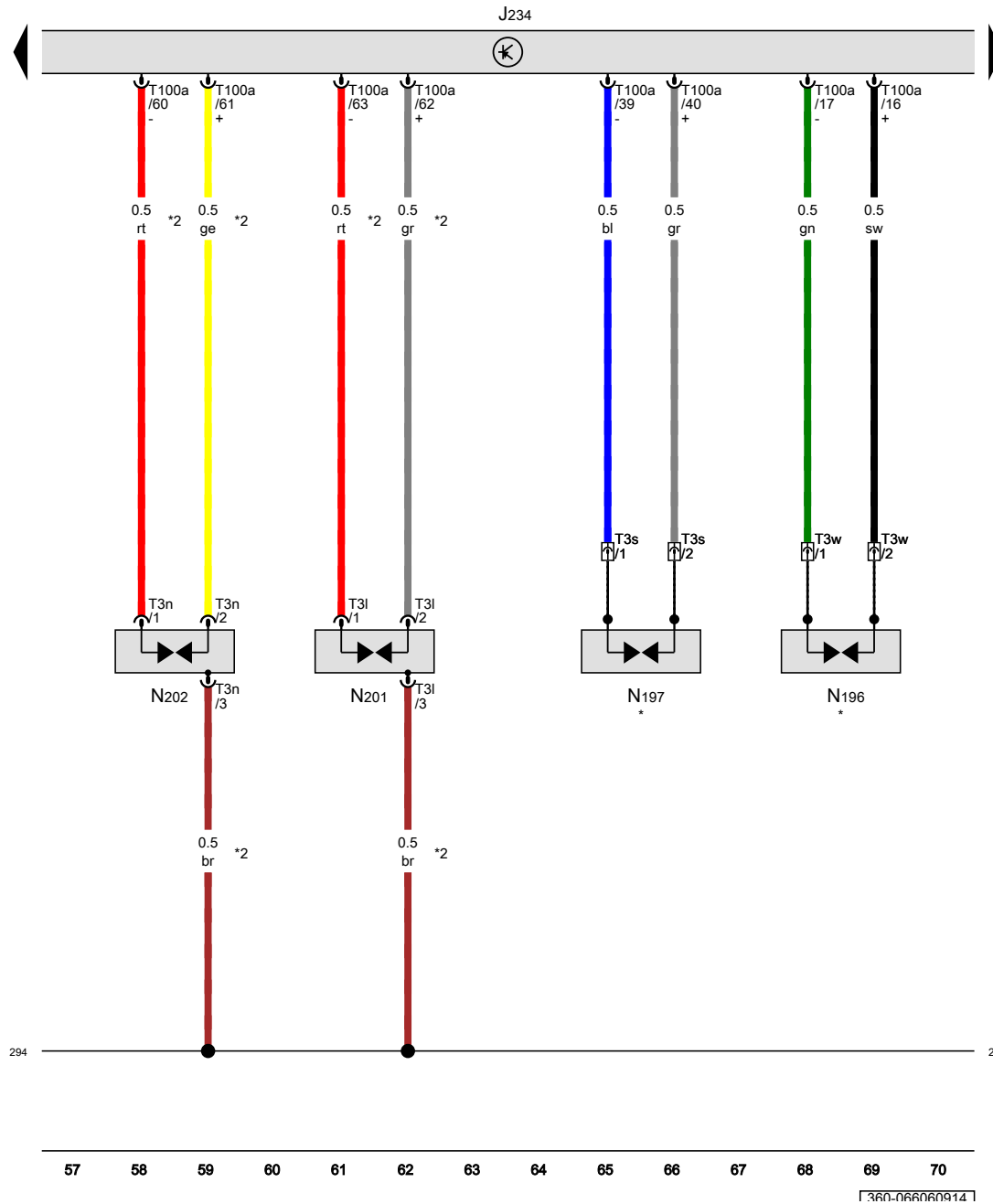
- ws = white
- sw = black
- ro = red
- rt = red
- br = brown
- gn = green
- bl = blue
- gr = grey
- li = purple
- vi = purple
- ge = yellow
- or = orange
- rs = pink

294

294

43 44 45 46 47 48 49 50 51 52 53 54 55 56

360-066050914



Airbag control unit, Rear belt tensioner igniter on driver side, Rear belt tensioner igniter on front passenger side, Rear side airbag igniter on driver side, Rear side airbag igniter on front passenger side

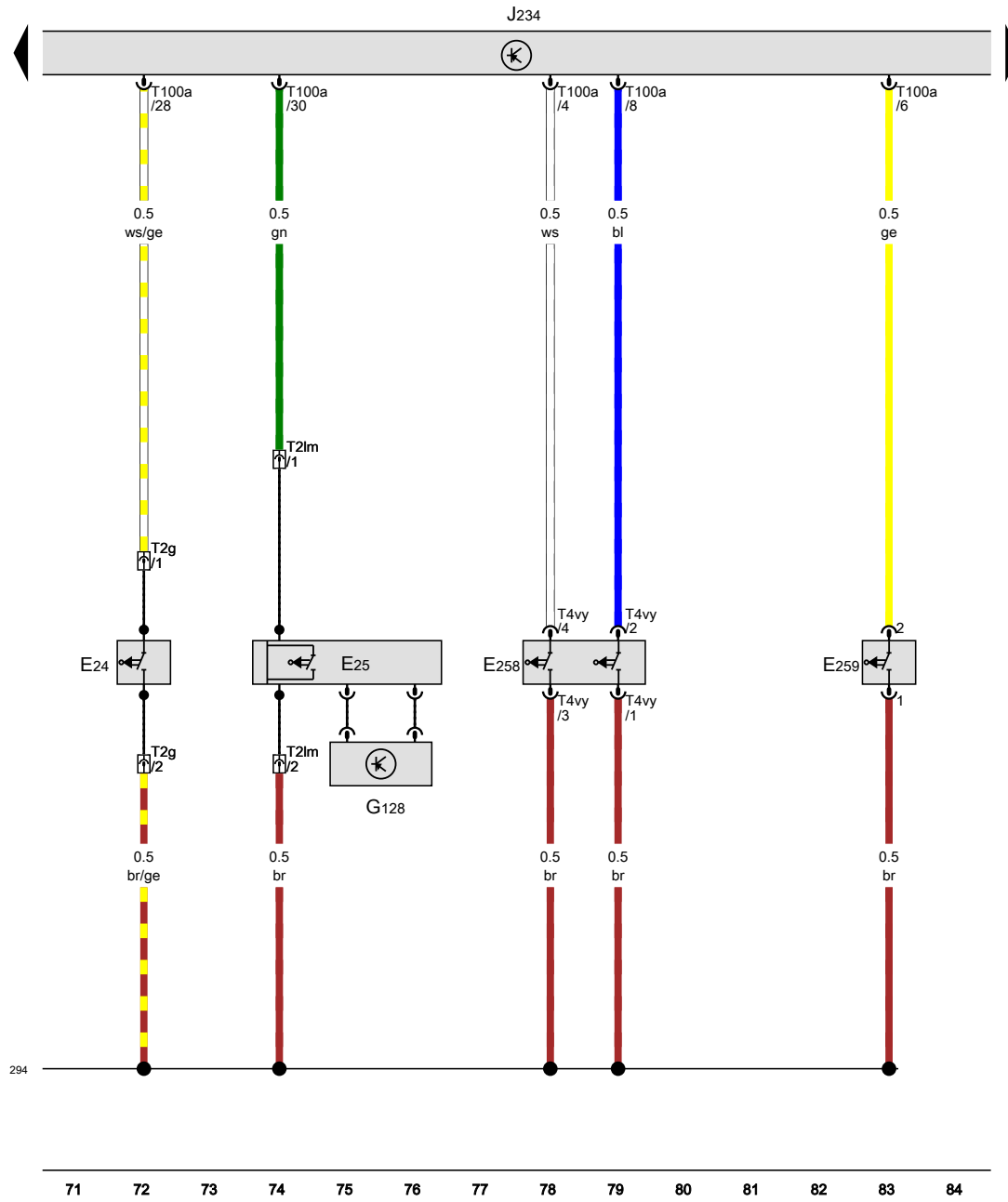
- J234 Airbag control unit
- N196 Rear belt tensioner igniter on driver side
- N197 Rear belt tensioner igniter on front passenger side
- N201 Rear side airbag igniter on driver side
- N202 Rear side airbag igniter on front passenger side
- T3n 3-pin connector, yellow
- T3s 3-pin connector, yellow
- T3w 3-pin connector, yellow
- T100a 100-pin connector

294 Earth connection 9, in interior wiring harness

- * Only models with rear belt tensioner
- *2 Only models with rear side airbag

- ws = white
- sw = black
- ro = red
- rt = red
- br = brown
- gn = green
- bl = blue
- gr = grey
- li = purple
- vi = purple
- ge = yellow
- or = orange
- rs = pink

360-066060914



Front passenger side belt switch, Rear belt switch, driver side, Rear belt switch, front passenger side, Seat occupied sensor, front passenger side, Airbag control unit

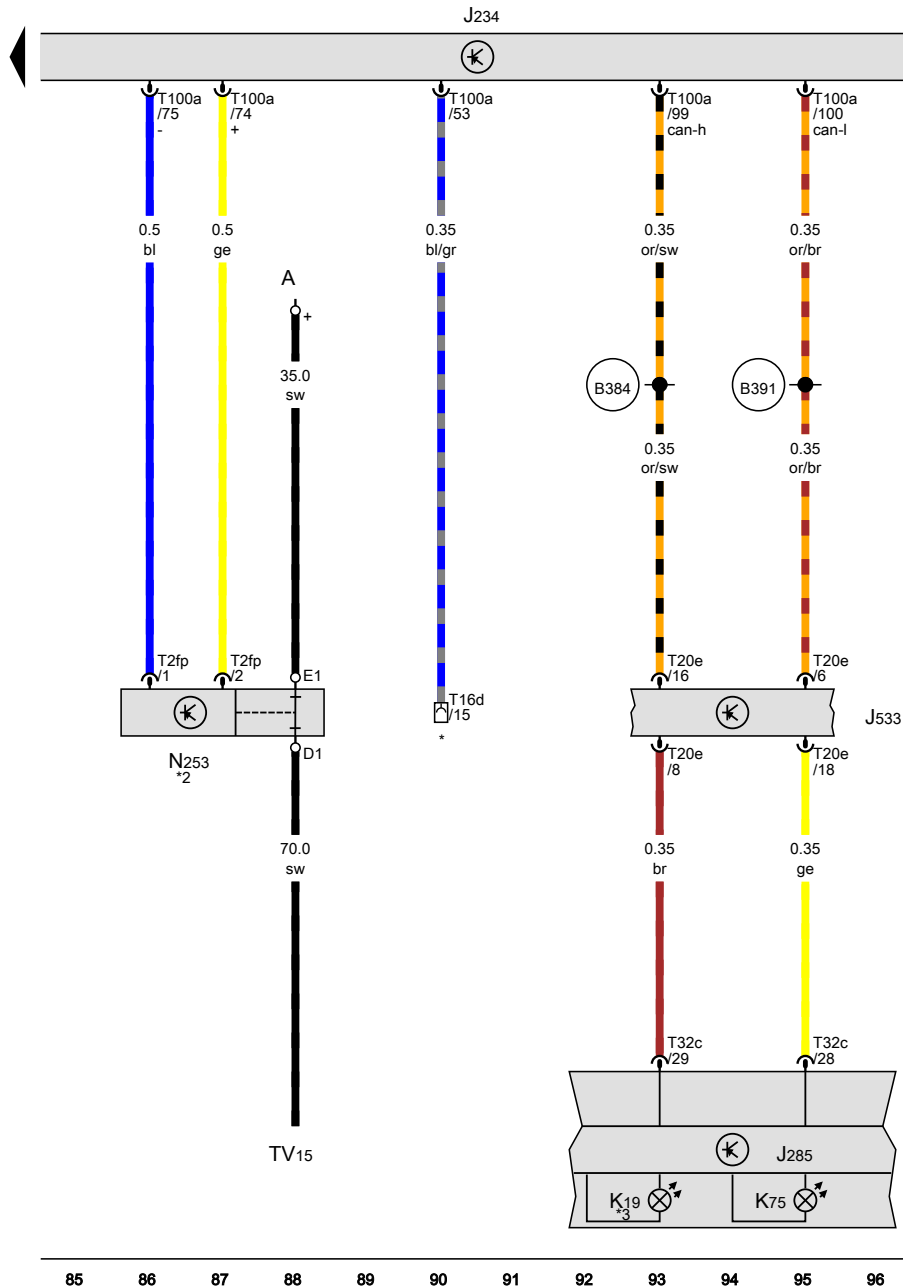
- E24 Driver side belt switch
- E25 Front passenger side belt switch
- E258 Rear belt switch, driver side
- E259 Rear belt switch, front passenger side
- G128 Seat occupied sensor, front passenger side
- J234 Airbag control unit
- T2g 2-pin connector, on driver seat, black
- T2lm 2-pin connector, on front passenger seat
- T4vy 4-pin connector
- T100a 100-pin connector

294 Earth connection 9, in interior wiring harness

- ws = white
- sw = black
- ro = red
- rt = red
- br = brown
- gn = green
- bl = blue
- gr = grey
- li = purple
- vi = purple
- ge = yellow
- or = orange
- rs = pink

360-066070914

Airbag control unit, Control unit in dash panel insert, Data bus diagnostic interface, Seat belt warning system warning lamp, Airbag warning lamp, Battery isolation igniter



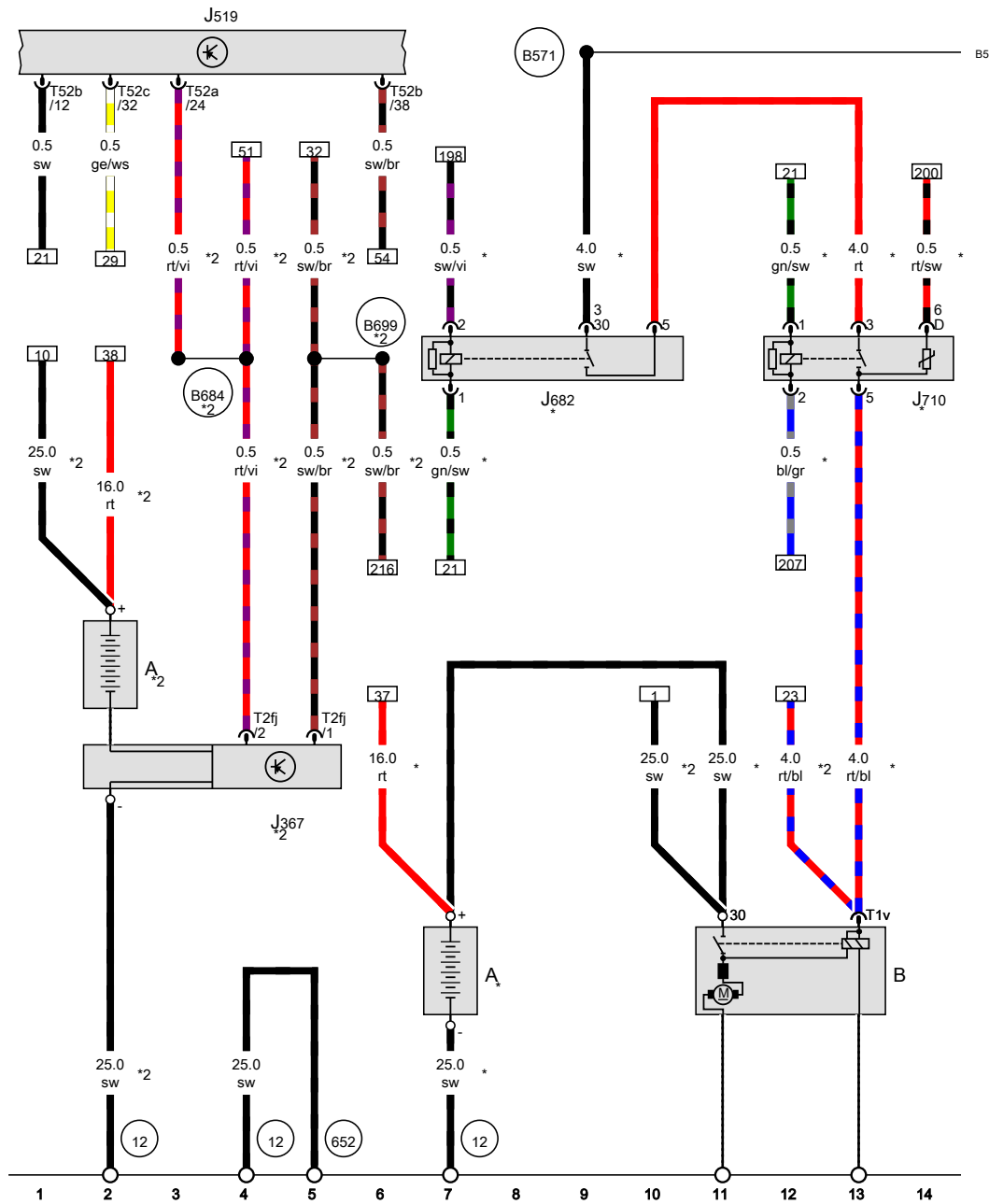
- A Battery
- J234 Airbag control unit
- J285 Control unit in dash panel insert
- J533 Data bus diagnostic interface
- K19 Seat belt warning system warning lamp
- K75 Airbag warning lamp
- N253 Battery isolation igniter
- T2fp 2-pin connector
- T16d 16-pin connector, on diagnostic connection
- T20e 20-pin connector
- T32c 32-pin connector
- T100a 100-pin connector
- TV15 Wiring connector
- B384 Connection 2 (powertrain CAN bus, high), in main wiring harness
- B391 Connection 2 (powertrain CAN bus, low), in main wiring harness
- * Diagnostic connection
- *2 Only models with battery in luggage compartment
- *3 According to equipment

360-066080914

2.0l diesel engine , CFFA,CFFB,CFGB,CFGC,CLLA

From November 2012

Battery, Starter, Battery monitor control unit, Onboard supply control unit, Terminal 50 voltage supply relay, Voltage supply relay 2

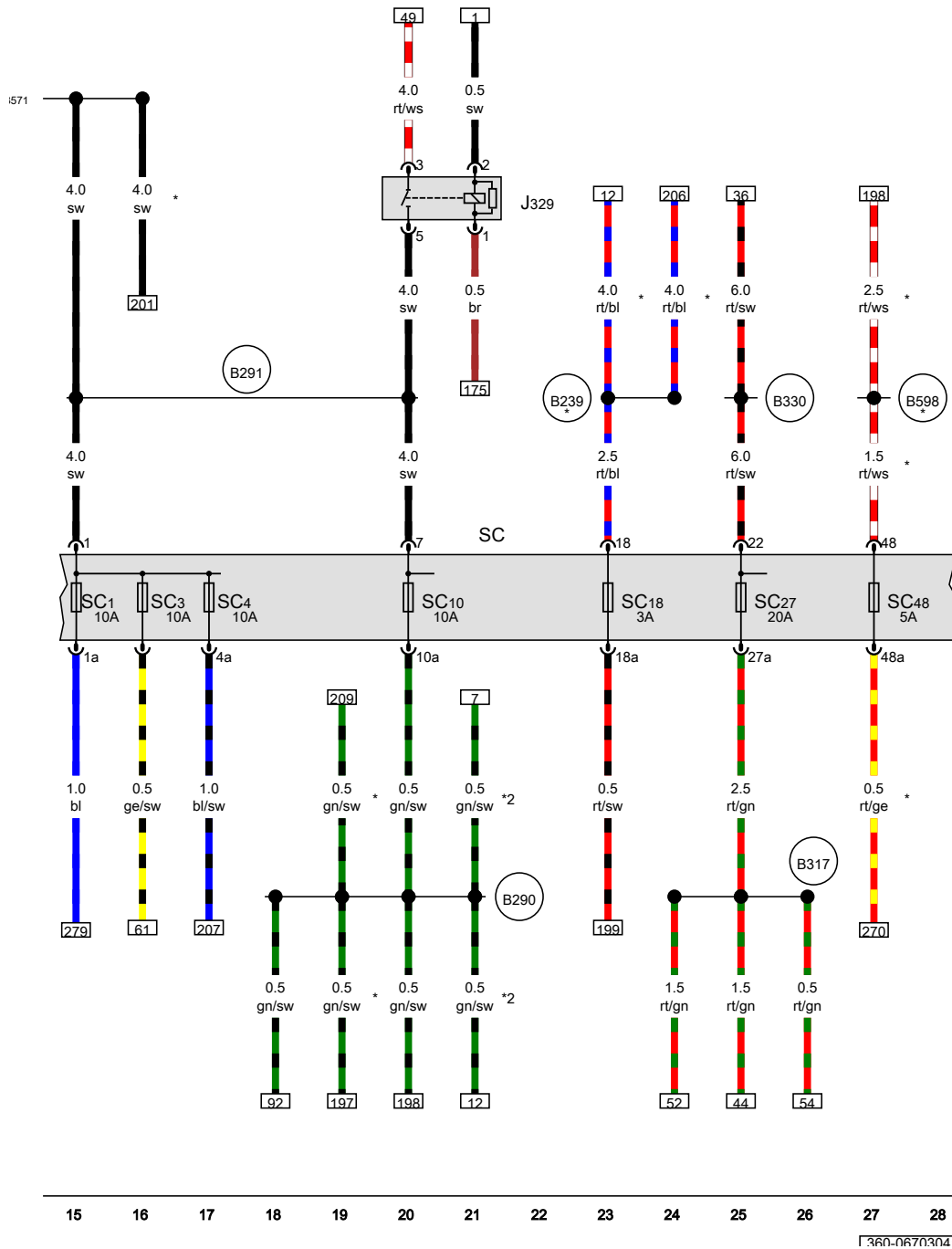


- A Battery
- B Starter
- J367 Battery monitor control unit
- J519 Onboard supply control unit
- J682 Terminal 50 voltage supply relay
- J710 Voltage supply relay 2
- T1ac Single connector
- T1v Single connector
- T2fj 2-pin connector
- T52a 52-pin connector
- T52b 52-pin connector
- T52c 52-pin connector

- (12) Earth point, on left in engine compartment
- (652) Earth point, engine and gearbox earth
- (B571) Connection 38, in main wiring harness
- (B684) Positive connection 24 (30a) in main wiring harness
- (B699) Connection 4 (LIN bus) in main wiring harness
- * Only models with no start/stop system
- *2 Only models with start/stop system

- ws = white
- sw = black
- ro = red
- rt = red
- br = brown
- gn = green
- bl = blue
- gr = grey
- li = purple
- vi = purple
- ge = yellow
- or = orange
- rs = pink

1360-067020416



Terminal 15 voltage supply relay, Fuse holder C

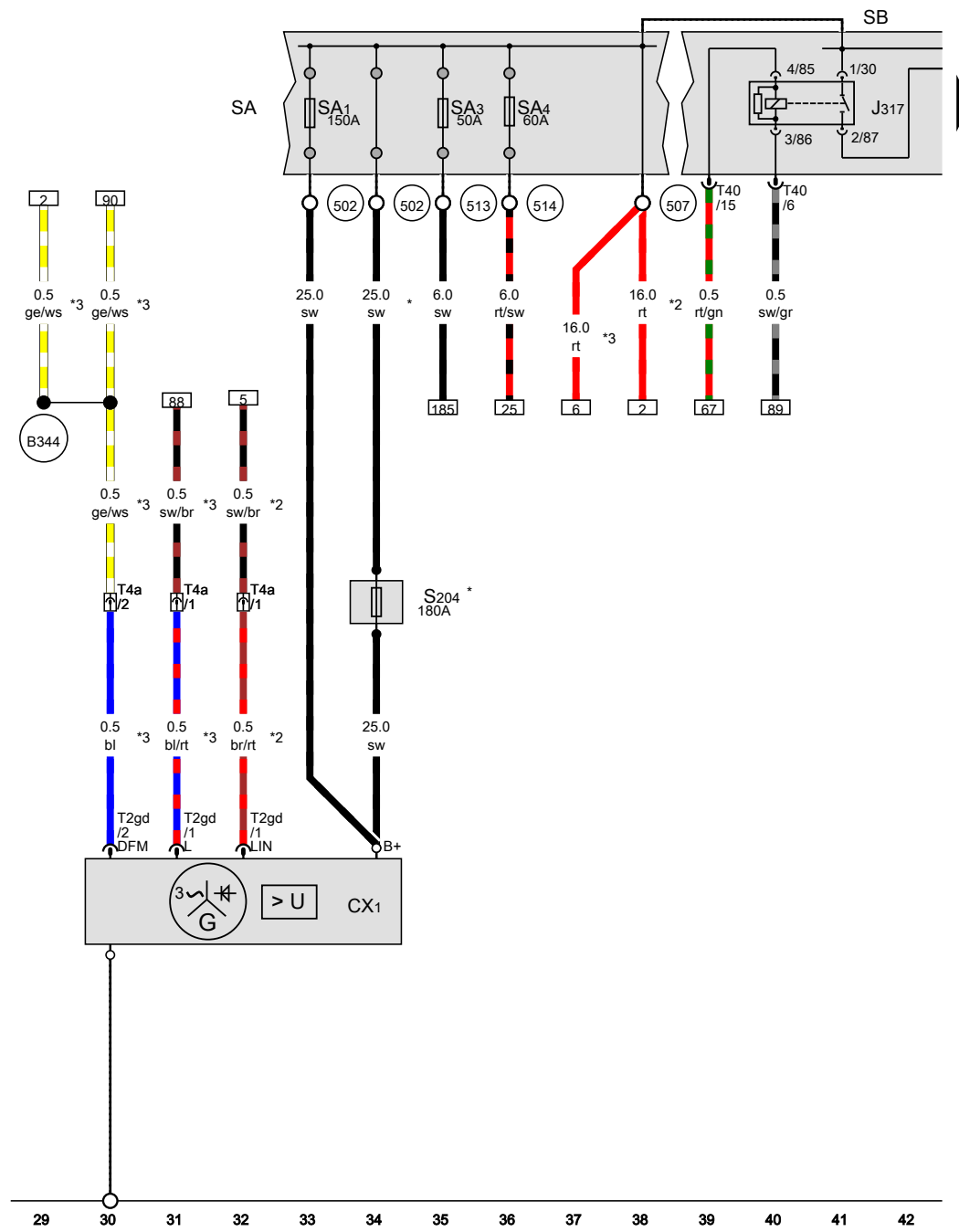
- J329 Terminal 15 voltage supply relay
- SC Fuse holder C
- SC1 Fuse 1 on fuse holder C
- SC3 Fuse 3 on fuse holder C
- SC4 Fuse 4 on fuse holder C
- SC10 Fuse 10 on fuse holder C
- SC18 Fuse 18 on fuse holder C
- SC27 Fuse 27 on fuse holder C
- SC48 Fuse 48 on fuse holder C

- (B239) Positive connection 1 (50), in interior wiring harness
- (B290) Positive connection 14 (15a) in main wiring harness
- (B291) Positive connection 15 (15a) in main wiring harness
- (B317) Positive connection 3 (30a) in main wiring harness
- (B330) Positive connection 16 (30a) in main wiring harness
- (B571) Connection 38, in main wiring harness
- (B598) Positive connection 11 (30a), in interior wiring harness

- * Only models with start/stop system
- *2 Only models with no start/stop system

- ws = white
- sw = black
- ro = red
- rt = red
- br = brown
- gn = green
- bl = blue
- gr = grey
- li = purple
- vi = purple
- ge = yellow
- or = orange
- rs = pink

1360-067030416



Terminal 30 voltage supply relay, Fuse holder A, Fuse holder B

- CX1 Alternator with voltage regulator
- J317 Terminal 30 voltage supply relay
- SA Fuse holder A
- SA1 Fuse 1 in fuse holder A
- SA3 Fuse 3 in fuse holder A
- SA4 Fuse 4 in fuse holder A
- S204 Fuse 1 (30)
- SB Fuse holder B
- T1a Single connector
- T1ac Single connector
- T2gd 2-pin connector
- T2xr 2-pin connector
- T4a 4-pin connector, near starter
- T40 40-pin connector

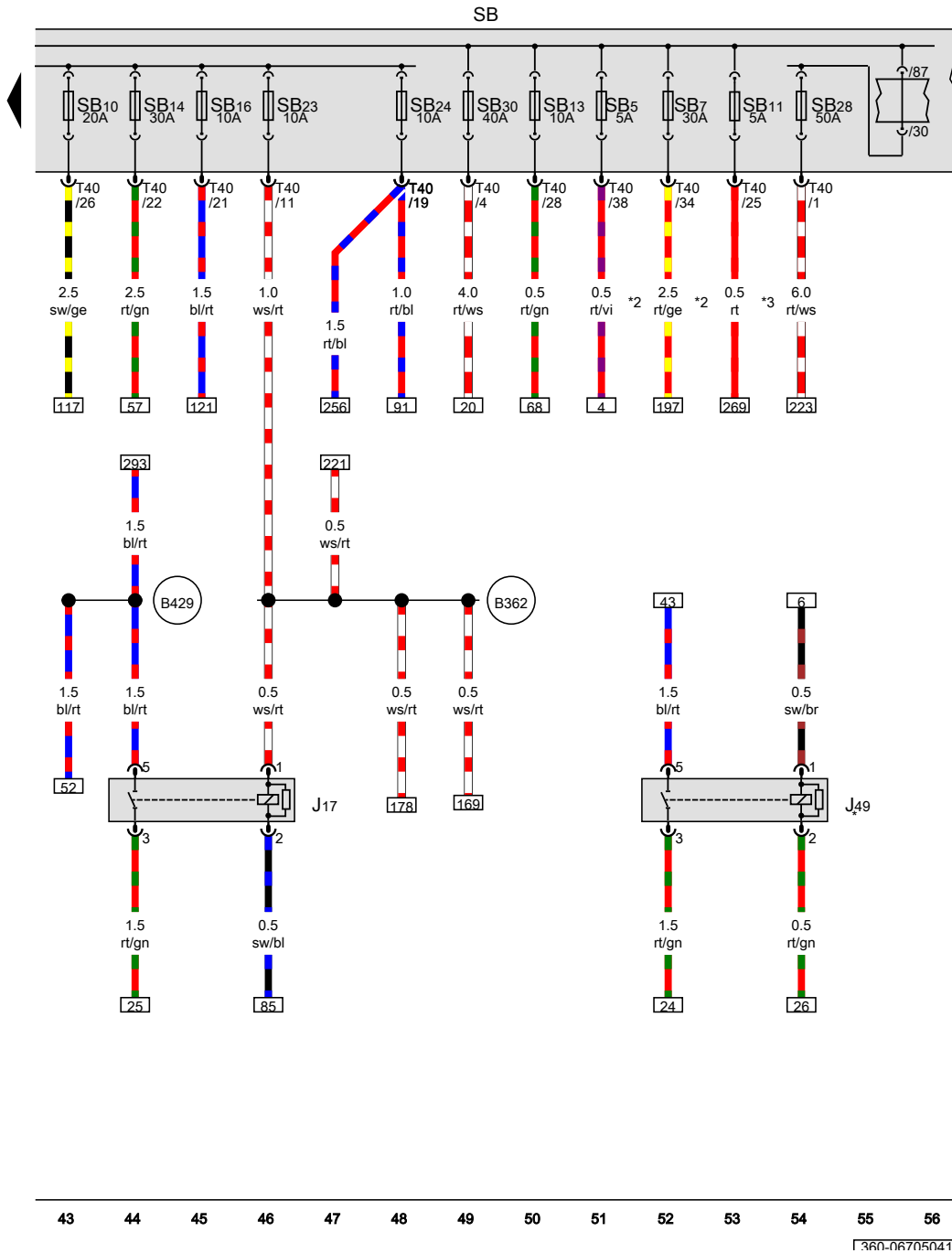
- 502 Threaded connection 1 (30a) on relay plate
- 507 Threaded connection (30), on battery fuse holder
- 513 Threaded connection 3 (30a) on relay plate
- 514 Threaded connection 4 (30a) on relay plate
- B344 Connection 1 (61), in main wiring harness

- * According to equipment
- *2 Only models with start/stop system
- *3 Only models with no start/stop system

- ws = white
- sw = black
- ro = red
- rt = red
- br = brown
- gn = green
- bl = blue
- gr = grey
- li = purple
- vi = purple
- ge = yellow
- or = orange
- rs = pink

1360-067040416

Fuel pump relay, Electric fuel pump 2 relay, Fuse holder B



- J17 Fuel pump relay
- J49 Electric fuel pump 2 relay
- SB Fuse holder B
- SB5 Fuse 5 on fuse holder B
- SB7 Fuse 7 on fuse holder B
- SB10 Fuse 10 on fuse holder B
- SB11 Fuse 11 on fuse holder B
- SB13 Fuse 13 on fuse holder B
- SB14 Fuse 14 on fuse holder B
- SB16 Fuse 16 on fuse holder B
- SB23 Fuse 23 on fuse holder B
- SB24 Fuse 24 on fuse holder B
- SB28 Fuse 28 on fuse holder B
- SB30 Fuse 30 on fuse holder B
- T40 40-pin connector

B362 Positive connection 13 (87a) in main wiring harness

B429 Connection (EFPR), in main wiring harness

- * Only models with auxiliary heating
- *2 Only models with start/stop system
- *3 Only models with no start/stop system

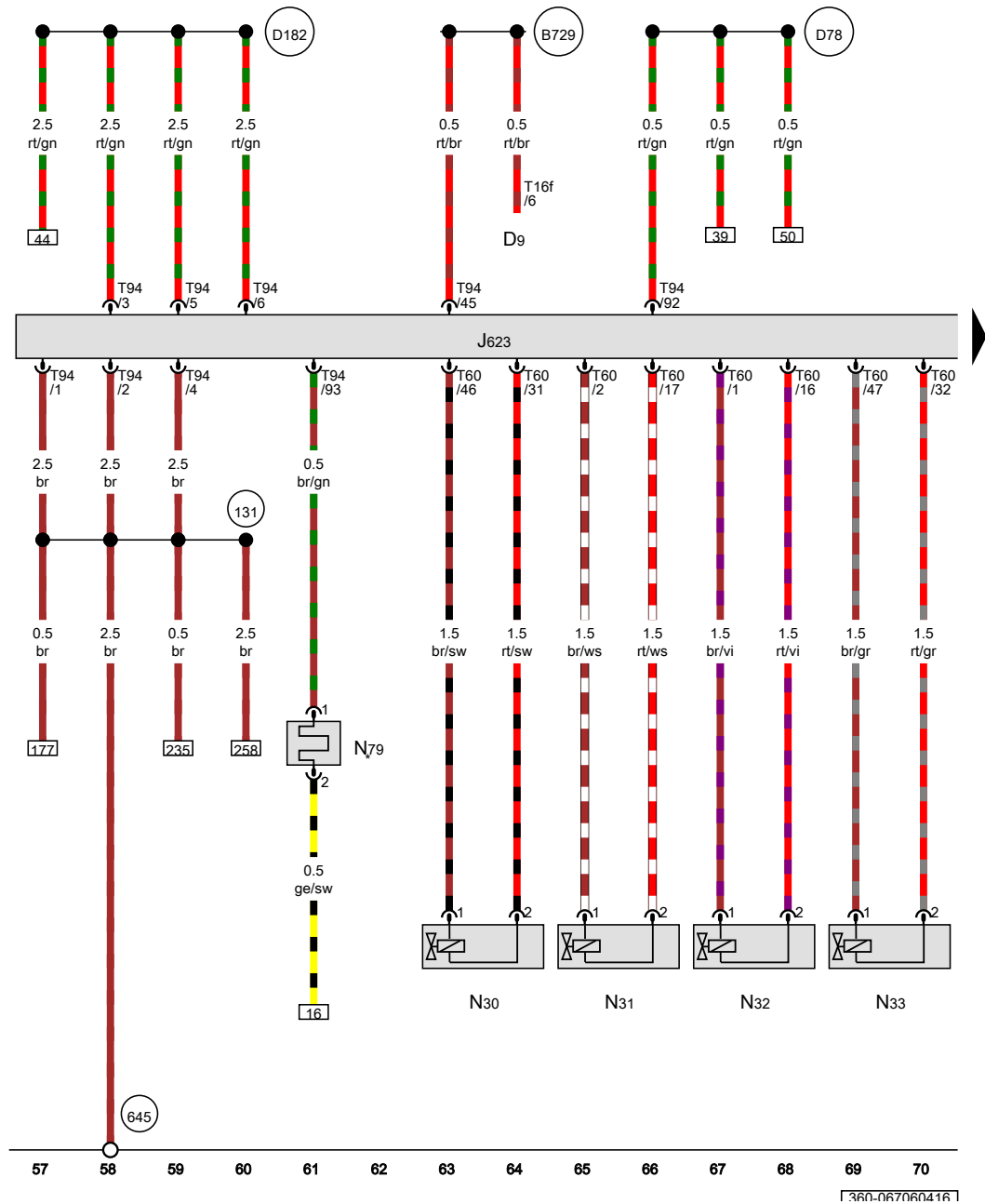
- ws = white
- sw = black
- ro = red
- rt = red
- br = brown
- gn = green
- bl = blue
- gr = grey
- li = purple
- vi = purple
- ge = yellow
- or = orange
- rs = pink

Electronic ignition lock, Engine control unit, Injector, cylinder 1, Injector, cylinder 2, Injector, cylinder 3, Injector, cylinder 4, Heater element for crankcase breather

- D9 Electronic ignition lock
- J623 Engine control unit
- N30 Injector, cylinder 1
- N31 Injector, cylinder 2
- N32 Injector, cylinder 3
- N33 Injector, cylinder 4
- N79 Heater element for crankcase breather
- T16f 16-pin connector
- T60 60-pin connector
- T94 94-pin connector

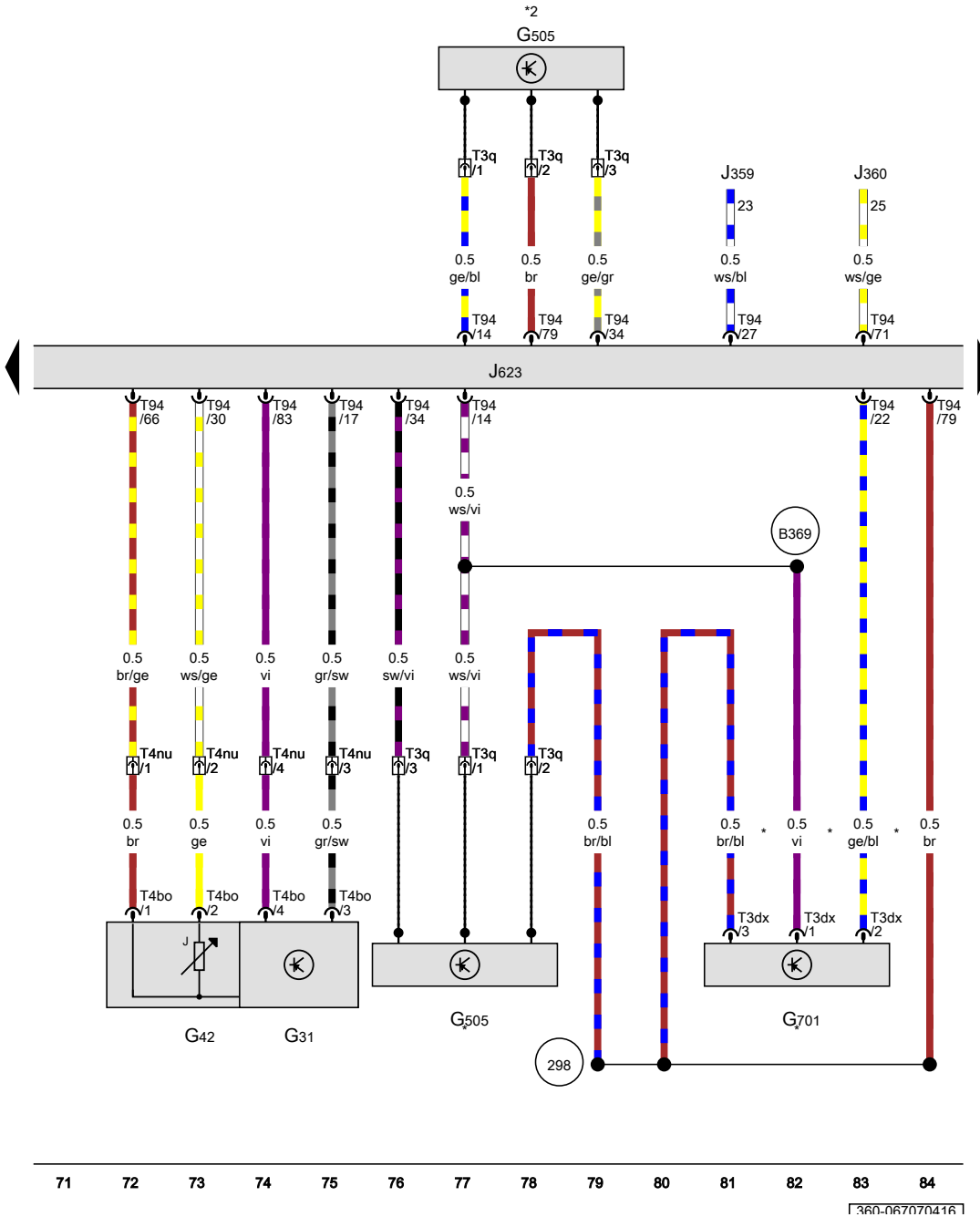
- 131 Earth connection 2, in engine compartment wiring harness
- 645 Earth point 1, on bulkhead
- B729 Connection 1 (50), in main wiring harness
- D78 Positive connection 1 (30a), in engine compartment wiring harness
- D182 Connection 3 (87a), in engine compartment wiring harness

* Only for countries with cold climate



- ws = white
- sw = black
- ro = red
- rt = red
- br = brown
- gn = green
- bl = blue
- gr = grey
- li = purple
- vi = purple
- ge = yellow
- or = orange
- rs = pink

1360-067060416



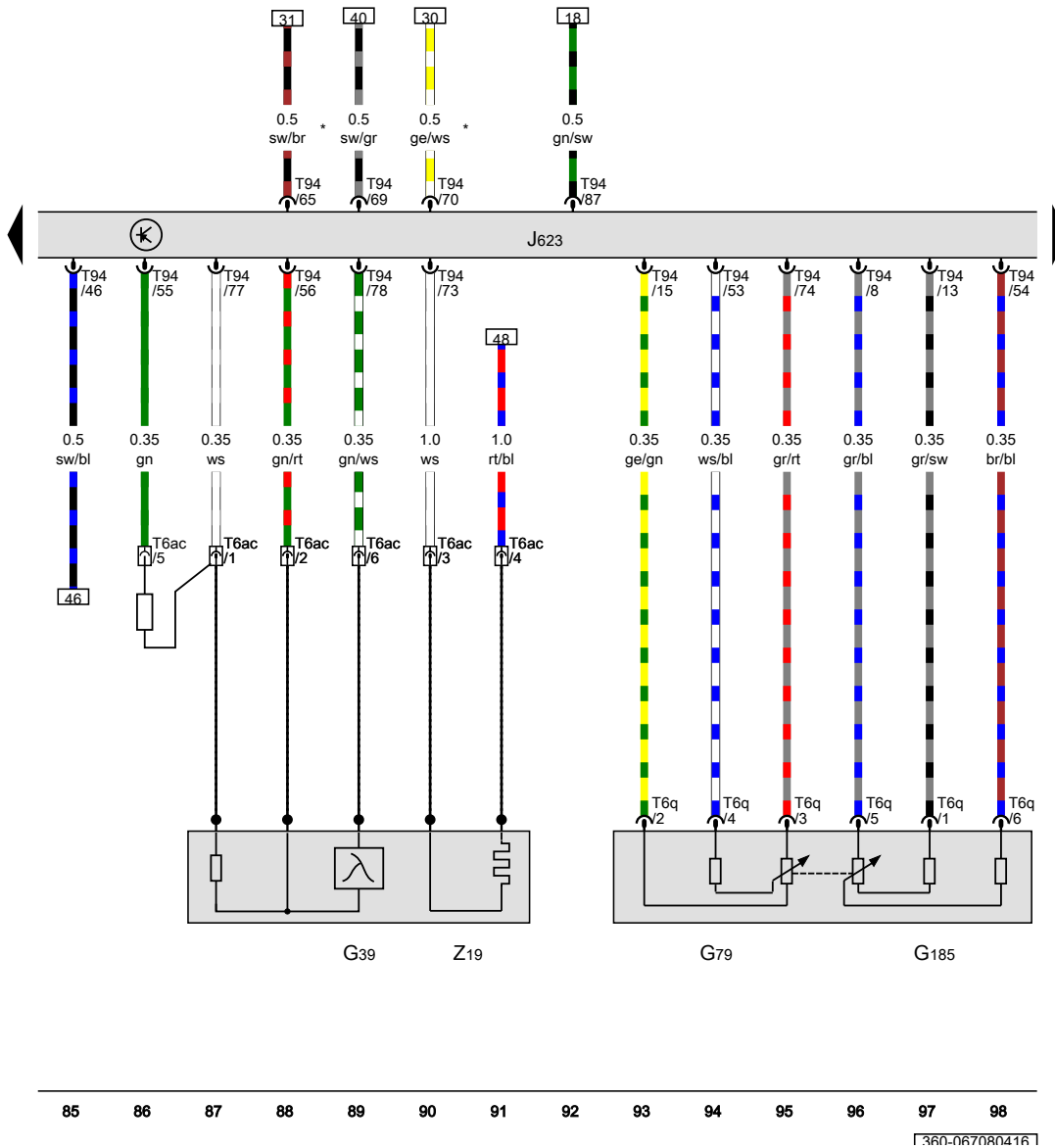
Charge pressure sender, Intake air temperature sender, Pressure differential sender, Gearbox neutral position sender, Low heat output relay, High heat output relay, Engine control unit

- G31 Charge pressure sender
- G42 Intake air temperature sender
- G505 Pressure differential sender
- G701 Gearbox neutral position sender
- J359 Low heat output relay
- J360 High heat output relay
- J623 Engine control unit
- T3dx 3-pin connector
- T3q 3-pin connector, black
- T4bo 4-pin connector
- T4nu 4-pin connector, black
- T94 94-pin connector

- 298 Earth connection 13, in interior wiring harness
- B369 Connection 1 (5V), in main wiring harness
- * Only models with start/stop system
- *2 Only models with no start/stop system

Lambda probe, Accelerator position sender, Engine control unit

- G39 Lambda probe
- G79 Accelerator position sender
- G185 Accelerator position sender 2
- J623 Engine control unit
- T6ac 6-pin connector, near Lambda probe
- T6q 6-pin connector
- T94 94-pin connector
- Z19 Lambda probe heater
- * Only models with no start/stop system



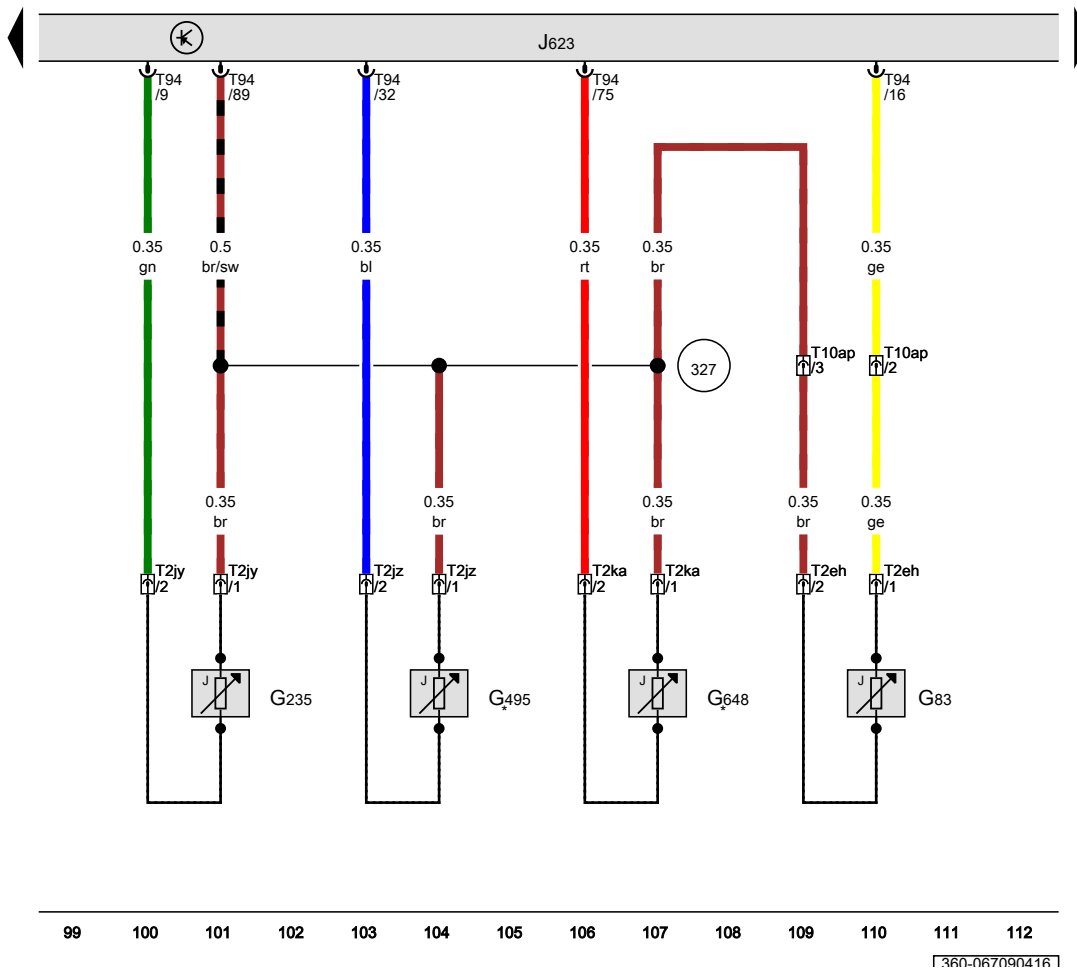
- ws = white
- sw = black
- ro = red
- rt = red
- br = brown
- gn = green
- bl = blue
- gr = grey
- li = purple
- vi = purple
- ge = yellow
- or = orange
- rs = pink

Radiator outlet coolant temperature sender, Exhaust gas temperature sender 1, Exhaust gas temperature sender 3, Exhaust gas temperature sender 4, Engine control unit

- G83 Radiator outlet coolant temperature sender
- G235 Exhaust gas temperature sender 1
- G495 Exhaust gas temperature sender 3
- G648 Exhaust gas temperature sender 4
- J623 Engine control unit
- T2eh 2-pin connector
- T2jy 2-pin connector, black
- T2jz 2-pin connector, brown
- T2ka 2-pin connector, dark brown
- T10ap 10-pin connector, near left headlight
- T94 94-pin connector

327 Earth connection (sender earth), in engine compartment wiring harness

* According to equipment



- ws = white
- sw = black
- ro = red
- rt = red
- br = brown
- gn = green
- bl = blue
- gr = grey
- li = purple
- vi = purple
- ge = yellow
- or = orange
- rs = pink

99 100 101 102 103 104 105 106 107 108 109 110 111 112

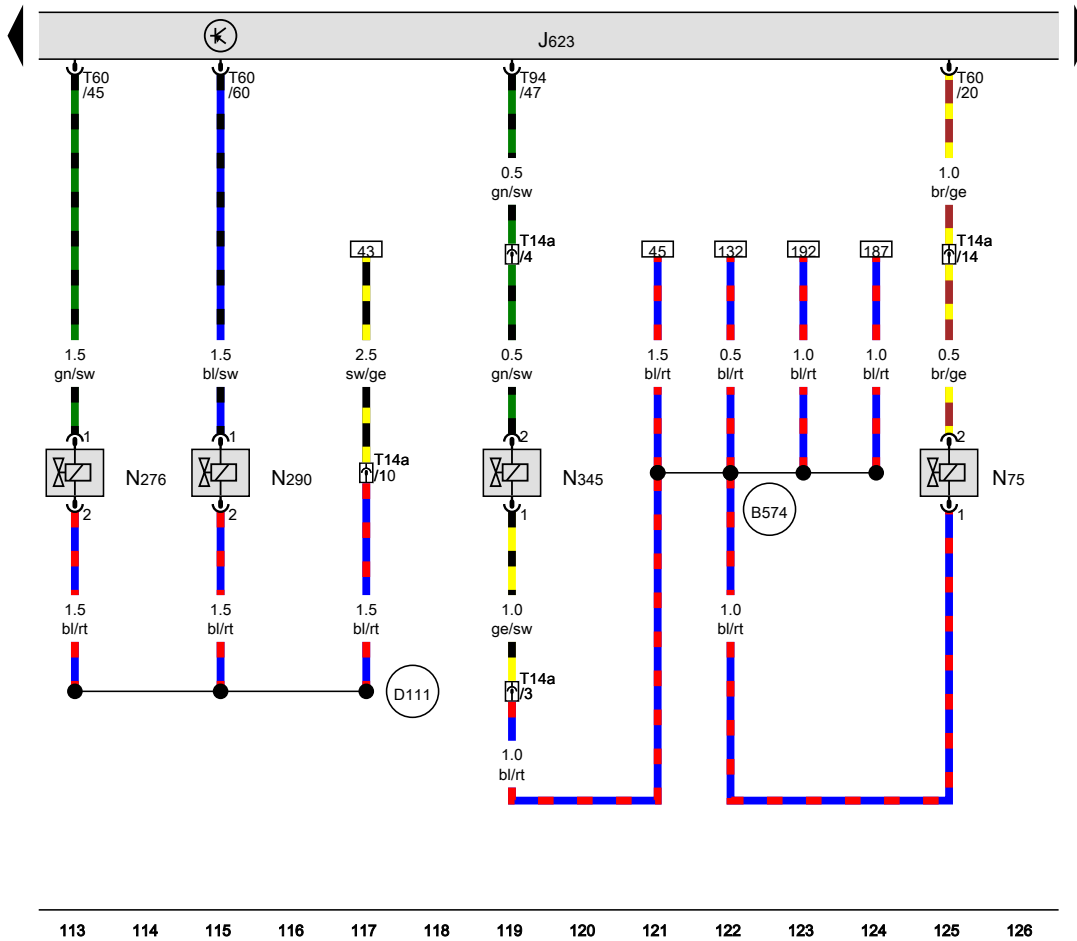
1360-067090416

Engine control unit, Charge pressure control solenoid valve, Fuel pressure regulating valve, Fuel metering valve, Exhaust gas recirculation cooler changeover valve

- J623 Engine control unit
- N75 Charge pressure control solenoid valve
- N276 Fuel pressure regulating valve
- N290 Fuel metering valve
- N345 Exhaust gas recirculation cooler changeover valve
- T14a 14-pin connector, on left in engine compartment
- T60 60-pin connector
- T94 94-pin connector

(B574) Positive connection 20 (87a) in main wiring harness

(D111) Connection 9 in engine compartment wiring harness



- ws = white
- sw = black
- ro = red
- rt = red
- br = brown
- gn = green
- bl = blue
- gr = grey
- li = purple
- vi = purple
- ge = yellow
- or = orange
- rs = pink

113 114 115 116 117 118 119 120 121 122 123 124 125 126

1360-067100416

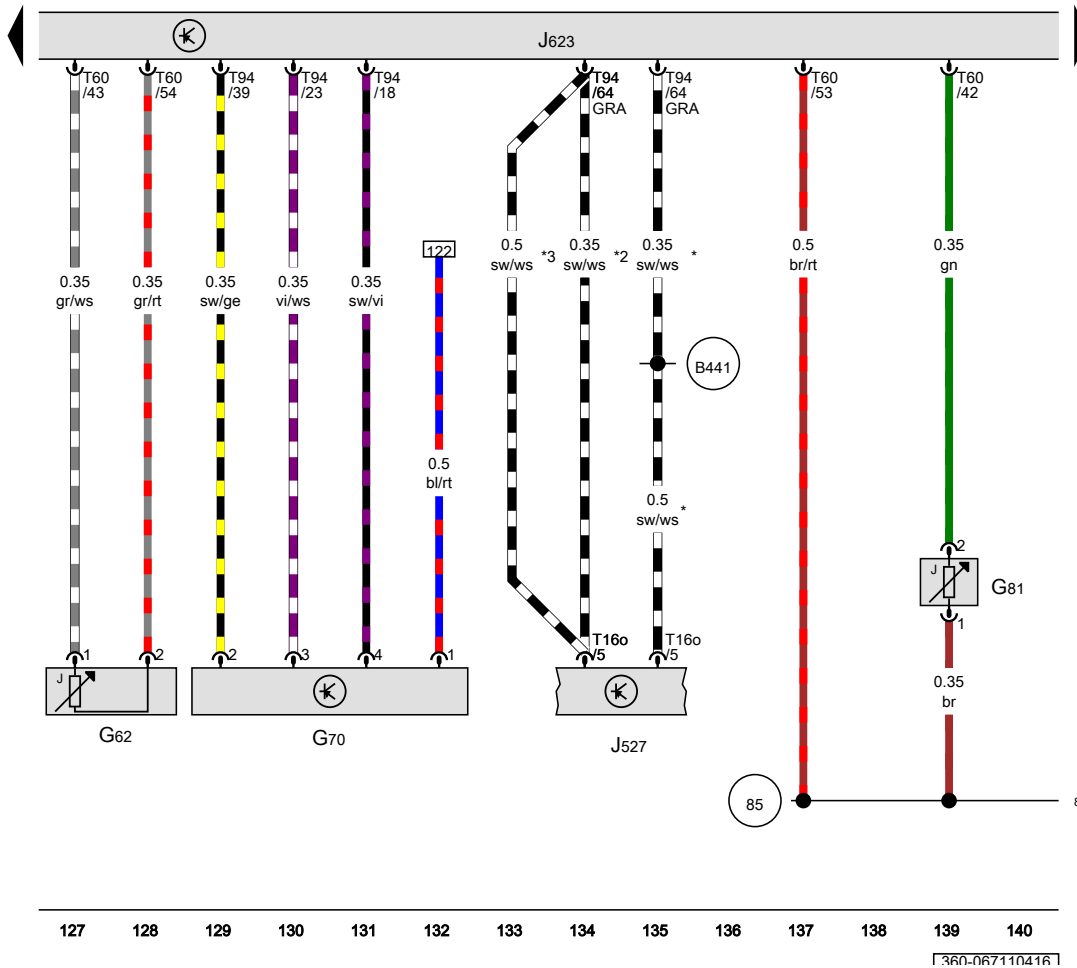
Coolant temperature sender, Air mass meter, Fuel temperature sender, Steering column electronics control unit, Engine control unit

- G62 Coolant temperature sender
- G70 Air mass meter
- G81 Fuel temperature sender
- J527 Steering column electronics control unit
- J623 Engine control unit
- T160 16-pin connector
- T60 60-pin connector
- T94 94-pin connector

85 Earth connection 1, in engine compartment wiring harness

B441 Connection (CCS), in main wiring harness

- * Only models with adaptive cruise control (ACC)
- *2 Only models with cruise control system (CCS)
- *3 gradual introduction



- ws = white
- sw = black
- ro = red
- rt = red
- br = brown
- gn = green
- bl = blue
- gr = grey
- li = purple
- vi = purple
- ge = yellow
- or = orange
- rs = pink

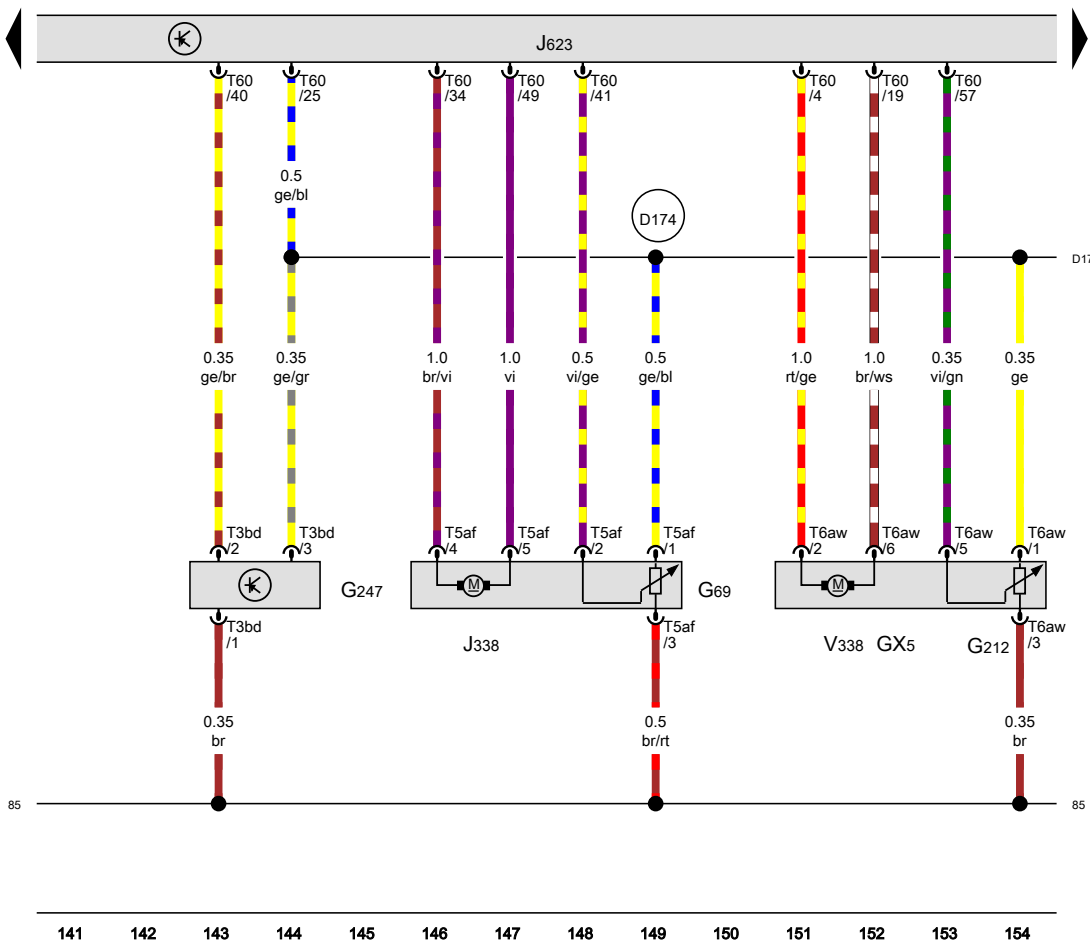
1360-067110416

Exhaust gas recirculation valve 1, Throttle valve potentiometer, Fuel pressure sender, Throttle valve module, Engine control unit, Exhaust gas recirculation control motor

- GX5 Exhaust gas recirculation valve 1
- G69 Throttle valve potentiometer
- G212 Exhaust gas recirculation potentiometer
- G247 Fuel pressure sender
- J338 Throttle valve module
- J623 Engine control unit
- T3bd 3-pin connector
- T5af 5-pin connector
- T6aw 6-pin connector
- T60 60-pin connector
- V338 Exhaust gas recirculation control motor

85 Earth connection 1, in engine compartment wiring harness

D174 Connection 2 (5V) in engine prewiring harness



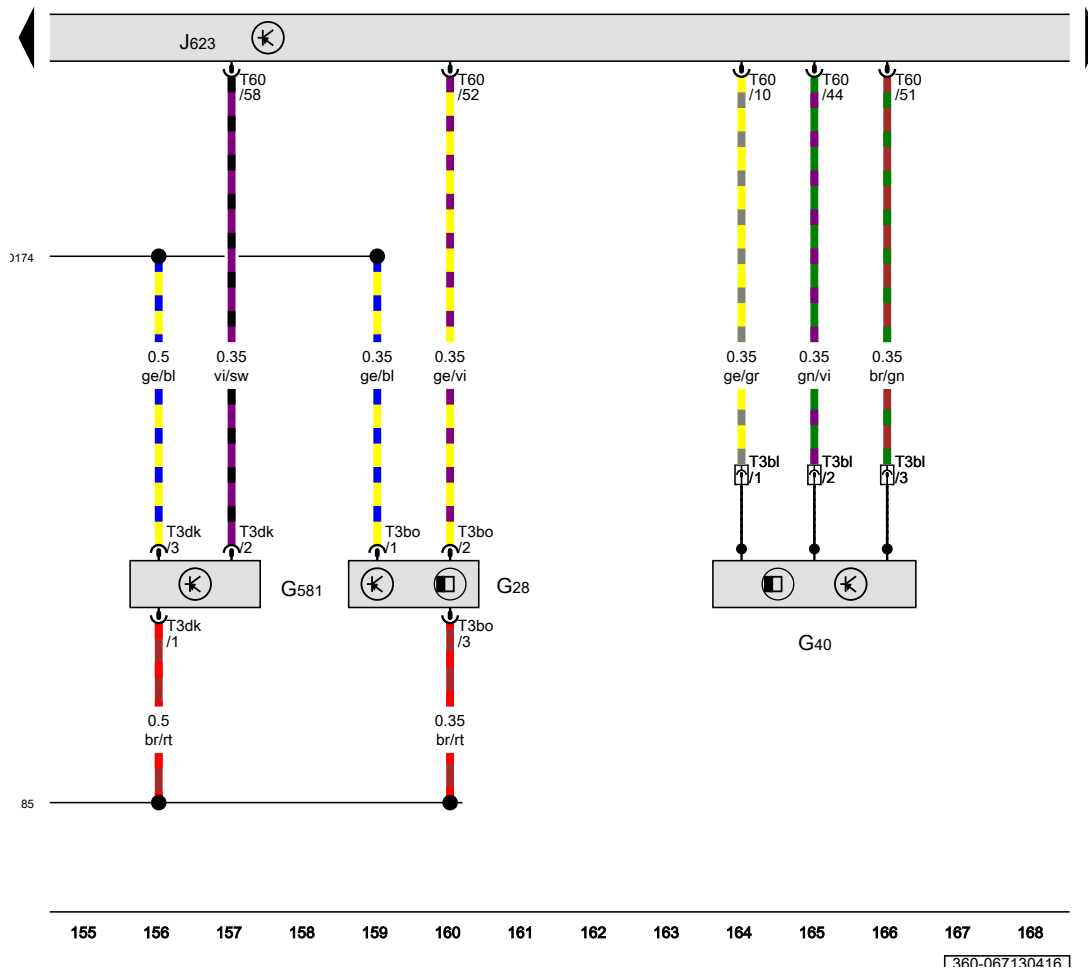
- ws = white
- sw = black
- ro = red
- rt = red
- br = brown
- gn = green
- bl = blue
- gr = grey
- li = purple
- vi = purple
- ge = yellow
- or = orange
- rs = pink

1360-067120416

Engine speed sender, Hall sender, Position sender for charge pressure positioner, Engine control unit

- G28 Engine speed sender
- G40 Hall sender
- G581 Position sender for charge pressure positioner
- J623 Engine control unit
- T3bl 3-pin connector, grey
- T3bo 3-pin connector
- T3dk 3-pin connector
- T60 60-pin connector

- 85 Earth connection 1, in engine compartment wiring harness
- D174 Connection 2 (5V) in engine prewiring harness



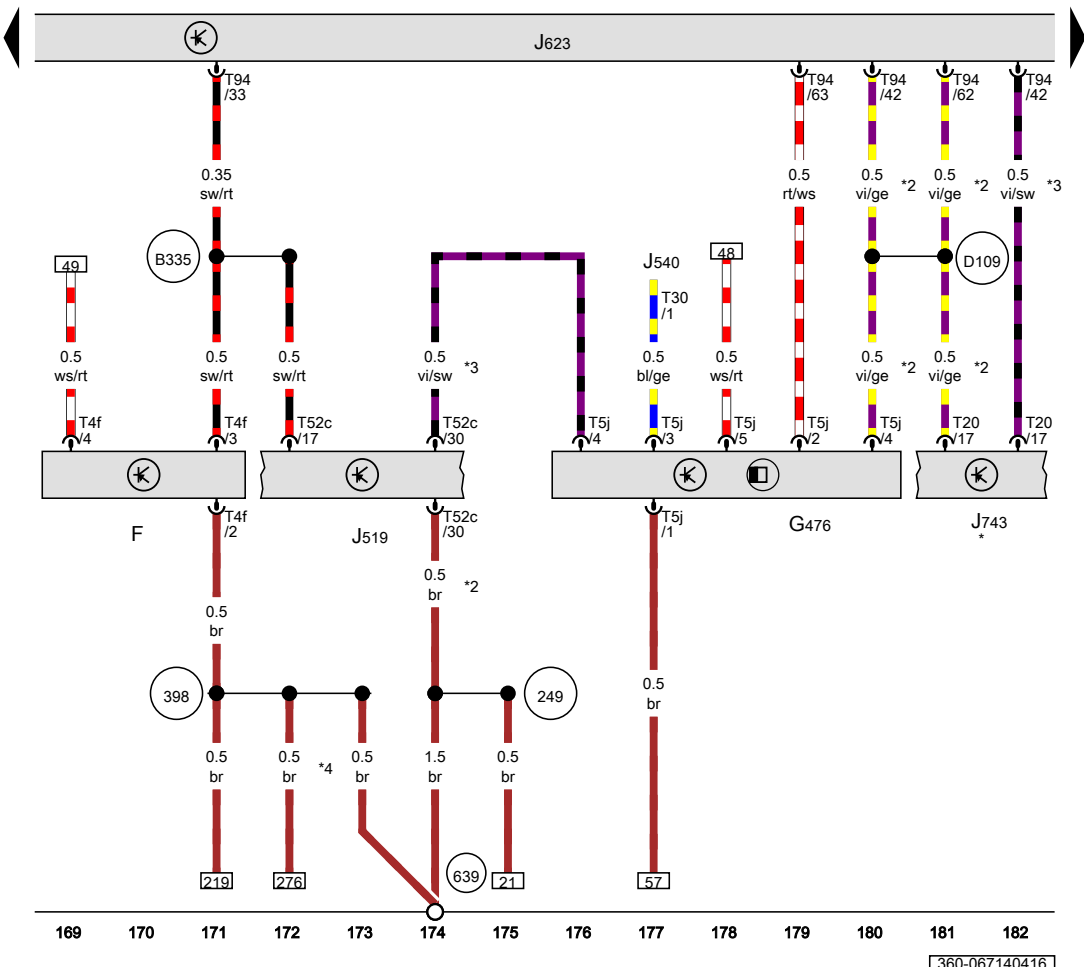
- ws = white
- sw = black
- ro = red
- rt = red
- br = brown
- gn = green
- bl = blue
- gr = grey
- li = purple
- vi = purple
- ge = yellow
- or = orange
- rs = pink

360-067130416

Brake light switch, Clutch position sender, Onboard supply control unit, Engine control unit

- F Brake light switch
- G476 Clutch position sender
- J519 Onboard supply control unit
- J540 Control unit for electromechanical parking brake
- J623 Engine control unit
- J743 Mechatronic unit for dual clutch gearbox
- T4f 4-pin connector
- T5j 5-pin connector
- T20 20-pin connector
- T30 30-pin connector
- T52c 52-pin connector
- T94 94-pin connector

- 249 Earth connection 2, in interior wiring harness
- 398 Earth connection 33, in main wiring harness
- 639 Earth point, left A-pillar
- B335 Connection 1 (54), in main wiring harness
- D109 Connection 7 in engine compartment wiring harness
- * Only models with dual clutch gearbox (DSG)
- *2 Only models with start/stop system
- *3 Only models with no start/stop system
- *4 Only models with extended servicing intervals (ESI)



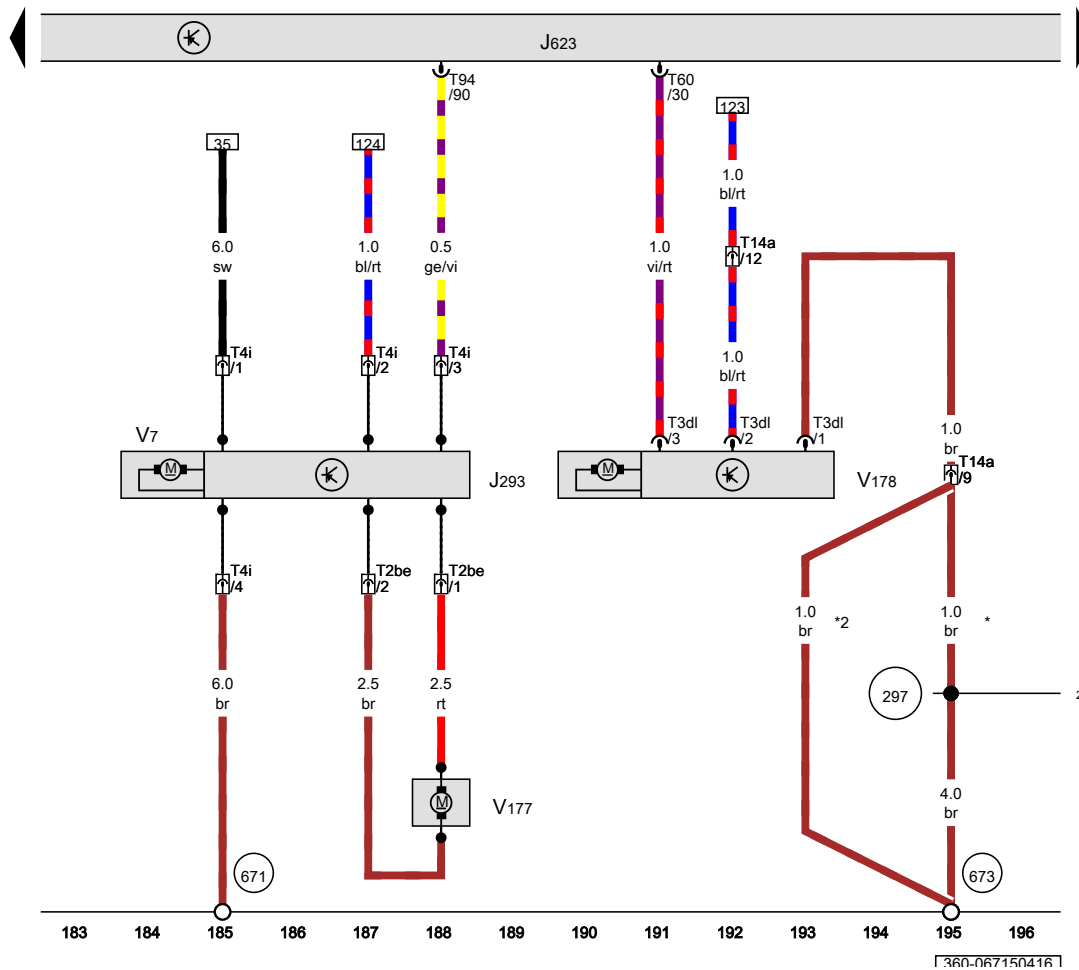
- ws = white
- sw = black
- ro = red
- rt = red
- br = brown
- gn = green
- bl = blue
- gr = grey
- li = purple
- vi = purple
- ge = yellow
- or = orange
- rs = pink

1360-067140416

Radiator fan control unit, Engine control unit, Radiator fan, Radiator fan 2, Coolant circulation pump 2

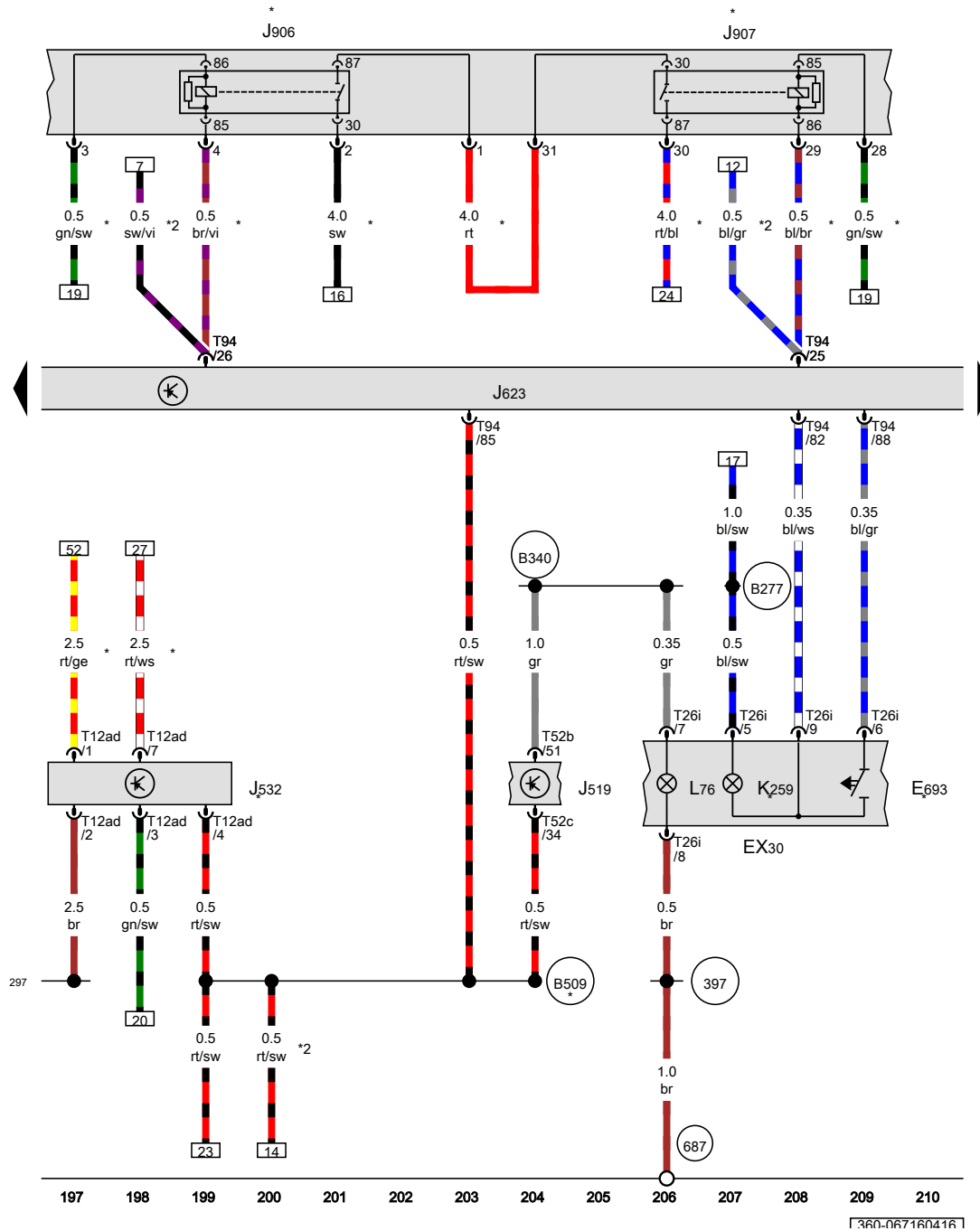
- J293 Radiator fan control unit
- J623 Engine control unit
- T2be 2-pin connector, on lock carrier
- T3dl 3-pin connector
- T4i 4-pin connector, on lock carrier
- T14a 14-pin connector, on left in engine compartment
- T60 60-pin connector
- T94 94-pin connector
- V7 Radiator fan
- V177 Radiator fan 2
- V178 Coolant circulation pump 2

- 297 Earth connection 12, in interior wiring harness
- 671 Earth point 1, on front of left longitudinal member
- 673 Earth point 3, on front of left longitudinal member
- * Only models with start/stop system
- *2 Only models with no start/stop system



- ws = white
- sw = black
- ro = red
- rt = red
- br = brown
- gn = green
- bl = blue
- gr = grey
- li = purple
- vi = purple
- ge = yellow
- or = orange
- rs = pink

1360-067150416



Switch module 2 in centre console, Start/Stop operation button, Onboard supply control unit, Voltage stabiliser, Engine control unit, Starter relay 1, Starter relay 2

- EX30 Switch module 2 in centre console
- E693 Start/Stop operation button
- J519 Onboard supply control unit
- J532 Voltage stabiliser
- J623 Engine control unit
- J906 Starter relay 1
- J907 Starter relay 2
- K259 Start/Stop operation warning lamp
- L76 Button illumination bulb
- T12ad 12-pin connector
- T26i 26-pin connector
- T52b 52-pin connector
- T52c 52-pin connector
- T94 94-pin connector

- (297) Earth connection 12, in interior wiring harness
- (397) Earth connection 32, in main wiring harness
- (687) Earth point 1, on centre tunnel
- (B277) Positive connection 1 (15a) in main wiring harness
- (B340) Connection 1 (58d), in main wiring harness
- (B509) Connection 3 (diagnosis), in main wiring harness
- * Only models with start/stop system
- *2 Only models with no start/stop system

- ws = white
- sw = black
- ro = red
- rt = red
- br = brown
- gn = green
- bl = blue
- gr = grey
- li = purple
- vi = purple
- ge = yellow
- or = orange
- rs = pink

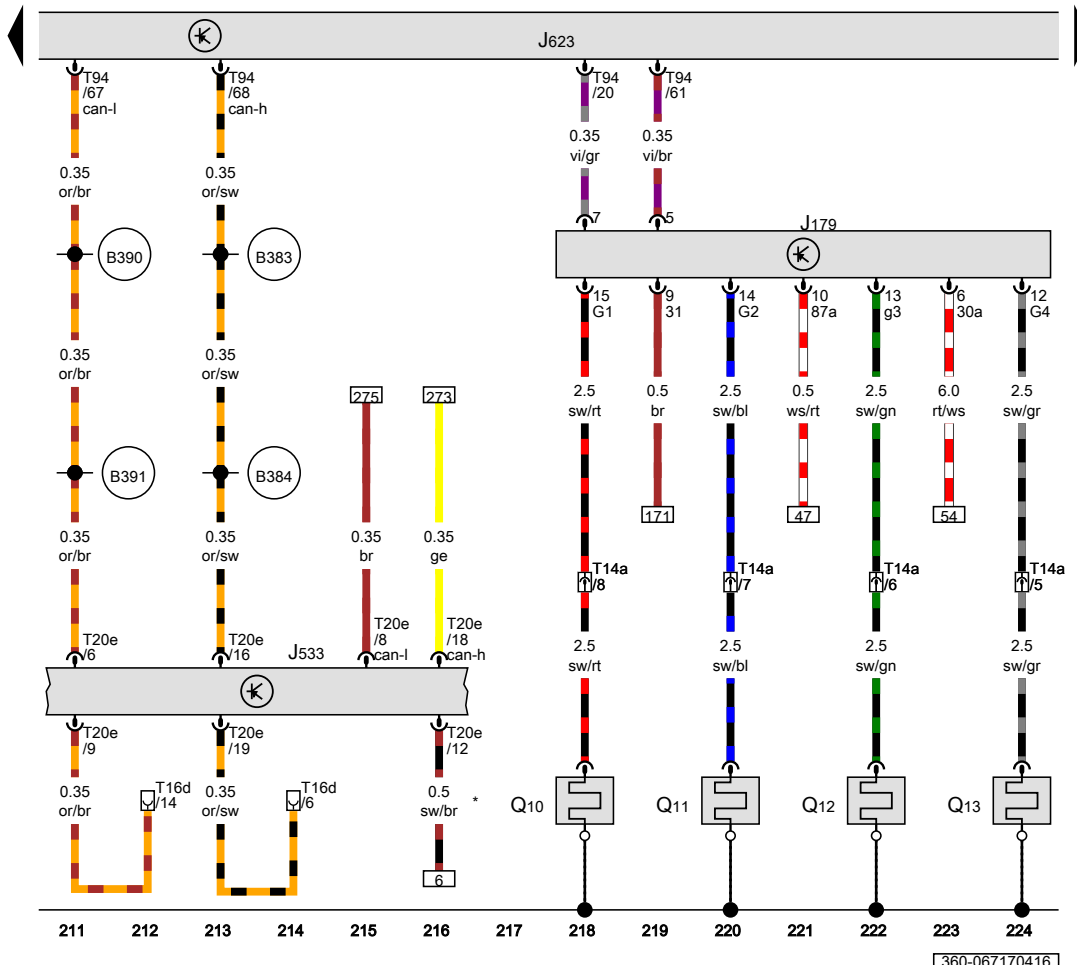
1360-067160416

Automatic glow period control unit, Data bus diagnostic interface, Engine control unit, Glow plug 1, Glow plug 2, Glow plug 3, Glow plug 4

- J179 Automatic glow period control unit
- J533 Data bus diagnostic interface
- J623 Engine control unit
- Q10 Glow plug 1
- Q11 Glow plug 2
- Q12 Glow plug 3
- Q13 Glow plug 4
- T14a 14-pin connector, on left in engine compartment
- T16d 16-pin connector
- T20e 20-pin connector
- T94 94-pin connector

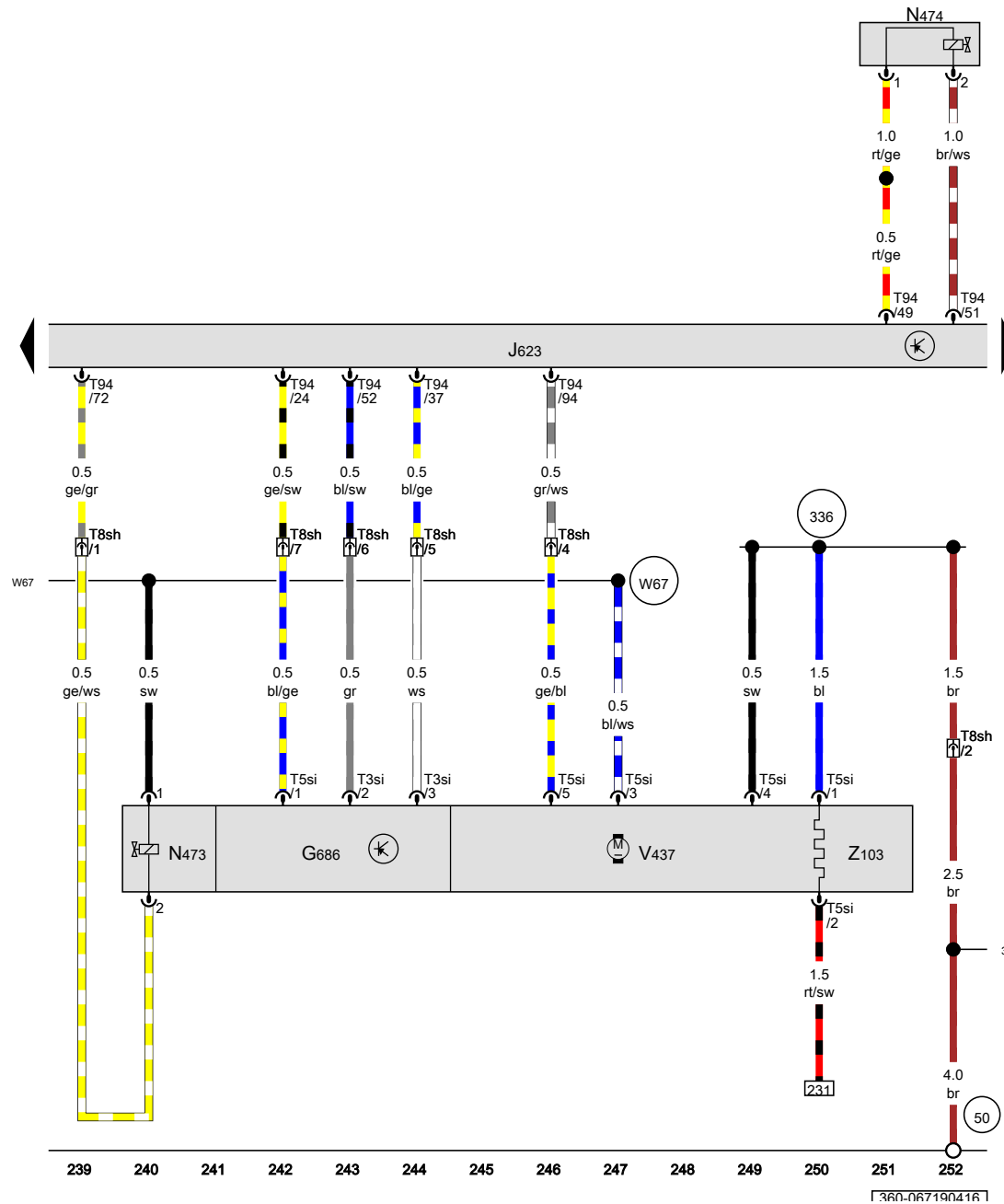
- B383 Connection 1 (powertrain CAN bus, high), in main wiring harness
- B384 Connection 2 (powertrain CAN bus, high), in main wiring harness
- B390 Connection 1 (powertrain CAN bus, low), in main wiring harness
- B391 Connection 2 (powertrain CAN bus, low), in main wiring harness

* Only models with start/stop system



- ws = white
- sw = black
- ro = red
- rt = red
- br = brown
- gn = green
- bl = blue
- gr = grey
- li = purple
- vi = purple
- ge = yellow
- or = orange
- rs = pink

1360-067170416



Pressure sender for reducing agent metering system,
 Engine control unit, Reversing valve for reducing agent,
 Injector for reducing agent, Pump for reducing agent

- G686 Pressure sender for reducing agent metering system
- J623 Engine control unit
- N473 Reversing valve for reducing agent
- N474 Injector for reducing agent
- T3si 3-pin connector
- T5si 5-pin connector
- T8sh 8-pin connector
- T94 94-pin connector
- V437 Pump for reducing agent
- Z103 Heater for reducing agent pump (heater circuit 2)

- (50) Earth point, on left in luggage compartment
- (336) Earth connection 1, in floor wiring harness
- (394) Earth connection 29, in main wiring harness
- (W67) Connection (87), in floor wiring harness

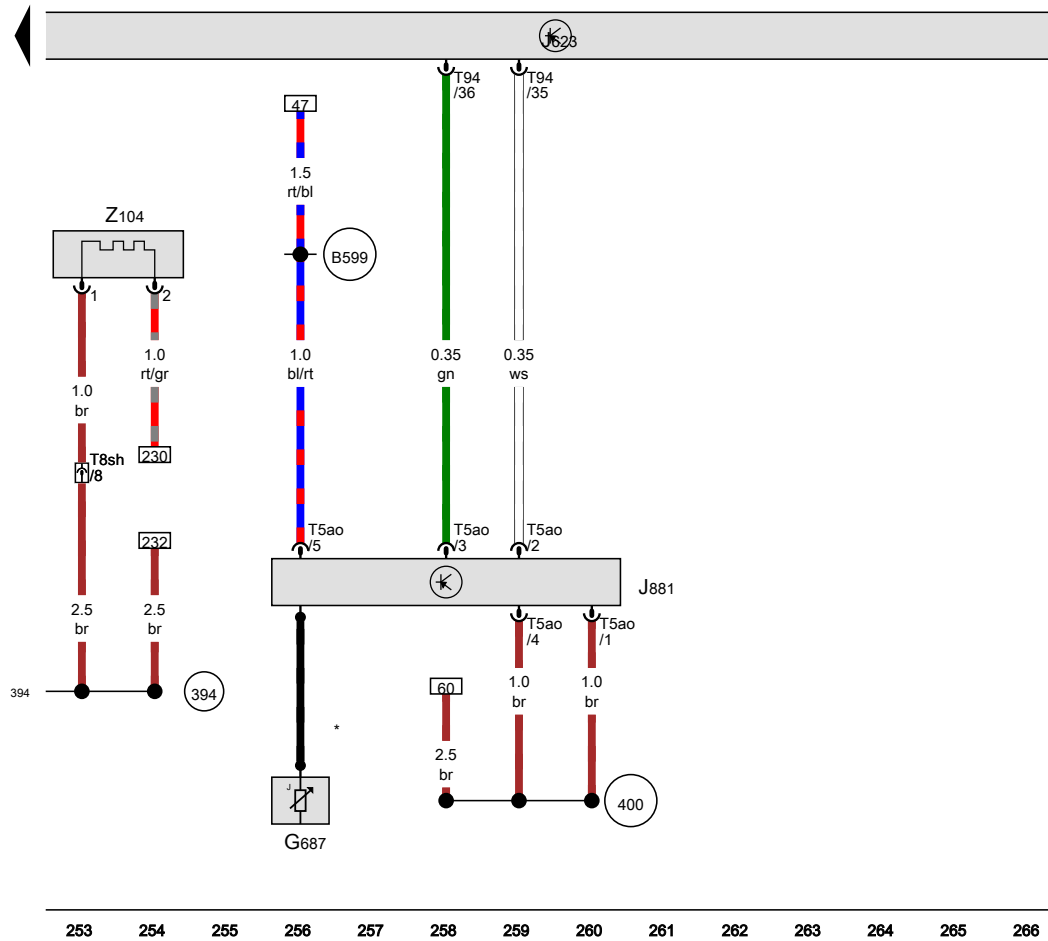
- ws = white
- sw = black
- ro = red
- rt = red
- br = brown
- gn = green
- bl = blue
- gr = grey
- li = purple
- vi = purple
- ge = yellow
- or = orange
- rs = pink

1360-067190416

NOx sender 2, Engine control unit, Control unit for NOx sender 2, Heater for reducing agent line (heater circuit 2)

- G687 NOx sender 2
- J623 Engine control unit
- J881 Control unit for NOx sender 2
- T5ao 5-pin connector
- T8sh 8-pin connector
- T94 94-pin connector
- Z104 Heater for reducing agent line (heater circuit 2)

- 394 Earth connection 29, in main wiring harness
- 400 Earth connection 35, in main wiring harness
- B599 Positive connection 3 (87a), in interior wiring harness
- * Adapter wire



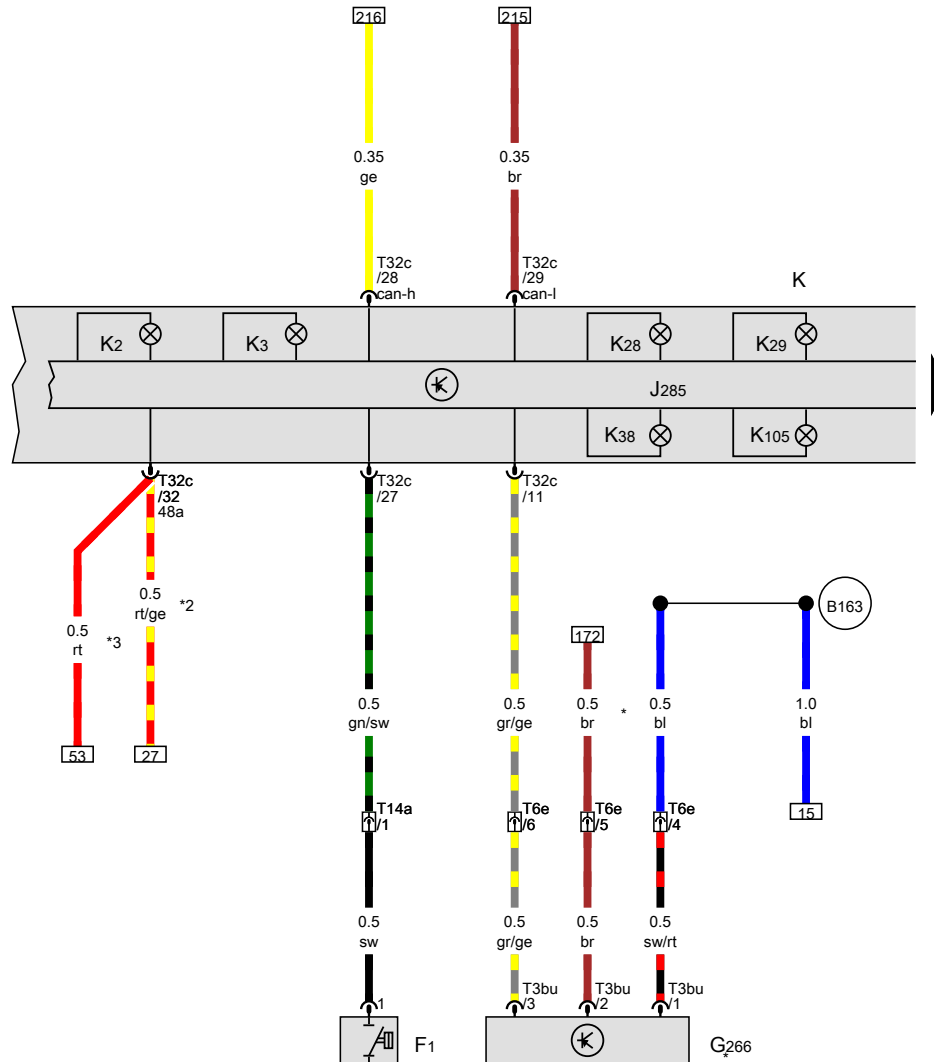
- ws = white
- sw = black
- ro = red
- rt = red
- br = brown
- gn = green
- bl = blue
- gr = grey
- li = purple
- vi = purple
- ge = yellow
- or = orange
- rs = pink

1360-067200416

Oil pressure switch, Oil level and oil temperature sender, Control unit in dash panel insert, Dash panel insert, Alternator warning lamp, Oil pressure warning lamp, Coolant temperature and coolant shortage warning lamp, Glow period warning lamp, Oil level warning lamp, Reserve fuel warning lamp

- F1 Oil pressure switch
- G266 Oil level and oil temperature sender
- J285 Control unit in dash panel insert
- K Dash panel insert
- K2 Alternator warning lamp
- K3 Oil pressure warning lamp
- K28 Coolant temperature and coolant shortage warning lamp
- K29 Glow period warning lamp
- K38 Oil level warning lamp
- K105 Reserve fuel warning lamp
- T3bu 3-pin connector
- T6e 6-pin connector, front left in engine compartment
- T14a 14-pin connector, on left in engine compartment
- T32c 32-pin connector

- B163 Positive connection 1 (15), in interior wiring harness
- * Only models with extended servicing intervals (ESI)
- *2 Only models with start/stop system
- *3 Only models with no start/stop system



- ws = white
- sw = black
- ro = red
- rt = red
- br = brown
- gn = green
- bl = blue
- gr = grey
- li = purple
- vi = purple
- ge = yellow
- or = orange
- rs = pink

Fuel gauge sender, Fuel gauge, Coolant temperature gauge, Rev. counter, Fuel system pressurisation pump, Speedometer, Coolant shortage indicator sender, Buzzer and gong, Control unit in dash panel insert, Dash panel insert, Cruise control system warning lamp, Electronic power control fault lamp

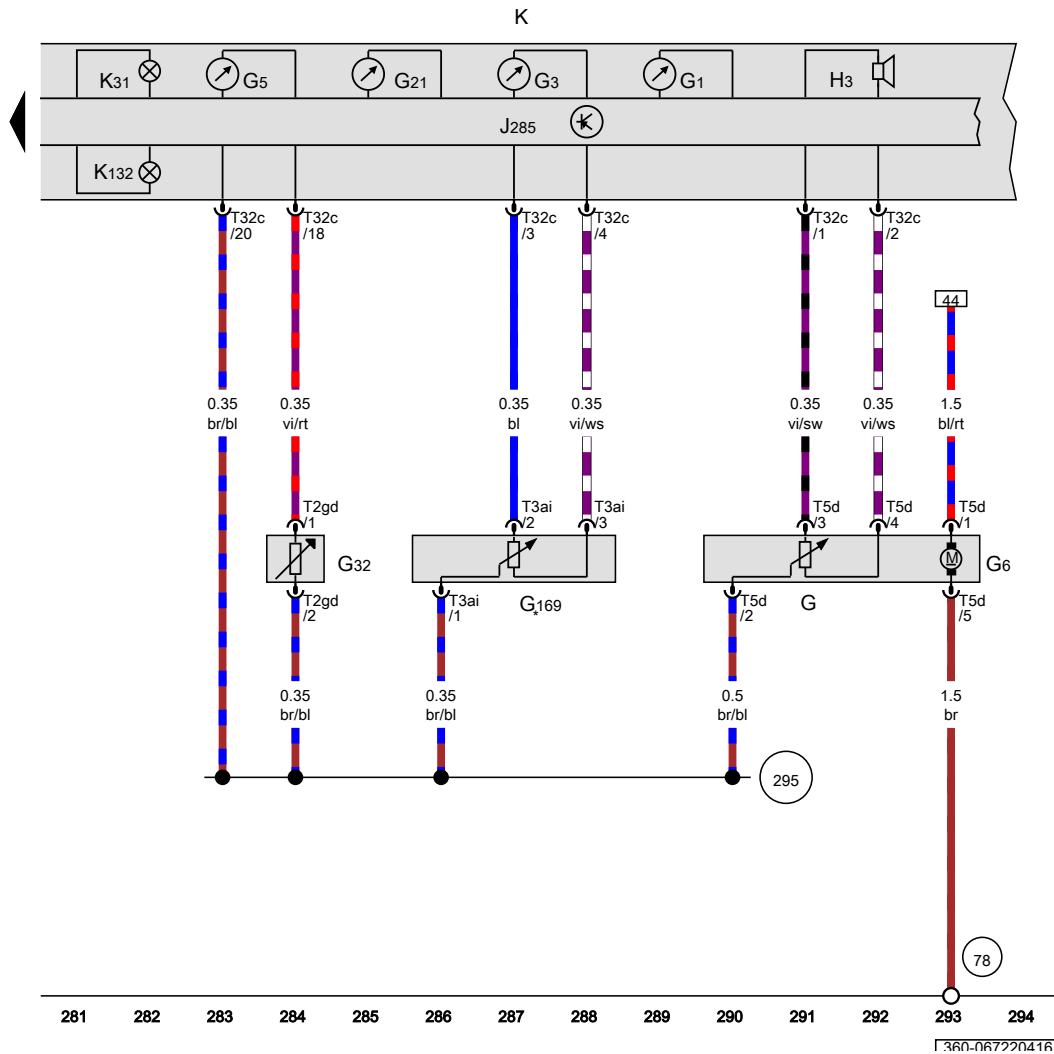
- G Fuel gauge sender
- G1 Fuel gauge
- G3 Coolant temperature gauge
- G5 Rev. counter
- G6 Fuel system pressurisation pump
- G21 Speedometer
- G32 Coolant shortage indicator sender
- G169 Fuel gauge sender 2
- H3 Buzzer and gong
- J285 Control unit in dash panel insert
- K Dash panel insert
- K31 Cruise control system warning lamp
- K132 Electronic power control fault lamp
- T2gd 2-pin connector
- T3ai 3-pin connector
- T5d 5-pin connector
- T32c 32-pin connector

78 Earth point, lower part of right B-pillar

295 Earth connection 10, in interior wiring harness

* Only models with all-wheel drive

- ws = white
- sw = black
- ro = red
- rt = red
- br = brown
- gn = green
- bl = blue
- gr = grey
- li = purple
- vi = purple
- ge = yellow
- or = orange
- rs = pink

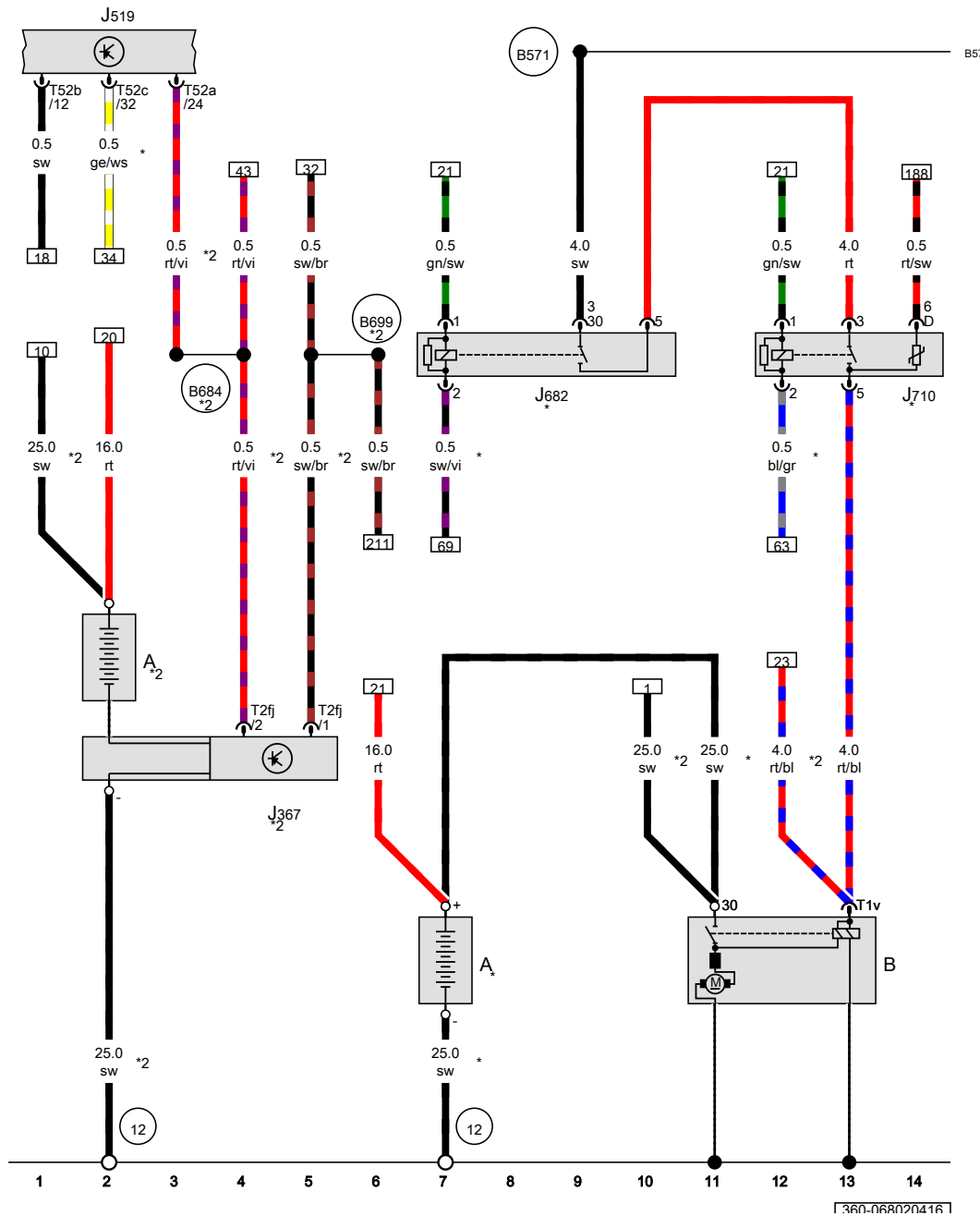


1360-067220416

1.4l petrol engine , CAXA

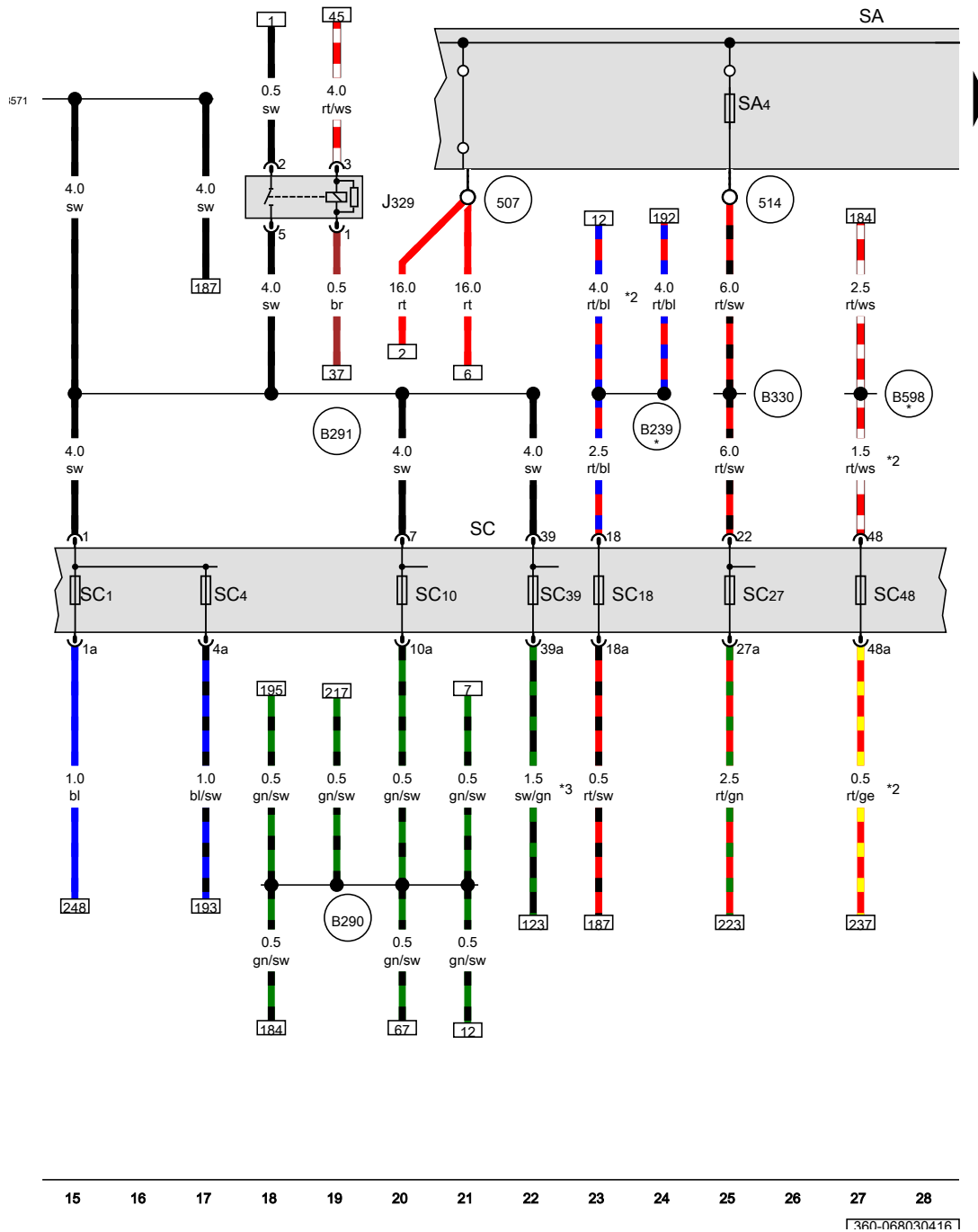
From October 2011

Battery, Starter, Battery monitor control unit, Onboard supply control unit, Terminal 50 voltage supply relay, Voltage supply relay 2



- A Battery
- B Starter
- J367 Battery monitor control unit
- J519 Onboard supply control unit
- J682 Terminal 50 voltage supply relay
- J710 Voltage supply relay 2
- T1v Single connector
- T2fj 2-pin connector
- T52a 52-pin connector
- T52b 52-pin connector
- T52c 52-pin connector
- 12 Earth point, on left in engine compartment
- B571 Connection 38, in main wiring harness
- B684 Positive connection 24 (30a) in main wiring harness
- B699 Connection 4 (LIN bus) in main wiring harness
- * Only models with no start/stop system
- *2 Only models with start/stop system

- ws = white
- sw = black
- ro = red
- rt = red
- br = brown
- gn = green
- bl = blue
- gr = grey
- li = purple
- vi = purple
- ge = yellow
- or = orange
- rs = pink



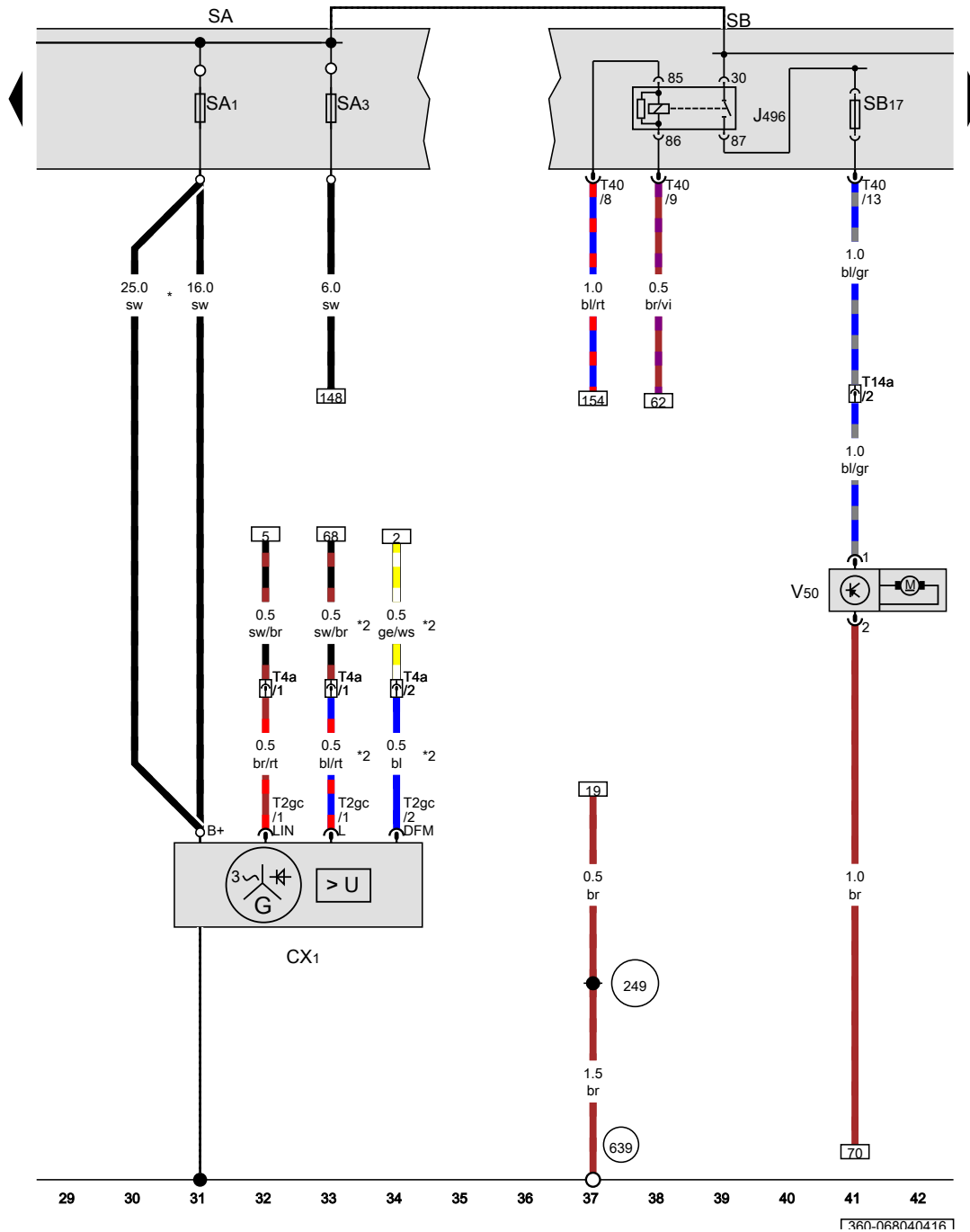
Terminal 15 voltage supply relay, Fuse holder A, Fuse holder C

- J329 Terminal 15 voltage supply relay
- SA Fuse holder A
- SC1 Fuse 1 on fuse holder C
- SA4 Fuse 4 in fuse holder A
- SC Fuse holder C
- SC4 Fuse 4 on fuse holder C
- SC10 Fuse 10 on fuse holder C
- SC18 Fuse 18 on fuse holder C
- SC27 Fuse 27 on fuse holder C
- SC39 Fuse 39 on fuse holder C
- SC48 Fuse 48 on fuse holder C

- (507) Threaded connection (30), on battery fuse holder
- (514) Threaded connection 4 (30a) on relay plate
- (B239) Positive connection 1 (50), in interior wiring harness
- (B290) Positive connection 14 (15a) in main wiring harness
- (B291) Positive connection 15 (15a) in main wiring harness
- (B330) Positive connection 16 (30a) in main wiring harness
- (B571) Connection 38, in main wiring harness
- (B598) Positive connection 11 (30a), in interior wiring harness

- * Only models with stop/start system
- *2 Only models with start/stop system
- *3 Only models with equipment for Japan

- ws = white
- sw = black
- ro = red
- rt = red
- br = brown
- gn = green
- bl = blue
- gr = grey
- li = purple
- vi = purple
- ge = yellow
- or = orange
- rs = pink



Alternator with voltage regulator, Additional coolant pump relay, Fuse holder A, Fuse holder B, Coolant circulation pump

- CX1 Alternator with voltage regulator
- J496 Additional coolant pump relay
- SA Fuse holder A
- SA1 Fuse 1 in fuse holder A
- SA3 Fuse 3 in fuse holder A
- SB Fuse holder B
- SB17 Fuse 17 on fuse holder B
- T2gc 2-pin connector
- T4a 4-pin connector, near starter
- T14a 14-pin connector, black
- T40 40-pin connector
- V50 Coolant circulation pump

249 Earth connection 2, in interior wiring harness

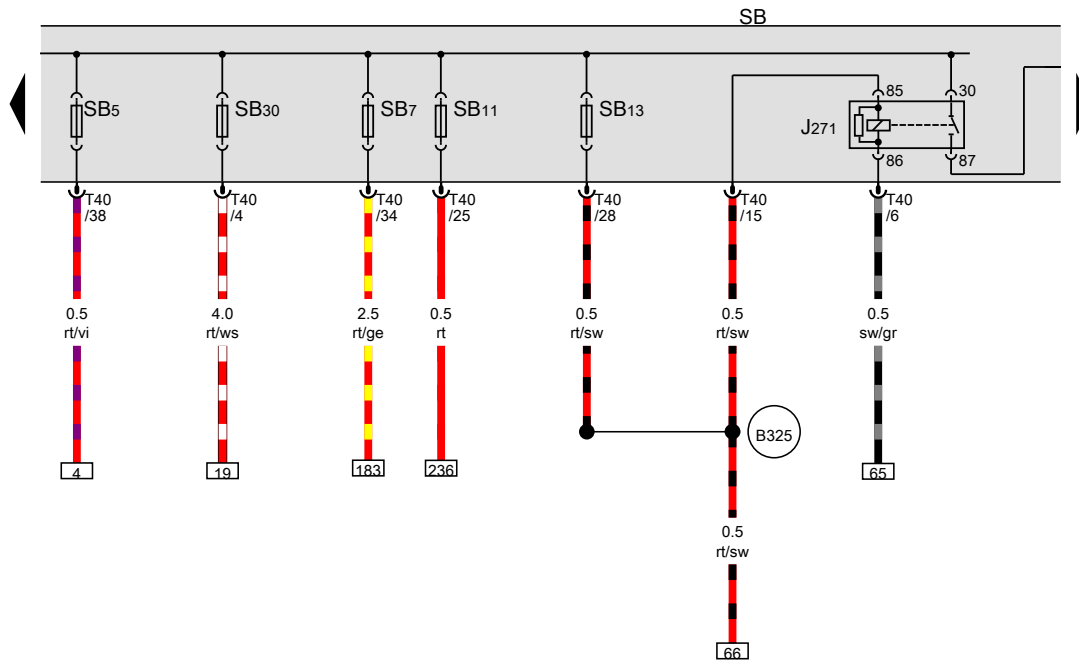
639 Earth point, left A-pillar

* Only models with 140A alternator

*2 Only models with no start/stop system

- ws = white
- sw = black
- ro = red
- rt = red
- br = brown
- gn = green
- bl = blue
- gr = grey
- li = purple
- vi = purple
- ge = yellow
- or = orange
- rs = pink

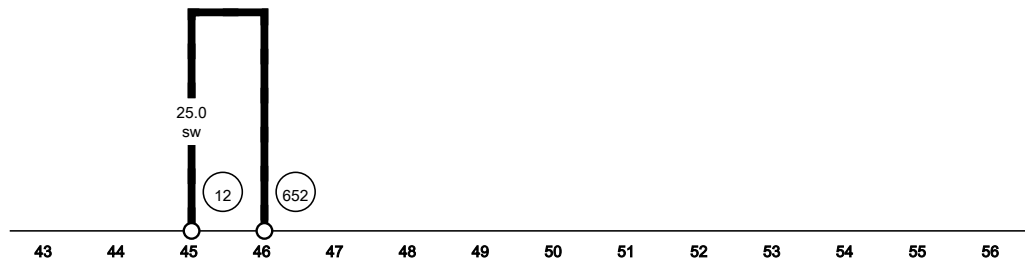
1360-068040416



Main relay, Fuse holder B

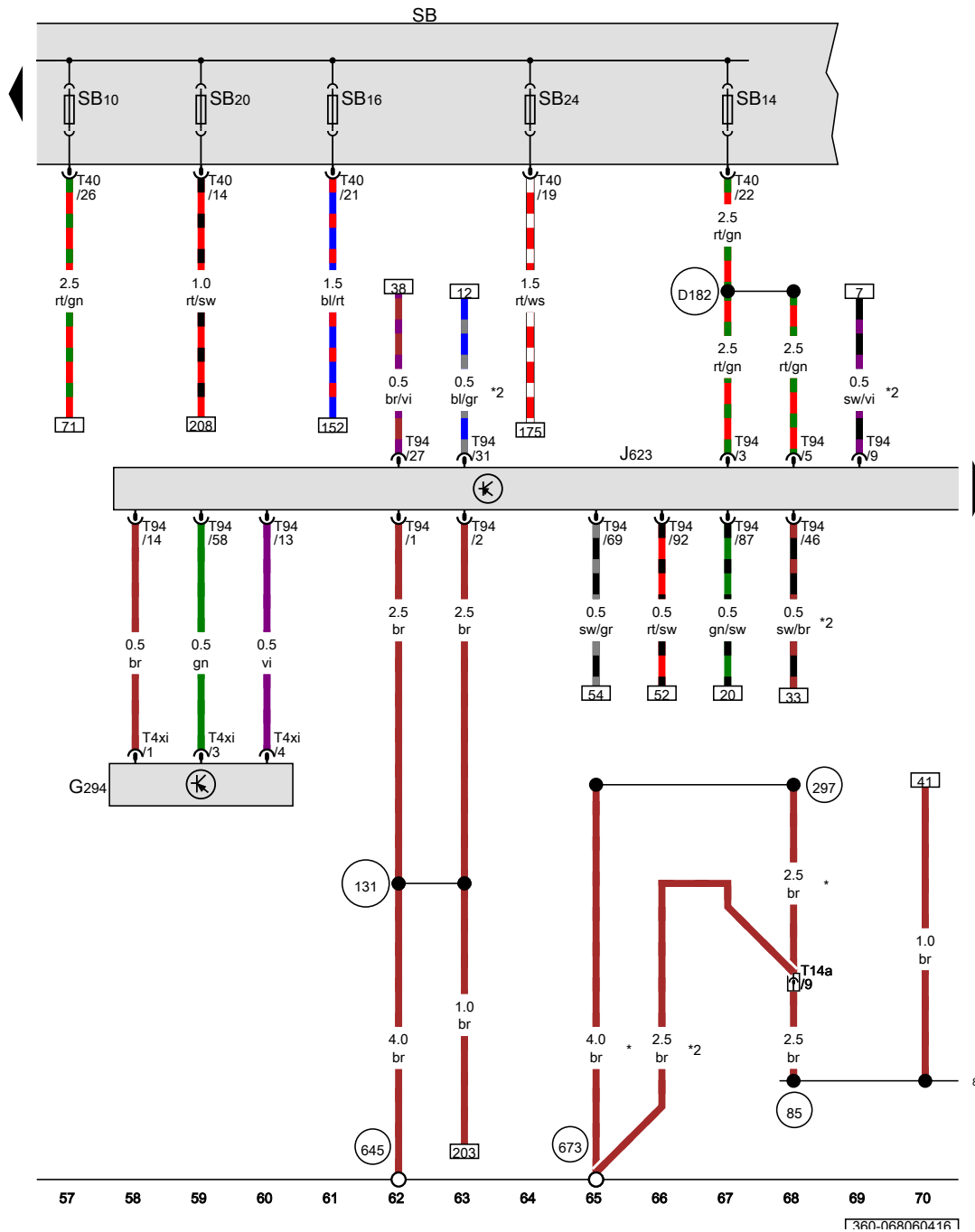
- J271 Main relay
- SB Fuse holder B
- SB5 Fuse 5 on fuse holder B
- SB7 Fuse 7 on fuse holder B
- SB11 Fuse 11 on fuse holder B
- SB13 Fuse 13 on fuse holder B
- SB30 Fuse 30 on fuse holder B
- T40 40-pin connector

- 12 Earth point, on left in engine compartment
- 652 Earth point, engine and gearbox earth
- B325 Positive connection 11 (30a) in main wiring harness



- ws = white
- sw = black
- ro = red
- rt = red
- br = brown
- gn = green
- bl = blue
- gr = grey
- li = purple
- vi = purple
- ge = yellow
- or = orange
- rs = pink

360-068050416



Engine control unit, Fuse holder B

- G294 Brake servo pressure sensor
- J623 Engine control unit, central in plenum chamber
- SB Fuse holder B
- SB10 Fuse 10 on fuse holder B
- SB14 Fuse 14 on fuse holder B
- SB16 Fuse 16 on fuse holder B
- SB20 Fuse 20 on fuse holder B
- SB24 Fuse 24 on fuse holder B
- T4xi 4-pin connector
- T14a 14-pin connector, black
- T40 40-pin connector
- T94 94-pin connector

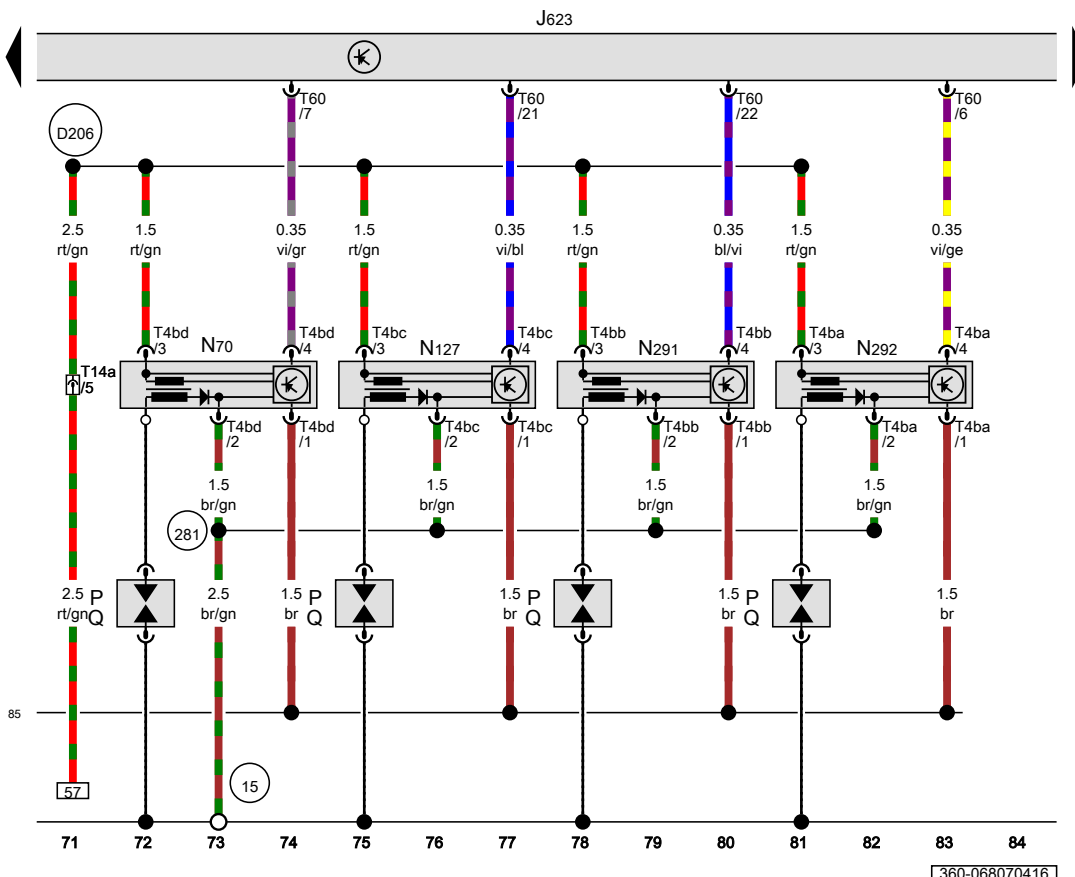
- 85 Earth connection 1, in engine compartment wiring harness
- 131 Earth connection 2, in engine compartment wiring harness
- 297 Earth connection 12, in interior wiring harness
- 645 Earth point 1, on bulkhead
- 673 Earth point 3, on front of left longitudinal member
- D182 Connection 3 (87a), in engine compartment wiring harness
- * Only models with start/stop system
- *2 Only models with no start/stop system

- ws = white
- sw = black
- ro = red
- rt = red
- br = brown
- gn = green
- bl = blue
- gr = grey
- li = purple
- vi = purple
- ge = yellow
- or = orange
- rs = pink

Engine control unit, Ignition coil 1 with output stage, Ignition coil 2 with output stage, Ignition coil 3 with output stage, Ignition coil 4 with output stage, Spark plug connector, Spark plugs

- J623 Engine control unit, central in plenum chamber
- N70 Ignition coil 1 with output stage
- N127 Ignition coil 2 with output stage
- N291 Ignition coil 3 with output stage
- N292 Ignition coil 4 with output stage
- P Spark plug connector
- Q Spark plugs
- T4ba 4-pin connector, black
- T4bb 4-pin connector, black
- T4bc 4-pin connector, black
- T4bd 4-pin connector, black
- T14a 14-pin connector, black
- T60 60-pin connector, black

- 15 Earth point, on cylinder head
- 85 Earth connection 1, in engine compartment wiring harness
- 281 Earth point 1, engine prewiring harness
- D206 Connection 4 (87a) in engine prewiring harness

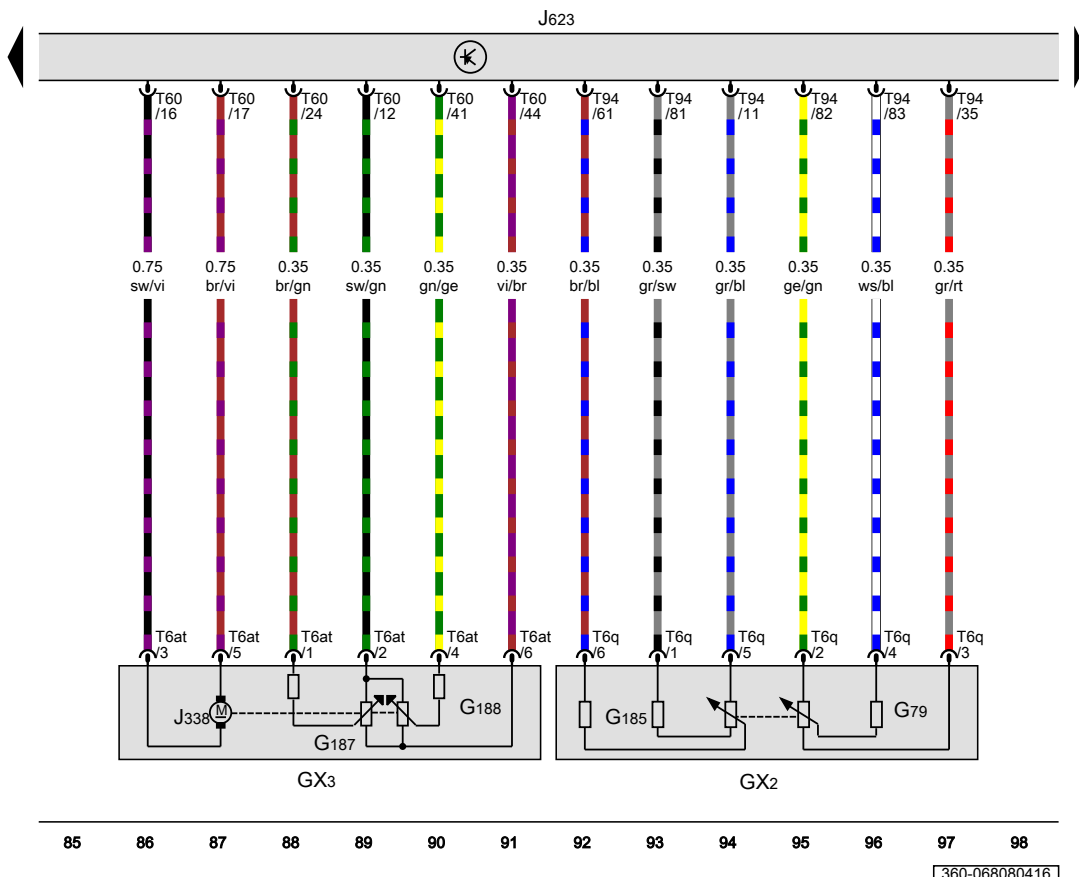


- ws = white
- sw = black
- ro = red
- rt = red
- br = brown
- gn = green
- bl = blue
- gr = grey
- li = purple
- vi = purple
- ge = yellow
- or = orange
- rs = pink

1360-068070416

Accelerator pedal module, Throttle valve module, Accelerator position sender, Throttle valve drive angle sender 1 for electric throttle, Throttle valve drive angle sender 2 for electric throttle, Engine control unit

- GX2 Accelerator pedal module
- GX3 Throttle valve module
- G79 Accelerator position sender
- G185 Accelerator position sender 2
- G187 Throttle valve drive angle sender 1 for electric throttle
- G188 Throttle valve drive angle sender 2 for electric throttle
- J338 Throttle valve module
- J623 Engine control unit, central in plenum chamber
- T6at 6-pin connector, black
- T6q 6-pin connector
- T60 60-pin connector, black
- T94 94-pin connector

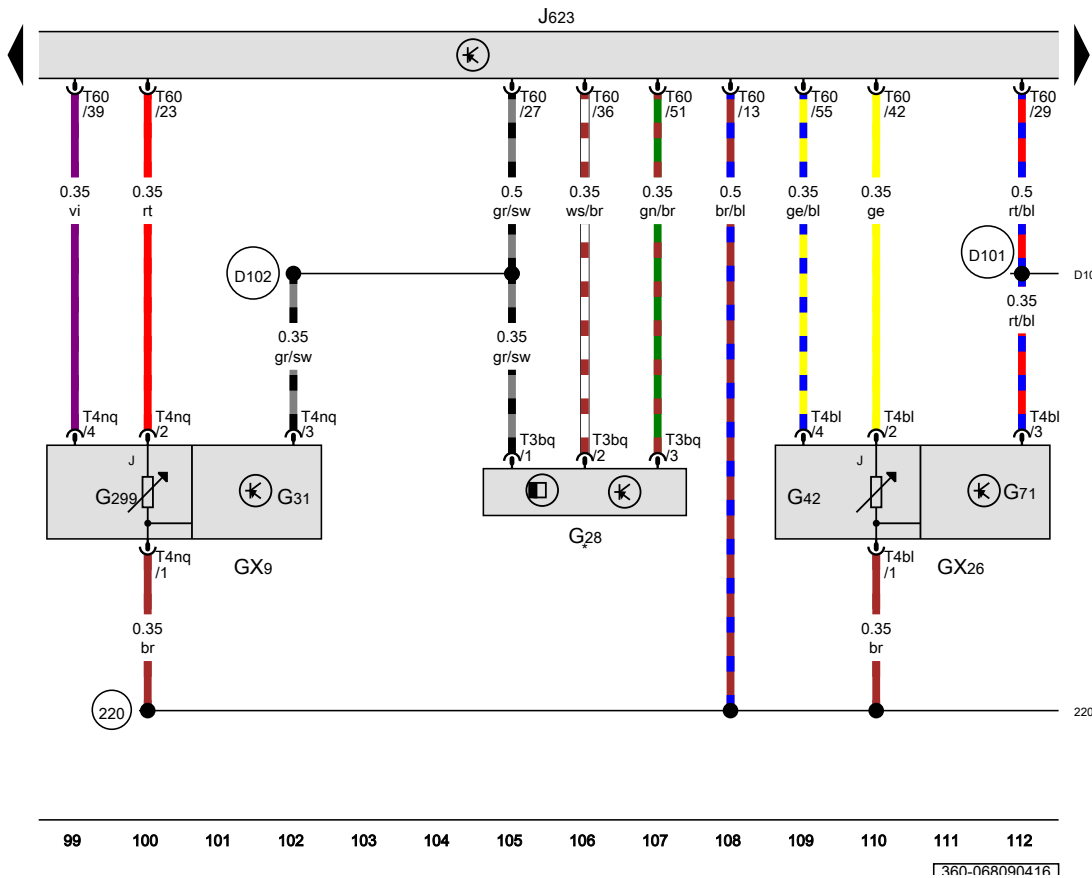


1360-068080416

Intake manifold sender, Charge pressure sender, Engine speed sender, Charge pressure sender, Intake manifold pressure sender, Engine control unit

- GX9 Intake manifold sender
- GX26 Charge pressure sender
- G28 Engine speed sender
- G31 Charge pressure sender
- G42 Intake air temperature sender
- G71 Intake manifold pressure sender
- G299 Intake air temperature sender 2
- J623 Engine control unit, central in plenum chamber
- T3bq 3-pin connector, orange
- T4bl 4-pin connector, black
- T4nq 4-pin connector, black
- T60 60-pin connector, black

- 220 Earth connection (sender earth), in engine wiring harness
- D101 Connection 1 in engine compartment wiring harness
- D102 Connection 2 in engine compartment wiring harness
- * Pre-wired component

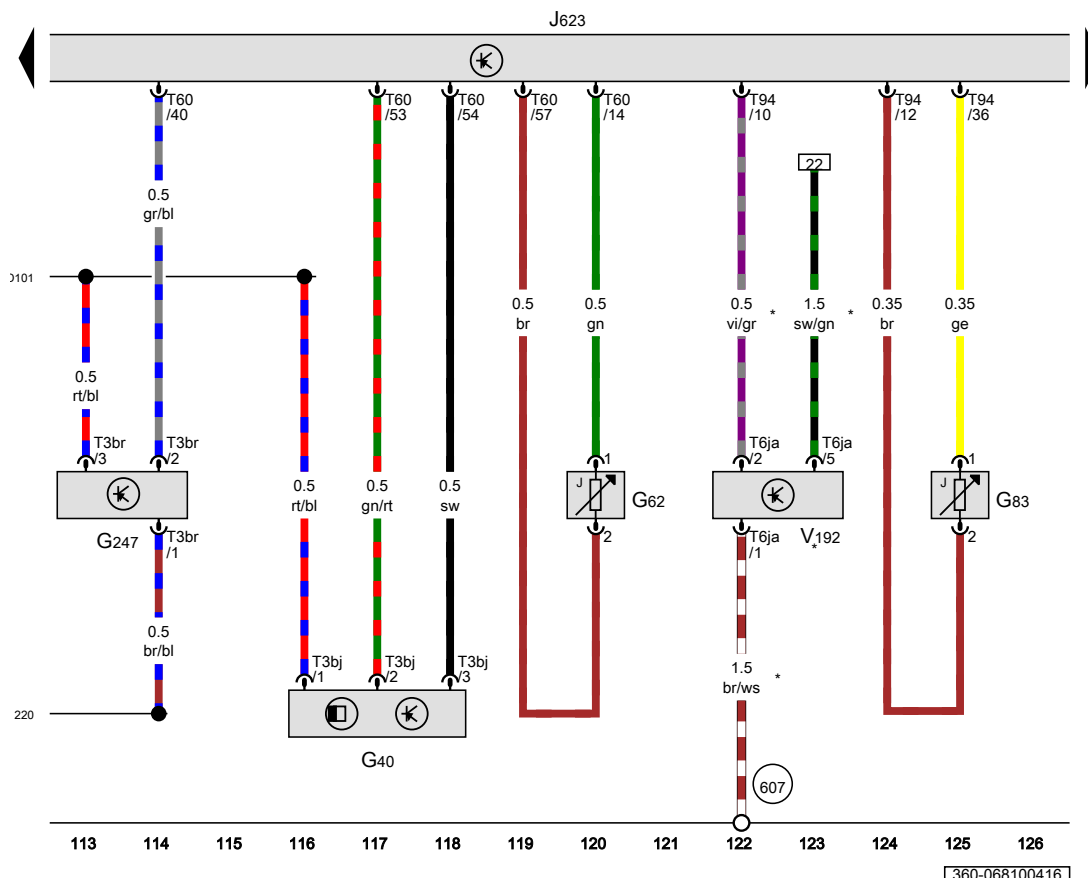


- ws = white
- sw = black
- ro = red
- rt = red
- br = brown
- gn = green
- bl = blue
- gr = grey
- li = purple
- vi = purple
- ge = yellow
- or = orange
- rs = pink

Hall sender, Coolant temperature sender, Radiator outlet coolant temperature sender, Fuel pressure sender, Engine control unit, Vacuum pump for brakes

- G40 Hall sender
- G62 Coolant temperature sender
- G83 Radiator outlet coolant temperature sender, black
- G247 Fuel pressure sender
- J623 Engine control unit, central in plenum chamber
- T3bj 3-pin connector, black
- T3br 3-pin connector, black
- T6ja 6-pin connector
- T60 60-pin connector, black
- T94 94-pin connector
- V192 Vacuum pump for brakes

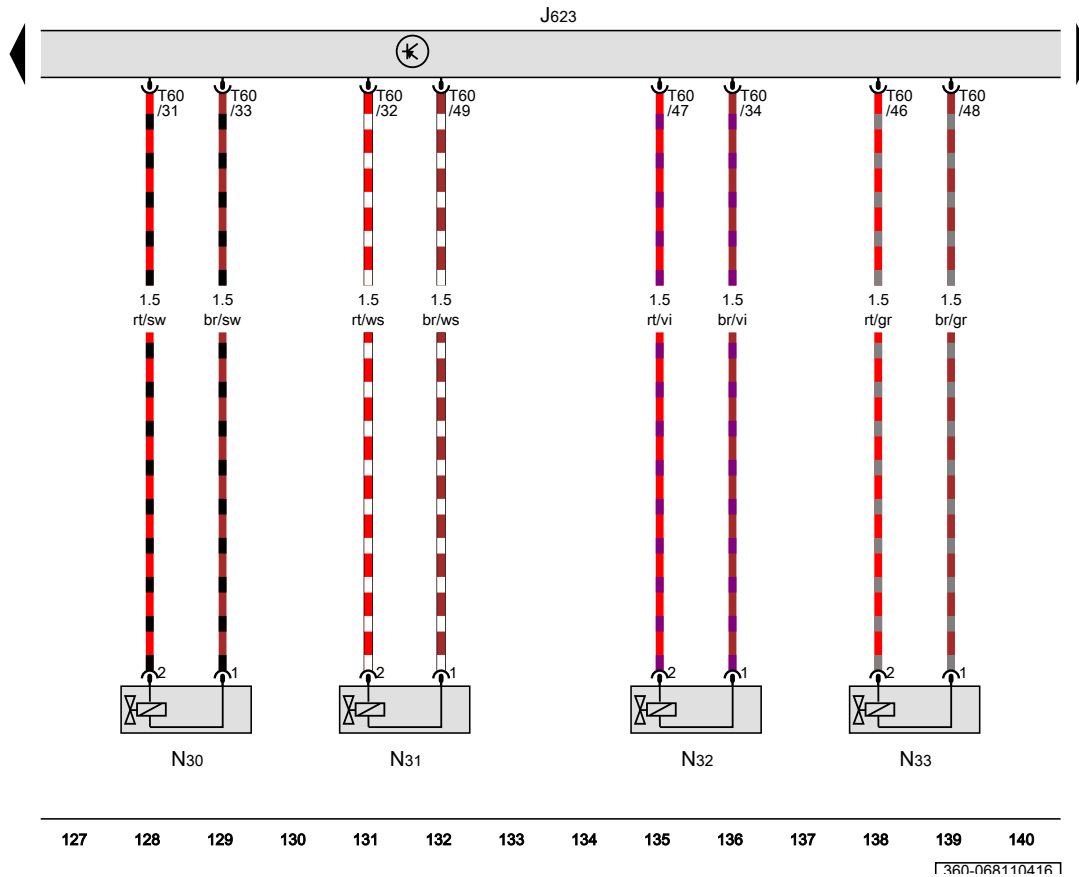
- 220 Earth connection (sender earth), in engine wiring harness
- 607 Earth point, on left in plenum chamber
- D101 Connection 1 in engine compartment wiring harness
- * Only models with equipment for Japan



1360-068100416

Engine control unit, Injector, cylinder 1, Injector, cylinder 2, Injector, cylinder 3, Injector, cylinder 4

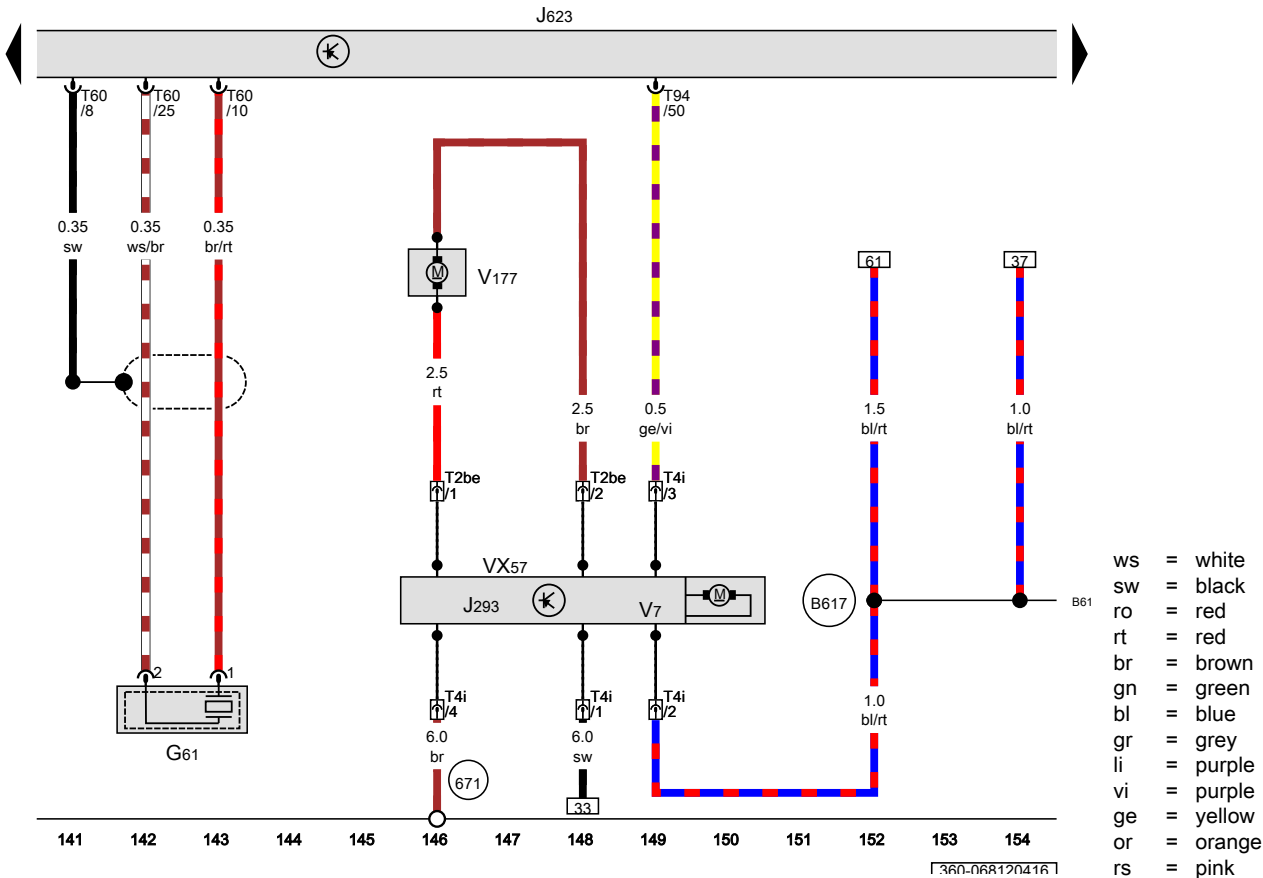
- J623 Engine control unit, central in plenum chamber
- N30 Injector, cylinder 1
- N31 Injector, cylinder 2
- N32 Injector, cylinder 3
- N33 Injector, cylinder 4
- T60 60-pin connector, black



Knock sensor 1, Engine control unit, Radiator fan, Radiator fan, Radiator fan 2

- G61 Knock sensor 1
- J293 Radiator fan control unit
- J623 Engine control unit, central in plenum chamber
- T2be 2-pin connector, on lock carrier
- T4i 4-pin connector, on lock carrier
- T60 60-pin connector, black
- T94 94-pin connector
- V7 Radiator fan
- VX57 Radiator fan
- V177 Radiator fan 2

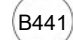
- 671 Earth point 1, on front of left longitudinal member
- B617 Positive connection 5 (87a), in interior wiring harness

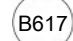


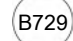
1360-068120416

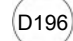
Electronic ignition lock, Steering column electronics control unit, Engine control unit, Charge pressure control solenoid valve, Activated charcoal filter solenoid valve 1, Camshaft control valve 1, Turbocharger air recirculation valve

- D9 Electronic ignition lock
- J527 Steering column electronics control unit
- J623 Engine control unit, central in plenum chamber
- N75 Charge pressure control solenoid valve
- N80 Activated charcoal filter solenoid valve 1
- N205 Camshaft control valve 1
- N249 Turbocharger air recirculation valve
- T14a 14-pin connector, black
- T16f 16-pin connector
- T16o 16-pin connector
- T60 60-pin connector, black
- T94 94-pin connector

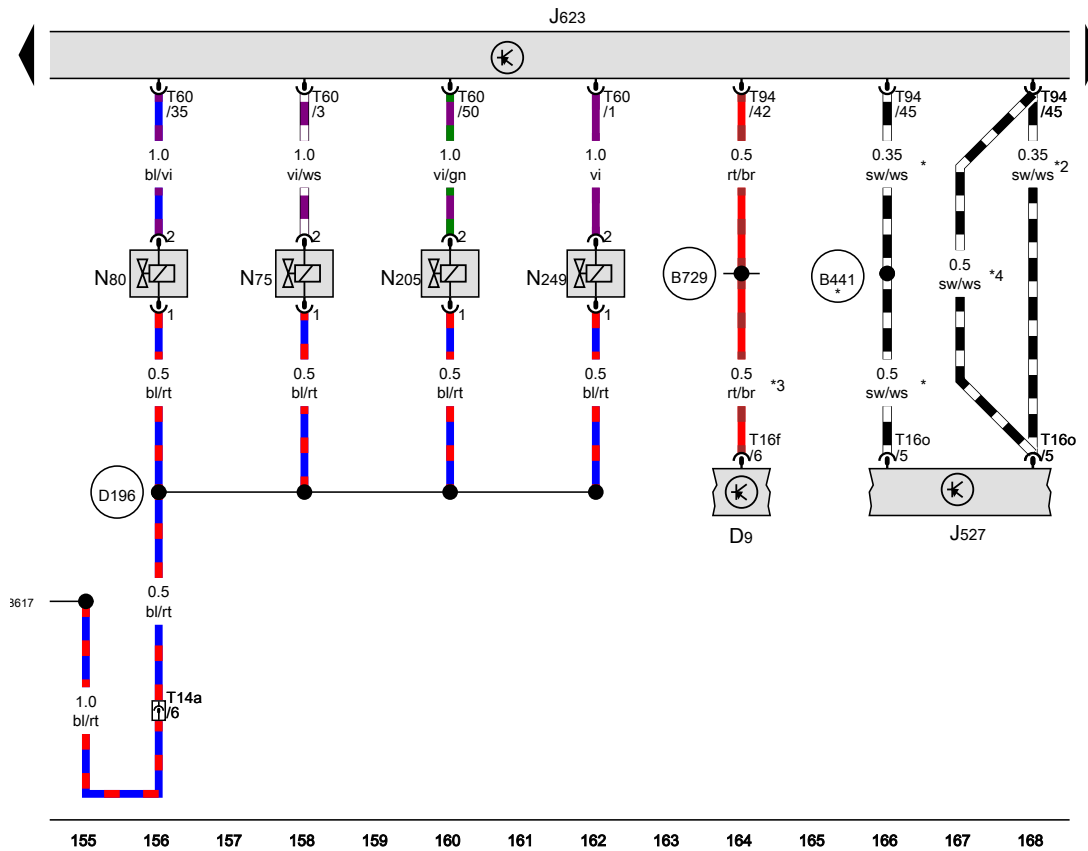
 B441 Connection (CCS), in main wiring harness

 B617 Positive connection 5 (87a), in interior wiring harness

 B729 Connection 1 (50), in main wiring harness

 D196 Connection 2 (87a) in engine prewiring harness

- * Only models with adaptive cruise control (ACC)
- *2 Speed signal
- *3 Only models with start/stop system
- *4 gradual introduction



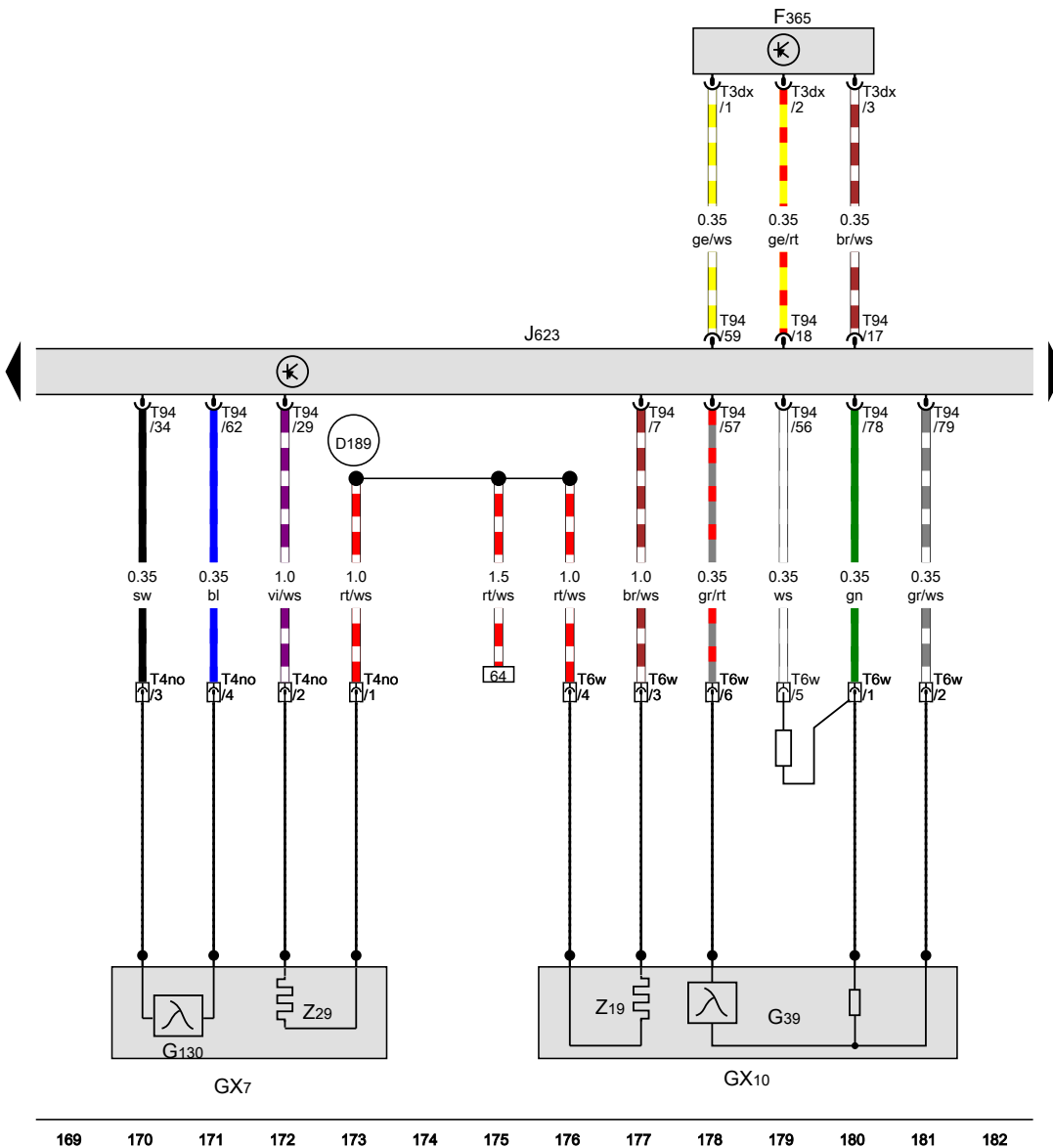
- ws = white
- sw = black
- ro = red
- rt = red
- br = brown
- gn = green
- bl = blue
- gr = grey
- li = purple
- vi = purple
- ge = yellow
- or = orange
- rs = pink

1360-068130416

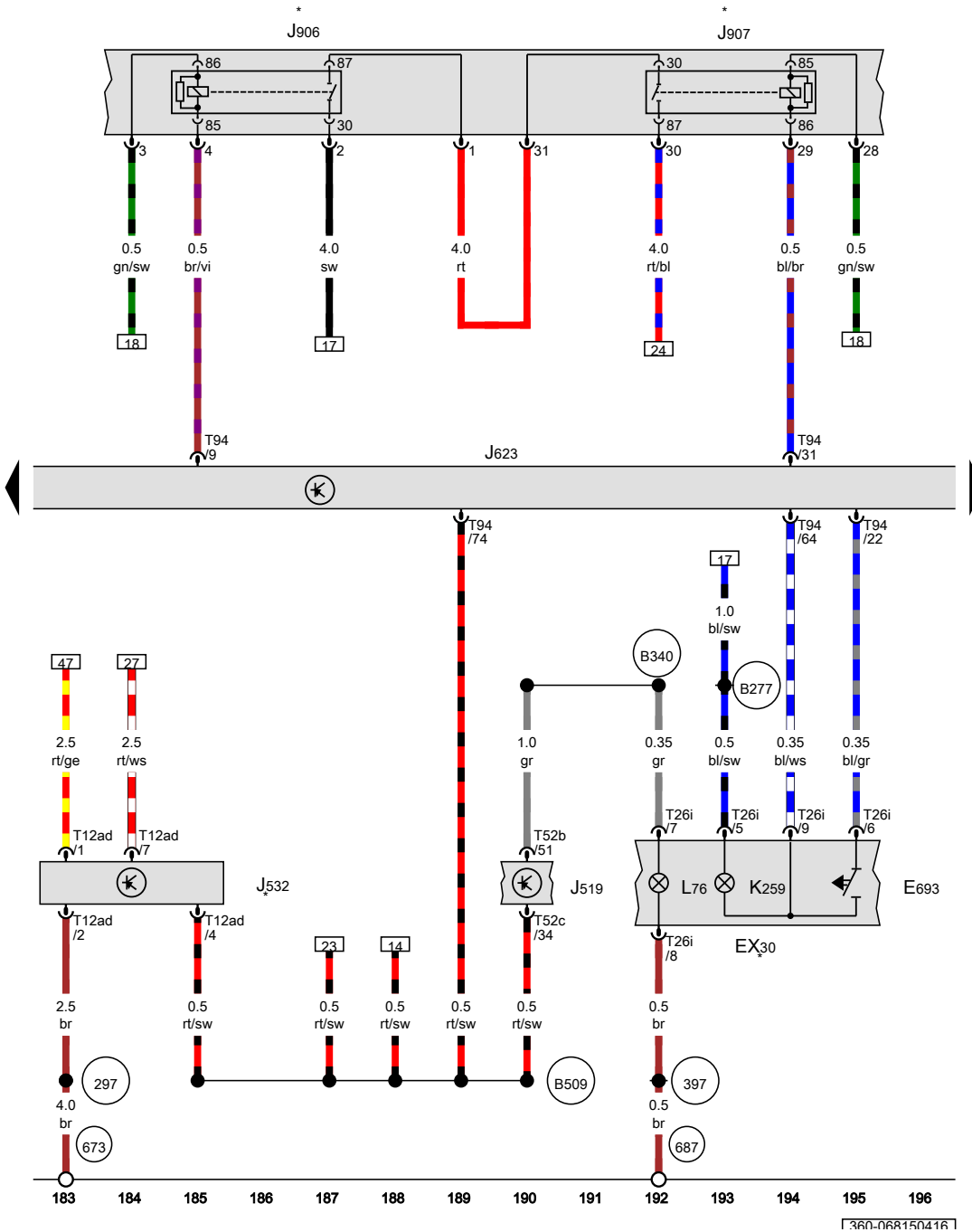
Gearbox neutral position switch, Lambda probe 1 after catalytic converter, Lambda probe 1 before catalytic converter, Engine control unit, Lambda probe heater, Lambda probe 1 heater after catalytic converter

- F365 Gearbox neutral position switch
- GX7 Lambda probe 1 after catalytic converter
- GX10 Lambda probe 1 before catalytic converter
- G39 Lambda probe
- G130 Lambda probe after catalytic converter
- J623 Engine control unit, central in plenum chamber
- T3dx 3-pin connector
- T4no 4-pin connector
- T6w 6-pin connector
- T94 94-pin connector
- Z19 Lambda probe heater
- Z29 Lambda probe 1 heater after catalytic converter

D189 Connection (87a) in engine prewiring harness



- ws = white
- sw = black
- ro = red
- rt = red
- br = brown
- gn = green
- bl = blue
- gr = grey
- li = purple
- vi = purple
- ge = yellow
- or = orange
- rs = pink



Switch module 2 in centre console, Start/Stop operation button, Onboard supply control unit, Voltage stabiliser, Engine control unit, Starter relay 1, Starter relay 2

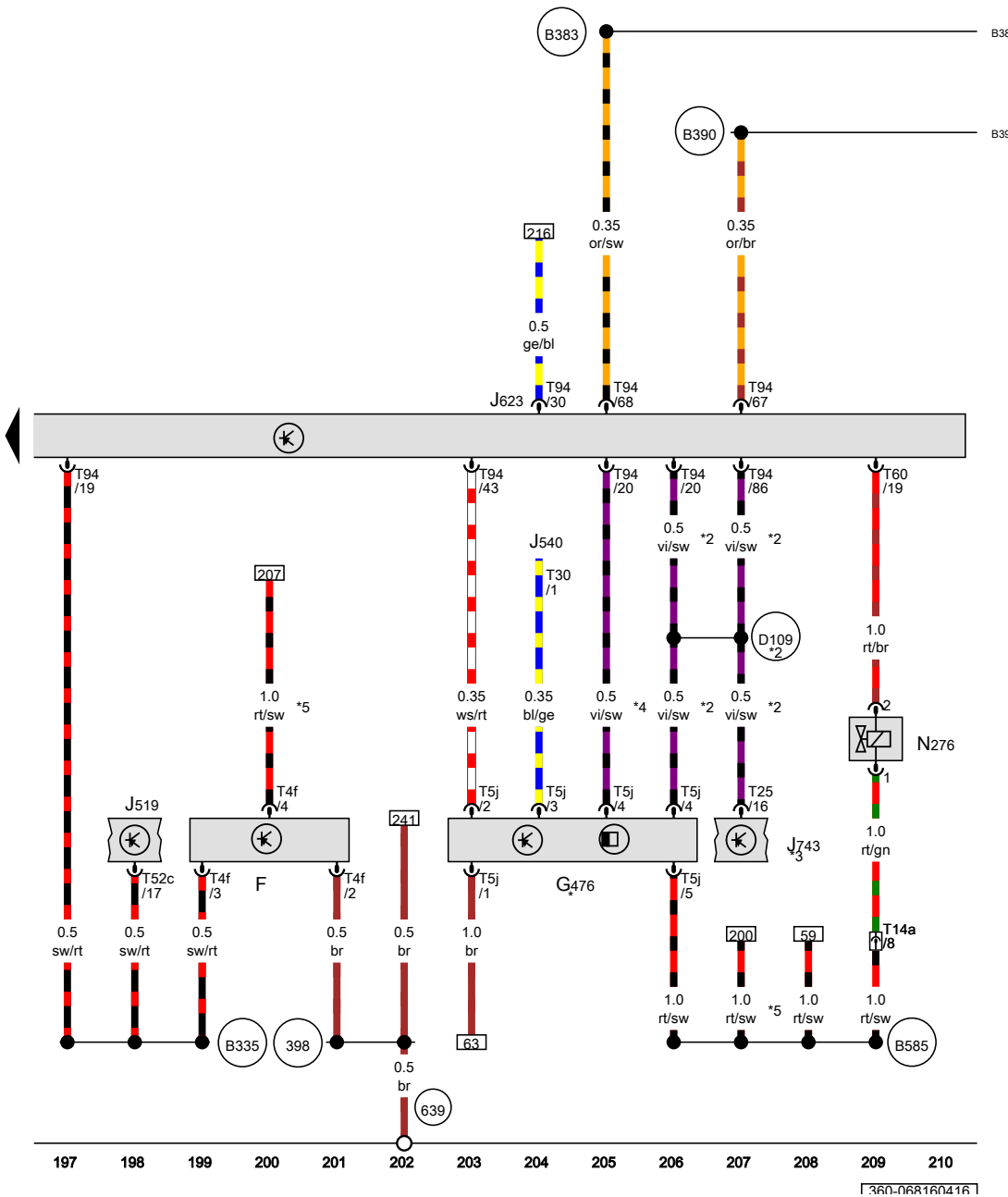
- EX30 Switch module 2 in centre console
- E693 Start/Stop operation button
- J519 Onboard supply control unit
- J532 Voltage stabiliser
- J623 Engine control unit, central in plenum chamber
- J906 Starter relay 1
- J907 Starter relay 2
- K259 Start/Stop operation warning lamp
- L76 Button illumination bulb
- T12ad 12-pin connector
- T26i 26-pin connector
- T52b 52-pin connector
- T52c 52-pin connector
- T94 94-pin connector

- 297 Earth connection 12, in interior wiring harness
- 397 Earth connection 32, in main wiring harness
- 673 Earth point 3, on front of left longitudinal member
- 687 Earth point 1, on centre tunnel
- B277 Positive connection 1 (15a) in main wiring harness
- B340 Connection 1 (58d), in main wiring harness
- B509 Connection 3 (diagnosis), in main wiring harness
- * Only models with start/stop system

- ws = white
- sw = black
- ro = red
- rt = red
- br = brown
- gn = green
- bl = blue
- gr = grey
- li = purple
- vi = purple
- ge = yellow
- or = orange
- rs = pink

1360-068150416

Brake light switch, Clutch position sender, Engine control unit, Fuel pressure regulating valve



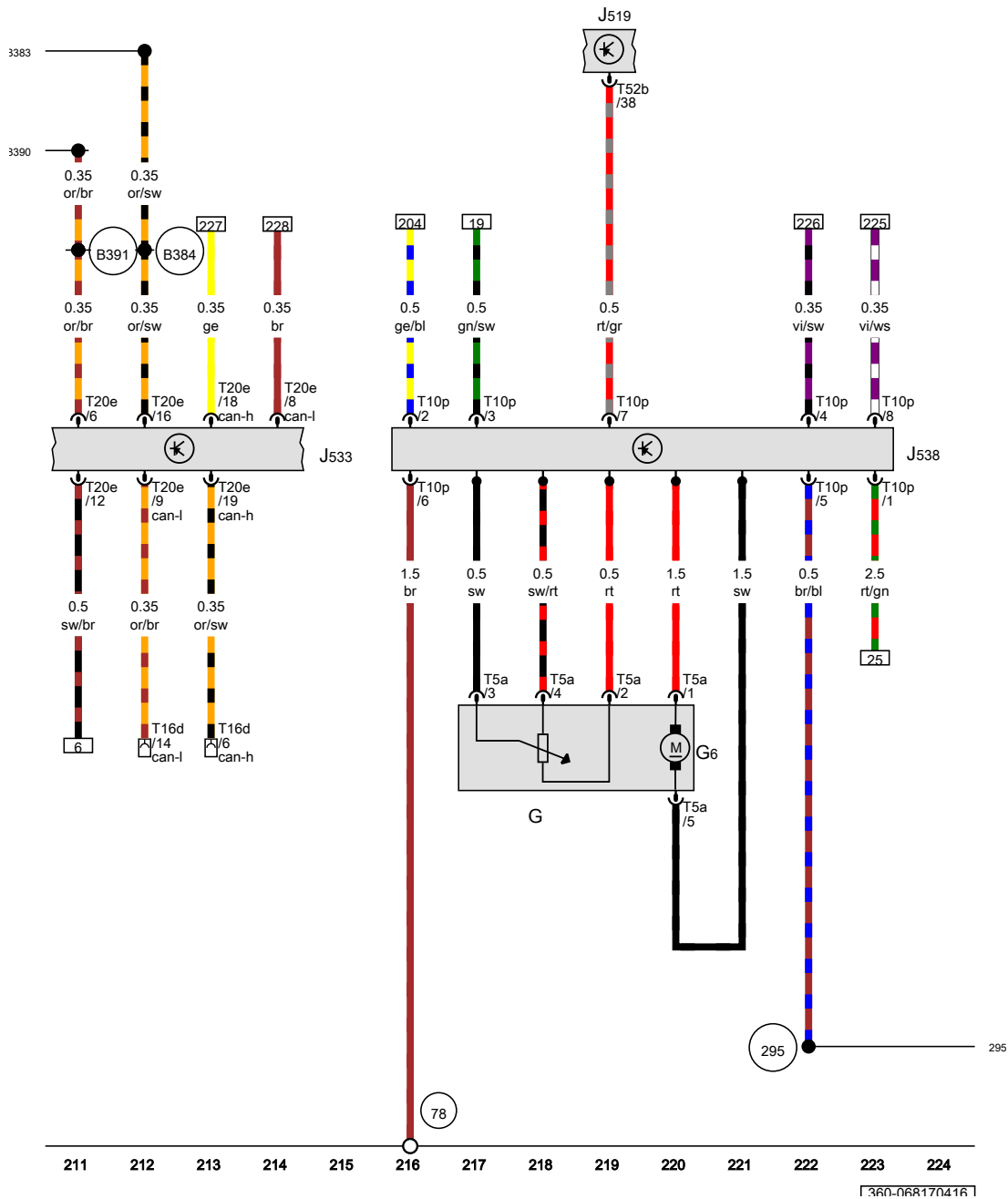
- F Brake light switch
- G476 Clutch position sender
- J519 Onboard supply control unit
- J540 Control unit for electromechanical parking brake
- J623 Engine control unit, central in plenum chamber
- J743 Mechatronic unit for dual clutch gearbox
- N276 Fuel pressure regulating valve
- T4f 4-pin connector
- T5j 5-pin connector
- T14a 14-pin connector, black
- T25 25-pin connector
- T30 30-pin connector
- T52c 52-pin connector
- T60 60-pin connector, black
- T94 94-pin connector

- 398 Earth connection 33, in main wiring harness
- 639 Earth point, left A-pillar
- B335 Connection 1 (54), in main wiring harness
- B383 Connection 1 (powertrain CAN bus, high), in main wiring harness
- B390 Connection 1 (powertrain CAN bus, low), in main wiring harness
- B585 Positive connection 2 (87a), in interior wiring harness
- D109 Connection 7 in engine compartment wiring harness

- * Only models with manual gearbox
- *2 Only models with start/stop system
- *3 Only models with dual clutch gearbox (DSG)
- *4 Only models with no start/stop system
- *5 Wiring colour depends on equipment

- ws = white
- sw = black
- ro = red
- rt = red
- br = brown
- gn = green
- bl = blue
- gr = grey
- li = purple
- vi = purple
- ge = yellow
- or = orange
- rs = pink

1360-06R160416



Fuel gauge sender, Fuel system pressurisation pump, Onboard supply control unit, Data bus diagnostic interface, Fuel pump control unit

- G Fuel gauge sender
- G6 Fuel system pressurisation pump
- J519 Onboard supply control unit
- J533 Data bus diagnostic interface
- J538 Fuel pump control unit
- T5a 5-pin connector
- T10p 10-pin connector
- T16d 16-pin connector, on diagnostic connection
- T20e 20-pin connector
- T52b 52-pin connector

- 78 Earth point, lower part of right B-pillar
- 295 Earth connection 10, in interior wiring harness
- B383 Connection 1 (powertrain CAN bus, high), in main wiring harness
- B384 Connection 2 (powertrain CAN bus, high), in main wiring harness
- B390 Connection 1 (powertrain CAN bus, low), in main wiring harness
- B391 Connection 2 (powertrain CAN bus, low), in main wiring harness

- ws = white
- sw = black
- ro = red
- rt = red
- br = brown
- gn = green
- bl = blue
- gr = grey
- li = purple
- vi = purple
- ge = yellow
- or = orange
- rs = pink

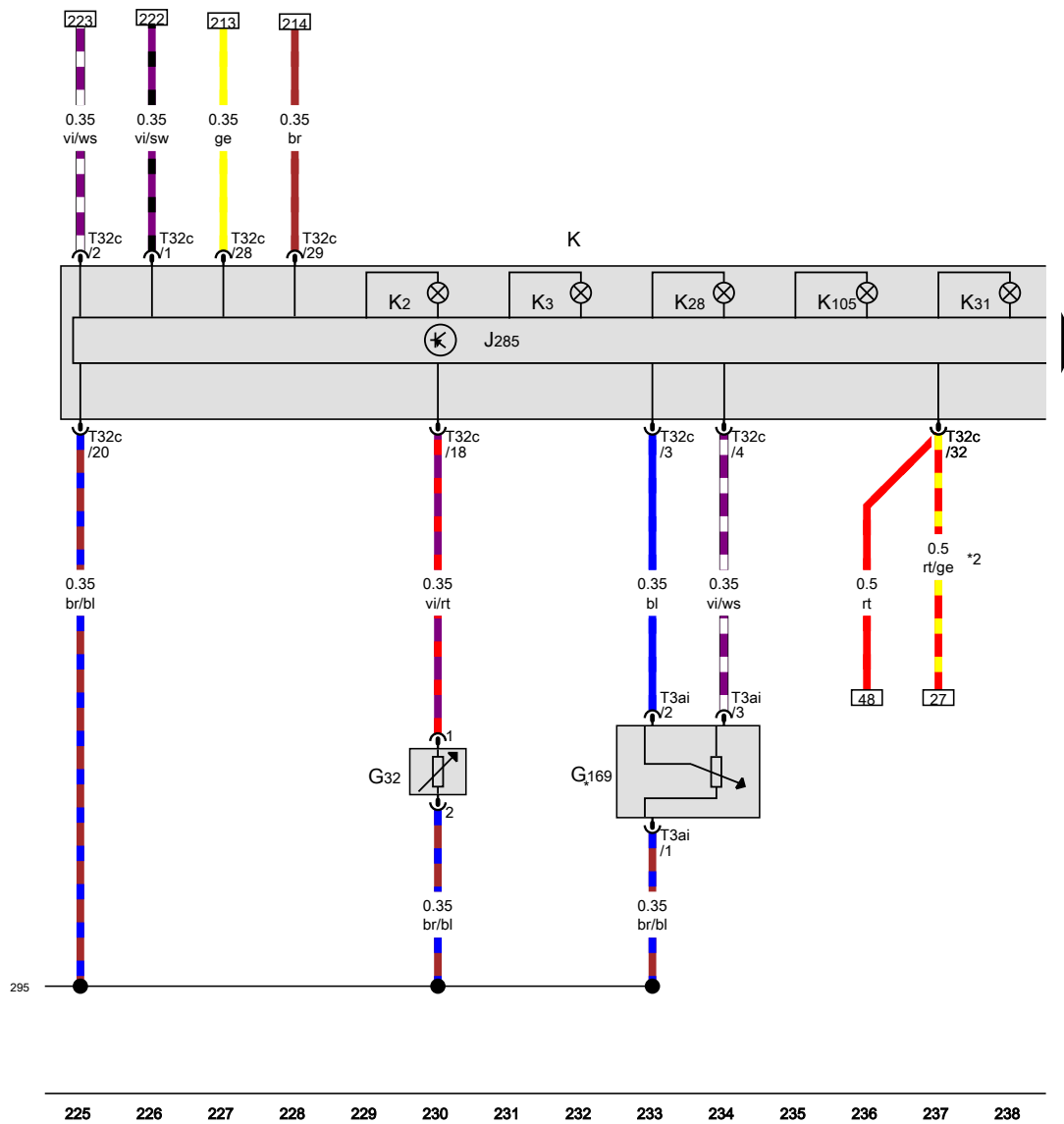
1360-068170416

Coolant shortage indicator sender, Fuel gauge sender 2, Control unit in dash panel insert, Dash panel insert, Alternator warning lamp, Oil pressure warning lamp, Coolant temperature and coolant shortage warning lamp, Cruise control system warning lamp, Reserve fuel warning lamp

- G32 Coolant shortage indicator sender
- G169 Fuel gauge sender 2
- J285 Control unit in dash panel insert
- K Dash panel insert
- K2 Alternator warning lamp
- K3 Oil pressure warning lamp
- K28 Coolant temperature and coolant shortage warning lamp
- K31 Cruise control system warning lamp
- K105 Reserve fuel warning lamp
- T3ai 3-pin connector
- T32c 32-pin connector

295 Earth connection 10, in interior wiring harness

- * Only models with all-wheel drive
- *2 Only models with start/stop system



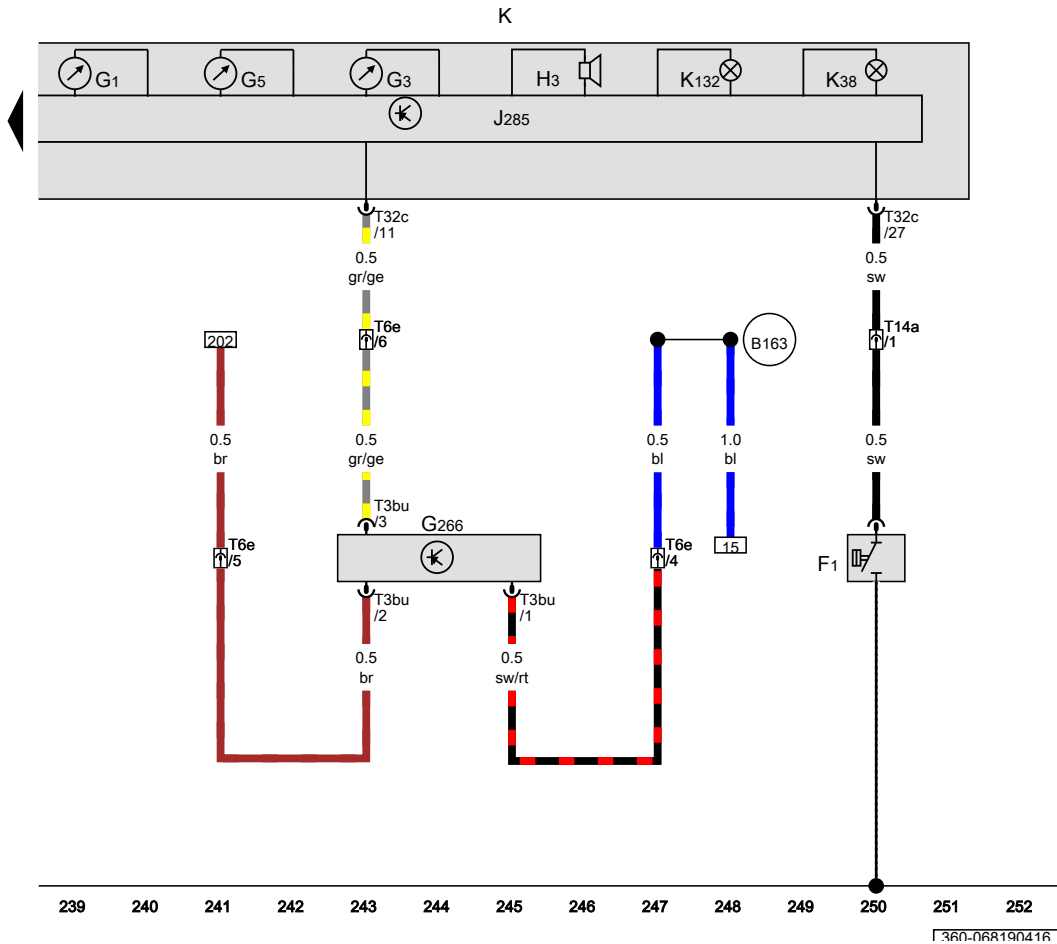
- ws = white
- sw = black
- ro = red
- rt = red
- br = brown
- gn = green
- bl = blue
- gr = grey
- li = purple
- vi = purple
- ge = yellow
- or = orange
- rs = pink

1360-06A180416

Oil pressure switch, Fuel gauge, Coolant temperature gauge, Rev. counter, Oil level and oil temperature sender, Buzzer and gong, Control unit in dash panel insert, Dash panel insert, Oil level warning lamp, Electronic power control fault lamp

- F1 Oil pressure switch
- G1 Fuel gauge
- G3 Coolant temperature gauge
- G5 Rev. counter
- G266 Oil level and oil temperature sender
- H3 Buzzer and gong
- J285 Control unit in dash panel insert
- K Dash panel insert
- K38 Oil level warning lamp
- K132 Electronic power control fault lamp
- T3bu 3-pin connector
- T6e 6-pin connector
- T14a 14-pin connector, black
- T32c 32-pin connector

B163 Positive connection 1 (15), in interior wiring harness

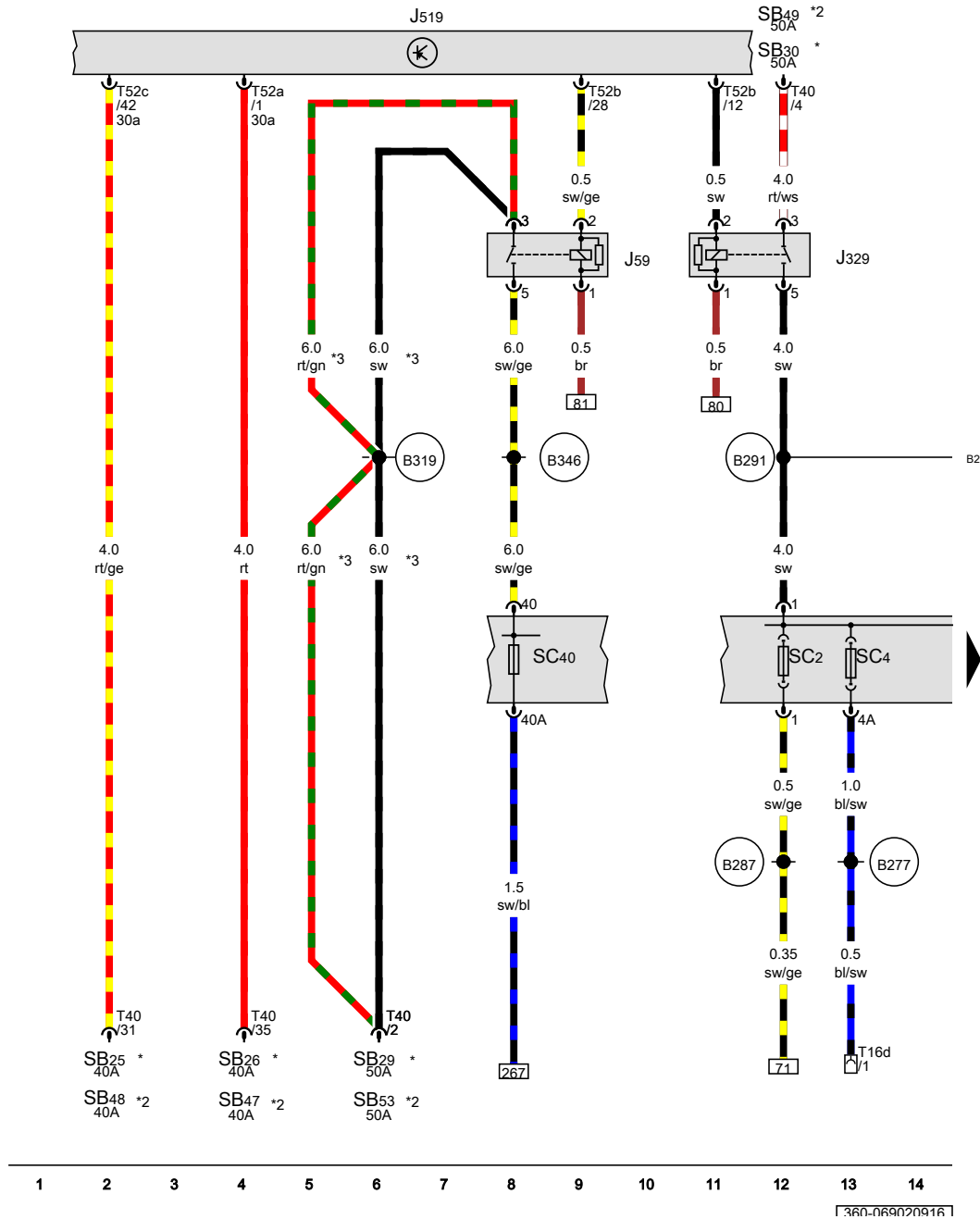


- ws = white
- sw = black
- ro = red
- rt = red
- br = brown
- gn = green
- bl = blue
- gr = grey
- li = purple
- vi = purple
- ge = yellow
- or = orange
- rs = pink

Basic equipment

From November 2011

X-contact relief relay, Terminal 15 voltage supply relay, Onboard supply control unit, 16-pin connector



- J59 X-contact relief relay
- J329 Terminal 15 voltage supply relay
- J519 Onboard supply control unit
- SC2 Fuse 2 on fuse holder C
- SC4 Fuse 4 on fuse holder C
- SB25 Fuse 25 on fuse holder B
- SB26 Fuse 26 on fuse holder B
- SB29 Fuse 29 on fuse holder B
- SB30 Fuse 30 on fuse holder B
- SC40 Fuse 40 on fuse holder C
- SB47 Fuse 47 on fuse holder B
- SB48 Fuse 48 on fuse holder B
- SB49 Fuse 49 on fuse holder B
- SB53 Fuse 53 on fuse holder B
- T16d 16-pin connector
- T40 40-pin connector
- T52a 52-pin connector, black
- T52b 52-pin connector, white
- T52c 52-pin connector, brown

- (B277) Positive connection 1 (15a) in main wiring harness
- (B287) Positive connection 11 (15a) in main wiring harness
- (B291) Positive connection 15 (15a) in main wiring harness
- (B319) Positive connection 5 (30a) in main wiring harness
- (B346) Connection 1 (75), in main wiring harness
- * Fuses in E-box, Low
- *2 Fuses in E-box, High
- *3 gradual introduction

- ws = white
- sw = black
- ro = red
- rt = red
- br = brown
- gn = green
- bl = blue
- gr = grey
- li = purple
- vi = purple
- ge = yellow
- or = orange
- rs = pink

Fuse 5 on fuse holder C, Fuse 39 on fuse holder C

- SF1 Fuse 1 in fuse holder F
- SA4 Fuse 4 on fuse holder A
- SC5 Fuse 5 on fuse holder C
- SA5 Fuse 5 on fuse holder A
- SC7 Fuse 7 on fuse holder C
- SC13 Fuse 13 on fuse holder C
- SC15 Fuse 15 on fuse holder C
- SC16 Fuse 16 on fuse holder C
- SC39 Fuse 39 on fuse holder C
- T16d 16-pin connector

B291 Positive connection 15 (15a) in main wiring harness

B330 Positive connection 16 (30a) in main wiring harness

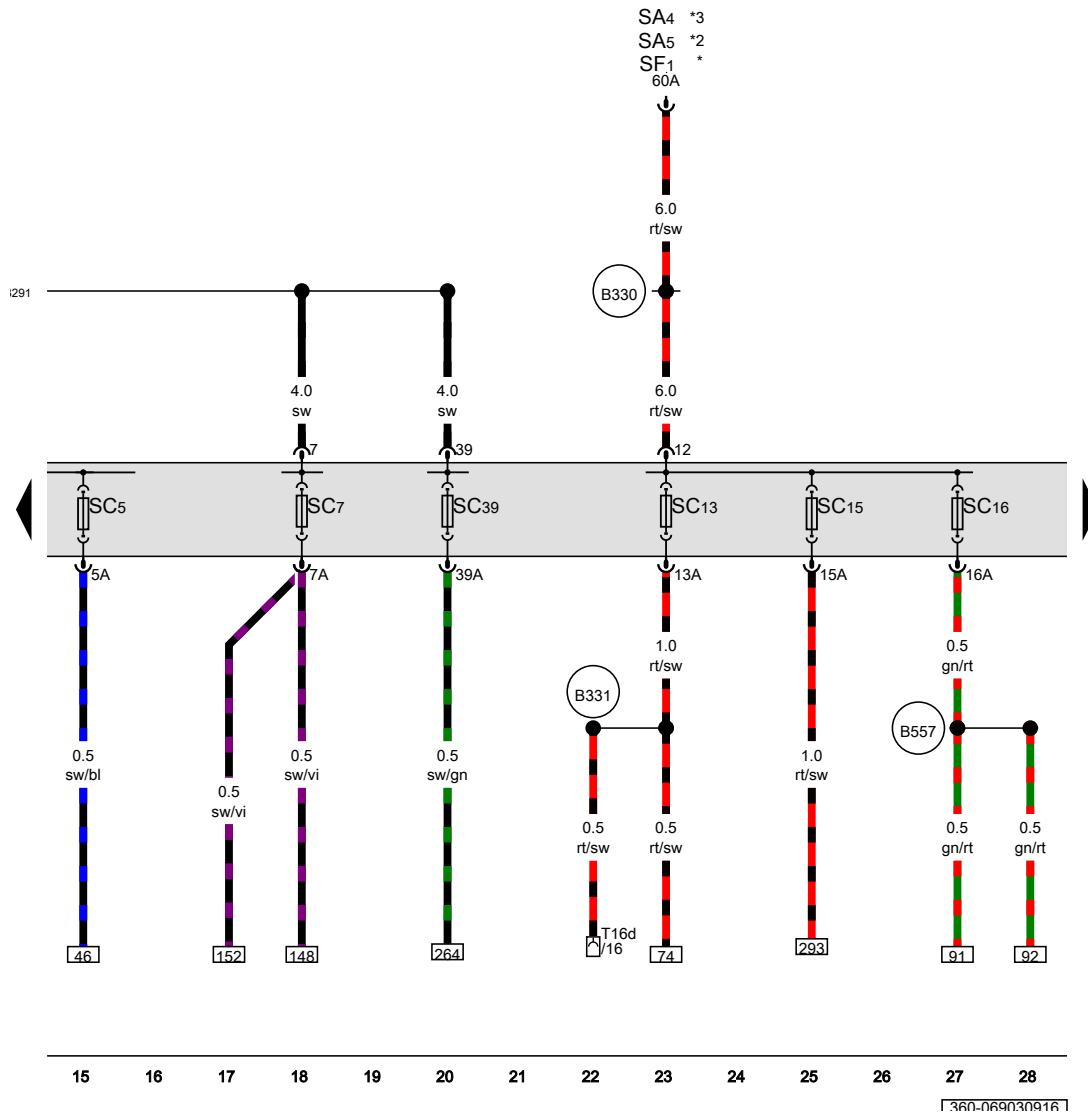
B331 Positive connection 17 (30a) in main wiring harness

B557 Positive connection 21 (30a) in main wiring harness

* Only models with battery in luggage compartment

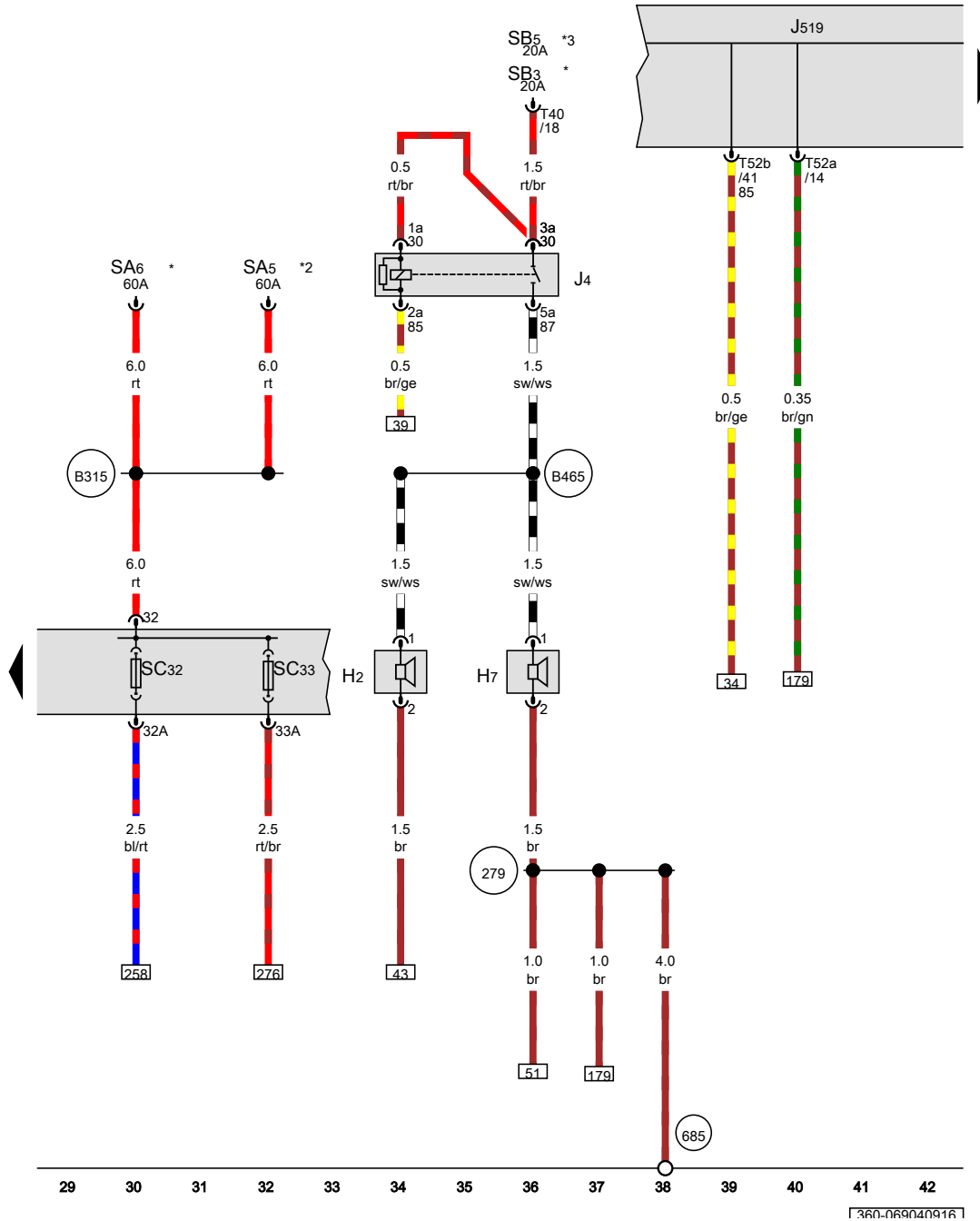
*2 Fuses in E-box, High

*3 Fuses in E-box, Low



- ws = white
- sw = black
- ro = red
- rt = red
- br = brown
- gn = green
- bl = blue
- gr = grey
- li = purple
- vi = purple
- ge = yellow
- or = orange
- rs = pink

1360-069030916



Treble horn, Bass horn, Dual tone horn relay, Onboard supply control unit

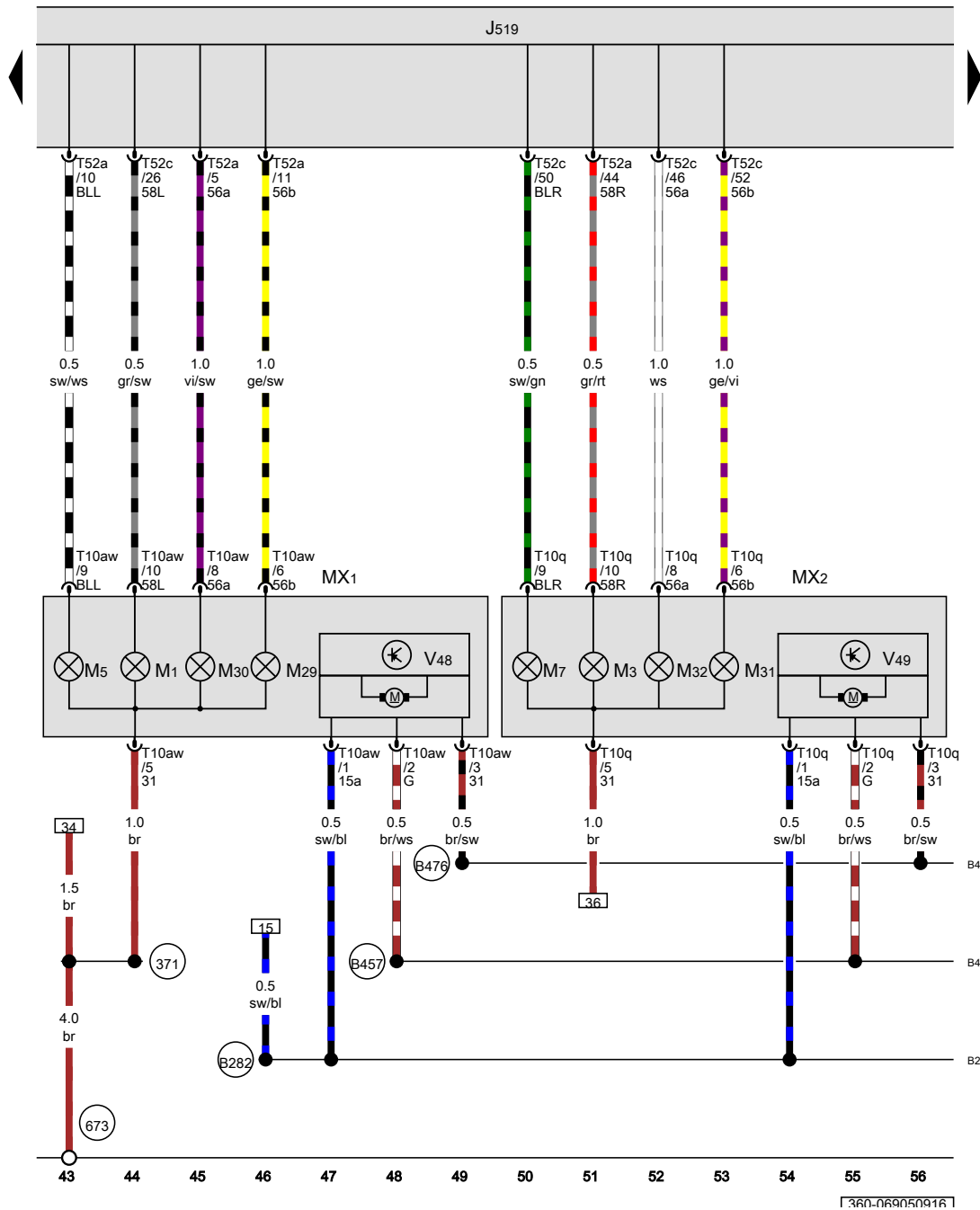
- H2 Treble horn
- H7 Bass horn
- J4 Dual tone horn relay
- J519 Onboard supply control unit
- SB3 Fuse 3 on fuse holder B
- SB5 Fuse 5 on fuse holder B
- SA5 Fuse 5 on fuse holder A
- SA6 Fuse 6 on fuse holder A
- SC32 Fuse 32 on fuse holder C
- SC33 Fuse 33 on fuse holder C
- T40 40-pin connector
- T52a 52-pin connector, black
- T52b 52-pin connector, white

- (279) Earth connection 5, in interior wiring harness
- (685) Earth point 1, on front of right longitudinal member
- (B315) Positive connection 1 (30a) in main wiring harness
- (B465) Connection 1, in main wiring harness

- * Fuses in E-box, Low
- *2 Only models with battery in luggage compartment
- *3 Fuses in E-box, High

- ws = white
- sw = black
- ro = red
- rt = red
- br = brown
- gn = green
- bl = blue
- gr = grey
- li = purple
- vi = purple
- ge = yellow
- or = orange
- rs = pink

1360-069040916



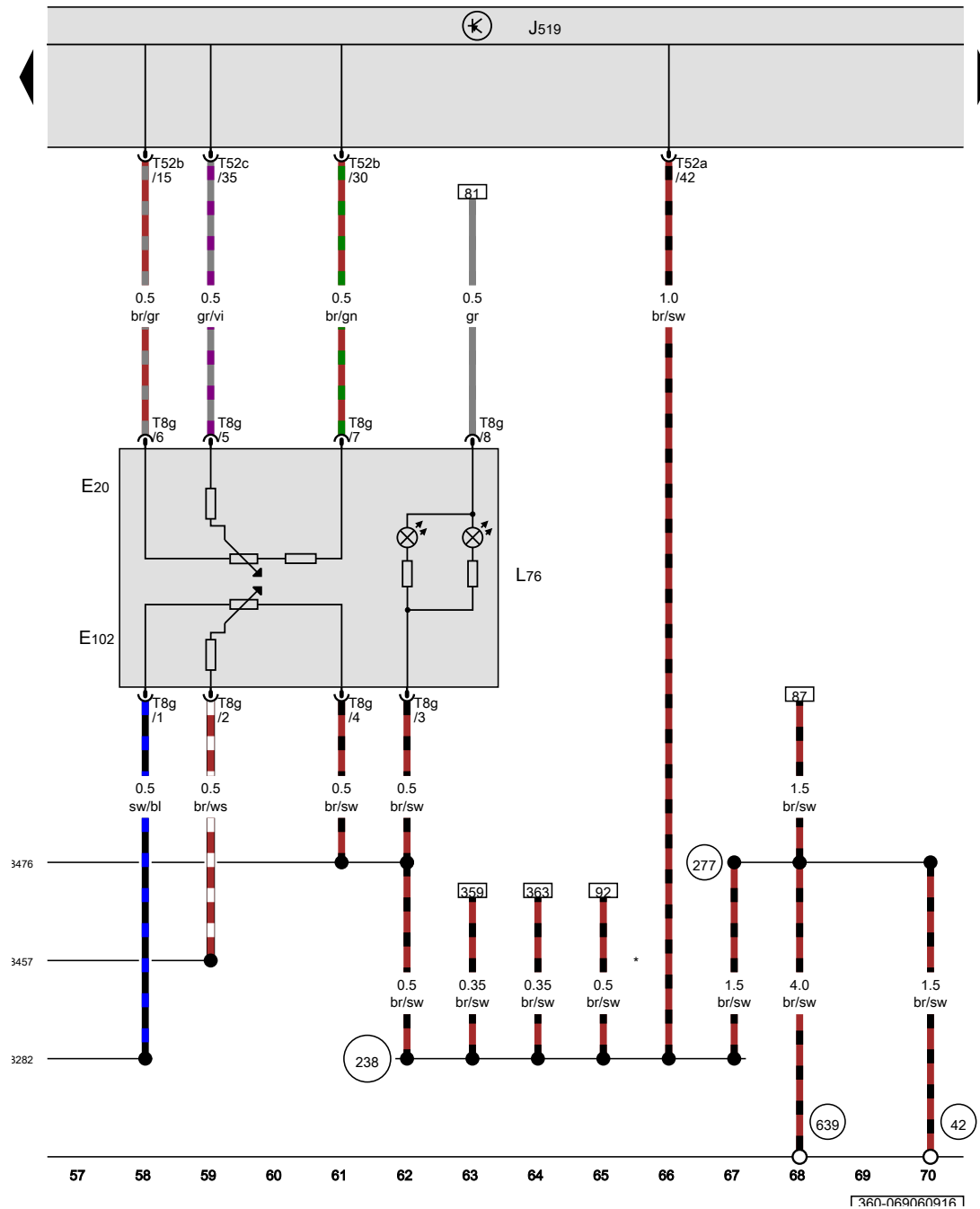
Onboard supply control unit, Front left headlight, Front right headlight

- J519 Onboard supply control unit
- M1 Left side light bulb
- MX1 Front left headlight
- MX2 Front right headlight
- M3 Right side light bulb
- M5 Front left turn signal bulb
- M7 Front right turn signal bulb
- M29 Left headlight dipped beam bulb
- M30 Left headlight main beam bulb
- M31 Right headlight dipped beam bulb
- M32 Right headlight main beam bulb
- T10aw 10-pin connector
- T10q 10-pin connector
- T52a 52-pin connector, black
- T52c 52-pin connector, brown
- V48 Left headlight range control motor
- V49 Right headlight range control motor

- (371) Earth connection 6, in main wiring harness
- (673) Earth point 3, on front of left longitudinal member
- (B282) Positive connection 6 (15a) in main wiring harness
- (B457) Connection 1 (potentiometer), in main wiring harness
- (B476) Connection 12, in main wiring harness

- ws = white
- sw = black
- ro = red
- rt = red
- br = brown
- gn = green
- bl = blue
- gr = grey
- li = purple
- vi = purple
- ge = yellow
- or = orange
- rs = pink

1360-069050916



Switch and instrument illumination regulator, Headlight range control regulator, Onboard supply control unit

- E20 Switch and instrument illumination regulator
- E102 Headlight range control regulator
- J519 Onboard supply control unit
- L76 Button illumination bulb
- T8g 8-pin connector
- T52a 52-pin connector, black
- T52b 52-pin connector, white
- T52c 52-pin connector, brown

- 42 Earth point, next to steering column
- 238 Earth connection 1, in interior wiring harness
- 277 Earth connection 3, in interior wiring harness
- 639 Earth point, left A-pillar
- B282 Positive connection 6 (15a) in main wiring harness
- B457 Connection 1 (potentiometer), in main wiring harness
- B476 Connection 12, in main wiring harness
- * Only models with stop/start system

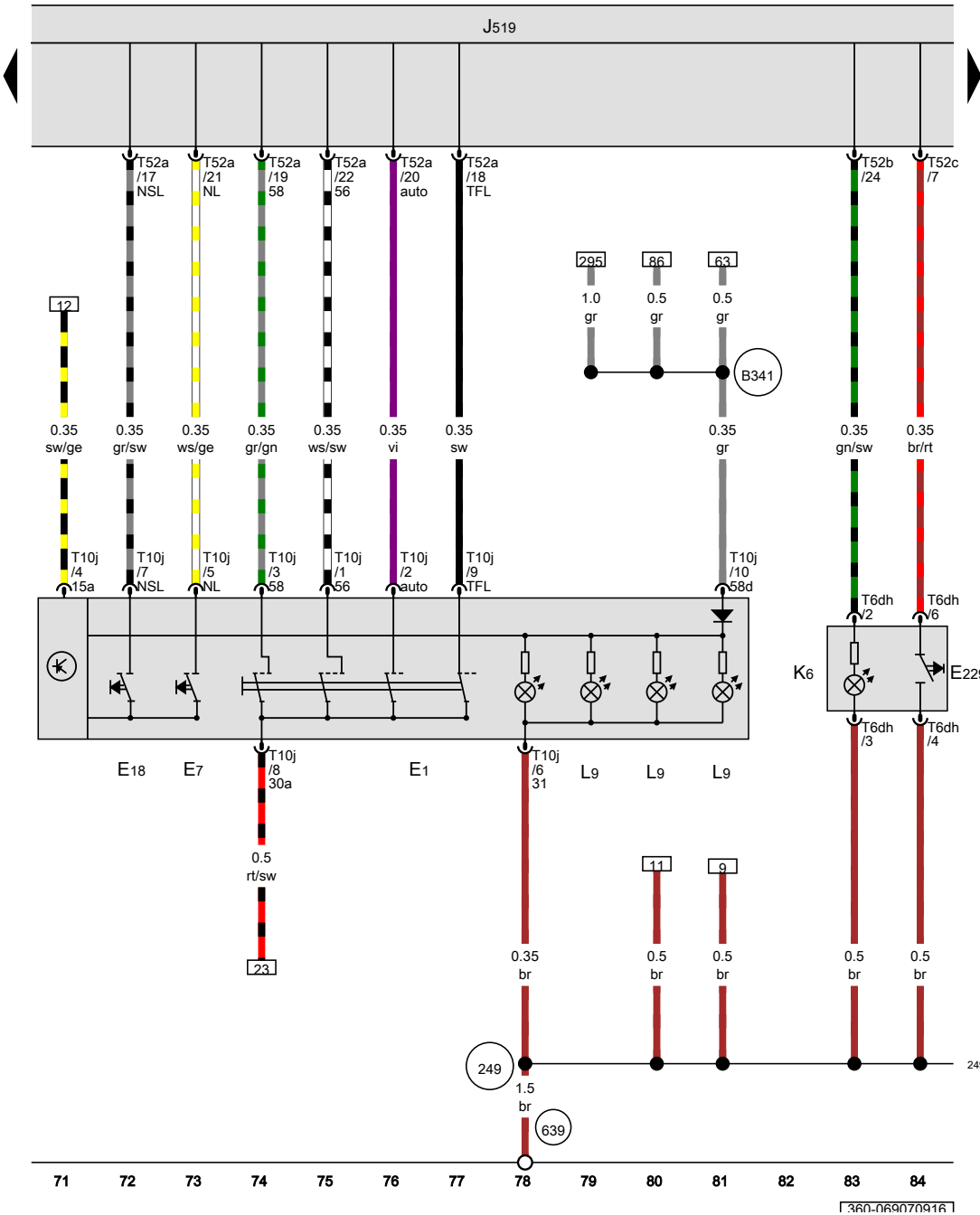
- ws = white
- sw = black
- ro = red
- rt = red
- br = brown
- gn = green
- bl = blue
- gr = grey
- li = purple
- vi = purple
- ge = yellow
- or = orange
- rs = pink

360-069060916

Light switch, Hazard warning lights button, Onboard supply control unit

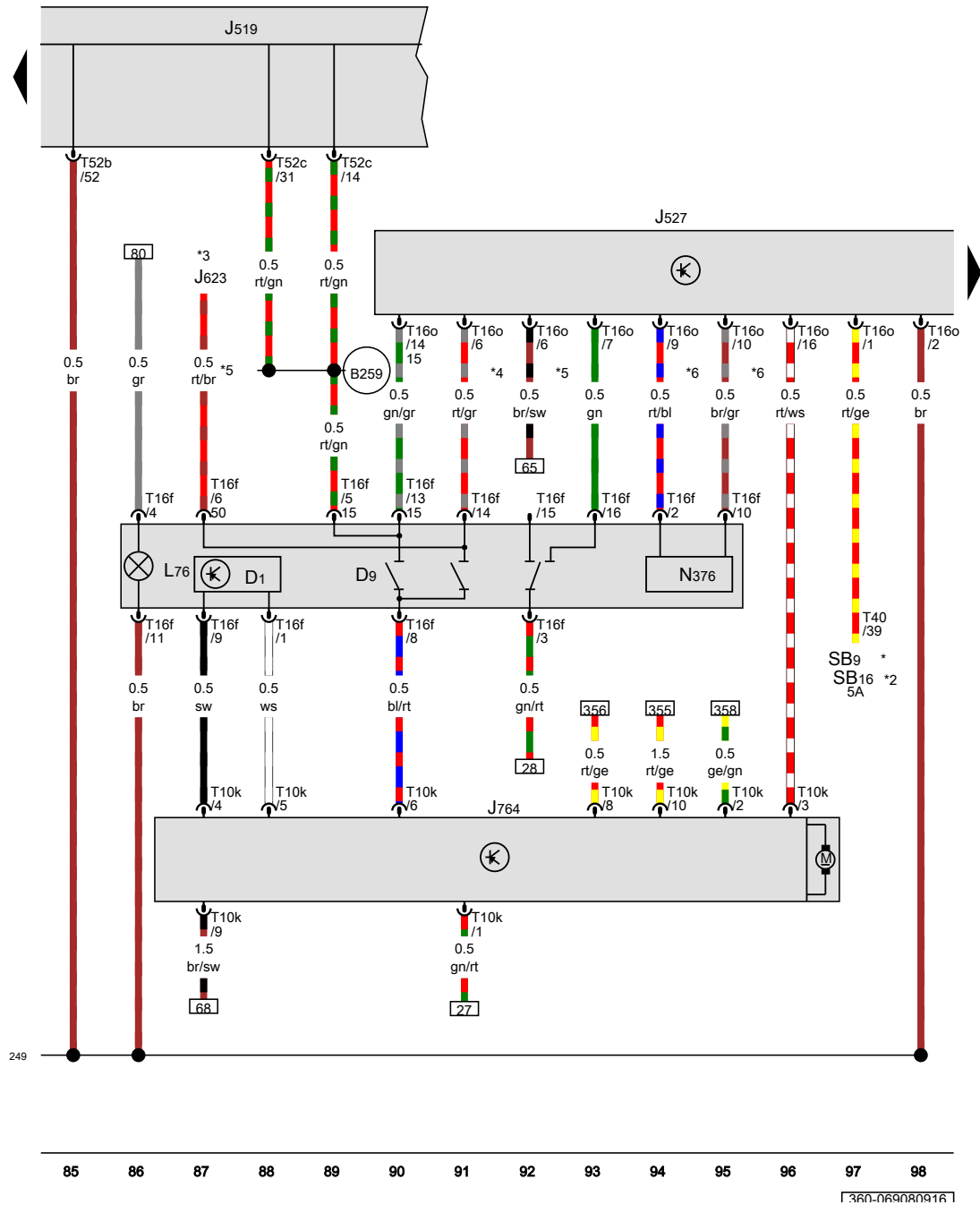
- E1 Light switch
- E7 Fog light switch
- E18 Rear fog light switch
- E229 Hazard warning lights button
- J519 Onboard supply control unit
- K6 Indicator lamp for hazard warning light
- L9 Light switch illumination bulb
- T6dh 6-pin connector
- T10j 10-pin connector
- T52a 52-pin connector, black
- T52b 52-pin connector, white
- T52c 52-pin connector, brown

- 249 Earth connection 2, in interior wiring harness
- 639 Earth point, left A-pillar
- B341 Connection 2 (58d), in main wiring harness



- ws = white
- sw = black
- ro = red
- rt = red
- br = brown
- gn = green
- bl = blue
- gr = grey
- li = purple
- vi = purple
- ge = yellow
- or = orange
- rs = pink

1360-069070916



Electronic ignition lock, Onboard supply control unit, Steering column electronics control unit, Control unit for electronic steering column lock

- D1 Immobiliser reading unit
- D9 Electronic ignition lock
- J519 Onboard supply control unit
- J527 Steering column electronics control unit
- J623 Engine control unit
- J764 Control unit for electronic steering column lock
- L76 Button illumination bulb
- N376 Ignition key withdrawal lock solenoid
- SB9 Fuse 9 on fuse holder B
- SB16 Fuse 16 on fuse holder B
- T10k 10-pin connector
- T16f 16-pin connector
- T16o 16-pin connector
- T40 40-pin connector
- T52b 52-pin connector, white
- T52c 52-pin connector, brown

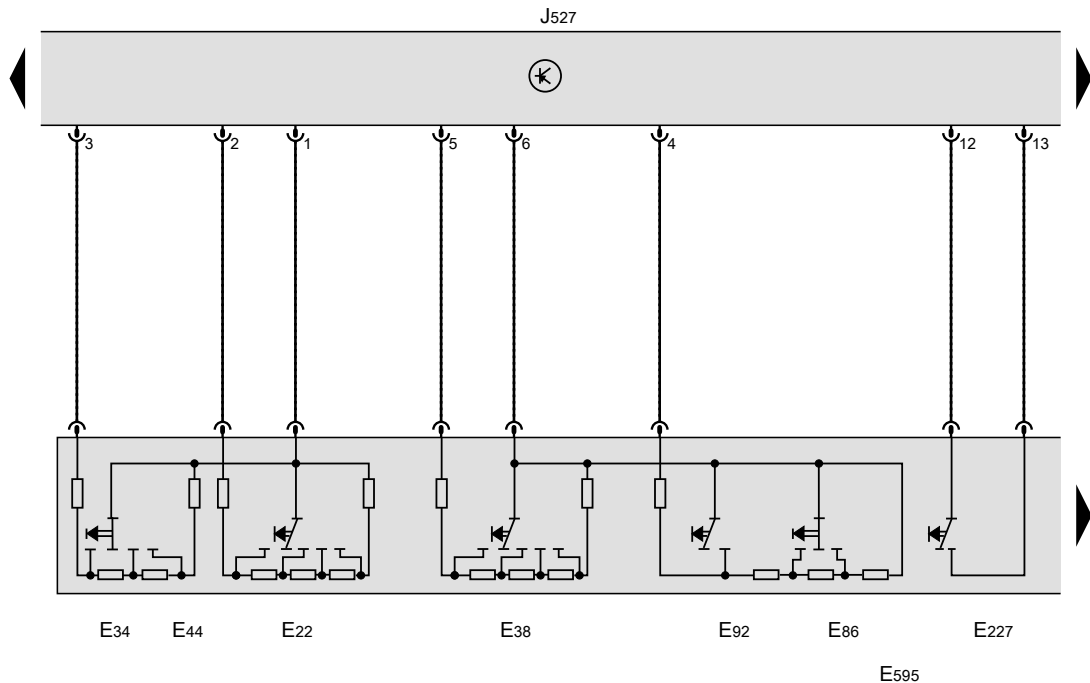
- 249 Earth connection 2, in interior wiring harness
- B259 Connection (start/stop signal), in interior wiring harness

- * Fuses in E-box, Low
- *2 Fuses in E-box, High
- *3 see applicable current flow diagram for engine
- *4 Only models with no start/stop system
- *5 Only models with stop/start system
- *6 Only models with Tiptronic

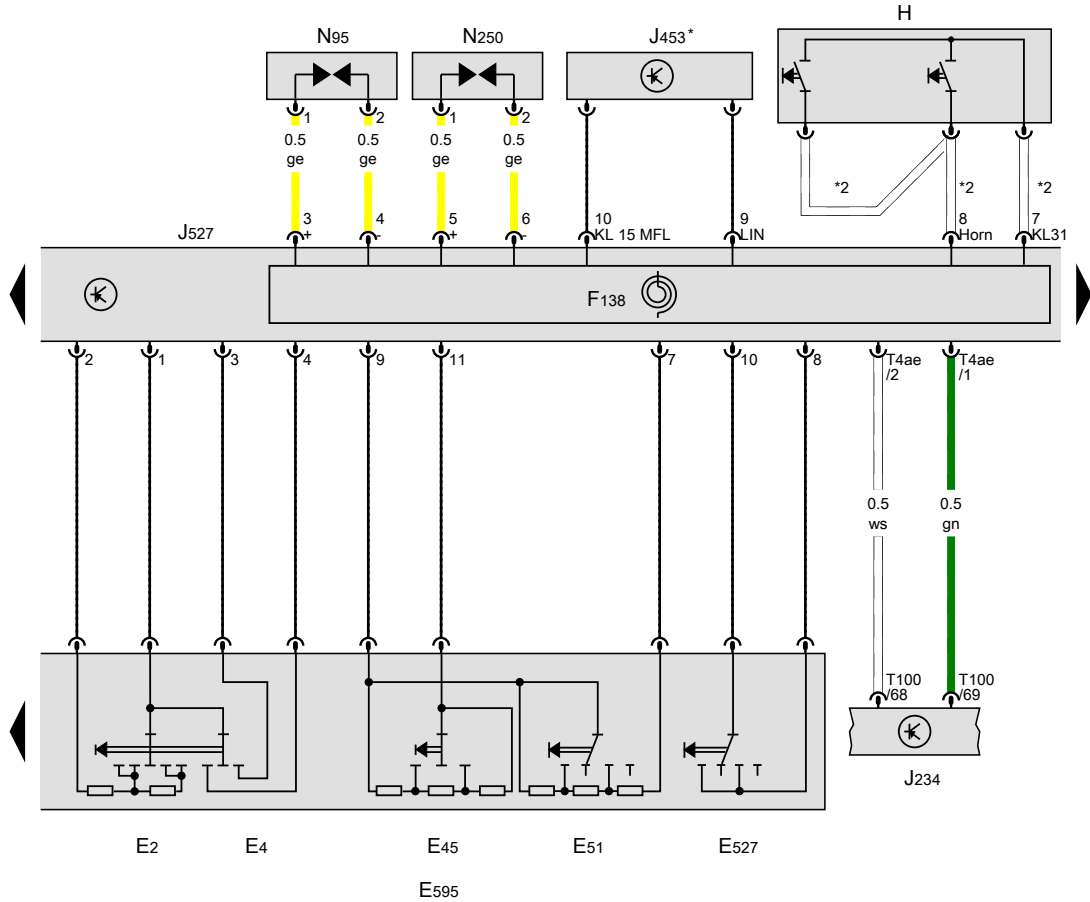
- ws = white
- sw = black
- ro = red
- rt = red
- br = brown
- gn = green
- bl = blue
- gr = grey
- li = purple
- vi = purple
- ge = yellow
- or = orange
- rs = pink

Steering column combination switch, Steering column electronics control unit

- E22 Intermittent wiper switch
- E34 Rear wiper switch
- E38 Intermittent wiper regulator
- E44 Washer pump switch (automatic wash/wipe and headlight washer system)
- E86 Multifunction display call-up button
- E92 Reset button
- E227 Cruise control system (CCS) SET button
- E595 Steering column combination switch
- J527 Steering column electronics control unit



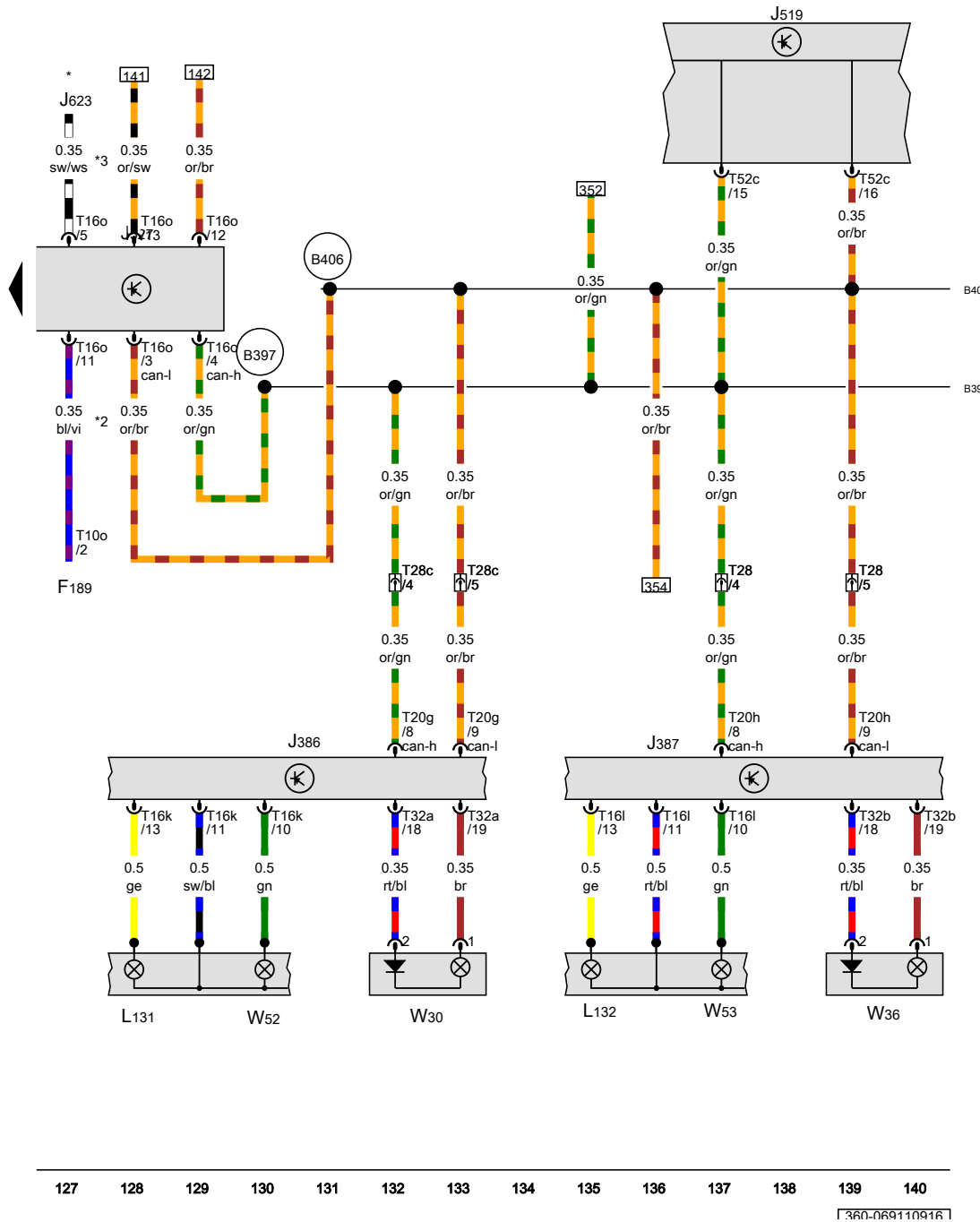
- ws = white
- sw = black
- ro = red
- rt = red
- br = brown
- gn = green
- bl = blue
- gr = grey
- li = purple
- vi = purple
- ge = yellow
- or = orange
- rs = pink



Steering column combination switch, Airbag coil connector and return ring with slip ring, Horn plate, Multifunction steering wheel control unit, Steering column electronics control unit, Driver side airbag igniter

- E2 Turn signal switch
- E4 Headlight dipper and flasher switch
- E45 Cruise control system switch
- E51 Cruise control system master switch
- E527 Button to temporarily switch cruise control system (CCS) off
- E595 Steering column combination switch
- F138 Airbag coil connector and return ring with slip ring
- H Horn plate
- J234 Airbag control unit
- J453 Multifunction steering wheel control unit
- J527 Steering column electronics control unit
- N95 Driver side airbag igniter
- N250 Driver side airbag igniter 2
- T4ae 4-pin connector
- T100 100-pin connector
- * Only models with multifunction steering wheel
- *2 Flat conductor

- ws = white
- sw = black
- ro = red
- rt = red
- br = brown
- gn = green
- bl = blue
- gr = grey
- li = purple
- vi = purple
- ge = yellow
- or = orange
- rs = pink



Driver door control unit, Front passenger door control unit, Onboard supply control unit, Steering column electronics control unit, Driver side door warning lamp, Front passenger side door warning lamp, Driver side entry light in exterior mirror, Front passenger side entry light in exterior mirror

- F189 Tiptronic switch
- J386 Driver door control unit
- J387 Front passenger door control unit
- J519 Onboard supply control unit
- J527 Steering column electronics control unit
- J623 Engine control unit
- L131 Driver side turn signal repeater bulb
- L132 Front passenger side turn signal repeater bulb
- T10o 10-pin connector
- T16k 16-pin connector
- T16l 16-pin connector
- T16o 16-pin connector
- T20g 20-pin connector
- T20h 20-pin connector
- T28 28-pin connector, in right A-pillar coupling station
- T28c 28-pin connector, in left A-pillar coupling station
- T32a 32-pin connector
- T32b 32-pin connector
- T52c 52-pin connector, brown
- W30 Driver side door warning lamp
- W36 Front passenger side door warning lamp
- W52 Driver side entry light in exterior mirror
- W53 Front passenger side entry light in exterior mirror

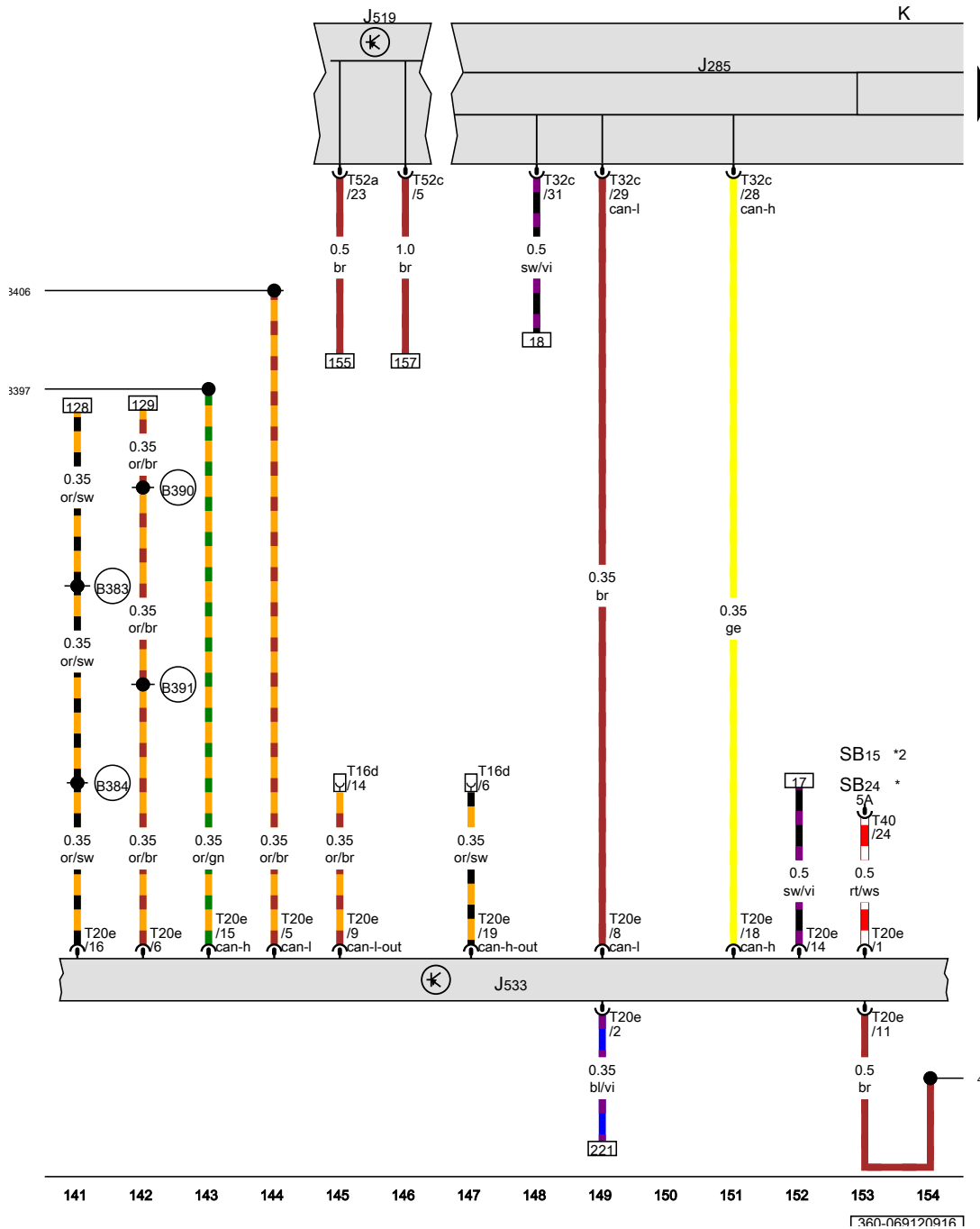
- (B397) Connection 1 (convenience CAN bus, high), in main wiring harness
- (B406) Connection 1 (convenience CAN bus, low), in main wiring harness

- * see applicable current flow diagram for engine
- *2 Only models with Tiptronic
- *3 Only models with cruise control system (CCS)

- ws = white
- sw = black
- ro = red
- rt = red
- br = brown
- gn = green
- bl = blue
- gr = grey
- li = purple
- vi = purple
- ge = yellow
- or = orange
- rs = pink

127 128 129 130 131 132 133 134 135 136 137 138 139 140

360-069110916



Control unit in dash panel insert, Onboard supply control unit, Data bus diagnostic interface, Dash panel insert

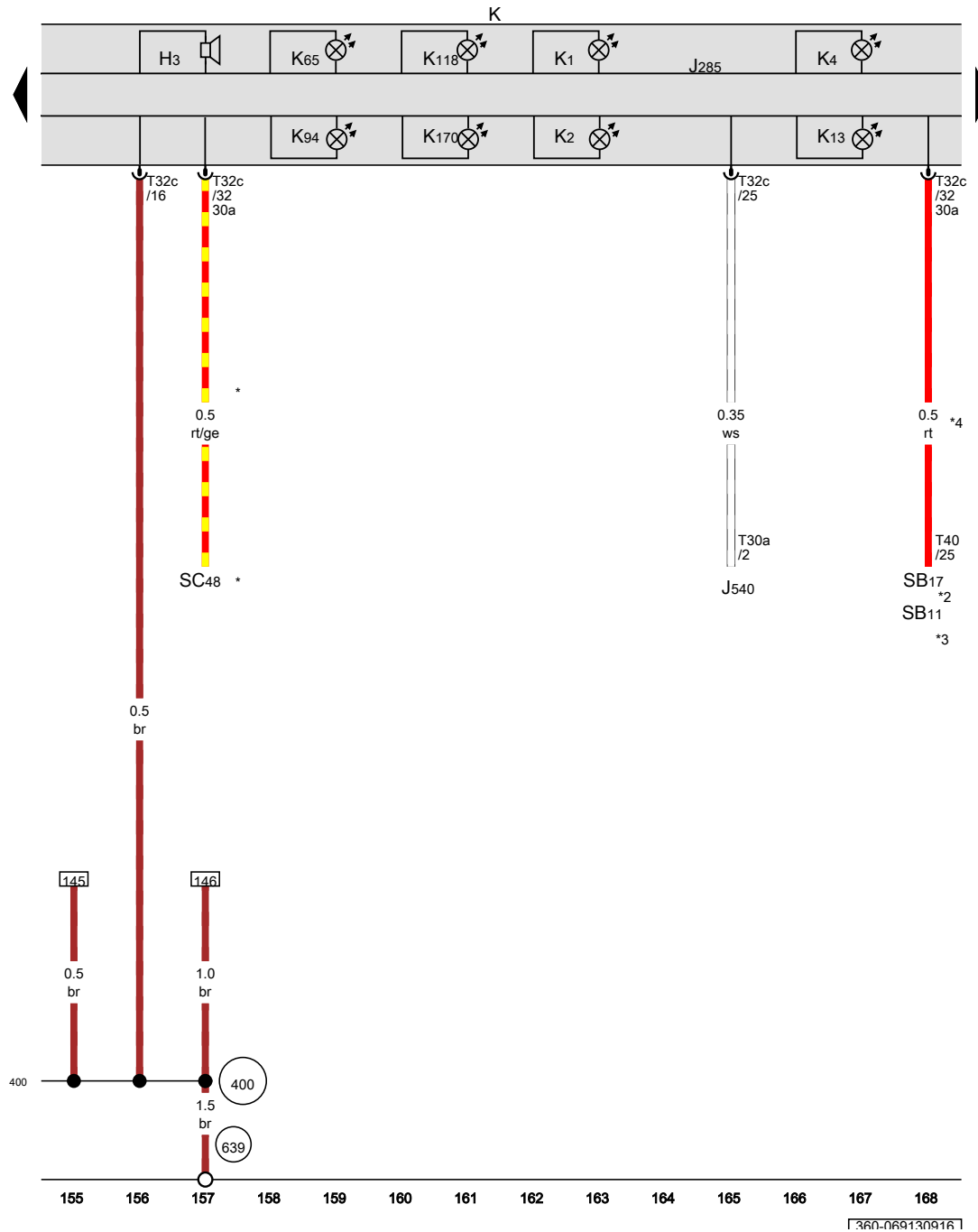
- J285 Control unit in dash panel insert
- J519 Onboard supply control unit
- J533 Data bus diagnostic interface
- K Dash panel insert
- SB15 Fuse 15 on fuse holder B
- SB24 Fuse 24 on fuse holder B
- T16d 16-pin connector, on diagnostic connection
- T20e 20-pin connector
- T32c 32-pin connector
- T40 40-pin connector
- T52a 52-pin connector, black
- T52c 52-pin connector, brown

- 400 Earth connection 35, in main wiring harness
- B383 Connection 1 (powertrain CAN bus, high), in main wiring harness
- B384 Connection 2 (powertrain CAN bus, high), in main wiring harness
- B390 Connection 1 (powertrain CAN bus, low), in main wiring harness
- B391 Connection 2 (powertrain CAN bus, low), in main wiring harness
- B397 Connection 1 (convenience CAN bus, high), in main wiring harness
- B406 Connection 1 (convenience CAN bus, low), in main wiring harness

* Fuses in E-box, High
 *2 Fuses in E-box, Low

- ws = white
- ro = red
- rt = red
- br = brown
- gn = green
- bl = blue
- gr = grey
- li = purple
- vi = purple
- ge = yellow
- or = orange
- rs = pink

1360-069120916



Control unit in dash panel insert, Dash panel insert

- H3 Buzzer and gong
- J285 Control unit in dash panel insert
- J540 Control unit for electromechanical parking brake
- K Dash panel insert
- K1 Main beam warning lamp
- K2 Alternator warning lamp
- K4 Side light warning lamp
- K13 Rear fog light warning lamp
- K65 Left turn signal warning lamp
- K94 Right turn signal warning lamp
- K118 Brake system warning lamp
- K170 Bulb failure warning lamp
- SB11 Fuse 11 on fuse holder B
- SB17 Fuse 17 on fuse holder B
- SC48 Fuse 48 on fuse holder C
- T30a 30-pin connector
- T32c 32-pin connector
- T40 40-pin connector

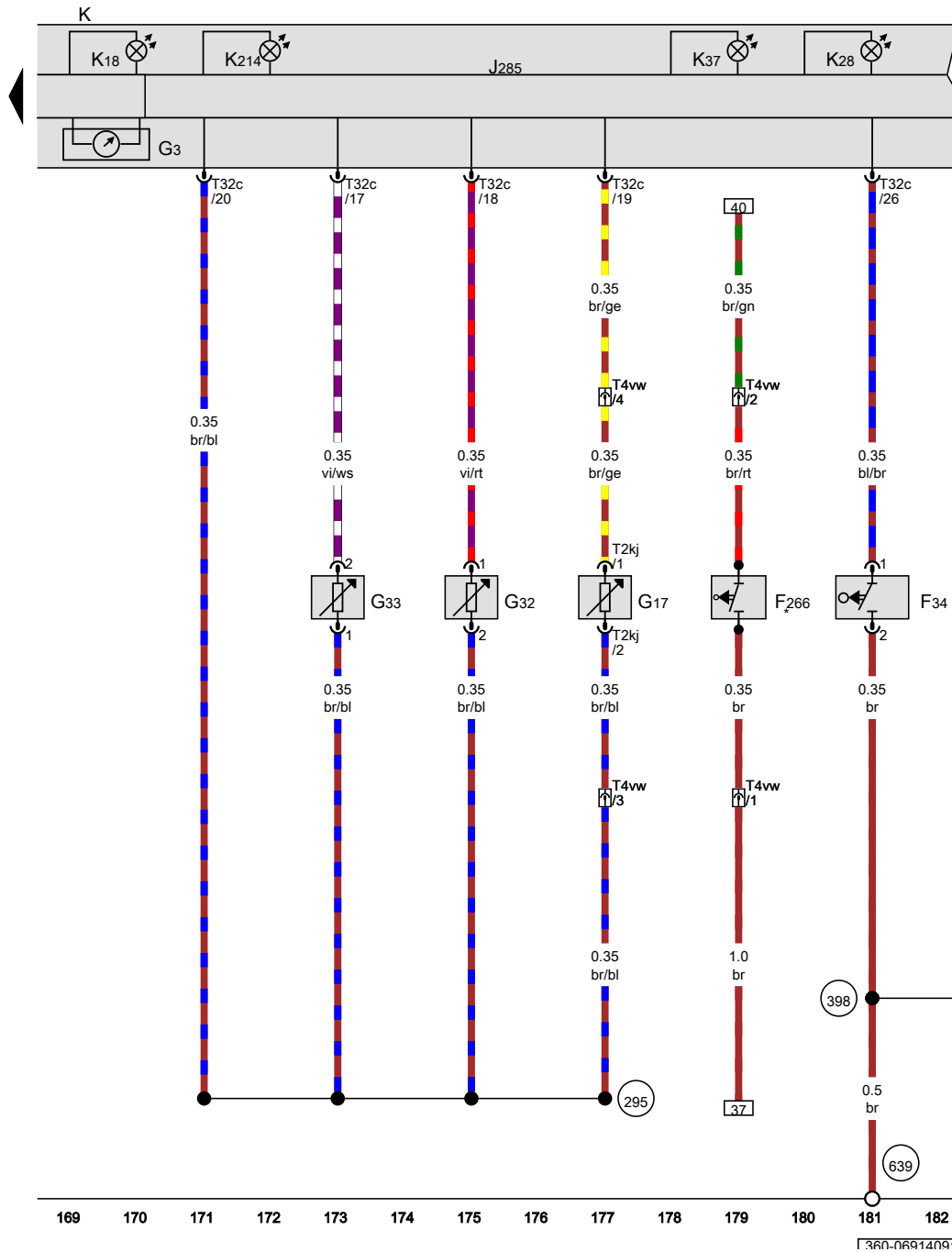
400 Earth connection 35, in main wiring harness

639 Earth point, left A-pillar

- * Only models with stop/start system
- *2 Fuses in E-box, High
- *3 Fuses in E-box, Low
- *4 Only models with no start/stop system

- ws = white
- sw = black
- ro = red
- rt = red
- br = brown
- gn = green
- bl = blue
- gr = grey
- li = purple
- vi = purple
- ge = yellow
- or = orange
- rs = pink

360-069130916

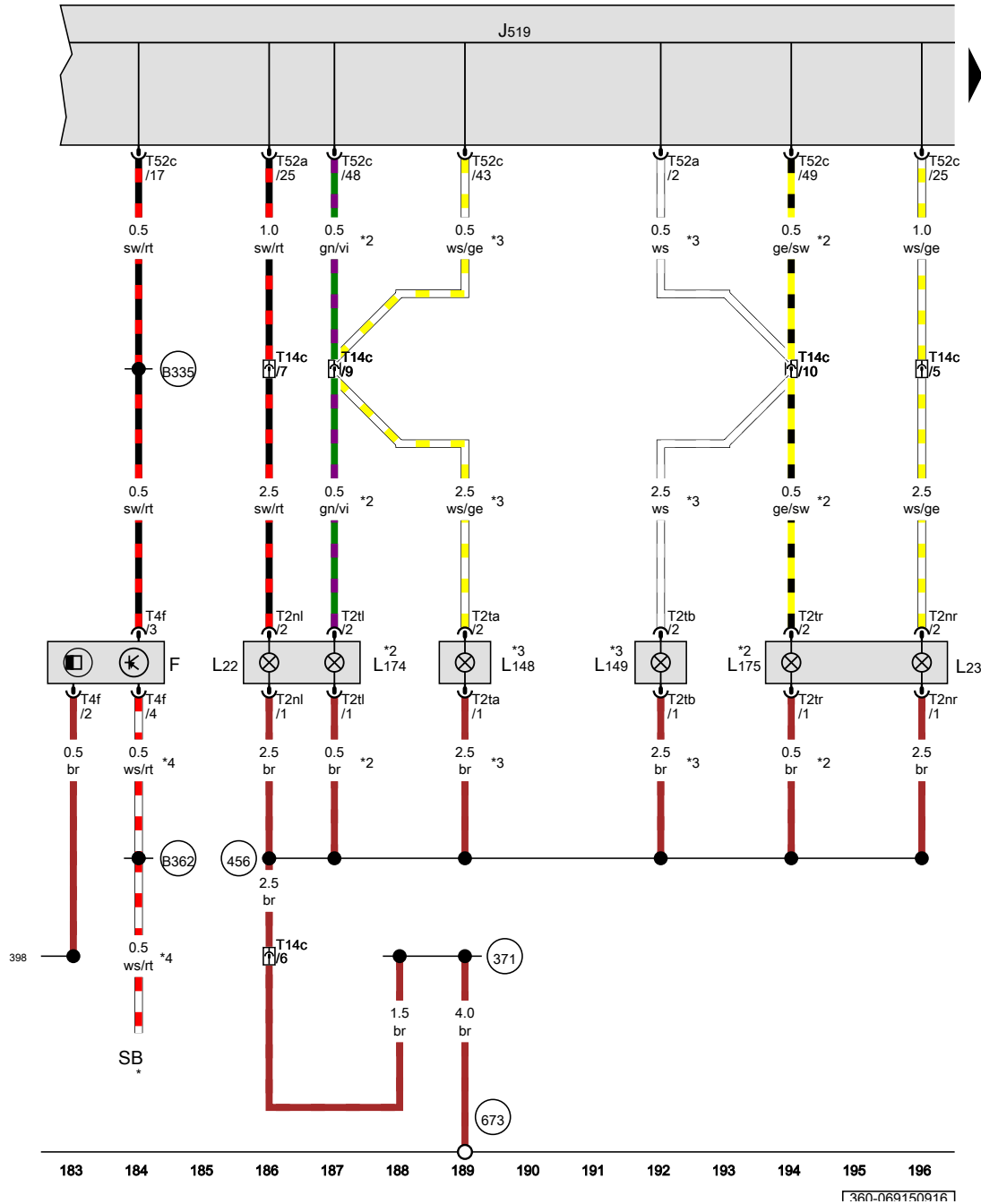


Brake fluid level warning contact, Bonnet contact switch, Ambient temperature sensor, Coolant shortage indicator sender, Windscreen washer fluid level sender, Control unit in dash panel insert, Dash panel insert

- F34 Brake fluid level warning contact
- F266 Bonnet contact switch
- G3 Coolant temperature gauge
- G17 Ambient temperature sensor
- G32 Coolant shortage indicator sender
- G33 Windscreen washer fluid level sender
- J285 Control unit in dash panel insert
- K Dash panel insert
- K18 Trailer operation warning lamp
- K28 Coolant temperature and coolant shortage warning lamp
- K37 Washer fluid level warning lamp
- K214 Electric parking brake and handbrake fault warning lamp
- T2kj 2-pin connector, black
- T4vw 4-pin connector, behind right headlight, black
- T32c 32-pin connector

- 295 Earth connection 10, in interior wiring harness
- 398 Earth connection 33, in main wiring harness
- 639 Earth point, left A-pillar
- * Pre-wired component

- ws = white
- sw = black
- ro = red
- rt = red
- br = brown
- gn = green
- bl = blue
- gr = grey
- li = purple
- vi = purple
- ge = yellow
- or = orange
- rs = pink



Brake light switch, Left fog light bulb, Right fog light bulb, Left cornering light bulb, Right cornering light bulb, Left daytime running light bulb, Right daytime running light bulb

- F Brake light switch
- J519 Onboard supply control unit
- L22 Left fog light bulb
- L23 Right fog light bulb
- L148 Left cornering light bulb
- L149 Right cornering light bulb
- L174 Left daytime running light bulb
- L175 Right daytime running light bulb
- SB Fuse holder B
- T2nl 2-pin connector
- T2nr 2-pin connector
- T2ta 2-pin connector, black
- T2tb 2-pin connector, black
- T2tl 2-pin connector
- T2tr 2-pin connector
- T4f 4-pin connector
- T14c 14-pin connector, near front bumper
- T52a 52-pin connector, black
- T52c 52-pin connector, brown

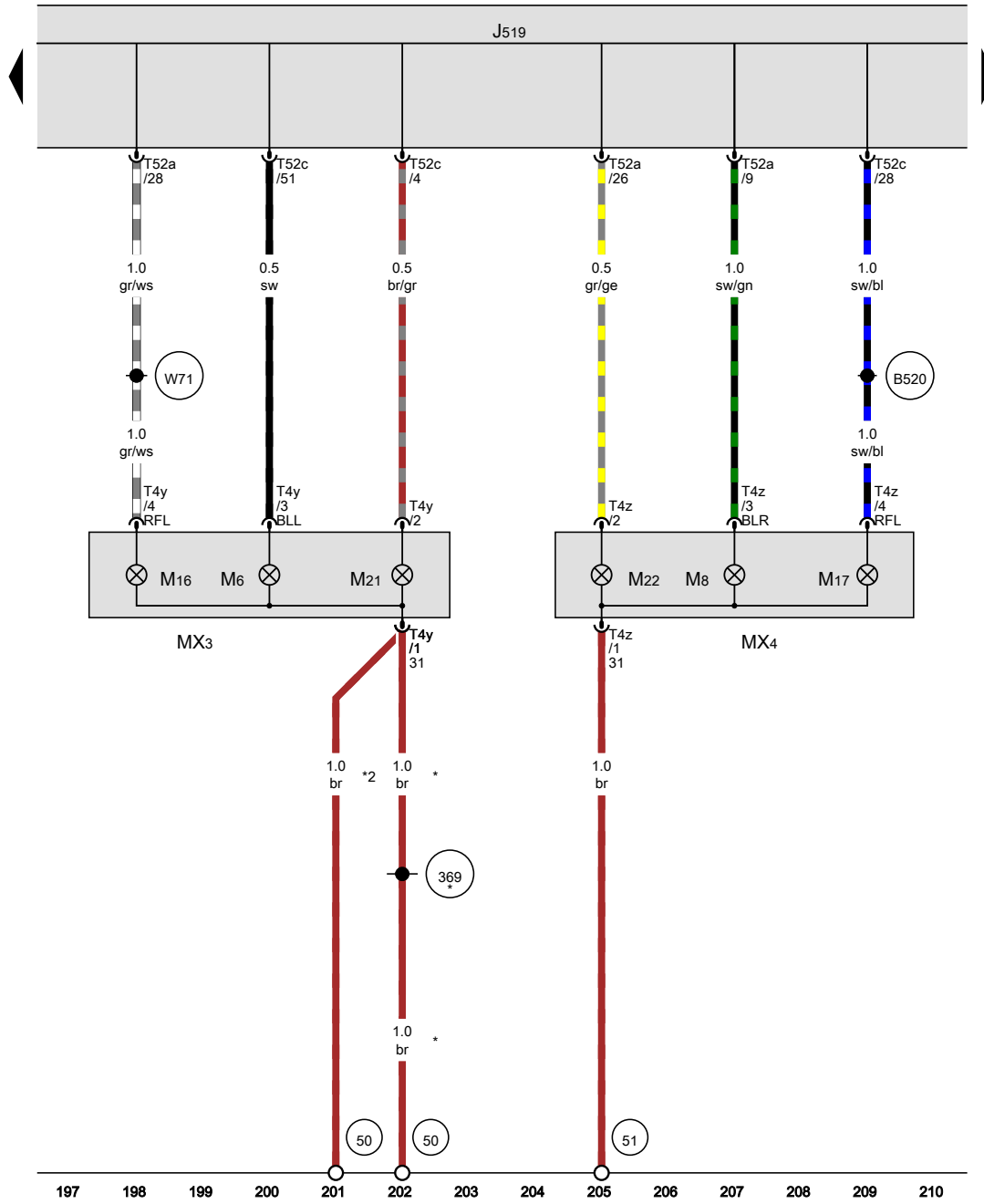
- (371) Earth connection 6, in main wiring harness
- (398) Earth connection 33, in main wiring harness
- (456) Earth connection 1, front bumper wiring harness
- (673) Earth point 3, on front of left longitudinal member
- (B335) Connection 1 (54), in main wiring harness
- (B362) Positive connection 13 (87a) in main wiring harness

- ws = white
- sw = black
- ro = red
- rt = red
- br = brown
- gn = green
- bl = blue
- gr = grey
- li = purple
- vi = purple
- ge = yellow
- or = orange
- rs = pink

- * see applicable current flow diagram for engine
- *2 Only models with daytime running lights
- *3 Only models with static cornering light
- *4 Wiring colour depends on equipment

1360-069150916

Left tail light, Right tail light, Rear left turn signal bulb, Rear right turn signal bulb, Left reversing light bulb, Right reversing light bulb



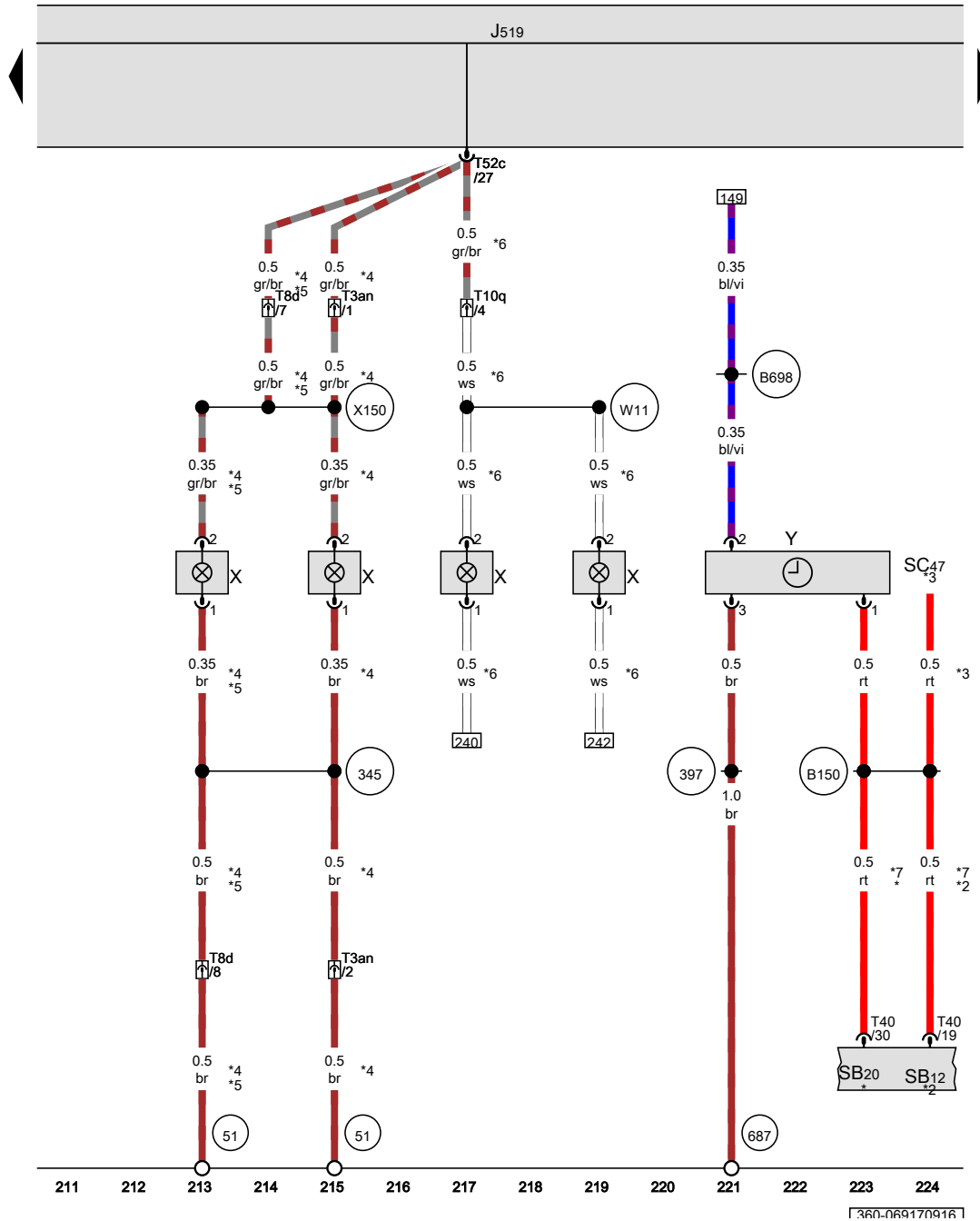
- J519 Onboard supply control unit
- MX3 Left tail light
- MX4 Right tail light
- M6 Rear left turn signal bulb
- M8 Rear right turn signal bulb
- M16 Left reversing light bulb
- M17 Right reversing light bulb
- M21 Left brake and tail light bulb
- M22 Right brake and tail light bulb
- T4y 4-pin connector
- T4z 4-pin connector
- T52a 52-pin connector, black
- T52c 52-pin connector, brown

- 50 Earth point, on left in luggage compartment
- 51 Earth point, on right in luggage compartment
- 369 Earth connection 4, in main wiring harness
- B520 Connection (RL), in main wiring harness
- W71 Connection (reversing light), in rear wiring harness
- * Saloon
- *2 Estate

- ws = white
- sw = black
- ro = red
- rt = red
- br = brown
- gn = green
- bl = blue
- gr = grey
- li = purple
- vi = purple
- ge = yellow
- or = orange
- rs = pink

197 198 199 200 201 202 203 204 205 206 207 208 209 210

360-069160916



Number plate light, Analogue clock

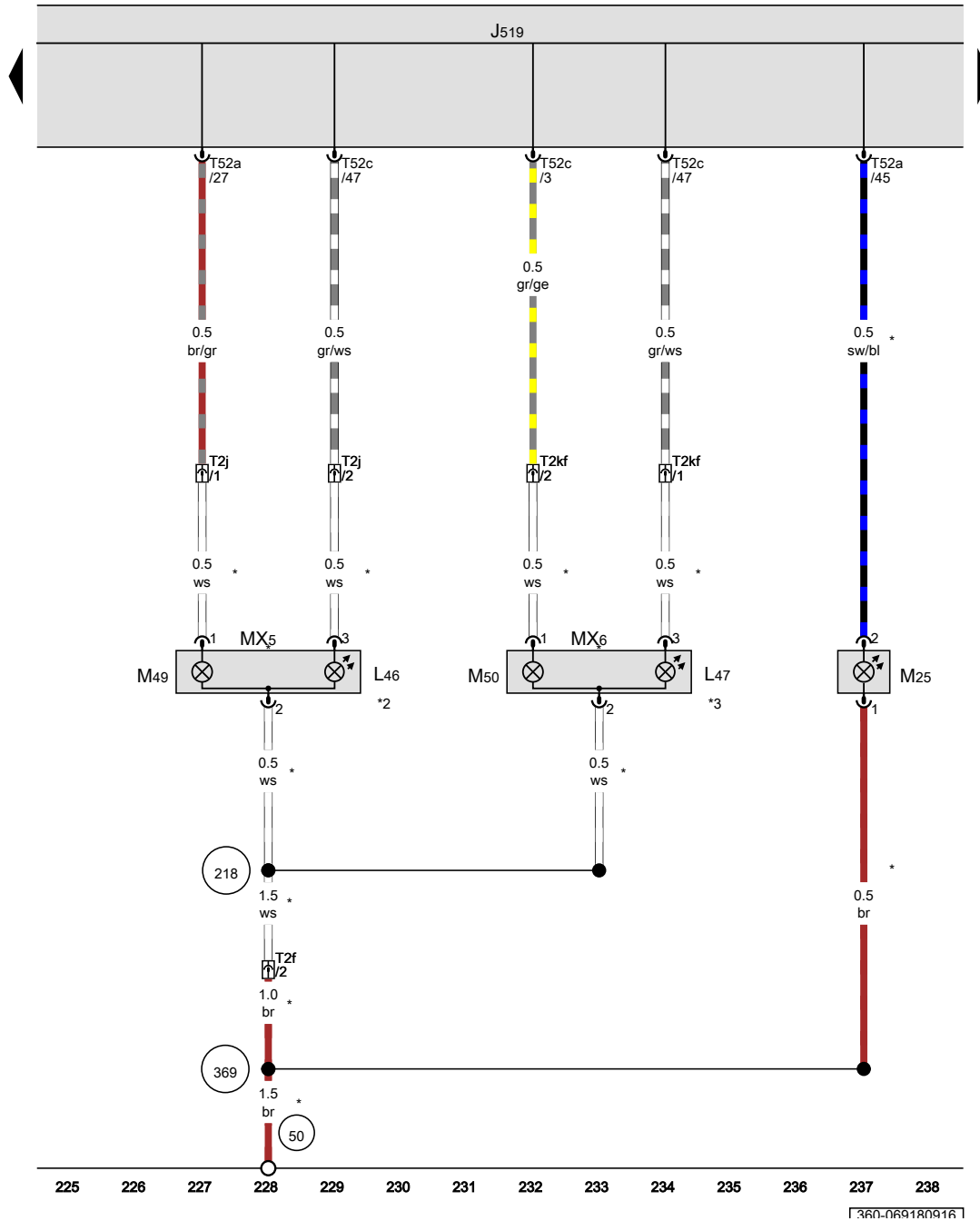
- J519 Onboard supply control unit
- SB12 Fuse 12 on fuse holder B
- SB20 Fuse 20 on fuse holder B
- SC47 Fuse 47 on fuse holder C
- T3an 3-pin connector, in rear bumper
- T8d 8-pin connector, in rear bumper
- T10q 10-pin connector, in rear left side panel
- T40 40-pin connector
- T52c 52-pin connector, brown
- X Number plate light
- Y Analogue clock

- 51 Earth point, on right in luggage compartment
- 345 Earth connection, in bumper wiring harness
- 397 Earth connection 32, in main wiring harness
- 687 Earth point 1, on centre tunnel
- B150 Positive connection 2 (30a), in interior wiring harness
- B698 Connection 3 (LIN bus) in main wiring harness
- W11 Connection (58), in rear lid wiring harness
- X150 Connection (58), rear bumper wiring harness

- * Fuses in E-box, High
- *2 Fuses in E-box, Low
- *3 Only models with start/stop system
- *4 Saloon
- *5 Only models with parking aid (PDC)
- *6 Estate
- *7 Only models with no start/stop system

- ws = white
- sw = black
- ro = red
- rt = red
- br = brown
- gn = green
- bl = blue
- gr = grey
- li = purple
- vi = purple
- ge = yellow
- or = orange
- rs = pink

Rear left fog light bulb, Rear right fog light bulb, Left tail light 2, Right tail light 2, High-level brake light bulb

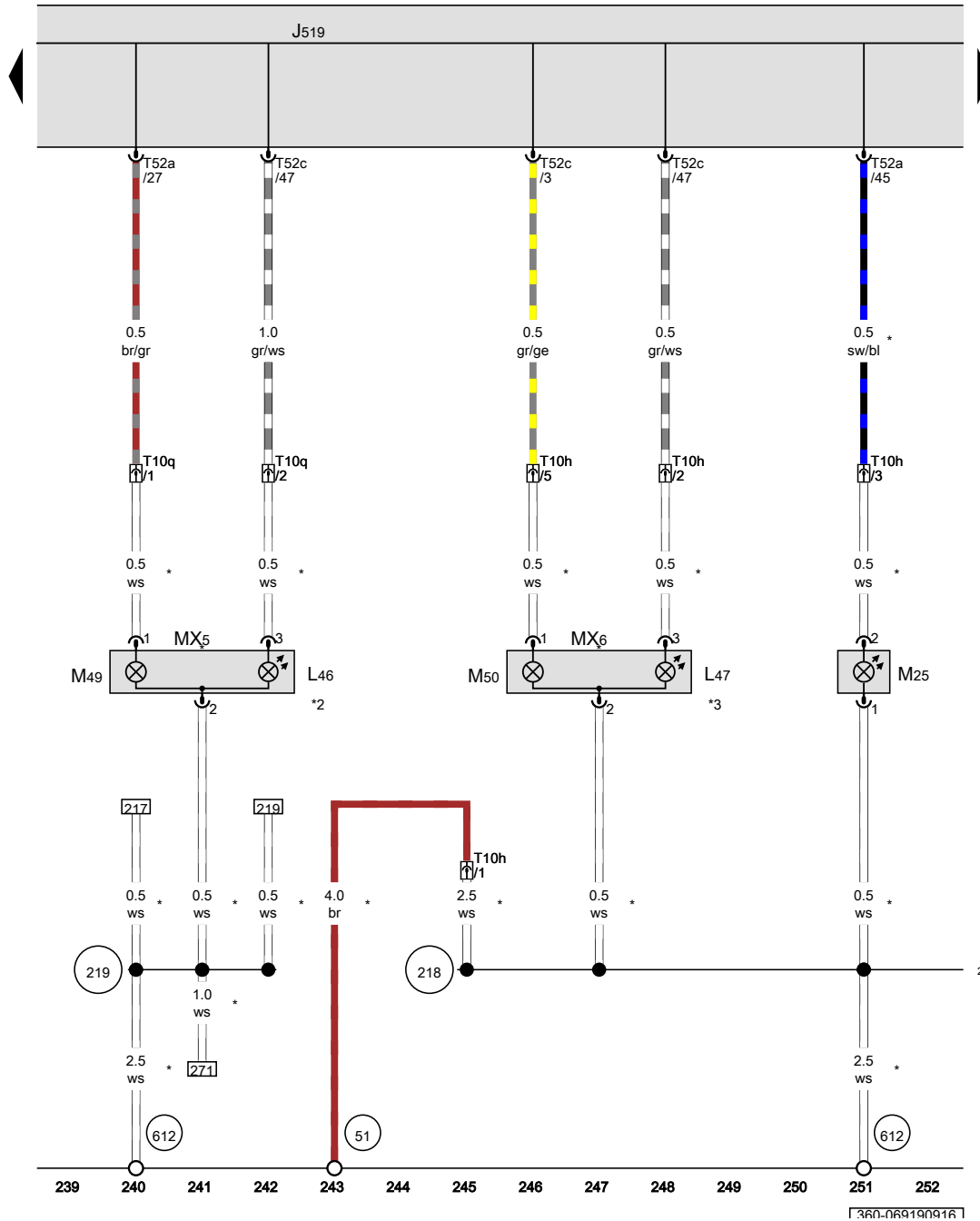


- J519 Onboard supply control unit
- L46 Rear left fog light bulb
- L47 Rear right fog light bulb
- MX5 Left tail light 2
- MX6 Right tail light 2
- M25 High-level brake light bulb
- M49 Left tail light bulb 2
- M50 Right tail light bulb 2
- T2f 2-pin connector, Coupling point for rear lid
- T2j 2-pin connector, Coupling point for rear lid
- T2kf 2-pin connector
- T52a 52-pin connector, black
- T52c 52-pin connector, brown

- 50 Earth point, on left in luggage compartment
- 218 Earth connection 1, in rear lid wiring harness
- 369 Earth connection 4, in main wiring harness

- * Saloon
- *2 Only left-hand drive models
- *3 Only right-hand drive models

- ws = white
- sw = black
- ro = red
- rt = red
- br = brown
- gn = green
- bl = blue
- gr = grey
- li = purple
- vi = purple
- ge = yellow
- or = orange
- rs = pink



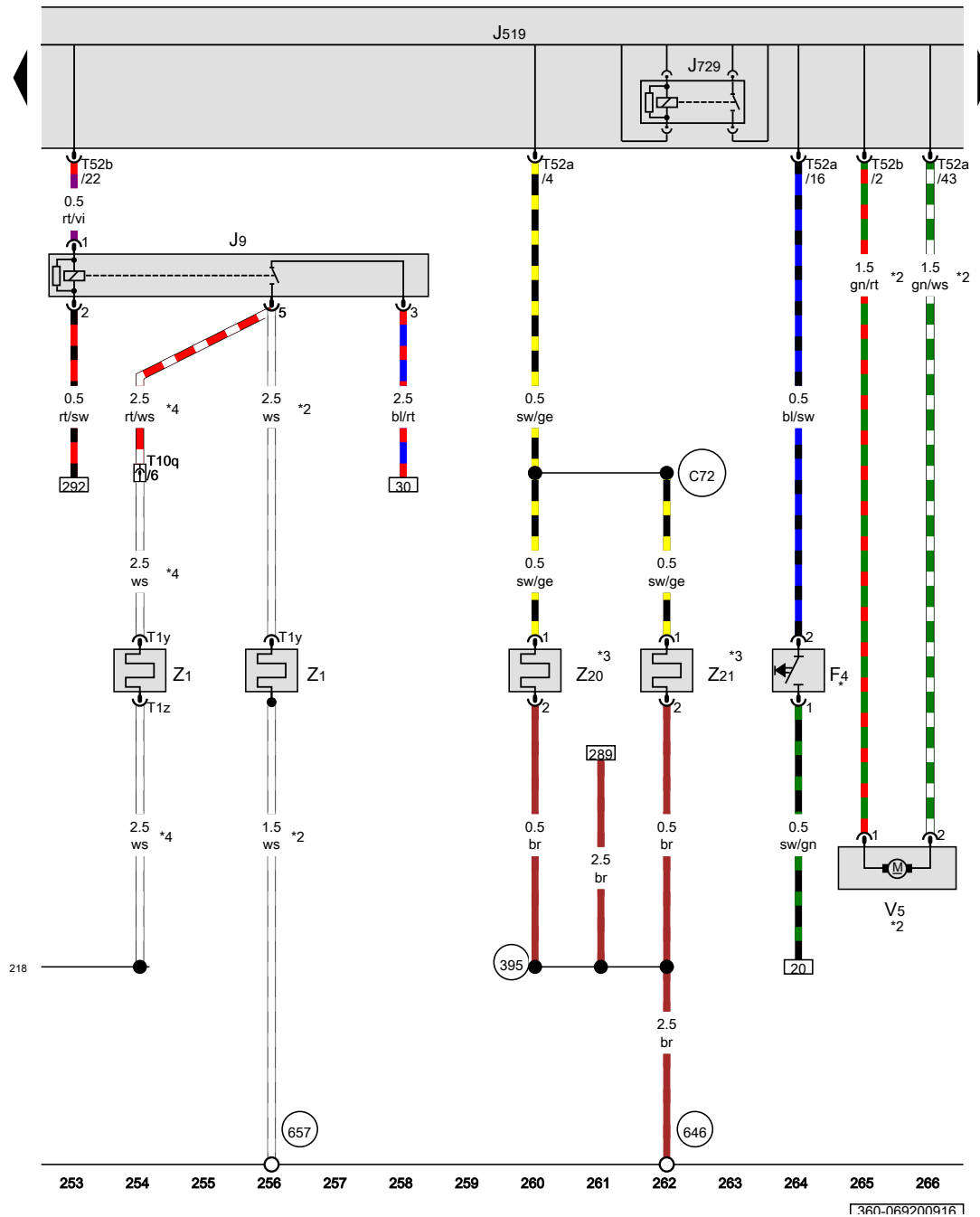
Rear left fog light bulb, Rear right fog light bulb, Left tail light 2, Right tail light 2, High-level brake light bulb

- J519 Onboard supply control unit
- L46 Rear left fog light bulb
- L47 Rear right fog light bulb
- MX5 Left tail light 2
- MX6 Right tail light 2
- M25 High-level brake light bulb
- M49 Left tail light bulb 2
- M50 Right tail light bulb 2
- T10h 10-pin connector, in rear right side panel
- T10q 10-pin connector, in rear left side panel
- T52a 52-pin connector, black
- T52c 52-pin connector, brown

- 51 Earth point, on right in luggage compartment
- 218 Earth connection 1, in rear lid wiring harness
- 219 Earth connection 2, in rear lid wiring harness
- 612 Earth point, centre on rear lid
- * Estate
- *2 Only left-hand drive models
- *3 Only right-hand drive models

- ws = white
- sw = black
- ro = red
- rt = red
- br = brown
- gn = green
- bl = blue
- gr = grey
- li = purple
- vi = purple
- ge = yellow
- or = orange
- rs = pink

360-069190916



Reversing light switch, Heated rear window relay, Double washer pump relay 1, Washer pump, Heated rear window, Left washer jet heater element, Right washer jet heater element

- F4 Reversing light switch
- J9 Heated rear window relay
- J519 Onboard supply control unit
- J729 Double washer pump relay 1
- T1y 1-pin connector
- T1z 1-pin connector
- T10q 10-pin connector, in rear left side panel
- T52a 52-pin connector, black
- T52b 52-pin connector, white
- V5 Washer pump
- Z1 Heated rear window
- Z20 Left washer jet heater element
- Z21 Right washer jet heater element

- 218 Earth connection 1, in rear lid wiring harness
- 395 Earth connection 30, in main wiring harness
- 646 Earth point 2, on bulkhead
- 657 Earth point 1, on left near rear window
- C72 Positive connection in heated washer jet wiring harness
- * Not for models with dual clutch gearbox
- *2 Saloon
- *3 Only models with heated washer jets
- *4 Estate

- ws = white
- sw = black
- ro = red
- rt = red
- br = brown
- gn = green
- bl = blue
- gr = grey
- li = purple
- vi = purple
- ge = yellow
- or = orange
- rs = pink

1360-069200916

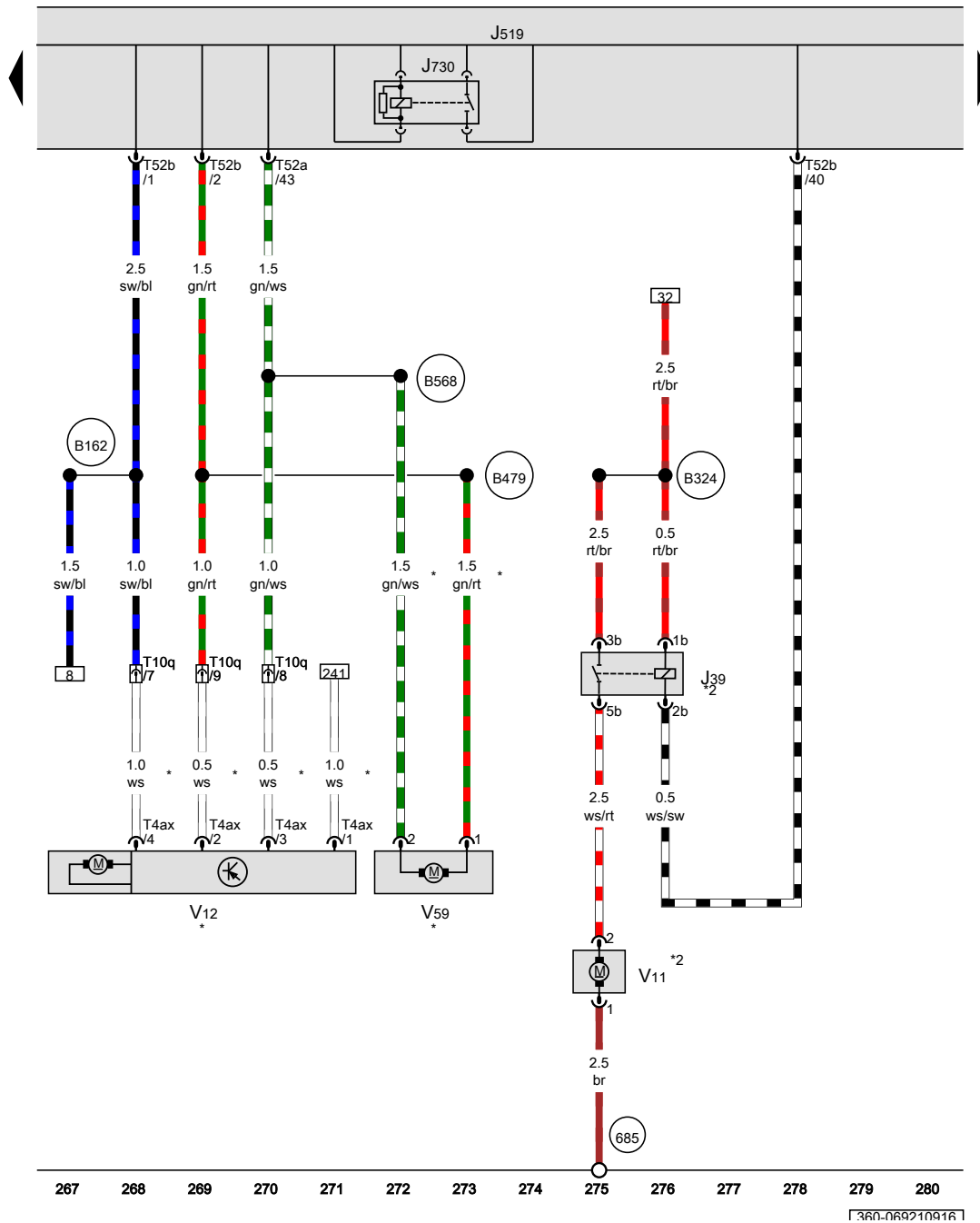
Headlight washer system relay, Double washer pump relay 2, Headlight washer system pump, Rear window wiper motor, Windscreen and rear window washer pump

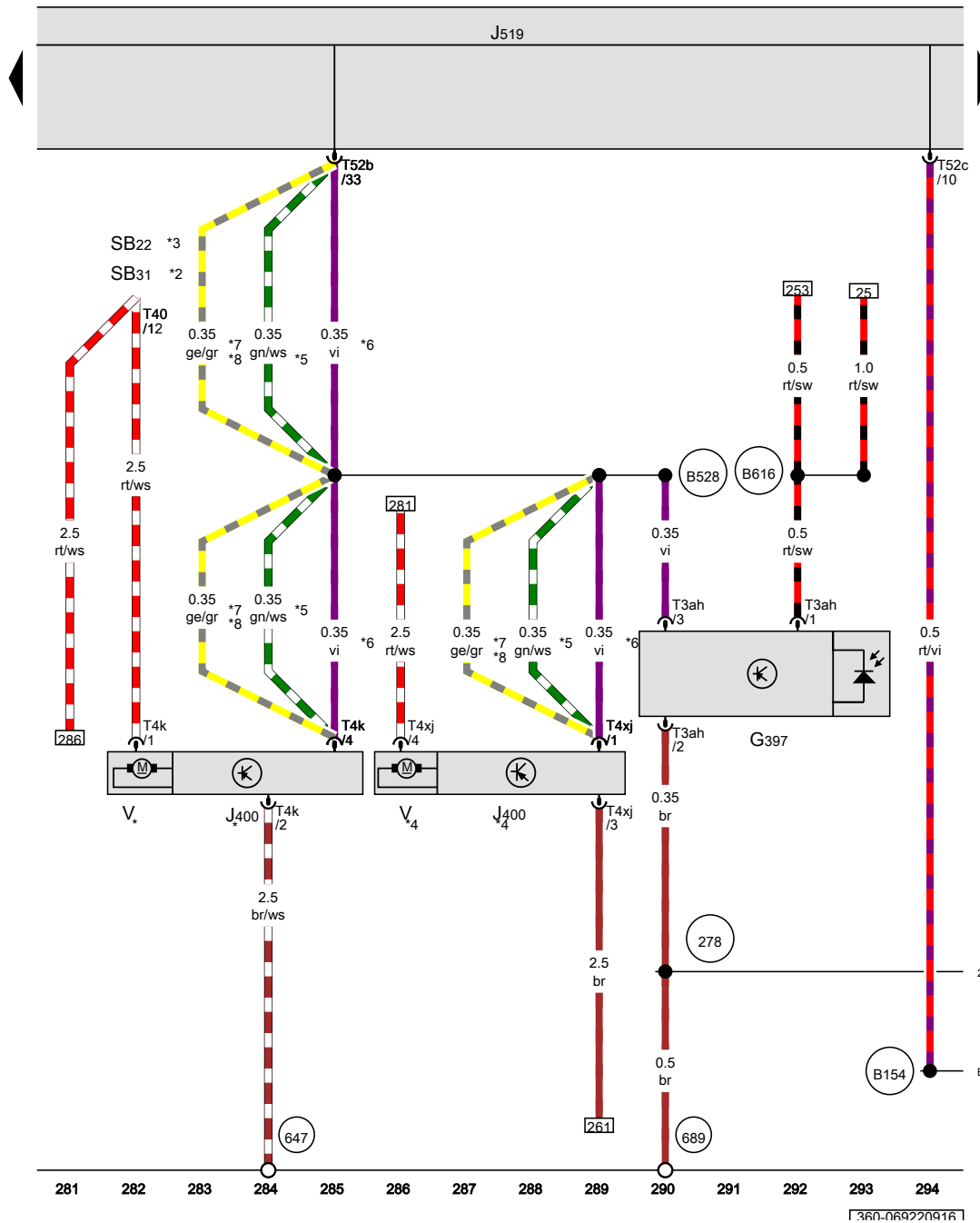
- J39 Headlight washer system relay
- J519 Onboard supply control unit
- J730 Double washer pump relay 2
- T4ax 4-pin connector
- T10q 10-pin connector, in rear left side panel
- T52a 52-pin connector, black
- T52b 52-pin connector, white
- V11 Headlight washer system pump
- V12 Rear window wiper motor, black
- V59 Windscreen and rear window washer pump

- 685 Earth point 1, on front of right longitudinal member
- B162 Connection (75a), in interior wiring harness
- B324 Positive connection 10 (30a) in main wiring harness
- B479 Connection 15, in main wiring harness
- B568 Connection 35, in main wiring harness

- * Estate
- *2 Only models with headlight washer system

- ws = white
- sw = black
- ro = red
- rt = red
- br = brown
- gn = green
- bl = blue
- gr = grey
- li = purple
- vi = purple
- ge = yellow
- or = orange
- rs = pink





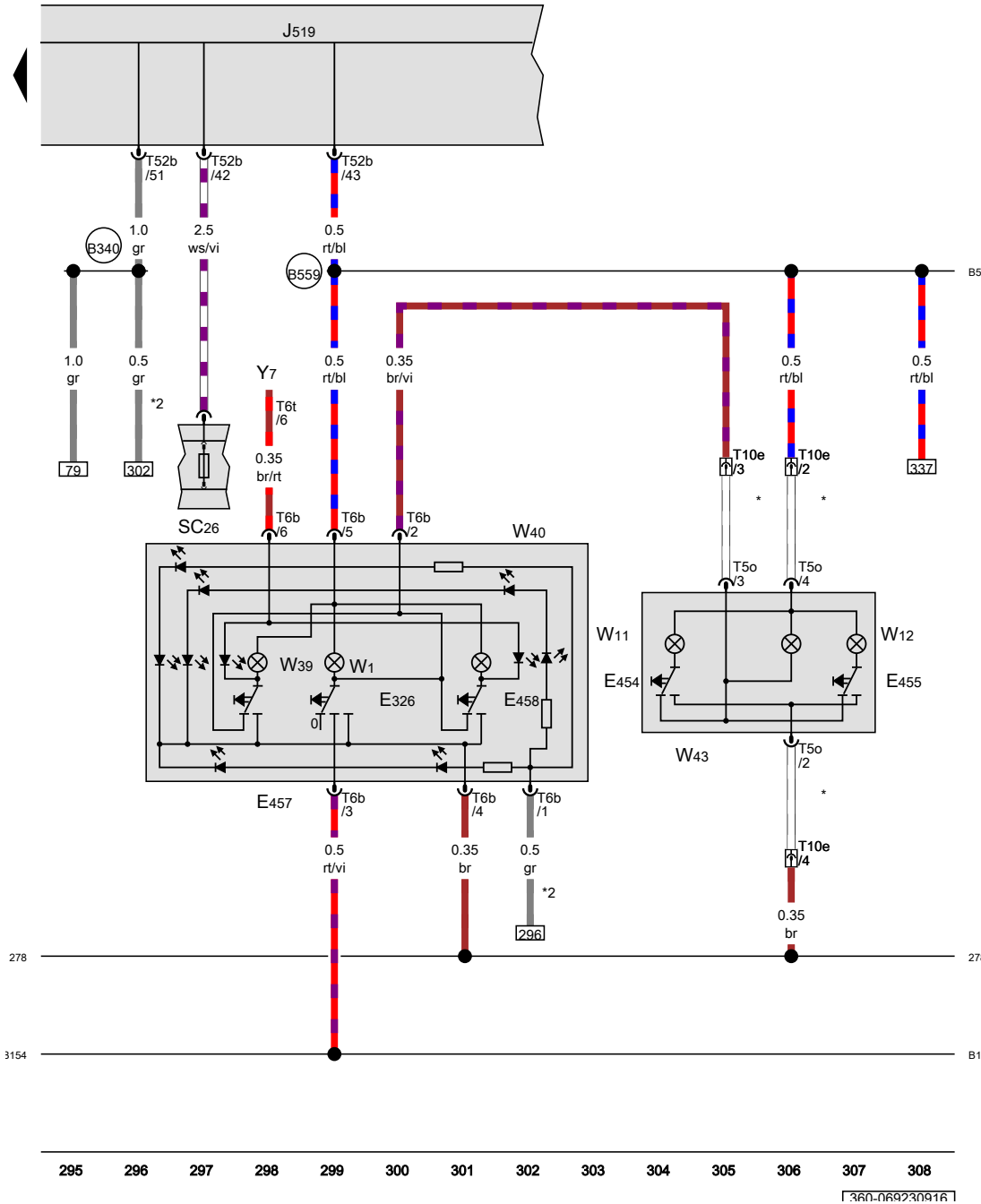
Rain and light sensor, Wiper motor control unit, Windscreen wiper motor

- G397 Rain and light sensor
- J400 Wiper motor control unit
- J519 Onboard supply control unit
- SB22 Fuse 22 on fuse holder B
- SB31 Fuse 31 on fuse holder B
- T3ah 3-pin connector
- T4k 4-pin connector
- T4xj 4-pin connector
- T40 40-pin connector
- T52b 52-pin connector, white
- T52c 52-pin connector, brown
- V Windscreen wiper motor

- (278) Earth connection 4, in interior wiring harness
- (647) Earth point 3, on bulkhead
- (689) Earth point, at front, central in roof
- (B154) Connection 1 (DCt), in interior wiring harness
- (B528) Connection 1 (LIN bus) in main wiring harness
- (B616) Positive connection 12 (30a), in interior wiring harness
- * Only left-hand drive models
- *2 Fuses in E-box, High
- *3 Fuses in E-box, Low
- *4 Only right-hand drive models
- *5 From November 2013
- *6 Up to April 2012
- *7 From May 2012
- *8 Up to October 2013

- ws = white
- sw = black
- ro = red
- rt = red
- br = brown
- gn = green
- bl = blue
- gr = grey
- li = purple
- vi = purple
- ge = yellow
- or = orange
- rs = pink

1360-069220916



Front interior light button, Driver side reading light button, Front passenger side reading light button, Front interior light, Left centre reading light, Right centre reading light, Rear interior light

- E326 Front interior light button
- E454 Rear left reading light button
- E455 Rear right reading light button
- E457 Driver side reading light button
- E458 Front passenger side reading light button
- J519 Onboard supply control unit
- SC26 Fuse 26 on fuse holder C
- T50 5-pin connector
- T6b 6-pin connector
- T6t 6-pin connector
- T10e 10-pin connector
- T52b 52-pin connector, white
- W1 Front interior light
- W11 Rear left reading light
- W12 Rear right reading light
- W39 Left centre reading light
- W40 Right centre reading light
- W43 Rear interior light
- Y7 Automatic anti-dazzle interior mirror

(278) Earth connection 4, in interior wiring harness

(B154) Connection 1 (DCt), in interior wiring harness

(B340) Connection 1 (58d), in main wiring harness

(B559) Positive connection 1 (30g), in main wiring harness

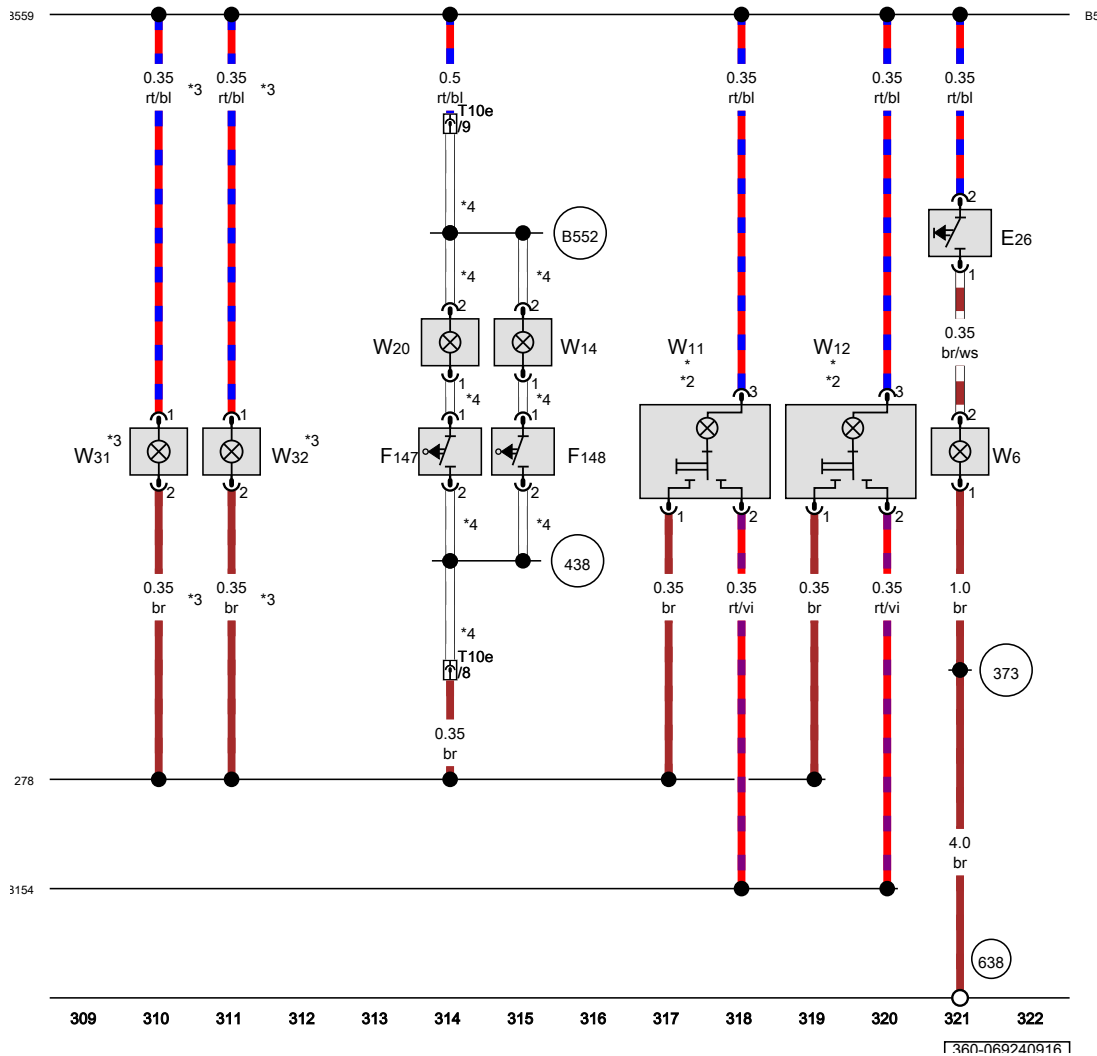
* Flat conductor

*2 Only models with sliding/tilting sunroof

- ws = white
- sw = black
- ro = red
- rt = red
- br = brown
- gn = green
- bl = blue
- gr = grey
- li = purple
- vi = purple
- ge = yellow
- or = orange
- rs = pink

1360-069230916

Glove compartment light switch, Driver vanity mirror contact switch, Glove compartment light, Rear left reading light, Rear right reading light, Front passenger side illuminated vanity mirror, Driver side illuminated vanity mirror



- E26 Glove compartment light switch
- F147 Driver vanity mirror contact switch
- F148 Front passenger vanity mirror contact switch
- T10e 10-pin connector
- W6 Glove compartment light
- W11 Rear left reading light
- W12 Rear right reading light
- W14 Front passenger side illuminated vanity mirror
- W20 Driver side illuminated vanity mirror
- W31 Front left entry light
- W32 Front right entry light

278 Earth connection 4, in interior wiring harness

373 Earth connection 8, in main wiring harness

438 Earth connection 3, in roof wiring harness

638 Earth point, on right A-pillar

B154 Connection 1 (DCt), in interior wiring harness

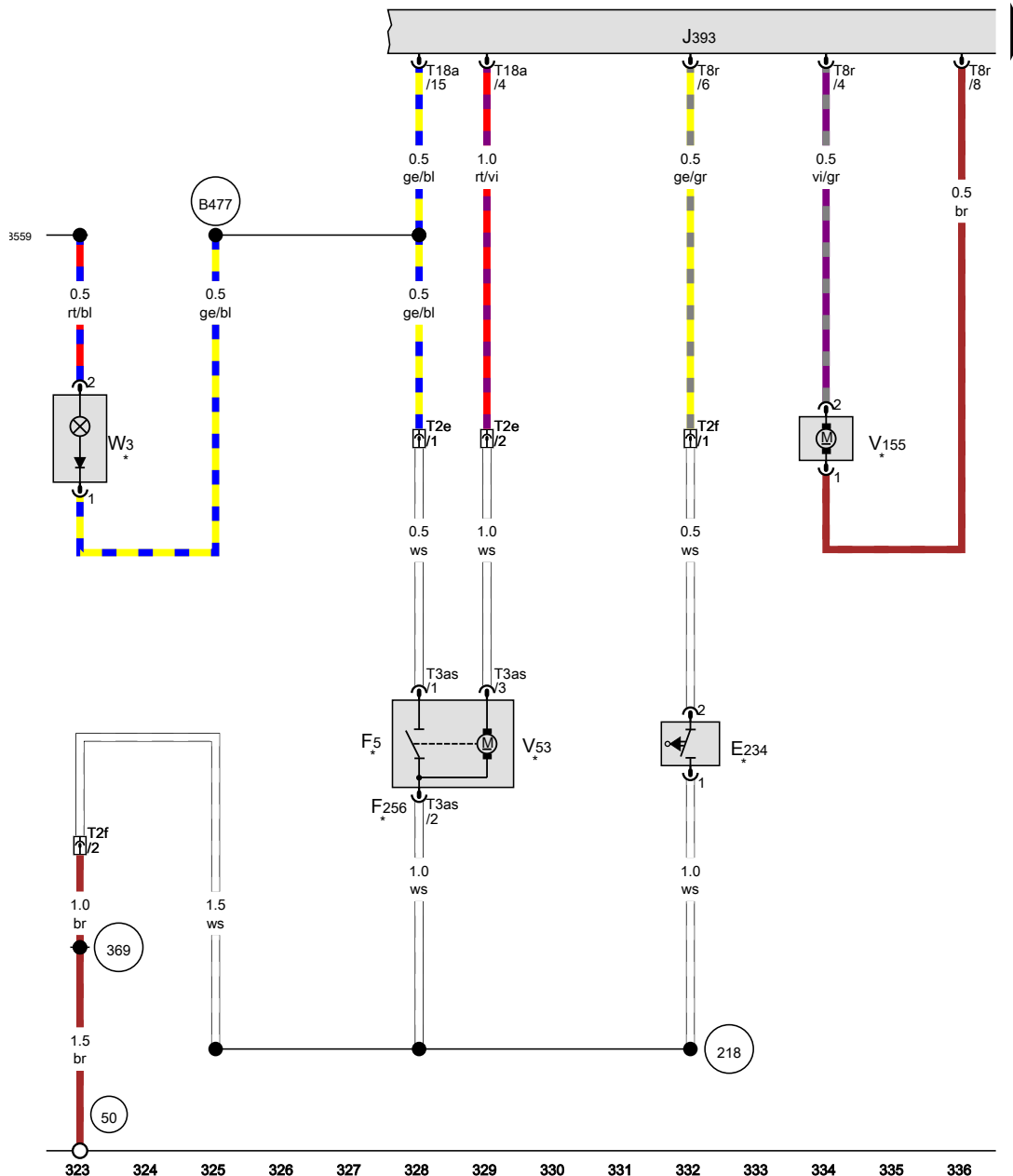
B552 Positive connection 2, in roof wiring harness

B559 Positive connection 1 (30g), in main wiring harness

- * Only models with panoramic sliding sunroof
- *2 Estate
- *3 According to equipment
- *4 Flat conductor

- ws = white
- sw = black
- ro = red
- rt = red
- br = brown
- gn = green
- bl = blue
- gr = grey
- li = purple
- vi = purple
- ge = yellow
- or = orange
- rs = pink

Rear lid handle release button, Luggage compartment light switch, Convenience system central control unit, Tank filler flap locking motor, Luggage compartment light

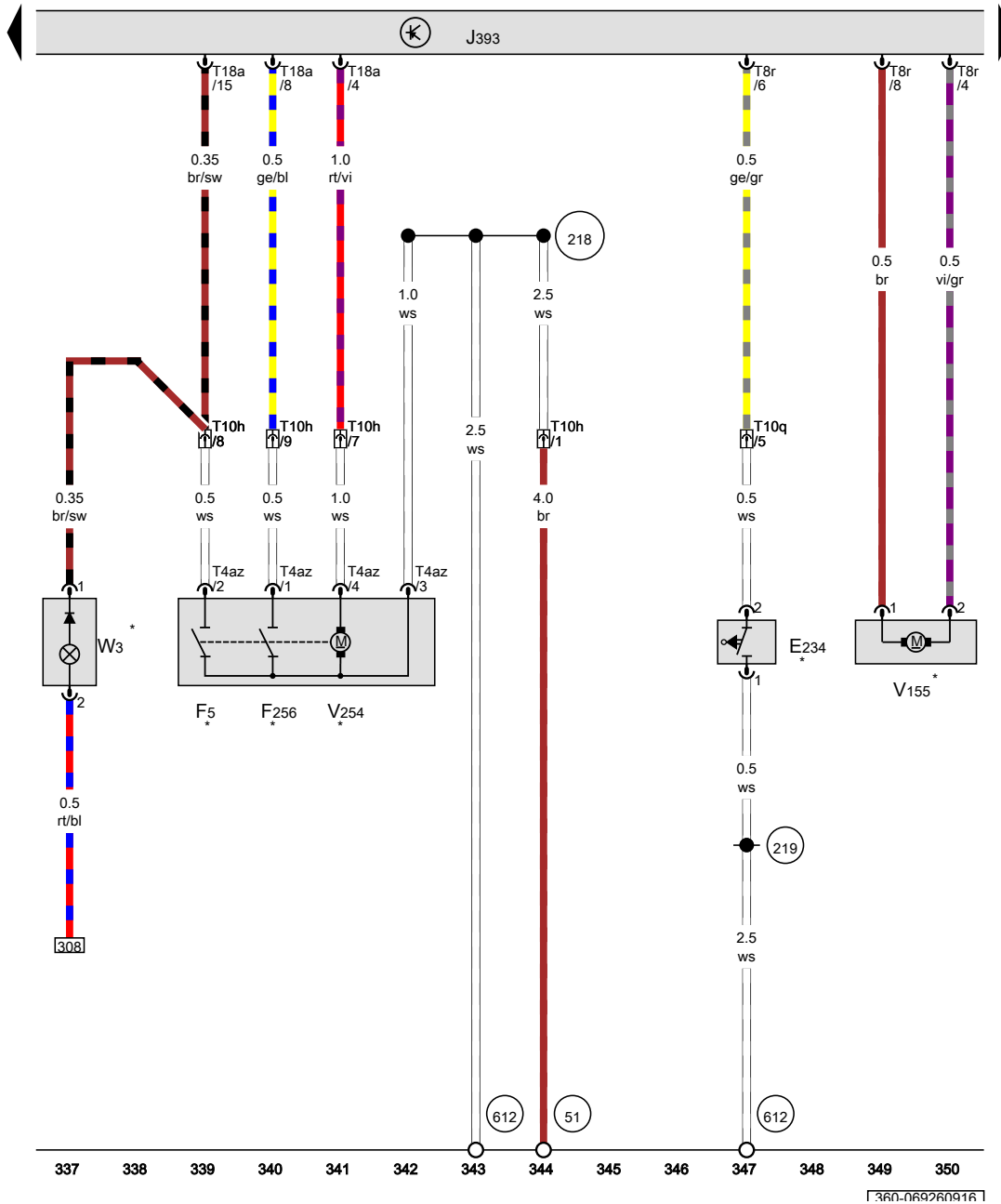


- E234 Rear lid handle release button
- F5 Luggage compartment light switch
- F256 Rear lid lock unit
- J393 Convenience system central control unit
- T2e 2-pin connector, Coupling point for rear lid
- T2f 2-pin connector, Coupling point for rear lid
- T3as 3-pin connector
- T8r 8-pin connector
- T18a 18-pin connector
- V53 Rear lid central locking motor
- V155 Tank filler flap locking motor
- W3 Luggage compartment light

- (50) Earth point, on left in luggage compartment
- (218) Earth connection 1, in rear lid wiring harness
- (369) Earth connection 4, in main wiring harness
- (B477) Connection 13, in main wiring harness
- (B559) Positive connection 1 (30g), in main wiring harness
- * Saloon

- ws = white
- sw = black
- ro = red
- rt = red
- br = brown
- gn = green
- bl = blue
- gr = grey
- li = purple
- vi = purple
- ge = yellow
- or = orange
- rs = pink

1360-069250916



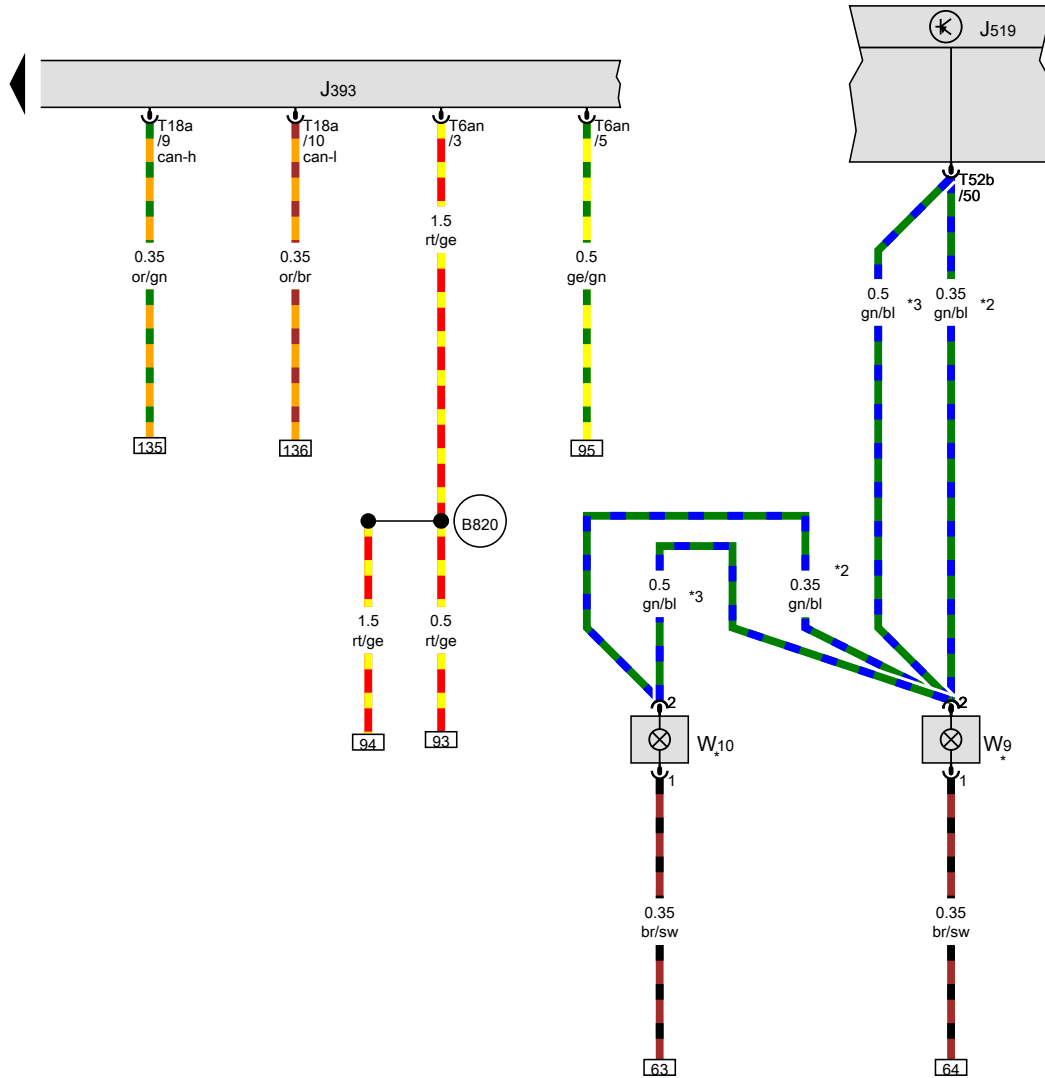
Rear lid handle release button, Luggage compartment light switch, Rear lid lock unit, Convenience system central control unit, Tank filler flap locking motor, Rear lid electric opener motor, Luggage compartment light

- E234 Rear lid handle release button
- F5 Luggage compartment light switch
- F256 Rear lid lock unit
- J393 Convenience system central control unit
- T4az 4-pin connector
- T8r 8-pin connector
- T10h 10-pin connector, in rear right side panel
- T10q 10-pin connector, in rear left side panel
- T18a 18-pin connector
- V155 Tank filler flap locking motor
- V254 Rear lid electric opener motor
- W3 Luggage compartment light

- 51 Earth point, on right in luggage compartment
- 218 Earth connection 1, in rear lid wiring harness
- 219 Earth connection 2, in rear lid wiring harness
- 612 Earth point, centre on rear lid
- * Estate

- ws = white
- sw = black
- ro = red
- rt = red
- br = brown
- gn = green
- bl = blue
- gr = grey
- li = purple
- vi = purple
- ge = yellow
- or = orange
- rs = pink

1360-069260916



Convenience system central control unit, Left footwell light, Right footwell light

- J393 Convenience system central control unit
- J519 Onboard supply control unit
- T6an 6-pin connector
- T18a 18-pin connector
- T52b 52-pin connector, white
- W9 Left footwell light
- W10 Right footwell light

B820 Connection (electronic steering column lock) in main wiring harness

- * Only models with footwell illumination
- *2 From May 2014
- *3 Up to April 2014

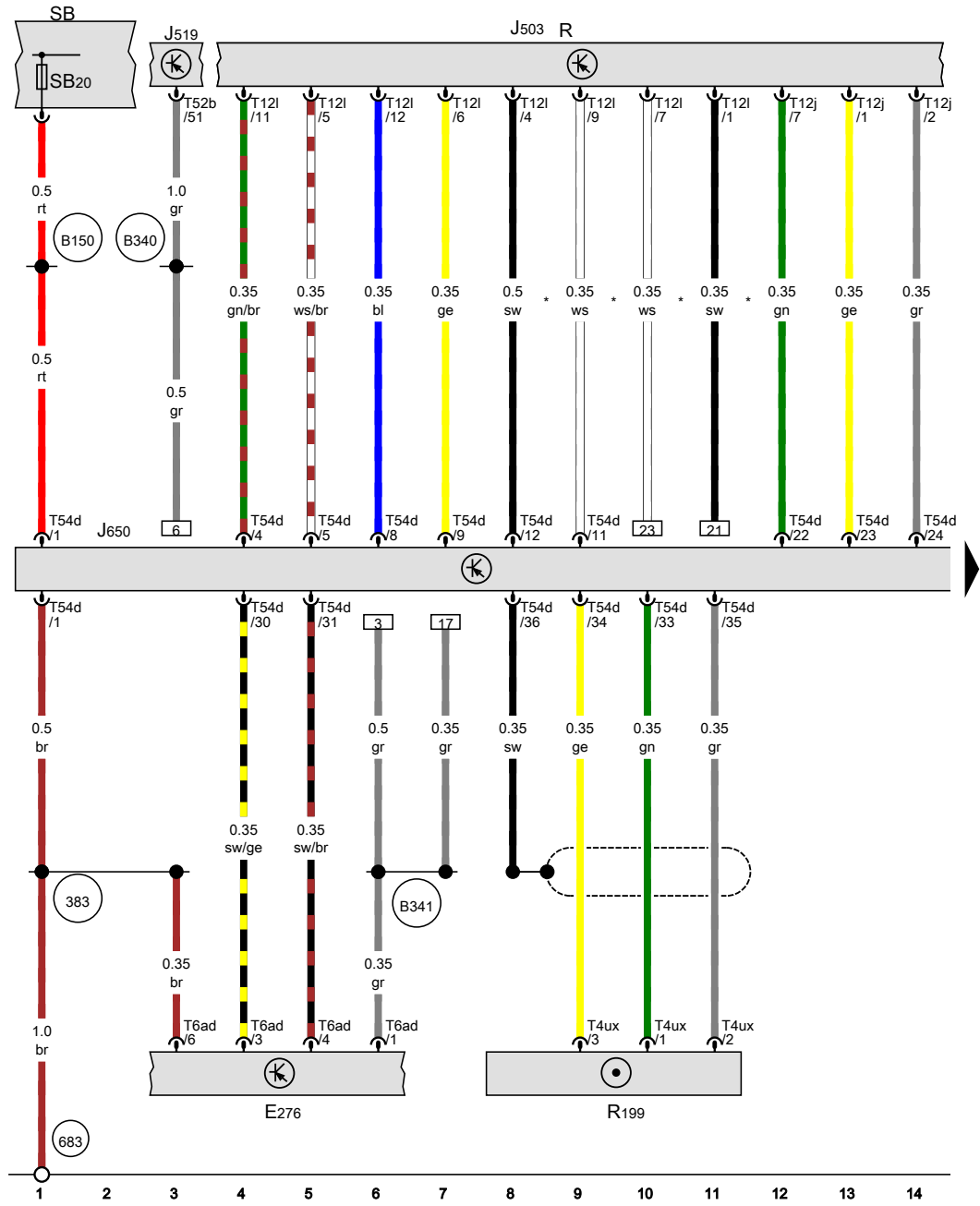
- ws = white
- sw = black
- ro = red
- rt = red
- br = brown
- gn = green
- bl = blue
- gr = grey
- li = purple
- vi = purple
- ge = yellow
- or = orange
- rs = pink

351 352 353 354 355 356 357 358 359 360 361 362 363 364

1360-069270916

Mobile telephone systems with MEDIA-IN multimedia socket , (9W7),(9ZA),(9ZB),(UF6),(UF8)

From May 2013



Multimedia system control unit

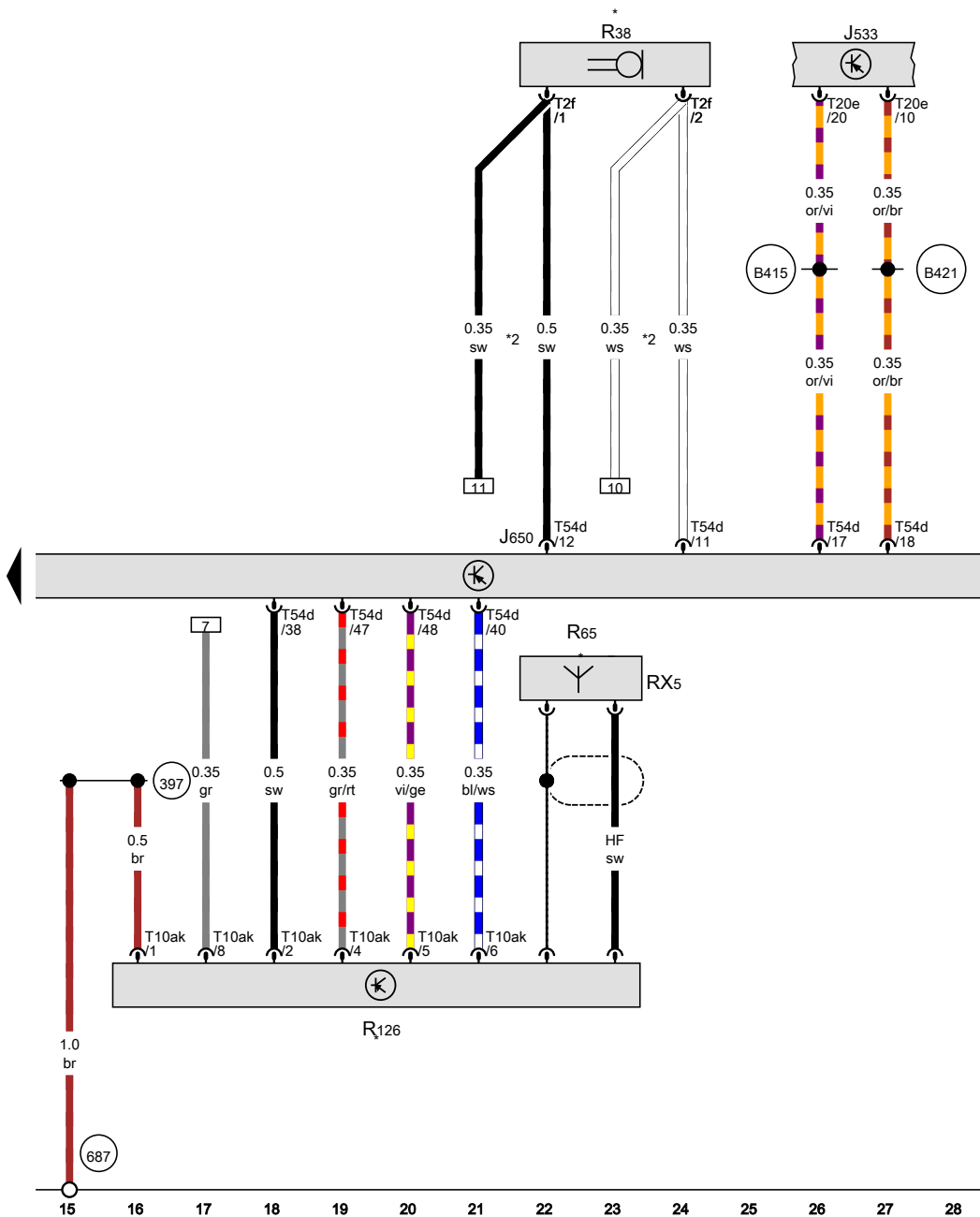
- E276 Emergency assistance call button
- J503 Control unit with display for radio and navigation
- J519 Onboard supply control unit
- J650 Multimedia system control unit, in glove compartment, under centre armrest, front
- R Radio
- R199 Connection for external audio sources
- SB Fuse holder B
- SB20 Fuse 20 on fuse holder B
- T4ux 4-pin connector
- T6ad 6-pin connector
- T12j 12-pin connector
- T12l 12-pin connector
- T52b 52-pin connector
- T54d 54-pin connector

- 383 Earth connection 18, in main wiring harness
- 683 Earth point on front of right side member
- B150 Positive connection 2 (30a), in interior wiring harness
- B340 Connection 1 (58d), in main wiring harness
- B341 Connection 2 (58d), in main wiring harness
- * Only models with voice control

- ws = white
- sw = black
- ro = red
- rt = red
- br = brown
- gn = green
- bl = blue
- gr = grey
- li = purple
- vi = purple
- ge = yellow
- or = orange
- rs = pink

1360-070020416

Multimedia system control unit, Roof aerial, Telephone microphone, Telephone aerial, Telephone bracket



- J533 Data bus diagnostic interface
- J650 Multimedia system control unit, in glove compartment, under centre armrest, front
- RX5 Roof aerial
- R38 Telephone microphone
- R65 Telephone aerial
- R126 Telephone bracket
- T2f 2-pin connector
- T10ak 10-pin connector
- T20e 20-pin connector
- T54d 54-pin connector

- 397 Earth connection 32, in main wiring harness
- 687 Earth point 1, on centre tunnel
- B415 Connection 1 (infotainment CAN bus, high), in main wiring harness
- B421 Connection 1 (infotainment CAN bus, low), in main wiring harness

* According to equipment
 *2 Only models with voice control

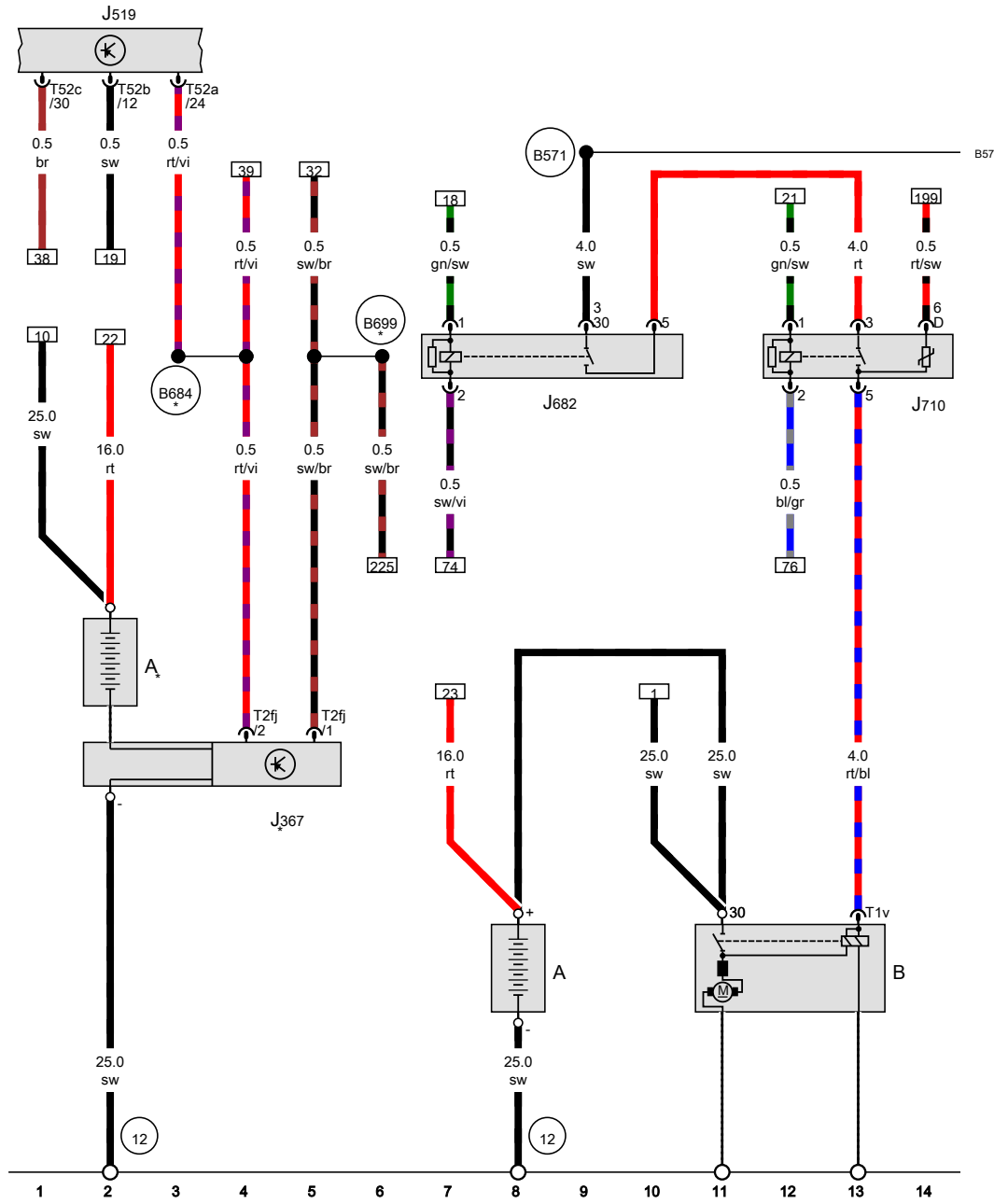
- ws = white
- sw = black
- ro = red
- rt = red
- br = brown
- gn = green
- bl = blue
- gr = grey
- li = purple
- vi = purple
- ge = yellow
- or = orange
- rs = pink

1360-070030416

1.4l engine , CTHD

From November 2012

Battery, Starter, Battery monitor control unit, Onboard supply control unit, Terminal 50 voltage supply relay, Voltage supply relay 2

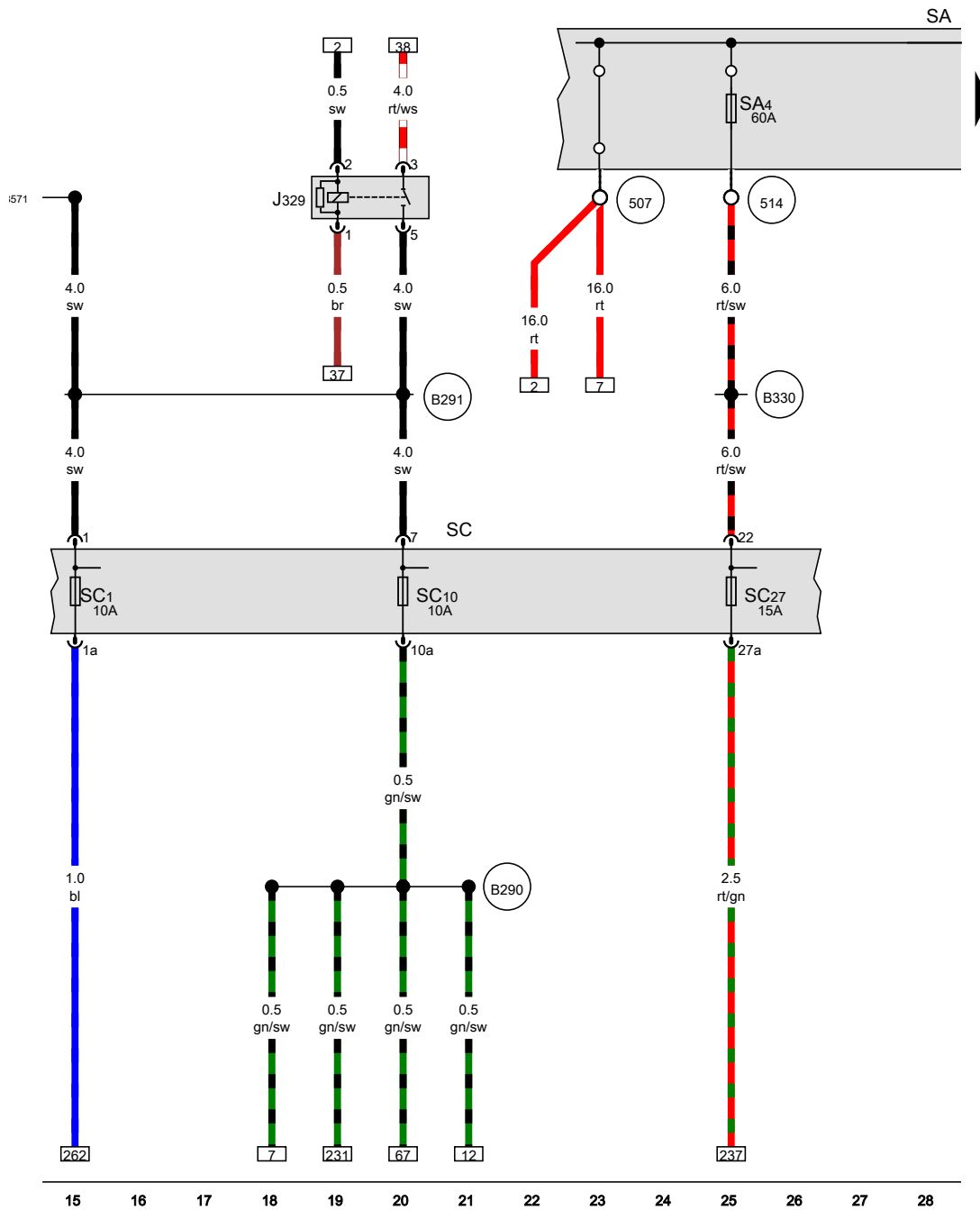


- A Battery
- B Starter
- J367 Battery monitor control unit
- J519 Onboard supply control unit
- J682 Terminal 50 voltage supply relay
- J710 Voltage supply relay 2
- T1ac Single connector
- T1v Single connector
- T2fj 2-pin connector
- T52a 52-pin connector
- T52b 52-pin connector
- T52c 52-pin connector

- 12 Earth point, on left in engine compartment
- B571 Connection 38, in main wiring harness
- B684 Positive connection 24 (30a) in main wiring harness
- B699 Connection 4 (LIN bus) in main wiring harness
- * Only models with energy recovery

- ws = white
- sw = black
- ro = red
- rt = red
- br = brown
- gn = green
- bl = blue
- gr = grey
- li = purple
- vi = purple
- ge = yellow
- or = orange
- rs = pink

1360-071020416 1



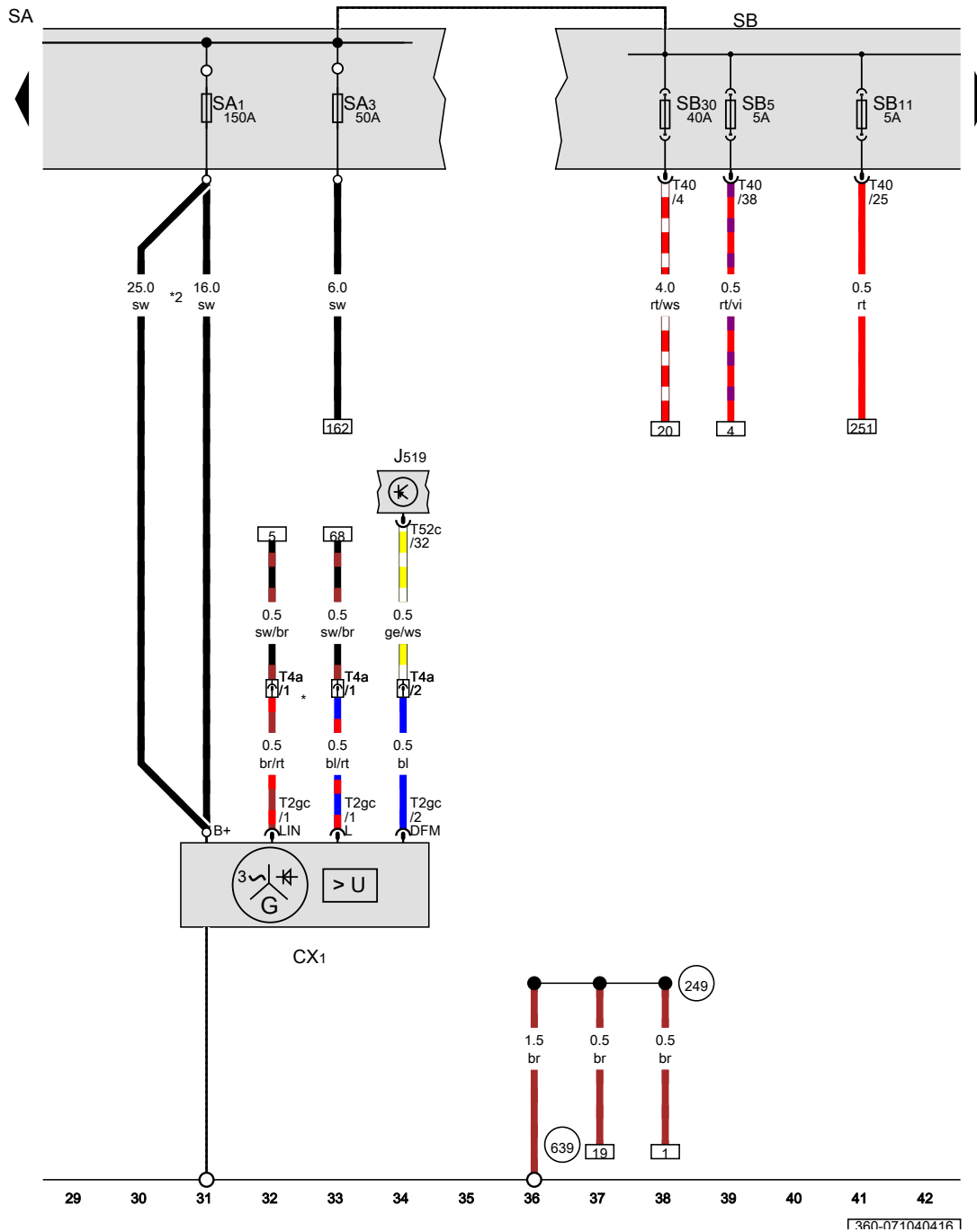
Terminal 15 voltage supply relay, Fuse holder A, Fuse holder C

- J329 Terminal 15 voltage supply relay
- SA Fuse holder A
- SC1 Fuse 1 on fuse holder C
- SA4 Fuse 4 in fuse holder A
- SC Fuse holder C
- SC10 Fuse 10 on fuse holder C
- SC27 Fuse 27 on fuse holder C

- 507 Threaded connection (30), on battery fuse holder
- 514 Threaded connection 4 (30a) on relay plate
- B290 Positive connection 14 (15a) in main wiring harness
- B291 Positive connection 15 (15a) in main wiring harness
- B330 Positive connection 16 (30a) in main wiring harness
- B571 Connection 38, in main wiring harness

- ws = white
- sw = black
- ro = red
- rt = red
- br = brown
- gn = green
- bl = blue
- gr = grey
- li = purple
- vi = purple
- ge = yellow
- or = orange
- rs = pink

1360-071030416



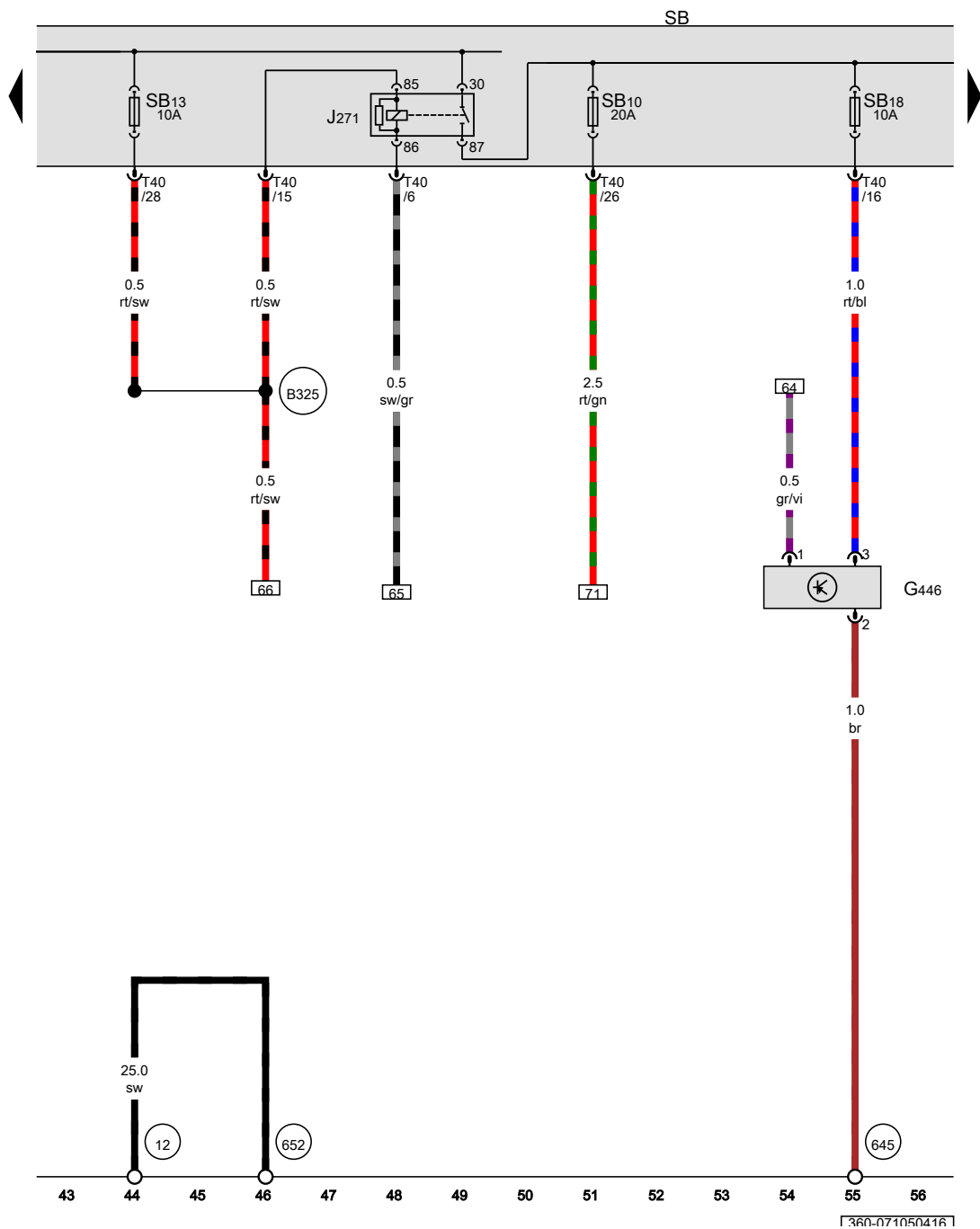
Alternator with voltage regulator, Fuse holder A, Fuse holder B

- CX1 Alternator with voltage regulator
- J519 Onboard supply control unit
- SA Fuse holder A
- SA1 Fuse 1 in fuse holder A
- SA3 Fuse 3 in fuse holder A
- SB Fuse holder B
- SB5 Fuse 5 on fuse holder B
- SB11 Fuse 11 on fuse holder B
- SB30 Fuse 30 on fuse holder B
- T2gc 2-pin connector
- T4a 4-pin connector, near starter
- T40 40-pin connector
- T52c 52-pin connector

- 249 Earth connection 2, in interior wiring harness
- 639 Earth point, left A-pillar
- * Only models with energy recovery
- *2 Only models with 140A alternator

- ws = white
- sw = black
- ro = red
- rt = red
- br = brown
- gn = green
- bl = blue
- gr = grey
- li = purple
- vi = purple
- ge = yellow
- or = orange
- rs = pink

1360-071040416

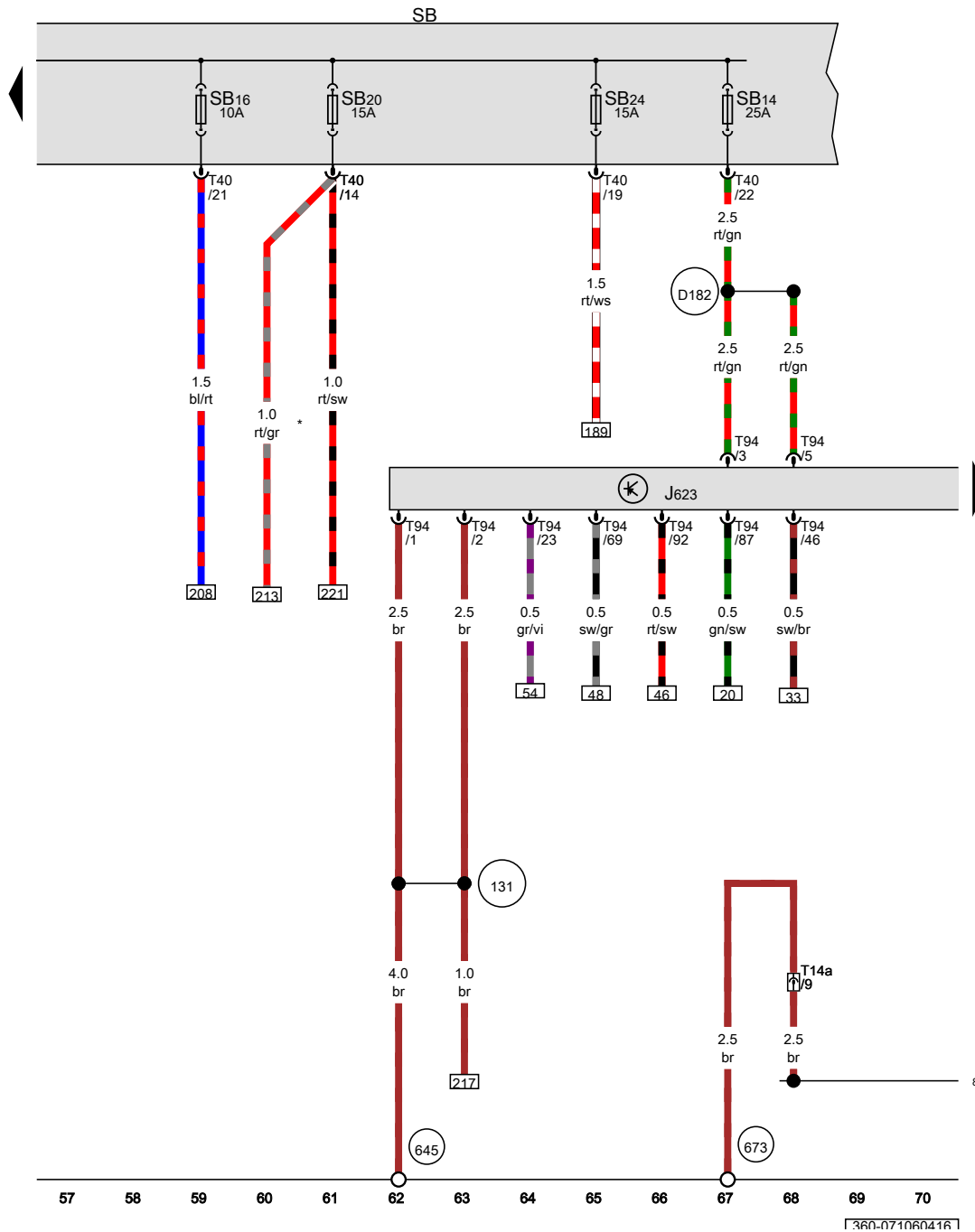


Fuel quality sender, Main relay, Fuse holder B

- G446 Fuel quality sender
- J271 Main relay
- SB Fuse holder B
- SB10 Fuse 10 on fuse holder B
- SB13 Fuse 13 on fuse holder B
- SB18 Fuse 18 on fuse holder B
- T40 40-pin connector
- 12 Earth point, on left in engine compartment
- 645 Earth point 1, on bulkhead
- 652 Earth point, engine and gearbox earth
- B325 Positive connection 11 (30a) in main wiring harness

- ws = white
- sw = black
- ro = red
- rt = red
- br = brown
- gn = green
- bl = blue
- gr = grey
- li = purple
- vi = purple
- ge = yellow
- or = orange
- rs = pink

360-071050416



Engine control unit, Fuse holder B

- J623 Engine control unit, central in plenum chamber
- SB Fuse holder B
- SB14 Fuse 14 on fuse holder B
- SB16 Fuse 16 on fuse holder B
- SB20 Fuse 20 on fuse holder B
- SB24 Fuse 24 on fuse holder B
- T14a 14-pin connector
- T40 40-pin connector
- T94 94-pin connector

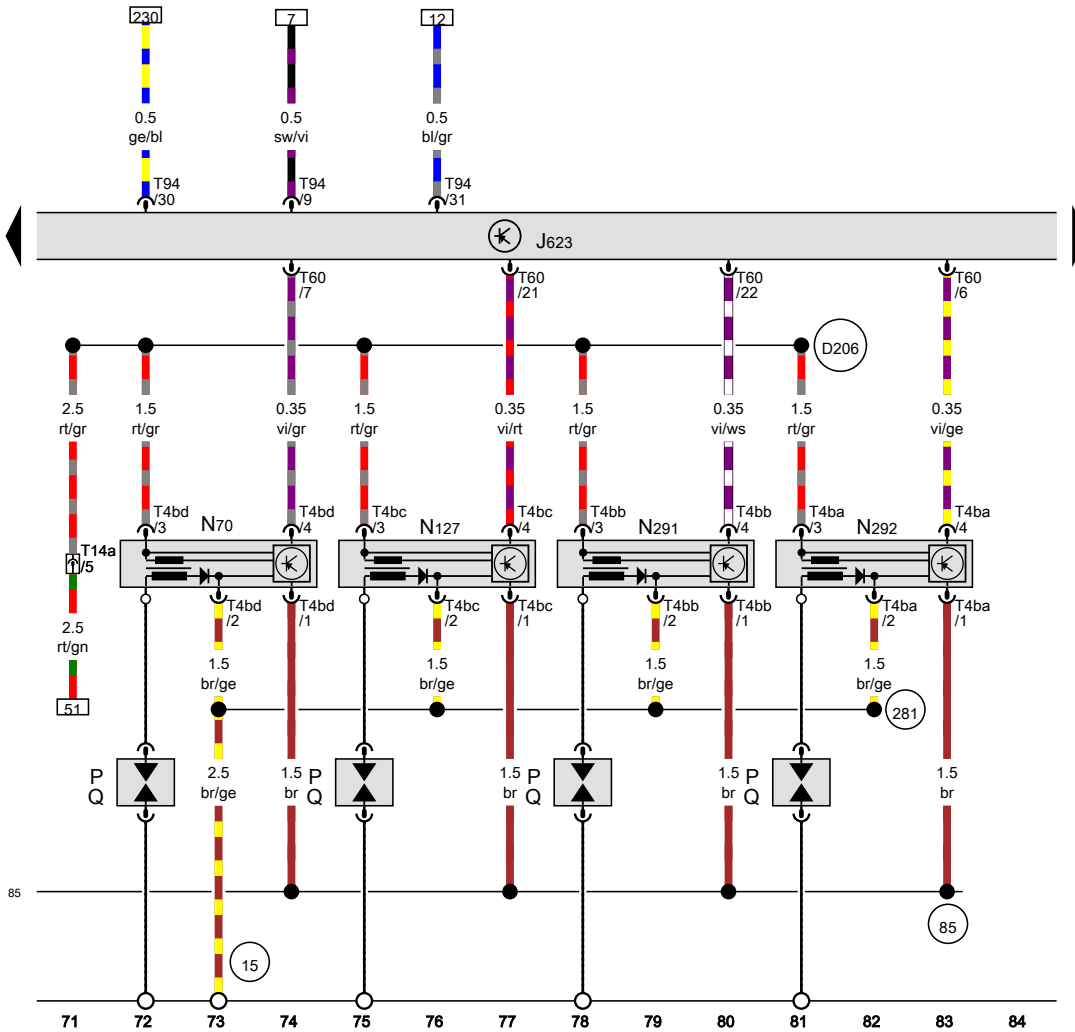
- 85 Earth connection 1, in engine compartment wiring harness
- 131 Earth connection 2, in engine compartment wiring harness
- 645 Earth point 1, on bulkhead
- 673 Earth point 3, on front of left longitudinal member
- D182 Connection 3 (87a), in engine compartment wiring harness
- * Only models with dual clutch gearbox (DSG)

- ws = white
- sw = black
- ro = red
- rt = red
- br = brown
- gn = green
- bl = blue
- gr = grey
- li = purple
- vi = purple
- ge = yellow
- or = orange
- rs = pink

1360-071060416

Engine control unit, Ignition coil 1 with output stage, Ignition coil 2 with output stage, Ignition coil 3 with output stage, Ignition coil 4 with output stage, Spark plug connector, Spark plugs

- J623 Engine control unit, central in plenum chamber
- N70 Ignition coil 1 with output stage
- N127 Ignition coil 2 with output stage
- N291 Ignition coil 3 with output stage
- N292 Ignition coil 4 with output stage
- P Spark plug connector
- Q Spark plugs
- T4ba 4-pin connector
- T4bb 4-pin connector
- T4bc 4-pin connector
- T4bd 4-pin connector
- T14a 14-pin connector
- T60 60-pin connector
- T94 94-pin connector



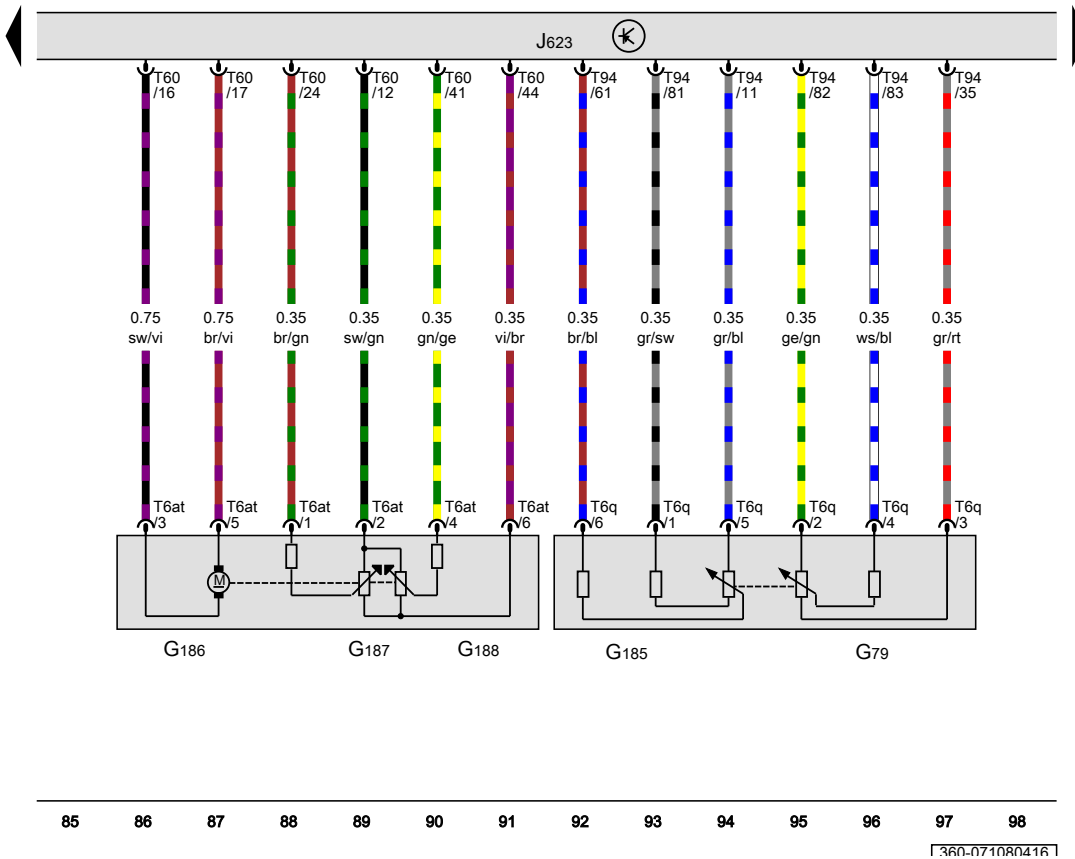
- (15) Earth point, on cylinder head
- (85) Earth connection 1, in engine compartment wiring harness
- (281) Earth point 1, engine prewiring harness
- (D206) Connection 4 (87a) in engine prewiring harness

- ws = white
- sw = black
- ro = red
- rt = red
- br = brown
- gn = green
- bl = blue
- gr = grey
- li = purple
- vi = purple
- ge = yellow
- or = orange
- rs = pink

1360-071070416

Accelerator position sender, Accelerator position sender 2, Throttle valve drive for electric throttle, Throttle valve drive angle sender 1 for electric throttle, Throttle valve drive angle sender 2 for electric throttle, Engine control unit

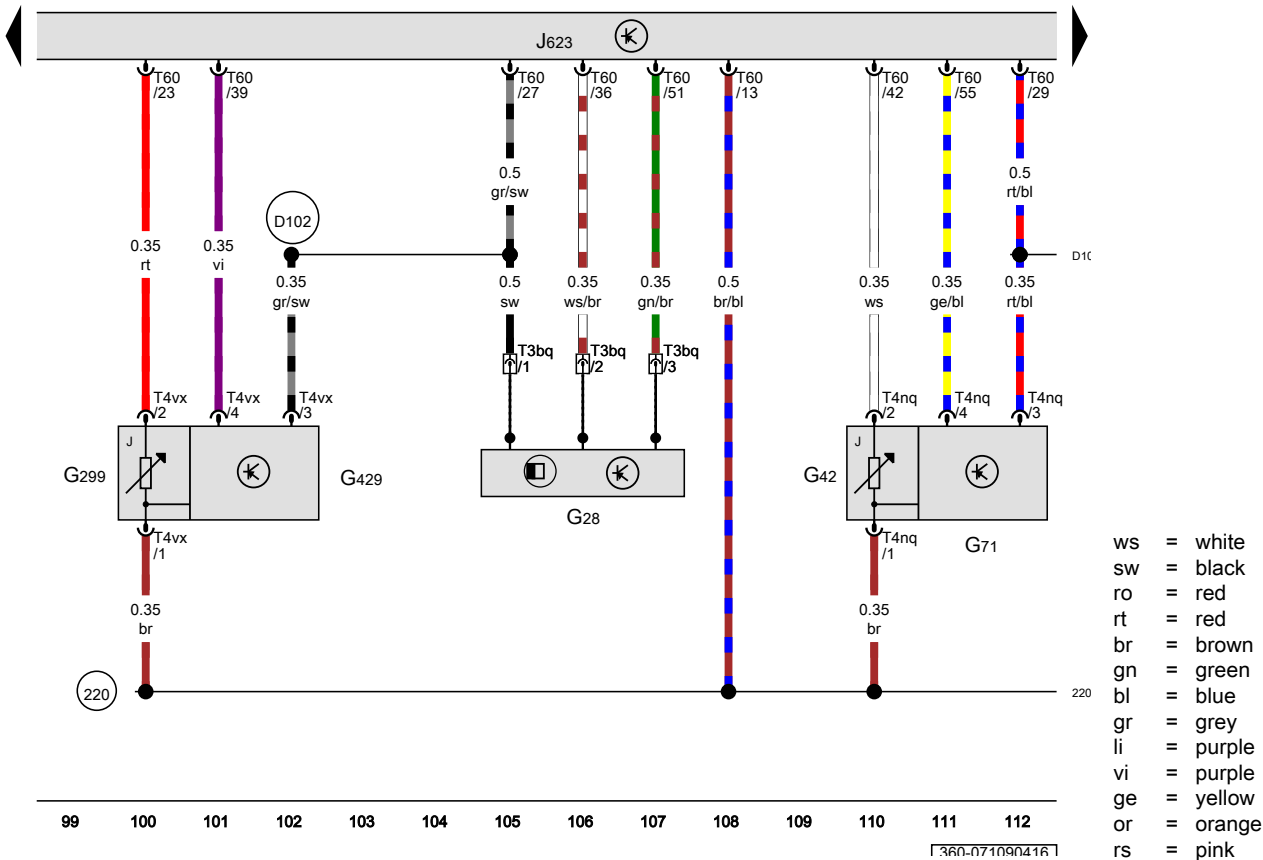
- G79 Accelerator position sender
- G185 Accelerator position sender 2
- G186 Throttle valve drive for electric throttle
- G187 Throttle valve drive angle sender 1 for electric throttle
- G188 Throttle valve drive angle sender 2 for electric throttle
- J623 Engine control unit, central in plenum chamber
- T6at 6-pin connector
- T6q 6-pin connector
- T60 60-pin connector
- T94 94-pin connector



Engine speed sender, Intake air temperature sender, Intake manifold pressure sender, Intake air temperature sender 2, Intake manifold pressure sender 2, Engine control unit

- G28 Engine speed sender
- G42 Intake air temperature sender
- G71 Intake manifold pressure sender
- G299 Intake air temperature sender 2
- G429 Intake manifold pressure sender 2
- J623 Engine control unit, central in plenum chamber
- T3bq 3-pin connector
- T4nq 4-pin connector
- T4vx 4-pin connector
- T60 60-pin connector


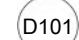
- (220) Earth connection (sender earth), in engine wiring harness
- (D101) Connection 1 in engine compartment wiring harness
- (D102) Connection 2 in engine compartment wiring harness

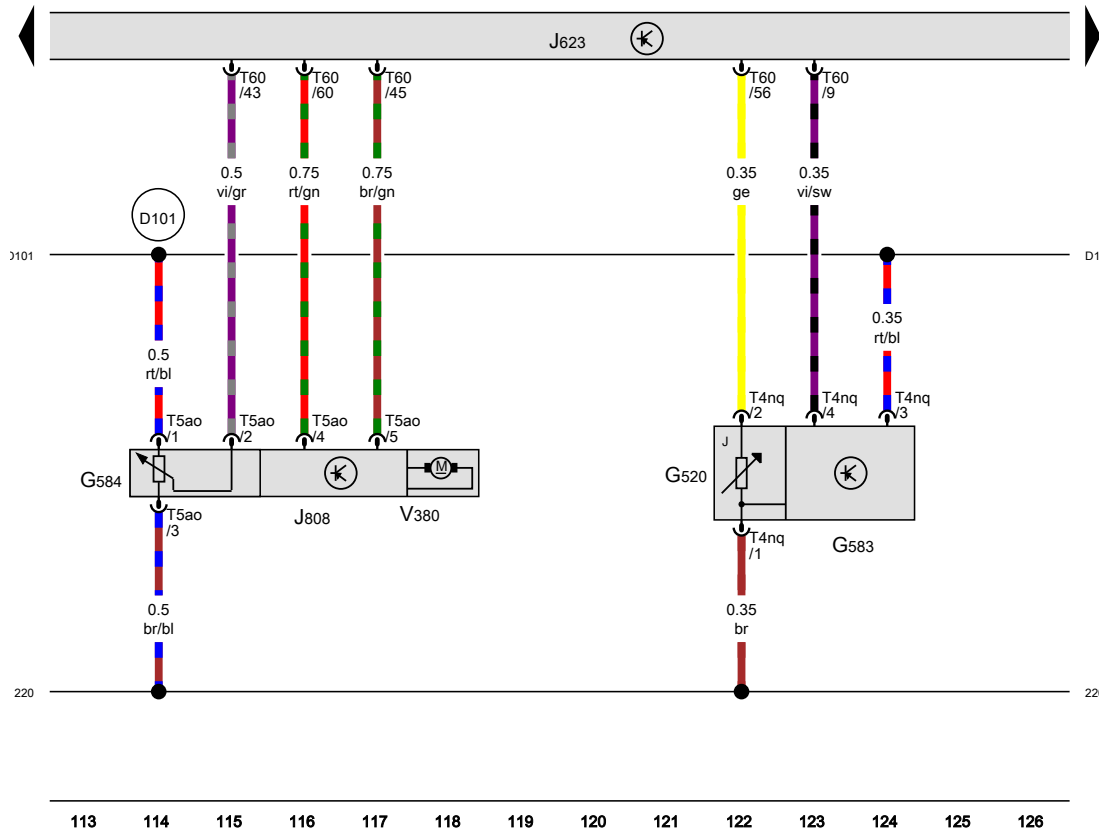


- ws = white
- sw = black
- ro = red
- rt = red
- br = brown
- gn = green
- bl = blue
- gr = grey
- li = purple
- vi = purple
- ge = yellow
- or = orange
- rs = pink

Intake air temperature sender 3, Intake manifold pressure sender 3, Regulating flap potentiometer, Engine control unit, Regulating flap control unit, Regulating flap position control motor

- G520 Intake air temperature sender 3
- G583 Intake manifold pressure sender 3
- G584 Regulating flap potentiometer
- J623 Engine control unit, central in plenum chamber
- J808 Regulating flap control unit
- T4nq 4-pin connector
- T5ao 5-pin connector
- T60 60-pin connector
- V380 Regulating flap position control motor

-  220 Earth connection (sender earth), in engine wiring harness
-  D101 Connection 1 in engine compartment wiring harness



- ws = white
- sw = black
- ro = red
- rt = red
- br = brown
- gn = green
- bl = blue
- gr = grey
- li = purple
- vi = purple
- ge = yellow
- or = orange
- rs = pink

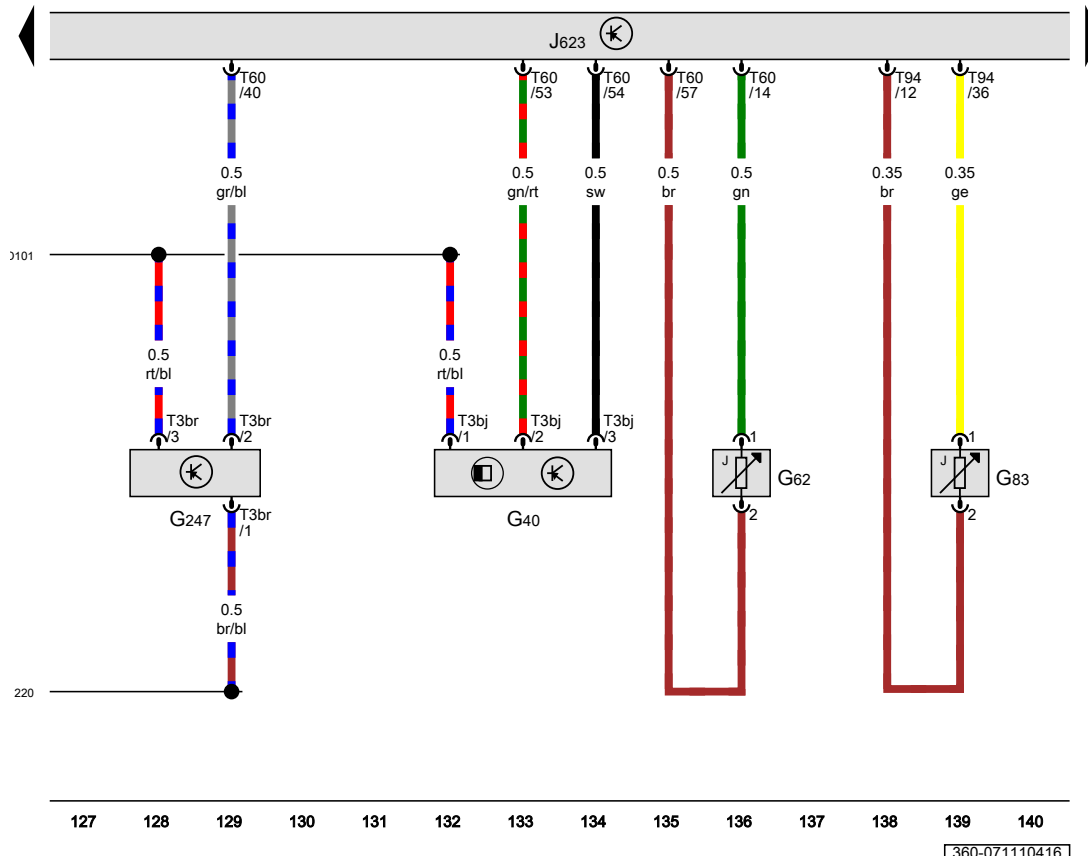
360-071100416

Hall sender, Coolant temperature sender, Radiator outlet coolant temperature sender, Fuel pressure sender, Engine control unit

- G40 Hall sender
- G62 Coolant temperature sender
- G83 Radiator outlet coolant temperature sender, black
- G247 Fuel pressure sender
- J623 Engine control unit, central in plenum chamber
- T3bj 3-pin connector
- T3br 3-pin connector
- T60 60-pin connector
- T94 94-pin connector

220 Earth connection (sender earth), in engine wiring harness

D101 Connection 1 in engine compartment wiring harness



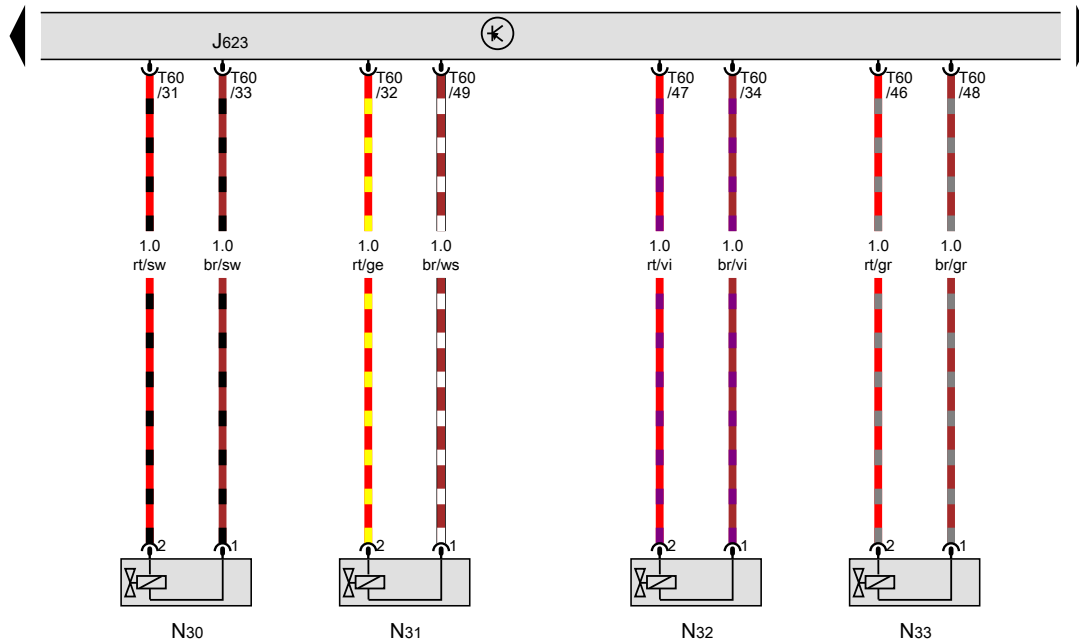
- ws = white
- sw = black
- ro = red
- rt = red
- br = brown
- gn = green
- bl = blue
- gr = grey
- li = purple
- vi = purple
- ge = yellow
- or = orange
- rs = pink

127 128 129 130 131 132 133 134 135 136 137 138 139 140

1360-071110416

Engine control unit, Injector, cylinder 1, Injector, cylinder 2, Injector, cylinder 3, Injector, cylinder 4

- J623 Engine control unit, central in plenum chamber
- N30 Injector, cylinder 1
- N31 Injector, cylinder 2
- N32 Injector, cylinder 3
- N33 Injector, cylinder 4
- T60 60-pin connector



- ws = white
- sw = black
- ro = red
- rt = red
- br = brown
- gn = green
- bl = blue
- gr = grey
- li = purple
- vi = purple
- ge = yellow
- or = orange
- rs = pink

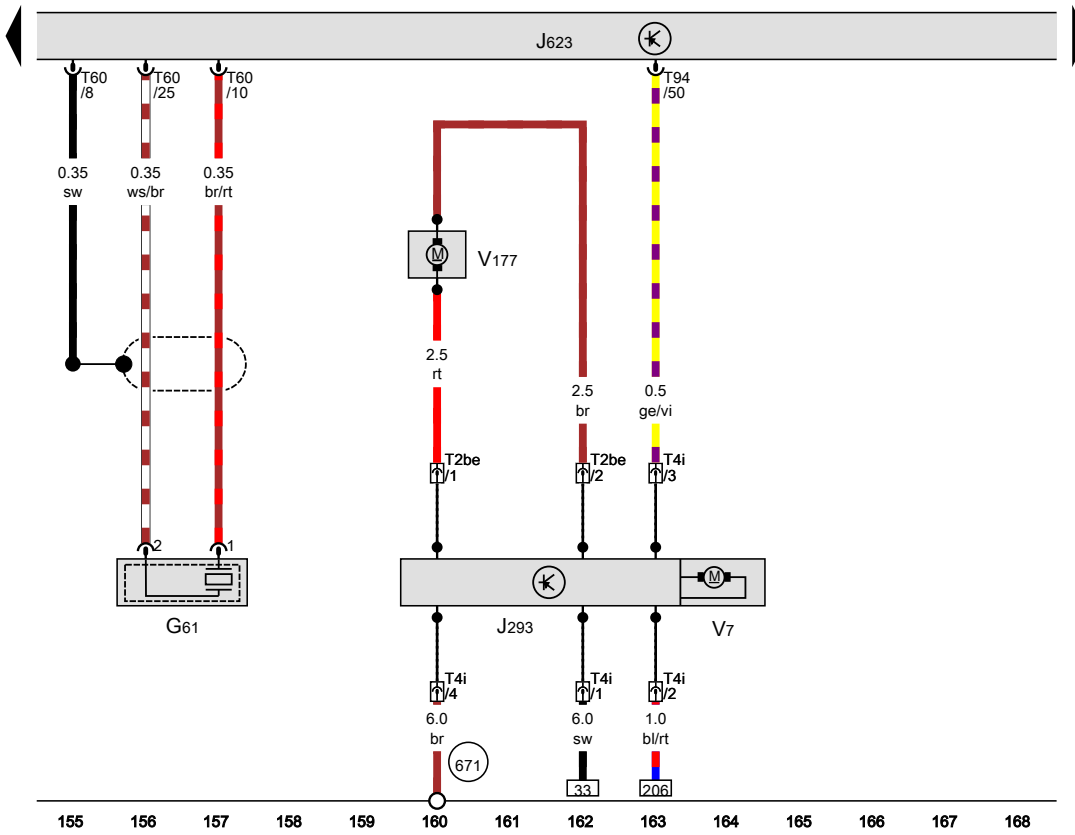
141 142 143 144 145 146 147 148 149 150 151 152 153 154

[360-071120416]

Knock sensor 1, Radiator fan control unit, Engine control unit, Radiator fan, Radiator fan 2

- G61 Knock sensor 1
- J293 Radiator fan control unit
- J623 Engine control unit, central in plenum chamber
- T2be 2-pin connector, on lock carrier
- T4i 4-pin connector, on lock carrier
- T60 60-pin connector
- T94 94-pin connector
- V7 Radiator fan
- V177 Radiator fan 2

671 Earth point 1, on front of left longitudinal member



- ws = white
- sw = black
- ro = red
- rt = red
- br = brown
- gn = green
- bl = blue
- gr = grey
- li = purple
- vi = purple
- ge = yellow
- or = orange
- rs = pink

1360-071130416

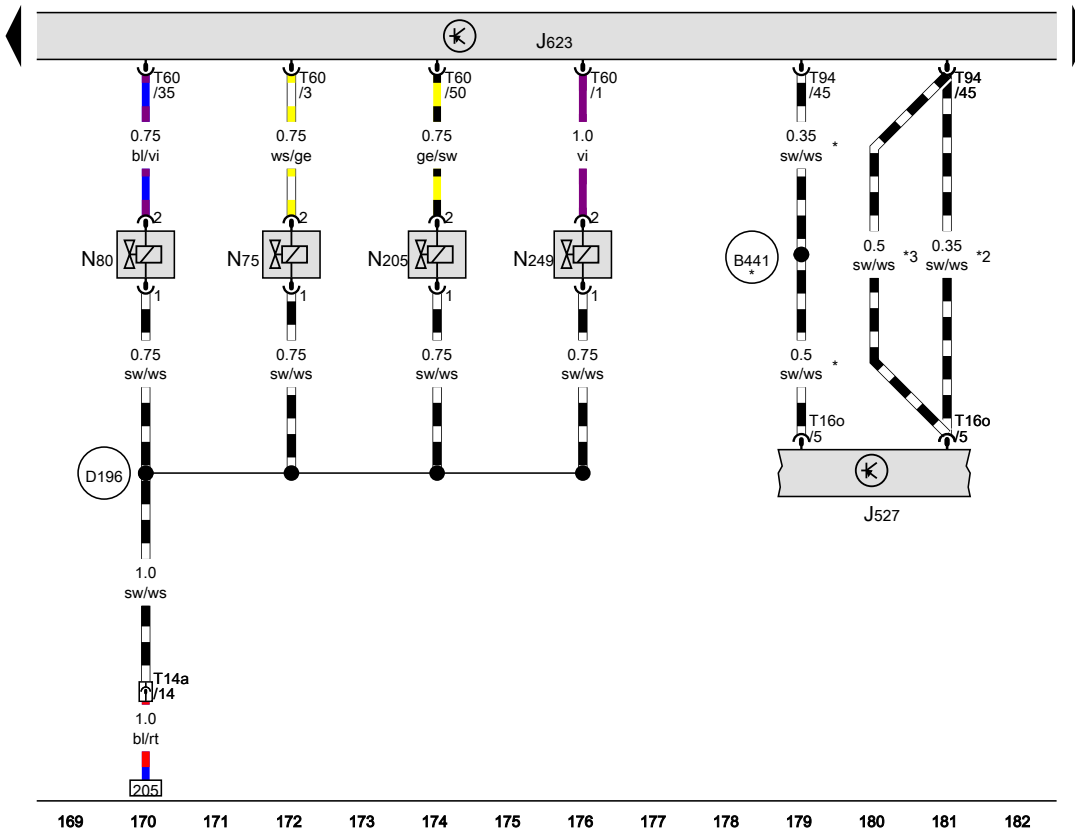
Steering column electronics control unit, Engine control unit, Charge pressure control solenoid valve, Activated charcoal filter solenoid valve 1, Camshaft control valve 1, Turbocharger air recirculation valve

- J527 Steering column electronics control unit
- J623 Engine control unit, central in plenum chamber
- N75 Charge pressure control solenoid valve
- N80 Activated charcoal filter solenoid valve 1
- N205 Camshaft control valve 1
- N249 Turbocharger air recirculation valve
- T14a 14-pin connector
- T16o 16-pin connector
- T60 60-pin connector
- T94 94-pin connector

B441 Connection (CCS), in main wiring harness

D196 Connection 2 (87a) in engine prewiring harness

- * Only models with adaptive cruise control (ACC)
- *2 Speed signal
- *3 gradual introduction



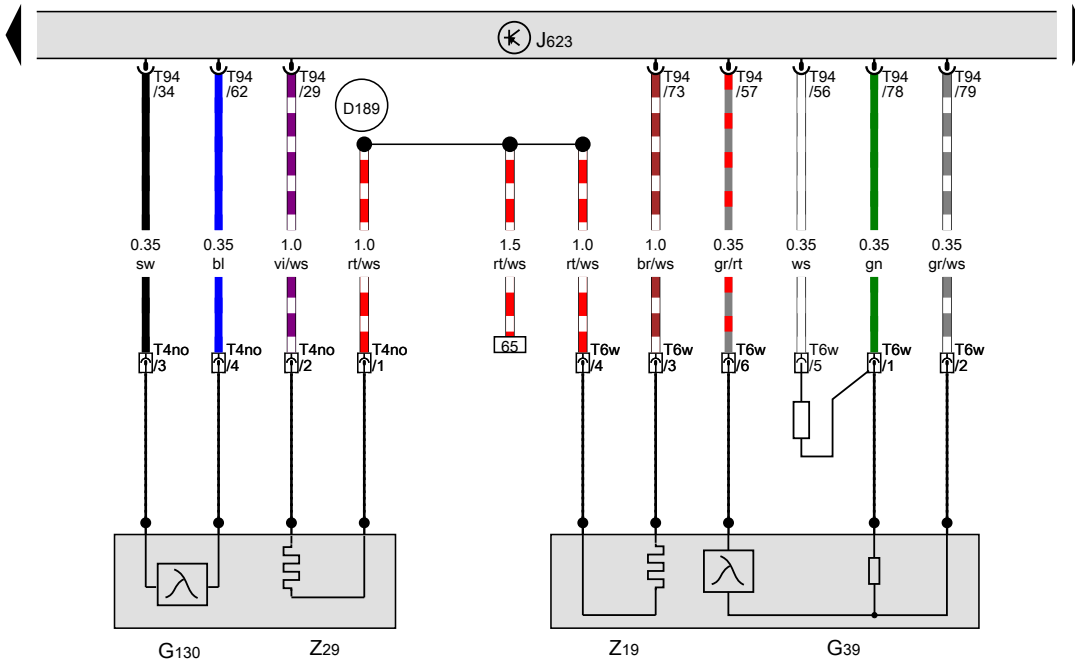
- ws = white
- sw = black
- ro = red
- rt = red
- br = brown
- gn = green
- bl = blue
- gr = grey
- li = purple
- vi = purple
- ge = yellow
- or = orange
- rs = pink

360-071140416

Lambda probe, Lambda probe after catalytic converter, Engine control unit, Lambda probe heater, Lambda probe 1 heater after catalytic converter

- G39 Lambda probe
- G130 Lambda probe after catalytic converter
- J623 Engine control unit, central in plenum chamber
- T4no 4-pin connector
- T6w 6-pin connector
- T94 94-pin connector
- Z19 Lambda probe heater
- Z29 Lambda probe 1 heater after catalytic converter

D189 Connection (87a) in engine prewiring harness

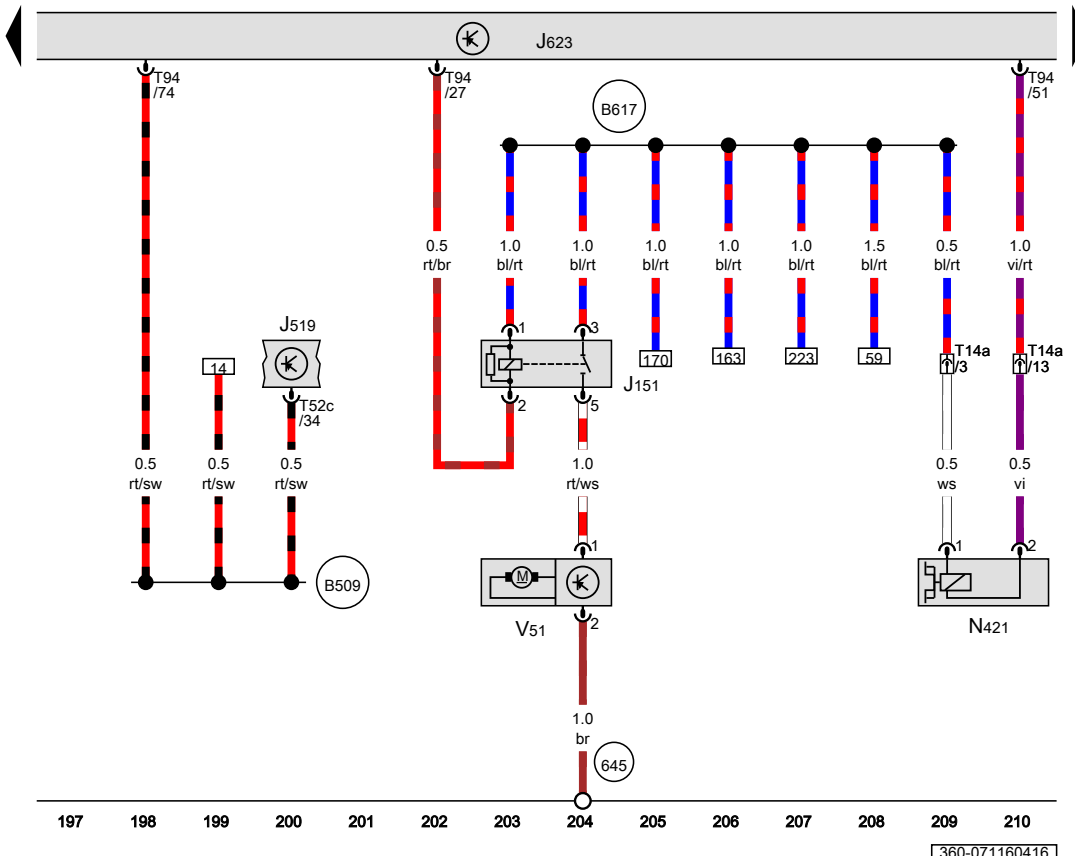


- ws = white
- sw = black
- ro = red
- rt = red
- br = brown
- gn = green
- bl = blue
- gr = grey
- li = purple
- vi = purple
- ge = yellow
- or = orange
- rs = pink

Continued coolant circulation relay, Onboard supply control unit, Engine control unit, Magnetic clutch for supercharger, Continued coolant circulation pump

- J151 Continued coolant circulation relay
- J519 Onboard supply control unit
- J623 Engine control unit, central in plenum chamber
- N421 Magnetic clutch for supercharger
- T14a 14-pin connector, on left in engine compartment
- T52c 52-pin connector
- T94 94-pin connector
- V51 Continued coolant circulation pump

- 645 Earth point 1, on bulkhead
- B509 Connection 3 (diagnosis), in main wiring harness
- B617 Positive connection 5 (87a), in interior wiring harness

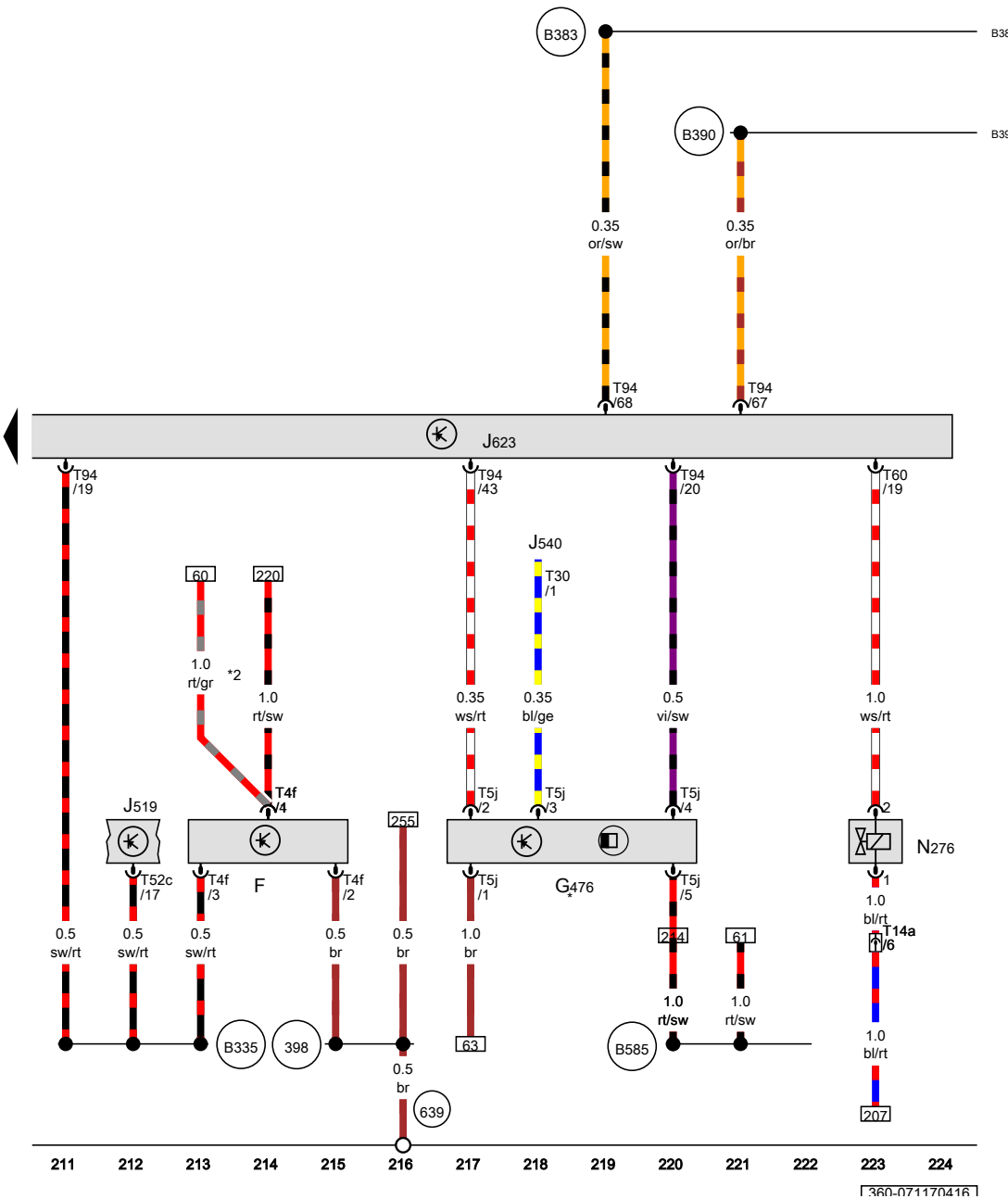


- ws = white
- sw = black
- ro = red
- rt = red
- br = brown
- gn = green
- bl = blue
- gr = grey
- li = purple
- vi = purple
- ge = yellow
- or = orange
- rs = pink

Brake light switch, Clutch position sender, Engine control unit, Fuel pressure regulating valve

- F Brake light switch
- G476 Clutch position sender
- J519 Onboard supply control unit
- J540 Control unit for electromechanical parking brake
- J623 Engine control unit, central in plenum chamber
- N276 Fuel pressure regulating valve
- T4f 4-pin connector
- T5j 5-pin connector
- T14a 14-pin connector, on left in engine compartment
- T30 30-pin connector
- T52c 52-pin connector
- T60 60-pin connector
- T94 94-pin connector

- 398 Earth connection 33, in main wiring harness
- 639 Earth point, left A-pillar
- B335 Connection 1 (54), in main wiring harness
- B383 Connection 1 (powertrain CAN bus, high), in main wiring harness
- B390 Connection 1 (powertrain CAN bus, low), in main wiring harness
- B585 Positive connection 2 (87a), in interior wiring harness
- * Only models with manual gearbox
- *2 Only models with dual clutch gearbox (DSG)



- ws = white
- sw = black
- ro = red
- rt = red
- br = brown
- gn = green
- bl = blue
- gr = grey
- li = purple
- vi = purple
- ge = yellow
- or = orange
- rs = pink

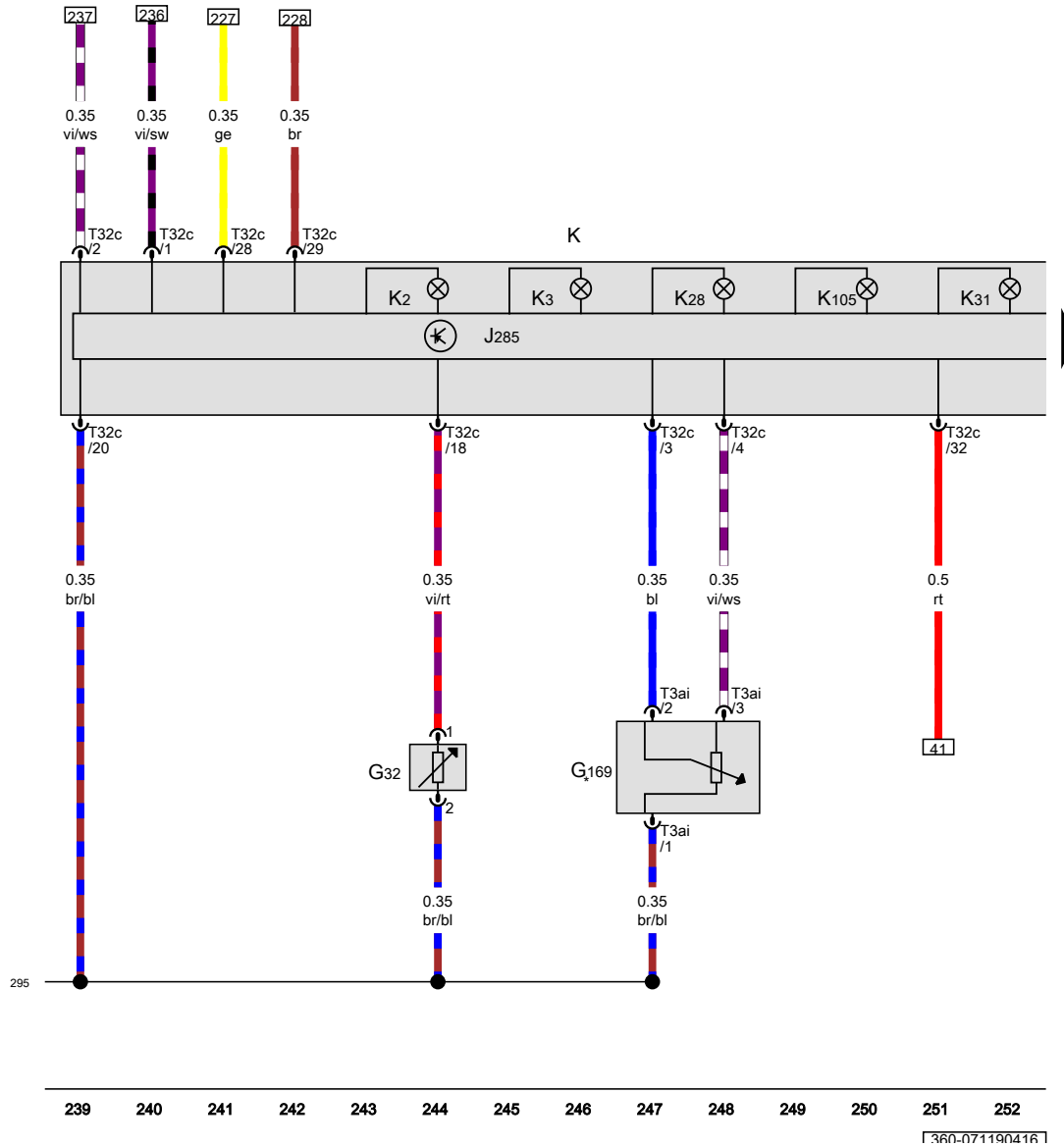
1360-071170416

Coolant shortage indicator sender, Fuel gauge sender 2, Control unit in dash panel insert, Dash panel insert, Alternator warning lamp, Oil pressure warning lamp, Coolant temperature and coolant shortage warning lamp, Cruise control system warning lamp, Reserve fuel warning lamp

- G32 Coolant shortage indicator sender
- G169 Fuel gauge sender 2
- J285 Control unit in dash panel insert
- K Dash panel insert
- K2 Alternator warning lamp
- K3 Oil pressure warning lamp
- K28 Coolant temperature and coolant shortage warning lamp
- K31 Cruise control system warning lamp
- K105 Reserve fuel warning lamp
- T3ai 3-pin connector
- T32c 32-pin connector

295 Earth connection 10, in interior wiring harness

* Only models with all-wheel drive



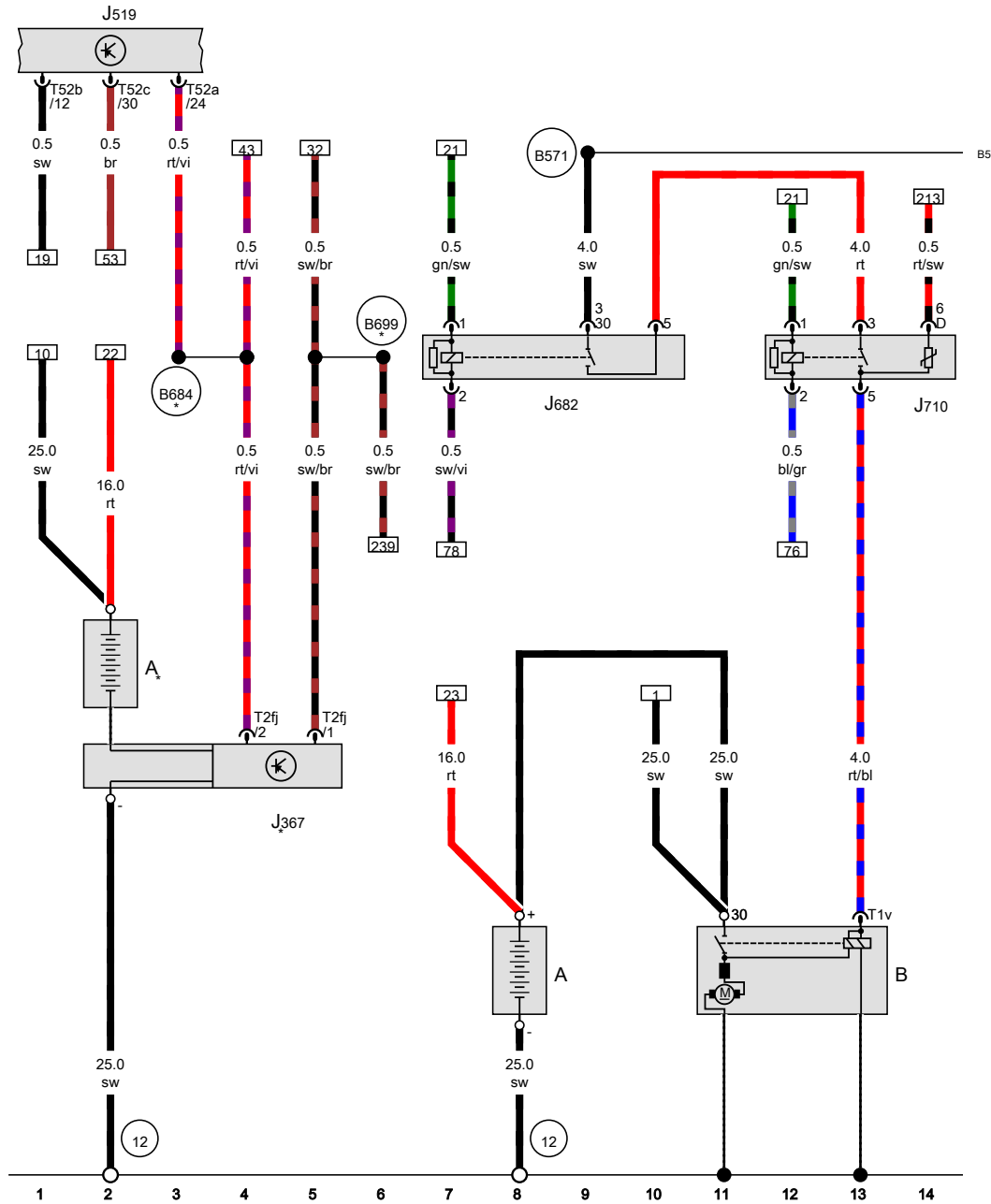
- ws = white
- sw = black
- ro = red
- rt = red
- br = brown
- gn = green
- bl = blue
- gr = grey
- li = purple
- vi = purple
- ge = yellow
- or = orange
- rs = pink

1360-071190416

1.4l petrol engine , CDGA

From November 2012

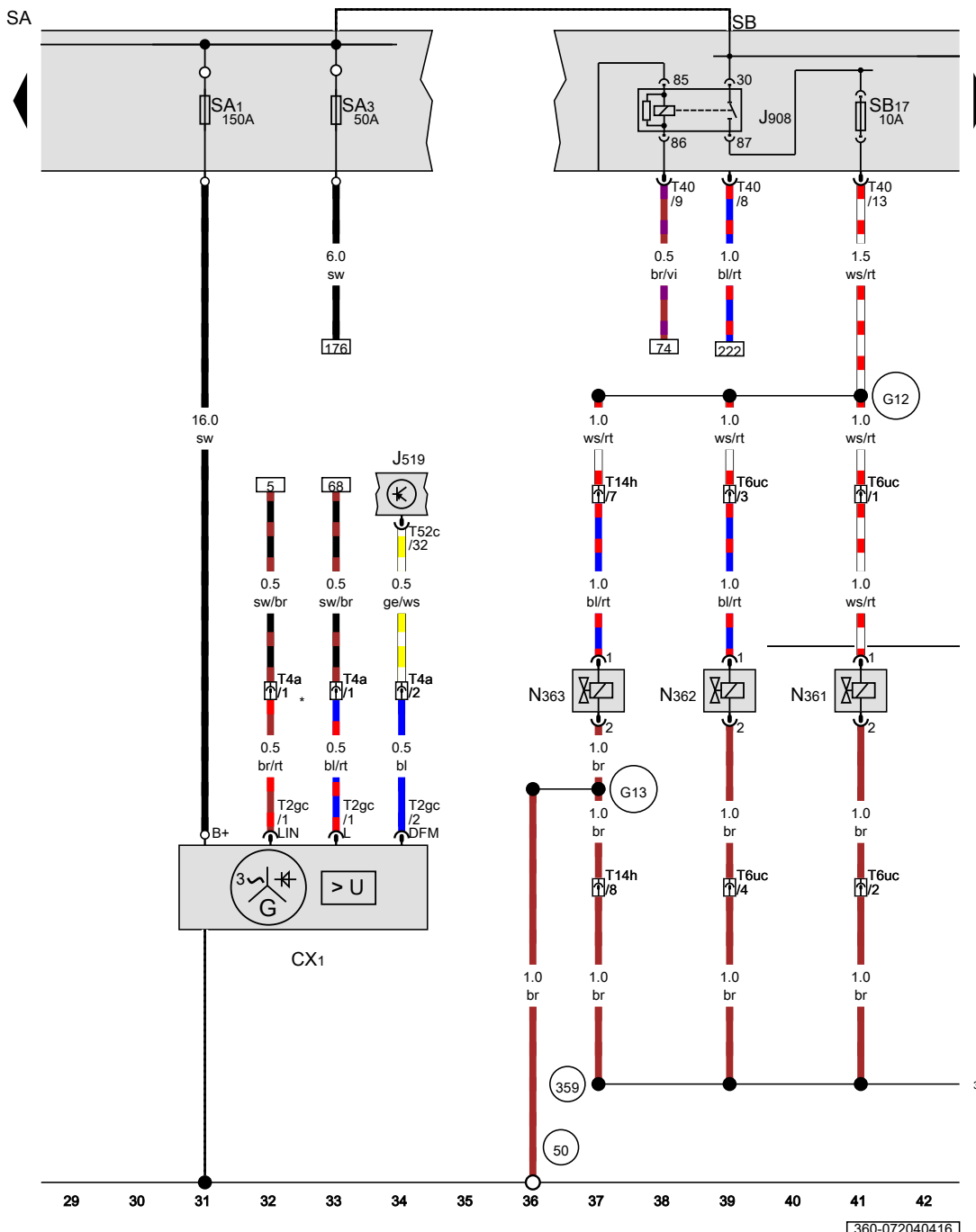
Battery, Starter, Battery monitor control unit, Onboard supply control unit, Terminal 50 voltage supply relay, Voltage supply relay 2



- A Battery
- B Starter
- J367 Battery monitor control unit
- J519 Onboard supply control unit
- J682 Terminal 50 voltage supply relay
- J710 Voltage supply relay 2
- T1v Single connector
- T2fj 2-pin connector
- T52a 52-pin connector
- T52b 52-pin connector
- T52c 52-pin connector

- 12 Earth point, on left in engine compartment
- B571 Connection 38, in main wiring harness
- B684 Positive connection 24 (30a) in main wiring harness
- B699 Connection 4 (LIN bus) in main wiring harness
- * Only models with energy recovery

1360-072020416 1



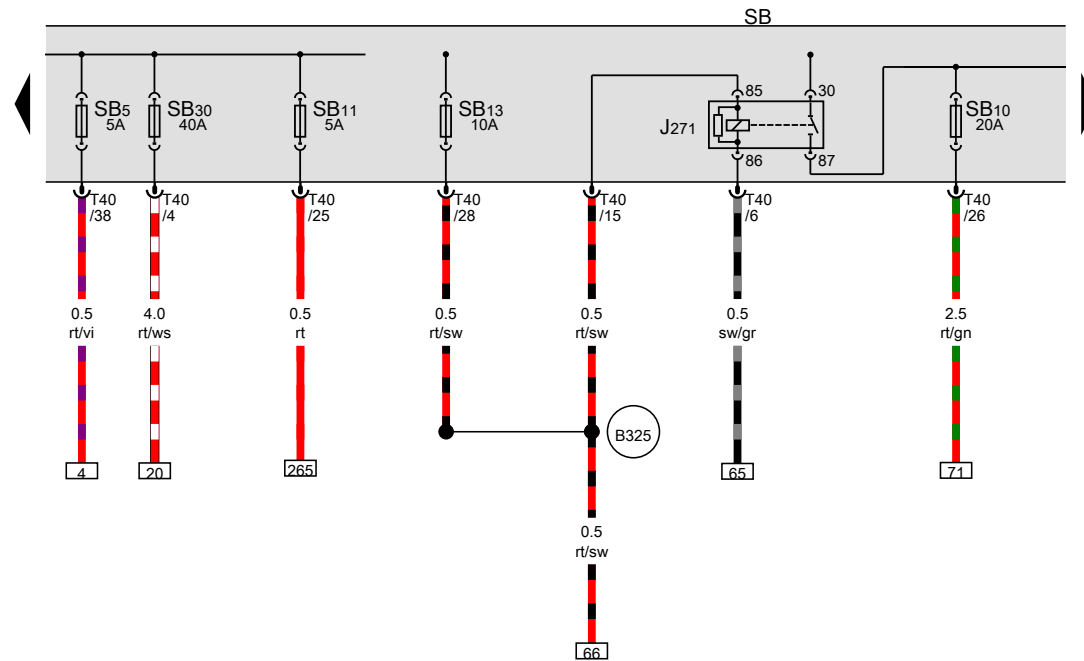
Alternator with voltage regulator, Relay for gas shut-off valves, Fuel tank shut-off valve 1, Fuel tank shut-off valve 2, Fuel tank shut-off valve 3, Fuse holder A, Fuse holder B

- CX1 Alternator with voltage regulator
- J519 Onboard supply control unit
- J908 Relay for gas shut-off valves
- N361 Fuel tank shut-off valve 1
- N362 Fuel tank shut-off valve 2
- N363 Fuel tank shut-off valve 3
- SA Fuse holder A
- SA1 Fuse 1 in fuse holder A
- SA3 Fuse 3 in fuse holder A
- SB Fuse holder B
- SB17 Fuse 17 on fuse holder B
- T2gc 2-pin connector
- T4a 4-pin connector, near starter
- T6uc 6-pin connector
- T14h 14-pin connector
- T40 40-pin connector
- T52c 52-pin connector

- 50 Earth point, on left in luggage compartment
- 359 Earth connection, in gas mode wiring harness
- G12 Connection 1 in gas mode wiring harness
- G13 Connection 2 in gas mode wiring harness
- * Only models with energy recovery

- ws = white
- sw = black
- ro = red
- rt = red
- br = brown
- gn = green
- bl = blue
- gr = grey
- li = purple
- vi = purple
- ge = yellow
- or = orange
- rs = pink

1360-072040416

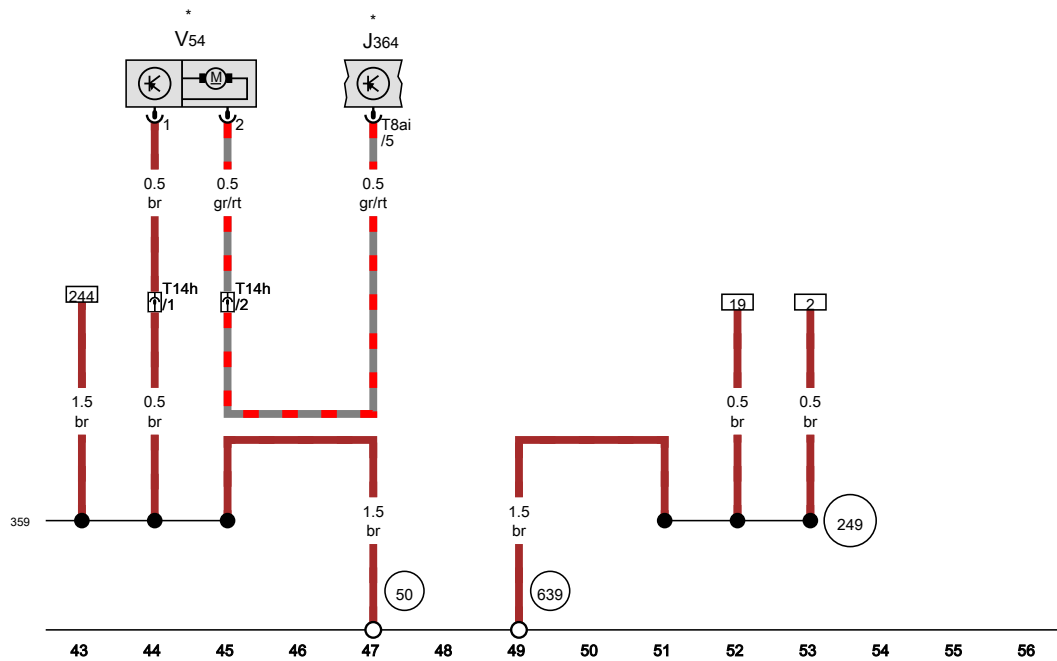


Main relay, Fuse holder B, Metering pump

- J271 Main relay
- J364 Auxiliary heater control unit
- SB Fuse holder B
- SB5 Fuse 5 on fuse holder B
- SB10 Fuse 10 on fuse holder B
- SB11 Fuse 11 on fuse holder B
- SB13 Fuse 13 on fuse holder B
- SB30 Fuse 30 on fuse holder B
- T8ai 8-pin connector
- T14h 14-pin connector
- T40 40-pin connector
- V54 Metering pump

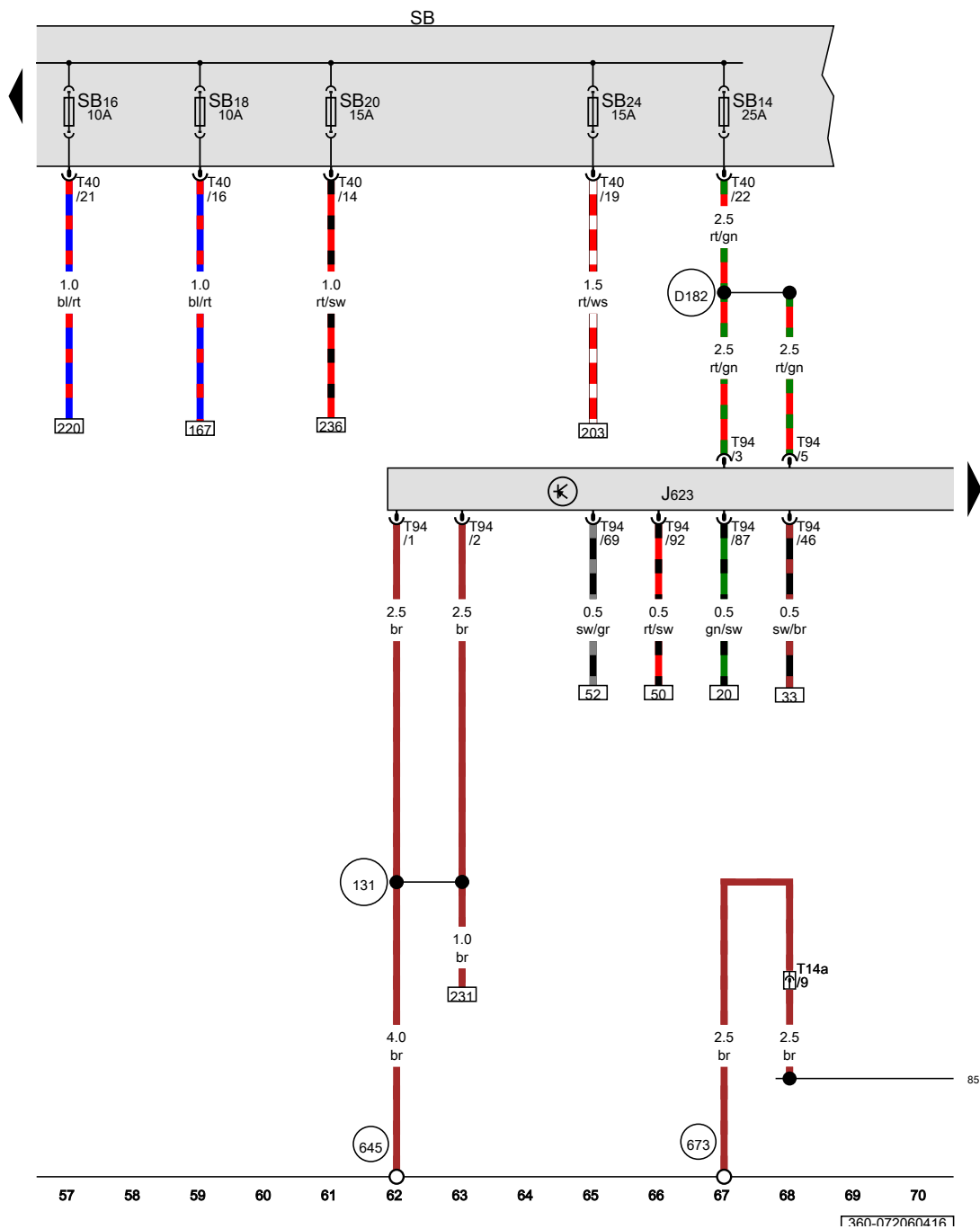
- 50 Earth point, on left in luggage compartment
- 249 Earth connection 2, in interior wiring harness
- 359 Earth connection, in gas mode wiring harness
- 639 Earth point, left A-pillar
- B325 Positive connection 11 (30a) in main wiring harness

* Only models with auxiliary coolant heater



- ws = white
- sw = black
- ro = red
- rt = red
- br = brown
- gn = green
- bl = blue
- gr = grey
- li = purple
- vi = purple
- ge = yellow
- or = orange
- rs = pink

1360-072050416



Engine control unit, Fuse holder B

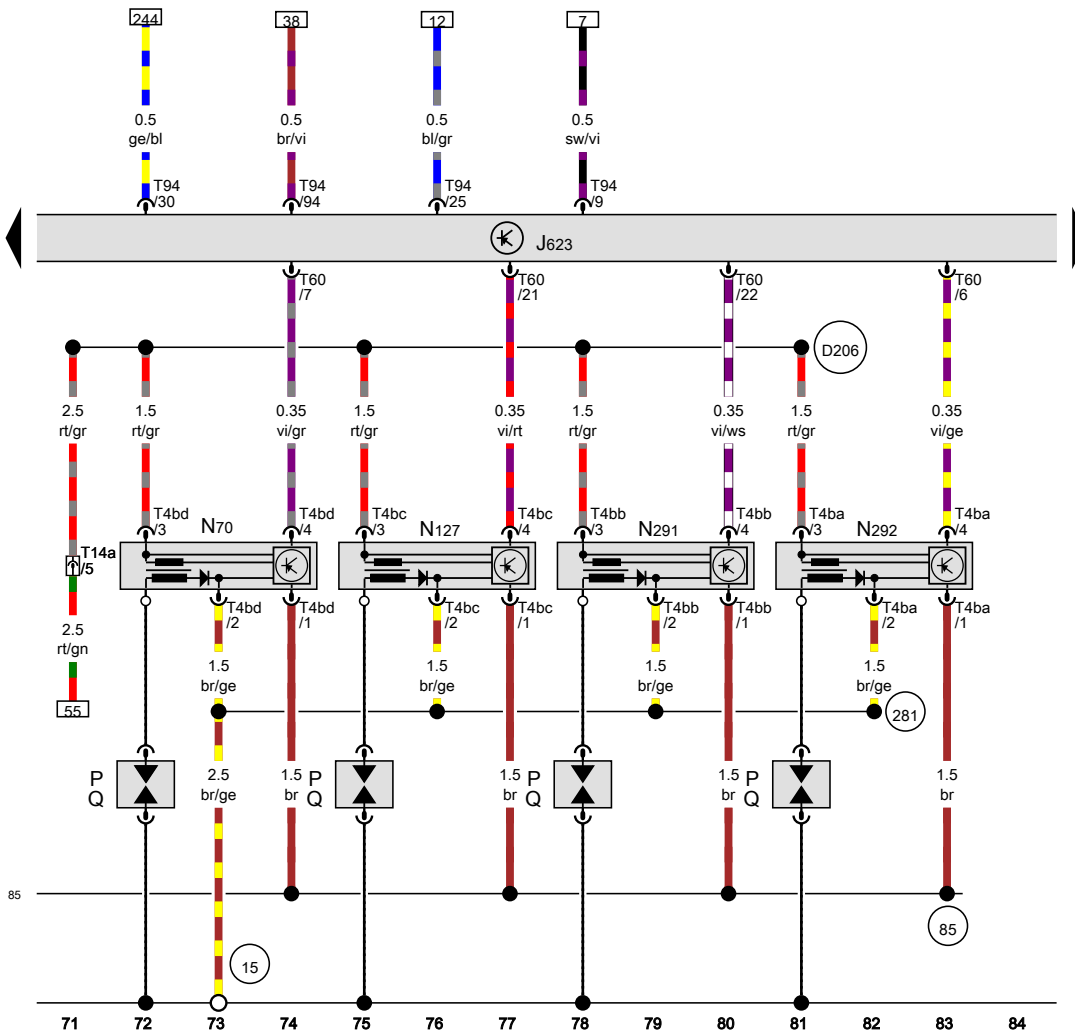
- J623 Engine control unit, central in plenum chamber
- SB Fuse holder B
- SB14 Fuse 14 on fuse holder B
- SB16 Fuse 16 on fuse holder B
- SB18 Fuse 18 on fuse holder B
- SB20 Fuse 20 on fuse holder B
- SB24 Fuse 24 on fuse holder B
- T14a 14-pin connector
- T40 40-pin connector
- T94 94-pin connector

- 85 Earth connection 1, in engine compartment wiring harness
- 131 Earth connection 2, in engine compartment wiring harness
- 645 Earth point 1, on bulkhead
- 673 Earth point 3, on front of left longitudinal member
- D182 Connection 3 (87a), in engine compartment wiring harness

- ws = white
- sw = black
- ro = red
- rt = red
- br = brown
- gn = green
- bl = blue
- gr = grey
- li = purple
- vi = purple
- ge = yellow
- or = orange
- rs = pink

Engine control unit, Ignition coil 1 with output stage, Ignition coil 2 with output stage, Ignition coil 3 with output stage, Ignition coil 4 with output stage, Spark plug connector, Spark plugs

- J623 Engine control unit, central in plenum chamber
- N70 Ignition coil 1 with output stage
- N127 Ignition coil 2 with output stage
- N291 Ignition coil 3 with output stage
- N292 Ignition coil 4 with output stage
- P Spark plug connector
- Q Spark plugs
- T4ba 4-pin connector
- T4bb 4-pin connector
- T4bc 4-pin connector
- T4bd 4-pin connector
- T14a 14-pin connector
- T60 60-pin connector
- T94 94-pin connector



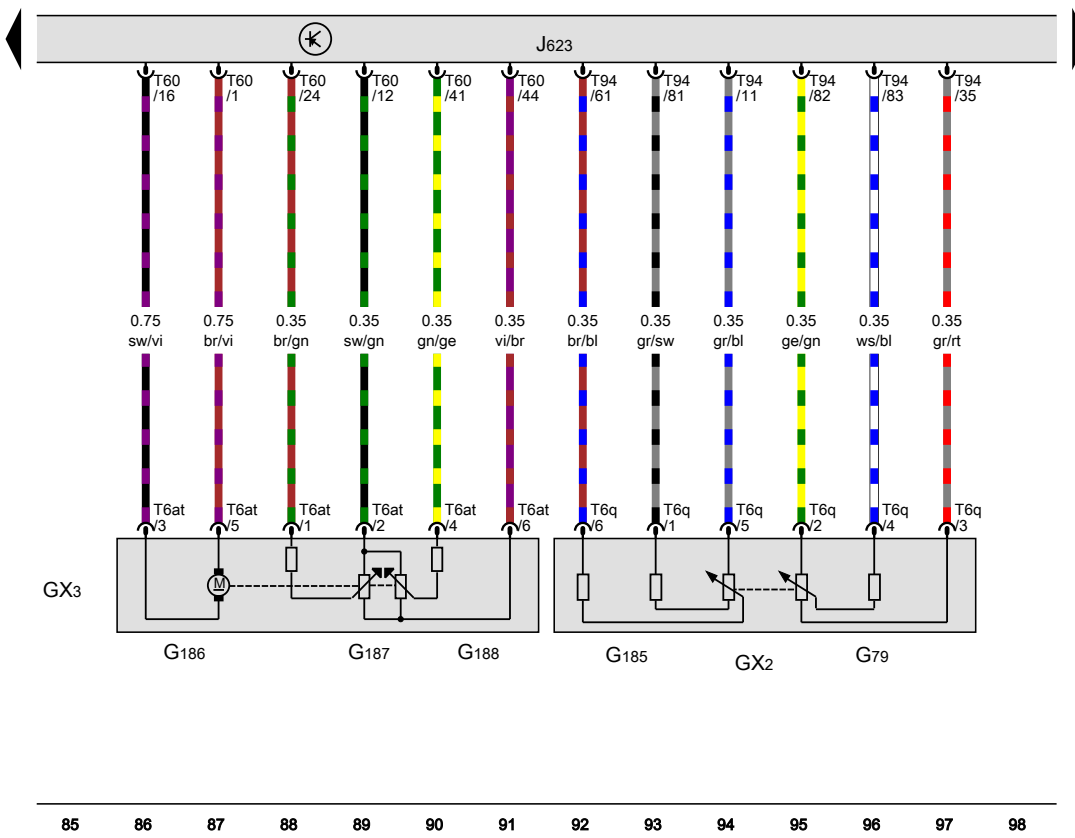
- 15 Earth point, on cylinder head
- 85 Earth connection 1, in engine compartment wiring harness
- 281 Earth point 1, engine prewiring harness
- D206 Connection 4 (87a) in engine prewiring harness

- ws = white
- sw = black
- ro = red
- rt = red
- br = brown
- gn = green
- bl = blue
- gr = grey
- li = purple
- vi = purple
- ge = yellow
- or = orange
- rs = pink

1360-072070416

Accelerator pedal module, Throttle valve module, Accelerator position sender, Accelerator position sender 2, Throttle valve drive for electric throttle, Throttle valve drive angle sender 1 for electric throttle, Throttle valve drive angle sender 2 for electric throttle, Engine control unit

- GX2 Accelerator pedal module
- GX3 Throttle valve module
- G79 Accelerator position sender
- G185 Accelerator position sender 2
- G186 Throttle valve drive for electric throttle
- G187 Throttle valve drive angle sender 1 for electric throttle
- G188 Throttle valve drive angle sender 2 for electric throttle
- J623 Engine control unit, central in plenum chamber
- T6at 6-pin connector
- T6q 6-pin connector
- T60 60-pin connector
- T94 94-pin connector

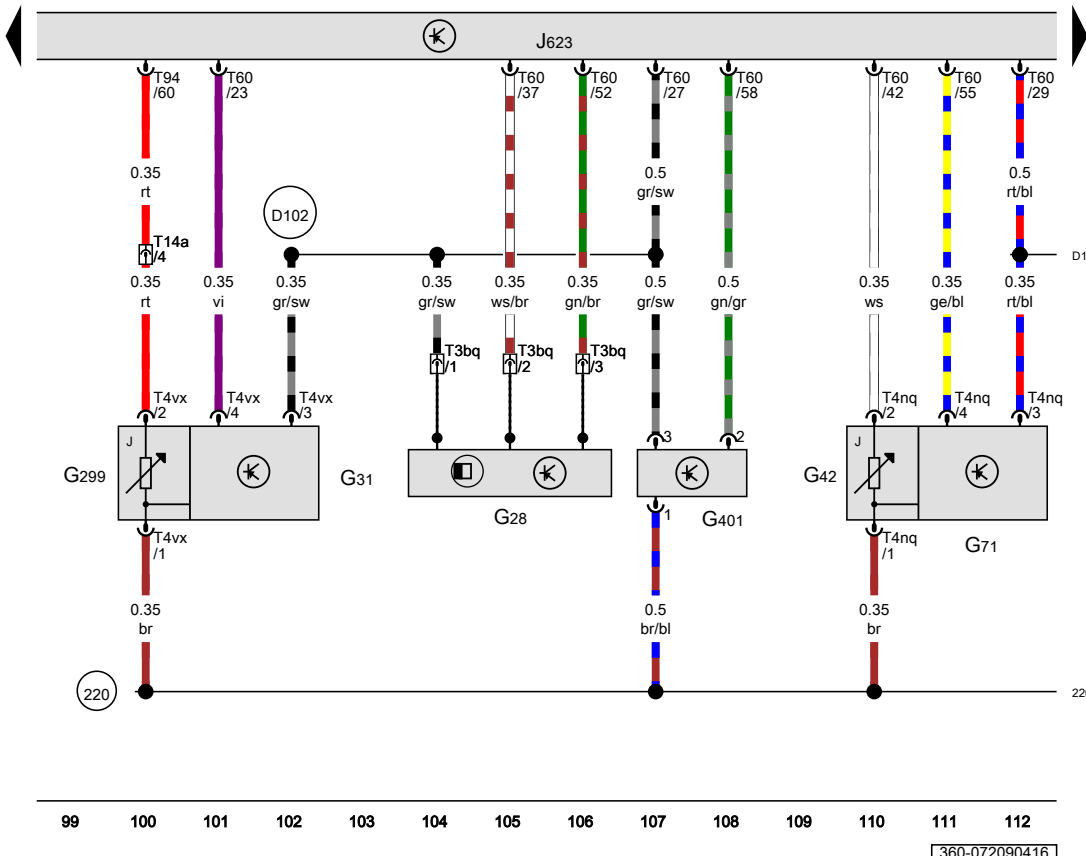


1360-072080416

Engine speed sender, Charge pressure sender, Intake air temperature sender, Intake manifold pressure sender, Intake air temperature sender 2, Gas rail sensor, Engine control unit

- G28 Engine speed sender
- G31 Charge pressure sender
- G42 Intake air temperature sender
- G71 Intake manifold pressure sender
- G299 Intake air temperature sender 2
- G401 Gas rail sensor
- J623 Engine control unit, central in plenum chamber
- T3bq 3-pin connector
- T4nq 4-pin connector
- T4vx 4-pin connector
- T14a 14-pin connector, on left in engine compartment
- T60 60-pin connector
- T94 94-pin connector


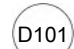
- (220) Earth connection (sender earth), in engine wiring harness
- (D101) Connection 1 in engine compartment wiring harness
- (D102) Connection 2 in engine compartment wiring harness

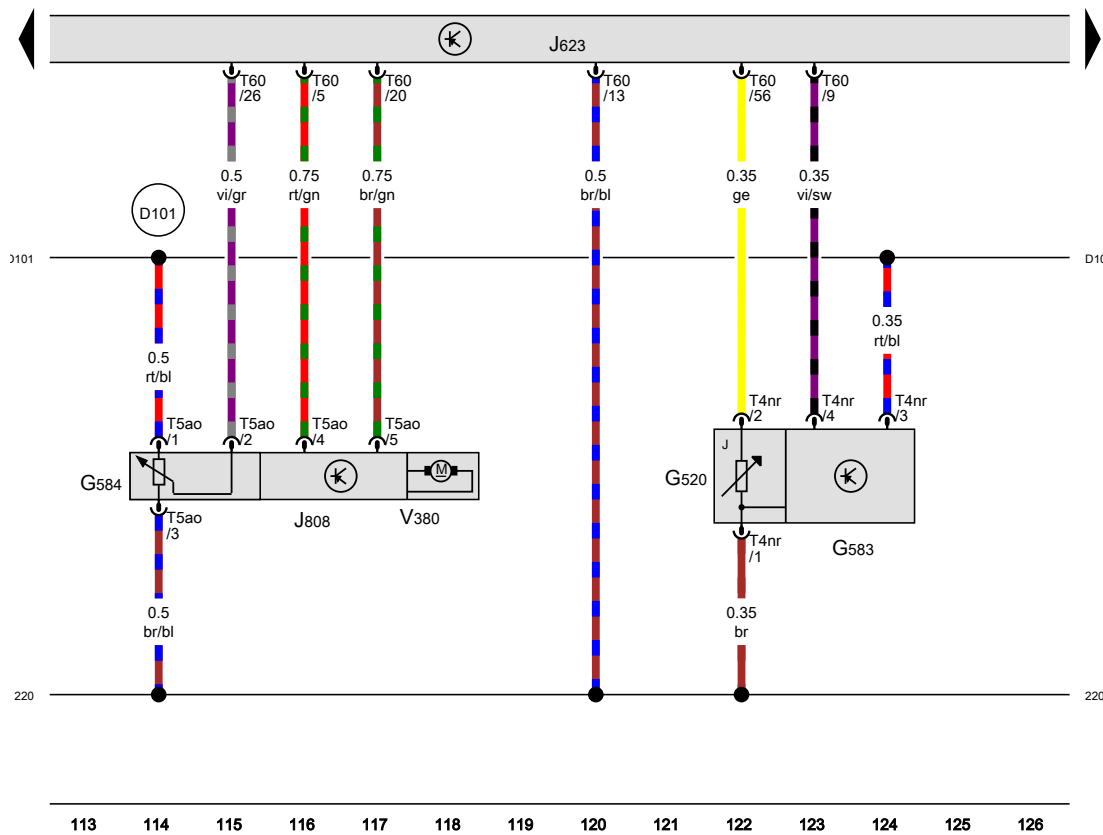


- ws = white
- sw = black
- ro = red
- rt = red
- br = brown
- gn = green
- bl = blue
- gr = grey
- li = purple
- vi = purple
- ge = yellow
- or = orange
- rs = pink

Intake air temperature sender 3, Intake manifold pressure sender 3, Regulating flap potentiometer, Engine control unit, Regulating flap control unit, Regulating flap position control motor

- G520 Intake air temperature sender 3
- G583 Intake manifold pressure sender 3
- G584 Regulating flap potentiometer
- J623 Engine control unit, central in plenum chamber
- J808 Regulating flap control unit
- T4nr 4-pin connector
- T5ao 5-pin connector
- T60 60-pin connector
- V380 Regulating flap position control motor

-  220 Earth connection (sender earth), in engine wiring harness
-  D101 Connection 1 in engine compartment wiring harness



- ws = white
- sw = black
- ro = red
- rt = red
- br = brown
- gn = green
- bl = blue
- gr = grey
- li = purple
- vi = purple
- ge = yellow
- or = orange
- rs = pink

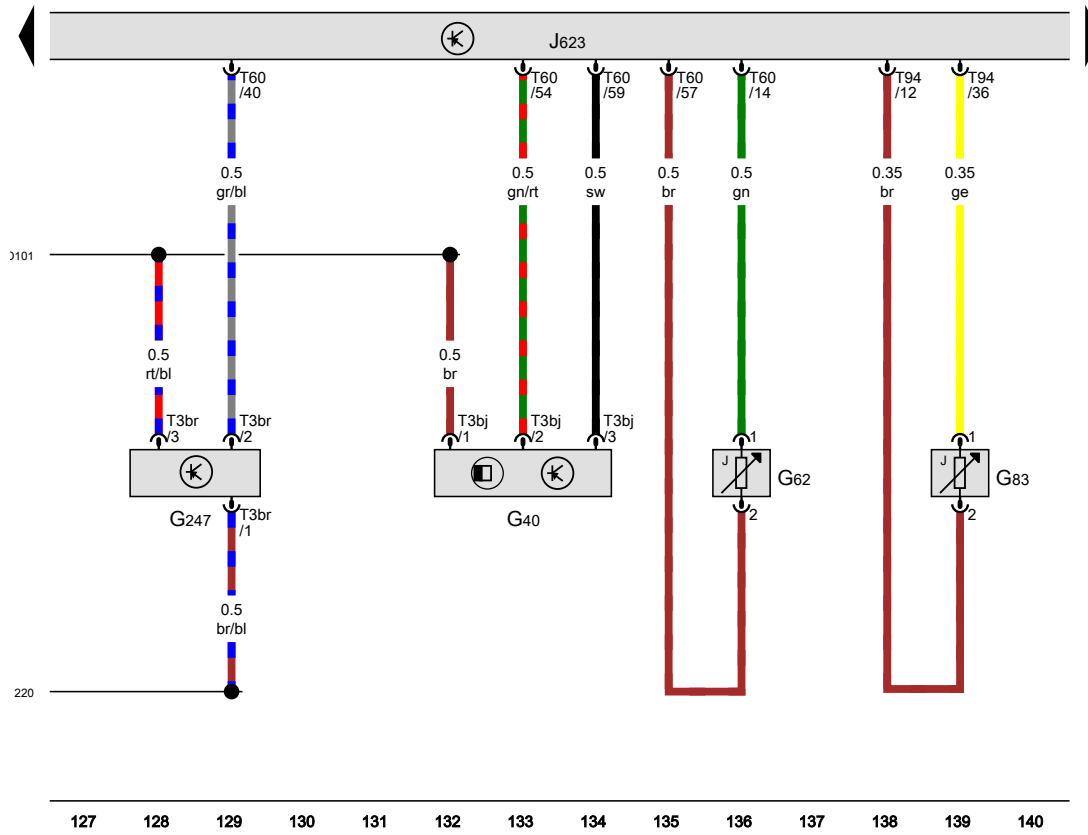
1360-072100416

Hall sender, Coolant temperature sender, Radiator outlet coolant temperature sender, Fuel pressure sender, Engine control unit

- G40 Hall sender
- G62 Coolant temperature sender
- G83 Radiator outlet coolant temperature sender, black
- G247 Fuel pressure sender
- J623 Engine control unit, central in plenum chamber
- T3bj 3-pin connector
- T3br 3-pin connector
- T60 60-pin connector
- T94 94-pin connector

220 Earth connection (sender earth), in engine wiring harness

D101 Connection 1 in engine compartment wiring harness

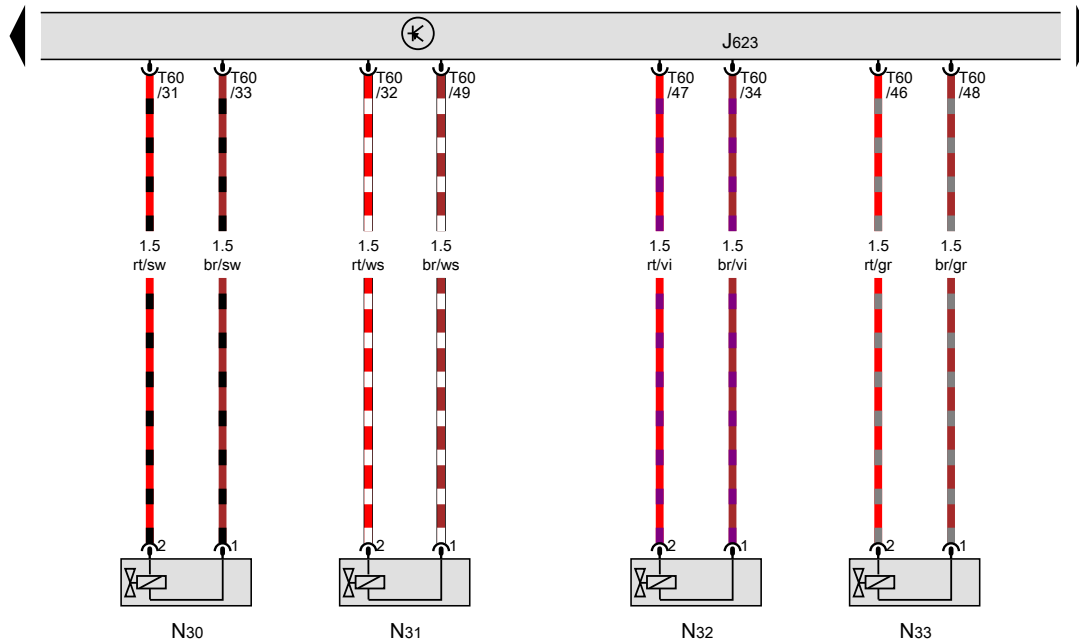


- ws = white
- sw = black
- ro = red
- rt = red
- br = brown
- gn = green
- bl = blue
- gr = grey
- li = purple
- vi = purple
- ge = yellow
- or = orange
- rs = pink

1360-072110416

Engine control unit, Injector, cylinder 1, Injector, cylinder 2, Injector, cylinder 3, Injector, cylinder 4

- J623 Engine control unit, central in plenum chamber
- N30 Injector, cylinder 1
- N31 Injector, cylinder 2
- N32 Injector, cylinder 3
- N33 Injector, cylinder 4
- T60 60-pin connector



- ws = white
- sw = black
- ro = red
- rt = red
- br = brown
- gn = green
- bl = blue
- gr = grey
- li = purple
- vi = purple
- ge = yellow
- or = orange
- rs = pink

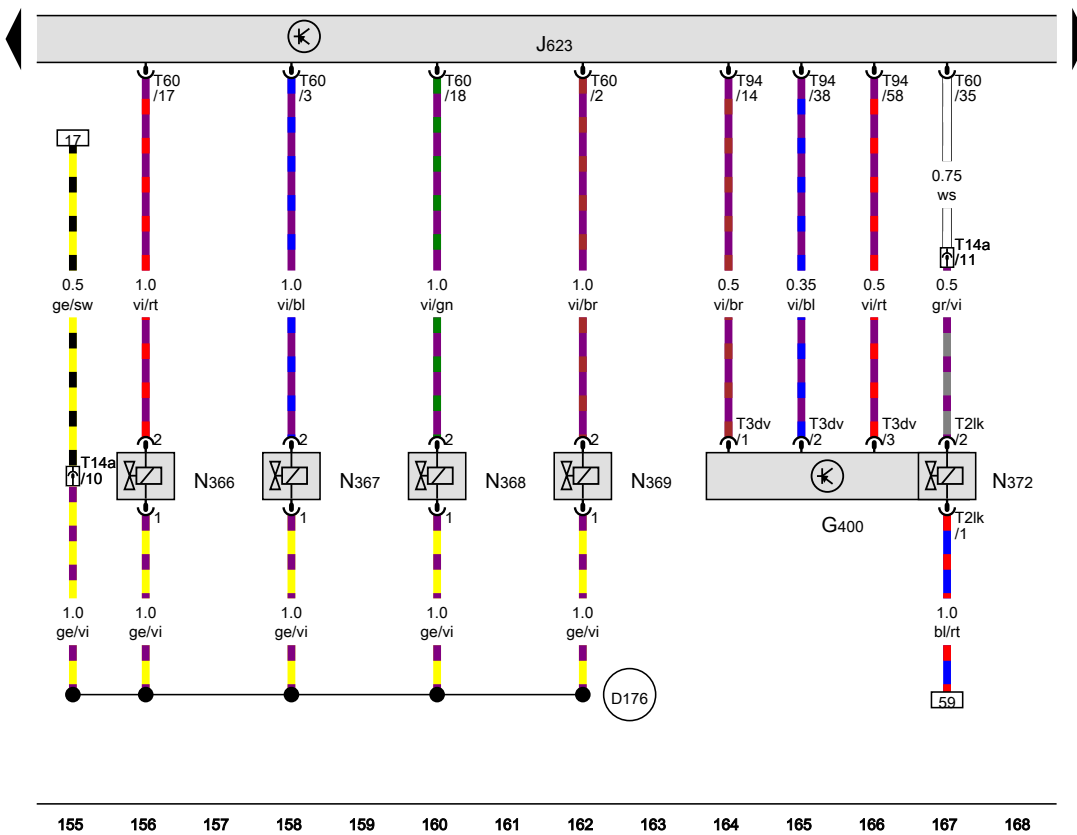
141 142 143 144 145 146 147 148 149 150 151 152 153 154

[360-072120416]

Tank pressure sensor, Engine control unit, Gas injection valve 1, Gas injection valve 2, Gas injection valve 3, Gas injection valve 4, High-pressure valve for gas mode

- G400 Tank pressure sensor
- J623 Engine control unit, central in plenum chamber
- N366 Gas injection valve 1
- N367 Gas injection valve 2
- N368 Gas injection valve 3
- N369 Gas injection valve 4
- N372 High-pressure valve for gas mode
- T21k 2-pin connector
- T3dv 3-pin connector
- T14a 14-pin connector, on left in engine compartment
- T60 60-pin connector
- T94 94-pin connector

D176 Connection (gas injector), in engine compartment wiring harness



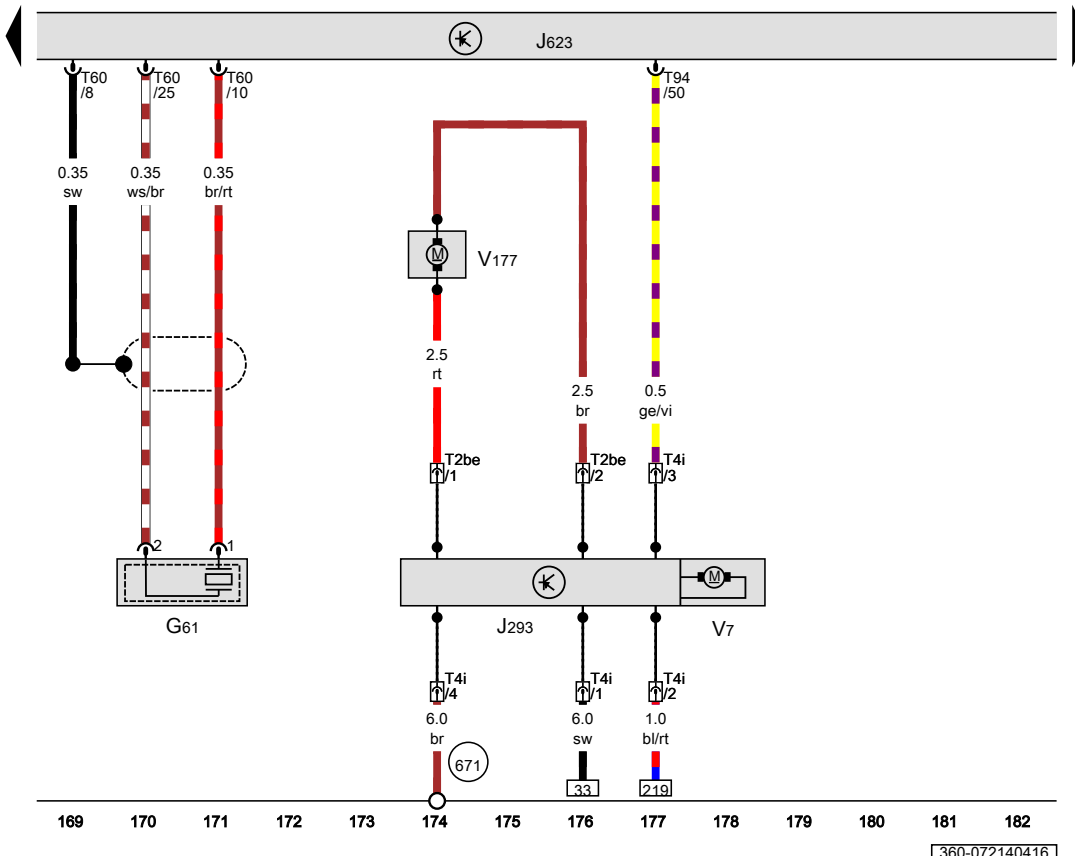
- ws = white
- sw = black
- ro = red
- rt = red
- br = brown
- gn = green
- bl = blue
- gr = grey
- li = purple
- vi = purple
- ge = yellow
- or = orange
- rs = pink

360-072130416

Knock sensor 1, Radiator fan control unit, Engine control unit, Radiator fan, Radiator fan 2

- G61 Knock sensor 1
- J293 Radiator fan control unit
- J623 Engine control unit, central in plenum chamber
- T2be 2-pin connector, on lock carrier
- T4i 4-pin connector, on lock carrier
- T60 60-pin connector
- T94 94-pin connector
- V7 Radiator fan
- V177 Radiator fan 2

- 671 Earth point 1, on front of left longitudinal member



1360-072140416

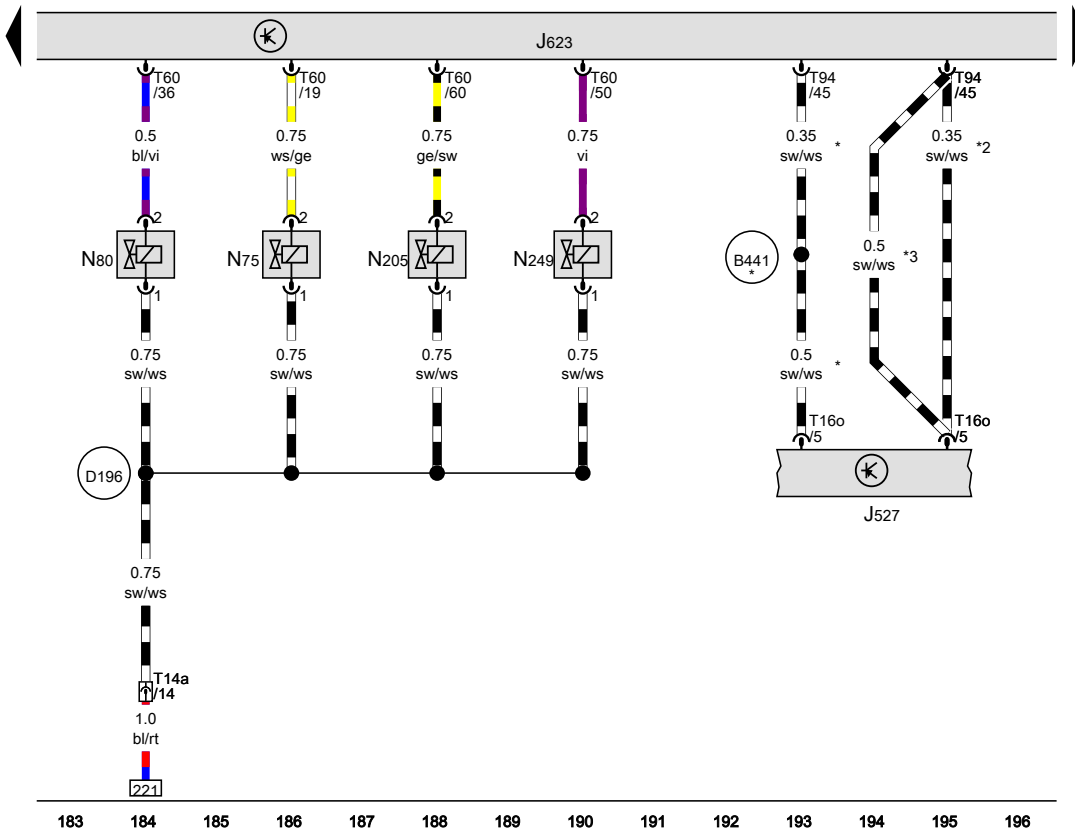
Steering column electronics control unit, Engine control unit, Charge pressure control solenoid valve, Activated charcoal filter solenoid valve 1, Camshaft control valve 1, Turbocharger air recirculation valve

- J527 Steering column electronics control unit
- J623 Engine control unit, central in plenum chamber
- N75 Charge pressure control solenoid valve
- N80 Activated charcoal filter solenoid valve 1
- N205 Camshaft control valve 1
- N249 Turbocharger air recirculation valve
- T14a 14-pin connector
- T16o 16-pin connector
- T60 60-pin connector
- T94 94-pin connector

B441 Connection (CCS), in main wiring harness

D196 Connection 2 (87a) in engine prewiring harness

- * Only models with adaptive cruise control (ACC)
- *2 Speed signal
- *3 gradual introduction



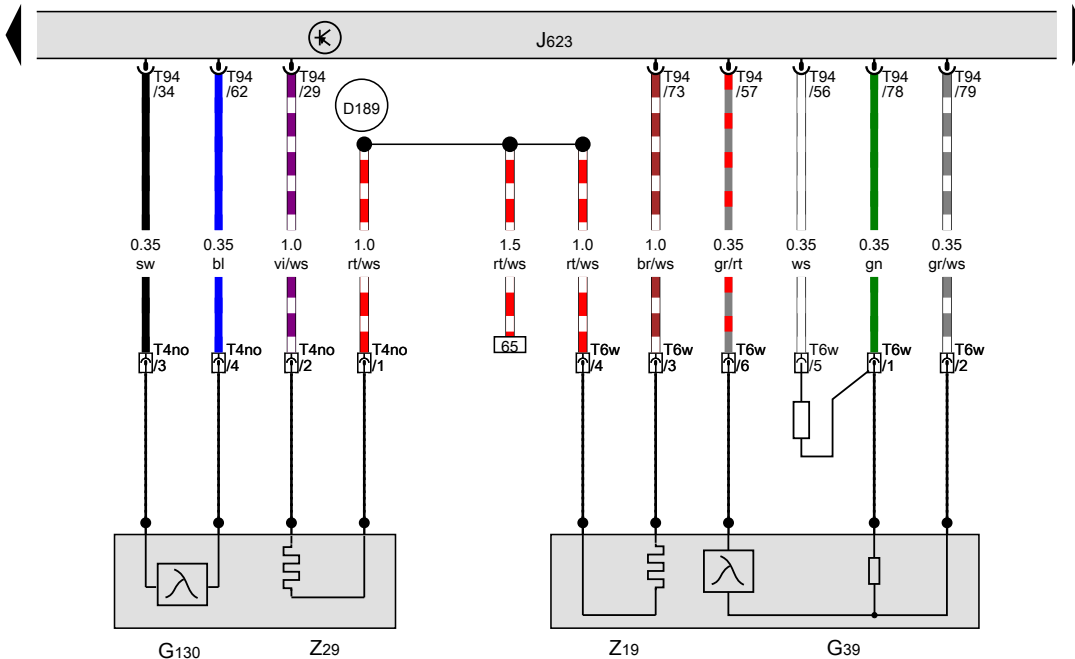
- ws = white
- sw = black
- ro = red
- rt = red
- br = brown
- gn = green
- bl = blue
- gr = grey
- li = purple
- vi = purple
- ge = yellow
- or = orange
- rs = pink

360-072150416

Lambda probe, Lambda probe after catalytic converter, Engine control unit, Lambda probe heater, Lambda probe 1 heater after catalytic converter

- G39 Lambda probe
- G130 Lambda probe after catalytic converter
- J623 Engine control unit, central in plenum chamber
- T4no 4-pin connector
- T6w 6-pin connector
- T94 94-pin connector
- Z19 Lambda probe heater
- Z29 Lambda probe 1 heater after catalytic converter

D189 Connection (87a) in engine prewiring harness

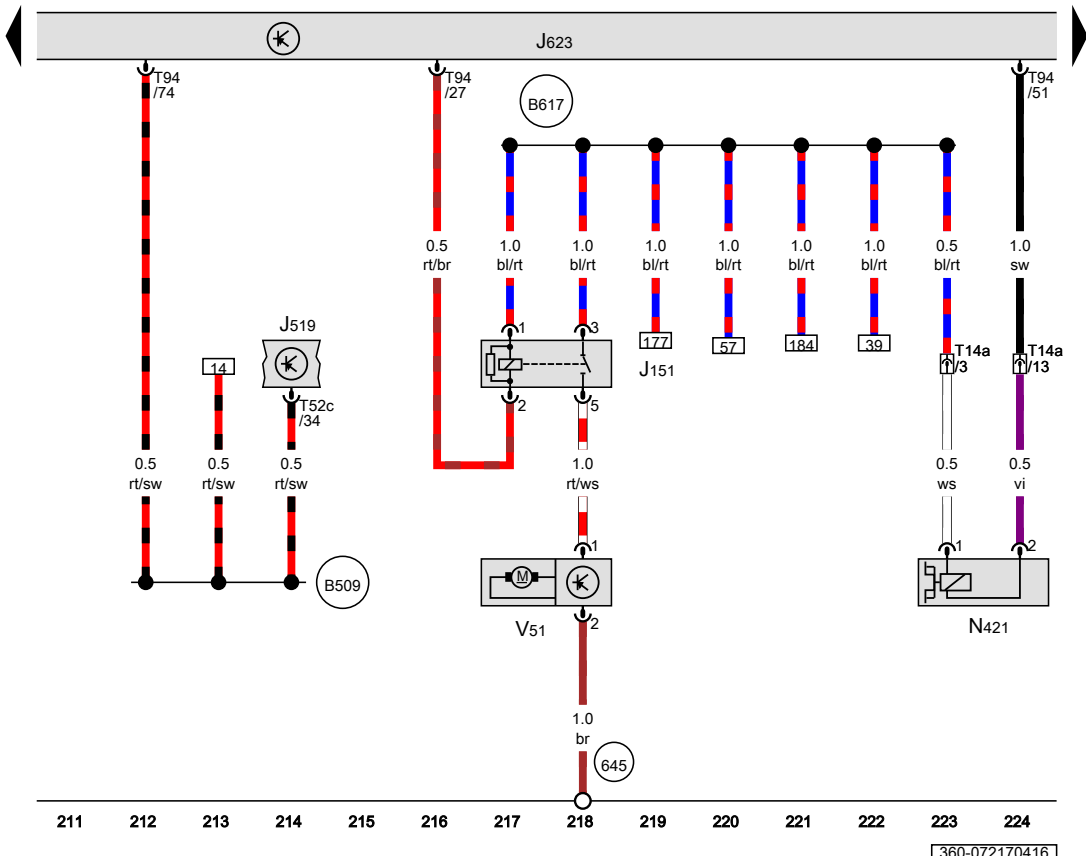


- ws = white
- sw = black
- ro = red
- rt = red
- br = brown
- gn = green
- bl = blue
- gr = grey
- li = purple
- vi = purple
- ge = yellow
- or = orange
- rs = pink

Continued coolant circulation relay, Onboard supply control unit, Engine control unit, Magnetic clutch for supercharger, Continued coolant circulation pump

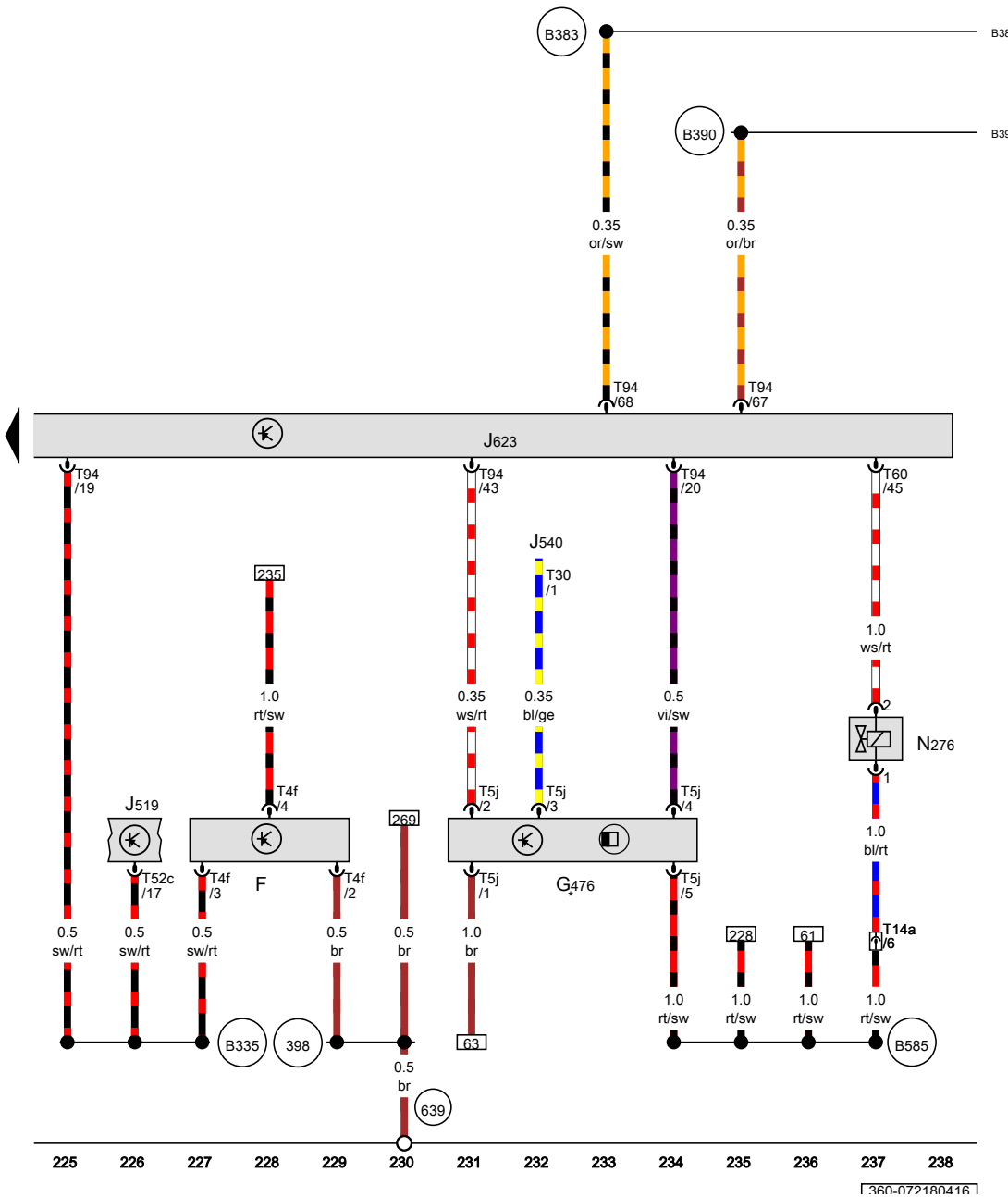
- J151 Continued coolant circulation relay
- J519 Onboard supply control unit
- J623 Engine control unit, central in plenum chamber
- N421 Magnetic clutch for supercharger
- T14a 14-pin connector, on left in engine compartment
- T52c 52-pin connector
- T94 94-pin connector
- V51 Continued coolant circulation pump

- 645 Earth point 1, on bulkhead
- B509 Connection 3 (diagnosis), in main wiring harness
- B617 Positive connection 5 (87a), in interior wiring harness



- ws = white
- sw = black
- ro = red
- rt = red
- br = brown
- gn = green
- bl = blue
- gr = grey
- li = purple
- vi = purple
- ge = yellow
- or = orange
- rs = pink

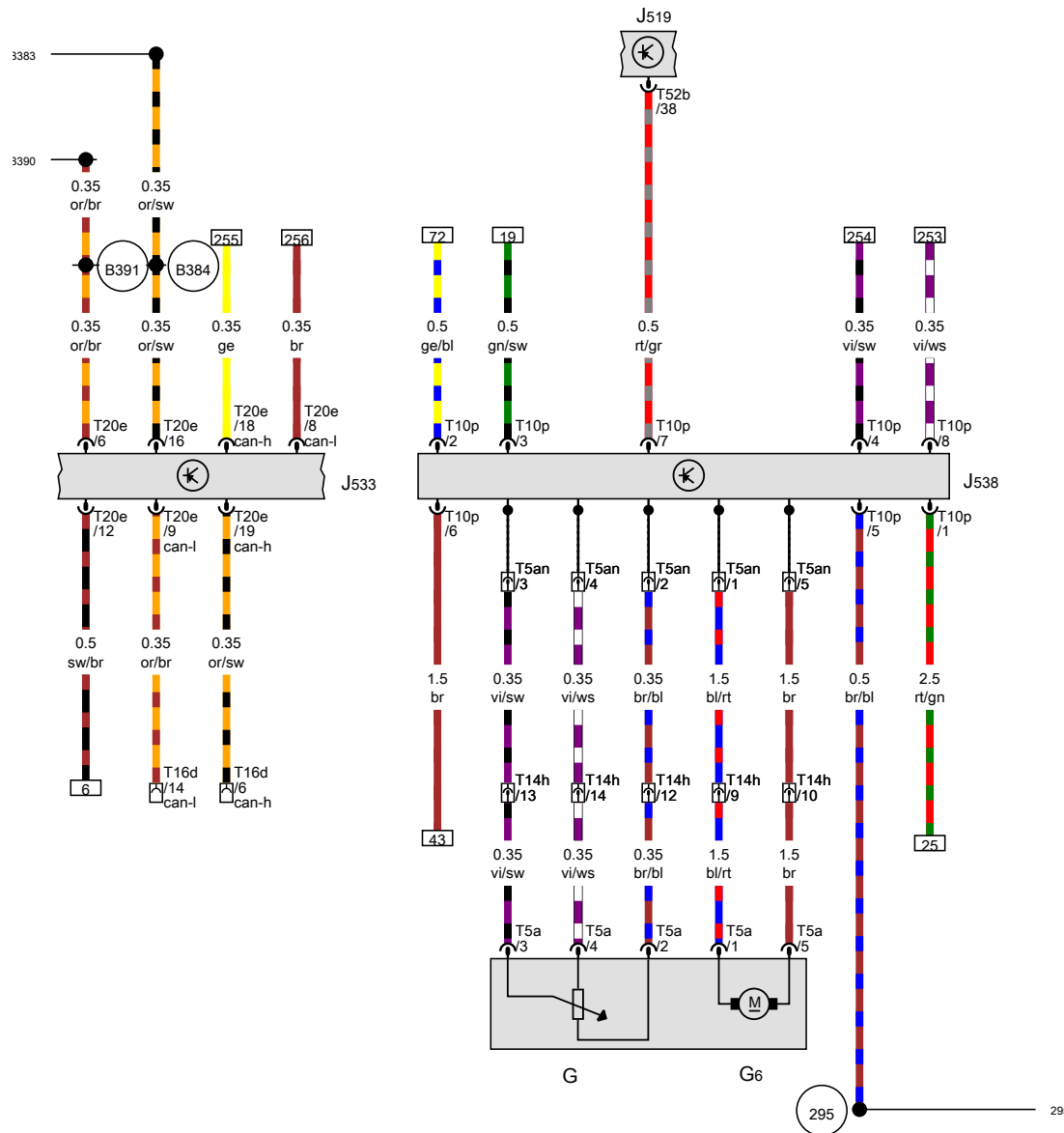
Brake light switch, Clutch position sender, Engine control unit, Fuel pressure regulating valve



- F Brake light switch
- G476 Clutch position sender
- J519 Onboard supply control unit
- J540 Control unit for electromechanical parking brake
- J623 Engine control unit, central in plenum chamber
- N276 Fuel pressure regulating valve
- T4f 4-pin connector
- T5j 5-pin connector
- T14a 14-pin connector, on left in engine compartment
- T30 30-pin connector
- T52c 52-pin connector
- T60 60-pin connector
- T94 94-pin connector
- 398 Earth connection 33, in main wiring harness
- 639 Earth point, left A-pillar
- B335 Connection 1 (54), in main wiring harness
- B383 Connection 1 (powertrain CAN bus, high), in main wiring harness
- B390 Connection 1 (powertrain CAN bus, low), in main wiring harness
- B585 Positive connection 2 (87a), in interior wiring harness
- * Only models with manual gearbox

ws = white
 sw = black
 ro = red
 rt = red
 br = brown
 gn = green
 bl = blue
 gr = grey
 li = purple
 vi = purple
 ge = yellow
 or = orange
 rs = pink

1360-072180416



Fuel gauge sender, Fuel system pressurisation pump, Onboard supply control unit, Data bus diagnostic interface, Fuel pump control unit

- G Fuel gauge sender
- G6 Fuel system pressurisation pump
- J519 Onboard supply control unit
- J533 Data bus diagnostic interface
- J538 Fuel pump control unit
- T5a 5-pin connector
- T5an 5-pin connector
- T10p 10-pin connector
- T14h 14-pin connector
- T16d 16-pin connector, on diagnostic connection
- T20e 20-pin connector
- T52b 52-pin connector

- 295 Earth connection 10, in interior wiring harness
- B383 Connection 1 (powertrain CAN bus, high), in main wiring harness
- B384 Connection 2 (powertrain CAN bus, high), in main wiring harness
- B390 Connection 1 (powertrain CAN bus, low), in main wiring harness
- B391 Connection 2 (powertrain CAN bus, low), in main wiring harness

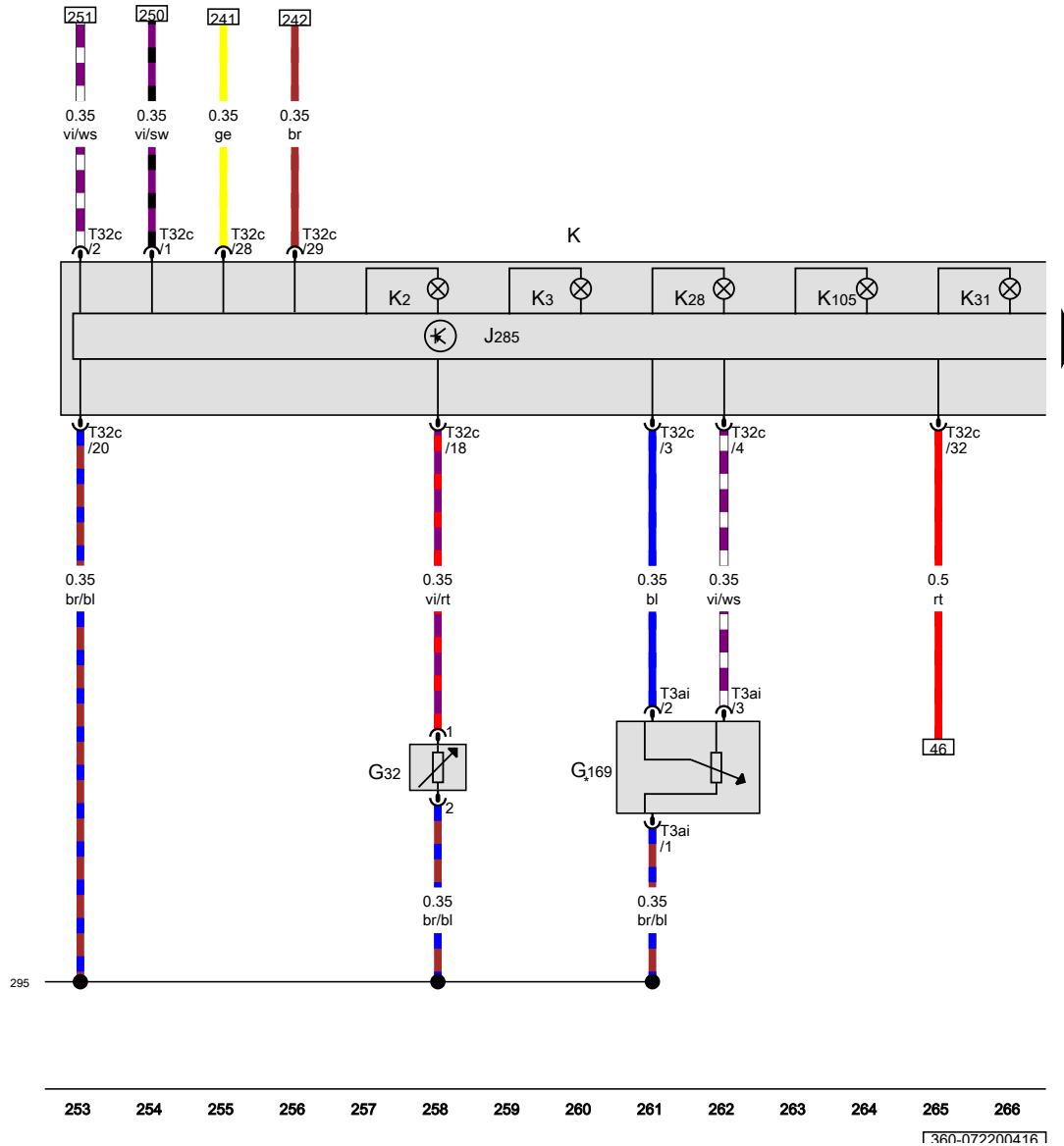
- ws = white
- sw = black
- ro = red
- rt = red
- br = brown
- gn = green
- bl = blue
- gr = grey
- li = purple
- vi = purple
- ge = yellow
- or = orange
- rs = pink

Coolant shortage indicator sender, Fuel gauge sender 2, Control unit in dash panel insert, Dash panel insert, Alternator warning lamp, Oil pressure warning lamp, Coolant temperature and coolant shortage warning lamp, Cruise control system warning lamp, Reserve fuel warning lamp

- G32 Coolant shortage indicator sender
- G169 Fuel gauge sender 2
- J285 Control unit in dash panel insert
- K Dash panel insert
- K2 Alternator warning lamp
- K3 Oil pressure warning lamp
- K28 Coolant temperature and coolant shortage warning lamp
- K31 Cruise control system warning lamp
- K105 Reserve fuel warning lamp
- T3ai 3-pin connector
- T32c 32-pin connector

295 Earth connection 10, in interior wiring harness

* Only models with all-wheel drive

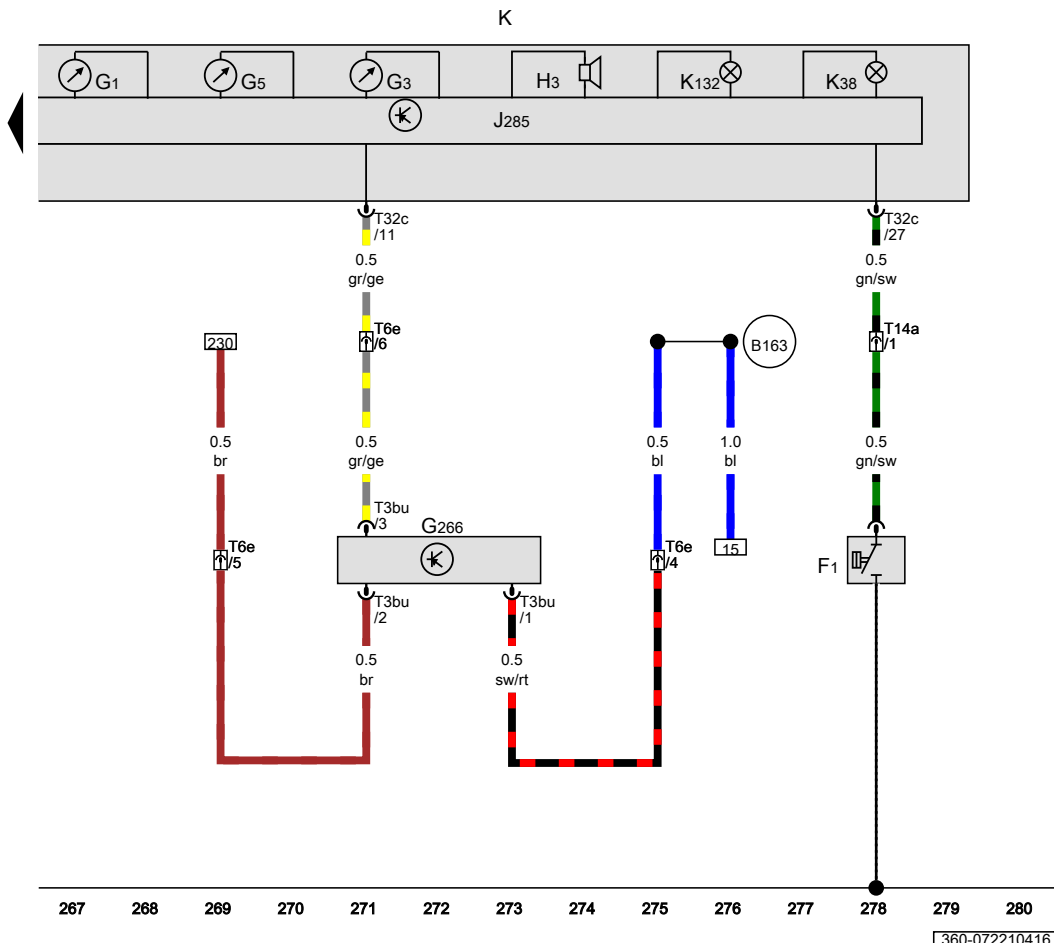


- ws = white
- sw = black
- ro = red
- rt = red
- br = brown
- gn = green
- bl = blue
- gr = grey
- li = purple
- vi = purple
- ge = yellow
- or = orange
- rs = pink

1360-072200416

Oil pressure switch, Fuel gauge, Coolant temperature gauge, Rev. counter, Oil level and oil temperature sender, Buzzer and gong, Control unit in dash panel insert, Dash panel insert, Oil level warning lamp, Electronic power control fault lamp

- F1 Oil pressure switch
- G1 Fuel gauge
- G3 Coolant temperature gauge
- G5 Rev. counter
- G266 Oil level and oil temperature sender
- H3 Buzzer and gong
- J285 Control unit in dash panel insert
- K Dash panel insert
- K38 Oil level warning lamp
- K132 Electronic power control fault lamp
- T3bu 3-pin connector
- T6e 6-pin connector
- T14a 14-pin connector, on left in engine compartment
- T32c 32-pin connector
- B163** Positive connection 1 (15), in interior wiring harness



- ws = white
- sw = black
- ro = red
- rt = red
- br = brown
- gn = green
- bl = blue
- gr = grey
- li = purple
- vi = purple
- ge = yellow
- or = orange
- rs = pink