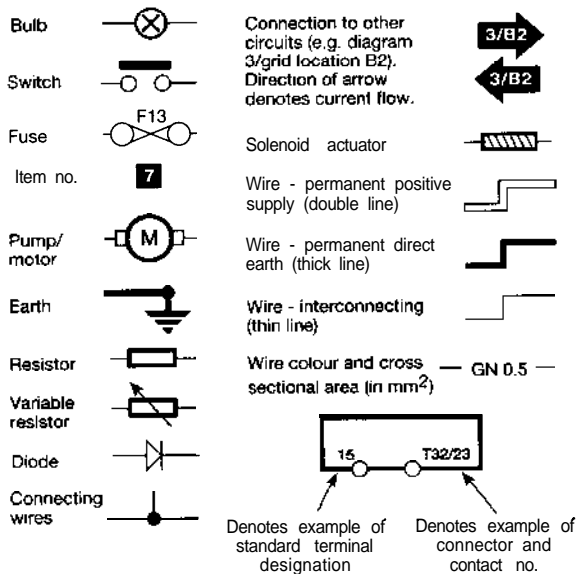


Key to symbols



Fuse colour code

White	8 Amps
Red	16 Amps
Yellow	20 Amps

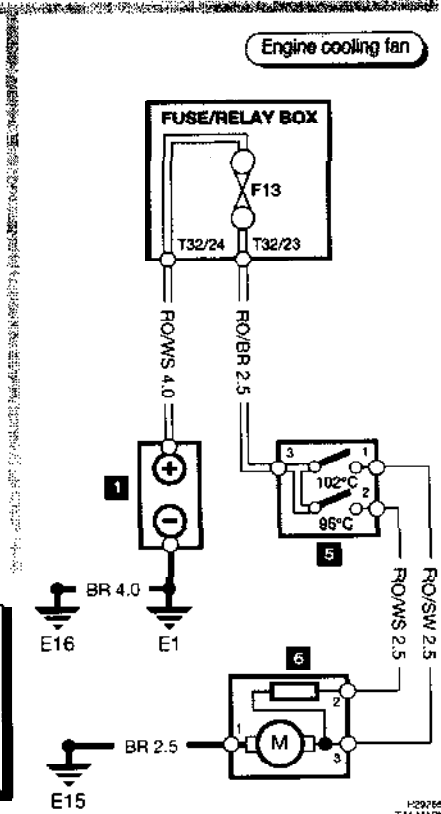
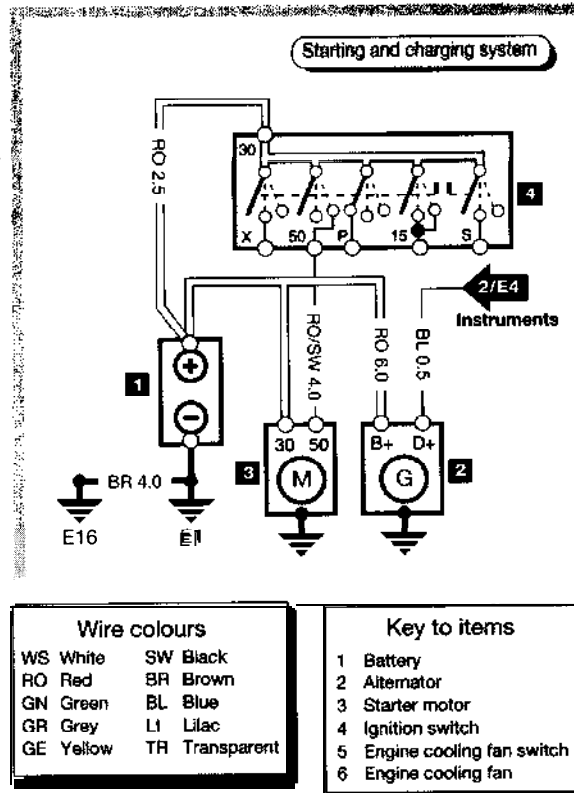
Fuses

1	8A	Number plate lights
2	8A	Fog lights, rear fog lights
3	8A	LH side and tail lights, instrument illumination
4	8A	RH side and tail lights, headlight washer
5	8A	LH main beam
6	8A	RH main beam and warning light
7	8A	LH dipped beam, LH headlight adjustment
8	8A	RH dipped beam, RH headlight adjustment
9	8A	Horn, carburettor idle cut-off valve, reversing light
10	8A	Direction indicators, seat heating
11	8A	Interior light, cigar lighter, radio, diagnosis supply
12	8A	Stop lights, clock
13	16A	Engine cooling fan
14	16A	Rear wiper, blower, lighting switch light
15	8A	Windscreen wipers, intermittent wipe
16	16A	Heated rear window
17	20A	Electric fuel pump, lambda sensor

(17 in separate holder above the fuse box)

Earth locations

E1	Earthing strap - body	E15	In headlight wiring loom
E2	Earthing strap - body	E16	In headlight wiring loom
E3	In engine compartment, left	E17	In front right wiring loom
E4	On inlet manifold	E18	In engine compartment wiring loom
E5	On engine block	E19	In headlight wiring loom
E6	Near fuse relay box	E20	In Mono jetronic wiring loom
E7	Behind dashboard, left	E21	In engine compartment wiring loom
E8	Luggage compartment, left	E22	In dashboard wiring
E9	In wiring loom for instruments	E23	In Mono motronic wiring loom
E10	In dashboard loom	E24	In Mono motronic wiring loom
E11	In front right wiring loom	E25	In Mono motronic wiring loom
E12	In Digifant wiring loom	E26	In foglight wiring loom
E13	In boot lid	E27	In loom for dash speaker
E14	In front left wiring loom		



Wire colours

WS White	SW Black
RO Red	BR Brown
GN Green	BL Blue
GR Grey	LI Lilac
GE Yellow	TH Transparent

Key to items

1	Battery
2	Alternator
3	Starter motor
4	Ignition switch
5	Engine cooling fan switch
6	Engine cooling fan

Diagram 1: Information for wiring diagrams, starting, charging and engine cooling fan

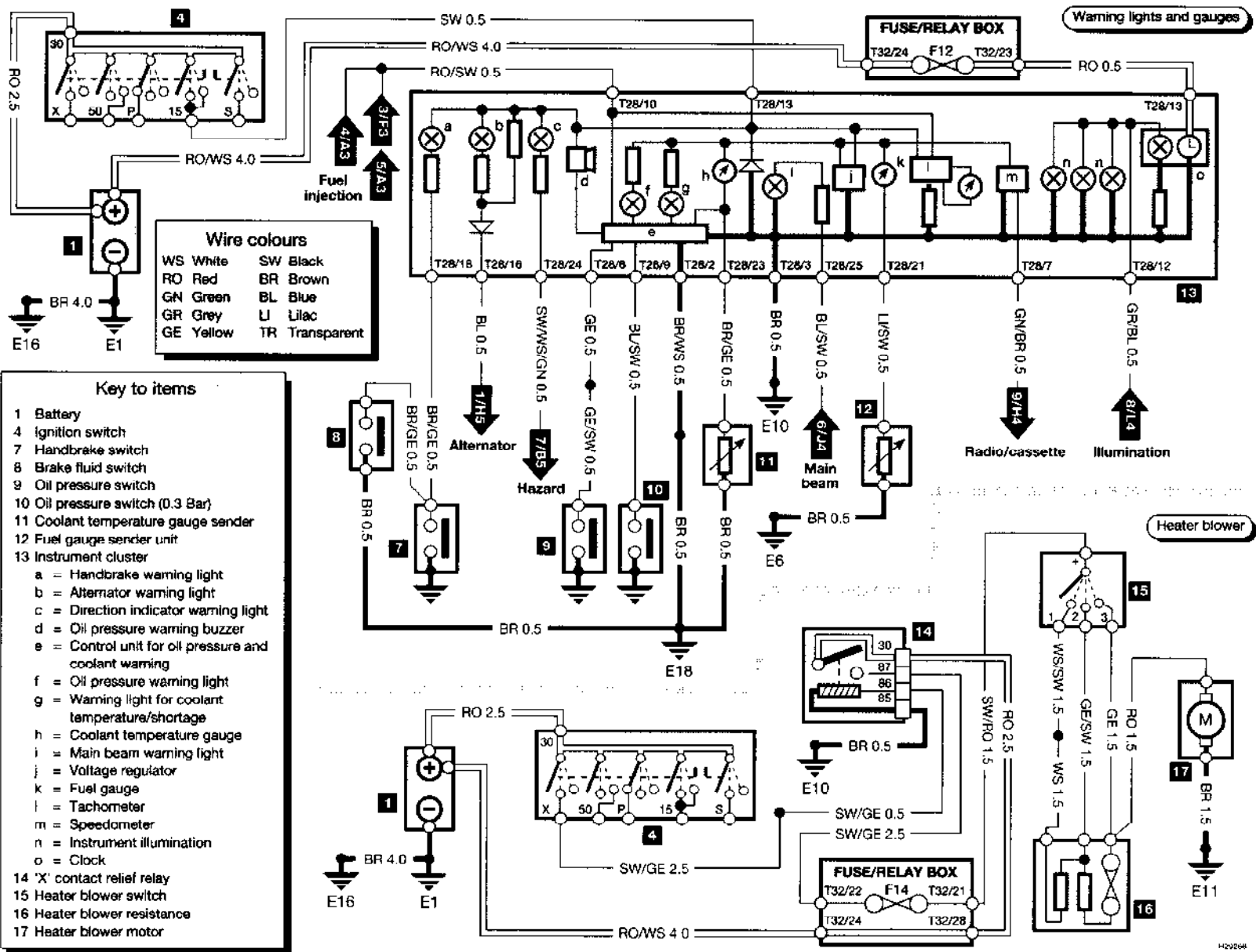
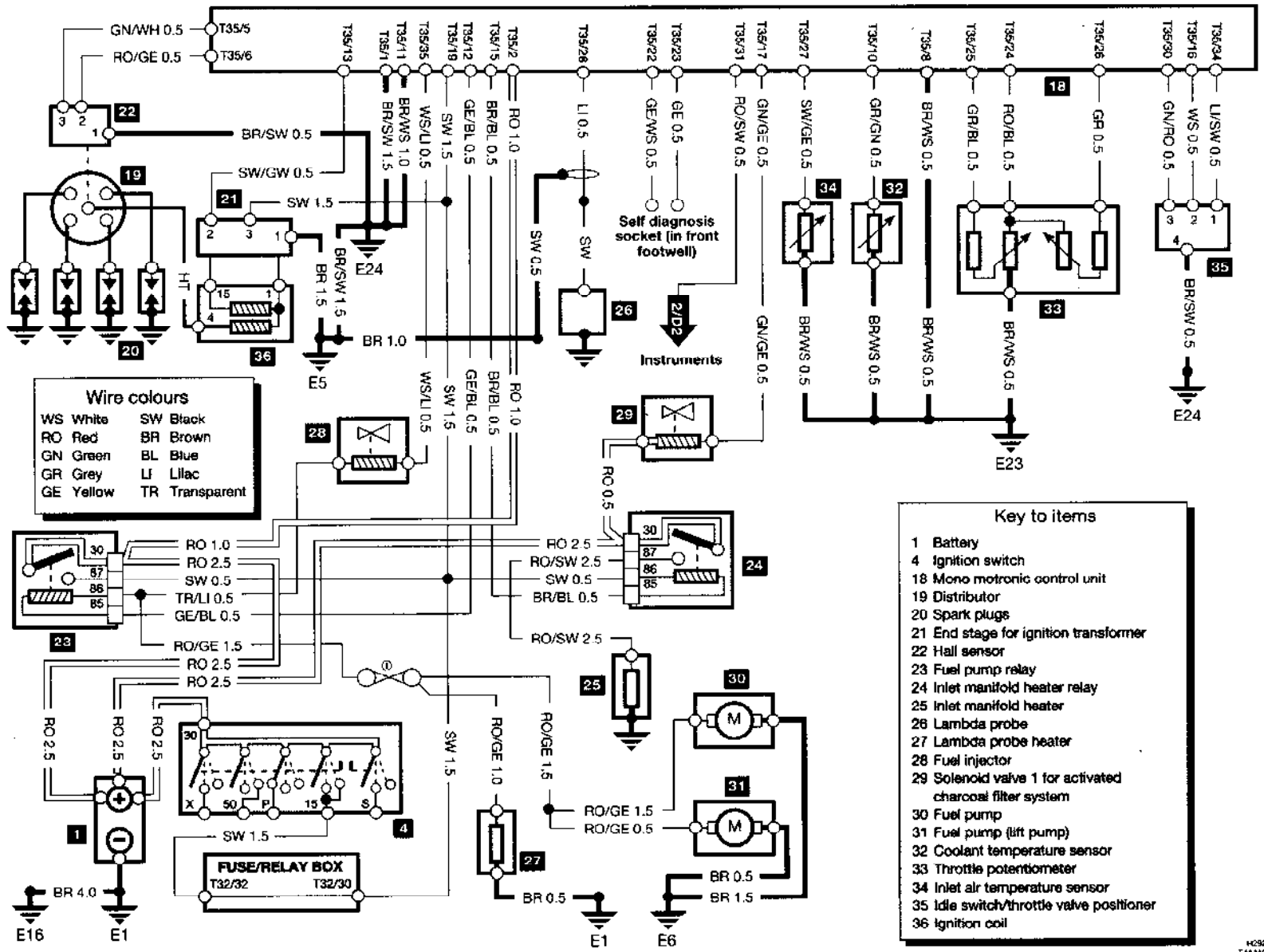


Diagram 2 : Warning lights, gauges and heater blower



Wire colours

WS White	SW Black
RO Red	BR Brown
GN Green	BL Blue
GR Grey	L Lilac
GE Yellow	TR Transparent

Key to items

- Battery
- Ignition switch
- Mono motronic control unit
- Distributor
- Spark plugs
- End stage for ignition transformer
- Hall sensor
- Fuel pump relay
- Inlet manifold heater relay
- Inlet manifold heater
- Lambda probe
- Lambda probe heater
- Fuel injector
- Solenoid valve 1 for activated charcoal filter system
- Fuel pump
- Fuel pump (lift pump)
- Coolant temperature sensor
- Throttle potentiometer
- Inlet air temperature sensor
- Idle switch/throttle valve positioner
- Ignition coil

Diagram 3 : Single-point fuel injection

143267
T44 MARKE

Wire colours

WS White	SW Black
RO Red	BR Brown
GN Green	BL Blue
GR Grey	LI Lilac
GE Yellow	TR Transparent

- Key to items**
- Battery
 - Ignition switch
 - Distributor
 - Spark plugs
 - End stage for ignition transformer
 - Hall sensor
 - Fuel pump relay
 - Lambda probe
 - Lambda probe heater
 - Fuel injector(s)
 - Fuel pump
 - Fuel pump (lift pump)
 - Coolant temperature sensor
 - Throttle potentiometer
 - Ignition coil
 - Air flow meter/inlet air temperature sensor
 - Auxiliary air valve
 - Digifant control unit
 - Digifant control unit relay

Instruments

2/D2 RO/SW 0.5

RO/GE 0.5
GN/WS 0.5

22 1 2 3
BRAWS 0.5

19 HT

20

36

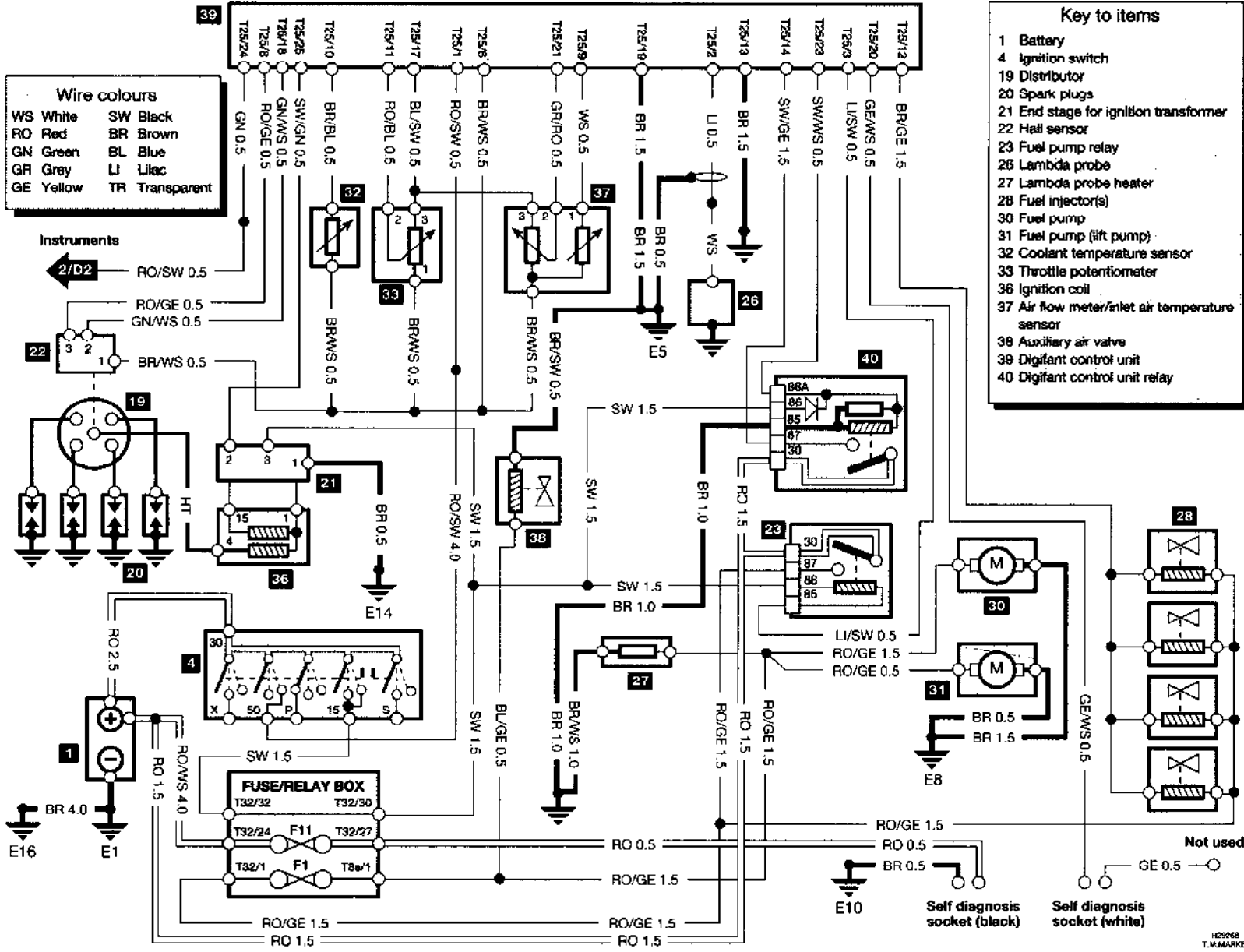
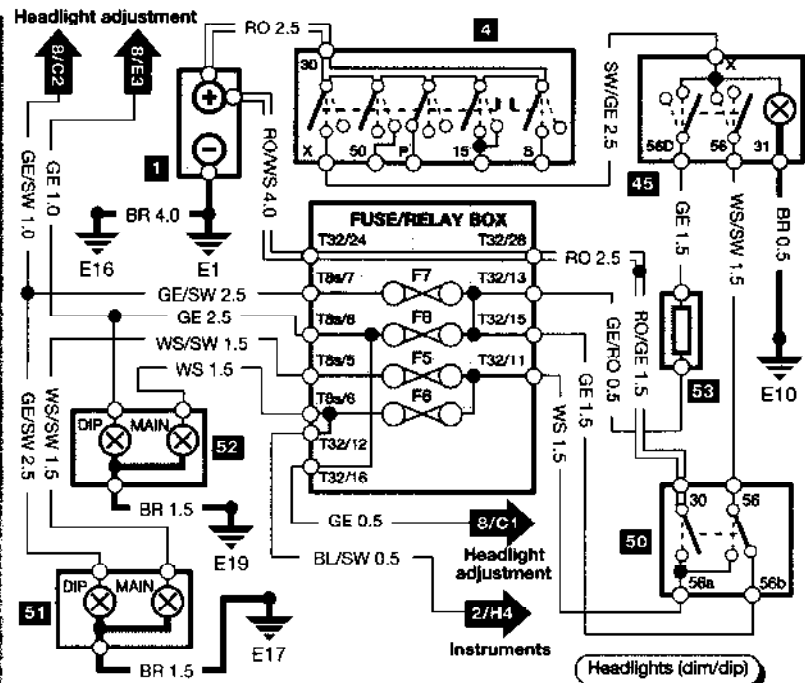
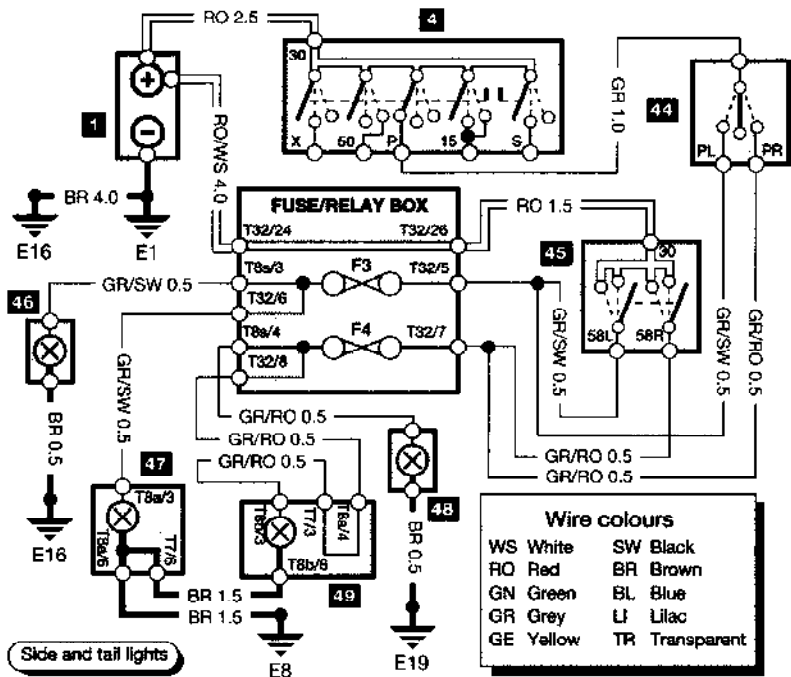


Diagram 4 : Multi-point fuel injection (except G40 models) <https://www.automotive-manuals.net/> 12•15

H20268
T.W.MARKE



- Key to items**
- 1 Battery
 - 4 Ignition switch
 - 44 Parking switch
 - 45 Light switch
 - 46 LH side light
 - 47 LH tail light
 - 48 RH side light
 - 49 RH tail light
 - 50 Dip switch
 - 51 LH headlight
 - 52 RH headlight
 - 53 Dim/dip resistor
 - 54 Stop light switch
 - 55 Reversing light switch
 - 56 LH brake light
 - 57 RH brake light
 - 58 RH Reversing light

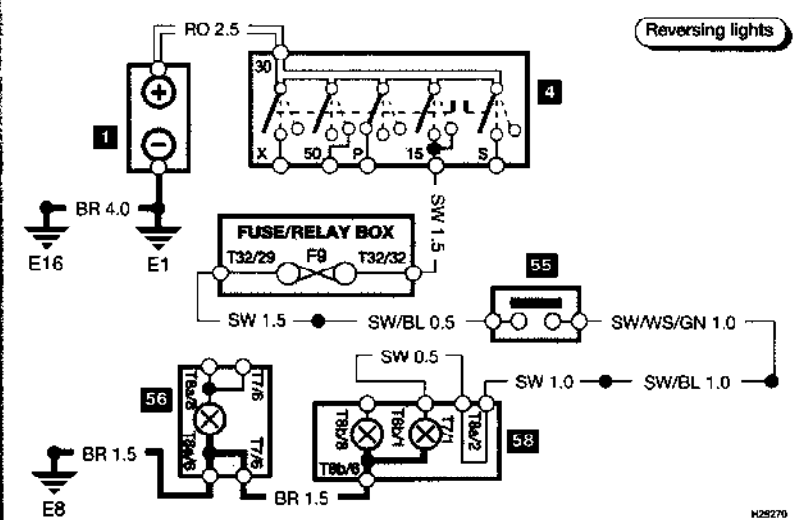
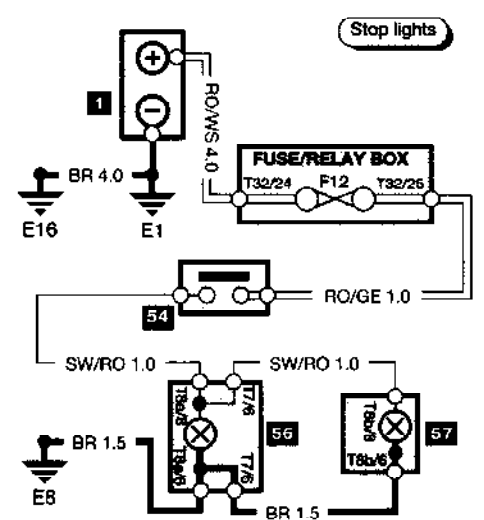
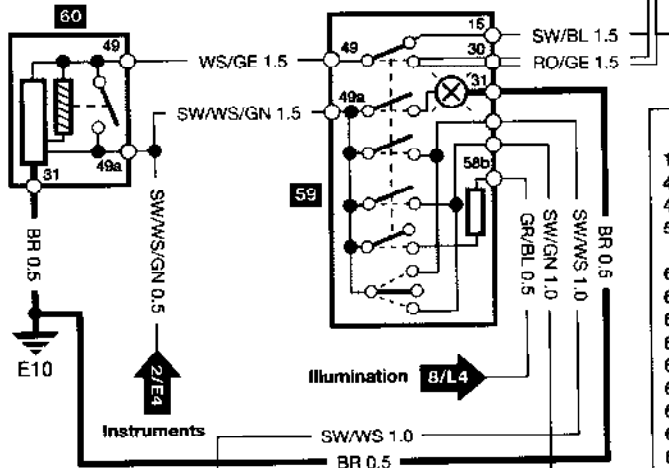
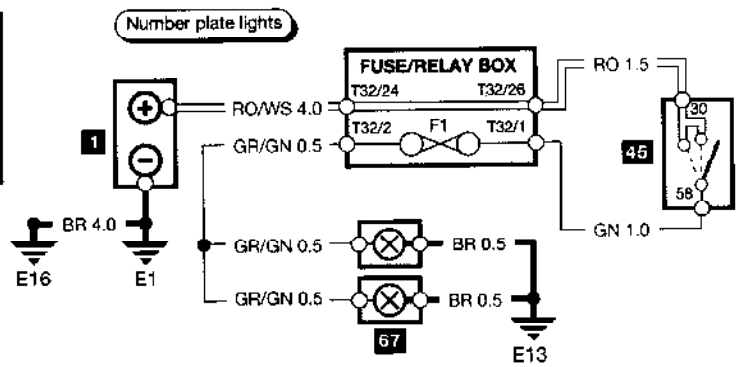
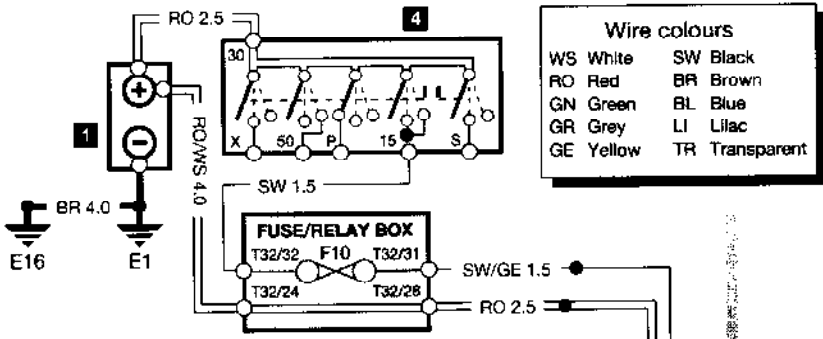


Diagram 6 : Exterior lighting



- Key to items**
- 1 Battery
 - 4 Ignition switch
 - 45 Light switch
 - 59 Direction indicator/hazard warning switch
 - 60 Direction indicator relay
 - 61 LH front direction indicator
 - 62 LH side repeater
 - 63 LH rear direction indicator
 - 64 RH front direction indicator
 - 65 RH side repeater
 - 66 RH rear direction indicator
 - 67 Number plate lights
 - 68 Foglight switch
 - 69 Rear foglight

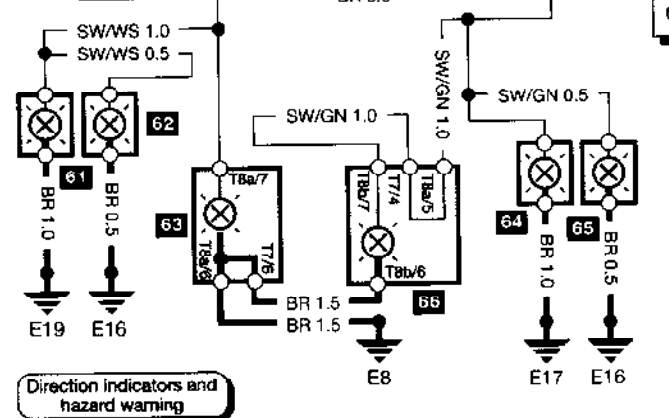
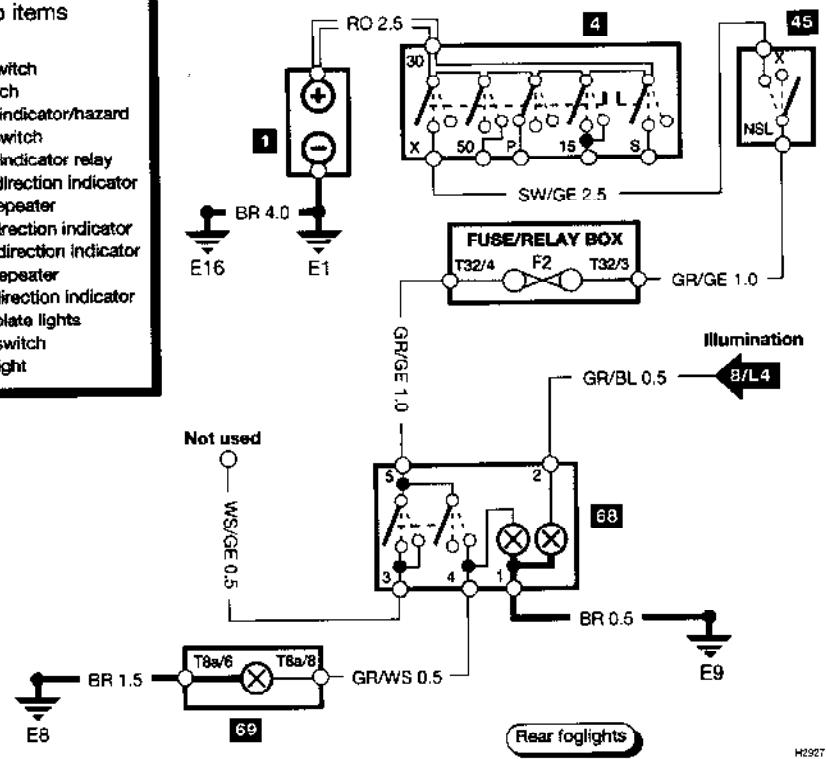


Diagram 7 : Exterior lighting continued

H12971
T.M.MARKE

- Key to items**
- 1 Battery
 - 4 Ignition switch
 - 14 'X' contact relief relay
 - 45 Light switch
 - 70 Headlight adjustment switch
 - 71 LH headlight adjuster
 - 72 RH headlight adjuster
 - 73 Lighting rheostat
 - 74 Interior light
 - 75 LH interior light door switch
 - 76 RH interior light door switch
 - 77 Fresh air control illumination
 - 78 Wash/wipe switch
 - 79 Front wiper motor
 - 80 Front wiper relay
 - 81 Rear wiper motor
 - 82 Rear wiper relay
 - 83 Front/rear washer pump

Wire colours

WS White	SW Black
RO Red	BR Brown
GN Green	BL Blue
GR Grey	LI Lilac
GE Yellow	TR Transparent

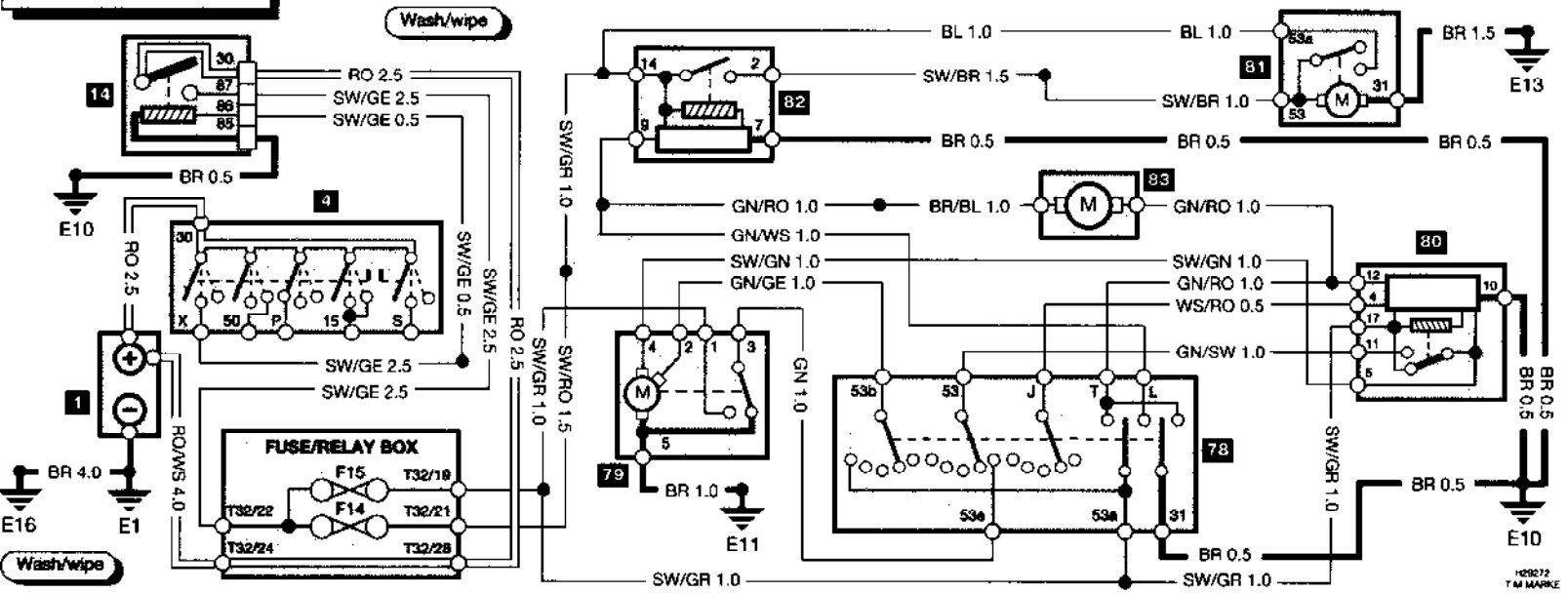
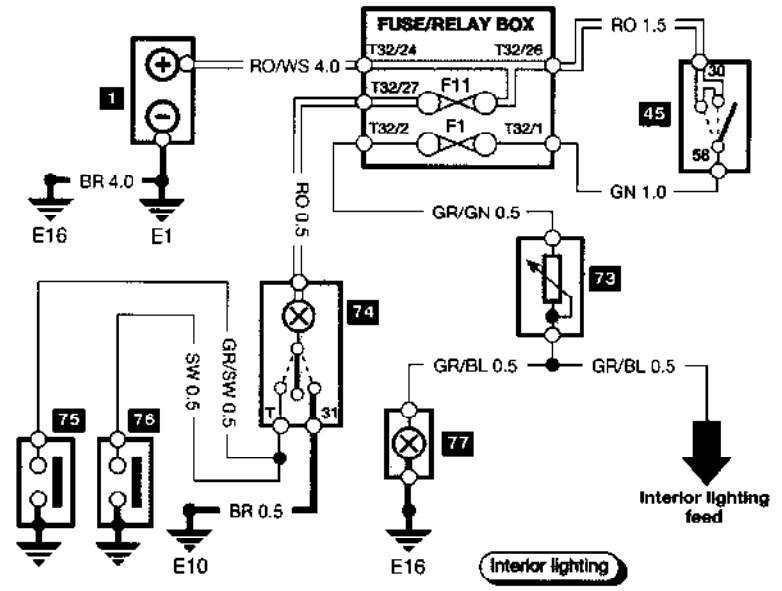
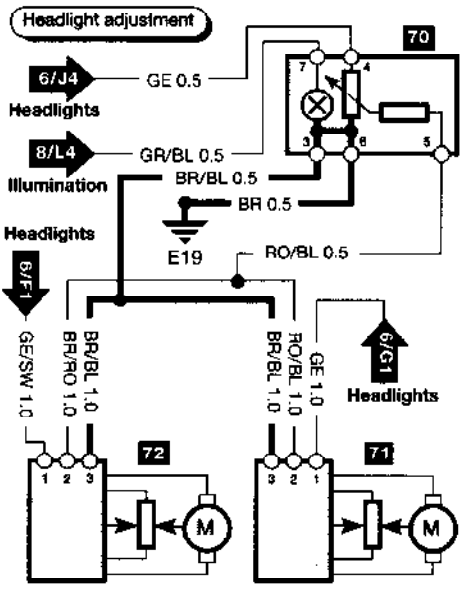


Diagram 8 : Headlight adjustment, interior lighting and wash/wipe

- Key to items**
- 1 Battery
 - 4 Ignition switch
 - 14 'X' contact relief relay
 - 84 Horn
 - 85 Horn switch
 - 86 Heated rear window switch
 - 87 Heated rear window
 - 88 Cigar lighter
 - 89 Radio/cassette unit
 - 90 LH front speaker
 - 91 RH front speaker
 - 92 LH rear speaker
 - 93 RH rear speaker

- Wire colours**
- | | |
|-----------|----------------|
| WS White | SW Black |
| RO Red | BR Brown |
| GN Green | BL Blue |
| GR Grey | LI Lilac |
| GE Yellow | TR Transparent |

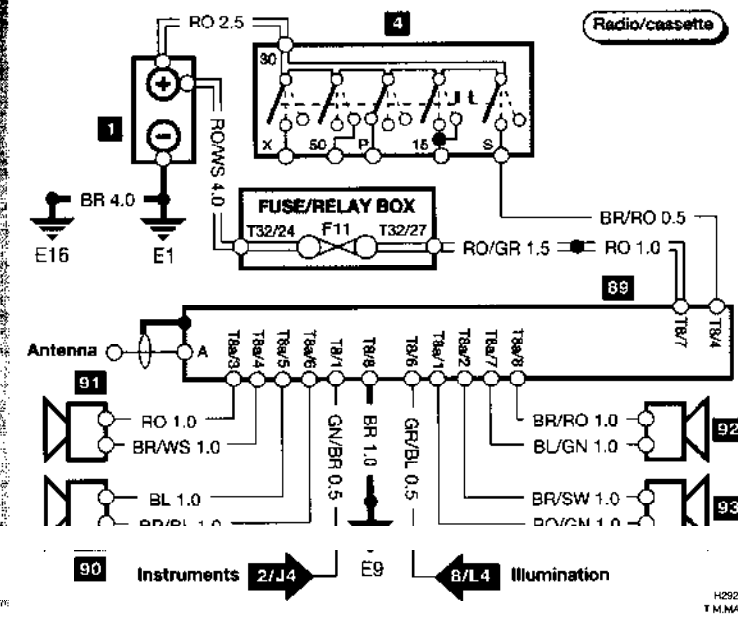
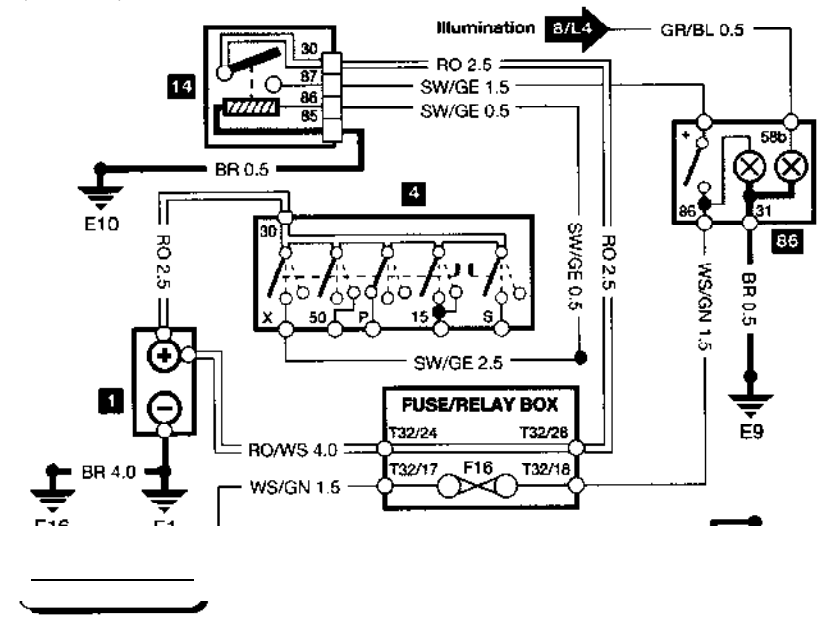
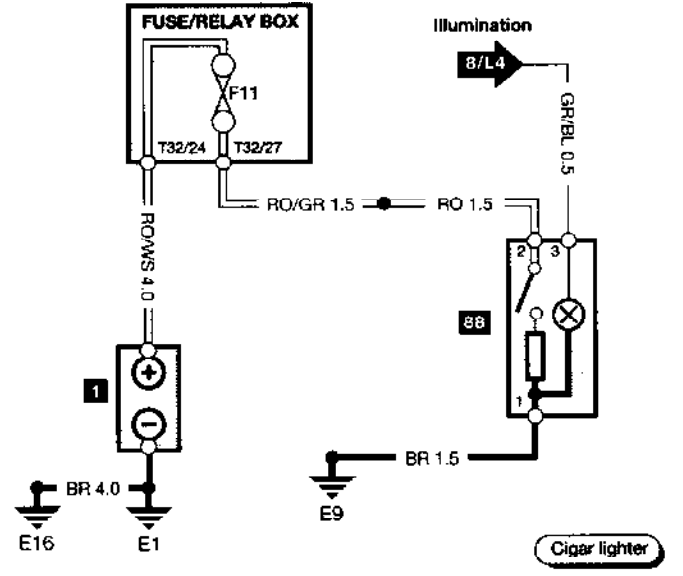
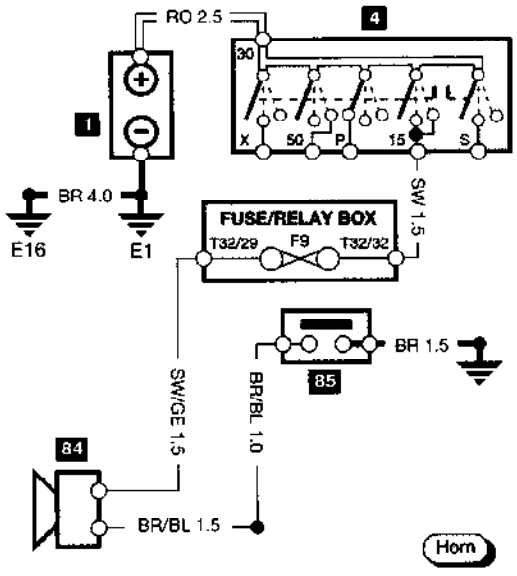


Diagram 9 : Horn, heated rear window, cigar lighter and radio/cassette