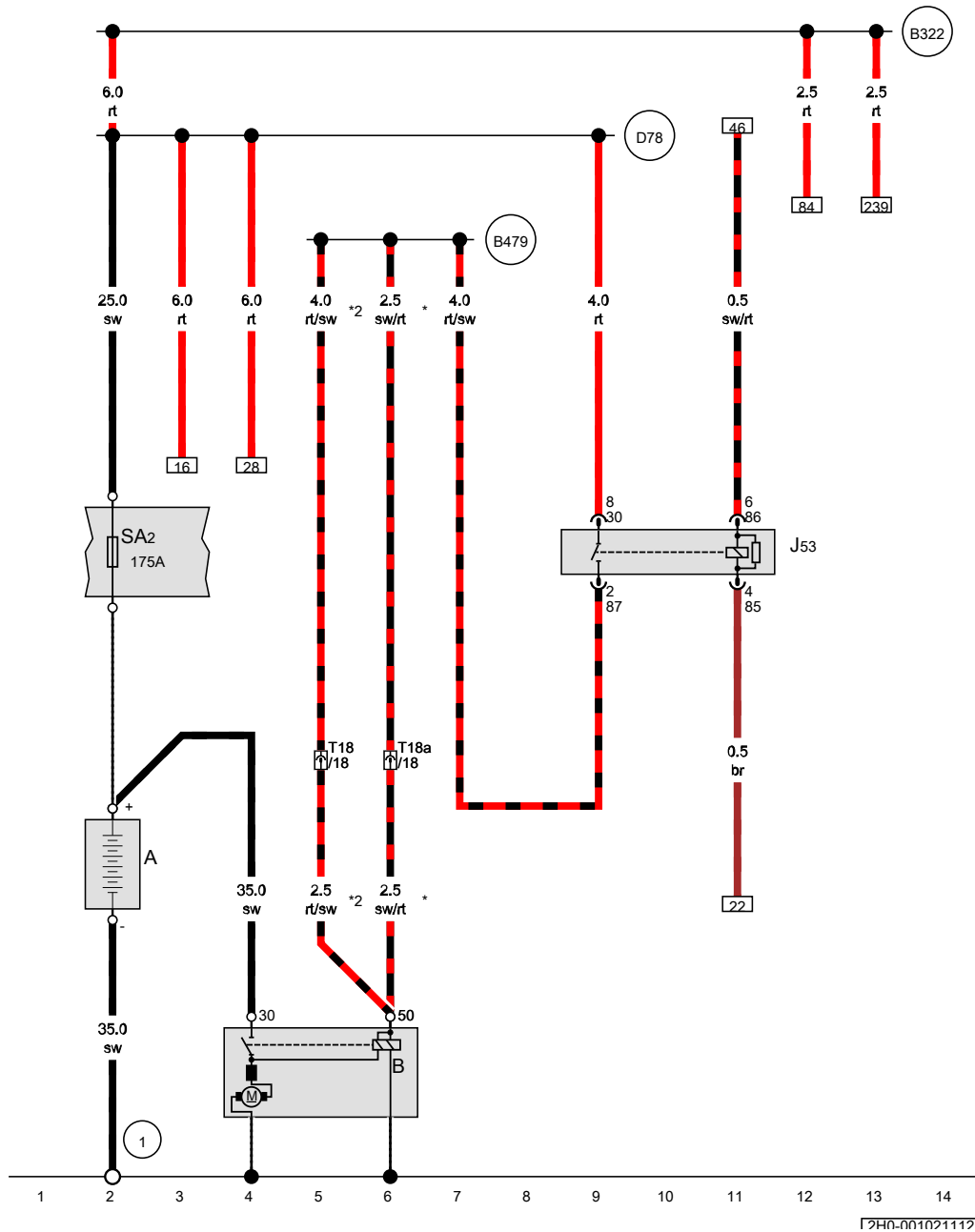


**Basic equipment**

From December 2009

Battery, Starter, Starter motor relay, Fuse 2 in fuse holder A



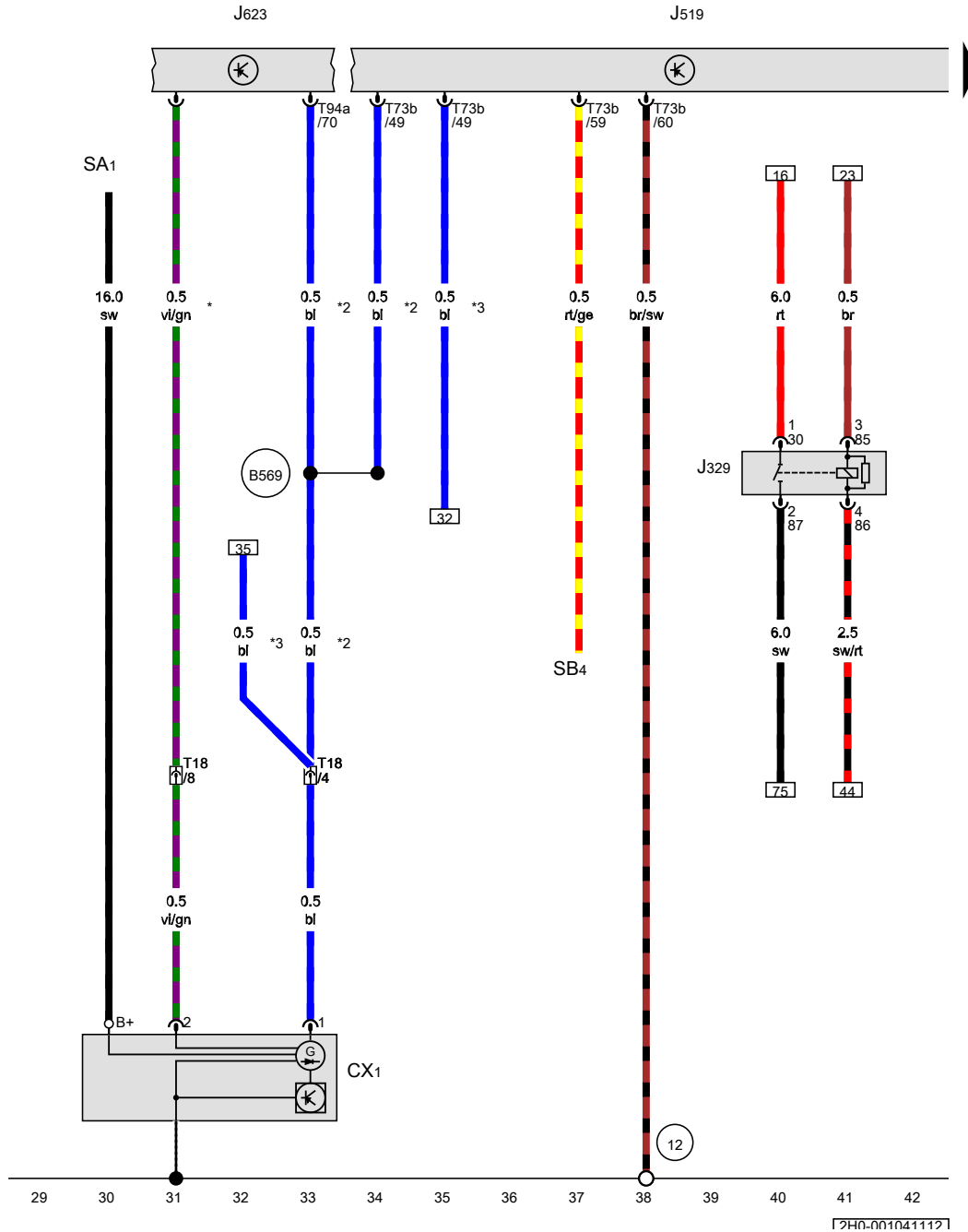
- A Battery
- B Starter
- J53 Starter motor relay
- SA2 Fuse 2 in fuse holder A
- T18 18-pin connector, near engine control unit
- T18a 18-pin connector, near engine control unit
- 1 Earth strap, battery - body
- B322 Positive connection 8 (30a) in main wiring harness
- B479 Connection 15, in main wiring harness
- D78 Positive connection 1 (30a), in engine compartment wiring harness
- \* Only models with diesel engine
- \*2 Only models with petrol engine

- ws = white
- sw = black
- ro = red
- br = brown
- gn = green
- bl = blue
- gr = grey
- li = purple
- ge = yellow
- or = orange
- rs = pink

ГЭН-0010211121



Alternator with voltage regulator, Terminal 15 voltage supply relay, Onboard supply control unit, Engine control unit, Fuse 4 on fuse holder B

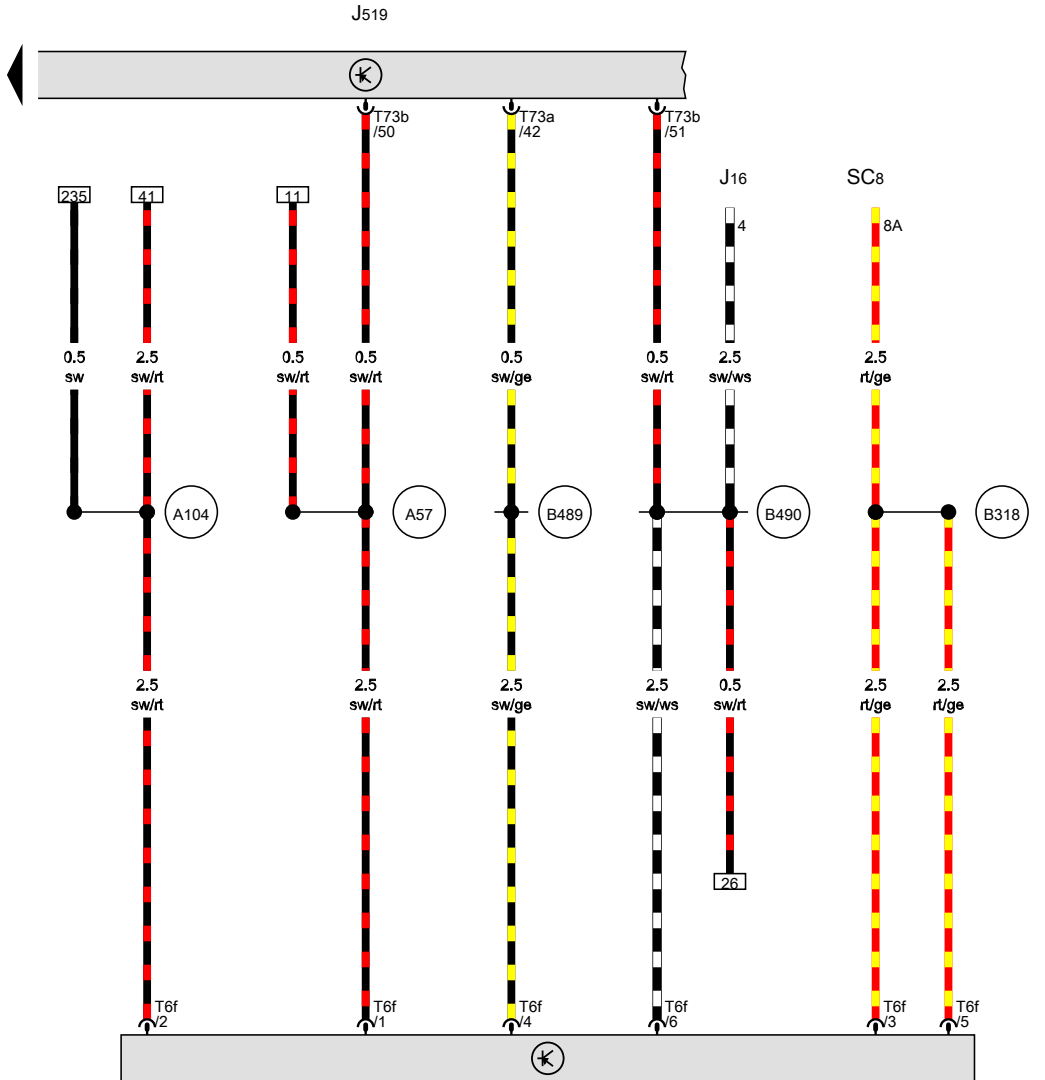


- CX1 Alternator with voltage regulator
- J329 Terminal 15 voltage supply relay
- J519 Onboard supply control unit
- J623 Engine control unit
- SA1 Fuse 1 in fuse holder A
- SB4 Fuse 4 on fuse holder B
- T18 18-pin connector, near engine control unit
- T73b 73-pin connector
- T94a 94-pin connector
- 12 Earth point, on left in engine compartment
- B569 Connection 36, in main wiring harness
- \* see applicable current flow diagram for engine
- \*2 Only models with diesel engine
- \*3 Only models with petrol engine

- ws = white
- sw = black
- ro = red
- br = brown
- gn = green
- bl = blue
- gr = grey
- li = purple
- ge = yellow
- or = orange
- rs = pink

ГЭН-0010411121

Ignition/starter switch, Onboard supply control unit



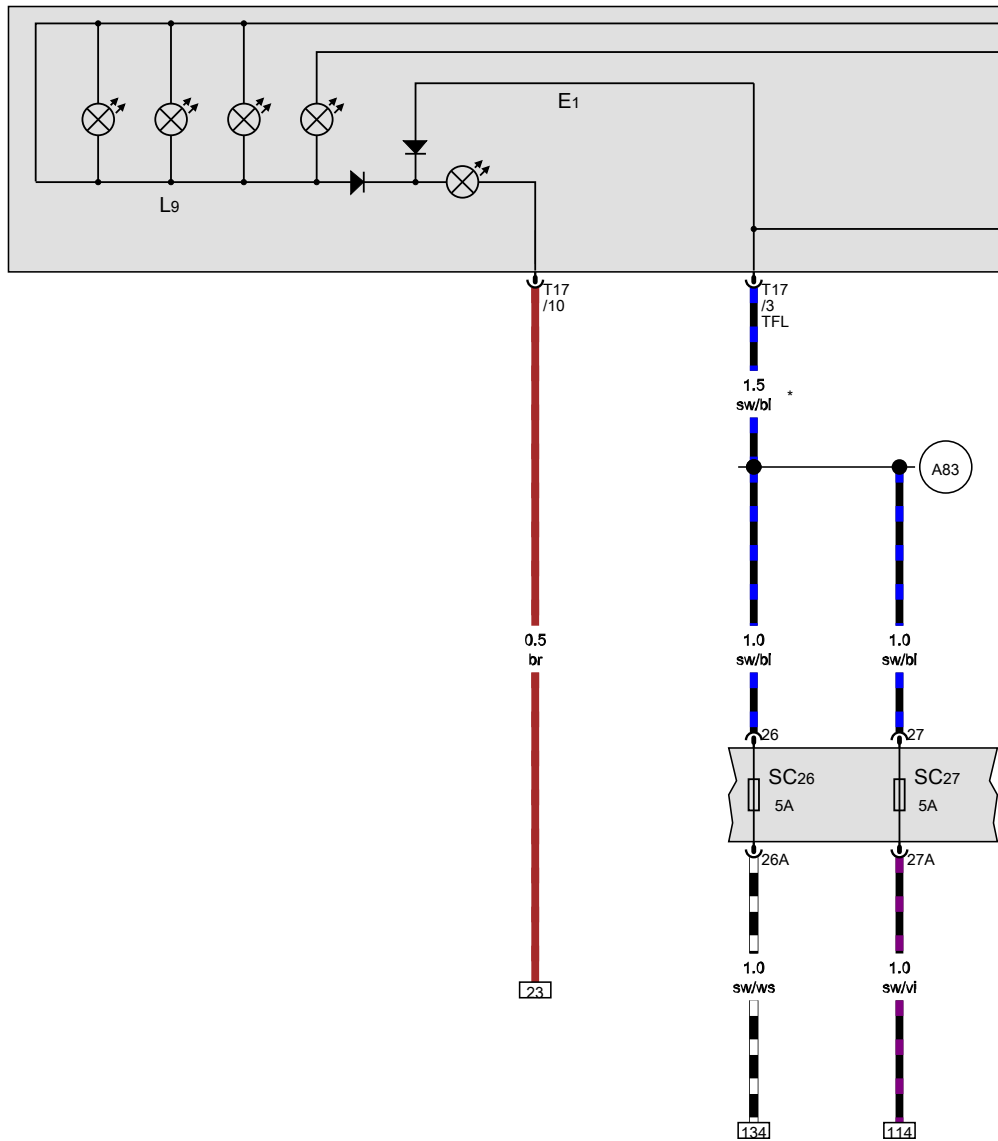
- D Ignition/starter switch
- J16 Current supply relay
- J519 Onboard supply control unit
- SC8 Fuse 8 on fuse holder C
- T6f 6-pin connector
- T73a 73-pin connector
- T73b 73-pin connector
- (A57) Positive connection 3 (30), in dash panel wiring harness
- (A104) Positive connection 2 (15), in dash panel wiring harness
- (B318) Positive connection 4 (30a) in main wiring harness
- (B489) Connection 25, in main wiring harness
- (B490) Connection 26, in main wiring harness

- ws = white
- sw = black
- ro = red
- br = brown
- gn = green
- bl = blue
- gr = grey
- li = purple
- ge = yellow
- or = orange
- rs = pink

43 44 45 46 47 48 49 50 51 52 53 54 55 56

1740-0010511121

Light switch, Light switch illumination bulb, Fuse 26 on fuse holder C, Fuse 27 on fuse holder C



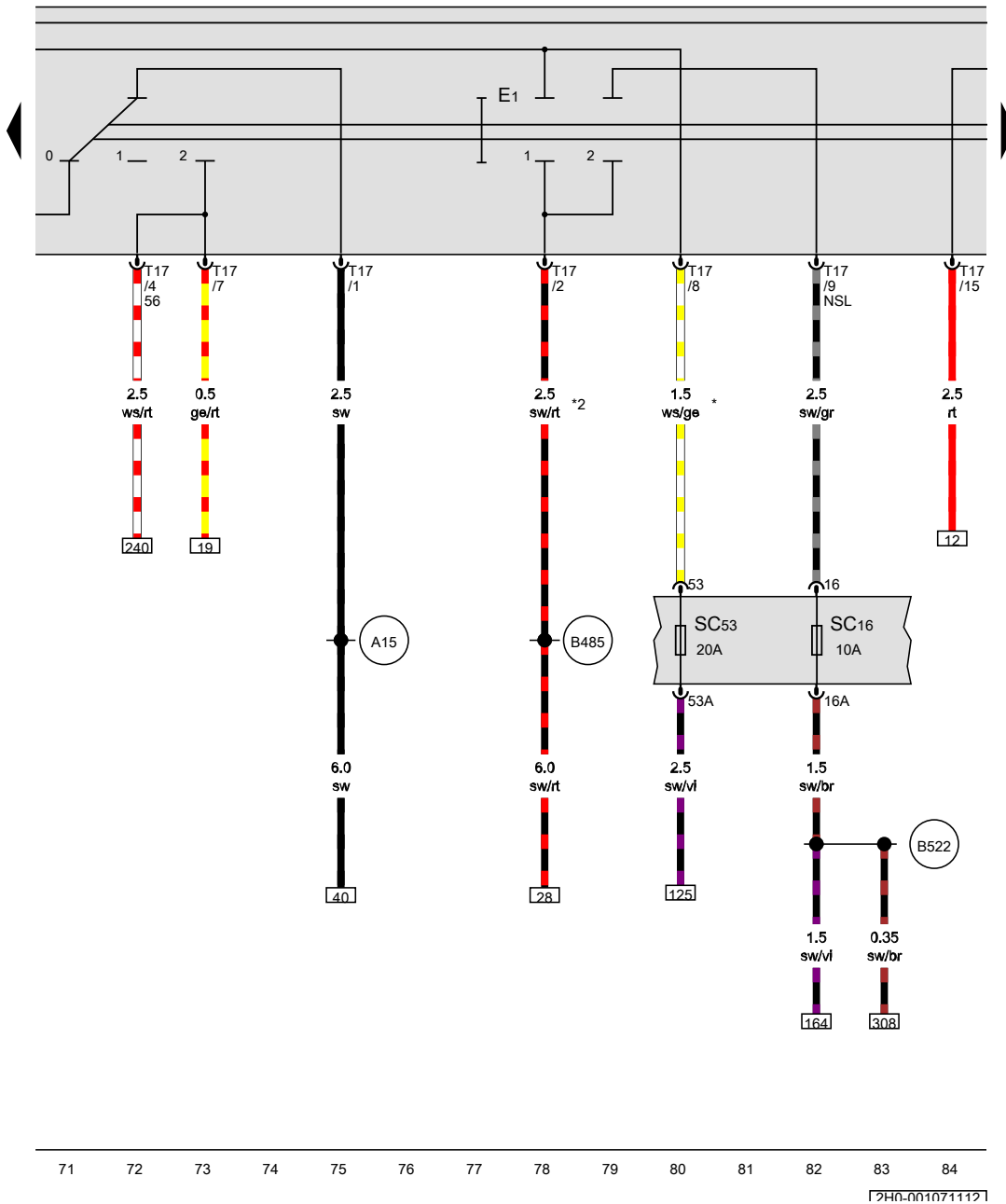
- E1 Light switch
- L9 Light switch illumination bulb
- SC26 Fuse 26 on fuse holder C
- SC27 Fuse 27 on fuse holder C
- T17 17-pin connector
- A83 Connection (daytime running lights), in dash panel wiring harness
- \* Only models with daytime running lights

57 58 59 60 61 62 63 64 65 66 67 68 69 70

17H0-0010611121

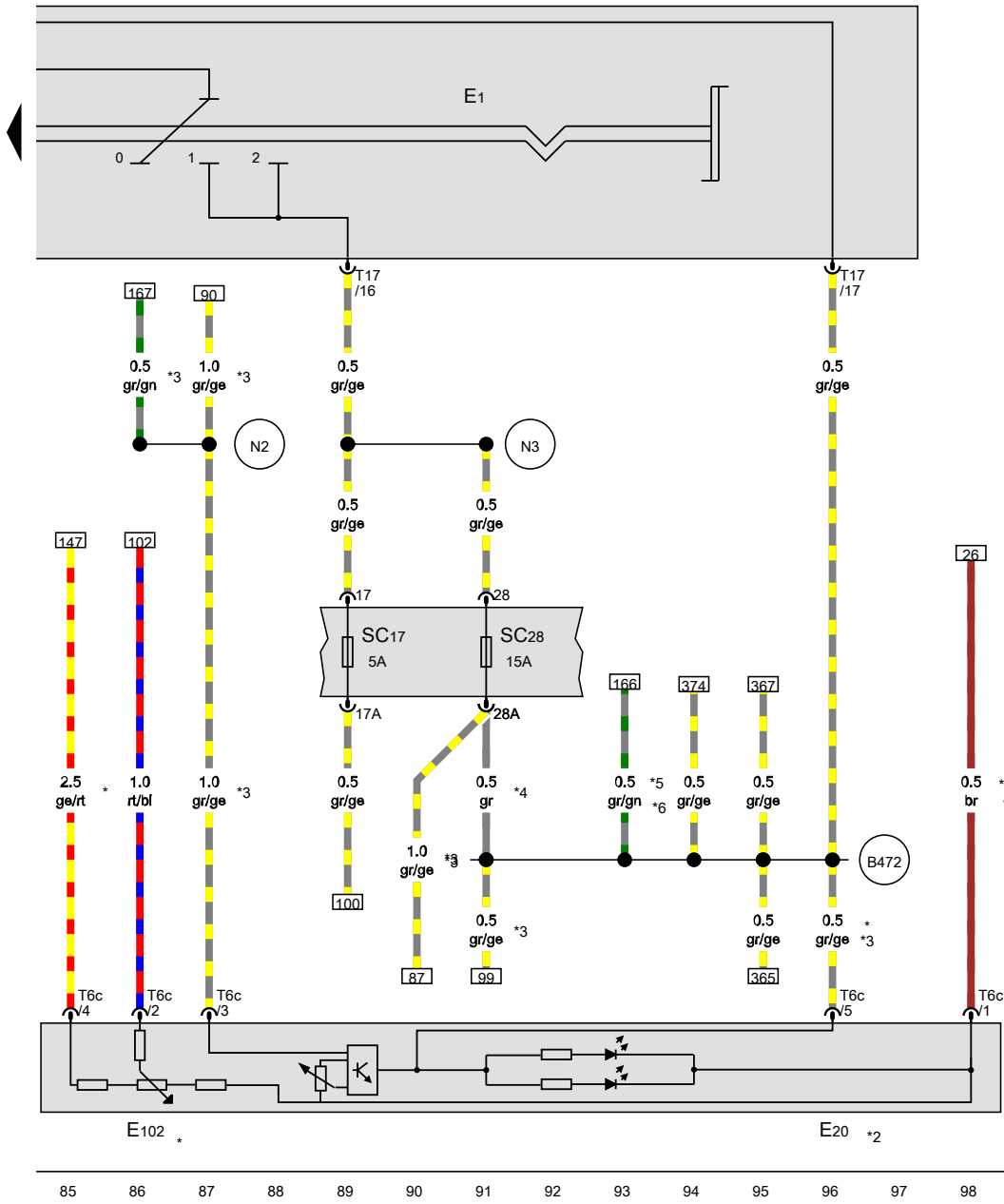
Light switch, Fuse 16 on fuse holder C, Fuse 53 on fuse holder C

- E1 Light switch
- SC16 Fuse 16 on fuse holder C
- SC53 Fuse 53 on fuse holder C
- T17 17-pin connector
- (A15) Positive connection (15), in instrument wiring harness
- (B485) Connection 21, in main wiring harness
- (B522) Connection (FL), in main wiring harness
- \* Only models with no fog lights but with multifunction display
- \*2 Only models with fog lights



- ws = white
- sw = black
- ro = red
- br = brown
- gn = green
- bl = blue
- gr = grey
- li = purple
- ge = yellow
- or = orange
- rs = pink

Light switch, Switch and instrument illumination regulator, Headlight range control regulator, Fuse 28 on fuse holder C



- E1 Light switch
- E20 Switch and instrument illumination regulator
- E102 Headlight range control regulator
- SC17 Fuse 17 on fuse holder C
- SC28 Fuse 28 on fuse holder C
- T6c 6-pin connector
- T17 17-pin connector
- (B472) Connection 8, in main wiring harness
- (N2) Connection 1, in headlight range control wiring harness
- (N3) Connection 2, in headlight range control wiring harness
- \* Only models with headlight range control
- \*2 Only models with dimmable instrument illumination
- \*3 Only models with Highline equipment
- \*4 Only models with no dimmable instrument illumination
- \*5 Only models with Trendline equipment
- \*6 Only models with basic equipment

- ws = white
- sw = black
- ro = red
- br = brown
- gn = green
- bl = blue
- gr = grey
- li = purple
- ge = yellow
- or = orange
- rs = pink

1740-0010811121

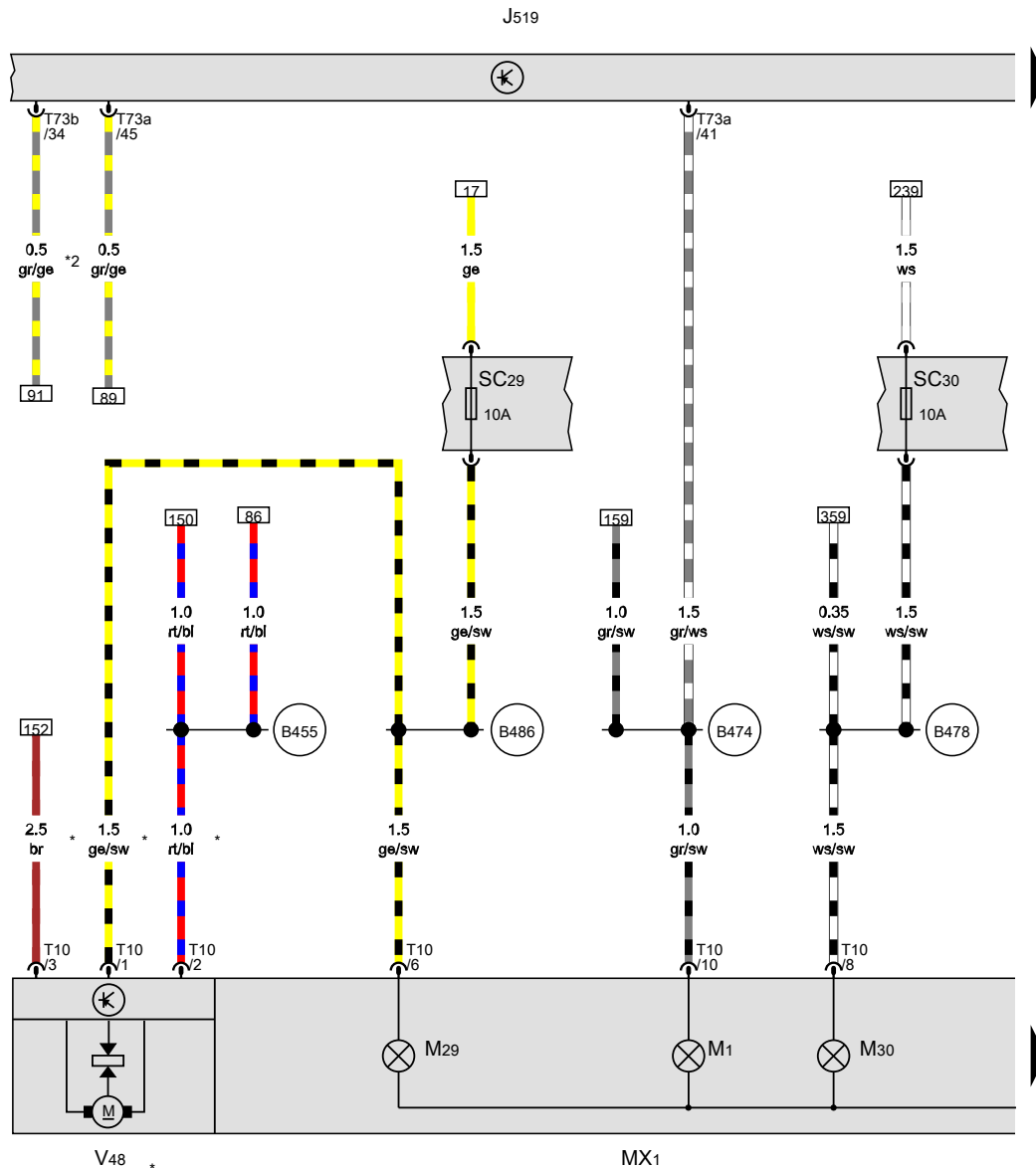


Front left headlight

- J519 Onboard supply control unit
- MX1 Front left headlight
- M1 Left side light bulb
- M29 Left headlight dipped beam bulb
- M30 Left headlight main beam bulb
- SC29 Fuse 29 on fuse holder C
- SC30 Fuse 30 on fuse holder C
- T10 10-pin connector
- T73a 73-pin connector
- T73b 73-pin connector
- V48 Left headlight range control motor

- (B455) Connection (HRC), in main wiring harness
- (B474) Connection 10, in main wiring harness
- (B478) Connection 14, in main wiring harness
- (B486) Connection 22, in main wiring harness

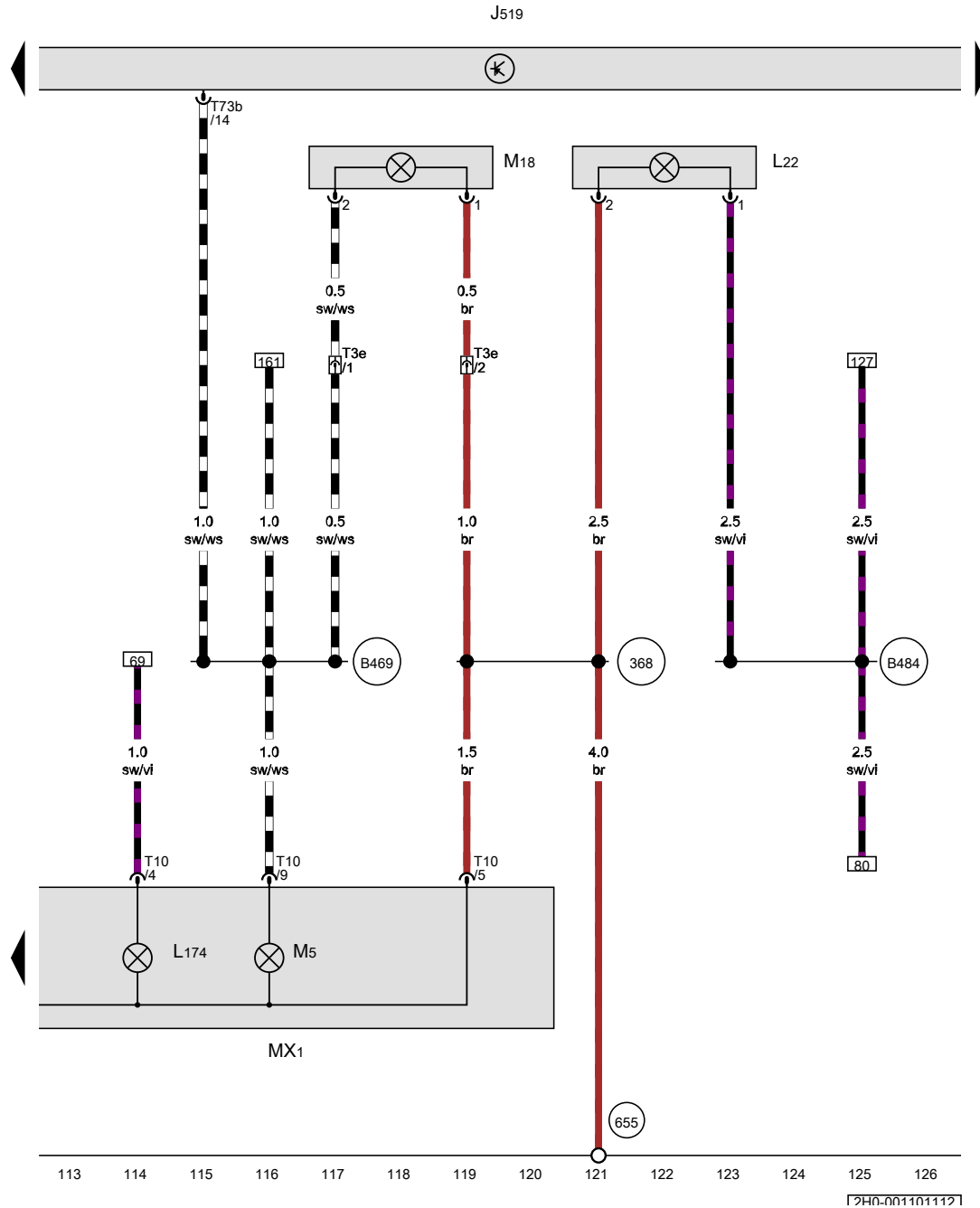
- \* Only models with headlight range control
- \*2 Only models with Highline equipment



- ws = white
- sw = black
- ro = red
- br = brown
- gn = green
- bl = blue
- gr = grey
- li = purple
- ge = yellow
- or = orange
- rs = pink

99 100 101 102 103 104 105 106 107 108 109 110 111 112

□240-0010911121



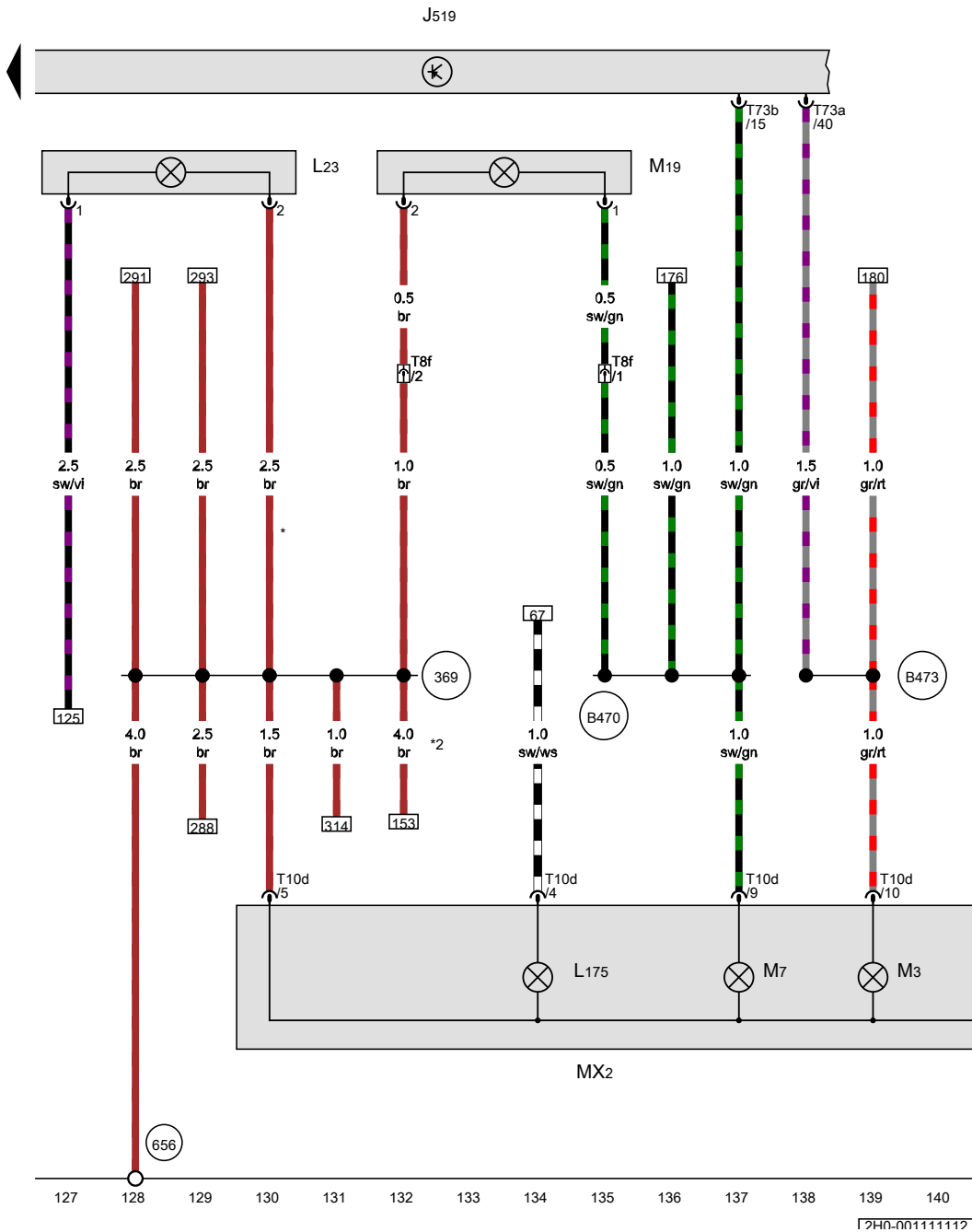
**Left fog light bulb, Front left headlight, Left turn signal repeater bulb**

- J519 Onboard supply control unit
- L22 Left fog light bulb
- L174 Left daytime running light bulb
- MX1 Front left headlight
- M5 Front left turn signal bulb
- M18 Left turn signal repeater bulb
- T3e 3-pin connector, in rear left of engine compartment
- T10 10-pin connector
- T73b 73-pin connector

- 368 Earth connection 3, in main wiring harness
- 655 Earth point, on left headlight, on left on bulkhead
- B469 Connection 5, in main wiring harness
- B484 Connection 20, in main wiring harness

- ws = white
- sw = black
- ro = red
- br = brown
- gn = green
- bl = blue
- gr = grey
- li = purple
- ge = yellow
- or = orange
- rs = pink

ГЭН-0011011171



**Right fog light bulb, Front right headlight, Right turn signal repeater bulb**

- J519 Onboard supply control unit
- L23 Right fog light bulb
- L175 Right daytime running light bulb
- MX2 Front right headlight
- M3 Right side light bulb
- M7 Front right turn signal bulb
- M19 Right turn signal repeater bulb
- T8f 8-pin connector, in rear right of engine compartment
- T10d 10-pin connector
- T73a 73-pin connector
- T73b 73-pin connector

- 369 Earth connection 4, in main wiring harness
- 656 Earth point, on right headlight, on right on bulkhead
- B470 Connection 6, in main wiring harness
- B473 Connection 9, in main wiring harness
- \* Only models with basic equipment
- \*2 Only models with headlight range control

- ws = white
- sw = black
- ro = red
- br = brown
- gn = green
- bl = blue
- gr = grey
- li = purple
- ge = yellow
- or = orange
- rs = pink

ГЭН-001111111

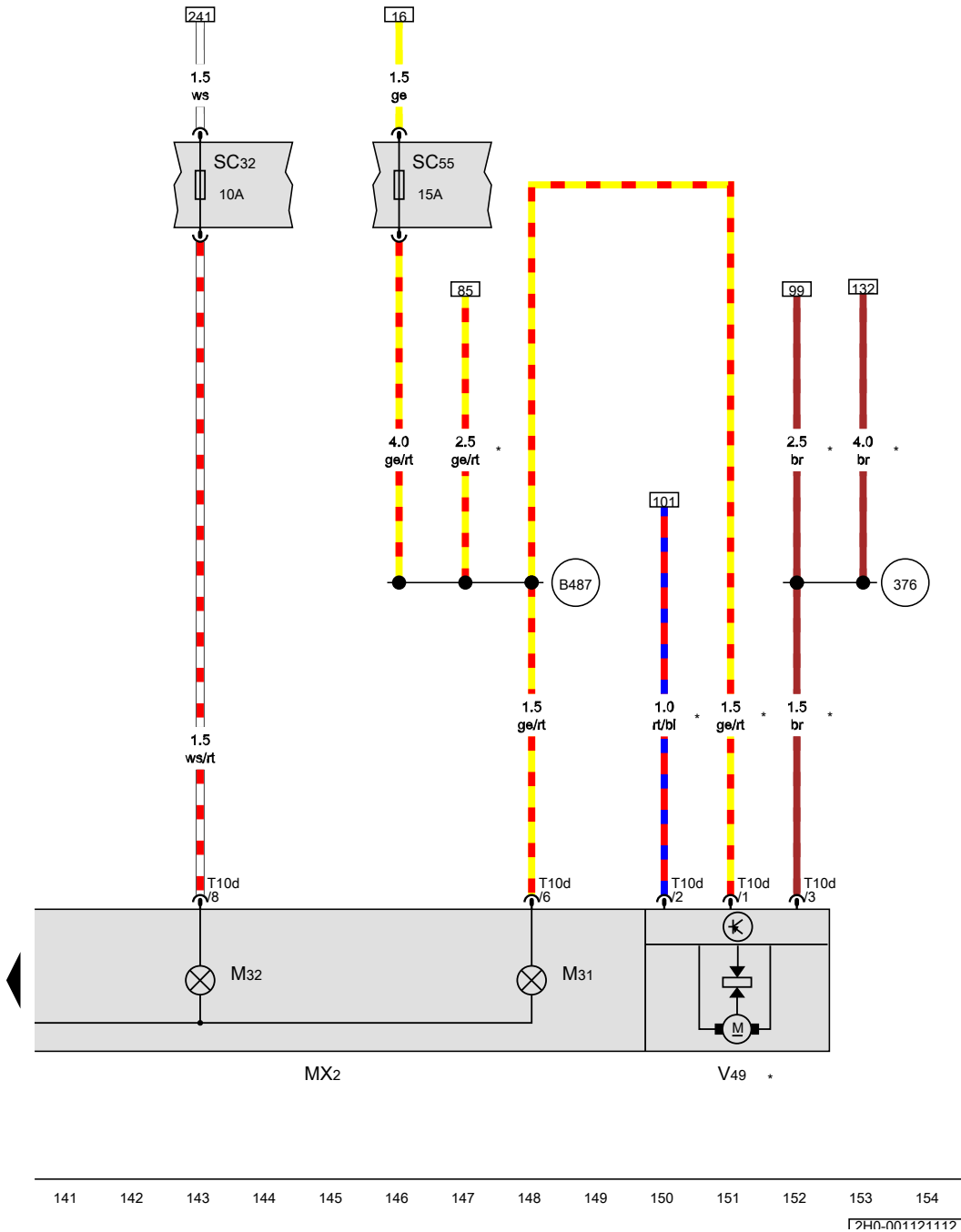
Front right headlight, Fuse 32 on fuse holder C, Fuse 55 on fuse holder C

- MX2 Front right headlight
- M31 Right headlight dipped beam bulb
- M32 Right headlight main beam bulb
- SC32 Fuse 32 on fuse holder C
- SC55 Fuse 55 on fuse holder C
- T10d 10-pin connector
- V49 Right headlight range control motor

376 Earth connection 11, in main wiring harness

B487 Connection 23, in main wiring harness

- \* Only models with headlight range control
- \*2 Only models with cruise control system (CCS)



- ws = white
- sw = black
- ro = red
- br = brown
- gn = green
- bl = blue
- gr = grey
- li = purple
- ge = yellow
- or = orange
- rs = pink

141 142 143 144 145 146 147 148 149 150 151 152 153 154

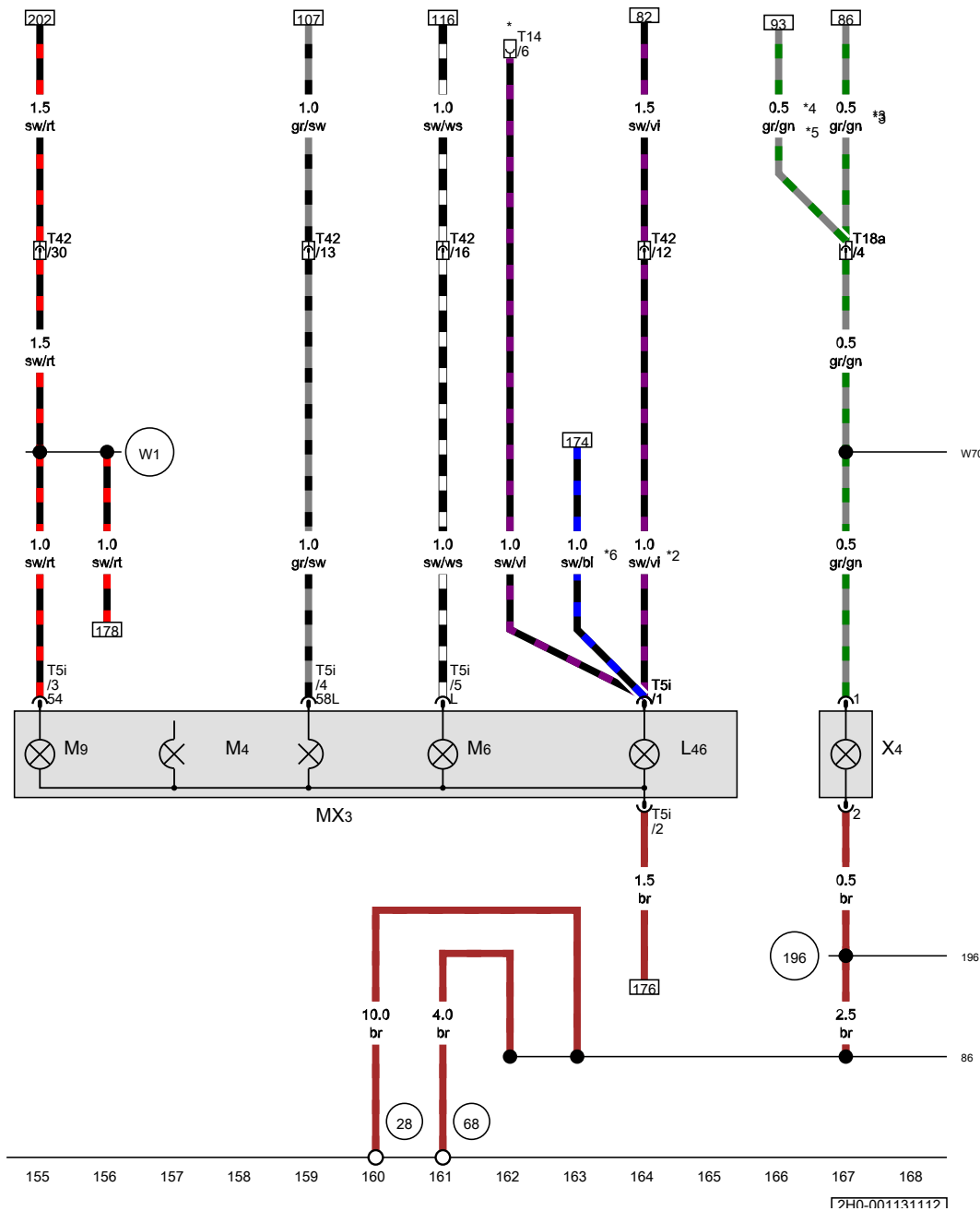
1740-0011211121

Left tail light, Left number plate light

- L46 Rear left fog light bulb
- MX3 Left tail light
- M4 Left tail light bulb
- M6 Rear left turn signal bulb
- M9 Left brake light bulb
- T5i 5-pin connector
- T14 14-pin connector, behind rear bumper on left
- T18a 18-pin connector, near engine control unit
- T42 42-pin connector, near handbrake lever
- X4 Left number plate light

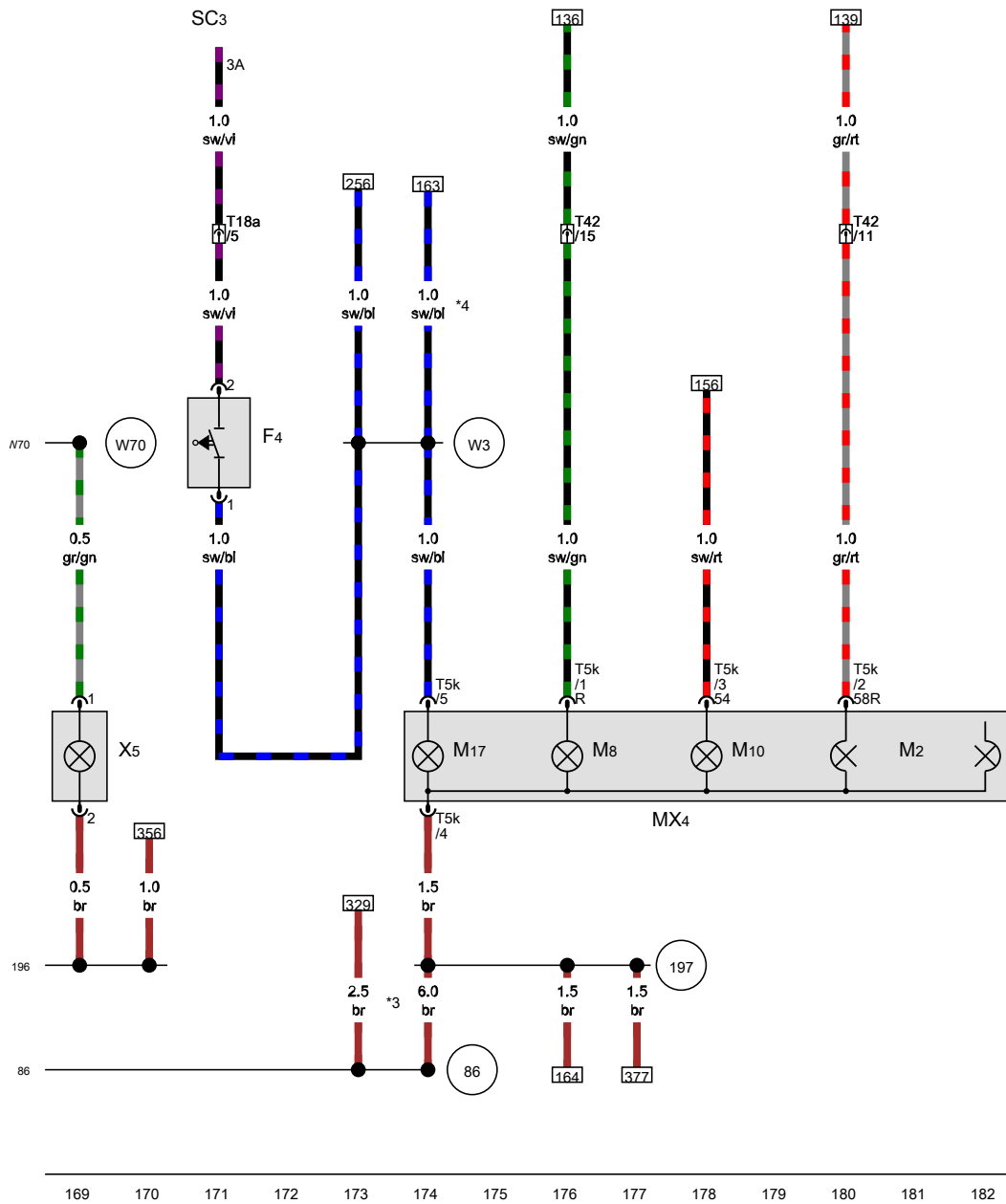
- (28) Earth point, on bulkhead
- (68) Earth point, on left of rear cross member
- (86) Earth connection 1, in rear wiring harness
- (196) Earth connection 3, in rear wiring harness
- (W1) Positive connection 1 (54), in rear wiring harness
- (W70) Positive connection 2 (58), in number plate wiring harness

- \* see applicable current flow diagram for preparation for trailer coupling
- \*2 Only models with no towing bracket
- \*3 Only models with Highline equipment
- \*4 Only models with Trendline equipment
- \*5 Only models with basic equipment
- \*6 Only models with no rear fog light



- ws = white
- sw = black
- ro = red
- br = brown
- gn = green
- bl = blue
- gr = grey
- li = purple
- ge = yellow
- or = orange
- rs = pink

Reversing light switch, Right tail light, Right number plate light



- F4 Reversing light switch
- M2 Right tail light bulb
- MX4 Right tail light
- M8 Rear right turn signal bulb
- M10 Right brake light bulb
- M17 Right reversing light bulb
- SC3 Fuse 3 on fuse holder C
- T5k 5-pin connector
- T18a 18-pin connector, near engine control unit
- T42 42-pin connector, near handbrake lever
- X5 Right number plate light
- 86 Earth connection 1, in rear wiring harness
- 196 Earth connection 3, in rear wiring harness
- 197 Earth connection 4, in rear wiring harness
- W3 Connection in rear wiring harness
- W70 Positive connection 2 (58), in number plate wiring harness
- \* Only models with headlight range control
- \*2 Only models with Highline equipment
- \*3 Only models with diesel engine
- \*4 Only models with no rear fog light

ws = white  
 sw = black  
 ro = red  
 br = brown  
 gn = green  
 bl = blue  
 gr = grey  
 li = purple  
 ge = yellow  
 or = orange  
 rs = pink

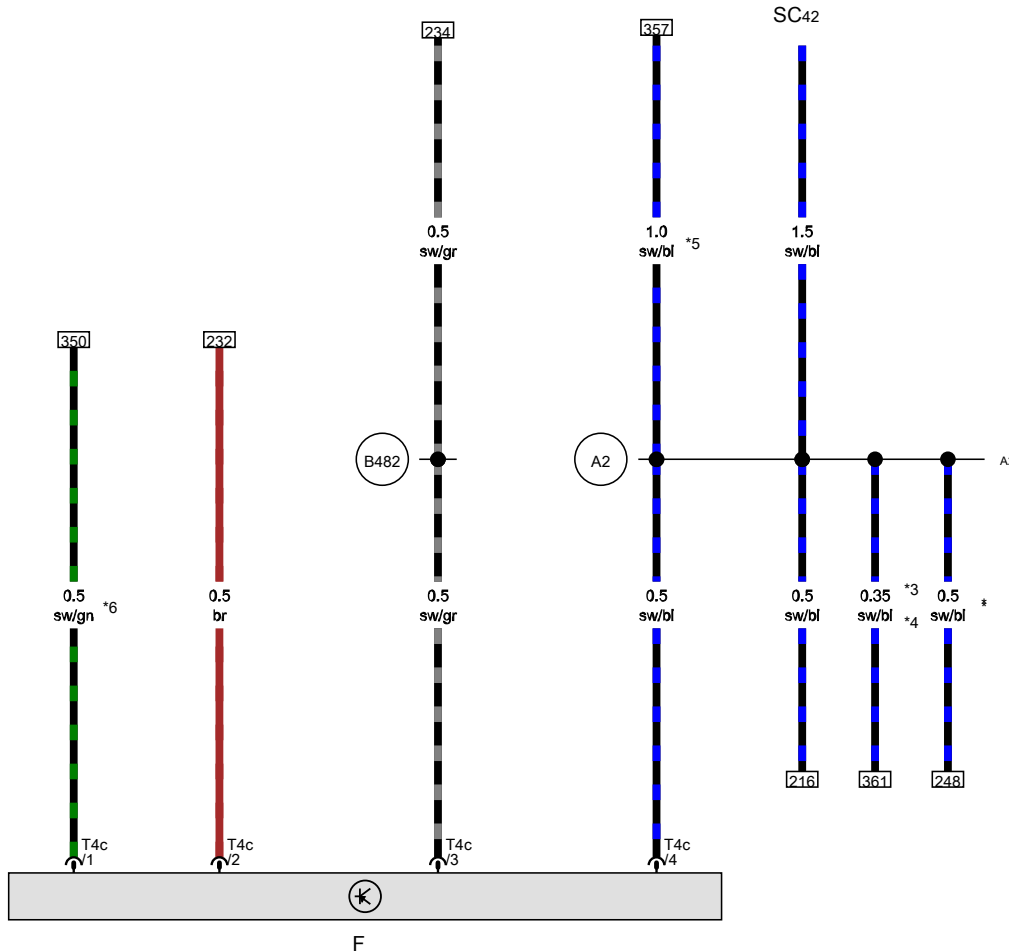
Brake light switch

- F Brake light switch
- SC42 Fuse 42 on fuse holder C
- T4c 4-pin connector

A2 Positive connection (15), in dash panel wiring harness

B482 Connection 18, in main wiring harness

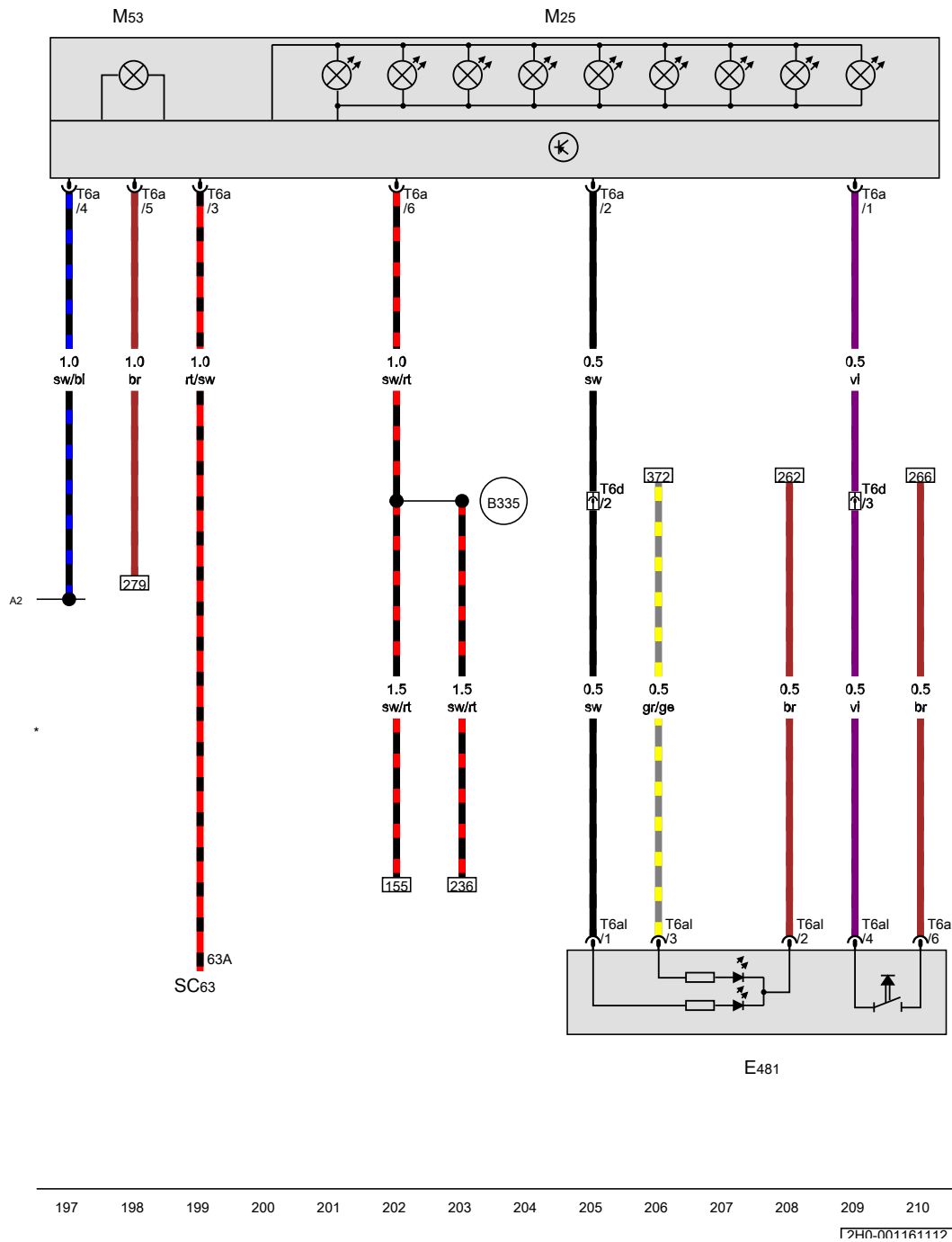
- \* Only models with cruise control system (CCS)
- \*2 Only models with multifunction display
- \*3 Country specific
- \*4 If fitted
- \*5 Only models with Euro 5 emission standard
- \*6 see applicable current flow diagram for engine



- ws = white
- sw = black
- ro = red
- br = brown
- gn = green
- bl = blue
- gr = grey
- li = purple
- ge = yellow
- or = orange
- rs = pink

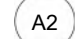
183 184 185 186 187 188 189 190 191 192 193 194 195 196

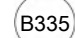
7PH0-001151117



**Load area illumination switch, Additional brake light bulb, Load area illumination bulb**

- E481 Load area illumination switch, near radio
- M25 Additional brake light bulb
- M53 Load area illumination bulb
- SC63 Fuse 63 on fuse holder C
- T6a 6-pin connector
- T6al 6-pin connector
- T6d 6-pin connector, on relay carrier

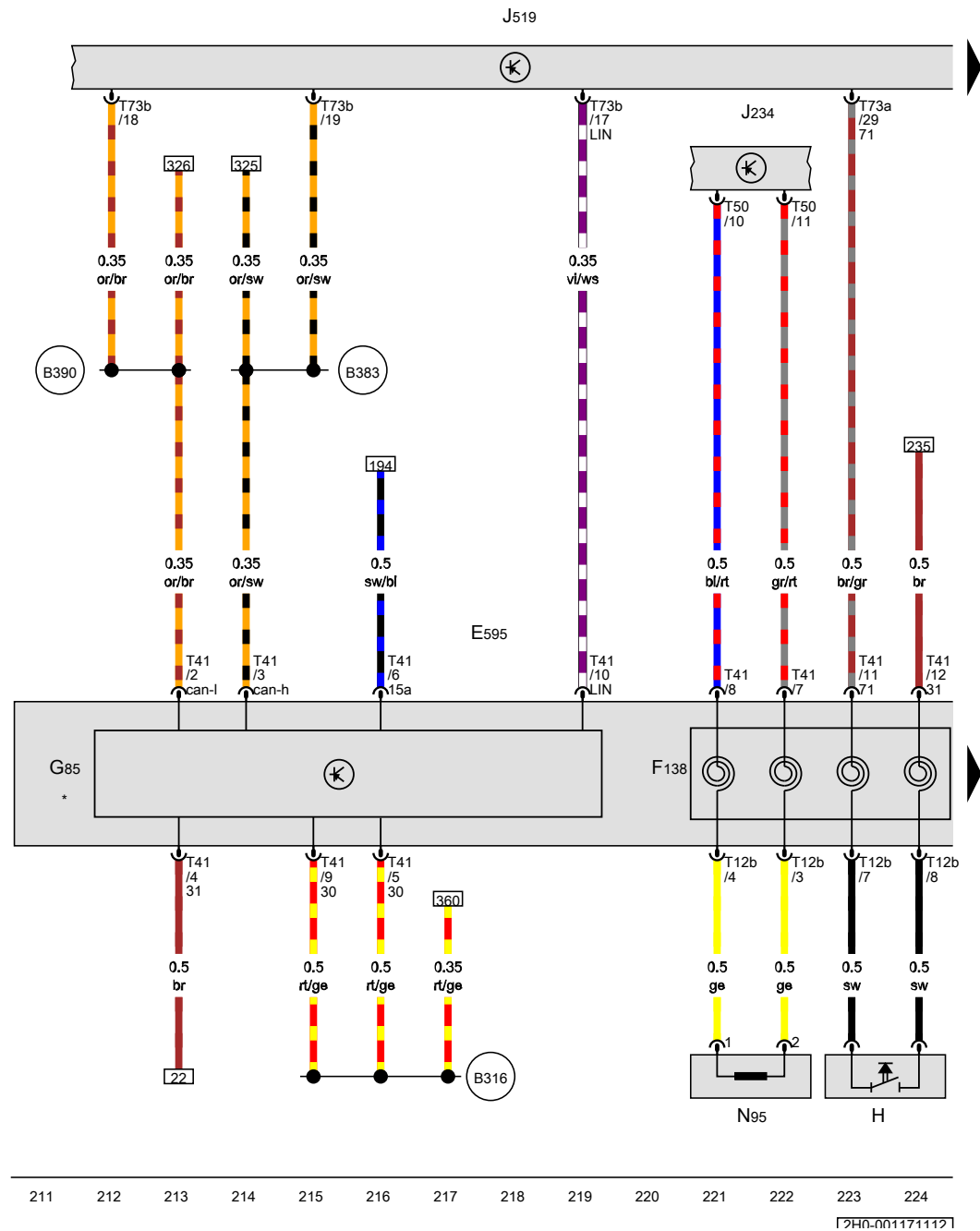
 Positive connection (15), in dash panel wiring harness

 Connection 1 (54), in main wiring harness

\* Only models with headlight range control




- ws = white
- sw = black
- ro = red
- br = brown
- gn = green
- bl = blue
- gr = grey
- li = purple
- ge = yellow
- or = orange
- rs = pink





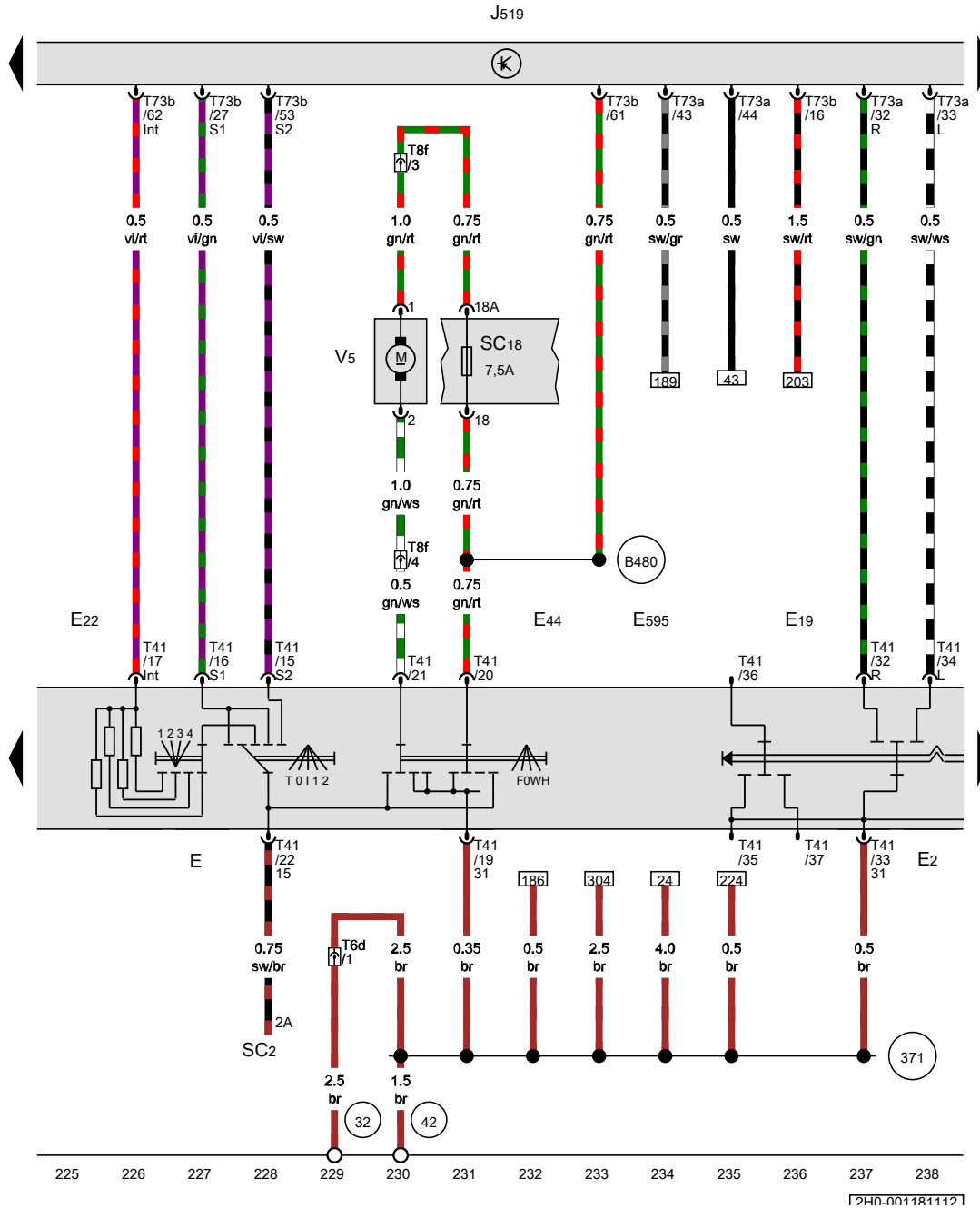
Steering column combination switch, Airbag coil connector and return ring with slip ring, Steering angle sender, Horn plate, Airbag control unit

- E595 Steering column combination switch
- F138 Airbag coil connector and return ring with slip ring, on steering wheel
- G85 Steering angle sender
- H Horn plate
- J234 Airbag control unit
- J519 Onboard supply control unit
- N95 Driver side airbag igniter
- T12b 12-pin connector
- T41 41-pin connector
- T50 50-pin connector
- T73a 73-pin connector
- T73b 73-pin connector

-  B316 Positive connection 2 (30a) in main wiring harness
-  B383 Connection 1 (powertrain CAN bus, high), in main wiring harness
-  B390 Connection 1 (powertrain CAN bus, low), in main wiring harness

\* Only models with anti-lock brake system (ABS) and electronic stabilisation program (ESP)

- ws = white
- sw = black
- ro = red
- br = brown
- gn = green
- bl = blue
- gr = grey
- li = purple
- ge = yellow
- or = orange
- rs = pink

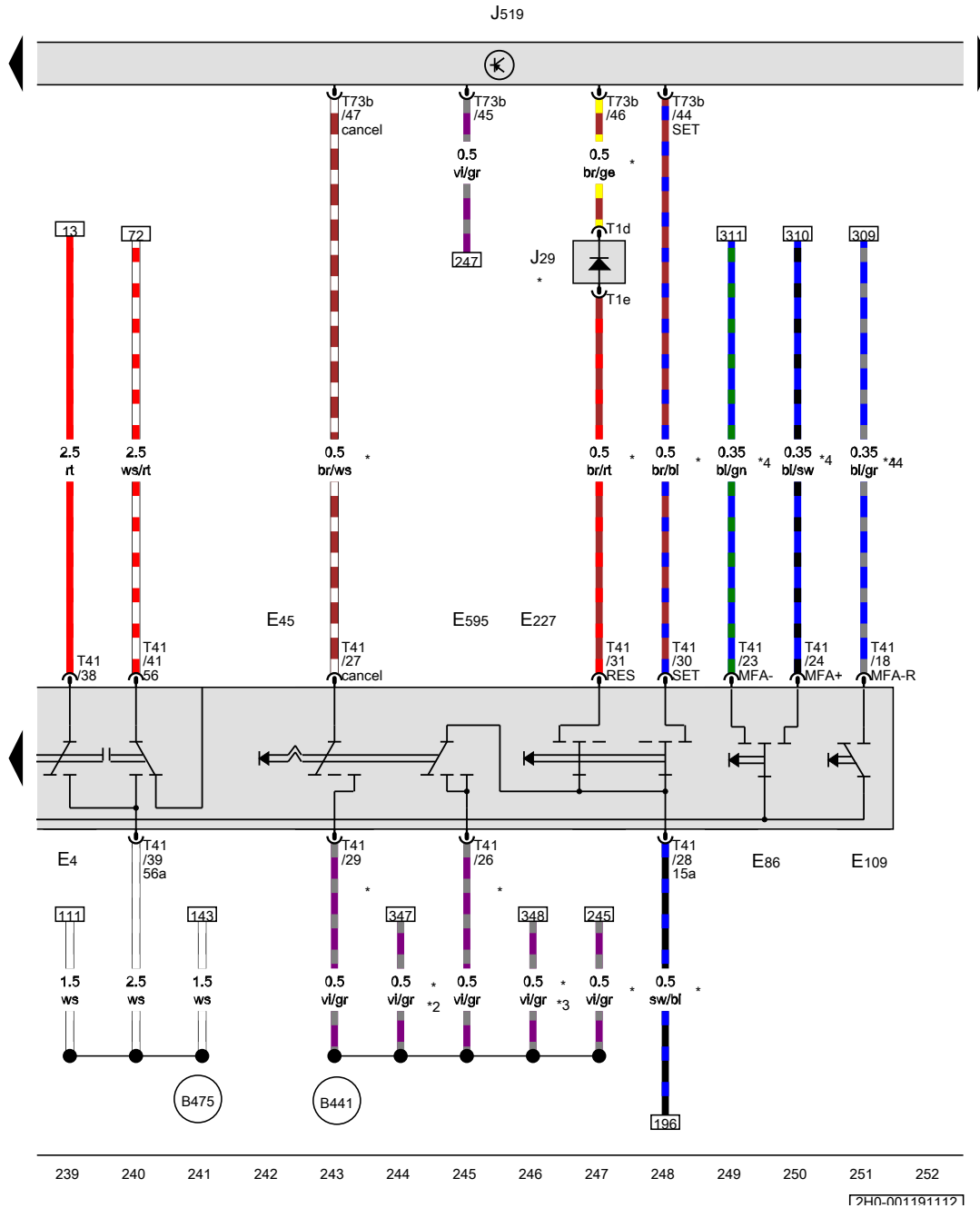


Turn signal switch, Intermittent wiper switch, Washer pump switch (automatic wash/wipe and headlight washer system), Steering column combination switch, Washer pump

- E Windscreen wiper switch
- E2 Turn signal switch
- E19 Parking light switch
- E22 Intermittent wiper switch
- E44 Washer pump switch (automatic wash/wipe and headlight washer system)
- E595 Steering column combination switch
- J519 Onboard supply control unit
- SC2 Fuse 2 on fuse holder C
- SC18 Fuse 18 on fuse holder C
- T6d 6-pin connector, in centre of dash panel
- T8f 8-pin connector, in rear left of engine compartment
- T41 41-pin connector
- T73a 73-pin connector
- T73b 73-pin connector
- V5 Washer pump

- 32 Earth point, on left behind dash panel
- 42 Earth point, next to steering column
- 371 Earth connection 6, in main wiring harness
- B480 Connection 16, in main wiring harness

- ws = white
- sw = black
- ro = red
- br = brown
- gn = green
- bl = blue
- gr = grey
- li = purple
- ge = yellow
- or = orange
- rs = pink



Headlight dipper and flasher switch, Cruise control system switch, Multifunction display call-up button, Multifunction display memory switch, Steering column combination switch

- E4 Headlight dipper and flasher switch
- E45 Cruise control system switch
- E86 Multifunction display call-up button
- E109 Multifunction display memory switch
- E227 Cruise control system (CCS) SET button
- E595 Steering column combination switch
- J29 Blocking diode, near steering column
- J519 Onboard supply control unit
- T1d Single connector
- T1e Single connector
- T41 41-pin connector
- T73b 73-pin connector

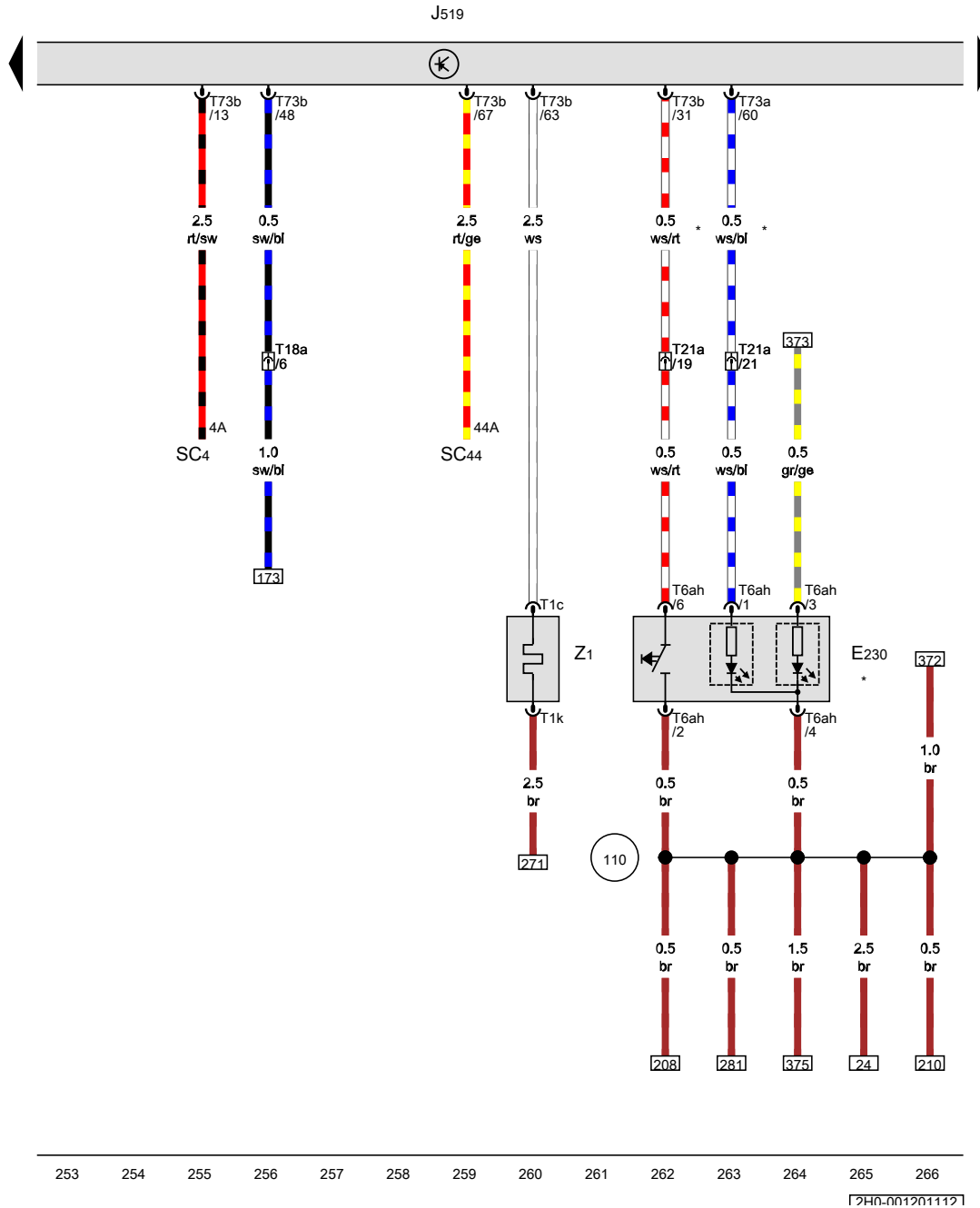
(B441) Connection (CCS), in main wiring harness

(B475) Connection 11, in main wiring harness

- \* Only models with cruise control system (CCS)
- \*2 Only models with petrol engine
- \*3 Only models with diesel engine
- \*4 Only models with multifunction display
- \*5 Only models with Highline equipment

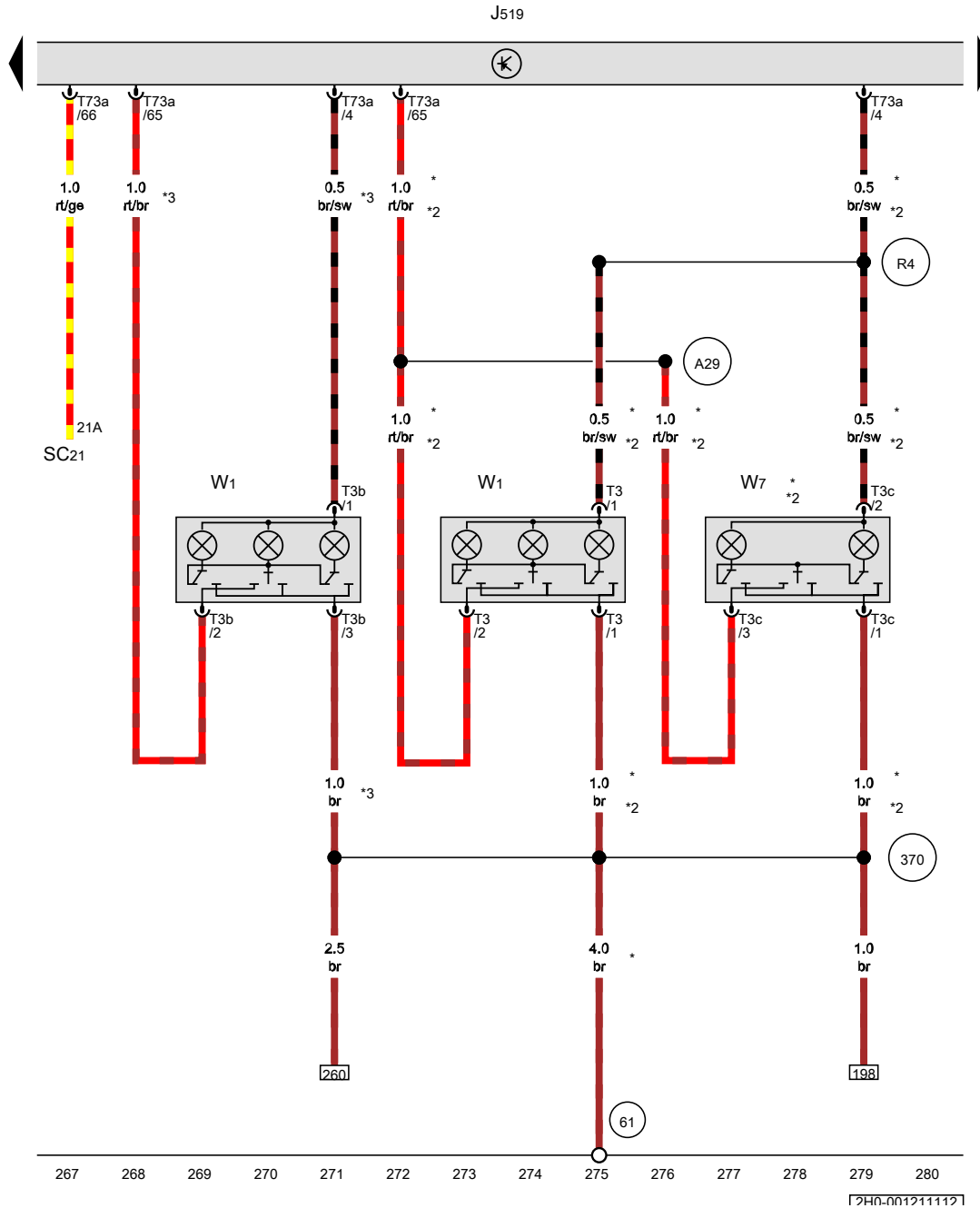
- ws = white
- sw = black
- ro = red
- br = brown
- gn = green
- bl = blue
- gr = grey
- li = purple
- ge = yellow
- or = orange
- rs = pink

Heated rear window button, Heated rear window



- E230 Heated rear window button, near radio
- J519 Onboard supply control unit
- SC4 Fuse 4 on fuse holder C
- SC44 Fuse 44 on fuse holder C
- T1c Single connector
- T1k Single connector
- T6ah 6-pin connector
- T18a 18-pin connector, near engine control unit
- T21a 21-pin connector, on relay carrier
- T73a 73-pin connector
- T73b 73-pin connector
- Z1 Heated rear window
- 110 Earth connection 2, in dash panel wiring harness
- \* Only models with no air conditioning system/Climatronic

- ws = white
- sw = black
- ro = red
- br = brown
- gn = green
- bl = blue
- gr = grey
- li = purple
- ge = yellow
- or = orange
- rs = pink



Front interior light, Centre interior light

- J519 Onboard supply control unit
- SC21 Fuse 21 on fuse holder C
- T3 3-pin connector
- T3b 3-pin connector
- T3c 3-pin connector
- T73a 73-pin connector
- W1 Front interior light
- W7 Centre interior light

- 61 Earth point, left C-pillar
- 370 Earth connection 5, in main wiring harness
- A29 Connection (interior light), in dash panel wiring harness
- R4 Connection 1, in interior light/door contact switch wiring harness
- \* Only models with double cab
- \*2 Only models with Highline equipment
- \*3 Only models with basic equipment

- ws = white
- sw = black
- ro = red
- br = brown
- gn = green
- bl = blue
- gr = grey
- li = purple
- ge = yellow
- or = orange
- rs = pink

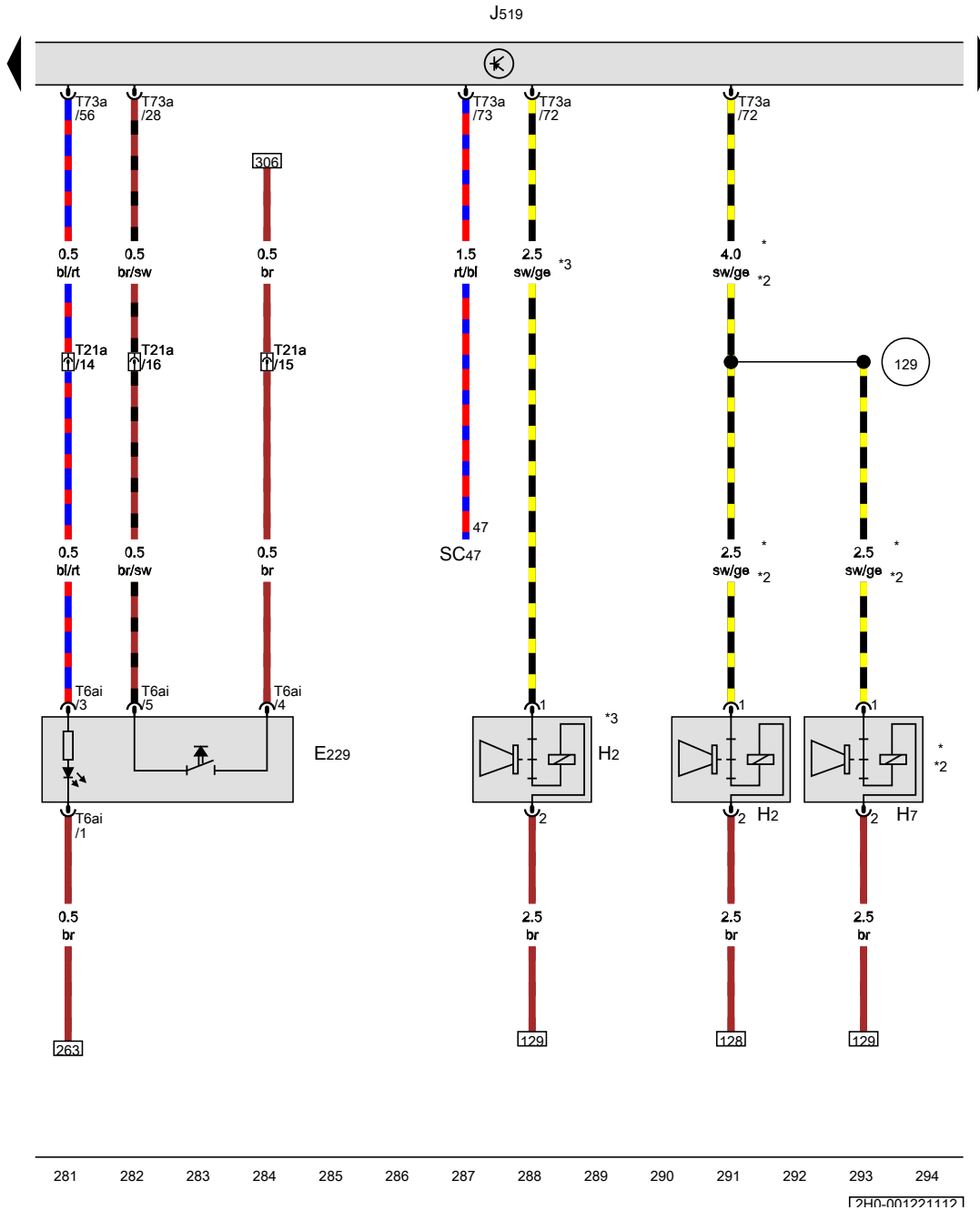
[740-001211117]

Hazard warning lights button, Treble horn, Bass horn

- E229 Hazard warning lights button, near radio
- H2 Treble horn
- H7 Bass horn
- J519 Onboard supply control unit
- SC47 Fuse 47 on fuse holder C
- T6ai 6-pin connector
- T21a 21-pin connector, on relay carrier
- T73a 73-pin connector

129 Earth connection, in dual tone horn wiring harness

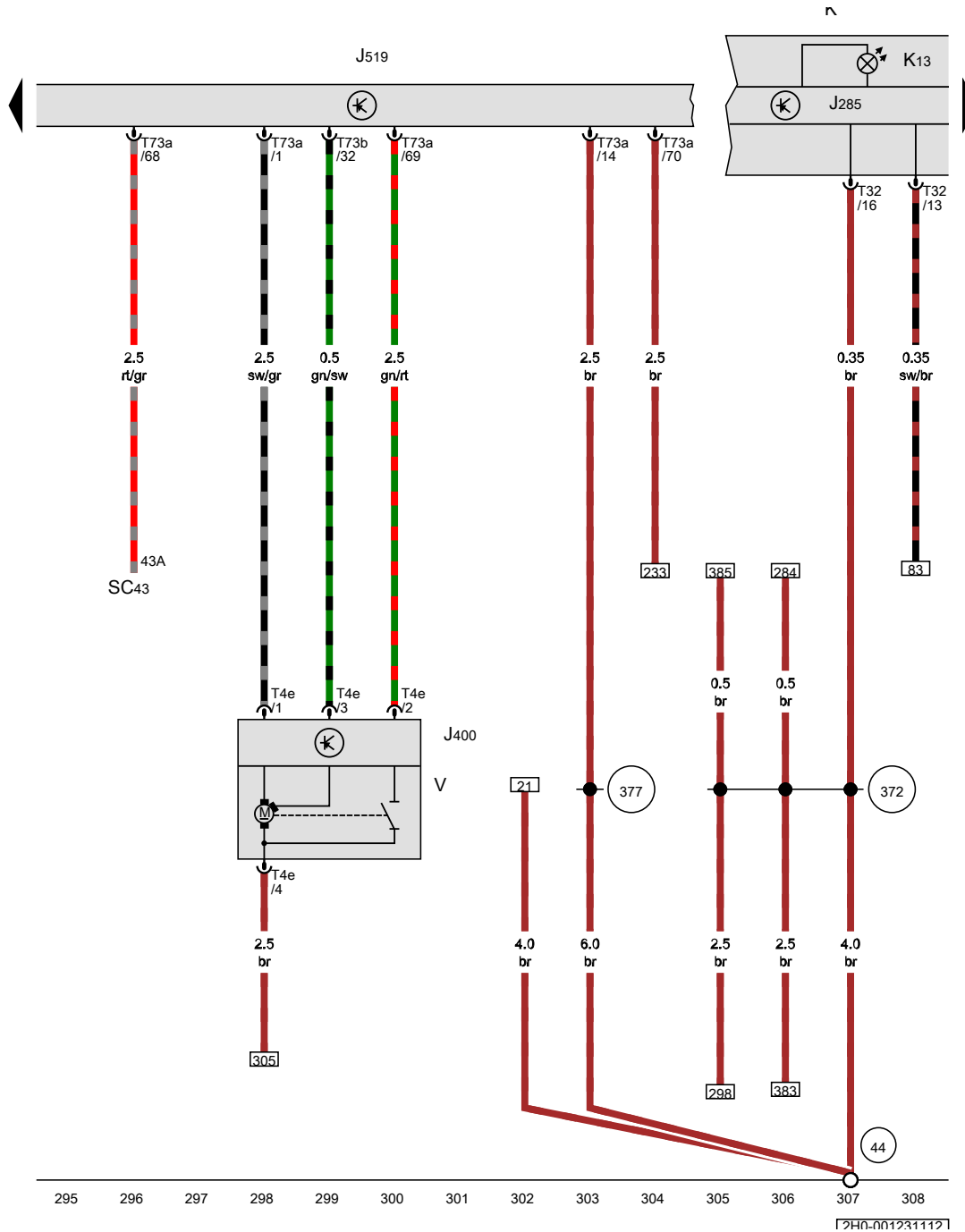
- \* Only models with Highline equipment
- \*2 Only models with Trendline equipment
- \*3 Only models with basic equipment



- ws = white
- sw = black
- ro = red
- br = brown
- gn = green
- bl = blue
- gr = grey
- li = purple
- ge = yellow
- or = orange
- rs = pink

281 282 283 284 285 286 287 288 289 290 291 292 293 294

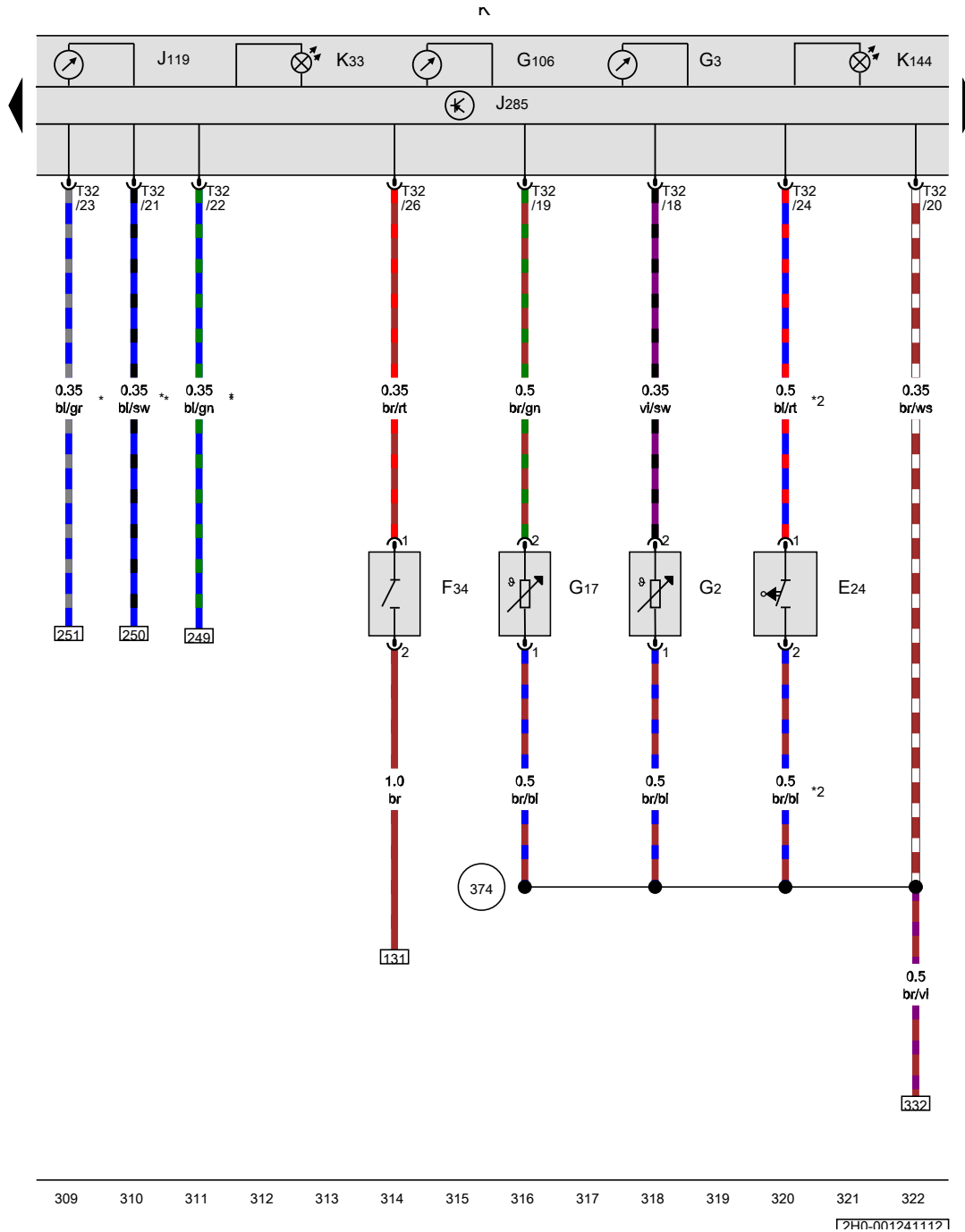
1290-0012211121



Dash panel insert, Windscreen wiper motor

- J285 Control unit in dash panel insert
- J400 Wiper motor control unit
- J519 Onboard supply control unit
- K Dash panel insert
- K13 Rear fog light warning lamp
- SC43 Fuse 43 on fuse holder C
- T4e 4-pin connector
- T32 32-pin connector
- T73a 73-pin connector
- T73b 73-pin connector
- V Windscreen wiper motor

- 44 Earth point, lower part of left A-pillar
- 372 Earth connection 7, in main wiring harness
- 377 Earth connection 12, in main wiring harness



Driver side belt switch, Brake fluid level warning contact, Coolant temperature display sender, Coolant temperature gauge, Ambient temperature sensor, Ambient temperature indicator, Multifunction indicator, Dash panel insert, Brake fluid level warning lamp, Driver side airbag deactivated warning lamp

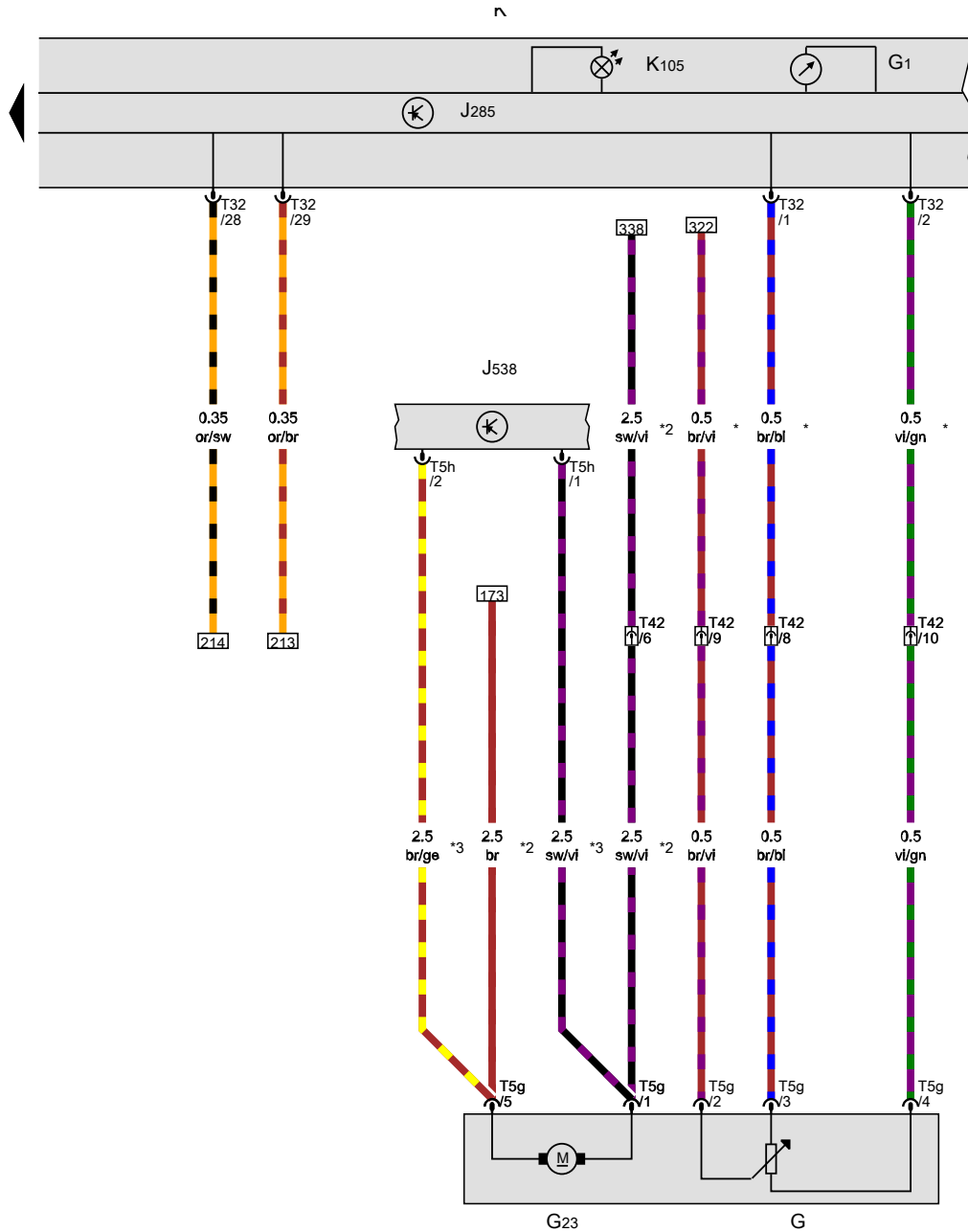
- E24 Driver side belt switch
- F34 Brake fluid level warning contact
- G2 Coolant temperature display sender
- G3 Coolant temperature gauge
- G17 Ambient temperature sensor
- G106 Ambient temperature indicator
- J119 Multifunction indicator
- J285 Control unit in dash panel insert
- K Dash panel insert
- K33 Brake fluid level warning lamp
- K144 Driver side airbag deactivated warning lamp
- T32 32-pin connector

374 Earth connection 9, in main wiring harness

- \* Only models with multifunction display
- \*2 Only models with no airbag

- ws = white
- sw = black
- ro = red
- br = brown
- gn = green
- bl = blue
- gr = grey
- li = purple
- ge = yellow
- or = orange
- rs = pink





Fuel gauge, Fuel pump, Fuel pump control unit, Dash panel insert, Reserve fuel warning lamp

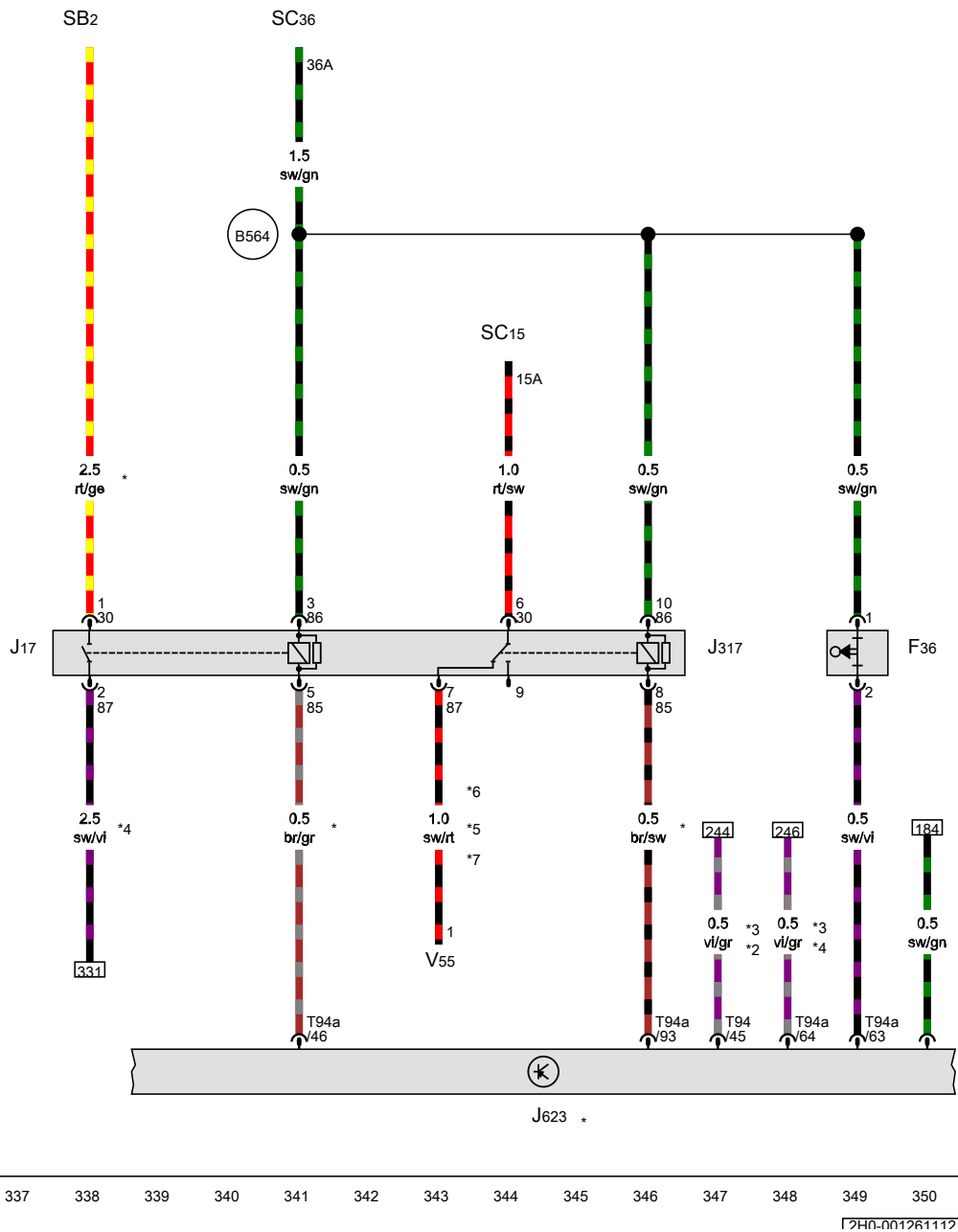
- G Fuel gauge sender
- G1 Fuel gauge
- G23 Fuel pump
- J285 Control unit in dash panel insert
- J538 Fuel pump control unit
- K Dash panel insert
- K105 Reserve fuel warning lamp
- T5g 5-pin connector
- T5h 5-pin connector
- T32 32-pin connector
- T42 42-pin connector, near handbrake lever
- \* see applicable current flow diagram for engine
- \*2 Only models with diesel engine
- \*3 Only models with petrol engine

- ws = white
- sw = black
- ro = red
- br = brown
- gn = green
- bl = blue
- gr = grey
- li = purple
- ge = yellow
- or = orange
- rs = pink

323 324 325 326 327 328 329 330 331 332 333 334 335 336

[740-001251117]

Clutch pedal switch, Fuel pump relay, Terminal 30 voltage supply relay, Engine control unit

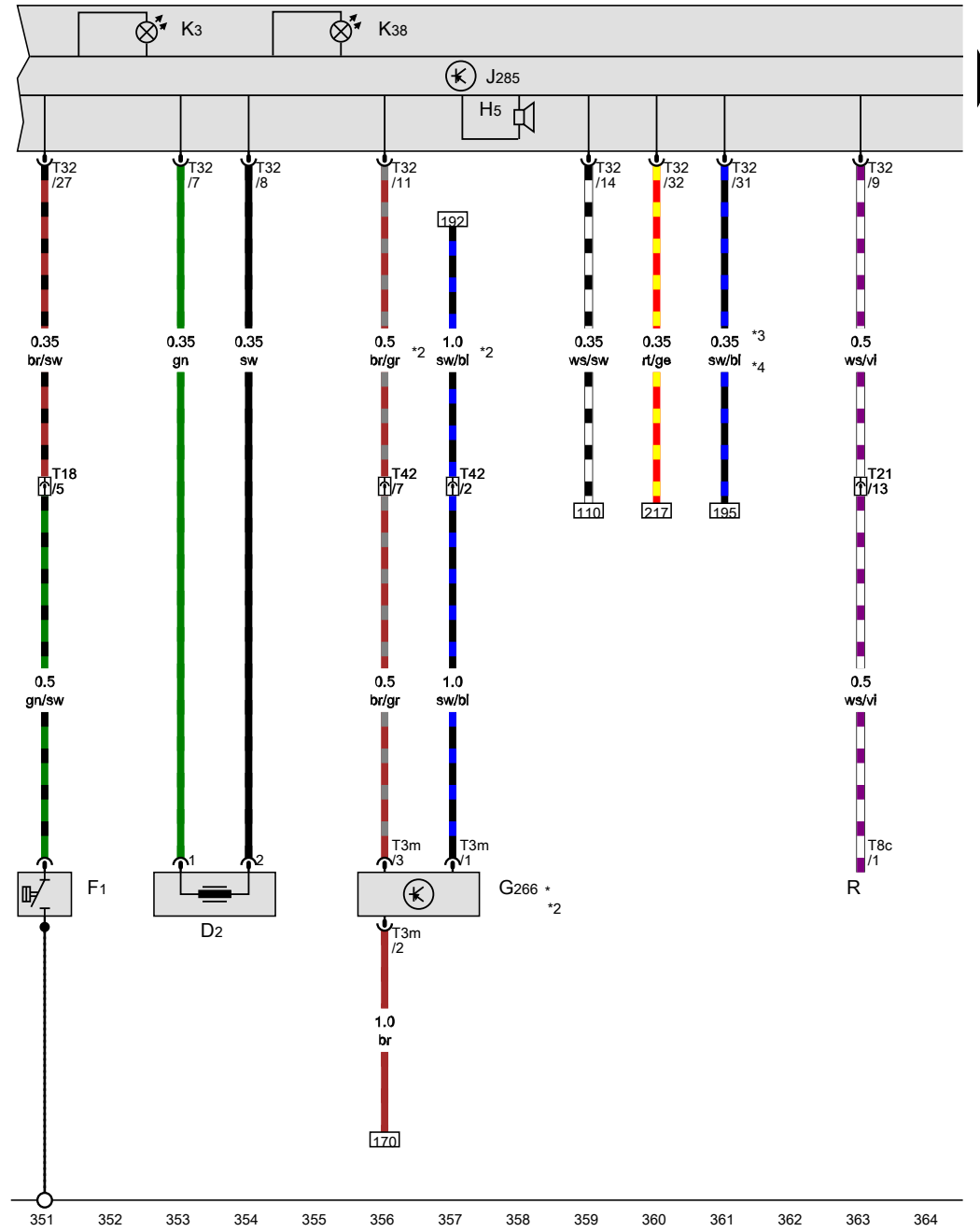


- F36 Clutch pedal switch
- J17 Fuel pump relay
- J317 Terminal 30 voltage supply relay
- J623 Engine control unit
- SB2 Fuse 2 on fuse holder B
- SC15 Fuse 15 on fuse holder C
- SC36 Fuse 36 on fuse holder C
- T94 94-pin connector
- T94a 94-pin connector
- V55 Circulation pump

**B564** Connection 31, in main wiring harness

- \* see applicable current flow diagram for engine
- \*2 Only models with petrol engine
- \*3 Only models with cruise control system (CCS)
- \*4 Only models with diesel engine
- \*5 Only models with no air conditioning system/Climatronic
- \*6 see applicable current flow diagram for air conditioning
- \*7 see applicable current flow diagram for automatic air conditioning system

- ws = white
- sw = black
- ro = red
- br = brown
- gn = green
- bl = blue
- gr = grey
- li = purple
- ge = yellow
- or = orange
- rs = pink

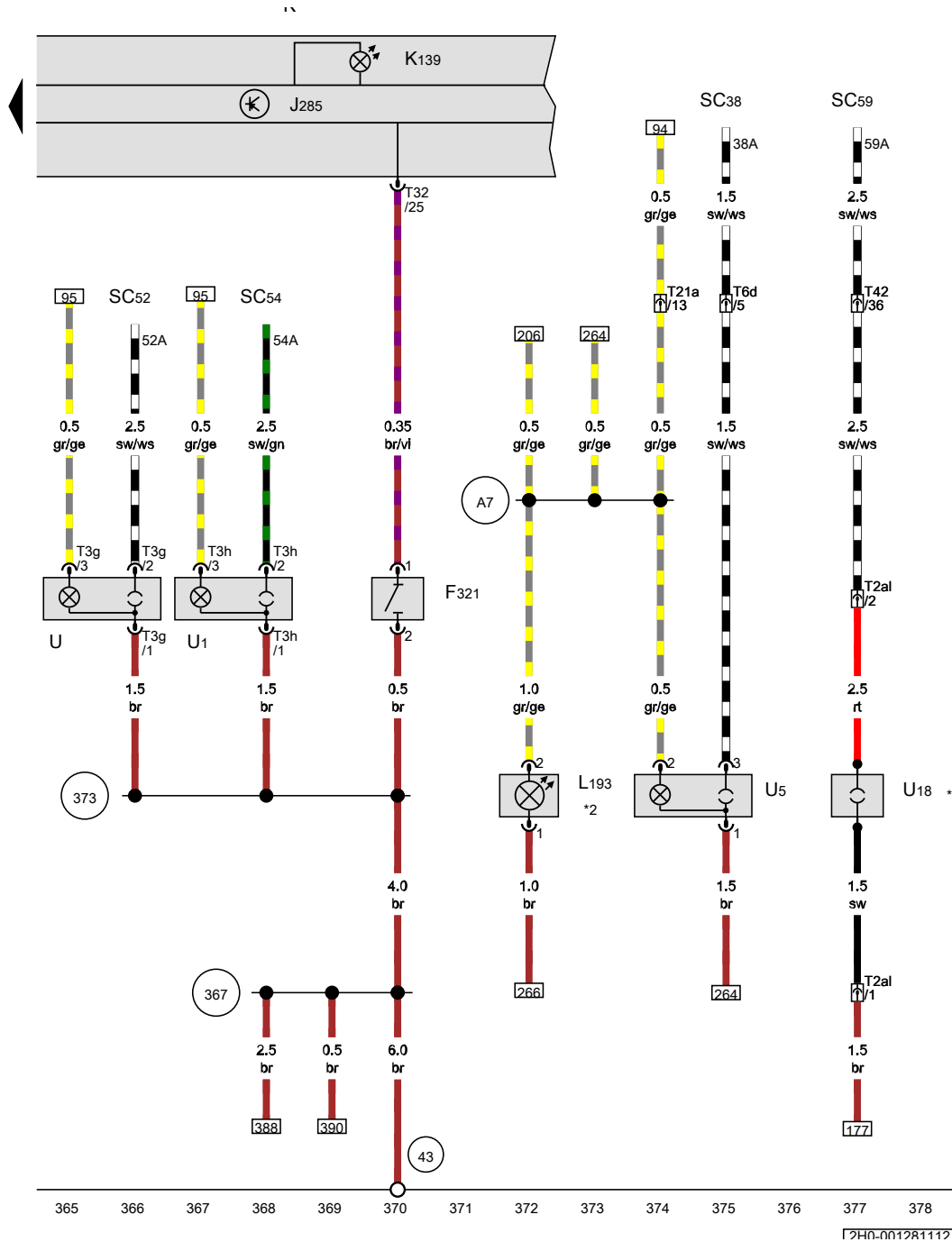


Immobiliser reader coil, Oil pressure switch, Oil level and oil temperature sender, Ignition and starter key warning system buzzer and gong, Dash panel insert, Oil pressure warning lamp, Oil level warning lamp, Radio

- D2 Immobiliser reader coil, on ignition/starter switch
- F1 Oil pressure switch
- G266 Oil level and oil temperature sender
- H5 Ignition and starter key warning system buzzer and gong
- J285 Control unit in dash panel insert
- K Dash panel insert
- K3 Oil pressure warning lamp
- K38 Oil level warning lamp
- R Radio
- T3m 3-pin connector
- T8c 8-pin connector
- T18 18-pin connector, near engine control unit
- T21 21-pin connector, on heater and air conditioner unit, front passenger footwell
- T32 32-pin connector
- T42 42-pin connector, near handbrake lever
- \* see applicable current flow diagram for engine
- \*2 Only models with Euro 5 emission standard
- \*3 Country specific
- \*4 If fitted

- ws = white
- sw = black
- ro = red
- br = brown
- gn = green
- bl = blue
- gr = grey
- li = purple
- ge = yellow
- or = orange
- rs = pink

12H0-0012711121



**Parking brake contact switch, Dash panel insert, Handbrake warning lamp, Light 1 for front centre console background lighting, Electric socket, Cigarette lighter, 12 V socket, 12 V socket 2**

- F321 Parking brake contact switch
- J285 Control unit in dash panel insert
- K Dash panel insert
- K139 Handbrake warning lamp
- L193 Light 1 for front centre console background lighting
- SC38 Fuse 38 on fuse holder C
- SC52 Fuse 52 on fuse holder C
- SC54 Fuse 54 on fuse holder C
- SC59 Fuse 59 on fuse holder C
- T2al 2-pin connector, Interface for rear left socket, on wheel housing
- T3g 3-pin connector
- T3h 3-pin connector
- T6d 6-pin connector, on relay carrier
- T21a 21-pin connector, on relay carrier
- T32 32-pin connector
- T42 42-pin connector, near handbrake lever
- U Electric socket
- U1 Cigarette lighter
- U5 12 V socket
- U18 12 V socket 2

- 43 Earth point, lower part of right A-pillar
- 367 Earth connection 2, in main wiring harness
- 373 Earth connection 8, in main wiring harness
- A7 Positive connection (58 D1), in dash panel wiring harness

- \* Special equipment
- \*2 Only models with Highline equipment
- \*3 Only models with multifunction display

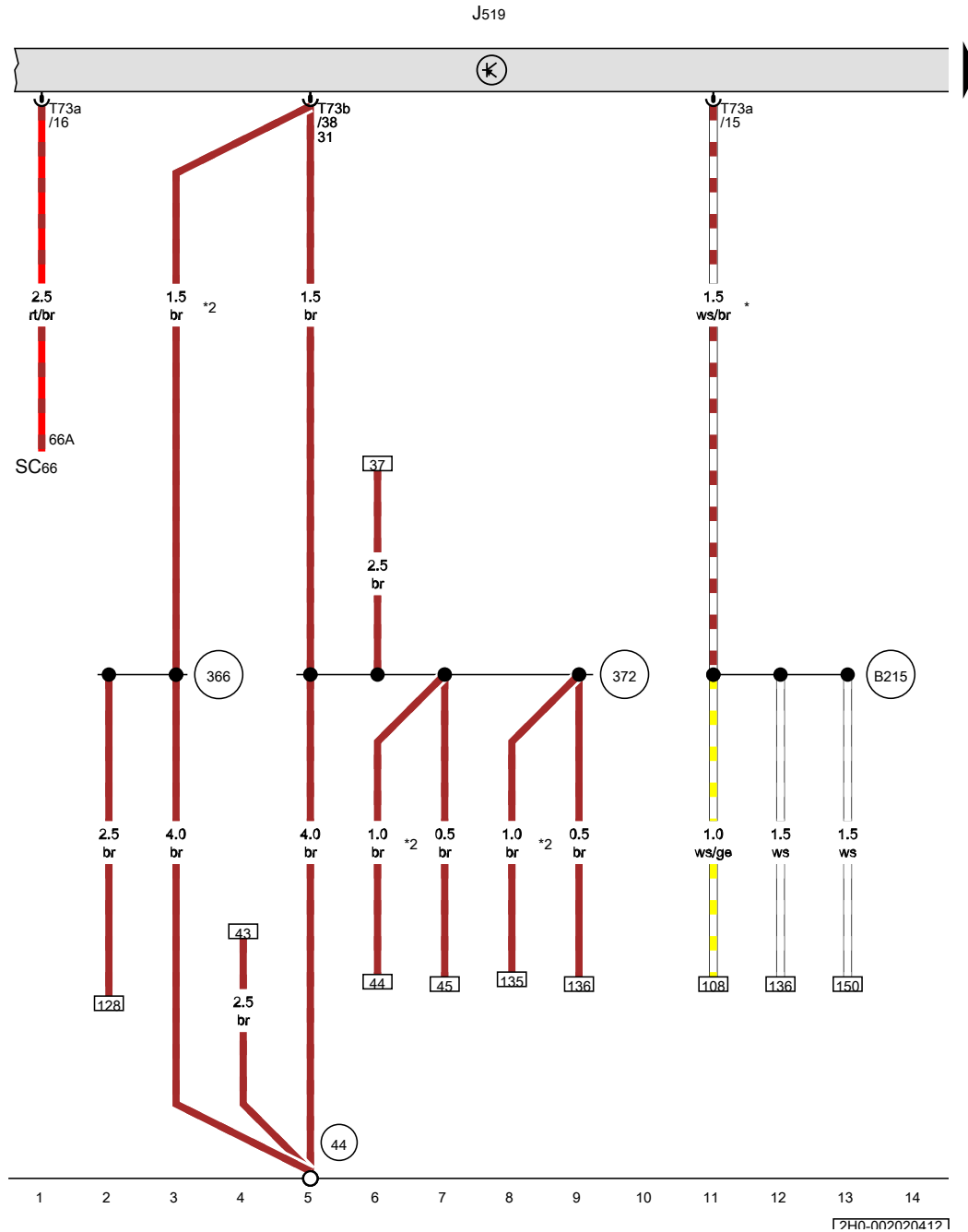
- ws = white
- sw = black
- ro = red
- br = brown
- gn = green
- bl = blue
- gr = grey
- li = purple
- ge = yellow
- or = orange
- rs = pink

7PH0-0012811121



## Central locking, window regulators and mirror adjustment

From December 2009



Onboard supply control unit

- J519 Onboard supply control unit, near driver side A-pillar
- SC66 Fuse 66 on fuse holder C
- T73a 73-pin connector, black
- T73b 73-pin connector

- 44 Earth point, lower part of left A-pillar
- 366 Earth connection 1, in main wiring harness
- 372 Earth connection 7, in main wiring harness
- B215 Connection 2 (central locking), in interior wiring harness

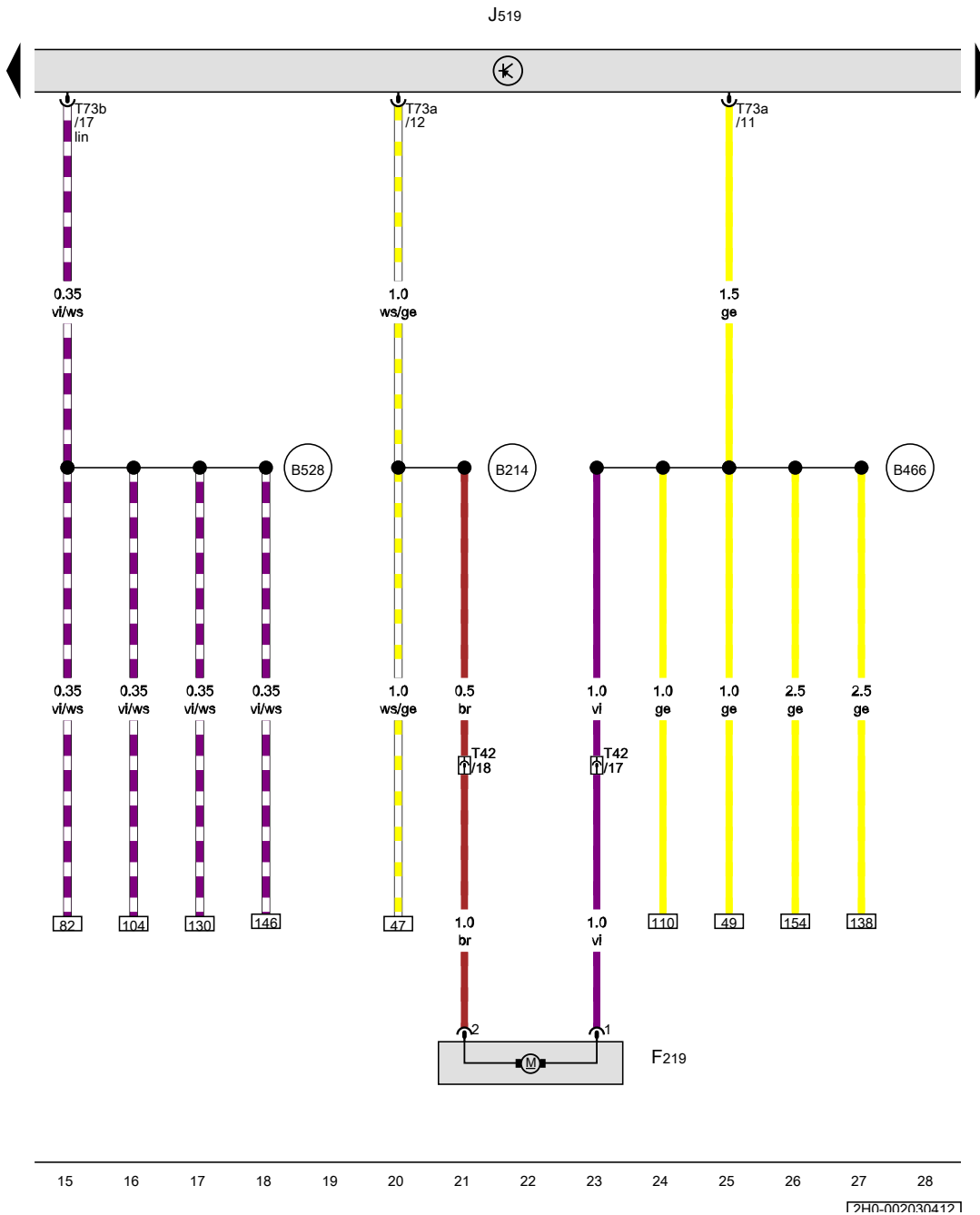
\* Only models with double cab  
 \*2 From November 2011

- ws = white
- sw = black
- ro = red
- br = brown
- gn = green
- bl = blue
- gr = grey
- li = purple
- ge = yellow
- or = orange
- rs = pink

Fuel tank filler flap central locking actuator, Onboard supply control unit

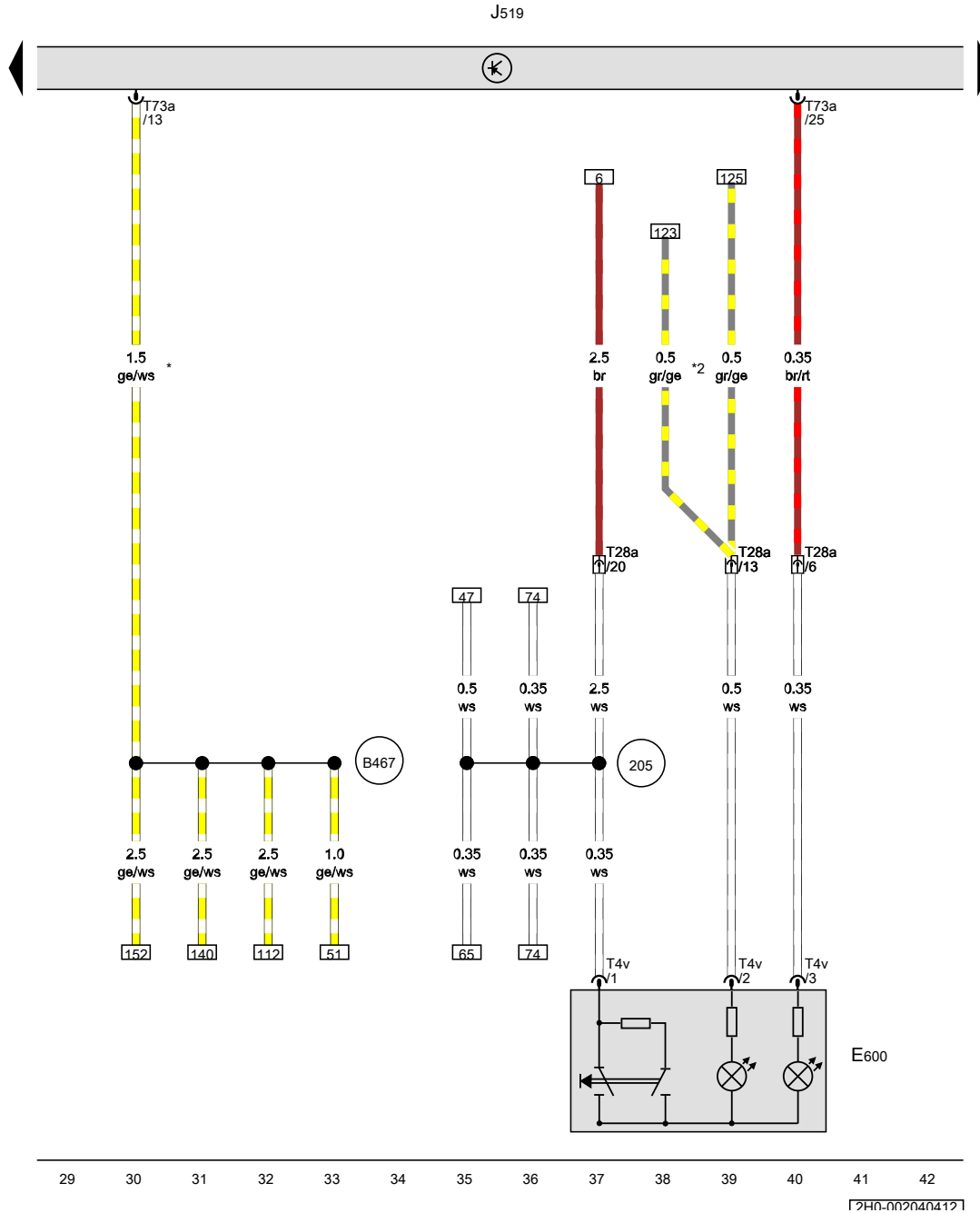
- F219 Fuel tank filler flap central locking actuator
- J519 Onboard supply control unit, near driver side A-pillar
- T42 42-pin connector, near handbrake lever
- T73a 73-pin connector, black
- T73b 73-pin connector

- B214 Connection 1 (central locking), in interior wiring harness
- B466 Connection 2, in main wiring harness
- B528 Connection 1 (LIN bus) in main wiring harness



- ws = white
- sw = black
- ro = red
- br = brown
- gn = green
- bl = blue
- gr = grey
- li = purple
- ge = yellow
- or = orange
- rs = pink





Central locking button, Onboard supply control unit

- E600 Central locking button, in driver door
- J519 Onboard supply control unit, near driver side A-pillar
- T4v 4-pin connector, black
- T28a 28-pin connector, on left A-pillar
- T73a 73-pin connector, black

205 Earth connection, in driver door wiring harness

B467 Connection 3, in main wiring harness

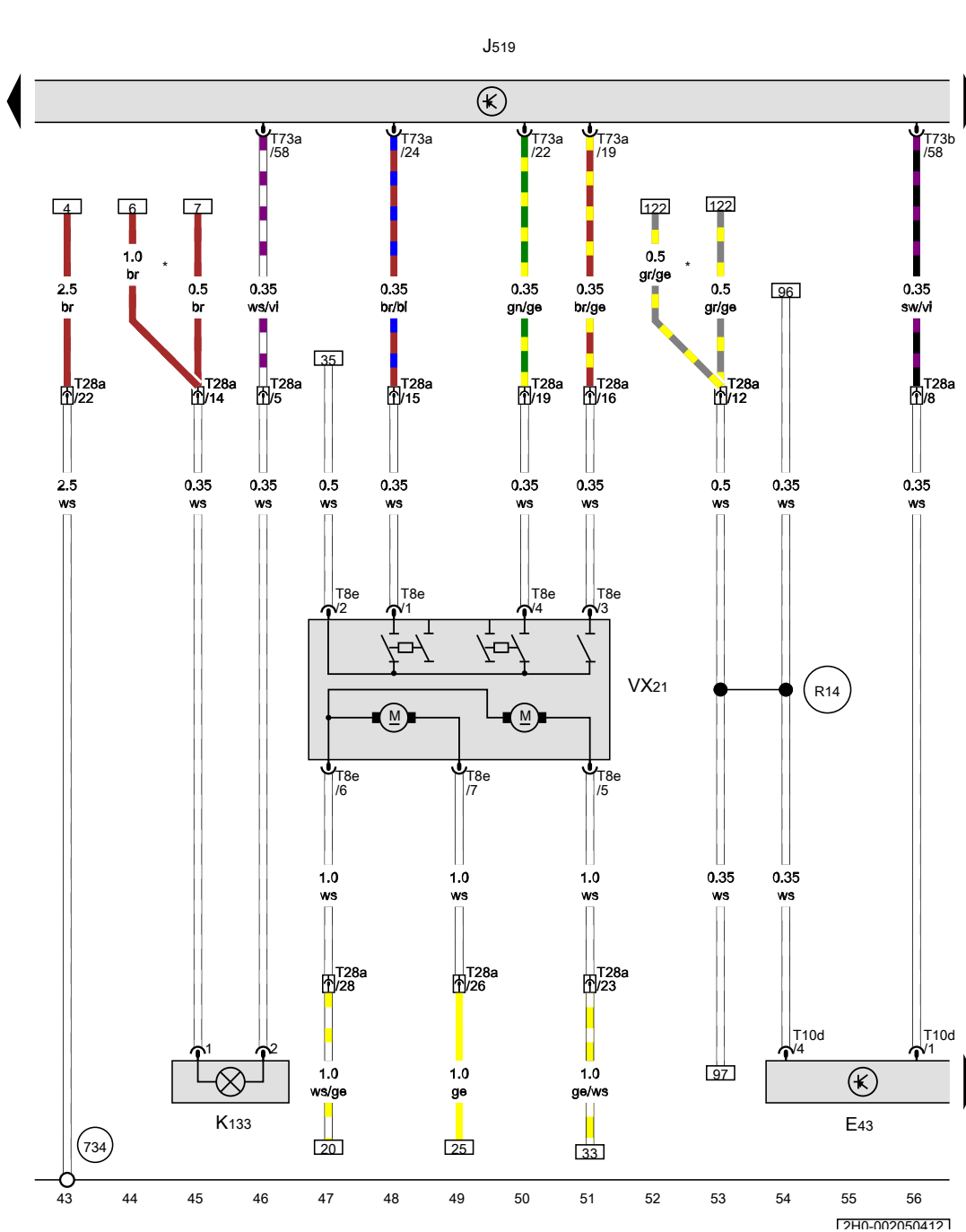
\* Only models with double cab

\*2 From November 2011

- ws = white
- sw = black
- ro = red
- br = brown
- gn = green
- bl = blue
- gr = grey
- li = purple
- ge = yellow
- or = orange
- rs = pink

29 30 31 32 33 34 35 36 37 38 39 40 41 42

179H0-0070404171



**Mirror adjustment switch, Onboard supply control unit, Central locking SAFELock function warning lamp, Driver door lock unit**

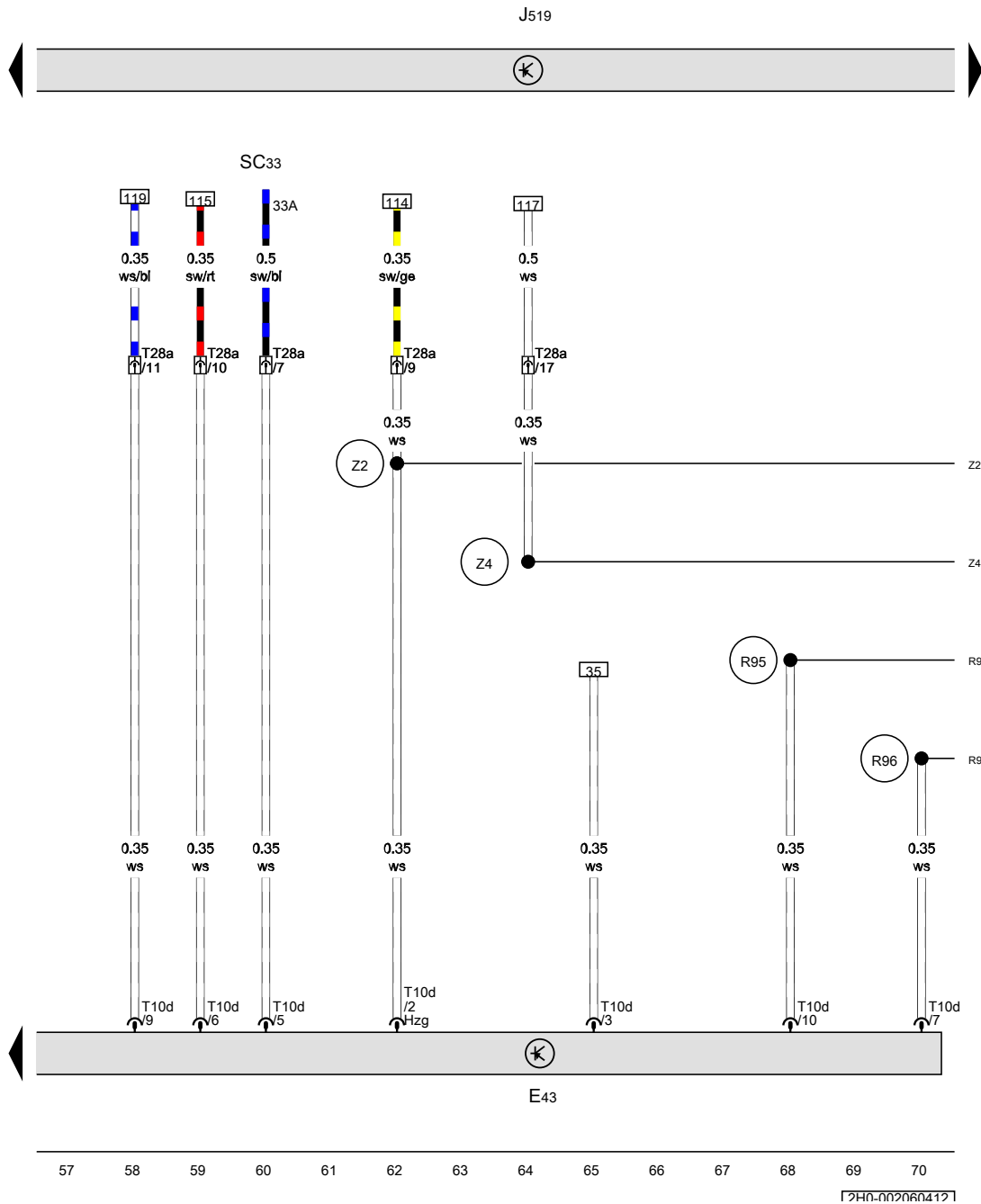
- E43 Mirror adjustment switch, in driver door
- J519 Onboard supply control unit, near driver side A-pillar
- K133 Central locking SAFELock function warning lamp
- T8e 8-pin connector, black
- T10d 10-pin connector, black
- T28a 28-pin connector, on left A-pillar
- T73a 73-pin connector, black
- T73b 73-pin connector
- VX21 Driver door lock unit
- (734) Earth point in front left door
- (R14) Connection 1 (open), in driver door wiring harness
- \* From November 2011

- ws = white
- sw = black
- ro = red
- br = brown
- gn = green
- bl = blue
- gr = grey
- li = purple
- ge = yellow
- or = orange
- rs = pink

17H0-002050417

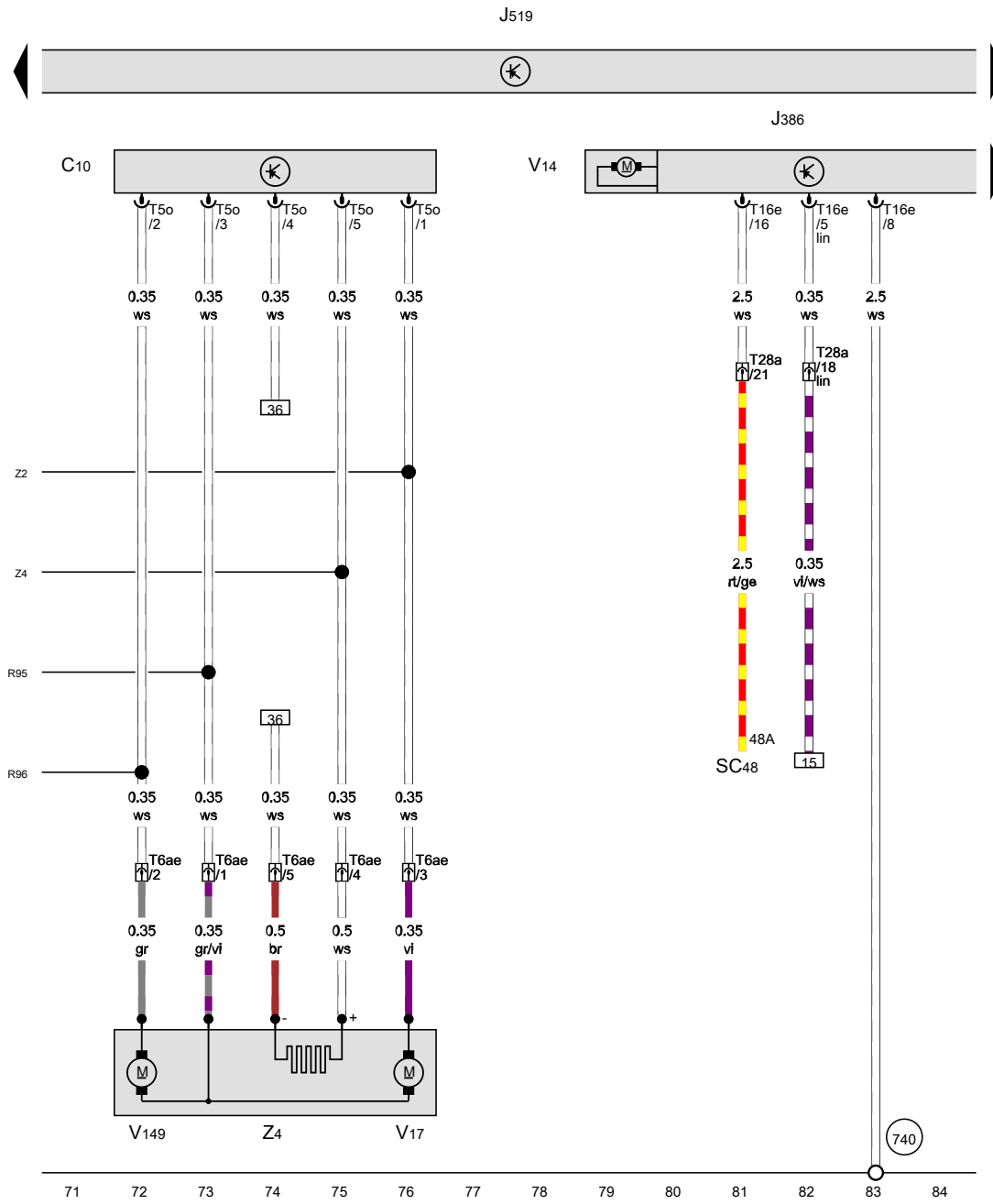
Mirror adjustment switch, Onboard supply control unit, Fuse 33 on fuse holder C

- E43 Mirror adjustment switch, in driver door
- J519 Onboard supply control unit, near driver side A-pillar
- SC33 Fuse 33 on fuse holder C
- T10d 10-pin connector, black
- T28a 28-pin connector, on left A-pillar
- R95 Connection 2 in driver side door wiring harness
- R96 Connection 3 in driver side door wiring harness
- Z2 Connection 2, in mirror adjustment/heating wiring harness
- Z4 Positive connection (15a), in mirror adjustment/heating wiring harness



- ws = white
- sw = black
- ro = red
- br = brown
- gn = green
- bl = blue
- gr = grey
- li = purple
- ge = yellow
- or = orange
- rs = pink

12H0-0020604121

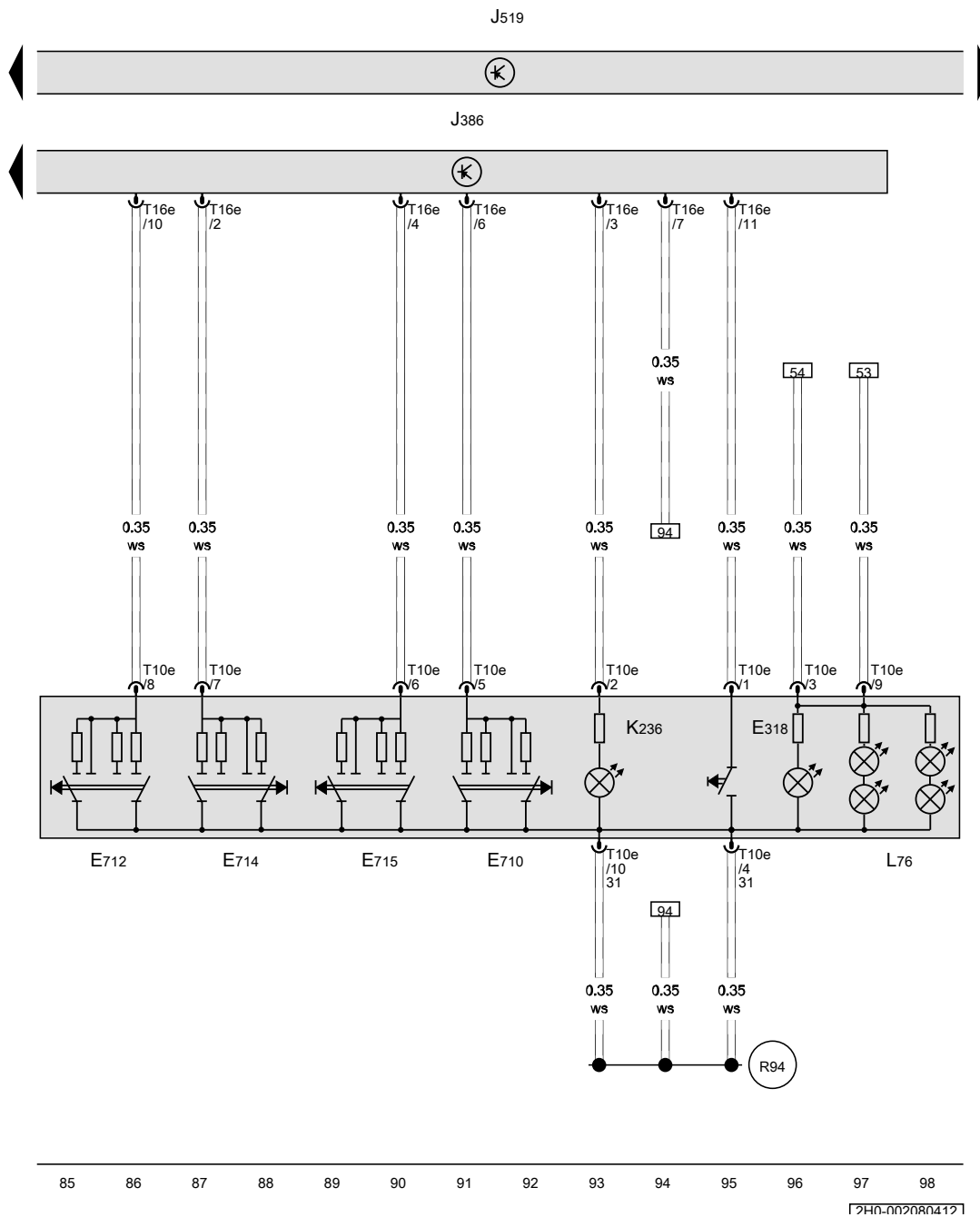


Suppression filter, Driver door control unit, Onboard supply control unit, Fuse 48 on fuse holder C, Left window regulator motor, Heated exterior mirror on driver side

- C10 Suppression filter, in left door
- J386 Driver door control unit
- J519 Onboard supply control unit, near driver side A-pillar
- SC48 Fuse 48 on fuse holder C
- T50 5-pin connector
- T6ae 6-pin connector, in left door, near exterior mirror, blue
- T16e 16-pin connector
- T28a 28-pin connector
- V14 Left window regulator motor
- V17 Driver side mirror adjustment motor
- V149 Driver side mirror adjustment motor
- Z4 Heated exterior mirror on driver side
- 740 Earth point 2 in front left door
- R95 Connection 2 in driver side door wiring harness
- R96 Connection 3 in driver side door wiring harness
- Z2 Connection 2, in mirror adjustment/heating wiring harness
- Z4 Positive connection (15a), in mirror adjustment/heating wiring harness

- ws = white
- sw = black
- ro = red
- br = brown
- gn = green
- bl = blue
- gr = grey
- li = purple
- ge = yellow
- or = orange
- rs = pink

1740-002070417



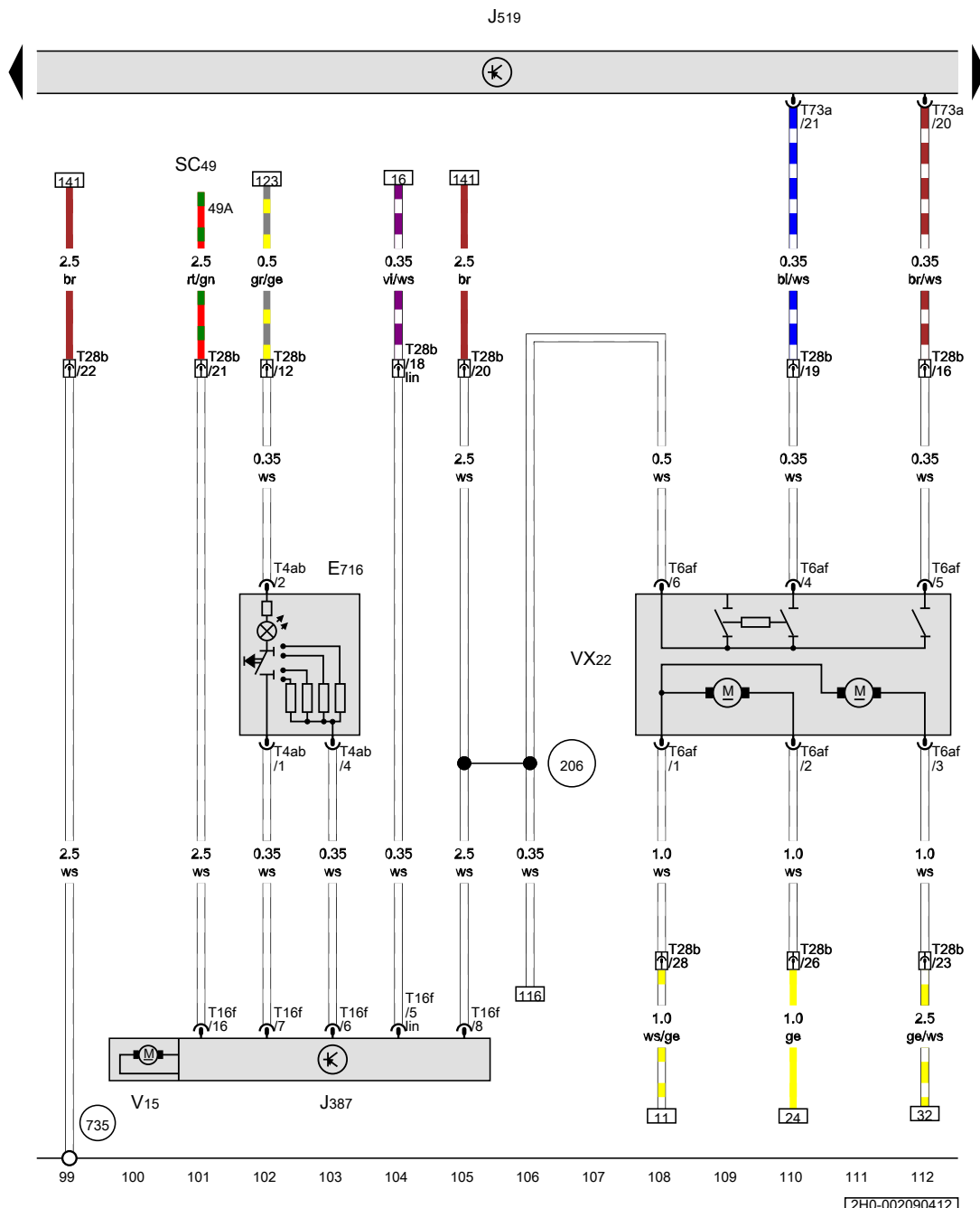
Childproof lock button, Front driver side window regulator button, Rear driver side window regulator button, in driver door, Rear passenger side window regulator button, in driver door, Front passenger side window regulator button, in driver door, Driver door control unit, Onboard supply control unit, Button illumination bulb

- E318 Childproof lock button
- E710 Front driver side window regulator button
- E712 Rear driver side window regulator button, in driver door
- E714 Rear passenger side window regulator button, in driver door
- E715 Front passenger side window regulator button, in driver door
- J386 Driver door control unit
- J519 Onboard supply control unit, near driver side A-pillar
- K236 Warning light for activated childproof lock
- L76 Button illumination bulb
- T10e 10-pin connector
- T16e 16-pin connector, black
- R94 Connection 1 in driver side door wiring harness

85 86 87 88 89 90 91 92 93 94 95 96 97 98

17H0-0020804171

- ws = white
- sw = black
- ro = red
- br = brown
- gn = green
- bl = blue
- gr = grey
- li = purple
- ge = yellow
- or = orange
- rs = pink



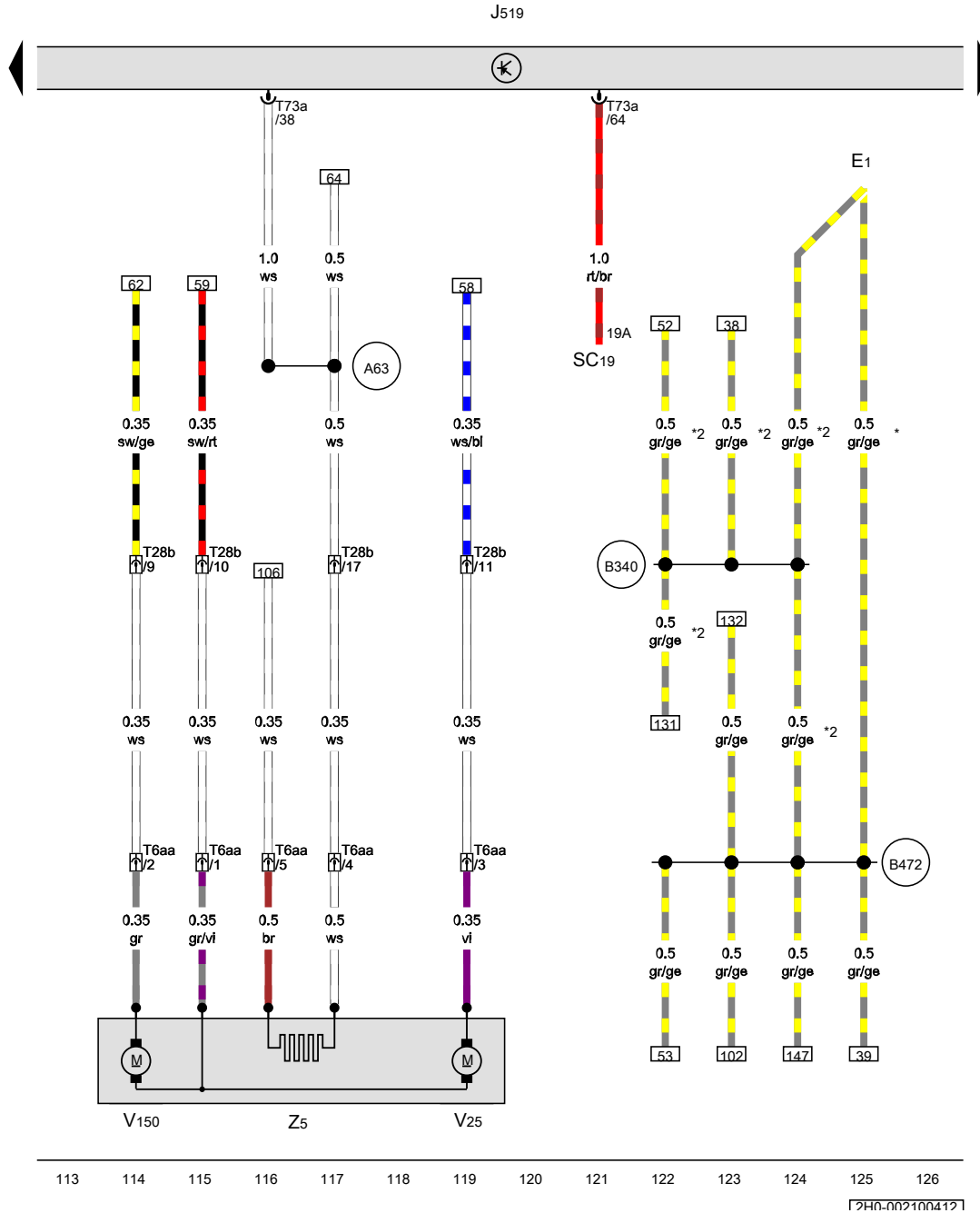
Front passenger side window regulator button, Front passenger door control unit, Onboard supply control unit, Fuse 49 on fuse holder C, Right window regulator motor, Front passenger door lock unit

- E716 Front passenger side window regulator button
- J387 Front passenger door control unit
- J519 Onboard supply control unit, near driver side A-pillar
- SC49 Fuse 49 on fuse holder C
- T4ab 4-pin connector
- T6af 6-pin connector
- T16f 16-pin connector
- T28b 28-pin connector, on right A-pillar
- T73a 73-pin connector, black
- V15 Right window regulator motor
- VX22 Front passenger door lock unit
- 206 Earth connection, in front passenger door wiring harness
- 735 Earth point in front right door

- ws = white
- sw = black
- ro = red
- br = brown
- gn = green
- bl = blue
- gr = grey
- li = purple
- ge = yellow
- or = orange
- rs = pink

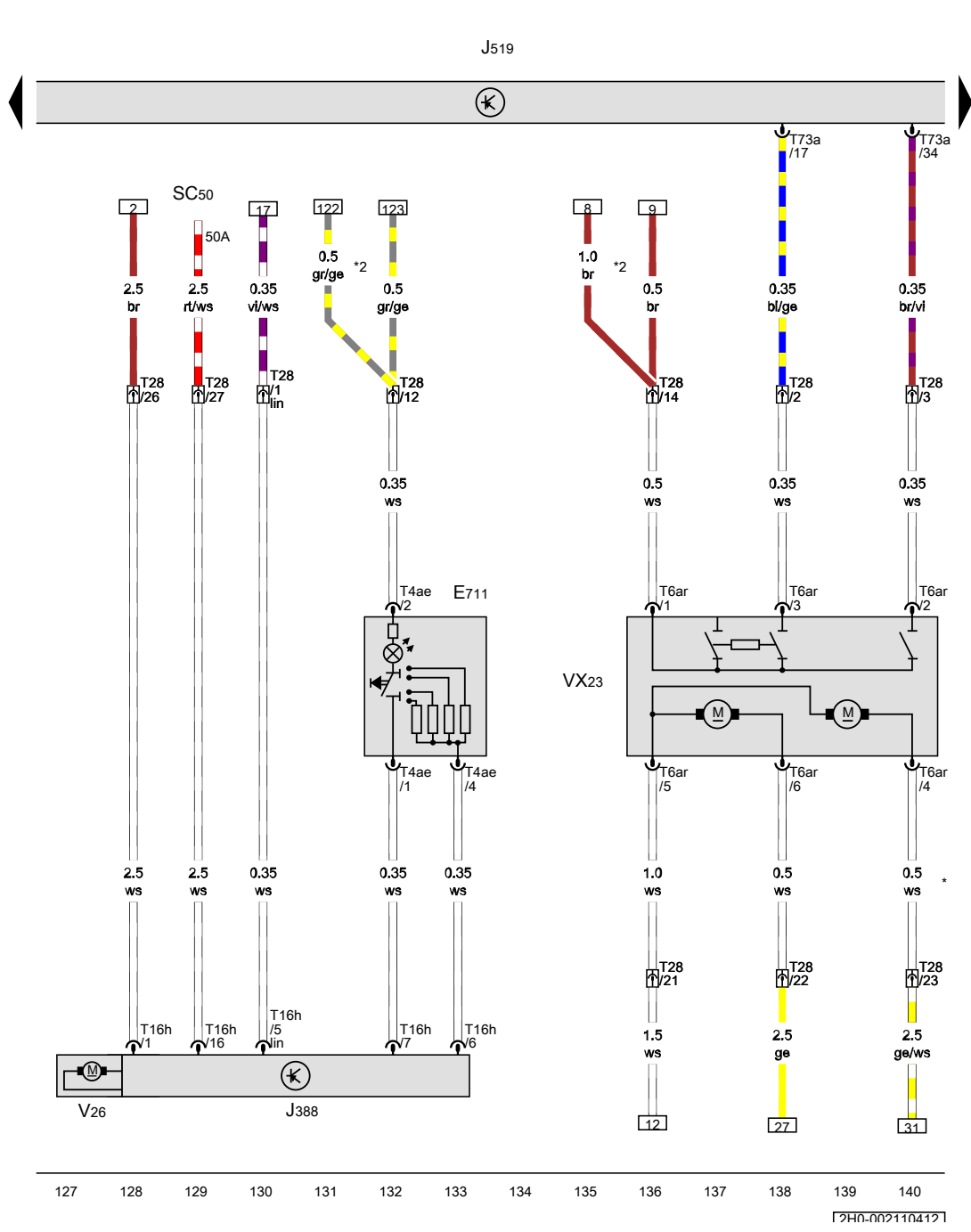
1740-0020904171

Light switch, Onboard supply control unit, Fuse 19 on fuse holder C, Heated exterior mirror on front passenger side



- E1 Light switch
- J519 Onboard supply control unit, near driver side A-pillar
- SC19 Fuse 19 on fuse holder C
- T6aa 6-pin connector, in right door, near exterior mirror, blue
- T28b 28-pin connector, on right A-pillar
- T73a 73-pin connector, black
- V25 Front passenger side mirror adjustment motor
- V150 Front passenger side mirror adjustment motor
- Z5 Heated exterior mirror on front passenger side
- A63 Connection (mirror adjustment/heating), in dash panel wiring harness
- B340 Connection 1 (58d), in main wiring harness
- B472 Connection 8, in main wiring harness
- \* Up to November 2011
- \*2 From November 2011

- ws = white
- sw = black
- ro = red
- br = brown
- gn = green
- bl = blue
- gr = grey
- li = purple
- ge = yellow
- or = orange
- rs = pink

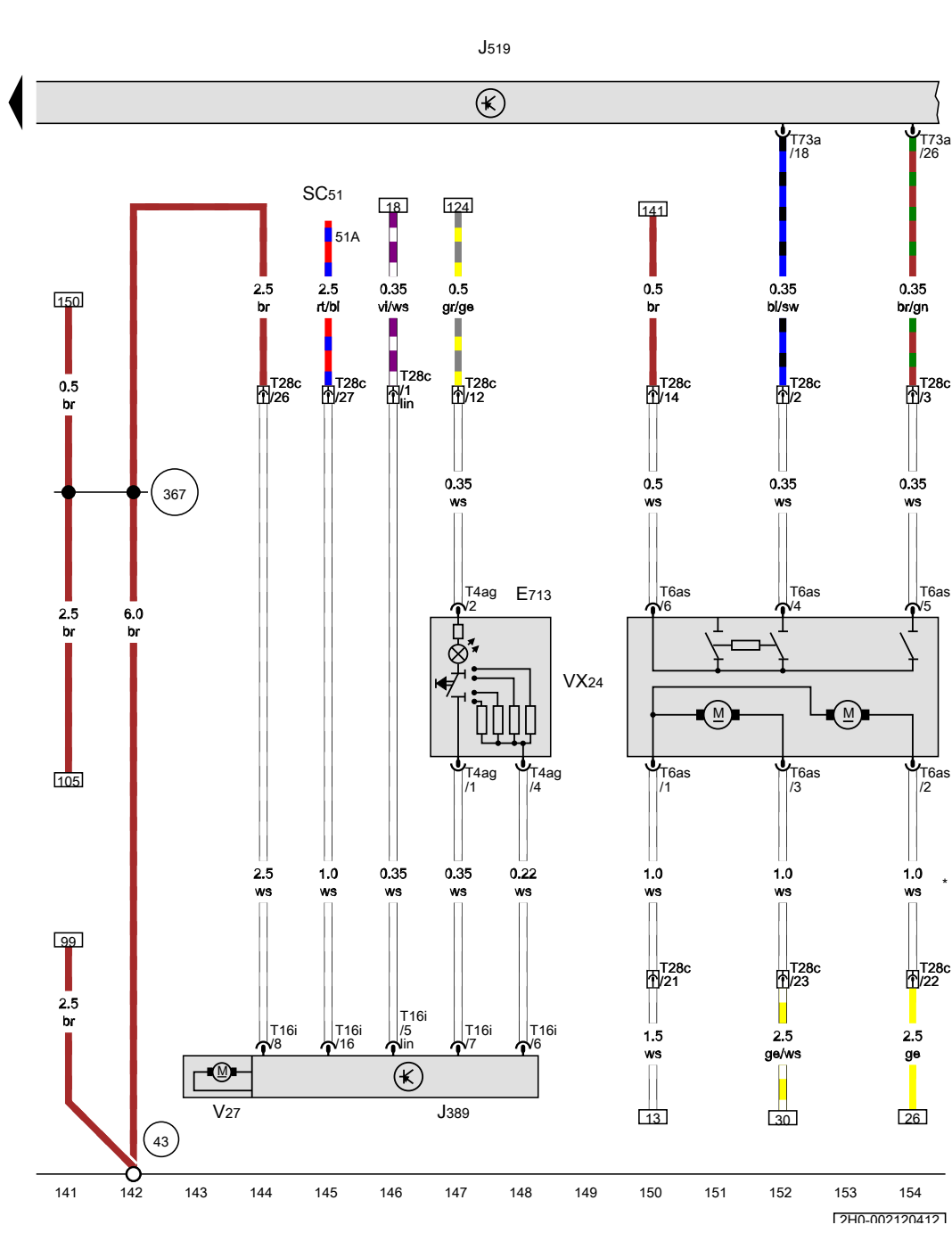


Rear driver side window regulator button, Rear left door control unit, Onboard supply control unit, Fuse 50 on fuse holder C, Rear left door lock unit, Rear left window regulator motor

- E711 Rear driver side window regulator button, in rear left door
- J388 Rear left door control unit
- J519 Onboard supply control unit, near driver side A-pillar
- SC50 Fuse 50 on fuse holder C
- T4ae 4-pin connector, black
- T6ar 6-pin connector, black
- T16h 16-pin connector
- T28 28-pin connector, on left B-pillar
- T73a 73-pin connector, black
- VX23 Rear left door lock unit
- V26 Rear left window regulator motor
- \* Only models with SAFELock function
- \*2 From November 2011

- ws = white
- sw = black
- ro = red
- br = brown
- gn = green
- bl = blue
- gr = grey
- li = purple
- ge = yellow
- or = orange
- rs = pink





Rear passenger side window regulator button, Rear right door control unit, Onboard supply control unit, Fuse 51 on fuse holder C, Rear right door lock unit, Rear right window regulator motor

- E713 Rear passenger side window regulator button, in rear right door
- J389 Rear right door control unit
- J519 Onboard supply control unit, near driver side A-pillar
- SC51 Fuse 51 on fuse holder C
- T4ag 4-pin connector
- T6as 6-pin connector, black
- T16i 16-pin connector, black
- T28c 28-pin connector, on right B-pillar
- T73a 73-pin connector, black
- VX24 Rear right door lock unit
- V27 Rear right window regulator motor

- 43 Earth point, lower part of right A-pillar
- 367 Earth connection 2, in main wiring harness
- \* Only models with SAFELOCK function

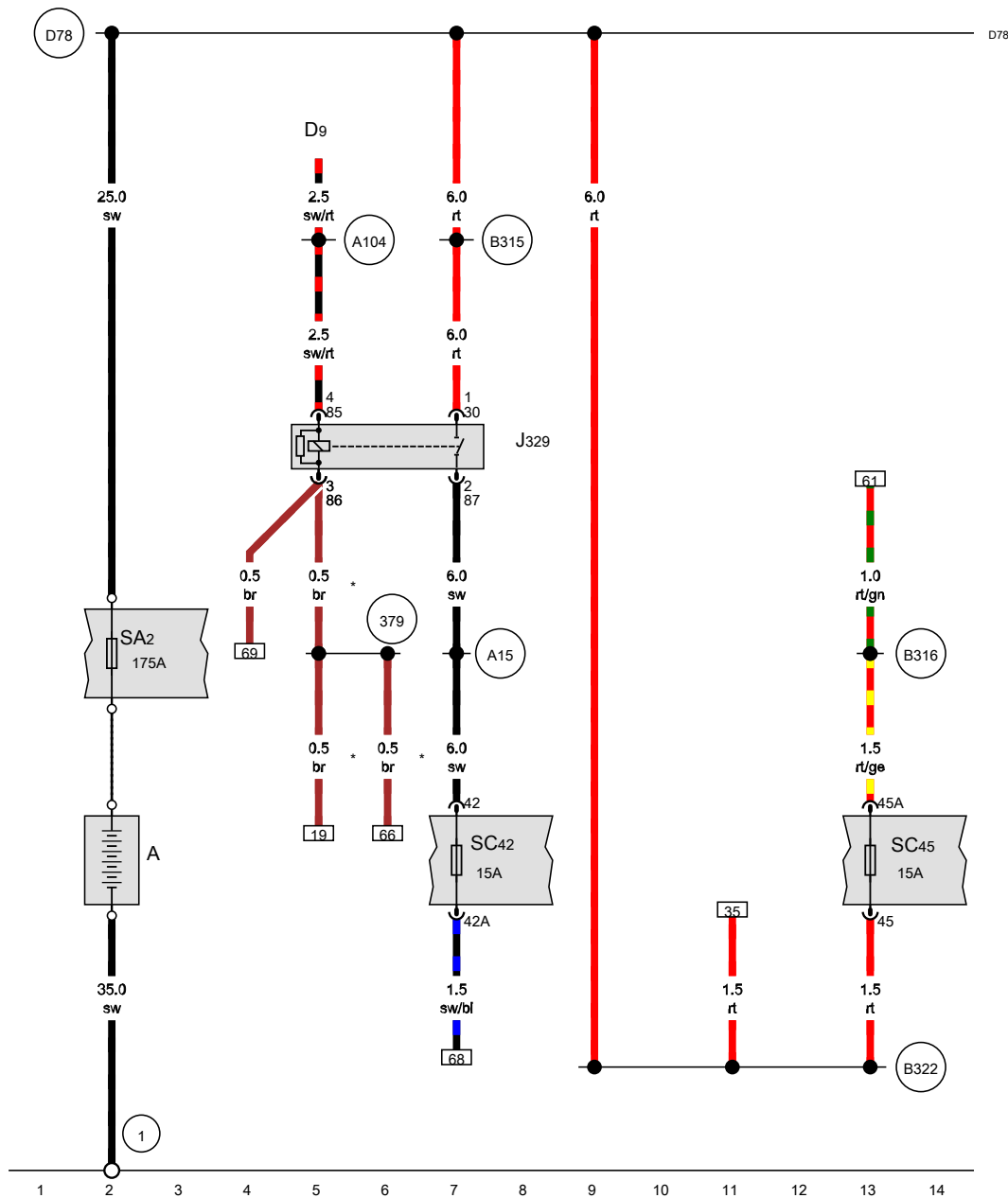
- ws = white
- sw = black
- ro = red
- br = brown
- gn = green
- bl = blue
- gr = grey
- li = purple
- ge = yellow
- or = orange
- rs = pink

PH0-0021204171

**Climatic**

From December 2009

Battery, Fuse 2 in fuse holder A, Fuse 42 on fuse holder C, Fuse 45 on fuse holder C

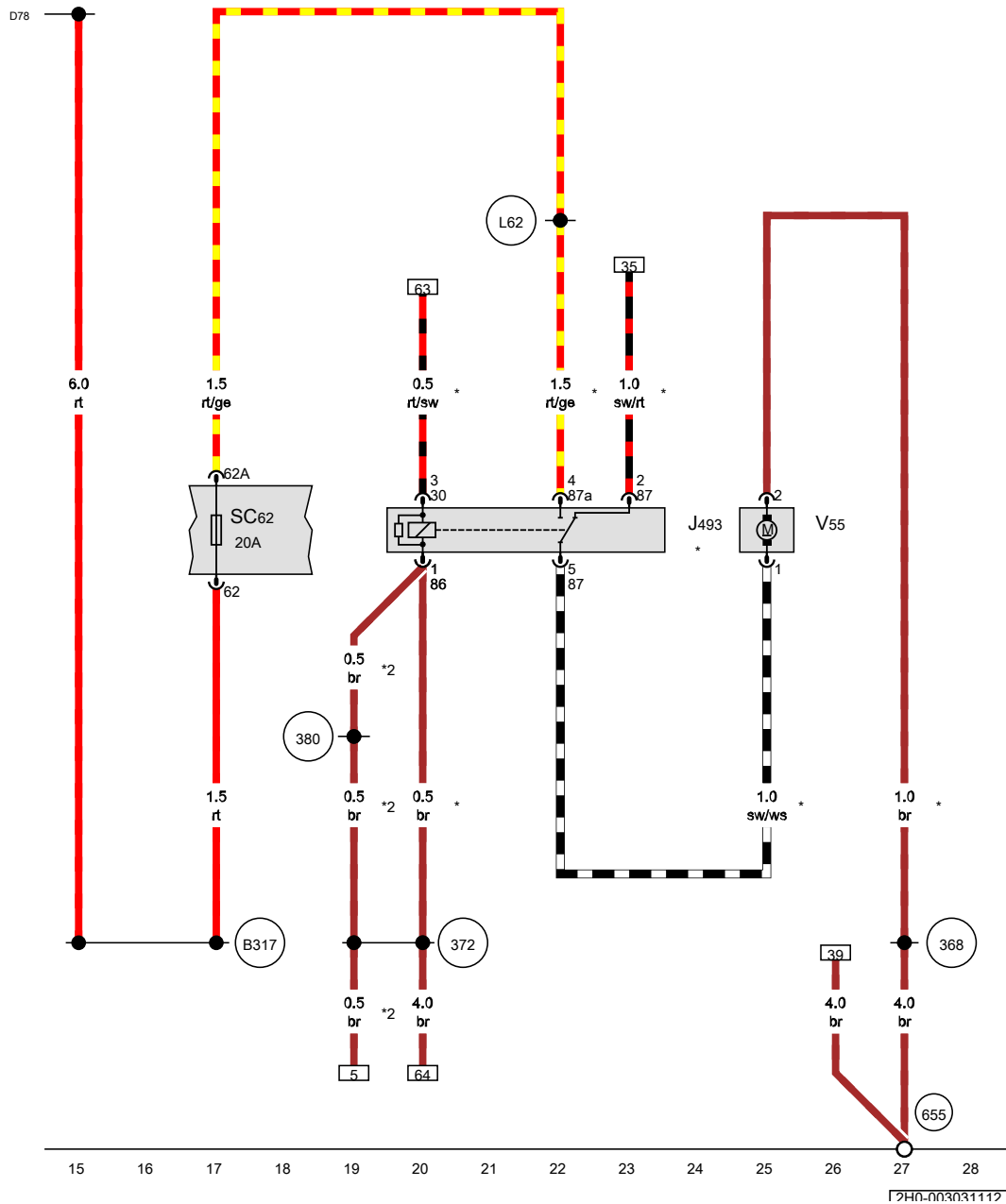


- A Battery
- D9 Electronic ignition lock
- J329 Terminal 15 voltage supply relay
- SA2 Fuse 2 in fuse holder A
- SC42 Fuse 42 on fuse holder C
- SC45 Fuse 45 on fuse holder C
- 1 Earth strap, battery - body
- 379 Earth connection 14, in main wiring harness
- A15 Positive connection (15), in instrument wiring harness
- A104 Positive connection 2 (15), in dash panel wiring harness
- B315 Positive connection 1 (30a) in main wiring harness
- B316 Positive connection 2 (30a) in main wiring harness
- B322 Positive connection 8 (30a) in main wiring harness
- D78 Positive connection 1 (30a), in engine compartment wiring harness
- \* From November 2011

ws = white  
 sw = black  
 ro = red  
 br = brown  
 gn = green  
 bl = blue  
 gr = grey  
 li = purple  
 ge = yellow  
 or = orange  
 rs = pink

ГЭН-0030211121

**Auxiliary coolant heater relay, Fuse 62 on fuse holder C, Circulation pump**



- J493 Auxiliary coolant heater relay
- SC62 Fuse 62 on fuse holder C
- V55 Circulation pump
- (368) Earth connection 3, in main wiring harness
- (372) Earth connection 7, in main wiring harness
- (380) Earth connection 15, in main wiring harness
- (655) Earth point, on left headlight
- (B317) Positive connection 3 (30a) in main wiring harness
- (D78) Positive connection 1 (30a), in engine compartment wiring harness
- (L62) Positive connection (30a), in auxiliary heater wiring harness
- \* Only models with diesel engine
- \*2 From November 2011

ws = white  
 sw = black  
 ro = red  
 br = brown  
 gn = green  
 bl = blue  
 gr = grey  
 li = purple  
 ge = yellow  
 or = orange  
 rs = pink

1740-0030311171

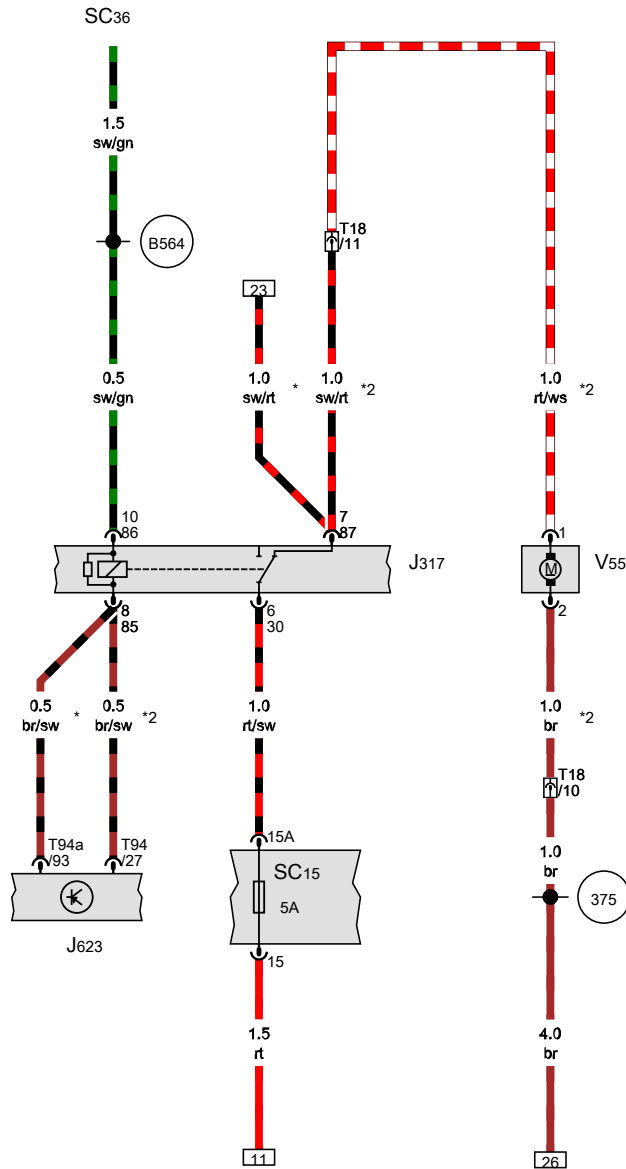
Fuse 15 on fuse holder C, Circulation pump

- J317 Terminal 30 voltage supply relay
- J623 Engine control unit
- SC15 Fuse 15 on fuse holder C
- SC36 Fuse 36 on fuse holder C
- T18 18-pin connector, black
- T94 94-pin connector, black
- T94a 94-pin connector, black
- V55 Circulation pump

375 Earth connection 10, in main wiring harness

B564 Connection 31, in main wiring harness

- \* Only models with diesel engine
- \*2 Only models with petrol engine



- ws = white
- sw = black
- ro = red
- br = brown
- gn = green
- bl = blue
- gr = grey
- li = purple
- ge = yellow
- or = orange
- rs = pink

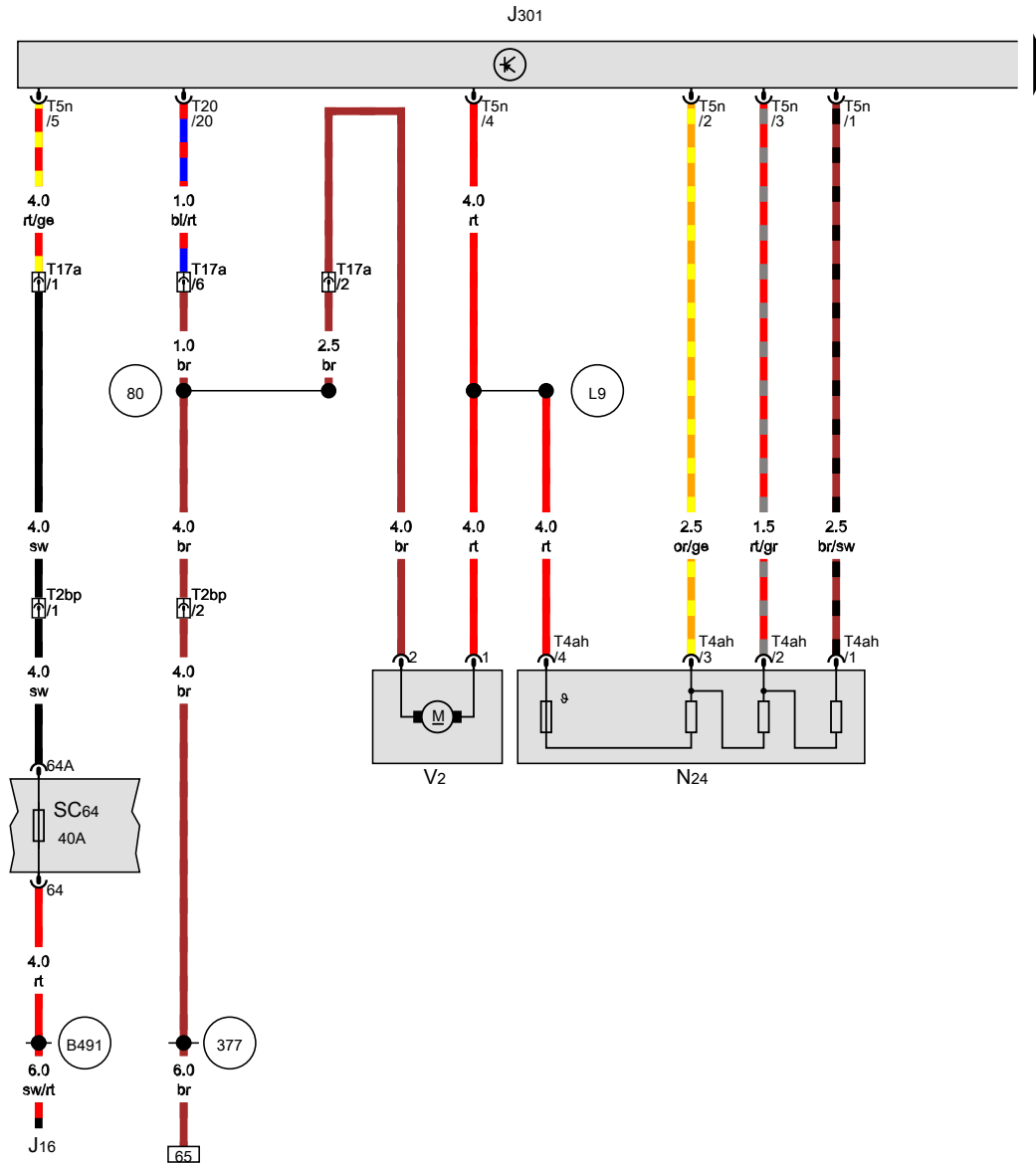
29 30 31 32 33 34 35 36 37 38 39 40 41 42

[240-003041112]

**Air conditioning system control unit, Fresh air blower series resistor with overheating fuse, Fuse 64 on fuse holder C, Fresh air blower**

- J16 Current supply relay
- J301 Air conditioning system control unit
- N24 Fresh air blower series resistor with overheating fuse
- SC64 Fuse 64 on fuse holder C
- T2bp 2-pin connector, in front left in footwell, black
- T4ah 4-pin connector
- T5n 5-pin connector, black
- T17a 17-pin connector, behind glove compartment, black
- T20 20-pin connector, black
- V2 Fresh air blower

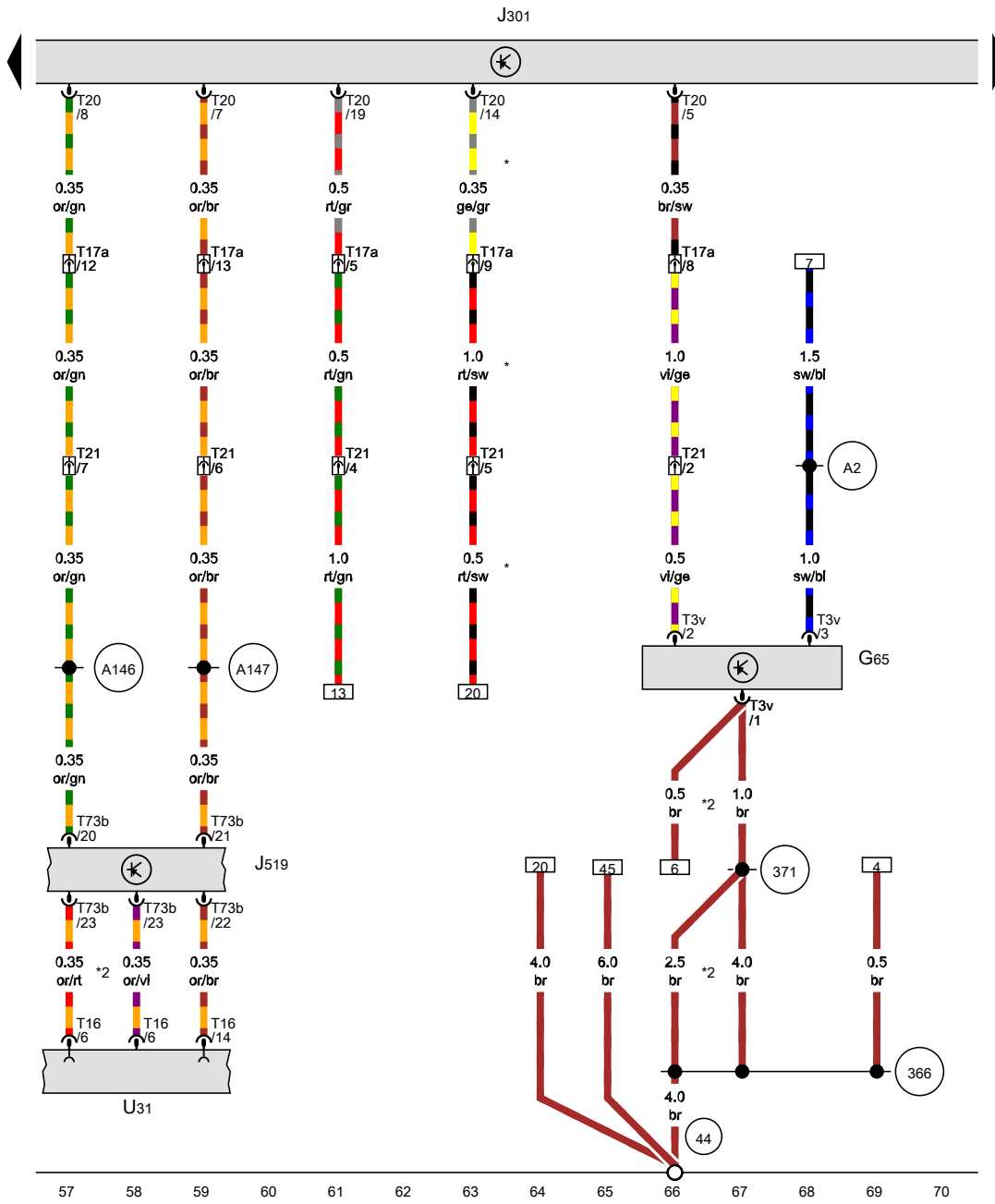
- (80) Earth connection 1, in dash panel wiring harness
- (377) Earth connection 12, in main wiring harness
- (B491) Positive connection (75), in interior wiring harness
- (L9) Connection 1, in air conditioning system wiring harness



- ws = white
- sw = black
- ro = red
- br = brown
- gn = green
- bl = blue
- gr = grey
- li = purple
- ge = yellow
- or = orange
- rs = pink

43 44 45 46 47 48 49 50 51 52 53 54 55 56

[240-003051112]



High-pressure sender, Air conditioning system control unit, Onboard supply control unit

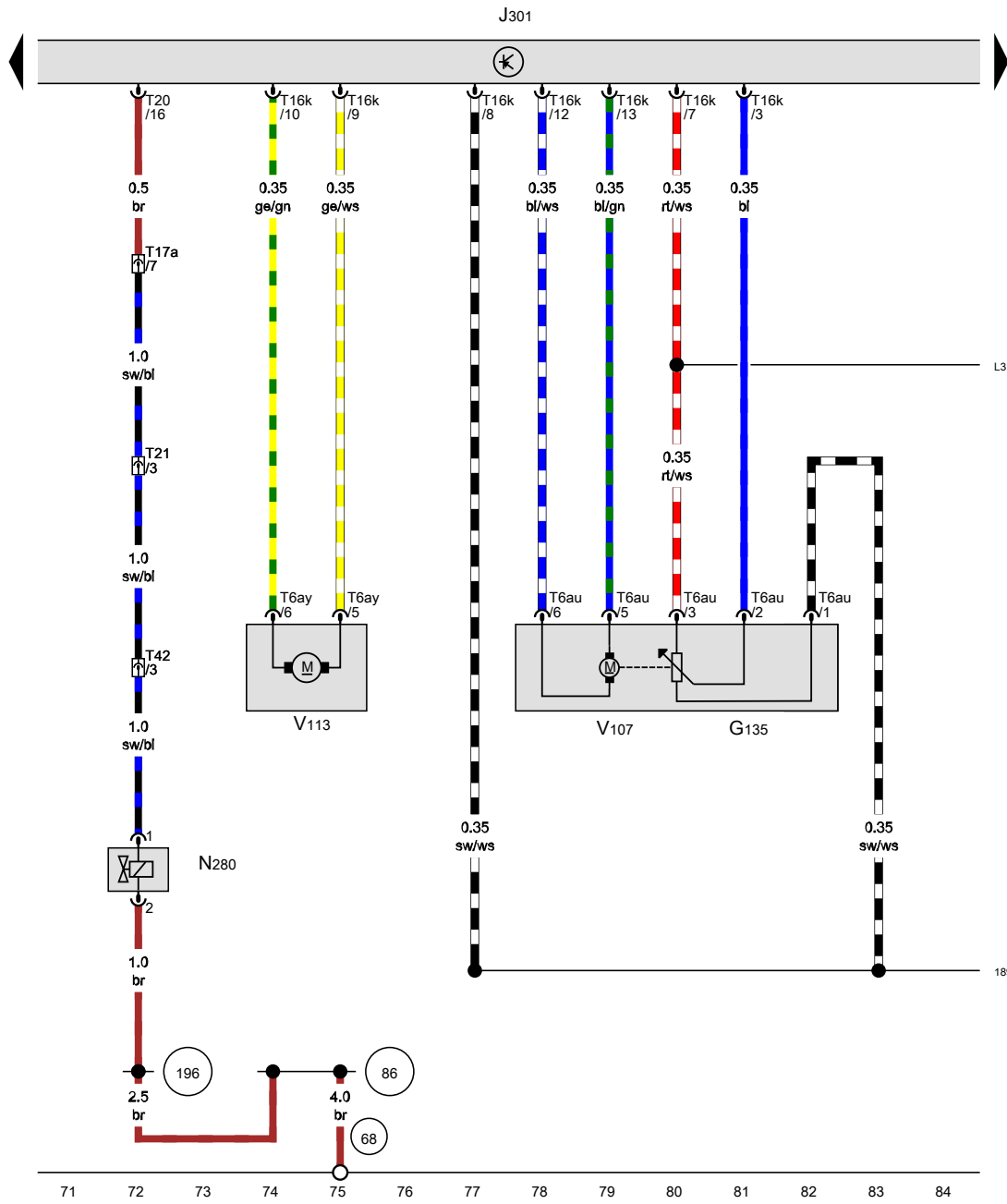
- G65 High-pressure sender
- J301 Air conditioning system control unit
- J519 Onboard supply control unit
- T3v 3-pin connector
- T16 16-pin connector, black
- T17a 17-pin connector, behind glove compartment, black
- T20 20-pin connector, black
- T21 21-pin connector, on relay carrier, blue
- T73b 73-pin connector
- U31 Diagnostic connection

- 44 Earth point, lower part of left A-pillar
- 366 Earth connection 1, in main wiring harness
- 371 Earth connection 6, in main wiring harness
- A2 Positive connection (15), in dash panel wiring harness
- A146 Connection (convenience CAN bus, high), in dash panel wiring harness
- A147 Connection (convenience CAN bus, low), in dash panel wiring harness

\* Only models with diesel engine  
 \*2 From November 2011

- ws = white
- sw = black
- ro = red
- br = brown
- gn = green
- bl = blue
- gr = grey
- li = purple
- ge = yellow
- or = orange
- rs = pink

12H0-003061112



Potentiometer for defroster flap control motor, Air conditioning system control unit, Air conditioner compressor regulating valve, Defroster flap control motor, Air recirculation flap control motor

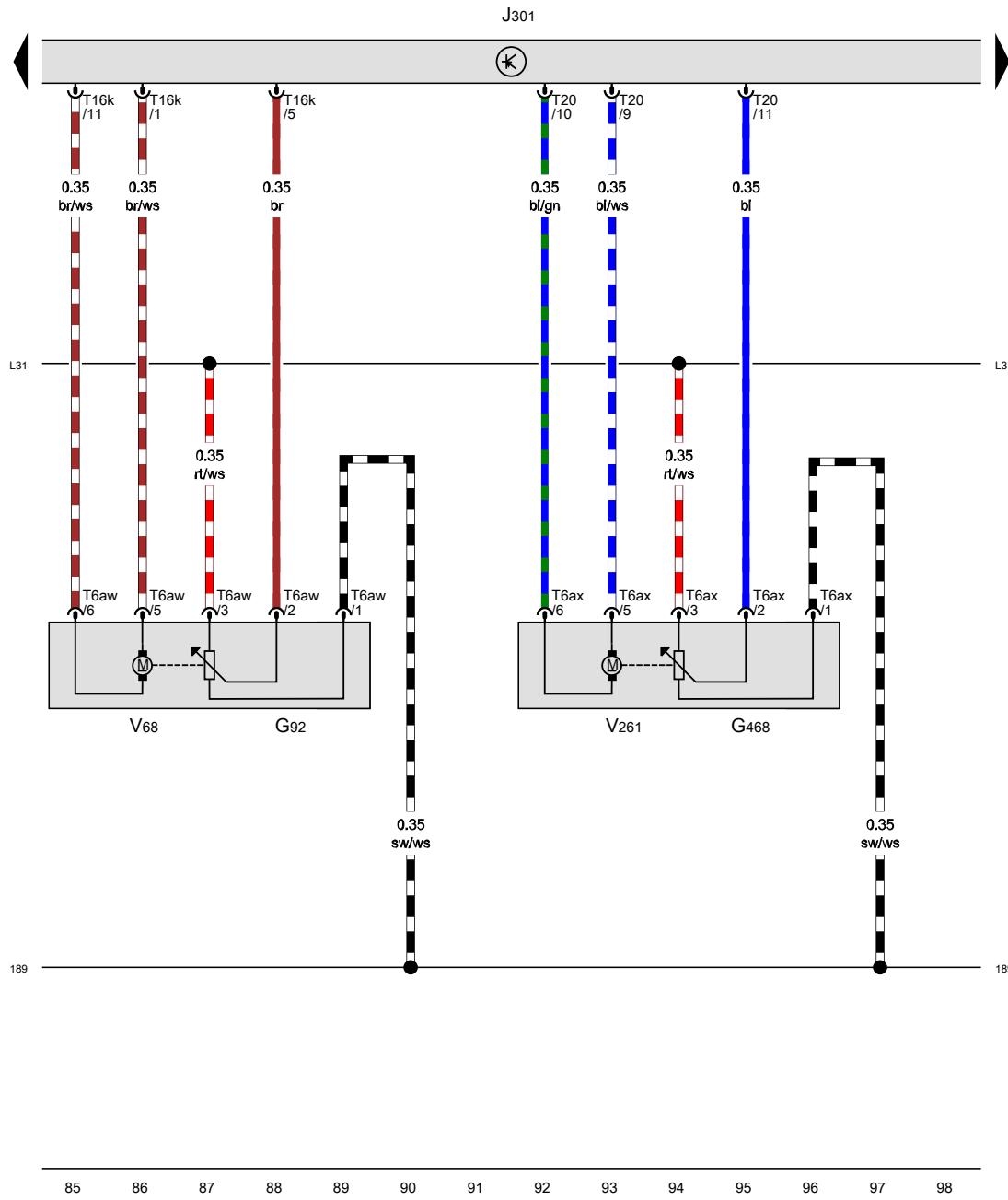
- G135 Potentiometer for defroster flap control motor
- J301 Air conditioning system control unit
- N280 Air conditioner compressor regulating valve
- T6au 6-pin connector
- T6ay 6-pin connector
- T16k 16-pin connector, black
- T17a 17-pin connector, behind glove compartment, black
- T20 20-pin connector, black
- T21 21-pin connector, on relay carrier, blue
- T42 42-pin connector, near handbrake lever, black
- V107 Defroster flap control motor
- V113 Air recirculation flap control motor

- 68 Earth point, on left of rear cross member
- 86 Earth connection 1, in rear wiring harness
- 189 Earth connection 1, in heater wiring harness
- 196 Earth connection 3, in rear wiring harness
- L31 Connection (5V), in air conditioning system wiring harness

- ws = white
- sw = black
- ro = red
- br = brown
- gn = green
- bl = blue
- gr = grey
- li = purple
- ge = yellow
- or = orange
- rs = pink

71 72 73 74 75 76 77 78 79 80 81 82 83 84  
[240-003071112]





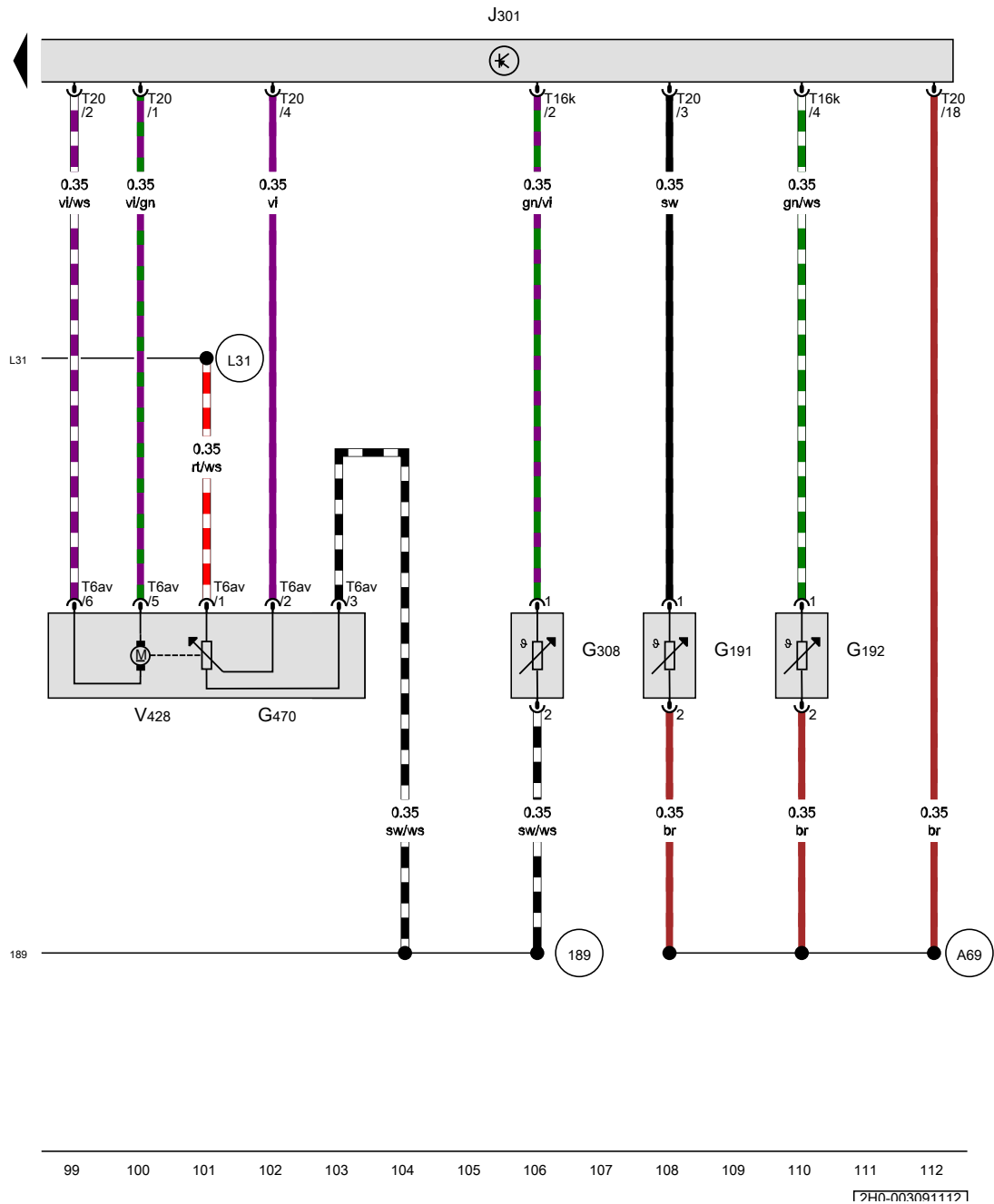
Potentiometer for temperature flap control motor, Potentiometer for footwell vent control motor, Air conditioning system control unit, Temperature flap control motor, Footwell flap control motor

- G92 Potentiometer for temperature flap control motor
- G468 Potentiometer for footwell vent control motor
- J301 Air conditioning system control unit
- T6aw 6-pin connector
- T6ax 6-pin connector
- T16k 16-pin connector, black
- T20 20-pin connector, black
- V68 Temperature flap control motor
- V261 Footwell flap control motor

- (189) Earth connection 1, in heater wiring harness
- (L31) Connection (5V), in air conditioning system wiring harness

- ws = white
- sw = black
- ro = red
- br = brown
- gn = green
- bl = blue
- gr = grey
- li = purple
- ge = yellow
- or = orange
- rs = pink

[240-003081112]



Centre vent temperature sender, Footwell vent temperature sender, Evaporator temperature sensor, Potentiometer for front air distribution control motor, Air conditioning system control unit, Air distribution flap control motor

- G191 Centre vent temperature sender
- G192 Footwell vent temperature sender
- G308 Evaporator temperature sensor
- G470 Potentiometer for front air distribution control motor
- J301 Air conditioning system control unit
- T6av 6-pin connector
- T16k 16-pin connector, black
- T20 20-pin connector, black
- V428 Air distribution flap control motor

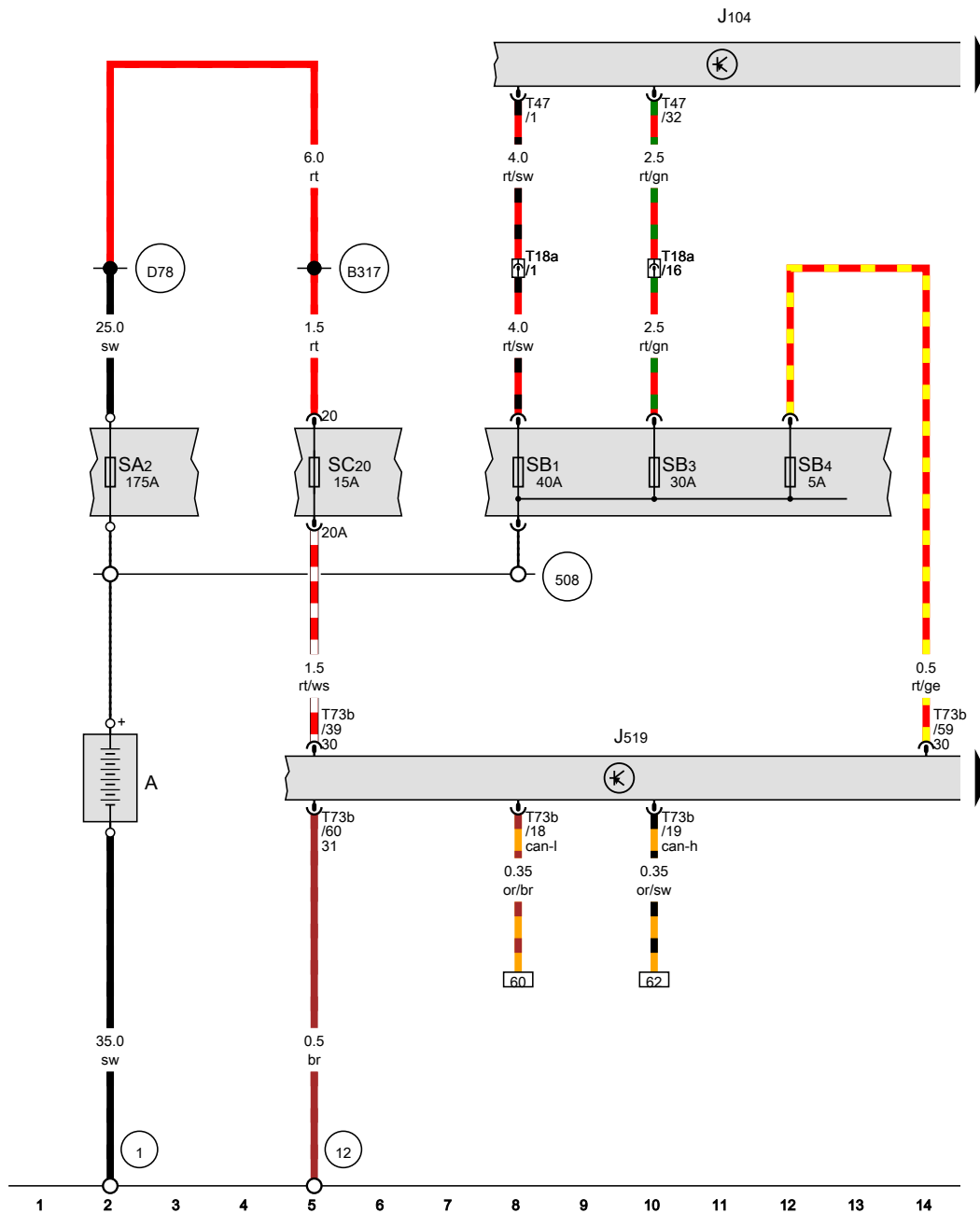
- (189) Earth connection 1, in heater wiring harness
- (A69) Connection (31, air conditioning system/blower control), in dash panel wiring harness
- (L31) Connection (5V), in air conditioning system wiring harness

- ws = white
- sw = black
- ro = red
- br = brown
- gn = green
- bl = blue
- gr = grey
- li = purple
- ge = yellow
- or = orange
- rs = pink

**Anti-lock brake system (ABS) with electronic differential lock (EDL) and traction control system (TCS)**

From December 2009

Battery, ABS control unit, Onboard supply control unit, Fuse 1 on fuse holder B, Fuse 2 in fuse holder A, Fuse 4 on fuse holder B, Fuse 20 on fuse holder C

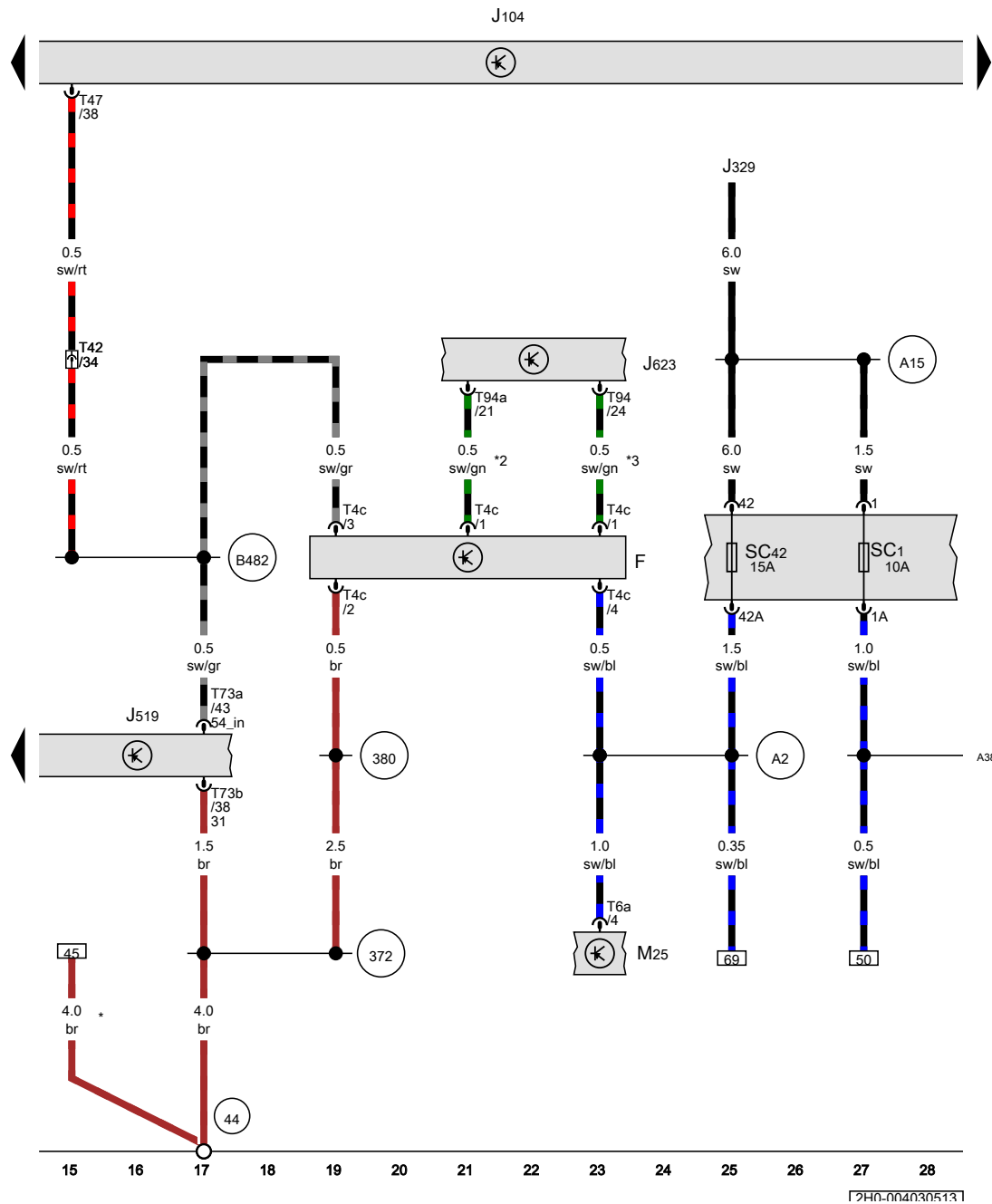


- A Battery
- J104 ABS control unit
- J519 Onboard supply control unit
- SB1 Fuse 1 on fuse holder B
- SA2 Fuse 2 in fuse holder A
- SB3 Fuse 3 on fuse holder B
- SB4 Fuse 4 on fuse holder B
- SC20 Fuse 20 on fuse holder C, black
- T18a 18-pin connector, grey, near engine control unit
- T47 47-pin connector, black
- T73b 73-pin connector, colourless

- 1 Earth strap, battery - body
- 12 Earth point, on left in engine compartment
- 508 Threaded connection (30) on E-box
- B317 Positive connection 3 (30a) in main wiring harness
- D78 Positive connection 1 (30a), in engine compartment wiring harness

- ws = white
- sw = black
- ro = red
- rt = red
- br = brown
- gn = green
- bl = blue
- gr = grey
- li = purple
- vi = purple
- ge = yellow
- or = orange
- rs = pink

1740-004020513



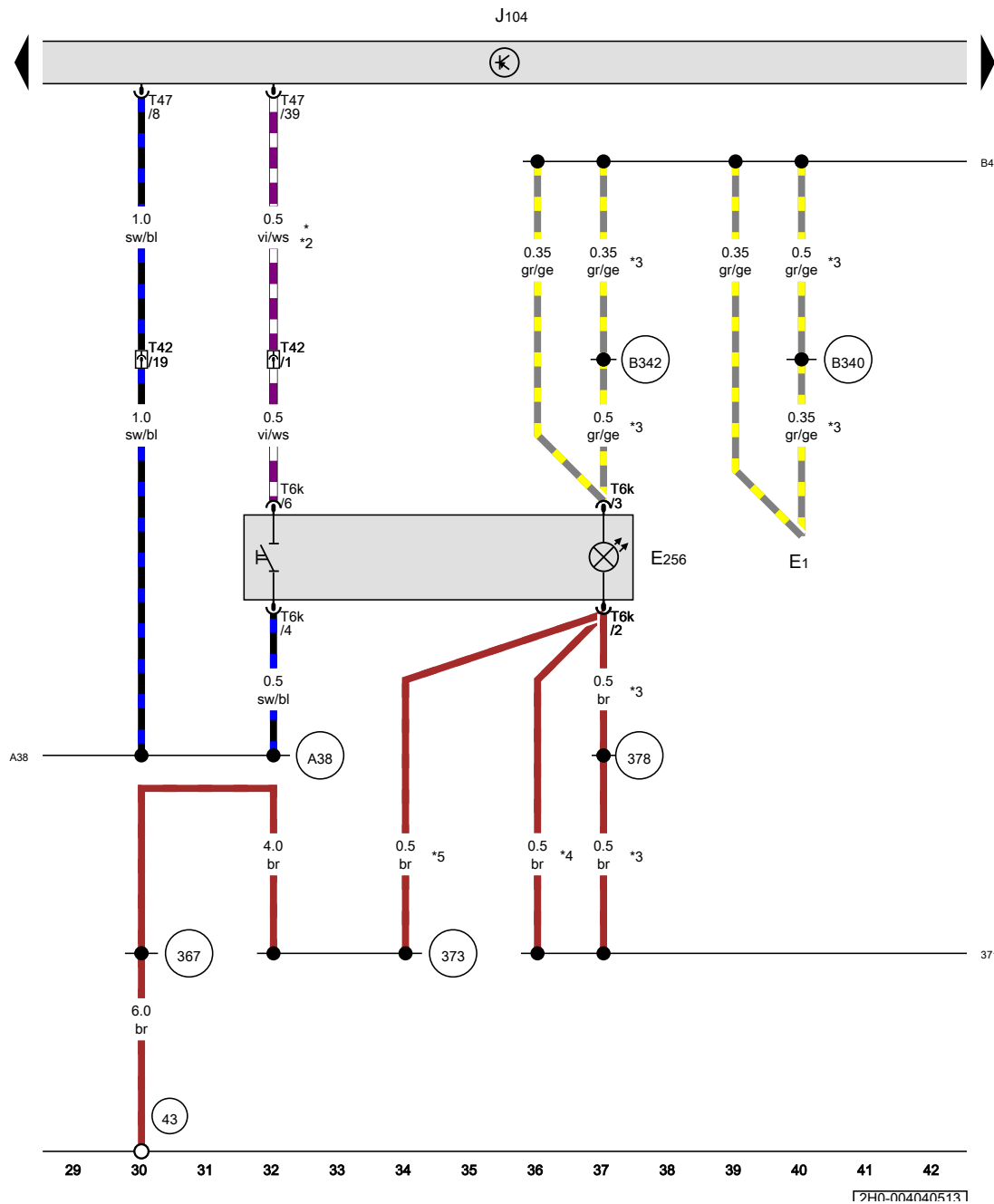
Brake light switch, ABS control unit, Onboard supply control unit, Fuse 1 on fuse holder C

- F Brake light switch
- J104 ABS control unit
- J329 Terminal 15 voltage supply relay
- J519 Onboard supply control unit
- J623 Engine control unit
- M25 Additional brake light bulb
- SC1 Fuse 1 on fuse holder C
- SC42 Fuse 42 on fuse holder C
- T4c 4-pin connector, black
- T6a 6-pin connector, black
- T42 42-pin connector, black, near handbrake lever
- T47 47-pin connector, black
- T73a 73-pin connector, black
- T73b 73-pin connector, colourless
- T94 94-pin connector, black
- T94a 94-pin connector, black

- 44 Earth point, lower part of left A-pillar
- 372 Earth connection 7, in main wiring harness
- 380 Earth connection 15, in main wiring harness
- A2 Positive connection (15), in dash panel wiring harness
- A15 Positive connection (15), in instrument wiring harness
- A38 Positive connection 2 (15a) in dash panel wiring harness
- B482 Connection 18, in main wiring harness

- \* Only models with electronic stabilisation program (ESP)
- \*2 Only models with diesel engine
- \*3 Only models with petrol engine

Г240-004030513



TCS and ESP button, ABS control unit

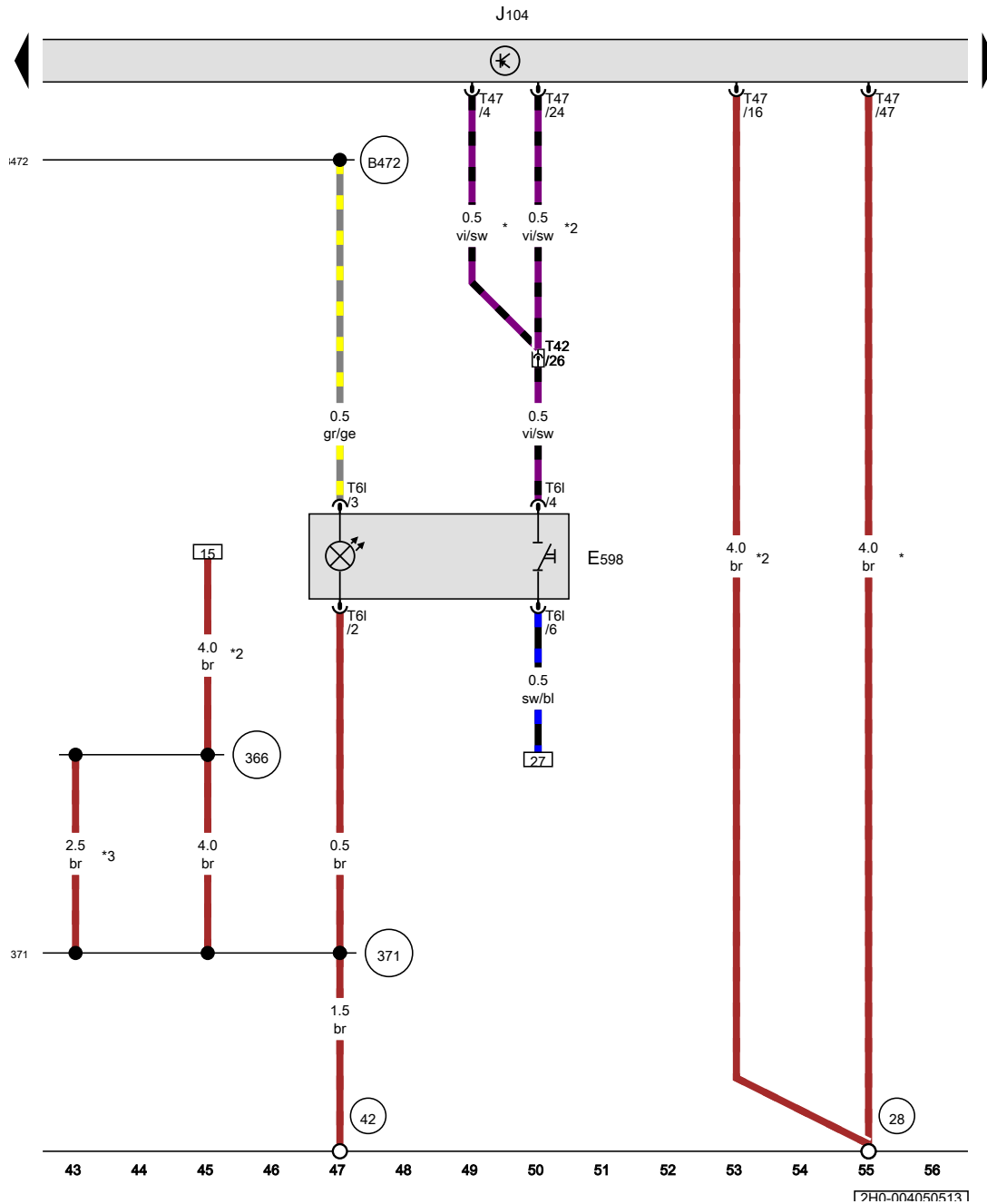
- E1 Light switch
- E256 TCS and ESP button
- J104 ABS control unit
- T6k 6-pin connector, black
- T42 42-pin connector, black, near handbrake lever
- T47 47-pin connector, black

- 43 Earth point, lower part of right A-pillar
- 367 Earth connection 2, in main wiring harness
- 371 Earth connection 6, in main wiring harness
- 373 Earth connection 8, in main wiring harness
- 378 Earth connection 13, in main wiring harness
- A38 Positive connection 2 (15a) in dash panel wiring harness
- B340 Connection 1 (58d), in main wiring harness
- B342 Connection 3 (58d), in main wiring harness
- B472 Connection 8, in main wiring harness

- \* with auxiliary drive (part time)
- \*2 with no auxiliary drive
- \*3 From November 2011
- \*4 Only models with electronic stabilisation program (ESP)
- \*5 Only models with anti-lock brake system (ABS), traction control system (TCS) and electronic differential lock (EDL)

- ws = white
- sw = black
- ro = red
- rt = red
- br = brown
- gn = green
- bl = blue
- gr = grey
- li = purple
- vi = purple
- ge = yellow
- or = orange
- rs = pink

Г240-0020405131



Driving program button, ABS control unit

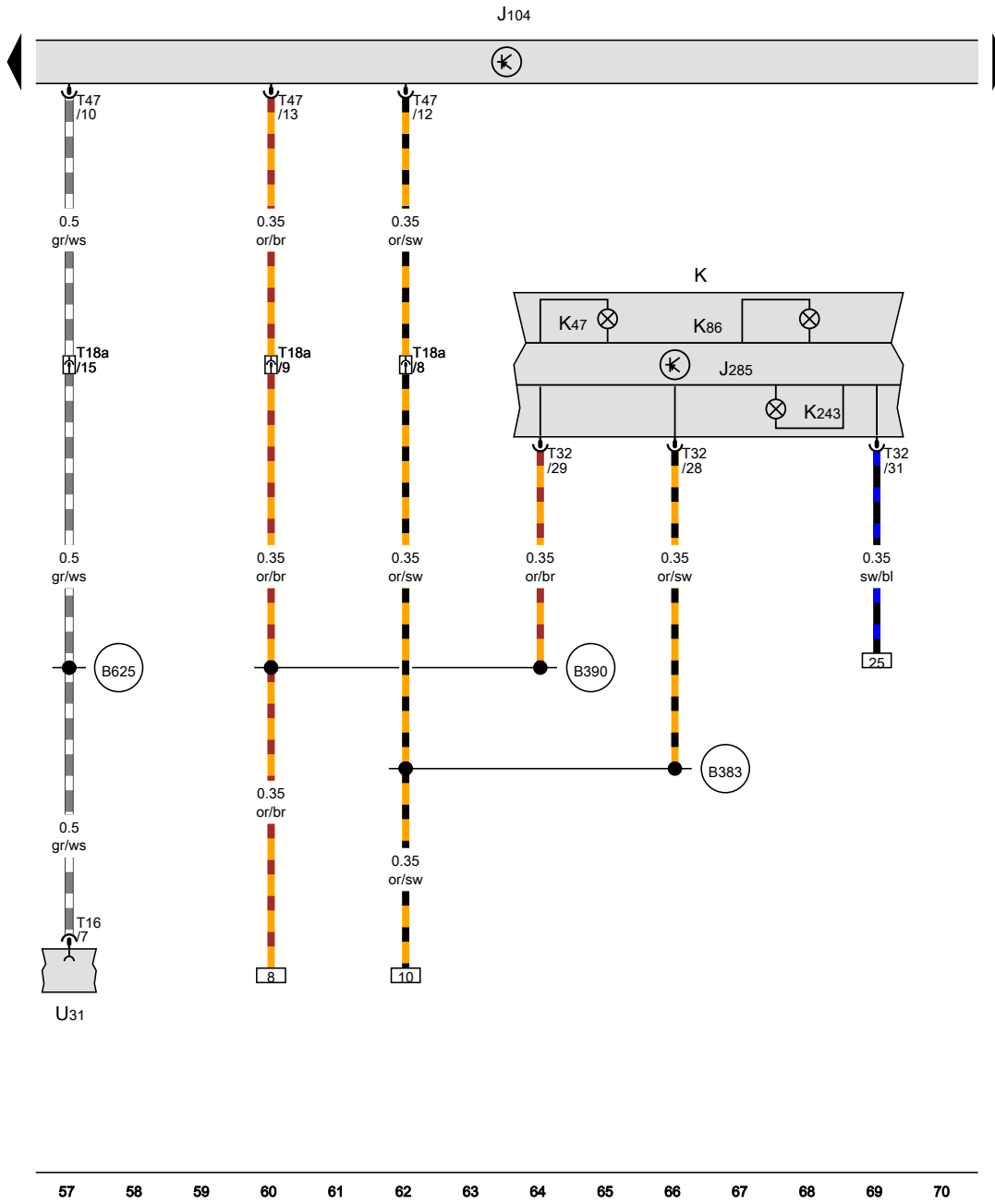
- E598 Driving program button
- J104 ABS control unit
- T61 6-pin connector, red
- T42 42-pin connector, black, near handbrake lever
- T47 47-pin connector, black

- 28 Earth point, on bulkhead
- 42 Earth point, next to steering column
- 366 Earth connection 1, in main wiring harness
- 371 Earth connection 6, in main wiring harness
- B472 Connection 8, in main wiring harness

- \* Only models with no ESP
- \*2 Only models with electronic stabilisation program (ESP)
- \*3 From November 2011

- ws = white
- sw = black
- ro = red
- rt = red
- br = brown
- gn = green
- bl = blue
- gr = grey
- li = purple
- vi = purple
- ge = yellow
- or = orange
- rs = pink

1740-004050513



ABS control unit, Dash panel insert, ABS warning lamp, Traction control system warning lamp, Driving program warning light, Diagnostic connection

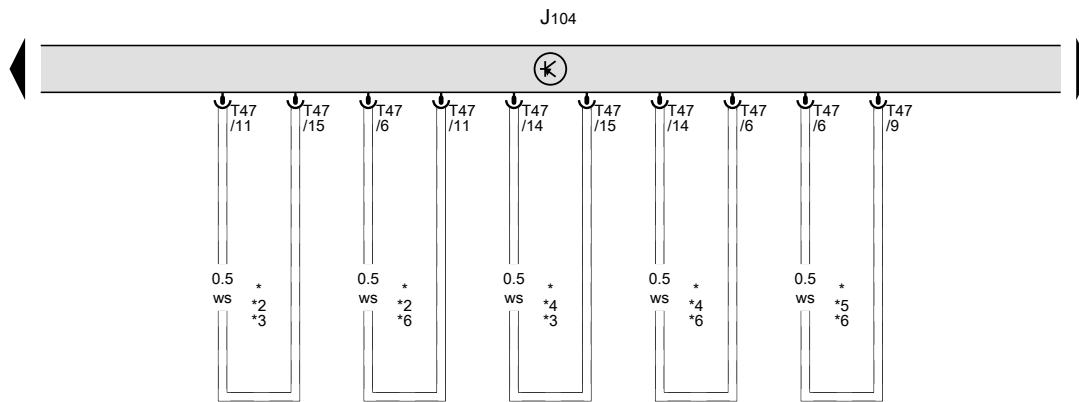
- J104 ABS control unit
- J285 Control unit in dash panel insert
- K Dash panel insert
- K47 ABS warning lamp
- K86 Traction control system warning lamp
- K243 Driving program warning light
- T16 16-pin connector, black
- T18a 18-pin connector, grey, near engine control unit
- T32 32-pin connector, blue
- T47 47-pin connector, black
- U31 Diagnostic connection

- B383 Connection 1 (powertrain CAN bus, high), in main wiring harness
- B390 Connection 1 (powertrain CAN bus, low), in main wiring harness
- B625 Connection (K-diagnosis wire), in main wiring harness

- ws = white
- sw = black
- ro = red
- rt = red
- br = brown
- gn = green
- bl = blue
- gr = grey
- li = purple
- vi = purple
- ge = yellow
- or = orange
- rs = pink

1740-0040605131

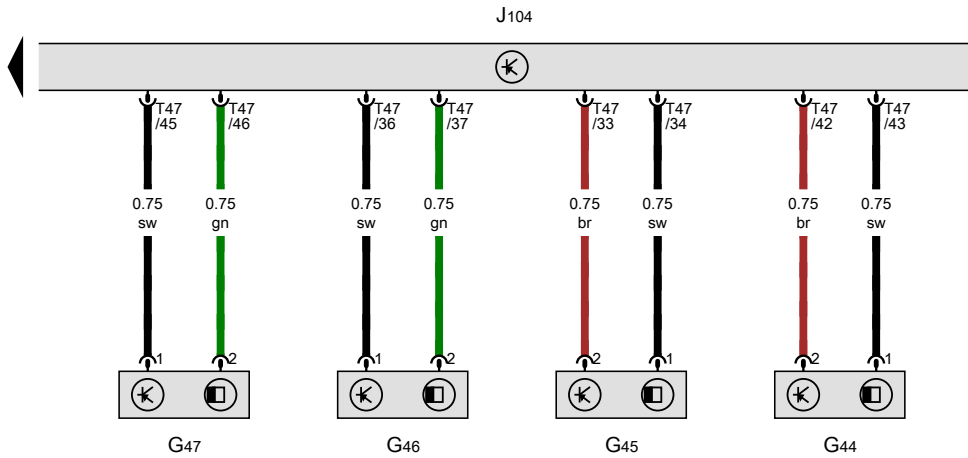




**ABS control unit**

- J104 ABS control unit
- T47 47-pin connector, black
- \* Only models with no ESP
- \*2 with no auxiliary drive
- \*3 Only models with single cab
- \*4 with auxiliary drive (part time)
- \*5 with auxiliary drive (Torsen)
- \*6 Only models with double cab

- ws = white
- sw = black
- ro = red
- rt = red
- br = brown
- gn = green
- bl = blue
- gr = grey
- li = purple
- vi = purple
- ge = yellow
- or = orange
- rs = pink



Rear right speed sensor, Front right speed sensor, Rear left speed sensor, Front left speed sensor, ABS control unit

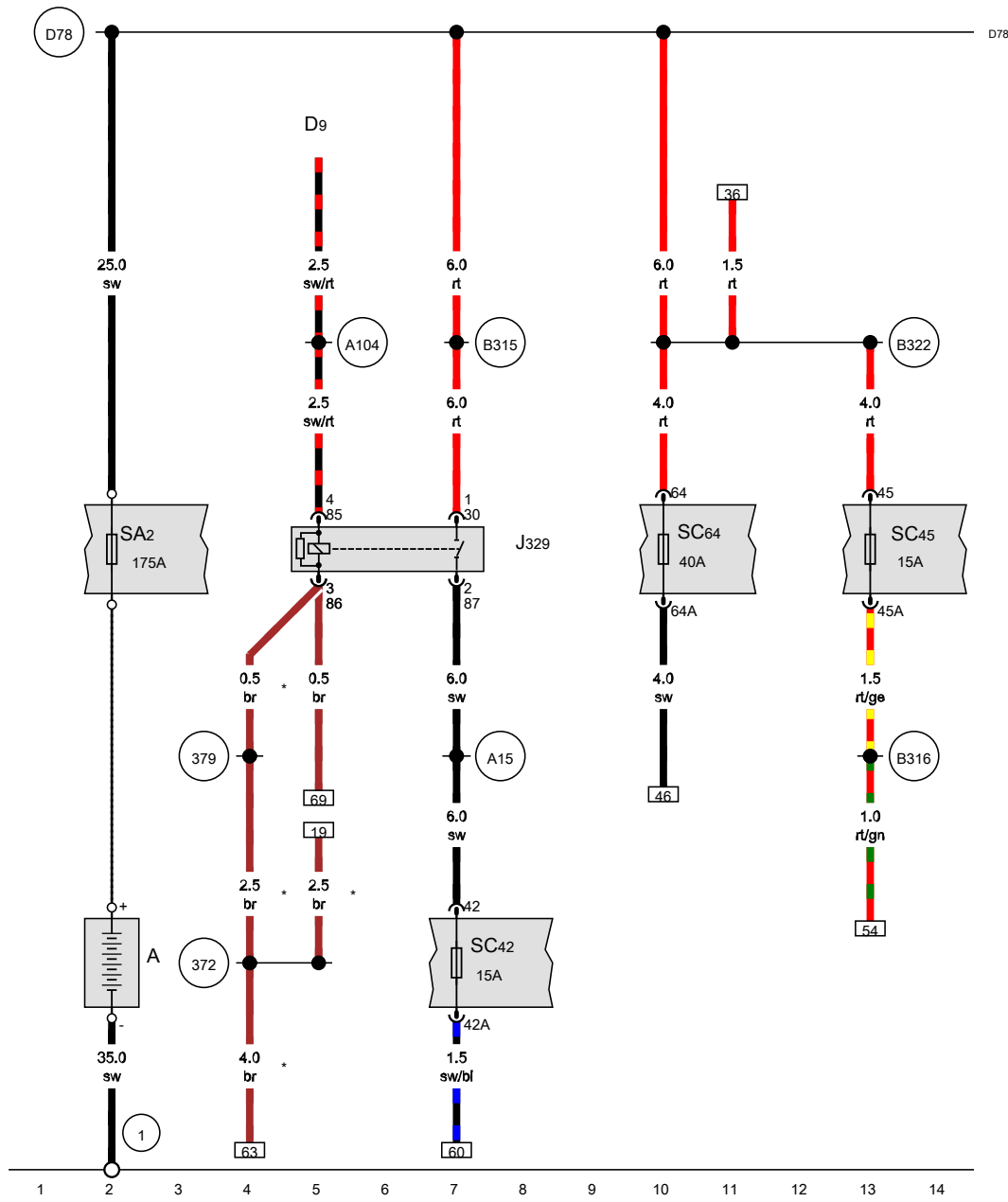
- G44 Rear right speed sensor
- G45 Front right speed sensor
- G46 Rear left speed sensor
- G47 Front left speed sensor
- J104 ABS control unit
- T47 47-pin connector, black

- ws = white
- sw = black
- ro = red
- rt = red
- br = brown
- gn = green
- bl = blue
- gr = grey
- li = purple
- vi = purple
- ge = yellow
- or = orange
- rs = pink

**Climatronic**

From December 2009

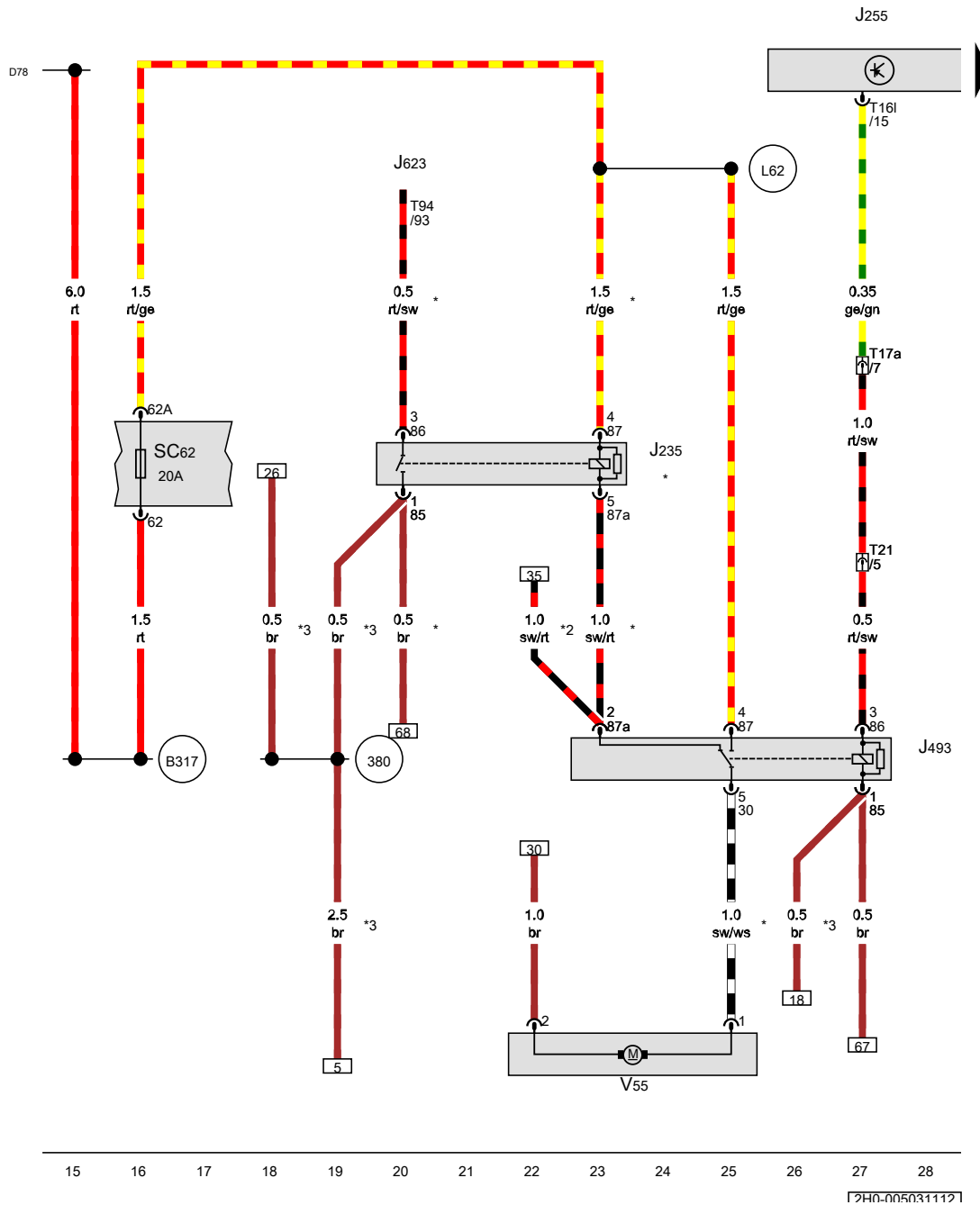
Battery, Fuse 2 in fuse holder A, Fuse 42 on fuse holder C, Fuse 45 on fuse holder C, Fuse 64 on fuse holder C



- A Battery
- D9 Electronic ignition lock
- J329 Terminal 15 voltage supply relay
- SA2 Fuse 2 in fuse holder A
- SC42 Fuse 42 on fuse holder C
- SC45 Fuse 45 on fuse holder C
- SC64 Fuse 64 on fuse holder C
- 1 Earth strap, battery - body
- 372 Earth connection 7, in main wiring harness
- 379 Earth connection 14, in main wiring harness
- A15 Positive connection (15), in instrument wiring harness
- A104 Positive connection 2 (15), in dash panel wiring harness
- B315 Positive connection 1 (30a) in main wiring harness
- B316 Positive connection 2 (30a) in main wiring harness
- B322 Positive connection 8 (30a) in main wiring harness
- D78 Positive connection 1 (30a), in engine compartment wiring harness
- \* From November 2011

- ws = white
- sw = black
- ro = red
- br = brown
- gn = green
- bl = blue
- gr = grey
- li = purple
- ge = yellow
- or = orange
- rs = pink

1740-0050211121

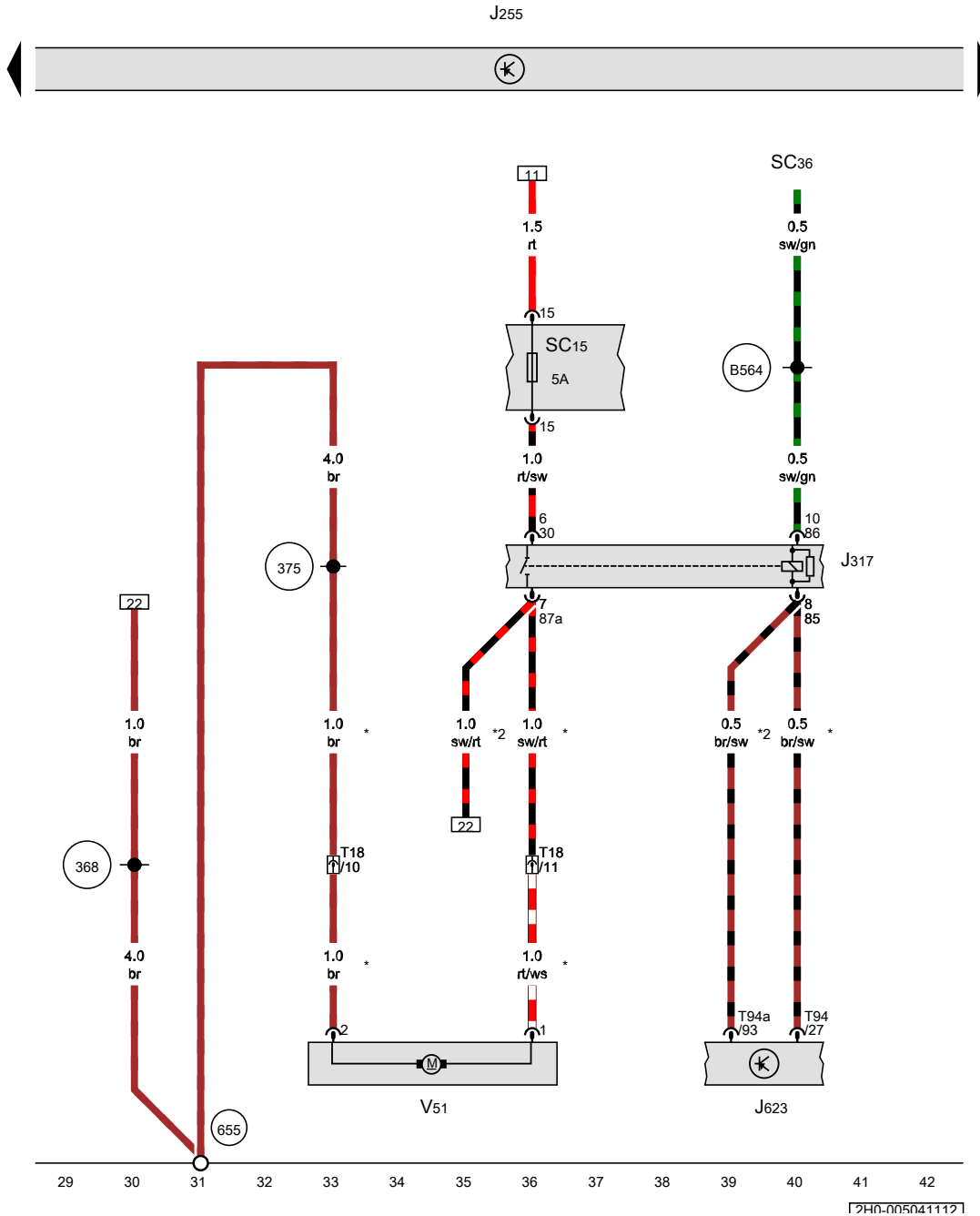


**Climatron control unit, Fuse 62 on fuse holder C, Circulation pump**

- J235 Coolant pump relay
- J255 Climatron control unit, in centre of dash panel
- J493 Auxiliary coolant heater relay
- J623 Engine control unit
- SC62 Fuse 62 on fuse holder C
- T161 16-pin connector, black
- T17a 17-pin connector, behind glove compartment, black
- T21 21-pin connector, on relay carrier, blue
- T94 94-pin connector
- V55 Circulation pump

- (380) Earth connection 15, in main wiring harness
- (B317) Positive connection 3 (30a) in main wiring harness
- (D78) Positive connection 1 (30a), in engine compartment wiring harness
- (L62) Positive connection (30a), in auxiliary heater wiring harness
- \* Only models with petrol engine
- \*2 Only models with diesel engine
- \*3 From November 2011

- ws = white
- sw = black
- ro = red
- br = brown
- gn = green
- bl = blue
- gr = grey
- li = purple
- ge = yellow
- or = orange
- rs = pink



**Climatronic control unit, Terminal 30 voltage supply relay, Continued coolant circulation pump**

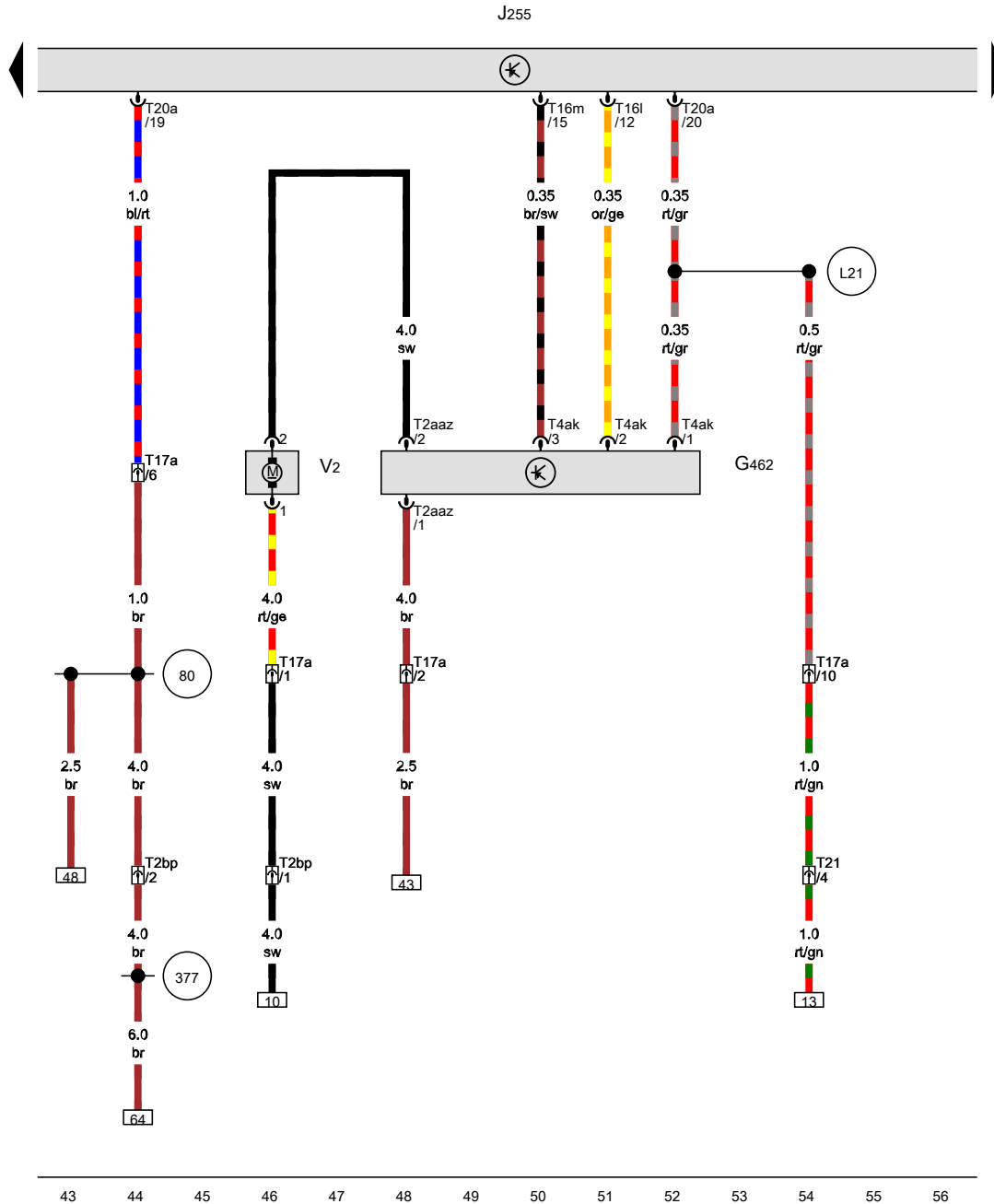
- J255 Climatronic control unit, in centre of dash panel
- J317 Terminal 30 voltage supply relay
- J623 Engine control unit
- SC15 Fuse 15 on fuse holder C
- SC36 Fuse 36 on fuse holder C
- T18 18-pin connector
- T94 94-pin connector
- T94a 94-pin connector
- V51 Continued coolant circulation pump

- 368 Earth connection 3, in main wiring harness
- 375 Earth connection 10, in main wiring harness
- 655 Earth point, on left headlight
- B564 Connection 31, in main wiring harness

- \* Only models with petrol engine
- \*2 Only models with diesel engine

- ws = white
- sw = black
- ro = red
- br = brown
- gn = green
- bl = blue
- gr = grey
- li = purple
- ge = yellow
- or = orange
- rs = pink

1740-005041117



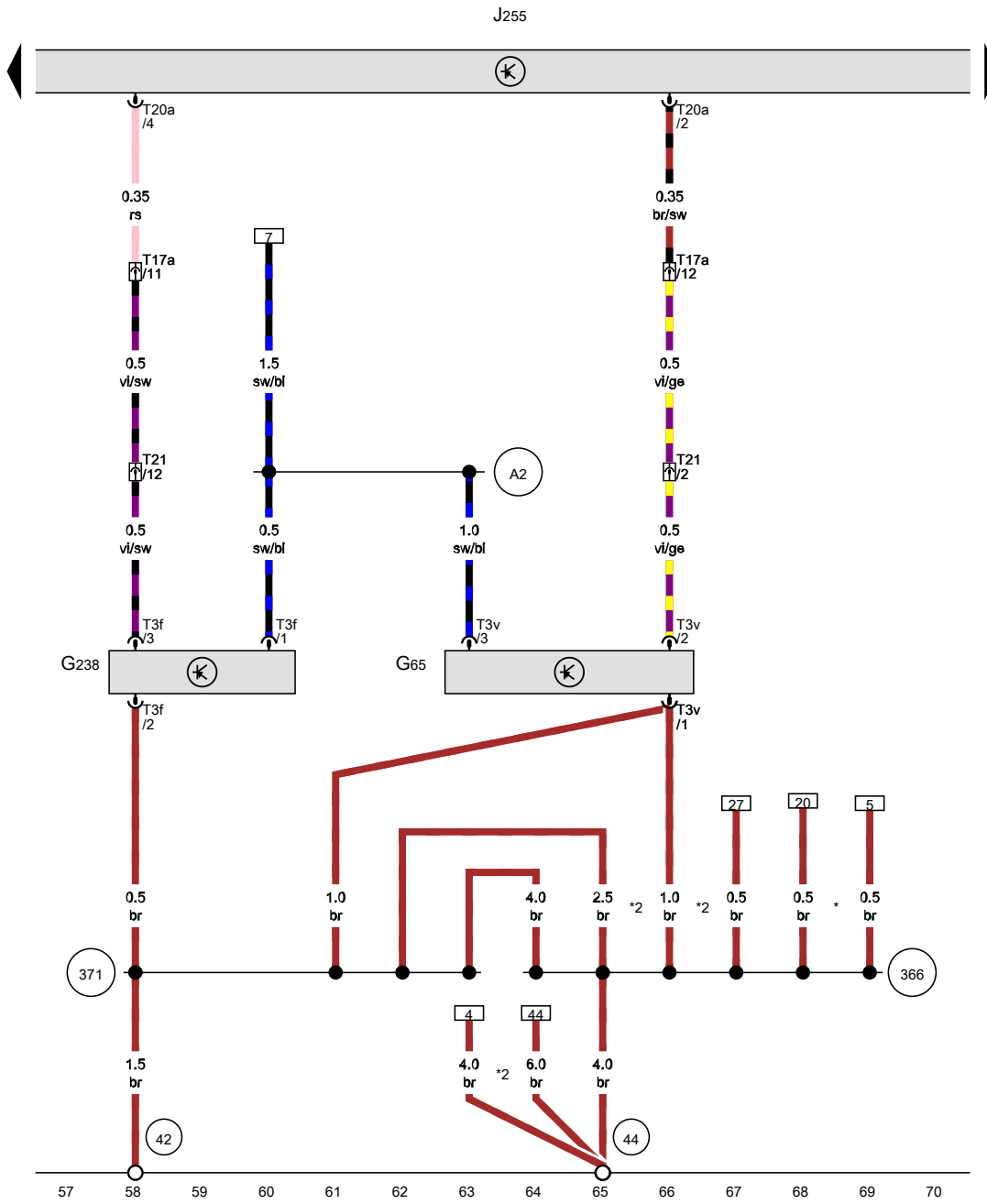
[29H0-005051112]

- ws = white
- sw = black
- ro = red
- br = brown
- gn = green
- bl = blue
- gr = grey
- li = purple
- ge = yellow
- or = orange
- rs = pink

Sender for front Bitron blower regulation, Climatronic control unit, Fresh air blower

- G462 Sender for front Bitron blower regulation
- J255 Climatronic control unit, in centre of dash panel
- T2aaaz 2-pin connector
- T2bp 2-pin connector
- T4ak 4-pin connector
- T16l 16-pin connector, black
- T16m 16-pin connector, brown
- T17a 17-pin connector, behind glove compartment, black
- T20a 20-pin connector
- T21 21-pin connector, on relay carrier, blue
- V2 Fresh air blower

- 80 Earth connection 1, in dash panel wiring harness
- 377 Earth connection 12, in main wiring harness
- L21 Connection 1 (30), in Climatronic operating unit wiring harness



High-pressure sender, Air quality sensor, Climatronic control unit

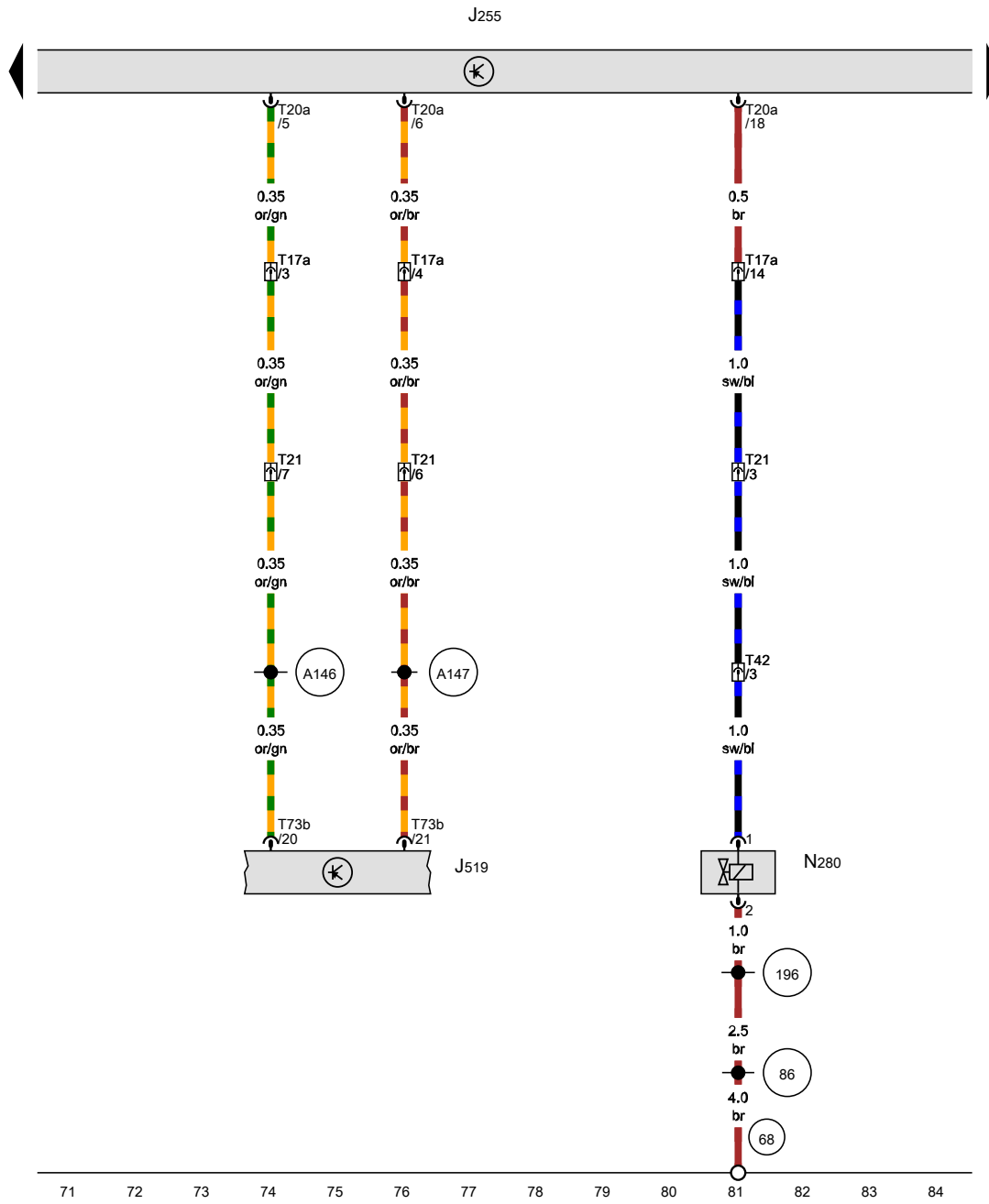
- G65 High-pressure sender
- G238 Air quality sensor, near window wiper motor
- J255 Climatronic control unit, in centre of dash panel
- T3f 3-pin connector
- T3v 3-pin connector
- T17a 17-pin connector, behind glove compartment, black
- T20a 20-pin connector
- T21 21-pin connector, on relay carrier, blue

- 42 Earth point, next to steering column
- 44 Earth point, lower part of left A-pillar
- 366 Earth connection 1, in main wiring harness
- 371 Earth connection 6, in main wiring harness
- A2 Positive connection (15), in dash panel wiring harness
- \* Only models with petrol engine
- \*2 From November 2011

- ws = white
- sw = black
- ro = red
- br = brown
- gn = green
- bl = blue
- gr = grey
- li = purple
- ge = yellow
- or = orange
- rs = pink

[240-005061112]





**Climatronic control unit, Onboard supply control unit, Air conditioner compressor regulating valve**

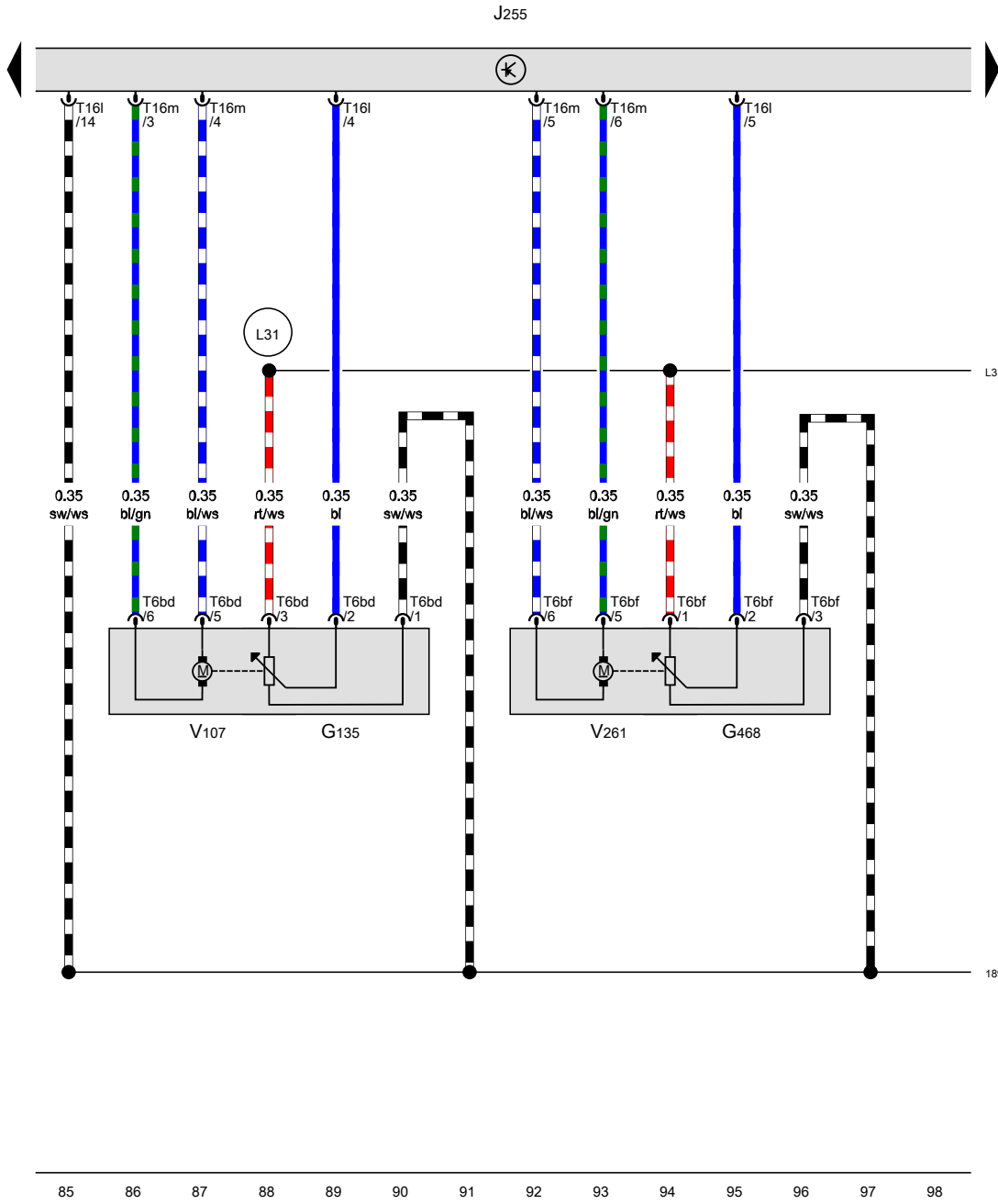
- J255 Climatronic control unit, in centre of dash panel
- J519 Onboard supply control unit
- N280 Air conditioner compressor regulating valve
- T17a 17-pin connector, behind glove compartment, black
- T20a 20-pin connector
- T21 21-pin connector, on relay carrier, blue
- T42 42-pin connector, near handbrake lever, black
- T73b 73-pin connector

- 68 Earth point, on left of rear cross member
- 86 Earth connection 1, in rear wiring harness
- 196 Earth connection 3, in rear wiring harness
- A146 Connection (convenience CAN bus, high), in dash panel wiring harness
- A147 Connection (convenience CAN bus, low), in dash panel wiring harness

- ws = white
- sw = black
- ro = red
- br = brown
- gn = green
- bl = blue
- gr = grey
- li = purple
- ge = yellow
- or = orange
- rs = pink


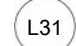
71 72 73 74 75 76 77 78 79 80 81 82 83 84

[240-005071112]



Potentiometer for defroster flap control motor,  
 Potentiometer for footwell vent control motor, Climatronic  
 control unit, Defroster flap control motor, Footwell flap  
 control motor

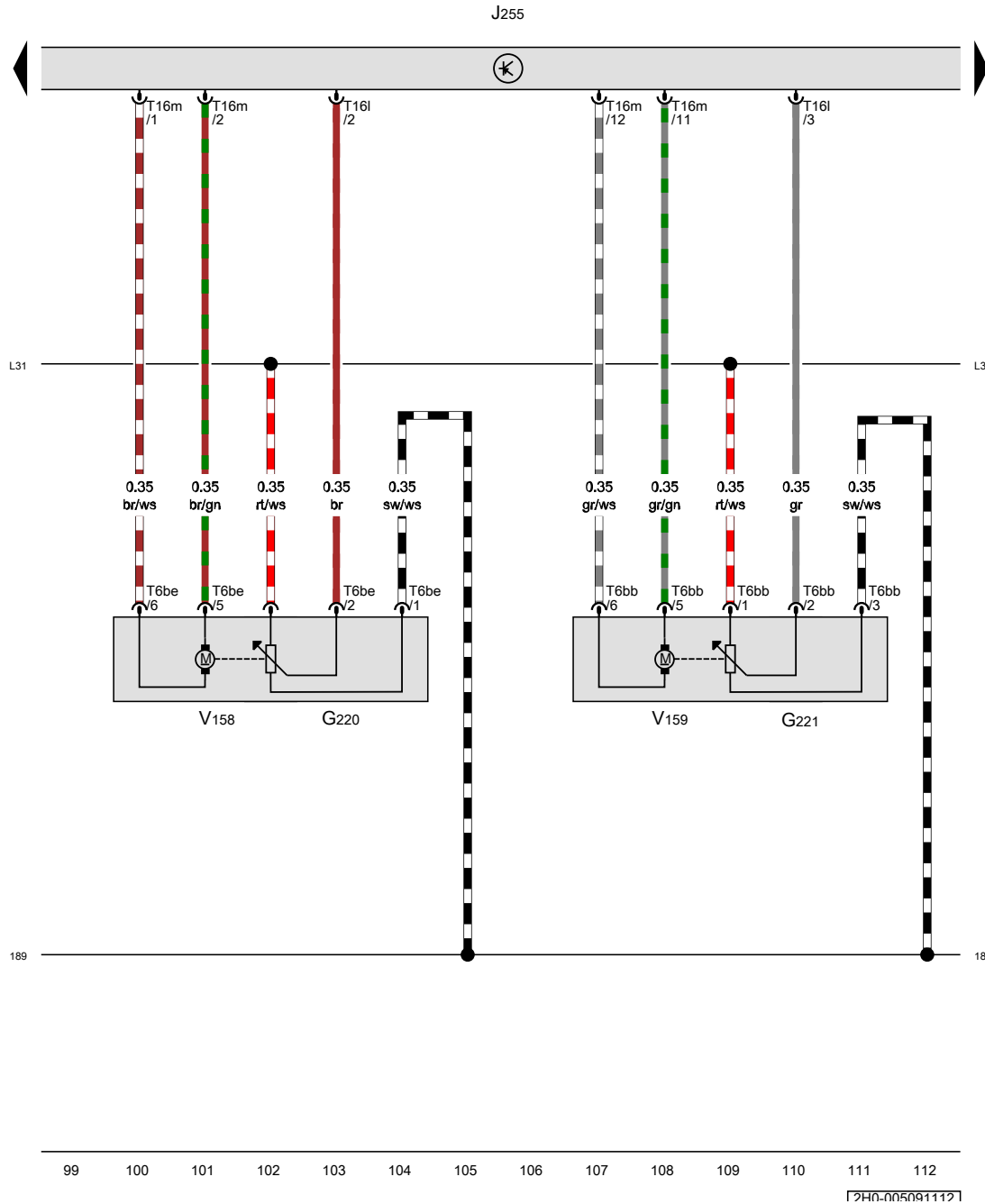
- G135 Potentiometer for defroster flap control motor
- G468 Potentiometer for footwell vent control motor
- J255 Climatronic control unit, in centre of dash panel
- T6bd 6-pin connector
- T6bf 6-pin connector
- T16l 16-pin connector, black
- T16m 16-pin connector, brown
- V107 Defroster flap control motor
- V261 Footwell flap control motor

-  189 Earth connection 1, in heater wiring harness
-  L31 Connection (5V), in air conditioning system wiring harness

- ws = white
- sw = black
- ro = red
- br = brown
- gn = green
- bl = blue
- gr = grey
- li = purple
- ge = yellow
- or = orange
- rs = pink



85 86 87 88 89 90 91 92 93 94 95 96 97 98

[2HD-005081112]



Potentiometer for left temperature flap control motor,  
 Potentiometer for right temperature flap control motor,  
 Climatronic control unit, Left temperature flap control motor,  
 Right temperature flap control motor

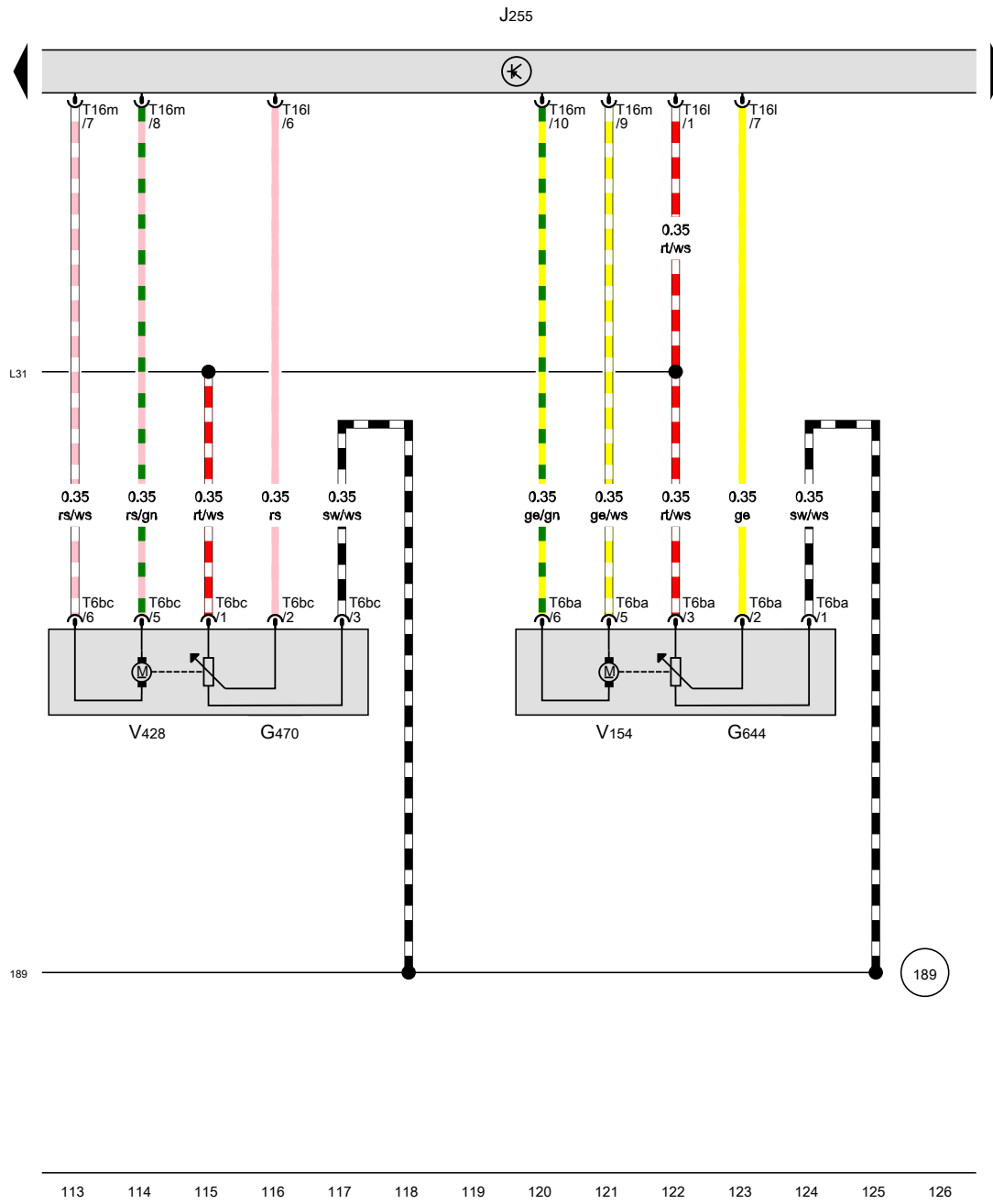
- G220 Potentiometer for left temperature flap control motor
- G221 Potentiometer for right temperature flap control motor
- J255 Climatronic control unit, in centre of dash panel
- T6bb 6-pin connector
- T6be 6-pin connector
- T16l 16-pin connector, black
- T16m 16-pin connector, brown
- V158 Left temperature flap control motor
- V159 Right temperature flap control motor

-  189 Earth connection 1, in heater wiring harness
-  L31 Connection (5V), in air conditioning system wiring harness

- ws = white
- sw = black
- ro = red
- br = brown
- gn = green
- bl = blue
- gr = grey
- li = purple
- ge = yellow
- or = orange
- rs = pink

99 100 101 102 103 104 105 106 107 108 109 110 111 112

[240-005091112]



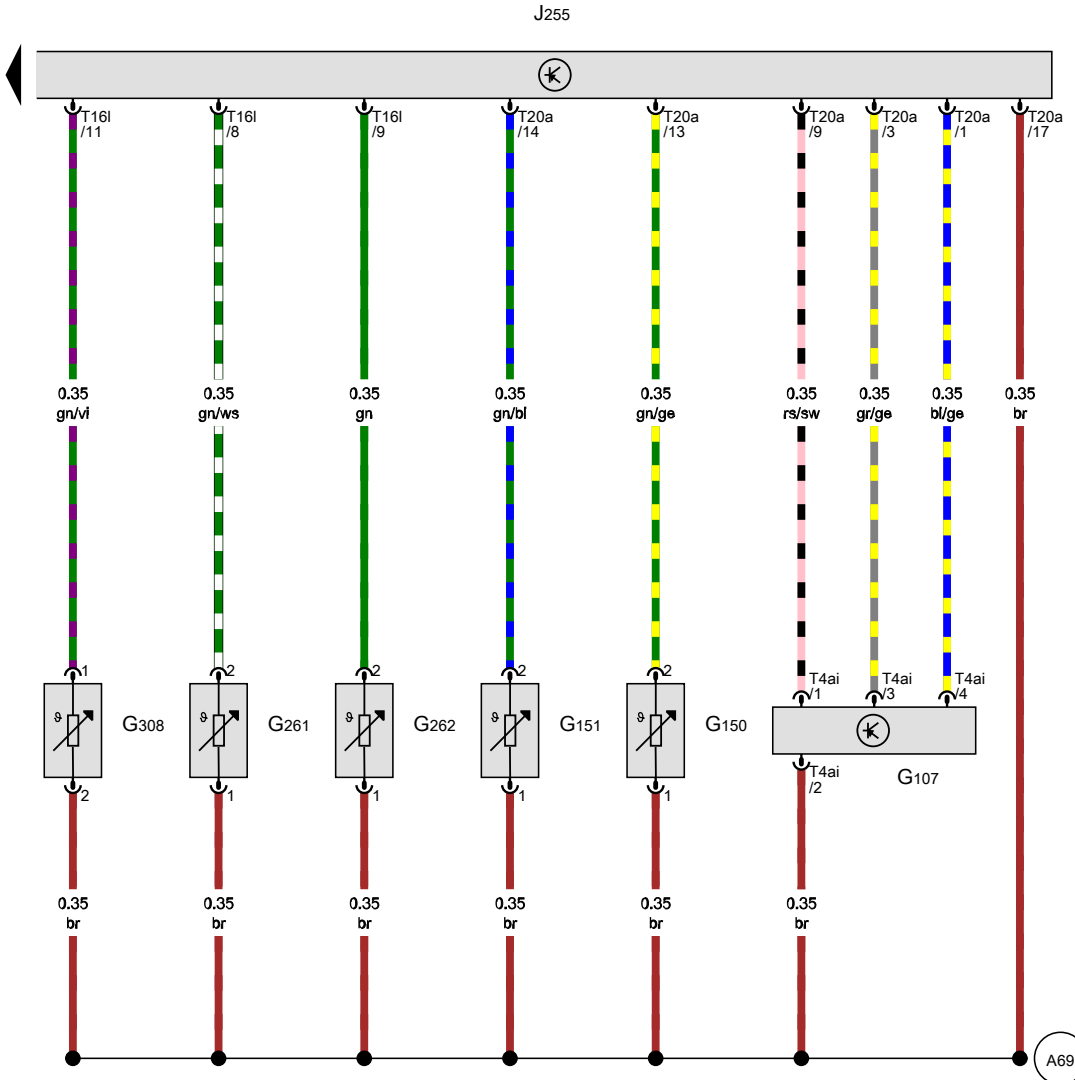
Potentiometer for front air distribution control motor, Potentiometer for fresh air/recirculated air, air flow flap control motor, Climatronic control unit, Fresh air and air recirculation flap control motor, Air distribution flap control motor

- G470 Potentiometer for front air distribution control motor
- G644 Potentiometer for fresh air/recirculated air, air flow flap control motor
- J255 Climatronic control unit, in centre of dash panel
- T6ba 6-pin connector
- T6bc 6-pin connector
- T16l 16-pin connector, black
- T16m 16-pin connector, brown
- V154 Fresh air and air recirculation flap control motor
- V428 Air distribution flap control motor

- (189) Earth connection 1, in heater wiring harness
- (L31) Connection (5V), in air conditioning system wiring harness

- ws = white
- sw = black
- ro = red
- br = brown
- gn = green
- bl = blue
- gr = grey
- li = purple
- ge = yellow
- or = orange
- rs = pink

7PH-0051011121



Sunlight penetration photosensor, Left vent temperature sender, Right vent temperature sender, Left footwell vent temperature sender, Right footwell vent temperature sender, Evaporator temperature sensor, Climatronic control unit

- G107 Sunlight penetration photosensor
- G150 Left vent temperature sender
- G151 Right vent temperature sender
- G261 Left footwell vent temperature sender
- G262 Right footwell vent temperature sender
- G308 Evaporator temperature sensor
- J255 Climatronic control unit, in centre of dash panel
- T4ai 4-pin connector
- T161 16-pin connector, black
- T20a 20-pin connector
- A69 Connection (31, air conditioning system/blower control), in dash panel wiring harness

- ws = white
- sw = black
- ro = red
- br = brown
- gn = green
- bl = blue
- gr = grey
- li = purple
- ge = yellow
- or = orange
- rs = pink

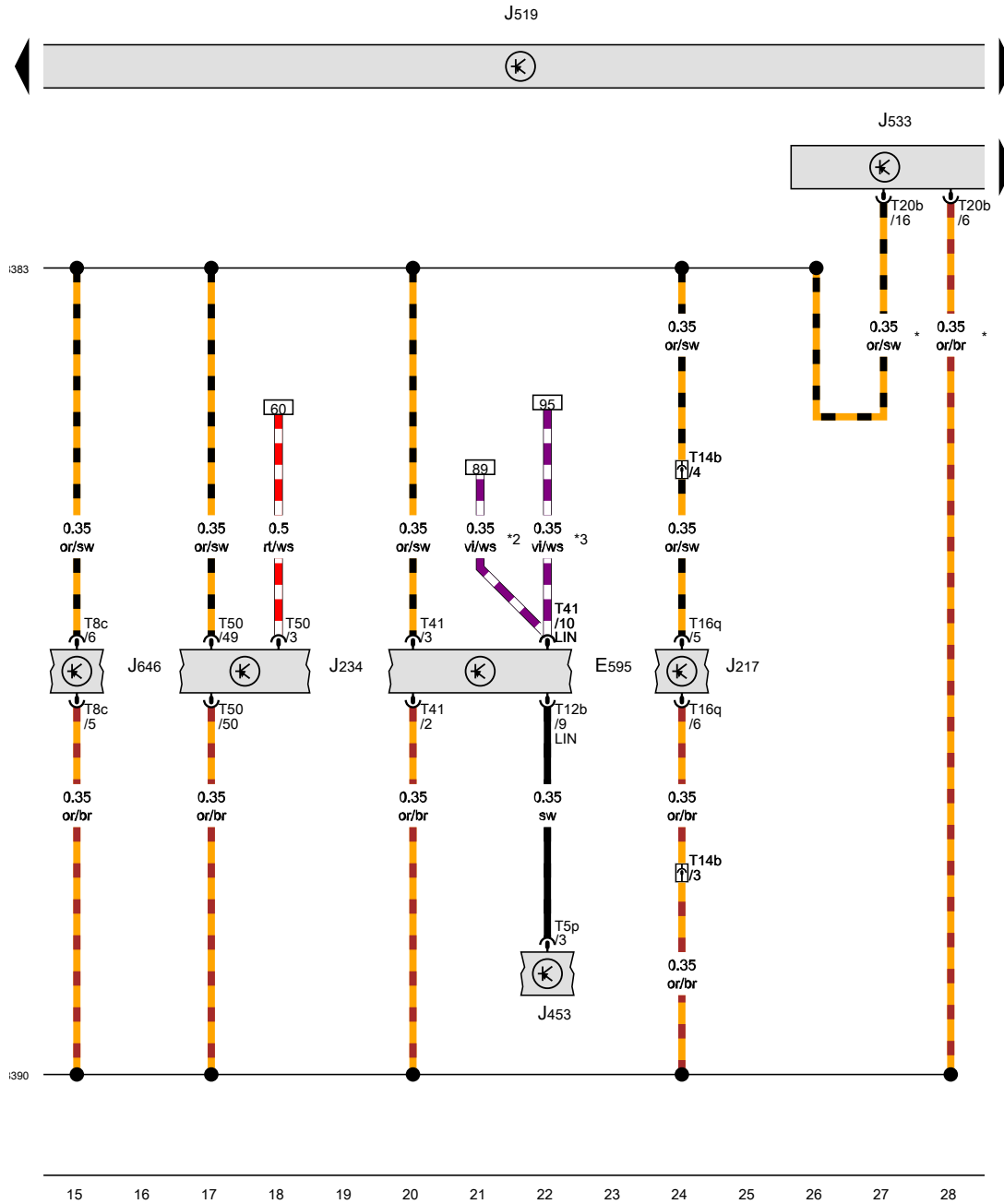
127 128 129 130 131 132 133 134 135 136 137 138 139 140

[740-005111117]

**CAN and LIN bus networking, powertrain CAN, diagnosis CAN, dash panel CAN, convenience CAN**

From June 2011





Multifunction steering wheel control unit, Onboard supply control unit, Data bus diagnostic interface

- E595 Steering column combination switch
- J217 Automatic gearbox control unit
- J234 Airbag control unit
- J453 Multifunction steering wheel control unit
- J519 Onboard supply control unit, near driver side A-pillar
- J533 Data bus diagnostic interface
- J646 Transfer box control unit
- T5p 5-pin connector, black
- T8c 8-pin connector
- T12b 12-pin connector, yellow
- T14b 14-pin connector, near battery, black
- T16q 16-pin connector
- T20b 20-pin connector, black
- T41 41-pin connector, grey
- T50 50-pin connector

 B383 Connection 1 (powertrain CAN bus, high), in main wiring harness

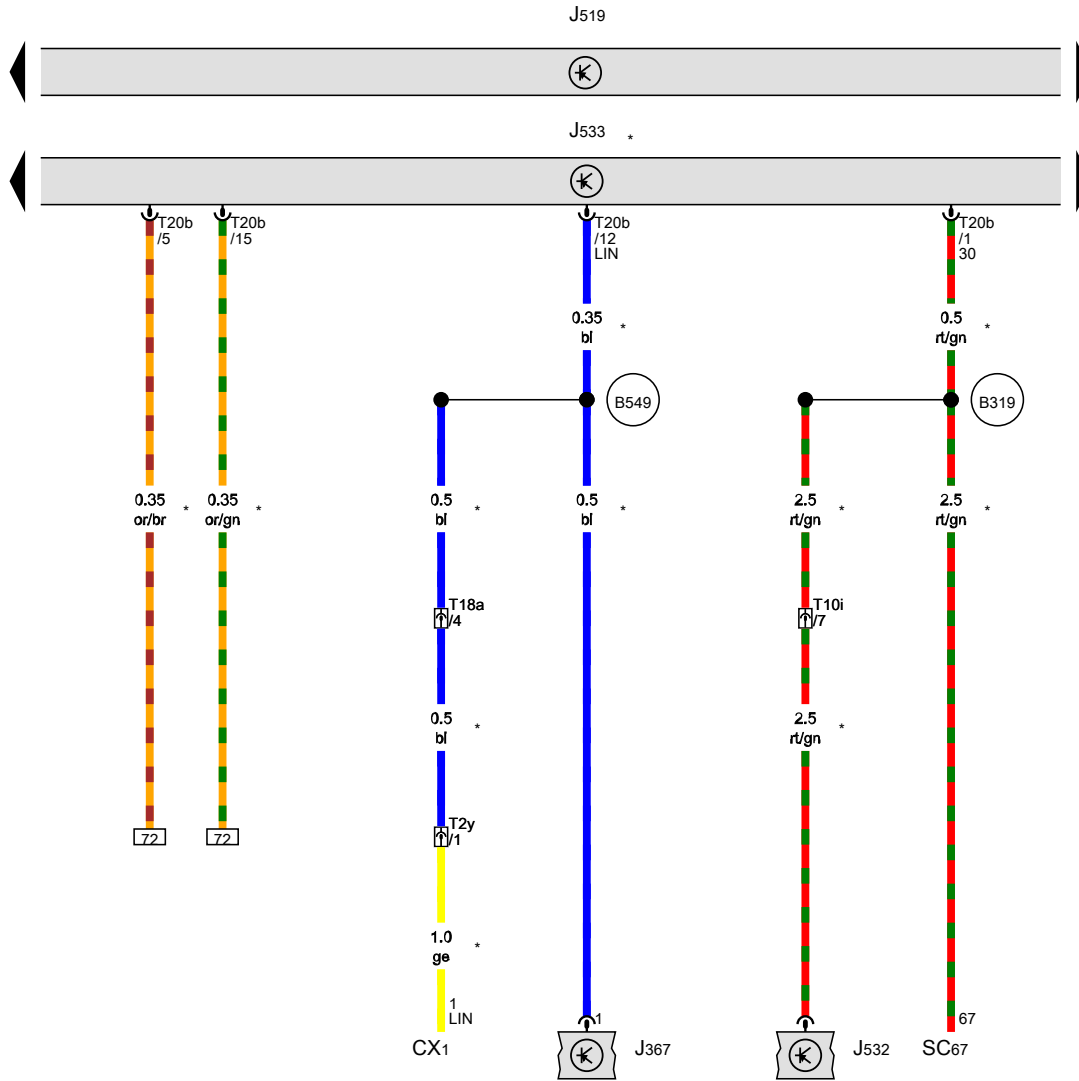
 B390 Connection 1 (powertrain CAN bus, low), in main wiring harness

- \* Only models with start/stop system
- \*2 Only models with electric window regulators
- \*3 Only models with manual window regulators

- ws = white
- sw = black
- ro = red
- br = brown
- gn = green
- bl = blue
- gr = grey
- li = purple
- ge = yellow
- or = orange
- rs = pink

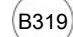
1740-0060304171

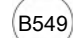




Alternator with voltage regulator, Battery monitor control unit, Onboard supply control unit, Data bus diagnostic interface

- CX1 Alternator with voltage regulator
- J367 Battery monitor control unit
- J519 Onboard supply control unit, near driver side A-pillar
- J532 Voltage stabiliser
- J533 Data bus diagnostic interface
- SC67 Fuse 67 on fuse holder C
- T2y 2-pin connector, black
- T10i 10-pin connector
- T18a 18-pin connector, near engine control unit, grey
- T20b 20-pin connector, black

 B319 Positive connection 5 (30a) in main wiring harness

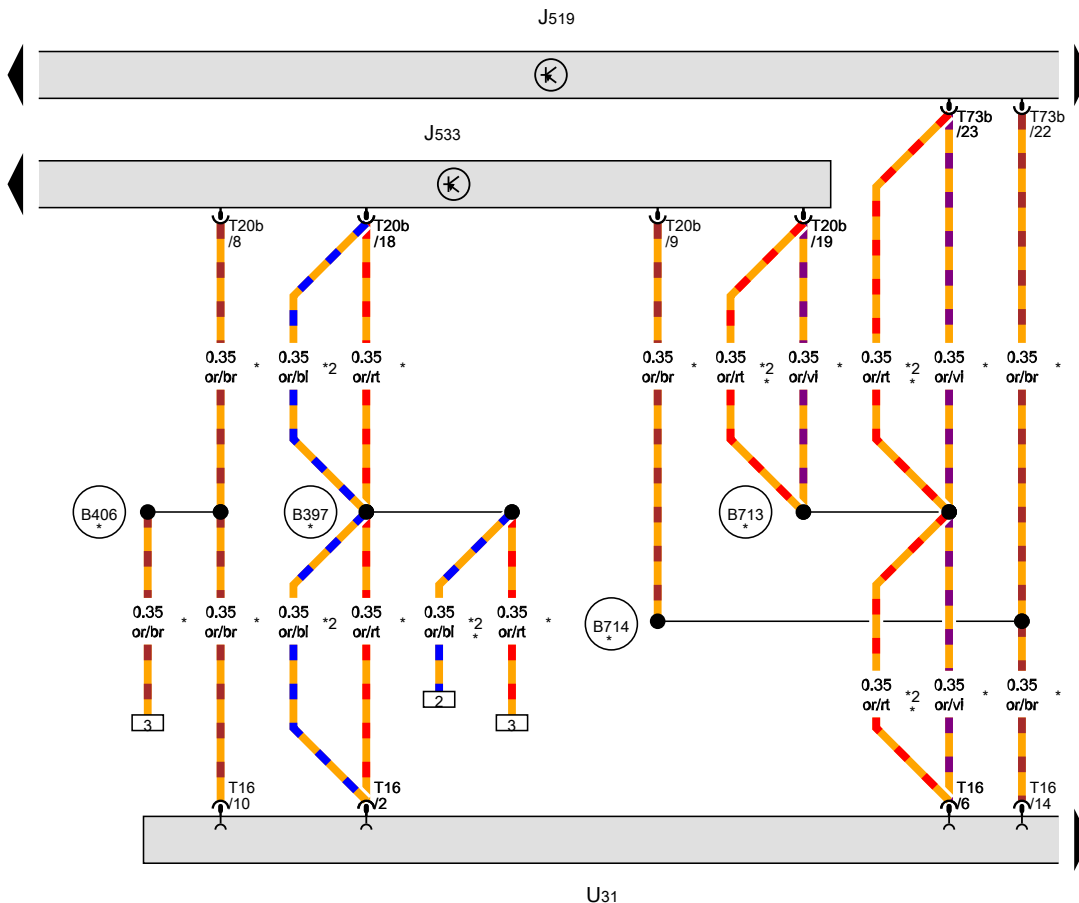
 B549 Connection 2 (LIN bus) in main wiring harness

\* Only models with start/stop system

- ws = white
- sw = black
- ro = red
- br = brown
- gn = green
- bl = blue
- gr = grey
- li = purple
- ge = yellow
- or = orange
- rs = pink

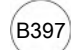


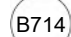
29 30 31 32 33 34 35 36 37 38 39 40 41 42

7PH0-0060404171



**Onboard supply control unit, Data bus diagnostic interface, Diagnostic connection**

- J519 Onboard supply control unit, near driver side A-pillar
- J533 Data bus diagnostic interface
- T16 16-pin connector
- T20b 20-pin connector, black
- T73b 73-pin connector, colourless
- U31 Diagnostic connection, near lower part of right A-pillar

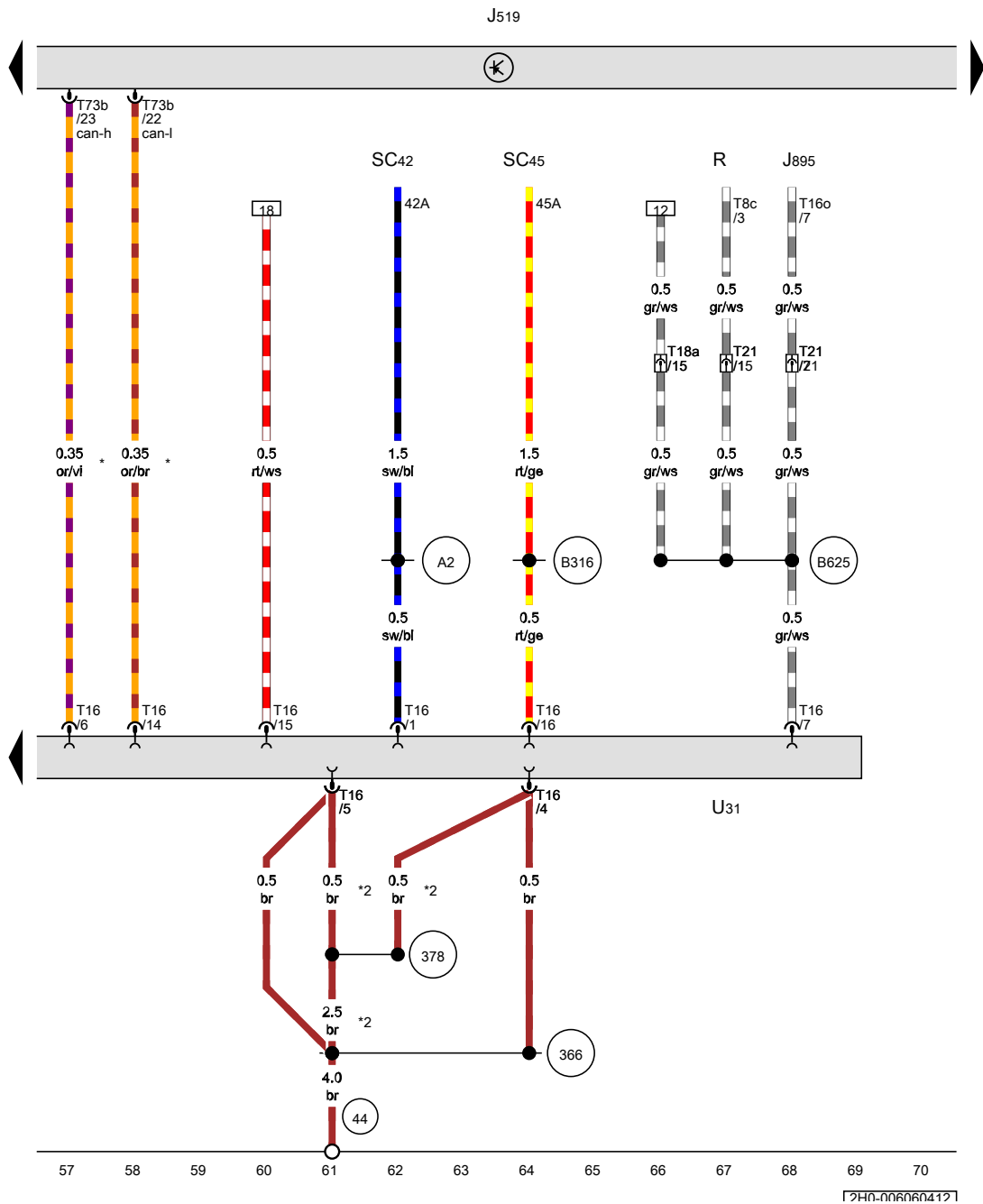
-  B397 Connection 1 (convenience CAN bus, high), in main wiring harness
-  B406 Connection 1 (convenience CAN bus, low), in main wiring harness
-  B713 Connection 1 (CAN bus diagnosis, high), in main wiring harness
-  B714 Connection 1 (CAN bus diagnosis, low), in main wiring harness

\* Only models with start/stop system  
 \*2 From November 2011

- ws = white
- sw = black
- ro = red
- br = brown
- gn = green
- bl = blue
- gr = grey
- li = purple
- ge = yellow
- or = orange
- rs = pink

43 44 45 46 47 48 49 50 51 52 53 54 55 56

17H0-0060504171



**Onboard supply control unit, Diagnostic connection**

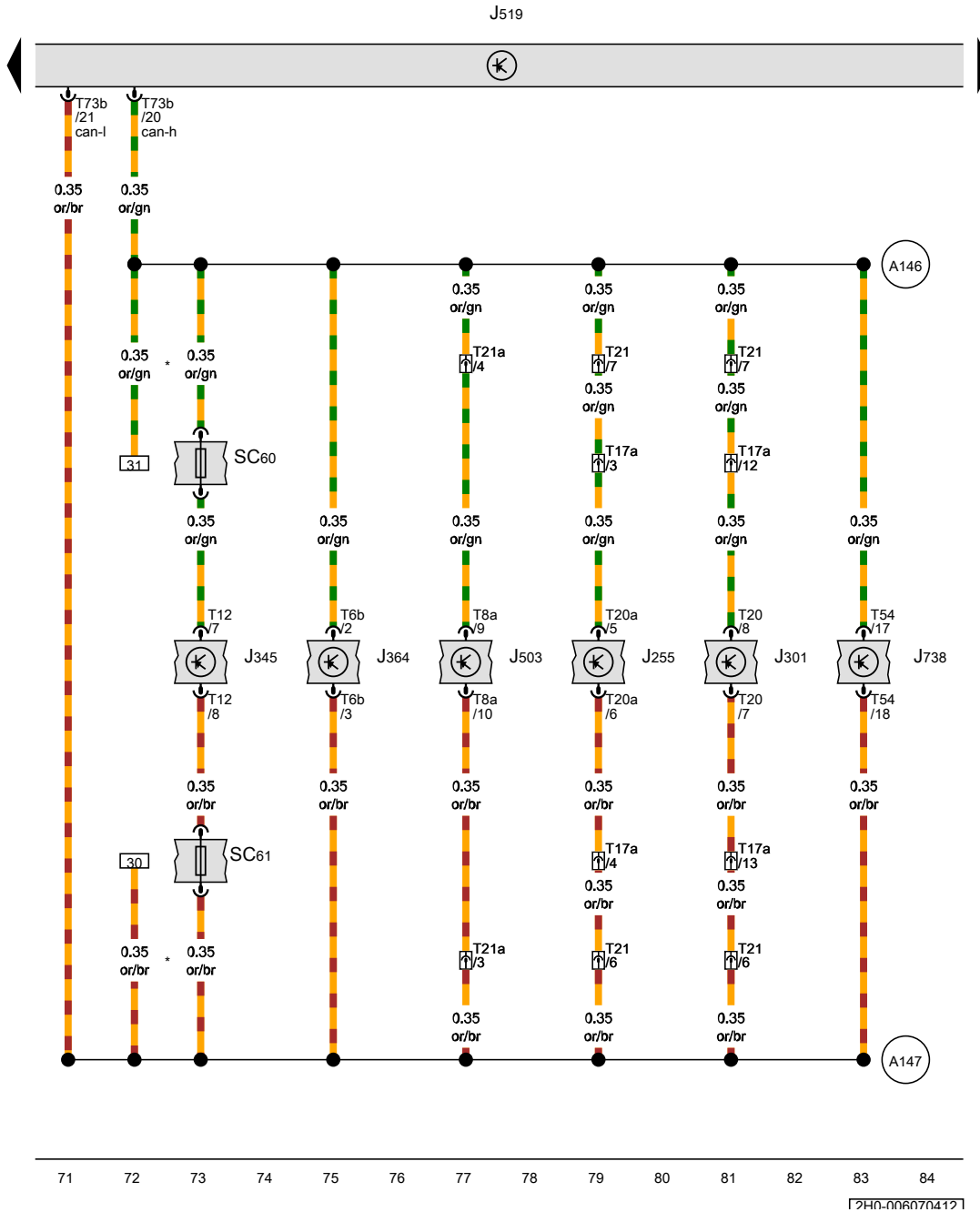
- J519 Onboard supply control unit, near driver side A-pillar
- J895 Control unit for vehicle location system
- R Radio
- SC42 Fuse 42 on fuse holder C
- SC45 Fuse 45 on fuse holder C
- T8c 8-pin connector
- T16 16-pin connector
- T16o 16-pin connector
- T18a 18-pin connector, near battery, grey
- T21 21-pin connector, on relay carrier, blue
- T73b 73-pin connector, colourless
- U31 Diagnostic connection, near lower part of right A-pillar

- 44 Earth point, lower part of left A-pillar
- 366 Earth connection 1, in main wiring harness
- 378 Earth connection 13, in main wiring harness
- A2 Positive connection (15), in dash panel wiring harness
- B316 Positive connection 2 (30a) in main wiring harness
- B625 Connection (K-diagnosis wire), in main wiring harness
- \* Only models with no start/stop system
- \*2 From November 2011

- ws = white
- sw = black
- ro = red
- br = brown
- gn = green
- bl = blue
- gr = grey
- li = purple
- ge = yellow
- or = orange
- rs = pink

12H0-0060604121

Onboard supply control unit, Telephone controls control unit



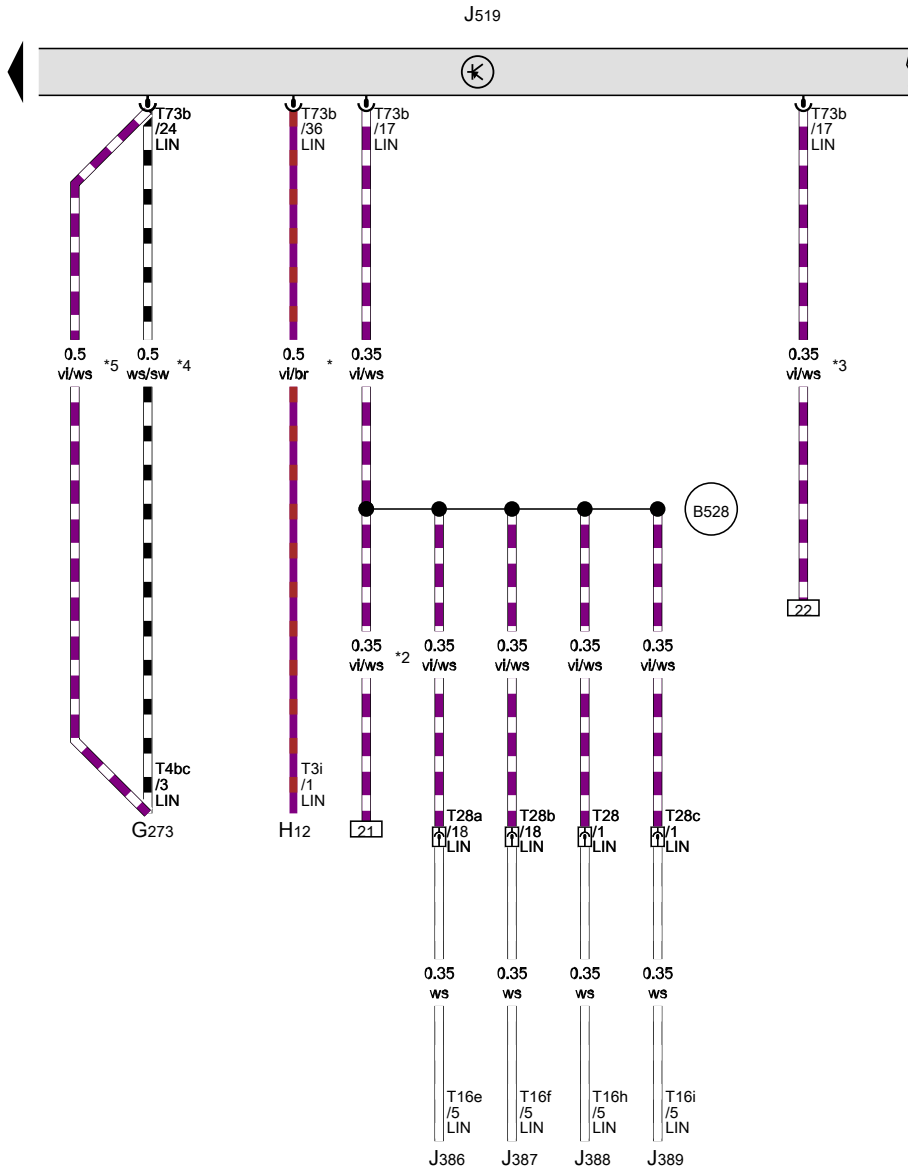
- J255 Climatron control unit
- J301 Air conditioning system control unit
- J345 Trailer detector control unit
- J364 Auxiliary heater control unit
- J503 Control unit with display for radio and navigation
- J519 Onboard supply control unit, near driver side A-pillar
- J738 Telephone controls control unit, under centre console
- SC60 Fuse 60 on fuse holder C
- SC61 Fuse 61 on fuse holder C
- T6b 6-pin connector
- T8a 8-pin connector
- T12 12-pin connector
- T17a 17-pin connector, behind glove compartment, black
- T20 20-pin connector
- T20a 20-pin connector
- T21 21-pin connector, on relay carrier, blue
- T21a 21-pin connector, on relay carrier, brown
- T54 54-pin connector
- T73b 73-pin connector, colourless

A146 Connection (convenience CAN bus, high), in dash panel wiring harness

A147 Connection (convenience CAN bus, low), in dash panel wiring harness

\* Only models with start/stop system

- ws = white
- sw = black
- ro = red
- br = brown
- gn = green
- bl = blue
- gr = grey
- li = purple
- ge = yellow
- or = orange
- rs = pink



Interior monitoring sensor, Onboard supply control unit

- G273 Interior monitoring sensor
- H12 Alarm horn
- J386 Driver door control unit
- J387 Front passenger door control unit
- J388 Rear left door control unit
- J389 Rear right door control unit
- J519 Onboard supply control unit, near driver side A-pillar
- T3i 3-pin connector
- T4bc 4-pin connector
- T16e 16-pin connector
- T16f 16-pin connector
- T16h 16-pin connector
- T16i 16-pin connector
- T28 28-pin connector, on left B-pillar
- T28a 28-pin connector, on left A-pillar
- T28b 28-pin connector, on right A-pillar
- T28c 28-pin connector, on right B-pillar
- T73b 73-pin connector, colourless

**B528** Connection 1 (LIN bus) in main wiring harness

- \* For models with anti-theft alarm system
- \*2 Only models with electric window regulators
- \*3 Only models with manual window regulators
- \*4 Only models with interior monitor
- \*5 From November 2011

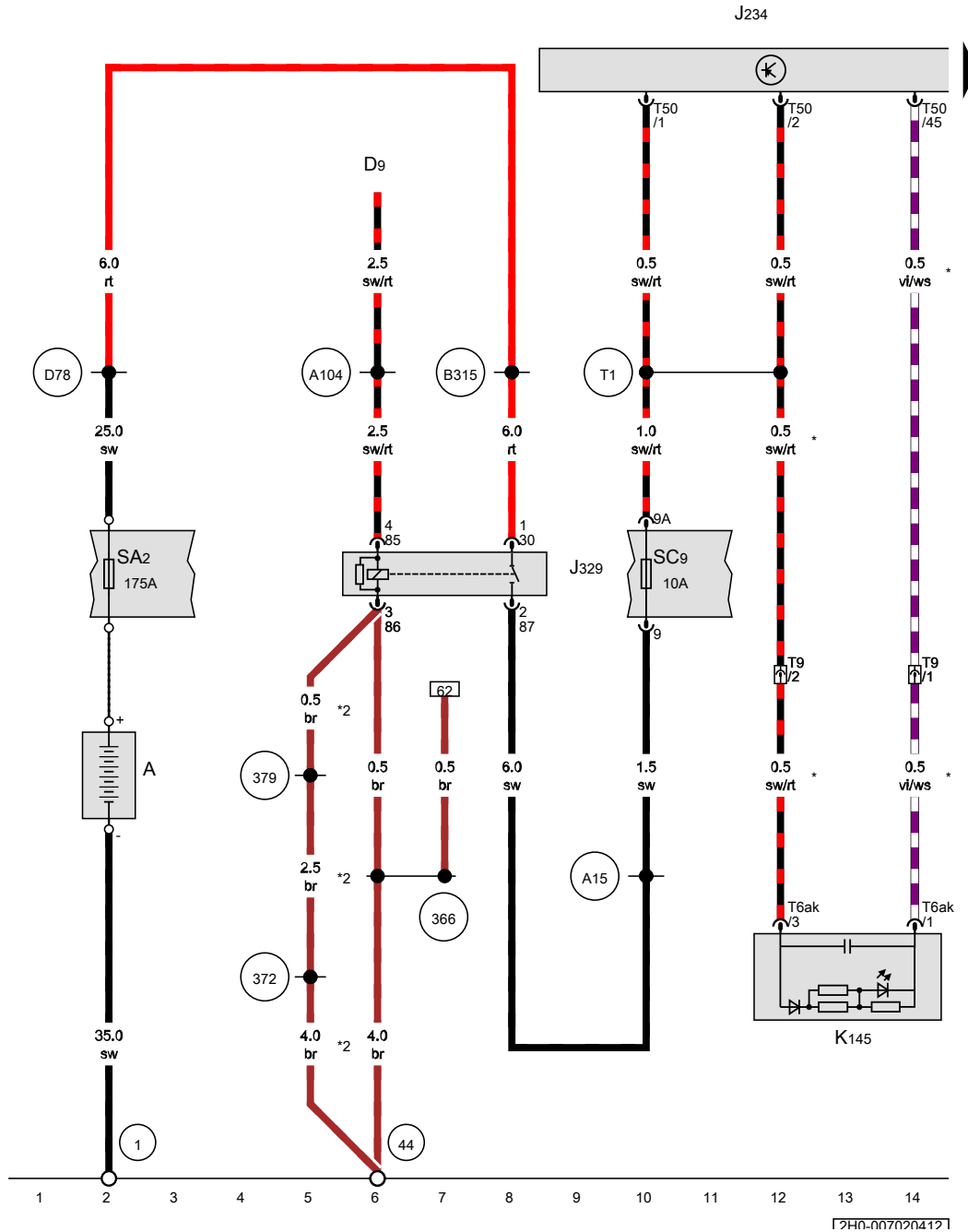
- ws = white
- sw = black
- ro = red
- br = brown
- gn = green
- bl = blue
- gr = grey
- li = purple
- ge = yellow
- or = orange
- rs = pink

85 86 87 88 89 90 91 92 93 94 95 96 97 98

7PH0-0060804171

**Airbag systems**

From December 2009



**Battery, Electronic ignition lock, Airbag control unit, Front passenger side airbag deactivated warning lamp, Fuse 2 in fuse holder A, Fuse 9 on fuse holder C**

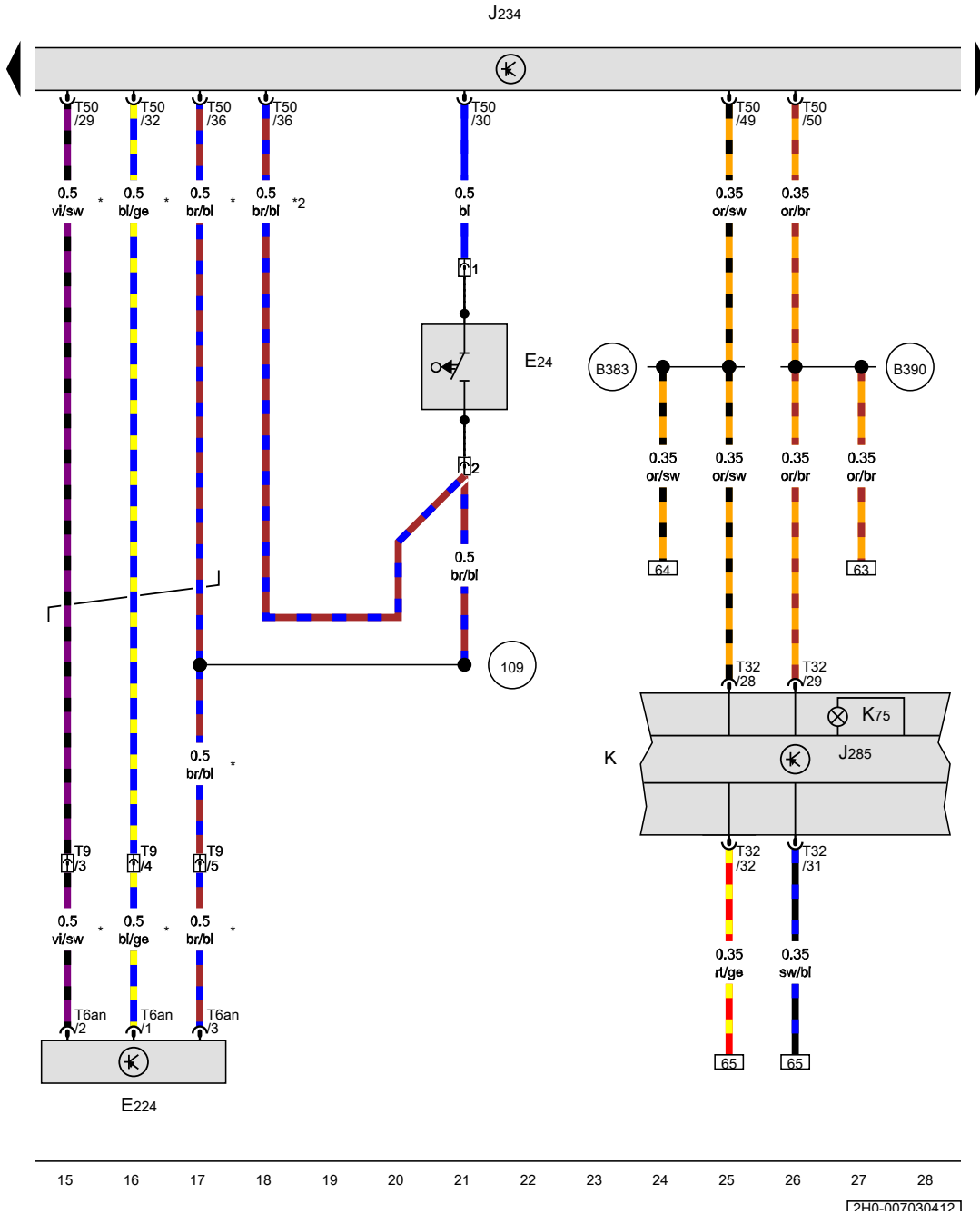
- A Battery
- D9 Electronic ignition lock
- J234 Airbag control unit, under centre console
- J329 Terminal 15 voltage supply relay
- K145 Front passenger side airbag deactivated warning lamp, near radio
- SA2 Fuse 2 in fuse holder A
- SC9 Fuse 9 on fuse holder C
- T6ak 6-pin connector
- T9 9-pin connector, on relay carrier, yellow
- T50 50-pin connector

- 1 Earth strap, battery - body
- 44 Earth point, lower part of left A-pillar
- 366 Earth connection 1, in main wiring harness
- 372 Earth connection 7, in main wiring harness
- 379 Earth connection 14, in main wiring harness
- A15 Positive connection (15), in instrument wiring harness
- A104 Positive connection 2 (15), in dash panel wiring harness
- B315 Positive connection 1 (30a) in main wiring harness
- D78 Positive connection 1 (30a), in engine compartment wiring harness
- T1 Positive connection 1, in airbag wiring harness

\* Only models with key operated switch to deactivate front passenger airbag/ side airbag/ belt buckle sensor  
 \*2 From November 2011

- ws = white
- sw = black
- ro = red
- br = brown
- gn = green
- bl = blue
- gr = grey
- li = purple
- ge = yellow
- or = orange
- rs = pink

ГЭН-0070204121



Driver side belt switch, Key operated switch to deactivate front passenger side airbag, Airbag control unit, Dash panel insert

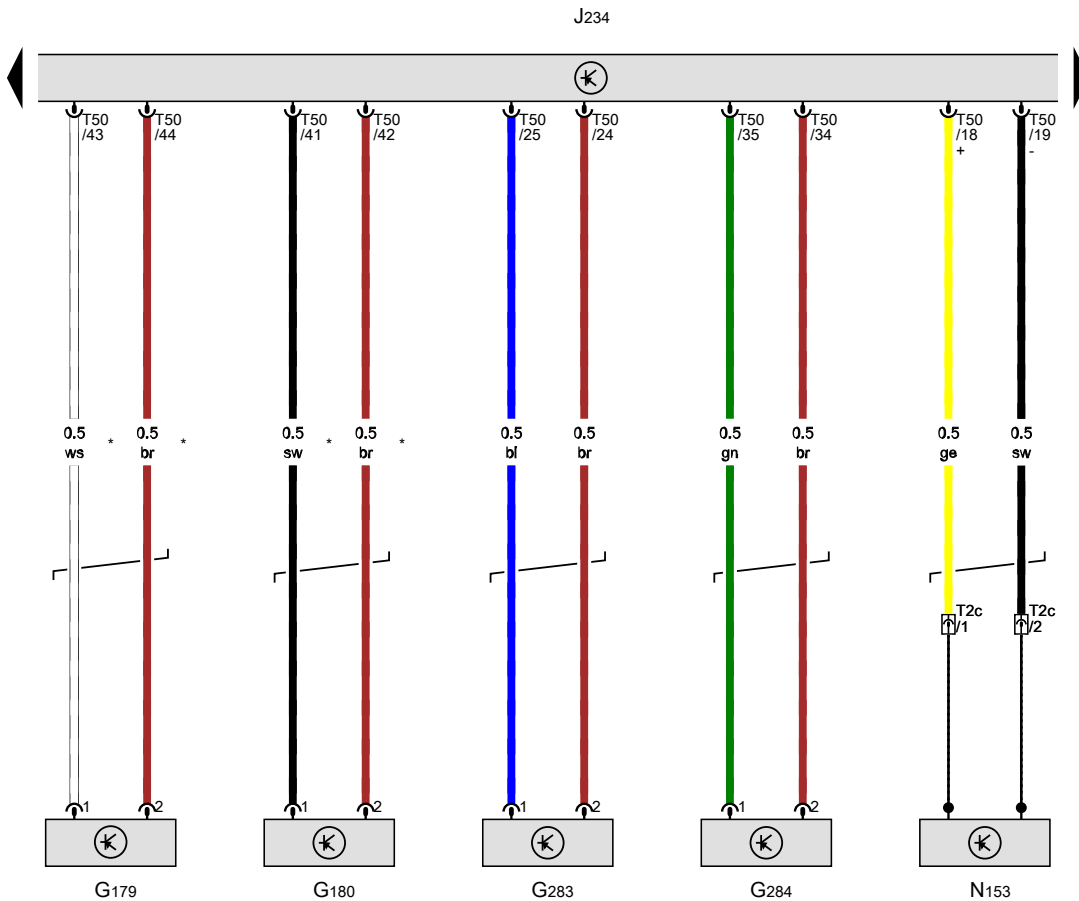
- E24 Driver side belt switch
- E224 Key operated switch to deactivate front passenger side airbag
- J234 Airbag control unit, under centre console
- J285 Control unit in dash panel insert
- K Dash panel insert
- K75 Airbag warning lamp
- T2yasx 2-pin connector, black
- T6an 6-pin connector
- T9 9-pin connector, on relay carrier, yellow
- T32 32-pin connector, blue
- T50 50-pin connector

- 109 Earth connection, in airbag wiring harness
- B383 Connection 1 (powertrain CAN bus, high), in main wiring harness
- B390 Connection 1 (powertrain CAN bus, low), in main wiring harness
- \* Only models with key operated switch to deactivate front passenger airbag/ side airbag/ belt buckle sensor
- \*2 Only models with no side airbag, no front passenger airbag and no key operated switch

- ws = white
- sw = black
- ro = red
- br = brown
- gn = green
- bl = blue
- gr = grey
- li = purple
- ge = yellow
- or = orange
- rs = pink

ГЭНО-0070304121

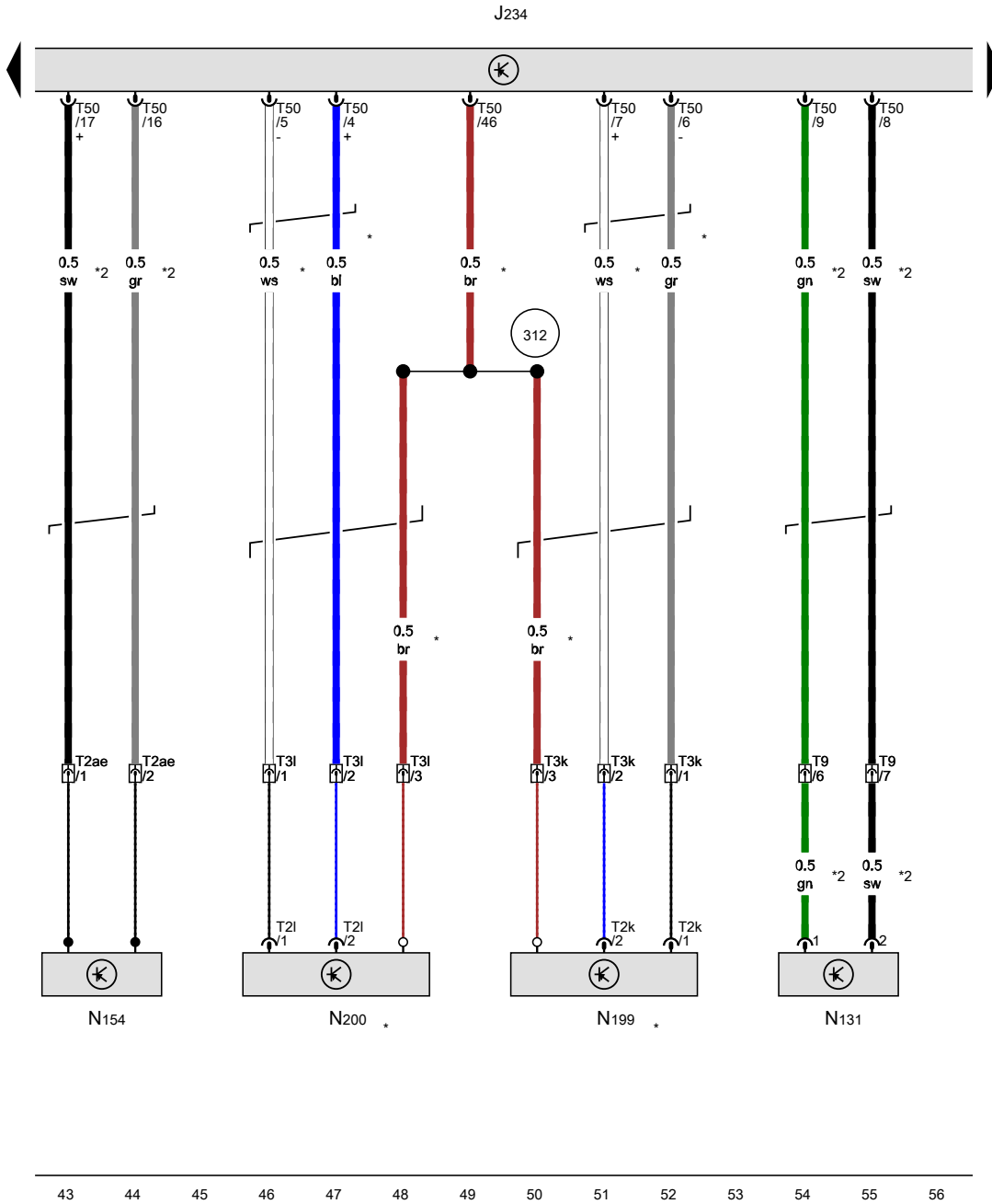




Side airbag crash sensor on driver side, Side airbag crash sensor on front passenger side, Front airbag crash sensor for driver side, Front airbag crash sensor for front passenger side, Airbag control unit, Driver seat belt tensioner igniter 1

- G179 Side airbag crash sensor on driver side, on left B-pillar
- G180 Side airbag crash sensor on front passenger side, on right B-pillar
- G283 Front airbag crash sensor for driver side, near left headlight
- G284 Front airbag crash sensor for front passenger side, near right headlight
- J234 Airbag control unit, under centre console
- N153 Driver seat belt tensioner igniter 1
- T2c 2-pin connector
- T50 50-pin connector
- \* Only models with front head-thorax airbag

- ws = white
- sw = black
- ro = red
- br = brown
- gn = green
- bl = blue
- gr = grey
- li = purple
- ge = yellow
- or = orange
- rs = pink



Airbag control unit, Front passenger side airbag igniter 1, Front passenger seat belt tensioner igniter 1, Side airbag igniter on driver side, Side airbag igniter on front passenger side

- J234 Airbag control unit, under centre console
- N131 Front passenger side airbag igniter 1
- N154 Front passenger seat belt tensioner igniter 1
- N199 Side airbag igniter on driver side
- N200 Side airbag igniter on front passenger side
- T2ae 2-pin connector, yellow
- T2k 2-pin connector
- T2I 2-pin connector
- T3k 3-pin connector, under driver seat, yellow
- T3I 3-pin connector, Coupling point under front passenger seat, yellow
- T9 9-pin connector, on relay carrier, yellow
- T50 50-pin connector
- 312 Earth connection 2, in airbag wiring harness
- \* Only models with front head-thorax airbag
- \*2 Only models with front passenger airbag

- ws = white
- sw = black
- ro = red
- br = brown
- gn = green
- bl = blue
- gr = grey
- li = purple
- ge = yellow
- or = orange
- rs = pink

43 44 45 46 47 48 49 50 51 52 53 54 55 56

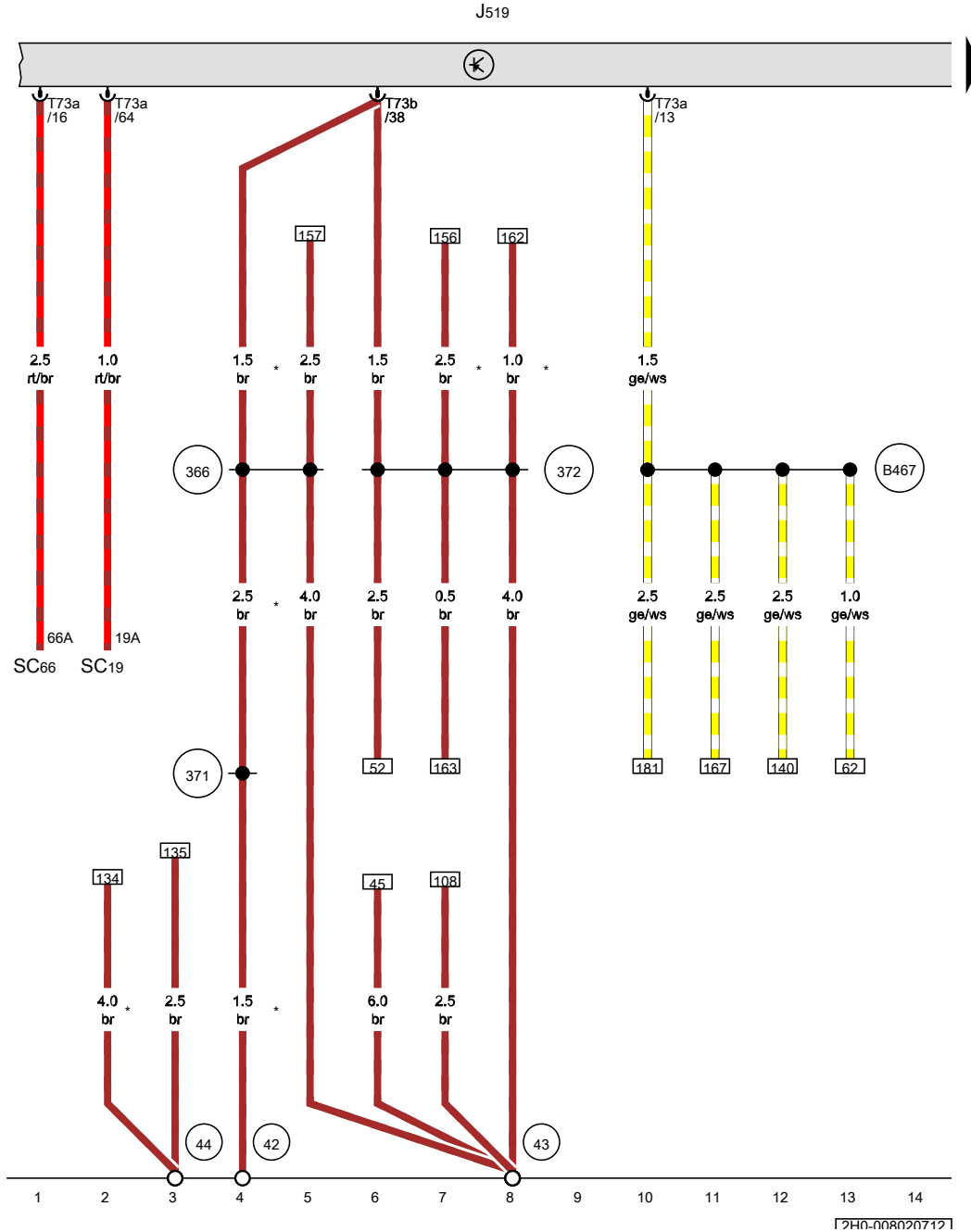
ГЭН-0070504121



**Central locking, window regulators and mirror adjustment, RHD vehicles**

From December 2009

**Onboard supply control unit, Fuse 19 on fuse holder C, Fuse 66 on fuse holder C**



- J519 Onboard supply control unit
- SC19 Fuse 19 on fuse holder C
- SC66 Fuse 66 on fuse holder C
- T73a 73-pin connector
- T73b 73-pin connector

- 42 Earth point, next to steering column
- 43 Earth point, lower part of right A-pillar
- 44 Earth point, lower part of left A-pillar
- 366 Earth connection 1, in main wiring harness
- 371 Earth connection 6, in main wiring harness
- 372 Earth connection 7, in main wiring harness
- B467 Connection 3, in main wiring harness


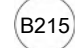
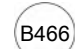
\* From November 2011

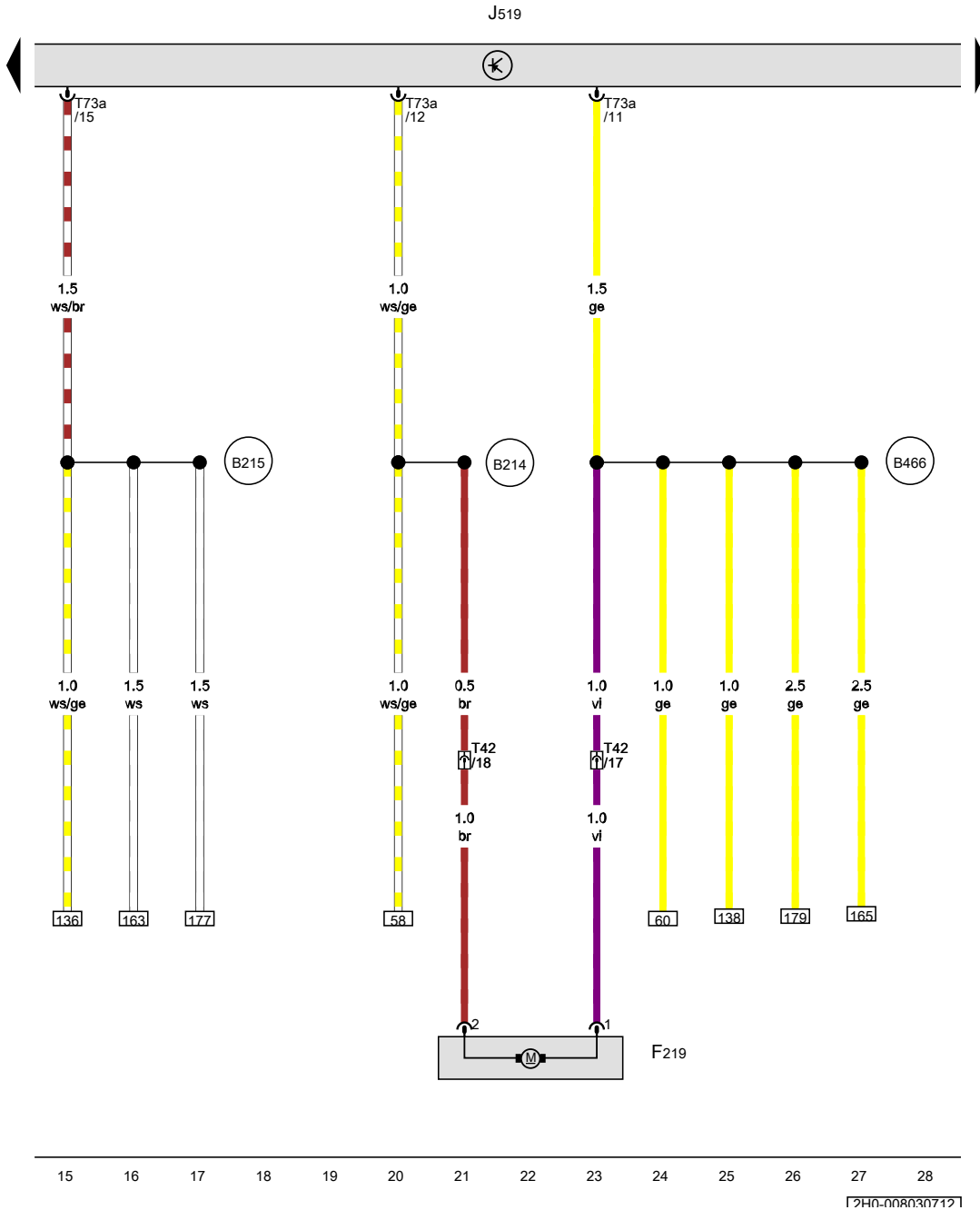
- ws = white
- sw = black
- ro = red
- br = brown
- gn = green
- bl = blue
- gr = grey
- li = purple
- ge = yellow
- or = orange
- rs = pink

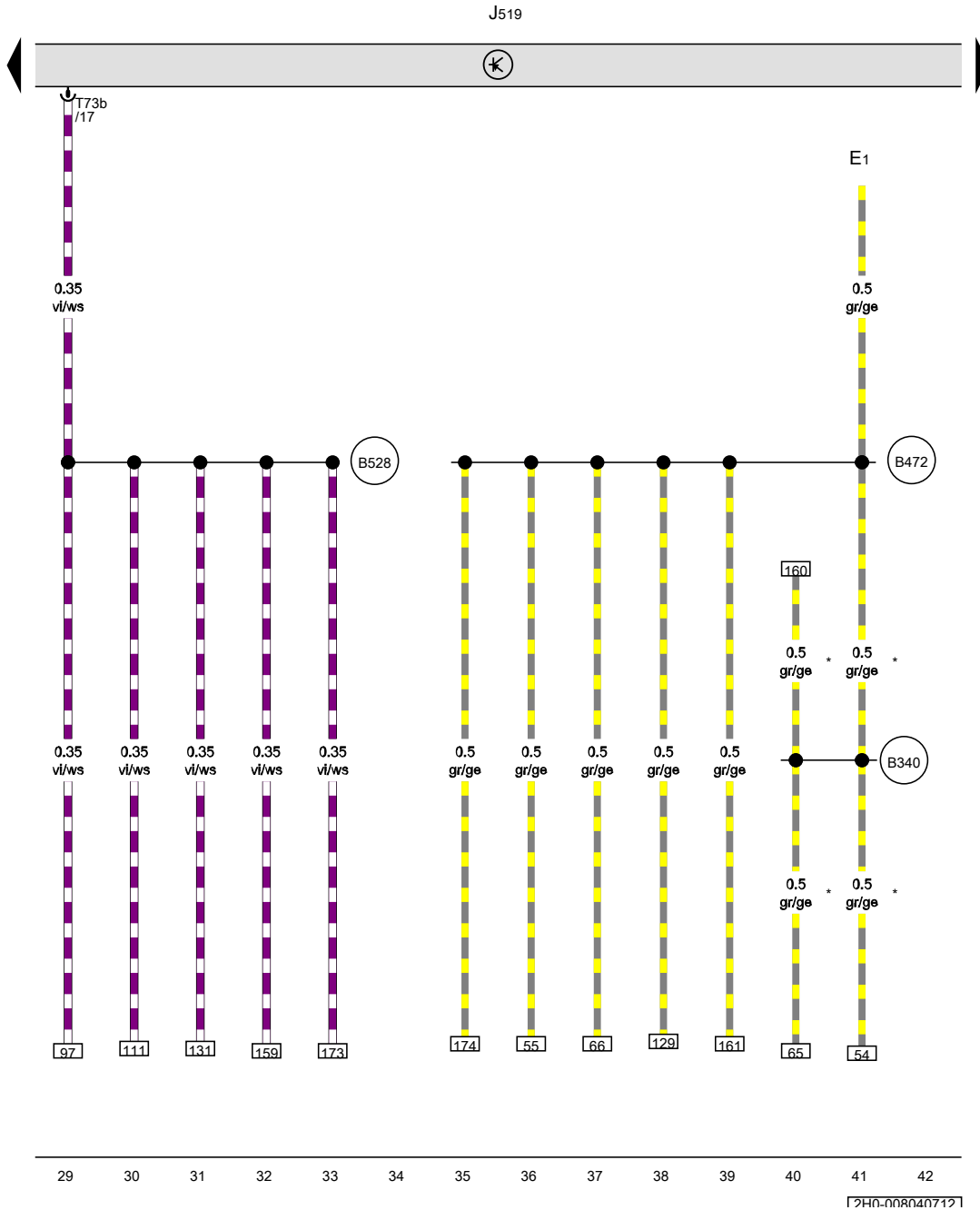
ГЭН-0080207121

Fuel tank filler flap central locking actuator, Onboard supply control unit

- F219 Fuel tank filler flap central locking actuator
- J519 Onboard supply control unit
- T42 42-pin connector
- T73a 73-pin connector




-  B214 Connection 1 (central locking), in interior wiring harness
-  B215 Connection 2 (central locking), in interior wiring harness
-  B466 Connection 2, in main wiring harness





Light switch, Onboard supply control unit

- E1 Light switch
- J519 Onboard supply control unit
- T73b 73-pin connector

-  Connection 1 (58d), in main wiring harness
-  Connection 8, in main wiring harness
-  Connection 1 (LIN bus) in main wiring harness

\* From November 2011

- ws = white
- sw = black
- ro = red
- br = brown
- gn = green
- bl = blue
- gr = grey
- li = purple
- ge = yellow
- or = orange
- rs = pink

1740-0080407121

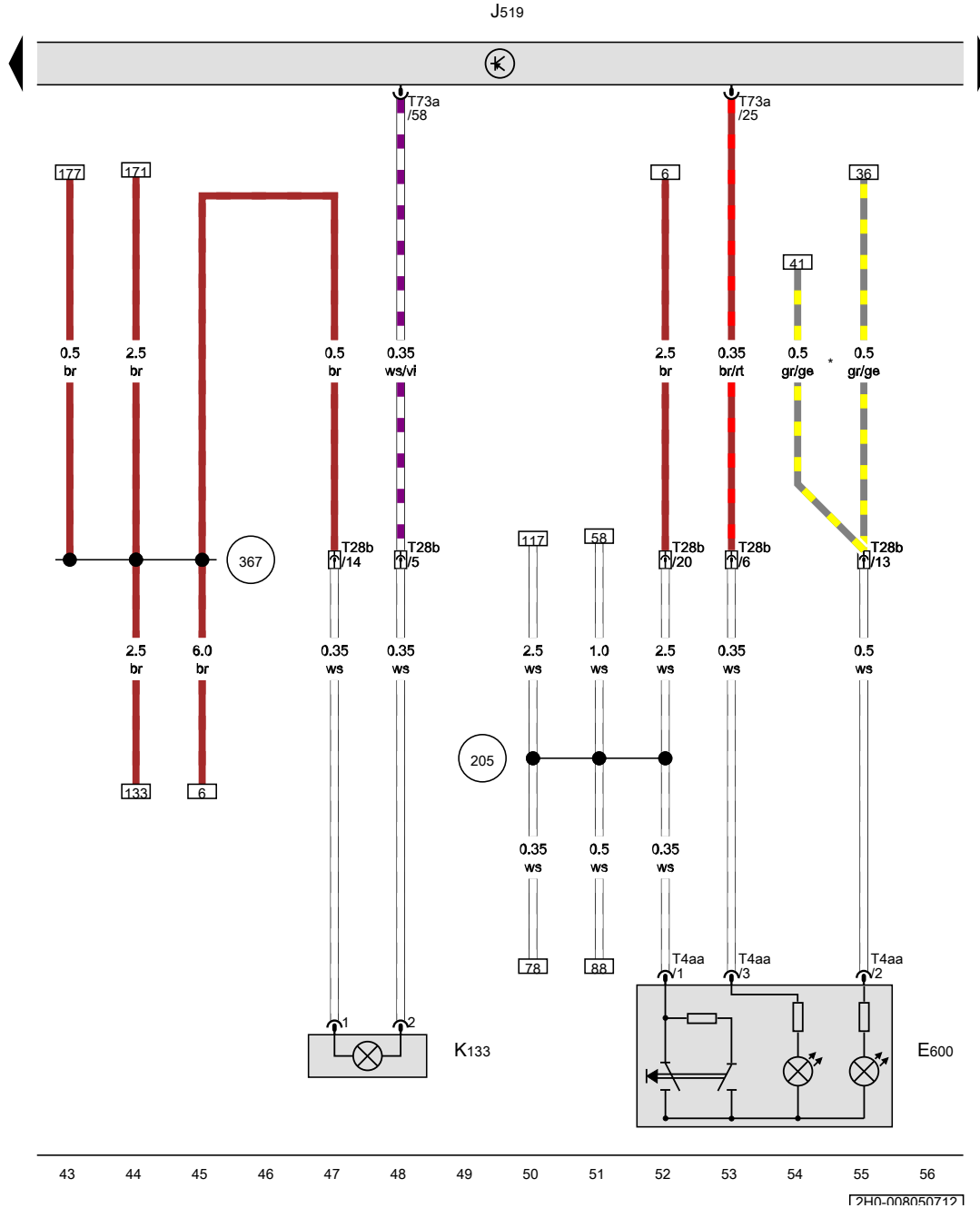
Central locking button, Onboard supply control unit, Central locking SAFELOCK function warning lamp

- E600 Central locking button
- J519 Onboard supply control unit
- K133 Central locking SAFELOCK function warning lamp
- T4aa 4-pin connector
- T28b 28-pin connector
- T73a 73-pin connector

205 Earth connection, in driver door wiring harness

367 Earth connection 2, in main wiring harness

\* From November 2011



- ws = white
- sw = black
- ro = red
- br = brown
- gn = green
- bl = blue
- gr = grey
- li = purple
- ge = yellow
- or = orange
- rs = pink

43 44 45 46 47 48 49 50 51 52 53 54 55 56

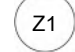
17H0-0080507121

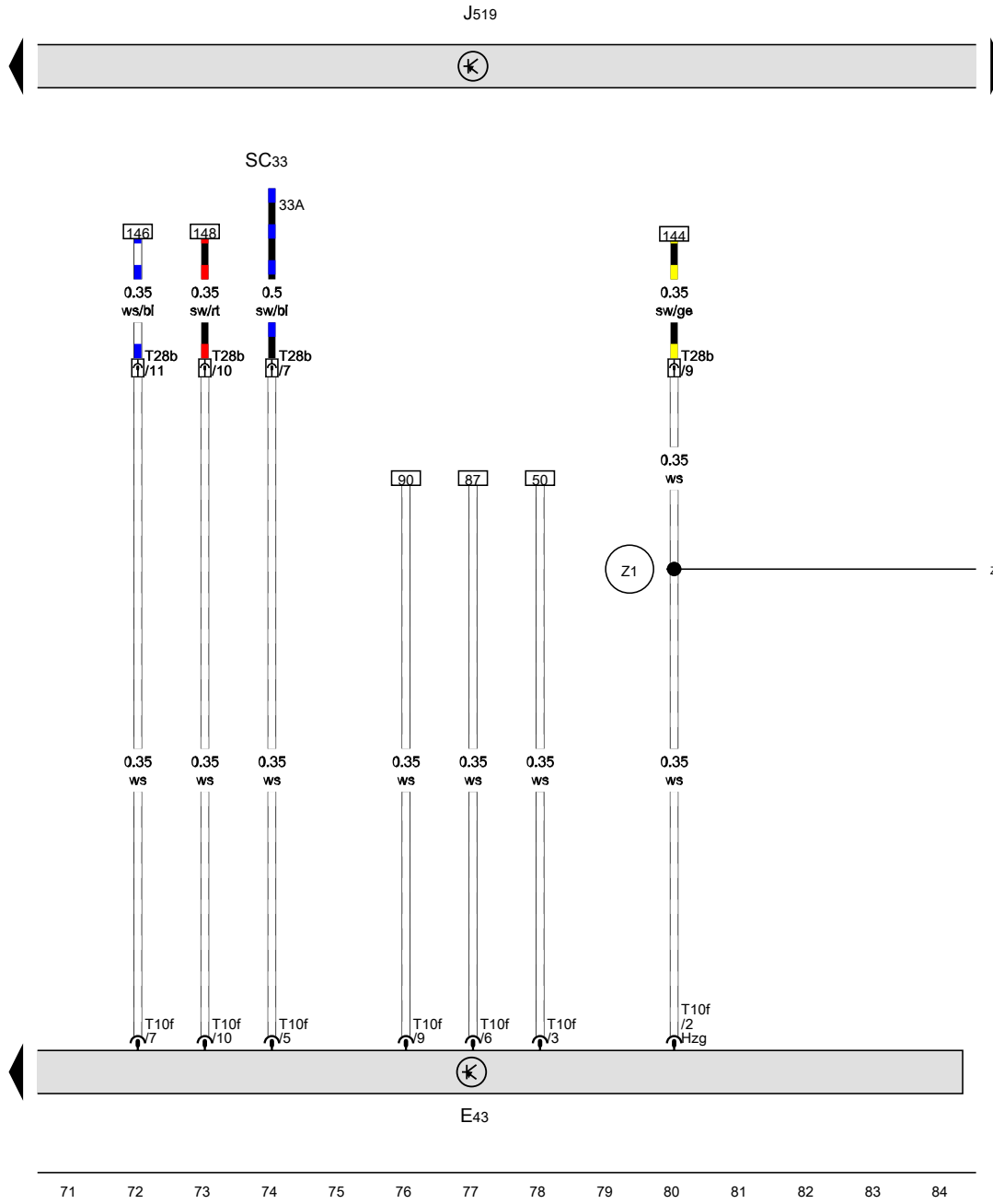




Mirror adjustment switch, Onboard supply control unit, Fuse 33 on fuse holder C

- E43 Mirror adjustment switch
- J519 Onboard supply control unit
- SC33 Fuse 33 on fuse holder C
- T10f 10-pin connector
- T28b 28-pin connector

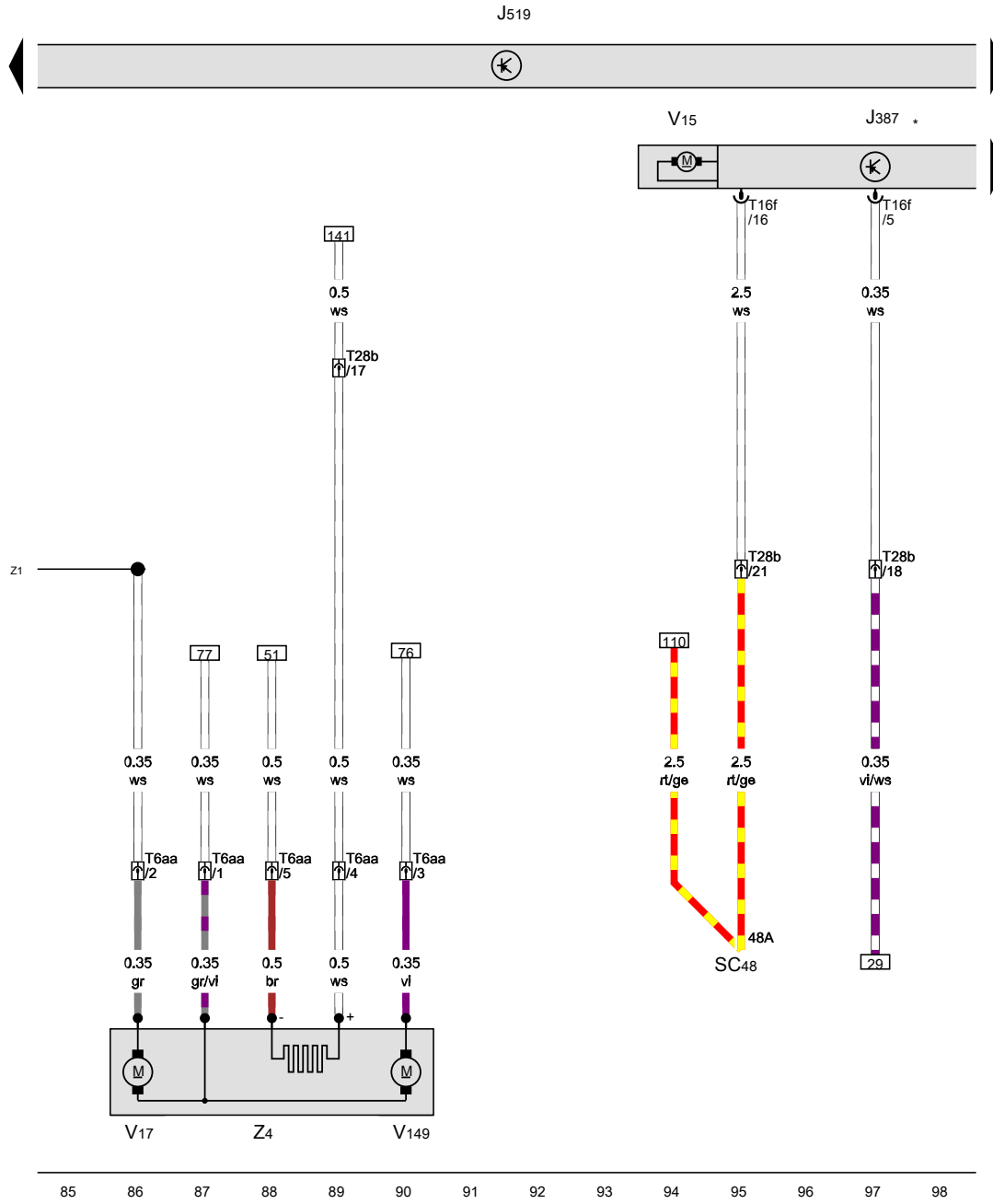
 Z1 Connection 1, in mirror adjustment/heating wiring harness



- ws = white
- sw = black
- ro = red
- br = brown
- gn = green
- bl = blue
- gr = grey
- li = purple
- ge = yellow
- or = orange
- rs = pink

71 72 73 74 75 76 77 78 79 80 81 82 83 84

[240-008070712]



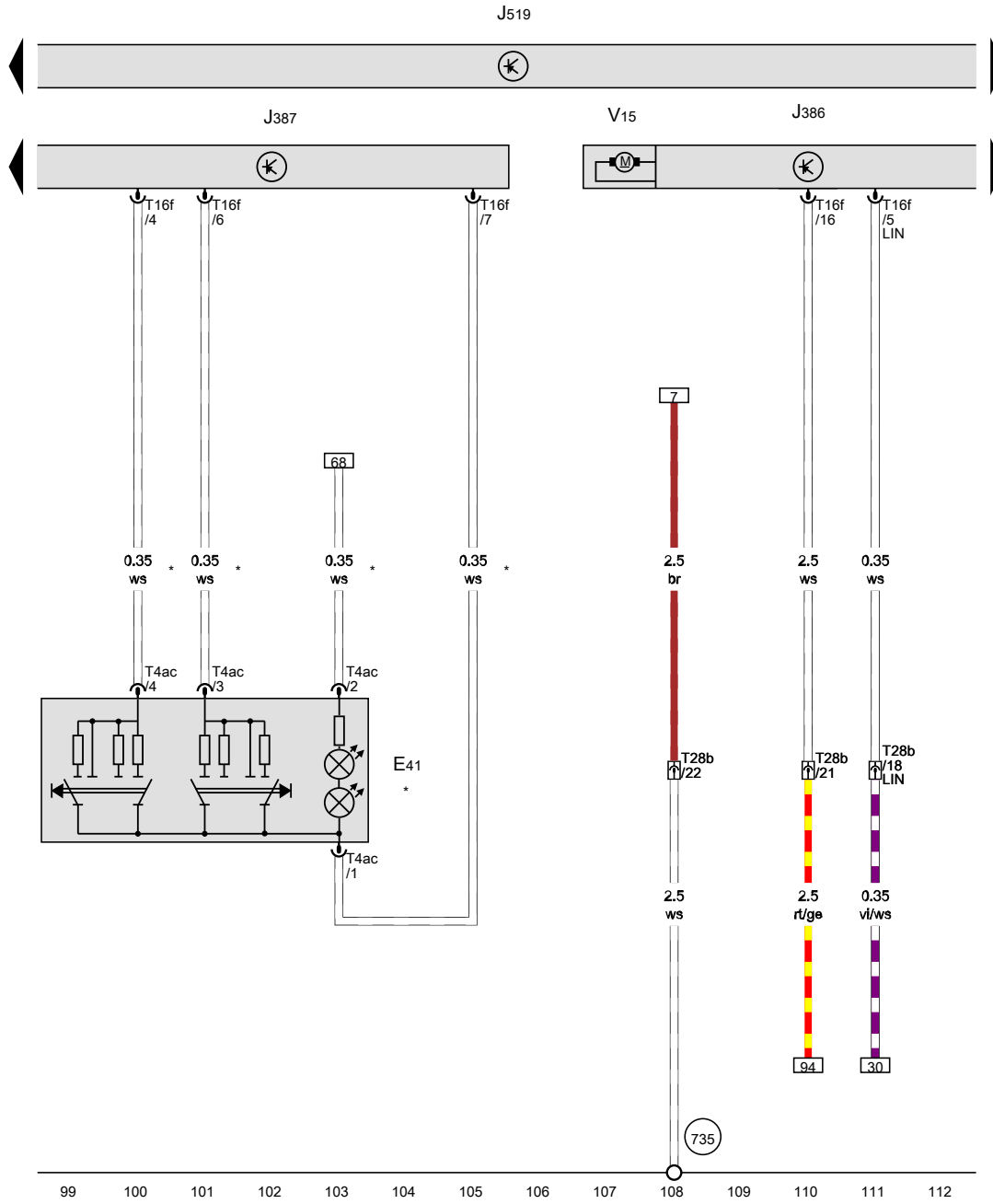
Front passenger door control unit, Onboard supply control unit, Fuse 48 on fuse holder C, Right window regulator motor, Heated exterior mirror on driver side

- J387 Front passenger door control unit
- J519 Onboard supply control unit
- SC48 Fuse 48 on fuse holder C
- T6aa 6-pin connector
- T16f 16-pin connector
- T28b 28-pin connector
- V15 Right window regulator motor
- V17 Driver side mirror adjustment motor
- V149 Driver side mirror adjustment motor
- Z4 Heated exterior mirror on driver side

Z1 Connection 1, in mirror adjustment/heating wiring harness


\* Only models with 2-doors

- ws = white
- sw = black
- ro = red
- br = brown
- gn = green
- bl = blue
- gr = grey
- li = purple
- ge = yellow
- or = orange
- rs = pink



Front right window regulator switch, Driver door control unit, Front passenger door control unit, Onboard supply control unit, Right window regulator motor

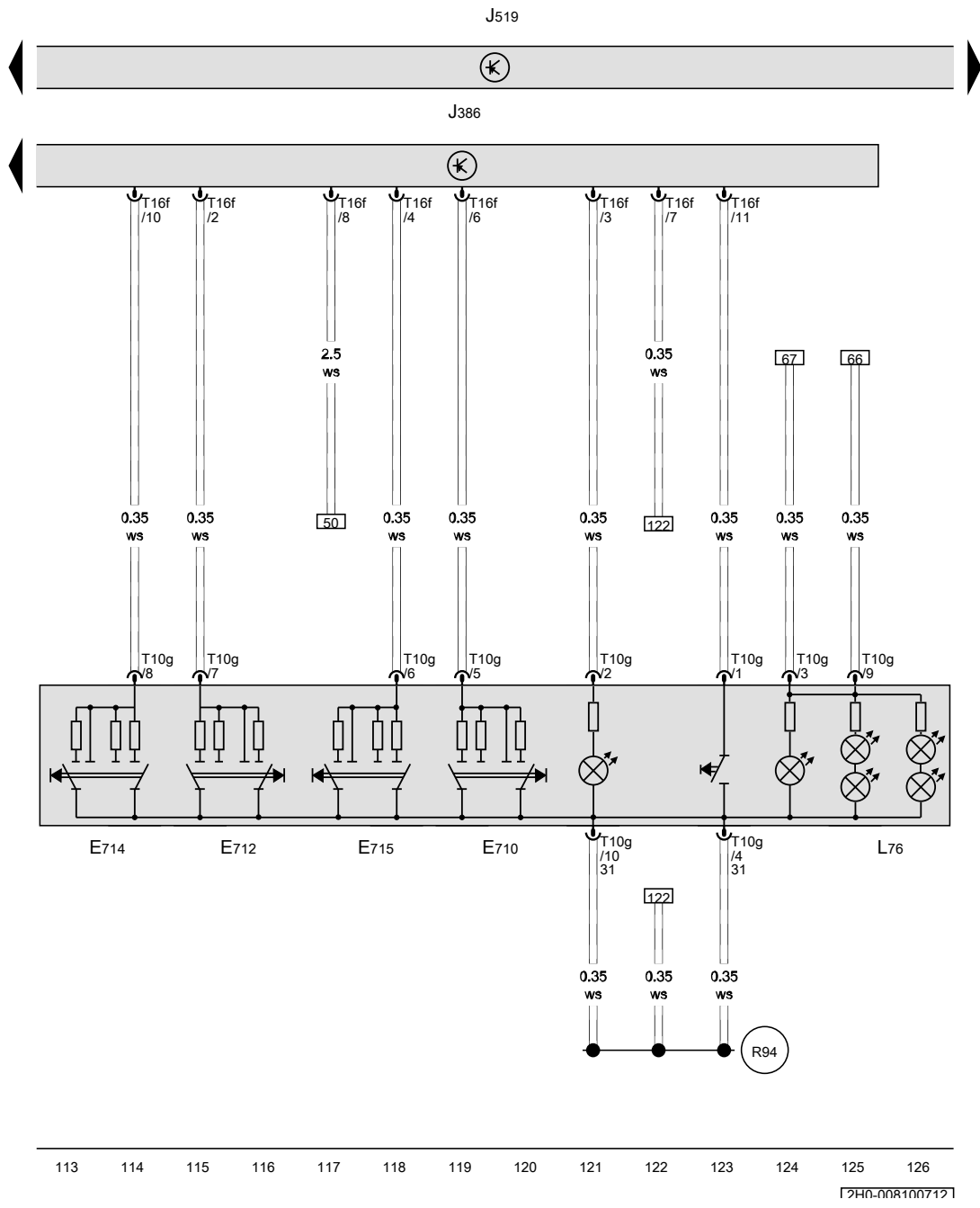
- E41 Front right window regulator switch
- J386 Driver door control unit
- J387 Front passenger door control unit
- J519 Onboard supply control unit
- T4ac 4-pin connector
- T16f 16-pin connector
- T28b 28-pin connector
- V15 Right window regulator motor

 Earth point in front right door

\* Only models with 2-doors

- ws = white
- sw = black
- ro = red
- br = brown
- gn = green
- bl = blue
- gr = grey
- li = purple
- ge = yellow
- or = orange
- rs = pink

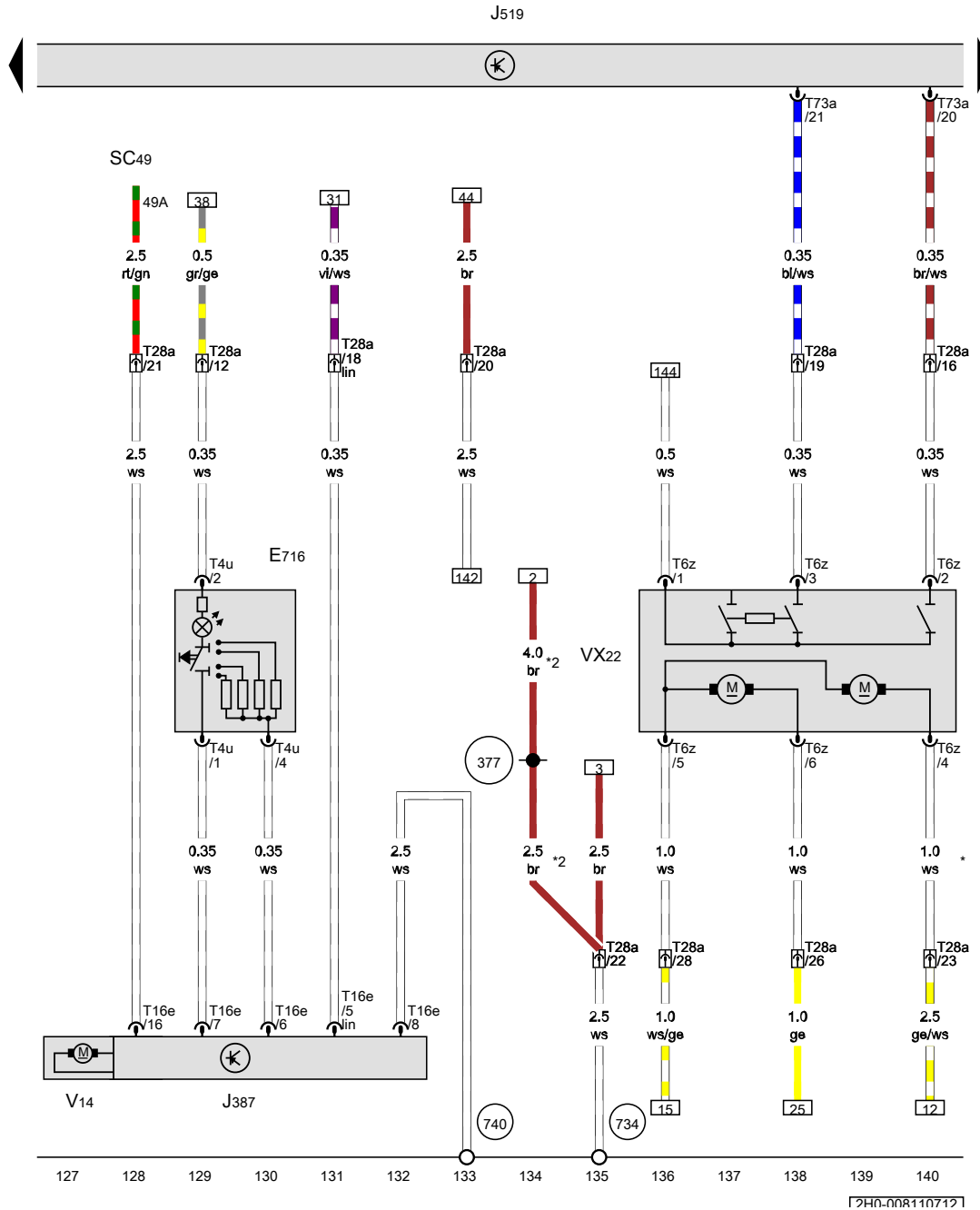
1740-008090717



Childproof lock button, Front driver side window regulator button, Rear driver side window regulator button, in driver door, Rear passenger side window regulator button, in driver door, Front passenger side window regulator button, in driver door, Driver door control unit, Onboard supply control unit, Button illumination bulb

- E318 Childproof lock button
- E710 Front driver side window regulator button
- E712 Rear driver side window regulator button, in driver door
- E714 Rear passenger side window regulator button, in driver door
- E715 Front passenger side window regulator button, in driver door
- J386 Driver door control unit
- J519 Onboard supply control unit
- K236 Warning light for activated childproof lock
- L76 Button illumination bulb
- T10g 10-pin connector
- T16f 16-pin connector
- R94 Connection 1 in driver side door wiring harness

- ws = white
- sw = black
- ro = red
- br = brown
- gn = green
- bl = blue
- gr = grey
- li = purple
- ge = yellow
- or = orange
- rs = pink



Front passenger side window regulator button, Front passenger door control unit, Onboard supply control unit, Fuse 49 on fuse holder C, Left window regulator motor, Front passenger door lock unit

- E716 Front passenger side window regulator button
- J387 Front passenger door control unit
- J519 Onboard supply control unit
- SC49 Fuse 49 on fuse holder C
- T4u 4-pin connector
- T6z 6-pin connector
- T16e 16-pin connector
- T28a 28-pin connector
- T73a 73-pin connector
- V14 Left window regulator motor
- VX22 Front passenger door lock unit

377 Earth connection 12, in main wiring harness

734 Earth point in front left door

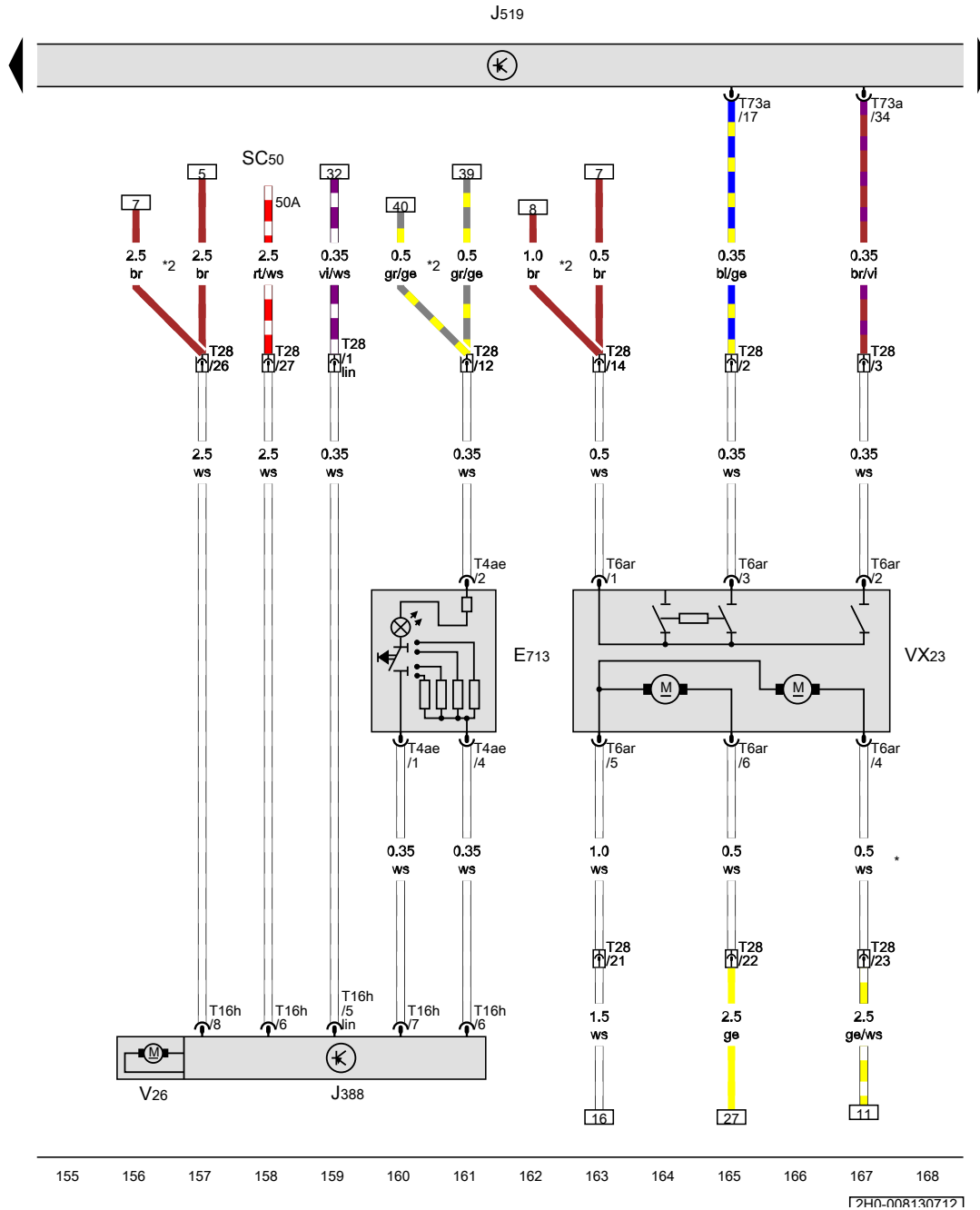
740 Earth point 2 in front left door

\* Only models with SAFELOCK function  
 \*2 From November 2011

- ws = white
- sw = black
- ro = red
- br = brown
- gn = green
- bl = blue
- gr = grey
- li = purple
- ge = yellow
- or = orange
- rs = pink

PH0-008110717





Rear passenger side window regulator button, Rear left door control unit, Onboard supply control unit, Fuse 50 on fuse holder C, Rear left door lock unit, Rear left window regulator motor

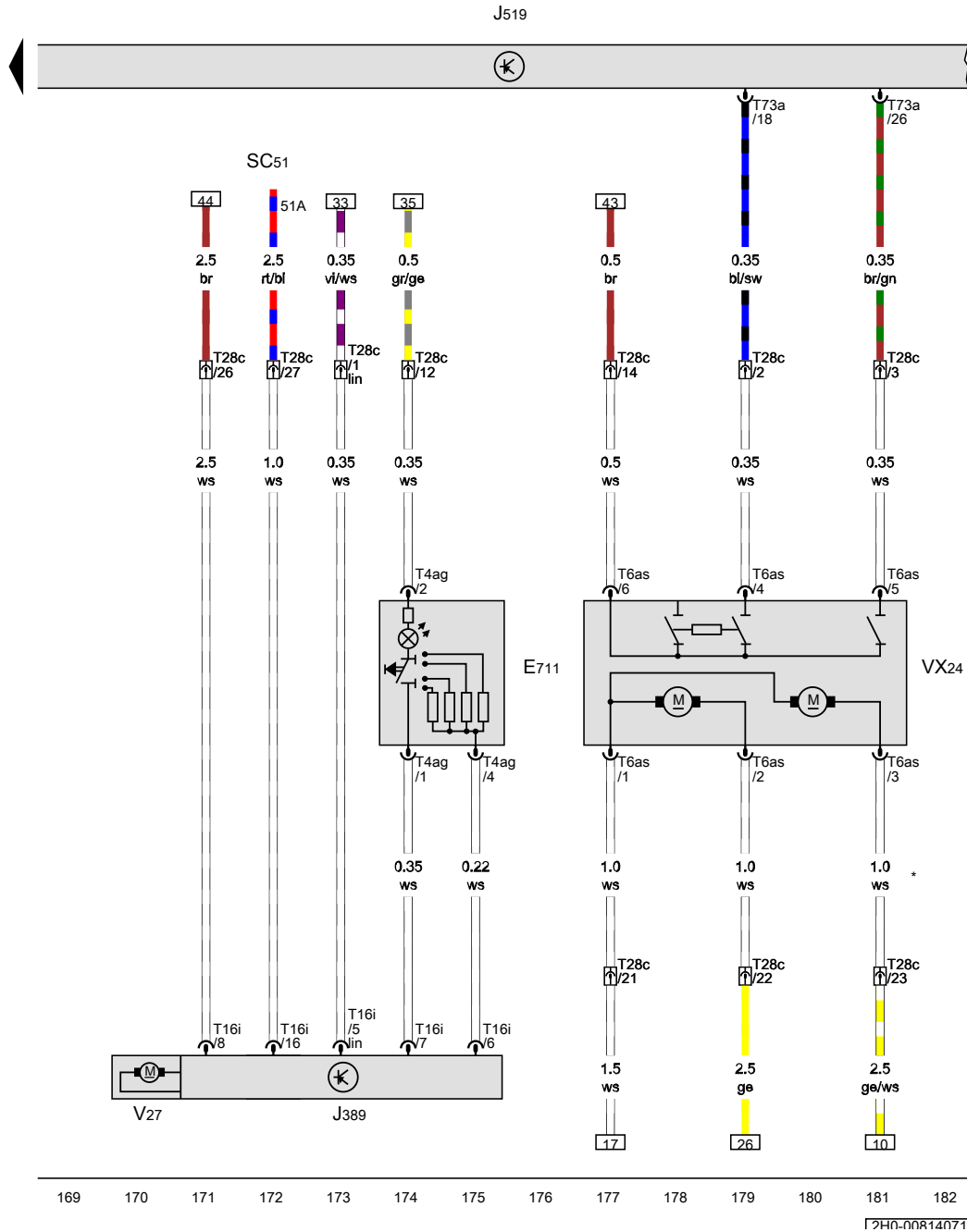
- E713 Rear passenger side window regulator button
- J388 Rear left door control unit
- J519 Onboard supply control unit
- SC50 Fuse 50 on fuse holder C
- T4ae 4-pin connector
- T6ar 6-pin connector
- T16h 16-pin connector
- T28 28-pin connector
- T73a 73-pin connector
- VX23 Rear left door lock unit
- V26 Rear left window regulator motor
- \* Only models with SAFELock function
- \*2 From November 2011

- ws = white
- sw = black
- ro = red
- br = brown
- gn = green
- bl = blue
- gr = grey
- li = purple
- ge = yellow
- or = orange
- rs = pink

155 156 157 158 159 160 161 162 163 164 165 166 167 168

PH0-008130717





Rear driver side window regulator button, Rear right door control unit, Onboard supply control unit, Fuse 51 on fuse holder C, Rear right door lock unit, Rear right window regulator motor

- E711 Rear driver side window regulator button
- J389 Rear right door control unit
- J519 Onboard supply control unit
- SC51 Fuse 51 on fuse holder C
- T4ag 4-pin connector
- T6as 6-pin connector
- T16i 16-pin connector
- T28c 28-pin connector
- T73a 73-pin connector
- VX24 Rear right door lock unit
- V27 Rear right window regulator motor
- \* Only models with SAFELOCK function

- ws = white
- sw = black
- ro = red
- br = brown
- gn = green
- bl = blue
- gr = grey
- li = purple
- ge = yellow
- or = orange
- rs = pink

169 170 171 172 173 174 175 176 177 178 179 180 181 182

PHN-008140717

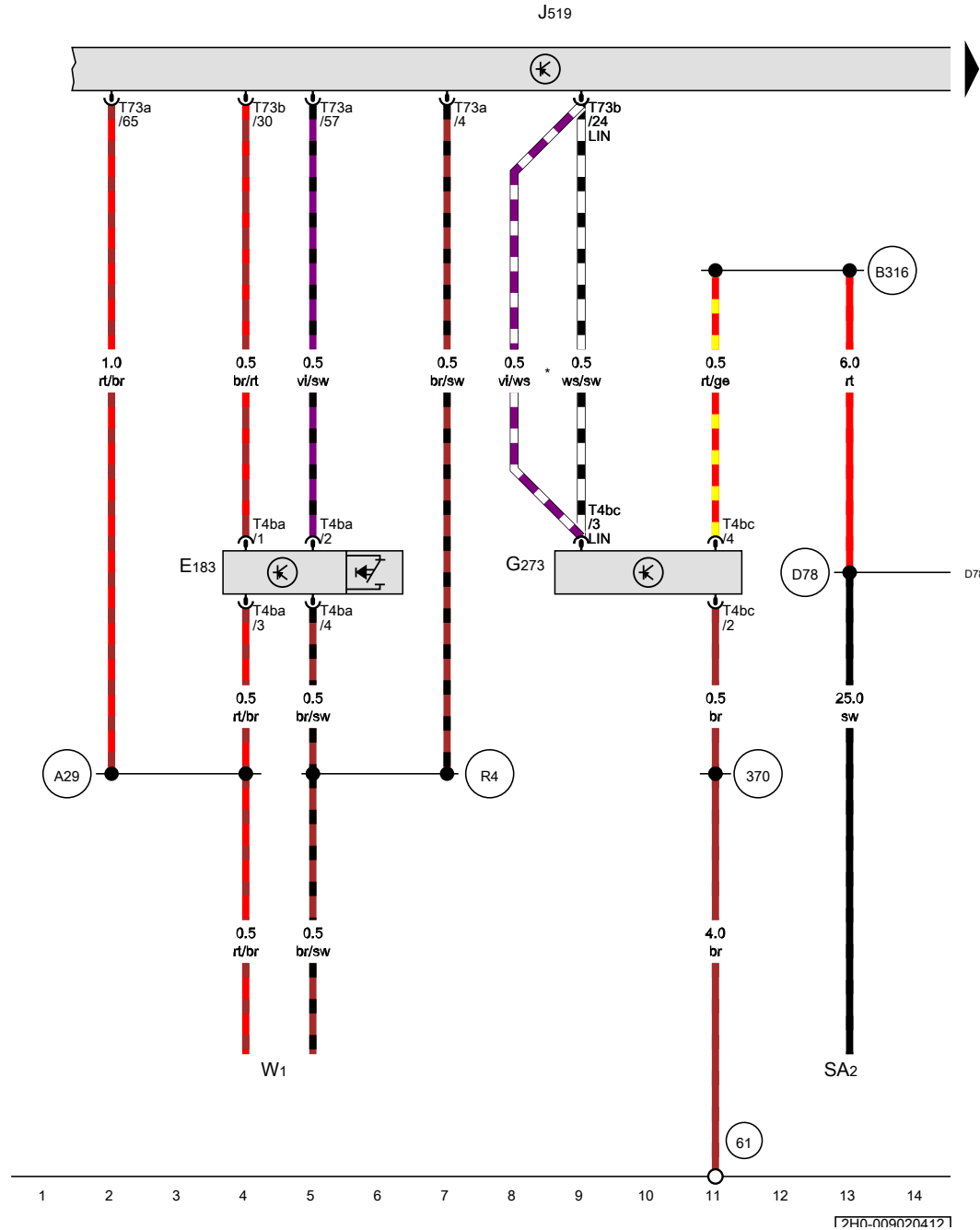
**Anti-theft alarm system**

From December 2009

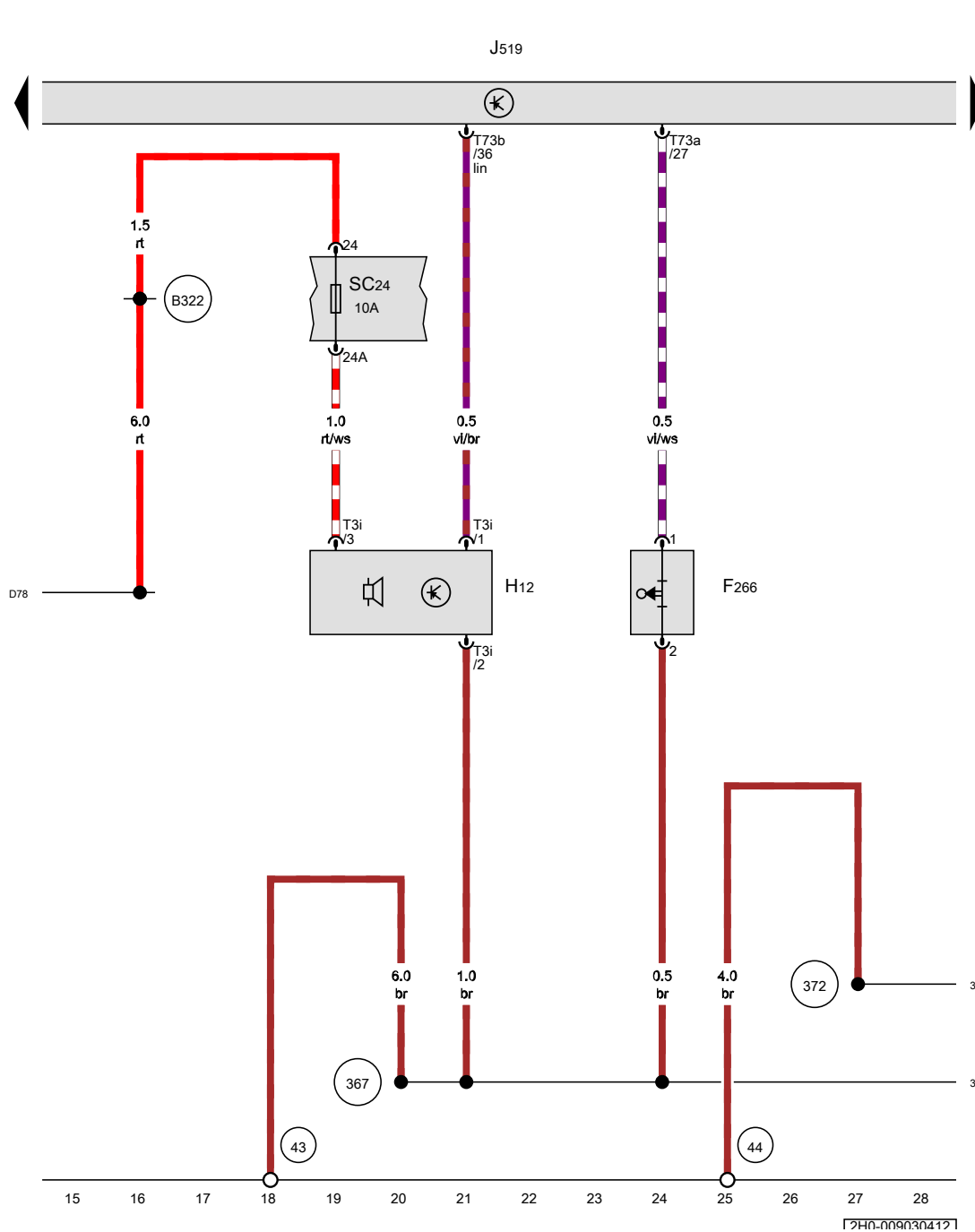
Interior monitoring switch, Interior monitoring sensor, Onboard supply control unit

- E183 Interior monitoring switch
- G273 Interior monitoring sensor
- J519 Onboard supply control unit, near driver side A-pillar
- SA2 Fuse 2 in fuse holder A
- T4ba 4-pin connector, black
- T4bc 4-pin connector, brown
- T73a 73-pin connector, black
- T73b 73-pin connector
- W1 Front interior light

- 61 Earth point, left C-pillar
- 370 Earth connection 5, in main wiring harness
- A29 Connection (interior light), in dash panel wiring harness
- B316 Positive connection 2 (30a) in main wiring harness
- D78 Positive connection 1 (30a), in engine compartment wiring harness
- R4 Connection 1, in interior light/door contact switch wiring harness
- \* From November 2011



- ws = white
- sw = black
- ro = red
- br = brown
- gn = green
- bl = blue
- gr = grey
- li = purple
- ge = yellow
- or = orange
- rs = pink



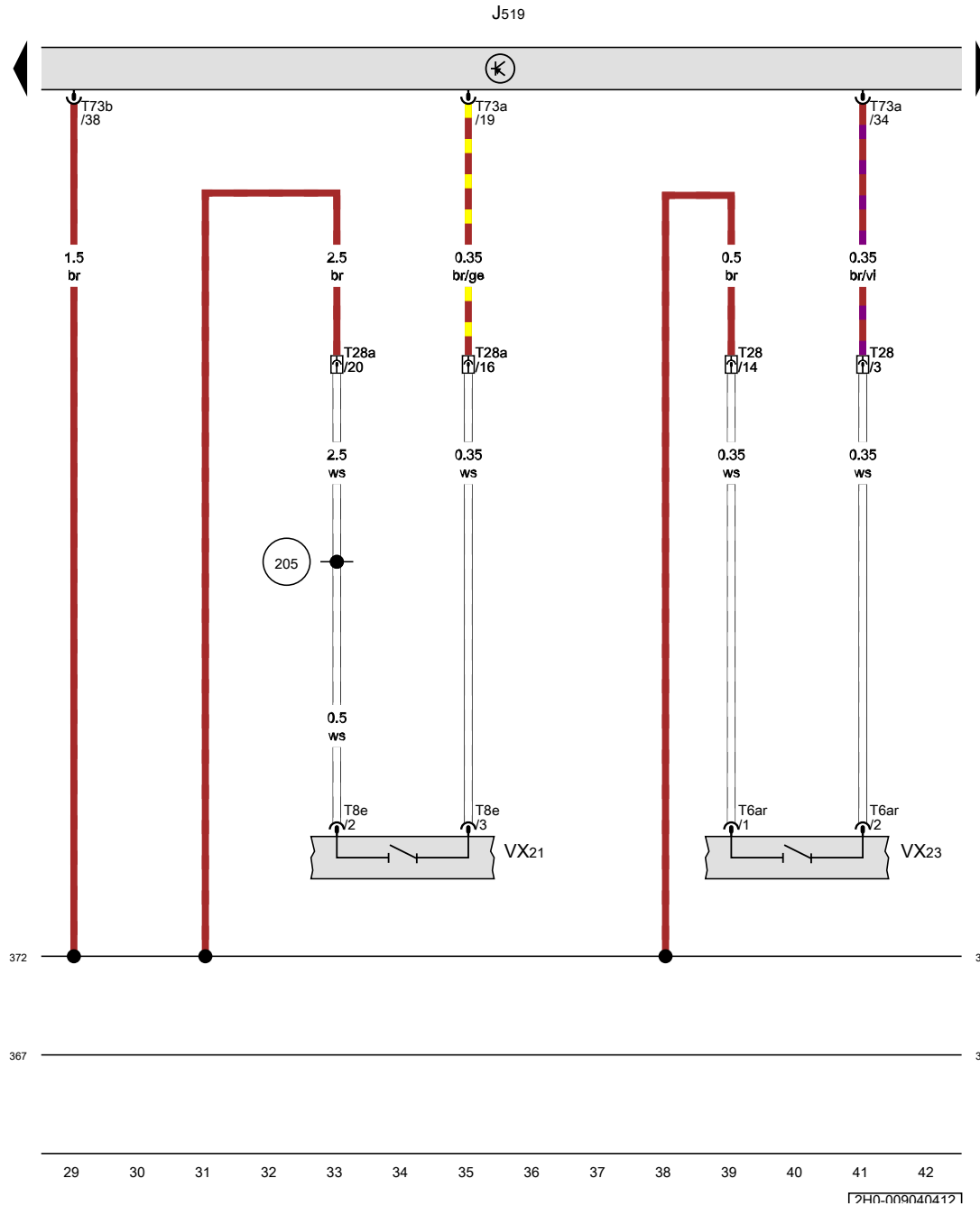
**Bonnet contact switch, Alarm horn, Onboard supply control unit, Fuse 24 on fuse holder C**

- F266 Bonnet contact switch
- H12 Alarm horn
- J519 Onboard supply control unit, near driver side A-pillar
- SC24 Fuse 24 on fuse holder C
- T3i 3-pin connector, black
- T73a 73-pin connector, black
- T73b 73-pin connector

- 43 Earth point, lower part of right A-pillar
- 44 Earth point, lower part of left A-pillar
- 367 Earth connection 2, in main wiring harness
- 372 Earth connection 7, in main wiring harness
- B322 Positive connection 8 (30a) in main wiring harness
- D78 Positive connection 1 (30a), in engine compartment wiring harness

- ws = white
- sw = black
- ro = red
- br = brown
- gn = green
- bl = blue
- gr = grey
- li = purple
- ge = yellow
- or = orange
- rs = pink

17140-0090304171



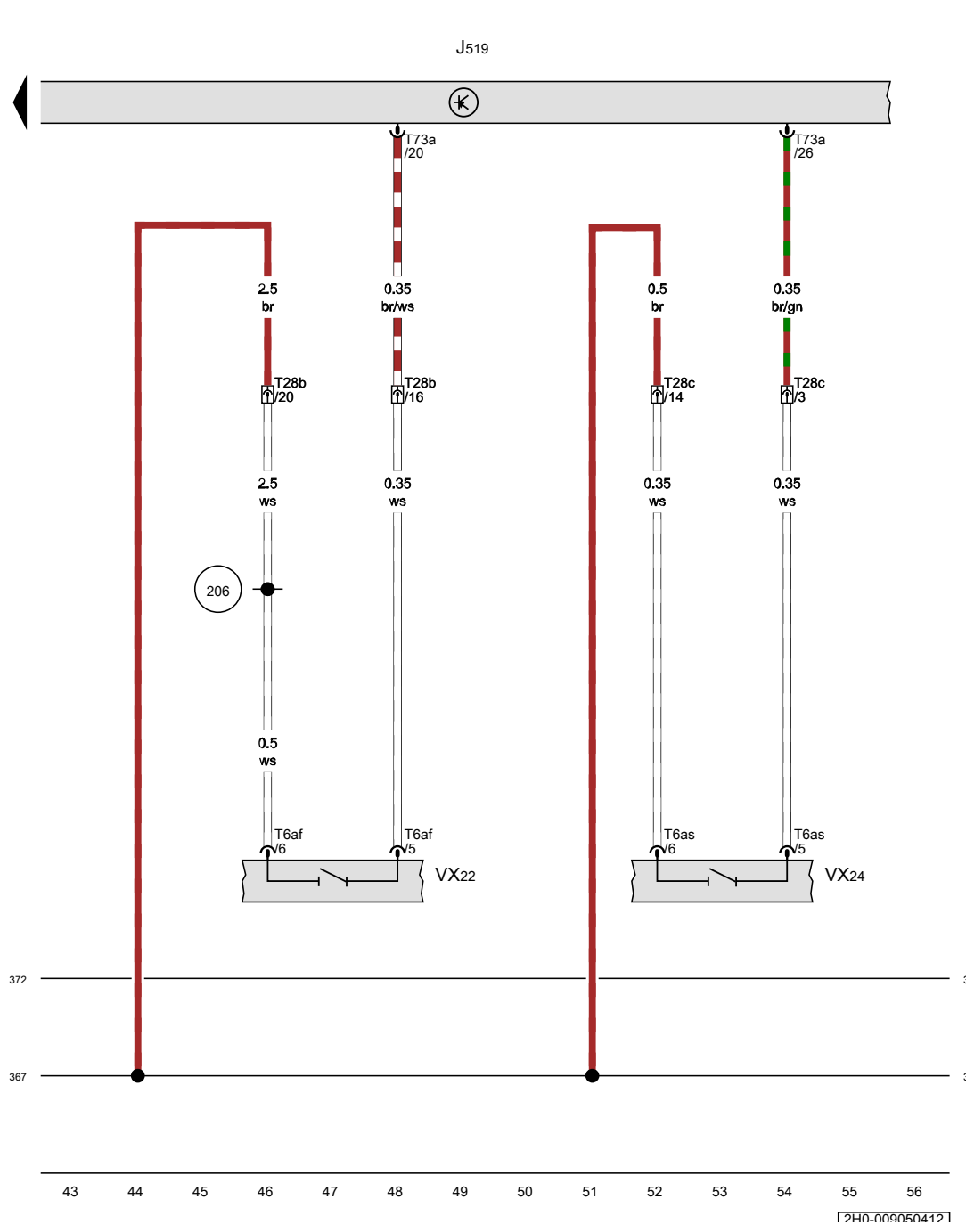
**Onboard supply control unit, Driver door lock unit, Rear left door lock unit**

- J519 Onboard supply control unit, near driver side A-pillar
- T6ar 6-pin connector
- T8e 8-pin connector
- T28 28-pin connector, on left B-pillar
- T28a 28-pin connector, on left A-pillar
- T73a 73-pin connector, black
- T73b 73-pin connector
- VX21 Driver door lock unit
- VX23 Rear left door lock unit

- 205 Earth connection, in driver door wiring harness
- 367 Earth connection 2, in main wiring harness
- 372 Earth connection 7, in main wiring harness


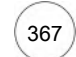
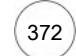
- ws = white
- sw = black
- ro = red
- br = brown
- gn = green
- bl = blue
- gr = grey
- li = purple
- ge = yellow
- or = orange
- rs = pink

17140-0090404171



**Onboard supply control unit, Front passenger door lock unit, Rear right door lock unit**

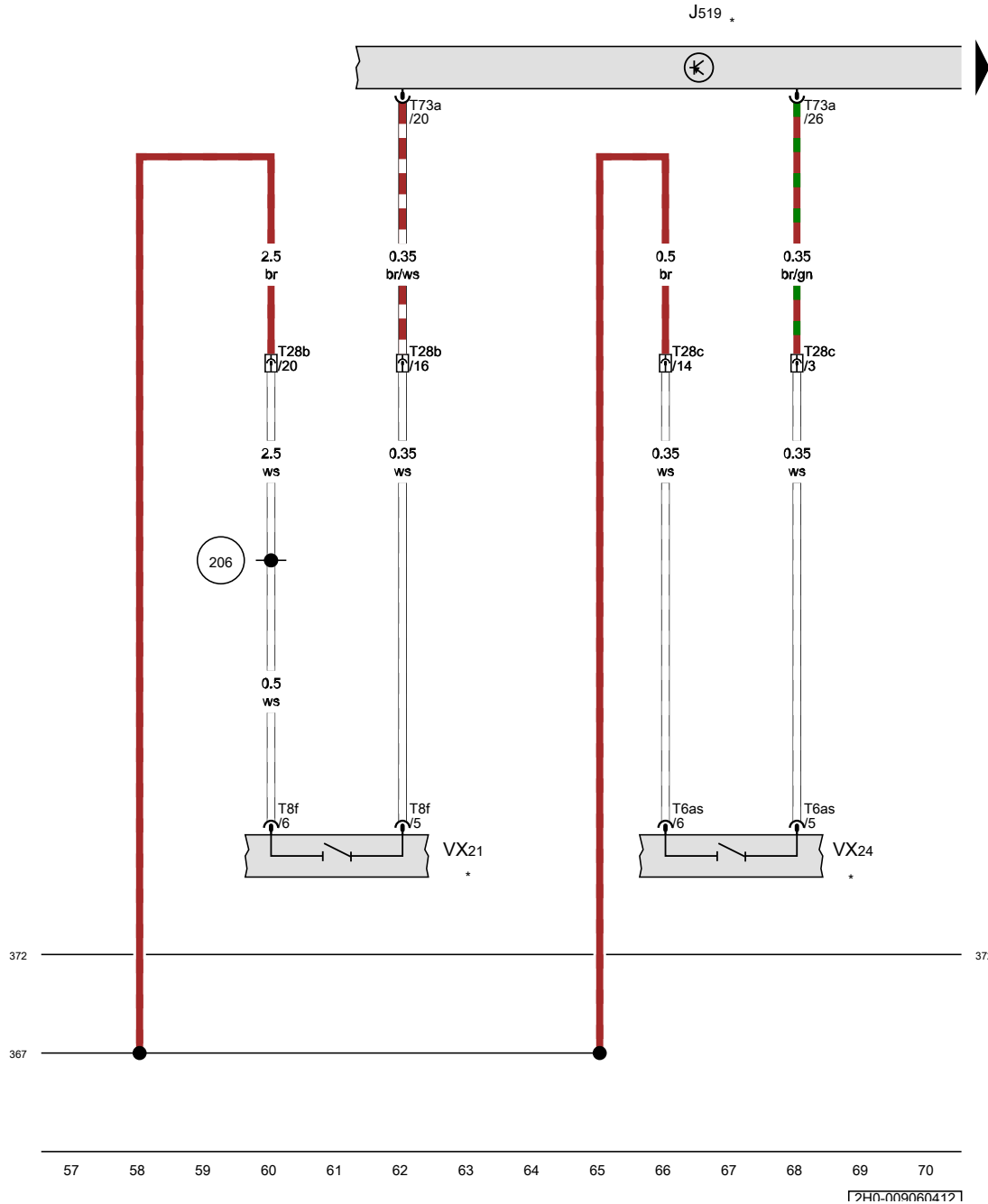
- J519 Onboard supply control unit, near driver side A-pillar
- T6af 6-pin connector
- T6as 6-pin connector
- T28b 28-pin connector, on right A-pillar
- T28c 28-pin connector, on right B-pillar
- T73a 73-pin connector, black
- VX22 Front passenger door lock unit
- VX24 Rear right door lock unit

-  206 Earth connection, in front passenger door wiring harness
-  367 Earth connection 2, in main wiring harness
-  372 Earth connection 7, in main wiring harness

- ws = white
- sw = black
- ro = red
- br = brown
- gn = green
- bl = blue
- gr = grey
- li = purple
- ge = yellow
- or = orange
- rs = pink

12H0-0090504121

Onboard supply control unit, Rear right door lock unit



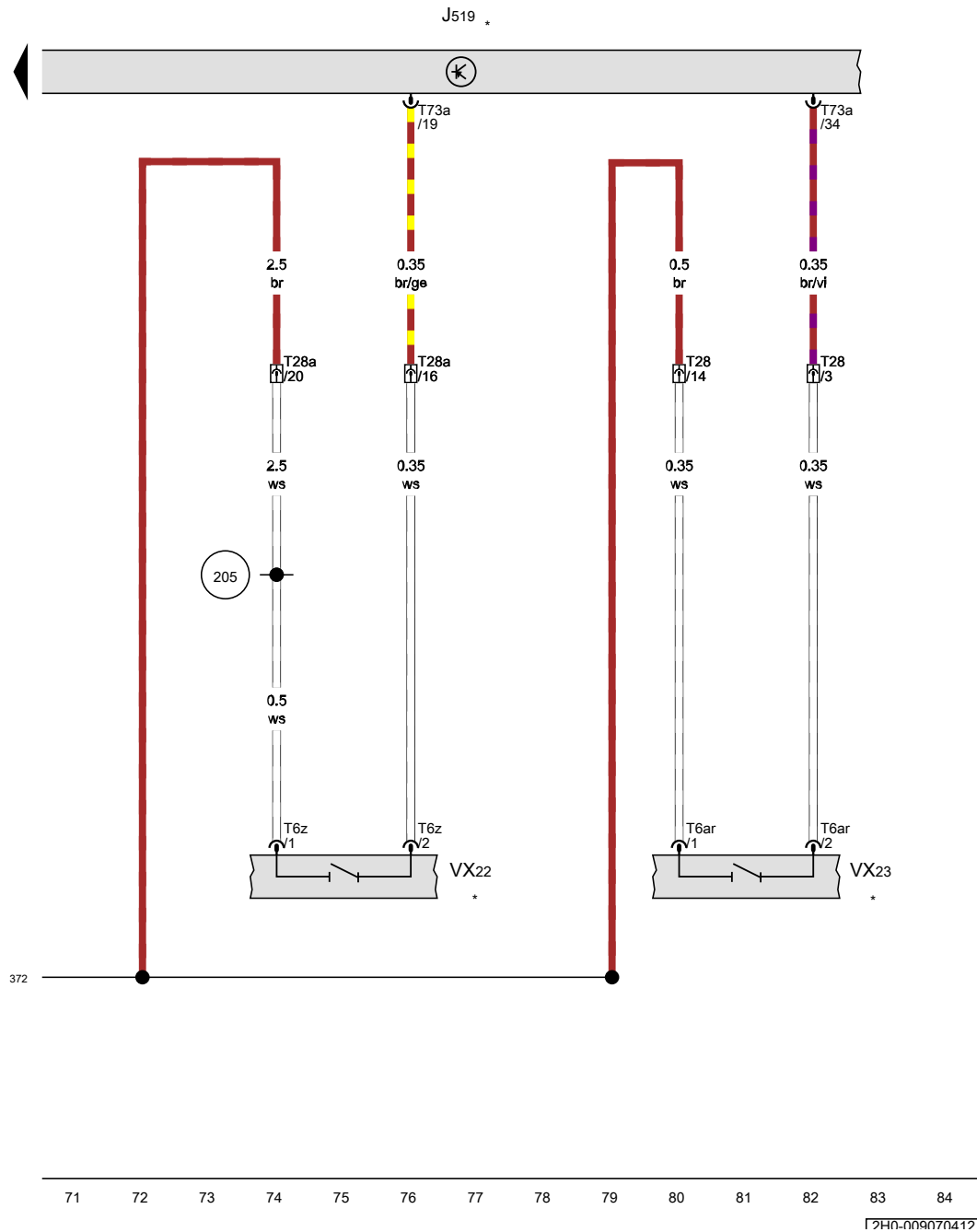
- J519 Onboard supply control unit
- T6as 6-pin connector
- T8f 8-pin connector
- T28b 28-pin connector, on right A-pillar
- T28c 28-pin connector, on right B-pillar
- T73a 73-pin connector
- VX21 Driver door lock unit
- VX24 Rear right door lock unit

- 206 Earth connection, in front passenger door wiring harness
- 367 Earth connection 2, in main wiring harness
- 372 Earth connection 7, in main wiring harness

\* Only right-hand drive models



- ws = white
- sw = black
- ro = red
- br = brown
- gn = green
- bl = blue
- gr = grey
- li = purple
- ge = yellow
- or = orange
- rs = pink

12H0-0090604121



**Onboard supply control unit, Front passenger door lock unit, Rear left door lock unit**

- J519 Onboard supply control unit
- T6ar 6-pin connector
- T6z 6-pin connector
- T28 28-pin connector, on left B-pillar
- T28a 28-pin connector, on left A-pillar
- T73a 73-pin connector
- VX22 Front passenger door lock unit
- VX23 Rear left door lock unit

-  Earth connection, in driver door wiring harness
-  Earth connection 7, in main wiring harness
- \* Only right-hand drive models

- ws = white
- sw = black
- ro = red
- br = brown
- gn = green
- bl = blue
- gr = grey
- li = purple
- ge = yellow
- or = orange
- rs = pink

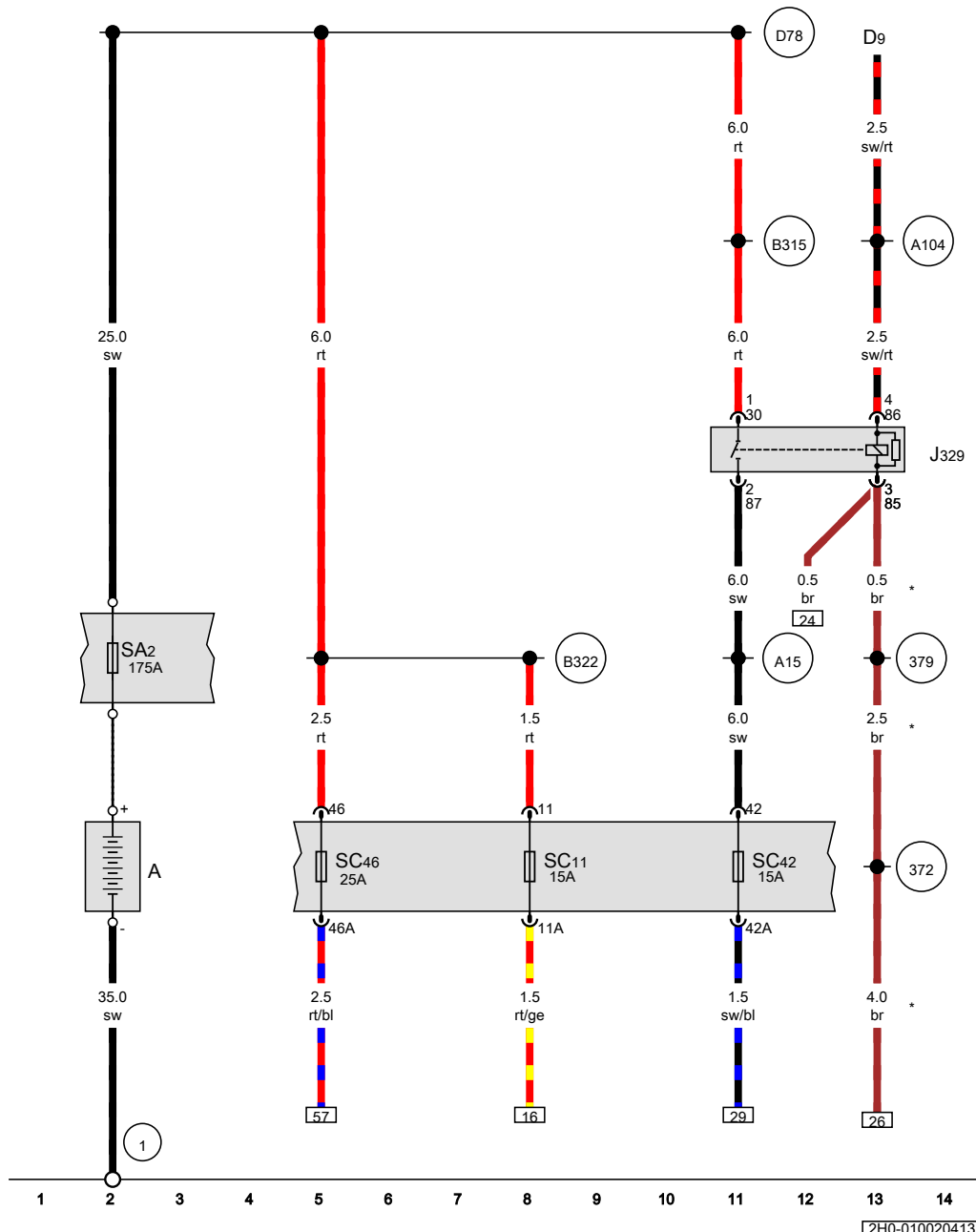
12H0-0090704121



**All-wheel drive**

From December 2009

Battery, Terminal 15 voltage supply relay, Fuse 2 in fuse holder A, Fuse 11 on fuse holder C, Fuse 42 on fuse holder C, Fuse 46 on fuse holder C



- A Battery
- D9 Electronic ignition lock
- J329 Terminal 15 voltage supply relay
- SA2 Fuse 2 in fuse holder A
- SC11 Fuse 11 on fuse holder C
- SC42 Fuse 42 on fuse holder C
- SC46 Fuse 46 on fuse holder C
- 1 Earth strap, battery - body
- 372 Earth connection 7, in main wiring harness
- 379 Earth connection 14, in main wiring harness
- A15 Positive connection (15), in instrument wiring harness
- A104 Positive connection 2 (15), in dash panel wiring harness
- B315 Positive connection 1 (30a) in main wiring harness
- B322 Positive connection 8 (30a) in main wiring harness
- D78 Positive connection 1 (30a), in engine compartment wiring harness
- \* From November 2011

- ws = white
- sw = black
- ro = red
- rt = red
- br = brown
- gn = green
- bl = blue
- gr = grey
- li = purple
- vi = purple
- ge = yellow
- or = orange
- rs = pink

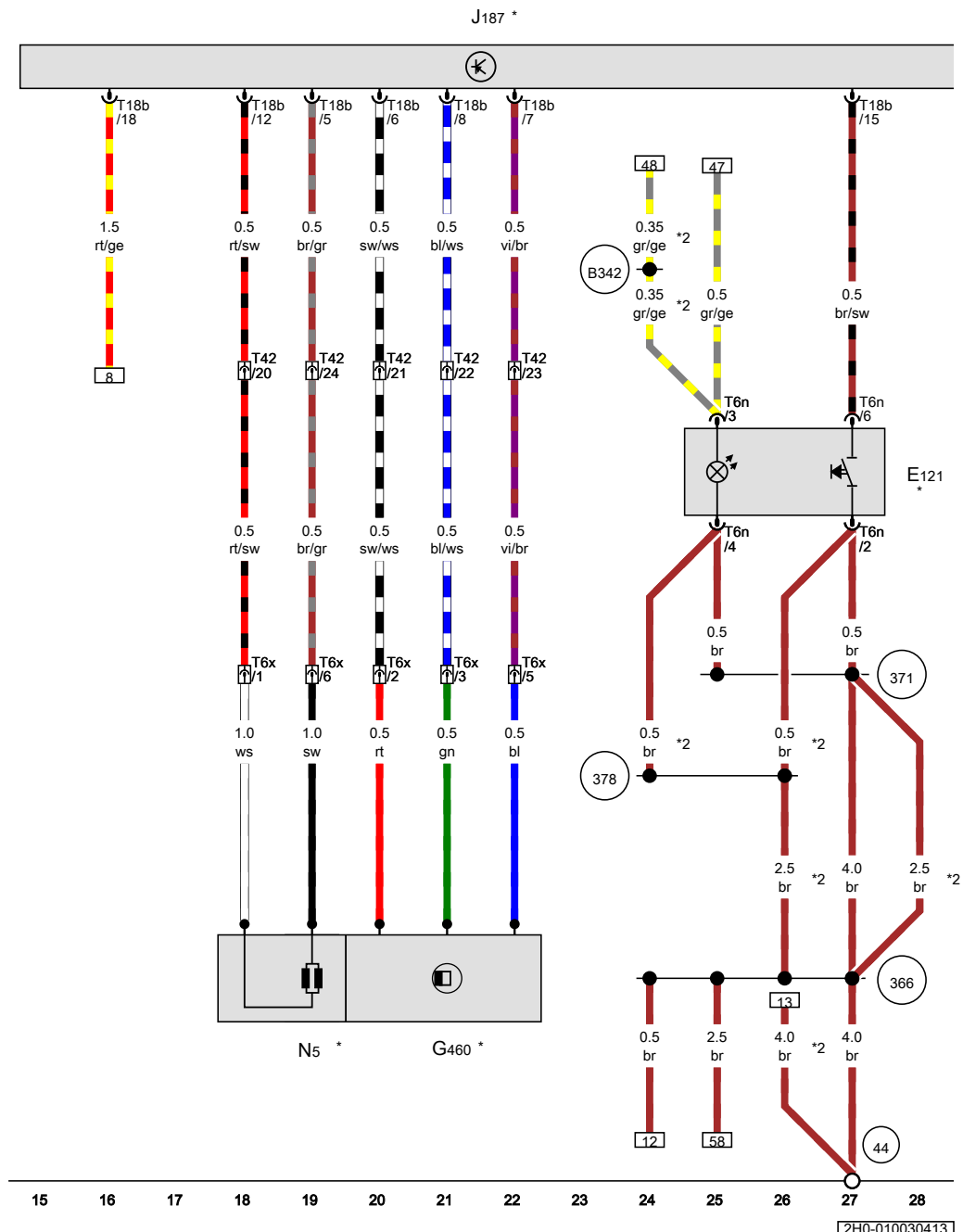
1740-010020413

Rear differential lock switch, Axle differential lock Hall sender 1, Differential lock control unit, Control solenoid

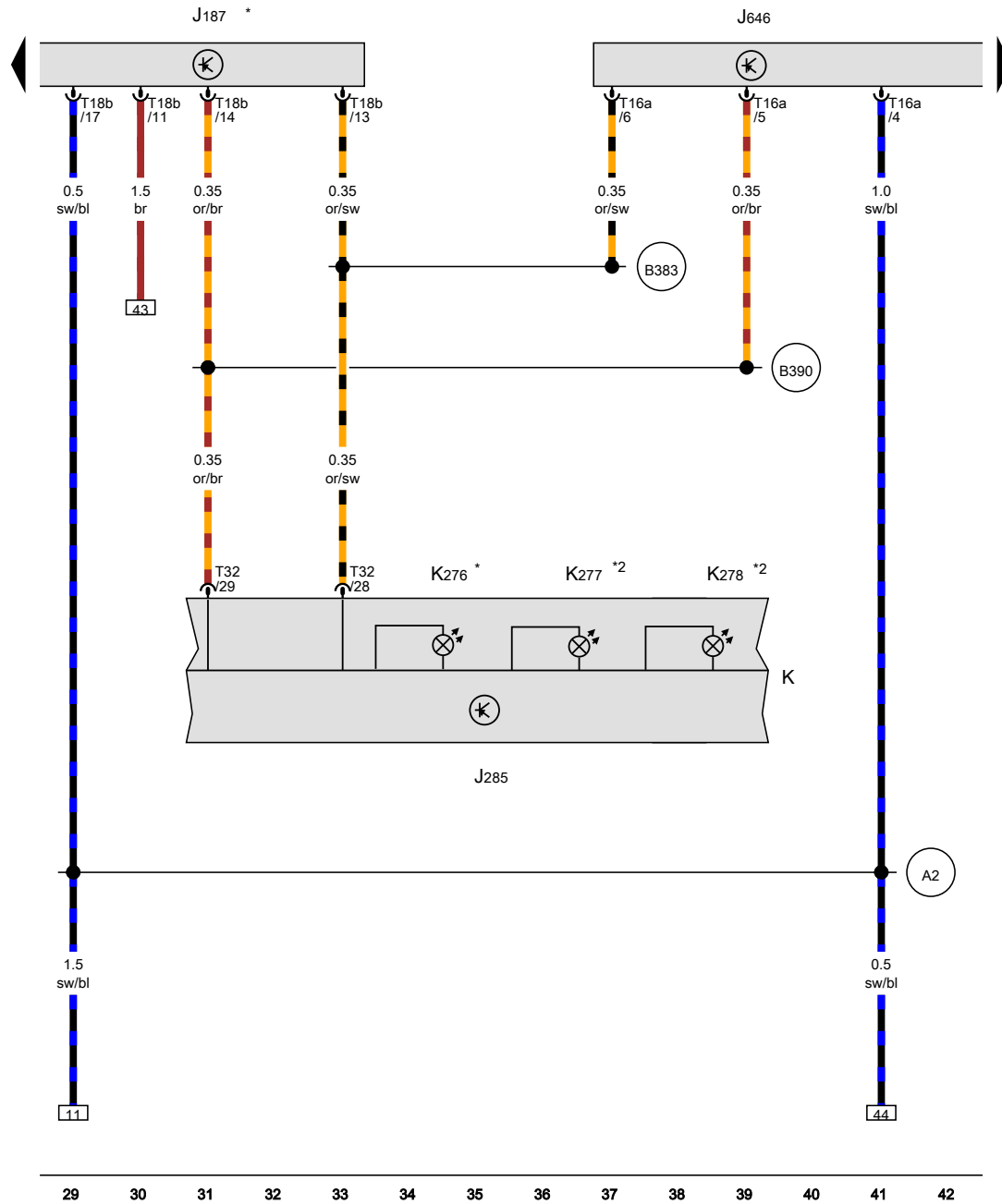
- E121 Rear differential lock switch, in centre console
- G460 Axle differential lock Hall sender 1, on rear axle, left
- J187 Differential lock control unit, in centre console, near handbrake lever
- N5 Control solenoid, on rear axle, left
- T6n 6-pin connector
- T6x 6-pin connector, on rear axle, left, black
- T18b 18-pin connector
- T42 42-pin connector, near handbrake lever, black

- 44 Earth point, lower part of left A-pillar
- 366 Earth connection 1, in main wiring harness
- 371 Earth connection 6, in main wiring harness
- 378 Earth connection 13, in main wiring harness
- B342 Connection 3 (58d), in main wiring harness

\* Only models with rear differential lock  
 \*2 From November 2011



Г240-010030413



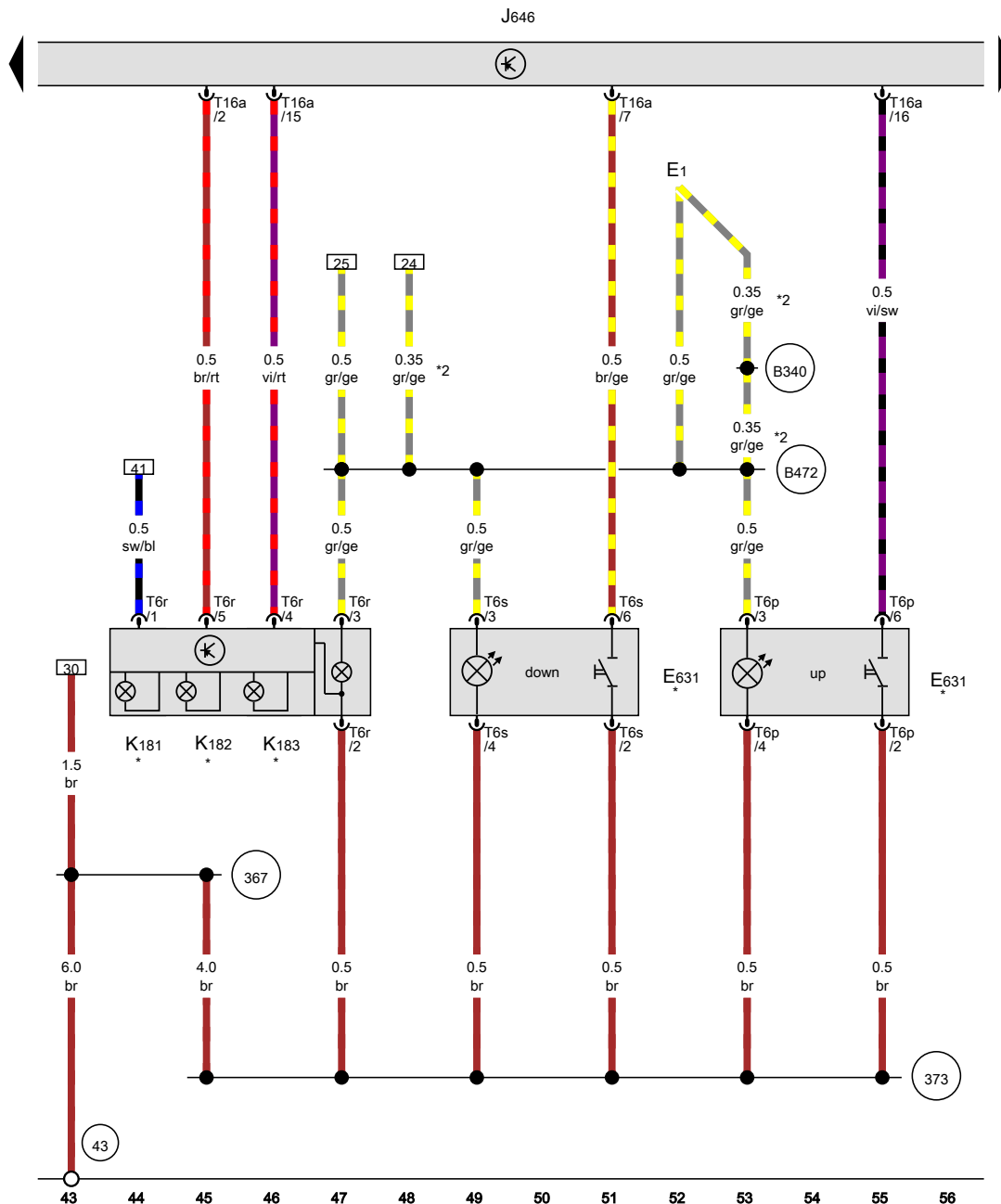
Differential lock control unit, Control unit in dash panel insert, Transfer box control unit, Rear axle differential lock warning lamp, Inter-axle lock-up warning lamp

- J187 Differential lock control unit, in centre console, near handbrake lever
- J285 Control unit in dash panel insert
- J646 Transfer box control unit
- K Dash panel insert
- K276 Rear axle differential lock warning lamp
- K277 Reduction gearing warning lamp
- K278 Inter-axle lock-up warning lamp
- T16a 16-pin connector
- T18b 18-pin connector
- T32 32-pin connector

- A2 Positive connection (15), in dash panel wiring harness
- B383 Connection 1 (powertrain CAN bus, high), in main wiring harness
- B390 Connection 1 (powertrain CAN bus, low), in main wiring harness
- \* Only models with rear differential lock
- \*2 Only models with all-wheel drive

- ws = white
- sw = black
- ro = red
- rt = red
- br = brown
- gn = green
- bl = blue
- gr = grey
- li = purple
- vi = purple
- ge = yellow
- or = orange
- rs = pink

Г240-010040413



Running gear program switch, Transfer box control unit, Normal operation warning lamp in transfer box operating unit, Reduction gearing warning lamp in transfer box operating unit, Inter-axle lock-up warning lamp in transfer box operating unit

- E1 Light switch
- E631 Running gear program switch, in centre console
- J646 Transfer box control unit
- K181 Normal operation warning lamp in transfer box operating unit
- K182 Reduction gearing warning lamp in transfer box operating unit, in centre console
- K183 Inter-axle lock-up warning lamp in transfer box operating unit
- T6p 6-pin connector
- T6r 6-pin connector
- T6s 6-pin connector
- T16a 16-pin connector

- 43 Earth point, lower part of right A-pillar
- 367 Earth connection 2, in main wiring harness
- 373 Earth connection 8, in main wiring harness
- B340 Connection 1 (58d), in main wiring harness
- B472 Connection 8, in main wiring harness

\* Only models with all-wheel drive  
 \*2 From November 2011

- ws = white
- sw = black
- ro = red
- rt = red
- br = brown
- gn = green
- bl = blue
- gr = grey
- li = purple
- vi = purple
- ge = yellow
- or = orange
- rs = pink

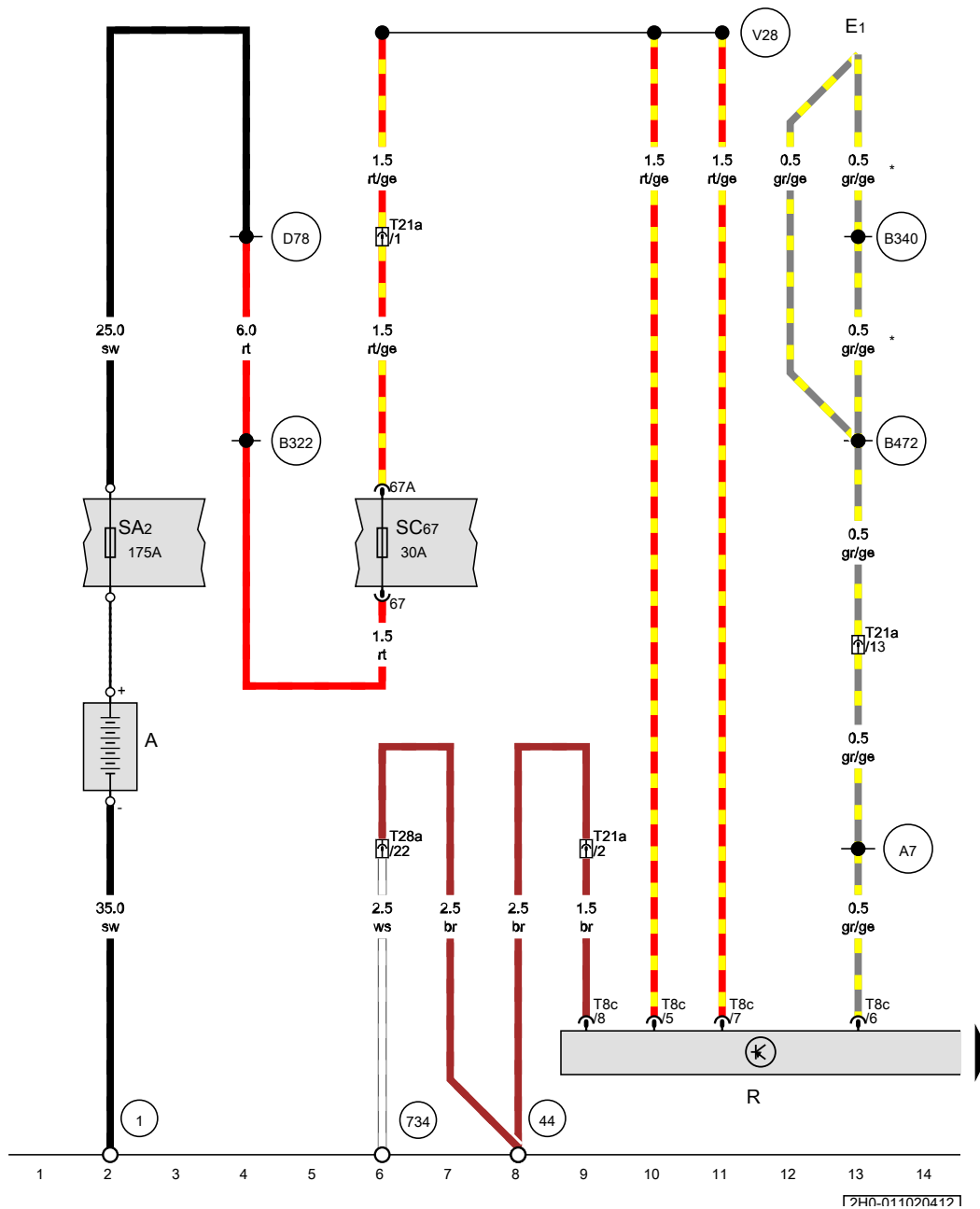
7PH0-0100504131



**Radio system , (8AN),(8AG)**

From December 2009

Battery, Light switch, Radio, Fuse 2 in fuse holder A, Fuse 67 on fuse holder C



- A Battery
- E1 Light switch
- R Radio
- SA2 Fuse 2 in fuse holder A
- SC67 Fuse 67 on fuse holder C
- T8c 8-pin connector, black
- T21a 21-pin connector, on relay carrier, brown
- T28a 28-pin connector
- 1 Earth strap, battery - body
- 44 Earth point, lower part of left A-pillar
- 734 Earth point in front left door
- A7 Positive connection (58 D1), in dash panel wiring harness
- B322 Positive connection 8 (30a) in main wiring harness
- B340 Connection 1 (58d), in main wiring harness
- B472 Connection 8, in main wiring harness
- D78 Positive connection 1 (30a), in engine compartment wiring harness
- V28 Connection 1, in radio wiring harness
- \* From November 2011

- ws = white
- sw = black
- ro = red
- br = brown
- gn = green
- bl = blue
- gr = grey
- li = purple
- ge = yellow
- or = orange
- rs = pink



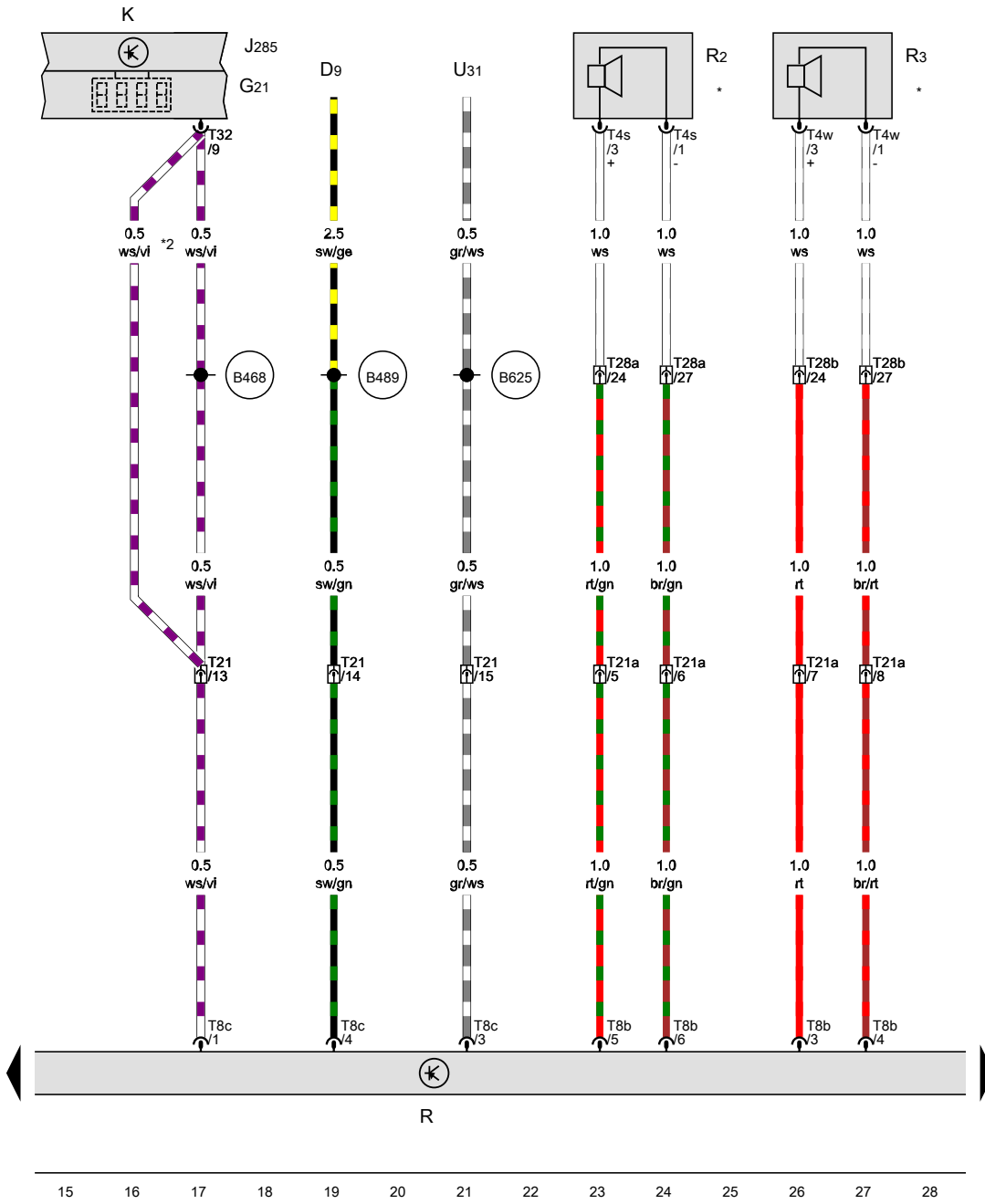
Electronic ignition lock, Dash panel insert, Radio, Front left loudspeaker, Front right loudspeaker, Diagnostic connection

- D9 Electronic ignition lock
- G21 Speedometer
- J285 Control unit in dash panel insert
- K Dash panel insert
- R Radio
- R2 Front left loudspeaker
- R3 Front right loudspeaker
- T4s 4-pin connector
- T4w 4-pin connector
- T8b 8-pin connector, brown
- T8c 8-pin connector, black
- T21 21-pin connector, on relay carrier, blue
- T21a 21-pin connector, on relay carrier, brown
- T28a 28-pin connector, in left A-pillar
- T28b 28-pin connector, on right A-pillar
- T32 32-pin connector
- U31 Diagnostic connection

- B468 Connection 4, in main wiring harness
- B489 Connection 25, in main wiring harness
- B625 Connection (K-diagnosis wire), in main wiring harness

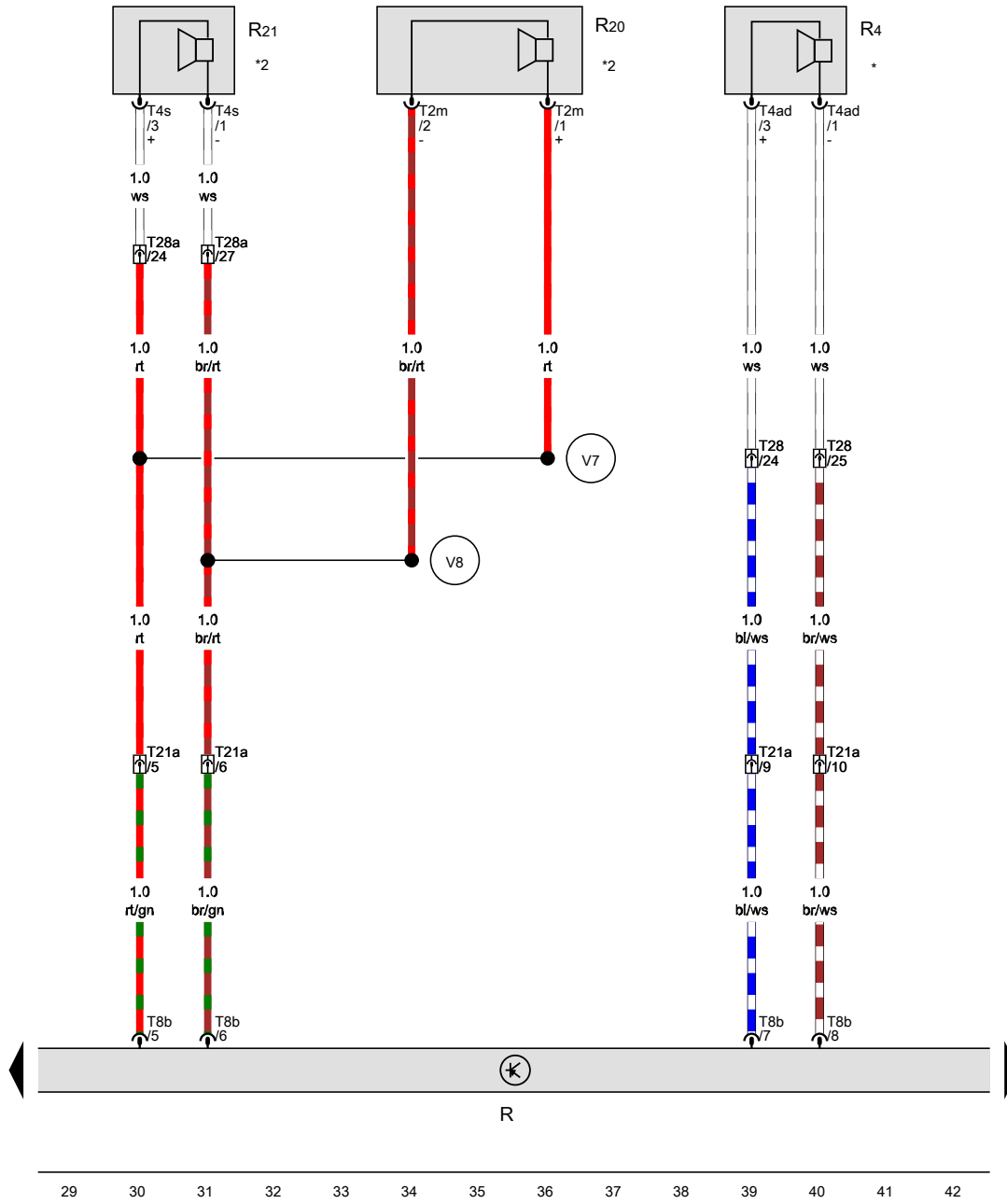
- \* Only models with 2 loudspeakers (8RD)
- \*2 Only models with no electric interface

- ws = white
- sw = black
- ro = red
- br = brown
- gn = green
- bl = blue
- gr = grey
- li = purple
- ge = yellow
- or = orange
- rs = pink



15 16 17 18 19 20 21 22 23 24 25 26 27 28  
 ГЭН-0110304121

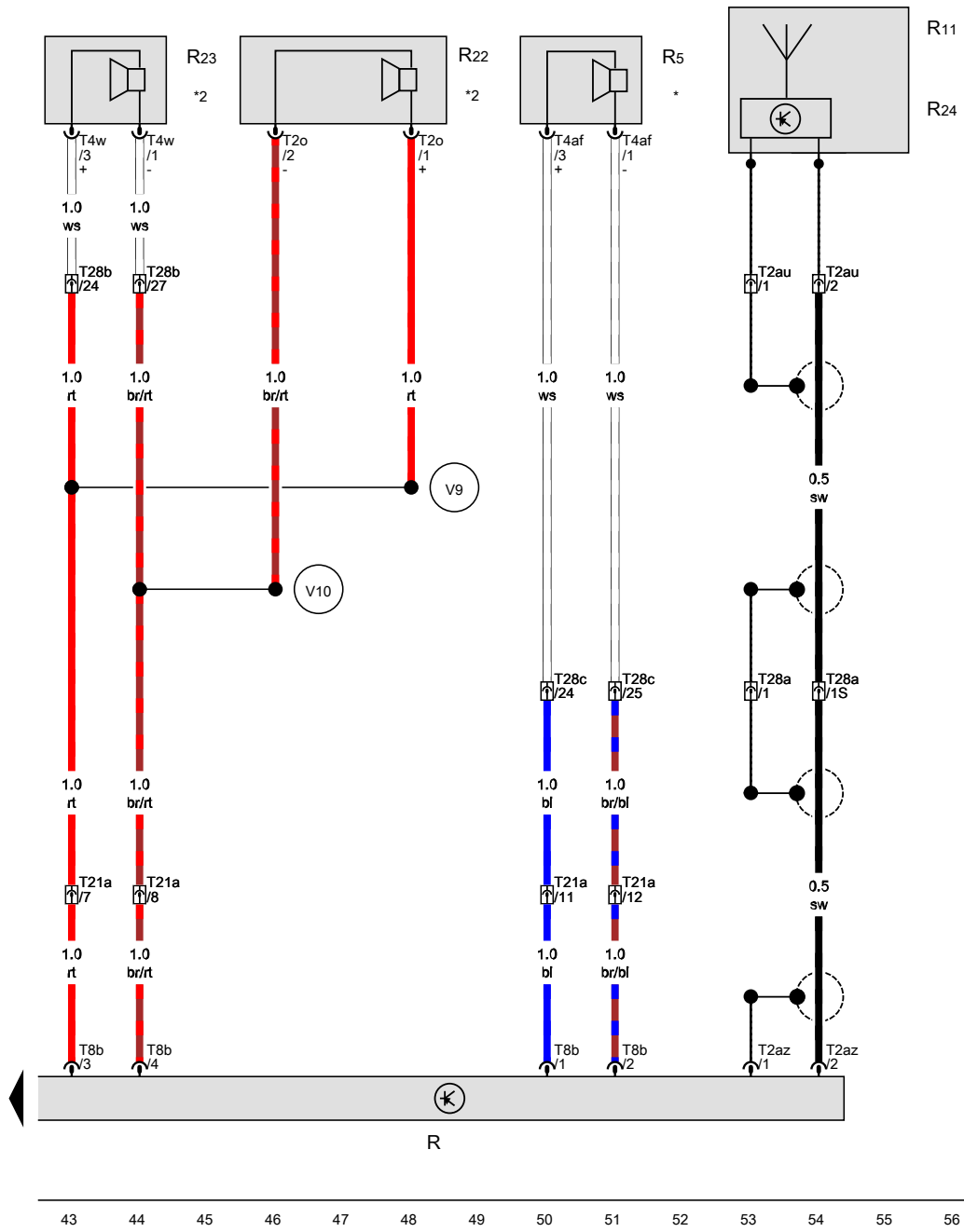
Radio, Rear left loudspeaker, Front left treble loudspeaker, Front left bass loudspeaker



- R Radio
- R4 Rear left loudspeaker
- R20 Front left treble loudspeaker
- R21 Front left bass loudspeaker
- T2m 2-pin connector
- T4ad 4-pin connector
- T4s 4-pin connector
- T8b 8-pin connector, brown
- T21a 21-pin connector, on relay carrier, brown
- T28 28-pin connector, on left B-pillar
- T28a 28-pin connector, on left A-pillar
- V7 Connection (positive, front left loudspeaker), in loudspeaker wiring harness
- V8 Connection (negative, front left loudspeaker), in loudspeaker wiring harness
- \* Only models with equipment (6-passive loudspeakers)
- \*2 Only models with 4 or 6 loudspeakers

- ws = white
- sw = black
- ro = red
- br = brown
- gn = green
- bl = blue
- gr = grey
- li = purple
- ge = yellow
- or = orange
- rs = pink

179H0-0110404171



Radio, Rear right loudspeaker, Aerial, Front right treble loudspeaker, Front right bass loudspeaker, Aerial amplifier

- R Radio
- R5 Rear right loudspeaker
- R11 Aerial
- R22 Front right treble loudspeaker
- R23 Front right bass loudspeaker
- R24 Aerial amplifier
- T2au 2-pin connector, in left door, near exterior mirror
- T2az 2-pin connector, colourless
- T2o 2-pin connector
- T4af 4-pin connector
- T4w 4-pin connector
- T8b 8-pin connector, brown
- T21a 21-pin connector, on relay carrier, brown
- T28a 28-pin connector, on left A-pillar
- T28b 28-pin connector, on right A-pillar
- T28c 28-pin connector, on right B-pillar
- V9 Connection (positive, front right loudspeaker), in loudspeaker wiring harness
- V10 Connection (negative, front right loudspeaker), in loudspeaker wiring harness
- \* Only models with equipment (6-passive loudspeakers)
- \*2 Only models with 4 or 6 loudspeakers

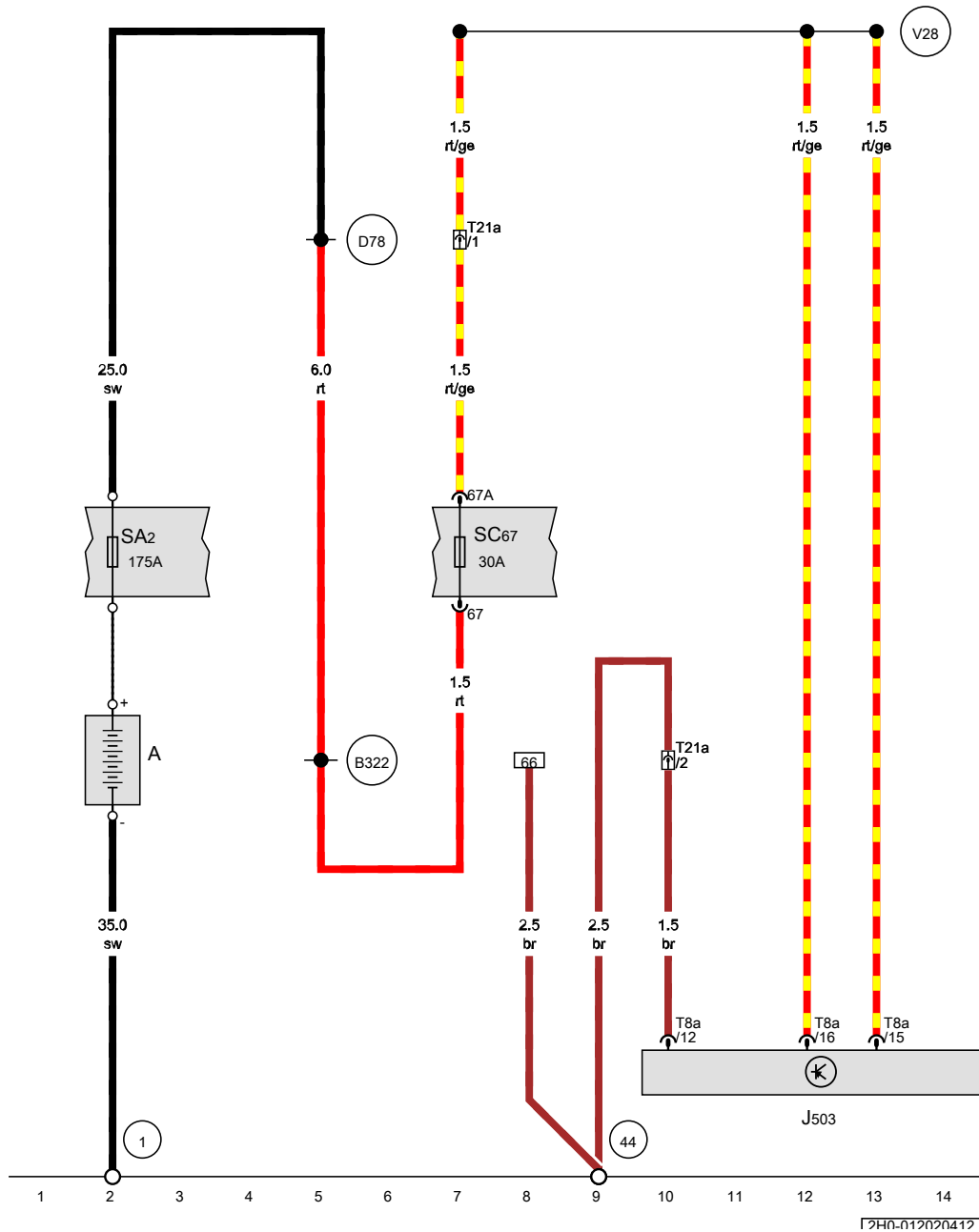
- ws = white
- sw = black
- ro = red
- br = brown
- gn = green
- bl = blue
- gr = grey
- li = purple
- ge = yellow
- or = orange
- rs = pink

79H0-011050417

**Radio navigation system , (8AY),(7UC),(7UK)**

From December 2009

Battery, Control unit with display for radio and navigation, Fuse 2 in fuse holder A, Fuse 67 on fuse holder C

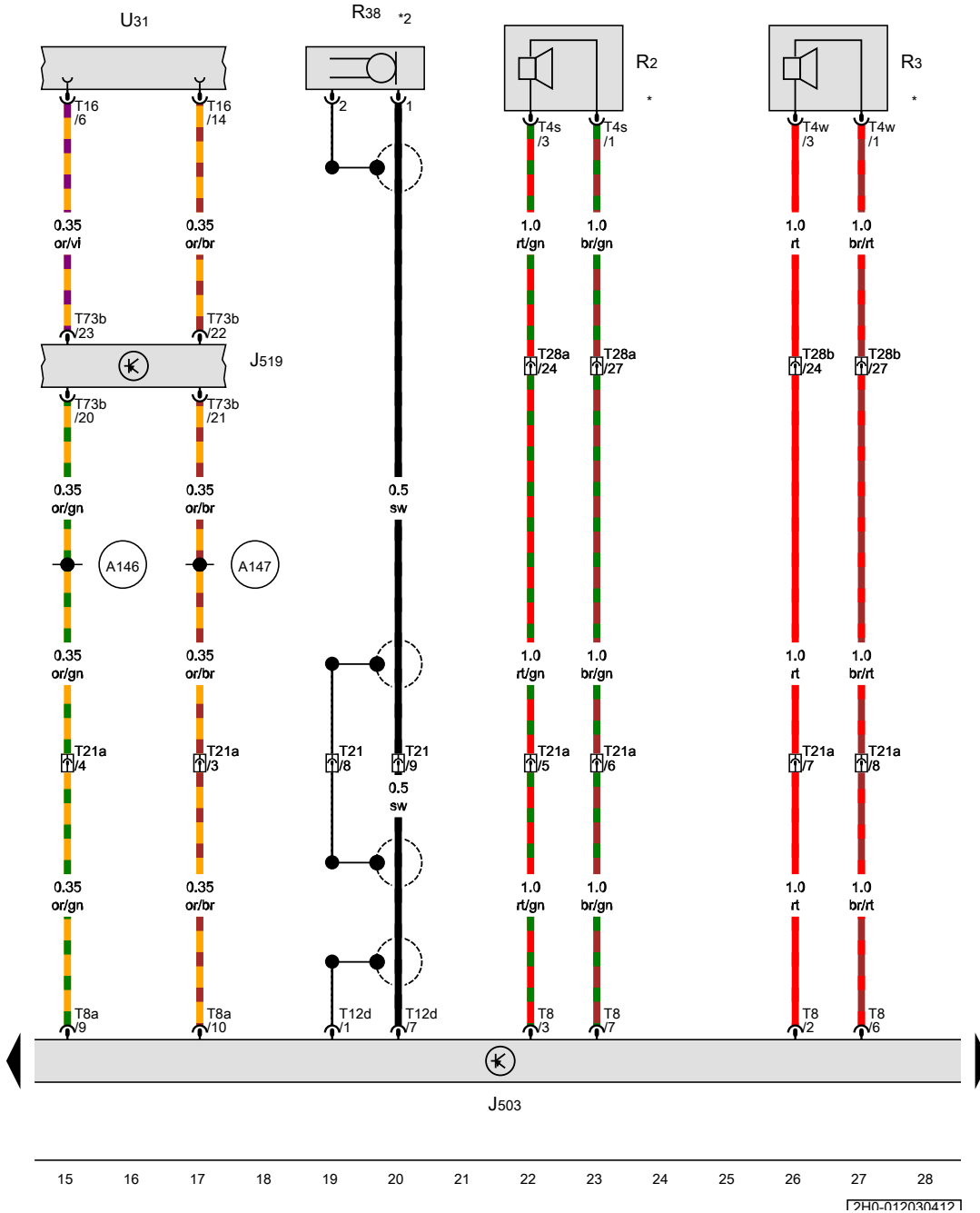


- A Battery
- J503 Control unit with display for radio and navigation
- SA2 Fuse 2 in fuse holder A
- SC67 Fuse 67 on fuse holder C
- T8a 8-pin connector, black
- T21a 21-pin connector, on relay carrier, brown
- 1 Earth strap, battery - body
- 44 Earth point, lower part of left A-pillar
- B322 Positive connection 8 (30a) in main wiring harness
- D78 Positive connection 1 (30a), in engine compartment wiring harness
- V28 Connection 1, in radio wiring harness

- ws = white
- sw = black
- ro = red
- br = brown
- gn = green
- bl = blue
- gr = grey
- li = purple
- ge = yellow
- or = orange
- rs = pink

ГЭН-0120204121

Control unit with display for radio and navigation, Front left loudspeaker, Front right loudspeaker, Telephone microphone, Diagnostic connection



- J503 Control unit with display for radio and navigation
- J519 Onboard supply control unit
- R2 Front left loudspeaker
- R3 Front right loudspeaker
- R38 Telephone microphone
- T4s 4-pin connector
- T4w 4-pin connector
- T8 8-pin connector, brown
- T8a 8-pin connector, black
- T12d 12-pin connector, green
- T16 16-pin connector, black
- T21 21-pin connector, on relay carrier, blue
- T21a 21-pin connector, on relay carrier, brown
- T28a 28-pin connector, on left A-pillar
- T28b 28-pin connector, on right A-pillar
- T73b 73-pin connector, colourless
- U31 Diagnostic connection

- Connection (convenience CAN bus, high), in dash panel wiring harness
- Connection (convenience CAN bus, low), in dash panel wiring harness

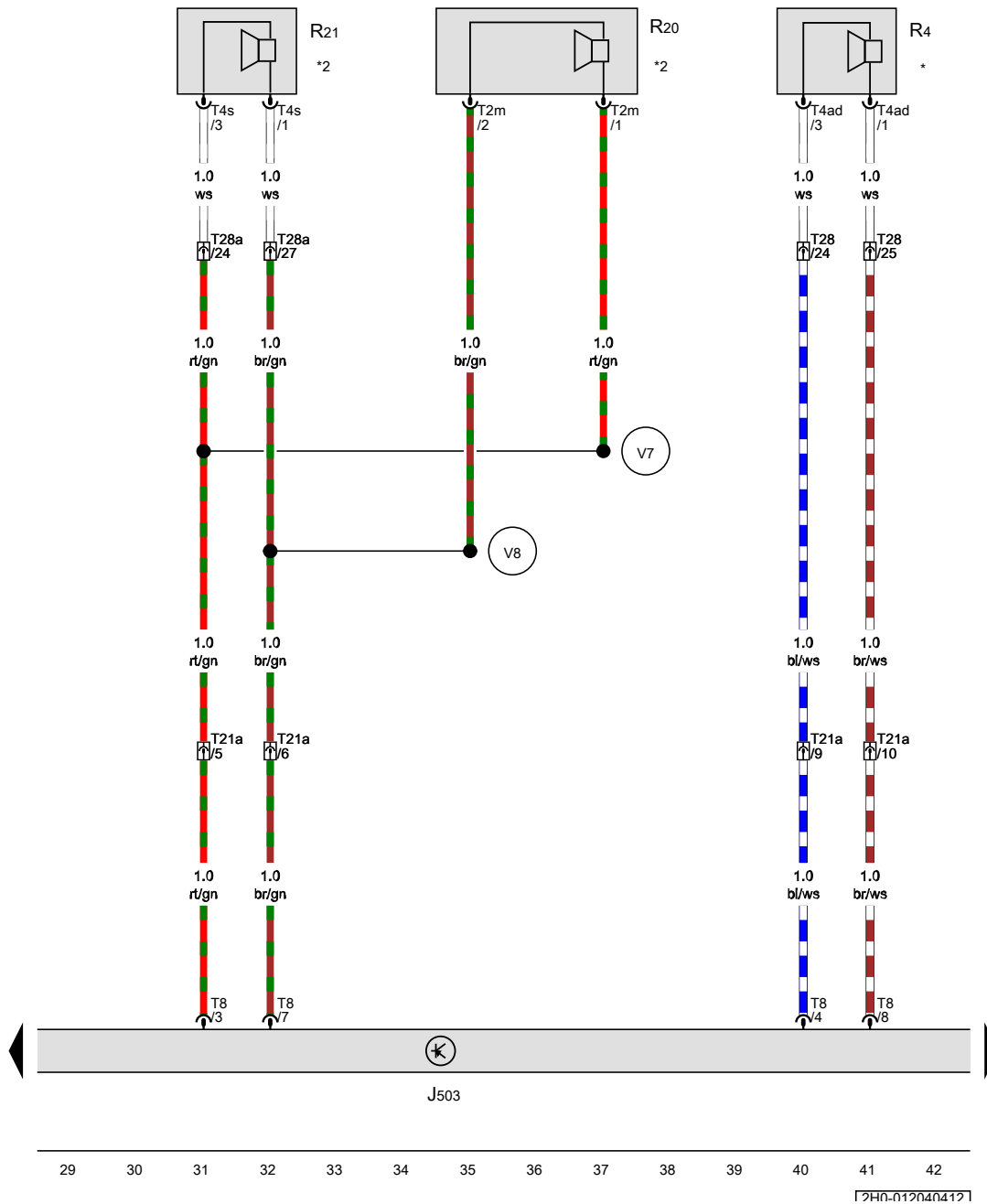
- \* Only models with 2 loudspeakers (8RD)
- \*2 Only models with mobile telephone/ preparation for mobile telephone

- ws = white
- sw = black
- ro = red
- br = brown
- gn = green
- bl = blue
- gr = grey
- li = purple
- ge = yellow
- or = orange
- rs = pink

Control unit with display for radio and navigation, Rear left loudspeaker, Front left treble loudspeaker, Front left bass loudspeaker

- J503 Control unit with display for radio and navigation
- R4 Rear left loudspeaker
- R20 Front left treble loudspeaker
- R21 Front left bass loudspeaker
- T2m 2-pin connector
- T4ad 4-pin connector
- T4s 4-pin connector
- T8 8-pin connector, brown
- T21a 21-pin connector, on relay carrier, brown
- T28 28-pin connector, on left B-pillar
- T28a 28-pin connector, on left A-pillar

- V7 Connection (positive, front left loudspeaker), in loudspeaker wiring harness
- V8 Connection (negative, front left loudspeaker), in loudspeaker wiring harness
- \* Only models with equipment (6-passive loudspeakers)
- \*2 Only models with 4 or 6 loudspeakers

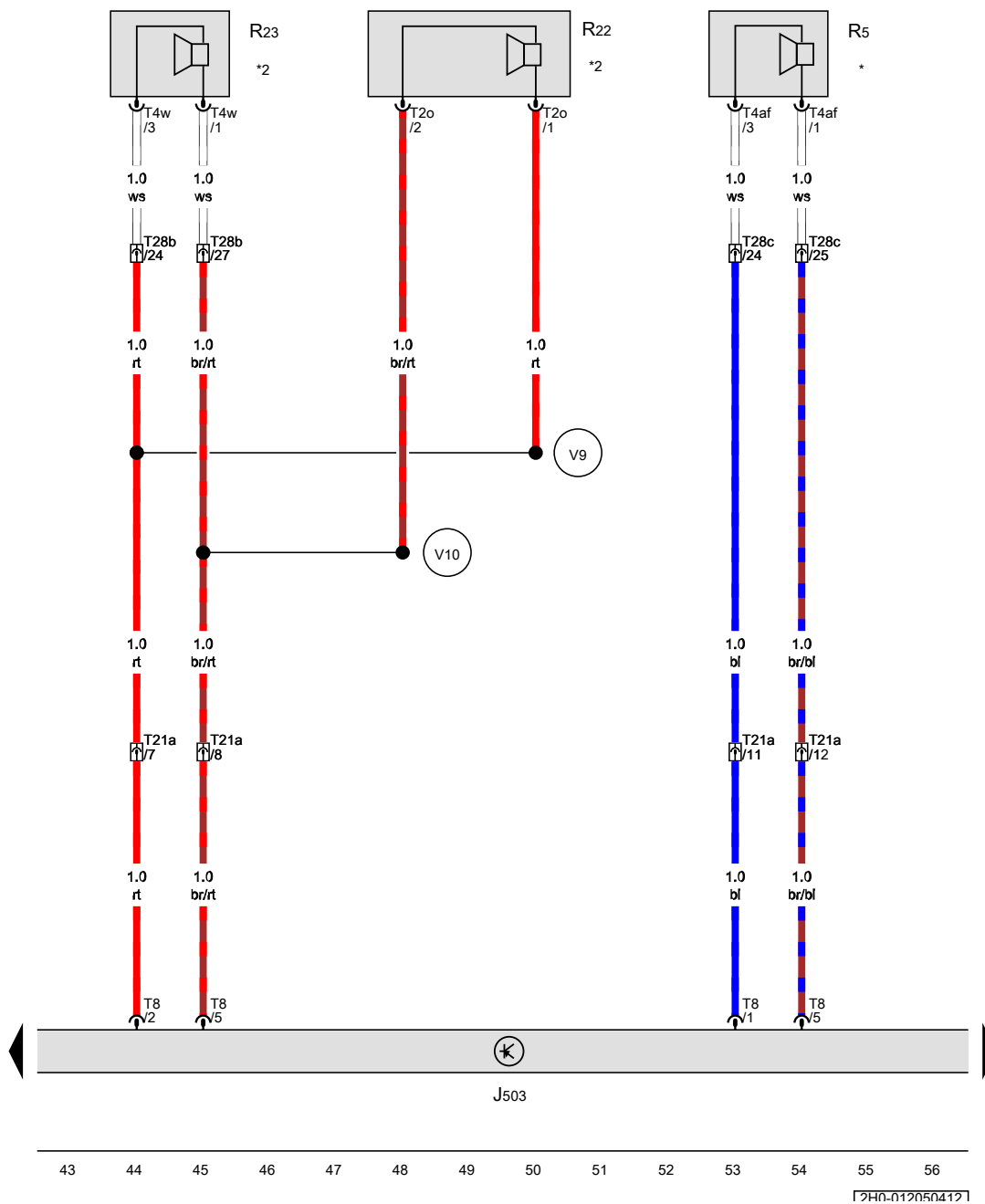


- ws = white
- sw = black
- ro = red
- br = brown
- gn = green
- bl = blue
- gr = grey
- li = purple
- ge = yellow
- or = orange
- rs = pink

Control unit with display for radio and navigation, Rear right loudspeaker, Front right treble loudspeaker, Front right bass loudspeaker

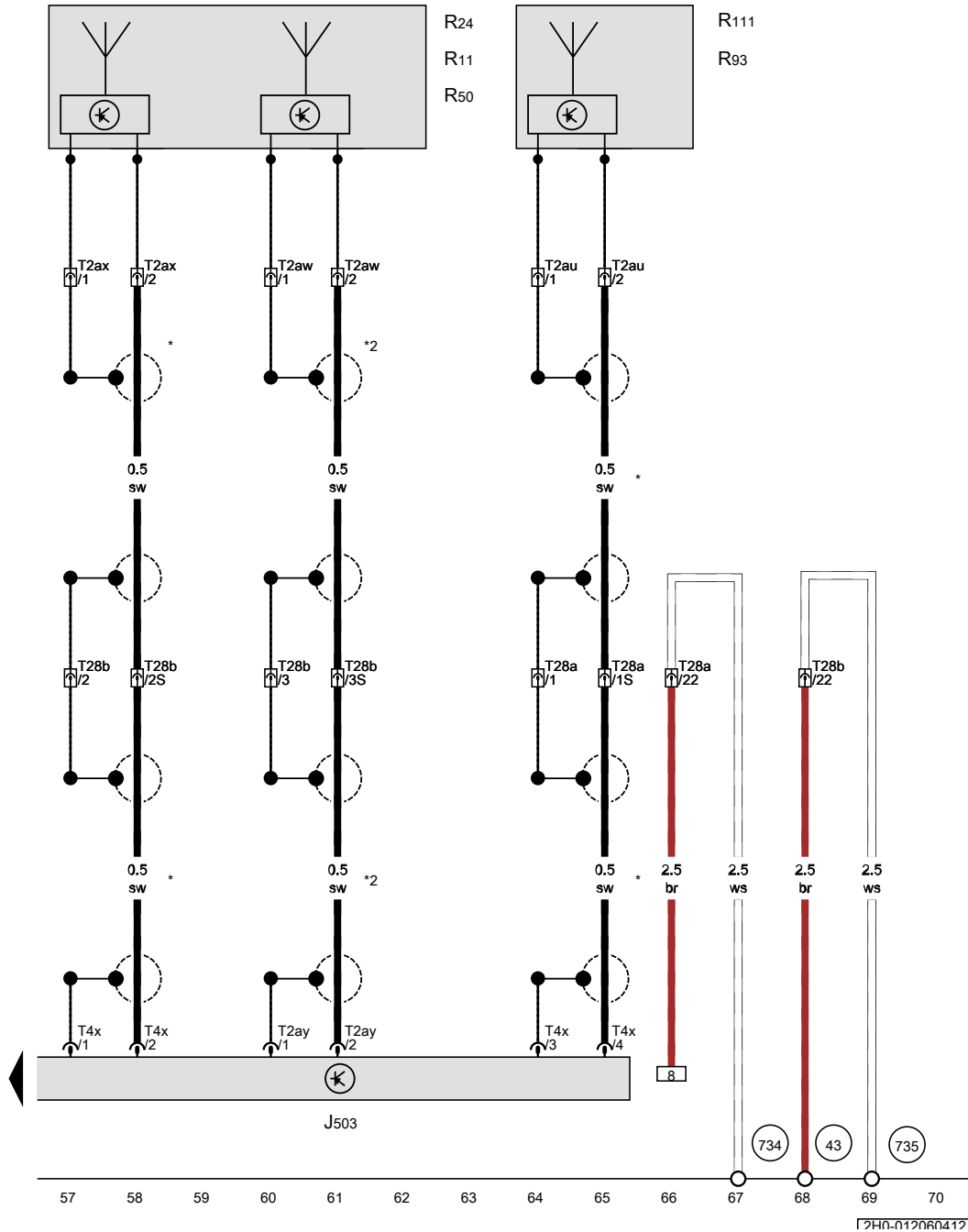
- J503 Control unit with display for radio and navigation
- R5 Rear right loudspeaker
- R22 Front right treble loudspeaker
- R23 Front right bass loudspeaker
- T2o 2-pin connector
- T4af 4-pin connector
- T4w 4-pin connector
- T8 8-pin connector, brown
- T21a 21-pin connector, on relay carrier, brown
- T28b 28-pin connector, on right A-pillar
- T28c 28-pin connector, on right B-pillar

- V9 Connection (positive, front right loudspeaker), in loudspeaker wiring harness
- V10 Connection (negative, front right loudspeaker), in loudspeaker wiring harness
- \* Only models with equipment (6-passive loudspeakers)
- \*2 Only models with 4 or 6 loudspeakers



- ws = white
- sw = black
- ro = red
- br = brown
- gn = green
- bl = blue
- gr = grey
- li = purple
- ge = yellow
- or = orange
- rs = pink





**Control unit with display for radio and navigation, Aerial, Aerial amplifier, GPS aerial, Radio aerial 2**

- J503 Control unit with display for radio and navigation
- R11 Aerial
- R24 Aerial amplifier
- R50 GPS aerial
- R93 Radio aerial 2
- R111 Aerial amplifier 2
- T2au 2-pin connector, in left door, near exterior mirror
- T2aw 2-pin connector, in right door, near exterior mirror, blue
- T2ax 2-pin connector, in right door, near exterior mirror
- T2ay 2-pin connector, blue
- T4x 4-pin connector, colourless
- T28a 28-pin connector, on left A-pillar
- T28b 28-pin connector, on right A-pillar

43 Earth point, lower part of right A-pillar

734 Earth point in front left door

735 Earth point in front right door

\* Aerial connection for radio  
\*2 Aerial connection for GPS

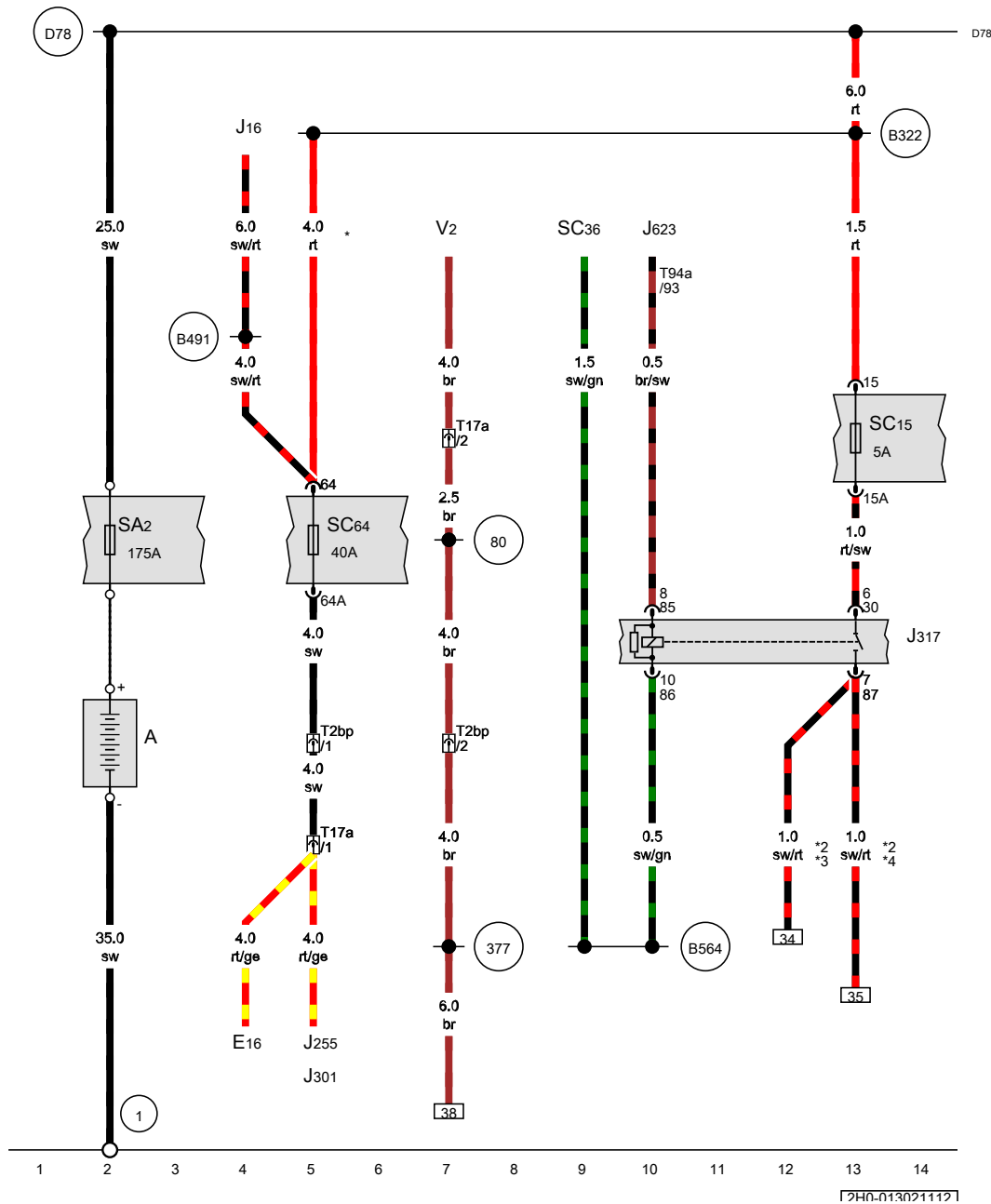
- ws = white
- sw = black
- ro = red
- br = brown
- gn = green
- bl = blue
- gr = grey
- li = purple
- ge = yellow
- or = orange
- rs = pink

7FH0-0120604171

**Auxiliary coolant heater, supplementary heater, supplementary heater which can be operated independently**

From December 2009

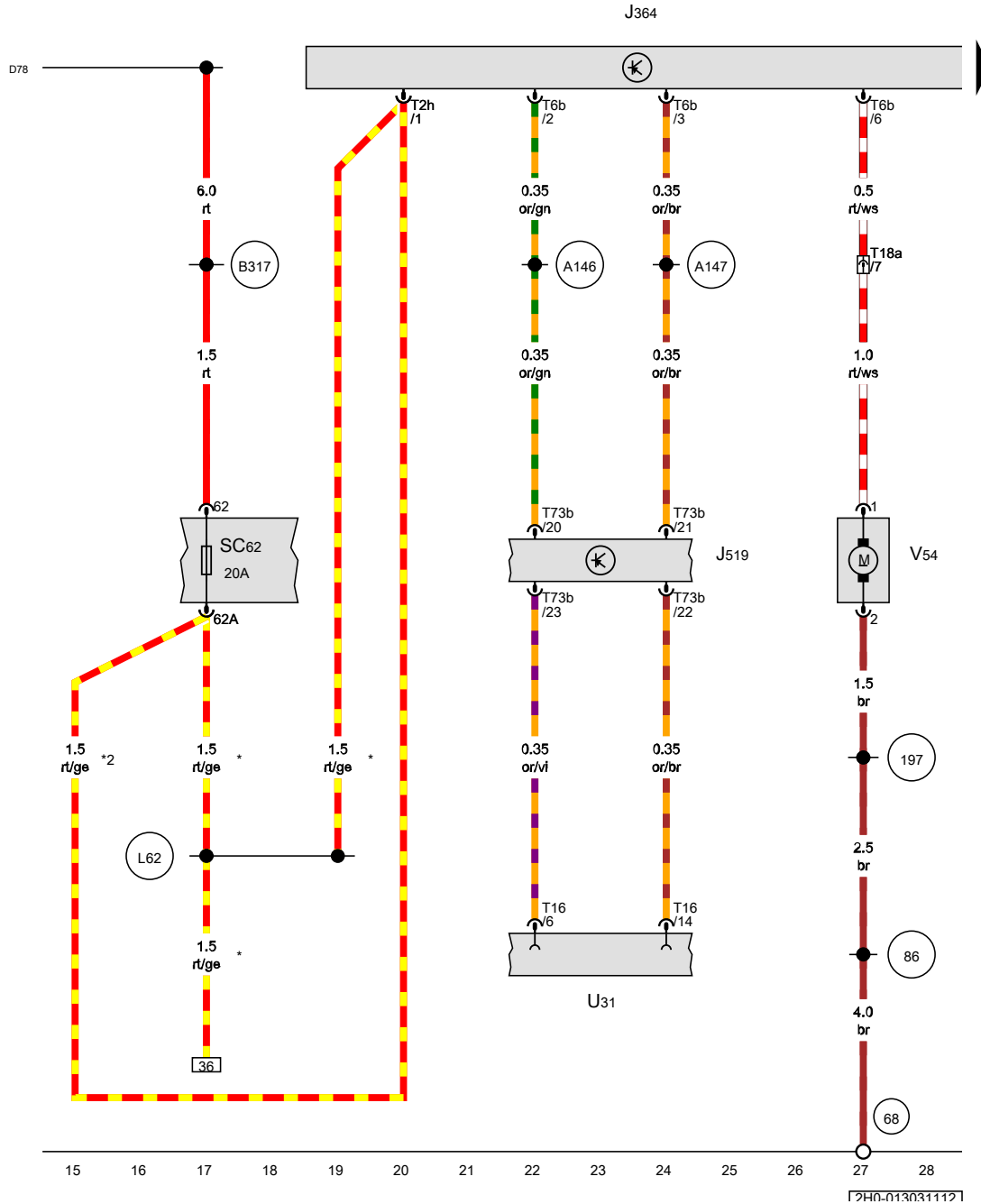
Battery, Engine control unit, Fuse 2 in fuse holder A, Fuse 15 on fuse holder C, Fuse 36 on fuse holder C, Fresh air blower



- A Battery
  - E16 Heater/heat output switch
  - J16 Current supply relay
  - J255 Climatronic control unit
  - J301 Air conditioning system control unit
  - J317 Terminal 30 voltage supply relay
  - J623 Engine control unit
  - SA2 Fuse 2 in fuse holder A
  - SC15 Fuse 15 on fuse holder C
  - SC36 Fuse 36 on fuse holder C
  - SC64 Fuse 64 on fuse holder C
  - T2bp 2-pin connector, in front right footwell, black
  - T17a 17-pin connector, behind glove compartment, black
  - T94a 94-pin connector, black
  - V2 Fresh air blower
- 1 Earth strap, battery - body
  - 80 Earth connection 1, in dash panel wiring harness
  - 377 Earth connection 12, in main wiring harness
  - B322 Positive connection 8 (30a) in main wiring harness
  - B491 Positive connection (75), in interior wiring harness
  - B564 Connection 31, in main wiring harness
  - D78 Positive connection 1 (30a), in engine compartment wiring harness
- \* Only models with Climatronic
  - \*2 Only models with diesel engine
  - \*3 Only models with no air conditioning system/Climatronic
  - \*4 Only models with air conditioning system/ Climatronic

ws = white  
 sw = black  
 ro = red  
 br = brown  
 gn = green  
 bl = blue  
 gr = grey  
 li = purple  
 ge = yellow  
 or = orange  
 rs = pink

17H0-0130211121

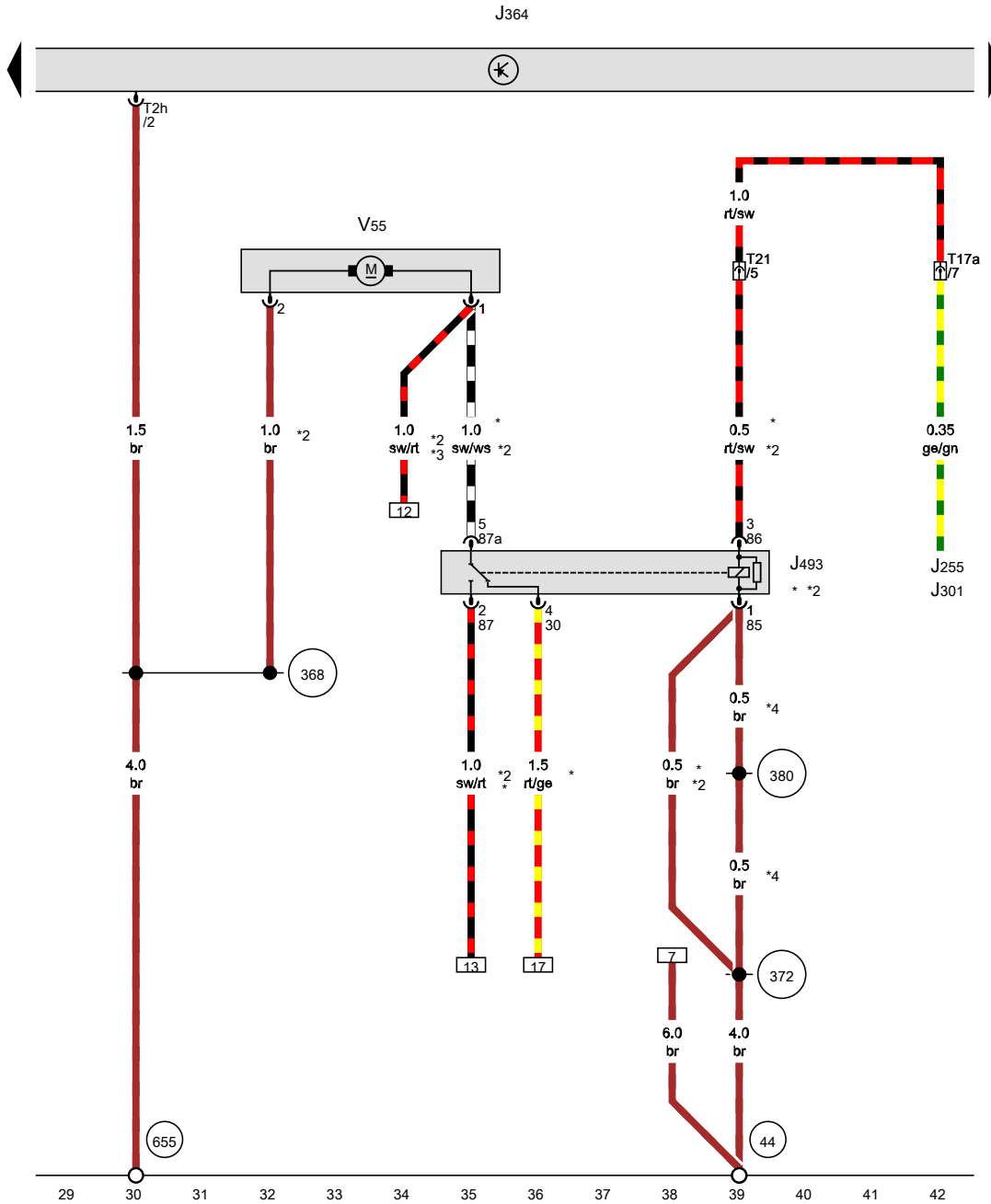


**Auxiliary heater control unit, Onboard supply control unit, Fuse 62 on fuse holder C, Metering pump**

- J364 Auxiliary heater control unit
- J519 Onboard supply control unit
- SC62 Fuse 62 on fuse holder C
- T2h 2-pin connector, black
- T6b 6-pin connector, black
- T16 16-pin connector
- T18a 18-pin connector, near engine control unit, grey
- T73b 73-pin connector
- U31 Diagnostic connection
- V54 Metering pump
- 68 Earth point, on left of rear cross member
- 86 Earth connection 1, in rear wiring harness
- 197 Earth connection 4, in rear wiring harness
- A146 Connection (convenience CAN bus, high), in dash panel wiring harness
- A147 Connection (convenience CAN bus, low), in dash panel wiring harness
- B317 Positive connection 3 (30a) in main wiring harness
- D78 Positive connection 1 (30a), in engine compartment wiring harness
- L62 Positive connection (30a), in auxiliary heater wiring harness
- \* Only models with air conditioning system/ Climatronic
- \*2 Only models with no air conditioning system/Climatronic

- ws = white
- sw = black
- ro = red
- br = brown
- gn = green
- bl = blue
- gr = grey
- li = purple
- ge = yellow
- or = orange
- rs = pink

ГЭН-0130311121



Auxiliary heater control unit, Circulation pump

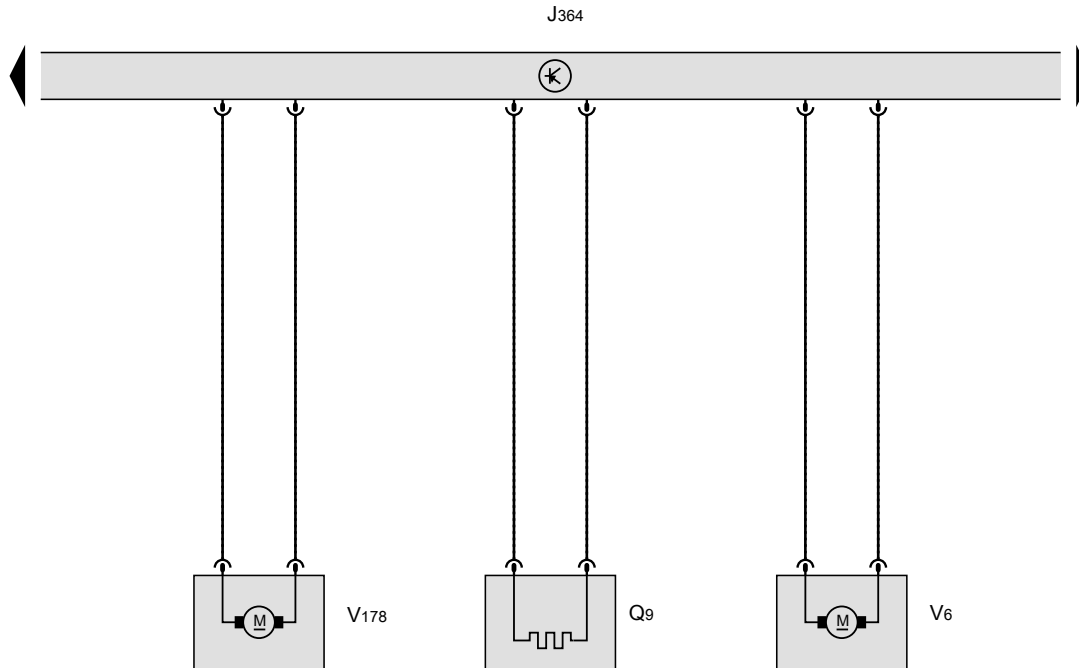
- J255 Climatronic control unit
- J301 Air conditioning system control unit
- J364 Auxiliary heater control unit
- J493 Auxiliary coolant heater relay
- T2h 2-pin connector, black
- T17a 17-pin connector, behind glove compartment, black
- T21 21-pin connector, on relay carrier, blue
- V55 Circulation pump

- 44 Earth point, lower part of left A-pillar
- 368 Earth connection 3, in main wiring harness
- 372 Earth connection 7, in main wiring harness
- 380 Earth connection 15, in main wiring harness
- 655 Earth point, on left headlight

- \* Only models with air conditioning system/ Climatronic
- \*2 Only models with diesel engine
- \*3 Only models with no air conditioning system/Climatronic
- \*4 From November 2011

- ws = white
- sw = black
- ro = red
- br = brown
- gn = green
- bl = blue
- gr = grey
- li = purple
- ge = yellow
- or = orange
- rs = pink

12H0-0130411121



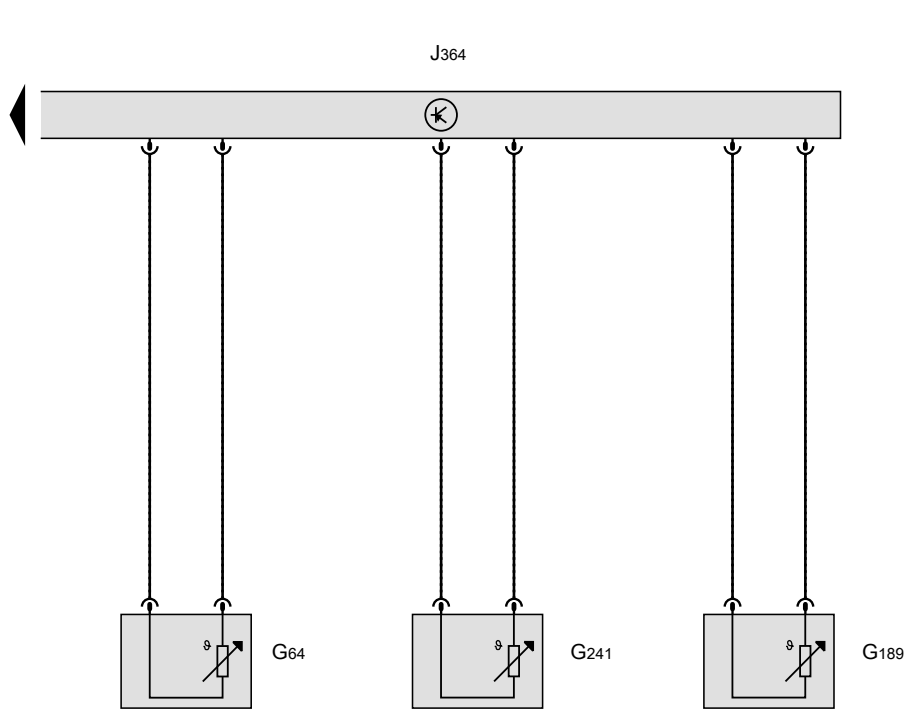
**Auxiliary heater control unit, Glow plug for heater,  
Combustion air blower**

- J364 Auxiliary heater control unit
- Q9 Glow plug for heater
- V6 Combustion air blower
- V178 Coolant circulation pump 2

- ws = white
- sw = black
- ro = red
- br = brown
- gn = green
- bl = blue
- gr = grey
- li = purple
- ge = yellow
- or = orange
- rs = pink

43 44 45 46 47 48 49 50 51 52 53 54 55 56

[240-013051112]



Flame monitor, Overheating sensor, Coolant temperature sender for heater, Auxiliary heater control unit

- G64 Flame monitor
- G189 Overheating sensor
- G241 Coolant temperature sender for heater
- J364 Auxiliary heater control unit

- ws = white
- sw = black
- ro = red
- br = brown
- gn = green
- bl = blue
- gr = grey
- li = purple
- ge = yellow
- or = orange
- rs = pink

57 58 59 60 61 62 63 64 65 66 67 68 69 70

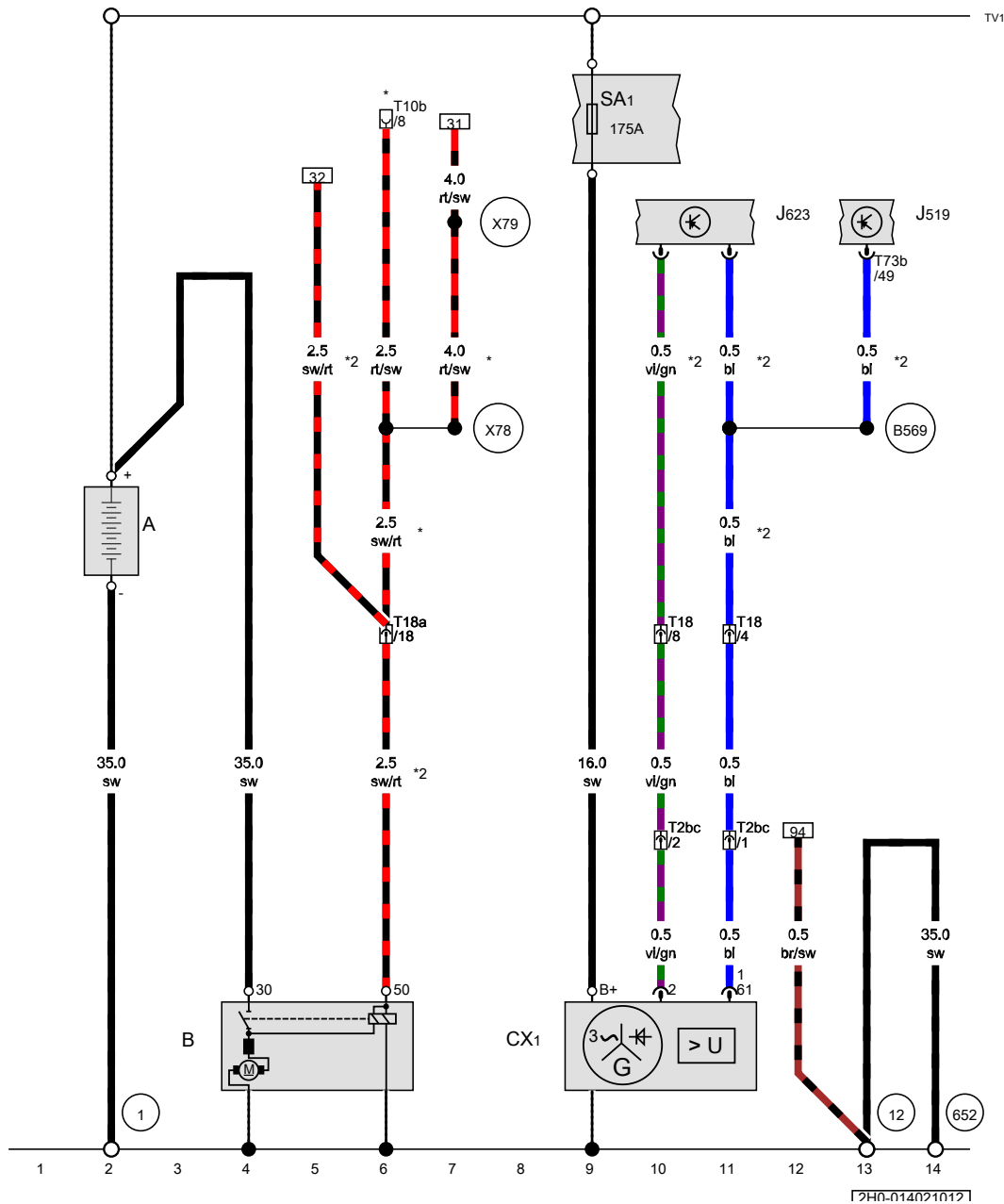
[240-013061112]

## Fuse assignment

From December 2009



**Battery, Starter, Alternator with voltage regulator, Fuse 1 in fuse holder A**



- A Battery
- B Starter
- CX1 Alternator with voltage regulator
- J519 Onboard supply control unit
- J623 Engine control unit
- SA1 Fuse 1 in fuse holder A
- T2bc 2-pin connector, black
- T10b 10-pin connector, in front centre console, yellow
- T18 18-pin connector, near engine control unit, black
- T18a 18-pin connector, near engine control unit, grey
- T73b 73-pin connector

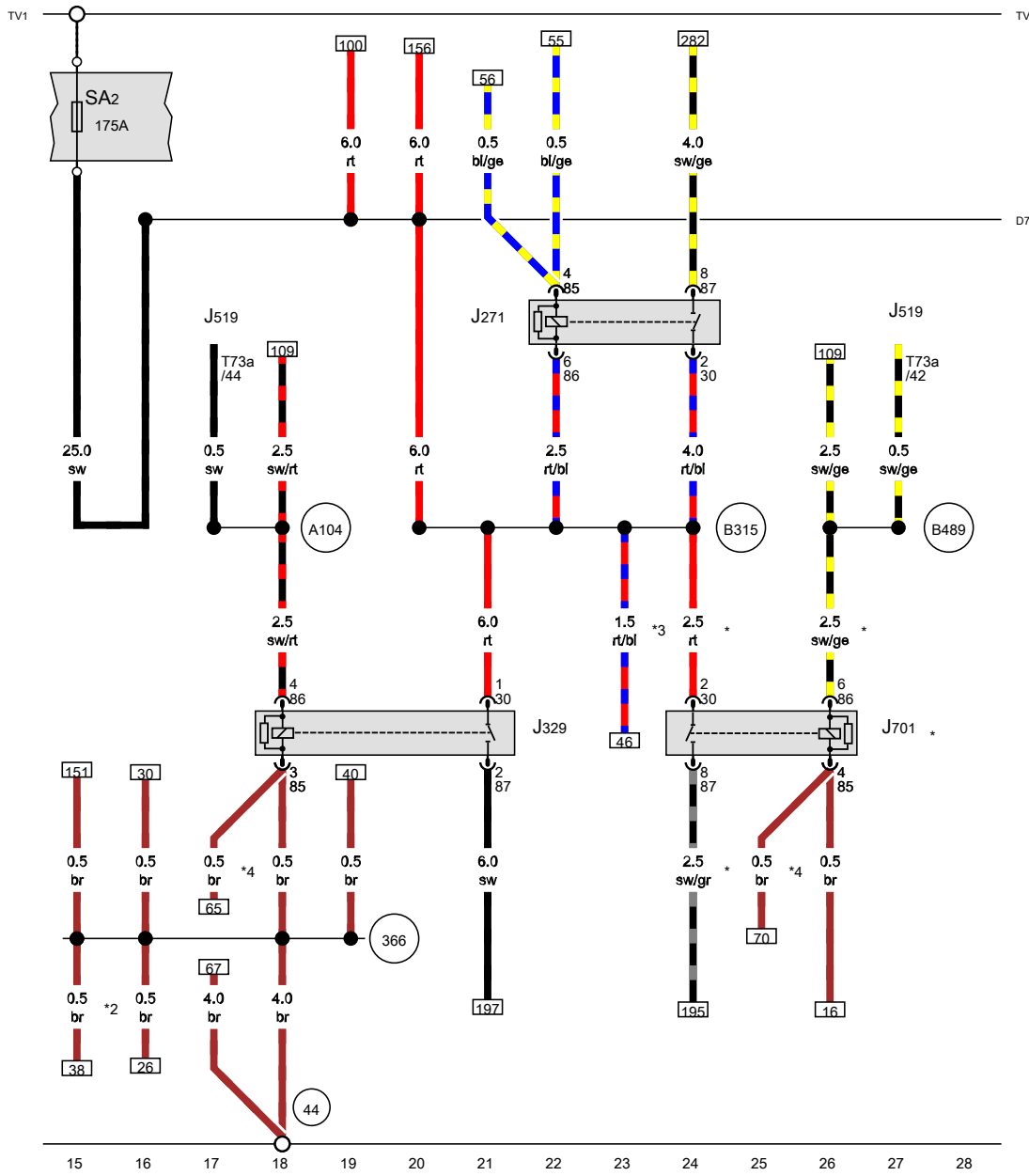
- 1 Earth strap, battery - body
- 12 Earth point, on left in engine compartment
- 652 Earth point, engine and gearbox earth
- B569 Connection 36, in main wiring harness
- X78 Connection 1, in optional equipment wiring harness
- X79 Connection 2, in optional equipment wiring harness

\* Only models with electric interface for external use  
 \*2 see applicable current flow diagram for engine

- ws = white
- sw = black
- ro = red
- br = brown
- gn = green
- bl = blue
- gr = grey
- li = purple
- ge = yellow
- or = orange
- rs = pink

ГЭН-0140210121

Main relay, Terminal 15 voltage supply relay, Fuse 2 in fuse holder A

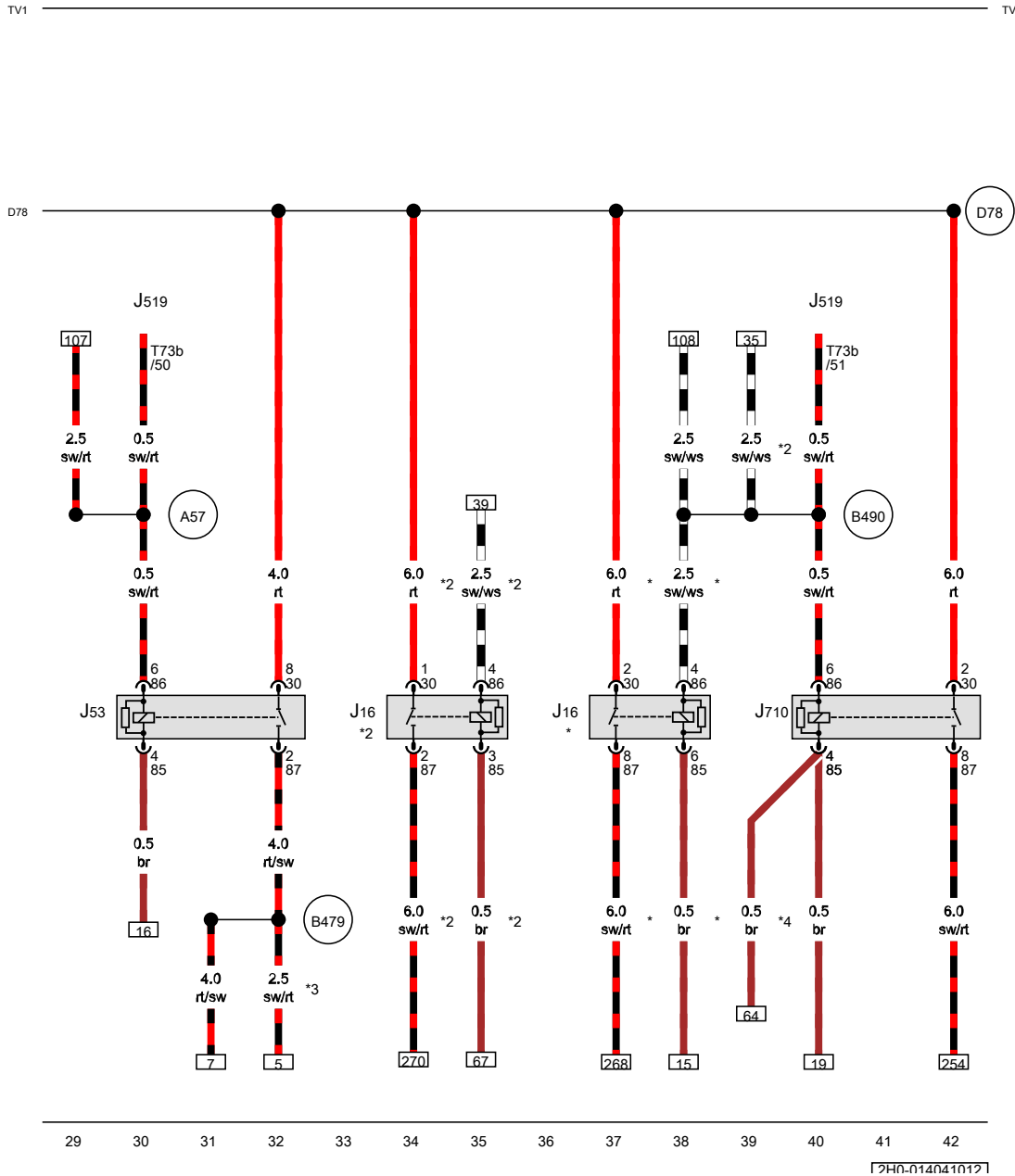


- J271 Main relay
- J329 Terminal 15 voltage supply relay
- J519 Onboard supply control unit
- J701 Voltage supply relay 1
- SA2 Fuse 2 in fuse holder A
- T73a 73-pin connector
- 44 Earth point, lower part of left A-pillar
- 366 Earth connection 1, in main wiring harness
- A104 Positive connection 2 (15), in dash panel wiring harness
- B315 Positive connection 1 (30a) in main wiring harness
- B489 Connection 25, in main wiring harness
- D78 Positive connection 1 (30a), in engine compartment wiring harness
- \* Only models with electric interface for external use
- \*2 Up to May 2011
- \*3 Only models with petrol engine
- \*4 From November 2011

ws = white  
 sw = black  
 ro = red  
 br = brown  
 gn = green  
 bl = blue  
 gr = grey  
 li = purple  
 ge = yellow  
 or = orange  
 rs = pink

7PH0-0140310121

Current supply relay, Starter motor relay, Voltage supply relay 2



- J16 Current supply relay
- J53 Starter motor relay
- J519 Onboard supply control unit
- J710 Voltage supply relay 2
- T73b 73-pin connector

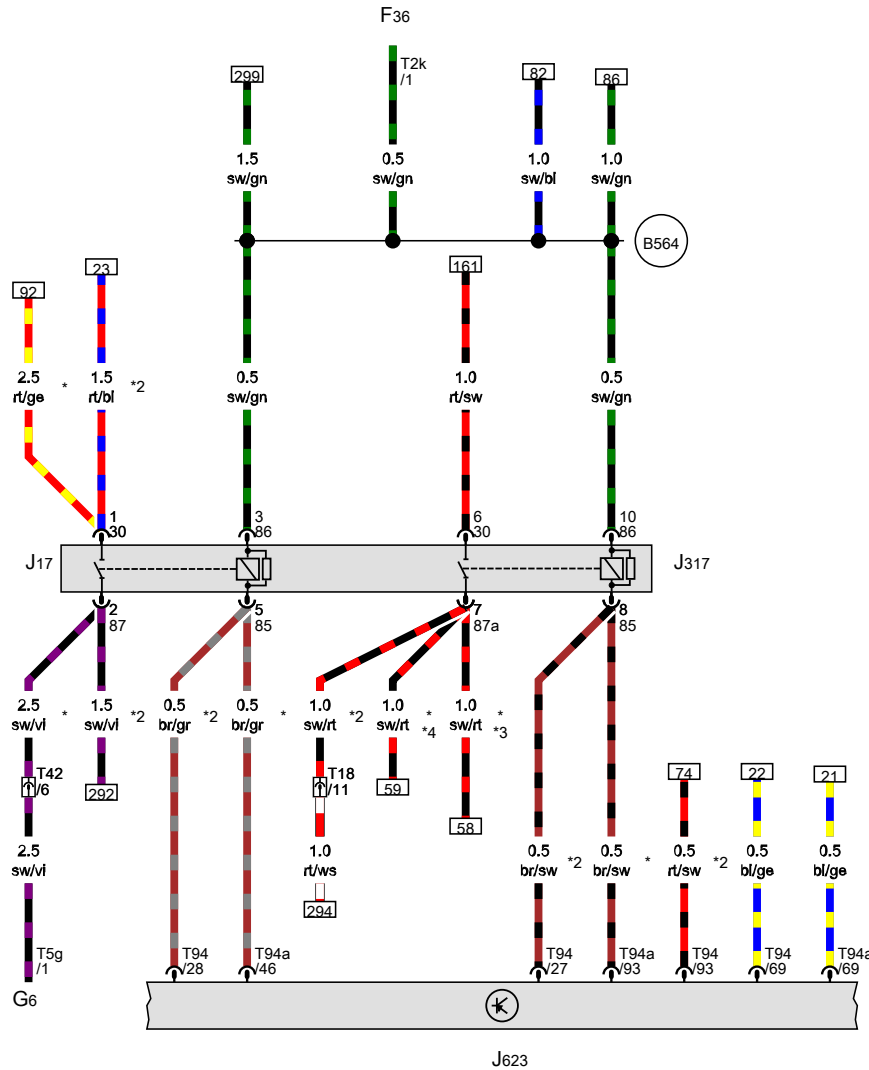
- A57 Positive connection 3 (30), in dash panel wiring harness
- B479 Connection 15, in main wiring harness
- B490 Connection 26, in main wiring harness
- D78 Positive connection 1 (30a), in engine compartment wiring harness

- \* Up to May 2011
- \*2 From May 2011
- \*3 see applicable current flow diagram for engine
- \*4 From November 2011

- ws = white
- sw = black
- ro = red
- br = brown
- gn = green
- bl = blue
- gr = grey
- li = purple
- ge = yellow
- or = orange
- rs = pink

Fuel pump relay, Terminal 30 voltage supply relay, Engine control unit

TV1 \_\_\_\_\_ TV1



- F36 Clutch pedal switch
- G6 Fuel system pressurisation pump
- J17 Fuel pump relay
- J317 Terminal 30 voltage supply relay
- J623 Engine control unit
- T2k 2-pin connector
- T5g 5-pin connector
- T18 18-pin connector, near engine control unit, black
- T42 42-pin connector, near handbrake lever, black
- T94 94-pin connector, black
- T94a 94-pin connector, black
- B564 Connection 31, in main wiring harness
- \* Only models with diesel engine
- \*2 Only models with petrol engine
- \*3 Only models with air conditioning system/ Climatronic
- \*4 Only models with no air conditioning system/Climatronic

- ws = white
- sw = black
- ro = red
- br = brown
- gn = green
- bl = blue
- gr = grey
- li = purple
- ge = yellow
- or = orange
- rs = pink

43 44 45 46 47 48 49 50 51 52 53 54 55 56

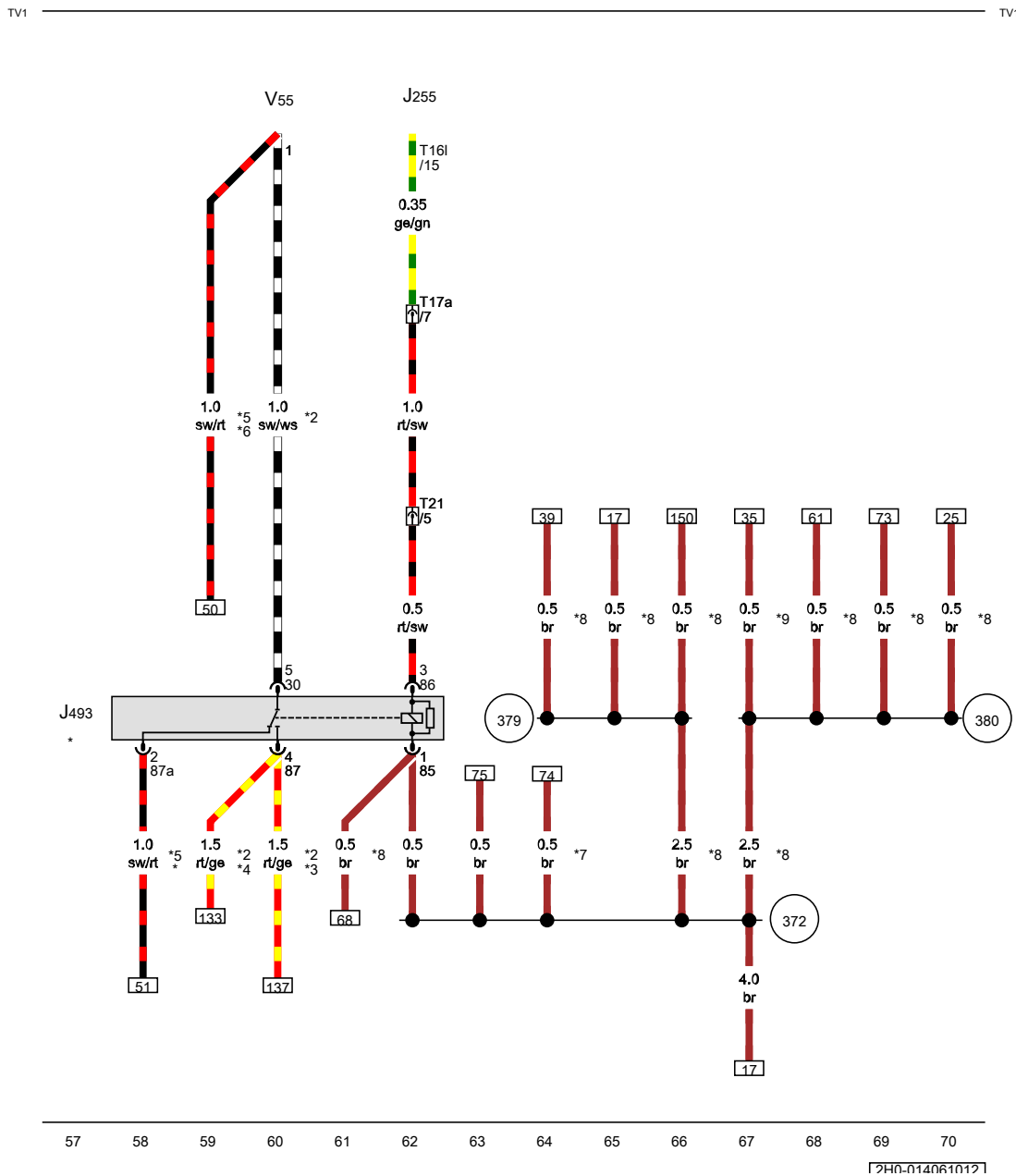
7PH-0140510171

Auxiliary coolant heater relay, Circulation pump

- J255 Climatronic control unit
- J493 Auxiliary coolant heater relay
- T161 16-pin connector
- T17a 17-pin connector, behind glove compartment, black
- T21 21-pin connector, on relay carrier, blue
- V55 Circulation pump

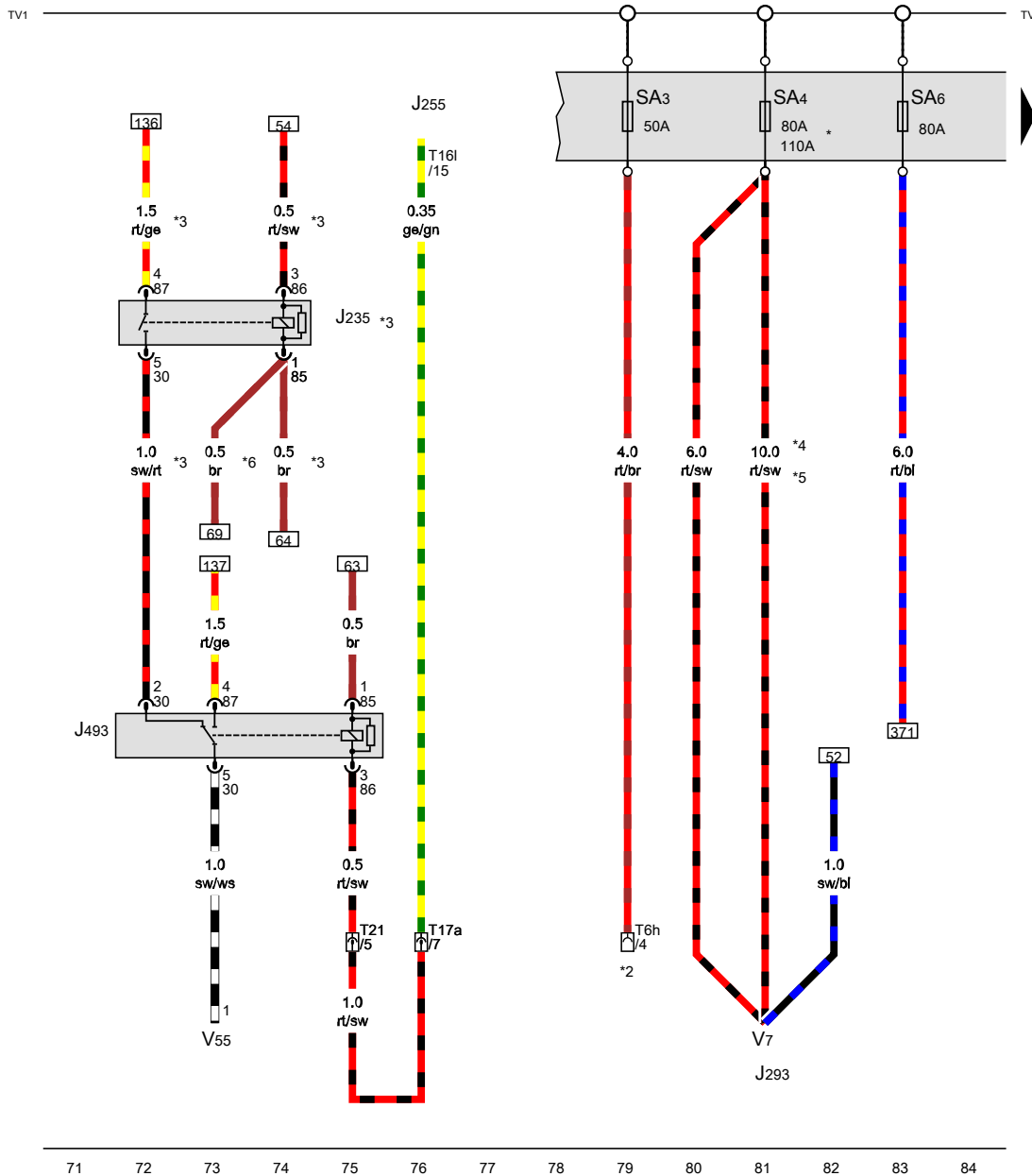
- 372 Earth connection 7, in main wiring harness
- 379 Earth connection 14, in main wiring harness
- 380 Earth connection 15, in main wiring harness

- \* Only models with air conditioning system/ Climatronic
- \*2 Only models with Climatronic
- \*3 Only models with auxiliary coolant heater (supplementary heater)
- \*4 Only models with no auxiliary coolant heater
- \*5 Only models with diesel engine
- \*6 Only models with no air conditioning system/Climatronic
- \*7 Only models with petrol engine
- \*8 From November 2011
- \*9 From May 2011



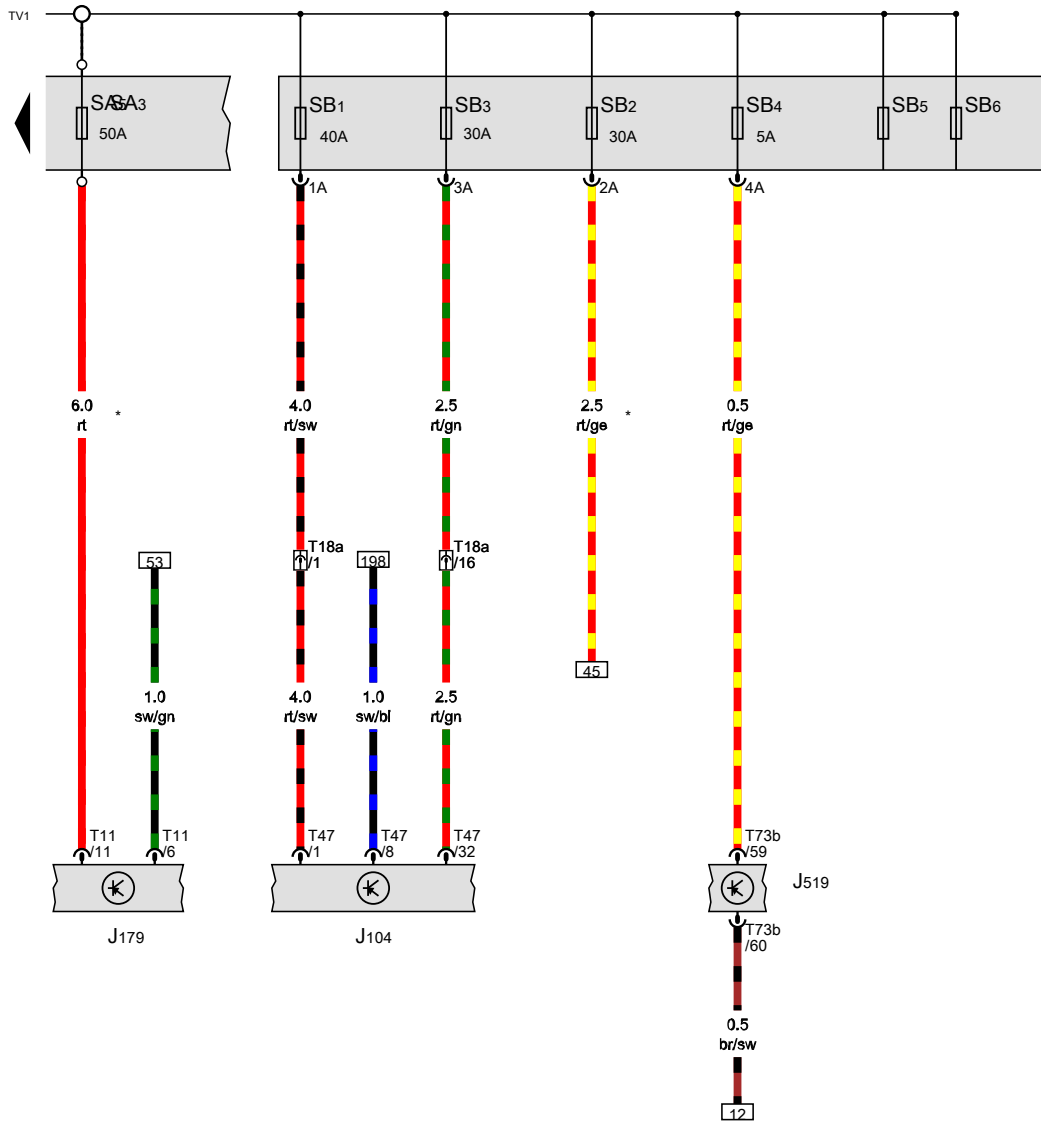
- ws = white
- sw = black
- ro = red
- br = brown
- gn = green
- bl = blue
- gr = grey
- li = purple
- ge = yellow
- or = orange
- rs = pink

Fuse 3 in fuse holder A, Fuse 4 in fuse holder A, Fuse 6 in fuse holder A, Radiator fan, Circulation pump



- J235 Coolant pump relay
- J255 Climatronic control unit
- J293 Radiator fan control unit
- J493 Auxiliary coolant heater relay
- SA3 Fuse 3 in fuse holder A
- SA4 Fuse 4 in fuse holder A
- SA6 Fuse 6 in fuse holder A
- T6h 6-pin connector, in front centre console, black
- T16l 16-pin connector
- T17a 17-pin connector, behind glove compartment, black
- T21 21-pin connector, on relay carrier, blue
- V7 Radiator fan
- V55 Circulation pump
- \* According to equipment
- \*2 Only models with electric interface for external use
- \*3 Only models with petrol engine
- \*4 Only models with air conditioning system/ Climatronic
- \*5 Only for countries with hot climate
- \*6 From November 2011

- ws = white
- sw = black
- ro = red
- br = brown
- gn = green
- bl = blue
- gr = grey
- li = purple
- ge = yellow
- or = orange
- rs = pink



ABS control unit, Automatic glow period control unit, Onboard supply control unit, Fuse 1 on fuse holder B, Fuse 2 on fuse holder B, Fuse 3 in fuse holder A, Fuse 3 on fuse holder B, Fuse 4 on fuse holder B, Fuse 5 in fuse holder A

- J104 ABS control unit
- J179 Automatic glow period control unit
- J519 Onboard supply control unit
- SB1 Fuse 1 on fuse holder B
- SB2 Fuse 2 on fuse holder B
- SA3 Fuse 3 in fuse holder A
- SB3 Fuse 3 on fuse holder B
- SB4 Fuse 4 on fuse holder B
- SB5 Fuse 5 on fuse holder B
- SA5 Fuse 5 in fuse holder A
- SB6 Fuse 6 on fuse holder B
- T11 11-pin connector, black
- T18a 18-pin connector, near engine control unit, grey
- T47 47-pin connector, black
- T73b 73-pin connector
- \* Only models with diesel engine

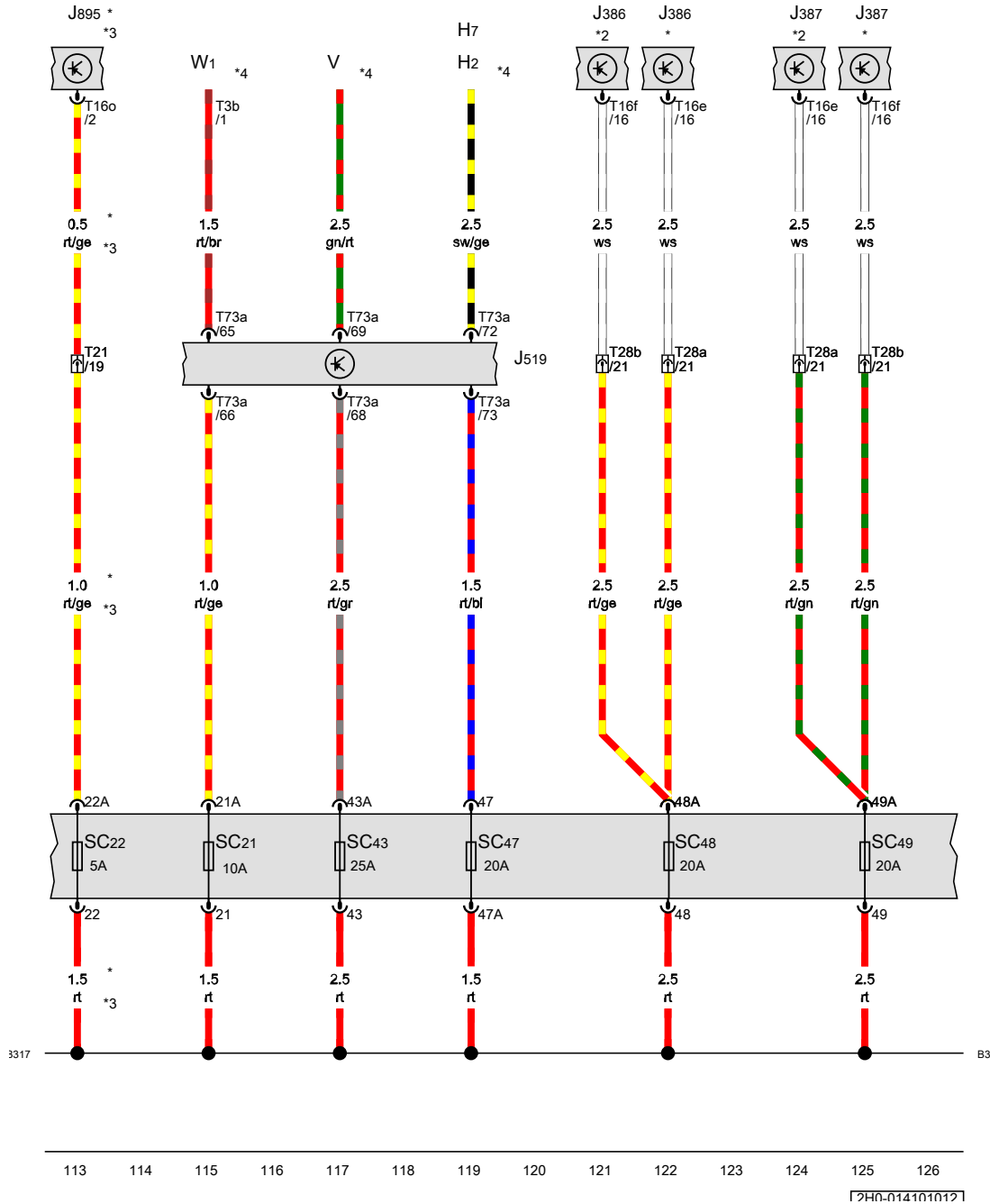
- ws = white
- sw = black
- ro = red
- br = brown
- gn = green
- bl = blue
- gr = grey
- li = purple
- ge = yellow
- or = orange
- rs = pink

85 86 87 88 89 90 91 92 93 94 95 96 97 98

12H0-0140810121







Treble horn, Driver door control unit, Front passenger door control unit, Control unit for vehicle location system, Windscreen wiper motor, Front interior light

- H2 Treble horn
- H7 Bass horn
- J386 Driver door control unit
- J387 Front passenger door control unit
- J519 Onboard supply control unit
- J895 Control unit for vehicle location system
- SC21 Fuse 21 on fuse holder C
- SC22 Fuse 22 on fuse holder C
- SC43 Fuse 43 on fuse holder C
- SC47 Fuse 47 on fuse holder C
- SC48 Fuse 48 on fuse holder C
- SC49 Fuse 49 on fuse holder C
- T3b 3-pin connector
- T16e 16-pin connector, black
- T16f 16-pin connector
- T16o 16-pin connector, brown
- T21 21-pin connector, on relay carrier, blue
- T28a 28-pin connector, in left A-pillar
- T28b 28-pin connector, on right A-pillar
- T73a 73-pin connector, black
- V Windscreen wiper motor
- W1 Front interior light

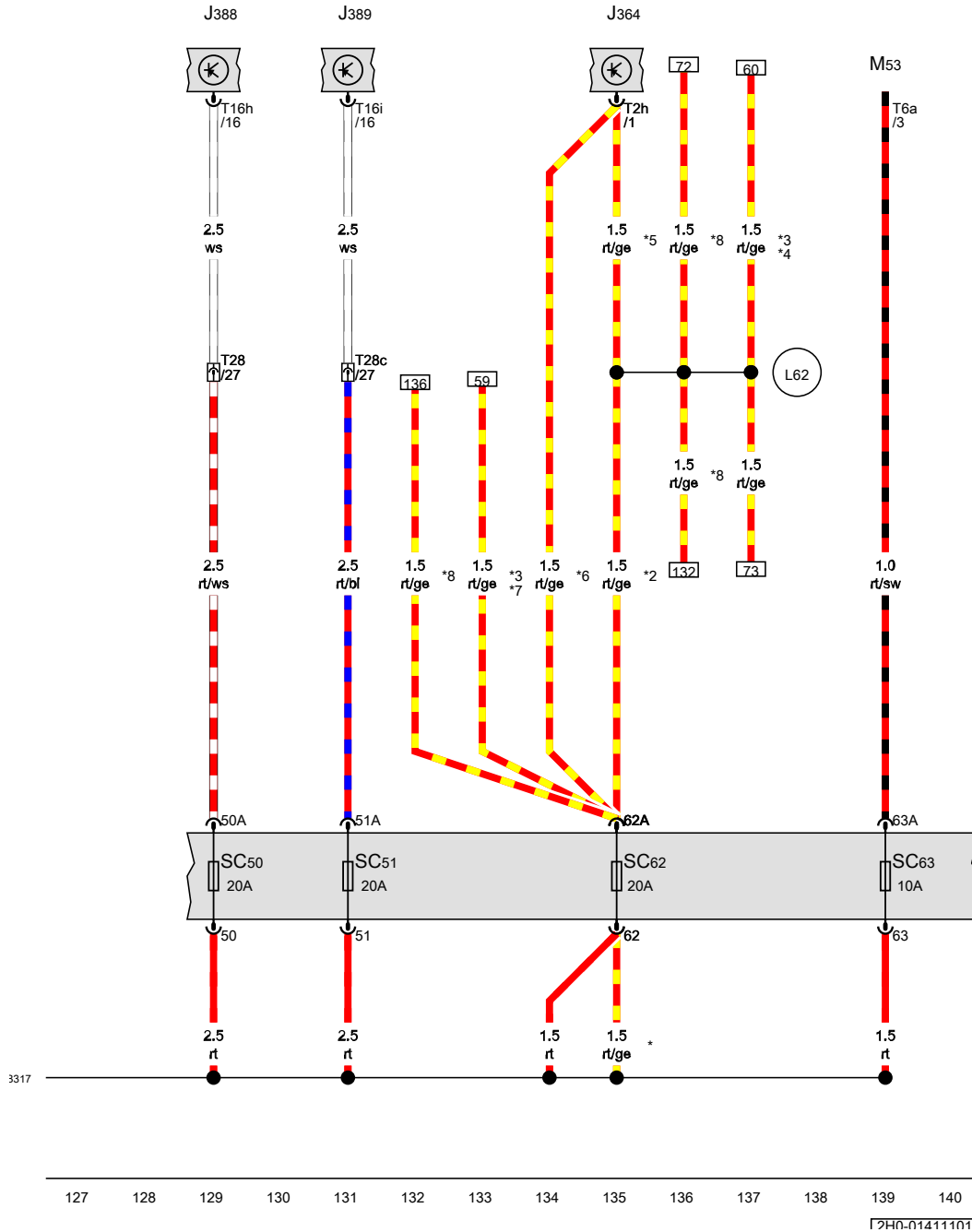
**B317** Positive connection 3 (30a) in main wiring harness

- \* Only left-hand drive models
- \*2 Only right-hand drive models
- \*3 Country specific
- \*4 see applicable current flow diagram for basic equipment

- ws = white
- sw = black
- ro = red
- br = brown
- gn = green
- bl = blue
- gr = grey
- li = purple
- ge = yellow
- or = orange
- rs = pink

17H0-0141010171

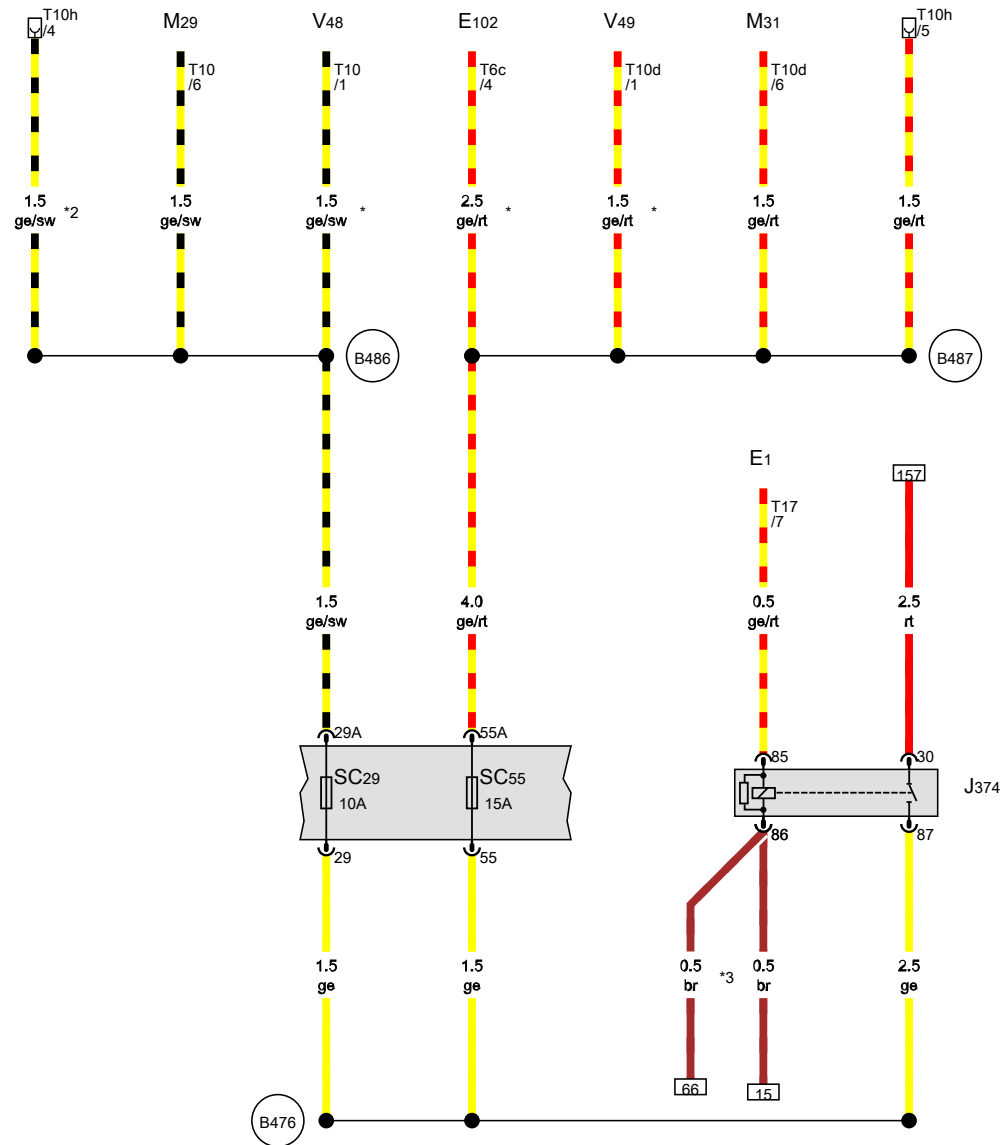
Auxiliary heater control unit, Rear left door control unit, Rear right door control unit, Load area illumination bulb



- J364 Auxiliary heater control unit
- J388 Rear left door control unit
- J389 Rear right door control unit
- M53 Load area illumination bulb
- SC50 Fuse 50 on fuse holder C
- SC51 Fuse 51 on fuse holder C
- SC62 Fuse 62 on fuse holder C
- SC63 Fuse 63 on fuse holder C
- T2h 2-pin connector
- T6a 6-pin connector
- T16h 16-pin connector
- T16i 16-pin connector
- T28 28-pin connector, near A-pillar, grey
- T28c 28-pin connector
- (B317) Positive connection 3 (30a) in main wiring harness
- (L62) Positive connection (30a), in auxiliary heater wiring harness
- \* Only right-hand drive models
- \*2 Only models with air conditioning system/ Climatronic
- \*3 Only models with Climatronic
- \*4 Only models with auxiliary coolant heater (supplementary heater)
- \*5 Only models with air conditioning system
- \*6 Only models with no air conditioning system/Climatronic
- \*7 Only models with no auxiliary coolant heater
- \*8 Only models with petrol engine

- ws = white
- sw = black
- ro = red
- br = brown
- gn = green
- bl = blue
- gr = grey
- li = purple
- ge = yellow
- or = orange
- rs = pink

Left headlight dipped beam bulb, Right headlight dipped beam bulb, Left headlight range control motor, Right headlight range control motor



- E1 Light switch
- E102 Headlight range control regulator
- J374 Terminal 58b relief relay
- M29 Left headlight dipped beam bulb
- M31 Right headlight dipped beam bulb
- SC29 Fuse 29 on fuse holder C
- SC55 Fuse 55 on fuse holder C
- T6c 6-pin connector
- T10 10-pin connector
- T10d 10-pin connector
- T10h 10-pin connector, in front centre console, purple
- T17 17-pin connector
- V48 Left headlight range control motor
- V49 Right headlight range control motor
- B476 Connection 12, in main wiring harness
- B486 Connection 22, in main wiring harness
- B487 Connection 23, in main wiring harness
- \* Only models with headlight range control
- \*2 Only models with electric interface for external use
- \*3 From November 2011

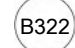
- ws = white
- sw = black
- ro = red
- br = brown
- gn = green
- bl = blue
- gr = grey
- li = purple
- ge = yellow
- or = orange
- rs = pink

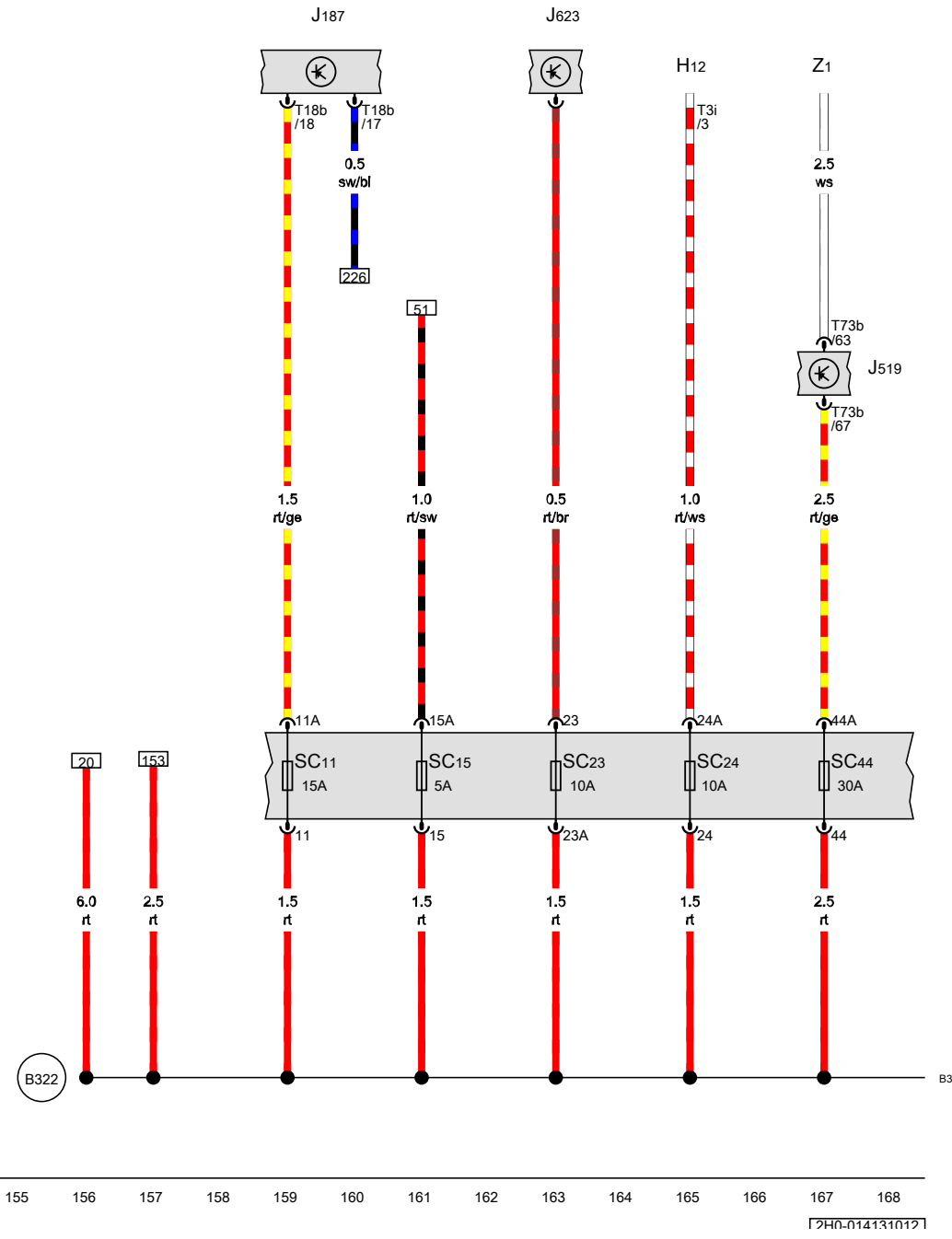
141 142 143 144 145 146 147 148 149 150 151 152 153 154

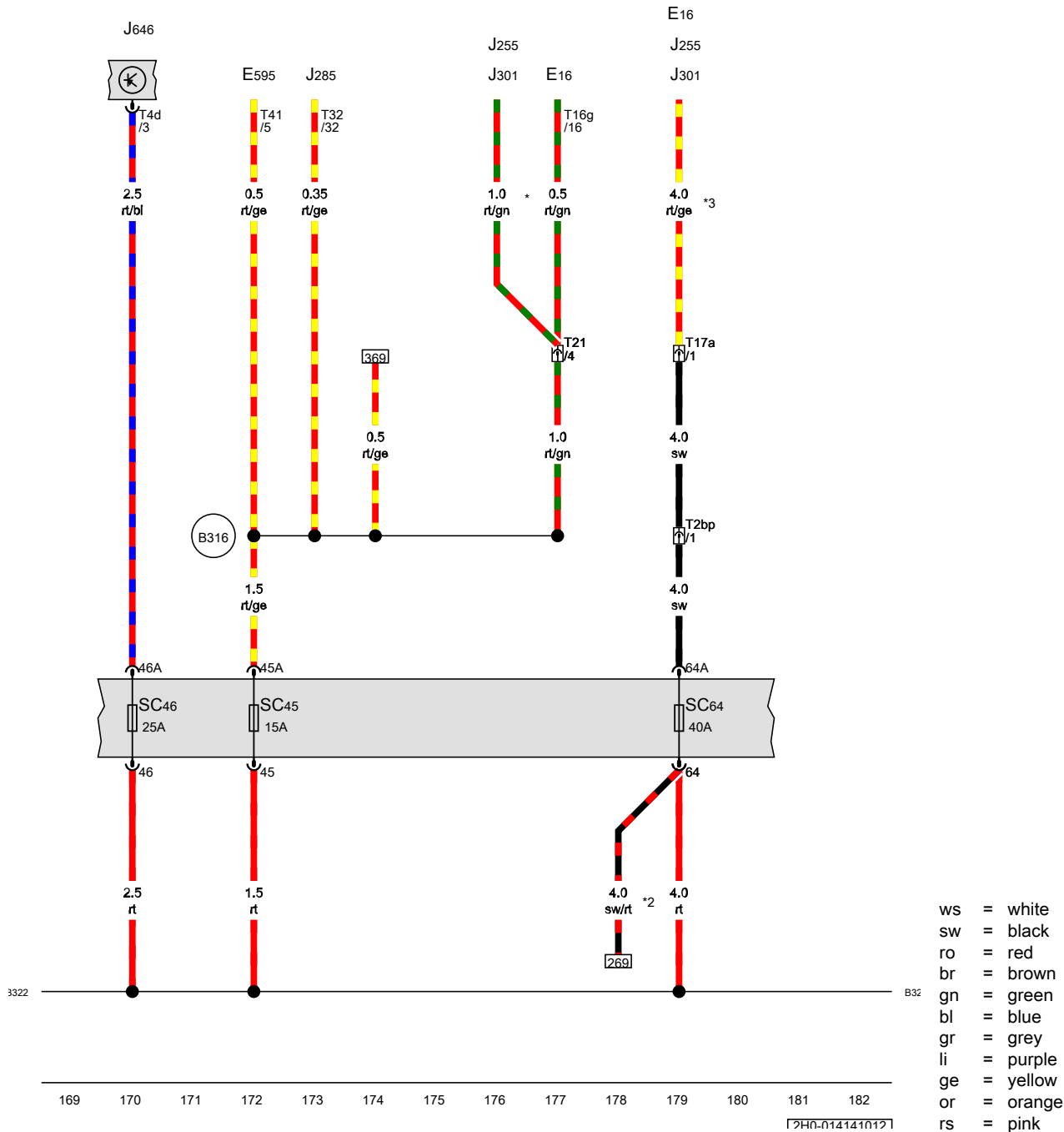
17H0-0141710171

Alarm horn, Differential lock control unit, Engine control unit, Heated rear window

- H12 Alarm horn
- J187 Differential lock control unit
- J519 Onboard supply control unit
- J623 Engine control unit
- SC11 Fuse 11 on fuse holder C
- SC15 Fuse 15 on fuse holder C
- SC23 Fuse 23 on fuse holder C
- SC24 Fuse 24 on fuse holder C
- SC44 Fuse 44 on fuse holder C
- T3i 3-pin connector
- T18b 18-pin connector
- T73b 73-pin connector
- Z1 Heated rear window

 Positive connection 8 (30a) in main wiring harness





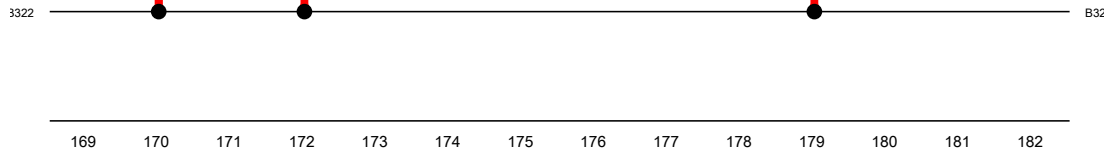
**Steering column combination switch, Control unit in dash panel insert, Transfer box control unit**

- E16 Heater/heat output switch
- E595 Steering column combination switch
- J255 Climatronic control unit
- J285 Control unit in dash panel insert
- J301 Air conditioning system control unit
- J646 Transfer box control unit
- SC45 Fuse 45 on fuse holder C
- SC46 Fuse 46 on fuse holder C
- SC64 Fuse 64 on fuse holder C
- T2bp 2-pin connector
- T4d 4-pin connector
- T16g 16-pin connector
- T17a 17-pin connector, behind glove compartment, black
- T21 21-pin connector, on relay carrier, blue
- T32 32-pin connector, blue
- T41 41-pin connector, grey

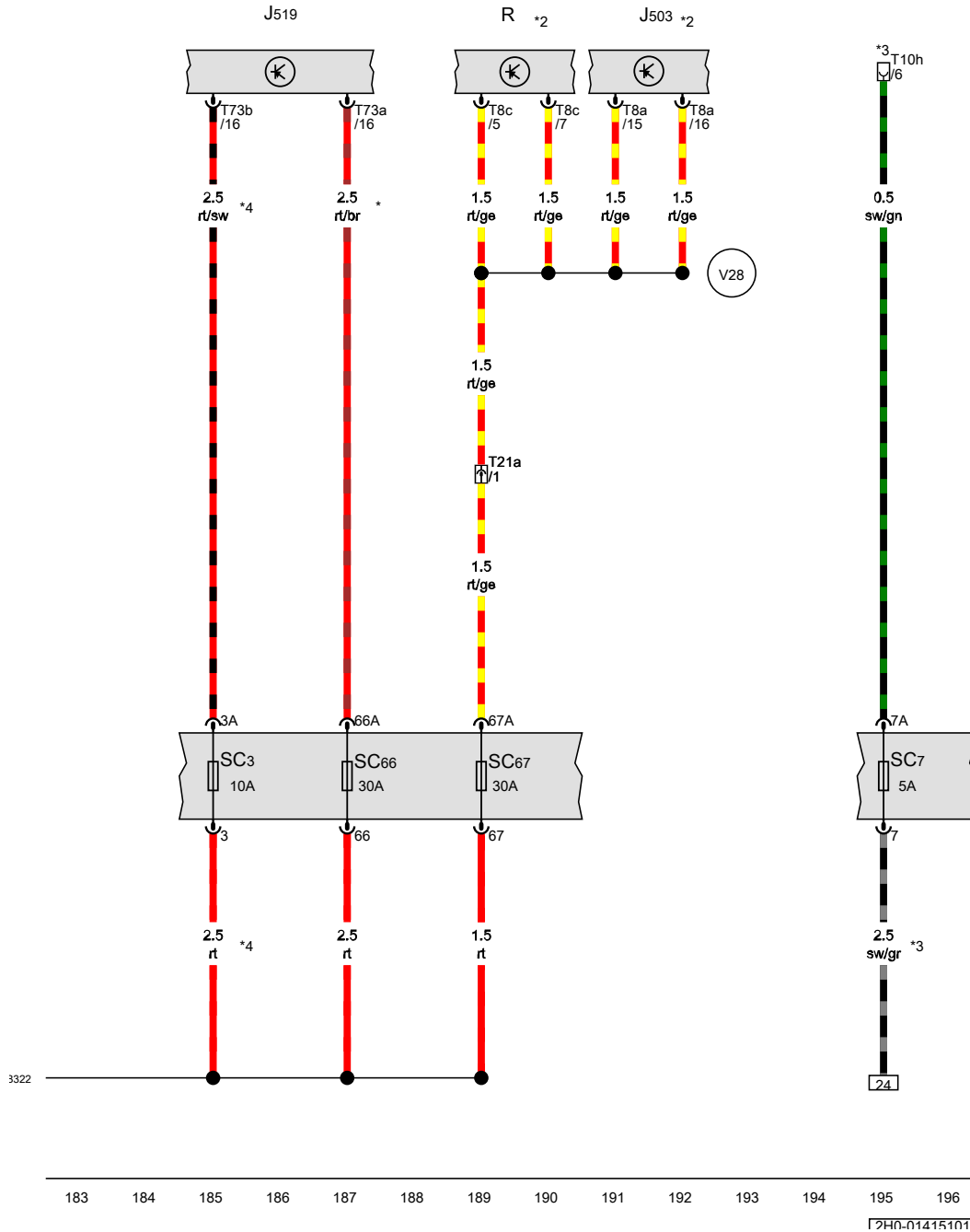
B316 Positive connection 2 (30a) in main wiring harness

B322 Positive connection 8 (30a) in main wiring harness

- \* see applicable current flow diagram for air conditioning
- \*2 Only models with Climatic
- \*3 see applicable current flow diagram



PH0-0141410171



Control unit with display for radio and navigation, Onboard supply control unit, Radio, Fuse 3 on fuse holder C, 10-pin connector

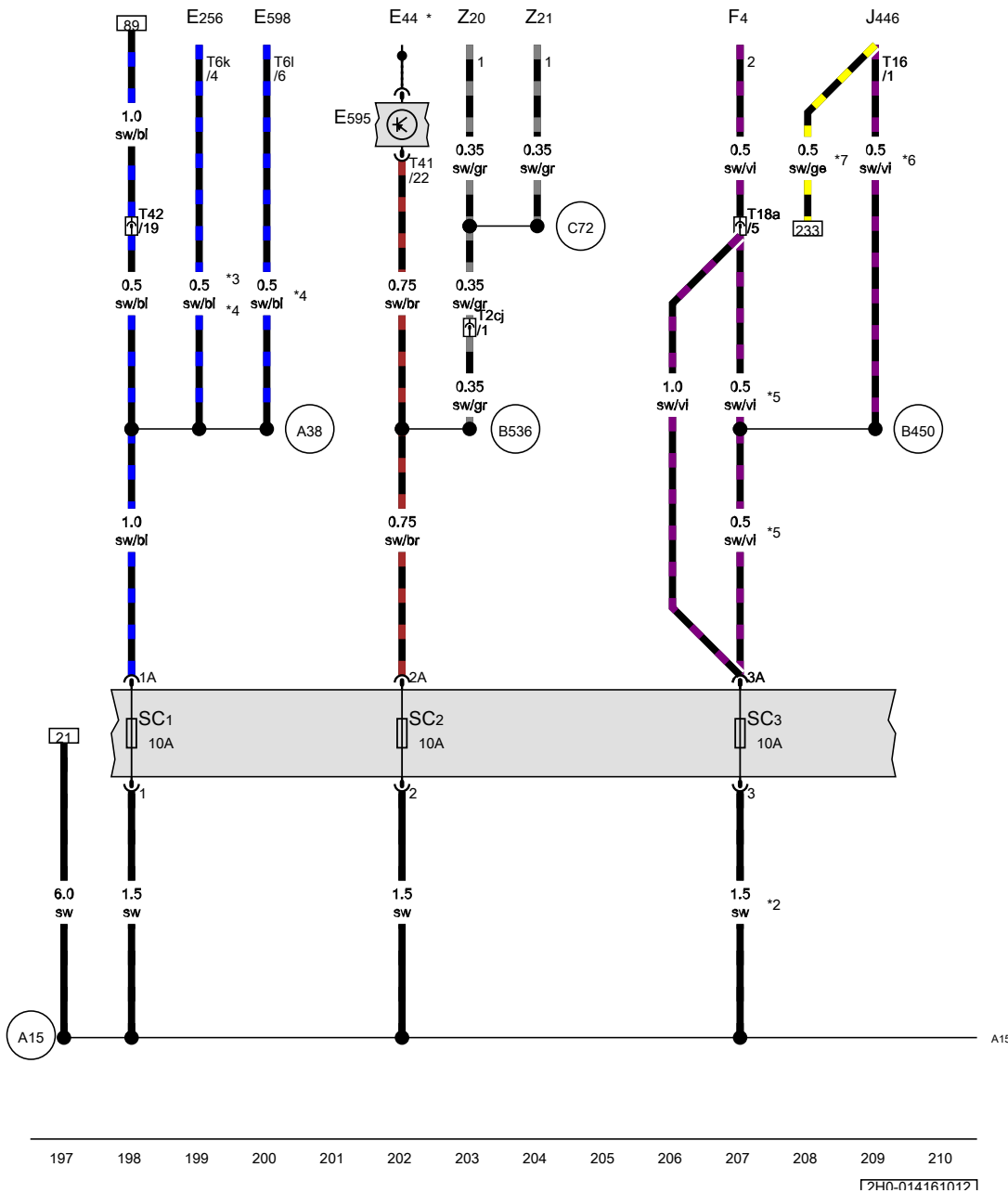
- J503 Control unit with display for radio and navigation
- J519 Onboard supply control unit
- R Radio
- SC3 Fuse 3 on fuse holder C
- SC7 Fuse 7 on fuse holder C
- SC66 Fuse 66 on fuse holder C
- SC67 Fuse 67 on fuse holder C
- T8a 8-pin connector, black
- T8c 8-pin connector, black
- T10h 10-pin connector, in front centre console, purple
- T21a 21-pin connector, on relay carrier
- T73a 73-pin connector
- T73b 73-pin connector

B322 Positive connection 8 (30a) in main wiring harness

V28 Connection 1, in radio wiring harness

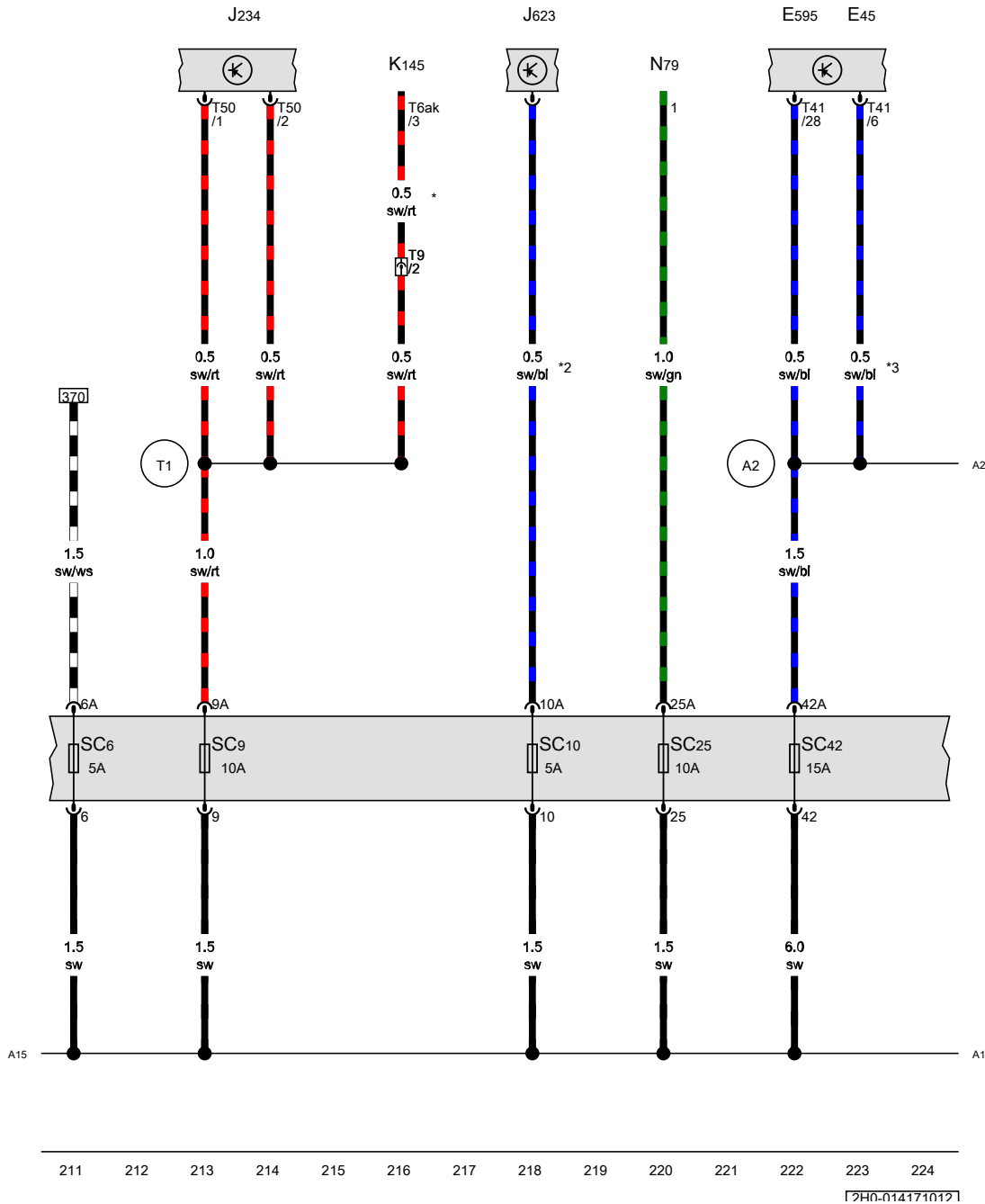
- \* see applicable current flow diagram for basic equipment/ central locking
- \*2 According to equipment
- \*3 Only models with electric interface for external use
- \*4 Only models with automatic gearbox

- ws = white
- sw = black
- ro = red
- br = brown
- gn = green
- bl = blue
- gr = grey
- li = purple
- ge = yellow
- or = orange
- rs = pink



Washer pump switch (automatic wash/wipe and headlight washer system), TCS and ESP button, Steering column combination switch, Driving program button, Reversing light switch, Left washer jet heater element

- E44 Washer pump switch (automatic wash/wipe and headlight washer system)
  - E256 TCS and ESP button
  - E595 Steering column combination switch
  - E598 Driving program button
  - F4 Reversing light switch
  - J446 Parking aid control unit
  - SC1 Fuse 1 on fuse holder C
  - SC2 Fuse 2 on fuse holder C
  - SC3 Fuse 3 on fuse holder C
  - T2cj 2-pin connector, near window wiper motor, black
  - T6k 6-pin connector, black
  - T6l 6-pin connector, red
  - T16 16-pin connector, brown
  - T18a 18-pin connector, near engine control unit, grey
  - T41 41-pin connector
  - T42 42-pin connector, near handbrake lever, black
  - Z20 Left washer jet heater element
  - Z21 Right washer jet heater element
- (A15) Positive connection (15), in instrument wiring harness
  - (A38) Positive connection 2 (15a) in dash panel wiring harness
  - (B450) Connection 1 (PDC), in main wiring harness
  - (B536) Connection 27, in main wiring harness
  - (C72) Positive connection in heated washer jet wiring harness
- \* see applicable current flow diagram for basic equipment
  - \*2 Only models with manual gearbox
  - \*3 Only models with anti-lock brake system (ABS), traction control system (TCS) and electronic differential lock (EDL)
  - \*4 with auxiliary drive (part time)
  - \*5 Only models with parking aid (PDC)
  - \*6 Only models with no automatic gearbox
  - \*7 Only models with automatic gearbox



Cruise control system switch, Steering column combination switch, Airbag control unit, Engine control unit, Front passenger side airbag deactivated warning lamp, Heater element for crankcase breather, Fuse 42 on fuse holder C

- E45 Cruise control system switch
- E595 Steering column combination switch
- J234 Airbag control unit
- J623 Engine control unit
- K145 Front passenger side airbag deactivated warning lamp
- N79 Heater element for crankcase breather
- SC6 Fuse 6 on fuse holder C
- SC9 Fuse 9 on fuse holder C
- SC10 Fuse 10 on fuse holder C
- SC25 Fuse 25 on fuse holder C
- SC42 Fuse 42 on fuse holder C
- T6ak 6-pin connector, white
- T9 9-pin connector, on relay carrier, yellow
- T41 41-pin connector, grey
- T50 50-pin connector, black

A2 Positive connection (15), in dash panel wiring harness

A15 Positive connection (15), in instrument wiring harness

T1 Positive connection 1, in airbag wiring harness

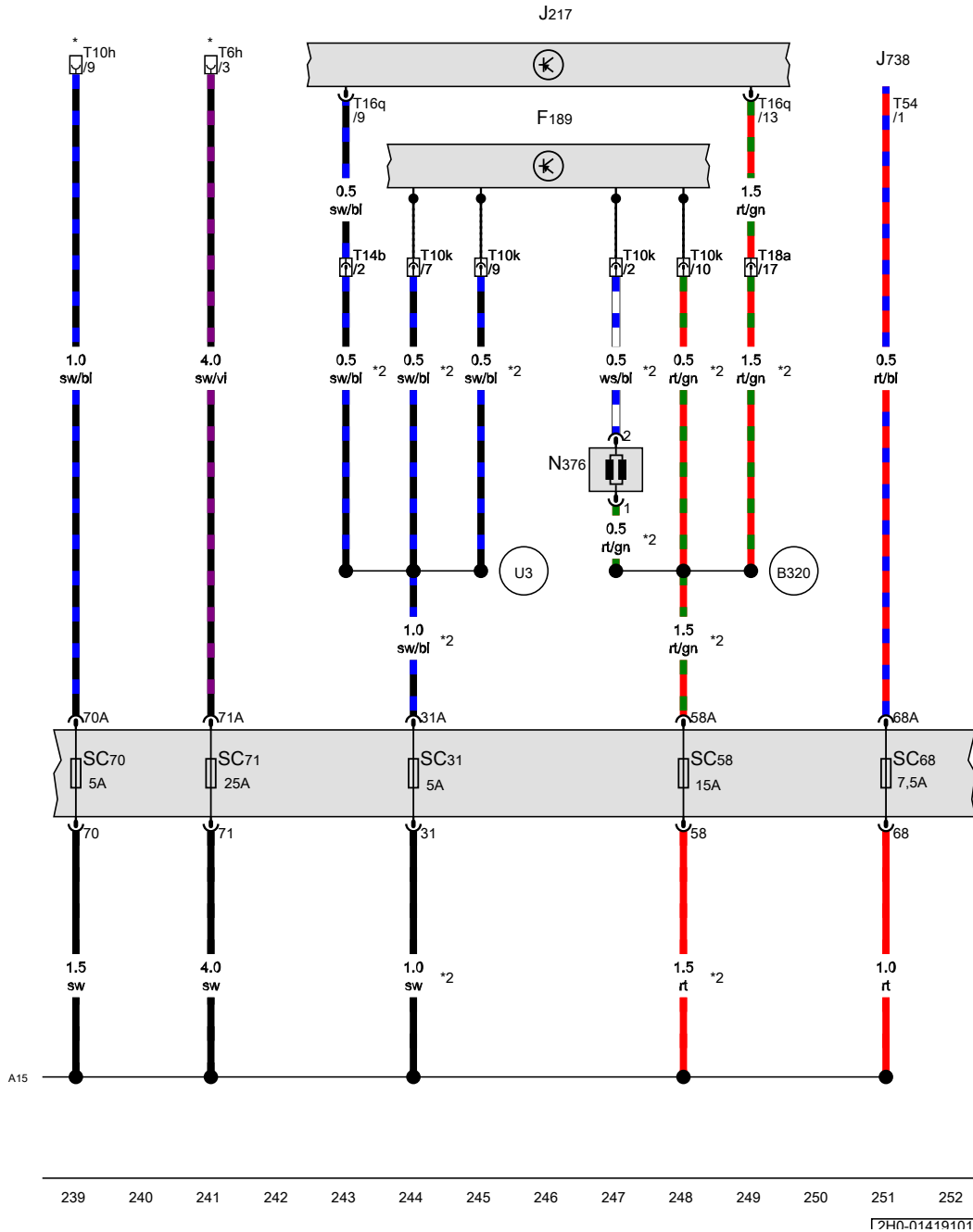
\* Only models with key operated switch to deactivate front passenger airbag

\*2 see applicable current flow diagram for engine

\*3 Only models with cruise control system (CCS)







Tiptronic switch, Automatic gearbox control unit, Telephone controls control unit, Fuse 70 on fuse holder C, Fuse 71 on fuse holder C, 6-pin connector, 10-pin connector

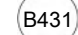
- F189 Tiptronic switch
- J217 Automatic gearbox control unit
- J738 Telephone controls control unit
- N376 Ignition key withdrawal lock solenoid
- SC31 Fuse 31 on fuse holder C
- SC58 Fuse 58 on fuse holder C
- SC68 Fuse 68 on fuse holder C
- SC70 Fuse 70 on fuse holder C
- SC71 Fuse 71 on fuse holder C
- T6h 6-pin connector, in front centre console, black
- T10h 10-pin connector, in front centre console, purple
- T10k 10-pin connector, in centre console, near handbrake lever, black
- T14b 14-pin connector, near battery, black
- T16q 16-pin connector, black
- T18a 18-pin connector, near engine control unit, grey
- T54 54-pin connector

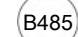
- A15 Positive connection (15), in instrument wiring harness
- B320 Positive connection 6 (30a) in main wiring harness
- U3 Connection 1, in automatic gearbox wiring harness
- \* Only models with electric interface for external use
- \*2 Only models with automatic gearbox

- ws = white
- sw = black
- ro = red
- br = brown
- gn = green
- bl = blue
- gr = grey
- li = purple
- ge = yellow
- or = orange
- rs = pink

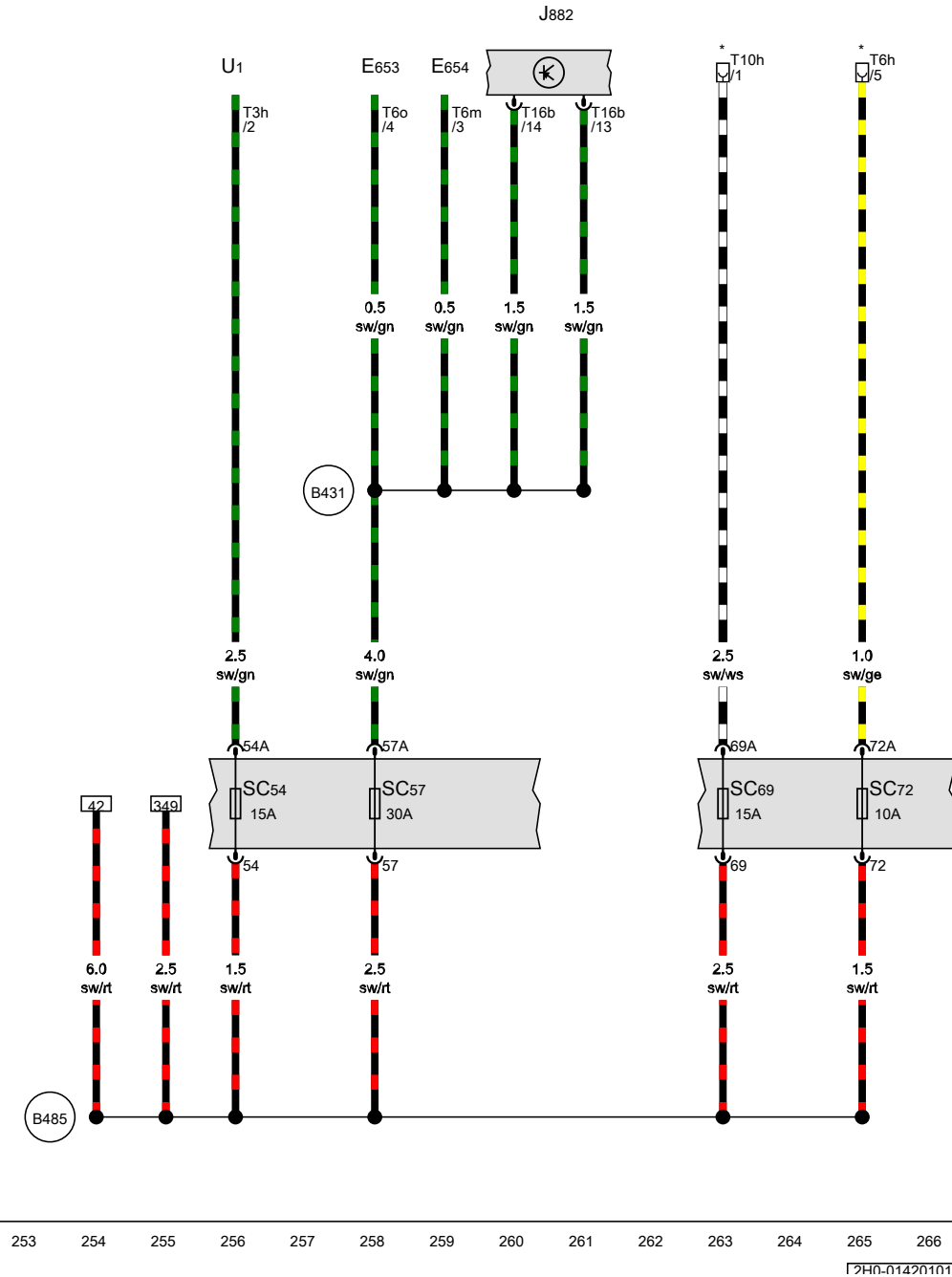
Button for left seat heating, Button for right seat heating, Seat heating control unit, 10-pin connector, Cigarette lighter

- E653 Button for left seat heating
- E654 Button for right seat heating
- J882 Seat heating control unit
- SC54 Fuse 54 on fuse holder C
- SC57 Fuse 57 on fuse holder C
- SC69 Fuse 69 on fuse holder C
- SC72 Fuse 72 on fuse holder C
- T3h 3-pin connector
- T6h 6-pin connector, in front centre console, black
- T6m 6-pin connector, white
- T6o 6-pin connector, blue
- T10h 10-pin connector, in front centre console, purple
- T16b 16-pin connector, black
- U1 Cigarette lighter

 Connection (seat heating), in main wiring harness

 Connection 21, in main wiring harness

\* Only models with electric interface for external use



253 254 255 256 257 258 259 260 261 262 263 264 265 266

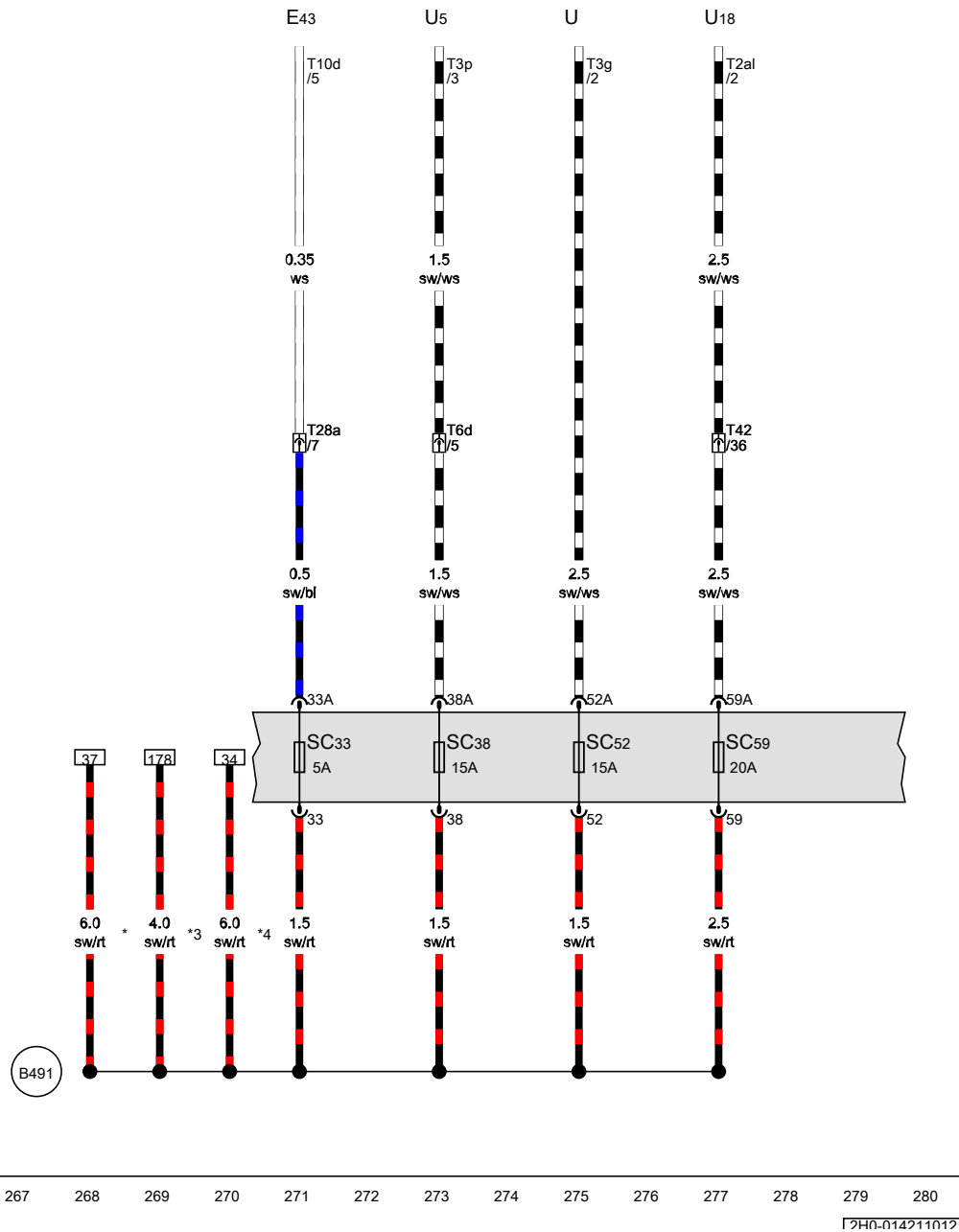
PH0-0142010121

Mirror adjustment switch, Electric socket, 12 V socket

- E43 Mirror adjustment switch
- SC33 Fuse 33 on fuse holder C
- SC38 Fuse 38 on fuse holder C
- SC52 Fuse 52 on fuse holder C
- SC59 Fuse 59 on fuse holder C
- T2al 2-pin connector
- T3g 3-pin connector
- T3p 3-pin connector
- T6d 6-pin connector, on relay carrier
- T10d 10-pin connector, black
- T28a 28-pin connector, on left A-pillar
- T42 42-pin connector, near handbrake lever, black
- U Electric socket
- U5 12 V socket
- U18 12 V socket 2

**B491** Positive connection (75), in interior wiring harness

- \* Up to May 2011
- \*2 see applicable current flow diagram for basic equipment
- \*3 Only models with Climatic
- \*4 From May 2011



- ws = white
- sw = black
- ro = red
- br = brown
- gn = green
- bl = blue
- gr = grey
- li = purple
- ge = yellow
- or = orange
- rs = pink

267 268 269 270 271 272 273 274 275 276 277 278 279 280

17H0-01427110121

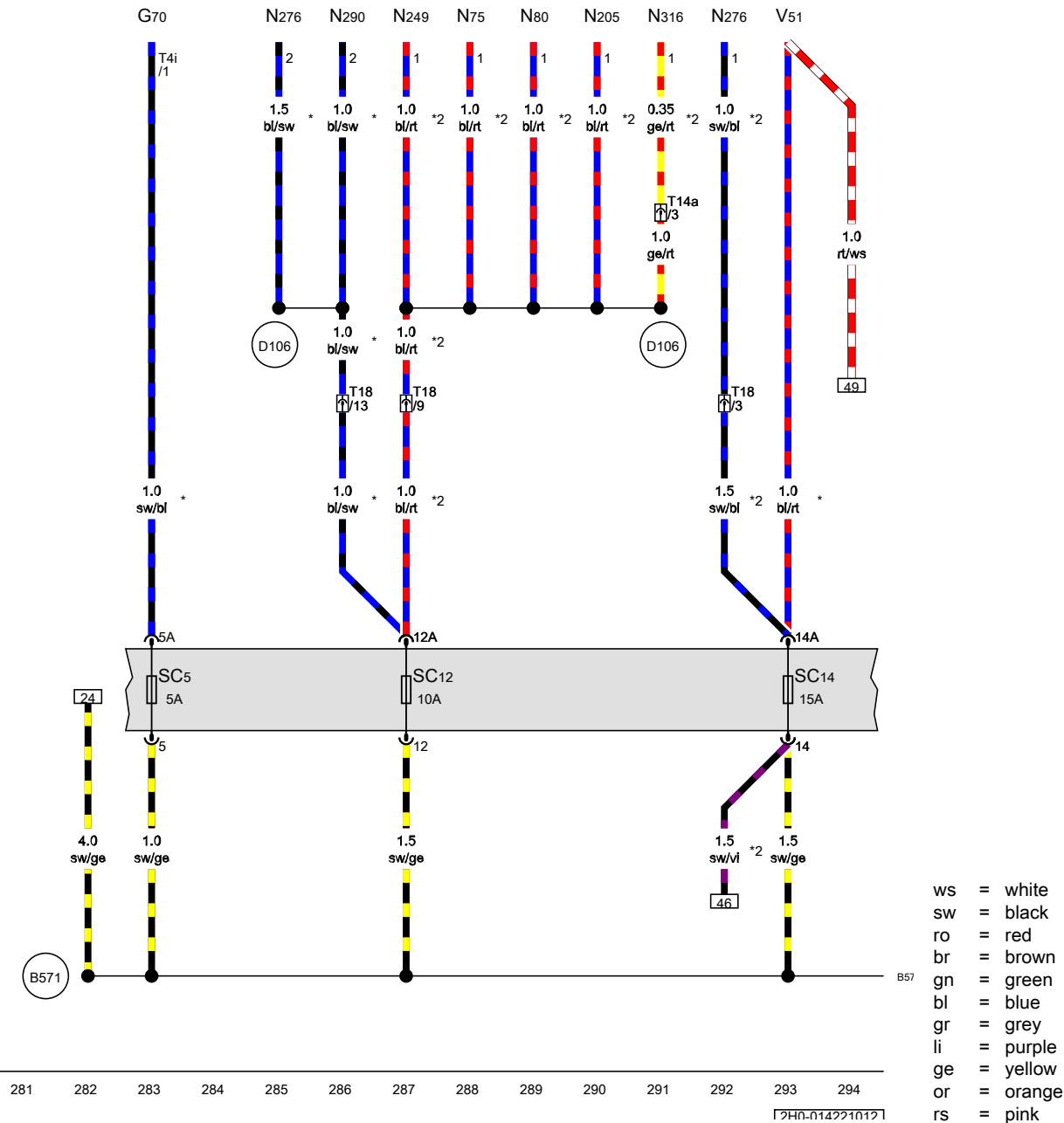
Air mass meter, Charge pressure control solenoid valve, Activated charcoal filter solenoid valve 1, Camshaft control valve 1, Turbocharger air recirculation valve, Fuel pressure regulating valve, Fuel metering valve, Intake manifold flap valve, Continued coolant circulation pump

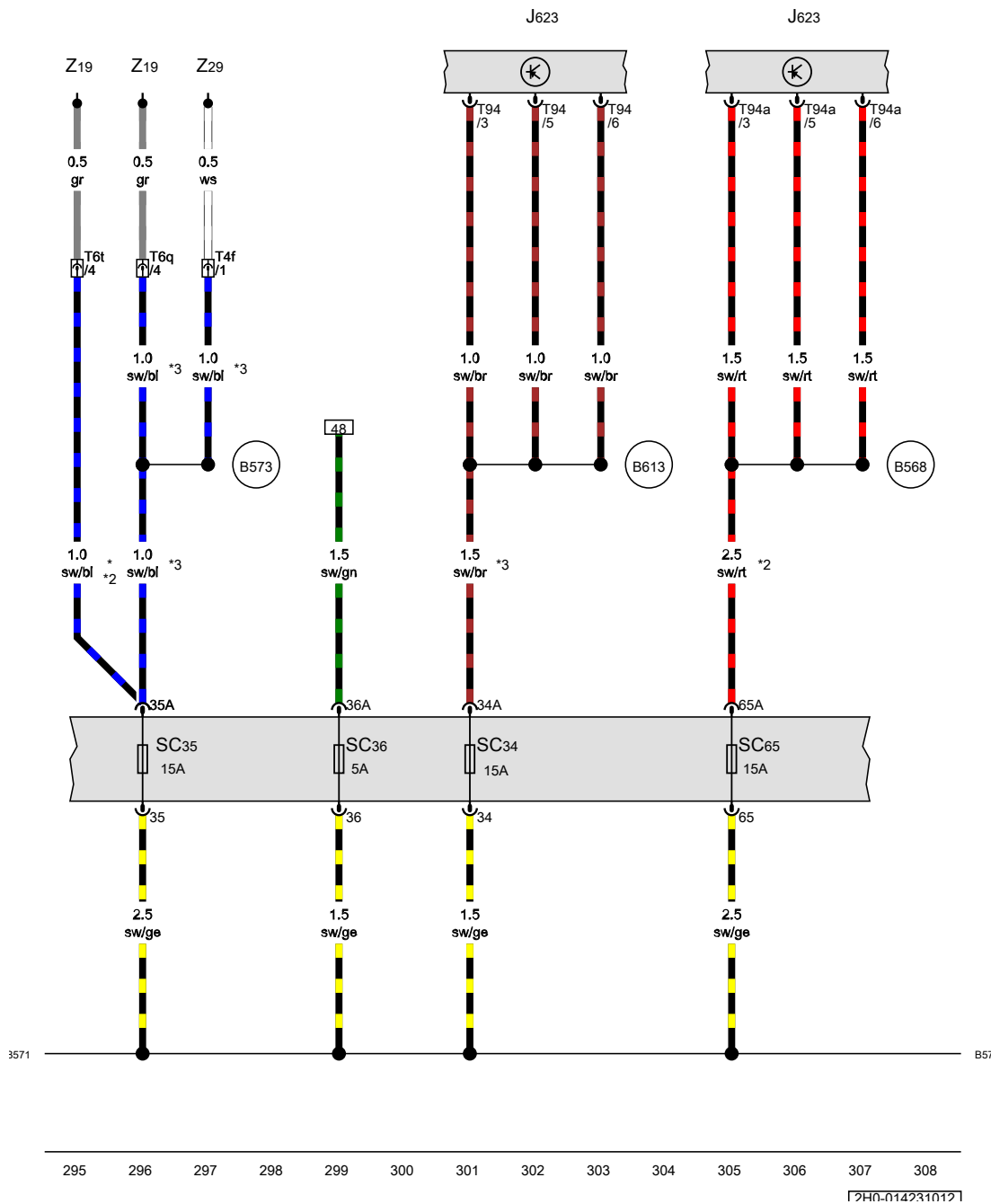
- G70 Air mass meter
- N75 Charge pressure control solenoid valve
- N80 Activated charcoal filter solenoid valve 1
- N205 Camshaft control valve 1
- N249 Turbocharger air recirculation valve
- N276 Fuel pressure regulating valve
- N290 Fuel metering valve
- N316 Intake manifold flap valve
- SC5 Fuse 5 on fuse holder C
- SC12 Fuse 12 on fuse holder C
- SC14 Fuse 14 on fuse holder C
- T4i 4-pin connector, black
- T14a 14-pin connector, front left in engine compartment
- T18 18-pin connector, near engine control unit, black
- V51 Continued coolant circulation pump

B571 Connection 38, in main wiring harness

D106 Connection 4 in engine compartment wiring harness

- \* Only models with diesel engine
- \*2 Only models with petrol engine





Engine control unit, Lambda probe heater

- J623 Engine control unit
- SC34 Fuse 34 on fuse holder C
- SC35 Fuse 35 on fuse holder C
- SC36 Fuse 36 on fuse holder C
- SC65 Fuse 65 on fuse holder C
- T4f 4-pin connector, front right in engine compartment
- T6q 6-pin connector, front right in engine compartment
- T6t 6-pin connector, front right in engine compartment, black
- T94 94-pin connector
- T94a 94-pin connector
- Z19 Lambda probe heater
- Z29 Lambda probe 1 heater after catalytic converter

B568 Connection 35, in main wiring harness

B571 Connection 38, in main wiring harness

B573 Connection 40, in main wiring harness

B613 Connection 41, in main wiring harness




\* Only models with Euro 5 emission standard

\*2 Only models with diesel engine

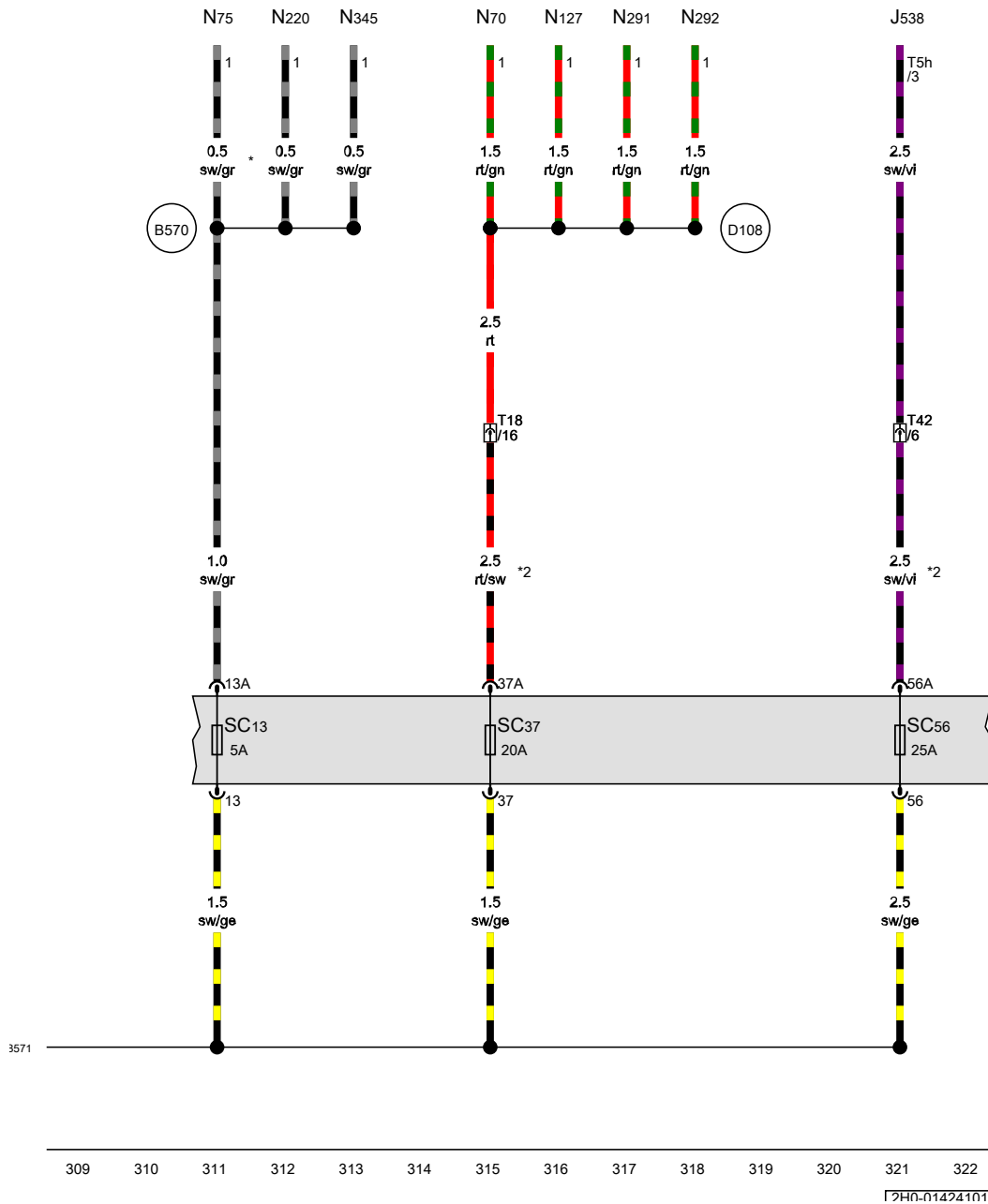
\*3 Only models with petrol engine

Fuel pump control unit, Ignition coil 1 with output stage, Charge pressure control solenoid valve, Ignition coil 2 with output stage, Exhaust flap valve, Ignition coil 3 with output stage, Ignition coil 4 with output stage, Exhaust gas recirculation cooler changeover valve

- J538 Fuel pump control unit
- N70 Ignition coil 1 with output stage
- N75 Charge pressure control solenoid valve
- N127 Ignition coil 2 with output stage
- N220 Exhaust flap valve
- N291 Ignition coil 3 with output stage
- N292 Ignition coil 4 with output stage
- N345 Exhaust gas recirculation cooler changeover valve
- SC13 Fuse 13 on fuse holder C
- SC37 Fuse 37 on fuse holder C
- SC56 Fuse 56 on fuse holder C
- T5h 5-pin connector
- T18 18-pin connector, near engine control unit, black
- T42 42-pin connector, near handbrake lever, black

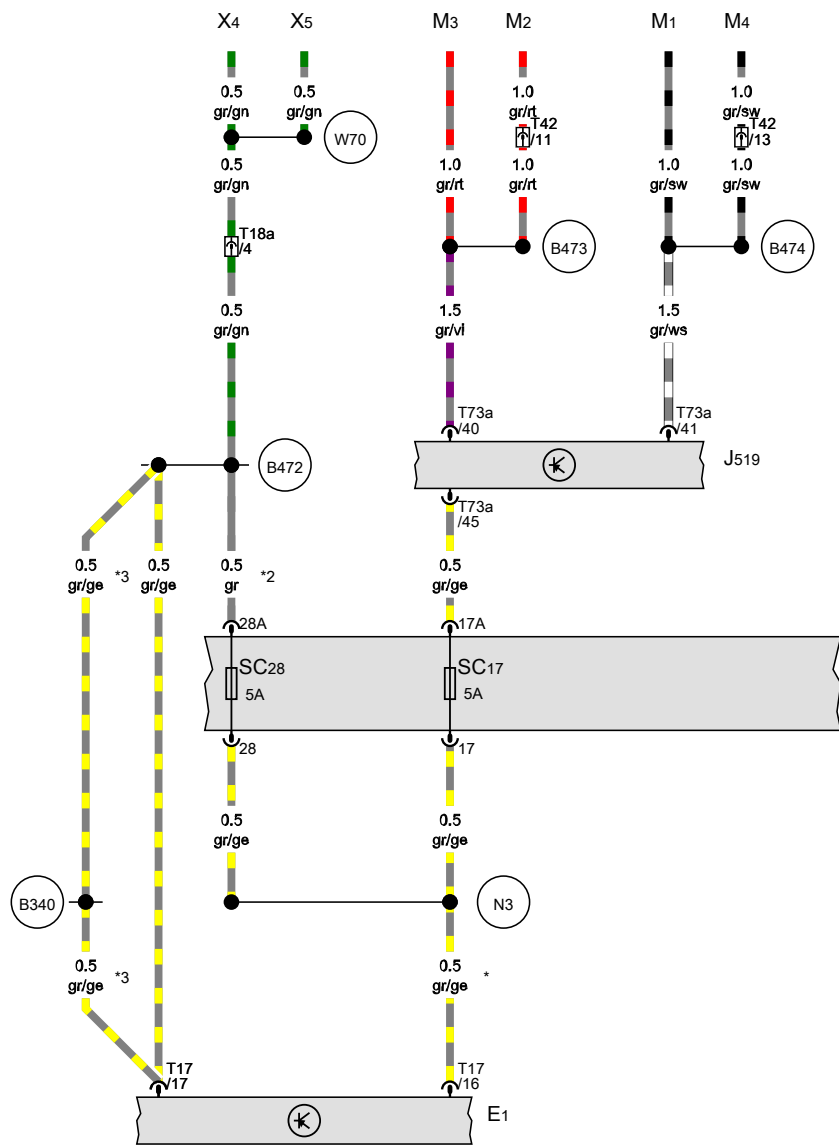
-  B570 Connection 37, in main wiring harness
-  B571 Connection 38, in main wiring harness
-  D108 Connection 6 in engine compartment wiring harness

\* see applicable current flow diagram for engine  
 \*2 Only models with petrol engine



- ws = white
- sw = black
- ro = red
- br = brown
- gn = green
- bl = blue
- gr = grey
- li = purple
- ge = yellow
- or = orange
- rs = pink

Left side light bulb, Right tail light bulb, Right side light bulb,  
Left tail light bulb, Right number plate light



- E1 Light switch
- J519 Onboard supply control unit
- M1 Left side light bulb
- M2 Right tail light bulb
- M3 Right side light bulb
- M4 Left tail light bulb
- SC17 Fuse 17 on fuse holder C
- SC28 Fuse 28 on fuse holder C
- T17 17-pin connector
- T18a 18-pin connector, near engine control unit, grey
- T42 42-pin connector, near handbrake lever, black
- T73a 73-pin connector
- X4 Left number plate light
- X5 Right number plate light
- B340 Connection 1 (58d), in main wiring harness
- B472 Connection 8, in main wiring harness
- B473 Connection 9, in main wiring harness
- B474 Connection 10, in main wiring harness
- N3 Connection 2, in headlight range control wiring harness
- W70 Positive connection 2 (58), in number plate wiring harness
- \* Only models with headlight range control
- \*2 see applicable current flow diagram for basic equipment
- \*3 From November 2011

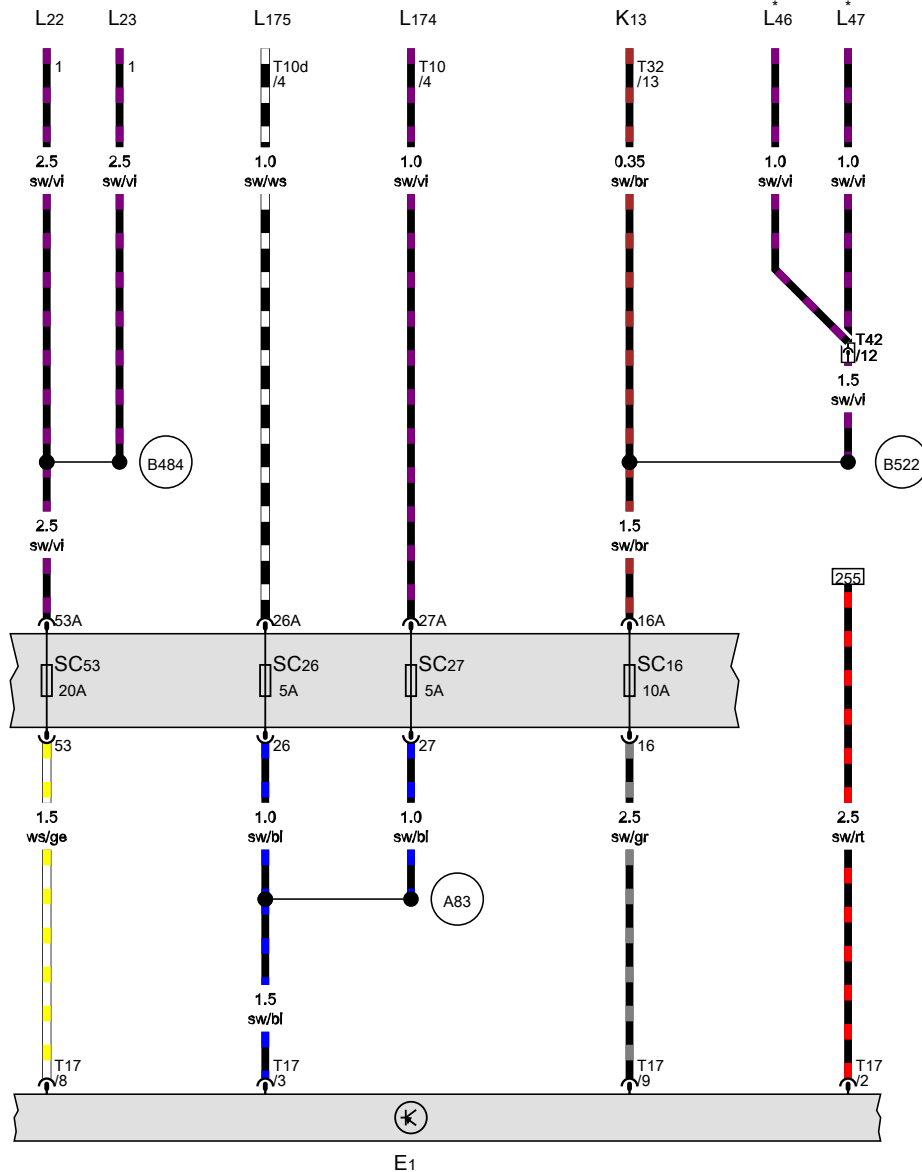
- ws = white
- sw = black
- ro = red
- br = brown
- gn = green
- bl = blue
- gr = grey
- li = purple
- ge = yellow
- or = orange
- rs = pink

323 324 325 326 327 328 329 330 331 332 333 334 335 336

7PH0-0142510121



Light switch, Rear fog light warning lamp, Left fog light bulb, Right fog light bulb, Rear left fog light bulb, Rear right fog light bulb, Left daytime running light bulb, Right daytime running light bulb



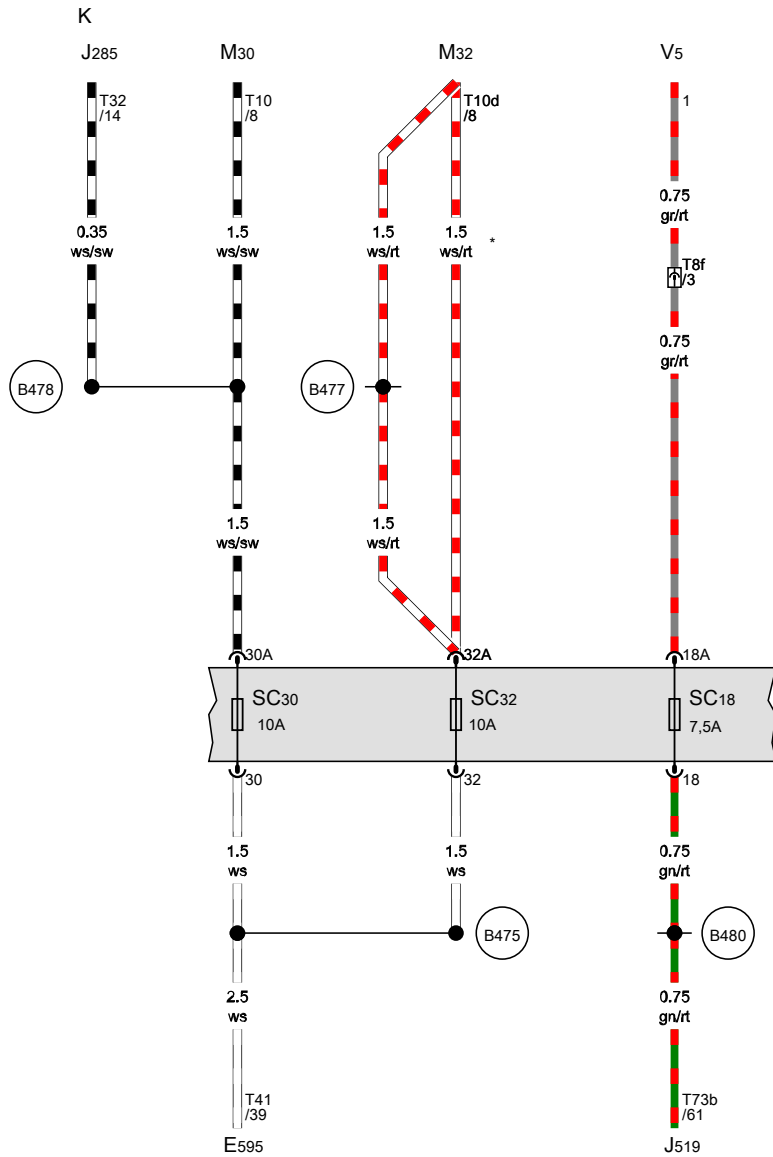
- E1 Light switch
- K13 Rear fog light warning lamp
- L22 Left fog light bulb
- L23 Right fog light bulb
- L46 Rear left fog light bulb
- L47 Rear right fog light bulb
- L174 Left daytime running light bulb
- L175 Right daytime running light bulb
- SC16 Fuse 16 on fuse holder C
- SC26 Fuse 26 on fuse holder C
- SC27 Fuse 27 on fuse holder C
- SC53 Fuse 53 on fuse holder C
- T10 10-pin connector, black
- T10d 10-pin connector, black
- T17 17-pin connector
- T32 32-pin connector, blue
- T42 42-pin connector, near handbrake lever, black
- A83 Connection (daytime running lights), in dash panel wiring harness
- B484 Connection 20, in main wiring harness
- B522 Connection (FL), in main wiring harness
- \* According to equipment
- \*2 Only models with electric interface for external use

- ws = white
- sw = black
- ro = red
- br = brown
- gn = green
- bl = blue
- gr = grey
- li = purple
- ge = yellow
- or = orange
- rs = pink

337 338 339 340 341 342 343 344 345 346 347 348 349 350

1740-0142610171

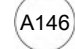


Steering column combination switch, Left headlight main beam bulb, Right headlight main beam bulb, Washer pump

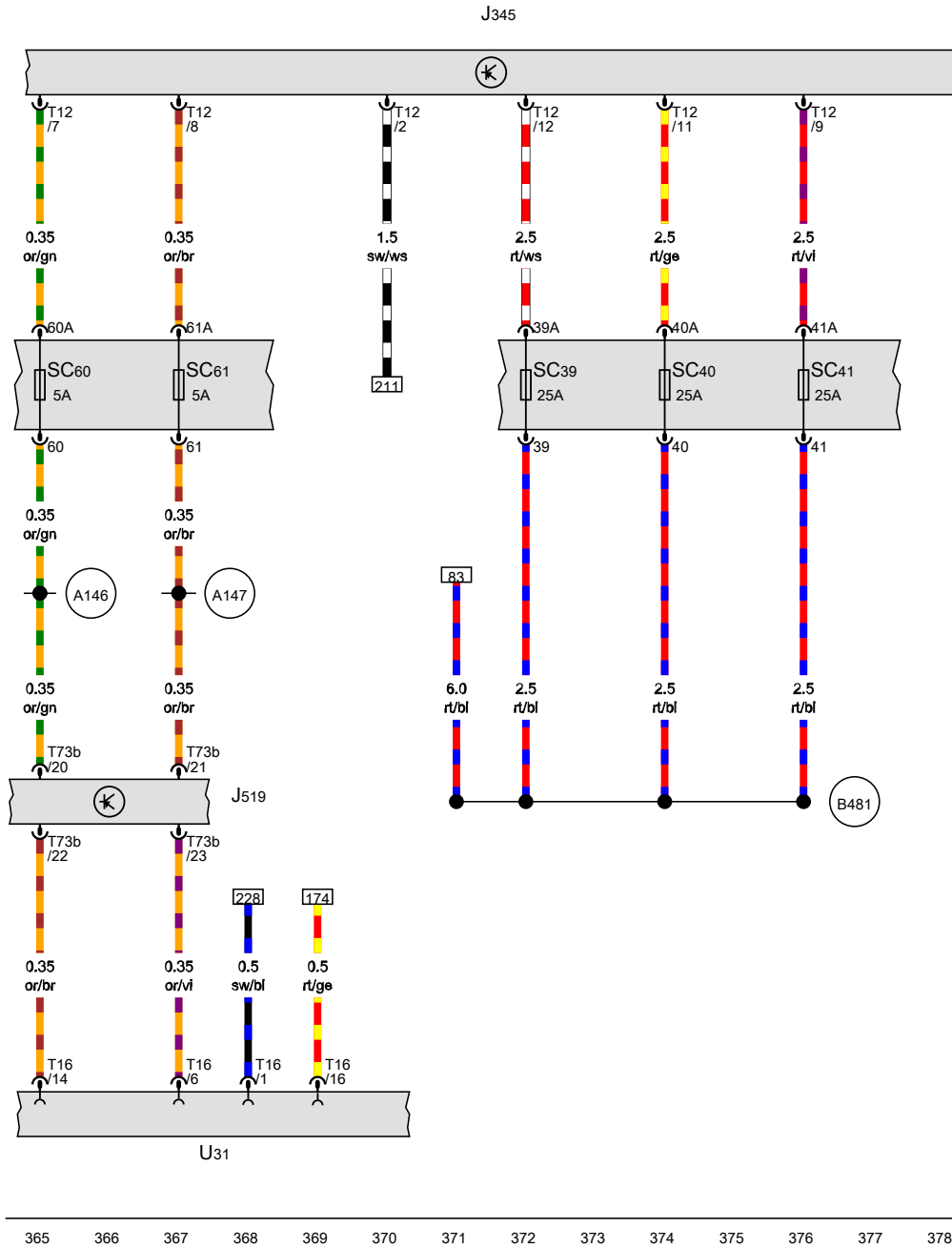


- E595 Steering column combination switch
- J285 Control unit in dash panel insert
- J519 Onboard supply control unit
- K Dash panel insert
- M30 Left headlight main beam bulb
- M32 Right headlight main beam bulb
- SC18 Fuse 18 on fuse holder C
- SC30 Fuse 30 on fuse holder C
- SC32 Fuse 32 on fuse holder C
- T8f 8-pin connector, black
- T10 10-pin connector, black
- T10d 10-pin connector, black
- T32 32-pin connector, blue
- T41 41-pin connector
- T73b 73-pin connector
- V5 Washer pump
- B475 Connection 11, in main wiring harness
- B477 Connection 13, in main wiring harness
- B478 Connection 14, in main wiring harness
- B480 Connection 16, in main wiring harness
- \* Only models with no electric interface

- ws = white
- sw = black
- ro = red
- br = brown
- gn = green
- bl = blue
- gr = grey
- li = purple
- ge = yellow
- or = orange
- rs = pink

Trailer detector control unit, Diagnostic connection

- J345 Trailer detector control unit
- J519 Onboard supply control unit
- SC39 Fuse 39 on fuse holder C
- SC40 Fuse 40 on fuse holder C
- SC41 Fuse 41 on fuse holder C
- SC60 Fuse 60 on fuse holder C
- SC61 Fuse 61 on fuse holder C
- T12 12-pin connector, red
- T16 16-pin connector, black
- T73b 73-pin connector
- U31 Diagnostic connection, near driver side A-pillar
-  A146 Connection (convenience CAN bus, high), in dash panel wiring harness
-  A147 Connection (convenience CAN bus, low), in dash panel wiring harness
-  B481 Connection 17, in main wiring harness



- ws = white
- sw = black
- ro = red
- br = brown
- gn = green
- bl = blue
- gr = grey
- li = purple
- ge = yellow
- or = orange
- rs = pink

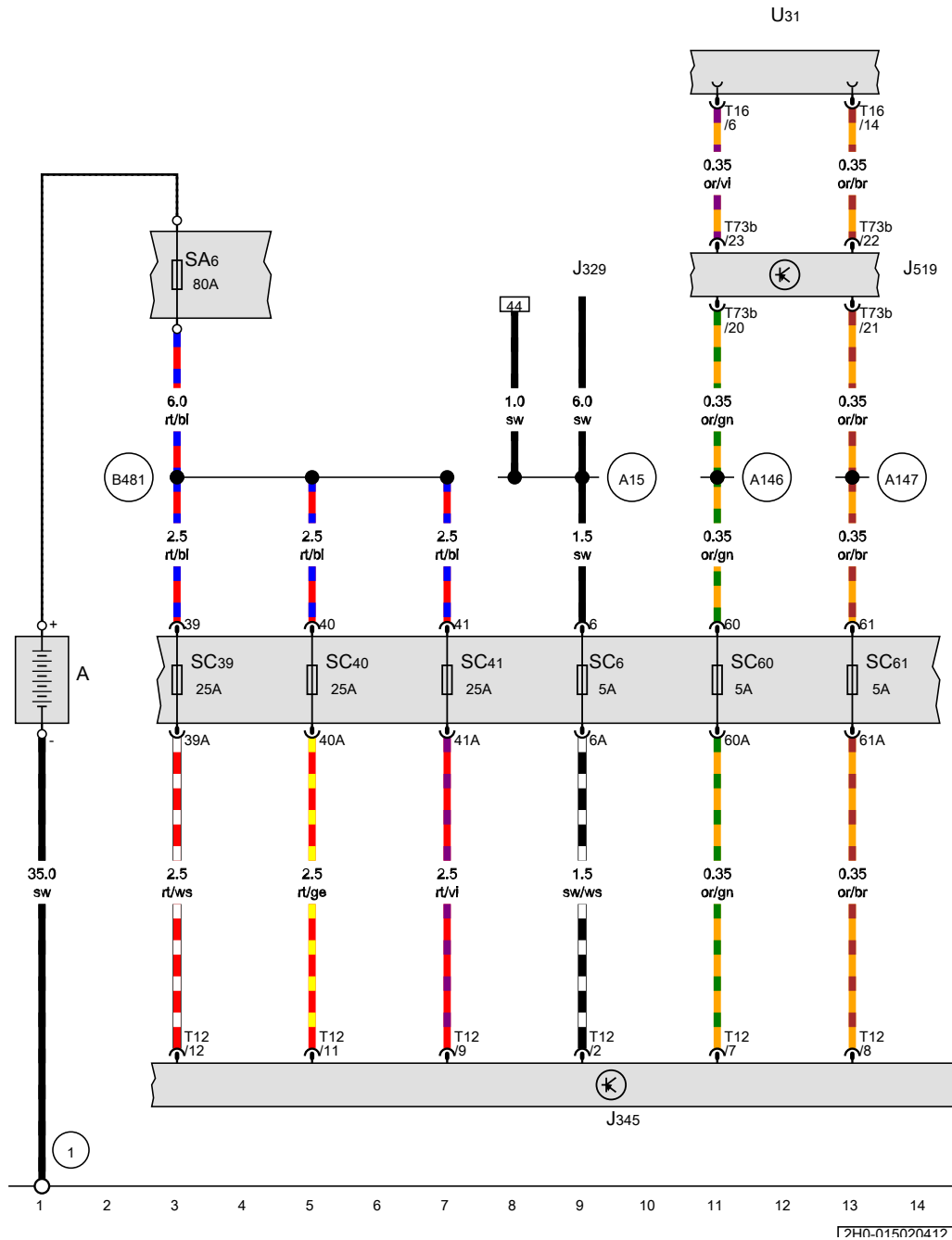
365 366 367 368 369 370 371 372 373 374 375 376 377 378

1710142810121

**Preparation for trailer coupling , (1D7)**

From December 2009

Battery, Fuse 6 on fuse holder C, Fuse 6 in fuse holder A, Fuse 39 on fuse holder C, Fuse 40 on fuse holder C, Fuse 41 on fuse holder C, Diagnostic connection



- A Battery
  - J329 Terminal 15 voltage supply relay
  - J345 Trailer detector control unit
  - J519 Onboard supply control unit
  - SC6 Fuse 6 on fuse holder C
  - SA6 Fuse 6 in fuse holder A
  - SC39 Fuse 39 on fuse holder C
  - SC40 Fuse 40 on fuse holder C
  - SC41 Fuse 41 on fuse holder C
  - SC60 Fuse 60 on fuse holder C
  - SC61 Fuse 61 on fuse holder C
  - T12 12-pin connector, red
  - T16 16-pin connector
  - T73b 73-pin connector
  - U31 Diagnostic connection, near driver side A-pillar
- 1 Earth strap, battery - body
  - A15 Positive connection (15), in instrument wiring harness
  - A146 Connection (convenience CAN bus, high), in dash panel wiring harness
  - A147 Connection (convenience CAN bus, low), in dash panel wiring harness
  - B481 Connection 17, in main wiring harness

- ws = white
- sw = black
- ro = red
- br = brown
- gn = green
- bl = blue
- gr = grey
- li = purple
- ge = yellow
- or = orange
- rs = pink

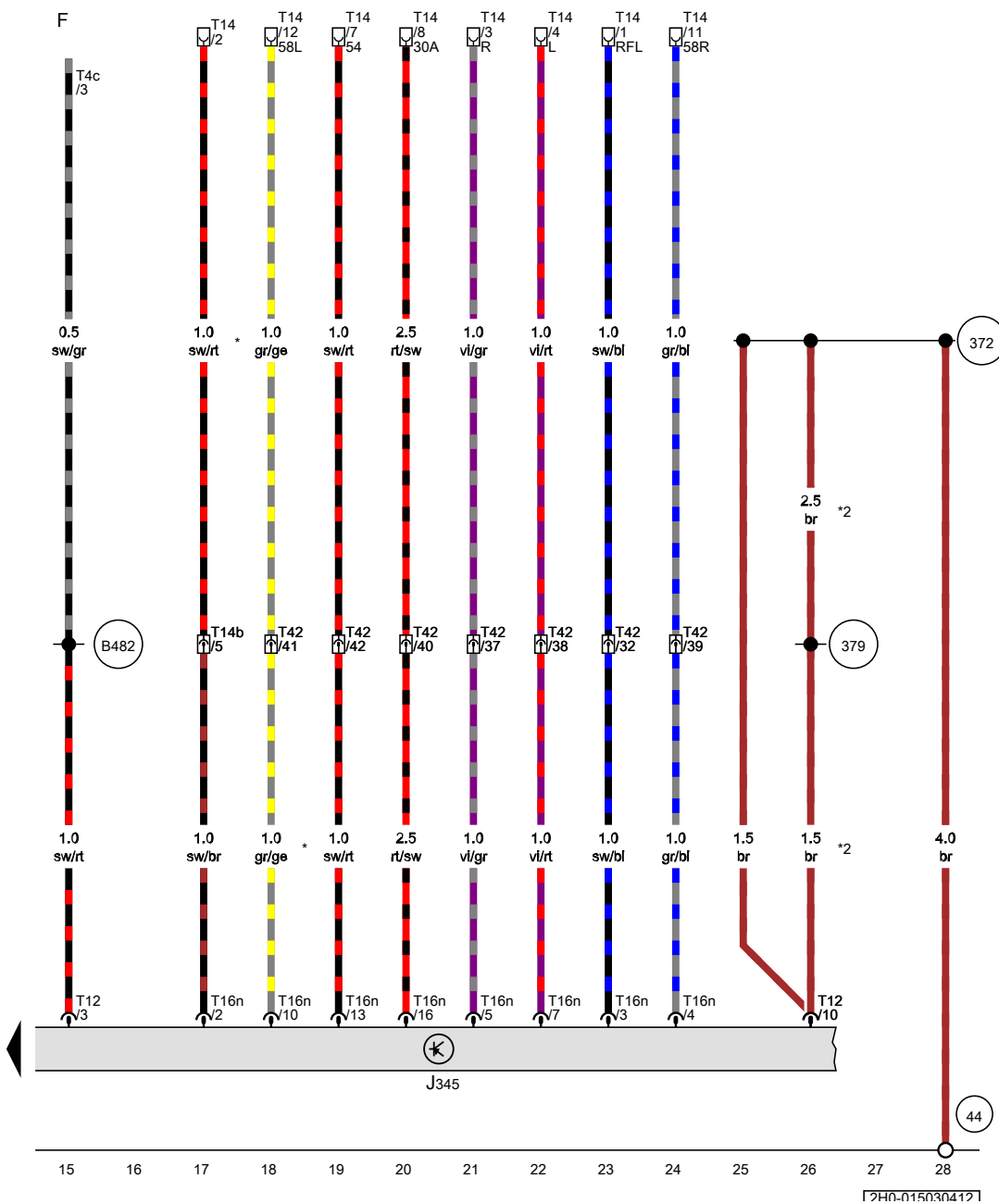
ГЭН-0150204121

Brake light switch

- F Brake light switch
- J345 Trailer detector control unit
- T4c 4-pin connector
- T12 12-pin connector, red
- T14 14-pin connector, behind rear bumper on left, black
- T14b 14-pin connector, near battery, black
- T16n 16-pin connector, black
- T42 42-pin connector, near handbrake lever, black

- (44) Earth point, lower part of left A-pillar
- (372) Earth connection 7, in main wiring harness
- (379) Earth connection 14, in main wiring harness
- (B482) Connection 18, in main wiring harness

\* Only models with stop/start system  
 \*2 From November 2011

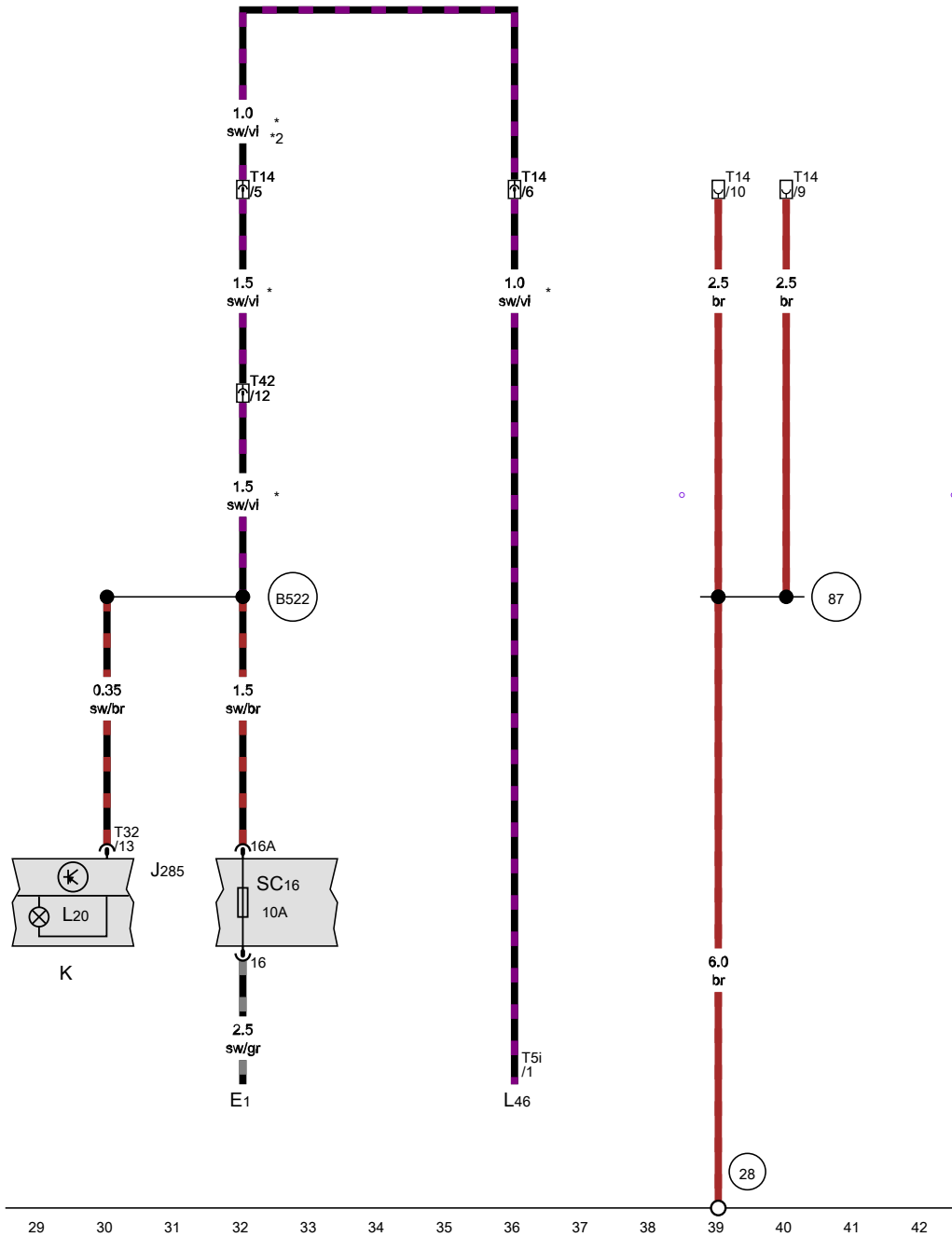


- ws = white
- sw = black
- ro = red
- br = brown
- gn = green
- bl = blue
- gr = grey
- li = purple
- ge = yellow
- or = orange
- rs = pink

Light switch, Dash panel insert, Rear left fog light bulb

- E1 Light switch
- J285 Control unit in dash panel insert
- K Dash panel insert
- L20 Rear fog light bulb
- L46 Rear left fog light bulb
- SC16 Fuse 16 on fuse holder C
- T5i 5-pin connector
- T14 14-pin connector, behind rear bumper on left, black
- T32 32-pin connector, blue
- T42 42-pin connector, near handbrake lever, black

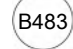
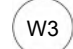
- 28 Earth point, on bulkhead
- 87 Earth connection 2, in rear wiring harness
- B522 Connection (FL), in main wiring harness
- \* Only models with rear fog lights
- \*2 Push-in bridge

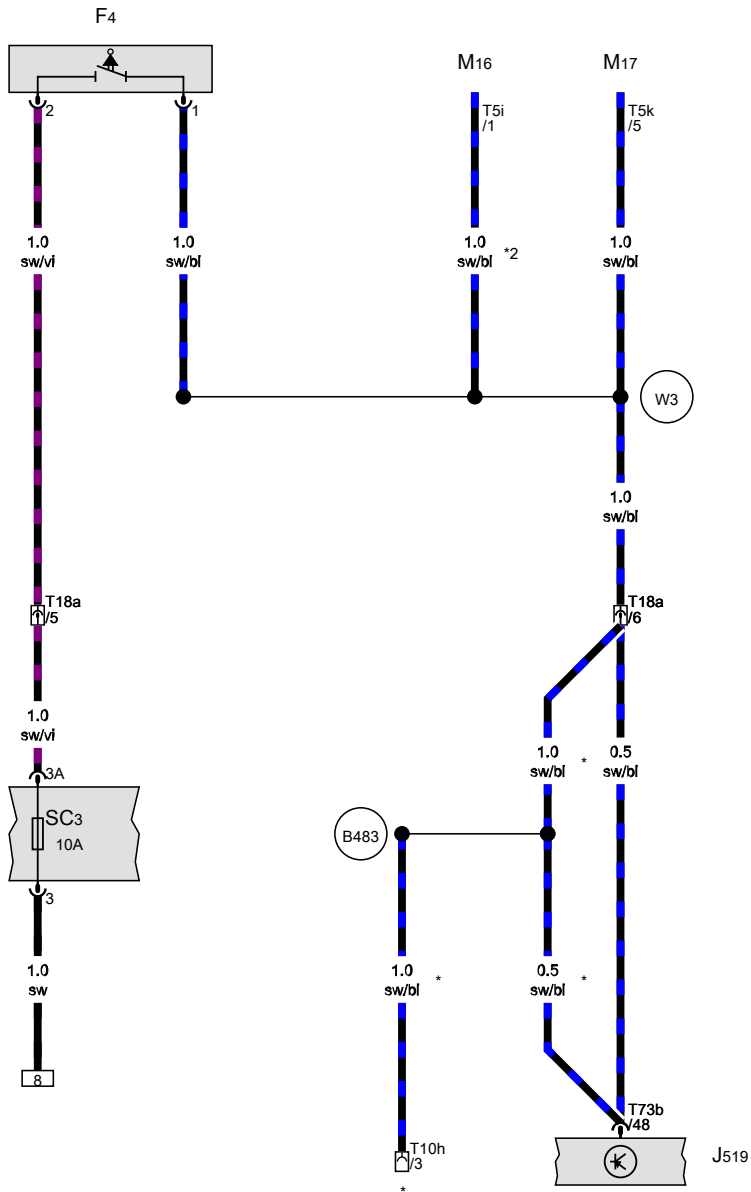


- ws = white
- sw = black
- ro = red
- br = brown
- gn = green
- bl = blue
- gr = grey
- li = purple
- ge = yellow
- or = orange
- rs = pink

12H0-0150404121

Reversing light switch, Left reversing light bulb, Fuse 3 on fuse holder C

- F4 Reversing light switch
- J519 Onboard supply control unit
- M16 Left reversing light bulb
- M17 Right reversing light bulb
- SC3 Fuse 3 on fuse holder C
- T5i 5-pin connector
- T5k 5-pin connector
- T10h 10-pin connector, in front centre console, purple
- T18a 18-pin connector, near engine control unit, grey
- T73b 73-pin connector
-  B483 Connection 19, in main wiring harness
-  W3 Connection in rear wiring harness
- \* Only models with electric interface for external use
- \*2 Only models with no rear fog light



- ws = white
- sw = black
- ro = red
- br = brown
- gn = green
- bl = blue
- gr = grey
- li = purple
- ge = yellow
- or = orange
- rs = pink

43 44 45 46 47 48 49 50 51 52 53 54 55 56

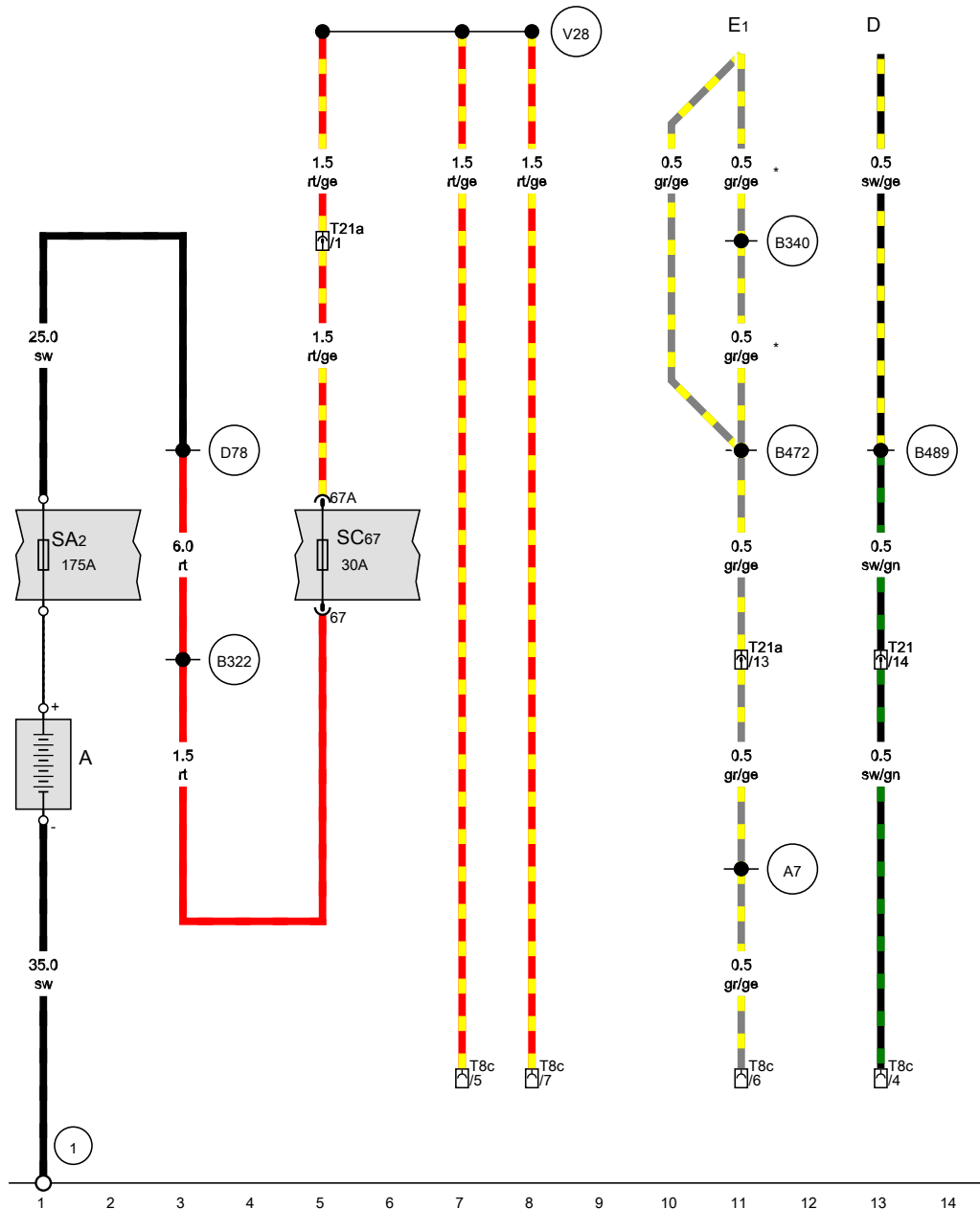
7PH0-0150504121



## Preparation for radio

From December 2009

Battery, Ignition/starter switch, Light switch, Fuse 2 in fuse holder A, Fuse 67 on fuse holder C



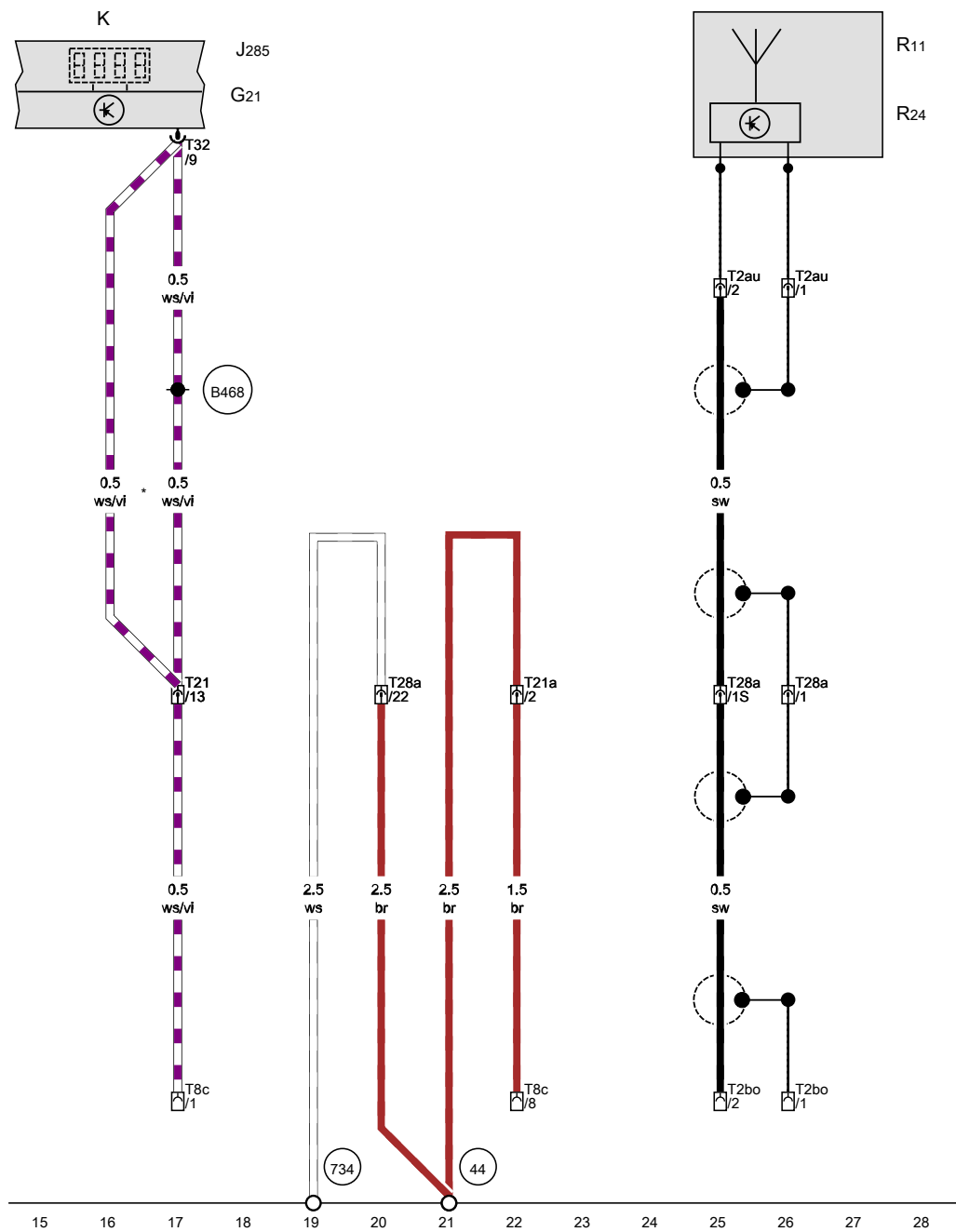
- A Battery
- D Ignition/starter switch
- E1 Light switch
- SA2 Fuse 2 in fuse holder A
- SC67 Fuse 67 on fuse holder C
- T8c 8-pin connector, in slot for radio, centre of dash panel, black
- T21 21-pin connector, on relay carrier, blue
- T21a 21-pin connector, on relay carrier, brown

- 1 Earth strap, battery - body
- A7 Positive connection (58 D1), in dash panel wiring harness
- B322 Positive connection 8 (30a) in main wiring harness
- B340 Connection 1 (58d), in main wiring harness
- B472 Connection 8, in main wiring harness
- B489 Connection 25, in main wiring harness
- D78 Positive connection 1 (30a), in engine compartment wiring harness
- V28 Connection 1, in radio wiring harness

\* From November 2011

- ws = white
- sw = black
- ro = red
- br = brown
- gn = green
- bl = blue
- gr = grey
- li = purple
- ge = yellow
- or = orange
- rs = pink

ГЭН-0160204121



Dash panel insert, Aerial, Aerial amplifier

- G21 Speedometer
- J285 Control unit in dash panel insert
- K Dash panel insert
- R11 Aerial, in front passenger side exterior mirror housing
- R24 Aerial amplifier
- T2au 2-pin connector, in left door, near exterior mirror
- T2bo 2-pin connector
- T8c 8-pin connector, in slot for radio, centre of dash panel, black
- T21 21-pin connector, on relay carrier, blue
- T21a 21-pin connector, on relay carrier, brown
- T28a 28-pin connector, on left A-pillar
- T32 32-pin connector

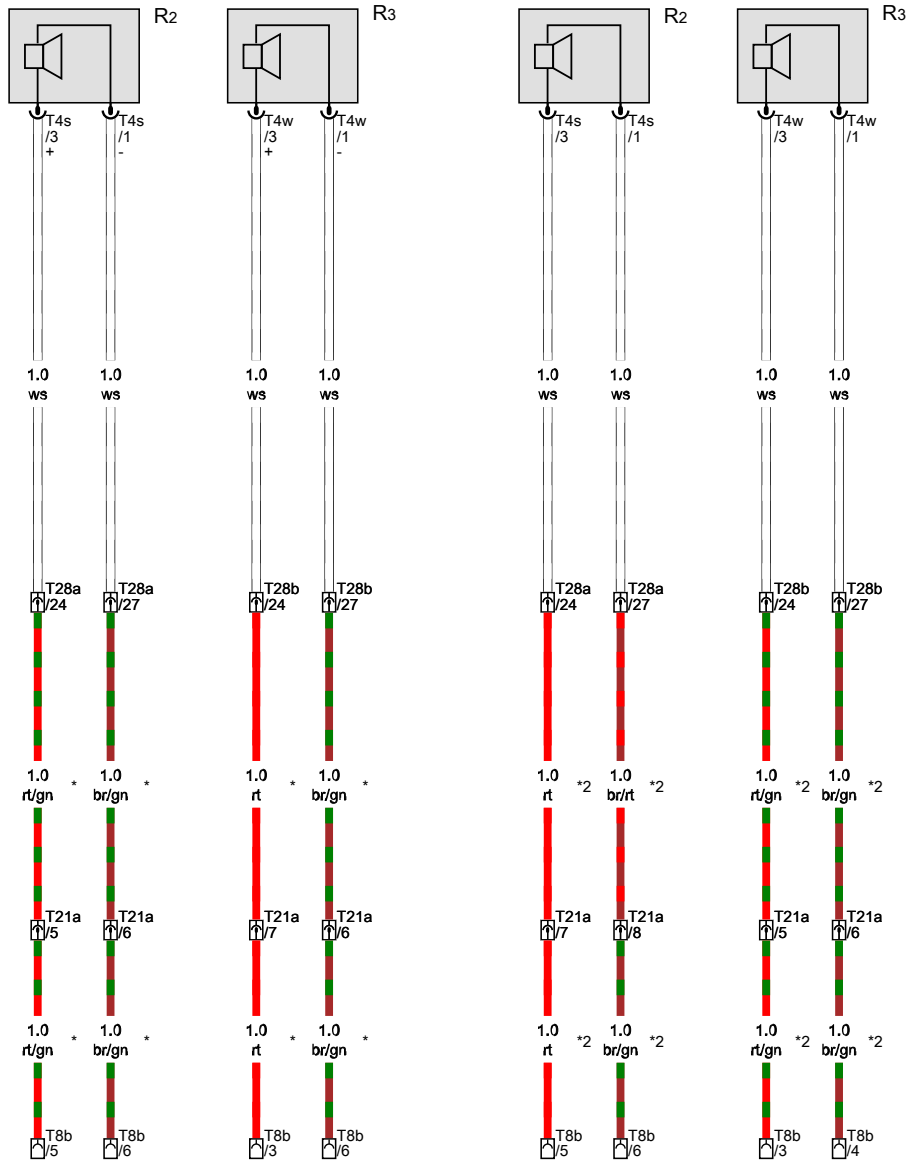
- 44 Earth point, lower part of left A-pillar
- 734 Earth point in front left door
- B468 Connection 4, in main wiring harness

\* Only models with no electric interface

- ws = white
- sw = black
- ro = red
- br = brown
- gn = green
- bl = blue
- gr = grey
- li = purple
- ge = yellow
- or = orange
- rs = pink

Г240-0160304171

Front left loudspeaker, Front right loudspeaker



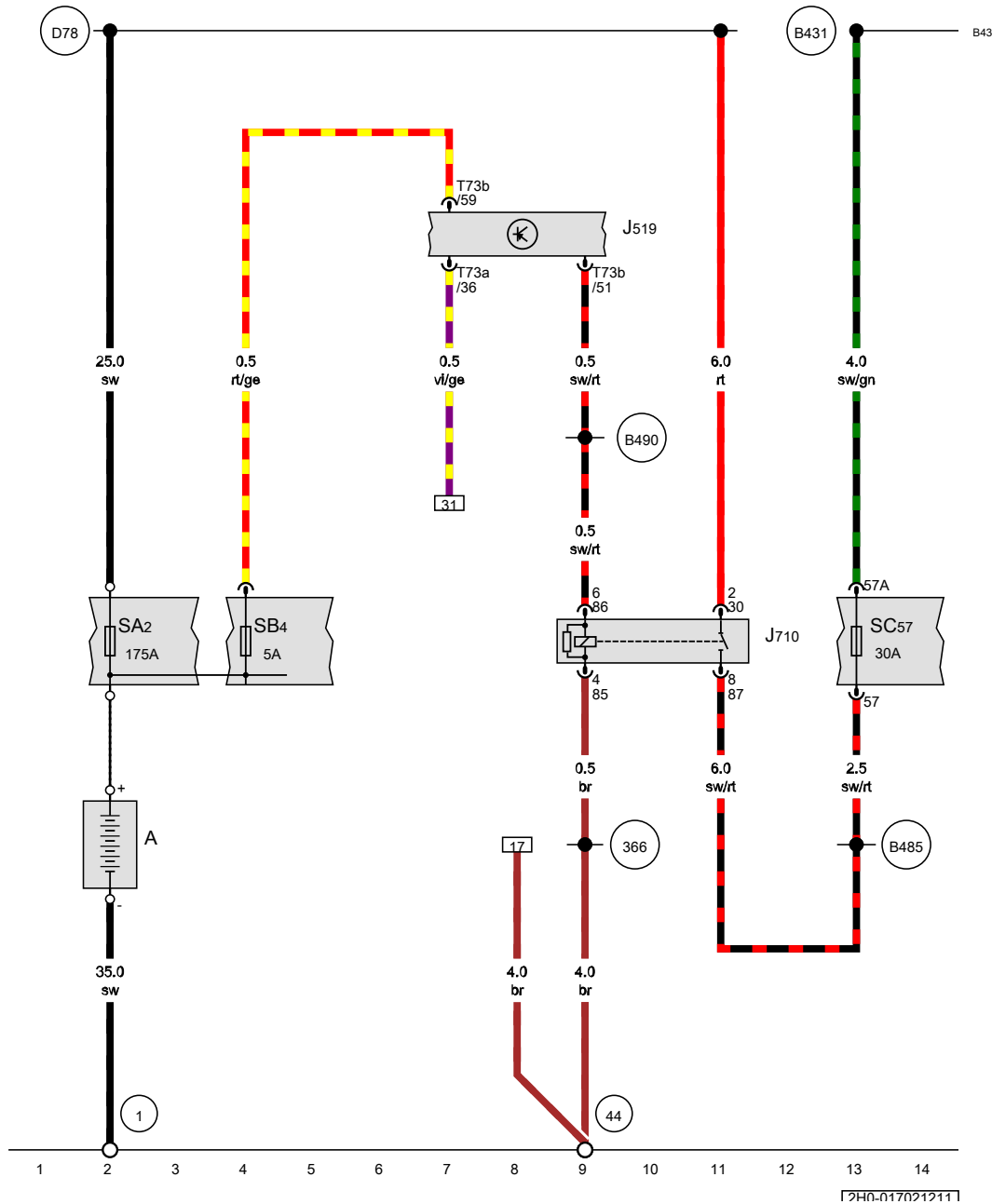
- R2 Front left loudspeaker
- R3 Front right loudspeaker
- T4s 4-pin connector
- T4w 4-pin connector
- T8b 8-pin connector, in slot for radio, centre of dash panel, brown
- T21a 21-pin connector, on relay carrier, brown
- T28a 28-pin connector, on left A-pillar
- T28b 28-pin connector, on right A-pillar
- \* Only left-hand drive models
- \*2 Only right-hand drive models

- ws = white
- sw = black
- ro = red
- br = brown
- gn = green
- bl = blue
- gr = grey
- li = purple
- ge = yellow
- or = orange
- rs = pink

**Seat heating**

From December 2009

Battery, Onboard supply control unit, Voltage supply relay 2, Fuse 2 in fuse holder A, Fuse 4 on fuse holder B, Fuse 57 on fuse holder C



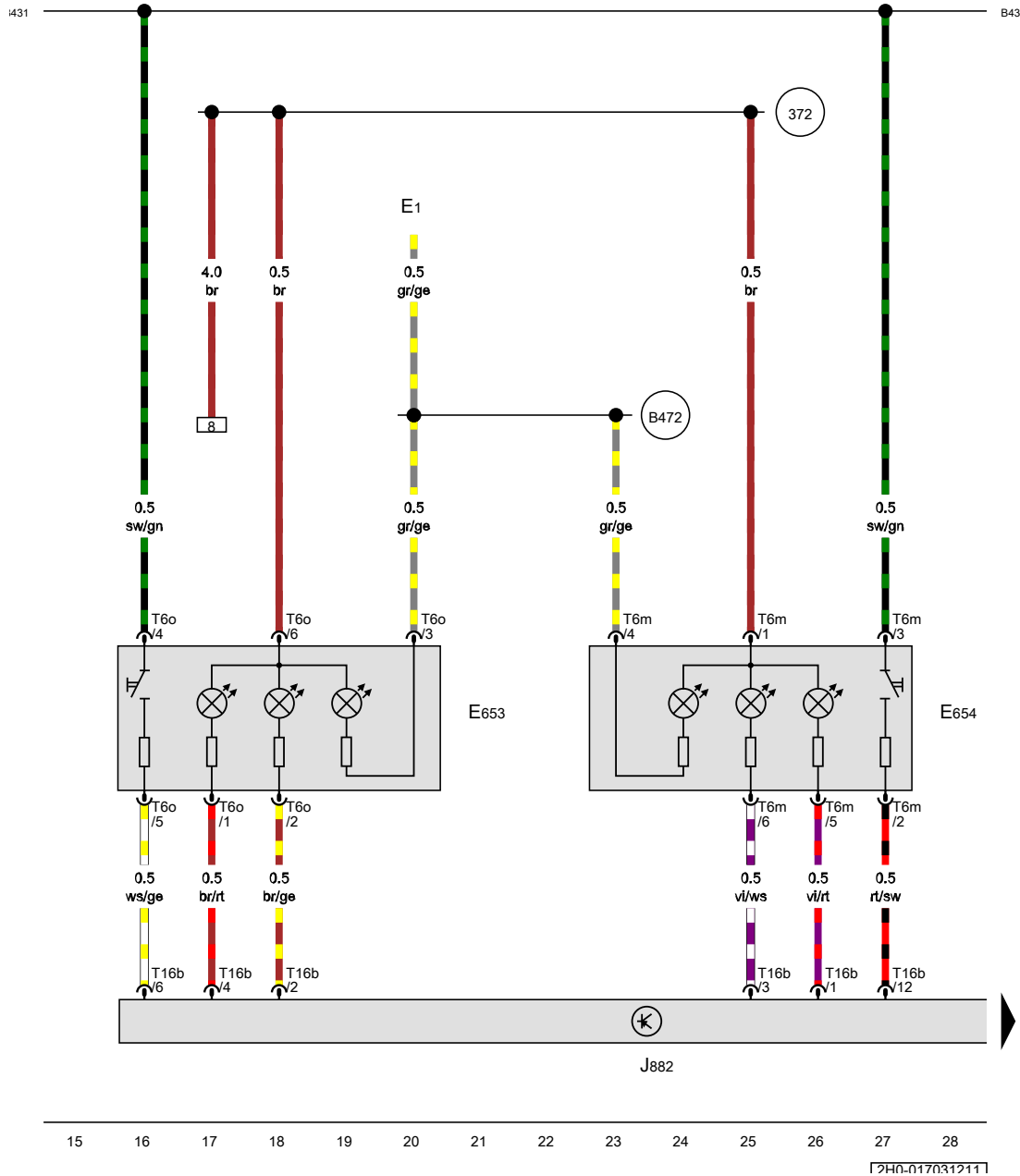
- A Battery
- J519 Onboard supply control unit
- J710 Voltage supply relay 2
- SA2 Fuse 2 in fuse holder A
- SB4 Fuse 4 on fuse holder B
- SC57 Fuse 57 on fuse holder C
- T73a 73-pin connector
- T73b 73-pin connector

- 1 Earth strap, battery - body
- 44 Earth point, lower part of left A-pillar
- 366 Earth connection 1, in main wiring harness
- B431 Connection (seat heating), in main wiring harness
- B485 Connection 21, in main wiring harness
- B490 Connection 26, in main wiring harness
- D78 Positive connection 1 (30a), in engine compartment wiring harness

- ws = white
- sw = black
- ro = red
- br = brown
- gn = green
- bl = blue
- gr = grey
- li = purple
- ge = yellow
- or = orange
- rs = pink

□240-017021211

Light switch, Button for left seat heating, Button for right seat heating, Seat heating control unit



- E1 Light switch
- E653 Button for left seat heating
- E654 Button for right seat heating
- J882 Seat heating control unit
- T6m 6-pin connector
- T6o 6-pin connector
- T16b 16-pin connector
- 372 Earth connection 7, in main wiring harness
- B431 Connection (seat heating), in main wiring harness
- B472 Connection 8, in main wiring harness

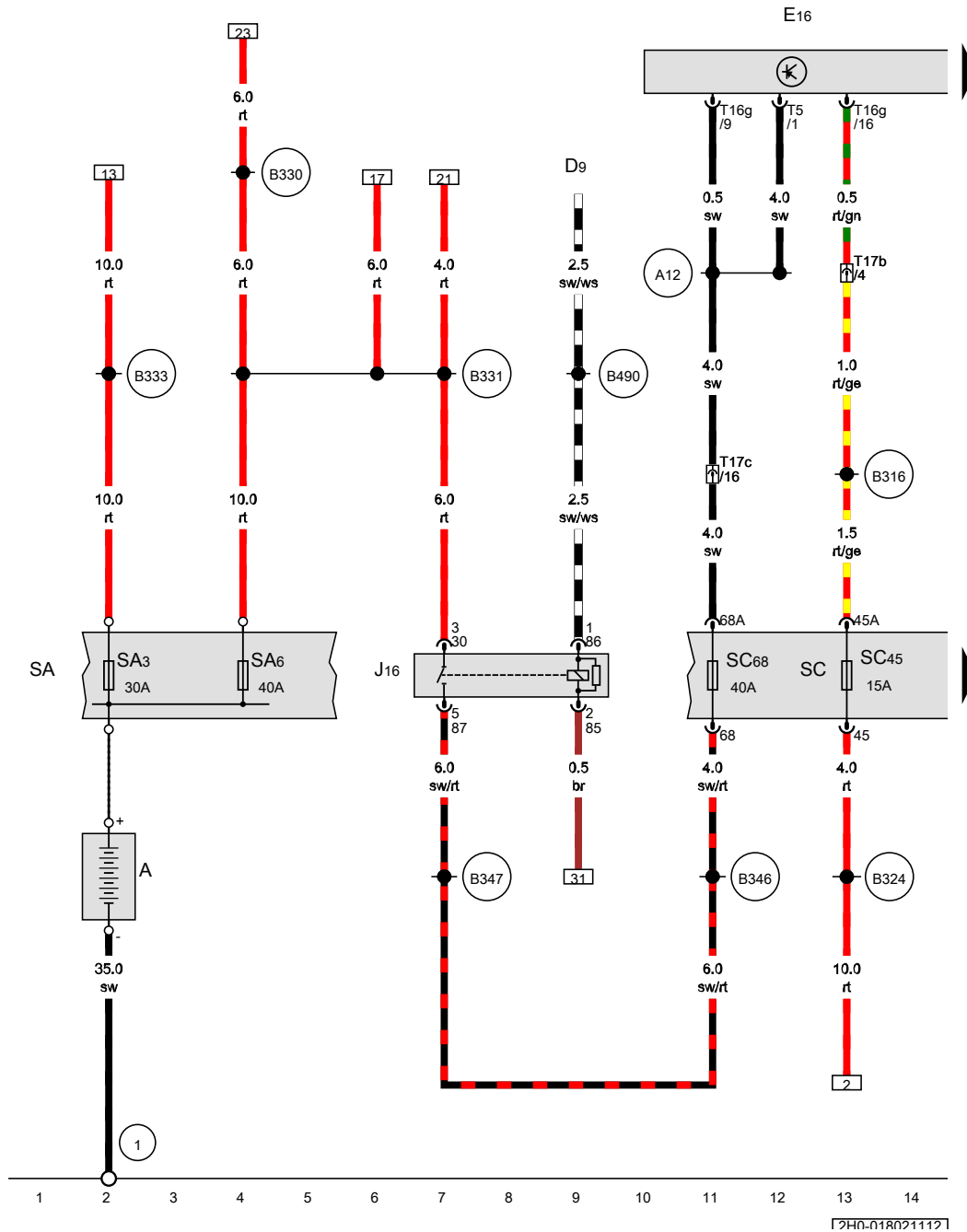
- ws = white
- sw = black
- ro = red
- br = brown
- gn = green
- bl = blue
- gr = grey
- li = purple
- ge = yellow
- or = orange
- rs = pink





## Passenger compartment heater and ventilation system

From December 2009



Battery, Heater/heat output switch, Current supply relay, Fuse holder A, Fuse holder C, Fuse 45 on fuse holder C, Fuse 68 on fuse holder C

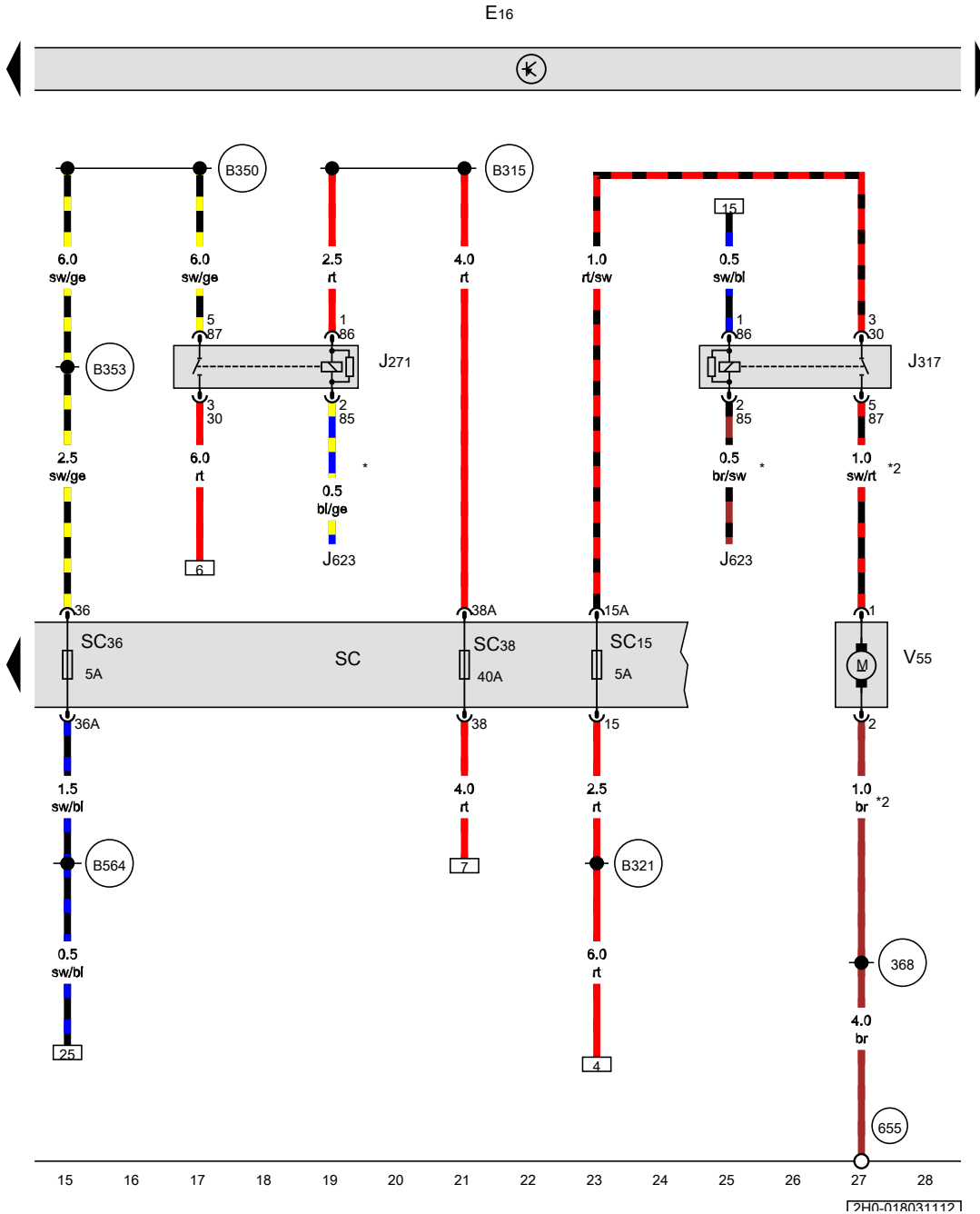
- A Battery
- D9 Electronic ignition lock
- E16 Heater/heat output switch
- J16 Current supply relay
- SA Fuse holder A
- SA3 Fuse 3 in fuse holder A
- SA6 Fuse 6 in fuse holder A
- SC Fuse holder C
- SC45 Fuse 45 on fuse holder C
- SC68 Fuse 68 on fuse holder C
- T5 5-pin connector, black
- T16g 16-pin connector, black
- T17b 17-pin connector, on left under dash panel, brown
- T17c 17-pin connector, on left under dash panel, black

- 1 Earth strap, battery - body
- A12 Positive connection (75a), in dash panel wiring harness
- B316 Positive connection 2 (30a) in main wiring harness
- B324 Positive connection 10 (30a) in main wiring harness
- B330 Positive connection 16 (30a) in main wiring harness
- B331 Positive connection 17 (30a) in main wiring harness
- B333 Positive connection 19 (30a) in main wiring harness
- B346 Connection 1 (75), in main wiring harness
- B347 Connection 2 (75), in main wiring harness
- B490 Connection 26, in main wiring harness

- ws = white
- sw = black
- ro = red
- br = brown
- gn = green
- bl = blue
- gr = grey
- li = purple
- ge = yellow
- or = orange
- rs = pink

ГЭН-0180211121

Heater/heat output switch, Fuse holder C, Circulation pump



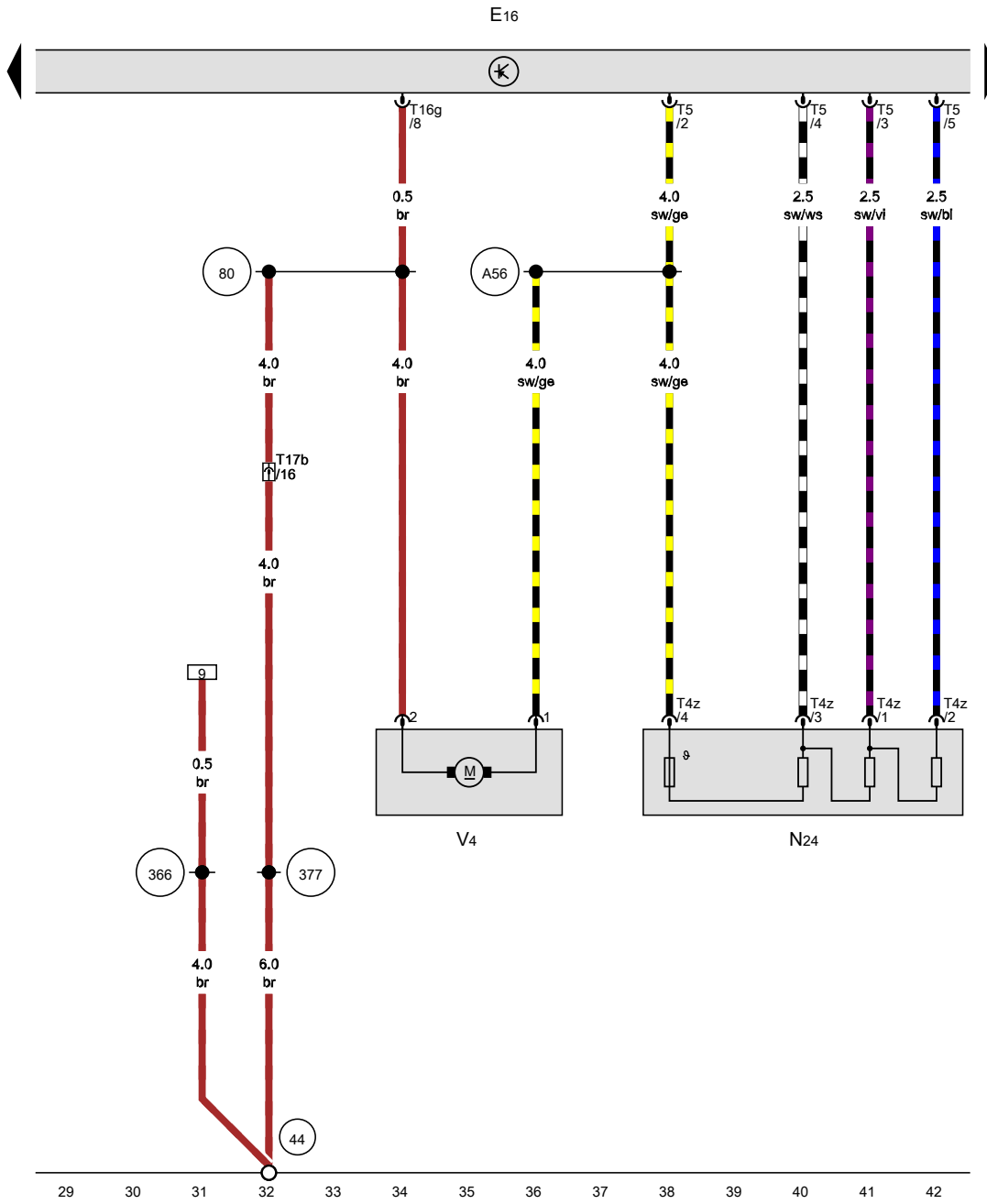
- E16 Heater/heat output switch
- J271 Main relay
- J317 Terminal 30 voltage supply relay
- J623 Engine control unit
- SC Fuse holder C
- SC15 Fuse 15 on fuse holder C
- SC36 Fuse 36 on fuse holder C
- SC38 Fuse 38 on fuse holder C
- V55 Circulation pump

- 368 Earth connection 3, in main wiring harness
- 655 Earth point, on left headlight
- B315 Positive connection 1 (30a) in main wiring harness
- B321 Positive connection 7 (30a) in main wiring harness
- B350 Positive connection 1 (87a) in main wiring harness
- B353 Positive connection 4 (87a) in main wiring harness
- B564 Connection 31, in main wiring harness

\* see applicable current flow diagram for engine  
 \*2 Only models with diesel engine

- ws = white
- sw = black
- ro = red
- br = brown
- gn = green
- bl = blue
- gr = grey
- li = purple
- ge = yellow
- or = orange
- rs = pink

1740-0180311121



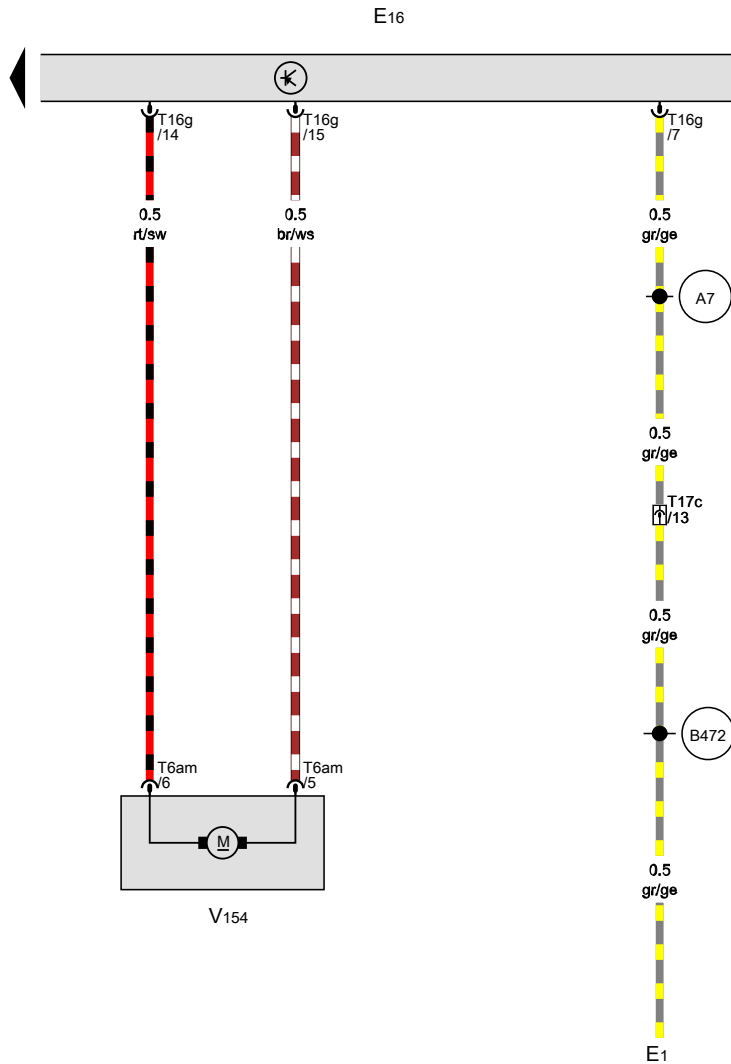
Heater/heat output switch, Fresh air blower series resistor with overheating fuse, Hot air blower

- E16 Heater/heat output switch
- N24 Fresh air blower series resistor with overheating fuse
- T4z 4-pin connector
- T5 5-pin connector, black
- T16g 16-pin connector, black
- T17b 17-pin connector, on left under dash panel, brown
- V4 Hot air blower

- 44 Earth point, lower part of left A-pillar
- 80 Earth connection 1, in dash panel wiring harness
- 366 Earth connection 1, in main wiring harness
- 377 Earth connection 12, in main wiring harness
- A56 Positive connection 2 (30), in dash panel wiring harness

- ws = white
- sw = black
- ro = red
- br = brown
- gn = green
- bl = blue
- gr = grey
- li = purple
- ge = yellow
- or = orange
- rs = pink

[290-018041117]



**Light switch, Heater/heat output switch, Fresh air and air recirculation flap control motor**

- E1 Light switch
- E16 Heater/heat output switch
- T6am 6-pin connector
- T16g 16-pin connector, black
- T17c 17-pin connector, on relay carrier, black
- V154 Fresh air and air recirculation flap control motor
- (A7) Positive connection (58 D1), in dash panel wiring harness
- (B472) Connection 8, in main wiring harness

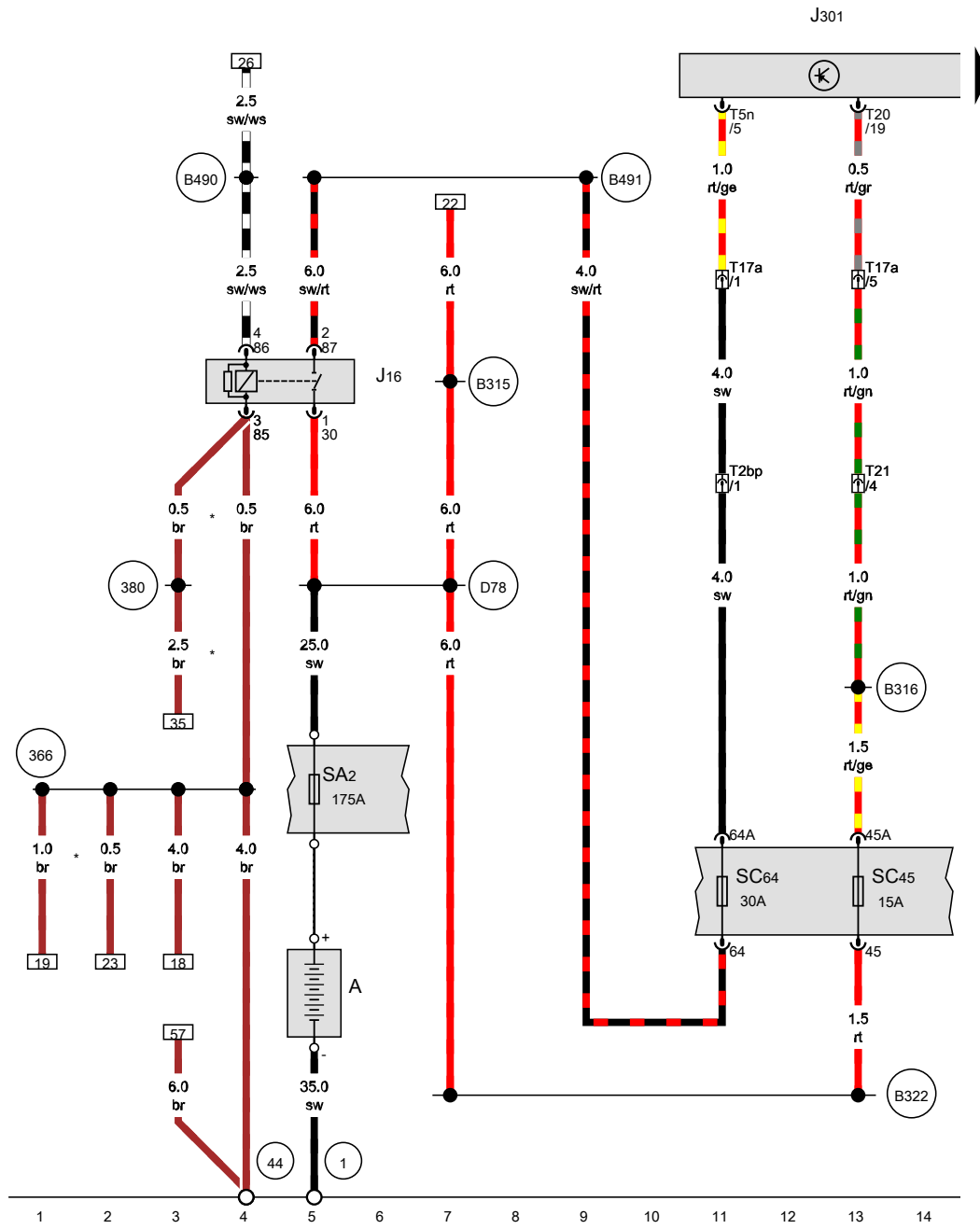
- ws = white
- sw = black
- ro = red
- br = brown
- gn = green
- bl = blue
- gr = grey
- li = purple
- ge = yellow
- or = orange
- rs = pink

43 44 45 46 47 48 49 50 51 52 53 54 55 56

[240-018051112]

**Climatic, right-hand drive**

From December 2009



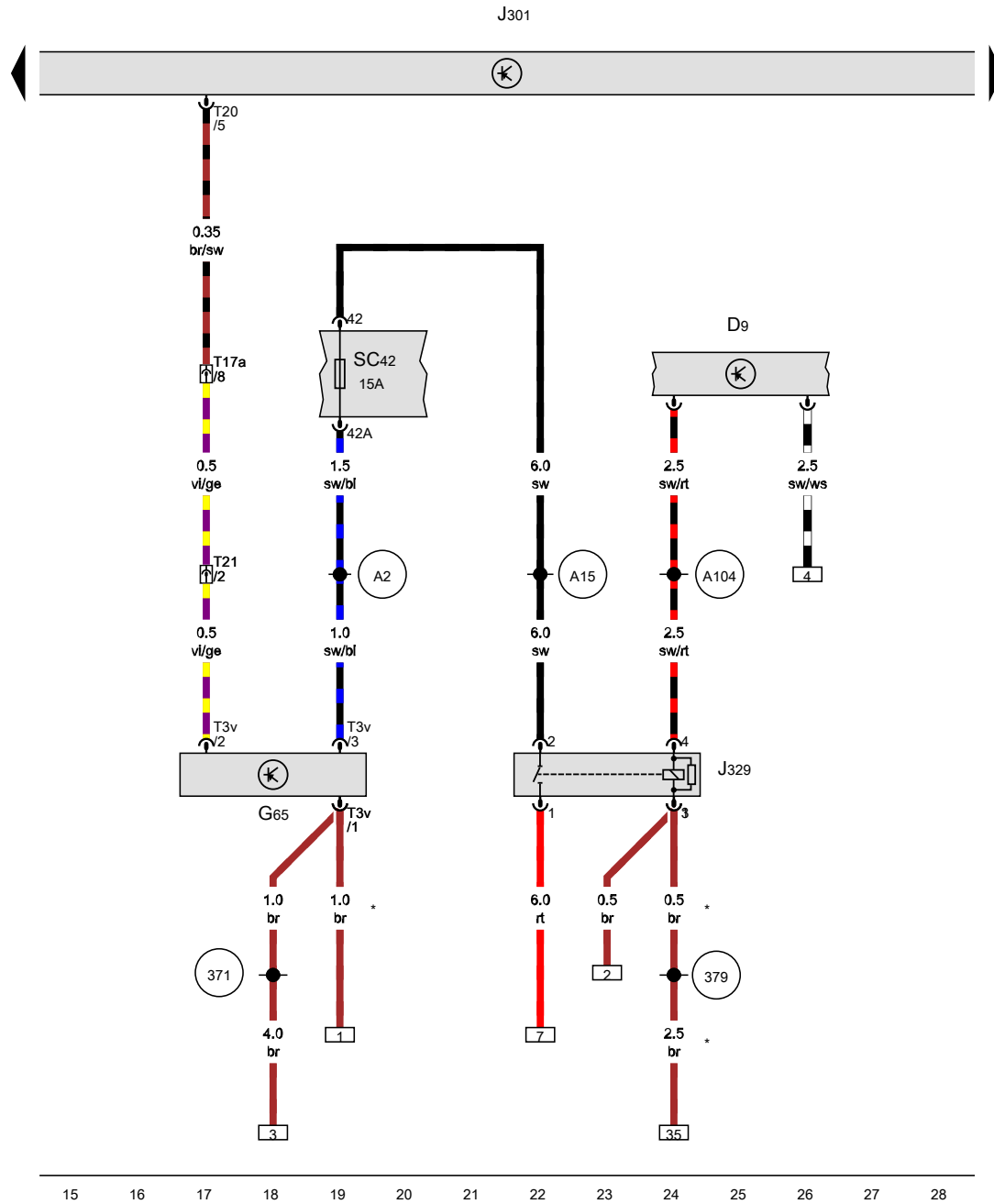
Battery, Current supply relay, Air conditioning system control unit, Fuse 2 in fuse holder A, Fuse 45 on fuse holder C, Fuse 64 on fuse holder C

- A Battery
- J16 Current supply relay
- J301 Air conditioning system control unit
- SA2 Fuse 2 in fuse holder A
- SC45 Fuse 45 on fuse holder C
- SC64 Fuse 64 on fuse holder C
- T2bp 2-pin connector
- T5n 5-pin connector
- T17a 17-pin connector, behind glove compartment
- T20 20-pin connector
- T21 21-pin connector, on relay carrier
- 1 Earth strap, battery - body
- 44 Earth point, lower part of left A-pillar
- 366 Earth connection 1, in main wiring harness
- 380 Earth connection 15, in main wiring harness
- B315 Positive connection 1 (30a) in main wiring harness
- B316 Positive connection 2 (30a) in main wiring harness
- B322 Positive connection 8 (30a) in main wiring harness
- B490 Connection 26, in main wiring harness
- B491 Positive connection (75), in interior wiring harness
- D78 Positive connection 1 (30a), in engine compartment wiring harness

- ws = white
- sw = black
- ro = red
- br = brown
- gn = green
- bl = blue
- gr = grey
- li = purple
- ge = yellow
- or = orange
- rs = pink

\* From November 2011

ГЭН-0190211121



Electronic ignition lock, High-pressure sender, Air conditioning system control unit, Terminal 15 voltage supply relay, Fuse 42 on fuse holder C

- D9 Electronic ignition lock
- G65 High-pressure sender
- J301 Air conditioning system control unit
- J329 Terminal 15 voltage supply relay
- SC42 Fuse 42 on fuse holder C
- T3v 3-pin connector
- T17a 17-pin connector
- T20 20-pin connector
- T21 21-pin connector

- 371 Earth connection 6, in main wiring harness
- 379 Earth connection 14, in main wiring harness
- A2 Positive connection (15), in dash panel wiring harness
- A15 Positive connection (15), in instrument wiring harness
- A104 Positive connection 2 (15), in dash panel wiring harness

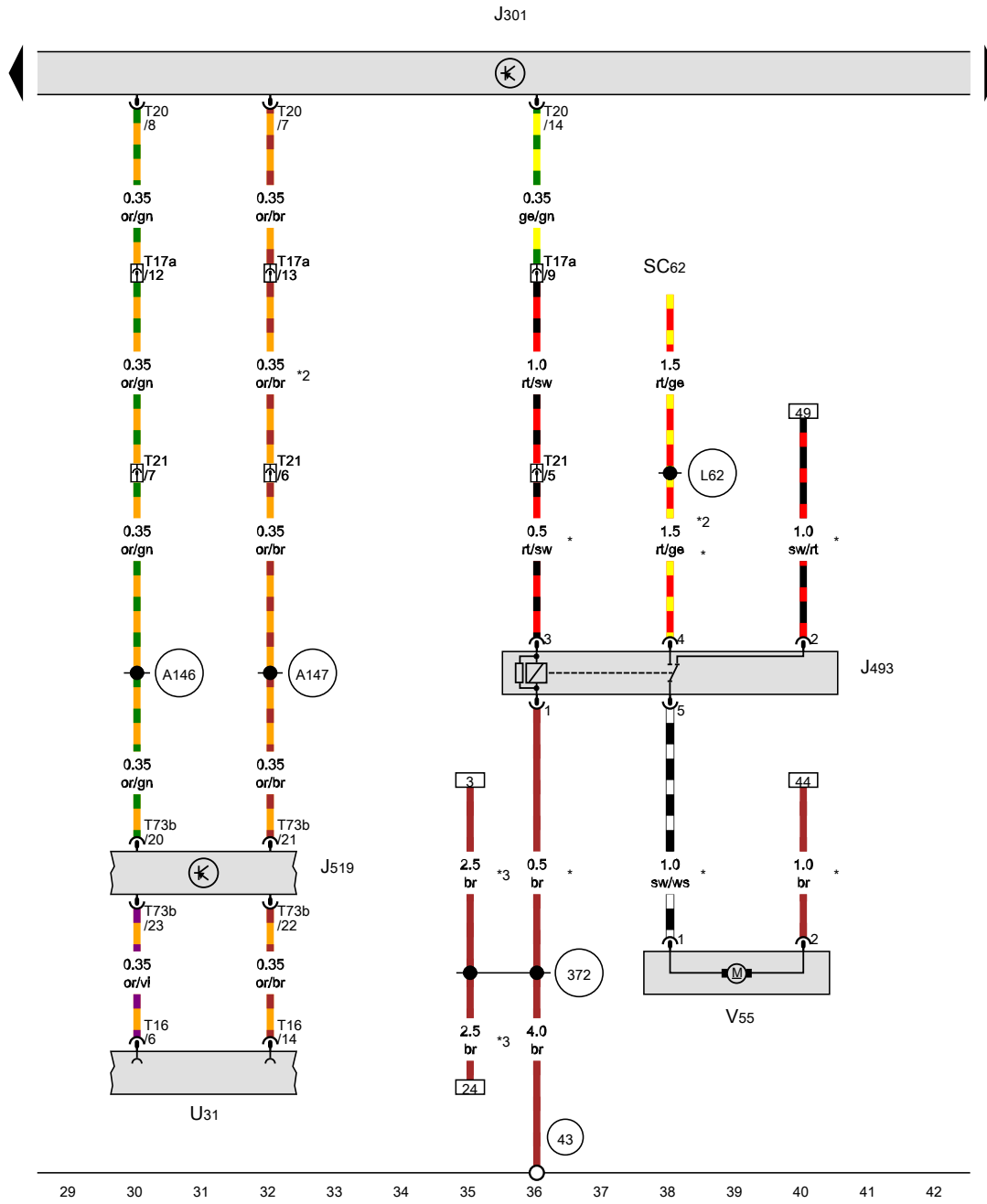
\* From November 2011

- ws = white
- sw = black
- ro = red
- br = brown
- gn = green
- bl = blue
- gr = grey
- li = purple
- ge = yellow
- or = orange
- rs = pink

15 16 17 18 19 20 21 22 23 24 25 26 27 28

12H0-0190311121





**Air conditioning system control unit, Auxiliary coolant heater relay, Diagnostic connection, Circulation pump**

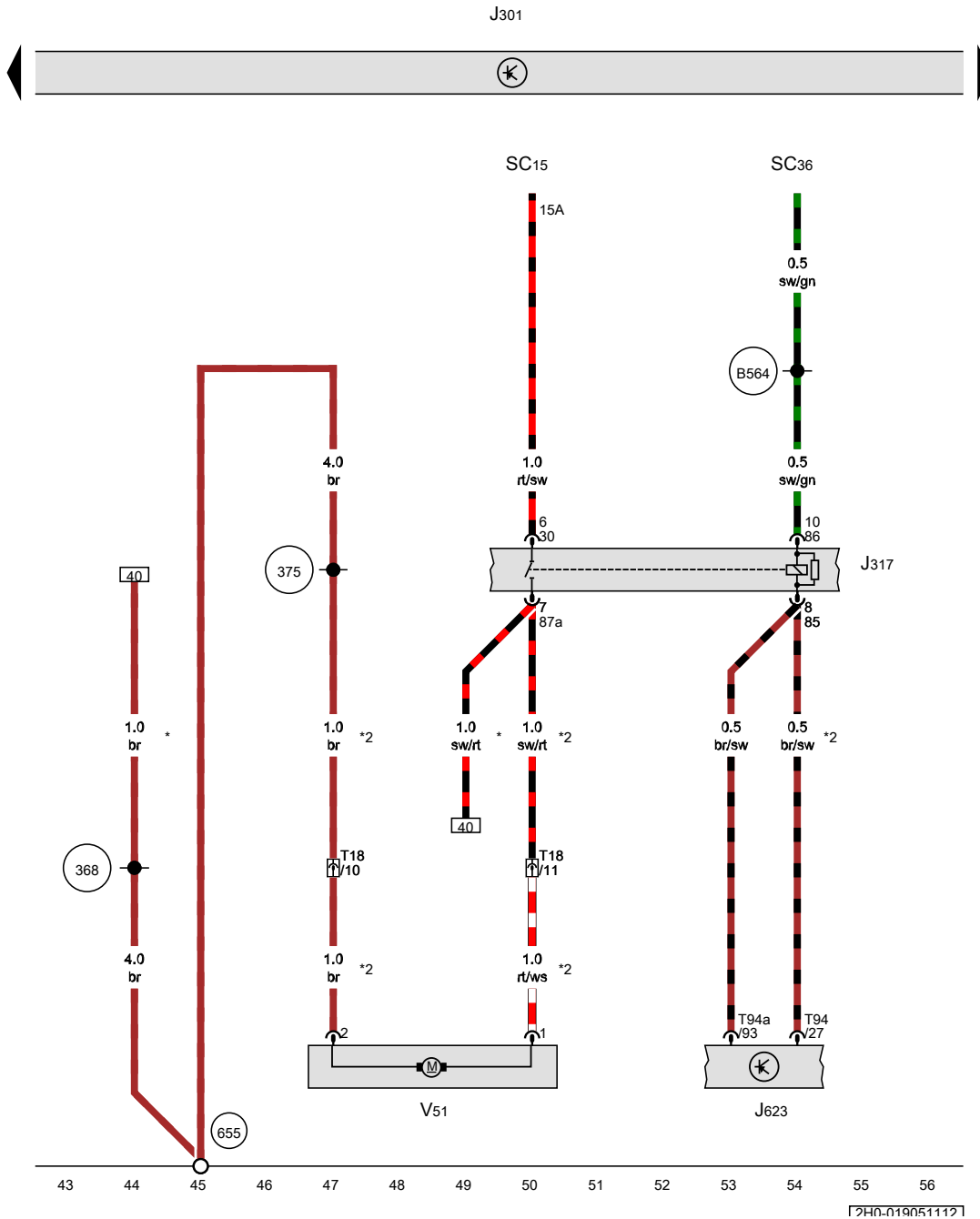
- J301 Air conditioning system control unit
- J493 Auxiliary coolant heater relay
- J519 Onboard supply control unit
- SC62 Fuse 62 on fuse holder C
- T16 16-pin connector
- T17a 17-pin connector, behind glove compartment
- T20 20-pin connector
- T21 21-pin connector, on relay carrier
- T73b 73-pin connector
- U31 Diagnostic connection, near driver side A-pillar
- V55 Circulation pump

- 43 Earth point, lower part of right A-pillar
- 372 Earth connection 7, in main wiring harness
- A146 Connection (convenience CAN bus, high), in dash panel wiring harness
- A147 Connection (convenience CAN bus, low), in dash panel wiring harness
- L62 Positive connection (30a), in auxiliary heater wiring harness

- \* Only models with diesel engine
- \*2 Only models with auxiliary coolant heater
- \*3 From November 2011

- ws = white
- sw = black
- ro = red
- br = brown
- gn = green
- bl = blue
- gr = grey
- li = purple
- ge = yellow
- or = orange
- rs = pink

7PH0-0190411171



**Air conditioning system control unit, Terminal 30 voltage supply relay, Continued coolant circulation pump**

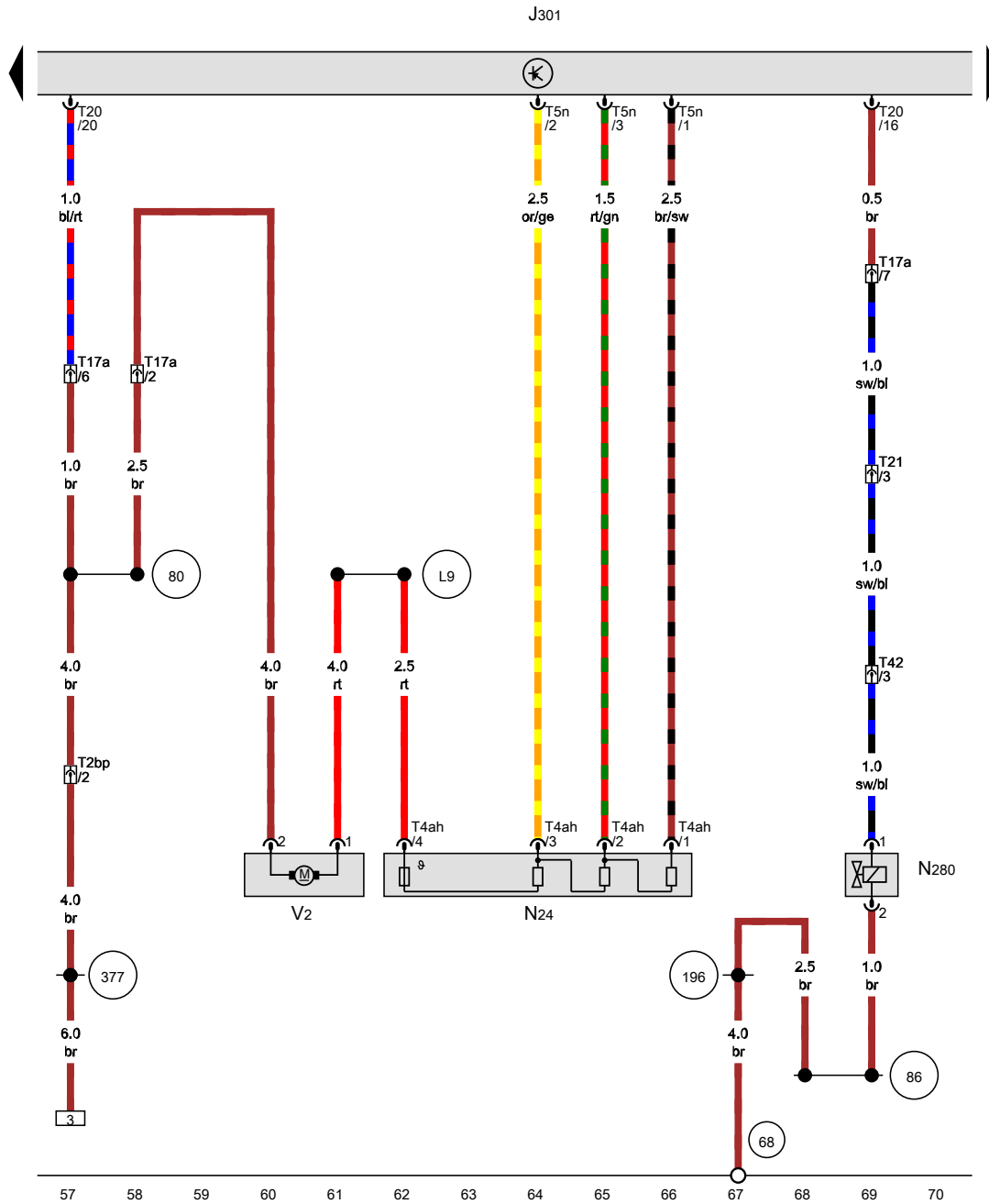
- J301 Air conditioning system control unit
- J317 Terminal 30 voltage supply relay
- J623 Engine control unit
- SC15 Fuse 15 on fuse holder C
- SC36 Fuse 36 on fuse holder C
- T18 18-pin connector, near engine control unit
- T94 94-pin connector
- T94a 94-pin connector
- V51 Continued coolant circulation pump

- 368 Earth connection 3, in main wiring harness
- 375 Earth connection 10, in main wiring harness
- 655 Earth point, on left headlight
- B564 Connection 31, in main wiring harness

- \* Only models with diesel engine
- \*2 Only models with petrol engine

- ws = white
- sw = black
- ro = red
- br = brown
- gn = green
- bl = blue
- gr = grey
- li = purple
- ge = yellow
- or = orange
- rs = pink

7PH0-019051117



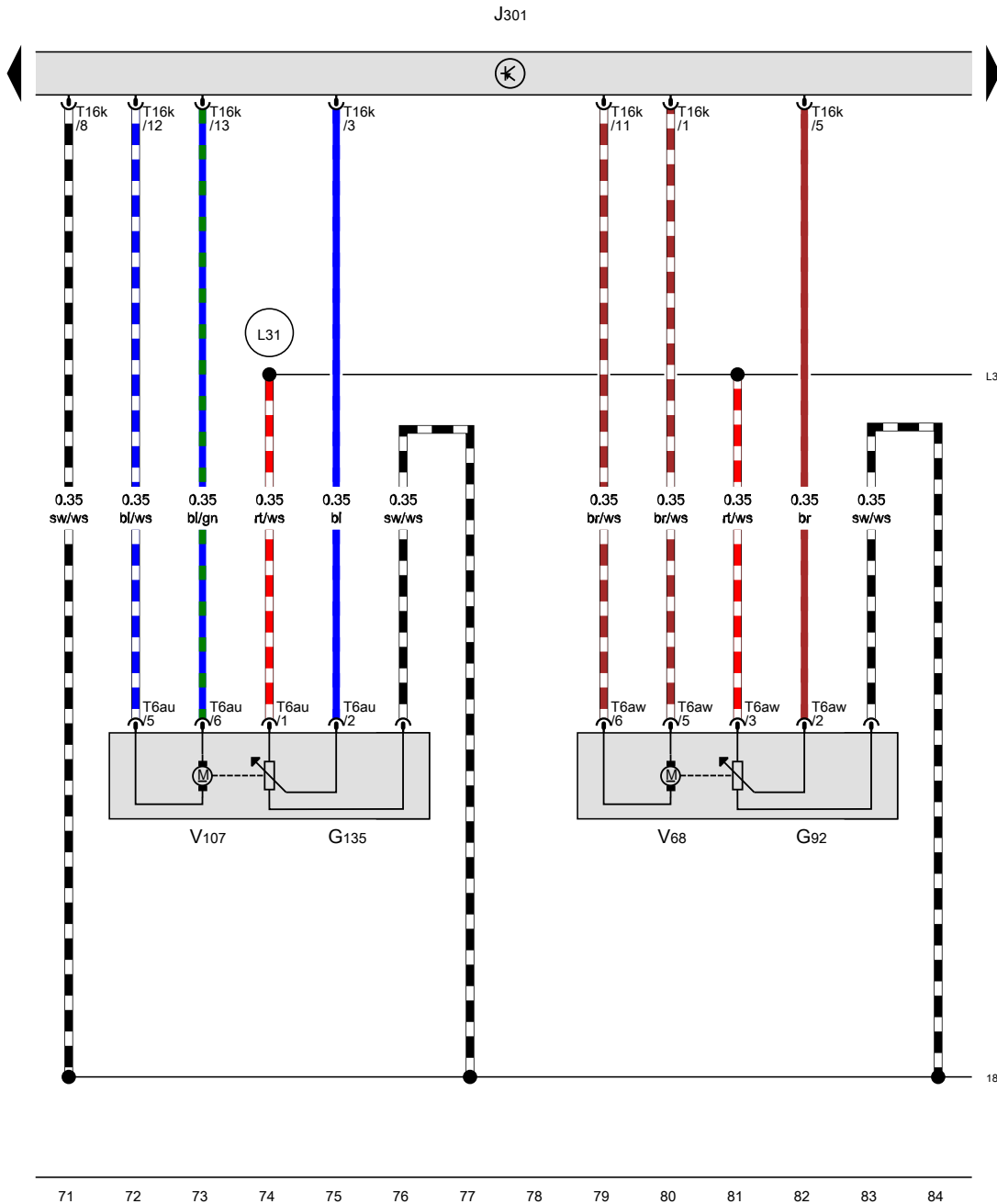
**Air conditioning system control unit, Fresh air blower series resistor with overheating fuse, Air conditioner compressor regulating valve, Fresh air blower**

- J301 Air conditioning system control unit
- N24 Fresh air blower series resistor with overheating fuse
- N280 Air conditioner compressor regulating valve
- T2bp 2-pin connector
- T4ah 4-pin connector
- T5n 5-pin connector
- T17a 17-pin connector
- T20 20-pin connector
- T21 21-pin connector, on relay carrier
- T42 42-pin connector, near handbrake lever
- V2 Fresh air blower

- (68) Earth point, on left of rear cross member
- (80) Earth connection 1, in dash panel wiring harness
- (86) Earth connection 1, in rear wiring harness
- (196) Earth connection 3, in rear wiring harness
- (377) Earth connection 12, in main wiring harness
- (L9) Connection 1, in air conditioning system wiring harness


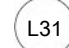
- ws = white
- sw = black
- ro = red
- br = brown
- gn = green
- bl = blue
- gr = grey
- li = purple
- ge = yellow
- or = orange
- rs = pink

[7HD-019061117]



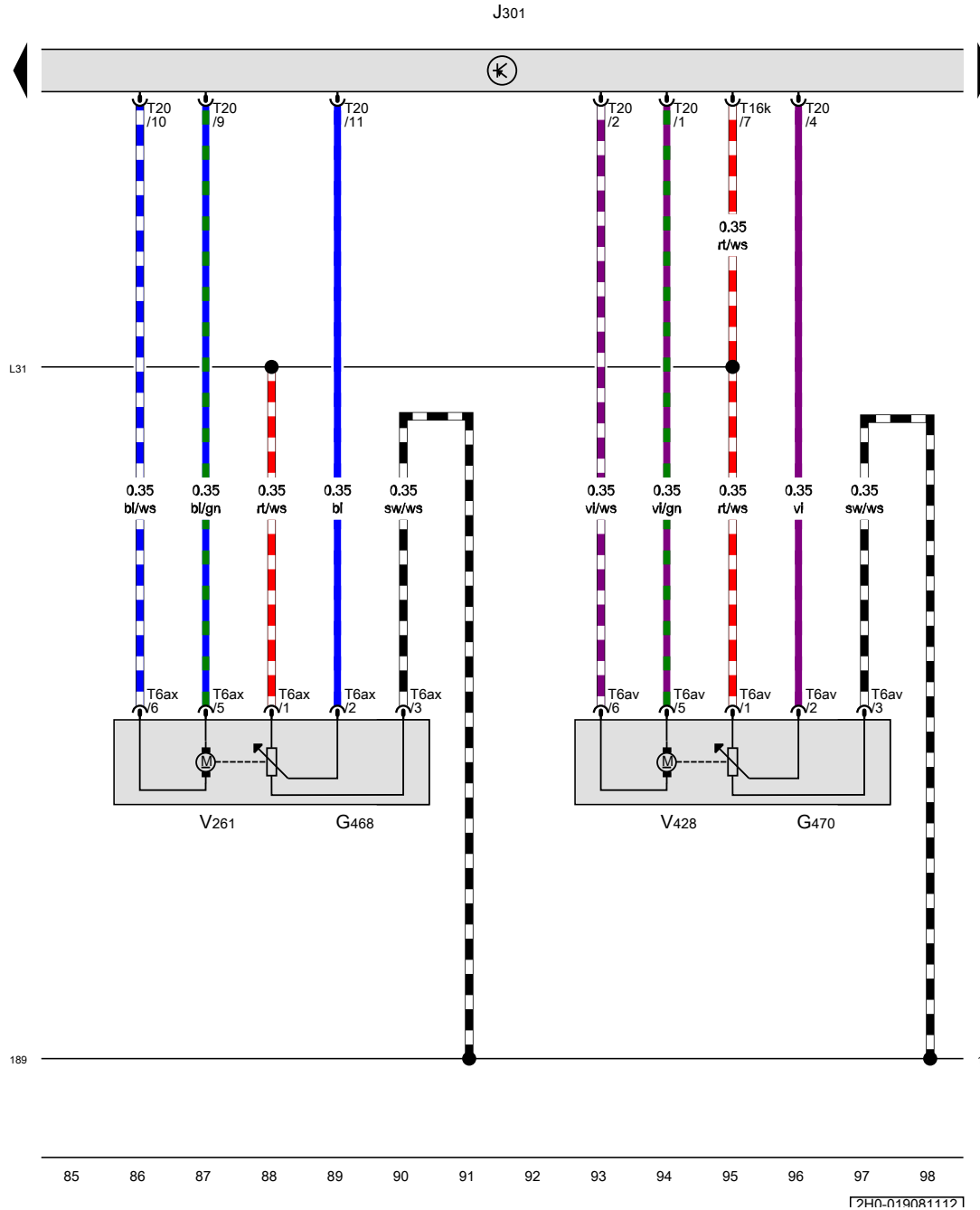
Potentiometer for temperature flap control motor,  
 Potentiometer for defroster flap control motor, Air  
 conditioning system control unit, Temperature flap control  
 motor, Defroster flap control motor

- G92 Potentiometer for temperature flap control motor
- G135 Potentiometer for defroster flap control motor
- J301 Air conditioning system control unit
- T6au 6-pin connector
- T6aw 6-pin connector
- T16k 16-pin connector
- V68 Temperature flap control motor
- V107 Defroster flap control motor

-  189 Earth connection 1, in heater wiring harness
-  L31 Connection (5V), in air conditioning system wiring harness

- ws = white
- sw = black
- ro = red
- br = brown
- gn = green
- bl = blue
- gr = grey
- li = purple
- ge = yellow
- or = orange
- rs = pink

[240-019071112]

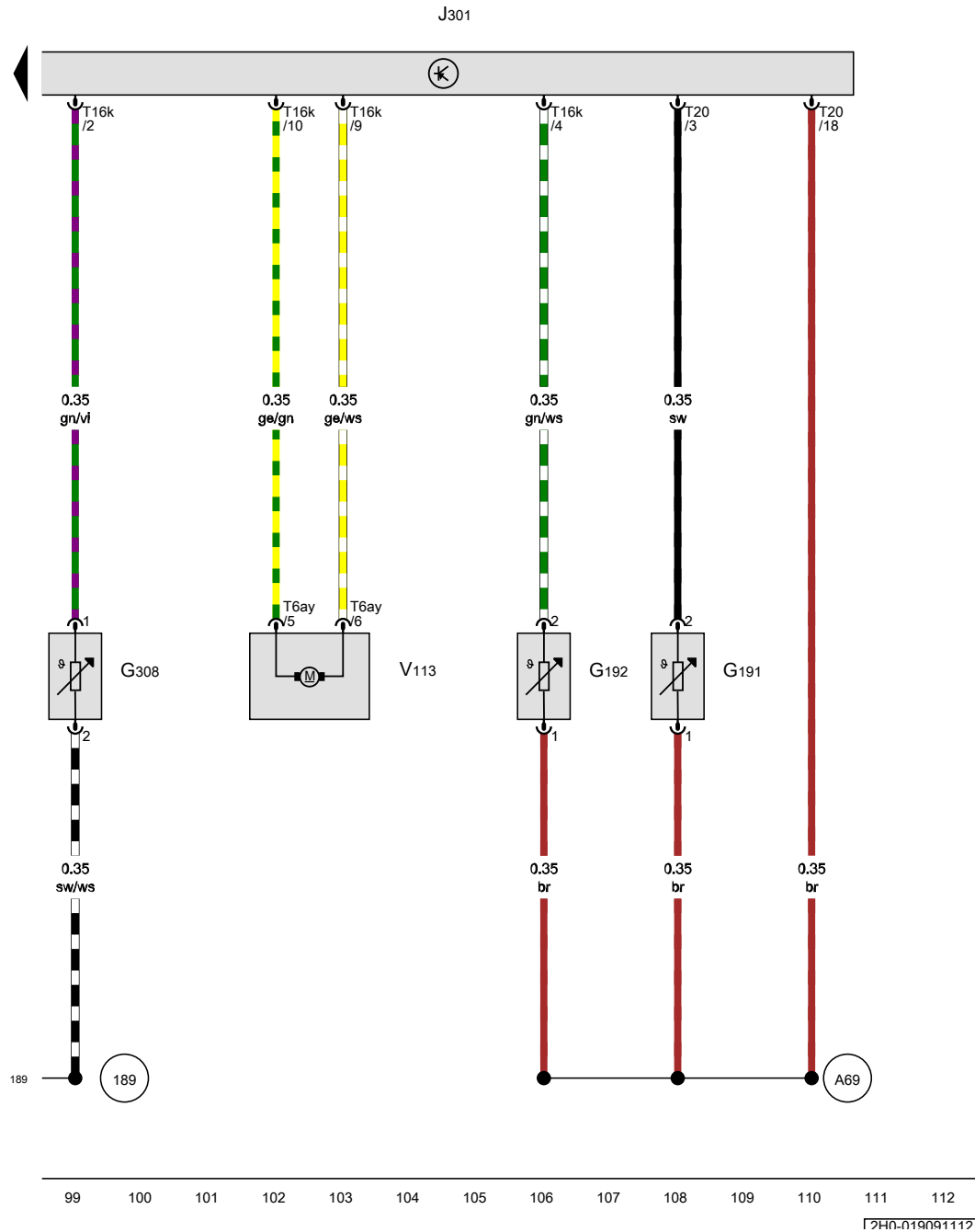


Potentiometer for footwell vent control motor, Potentiometer for front air distribution control motor, Air conditioning system control unit, Footwell flap control motor, Air distribution flap control motor

- G468 Potentiometer for footwell vent control motor
- G470 Potentiometer for front air distribution control motor
- J301 Air conditioning system control unit
- T6av 6-pin connector
- T6ax 6-pin connector
- T16k 16-pin connector
- T20 20-pin connector
- V261 Footwell flap control motor
- V428 Air distribution flap control motor

- 189 Earth connection 1, in heater wiring harness
- L31 Connection (5V), in air conditioning system wiring harness

- ws = white
- sw = black
- ro = red
- br = brown
- gn = green
- bl = blue
- gr = grey
- li = purple
- ge = yellow
- or = orange
- rs = pink



Centre vent temperature sender, Footwell vent temperature sender, Evaporator temperature sensor, Air conditioning system control unit, Air recirculation flap control motor

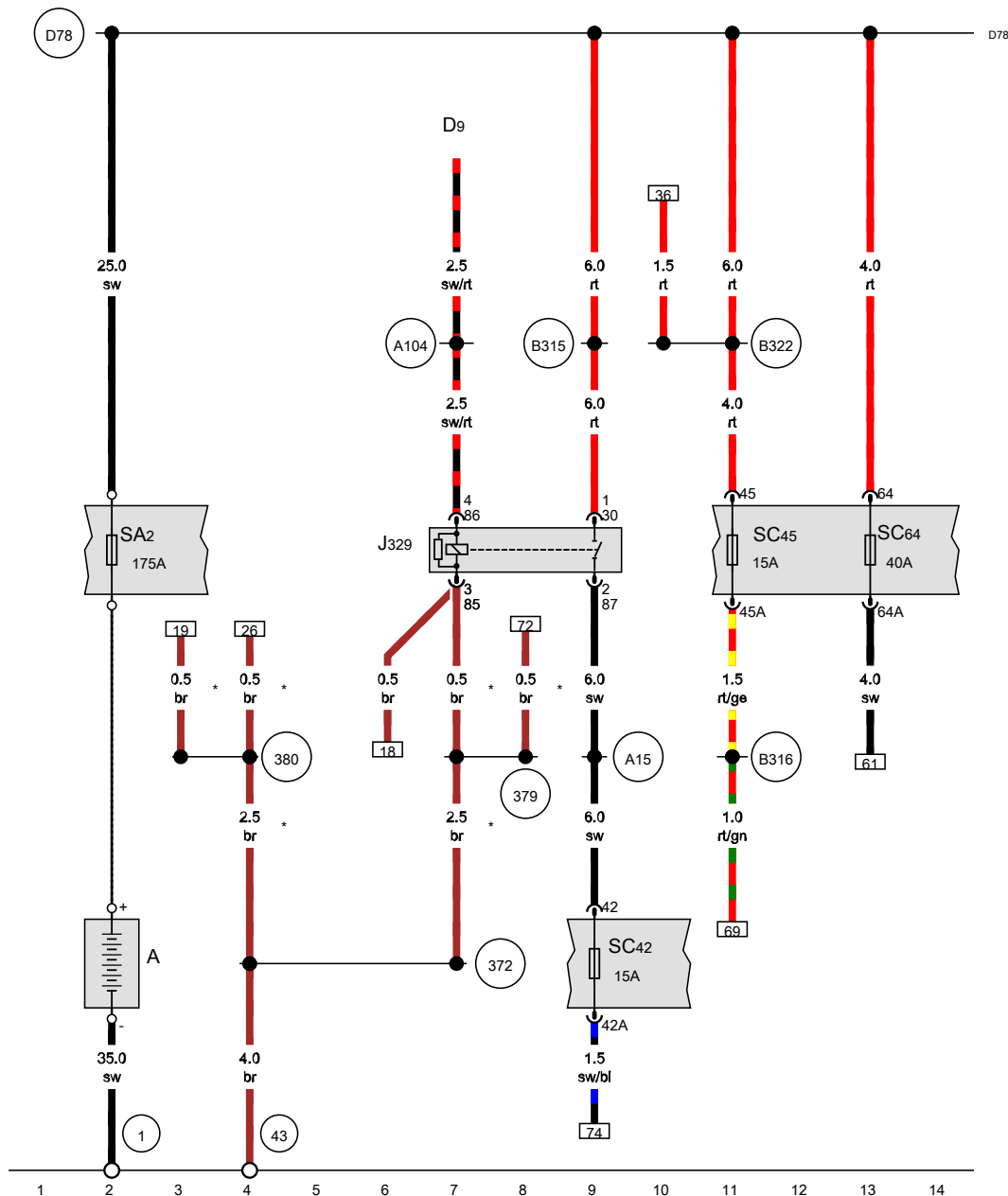
- G191 Centre vent temperature sender
- G192 Footwell vent temperature sender
- G308 Evaporator temperature sensor
- J301 Air conditioning system control unit
- T6ay 6-pin connector
- T16k 16-pin connector
- T20 20-pin connector
- V113 Air recirculation flap control motor

- 189 Earth connection 1, in heater wiring harness
- A69 Connection (31, air conditioning system/blower control), in dash panel wiring harness

**Climatronic, right-hand drive**

From December 2009

Battery, Fuse 2 in fuse holder A, Fuse 42 on fuse holder C, Fuse 45 on fuse holder C, Fuse 64 on fuse holder C



- A Battery
- D9 Electronic ignition lock
- J329 Terminal 15 voltage supply relay
- SA2 Fuse 2 in fuse holder A
- SC42 Fuse 42 on fuse holder C
- SC45 Fuse 45 on fuse holder C
- SC64 Fuse 64 on fuse holder C
- 1 Earth strap, battery - body
- 43 Earth point, lower part of right A-pillar
- 372 Earth connection 7, in main wiring harness
- 379 Earth connection 14, in main wiring harness
- 380 Earth connection 15, in main wiring harness
- A15 Positive connection (15), in instrument wiring harness
- A104 Positive connection 2 (15), in dash panel wiring harness
- B315 Positive connection 1 (30a) in main wiring harness
- B316 Positive connection 2 (30a) in main wiring harness
- B322 Positive connection 8 (30a) in main wiring harness
- D78 Positive connection 1 (30a), in engine compartment wiring harness
- \* From November 2011

- ws = white
- sw = black
- ro = red
- br = brown
- gn = green
- bl = blue
- gr = grey
- li = purple
- ge = yellow
- or = orange
- rs = pink

1740-0200211121

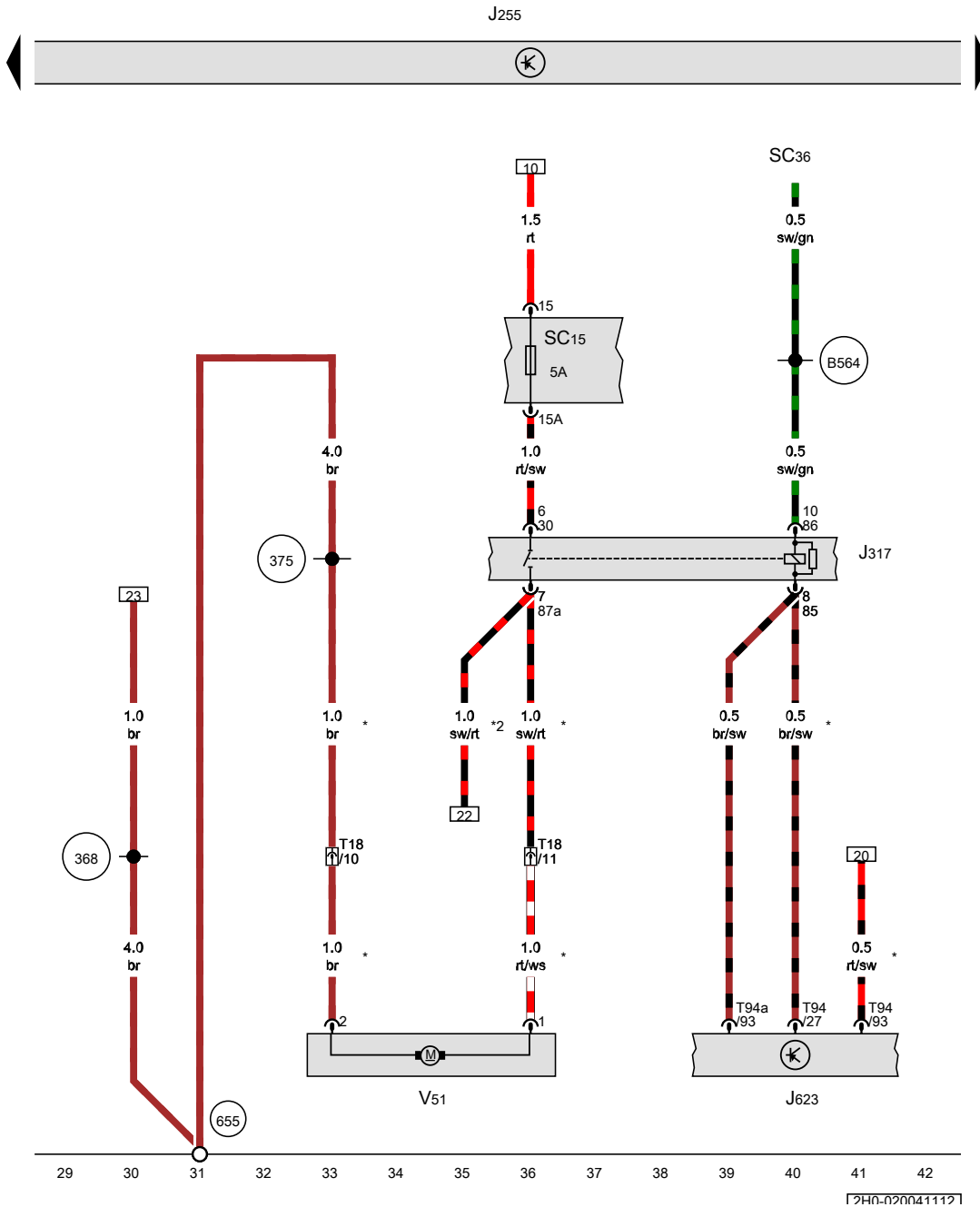




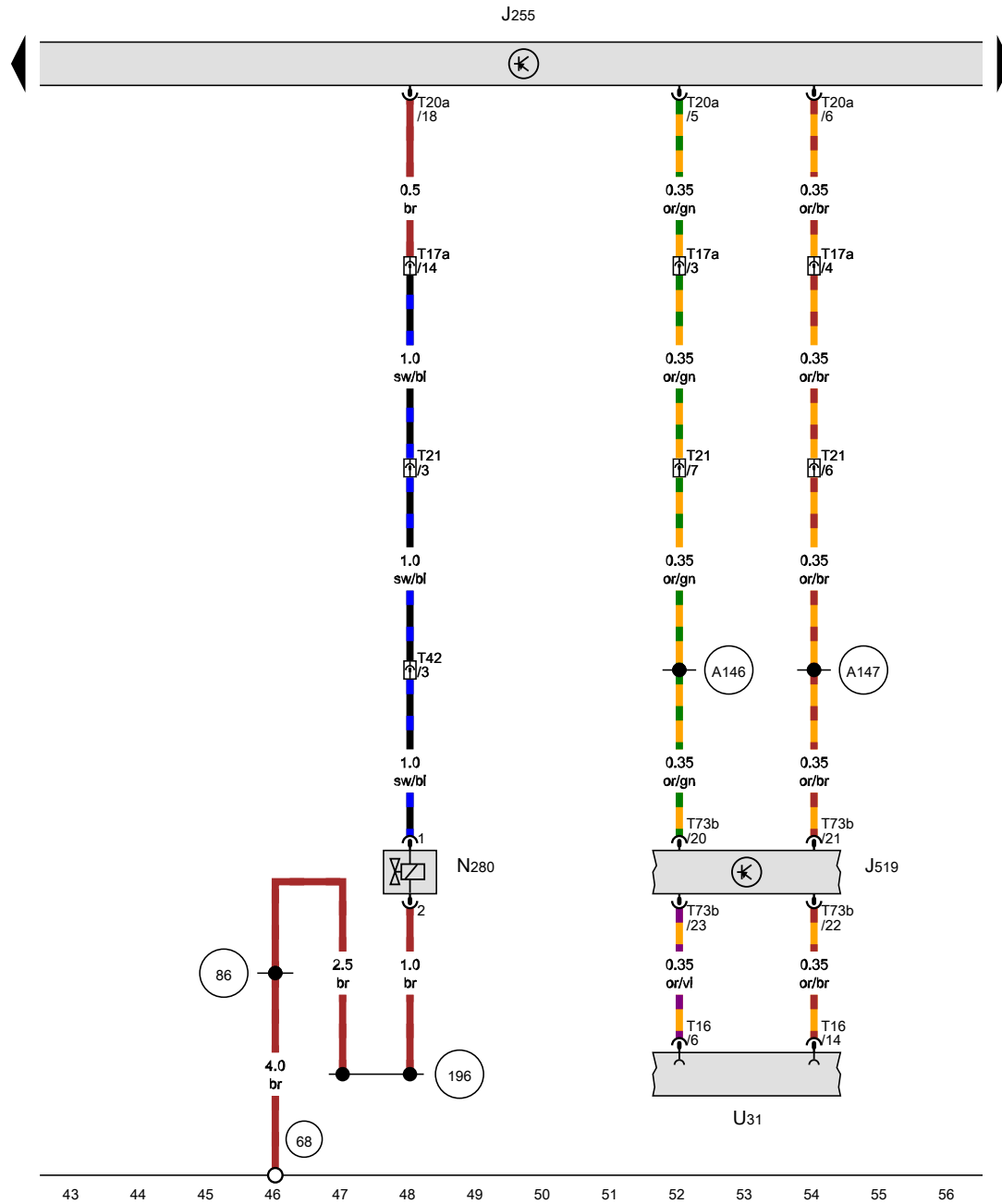
**Climatronic control unit, Terminal 30 voltage supply relay, Continued coolant circulation pump**

- J255 Climatronic control unit
- J317 Terminal 30 voltage supply relay
- J623 Engine control unit
- SC15 Fuse 15 on fuse holder C
- SC36 Fuse 36 on fuse holder C
- T18 18-pin connector, near engine control unit
- T94 94-pin connector
- T94a 94-pin connector
- V51 Continued coolant circulation pump

- 368 Earth connection 3, in main wiring harness
  - 375 Earth connection 10, in main wiring harness
  - 655 Earth point, on left headlight
  - B564 Connection 31, in main wiring harness
- \* Only models with petrol engine  
\*2 Only models with diesel engine



- ws = white
- sw = black
- ro = red
- br = brown
- gn = green
- bl = blue
- gr = grey
- li = purple
- ge = yellow
- or = orange
- rs = pink



**Climatronic control unit, Air conditioner compressor regulating valve, Diagnostic connection**

- J255 Climatronic control unit
- J519 Onboard supply control unit
- N280 Air conditioner compressor regulating valve
- T16 16-pin connector
- T17a 17-pin connector, behind glove compartment
- T20a 20-pin connector
- T21 21-pin connector, on relay carrier
- T42 42-pin connector, near handbrake lever
- T73b 73-pin connector
- U31 Diagnostic connection, near driver side A-pillar

- 86 Earth point, on left of rear cross member
- 86 Earth connection 1, in rear wiring harness
- 196 Earth connection 3, in rear wiring harness
- A146 Connection (convenience CAN bus, high), in dash panel wiring harness
- A147 Connection (convenience CAN bus, low), in dash panel wiring harness

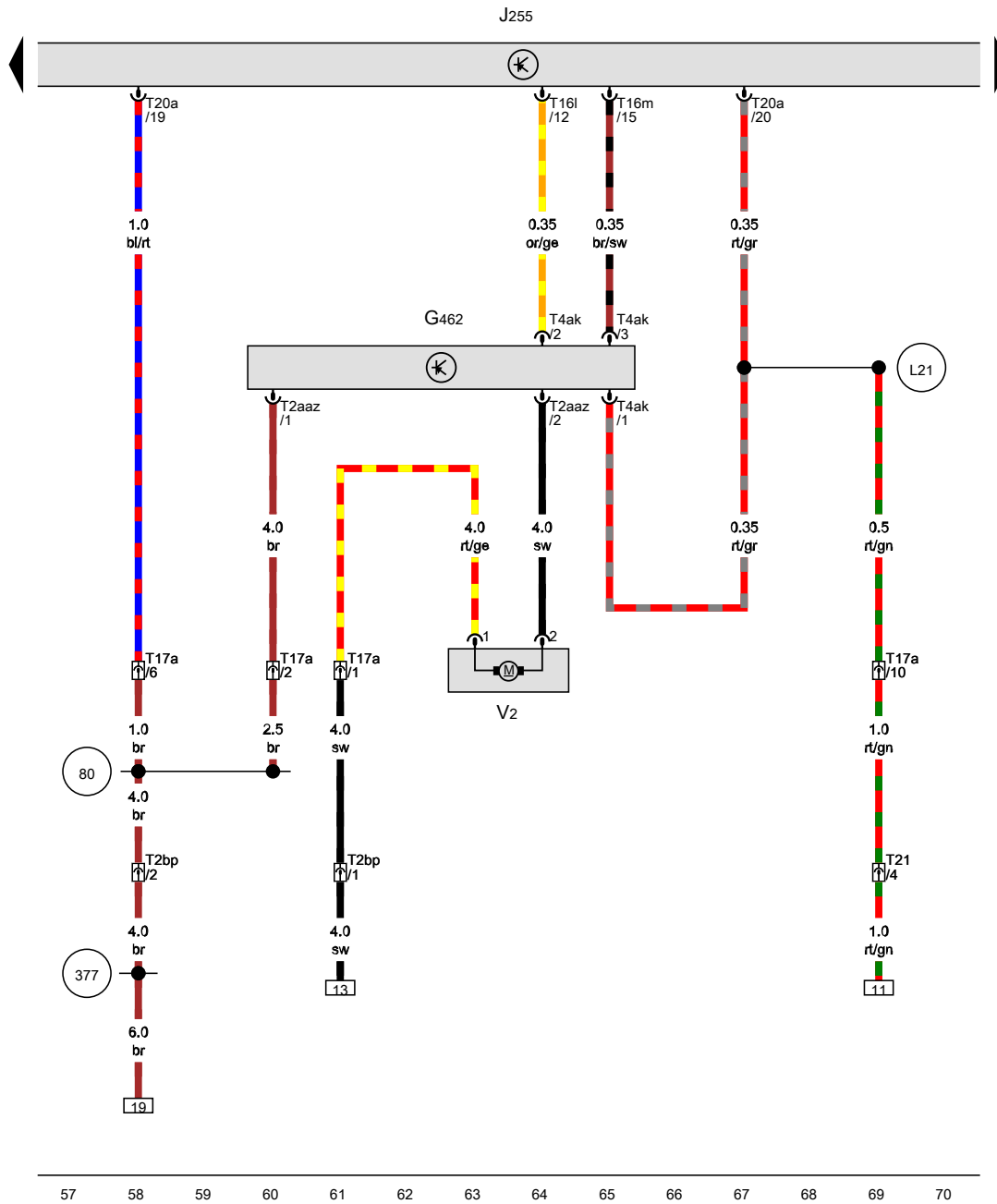
- ws = white
- sw = black
- ro = red
- br = brown
- gn = green
- bl = blue
- gr = grey
- li = purple
- ge = yellow
- or = orange
- rs = pink

ГЭН-0200511121

Sender for front Bitron blower regulation, Climatronic control unit, Fresh air blower

- G462 Sender for front Bitron blower regulation
- J255 Climatronic control unit
- T2aaz 2-pin connector
- T2bp 2-pin connector
- T4ak 4-pin connector
- T16l 16-pin connector
- T16m 16-pin connector
- T17a 17-pin connector, behind glove compartment
- T20a 20-pin connector
- T21 21-pin connector, on relay carrier
- V2 Fresh air blower

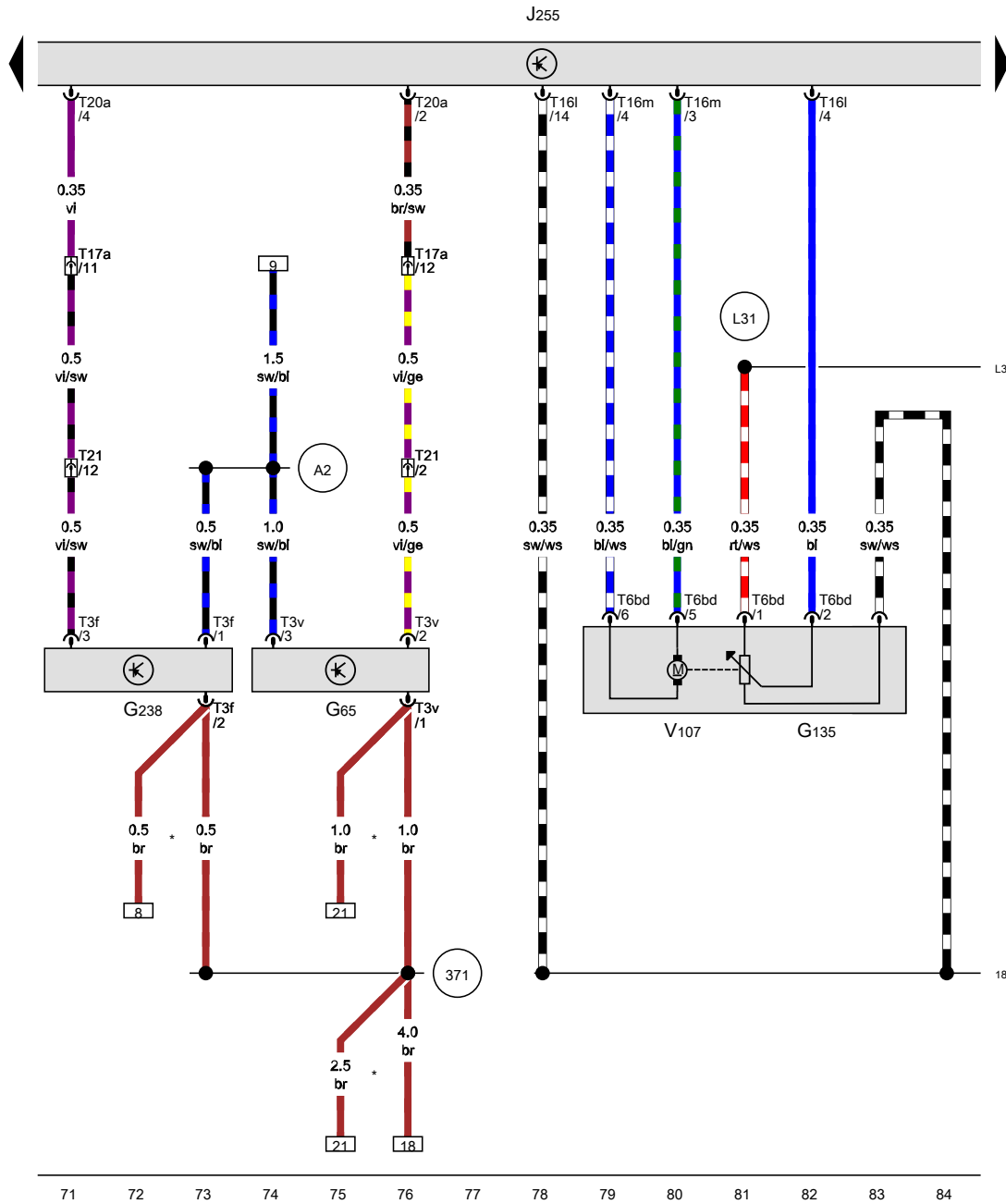
- 80 Earth connection 1, in dash panel wiring harness
- 377 Earth connection 12, in main wiring harness
- L21 Connection 1 (30), in Climatronic operating unit wiring harness



- ws = white
- sw = black
- ro = red
- br = brown
- gn = green
- bl = blue
- gr = grey
- li = purple
- ge = yellow
- or = orange
- rs = pink

57 58 59 60 61 62 63 64 65 66 67 68 69 70

7H0-0200611121



**High-pressure sender, Potentiometer for defroster flap control motor, Air quality sensor, Climatronic control unit, Defroster flap control motor**

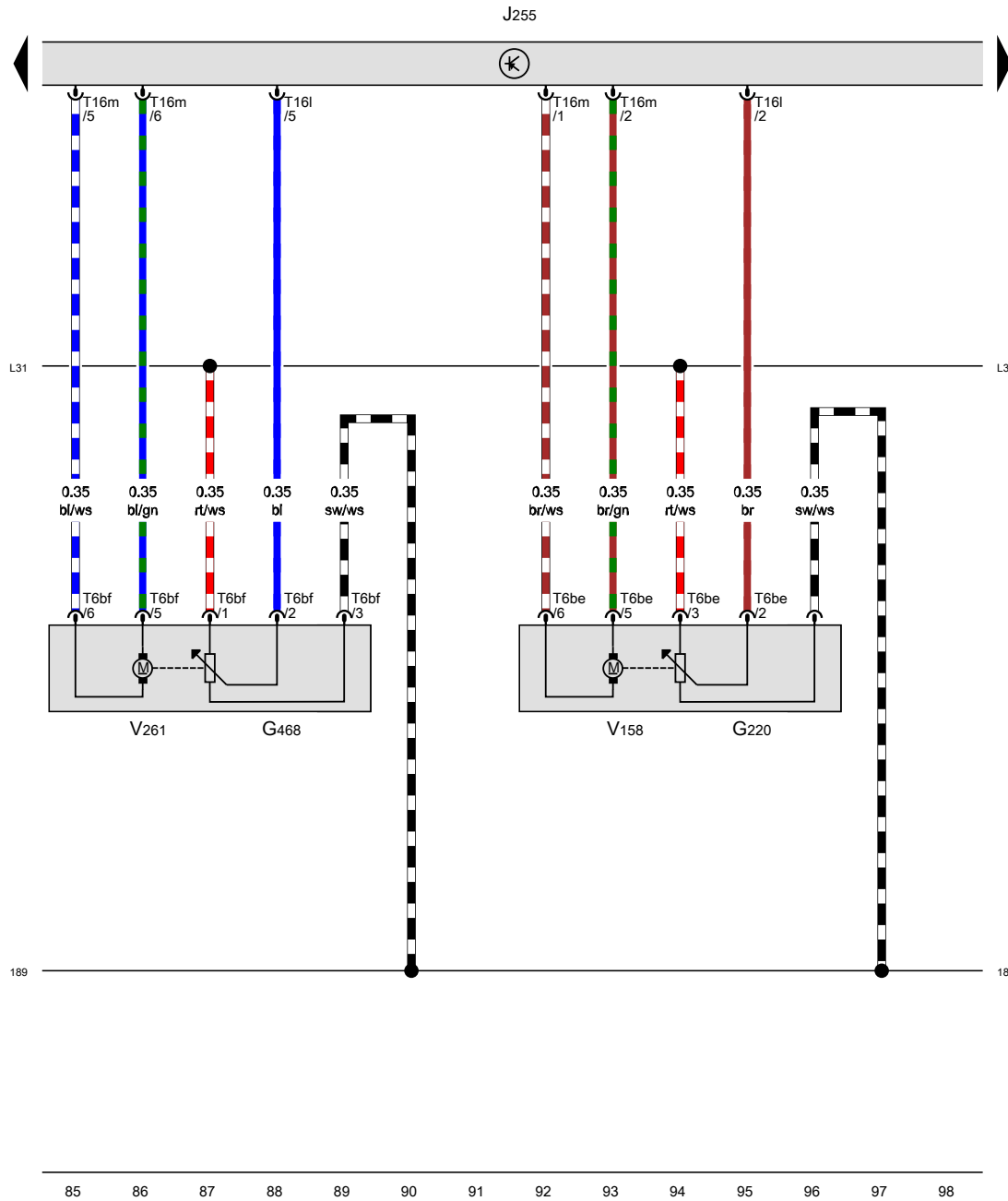
- G65 High-pressure sender
- G135 Potentiometer for defroster flap control motor
- G238 Air quality sensor, near window wiper motor
- J255 Climatronic control unit
- T3f 3-pin connector
- T3v 3-pin connector
- T6bd 6-pin connector
- T16l 16-pin connector
- T16m 16-pin connector
- T17a 17-pin connector, behind glove compartment
- T20a 20-pin connector
- T21 21-pin connector, on relay carrier
- V107 Defroster flap control motor

- 189 Earth connection 1, in heater wiring harness
- 371 Earth connection 6, in main wiring harness
- A2 Positive connection (15), in dash panel wiring harness
- L31 Connection (5V), in air conditioning system wiring harness

\* From November 2011



- ws = white
- sw = black
- ro = red
- br = brown
- gn = green
- bl = blue
- gr = grey
- li = purple
- ge = yellow
- or = orange
- rs = pink

12H0-0200711121



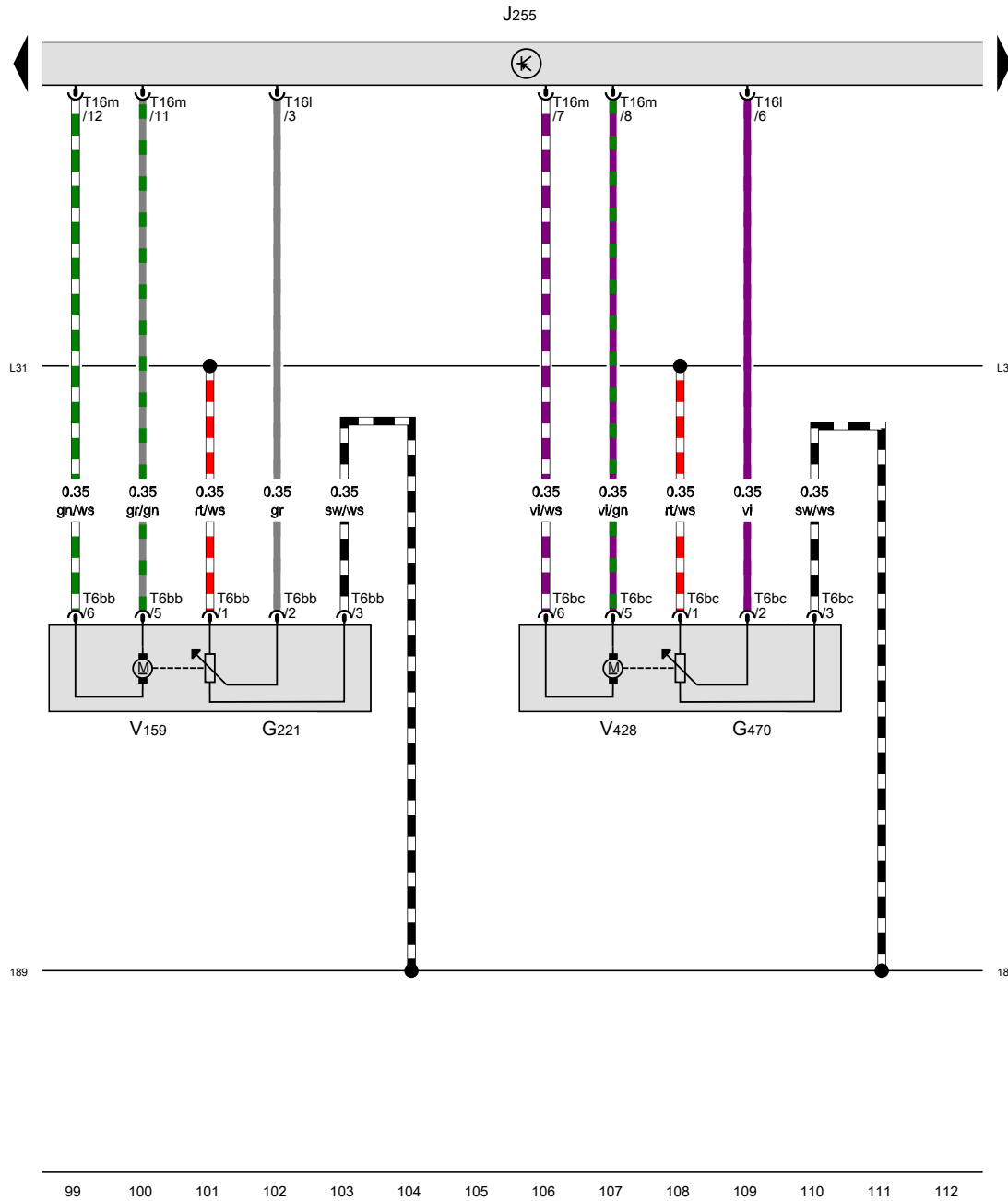
Potentiometer for left temperature flap control motor, Potentiometer for footwell vent control motor, Climatronic control unit, Left temperature flap control motor, Footwell flap control motor

- G220 Potentiometer for left temperature flap control motor
- G468 Potentiometer for footwell vent control motor
- J255 Climatronic control unit
- T6be 6-pin connector
- T6bf 6-pin connector
- T16l 16-pin connector
- T16m 16-pin connector
- V158 Left temperature flap control motor
- V261 Footwell flap control motor

-  189 Earth connection 1, in heater wiring harness
-  L31 Connection (5V), in air conditioning system wiring harness



- ws = white
- sw = black
- ro = red
- br = brown
- gn = green
- bl = blue
- gr = grey
- li = purple
- ge = yellow
- or = orange
- rs = pink

[240-020081112]



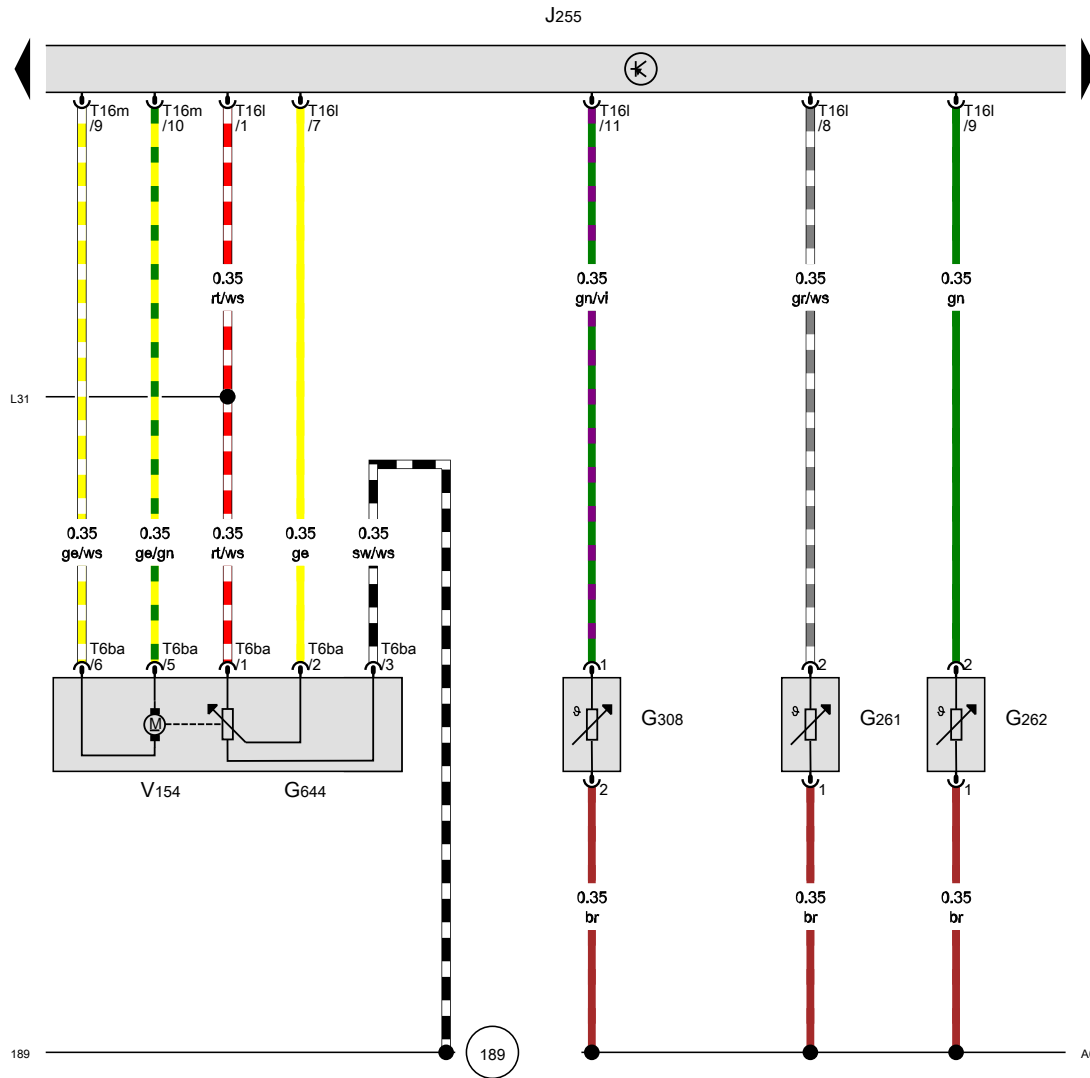
Potentiometer for right temperature flap control motor,  
 Potentiometer for front air distribution control motor,  
 Climatronic control unit, Right temperature flap control  
 motor, Air distribution flap control motor

- G221 Potentiometer for right temperature flap control motor
- G470 Potentiometer for front air distribution control motor
- J255 Climatronic control unit
- T6bb 6-pin connector
- T6bc 6-pin connector
- T16l 16-pin connector
- T16m 16-pin connector
- V159 Right temperature flap control motor
- V428 Air distribution flap control motor

-  189 Earth connection 1, in heater wiring harness
-  L31 Connection (5V), in air conditioning system wiring harness

- ws = white
- sw = black
- ro = red
- br = brown
- gn = green
- bl = blue
- gr = grey
- li = purple
- ge = yellow
- or = orange
- rs = pink

12H0-0200911121



Left footwell vent temperature sender, Right footwell vent temperature sender, Evaporator temperature sensor, Potentiometer for fresh air/recirculated air, air flow flap control motor, Climatronic control unit, Fresh air and air recirculation flap control motor

- G261 Left footwell vent temperature sender
- G262 Right footwell vent temperature sender
- G308 Evaporator temperature sensor
- G644 Potentiometer for fresh air/recirculated air, air flow flap control motor
- J255 Climatronic control unit
- T6ba 6-pin connector
- T16l 16-pin connector
- T16m 16-pin connector
- V154 Fresh air and air recirculation flap control motor

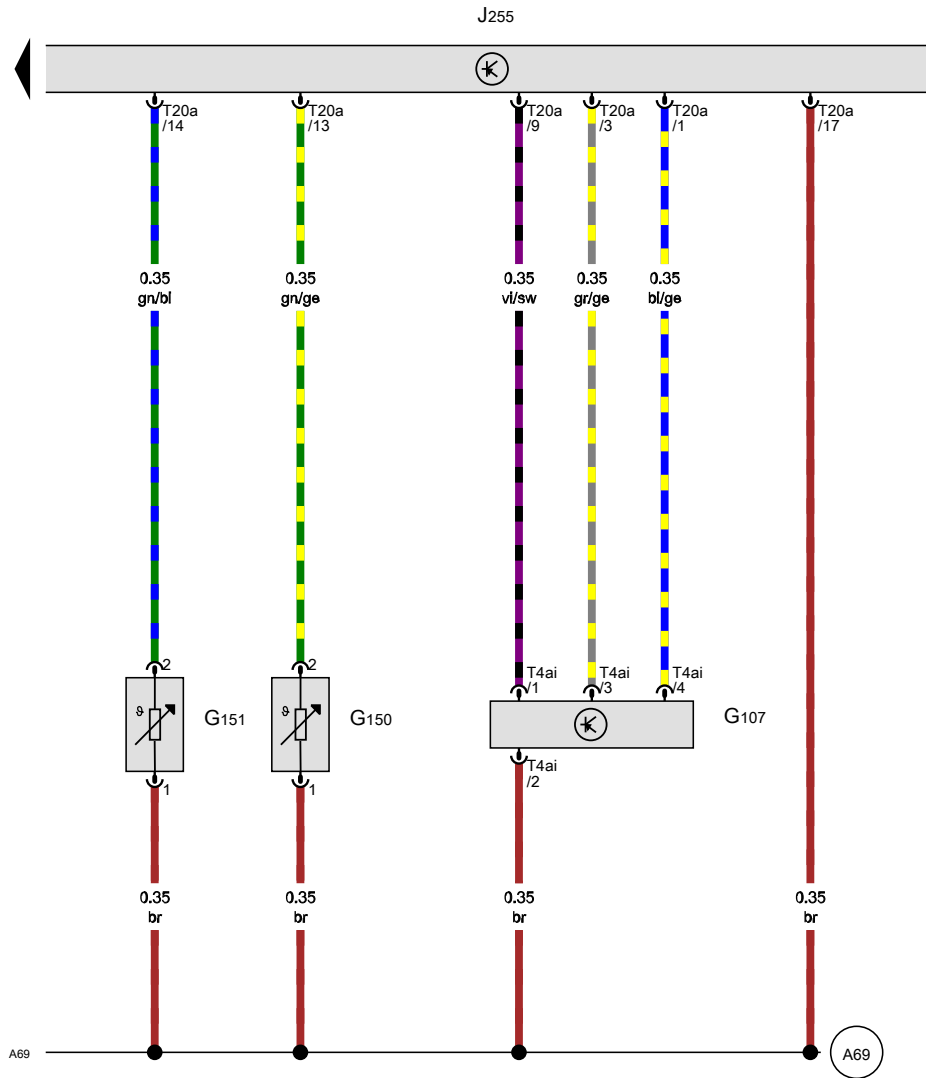
- 189 Earth connection 1, in heater wiring harness
- A69 Connection (31, air conditioning system/blower control), in dash panel wiring harness
- L31 Connection (5V), in air conditioning system wiring harness

- ws = white
- sw = black
- ro = red
- br = brown
- gn = green
- bl = blue
- gr = grey
- li = purple
- ge = yellow
- or = orange
- rs = pink

113 114 115 116 117 118 119 120 121 122 123 124 125 126

7240-0201011121





Sunlight penetration photosensor, Left vent temperature sender, Right vent temperature sender, Climatronic control unit

- G107 Sunlight penetration photosensor, in centre of dash panel
- G150 Left vent temperature sender
- G151 Right vent temperature sender
- J255 Climatronic control unit
- T4ai 4-pin connector
- T20a 20-pin connector
- A69 Connection (31, air conditioning system/blower control), in dash panel wiring harness

- ws = white
- sw = black
- ro = red
- br = brown
- gn = green
- bl = blue
- gr = grey
- li = purple
- ge = yellow
- or = orange
- rs = pink

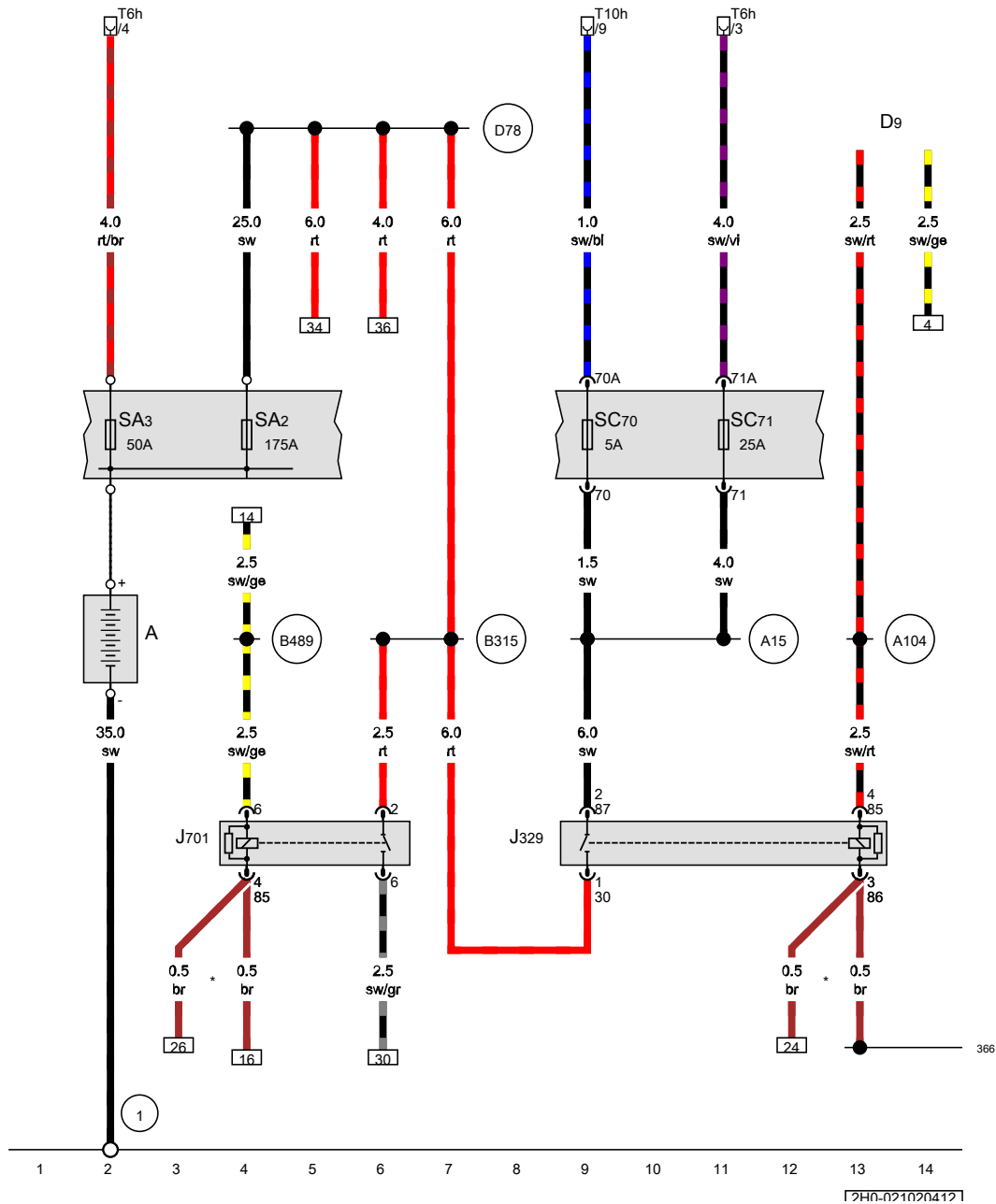
127 128 129 130 131 132 133 134 135 136 137 138 139 140

[2010-0201111112]

**Interface for external use**

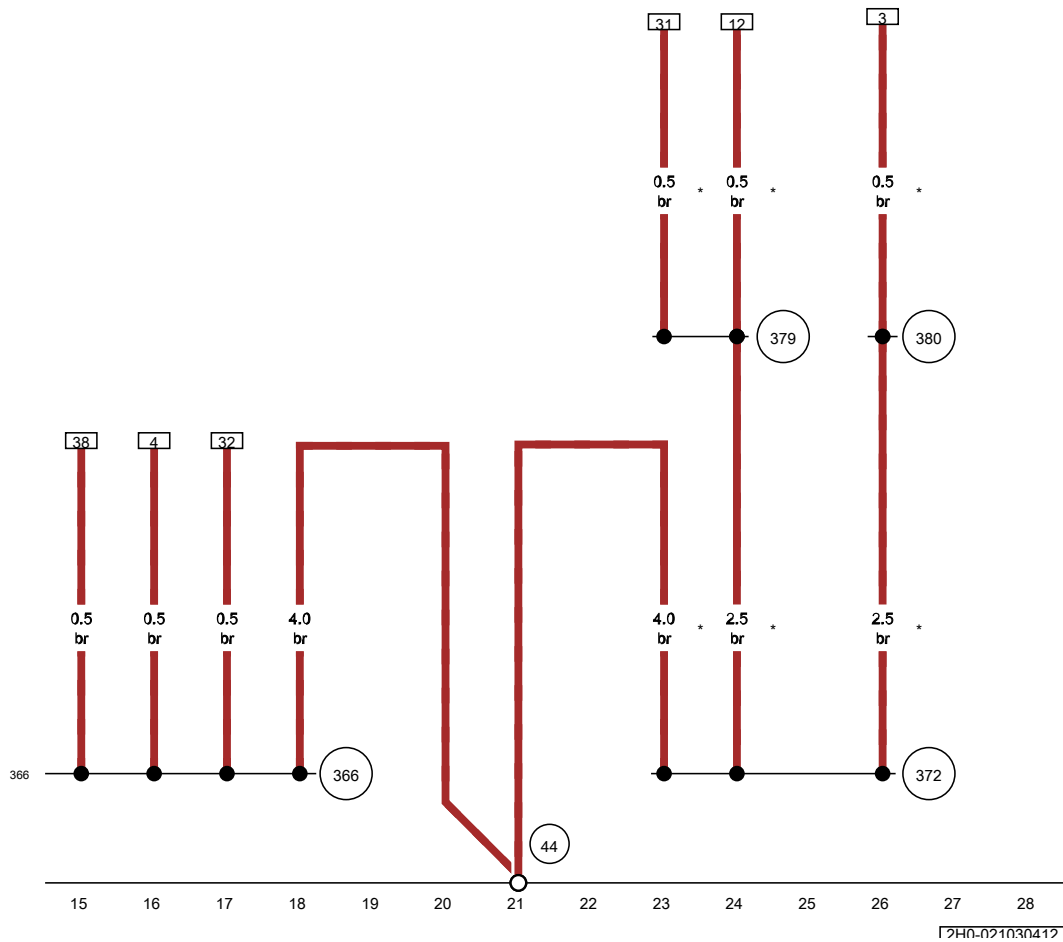
From December 2009

**Battery, Electronic ignition lock, Fuse 2 in fuse holder A, Fuse 3 in fuse holder A, Fuse 70 on fuse holder C, Fuse 71 on fuse holder C**



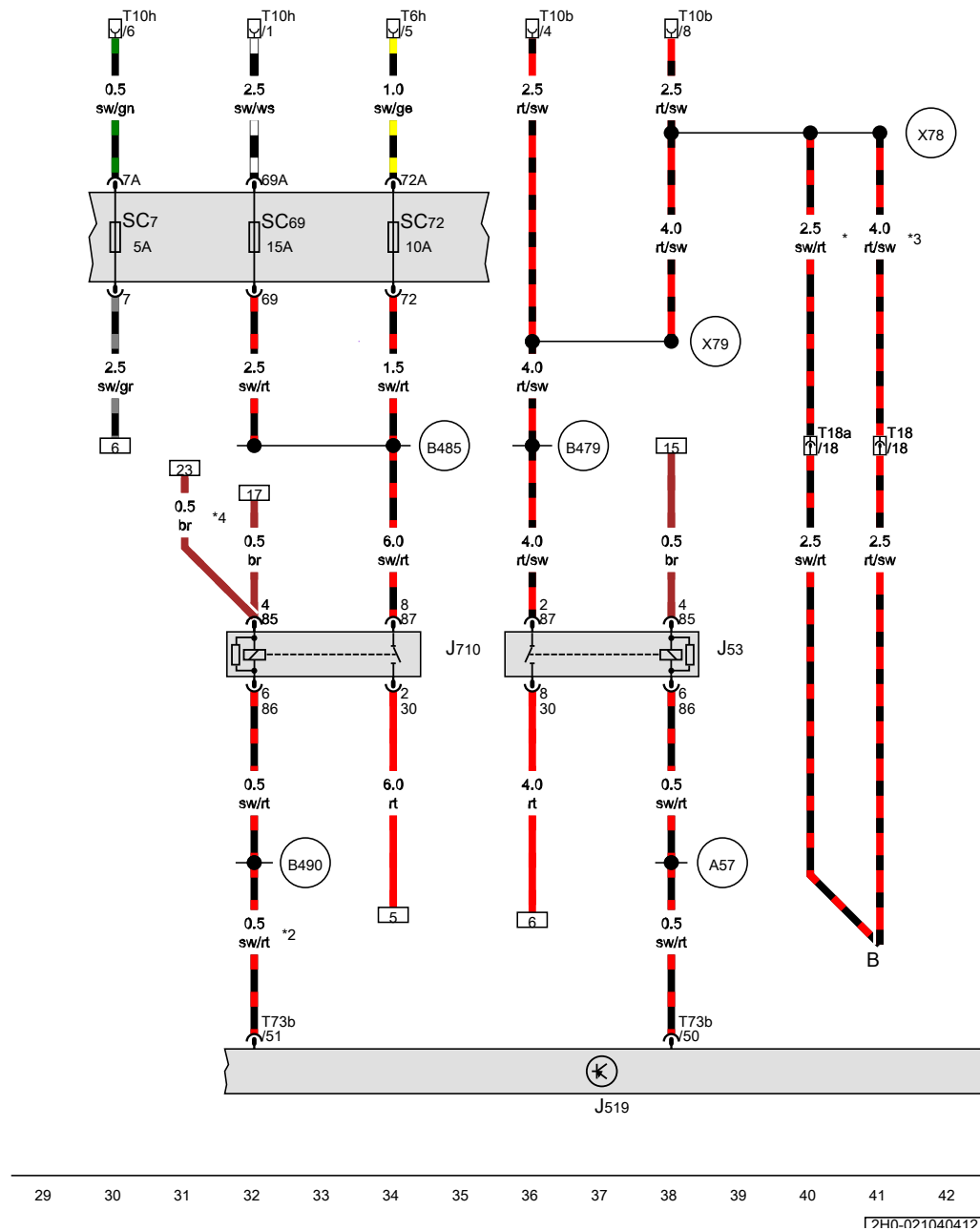
- A Battery
- D9 Electronic ignition lock
- J329 Terminal 15 voltage supply relay, on relay carrier
- J701 Voltage supply relay 1
- SA2 Fuse 2 in fuse holder A
- SA3 Fuse 3 in fuse holder A
- SC70 Fuse 70 on fuse holder C
- SC71 Fuse 71 on fuse holder C
- T6h 6-pin connector, in front centre console, grey
- T10h 10-pin connector, in left footwell, near centre console, purple
- 1 Earth strap, battery - body
- 366 Earth connection 1, in main wiring harness
- A15 Positive connection (15), in instrument wiring harness
- A104 Positive connection 2 (15), in dash panel wiring harness
- B315 Positive connection 1 (30a) in main wiring harness
- B489 Connection 25, in main wiring harness
- D78 Positive connection 1 (30a), in engine compartment wiring harness
- \* From November 2011

- 44 Earth point, lower part of left A-pillar
- 366 Earth connection 1, in main wiring harness
- 372 Earth connection 7, in main wiring harness
- 379 Earth connection 14, in main wiring harness
- 380 Earth connection 15, in main wiring harness
- \* From November 2011



- ws = white
- sw = black
- ro = red
- br = brown
- gn = green
- bl = blue
- gr = grey
- li = purple
- ge = yellow
- or = orange
- rs = pink

**Starter motor relay, Onboard supply control unit, Voltage supply relay 2, Fuse 7 on fuse holder C, Fuse 69 on fuse holder C, Fuse 72 on fuse holder C**



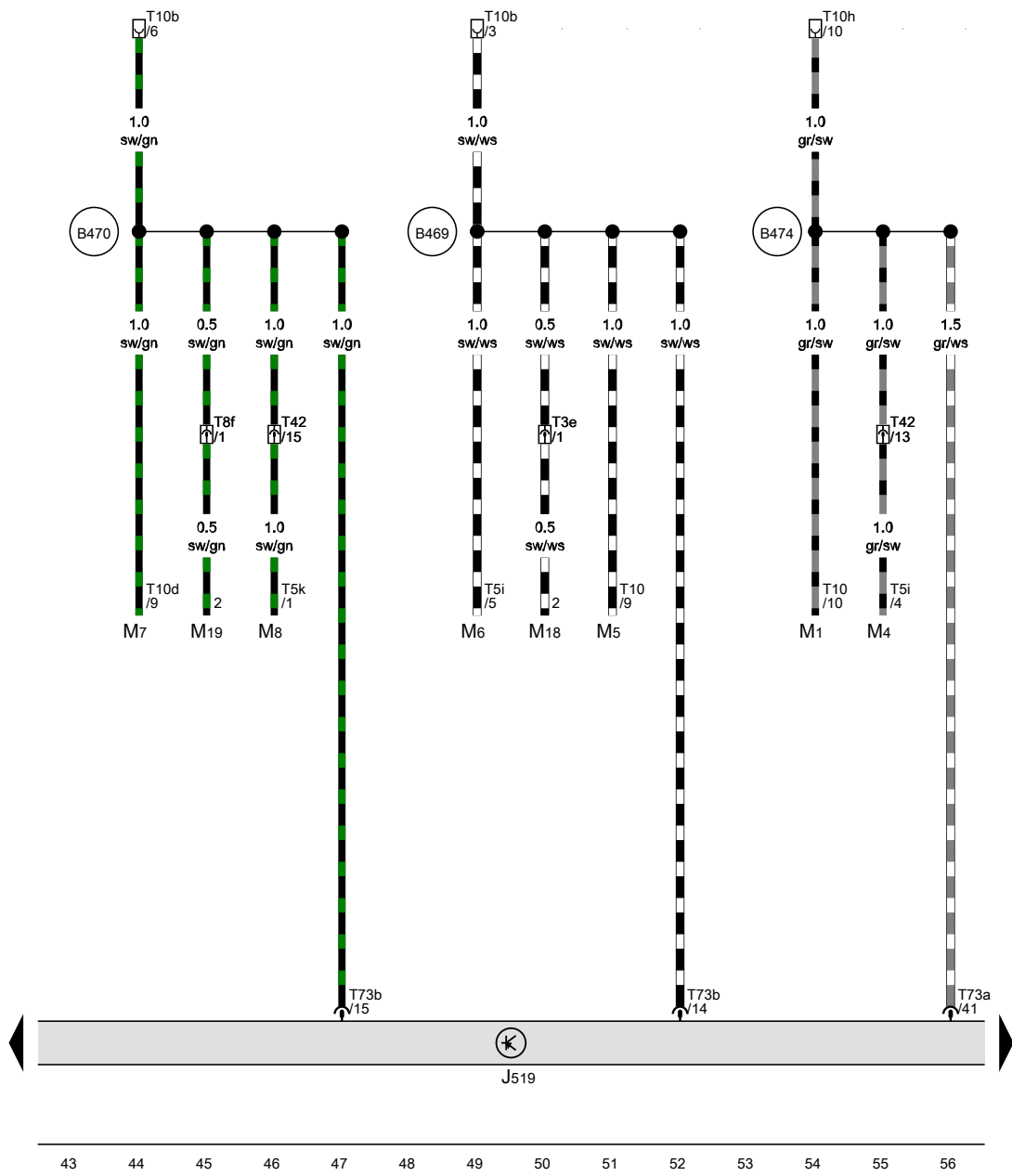
- B Starter
- J53 Starter motor relay, on relay carrier
- J519 Onboard supply control unit
- J710 Voltage supply relay 2, on relay carrier
- SC7 Fuse 7 on fuse holder C
- SC69 Fuse 69 on fuse holder C
- SC72 Fuse 72 on fuse holder C
- T6h 6-pin connector, in front centre console, grey
- T10b 10-pin connector, in left footwell, near centre console, yellow
- T10h 10-pin connector, in left footwell, near centre console, purple
- T18 18-pin connector, near engine control unit, black
- T18a 18-pin connector, near engine control unit, grey
- T73b 73-pin connector
- (A57) Positive connection 3 (30), in dash panel wiring harness
- (B479) Connection 15, in main wiring harness
- (B485) Connection 21, in main wiring harness
- (B490) Connection 26, in main wiring harness
- (X78) Connection 1, in optional equipment wiring harness
- (X79) Connection 2, in optional equipment wiring harness
- \* Only models with diesel engine
- \*2 Only models with no start/stop system
- \*3 Only models with petrol engine
- \*4 From November 2011

Onboard supply control unit, Left side light bulb, Left tail light bulb, Front left turn signal bulb, Rear left turn signal bulb, Front right turn signal bulb, Rear right turn signal bulb, Left turn signal repeater bulb, Right turn signal repeater bulb

- J519 Onboard supply control unit
- M1 Left side light bulb
- M4 Left tail light bulb
- M5 Front left turn signal bulb
- M6 Rear left turn signal bulb
- M7 Front right turn signal bulb
- M8 Rear right turn signal bulb
- M18 Left turn signal repeater bulb
- M19 Right turn signal repeater bulb
- T3e 3-pin connector, in rear right of engine compartment, black
- T5i 5-pin connector
- T5k 5-pin connector
- T8f 8-pin connector, in rear left of engine compartment, black
- T10 10-pin connector
- T10b 10-pin connector, in left footwell, near centre console, yellow
- T10d 10-pin connector
- T10h 10-pin connector, in left footwell, near centre console, purple
- T42 42-pin connector, near handbrake lever, black
- T73a 73-pin connector
- T73b 73-pin connector

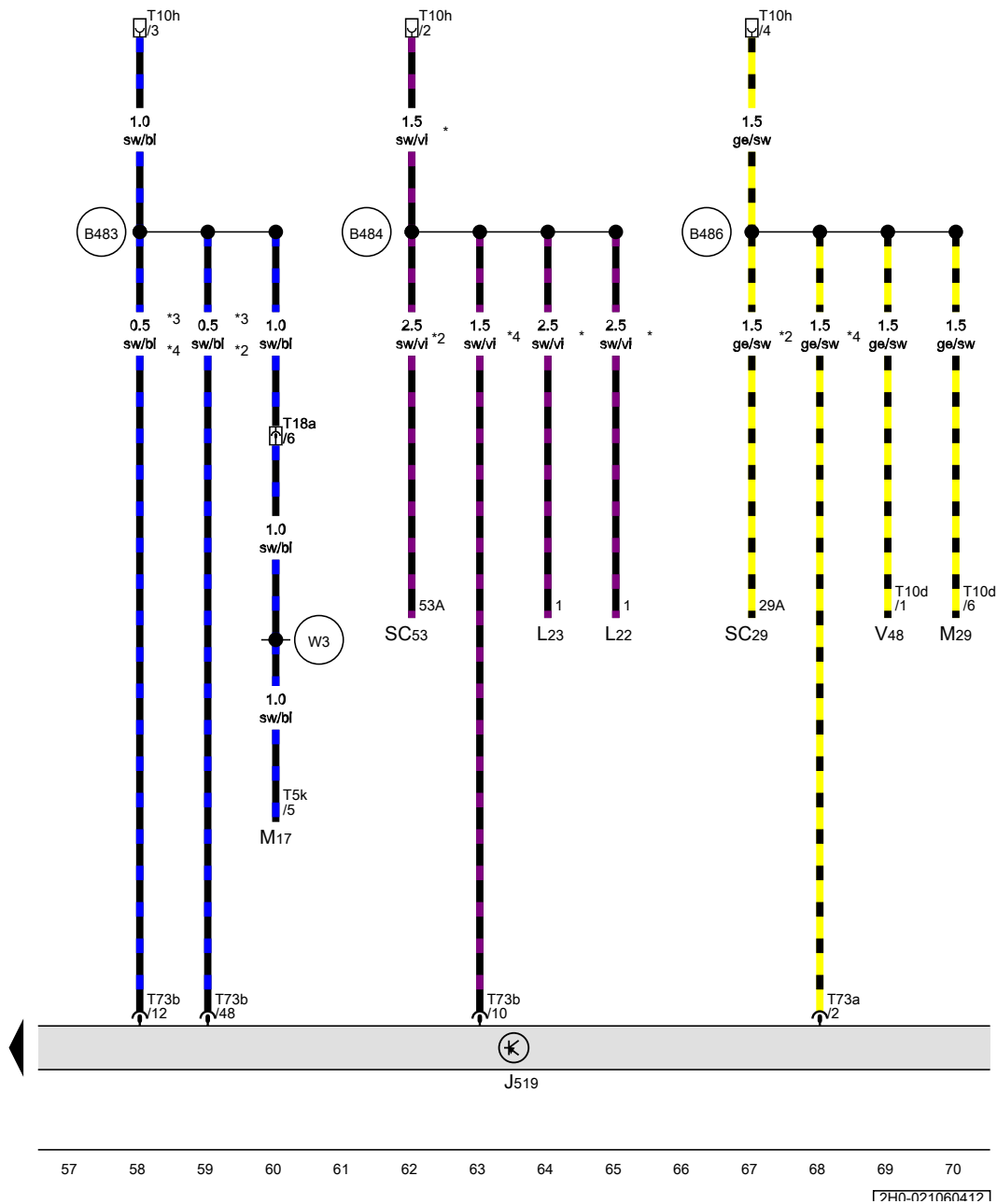
- B469 Connection 5, in main wiring harness
- B470 Connection 6, in main wiring harness
- B474 Connection 10, in main wiring harness

- ws = white
- sw = black
- ro = red
- br = brown
- gn = green
- bl = blue
- gr = grey
- li = purple
- ge = yellow
- or = orange
- rs = pink



12H0-0210504121

Onboard supply control unit, Left fog light bulb, Right fog light bulb, Right reversing light bulb, Left headlight dipped beam bulb, Fuse 29 on fuse holder C, Fuse 53 on fuse holder C, Left headlight range control motor


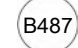

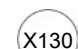
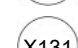


- J519 Onboard supply control unit
  - L22 Left fog light bulb
  - L23 Right fog light bulb
  - M17 Right reversing light bulb
  - M29 Left headlight dipped beam bulb
  - SC29 Fuse 29 on fuse holder C
  - SC53 Fuse 53 on fuse holder C
  - T5k 5-pin connector
  - T10d 10-pin connector, black
  - T10h 10-pin connector, in left footwell, near centre console, purple
  - T18a 18-pin connector, near engine control unit, grey
  - T73a 73-pin connector
  - T73b 73-pin connector
  - V48 Left headlight range control motor
- B483** Connection 19, in main wiring harness
  - B484** Connection 20, in main wiring harness
  - B486** Connection 22, in main wiring harness
  - W3** Connection in rear wiring harness
- \* Only models with fog lights
  - \*2 Only models with no start/stop system
  - \*3 Only models with manual gearbox
  - \*4 Only models with start/stop system

- ws = white
- sw = black
- ro = red
- br = brown
- gn = green
- bl = blue
- gr = grey
- li = purple
- ge = yellow
- or = orange
- rs = pink

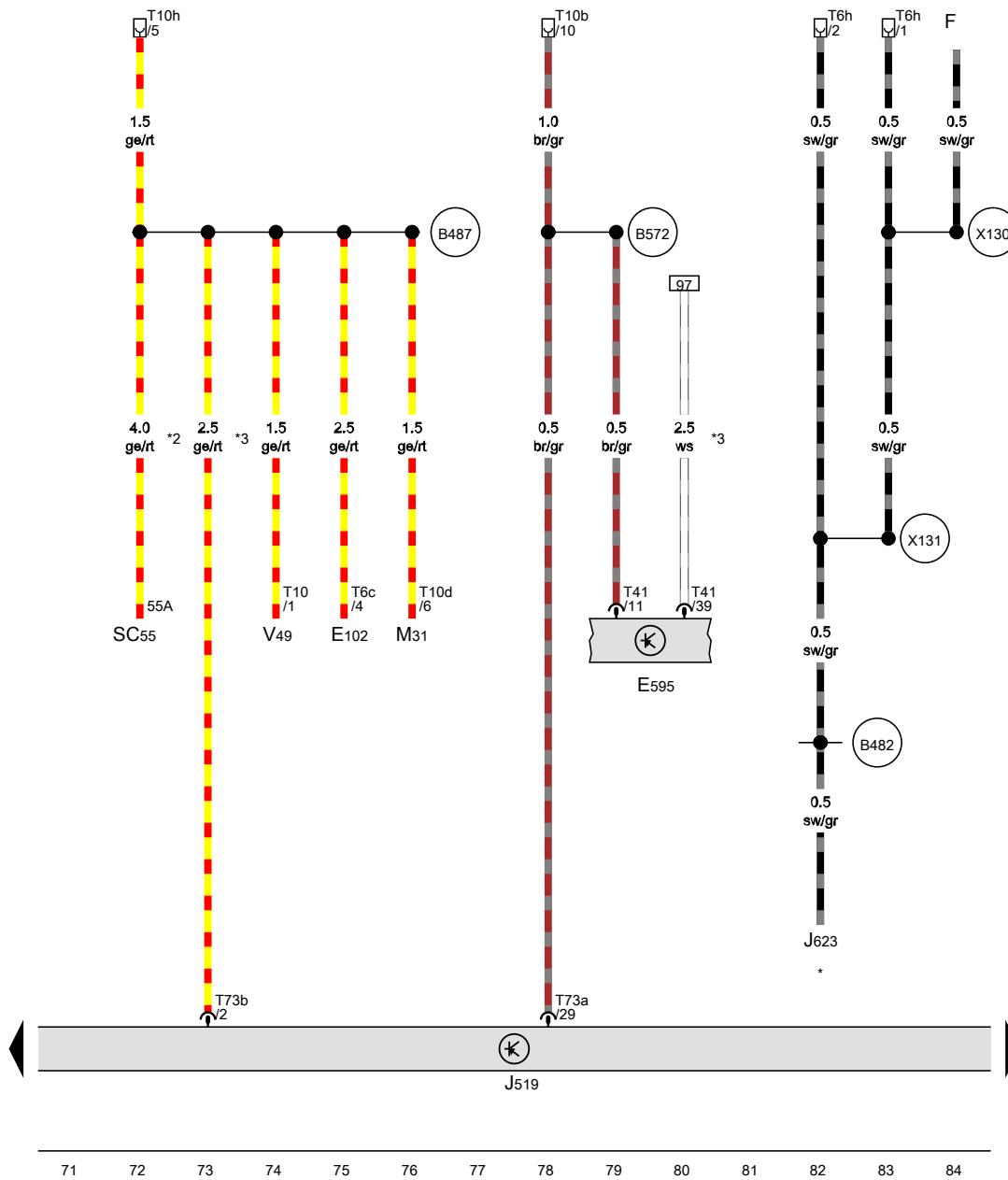
**Headlight range control regulator, Steering column combination switch, Brake light switch, Onboard supply control unit, Engine control unit, Right headlight dipped beam bulb, Fuse 55 on fuse holder C, Right headlight range control motor**

- E102 Headlight range control regulator
- E595 Steering column combination switch
- F Brake light switch
- J519 Onboard supply control unit
- J623 Engine control unit
- M31 Right headlight dipped beam bulb
- SC55 Fuse 55 on fuse holder C
- T6c 6-pin connector, black
- T6h 6-pin connector, in front centre console, grey
- T10 10-pin connector
- T10b 10-pin connector, in left footwell, near centre console, yellow
- T10d 10-pin connector, black
- T10h 10-pin connector, in left footwell, near centre console, purple
- T41 41-pin connector
- T73a 73-pin connector
- T73b 73-pin connector
- V49 Right headlight range control motor

-  B482 Connection 18, in main wiring harness
-  B487 Connection 23, in main wiring harness
-  B572 Connection 39, in main wiring harness
-  X130 Connection 3, in optional equipment wiring harness
-  X131 Connection 4, in optional equipment wiring harness

\* see applicable current flow diagram for engine  
 \*2 Only models with no start/stop system  
 \*3 Only models with start/stop system

- ws = white
- sw = black
- ro = red
- br = brown
- gn = green
- bl = blue
- gr = grey
- li = purple
- ge = yellow
- or = orange
- rs = pink




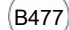


1740-0210704171

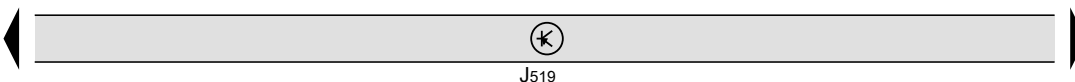
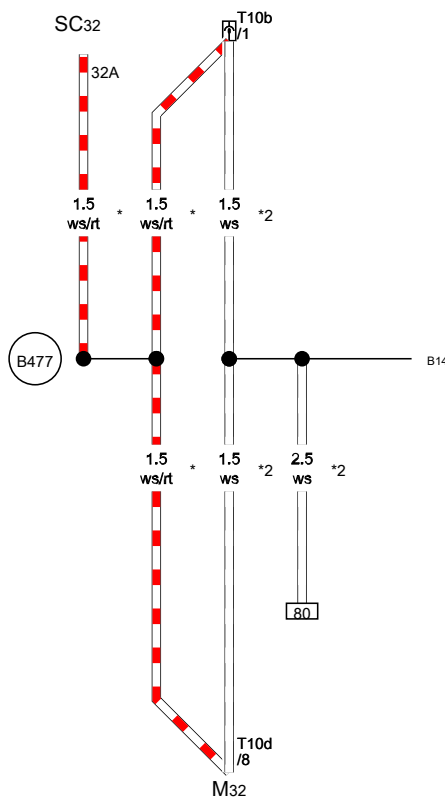
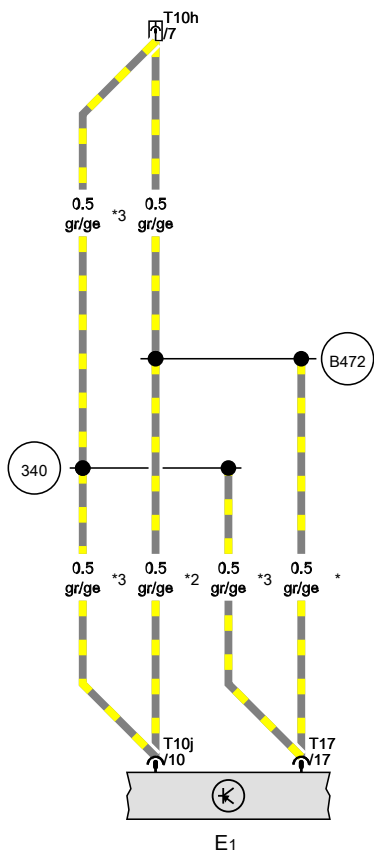


Light switch, Onboard supply control unit, Right headlight main beam bulb, Fuse 32 on fuse holder C

- E1 Light switch
- J519 Onboard supply control unit
- M32 Right headlight main beam bulb
- SC32 Fuse 32 on fuse holder C
- T10b 10-pin connector, in left footwell, near centre console, yellow
- T10d 10-pin connector
- T10h 10-pin connector, in left footwell, near centre console, purple
- T10j 10-pin connector
- T17 17-pin connector

-  340 Earth connection 2, in injection system wiring harness
-  B141 Positive connection 1 (56a), in interior wiring harness
-  B472 Connection 8, in main wiring harness
-  B477 Connection 13, in main wiring harness

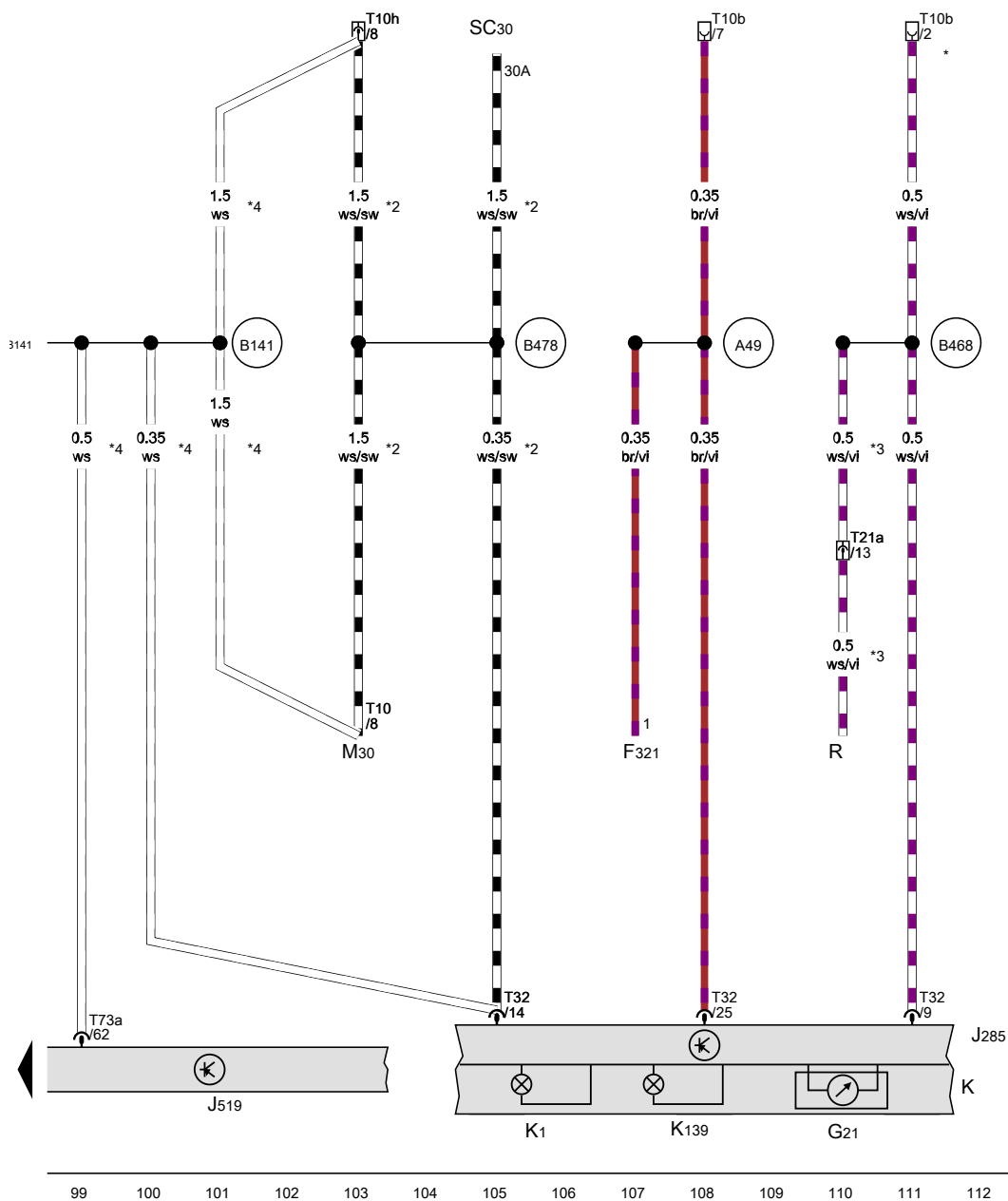
- \* Only models with no start/stop system
- \*2 Only models with start/stop system
- \*3 From November 2011



85 86 87 88 89 90 91 92 93 94 95 96 97 98

17H0-0210804171

- ws = white
- sw = black
- ro = red
- br = brown
- gn = green
- bl = blue
- gr = grey
- li = purple
- ge = yellow
- or = orange
- rs = pink



Parking brake contact switch, Control unit in dash panel insert, Onboard supply control unit, Dash panel insert, Left headlight main beam bulb, Radio, Fuse 30 on fuse holder C

- F321 Parking brake contact switch
- G21 Speedometer
- J285 Control unit in dash panel insert
- J519 Onboard supply control unit
- K Dash panel insert
- K1 Main beam warning lamp
- K139 Handbrake warning lamp
- M30 Left headlight main beam bulb
- R Radio
- SC30 Fuse 30 on fuse holder C
- T10 10-pin connector
- T10b 10-pin connector, in left footwell, near centre console, yellow
- T10h 10-pin connector, in left footwell, near centre console, purple
- T21a 21-pin connector, on relay carrier, brown
- T32 32-pin connector, blue
- T73a 73-pin connector

- (A49) Connection 1, in dash panel wiring harness
- (B141) Positive connection 1 (56a), in interior wiring harness
- (B468) Connection 4, in main wiring harness
- (B478) Connection 14, in main wiring harness
- \* Speed signal
- \*2 Only models with no start/stop system
- \*3 Only models with radio
- \*4 Only models with start/stop system

- ws = white
- sw = black
- ro = red
- br = brown
- gn = green
- bl = blue
- gr = grey
- li = purple
- ge = yellow
- or = orange
- rs = pink

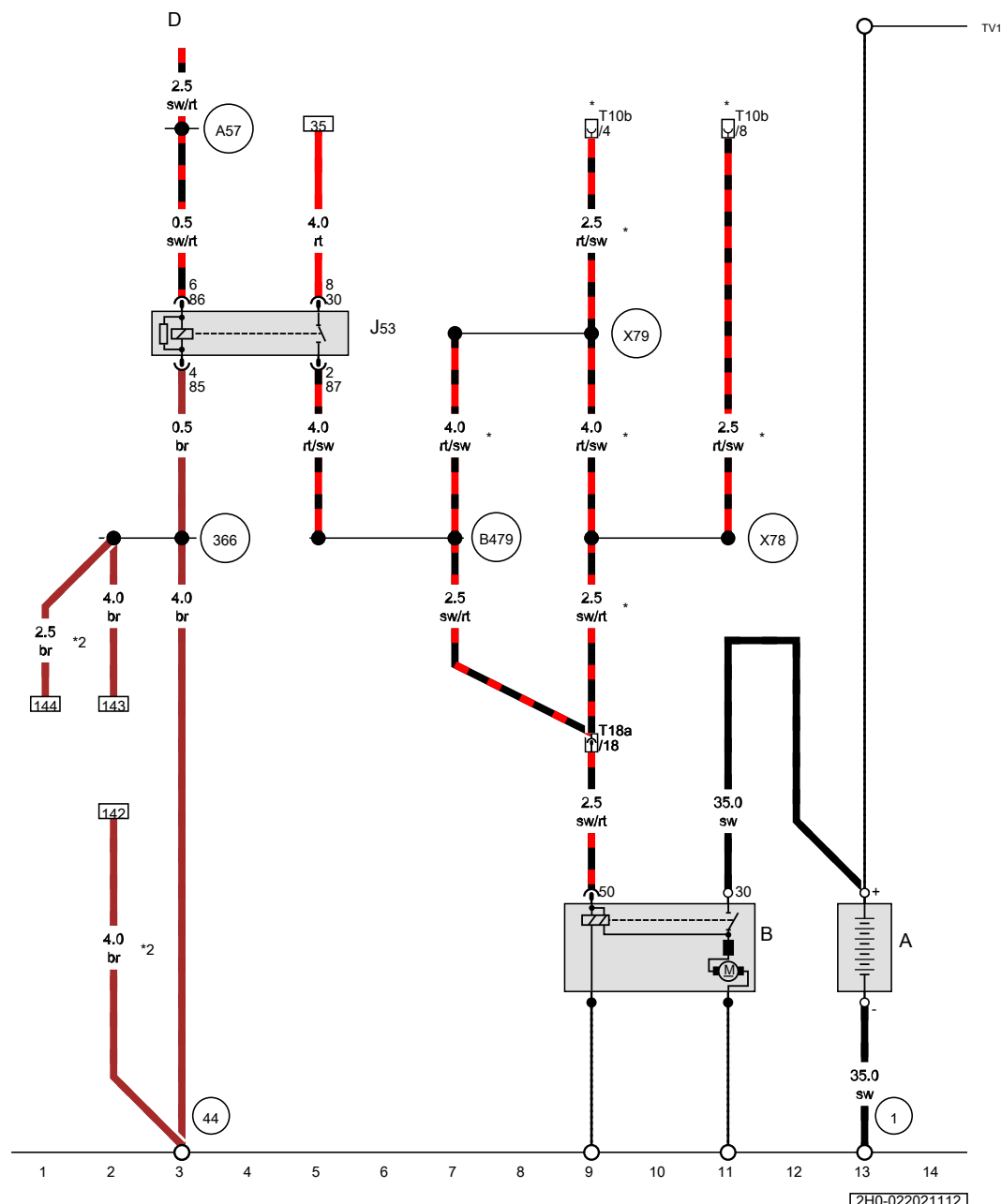
**2.0l diesel engine , CDBA**

From December 2009

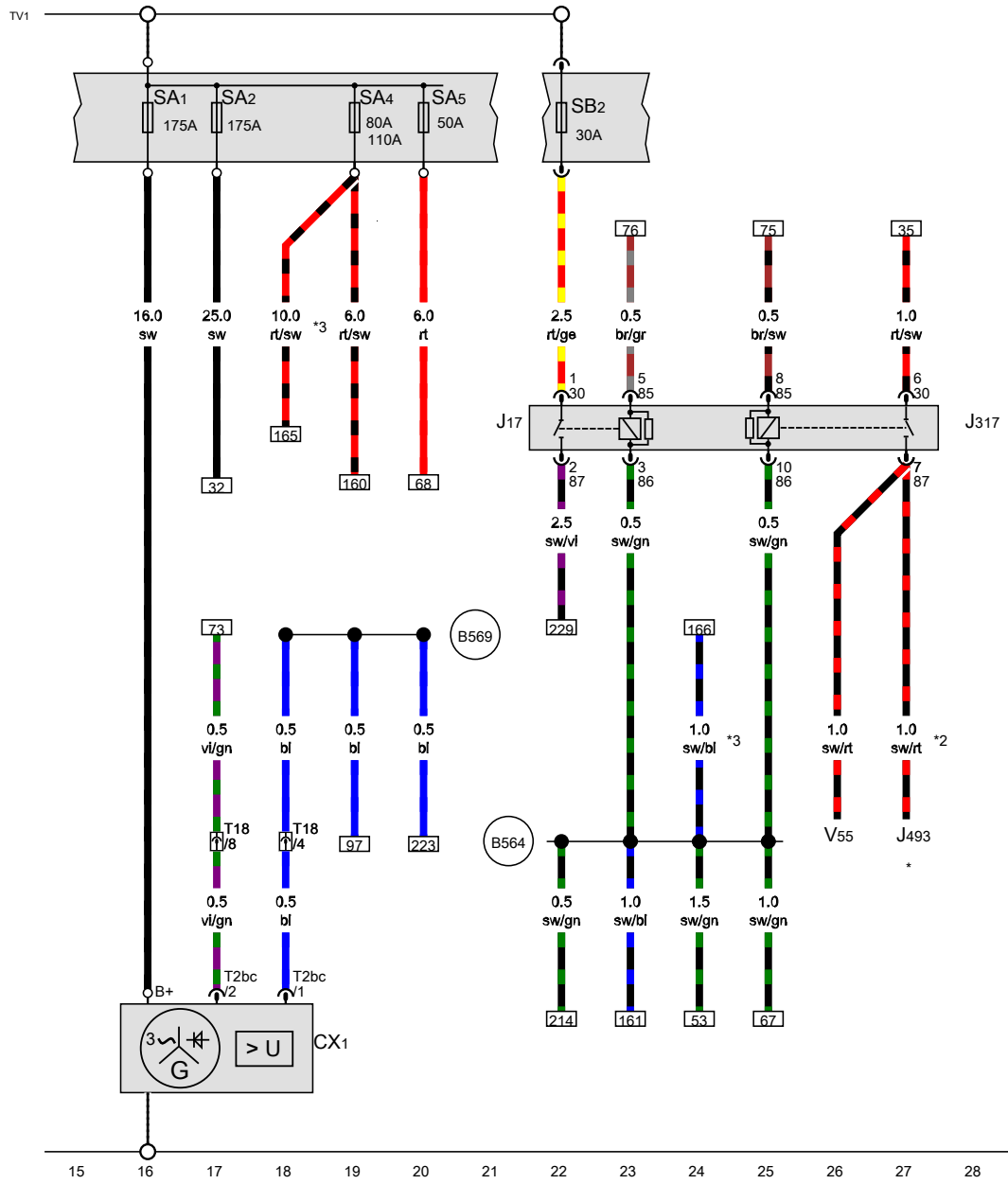
Battery, Starter, Starter motor relay

- A Battery
- B Starter
- D Ignition/starter switch
- J53 Starter motor relay
- T10b 10-pin connector, in left footwell, near centre console, yellow
- T18a 18-pin connector, near engine control unit, grey

- 1 Earth strap, battery - body
- 44 Earth point, lower part of left A-pillar
- 366 Earth connection 1, in main wiring harness
- A57 Positive connection 3 (30), in dash panel wiring harness
- B479 Connection 15, in main wiring harness
- X78 Connection 1, in optional equipment wiring harness
- X79 Connection 2, in optional equipment wiring harness
- \* Only models with electric interface for external use
- \*2 From November 2011



- ws = white
- sw = black
- ro = red
- br = brown
- gn = green
- bl = blue
- gr = grey
- li = purple
- ge = yellow
- or = orange
- rs = pink



Alternator with voltage regulator, Fuel pump relay, Terminal 30 voltage supply relay, Auxiliary coolant heater relay, Fuse 1 in fuse holder A, Fuse 2 on fuse holder B, Fuse 5 in fuse holder A

- CX1 Alternator with voltage regulator
- J17 Fuel pump relay
- J317 Terminal 30 voltage supply relay, on relay carrier
- J493 Auxiliary coolant heater relay
- SA1 Fuse 1 in fuse holder A
- SB2 Fuse 2 on fuse holder B
- SA2 Fuse 2 in fuse holder A
- SA4 Fuse 4 in fuse holder A
- SA5 Fuse 5 in fuse holder A
- T2bc 2-pin connector
- T2e 5-pin connector
- T18 18-pin connector, near engine control unit, black
- V55 Circulation pump

B564 Connection 31, in main wiring harness

B569 Connection 36, in main wiring harness

- \* see applicable current flow diagram for fuse assignment
- \*2 Only models with Climatronic
- \*3 Only for countries with hot climate

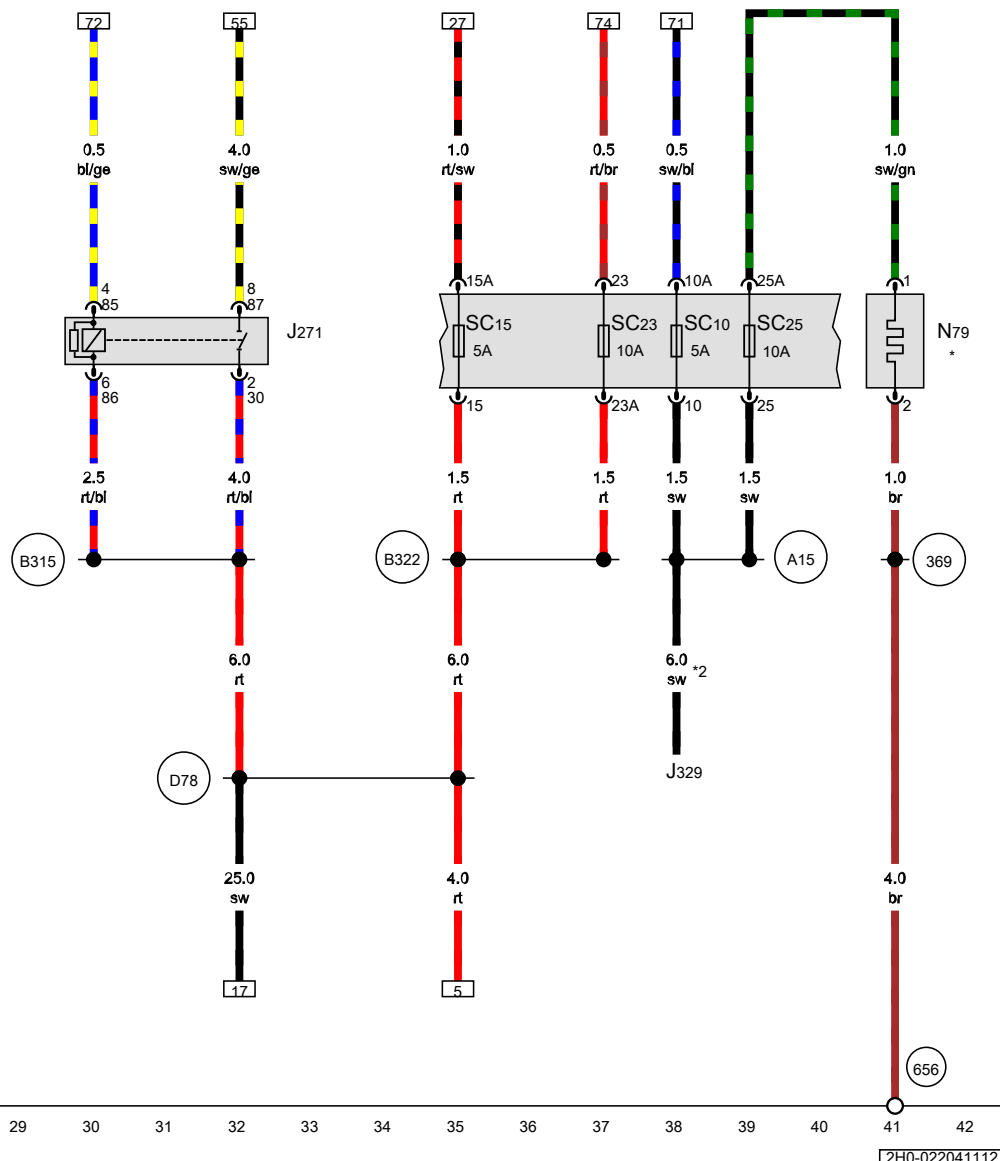
- ws = white
- sw = black
- ro = red
- br = brown
- gn = green
- bl = blue
- gr = grey
- li = purple
- ge = yellow
- or = orange
- rs = pink

1740-0220311121

Main relay, Heater element for crankcase breather, Fuse 10 on fuse holder C, Fuse 15 on fuse holder C, Fuse 23 on fuse holder C, Fuse 25 on fuse holder C

- J271 Main relay, on relay carrier
- J329 Terminal 15 voltage supply relay
- N79 Heater element for crankcase breather
- SC10 Fuse 10 on fuse holder C
- SC15 Fuse 15 on fuse holder C
- SC23 Fuse 23 on fuse holder C
- SC25 Fuse 25 on fuse holder C

- 369 Earth connection 4, in main wiring harness
- 656 Earth point, on right headlight
- A15 Positive connection (15), in instrument wiring harness
- B315 Positive connection 1 (30a) in main wiring harness
- B322 Positive connection 8 (30a) in main wiring harness
- D78 Positive connection 1 (30a), in engine compartment wiring harness
- \* Only models with crankcase breather heater element
- \*2 see applicable current flow diagram for fuse assignment

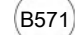


- ws = white
- sw = black
- ro = red
- br = brown
- gn = green
- bl = blue
- gr = grey
- li = purple
- ge = yellow
- or = orange
- rs = pink

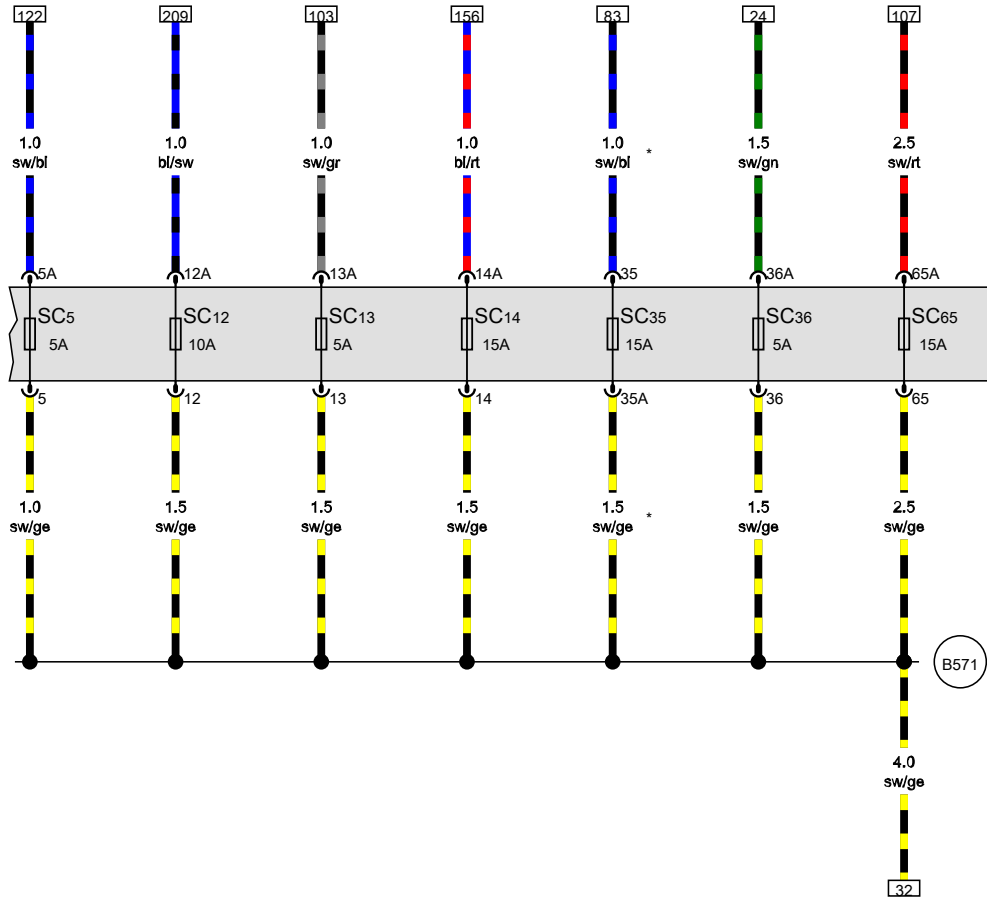
17H0-022041117

Fuse 5 on fuse holder C, Fuse 12 on fuse holder C, Fuse 13 on fuse holder C, Fuse 14 on fuse holder C, Fuse 35 on fuse holder C, Fuse 36 on fuse holder C, Fuse 65 on fuse holder C

- SC5 Fuse 5 on fuse holder C
- SC12 Fuse 12 on fuse holder C
- SC13 Fuse 13 on fuse holder C
- SC14 Fuse 14 on fuse holder C
- SC35 Fuse 35 on fuse holder C
- SC36 Fuse 36 on fuse holder C
- SC65 Fuse 65 on fuse holder C

 Connection 38, in main wiring harness

\* Only models with Euro 5 emission standard



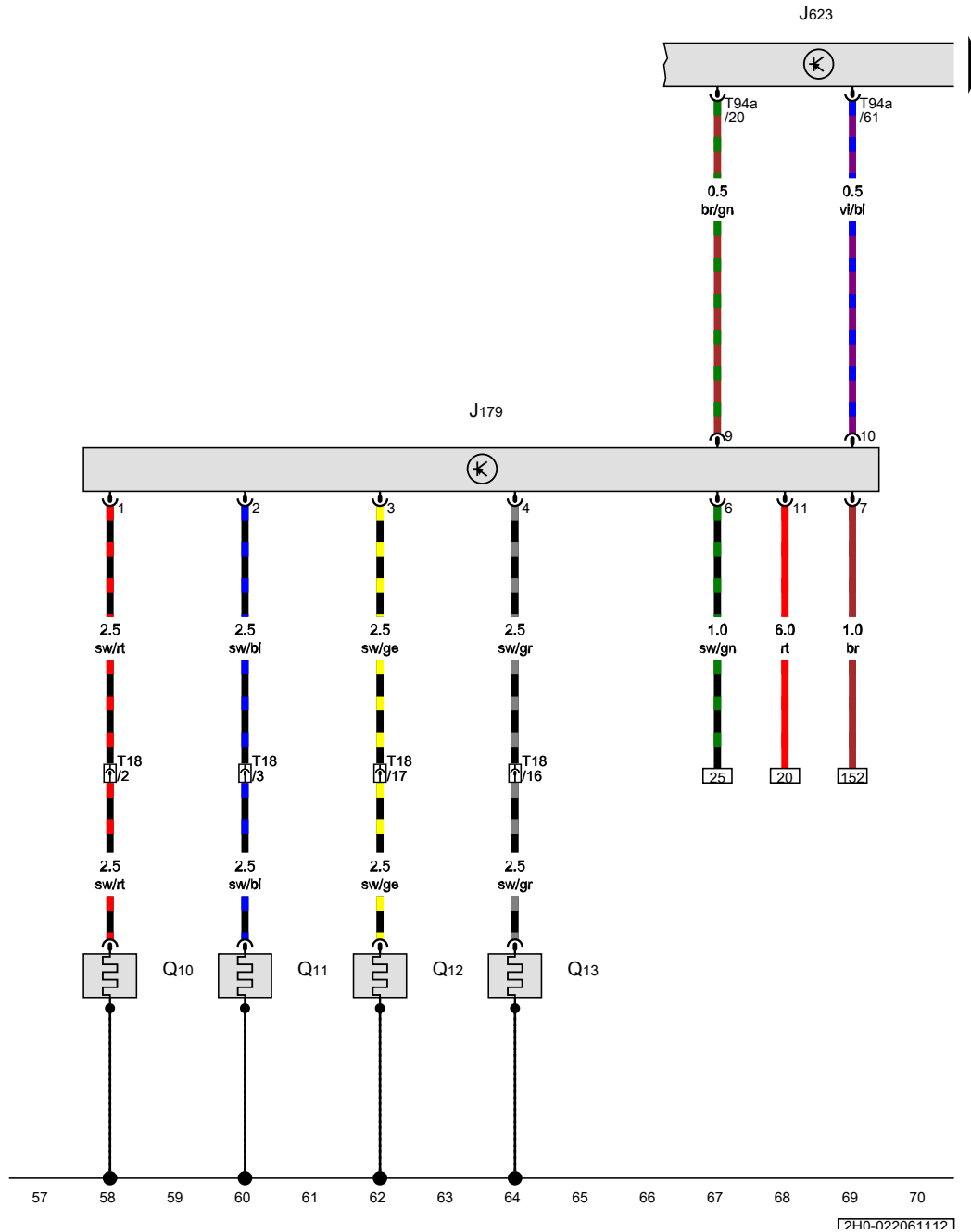
- ws = white
- sw = black
- ro = red
- br = brown
- gn = green
- bl = blue
- gr = grey
- li = purple
- ge = yellow
- or = orange
- rs = pink

43 44 45 46 47 48 49 50 51 52 53 54 55 56

1740-022051117

Automatic glow period control unit, Engine control unit, Glow plug 1, Glow plug 2, Glow plug 3, Glow plug 4

- J179 Automatic glow period control unit
- J623 Engine control unit
- Q10 Glow plug 1
- Q11 Glow plug 2
- Q12 Glow plug 3
- Q13 Glow plug 4
- T18 18-pin connector, near engine control unit, black
- T94a 94-pin connector, black

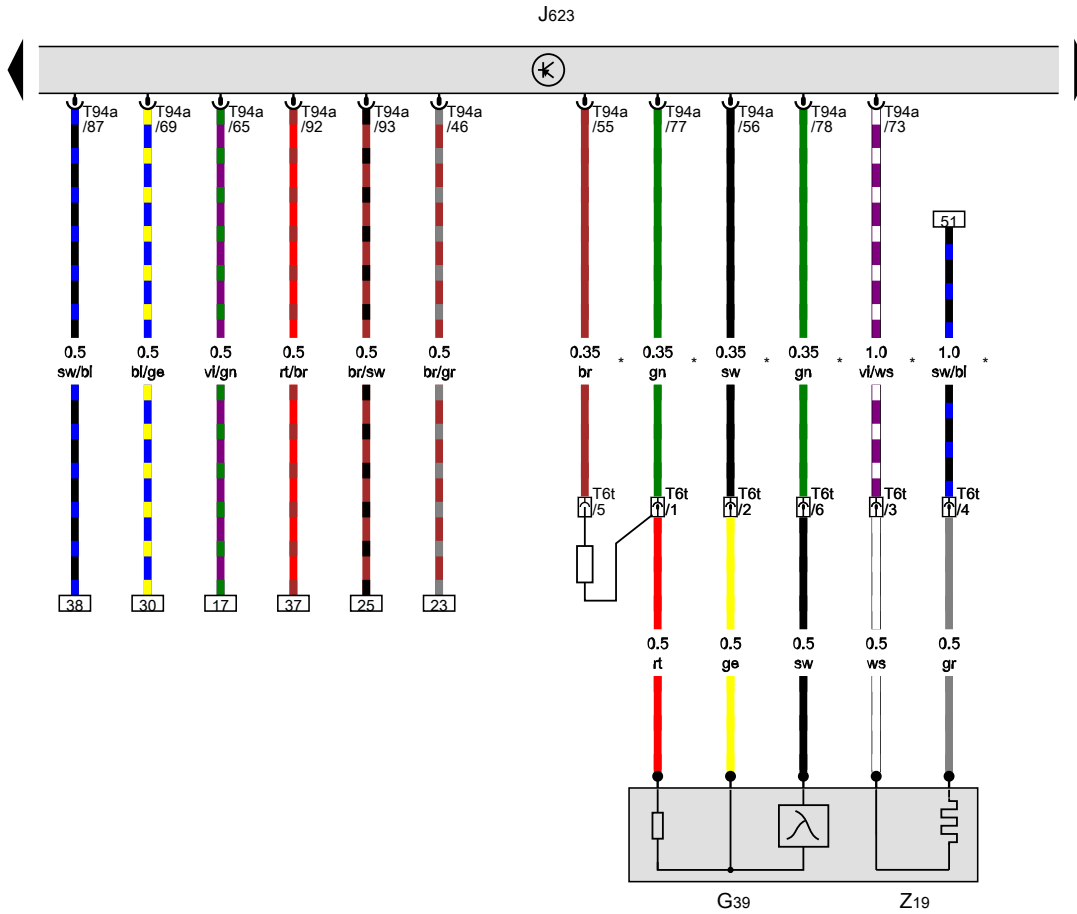


7AH0-022061117

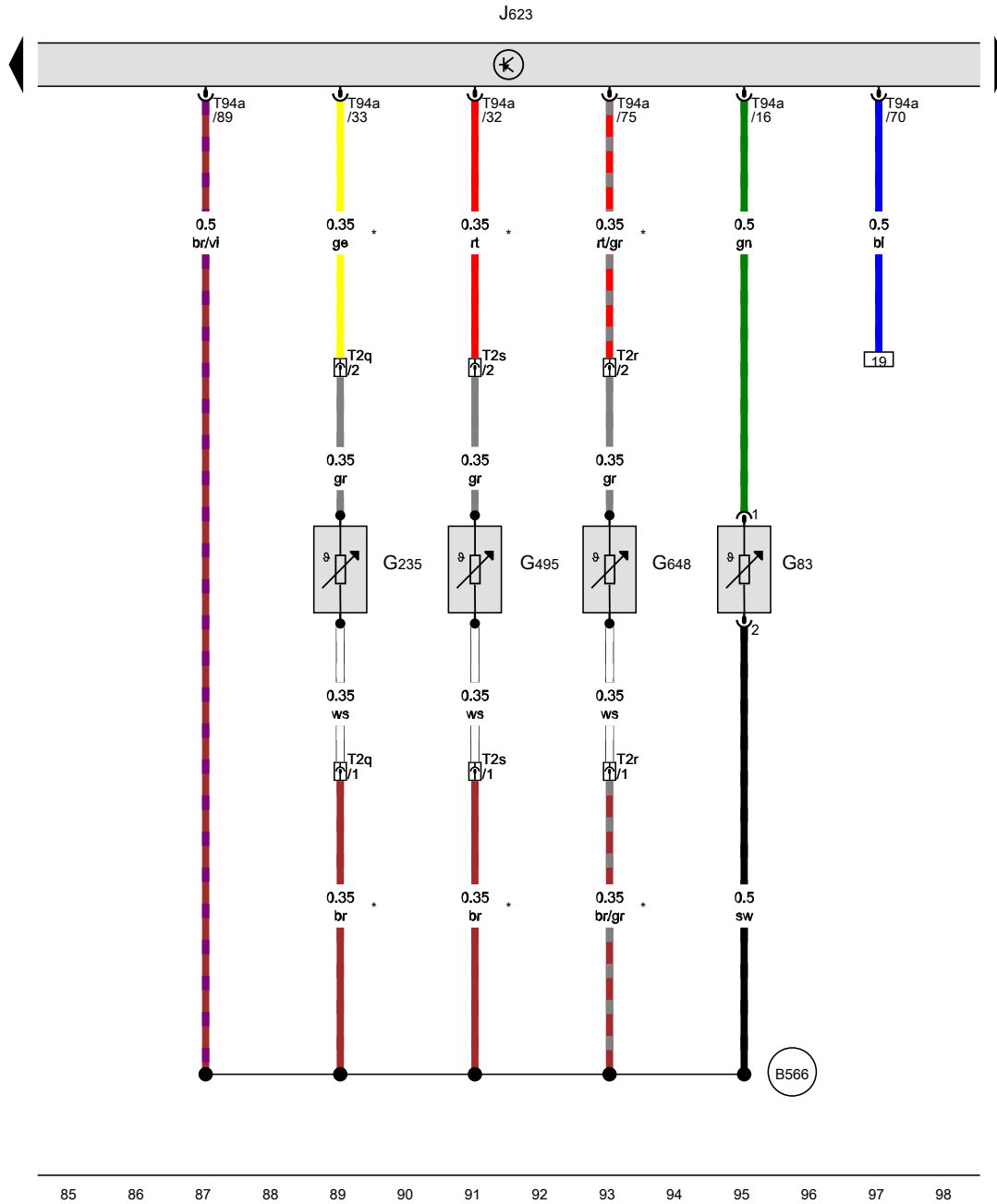


Lambda probe, Engine control unit

- G39 Lambda probe
- J623 Engine control unit
- T6t 6-pin connector, front right in engine compartment, black
- T94a 94-pin connector, black
- Z19 Lambda probe heater
- \* Only models with Euro 5 emission standard



- ws = white
- sw = black
- ro = red
- br = brown
- gn = green
- bl = blue
- gr = grey
- li = purple
- ge = yellow
- or = orange
- rs = pink

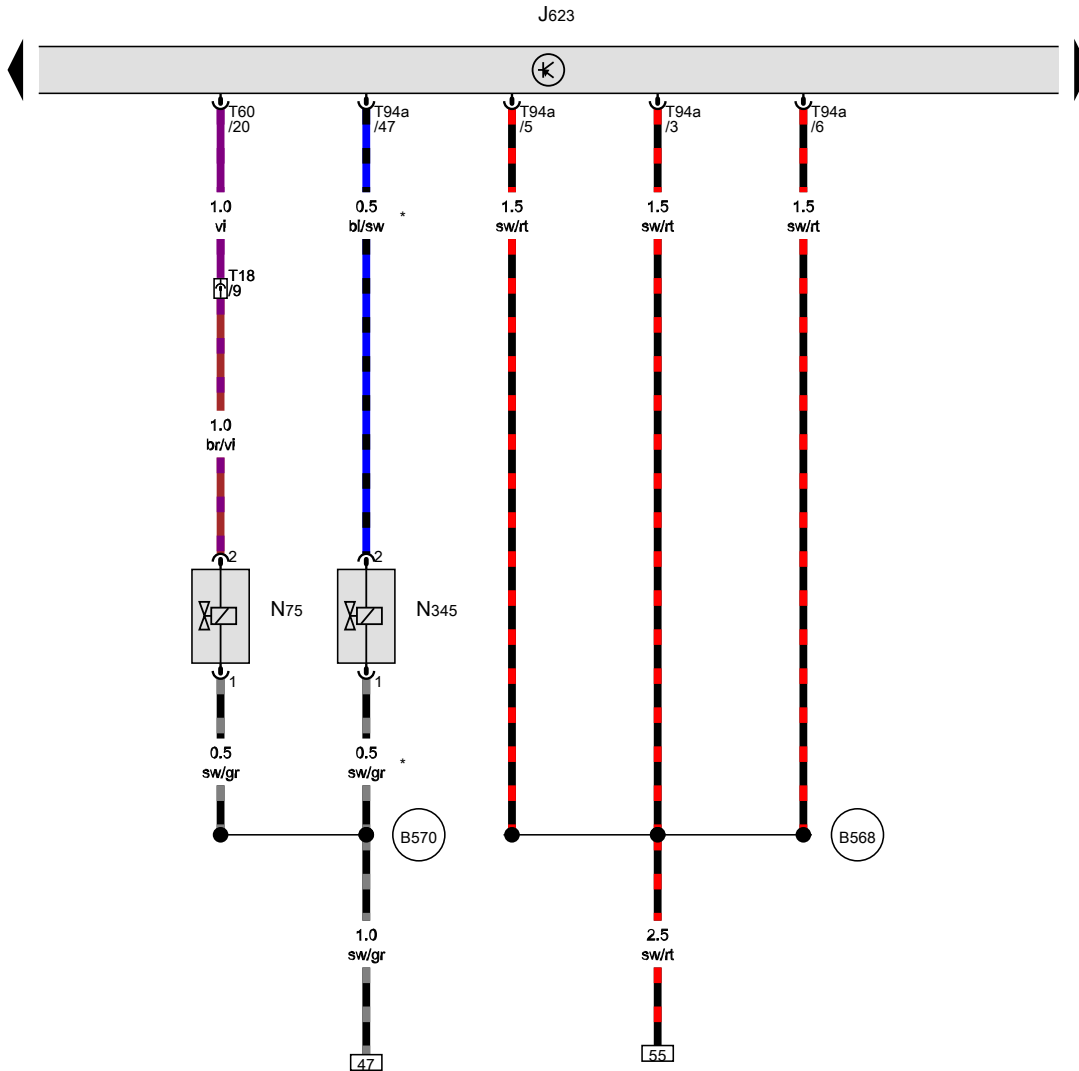


Radiator outlet coolant temperature sender, Exhaust gas temperature sender 1, Exhaust gas temperature sender 3, Exhaust gas temperature sender 4, Engine control unit

- G83 Radiator outlet coolant temperature sender
- G235 Exhaust gas temperature sender 1
- G495 Exhaust gas temperature sender 3
- G648 Exhaust gas temperature sender 4
- J623 Engine control unit
- T2q 2-pin connector, in front right wheel housing, black
- T2r 2-pin connector, in front right wheel housing, orange
- T2s 2-pin connector, in front right wheel housing, brown
- T94a 94-pin connector, black
- B566 Connection 33, in main wiring harness
- \* Only models with Euro 5 emission standard

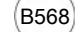
- ws = white
- sw = black
- ro = red
- br = brown
- gn = green
- bl = blue
- gr = grey
- li = purple
- ge = yellow
- or = orange
- rs = pink

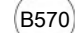
7AH0-022081117



**Engine control unit, Charge pressure control solenoid valve, Exhaust gas recirculation cooler changeover valve**

- J623 Engine control unit
- N75 Charge pressure control solenoid valve
- N345 Exhaust gas recirculation cooler changeover valve
- T18 18-pin connector, near engine control unit, black
- T60 60-pin connector, black
- T94a 94-pin connector, black

 B568 Connection 35, in main wiring harness

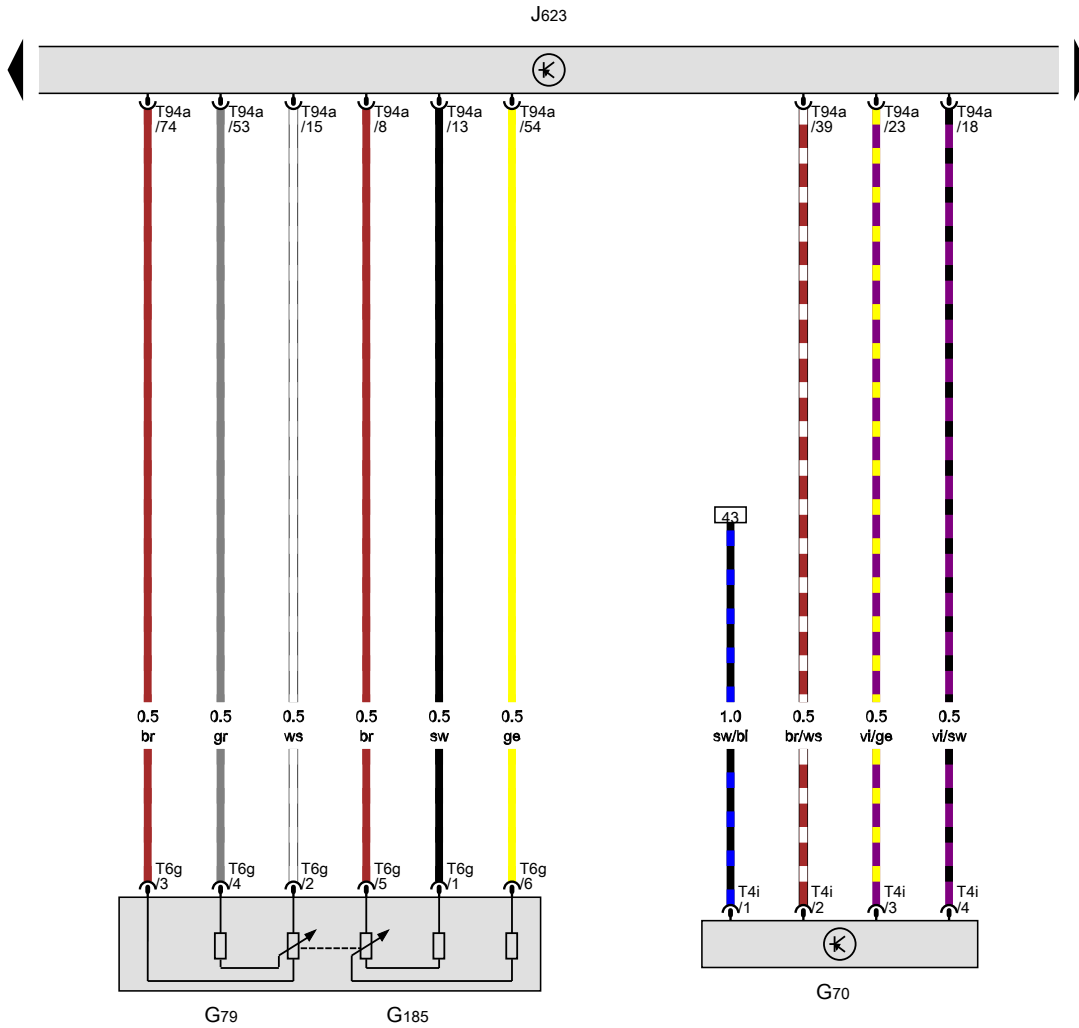
 B570 Connection 37, in main wiring harness

\* Only models with Euro 5 emission standard

- ws = white
- sw = black
- ro = red
- br = brown
- gn = green
- bl = blue
- gr = grey
- li = purple
- ge = yellow
- or = orange
- rs = pink

Air mass meter, Accelerator position sender, Accelerator position sender 2, Engine control unit

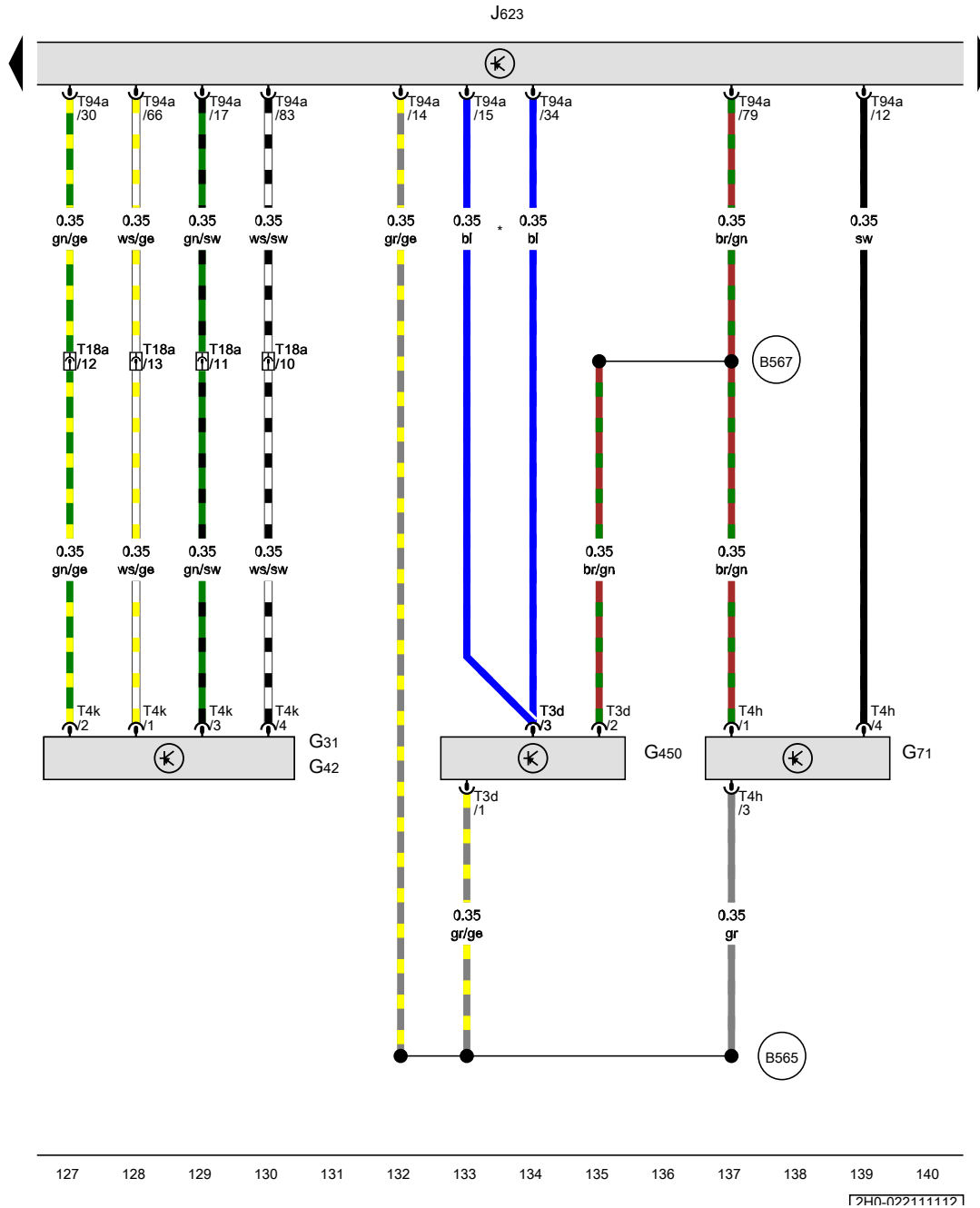
- G70 Air mass meter
- G79 Accelerator position sender
- G185 Accelerator position sender 2
- J623 Engine control unit
- T4i 4-pin connector, black
- T6g 6-pin connector
- T94a 94-pin connector, black



- ws = white
- sw = black
- ro = red
- br = brown
- gn = green
- bl = blue
- gr = grey
- li = purple
- ge = yellow
- or = orange
- rs = pink

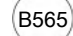
113 114 115 116 117 118 119 120 121 122 123 124 125 126

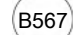
127 128 129 130 131 132 133 134 135 136 137 138 139 140 141 142 143 144 145 146 147 148 149 150 151 152 153 154 155 156 157 158 159 160 161 162 163 164 165 166 167 168 169 170 171 172 173 174 175 176 177 178 179 180 181 182 183 184 185 186 187 188 189 190 191 192 193 194 195 196 197 198 199 200



Charge pressure sender, Intake air temperature sender, Intake manifold pressure sender, Exhaust gas pressure sensor 1, Engine control unit

- G31 Charge pressure sender
- G42 Intake air temperature sender
- G71 Intake manifold pressure sender
- G450 Exhaust gas pressure sensor 1
- J623 Engine control unit
- T3d 3-pin connector, black
- T4h 4-pin connector
- T4k 4-pin connector, black
- T18a 18-pin connector, near engine control unit, grey
- T94a 94-pin connector, black

 B565 Connection 32, in main wiring harness

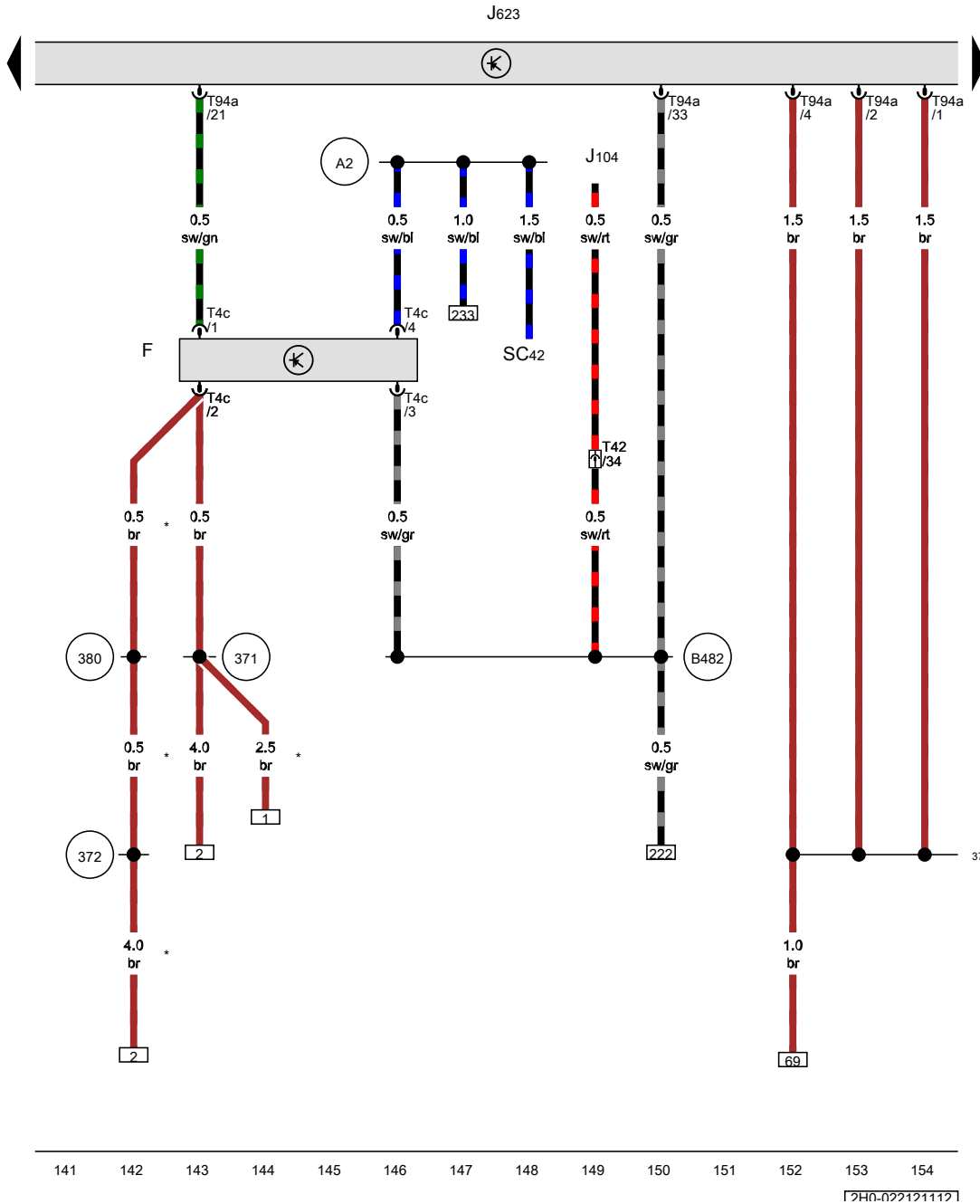
 B567 Connection 34, in main wiring harness

\* Only models with Euro 3 emission standard

- ws = white
- sw = black
- ro = red
- br = brown
- gn = green
- bl = blue
- gr = grey
- li = purple
- ge = yellow
- or = orange
- rs = pink

127 128 129 130 131 132 133 134 135 136 137 138 139 140

[PH0-022111112]

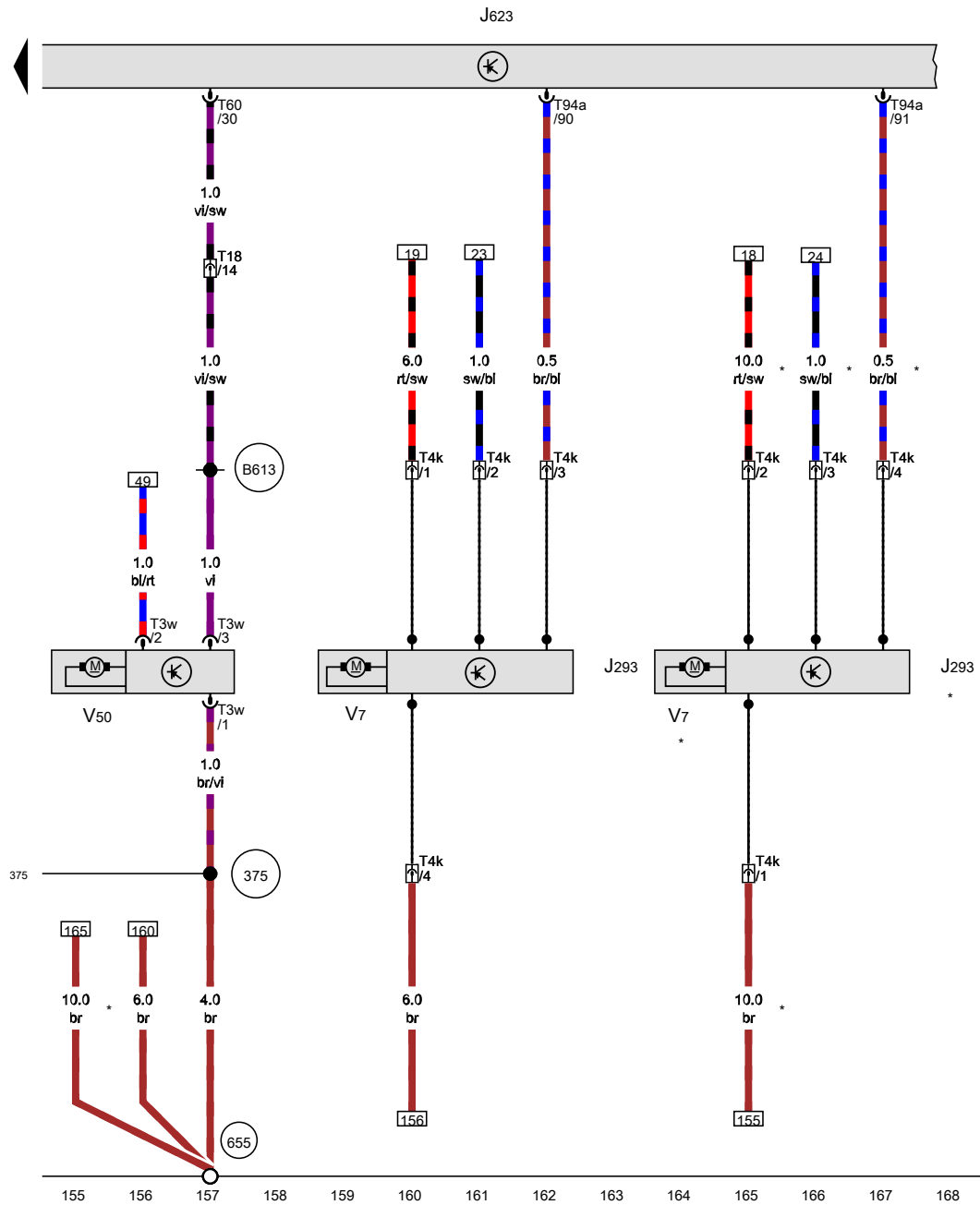


**Brake light switch, Engine control unit**

- F Brake light switch
- J104 ABS control unit
- J623 Engine control unit
- SC42 Fuse 42 on fuse holder C
- T4c 4-pin connector
- T42 42-pin connector, near handbrake lever, black
- T94a 94-pin connector, black

- (371) Earth connection 6, in main wiring harness
- (372) Earth connection 7, in main wiring harness
- (375) Earth connection 10, in main wiring harness
- (380) Earth connection 15, in main wiring harness
- (A2) Positive connection (15), in dash panel wiring harness
- (B482) Connection 18, in main wiring harness
- \* From November 2011

- ws = white
- sw = black
- ro = red
- br = brown
- gn = green
- bl = blue
- gr = grey
- li = purple
- ge = yellow
- or = orange
- rs = pink



Radiator fan control unit, Engine control unit, Radiator fan, Coolant circulation pump

- J293 Radiator fan control unit
- J623 Engine control unit
- T3w 3-pin connector, black
- T4k 4-pin connector, on radiator cowling, black
- T18 18-pin connector, near engine control unit, black
- T60 60-pin connector, black
- T94a 94-pin connector, black
- V7 Radiator fan
- V50 Coolant circulation pump

375 Earth connection 10, in main wiring harness

655 Earth point, on left headlight

B613 Connection 41, in main wiring harness

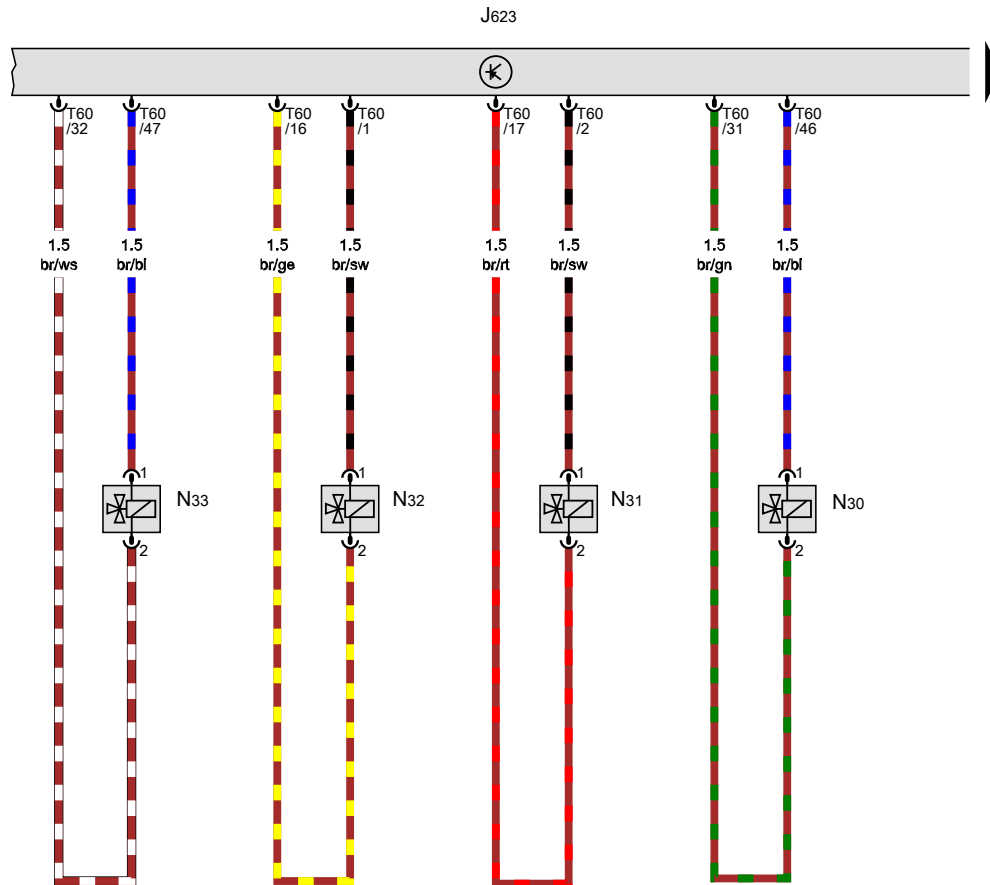
\* Only for countries with hot climate

- ws = white
- sw = black
- ro = red
- br = brown
- gn = green
- bl = blue
- gr = grey
- li = purple
- ge = yellow
- or = orange
- rs = pink

[74H0-022131117]

Engine control unit, Injector, cylinder 1, Injector, cylinder 2, Injector, cylinder 3, Injector, cylinder 4

- J623 Engine control unit
- N30 Injector, cylinder 1
- N31 Injector, cylinder 2
- N32 Injector, cylinder 3
- N33 Injector, cylinder 4
- T60 60-pin connector

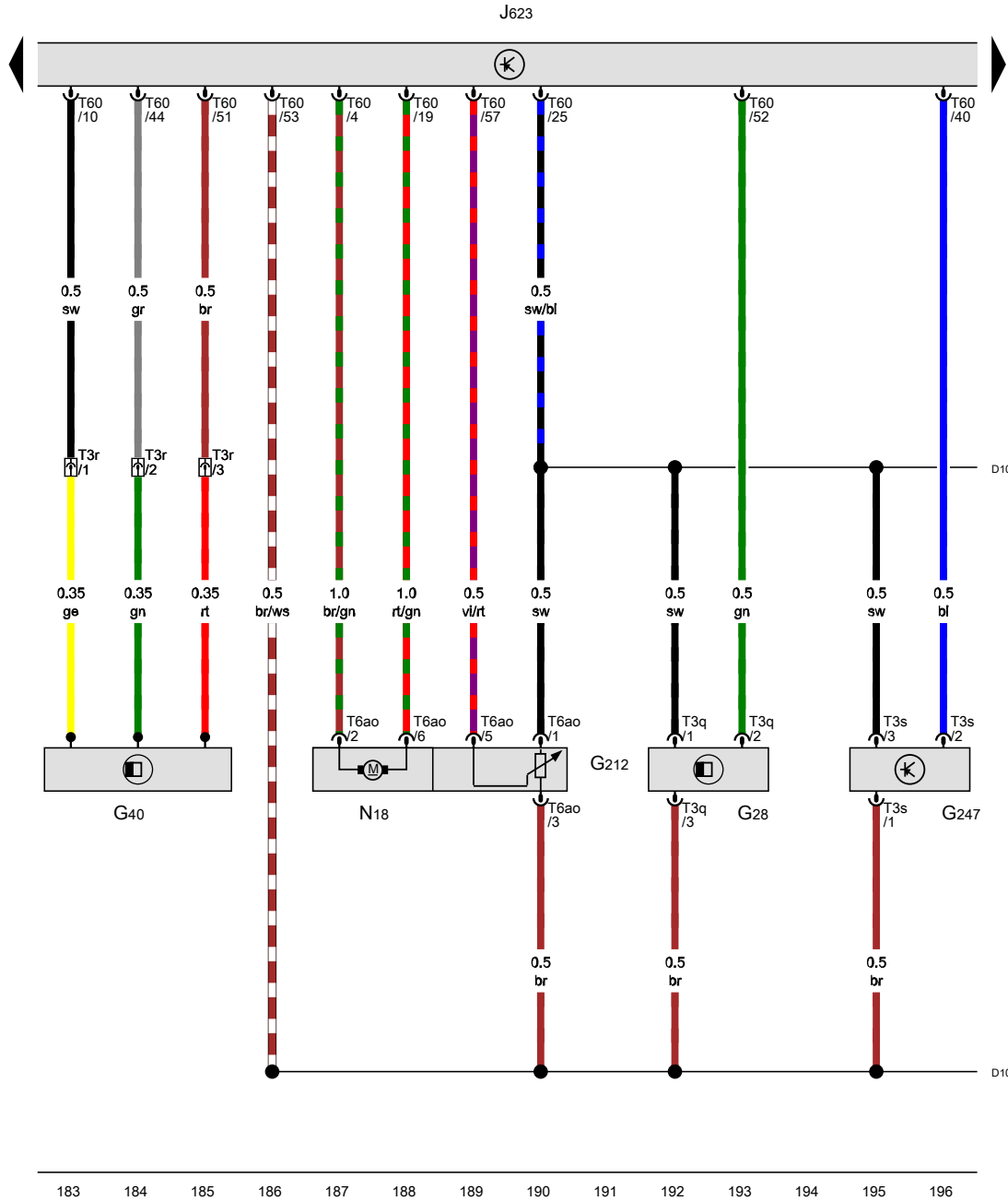


- ws = white
- sw = black
- ro = red
- br = brown
- gn = green
- bl = blue
- gr = grey
- li = purple
- ge = yellow
- or = orange
- rs = pink

169 170 171 172 173 174 175 176 177 178 179 180 181 182

[240-022141112]





Hall sender, Exhaust gas recirculation potentiometer, Fuel pressure sender, Engine control unit, Exhaust gas recirculation valve

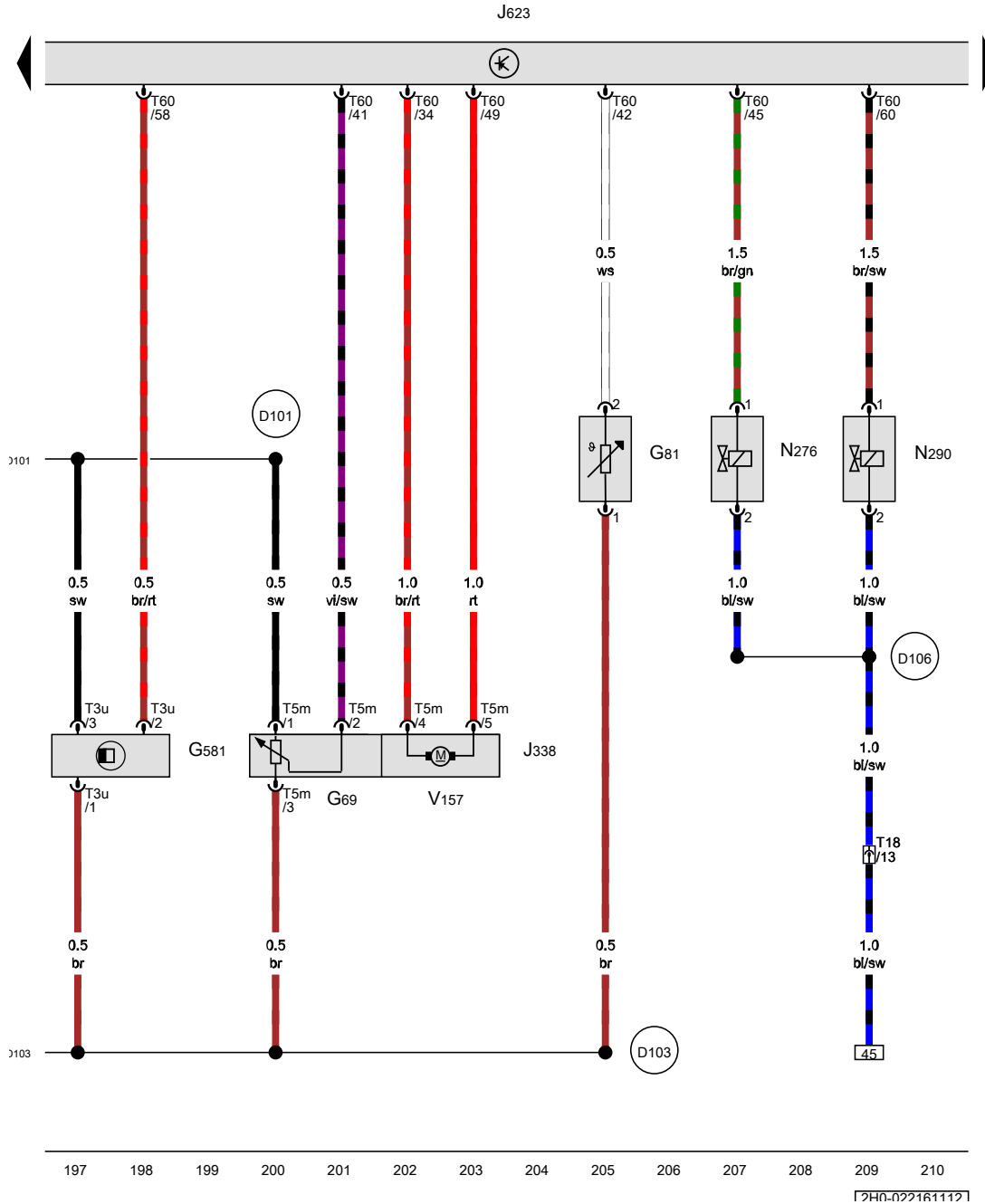
- G28 Engine speed sender
- G40 Hall sender
- G212 Exhaust gas recirculation potentiometer
- G247 Fuel pressure sender
- J623 Engine control unit
- N18 Exhaust gas recirculation valve
- T3q 3-pin connector
- T3r 3-pin connector, on front of engine, black
- T3s 3-pin connector
- T6ao 6-pin connector
- T60 60-pin connector

- D101 Connection 1 in engine compartment wiring harness
- D103 Connection 3 in engine compartment wiring harness

- ws = white
- sw = black
- ro = red
- br = brown
- gn = green
- bl = blue
- gr = grey
- li = purple
- ge = yellow
- or = orange
- rs = pink

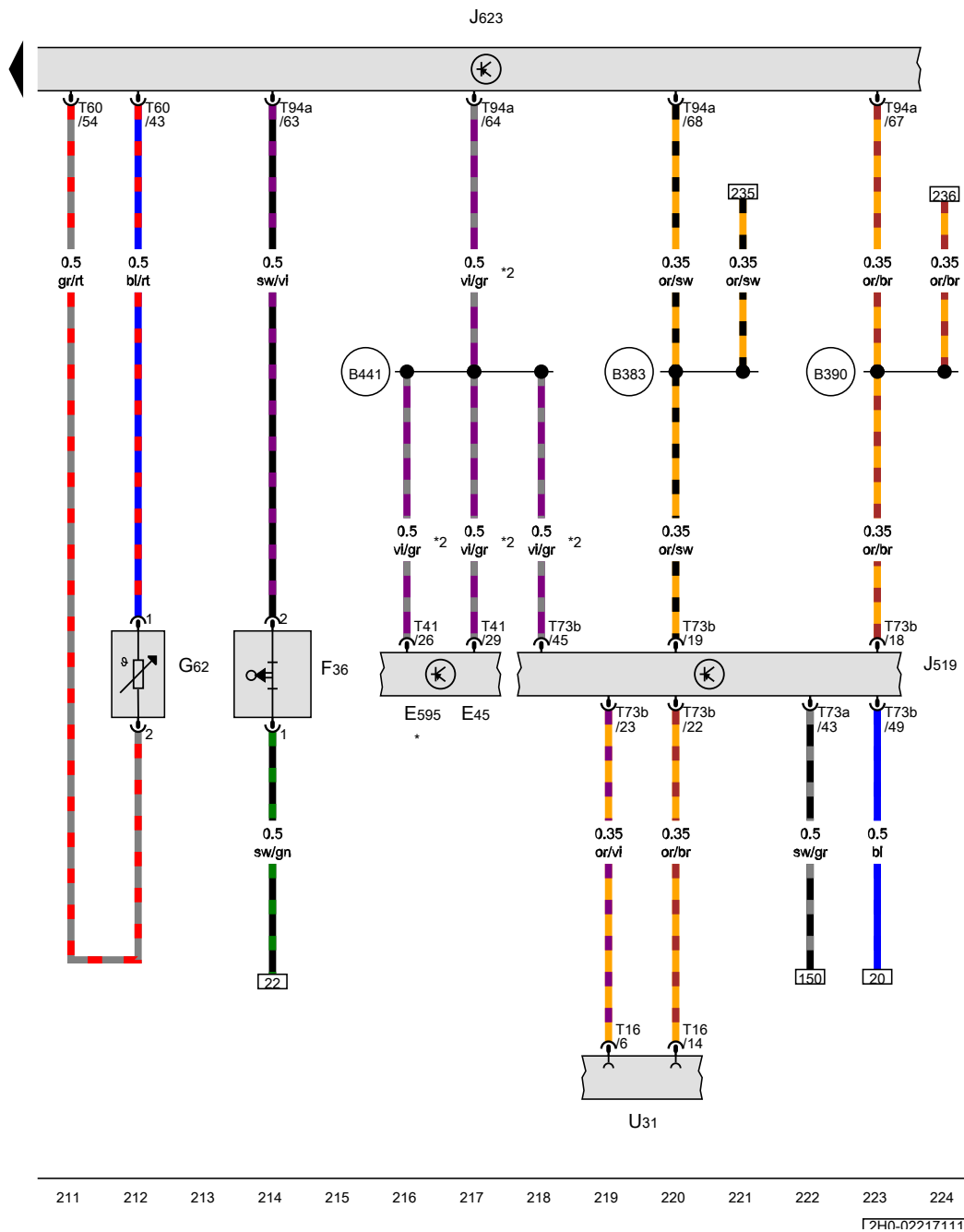
183 184 185 186 187 188 189 190 191 192 193 194 195 196

[740-022151117]






Throttle valve potentiometer, Fuel temperature sender, Position sender for charge pressure positioner, Throttle valve module, Engine control unit, Fuel pressure regulating valve, Fuel metering valve, Intake manifold flap motor

- G69 Throttle valve potentiometer
- G81 Fuel temperature sender
- G581 Position sender for charge pressure positioner
- J338 Throttle valve module
- J623 Engine control unit
- N276 Fuel pressure regulating valve
- N290 Fuel metering valve
- T3u 3-pin connector
- T5m 5-pin connector
- T18 18-pin connector, near engine control unit, black
- T60 60-pin connector
- V157 Intake manifold flap motor
- D101 Connection 1 in engine compartment wiring harness
- D103 Connection 3 in engine compartment wiring harness
- D106 Connection 4 in engine compartment wiring harness



Cruise control system switch, Steering column combination switch, Coolant temperature sender, Onboard supply control unit, Engine control unit

- E45 Cruise control system switch
- E595 Steering column combination switch
- F36 Clutch pedal switch
- G62 Coolant temperature sender
- J519 Onboard supply control unit
- J623 Engine control unit
- T16 16-pin connector, black
- T41 41-pin connector
- T60 60-pin connector
- T73a 73-pin connector
- T73b 73-pin connector
- T94a 94-pin connector
- U31 Diagnostic connection

-  B383 Connection 1 (powertrain CAN bus, high), in main wiring harness
-  B390 Connection 1 (powertrain CAN bus, low), in main wiring harness
-  B441 Connection (CCS), in main wiring harness

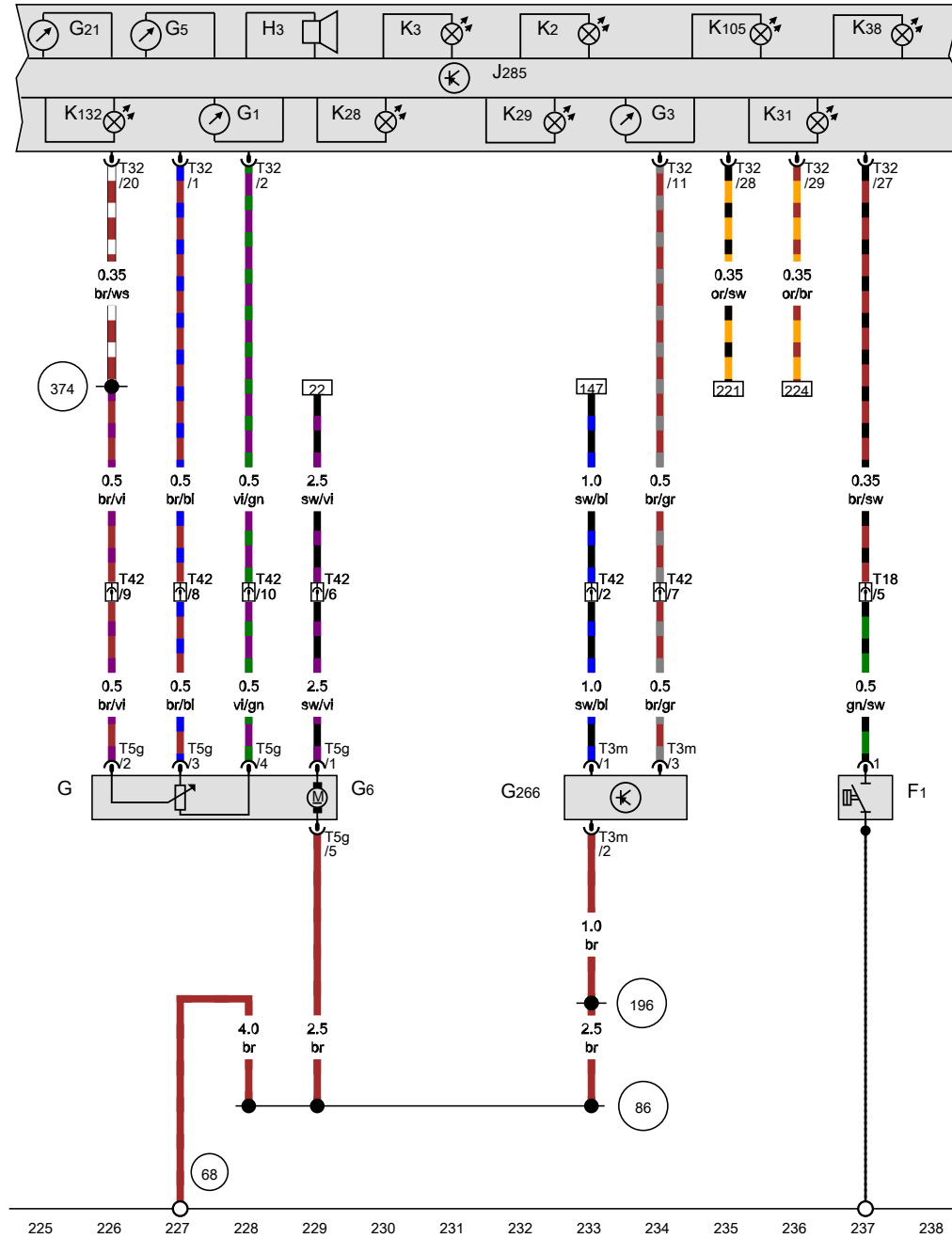
\* see applicable current flow diagram for basic equipment  
 \*2 Only models with cruise control system (CCS)

- ws = white
- sw = black
- ro = red
- br = brown
- gn = green
- bl = blue
- gr = grey
- li = purple
- ge = yellow
- or = orange
- rs = pink

211 212 213 214 215 216 217 218 219 220 221 222 223 224

[740-022171117]

**Oil level and oil temperature sender, Dash panel insert**



- F1 Oil pressure switch
- G Fuel gauge sender
- G1 Fuel gauge
- G3 Coolant temperature gauge
- G5 Rev. counter
- G6 Fuel system pressurisation pump
- G21 Speedometer
- G266 Oil level and oil temperature sender
- H3 Buzzer and gong
- J285 Control unit in dash panel insert
- K Dash panel insert
- K2 Alternator warning lamp
- K3 Oil pressure warning lamp
- K28 Coolant temperature and coolant shortage warning lamp
- K29 Glow period warning lamp
- K31 Cruise control system warning lamp
- K38 Oil level warning lamp
- K105 Reserve fuel warning lamp
- K132 Electronic power control fault lamp
- T3m 3-pin connector
- T5g 5-pin connector
- T18 18-pin connector, near engine control unit, black
- T32 32-pin connector
- T42 42-pin connector, near handbrake lever, black
- 68 Earth point, on left of rear cross member
- 86 Earth connection 1, in rear wiring harness
- 196 Earth connection 3, in rear wiring harness
- 374 Earth connection 9, in main wiring harness

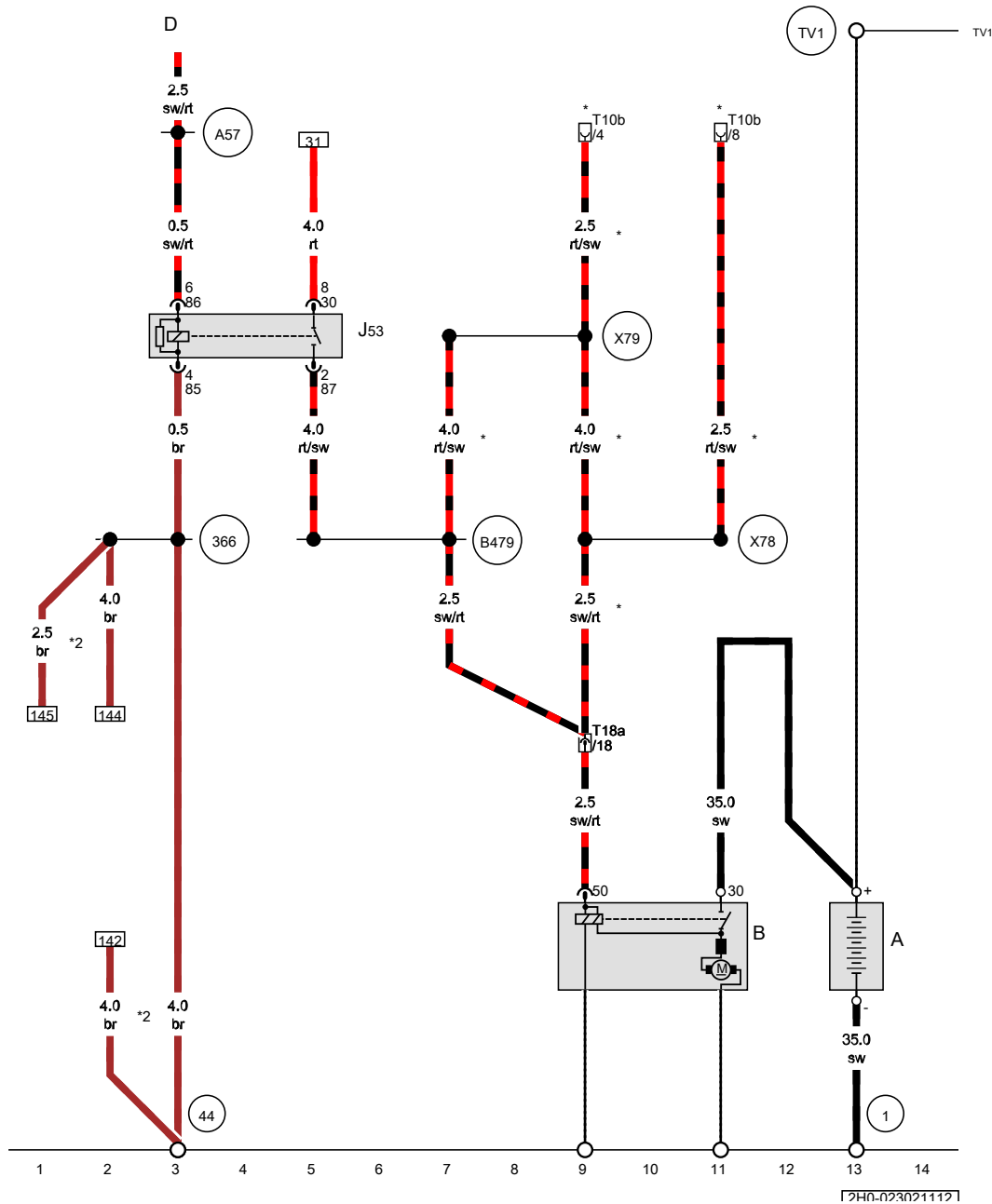
- ws = white
- sw = black
- ro = red
- br = brown
- gn = green
- bl = blue
- gr = grey
- li = purple
- ge = yellow
- or = orange
- rs = pink

[7H0-022181117]

**2.0l diesel engine , CDCA**

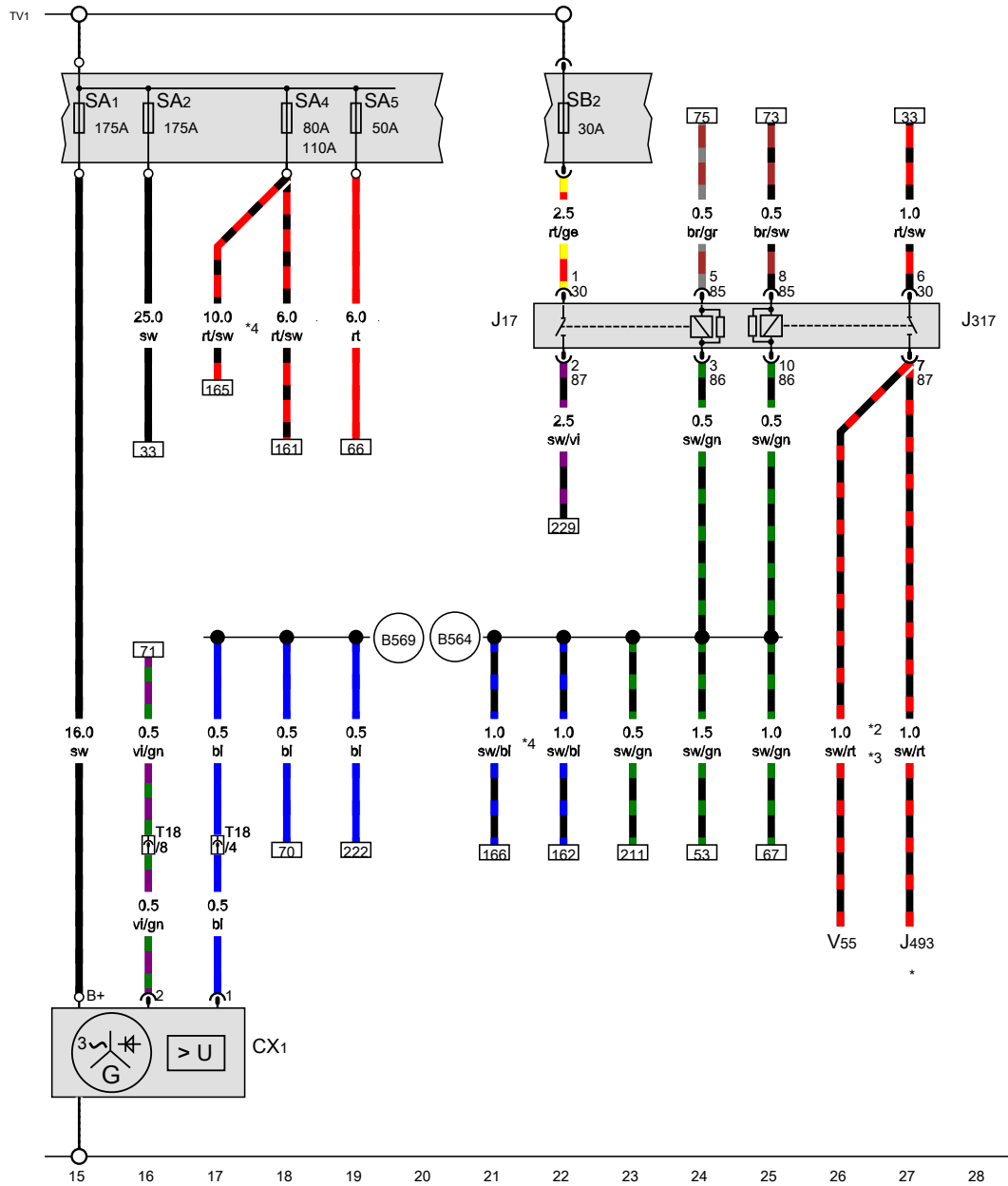
From December 2009

Battery, Starter, Starter motor relay



- A Battery
- B Starter
- D Ignition/starter switch
- J53 Starter motor relay
- T10b 10-pin connector, in left footwell, near centre console, yellow
- T18a 18-pin connector, near engine control unit, grey
- 1 Earth strap, battery - body
- 44 Earth point, lower part of left A-pillar
- 366 Earth connection 1, in main wiring harness
- A57 Positive connection 3 (30), in dash panel wiring harness
- B479 Connection 15, in main wiring harness
- TV1 Wiring junction
- X78 Connection 1, in optional equipment wiring harness
- X79 Connection 2, in optional equipment wiring harness
- \* Only models with electric interface for external use
- \*2 From November 2011

1740-0230211121



Alternator with voltage regulator, Fuel pump relay, Terminal 30 voltage supply relay, Fuse 1 in fuse holder A, Fuse 2 on fuse holder B, Fuse 4 in fuse holder A, Fuse 5 in fuse holder A

- CX1 Alternator with voltage regulator
- J17 Fuel pump relay
- J317 Terminal 30 voltage supply relay, on relay carrier
- J493 Auxiliary coolant heater relay
- SA1 Fuse 1 in fuse holder A
- SA2 Fuse 2 in fuse holder A
- SB2 Fuse 2 on fuse holder B
- SA4 Fuse 4 in fuse holder A
- SA5 Fuse 5 in fuse holder A
- T18 18-pin connector, near engine control unit, black
- V55 Circulation pump

B564 Connection 31, in main wiring harness

B569 Connection 36, in main wiring harness

TV1 Wiring junction

- \* see applicable current flow diagram for fuse assignment
- \*2 Only models with no air conditioning system/Climatronic
- \*3 see applicable current flow diagram
- \*4 Only for countries with hot climate

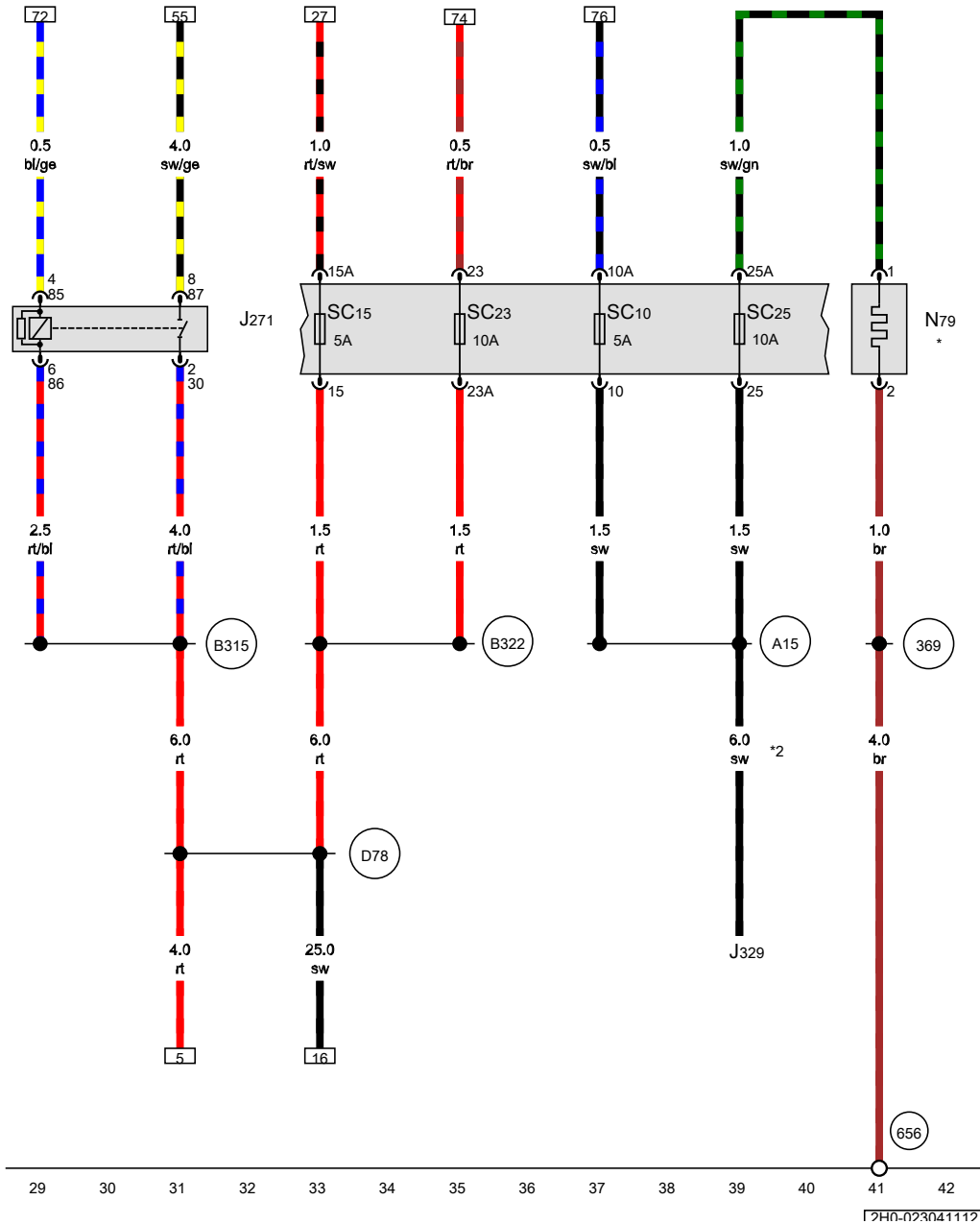
- ws = white
- sw = black
- ro = red
- br = brown
- gn = green
- bl = blue
- gr = grey
- li = purple
- ge = yellow
- or = orange
- rs = pink

Г240-0230311121

Main relay, Heater element for crankcase breather, Fuse 10 on fuse holder C, Fuse 15 on fuse holder C, Fuse 23 on fuse holder C, Fuse 25 on fuse holder C

- J271 Main relay, on relay carrier
- J329 Terminal 15 voltage supply relay
- N79 Heater element for crankcase breather
- SC10 Fuse 10 on fuse holder C
- SC15 Fuse 15 on fuse holder C
- SC23 Fuse 23 on fuse holder C
- SC25 Fuse 25 on fuse holder C

- (369) Earth connection 4, in main wiring harness
- (656) Earth point, on right headlight
- (A15) Positive connection (15), in instrument wiring harness
- (B315) Positive connection 1 (30a) in main wiring harness
- (B322) Positive connection 8 (30a) in main wiring harness
- (D78) Positive connection 1 (30a), in engine compartment wiring harness
- \* Only models with crankcase breather heater element
- \*2 see applicable current flow diagram for fuse assignment



[740-023041117]

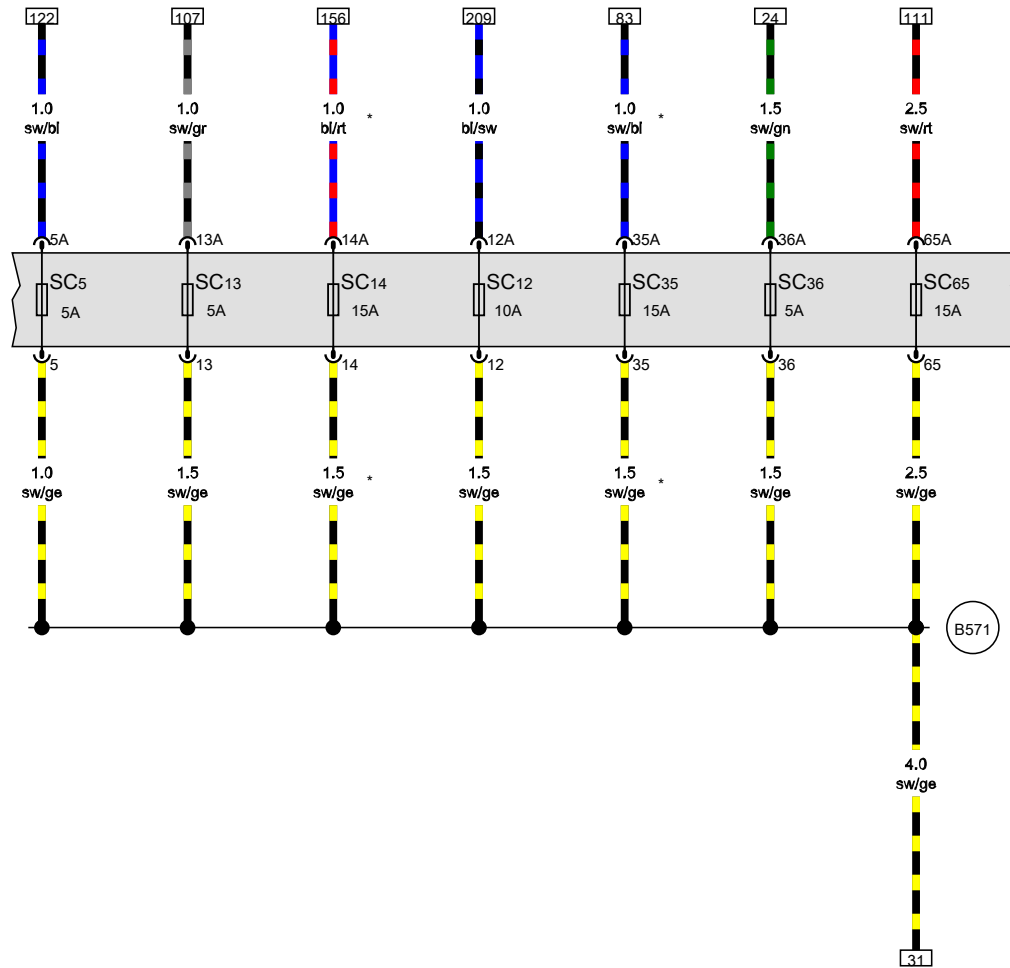


Fuse 5 on fuse holder C, Fuse 12 on fuse holder C, Fuse 13 on fuse holder C, Fuse 14 on fuse holder C, Fuse 35 on fuse holder C, Fuse 36 on fuse holder C, Fuse 65 on fuse holder C

- SC5 Fuse 5 on fuse holder C
- SC12 Fuse 12 on fuse holder C
- SC13 Fuse 13 on fuse holder C
- SC14 Fuse 14 on fuse holder C
- SC35 Fuse 35 on fuse holder C
- SC36 Fuse 36 on fuse holder C
- SC65 Fuse 65 on fuse holder C

**B571** Connection 38, in main wiring harness

\* Only models with Euro 5 emission standard



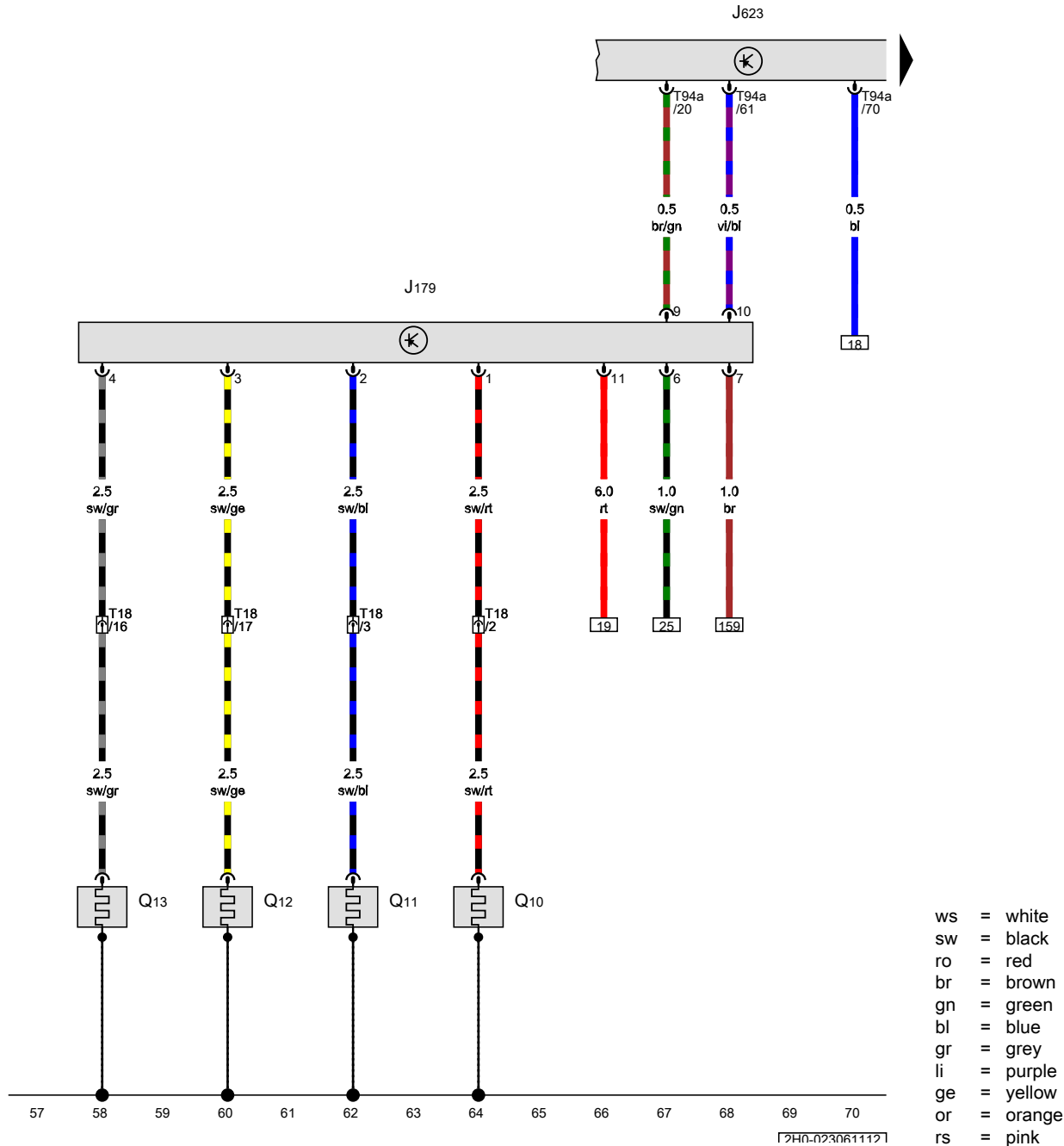
- ws = white
- sw = black
- ro = red
- br = brown
- gn = green
- bl = blue
- gr = grey
- li = purple
- ge = yellow
- or = orange
- rs = pink

43 44 45 46 47 48 49 50 51 52 53 54 55 56

1740-023051117

Automatic glow period control unit, Engine control unit, Glow plug 1, Glow plug 2, Glow plug 3, Glow plug 4

- J179 Automatic glow period control unit, near left headlight
- J623 Engine control unit, near battery
- Q10 Glow plug 1
- Q11 Glow plug 2
- Q12 Glow plug 3
- Q13 Glow plug 4
- T18 18-pin connector, near engine control unit, black
- T94a 94-pin connector, black

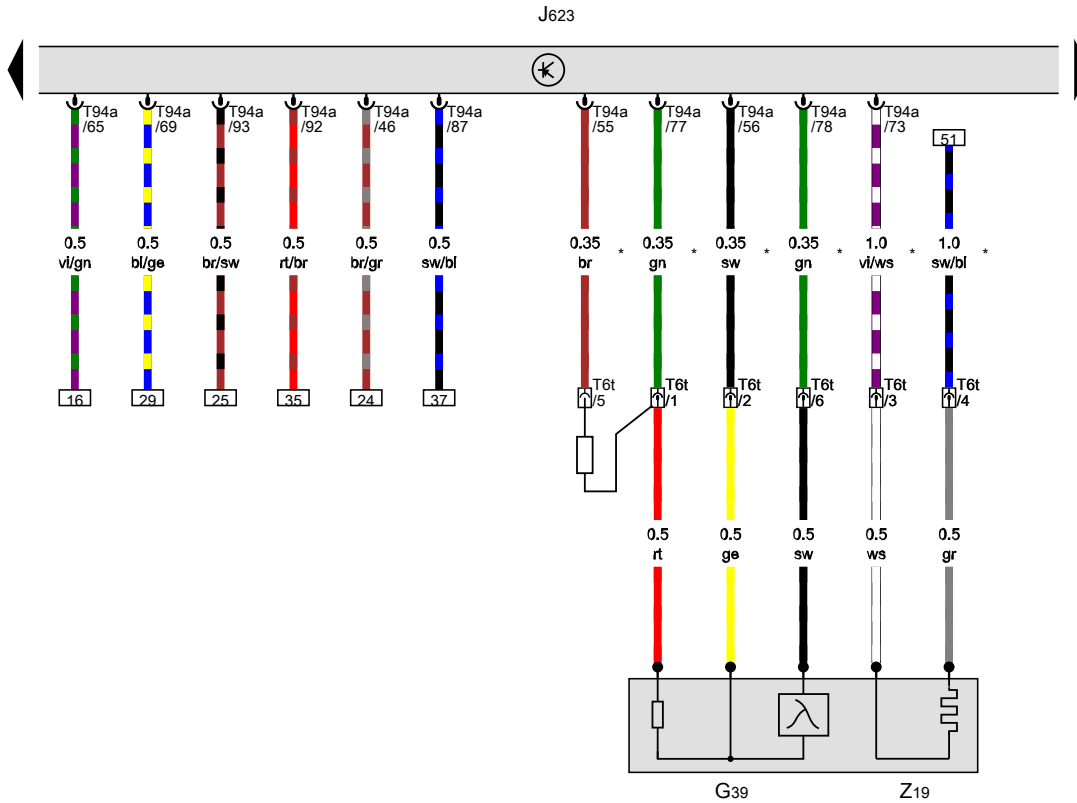


- ws = white
- sw = black
- ro = red
- br = brown
- gn = green
- bl = blue
- gr = grey
- li = purple
- ge = yellow
- or = orange
- rs = pink

[240-023061112]

Lambda probe, Engine control unit

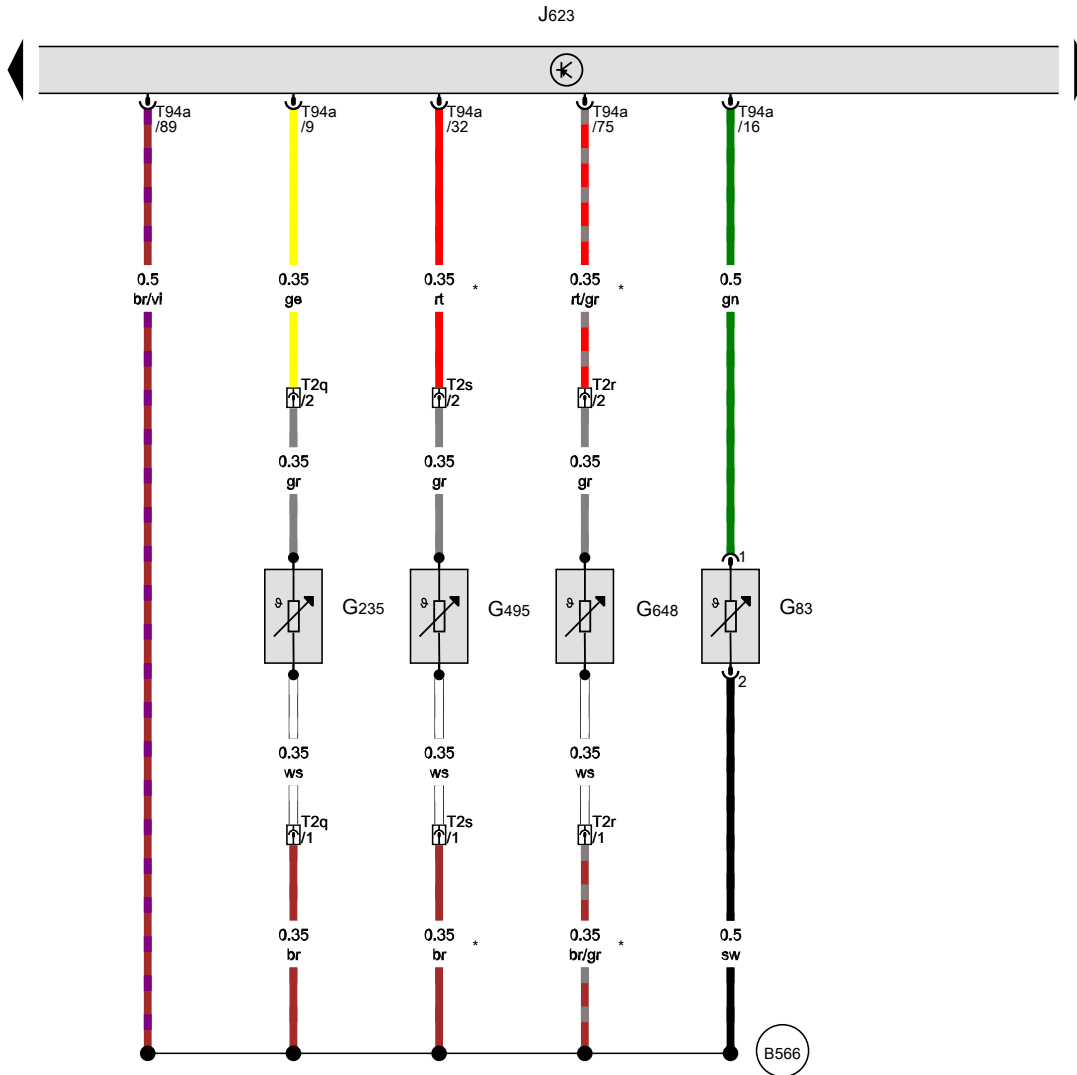
- G39 Lambda probe
- J623 Engine control unit, near battery
- T6t 6-pin connector, front right in engine compartment, black
- T94a 94-pin connector, black
- Z19 Lambda probe heater
- \* Only models with Euro 5 emission standard



- ws = white
- sw = black
- ro = red
- br = brown
- gn = green
- bl = blue
- gr = grey
- li = purple
- ge = yellow
- or = orange
- rs = pink

71 72 73 74 75 76 77 78 79 80 81 82 83 84

[240-023071112]



Radiator outlet coolant temperature sender, Exhaust gas temperature sender 1, Exhaust gas temperature sender 3, Exhaust gas temperature sender 4, Engine control unit

- G83 Radiator outlet coolant temperature sender
- G235 Exhaust gas temperature sender 1
- G495 Exhaust gas temperature sender 3
- G648 Exhaust gas temperature sender 4
- J623 Engine control unit, near battery
- T2q 2-pin connector, in front right wheel housing, black
- T2r 2-pin connector, in front right wheel housing, orange
- T2s 2-pin connector, in front right wheel housing, brown
- T94a 94-pin connector, black
- B566 Connection 33, in main wiring harness

\* Only models with Euro 5 emission standard

- ws = white
- sw = black
- ro = red
- br = brown
- gn = green
- bl = blue
- gr = grey
- li = purple
- ge = yellow
- or = orange
- rs = pink

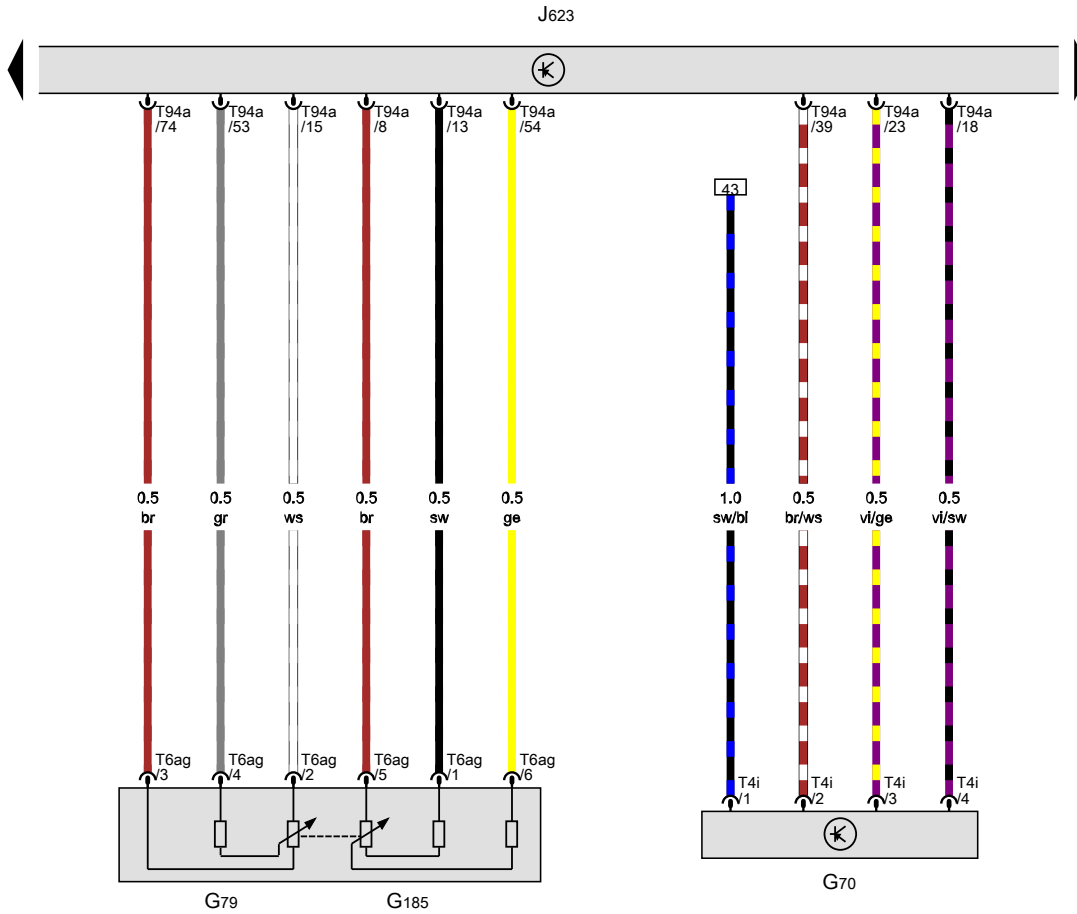
85 86 87 88 89 90 91 92 93 94 95 96 97 98

[240-023081112]



Air mass meter, Accelerator position sender, Accelerator position sender 2, Engine control unit

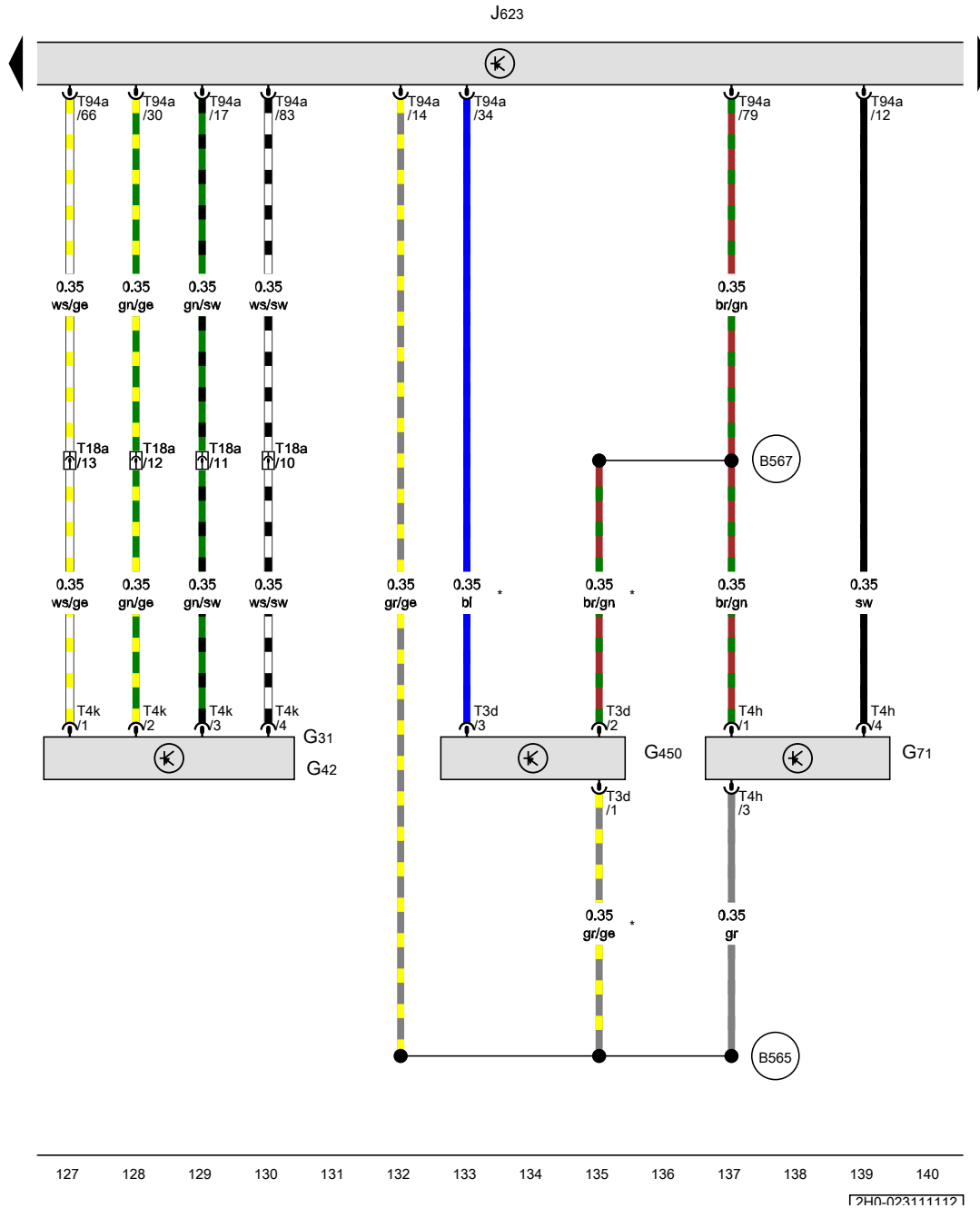
- G70 Air mass meter
- G79 Accelerator position sender
- G185 Accelerator position sender 2
- J623 Engine control unit, near battery
- T4i 4-pin connector
- T6ag 6-pin connector
- T94a 94-pin connector, black



- ws = white
- sw = black
- ro = red
- br = brown
- gn = green
- bl = blue
- gr = grey
- li = purple
- ge = yellow
- or = orange
- rs = pink

113 114 115 116 117 118 119 120 121 122 123 124 125 126

1270-0231011121



Charge pressure sender, Intake air temperature sender, Intake manifold pressure sender, Exhaust gas pressure sensor 1, Engine control unit

- G31 Charge pressure sender
- G42 Intake air temperature sender
- G71 Intake manifold pressure sender
- G450 Exhaust gas pressure sensor 1
- J623 Engine control unit, near battery
- T3d 3-pin connector
- T4h 4-pin connector
- T4k 4-pin connector
- T18a 18-pin connector, near engine control unit, grey
- T94a 94-pin connector, black

B565 Connection 32, in main wiring harness

B567 Connection 34, in main wiring harness

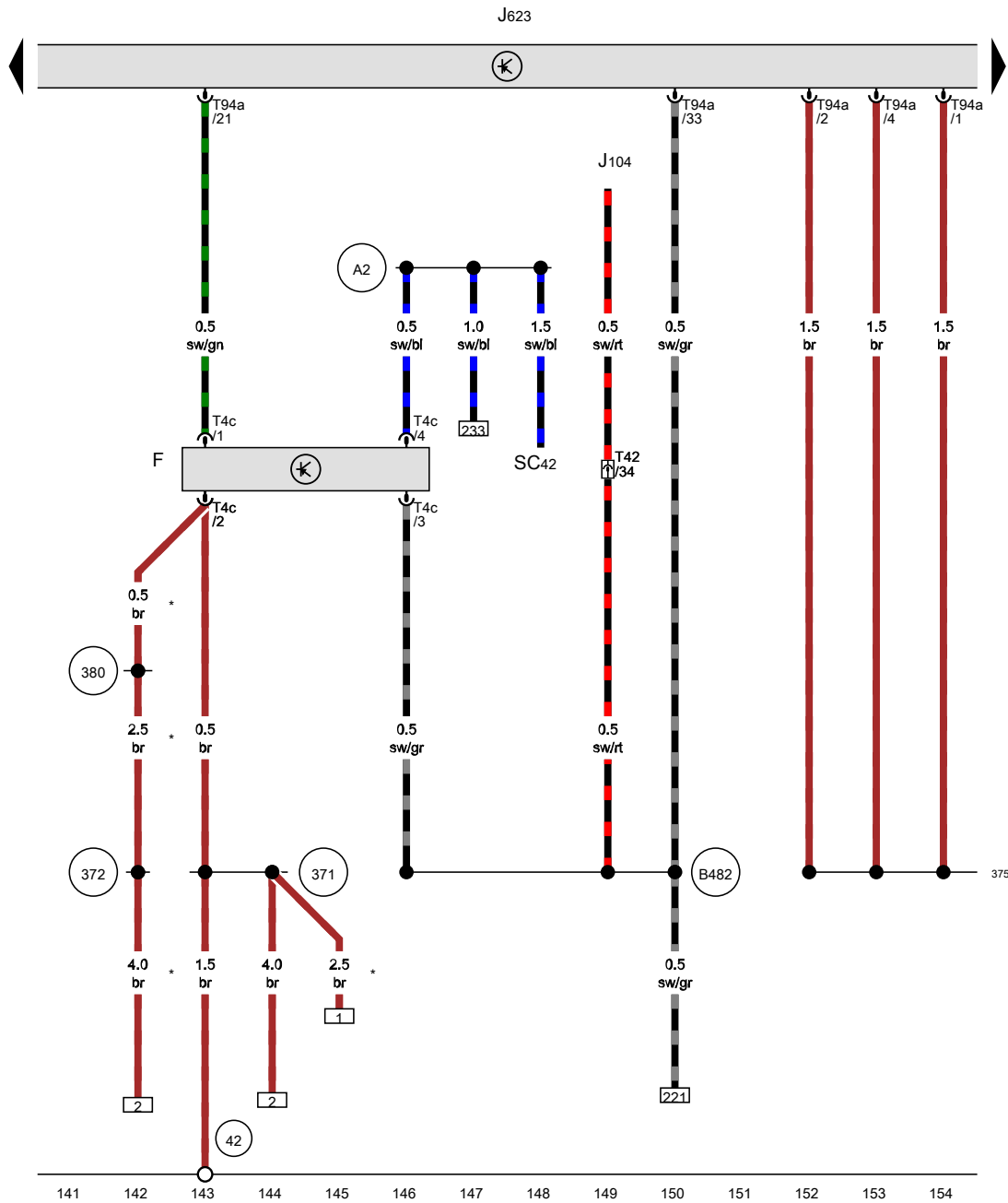
\* Only models with Euro 5 emission standard

- ws = white
- sw = black
- ro = red
- br = brown
- gn = green
- bl = blue
- gr = grey
- li = purple
- ge = yellow
- or = orange
- rs = pink

127 128 129 130 131 132 133 134 135 136 137 138 139 140

[7HD-023111112]

Brake light switch, Engine control unit



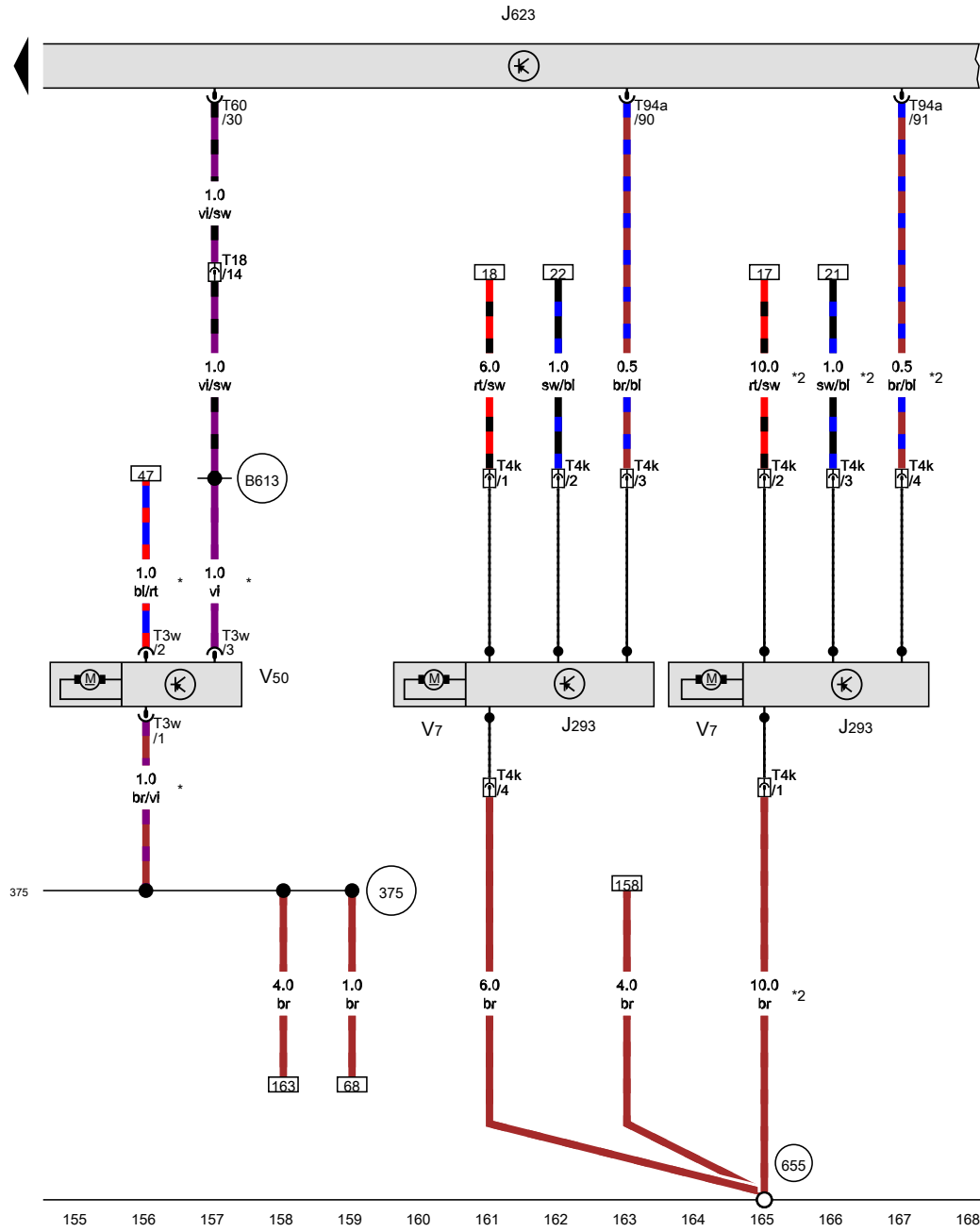
- F Brake light switch
- J104 ABS control unit
- J623 Engine control unit, near battery
- SC42 Fuse 42 on fuse holder C
- T4c 4-pin connector
- T42 42-pin connector, near handbrake lever, black
- T94a 94-pin connector, black

- (42) Earth point, next to steering column
- (371) Earth connection 6, in main wiring harness
- (372) Earth connection 7, in main wiring harness
- (375) Earth connection 10, in main wiring harness
- (380) Earth connection 15, in main wiring harness
- (A2) Positive connection (15), in dash panel wiring harness
- (B482) Connection 18, in main wiring harness

\* From November 2011

- ws = white
- sw = black
- ro = red
- br = brown
- gn = green
- bl = blue
- gr = grey
- li = purple
- ge = yellow
- or = orange
- rs = pink





Radiator fan control unit, Engine control unit, Radiator fan, Coolant circulation pump

- J293 Radiator fan control unit
- J623 Engine control unit, near battery
- T3w 3-pin connector
- T4k 4-pin connector, on radiator cowling, black
- T18 18-pin connector, near engine control unit, black
- T60 60-pin connector, black
- T94a 94-pin connector, black
- V7 Radiator fan
- V50 Coolant circulation pump

375 Earth connection 10, in main wiring harness

655 Earth point, on left headlight

B613 Connection 41, in main wiring harness

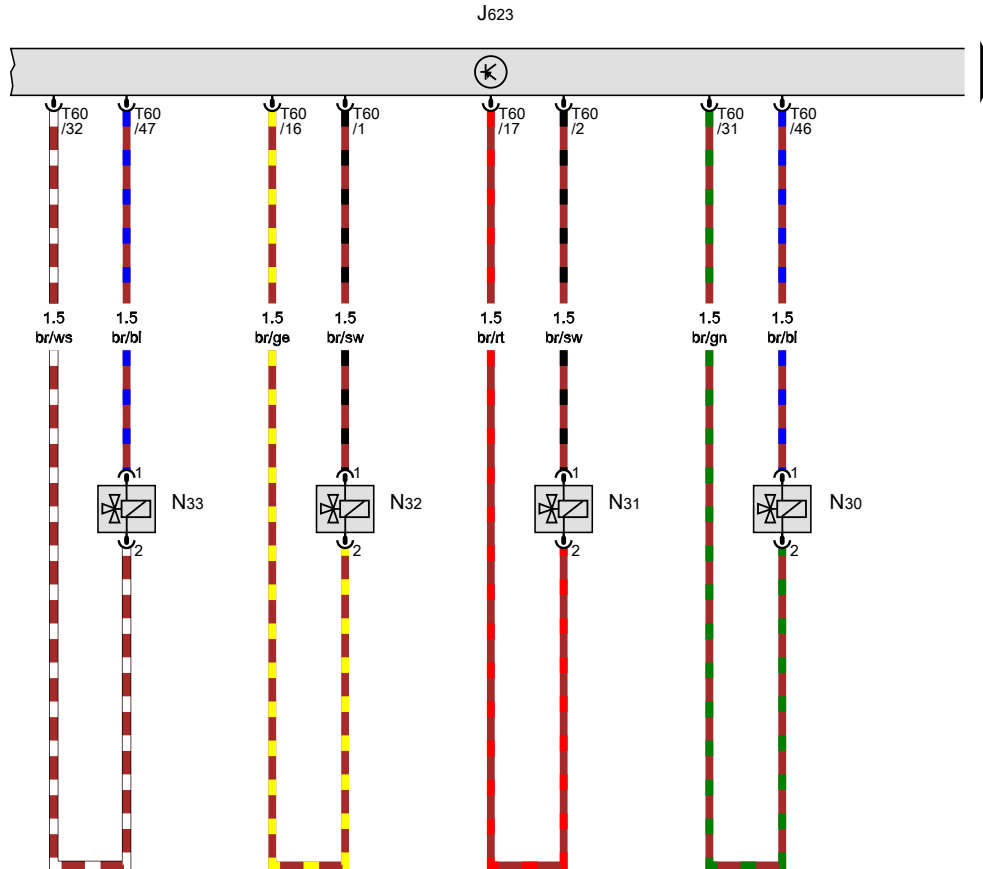
- \* Only models with Euro 5 emission standard
- \*2 Only for countries with hot climate

- ws = white
- sw = black
- ro = red
- br = brown
- gn = green
- bl = blue
- gr = grey
- li = purple
- ge = yellow
- or = orange
- rs = pink

7H0-0231311127

Engine control unit, Injector, cylinder 1, Injector, cylinder 2, Injector, cylinder 3, Injector, cylinder 4

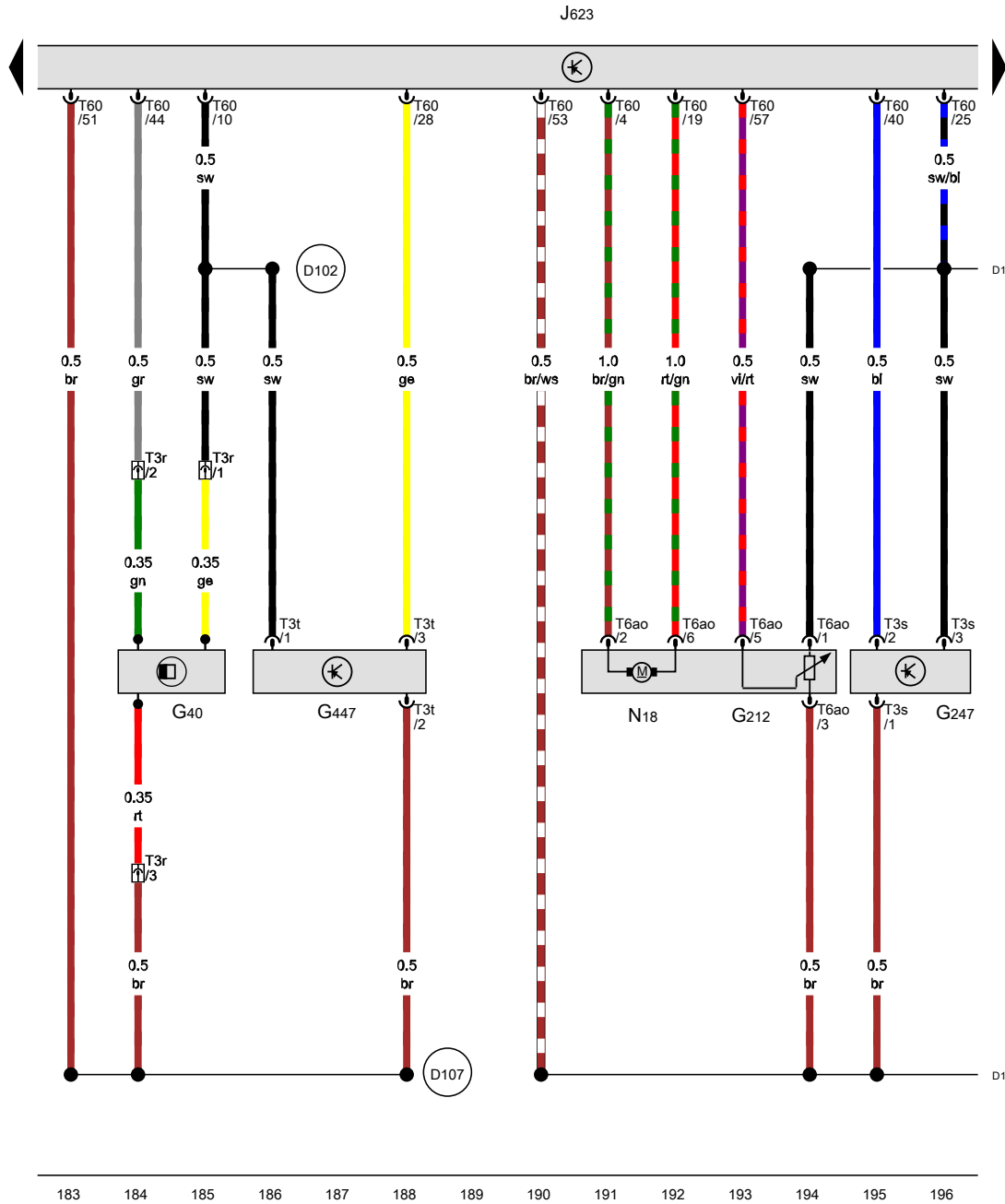
- J623 Engine control unit, near battery
- N30 Injector, cylinder 1
- N31 Injector, cylinder 2
- N32 Injector, cylinder 3
- N33 Injector, cylinder 4
- T60 60-pin connector, black



- ws = white
- sw = black
- ro = red
- br = brown
- gn = green
- bl = blue
- gr = grey
- li = purple
- ge = yellow
- or = orange
- rs = pink

169 170 171 172 173 174 175 176 177 178 179 180 181 182

[240-023141112]



Hall sender, Exhaust gas recirculation potentiometer, Fuel pressure sender, Charge pressure sender 2, Engine control unit, Exhaust gas recirculation valve

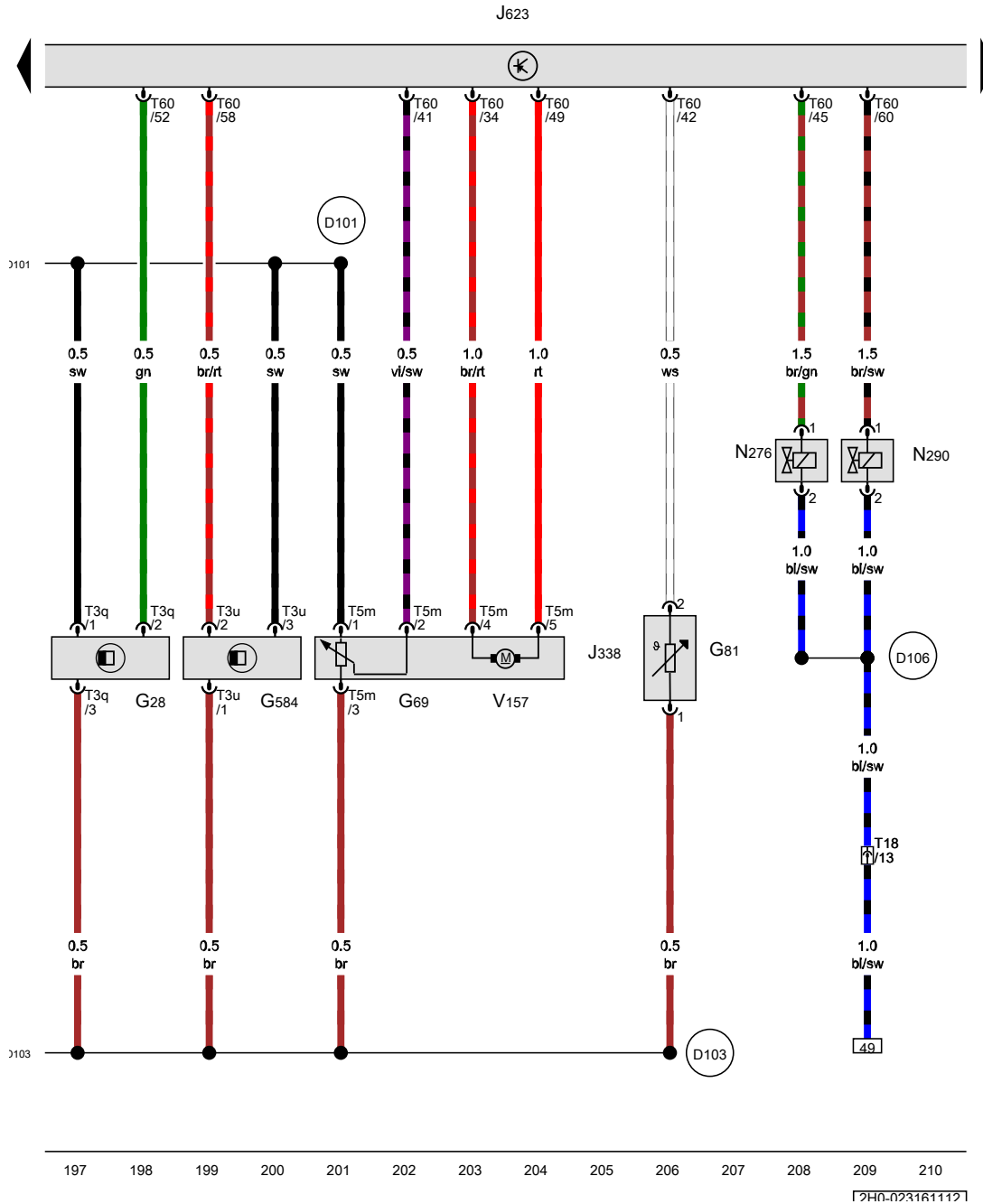
- G40 Hall sender
- G212 Exhaust gas recirculation potentiometer
- G247 Fuel pressure sender
- G447 Charge pressure sender 2, on turbocharger air recirculation valve
- J623 Engine control unit, near battery
- N18 Exhaust gas recirculation valve
- T3r 3-pin connector, on front of engine, black
- T3s 3-pin connector
- T3t 3-pin connector
- T6ao 6-pin connector
- T60 60-pin connector, black

- D101 Connection 1 in engine compartment wiring harness
- D102 Connection 2 in engine compartment wiring harness
- D103 Connection 3 in engine compartment wiring harness
- D107 Connection 5 in engine compartment wiring harness

- ws = white
- sw = black
- ro = red
- br = brown
- gn = green
- bl = blue
- gr = grey
- li = purple
- ge = yellow
- or = orange
- rs = pink

183 184 185 186 187 188 189 190 191 192 193 194 195 196

[240-023151112]

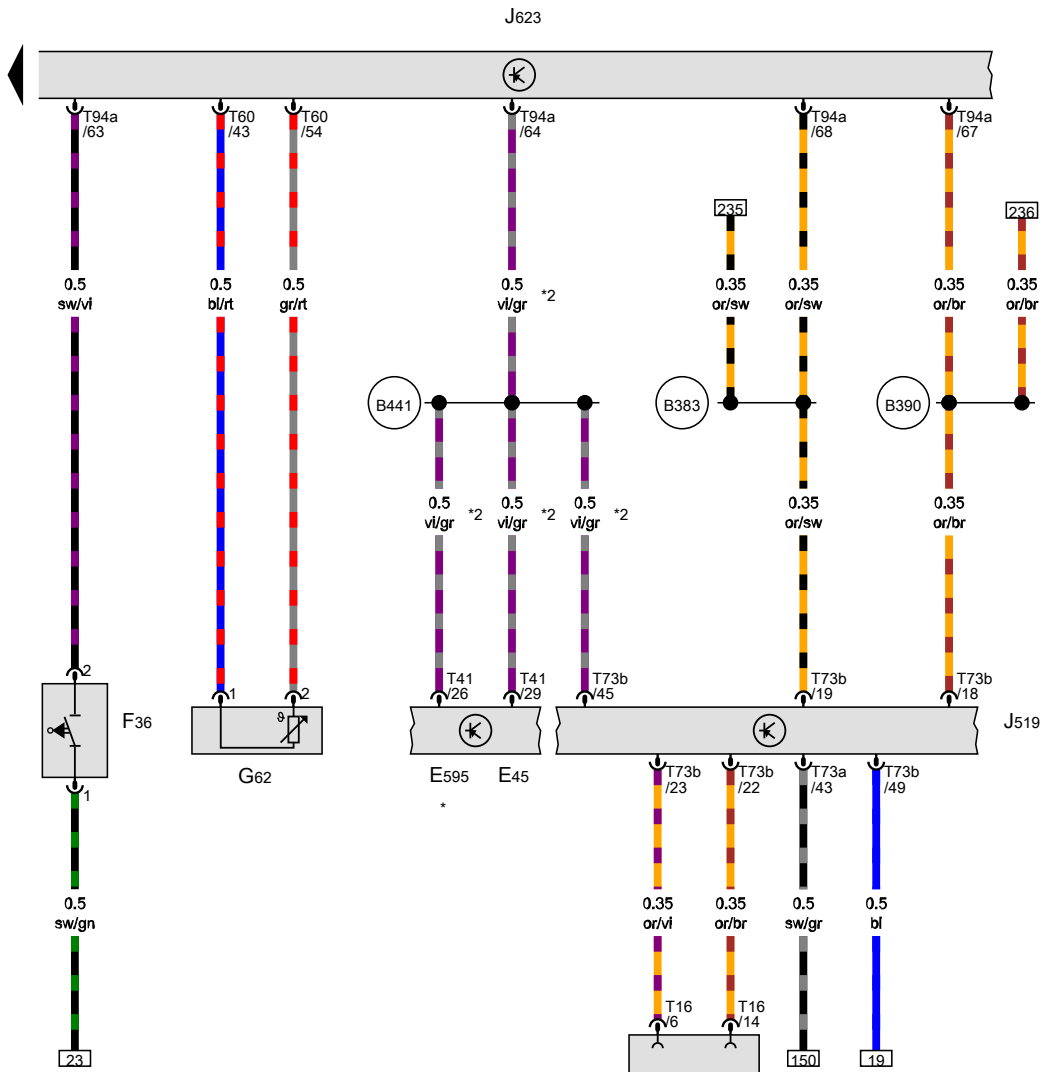


Engine speed sender, Throttle valve potentiometer, Fuel temperature sender, Regulating flap potentiometer, Throttle valve module, Engine control unit, Fuel pressure regulating valve, Fuel metering valve, Intake manifold flap motor

- G28 Engine speed sender
- G69 Throttle valve potentiometer
- G81 Fuel temperature sender
- G584 Regulating flap potentiometer
- J338 Throttle valve module
- J623 Engine control unit, near battery
- N276 Fuel pressure regulating valve
- N290 Fuel metering valve
- T3q 3-pin connector
- T3u 3-pin connector
- T5m 5-pin connector
- T18 18-pin connector, near engine control unit, black
- T60 60-pin connector, black
- V157 Intake manifold flap motor

- D101 Connection 1 in engine compartment wiring harness
- D103 Connection 3 in engine compartment wiring harness
- D106 Connection 4 in engine compartment wiring harness

- ws = white
- sw = black
- ro = red
- br = brown
- gn = green
- bl = blue
- gr = grey
- li = purple
- ge = yellow
- or = orange
- rs = pink



Cruise control system switch, Clutch pedal switch, Coolant temperature sender, Onboard supply control unit, Engine control unit

- E45 Cruise control system switch
- E595 Steering column combination switch
- F36 Clutch pedal switch
- G62 Coolant temperature sender
- J519 Onboard supply control unit
- J623 Engine control unit, near battery
- T16 16-pin connector, black
- T41 41-pin connector
- T60 60-pin connector, black
- T73a 73-pin connector
- T73b 73-pin connector
- T94a 94-pin connector, black
- U31 Diagnostic connection

B383 Connection 1 (powertrain CAN bus, high), in main wiring harness

B390 Connection 1 (powertrain CAN bus, low), in main wiring harness

B441 Connection (CCS), in main wiring harness

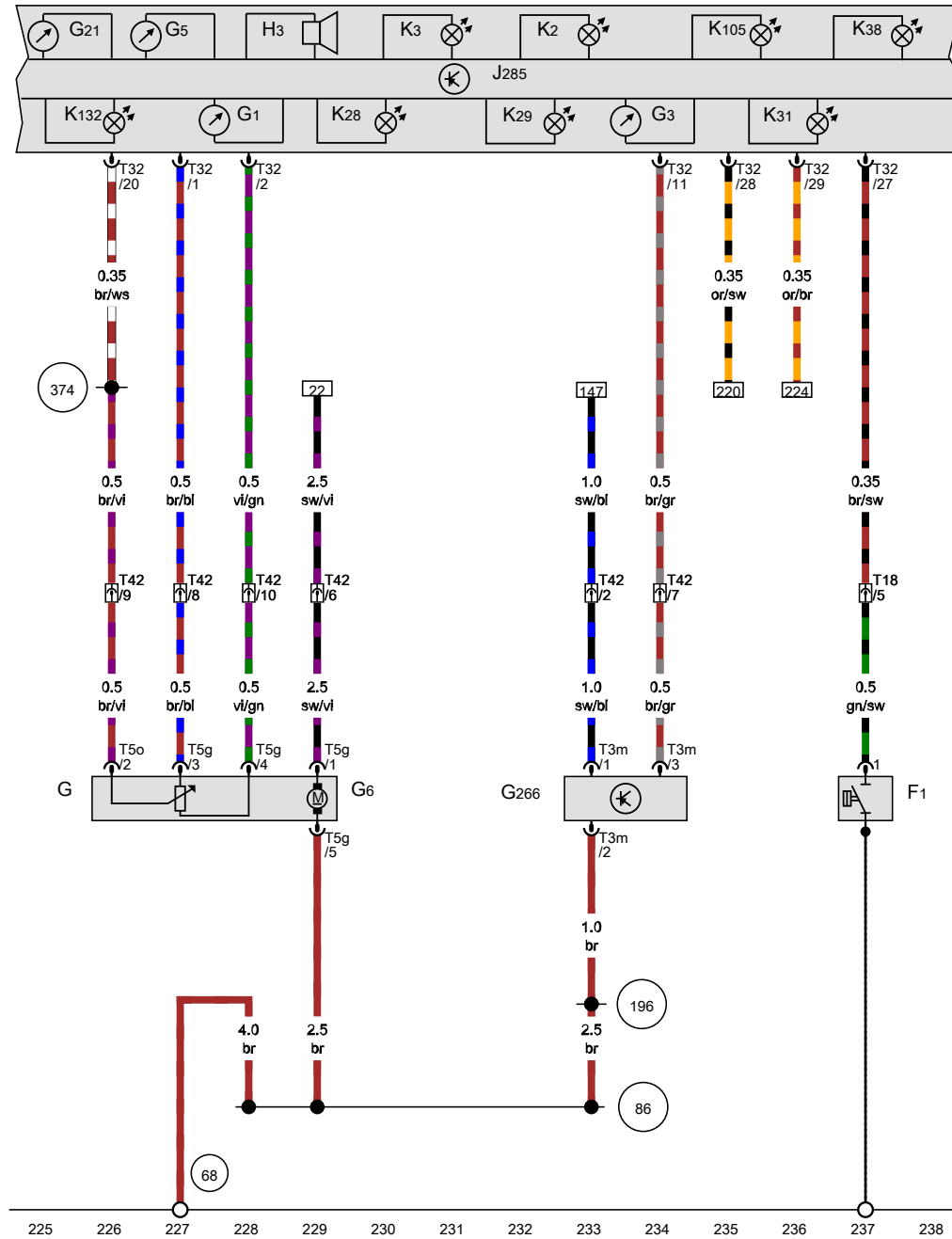
\* see applicable current flow diagram for basic equipment  
 \*2 Only models with cruise control system (CCS)

- ws = white
- sw = black
- ro = red
- br = brown
- gn = green
- bl = blue
- gr = grey
- li = purple
- ge = yellow
- or = orange
- rs = pink

211 212 213 214 215 216 217 218 219 220 221 222 223 224

[790-023171117]

**Oil level and oil temperature sender, Dash panel insert**



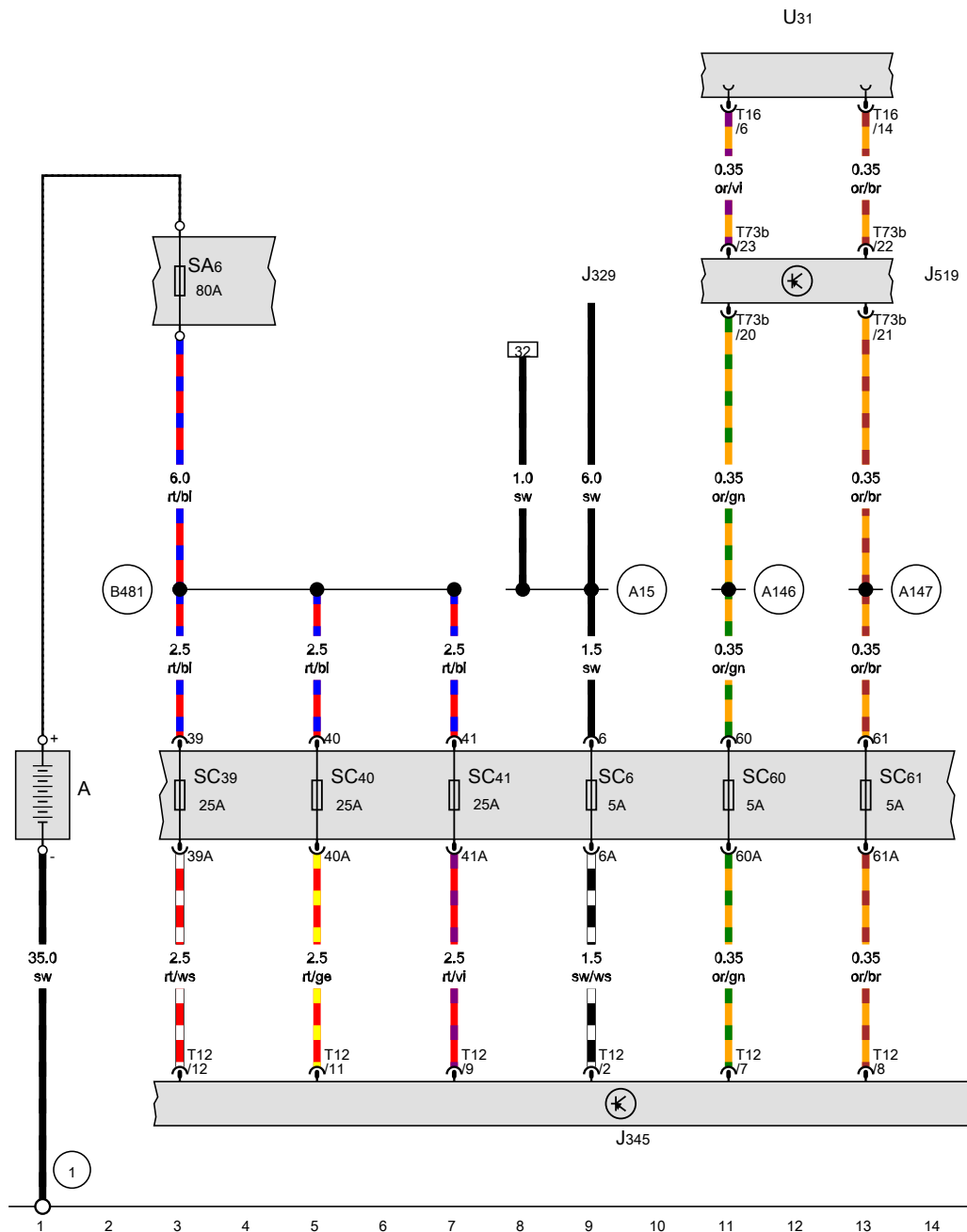
- F1 Oil pressure switch
- G Fuel gauge sender
- G1 Fuel gauge
- G3 Coolant temperature gauge
- G5 Rev. counter
- G6 Fuel system pressurisation pump
- G21 Speedometer
- G266 Oil level and oil temperature sender
- H3 Buzzer and gong
- J285 Control unit in dash panel insert
- K Dash panel insert
- K2 Alternator warning lamp
- K3 Oil pressure warning lamp
- K28 Coolant temperature and coolant shortage warning lamp
- K29 Glow period warning lamp
- K31 Cruise control system warning lamp
- K38 Oil level warning lamp
- K105 Reserve fuel warning lamp
- K132 Electronic power control fault lamp
- T3m 3-pin connector
- T5g 5-pin connector
- T5o 5-pin connector
- T18 18-pin connector, near engine control unit, black
- T32 32-pin connector
- T42 42-pin connector, near handbrake lever, black
- 68 Earth point, on left of rear cross member
- 86 Earth connection 1, in rear wiring harness
- 196 Earth connection 3, in rear wiring harness
- 374 Earth connection 9, in main wiring harness

- ws = white
- sw = black
- ro = red
- br = brown
- gn = green
- bl = blue
- gr = grey
- li = purple
- ge = yellow
- or = orange
- rs = pink

[7H0-023181117]

**Preparation for trailer coupling , (LOR)**

From September 2009



**Battery, Trailer detector control unit, Fuse 6 on fuse holder C, Fuse 6 in fuse holder A, Fuse 39 on fuse holder C, Fuse 40 on fuse holder C, Fuse 41 on fuse holder C, Diagnostic connection**

- A Battery
- J329 Terminal 15 voltage supply relay
- J345 Trailer detector control unit, in centre under dash panel
- J519 Onboard supply control unit, near driver side A-pillar
- SC6 Fuse 6 on fuse holder C
- SA6 Fuse 6 in fuse holder A
- SC39 Fuse 39 on fuse holder C
- SC40 Fuse 40 on fuse holder C
- SC41 Fuse 41 on fuse holder C
- SC60 Fuse 60 on fuse holder C
- SC61 Fuse 61 on fuse holder C
- T12 12-pin connector
- T16 16-pin connector
- T73b 73-pin connector
- U31 Diagnostic connection, near driver side A-pillar

- 1 Earth strap, battery - body
- A15 Positive connection (15), in instrument wiring harness
- A146 Connection (convenience CAN bus, high), in dash panel wiring harness
- A147 Connection (convenience CAN bus, low), in dash panel wiring harness
- B481 Connection 17, in main wiring harness




- ws = white
- sw = black
- ro = red
- br = brown
- gn = green
- bl = blue
- gr = grey
- li = purple
- ge = yellow
- or = orange
- rs = pink

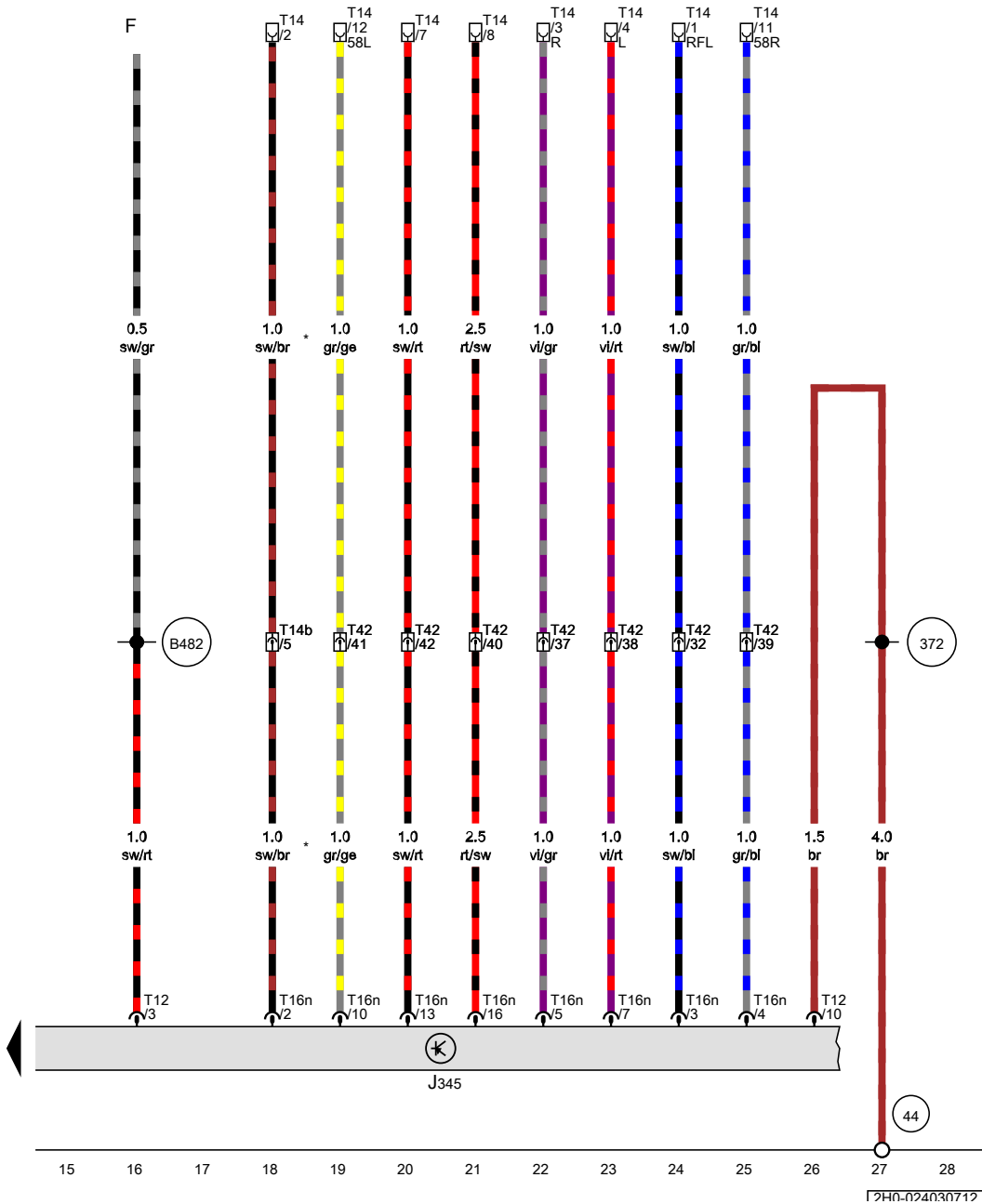
ГЭН-0240207121



Brake light switch, Trailer detector control unit

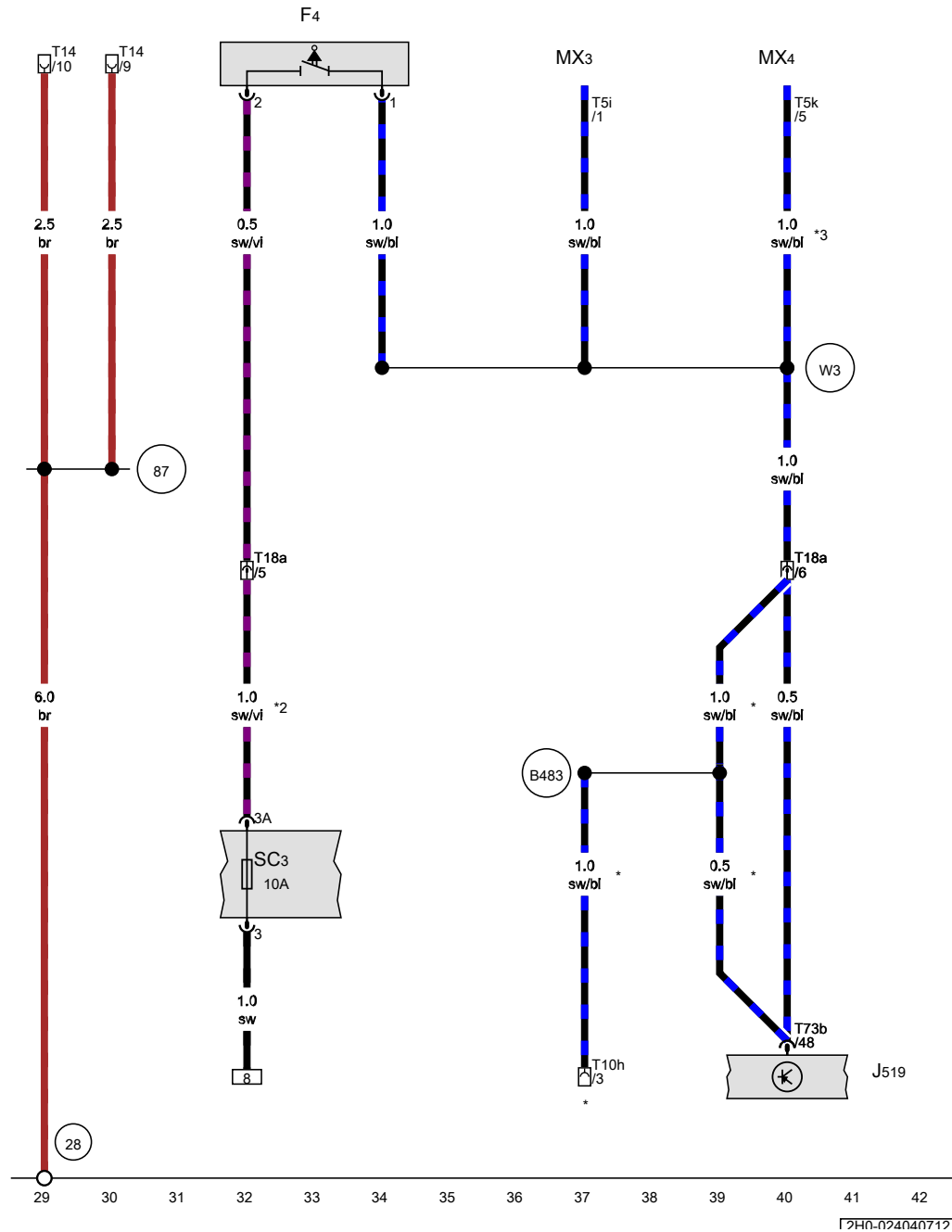
- F Brake light switch
- J345 Trailer detector control unit, in centre under dash panel
- T12 12-pin connector
- T14 14-pin connector, behind rear bumper on left
- T14b 14-pin connector
- T16n 16-pin connector
- T42 42-pin connector, near handbrake lever

-  44 Earth point, lower part of left A-pillar
-  372 Earth connection 7, in main wiring harness
-  B482 Connection 18, in main wiring harness
- \* Only models with stop/start system



- ws = white
- sw = black
- ro = red
- br = brown
- gn = green
- bl = blue
- gr = grey
- li = purple
- ge = yellow
- or = orange
- rs = pink

Reversing light switch, Left tail light, Fuse 3 on fuse holder C



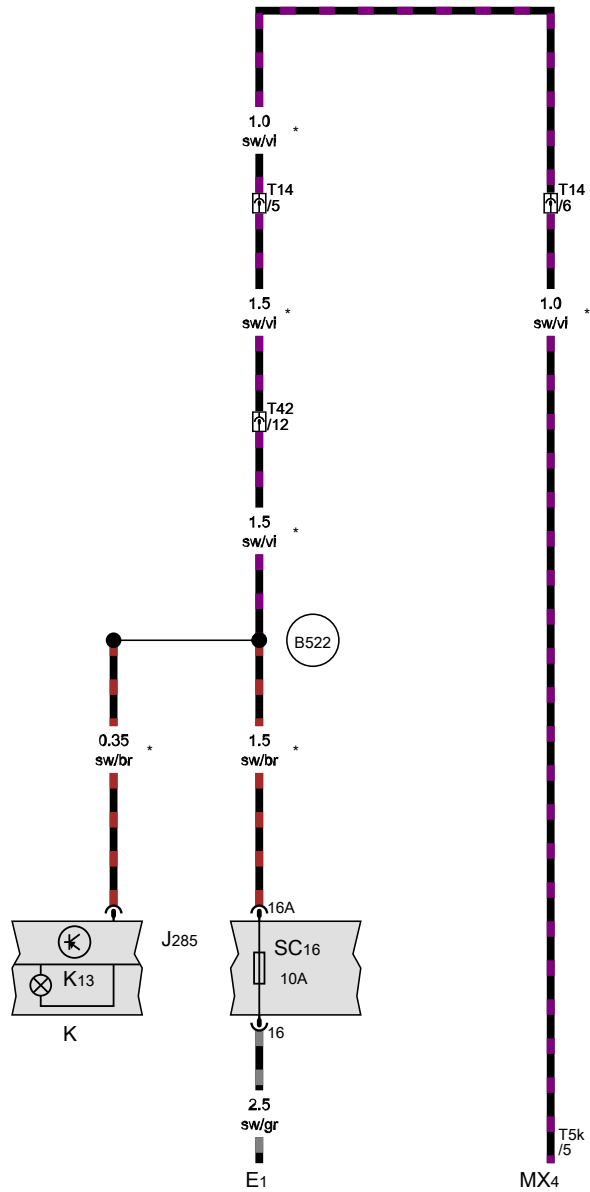
- F4 Reversing light switch
- J519 Onboard supply control unit
- MX3 Left tail light
- MX4 Right tail light
- SC3 Fuse 3 on fuse holder C
- T5i 5-pin connector
- T5k 5-pin connector
- T10h 10-pin connector
- T14 14-pin connector, behind rear bumper on left
- T18a 18-pin connector, near engine control unit
- T73b 73-pin connector
- 28 Earth point, on bulkhead
- 87 Earth connection 2, in rear wiring harness
- B483 Connection 19, in main wiring harness
- W3 Connection in rear wiring harness
- \* Only models with electric interface for external use
- \*2 see applicable current flow diagram for fuse assignment
- \*3 Only models with no rear fog light

ws = white  
 sw = black  
 ro = red  
 br = brown  
 gn = green  
 bl = blue  
 gr = grey  
 li = purple  
 ge = yellow  
 or = orange  
 rs = pink

1790-024007171

Light switch, Dash panel insert, Rear fog light warning lamp, Right tail light

- E1 Light switch
- J285 Control unit in dash panel insert
- K Dash panel insert
- K13 Rear fog light warning lamp
- MX4 Right tail light
- SC16 Fuse 16 on fuse holder C
- T5k 5-pin connector
- T14 14-pin connector, behind rear bumper on left
- T42 42-pin connector, near handbrake lever
- B522** Connection (FL), in main wiring harness
- \* Only models with rear fog light



- ws = white
- sw = black
- ro = red
- br = brown
- gn = green
- bl = blue
- gr = grey
- li = purple
- ge = yellow
- or = orange
- rs = pink

43 44 45 46 47 48 49 50 51 52 53 54 55 56

1240-0240507121

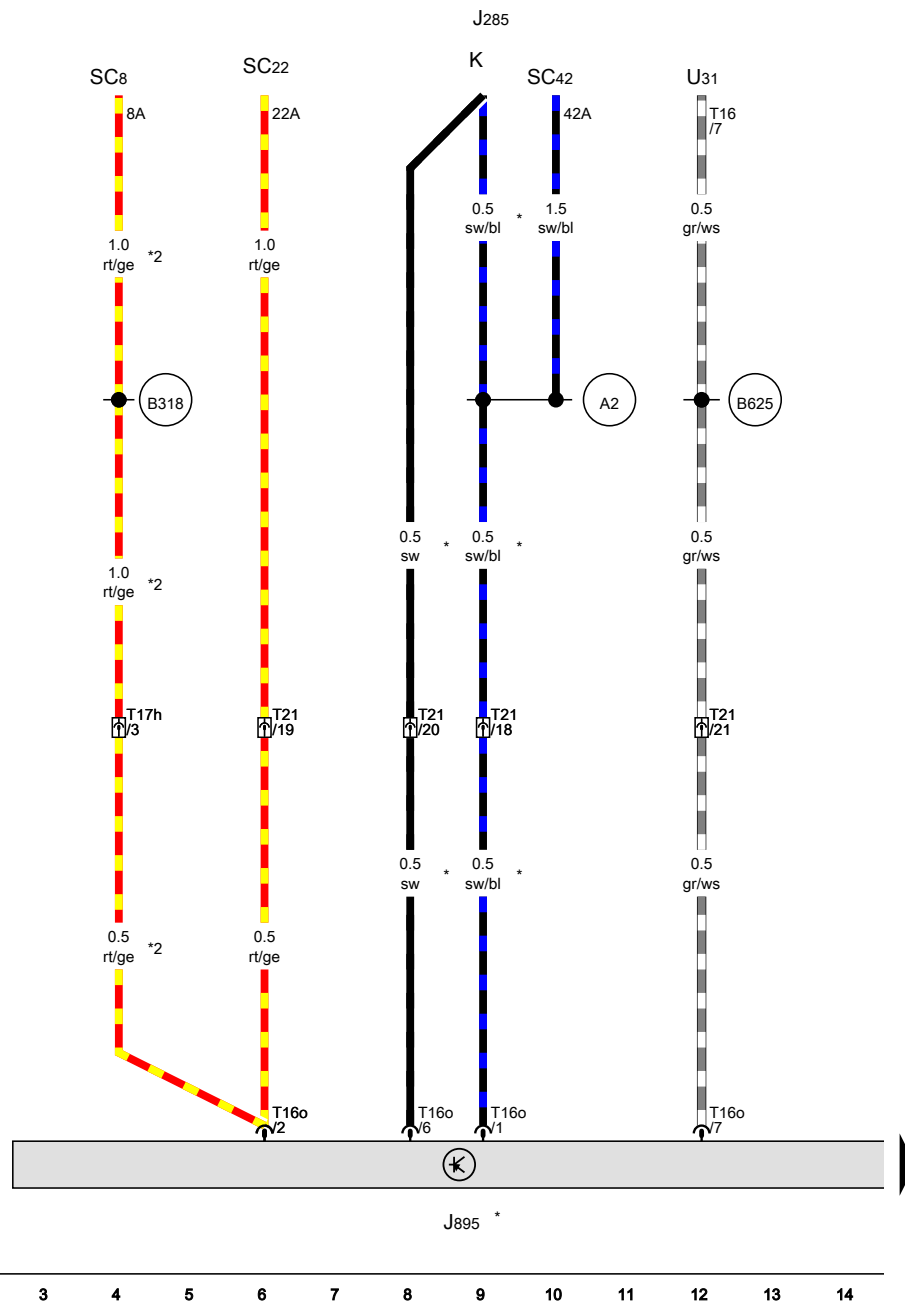
**Vehicle location system , (B1D)**

From December 2009

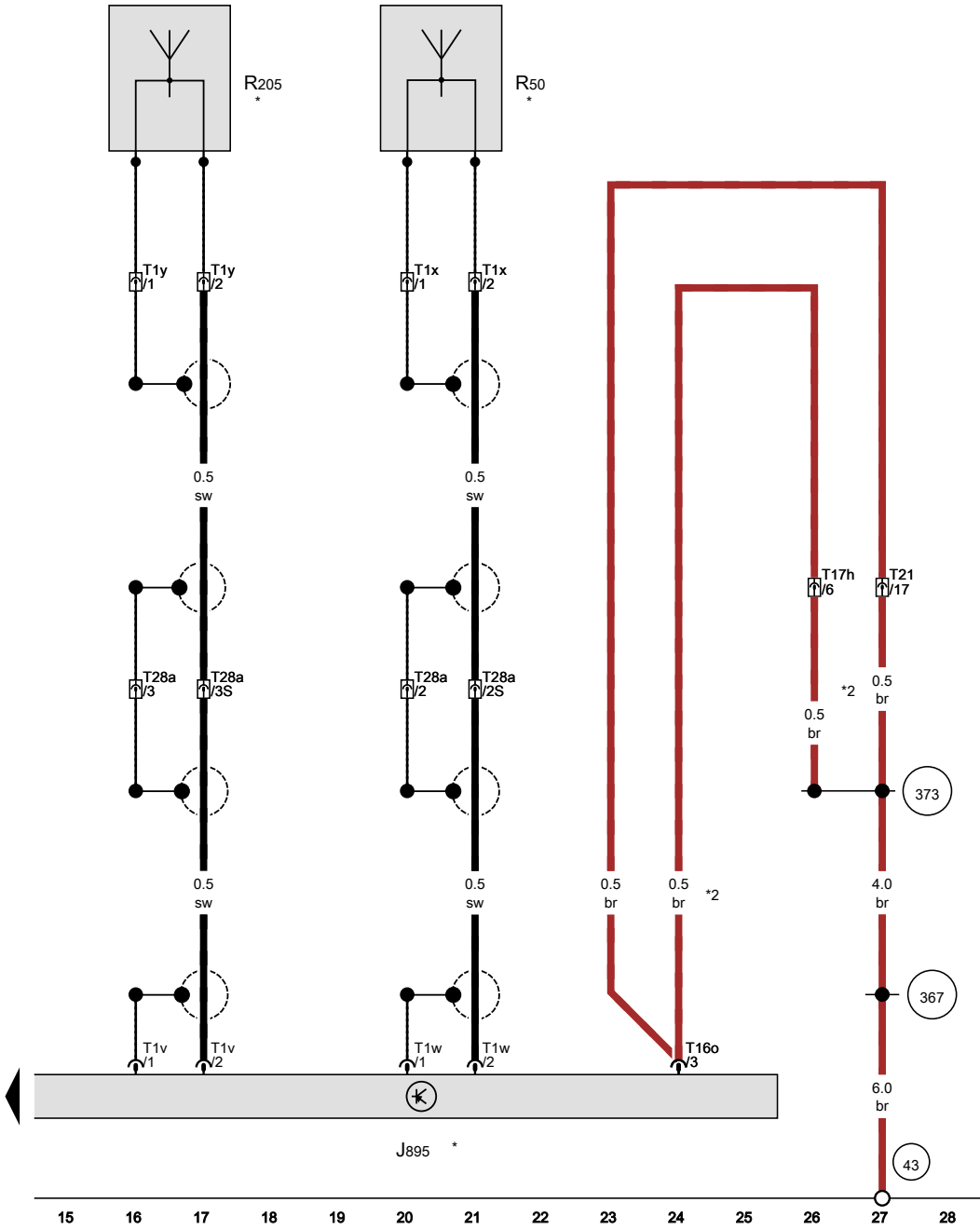
Control unit in dash panel insert, Control unit for vehicle location system, Dash panel insert, Fuse 22 on fuse holder C, Diagnostic connection

- J285 Control unit in dash panel insert
- J895 Control unit for vehicle location system, near radio
- K Dash panel insert
- SC8 Fuse 8 on fuse holder C
- SC22 Fuse 22 on fuse holder C
- SC42 Fuse 42 on fuse holder C
- T16 16-pin connector
- T16o 16-pin connector, brown
- T17h 17-pin connector, on left under dash panel, blue
- T21 21-pin connector, on relay carrier, blue
- U31 Diagnostic connection

- A2 Positive connection (15), in dash panel wiring harness
- B318 Positive connection 4 (30a) in main wiring harness
- B625 Connection (K-diagnosis wire), in main wiring harness
- \* Country specific
- \*2 From January 2013



- ws = white
- sw = black
- ro = red
- rt = red
- br = brown
- gn = green
- bl = blue
- gr = grey
- li = purple
- vi = purple
- ge = yellow
- or = orange
- rs = pink



**Control unit for vehicle location system, GPS aerial, GSM aerial**

- J895 Control unit for vehicle location system, near radio
- R50 GPS aerial
- R205 GSM aerial
- T1v Single connector, purple
- T1w Single connector, purple
- T1x Single connector, in left door, near exterior mirror
- T1y Single connector, in left door, near exterior mirror
- T16o 16-pin connector, brown
- T17h 17-pin connector, on left under dash panel, blue
- T21 21-pin connector, on relay carrier, blue
- T28a 28-pin connector, on left A-pillar

- 43 Earth point, lower part of right A-pillar
- 367 Earth connection 2, in main wiring harness
- 373 Earth connection 8, in main wiring harness

\* Country specific  
 \*2 From June 2012

- ws = white
- sw = black
- ro = red
- rt = red
- br = brown
- gn = green
- bl = blue
- gr = grey
- li = purple
- vi = purple
- ge = yellow
- or = orange
- rs = pink

17H0-0250301131

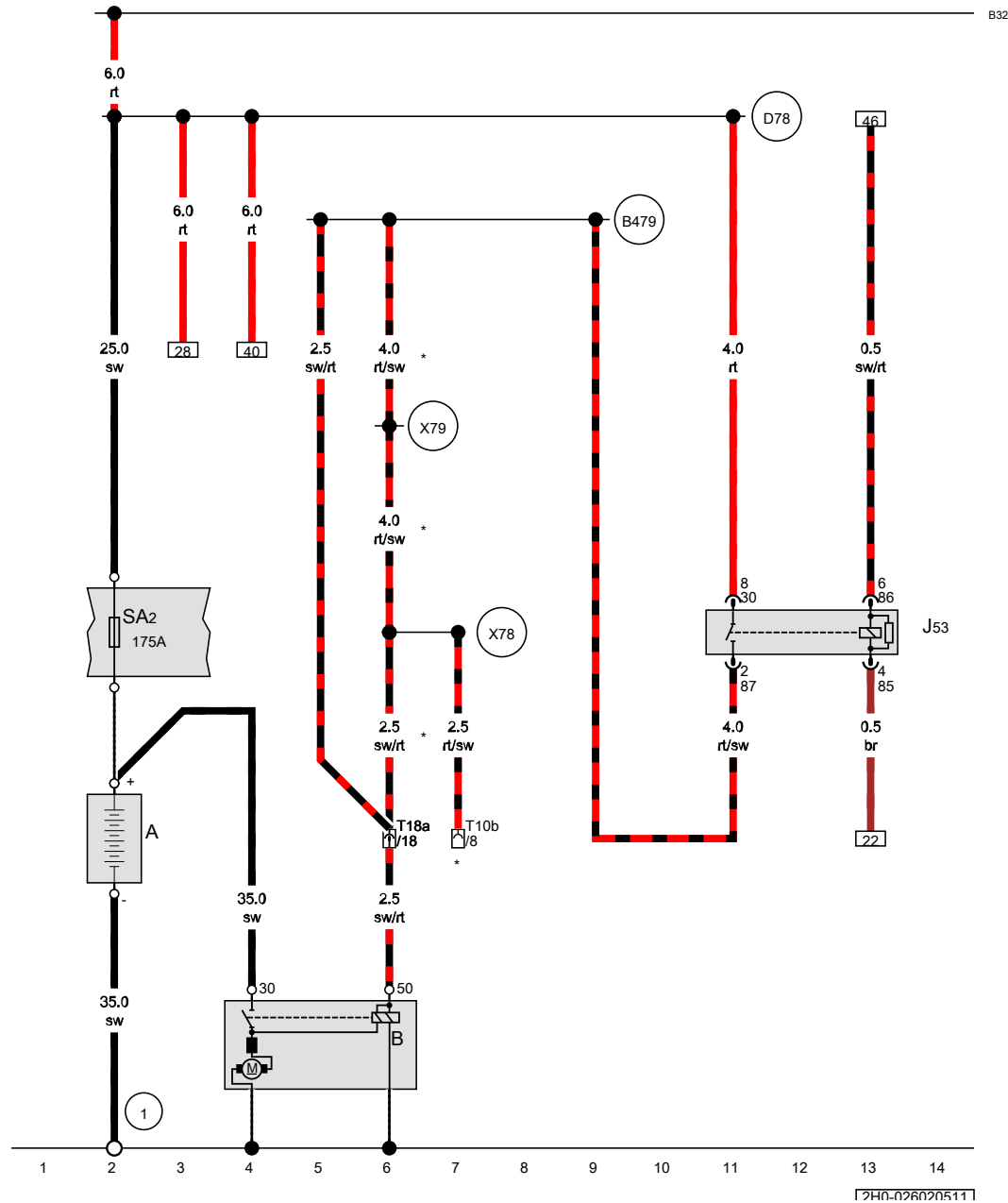
**Basic equipment, right-hand drive**

From December 2009

**Battery, Starter**

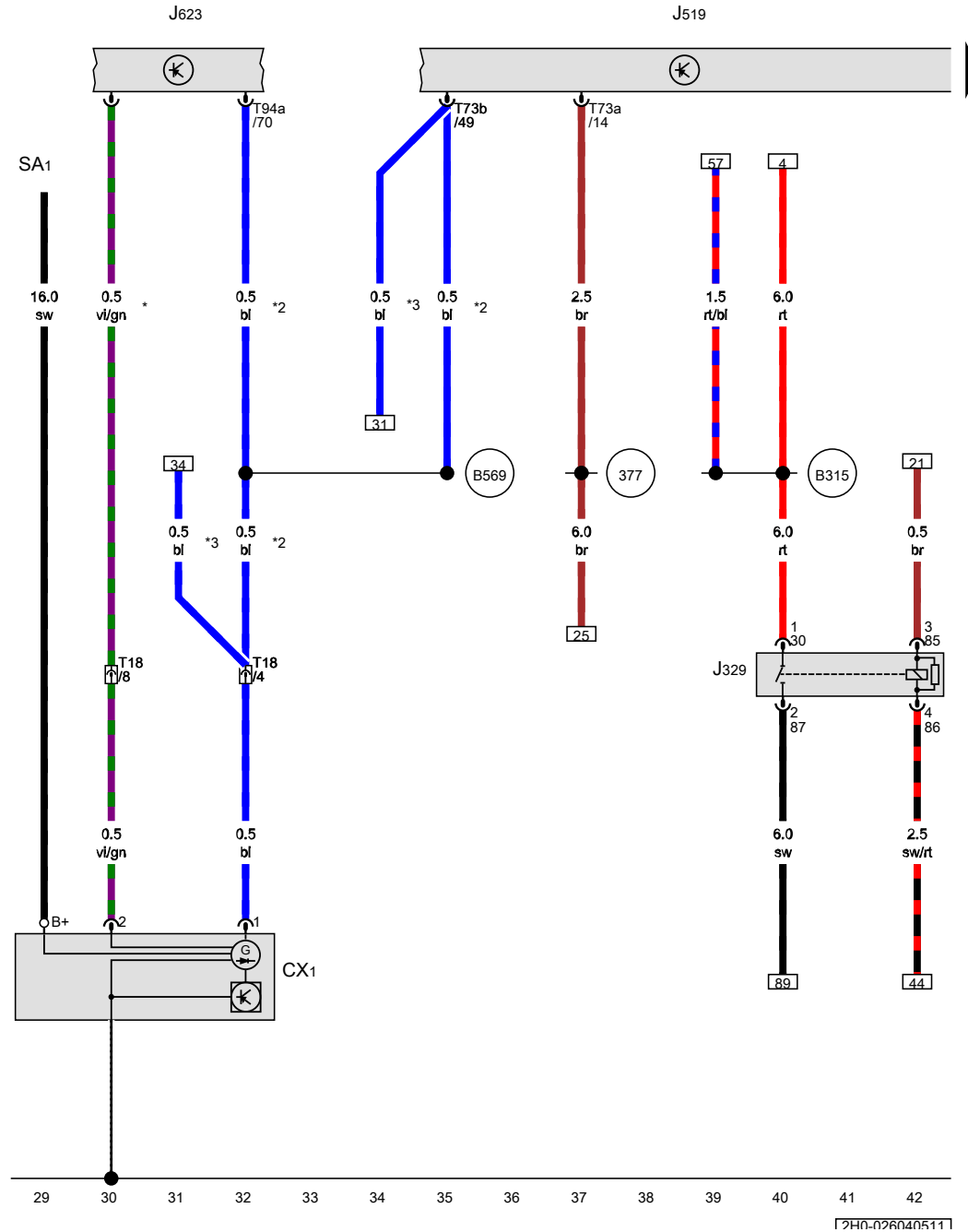
- A Battery
- B Starter
- J53 Starter motor relay
- SA2 Fuse 2 in fuse holder A
- T10b 10-pin connector, in left footwell, near centre console
- T18a 18-pin connector, near engine control unit

- 1 Earth strap, battery - body
- B322 Positive connection 8 (30a) in main wiring harness
- B479 Connection 15, in main wiring harness
- D78 Positive connection 1 (30a), in engine compartment wiring harness
- X78 Connection 1, in optional equipment wiring harness
- X79 Connection 2, in optional equipment wiring harness
- \* Only models with electric interface for external use









Alternator with voltage regulator, Terminal 15 voltage supply relay, Onboard supply control unit

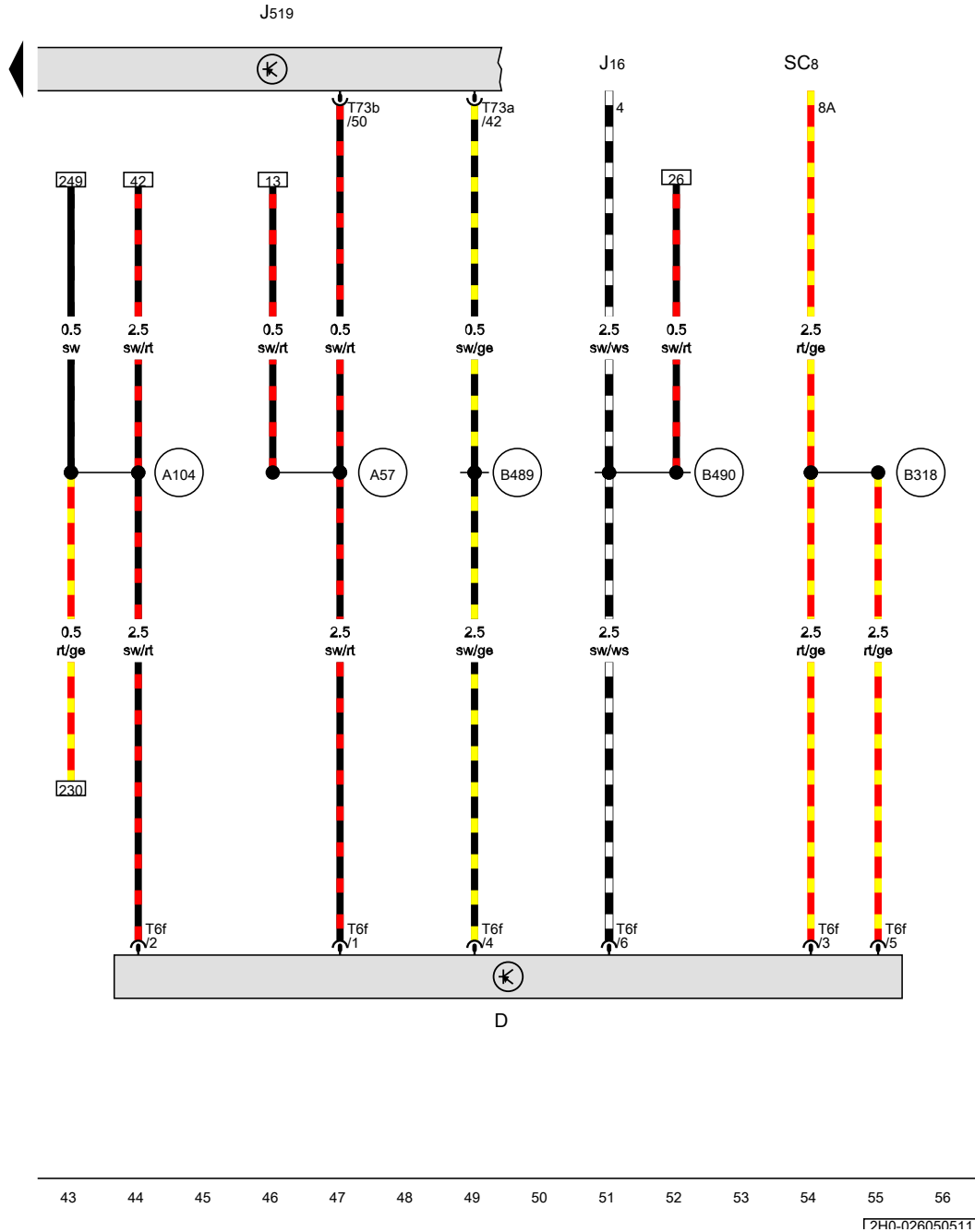
- CX1 Alternator with voltage regulator
- J329 Terminal 15 voltage supply relay
- J519 Onboard supply control unit
- J623 Engine control unit
- SA1 Fuse 1 in fuse holder A
- T18 18-pin connector, near engine control unit
- T73a 73-pin connector
- T73b 73-pin connector
- T94a 94-pin connector

- 377 Earth connection 12, in main wiring harness
- B315 Positive connection 1 (30a) in main wiring harness
- B569 Connection 36, in main wiring harness
- \* see applicable current flow diagram for engine
- \*2 Only models with diesel engines
- \*3 Only models with petrol engine

- ws = white
- sw = black
- ro = red
- br = brown
- gn = green
- bl = blue
- gr = grey
- li = purple
- ge = yellow
- or = orange
- rs = pink

1740-026040511

Ignition/starter switch, Onboard supply control unit



- D Ignition/starter switch
- J16 Current supply relay
- J519 Onboard supply control unit
- SC8 Fuse 8 on fuse holder C
- T6f 6-pin connector
- T73a 73-pin connector
- T73b 73-pin connector
- (A57) Positive connection 3 (30), in dash panel wiring harness
- (A104) Positive connection 2 (15), in dash panel wiring harness
- (B318) Positive connection 4 (30a) in main wiring harness
- (B489) Connection 25, in main wiring harness
- (B490) Connection 26, in main wiring harness

43 44 45 46 47 48 49 50 51 52 53 54 55 56

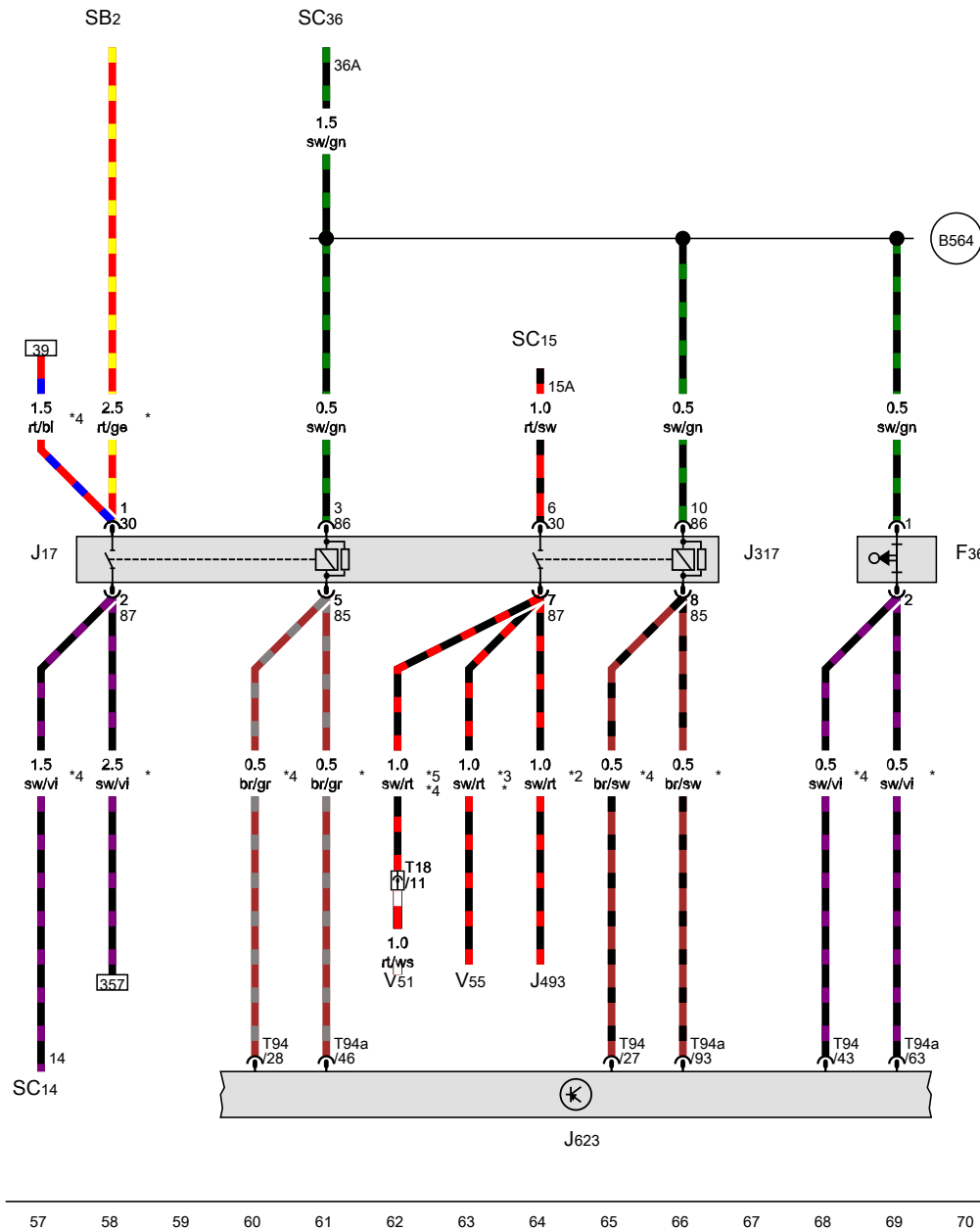
1740-026050511

Clutch pedal switch, Fuel pump relay, Terminal 30 voltage supply relay

- F36 Clutch pedal switch
- J17 Fuel pump relay
- J317 Terminal 30 voltage supply relay
- J493 Auxiliary coolant heater relay
- J623 Engine control unit
- SB2 Fuse 2 on fuse holder B
- SC14 Fuse 14 on fuse holder C
- SC15 Fuse 15 on fuse holder C
- SC36 Fuse 36 on fuse holder C
- T18 18-pin connector, near engine control unit
- T94 94-pin connector
- T94a 94-pin connector
- V51 Continued coolant circulation pump
- V55 Circulation pump

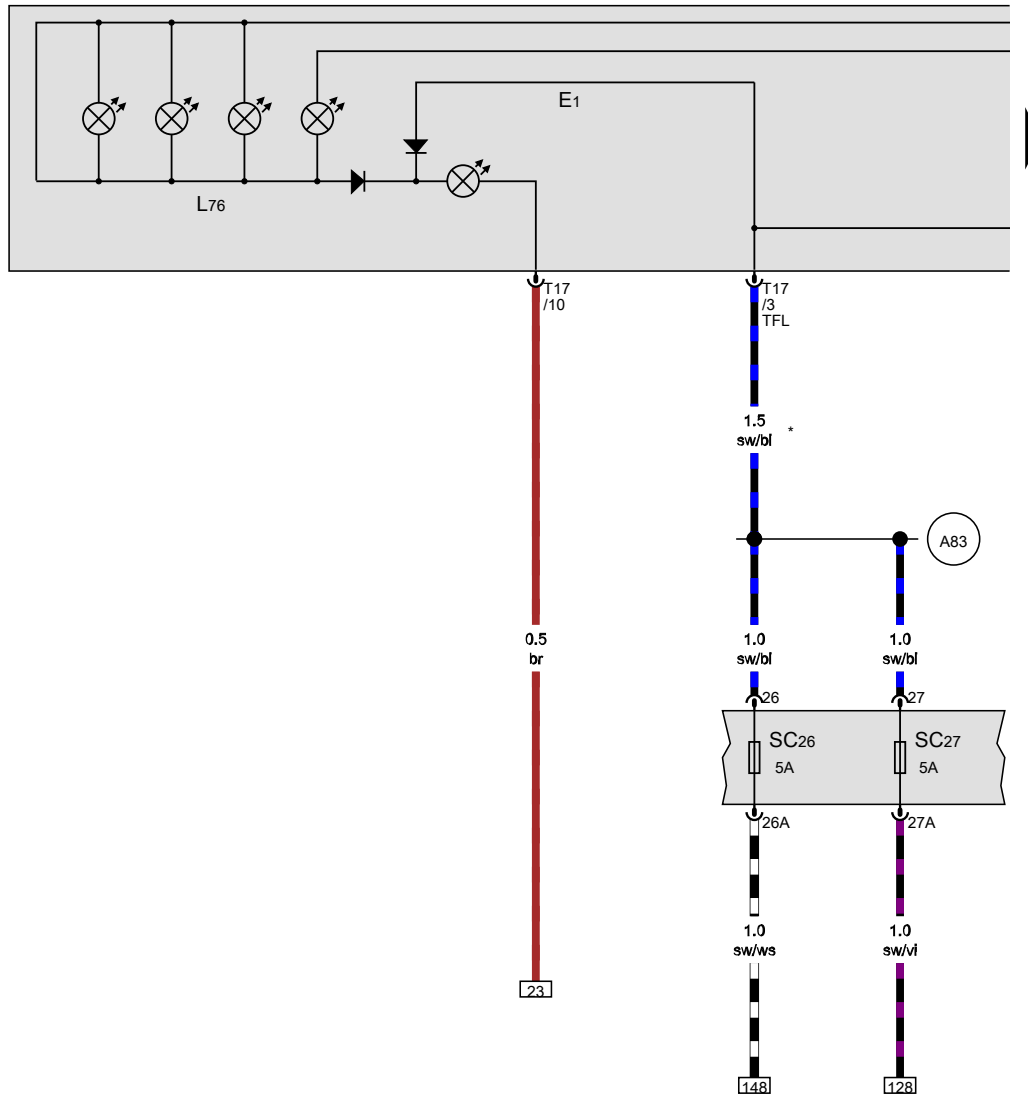
**B564** Connection 31, in main wiring harness

- \* Only models with diesel engines
- \*2 Only models with air conditioning system/ Climatronic
- \*3 Only models with no air conditioning system/Climatronic
- \*4 Only models with petrol engine
- \*5 Only models with no Climatronic



- ws = white
- sw = black
- ro = red
- br = brown
- gn = green
- bl = blue
- gr = grey
- li = purple
- ge = yellow
- or = orange
- rs = pink

7PH0-026060511



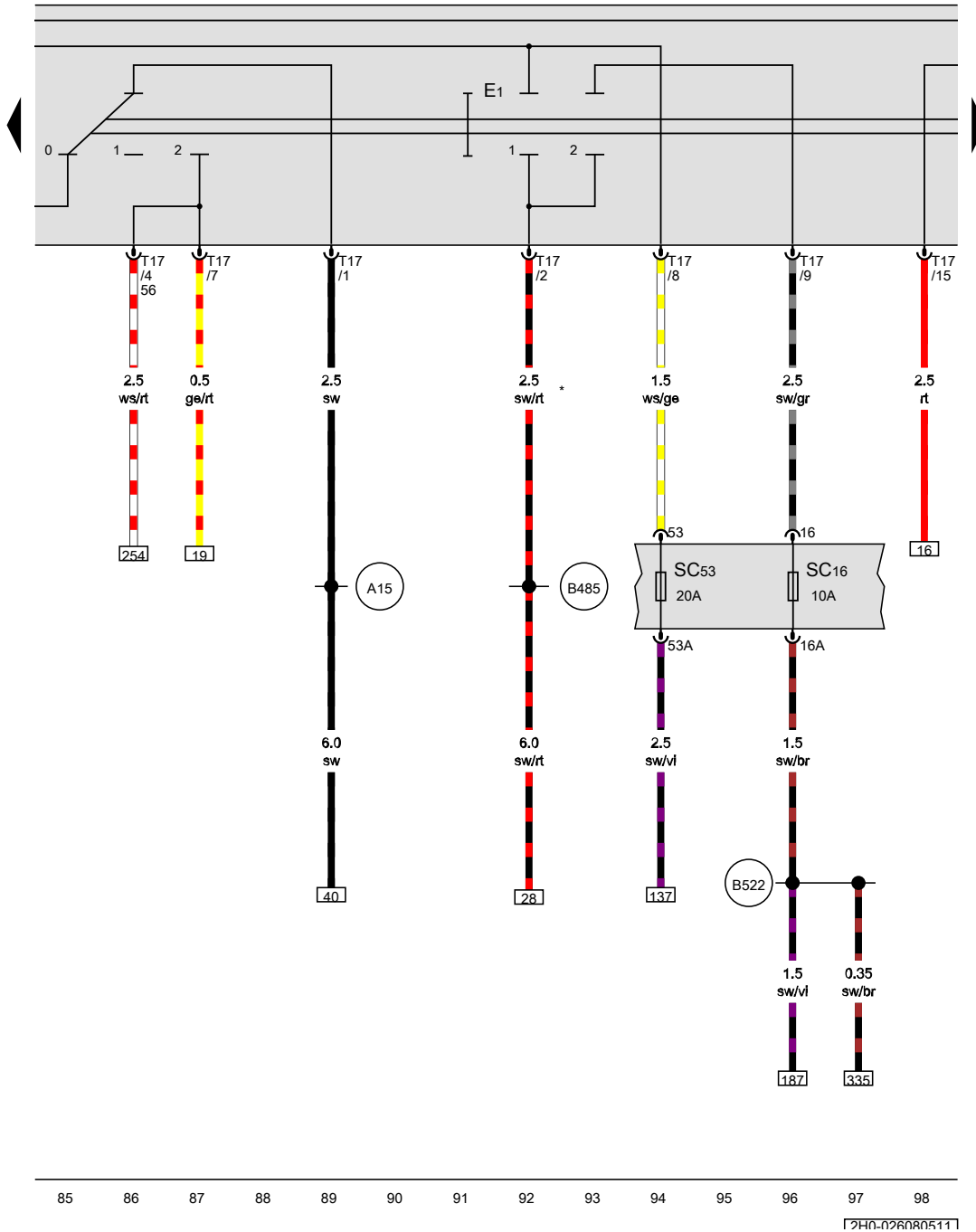
Light switch, Button illumination bulb, Fuse 26 on fuse holder C, Fuse 27 on fuse holder C

- E1 Light switch
- L76 Button illumination bulb
- SC26 Fuse 26 on fuse holder C
- SC27 Fuse 27 on fuse holder C
- T17 17-pin connector

A83 Connection (daytime running lights), in dash panel wiring harness

\* Only models with daytime running lights

- ws = white
- sw = black
- ro = red
- br = brown
- gn = green
- bl = blue
- gr = grey
- li = purple
- ge = yellow
- or = orange
- rs = pink



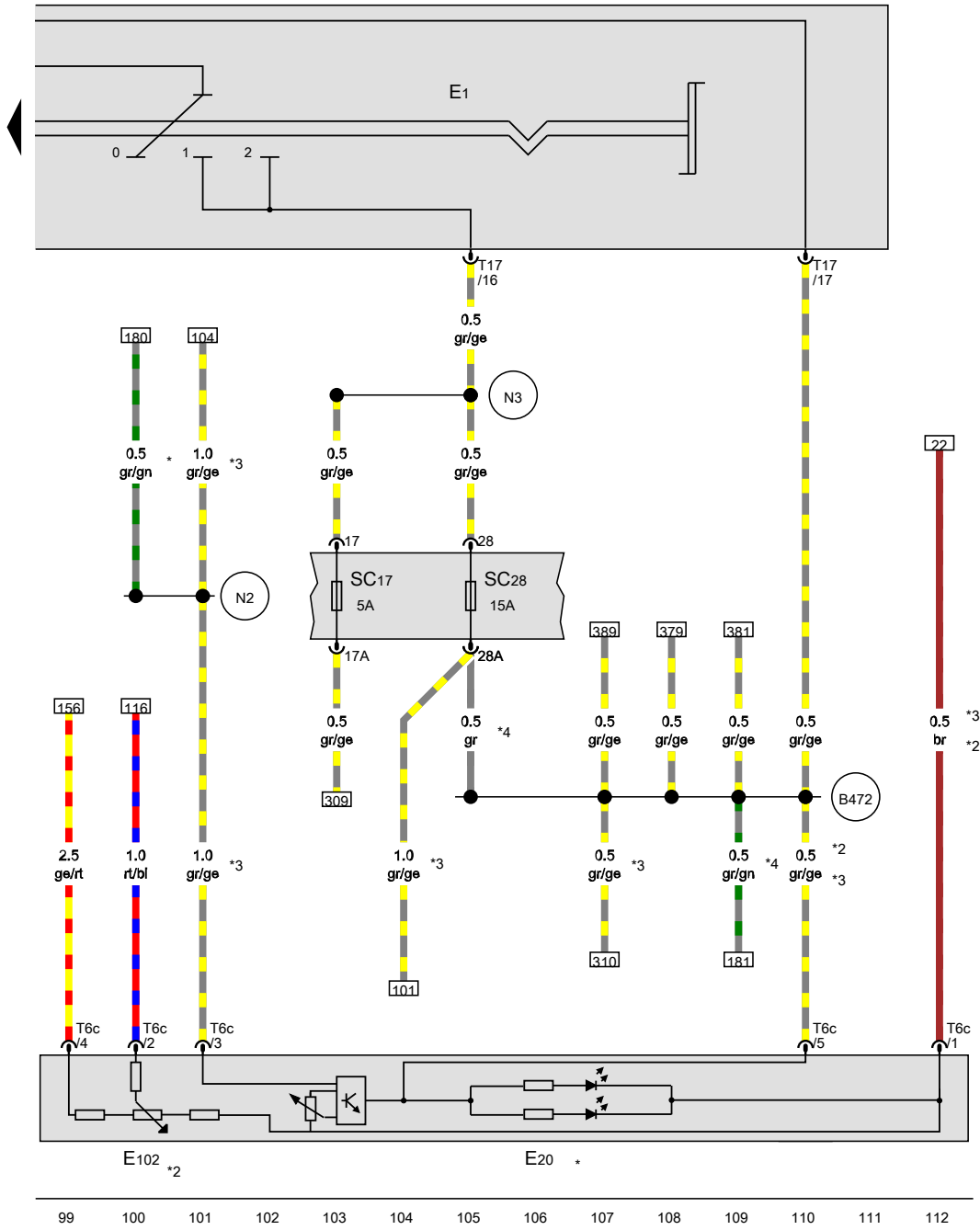
Light switch, Fuse 16 on fuse holder C, Fuse 53 on fuse holder C

- E1 Light switch
- SC16 Fuse 16 on fuse holder C
- SC53 Fuse 53 on fuse holder C
- T17 17-pin connector
- A15 Positive connection (15), in instrument wiring harness
- B485 Connection 21, in main wiring harness
- B522 Connection (FL), in main wiring harness
- \* Only models with fog lights

- ws = white
- sw = black
- ro = red
- br = brown
- gn = green
- bl = blue
- gr = grey
- li = purple
- ge = yellow
- or = orange
- rs = pink

85 86 87 88 89 90 91 92 93 94 95 96 97 98

1740-026080511



Light switch, Switch and instrument illumination regulator, Headlight range control regulator, Fuse 28 on fuse holder C

- E1 Light switch
- E20 Switch and instrument illumination regulator
- E102 Headlight range control regulator
- SC17 Fuse 17 on fuse holder C
- SC28 Fuse 28 on fuse holder C
- T6c 6-pin connector
- T17 17-pin connector

- B472 Connection 8, in main wiring harness
- N2 Connection 1, in headlight range control wiring harness
- N3 Connection 2, in headlight range control wiring harness





- \* Only models with dimmable instrument illumination
- \*2 Only models with headlight range control
- \*3 Only models with Highline equipment
- \*4 Only models with no dimmable instrument illumination

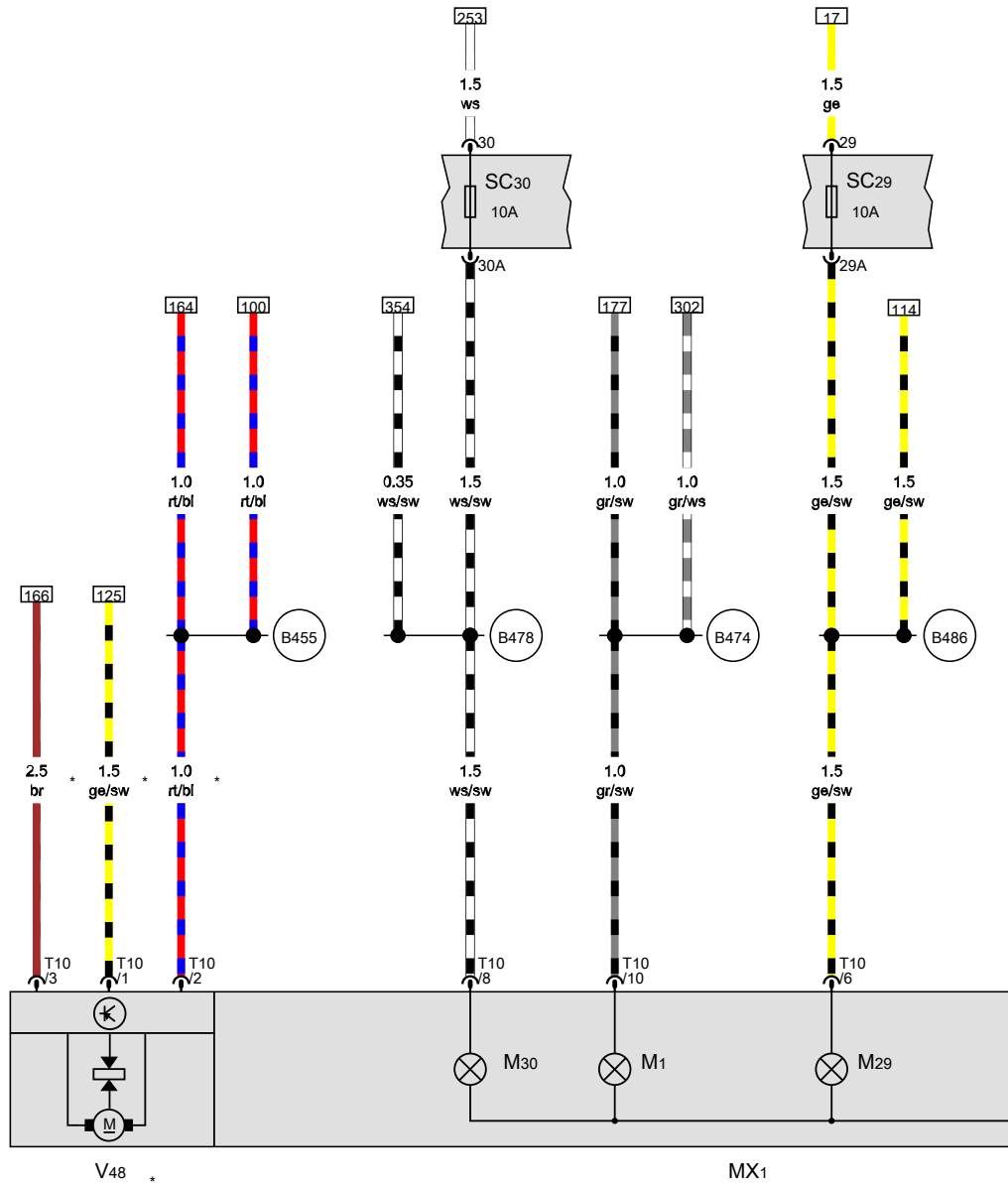
- ws = white
- sw = black
- ro = red
- br = brown
- gn = green
- bl = blue
- gr = grey
- li = purple
- ge = yellow
- or = orange
- rs = pink

17H0-026090511

Front left headlight

- M1 Left side light bulb
- MX1 Front left headlight
- M29 Left headlight dipped beam bulb
- M30 Left headlight main beam bulb
- SC29 Fuse 29 on fuse holder C
- SC30 Fuse 30 on fuse holder C
- T10 10-pin connector
- V48 Left headlight range control motor

-  B455 Connection (HRC), in main wiring harness
-  B474 Connection 10, in main wiring harness
-  B478 Connection 14, in main wiring harness
-  B486 Connection 22, in main wiring harness
- \* Only models with headlight range control



- ws = white
- sw = black
- ro = red
- br = brown
- gn = green
- bl = blue
- gr = grey
- li = purple
- ge = yellow
- or = orange
- rs = pink

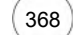
113 114 115 116 117 118 119 120 121 122 123 124 125 126

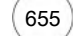
[7H0-026100511]

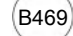


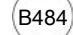
Left fog light bulb, Front left headlight, Left turn signal repeater bulb

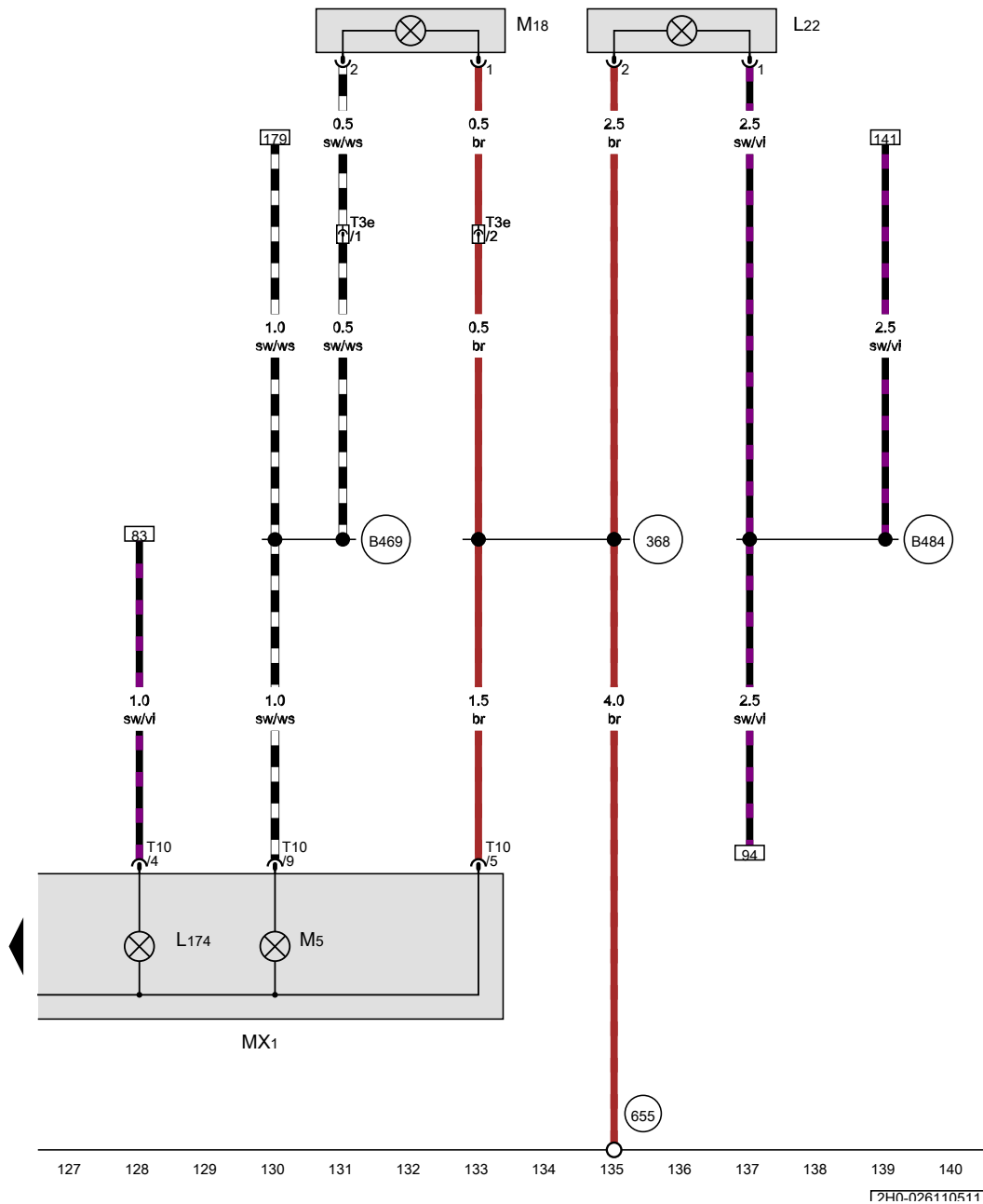
- L22 Left fog light bulb
- L174 Left daytime running light bulb
- MX1 Front left headlight
- M5 Front left turn signal bulb
- M18 Left turn signal repeater bulb
- T3e 3-pin connector, in rear left of engine compartment
- T10 10-pin connector

 368 Earth connection 3, in main wiring harness

 655 Earth point, on left headlight, on left on bulkhead

 B469 Connection 5, in main wiring harness

 B484 Connection 20, in main wiring harness



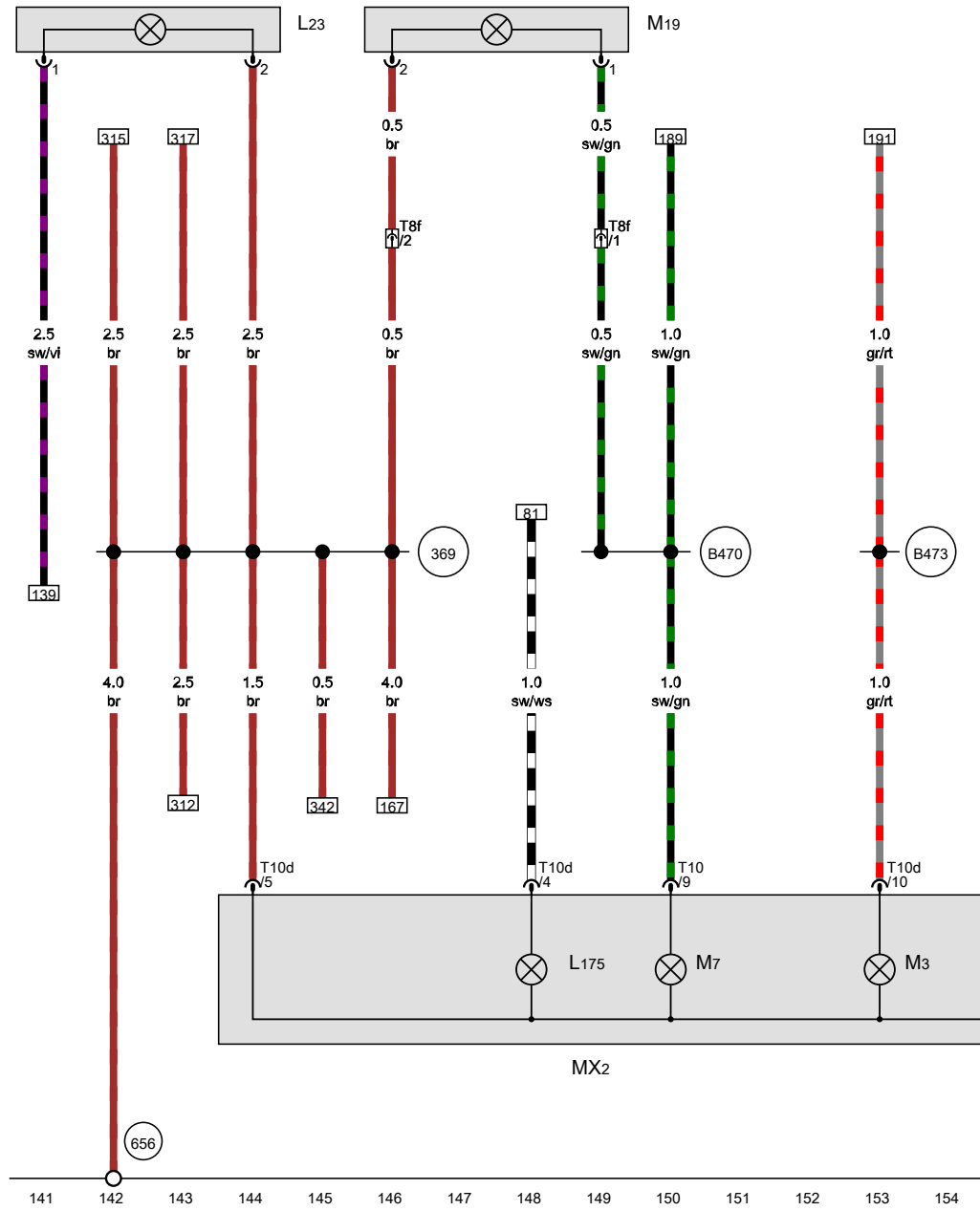
- ws = white
- sw = black
- ro = red
- br = brown
- gn = green
- bl = blue
- gr = grey
- li = purple
- ge = yellow
- or = orange
- rs = pink

7PH0-026110511

Right fog light bulb, Front right headlight, Right turn signal repeater bulb

- L23 Right fog light bulb
- L175 Right daytime running light bulb
- MX2 Front right headlight
- M3 Right side light bulb
- M7 Front right turn signal bulb
- M19 Right turn signal repeater bulb
- T8f 8-pin connector, in rear right of engine compartment
- T10 10-pin connector
- T10d 10-pin connector

- 369 Earth connection 4, in main wiring harness
- 656 Earth point, on right headlight, on right on bulkhead
- B470 Connection 6, in main wiring harness
- B473 Connection 9, in main wiring harness



- ws = white
- sw = black
- ro = red
- br = brown
- gn = green
- bl = blue
- gr = grey
- li = purple
- ge = yellow
- or = orange
- rs = pink

Front right headlight, Fuse 32 on fuse holder C, Fuse 55 on fuse holder C

- MX2 Front right headlight
- M31 Right headlight dipped beam bulb
- M32 Right headlight main beam bulb
- SC32 Fuse 32 on fuse holder C
- SC55 Fuse 55 on fuse holder C
- T10b 10-pin connector, behind dash panel, centre
- T10d 10-pin connector
- V49 Right headlight range control motor

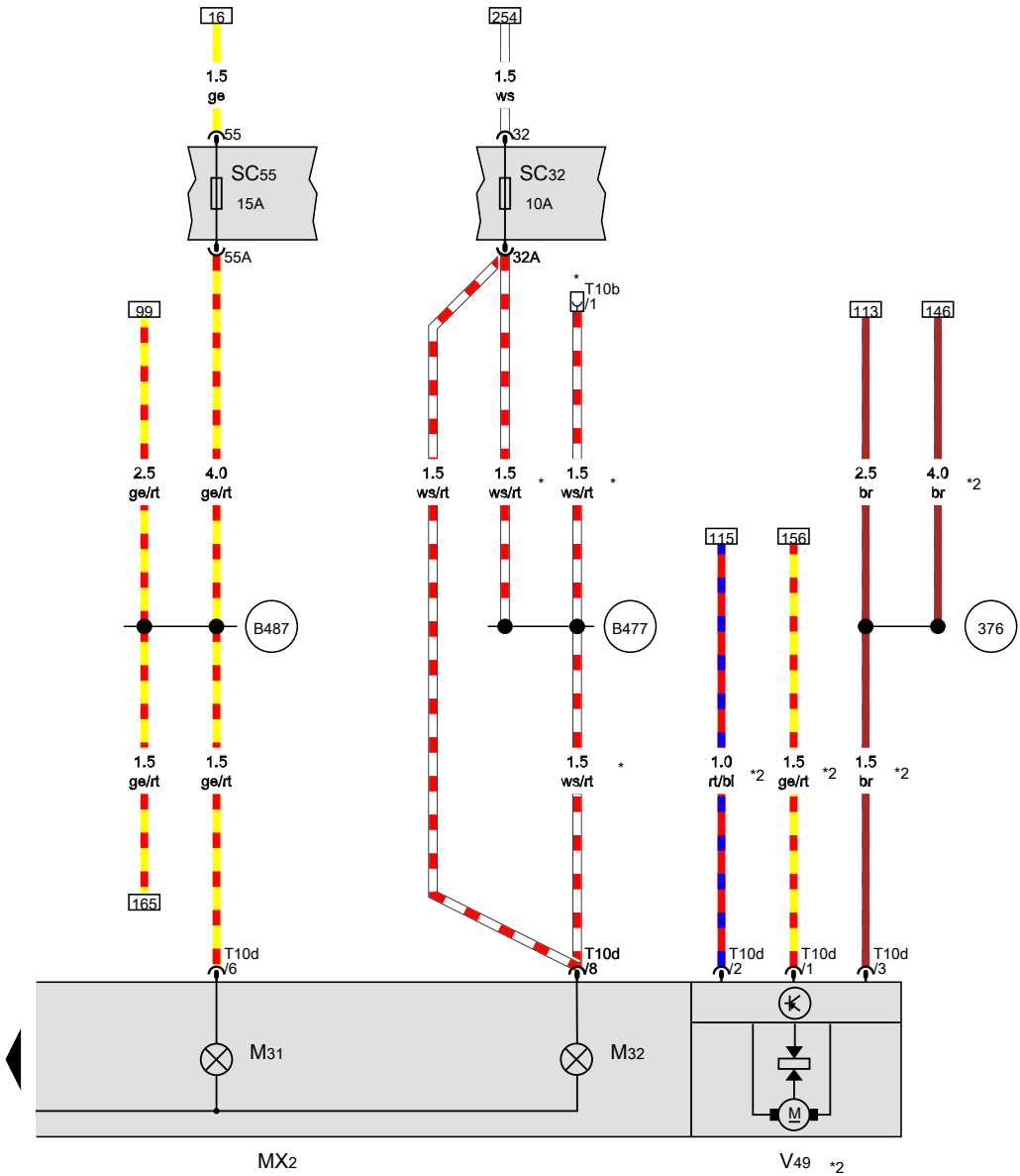
(376) Earth connection 11, in main wiring harness

(B477) Connection 13, in main wiring harness

(B487) Connection 23, in main wiring harness

\* Only models with electric interface for external use

\*2 Only models with headlight range control

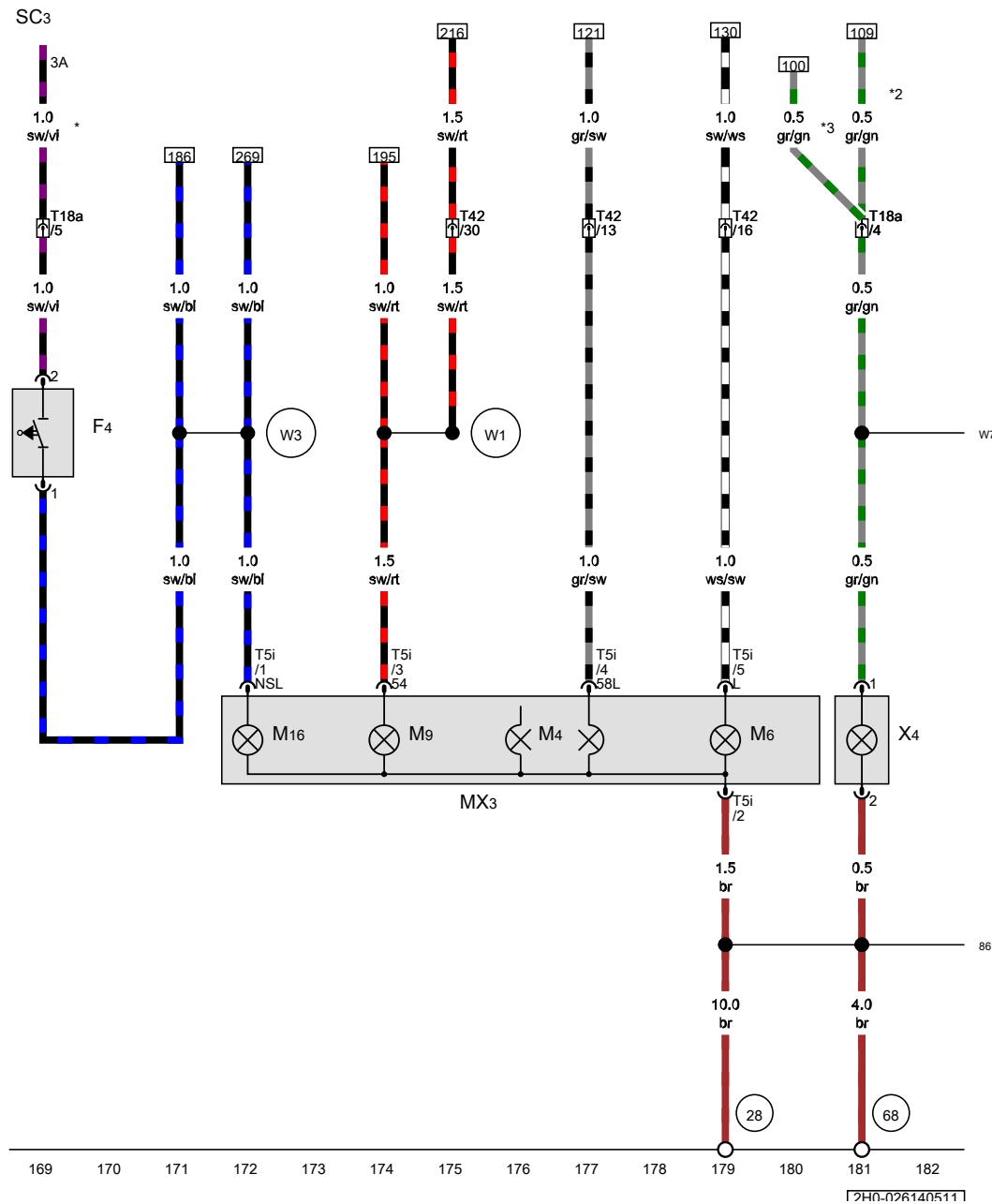


- ws = white
- sw = black
- ro = red
- br = brown
- gn = green
- bl = blue
- gr = grey
- li = purple
- ge = yellow
- or = orange
- rs = pink

155 156 157 158 159 160 161 162 163 164 165 166 167 168

[2HD-026130511]

Reversing light switch, Left tail light, Fuse 3 on fuse holder C, Left number plate light



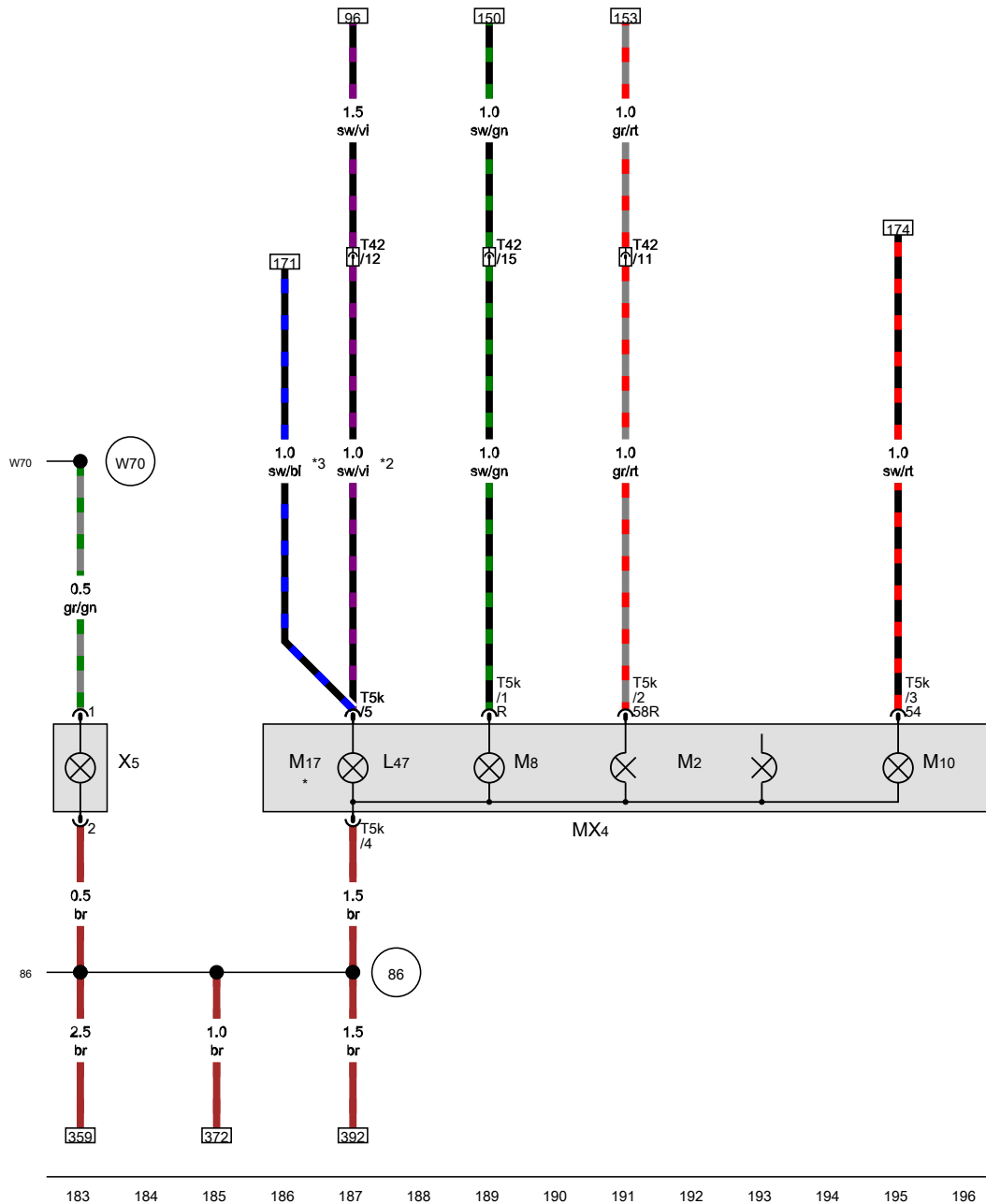
- F4 Reversing light switch
- MX3 Left tail light
- M4 Left tail light bulb
- M6 Rear left turn signal bulb
- M9 Left brake light bulb
- M16 Left reversing light bulb
- SC3 Fuse 3 on fuse holder C
- T5i 5-pin connector
- T18a 18-pin connector, near engine control unit
- T42 42-pin connector, near handbrake lever
- X4 Left number plate light
- 28 Earth point, on bulkhead
- 68 Earth point, on left of rear cross member
- 86 Earth connection 1, in rear wiring harness
- W1 Positive connection 1 (54), in rear wiring harness
- W3 Connection in rear wiring harness
- W70 Positive connection 2 (58), in number plate wiring harness
- \* see applicable current flow diagram for fuse assignment
- \*2 Only models with no dimmable instrument illumination
- \*3 Only models with dimmable instrument illumination

- ws = white
- sw = black
- ro = red
- br = brown
- gn = green
- bl = blue
- gr = grey
- li = purple
- ge = yellow
- or = orange
- rs = pink

Right tail light, Right number plate light

- L47 Rear right fog light bulb
- M2 Right tail light bulb
- MX4 Right tail light
- M8 Rear right turn signal bulb
- M10 Right brake light bulb
- M17 Right reversing light bulb
- T5k 5-pin connector
- T42 42-pin connector, near handbrake lever
- X5 Right number plate light

- 86 Earth connection 1, in rear wiring harness
- W70 Positive connection 2 (58), in number plate wiring harness
- \* According to equipment
- \*2 Only models with rear fog lights
- \*3 Only models with no rear fog light

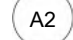
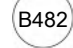
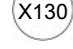



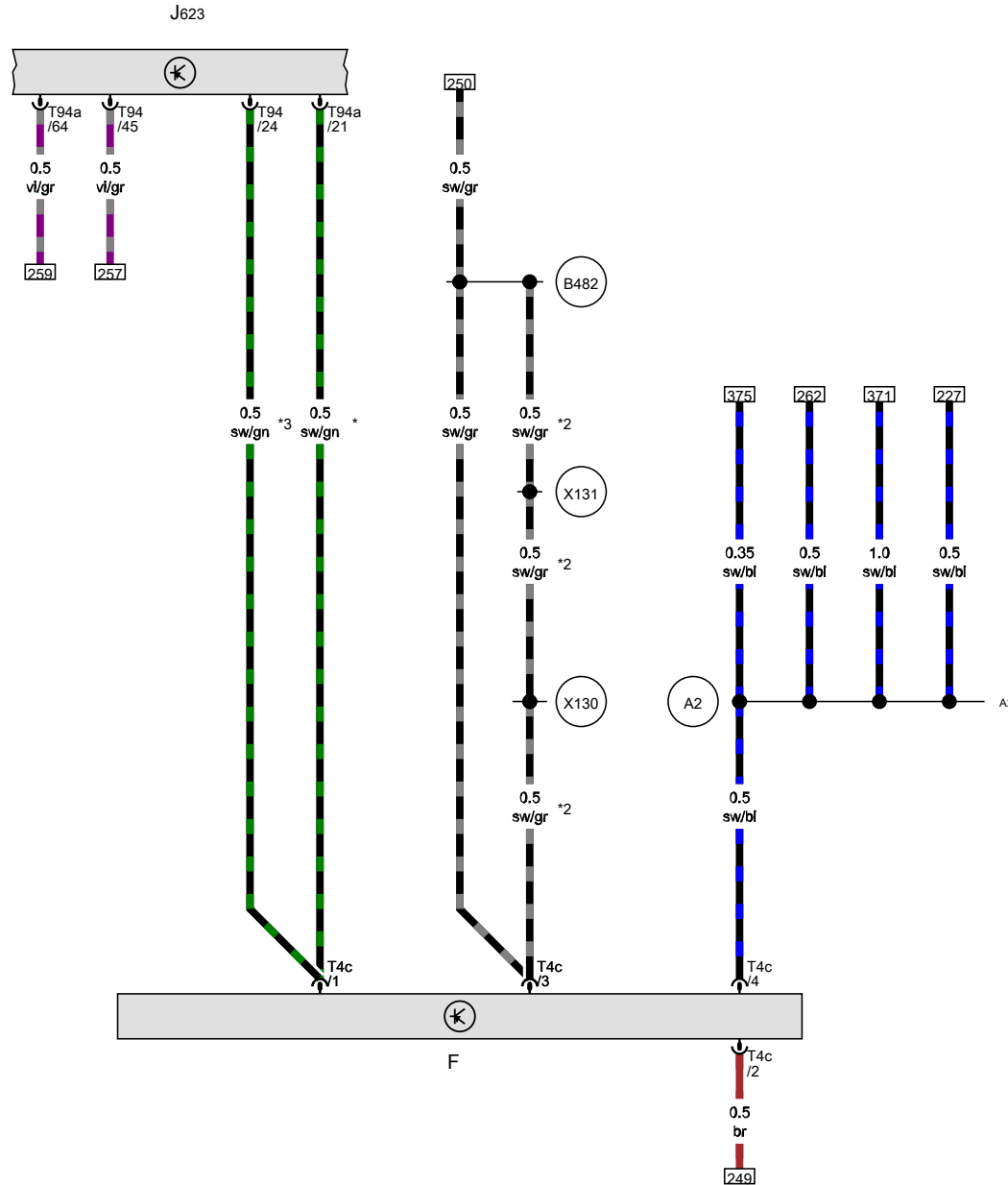
- ws = white
- sw = black
- ro = red
- br = brown
- gn = green
- bl = blue
- gr = grey
- li = purple
- ge = yellow
- or = orange
- rs = pink

7HD-026150511

Brake light switch

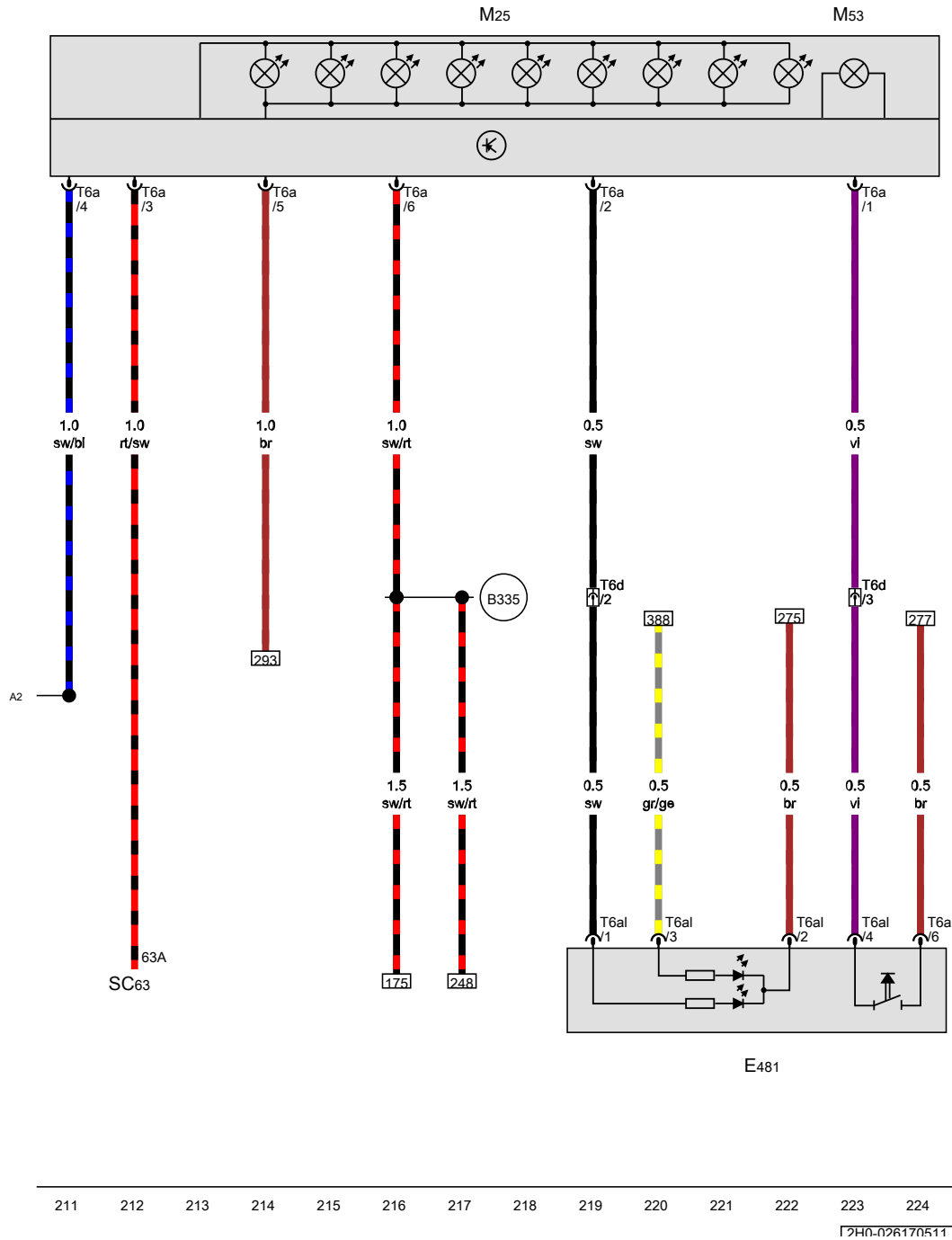
- F Brake light switch
- J623 Engine control unit
- T4c 4-pin connector
- T94 94-pin connector
- T94a 94-pin connector

-  A2 Positive connection (15), in dash panel wiring harness
-  B482 Connection 18, in main wiring harness
-  X130 Connection 3, in optional equipment wiring harness
-  X131 Connection 4, in optional equipment wiring harness
- \* Contact bridge, only models with diesel engine
- \*2 Only models with electric interface for external use
- \*3 Only models with petrol engine



197 198 199 200 201 202 203 204 205 206 207 208 209 210

[249-026160511]



**Load area illumination switch, Additional brake light bulb, Load area illumination bulb**

- E481 Load area illumination switch, near radio
- M25 Additional brake light bulb
- M53 Load area illumination bulb
- SC63 Fuse 63 on fuse holder C
- T6a 6-pin connector
- T6al 6-pin connector
- T6d 6-pin connector, on relay carrier

- A2 Positive connection (15), in dash panel wiring harness
- B335 Connection 1 (54), in main wiring harness

- ws = white
- sw = black
- ro = red
- br = brown
- gn = green
- bl = blue
- gr = grey
- li = purple
- ge = yellow
- or = orange
- rs = pink

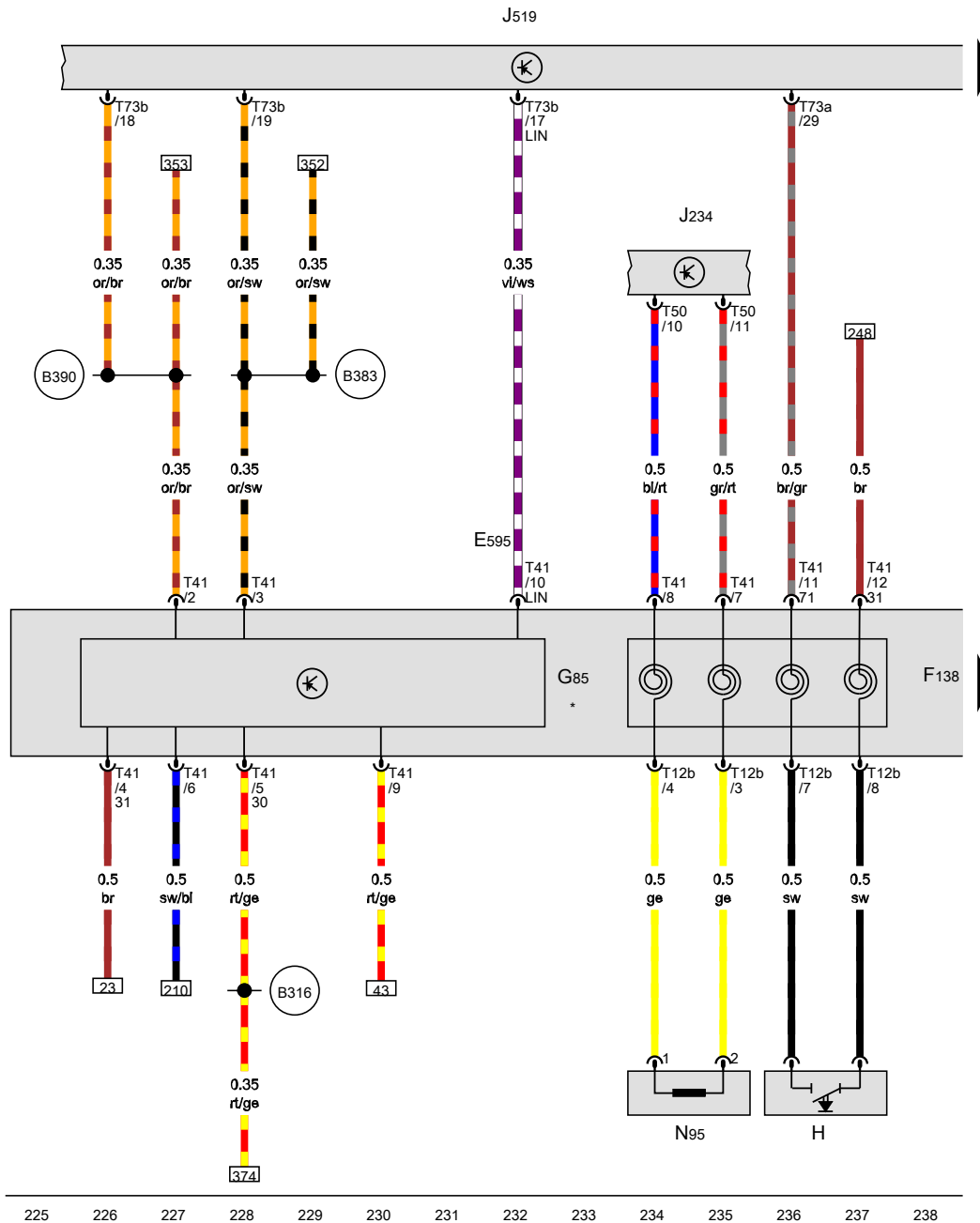
211 212 213 214 215 216 217 218 219 220 221 222 223 224

[7HD-026170511]

Steering column combination switch, Steering angle sender, Horn plate

- E595 Steering column combination switch
- F138 Airbag coil connector and return ring with slip ring
- G85 Steering angle sender
- H Horn plate
- J234 Airbag control unit
- J519 Onboard supply control unit, near driver side A-pillar
- N95 Driver side airbag igniter
- T12b 12-pin connector
- T41 41-pin connector
- T50 50-pin connector
- T73a 73-pin connector
- T73b 73-pin connector

- B316 Positive connection 2 (30a) in main wiring harness
- B383 Connection 1 (powertrain CAN bus, high), in main wiring harness
- B390 Connection 1 (powertrain CAN bus, low), in main wiring harness
- \* Only models with anti-lock brake system (ABS) and electronic stabilisation program (ESP)

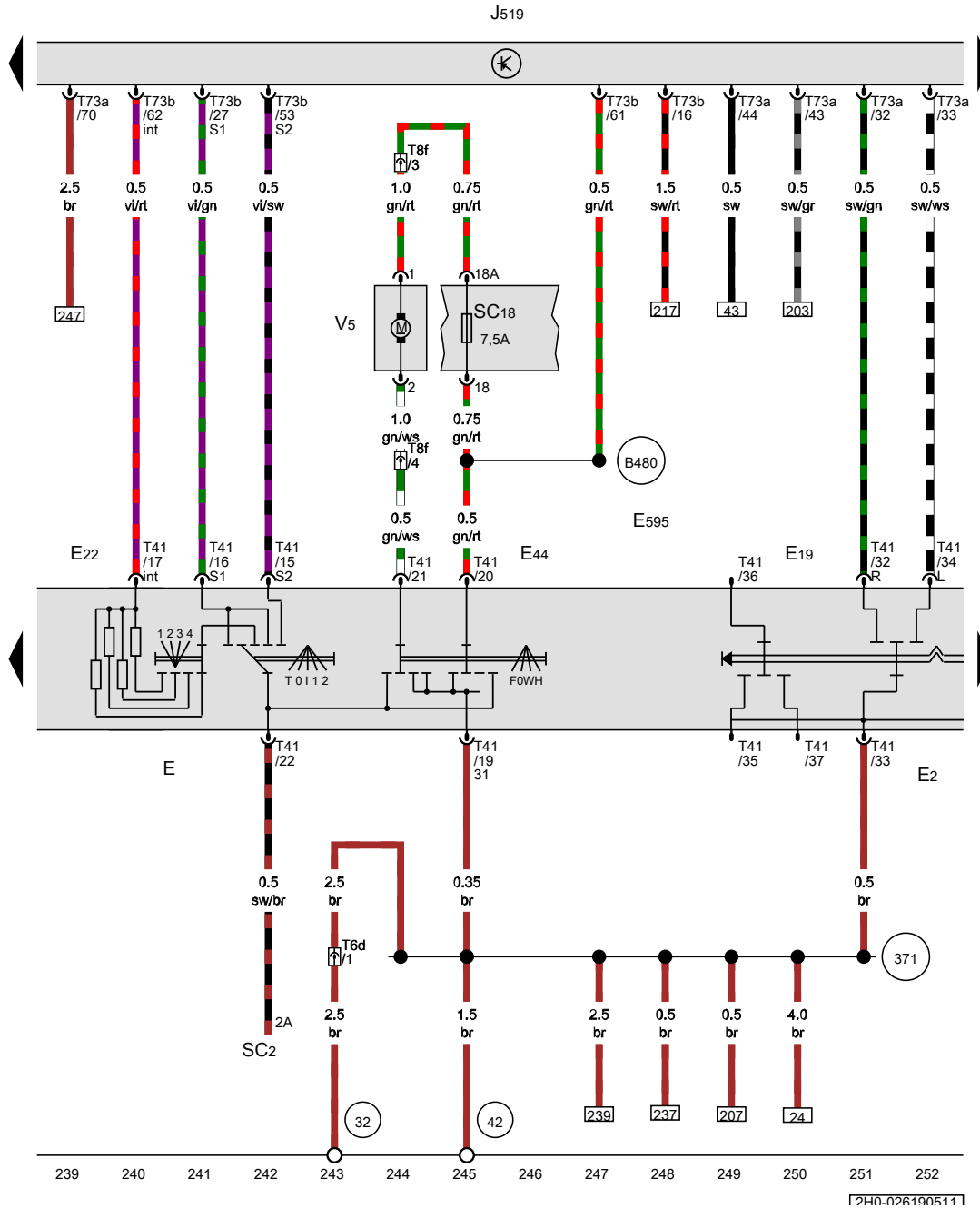


- ws = white
- sw = black
- ro = red
- br = brown
- gn = green
- bl = blue
- gr = grey
- li = purple
- ge = yellow
- or = orange
- rs = pink

225 226 227 228 229 230 231 232 233 234 235 236 237 238

[7HD-026180511]





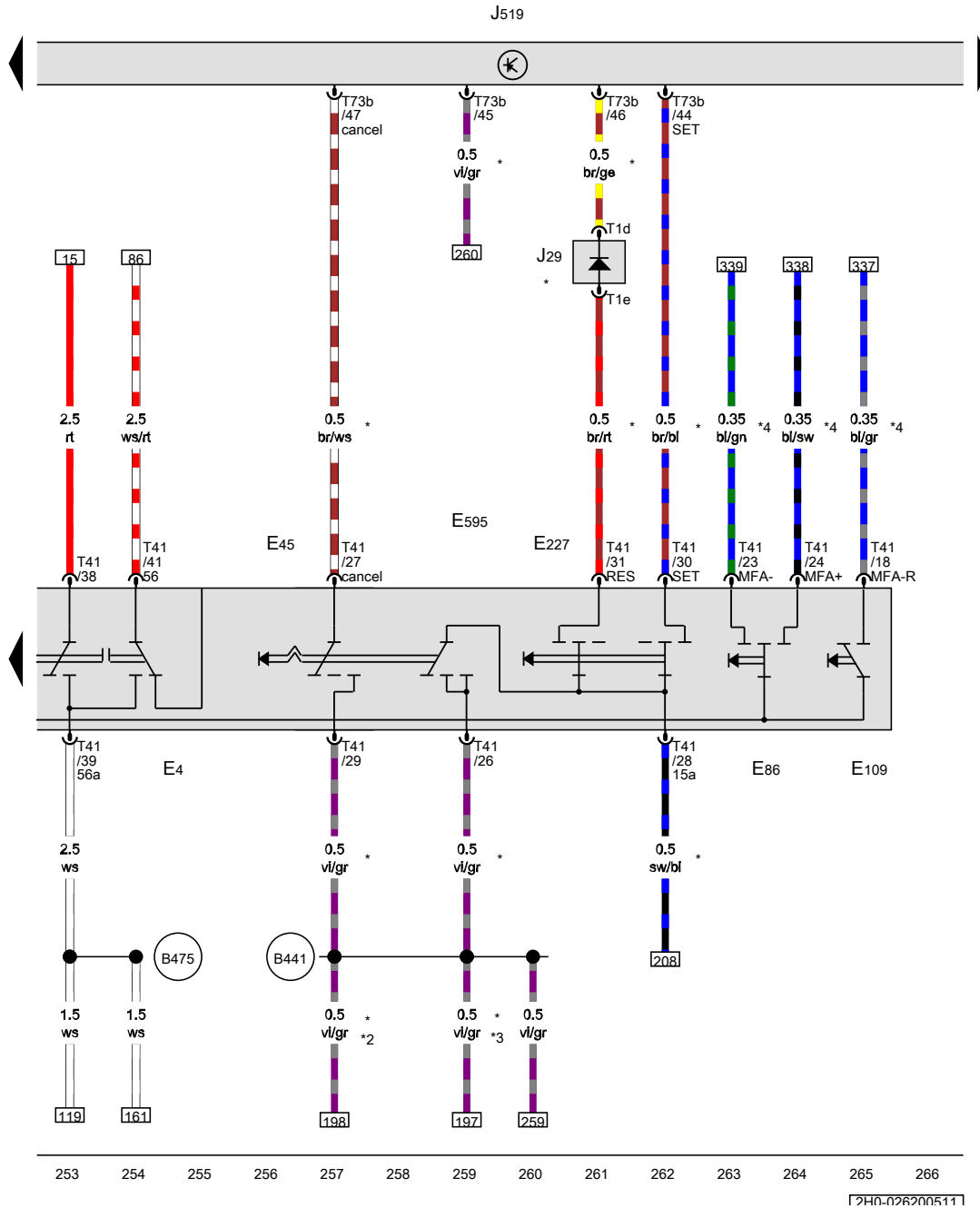
Turn signal switch, Steering column combination switch, Washer pump

- E Windscreen wiper switch
- E2 Turn signal switch
- E19 Parking light switch
- E22 Intermittent wiper switch
- E44 Washer pump switch (automatic wash/wipe and headlight washer system)
- E595 Steering column combination switch
- J519 Onboard supply control unit, near driver side A-pillar
- SC2 Fuse 2 on fuse holder C
- SC18 Fuse 18 on fuse holder C
- T6d 6-pin connector, on relay carrier
- T8f 8-pin connector, in rear right of engine compartment
- T41 41-pin connector
- T73a 73-pin connector
- T73b 73-pin connector
- V5 Washer pump

- 32 Earth point, on left behind dash panel
- 42 Earth point, next to steering column
- 371 Earth connection 6, in main wiring harness
- B480 Connection 16, in main wiring harness

- ws = white
- sw = black
- ro = red
- br = brown
- gn = green
- bl = blue
- gr = grey
- li = purple
- ge = yellow
- or = orange
- rs = pink

Multifunction display call-up button, Cruise control system (CCS) SET button, Steering column combination switch



- E4 Headlight dipper and flasher switch
- E45 Cruise control system switch
- E86 Multifunction display call-up button
- E109 Multifunction display memory switch
- E227 Cruise control system (CCS) SET button
- E595 Steering column combination switch
- J29 Blocking diode
- J519 Onboard supply control unit, near driver side A-pillar
- T1d Single connector
- T1e Single connector
- T41 41-pin connector
- T73b 73-pin connector

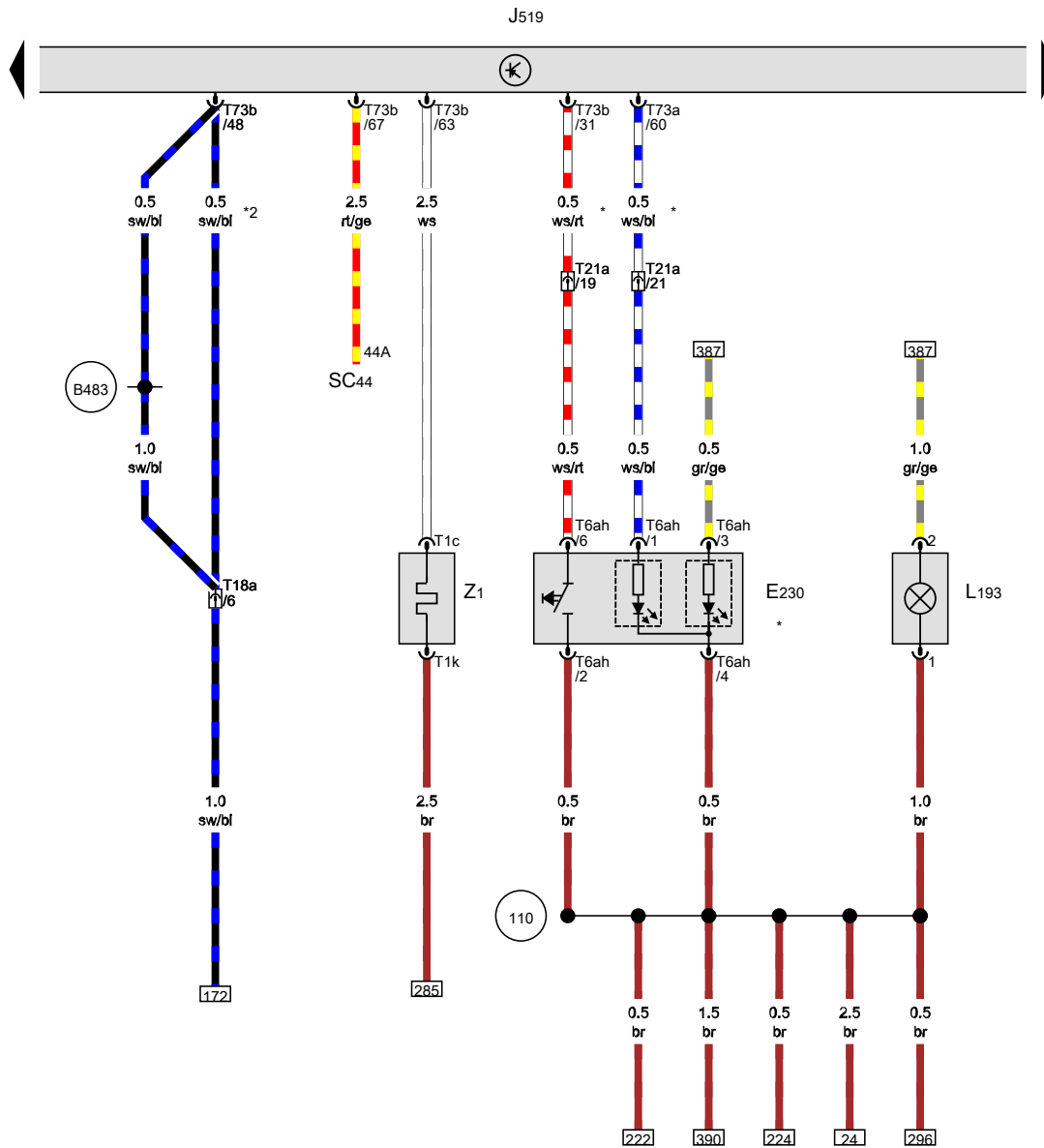
B441 Connection (CCS), in main wiring harness

B475 Connection 11, in main wiring harness

- \* Only models with cruise control system (CCS)
- \*2 Only models with petrol engine
- \*3 Only models with diesel engines
- \*4 Only models with multifunction display


- ws = white
- sw = black
- ro = red
- br = brown
- gn = green
- bl = blue
- gr = grey
- li = purple
- ge = yellow
- or = orange
- rs = pink

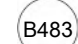
17H0-026200511



**Heated rear window button, Light 1 for front centre console background lighting, Fuse 44 on fuse holder C, Heated rear window**

- E230 Heated rear window button, near radio
- J519 Onboard supply control unit, near driver side A-pillar
- L193 Light 1 for front centre console background lighting, in centre of dash panel
- SC44 Fuse 44 on fuse holder C
- T1c Single connector
- T1k Single connector
- T6ah 6-pin connector
- T18a 18-pin connector, near engine control unit
- T21a 21-pin connector
- T73a 73-pin connector
- T73b 73-pin connector
- Z1 Heated rear window

 Earth connection 2, in dash panel wiring harness

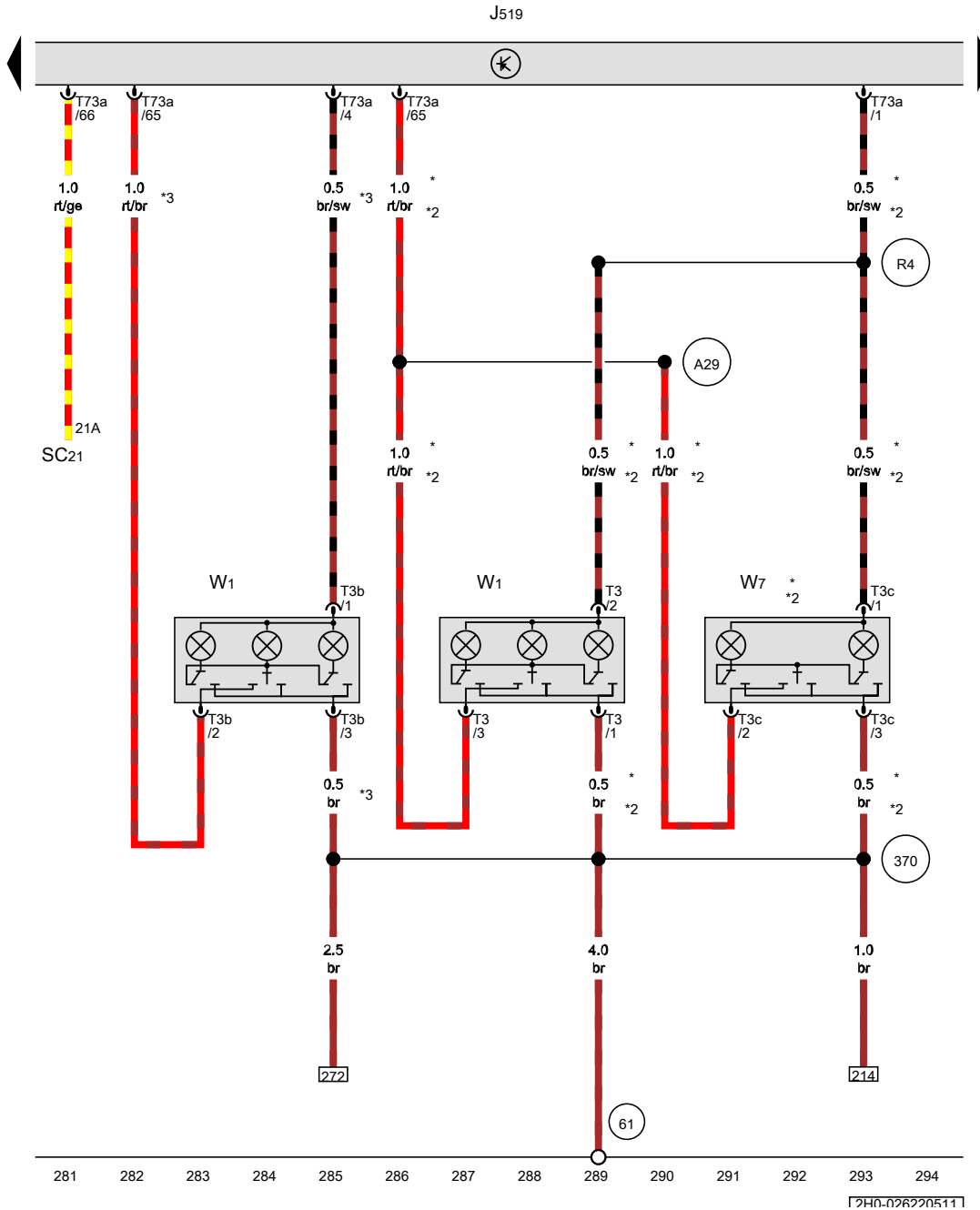
 Connection 19, in main wiring harness

- \* Only models with no air conditioning system/Climatronic
- \*2 Only models with no electric interface

- ws = white
- sw = black
- ro = red
- br = brown
- gn = green
- bl = blue
- gr = grey
- li = purple
- ge = yellow
- or = orange
- rs = pink

267 268 269 270 271 272 273 274 275 276 277 278 279 280

[740-026210511]



Front interior light, Centre interior light

- J519 Onboard supply control unit, near driver side A-pillar
- SC21 Fuse 21 on fuse holder C
- T3 3-pin connector
- T3b 3-pin connector
- T3c 3-pin connector
- T73a 73-pin connector
- W1 Front interior light
- W7 Centre interior light

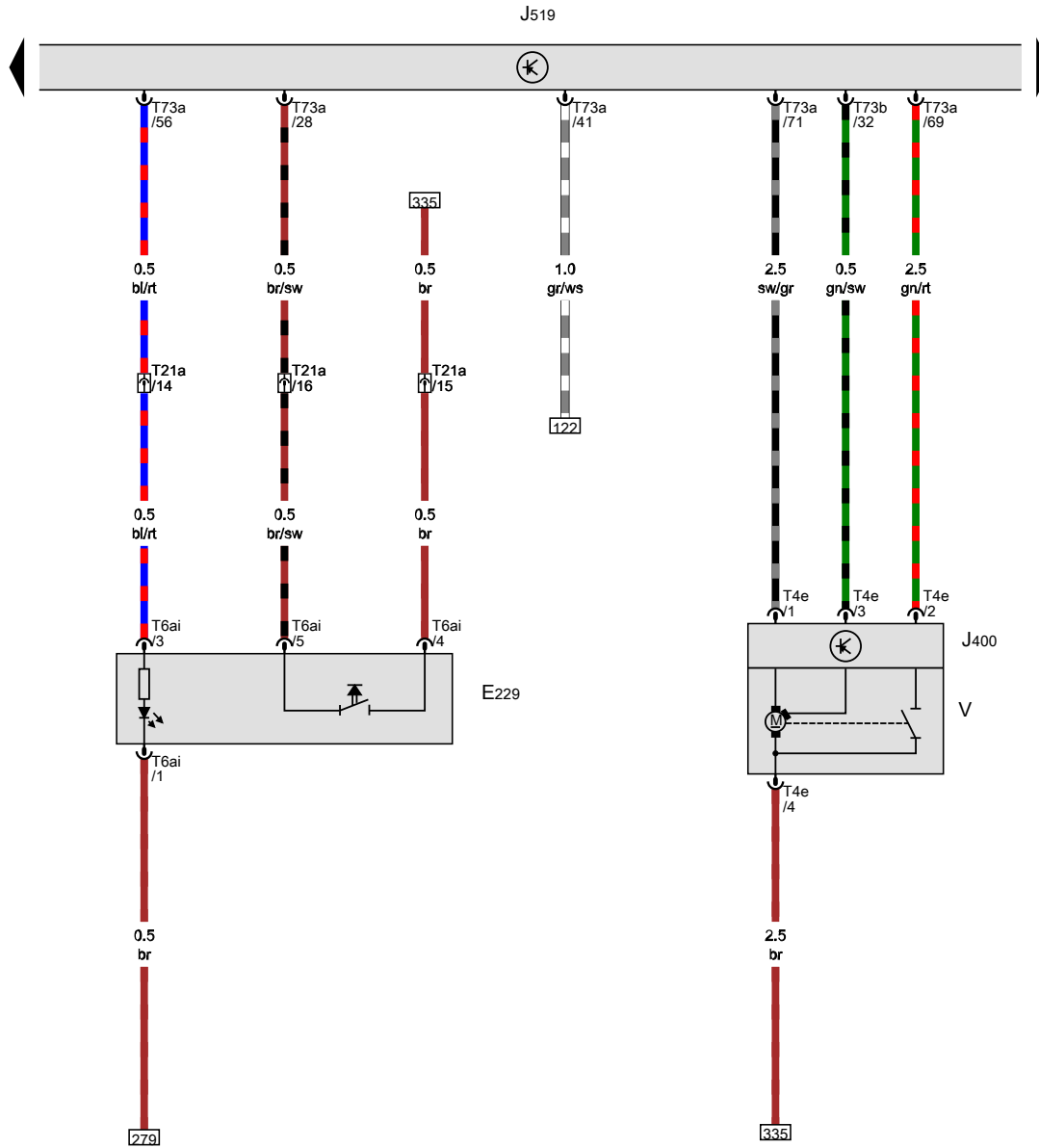
- 61 Earth point, left C-pillar
- 370 Earth connection 5, in main wiring harness
- A29 Connection (interior light), in dash panel wiring harness
- R4 Connection 1, in interior light/door contact switch wiring harness

- \* Only models with double cab
- \*2 Only models with Highline equipment
- \*3 Only models with basic equipment

- ws = white
- sw = black
- ro = red
- br = brown
- gn = green
- bl = blue
- gr = grey
- li = purple
- ge = yellow
- or = orange
- rs = pink

Hazard warning lights button, Windscreen wiper motor

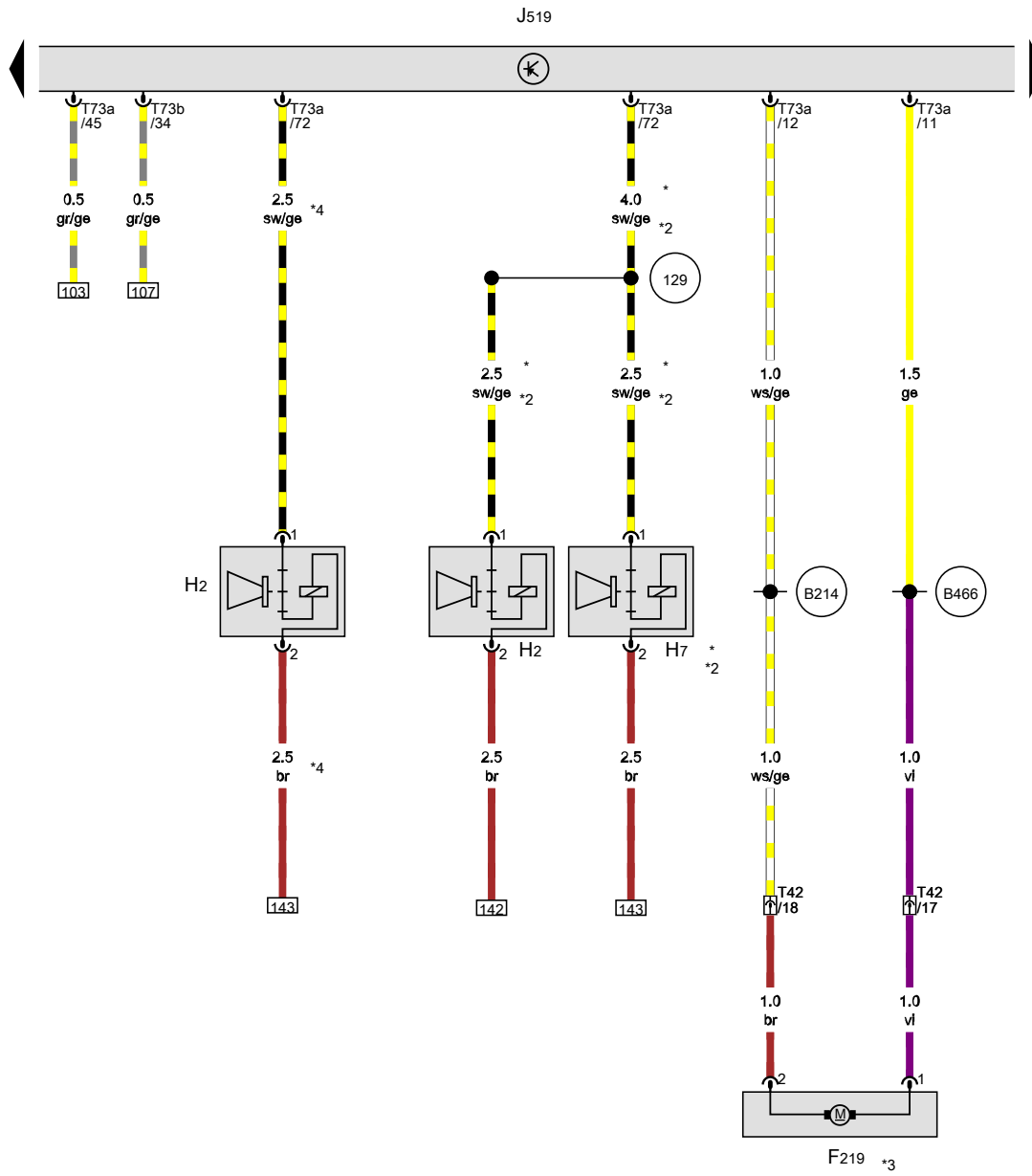
- E229 Hazard warning lights button, near radio
- J400 Wiper motor control unit
- J519 Onboard supply control unit, near driver side A-pillar
- T4e 4-pin connector
- T6ai 6-pin connector
- T21a 21-pin connector, on relay carrier
- T73a 73-pin connector
- T73b 73-pin connector
- V Windscreen wiper motor



- ws = white
- sw = black
- ro = red
- br = brown
- gn = green
- bl = blue
- gr = grey
- li = purple
- ge = yellow
- or = orange
- rs = pink

295 296 297 298 299 300 301 302 303 304 305 306 307 308

[240-026230511]

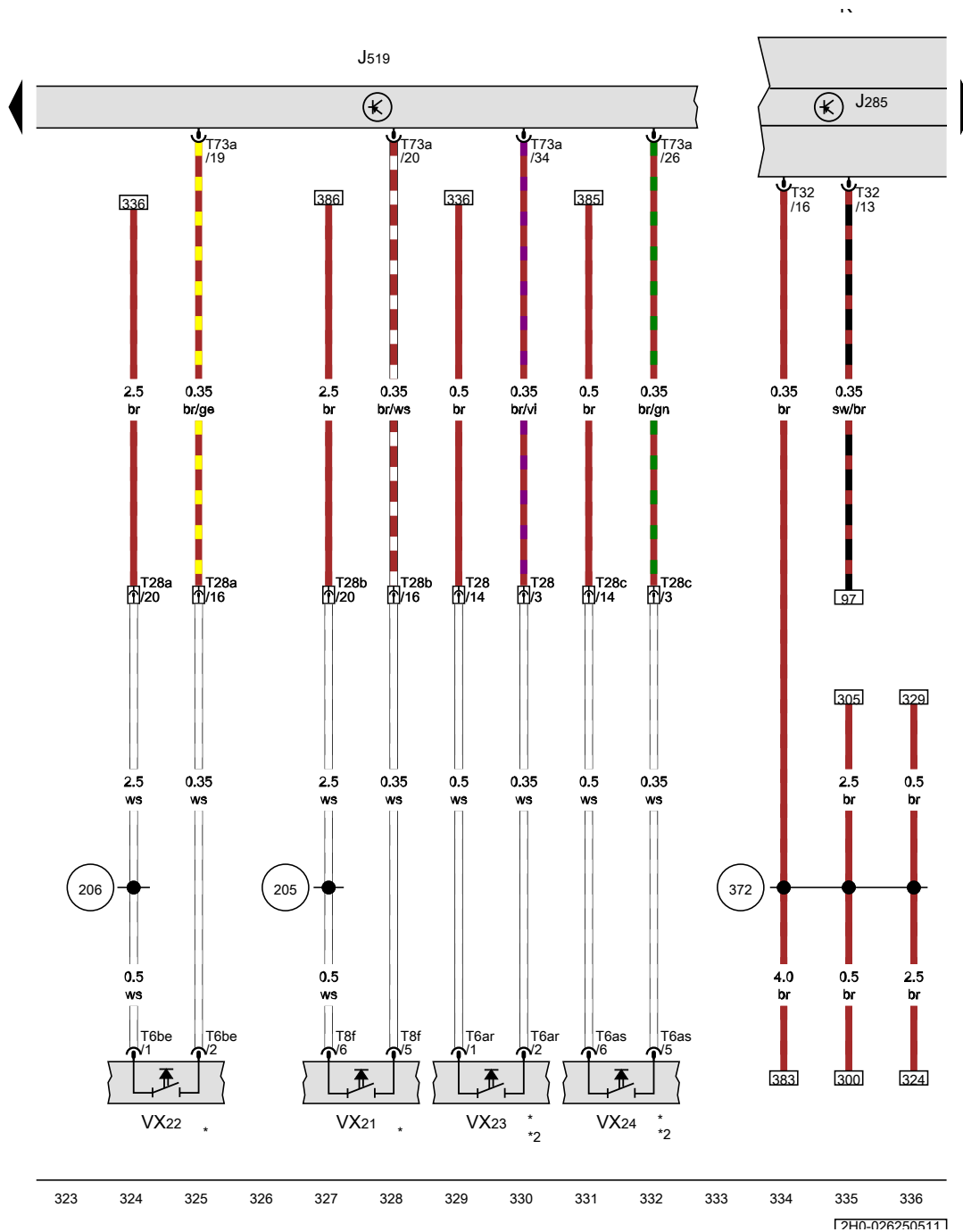


Fuel tank filler flap central locking actuator, Treble horn

- F219 Fuel tank filler flap central locking actuator
- H2 Treble horn
- H7 Bass horn
- J519 Onboard supply control unit, near driver side A-pillar
- T42 42-pin connector, near handbrake lever
- T73a 73-pin connector
- T73b 73-pin connector

- 129 Earth connection, in dual tone horn wiring harness
- B214 Connection 1 (central locking), in interior wiring harness
- B466 Connection 2, in main wiring harness

- \* Only models with Highline equipment
- \*2 Only models with Trendline equipment
- \*3 Only models with no central locking
- \*4 Only models with basic equipment



Dash panel insert, Driver door lock unit, Front passenger door lock unit, Rear left door lock unit, Rear right door lock unit

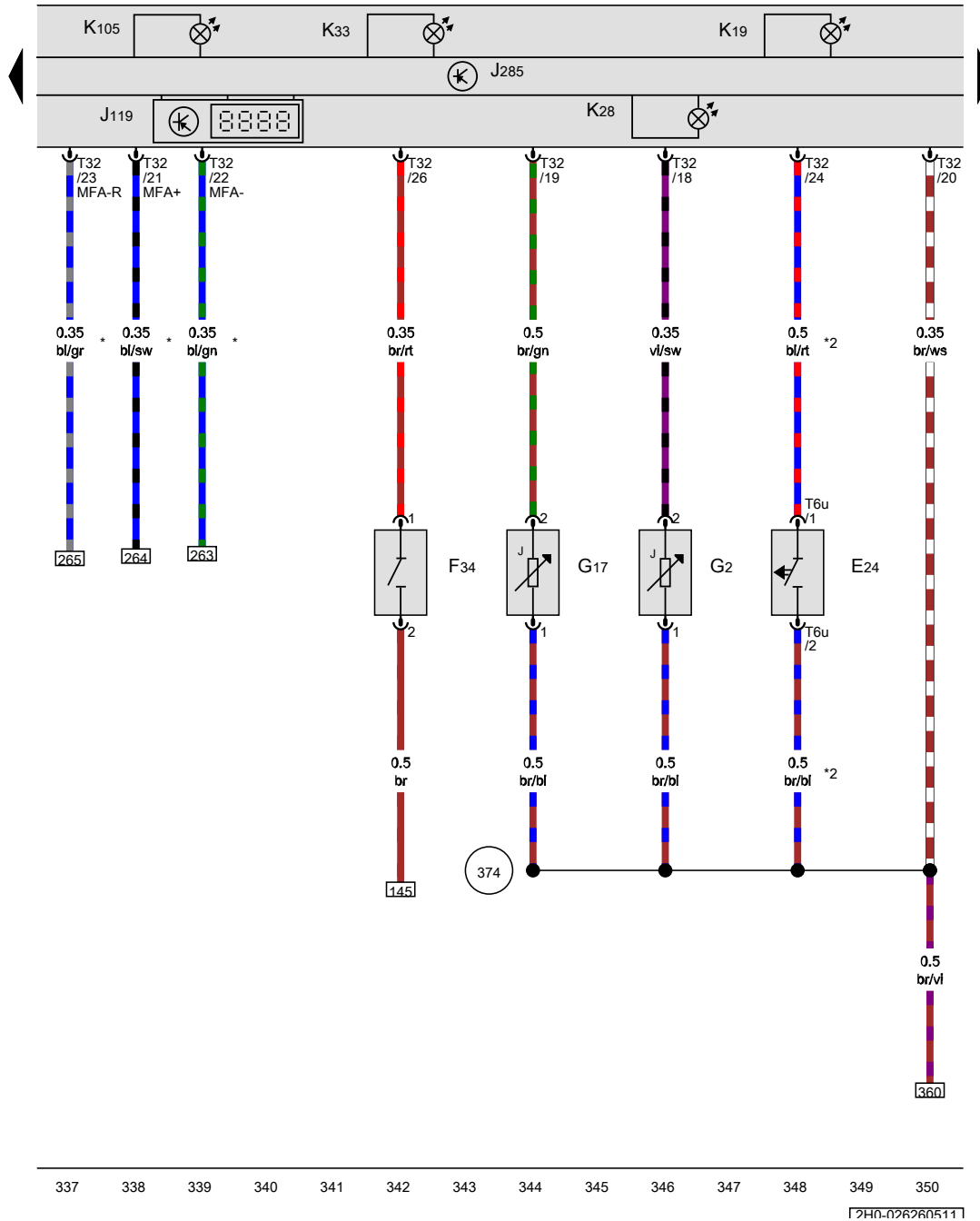
- J285 Control unit in dash panel insert
- J519 Onboard supply control unit, near driver side A-pillar
- K Dash panel insert
- T6ar 6-pin connector
- T6as 6-pin connector
- T6be 6-pin connector
- T8f 8-pin connector
- T28 28-pin connector, on left B-pillar
- T28a 28-pin connector, on left A-pillar
- T28b 28-pin connector, on right A-pillar
- T28c 28-pin connector, on right B-pillar
- T32 32-pin connector
- T73a 73-pin connector
- VX21 Driver door lock unit
- VX22 Front passenger door lock unit
- VX23 Rear left door lock unit
- VX24 Rear right door lock unit

- 205 Earth connection, in driver door wiring harness
- 206 Earth connection, in front passenger door wiring harness
- 372 Earth connection 7, in main wiring harness
- \* Only models with no central locking
- \*2 Only models with double cab

- ws = white
- sw = black
- ro = red
- br = brown
- gn = green
- bl = blue
- gr = grey
- li = purple
- ge = yellow
- or = orange
- rs = pink

323 324 325 326 327 328 329 330 331 332 333 334 335 336

1740-026250511



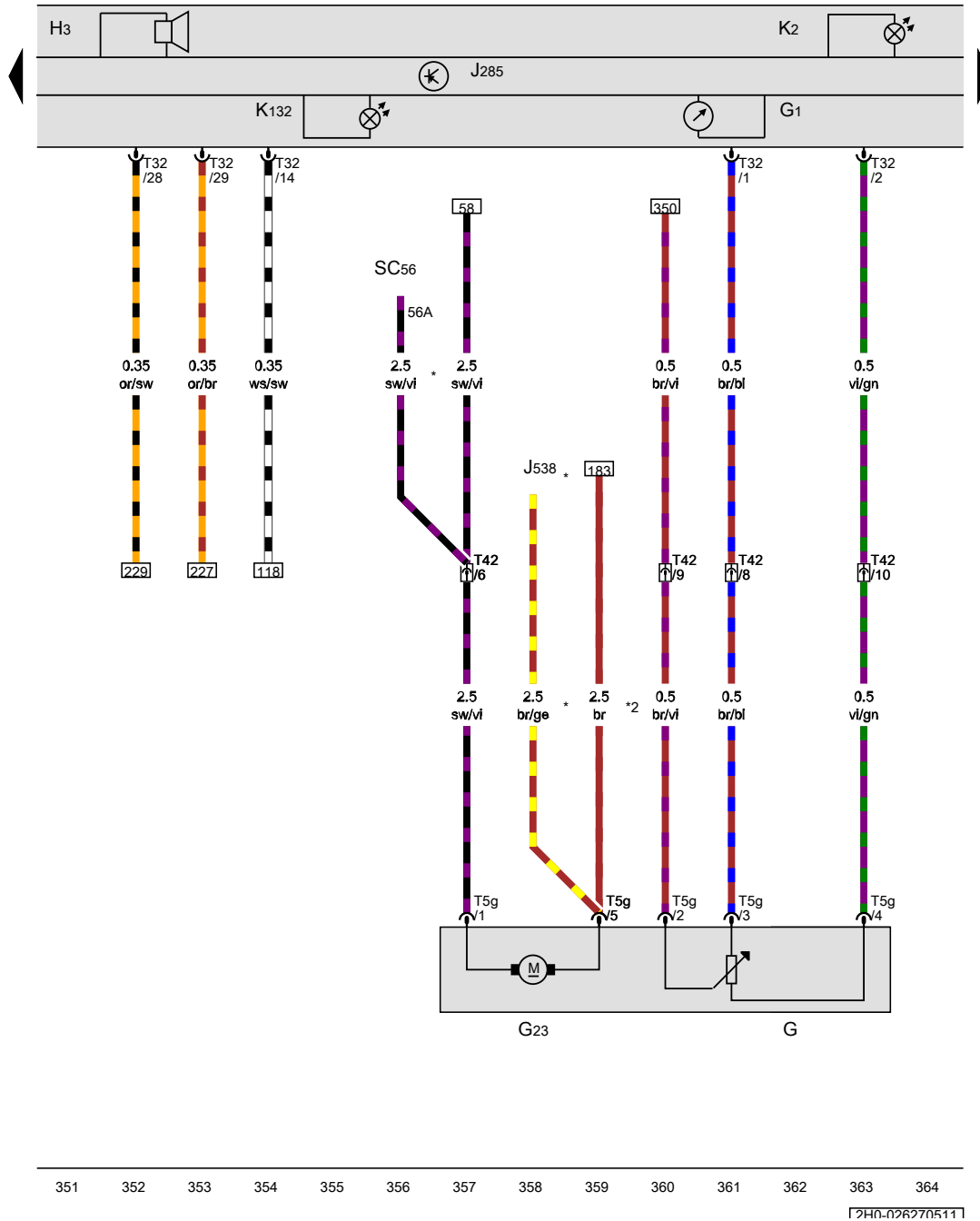
Driver side belt switch, Brake fluid level warning contact, Coolant temperature display sender, Ambient temperature sensor, Multifunction indicator, Dash panel insert, Brake fluid level warning lamp

- E24 Driver side belt switch
- F34 Brake fluid level warning contact
- G2 Coolant temperature display sender
- G17 Ambient temperature sensor
- J119 Multifunction indicator
- J285 Control unit in dash panel insert
- K Dash panel insert
- K19 Seat belt warning system warning lamp
- K28 Coolant temperature and coolant shortage warning lamp
- K33 Brake fluid level warning lamp
- K105 Reserve fuel warning lamp
- T6u 6-pin connector
- T32 32-pin connector
- 374 Earth connection 9, in main wiring harness
- \* Only models with multifunction display
- \*2 Only models with no airbag

- ws = white
- sw = black
- ro = red
- br = brown
- gn = green
- bl = blue
- gr = grey
- li = purple
- ge = yellow
- or = orange
- rs = pink



Fuel pump, Fuel pump control unit, Dash panel insert

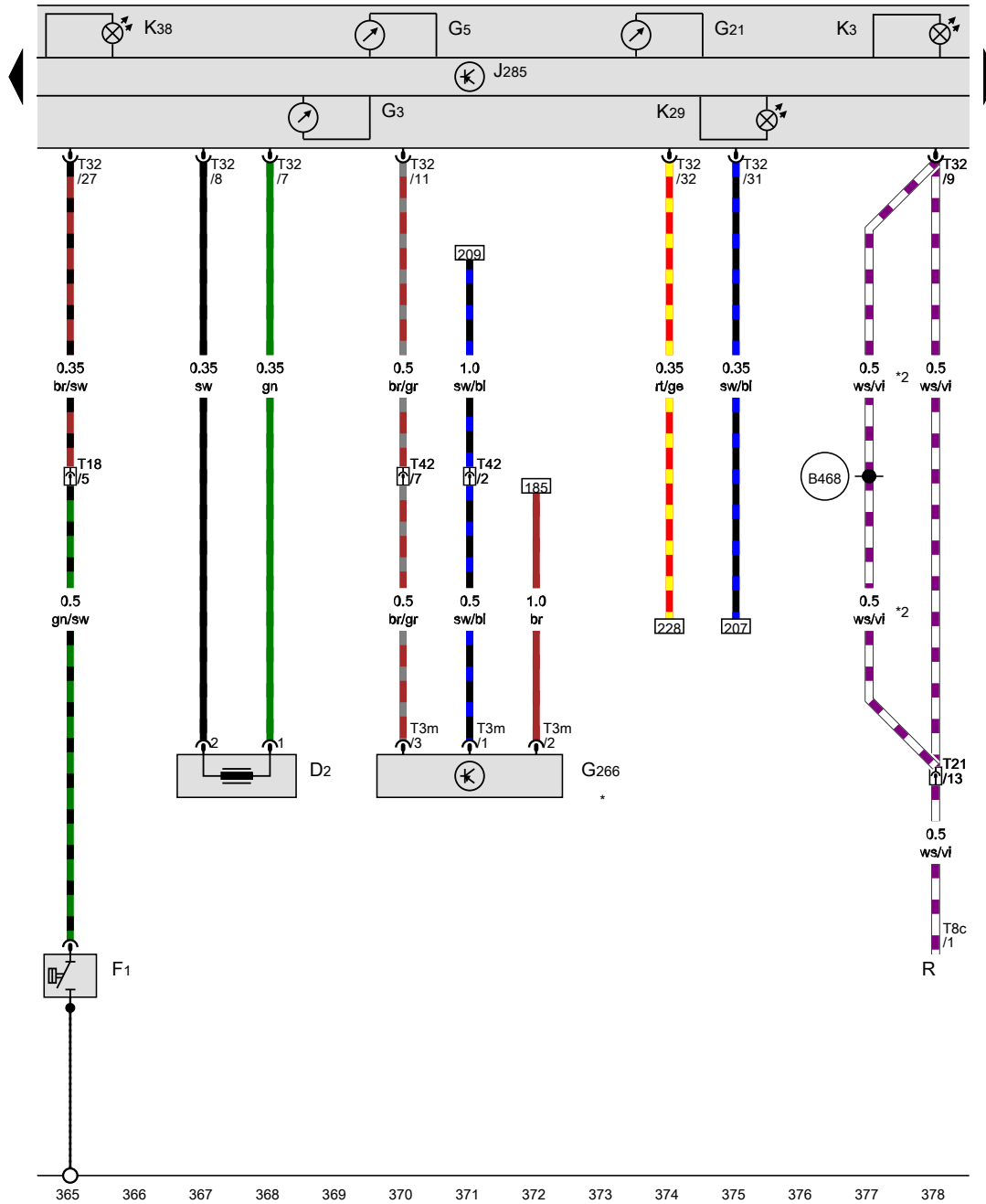


- G Fuel gauge sender
- G1 Fuel gauge
- G23 Fuel pump
- H3 Buzzer and gong
- J285 Control unit in dash panel insert
- J538 Fuel pump control unit
- K Dash panel insert
- K2 Alternator warning lamp
- K132 Electronic power control fault lamp
- SC56 Fuse 56 on fuse holder C
- T5g 5-pin connector
- T32 32-pin connector
- T42 42-pin connector, near handbrake lever
- \* Only models with petrol engine
- \*2 Only models with diesel engines

- ws = white
- sw = black
- ro = red
- br = brown
- gn = green
- bl = blue
- gr = grey
- li = purple
- ge = yellow
- or = orange
- rs = pink

351 352 353 354 355 356 357 358 359 360 361 362 363 364

[740-026270511]

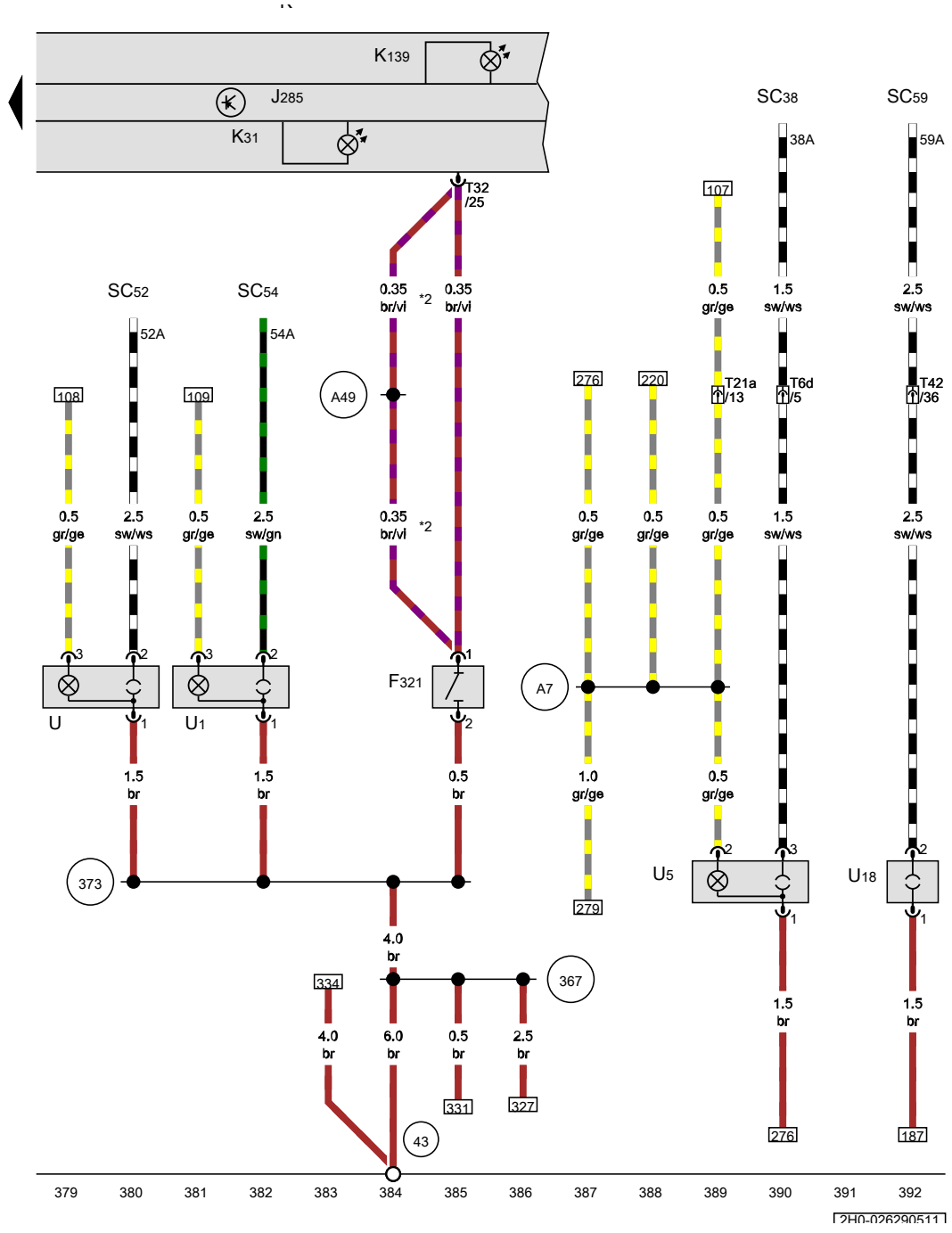


Immobiliser reader coil, Oil pressure switch, Oil level and oil temperature sender, Dash panel insert, Radio

- D2 Immobiliser reader coil, in ignition/starter switch
- F1 Oil pressure switch
- G3 Coolant temperature gauge
- G5 Rev. counter
- G21 Speedometer
- G266 Oil level and oil temperature sender
- J285 Control unit in dash panel insert
- K Dash panel insert
- K3 Oil pressure warning lamp
- K29 Glow period warning lamp
- K38 Oil level warning lamp
- R Radio
- T3m 3-pin connector
- T8c 8-pin connector
- T18 18-pin connector, near engine control unit
- T21 21-pin connector, on relay carrier
- T32 32-pin connector
- T42 42-pin connector, near handbrake lever
- B468 Connection 4, in main wiring harness
- \* see applicable current flow diagram for engine
- \*2 Only models with no electric interface

- ws = white
- sw = black
- ro = red
- br = brown
- gn = green
- bl = blue
- gr = grey
- li = purple
- ge = yellow
- or = orange
- rs = pink

12H0-026280511



Parking brake contact switch, Dash panel insert, Handbrake warning lamp, Fuse 38 on fuse holder C, Fuse 52 on fuse holder C, Fuse 54 on fuse holder C, Electric socket, Cigarette lighter, 12 V socket, 12 V socket 2

- F321 Parking brake contact switch
- J285 Control unit in dash panel insert
- K Dash panel insert
- K31 Cruise control system warning lamp
- K139 Handbrake warning lamp
- SC38 Fuse 38 on fuse holder C
- SC52 Fuse 52 on fuse holder C
- SC54 Fuse 54 on fuse holder C
- SC59 Fuse 59 on fuse holder C
- T6d 6-pin connector, on relay carrier
- T21a 21-pin connector, on relay carrier
- T32 32-pin connector
- T42 42-pin connector, near handbrake lever
- U Electric socket
- U1 Cigarette lighter
- U5 12 V socket
- U18 12 V socket 2

- (43) Earth point, lower part of right A-pillar
- (367) Earth connection 2, in main wiring harness
- (373) Earth connection 8, in main wiring harness
- (A7) Positive connection (58 D1), in dash panel wiring harness
- (A49) Connection 1, in dash panel wiring harness

- \* Special equipment
- \*2 Only models with no electric interface

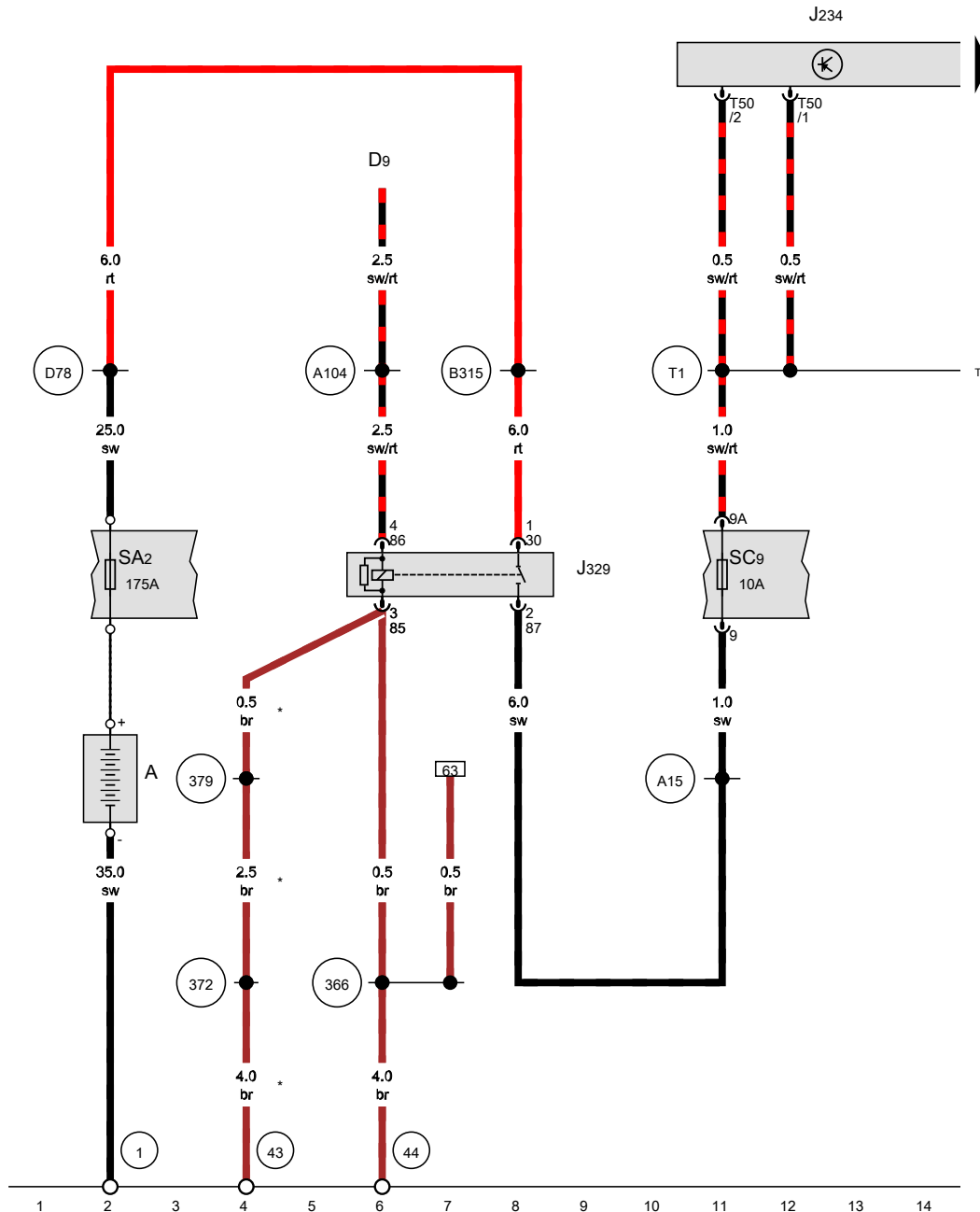
- ws = white
- sw = black
- ro = red
- br = brown
- gn = green
- bl = blue
- gr = grey
- li = purple
- ge = yellow
- or = orange
- rs = pink

1740-026290511

**Airbag systems , (L0R)**

From December 2009

**Battery, Electronic ignition lock, Airbag control unit, Fuse 2 in fuse holder A, Fuse 9 on fuse holder C**

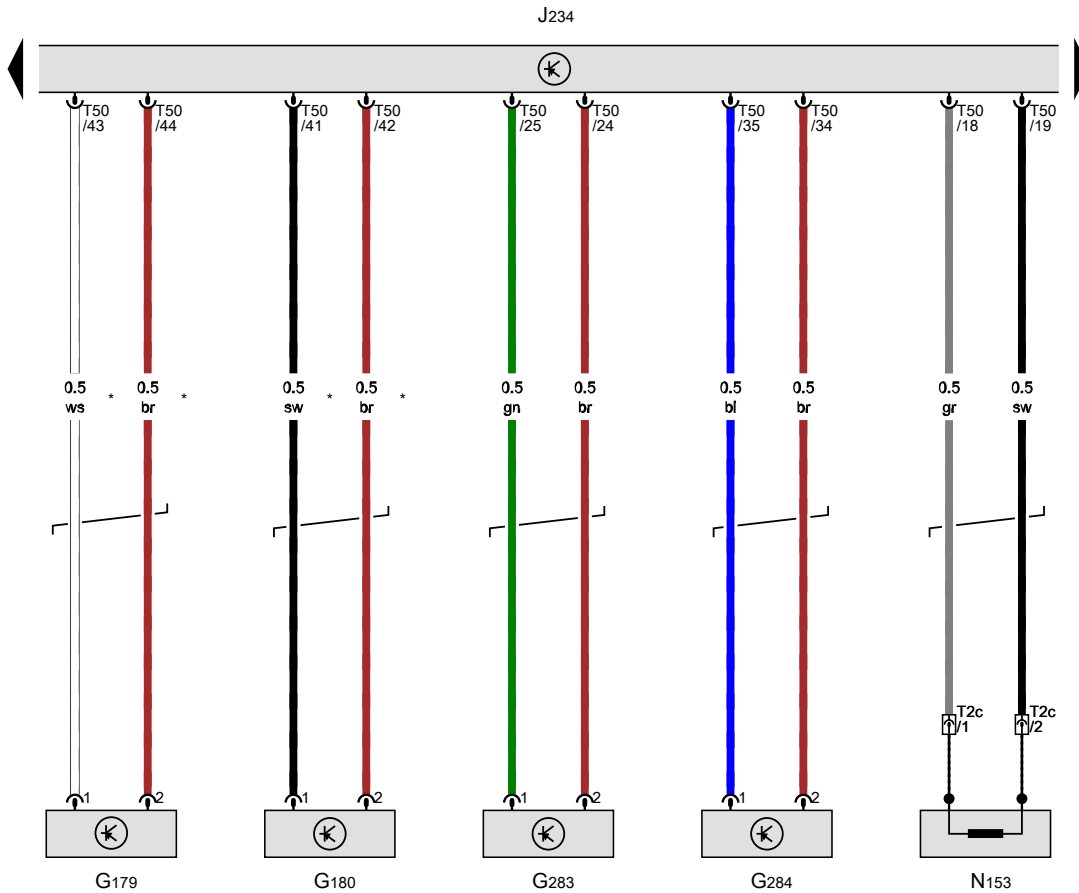


- A Battery
- D9 Electronic ignition lock
- J234 Airbag control unit, in front centre console
- J329 Terminal 15 voltage supply relay
- SA2 Fuse 2 in fuse holder A
- SC9 Fuse 9 on fuse holder C
- T50 50-pin connector
- 1 Earth strap, battery - body
- 43 Earth point, lower part of right A-pillar
- 44 Earth point, lower part of left A-pillar
- 366 Earth connection 1, in main wiring harness
- 372 Earth connection 7, in main wiring harness
- 379 Earth connection 14, in main wiring harness
- A15 Positive connection (15), in instrument wiring harness
- A104 Positive connection 2 (15), in dash panel wiring harness
- B315 Positive connection 1 (30a) in main wiring harness
- D78 Positive connection 1 (30a), in engine compartment wiring harness
- T1 Positive connection 1, in airbag wiring harness
- \* From November 2011

ws = white  
 sw = black  
 ro = red  
 br = brown  
 gn = green  
 bl = blue  
 gr = grey  
 li = purple  
 ge = yellow  
 or = orange  
 rs = pink

ГЭН-0270207121





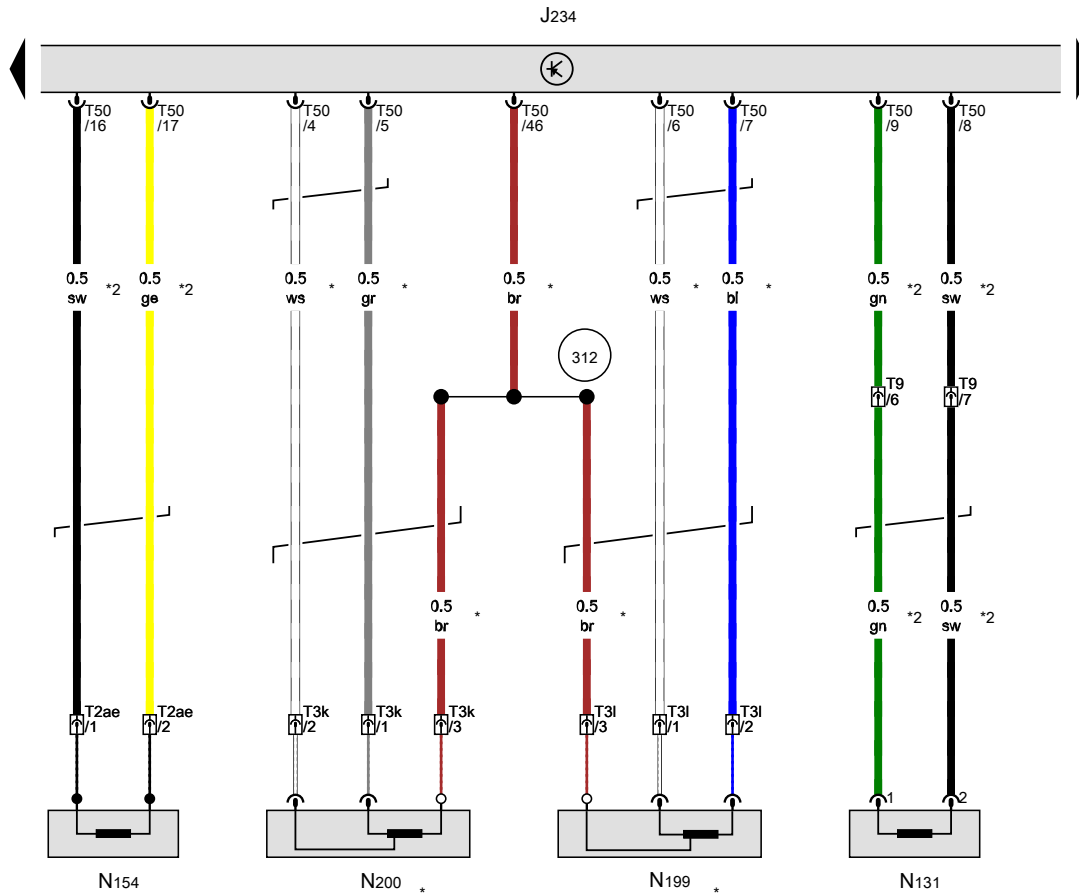
Side airbag crash sensor on driver side, Side airbag crash sensor on front passenger side, Front airbag crash sensor for driver side, Front airbag crash sensor for front passenger side, Airbag control unit, Driver seat belt tensioner igniter 1

- G179 Side airbag crash sensor on driver side, lower part of B-pillar, driver side
- G180 Side airbag crash sensor on front passenger side, lower part of B-pillar, front passenger side
- G283 Front airbag crash sensor for driver side, behind right headlight
- G284 Front airbag crash sensor for front passenger side, behind left headlight
- J234 Airbag control unit, in front centre console
- N153 Driver seat belt tensioner igniter 1
- T2c 2-pin connector, lower part of B-pillar, driver side, yellow
- T50 50-pin connector
- \* Only models with front head-thorax airbag

- ws = white
- sw = black
- ro = red
- br = brown
- gn = green
- bl = blue
- gr = grey
- li = purple
- ge = yellow
- or = orange
- rs = pink

29 30 31 32 33 34 35 36 37 38 39 40 41 42

12H0-0270407121



Airbag control unit, Front passenger side airbag igniter 1, Front passenger seat belt tensioner igniter 1, Side airbag igniter on driver side, Side airbag igniter on front passenger side

- J234 Airbag control unit, in front centre console
- N131 Front passenger side airbag igniter 1
- N154 Front passenger seat belt tensioner igniter 1
- N199 Side airbag igniter on driver side
- N200 Side airbag igniter on front passenger side
- T2ae 2-pin connector, yellow
- T3k 3-pin connector, yellow
- T3l 3-pin connector, yellow
- T9 9-pin connector, on relay carrier, yellow
- T50 50-pin connector

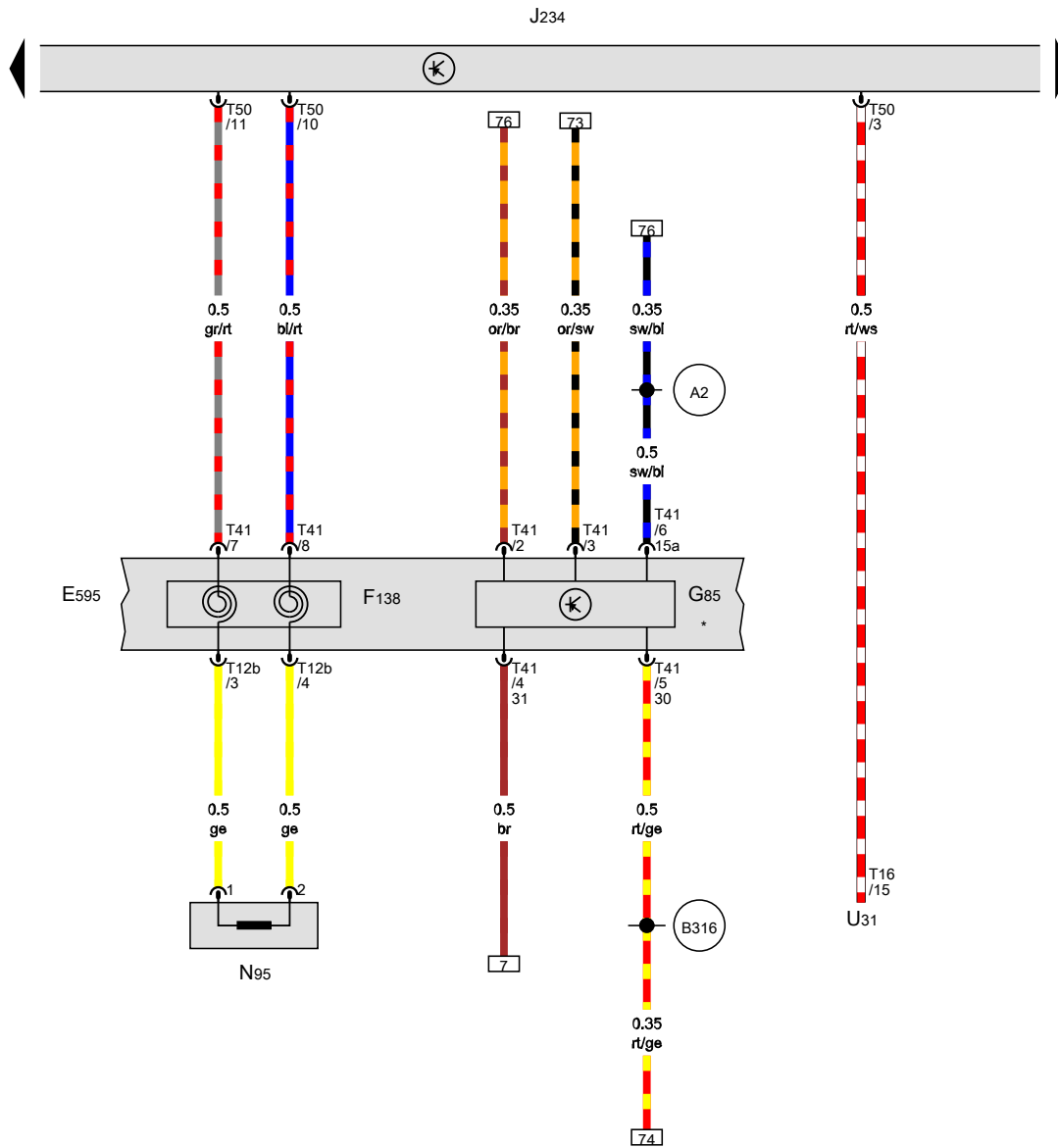
- 312 Earth connection 2, in airbag wiring harness
- \* Only models with front head-thorax airbag
- \*2 Only models with front passenger airbag

- ws = white
- sw = black
- ro = red
- br = brown
- gn = green
- bl = blue
- gr = grey
- li = purple
- ge = yellow
- or = orange
- rs = pink

43 44 45 46 47 48 49 50 51 52 53 54 55 56

12H0-0270507121





**Steering column combination switch, Airbag coil connector and return ring with slip ring, Airbag control unit, Driver side airbag igniter, Diagnostic connection**

- E595 Steering column combination switch
- F138 Airbag coil connector and return ring with slip ring
- G85 Steering angle sender
- J234 Airbag control unit, in front centre console
- N95 Driver side airbag igniter
- T12b 12-pin connector
- T16 16-pin connector, black
- T41 41-pin connector
- T50 50-pin connector
- U31 Diagnostic connection, near driver side A-pillar
- A2 Positive connection (15), in dash panel wiring harness
- B316 Positive connection 2 (30a) in main wiring harness
- \* Only models with anti-lock brake system (ABS) and electronic stabilisation program (ESP)

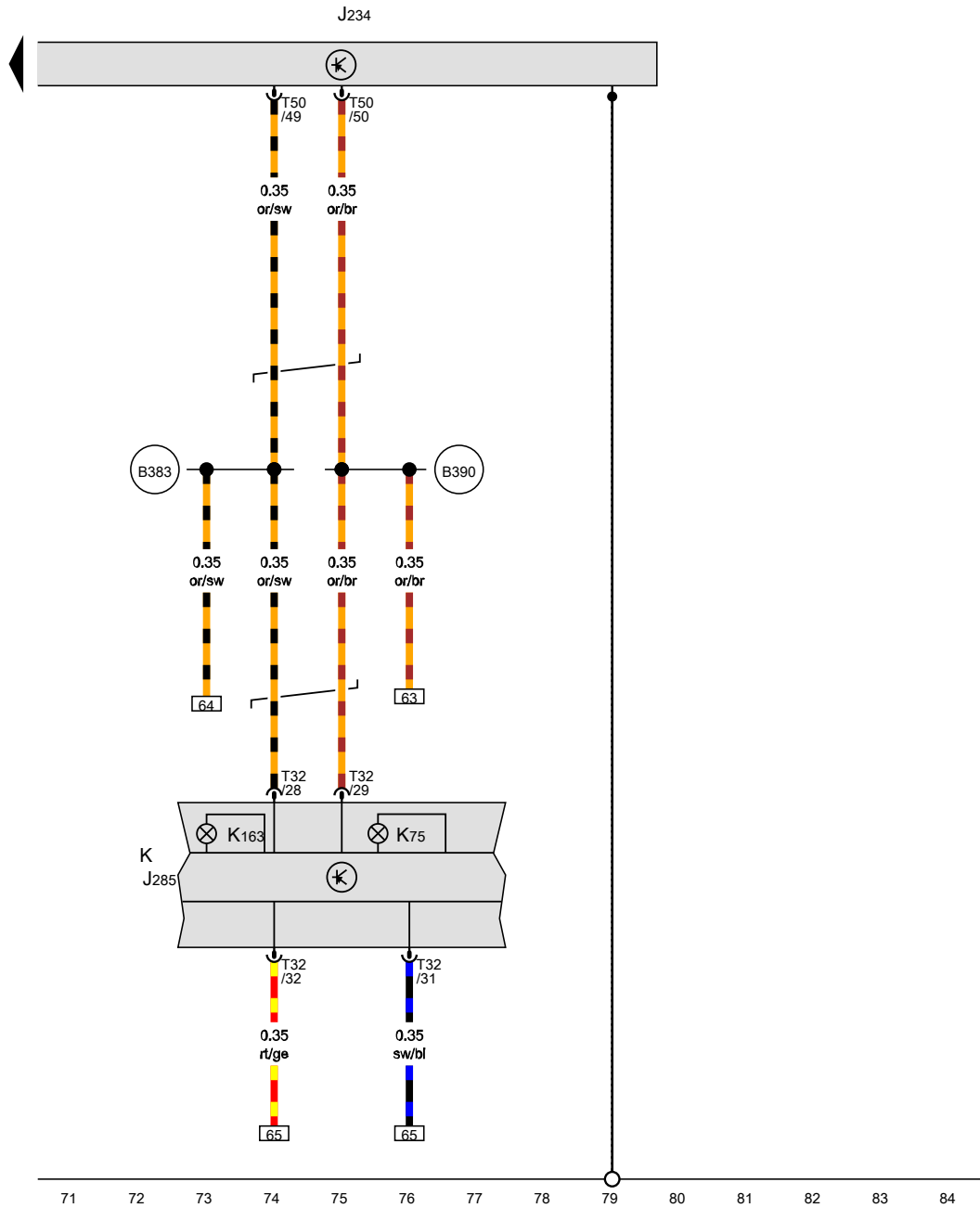
- ws = white
- sw = black
- ro = red
- br = brown
- gn = green
- bl = blue
- gr = grey
- li = purple
- ge = yellow
- or = orange
- rs = pink

**Airbag control unit**

- J234 Airbag control unit, in front centre console
- J285 Control unit in dash panel insert
- K Dash panel insert
- K75 Airbag warning lamp
- K163 Belt switch warning lamp
- T32 32-pin connector
- T50 50-pin connector

 B383 Connection 1 (powertrain CAN bus, high), in main wiring harness

 B390 Connection 1 (powertrain CAN bus, low), in main wiring harness



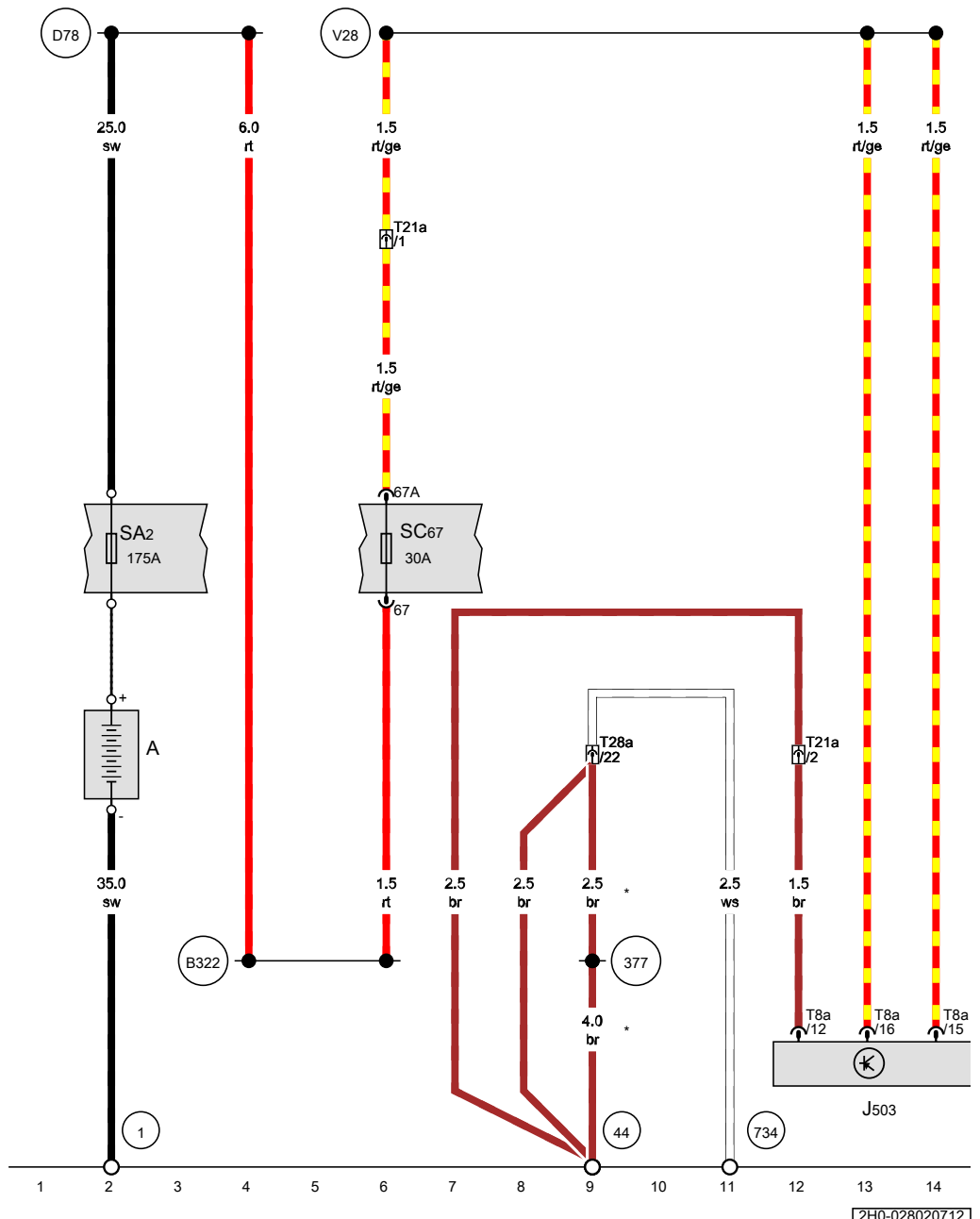
- ws = white
- sw = black
- ro = red
- br = brown
- gn = green
- bl = blue
- gr = grey
- li = purple
- ge = yellow
- or = orange
- rs = pink

[PH0-027070712]

**Radio navigation system , (LOR),(8AY),(7UC),(7UK)**

From December 2009

**Battery, Control unit with display for radio and navigation, Fuse 2 in fuse holder A, Fuse 67 on fuse holder C**



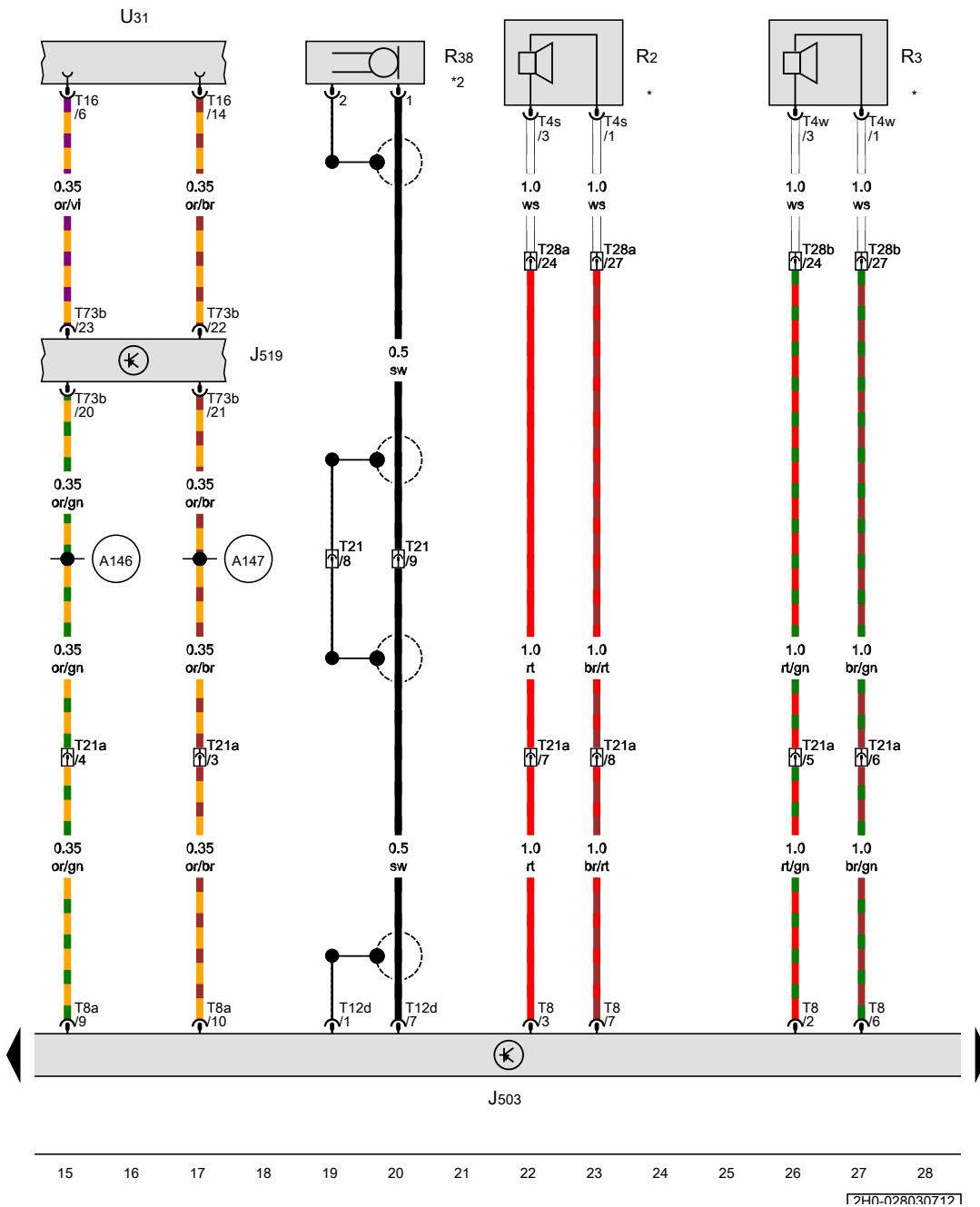
- A Battery
- J503 Control unit with display for radio and navigation, in intake channel
- SA2 Fuse 2 in fuse holder A
- SC67 Fuse 67 on fuse holder C
- T8a 8-pin connector
- T21a 21-pin connector, on relay carrier, brown
- T28a 28-pin connector, on left A-pillar

- 1 Earth strap, battery - body
- 44 Earth point, lower part of left A-pillar
- 377 Earth connection 12, in main wiring harness
- 734 Earth point in front left door
- B322 Positive connection 8 (30a) in main wiring harness
- D78 Positive connection 1 (30a), in engine compartment wiring harness
- V28 Connection 1, in radio wiring harness

\* From November 2011

- ws = white
- sw = black
- ro = red
- br = brown
- gn = green
- bl = blue
- gr = grey
- li = purple
- ge = yellow
- or = orange
- rs = pink

ГЭН-0280207121



**Control unit with display for radio and navigation, Front left loudspeaker, Front right loudspeaker, Telephone microphone, Diagnostic connection**

- J503 Control unit with display for radio and navigation, in intake channel
- J519 Onboard supply control unit
- R2 Front left loudspeaker
- R3 Front right loudspeaker
- R38 Telephone microphone
- T4s 4-pin connector
- T4w 4-pin connector
- T8 8-pin connector
- T8a 8-pin connector
- T12d 12-pin connector
- T16 16-pin connector
- T21 21-pin connector, on relay carrier
- T21a 21-pin connector, on relay carrier, brown
- T28a 28-pin connector, on left A-pillar
- T28b 28-pin connector, on right A-pillar
- T73b 73-pin connector
- U31 Diagnostic connection

(A146) Connection (convenience CAN bus, high), in dash panel wiring harness

(A147) Connection (convenience CAN bus, low), in dash panel wiring harness

\* Only models with 2 loudspeakers (8RD)

\*2 Only models with mobile telephone/ preparation for mobile telephone

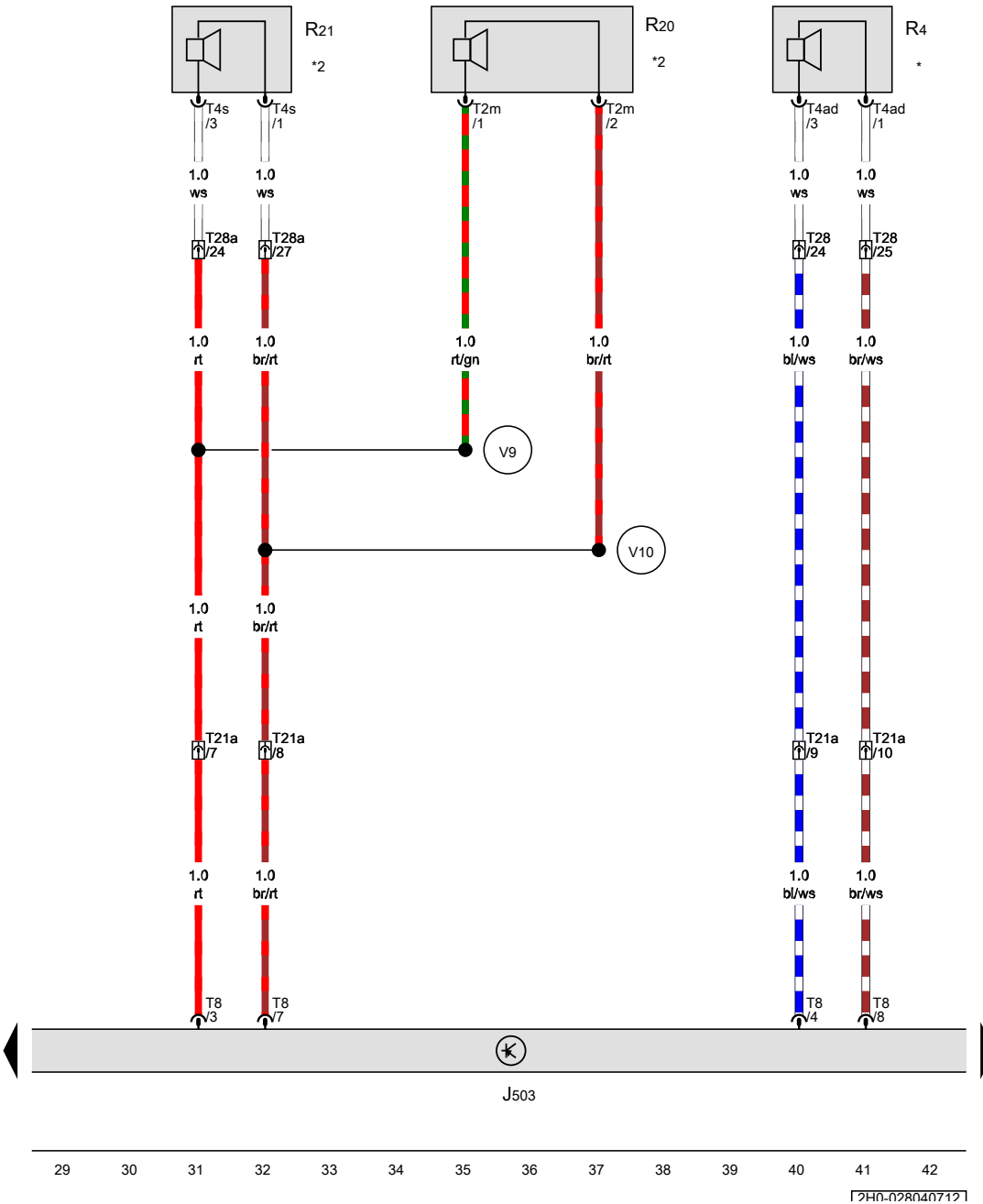
- ws = white
- sw = black
- ro = red
- br = brown
- gn = green
- bl = blue
- gr = grey
- li = purple
- ge = yellow
- or = orange
- rs = pink

ГЭН-028030712

Control unit with display for radio and navigation, Rear left loudspeaker, Front left treble loudspeaker, Front left bass loudspeaker

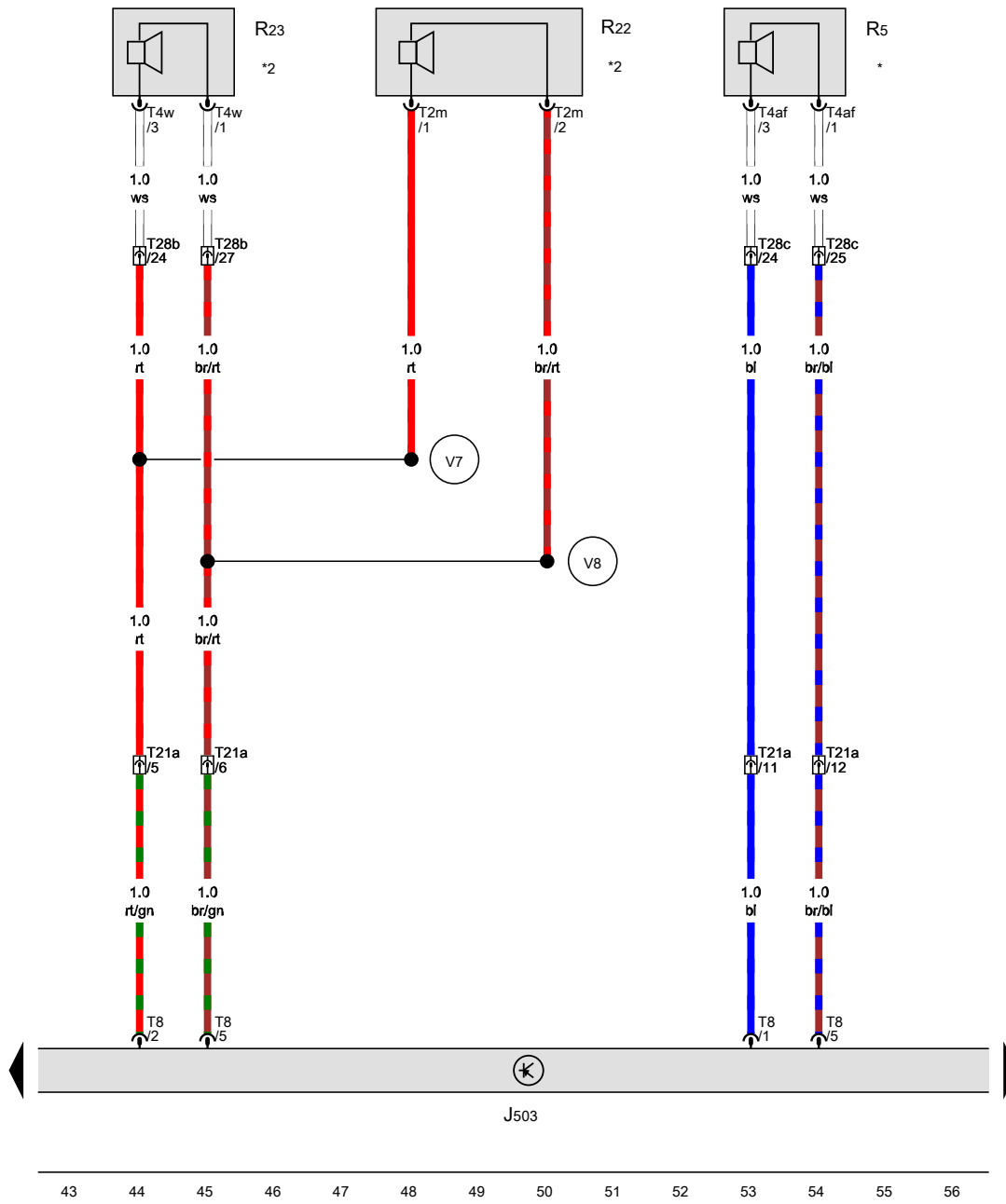
- J503 Control unit with display for radio and navigation, in intake channel
- R4 Rear left loudspeaker
- R20 Front left treble loudspeaker
- R21 Front left bass loudspeaker
- T2m 2-pin connector
- T4ad 4-pin connector
- T4s 4-pin connector
- T8 8-pin connector
- T21a 21-pin connector, on relay carrier, brown
- T28 28-pin connector, on left B-pillar
- T28a 28-pin connector, on left A-pillar

- V9 Connection (positive, front right loudspeaker), in loudspeaker wiring harness
- V10 Connection (negative, front right loudspeaker), in loudspeaker wiring harness
- \* Only models with equipment (6-passive loudspeakers)
- \*2 Only models with 4 or 6 loudspeakers



- ws = white
- sw = black
- ro = red
- br = brown
- gn = green
- bl = blue
- gr = grey
- li = purple
- ge = yellow
- or = orange
- rs = pink

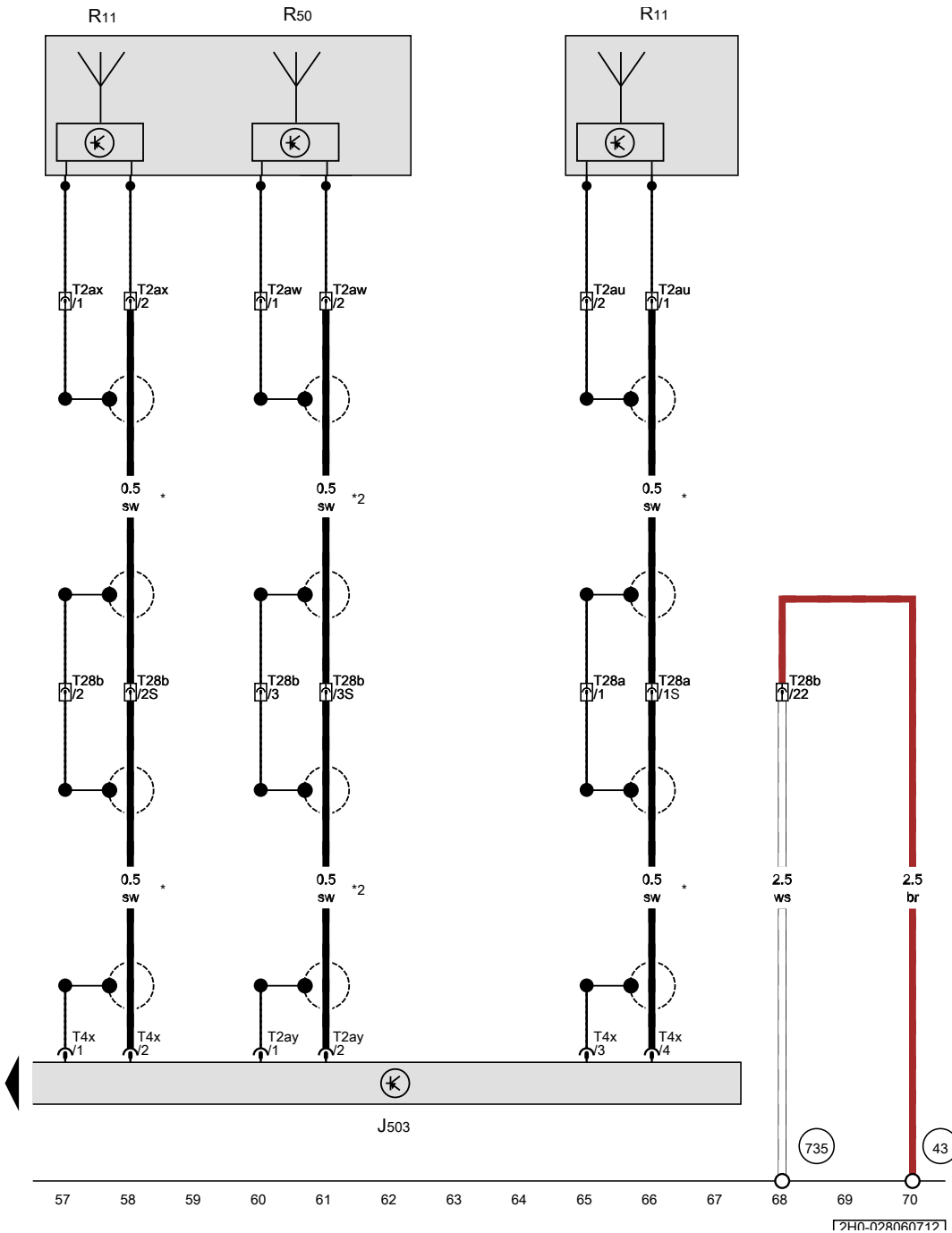
**Control unit with display for radio and navigation, Rear right loudspeaker, Front right treble loudspeaker, Front right bass loudspeaker**



- J503 Control unit with display for radio and navigation, in intake channel
- R5 Rear right loudspeaker
- R22 Front right treble loudspeaker
- R23 Front right bass loudspeaker
- T2m 2-pin connector
- T4af 4-pin connector
- T4w 4-pin connector
- T8 8-pin connector
- T21a 21-pin connector, on relay carrier, brown
- T28b 28-pin connector, on right A-pillar
- T28c 28-pin connector, on right B-pillar
- V7 Connection (positive, front left loudspeaker), in loudspeaker wiring harness
- V8 Connection (negative, front left loudspeaker), in loudspeaker wiring harness
- \* Only models with equipment (6-passive loudspeakers)
- \*2 Only models with 4 or 6 loudspeakers

- ws = white
- sw = black
- ro = red
- br = brown
- gn = green
- bl = blue
- gr = grey
- li = purple
- ge = yellow
- or = orange
- rs = pink

1740-028050717



**Control unit with display for radio and navigation, Aerial, GPS aerial**

- J503 Control unit with display for radio and navigation, in intake channel
- R11 Aerial
- R50 GPS aerial
- T2au 2-pin connector, in left door, near exterior mirror
- T2aw 2-pin connector, blue
- T2ax 2-pin connector, in right door, near exterior mirror
- T2ay 2-pin connector
- T4x 4-pin connector
- T28a 28-pin connector, on left A-pillar
- T28b 28-pin connector, on right A-pillar

43 Earth point, lower part of right A-pillar

735 Earth point in front right door

\* Aerial connection for radio  
 \*2 Aerial connection for GPS

- ws = white
- sw = black
- ro = red
- br = brown
- gn = green
- bl = blue
- gr = grey
- li = purple
- ge = yellow
- or = orange
- rs = pink

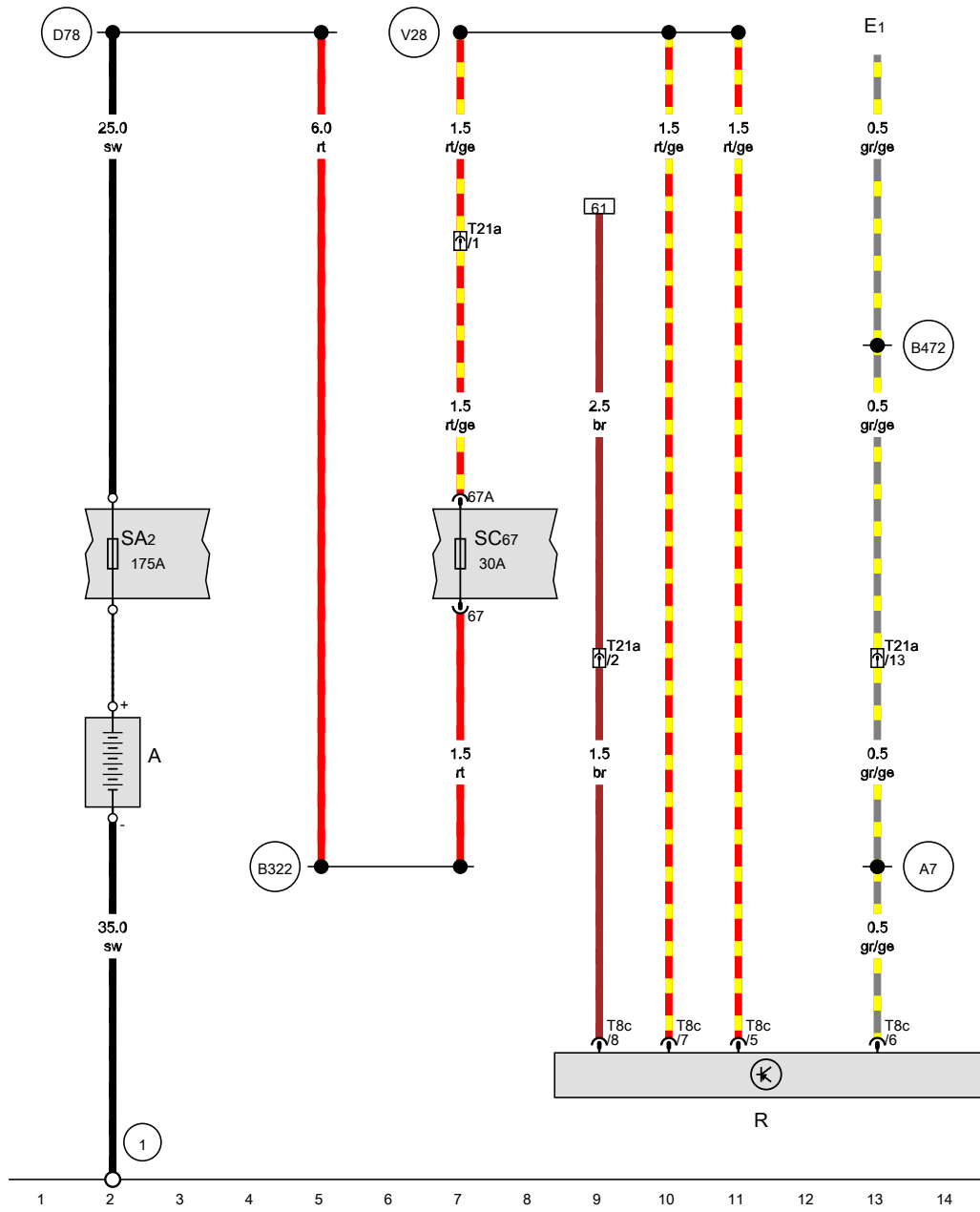
1740-0280607171



**Radio system , (8AN),(8AG),(LOR)**

From December 2009

Battery, Light switch, Radio, Fuse 2 in fuse holder A, Fuse 67 on fuse holder C

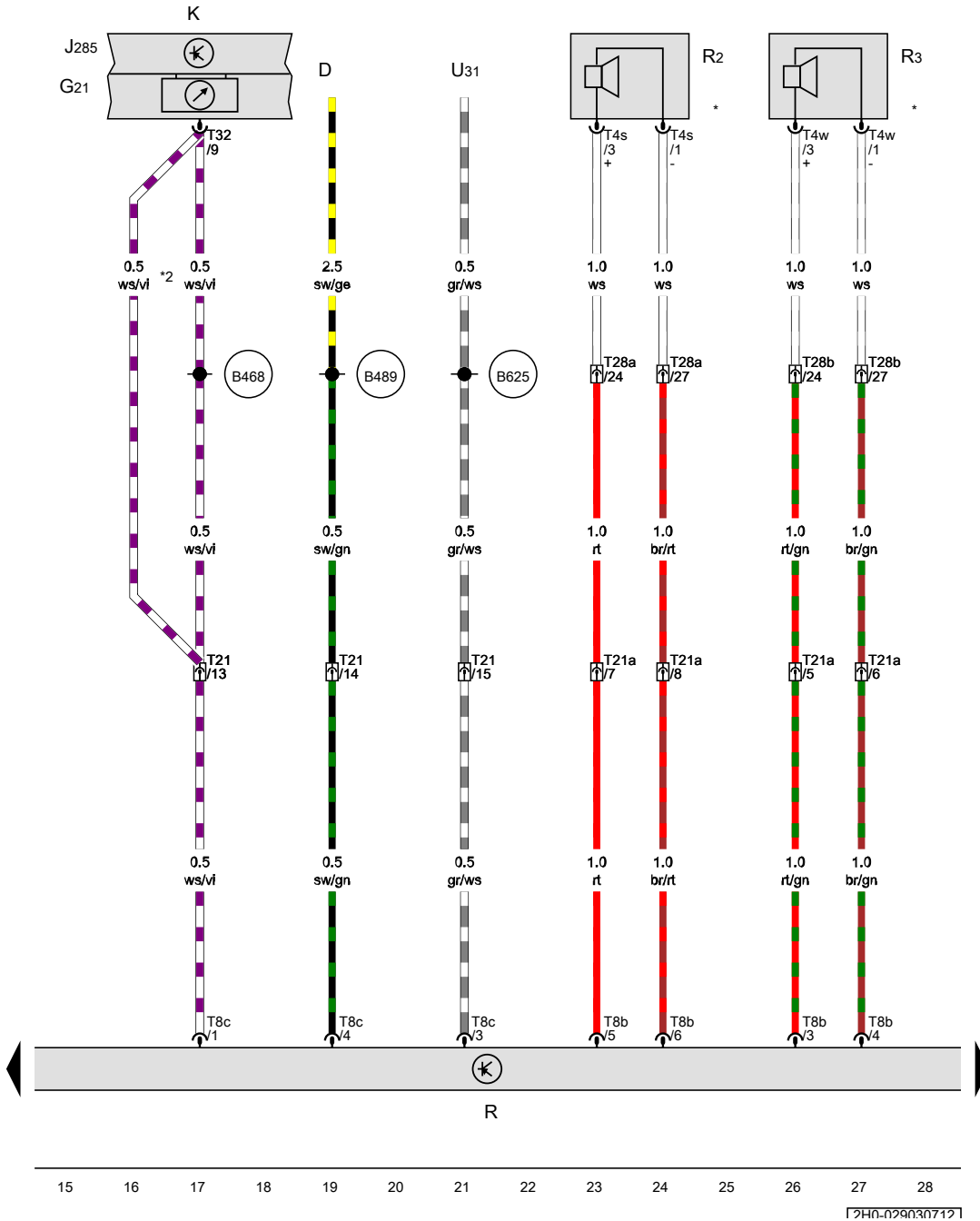


- A Battery
- E1 Light switch
- R Radio
- SA2 Fuse 2 in fuse holder A
- SC67 Fuse 67 on fuse holder C
- T8c 8-pin connector
- T21a 21-pin connector, on relay carrier
- 1 Earth strap, battery - body
- A7 Positive connection (58 D1), in dash panel wiring harness
- B322 Positive connection 8 (30a) in main wiring harness
- B472 Connection 8, in main wiring harness
- D78 Positive connection 1 (30a), in engine compartment wiring harness
- V28 Connection 1, in radio wiring harness

- ws = white
- sw = black
- ro = red
- br = brown
- gn = green
- bl = blue
- gr = grey
- li = purple
- ge = yellow
- or = orange
- rs = pink

1240-0290207121

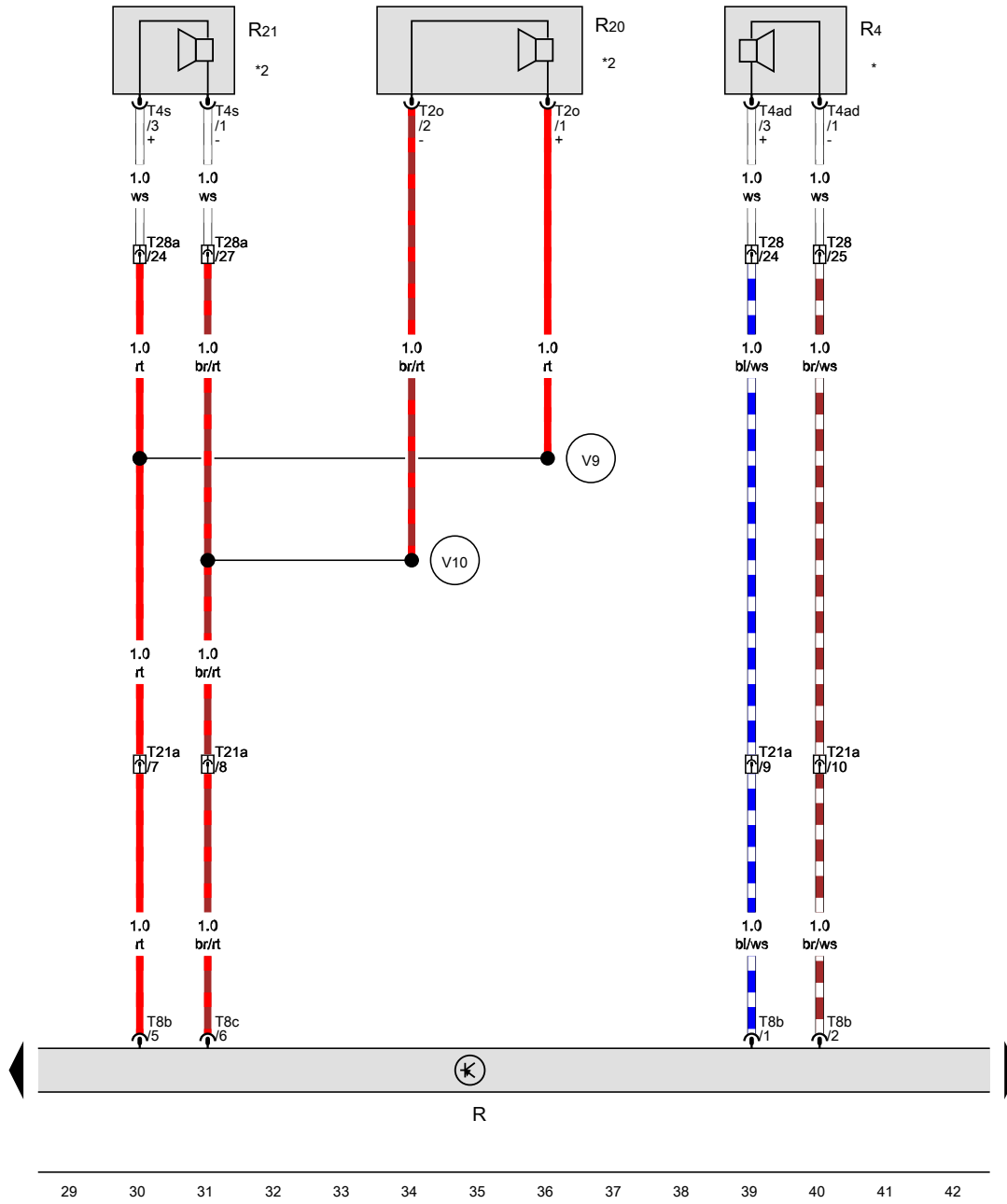
Dash panel insert, Radio, Front left loudspeaker, Front right loudspeaker, Diagnostic connection



- D Ignition/starter switch
  - G21 Speedometer
  - J285 Control unit in dash panel insert
  - K Dash panel insert
  - R Radio
  - R2 Front left loudspeaker
  - R3 Front right loudspeaker
  - T4s 4-pin connector
  - T4w 4-pin connector
  - T8b 8-pin connector
  - T8c 8-pin connector
  - T21 21-pin connector, on relay carrier
  - T21a 21-pin connector, on relay carrier
  - T28a 28-pin connector, on left A-pillar
  - T28b 28-pin connector, on right A-pillar
  - T32 32-pin connector
  - U31 Diagnostic connection
- B468 Connection 4, in main wiring harness
  - B489 Connection 25, in main wiring harness
  - B625 Connection (K-diagnosis wire), in main wiring harness
- \* Only models with 2 loudspeakers (8RD)
  - \*2 Only models with no electric interface

- ws = white
- sw = black
- ro = red
- br = brown
- gn = green
- bl = blue
- gr = grey
- li = purple
- ge = yellow
- or = orange
- rs = pink

Radio, Rear left loudspeaker, Front left treble loudspeaker, Front left bass loudspeaker

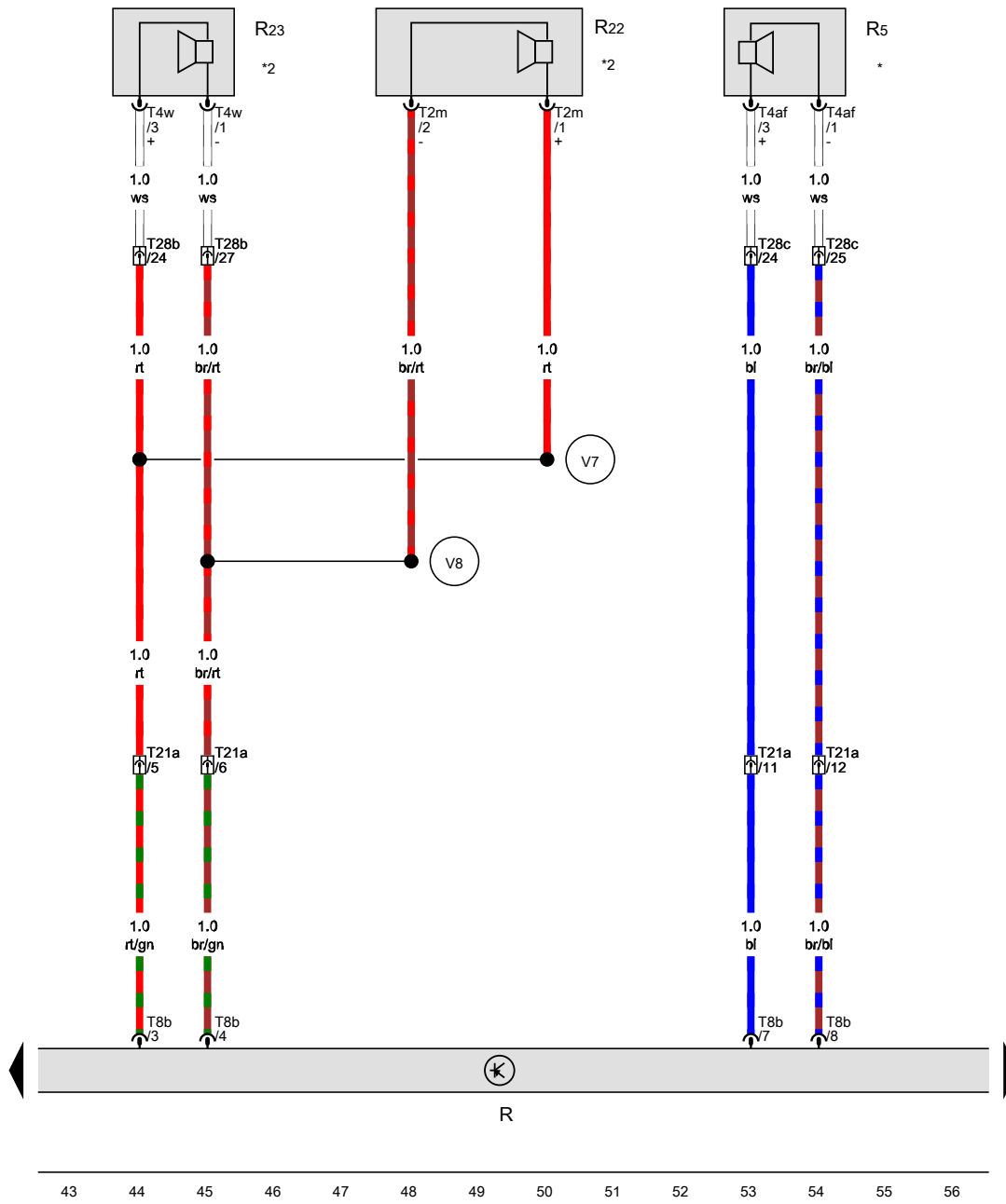


- R Radio
- R4 Rear left loudspeaker
- R20 Front left treble loudspeaker
- R21 Front left bass loudspeaker
- T2o 2-pin connector
- T4ad 4-pin connector
- T4s 4-pin connector
- T8b 8-pin connector
- T8c 8-pin connector
- T21a 21-pin connector
- T28 28-pin connector, on left B-pillar
- T28a 28-pin connector, on left A-pillar
- V9 Connection (positive, front right loudspeaker), in loudspeaker wiring harness
- V10 Connection (negative, front right loudspeaker), in loudspeaker wiring harness
- \* Only models with equipment (6-passive loudspeakers)
- \*2 Only models with 4 or 6 loudspeakers

- ws = white
- sw = black
- ro = red
- br = brown
- gn = green
- bl = blue
- gr = grey
- li = purple
- ge = yellow
- or = orange
- rs = pink

17170402-0000

Radio, Rear right loudspeaker, Front right treble loudspeaker, Front right bass loudspeaker

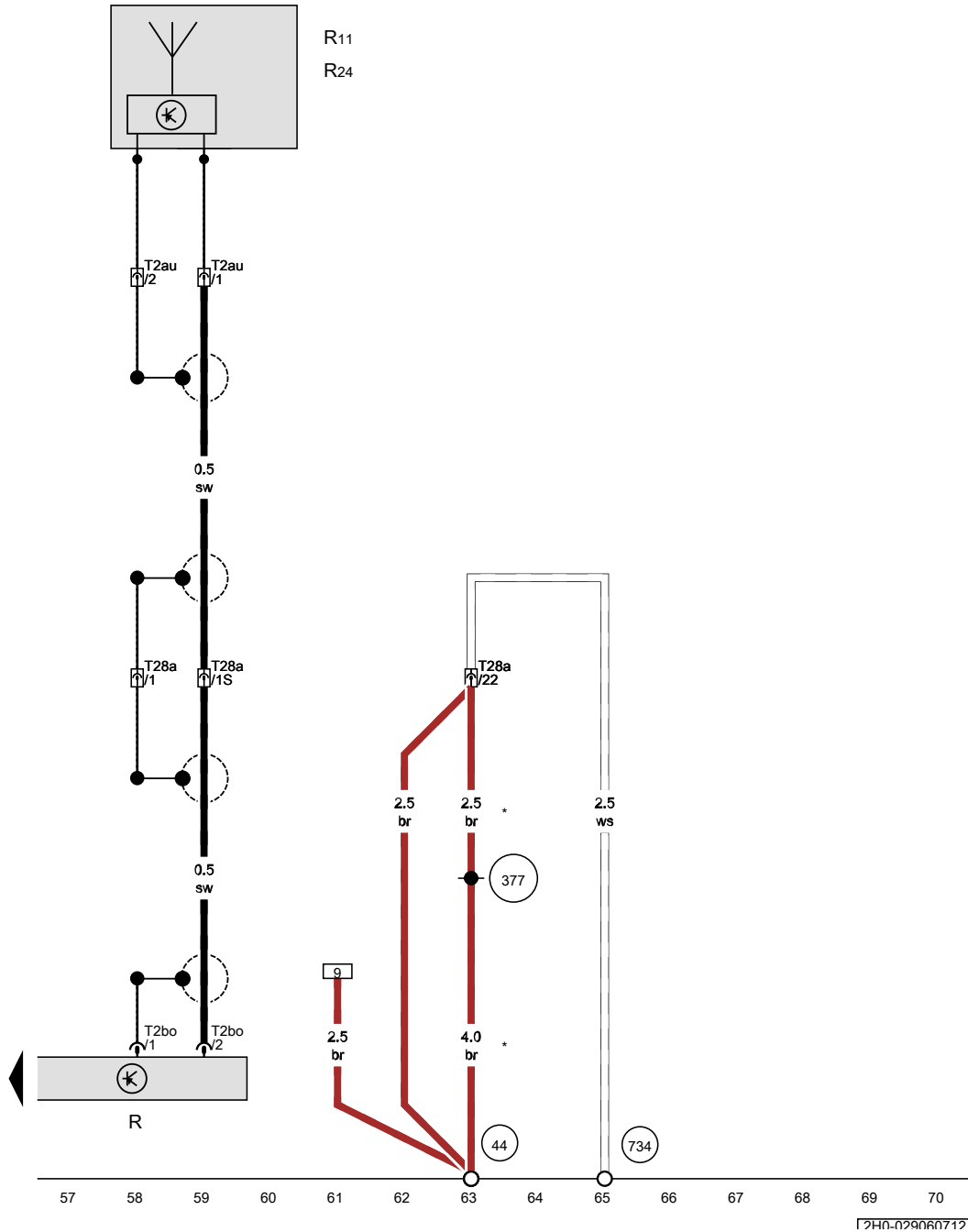


- R Radio
- R5 Rear right loudspeaker
- R22 Front right treble loudspeaker
- R23 Front right bass loudspeaker
- T2m 2-pin connector
- T4af 4-pin connector
- T4w 4-pin connector
- T8b 8-pin connector
- T21a 21-pin connector, on relay carrier
- T28b 28-pin connector, on right A-pillar
- T28c 28-pin connector, on right B-pillar
- V7 Connection (positive, front left loudspeaker), in loudspeaker wiring harness
- V8 Connection (negative, front left loudspeaker), in loudspeaker wiring harness
- \* Only models with equipment (6-passive loudspeakers)
- \*2 Only models with 4 or 6 loudspeakers

- ws = white
- sw = black
- ro = red
- br = brown
- gn = green
- bl = blue
- gr = grey
- li = purple
- ge = yellow
- or = orange
- rs = pink

43 44 45 46 47 48 49 50 51 52 53 54 55 56

17H0-0290507171



Radio, Aerial

- R Radio
- R11 Aerial
- R24 Aerial amplifier
- T2au 2-pin connector, in left door, near exterior mirror
- T2bo 2-pin connector
- T28a 28-pin connector, on left A-pillar

- 44 Earth point, lower part of left A-pillar
- 377 Earth connection 12, in main wiring harness
- 734 Earth point in front left door

\* From November 2011

- ws = white
- sw = black
- ro = red
- br = brown
- gn = green
- bl = blue
- gr = grey
- li = purple
- ge = yellow
- or = orange
- rs = pink

1740-0290607121

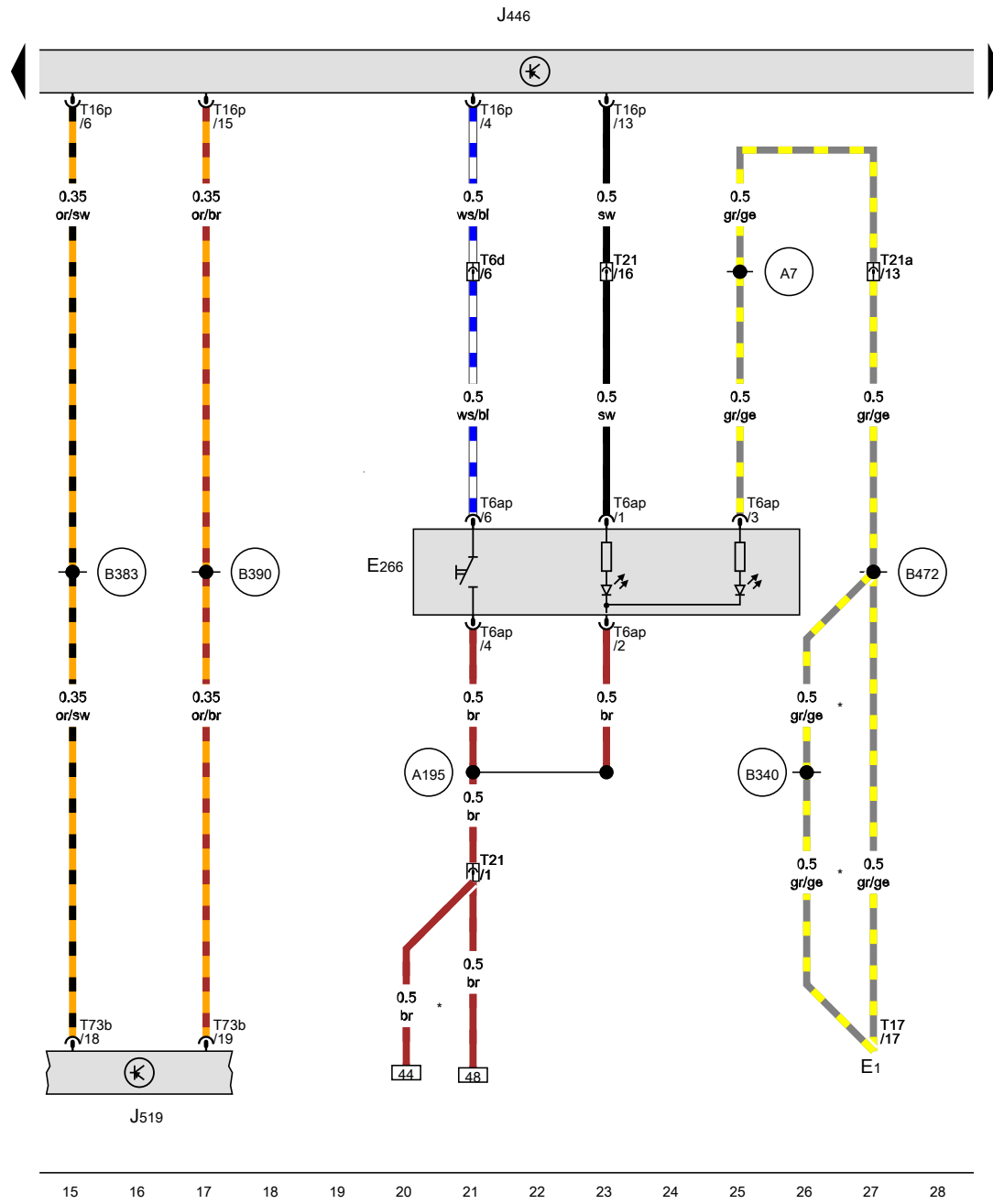
**Parking aid (PDC)**

From November 2010





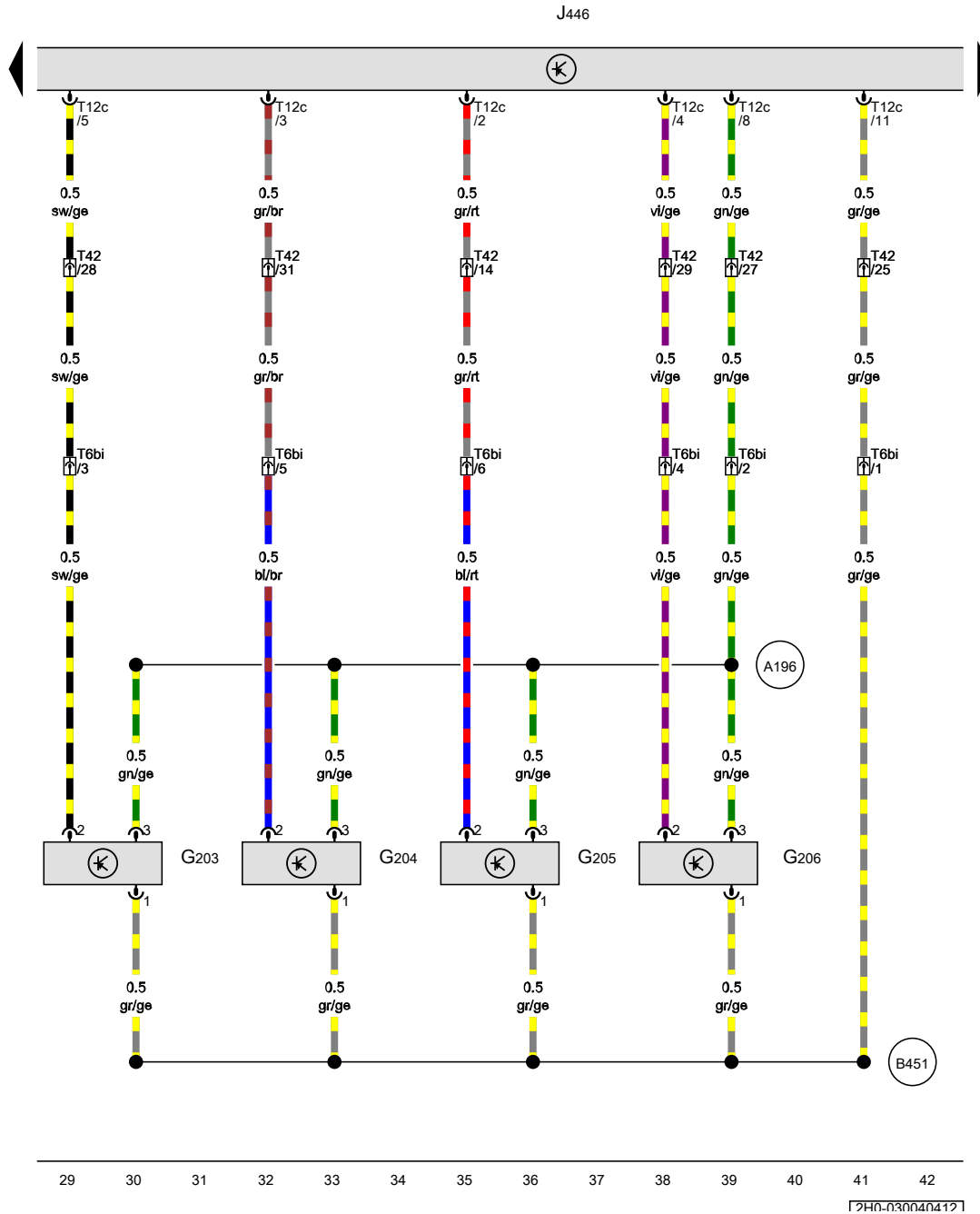
Parking aid button, Parking aid control unit



- E1 Light switch
- E266 Parking aid button
- J446 Parking aid control unit, lower part of A-pillar, front passenger side
- J519 Onboard supply control unit
- T6ap 6-pin connector
- T6d 6-pin connector, on relay carrier, grey
- T16p 16-pin connector, brown
- T17 17-pin connector
- T21 21-pin connector, on relay carrier, blue
- T21a 21-pin connector, on relay carrier, brown
- T73b 73-pin connector

- (A7) Positive connection (58 D1), in dash panel wiring harness
- (A195) Connection 1 (PDC), in dash panel insert wiring harness
- (B340) Connection 1 (58d), in main wiring harness
- (B383) Connection 1 (powertrain CAN bus, high), in main wiring harness
- (B390) Connection 1 (powertrain CAN bus, low), in main wiring harness
- (B472) Connection 8, in main wiring harness

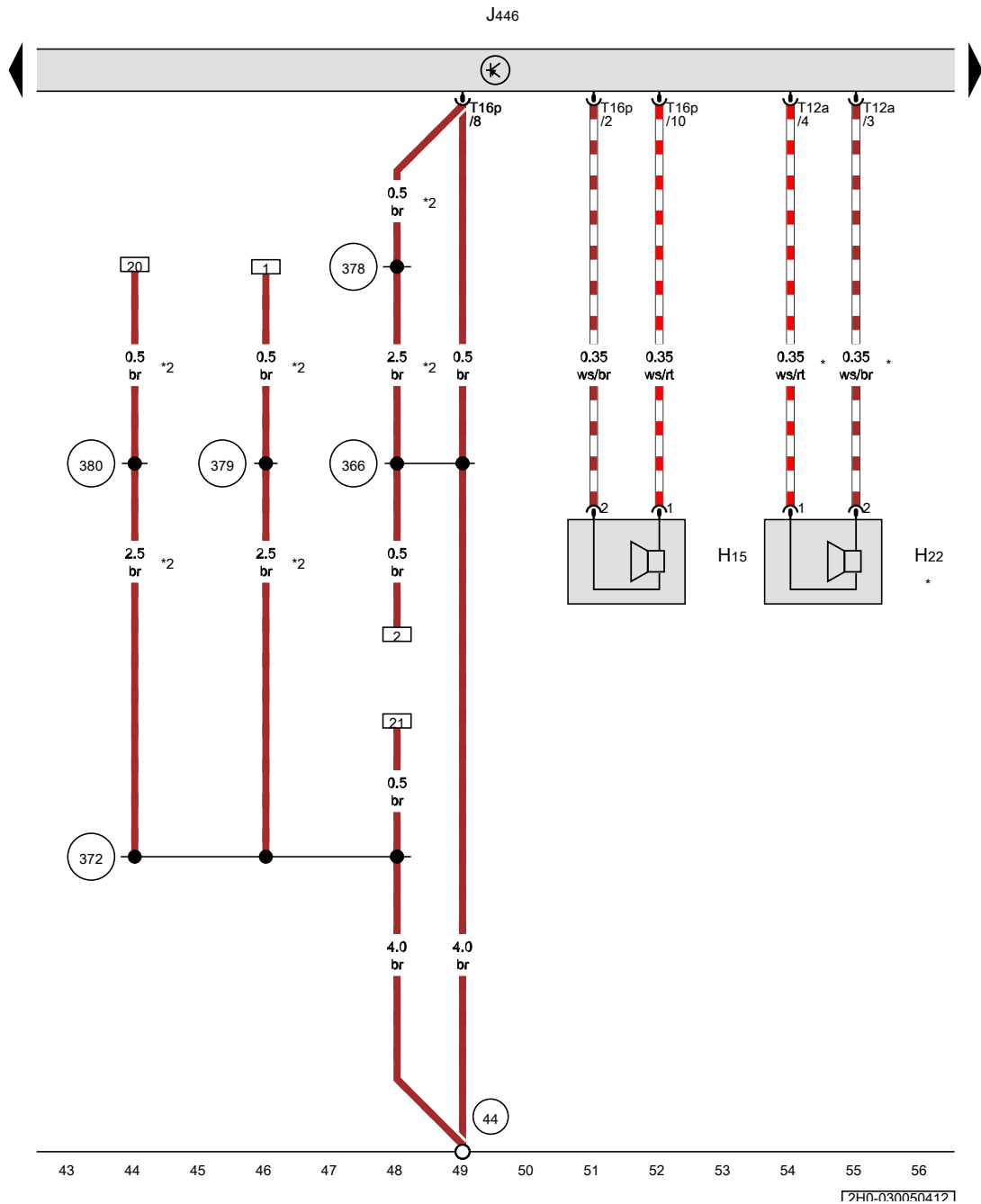
\* From November 2011



Rear left parking aid sender, Rear centre left parking aid sender, Rear centre right parking aid sender, Rear right parking aid sender, Parking aid control unit

- G203 Rear left parking aid sender
- G204 Rear centre left parking aid sender
- G205 Rear centre right parking aid sender
- G206 Rear right parking aid sender
- J446 Parking aid control unit, lower part of A-pillar, front passenger side
- T6bi 6-pin connector, under rear bumper on left, black
- T12c 12-pin connector, brown
- T42 42-pin connector, near handbrake lever, black
- A196 Connection 2 (PDC), in dash panel insert wiring harness
- B451 Connection 2 (PDC), in main wiring harness

- ws = white
- sw = black
- ro = red
- br = brown
- gn = green
- bl = blue
- gr = grey
- li = purple
- ge = yellow
- or = orange
- rs = pink



**Rear parking aid warning buzzer, Front parking aid warning buzzer, Parking aid control unit**

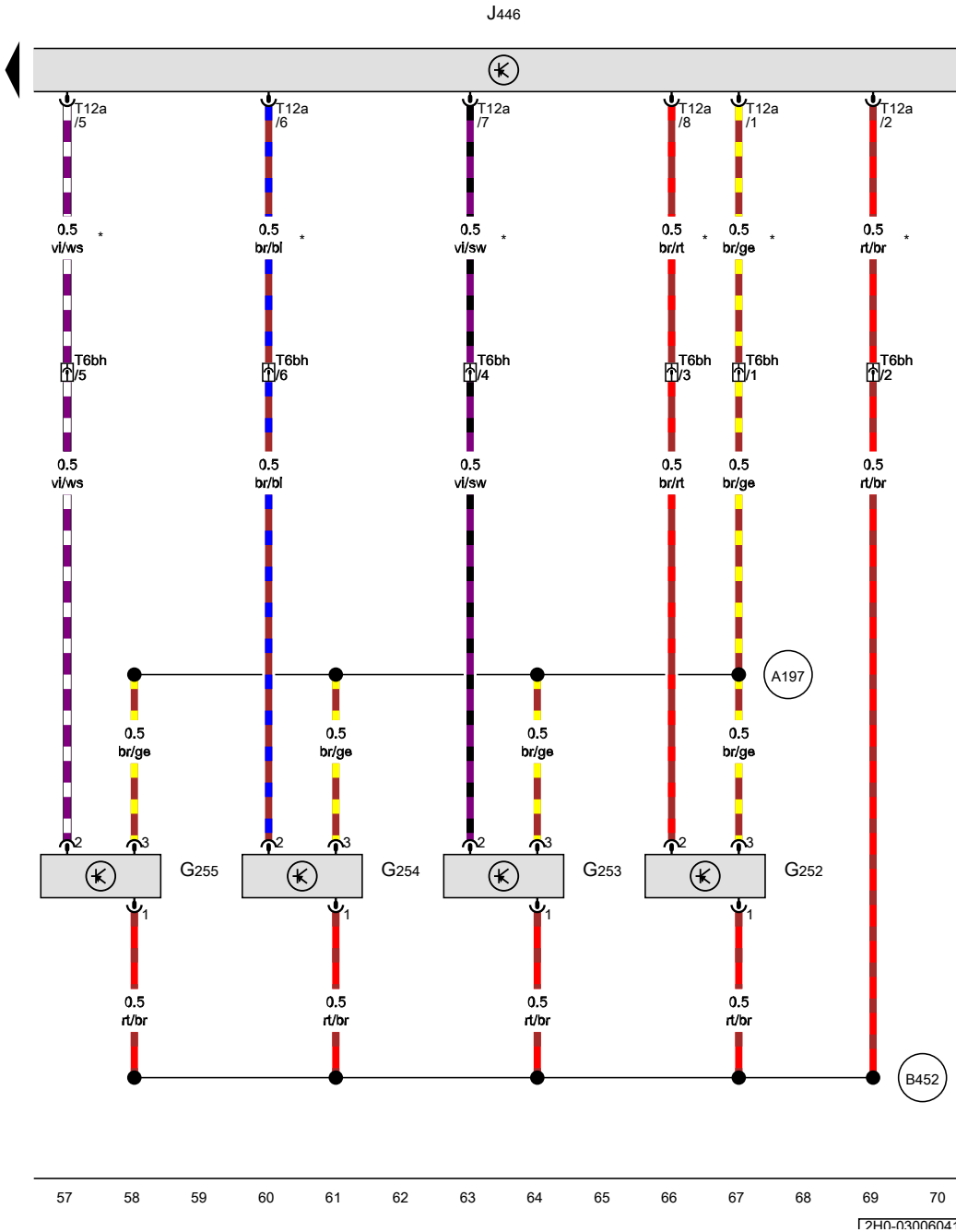
- H15 Rear parking aid warning buzzer, behind right C-pillar trim
- H22 Front parking aid warning buzzer
- J446 Parking aid control unit, lower part of A-pillar, front passenger side
- T12a 12-pin connector, brown
- T16p 16-pin connector, brown

- 44 Earth point, lower part of left A-pillar
- 366 Earth connection 1, in main wiring harness
- 372 Earth connection 7, in main wiring harness
- 378 Earth connection 13, in main wiring harness
- 379 Earth connection 14, in main wiring harness
- 380 Earth connection 15, in main wiring harness

\* Only models with parking aid, front/rear  
 \*2 From November 2011

- ws = white
- sw = black
- ro = red
- br = brown
- gn = green
- bl = blue
- gr = grey
- li = purple
- ge = yellow
- or = orange
- rs = pink

7PH0-0300504121



Front right parking aid sender, Front centre right parking aid sender, Front centre left parking aid sender, Front left parking aid sender, Parking aid control unit

- G252 Front right parking aid sender
- G253 Front centre right parking aid sender
- G254 Front centre left parking aid sender
- G255 Front left parking aid sender
- J446 Parking aid control unit, lower part of A-pillar, front passenger side
- T6bh 6-pin connector, behind front bumper on left, black
- T12a 12-pin connector, brown
- (A197) Connection 3 (PDC), in dash panel insert wiring harness
- (B452) Connection 3 (PDC), in main wiring harness
- \* Only models with parking aid, front/rear

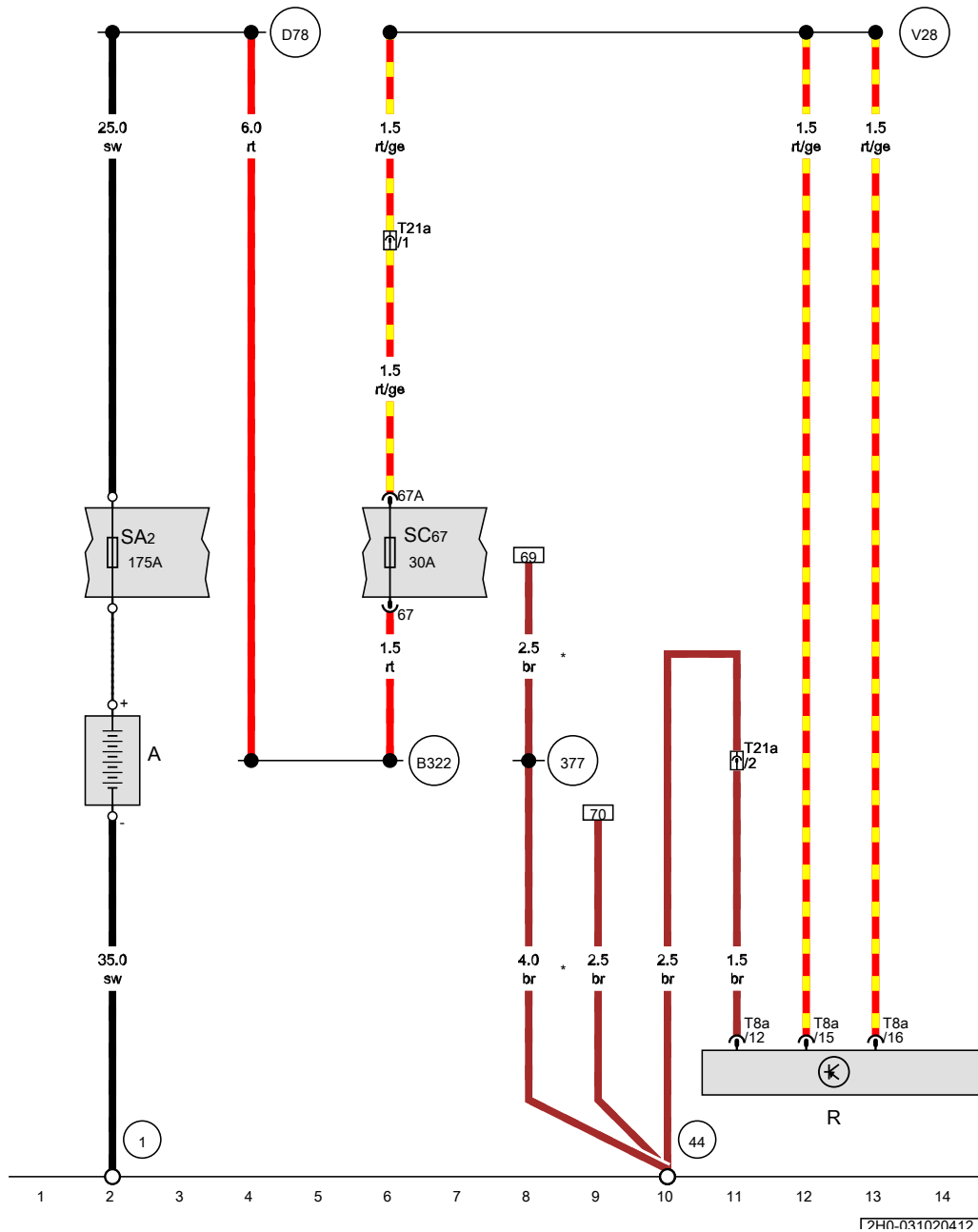
- ws = white
- sw = black
- ro = red
- br = brown
- gn = green
- bl = blue
- gr = grey
- li = purple
- ge = yellow
- or = orange
- rs = pink

7H0-030060417

**Radio system , (8UA),(8AE),(8DD)**

From December 2009

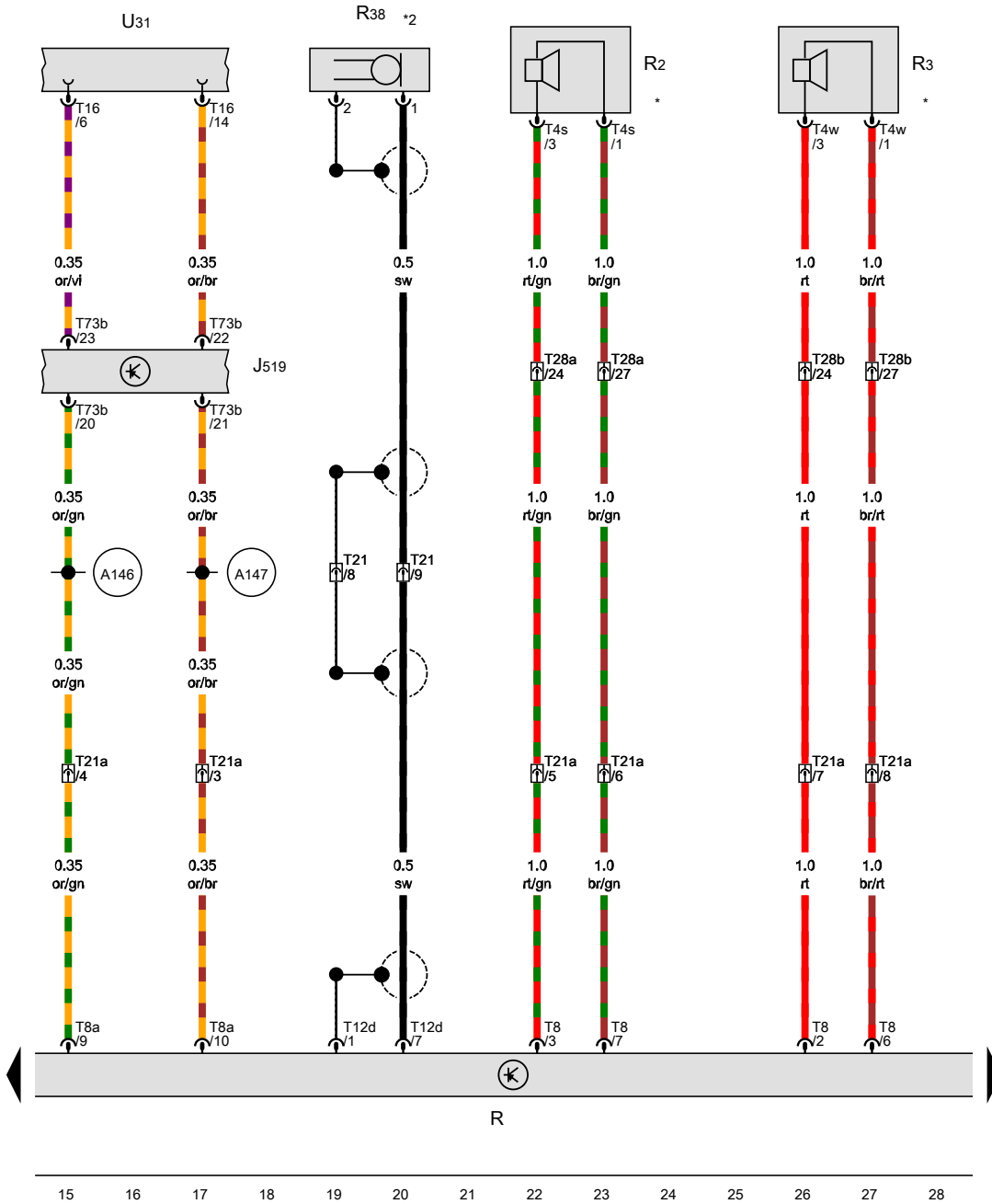
**Battery, Radio, Fuse 2 in fuse holder A, Fuse 67 on fuse holder C**



- A Battery
- R Radio
- SA2 Fuse 2 in fuse holder A
- SC67 Fuse 67 on fuse holder C
- T8a 8-pin connector, black
- T21a 21-pin connector, on relay carrier, brown
- 1 Earth strap, battery - body
- 44 Earth point, lower part of left A-pillar
- 377 Earth connection 12, in main wiring harness
- B322 Positive connection 8 (30a) in main wiring harness
- D78 Positive connection 1 (30a), in engine compartment wiring harness
- V28 Connection 1, in radio wiring harness
- \* From November 2011

- ws = white
- sw = black
- ro = red
- br = brown
- gn = green
- bl = blue
- gr = grey
- li = purple
- ge = yellow
- or = orange
- rs = pink

17140-0310704171



**Radio, Front left loudspeaker, Front right loudspeaker, Telephone microphone, Diagnostic connection**

- J519 Onboard supply control unit
- R Radio
- R2 Front left loudspeaker
- R3 Front right loudspeaker
- R38 Telephone microphone
- T4s 4-pin connector
- T4w 4-pin connector
- T8 8-pin connector, brown
- T8a 8-pin connector, black
- T12d 12-pin connector, green
- T16 16-pin connector, black
- T21 21-pin connector, on relay carrier, blue
- T21a 21-pin connector, on relay carrier, brown
- T28a 28-pin connector
- T28b 28-pin connector, on right A-pillar
- T73b 73-pin connector, colourless
- U31 Diagnostic connection, near driver side A-pillar

Connection (convenience CAN bus, high), in dash panel wiring harness

Connection (convenience CAN bus, low), in dash panel wiring harness

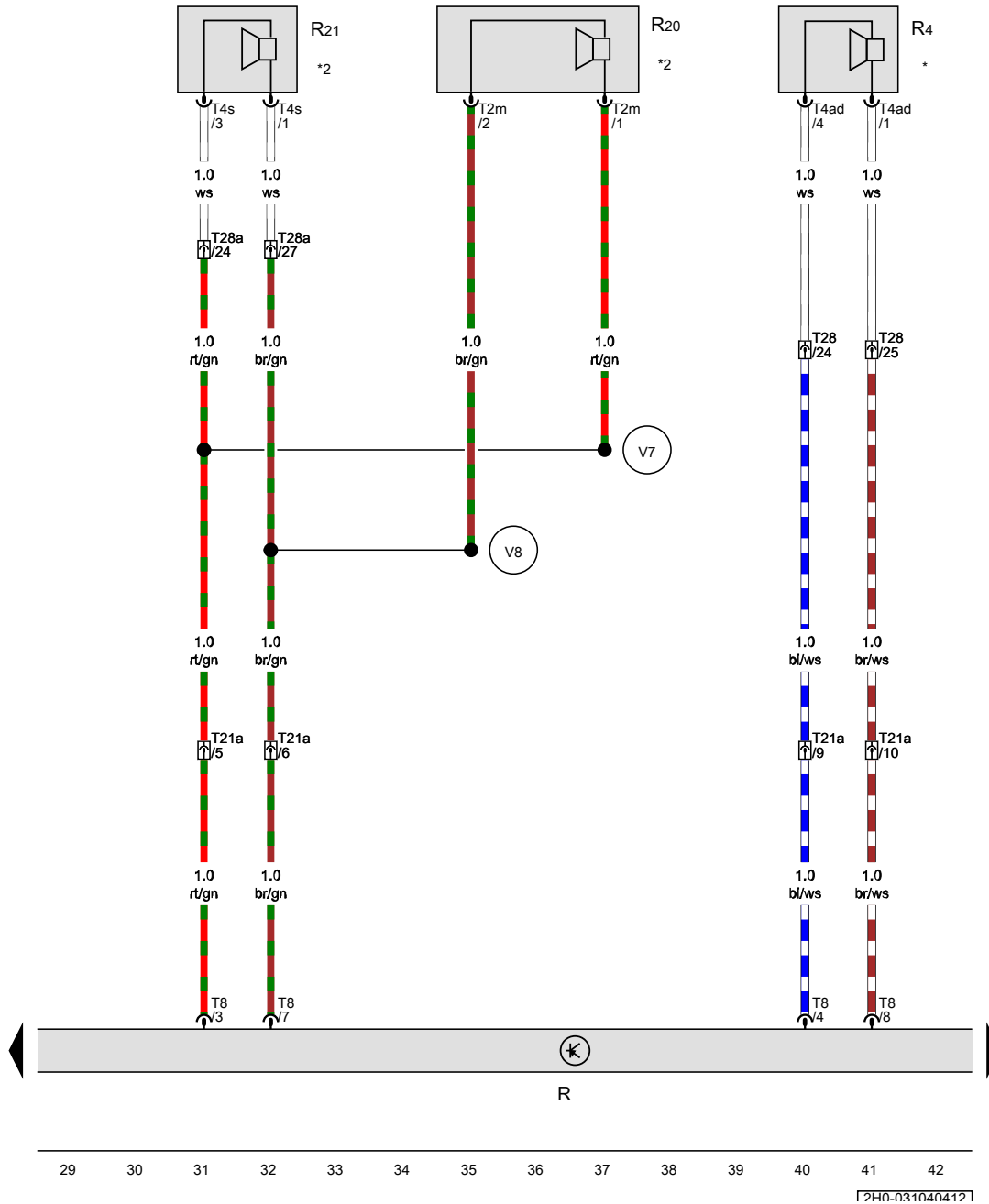
\* Only models with 2 loudspeakers (8RD)

\*2 Only models with mobile telephone/ preparation for mobile telephone

- ws = white
- sw = black
- ro = red
- br = brown
- gn = green
- bl = blue
- gr = grey
- li = purple
- ge = yellow
- or = orange
- rs = pink

ГЭН-0310304121

Radio, Rear left loudspeaker, Front left treble loudspeaker, Front left bass loudspeaker

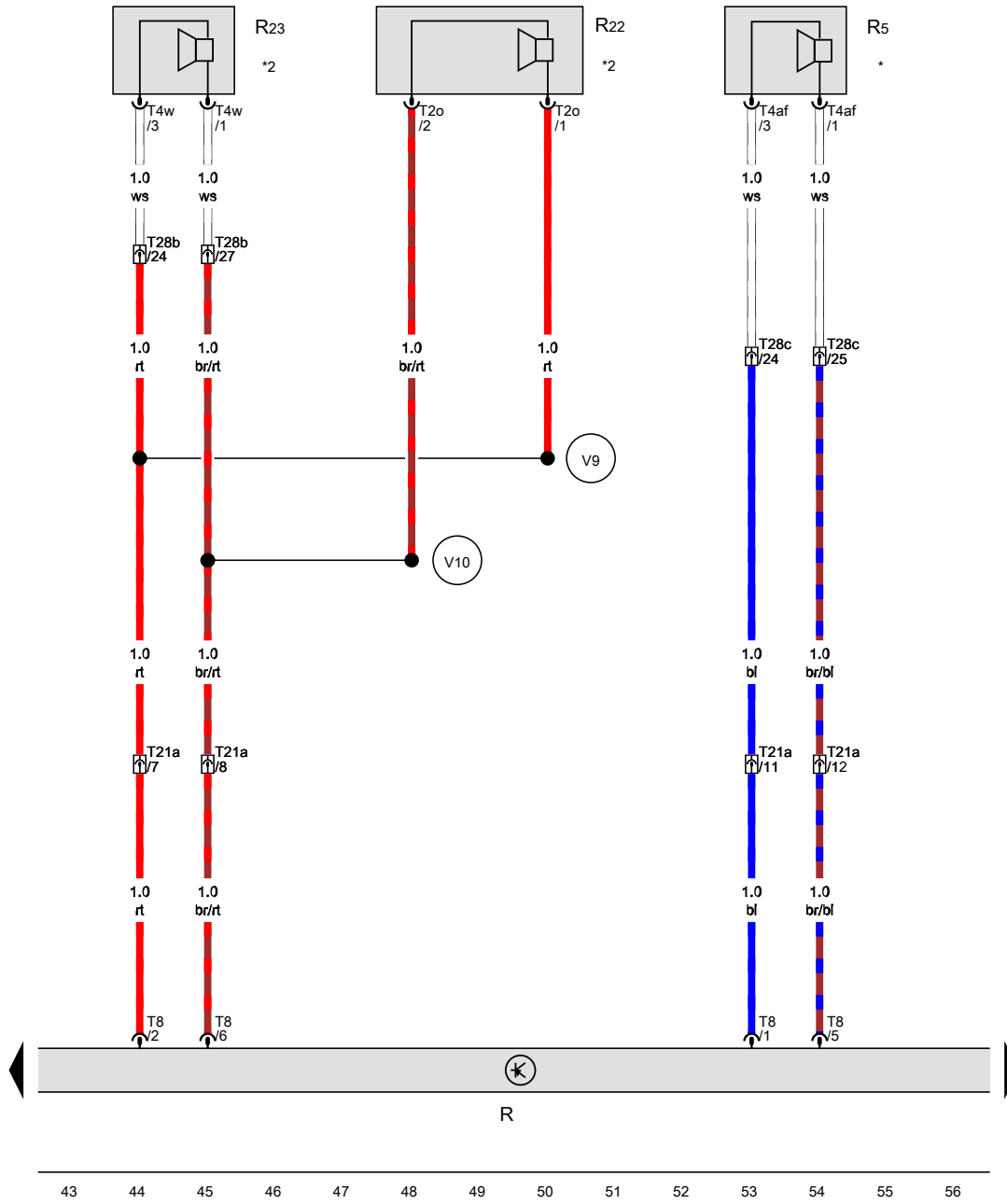


- R Radio
- R4 Rear left loudspeaker
- R20 Front left treble loudspeaker
- R21 Front left bass loudspeaker
- T2m 2-pin connector, black
- T4ad 4-pin connector
- T4s 4-pin connector
- T8 8-pin connector, brown
- T21a 21-pin connector, on relay carrier, brown
- T28 28-pin connector
- T28a 28-pin connector
- V7 Connection (positive, front left loudspeaker), in loudspeaker wiring harness
- V8 Connection (negative, front left loudspeaker), in loudspeaker wiring harness
- \* Only models with equipment (6-passive loudspeakers)
- \*2 Only models with 4 or 6 loudspeakers

- ws = white
- sw = black
- ro = red
- br = brown
- gn = green
- bl = blue
- gr = grey
- li = purple
- ge = yellow
- or = orange
- rs = pink



Radio, Rear right loudspeaker, Front right treble loudspeaker, Front right bass loudspeaker



- R Radio
- R5 Rear right loudspeaker
- R22 Front right treble loudspeaker
- R23 Front right bass loudspeaker
- T2o 2-pin connector, black
- T4af 4-pin connector
- T4w 4-pin connector, black
- T8 8-pin connector, brown
- T21a 21-pin connector, on relay carrier, brown
- T28b 28-pin connector
- T28c 28-pin connector
- V9 Connection (positive, front right loudspeaker), in loudspeaker wiring harness
- V10 Connection (negative, front right loudspeaker), in loudspeaker wiring harness
- \* Only models with equipment (6-passive loudspeakers)
- \*2 Only models with 4 or 6 loudspeakers

- ws = white
- sw = black
- ro = red
- br = brown
- gn = green
- bl = blue
- gr = grey
- li = purple
- ge = yellow
- or = orange
- rs = pink

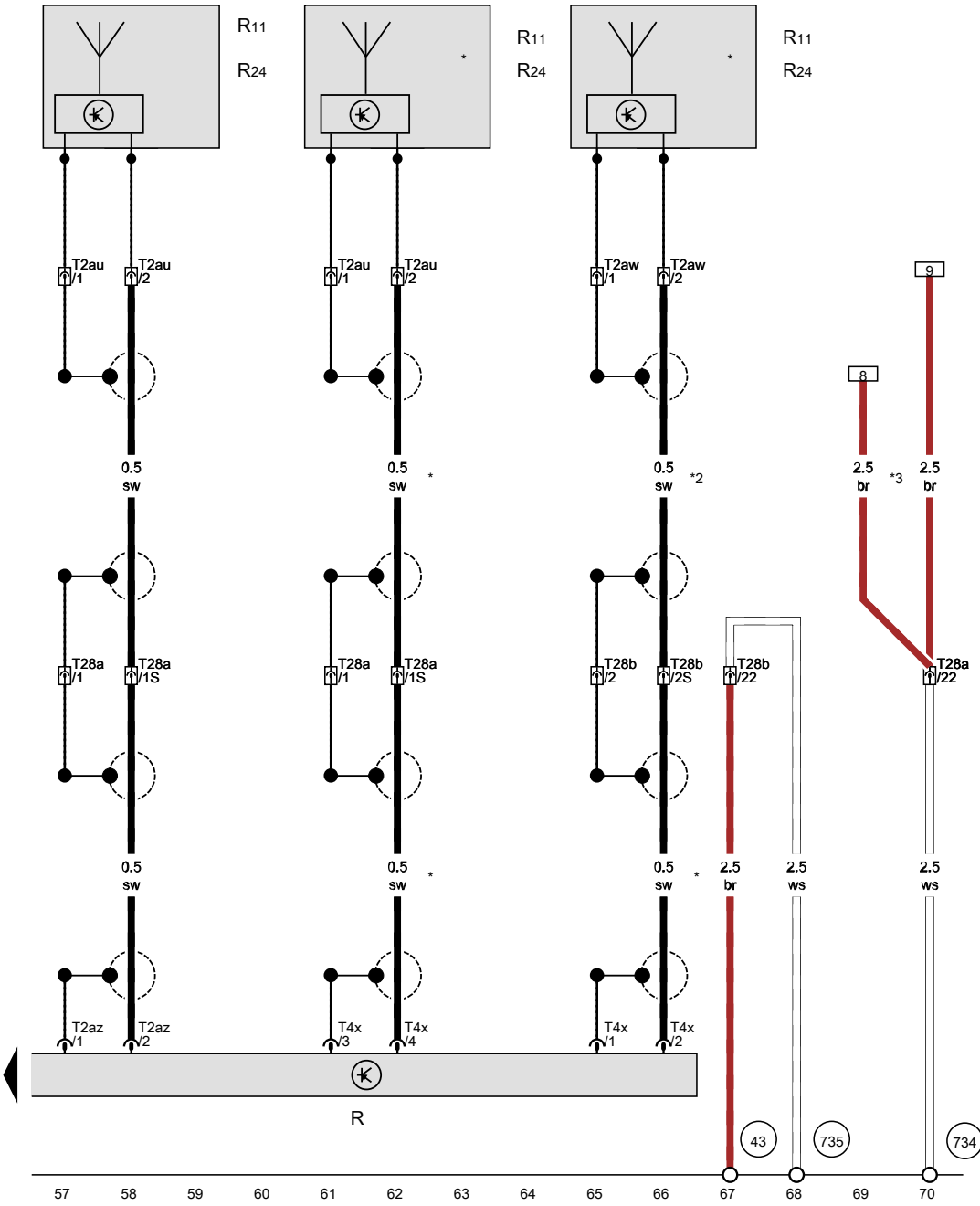
7PH0-0310504121

Radio, Aerial, Aerial amplifier

- R Radio
- R11 Aerial
- R24 Aerial amplifier
- T2au 2-pin connector, in left door, near exterior mirror
- T2aw 2-pin connector, in right door, near exterior mirror
- T2az 2-pin connector, colourless
- T4x 4-pin connector, colourless
- T28a 28-pin connector
- T28b 28-pin connector, on right A-pillar

- 43 Earth point, lower part of right A-pillar
- 734 Earth point in front left door
- 735 Earth point in front right door

- \* Only models with radio RCD 310/RCD 510
- \*2 Only models with radio and amplifier
- \*3 From November 2011



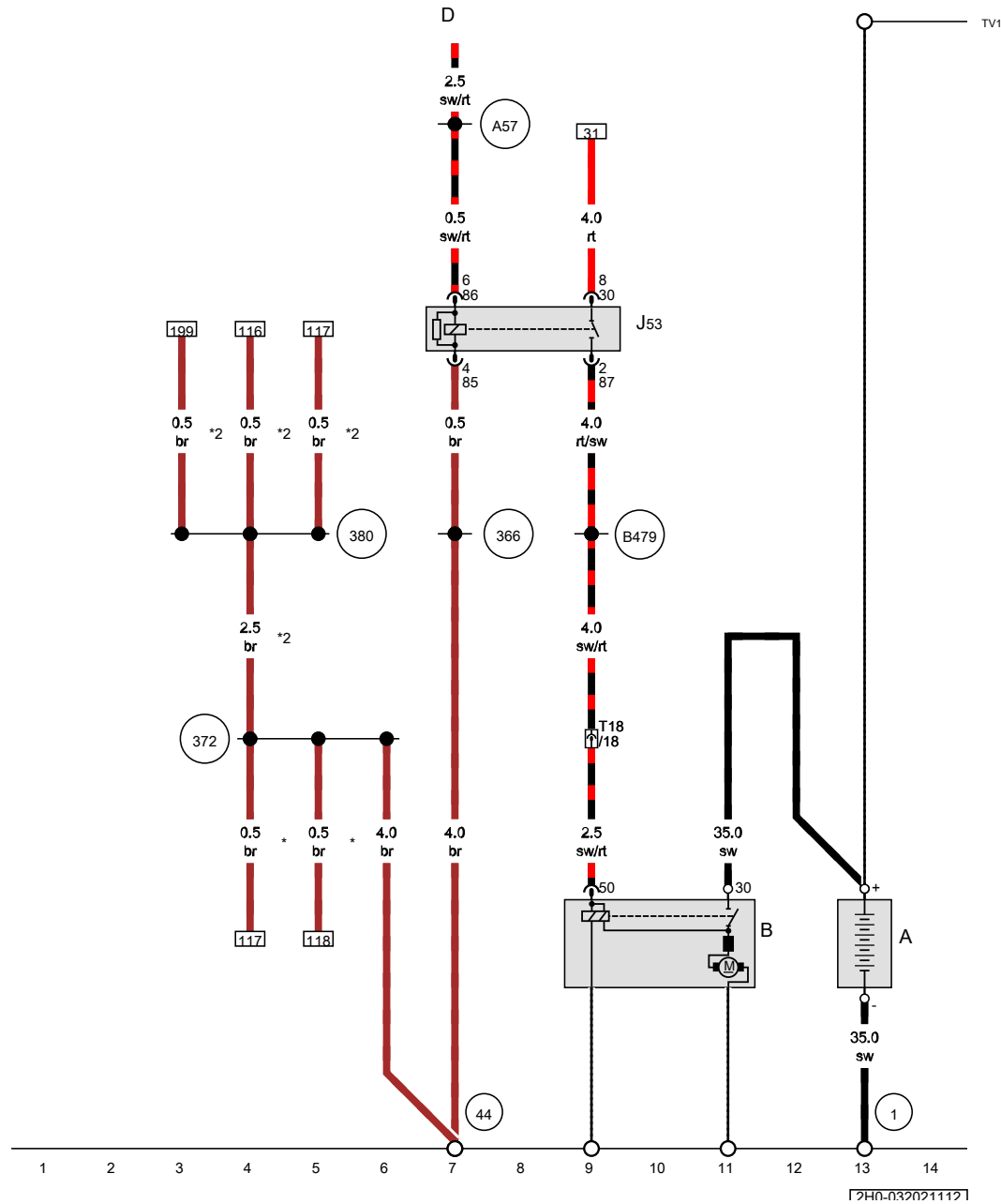
1740-0310604171

**2.0l petrol engine , CFPA**

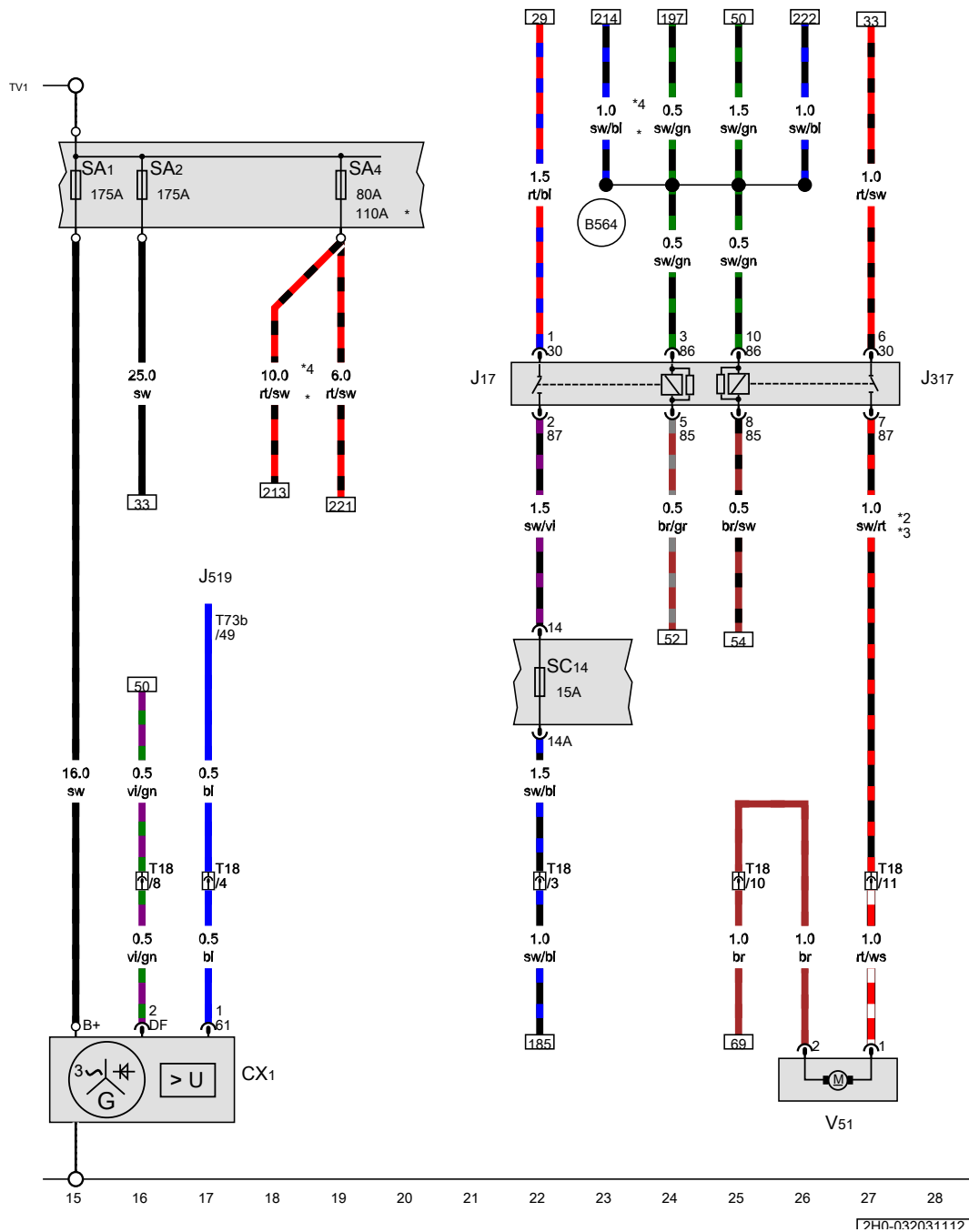
From December 2010

Battery, Starter, Starter motor relay

- A Battery
- B Starter
- D Ignition/starter switch
- J53 Starter motor relay
- T18 18-pin connector, near engine control unit, black
- 1 Earth strap, battery - body
- 44 Earth point, lower part of left A-pillar
- 366 Earth connection 1, in main wiring harness
- 372 Earth connection 7, in main wiring harness
- 380 Earth connection 15, in main wiring harness
- A57 Positive connection 3 (30), in dash panel wiring harness
- B479 Connection 15, in main wiring harness
- \* Only models with Climatronic
- \*2 From November 2011



1740-0320211121



Alternator with voltage regulator, Fuel pump relay, Terminal 30 voltage supply relay, Fuse 1 in fuse holder A, Fuse 4 in fuse holder A, Fuse 14 on fuse holder C, Continued coolant circulation pump

- CX1 Alternator with voltage regulator
- J17 Fuel pump relay
- J317 Terminal 30 voltage supply relay
- J519 Onboard supply control unit
- SA1 Fuse 1 in fuse holder A
- SA2 Fuse 2 in fuse holder A
- SA4 Fuse 4 in fuse holder A
- SC14 Fuse 14 on fuse holder C
- T18 18-pin connector, near engine control unit, black
- T73b 73-pin connector
- V51 Continued coolant circulation pump
- B564 Connection 31, in main wiring harness
- \* Only for countries with hot climate
- \*2 Only models with no Climatronic
- \*3 see applicable current flow diagram for automatic air conditioning system
- \*4 Only models with air conditioning system/ Climatronic

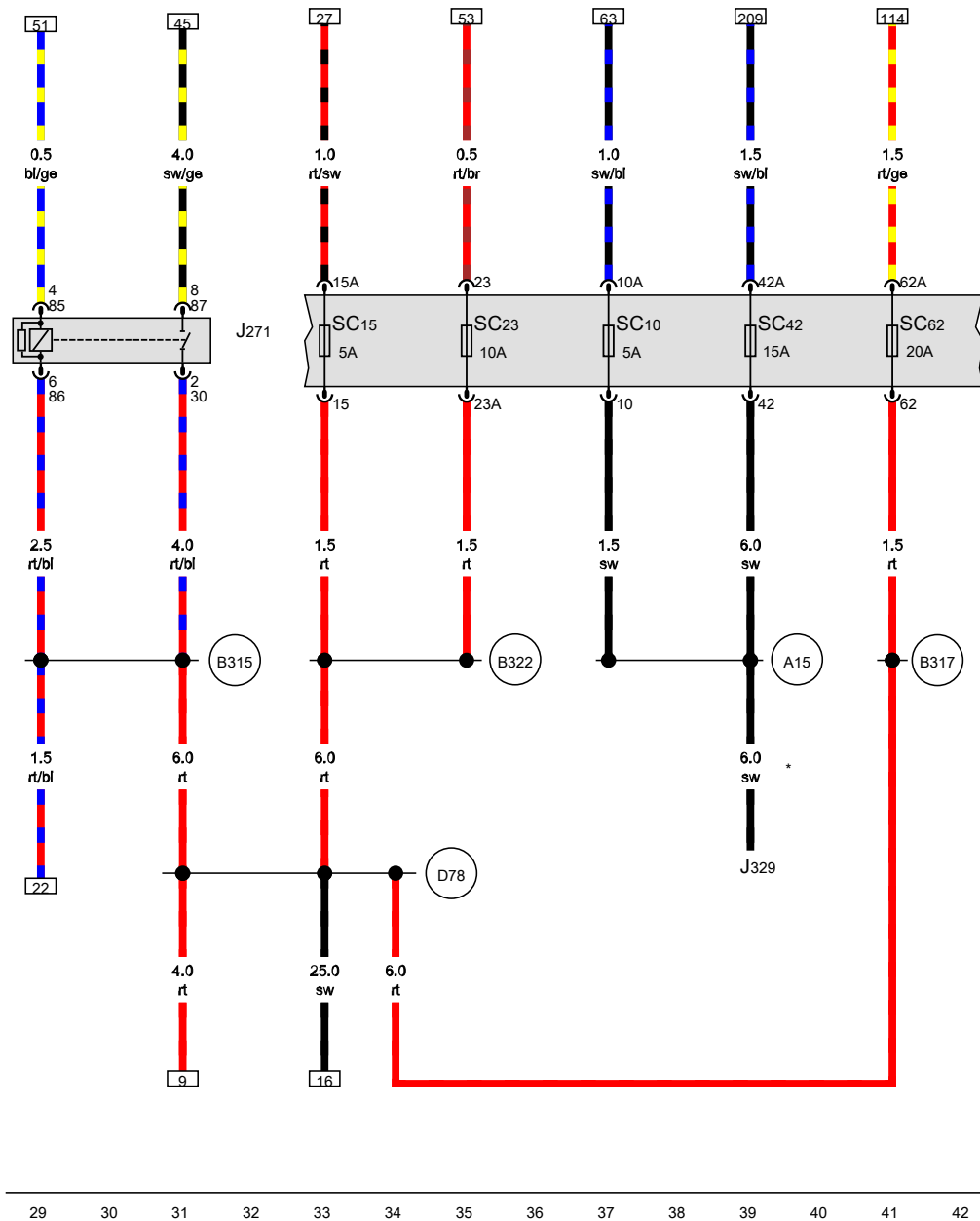
- ws = white
- sw = black
- ro = red
- br = brown
- gn = green
- bl = blue
- gr = grey
- li = purple
- ge = yellow
- or = orange
- rs = pink

1740-0320311121

Main relay, Fuse 10 on fuse holder C, Fuse 15 on fuse holder C, Fuse 23 on fuse holder C

- J271 Main relay
- J329 Terminal 15 voltage supply relay
- SC10 Fuse 10 on fuse holder C
- SC15 Fuse 15 on fuse holder C
- SC23 Fuse 23 on fuse holder C
- SC42 Fuse 42 on fuse holder C
- SC62 Fuse 62 on fuse holder C

- (A15) Positive connection (15), in instrument wiring harness
- (B315) Positive connection 1 (30a) in main wiring harness
- (B317) Positive connection 3 (30a) in main wiring harness
- (B322) Positive connection 8 (30a) in main wiring harness
- (D78) Positive connection 1 (30a), in engine compartment wiring harness
- \* see applicable current flow diagram for fuse assignment




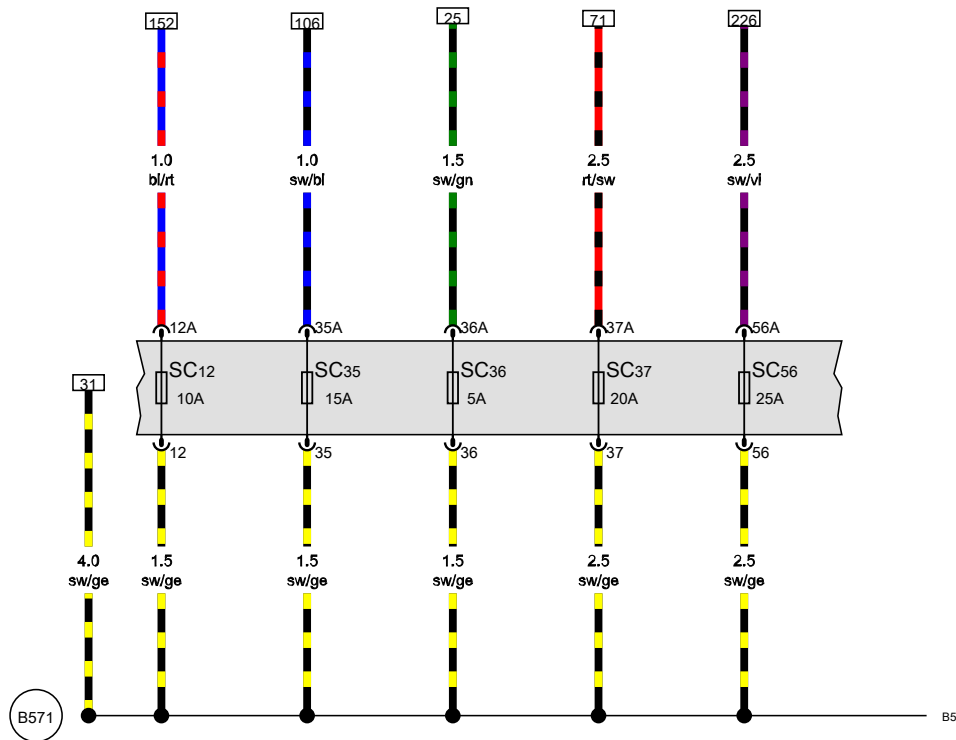
- ws = white
- sw = black
- ro = red
- br = brown
- gn = green
- bl = blue
- gr = grey
- li = purple
- ge = yellow
- or = orange
- rs = pink

[7H0-032041117]

Engine control unit, Fuse 12 on fuse holder C, Fuse 35 on fuse holder C, Fuse 36 on fuse holder C



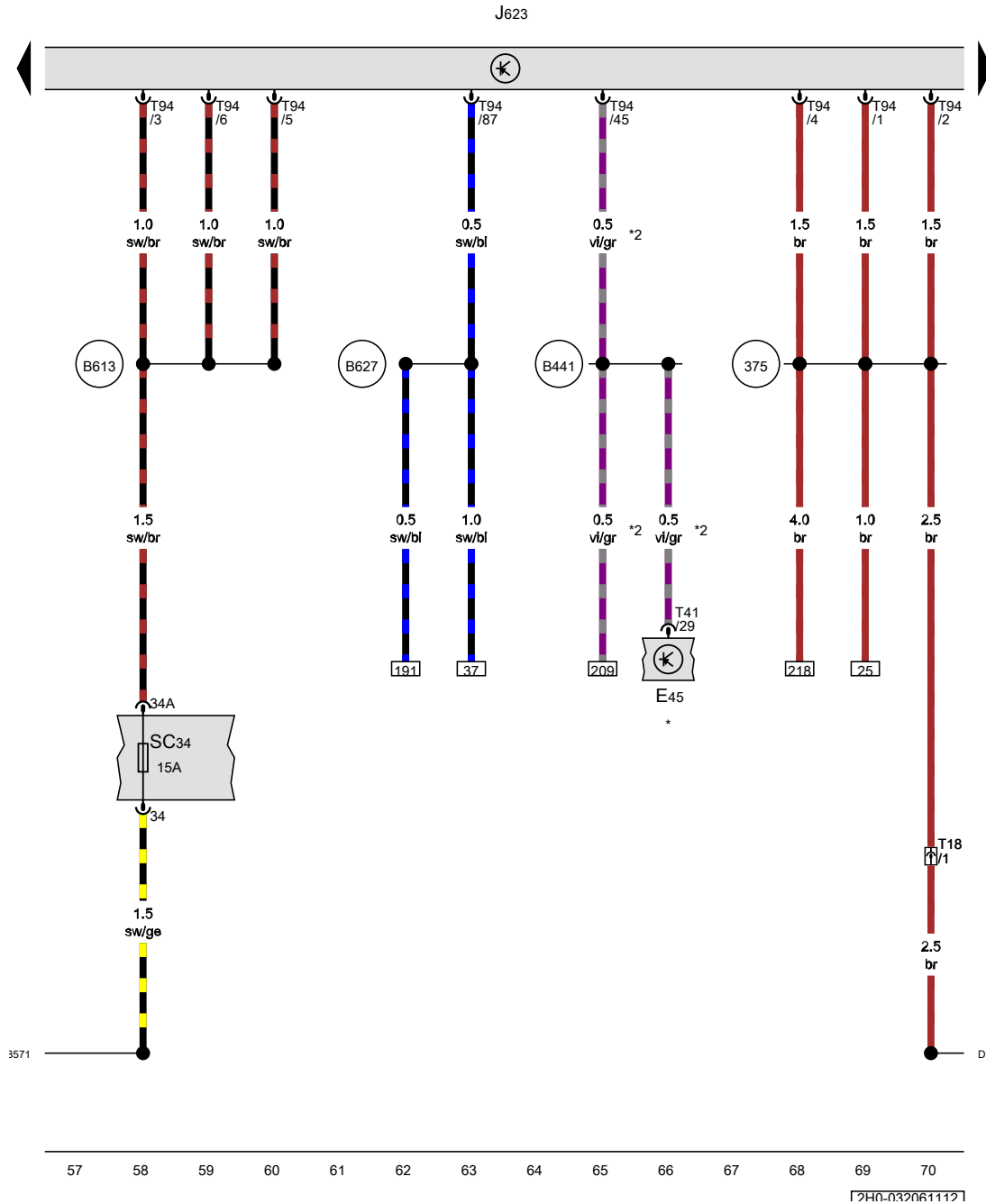
- J623 Engine control unit
- SC12 Fuse 12 on fuse holder C
- SC35 Fuse 35 on fuse holder C
- SC36 Fuse 36 on fuse holder C
- SC37 Fuse 37 on fuse holder C
- SC56 Fuse 56 on fuse holder C
- T94 94-pin connector, black
-  B571 Connection 38, in main wiring harness



- ws = white
- sw = black
- ro = red
- br = brown
- gn = green
- bl = blue
- gr = grey
- li = purple
- ge = yellow
- or = orange
- rs = pink

43 44 45 46 47 48 49 50 51 52 53 54 55 56

[2H0-032051112]



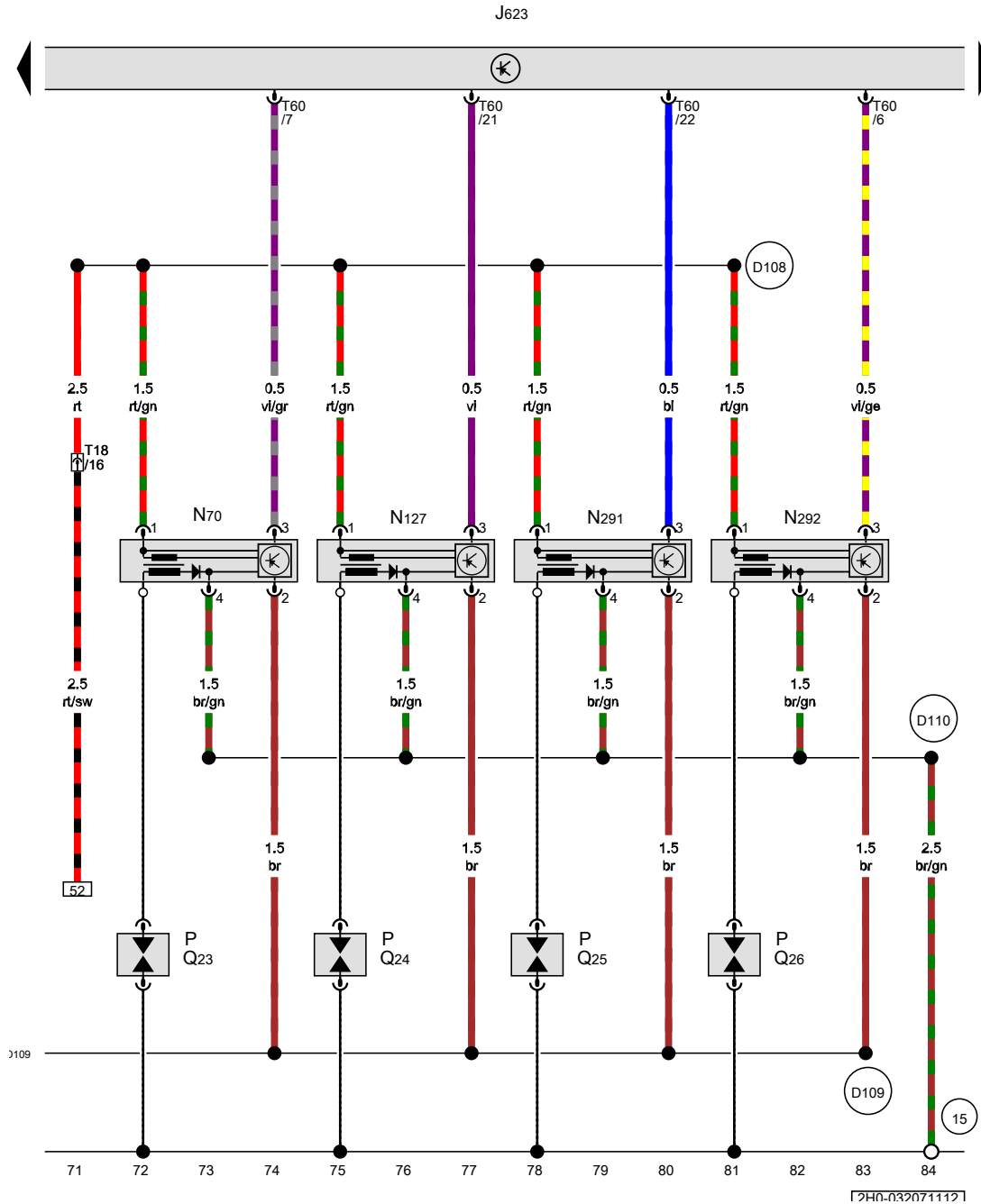
Cruise control system switch, Engine control unit

- E45 Cruise control system switch
- J623 Engine control unit
- SC34 Fuse 34 on fuse holder C
- T18 18-pin connector, near engine control unit, black
- T41 41-pin connector
- T94 94-pin connector, black
- 375 Earth connection 10, in main wiring harness
- B441 Connection (CCS), in main wiring harness
- B571 Connection 38, in main wiring harness
- B613 Connection 41, in main wiring harness
- B627 Positive connection 3 (15), in main wiring harness
- D109 Connection 7 in engine compartment wiring harness
- \* see applicable current flow diagram for basic equipment
- \*2 Only models with cruise control system (CCS)

- ws = white
- sw = black
- ro = red
- br = brown
- gn = green
- bl = blue
- gr = grey
- li = purple
- ge = yellow
- or = orange
- rs = pink

1740-0320611171





Engine control unit, Ignition coil 1 with output stage, Ignition coil 2 with output stage, Ignition coil 3 with output stage, Ignition coil 4 with output stage, Spark plug connector, Spark plug 1, Spark plug 2, Spark plug 3, Spark plug 4

- J623 Engine control unit
- N70 Ignition coil 1 with output stage
- N127 Ignition coil 2 with output stage
- N291 Ignition coil 3 with output stage
- N292 Ignition coil 4 with output stage
- P Spark plug connector
- Q23 Spark plug 1
- Q24 Spark plug 2
- Q25 Spark plug 3
- Q26 Spark plug 4
- T18 18-pin connector, near engine control unit, black
- T60 60-pin connector, black

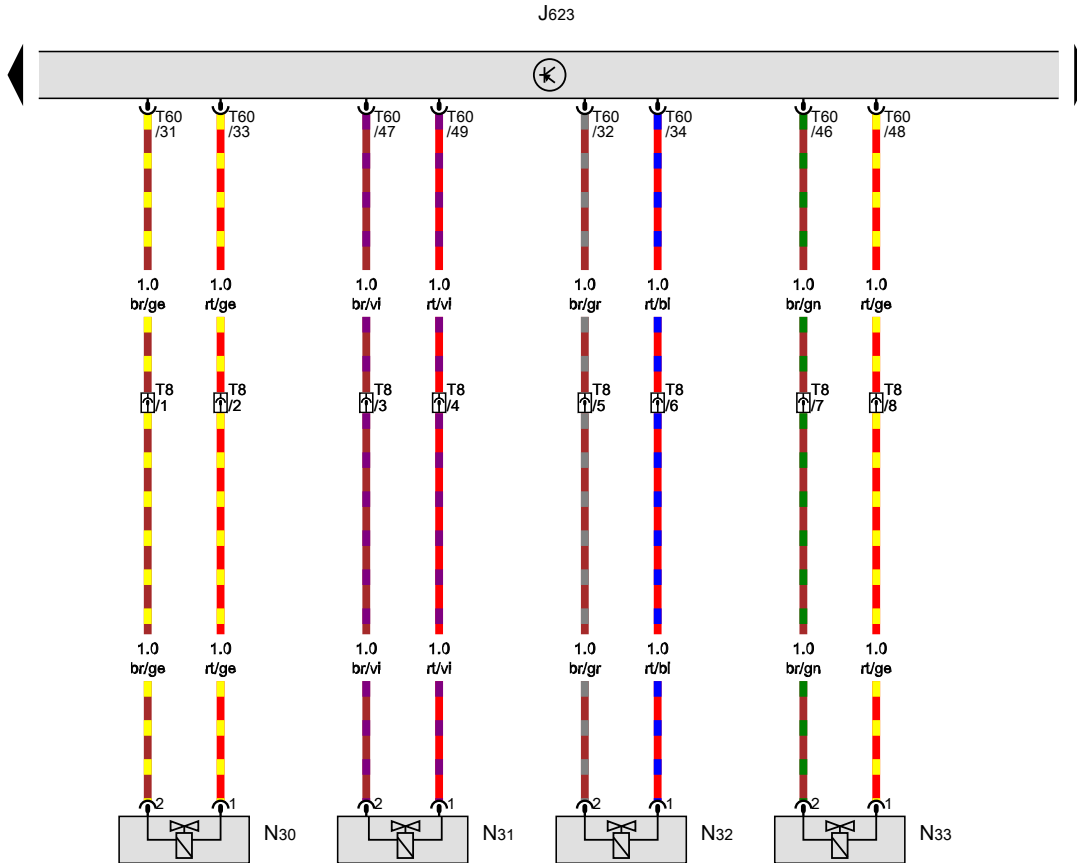
- (15) Earth point, on cylinder head
- (D108) Connection 6 in engine compartment wiring harness
- (D109) Connection 7 in engine compartment wiring harness
- (D110) Connection 8 in engine compartment wiring harness

- ws = white
- sw = black
- ro = red
- br = brown
- gn = green
- bl = blue
- gr = grey
- li = purple
- ge = yellow
- or = orange
- rs = pink

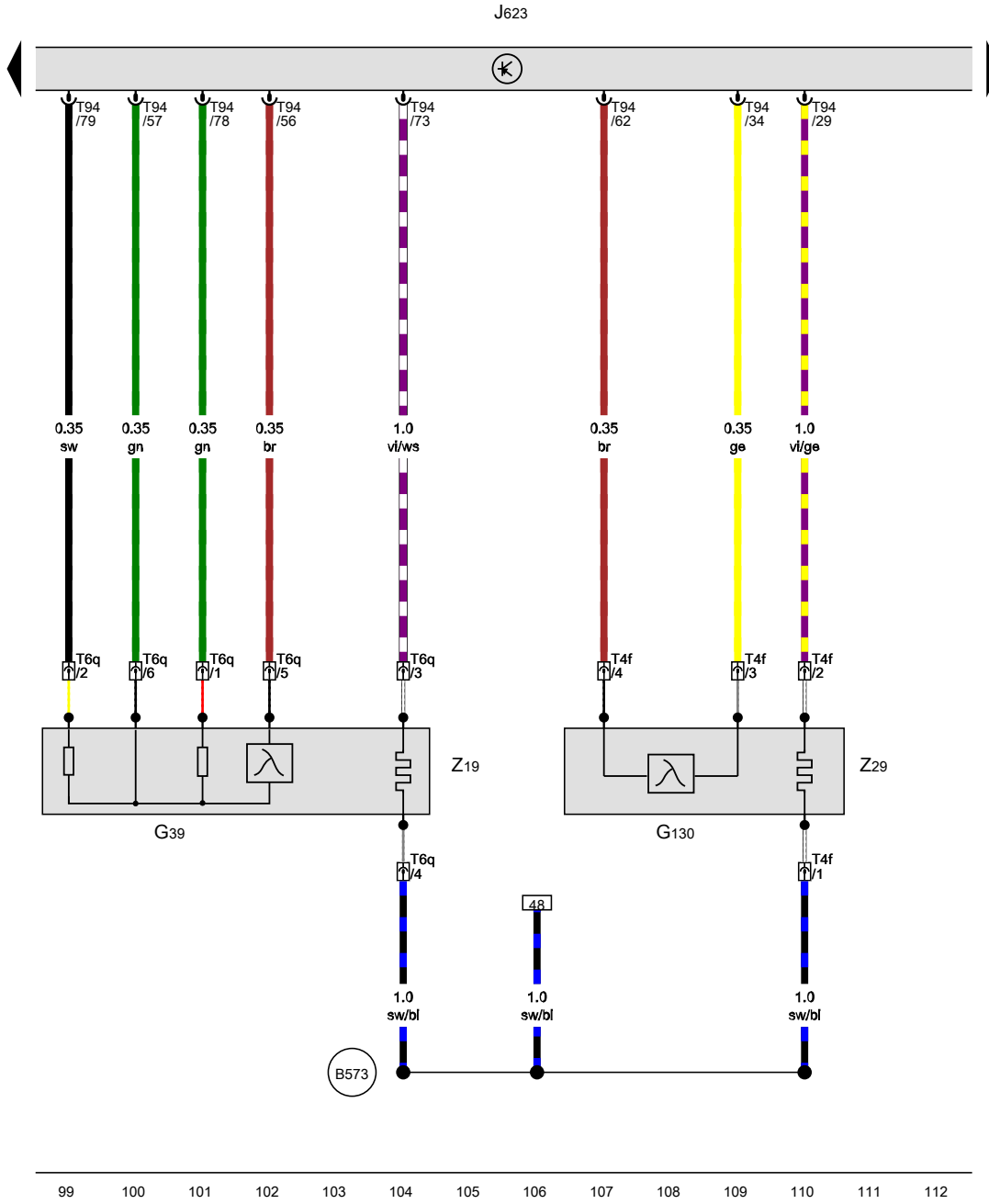
[740-032071117]

Engine control unit, Injector, cylinder 1, Injector, cylinder 2, Injector, cylinder 3, Injector, cylinder 4

- J623 Engine control unit
- N30 Injector, cylinder 1
- N31 Injector, cylinder 2
- N32 Injector, cylinder 3
- N33 Injector, cylinder 4
- T8 8-pin connector, brown
- T60 60-pin connector, black



- ws = white
- sw = black
- ro = red
- br = brown
- gn = green
- bl = blue
- gr = grey
- li = purple
- ge = yellow
- or = orange
- rs = pink



**Lambda probe, Lambda probe after catalytic converter, Engine control unit**

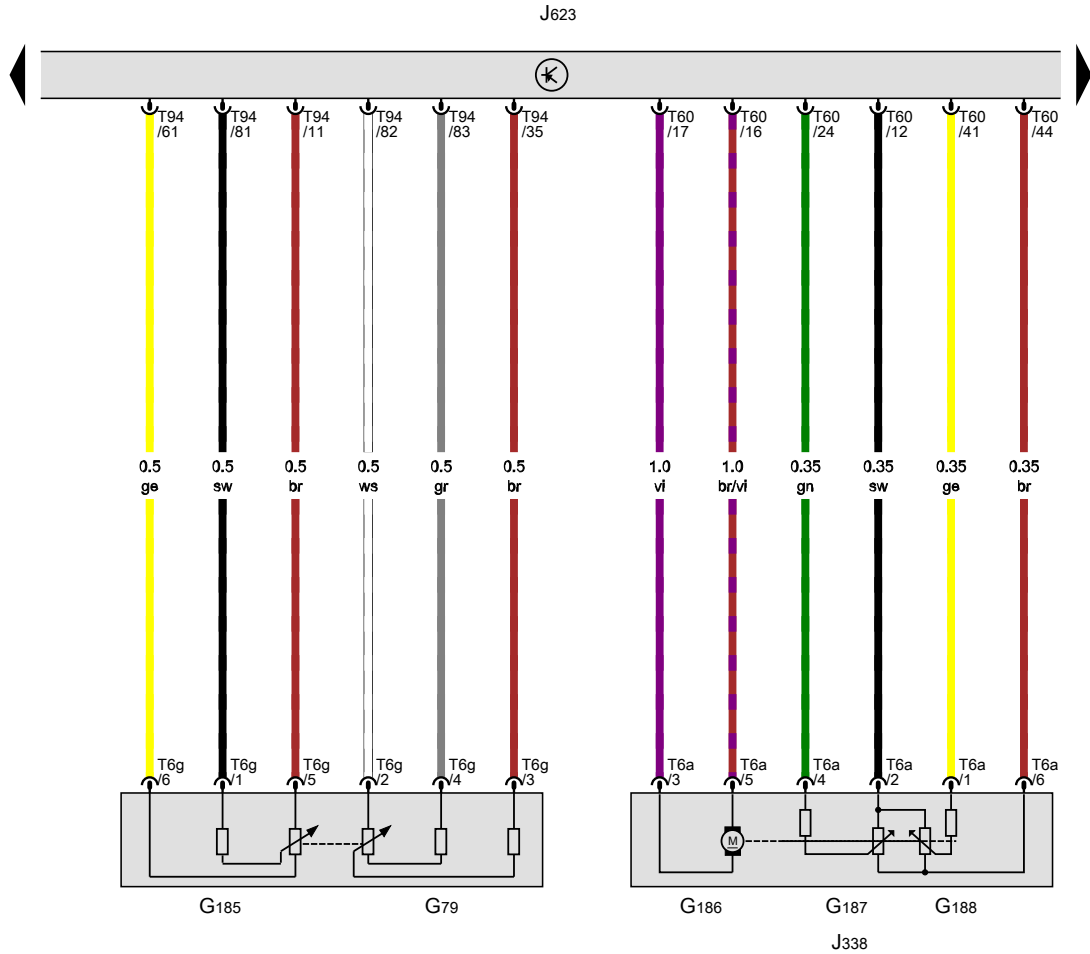
- G39 Lambda probe
- G130 Lambda probe after catalytic converter
- J623 Engine control unit
- T4f 4-pin connector, in rear right of engine compartment, black
- T6q 6-pin connector, front right in engine compartment, black
- T94 94-pin connector, black
- Z19 Lambda probe heater
- Z29 Lambda probe 1 heater after catalytic converter
- (B573) Connection 40, in main wiring harness

- ws = white
- sw = black
- ro = red
- br = brown
- gn = green
- bl = blue
- gr = grey
- li = purple
- ge = yellow
- or = orange
- rs = pink

[240-032091112]



Accelerator position sender, Throttle valve drive for electric throttle, Throttle valve module, Engine control unit

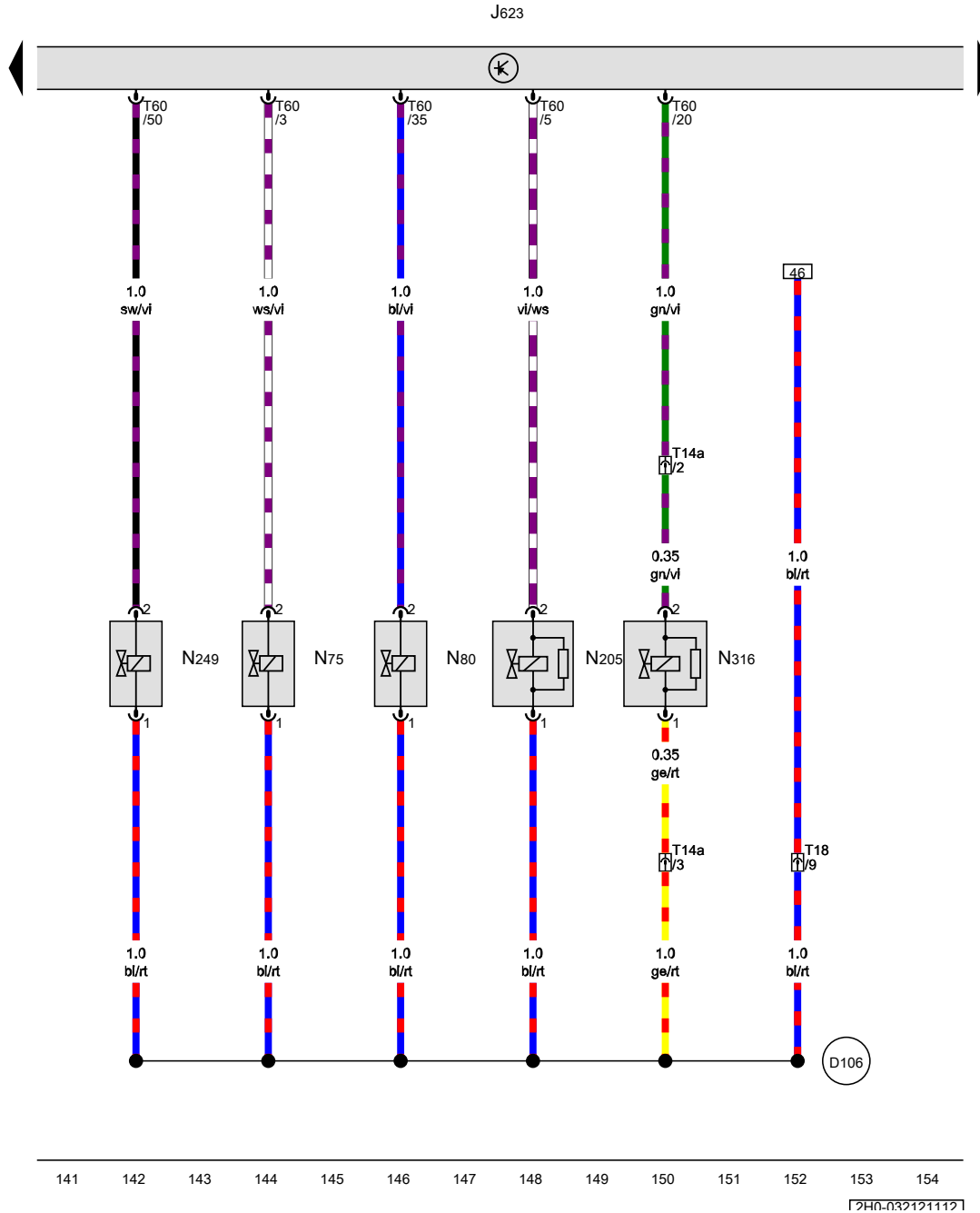


- G79 Accelerator position sender
- G185 Accelerator position sender 2
- G186 Throttle valve drive for electric throttle
- G187 Throttle valve drive angle sender 1 for electric throttle
- G188 Throttle valve drive angle sender 2 for electric throttle
- J338 Throttle valve module
- J623 Engine control unit
- T6a 6-pin connector
- T6g 6-pin connector
- T60 60-pin connector, black
- T94 94-pin connector, black

- ws = white
- sw = black
- ro = red
- br = brown
- gn = green
- bl = blue
- gr = grey
- li = purple
- ge = yellow
- or = orange
- rs = pink

127 128 129 130 131 132 133 134 135 136 137 138 139 140

[7H0-032111117]



Engine control unit, Charge pressure control solenoid valve, Activated charcoal filter solenoid valve 1, Camshaft control valve 1, Turbocharger air recirculation valve, Intake manifold flap valve

- J623 Engine control unit
- N75 Charge pressure control solenoid valve
- N80 Activated charcoal filter solenoid valve 1
- N205 Camshaft control valve 1
- N249 Turbocharger air recirculation valve
- N316 Intake manifold flap valve
- T14a 14-pin connector, front left in engine compartment, black
- T18 18-pin connector, near engine control unit, black
- T60 60-pin connector, black
- D106 Connection 4 in engine compartment wiring harness

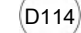
- ws = white
- sw = black
- ro = red
- br = brown
- gn = green
- bl = blue
- gr = grey
- li = purple
- ge = yellow
- or = orange
- rs = pink

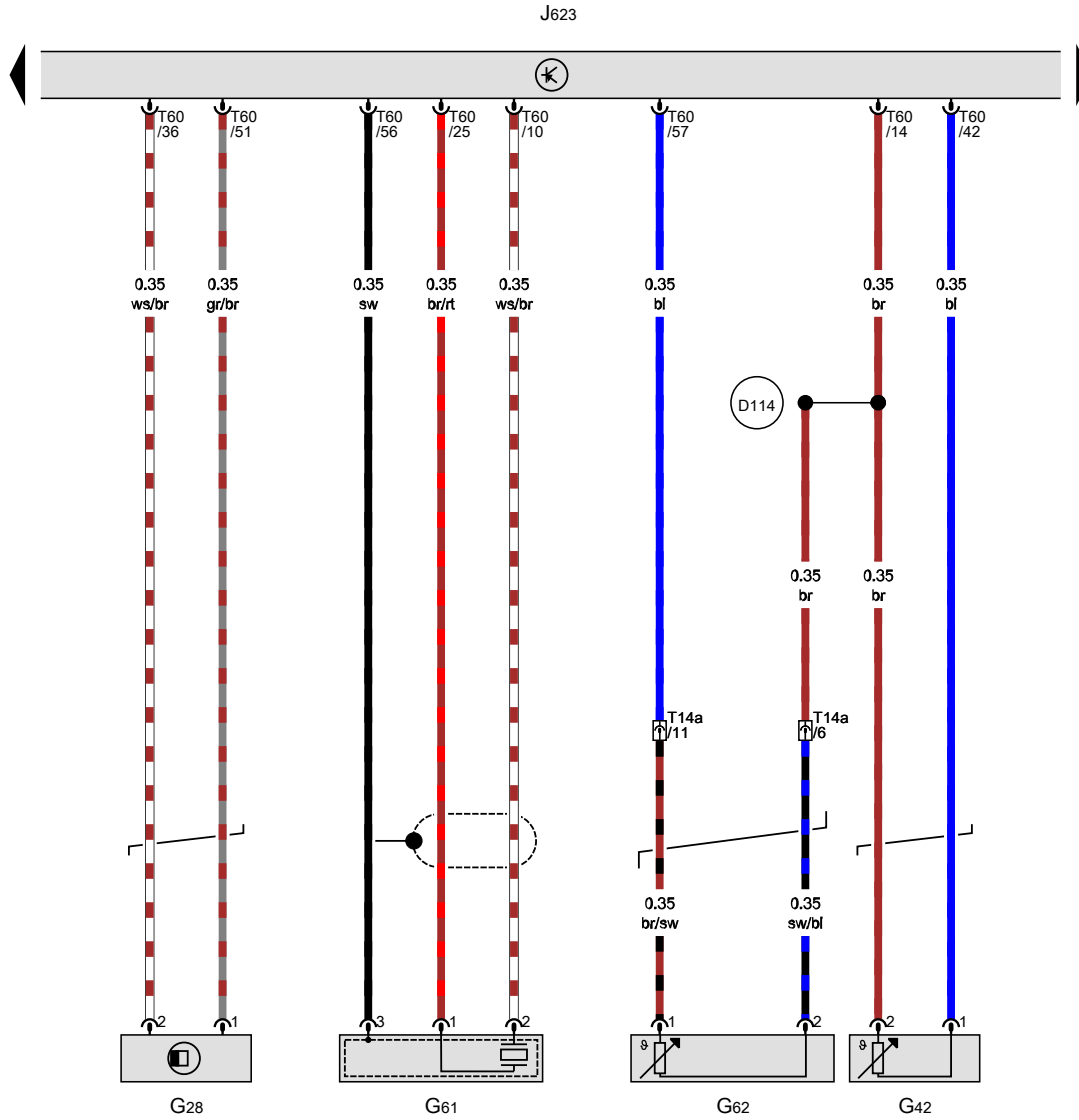
141 142 143 144 145 146 147 148 149 150 151 152 153 154

[790-032121112]

Engine speed sender, Intake air temperature sender, Knock sensor 1, Coolant temperature sender, Engine control unit

- G28 Engine speed sender
- G42 Intake air temperature sender
- G61 Knock sensor 1
- G62 Coolant temperature sender
- J623 Engine control unit
- T14a 14-pin connector, front left in engine compartment, black
- T60 60-pin connector, black

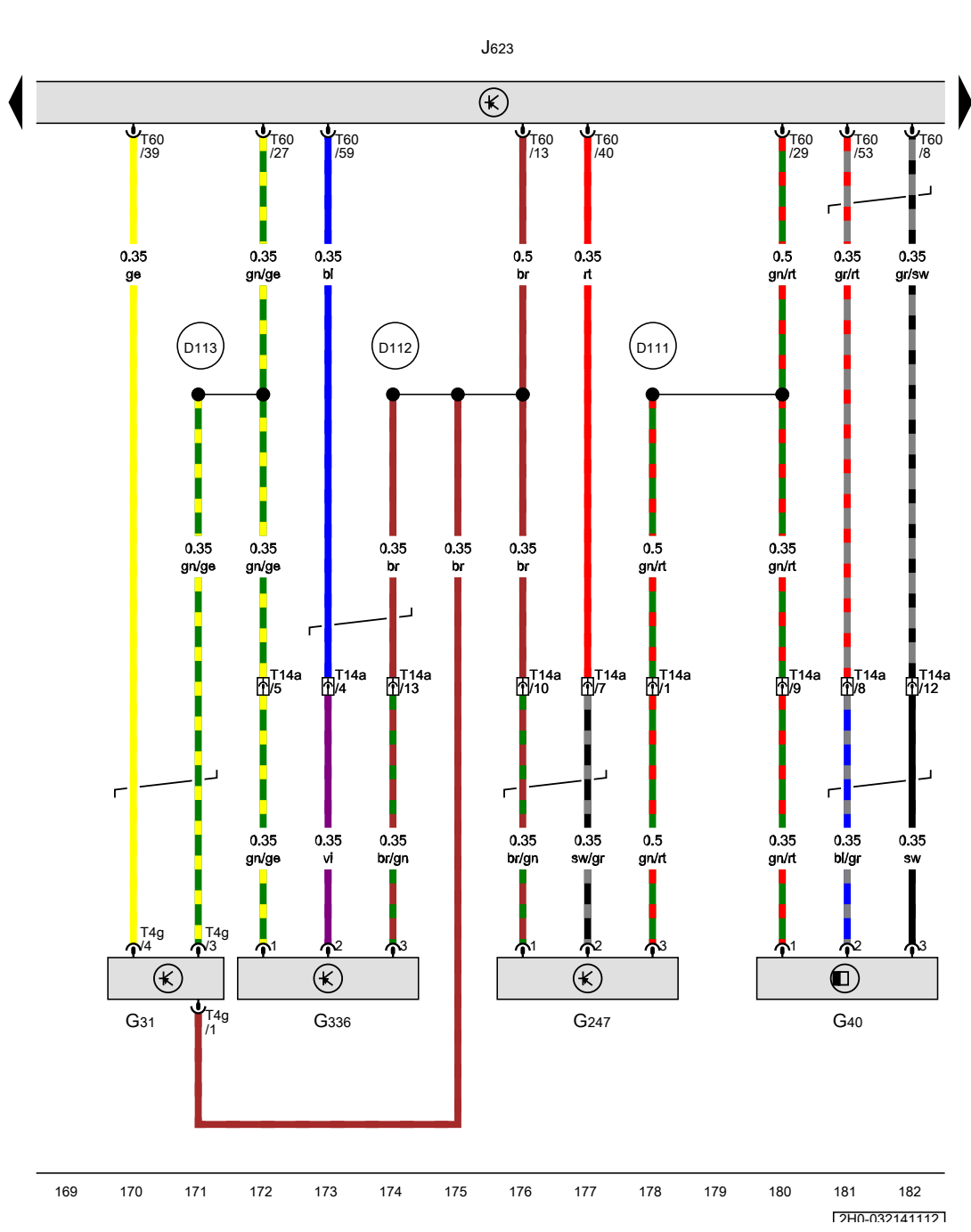
 D114 Connection 12 in engine compartment wiring harness



- ws = white
- sw = black
- ro = red
- br = brown
- gn = green
- bl = blue
- gr = grey
- li = purple
- ge = yellow
- or = orange
- rs = pink

155 156 157 158 159 160 161 162 163 164 165 166 167 168

[7HD-032131117]



Charge pressure sender, Hall sender, Fuel pressure sender, Intake manifold flap potentiometer, Engine control unit

- G31 Charge pressure sender
- G40 Hall sender
- G247 Fuel pressure sender
- G336 Intake manifold flap potentiometer
- J623 Engine control unit
- T4g 4-pin connector
- T14a 14-pin connector, front left in engine compartment, black
- T60 60-pin connector, black

- (D111) Connection 9 in engine compartment wiring harness
- (D112) Connection 10 in engine compartment wiring harness
- (D113) Connection 11 in engine compartment wiring harness

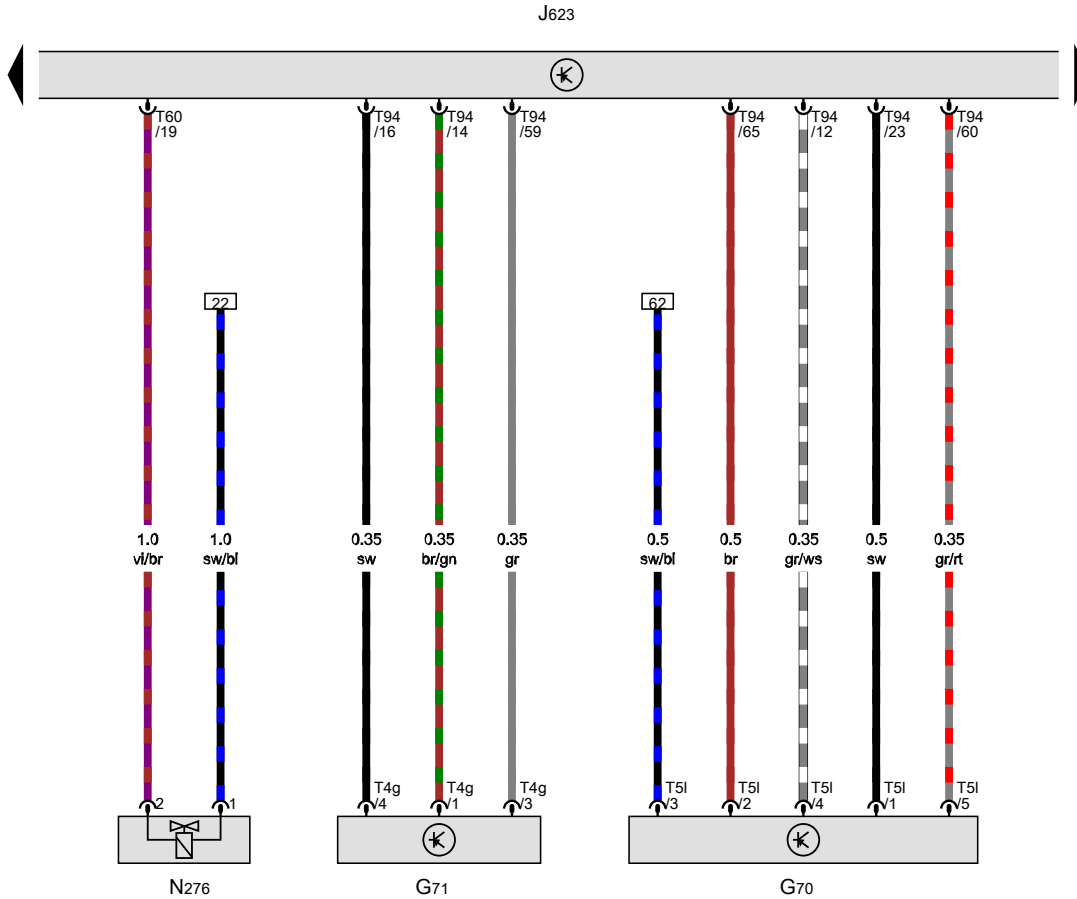
- ws = white
- sw = black
- ro = red
- br = brown
- gn = green
- bl = blue
- gr = grey
- li = purple
- ge = yellow
- or = orange
- rs = pink

[7H0-032141117]



Air mass meter, Intake manifold pressure sender, Engine control unit, Fuel pressure regulating valve

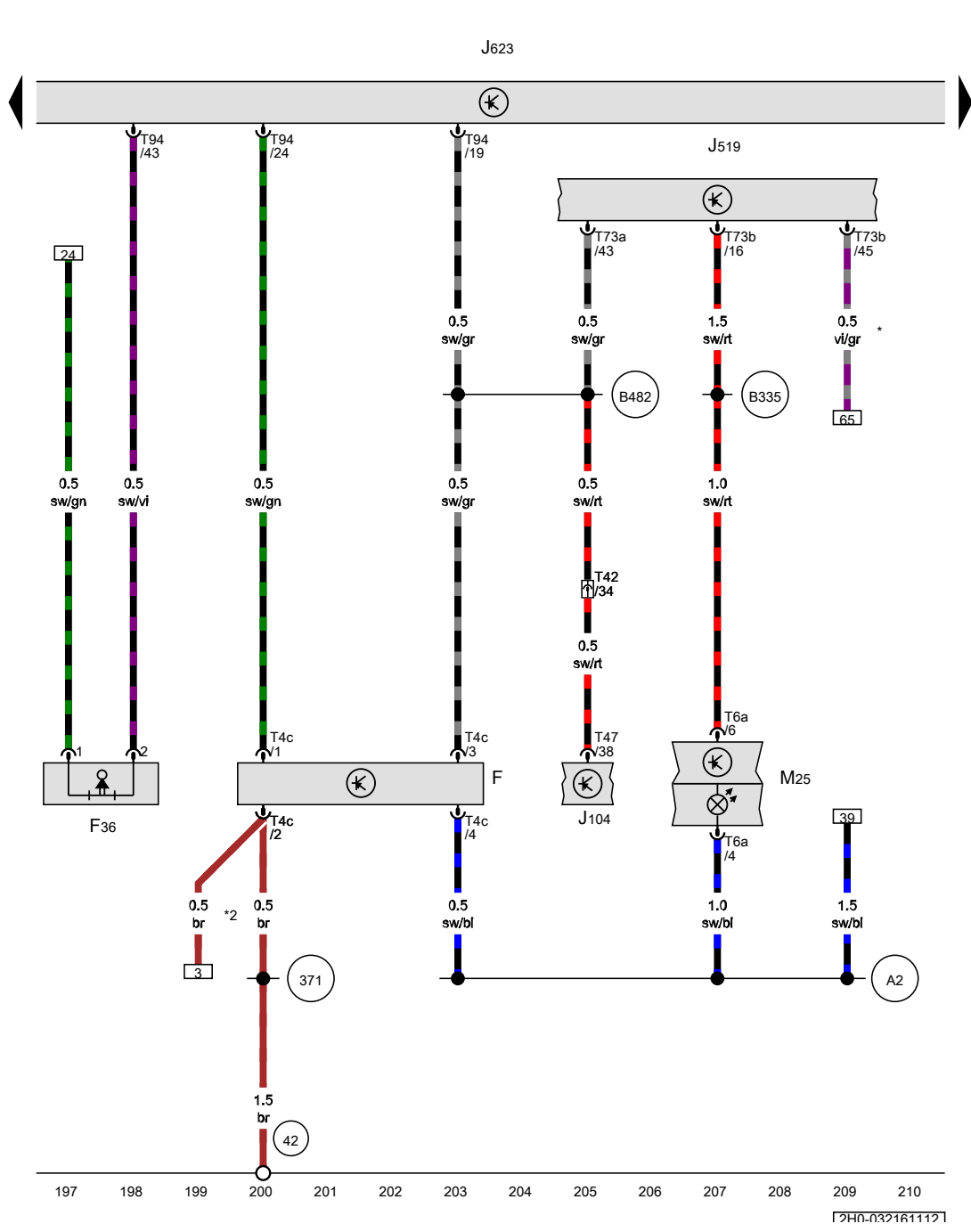
- G70 Air mass meter
- G71 Intake manifold pressure sender
- J623 Engine control unit
- N276 Fuel pressure regulating valve
- T4g 4-pin connector
- T5l 5-pin connector
- T60 60-pin connector, black
- T94 94-pin connector, black



- ws = white
- sw = black
- ro = red
- br = brown
- gn = green
- bl = blue
- gr = grey
- li = purple
- ge = yellow
- or = orange
- rs = pink

183 184 185 186 187 188 189 190 191 192 193 194 195 196

[7H0-032151117]

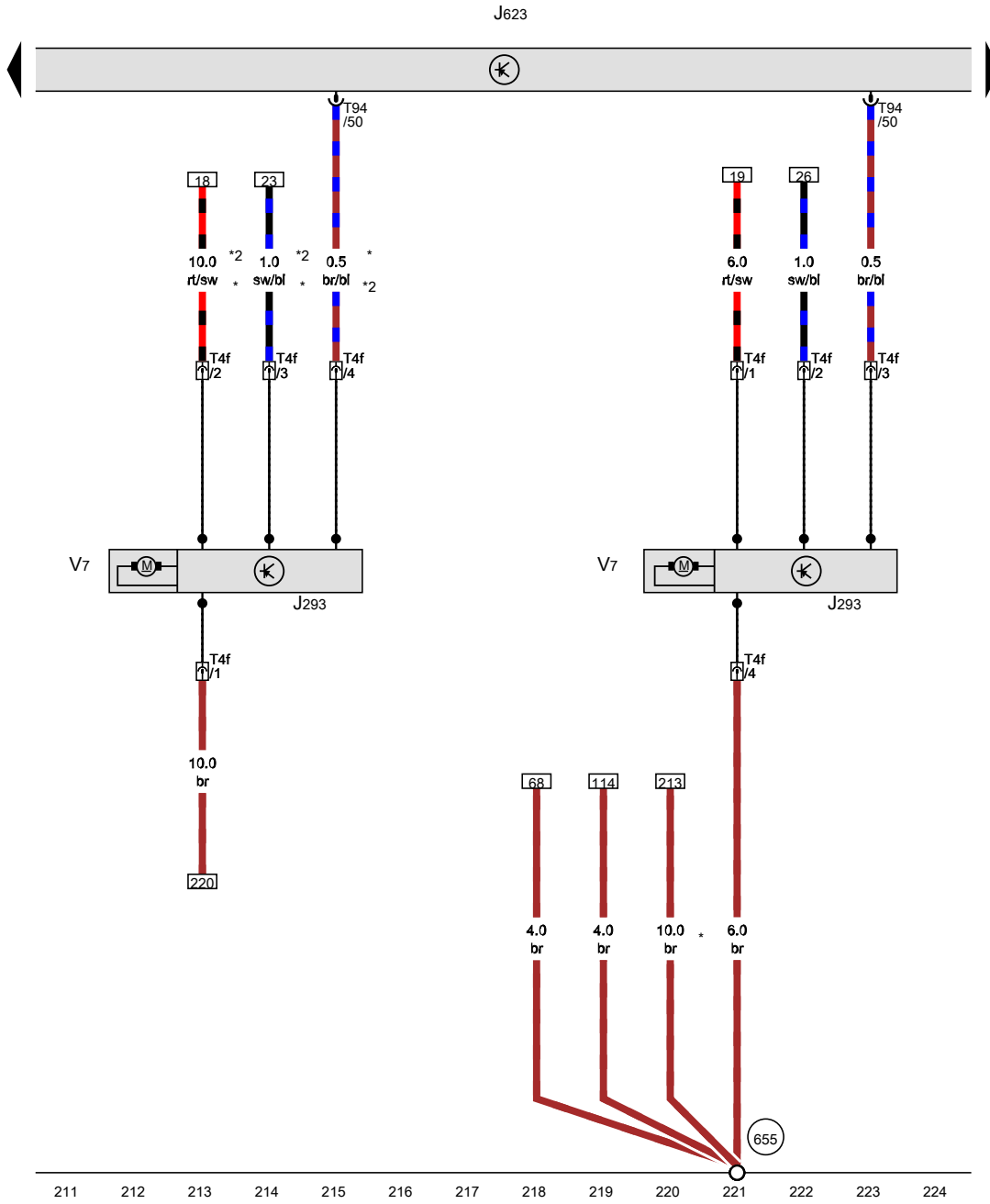


Brake light switch, Clutch pedal switch, ABS control unit, Engine control unit

- F Brake light switch
- F36 Clutch pedal switch
- J104 ABS control unit
- J519 Onboard supply control unit
- J623 Engine control unit
- M25 Additional brake light bulb
- T4c 4-pin connector
- T6a 6-pin connector
- T42 42-pin connector, black
- T47 47-pin connector
- T73a 73-pin connector
- T73b 73-pin connector
- T94 94-pin connector, black

- 42 Earth point, next to steering column
- 371 Earth connection 6, in main wiring harness
- A2 Positive connection (15), in dash panel wiring harness
- B335 Connection 1 (54), in main wiring harness
- B482 Connection 18, in main wiring harness
- \* Only models with cruise control system (CCS)
- \*2 From November 2011

- ws = white
- sw = black
- ro = red
- br = brown
- gn = green
- bl = blue
- gr = grey
- li = purple
- ge = yellow
- or = orange
- rs = pink



Radiator fan control unit, Engine control unit, Radiator fan

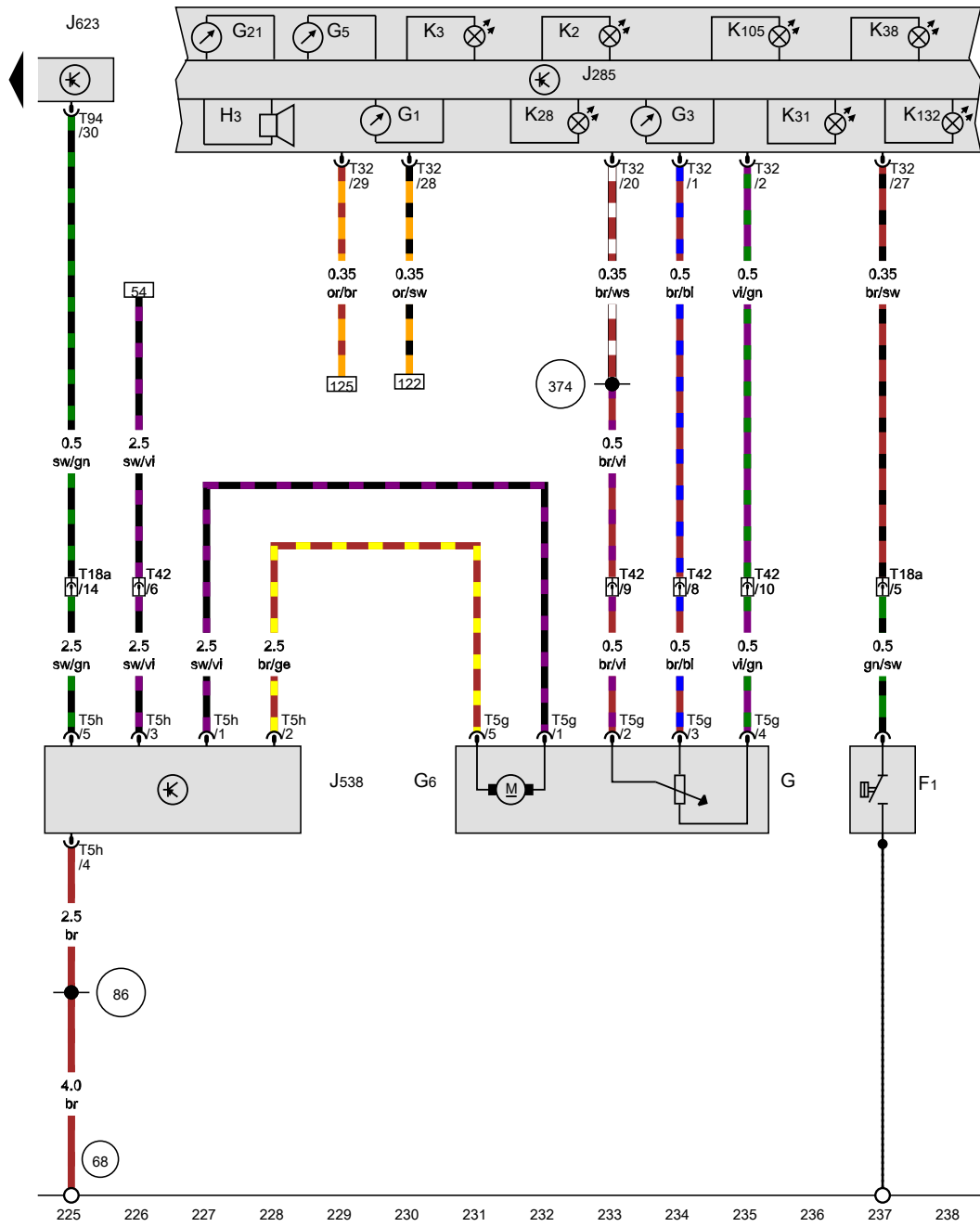
- J293 Radiator fan control unit
- J623 Engine control unit
- T4f 4-pin connector, in rear right of engine compartment, black
- T94 94-pin connector, black
- V7 Radiator fan

655 Earth point, on left headlight

- \* Only for countries with hot climate
- \*2 Only models with air conditioning system/ Climatronic

- ws = white
- sw = black
- ro = red
- br = brown
- gn = green
- bl = blue
- gr = grey
- li = purple
- ge = yellow
- or = orange
- rs = pink

[7H0-032171117]



**Oil pressure switch, Fuel gauge sender, Fuel system pressurisation pump, Fuel pump control unit, Engine control unit, Dash panel insert**

- F1 Oil pressure switch
- G Fuel gauge sender, on fuel tank
- G1 Fuel gauge
- G3 Coolant temperature gauge
- G5 Rev. counter
- G6 Fuel system pressurisation pump
- G21 Speedometer
- H3 Buzzer and gong
- J285 Control unit in dash panel insert
- J538 Fuel pump control unit, on fuel tank
- J623 Engine control unit
- K Dash panel insert
- K2 Alternator warning lamp
- K3 Oil pressure warning lamp
- K28 Coolant temperature and coolant shortage warning lamp
- K31 Cruise control system warning lamp
- K38 Oil level warning lamp
- K105 Reserve fuel warning lamp
- K132 Electronic power control fault lamp
- T5g 5-pin connector
- T5h 5-pin connector, black
- T18a 18-pin connector, near engine control unit, grey
- T32 32-pin connector, blue
- T42 42-pin connector, black
- T94 94-pin connector, black

- 68 Earth point, on left of rear cross member
- 86 Earth connection 1, in rear wiring harness
- 374 Earth connection 9, in main wiring harness
- \* Only for countries with hot climate

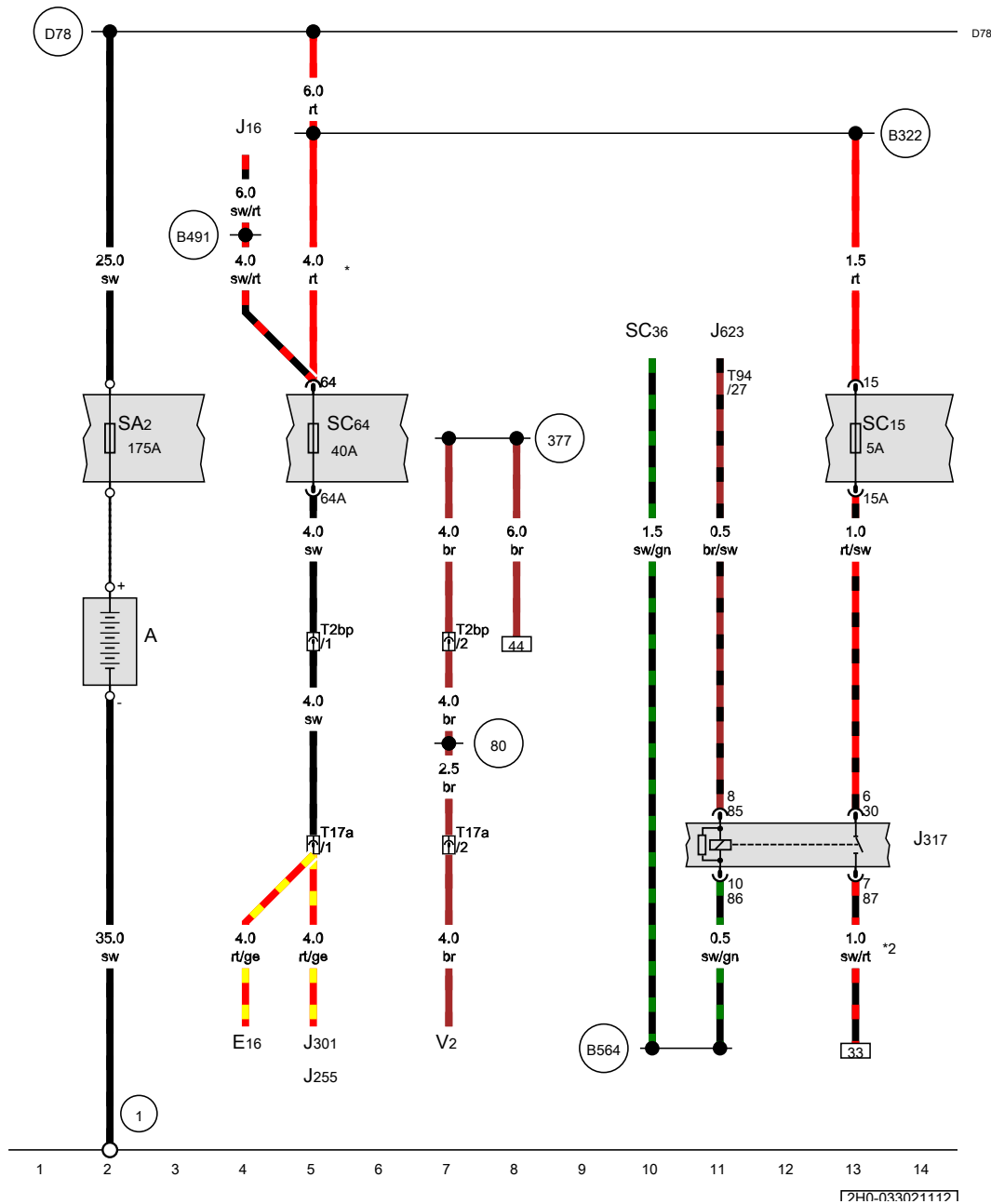
- ws = white
- sw = black
- ro = red
- br = brown
- gn = green
- bl = blue
- gr = grey
- li = purple
- ge = yellow
- or = orange
- rs = pink

[7H0-032181117]

**Auxiliary coolant heater , CFP**

From December 2010

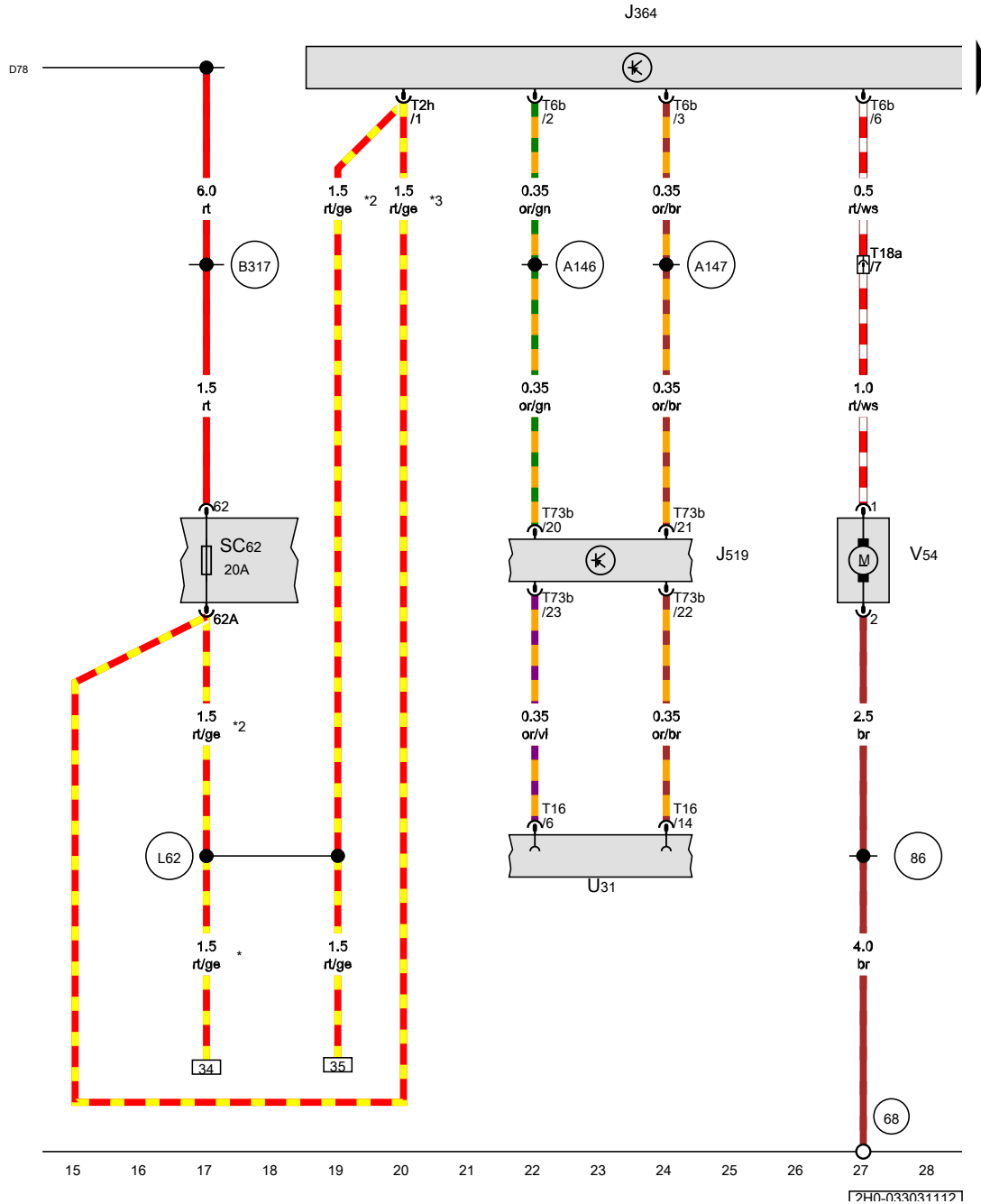
Battery, Engine control unit, Fuse 2 in fuse holder A, Fuse 15 on fuse holder C, Fuse 36 on fuse holder C, Fresh air blower



- A Battery
- E16 Heater/heat output switch
- J16 Current supply relay
- J255 Climatronic control unit
- J301 Air conditioning system control unit
- J317 Terminal 30 voltage supply relay
- J623 Engine control unit
- SA2 Fuse 2 in fuse holder A
- SC15 Fuse 15 on fuse holder C
- SC36 Fuse 36 on fuse holder C
- SC64 Fuse 64 on fuse holder C
- T2bp 2-pin connector, black
- T17a 17-pin connector, behind glove compartment
- T94 94-pin connector
- V2 Fresh air blower

- 1 Earth strap, battery - body
- 80 Earth connection 1, in dash panel wiring harness
- 377 Earth connection 12, in main wiring harness
- B322 Positive connection 8 (30a) in main wiring harness
- B491 Positive connection (75), in interior wiring harness
- B564 Connection 31, in main wiring harness
- D78 Positive connection 1 (30a), in engine compartment wiring harness
- \* Only models with Climatronic
- \*2 Only models with no Climatronic

- ws = white
- sw = black
- ro = red
- br = brown
- gn = green
- bl = blue
- gr = grey
- li = purple
- ge = yellow
- or = orange
- rs = pink

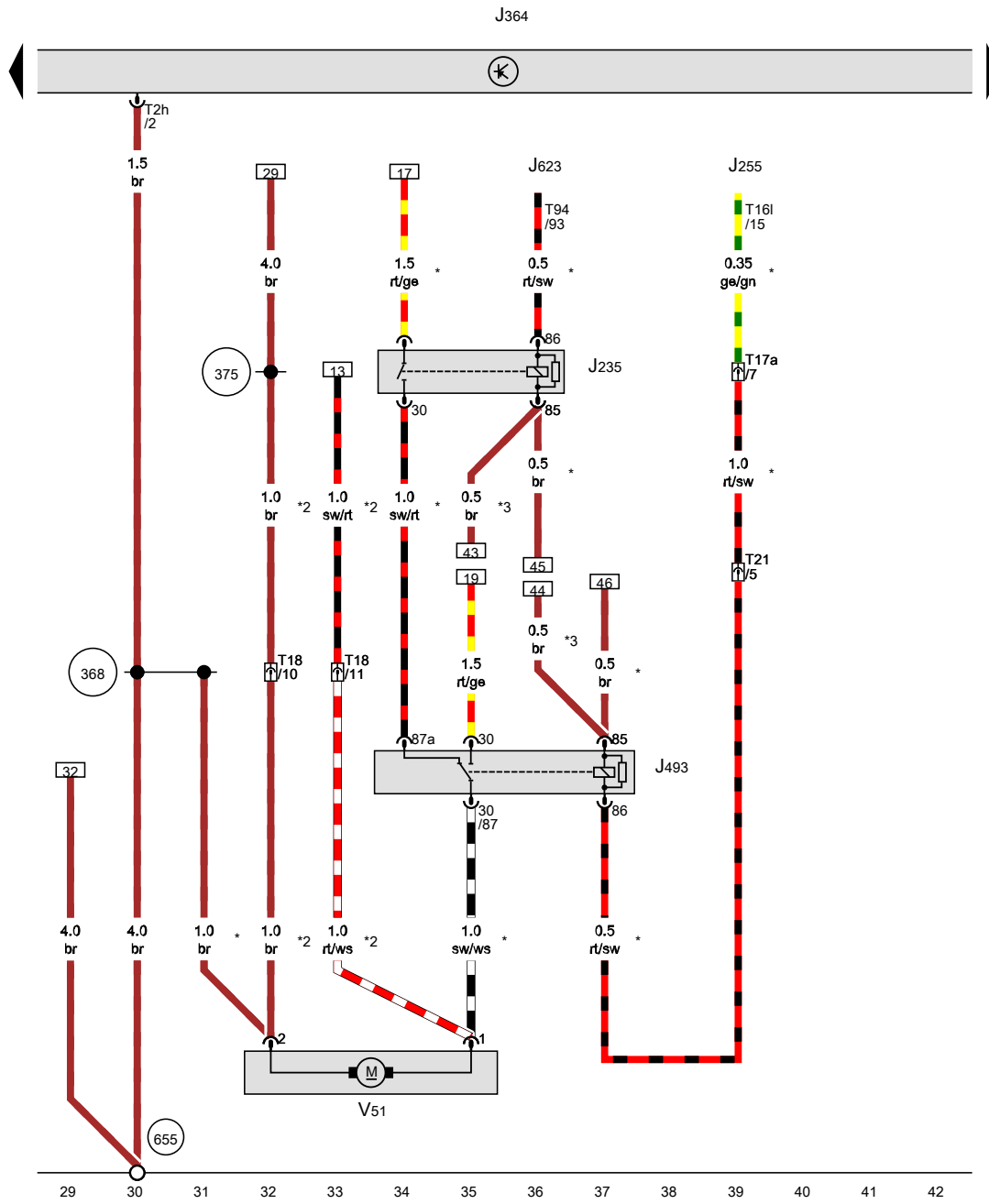


**Auxiliary heater control unit, Onboard supply control unit, Fuse 62 on fuse holder C, Metering pump**

- J364 Auxiliary heater control unit
- J519 Onboard supply control unit
- SC62 Fuse 62 on fuse holder C
- T2h 2-pin connector
- T6b 6-pin connector
- T16 16-pin connector
- T18a 18-pin connector, near engine control unit
- T73b 73-pin connector
- U31 Diagnostic connection, near driver side A-pillar
- V54 Metering pump
- 68 Earth point, on left of rear cross member
- 86 Earth connection 1, in rear wiring harness
- A146 Connection (convenience CAN bus, high), in dash panel wiring harness
- A147 Connection (convenience CAN bus, low), in dash panel wiring harness
- B317 Positive connection 3 (30a) in main wiring harness
- D78 Positive connection 1 (30a), in engine compartment wiring harness
- L62 Positive connection (30a), in auxiliary heater wiring harness
- \* Only models with Climatronic
- \*2 Only models with air conditioning system/ Climatronic
- \*3 Only models with no air conditioning system/Climatronic

- ws = white
- sw = black
- ro = red
- br = brown
- gn = green
- bl = blue
- gr = grey
- li = purple
- ge = yellow
- or = orange
- rs = pink

1740-0330311171



**Auxiliary heater control unit, Continued coolant circulation pump**

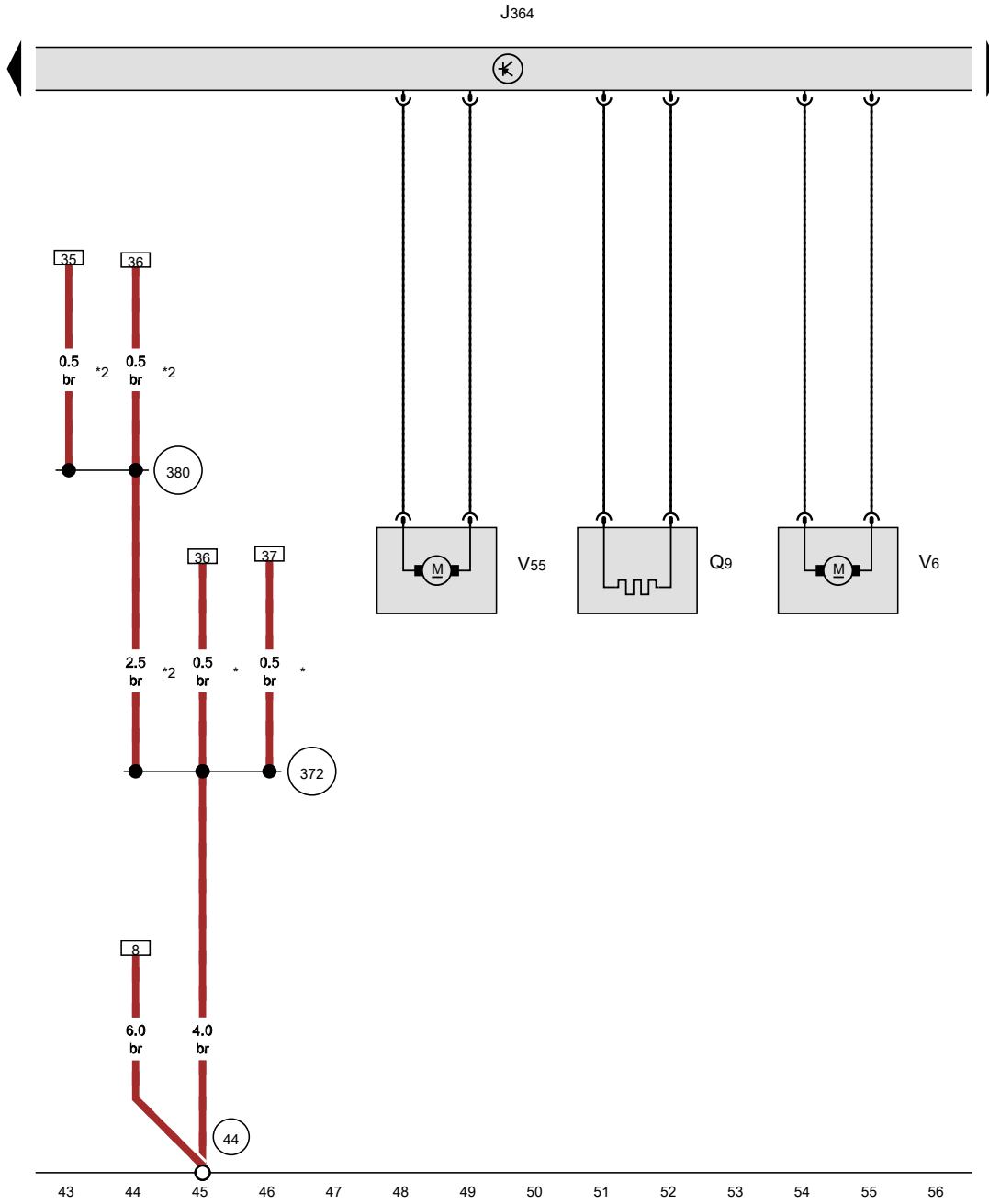
- J235 Coolant pump relay
- J255 Climatronic control unit
- J364 Auxiliary heater control unit
- J493 Auxiliary coolant heater relay
- J623 Engine control unit
- T2h 2-pin connector
- T16l 16-pin connector
- T17a 17-pin connector
- T18 18-pin connector, near engine control unit
- T21 21-pin connector, on relay carrier
- T94 94-pin connector
- V51 Continued coolant circulation pump

- 368 Earth connection 3, in main wiring harness
- 375 Earth connection 10, in main wiring harness
- 655 Earth point, on left headlight
- \* Only models with Climatronic
- \*2 Only models with no Climatronic
- \*3 From November 2011

- ws = white
- sw = black
- ro = red
- br = brown
- gn = green
- bl = blue
- gr = grey
- li = purple
- ge = yellow
- or = orange
- rs = pink

17H0-033041117



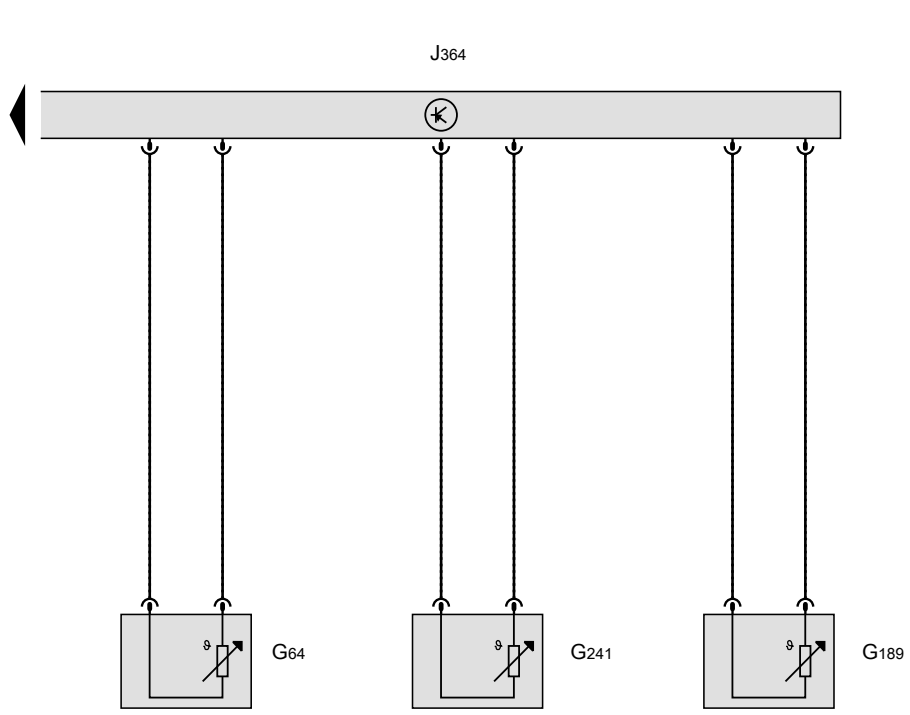


**Auxiliary heater control unit, Glow plug for heater, Combustion air blower**

- J364 Auxiliary heater control unit
- Q9 Glow plug for heater
- V6 Combustion air blower
- V55 Circulation pump
- 44 Earth point, lower part of left A-pillar
- 372 Earth connection 7, in main wiring harness
- 380 Earth connection 15, in main wiring harness
- \* Only models with Climatronic
- \*2 From November 2011

- ws = white
- sw = black
- ro = red
- br = brown
- gn = green
- bl = blue
- gr = grey
- li = purple
- ge = yellow
- or = orange
- rs = pink

[240-033051112]



Flame monitor, Overheating sensor, Coolant temperature sender for heater, Auxiliary heater control unit

- G64 Flame monitor
- G189 Overheating sensor
- G241 Coolant temperature sender for heater
- J364 Auxiliary heater control unit

- ws = white
- sw = black
- ro = red
- br = brown
- gn = green
- bl = blue
- gr = grey
- li = purple
- ge = yellow
- or = orange
- rs = pink

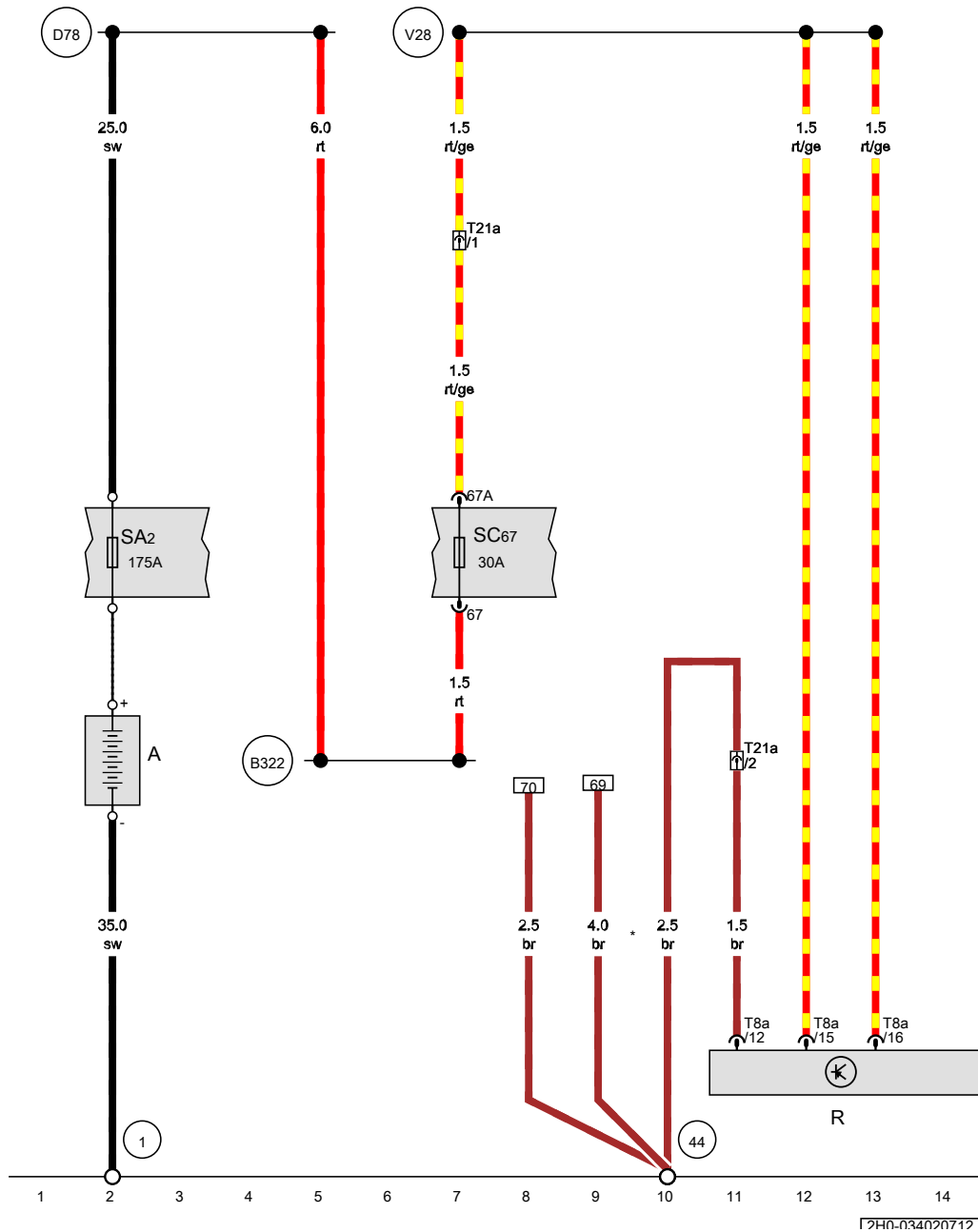
57 58 59 60 61 62 63 64 65 66 67 68 69 70

[240-033061112]

**Radio system , (8UA),(8AE),(8DD),(LOR)**

From December 2009

Radio, Fuse 67 on fuse holder C



- A Battery
- R Radio
- SA2 Fuse 2 in fuse holder A
- SC67 Fuse 67 on fuse holder C
- T8a 8-pin connector
- T21a 21-pin connector, on relay carrier, brown



- 1 Earth strap, battery - body
- 44 Earth point, lower part of left A-pillar
- B322 Positive connection 8 (30a) in main wiring harness
- D78 Positive connection 1 (30a), in engine compartment wiring harness
- V28 Connection 1, in radio wiring harness
- \* From November 2011

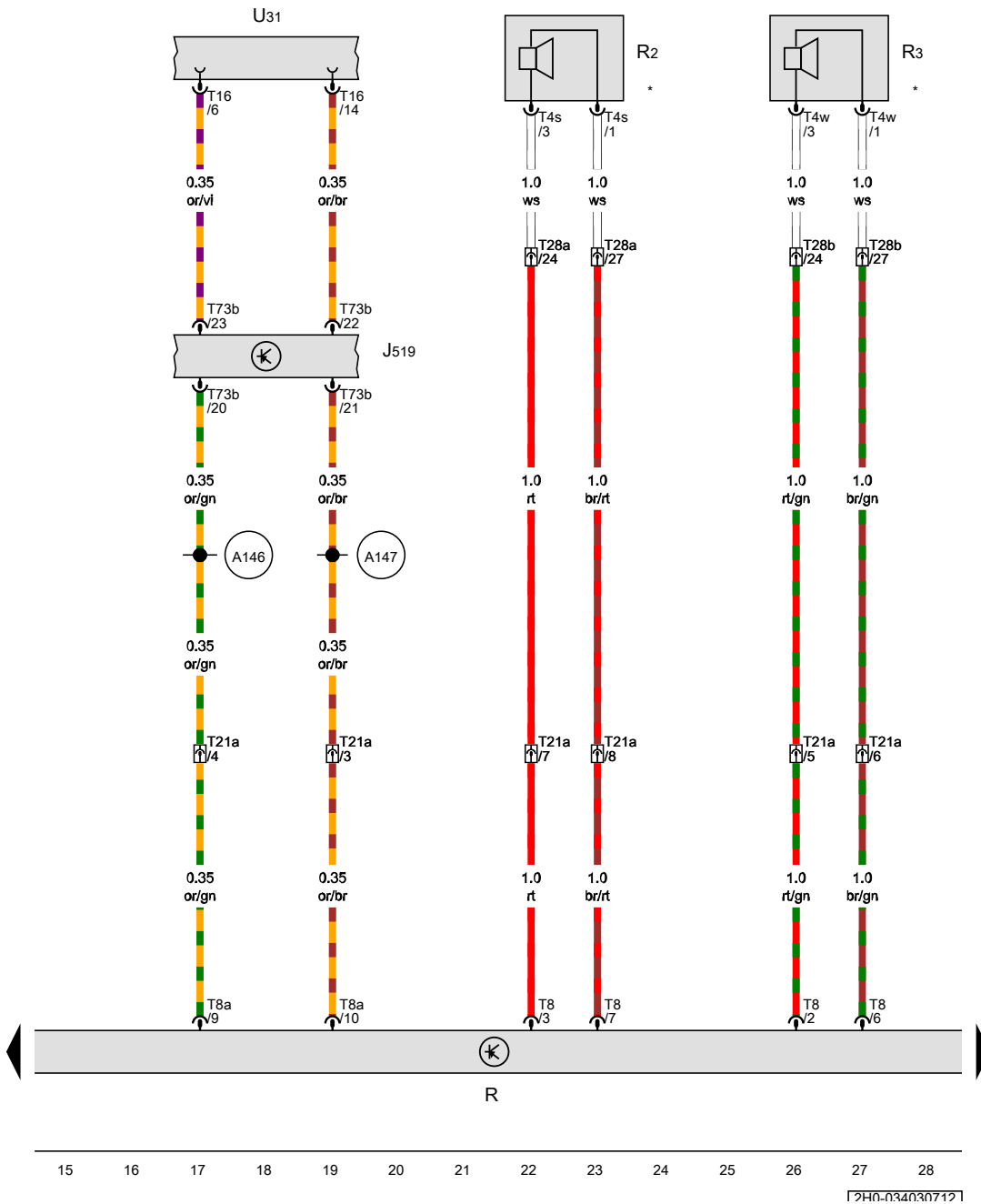
- ws = white
- sw = black
- ro = red
- br = brown
- gn = green
- bl = blue
- gr = grey
- li = purple
- ge = yellow
- or = orange
- rs = pink

ГЭН-0340707121

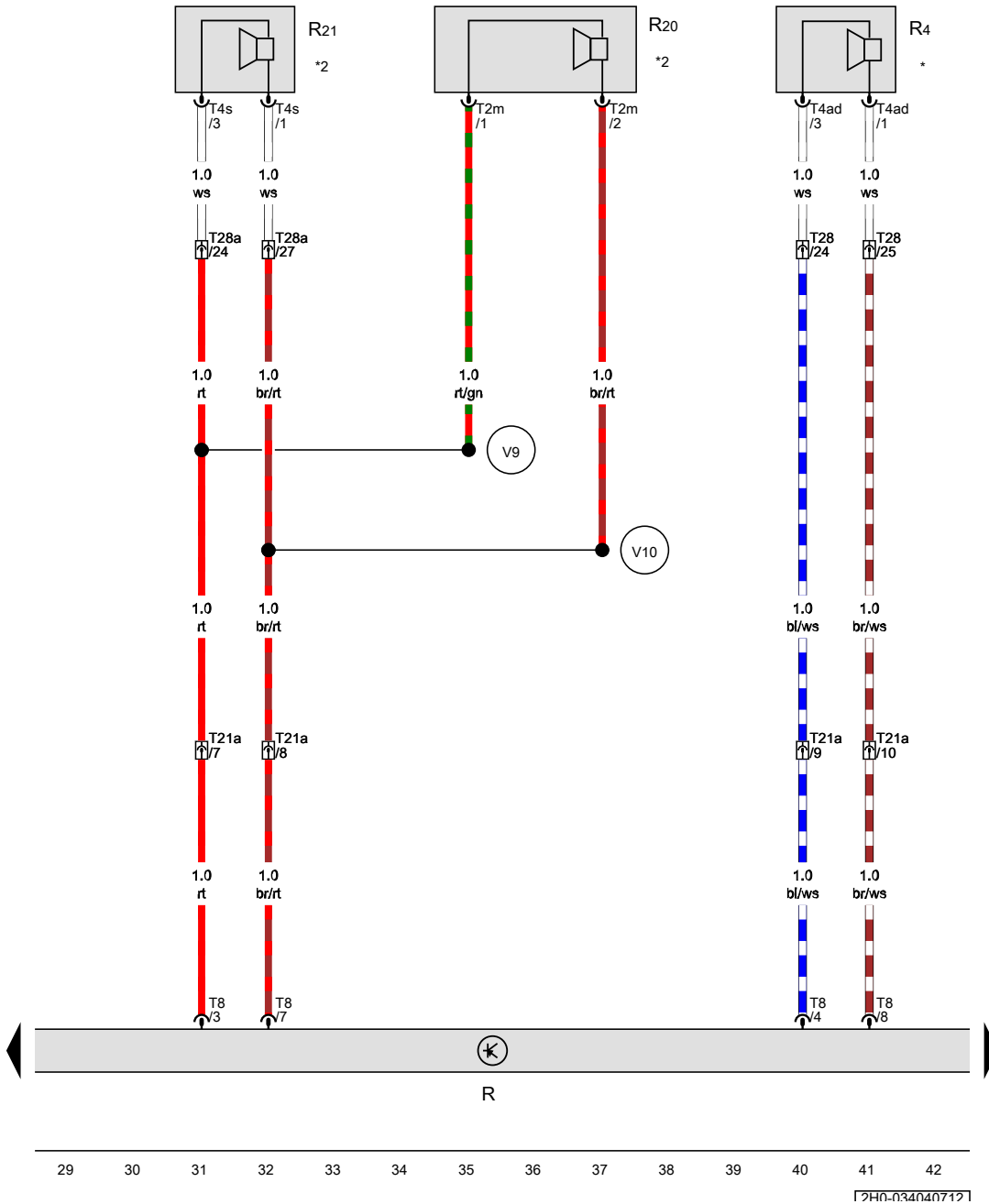
Radio, Front left loudspeaker, Front right loudspeaker, Diagnostic connection

- J519 Onboard supply control unit
- R Radio
- R2 Front left loudspeaker
- R3 Front right loudspeaker
- T4s 4-pin connector
- T4w 4-pin connector
- T8 8-pin connector
- T8a 8-pin connector
- T16 16-pin connector
- T21a 21-pin connector, on relay carrier, brown
- T28a 28-pin connector, on left A-pillar
- T28b 28-pin connector, on right A-pillar
- T73b 73-pin connector
- U31 Diagnostic connection, near driver side A-pillar

-  A146 Connection (convenience CAN bus, high), in dash panel wiring harness
-  A147 Connection (convenience CAN bus, low), in dash panel wiring harness
- \* Only models with 2 loudspeakers (8RD)



Radio, Rear left loudspeaker, Front left treble loudspeaker, Front left bass loudspeaker

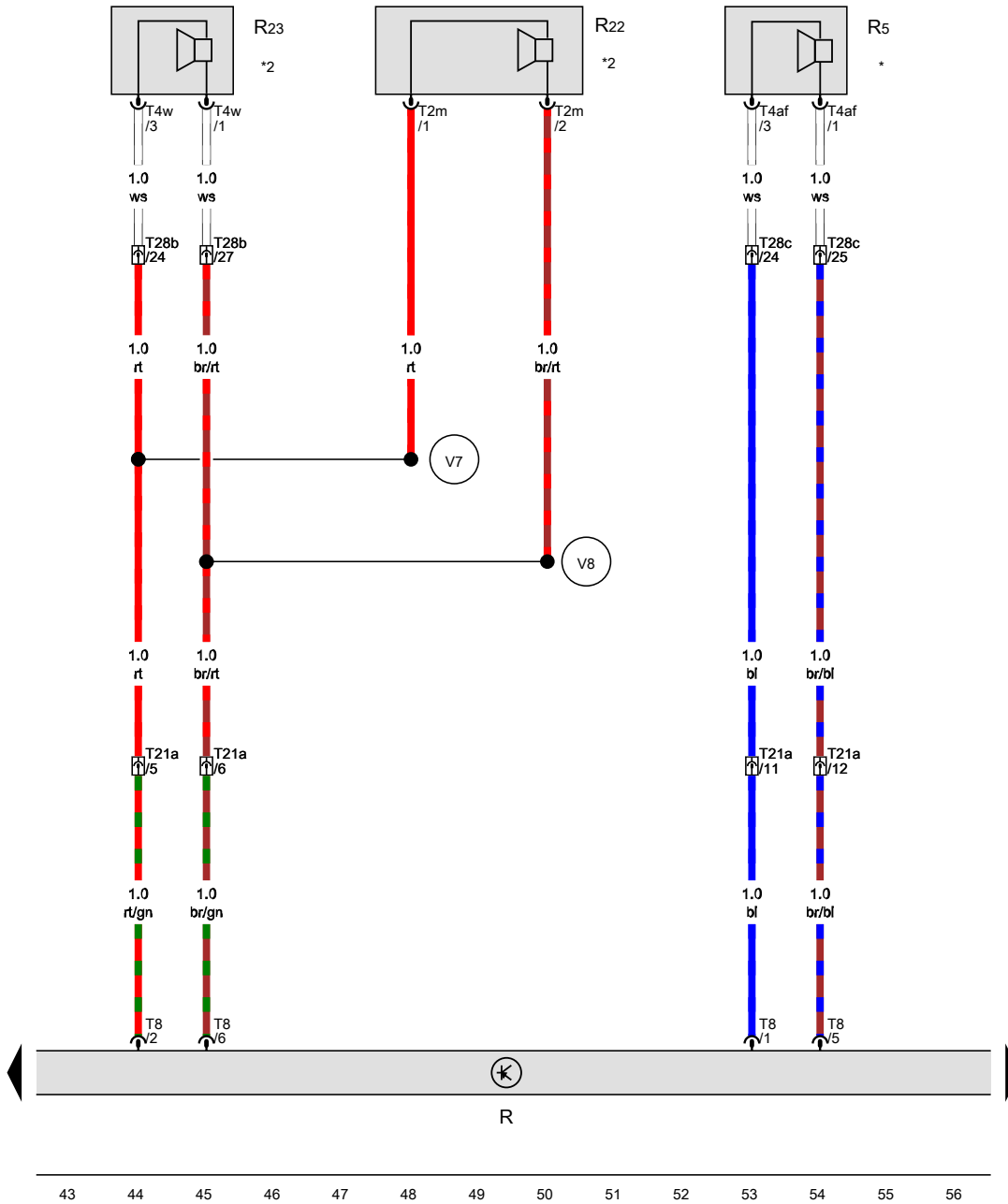


- R Radio
- R4 Rear left loudspeaker
- R20 Front left treble loudspeaker
- R21 Front left bass loudspeaker
- T2m 2-pin connector
- T4ad 4-pin connector
- T4s 4-pin connector
- T8 8-pin connector
- T21a 21-pin connector, on relay carrier, brown
- T28 28-pin connector, on left B-pillar
- T28a 28-pin connector, on left A-pillar
- V9 Connection (positive, front right loudspeaker), in loudspeaker wiring harness
- V10 Connection (negative, front right loudspeaker), in loudspeaker wiring harness
- \* Only models with equipment (6-passive loudspeakers)
- \*2 Only models with 4 or 6 loudspeakers

- ws = white
- sw = black
- ro = red
- br = brown
- gn = green
- bl = blue
- gr = grey
- li = purple
- ge = yellow
- or = orange
- rs = pink

Г240-0340407121

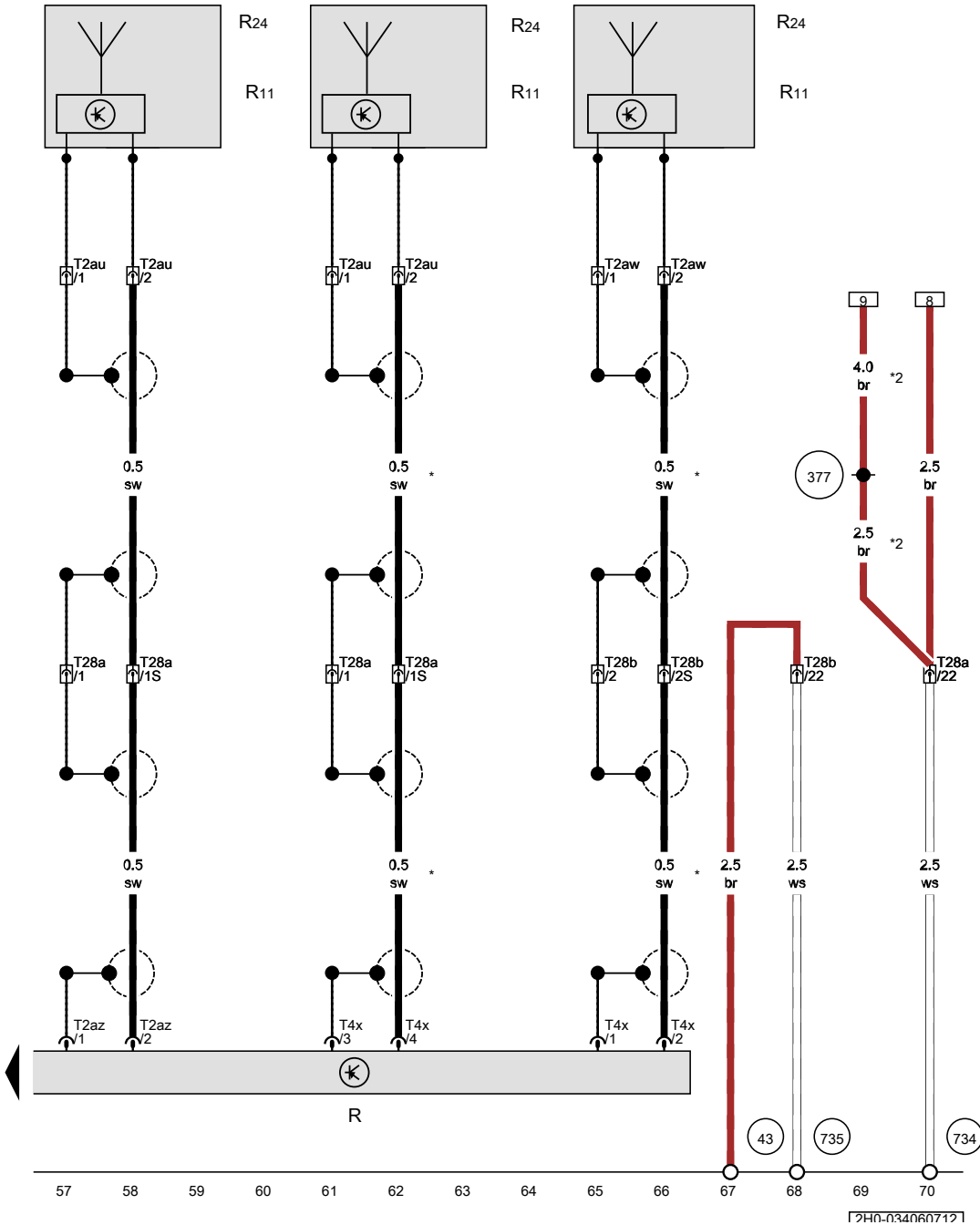
Radio, Rear right loudspeaker, Front right treble loudspeaker, Front right bass loudspeaker



- R Radio
- R5 Rear right loudspeaker
- R22 Front right treble loudspeaker
- R23 Front right bass loudspeaker
- T2m 2-pin connector
- T4af 4-pin connector
- T4w 4-pin connector
- T8 8-pin connector
- T21a 21-pin connector, on relay carrier, brown
- T28b 28-pin connector, on right A-pillar
- T28c 28-pin connector, on right B-pillar
- V7 Connection (positive, front left loudspeaker), in loudspeaker wiring harness
- V8 Connection (negative, front left loudspeaker), in loudspeaker wiring harness
- \* Only models with equipment (6-passive loudspeakers)
- \*2 Only models with 4 or 6 loudspeakers

- ws = white
- sw = black
- ro = red
- br = brown
- gn = green
- bl = blue
- gr = grey
- li = purple
- ge = yellow
- or = orange
- rs = pink

1740-0340507171



**Radio, Aerial, Aerial amplifier**

- R Radio
- R11 Aerial
- R24 Aerial amplifier
- T2au 2-pin connector, in left door, near exterior mirror
- T2aw 2-pin connector, in right door, near exterior mirror
- T2az 2-pin connector
- T4x 4-pin connector
- T28a 28-pin connector, on left A-pillar
- T28b 28-pin connector, on right A-pillar

- 43 Earth point, lower part of right A-pillar
- 377 Earth connection 12, in main wiring harness
- 734 Earth point in front left door
- 735 Earth point in front right door

\* Only models with radio RCD 310/RCD 510  
 \*2 From November 2011

- ws = white
- sw = black
- ro = red
- br = brown
- gn = green
- bl = blue
- gr = grey
- li = purple
- ge = yellow
- or = orange
- rs = pink

1740-0340607171

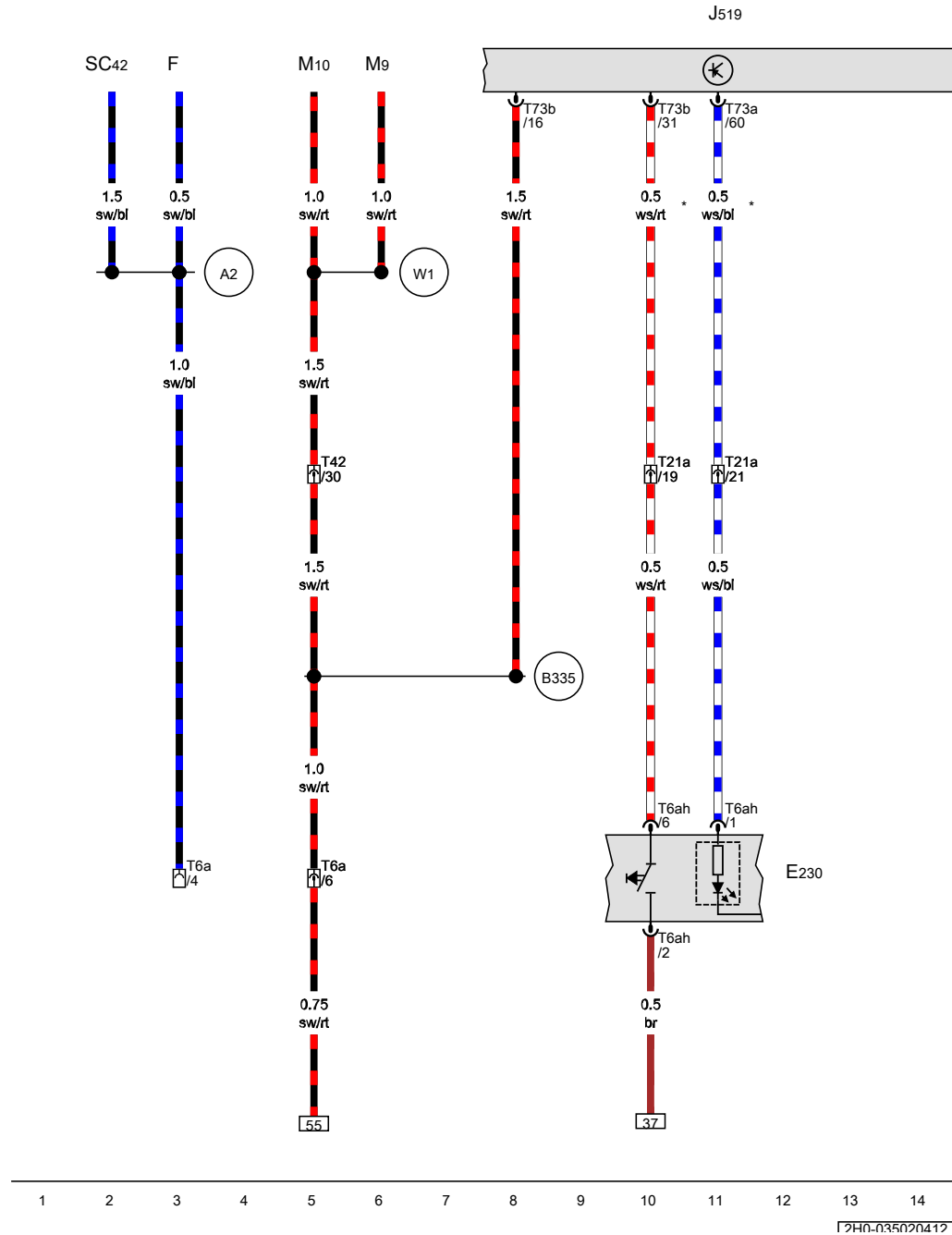


**Hardtop**

From May 2011

Heated rear window button, Brake light switch, Onboard supply control unit, Fuse 42 on fuse holder C

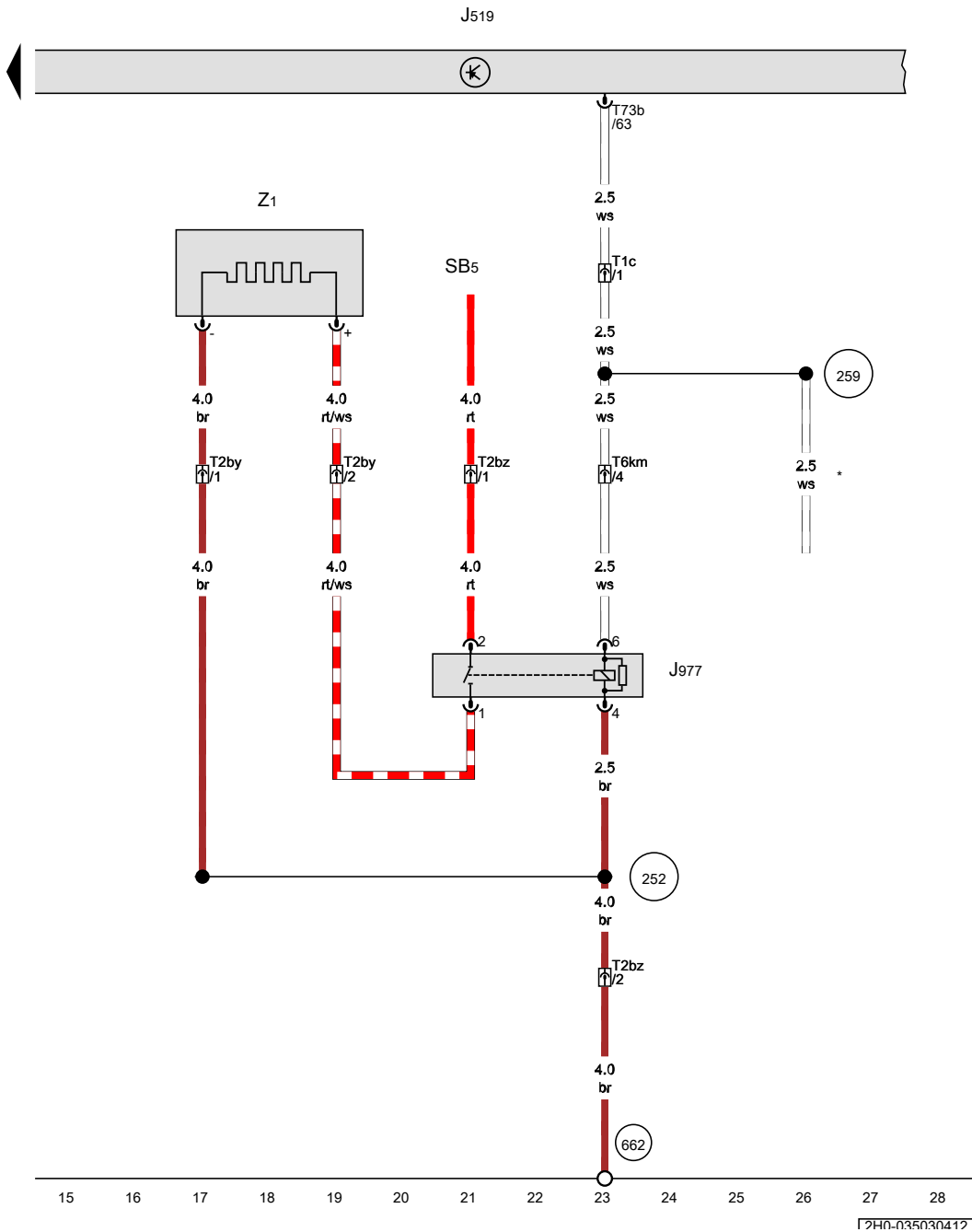
- E230 Heated rear window button
- F Brake light switch
- J519 Onboard supply control unit
- M9 Left brake light bulb
- M10 Right brake light bulb
- SC42 Fuse 42 on fuse holder C
- T6a 6-pin connector, on rear roof module, black
- T6ah 6-pin connector
- T21a 21-pin connector, on relay carrier, brown
- T42 42-pin connector, black
- T73a 73-pin connector, black
- T73b 73-pin connector, colourless
- A2 Positive connection (15), in dash panel wiring harness
- B335 Connection 1 (54), in main wiring harness
- W1 Positive connection 1 (54), in rear wiring harness
- \* see applicable current flow diagram for basic equipment



**Onboard supply control unit, Terminal 30 relay, Fuse 5 on fuse holder B, Heated rear window**

- J519 Onboard supply control unit
- J977 Terminal 30 relay, near rear lid, behind moulded headliner
- SB5 Fuse 5 on fuse holder B
- T1c Single connector, near left C-pillar
- T2by 2-pin connector, Coupling point for rear lid, black
- T2bz 2-pin connector, in rear left side panel, black
- T6km 6-pin connector, near rear lid, behind moulded headliner, black
- T73b 73-pin connector, colourless
- Z1 Heated rear window

- (252) Earth connection, in optional equipment wiring harness
- (259) Earth connection 2, in optional equipment wiring harness
- (662) Earth point, rear left side panel
- \* Wiring open end

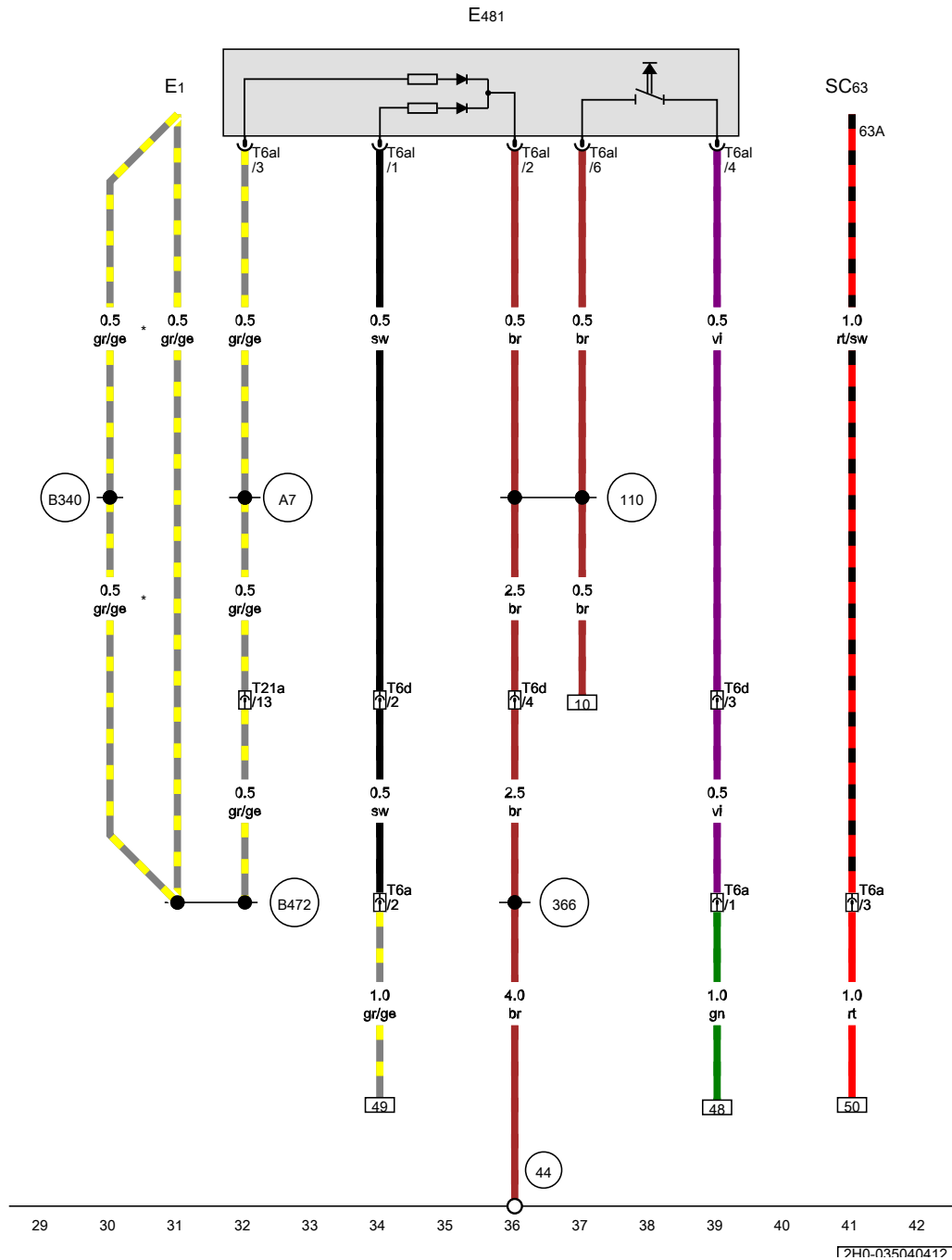


- ws = white
- sw = black
- ro = red
- br = brown
- gn = green
- bl = blue
- gr = grey
- li = purple
- ge = yellow
- or = orange
- rs = pink

Load area illumination switch, Fuse 63 on fuse holder C

- E1 Light switch
- E481 Load area illumination switch, near radio
- SC63 Fuse 63 on fuse holder C
- T6a 6-pin connector, on rear roof module, black
- T6al 6-pin connector, blue
- T6d 6-pin connector, on relay carrier, grey
- T21a 21-pin connector, on relay carrier, brown

- (44) Earth point, lower part of left A-pillar
- (110) Earth connection 2, in dash panel wiring harness
- (366) Earth connection 1, in main wiring harness
- (A7) Positive connection (58 D1), in dash panel wiring harness
- (B340) Connection 1 (58d), in main wiring harness
- (B472) Connection 8, in main wiring harness
- \* From November 2011



- ws = white
- sw = black
- ro = red
- br = brown
- gn = green
- bl = blue
- gr = grey
- li = purple
- ge = yellow
- or = orange
- rs = pink

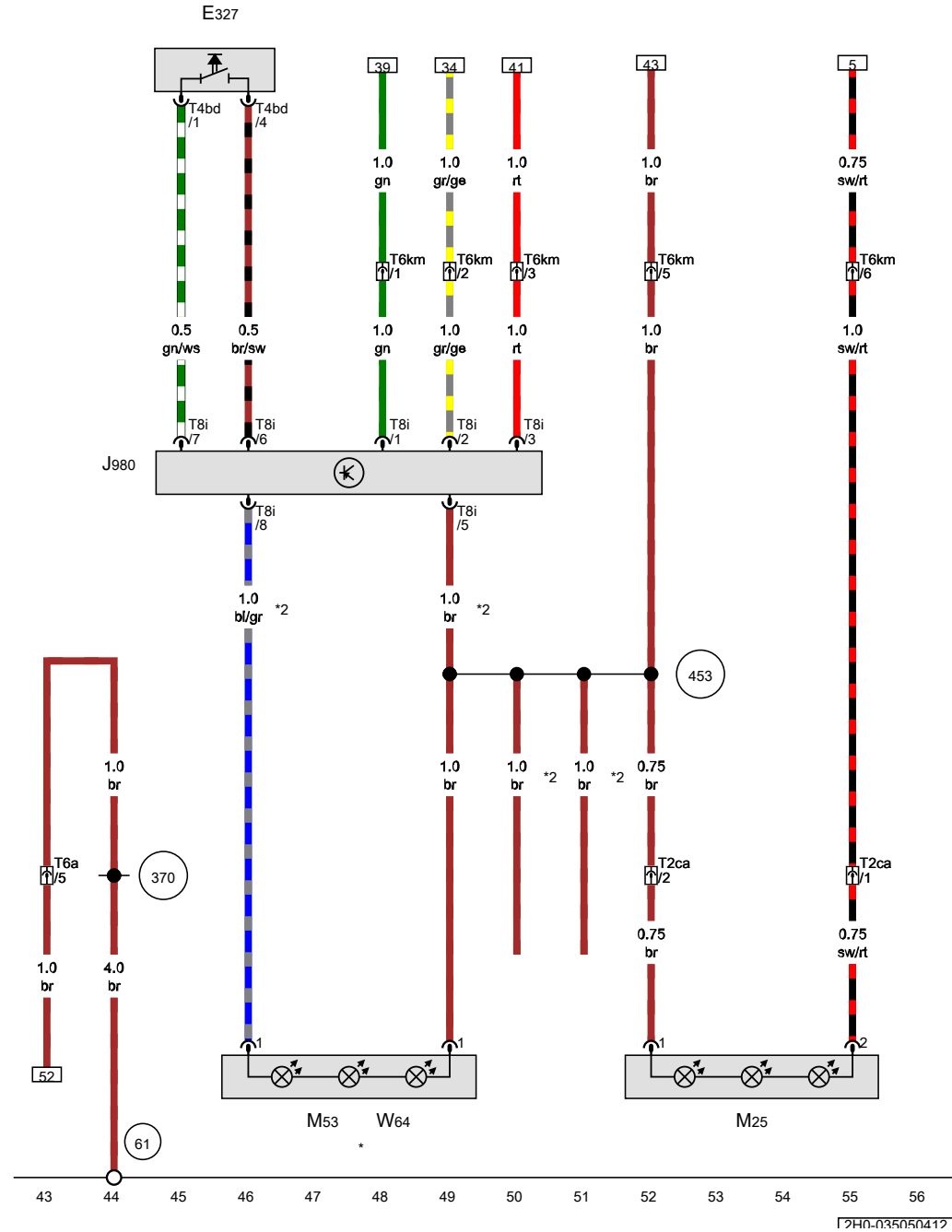
17H0-0350404171

Rear interior light button, Control unit for special installations, Additional brake light bulb, Load area illumination bulb

- E327 Rear interior light button, in left D-pillar
- J980 Control unit for special installations
- M25 Additional brake light bulb
- M53 Load area illumination bulb
- T2ca 2-pin connector, Coupling point for rear lid, black
- T4bd 4-pin connector, black
- T6a 6-pin connector, on rear roof module, black
- T6km 6-pin connector, near rear lid, behind moulded headliner, black
- T8i 8-pin connector, near rear lid, behind moulded headliner
- W64 Interior light

- 61 Earth point, left C-pillar
- 370 Earth connection 5, in main wiring harness
- 453 Earth connection 3, in optional equipment wiring harness

\* If fitted  
 \*2 Wiring open end



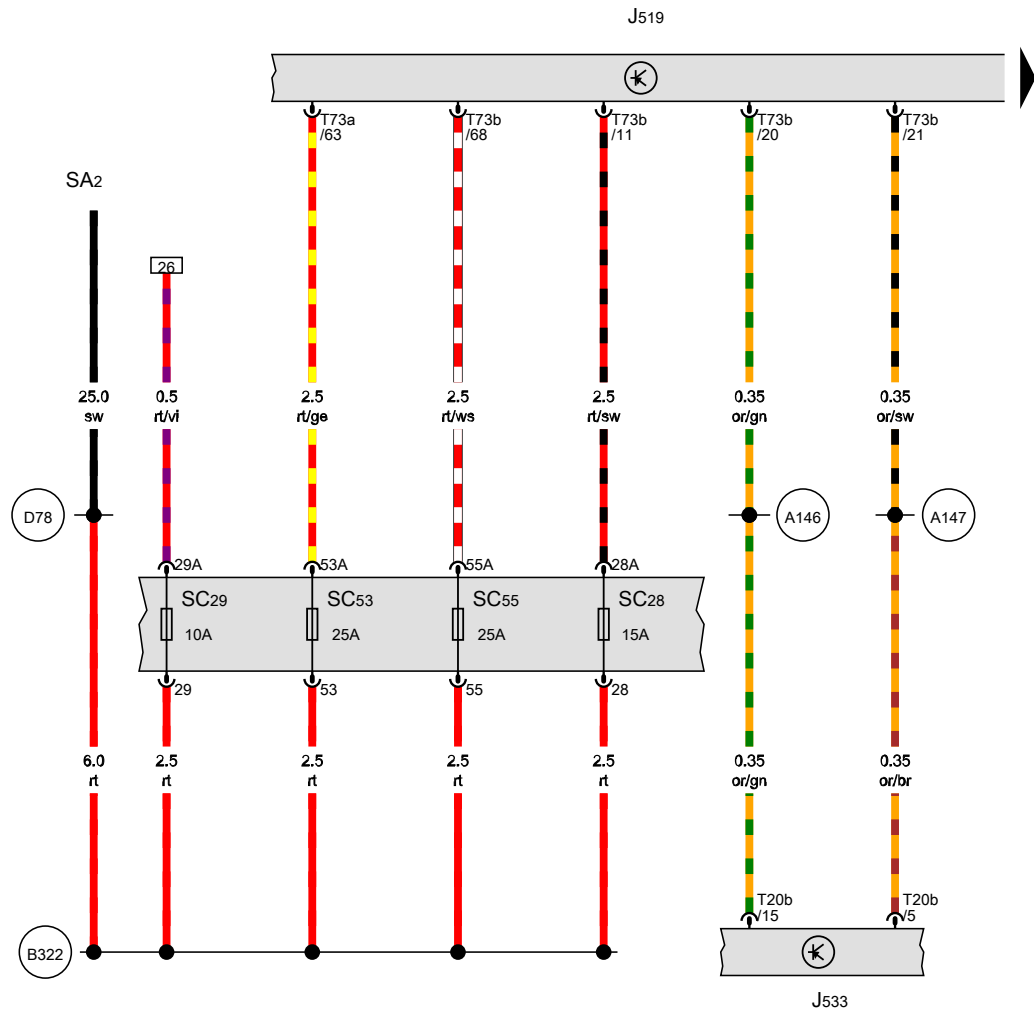
- ws = white
- sw = black
- ro = red
- br = brown
- gn = green
- bl = blue
- gr = grey
- li = purple
- ge = yellow
- or = orange
- rs = pink

17H0-0350504171

**Exterior lighting , (7L6)**

From May 2011

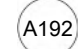
Onboard supply control unit, Data bus diagnostic interface

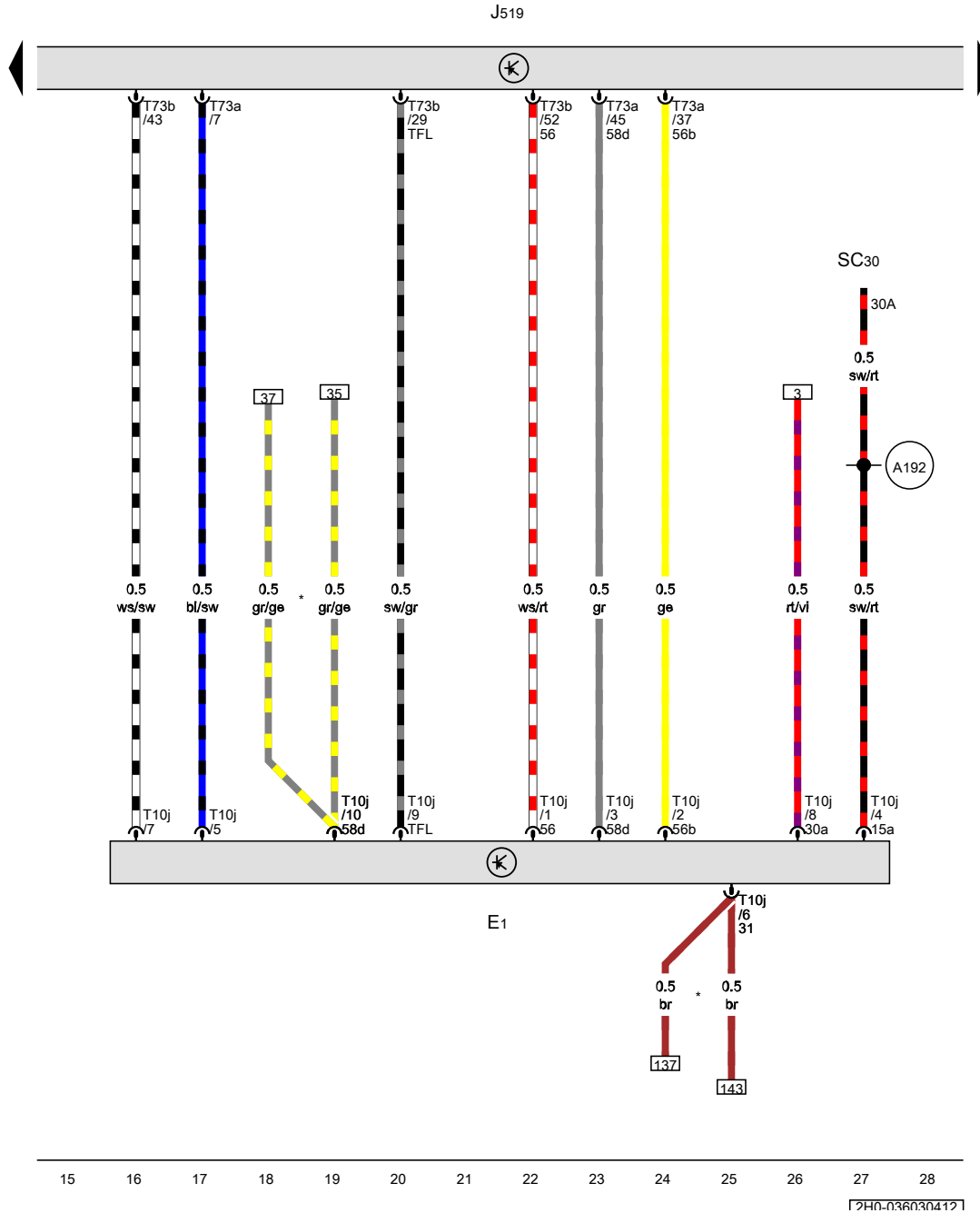


- J519 Onboard supply control unit
- J533 Data bus diagnostic interface
- SA2 Fuse 2 in fuse holder A
- SC28 Fuse 28 on fuse holder C
- SC29 Fuse 29 on fuse holder C
- SC53 Fuse 53 on fuse holder C
- SC55 Fuse 55 on fuse holder C
- T20b 20-pin connector
- T73a 73-pin connector, black
- T73b 73-pin connector
- A146 Connection (convenience CAN bus, high), in dash panel wiring harness
- A147 Connection (convenience CAN bus, low), in dash panel wiring harness
- B322 Positive connection 8 (30a) in main wiring harness
- D78 Positive connection 1 (30a), in engine compartment wiring harness

- ws = white
- sw = black
- ro = red
- br = brown
- gn = green
- bl = blue
- gr = grey
- li = purple
- ge = yellow
- or = orange
- rs = pink

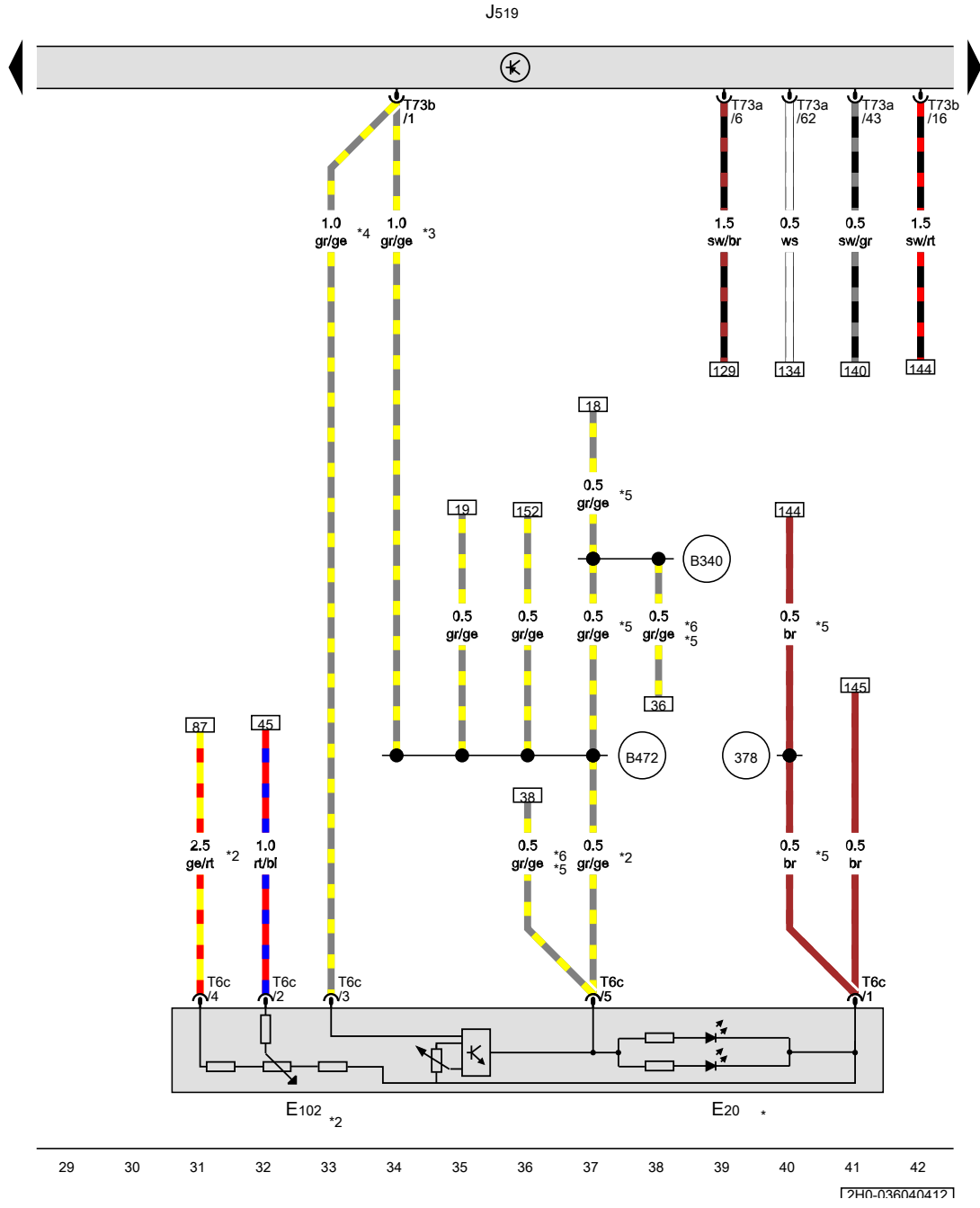
Light switch, Onboard supply control unit

- E1 Light switch
- J519 Onboard supply control unit
- SC30 Fuse 30 on fuse holder C
- T10j 10-pin connector, black
- T73a 73-pin connector, black
- T73b 73-pin connector
-  A192 Positive connection 3 (15a) in dash panel wiring harness
- \* From November 2011




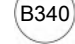

- ws = white
- sw = black
- ro = red
- br = brown
- gn = green
- bl = blue
- gr = grey
- li = purple
- ge = yellow
- or = orange
- rs = pink





Switch and instrument illumination regulator, Headlight range control regulator, Onboard supply control unit

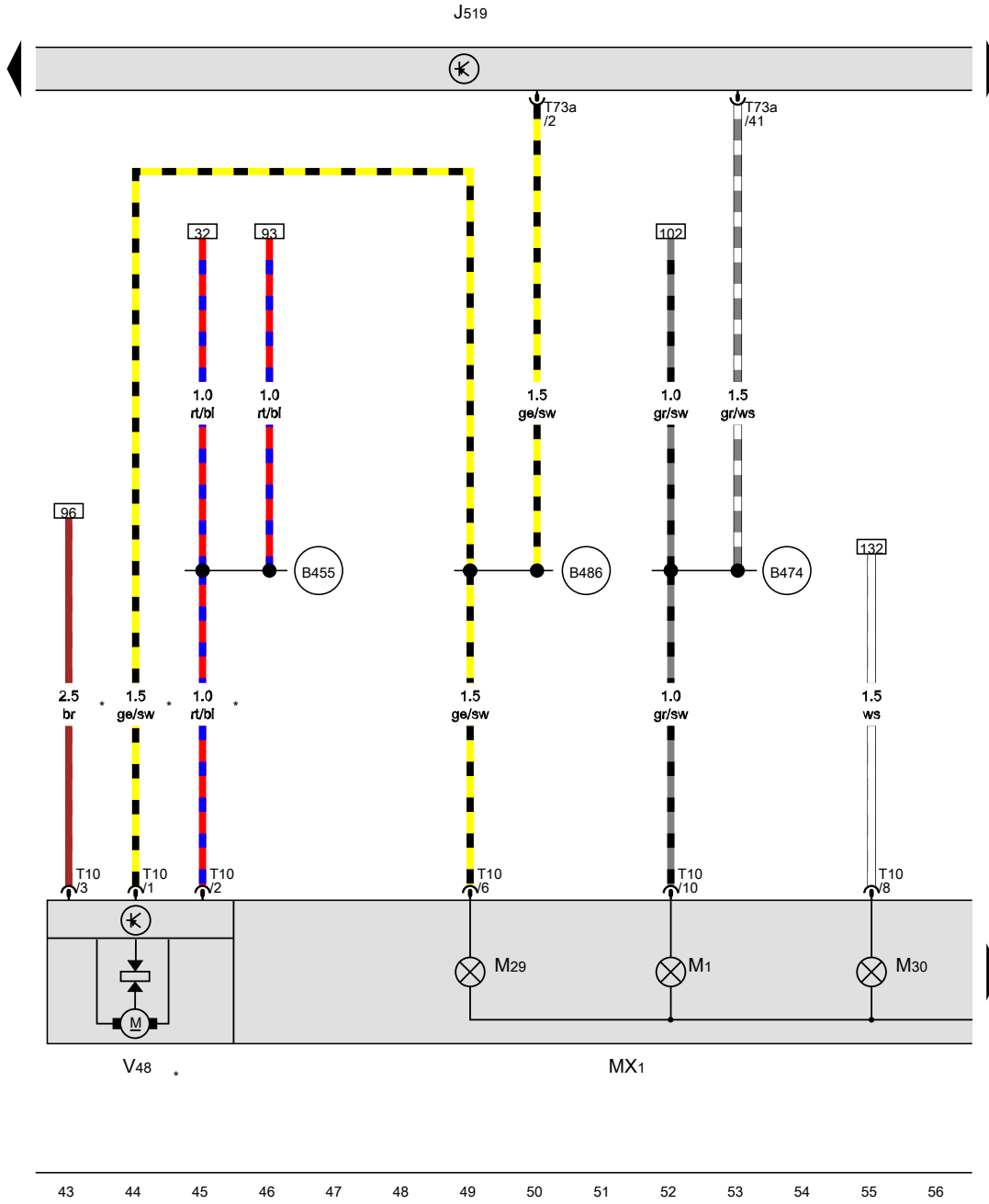
- E20 Switch and instrument illumination regulator
- E102 Headlight range control regulator
- J519 Onboard supply control unit
- T6c 6-pin connector
- T73a 73-pin connector, black
- T73b 73-pin connector

-  378 Earth connection 13, in main wiring harness
-  B340 Connection 1 (58d), in main wiring harness
-  B472 Connection 8, in main wiring harness

- \* Only models with dimmable instrument illumination
- \*2 Only models with headlight range control
- \*3 Only models with Trendline equipment
- \*4 Only models with Highline equipment
- \*5 From November 2011
- \*6 Only models with basic equipment

- ws = white
- sw = black
- ro = red
- br = brown
- gn = green
- bl = blue
- gr = grey
- li = purple
- ge = yellow
- or = orange
- rs = pink

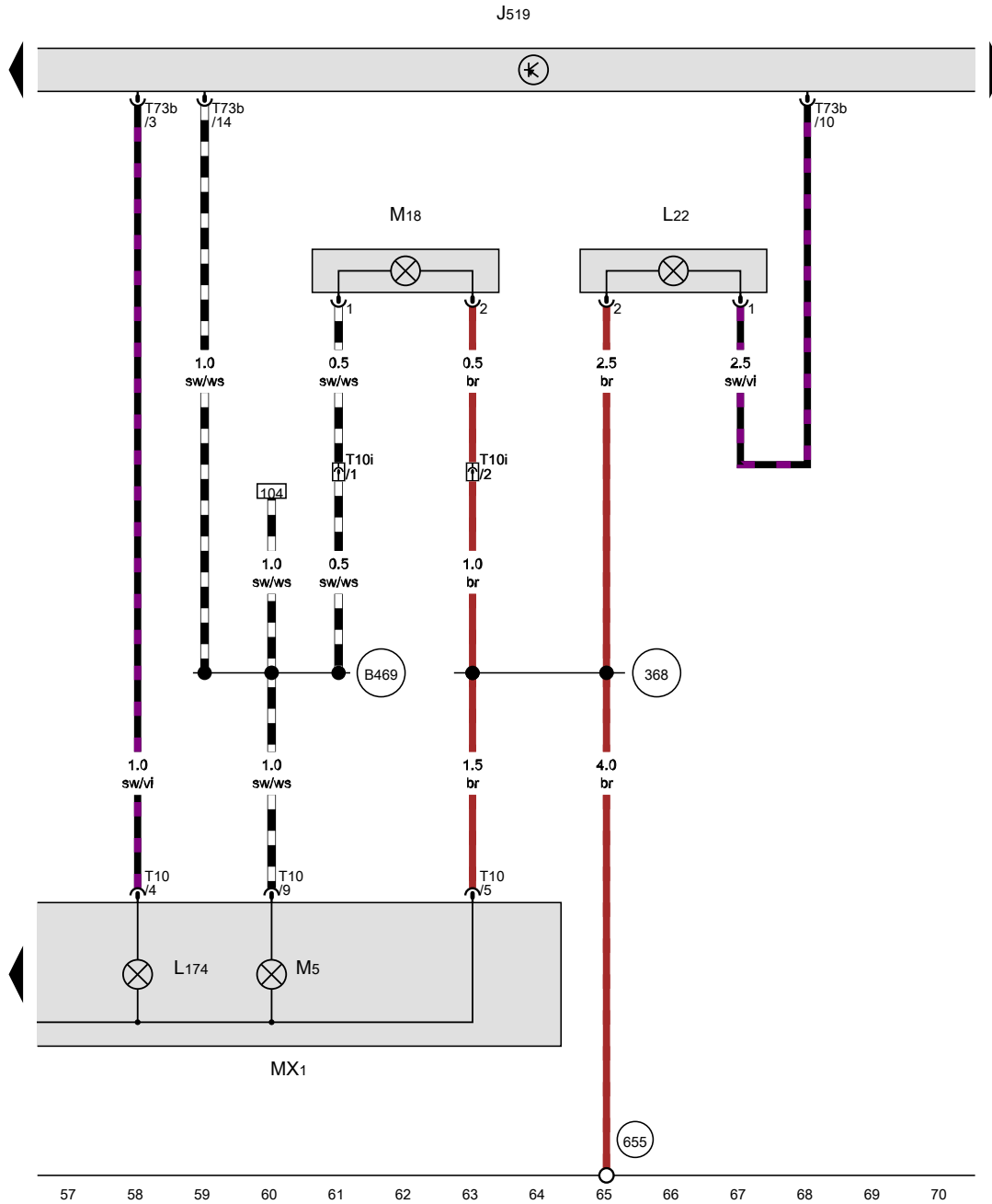
Onboard supply control unit, Front left headlight



- J519 Onboard supply control unit
- MX1 Front left headlight
- M1 Left side light bulb
- M29 Left headlight dipped beam bulb
- M30 Left headlight main beam bulb
- T10 10-pin connector
- T73a 73-pin connector, black
- V48 Left headlight range control motor
- (B455) Connection (HRC), in main wiring harness
- (B474) Connection 10, in main wiring harness
- (B486) Connection 22, in main wiring harness
- \* Only models with headlight range control

- ws = white
- sw = black
- ro = red
- br = brown
- gn = green
- bl = blue
- gr = grey
- li = purple
- ge = yellow
- or = orange
- rs = pink

17H0-0360504171



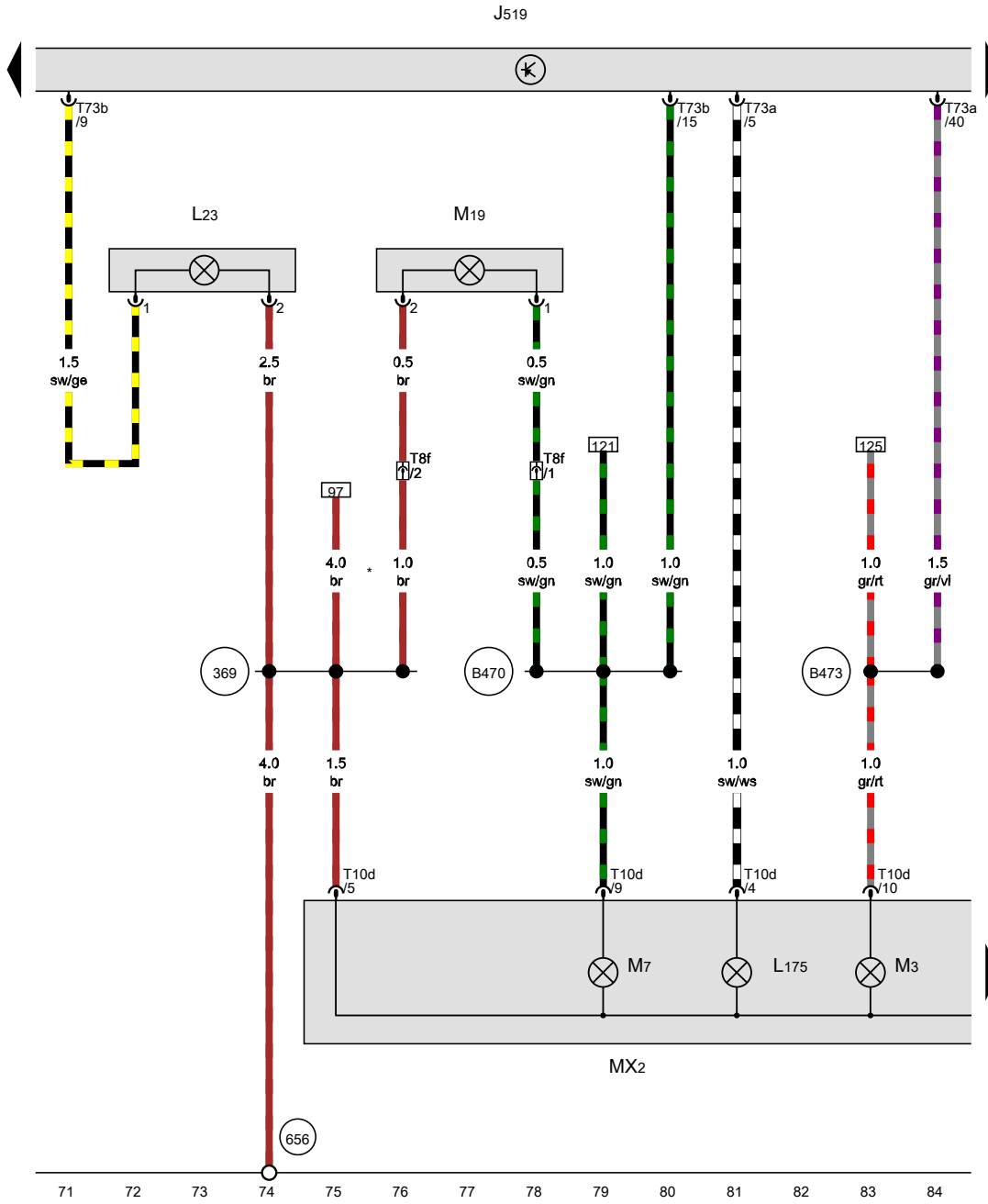
Onboard supply control unit, Left fog light bulb, Front left headlight, Left turn signal repeater bulb

- J519 Onboard supply control unit
- L22 Left fog light bulb
- L174 Left daytime running light bulb
- MX1 Front left headlight
- M5 Front left turn signal bulb
- M18 Left turn signal repeater bulb
- T10 10-pin connector, black
- T10i 10-pin connector, black
- T73b 73-pin connector

- 368 Earth connection 3, in main wiring harness
- 655 Earth point, on left headlight, on left on bulkhead
- B469 Connection 5, in main wiring harness

- ws = white
- sw = black
- ro = red
- br = brown
- gn = green
- bl = blue
- gr = grey
- li = purple
- ge = yellow
- or = orange
- rs = pink

12H0-0360604121



**Onboard supply control unit, Right fog light bulb, Front right headlight, Right turn signal repeater bulb**

- J519 Onboard supply control unit
- L23 Right fog light bulb
- L175 Right daytime running light bulb
- MX2 Front right headlight
- M3 Right side light bulb
- M7 Front right turn signal bulb
- M19 Right turn signal repeater bulb
- T8f 8-pin connector, in rear right of engine compartment, black
- T10d 10-pin connector, black
- T73a 73-pin connector, black
- T73b 73-pin connector

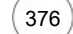
- 369 Earth connection 4, in main wiring harness
- 656 Earth point, on right headlight, on right on bulkhead
- B470 Connection 6, in main wiring harness
- B473 Connection 9, in main wiring harness
- \* Only models with headlight range control

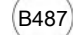
- ws = white
- sw = black
- ro = red
- br = brown
- gn = green
- bl = blue
- gr = grey
- li = purple
- ge = yellow
- or = orange
- rs = pink

PH0-036070417

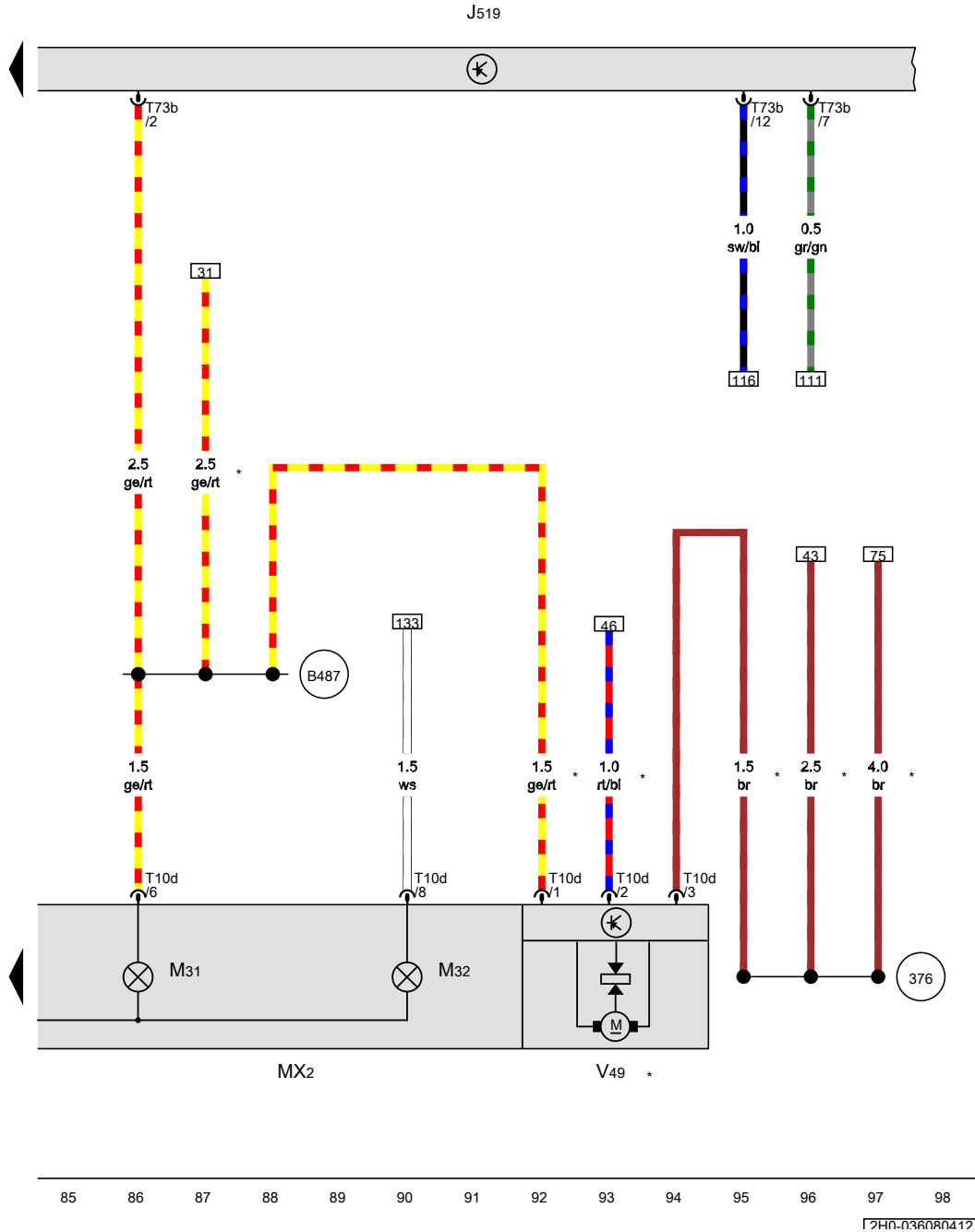
Onboard supply control unit, Front right headlight

- J519 Onboard supply control unit
- MX2 Front right headlight
- M31 Right headlight dipped beam bulb
- M32 Right headlight main beam bulb
- T10d 10-pin connector, black
- T73b 73-pin connector
- V49 Right headlight range control motor

 376 Earth connection 11, in main wiring harness

 B487 Connection 23, in main wiring harness

\* Only models with headlight range control



85 86 87 88 89 90 91 92 93 94 95 96 97 98

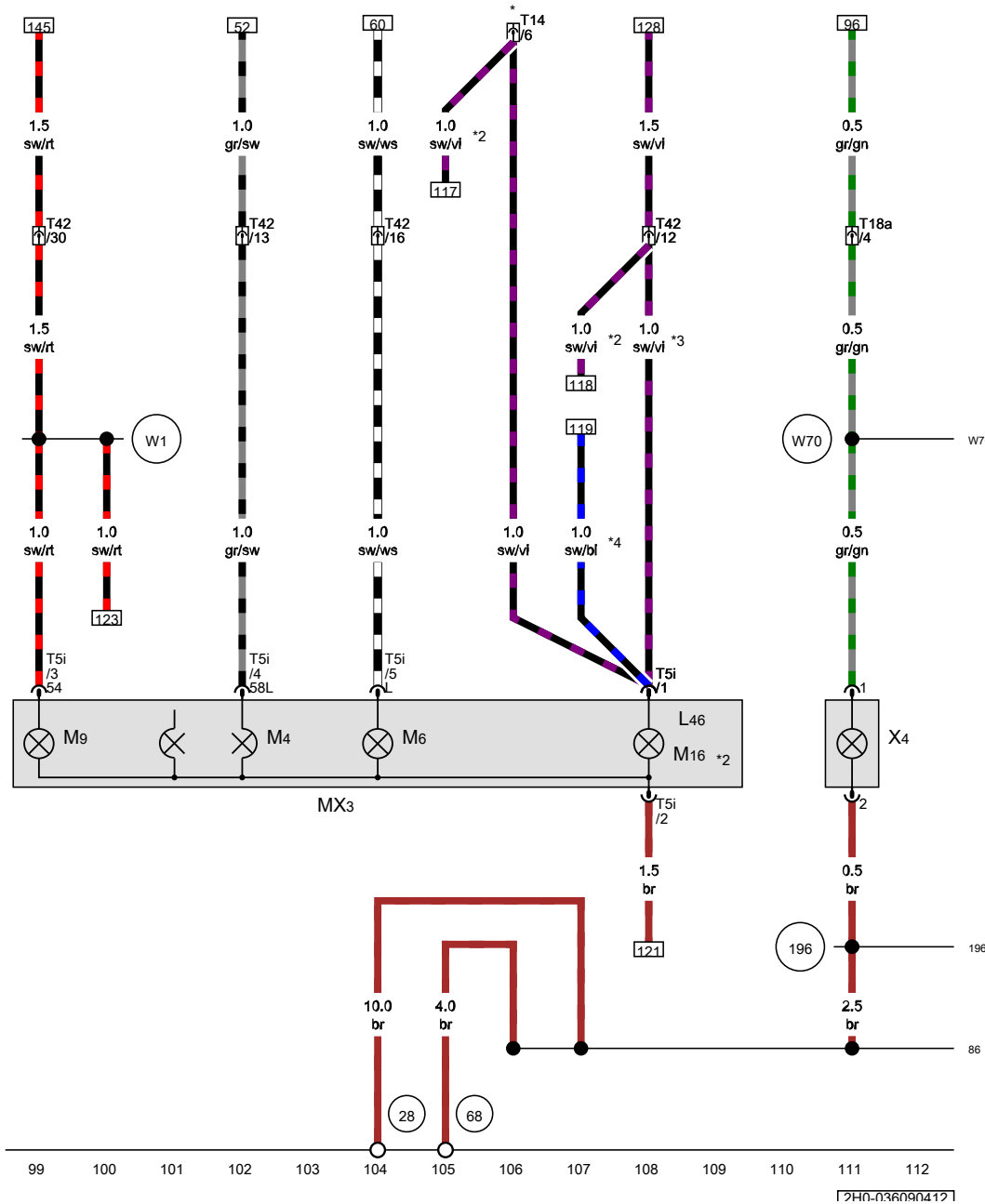
17H0-0360804171

Left tail light, Left number plate light

- L46 Rear left fog light bulb
- MX3 Left tail light
- M4 Left tail light bulb
- M6 Rear left turn signal bulb
- M9 Left brake light bulb
- M16 Left reversing light bulb
- T5i 5-pin connector
- T14 14-pin connector, behind rear bumper on left
- T18a 18-pin connector, near engine control unit, grey
- T42 42-pin connector, near handbrake lever, black
- X4 Left number plate light

- (28) Earth point, on bulkhead
- (68) Earth point, on left of rear cross member
- (86) Earth connection 1, in rear wiring harness
- (196) Earth connection 3, in rear wiring harness
- (W1) Positive connection 1 (54), in rear wiring harness
- (W70) Positive connection 2 (58), in number plate wiring harness

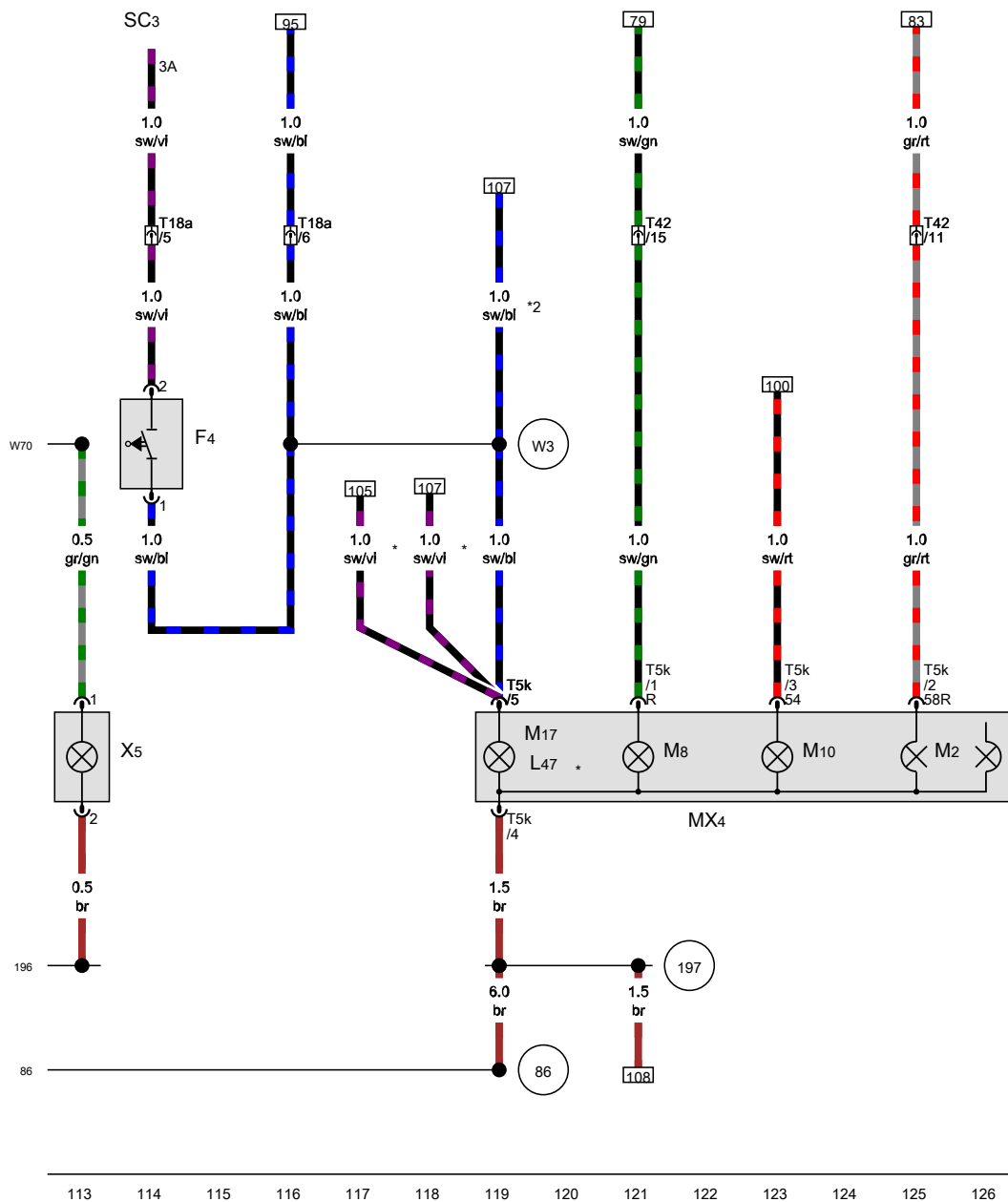
- \* see applicable current flow diagram for preparation for trailer coupling
- \*2 Only right-hand drive models
- \*3 Only models with no towing bracket
- \*4 Only models with no rear fog light



- ws = white
- sw = black
- ro = red
- br = brown
- gn = green
- bl = blue
- gr = grey
- li = purple
- ge = yellow
- or = orange
- rs = pink

1740-0360904171

Reversing light switch, Right tail light, Right number plate light



- F4 Reversing light switch
- L47 Rear right fog light bulb
- M2 Right tail light bulb
- MX4 Right tail light
- M8 Rear right turn signal bulb
- M10 Right brake light bulb
- M17 Right reversing light bulb
- SC3 Fuse 3 on fuse holder C
- T5k 5-pin connector
- T18a 18-pin connector, near engine control unit, grey
- T42 42-pin connector, near handbrake lever, black
- X5 Right number plate light
- 86 Earth connection 1, in rear wiring harness
- 196 Earth connection 3, in rear wiring harness
- 197 Earth connection 4, in rear wiring harness
- W3 Connection in rear wiring harness
- W70 Positive connection 2 (58), in number plate wiring harness
- \* Only right-hand drive models
- \*2 Only models with no rear fog light

- ws = white
- sw = black
- ro = red
- br = brown
- gn = green
- bl = blue
- gr = grey
- li = purple
- ge = yellow
- or = orange
- rs = pink

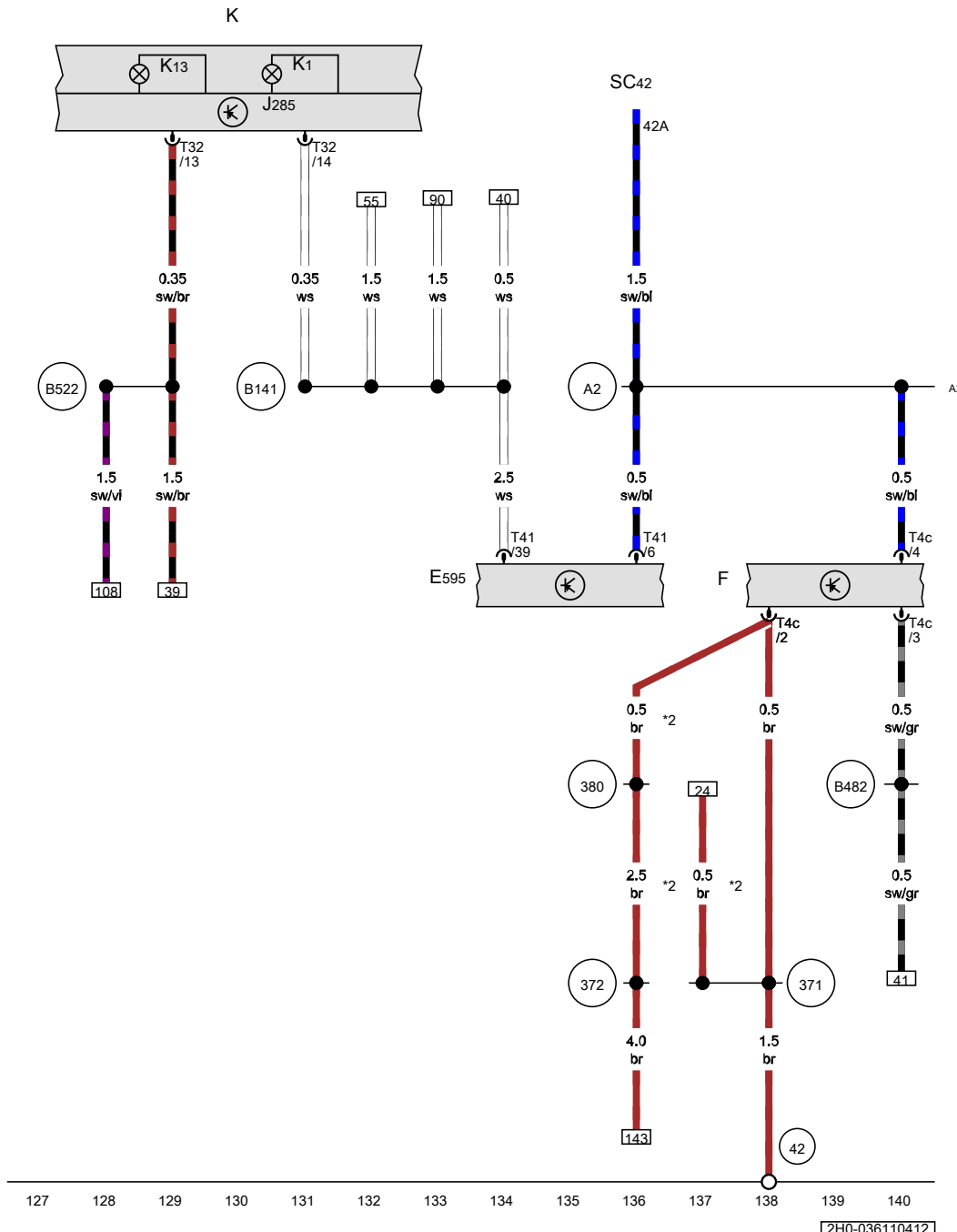
PH0-0361004171

**Steering column combination switch, Brake light switch, Dash panel insert, Fuse 42 on fuse holder C**

- E595 Steering column combination switch
- F Brake light switch
- J285 Control unit in dash panel insert
- K Dash panel insert
- K1 Main beam warning lamp
- K13 Rear fog light warning lamp
- SC42 Fuse 42 on fuse holder C
- T4c 4-pin connector
- T32 32-pin connector, blue
- T41 41-pin connector, grey

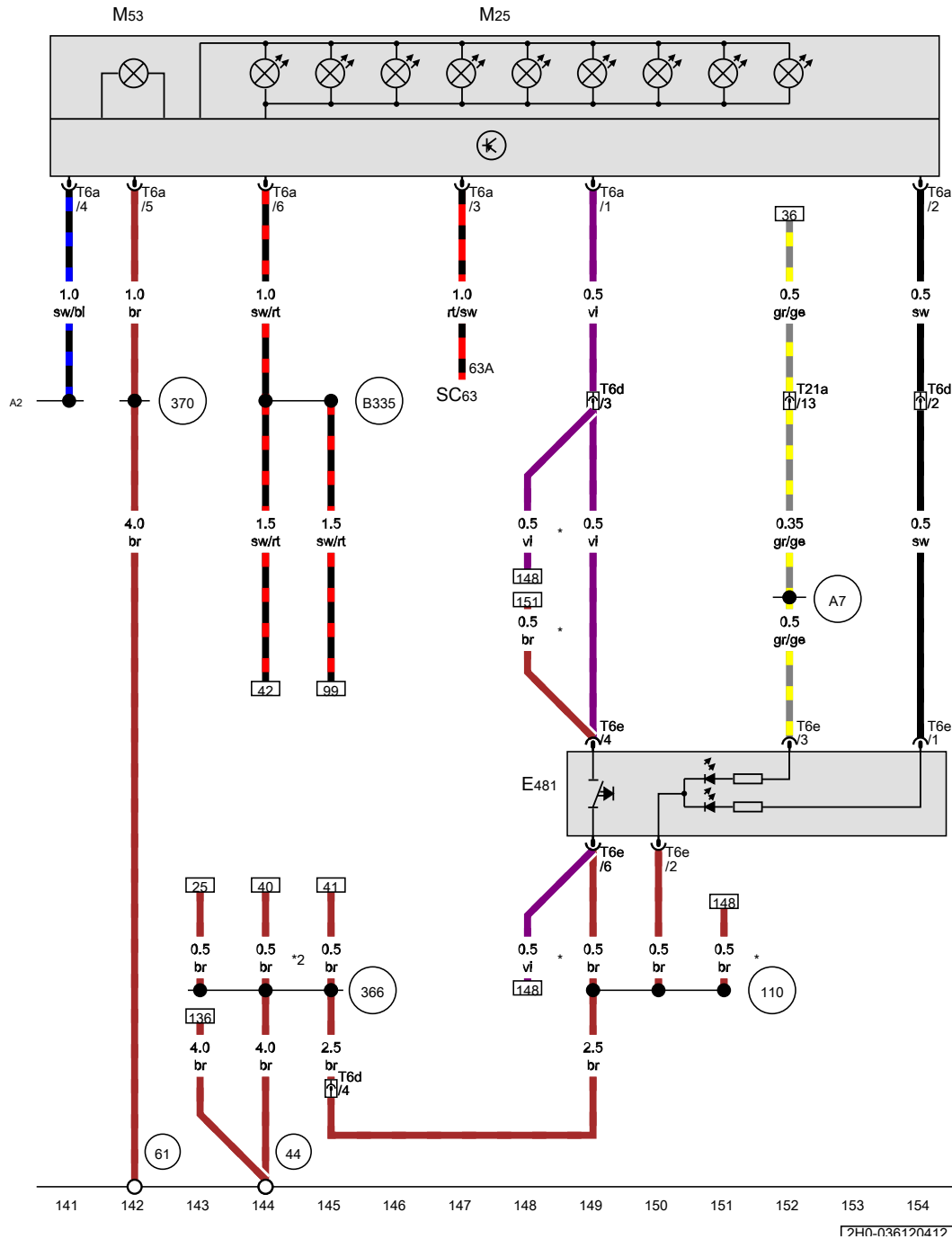
- 42 Earth point, next to steering column
- 371 Earth connection 6, in main wiring harness
- 372 Earth connection 7, in main wiring harness
- 380 Earth connection 15, in main wiring harness
- A2 Positive connection (15), in dash panel wiring harness
- B141 Positive connection 1 (56a), in interior wiring harness
- B482 Connection 18, in main wiring harness
- B522 Connection (FL), in main wiring harness
- \* Only models with headlight range control
- \*2 From November 2011

- ws = white
- sw = black
- ro = red
- br = brown
- gn = green
- bl = blue
- gr = grey
- li = purple
- ge = yellow
- or = orange
- rs = pink



PHD-0361104171





**Load area illumination switch, Additional brake light bulb, Load area illumination bulb**

- E481 Load area illumination switch, near radio
- M25 Additional brake light bulb
- M53 Load area illumination bulb
- SC63 Fuse 63 on fuse holder C
- T6a 6-pin connector, black
- T6d 6-pin connector, on relay carrier
- T6e 6-pin connector
- T21a 21-pin connector, on relay carrier, brown

- 44 Earth point, lower part of left A-pillar
- 61 Earth point, left C-pillar
- 110 Earth connection 2, in dash panel wiring harness
- 366 Earth connection 1, in main wiring harness
- 370 Earth connection 5, in main wiring harness
- A2 Positive connection (15), in dash panel wiring harness
- A7 Positive connection (58 D1), in dash panel wiring harness
- B335 Connection 1 (54), in main wiring harness

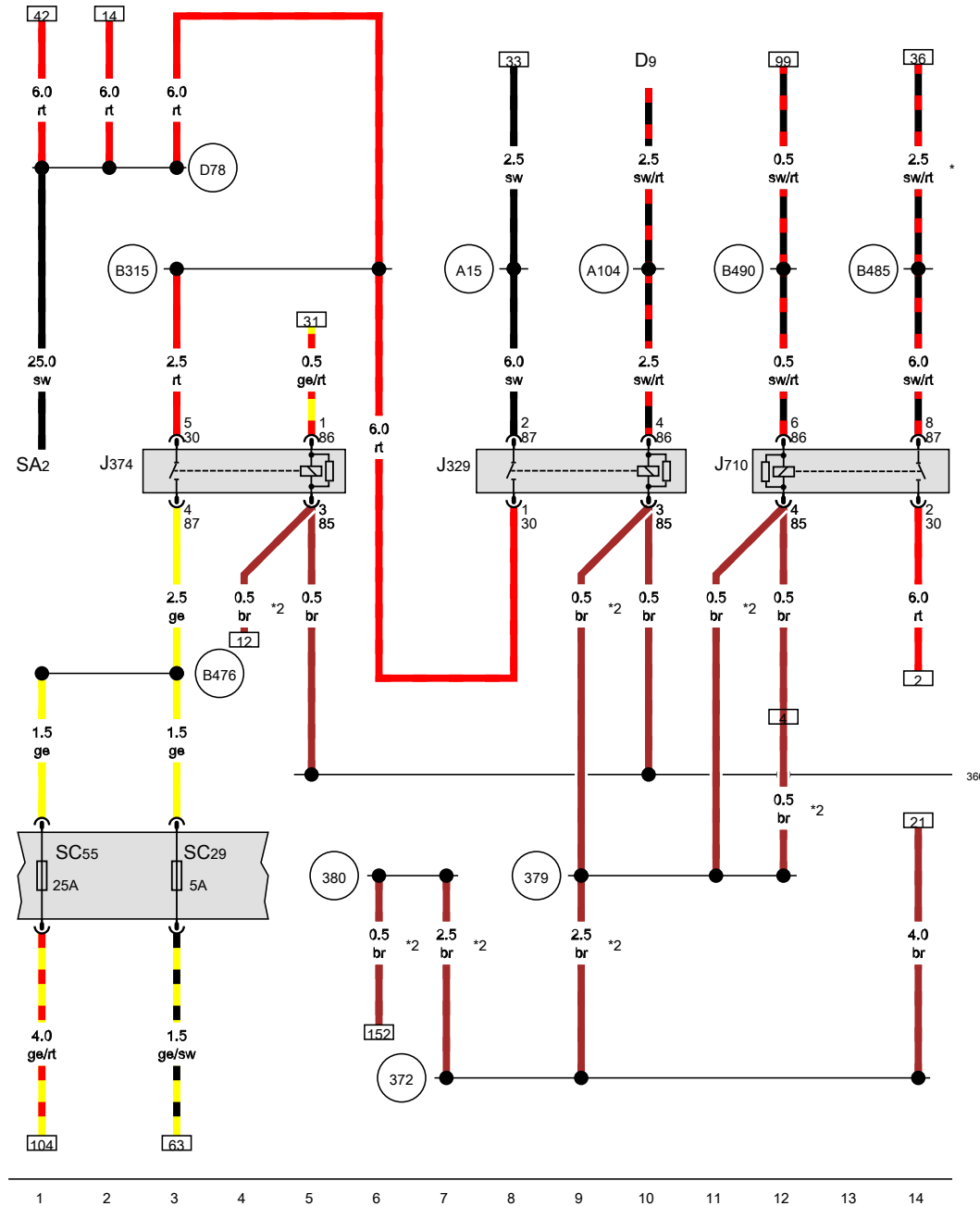
\* Only right-hand drive models  
 \*2 From November 2011

ws = white  
 sw = black  
 ro = red  
 br = brown  
 gn = green  
 bl = blue  
 gr = grey  
 li = purple  
 ge = yellow  
 or = orange  
 rs = pink

7PH0-0361204121

**Exterior lighting , (7L3)**

From May 2011



Electronic ignition lock, Terminal 15 voltage supply relay, Terminal 58b relief relay, Voltage supply relay 2, Fuse 29 on fuse holder C, Fuse 55 on fuse holder C

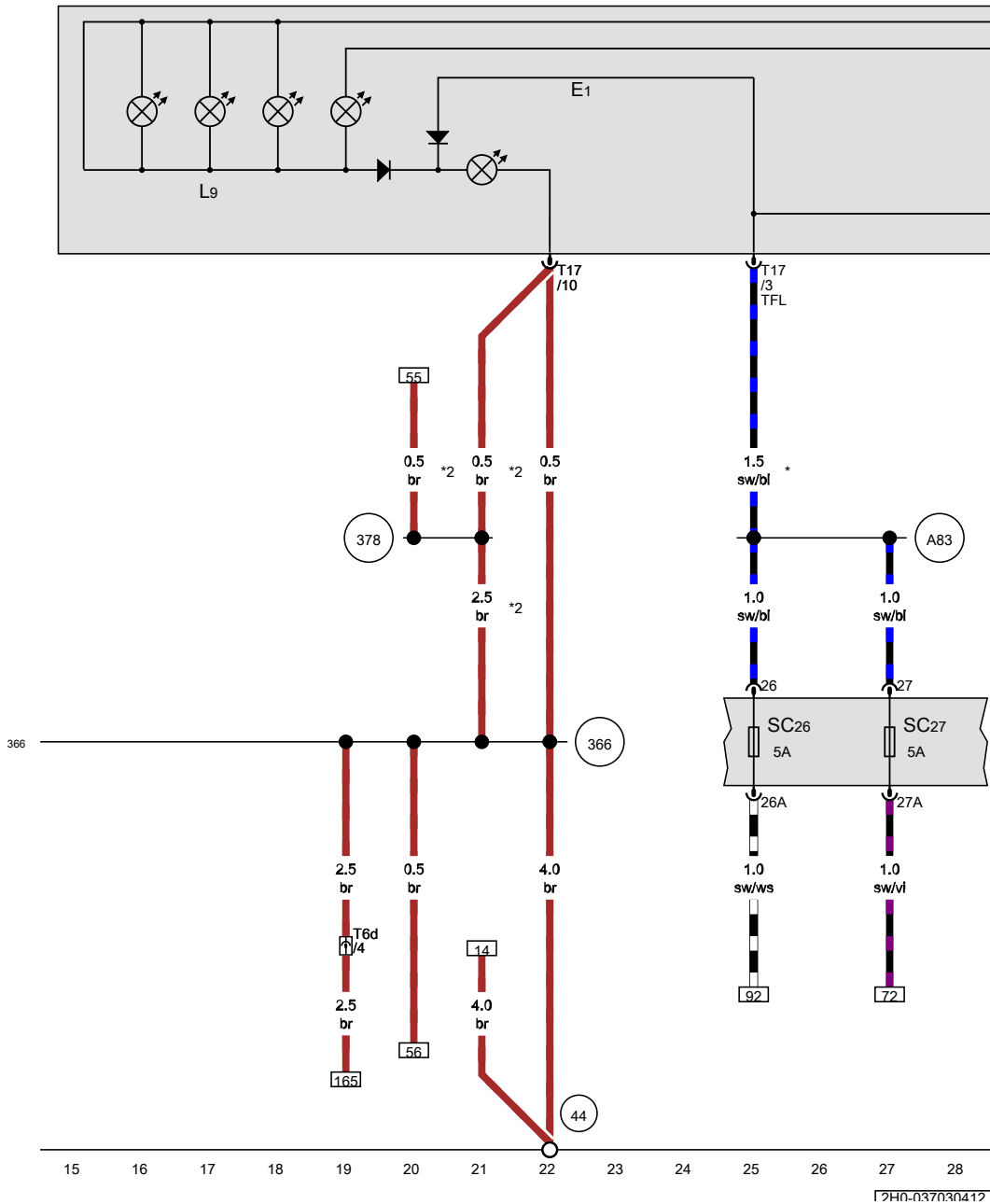
- D9 Electronic ignition lock
- J329 Terminal 15 voltage supply relay
- J374 Terminal 58b relief relay
- J710 Voltage supply relay 2
- SA2 Fuse 2 in fuse holder A
- SC29 Fuse 29 on fuse holder C
- SC55 Fuse 55 on fuse holder C
- 366 Earth connection 1, in main wiring harness
- 372 Earth connection 7, in main wiring harness
- 379 Earth connection 14, in main wiring harness
- 380 Earth connection 15, in main wiring harness
- A15 Positive connection (15), in instrument wiring harness
- A104 Positive connection 2 (15), in dash panel wiring harness
- B315 Positive connection 1 (30a) in main wiring harness
- B476 Connection 12, in main wiring harness
- B485 Connection 21, in main wiring harness
- B490 Connection 26, in main wiring harness
- D78 Positive connection 1 (30a), in engine compartment wiring harness

\* Only models with fog lights  
 \*2 From November 2011

- ws = white
- sw = black
- ro = red
- br = brown
- gn = green
- bl = blue
- gr = grey
- li = purple
- ge = yellow
- or = orange
- rs = pink

ГЭН-0370204121

Light switch, Light switch illumination bulb, Fuse 26 on fuse holder C, Fuse 27 on fuse holder C


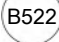


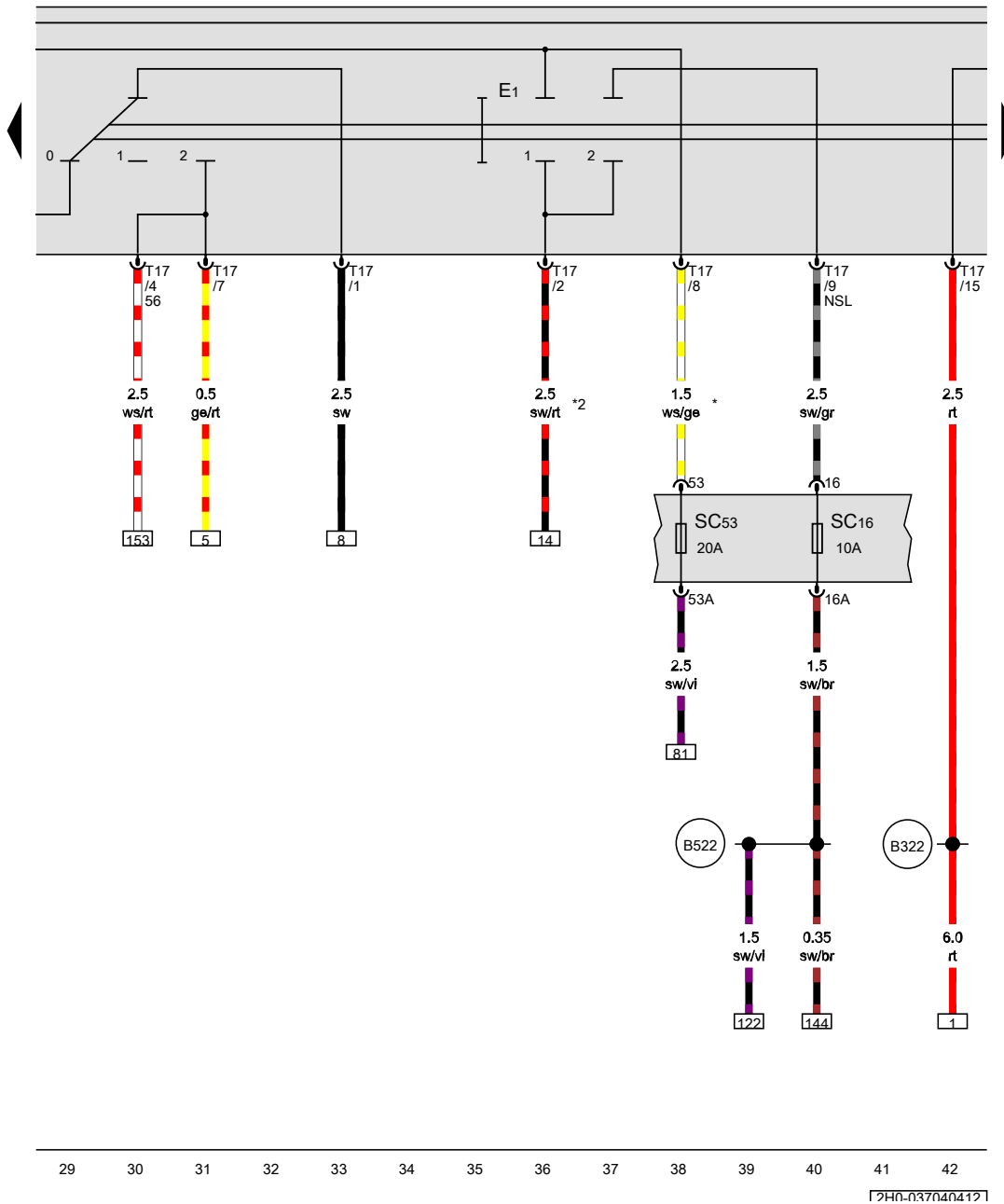
- E1 Light switch
- L9 Light switch illumination bulb
- SC26 Fuse 26 on fuse holder C
- SC27 Fuse 27 on fuse holder C
- T6d 6-pin connector
- T17 17-pin connector
- 44 Earth point, lower part of left A-pillar
- 366 Earth connection 1, in main wiring harness
- 378 Earth connection 13, in main wiring harness
- A83 Connection (daytime running lights), in dash panel wiring harness
- \* Only models with daytime running lights
- \*2 From November 2011

- ws = white
- sw = black
- ro = red
- br = brown
- gn = green
- bl = blue
- gr = grey
- li = purple
- ge = yellow
- or = orange
- rs = pink

Г240-0370304121

Light switch, Fuse 16 on fuse holder C, Fuse 53 on fuse holder C

- E1 Light switch
- SC16 Fuse 16 on fuse holder C
- SC53 Fuse 53 on fuse holder C
- T17 17-pin connector
-  B322 Positive connection 8 (30a) in main wiring harness
-  B522 Connection (FL), in main wiring harness
- \* Only models with no fog lights but with multifunction display
- \*2 Only models with fog lights

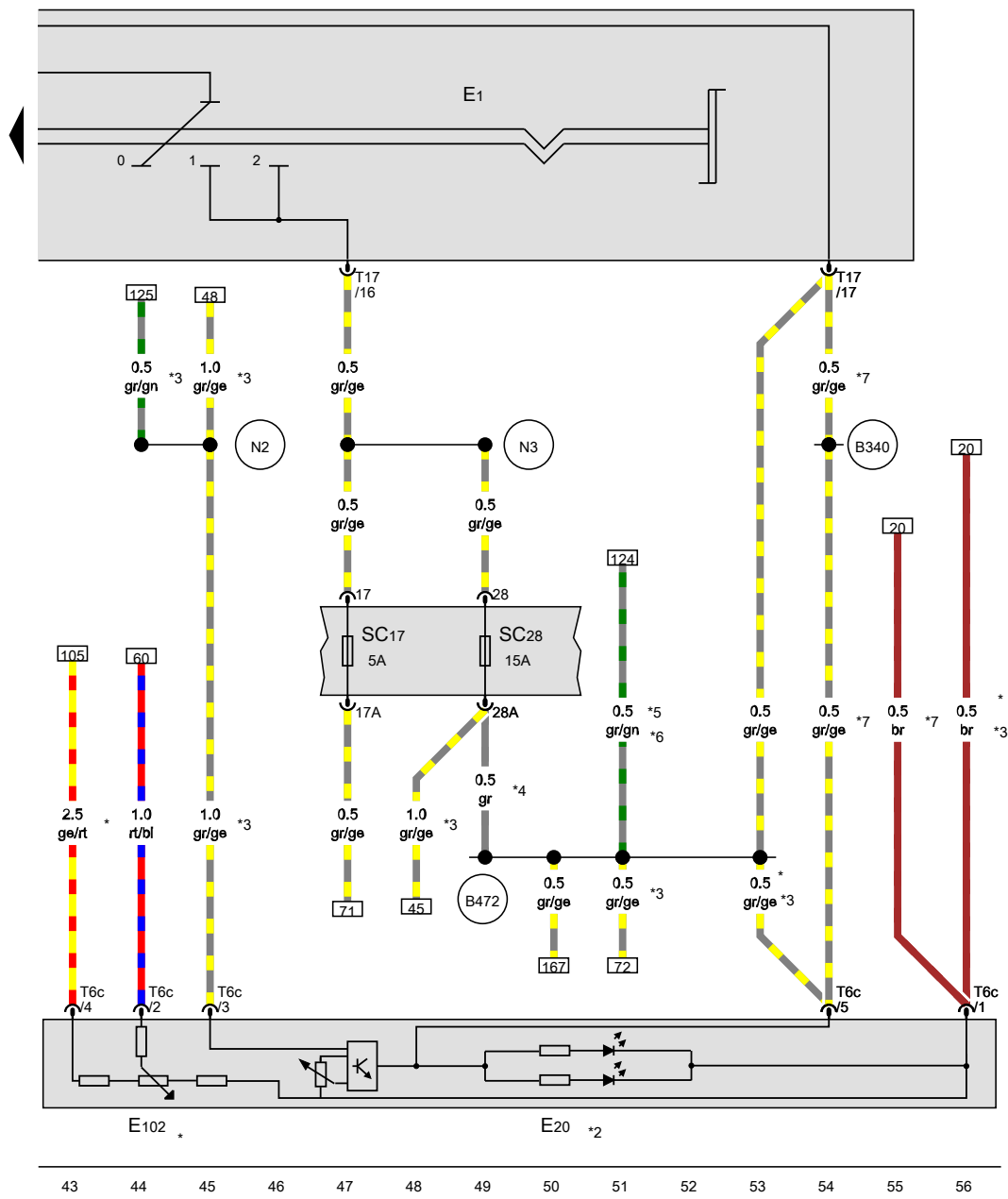


- ws = white
- sw = black
- ro = red
- br = brown
- gn = green
- bl = blue
- gr = grey
- li = purple
- ge = yellow
- or = orange
- rs = pink

29 30 31 32 33 34 35 36 37 38 39 40 41 42

17H0-0370404171

Light switch, Switch and instrument illumination regulator, Headlight range control regulator, Fuse 28 on fuse holder C




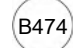


- E1 Light switch
- E20 Switch and instrument illumination regulator
- E102 Headlight range control regulator
- SC17 Fuse 17 on fuse holder C
- SC28 Fuse 28 on fuse holder C
- T6c 6-pin connector
- T17 17-pin connector
- B340 Connection 1 (58d), in main wiring harness
- B472 Connection 8, in main wiring harness
- N2 Connection 1, in headlight range control wiring harness
- N3 Connection 2, in headlight range control wiring harness
- \* Only models with headlight range control
- \*2 Only models with dimmable instrument illumination
- \*3 Only models with Highline equipment
- \*4 Only models with no dimmable instrument illumination
- \*5 Only models with Trendline equipment
- \*6 Only models with basic equipment
- \*7 From November 2011

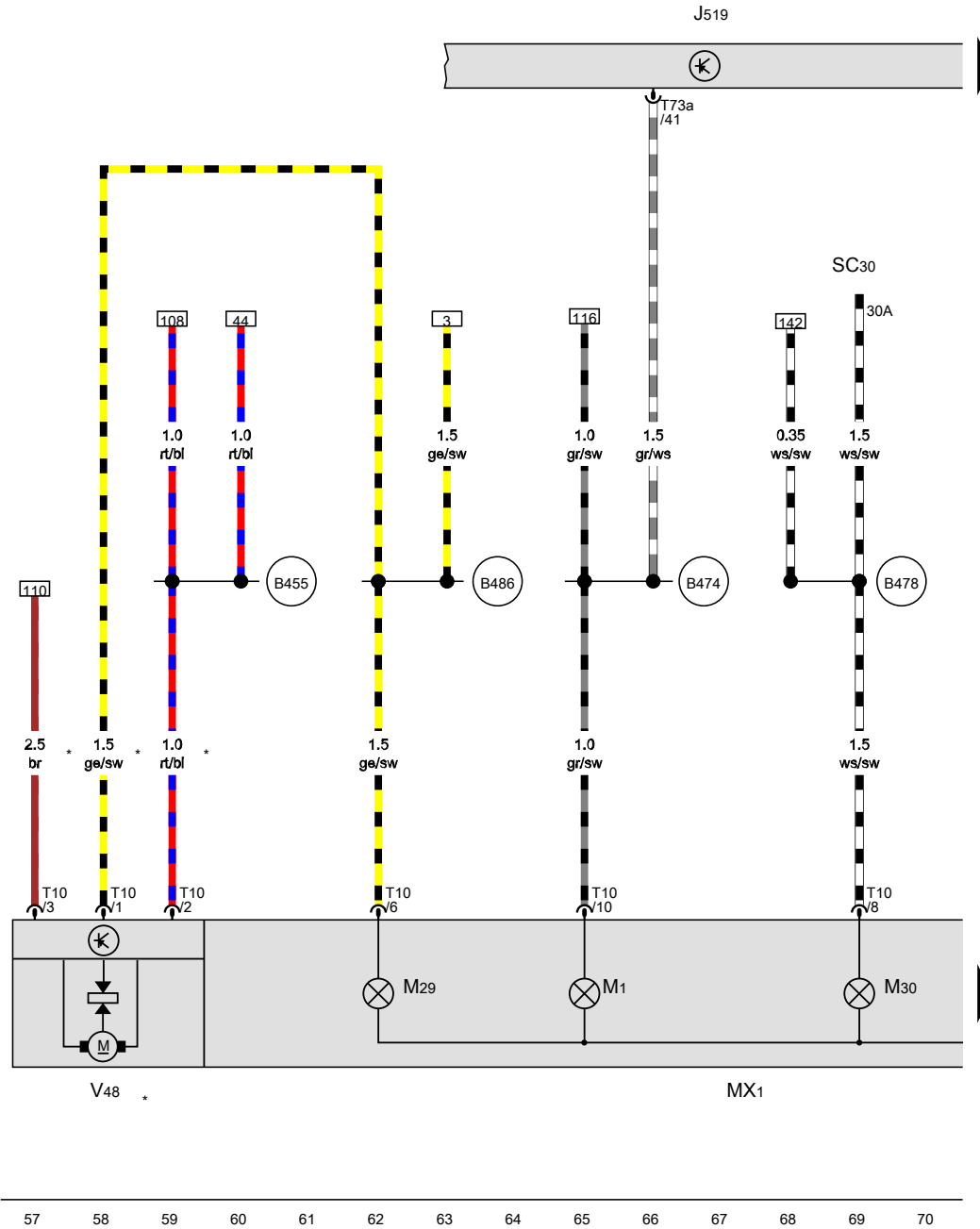
- ws = white
- sw = black
- ro = red
- br = brown
- gn = green
- bl = blue
- gr = grey
- li = purple
- ge = yellow
- or = orange
- rs = pink

17H0-0370504171

Front left headlight

- J519 Onboard supply control unit
- MX1 Front left headlight
- M1 Left side light bulb
- M29 Left headlight dipped beam bulb
- M30 Left headlight main beam bulb
- SC30 Fuse 30 on fuse holder C
- T10 10-pin connector
- T73a 73-pin connector
- V48 Left headlight range control motor

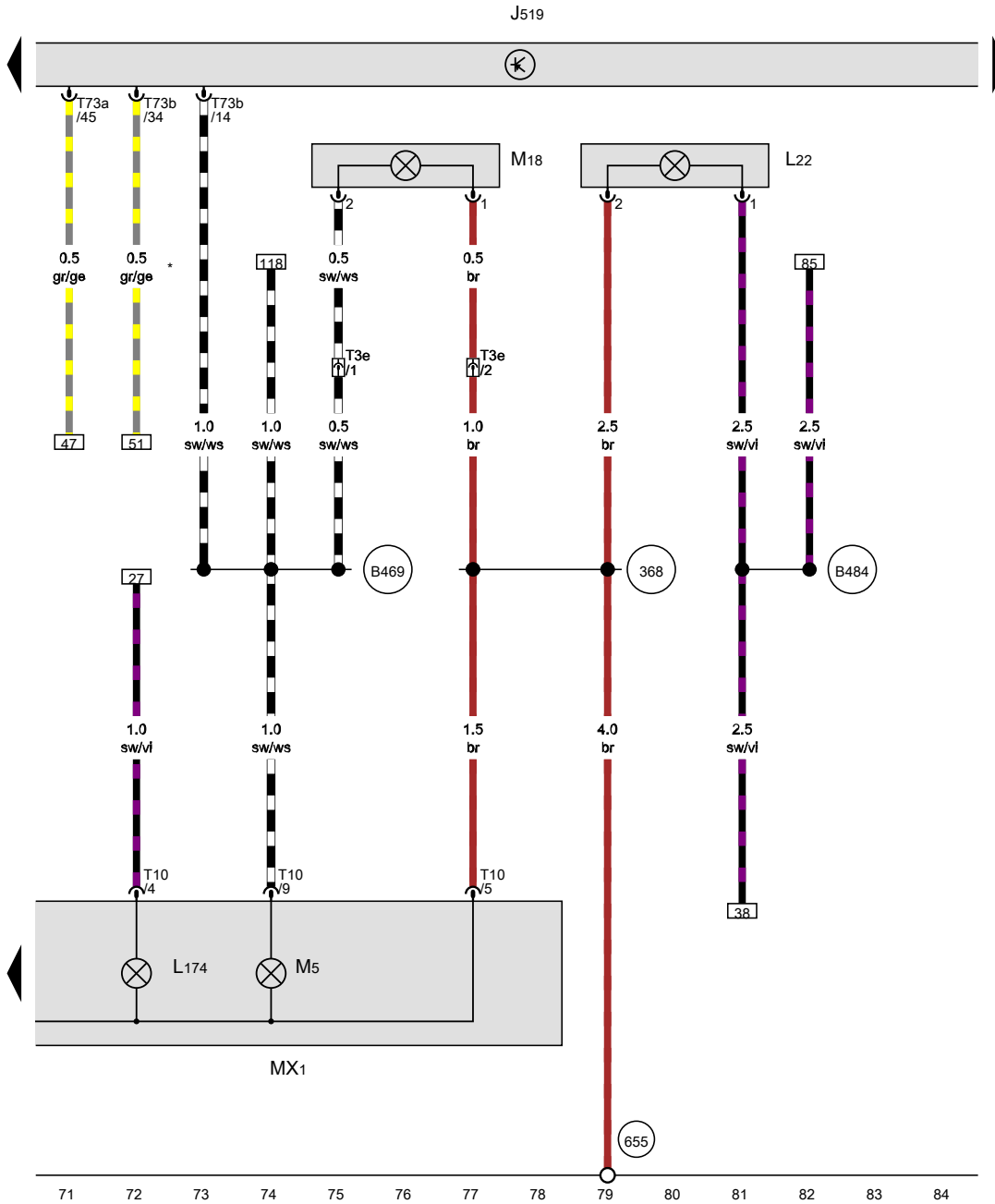
-  B455 Connection (HRC), in main wiring harness
-  B474 Connection 10, in main wiring harness
-  B478 Connection 14, in main wiring harness
-  B486 Connection 22, in main wiring harness
- \* Only models with headlight range control



- ws = white
- sw = black
- ro = red
- br = brown
- gn = green
- bl = blue
- gr = grey
- li = purple
- ge = yellow
- or = orange
- rs = pink

57 58 59 60 61 62 63 64 65 66 67 68 69 70

1740-0370604171



Left fog light bulb, Front left headlight, Left turn signal repeater bulb

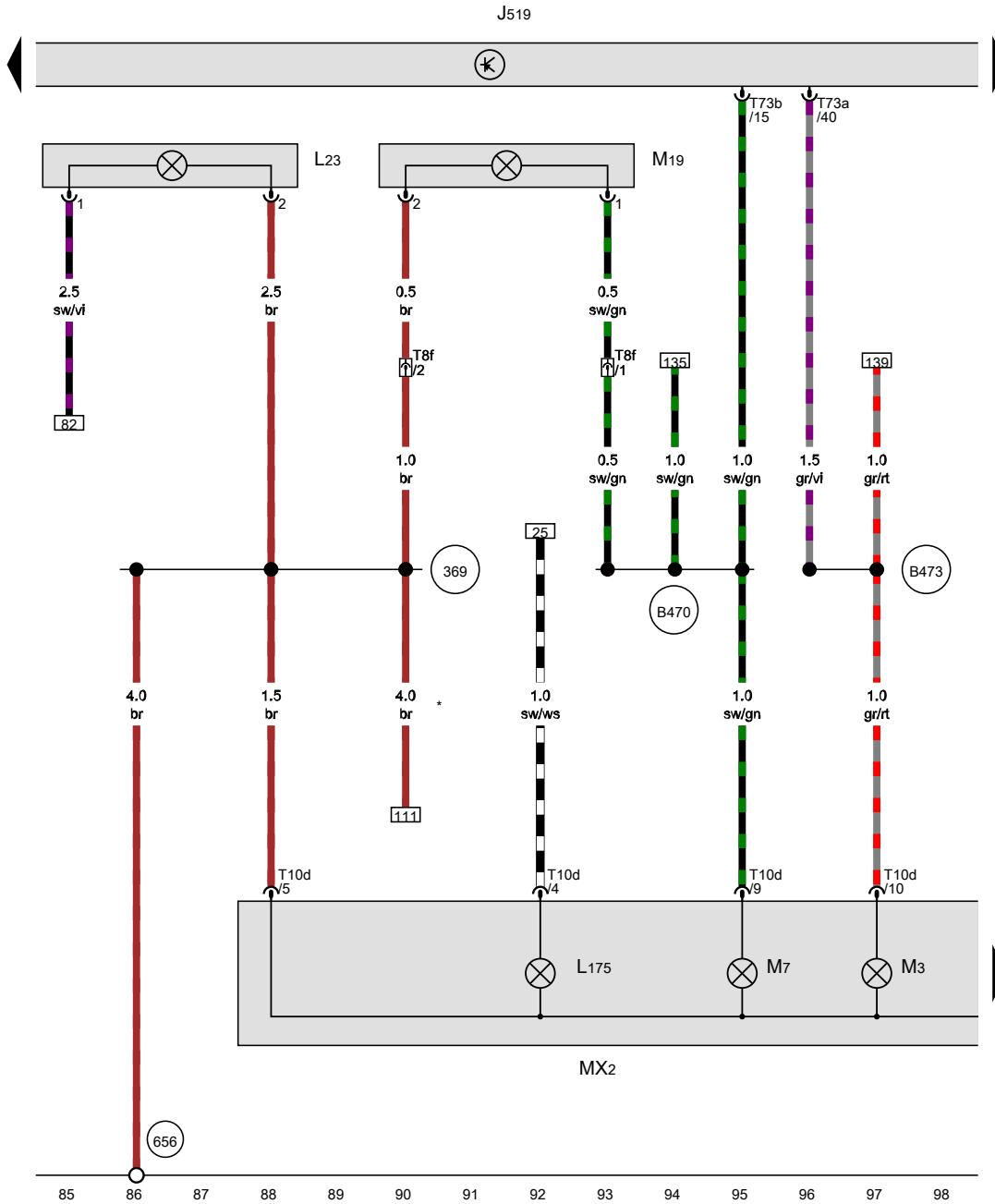
- J519 Onboard supply control unit
- L22 Left fog light bulb
- L174 Left daytime running light bulb
- MX1 Front left headlight
- M5 Front left turn signal bulb
- M18 Left turn signal repeater bulb
- T3e 3-pin connector, in rear left of engine compartment, black
- T10 10-pin connector
- T73a 73-pin connector
- T73b 73-pin connector

- 368 Earth connection 3, in main wiring harness
- 655 Earth point, on left headlight, on left on bulkhead
- B469 Connection 5, in main wiring harness
- B484 Connection 20, in main wiring harness
- \* Only models with Highline equipment

- ws = white
- sw = black
- ro = red
- br = brown
- gn = green
- bl = blue
- gr = grey
- li = purple
- ge = yellow
- or = orange
- rs = pink

12H0-0370704121





**Right fog light bulb, Front right headlight, Right turn signal repeater bulb**

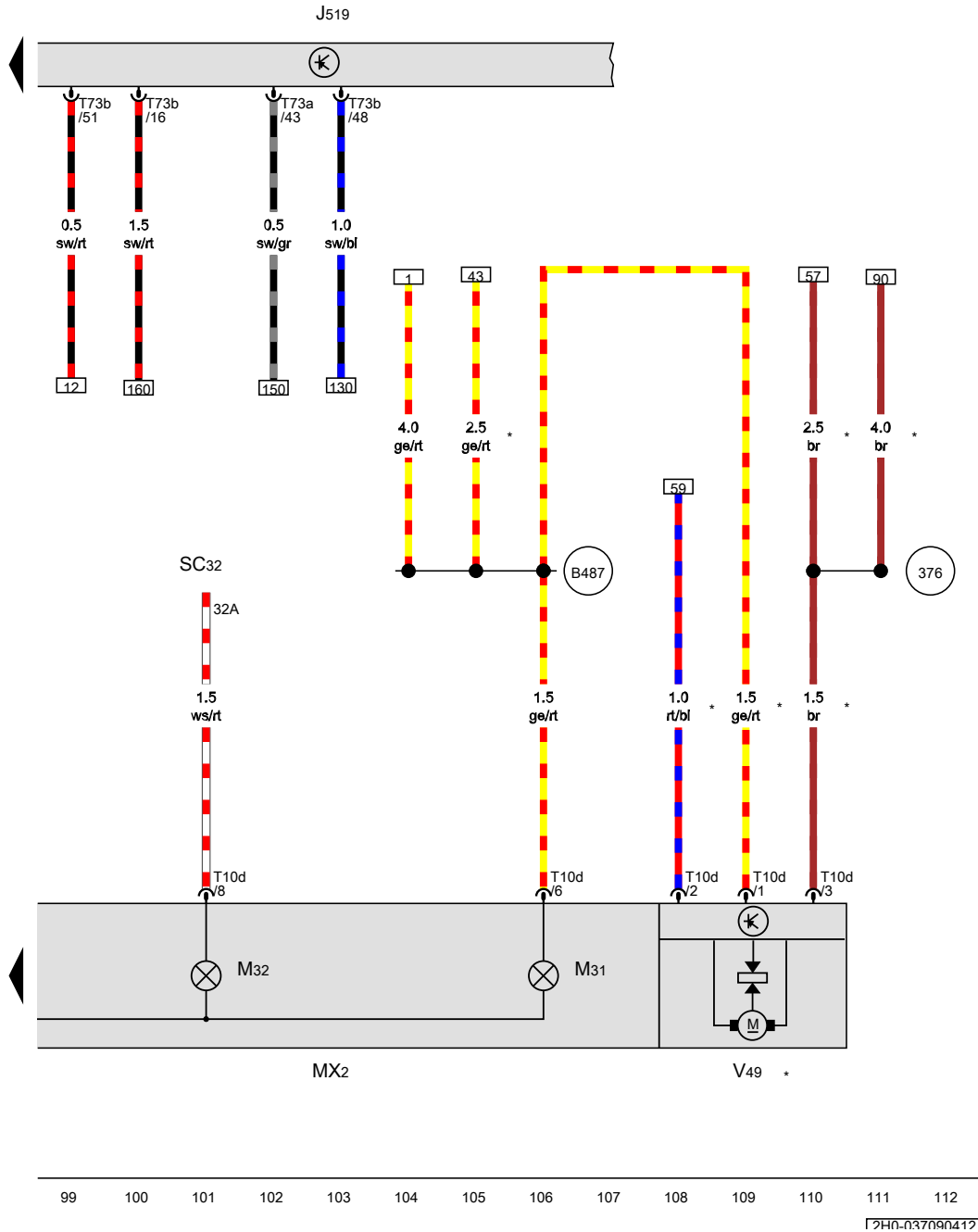
- J519 Onboard supply control unit
- L23 Right fog light bulb
- L175 Right daytime running light bulb
- MX2 Front right headlight
- M3 Right side light bulb
- M7 Front right turn signal bulb
- M19 Right turn signal repeater bulb
- T8f 8-pin connector, in rear right of engine compartment, black
- T10d 10-pin connector
- T73a 73-pin connector
- T73b 73-pin connector

- 369 Earth connection 4, in main wiring harness
- 656 Earth point, on right headlight, on right on bulkhead
- B470 Connection 6, in main wiring harness
- B473 Connection 9, in main wiring harness
- \* Only models with headlight range control
- \*2 Only models with Highline equipment

- ws = white
- sw = black
- ro = red
- br = brown
- gn = green
- bl = blue
- gr = grey
- li = purple
- ge = yellow
- or = orange
- rs = pink

7PH0-0370804171

Front right headlight, Fuse 32 on fuse holder C



- J519 Onboard supply control unit
- MX2 Front right headlight
- M31 Right headlight dipped beam bulb
- M32 Right headlight main beam bulb
- SC32 Fuse 32 on fuse holder C
- T10d 10-pin connector
- T73a 73-pin connector
- T73b 73-pin connector
- V49 Right headlight range control motor

- 376 Earth connection 11, in main wiring harness
- B487 Connection 23, in main wiring harness
- \* Only models with headlight range control

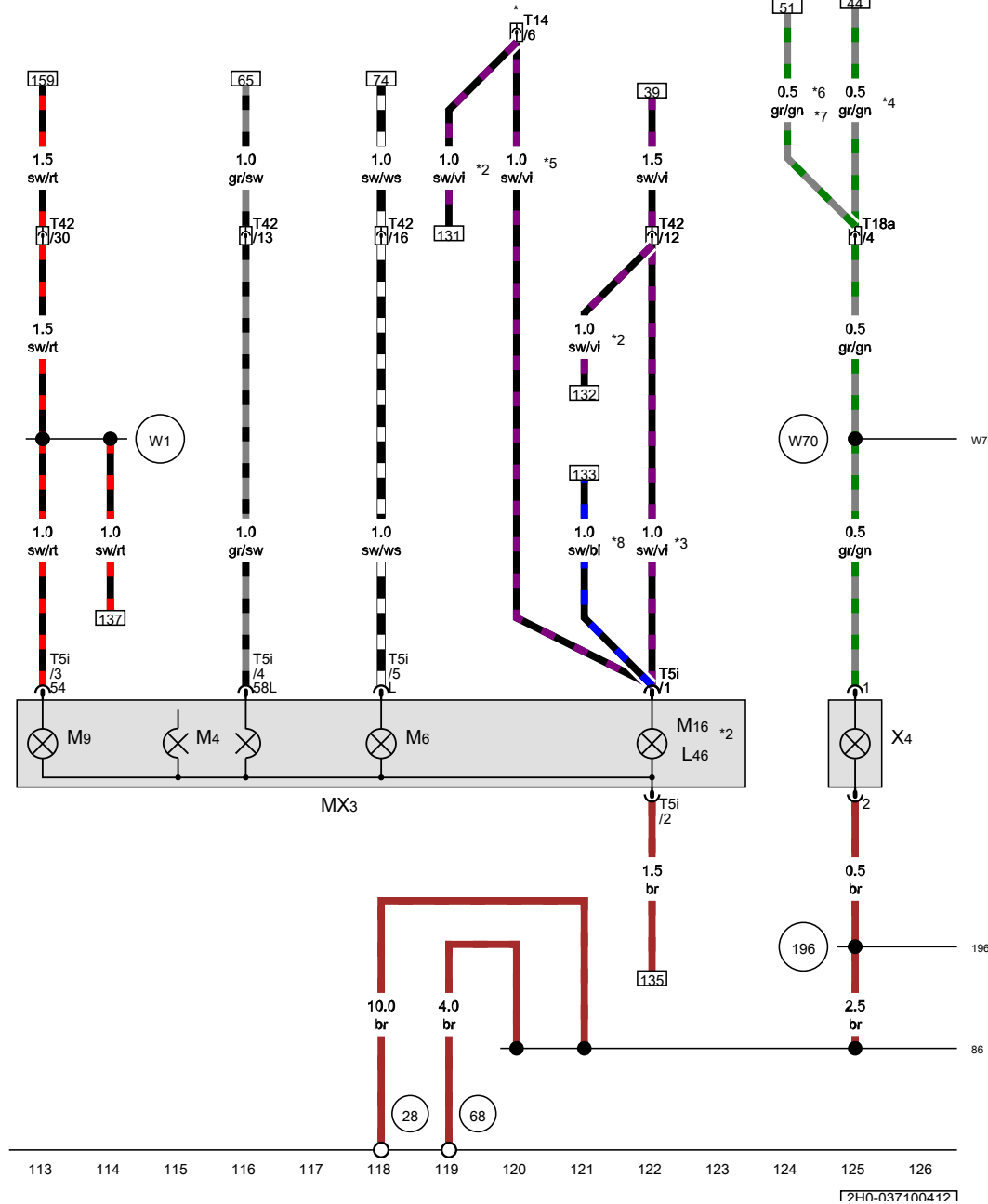
- ws = white
- sw = black
- ro = red
- br = brown
- gn = green
- bl = blue
- gr = grey
- li = purple
- ge = yellow
- or = orange
- rs = pink

Left tail light, Left number plate light

- L46 Rear left fog light bulb
- MX3 Left tail light
- M4 Left tail light bulb
- M6 Rear left turn signal bulb
- M9 Left brake light bulb
- M16 Left reversing light bulb
- T5i 5-pin connector
- T14 14-pin connector, behind rear bumper on left, black
- T18a 18-pin connector, near engine control unit, grey
- T42 42-pin connector, near handbrake lever, black
- X4 Left number plate light

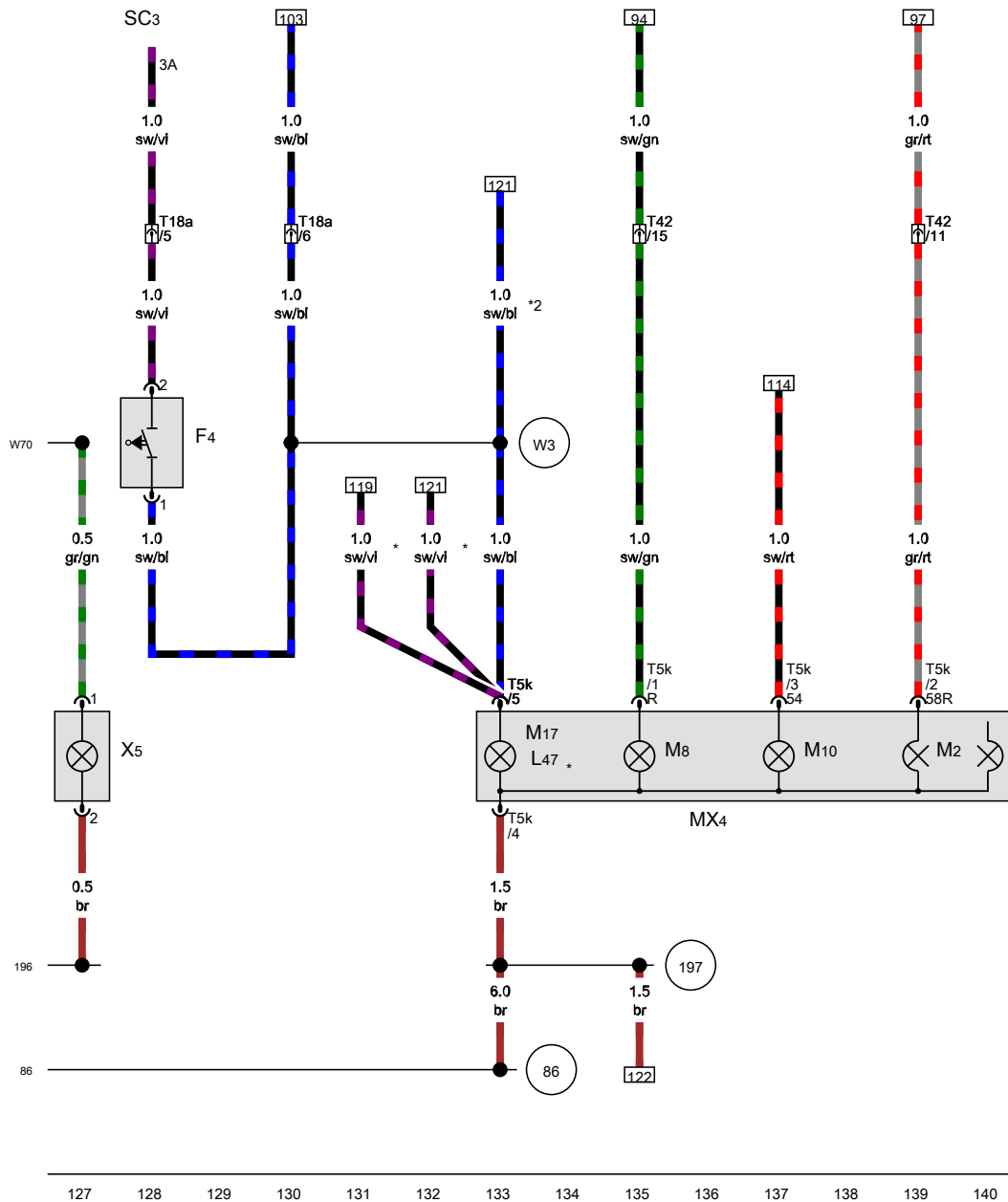
- (28) Earth point, on bulkhead
- (68) Earth point, on left of rear cross member
- (86) Earth connection 1, in rear wiring harness
- (196) Earth connection 3, in rear wiring harness
- (W1) Positive connection 1 (54), in rear wiring harness
- (W70) Positive connection 2 (58), in number plate wiring harness

- \* see applicable current flow diagram for preparation for trailer coupling
- \*2 Only right-hand drive models
- \*3 Only models with no towing bracket
- \*4 Only models with Highline equipment
- \*5 Only left-hand drive models
- \*6 Only models with Trendline equipment
- \*7 Only models with basic equipment
- \*8 Only models with no rear fog light



ws = white  
 sw = black  
 ro = red  
 br = brown  
 gn = green  
 bl = blue  
 gr = grey  
 li = purple  
 ge = yellow  
 or = orange  
 rs = pink

Reversing light switch, Right tail light, Right number plate light



- F4 Reversing light switch
- L47 Rear right fog light bulb
- M2 Right tail light bulb
- MX4 Right tail light
- M8 Rear right turn signal bulb
- M10 Right brake light bulb
- M17 Right reversing light bulb
- SC3 Fuse 3 on fuse holder C
- T5k 5-pin connector
- T18a 18-pin connector, near engine control unit, grey
- T42 42-pin connector, near handbrake lever, black
- X5 Right number plate light

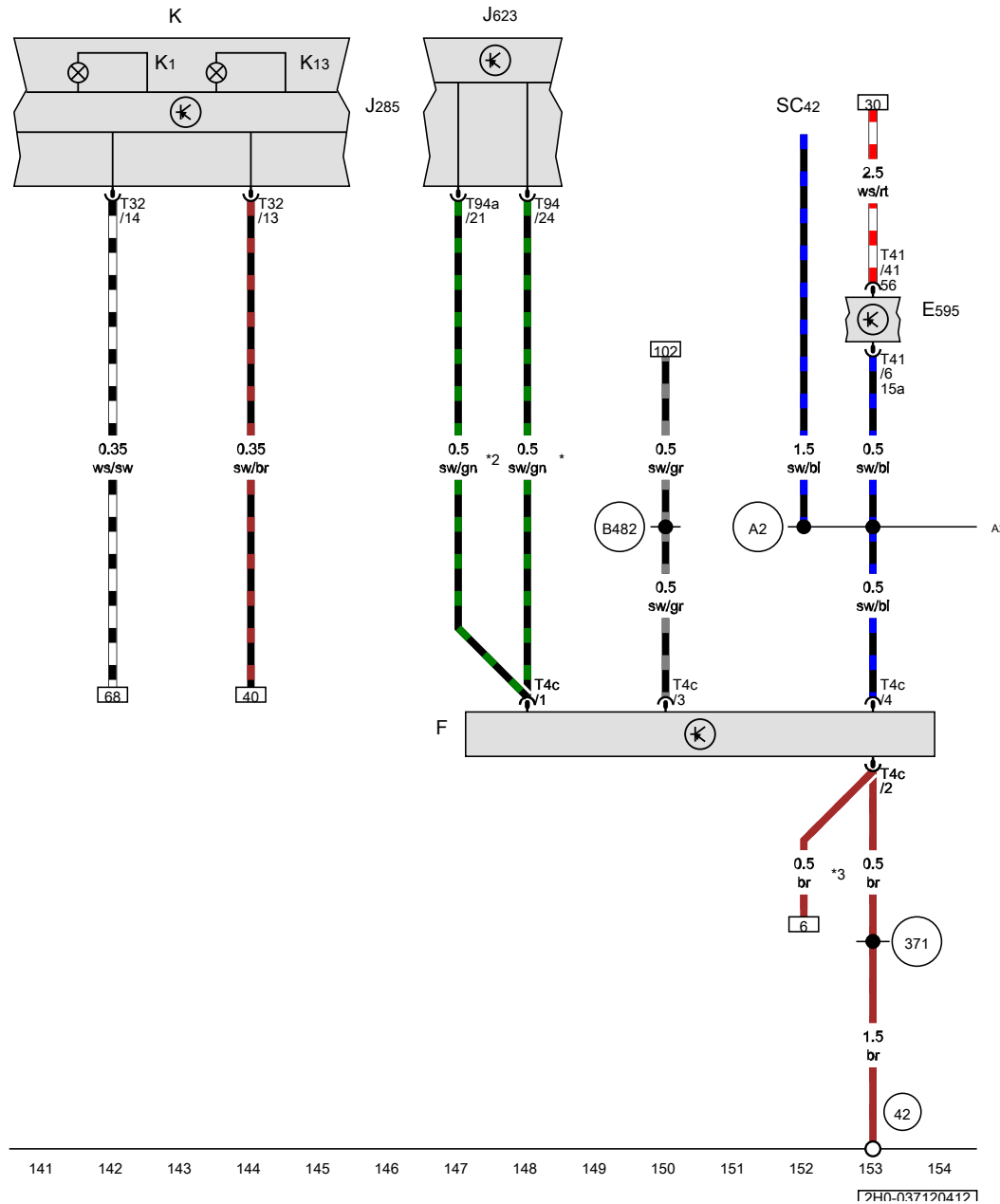
- 86 Earth connection 1, in rear wiring harness
- 196 Earth connection 3, in rear wiring harness
- 197 Earth connection 4, in rear wiring harness
- W3 Connection in rear wiring harness
- W70 Positive connection 2 (58), in number plate wiring harness
- \* Only right-hand drive models
- \*2 Only models with no rear fog light

- ws = white
- sw = black
- ro = red
- br = brown
- gn = green
- bl = blue
- gr = grey
- li = purple
- ge = yellow
- or = orange
- rs = pink

Steering column combination switch, Brake light switch, Control unit in dash panel insert, Engine control unit, Dash panel insert

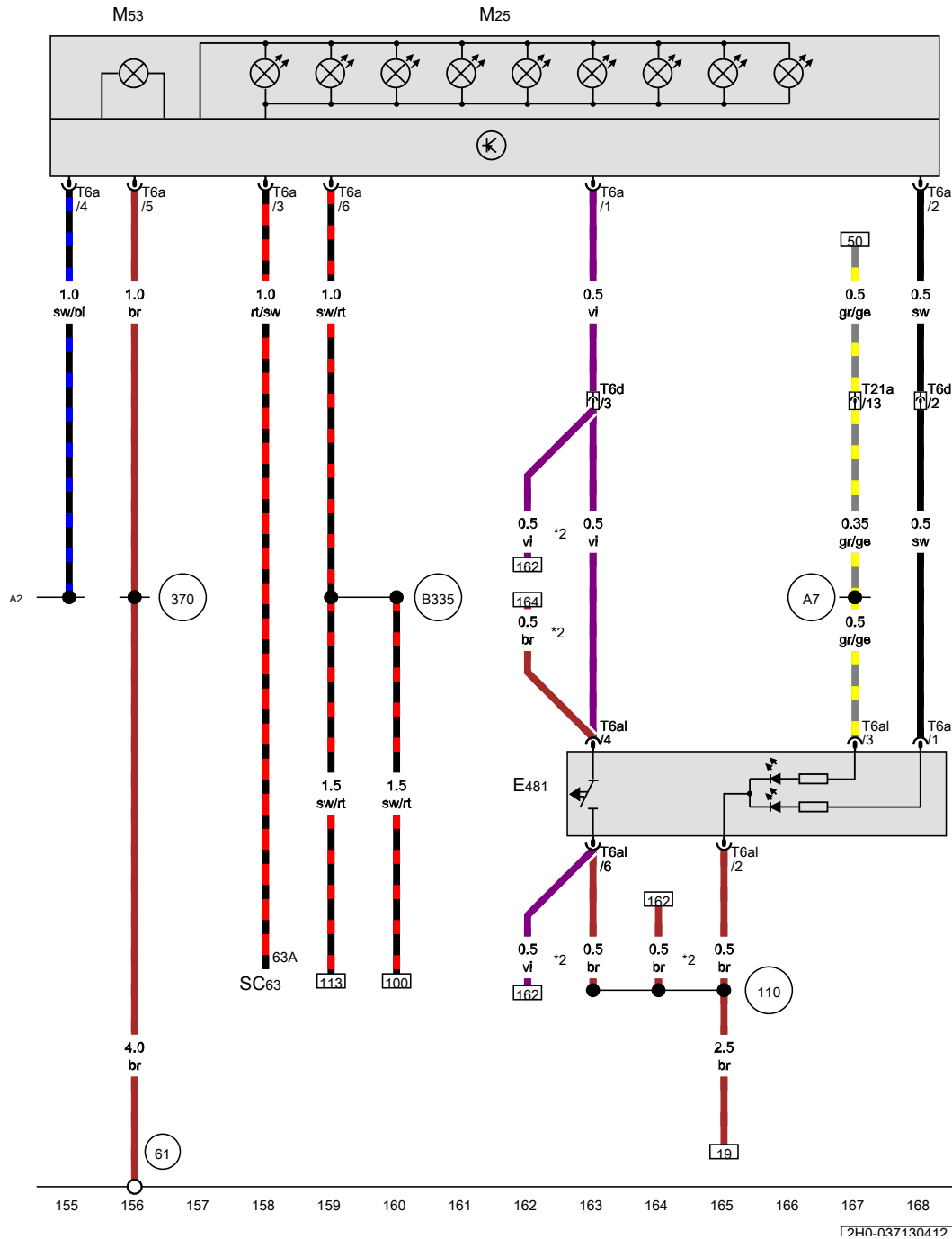
- E595 Steering column combination switch
- F Brake light switch
- J285 Control unit in dash panel insert
- J623 Engine control unit
- K Dash panel insert
- K1 Main beam warning lamp
- K13 Rear fog light warning lamp
- SC42 Fuse 42 on fuse holder C
- T4c 4-pin connector, black
- T32 32-pin connector, blue
- T41 41-pin connector, grey
- T94 94-pin connector, black
- T94a 94-pin connector, black

- 42 Earth point, next to steering column
- 371 Earth connection 6, in main wiring harness
- A2 Positive connection (15), in dash panel wiring harness
- B482 Connection 18, in main wiring harness
- \* Only models with petrol engine
- \*2 Only models with diesel engine
- \*3 From November 2011



141 142 143 144 145 146 147 148 149 150 151 152 153 154

17H0-0371204171



**Load area illumination switch, Additional brake light bulb, Load area illumination bulb**

- E481 Load area illumination switch, near radio
- M25 Additional brake light bulb
- M53 Load area illumination bulb
- SC63 Fuse 63 on fuse holder C
- T6a 6-pin connector
- T6al 6-pin connector
- T6d 6-pin connector, on relay carrier
- T21a 21-pin connector, on relay carrier

- 61 Earth point, left C-pillar
- 110 Earth connection 2, in dash panel wiring harness
- 370 Earth connection 5, in main wiring harness
- A2 Positive connection (15), in dash panel wiring harness
- A7 Positive connection (58 D1), in dash panel wiring harness
- B335 Connection 1 (54), in main wiring harness

\* Only models with headlight range control  
 \*2 Only right-hand drive models

- ws = white
- sw = black
- ro = red
- br = brown
- gn = green
- bl = blue
- gr = grey
- li = purple
- ge = yellow
- or = orange
- rs = pink

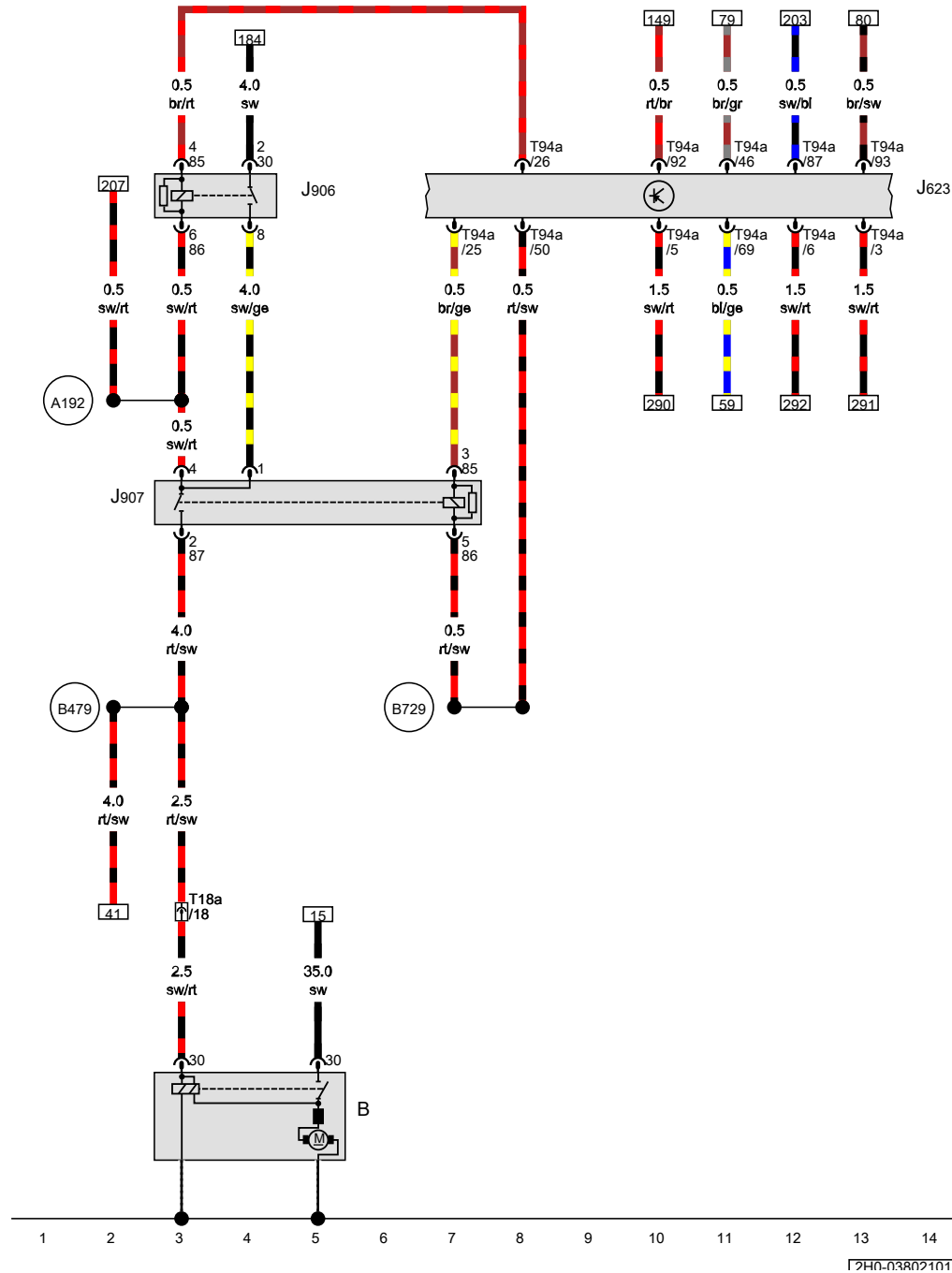
[PH0-037130417]

**Fuse assignment for models with start/stop system , (7L6)**

From May 2011

**Starter, Starter relay 1, Starter relay 2**

- B Starter
- J623 Engine control unit
- J906 Starter relay 1
- J907 Starter relay 2
- T18a 18-pin connector, near engine control unit, grey
- T94a 94-pin connector
- (A192) Positive connection 3 (15a) in dash panel wiring harness
- (B479) Connection 15, in main wiring harness
- (B729) Connection 1 (50), in main wiring harness

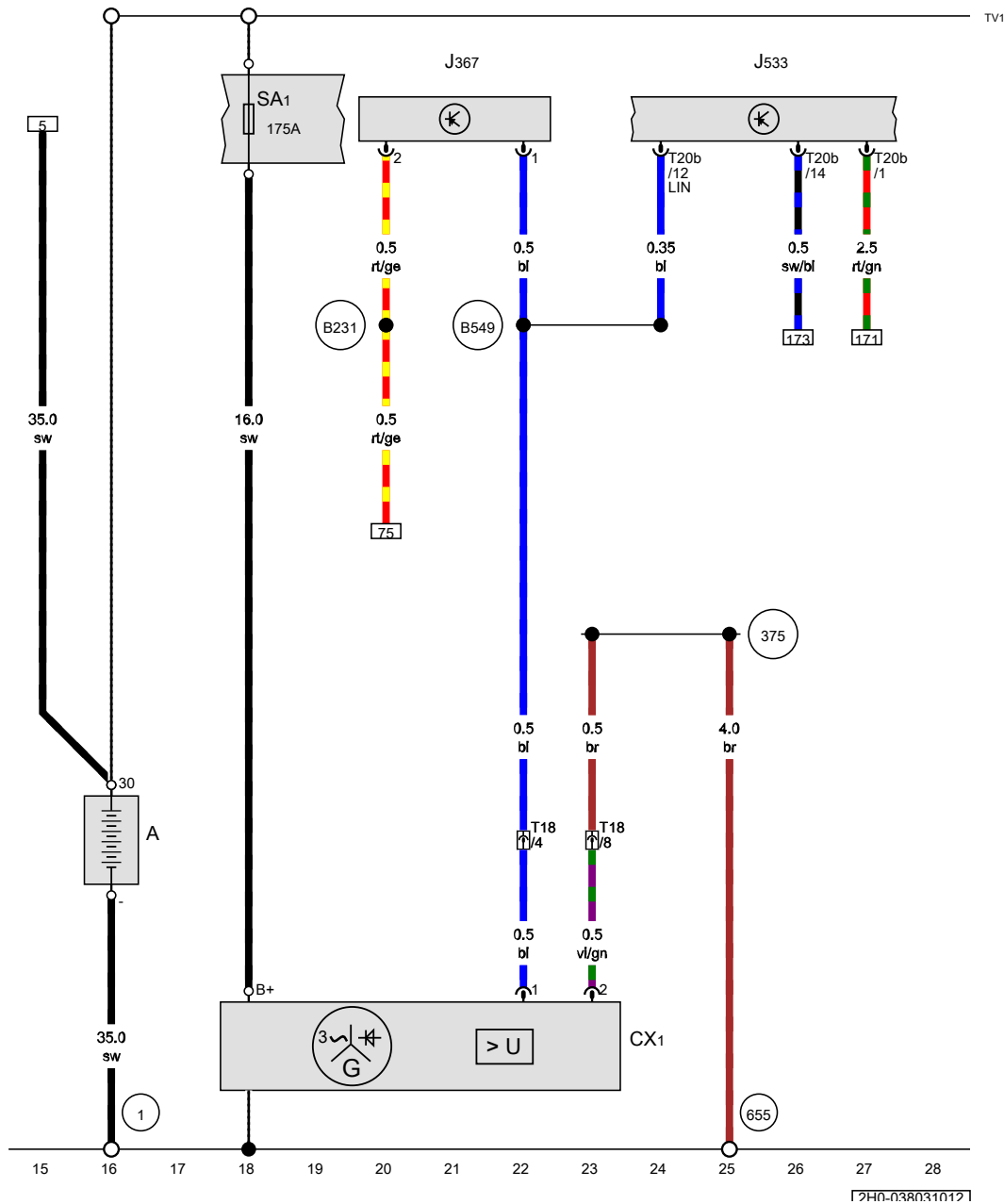


- ws = white
- sw = black
- ro = red
- br = brown
- gn = green
- bl = blue
- gr = grey
- li = purple
- ge = yellow
- or = orange
- rs = pink

ГЭН-0380210121



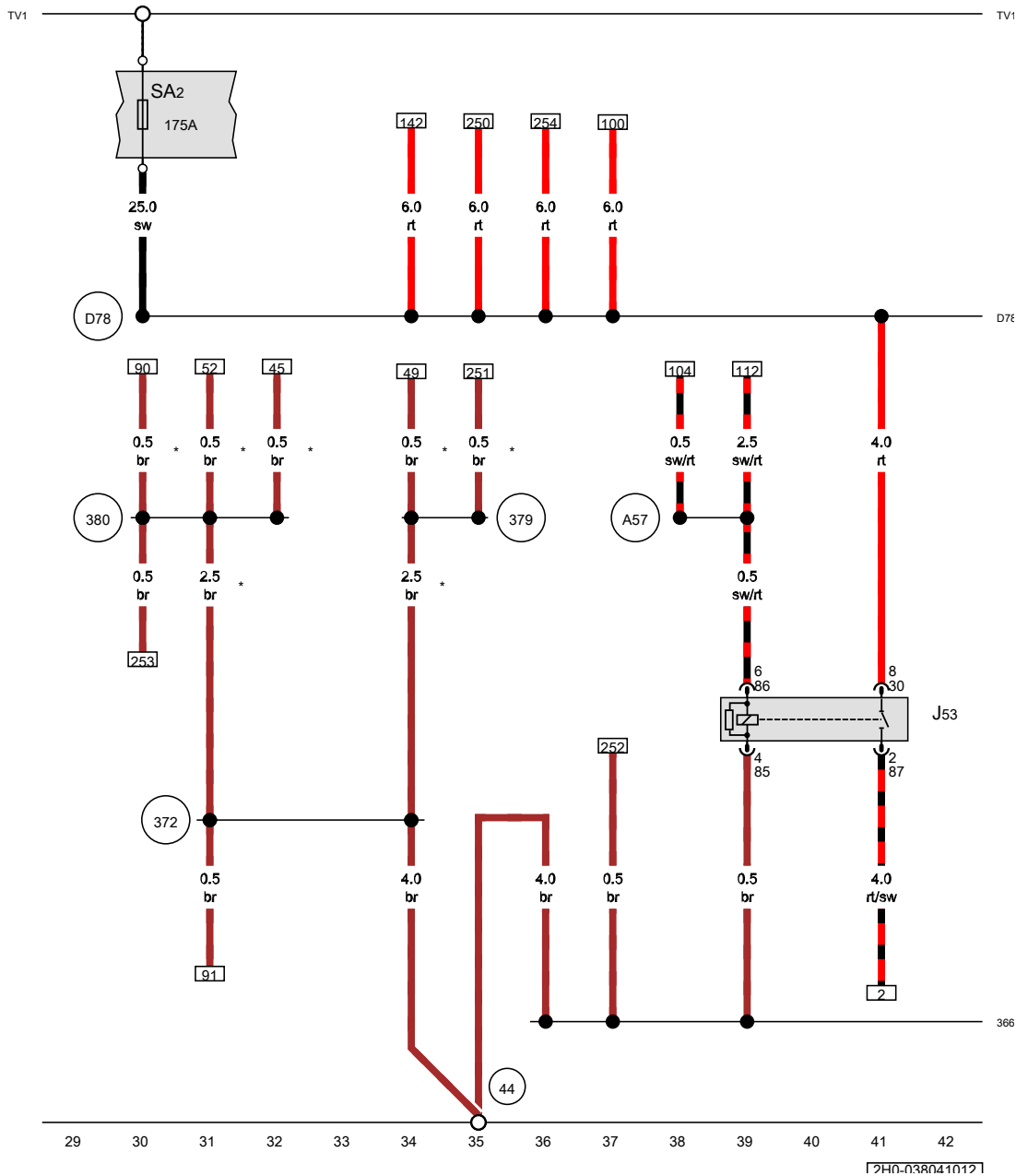
Battery, Alternator with voltage regulator, Battery monitor control unit, Data bus diagnostic interface, Fuse 1 in fuse holder A



- A Battery
- CX1 Alternator with voltage regulator
- J367 Battery monitor control unit
- J533 Data bus diagnostic interface
- SA1 Fuse 1 in fuse holder A
- T18 18-pin connector, near engine control unit, black
- T20b 20-pin connector
- 1 Earth strap, battery - body
- 375 Earth connection 10, in main wiring harness
- 655 Earth point, on left headlight
- B231 Positive connection 5 (30a), in interior wiring harness
- B549 Connection 2 (LIN bus) in main wiring harness

- ws = white
- sw = black
- ro = red
- br = brown
- gn = green
- bl = blue
- gr = grey
- li = purple
- ge = yellow
- or = orange
- rs = pink

ГЭН-0380310121



**Starter motor relay, Fuse 2 in fuse holder A**

J53 Starter motor relay  
SA2 Fuse 2 in fuse holder A

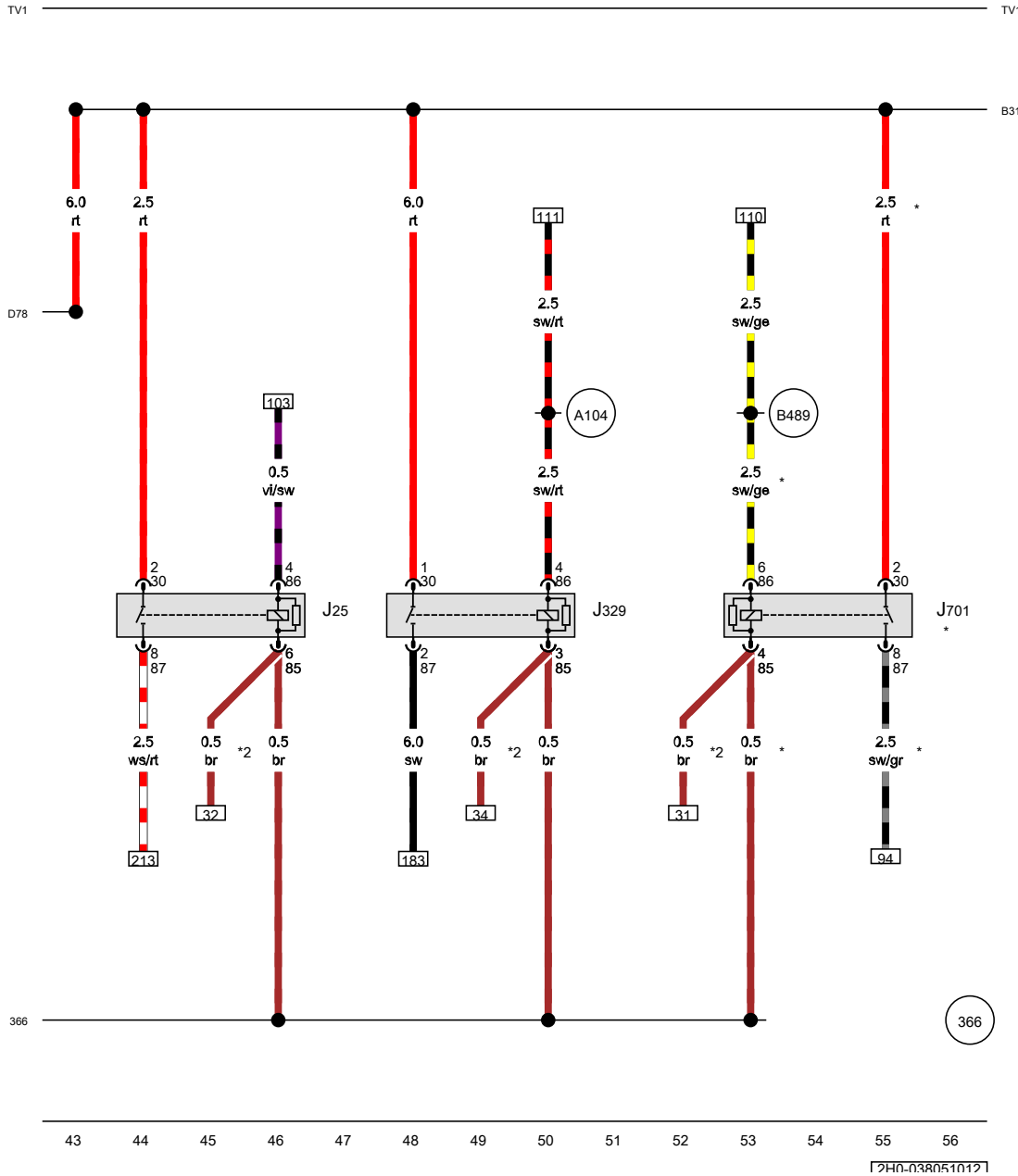
- 44 Earth point, lower part of left A-pillar
- 366 Earth connection 1, in main wiring harness
- 372 Earth connection 7, in main wiring harness
- 379 Earth connection 14, in main wiring harness
- 380 Earth connection 15, in main wiring harness
- A57 Positive connection 3 (30), in dash panel wiring harness
- D78 Positive connection 1 (30a), in engine compartment wiring harness

\* From November 2011

ws = white  
sw = black  
ro = red  
br = brown  
gn = green  
bl = blue  
gr = grey  
li = purple  
ge = yellow  
or = orange  
rs = pink

[7H0-038041012]

Headlight relay, Terminal 15 voltage supply relay, Voltage supply relay 1



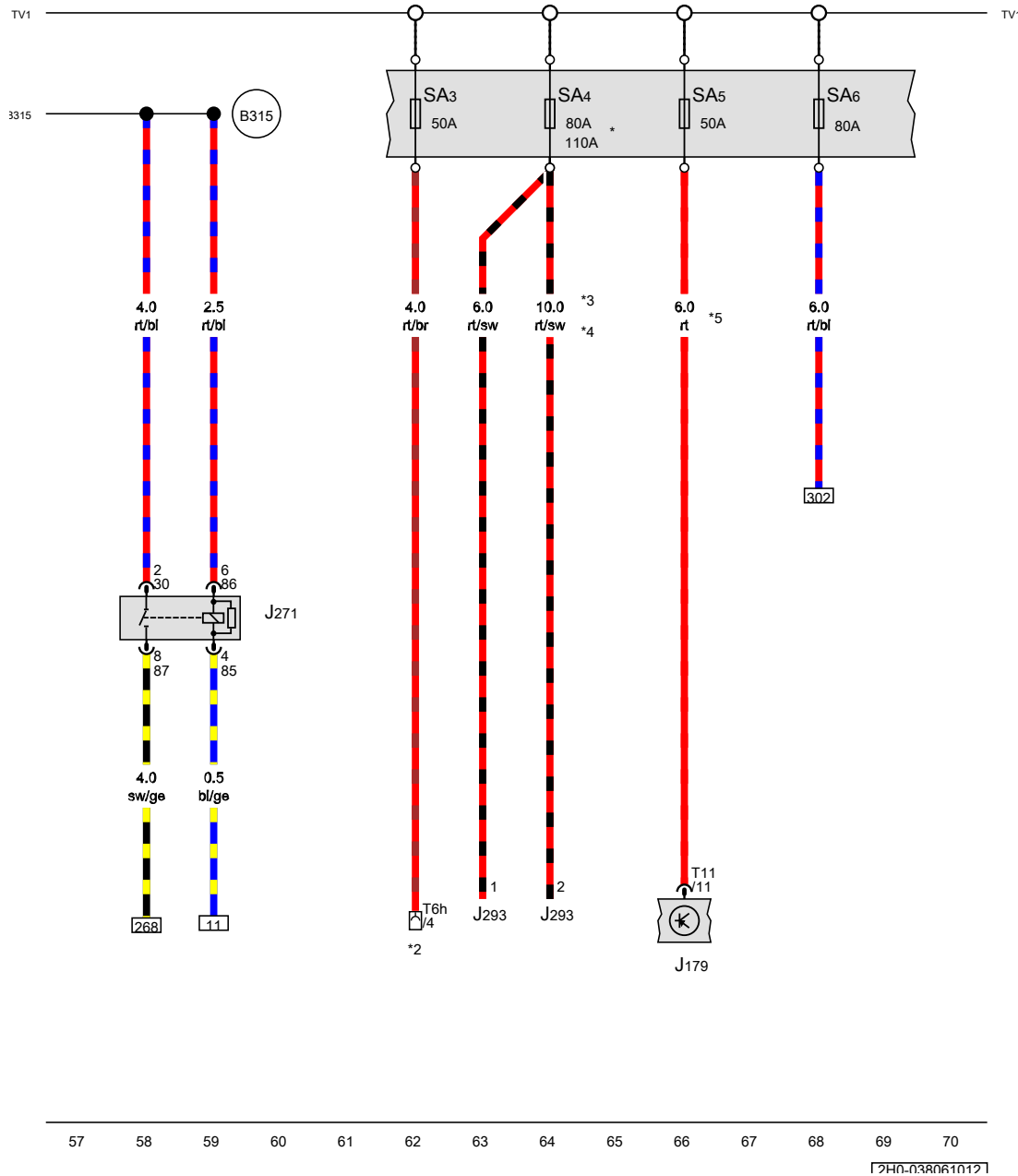
- J25 Headlight relay
- J329 Terminal 15 voltage supply relay
- J701 Voltage supply relay 1

- 366 Earth connection 1, in main wiring harness
- A104 Positive connection 2 (15), in dash panel wiring harness
- B315 Positive connection 1 (30a) in main wiring harness
- B489 Connection 25, in main wiring harness
- D78 Positive connection 1 (30a), in engine compartment wiring harness
- \* Only models with electric interface for external use
- \*2 From November 2011

- ws = white
- sw = black
- ro = red
- br = brown
- gn = green
- bl = blue
- gr = grey
- li = purple
- ge = yellow
- or = orange
- rs = pink

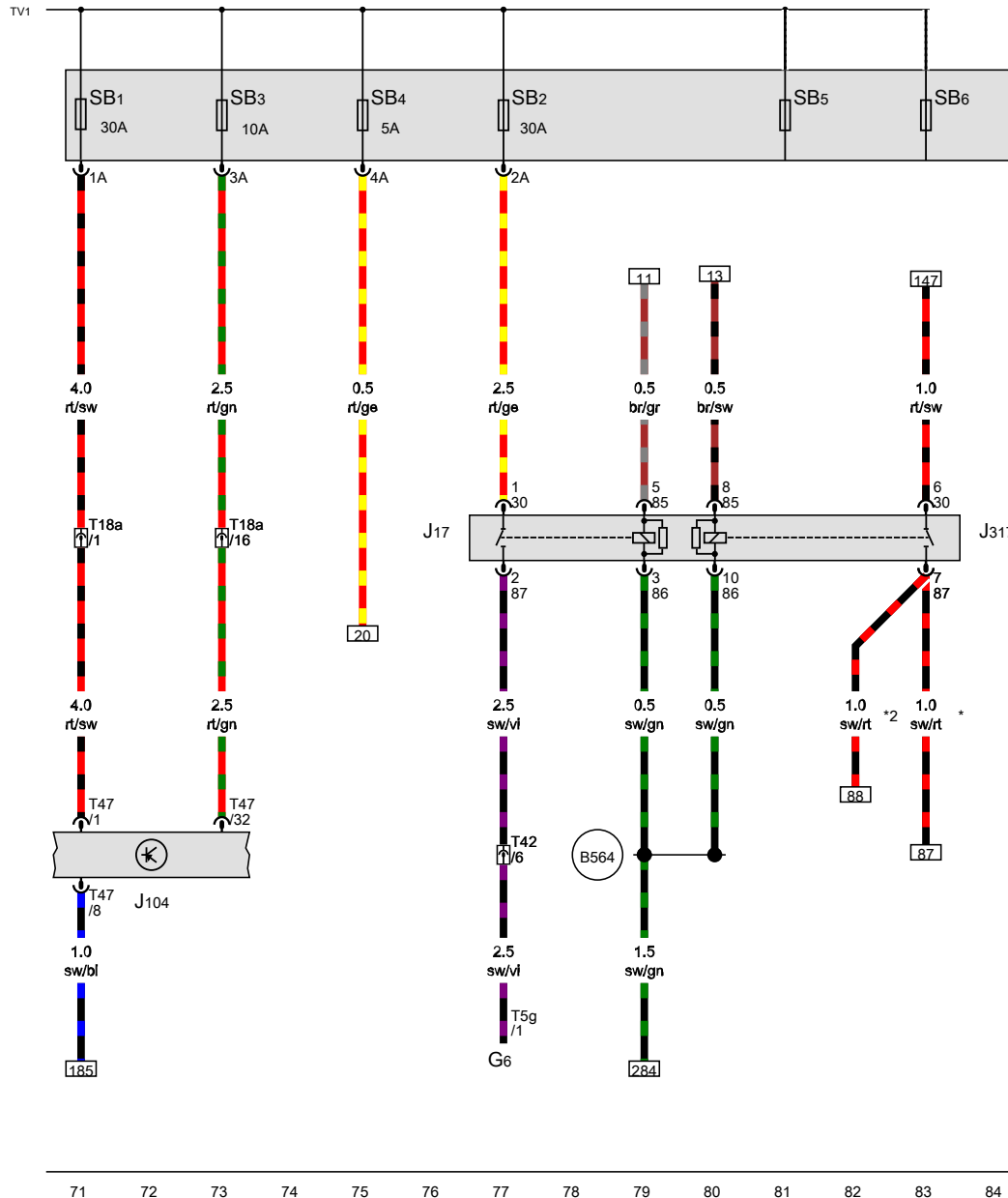
740-0380510121

Automatic glow period control unit, Main relay, Fuse 3 in fuse holder A, Fuse 4 in fuse holder A, Fuse 5 in fuse holder A, Fuse 6 in fuse holder A



- J179 Automatic glow period control unit
- J271 Main relay
- J293 Radiator fan control unit
- SA3 Fuse 3 in fuse holder A
- SA4 Fuse 4 in fuse holder A
- SA5 Fuse 5 in fuse holder A
- SA6 Fuse 6 in fuse holder A
- T6h 6-pin connector, in left footwell, near centre console
- T11 11-pin connector
- B315** Positive connection 1 (30a) in main wiring harness
- \* According to equipment
- \*2 Only models with electric interface for external use
- \*3 Only models with air conditioning system/ Climatronic
- \*4 Only for countries with hot climate
- \*5 Only models with diesel engine

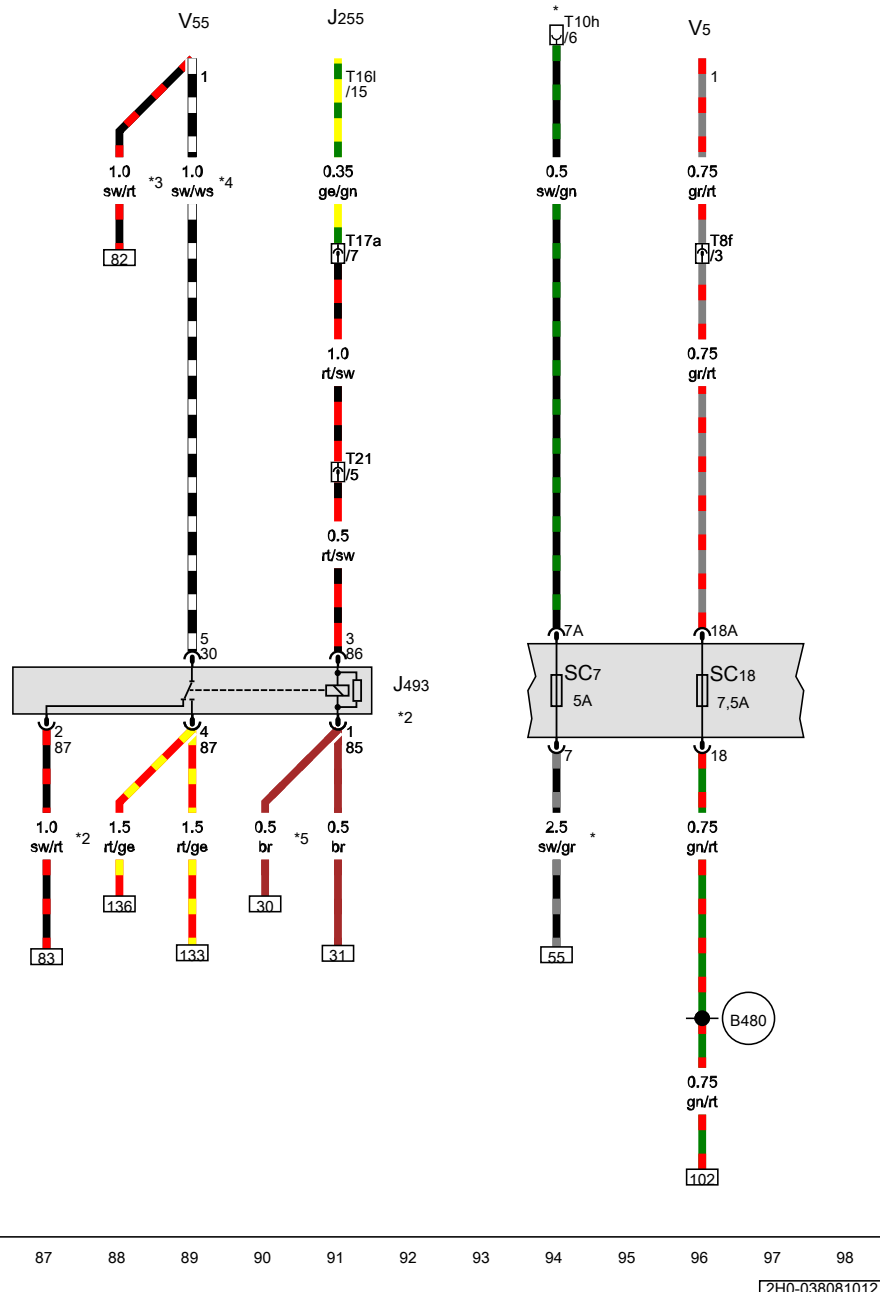
Fuel pump relay, ABS control unit, Terminal 30 voltage supply relay, Fuse 1 on fuse holder B, Fuse 2 on fuse holder B, Fuse 3 on fuse holder B, Fuse 4 on fuse holder B



- G6 Fuel system pressurisation pump
- J17 Fuel pump relay
- J104 ABS control unit
- J317 Terminal 30 voltage supply relay
- SB1 Fuse 1 on fuse holder B
- SB2 Fuse 2 on fuse holder B
- SB3 Fuse 3 on fuse holder B
- SB4 Fuse 4 on fuse holder B
- SB5 Fuse 5 on fuse holder B
- SB6 Fuse 6 on fuse holder B
- T5g 5-pin connector
- T18a 18-pin connector, near engine control unit, grey
- T42 42-pin connector, black
- T47 47-pin connector
- B564** Connection 31, in main wiring harness
- \* Only models with air conditioning system/ Climatronic
- \*2 Only models with no air conditioning system/Climatronic

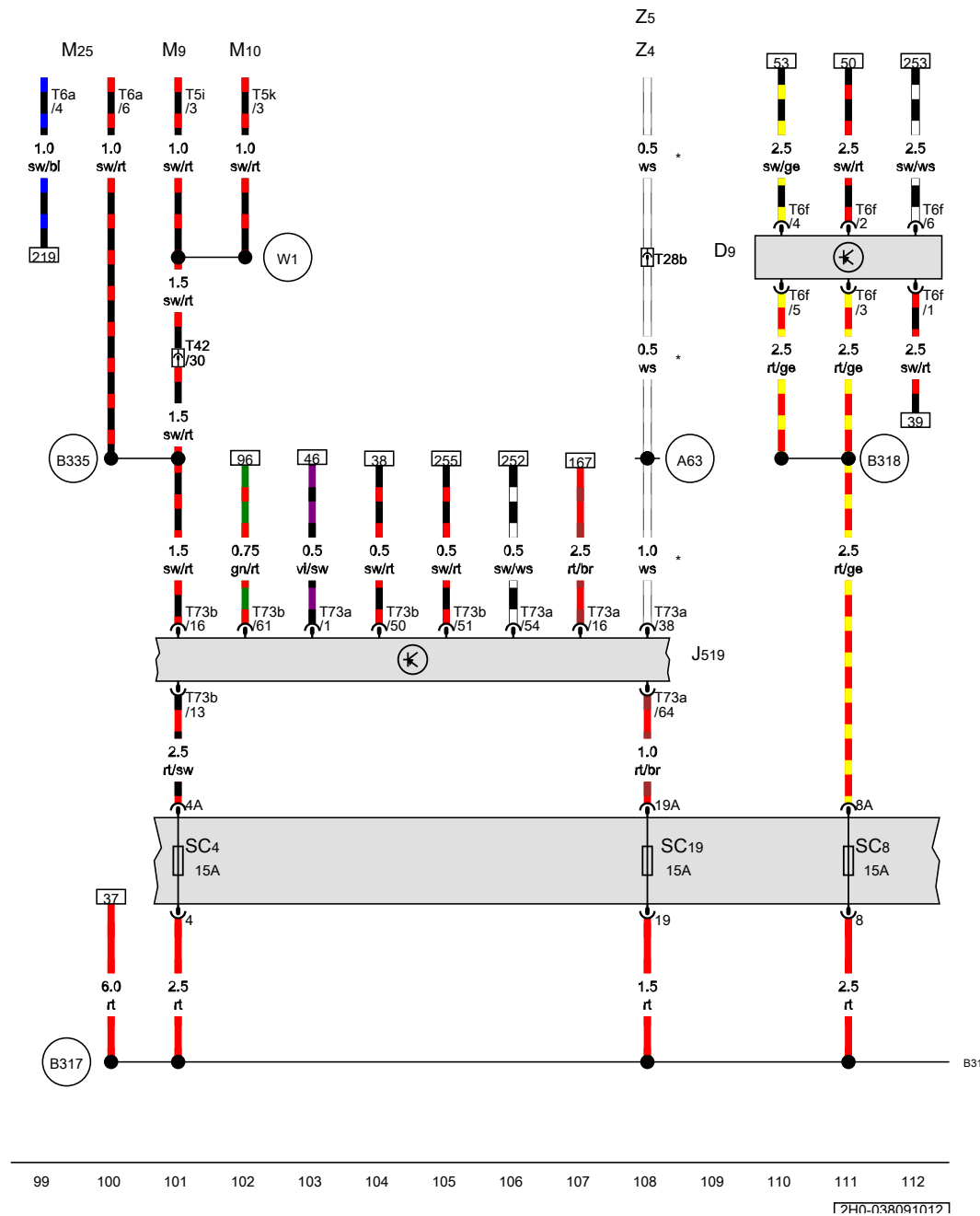
- ws = white
- sw = black
- ro = red
- br = brown
- gn = green
- bl = blue
- gr = grey
- li = purple
- ge = yellow
- or = orange
- rs = pink

Auxiliary coolant heater relay, 10-pin connector, Washer pump, Circulation pump



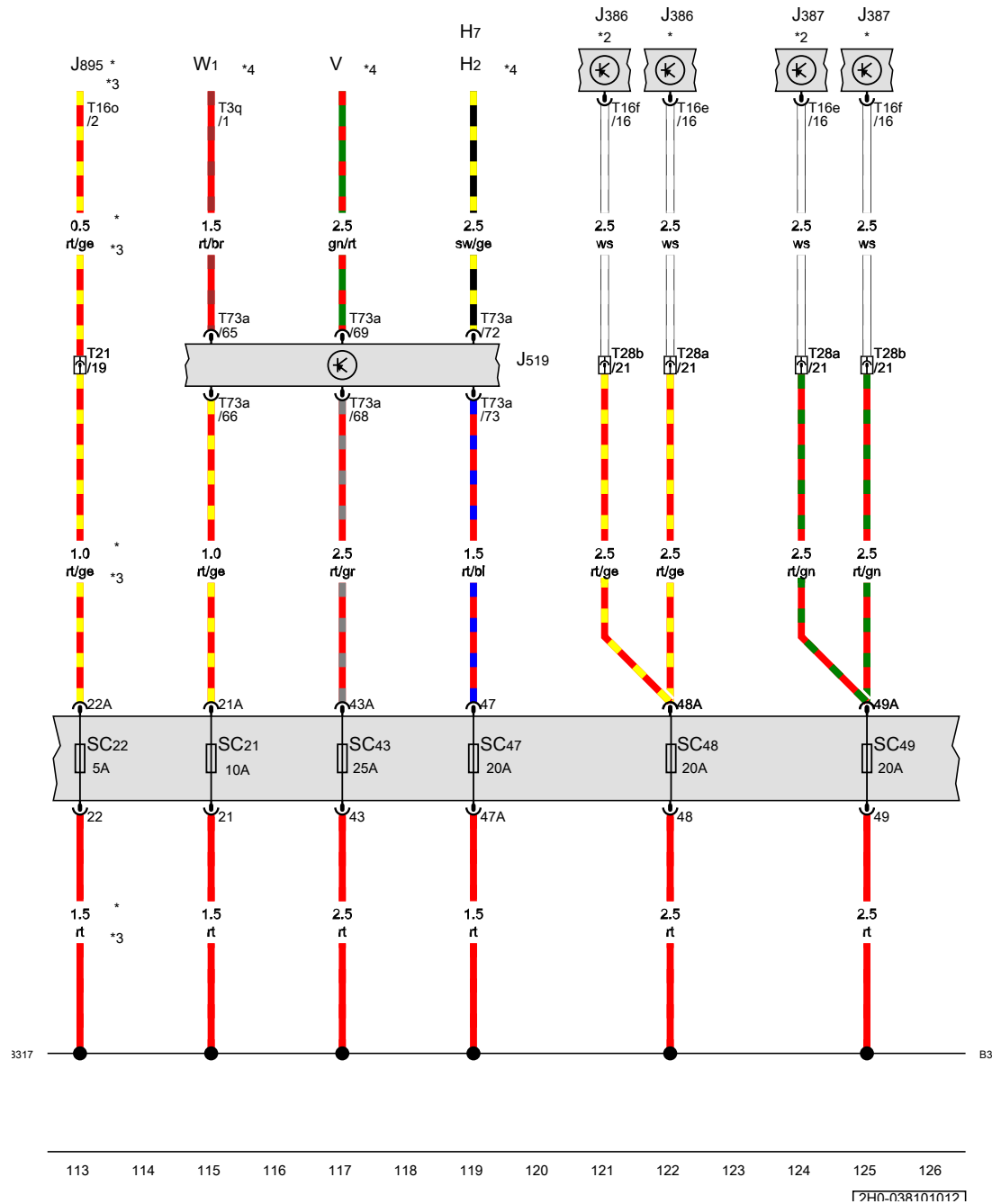
- J255 Climatronic control unit
  - J493 Auxiliary coolant heater relay
  - SC7 Fuse 7 on fuse holder C
  - SC18 Fuse 18 on fuse holder C
  - T8f 8-pin connector, in rear right of engine compartment, black
  - T10h 10-pin connector, in left footwell, near centre console
  - T16l 16-pin connector
  - T17a 17-pin connector, behind glove compartment, black
  - T21 21-pin connector, on relay carrier, blue
  - V5 Washer pump
  - V55 Circulation pump
  - B480 Connection 16, in main wiring harness
- \* Only models with electric interface for external use  
 \*2 Only models with air conditioning system/ Climatronic  
 \*3 Only models with no air conditioning system/Climatronic  
 \*4 Only models with Climatronic  
 \*5 From November 2011

Electronic ignition lock, Left brake light bulb, Right brake light bulb, Additional brake light bulb, Heated exterior mirror on driver side, Heated exterior mirror on front passenger side



- D9 Electronic ignition lock
  - J519 Onboard supply control unit
  - M9 Left brake light bulb
  - M10 Right brake light bulb
  - M25 Additional brake light bulb
  - SC4 Fuse 4 on fuse holder C
  - SC8 Fuse 8 on fuse holder C
  - SC19 Fuse 19 on fuse holder C
  - T5i 5-pin connector
  - T5k 5-pin connector
  - T6a 6-pin connector
  - T6f 6-pin connector
  - T28b 28-pin connector, near A-pillar
  - T42 42-pin connector, black
  - T73a 73-pin connector
  - T73b 73-pin connector
  - Z4 Heated exterior mirror on driver side
  - Z5 Heated exterior mirror on front passenger side
  - A63 Connection (mirror adjustment/heating), in dash panel wiring harness
  - B317 Positive connection 3 (30a) in main wiring harness
  - B318 Positive connection 4 (30a) in main wiring harness
  - B335 Connection 1 (54), in main wiring harness
  - W1 Positive connection 1 (54), in rear wiring harness
- \* see applicable current flow diagram for window regulators/ basic equipment/ convenience system

- ws = white
- sw = black
- ro = red
- br = brown
- gn = green
- bl = blue
- gr = grey
- li = purple
- ge = yellow
- or = orange
- rs = pink



Treble horn, Driver door control unit, Front passenger door control unit, Control unit for vehicle location system, Windscreen wiper motor, Front interior light

- H2 Treble horn
- H7 Bass horn
- J386 Driver door control unit
- J387 Front passenger door control unit
- J519 Onboard supply control unit
- J895 Control unit for vehicle location system
- SC21 Fuse 21 on fuse holder C
- SC22 Fuse 22 on fuse holder C
- SC43 Fuse 43 on fuse holder C
- SC47 Fuse 47 on fuse holder C
- SC48 Fuse 48 on fuse holder C
- SC49 Fuse 49 on fuse holder C
- T3q 3-pin connector
- T16e 16-pin connector
- T16f 16-pin connector
- T16o 16-pin connector
- T21 21-pin connector, on relay carrier, blue
- T28a 28-pin connector, in left A-pillar
- T28b 28-pin connector, on right A-pillar
- T73a 73-pin connector
- V Windscreen wiper motor
- W1 Front interior light

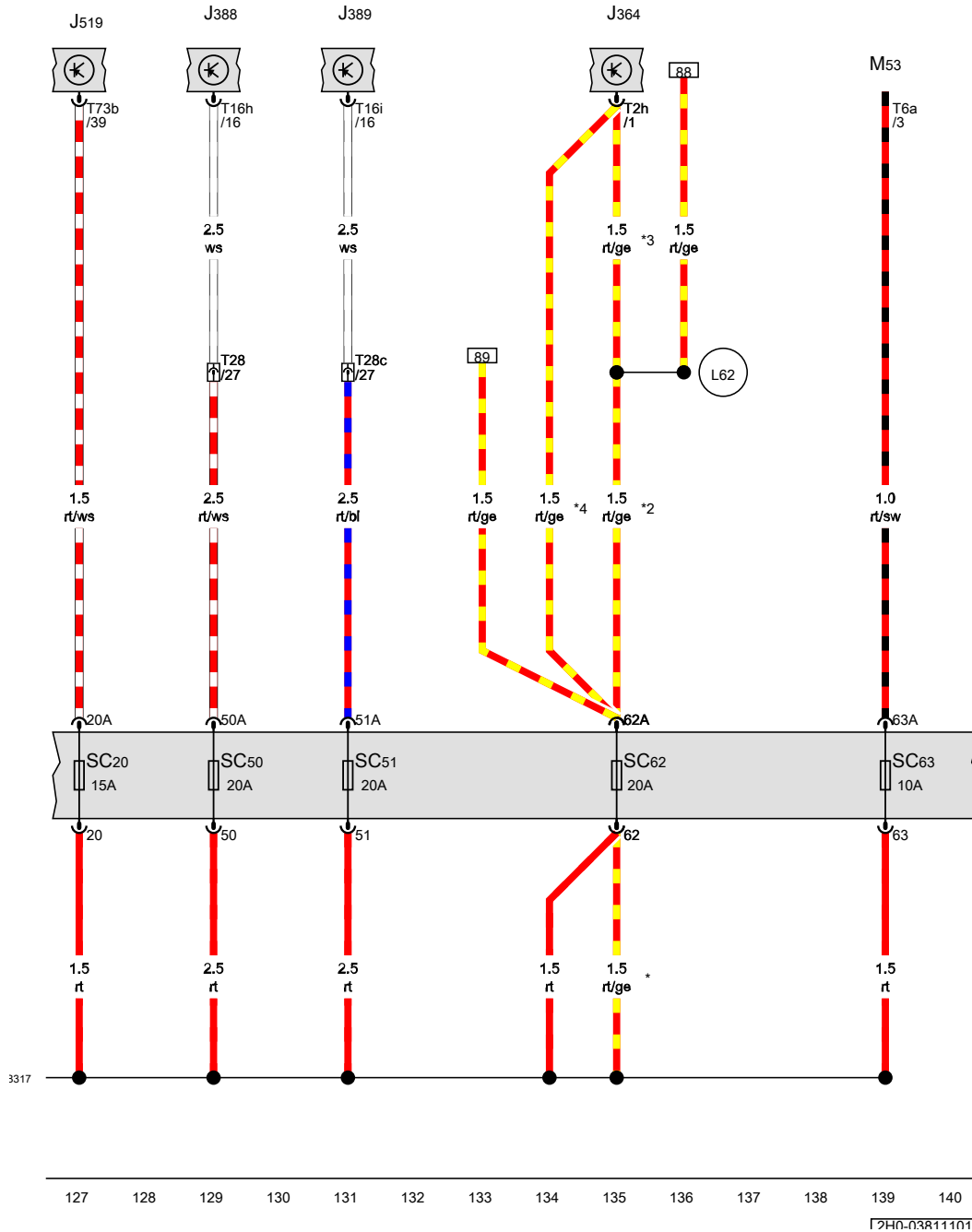
(B317) Positive connection 3 (30a) in main wiring harness

- \* Only left-hand drive models
- \*2 Only right-hand drive models
- \*3 Country specific
- \*4 see applicable current flow diagram for basic equipment

- ws = white
- sw = black
- ro = red
- br = brown
- gn = green
- bl = blue
- gr = grey
- li = purple
- ge = yellow
- or = orange
- rs = pink

7PH0-038101017





**Auxiliary heater control unit, Rear left door control unit, Rear right door control unit, Onboard supply control unit, Load area illumination bulb**

- J364 Auxiliary heater control unit
- J388 Rear left door control unit
- J389 Rear right door control unit
- J519 Onboard supply control unit
- M53 Load area illumination bulb
- SC20 Fuse 20 on fuse holder C
- SC50 Fuse 50 on fuse holder C
- SC51 Fuse 51 on fuse holder C
- SC62 Fuse 62 on fuse holder C
- SC63 Fuse 63 on fuse holder C
- T2h 2-pin connector
- T6a 6-pin connector
- T16h 16-pin connector
- T16i 16-pin connector
- T28 28-pin connector
- T28c 28-pin connector
- T73b 73-pin connector

**B317** Positive connection 3 (30a) in main wiring harness

**L62** Positive connection (30a), in auxiliary heater wiring harness

- \* Only right-hand drive models
- \*2 Only models with air conditioning system/ Climatronic
- \*3 Only models with air conditioning system
- \*4 Only models with no air conditioning system/Climatronic

- ws = white
- sw = black
- ro = red
- br = brown
- gn = green
- bl = blue
- gr = grey
- li = purple
- ge = yellow
- or = orange
- rs = pink

3317

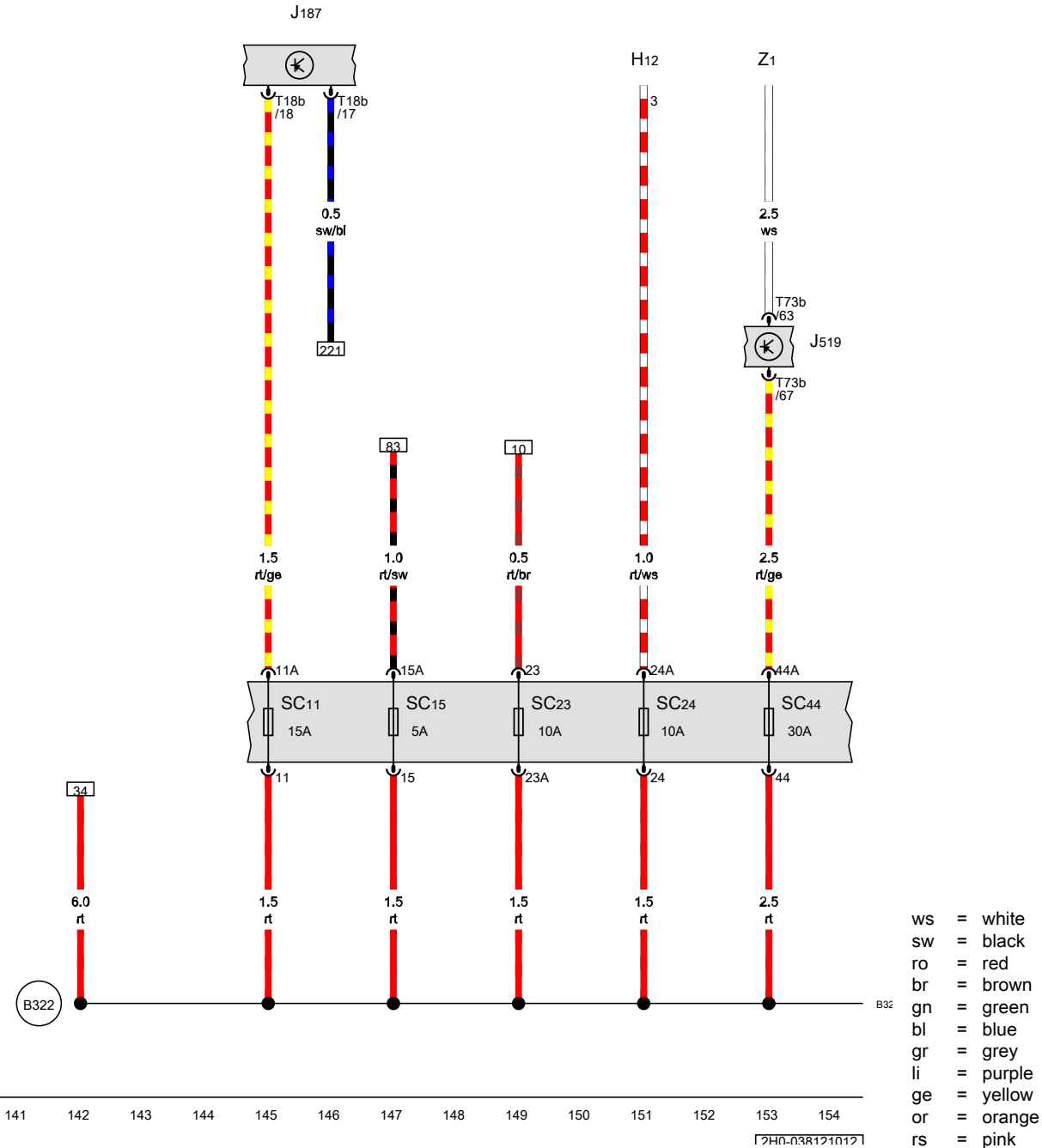
127 128 129 130 131 132 133 134 135 136 137 138 139 140

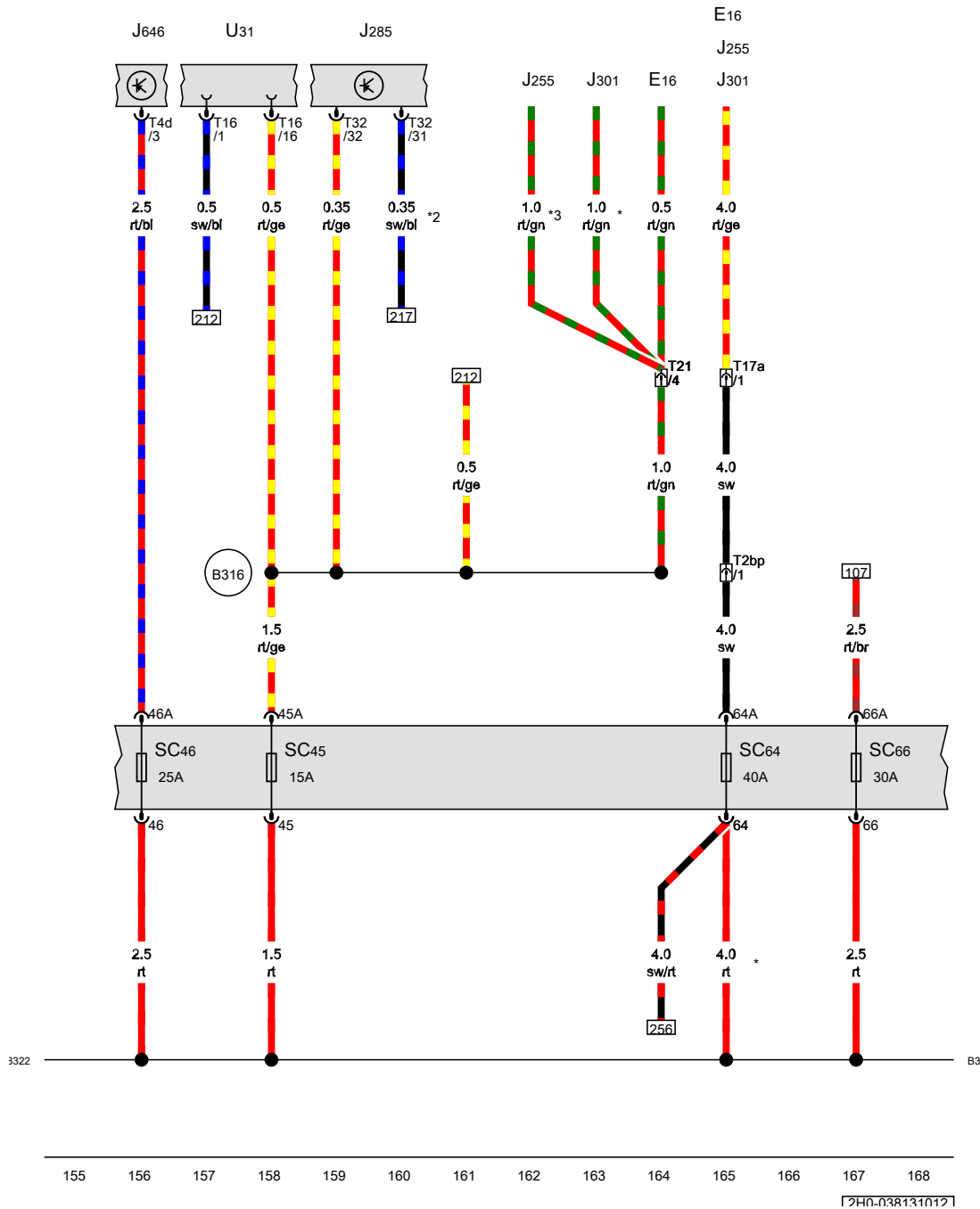
[PH0-038111012]

Alarm horn, Differential lock control unit, Heated rear window

- H12 Alarm horn
- J187 Differential lock control unit
- J519 Onboard supply control unit
- SC11 Fuse 11 on fuse holder C
- SC15 Fuse 15 on fuse holder C
- SC23 Fuse 23 on fuse holder C
- SC24 Fuse 24 on fuse holder C
- SC44 Fuse 44 on fuse holder C
- T18b 18-pin connector, black
- T73b 73-pin connector
- Z1 Heated rear window

B322 Positive connection 8 (30a) in main wiring harness





Control unit in dash panel insert, Transfer box control unit

- E16 Heater/heat output switch
- J255 Climatronic control unit
- J285 Control unit in dash panel insert
- J301 Air conditioning system control unit
- J646 Transfer box control unit
- SC45 Fuse 45 on fuse holder C
- SC46 Fuse 46 on fuse holder C
- SC64 Fuse 64 on fuse holder C
- SC66 Fuse 66 on fuse holder C
- T2bp 2-pin connector, black
- T4d 4-pin connector
- T16 16-pin connector, black
- T17a 17-pin connector, behind glove compartment, black
- T21 21-pin connector, on relay carrier, blue
- T32 32-pin connector
- U31 Diagnostic connection, near driver side A-pillar

B316 Positive connection 2 (30a) in main wiring harness

B322 Positive connection 8 (30a) in main wiring harness

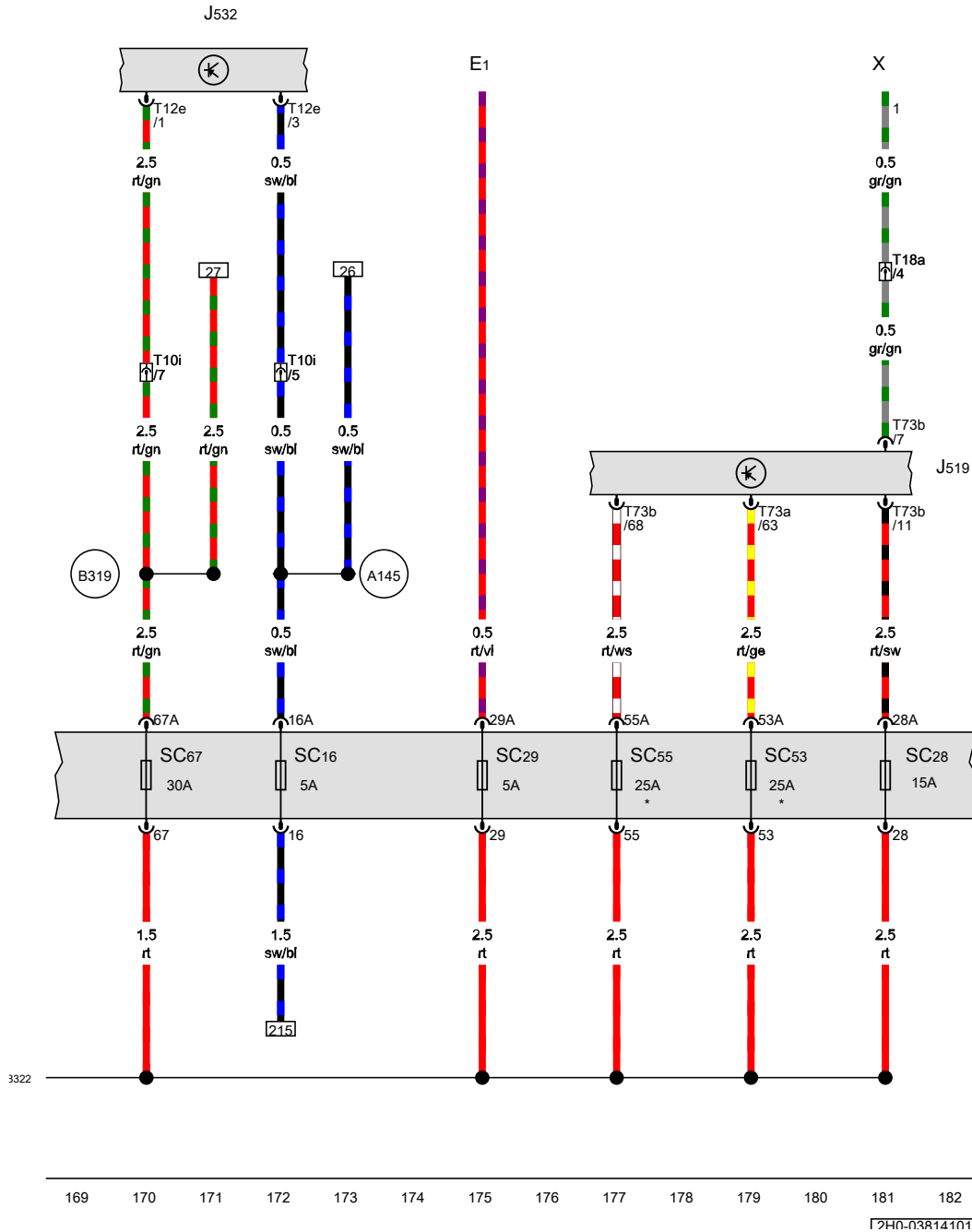
- \* Only models with Climatic
- \*2 According to equipment
- \*3 Only models with Climatronic

- ws = white
- sw = black
- ro = red
- br = brown
- gn = green
- bl = blue
- gr = grey
- li = purple
- ge = yellow
- or = orange
- rs = pink

3322 \_\_\_\_\_ B32

155 156 157 158 159 160 161 162 163 164 165 166 167 168

[PH0-038131012]



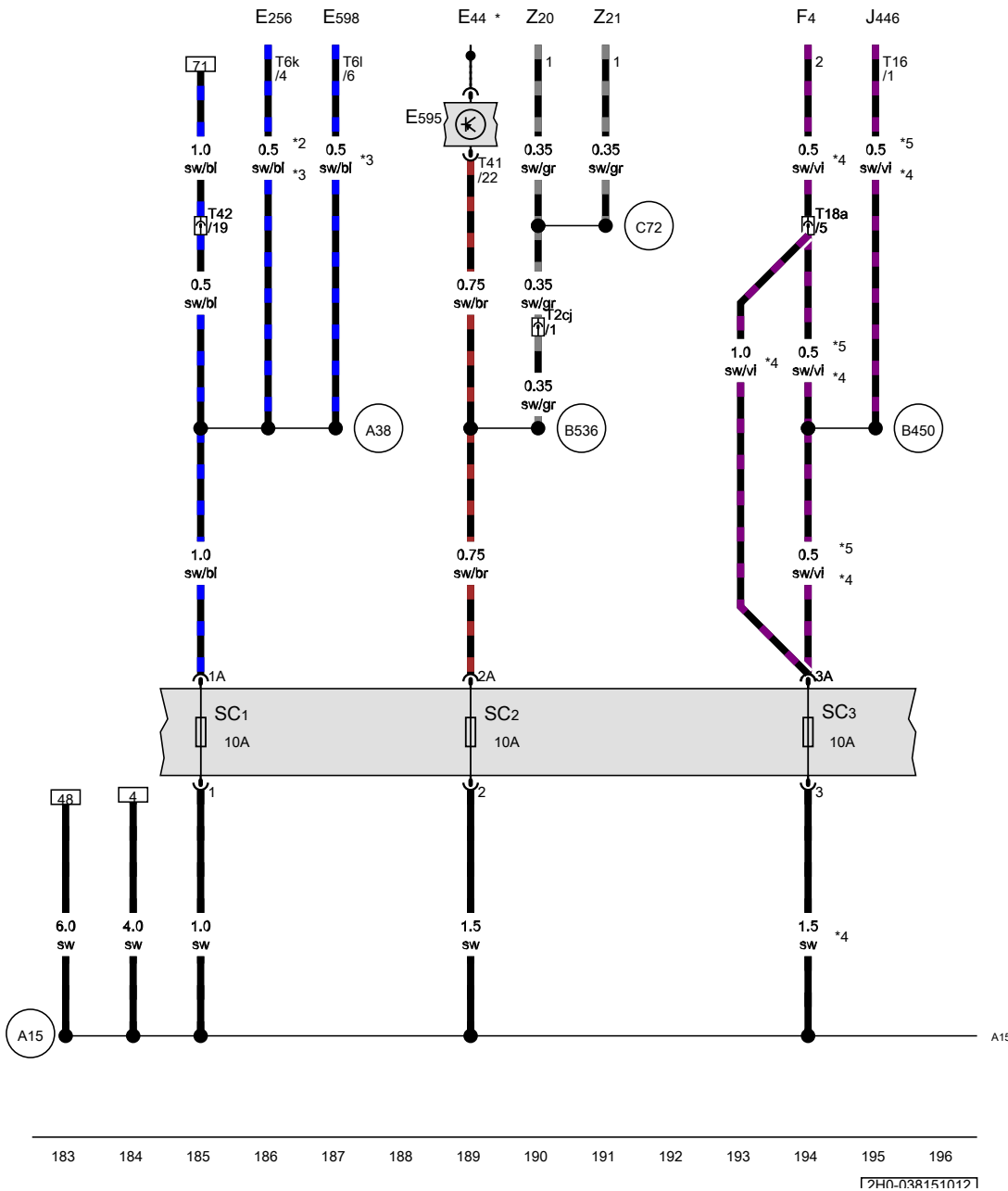
Number plate light

- E1 Light switch
- J519 Onboard supply control unit
- J532 Voltage stabiliser
- SC16 Fuse 16 on fuse holder C
- SC28 Fuse 28 on fuse holder C
- SC29 Fuse 29 on fuse holder C
- SC53 Fuse 53 on fuse holder C
- SC55 Fuse 55 on fuse holder C
- SC67 Fuse 67 on fuse holder C
- T10i 10-pin connector, near battery, black
- T12e 12-pin connector
- T18a 18-pin connector, near engine control unit, grey
- T73a 73-pin connector
- T73b 73-pin connector
- X Number plate light

- (A145) Positive connection 4 (15), in dash panel wiring harness
- (B319) Positive connection 5 (30a) in main wiring harness
- (B322) Positive connection 8 (30a) in main wiring harness

\* see fitting locations

- ws = white
- sw = black
- ro = red
- br = brown
- gn = green
- bl = blue
- gr = grey
- li = purple
- ge = yellow
- or = orange
- rs = pink



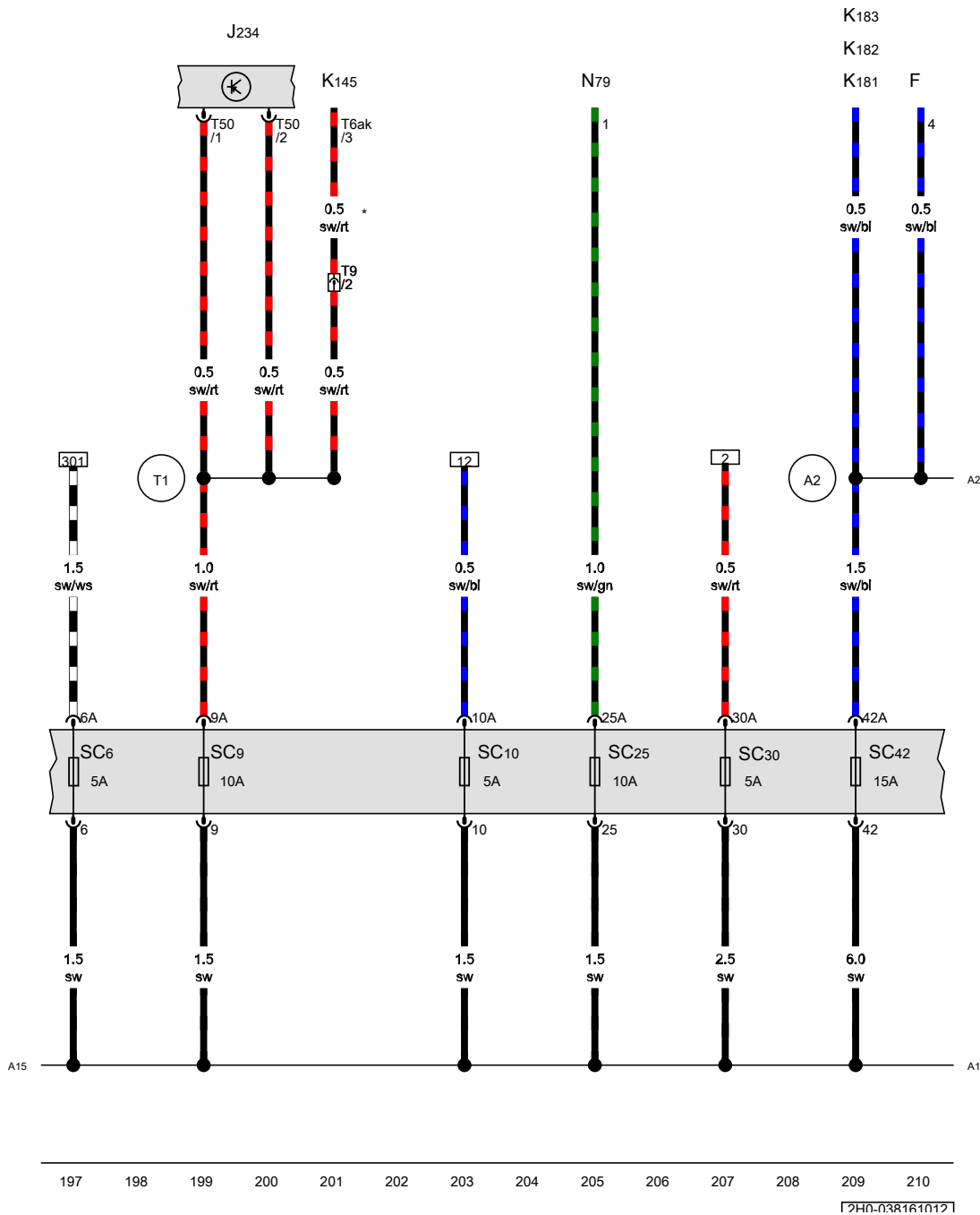
**Washer pump switch (automatic wash/wipe and headlight washer system), TCS and ESP button, Steering column combination switch, Driving program button, Reversing light switch, Parking aid control unit, Left washer jet heater element**

- E44 Washer pump switch (automatic wash/wipe and headlight washer system)
- E256 TCS and ESP button
- E595 Steering column combination switch
- E598 Driving program button
- F4 Reversing light switch
- J446 Parking aid control unit
- SC1 Fuse 1 on fuse holder C
- SC2 Fuse 2 on fuse holder C
- SC3 Fuse 3 on fuse holder C
- T2cj 2-pin connector, near window wiper motor, black
- T6k 6-pin connector
- T6l 6-pin connector
- T16 16-pin connector
- T18a 18-pin connector, near engine control unit, grey
- T41 41-pin connector
- T42 42-pin connector, black
- Z20 Left washer jet heater element
- Z21 Right washer jet heater element

- (A15) Positive connection (15), in instrument wiring harness
- (A38) Positive connection 2 (15a) in dash panel wiring harness
- (B450) Connection 1 (PDC), in main wiring harness
- (B536) Connection 27, in main wiring harness
- (C72) Positive connection in heated washer jet wiring harness

- \* see applicable current flow diagram for basic equipment
- \*2 Only models with anti-lock brake system (ABS), traction control system (TCS) and electronic differential lock (EDL) with auxiliary drive (part time)
- \*3 Only models with manual gearbox
- \*5 Only models with parking aid (PDC)

- ws = white
- sw = black
- ro = red
- br = brown
- gn = green
- bl = blue
- gr = grey
- li = purple
- ge = yellow
- or = orange
- rs = pink



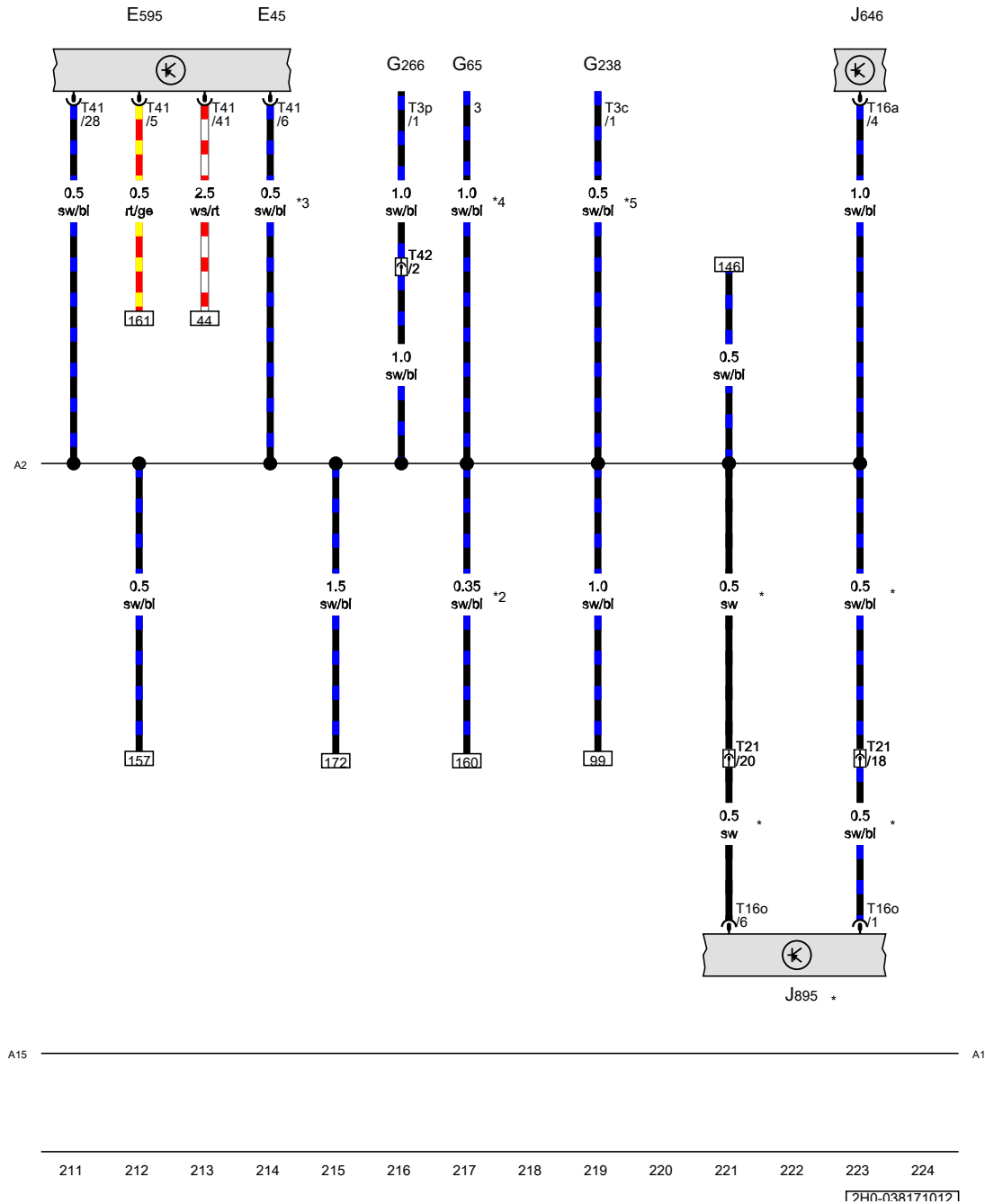
Brake light switch, Airbag control unit, Front passenger side airbag deactivated warning lamp, Normal operation warning lamp in transfer box operating unit, Heater element for crankcase breather, Fuse 42 on fuse holder C

- F Brake light switch
- J234 Airbag control unit
- K145 Front passenger side airbag deactivated warning lamp
- K181 Normal operation warning lamp in transfer box operating unit
- K182 Reduction gearing warning lamp in transfer box operating unit
- K183 Inter-axle lock-up warning lamp in transfer box operating unit
- N79 Heater element for crankcase breather
- SC6 Fuse 6 on fuse holder C
- SC9 Fuse 9 on fuse holder C
- SC10 Fuse 10 on fuse holder C
- SC25 Fuse 25 on fuse holder C
- SC30 Fuse 30 on fuse holder C
- SC42 Fuse 42 on fuse holder C
- T6ak 6-pin connector
- T9 9-pin connector, on relay carrier
- T50 50-pin connector

- A2 Positive connection (15), in dash panel wiring harness
- A15 Positive connection (15), in instrument wiring harness
- T1 Positive connection 1, in airbag wiring harness
- \* Only models with key operated switch to deactivate front passenger airbag

- ws = white
- sw = black
- ro = red
- br = brown
- gn = green
- bl = blue
- gr = grey
- li = purple
- ge = yellow
- or = orange
- rs = pink

7PH-038161017



**Steering column combination switch, Oil level and oil temperature sender, Transfer box control unit, Control unit for vehicle location system**

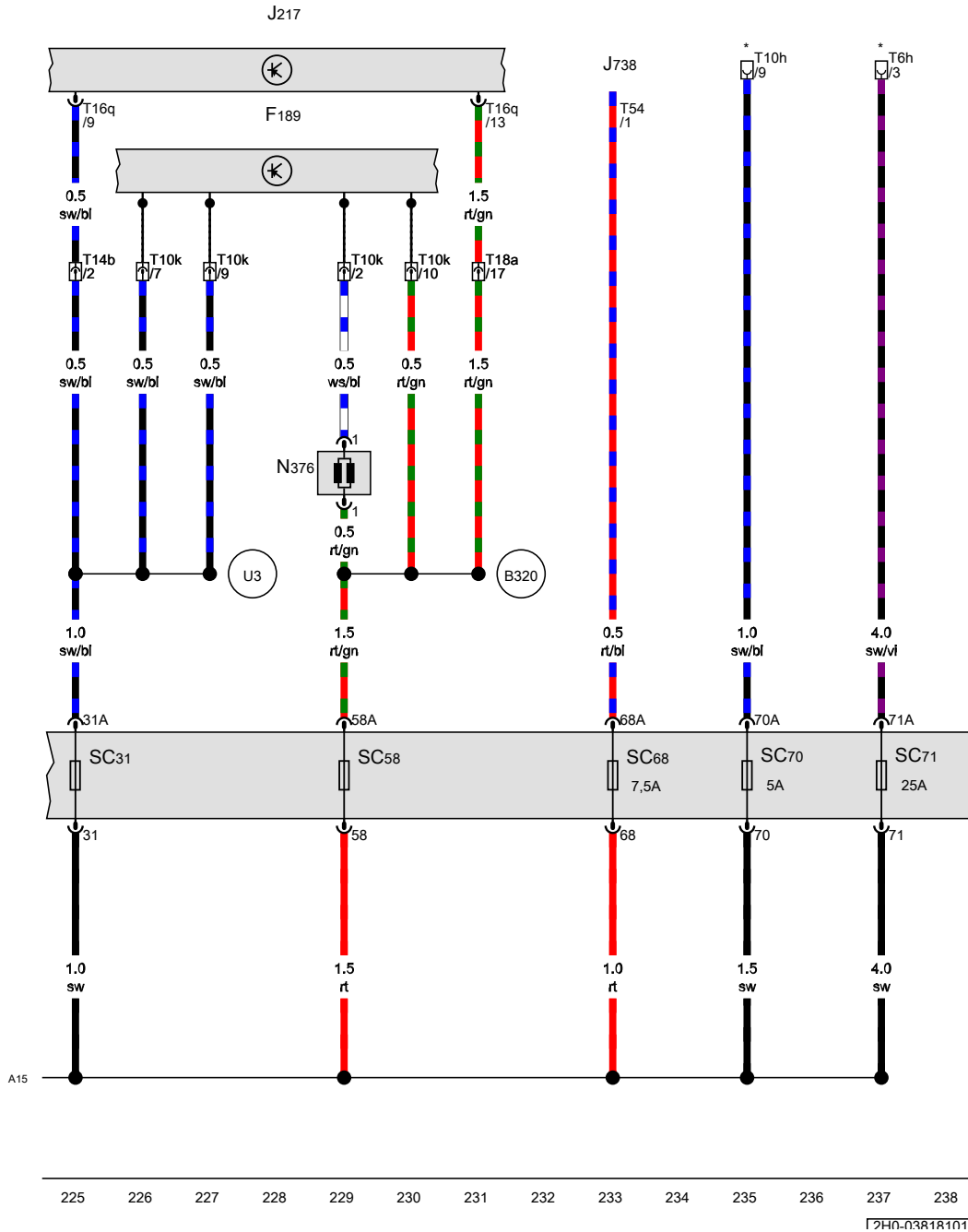
- E45 Cruise control system switch
- E595 Steering column combination switch
- G65 High-pressure sender
- G238 Air quality sensor
- G266 Oil level and oil temperature sender
- J646 Transfer box control unit
- J895 Control unit for vehicle location system
- T3c 3-pin connector
- T3p 3-pin connector
- T16a 16-pin connector
- T16o 16-pin connector
- T21 21-pin connector, on relay carrier, blue
- T41 41-pin connector, grey
- T42 42-pin connector, black

A2 Positive connection (15), in dash panel wiring harness

A15 Positive connection (15), in instrument wiring harness

- \* Only left-hand drive models
- \*2 According to equipment
- \*3 Only models with cruise control system (CCS)
- \*4 Only models with air conditioning system/ Climatronic
- \*5 Only models with Climatronic

- ws = white
- sw = black
- ro = red
- br = brown
- gn = green
- bl = blue
- gr = grey
- li = purple
- ge = yellow
- or = orange
- rs = pink



Tiptronic switch, Automatic gearbox control unit, Ignition key withdrawal lock solenoid, Fuse 70 on fuse holder C, Fuse 71 on fuse holder C, 6-pin connector, 10-pin connector

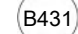
- F189 Tiptronic switch
- J217 Automatic gearbox control unit
- J738 Telephone controls control unit
- N376 Ignition key withdrawal lock solenoid
- SC31 Fuse 31 on fuse holder C
- SC58 Fuse 58 on fuse holder C
- SC68 Fuse 68 on fuse holder C
- SC70 Fuse 70 on fuse holder C
- SC71 Fuse 71 on fuse holder C
- T6h 6-pin connector, in left footwell, near centre console
- T10h 10-pin connector, in left footwell, near centre console
- T10k 10-pin connector, in centre console, on selector lever bracket, black
- T14b 14-pin connector, black
- T16q 16-pin connector, black
- T18a 18-pin connector, near engine control unit, grey
- T54 54-pin connector

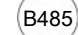
- A15 Positive connection (15), in instrument wiring harness
  - B320 Positive connection 6 (30a) in main wiring harness
  - U3 Connection 1, in automatic gearbox wiring harness
- \* Only models with electric interface for external use

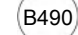


Button for left seat heating, Button for right seat heating, Voltage supply relay 2, Seat heating control unit, 10-pin connector, Cigarette lighter

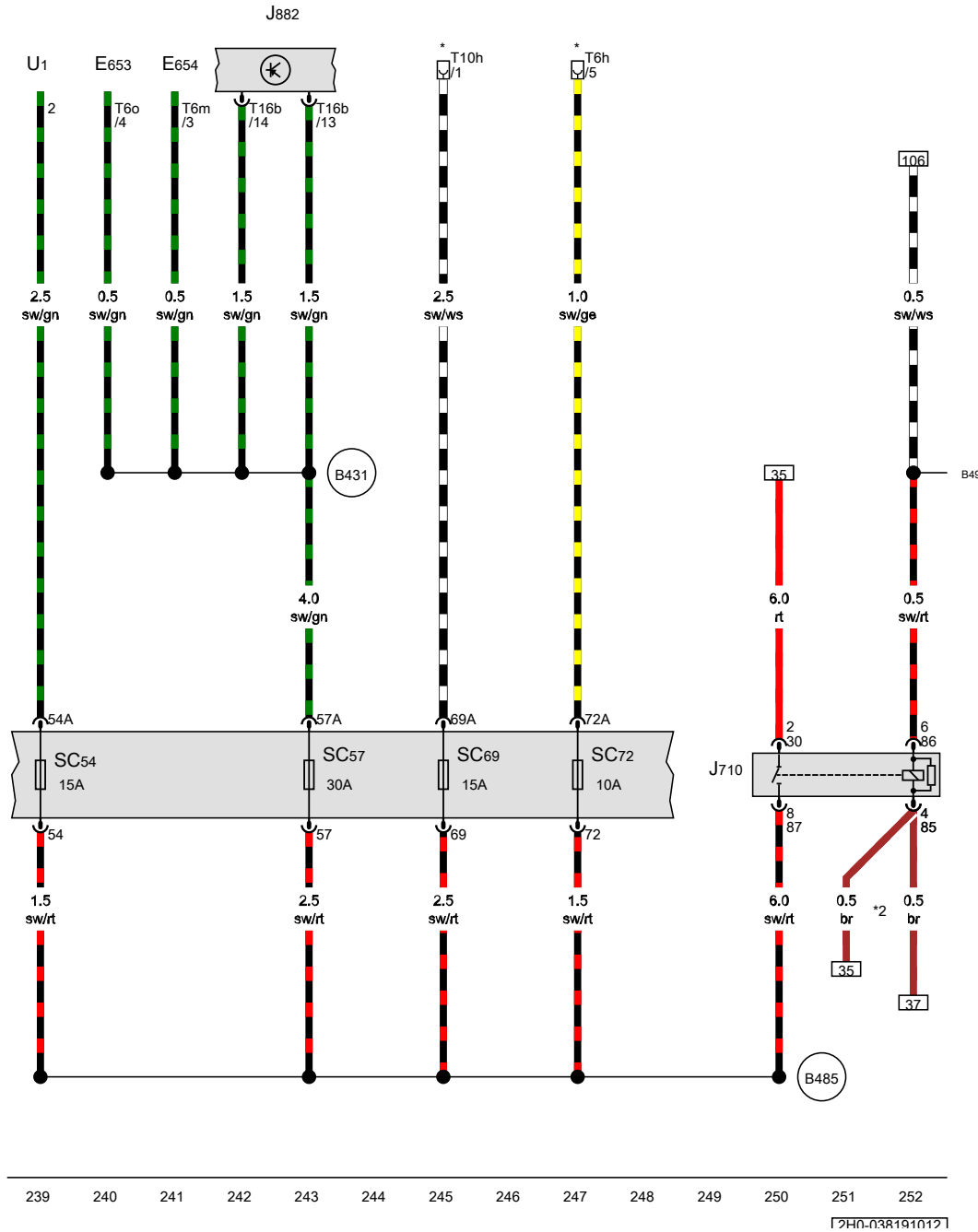
- E653 Button for left seat heating
- E654 Button for right seat heating
- J710 Voltage supply relay 2
- J882 Seat heating control unit
- SC54 Fuse 54 on fuse holder C
- SC57 Fuse 57 on fuse holder C
- SC69 Fuse 69 on fuse holder C
- SC72 Fuse 72 on fuse holder C
- T6h 6-pin connector, in left footwell, near centre console
- T6m 6-pin connector
- T6o 6-pin connector
- T10h 10-pin connector, in left footwell, near centre console
- T16b 16-pin connector
- U1 Cigarette lighter

 B431 Connection (seat heating), in main wiring harness

 B485 Connection 21, in main wiring harness

 B490 Connection 26, in main wiring harness

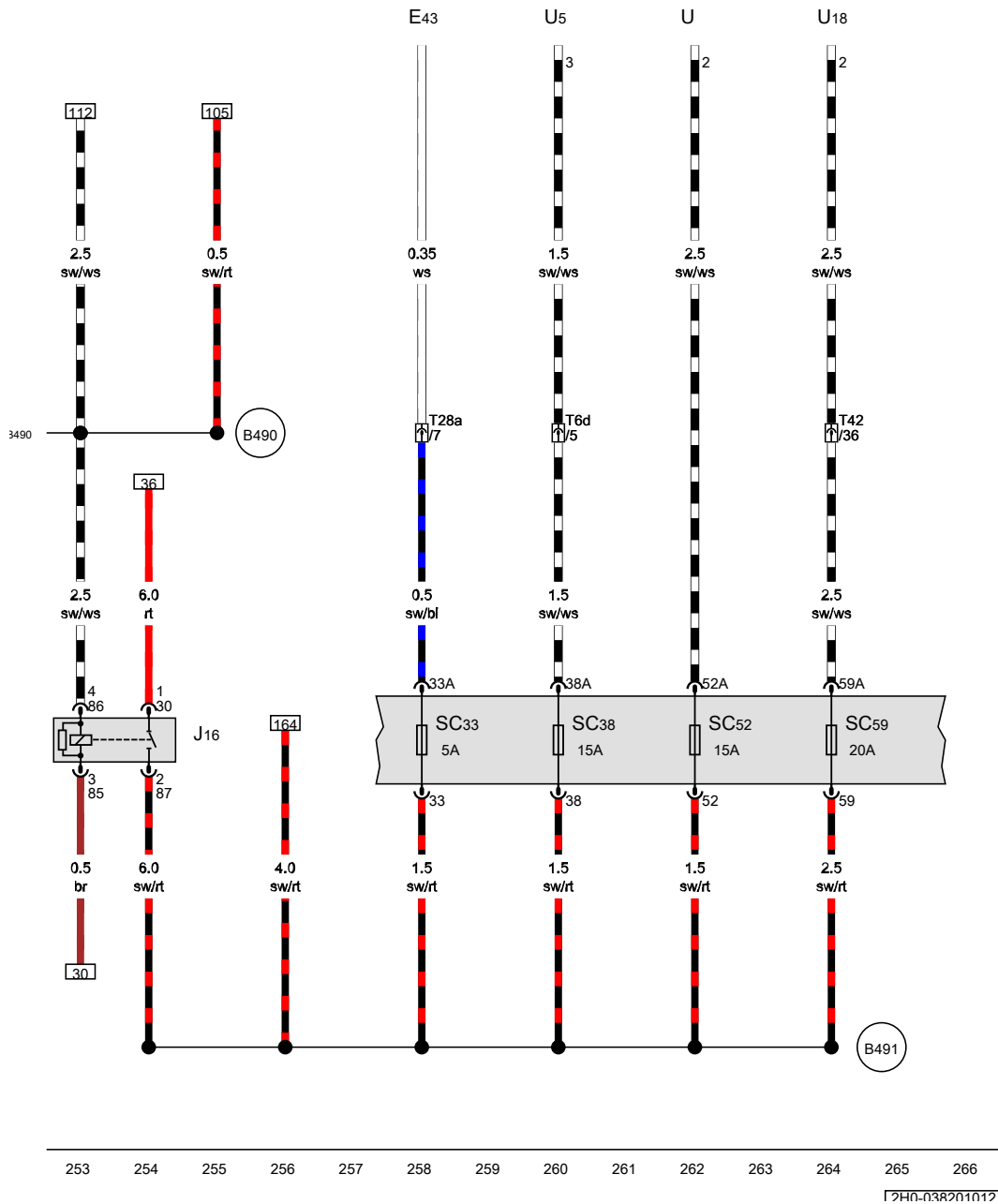
- \* Only models with electric interface for external use
- \*2 From November 2011



- ws = white
- sw = black
- ro = red
- br = brown
- gn = green
- bl = blue
- gr = grey
- li = purple
- ge = yellow
- or = orange
- rs = pink

17H0-038191017

Mirror adjustment switch, Current supply relay, Electric socket, 12 V socket, 12 V socket 2



- E43 Mirror adjustment switch
- J16 Current supply relay
- SC33 Fuse 33 on fuse holder C
- SC38 Fuse 38 on fuse holder C
- SC52 Fuse 52 on fuse holder C
- SC59 Fuse 59 on fuse holder C
- T6d 6-pin connector, on relay carrier
- T28a 28-pin connector, on left A-pillar
- T42 42-pin connector, black
- U Electric socket
- U5 12 V socket
- U18 12 V socket 2
- B490 Connection 26, in main wiring harness
- B491 Positive connection (75), in interior wiring harness

- ws = white
- sw = black
- ro = red
- br = brown
- gn = green
- bl = blue
- gr = grey
- li = purple
- ge = yellow
- or = orange
- rs = pink

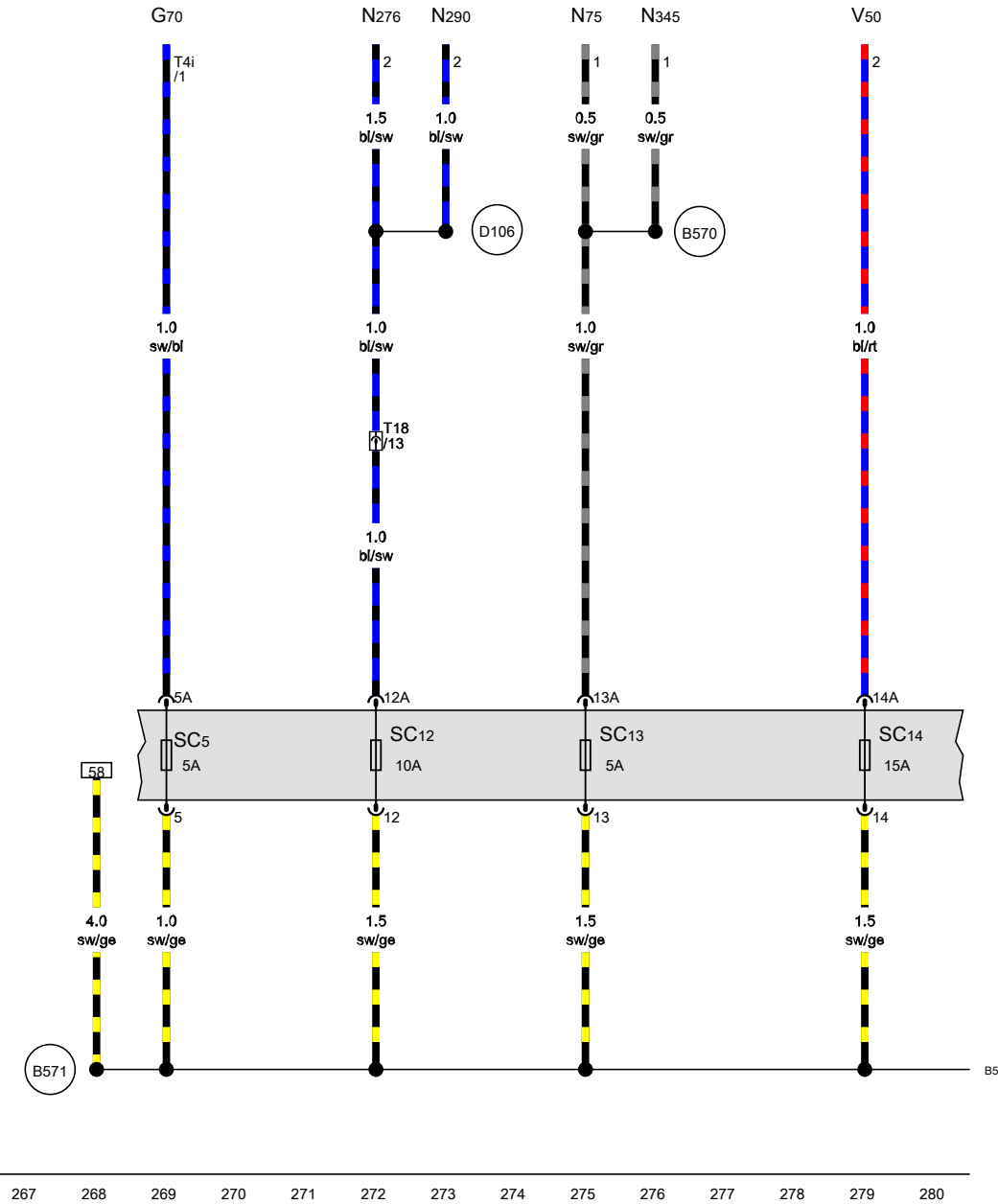
17H0-0382010121

**Air mass meter, Charge pressure control solenoid valve, Fuel pressure regulating valve, Fuel metering valve, Exhaust gas recirculation cooler changeover valve, Coolant circulation pump**

- G70 Air mass meter
- N75 Charge pressure control solenoid valve
- N276 Fuel pressure regulating valve
- N290 Fuel metering valve
- N345 Exhaust gas recirculation cooler changeover valve
- SC5 Fuse 5 on fuse holder C
- SC12 Fuse 12 on fuse holder C
- SC13 Fuse 13 on fuse holder C
- SC14 Fuse 14 on fuse holder C
- T4i 4-pin connector
- T18 18-pin connector, near engine control unit, black
- V50 Coolant circulation pump

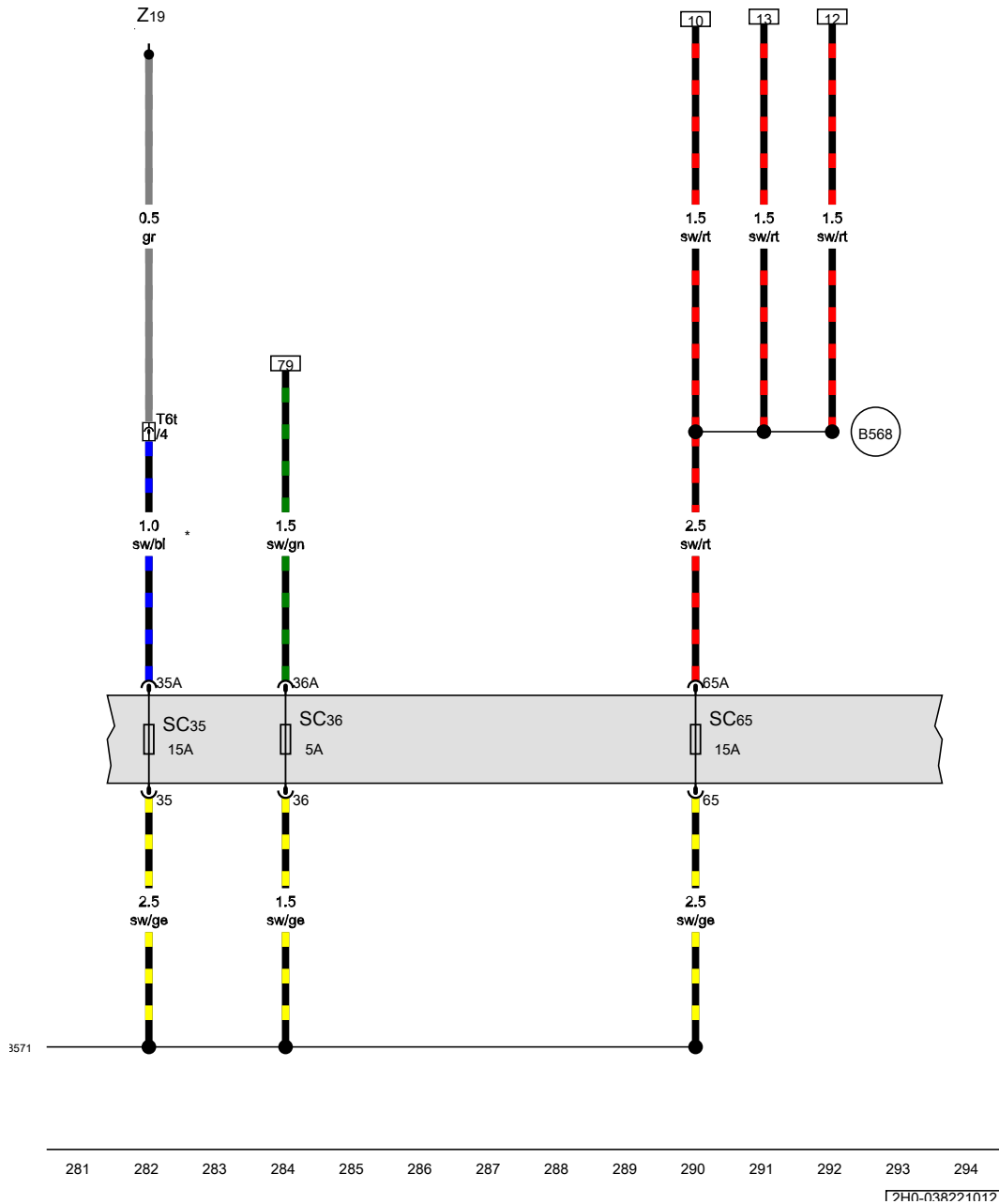
- B570 Connection 37, in main wiring harness
- B571 Connection 38, in main wiring harness
- D106 Connection 4 in engine compartment wiring harness

- ws = white
- sw = black
- ro = red
- br = brown
- gn = green
- bl = blue
- gr = grey
- li = purple
- ge = yellow
- or = orange
- rs = pink



267 268 269 270 271 272 273 274 275 276 277 278 279 280

PHD-0382110121



**Lambda probe heater**

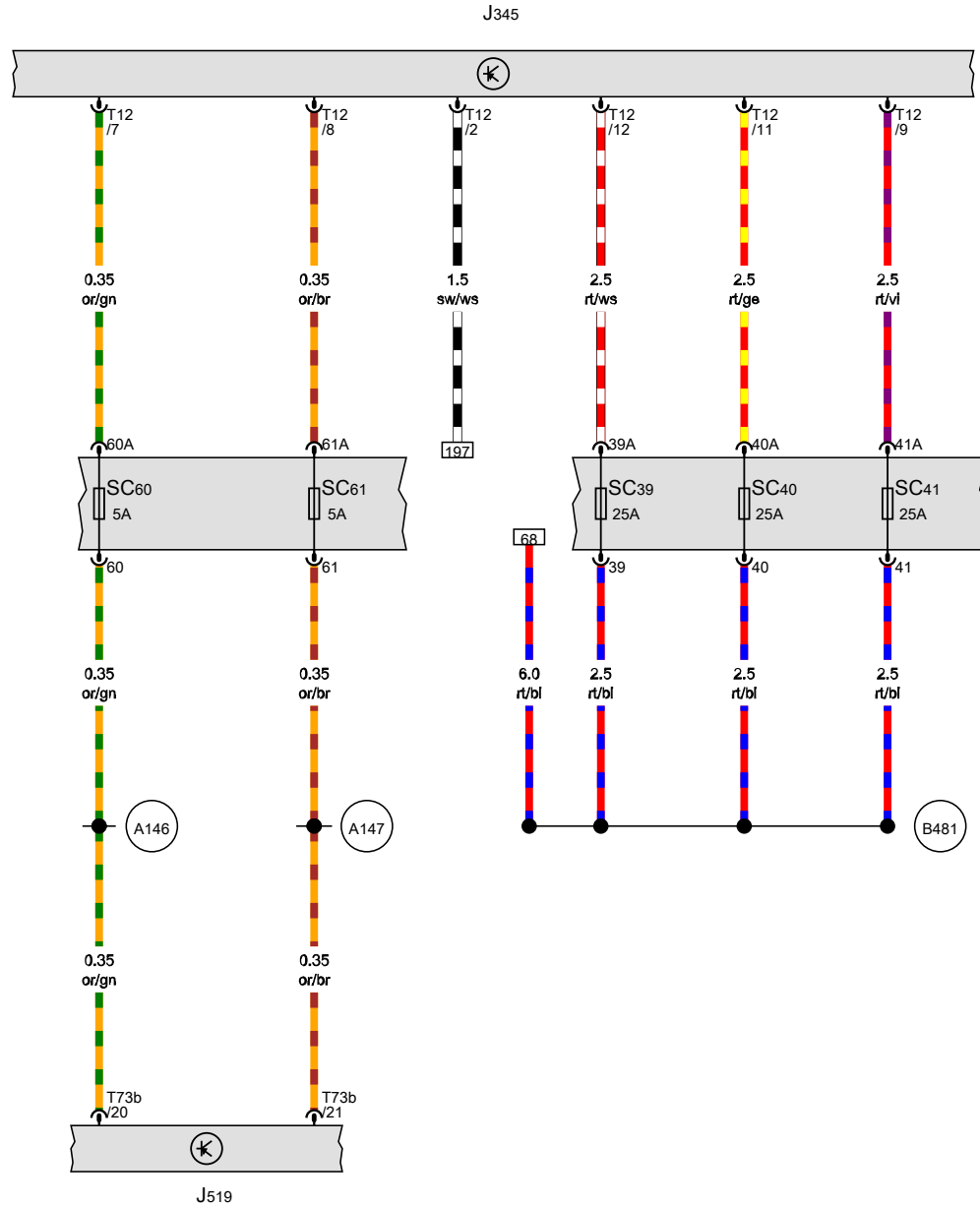
- SC35 Fuse 35 on fuse holder C
- SC36 Fuse 36 on fuse holder C
- SC65 Fuse 65 on fuse holder C
- T6t 6-pin connector, front right in engine compartment, black
- Z19 Lambda probe heater

**B568** Connection 35, in main wiring harness

**B571** Connection 38, in main wiring harness




\* Only models with Euro 5 emission standard

- ws = white
- sw = black
- ro = red
- br = brown
- gn = green
- bl = blue
- gr = grey
- li = purple
- ge = yellow
- or = orange
- rs = pink



**Trailer detector control unit**

- J345 Trailer detector control unit
- J519 Onboard supply control unit
- SC39 Fuse 39 on fuse holder C
- SC40 Fuse 40 on fuse holder C
- SC41 Fuse 41 on fuse holder C
- SC60 Fuse 60 on fuse holder C
- SC61 Fuse 61 on fuse holder C
- T12 12-pin connector
- T73b 73-pin connector

-  Connection (convenience CAN bus, high), in dash panel wiring harness
-  Connection (convenience CAN bus, low), in dash panel wiring harness
-  Connection 17, in main wiring harness

- ws = white
- sw = black
- ro = red
- br = brown
- gn = green
- bl = blue
- gr = grey
- li = purple
- ge = yellow
- or = orange
- rs = pink

295 296 297 298 299 300 301 302 303 304 305 306 307 308

[740-038231017]

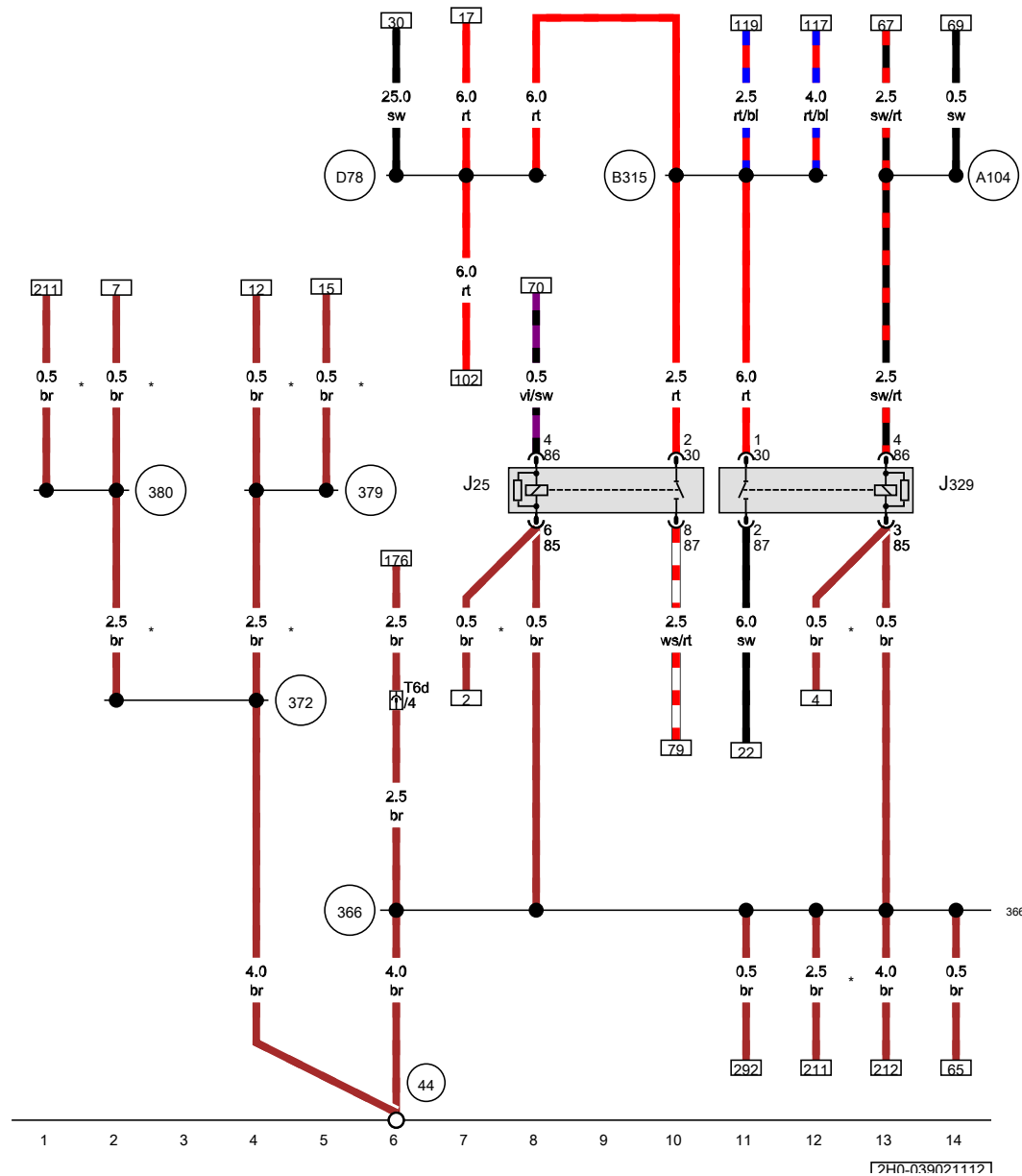
**2.0l diesel engine , CDBA,(7L6)**

From May 2011

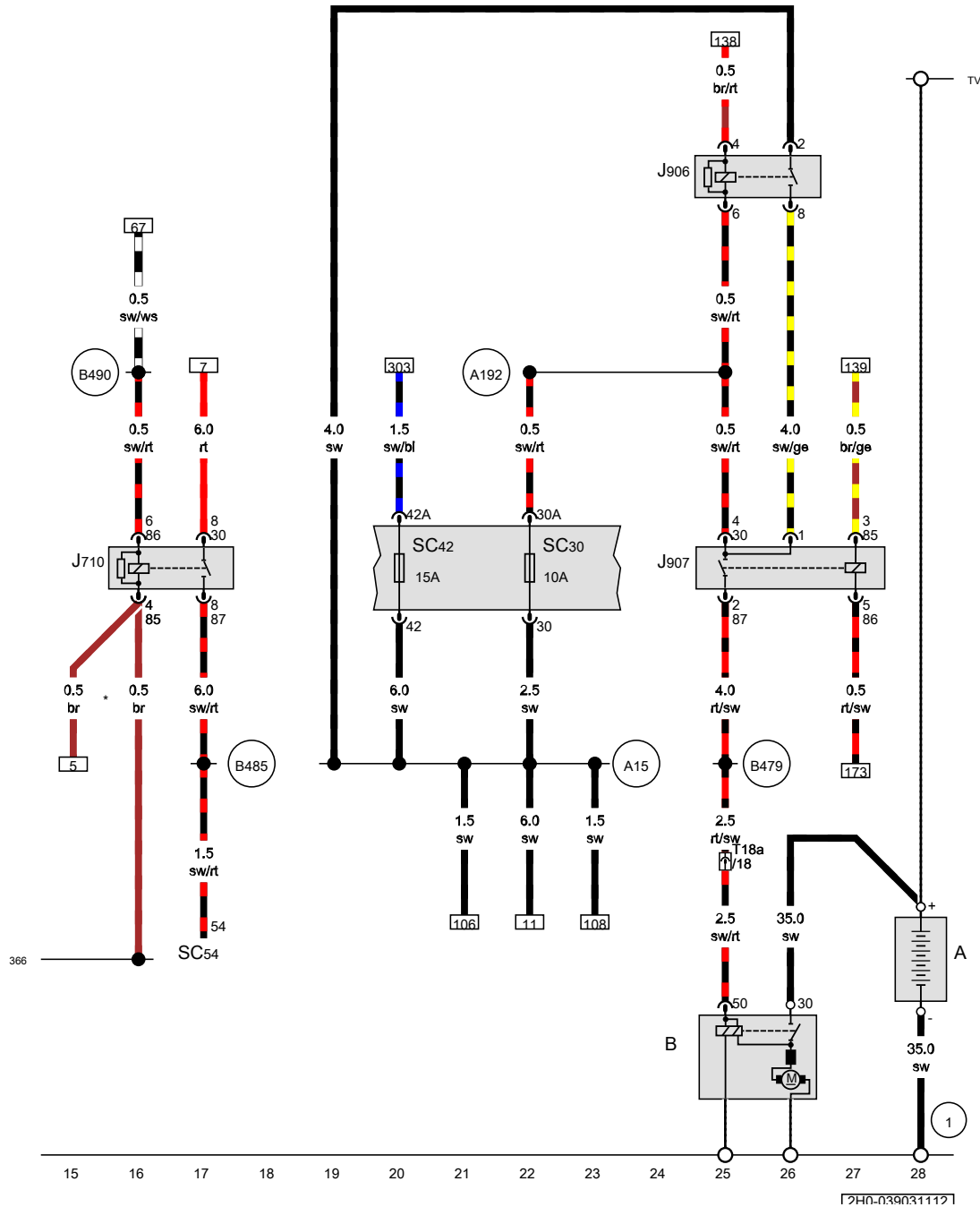
Headlight relay, Terminal 15 voltage supply relay

- J25 Headlight relay
- J329 Terminal 15 voltage supply relay
- T6d 6-pin connector, grey

- 44 Earth point, lower part of left A-pillar
  - 366 Earth connection 1, in main wiring harness
  - 372 Earth connection 7, in main wiring harness
  - 379 Earth connection 14, in main wiring harness
  - 380 Earth connection 15, in main wiring harness
  - A104 Positive connection 2 (15), in dash panel wiring harness
  - B315 Positive connection 1 (30a) in main wiring harness
  - D78 Positive connection 1 (30a), in engine compartment wiring harness
- \* From November 2011



1740-0390211121



**Battery, Starter, Voltage supply relay 2, Starter relay 1, Starter relay 2, Fuse 42 on fuse holder C, Fuse 54 on fuse holder C**

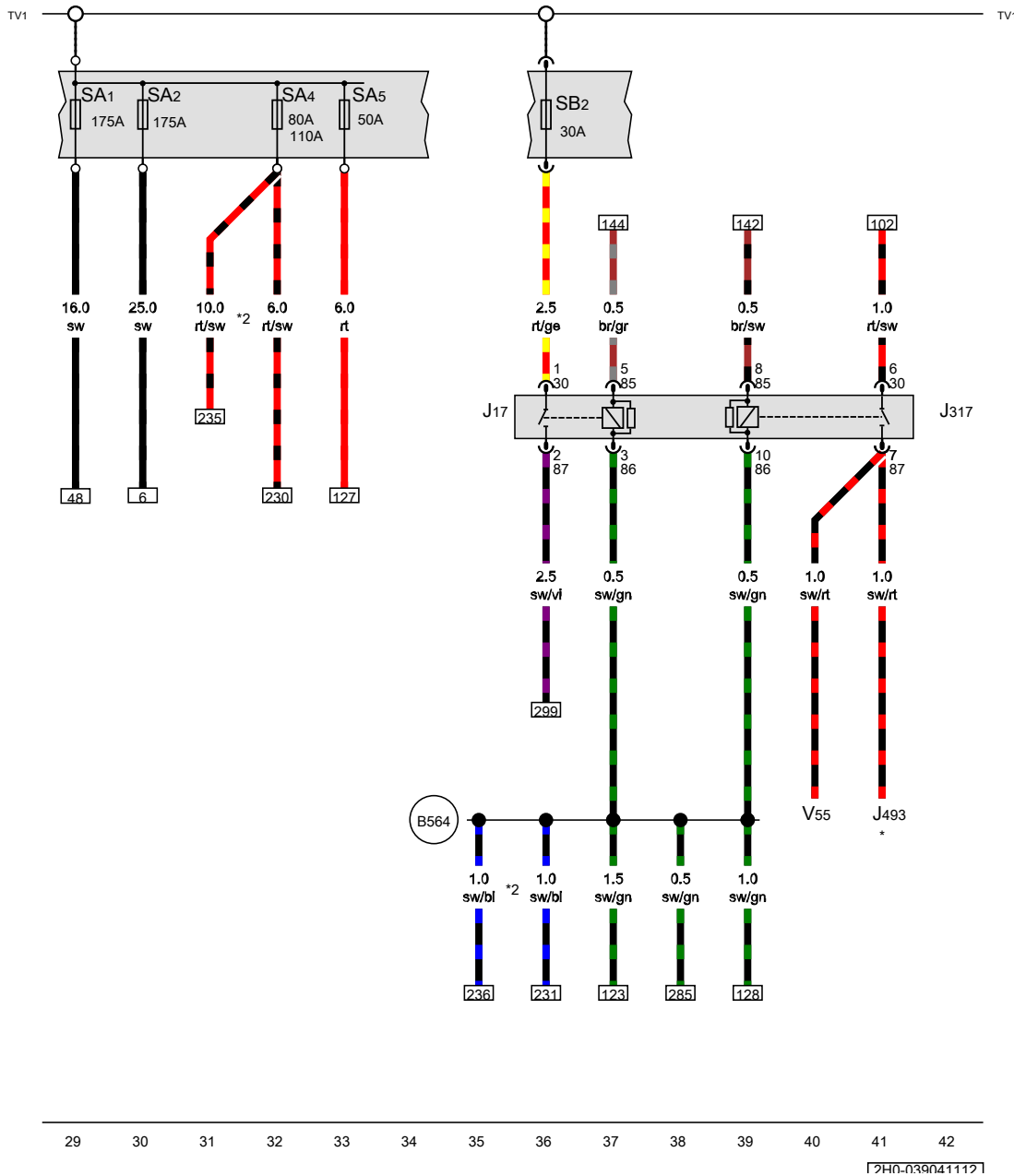
- A Battery
- B Starter
- J710 Voltage supply relay 2
- J906 Starter relay 1
- J907 Starter relay 2
- SC30 Fuse 30 on fuse holder C
- SC42 Fuse 42 on fuse holder C
- SC54 Fuse 54 on fuse holder C
- T18a 18-pin connector, near engine control unit, grey

- 1 Earth strap, battery - body
- 366 Earth connection 1, in main wiring harness
- A15 Positive connection (15), in instrument wiring harness
- A192 Positive connection 3 (15a) in dash panel wiring harness
- B479 Connection 15, in main wiring harness
- B485 Connection 21, in main wiring harness
- B490 Connection 26, in main wiring harness
- \* From November 2011

- ws = white
- sw = black
- ro = red
- br = brown
- gn = green
- bl = blue
- gr = grey
- li = purple
- ge = yellow
- or = orange
- rs = pink

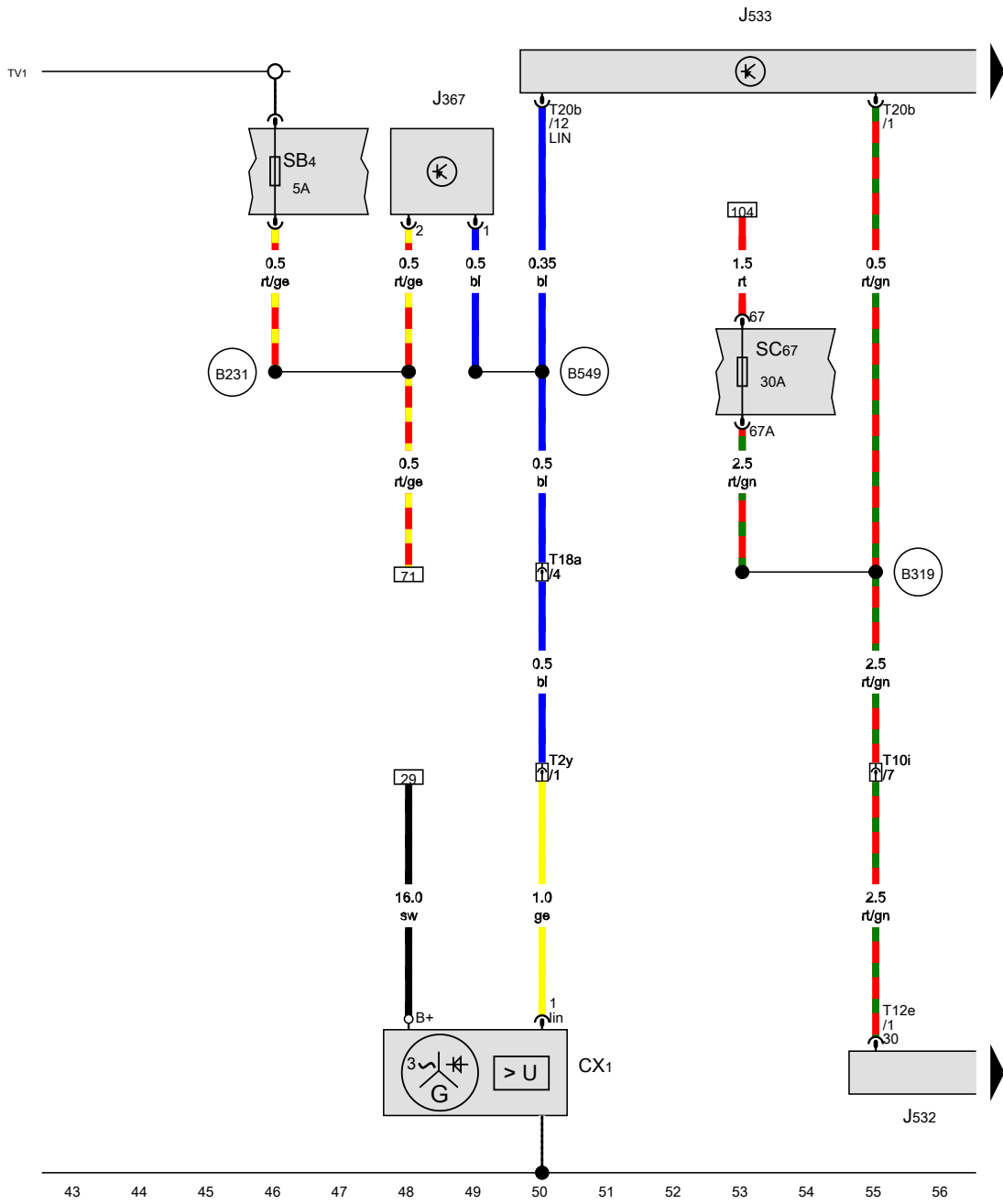
1740-0390311121



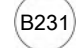
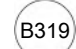



Fuel pump relay, Terminal 30 voltage supply relay, Auxiliary coolant heater relay, Fuse 1 in fuse holder A, Fuse 2 on fuse holder B, Fuse 5 in fuse holder A

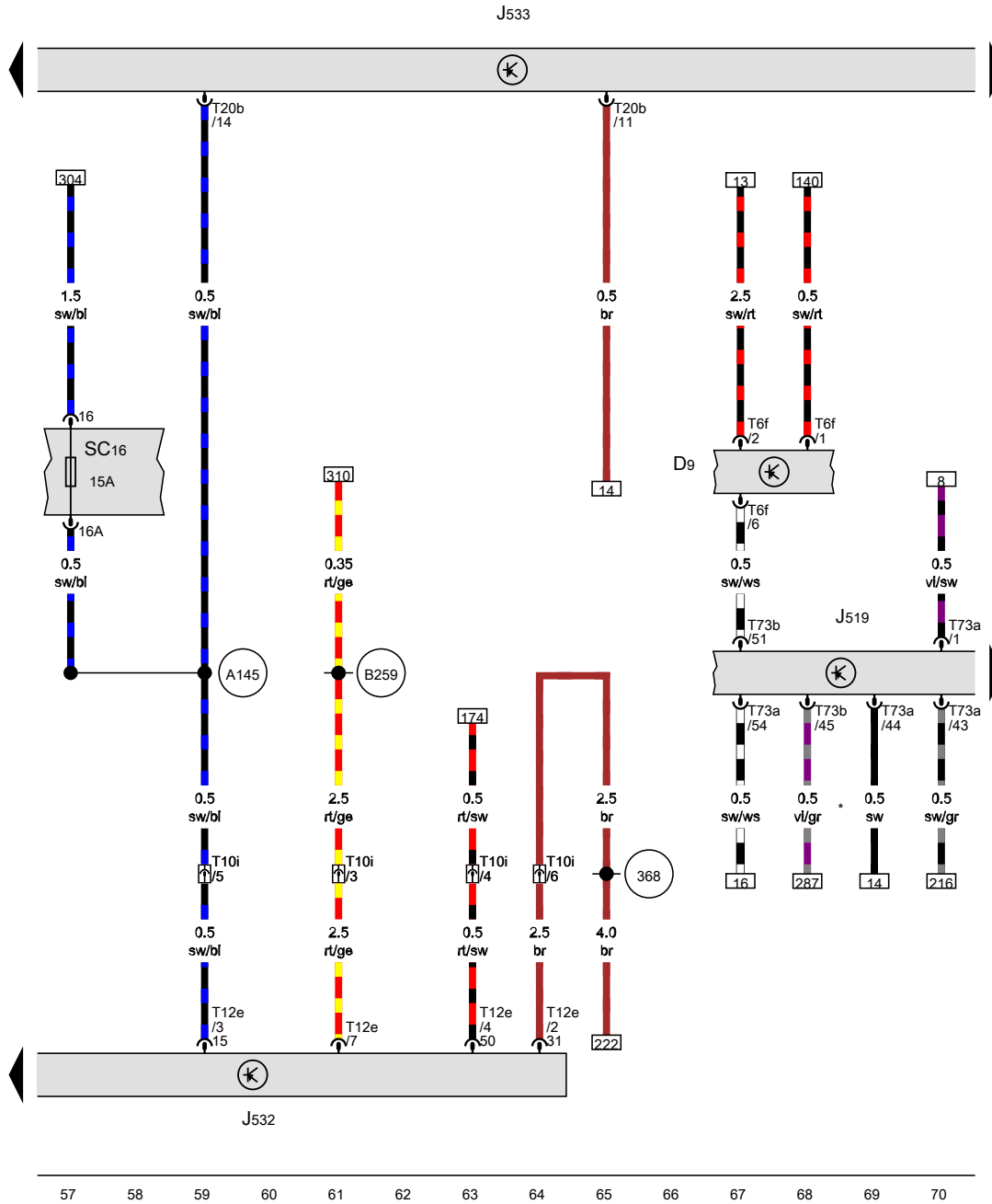
- J17 Fuel pump relay
- J317 Terminal 30 voltage supply relay, on relay carrier
- J493 Auxiliary coolant heater relay
- SA1 Fuse 1 in fuse holder A
- SA2 Fuse 2 in fuse holder A
- SB2 Fuse 2 on fuse holder B
- SA4 Fuse 4 in fuse holder A
- SA5 Fuse 5 in fuse holder A
- V55 Circulation pump
- B564 Connection 31, in main wiring harness
- \* see applicable current flow diagram for air conditioning
- \*2 Only for countries with hot climate



**Alternator with voltage regulator, Battery monitor control unit, Voltage stabiliser, Data bus diagnostic interface, Fuse 67 on fuse holder C**


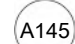

- CX1 Alternator with voltage regulator
- J367 Battery monitor control unit
- J532 Voltage stabiliser, in front left wing
- J533 Data bus diagnostic interface
- SB4 Fuse 4 on fuse holder B
- SC67 Fuse 67 on fuse holder C
- T2y 2-pin connector, black
- T10i 10-pin connector, on left wheel housing, black
- T12e 12-pin connector, black
- T18a 18-pin connector, near engine control unit, grey
- T20b 20-pin connector, black
-  B231 Positive connection 5 (30a), in interior wiring harness
-  B319 Positive connection 5 (30a) in main wiring harness
-  B549 Connection 2 (LIN bus) in main wiring harness

- ws = white
- sw = black
- ro = red
- br = brown
- gn = green
- bl = blue
- gr = grey
- li = purple
- ge = yellow
- or = orange
- rs = pink



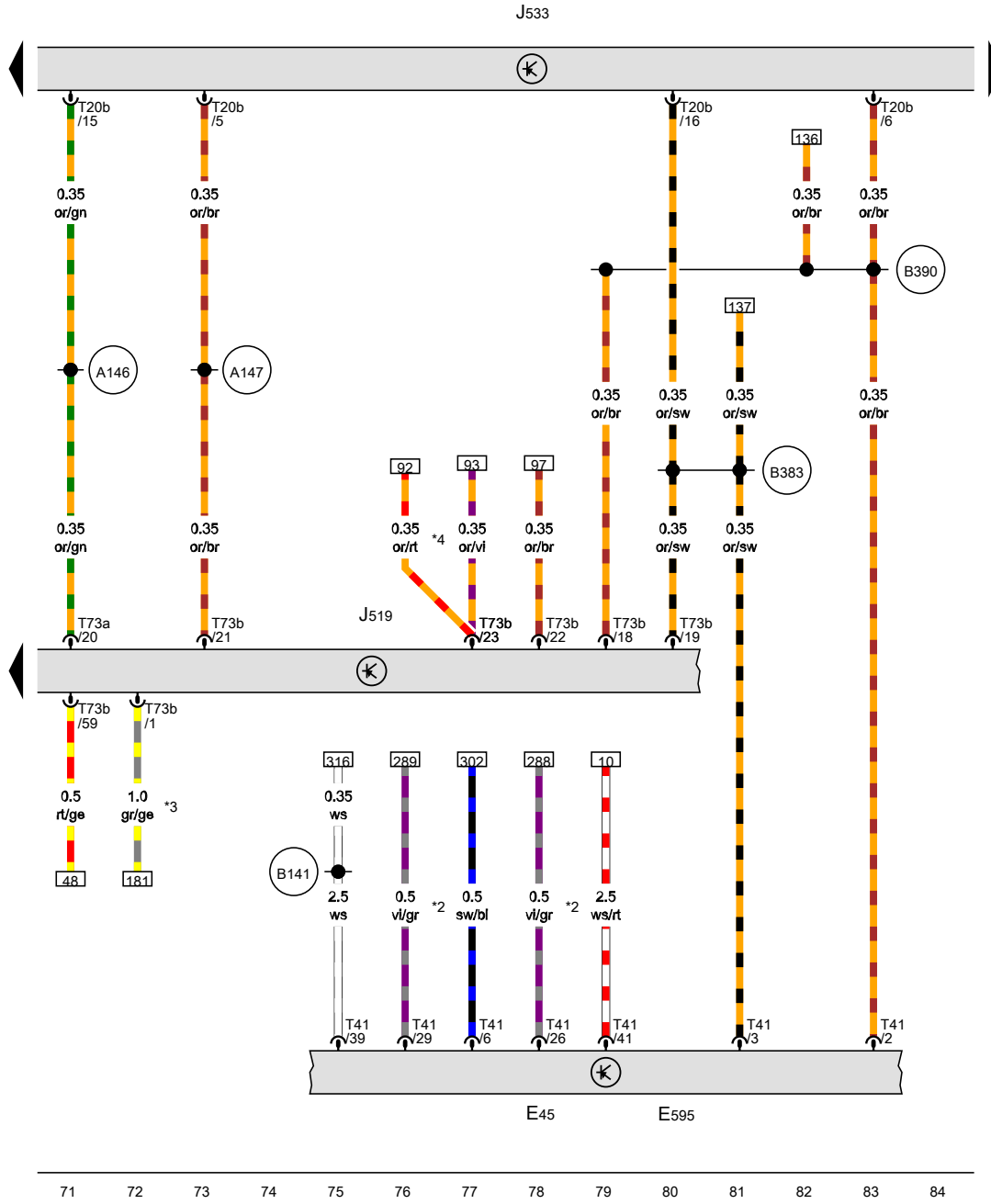
**Electronic ignition lock, Onboard supply control unit, Voltage stabiliser, Data bus diagnostic interface, Fuse 16 on fuse holder C**

- D9 Electronic ignition lock
- J519 Onboard supply control unit
- J532 Voltage stabiliser, in front left wing
- J533 Data bus diagnostic interface
- SC16 Fuse 16 on fuse holder C
- T6f 6-pin connector, black
- T10i 10-pin connector, on left wheel housing, black
- T12e 12-pin connector, black
- T20b 20-pin connector, black
- T73a 73-pin connector, black
- T73b 73-pin connector

-  368 Earth connection 3, in main wiring harness
-  A145 Positive connection 4 (15), in dash panel wiring harness
-  B259 Connection (start/stop signal), in interior wiring harness
- \* Only models with cruise control system (CCS)

- ws = white
- sw = black
- ro = red
- br = brown
- gn = green
- bl = blue
- gr = grey
- li = purple
- ge = yellow
- or = orange
- rs = pink

1740-039061117



Cruise control system switch, Steering column combination switch, Onboard supply control unit, Data bus diagnostic interface

- E45 Cruise control system switch
- E595 Steering column combination switch
- J519 Onboard supply control unit
- J533 Data bus diagnostic interface
- T20b 20-pin connector, black
- T41 41-pin connector, grey
- T73a 73-pin connector, black
- T73b 73-pin connector

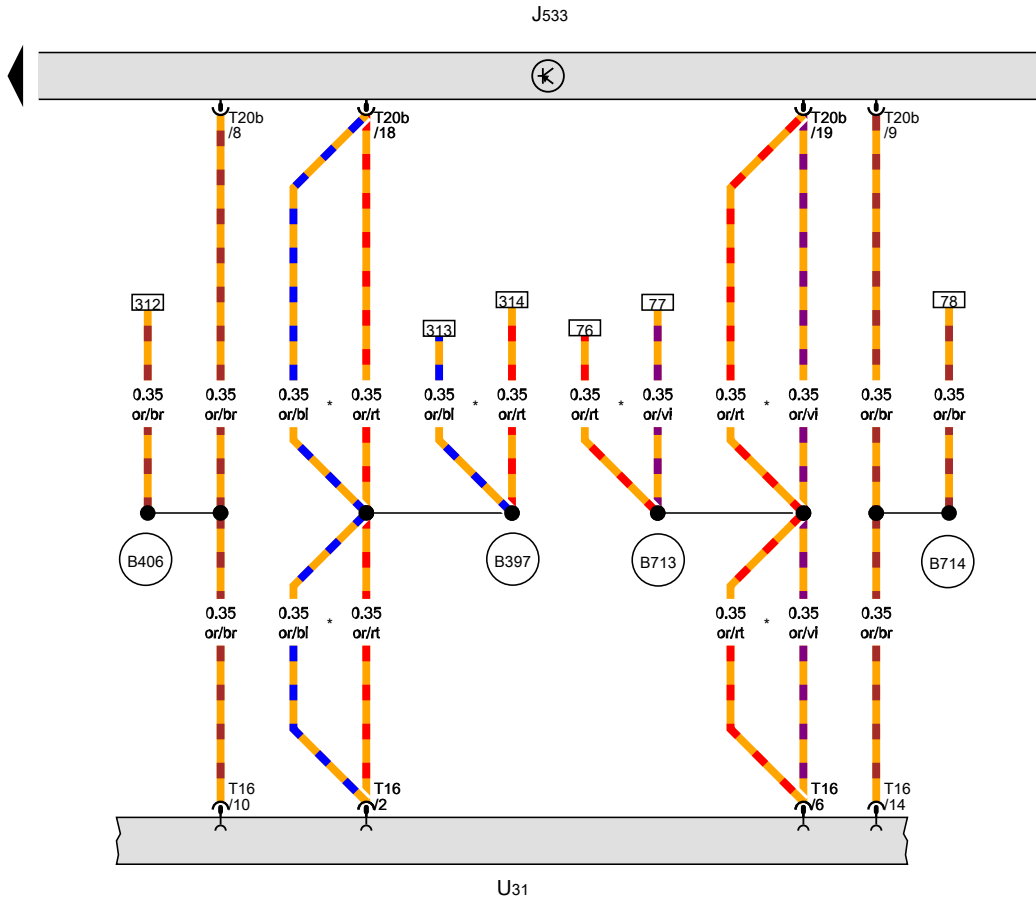
- (A146) Connection (convenience CAN bus, high), in dash panel wiring harness
- (A147) Connection (convenience CAN bus, low), in dash panel wiring harness
- (B141) Positive connection 1 (56a), in interior wiring harness
- (B383) Connection 1 (powertrain CAN bus, high), in main wiring harness
- (B390) Connection 1 (powertrain CAN bus, low), in main wiring harness

- \* Only models with Climatronic
- \*2 Only models with cruise control system (CCS)
- \*3 Only models with no headlight range control, see respective Current Flow Diagram headlight
- \*4 From July 2011

- ws = white
- sw = black
- ro = red
- br = brown
- gn = green
- bl = blue
- gr = grey
- li = purple
- ge = yellow
- or = orange
- rs = pink

71 72 73 74 75 76 77 78 79 80 81 82 83 84

[740-039071117]



Data bus diagnostic interface, Diagnostic connection

- J533 Data bus diagnostic interface
- T16 16-pin connector, black
- T20b 20-pin connector, black
- U31 Diagnostic connection

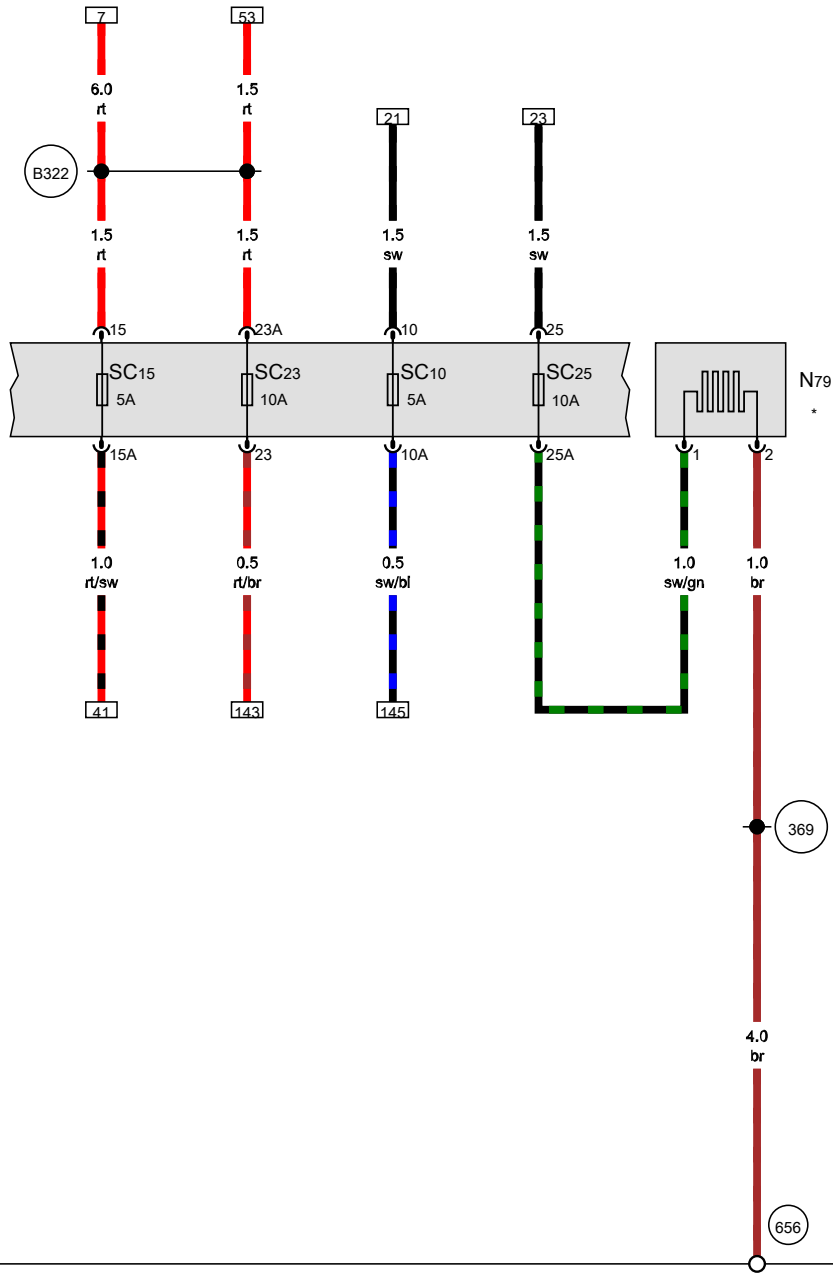
- B397 Connection 1 (convenience CAN bus, high), in main wiring harness
- B406 Connection 1 (convenience CAN bus, low), in main wiring harness
- B713 Connection 1 (CAN bus diagnosis, high), in main wiring harness
- B714 Connection 1 (CAN bus diagnosis, low), in main wiring harness

\* From July 2011

- ws = white
- sw = black
- ro = red
- br = brown
- gn = green
- bl = blue
- gr = grey
- li = purple
- ge = yellow
- or = orange
- rs = pink

85 86 87 88 89 90 91 92 93 94 95 96 97 98

[240-039081112]



Heater element for crankcase breather, Fuse 10 on fuse holder C, Fuse 15 on fuse holder C, Fuse 23 on fuse holder C, Fuse 25 on fuse holder C

- N79 Heater element for crankcase breather
- SC10 Fuse 10 on fuse holder C
- SC15 Fuse 15 on fuse holder C
- SC23 Fuse 23 on fuse holder C
- SC25 Fuse 25 on fuse holder C

369 Earth connection 4, in main wiring harness

656 Earth point, on right headlight

B322 Positive connection 8 (30a) in main wiring harness

\* Only models with crankcase breather heater element

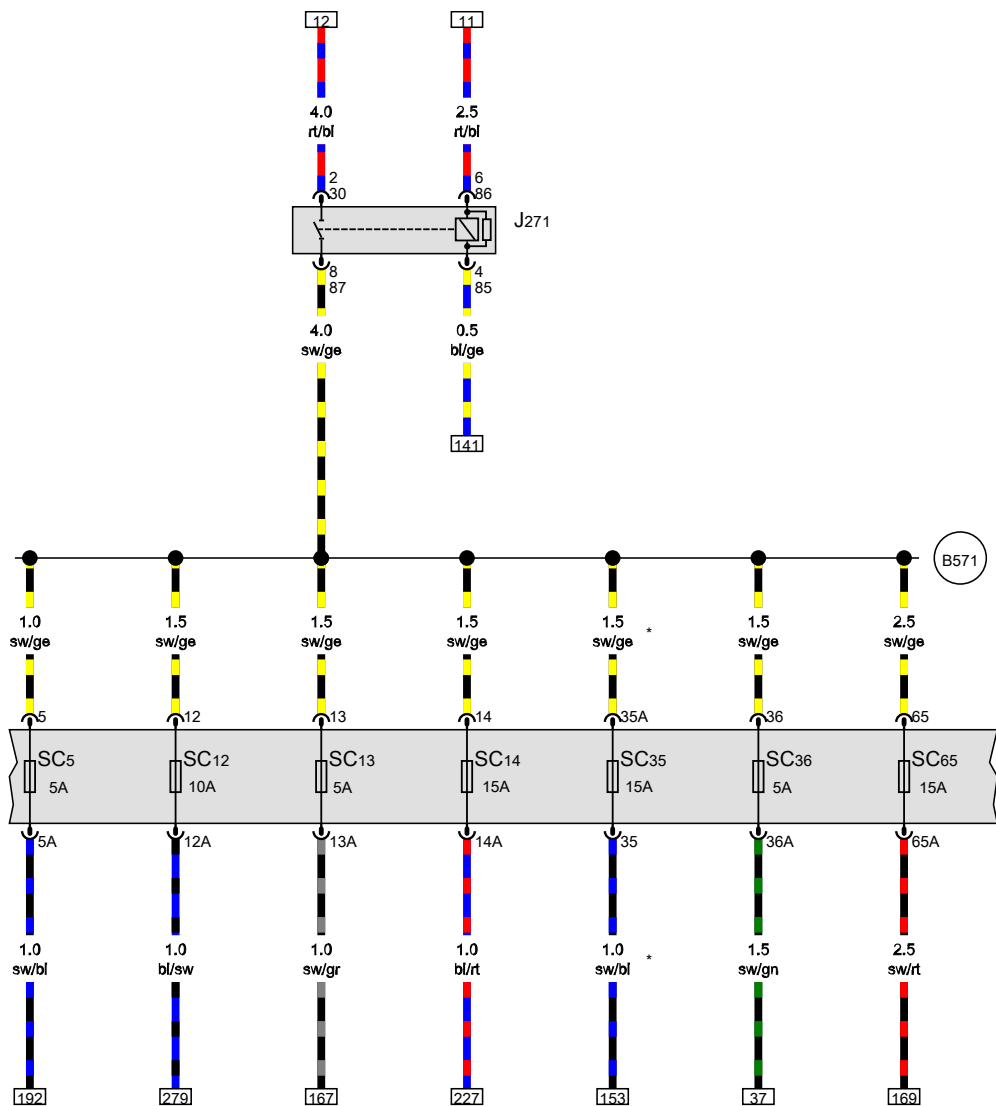
- ws = white
- sw = black
- ro = red
- br = brown
- gn = green
- bl = blue
- gr = grey
- li = purple
- ge = yellow
- or = orange
- rs = pink

Main relay, Fuse 5 on fuse holder C, Fuse 12 on fuse holder C, Fuse 13 on fuse holder C, Fuse 14 on fuse holder C, Fuse 35 on fuse holder C, Fuse 36 on fuse holder C, Fuse 65 on fuse holder C

- J271 Main relay, on relay carrier
- SC5 Fuse 5 on fuse holder C
- SC12 Fuse 12 on fuse holder C
- SC13 Fuse 13 on fuse holder C
- SC14 Fuse 14 on fuse holder C
- SC35 Fuse 35 on fuse holder C
- SC36 Fuse 36 on fuse holder C
- SC65 Fuse 65 on fuse holder C

B571 Connection 38, in main wiring harness

\* Only models with Euro 5 emission standard



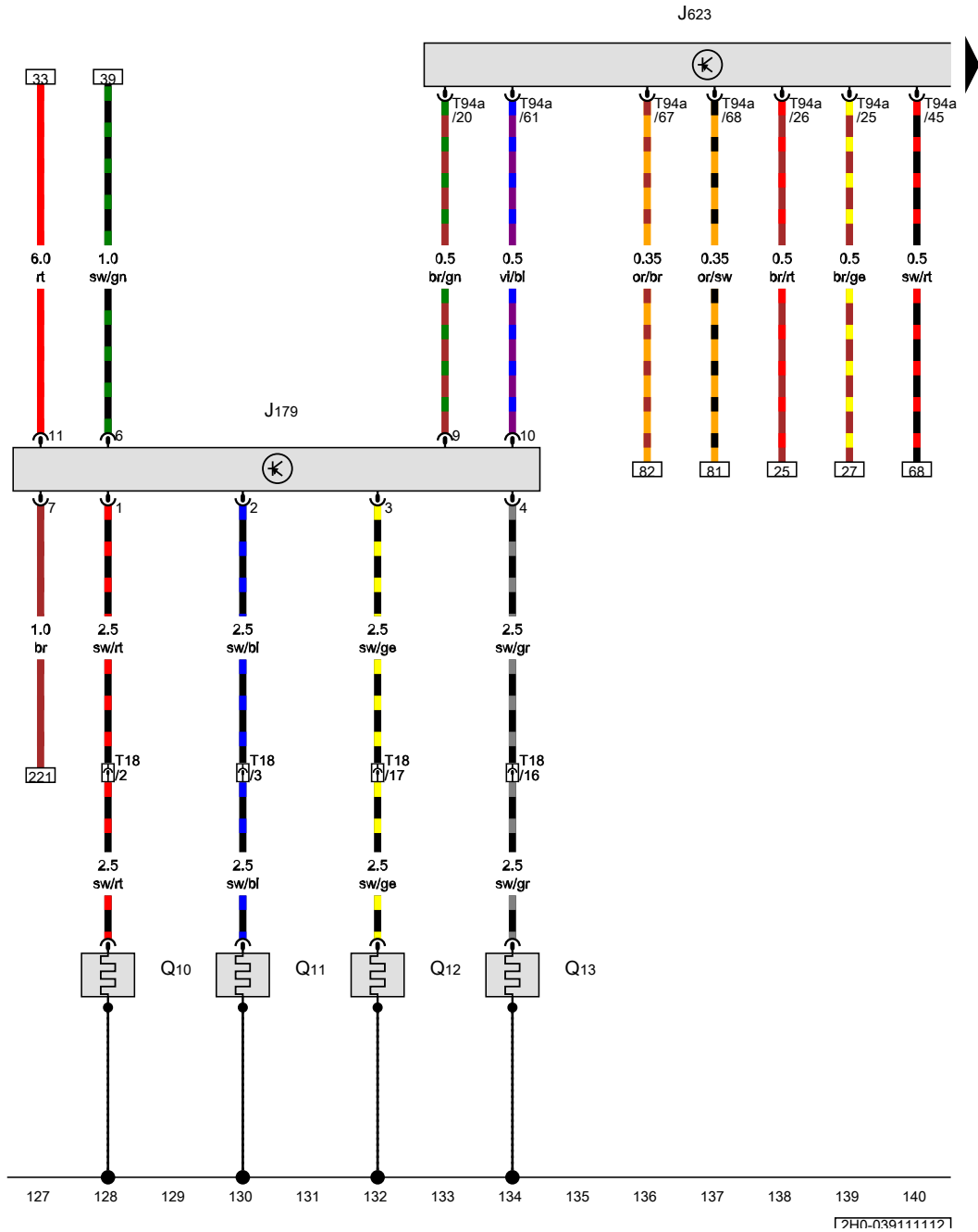
- ws = white
- sw = black
- ro = red
- br = brown
- gn = green
- bl = blue
- gr = grey
- li = purple
- ge = yellow
- or = orange
- rs = pink

113 114 115 116 117 118 119 120 121 122 123 124 125 126

740-0391011171

Automatic glow period control unit, Engine control unit, Glow plug 1, Glow plug 2, Glow plug 3, Glow plug 4

- J179 Automatic glow period control unit
- J623 Engine control unit
- Q10 Glow plug 1
- Q11 Glow plug 2
- Q12 Glow plug 3
- Q13 Glow plug 4
- T18 18-pin connector, near engine control unit, black
- T94a 94-pin connector, black



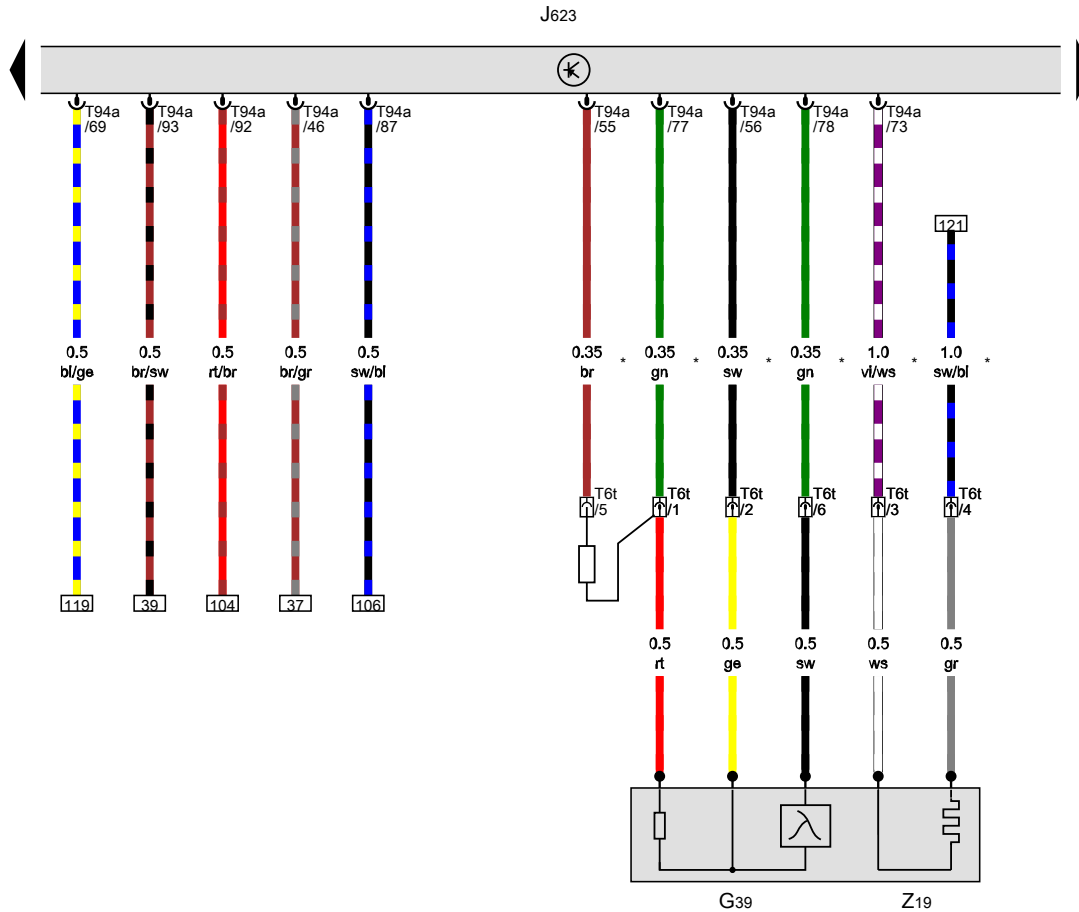
- ws = white
- sw = black
- ro = red
- br = brown
- gn = green
- bl = blue
- gr = grey
- li = purple
- ge = yellow
- or = orange
- rs = pink

7H0-039111117



Lambda probe, Engine control unit

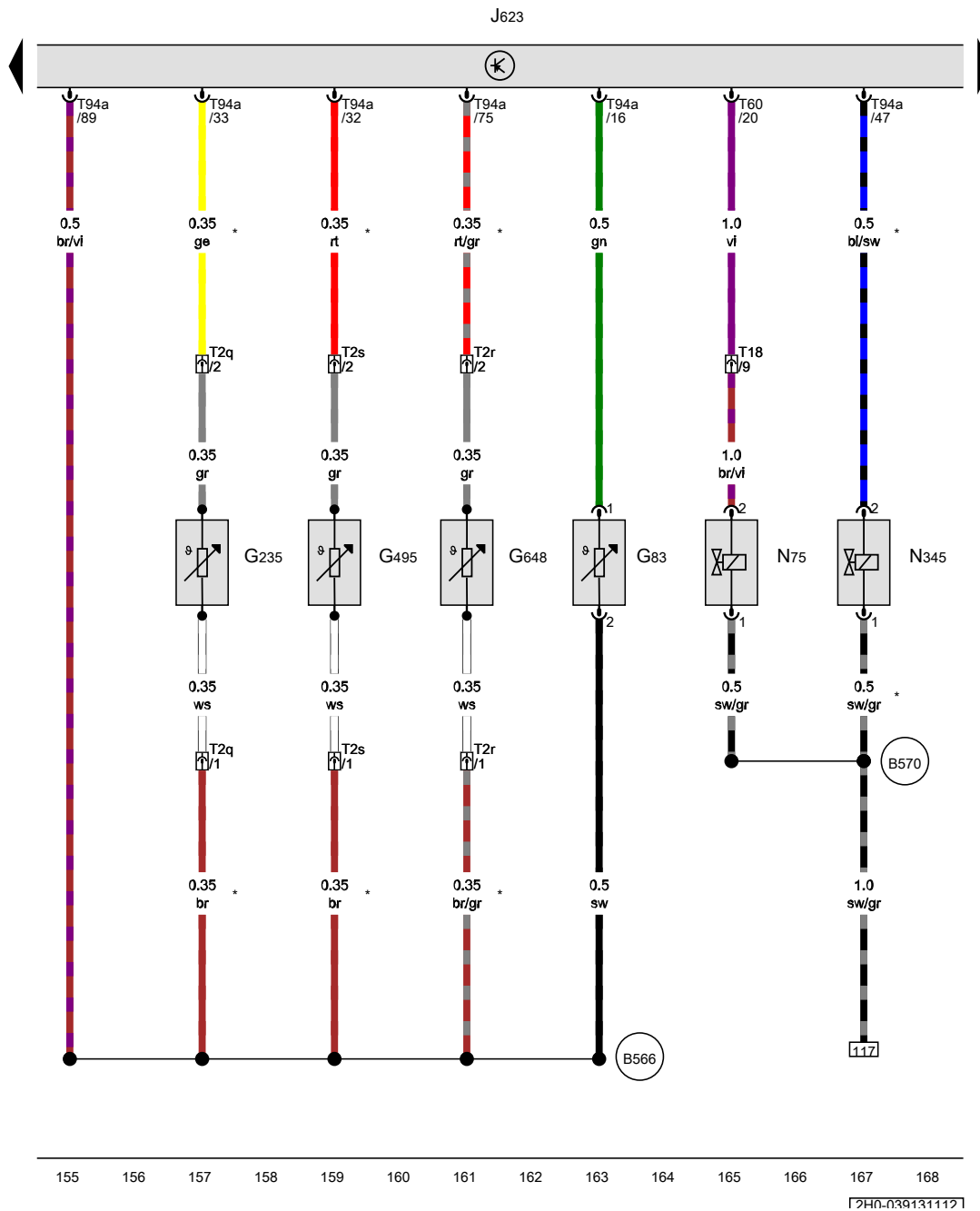
- G39 Lambda probe
- J623 Engine control unit
- T6t 6-pin connector, front right in engine compartment, black
- T94a 94-pin connector, black
- Z19 Lambda probe heater
- \* Only models with Euro 5 emission standard



- ws = white
- sw = black
- ro = red
- br = brown
- gn = green
- bl = blue
- gr = grey
- li = purple
- ge = yellow
- or = orange
- rs = pink

141 142 143 144 145 146 147 148 149 150 151 152 153 154

17H0-039121117



Radiator outlet coolant temperature sender, Exhaust gas temperature sender 1, Exhaust gas temperature sender 3, Exhaust gas temperature sender 4, Engine control unit, Charge pressure control solenoid valve, Exhaust gas recirculation cooler changeover valve

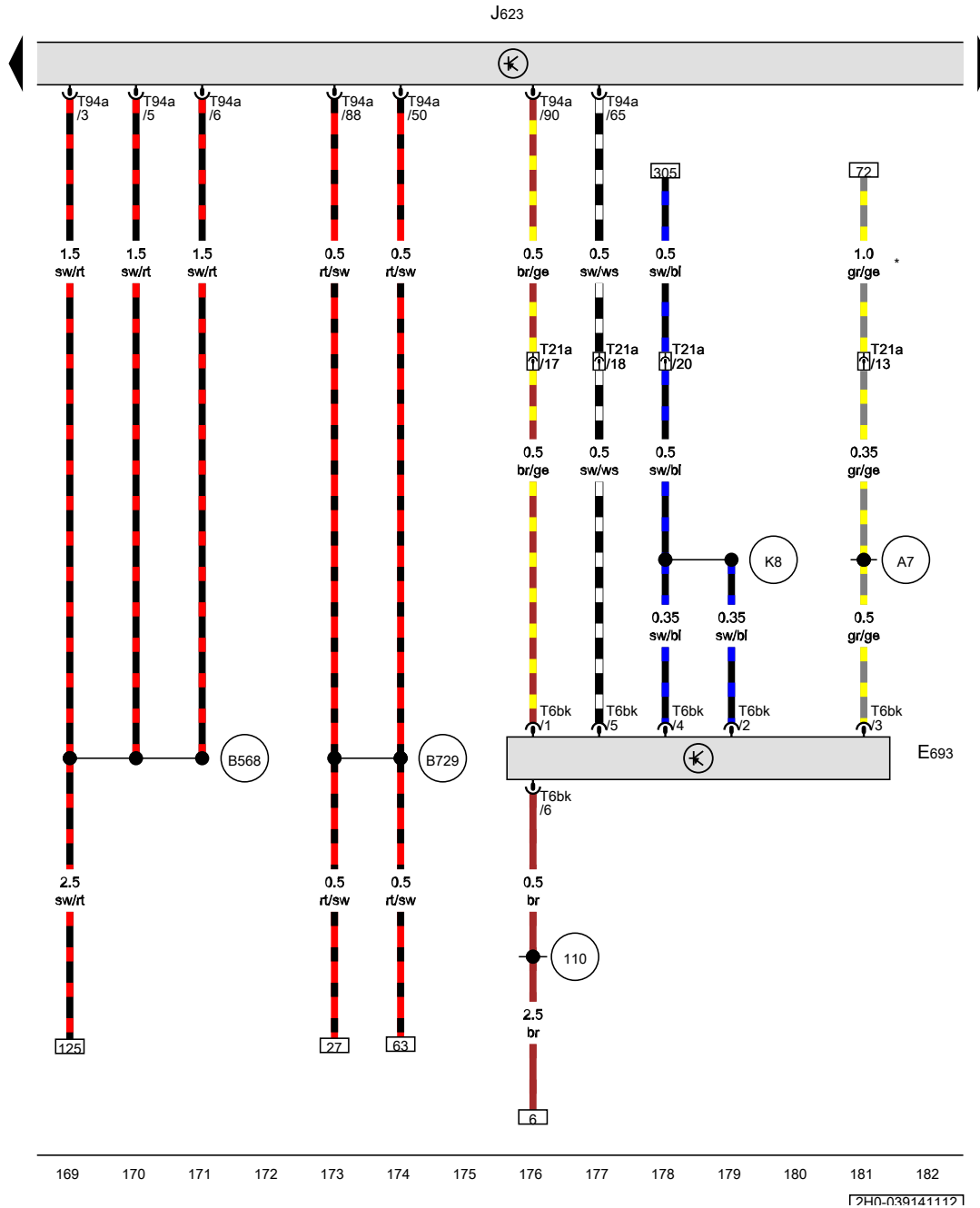
- G83 Radiator outlet coolant temperature sender
- G235 Exhaust gas temperature sender 1
- G495 Exhaust gas temperature sender 3
- G648 Exhaust gas temperature sender 4
- J623 Engine control unit
- N75 Charge pressure control solenoid valve
- N345 Exhaust gas recirculation cooler changeover valve
- T2q 2-pin connector, black
- T2r 2-pin connector, orange
- T2s 2-pin connector, brown
- T18 18-pin connector, near engine control unit, black
- T60 60-pin connector, black
- T94a 94-pin connector, black

Connection 33, in main wiring harness

Connection 37, in main wiring harness

\* Only models with Euro 5 emission standard

- ws = white
- sw = black
- ro = red
- br = brown
- gn = green
- bl = blue
- gr = grey
- li = purple
- ge = yellow
- or = orange
- rs = pink



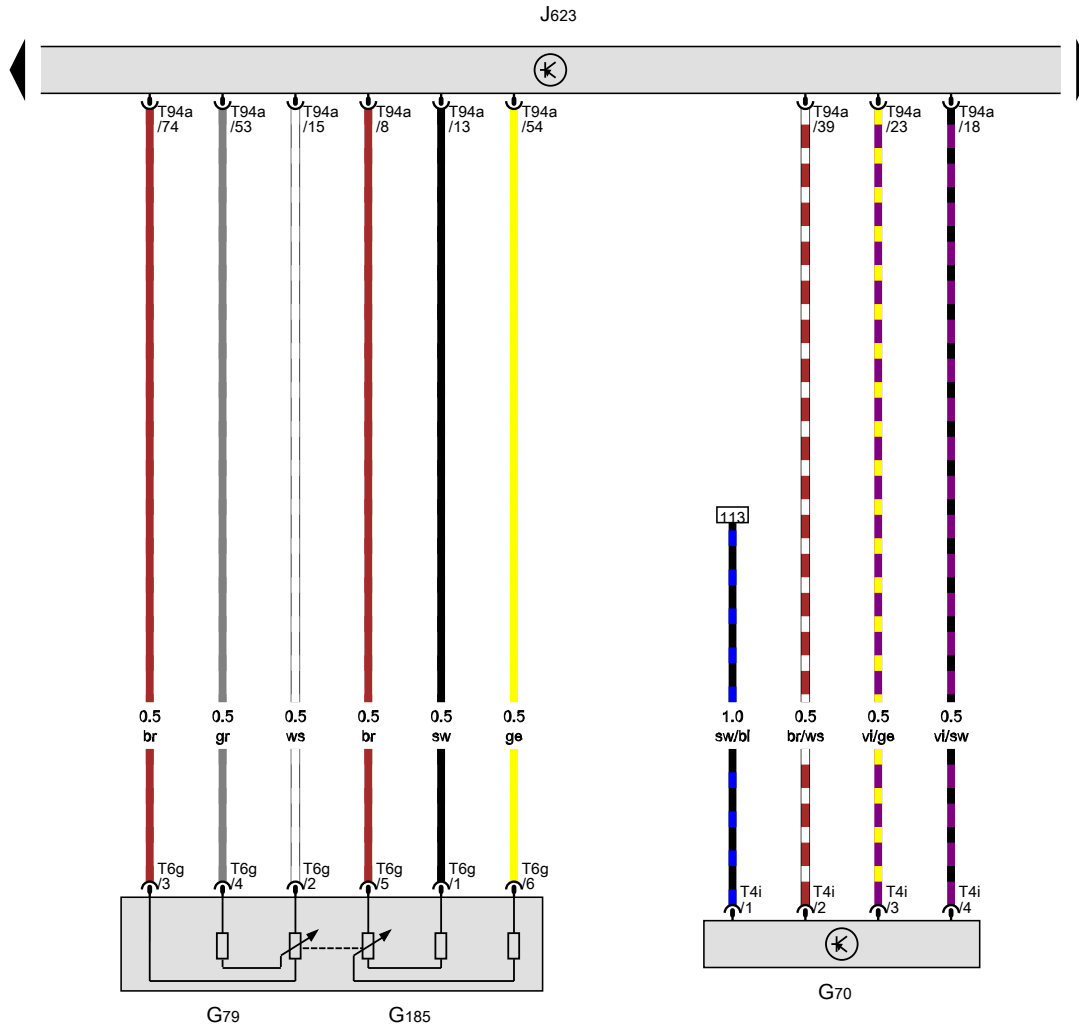
Start/Stop operation button, Engine control unit

- E693 Start/Stop operation button
- J623 Engine control unit
- T6bk 6-pin connector, green
- T21a 21-pin connector, on relay carrier, brown
- T94a 94-pin connector, black
- 110 Earth connection 2, in dash panel wiring harness
- A7 Positive connection (58 D1), in dash panel wiring harness
- B568 Connection 35, in main wiring harness
- B729 Connection 1 (50), in main wiring harness
- K8 Connection 1, in centre console wiring harness
- \* Only models with no headlight range control, see respective Current Flow Diagram headlight

- ws = white
- sw = black
- ro = red
- br = brown
- gn = green
- bl = blue
- gr = grey
- li = purple
- ge = yellow
- or = orange
- rs = pink

[740-039141117]

Air mass meter, Accelerator position sender, Accelerator position sender 2, Engine control unit

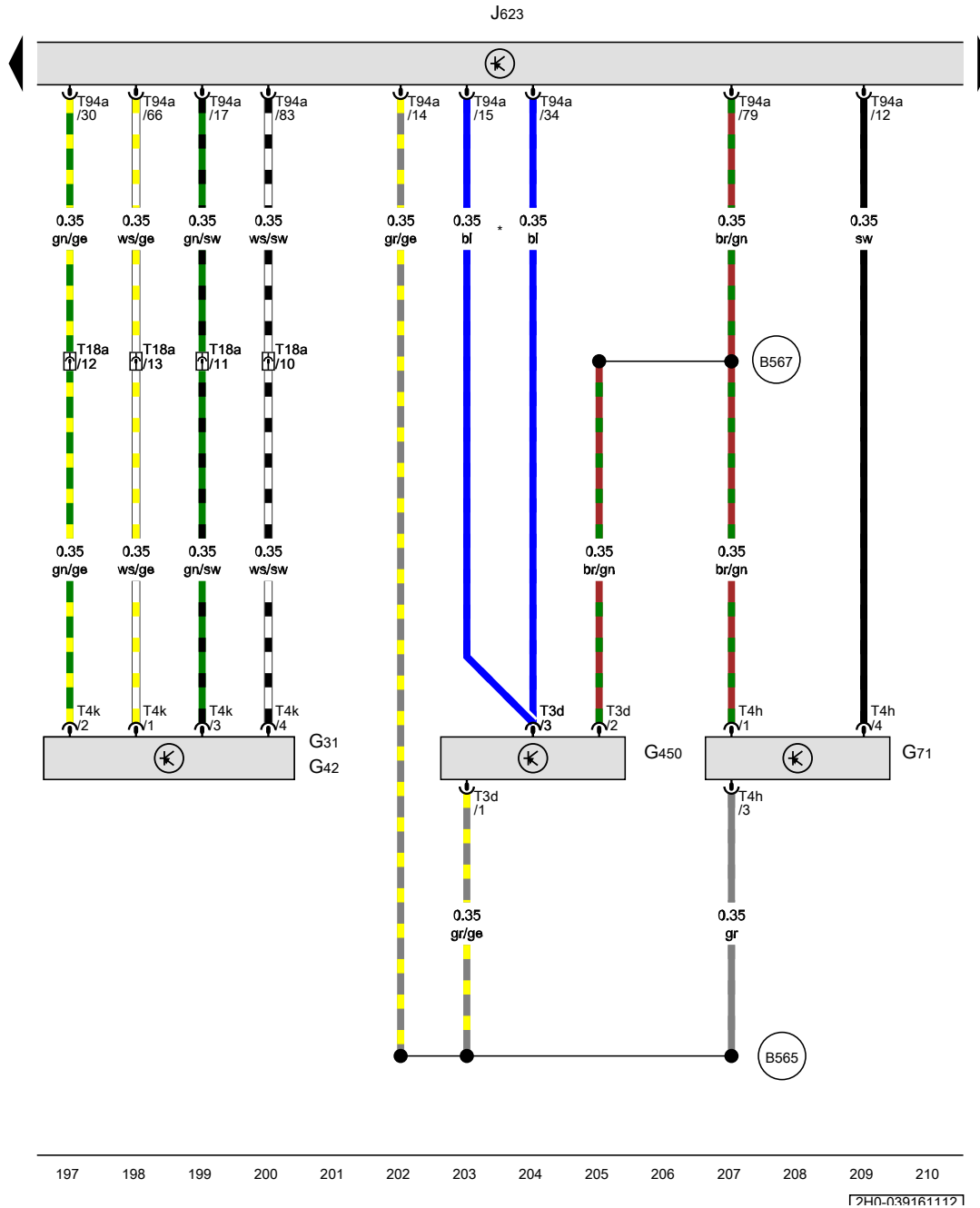


- G70 Air mass meter
- G79 Accelerator position sender
- G185 Accelerator position sender 2
- J623 Engine control unit
- T4i 4-pin connector, black
- T6g 6-pin connector, black
- T94a 94-pin connector, black

- ws = white
- sw = black
- ro = red
- br = brown
- gn = green
- bl = blue
- gr = grey
- li = purple
- ge = yellow
- or = orange
- rs = pink

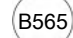
183 184 185 186 187 188 189 190 191 192 193 194 195 196

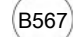
[2HD-039151117]



Charge pressure sender, Intake air temperature sender, Intake manifold pressure sender, Exhaust gas pressure sensor 1, Engine control unit

- G31 Charge pressure sender
- G42 Intake air temperature sender
- G71 Intake manifold pressure sender
- G450 Exhaust gas pressure sensor 1
- J623 Engine control unit
- T3d 3-pin connector, black
- T4h 4-pin connector, black
- T4k 4-pin connector, black
- T18a 18-pin connector, near engine control unit, grey
- T94a 94-pin connector, black

 B565 Connection 32, in main wiring harness

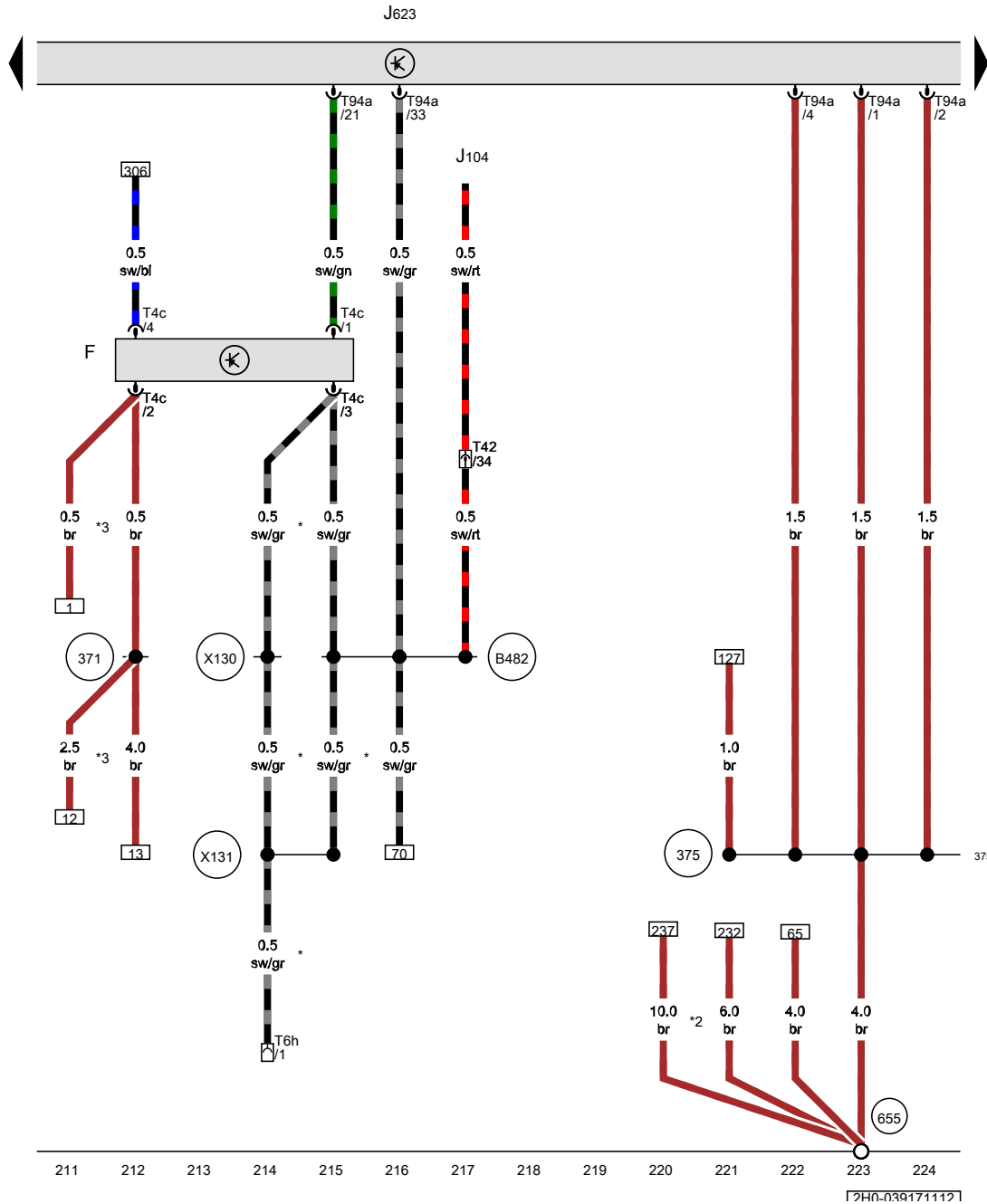
 B567 Connection 34, in main wiring harness

\* Only models with Euro 3 emission standard

- ws = white
- sw = black
- ro = red
- br = brown
- gn = green
- bl = blue
- gr = grey
- li = purple
- ge = yellow
- or = orange
- rs = pink

197 198 199 200 201 202 203 204 205 206 207 208 209 210

[790-039161117]

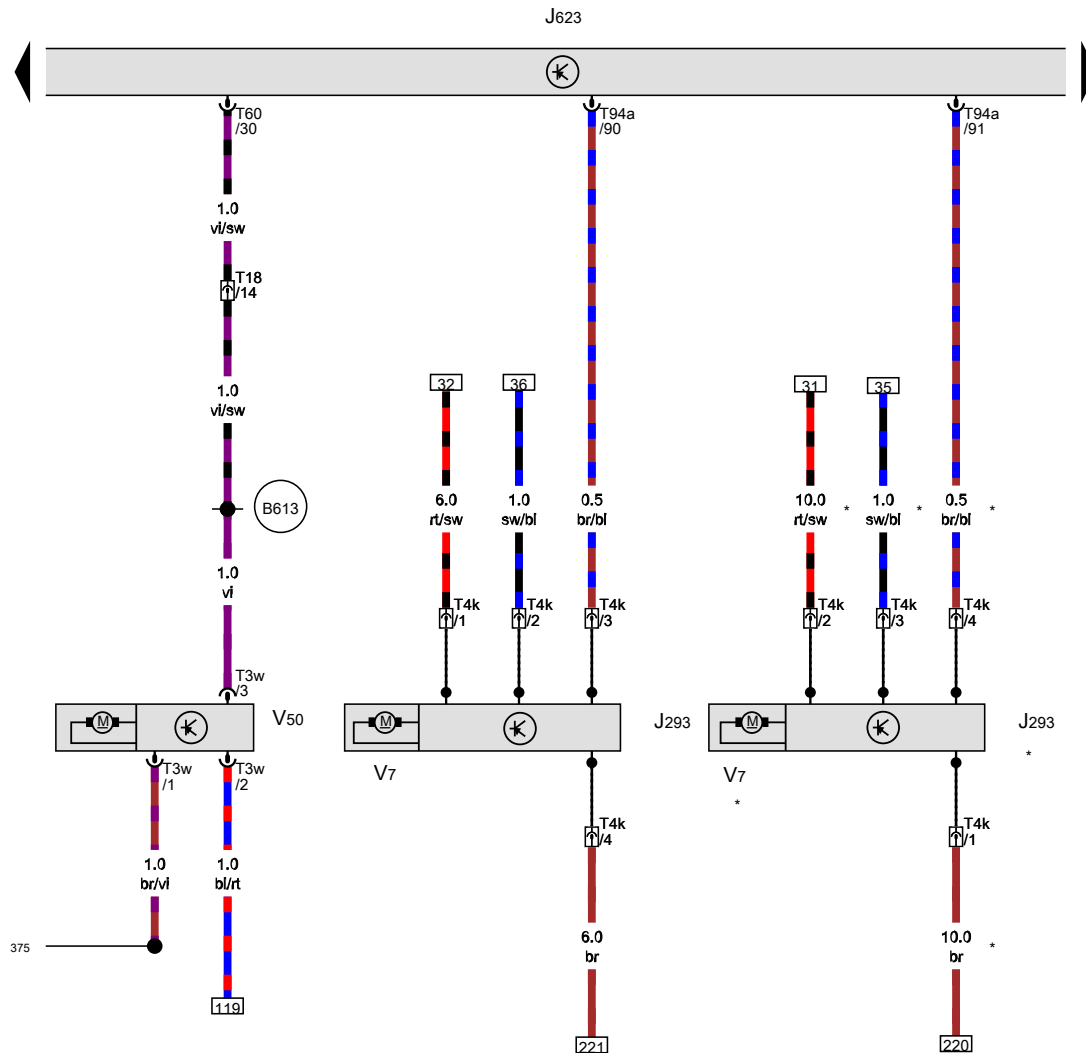


Brake light switch, Engine control unit

- F Brake light switch
- J104 ABS control unit
- J623 Engine control unit
- T4c 4-pin connector, black
- T6h 6-pin connector, in left footwell, near centre console, grey
- T42 42-pin connector, near handbrake lever, black
- T94a 94-pin connector, black

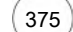
- 371 Earth connection 6, in main wiring harness
- 375 Earth connection 10, in main wiring harness
- 655 Earth point, on left headlight
- B482 Connection 18, in main wiring harness
- X130 Connection 3, in optional equipment wiring harness
- X131 Connection 4, in optional equipment wiring harness
- \* Only models with electric interface for external use
- \*2 Only for countries with hot climate
- \*3 From November 2011

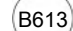
- ws = white
- sw = black
- ro = red
- br = brown
- gn = green
- bl = blue
- gr = grey
- li = purple
- ge = yellow
- or = orange
- rs = pink



**Radiator fan control unit, Engine control unit, Radiator fan, Coolant circulation pump**

- J293 Radiator fan control unit
- J623 Engine control unit
- T3w 3-pin connector, black
- T4k 4-pin connector, on radiator cowling, black
- T18 18-pin connector, near engine control unit, black
- T60 60-pin connector, black
- T94a 94-pin connector, black
- V7 Radiator fan
- V50 Coolant circulation pump

 Earth connection 10, in main wiring harness

 Connection 41, in main wiring harness

\* Only for countries with hot climate

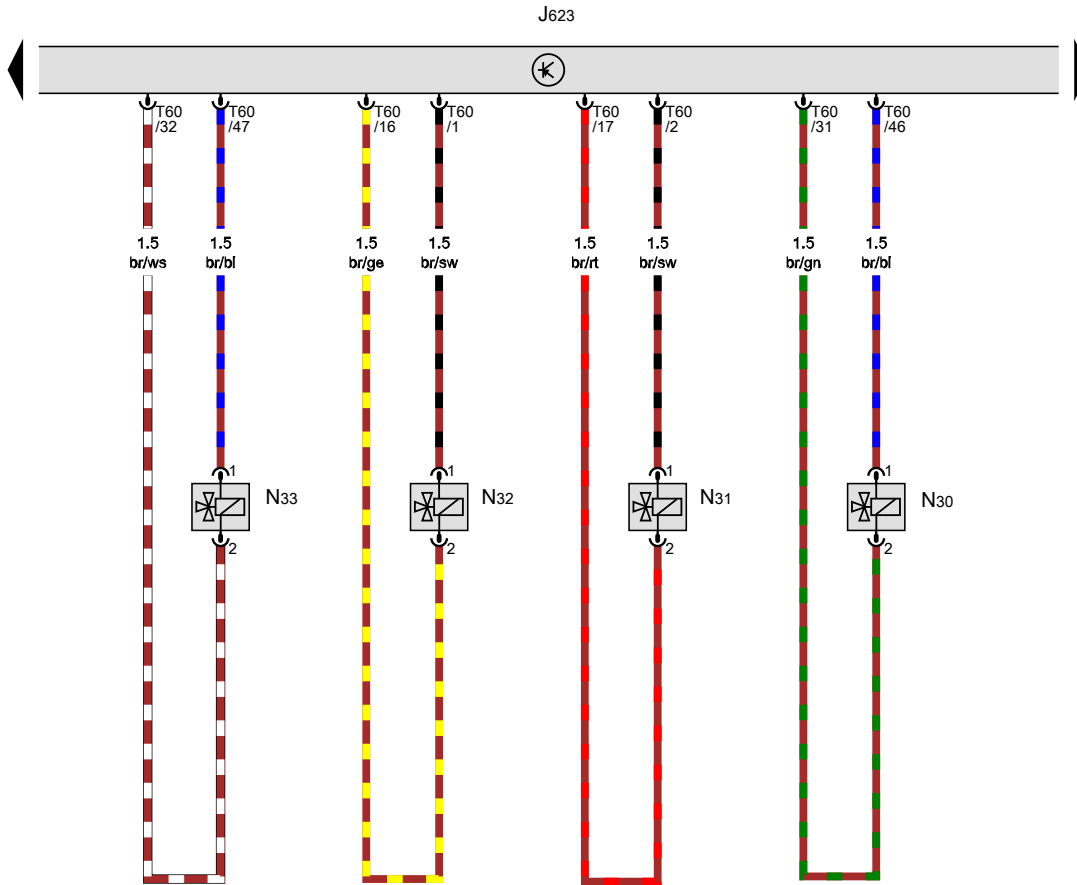
- ws = white
- sw = black
- ro = red
- br = brown
- gn = green
- bl = blue
- gr = grey
- li = purple
- ge = yellow
- or = orange
- rs = pink

225 226 227 228 229 230 231 232 233 234 235 236 237 238

[7H0-039181117]

Engine control unit, Injector, cylinder 1, Injector, cylinder 2, Injector, cylinder 3, Injector, cylinder 4

- J623 Engine control unit
- N30 Injector, cylinder 1
- N31 Injector, cylinder 2
- N32 Injector, cylinder 3
- N33 Injector, cylinder 4
- T60 60-pin connector, black

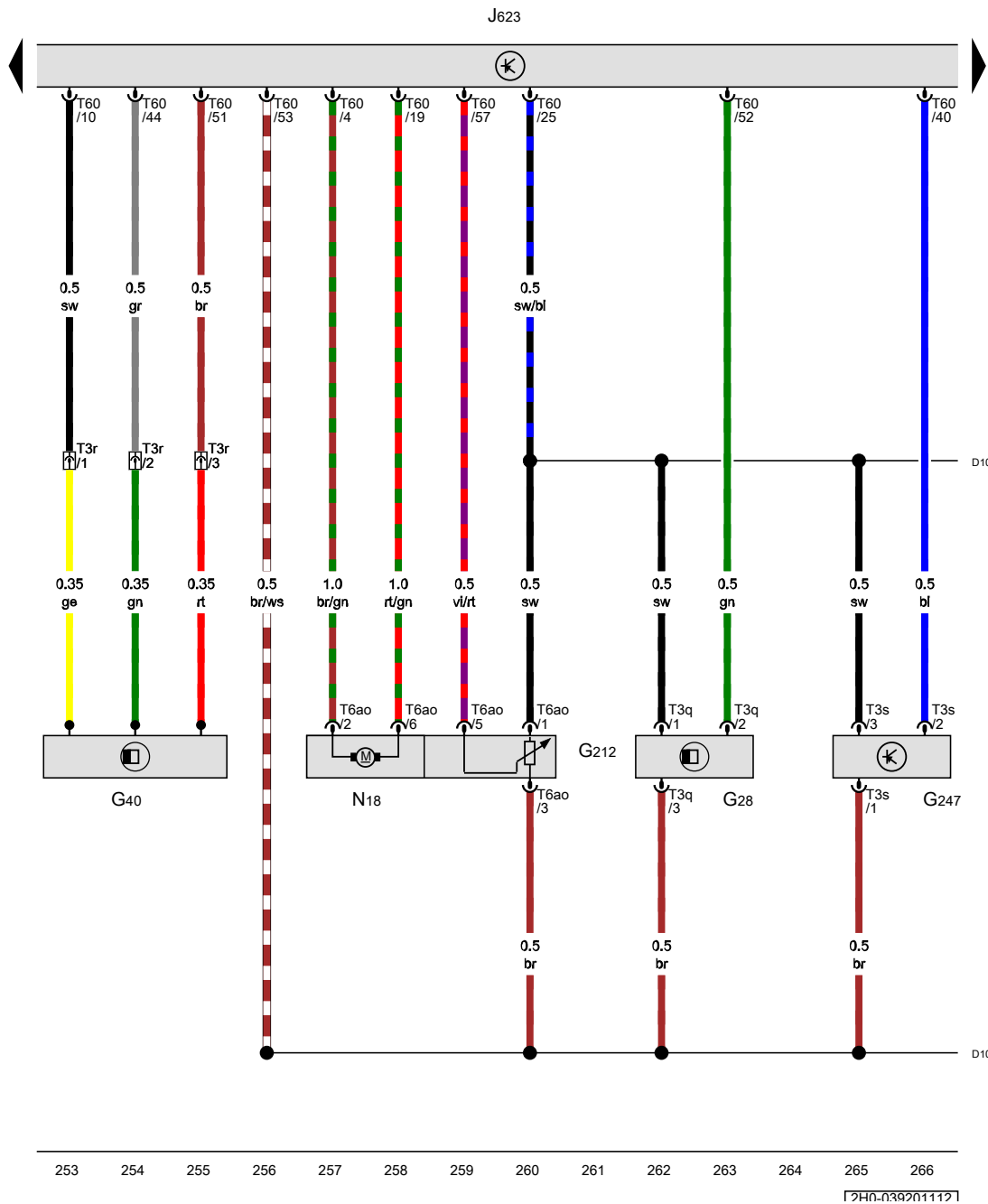


- ws = white
- sw = black
- ro = red
- br = brown
- gn = green
- bl = blue
- gr = grey
- li = purple
- ge = yellow
- or = orange
- rs = pink

239   240   241   242   243   244   245   246   247   248   249   250   251   252

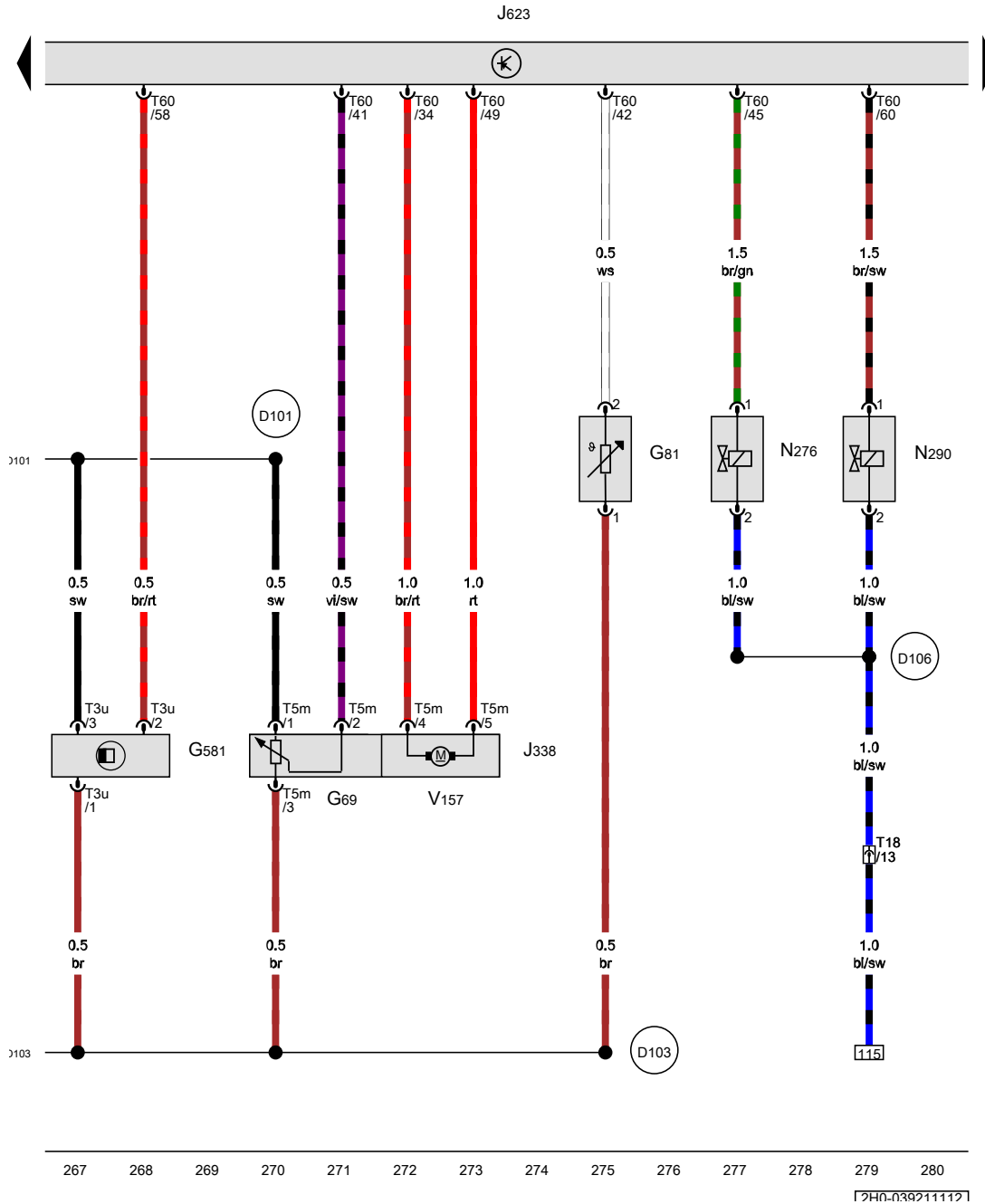
[240-039191117]





Hall sender, Exhaust gas recirculation potentiometer, Fuel pressure sender, Engine control unit, Exhaust gas recirculation valve

- G28 Engine speed sender
- G40 Hall sender
- G212 Exhaust gas recirculation potentiometer
- G247 Fuel pressure sender
- J623 Engine control unit
- N18 Exhaust gas recirculation valve
- T3q 3-pin connector, black
- T3r 3-pin connector, on front of engine, black
- T3s 3-pin connector, black
- T6ao 6-pin connector, grey
- T60 60-pin connector, black
- D101 Connection 1 in engine compartment wiring harness
- D103 Connection 3 in engine compartment wiring harness

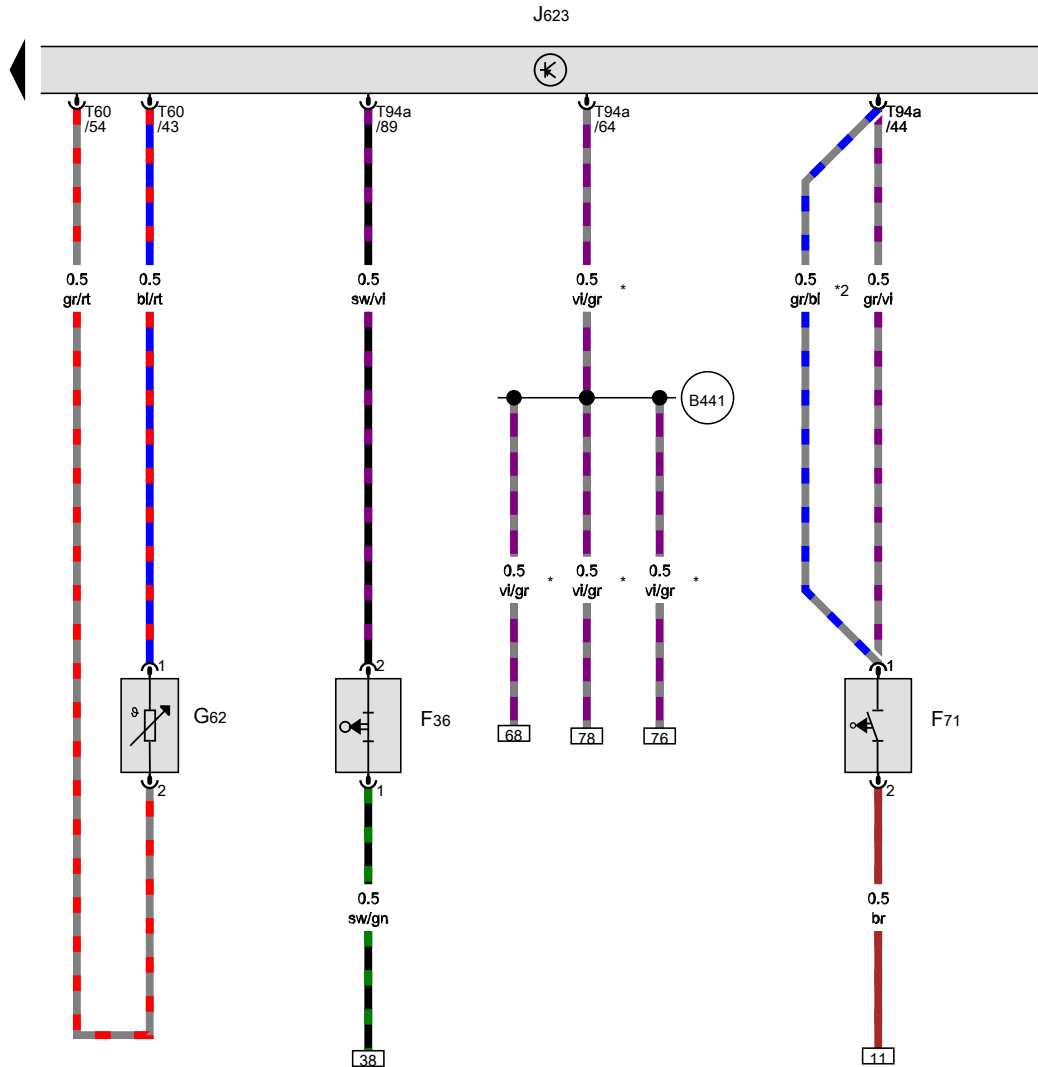


Throttle valve potentiometer, Fuel temperature sender, Position sender for charge pressure positioner, Throttle valve module, Engine control unit, Fuel pressure regulating valve, Fuel metering valve, Intake manifold flap motor

- G69 Throttle valve potentiometer
- G81 Fuel temperature sender
- G581 Position sender for charge pressure positioner
- J338 Throttle valve module, black
- J623 Engine control unit
- N276 Fuel pressure regulating valve
- N290 Fuel metering valve
- T3u 3-pin connector, black
- T5m 5-pin connector, black
- T18 18-pin connector, near engine control unit, black
- T60 60-pin connector, black
- V157 Intake manifold flap motor

- D101 Connection 1 in engine compartment wiring harness
- D103 Connection 3 in engine compartment wiring harness
- D106 Connection 4 in engine compartment wiring harness

Clutch pedal switch for stop/start system, Coolant temperature sender, Engine control unit



- F36 Clutch pedal switch
- F71 Clutch pedal switch for stop/start system
- G62 Coolant temperature sender
- J623 Engine control unit
- T60 60-pin connector, black
- T94a 94-pin connector, black
- (B441) Connection (CCS), in main wiring harness
- \* Only models with cruise control system (CCS)
- \*2 From July 2011

- ws = white
- sw = black
- ro = red
- br = brown
- gn = green
- bl = blue
- gr = grey
- li = purple
- ge = yellow
- or = orange
- rs = pink

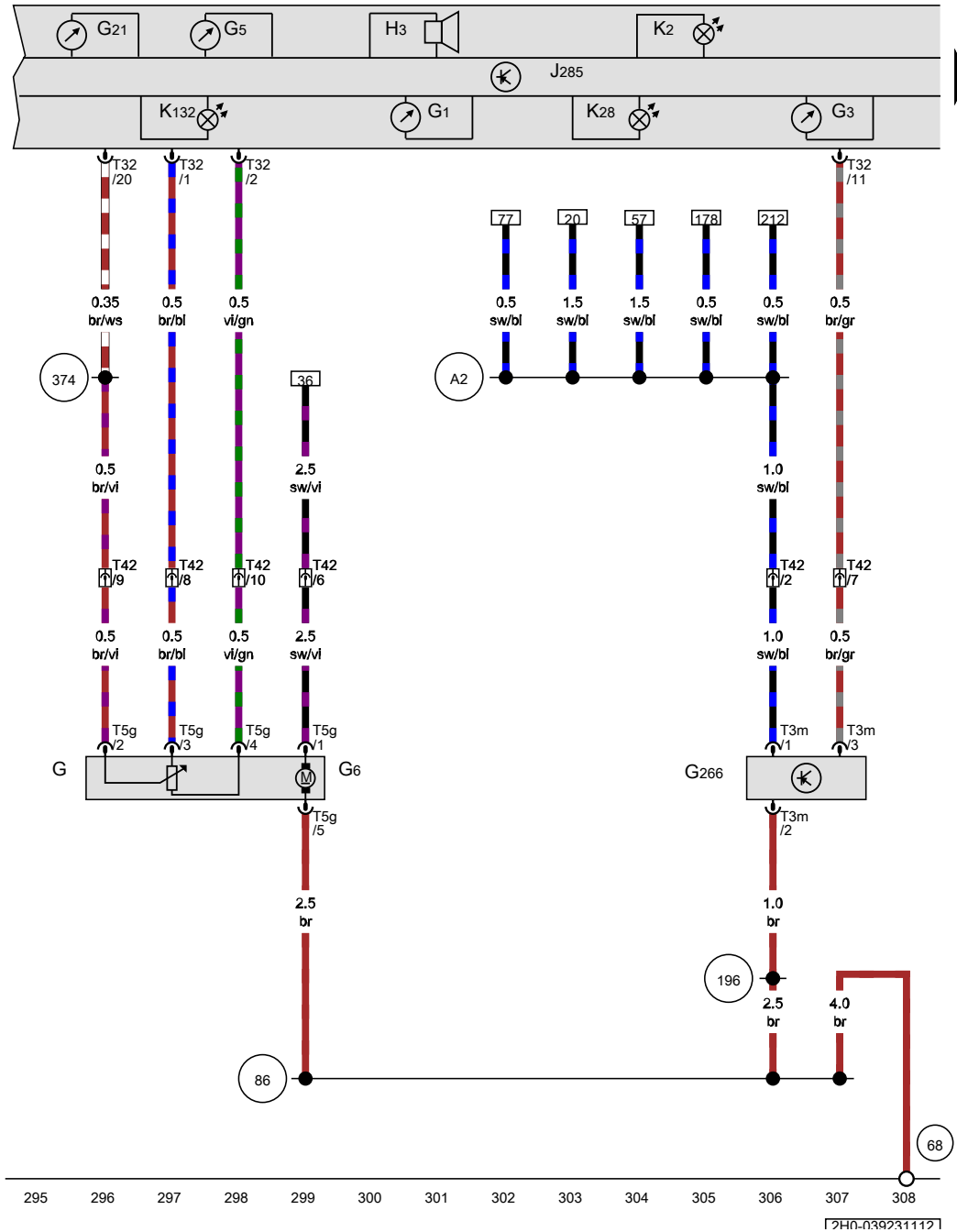
281 282 283 284 285 286 287 288 289 290 291 292 293 294

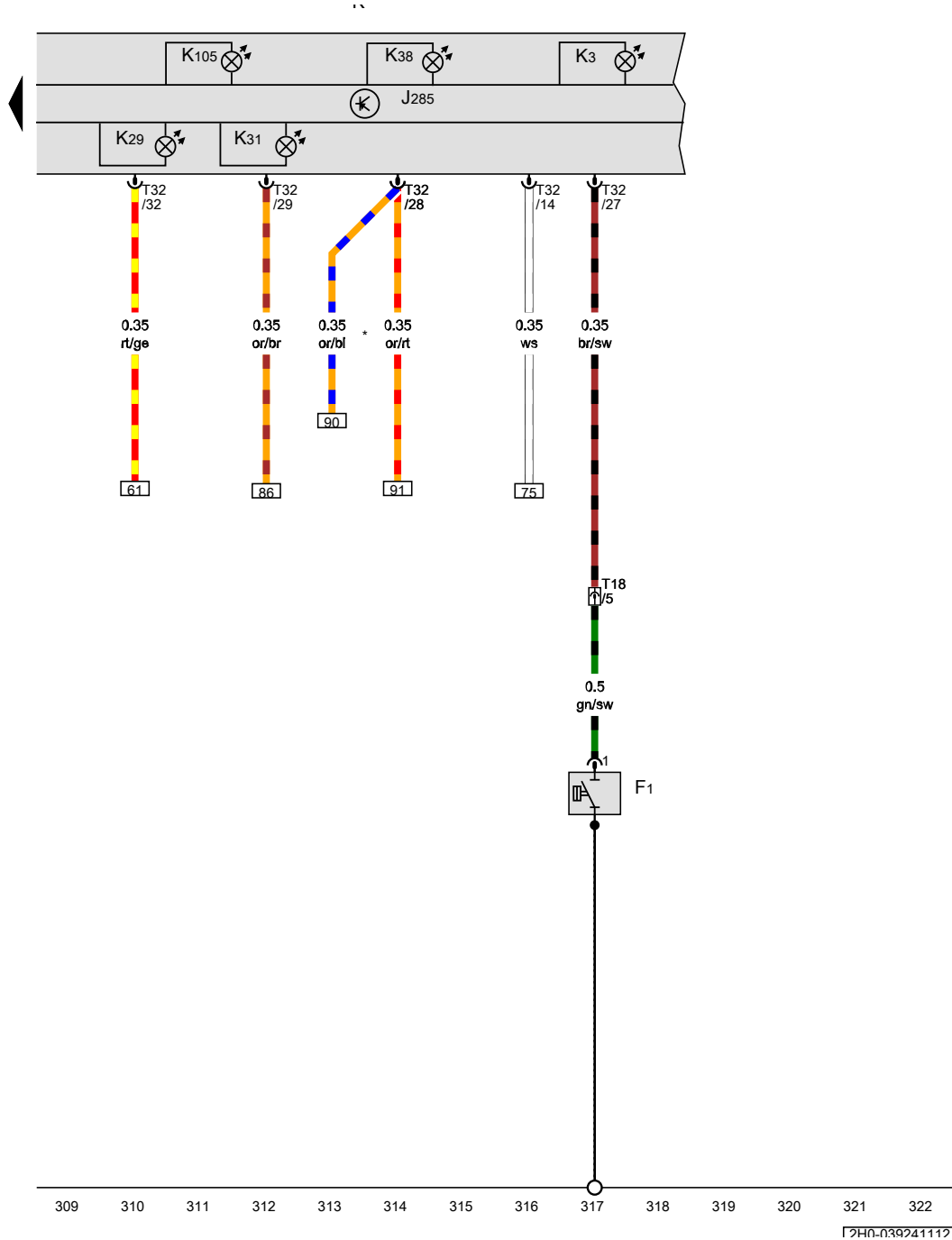
[7H0-039271117]

**Fuel system pressurisation pump, Oil level and oil temperature sender, Dash panel insert**

- G Fuel gauge sender
- G1 Fuel gauge
- G3 Coolant temperature gauge
- G5 Rev. counter
- G6 Fuel system pressurisation pump
- G21 Speedometer
- G266 Oil level and oil temperature sender
- H3 Buzzer and gong
- J285 Control unit in dash panel insert
- K Dash panel insert
- K2 Alternator warning lamp
- K28 Coolant temperature and coolant shortage warning lamp
- K132 Electronic power control fault lamp
- T3m 3-pin connector, black
- T5g 5-pin connector, black
- T32 32-pin connector, blue
- T42 42-pin connector, near handbrake lever, black

- 68 Earth point, on left of rear cross member
- 86 Earth connection 1, in rear wiring harness
- 196 Earth connection 3, in rear wiring harness
- 374 Earth connection 9, in main wiring harness
- A2 Positive connection (15), in dash panel wiring harness





Oil pressure switch, Dash panel insert

- F1 Oil pressure switch
- J285 Control unit in dash panel insert
- K Dash panel insert
- K3 Oil pressure warning lamp
- K29 Glow period warning lamp
- K31 Cruise control system warning lamp
- K38 Oil level warning lamp
- K105 Reserve fuel warning lamp
- T18 18-pin connector, near engine control unit, black
- T32 32-pin connector, blue
- \* From July 2011

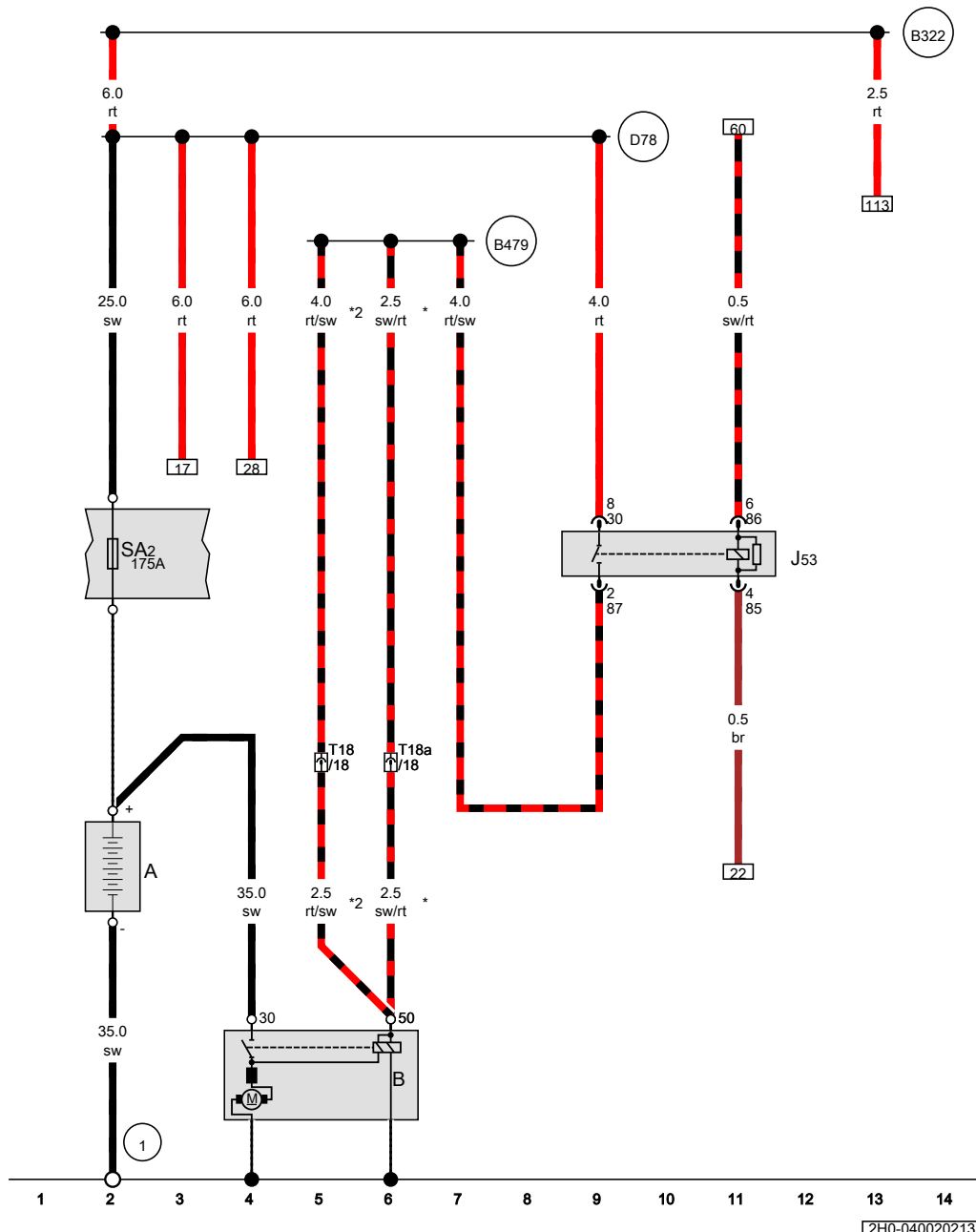
- ws = white
- sw = black
- ro = red
- br = brown
- gn = green
- bl = blue
- gr = grey
- li = purple
- ge = yellow
- or = orange
- rs = pink

7H0-039241117

**Basic equipment**

From May 2011

Battery, Starter, Starter motor relay, Fuse 2 in fuse holder A



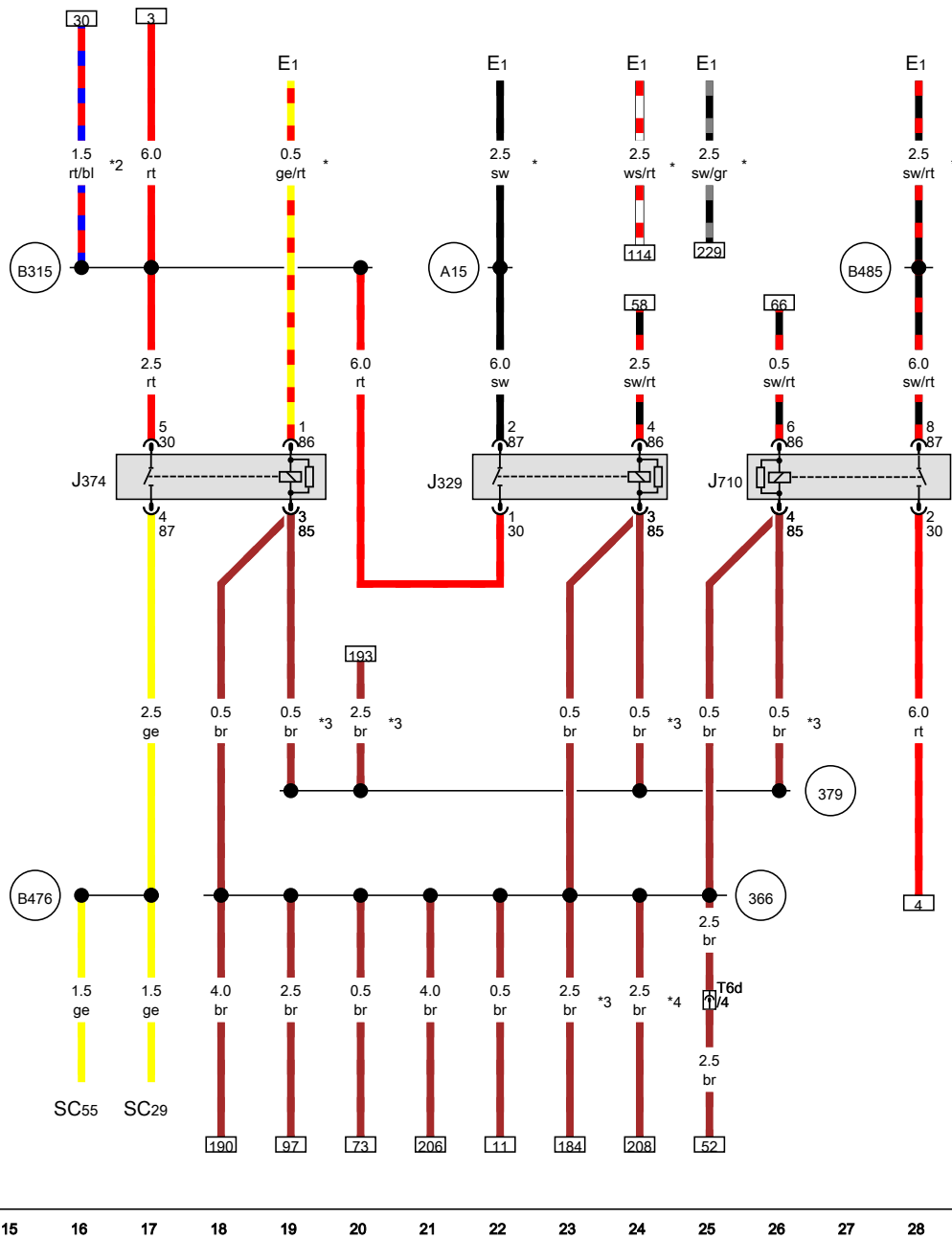
- A Battery
- B Starter
- J53 Starter motor relay
- SA2 Fuse 2 in fuse holder A
- T18 18-pin connector, near engine control unit, black
- T18a 18-pin connector, near engine control unit, grey
- 1 Earth strap, battery - body
- B322 Positive connection 8 (30a) in main wiring harness
- B479 Connection 15, in main wiring harness
- D78 Positive connection 1 (30a), in engine compartment wiring harness
- \* Only models with diesel engine
- \*2 Only models with petrol engine

- ws = white
- sw = black
- ro = red
- rt = red
- br = brown
- gn = green
- bl = blue
- gr = grey
- li = purple
- vi = purple
- ge = yellow
- or = orange
- rs = pink

Light switch, Terminal 15 voltage supply relay, Terminal 58b relief relay, Voltage supply relay 2

- E1 Light switch
- J329 Terminal 15 voltage supply relay
- J374 Terminal 58b relief relay
- J710 Voltage supply relay 2
- SC29 Fuse 29 on fuse holder C
- SC55 Fuse 55 on fuse holder C
- T6d 6-pin connector, on relay carrier, grey

- 366 Earth connection 1, in main wiring harness
- 379 Earth connection 14, in main wiring harness
- A15 Positive connection (15), in instrument wiring harness
- B315 Positive connection 1 (30a) in main wiring harness
- B476 Connection 12, in main wiring harness
- B485 Connection 21, in main wiring harness
- \* see applicable current flow diagram
- \*2 Only models with petrol engine
- \*3 From December 2011
- \*4 From November 2011



- ws = white
- sw = black
- ro = red
- rt = red
- br = brown
- gn = green
- bl = blue
- gr = grey
- li = purple
- vi = purple
- ge = yellow
- or = orange
- rs = pink

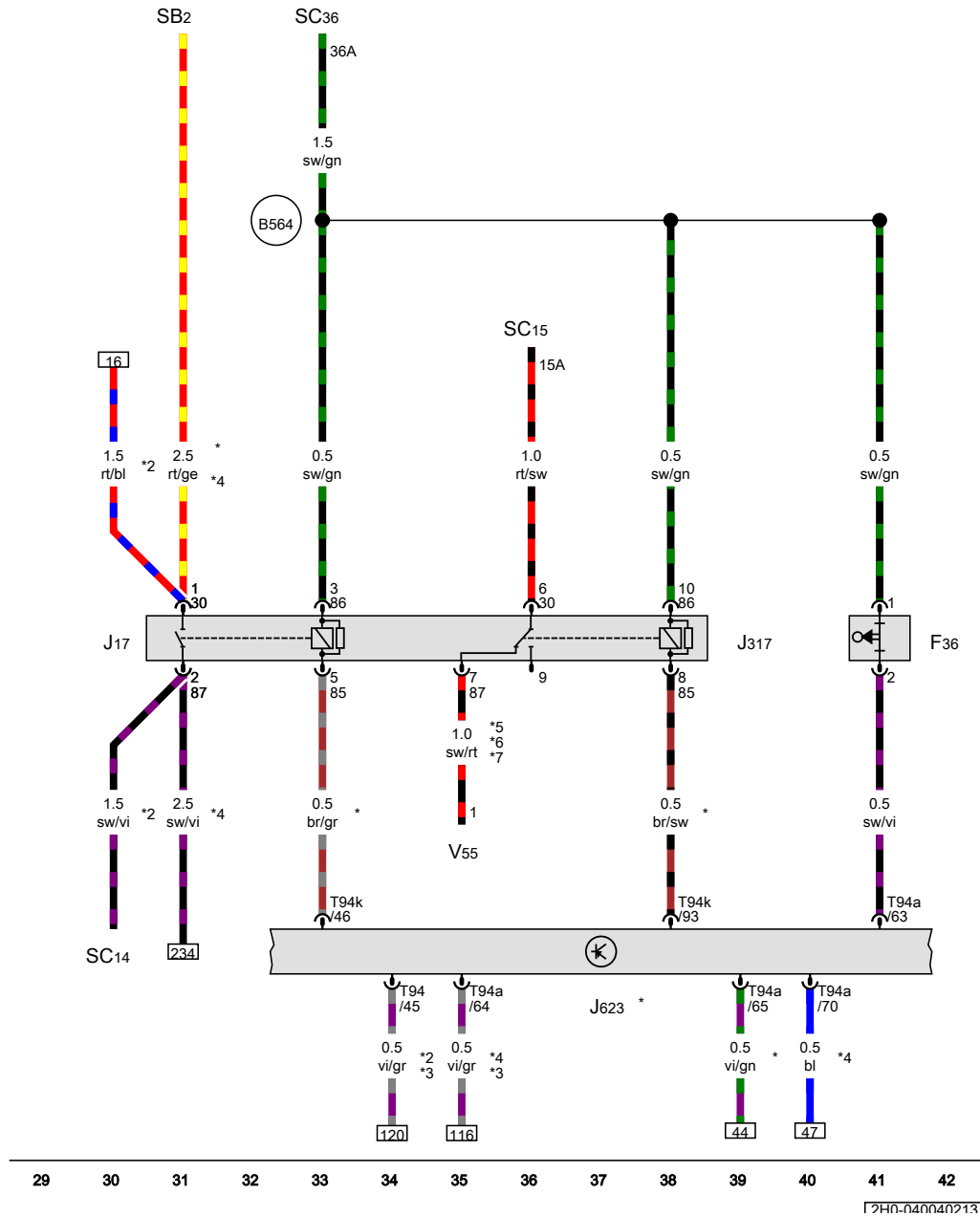


Clutch pedal switch, Fuel pump relay, Terminal 30 voltage supply relay, Engine control unit

- F36 Clutch pedal switch
- J17 Fuel pump relay
- J317 Terminal 30 voltage supply relay
- J623 Engine control unit
- SB2 Fuse 2 on fuse holder B
- SC14 Fuse 14 on fuse holder C
- SC15 Fuse 15 on fuse holder C
- SC36 Fuse 36 on fuse holder C
- T94 94-pin connector, black
- T94a 94-pin connector
- T94k 94-pin connector, black
- V55 Circulation pump

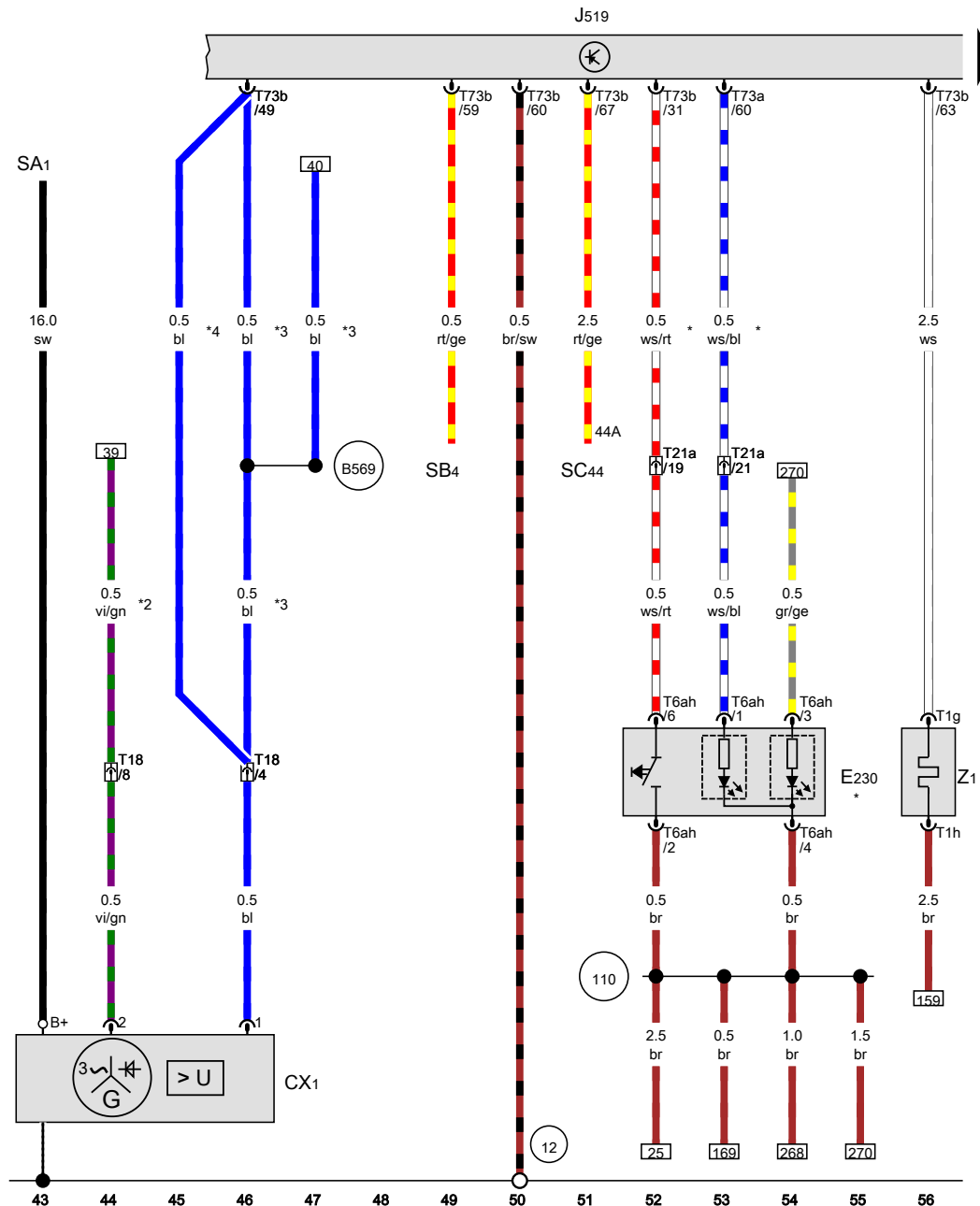
**B564** Connection 31, in main wiring harness

- \* see applicable current flow diagram for engine
- \*2 Only models with petrol engine
- \*3 Only models with cruise control system (CCS)
- \*4 Only models with diesel engine
- \*5 Only models with no air conditioning system/Climatronic
- \*6 see applicable current flow diagram for air conditioning
- \*7 see applicable current flow diagram for automatic air conditioning system



- ws = white
- sw = black
- ro = red
- rt = red
- br = brown
- gn = green
- bl = blue
- gr = grey
- li = purple
- vi = purple
- ge = yellow
- or = orange
- rs = pink

Alternator with voltage regulator, Heated rear window button, Fuse 4 on fuse holder B, Heated rear window



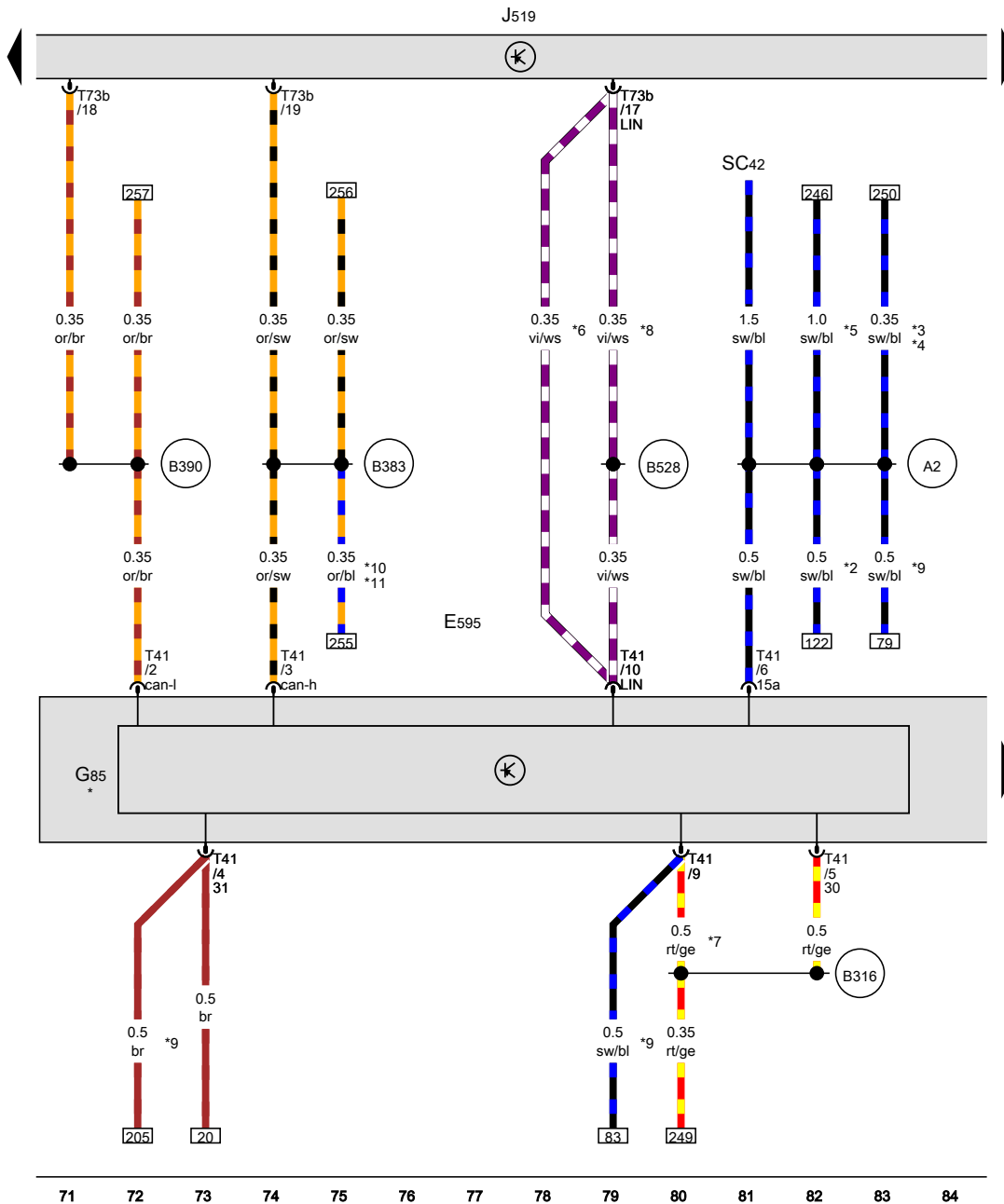
- CX1 Alternator with voltage regulator
  - E230 Heated rear window button, near radio
  - J519 Onboard supply control unit
  - SA1 Fuse 1 in fuse holder A
  - SB4 Fuse 4 on fuse holder B
  - SC44 Fuse 44 on fuse holder C
  - T1g Single connector, black
  - T1h Single connector, black
  - T6ah 6-pin connector, brown
  - T18 18-pin connector, near engine control unit, black
  - T21a 21-pin connector, on relay carrier, brown
  - T73a 73-pin connector, black
  - T73b 73-pin connector, colourless
  - Z1 Heated rear window
- 12 Earth point, on left in engine compartment
  - 110 Earth connection 2, in dash panel wiring harness
  - B569 Connection 36, in main wiring harness
- \* Only models with no air conditioning system/Climatronic
  - \*2 see applicable current flow diagram for engine
  - \*3 Only models with diesel engine
  - \*4 Only models with petrol engine

- ws = white
- sw = black
- ro = red
- rt = red
- br = brown
- gn = green
- bl = blue
- gr = grey
- li = purple
- vi = purple
- ge = yellow
- or = orange
- rs = pink


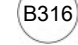
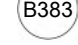


17H0-040050213



Steering column combination switch, Steering angle sender



- E595 Steering column combination switch
- G85 Steering angle sender
- J519 Onboard supply control unit
- SC42 Fuse 42 on fuse holder C
- T41 41-pin connector, grey
- T73b 73-pin connector, colourless

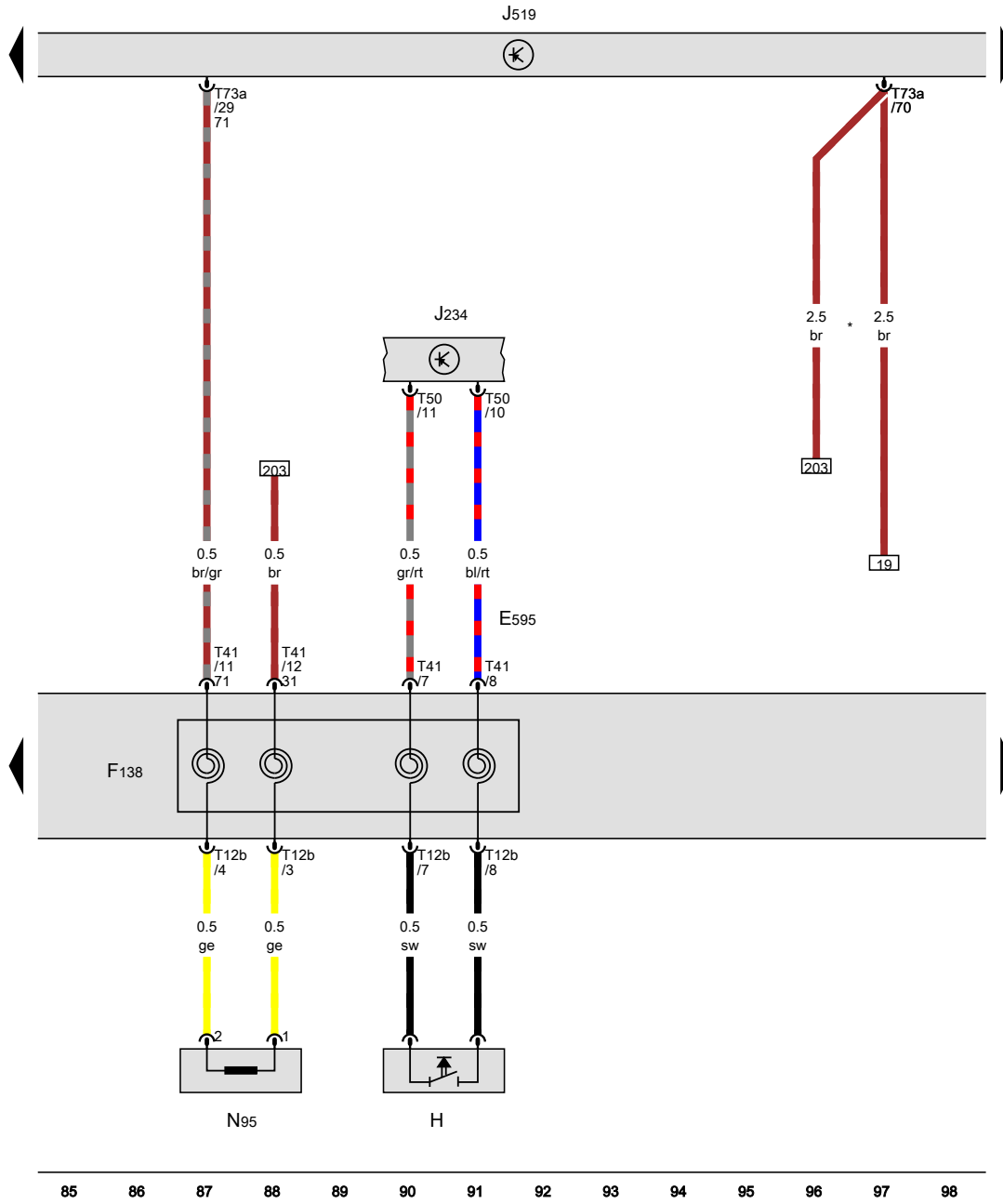
-  A2 Positive connection (15), in dash panel wiring harness
-  B316 Positive connection 2 (30a) in main wiring harness
-  B383 Connection 1 (powertrain CAN bus, high), in main wiring harness
-  B390 Connection 1 (powertrain CAN bus, low), in main wiring harness
-  B528 Connection 1 (LIN bus) in main wiring harness

- \* Only models with anti-lock brake system (ABS) and electronic stabilisation program (ESP)
- \*2 Only models with cruise control system (CCS)
- \*3 If fitted
- \*4 Country specific
- \*5 Only models with Euro 5 emission standard
- \*6 Only models with manual window regulators
- \*7 Up to November 2011
- \*8 Only models with electric window regulators
- \*9 From November 2011
- \*10 Only models with start/stop system
- \*11 From July 2011

- ws = white
- sw = black
- ro = red
- rt = red
- br = brown
- gn = green
- bl = blue
- gr = grey
- li = purple
- vi = purple
- ge = yellow
- or = orange
- rs = pink

17H0-0400702131

Steering column combination switch, Airbag coil connector and return ring with slip ring, Horn plate, Airbag control unit

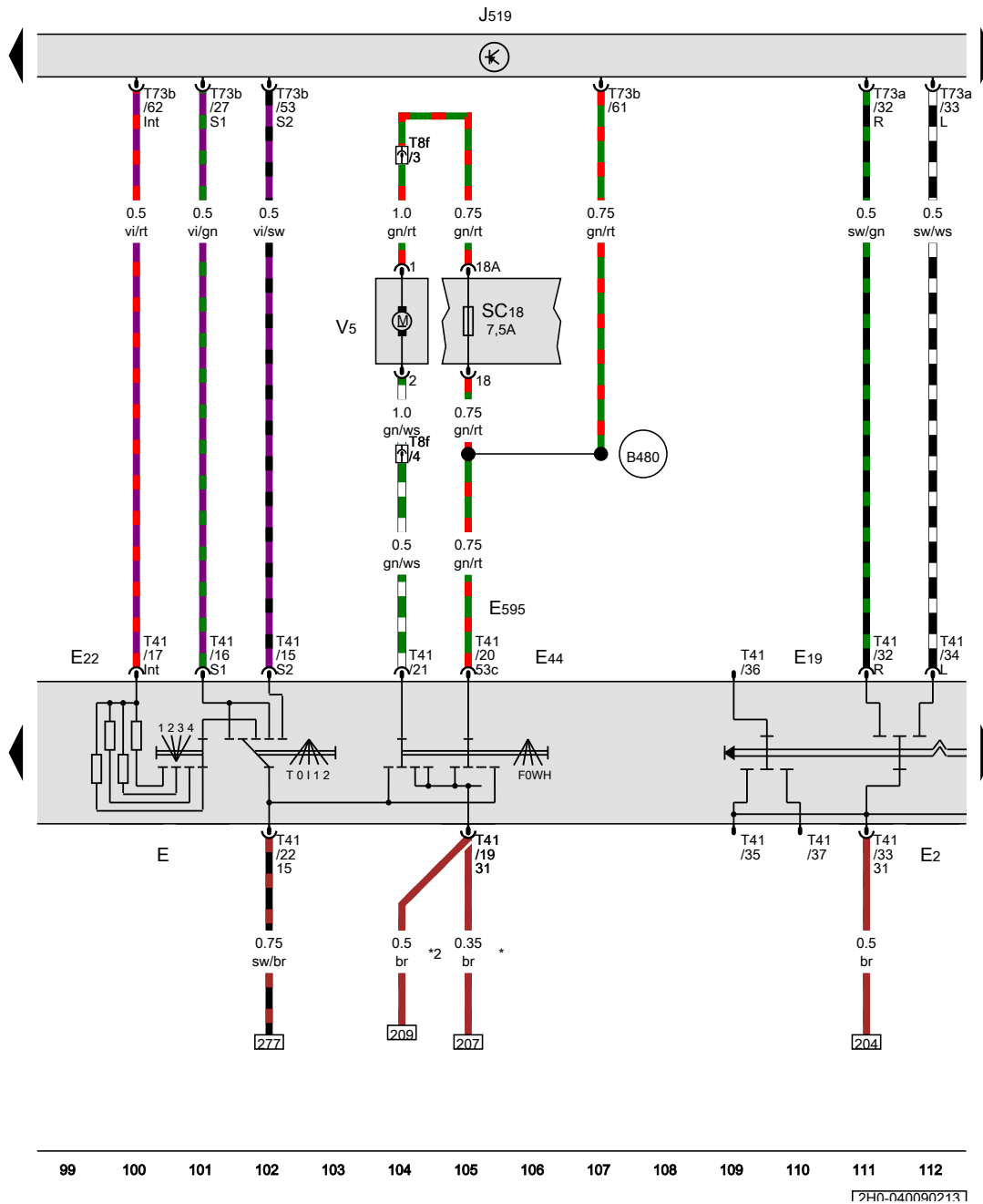


- E595 Steering column combination switch
- F138 Airbag coil connector and return ring with slip ring, on steering wheel
- H Horn plate
- J234 Airbag control unit
- J519 Onboard supply control unit
- N95 Driver side airbag igniter
- T12b 12-pin connector, yellow
- T41 41-pin connector, grey
- T50 50-pin connector, green
- T73a 73-pin connector, black
- \* From November 2011

- ws = white
- sw = black
- ro = red
- rt = red
- br = brown
- gn = green
- bl = blue
- gr = grey
- li = purple
- vi = purple
- ge = yellow
- or = orange
- rs = pink

85 86 87 88 89 90 91 92 93 94 95 96 97 98

17H0-0400802131



Turn signal switch, Intermittent wiper switch, Washer pump switch (automatic wash/wipe and headlight washer system), Steering column combination switch, Washer pump

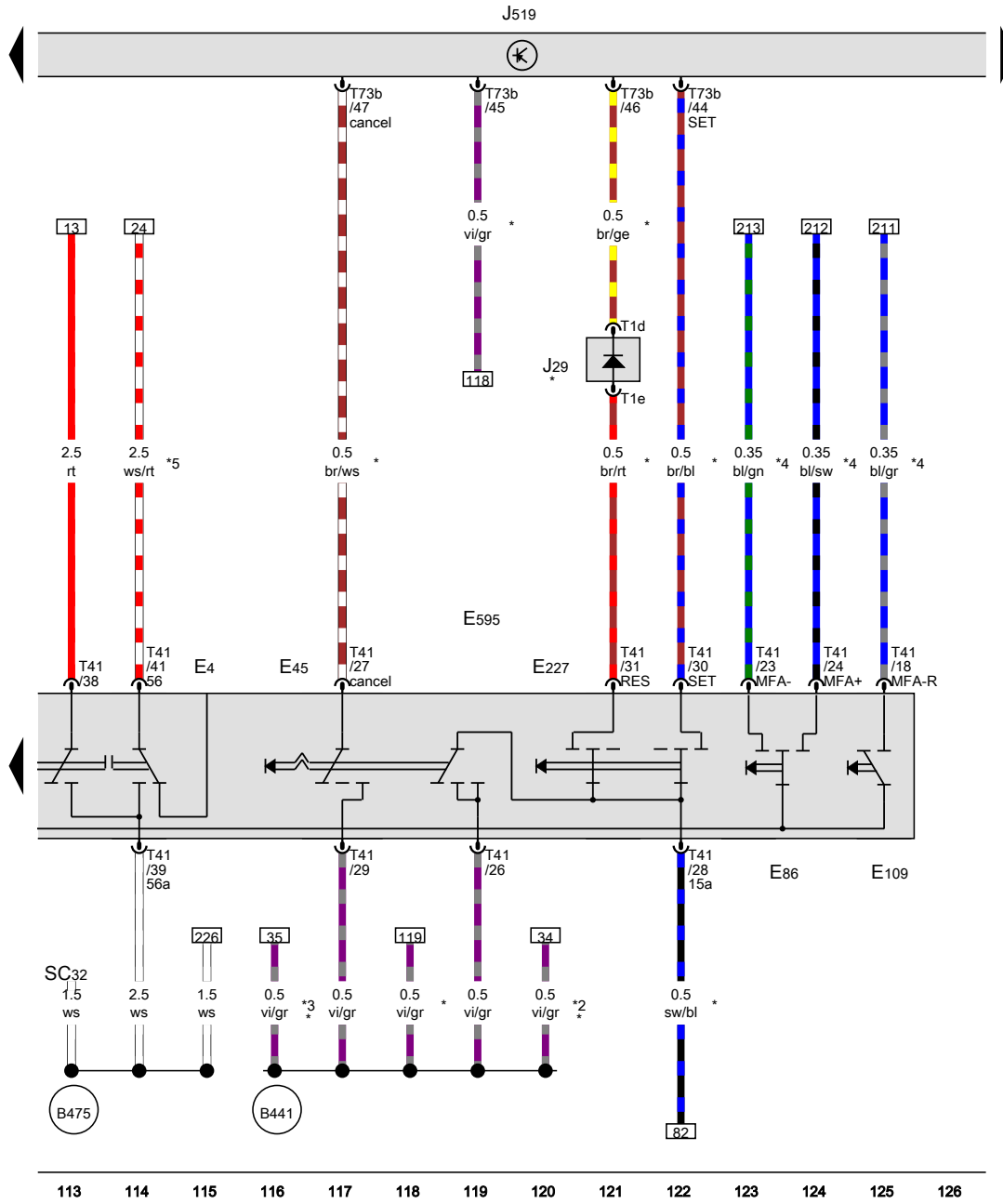
- E Windscreen wiper switch
- E2 Turn signal switch
- E19 Parking light switch
- E22 Intermittent wiper switch
- E44 Washer pump switch (automatic wash/wipe and headlight washer system)
- E595 Steering column combination switch
- J519 Onboard supply control unit
- SC18 Fuse 18 on fuse holder C
- T8f 8-pin connector, in rear left of engine compartment, black
- T41 41-pin connector, grey
- T73a 73-pin connector, black
- T73b 73-pin connector, colourless
- V5 Washer pump
- B480 Connection 16, in main wiring harness
- \* Up to November 2011
- \*2 From November 2011

- ws = white
- sw = black
- ro = red
- rt = red
- br = brown
- gn = green
- bl = blue
- gr = grey
- li = purple
- vi = purple
- ge = yellow
- or = orange
- rs = pink

99 100 101 102 103 104 105 106 107 108 109 110 111 112

7PH-0400902131

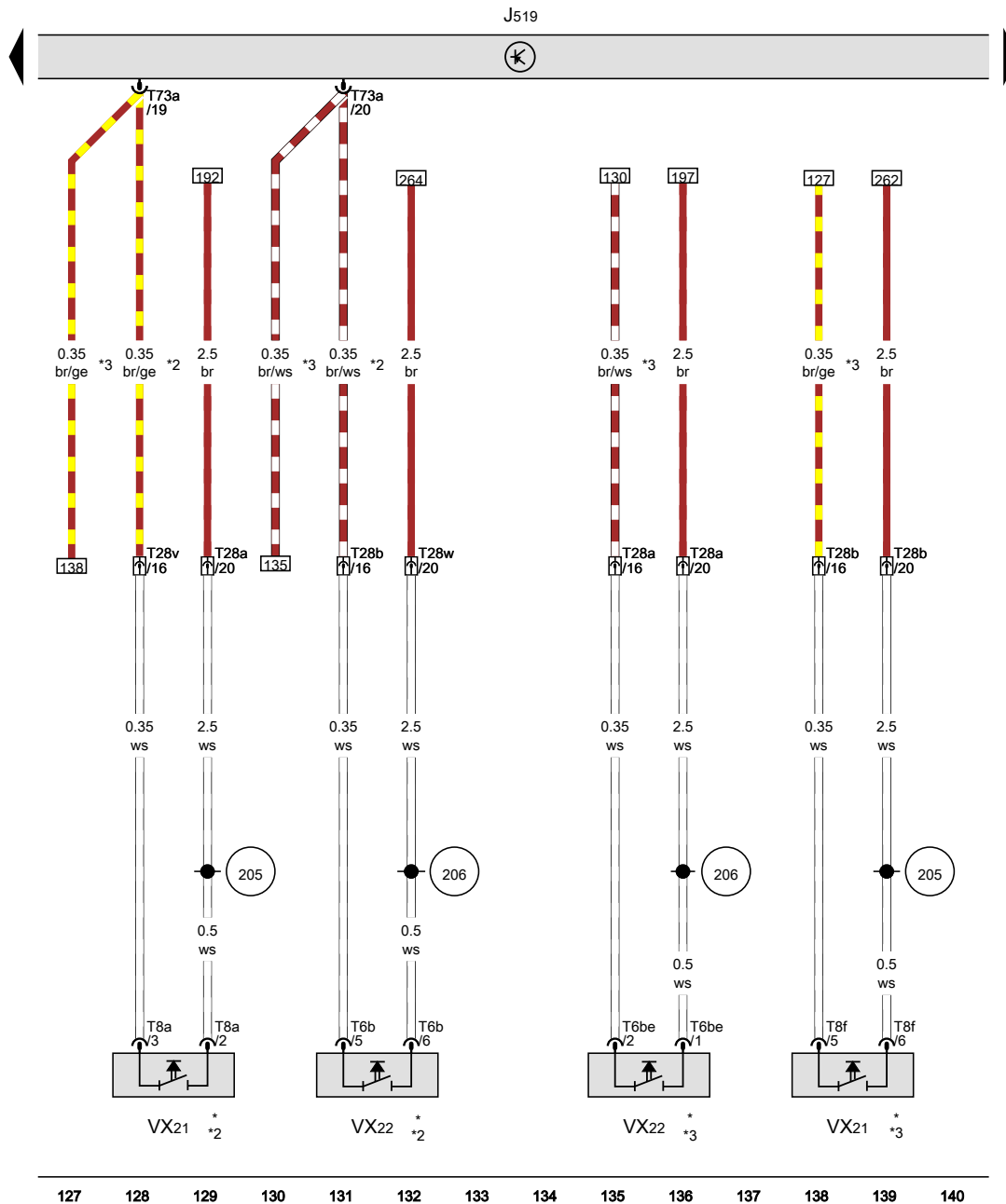
**Headlight dipper and flasher switch, Cruise control system switch, Multifunction display call-up button, Multifunction display memory switch, Steering column combination switch**



- E4 Headlight dipper and flasher switch
  - E45 Cruise control system switch
  - E86 Multifunction display call-up button
  - E109 Multifunction display memory switch
  - E227 Cruise control system (CCS) SET button
  - E595 Steering column combination switch
  - J29 Blocking diode, near steering column
  - J519 Onboard supply control unit
  - SC32 Fuse 32 on fuse holder C
  - T1d Single connector, red
  - T1e Single connector, red
  - T41 41-pin connector, grey
  - T73b 73-pin connector, colourless
- (B441) Connection (CCS), in main wiring harness
- (B475) Connection 11, in main wiring harness
- \* Only models with cruise control system (CCS)
  - \*2 Only models with petrol engine
  - \*3 Only models with diesel engine
  - \*4 Only models with multifunction display
  - \*5 see applicable current flow diagram

- ws = white
- sw = black
- ro = red
- rt = red
- br = brown
- gn = green
- bl = blue
- gr = grey
- li = purple
- vi = purple
- ge = yellow
- or = orange
- rs = pink

Driver door lock unit, Front passenger door lock unit



- J519 Onboard supply control unit
- T6b 6-pin connector, black
- T6be 6-pin connector
- T8a 8-pin connector, black
- T8f 8-pin connector
- T28a 28-pin connector, on left A-pillar, grey
- T28b 28-pin connector, on right A-pillar, grey
- T28v 28-pin connector, on left A-pillar, grey
- T28w 28-pin connector, on right A-pillar, grey
- T73a 73-pin connector, black
- VX21 Driver door lock unit
- VX22 Front passenger door lock unit

- 205 Earth connection, in driver door wiring harness
- 206 Earth connection, in front passenger door wiring harness

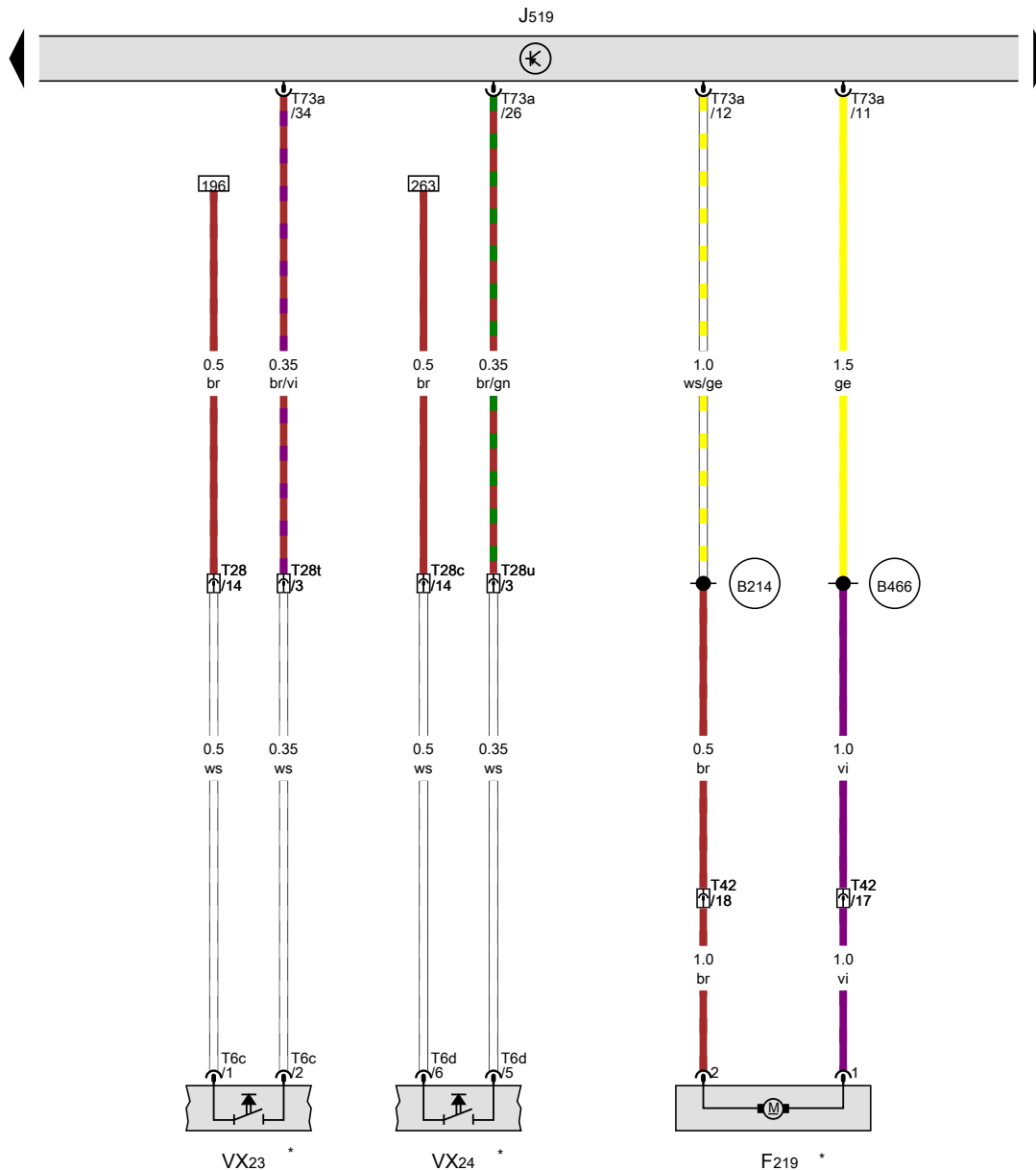
- \* Only models with no central locking
- \*2 Only left-hand drive models
- \*3 Only right-hand drive models
- \*4 Only models with cruise control system (CCS)

- ws = white
- sw = black
- ro = red
- rt = red
- br = brown
- gn = green
- bl = blue
- gr = grey
- li = purple
- vi = purple
- ge = yellow
- or = orange
- rs = pink

127 128 129 130 131 132 133 134 135 136 137 138 139 140

7PH0-0401102131





Fuel tank filler flap central locking actuator, Rear left door lock unit, Rear right door lock unit

- F219 Fuel tank filler flap central locking actuator
- J519 Onboard supply control unit
- T6c 6-pin connector, black
- T6d 6-pin connector, grey
- T28 28-pin connector, on left B-pillar, grey
- T28c 28-pin connector, on right B-pillar, grey
- T28t 28-pin connector, on left B-pillar, grey
- T28u 28-pin connector, on right B-pillar, grey
- T42 42-pin connector, near handbrake lever, black
- T73a 73-pin connector, black
- VX23 Rear left door lock unit
- VX24 Rear right door lock unit

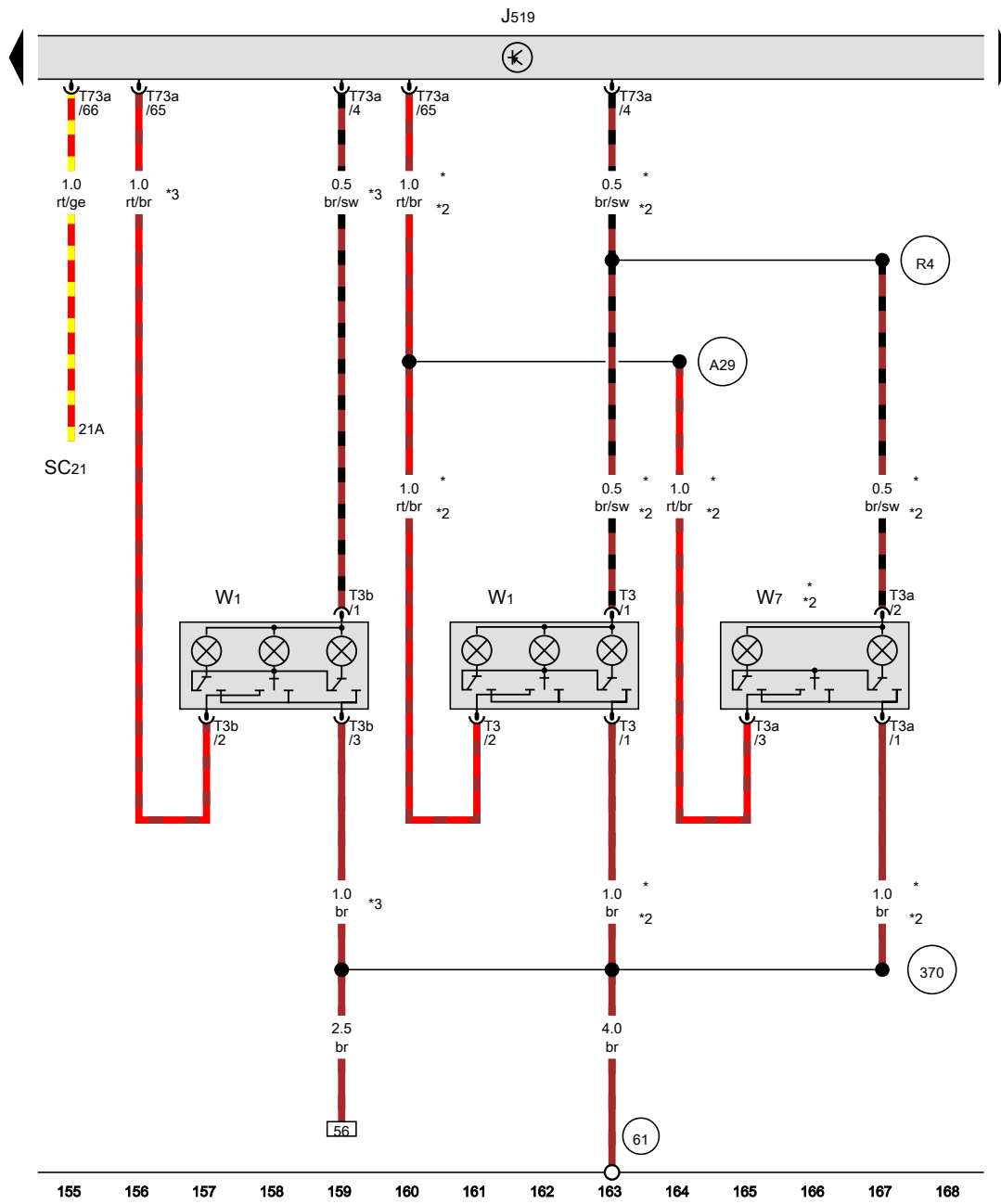
B214 Connection 1 (central locking), in interior wiring harness

B466 Connection 2, in main wiring harness

\* Only models with no central locking

- ws = white
- sw = black
- ro = red
- rt = red
- br = brown
- gn = green
- bl = blue
- gr = grey
- li = purple
- vi = purple
- ge = yellow
- or = orange
- rs = pink

Front interior light, Centre interior light



- J519 Onboard supply control unit
- SC21 Fuse 21 on fuse holder C
- T3 3-pin connector, black
- T3a 3-pin connector, black
- T3b 3-pin connector, black
- T73a 73-pin connector, black
- W1 Front interior light
- W7 Centre interior light

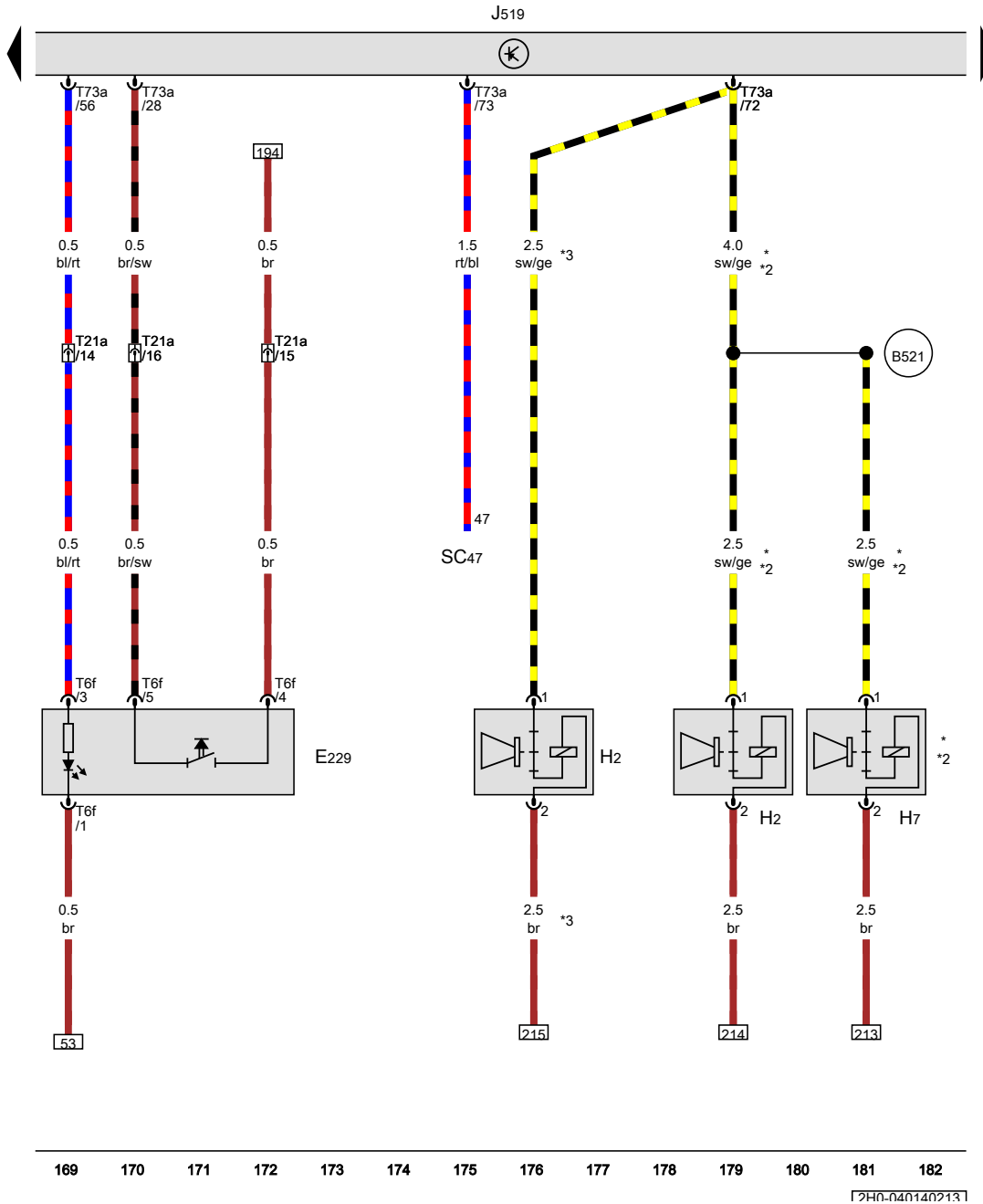
- 61 Earth point, left C-pillar
- 370 Earth connection 5, in main wiring harness
- A29 Connection (interior light), in dash panel wiring harness
- R4 Connection 1, in interior light/door contact switch wiring harness

- \* Only models with double cab
- \*2 Only models with Highline equipment
- \*3 Only models with basic equipment

- ws = white
- sw = black
- ro = red
- rt = red
- br = brown
- gn = green
- bl = blue
- gr = grey
- li = purple
- vi = purple
- ge = yellow
- or = orange
- rs = pink

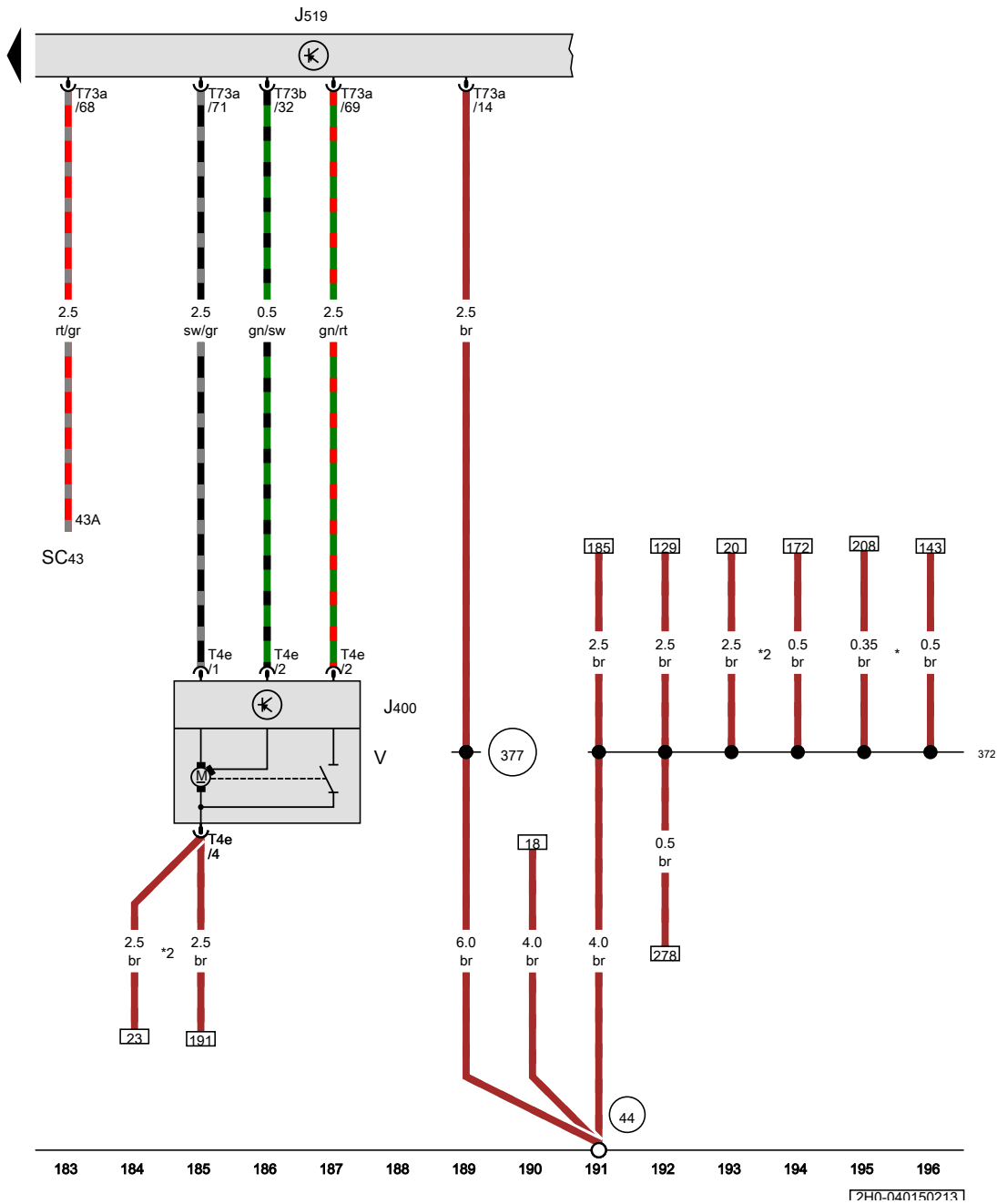
7PH0-040130213

Hazard warning lights button, Treble horn, Bass horn



- E229 Hazard warning lights button, near radio
- H2 Treble horn
- H7 Bass horn
- J519 Onboard supply control unit
- SC47 Fuse 47 on fuse holder C
- T6f 6-pin connector, black
- T21a 21-pin connector, on relay carrier, brown
- T73a 73-pin connector, black
- (B521) Connection (dual tone horn), in main wiring harness
- \* Only models with Highline equipment
- \*2 Only models with Trendline equipment
- \*3 Only models with basic equipment

- ws = white
- sw = black
- ro = red
- rt = red
- br = brown
- gn = green
- bl = blue
- gr = grey
- li = purple
- vi = purple
- ge = yellow
- or = orange
- rs = pink



**Windscreen wiper motor**

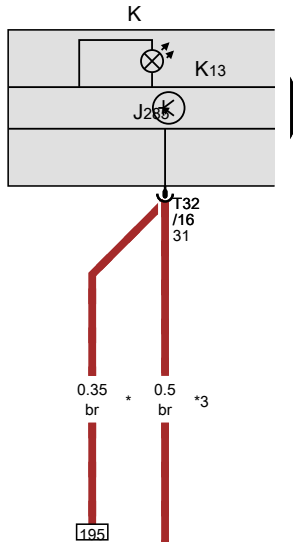
- J400 Wiper motor control unit
- J519 Onboard supply control unit
- SC43 Fuse 43 on fuse holder C
- T4e 4-pin connector, black
- T73a 73-pin connector, black
- T73b 73-pin connector, colourless
- V Windscreen wiper motor

- (44) Earth point, lower part of left A-pillar
- (372) Earth connection 7, in main wiring harness
- (377) Earth connection 12, in main wiring harness

\* Up to November 2011  
 \*2 From December 2011

- ws = white
- sw = black
- ro = red
- rt = red
- br = brown
- gn = green
- bl = blue
- gr = grey
- li = purple
- vi = purple
- ge = yellow
- or = orange
- rs = pink

7PH0-0401502131

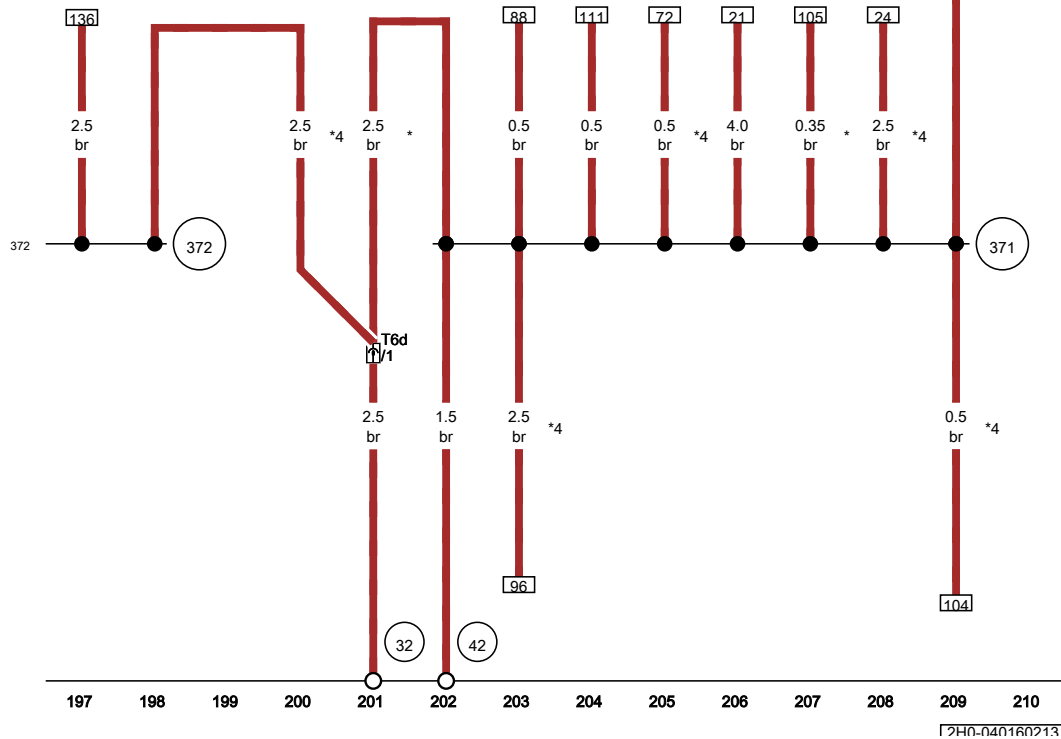


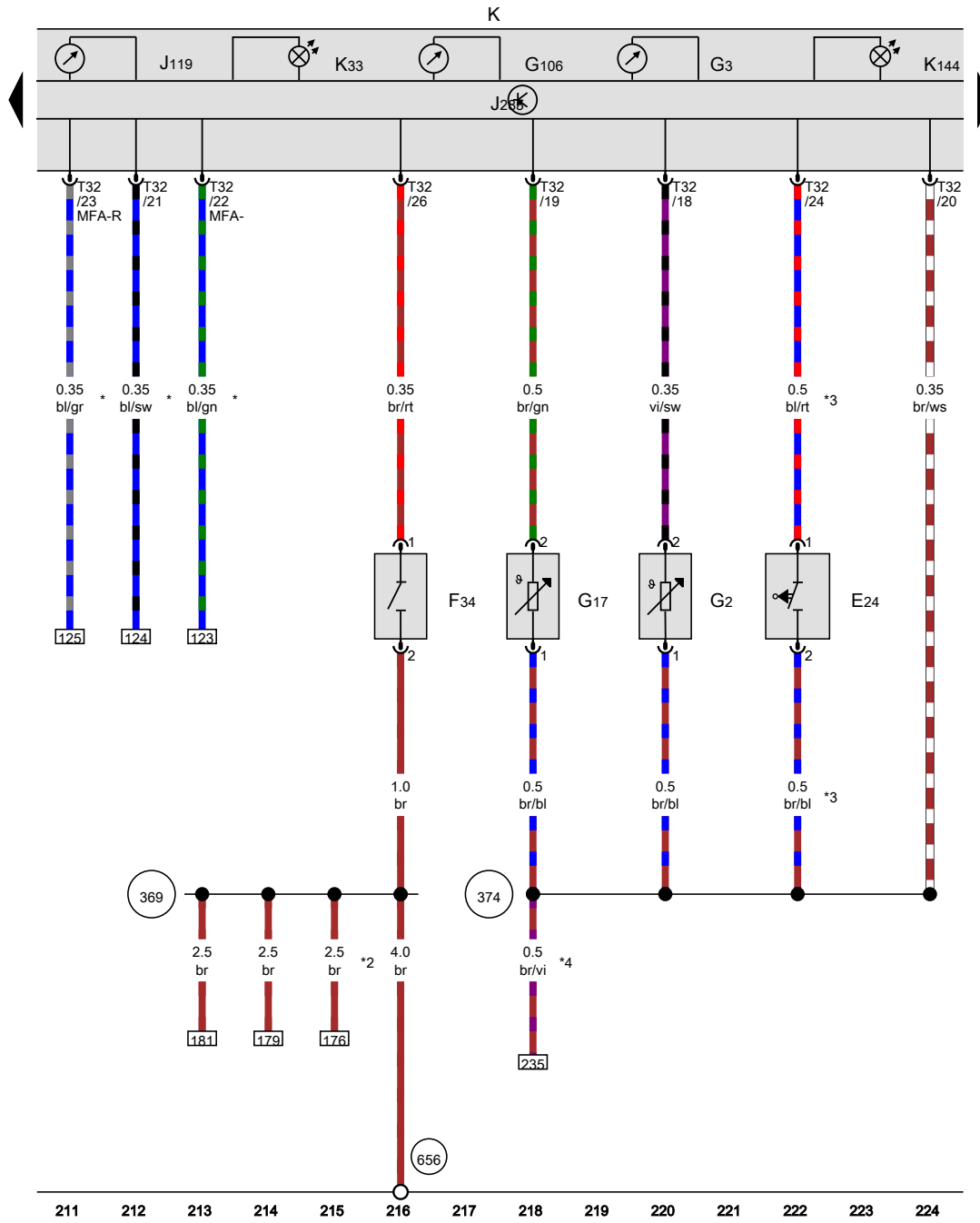
Dash panel insert

- J285 Control unit in dash panel insert
- K Dash panel insert
- K13 Rear fog light warning lamp
- T6d 6-pin connector, on relay carrier, grey
- T32 32-pin connector, blue

- 32 Earth point, on left behind dash panel
- 42 Earth point, next to steering column
- 371 Earth connection 6, in main wiring harness
- 372 Earth connection 7, in main wiring harness

- \* Up to November 2011
- \*2 see applicable current flow diagram
- \*3 From December 2011
- \*4 From November 2011





Driver side belt switch, Brake fluid level warning contact, Coolant temperature display sender, Coolant temperature gauge, Ambient temperature sensor, Ambient temperature indicator, Multifunction indicator, Dash panel insert, Brake fluid level warning lamp, Driver side airbag deactivated warning lamp

- E24 Driver side belt switch
- F34 Brake fluid level warning contact
- G2 Coolant temperature display sender
- G3 Coolant temperature gauge
- G17 Ambient temperature sensor
- G106 Ambient temperature indicator
- J119 Multifunction indicator
- J285 Control unit in dash panel insert
- K Dash panel insert
- K33 Brake fluid level warning lamp
- K144 Driver side airbag deactivated warning lamp
- T32 32-pin connector, blue

369 Earth connection 4, in main wiring harness

374 Earth connection 9, in main wiring harness

656 Earth point, on right headlight, on right on bulkhead

\* Only models with multifunction display

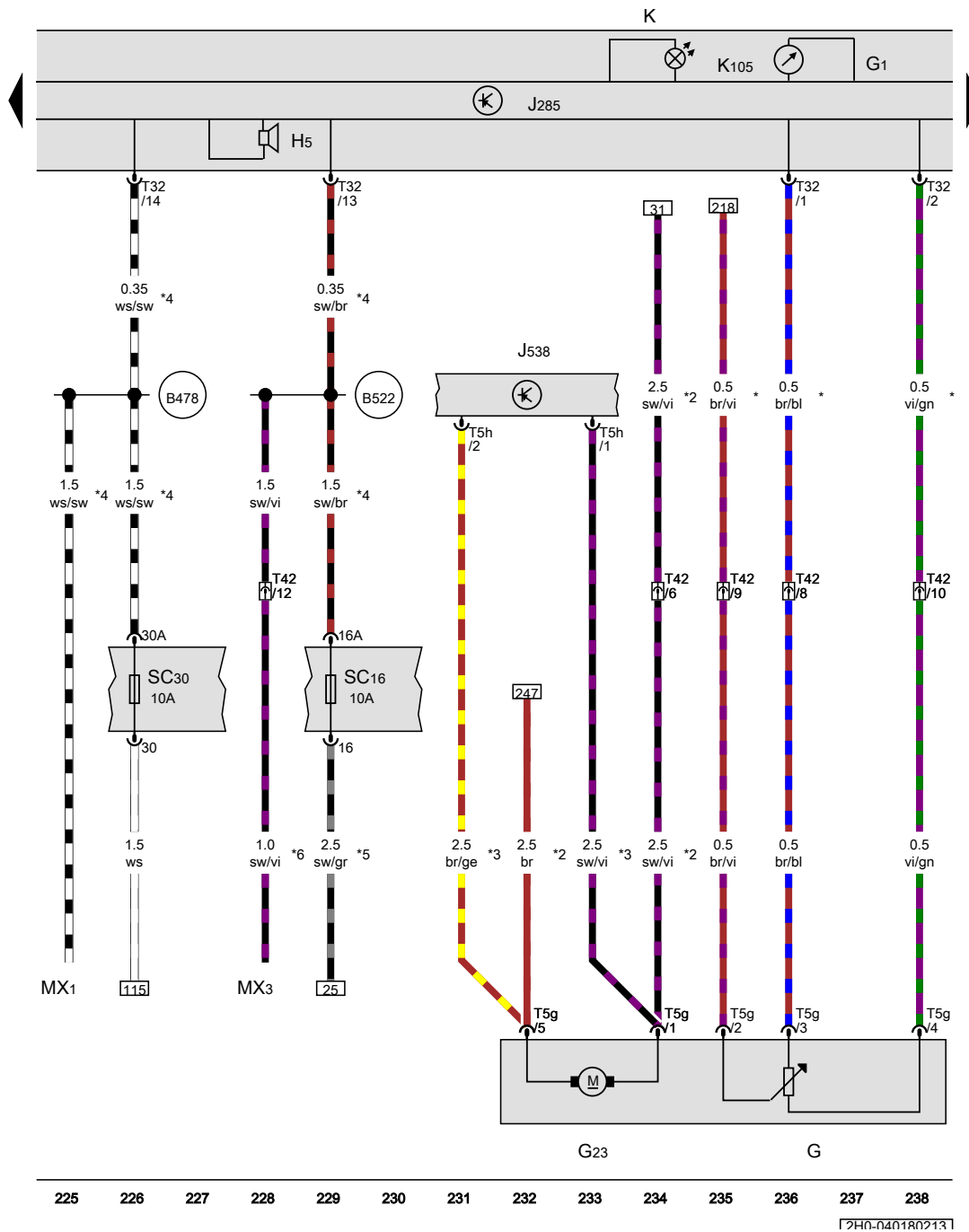
\*2 Only models with basic equipment

\*3 Only models with no airbag

\*4 see applicable current flow diagram for engine

- ws = white
- sw = black
- ro = red
- rt = red
- br = brown
- gn = green
- bl = blue
- gr = grey
- li = purple
- vi = purple
- ge = yellow
- or = orange
- rs = pink

17H0-040170213



**Fuel gauge, Fuel pump, Ignition and starter key warning system buzzer and gong, Fuel pump control unit, Dash panel insert, Reserve fuel warning lamp**

- G Fuel gauge sender
- G1 Fuel gauge
- G23 Fuel pump
- H5 Ignition and starter key warning system buzzer and gong
- J285 Control unit in dash panel insert
- J538 Fuel pump control unit
- K Dash panel insert
- K105 Reserve fuel warning lamp
- MX1 Front left headlight
- MX3 Left tail light
- SC16 Fuse 16 on fuse holder C
- SC30 Fuse 30 on fuse holder C
- T5g 5-pin connector, black
- T5h 5-pin connector, black
- T32 32-pin connector, blue
- T42 42-pin connector, near handbrake lever, black

B478 Connection 14, in main wiring harness

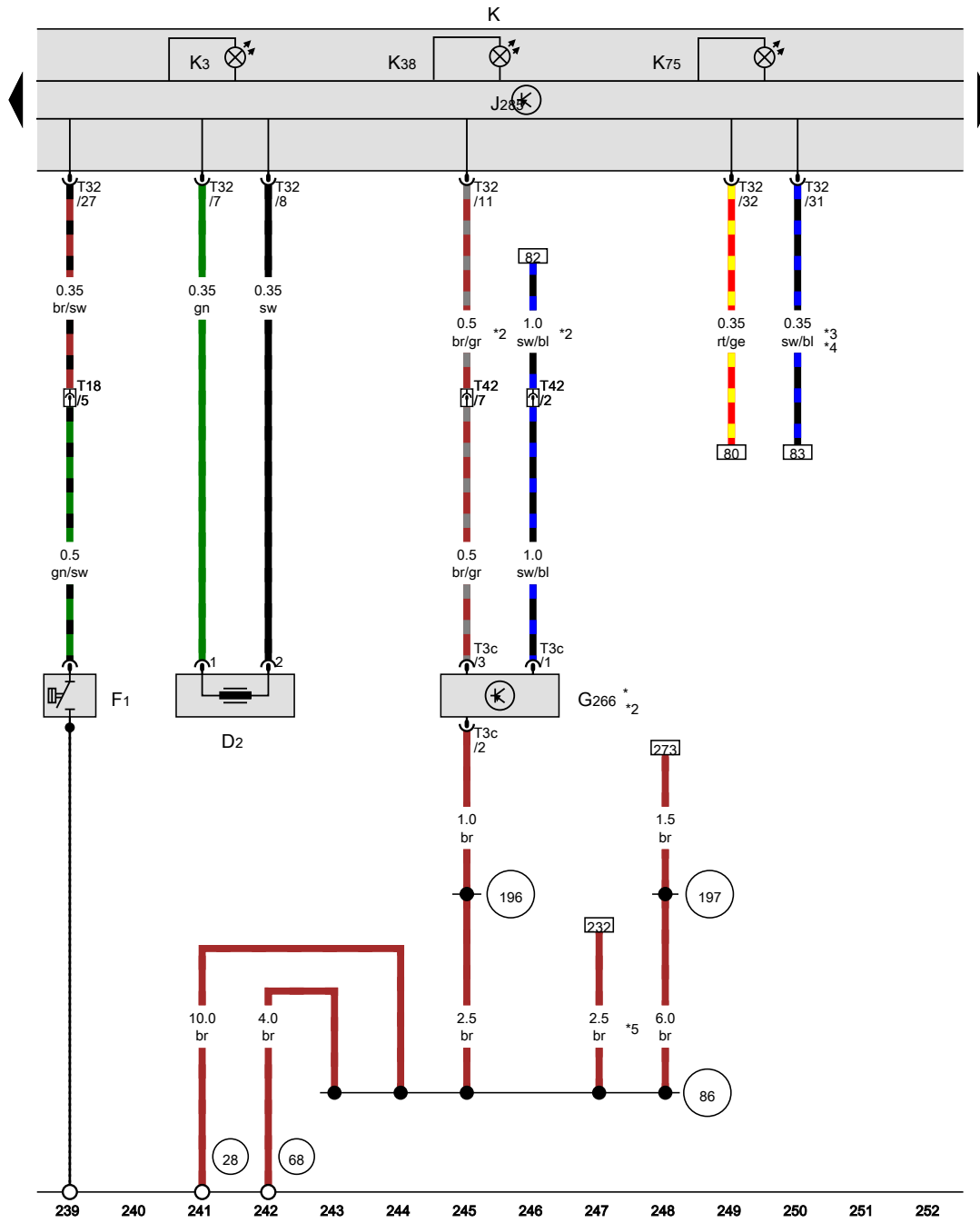
B522 Connection (FL), in main wiring harness

- \* see applicable current flow diagram for engine
- \*2 Only models with diesel engine
- \*3 Only models with petrol engine
- \*4 Only models with no start/stop system
- \*5 see applicable current flow diagram
- \*6 Only models with no towing bracket

- ws = white
- sw = black
- ro = red
- rt = red
- br = brown
- gn = green
- bl = blue
- gr = grey
- li = purple
- vi = purple
- ge = yellow
- or = orange
- rs = pink

225 226 227 228 229 230 231 232 233 234 235 236 237 238

[270-040180213]



Immobiliser reader coil, Oil pressure switch, Oil level and oil temperature sender, Dash panel insert, Oil pressure warning lamp, Oil level warning lamp

- D2 Immobiliser reader coil, on ignition/starter switch
- F1 Oil pressure switch
- G266 Oil level and oil temperature sender
- J285 Control unit in dash panel insert
- K Dash panel insert
- K3 Oil pressure warning lamp
- K38 Oil level warning lamp
- K75 Airbag warning lamp
- T3c 3-pin connector, black
- T18 18-pin connector, near engine control unit, black
- T32 32-pin connector, blue
- T42 42-pin connector, near handbrake lever, black

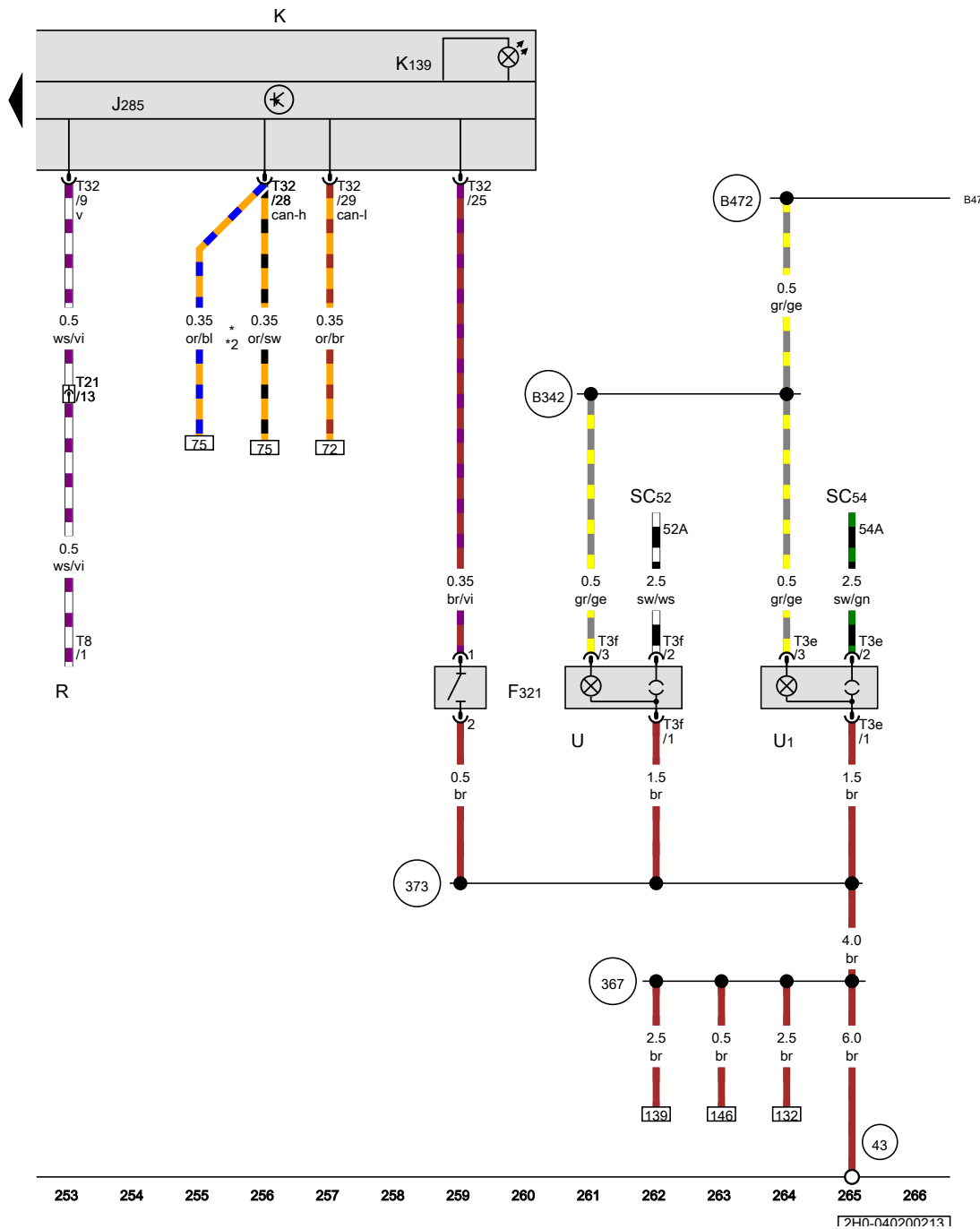
- 28 Earth point, on bulkhead
- 68 Earth point, on left of rear cross member
- 86 Earth connection 1, in rear wiring harness
- 196 Earth connection 3, in rear wiring harness
- 197 Earth connection 4, in rear wiring harness

- \* see applicable current flow diagram for engine
- \*2 Only models with Euro 5 emission standard
- \*3 If fitted
- \*4 Country specific
- \*5 Only models with diesel engine

- ws = white
- sw = black
- ro = red
- rt = red
- br = brown
- gn = green
- bl = blue
- gr = grey
- li = purple
- vi = purple
- ge = yellow
- or = orange
- rs = pink

17H0-0401902131





**Parking brake contact switch, Dash panel insert, Radio, Electric socket, Cigarette lighter**

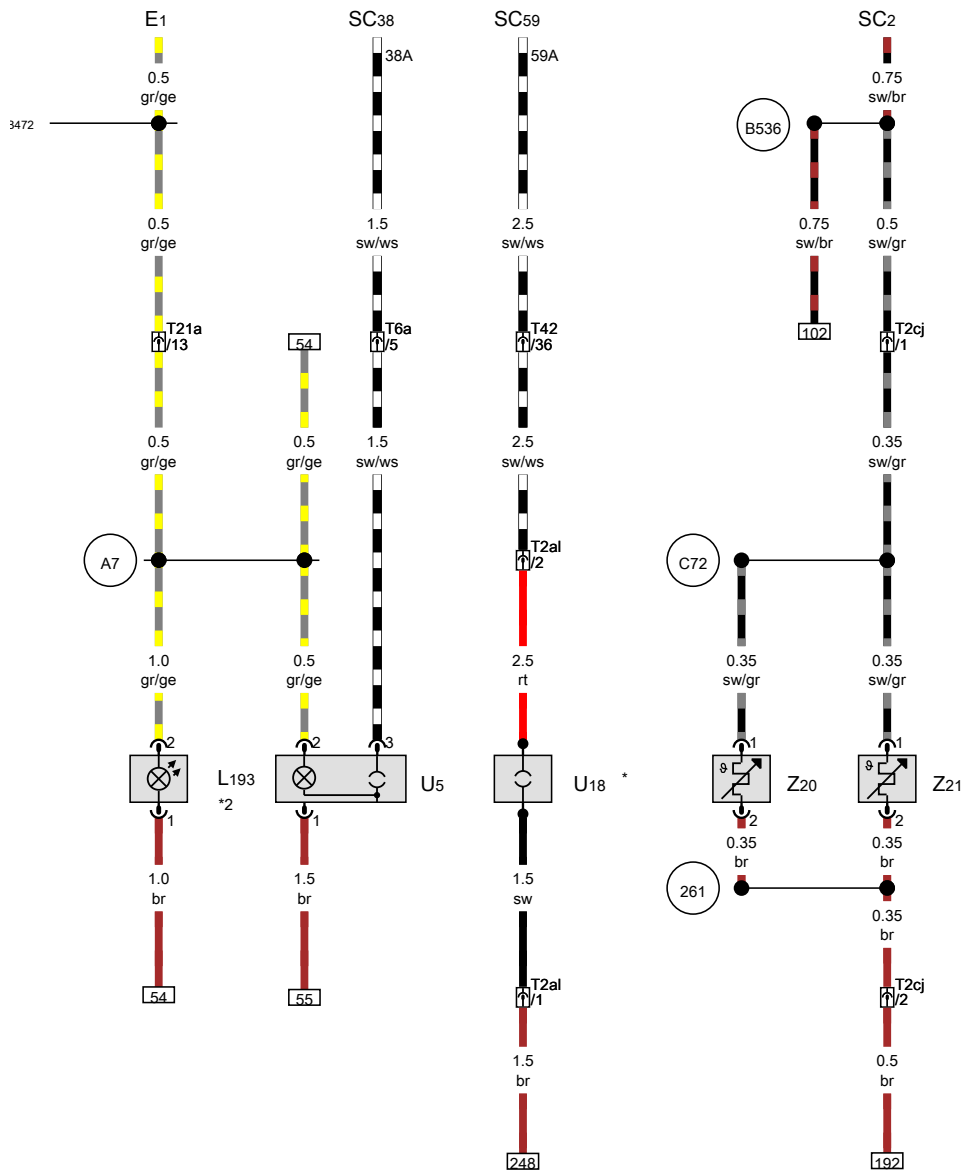
- F321 Parking brake contact switch
- J285 Control unit in dash panel insert
- K Dash panel insert
- K139 Handbrake warning lamp
- R Radio
- SC52 Fuse 52 on fuse holder C
- SC54 Fuse 54 on fuse holder C
- T3e 3-pin connector, black
- T3f 3-pin connector, grey
- T8 8-pin connector
- T21 21-pin connector, on heater and air conditioner unit, front passenger footwell
- T32 32-pin connector, blue
- U Electric socket
- U1 Cigarette lighter

- 43 Earth point, lower part of right A-pillar
- 367 Earth connection 2, in main wiring harness
- 373 Earth connection 8, in main wiring harness
- B342 Connection 3 (58d), in main wiring harness
- B472 Connection 8, in main wiring harness

\* Only models with start/stop system  
 \*2 From July 2011

- ws = white
- sw = black
- ro = red
- rt = red
- br = brown
- gn = green
- bl = blue
- gr = grey
- li = purple
- vi = purple
- ge = yellow
- or = orange
- rs = pink

Light switch, Light 1 for front centre console background lighting, 12 V socket, Left washer jet heater element



- E1 Light switch
- L193 Light 1 for front centre console background lighting
- SC2 Fuse 2 on fuse holder C
- SC38 Fuse 38 on fuse holder C
- SC59 Fuse 59 on fuse holder C
- T2al 2-pin connector, black
- T2cj 2-pin connector, near window wiper motor, black
- T6a 6-pin connector, on relay carrier, grey
- T21a 21-pin connector, on relay carrier, brown
- T42 42-pin connector, near handbrake lever, black
- U5 12 V socket
- U18 12 V socket 2
- Z20 Left washer jet heater element
- Z21 Right washer jet heater element

- (261) Earth connection, in heated washer jet wiring harness
- (A7) Positive connection (58 D1), in dash panel wiring harness
- (B472) Connection 8, in main wiring harness
- (B536) Connection 27, in main wiring harness
- (C72) Positive connection in heated washer jet wiring harness
- \* Special equipment
- \*2 Only models with Highline equipment

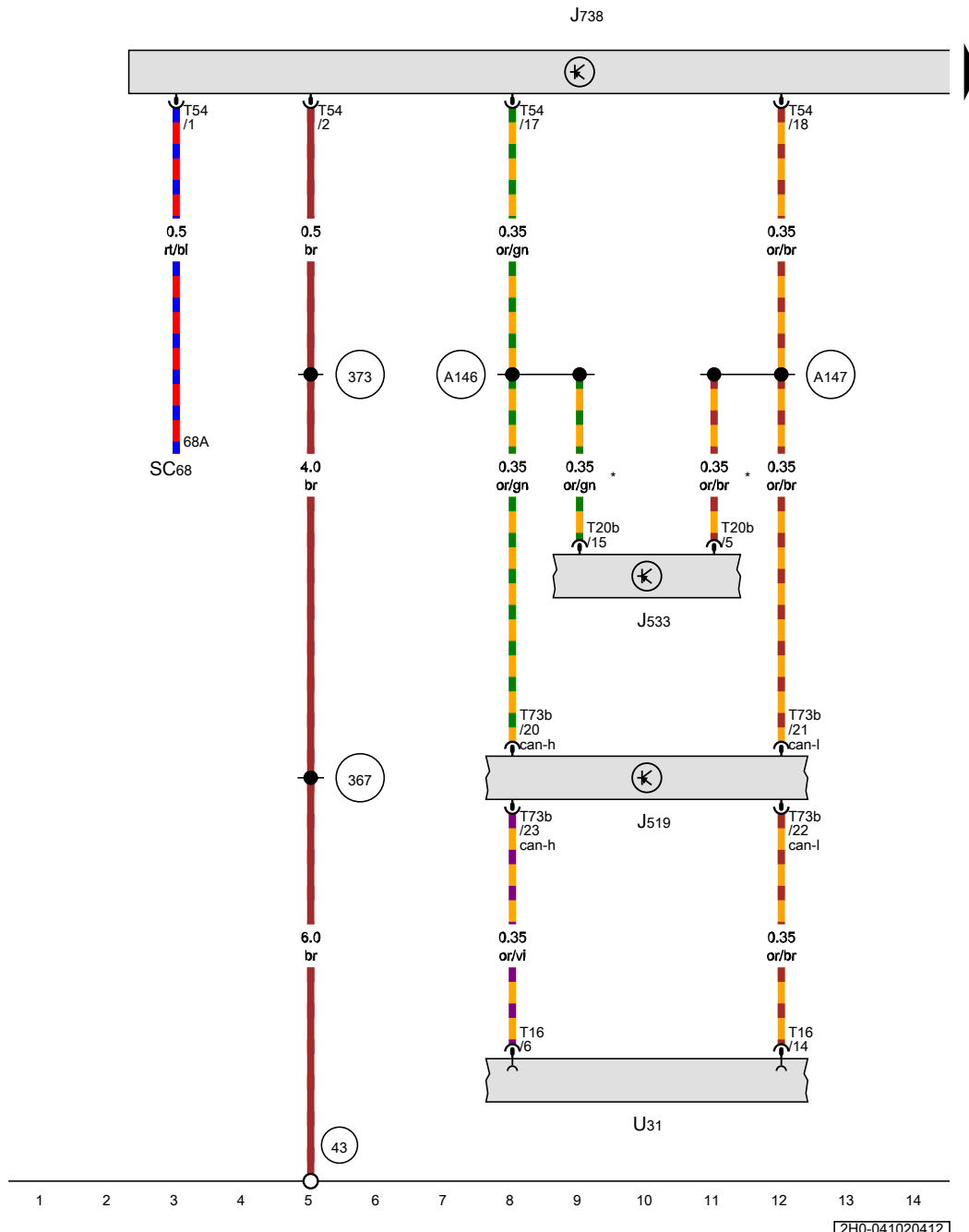
- ws = white
- sw = black
- ro = red
- rt = red
- br = brown
- gn = green
- bl = blue
- gr = grey
- li = purple
- vi = purple
- ge = yellow
- or = orange
- rs = pink

267 268 269 270 271 272 273 274 275 276 277 278 279 280

1790-040210213

**Preparation for mobile telephone , (9W7)**

From May 2011



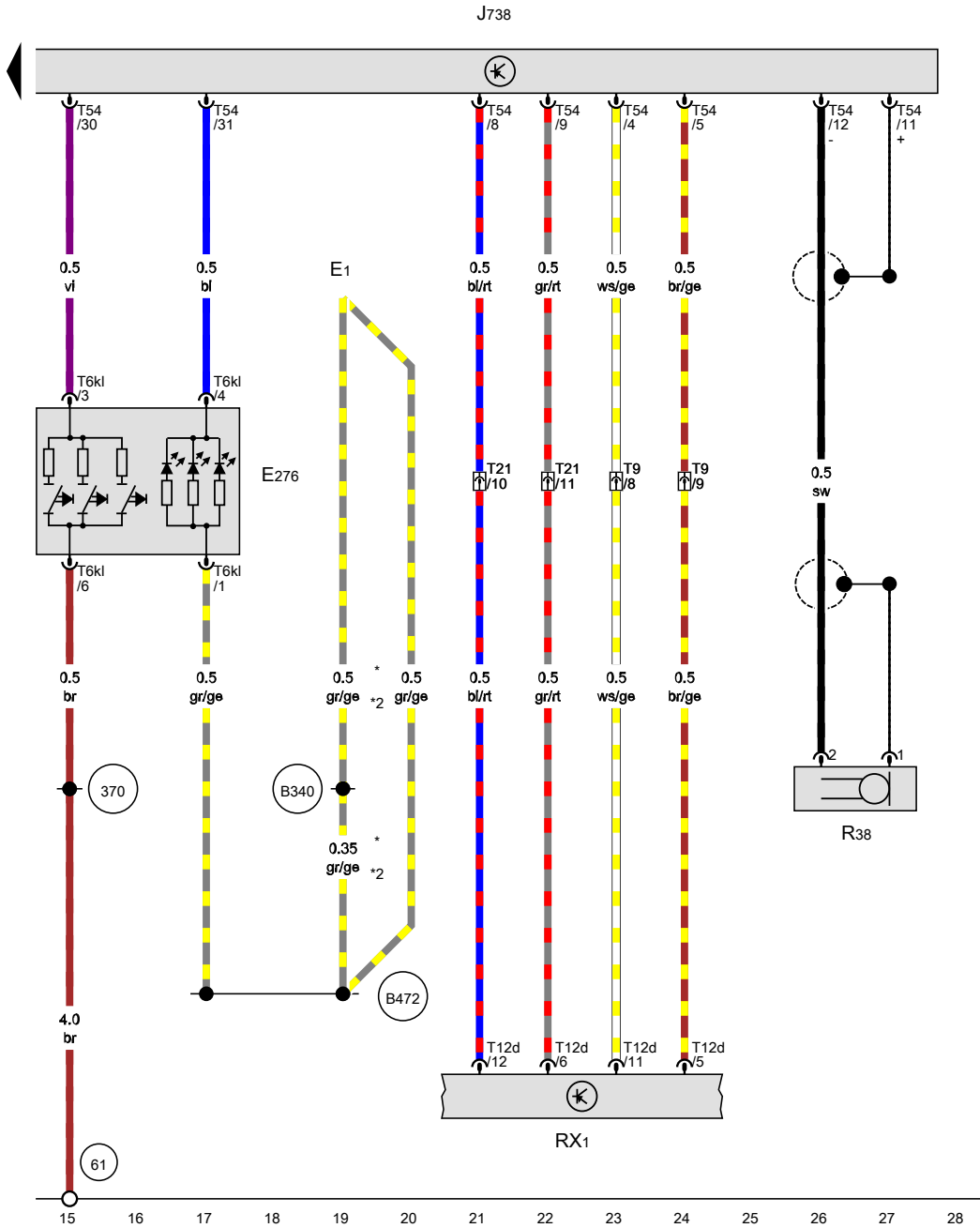
**Onboard supply control unit, Data bus diagnostic interface, Telephone controls control unit, Fuse 68 on fuse holder C**

- J519 Onboard supply control unit
- J533 Data bus diagnostic interface
- J738 Telephone controls control unit, under centre console
- SC68 Fuse 68 on fuse holder C
- T16 16-pin connector, black
- T20b 20-pin connector, black
- T54 54-pin connector, black
- T73b 73-pin connector
- U31 Diagnostic connection

- (43) Earth point, lower part of right A-pillar
- (367) Earth connection 2, in main wiring harness
- (373) Earth connection 8, in main wiring harness
- (A146) Connection (convenience CAN bus, high), in dash panel wiring harness
- (A147) Connection (convenience CAN bus, low), in dash panel wiring harness
- \* Only models with start/stop system

- ws = white
- sw = black
- ro = red
- br = brown
- gn = green
- bl = blue
- gr = grey
- li = purple
- ge = yellow
- or = orange
- rs = pink

ГЭН-0410204121



Emergency assistance call button, Telephone controls control unit, Radio/RNS, Telephone microphone

- E1 Light switch
- E276 Emergency assistance call button, near interior mirror
- J738 Telephone controls control unit, under centre console
- RX1 Radio/RNS
- R38 Telephone microphone
- T6kl 6-pin connector
- T9 9-pin connector, on relay carrier, yellow
- T12d 12-pin connector, green
- T21 21-pin connector, on relay carrier, blue
- T54 54-pin connector, black

- 61 Earth point, left C-pillar
- 370 Earth connection 5, in main wiring harness
- B340 Connection 1 (58d), in main wiring harness
- B472 Connection 8, in main wiring harness

- \* From November 2011
- \*2 Only models with no start/stop system

- ws = white
- sw = black
- ro = red
- br = brown
- gn = green
- bl = blue
- gr = grey
- li = purple
- ge = yellow
- or = orange
- rs = pink

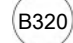
ГЭН-0410304171

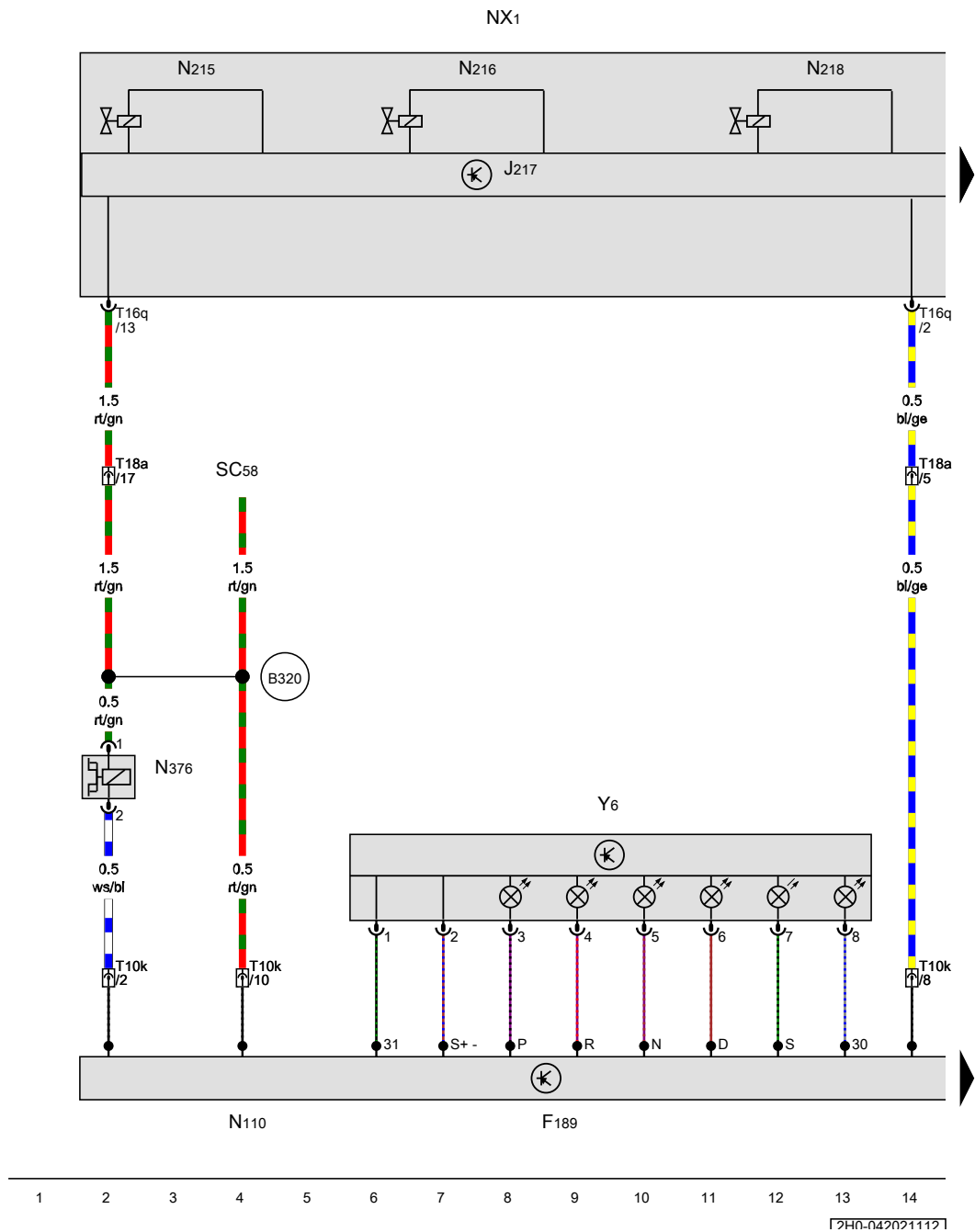
**8-speed automatic gearbox with Tiptronic , CSHA,(G1G)**

From September 2011

**Tiptronic switch, Gearbox, Ignition key withdrawal lock solenoid, Fuse 58 on fuse holder C, Selector lever position display**

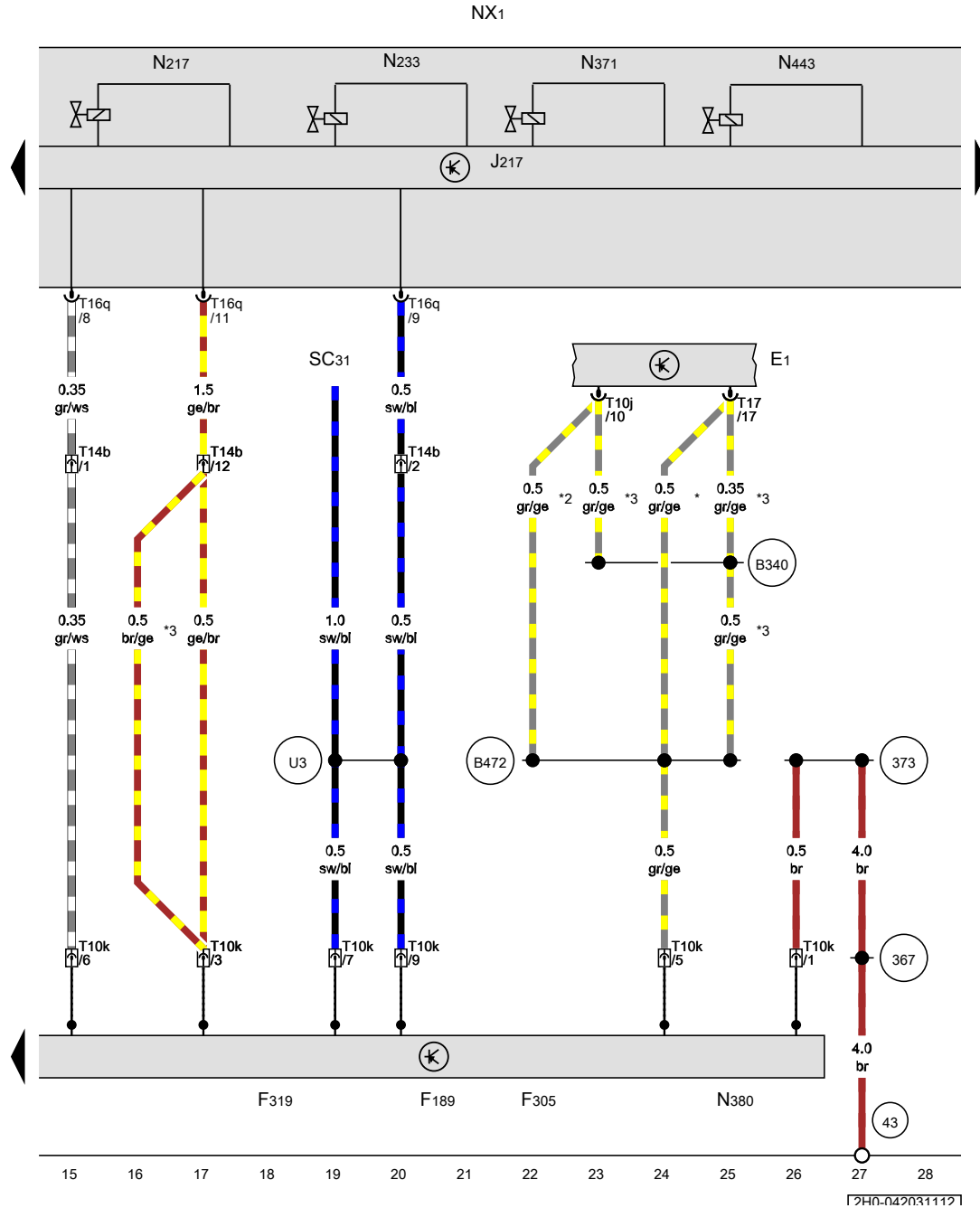
- F189 Tiptronic switch
- J217 Automatic gearbox control unit
- NX1 Gearbox, in gearbox
- N110 Selector lever lock solenoid
- N215 Automatic gearbox pressure regulating valve 1
- N216 Automatic gearbox pressure regulating valve 2
- N218 Automatic gearbox pressure regulating valve 4
- N376 Ignition key withdrawal lock solenoid
- SC58 Fuse 58 on fuse holder C
- T10k 10-pin connector, in centre console, near handbrake lever, black
- T16q 16-pin connector, black
- T18a 18-pin connector, near battery, grey
- Y6 Selector lever position display

 Positive connection 6 (30a) in main wiring harness



- ws = white
- sw = black
- ro = red
- br = brown
- gn = green
- bl = blue
- gr = grey
- li = purple
- ge = yellow
- or = orange
- rs = pink

Light switch, Tiptronic switch, Gearbox



- E1 Light switch
- F189 Tiptronic switch
- F305 Gear selector position P switch
- F319 Selector lever locked in position P switch
- J217 Automatic gearbox control unit
- NX1 Gearbox, in gearbox
- N217 Automatic gearbox pressure regulating valve 3
- N233 Automatic gearbox pressure regulating valve 5
- N371 Automatic gearbox pressure regulating valve 6
- N380 Selector lever position P solenoid
- N443 Automatic gearbox pressure regulating valve 7
- SC31 Fuse 31 on fuse holder C
- T10j 10-pin connector
- T10k 10-pin connector, in centre console, near handbrake lever, black
- T14b 14-pin connector, near battery, black
- T16q 16-pin connector
- T17 17-pin connector

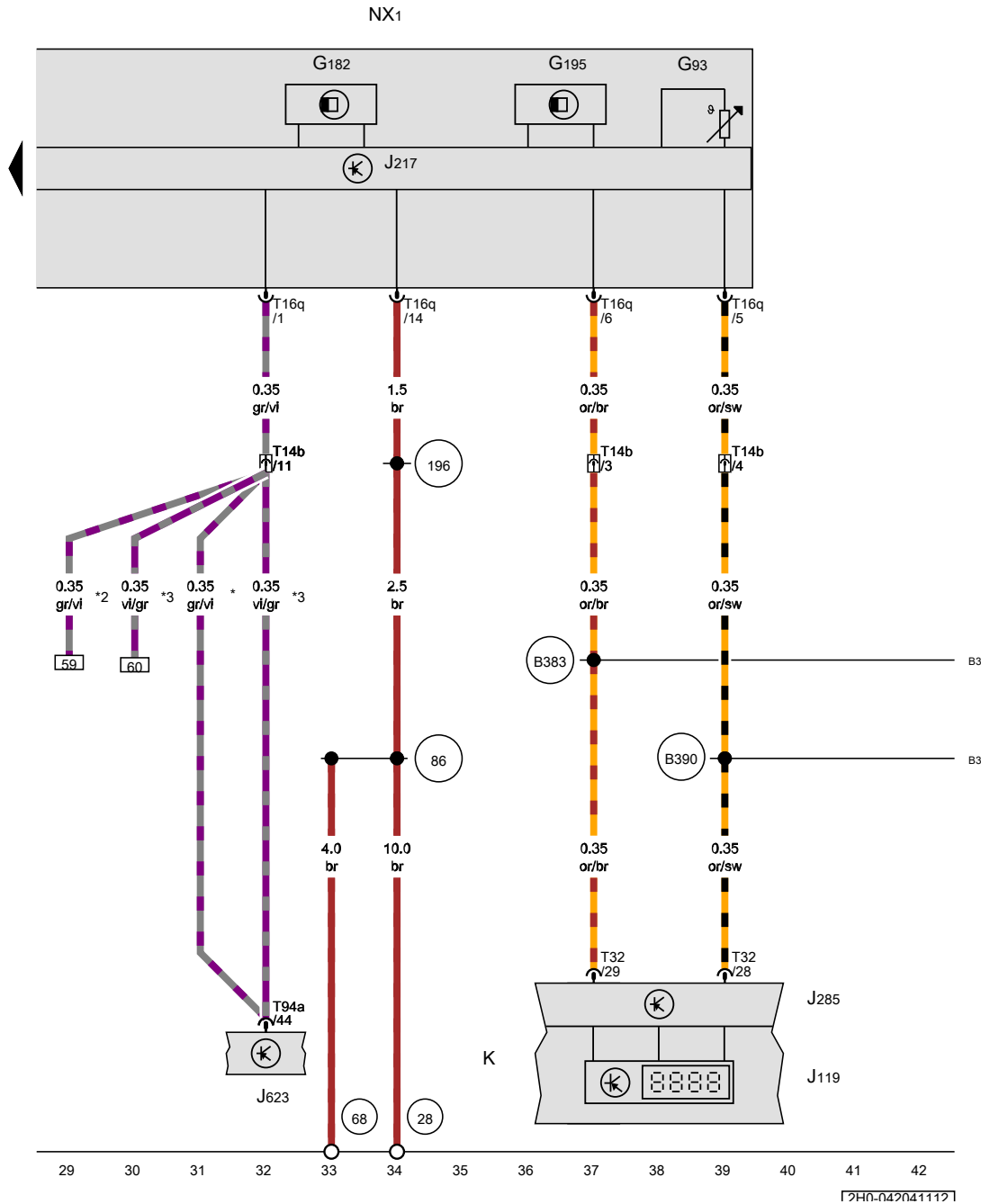
- 43 Earth point, lower part of right A-pillar
- 367 Earth connection 2, in main wiring harness
- 373 Earth connection 8, in main wiring harness
- B340 Connection 1 (58d), in main wiring harness
- B472 Connection 8, in main wiring harness
- U3 Connection 1, in automatic gearbox wiring harness

- \* Only models with no start/stop system
- \*2 Only models with start/stop system
- \*3 From November 2011

- ws = white
- sw = black
- ro = red
- br = brown
- gn = green
- bl = blue
- gr = grey
- li = purple
- ge = yellow
- or = orange
- rs = pink

ГЭН-0420311121





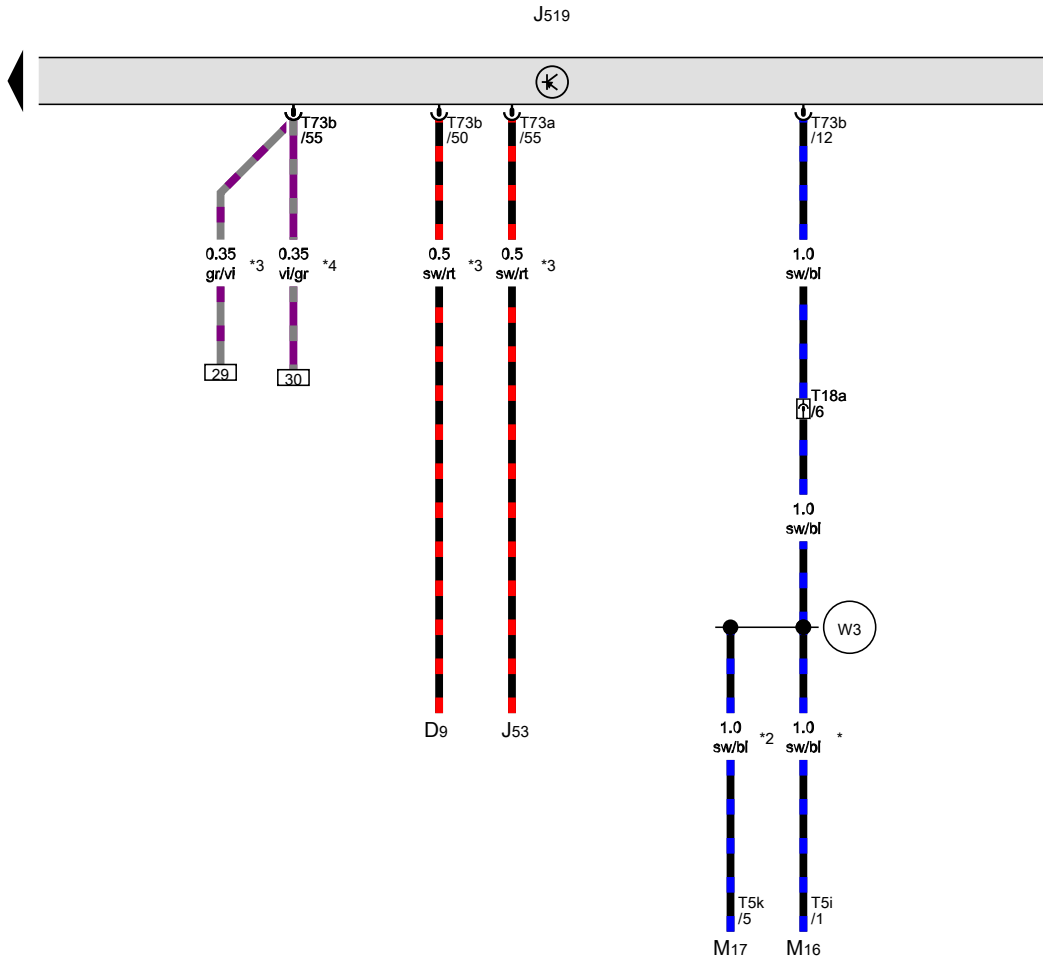
**Dash panel insert, Gearbox**

- G93 Gearbox oil temperature sender
- G182 Gearbox input speed sender
- G195 Gearbox output speed sender
- J119 Multifunction indicator
- J217 Automatic gearbox control unit
- J285 Control unit in dash panel insert
- J623 Engine control unit
- K Dash panel insert
- NX1 Gearbox, in gearbox
- T14b 14-pin connector, near battery, black
- T16q 16-pin connector
- T32 32-pin connector, blue
- T94a 94-pin connector, black

- (28) Earth point, on bulkhead
- (68) Earth point, on left of rear cross member
- (86) Earth connection 1, in rear wiring harness
- (196) Earth connection 3, in rear wiring harness
- (B383) Connection 1 (powertrain CAN bus, high), in main wiring harness
- (B390) Connection 1 (powertrain CAN bus, low), in main wiring harness
- \* Only models with start/stop system
- \*2 Only models with no start/stop system
- \*3 From November 2011

- ws = white
- sw = black
- ro = red
- br = brown
- gn = green
- bl = blue
- gr = grey
- li = purple
- ge = yellow
- or = orange
- rs = pink





Electronic ignition lock

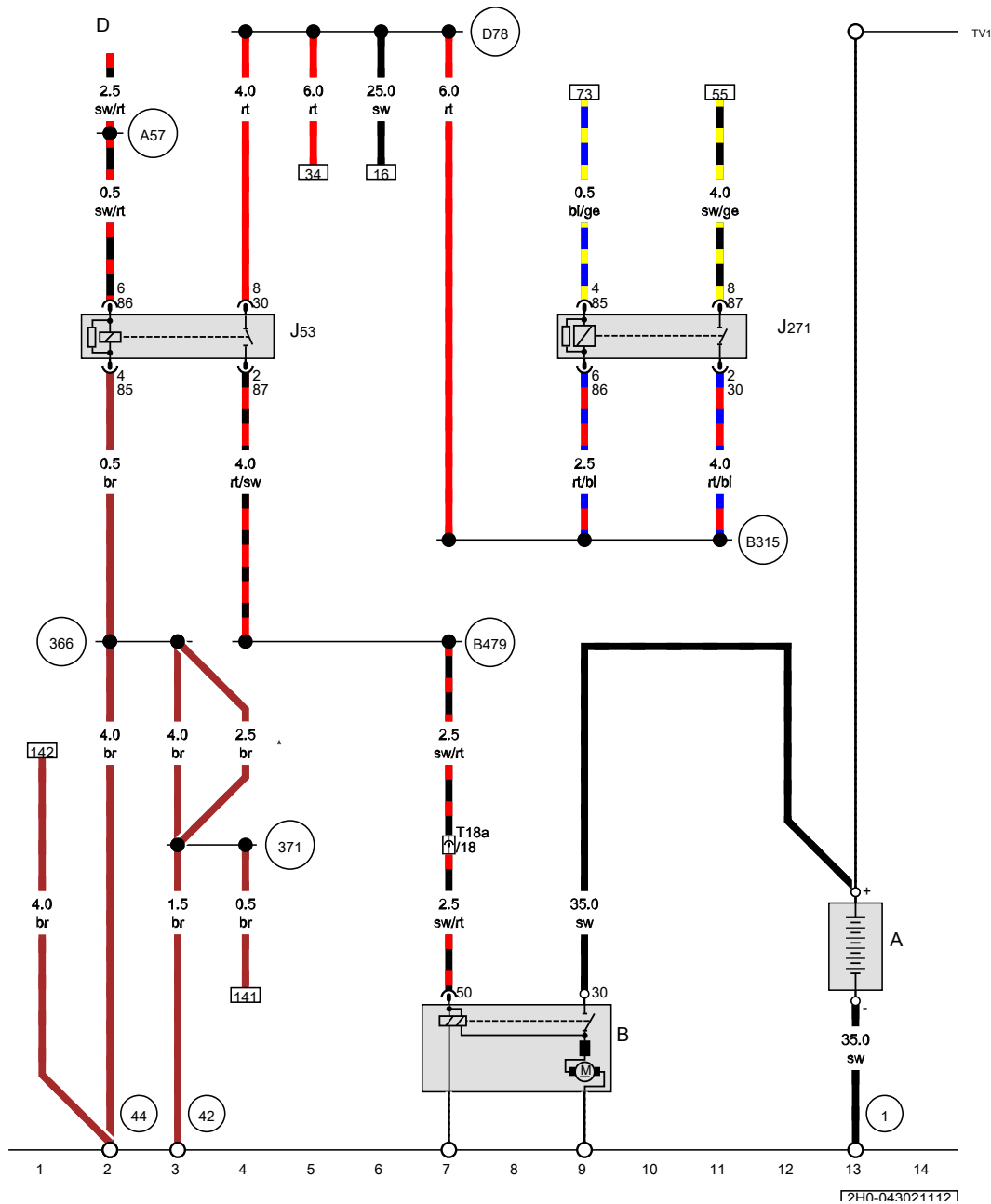
- D9 Electronic ignition lock
- J53 Starter motor relay
- J519 Onboard supply control unit
- M16 Left reversing light bulb
- M17 Right reversing light bulb
- T5i 5-pin connector
- T5k 5-pin connector
- T18a 18-pin connector, near battery, grey
- T73a 73-pin connector
- T73b 73-pin connector
- W3 Connection in rear wiring harness
- \* Only right-hand drive models
- \*2 Only left-hand drive models
- \*3 Only models with no start/stop system
- \*4 From November 2011

- ws = white
- sw = black
- ro = red
- br = brown
- gn = green
- bl = blue
- gr = grey
- li = purple
- ge = yellow
- or = orange
- rs = pink

**2.0l diesel engine , CNEA, CSHA**

From September 2011

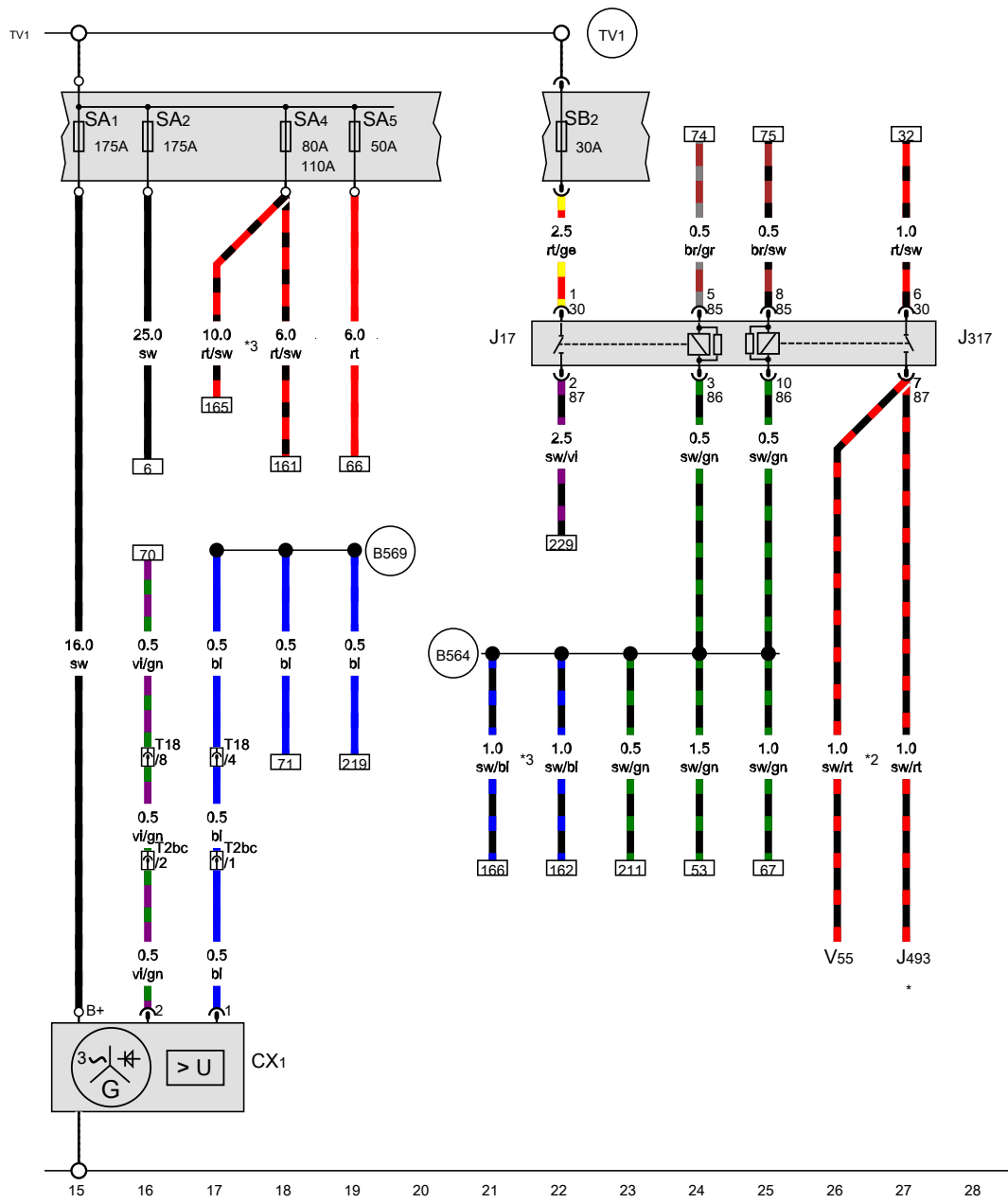
Battery, Starter, Starter motor relay, Main relay



- A Battery
- B Starter
- D Ignition/starter switch
- J53 Starter motor relay
- J271 Main relay, on relay carrier
- T18a 18-pin connector, near engine control unit
- 1 Earth strap, battery - body
- 42 Earth point, next to steering column
- 44 Earth point, lower part of left A-pillar
- 366 Earth connection 1, in main wiring harness
- 371 Earth connection 6, in main wiring harness
- A57 Positive connection 3 (30), in dash panel wiring harness
- B315 Positive connection 1 (30a) in main wiring harness
- B479 Connection 15, in main wiring harness
- D78 Positive connection 1 (30a), in engine compartment wiring harness
- TV1 Wiring junction
- \* From November 2011

- ws = white
- sw = black
- ro = red
- br = brown
- gn = green
- bl = blue
- gr = grey
- li = purple
- ge = yellow
- or = orange
- rs = pink

Г240-0430211121



Alternator with voltage regulator, Fuel pump relay, Terminal 30 voltage supply relay, Fuse 1 in fuse holder A, Fuse 2 on fuse holder B, Fuse 4 in fuse holder A, Fuse 5 in fuse holder A

- CX1 Alternator with voltage regulator
- J17 Fuel pump relay
- J317 Terminal 30 voltage supply relay, on relay carrier
- J493 Auxiliary coolant heater relay
- SA1 Fuse 1 in fuse holder A
- SA2 Fuse 2 in fuse holder A
- SB2 Fuse 2 on fuse holder B
- SA4 Fuse 4 in fuse holder A
- SA5 Fuse 5 in fuse holder A
- T2bc 2-pin connector
- T18 18-pin connector, near engine control unit, black
- V55 Circulation pump

B564 Connection 31, in main wiring harness

B569 Connection 36, in main wiring harness

TV1 Wiring junction

- \* see applicable current flow diagram for fuse assignment
- \*2 Only models with no air conditioning system/Climatronic
- \*3 Only for countries with hot climate

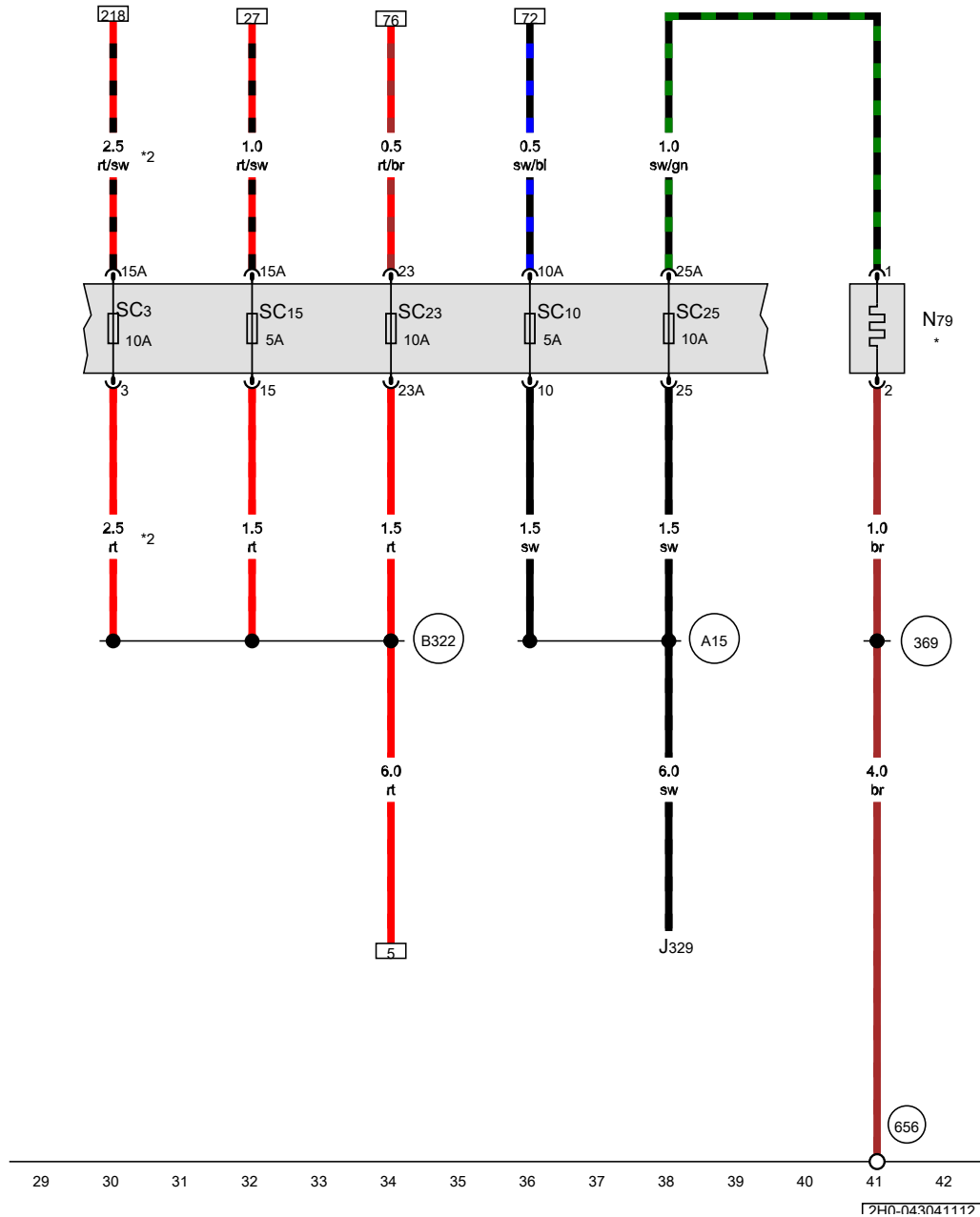
- ws = white
- sw = black
- ro = red
- br = brown
- gn = green
- bl = blue
- gr = grey
- li = purple
- ge = yellow
- or = orange
- rs = pink

ГЭН-0430311121

Heater element for crankcase breather, Fuse 3 on fuse holder C, Fuse 10 on fuse holder C, Fuse 15 on fuse holder C, Fuse 23 on fuse holder C, Fuse 25 on fuse holder C

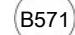
- J329 Terminal 15 voltage supply relay
- N79 Heater element for crankcase breather
- SC3 Fuse 3 on fuse holder C
- SC10 Fuse 10 on fuse holder C
- SC15 Fuse 15 on fuse holder C
- SC23 Fuse 23 on fuse holder C
- SC25 Fuse 25 on fuse holder C

- 369 Earth connection 4, in main wiring harness
- 656 Earth point, on right headlight
- A15 Positive connection (15), in instrument wiring harness
- B322 Positive connection 8 (30a) in main wiring harness
- \* Only models with crankcase breather heater element
- \*2 Only models with automatic gearbox

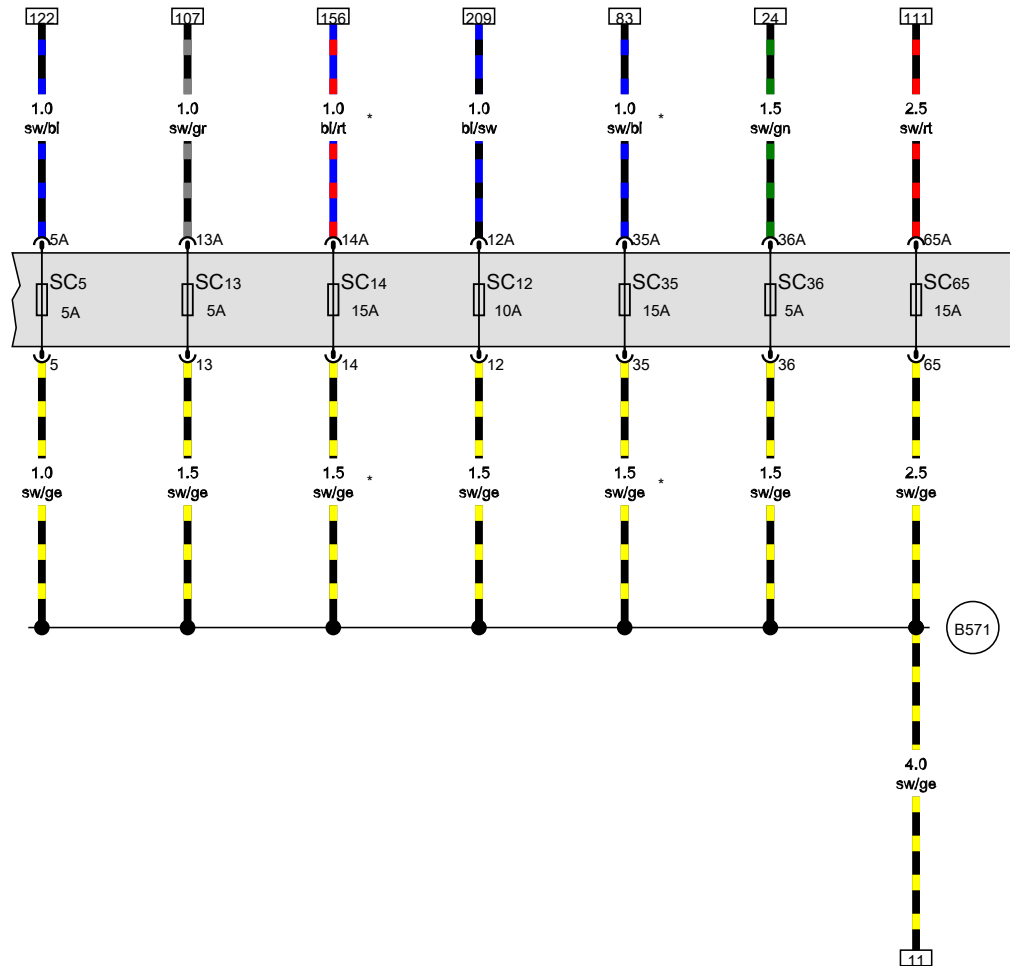


Fuse 5 on fuse holder C, Fuse 12 on fuse holder C, Fuse 13 on fuse holder C, Fuse 14 on fuse holder C, Fuse 35 on fuse holder C, Fuse 36 on fuse holder C, Fuse 65 on fuse holder C

- SC5 Fuse 5 on fuse holder C
- SC12 Fuse 12 on fuse holder C
- SC13 Fuse 13 on fuse holder C
- SC14 Fuse 14 on fuse holder C
- SC35 Fuse 35 on fuse holder C
- SC36 Fuse 36 on fuse holder C
- SC65 Fuse 65 on fuse holder C

 Connection 38, in main wiring harness

\* Only models with Euro 5 emission standard

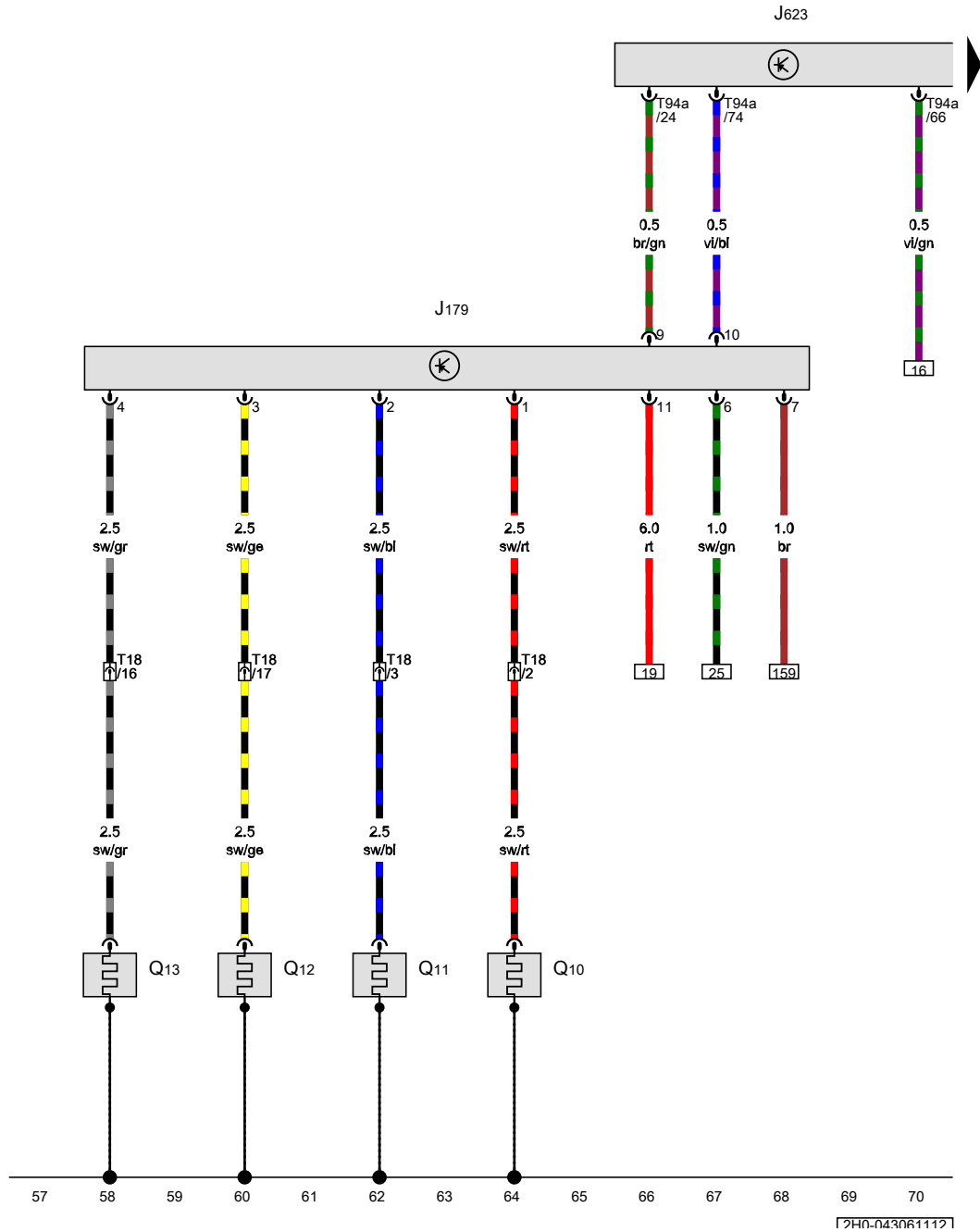


- ws = white
- sw = black
- ro = red
- br = brown
- gn = green
- bl = blue
- gr = grey
- li = purple
- ge = yellow
- or = orange
- rs = pink

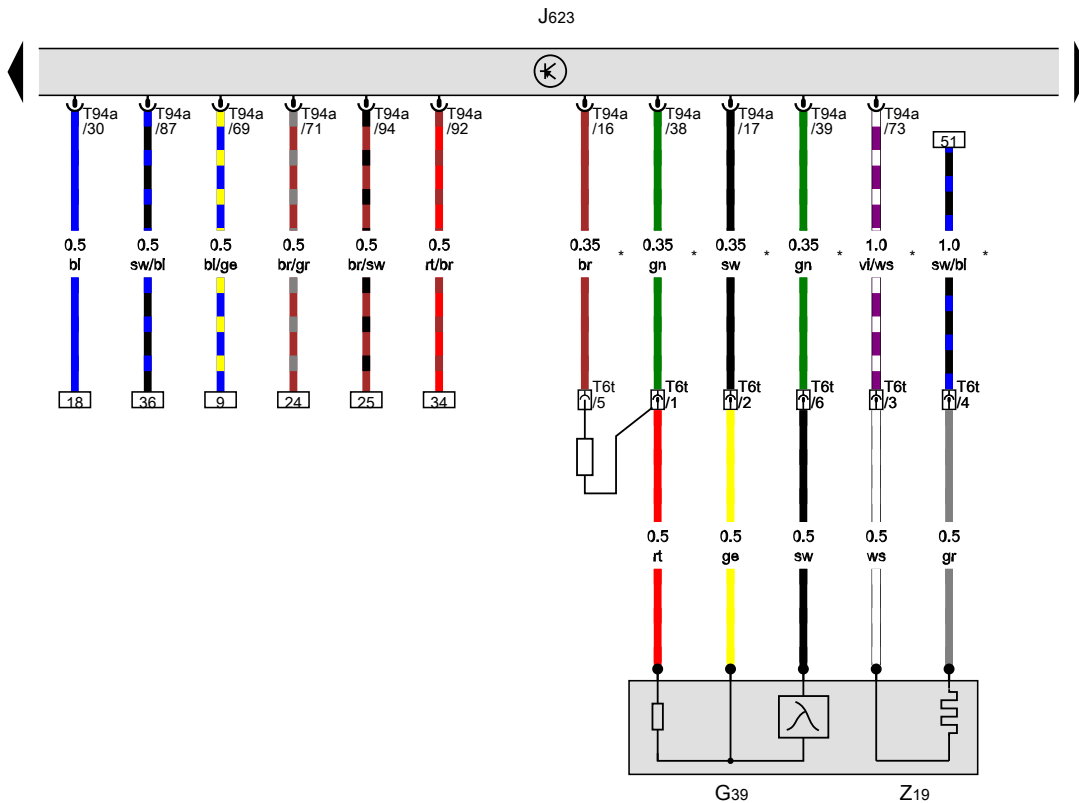


Automatic glow period control unit, Engine control unit, Glow plug 1, Glow plug 2, Glow plug 3, Glow plug 4

- J179 Automatic glow period control unit, near left headlight
- J623 Engine control unit, near battery
- Q10 Glow plug 1
- Q11 Glow plug 2
- Q12 Glow plug 3
- Q13 Glow plug 4
- T18 18-pin connector, near engine control unit, black
- T94a 94-pin connector, black



[240-043061112]



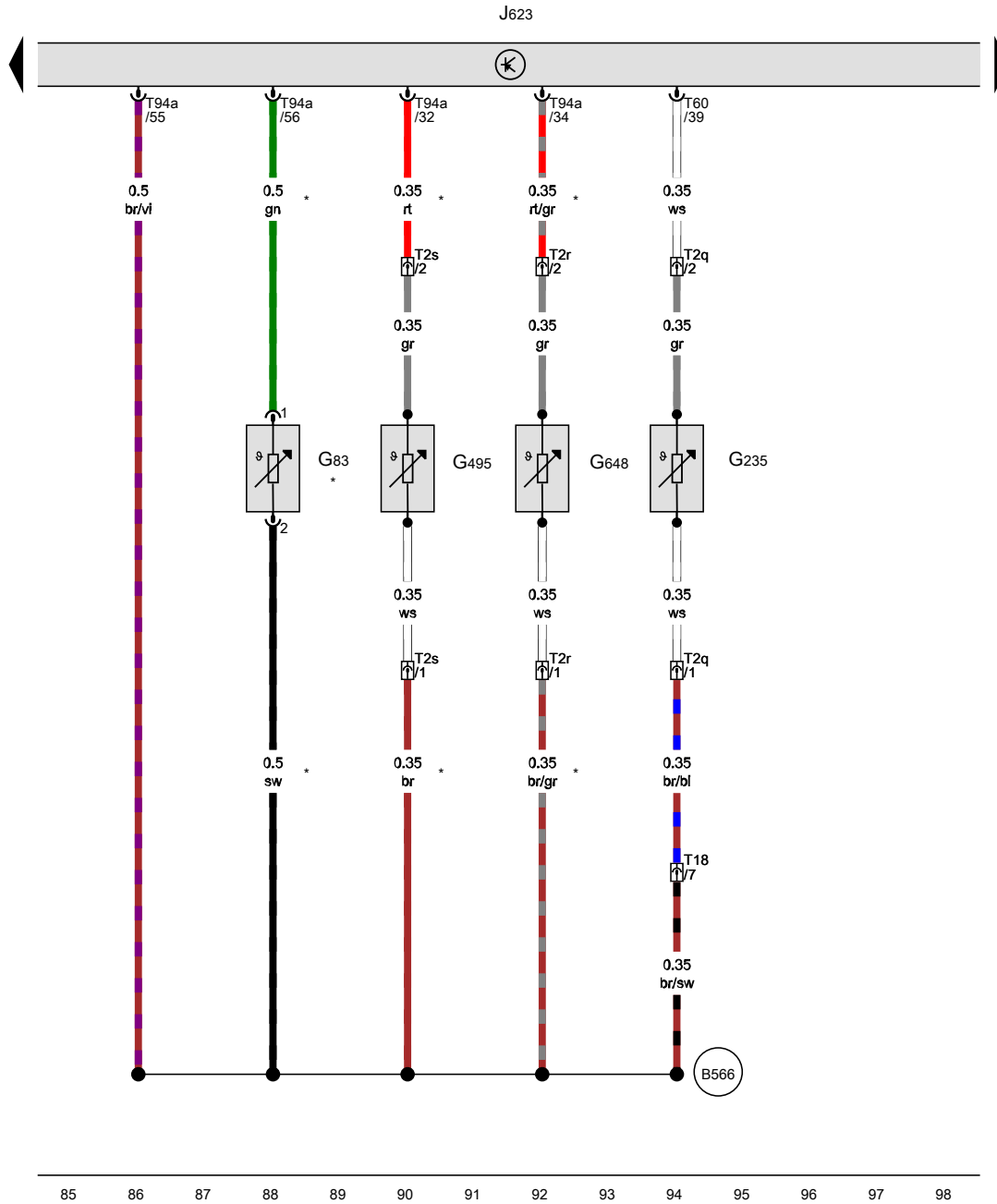
**Lambda probe, Engine control unit**

- G39 Lambda probe
- J623 Engine control unit, near battery
- T6t 6-pin connector, front right in engine compartment, black
- T94a 94-pin connector, black
- Z19 Lambda probe heater
- \* Only models with Euro 5 emission standard

- ws = white
- sw = black
- ro = red
- br = brown
- gn = green
- bl = blue
- gr = grey
- li = purple
- ge = yellow
- or = orange
- rs = pink


71 72 73 74 75 76 77 78 79 80 81 82 83 84

[240-043071112]

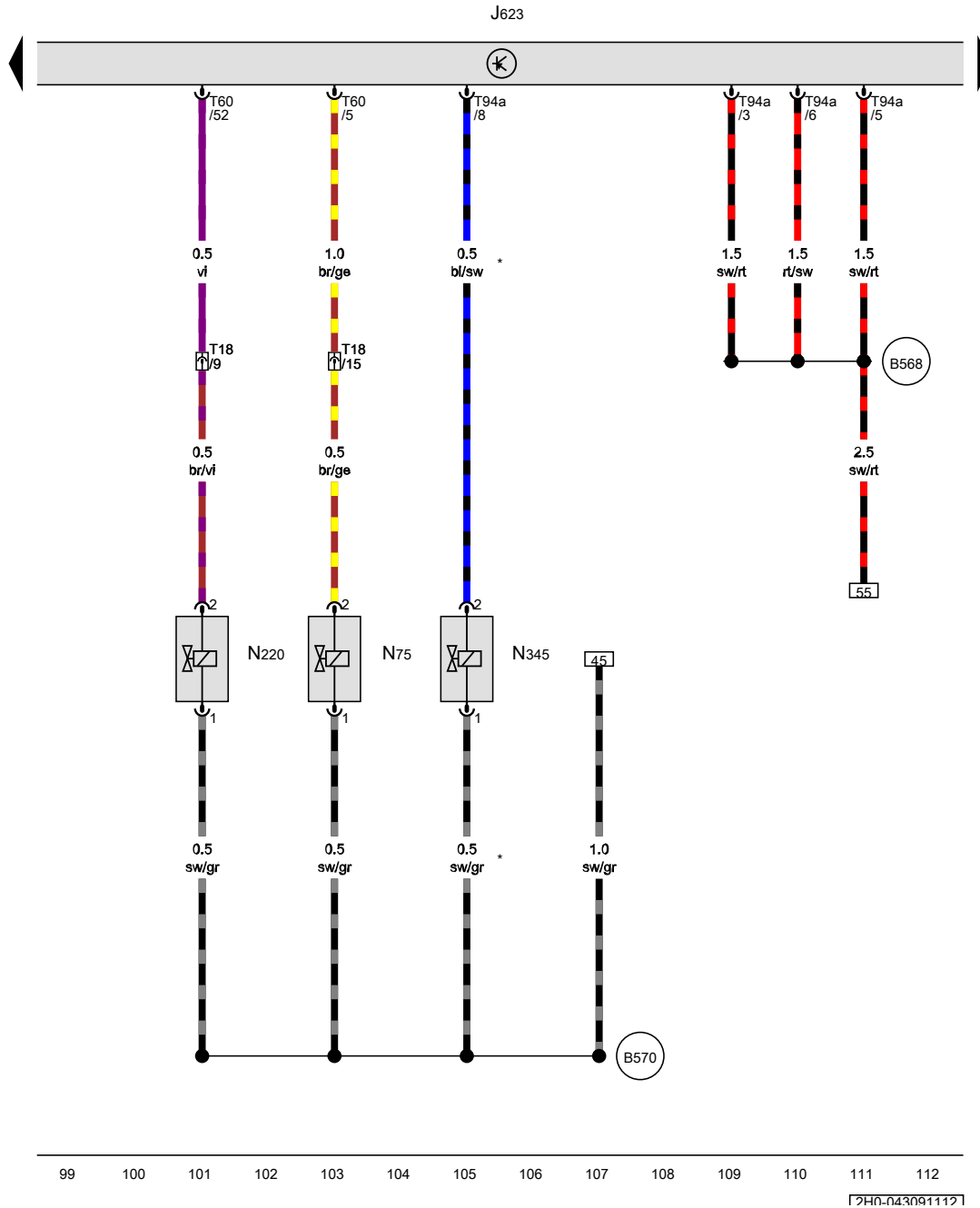


Radiator outlet coolant temperature sender, Exhaust gas temperature sender 1, Exhaust gas temperature sender 3, Exhaust gas temperature sender 4, Engine control unit

- G83 Radiator outlet coolant temperature sender
- G235 Exhaust gas temperature sender 1
- G495 Exhaust gas temperature sender 3
- G648 Exhaust gas temperature sender 4
- J623 Engine control unit, near battery
- T2q 2-pin connector, black
- T2r 2-pin connector, orange
- T2s 2-pin connector, brown
- T18 18-pin connector, near engine control unit, black
- T60 60-pin connector, black
- T94a 94-pin connector, black

 B566 Connection 33, in main wiring harness

\* Only models with Euro 5 emission standard



**Engine control unit, Charge pressure control solenoid valve, Exhaust flap valve, Exhaust gas recirculation cooler changeover valve**

- J623 Engine control unit, near battery
- N75 Charge pressure control solenoid valve
- N220 Exhaust flap valve
- N345 Exhaust gas recirculation cooler changeover valve
- T18 18-pin connector, near engine control unit, black
- T60 60-pin connector, black
- T94a 94-pin connector, black

Connection 35, in main wiring harness

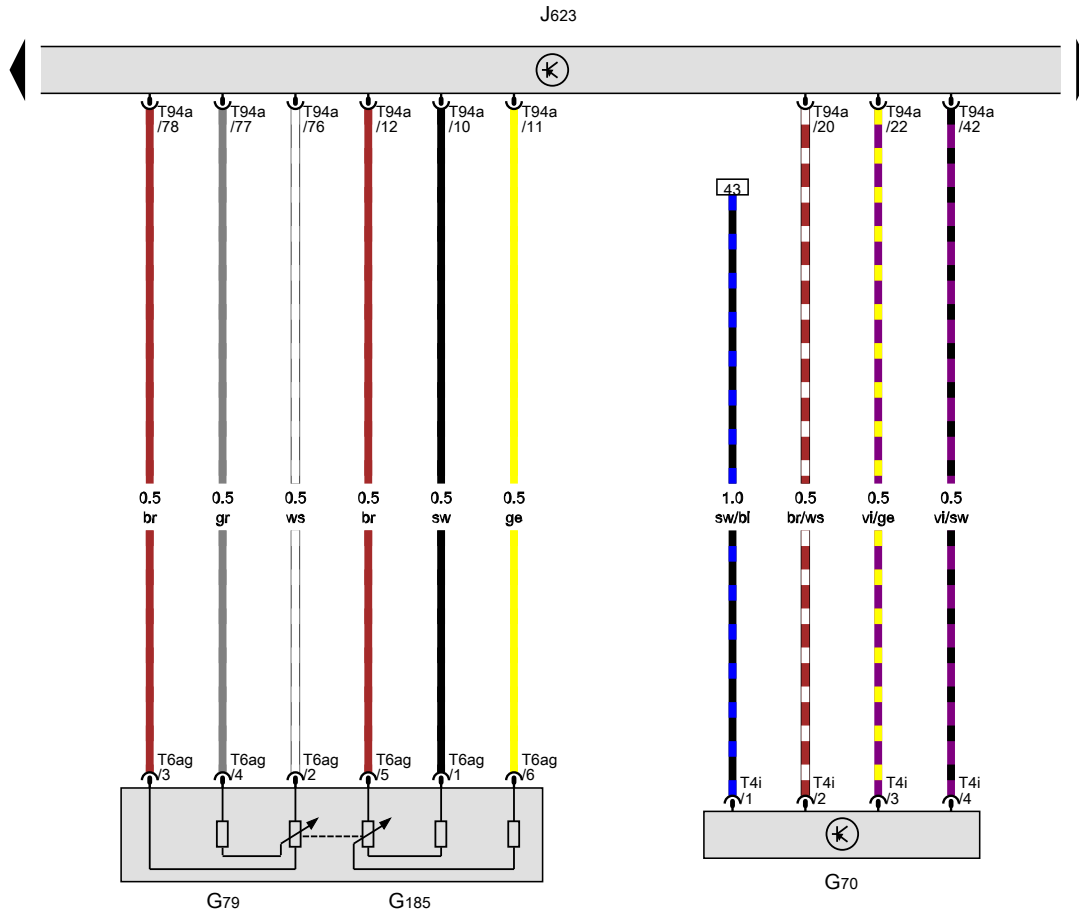
Connection 37, in main wiring harness

\* Only models with Euro 5 emission standard

- ws = white
- sw = black
- ro = red
- br = brown
- gn = green
- bl = blue
- gr = grey
- li = purple
- ge = yellow
- or = orange
- rs = pink

Air mass meter, Accelerator position sender, Accelerator position sender 2, Engine control unit

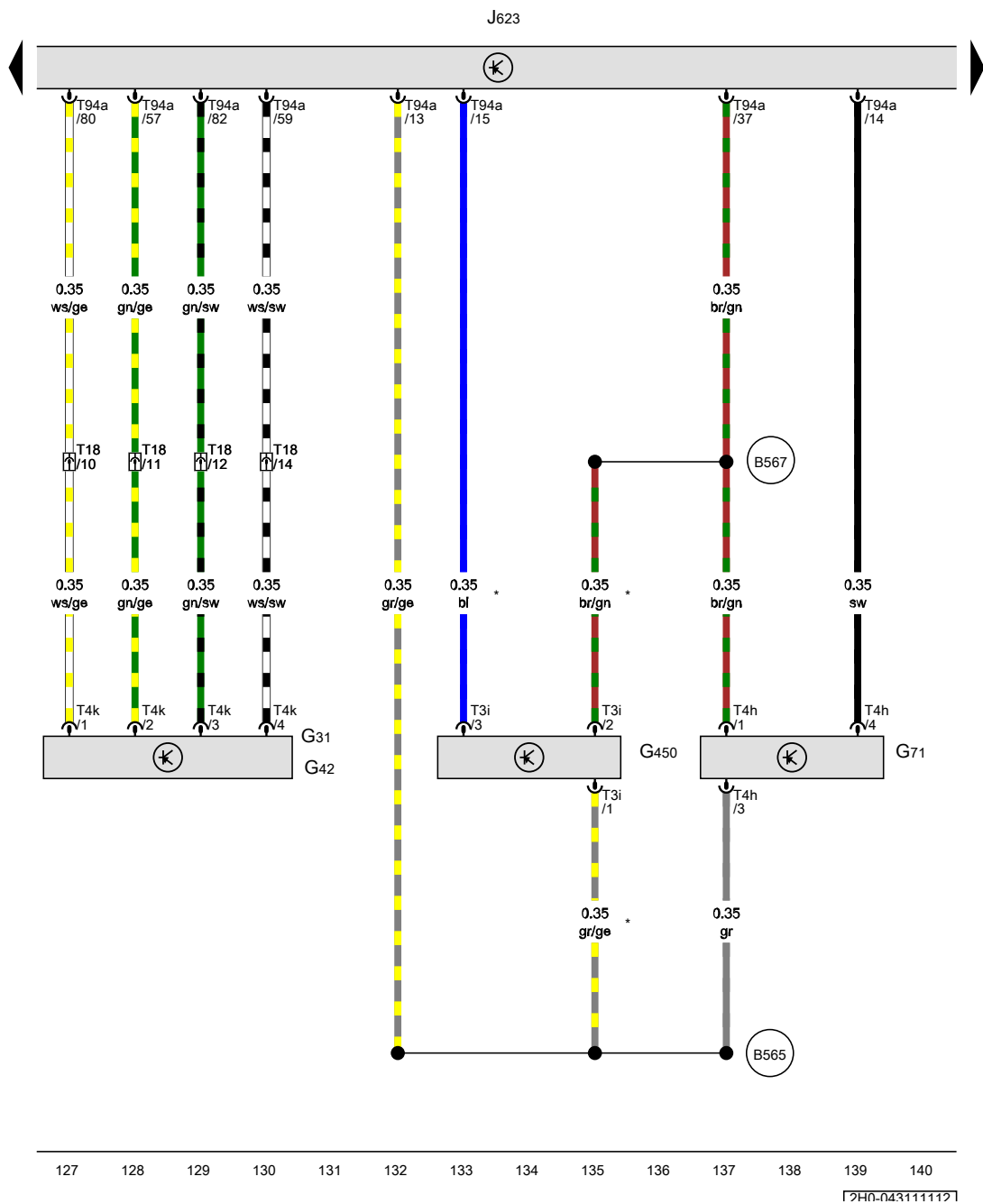
- G70 Air mass meter
- G79 Accelerator position sender
- G185 Accelerator position sender 2
- J623 Engine control unit, near battery
- T4i 4-pin connector, black
- T6ag 6-pin connector
- T94a 94-pin connector, black



- ws = white
- sw = black
- ro = red
- br = brown
- gn = green
- bl = blue
- gr = grey
- li = purple
- ge = yellow
- or = orange
- rs = pink

113 114 115 116 117 118 119 120 121 122 123 124 125 126

17H0-0431011121



Charge pressure sender, Intake air temperature sender, Intake manifold pressure sender, Exhaust gas pressure sensor 1, Engine control unit

- G31 Charge pressure sender
- G42 Intake air temperature sender
- G71 Intake manifold pressure sender
- G450 Exhaust gas pressure sensor 1
- J623 Engine control unit, near battery
- T3i 3-pin connector, black
- T4h 4-pin connector, black
- T4k 4-pin connector, black
- T18 18-pin connector, near engine control unit, black
- T94a 94-pin connector, black

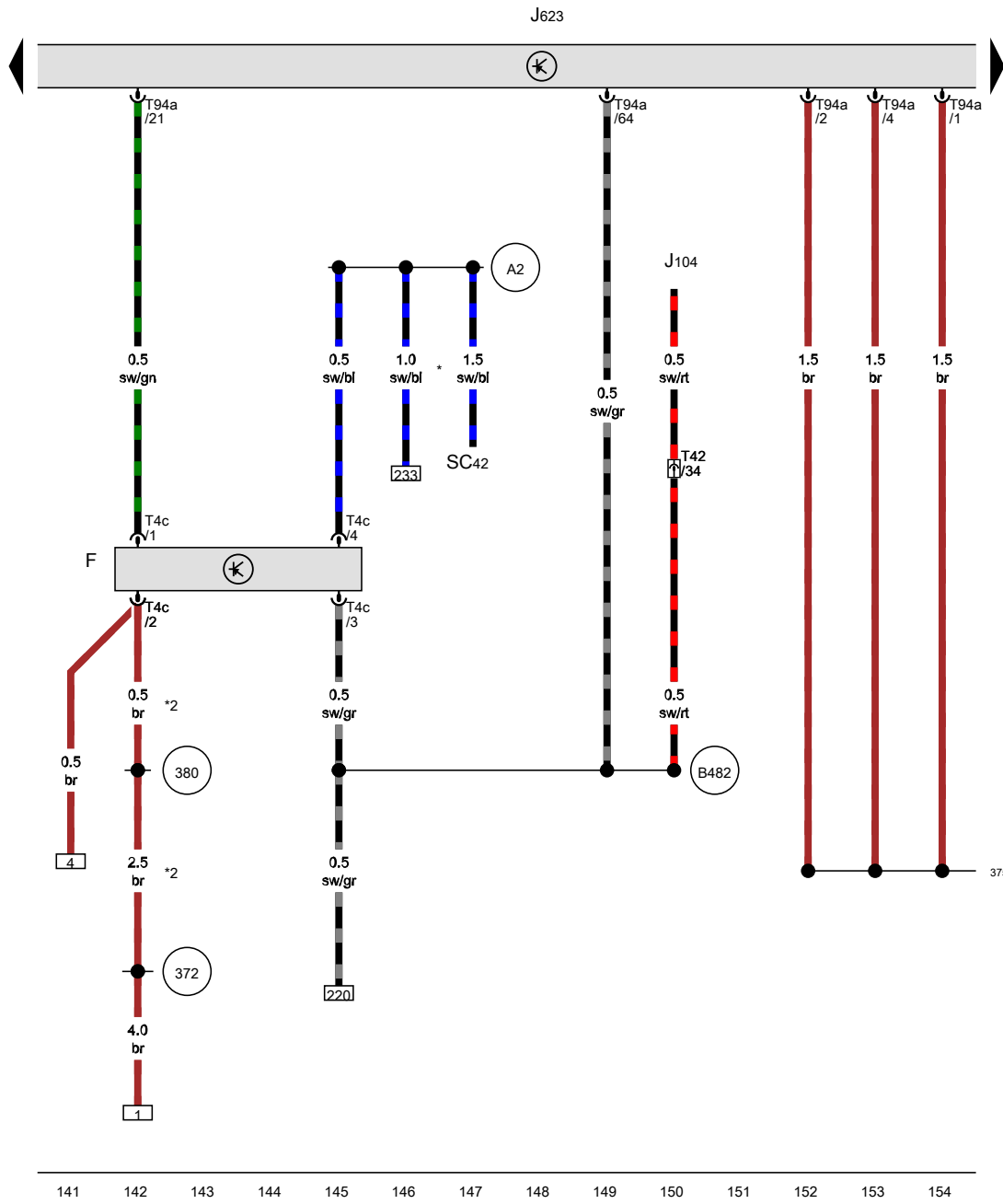
B565 Connection 32, in main wiring harness

B567 Connection 34, in main wiring harness

\* Only models with Euro 5 emission standard

- ws = white
- sw = black
- ro = red
- br = brown
- gn = green
- bl = blue
- gr = grey
- li = purple
- ge = yellow
- or = orange
- rs = pink

[PH0-043111112]



Brake light switch, Engine control unit

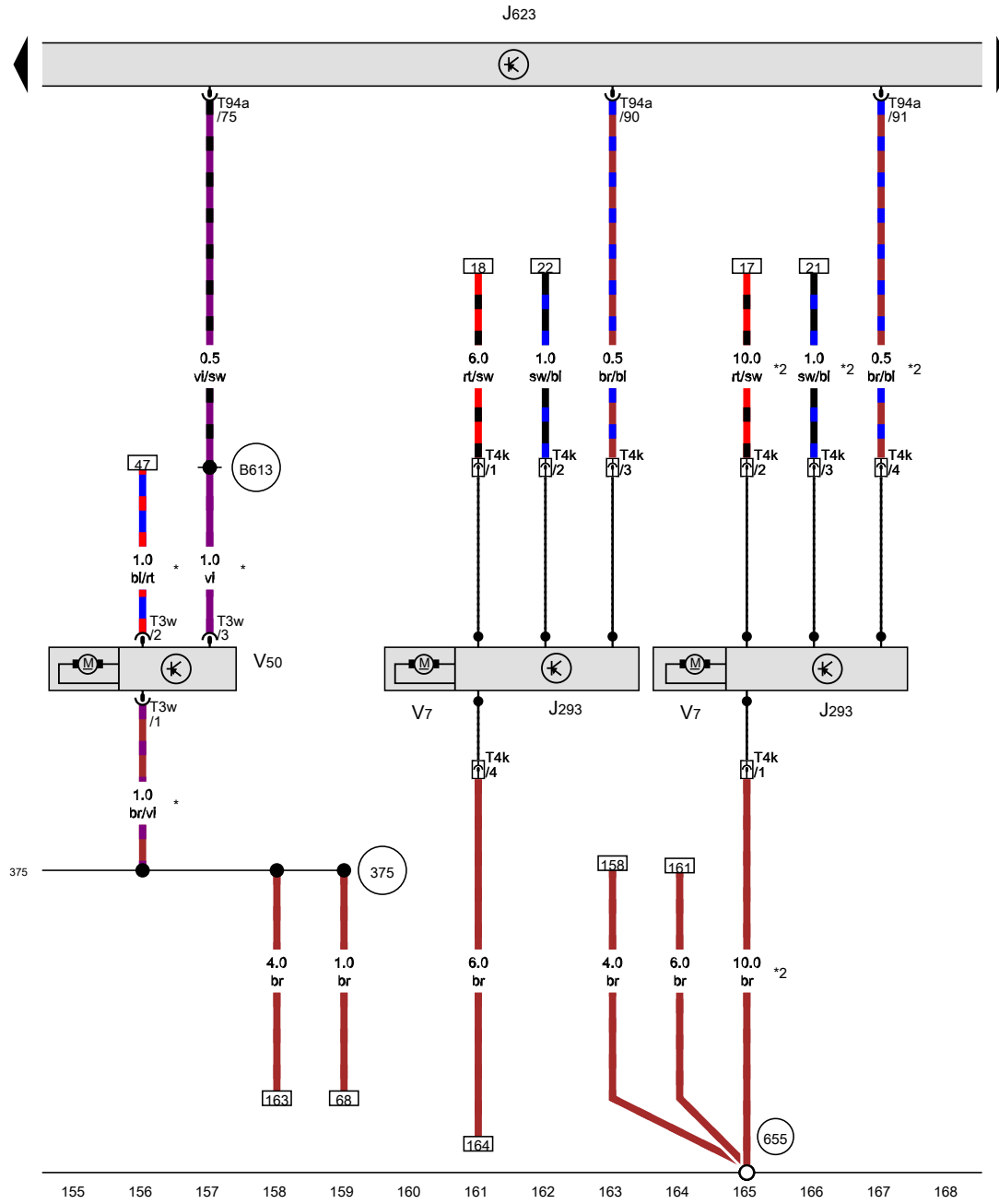
- F Brake light switch
- J104 ABS control unit
- J623 Engine control unit, near battery
- SC42 Fuse 42 on fuse holder C
- T4c 4-pin connector, black
- T42 42-pin connector, near handbrake lever, black
- T94a 94-pin connector, black

- 372 Earth connection 7, in main wiring harness
- 375 Earth connection 10, in main wiring harness
- 380 Earth connection 15, in main wiring harness
- A2 Positive connection (15), in dash panel wiring harness
- B482 Connection 18, in main wiring harness
- \* Only models with Euro 5 emission standard
- \*2 From November 2011

- ws = white
- sw = black
- ro = red
- br = brown
- gn = green
- bl = blue
- gr = grey
- li = purple
- ge = yellow
- or = orange
- rs = pink

141 142 143 144 145 146 147 148 149 150 151 152 153 154

[27H0-043121112]



**Radiator fan control unit, Engine control unit, Radiator fan, Coolant circulation pump**

- J293 Radiator fan control unit
- J623 Engine control unit, near battery
- T3w 3-pin connector
- T4k 4-pin connector, on radiator cowling, black
- T94a 94-pin connector, black
- V7 Radiator fan
- V50 Coolant circulation pump

375 Earth connection 10, in main wiring harness

655 Earth point, on left headlight

B613 Connection 41, in main wiring harness

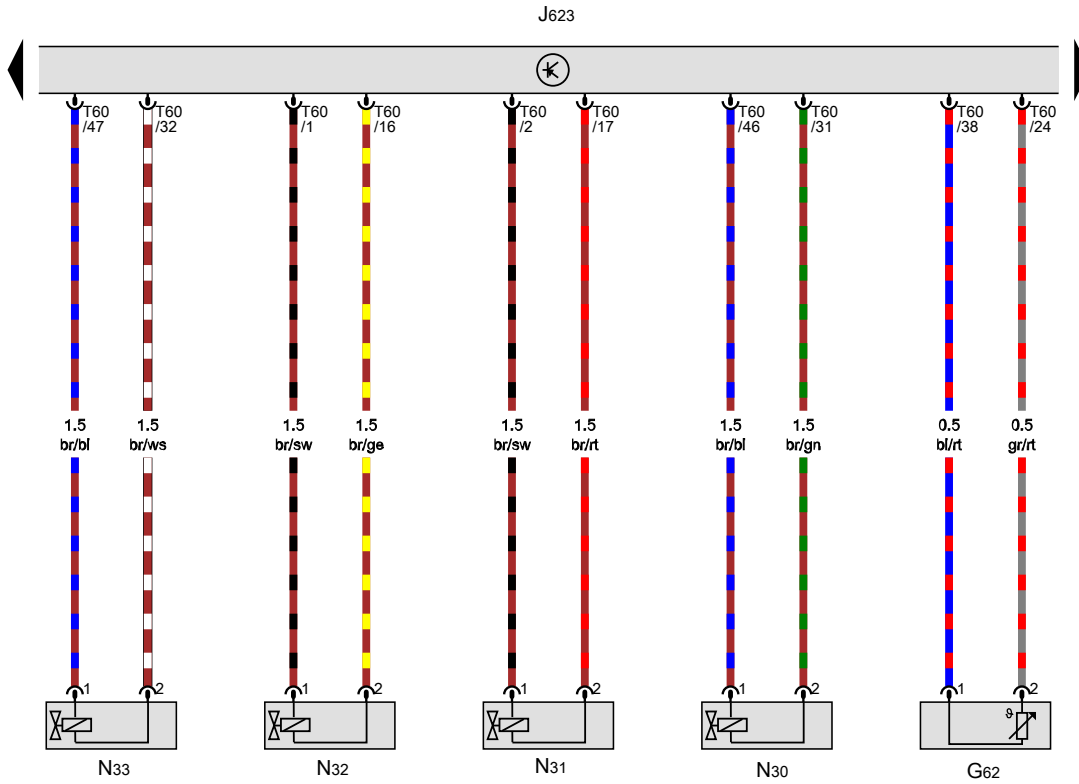
\* Only models with Euro 5 emission standard

\*2 Only for countries with hot climate

- ws = white
- sw = black
- ro = red
- br = brown
- gn = green
- bl = blue
- gr = grey
- li = purple
- ge = yellow
- or = orange
- rs = pink

[2PH0-043131112]





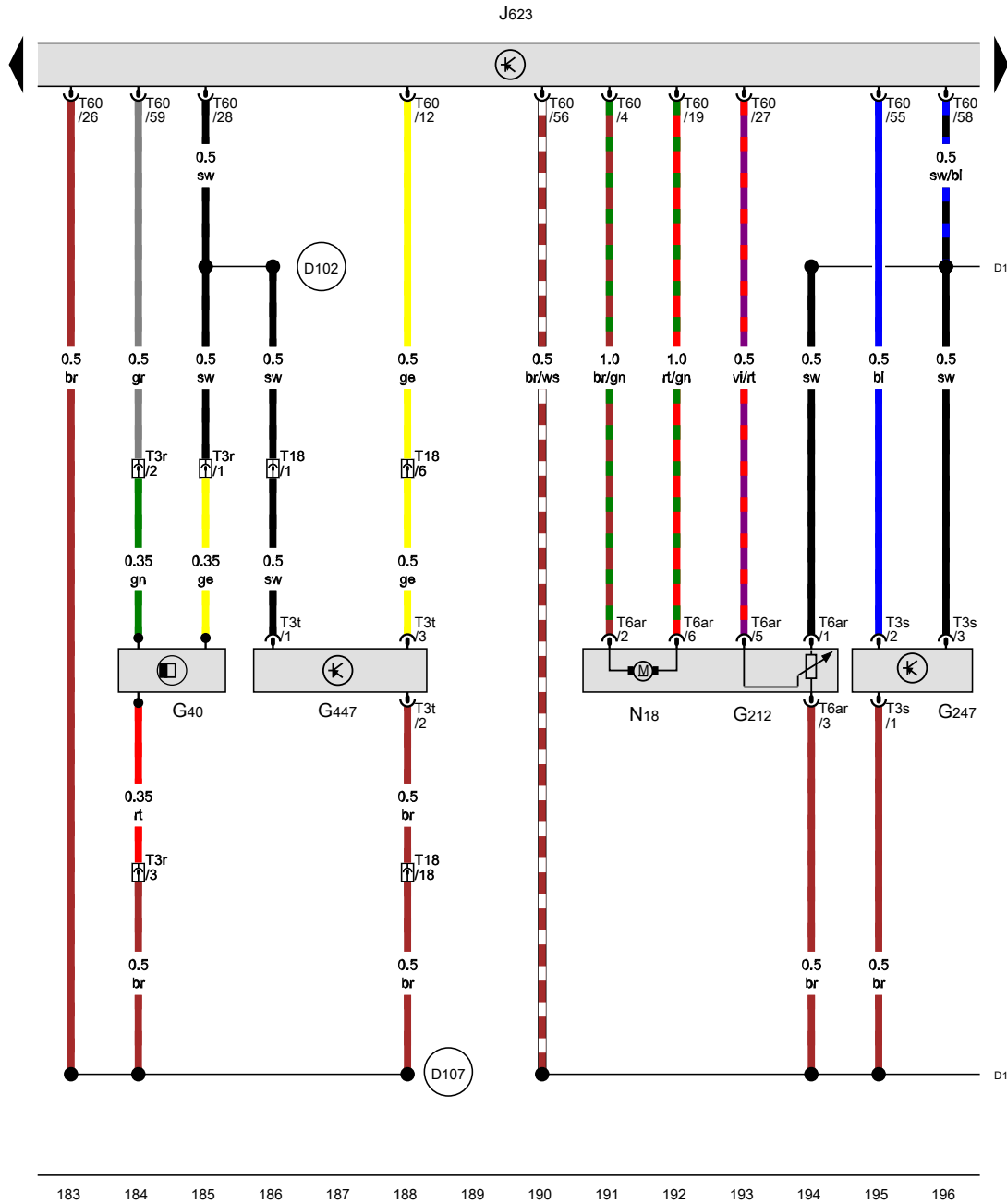
Coolant temperature sender, Engine control unit, Injector, cylinder 1, Injector, cylinder 2, Injector, cylinder 3, Injector, cylinder 4

- G62 Coolant temperature sender
- J623 Engine control unit, near battery
- N30 Injector, cylinder 1
- N31 Injector, cylinder 2
- N32 Injector, cylinder 3
- N33 Injector, cylinder 4
- T60 60-pin connector, black

- ws = white
- sw = black
- ro = red
- br = brown
- gn = green
- bl = blue
- gr = grey
- li = purple
- ge = yellow
- or = orange
- rs = pink

169    170    171    172    173    174    175    176    177    178    179    180    181    182

[PH0-043141117]



Hall sender, Exhaust gas recirculation potentiometer, Fuel pressure sender, Charge pressure sender 2, Engine control unit, Exhaust gas recirculation valve

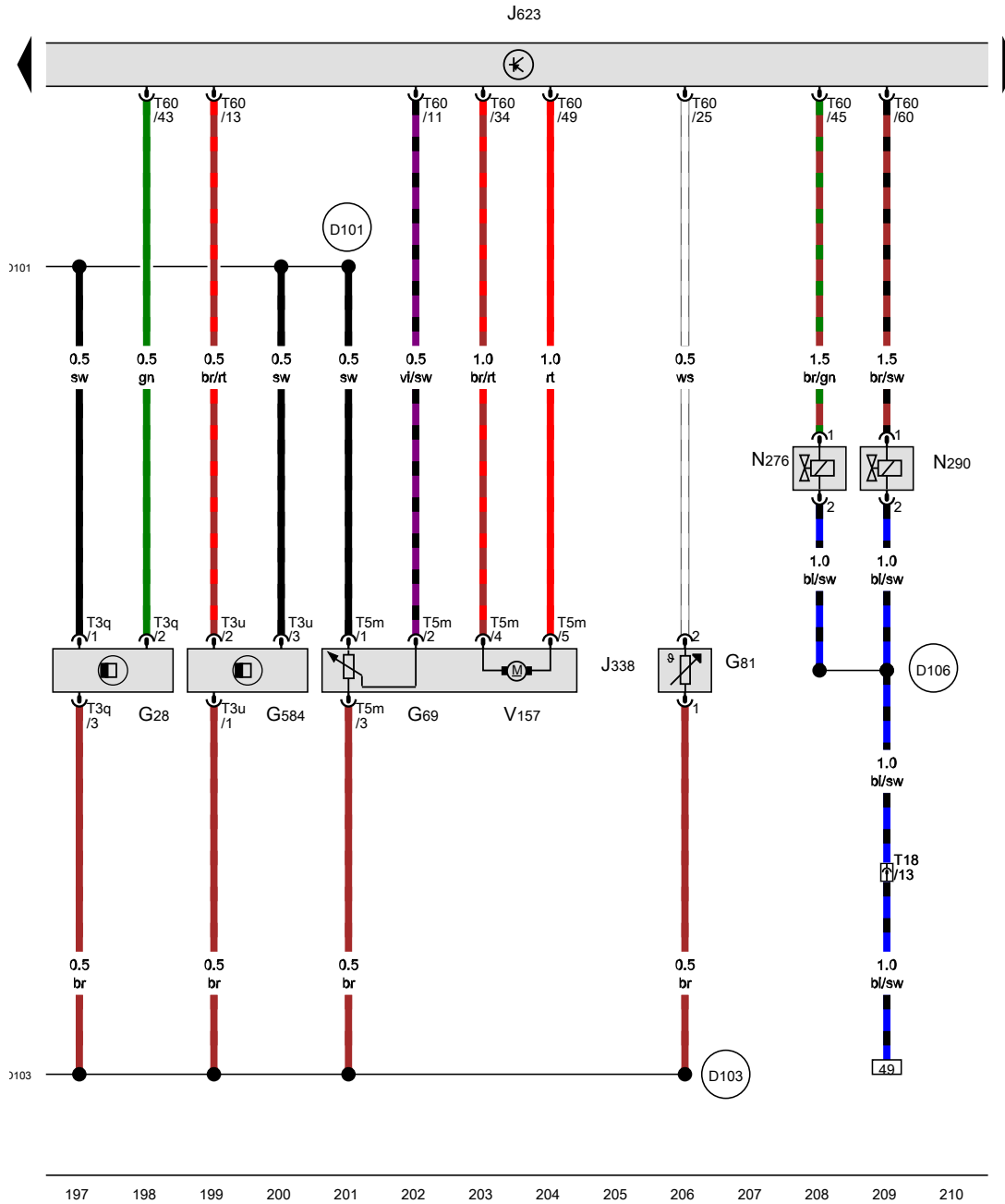
- G40 Hall sender
- G212 Exhaust gas recirculation potentiometer
- G247 Fuel pressure sender
- G447 Charge pressure sender 2, on turbocharger air recirculation valve
- J623 Engine control unit, near battery
- N18 Exhaust gas recirculation valve
- T3r 3-pin connector, on front of engine, black
- T3s 3-pin connector, black
- T3t 3-pin connector
- T6ar 6-pin connector, black
- T18 18-pin connector, near engine control unit, black
- T60 60-pin connector, black

- D101 Connection 1 in engine compartment wiring harness
- D102 Connection 2 in engine compartment wiring harness
- D103 Connection 3 in engine compartment wiring harness
- D107 Connection 5 in engine compartment wiring harness

- ws = white
- sw = black
- ro = red
- br = brown
- gn = green
- bl = blue
- gr = grey
- li = purple
- ge = yellow
- or = orange
- rs = pink

183 184 185 186 187 188 189 190 191 192 193 194 195 196

[PH0-043151117]

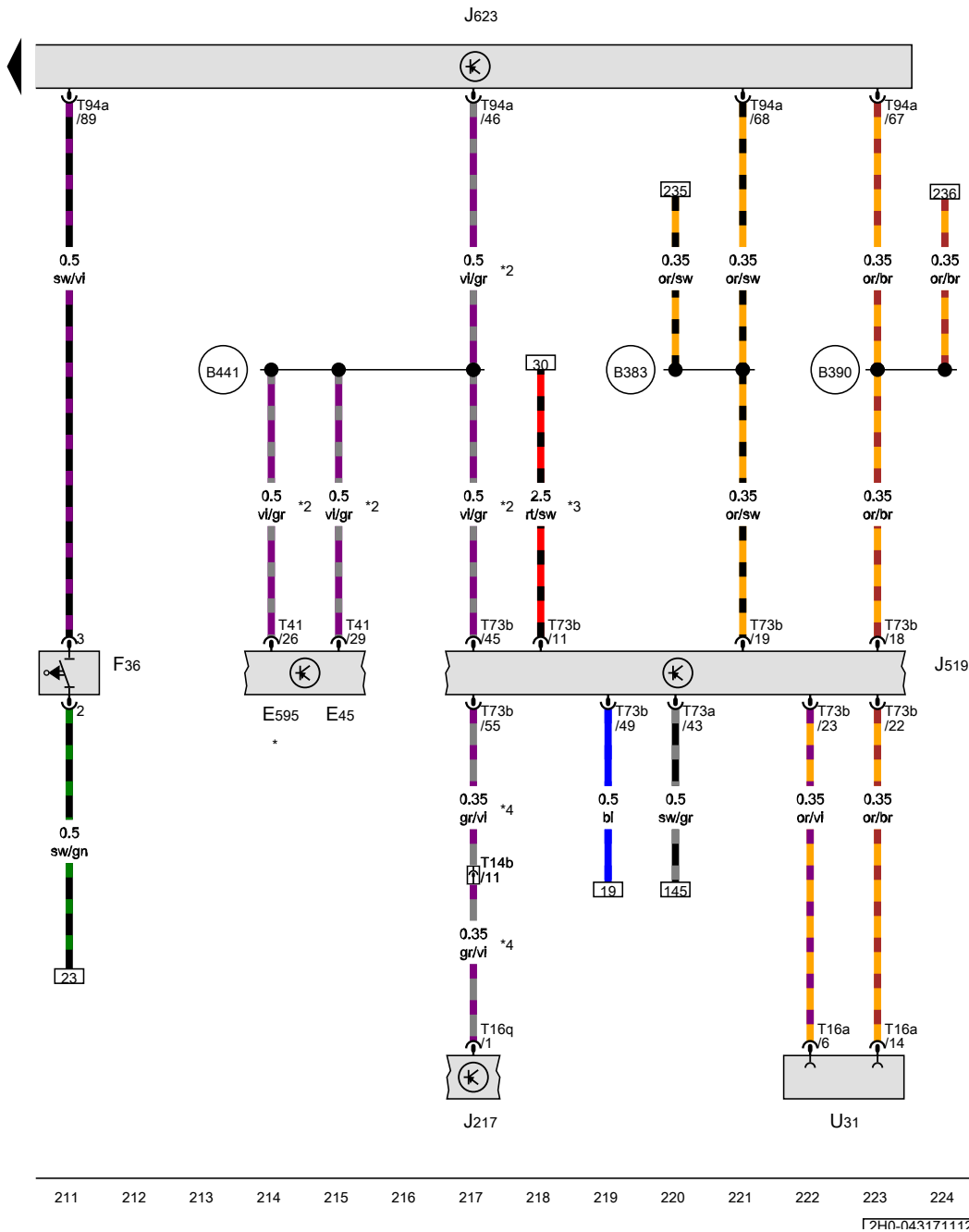


Engine speed sender, Throttle valve potentiometer, Fuel temperature sender, Regulating flap potentiometer, Throttle valve module, Engine control unit, Fuel pressure regulating valve, Fuel metering valve, Intake manifold flap motor

- G28 Engine speed sender
- G69 Throttle valve potentiometer
- G81 Fuel temperature sender
- G584 Regulating flap potentiometer
- J338 Throttle valve module
- J623 Engine control unit, near battery
- N276 Fuel pressure regulating valve
- N290 Fuel metering valve
- T3q 3-pin connector, black
- T3u 3-pin connector, black
- T5m 5-pin connector
- T18 18-pin connector, near engine control unit, black
- T60 60-pin connector, black
- V157 Intake manifold flap motor

- D101 Connection 1 in engine compartment wiring harness
- D103 Connection 3 in engine compartment wiring harness
- D106 Connection 4 in engine compartment wiring harness

- ws = white
- sw = black
- ro = red
- br = brown
- gn = green
- bl = blue
- gr = grey
- li = purple
- ge = yellow
- or = orange
- rs = pink



Cruise control system switch, Clutch pedal switch, Automatic gearbox control unit, Onboard supply control unit, Engine control unit

- E45 Cruise control system switch
- E595 Steering column combination switch
- F36 Clutch pedal switch
- J217 Automatic gearbox control unit
- J519 Onboard supply control unit
- J623 Engine control unit, near battery
- T14b 14-pin connector, near battery, black
- T16a 16-pin connector
- T16q 16-pin connector
- T41 41-pin connector, grey
- T73a 73-pin connector
- T73b 73-pin connector
- T94a 94-pin connector, black
- U31 Diagnostic connection

B383 Connection 1 (powertrain CAN bus, high), in main wiring harness

B390 Connection 1 (powertrain CAN bus, low), in main wiring harness

B441 Connection (CCS), in main wiring harness

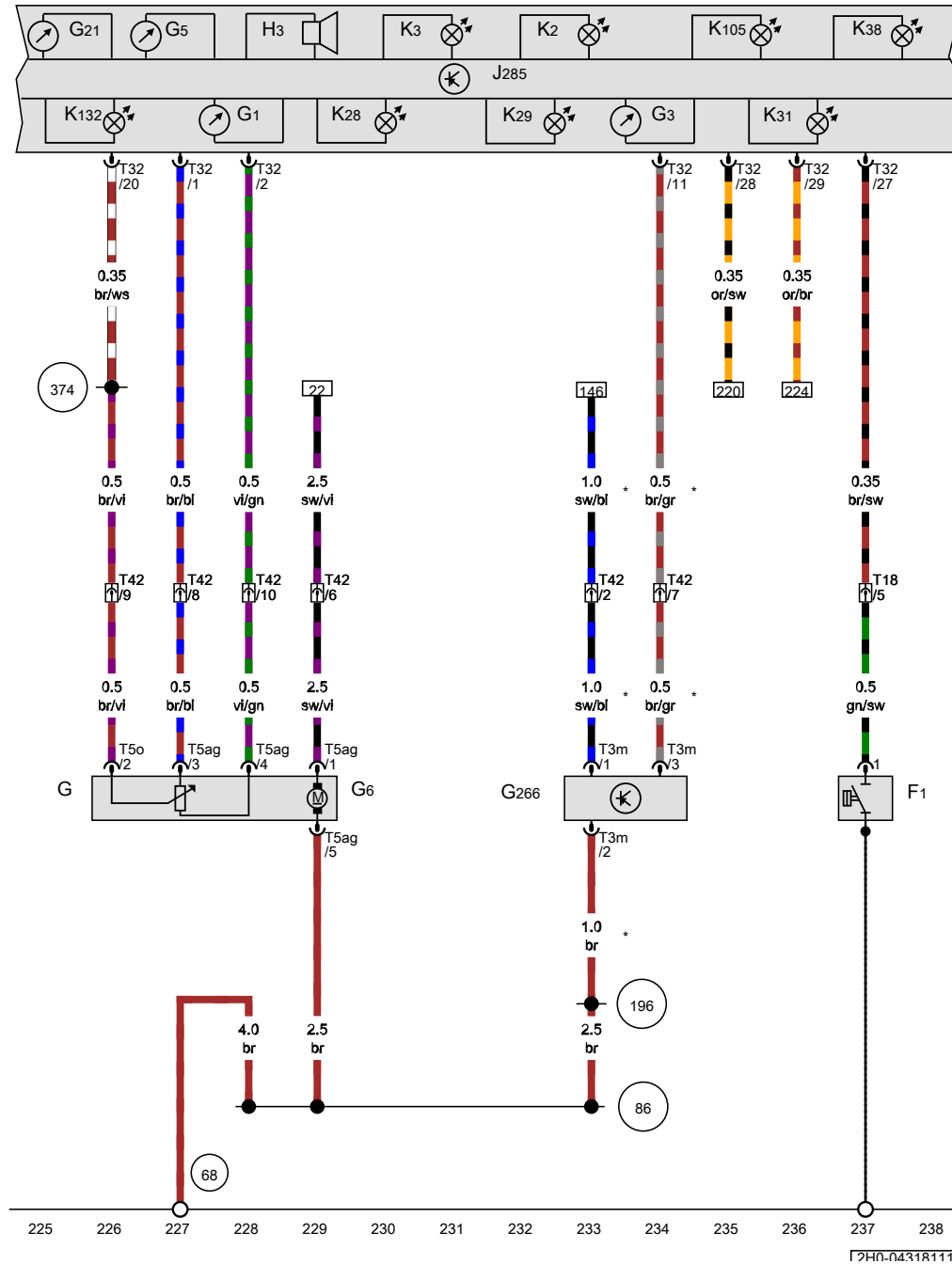
- \* see applicable current flow diagram for basic equipment
- \*2 Only models with cruise control system (CCS)
- \*3 Only models with automatic gearbox
- \*4 see applicable current flow diagram for automatic gearbox

- ws = white
- sw = black
- ro = red
- br = brown
- gn = green
- bl = blue
- gr = grey
- li = purple
- ge = yellow
- or = orange
- rs = pink

211 212 213 214 215 216 217 218 219 220 221 222 223 224

[79H-043171117]

**Oil level and oil temperature sender, Dash panel insert**



- F1 Oil pressure switch
  - G Fuel gauge sender
  - G1 Fuel gauge
  - G3 Coolant temperature gauge
  - G5 Rev. counter
  - G6 Fuel system pressurisation pump
  - G21 Speedometer
  - G266 Oil level and oil temperature sender
  - H3 Buzzer and gong
  - J285 Control unit in dash panel insert
  - K Dash panel insert
  - K2 Alternator warning lamp
  - K3 Oil pressure warning lamp
  - K28 Coolant temperature and coolant shortage warning lamp
  - K29 Glow period warning lamp
  - K31 Cruise control system warning lamp
  - K38 Oil level warning lamp
  - K105 Reserve fuel warning lamp
  - K132 Electronic power control fault lamp
  - T3m 3-pin connector
  - T5ag 5-pin connector
  - T5o 5-pin connector
  - T18 18-pin connector, near engine control unit, black
  - T32 32-pin connector, blue
  - T42 42-pin connector, near handbrake lever, black
- 68 Earth point, on left of rear cross member
  - 86 Earth connection 1, in rear wiring harness
  - 196 Earth connection 3, in rear wiring harness
  - 374 Earth connection 9, in main wiring harness
- \* Only models with Euro 5 emission standard

- ws = white
- sw = black
- ro = red
- br = brown
- gn = green
- bl = blue
- gr = grey
- li = purple
- ge = yellow
- or = orange
- rs = pink

**2.0l diesel engine , CNEA,CSHA,(7L6)**

From September 2011

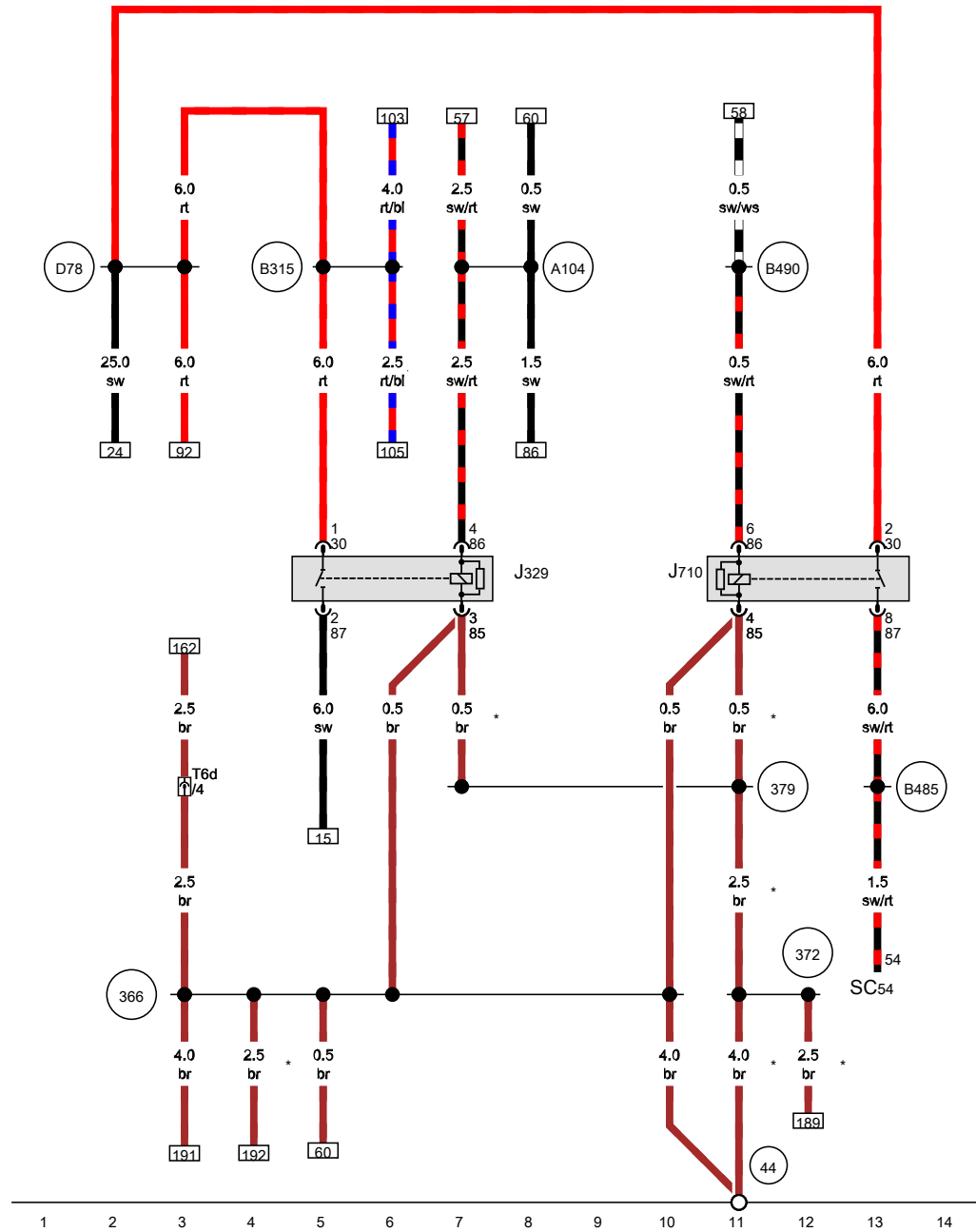
**Terminal 15 voltage supply relay, Voltage supply relay 2, Fuse 54 on fuse holder C**

- J329 Terminal 15 voltage supply relay
- J710 Voltage supply relay 2
- SC54 Fuse 54 on fuse holder C
- T6d 6-pin connector

- (44) Earth point, lower part of left A-pillar
- (366) Earth connection 1, in main wiring harness
- (372) Earth connection 7, in main wiring harness
- (379) Earth connection 14, in main wiring harness
- (A104) Positive connection 2 (15), in dash panel wiring harness
- (B315) Positive connection 1 (30a) in main wiring harness
- (B485) Connection 21, in main wiring harness
- (B490) Connection 26, in main wiring harness
- (D78) Positive connection 1 (30a), in engine compartment wiring harness

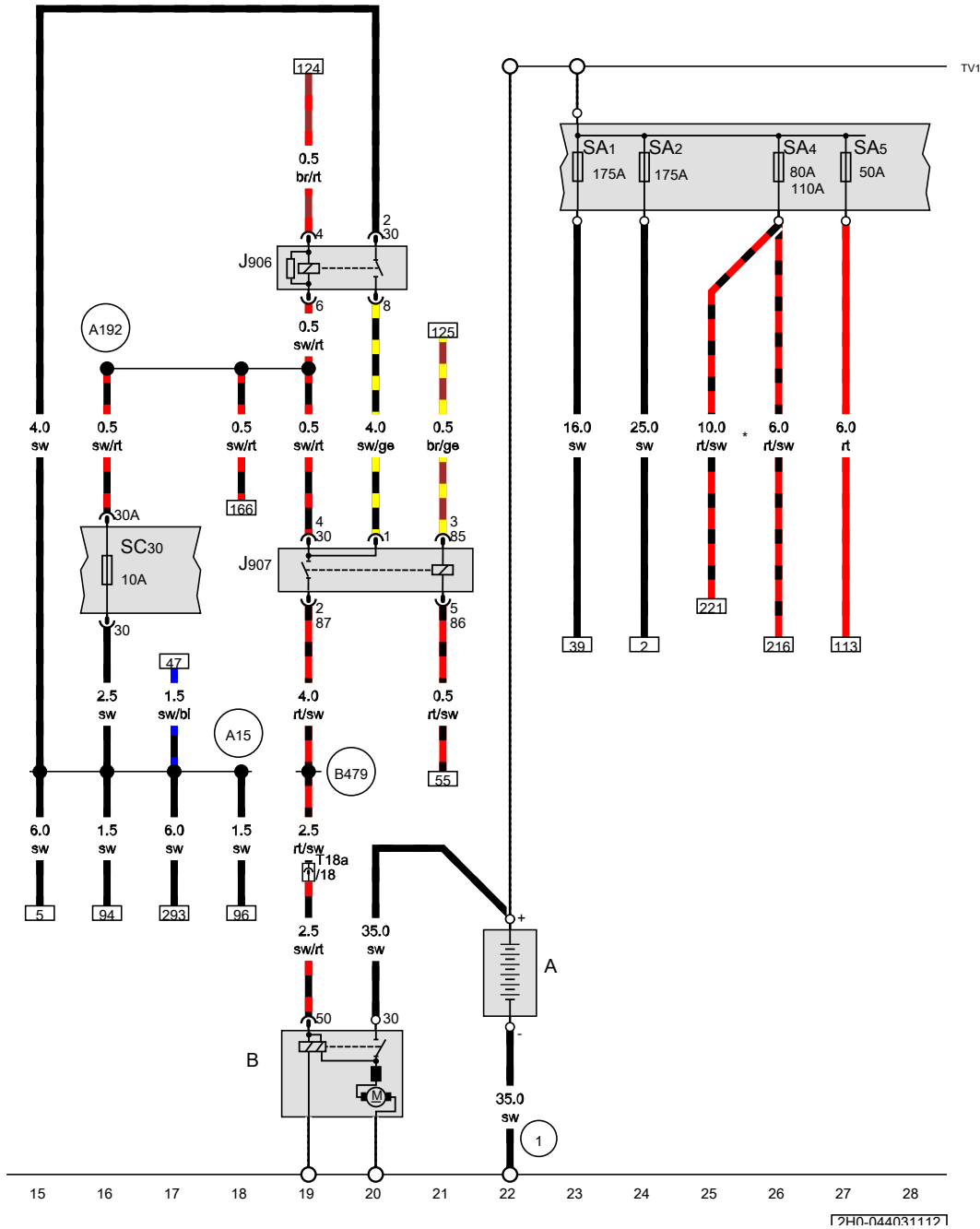
\* From November 2011

- ws = white
- sw = black
- ro = red
- br = brown
- gn = green
- bl = blue
- gr = grey
- li = purple
- ge = yellow
- or = orange
- rs = pink



ГЭН-0440211121

**Battery, Starter, Starter relay 1, Starter relay 2, Fuse 1 in fuse holder A, Fuse 5 in fuse holder A**



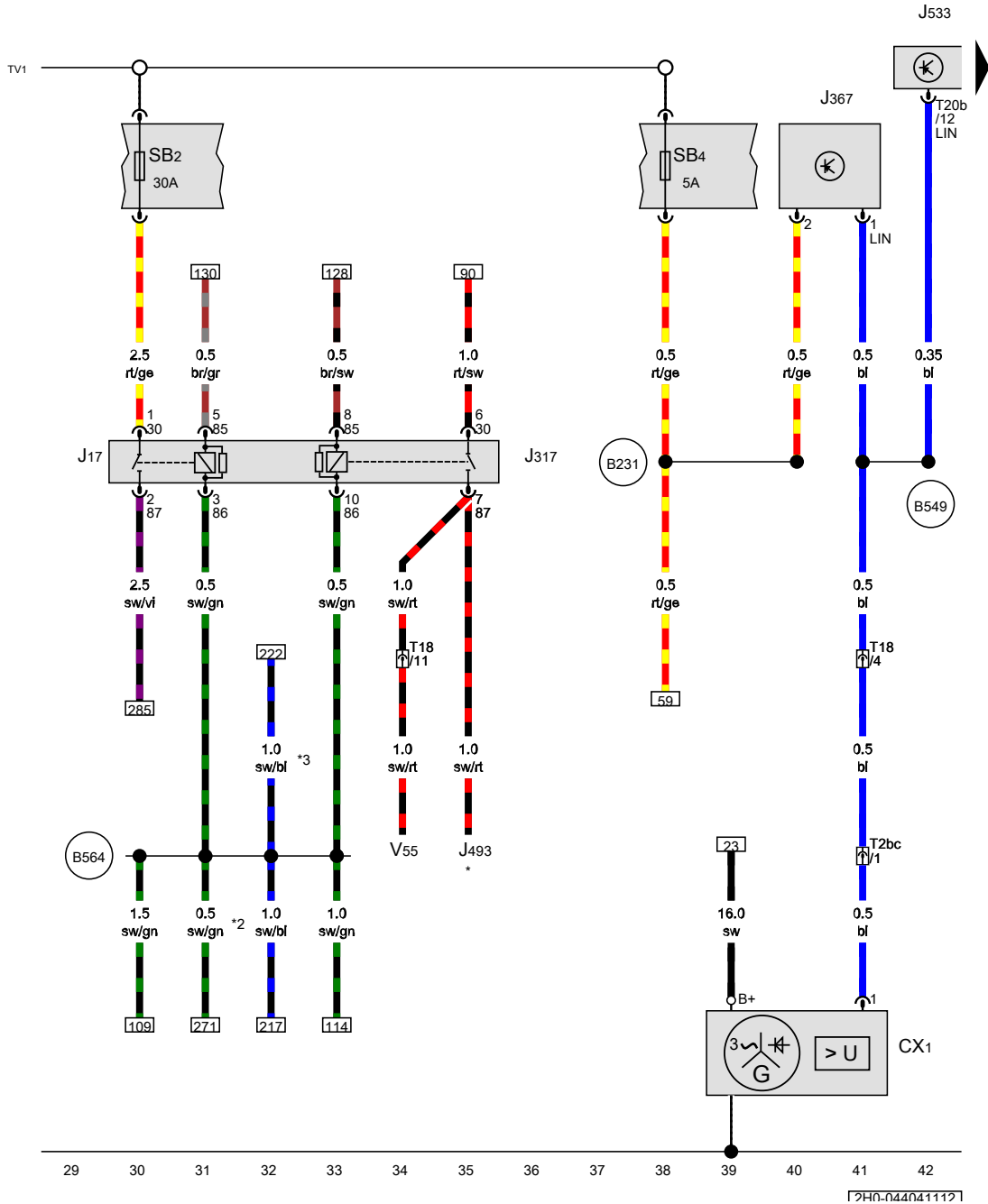
- A Battery
- B Starter
- J906 Starter relay 1
- J907 Starter relay 2
- SA1 Fuse 1 in fuse holder A
- SA2 Fuse 2 in fuse holder A
- SA4 Fuse 4 in fuse holder A
- SA5 Fuse 5 in fuse holder A
- SC30 Fuse 30 on fuse holder C
- T18a 18-pin connector, near engine control unit

- 1 Earth strap, battery - body
- A15 Positive connection (15), in instrument wiring harness
- A192 Positive connection 3 (15a) in dash panel wiring harness
- B479 Connection 15, in main wiring harness
- \* Only for countries with hot climate

- ws = white
- sw = black
- ro = red
- br = brown
- gn = green
- bl = blue
- gr = grey
- li = purple
- ge = yellow
- or = orange
- rs = pink

ГЭН0-0440311121

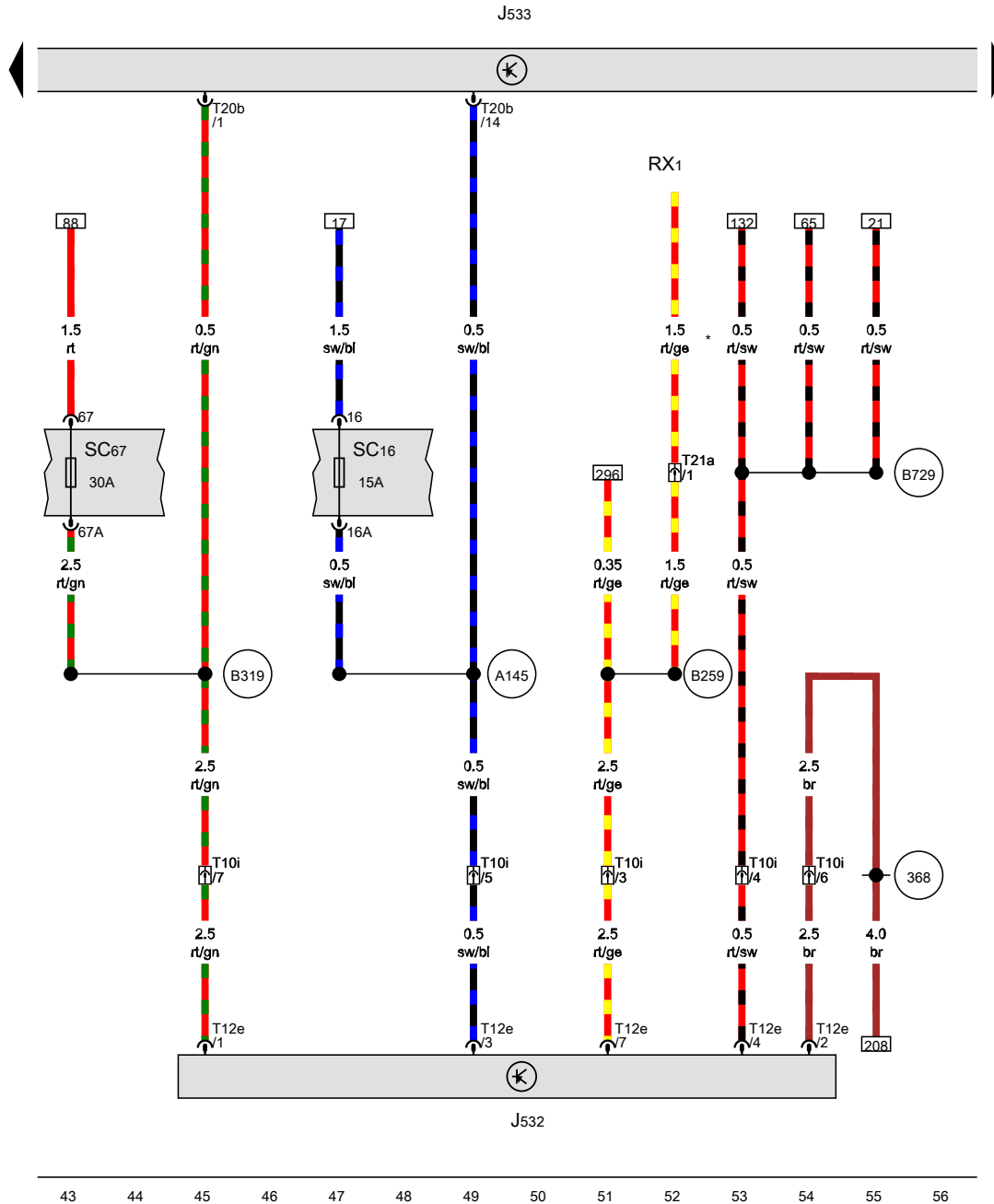




Alternator with voltage regulator, Fuel pump relay, Terminal 30 voltage supply relay, Battery monitor control unit, Auxiliary coolant heater relay, Data bus diagnostic interface, Fuse 2 on fuse holder B


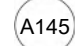



- CX1 Alternator with voltage regulator
- J17 Fuel pump relay
- J317 Terminal 30 voltage supply relay, on relay carrier
- J367 Battery monitor control unit
- J493 Auxiliary coolant heater relay
- J533 Data bus diagnostic interface
- SB2 Fuse 2 on fuse holder B
- SB4 Fuse 4 on fuse holder B
- T2bc 2-pin connector
- T5aq 5-pin connector
- T18 18-pin connector, near engine control unit, black
- T20b 20-pin connector
- V55 Circulation pump
- (B231) Positive connection 5 (30a), in interior wiring harness
- (B549) Connection 2 (LIN bus) in main wiring harness
- (B564) Connection 31, in main wiring harness
- \* see applicable current flow diagram for air conditioning
- \*2 Only models with manual gearbox
- \*3 Only for countries with hot climate

- ws = white
- sw = black
- ro = red
- br = brown
- gn = green
- bl = blue
- gr = grey
- li = purple
- ge = yellow
- or = orange
- rs = pink



Voltage stabiliser, Data bus diagnostic interface, Fuse 16 on fuse holder C, Fuse 67 on fuse holder C

- J532 Voltage stabiliser
- J533 Data bus diagnostic interface
- RX1 Radio/RNS
- SC16 Fuse 16 on fuse holder C
- SC67 Fuse 67 on fuse holder C
- T10i 10-pin connector, on left wheel housing, black
- T12e 12-pin connector
- T20b 20-pin connector
- T21a 21-pin connector, on relay carrier, brown

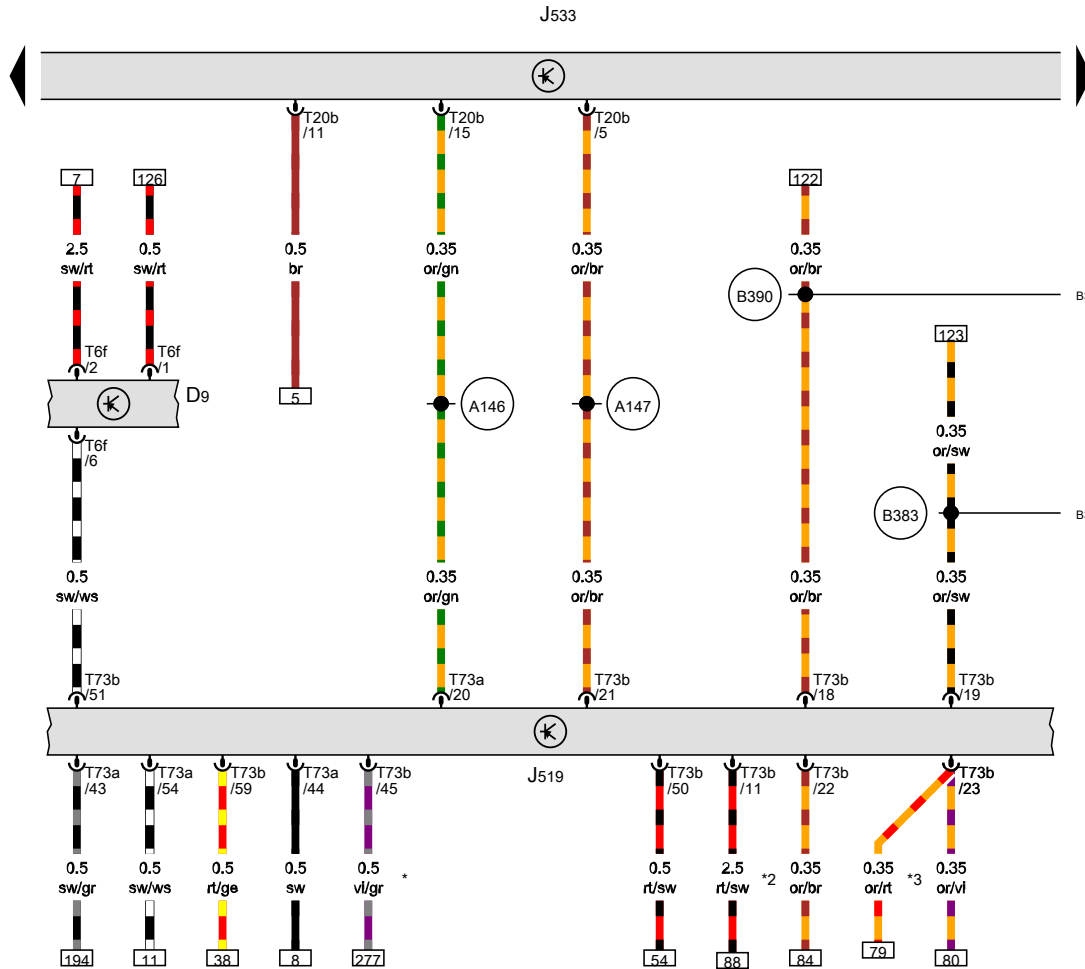
-  368 Earth connection 3, in main wiring harness
-  A145 Positive connection 4 (15), in dash panel wiring harness
-  B259 Connection (start/stop signal), in interior wiring harness
-  B319 Positive connection 5 (30a) in main wiring harness
-  B729 Connection 1 (50), in main wiring harness

\* see applicable current flow diagram

- ws = white
- sw = black
- ro = red
- br = brown
- gn = green
- bl = blue
- gr = grey
- li = purple
- ge = yellow
- or = orange
- rs = pink

43 44 45 46 47 48 49 50 51 52 53 54 55 56

[79H0-044051117]



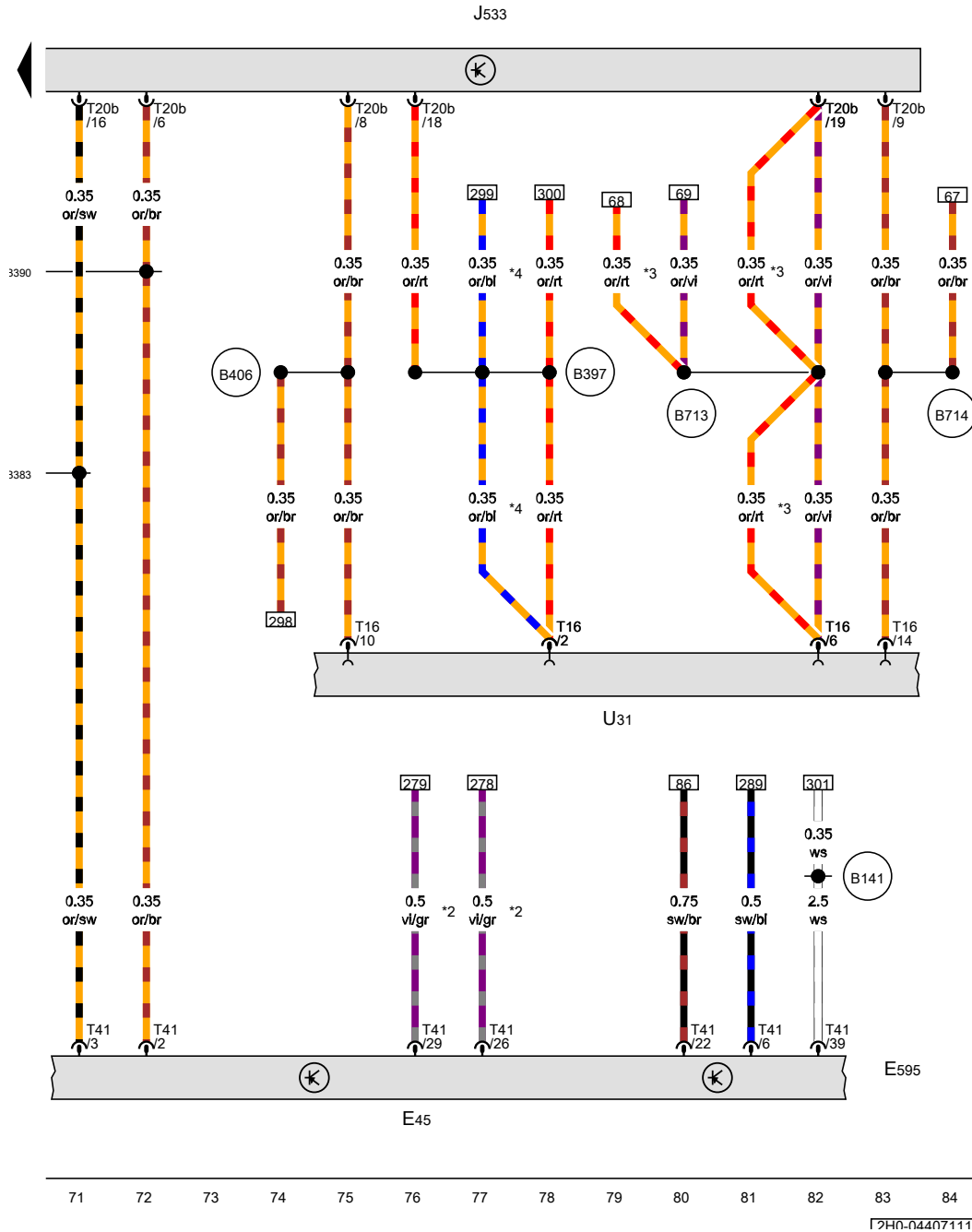
**Electronic ignition lock, Onboard supply control unit, Data bus diagnostic interface**

- D9 Electronic ignition lock
- J519 Onboard supply control unit
- J533 Data bus diagnostic interface
- T6f 6-pin connector
- T20b 20-pin connector
- T73a 73-pin connector
- T73b 73-pin connector
- A146 Connection (convenience CAN bus, high), in dash panel wiring harness
- A147 Connection (convenience CAN bus, low), in dash panel wiring harness
- B383 Connection 1 (powertrain CAN bus, high), in main wiring harness
- B390 Connection 1 (powertrain CAN bus, low), in main wiring harness
- \* Only models with cruise control system (CCS)
- \*2 Only models with automatic gearbox
- \*3 From November 2011

- ws = white
- sw = black
- ro = red
- br = brown
- gn = green
- bl = blue
- gr = grey
- li = purple
- ge = yellow
- or = orange
- rs = pink

57 58 59 60 61 62 63 64 65 66 67 68 69 70

17H0-0440611171



Cruise control system switch, Steering column combination switch, Data bus diagnostic interface, Diagnostic connection

- E45 Cruise control system switch
- E595 Steering column combination switch
- J533 Data bus diagnostic interface
- T16 16-pin connector
- T20b 20-pin connector
- T41 41-pin connector
- U31 Diagnostic connection

- (B141) Positive connection 1 (56a), in interior wiring harness
- (B383) Connection 1 (powertrain CAN bus, high), in main wiring harness
- (B390) Connection 1 (powertrain CAN bus, low), in main wiring harness
- (B397) Connection 1 (convenience CAN bus, high), in main wiring harness
- (B406) Connection 1 (convenience CAN bus, low), in main wiring harness
- (B713) Connection 1 (CAN bus diagnosis, high), in main wiring harness
- (B714) Connection 1 (CAN bus diagnosis, low), in main wiring harness

- \* Only models with Climatronic
- \*2 Only models with cruise control system (CCS)
- \*3 From November 2011
- \*4 From July 2011

- ws = white
- sw = black
- ro = red
- br = brown
- gn = green
- bl = blue
- gr = grey
- li = purple
- ge = yellow
- or = orange
- rs = pink

12AH-0440711171

Heater element for crankcase breather, Fuse 10 on fuse holder C, Fuse 15 on fuse holder C, Fuse 23 on fuse holder C, Fuse 25 on fuse holder C

- N79 Heater element for crankcase breather
- SC2 Fuse 2 on fuse holder C
- SC3 Fuse 3 on fuse holder C
- SC10 Fuse 10 on fuse holder C
- SC15 Fuse 15 on fuse holder C
- SC23 Fuse 23 on fuse holder C
- SC25 Fuse 25 on fuse holder C

369 Earth connection 4, in main wiring harness

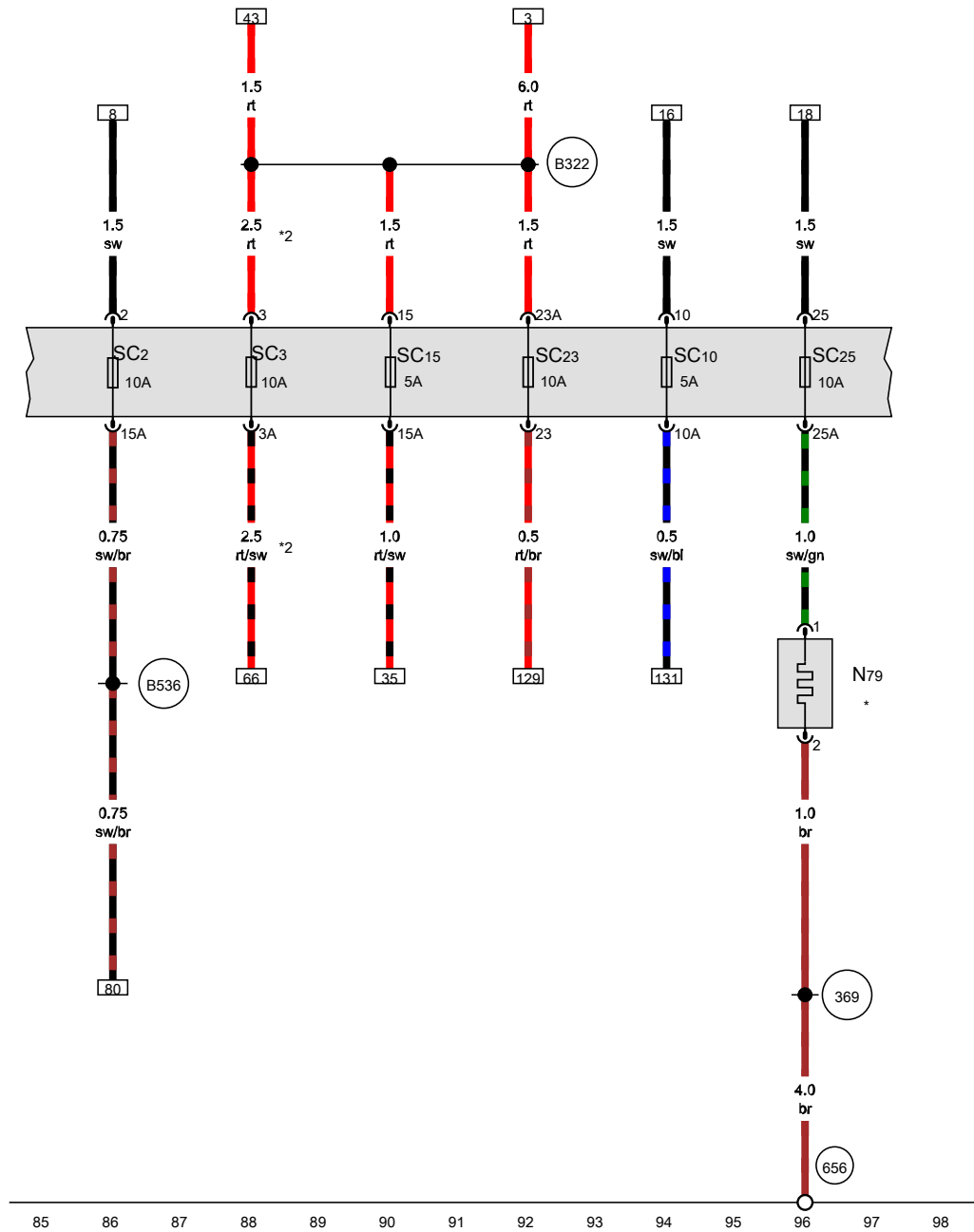
656 Earth point, on right headlight

B322 Positive connection 8 (30a) in main wiring harness

B536 Connection 27, in main wiring harness

\* Only models with crankcase breather heater element

\*2 Only models with automatic gearbox



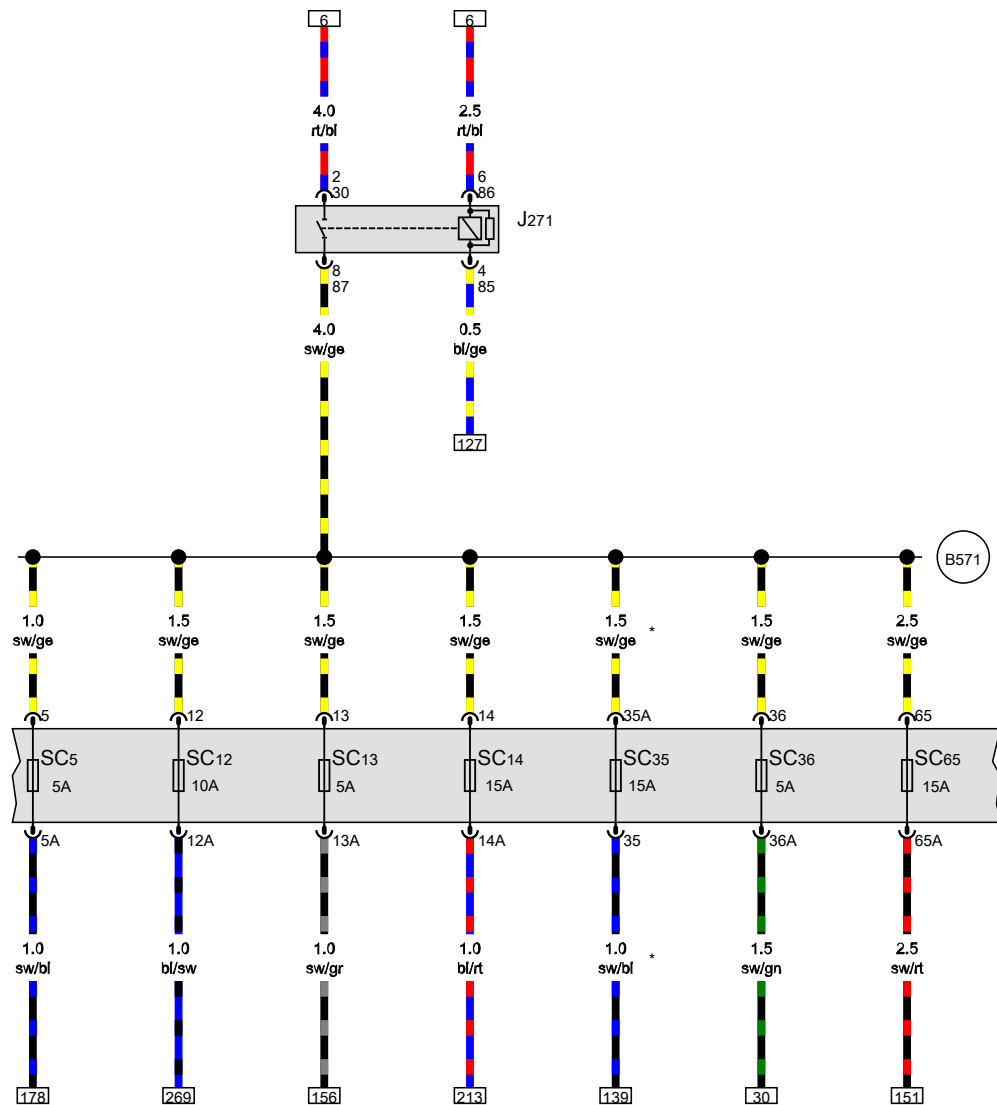
- ws = white
- sw = black
- ro = red
- br = brown
- gn = green
- bl = blue
- gr = grey
- li = purple
- ge = yellow
- or = orange
- rs = pink

Main relay, Fuse 5 on fuse holder C, Fuse 12 on fuse holder C, Fuse 13 on fuse holder C, Fuse 14 on fuse holder C, Fuse 35 on fuse holder C, Fuse 36 on fuse holder C, Fuse 65 on fuse holder C

- J271 Main relay, on relay carrier
- SC5 Fuse 5 on fuse holder C
- SC12 Fuse 12 on fuse holder C
- SC13 Fuse 13 on fuse holder C
- SC14 Fuse 14 on fuse holder C
- SC35 Fuse 35 on fuse holder C
- SC36 Fuse 36 on fuse holder C
- SC65 Fuse 65 on fuse holder C

B571 Connection 38, in main wiring harness

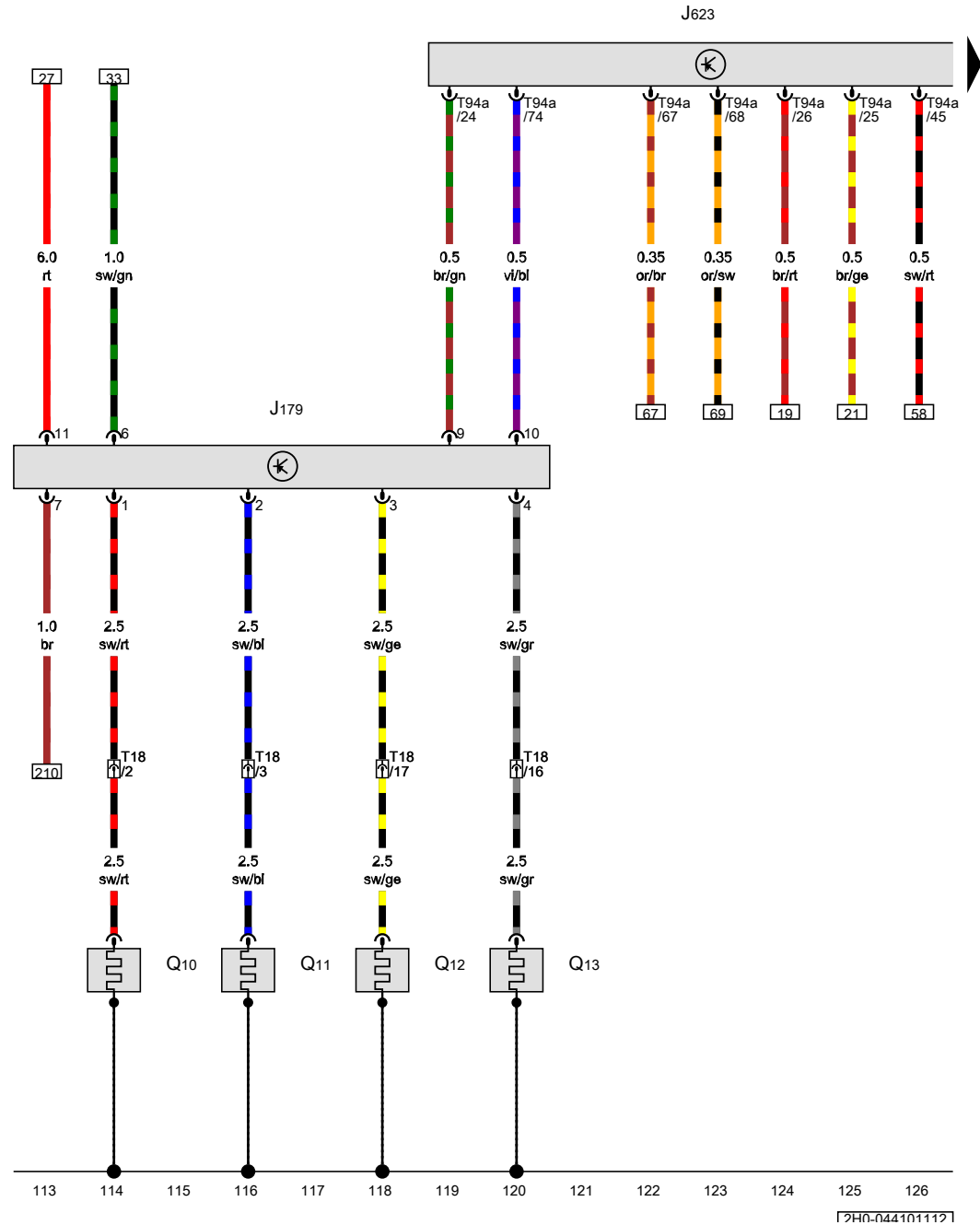
\* Only models with Euro 5 emission standard



- ws = white
- sw = black
- ro = red
- br = brown
- gn = green
- bl = blue
- gr = grey
- li = purple
- ge = yellow
- or = orange
- rs = pink

Automatic glow period control unit, Engine control unit, Glow plug 1, Glow plug 2, Glow plug 3, Glow plug 4

- J179 Automatic glow period control unit
- J623 Engine control unit
- Q10 Glow plug 1
- Q11 Glow plug 2
- Q12 Glow plug 3
- Q13 Glow plug 4
- T18 18-pin connector, near engine control unit, black
- T94a 94-pin connector, black

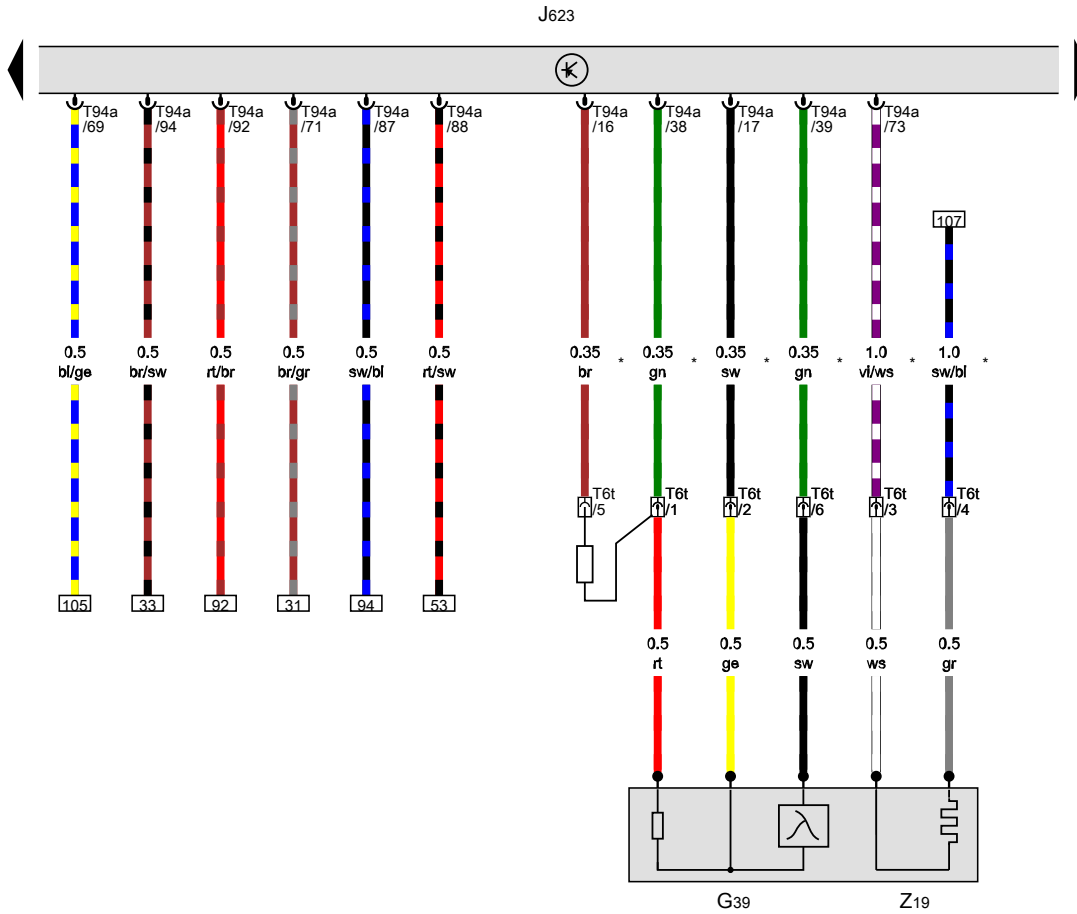


- ws = white
- sw = black
- ro = red
- br = brown
- gn = green
- bl = blue
- gr = grey
- li = purple
- ge = yellow
- or = orange
- rs = pink

17H0-0441011171

Lambda probe, Engine control unit

- G39 Lambda probe
- J623 Engine control unit
- T6t 6-pin connector, front right in engine compartment, black
- T94a 94-pin connector, black
- Z19 Lambda probe heater
- \* Only models with Euro 5 emission standard

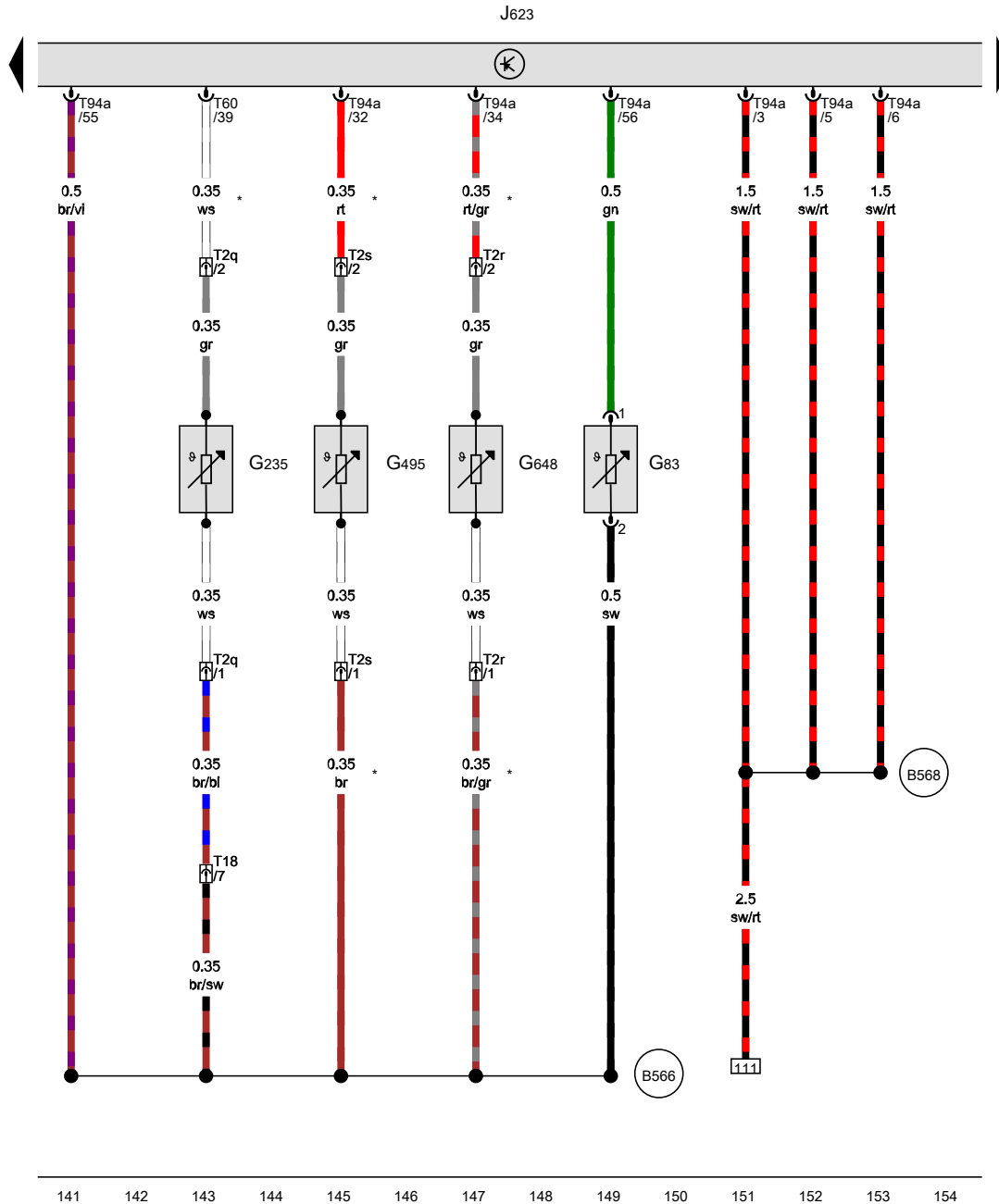


- ws = white
- sw = black
- ro = red
- br = brown
- gn = green
- bl = blue
- gr = grey
- li = purple
- ge = yellow
- or = orange
- rs = pink

127 128 129 130 131 132 133 134 135 136 137 138 139 140

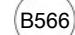
7PH-044111117

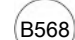




Radiator outlet coolant temperature sender, Exhaust gas temperature sender 1, Exhaust gas temperature sender 3, Exhaust gas temperature sender 4, Engine control unit

- G83 Radiator outlet coolant temperature sender
- G235 Exhaust gas temperature sender 1
- G495 Exhaust gas temperature sender 3
- G648 Exhaust gas temperature sender 4
- J623 Engine control unit
- T2q 2-pin connector, in front right wheel housing, black
- T2r 2-pin connector, in front right wheel housing, orange
- T2s 2-pin connector, in front right wheel housing, brown
- T18 18-pin connector, near engine control unit, black
- T60 60-pin connector, black
- T94a 94-pin connector, black

 B566 Connection 33, in main wiring harness

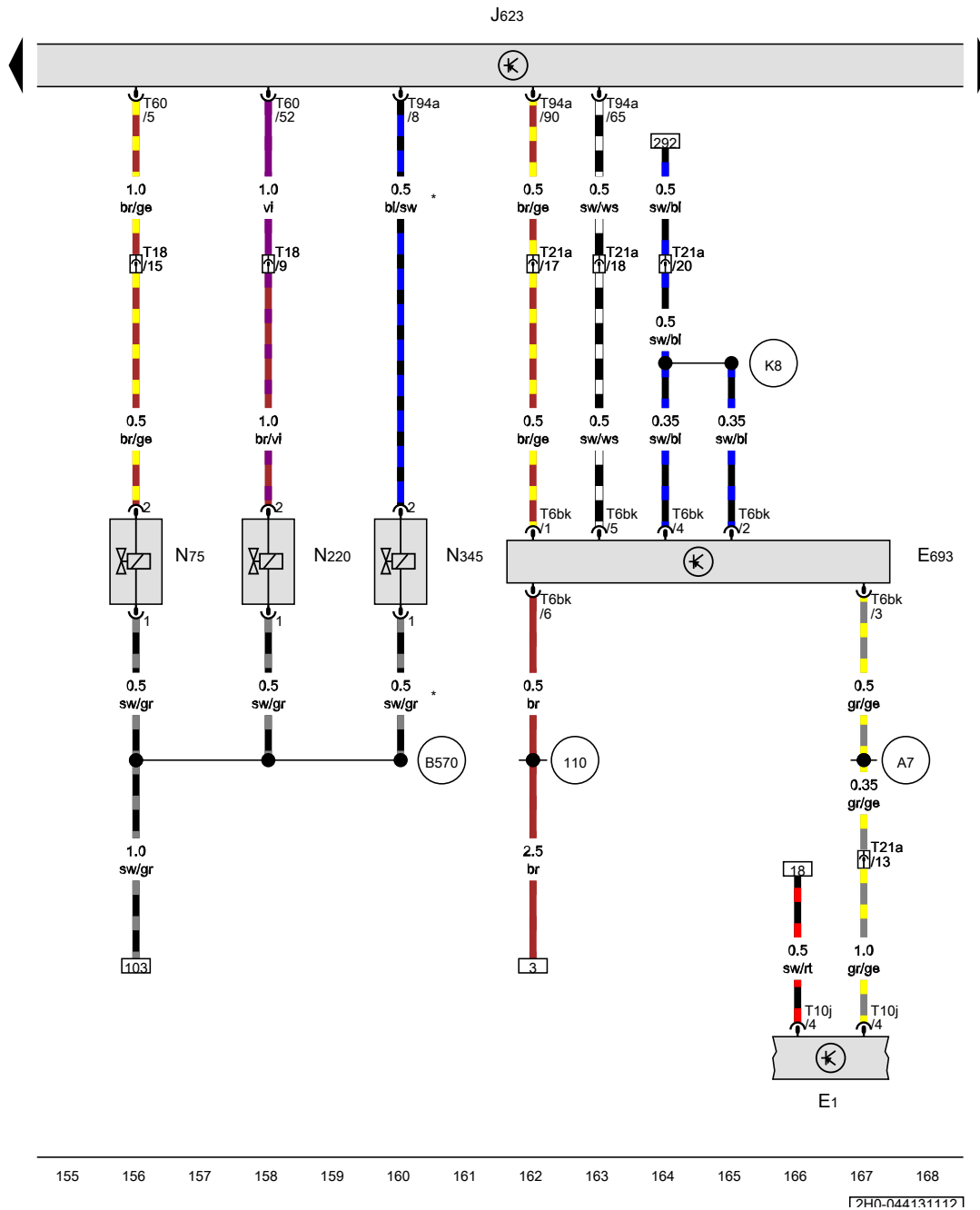
 B568 Connection 35, in main wiring harness

\* Only models with Euro 5 emission standard

- ws = white
- sw = black
- ro = red
- br = brown
- gn = green
- bl = blue
- gr = grey
- li = purple
- ge = yellow
- or = orange
- rs = pink

141 142 143 144 145 146 147 148 149 150 151 152 153 154

[79H0-044171117]



Light switch, Start/Stop operation button, Engine control unit, Charge pressure control solenoid valve, Exhaust flap valve, Exhaust gas recirculation cooler changeover valve

- E1 Light switch
- E693 Start/Stop operation button
- J623 Engine control unit
- N75 Charge pressure control solenoid valve
- N220 Exhaust flap valve
- N345 Exhaust gas recirculation cooler changeover valve
- T6bk 6-pin connector
- T10j 10-pin connector
- T18 18-pin connector, near engine control unit, black
- T21a 21-pin connector, on relay carrier, brown
- T60 60-pin connector, black
- T94a 94-pin connector, black

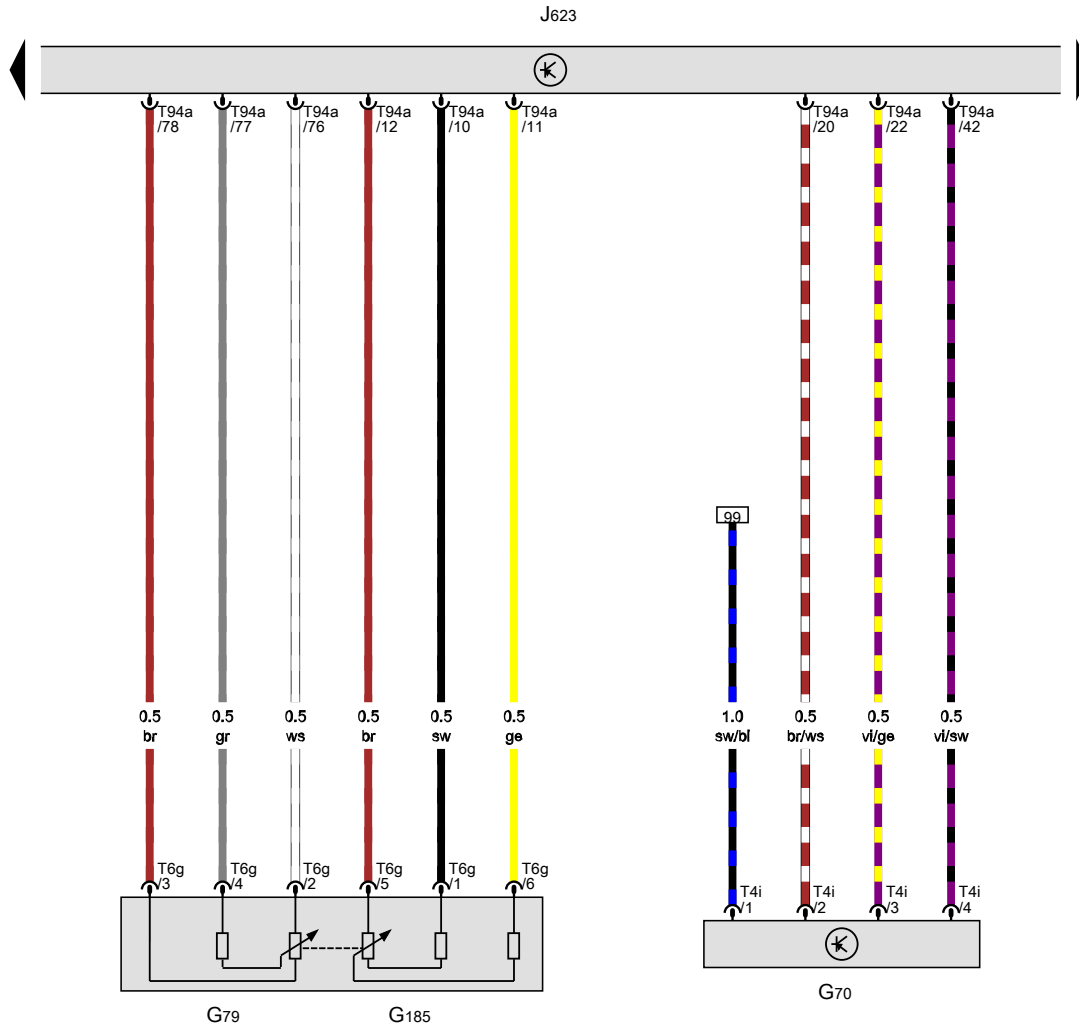
- 110 Earth connection 2, in dash panel wiring harness
- A7 Positive connection (58 D1), in dash panel wiring harness
- B570 Connection 37, in main wiring harness
- K8 Connection 1, in centre console wiring harness
- \* Only models with Euro 5 emission standard

- ws = white
- sw = black
- ro = red
- br = brown
- gn = green
- bl = blue
- gr = grey
- li = purple
- ge = yellow
- or = orange
- rs = pink

155 156 157 158 159 160 161 162 163 164 165 166 167 168

[PH0-044131117]

Air mass meter, Accelerator position sender, Accelerator position sender 2, Engine control unit



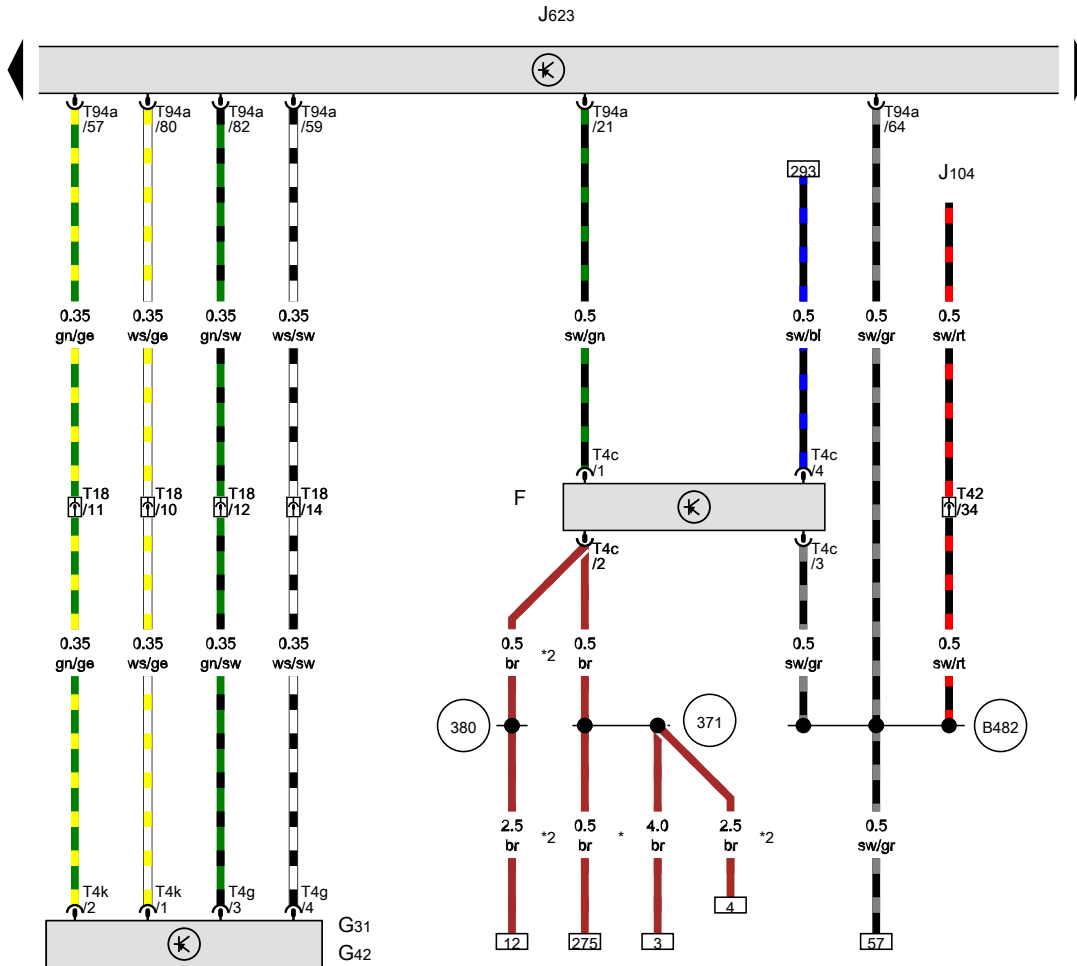
- G70 Air mass meter
- G79 Accelerator position sender
- G185 Accelerator position sender 2
- J623 Engine control unit
- T4i 4-pin connector, black
- T6g 6-pin connector
- T94a 94-pin connector, black

- ws = white
- sw = black
- ro = red
- br = brown
- gn = green
- bl = blue
- gr = grey
- li = purple
- ge = yellow
- or = orange
- rs = pink

169 170 171 172 173 174 175 176 177 178 179 180 181 182

[PH0-044141117]

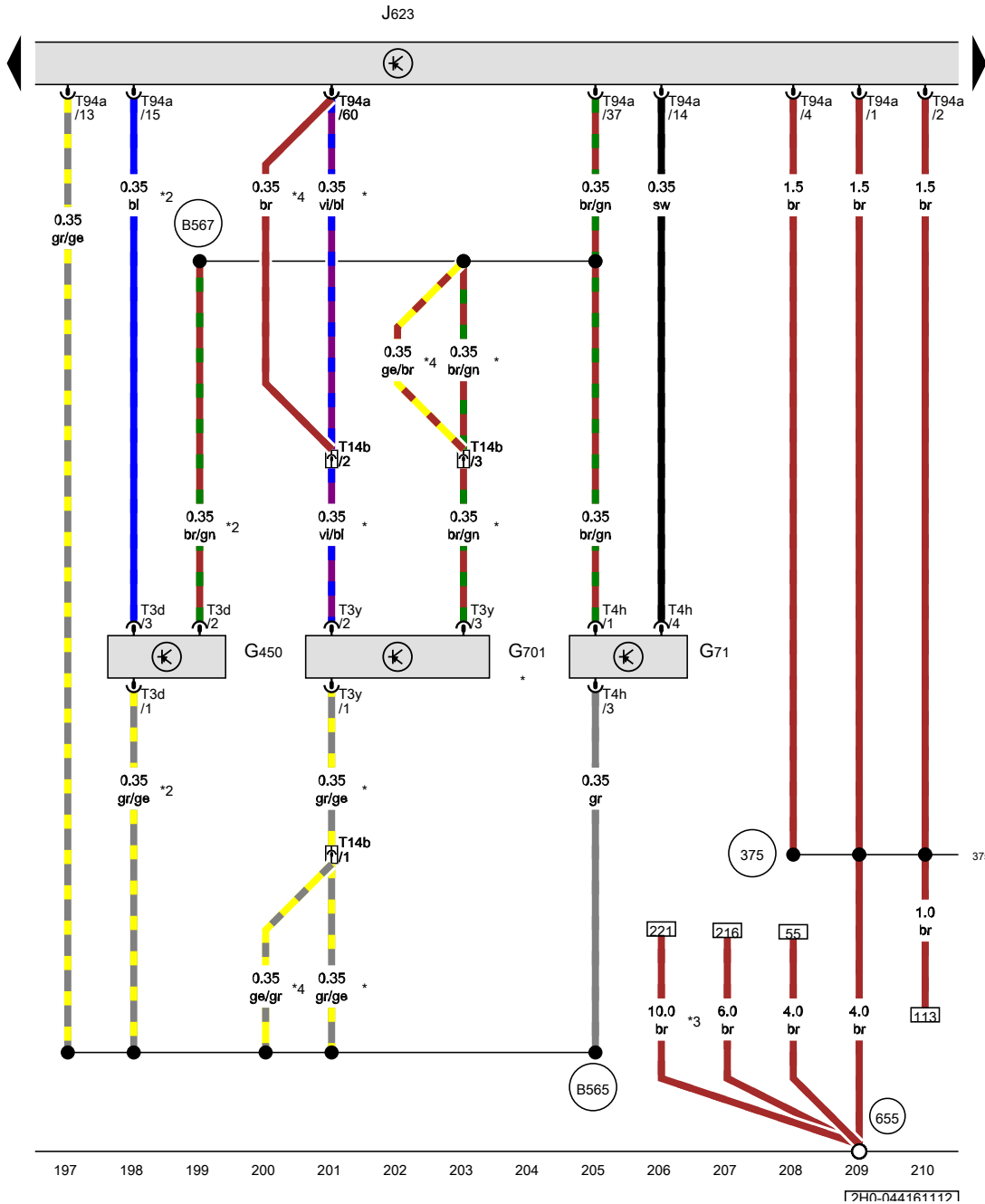
Brake light switch, Charge pressure sender, Intake air temperature sender, Engine control unit



- F Brake light switch
- G31 Charge pressure sender
- G42 Intake air temperature sender
- J104 ABS control unit
- J623 Engine control unit
- T4c 4-pin connector, black
- T4g 4-pin connector
- T4k 4-pin connector
- T18 18-pin connector, near engine control unit, black
- T42 42-pin connector, near handbrake lever, black
- T94a 94-pin connector, black

- 371 Earth connection 6, in main wiring harness
- 380 Earth connection 15, in main wiring harness
- B482 Connection 18, in main wiring harness
- \* Only models with manual gearbox
- \*2 From November 2011

- ws = white
- sw = black
- ro = red
- br = brown
- gn = green
- bl = blue
- gr = grey
- li = purple
- ge = yellow
- or = orange
- rs = pink



Intake manifold pressure sender, Exhaust gas pressure sensor 1, Gearbox neutral position sender, Engine control unit

- G71 Intake manifold pressure sender
- G450 Exhaust gas pressure sensor 1
- G701 Gearbox neutral position sender
- J623 Engine control unit
- T3d 3-pin connector, black
- T3y 3-pin connector, black
- T4h 4-pin connector, black
- T14b 14-pin connector, near battery, black
- T94a 94-pin connector, black

375 Earth connection 10, in main wiring harness

655 Earth point, on left headlight

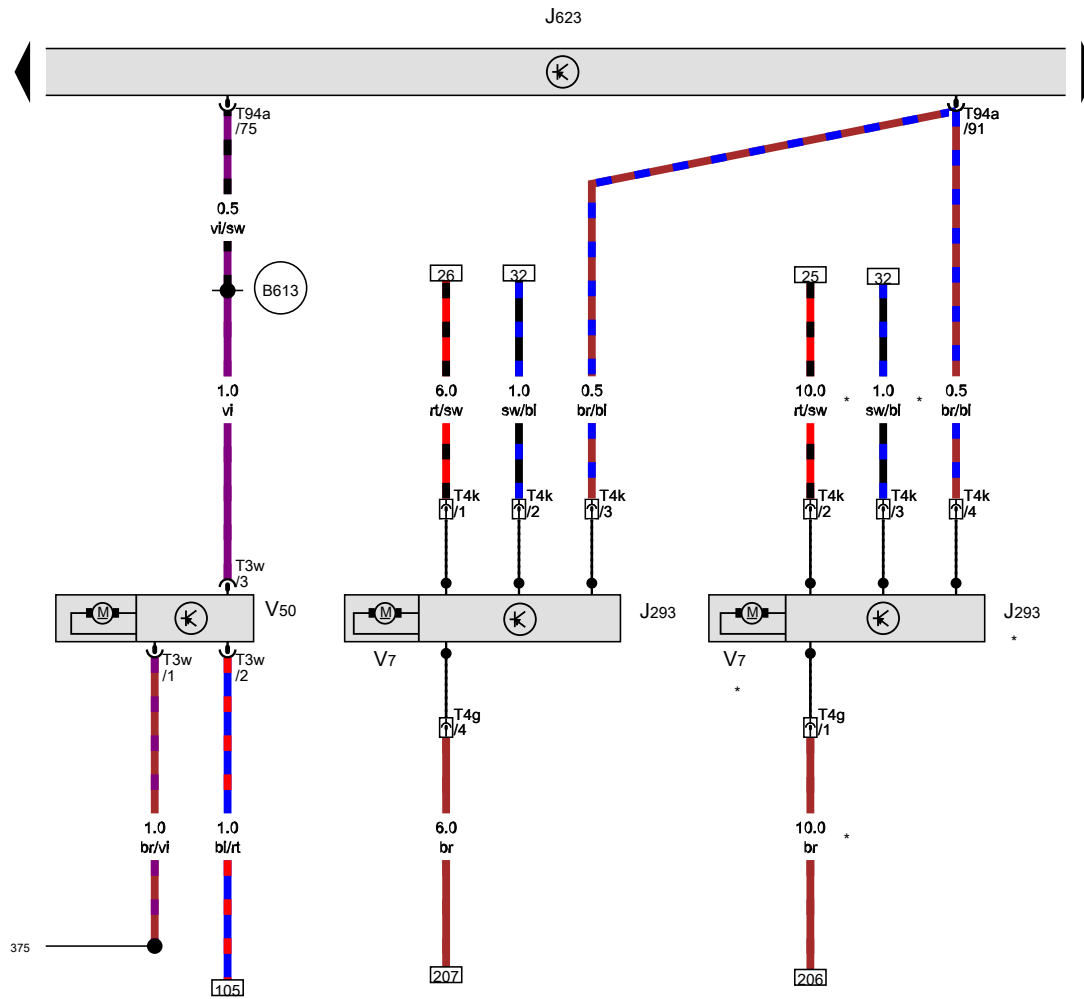
B565 Connection 32, in main wiring harness

B567 Connection 34, in main wiring harness

- \* Only models with manual gearbox
- \*2 Only models with Euro 5 emission standard
- \*3 Only for countries with hot climate
- \*4 From November 2011

- ws = white
- sw = black
- ro = red
- br = brown
- gn = green
- bl = blue
- gr = grey
- li = purple
- ge = yellow
- or = orange
- rs = pink

17PH0-044161117



Radiator fan control unit, Engine control unit, Radiator fan, Coolant circulation pump

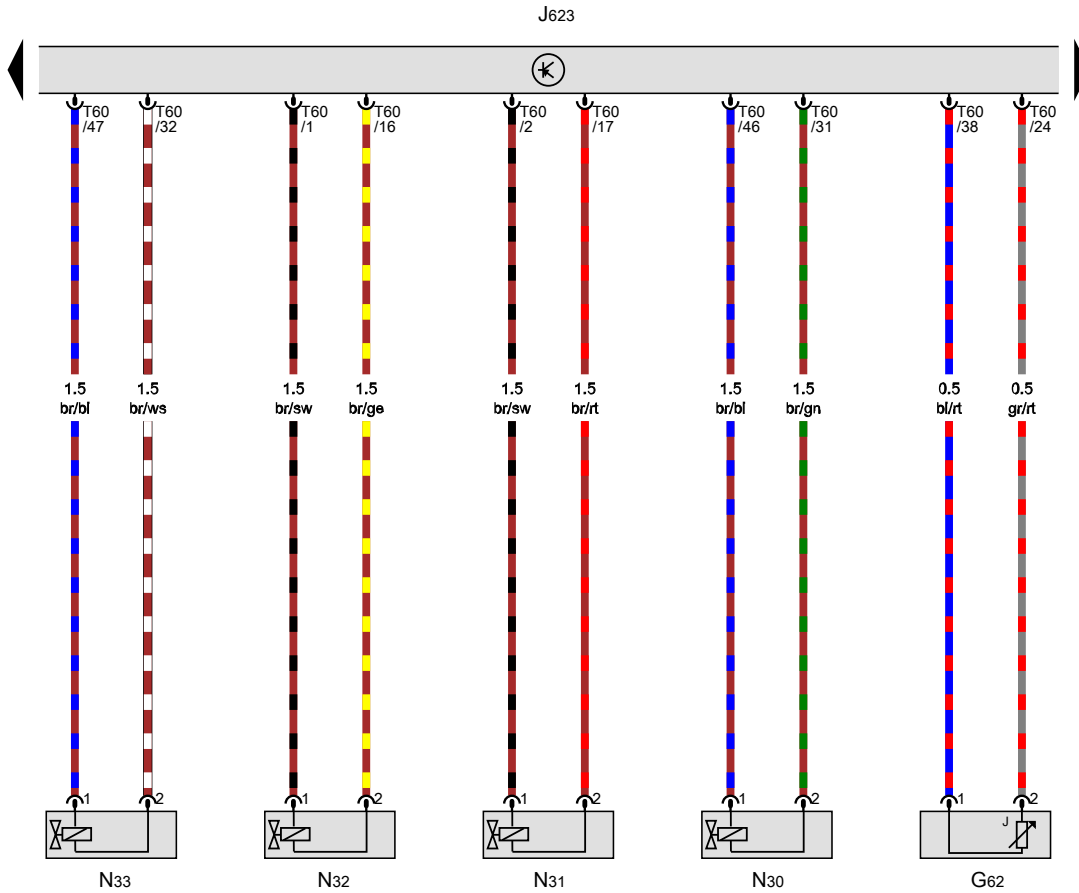
- J293 Radiator fan control unit
- J623 Engine control unit
- T3w 3-pin connector, black
- T4g 4-pin connector
- T4k 4-pin connector, on radiator cowling, black
- T94a 94-pin connector, black
- V7 Radiator fan
- V50 Coolant circulation pump

- 375 Earth connection 10, in main wiring harness
- B613 Connection 41, in main wiring harness
- \* Only for countries with hot climate

- ws = white
- sw = black
- ro = red
- br = brown
- gn = green
- bl = blue
- gr = grey
- li = purple
- ge = yellow
- or = orange
- rs = pink

211 212 213 214 215 216 217 218 219 220 221 222 223 224

[PH0-044171117]



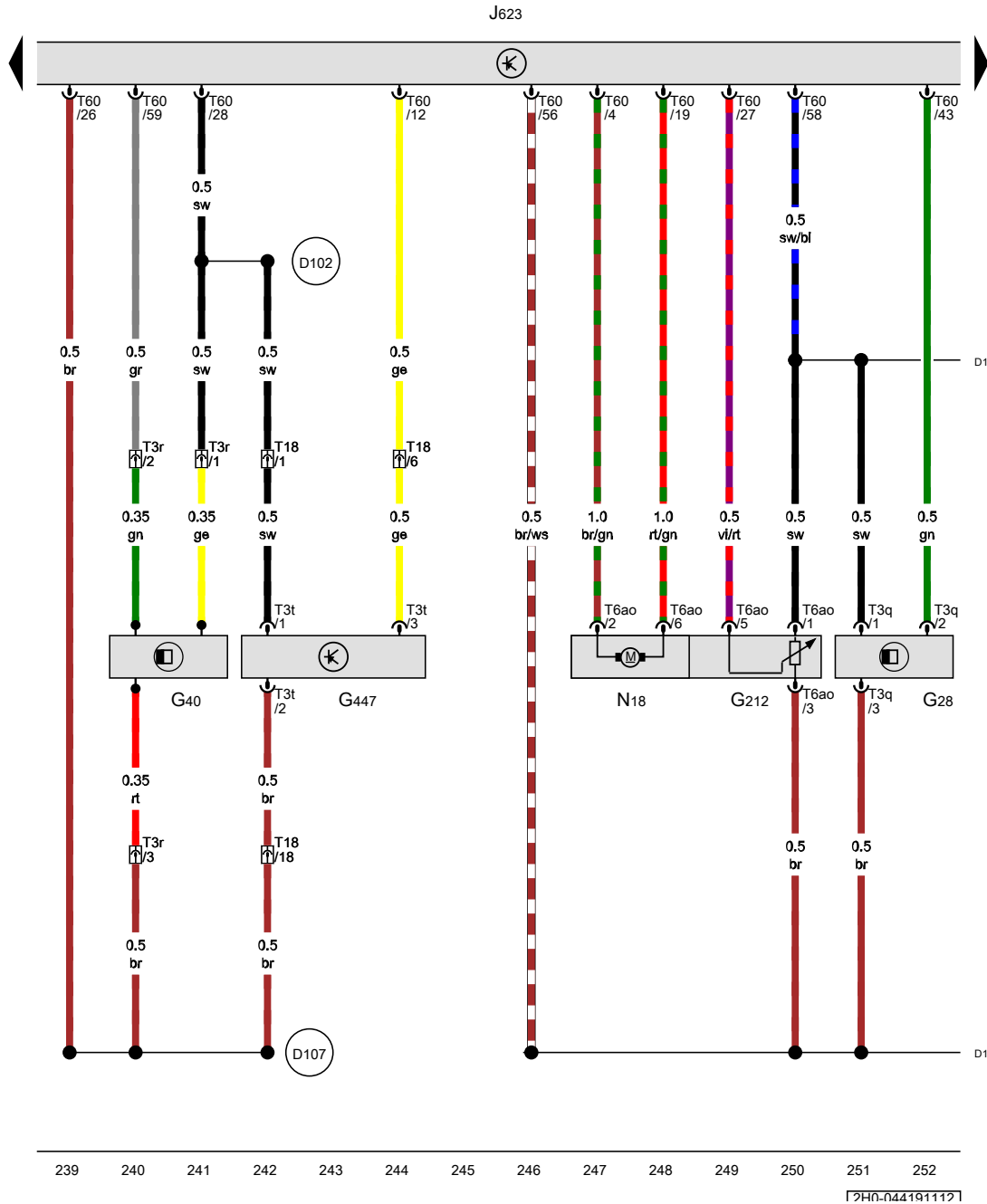
Coolant temperature sender, Engine control unit, Injector, cylinder 1, Injector, cylinder 2, Injector, cylinder 3, Injector, cylinder 4

- G62 Coolant temperature sender
- J623 Engine control unit
- N30 Injector, cylinder 1
- N31 Injector, cylinder 2
- N32 Injector, cylinder 3
- N33 Injector, cylinder 4
- T60 60-pin connector, black

- ws = white
- sw = black
- ro = red
- br = brown
- gn = green
- bl = blue
- gr = grey
- li = purple
- ge = yellow
- or = orange
- rs = pink

225    226    227    228    229    230    231    232    233    234    235    236    237    238

[7PH0-0441R1117]



Hall sender, Exhaust gas recirculation potentiometer, Charge pressure sender 2, Engine control unit, Exhaust gas recirculation valve

- G28 Engine speed sender
- G40 Hall sender
- G212 Exhaust gas recirculation potentiometer
- G447 Charge pressure sender 2
- J623 Engine control unit
- N18 Exhaust gas recirculation valve
- T3q 3-pin connector, black
- T3r 3-pin connector, on front of engine, black
- T3t 3-pin connector, black
- T6ao 6-pin connector, black
- T18 18-pin connector, near engine control unit, black
- T60 60-pin connector, black

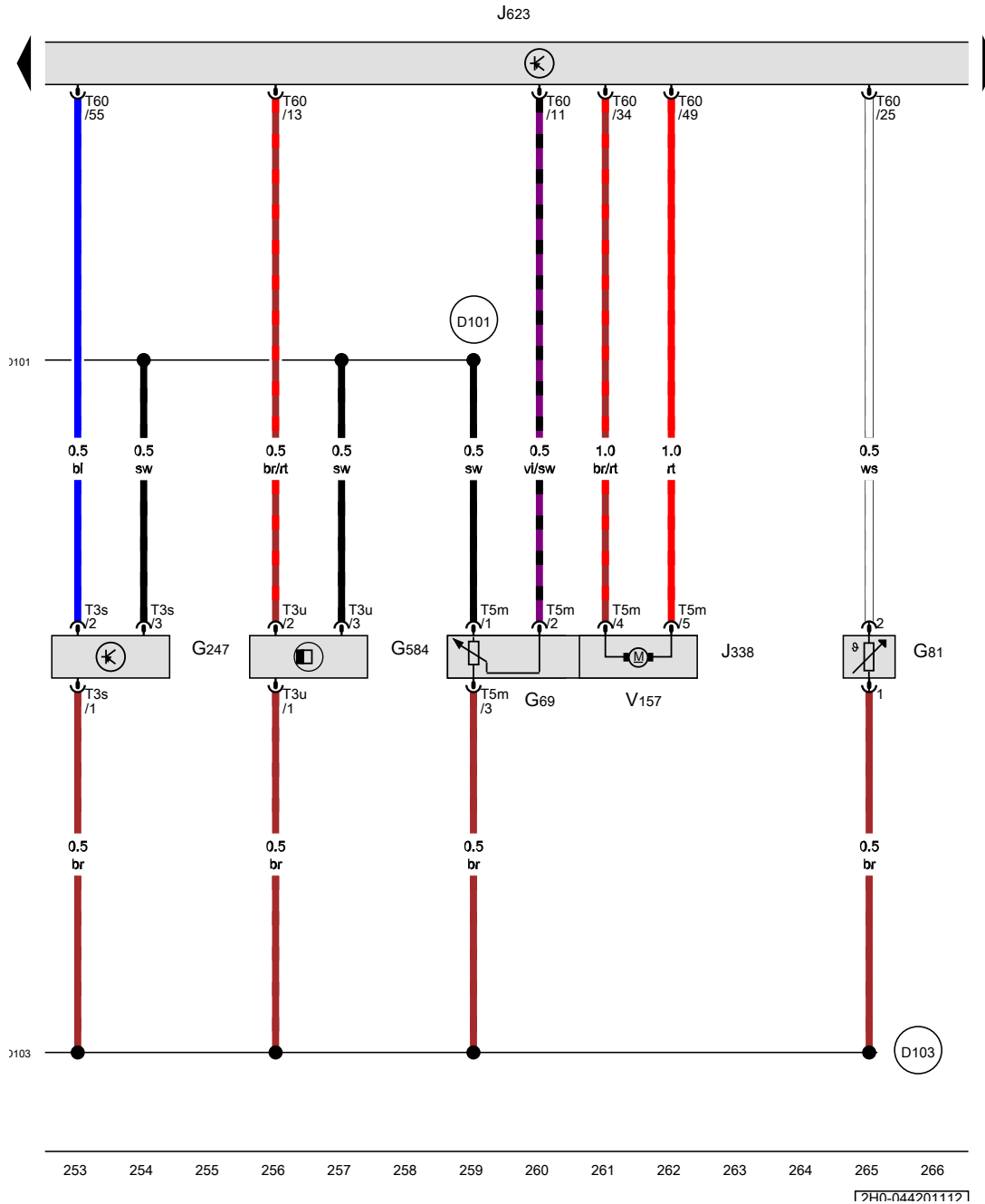
- (D101) Connection 1 in engine compartment wiring harness
- (D102) Connection 2 in engine compartment wiring harness
- (D103) Connection 3 in engine compartment wiring harness
- (D107) Connection 5 in engine compartment wiring harness

- ws = white
- sw = black
- ro = red
- br = brown
- gn = green
- bl = blue
- gr = grey
- li = purple
- ge = yellow
- or = orange
- rs = pink

239 240 241 242 243 244 245 246 247 248 249 250 251 252

[7PH0-044191117]



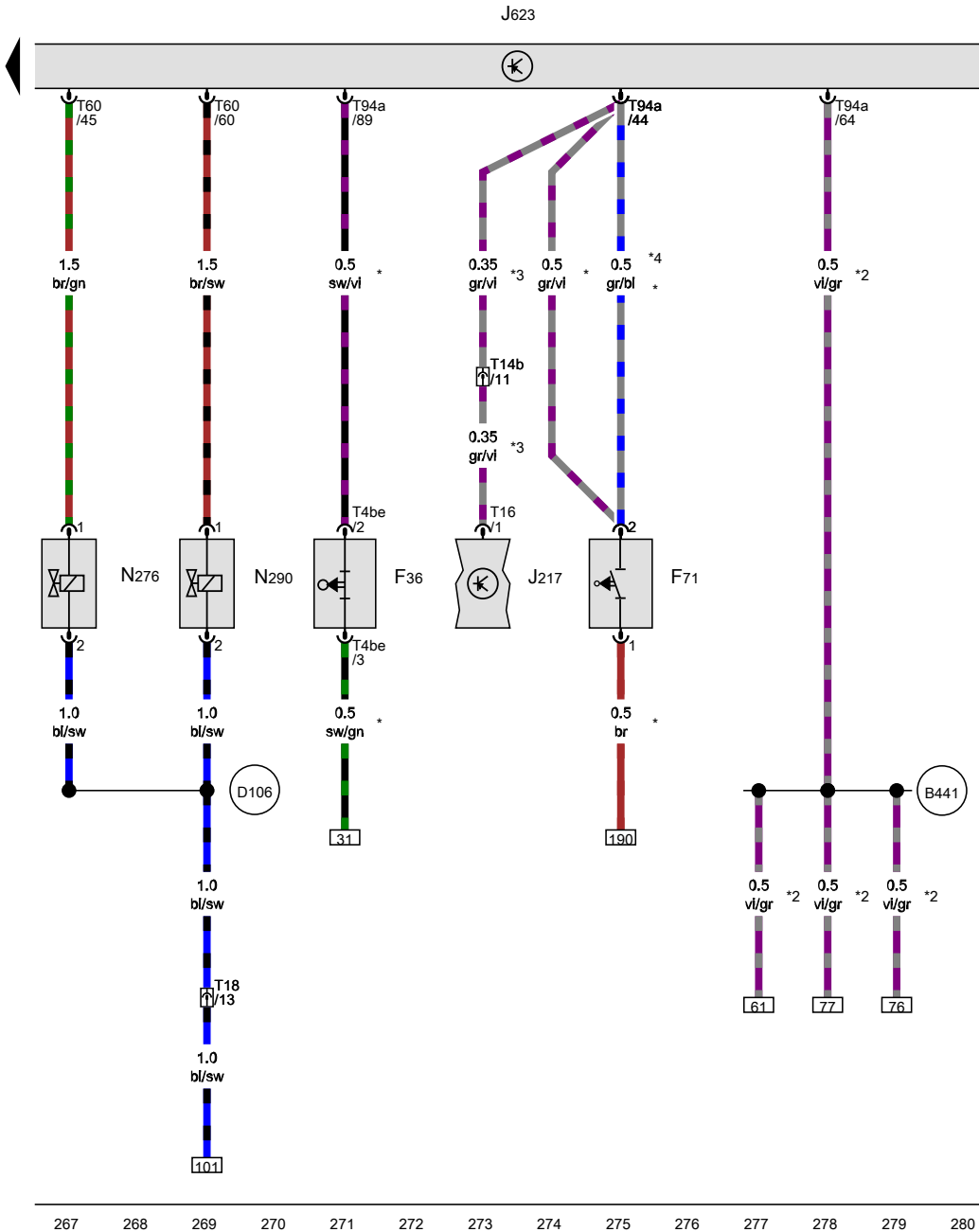


Throttle valve potentiometer, Fuel temperature sender, Fuel pressure sender, Regulating flap potentiometer, Throttle valve module, Engine control unit, Intake manifold flap motor

- G69 Throttle valve potentiometer
- G81 Fuel temperature sender
- G247 Fuel pressure sender
- G584 Regulating flap potentiometer
- J338 Throttle valve module
- J623 Engine control unit
- T3s 3-pin connector, black
- T3u 3-pin connector
- T5m 5-pin connector
- T60 60-pin connector, black
- V157 Intake manifold flap motor

- (D101) Connection 1 in engine compartment wiring harness
- (D103) Connection 3 in engine compartment wiring harness

7PH0-0442011121



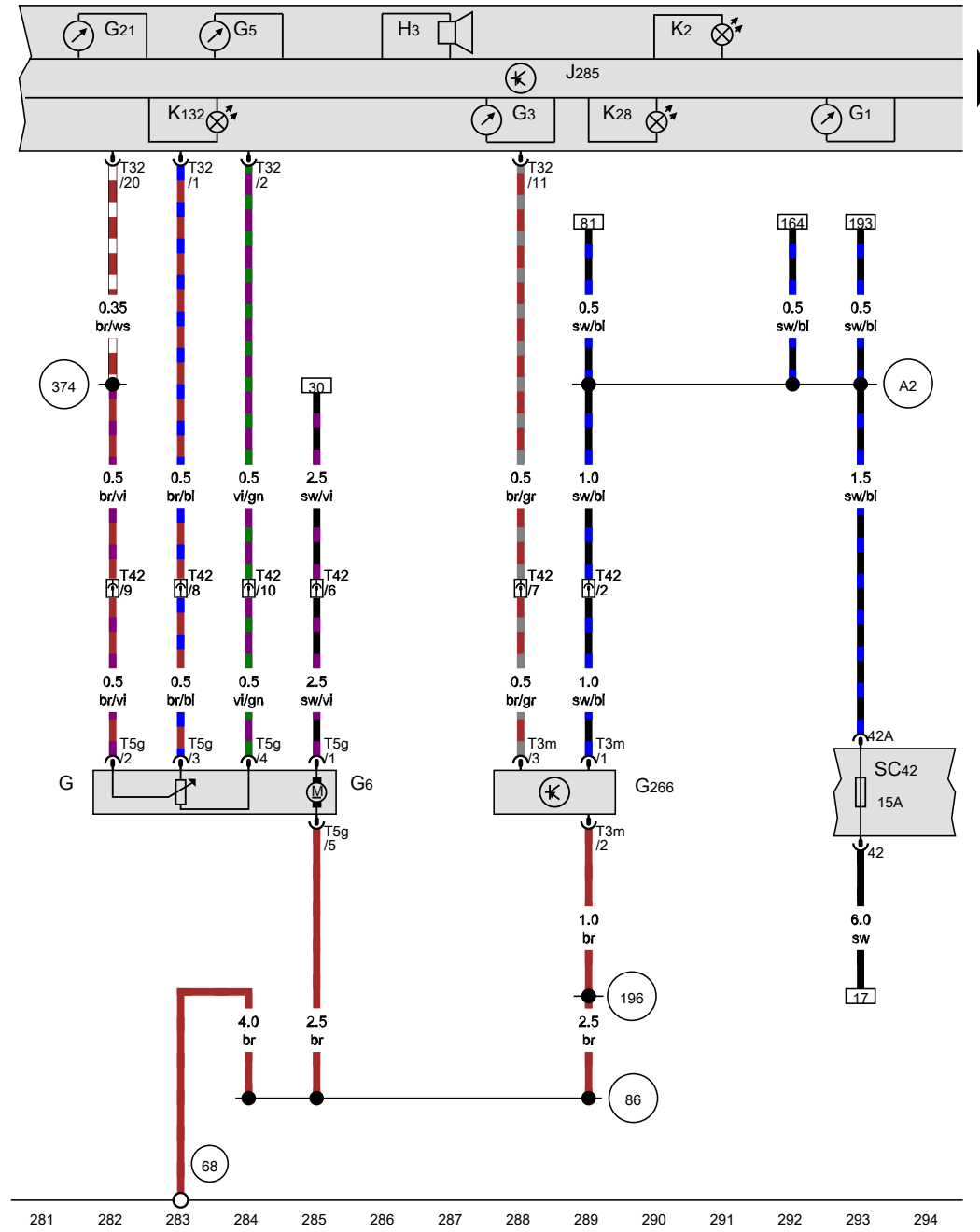
Clutch pedal switch, Clutch pedal switch for stop/start system, Automatic gearbox control unit, Engine control unit, Fuel pressure regulating valve, Fuel metering valve

- F36 Clutch pedal switch
- F71 Clutch pedal switch for stop/start system
- J217 Automatic gearbox control unit
- J623 Engine control unit
- N276 Fuel pressure regulating valve
- N290 Fuel metering valve
- T4be 4-pin connector, black
- T14b 14-pin connector, near battery, black
- T16 16-pin connector
- T18 18-pin connector, near engine control unit, black
- T60 60-pin connector, black
- T94a 94-pin connector, black
- B441 Connection (CCS), in main wiring harness
- D106 Connection 4 in engine compartment wiring harness
- \* Only models with manual gearbox
- \*2 Only models with cruise control system (CCS)
- \*3 see applicable current flow diagram for automatic gearbox
- \*4 From November 2011

ws = white  
 sw = black  
 ro = red  
 br = brown  
 gn = green  
 bl = blue  
 gr = grey  
 li = purple  
 ge = yellow  
 or = orange  
 rs = pink

[79H0-044211117]

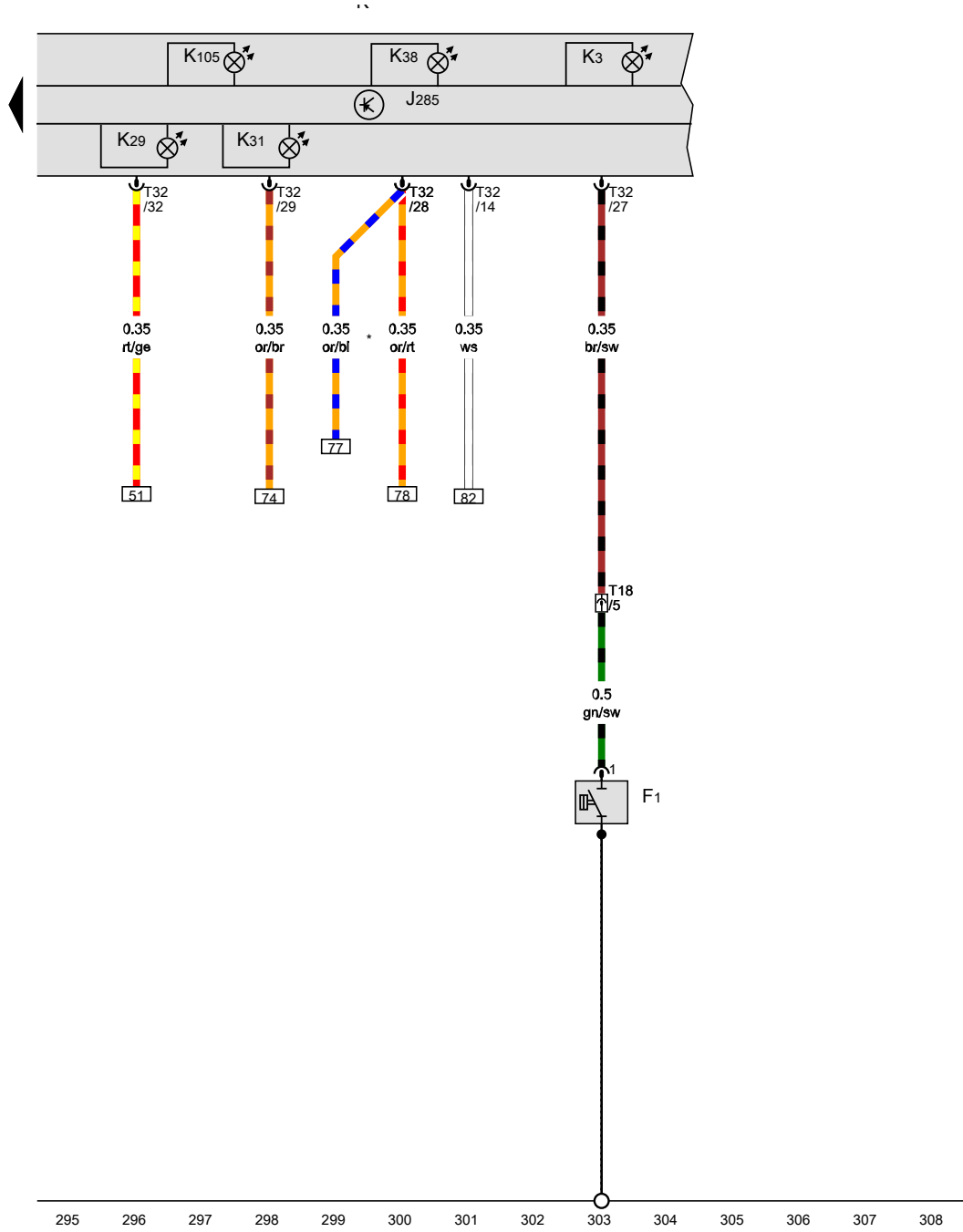
**Fuel system pressurisation pump, Oil level and oil temperature sender, Dash panel insert, Fuse 42 on fuse holder C**



- G Fuel gauge sender
  - G1 Fuel gauge
  - G3 Coolant temperature gauge
  - G5 Rev. counter
  - G6 Fuel system pressurisation pump
  - G21 Speedometer
  - G266 Oil level and oil temperature sender
  - H3 Buzzer and gong
  - J285 Control unit in dash panel insert
  - K Dash panel insert
  - K2 Alternator warning lamp
  - K28 Coolant temperature and coolant shortage warning lamp
  - K132 Electronic power control fault lamp
  - SC42 Fuse 42 on fuse holder C
  - T3m 3-pin connector
  - T5g 5-pin connector
  - T32 32-pin connector
  - T42 42-pin connector, near handbrake lever, black
- 68 Earth point, on left of rear cross member
  - 86 Earth connection 1, in rear wiring harness
  - 196 Earth connection 3, in rear wiring harness
  - 374 Earth connection 9, in main wiring harness
  - A2 Positive connection (15), in dash panel wiring harness

- ws = white
- sw = black
- ro = red
- br = brown
- gn = green
- bl = blue
- gr = grey
- li = purple
- ge = yellow
- or = orange
- rs = pink

7PH0-044271117



Oil pressure switch, Dash panel insert

- F1 Oil pressure switch
- J285 Control unit in dash panel insert
- K Dash panel insert
- K3 Oil pressure warning lamp
- K29 Glow period warning lamp
- K31 Cruise control system warning lamp
- K38 Oil level warning lamp
- K105 Reserve fuel warning lamp
- T18 18-pin connector, near engine control unit, black
- T32 32-pin connector
- \* From July 2011

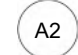


- ws = white
- sw = black
- ro = red
- br = brown
- gn = green
- bl = blue
- gr = grey
- li = purple
- ge = yellow
- or = orange
- rs = pink

## Multifunction steering wheel

From July 2011

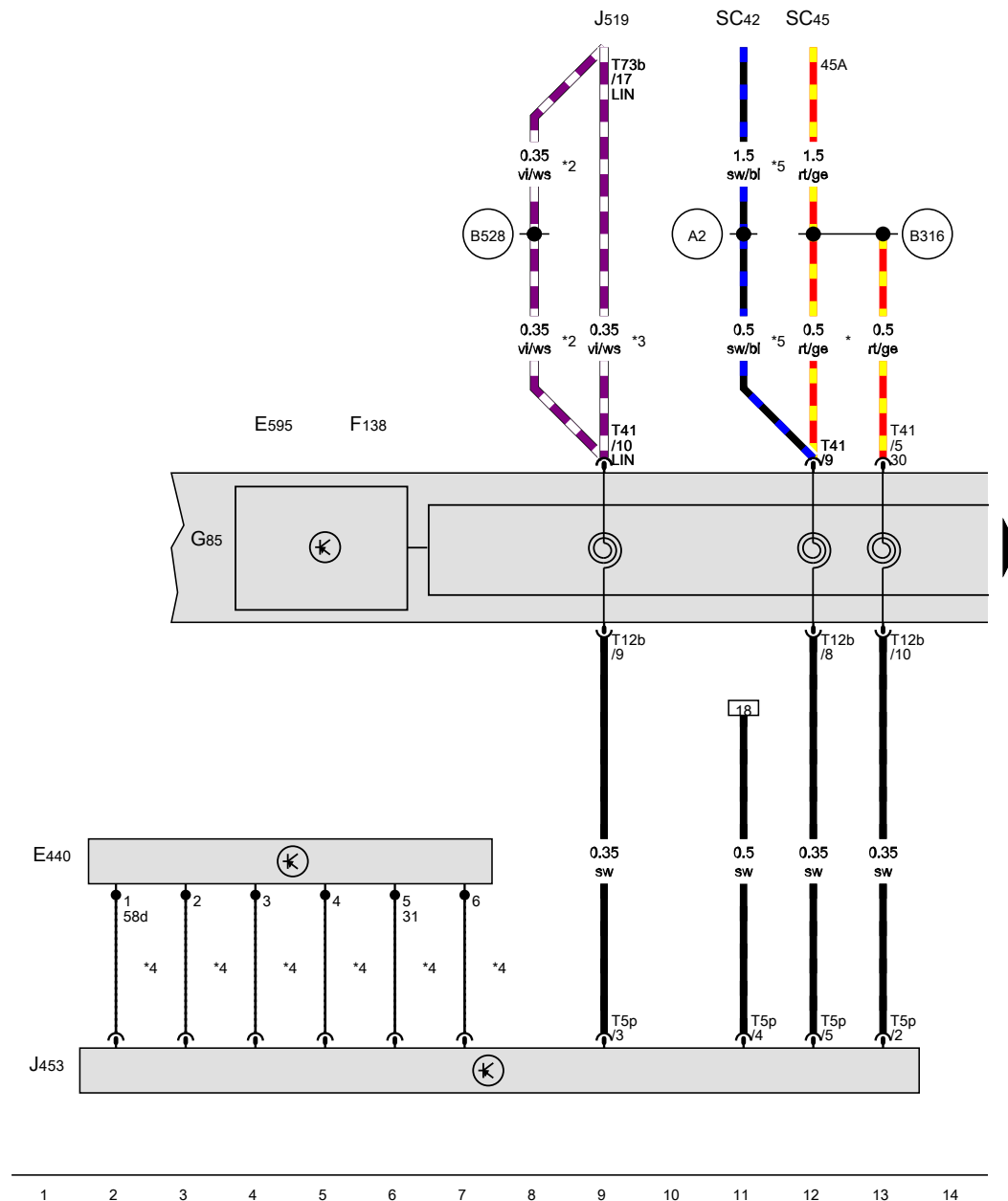
**Steering column combination switch, Multifunction steering wheel control unit, Fuse 42 on fuse holder C, Fuse 45 on fuse holder C**

- E440 Multifunction buttons on left in steering wheel
- E595 Steering column combination switch
- F138 Airbag coil connector and return ring with slip ring
- G85 Steering angle sender
- J453 Multifunction steering wheel control unit, in steering wheel
- J519 Onboard supply control unit
- SC42 Fuse 42 on fuse holder C
- SC45 Fuse 45 on fuse holder C
- T5p 5-pin connector, black
- T12b 12-pin connector, yellow
- T41 41-pin connector, grey
- T73b 73-pin connector

-  A2 Positive connection (15), in dash panel wiring harness
-  B316 Positive connection 2 (30a) in main wiring harness
-  B528 Connection 1 (LIN bus) in main wiring harness

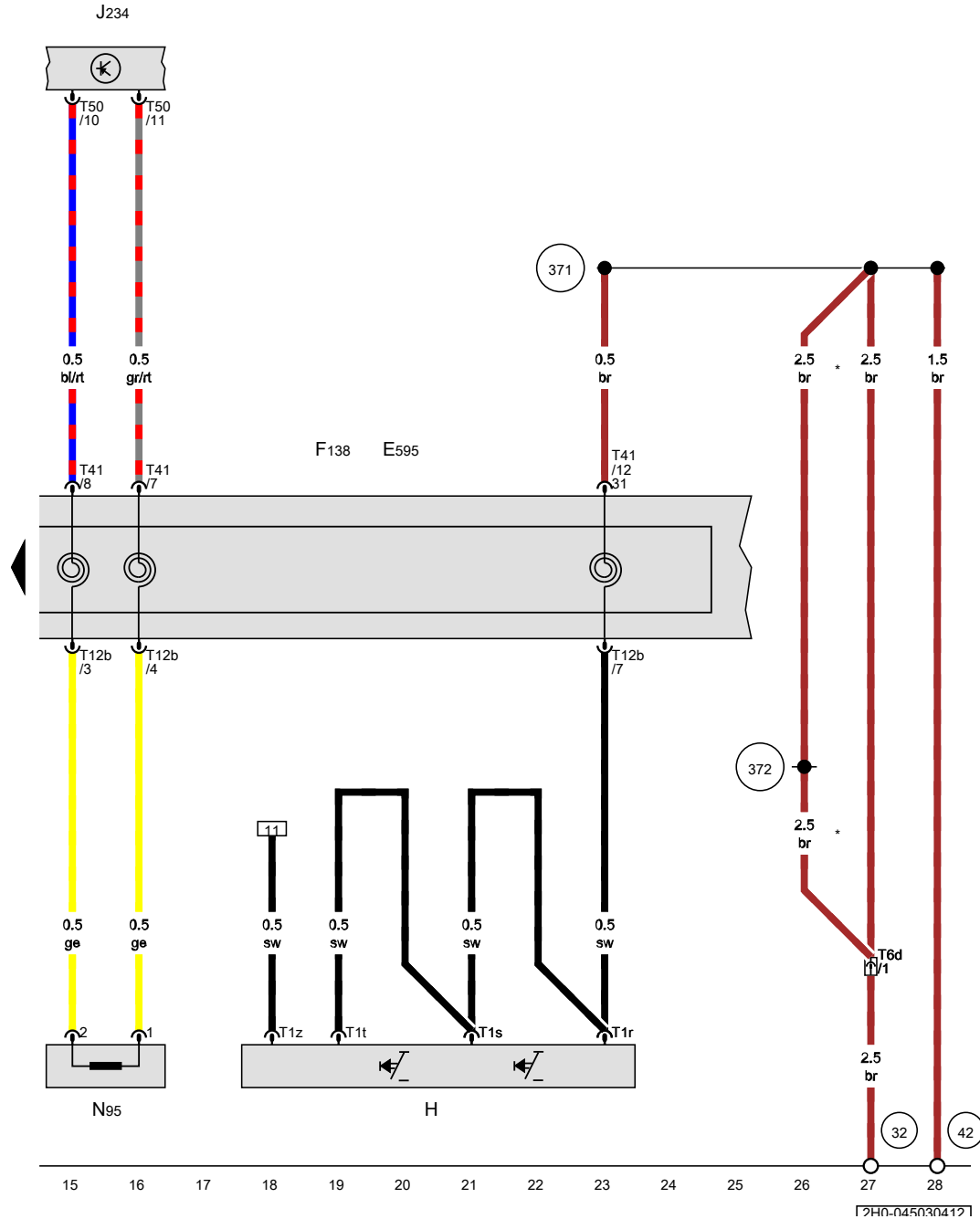
- \* Up to October 2011
- \*2 Only models with electric window regulators
- \*3 Only vehicles without electric window regulators
- \*4 Flat conductor
- \*5 From November 2011

- ws = white
- sw = black
- ro = red
- br = brown
- gn = green
- bl = blue
- gr = grey
- li = purple
- ge = yellow
- or = orange
- rs = pink



ГЭН-0450204121

Steering column combination switch, Airbag control unit



- E595 Steering column combination switch
- F138 Airbag coil connector and return ring with slip ring
- H Horn plate, in steering wheel
- J234 Airbag control unit
- N95 Driver side airbag igniter, in steering wheel
- T1r Single connector
- T1s Single connector
- T1t Single connector
- T1z Single connector
- T6d 6-pin connector
- T12b 12-pin connector
- T41 41-pin connector, grey
- T50 50-pin connector, black

- 32 Earth point, on left behind dash panel
- 42 Earth point, next to steering column
- 371 Earth connection 6, in main wiring harness
- 372 Earth connection 7, in main wiring harness

\* From November 2011

- ws = white
- sw = black
- ro = red
- br = brown
- gn = green
- bl = blue
- gr = grey
- li = purple
- ge = yellow
- or = orange
- rs = pink

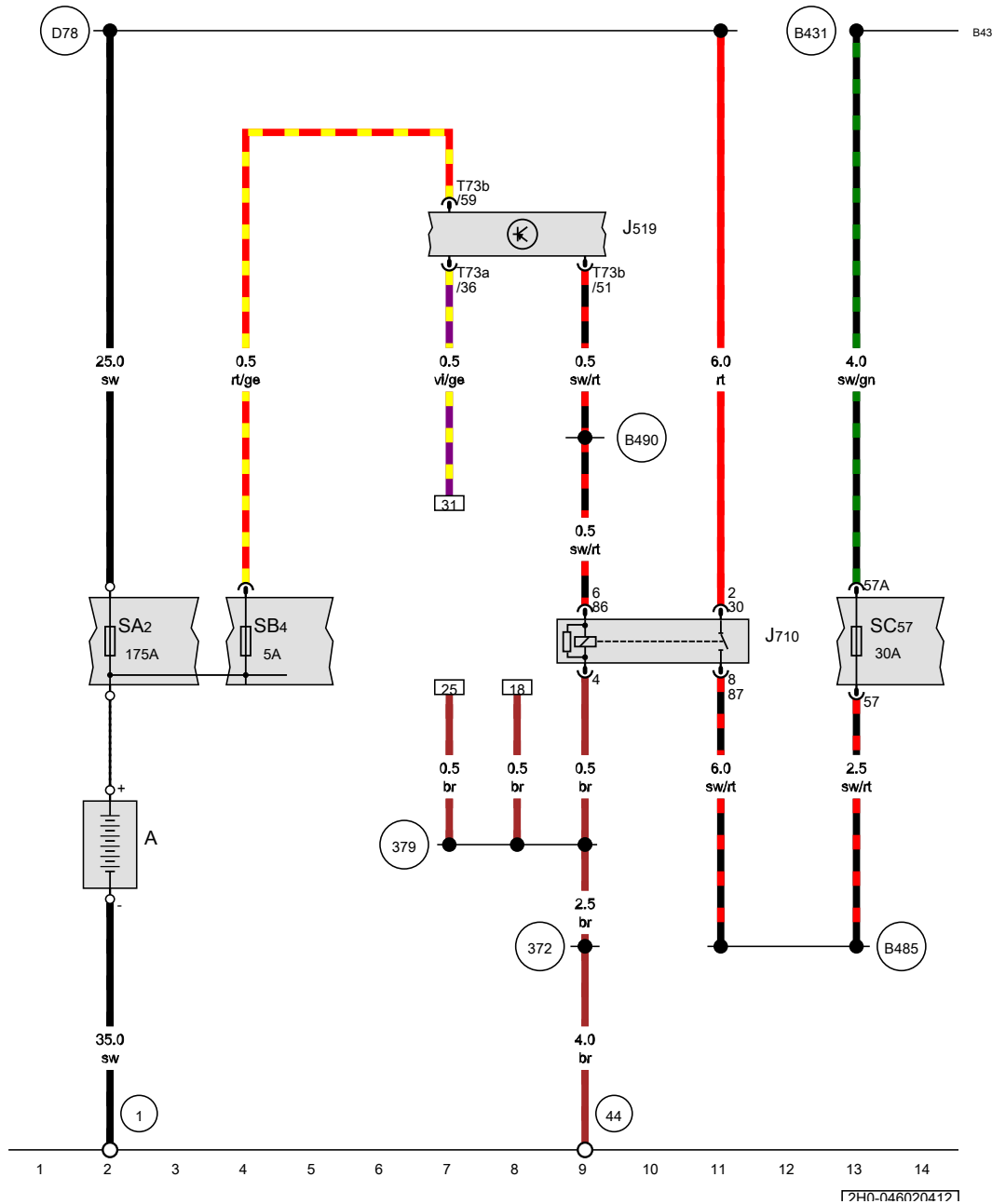
1740-0450304171

## Seat heating

From November 2010



Battery, Onboard supply control unit, Voltage supply relay 2, Fuse 2 in fuse holder A, Fuse 4 on fuse holder B, Fuse 57 on fuse holder C



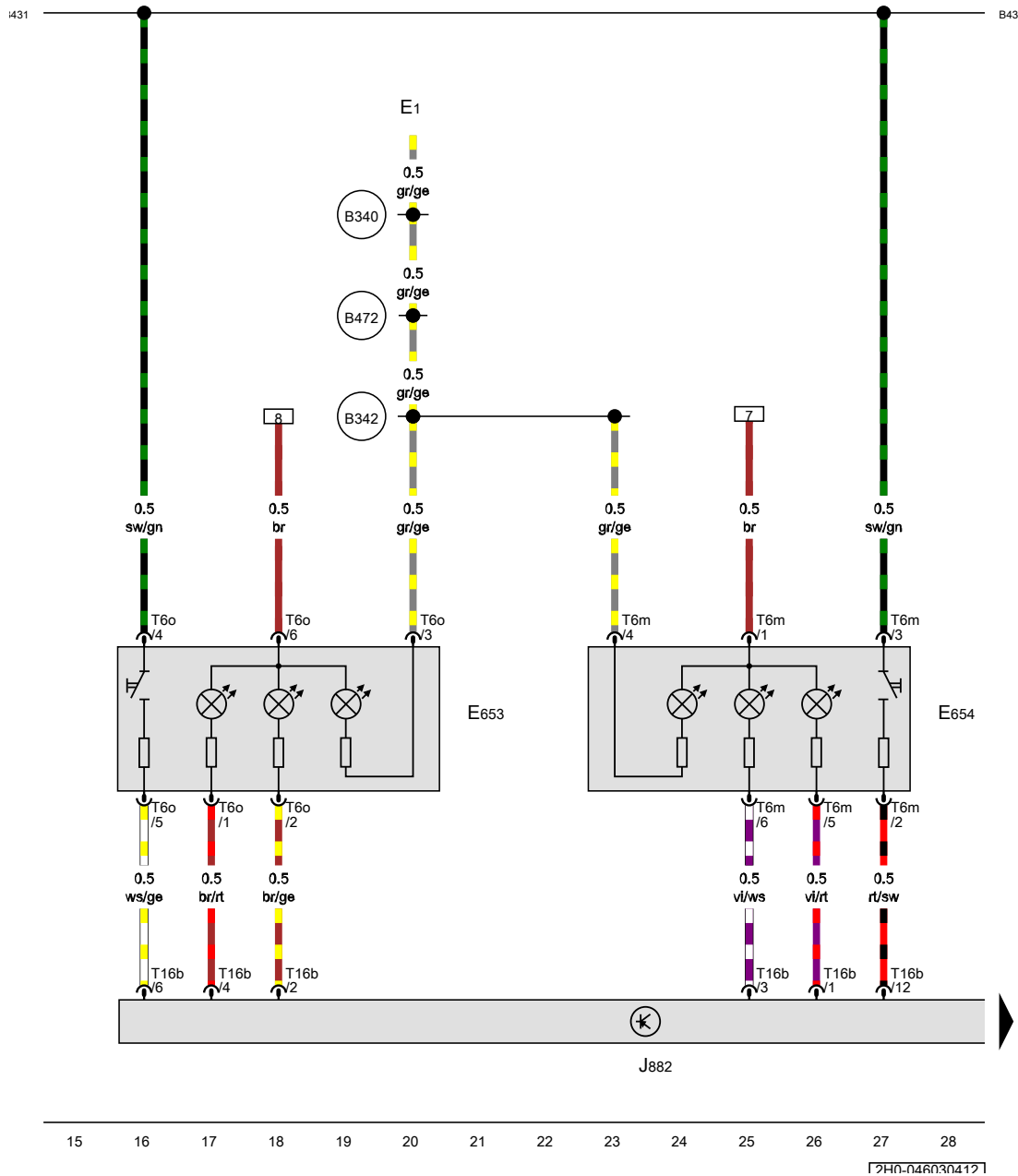
- A Battery
- J519 Onboard supply control unit
- J710 Voltage supply relay 2
- SA2 Fuse 2 in fuse holder A
- SB4 Fuse 4 on fuse holder B
- SC57 Fuse 57 on fuse holder C
- T73a 73-pin connector, black
- T73b 73-pin connector

- 1 Earth strap, battery - body
- 44 Earth point, lower part of left A-pillar
- 372 Earth connection 7, in main wiring harness
- 379 Earth connection 14, in main wiring harness
- B431 Connection (seat heating), in main wiring harness
- B485 Connection 21, in main wiring harness
- B490 Connection 26, in main wiring harness
- D78 Positive connection 1 (30a), in engine compartment wiring harness

- ws = white
- sw = black
- ro = red
- br = brown
- gn = green
- bl = blue
- gr = grey
- li = purple
- ge = yellow
- or = orange
- rs = pink

1740-0460204121

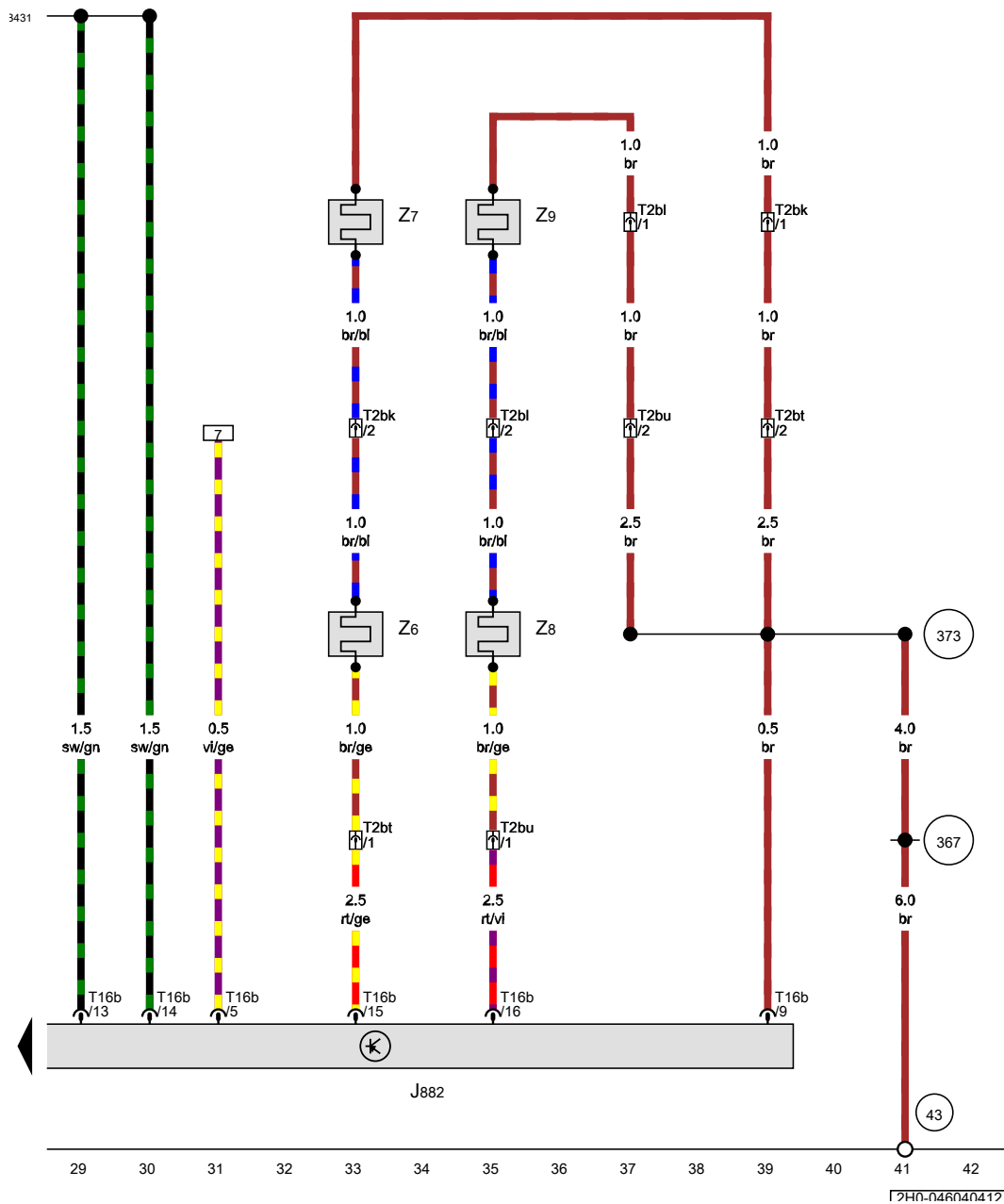
Light switch, Button for left seat heating, Button for right seat heating, Seat heating control unit



- E1 Light switch
- E653 Button for left seat heating
- E654 Button for right seat heating
- J882 Seat heating control unit
- T6m 6-pin connector, white
- T6o 6-pin connector, blue
- T16b 16-pin connector, black
- B340 Connection 1 (58d), in main wiring harness
- B342 Connection 3 (58d), in main wiring harness
- B431 Connection (seat heating), in main wiring harness
- B472 Connection 8, in main wiring harness

- ws = white
- sw = black
- ro = red
- br = brown
- gn = green
- bl = blue
- gr = grey
- li = purple
- ge = yellow
- or = orange
- rs = pink

Seat heating control unit, Heated backrest for driver seat, Heated seat cushion for front passenger seat, Heated backrest for front passenger seat



- J882 Seat heating control unit
- T2bk 2-pin connector, in seat, black
- T2bl 2-pin connector, in seat, black
- T2bt 2-pin connector, under seat on front left, black
- T2bu 2-pin connector, under seat on front right, black
- T16b 16-pin connector, black
- Z6 Heated seat cushion for driver seat
- Z7 Heated backrest for driver seat
- Z8 Heated seat cushion for front passenger seat
- Z9 Heated backrest for front passenger seat

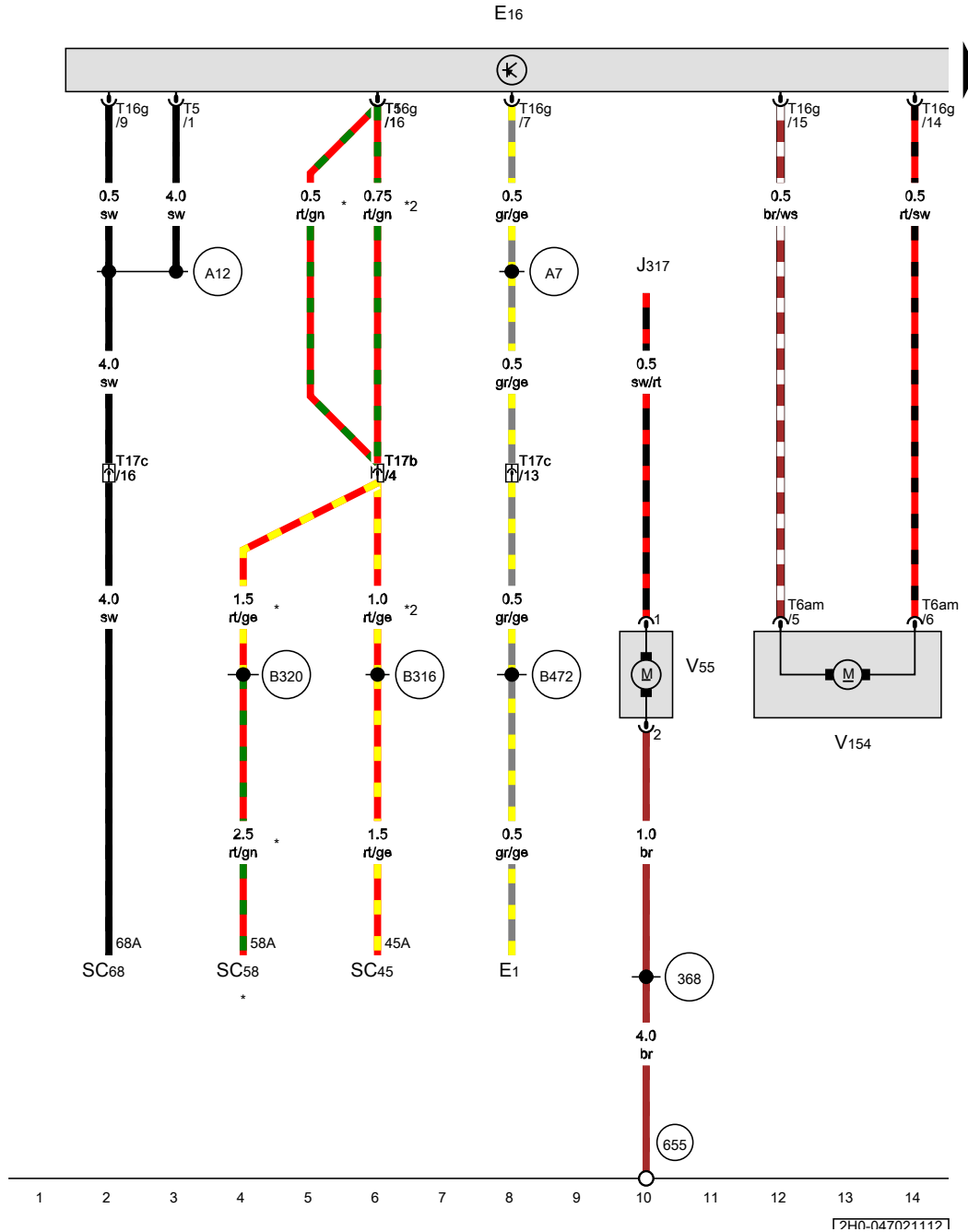
- 43 Earth point, lower part of right A-pillar
- 367 Earth connection 2, in main wiring harness
- 373 Earth connection 8, in main wiring harness
- B431 Connection (seat heating), in main wiring harness

- ws = white
- sw = black
- ro = red
- br = brown
- gn = green
- bl = blue
- gr = grey
- li = purple
- ge = yellow
- or = orange
- rs = pink

## Passenger compartment heater and ventilation system

From June 2012

Light switch, Heater/heat output switch, Fresh air and air recirculation flap control motor

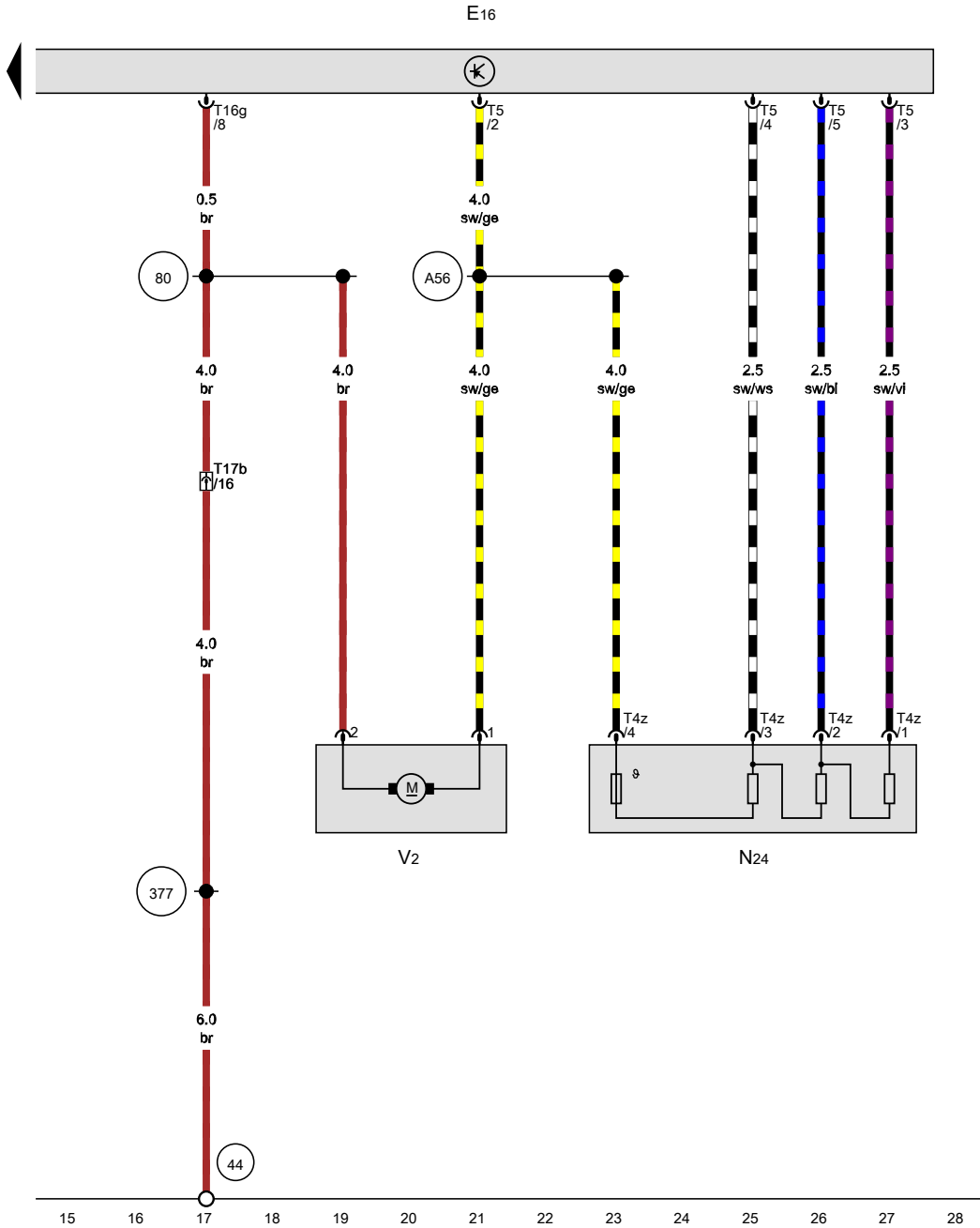


- E1 Light switch
- E16 Heater/heat output switch
- J317 Terminal 30 voltage supply relay
- SC45 Fuse 45 on fuse holder C
- SC58 Fuse 58 on fuse holder C
- SC68 Fuse 68 on fuse holder C
- T5 5-pin connector, black
- T6am 6-pin connector, blue
- T16g 16-pin connector, black
- T17b 17-pin connector, on left under dash panel, brown
- T17c 17-pin connector, on left under dash panel, black
- V55 Circulation pump
- V154 Fresh air and air recirculation flap control motor
- 368 Earth connection 3, in main wiring harness
- 655 Earth point, on left headlight
- A7 Positive connection (58 D1), in dash panel wiring harness
- A12 Positive connection (75a), in dash panel wiring harness
- B316 Positive connection 2 (30a) in main wiring harness
- B320 Positive connection 6 (30a) in main wiring harness
- B472 Connection 8, in main wiring harness
- \* From January 2013
- \*2 Up to December 2012

- ws = white
- sw = black
- ro = red
- br = brown
- gn = green
- bl = blue
- gr = grey
- li = purple
- ge = yellow
- or = orange
- rs = pink

ГЭН-0470211121

Heater/heat output switch, Fresh air blower series resistor with overheating fuse, Fresh air blower



- E16 Heater/heat output switch
- N24 Fresh air blower series resistor with overheating fuse
- T4z 4-pin connector, black
- T5 5-pin connector, black
- T16g 16-pin connector, black
- T17b 17-pin connector, on left under dash panel, brown
- V2 Fresh air blower

- (44) Earth point, lower part of left A-pillar
- (80) Earth connection 1, in dash panel wiring harness
- (377) Earth connection 12, in main wiring harness
- (A56) Positive connection 2 (30), in dash panel wiring harness

- ws = white
- sw = black
- ro = red
- br = brown
- gn = green
- bl = blue
- gr = grey
- li = purple
- ge = yellow
- or = orange
- rs = pink

ГЭН-0470311121

**Climatic**

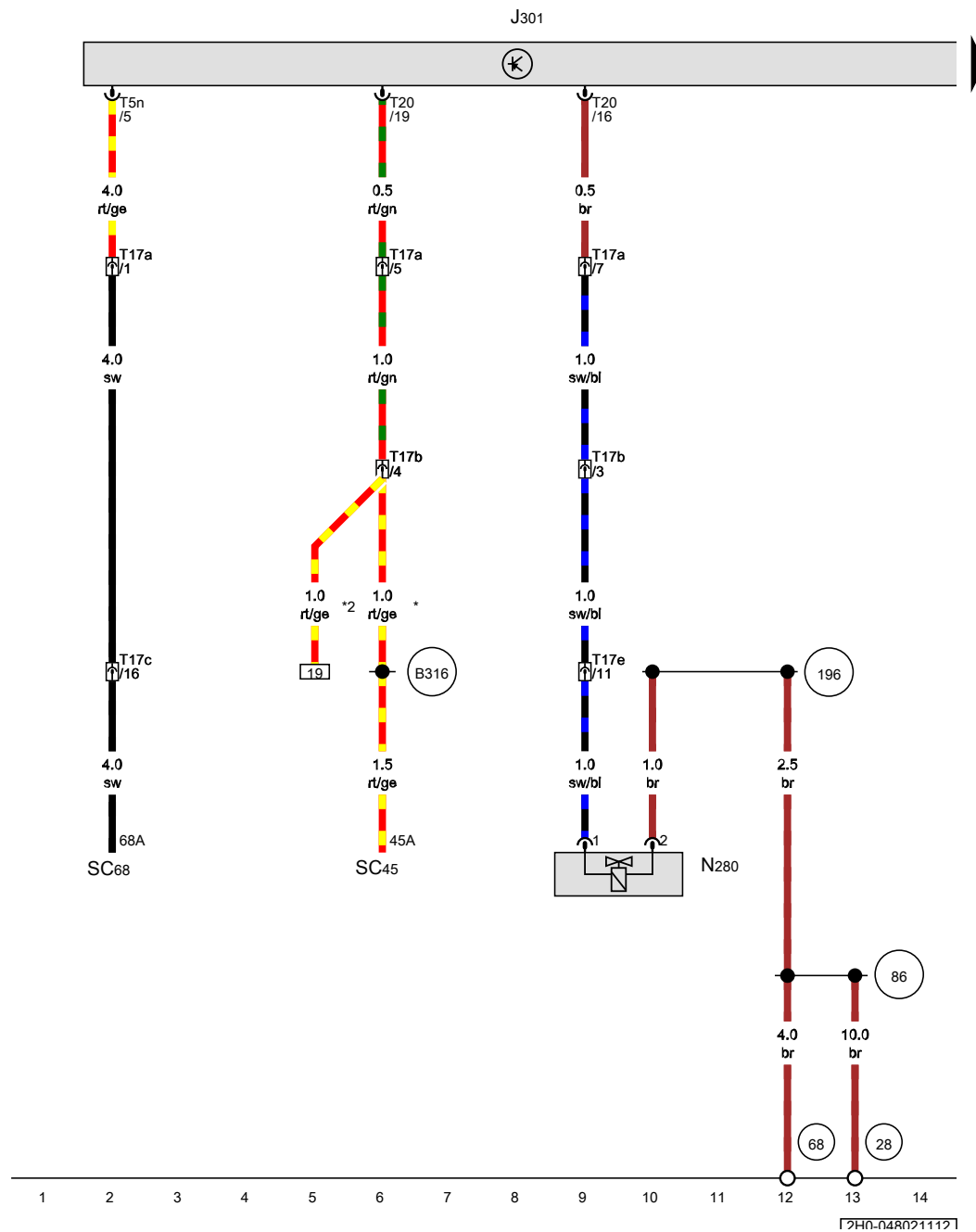
From June 2012

**Air conditioning system control unit, Air conditioner compressor regulating valve**

- J301 Air conditioning system control unit
- N280 Air conditioner compressor regulating valve
- SC45 Fuse 45 on fuse holder C
- SC68 Fuse 68 on fuse holder C
- T5n 5-pin connector, black
- T17a 17-pin connector, behind glove compartment, black
- T17b 17-pin connector, on left under dash panel, brown
- T17c 17-pin connector, on left under dash panel
- T17e 17-pin connector, near handbrake lever, red
- T20 20-pin connector, black

- 28 Earth point, on bulkhead
- 68 Earth point, on left of rear cross member
- 86 Earth connection 1, in rear wiring harness
- 196 Earth connection 3, in rear wiring harness
- B316 Positive connection 2 (30a) in main wiring harness

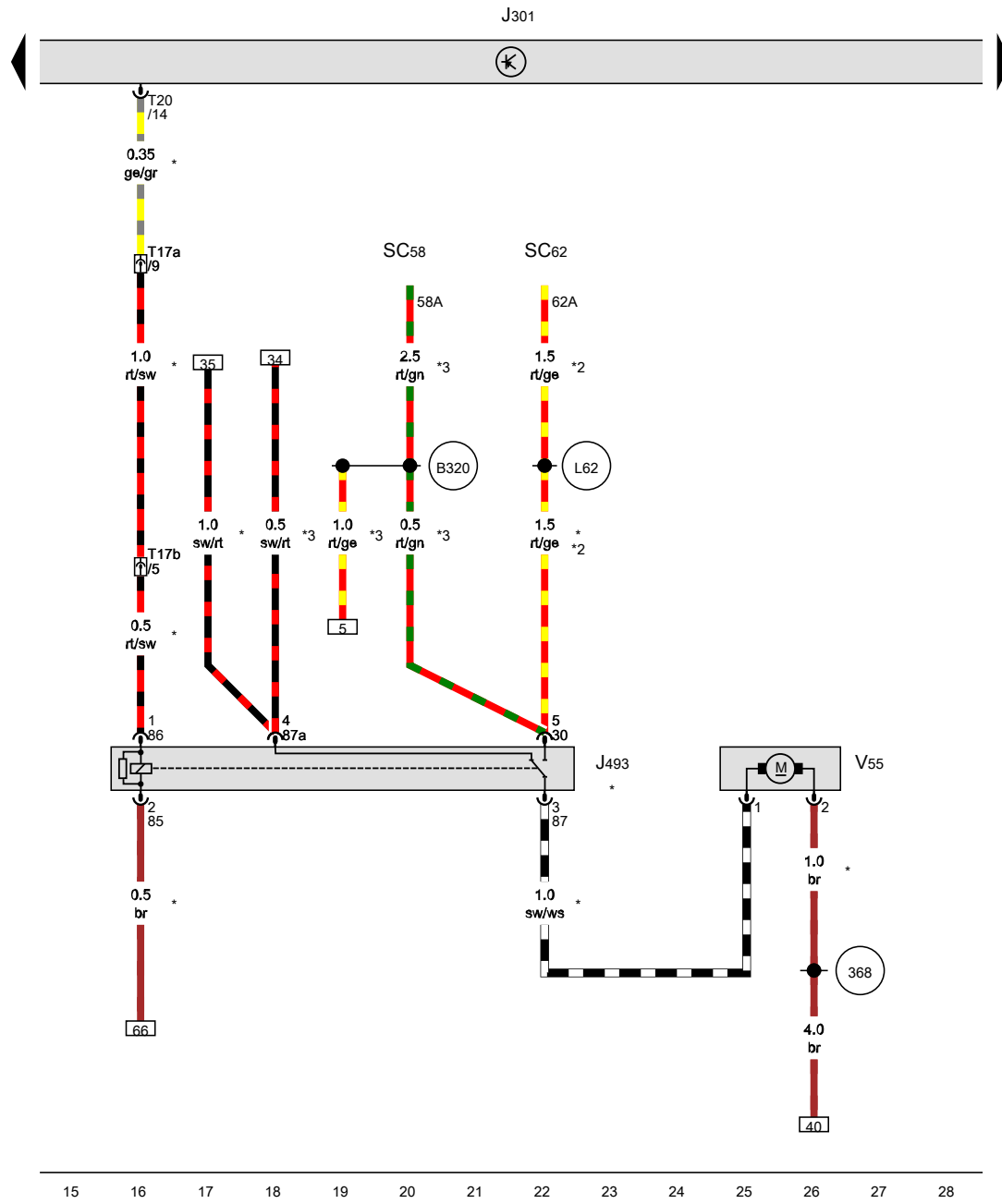
\* Up to December 2012  
 \*2 From January 2013



- ws = white
- sw = black
- ro = red
- br = brown
- gn = green
- bl = blue
- gr = grey
- li = purple
- ge = yellow
- or = orange
- rs = pink



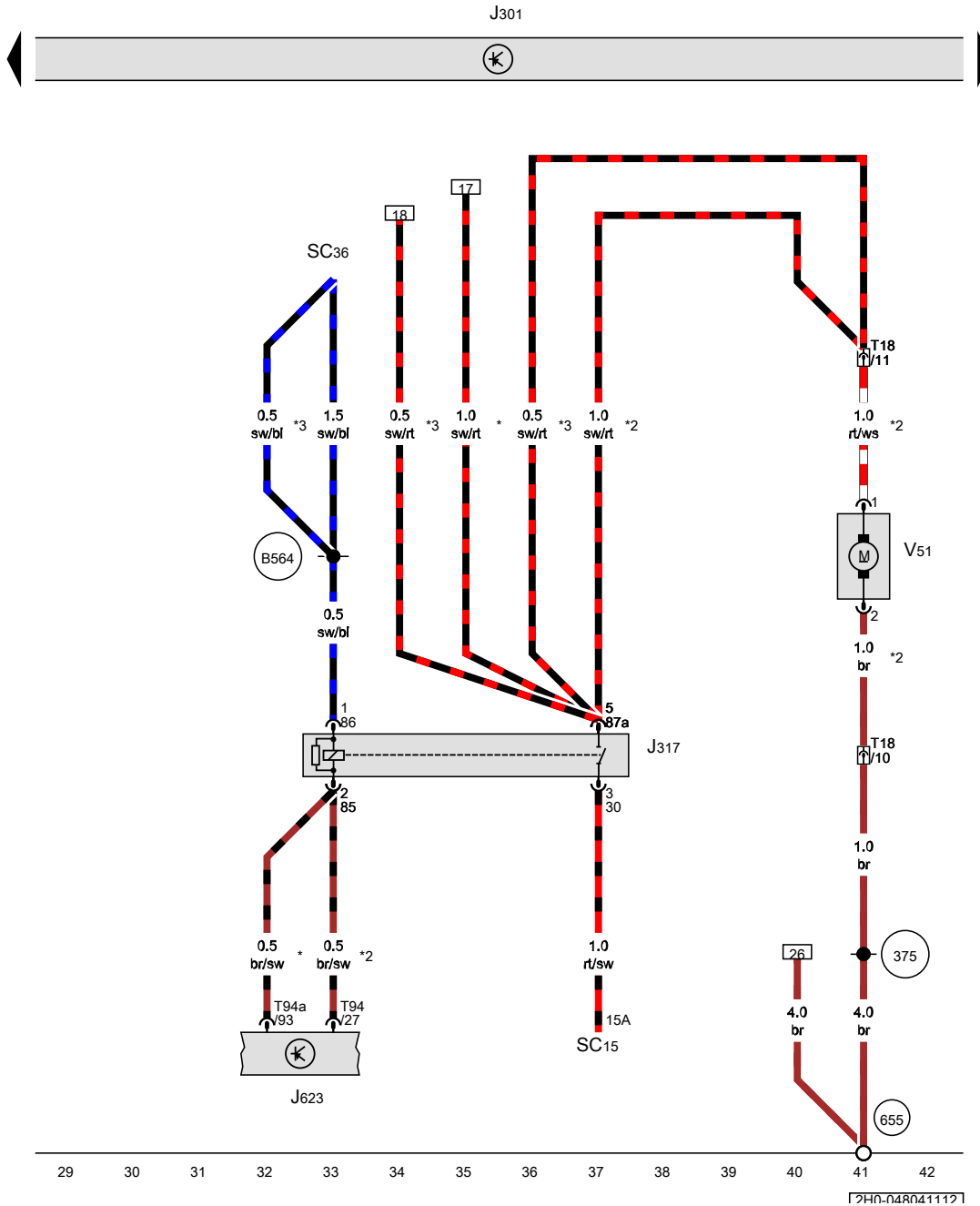
**Air conditioning system control unit, Auxiliary coolant heater relay, Fuse 62 on fuse holder C, Circulation pump**



- J301 Air conditioning system control unit
- J493 Auxiliary coolant heater relay
- SC58 Fuse 58 on fuse holder C
- SC62 Fuse 62 on fuse holder C
- T17a 17-pin connector, behind glove compartment, black
- T17b 17-pin connector, on left under dash panel, brown
- T20 20-pin connector, black
- V55 Circulation pump
- 368 Earth connection 3, in main wiring harness
- B320 Positive connection 6 (30a) in main wiring harness
- L62 Positive connection (30a), in auxiliary heater wiring harness
- \* Only models with diesel engine
- \*2 Up to December 2012
- \*3 From January 2013

ws = white  
 sw = black  
 ro = red  
 br = brown  
 gn = green  
 bl = blue  
 gr = grey  
 li = purple  
 ge = yellow  
 or = orange  
 rs = pink

**Air conditioning system control unit, Fuse 15 on fuse holder C, Continued coolant circulation pump**

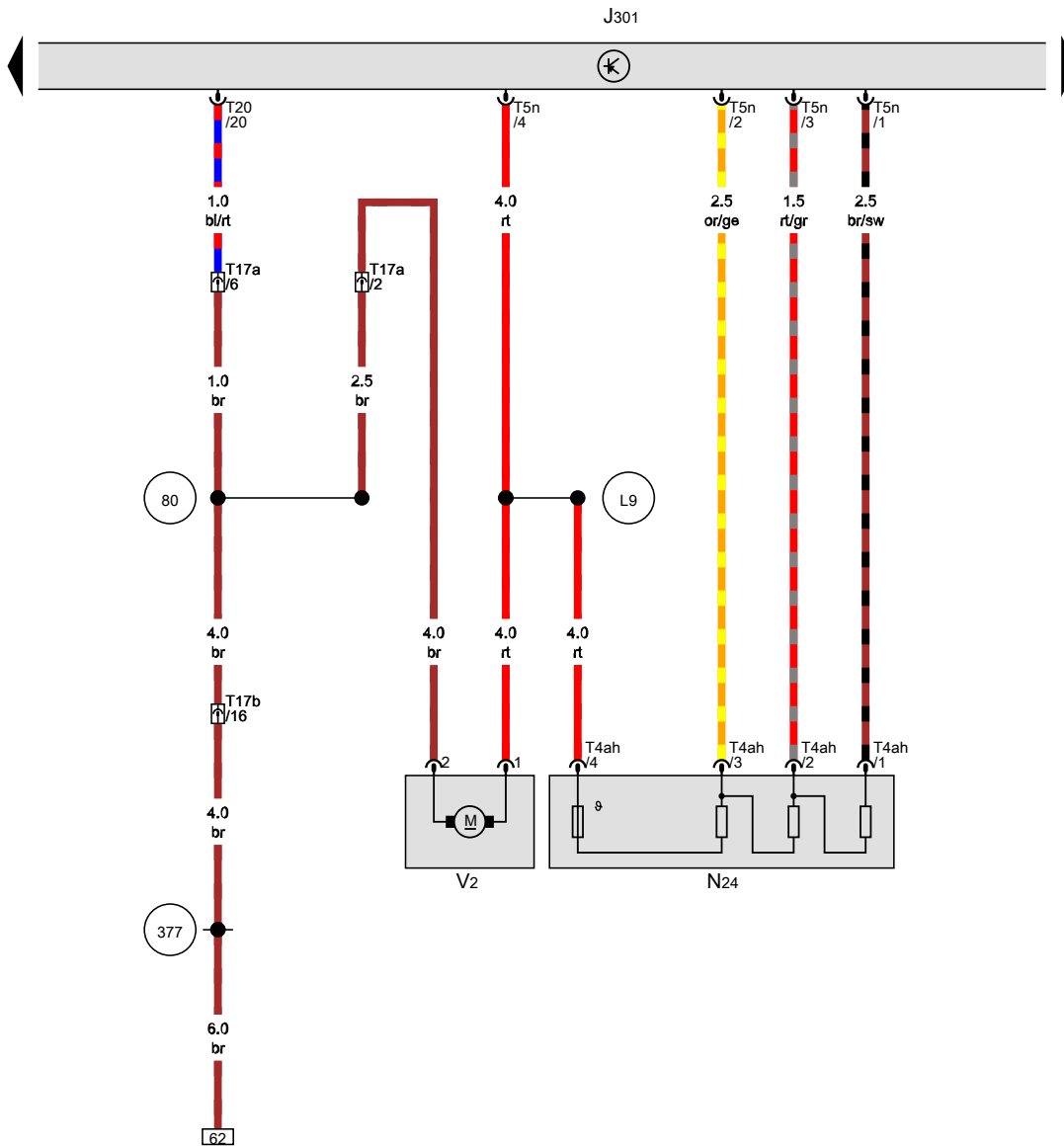


- J301 Air conditioning system control unit
- J317 Terminal 30 voltage supply relay
- J623 Engine control unit
- SC15 Fuse 15 on fuse holder C
- SC36 Fuse 36 on fuse holder C
- T18 18-pin connector, near engine control unit, black
- T94 94-pin connector, black
- T94a 94-pin connector, black
- V51 Continued coolant circulation pump

- 375 Earth connection 10, in main wiring harness
- 655 Earth point, on left headlight
- B564 Connection 31, in main wiring harness

- \* Only models with diesel engine
- \*2 Only models with petrol engine
- \*3 From January 2013

- ws = white
- sw = black
- ro = red
- br = brown
- gn = green
- bl = blue
- gr = grey
- li = purple
- ge = yellow
- or = orange
- rs = pink



**Air conditioning system control unit, Fresh air blower series resistor with overheating fuse, Fresh air blower**

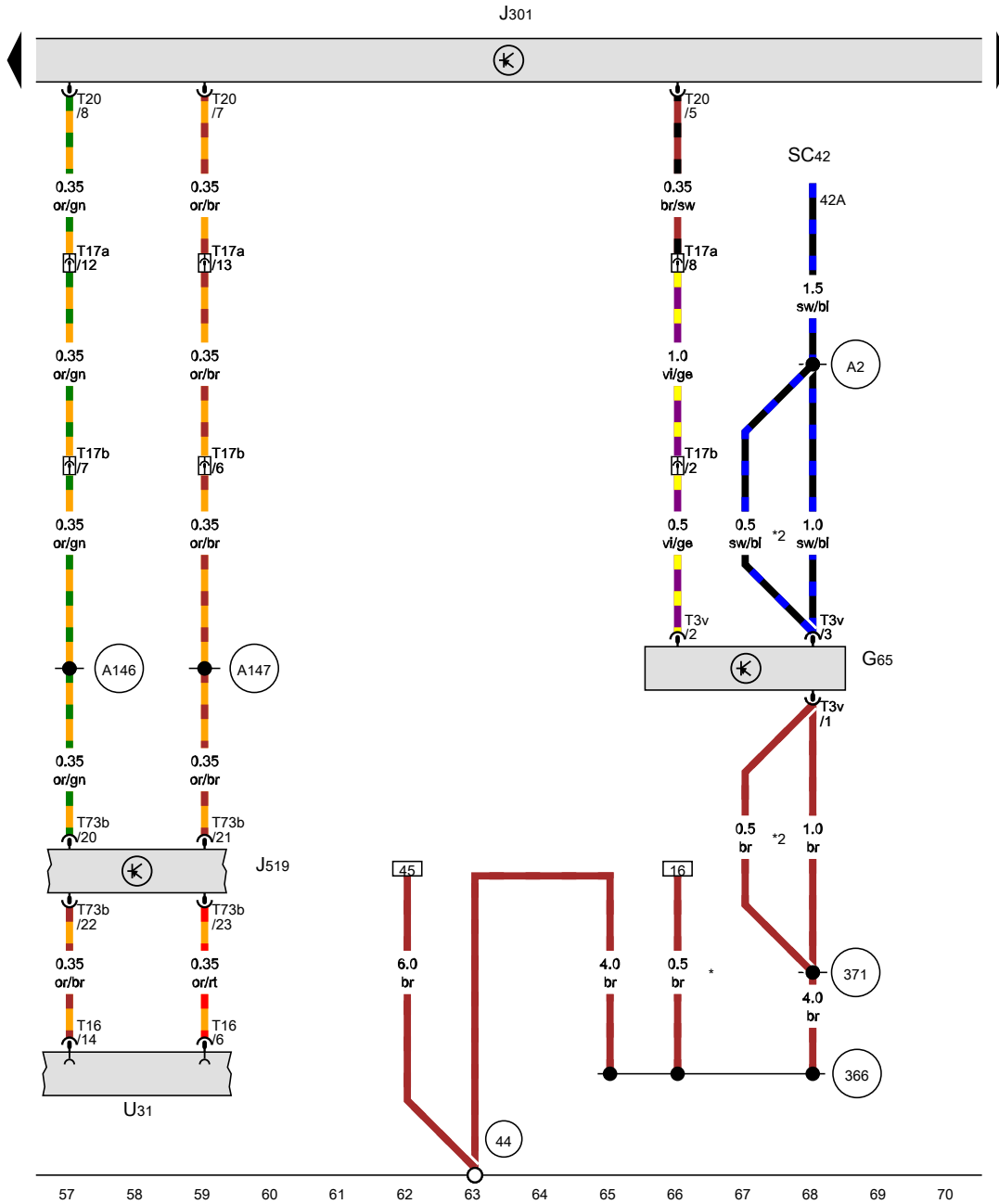
- J301 Air conditioning system control unit
- N24 Fresh air blower series resistor with overheating fuse
- T4ah 4-pin connector, black
- T5n 5-pin connector, black
- T17a 17-pin connector, behind glove compartment, black
- T17b 17-pin connector, on left under dash panel, brown
- T20 20-pin connector, black
- V2 Fresh air blower

- Earth connection 1, in dash panel wiring harness
- Earth connection 12, in main wiring harness
- Connection 1, in air conditioning system wiring harness

- ws = white
- sw = black
- ro = red
- br = brown
- gn = green
- bl = blue
- gr = grey
- li = purple
- ge = yellow
- or = orange
- rs = pink

43 44 45 46 47 48 49 50 51 52 53 54 55 56

[PH0-048051117]

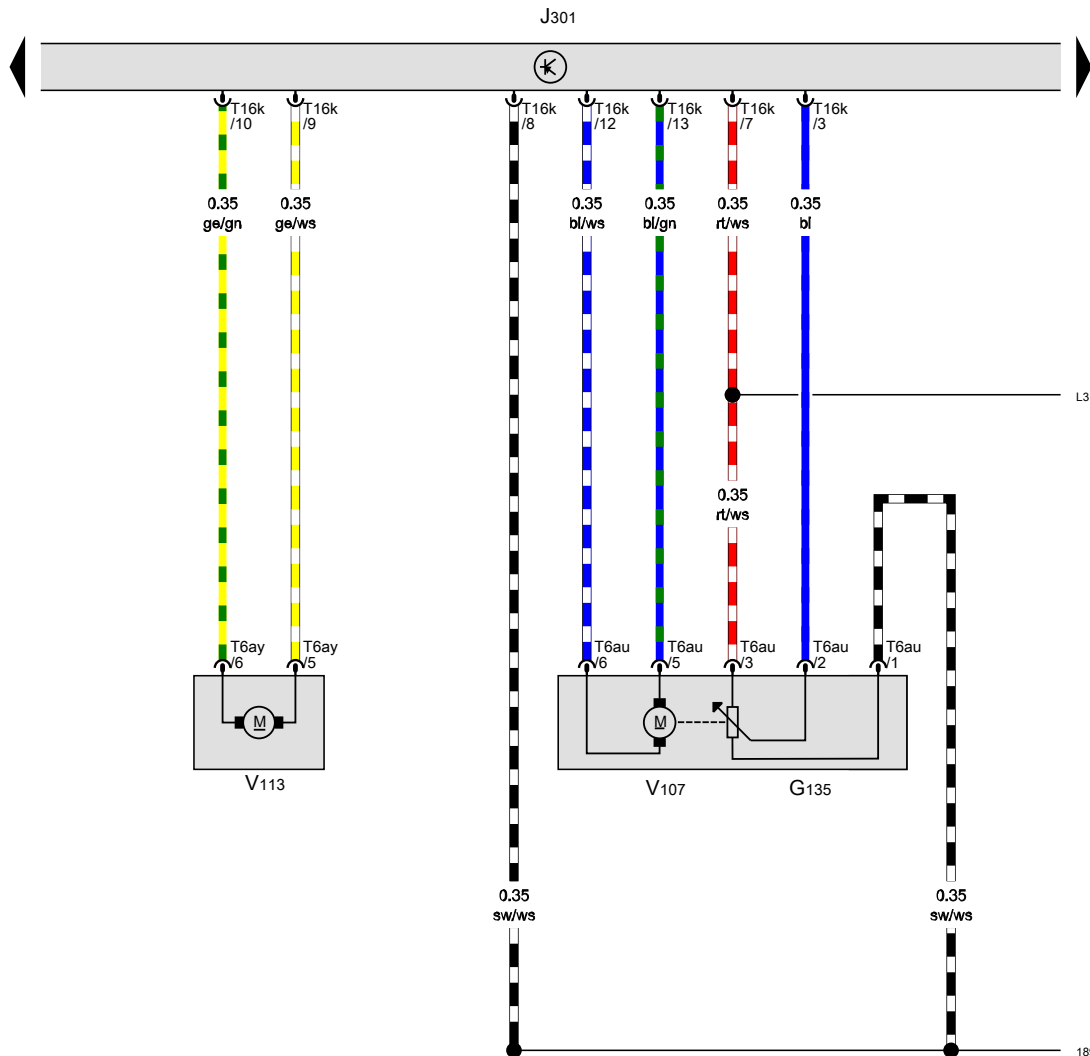


High-pressure sender, Air conditioning system control unit, Onboard supply control unit, Fuse 42 on fuse holder C

- G65 High-pressure sender
- J301 Air conditioning system control unit
- J519 Onboard supply control unit
- SC42 Fuse 42 on fuse holder C
- T3v 3-pin connector
- T16 16-pin connector, black
- T17a 17-pin connector, behind glove compartment, black
- T17b 17-pin connector, on left under dash panel, brown
- T20 20-pin connector, black
- T73b 73-pin connector
- U31 Diagnostic connection
- 44 Earth point, lower part of left A-pillar
- 366 Earth connection 1, in main wiring harness
- 371 Earth connection 6, in main wiring harness
- A2 Positive connection (15), in dash panel wiring harness
- A146 Connection (convenience CAN bus, high), in dash panel wiring harness
- A147 Connection (convenience CAN bus, low), in dash panel wiring harness
- \* Only models with diesel engine
- \*2 From January 2013



- ws = white
- sw = black
- ro = red
- br = brown
- gn = green
- bl = blue
- gr = grey
- li = purple
- ge = yellow
- or = orange
- rs = pink

[PH0-048061117]



Potentiometer for defroster flap control motor, Air conditioning system control unit, Defroster flap control motor, Air recirculation flap control motor

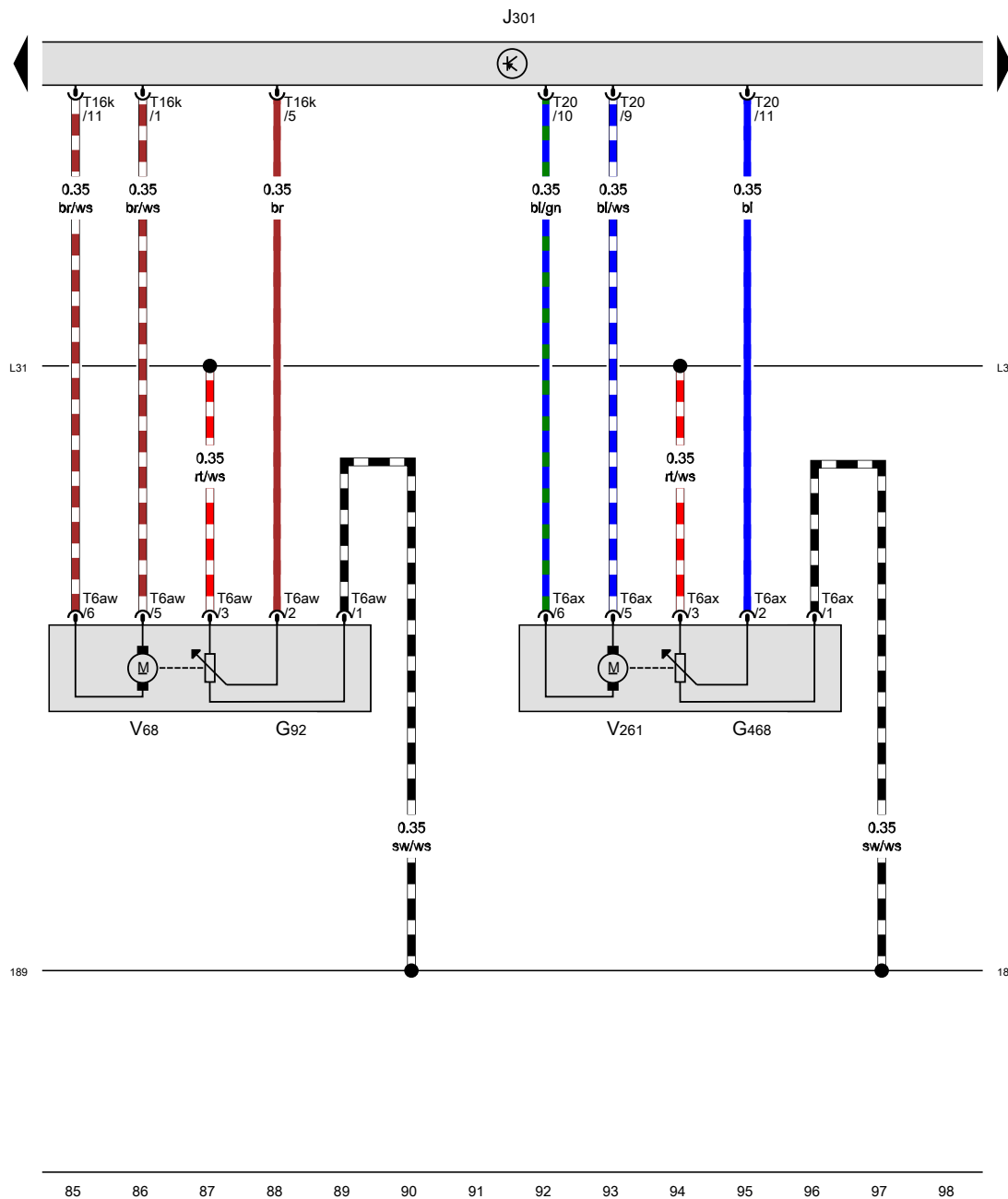
- G135 Potentiometer for defroster flap control motor
- J301 Air conditioning system control unit
- T6au 6-pin connector
- T6ay 6-pin connector
- T16k 16-pin connector, black
- V107 Defroster flap control motor
- V113 Air recirculation flap control motor

-  189 Earth connection 1, in heater wiring harness
-  L31 Connection (5V), in air conditioning system wiring harness

- ws = white
- sw = black
- ro = red
- br = brown
- gn = green
- bl = blue
- gr = grey
- li = purple
- ge = yellow
- or = orange
- rs = pink

71 72 73 74 75 76 77 78 79 80 81 82 83 84

[2PH0-048071112]



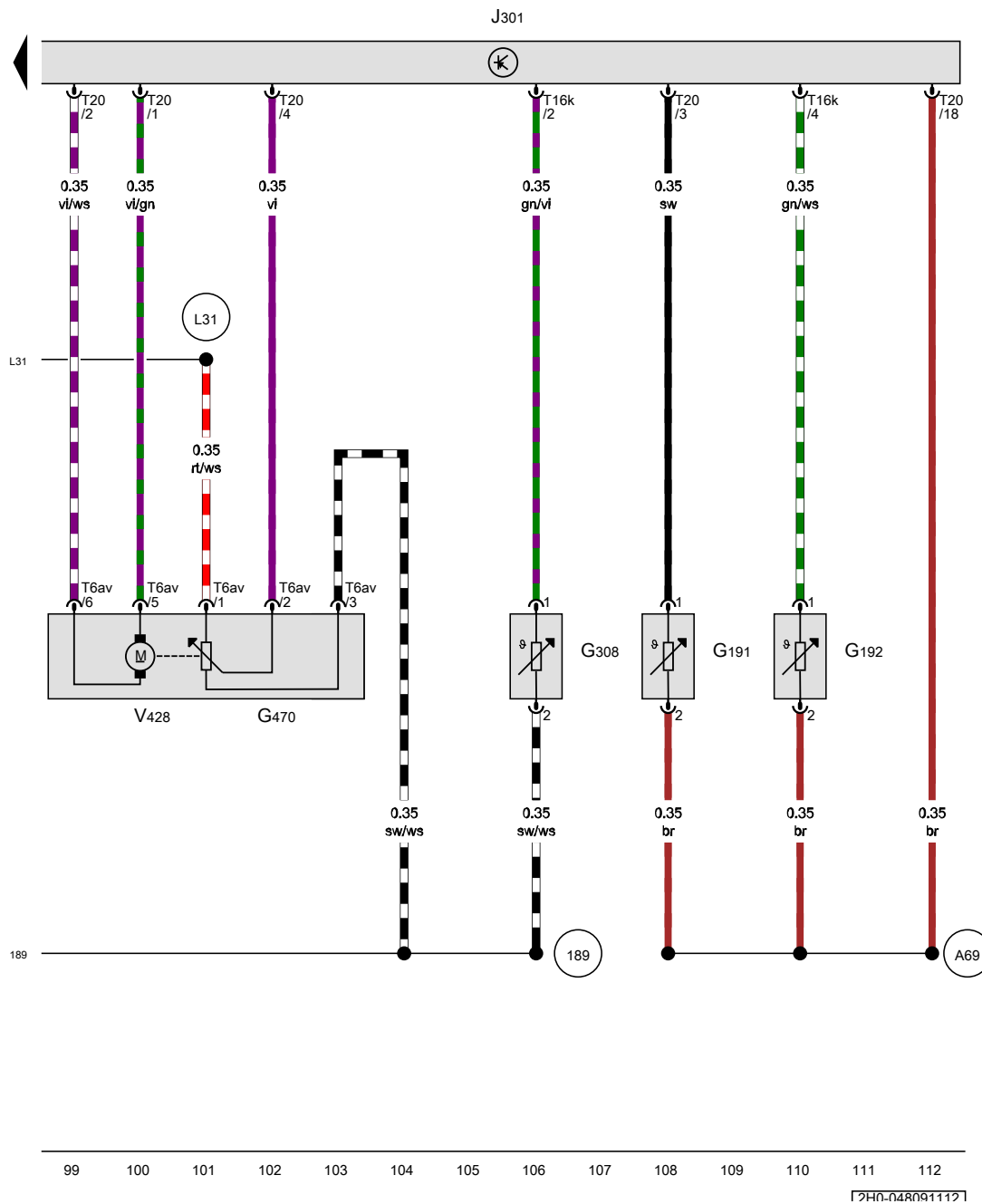
Potentiometer for temperature flap control motor, Potentiometer for footwell vent control motor, Air conditioning system control unit, Temperature flap control motor, Footwell flap control motor

- G92 Potentiometer for temperature flap control motor
- G468 Potentiometer for footwell vent control motor
- J301 Air conditioning system control unit
- T6aw 6-pin connector
- T6ax 6-pin connector
- T16k 16-pin connector, black
- T20 20-pin connector, black
- V68 Temperature flap control motor
- V261 Footwell flap control motor

- 189 Earth connection 1, in heater wiring harness
- L31 Connection (5V), in air conditioning system wiring harness

- ws = white
- sw = black
- ro = red
- br = brown
- gn = green
- bl = blue
- gr = grey
- li = purple
- ge = yellow
- or = orange
- rs = pink

[7HD-048081117]



Centre vent temperature sender, Footwell vent temperature sender, Evaporator temperature sensor, Potentiometer for front air distribution control motor, Air conditioning system control unit, Air distribution flap control motor

- G191 Centre vent temperature sender
- G192 Footwell vent temperature sender
- G308 Evaporator temperature sensor
- G470 Potentiometer for front air distribution control motor
- J301 Air conditioning system control unit
- T6av 6-pin connector
- T16k 16-pin connector, black
- T20 20-pin connector, black
- V428 Air distribution flap control motor

- (189) Earth connection 1, in heater wiring harness
- (A69) Connection (31, air conditioning system/blower control), in dash panel wiring harness
- (L31) Connection (5V), in air conditioning system wiring harness

- ws = white
- sw = black
- ro = red
- br = brown
- gn = green
- bl = blue
- gr = grey
- li = purple
- ge = yellow
- or = orange
- rs = pink

**Climatronic**  
From June 2012

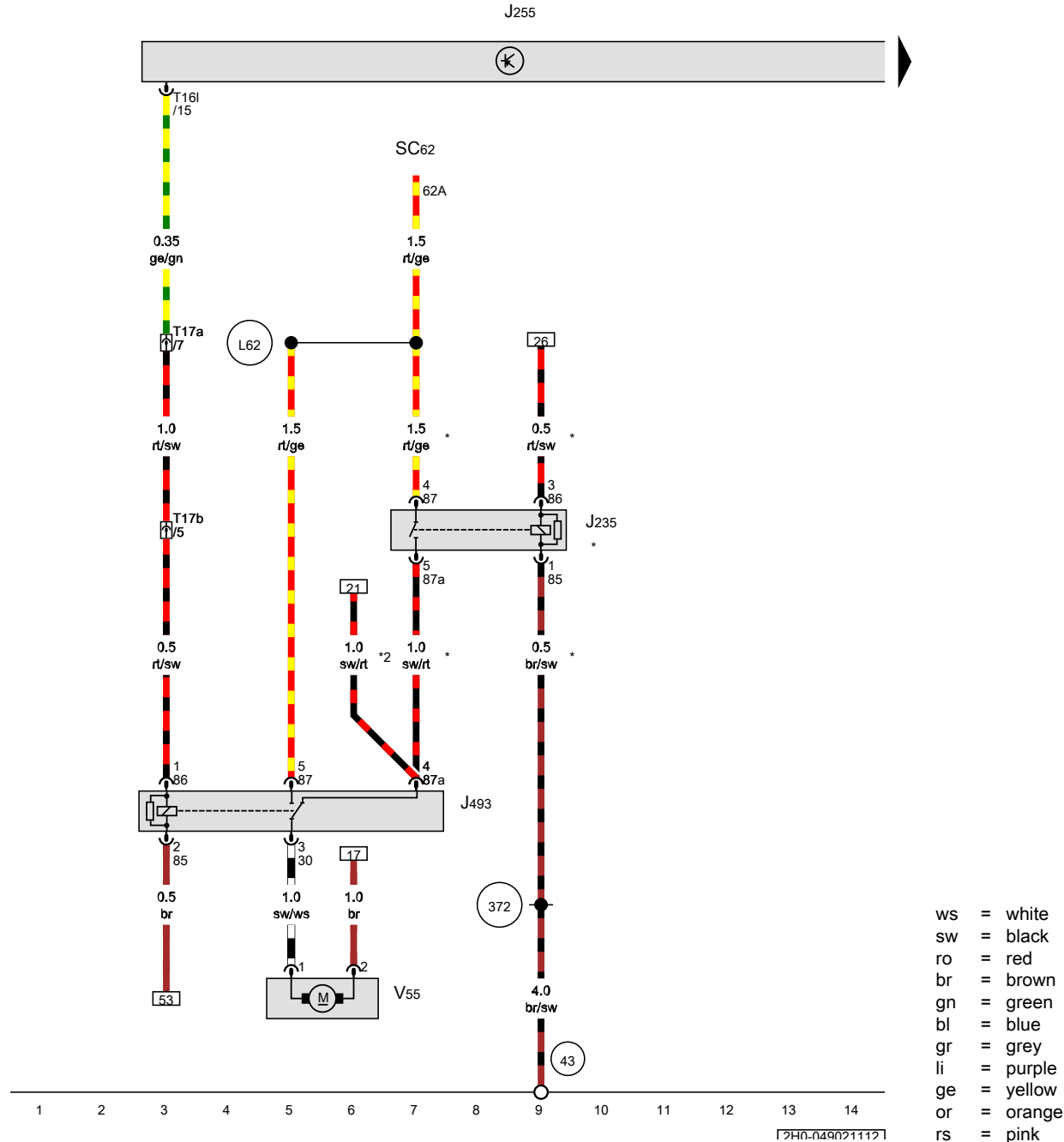


Climatronic control unit, Circulation pump

- J235 Coolant pump relay
- J255 Climatronic control unit, in centre of dash panel
- J493 Auxiliary coolant heater relay
- SC62 Fuse 62 on fuse holder C
- T16l 16-pin connector, black
- T17a 17-pin connector, behind glove compartment, black
- T17b 17-pin connector, on relay carrier, black
- V55 Circulation pump

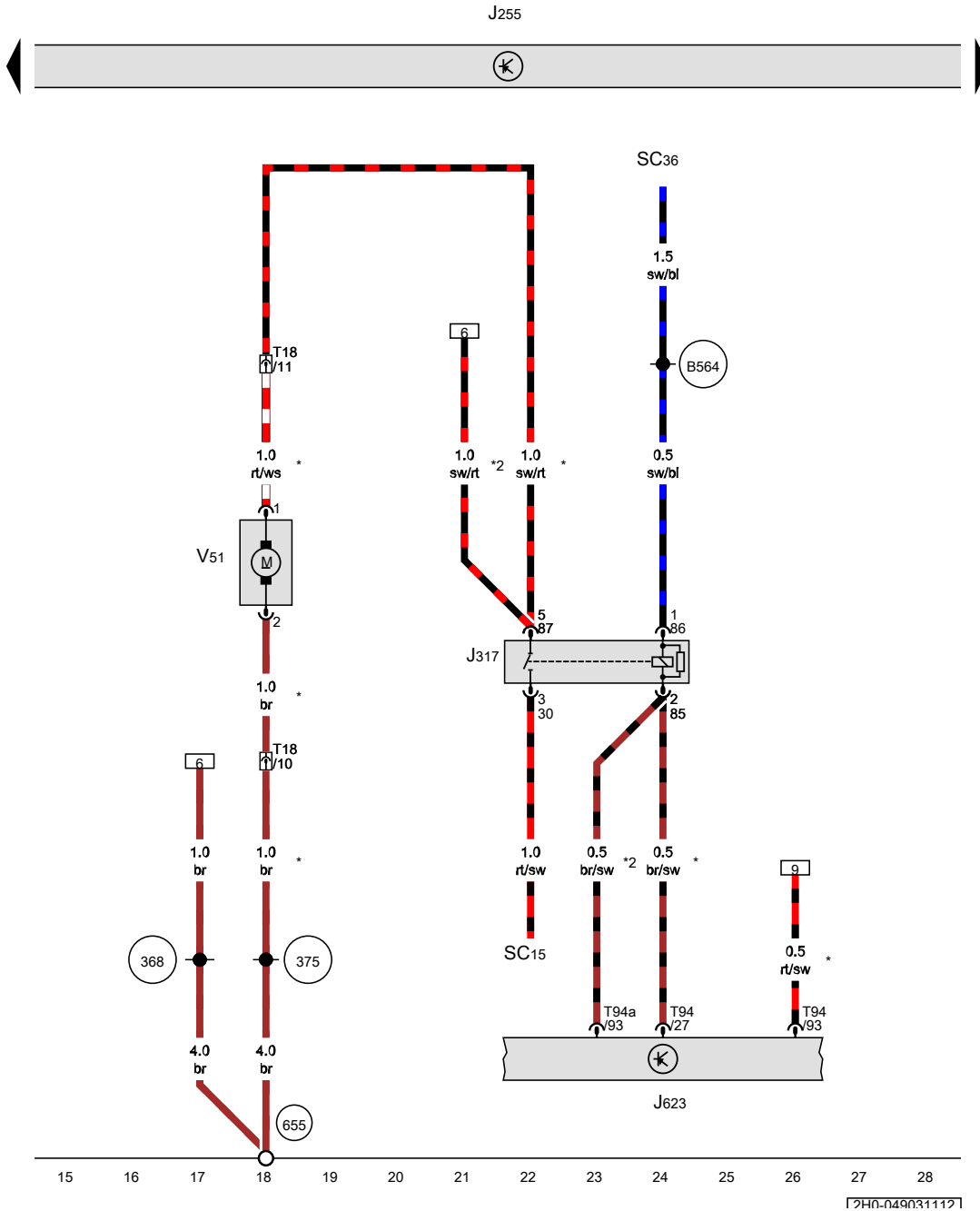
- (43) Earth point, lower part of right A-pillar
- (372) Earth connection 7, in main wiring harness
- (L62) Positive connection (30a), in auxiliary heater wiring harness

\* Only models with petrol engine  
 \*2 Only models with diesel engine



17H0-0490211121

Climatronic control unit, Continued coolant circulation pump



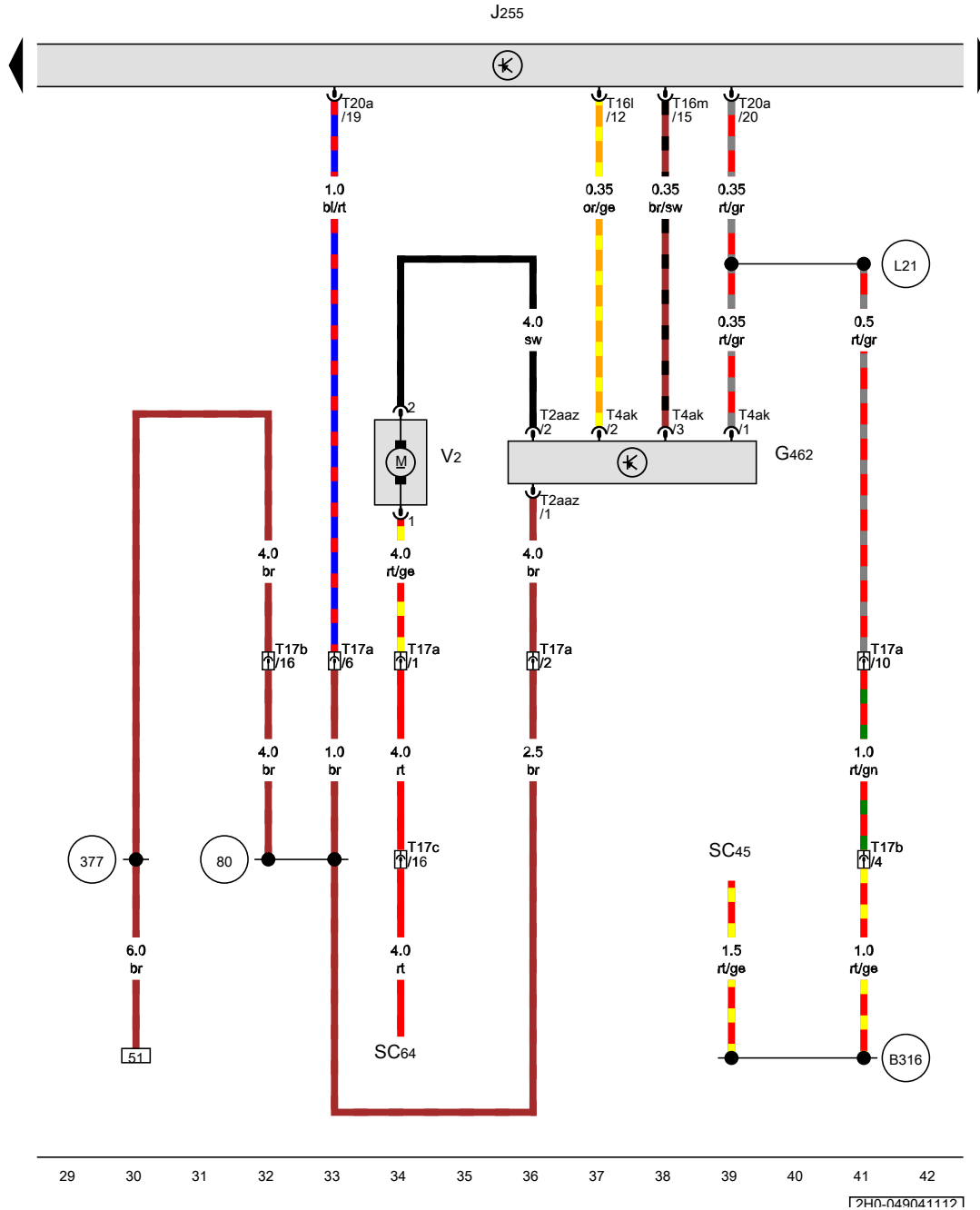
- J255 Climatronic control unit, in centre of dash panel
- J317 Terminal 30 voltage supply relay
- J623 Engine control unit
- SC15 Fuse 15 on fuse holder C
- SC36 Fuse 36 on fuse holder C
- T18 18-pin connector, near engine control unit, black
- T94 94-pin connector, black
- T94a 94-pin connector, black
- V51 Continued coolant circulation pump

- 368 Earth connection 3, in main wiring harness
- 375 Earth connection 10, in main wiring harness
- 655 Earth point, on left headlight
- B564 Connection 31, in main wiring harness

\* Only models with petrol engine  
 \*2 Only models with diesel engine

- ws = white
- sw = black
- ro = red
- br = brown
- gn = green
- bl = blue
- gr = grey
- li = purple
- ge = yellow
- or = orange
- rs = pink

12H0-0490311121

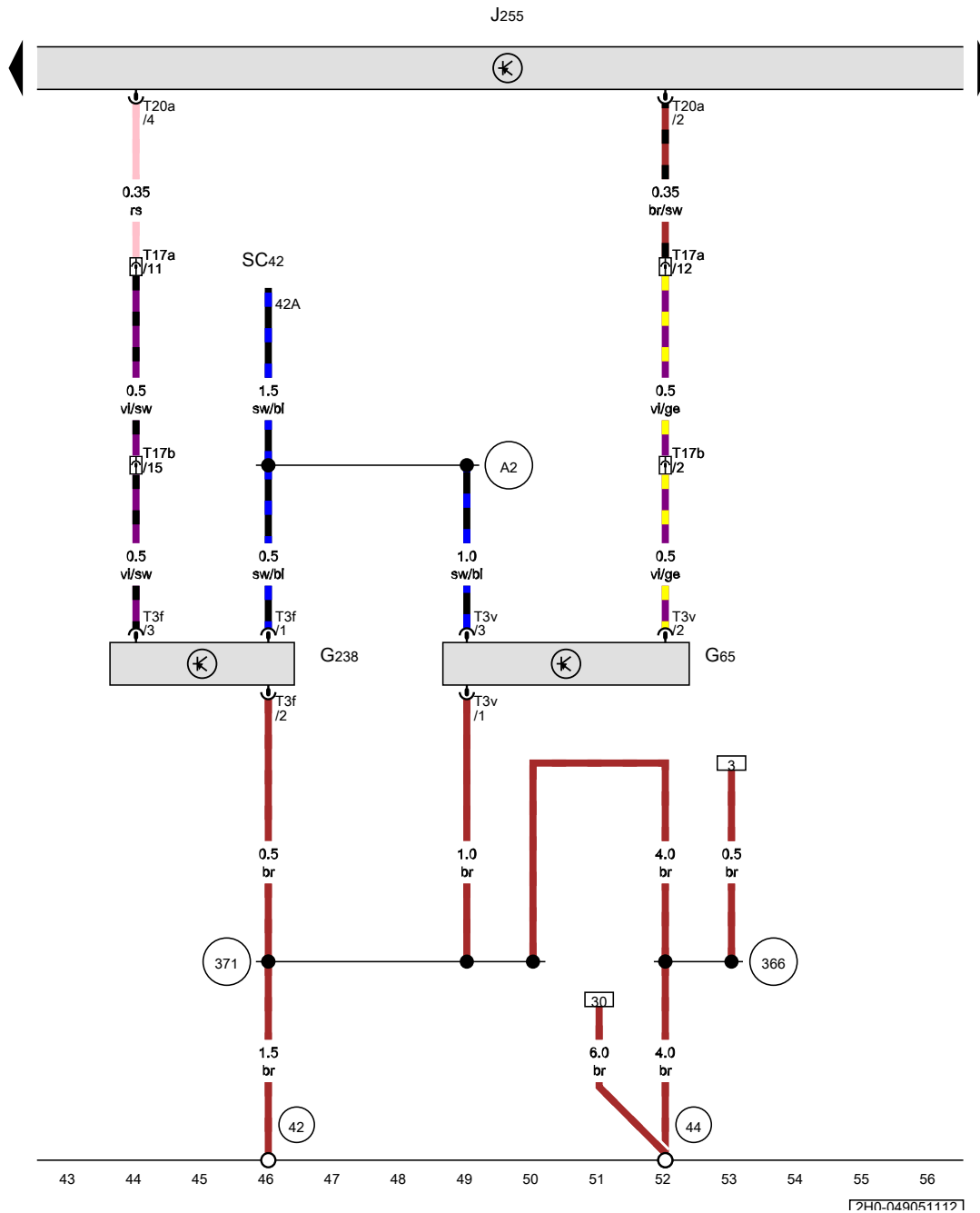


Sender for front Bitron blower regulation, Climatronic control unit, Fresh air blower

- G462 Sender for front Bitron blower regulation
- J255 Climatronic control unit, in centre of dash panel
- SC45 Fuse 45 on fuse holder C
- SC64 Fuse 64 on fuse holder C
- T2aaz 2-pin connector
- T4ak 4-pin connector
- T16l 16-pin connector, black
- T16m 16-pin connector, brown
- T17a 17-pin connector, behind glove compartment, black
- T17b 17-pin connector, on relay carrier, brown
- T17c 17-pin connector, on left under dash panel, black
- T20a 20-pin connector
- V2 Fresh air blower

- (80) Earth connection 1, in dash panel wiring harness
- (377) Earth connection 12, in main wiring harness
- (B316) Positive connection 2 (30a) in main wiring harness
- (L21) Connection 1 (30), in Climatronic operating unit wiring harness

- ws = white
- sw = black
- ro = red
- br = brown
- gn = green
- bl = blue
- gr = grey
- li = purple
- ge = yellow
- or = orange
- rs = pink



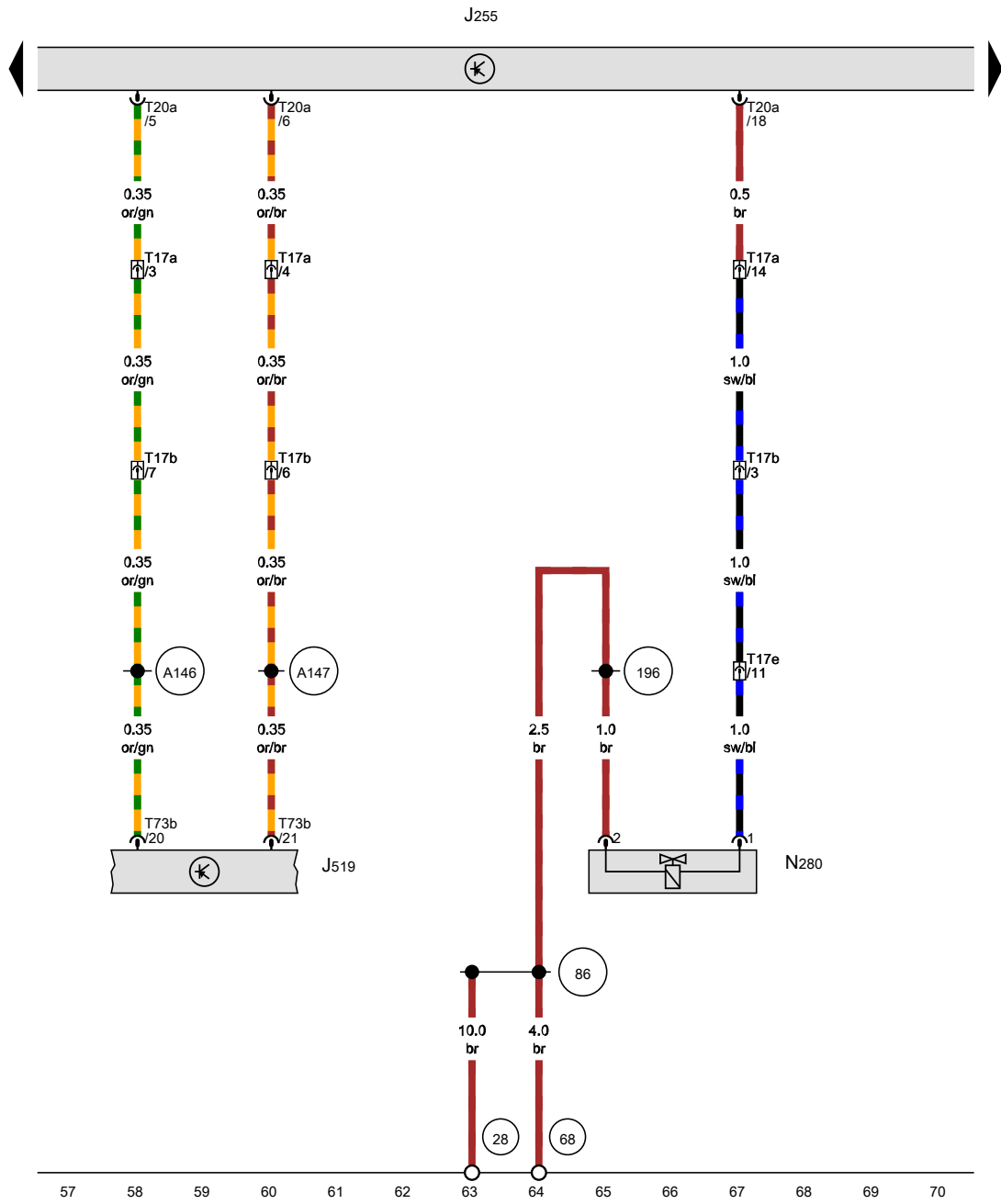
**High-pressure sender, Air quality sensor, Climatronic control unit, Fuse 42 on fuse holder C**

- G65 High-pressure sender
- G238 Air quality sensor, near window wiper motor
- J255 Climatronic control unit, in centre of dash panel
- SC42 Fuse 42 on fuse holder C
- T3f 3-pin connector
- T3v 3-pin connector
- T17a 17-pin connector, behind glove compartment, black
- T17b 17-pin connector, on relay carrier, brown
- T20a 20-pin connector

- 42 Earth point, next to steering column
- 44 Earth point, lower part of left A-pillar
- 366 Earth connection 1, in main wiring harness
- 371 Earth connection 6, in main wiring harness
- A2 Positive connection (15), in dash panel wiring harness

- ws = white
- sw = black
- ro = red
- br = brown
- gn = green
- bl = blue
- gr = grey
- li = purple
- ge = yellow
- or = orange
- rs = pink

17H0-0490511121



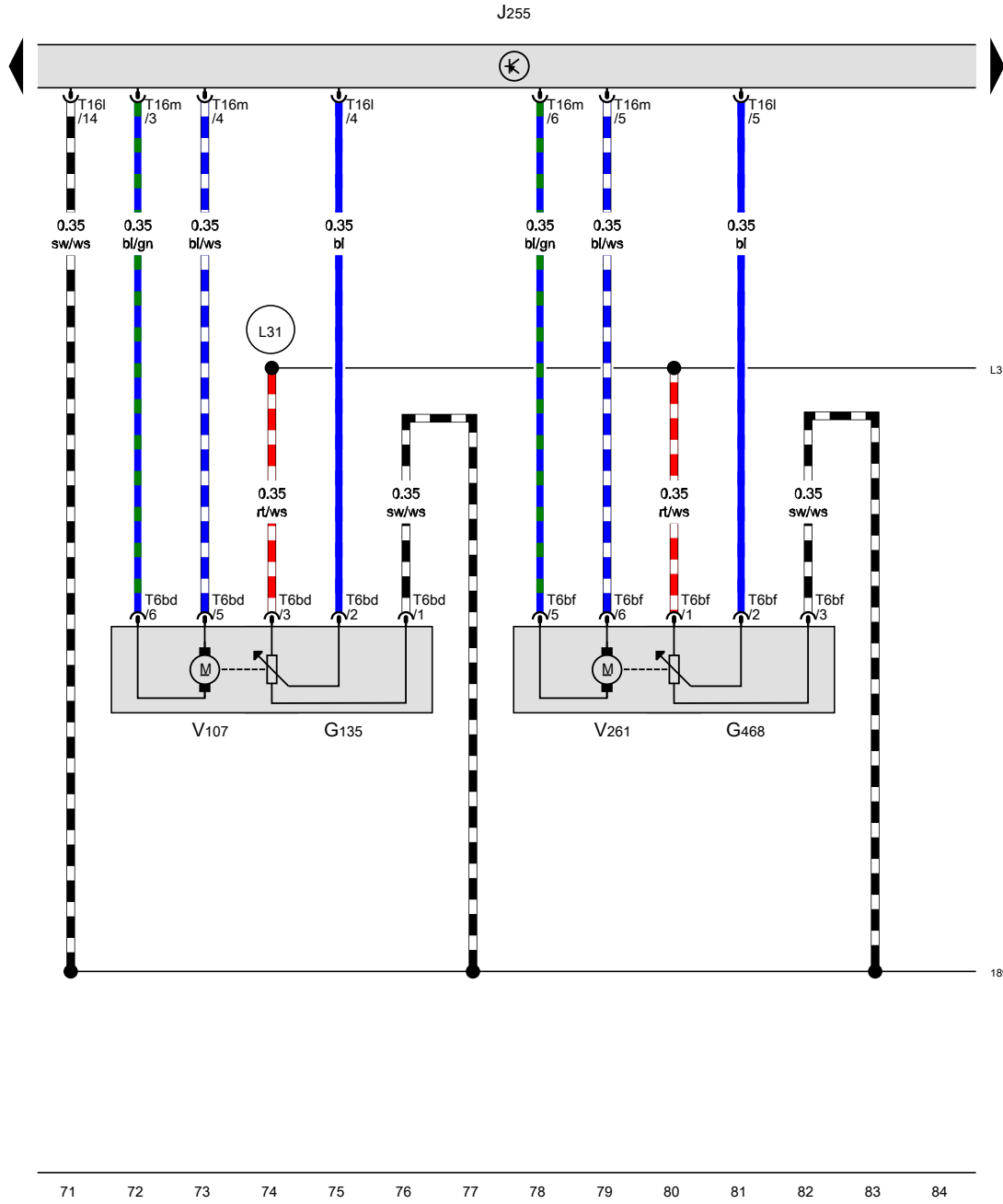
**Climatronic control unit, Onboard supply control unit, Air conditioner compressor regulating valve**

- J255 Climatronic control unit, in centre of dash panel
- J519 Onboard supply control unit
- N280 Air conditioner compressor regulating valve
- T17a 17-pin connector, behind glove compartment, black
- T17b 17-pin connector, on relay carrier, brown
- T17e 17-pin connector, near handbrake lever, red
- T20a 20-pin connector
- T73b 73-pin connector, colourless

- 28 Earth point, on bulkhead
- 68 Earth point, on left of rear cross member
- 86 Earth connection 1, in rear wiring harness
- 196 Earth connection 3, in rear wiring harness
- A146 Connection (convenience CAN bus, high), in dash panel wiring harness
- A147 Connection (convenience CAN bus, low), in dash panel wiring harness


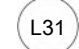
- ws = white
- sw = black
- ro = red
- br = brown
- gn = green
- bl = blue
- gr = grey
- li = purple
- ge = yellow
- or = orange
- rs = pink

[240-049061117]



Potentiometer for defroster flap control motor,  
 Potentiometer for footwell vent control motor, Climatronic  
 control unit, Defroster flap control motor, Footwell flap  
 control motor

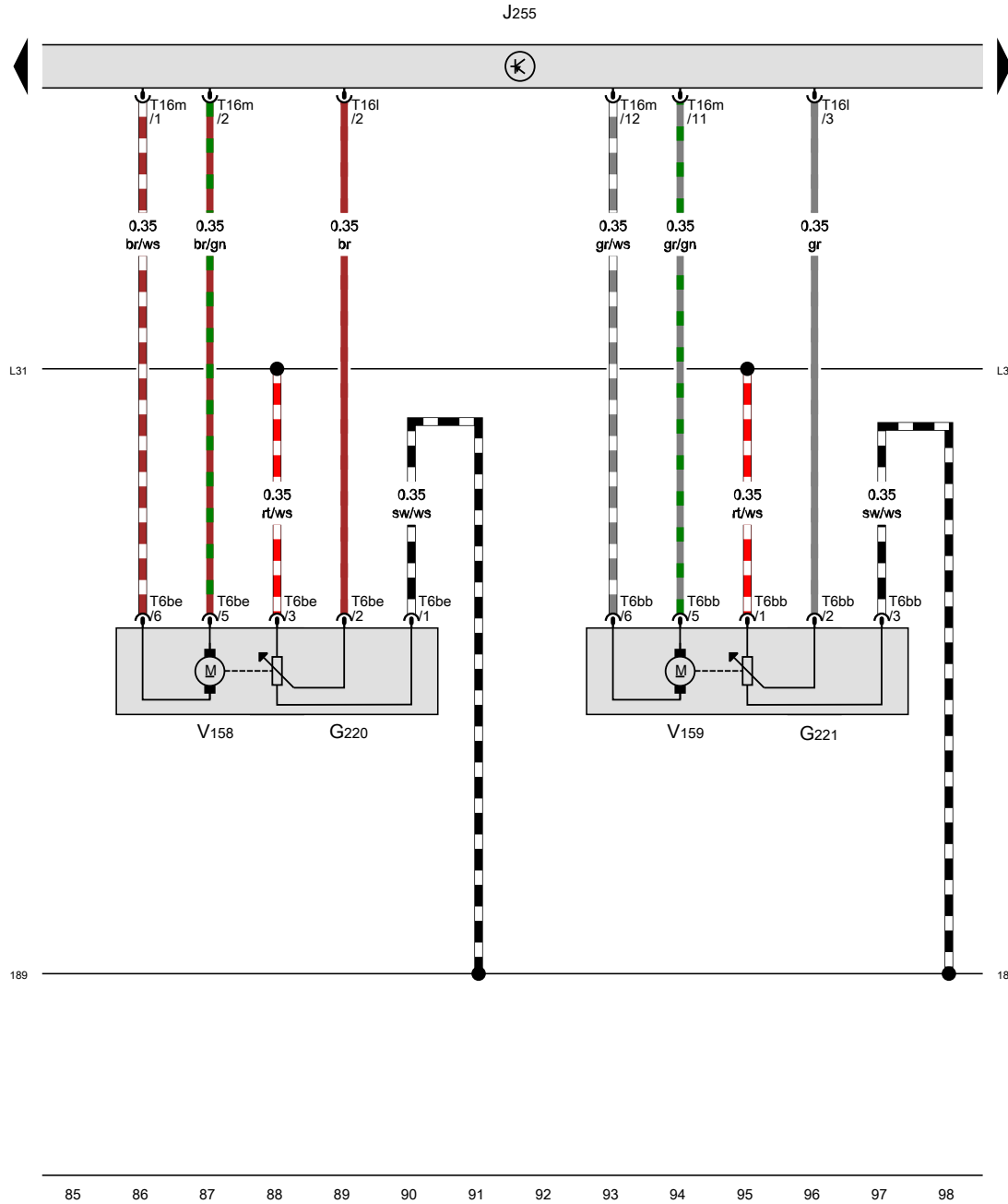
- G135 Potentiometer for defroster flap control motor
- G468 Potentiometer for footwell vent control motor
- J255 Climatronic control unit, in centre of dash panel
- T6bd 6-pin connector, black
- T6bf 6-pin connector
- T16l 16-pin connector, black
- T16m 16-pin connector, brown
- V107 Defroster flap control motor
- V261 Footwell flap control motor

-  189 Earth connection 1, in heater wiring harness
-  L31 Connection (5V), in air conditioning system wiring harness

- ws = white
- sw = black
- ro = red
- br = brown
- gn = green
- bl = blue
- gr = grey
- li = purple
- ge = yellow
- or = orange
- rs = pink

71 72 73 74 75 76 77 78 79 80 81 82 83 84

[7H0-049071112]



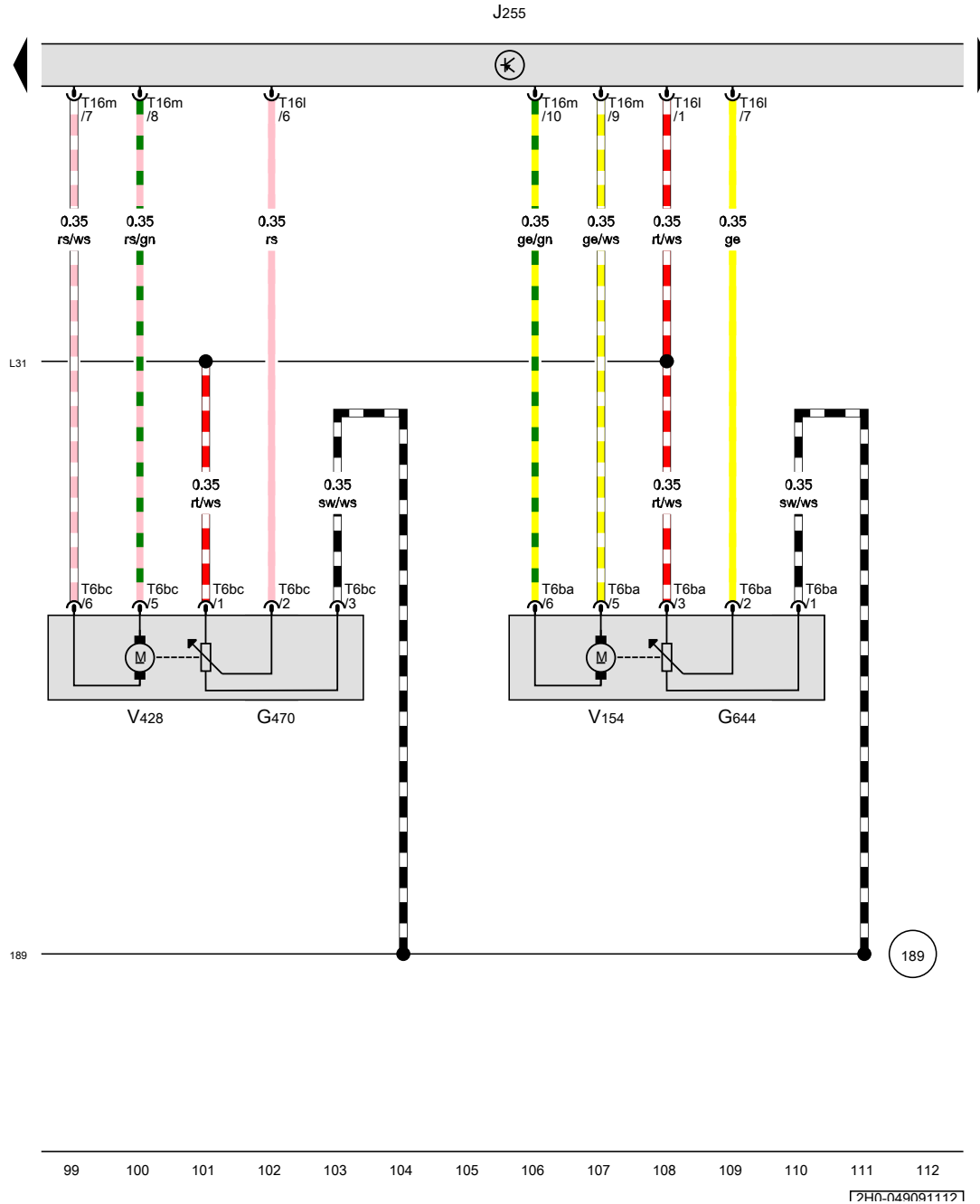
Potentiometer for left temperature flap control motor,  
 Potentiometer for right temperature flap control motor,  
 Climatronic control unit, Left temperature flap control motor,  
 Right temperature flap control motor

- G220 Potentiometer for left temperature flap control motor
- G221 Potentiometer for right temperature flap control motor
- J255 Climatronic control unit, in centre of dash panel
- T6bb 6-pin connector
- T6be 6-pin connector
- T16l 16-pin connector, black
- T16m 16-pin connector, brown
- V158 Left temperature flap control motor
- V159 Right temperature flap control motor

- (189) Earth connection 1, in heater wiring harness
- (L31) Connection (5V), in air conditioning system wiring harness

- ws = white
- sw = black
- ro = red
- br = brown
- gn = green
- bl = blue
- gr = grey
- li = purple
- ge = yellow
- or = orange
- rs = pink

[7H0-049081117]

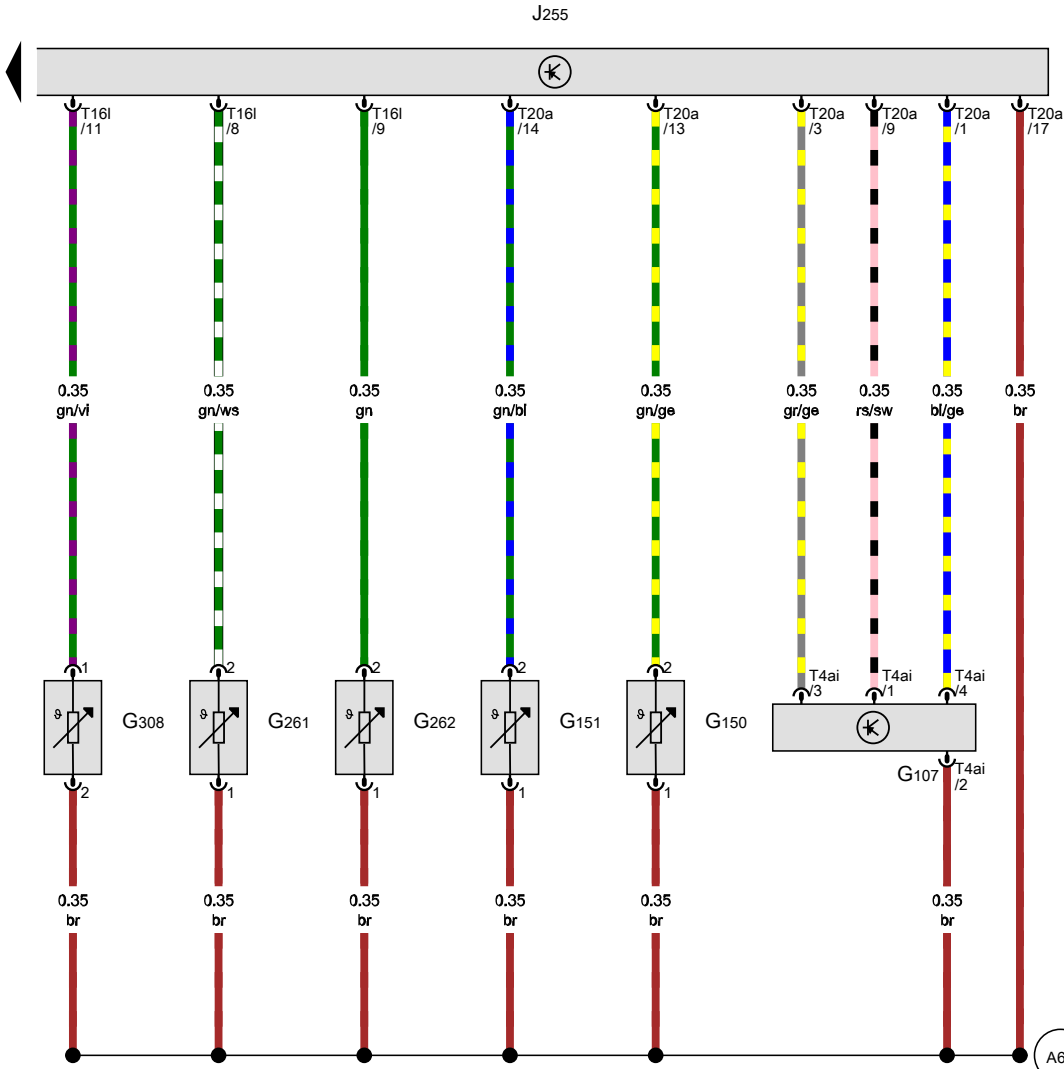


Potentiometer for front air distribution control motor, Potentiometer for fresh air/recirculated air, air flow flap control motor, Climatronic control unit, Fresh air and air recirculation flap control motor, Air distribution flap control motor

- G470 Potentiometer for front air distribution control motor
- G644 Potentiometer for fresh air/recirculated air, air flow flap control motor
- J255 Climatronic control unit, in centre of dash panel
- T6ba 6-pin connector
- T6bc 6-pin connector
- T16l 16-pin connector, black
- T16m 16-pin connector, brown
- V154 Fresh air and air recirculation flap control motor
- V428 Air distribution flap control motor
- 189 Earth connection 1, in heater wiring harness
- L31 Connection (5V), in air conditioning system wiring harness

7H0-0490911127





Sunlight penetration photosensor, Left vent temperature sender, Right vent temperature sender, Left footwell vent temperature sender, Right footwell vent temperature sender, Evaporator temperature sensor, Climatronic control unit

- G107 Sunlight penetration photosensor
- G150 Left vent temperature sender
- G151 Right vent temperature sender
- G261 Left footwell vent temperature sender
- G262 Right footwell vent temperature sender
- G308 Evaporator temperature sensor
- J255 Climatronic control unit, in centre of dash panel
- T4ai 4-pin connector, black
- T16l 16-pin connector, black
- T20a 20-pin connector
- A69 Connection (31, air conditioning system/blower control), in dash panel wiring harness

- ws = white
- sw = black
- ro = red
- br = brown
- gn = green
- bl = blue
- gr = grey
- li = purple
- ge = yellow
- or = orange
- rs = pink

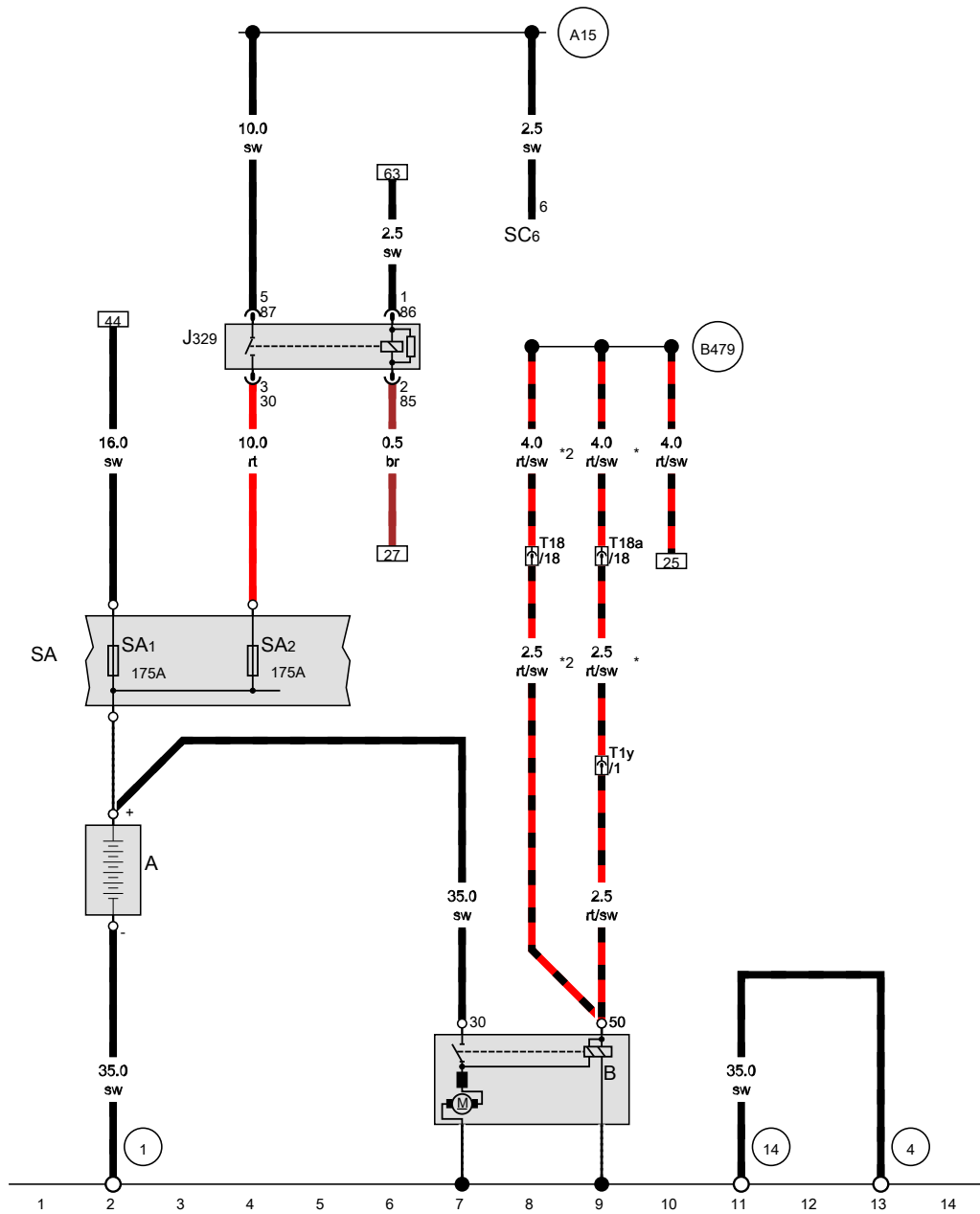
113 114 115 116 117 118 119 120 121 122 123 124 125 126

7PH-0491011171

**Basic equipment**

From June 2012

**Battery, Starter, Terminal 15 voltage supply relay, Fuse holder A**



- A Battery
- B Starter
- J329 Terminal 15 voltage supply relay
- SA Fuse holder A
- SA1 Fuse 1 in fuse holder A
- SA2 Fuse 2 in fuse holder A
- SC6 Fuse 6 on fuse holder C
- T1y Single connector, black
- T18 18-pin connector, near engine control unit, black
- T18a 18-pin connector, near engine control unit, grey
- 1 Earth strap, battery - body
- 4 Earth strap, battery - body - gearbox
- 14 Earth point, on gearbox
- A15 Positive connection (15), in instrument wiring harness
- B479 Connection 15, in main wiring harness
- \* Only models with diesel engine
- \*2 Only models with petrol engine

- ws = white
- sw = black
- ro = red
- br = brown
- gn = green
- bl = blue
- gr = grey
- li = purple
- ge = yellow
- or = orange
- rs = pink

7240-0500210121





Alternator with voltage regulator, Fuse 4 on fuse holder B

- CX1 Alternator with voltage regulator
- J519 Onboard supply control unit
- SB4 Fuse 4 on fuse holder B
- T18 18-pin connector, near engine control unit, black
- T73a 73-pin connector, black
- T73b 73-pin connector, colourless

12 Earth point, on left in engine compartment

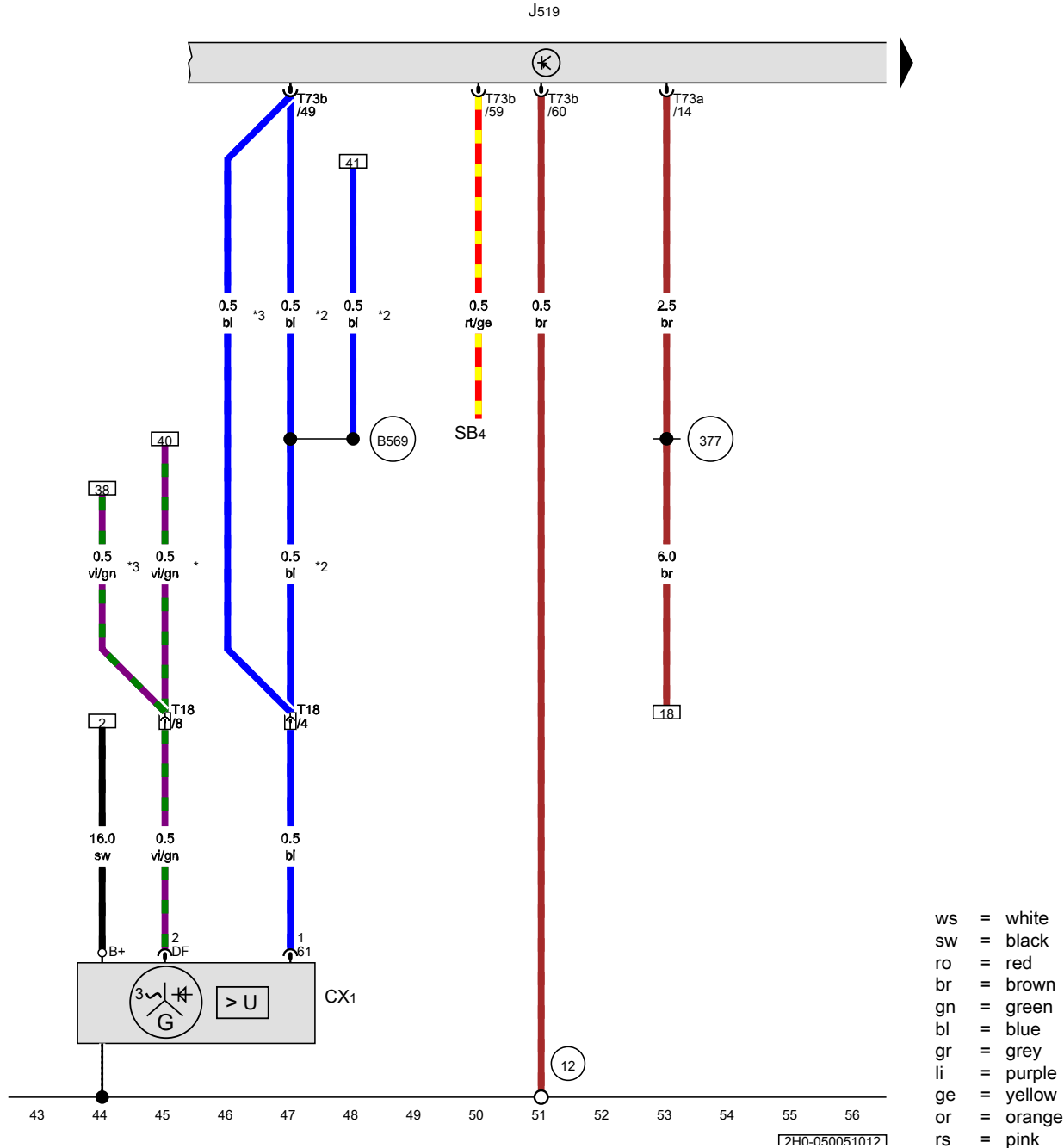
377 Earth connection 12, in main wiring harness

B569 Connection 36, in main wiring harness

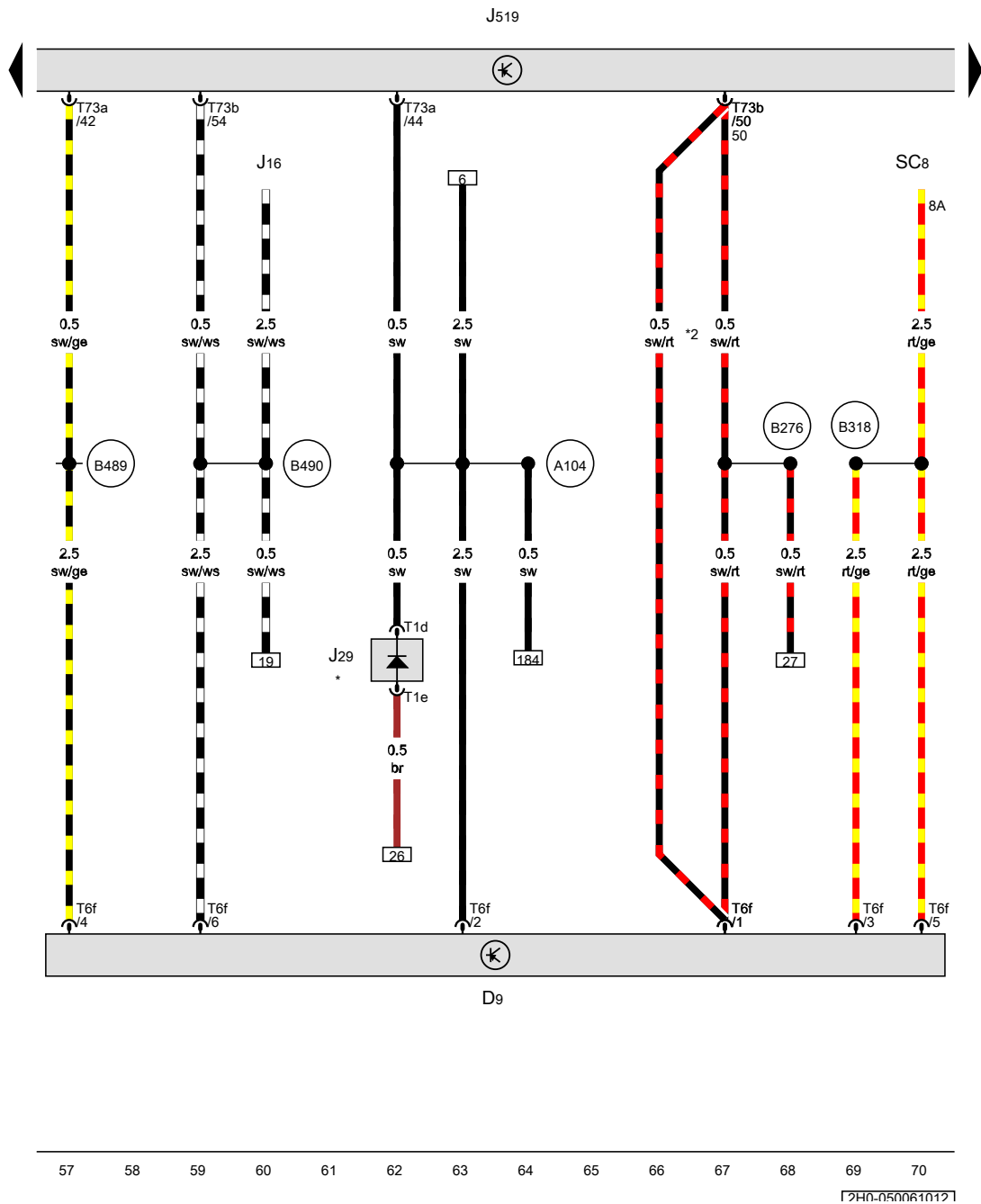
\* see applicable current flow diagram for engine

\*2 Only models with diesel engine

\*3 Only models with petrol engine



12H0-0500510121



Electronic ignition lock

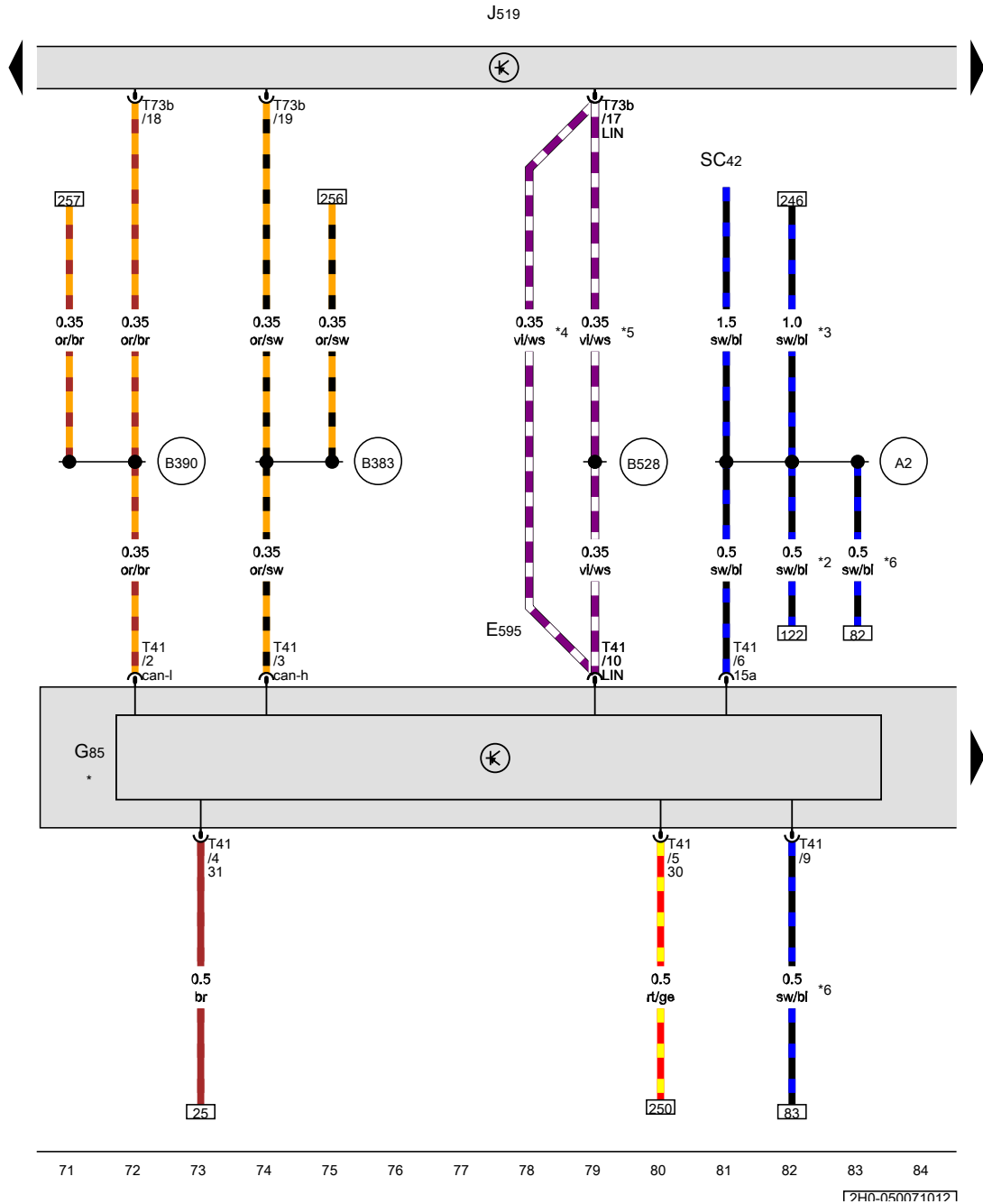
- D9 Electronic ignition lock
- J16 Current supply relay
- J29 Blocking diode, near steering column
- J519 Onboard supply control unit
- SC8 Fuse 8 on fuse holder C
- T1d Single connector, red
- T1e Single connector, red
- T6f 6-pin connector, black
- T73a 73-pin connector, black
- T73b 73-pin connector, colourless

- A104 Positive connection 2 (15), in dash panel wiring harness
- B276 Positive connection (50), in main wiring harness
- B318 Positive connection 4 (30a) in main wiring harness
- B489 Connection 25, in main wiring harness
- B490 Connection 26, in main wiring harness

\* Only models with cruise control system (CCS)  
 \*2 Only models with automatic gearbox

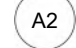
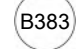
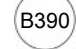
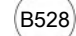
- ws = white
- sw = black
- ro = red
- br = brown
- gn = green
- bl = blue
- gr = grey
- li = purple
- ge = yellow
- or = orange
- rs = pink

1740-0500610171



Steering column combination switch, Steering angle sender

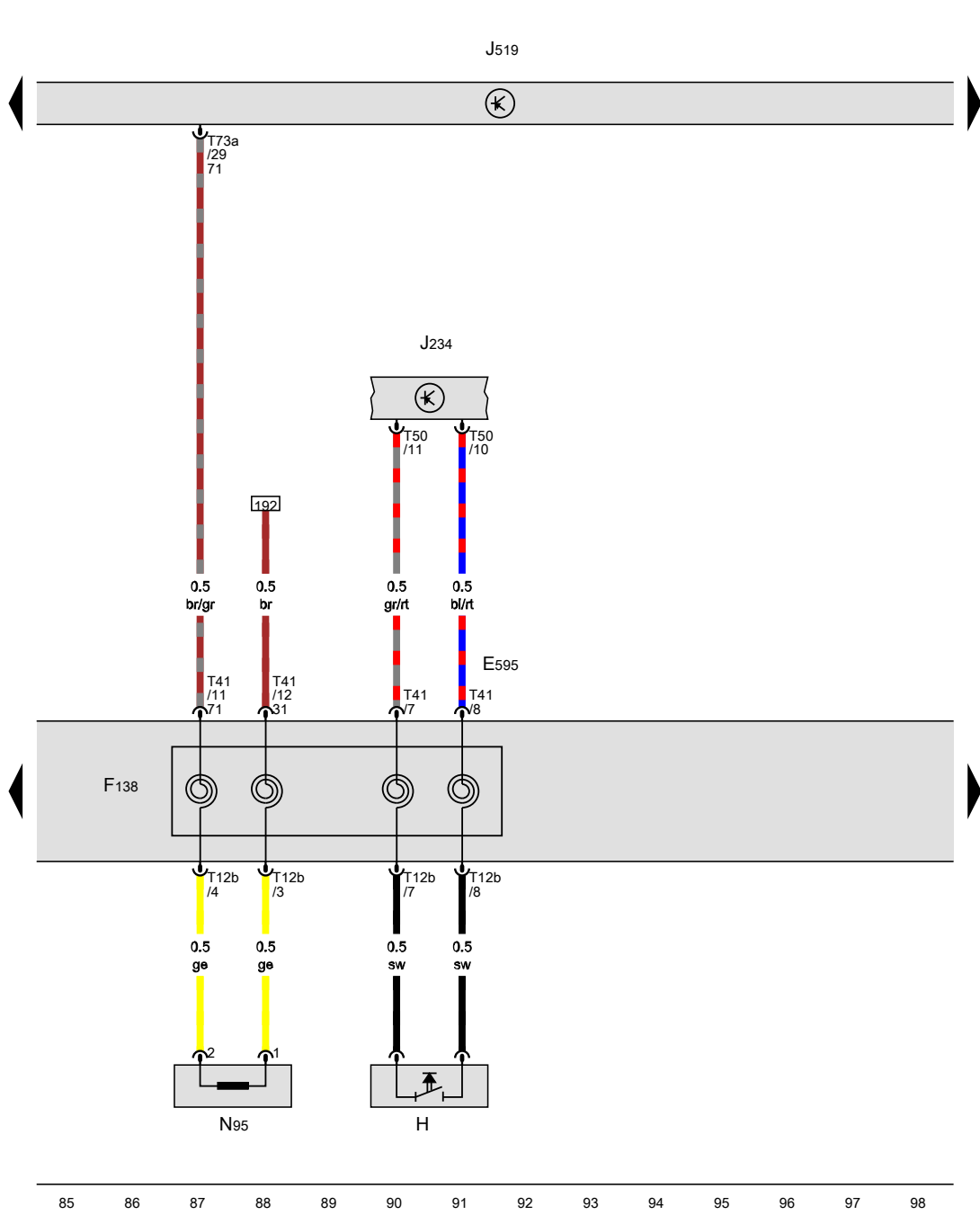
- E595 Steering column combination switch
- G85 Steering angle sender
- J519 Onboard supply control unit
- SC42 Fuse 42 on fuse holder C
- T41 41-pin connector, grey
- T73b 73-pin connector, colourless

-  A2 Positive connection (15), in dash panel wiring harness
-  B383 Connection 1 (powertrain CAN bus, high), in main wiring harness
-  B390 Connection 1 (powertrain CAN bus, low), in main wiring harness
-  B528 Connection 1 (LIN bus) in main wiring harness

- \* Only models with anti-lock brake system (ABS) and electronic stabilisation program (ESP)
- \*2 Only models with cruise control system (CCS)
- \*3 Only models with Euro 5 emission standard
- \*4 Only models with manual window regulators
- \*5 Only models with electric window regulators
- \*6 From November 2011

- ws = white
- sw = black
- ro = red
- br = brown
- gn = green
- bl = blue
- gr = grey
- li = purple
- ge = yellow
- or = orange
- rs = pink



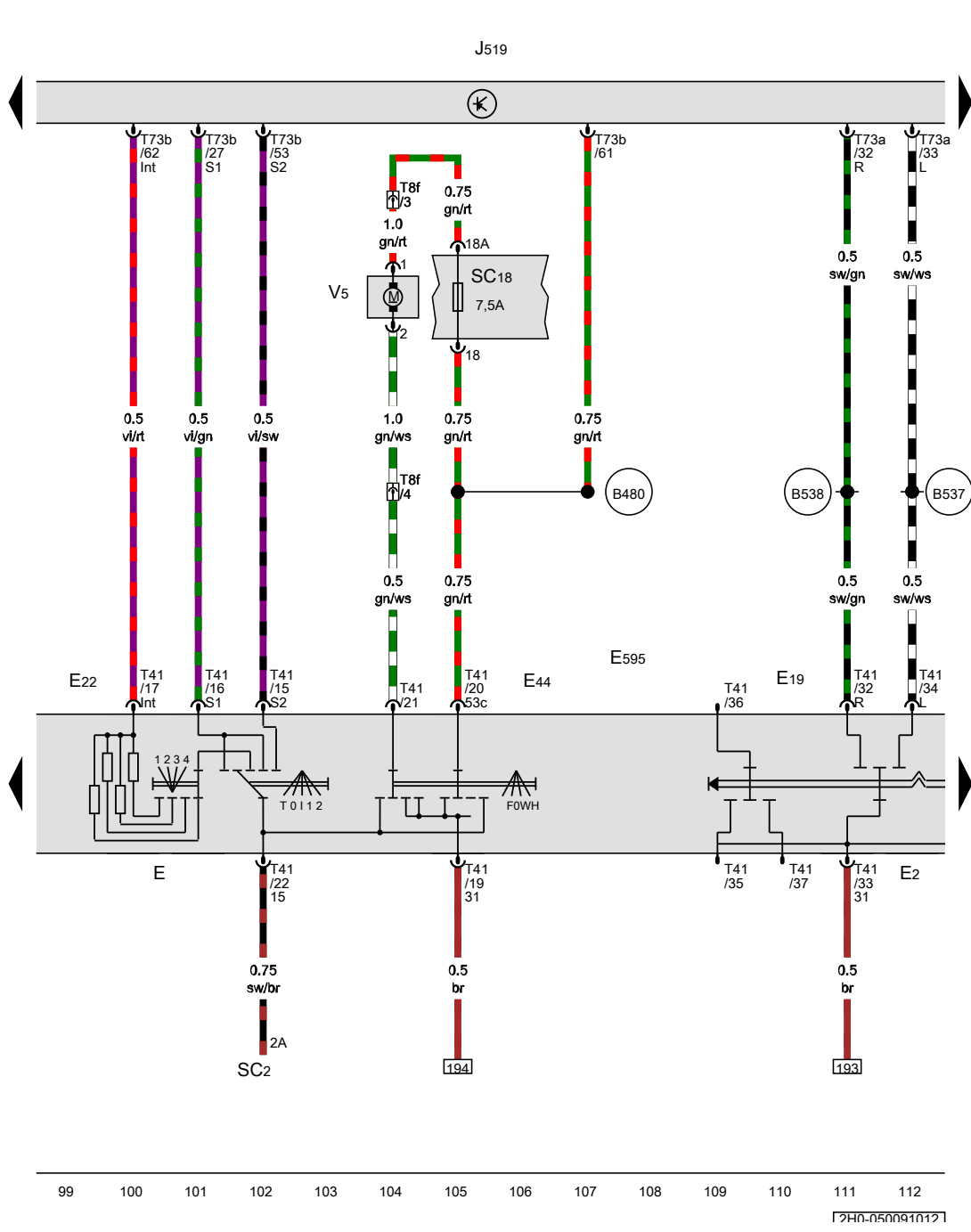


**Steering column combination switch, Airbag coil connector and return ring with slip ring, Horn plate, Airbag control unit**

- E595 Steering column combination switch
- F138 Airbag coil connector and return ring with slip ring, on steering wheel
- H Horn plate
- J234 Airbag control unit
- J519 Onboard supply control unit
- N95 Driver side airbag igniter
- T12b 12-pin connector, yellow
- T41 41-pin connector, grey
- T50 50-pin connector, yellow
- T73a 73-pin connector, black

85 86 87 88 89 90 91 92 93 94 95 96 97 98

12H0-0500810121

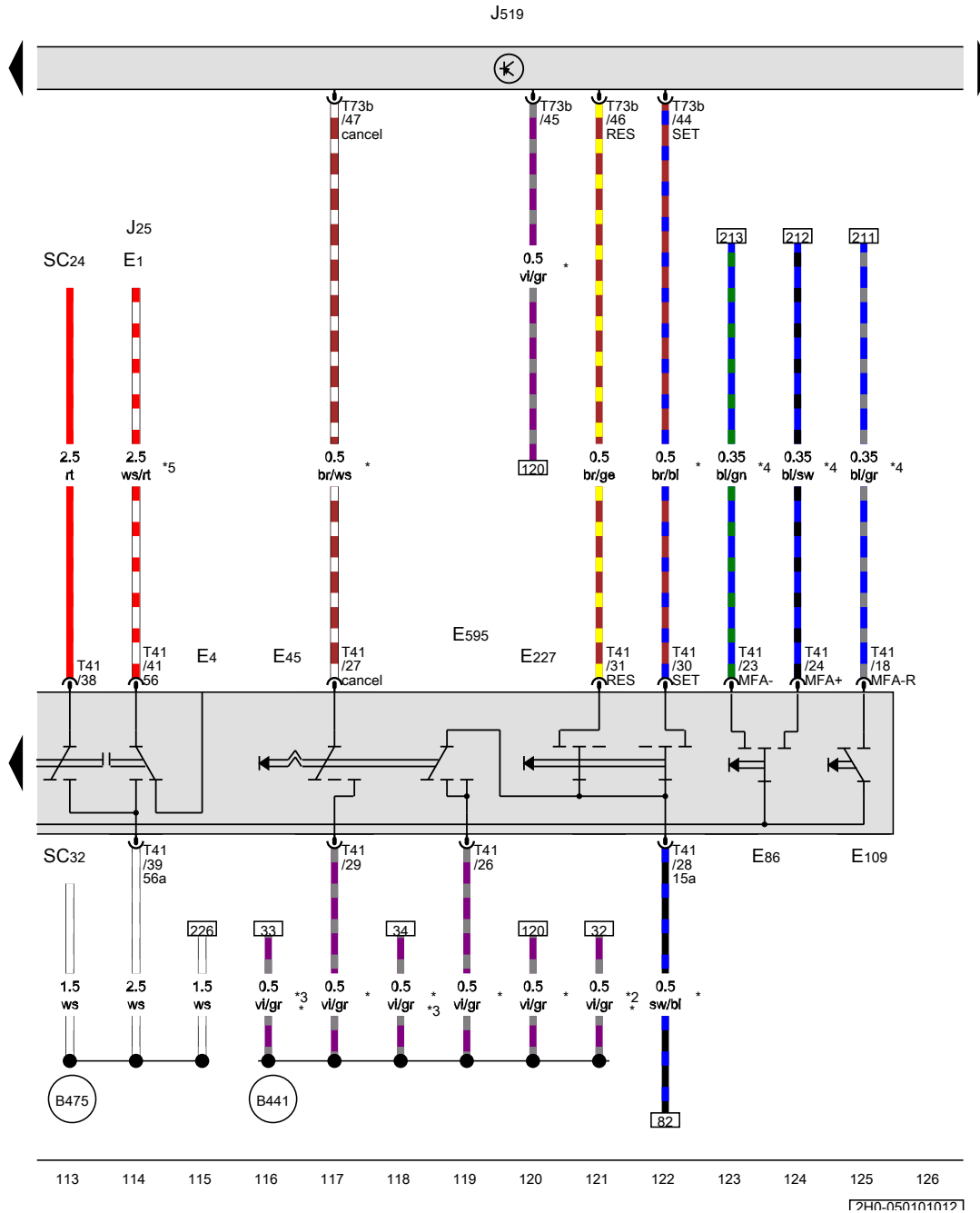


Turn signal switch, Intermittent wiper switch, Washer pump switch (automatic wash/wipe and headlight washer system), Steering column combination switch, Washer pump

- E Windscreen wiper switch
  - E2 Turn signal switch
  - E19 Parking light switch
  - E22 Intermittent wiper switch
  - E44 Washer pump switch (automatic wash/wipe and headlight washer system)
  - E595 Steering column combination switch
  - J519 Onboard supply control unit
  - SC2 Fuse 2 on fuse holder C
  - SC18 Fuse 18 on fuse holder C
  - T8f 8-pin connector, in rear left of engine compartment, black
  - T41 41-pin connector, grey
  - T73a 73-pin connector, black
  - T73b 73-pin connector, colourless
  - V5 Washer pump
- B480 Connection 16, in main wiring harness
  - B537 Connection 28, in main wiring harness
  - B538 Connection 29, in main wiring harness

- ws = white
- sw = black
- ro = red
- br = brown
- gn = green
- bl = blue
- gr = grey
- li = purple
- ge = yellow
- or = orange
- rs = pink

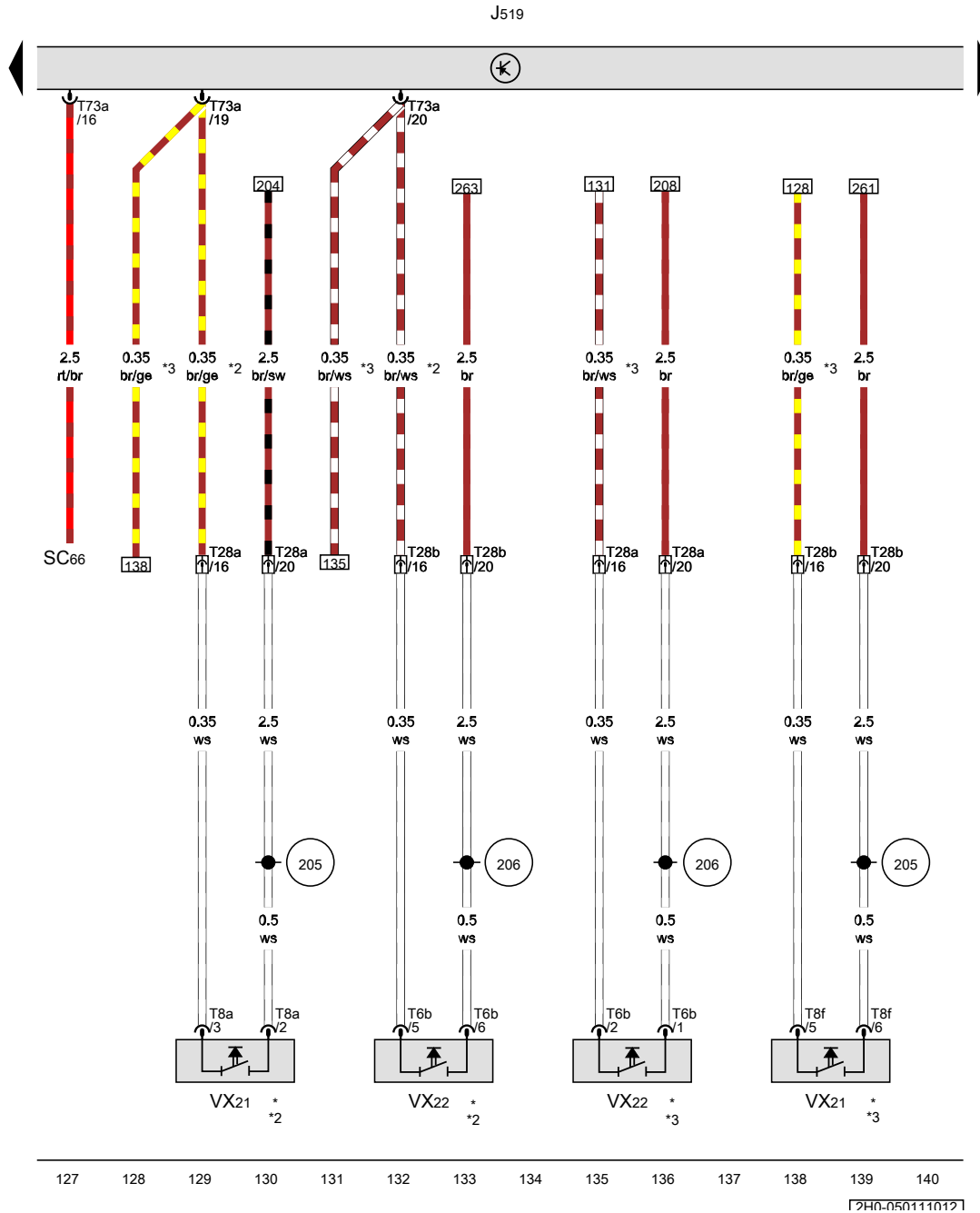
Light switch, Headlight dipper and flasher switch, Cruise control system switch, Multifunction display call-up button, Multifunction display memory switch, Steering column combination switch



- E1 Light switch
  - E4 Headlight dipper and flasher switch
  - E45 Cruise control system switch
  - E86 Multifunction display call-up button
  - E109 Multifunction display memory switch
  - E227 Cruise control system (CCS) SET button
  - E595 Steering column combination switch
  - J25 Headlight relay
  - J519 Onboard supply control unit
  - SC24 Fuse 24 on fuse holder C
  - SC32 Fuse 32 on fuse holder C
  - T41 41-pin connector, grey
  - T73b 73-pin connector, colourless
- B441 Connection (CCS), in main wiring harness
  - B475 Connection 11, in main wiring harness
- \* Only models with cruise control system (CCS)
  - \*2 Only models with petrol engine
  - \*3 Only models with diesel engine
  - \*4 Only models with multifunction display
  - \*5 see applicable current flow diagram for exterior lighting

- ws = white
- sw = black
- ro = red
- br = brown
- gn = green
- bl = blue
- gr = grey
- li = purple
- ge = yellow
- or = orange
- rs = pink

Driver door lock unit, Front passenger door lock unit



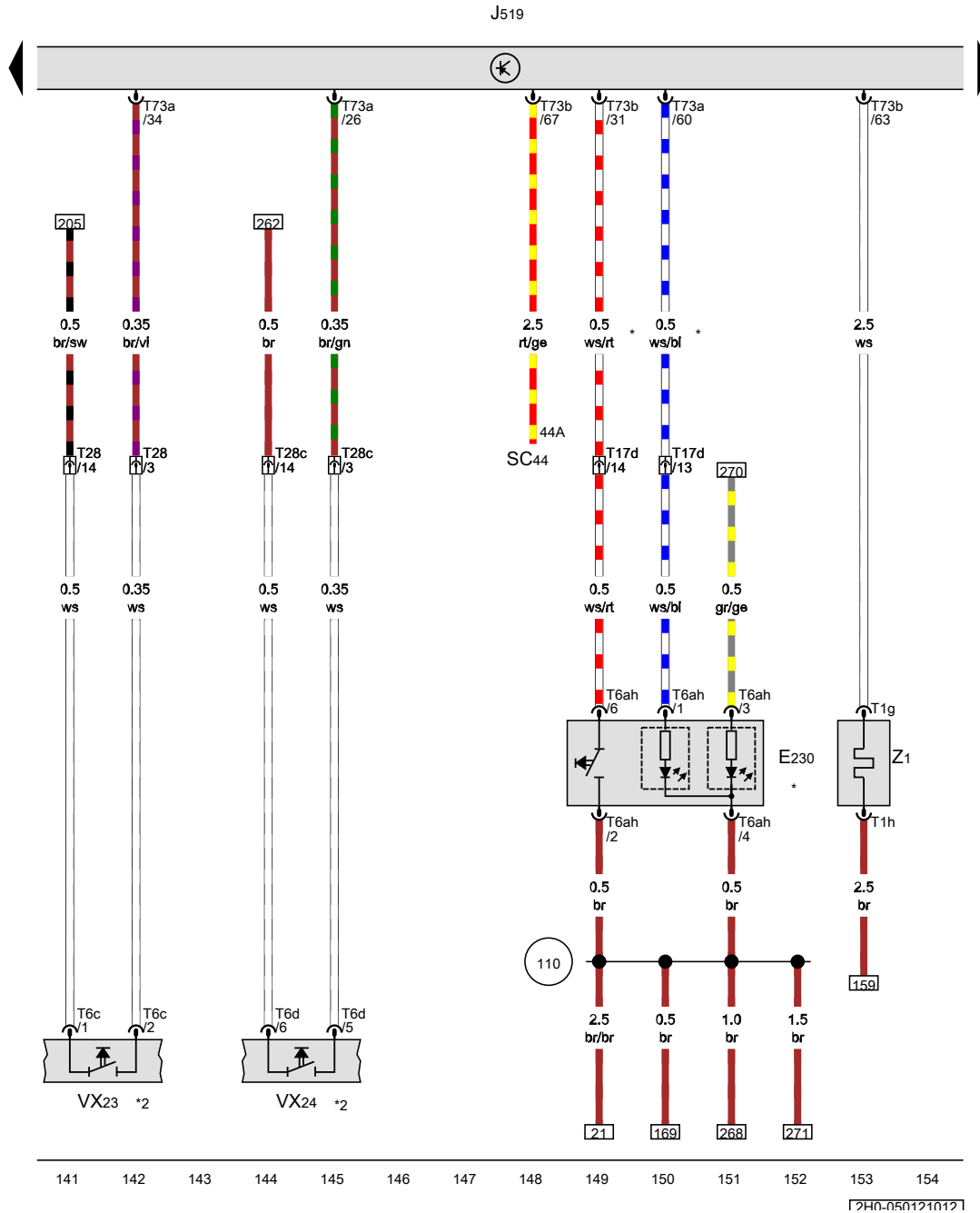
- J519 Onboard supply control unit
- SC66 Fuse 66 on fuse holder C
- T6b 6-pin connector, black
- T8a 8-pin connector, black
- T8f 8-pin connector, black
- T28a 28-pin connector, on left A-pillar, grey
- T28b 28-pin connector, on right A-pillar, grey
- T73a 73-pin connector, black
- VX21 Driver door lock unit
- VX22 Front passenger door lock unit
- 205 Earth connection, in driver door wiring harness
- 206 Earth connection, in front passenger door wiring harness
- \* Only models with no central locking
- \*2 Only left-hand drive models
- \*3 Only right-hand drive models

- ws = white
- sw = black
- ro = red
- br = brown
- gn = green
- bl = blue
- gr = grey
- li = purple
- ge = yellow
- or = orange
- rs = pink

127 128 129 130 131 132 133 134 135 136 137 138 139 140

1740-0501110121

Heated rear window button, Rear left door lock unit, Rear right door lock unit, Heated rear window

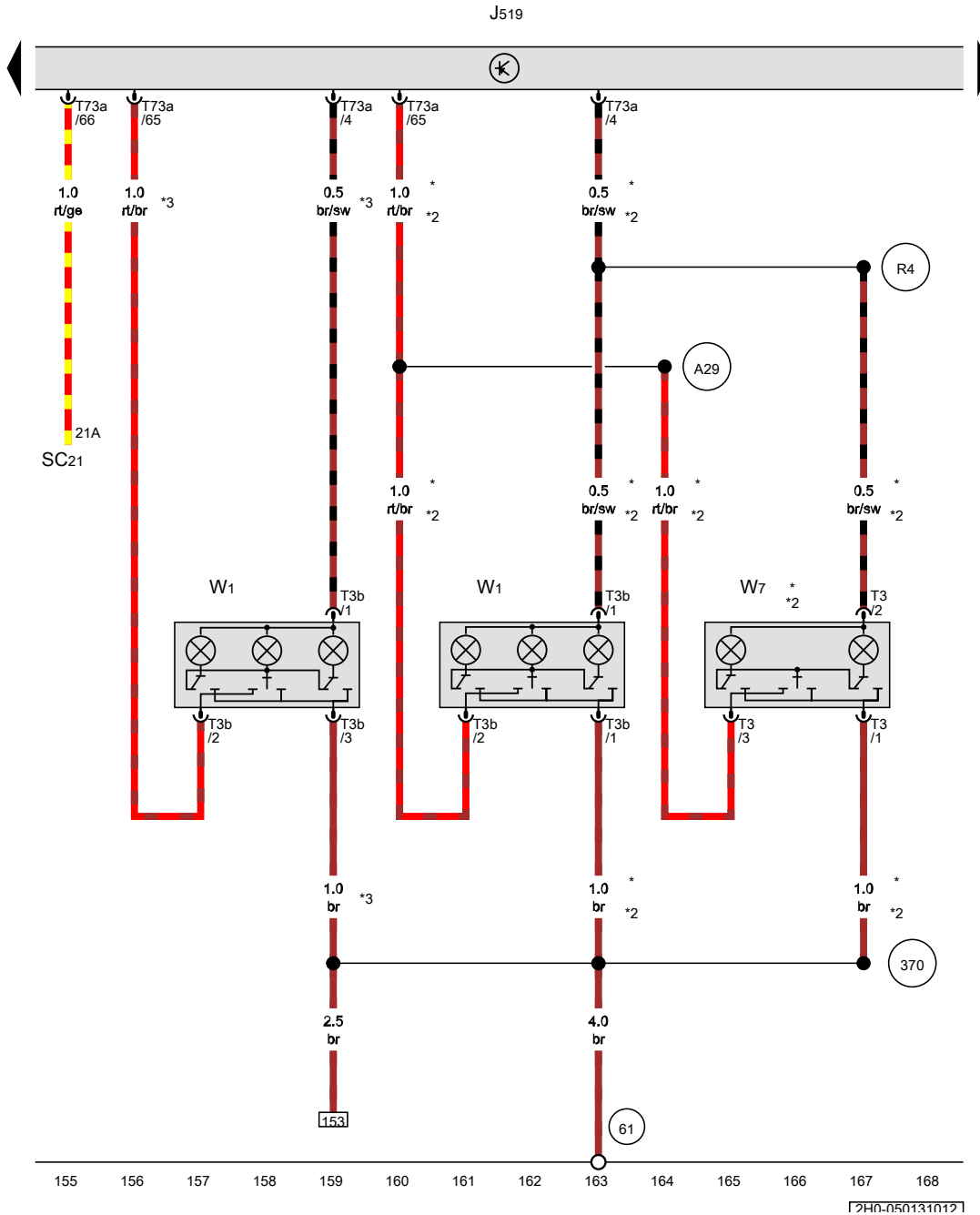


- E230 Heated rear window button, near radio
- J519 Onboard supply control unit
- SC44 Fuse 44 on fuse holder C
- T1g Single connector, black
- T1h Single connector, black
- T6ah 6-pin connector, brown
- T6c 6-pin connector, black
- T6d 6-pin connector, grey
- T17d 17-pin connector, on left under dash panel, red
- T28 28-pin connector, on left B-pillar, grey
- T28c 28-pin connector, on right B-pillar, grey
- T73a 73-pin connector, black
- T73b 73-pin connector, colourless
- VX23 Rear left door lock unit
- VX24 Rear right door lock unit
- Z1 Heated rear window
- 110 Earth connection 2, in dash panel wiring harness
- \* Only models with no air conditioning system/Climatronic
- \*2 Only models with no central locking

- ws = white
- sw = black
- ro = red
- br = brown
- gn = green
- bl = blue
- gr = grey
- li = purple
- ge = yellow
- or = orange
- rs = pink

141 142 143 144 145 146 147 148 149 150 151 152 153 154

1740-0501210121



Front interior light, Centre interior light

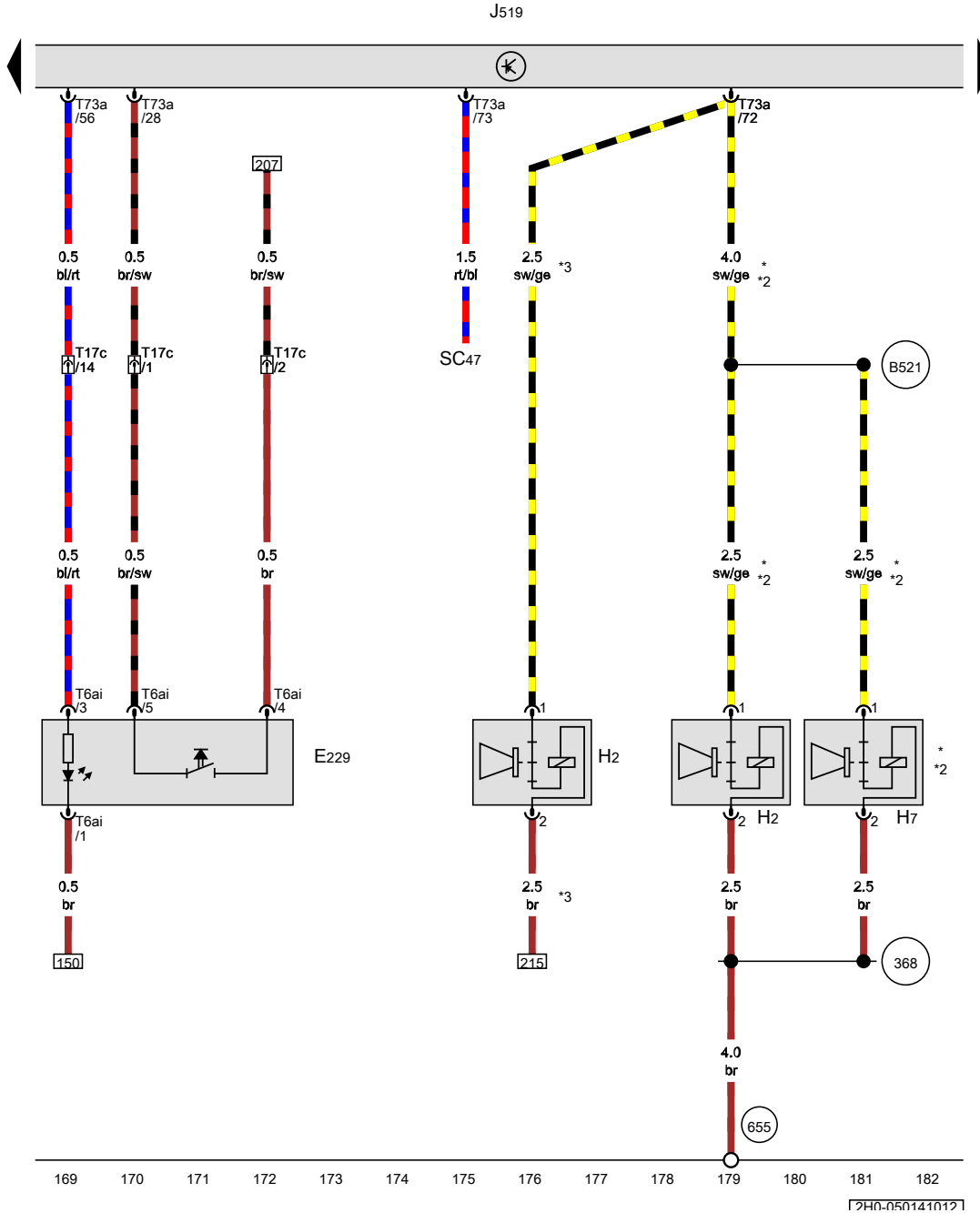
- J519 Onboard supply control unit
- SC21 Fuse 21 on fuse holder C
- T3 3-pin connector, black
- T3b 3-pin connector, black
- T73a 73-pin connector, black
- W1 Front interior light
- W7 Centre interior light

- 61 Earth point, left C-pillar
- 370 Earth connection 5, in main wiring harness
- A29 Connection (interior light), in dash panel wiring harness
- R4 Connection 1, in interior light/door contact switch wiring harness
- \* Only models with double cab
- \*2 Only models with Highline equipment
- \*3 Only models with basic equipment

- ws = white
- sw = black
- ro = red
- br = brown
- gn = green
- bl = blue
- gr = grey
- li = purple
- ge = yellow
- or = orange
- rs = pink

1740-0501310121

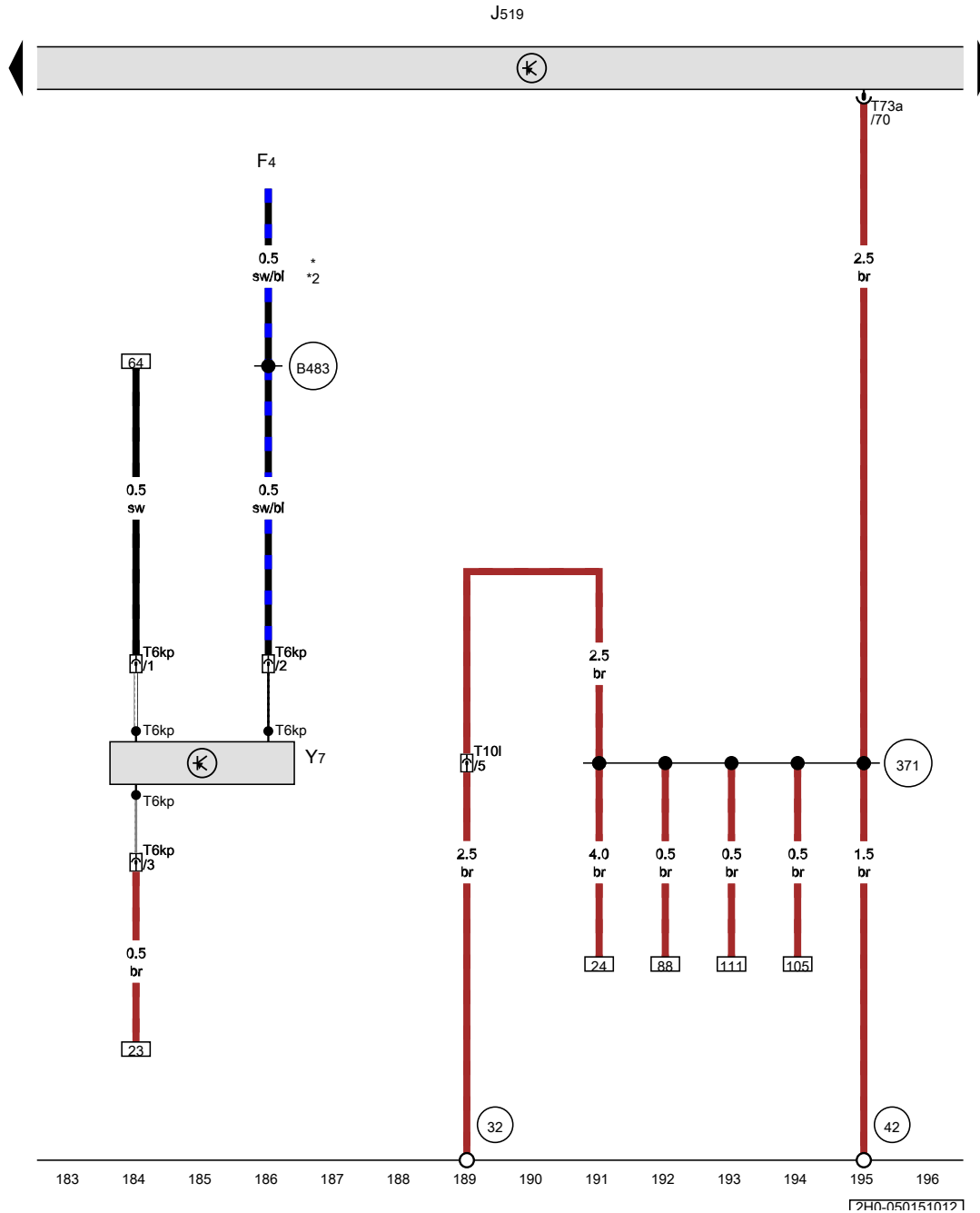
Hazard warning lights button, Treble horn, Bass horn



- E229 Hazard warning lights button, near radio
- H2 Treble horn
- H7 Bass horn
- J519 Onboard supply control unit
- SC47 Fuse 47 on fuse holder C
- T6ai 6-pin connector, black, red
- T17c 17-pin connector, on left under dash panel, black
- T73a 73-pin connector, black
- 368 Earth connection 3, in main wiring harness
- 655 Earth point, on left headlight
- B521 Connection (dual tone horn), in main wiring harness
- \* Only models with Highline equipment
- \*2 Only models with Trendline equipment
- \*3 Only models with basic equipment

- ws = white
- sw = black
- ro = red
- br = brown
- gn = green
- bl = blue
- gr = grey
- li = purple
- ge = yellow
- or = orange
- rs = pink

1740-0501410171



- F4 Reversing light switch
- J519 Onboard supply control unit
- T6kp 6-pin connector, on interior mirror, black
- T10l 10-pin connector, on left under dash panel, blue
- T73a 73-pin connector, black
- Y7 Automatic anti-dazzle interior mirror, on interior mirror

- 32 Earth point, on left behind dash panel
- 42 Earth point, next to steering column
- 371 Earth connection 6, in main wiring harness
- B483 Connection 19, in main wiring harness

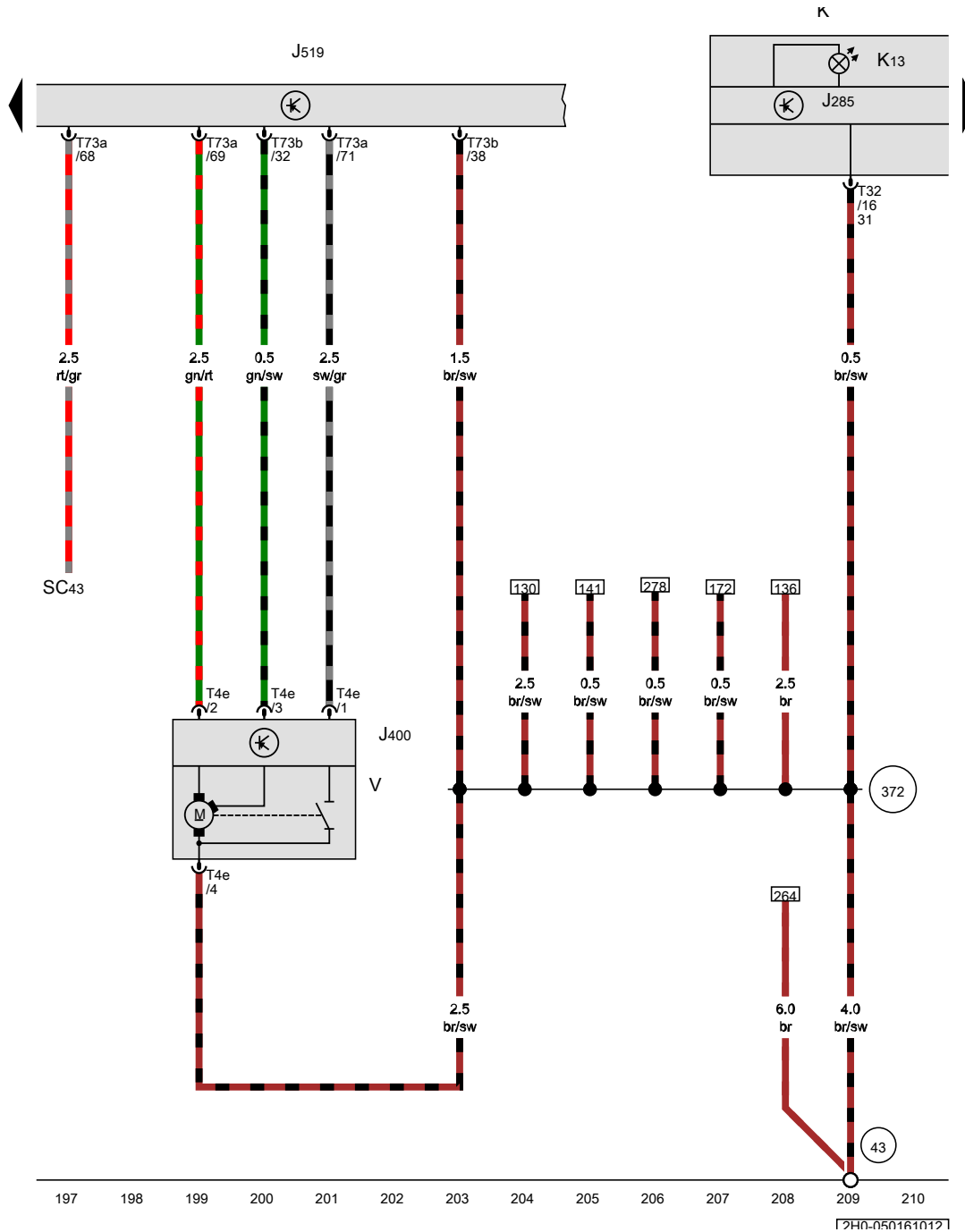
\* see applicable current flow diagram for exterior lighting  
 \*2 Only models with automatic driving lights control

ws = white  
 sw = black  
 ro = red  
 br = brown  
 gn = green  
 bl = blue  
 gr = grey  
 li = purple  
 ge = yellow  
 or = orange  
 rs = pink

183 184 185 186 187 188 189 190 191 192 193 194 195 196

1740-0501510121



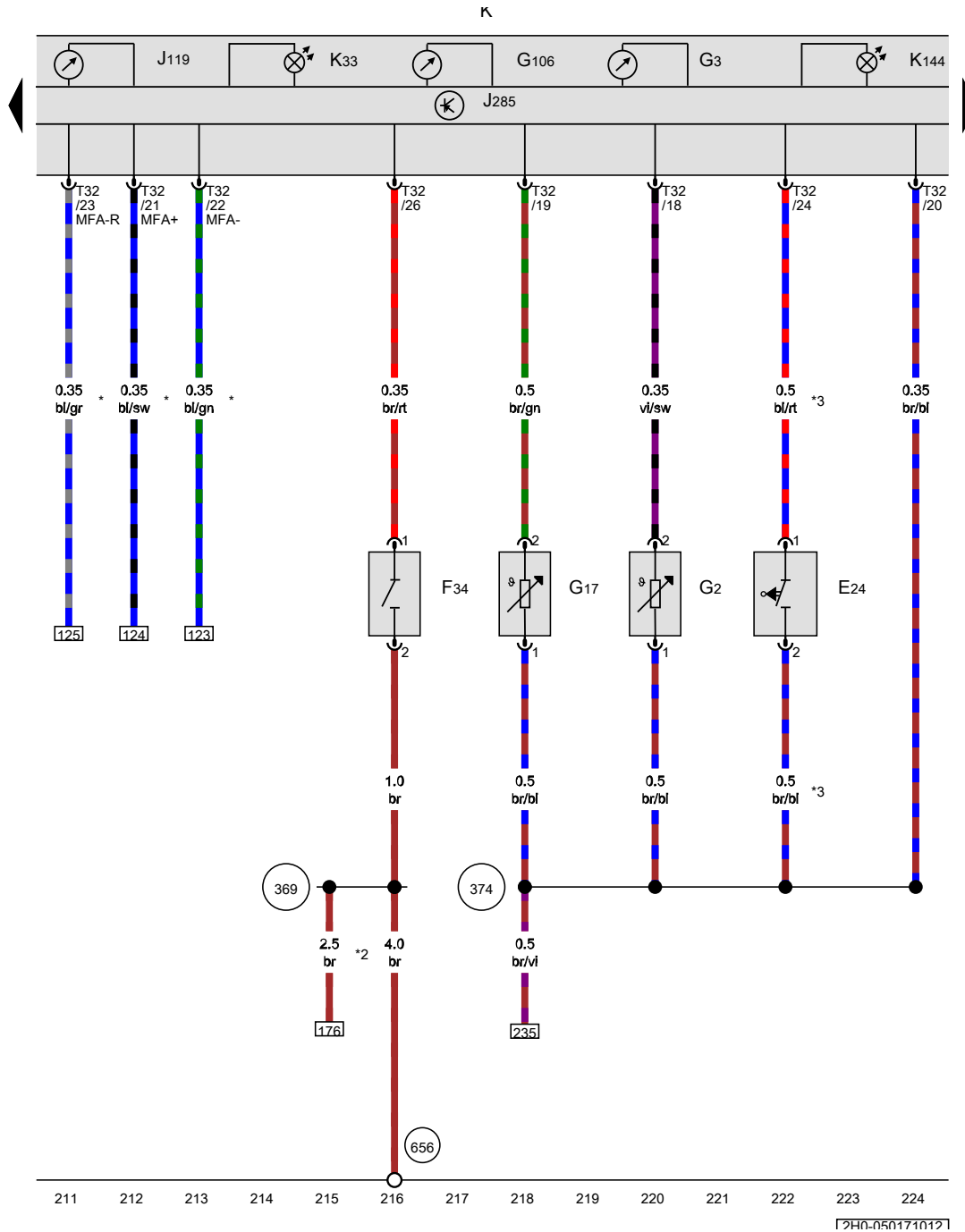


Dash panel insert, Windscreen wiper motor

- J285 Control unit in dash panel insert
- J400 Wiper motor control unit
- J519 Onboard supply control unit
- K Dash panel insert
- K13 Rear fog light warning lamp
- SC43 Fuse 43 on fuse holder C
- T4e 4-pin connector, black
- T32 32-pin connector, blue
- T73a 73-pin connector, black
- T73b 73-pin connector, colourless
- V Windscreen wiper motor

- 43 Earth point, lower part of right A-pillar
- 372 Earth connection 7, in main wiring harness

- ws = white
- sw = black
- ro = red
- br = brown
- gn = green
- bl = blue
- gr = grey
- li = purple
- ge = yellow
- or = orange
- rs = pink



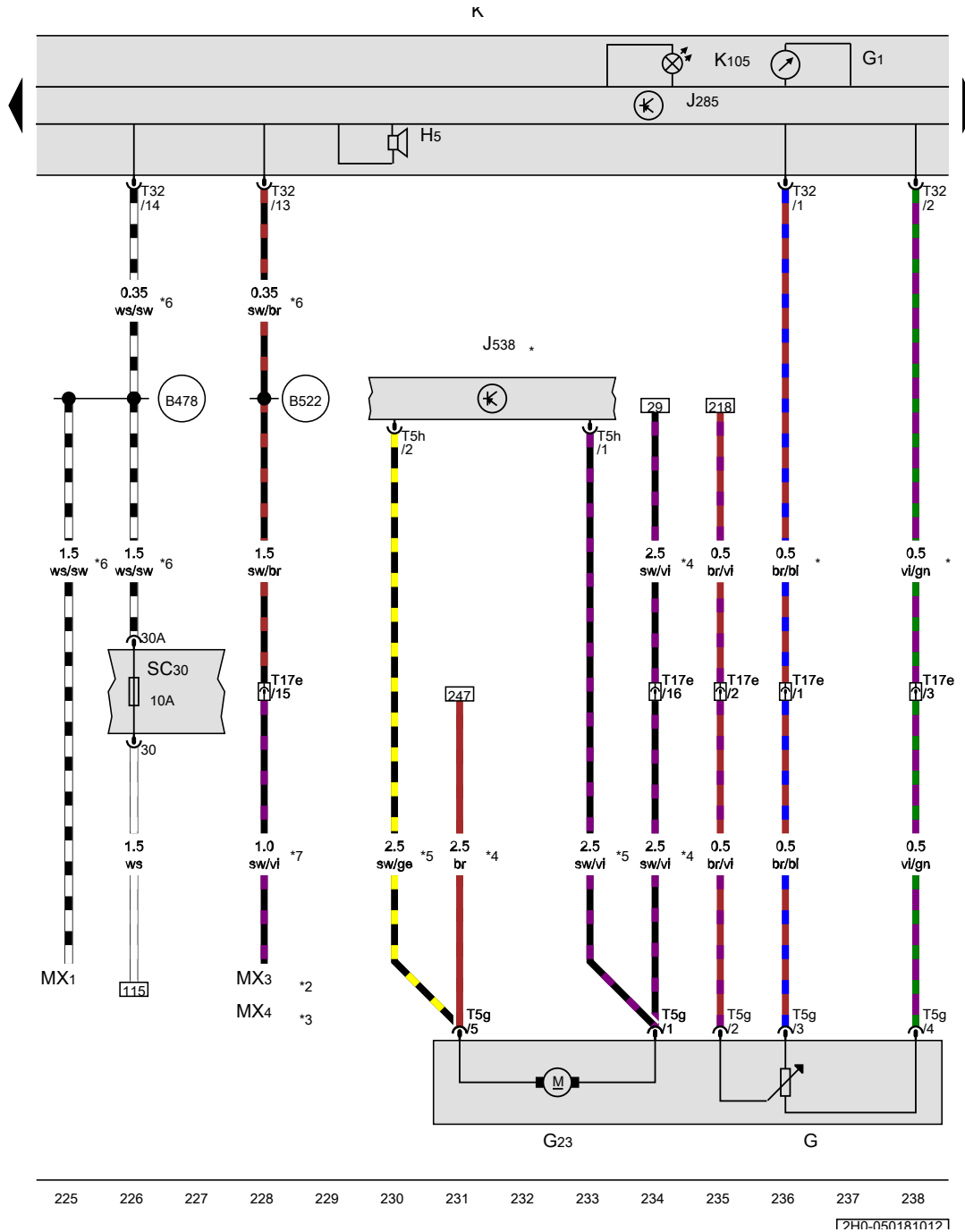
Driver side belt switch, Brake fluid level warning contact, Coolant temperature display sender, Coolant temperature gauge, Ambient temperature sensor, Ambient temperature indicator, Multifunction indicator, Dash panel insert, Brake fluid level warning lamp, Driver side airbag deactivated warning lamp

- E24 Driver side belt switch
- F34 Brake fluid level warning contact
- G2 Coolant temperature display sender
- G3 Coolant temperature gauge
- G17 Ambient temperature sensor
- G106 Ambient temperature indicator
- J119 Multifunction indicator
- J285 Control unit in dash panel insert
- K Dash panel insert
- K33 Brake fluid level warning lamp
- K144 Driver side airbag deactivated warning lamp
- T32 32-pin connector, blue

- 369 Earth connection 4, in main wiring harness
- 374 Earth connection 9, in main wiring harness
- 656 Earth point, on right headlight, on right on bulkhead
- \* Only models with multifunction display
- \*2 Only models with basic equipment
- \*3 Only models with no airbag

- ws = white
- sw = black
- ro = red
- br = brown
- gn = green
- bl = blue
- gr = grey
- li = purple
- ge = yellow
- or = orange
- rs = pink

17H0-050171017



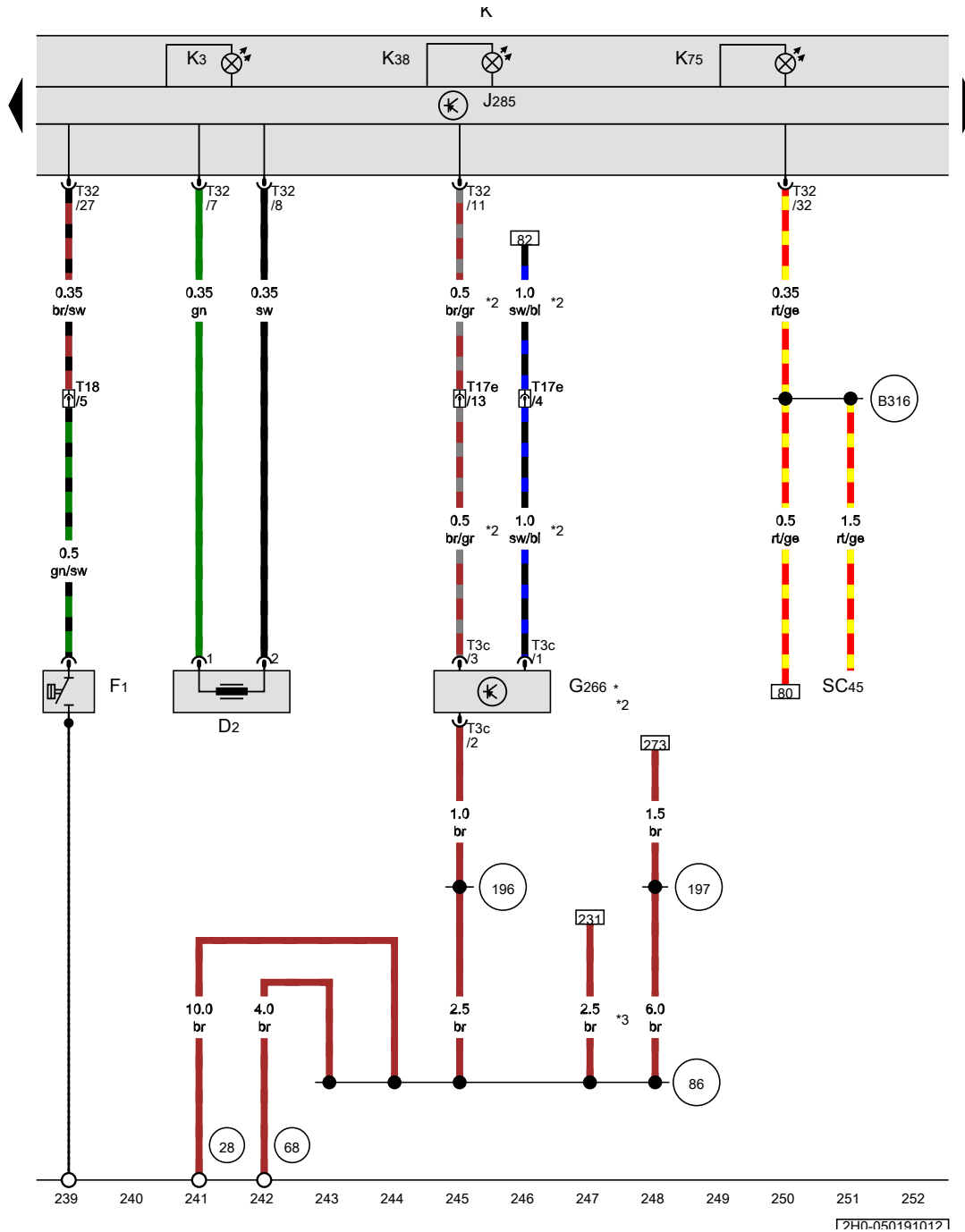
Fuel gauge, Fuel pump, Ignition and starter key warning system buzzer and gong, Fuel pump control unit, Dash panel insert, Reserve fuel warning lamp

- G Fuel gauge sender
- G1 Fuel gauge
- G23 Fuel pump
- H5 Ignition and starter key warning system buzzer and gong
- J285 Control unit in dash panel insert
- J538 Fuel pump control unit
- K Dash panel insert
- K105 Reserve fuel warning lamp
- MX1 Front left headlight
- MX3 Left tail light
- MX4 Right tail light
- SC30 Fuse 30 on fuse holder C
- T5g 5-pin connector, black
- T5h 5-pin connector, black
- T17e 17-pin connector, near handbrake lever, red
- T32 32-pin connector, blue

- B478 Connection 14, in main wiring harness
- B522 Connection (FL), in main wiring harness

- \* see applicable current flow diagram for engine
- \*2 Left-hand drive models
- \*3 Only right-hand drive models
- \*4 Only models with diesel engine
- \*5 Only models with petrol engine
- \*6 Only models with no start/stop system
- \*7 Only models with no towing bracket

- ws = white
- sw = black
- ro = red
- br = brown
- gn = green
- bl = blue
- gr = grey
- li = purple
- ge = yellow
- or = orange
- rs = pink



Immobiliser reader coil, Oil pressure switch, Oil level and oil temperature sender, Dash panel insert, Oil pressure warning lamp, Oil level warning lamp

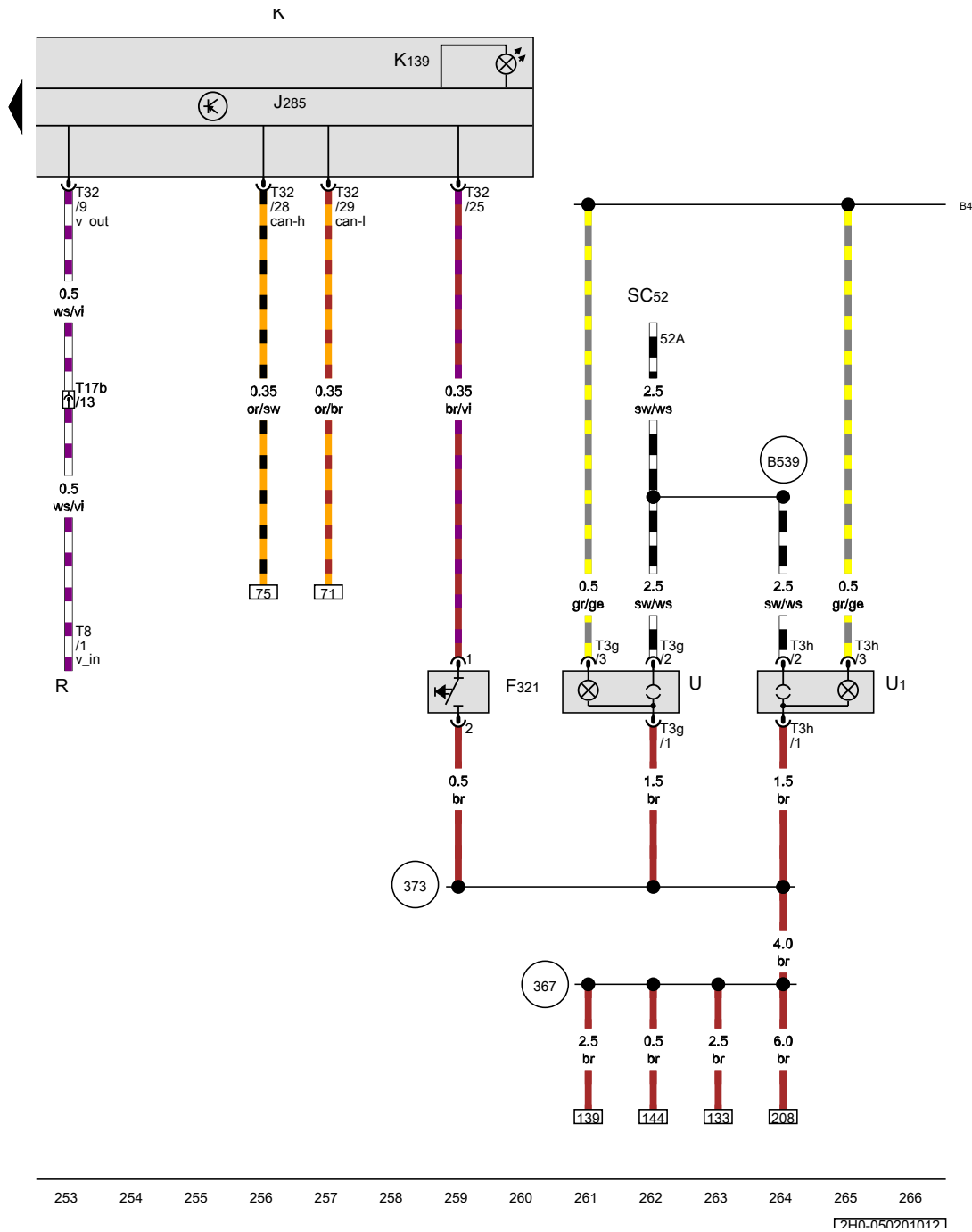
- D2 Immobiliser reader coil, on ignition/starter switch
- F1 Oil pressure switch
- G266 Oil level and oil temperature sender
- J285 Control unit in dash panel insert
- K Dash panel insert
- K3 Oil pressure warning lamp
- K38 Oil level warning lamp
- K75 Airbag warning lamp
- SC45 Fuse 45 on fuse holder C
- T3c 3-pin connector, black
- T17e 17-pin connector, near handbrake lever, red
- T18 18-pin connector, near engine control unit, black
- T32 32-pin connector, blue

- (28) Earth point, on bulkhead
- (68) Earth point, on left of rear cross member
- (86) Earth connection 1, in rear wiring harness
- (196) Earth connection 3, in rear wiring harness
- (197) Earth connection 4, in rear wiring harness
- (B316) Positive connection 2 (30a) in main wiring harness

- \* see applicable current flow diagram for engine
- \*2 Only models with Euro 5 emission standard
- \*3 Only models with diesel engine

- ws = white
- sw = black
- ro = red
- br = brown
- gn = green
- bl = blue
- gr = grey
- li = purple
- ge = yellow
- or = orange
- rs = pink

1740-0501910121



**Parking brake contact switch, Dash panel insert, Radio, Electric socket, Cigarette lighter**

- F321 Parking brake contact switch
- J285 Control unit in dash panel insert
- K Dash panel insert
- K139 Handbrake warning lamp
- R Radio
- SC52 Fuse 52 on fuse holder C
- T3g 3-pin connector, grey
- T3h 3-pin connector, transparent
- T8 8-pin connector, brown
- T17b 17-pin connector, on left under dash panel, brown
- T32 32-pin connector, blue
- U Electric socket, on centre console switch module
- U1 Cigarette lighter, on centre console switch module

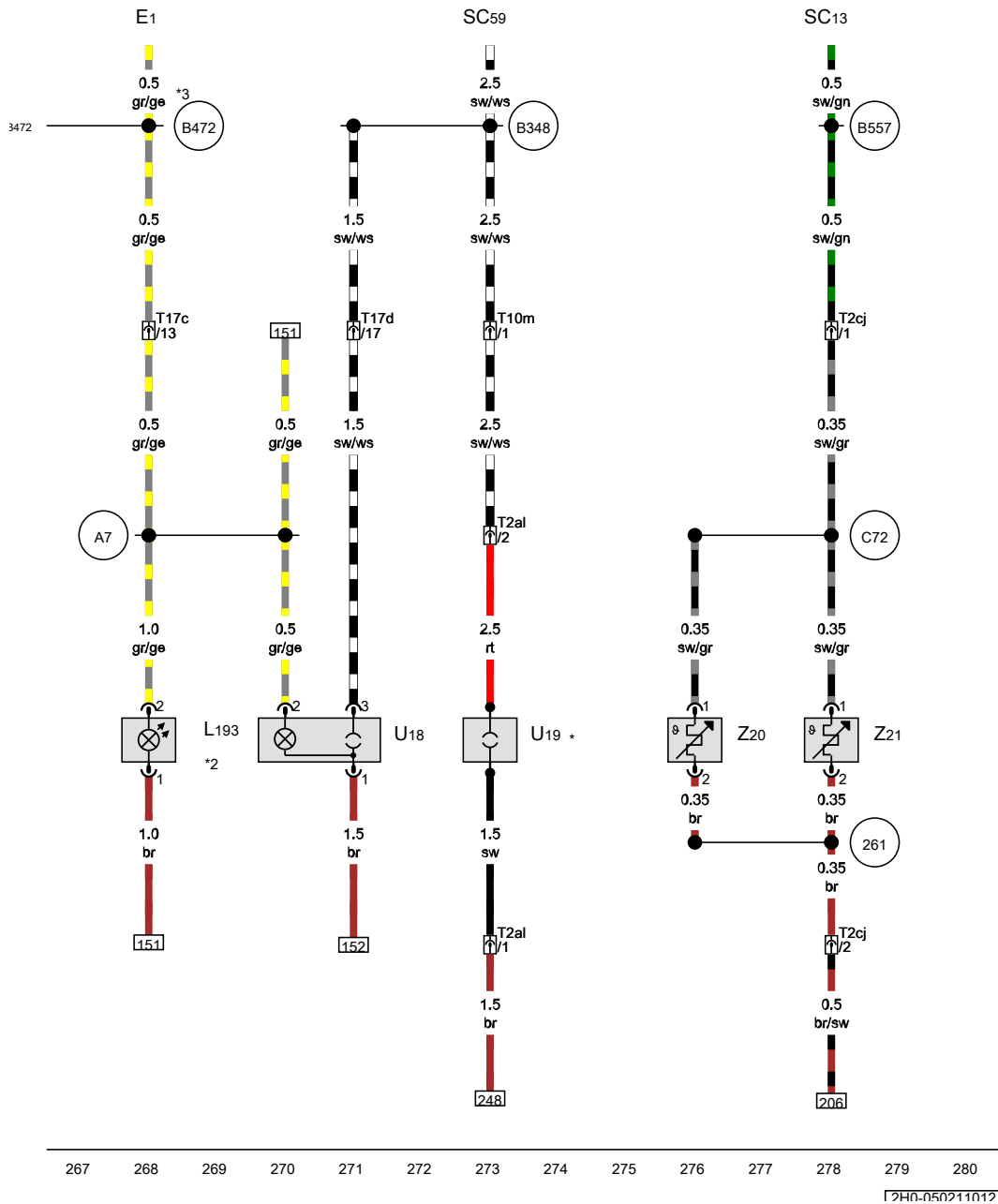
- (367) Earth connection 2, in main wiring harness
- (373) Earth connection 8, in main wiring harness
- (B472) Connection 8, in main wiring harness
- (B539) Connection 30, in main wiring harness

- ws = white
- sw = black
- ro = red
- br = brown
- gn = green
- bl = blue
- gr = grey
- li = purple
- ge = yellow
- or = orange
- rs = pink

253 254 255 256 257 258 259 260 261 262 263 264 265 266

[74H0-050201017]

**Light switch, Light 1 for front centre console background lighting, 12 V socket 2, Left washer jet heater element**



- E1 Light switch
- L193 Light 1 for front centre console background lighting, in dash panel
- SC13 Fuse 13 on fuse holder C
- SC59 Fuse 59 on fuse holder C
- T2al 2-pin connector, in rear left wheel housing, black
- T2cj 2-pin connector, near window wiper motor, black
- T10m 10-pin connector, near handbrake lever, brown
- T17c 17-pin connector, on left under dash panel, black
- T17d 17-pin connector, on left under dash panel, red
- U18 12 V socket 2, in centre of dash panel, in storage compartment
- U19 12 V socket 3, on left wheel housing
- Z20 Left washer jet heater element
- Z21 Right washer jet heater element

- (261) Earth connection, in heated washer jet wiring harness
- (A7) Positive connection (58 D1), in dash panel wiring harness
- (B348) Connection 1 (75a), in main wiring harness
- (B472) Connection 8, in main wiring harness
- (B557) Positive connection 21 (30a) in main wiring harness
- (C72) Positive connection in heated washer jet wiring harness
- \* Special equipment
- \*2 Only models with Highline equipment
- \*3 see applicable current flow diagram

**CAN and LIN bus networking, powertrain CAN, diagnosis CAN, dash panel CAN, convenience CAN**

From June 2012

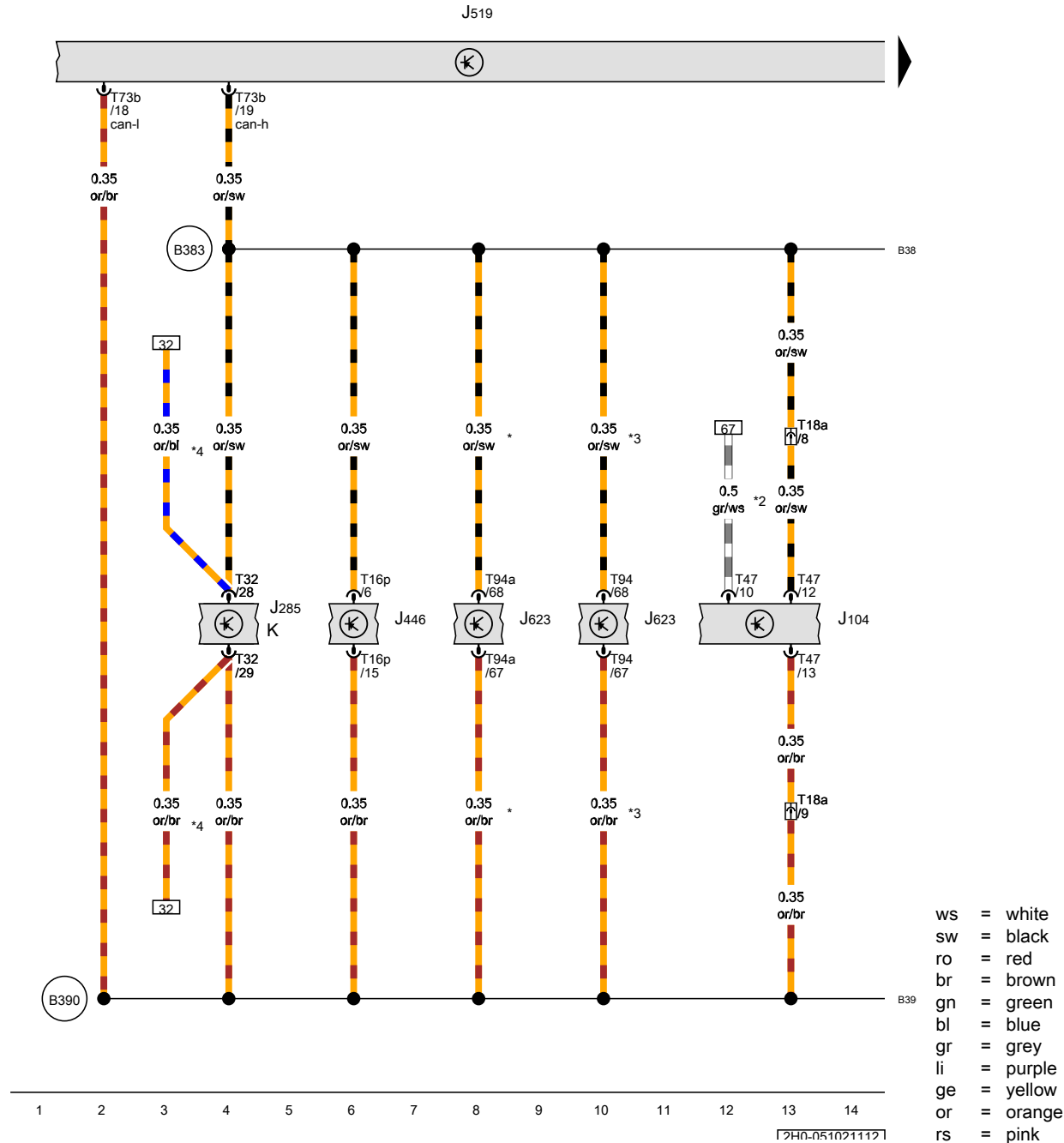
Onboard supply control unit

- J104 ABS control unit
- J285 Control unit in dash panel insert
- J446 Parking aid control unit
- J519 Onboard supply control unit, near driver side A-pillar
- J623 Engine control unit
- K Dash panel insert
- T16p 16-pin connector, brown
- T18a 18-pin connector, near battery, grey
- T32 32-pin connector, blue
- T47 47-pin connector, black
- T73b 73-pin connector, colourless
- T94 94-pin connector, black
- T94a 94-pin connector, black

**B383** Connection 1 (powertrain CAN bus, high), in main wiring harness

**B390** Connection 1 (powertrain CAN bus, low), in main wiring harness

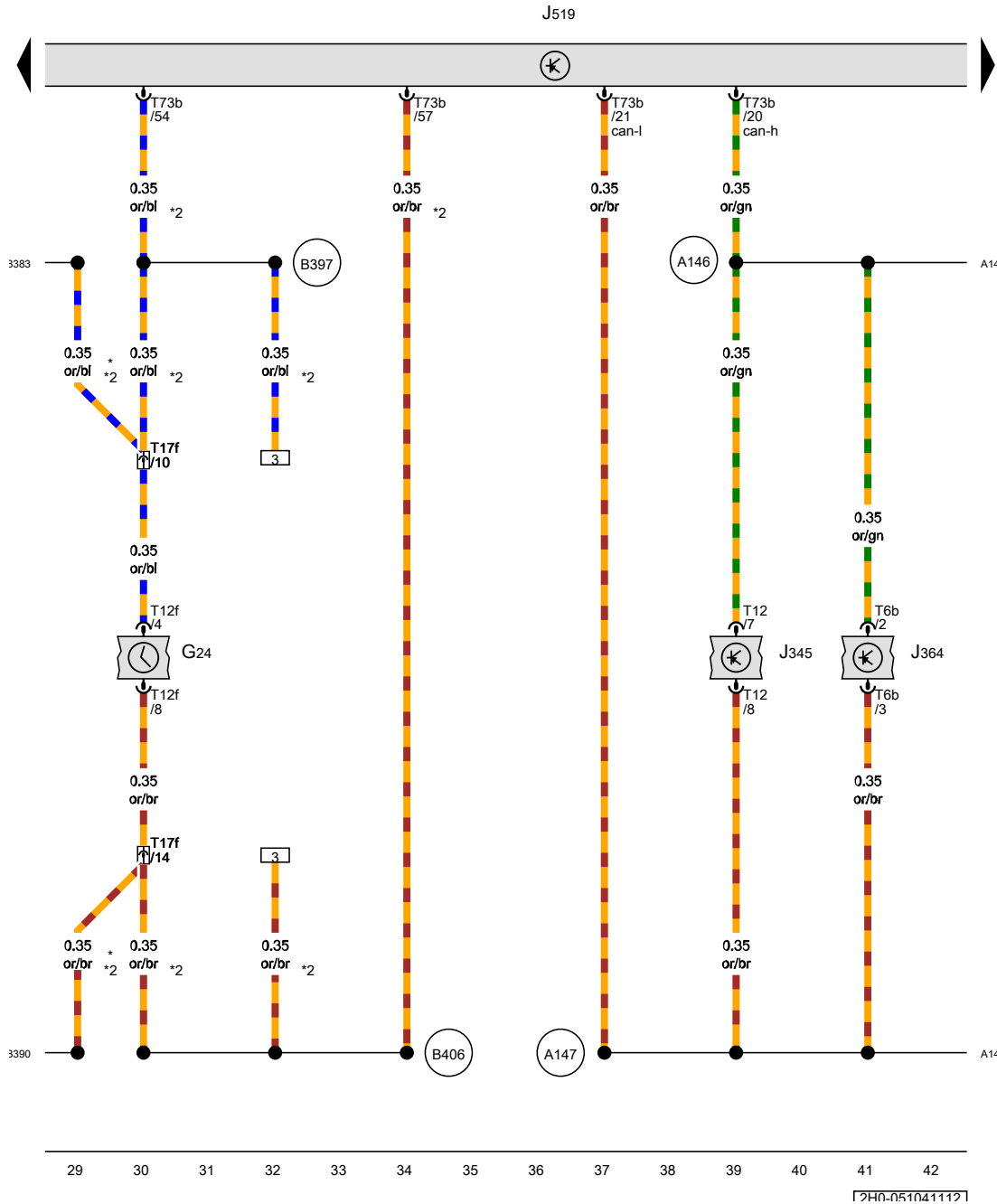
- \* Only models with diesel engine
- \*2 Gradually discontinued
- \*3 Only models with petrol engine
- \*4 Only models with automatic driving lights control



Г240-0510211121







- ws = white
- sw = black
- ro = red
- br = brown
- gn = green
- bl = blue
- gr = grey
- li = purple
- ge = yellow
- or = orange
- rs = pink

**Onboard supply control unit**

- G24 Tachograph
- J345 Trailer detector control unit, on left under dash panel
- J364 Auxiliary heater control unit
- J519 Onboard supply control unit, near driver side A-pillar
- T6b 6-pin connector, black
- T12 12-pin connector, red
- T12f 12-pin connector, black
- T17f 17-pin connector, behind glove compartment, black
- T73b 73-pin connector, colourless

- A146 Connection (convenience CAN bus, high), in dash panel wiring harness
- A147 Connection (convenience CAN bus, low), in dash panel wiring harness
- B383 Connection 1 (powertrain CAN bus, high), in main wiring harness
- B390 Connection 1 (powertrain CAN bus, low), in main wiring harness
- B397 Connection 1 (convenience CAN bus, high), in main wiring harness
- B406 Connection 1 (convenience CAN bus, low), in main wiring harness

- \* Only models with no start/stop system
- \*2 Only models with automatic driving lights control

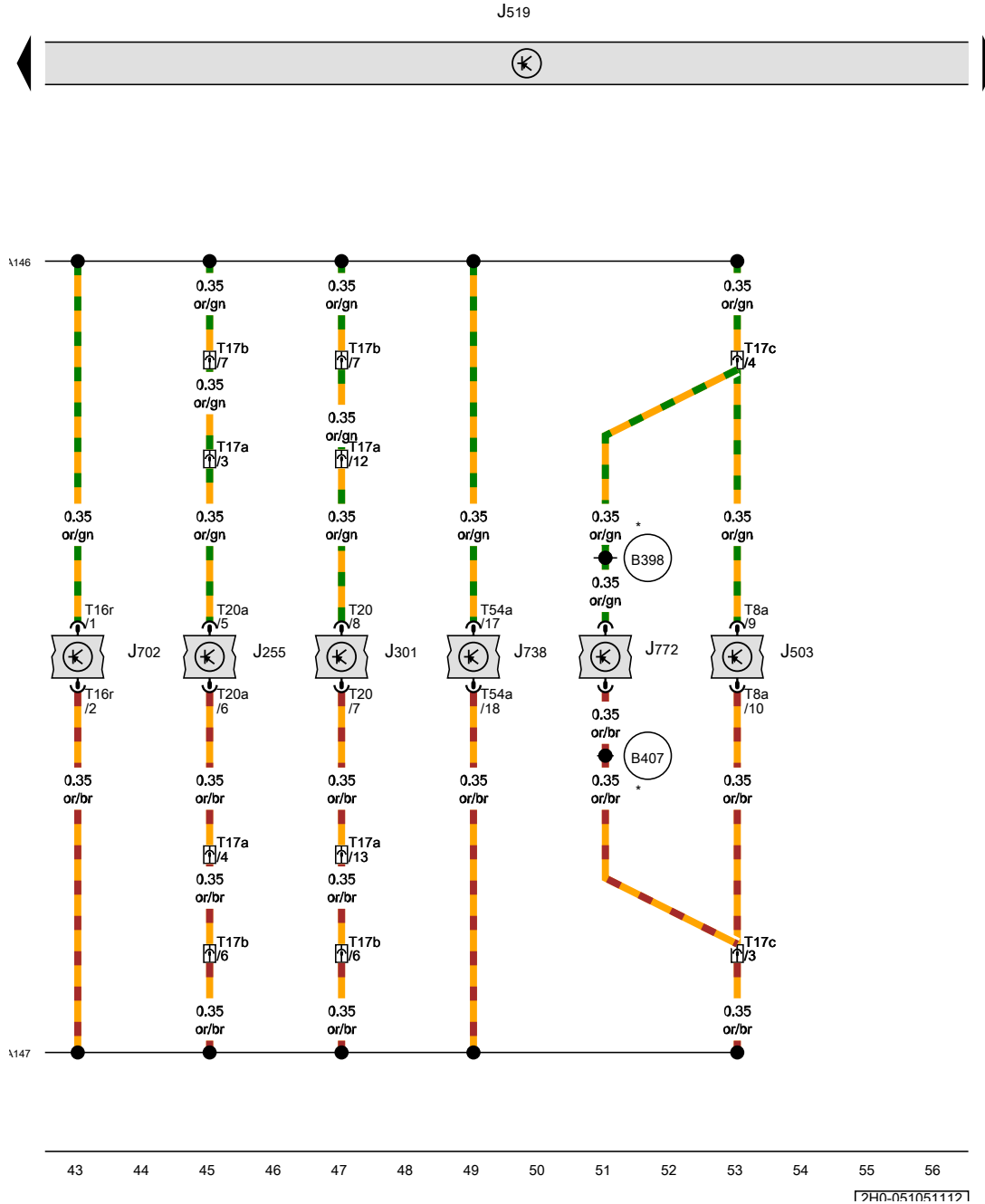
[79H0-051041117]

Onboard supply control unit

- J255 Climatronic control unit
- J301 Air conditioning system control unit
- J503 Control unit with display for radio and navigation
- J519 Onboard supply control unit, near driver side A-pillar
- J702 Roof display unit, near front interior light
- J738 Telephone controls control unit, under centre console
- J772 Reversing camera system control unit
- T8a 8-pin connector, black
- T16r 16-pin connector
- T17a 17-pin connector, behind glove compartment, black
- T17b 17-pin connector, on left under dash panel, brown
- T17c 17-pin connector, on left under dash panel
- T20 20-pin connector, black
- T20a 20-pin connector, black
- T54a 54-pin connector

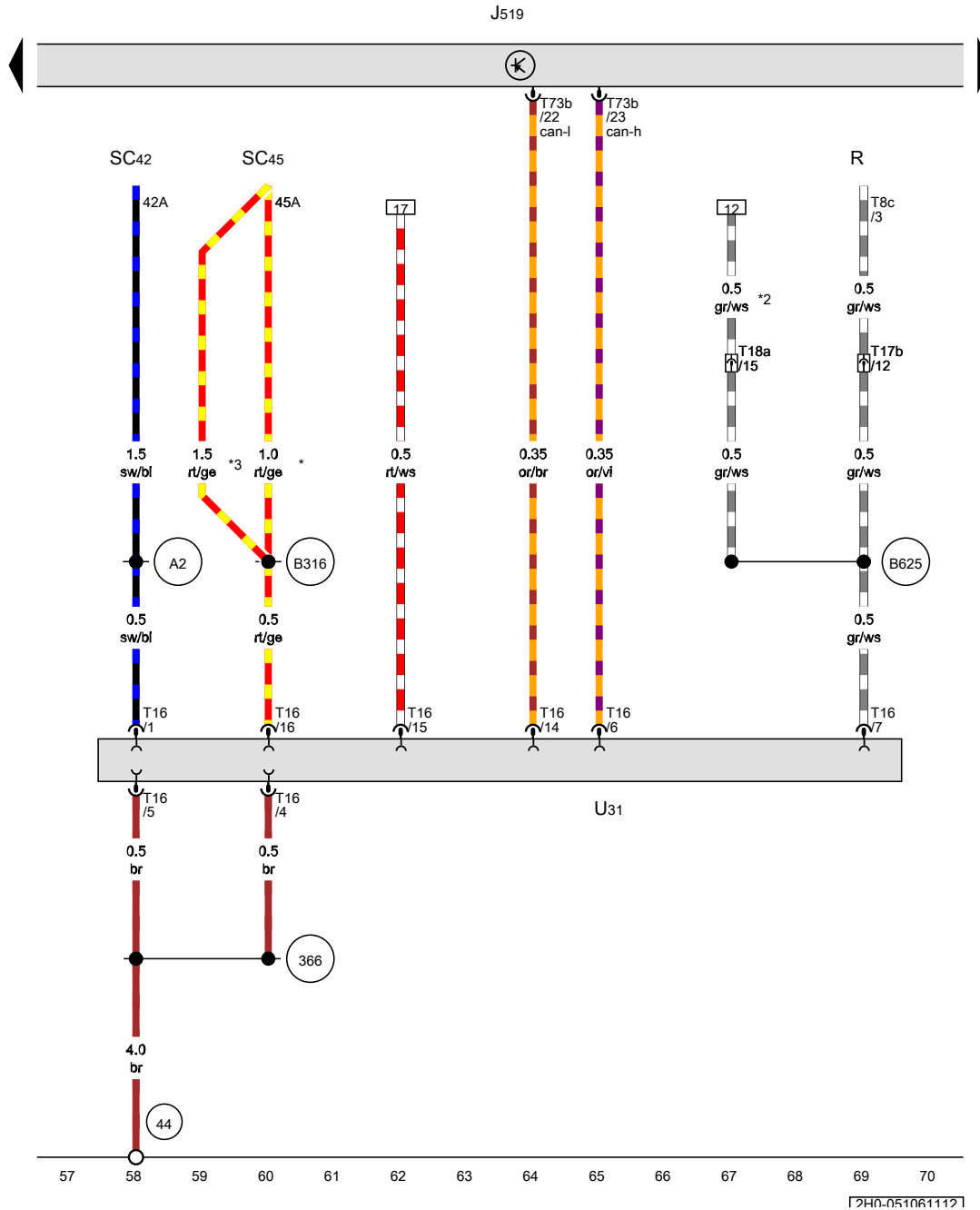
- A146 Connection (convenience CAN bus, high), in dash panel wiring harness
- A147 Connection (convenience CAN bus, low), in dash panel wiring harness
- B398 Connection 2 (convenience CAN bus, high), in main wiring harness
- B407 Connection 2 (convenience CAN bus, low), in main wiring harness

\* Only models with reversing camera system



- ws = white
- sw = black
- ro = red
- br = brown
- gn = green
- bl = blue
- gr = grey
- li = purple
- ge = yellow
- or = orange
- rs = pink

[240-051051112]



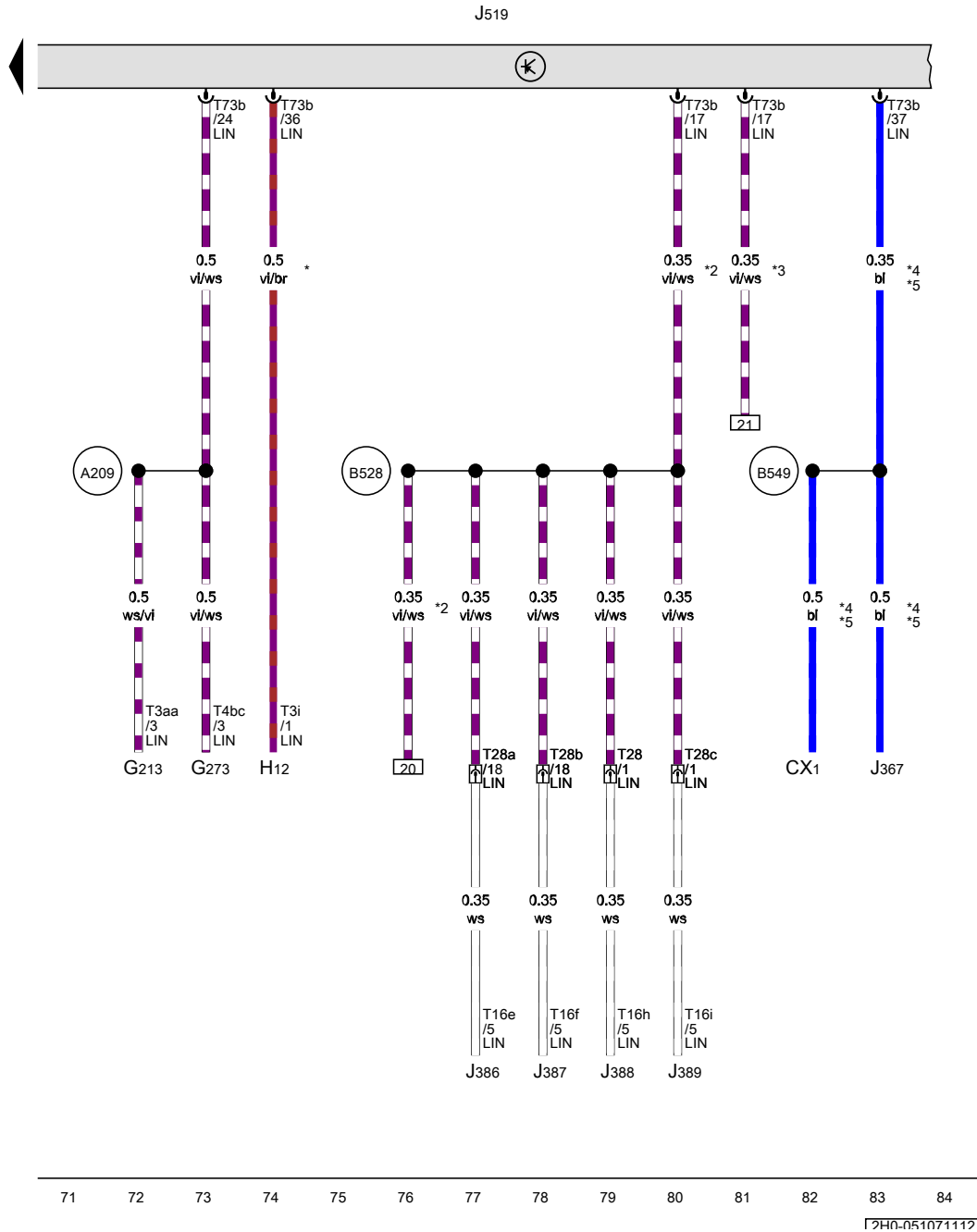
**Onboard supply control unit, Diagnostic connection**

- J519 Onboard supply control unit, near driver side A-pillar
- R Radio
- SC42 Fuse 42 on fuse holder C
- SC45 Fuse 45 on fuse holder C
- T8c 8-pin connector
- T16 16-pin connector
- T17b 17-pin connector, on left under dash panel, brown
- T18a 18-pin connector, near battery, grey
- T73b 73-pin connector, colourless
- U31 Diagnostic connection, near lower part of right A-pillar

- 44 Earth point, lower part of left A-pillar
- 366 Earth connection 1, in main wiring harness
- A2 Positive connection (15), in dash panel wiring harness
- B316 Positive connection 2 (30a) in main wiring harness
- B625 Connection (K-diagnosis wire), in main wiring harness

\* From February 2013  
 \*2 Gradually discontinued  
 \*3 Up to January 2013

- ws = white
- sw = black
- ro = red
- br = brown
- gn = green
- bl = blue
- gr = grey
- li = purple
- ge = yellow
- or = orange
- rs = pink



**Onboard supply control unit**

- CX1 Alternator with voltage regulator
- G213 Rain sensor, near interior mirror
- G273 Interior monitoring sensor
- H12 Alarm horn
- J367 Battery monitor control unit
- J386 Driver door control unit
- J387 Front passenger door control unit
- J388 Rear left door control unit
- J389 Rear right door control unit
- J519 Onboard supply control unit, near driver side A-pillar
- T3aa 3-pin connector, black
- T3i 3-pin connector
- T4bc 4-pin connector
- T16e 16-pin connector
- T16f 16-pin connector, black
- T16h 16-pin connector, black
- T16i 16-pin connector, black
- T28 28-pin connector, on left B-pillar
- T28a 28-pin connector, on left A-pillar
- T28b 28-pin connector, on right A-pillar
- T28c 28-pin connector, on right B-pillar
- T73b 73-pin connector, colourless

- A209 Connection 1 (LIN bus) in dash panel wiring harness
- B528 Connection 1 (LIN bus) in main wiring harness
- B549 Connection 2 (LIN bus) in main wiring harness

- \* For models with anti-theft alarm system
- \*2 Only models with electric window regulators
- \*3 Only models with manual window regulators
- \*4 Only models with stop/start system
- \*5 see applicable current flow diagram for engine

- ws = white
- sw = black
- ro = red
- br = brown
- gn = green
- bl = blue
- gr = grey
- li = purple
- ge = yellow
- or = orange
- rs = pink

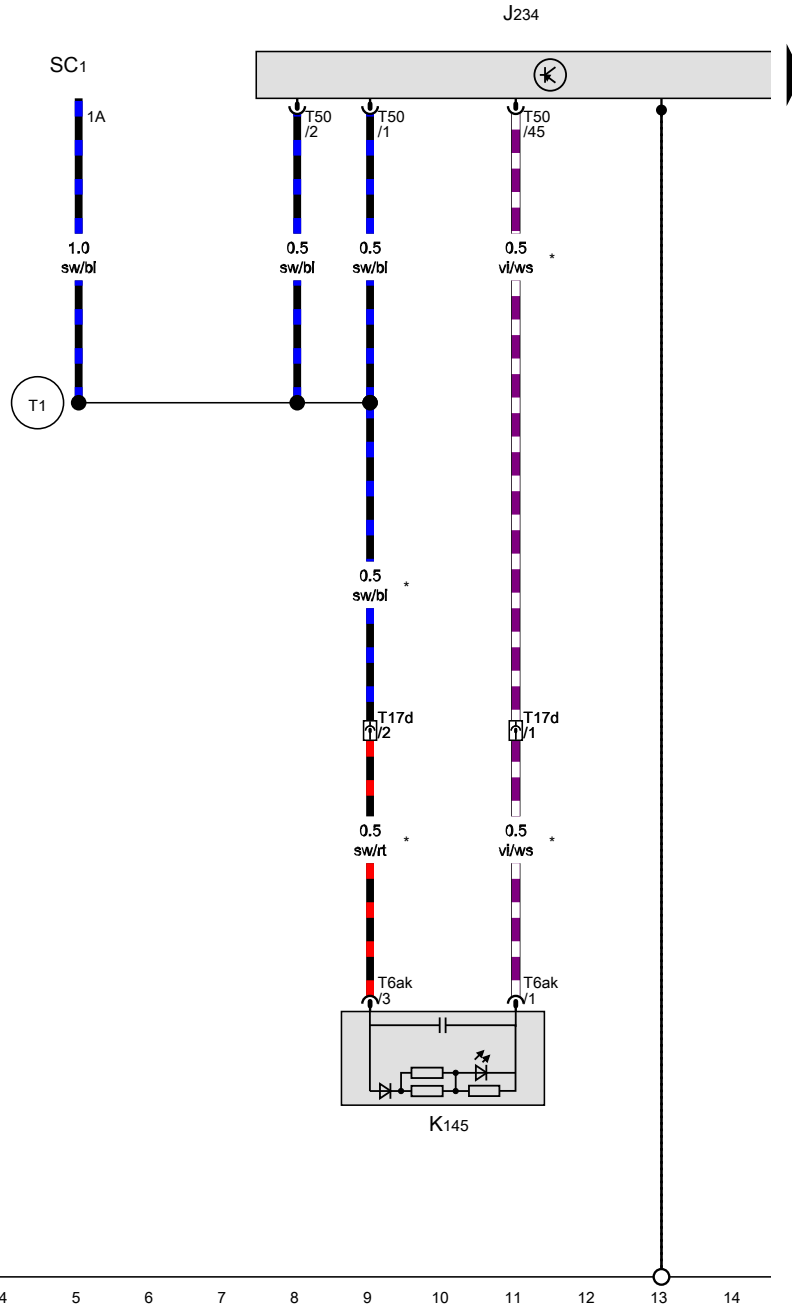
71 72 73 74 75 76 77 78 79 80 81 82 83 84

1290-0510711121

**Airbag systems**

From June 2012

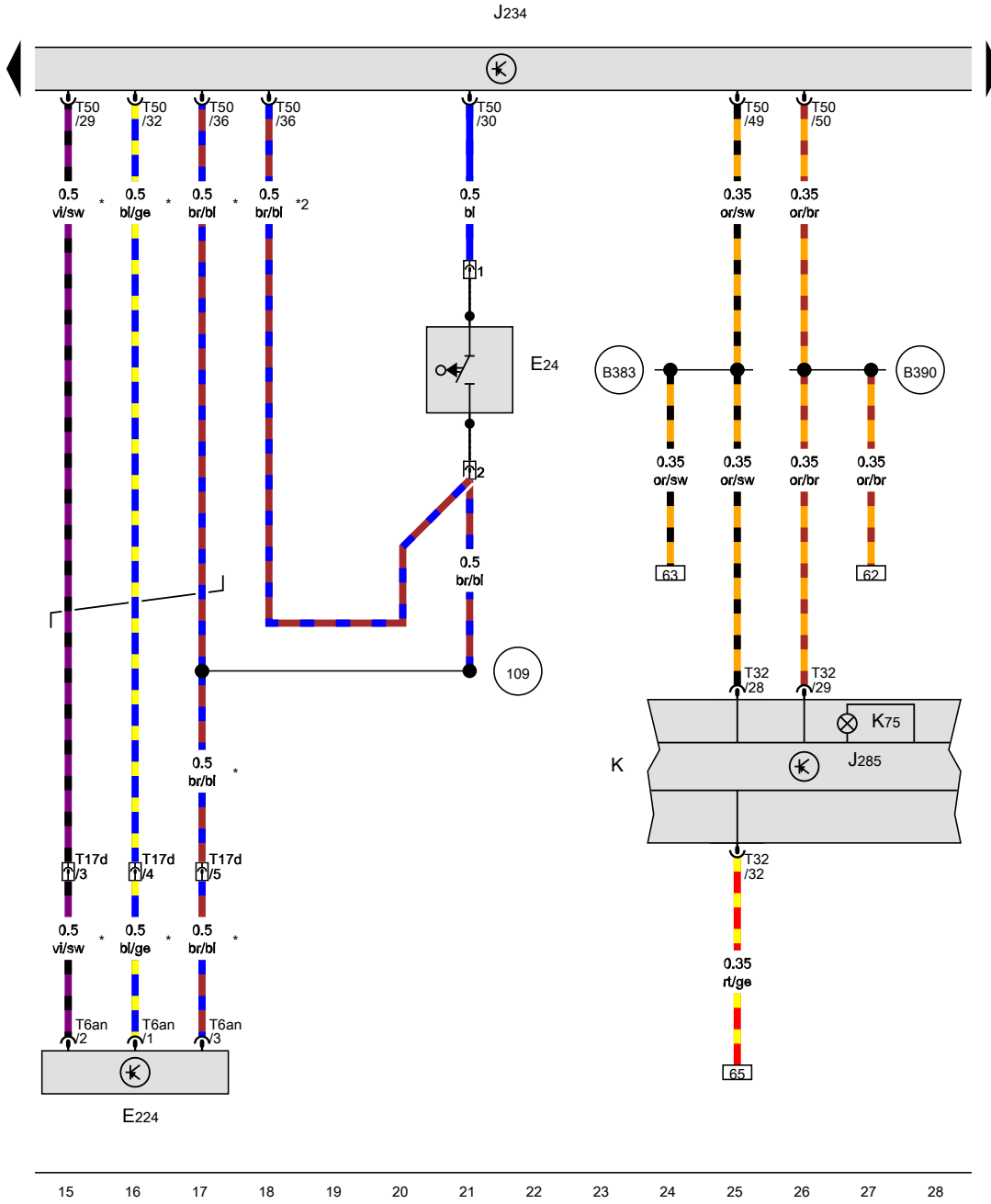
**Airbag control unit, Front passenger side airbag deactivated warning lamp, Fuse 1 on fuse holder C**



- J234 Airbag control unit, under centre console
- K145 Front passenger side airbag deactivated warning lamp, near radio
- SC1 Fuse 1 on fuse holder C
- T6ak 6-pin connector, white
- T17d 17-pin connector, on left under dash panel
- T50 50-pin connector, green
- T1 Positive connection 1, in airbag wiring harness
- \* Only models with key operated switch to deactivate front passenger airbag/ side airbag/ belt buckle sensor

- ws = white
- sw = black
- ro = red
- br = brown
- gn = green
- bl = blue
- gr = grey
- li = purple
- ge = yellow
- or = orange
- rs = pink

**Driver side belt switch, Key operated switch to deactivate front passenger side airbag, Airbag control unit, Dash panel insert**

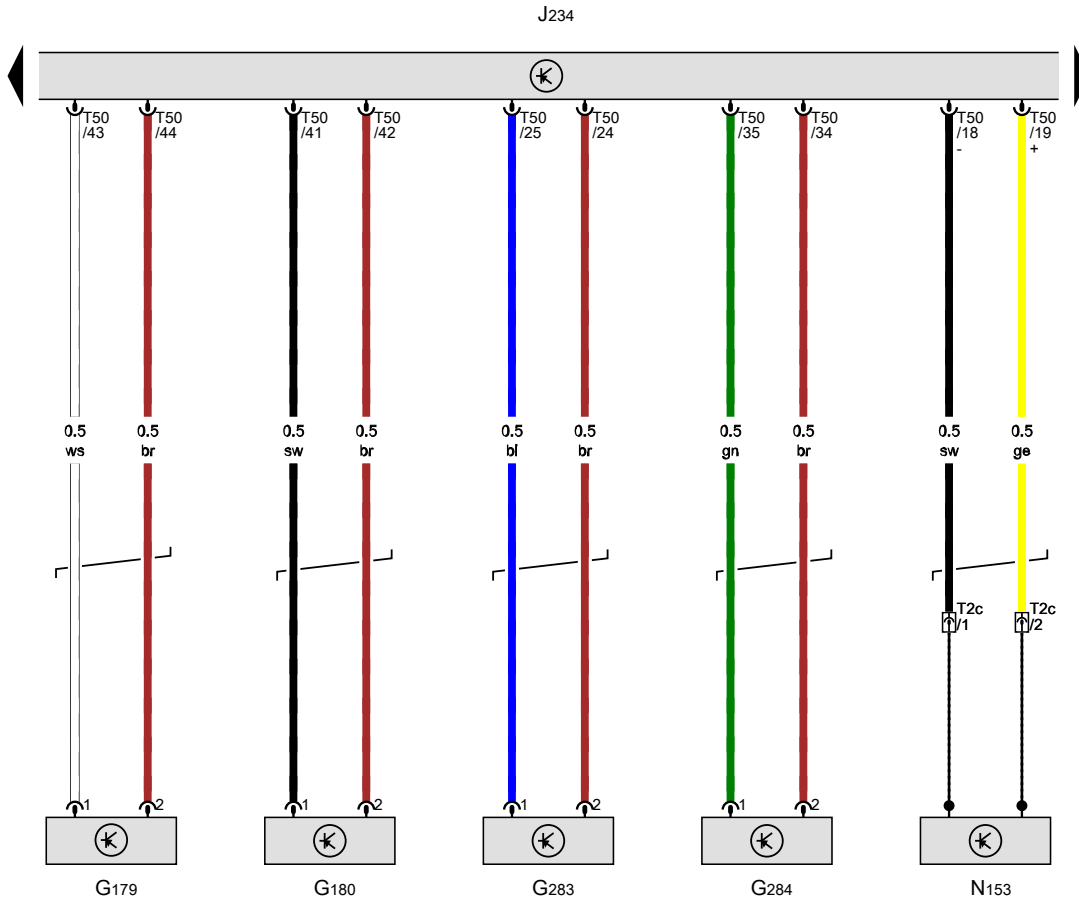


- E24 Driver side belt switch
- E224 Key operated switch to deactivate front passenger side airbag
- J234 Airbag control unit, under centre console
- J285 Control unit in dash panel insert
- K Dash panel insert
- K75 Airbag warning lamp
- T2yasx 2-pin connector, black
- T6an 6-pin connector, black
- T17d 17-pin connector, on left under dash panel
- T32 32-pin connector, blue
- T50 50-pin connector, green
- 109 Earth connection, in airbag wiring harness
- B383 Connection 1 (powertrain CAN bus, high), in main wiring harness
- B390 Connection 1 (powertrain CAN bus, low), in main wiring harness
- \* Only models with key operated switch to deactivate front passenger airbag/ side airbag/ belt buckle sensor
- \*2 Only models with no side airbag, no front passenger airbag and no key operated switch

- ws = white
- sw = black
- ro = red
- br = brown
- gn = green
- bl = blue
- gr = grey
- li = purple
- ge = yellow
- or = orange
- rs = pink

1740-0520311171

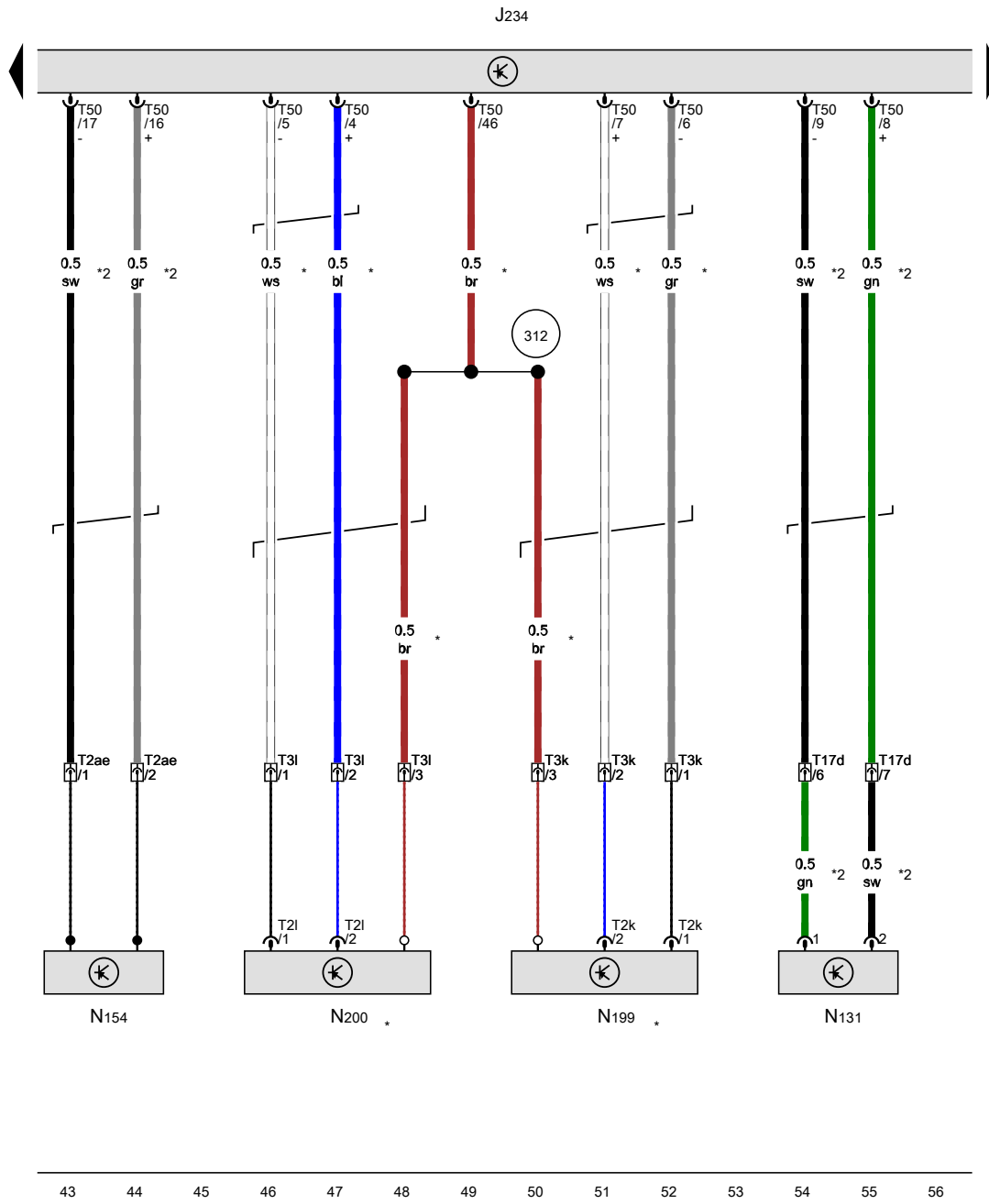




Side airbag crash sensor on driver side, Side airbag crash sensor on front passenger side, Front airbag crash sensor for driver side, Front airbag crash sensor for front passenger side, Airbag control unit, Driver seat belt tensioner igniter 1

- G179 Side airbag crash sensor on driver side, on left B-pillar
- G180 Side airbag crash sensor on front passenger side, on right B-pillar
- G283 Front airbag crash sensor for driver side, near left headlight
- G284 Front airbag crash sensor for front passenger side, near right headlight
- J234 Airbag control unit, under centre console
- N153 Driver seat belt tensioner igniter 1
- T2c 2-pin connector, yellow
- T50 50-pin connector, green

- ws = white
- sw = black
- ro = red
- br = brown
- gn = green
- bl = blue
- gr = grey
- li = purple
- ge = yellow
- or = orange
- rs = pink



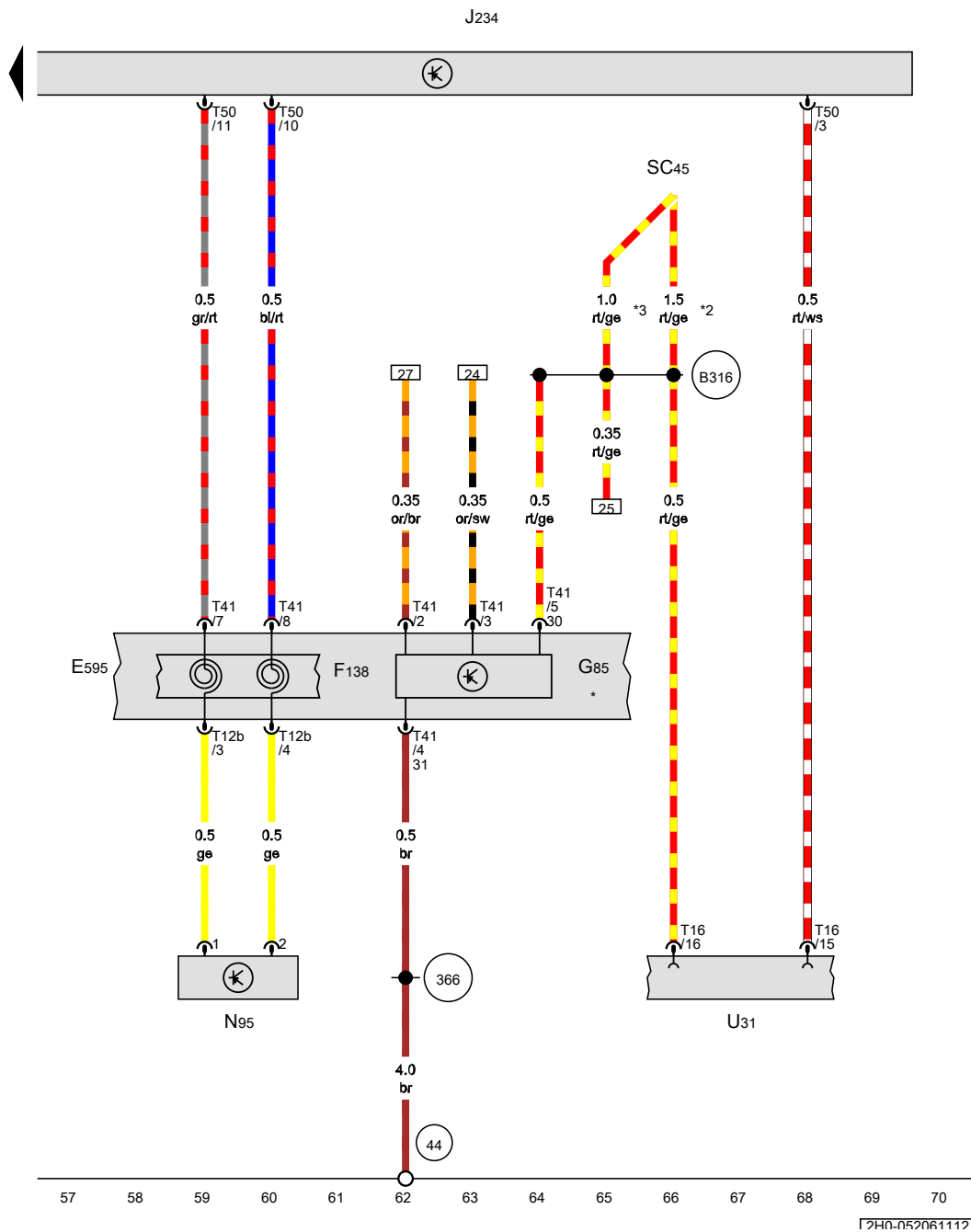
Airbag control unit, Front passenger side airbag igniter 1, Front passenger seat belt tensioner igniter 1, Side airbag igniter on driver side, Side airbag igniter on front passenger side

- J234 Airbag control unit, under centre console
- N131 Front passenger side airbag igniter 1
- N154 Front passenger seat belt tensioner igniter 1
- N199 Side airbag igniter on driver side
- N200 Side airbag igniter on front passenger side
- T2ae 2-pin connector, yellow
- T2k 2-pin connector, black
- T2l 2-pin connector, black
- T3k 3-pin connector, under driver seat, yellow
- T3l 3-pin connector, Coupling point under front passenger seat, yellow
- T17d 17-pin connector, on left under dash panel
- T50 50-pin connector, green
- 312 Earth connection 2, in airbag wiring harness
- \* Only models with front head-thorax airbag
- \*2 Only models with front passenger airbag

- ws = white
- sw = black
- ro = red
- br = brown
- gn = green
- bl = blue
- gr = grey
- li = purple
- ge = yellow
- or = orange
- rs = pink

43 44 45 46 47 48 49 50 51 52 53 54 55 56

79H0-0520511171



**Steering column combination switch, Airbag coil connector and return ring with slip ring, Airbag control unit, Driver side airbag igniter, Diagnostic connection**

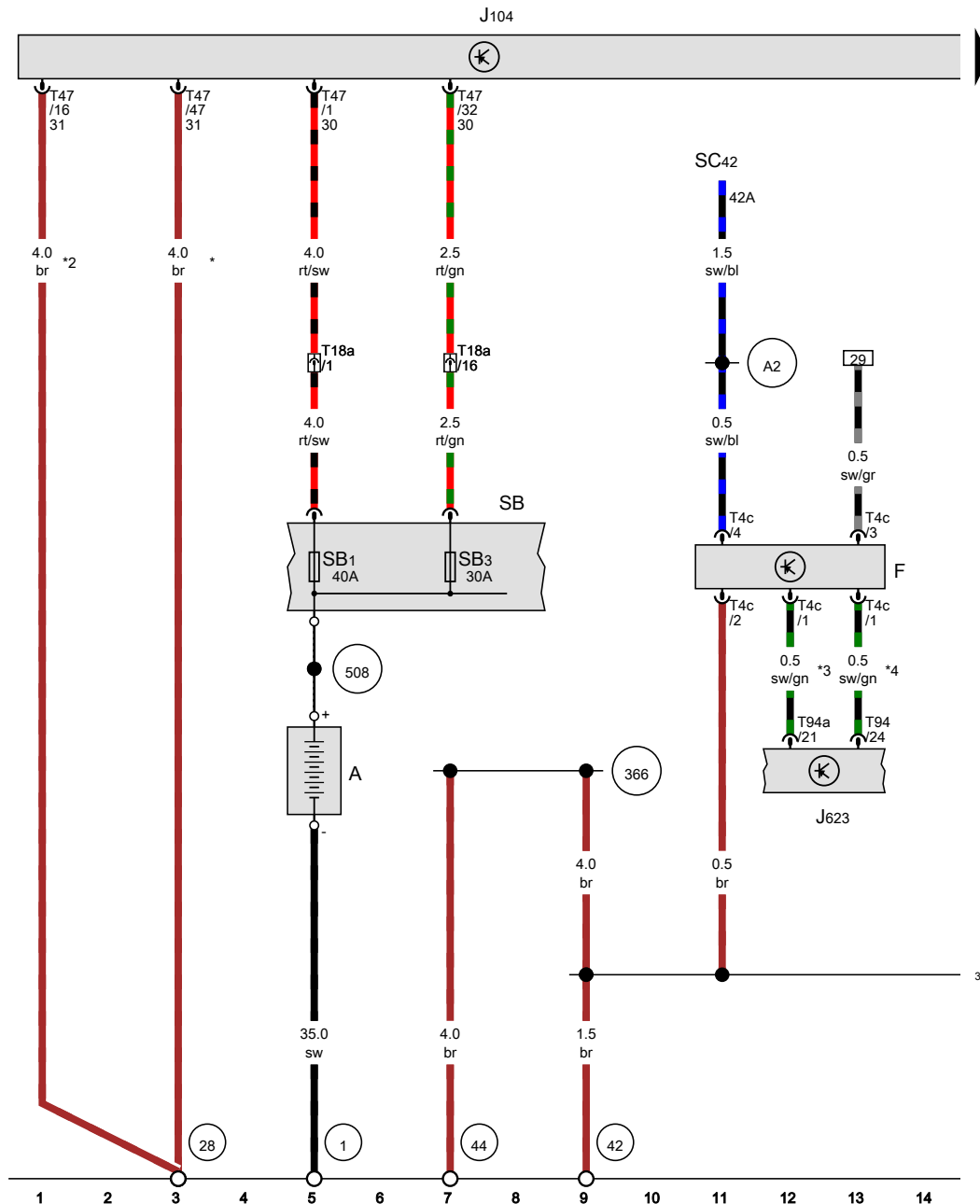
- E595 Steering column combination switch
  - F138 Airbag coil connector and return ring with slip ring
  - G85 Steering angle sender
  - J234 Airbag control unit, under centre console
  - N95 Driver side airbag igniter
  - SC45 Fuse 45 on fuse holder C
  - T12b 12-pin connector, yellow
  - T16 16-pin connector, black
  - T41 41-pin connector, grey
  - T50 50-pin connector, green
  - U31 Diagnostic connection, near driver side A-pillar
- 44 Earth point, lower part of left A-pillar
  - 366 Earth connection 1, in main wiring harness
  - B316 Positive connection 2 (30a) in main wiring harness
- \* Only models with anti-lock brake system (ABS) and electronic stabilisation program (ESP)
  - \*2 Up to January 2013
  - \*3 From February 2013

- ws = white
- sw = black
- ro = red
- br = brown
- gn = green
- bl = blue
- gr = grey
- li = purple
- ge = yellow
- or = orange
- rs = pink

**Anti-lock brake system (ABS) with electronic differential lock (EDL) and traction control system (TCS)**

From June 2012

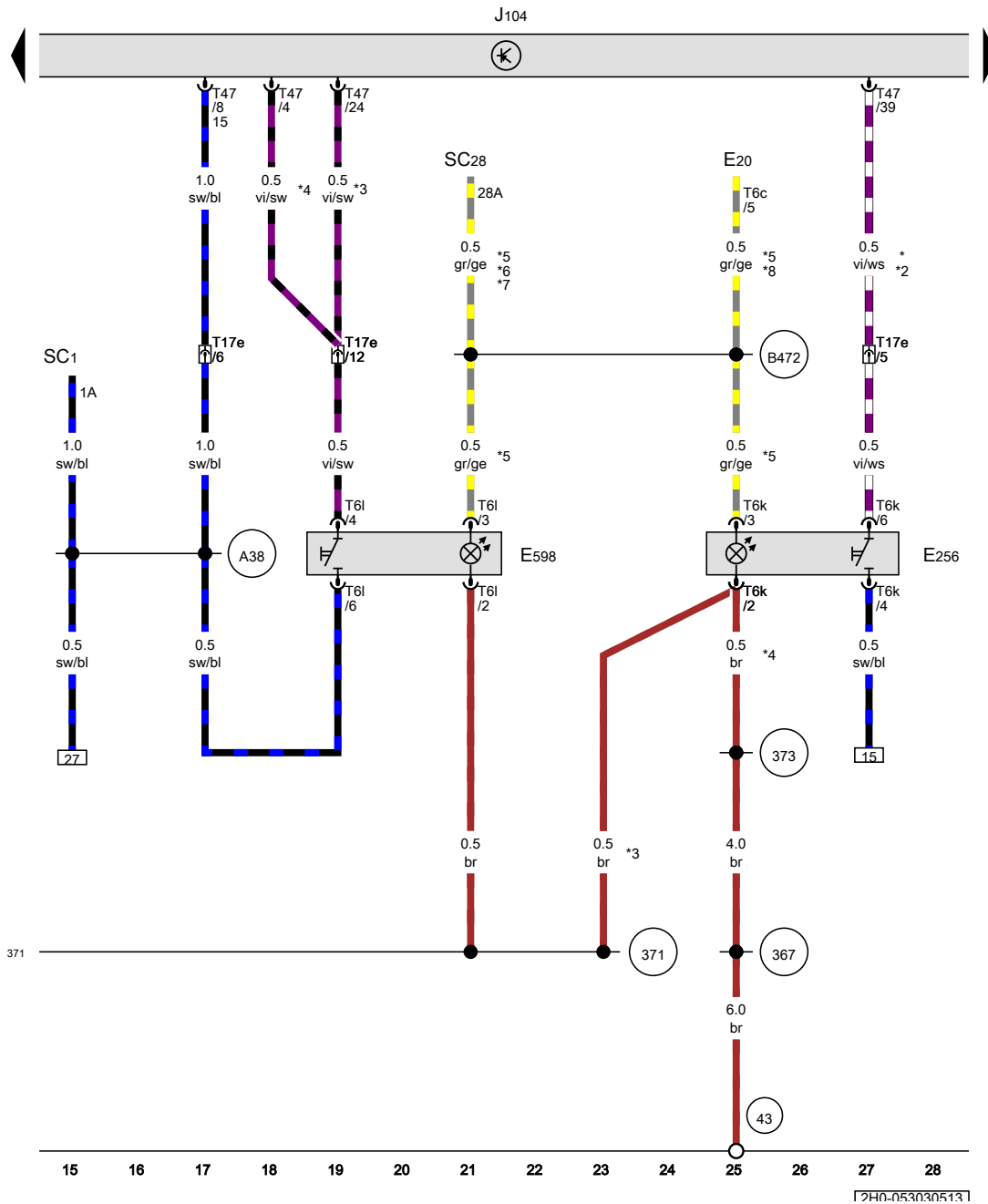
Brake light switch, ABS control unit, Fuse holder B, Fuse 1 on fuse holder B



- A Battery
  - F Brake light switch
  - J104 ABS control unit
  - J623 Engine control unit
  - SB Fuse holder B
  - SB1 Fuse 1 on fuse holder B
  - SB3 Fuse 3 on fuse holder B
  - SC42 Fuse 42 on fuse holder C
  - T4c 4-pin connector, black
  - T18a 18-pin connector, grey, near engine control unit
  - T47 47-pin connector, black
  - T94 94-pin connector, black
  - T94a 94-pin connector, black
- 1 Earth strap, battery - body
  - 28 Earth point, on bulkhead
  - 42 Earth point, next to steering column
  - 44 Earth point, lower part of left A-pillar
  - 366 Earth connection 1, in main wiring harness
  - 371 Earth connection 6, in main wiring harness
  - 508 Threaded connection (30) on E-box
  - A2 Positive connection (15), in dash panel wiring harness
- \* Only models with no ESP
  - \*2 Only models with electronic stabilisation program (ESP)
  - \*3 Only models with diesel engine
  - \*4 Only models with petrol engine

ws = white  
 sw = black  
 ro = red  
 rt = red  
 br = brown  
 gn = green  
 bl = blue  
 gr = grey  
 li = purple  
 vi = purple  
 ge = yellow  
 or = orange  
 rs = pink

Г240-053020513



TCS and ESP button, Driving program button, ABS control unit, Fuse 1 on fuse holder C

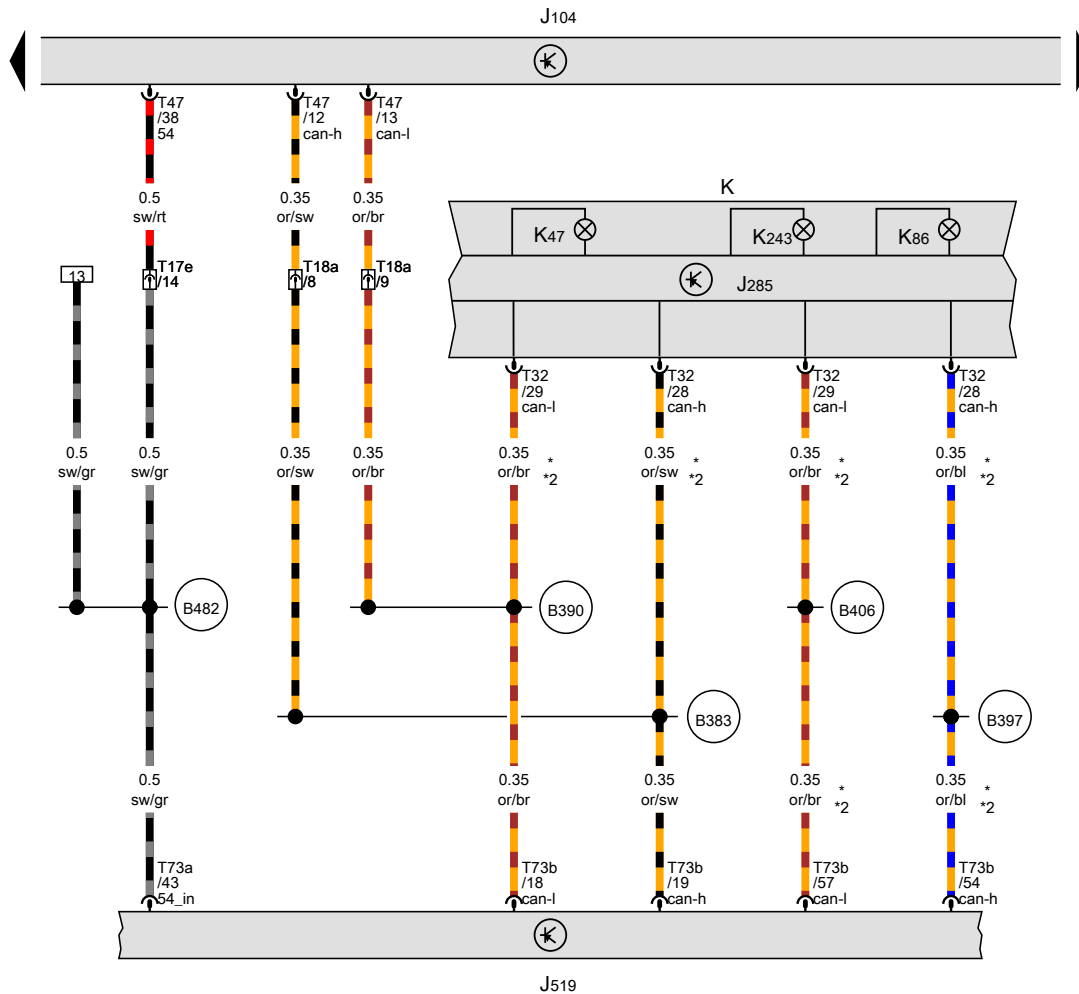
- E20 Switch and instrument illumination regulator
- E256 TCS and ESP button
- E598 Driving program button
- J104 ABS control unit
- SC1 Fuse 1 on fuse holder C
- SC28 Fuse 28 on fuse holder C
- T6c 6-pin connector, black
- T6k 6-pin connector, grey, black
- T6l 6-pin connector, red
- T17e 17-pin connector, red, near handbrake lever
- T47 47-pin connector, black

- 43 Earth point, lower part of right A-pillar
- 367 Earth connection 2, in main wiring harness
- 371 Earth connection 6, in main wiring harness
- 373 Earth connection 8, in main wiring harness
- A38 Positive connection 2 (15a) in dash panel wiring harness
- B472 Connection 8, in main wiring harness

- \* with auxiliary drive (part time)
- \*2 with no auxiliary drive
- \*3 Only models with electronic stabilisation program (ESP)
- \*4 Only models with no ESP
- \*5 Wiring colour depends on equipment
- \*6 Only models with basic equipment
- \*7 Only models with Trendline equipment
- \*8 Only models with Highline equipment

- ws = white
- sw = black
- ro = red
- rt = red
- br = brown
- gn = green
- bl = blue
- gr = grey
- li = purple
- vi = purple
- ge = yellow
- or = orange
- rs = pink

1740-053030513



ABS control unit, Onboard supply control unit, Dash panel insert, ABS warning lamp, Traction control system warning lamp, Driving program warning light

- J104 ABS control unit
- J285 Control unit in dash panel insert
- J519 Onboard supply control unit
- K Dash panel insert
- K47 ABS warning lamp
- K86 Traction control system warning lamp
- K243 Driving program warning light
- T17e 17-pin connector, red, near handbrake lever
- T18a 18-pin connector, grey, near engine control unit
- T32 32-pin connector, blue
- T47 47-pin connector, black
- T73a 73-pin connector, black
- T73b 73-pin connector, colourless

- B383 Connection 1 (powertrain CAN bus, high), in main wiring harness
- B390 Connection 1 (powertrain CAN bus, low), in main wiring harness
- B397 Connection 1 (convenience CAN bus, high), in main wiring harness
- B406 Connection 1 (convenience CAN bus, low), in main wiring harness
- B482 Connection 18, in main wiring harness

\* According to equipment  
 \*2 see applicable current flow diagram for CAN bus network

- ws = white
- sw = black
- ro = red
- rt = red
- br = brown
- gn = green
- bl = blue
- gr = grey
- li = purple
- vi = purple
- ge = yellow
- or = orange
- rs = pink

29 30 31 32 33 34 35 36 37 38 39 40 41 42

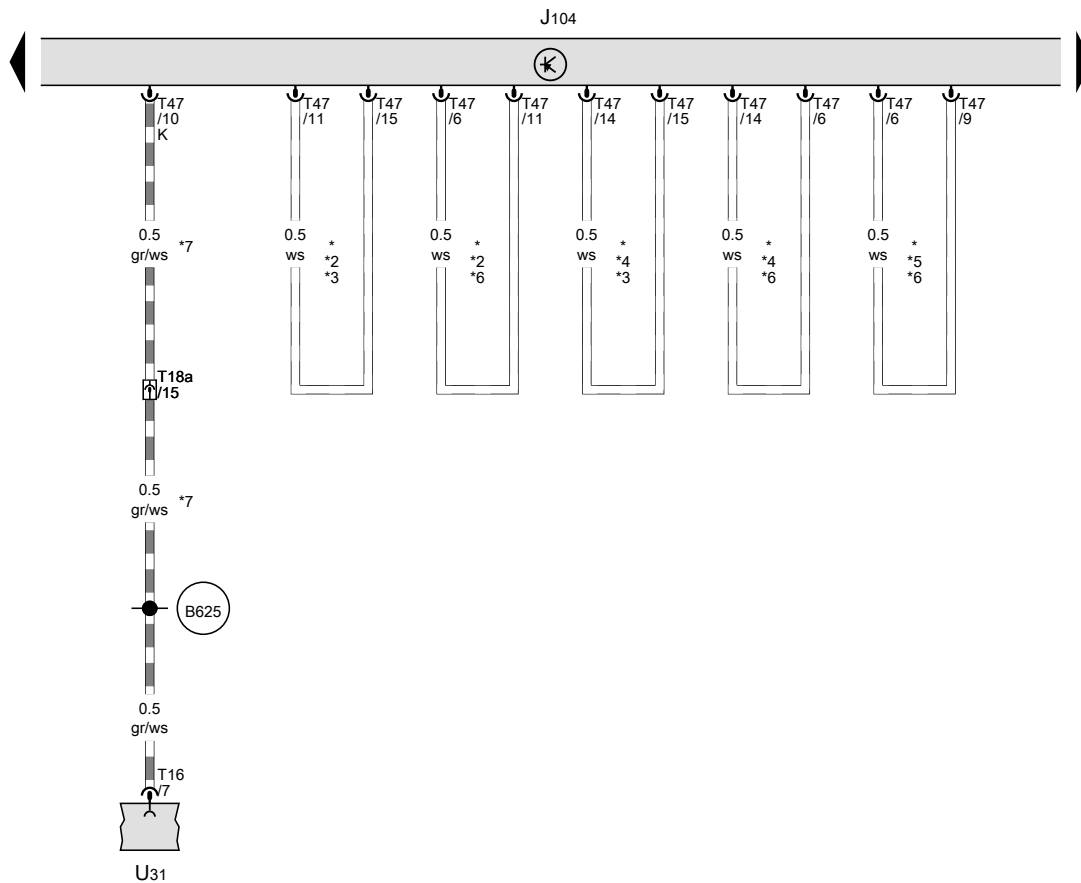
1740-0530405131

ABS control unit, Diagnostic connection

- J104 ABS control unit
- T16 16-pin connector, black
- T18a 18-pin connector, grey, near engine control unit
- T47 47-pin connector, black
- U31 Diagnostic connection

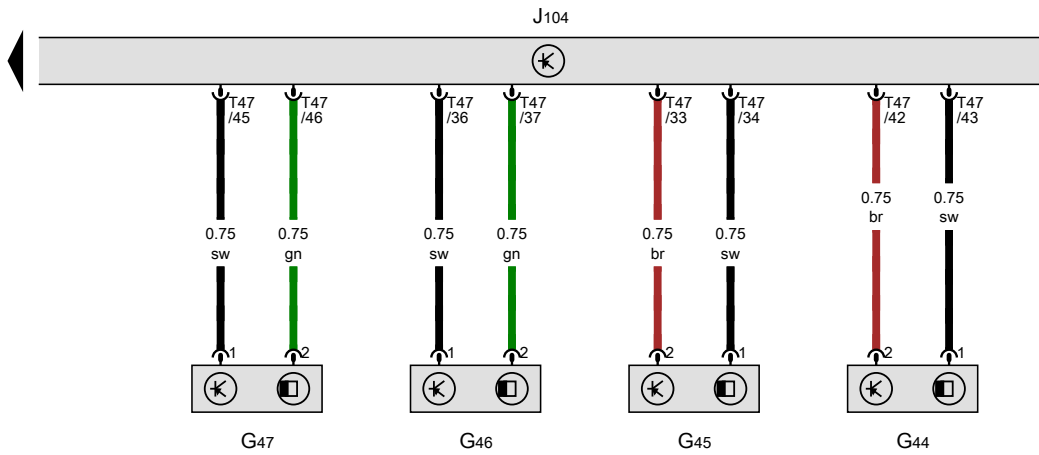
**B625** Connection (K-diagnosis wire), in main wiring harness

- \* Only models with no ESP
- \*2 with no auxiliary drive
- \*3 Only models with single cab
- \*4 with auxiliary drive (part time)
- \*5 with auxiliary drive (Torsen)
- \*6 Only models with double cab
- \*7 Gradually discontinued



- ws = white
- sw = black
- ro = red
- rt = red
- br = brown
- gn = green
- bl = blue
- gr = grey
- li = purple
- vi = purple
- ge = yellow
- or = orange
- rs = pink





Rear right speed sensor, Front right speed sensor, Rear left speed sensor, Front left speed sensor, ABS control unit

- G44 Rear right speed sensor
- G45 Front right speed sensor
- G46 Rear left speed sensor
- G47 Front left speed sensor
- J104 ABS control unit
- T47 47-pin connector, black

- ws = white
- sw = black
- ro = red
- rt = red
- br = brown
- gn = green
- bl = blue
- gr = grey
- li = purple
- vi = purple
- ge = yellow
- or = orange
- rs = pink

**All-wheel drive**

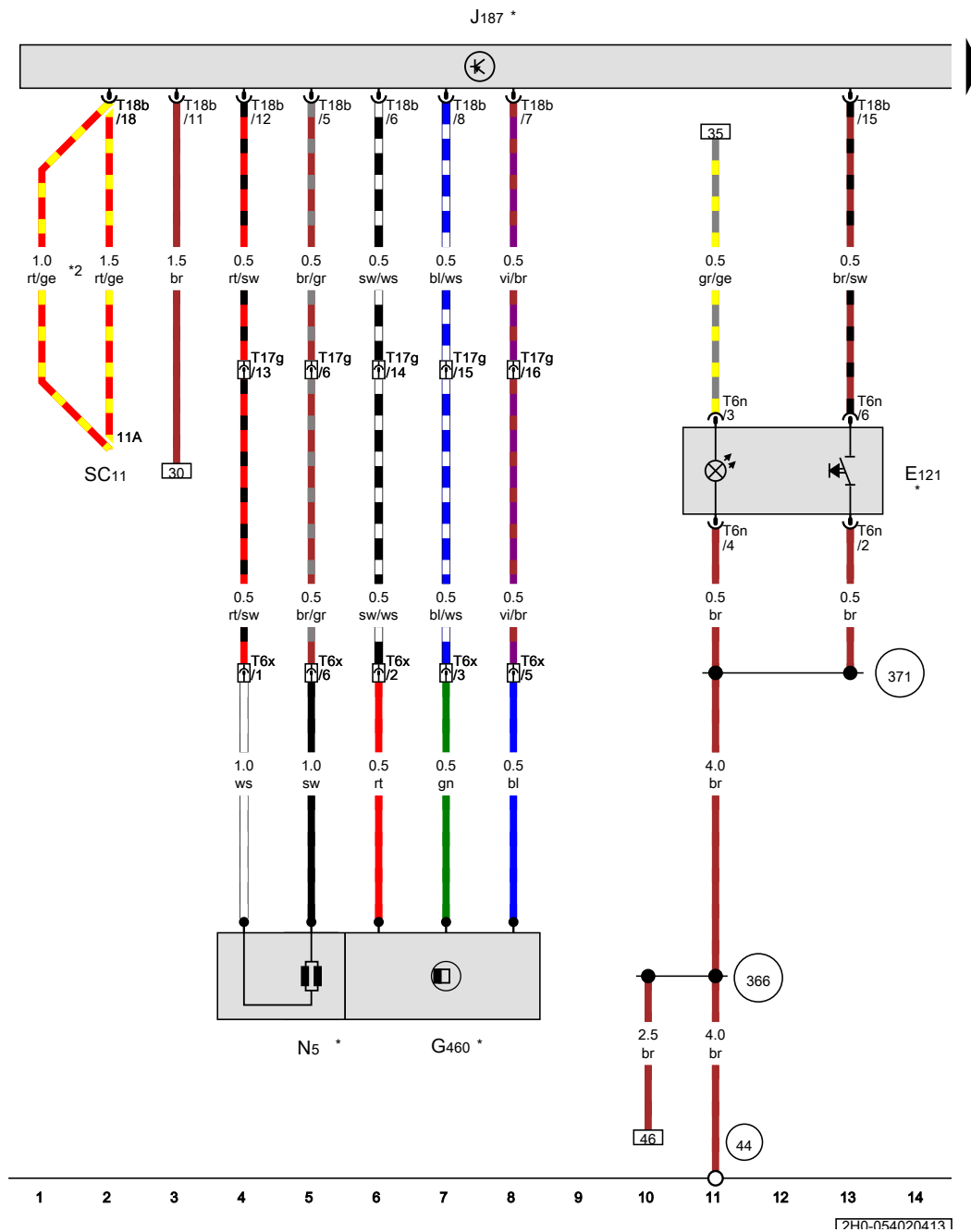
From June 2012

**Rear differential lock switch, Axle differential lock Hall sender 1, Differential lock control unit, Control solenoid, Fuse 11 on fuse holder C**

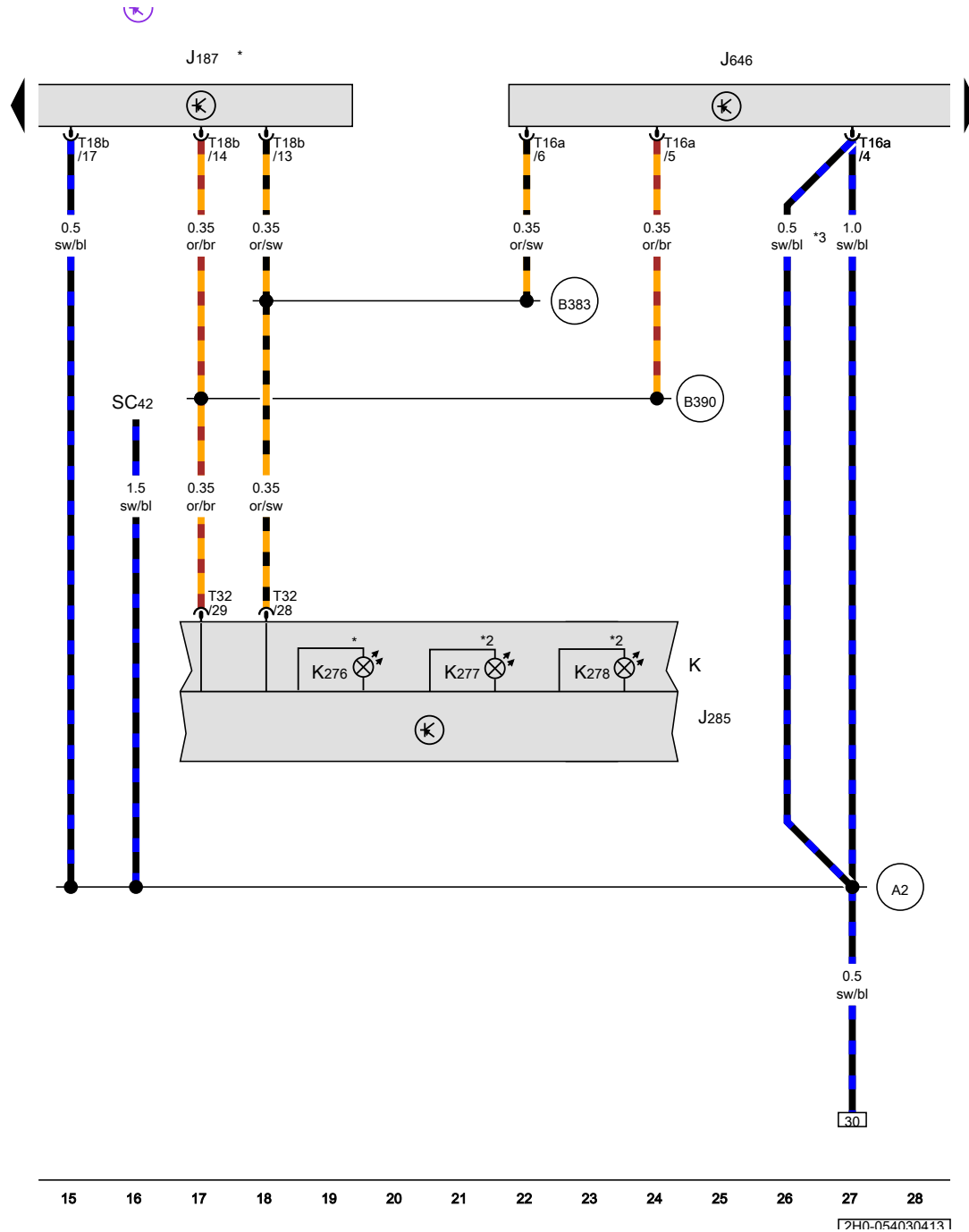
- E121 Rear differential lock switch, in centre console
- G460 Axle differential lock Hall sender 1, on rear axle, left
- J187 Differential lock control unit, in centre console, near handbrake lever
- N5 Control solenoid, on rear axle, left
- SC11 Fuse 11 on fuse holder C
- T6n 6-pin connector, brown
- T6x 6-pin connector, on rear axle, left, black
- T17g 17-pin connector, near handbrake lever, black
- T18b 18-pin connector, black

- 44 Earth point, lower part of left A-pillar
- 366 Earth connection 1, in main wiring harness
- 371 Earth connection 6, in main wiring harness

\* Only models with rear differential lock  
 \*2 From February 2013



- ws = white
- sw = black
- ro = red
- rt = red
- br = brown
- gn = green
- bl = blue
- gr = grey
- li = purple
- vi = purple
- ge = yellow
- or = orange
- rs = pink



Differential lock control unit, Control unit in dash panel insert, Transfer box control unit, Rear axle differential lock warning lamp, Inter-axle lock-up warning lamp, Fuse 42 on fuse holder C

- J187 Differential lock control unit, in centre console, near handbrake lever
- J285 Control unit in dash panel insert
- J646 Transfer box control unit
- K Dash panel insert
- K276 Rear axle differential lock warning lamp
- K277 Reduction gearing warning lamp
- K278 Inter-axle lock-up warning lamp
- SC42 Fuse 42 on fuse holder C
- T16a 16-pin connector, brown
- T18b 18-pin connector, black
- T32 32-pin connector, blue

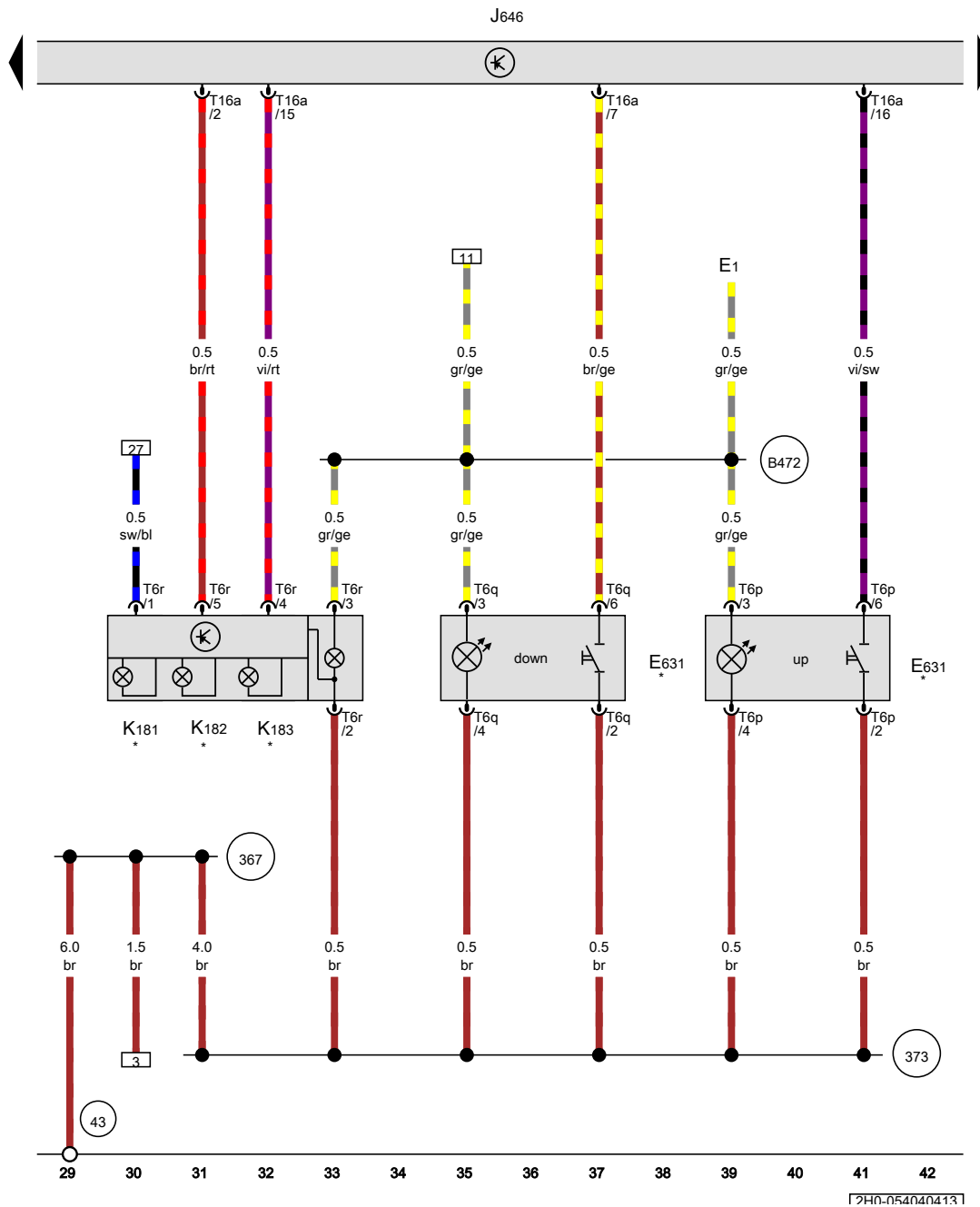
- (A2) Positive connection (15), in dash panel wiring harness
- (B383) Connection 1 (powertrain CAN bus, high), in main wiring harness
- (B390) Connection 1 (powertrain CAN bus, low), in main wiring harness

- \* Only models with rear differential lock
- \*2 Only models with all-wheel drive
- \*3 From February 2013

- ws = white
- sw = black
- ro = red
- rt = red
- br = brown
- gn = green
- bl = blue
- gr = grey
- li = purple
- vi = purple
- ge = yellow
- or = orange
- rs = pink

15 16 17 18 19 20 21 22 23 24 25 26 27 28

Г240-054030413



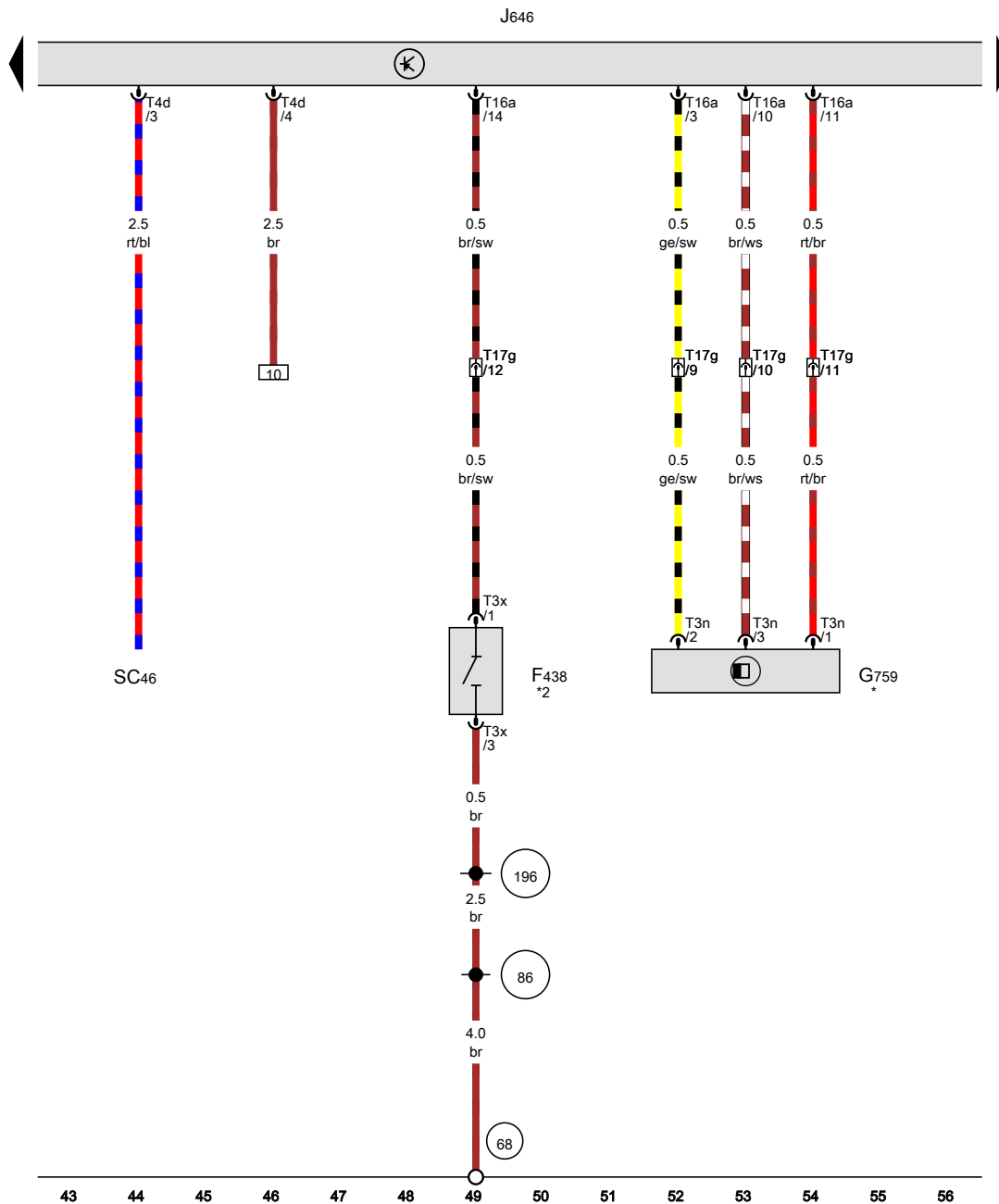
Running gear program switch, Transfer box control unit, Normal operation warning lamp in transfer box operating unit, Reduction gearing warning lamp in transfer box operating unit, Inter-axle lock-up warning lamp in transfer box operating unit

- E1 Light switch
- E631 Running gear program switch, in centre console
- J646 Transfer box control unit
- K181 Normal operation warning lamp in transfer box operating unit
- K182 Reduction gearing warning lamp in transfer box operating unit, in centre console
- K183 Inter-axle lock-up warning lamp in transfer box operating unit
- T6p 6-pin connector, black
- T6q 6-pin connector, black
- T6r 6-pin connector, brown
- T16a 16-pin connector, brown

- 43 Earth point, lower part of right A-pillar
- 367 Earth connection 2, in main wiring harness
- 373 Earth connection 8, in main wiring harness
- B472 Connection 8, in main wiring harness
- \* Only models with all-wheel drive

- ws = white
- sw = black
- ro = red
- rt = red
- br = brown
- gn = green
- bl = blue
- gr = grey
- li = purple
- vi = purple
- ge = yellow
- or = orange
- rs = pink

1740-0540404131



Transfer box inter-axle lock-up switch, Hall sender for transfer box, Transfer box control unit, Fuse 46 on fuse holder C

- F438 Transfer box inter-axle lock-up switch
- G759 Hall sender for transfer box, on gearbox
- J646 Transfer box control unit
- SC46 Fuse 46 on fuse holder C
- T3n 3-pin connector, black
- T3x 3-pin connector, black
- T4d 4-pin connector, brown
- T16a 16-pin connector, brown
- T17g 17-pin connector, near handbrake lever, black

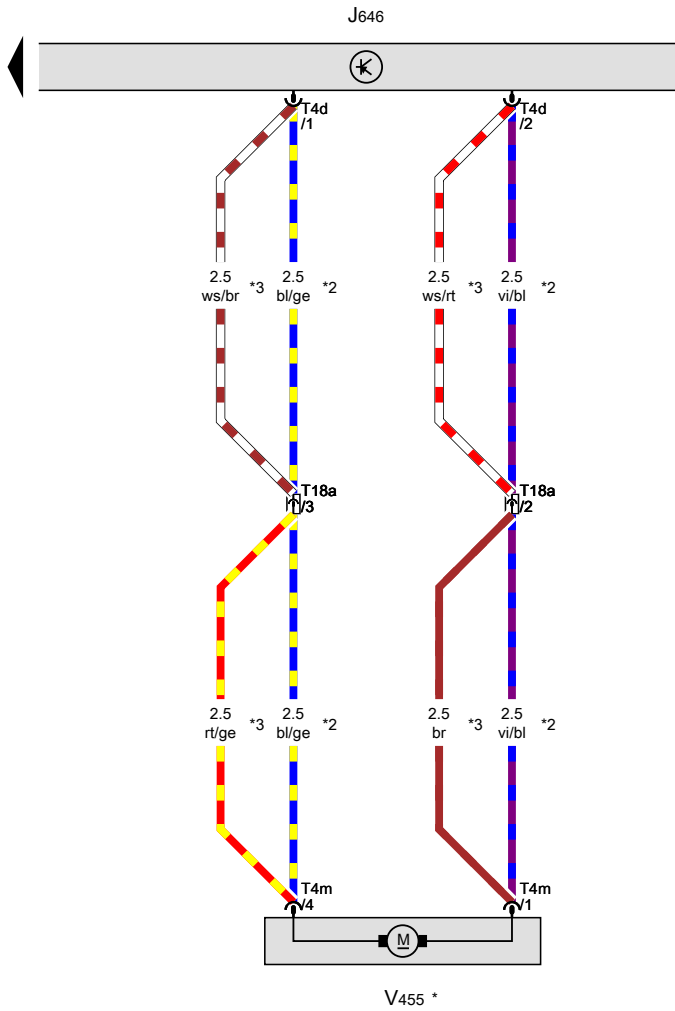
- 68 Earth point, on left of rear cross member
- 86 Earth connection 1, in rear wiring harness
- 196 Earth connection 3, in rear wiring harness

\* with auxiliary drive (part time)  
 \*2 Only models with all-wheel drive

- ws = white
- sw = black
- ro = red
- rt = red
- br = brown
- gn = green
- bl = blue
- gr = grey
- li = purple
- vi = purple
- ge = yellow
- or = orange
- rs = pink

12H0-0540504131

Transfer box control unit, Transfer box control motor



- J646 Transfer box control unit
- T4d 4-pin connector, brown
- T4m 4-pin connector, black
- T18a 18-pin connector, near engine control unit, grey
- V455 Transfer box control motor, on gearbox
- \* with auxiliary drive (part time)
- \*2 Up to January 2013
- \*3 From February 2013

- ws = white
- sw = black
- ro = red
- rt = red
- br = brown
- gn = green
- bl = blue
- gr = grey
- li = purple
- vi = purple
- ge = yellow
- or = orange
- rs = pink

Auxiliary coolant heater, supplementary heater, supplementary heater which can be operated independently , (9M5),(7VL),  
(7VE)

From June 2012

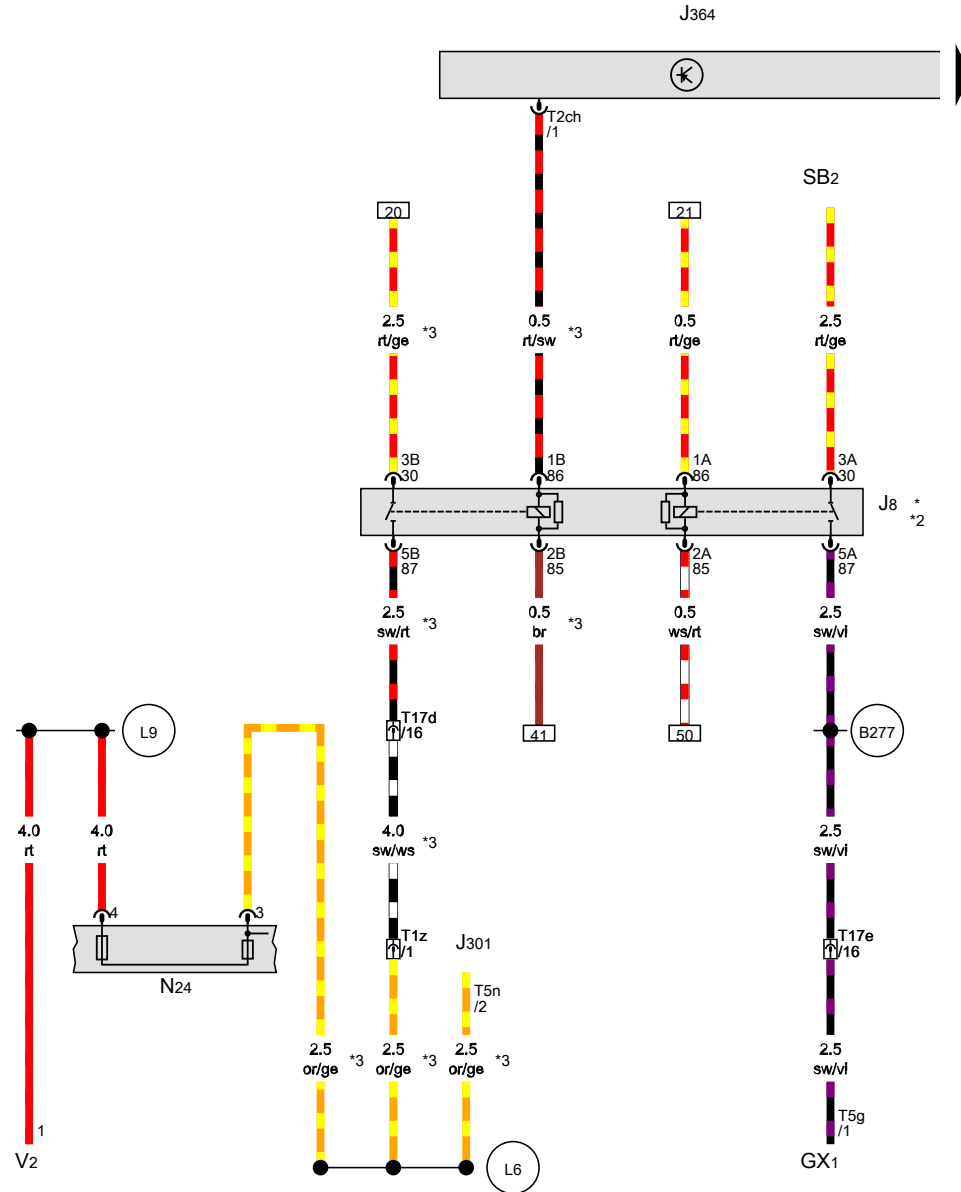


Auxiliary heater relay, Auxiliary heater control unit

- GX1 Fuel delivery unit
- J8 Auxiliary heater relay
- J301 Air conditioning system control unit
- J364 Auxiliary heater control unit
- N24 Fresh air blower series resistor with overheating fuse
- SB2 Fuse 2 on fuse holder B
- T1z Single connector, black
- T2ch 2-pin connector, black
- T5g 5-pin connector, black
- T5n 5-pin connector
- T17d 17-pin connector, on left under dash panel, red
- T17e 17-pin connector, near handbrake lever, red
- V2 Fresh air blower

- B277 Positive connection 1 (15a) in main wiring harness
- L6 Connection 2, in evaporator housing unit wiring harness
- L9 Connection 1, in air conditioning system wiring harness

- \* Only models with diesel engine
- \*2 Only models with auxiliary coolant heater
- \*3 Only models with Climatic

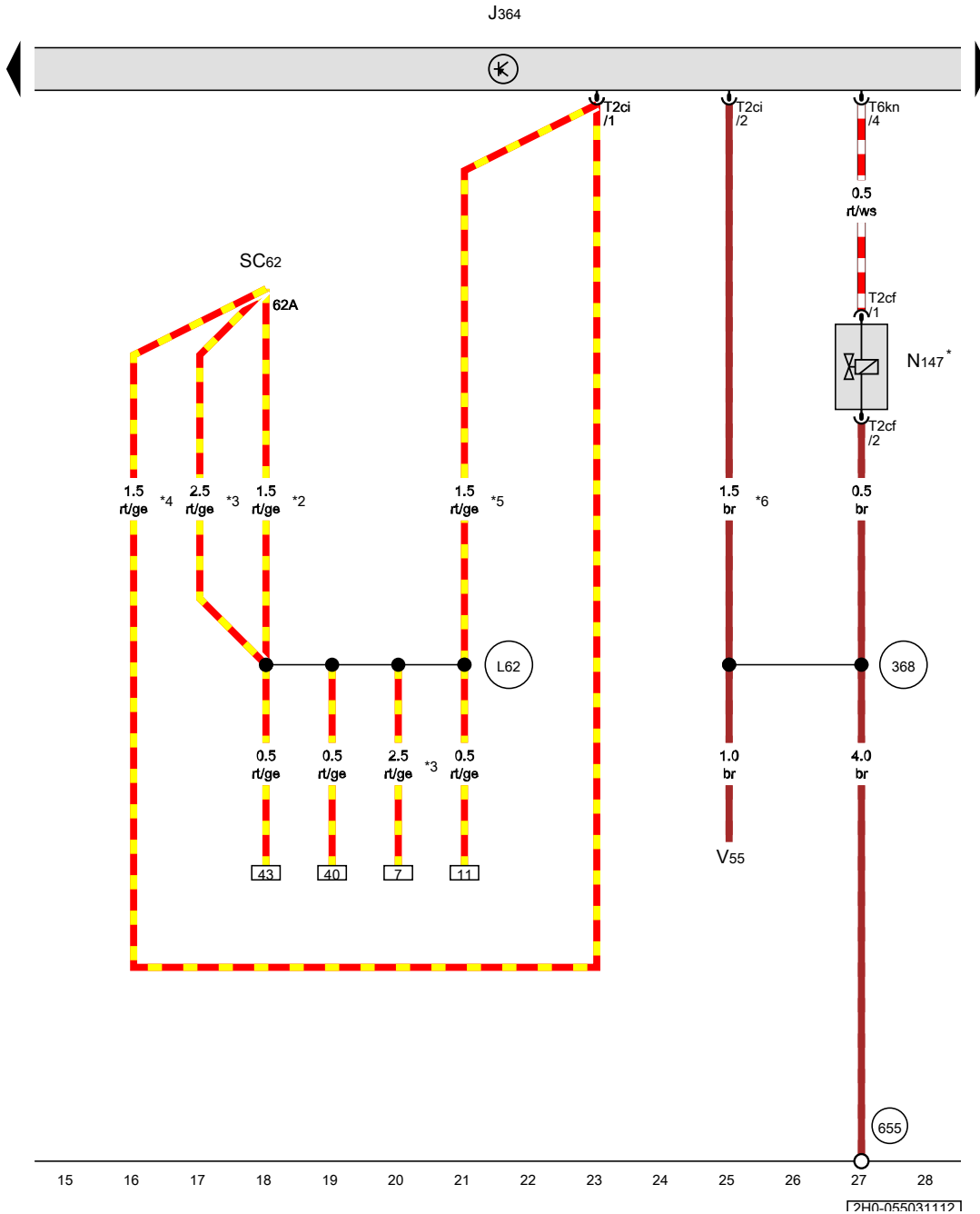


- ws = white
- sw = black
- ro = red
- br = brown
- gn = green
- bl = blue
- gr = grey
- li = purple
- ge = yellow
- or = orange
- rs = pink

1 2 3 4 5 6 7 8 9 10 11 12 13 14

□240-0550211121

**Auxiliary heater control unit, 2-way valve for coolant shut-off valve, Circulation pump**

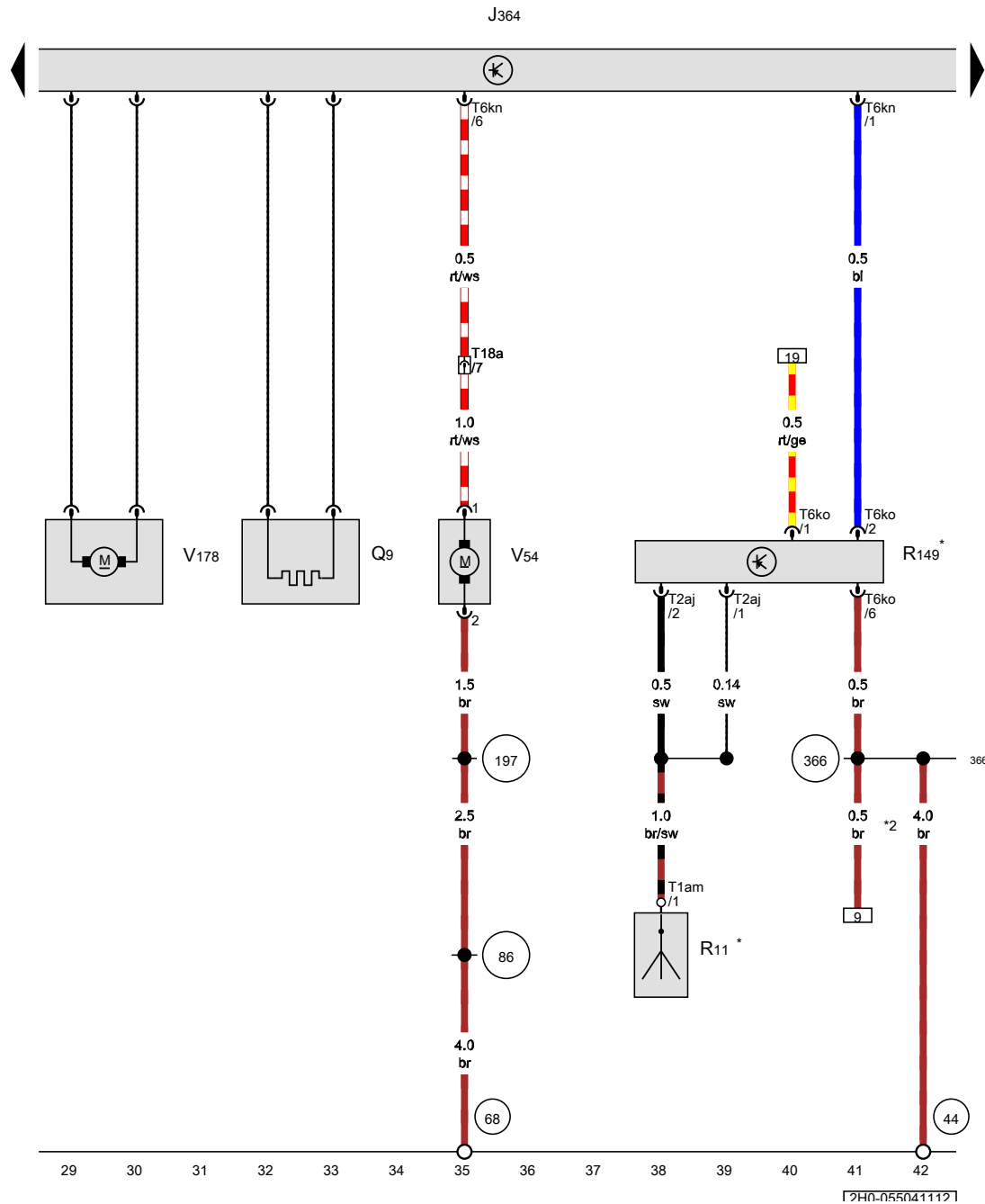


- J364 Auxiliary heater control unit
- N147 2-way valve for coolant shut-off valve, front left in engine compartment
- SC62 Fuse 62 on fuse holder C
- T2cf 2-pin connector, black
- T2ci 2-pin connector
- T6kn 6-pin connector, black
- V55 Circulation pump

- (368) Earth connection 3, in main wiring harness
- (655) Earth point, on left headlight
- (L62) Positive connection (30a), in auxiliary heater wiring harness

- \* Only models with auxiliary coolant heater
- \*2 Only models with Climatronic
- \*3 Only models with Climatic
- \*4 Only models with no air conditioning system/ Climatronic
- \*5 Only models with air conditioning system/ Climatronic
- \*6 see applicable current flow diagram for air conditioning

- ws = white
- sw = black
- ro = red
- br = brown
- gn = green
- bl = blue
- gr = grey
- li = purple
- ge = yellow
- or = orange
- rs = pink



**Auxiliary heater control unit, Glow plug for heater, Remote control receiver for auxiliary coolant heater, Metering pump**

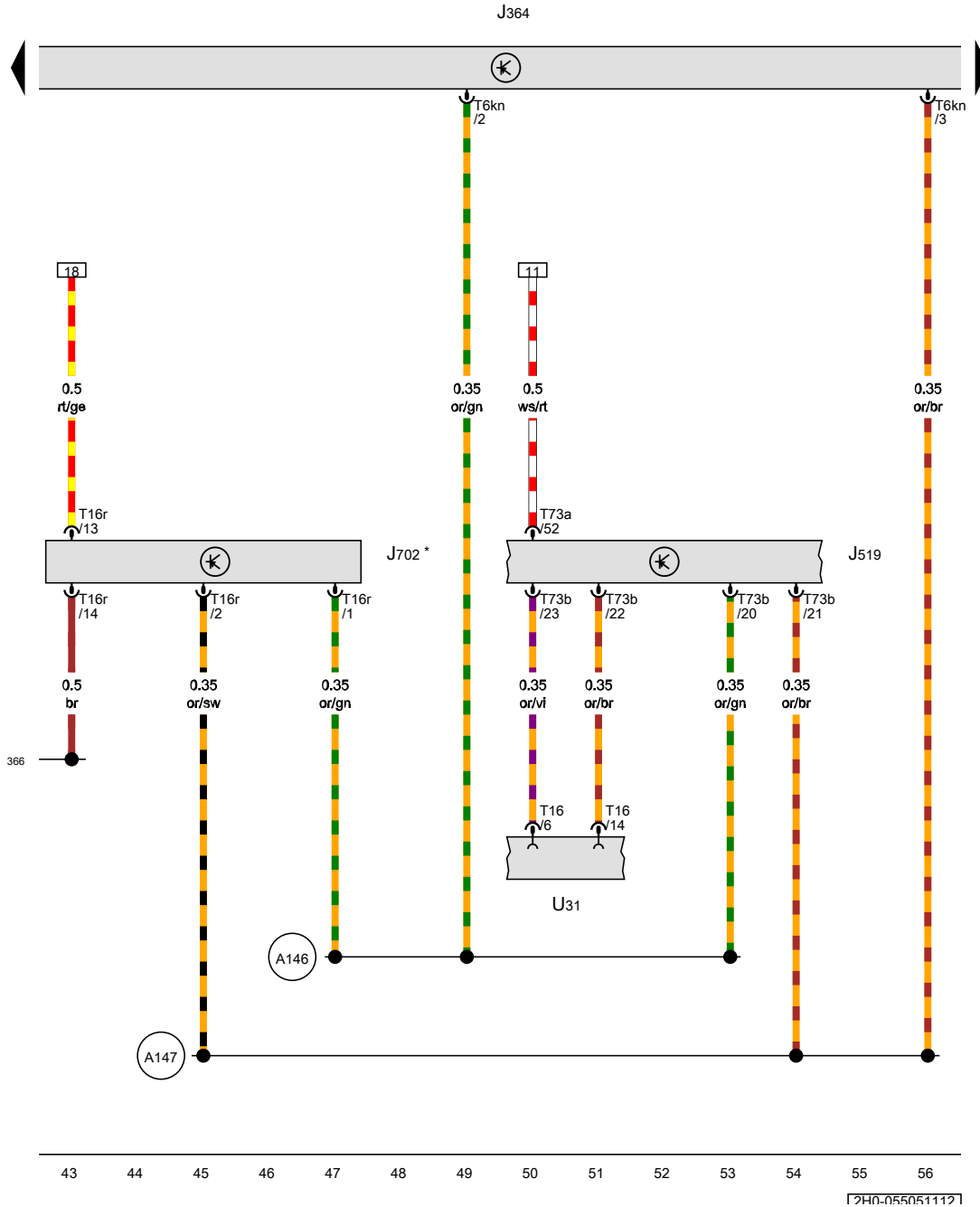
- J364 Auxiliary heater control unit
- Q9 Glow plug for heater
- R11 Aerial
- R149 Remote control receiver for auxiliary coolant heater, near lower part of right A-pillar
- T1am Single connector
- T2aj 2-pin connector, light brown
- T6kn 6-pin connector, black
- T6ko 6-pin connector, blue
- T18a 18-pin connector, grey
- V54 Metering pump
- V178 Coolant circulation pump 2

- 44 Earth point, lower part of left A-pillar
- 68 Earth point, on left of rear cross member
- 86 Earth connection 1, in rear wiring harness
- 197 Earth connection 4, in rear wiring harness
- 366 Earth connection 1, in main wiring harness

\* Only models with remote controlled auxiliary coolant heater  
 \*2 Only models with Climatic


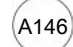

ws = white  
 sw = black  
 ro = red  
 br = brown  
 gn = green  
 bl = blue  
 gr = grey  
 li = purple  
 ge = yellow  
 or = orange  
 rs = pink

1240-0550411121



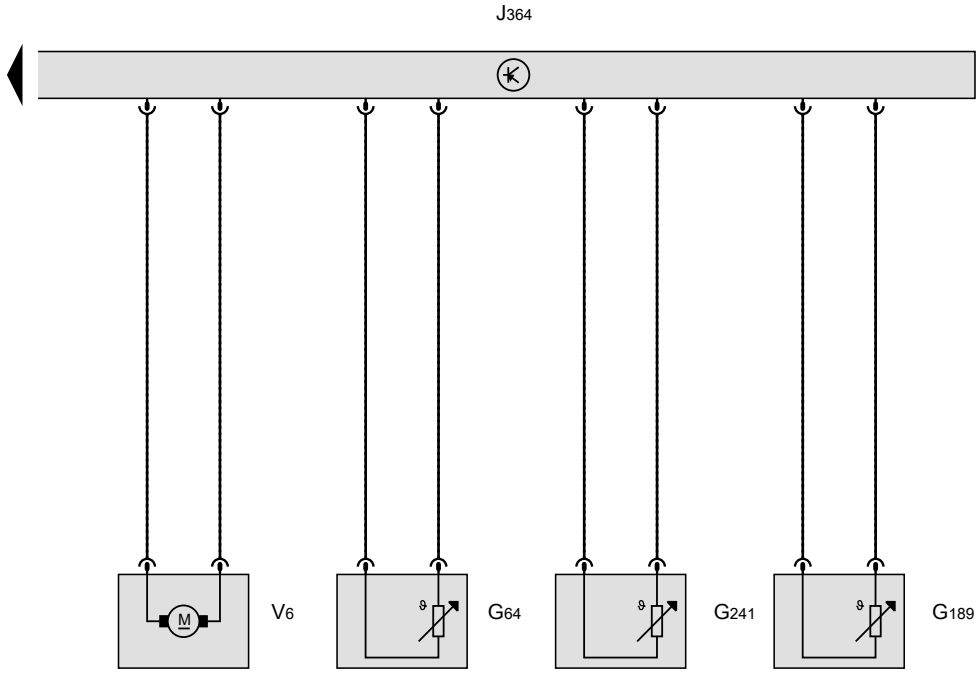
**Auxiliary heater control unit, Onboard supply control unit, Roof display unit**

- J364 Auxiliary heater control unit
- J519 Onboard supply control unit
- J702 Roof display unit, near interior mirror
- T6kn 6-pin connector, black
- T16 16-pin connector, black
- T16r 16-pin connector, black
- T73a 73-pin connector, black
- T73b 73-pin connector, colourless
- U31 Diagnostic connection

-  366 Earth connection 1, in main wiring harness
-  A146 Connection (convenience CAN bus, high), in dash panel wiring harness
-  A147 Connection (convenience CAN bus, low), in dash panel wiring harness
- \* Only models with auxiliary coolant heater

- ws = white
- sw = black
- ro = red
- br = brown
- gn = green
- bl = blue
- gr = grey
- li = purple
- ge = yellow
- or = orange
- rs = pink

1240-0550511121



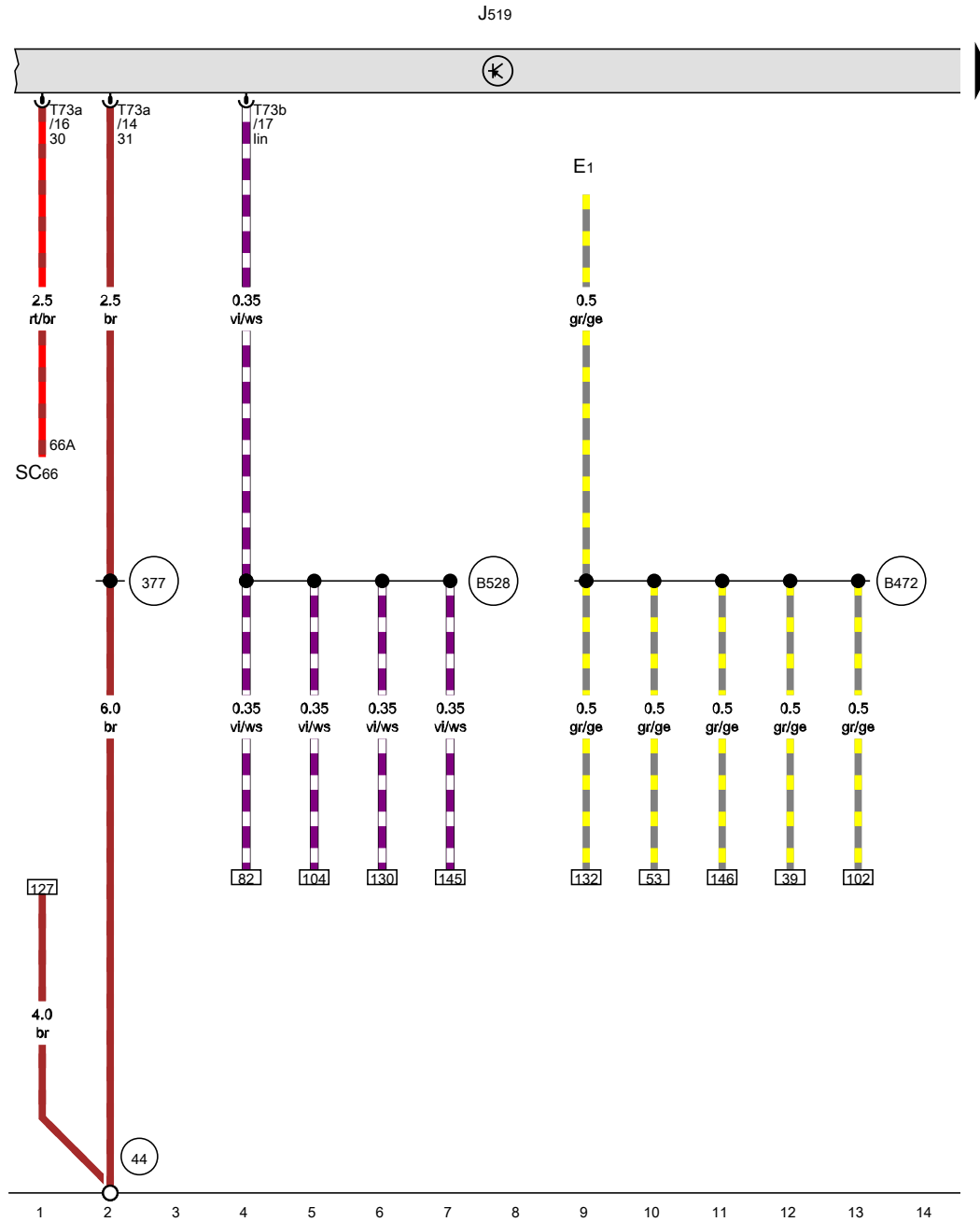
Flame monitor, Overheating sensor, Coolant temperature sender for heater, Auxiliary heater control unit, Combustion air blower

- G64 Flame monitor
- G189 Overheating sensor
- G241 Coolant temperature sender for heater
- J364 Auxiliary heater control unit
- V6 Combustion air blower

- ws = white
- sw = black
- ro = red
- br = brown
- gn = green
- bl = blue
- gr = grey
- li = purple
- ge = yellow
- or = orange
- rs = pink

## Central locking, window regulators and mirror adjustment

From June 2012



Light switch, Onboard supply control unit

- E1 Light switch
- J519 Onboard supply control unit, near driver side A-pillar
- SC66 Fuse 66 on fuse holder C
- T73a 73-pin connector, black
- T73b 73-pin connector

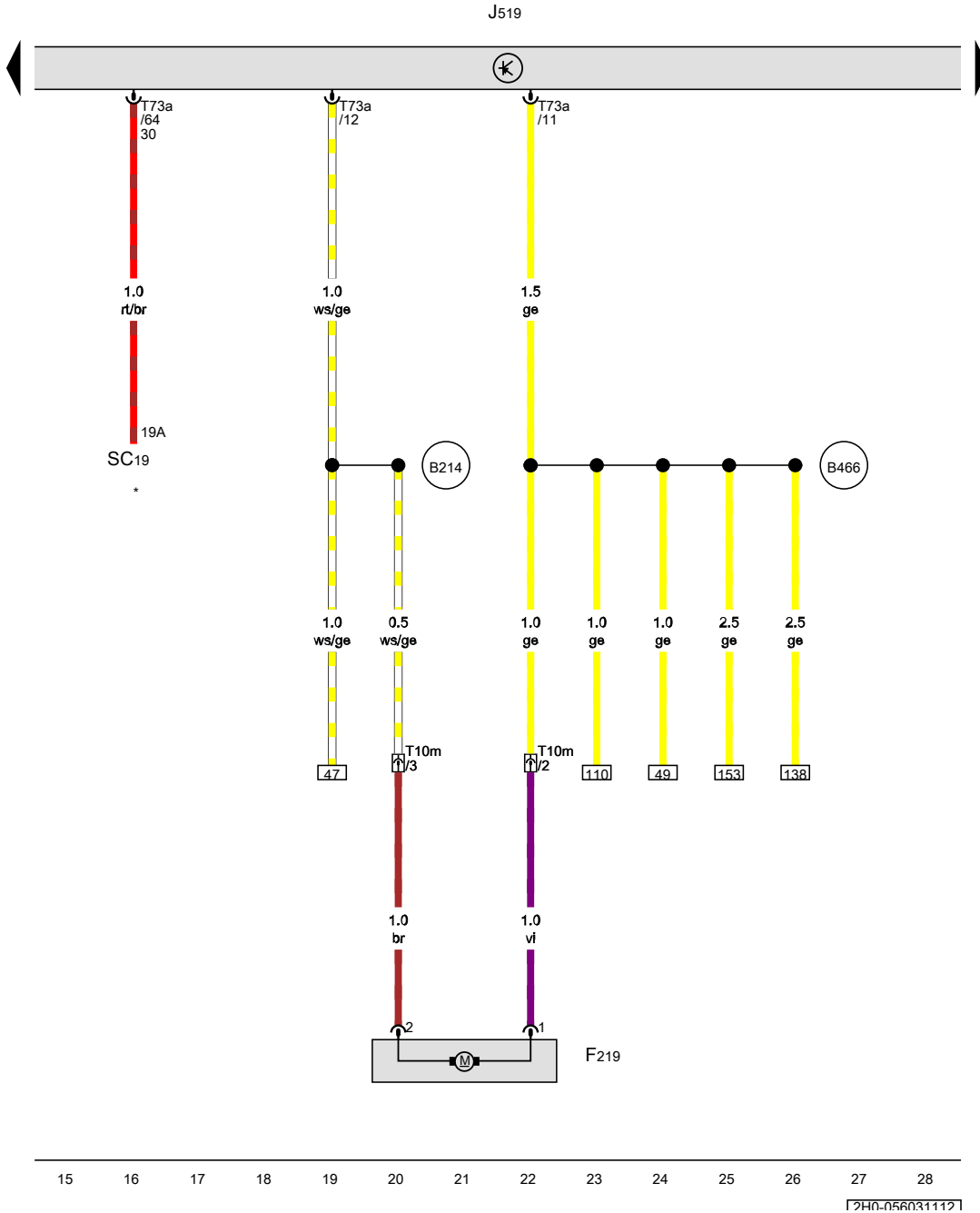
- 44 Earth point, lower part of left A-pillar
- 377 Earth connection 12, in main wiring harness
- B472 Connection 8, in main wiring harness
- B528 Connection 1 (LIN bus) in main wiring harness

- ws = white
- sw = black
- ro = red
- br = brown
- gn = green
- bl = blue
- gr = grey
- li = purple
- ge = yellow
- or = orange
- rs = pink

1740-0560211121

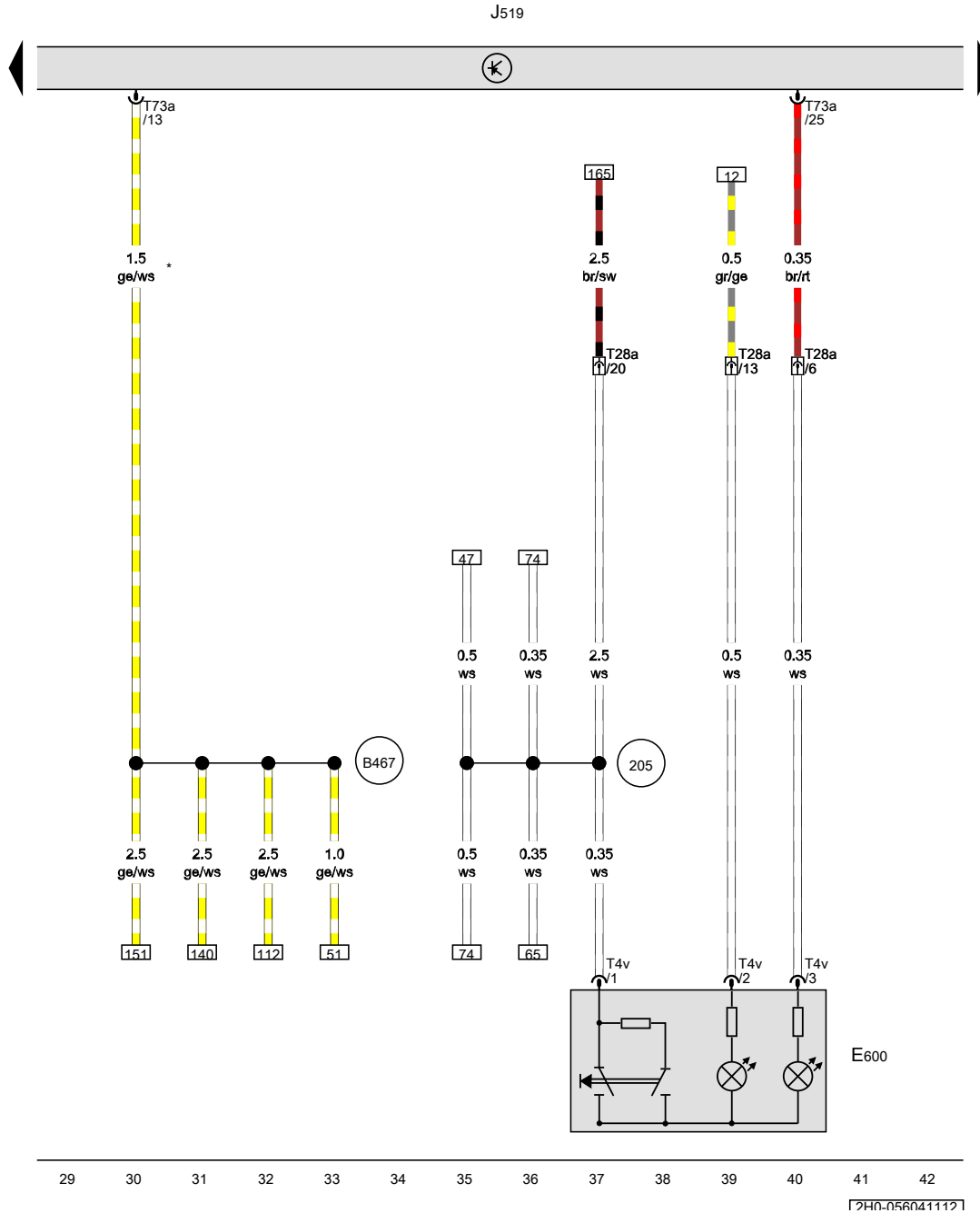
Fuel tank filler flap central locking actuator, Onboard supply control unit, Fuse 19 on fuse holder C

- F219 Fuel tank filler flap central locking actuator
- J519 Onboard supply control unit, near driver side A-pillar
- SC19 Fuse 19 on fuse holder C
- T10m 10-pin connector, near handbrake lever, brown
- T73a 73-pin connector, black
- B214** Connection 1 (central locking), in interior wiring harness
- B466** Connection 2, in main wiring harness
- \* Only models with heated exterior mirrors



- ws = white
- sw = black
- ro = red
- br = brown
- gn = green
- bl = blue
- gr = grey
- li = purple
- ge = yellow
- or = orange
- rs = pink





Central locking button, Onboard supply control unit

- E600 Central locking button, in driver door
- J519 Onboard supply control unit, near driver side A-pillar
- T4v 4-pin connector, black
- T28a 28-pin connector, on left A-pillar
- T73a 73-pin connector, black

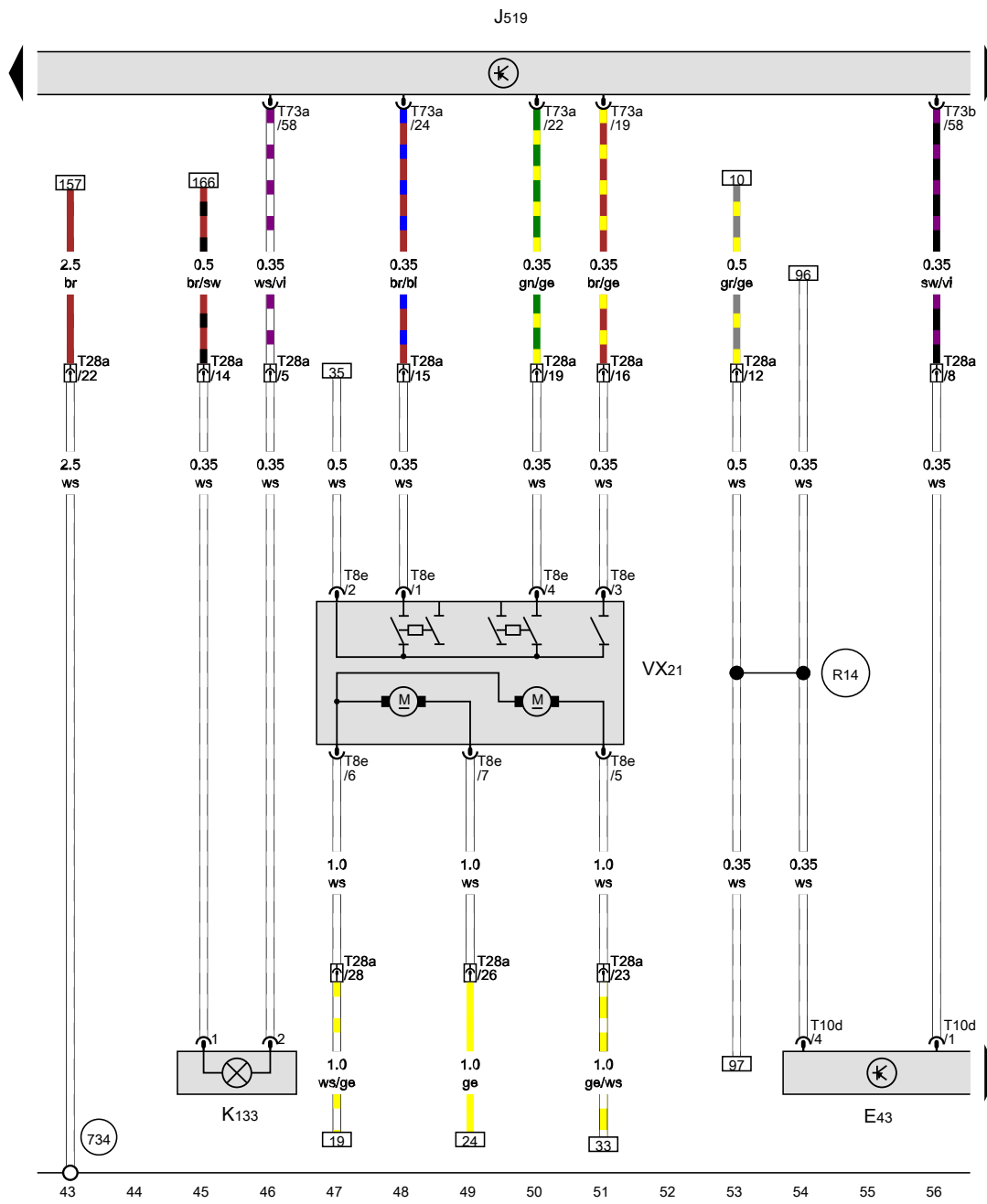
205 Earth connection, in driver door wiring harness

B467 Connection 3, in main wiring harness

\* Only models with double cab



- ws = white
- sw = black
- ro = red
- br = brown
- gn = green
- bl = blue
- gr = grey
- li = purple
- ge = yellow
- or = orange
- rs = pink

17H0-056041117



**Mirror adjustment switch, Onboard supply control unit, Central locking SAFELock function warning lamp, Driver door lock unit**

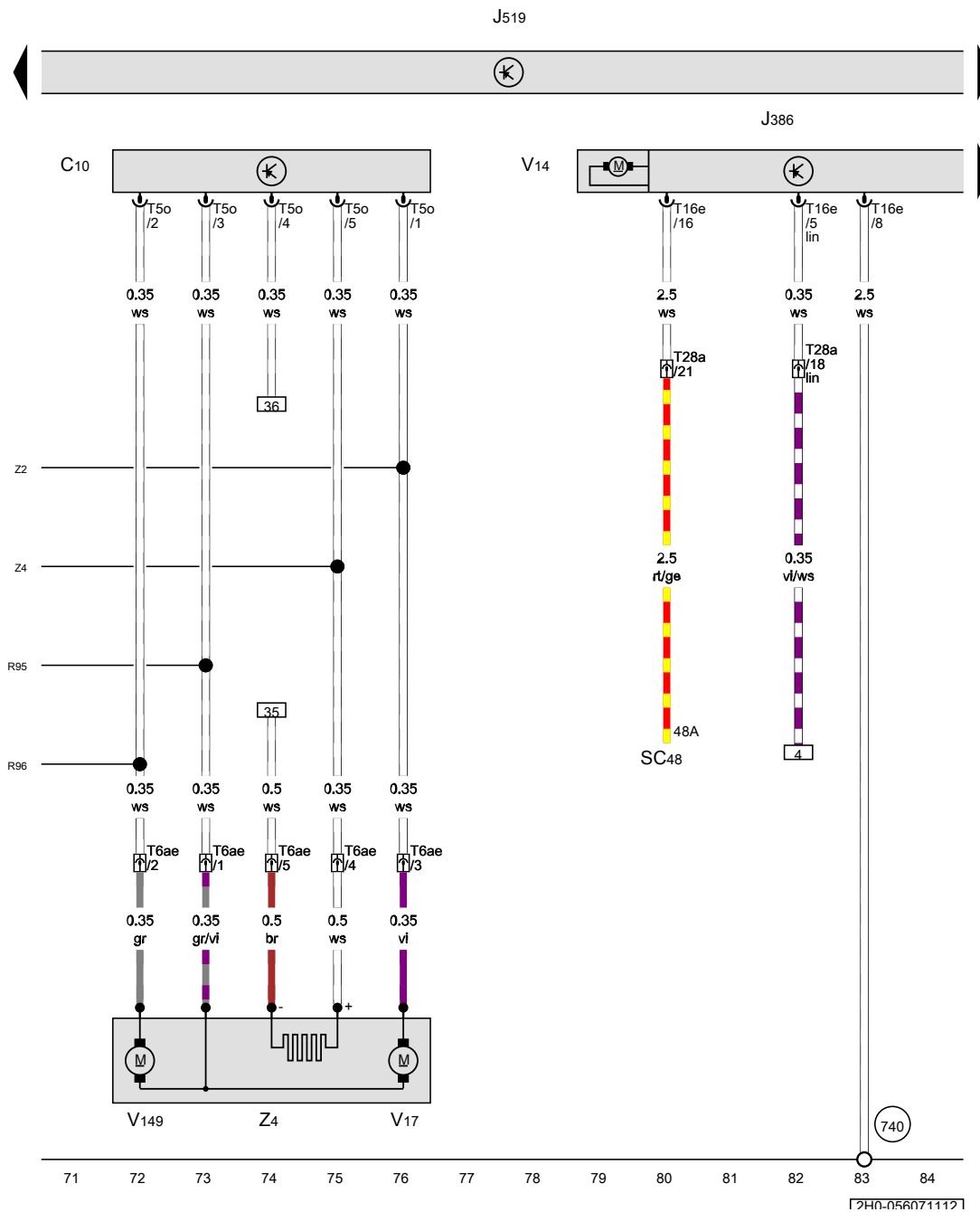
- E43 Mirror adjustment switch, in driver door
- J519 Onboard supply control unit, near driver side A-pillar
- K133 Central locking SAFELock function warning lamp
- T8e 8-pin connector, black
- T10d 10-pin connector, black
- T28a 28-pin connector, on left A-pillar
- T73a 73-pin connector, black
- T73b 73-pin connector
- VX21 Driver door lock unit

-  734 Earth point in front left door
-  R14 Connection 1 (open), in driver door wiring harness

- ws = white
- sw = black
- ro = red
- br = brown
- gn = green
- bl = blue
- gr = grey
- li = purple
- ge = yellow
- or = orange
- rs = pink

[240-056051112]



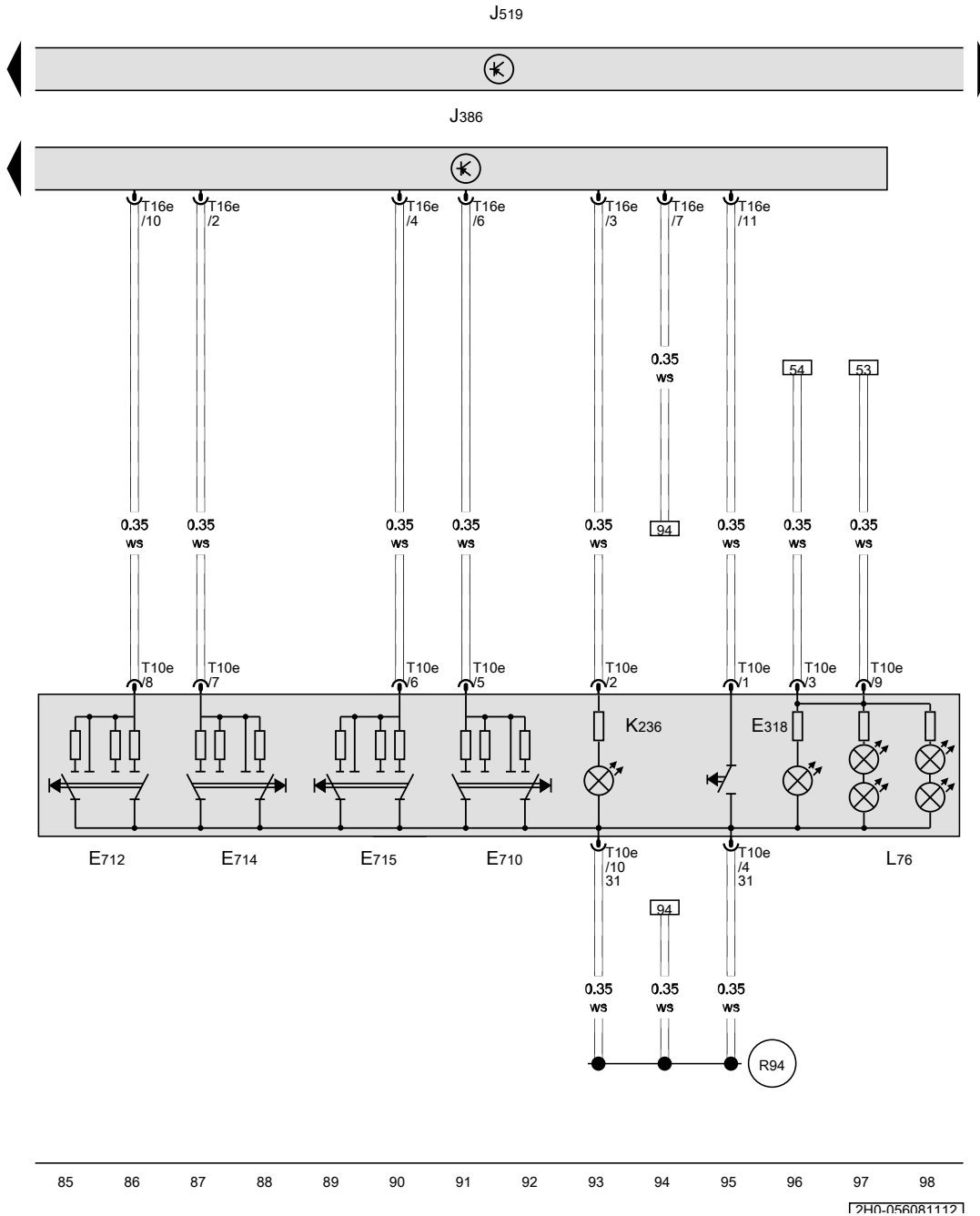


Suppression filter, Driver door control unit, Onboard supply control unit, Fuse 48 on fuse holder C, Left window regulator motor, Heated exterior mirror on driver side

- C10 Suppression filter, in left door
- J386 Driver door control unit
- J519 Onboard supply control unit, near driver side A-pillar
- SC48 Fuse 48 on fuse holder C
- T50 5-pin connector
- T6ae 6-pin connector, in left door, near exterior mirror, blue
- T16e 16-pin connector
- T28a 28-pin connector
- V14 Left window regulator motor
- V17 Driver side mirror adjustment motor
- V149 Driver side mirror adjustment motor
- Z4 Heated exterior mirror on driver side
- 740 Earth point 2 in front left door
- R95 Connection 2 in driver side door wiring harness
- R96 Connection 3 in driver side door wiring harness
- Z2 Connection 2, in mirror adjustment/heating wiring harness
- Z4 Positive connection (15a), in mirror adjustment/heating wiring harness

- ws = white
- sw = black
- ro = red
- br = brown
- gn = green
- bl = blue
- gr = grey
- li = purple
- ge = yellow
- or = orange
- rs = pink

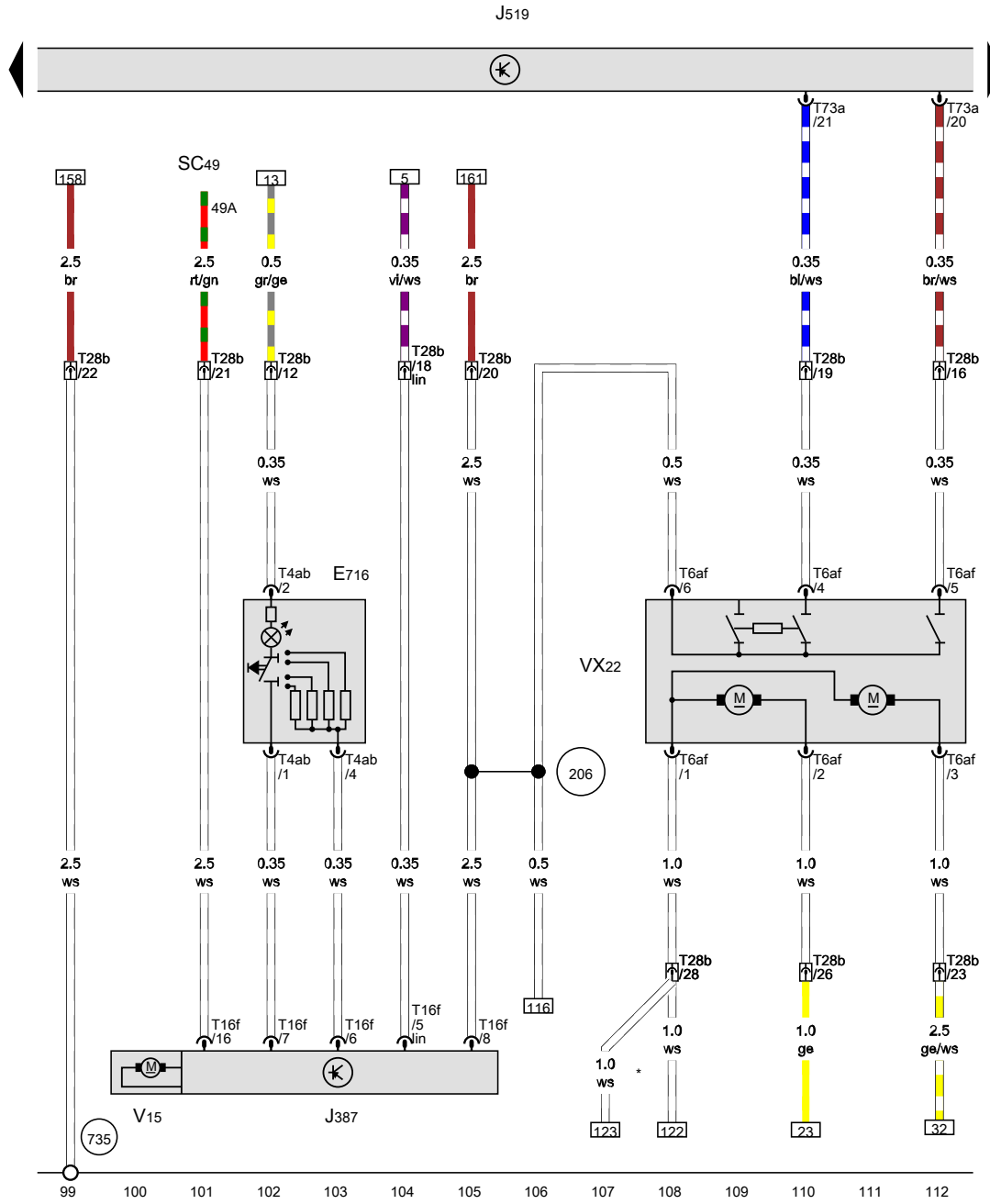
[2HD-056071112]



Childproof lock button, Front driver side window regulator button, Rear driver side window regulator button, in driver door, Driver door control unit, Onboard supply control unit

- E318 Childproof lock button
- E710 Front driver side window regulator button
- E712 Rear driver side window regulator button, in driver door
- E714 Rear passenger side window regulator button, in driver door
- E715 Front passenger side window regulator button, in driver door
- J386 Driver door control unit
- J519 Onboard supply control unit, near driver side A-pillar
- K236 Warning light for activated childproof lock
- L76 Button illumination bulb
- T10e 10-pin connector
- T16e 16-pin connector, black
- R94 Connection 1 in driver side door wiring harness

- ws = white
- sw = black
- ro = red
- br = brown
- gn = green
- bl = blue
- gr = grey
- li = purple
- ge = yellow
- or = orange
- rs = pink



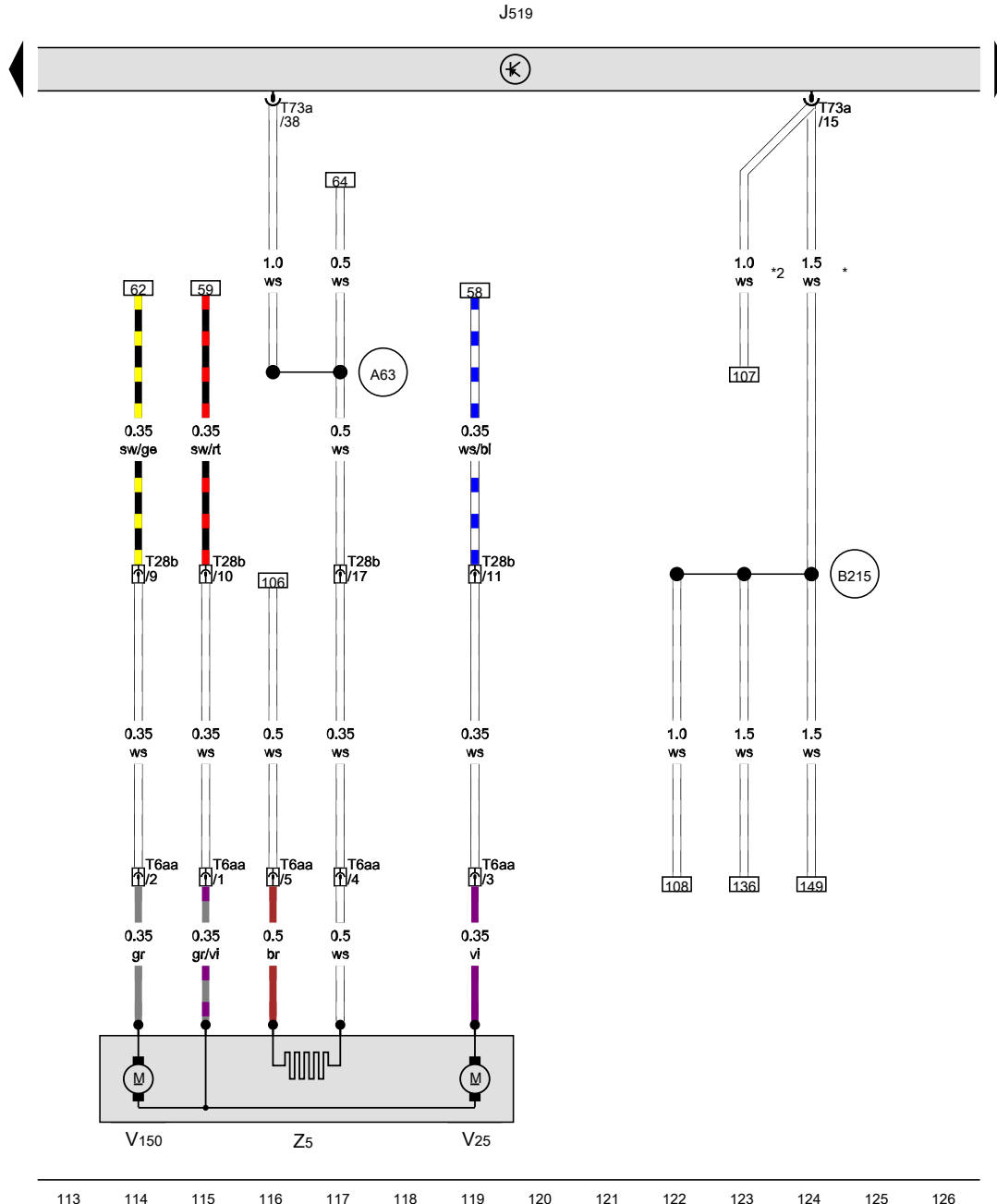
Front passenger side window regulator button, Front passenger door control unit, Onboard supply control unit, Fuse 49 on fuse holder C, Right window regulator motor, Front passenger door lock unit

- E716 Front passenger side window regulator button
- J387 Front passenger door control unit
- J519 Onboard supply control unit, near driver side A-pillar
- SC49 Fuse 49 on fuse holder C
- T4ab 4-pin connector
- T6af 6-pin connector
- T16f 16-pin connector
- T28b 28-pin connector, on right A-pillar
- T73a 73-pin connector, black
- V15 Right window regulator motor
- VX22 Front passenger door lock unit

- 206 Earth connection, in front passenger door wiring harness
- 735 Earth point in front right door
- \* Only models with single cab

- ws = white
- sw = black
- ro = red
- br = brown
- gn = green
- bl = blue
- gr = grey
- li = purple
- ge = yellow
- or = orange
- rs = pink

1740-0560911171



**Onboard supply control unit, Heated exterior mirror on front passenger side**

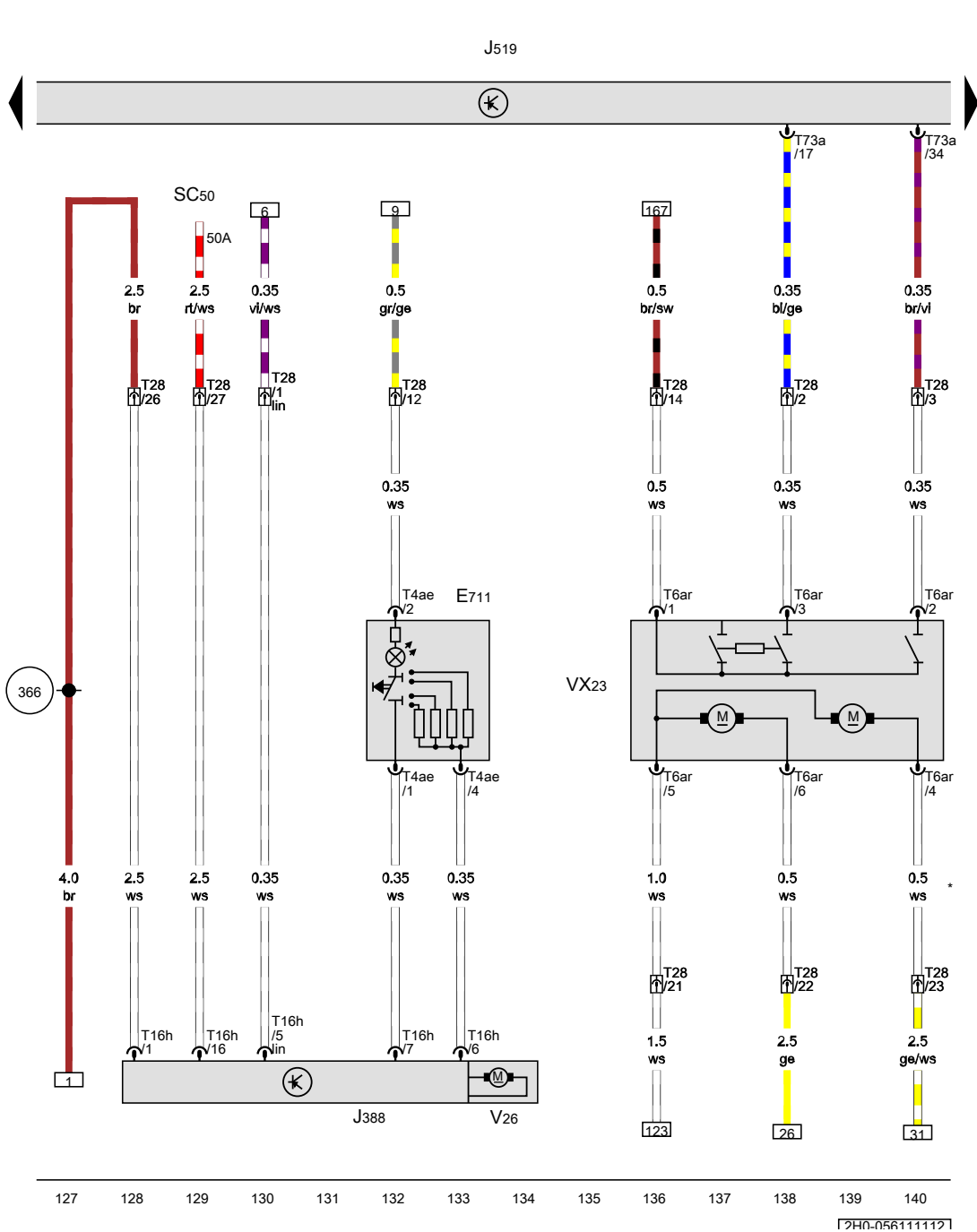
- J519 Onboard supply control unit, near driver side A-pillar
- T6aa 6-pin connector, in right door, near exterior mirror, blue
- T28b 28-pin connector, on right A-pillar
- T73a 73-pin connector, black
- V25 Front passenger side mirror adjustment motor
- V150 Front passenger side mirror adjustment motor
- Z5 Heated exterior mirror on front passenger side

A63 Connection (mirror adjustment/heating), in dash panel wiring harness

B215 Connection 2 (central locking), in interior wiring harness

\* Only models with double cab

\*2 Only models with single cab



Rear driver side window regulator button, Rear left door control unit, Onboard supply control unit, Fuse 50 on fuse holder C, Rear left door lock unit, Rear left window regulator motor

- E711 Rear driver side window regulator button, in rear left door
- J388 Rear left door control unit
- J519 Onboard supply control unit, near driver side A-pillar
- SC50 Fuse 50 on fuse holder C
- T4ae 4-pin connector, black
- T6ar 6-pin connector, black
- T16h 16-pin connector
- T28 28-pin connector, on left B-pillar
- T73a 73-pin connector, black
- VX23 Rear left door lock unit
- V26 Rear left window regulator motor

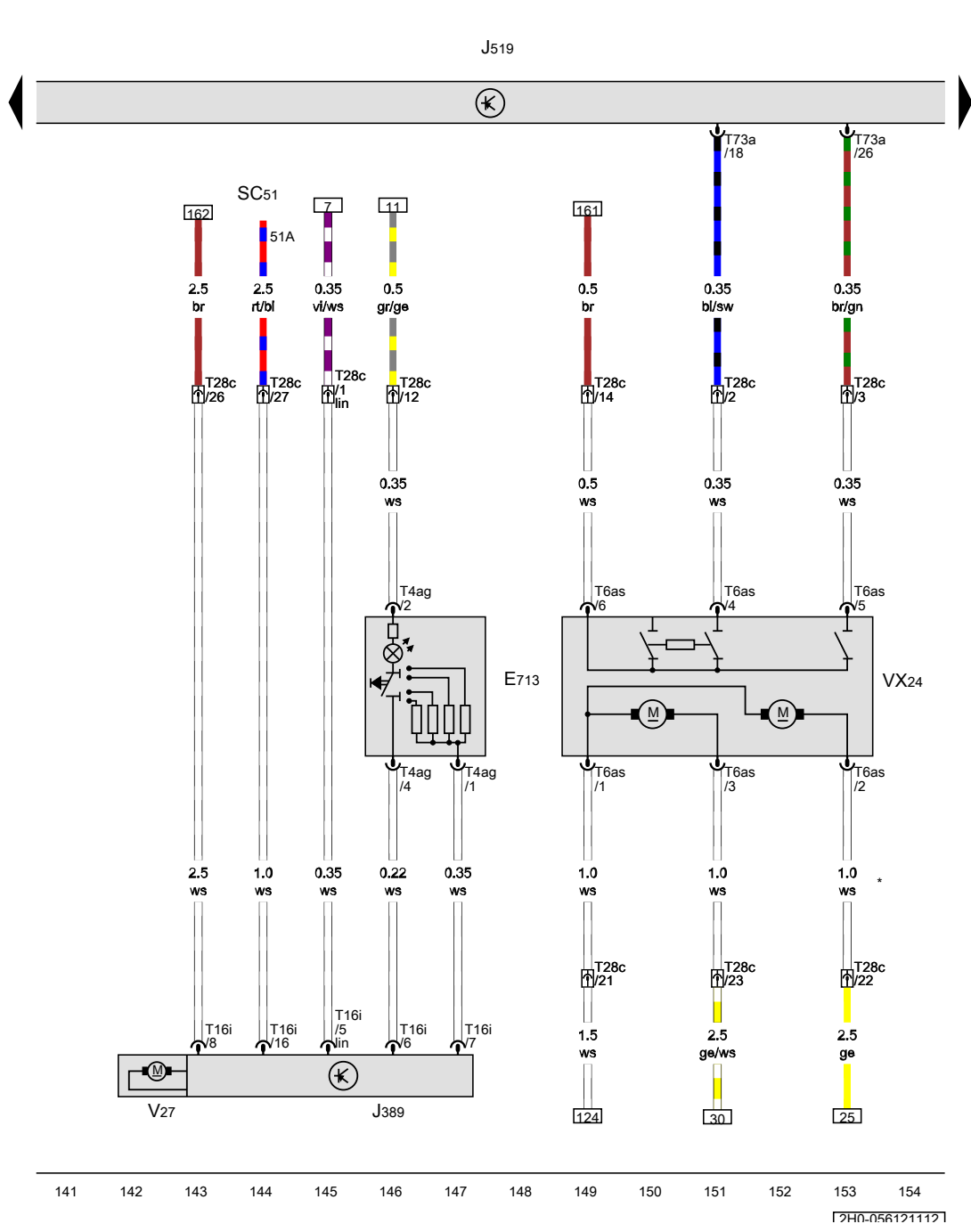
366 Earth connection 1, in main wiring harness

\* Only models with SAFELOCK function

- ws = white
- sw = black
- ro = red
- br = brown
- gn = green
- bl = blue
- gr = grey
- li = purple
- ge = yellow
- or = orange
- rs = pink

PHD-056111117





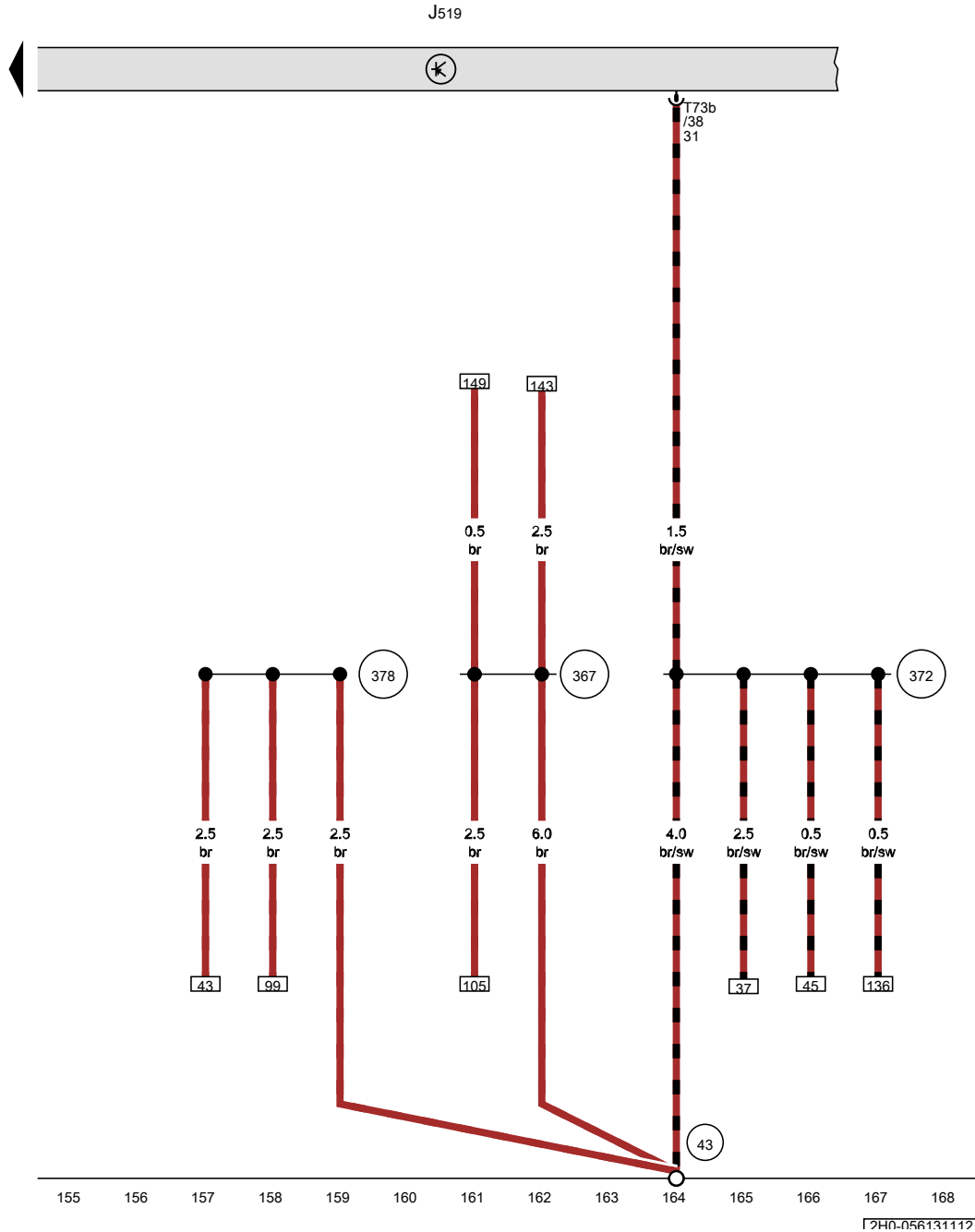
Rear passenger side window regulator button, Rear right door control unit, Onboard supply control unit, Fuse 51 on fuse holder C, Rear right door lock unit, Rear right window regulator motor

- E713 Rear passenger side window regulator button, in rear right door
- J389 Rear right door control unit
- J519 Onboard supply control unit, near driver side A-pillar
- SC51 Fuse 51 on fuse holder C
- T4ag 4-pin connector
- T6as 6-pin connector, black
- T16i 16-pin connector, black
- T28c 28-pin connector, on right B-pillar
- T73a 73-pin connector, black
- VX24 Rear right door lock unit
- V27 Rear right window regulator motor
- \* Only models with SAFELOCK function

- ws = white
- sw = black
- ro = red
- br = brown
- gn = green
- bl = blue
- gr = grey
- li = purple
- ge = yellow
- or = orange
- rs = pink

141 142 143 144 145 146 147 148 149 150 151 152 153 154

[740-056121112]



**Onboard supply control unit**

J519 Onboard supply control unit, near driver side A-pillar  
 T73b 73-pin connector

43 Earth point, lower part of right A-pillar

367 Earth connection 2, in main wiring harness

372 Earth connection 7, in main wiring harness

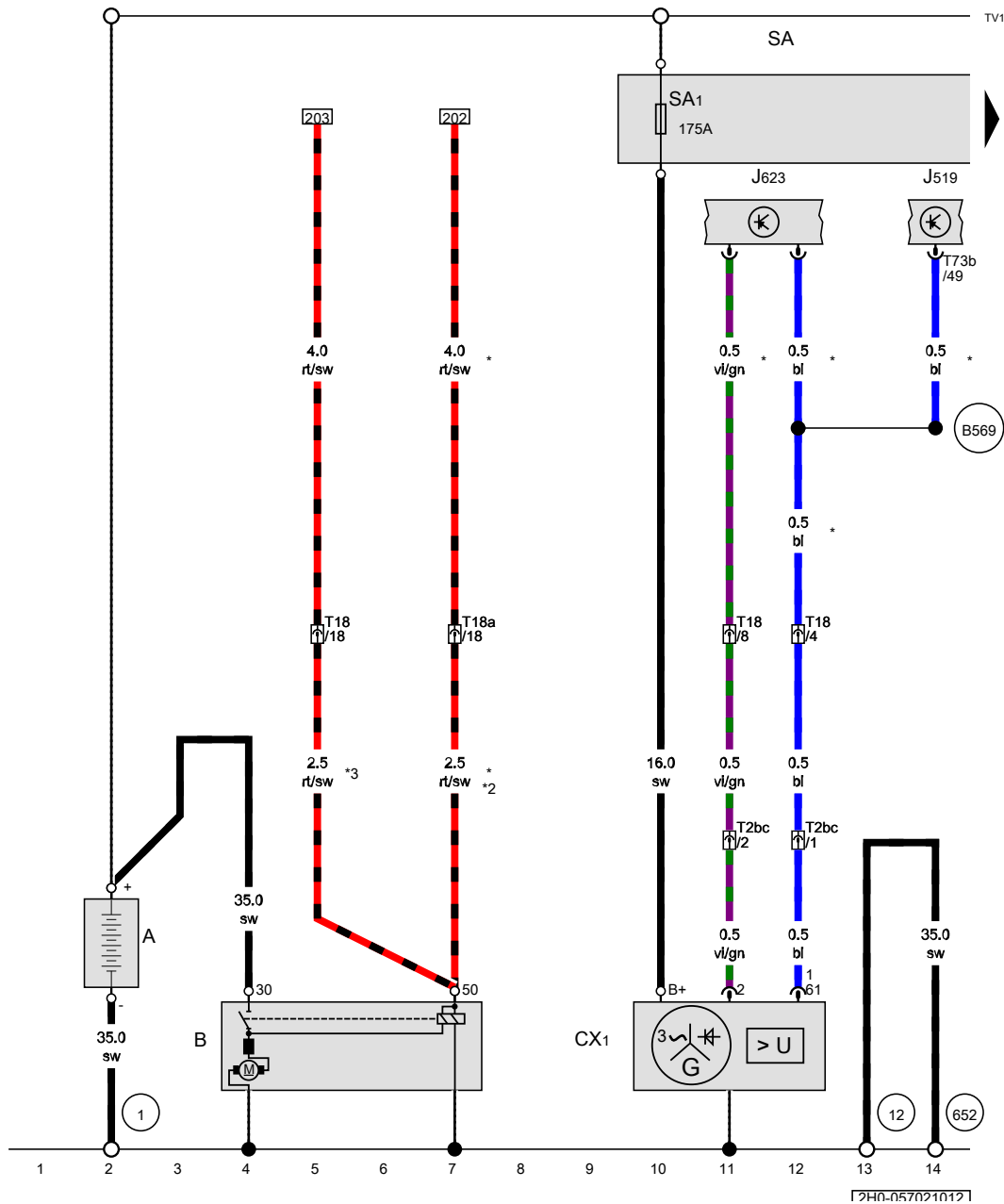
378 Earth connection 13, in main wiring harness

- ws = white
- sw = black
- ro = red
- br = brown
- gn = green
- bl = blue
- gr = grey
- li = purple
- ge = yellow
- or = orange
- rs = pink

## Fuse assignment , (7L3)

From June 2012

**Battery, Starter, Alternator with voltage regulator, Fuse holder A**



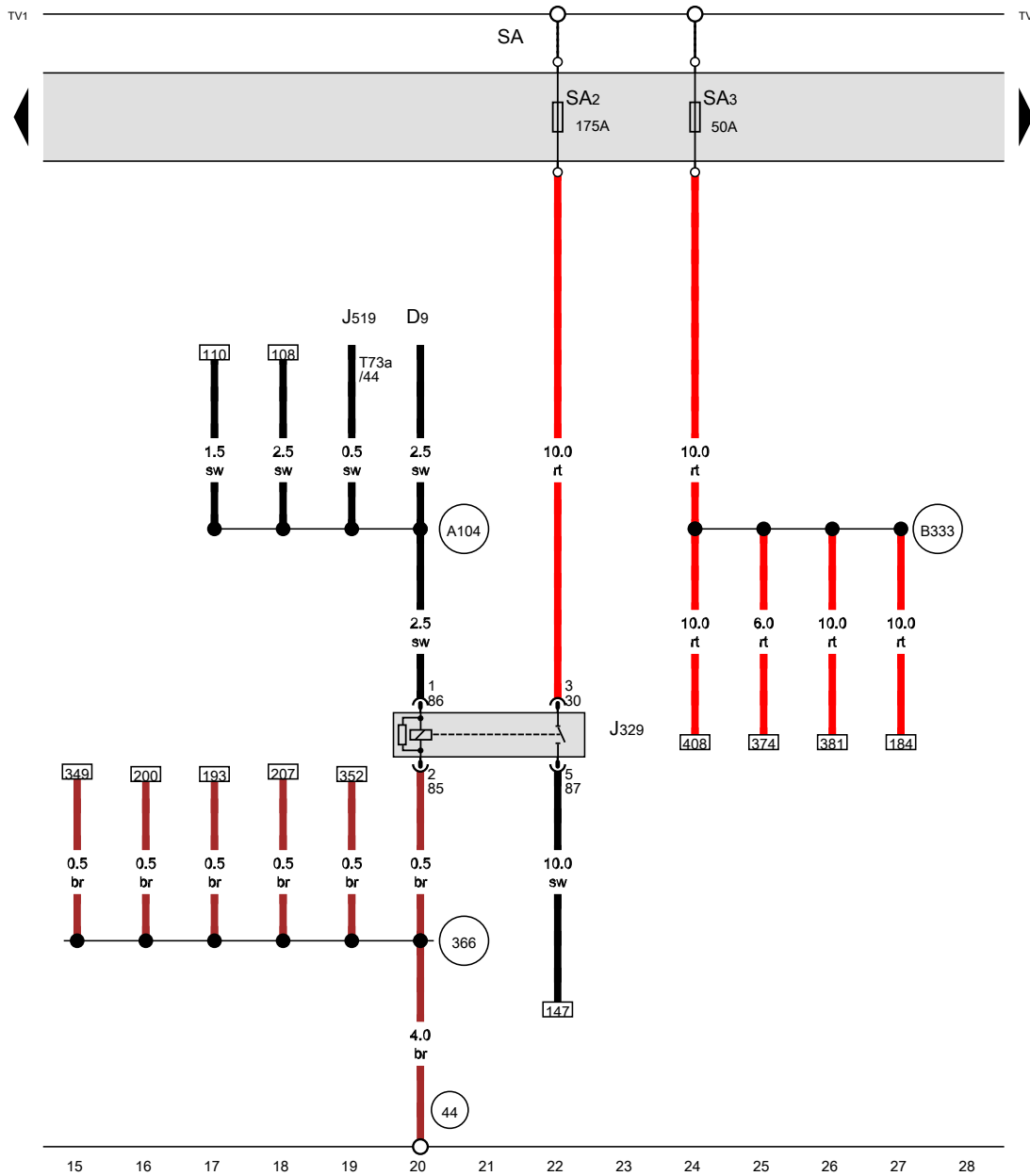
- A Battery
- B Starter
- CX1 Alternator with voltage regulator
- J519 Onboard supply control unit
- J623 Engine control unit
- SA Fuse holder A
- SA1 Fuse 1 in fuse holder A
- T2bc 2-pin connector, black
- T18 18-pin connector, near engine control unit, black
- T18a 18-pin connector, near engine control unit, grey
- T73b 73-pin connector, colourless

- 1 Earth strap, battery - body
- 12 Earth point, on left in engine compartment
- 652 Earth point, engine and gearbox earth
- B569 Connection 36, in main wiring harness

- \* see applicable current flow diagram for engine
- \*2 Only models with diesel engine
- \*3 Only models with petrol engine

- ws = white
- sw = black
- ro = red
- br = brown
- gn = green
- bl = blue
- gr = grey
- li = purple
- ge = yellow
- or = orange
- rs = pink

ГЭН-0570210121



Terminal 15 voltage supply relay, Fuse holder A

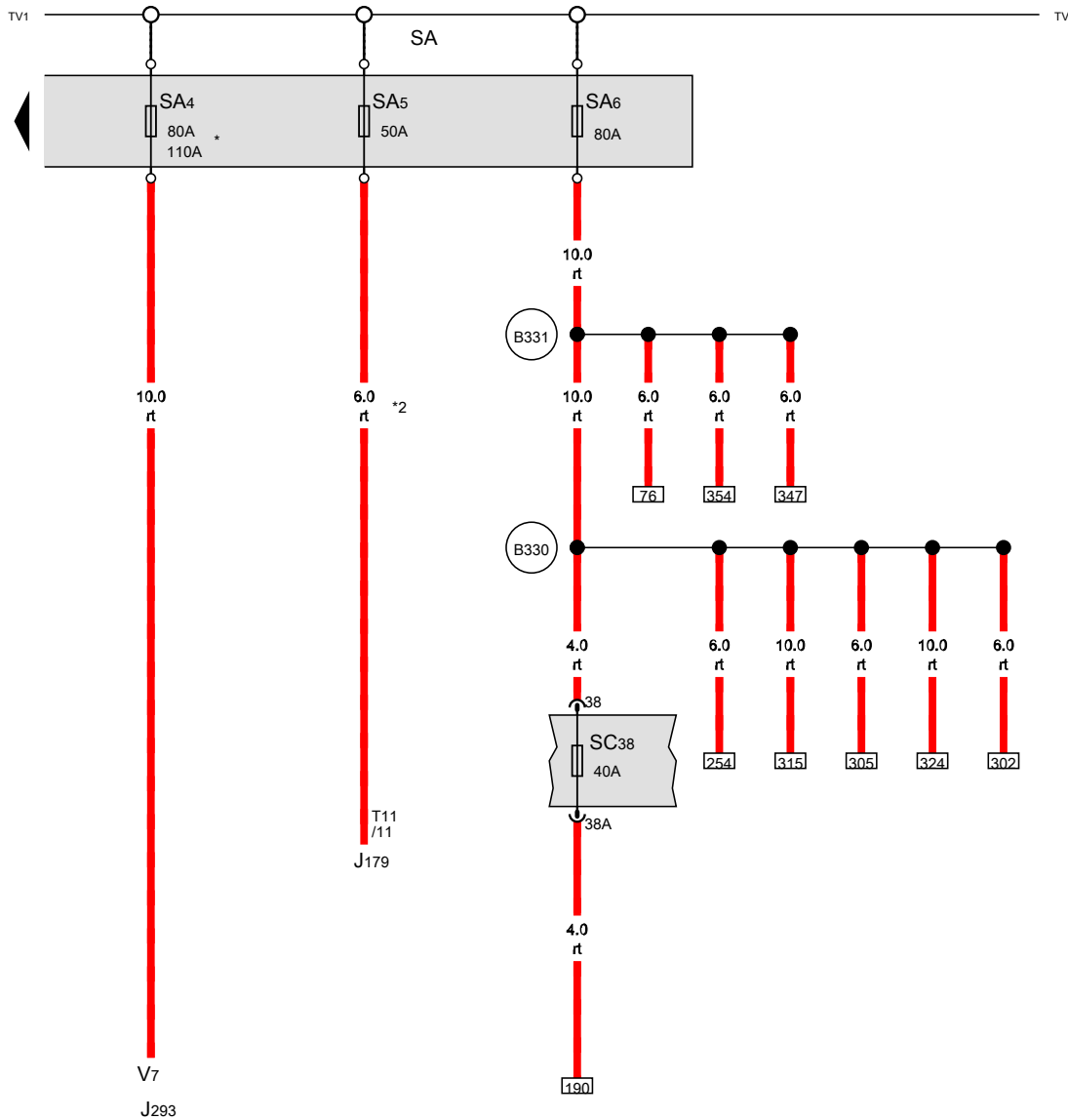
- D9 Electronic ignition lock
- J329 Terminal 15 voltage supply relay
- J519 Onboard supply control unit
- SA Fuse holder A
- SA2 Fuse 2 in fuse holder A
- SA3 Fuse 3 in fuse holder A
- T73a 73-pin connector, black

- 44 Earth point, lower part of left A-pillar
- 366 Earth connection 1, in main wiring harness
- A104 Positive connection 2 (15), in dash panel wiring harness
- B333 Positive connection 19 (30a) in main wiring harness

- ws = white
- sw = black
- ro = red
- br = brown
- gn = green
- bl = blue
- gr = grey
- li = purple
- ge = yellow
- or = orange
- rs = pink

[74H-057031012]

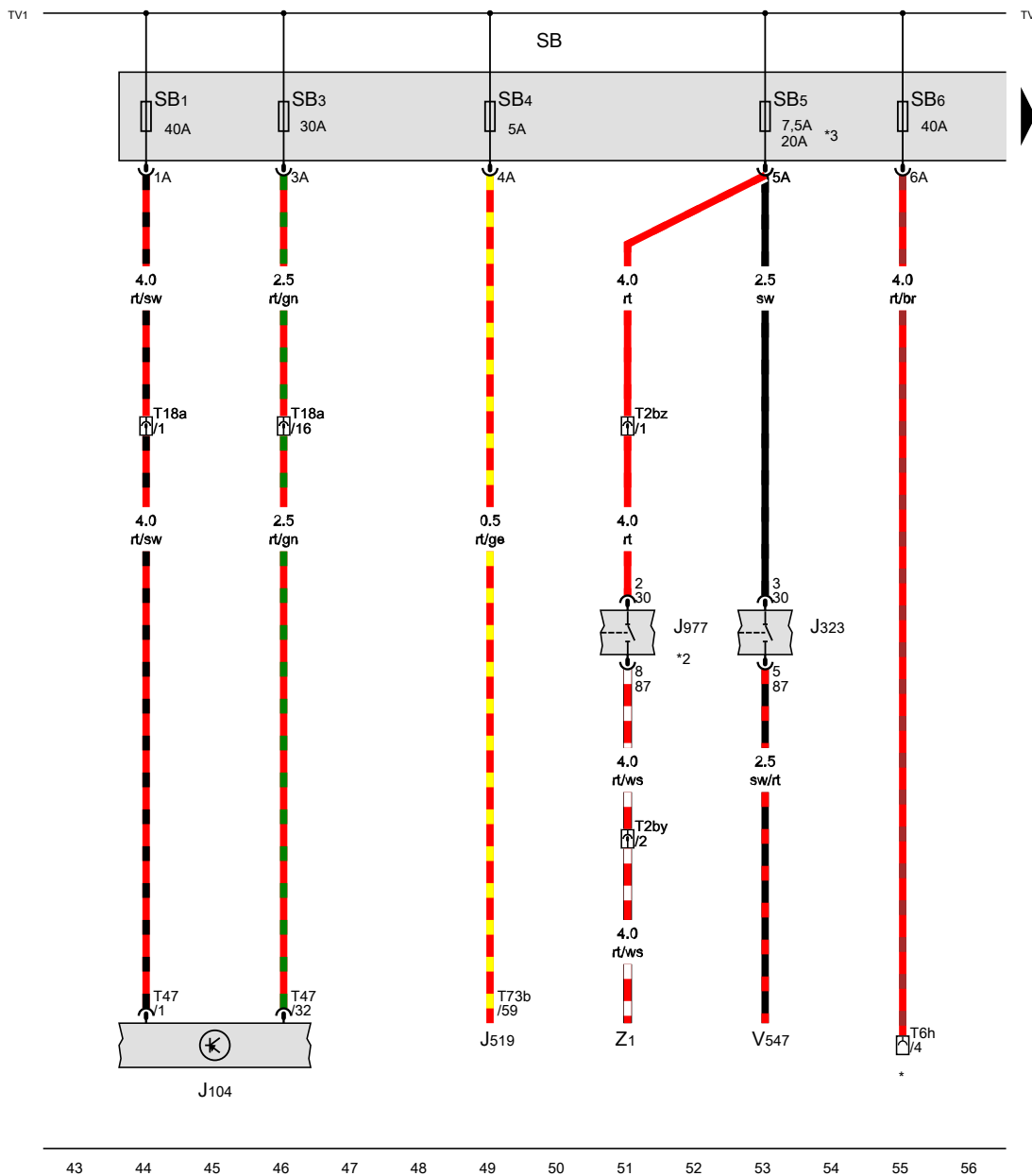
Automatic glow period control unit, Fuse holder A, Fuse 38 on fuse holder C, Radiator fan



- J179 Automatic glow period control unit
- J293 Radiator fan control unit
- SA Fuse holder A
- SA4 Fuse 4 in fuse holder A
- SA5 Fuse 5 in fuse holder A
- SA6 Fuse 6 in fuse holder A
- SC38 Fuse 38 on fuse holder C
- T11 11-pin connector, black
- V7 Radiator fan
- B330** Positive connection 16 (30a) in main wiring harness
- B331** Positive connection 17 (30a) in main wiring harness
- \* According to equipment
- \*2 Only models with diesel engine

- ws = white
- sw = black
- ro = red
- br = brown
- gn = green
- bl = blue
- gr = grey
- li = purple
- ge = yellow
- or = orange
- rs = pink

ABS control unit, Fuse 1 on fuse holder B, Fuse 3 on fuse holder B, Fuse 4 on fuse holder B, Fuse 6 on fuse holder B

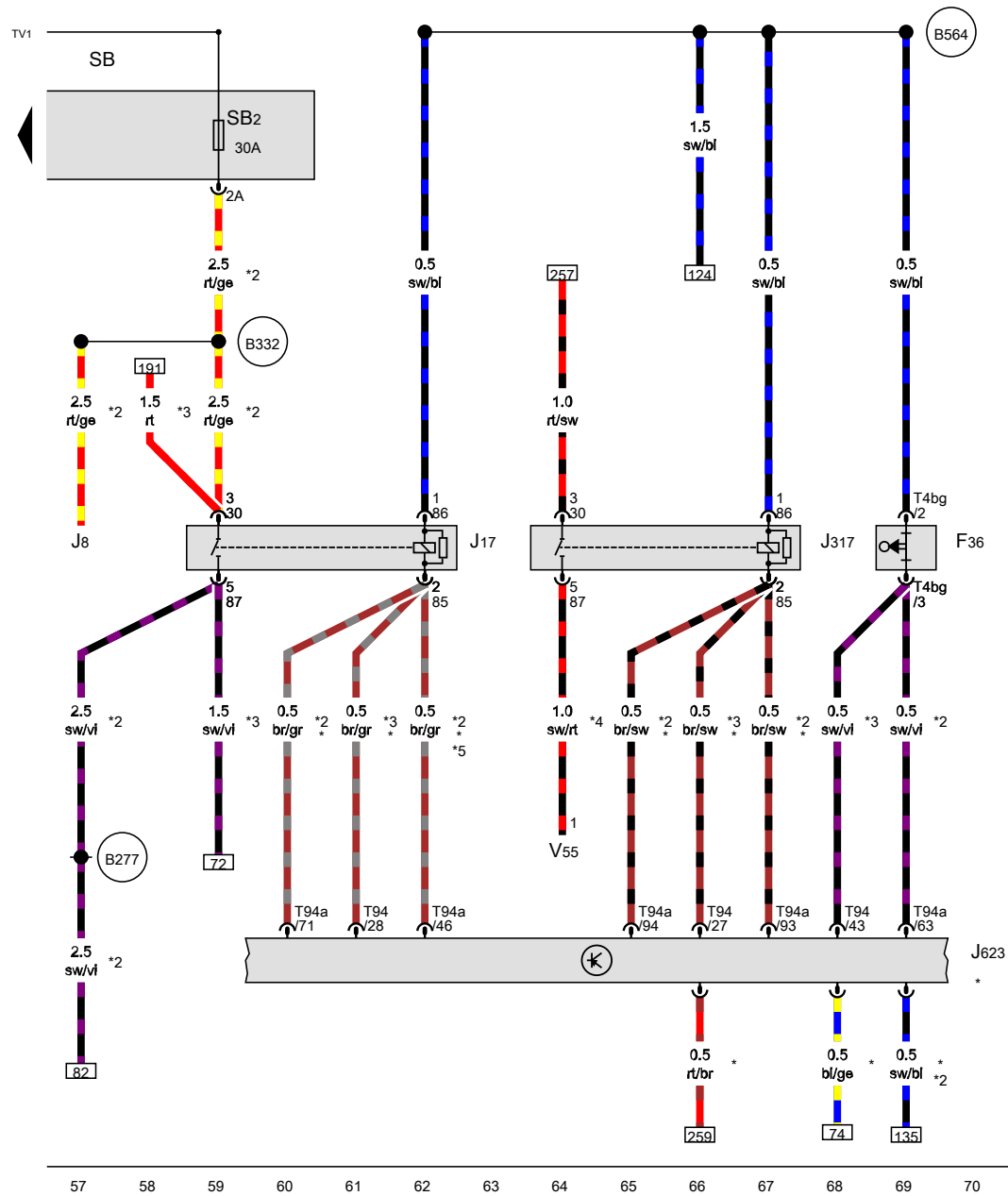


- J104 ABS control unit
- J323 Blower relay
- J519 Onboard supply control unit
- J977 Terminal 30 relay
- SB Fuse holder B
- SB1 Fuse 1 on fuse holder B
- SB3 Fuse 3 on fuse holder B
- SB4 Fuse 4 on fuse holder B
- SB5 Fuse 5 on fuse holder B
- SB6 Fuse 6 on fuse holder B
- T2by 2-pin connector, black
- T2bz 2-pin connector, black
- T6h 6-pin connector, in left footwell, near centre console, grey
- T18a 18-pin connector, near engine control unit, grey
- T47 47-pin connector, black
- T73b 73-pin connector, colourless
- V547 Air supply blower
- Z1 Heated rear window
- \* Only models with electric interface for external use
- \*2 see applicable current flow diagram for hardtop
- \*3 According to equipment

- ws = white
- sw = black
- ro = red
- br = brown
- gn = green
- bl = blue
- gr = grey
- li = purple
- ge = yellow
- or = orange
- rs = pink

[74H0-057051012]

Clutch pedal switch, Fuel pump relay, Terminal 30 voltage supply relay, Engine control unit, Fuse 2 on fuse holder B



- F36 Clutch pedal switch
- J8 Auxiliary heater relay
- J17 Fuel pump relay
- J317 Terminal 30 voltage supply relay
- J623 Engine control unit
- SB Fuse holder B
- SB2 Fuse 2 on fuse holder B
- T4bg 4-pin connector, black
- T94 94-pin connector, black
- T94a 94-pin connector, black
- V55 Circulation pump
- B277 Positive connection 1 (15a) in main wiring harness
- B332 Positive connection 18 (30a) in main wiring harness
- B564 Connection 31, in main wiring harness
- \* see applicable current flow diagram for engine
- \*2 Only models with diesel engine
- \*3 Only models with petrol engine
- \*4 see applicable current flow diagram for auxiliary coolant heater
- \*5 Slot assignment, with no cruise control system (CCS)

- ws = white
- sw = black
- ro = red
- br = brown
- gn = green
- bl = blue
- gr = grey
- li = purple
- ge = yellow
- or = orange
- rs = pink

1740-0570610171

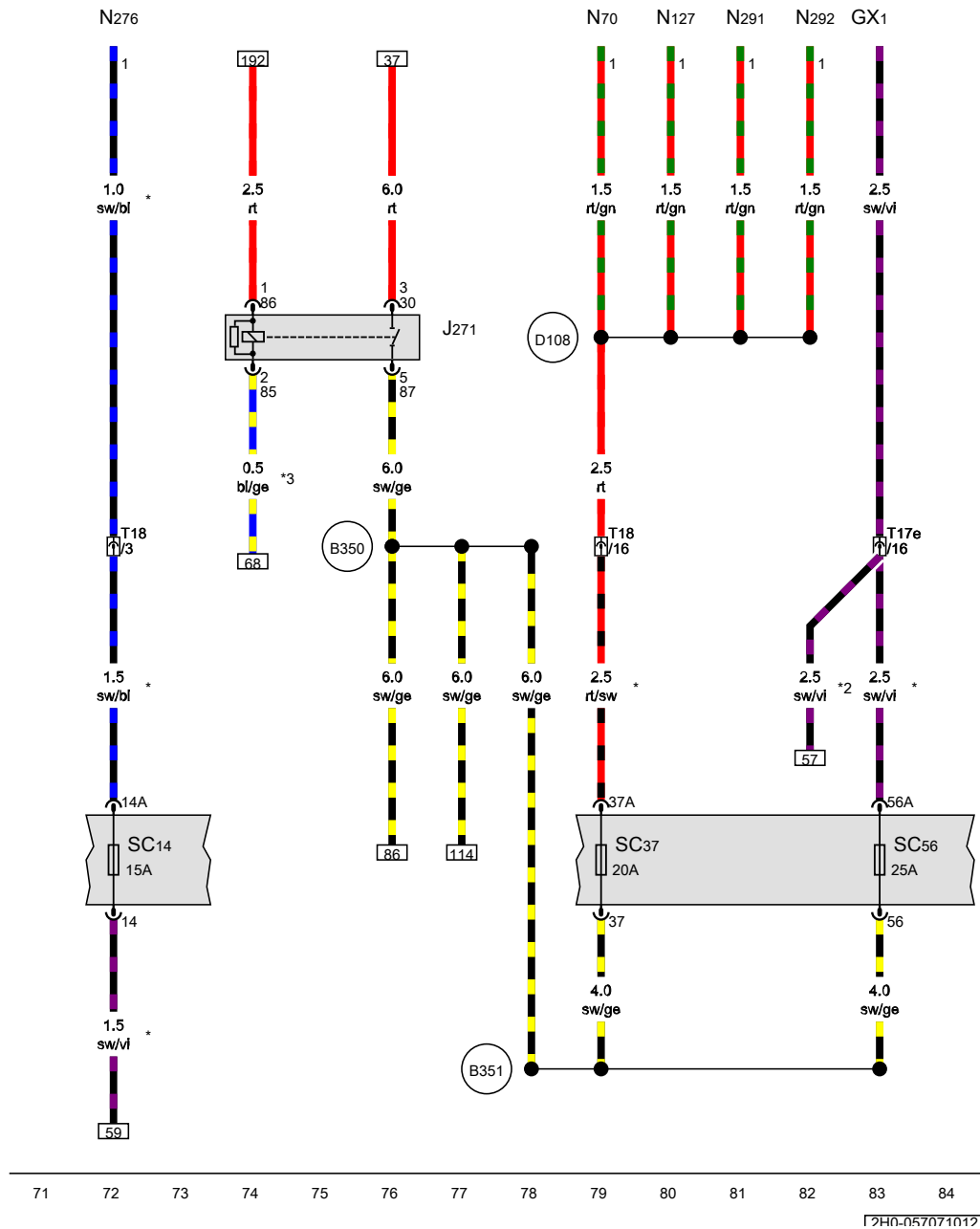


Main relay, Fuse 14 on fuse holder C, Fuse 37 on fuse holder C, Fuse 56 on fuse holder C

- GX1 Fuel delivery unit, on fuel tank
- J271 Main relay
- N70 Ignition coil 1 with output stage
- N127 Ignition coil 2 with output stage
- N276 Fuel pressure regulating valve
- N291 Ignition coil 3 with output stage
- N292 Ignition coil 4 with output stage
- SC14 Fuse 14 on fuse holder C
- SC37 Fuse 37 on fuse holder C
- SC56 Fuse 56 on fuse holder C
- T17e 17-pin connector, near handbrake lever, red
- T18 18-pin connector, near engine control unit, black

- B350 Positive connection 1 (87a) in main wiring harness
- B351 Positive connection 2 (87a) in main wiring harness
- D108 Connection 6 in engine compartment wiring harness

- \* Only models with petrol engine
- \*2 Only models with diesel engine
- \*3 see applicable current flow diagram for engine



- ws = white
- sw = black
- ro = red
- br = brown
- gn = green
- bl = blue
- gr = grey
- li = purple
- ge = yellow
- or = orange
- rs = pink

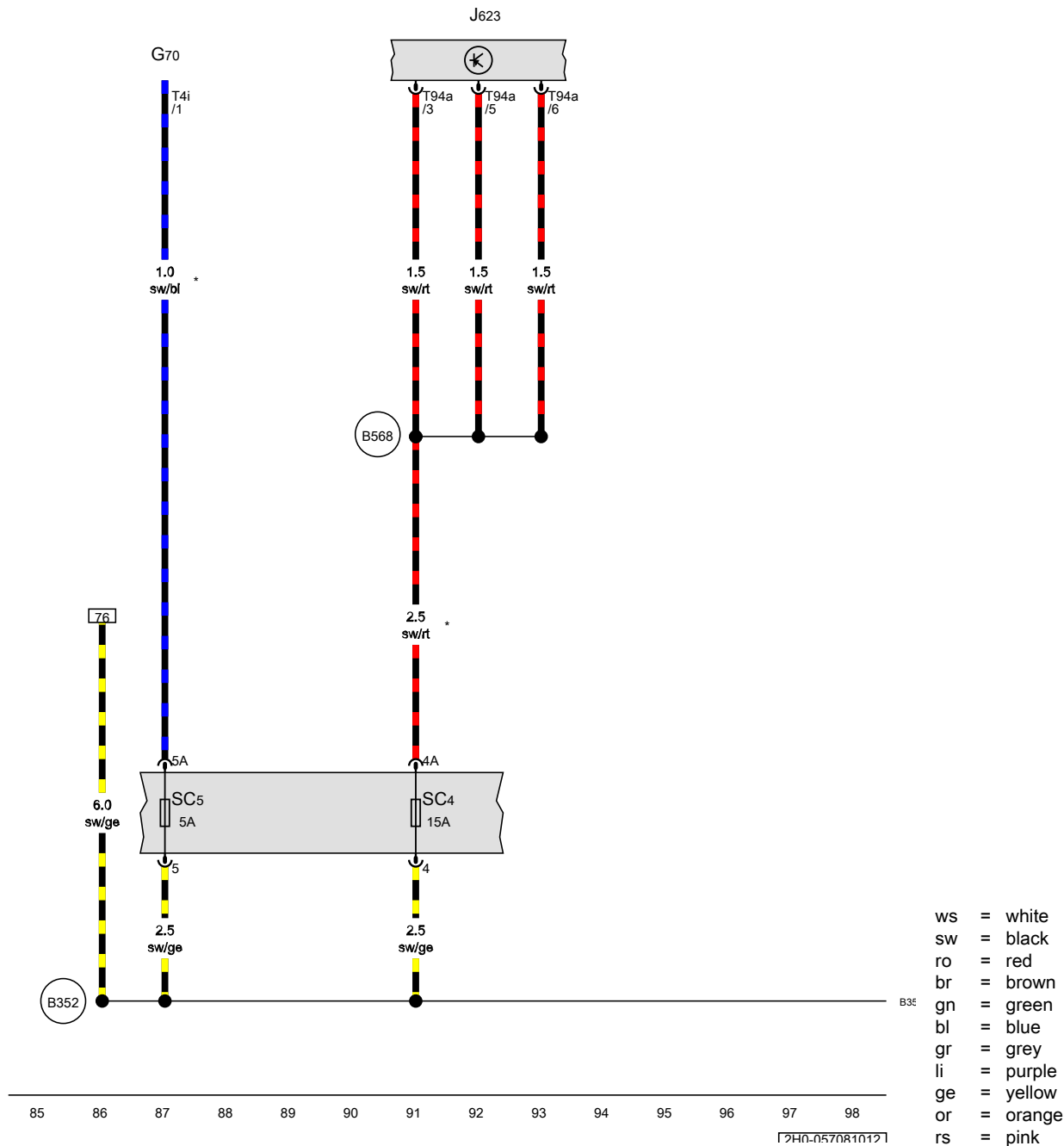
Fuse 4 on fuse holder C, Fuse 5 on fuse holder C

- G70 Air mass meter
- J623 Engine control unit
- SC4 Fuse 4 on fuse holder C
- SC5 Fuse 5 on fuse holder C
- T4i 4-pin connector, black
- T94a 94-pin connector, black

B352 Positive connection 3 (87a) in main wiring harness

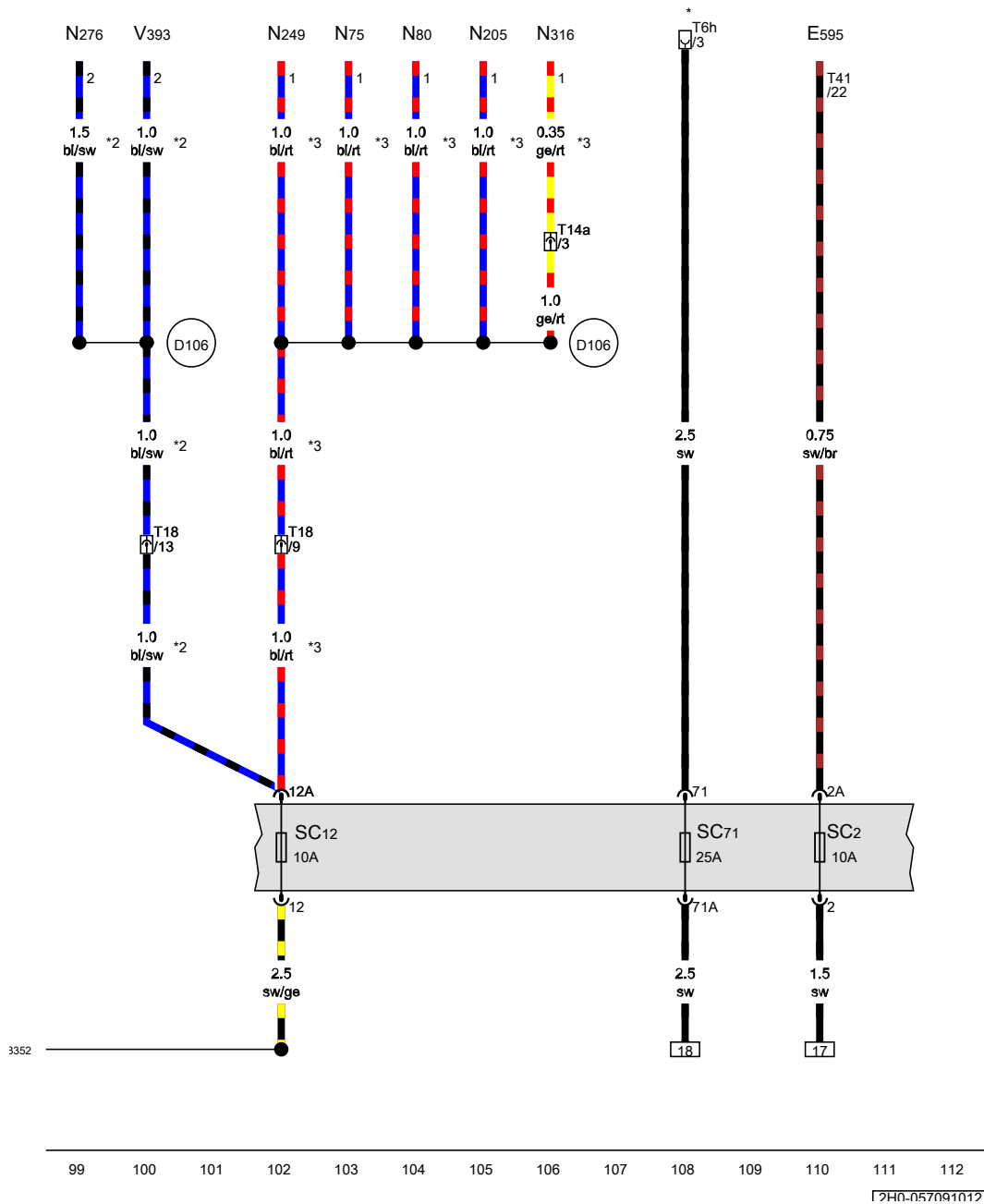
B568 Connection 35, in main wiring harness

\* Only models with diesel engine



[240-057081012]

Fuse 2 on fuse holder C, Fuse 12 on fuse holder C, Fuse 71 on fuse holder C



- E595 Steering column combination switch
- N75 Charge pressure control solenoid valve
- N80 Activated charcoal filter solenoid valve 1
- N205 Camshaft control valve 1
- N249 Turbocharger air recirculation valve
- N276 Fuel pressure regulating valve
- N316 Intake manifold flap valve
- SC2 Fuse 2 on fuse holder C
- SC12 Fuse 12 on fuse holder C
- SC71 Fuse 71 on fuse holder C
- T6h 6-pin connector, in left footwell, near centre console, grey
- T14a 14-pin connector, front left in engine compartment, black
- T18 18-pin connector, near engine control unit, black
- T41 41-pin connector, grey
- V393 Supplementary fuel pump
- B352 Positive connection 3 (87a) in main wiring harness
- D106 Connection 4 in engine compartment wiring harness
- \* Only models with electric interface for external use
- \*2 Only models with diesel engine
- \*3 Only models with petrol engine

3352

99 100 101 102 103 104 105 106 107 108 109 110 111 112

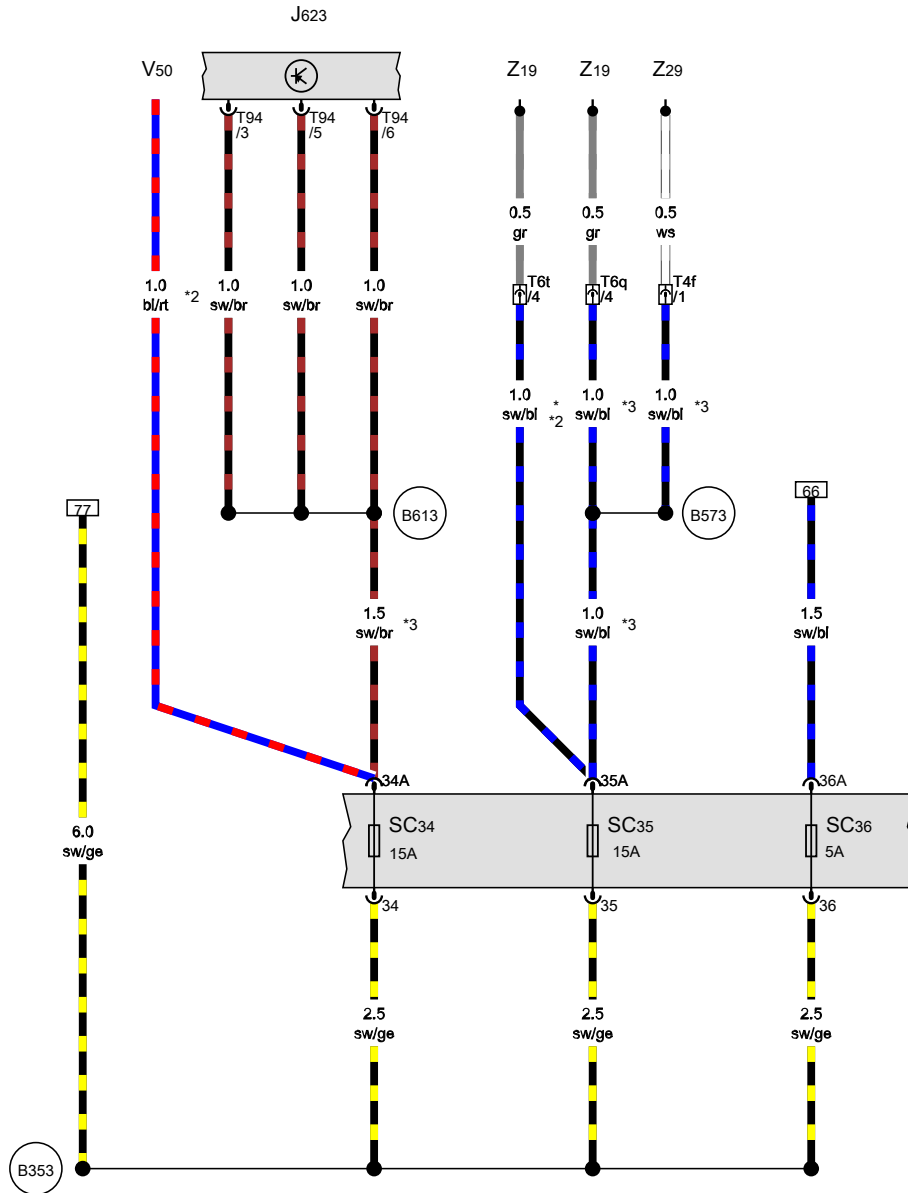
12H0-0570910121

Fuse 34 on fuse holder C, Fuse 35 on fuse holder C, Fuse 36 on fuse holder C

- J623 Engine control unit
- SC34 Fuse 34 on fuse holder C
- SC35 Fuse 35 on fuse holder C
- SC36 Fuse 36 on fuse holder C
- T4f 4-pin connector, front right in engine compartment
- T6q 6-pin connector, front right in engine compartment
- T6t 6-pin connector, front right in engine compartment, black
- T94 94-pin connector
- V50 Coolant circulation pump
- Z19 Lambda probe heater
- Z29 Lambda probe 1 heater after catalytic converter

- B353 Positive connection 4 (87a) in main wiring harness
- B573 Connection 40, in main wiring harness
- B613 Connection 41, in main wiring harness

- \* Only models with Euro 5 emission standard
- \*2 Only models with diesel engine
- \*3 Only models with petrol engine



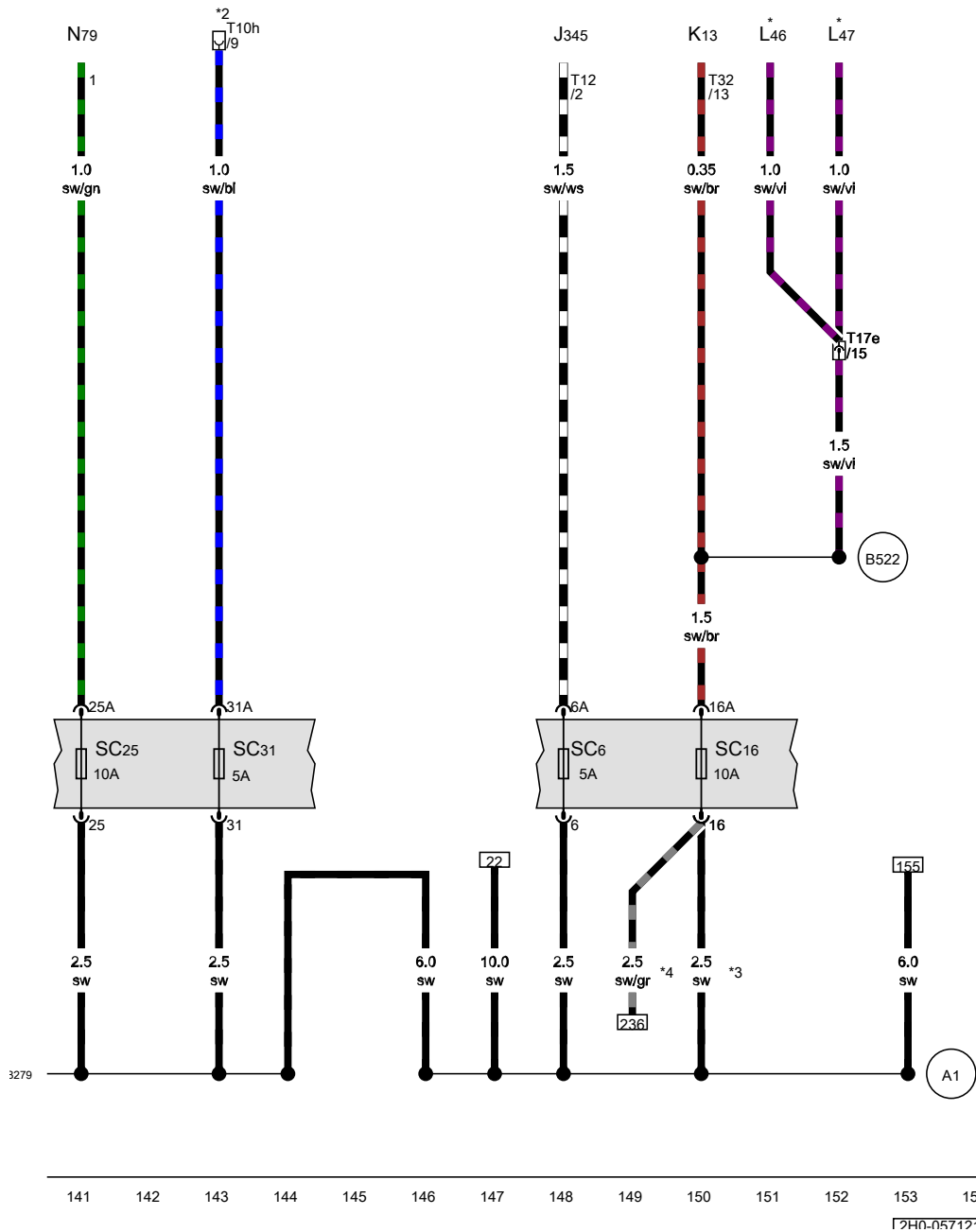
- ws = white
- sw = black
- ro = red
- br = brown
- gn = green
- bl = blue
- gr = grey
- li = purple
- ge = yellow
- or = orange
- rs = pink

113 114 115 116 117 118 119 120 121 122 123 124 125 126

[PH0-057101012]



Fuse 6 on fuse holder C, Fuse 16 on fuse holder C, Fuse 25 on fuse holder C, Fuse 31 on fuse holder C



- J345 Trailer detector control unit
- K13 Rear fog light warning lamp
- L46 Rear left fog light bulb
- L47 Rear right fog light bulb
- N79 Heater element for crankcase breather
- SC6 Fuse 6 on fuse holder C
- SC16 Fuse 16 on fuse holder C
- SC25 Fuse 25 on fuse holder C
- SC31 Fuse 31 on fuse holder C
- T10h 10-pin connector, purple
- T12 12-pin connector, red
- T17e 17-pin connector, near handbrake lever, red
- T32 32-pin connector, blue

- (A1) Positive connection (30a), in dash panel wiring harness
- (B279) Positive connection 3 (15a) in main wiring harness
- (B522) Connection (FL), in main wiring harness

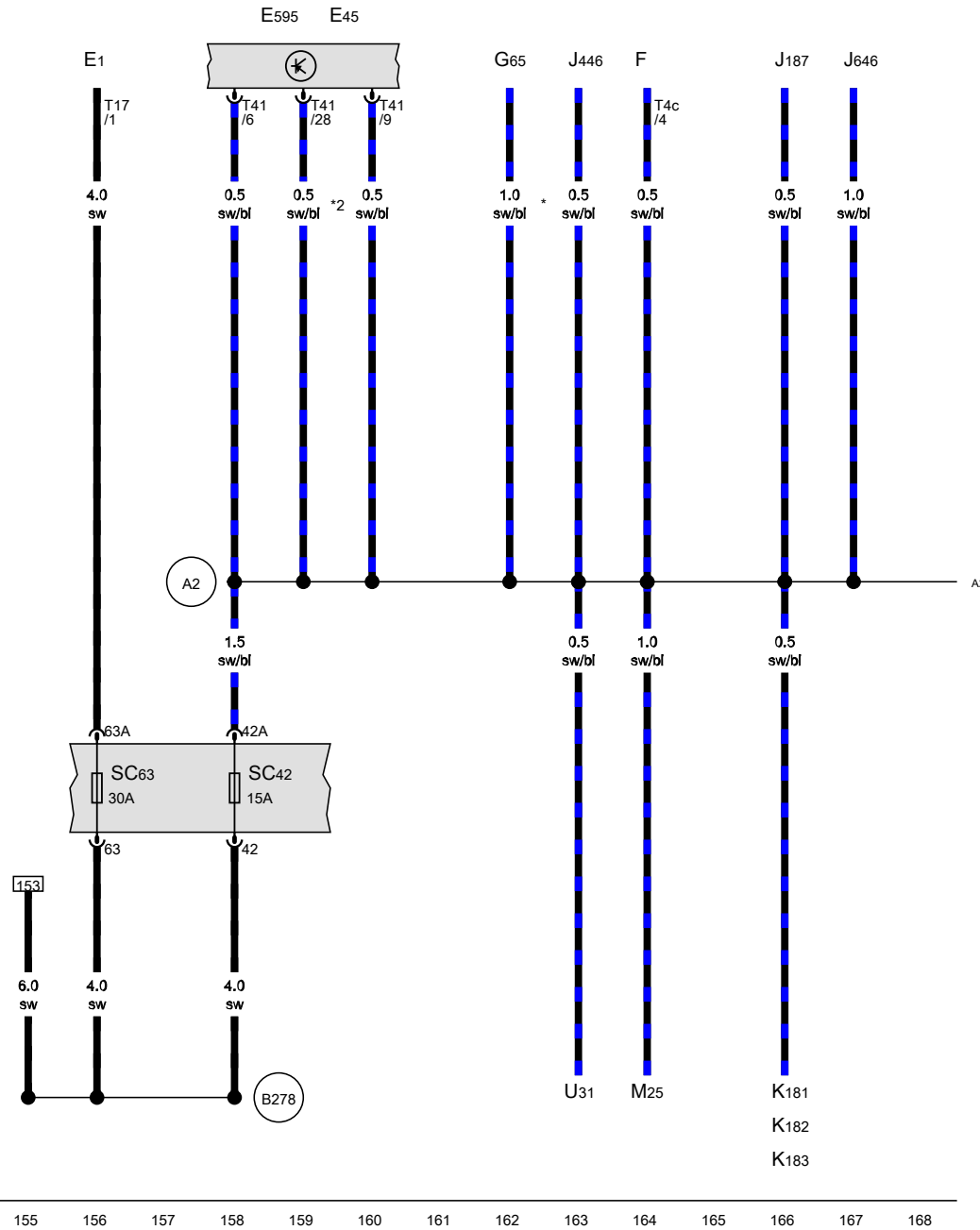
- \* According to equipment
- \*2 Only models with electric interface for external use
- \*3 Only models with automatic driving lights control
- \*4 Only models with no automatic headlight control with coming home

- ws = white
- sw = black
- ro = red
- br = brown
- gn = green
- bl = blue
- gr = grey
- li = purple
- ge = yellow
- or = orange
- rs = pink

17H0-0571210121

Fuse 42 on fuse holder C, Fuse 63 on fuse holder C

- E1 Light switch
  - E45 Cruise control system switch
  - E595 Steering column combination switch
  - F Brake light switch
  - G65 High-pressure sender
  - J187 Differential lock control unit
  - J446 Parking aid control unit
  - J646 Transfer box control unit
  - K181 Normal operation warning lamp in transfer box operating unit
  - K182 Reduction gearing warning lamp in transfer box operating unit
  - K183 Inter-axle lock-up warning lamp in transfer box operating unit
  - M25 Additional brake light bulb
  - SC42 Fuse 42 on fuse holder C
  - SC63 Fuse 63 on fuse holder C
  - T4c 4-pin connector, black
  - T17 17-pin connector, black
  - T41 41-pin connector, grey
  - U31 Diagnostic connection
- (A2) Positive connection (15), in dash panel wiring harness
  - (B278) Positive connection 2 (15a) in main wiring harness
- \* Only models with air conditioning system/ Climatronic  
 \*2 Only models with cruise control system



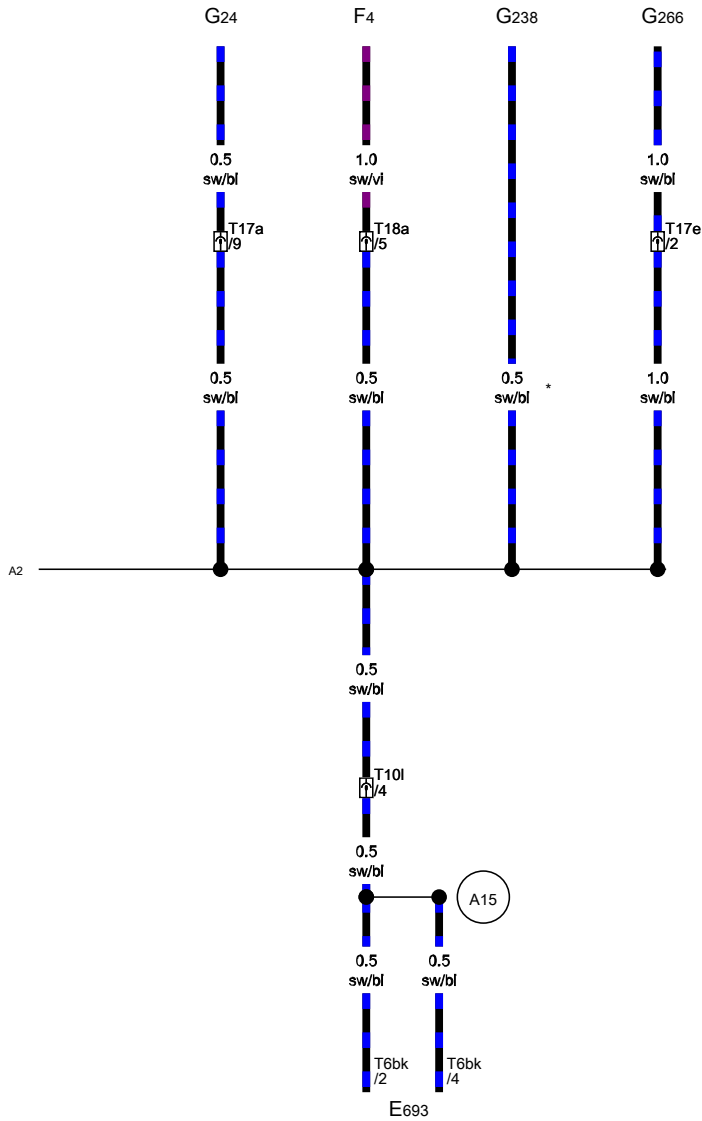
ws = white  
 sw = black  
 ro = red  
 br = brown  
 gn = green  
 bl = blue  
 gr = grey  
 li = purple  
 ge = yellow  
 or = orange  
 rs = pink

[7H0-057131012]

Start/Stop operation button, Reversing light switch, Tachograph, Air quality sensor, Oil level and oil temperature sender

- E693 Start/Stop operation button
- F4 Reversing light switch
- G24 Tachograph
- G238 Air quality sensor
- G266 Oil level and oil temperature sender
- T6bk 6-pin connector, brown
- T10l 10-pin connector, blue
- T17a 17-pin connector, behind glove compartment, black
- T17e 17-pin connector, near handbrake lever, red
- T18a 18-pin connector, near engine control unit, grey

- A2 Positive connection (15), in dash panel wiring harness
- A15 Positive connection (15), in instrument wiring harness
- \* Only models with Climatronic

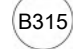
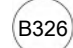
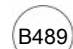
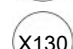


- ws = white
- sw = black
- ro = red
- br = brown
- gn = green
- bl = blue
- gr = grey
- li = purple
- ge = yellow
- or = orange
- rs = pink

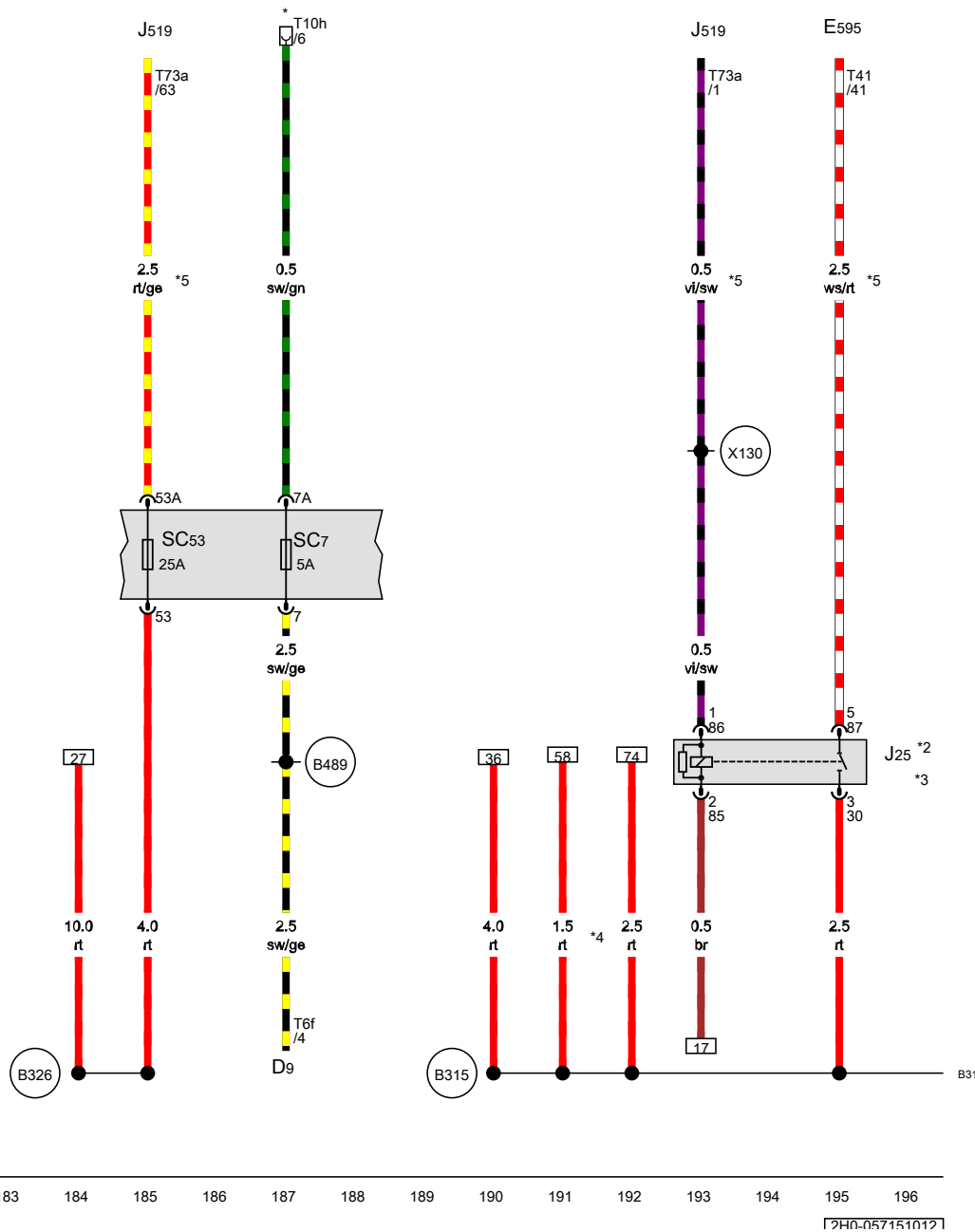


Headlight relay, Fuse 7 on fuse holder C, Fuse 53 on fuse holder C

- D9 Electronic ignition lock
- E595 Steering column combination switch
- J25 Headlight relay
- J519 Onboard supply control unit
- SC7 Fuse 7 on fuse holder C
- SC53 Fuse 53 on fuse holder C
- T6f 6-pin connector, black
- T10h 10-pin connector, purple
- T41 41-pin connector
- T73a 73-pin connector, black

-  B315 Positive connection 1 (30a) in main wiring harness
-  B326 Positive connection 12 (30a) in main wiring harness
-  B489 Connection 25, in main wiring harness
-  X130 Connection 3, in optional equipment wiring harness

- \* Only models with electric interface for external use
- \*2 Only models with start/stop system
- \*3 Only models with automatic driving lights control
- \*4 Only models with petrol engine
- \*5 Coming home with rain sensor







- ws = white
- sw = black
- ro = red
- br = brown
- gn = green
- bl = blue
- gr = grey
- li = purple
- ge = yellow
- or = orange
- rs = pink

183 184 185 186 187 188 189 190 191 192 193 194 195 196

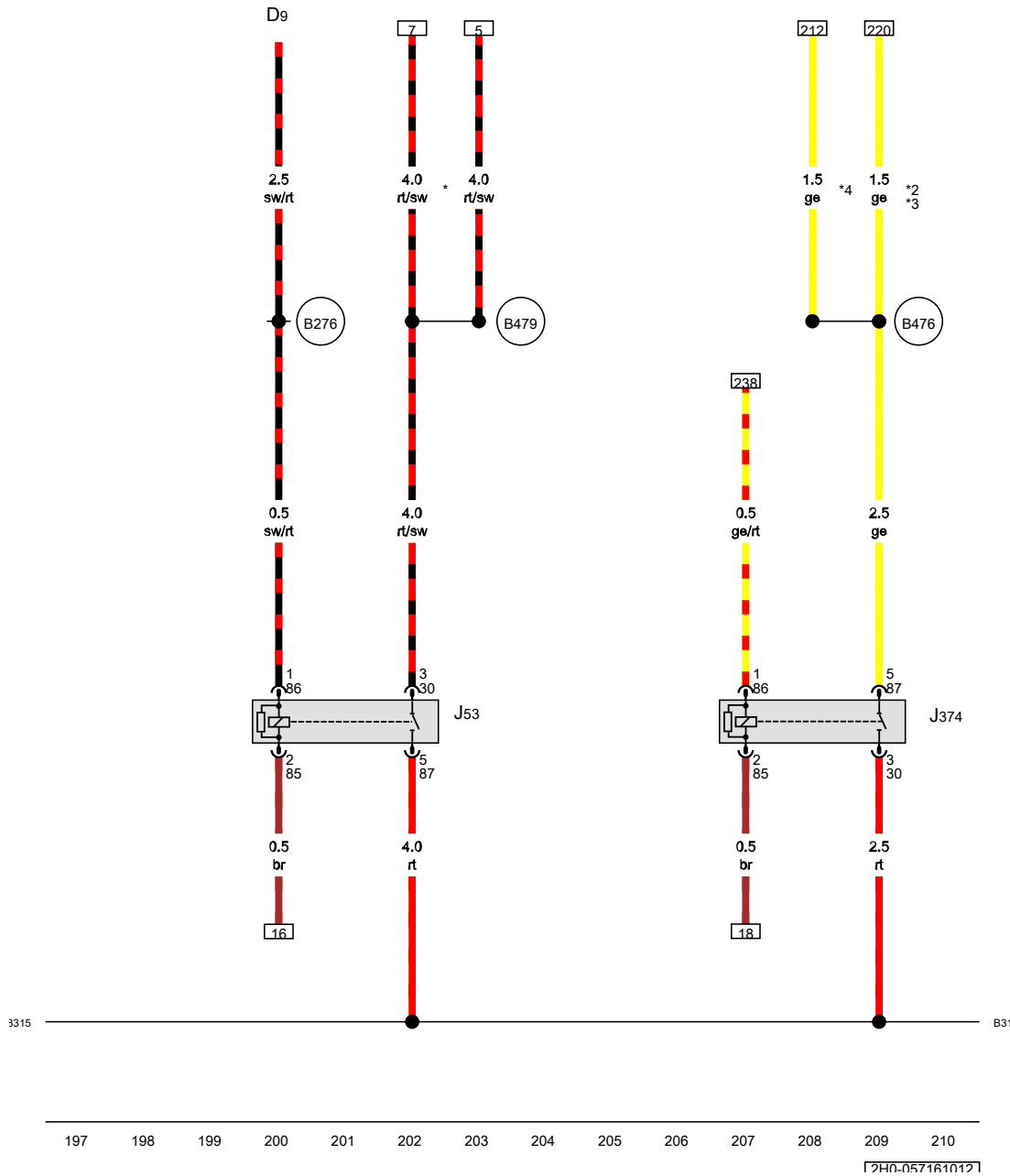
1740-0571510121

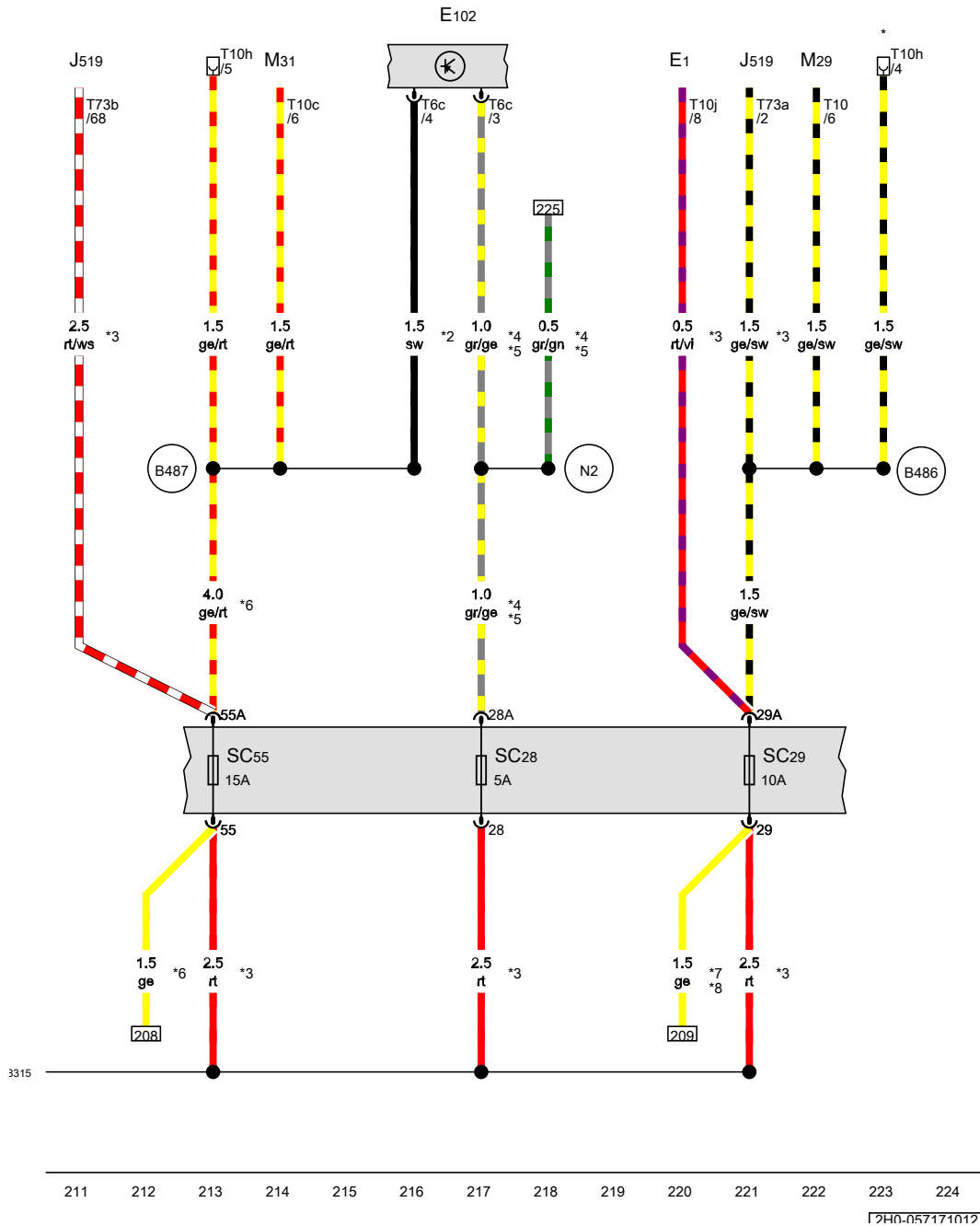
Starter motor relay, Terminal 58b relief relay

- D9 Electronic ignition lock
- J53 Starter motor relay
- J374 Terminal 58b relief relay

-  B276 Positive connection (50), in main wiring harness
-  B315 Positive connection 1 (30a) in main wiring harness
-  B476 Connection 12, in main wiring harness
-  B479 Connection 15, in main wiring harness

- \* see applicable current flow diagram for engine
- \*2 Only models with Trendline equipment
- \*3 Only models with basic equipment
- \*4 Only models with no automatic headlight control with coming home





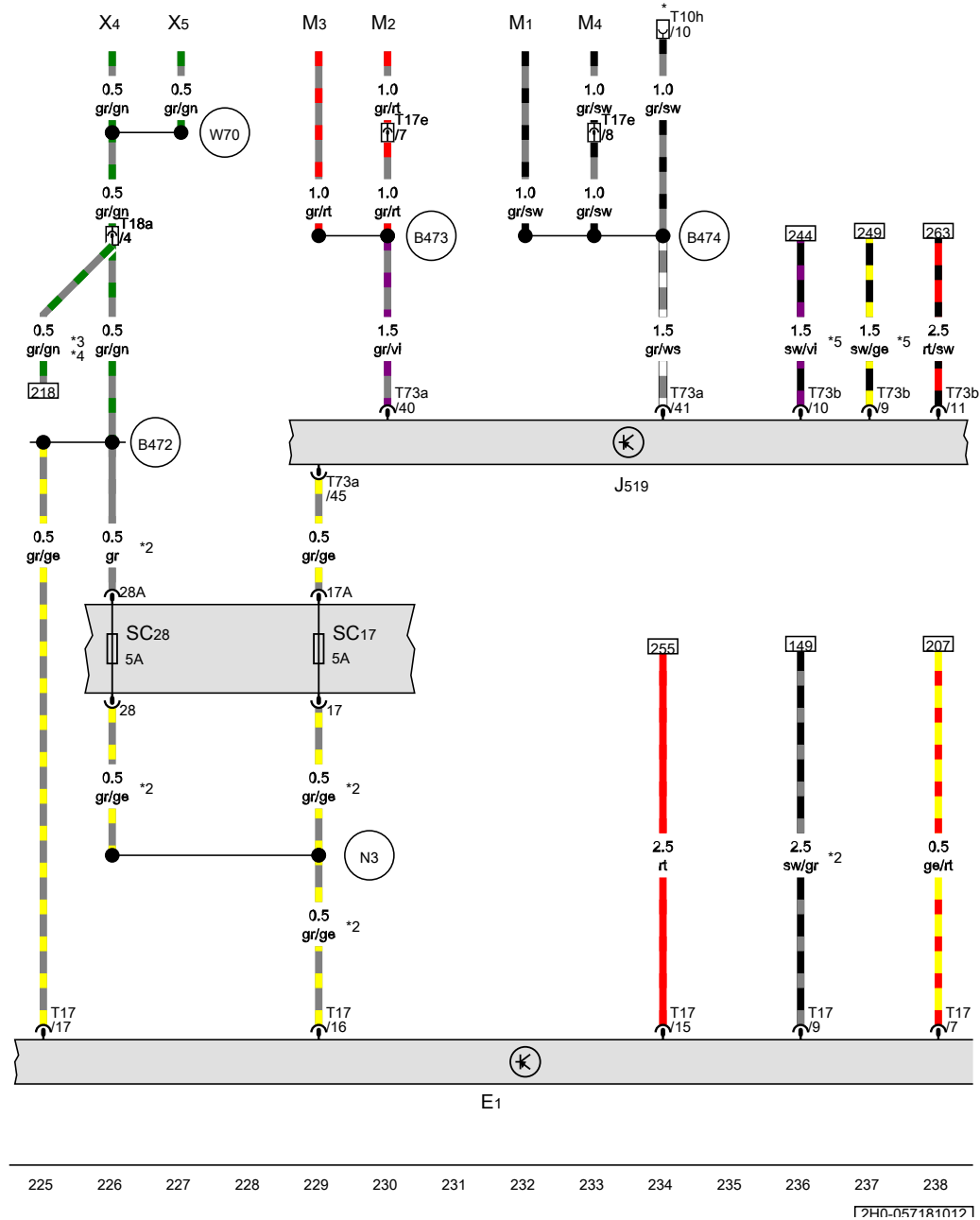
Fuse 28 on fuse holder C, Fuse 29 on fuse holder C, Fuse 55 on fuse holder C

- E1 Light switch
- E102 Headlight range control regulator
- J519 Onboard supply control unit
- M29 Left headlight dipped beam bulb
- M31 Right headlight dipped beam bulb
- SC28 Fuse 28 on fuse holder C
- SC29 Fuse 29 on fuse holder C
- SC55 Fuse 55 on fuse holder C
- T6c 6-pin connector
- T10 10-pin connector
- T10c 10-pin connector, black
- T10h 10-pin connector, purple
- T10j 10-pin connector, black
- T73a 73-pin connector, black
- T73b 73-pin connector, colourless
- B315 Positive connection 1 (30a) in main wiring harness
- B486 Connection 22, in main wiring harness
- B487 Connection 23, in main wiring harness
- N2 Connection 1, in headlight range control wiring harness
- \* Only models with electric interface for external use
- \*2 Only models with headlight range control
- \*3 Only models with automatic driving lights control
- \*4 Only models with Highline equipment
- \*5 Coming home with rain sensor
- \*6 Only models with no automatic headlight control with coming home
- \*7 Only models with Trendline equipment
- \*8 Only models with basic equipment

- ws = white
- sw = black
- ro = red
- br = brown
- gn = green
- bl = blue
- gr = grey
- li = purple
- ge = yellow
- or = orange
- rs = pink

17H0-0571710171

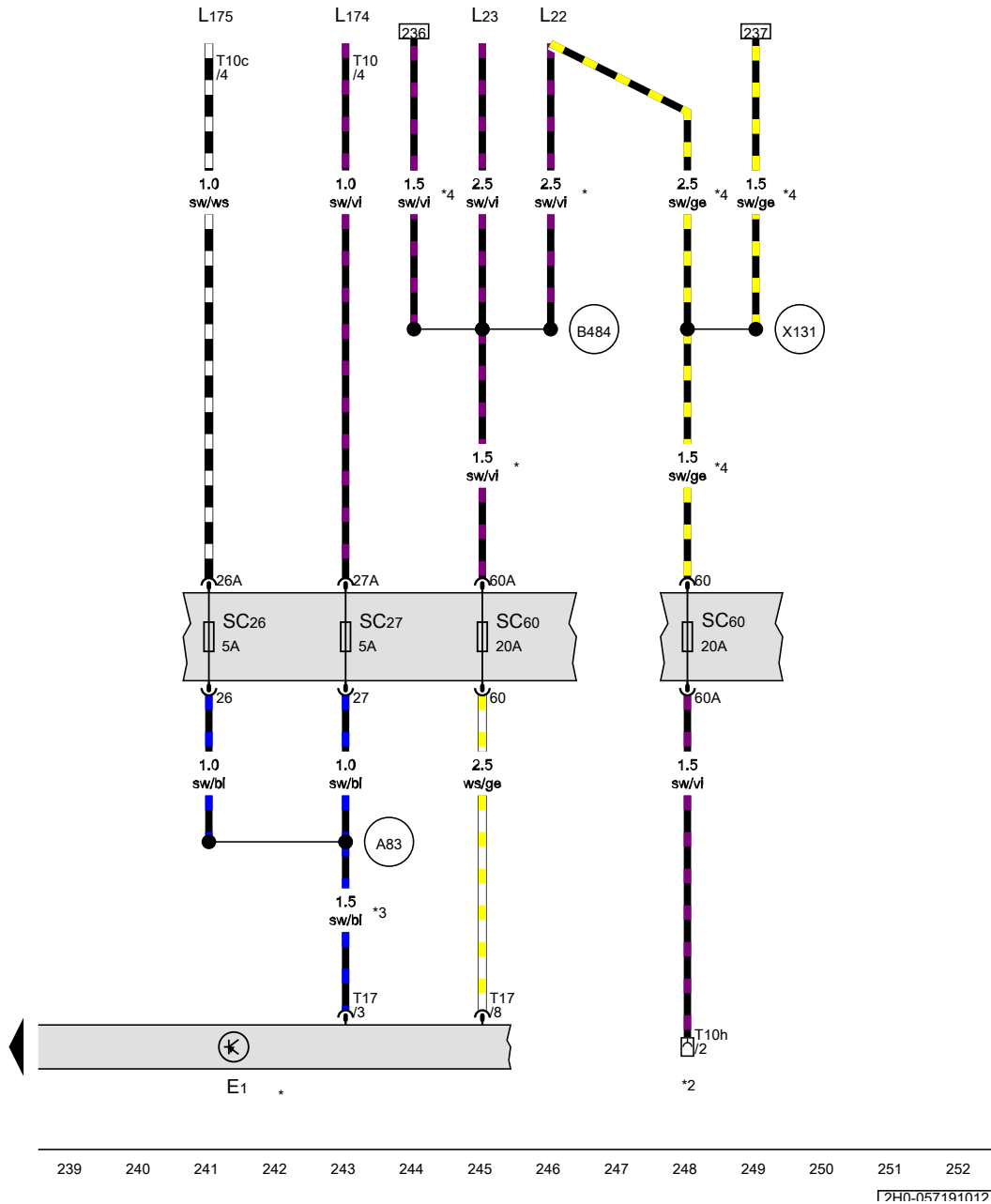
Fuse 17 on fuse holder C, Fuse 28 on fuse holder C



- E1 Light switch
- J519 Onboard supply control unit
- M1 Left side light bulb
- M2 Right tail light bulb
- M3 Right side light bulb
- M4 Left tail light bulb
- SC17 Fuse 17 on fuse holder C
- SC28 Fuse 28 on fuse holder C
- T10h 10-pin connector, purple
- T17 17-pin connector, black
- T17e 17-pin connector, near handbrake lever, red
- T18a 18-pin connector, near engine control unit, grey
- T73a 73-pin connector, black
- T73b 73-pin connector, colourless
- X4 Left number plate light
- X5 Right number plate light
- B472 Connection 8, in main wiring harness
- B473 Connection 9, in main wiring harness
- B474 Connection 10, in main wiring harness
- N3 Connection 2, in headlight range control wiring harness
- W70 Positive connection 2 (58), in number plate wiring harness
- \* Only models with electric interface for external use
- \*2 Only models with no automatic headlight control with coming home
- \*3 Only models with Highline equipment
- \*4 Coming home with rain sensor
- \*5 Only models with automatic driving lights control

- ws = white
- sw = black
- ro = red
- br = brown
- gn = green
- bl = blue
- gr = grey
- li = purple
- ge = yellow
- or = orange
- rs = pink

Fuse 26 on fuse holder C, Fuse 27 on fuse holder C, Fuse 60 on fuse holder C



- E1 Light switch
- L22 Left fog light bulb
- L23 Right fog light bulb
- L174 Left daytime running light bulb
- L175 Right daytime running light bulb
- SC26 Fuse 26 on fuse holder C
- SC27 Fuse 27 on fuse holder C
- SC60 Fuse 60 on fuse holder C
- T10 10-pin connector, black
- T10c 10-pin connector, black
- T10h 10-pin connector, purple
- T17 17-pin connector, black
- A83 Connection (daytime running lights), in dash panel wiring harness
- B484 Connection 20, in main wiring harness
- X131 Connection 4, in optional equipment wiring harness
- \* Only models with no automatic headlight control with coming home
- \*2 Only models with electric interface for external use
- \*3 Only models with daytime running lights
- \*4 Only models with automatic driving lights control

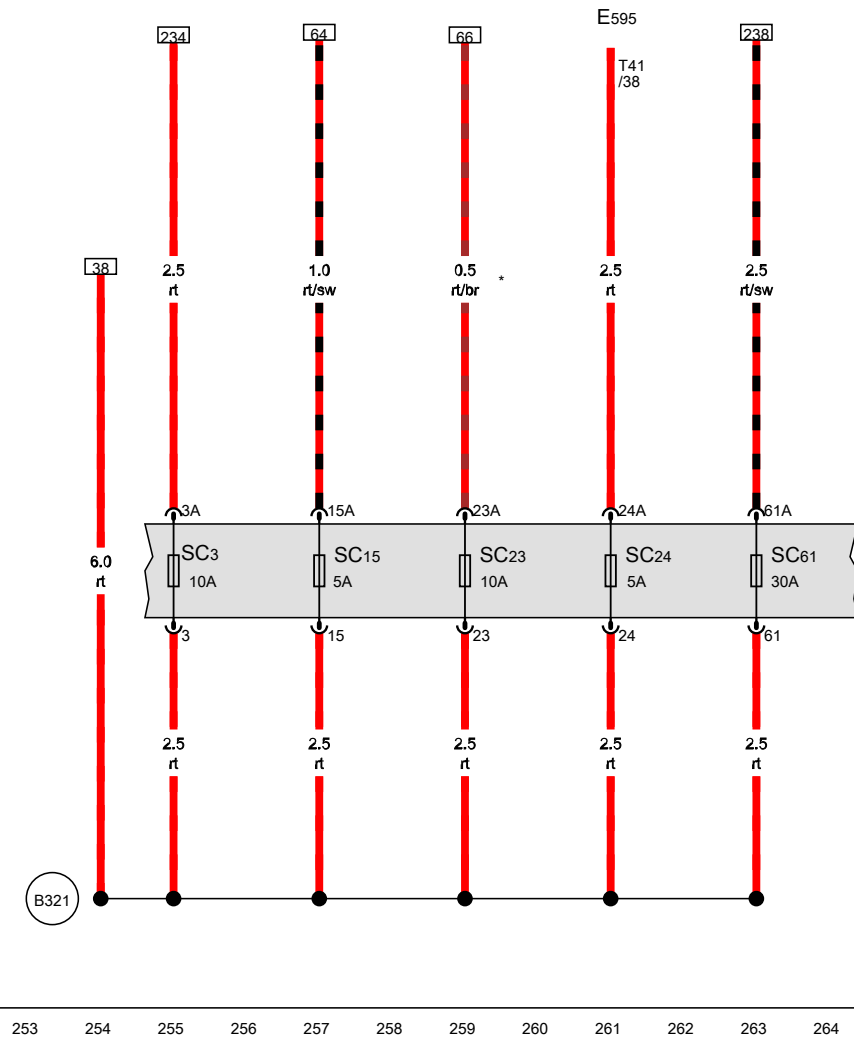
- ws = white
- sw = black
- ro = red
- br = brown
- gn = green
- bl = blue
- gr = grey
- li = purple
- ge = yellow
- or = orange
- rs = pink

Fuse 3 on fuse holder C, Fuse 15 on fuse holder C, Fuse 23 on fuse holder C, Fuse 24 on fuse holder C, Fuse 61 on fuse holder C

- E595 Steering column combination switch
- SC3 Fuse 3 on fuse holder C
- SC15 Fuse 15 on fuse holder C
- SC23 Fuse 23 on fuse holder C
- SC24 Fuse 24 on fuse holder C
- SC61 Fuse 61 on fuse holder C
- T41 41-pin connector, grey

**B321** Positive connection 7 (30a) in main wiring harness

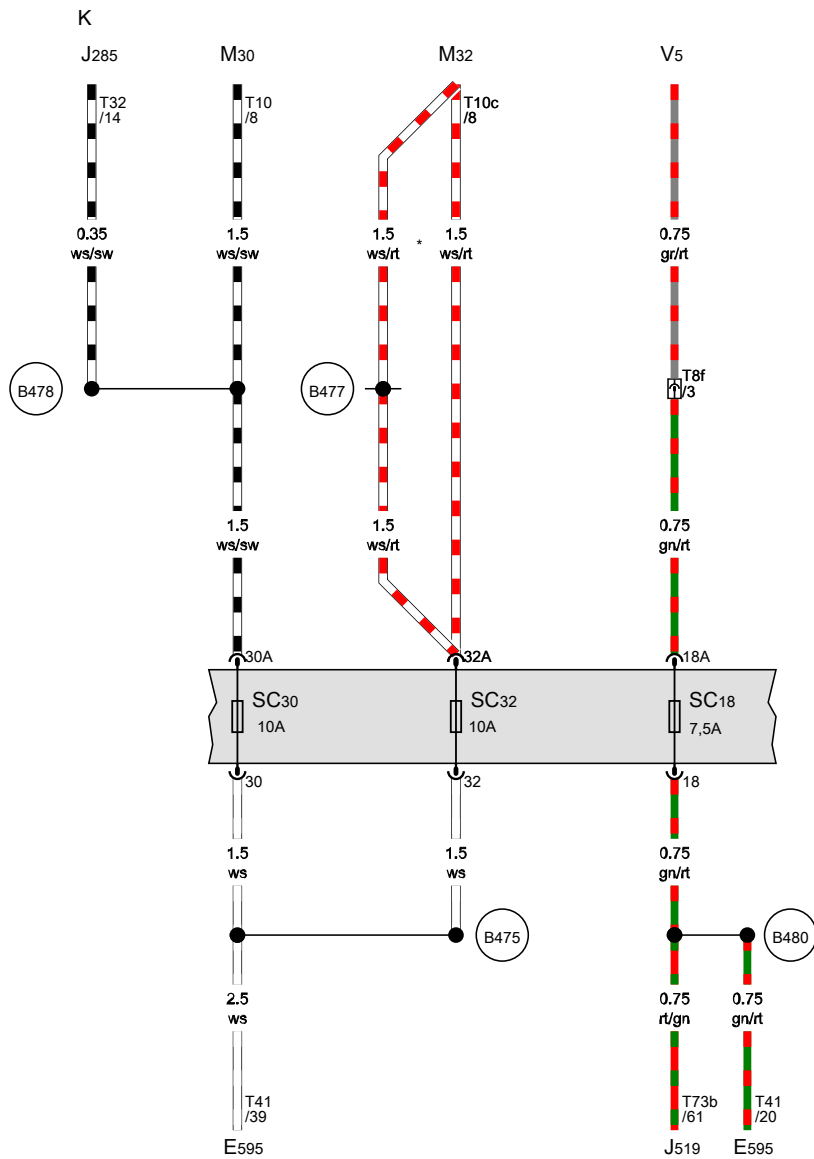
\* see applicable current flow diagram for engine



- ws = white
- sw = black
- ro = red
- br = brown
- gn = green
- bl = blue
- gr = grey
- li = purple
- ge = yellow
- or = orange
- rs = pink

[740-057201012]

Fuse 18 on fuse holder C, Fuse 30 on fuse holder C, Fuse 32 on fuse holder C



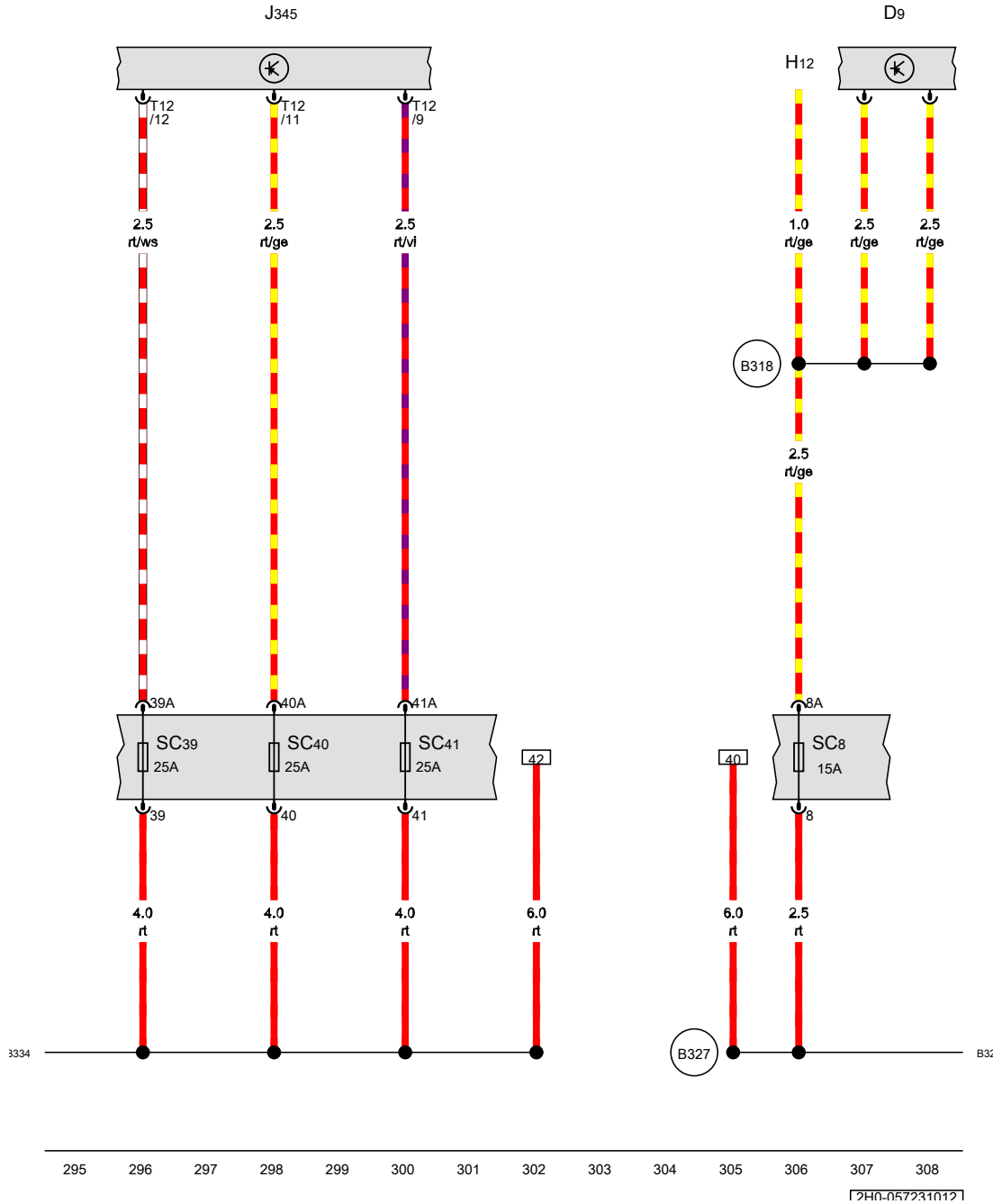
- E595 Steering column combination switch
- J285 Control unit in dash panel insert
- J519 Onboard supply control unit
- K Dash panel insert
- M30 Left headlight main beam bulb
- M32 Right headlight main beam bulb
- SC18 Fuse 18 on fuse holder C
- SC30 Fuse 30 on fuse holder C
- SC32 Fuse 32 on fuse holder C
- T8f 8-pin connector, in rear right of engine compartment, black
- T10 10-pin connector, black
- T10c 10-pin connector, black
- T32 32-pin connector, blue
- T41 41-pin connector, grey
- T73b 73-pin connector, colourless
- V5 Washer pump

- B475 Connection 11, in main wiring harness
- B477 Connection 13, in main wiring harness
- B478 Connection 14, in main wiring harness
- B480 Connection 16, in main wiring harness
- \* Only models with no electric interface

- ws = white
- sw = black
- ro = red
- br = brown
- gn = green
- bl = blue
- gr = grey
- li = purple
- ge = yellow
- or = orange
- rs = pink





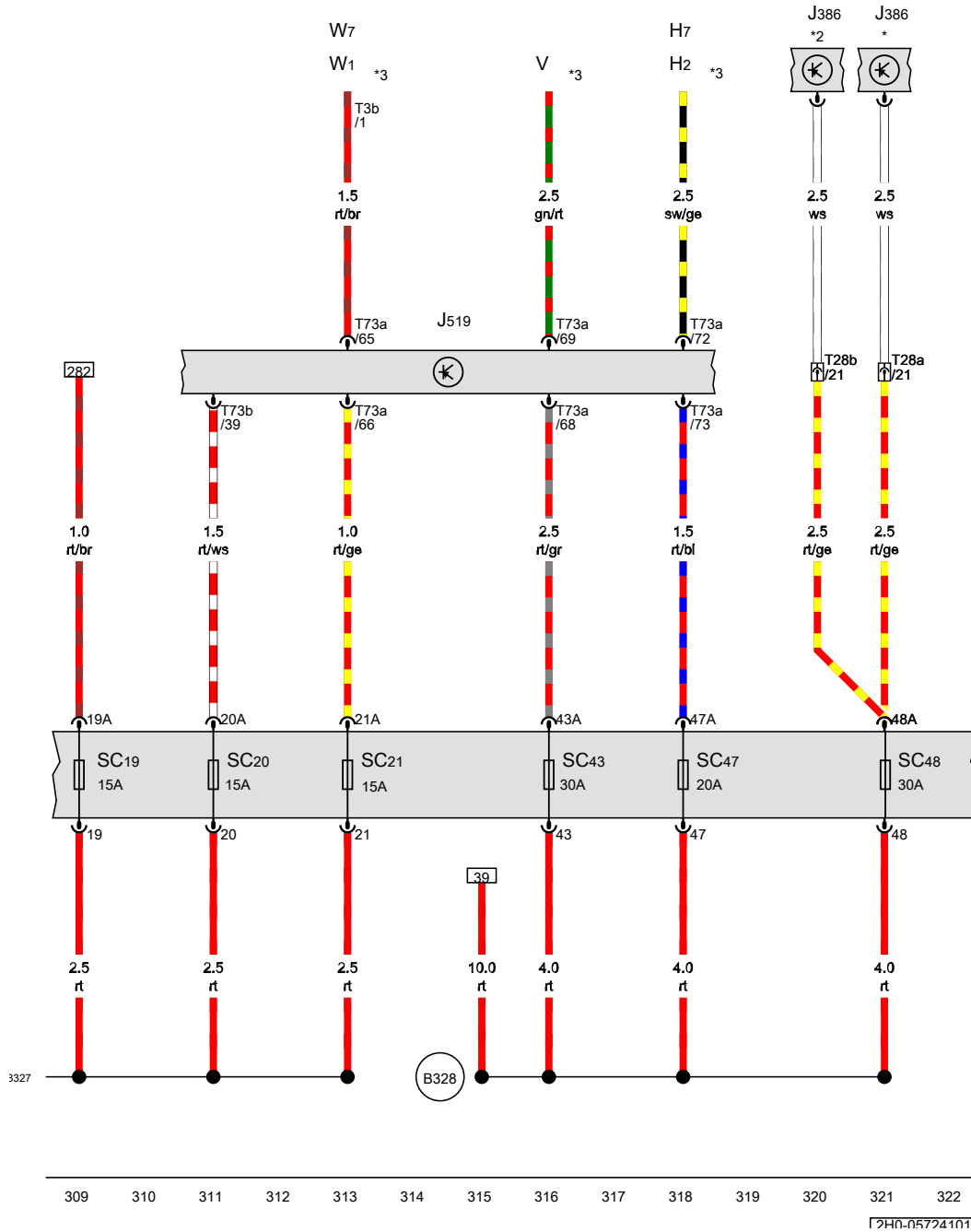


Fuse 8 on fuse holder C, Fuse 39 on fuse holder C, Fuse 40 on fuse holder C, Fuse 41 on fuse holder C

- D9 Electronic ignition lock
- H12 Alarm horn
- J345 Trailer detector control unit
- SC8 Fuse 8 on fuse holder C
- SC39 Fuse 39 on fuse holder C
- SC40 Fuse 40 on fuse holder C
- SC41 Fuse 41 on fuse holder C
- T12 12-pin connector, red
- Positive connection 4 (30a) in main wiring harness
- Positive connection 13 (30a) in main wiring harness
- Positive connection 20 (30a) in main wiring harness

- ws = white
- sw = black
- ro = red
- br = brown
- gn = green
- bl = blue
- gr = grey
- li = purple
- ge = yellow
- or = orange
- rs = pink

[740-057231012]



Fuse 19 on fuse holder C, Fuse 20 on fuse holder C, Fuse 21 on fuse holder C, Fuse 43 on fuse holder C, Fuse 47 on fuse holder C, Fuse 48 on fuse holder C




- H2 Treble horn
- H7 Bass horn
- J386 Driver door control unit
- J519 Onboard supply control unit
- SC19 Fuse 19 on fuse holder C
- SC20 Fuse 20 on fuse holder C
- SC21 Fuse 21 on fuse holder C
- SC43 Fuse 43 on fuse holder C
- SC47 Fuse 47 on fuse holder C
- SC48 Fuse 48 on fuse holder C
- T3b 3-pin connector
- T28a 28-pin connector, in left A-pillar
- T28b 28-pin connector, on right A-pillar
- T73a 73-pin connector, black
- T73b 73-pin connector, colourless
- V Windscreen wiper motor
- W1 Front interior light
- W7 Centre interior light
- B327 Positive connection 13 (30a) in main wiring harness
- B328 Positive connection 14 (30a) in main wiring harness
- \* Only left-hand drive models
- \*2 Only right-hand drive models
- \*3 see applicable current flow diagram for basic equipment

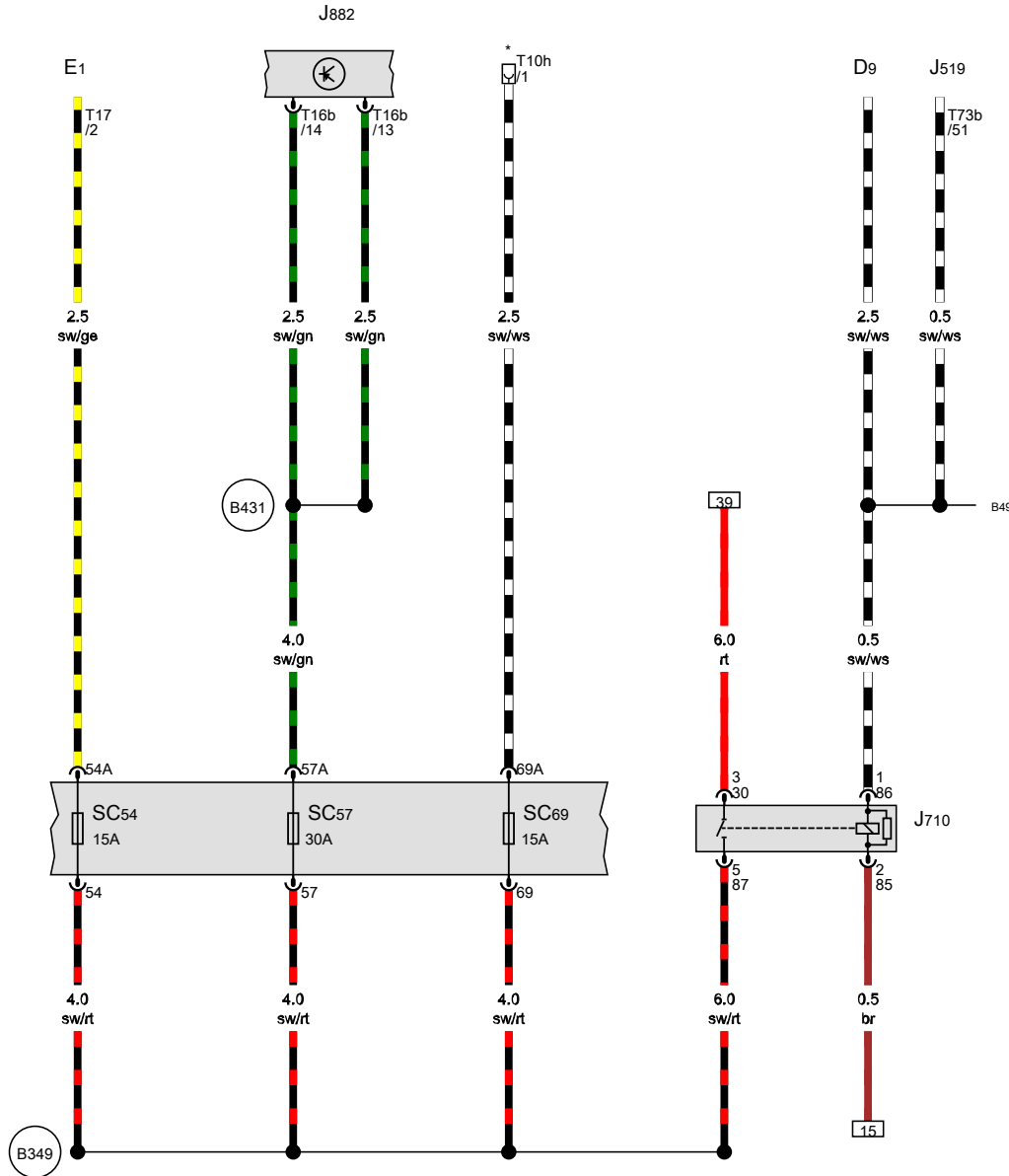
- ws = white
- sw = black
- ro = red
- br = brown
- gn = green
- bl = blue
- gr = grey
- li = purple
- ge = yellow
- or = orange
- rs = pink



Voltage supply relay 2, Fuse 54 on fuse holder C, Fuse 57 on fuse holder C, Fuse 69 on fuse holder C

- D9 Electronic ignition lock
- E1 Light switch
- J519 Onboard supply control unit
- J710 Voltage supply relay 2
- J882 Seat heating control unit
- SC54 Fuse 54 on fuse holder C
- SC57 Fuse 57 on fuse holder C
- SC69 Fuse 69 on fuse holder C
- T10h 10-pin connector, purple
- T16b 16-pin connector, black
- T17 17-pin connector, black
- T73b 73-pin connector, colourless

-  B349 Connection 2 (75a), in main wiring harness
-  B431 Connection (seat heating), in main wiring harness
-  B490 Connection 26, in main wiring harness
- \* Only models with electric interface for external use

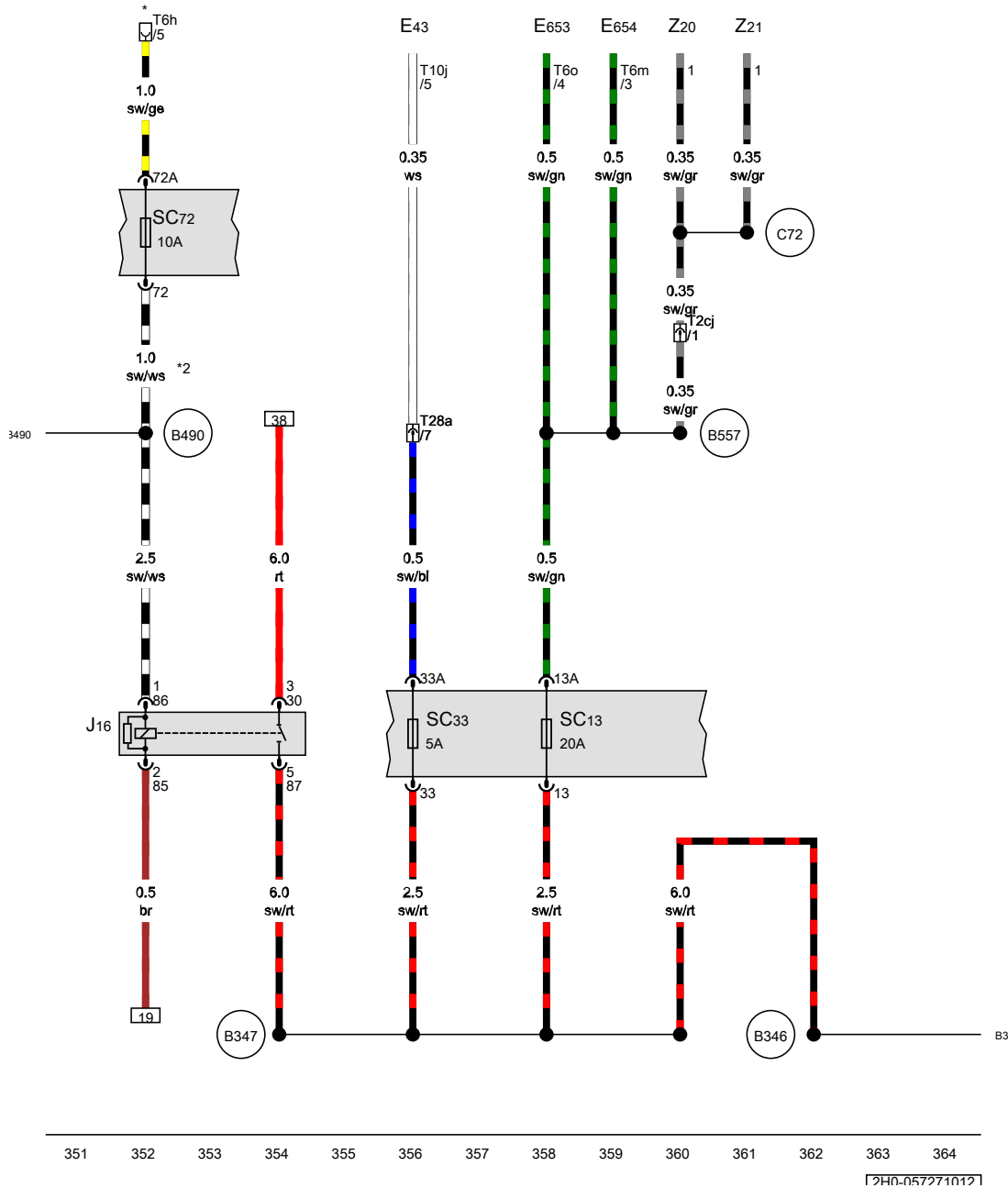


- ws = white
- sw = black
- ro = red
- br = brown
- gn = green
- bl = blue
- gr = grey
- li = purple
- ge = yellow
- or = orange
- rs = pink

337 338 339 340 341 342 343 344 345 346 347 348 349 350

17H0-0572610121

Current supply relay, Fuse 13 on fuse holder C, Fuse 33 on fuse holder C, Fuse 72 on fuse holder C



- E43 Mirror adjustment switch
- E653 Button for left seat heating
- E654 Button for right seat heating
- J16 Current supply relay
- SC13 Fuse 13 on fuse holder C
- SC33 Fuse 33 on fuse holder C
- SC72 Fuse 72 on fuse holder C
- T2cj 2-pin connector, near window wiper motor, black
- T6h 6-pin connector, in left footwell, near centre console, grey
- T6m 6-pin connector, white
- T6o 6-pin connector, blue
- T10j 10-pin connector, black
- T28a 28-pin connector, in left A-pillar
- Z20 Left washer jet heater element
- Z21 Right washer jet heater element

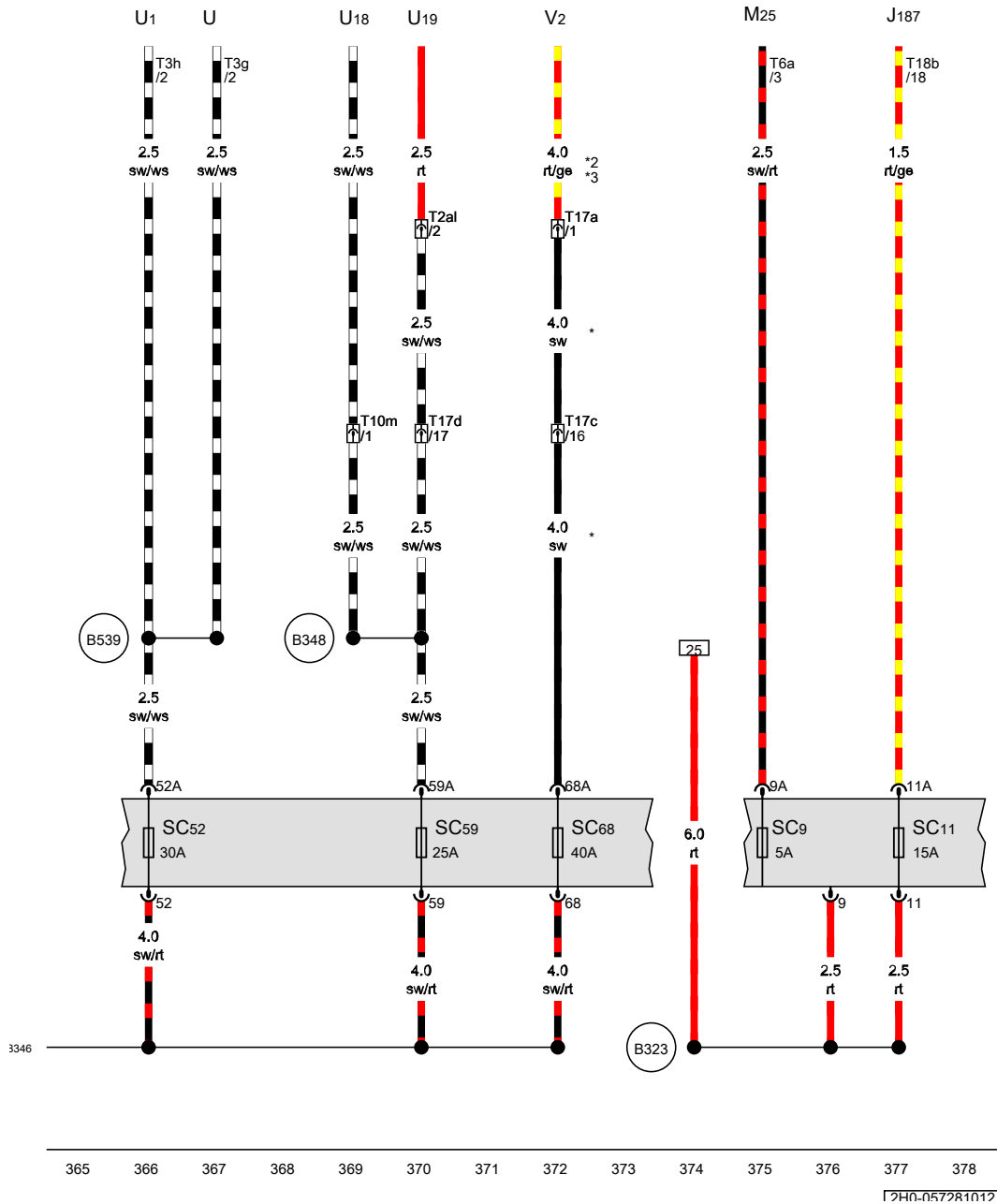
- (B346) Connection 1 (75), in main wiring harness
- (B347) Connection 2 (75), in main wiring harness
- (B490) Connection 26, in main wiring harness
- (B557) Positive connection 21 (30a) in main wiring harness
- (C72) Positive connection in heated washer jet wiring harness

\* Only models with electric interface for external use  
 \*2 Only models with fog lights

- ws = white
- sw = black
- ro = red
- br = brown
- gn = green
- bl = blue
- gr = grey
- li = purple
- ge = yellow
- or = orange
- rs = pink

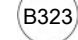
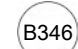


351 352 353 354 355 356 357 358 359 360 361 362 363 364

PH0-0572710121



Fuse 9 on fuse holder C, Fuse 11 on fuse holder C, Fuse 52 on fuse holder C, Fuse 59 on fuse holder C, Fuse 68 on fuse holder C

- J187 Differential lock control unit
- M25 Additional brake light bulb
- SC9 Fuse 9 on fuse holder C
- SC11 Fuse 11 on fuse holder C
- SC52 Fuse 52 on fuse holder C
- SC59 Fuse 59 on fuse holder C
- SC68 Fuse 68 on fuse holder C
- T2al 2-pin connector, in rear left wheel housing, black
- T3g 3-pin connector
- T3h 3-pin connector, transparent
- T6a 6-pin connector
- T10m 10-pin connector, near handbrake lever, brown
- T17a 17-pin connector, behind glove compartment, black
- T17c 17-pin connector, on left under dash panel, black
- T17d 17-pin connector, on left under dash panel, red
- T18b 18-pin connector
- U Electric socket, on centre console switch module
- U1 Cigarette lighter, on centre console switch module
- U18 12 V socket 2, in storage compartment, in centre of dash panel
- U19 12 V socket 3, in rear left wheel housing
- V2 Fresh air blower

-  B323 Positive connection 9 (30a) in main wiring harness
-  B346 Connection 1 (75), in main wiring harness
-  B348 Connection 1 (75a), in main wiring harness
-  B539 Connection 30, in main wiring harness

- \* Only models with no Climatronic
- \*2 see applicable current flow diagram for manually controlled heater
- \*3 Only models with air conditioning system

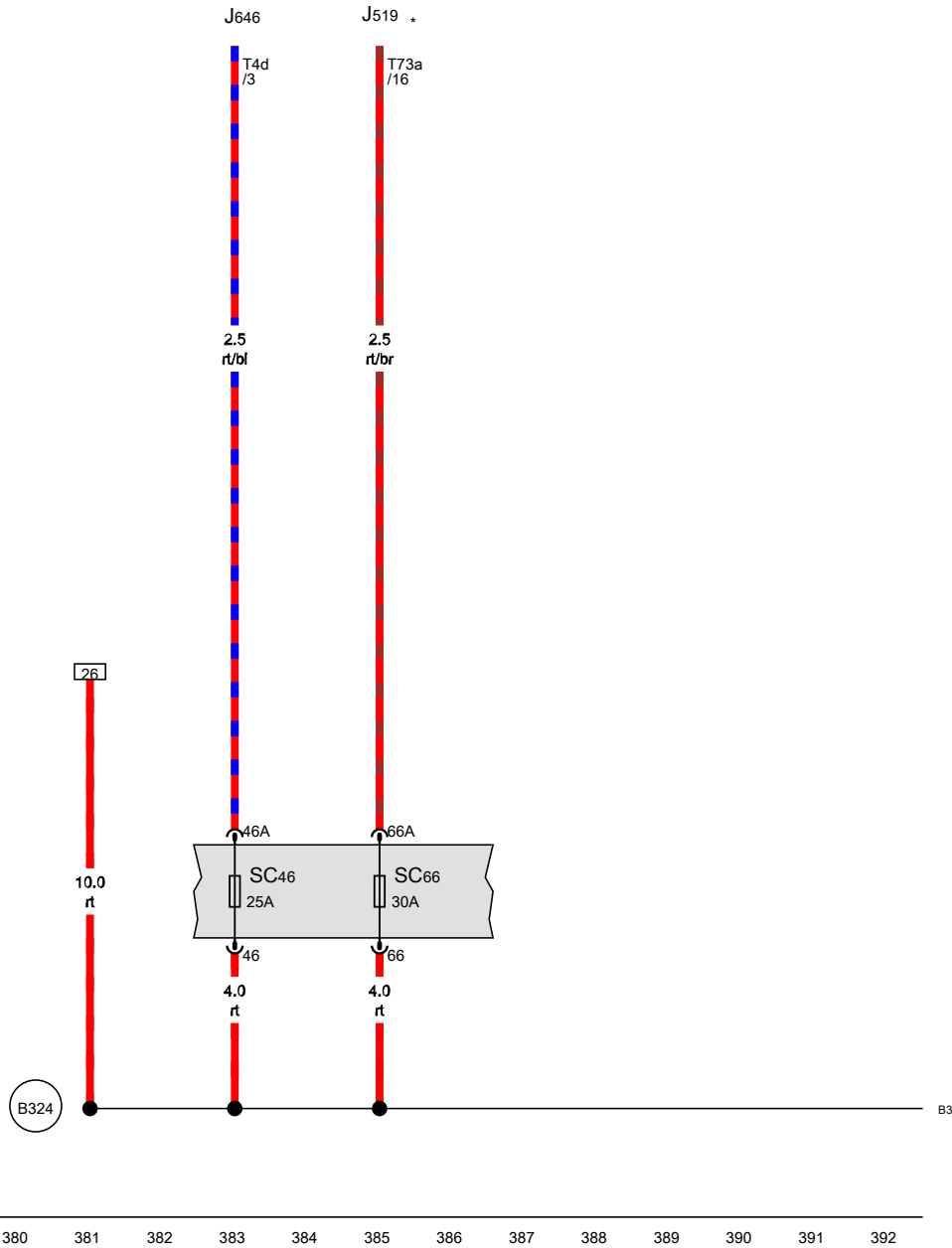
- ws = white
- sw = black
- ro = red
- br = brown
- gn = green
- bl = blue
- gr = grey
- li = purple
- ge = yellow
- or = orange
- rs = pink

Fuse 46 on fuse holder C, Fuse 66 on fuse holder C

- J519 Onboard supply control unit
- J646 Transfer box control unit
- SC46 Fuse 46 on fuse holder C
- SC66 Fuse 66 on fuse holder C
- T4d 4-pin connector
- T73a 73-pin connector

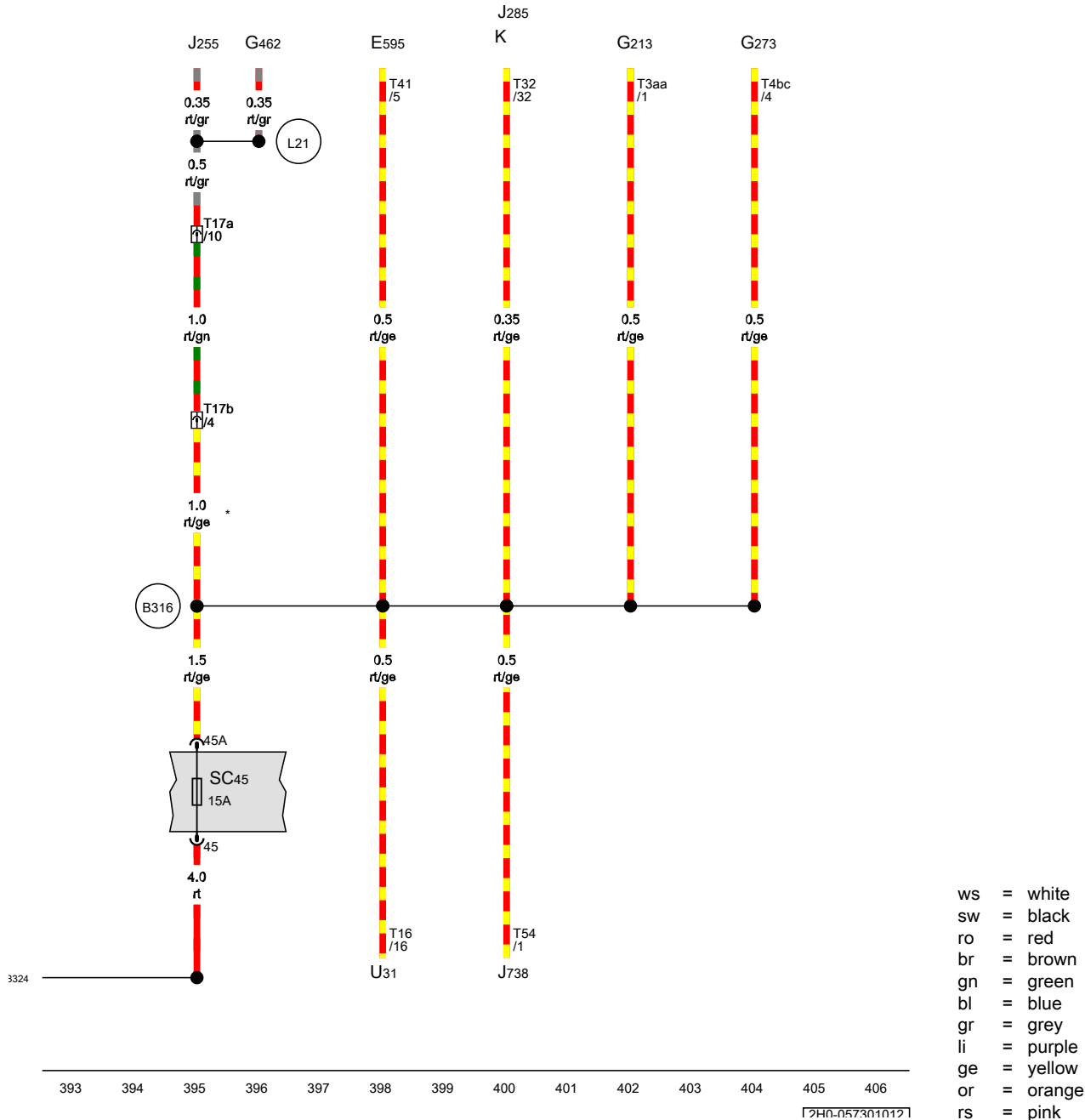
**B324** Positive connection 10 (30a) in main wiring harness

\* see applicable current flow diagram for basic equipment/ central locking



1740-0572910121

Steering column combination switch, Rain sensor, Interior monitoring sensor, Telephone controls control unit, Dash panel insert, Fuse 45 on fuse holder C, Diagnostic connection



- E595 Steering column combination switch
- G213 Rain sensor
- G273 Interior monitoring sensor
- G462 Sender for front Bitron blower regulation
- J255 Climatronic control unit
- J285 Control unit in dash panel insert
- J738 Telephone controls control unit
- K Dash panel insert
- SC45 Fuse 45 on fuse holder C
- T3aa 3-pin connector, black
- T4bc 4-pin connector
- T16 16-pin connector, black
- T17a 17-pin connector, behind glove compartment, black
- T17b 17-pin connector, on left under dash panel, brown
- T32 32-pin connector, blue
- T41 41-pin connector, grey
- T54 54-pin connector
- U31 Diagnostic connection

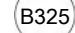
- B316 Positive connection 2 (30a) in main wiring harness
- B324 Positive connection 10 (30a) in main wiring harness
- L21 Connection 1 (30), in Climatronic operating unit wiring harness

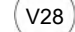
\* Only models with Climatronic



**Fuse 44 on fuse holder C, Fuse 64 on fuse holder C, Fuse 67 on fuse holder C**

- J503 Control unit with display for radio and navigation
- J519 Onboard supply control unit
- R Radio
- SC44 Fuse 44 on fuse holder C
- SC64 Fuse 64 on fuse holder C
- SC67 Fuse 67 on fuse holder C
- T8a 8-pin connector, black
- T8c 8-pin connector, black
- T17a 17-pin connector, behind glove compartment, black
- T17c 17-pin connector, on left under dash panel, black
- T73b 73-pin connector
- V2 Fresh air blower
- Z1 Heated rear window

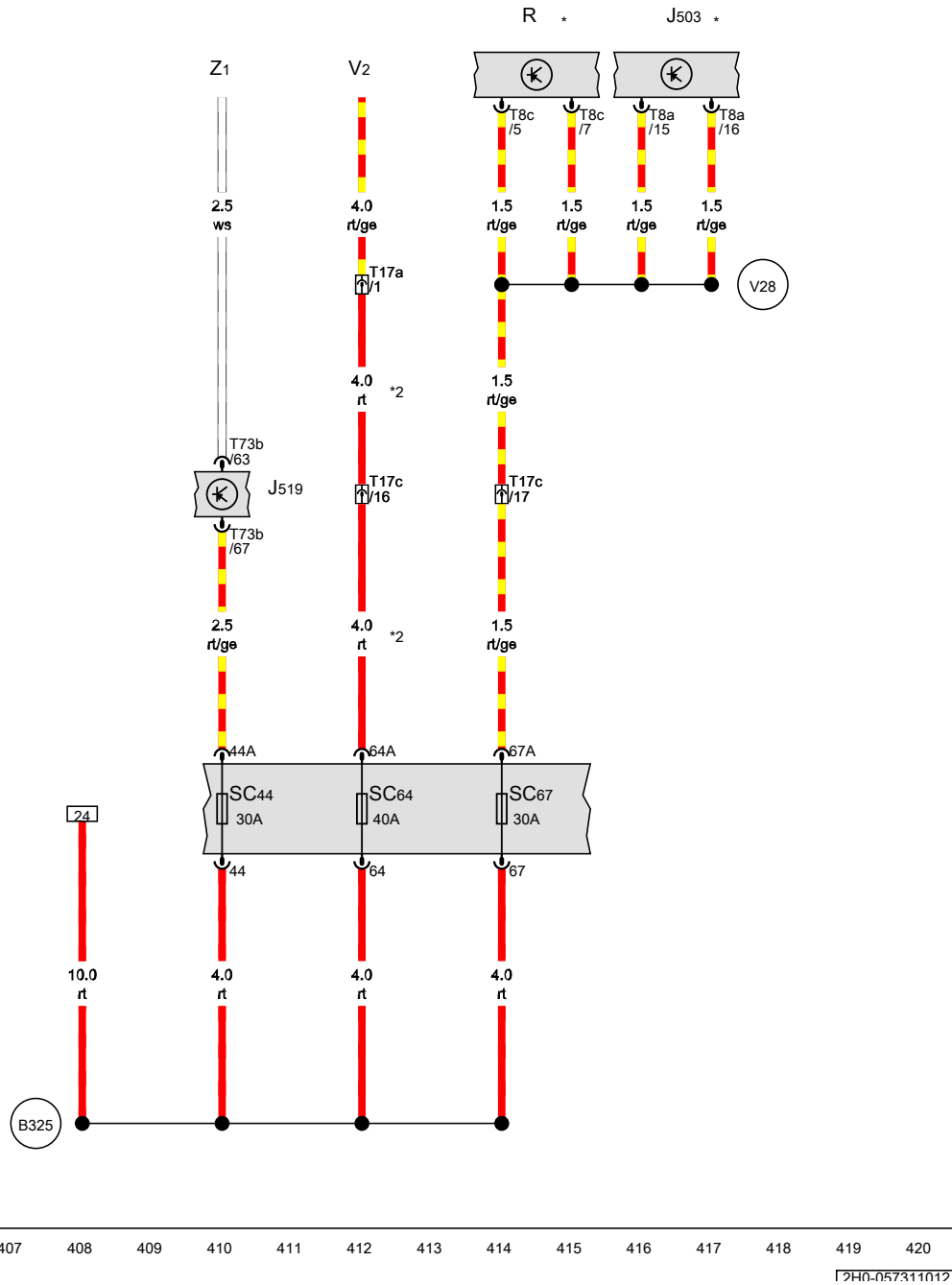
 Positive connection 11 (30a) in main wiring harness

 Connection 1, in radio wiring harness

\* According to equipment

\*2 Only models with Climatronic

\*3 Only models with electric interface for external use



- ws = white
- sw = black
- ro = red
- br = brown
- gn = green
- bl = blue
- gr = grey
- li = purple
- ge = yellow
- or = orange
- rs = pink

407 408 409 410 411 412 413 414 415 416 417 418 419 420

[PH0-057311012]

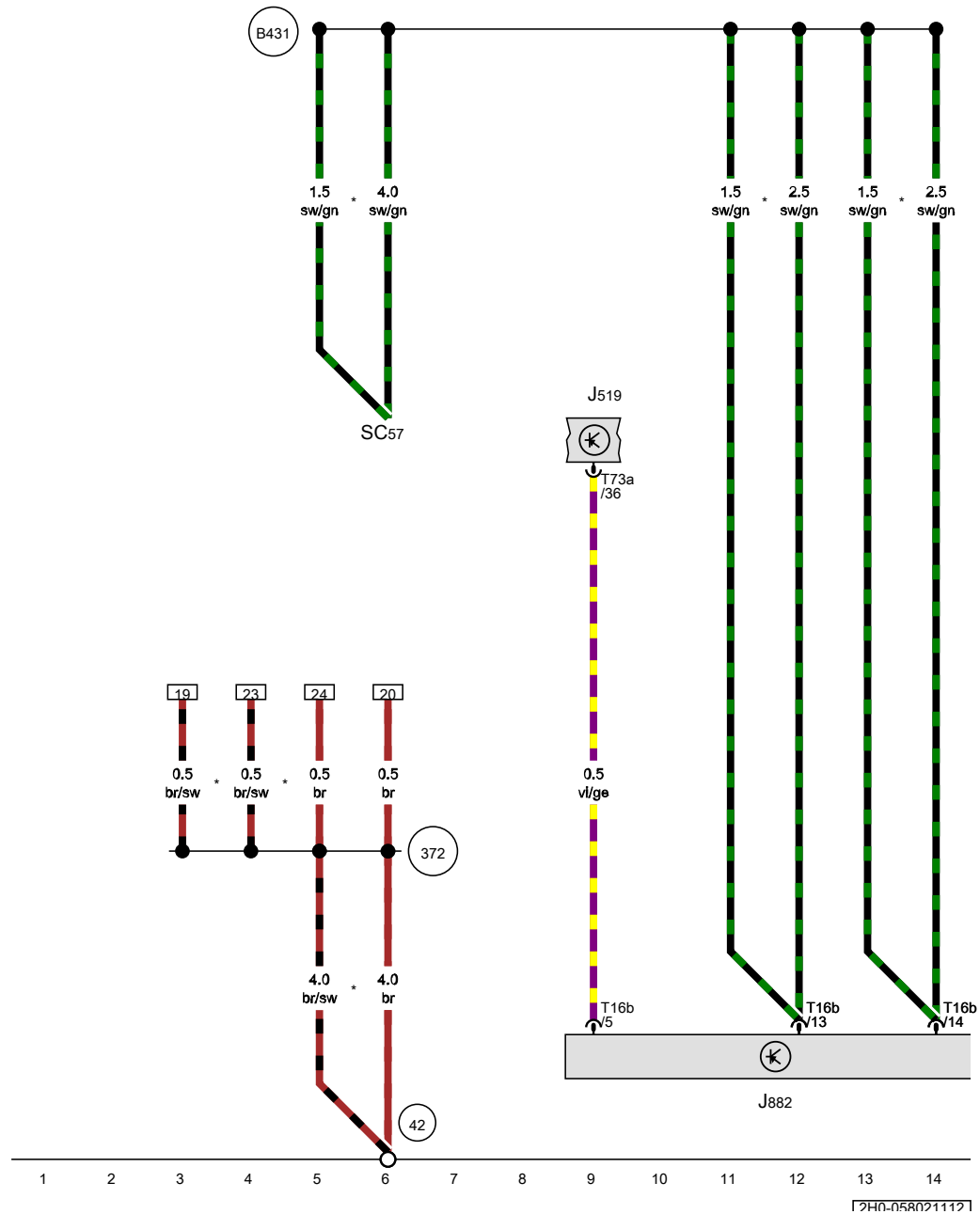
**Seat heating**

From June 2012

Onboard supply control unit, Seat heating control unit, Fuse 57 on fuse holder C

- J519 Onboard supply control unit
- J882 Seat heating control unit
- SC57 Fuse 57 on fuse holder C
- T16b 16-pin connector, black
- T73a 73-pin connector, black

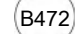
- 42 Earth point, next to steering column
- 372 Earth connection 7, in main wiring harness
- B431 Connection (seat heating), in main wiring harness
- \* From January 2013

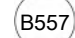


1740-0580211121

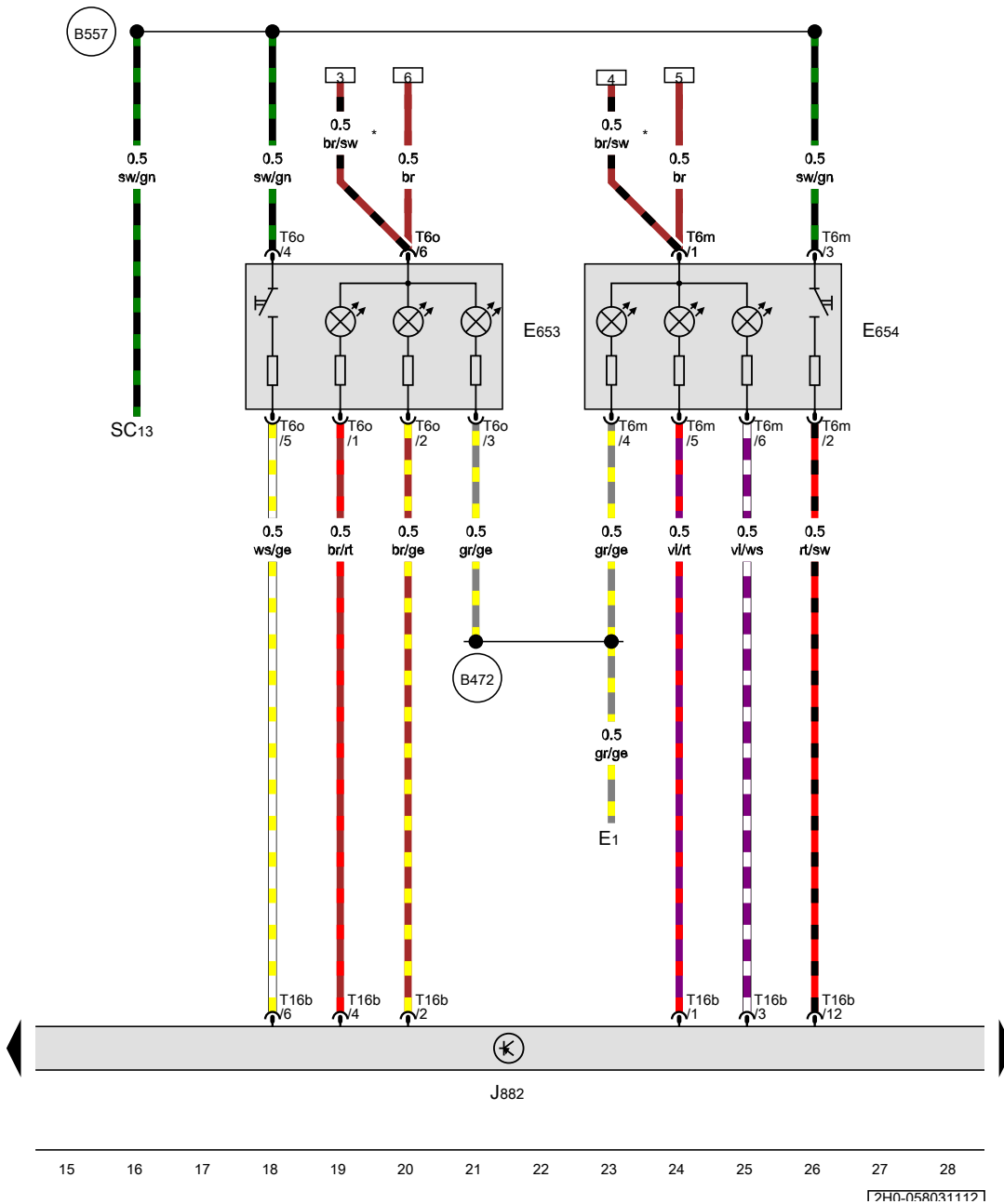
Light switch, Button for left seat heating, Button for right seat heating, Seat heating control unit

- E1 Light switch
- E653 Button for left seat heating
- E654 Button for right seat heating
- J882 Seat heating control unit
- SC13 Fuse 13 on fuse holder C
- T6m 6-pin connector, white
- T6o 6-pin connector, blue
- T16b 16-pin connector, black

 B472 Connection 8, in main wiring harness

 B557 Positive connection 21 (30a) in main wiring harness

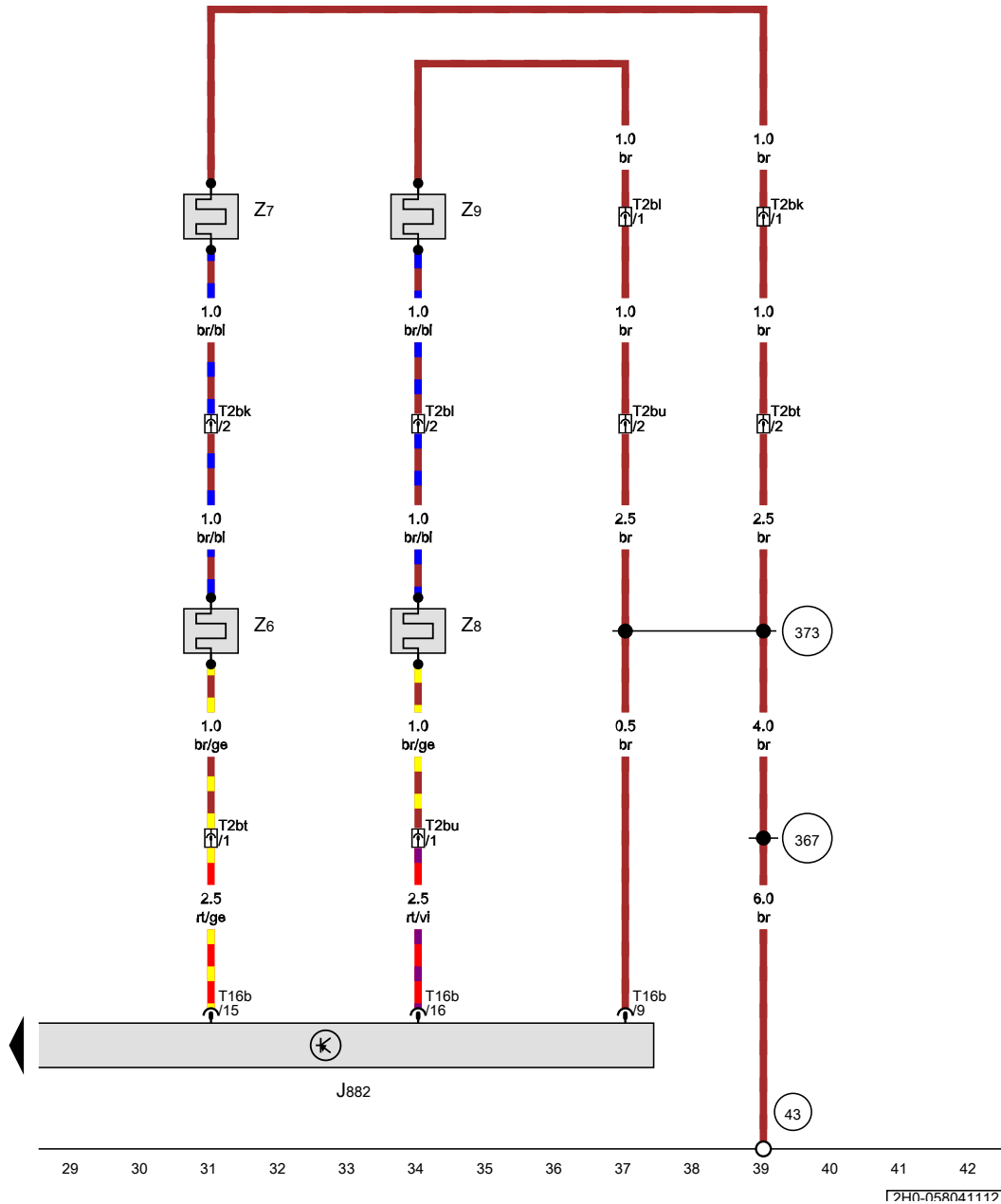
\* From January 2013



- ws = white
- sw = black
- ro = red
- br = brown
- gn = green
- bl = blue
- gr = grey
- li = purple
- ge = yellow
- or = orange
- rs = pink

Γ240-0580311121

Seat heating control unit, Heated backrest for driver seat, Heated seat cushion for front passenger seat, Heated backrest for front passenger seat

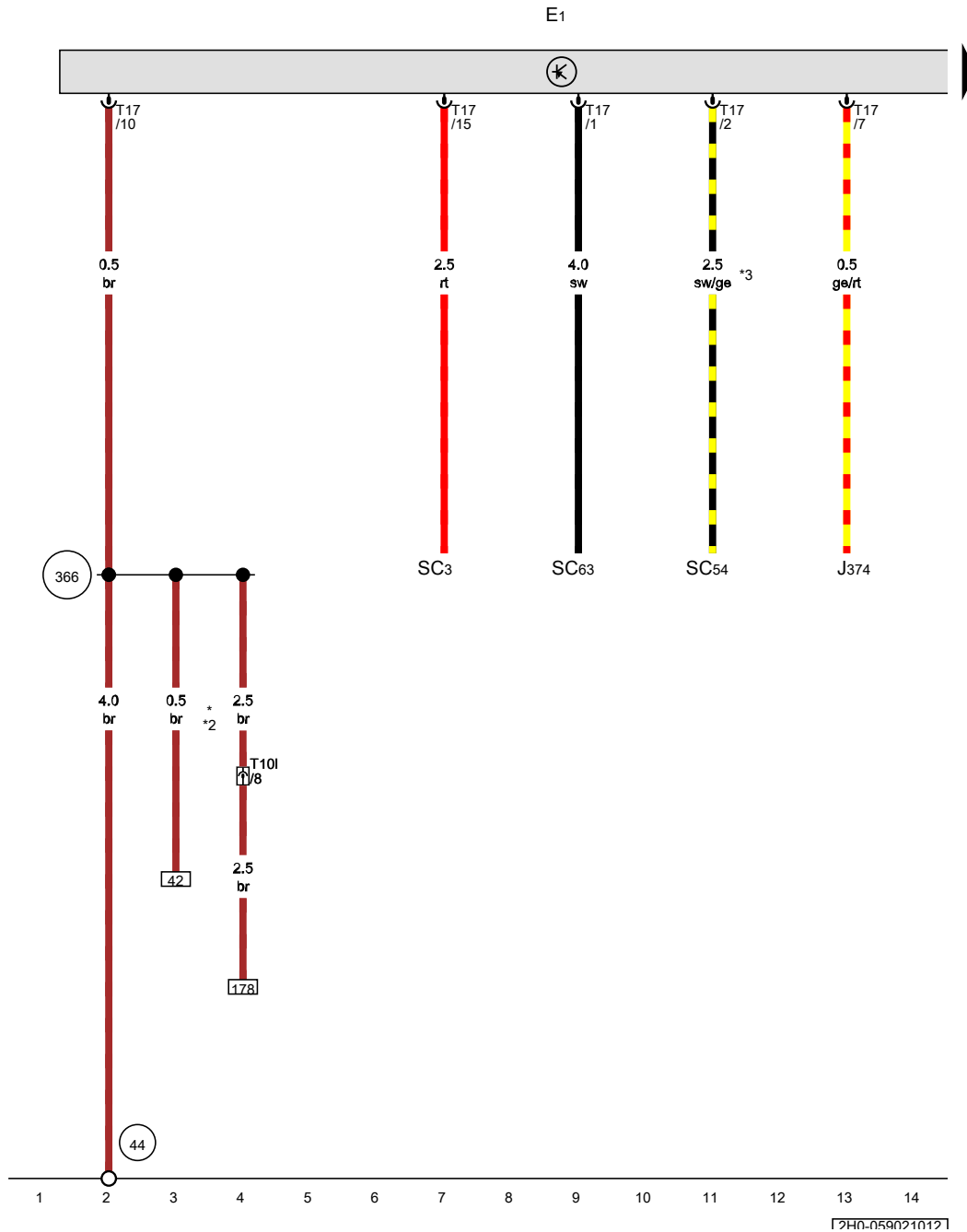


- J882 Seat heating control unit
- T2bk 2-pin connector, in seat, black
- T2bl 2-pin connector, in seat, black
- T2bt 2-pin connector, under seat on front left, black
- T2bu 2-pin connector, under seat on front right, black
- T16b 16-pin connector, black
- Z6 Heated seat cushion for driver seat
- Z7 Heated backrest for driver seat
- Z8 Heated seat cushion for front passenger seat
- Z9 Heated backrest for front passenger seat
- 43 Earth point, lower part of right A-pillar
- 367 Earth connection 2, in main wiring harness
- 373 Earth connection 8, in main wiring harness



- ws = white
- sw = black
- ro = red
- br = brown
- gn = green
- bl = blue
- gr = grey
- li = purple
- ge = yellow
- or = orange
- rs = pink

**Exterior lighting , (7L3),(8K0),(8K1)**

From June 2012

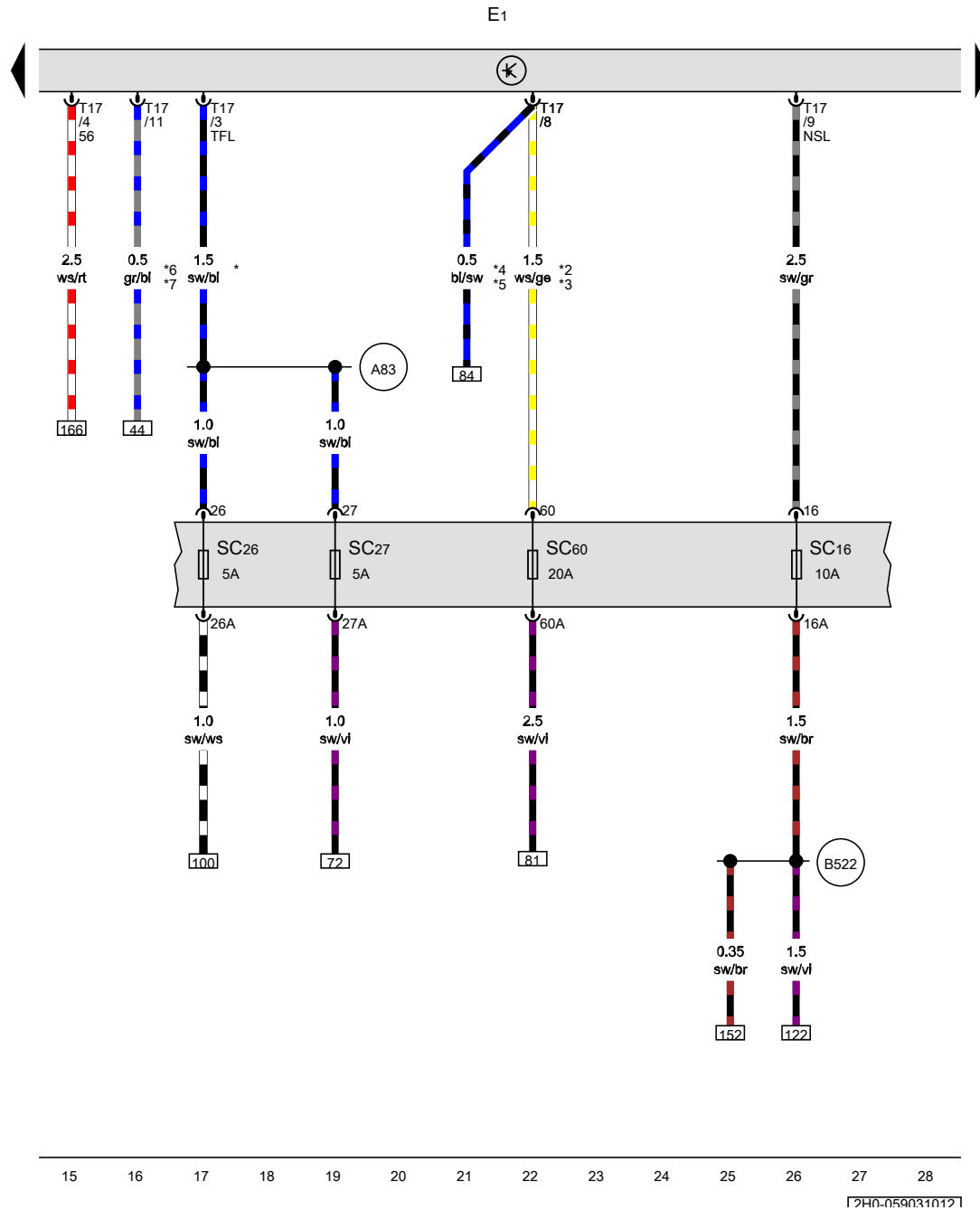


**Light switch**

- E1 Light switch
- J374 Terminal 58b relief relay
- SC3 Fuse 3 on fuse holder C
- SC54 Fuse 54 on fuse holder C
- SC63 Fuse 63 on fuse holder C
- T101 10-pin connector
- T17 17-pin connector, black
-  44 Earth point, lower part of left A-pillar
-  366 Earth connection 1, in main wiring harness
- \* Only models with headlight range control
- \*2 Only models with Highline equipment
- \*3 Only models with fog lights

- ws = white
- sw = black
- ro = red
- br = brown
- gn = green
- bl = blue
- gr = grey
- li = purple
- ge = yellow
- or = orange
- rs = pink

Г240-0590210121



Light switch, Fuse 16 on fuse holder C, Fuse 26 on fuse holder C, Fuse 27 on fuse holder C, Fuse 60 on fuse holder C

- E1 Light switch
- SC16 Fuse 16 on fuse holder C
- SC26 Fuse 26 on fuse holder C
- SC27 Fuse 27 on fuse holder C
- SC60 Fuse 60 on fuse holder C
- T17 17-pin connector, black

A83 Connection (daytime running lights), in dash panel wiring harness

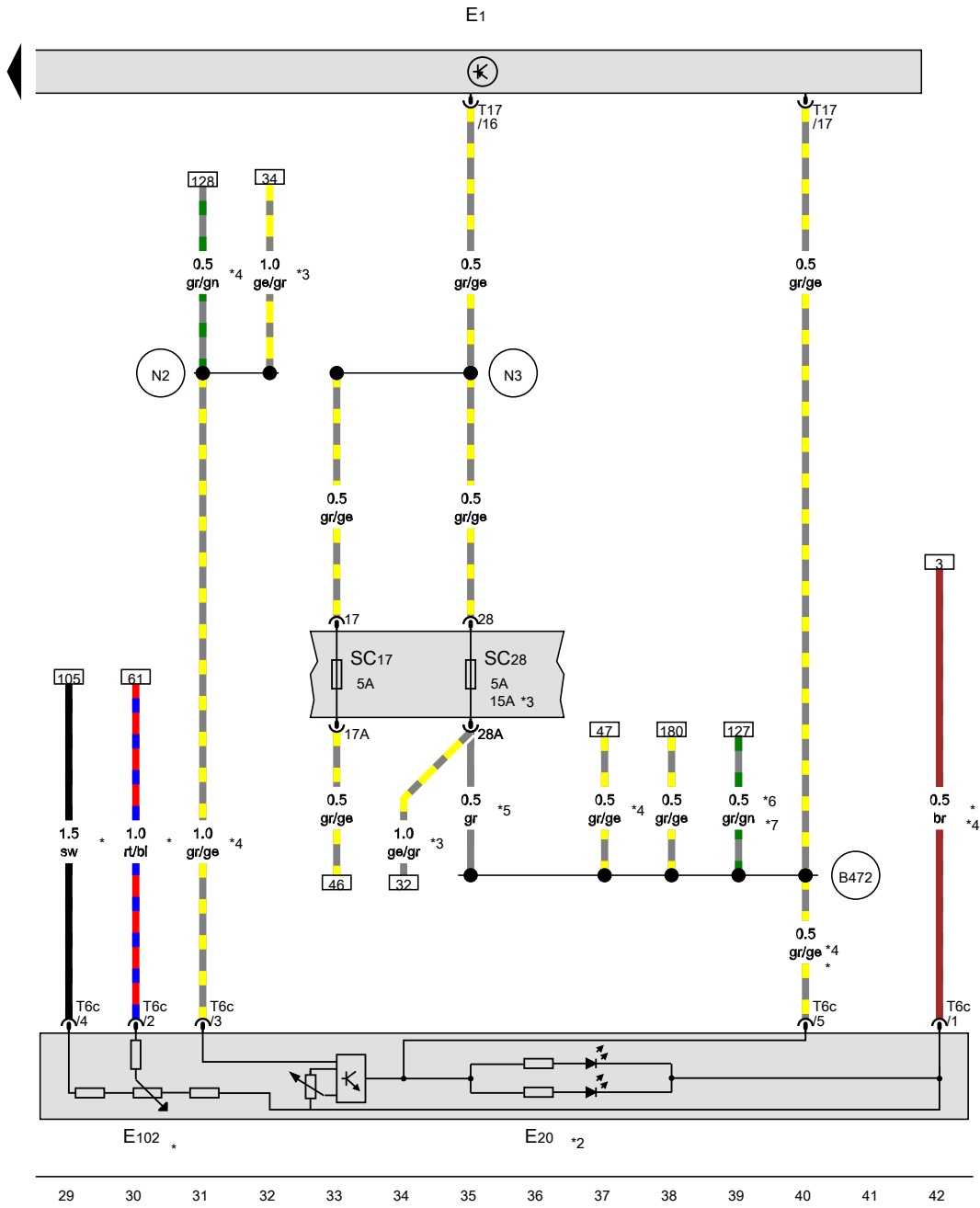
B522 Connection (FL), in main wiring harness

- \* Only models with daytime running lights
- \*2 Only models with fog lights
- \*3 Only models with no automatic headlight control with coming home
- \*4 Only models with automatic driving lights control
- \*5 Only models with no start/stop system
- \*6 Only models with electric interface for external use
- \*7 Only models with basic equipment

- ws = white
- sw = black
- ro = red
- br = brown
- gn = green
- bl = blue
- gr = grey
- li = purple
- ge = yellow
- or = orange
- rs = pink



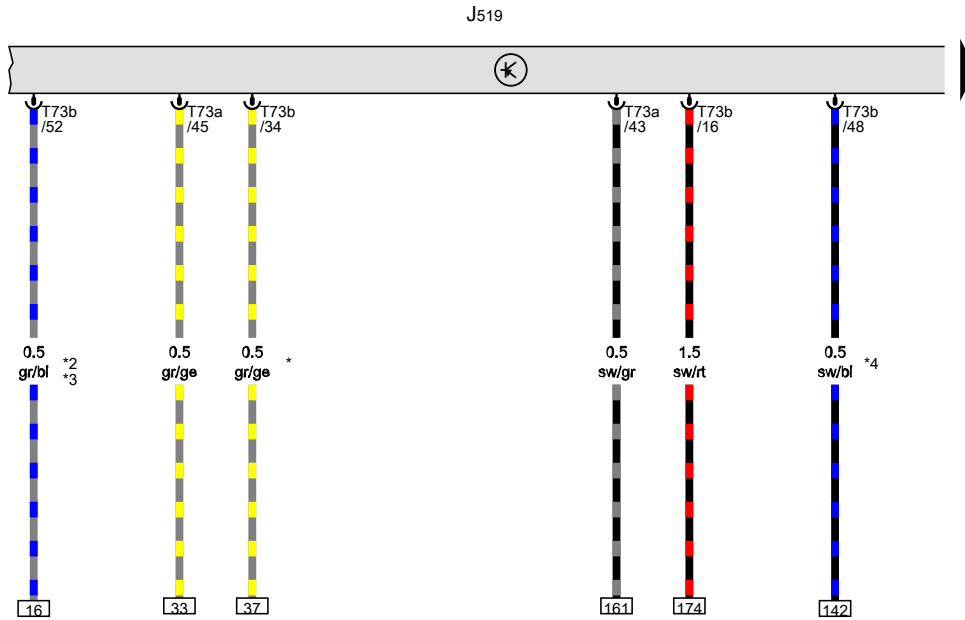
Light switch, Switch and instrument illumination regulator, Headlight range control regulator, Fuse 28 on fuse holder C



- E1 Light switch
- E20 Switch and instrument illumination regulator
- E102 Headlight range control regulator
- SC17 Fuse 17 on fuse holder C
- SC28 Fuse 28 on fuse holder C
- T6c 6-pin connector, black
- T17 17-pin connector, black
- (B472) Connection 8, in main wiring harness
- (N2) Connection 1, in headlight range control wiring harness
- (N3) Connection 2, in headlight range control wiring harness
- \* Only models with headlight range control
- \*2 Only models with dimmable instrument illumination
- \*3 Only models with automatic driving lights control
- \*4 Only models with Highline equipment
- \*5 Only models with no dimmable instrument illumination
- \*6 Only models with Trendline equipment
- \*7 Only models with basic equipment

- ws = white
- sw = black
- ro = red
- br = brown
- gn = green
- bl = blue
- gr = grey
- li = purple
- ge = yellow
- or = orange
- rs = pink

17H0-0590410121



Onboard supply control unit

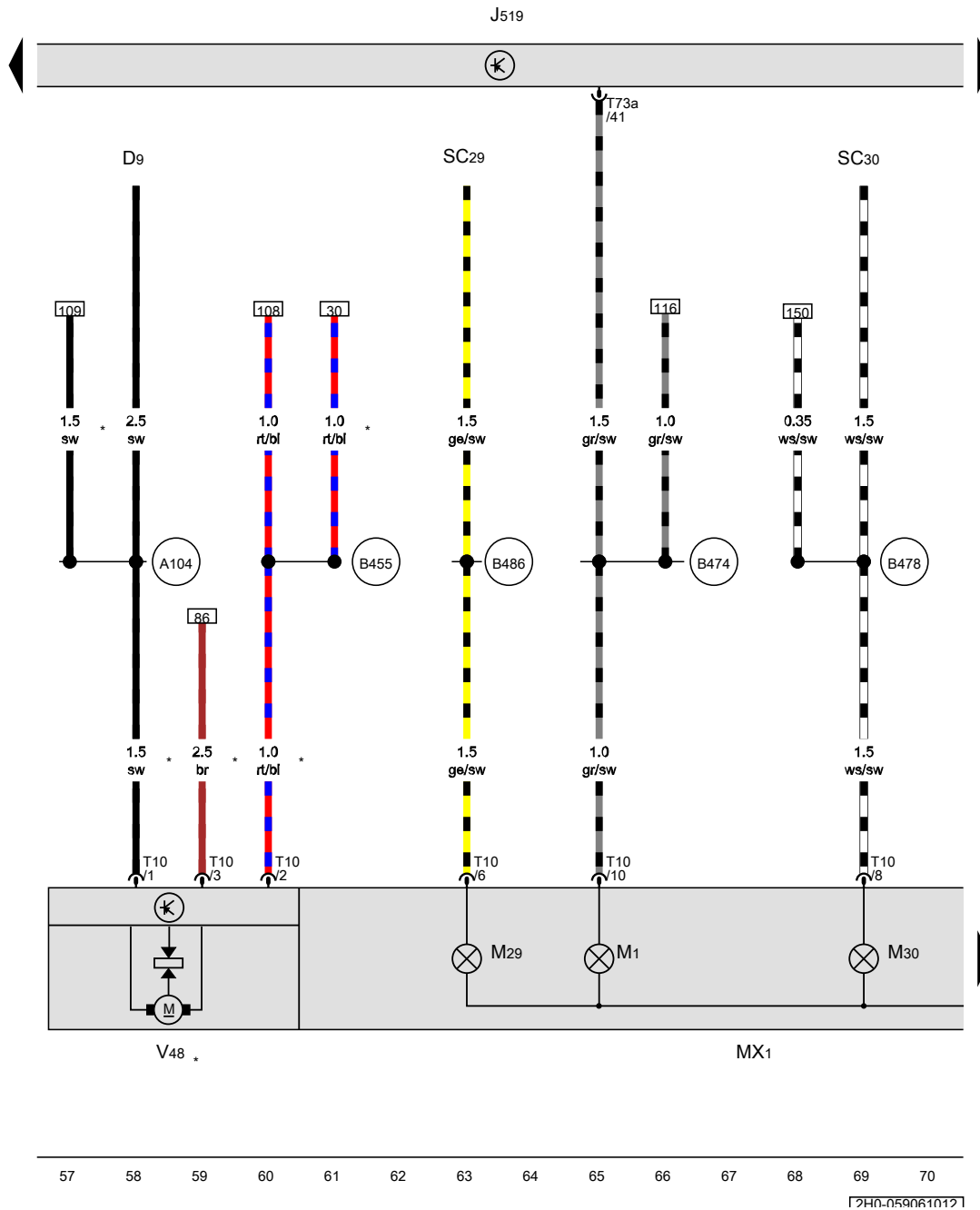
- J519 Onboard supply control unit
- T73a 73-pin connector, black
- T73b 73-pin connector, colourless
- \* Only models with Highline equipment
- \*2 Only models with electric interface for external use
- \*3 Only models with basic equipment
- \*4 Only models with manual gearbox

- ws = white
- sw = black
- ro = red
- br = brown
- gn = green
- bl = blue
- gr = grey
- li = purple
- ge = yellow
- or = orange
- rs = pink

43 44 45 46 47 48 49 50 51 52 53 54 55 56

1740-0590510121

Onboard supply control unit, Front left headlight, Fuse 29 on fuse holder C

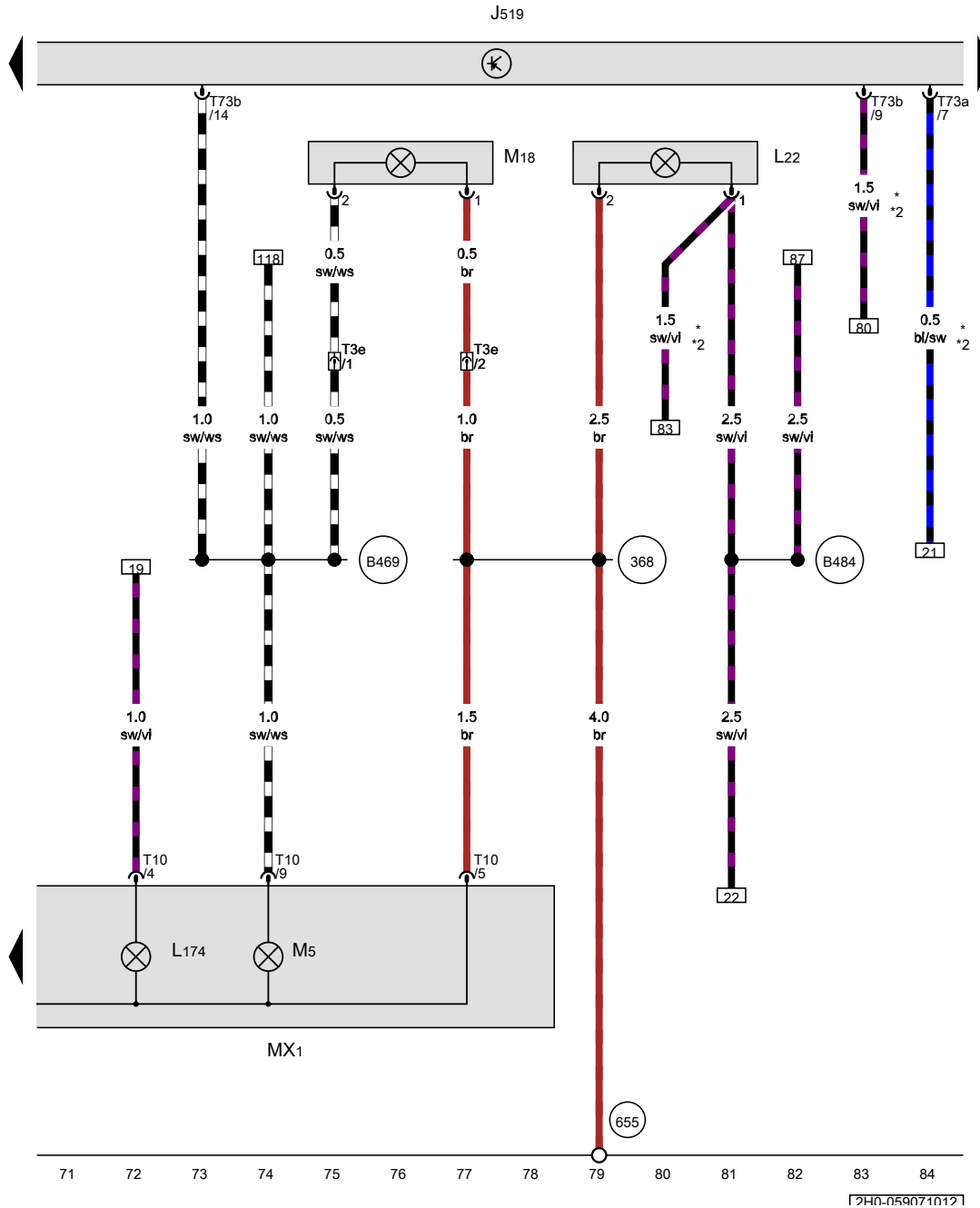


- D9 Electronic ignition lock
- J519 Onboard supply control unit
- MX1 Front left headlight
- M1 Left side light bulb
- M29 Left headlight dipped beam bulb
- M30 Left headlight main beam bulb
- SC29 Fuse 29 on fuse holder C
- SC30 Fuse 30 on fuse holder C
- T10 10-pin connector
- T73a 73-pin connector, black
- V48 Left headlight range control motor
- A104 Positive connection 2 (15), in dash panel wiring harness
- B455 Connection (HRC), in main wiring harness
- B474 Connection 10, in main wiring harness
- B478 Connection 14, in main wiring harness
- B486 Connection 22, in main wiring harness
- \* Only models with headlight range control

- ws = white
- sw = black
- ro = red
- br = brown
- gn = green
- bl = blue
- gr = grey
- li = purple
- ge = yellow
- or = orange
- rs = pink

57 58 59 60 61 62 63 64 65 66 67 68 69 70

1740-0590610121



**Onboard supply control unit, Left fog light bulb, Front left headlight, Left turn signal repeater bulb**

- J519 Onboard supply control unit
- L22 Left fog light bulb
- L174 Left daytime running light bulb
- MX1 Front left headlight
- M5 Front left turn signal bulb
- M18 Left turn signal repeater bulb
- T3e 3-pin connector, in rear left of engine compartment, black
- T10 10-pin connector
- T73a 73-pin connector, black
- T73b 73-pin connector, colourless

368 Earth connection 3, in main wiring harness

655 Earth point, on left headlight, on left on bulkhead

B469 Connection 5, in main wiring harness

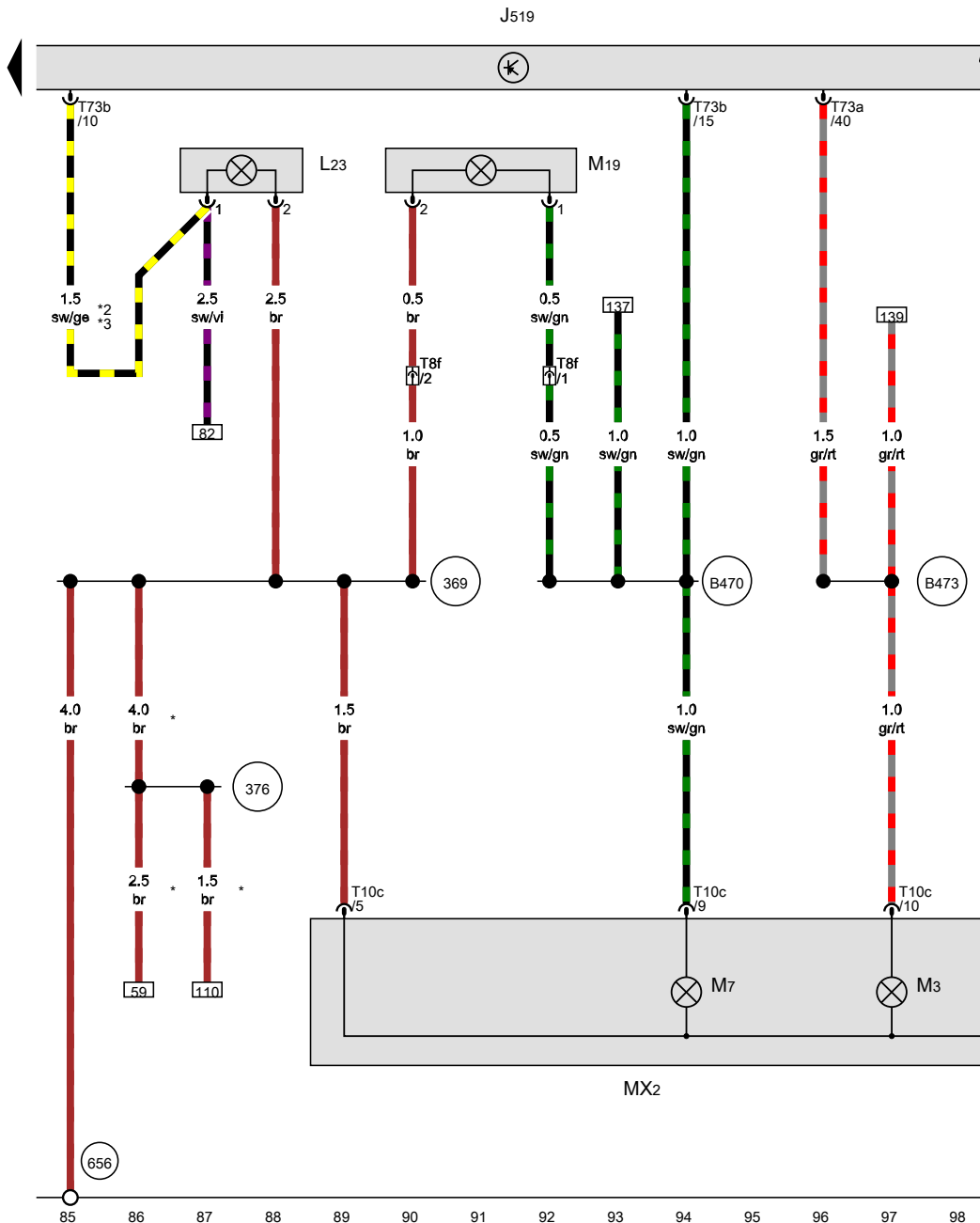
B484 Connection 20, in main wiring harness

\* Only models with automatic driving lights control

\*2 Only models with no start/stop system

- ws = white
- sw = black
- ro = red
- br = brown
- gn = green
- bl = blue
- gr = grey
- li = purple
- ge = yellow
- or = orange
- rs = pink

17H0-0590710121



**Onboard supply control unit, Right fog light bulb, Front right headlight, Right turn signal repeater bulb**

- J519 Onboard supply control unit
- L23 Right fog light bulb
- MX2 Front right headlight
- M3 Right side light bulb
- M7 Front right turn signal bulb
- M19 Right turn signal repeater bulb
- T8f 8-pin connector, in rear right of engine compartment, black
- T10c 10-pin connector, black
- T73a 73-pin connector, black
- T73b 73-pin connector, colourless

- 369 Earth connection 4, in main wiring harness
- 376 Earth connection 11, in main wiring harness
- 656 Earth point, on right headlight, on right on bulkhead
- B470 Connection 6, in main wiring harness
- B473 Connection 9, in main wiring harness

- \* Only models with headlight range control
- \*2 Only models with automatic driving lights control
- \*3 Only models with no start/stop system

- ws = white
- sw = black
- ro = red
- br = brown
- gn = green
- bl = blue
- gr = grey
- li = purple
- ge = yellow
- or = orange
- rs = pink

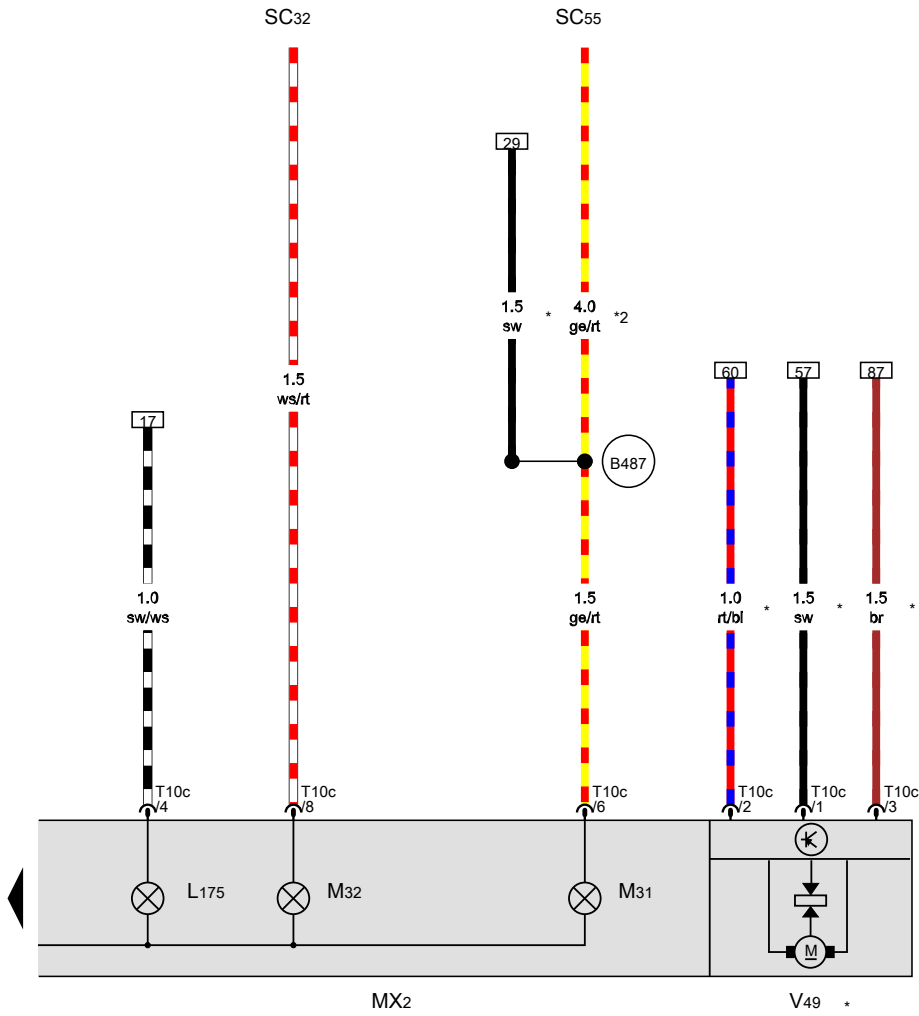
1740-059081017

Front right headlight, Fuse 32 on fuse holder C, Fuse 55 on fuse holder C

- L175 Right daytime running light bulb
- MX2 Front right headlight
- M31 Right headlight dipped beam bulb
- M32 Right headlight main beam bulb
- SC32 Fuse 32 on fuse holder C
- SC55 Fuse 55 on fuse holder C
- T10c 10-pin connector, black
- V49 Right headlight range control motor

B487 Connection 23, in main wiring harness

- \* Only models with headlight range control
- \*2 Only models with no headlight range control



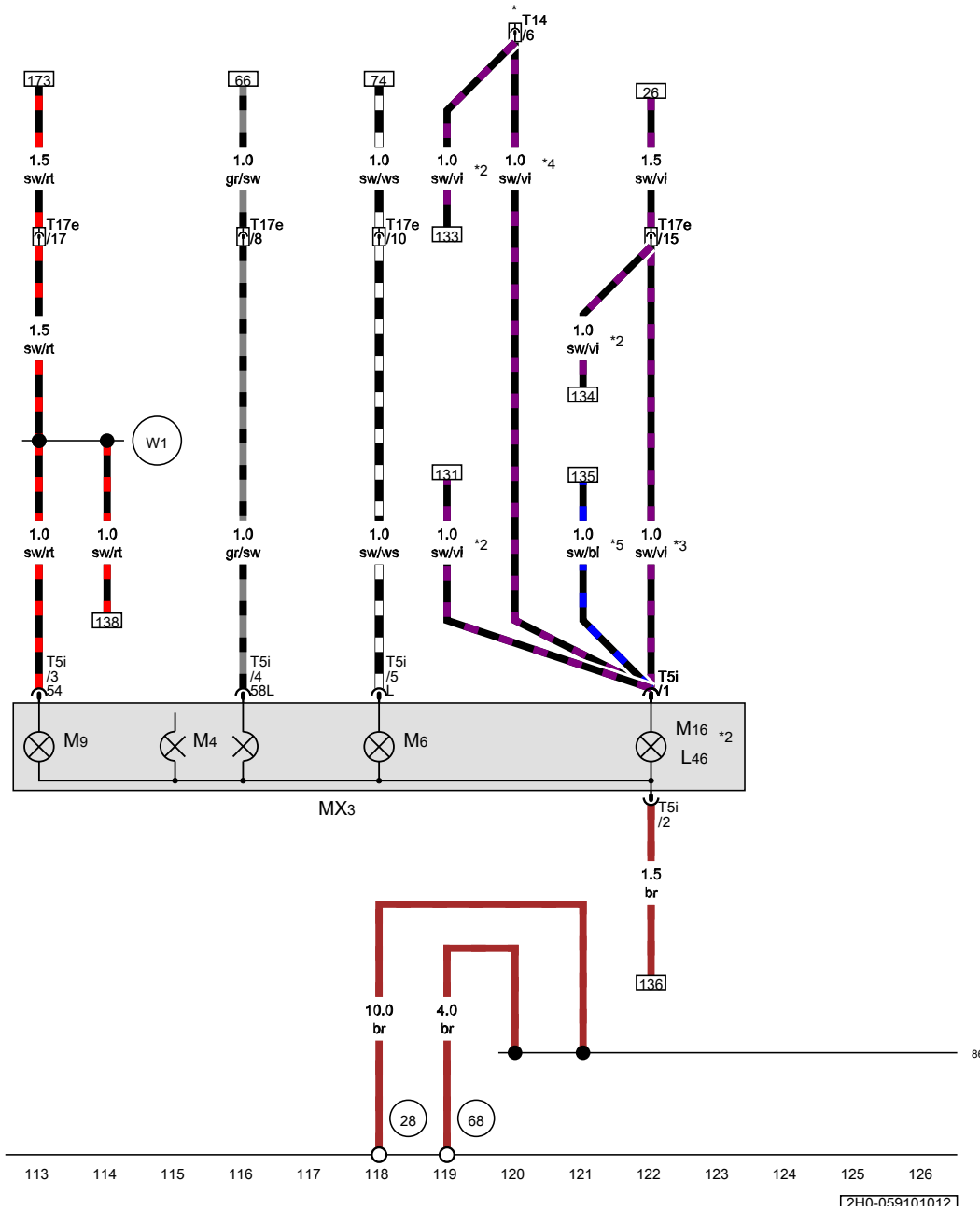
- ws = white
- sw = black
- ro = red
- br = brown
- gn = green
- bl = blue
- gr = grey
- li = purple
- ge = yellow
- or = orange
- rs = pink

Left tail light

- L46 Rear left fog light bulb
- MX3 Left tail light
- M4 Left tail light bulb
- M6 Rear left turn signal bulb
- M9 Left brake light bulb
- M16 Left reversing light bulb
- T5i 5-pin connector, black
- T14 14-pin connector, behind rear bumper on left, black
- T17e 17-pin connector, near handbrake lever, red

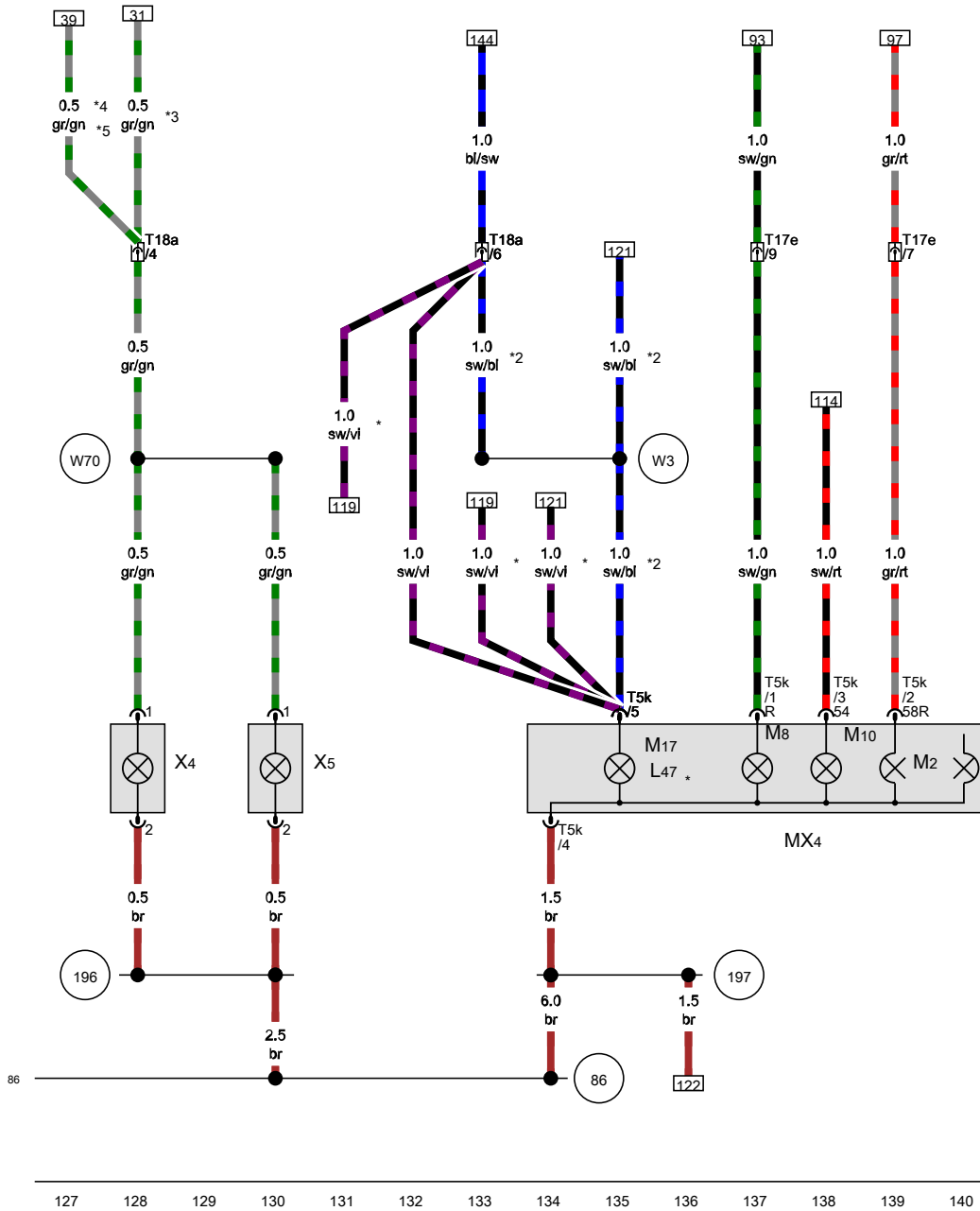
- 28 Earth point, on bulkhead
- 68 Earth point, on left of rear cross member
- 86 Earth connection 1, in rear wiring harness
- W1 Positive connection 1 (54), in rear wiring harness

- \* see applicable current flow diagram for preparation for trailer coupling
- \*2 Only right-hand drive models
- \*3 Only models with no towing bracket
- \*4 Only left-hand drive models
- \*5 Only models with no rear fog light



17H0-059101017

Right tail light, Left number plate light, Right number plate light



- L47 Rear right fog light bulb
- M2 Right tail light bulb
- MX4 Right tail light
- M8 Rear right turn signal bulb
- M10 Right brake light bulb
- M17 Right reversing light bulb
- T5k 5-pin connector, black
- T17e 17-pin connector, near handbrake lever, red
- T18a 18-pin connector, near engine control unit, grey
- X4 Left number plate light
- X5 Right number plate light

- 86 Earth connection 1, in rear wiring harness
- 196 Earth connection 3, in rear wiring harness
- 197 Earth connection 4, in rear wiring harness
- W3 Connection in rear wiring harness
- W70 Positive connection 2 (58), in number plate wiring harness

- \* Only right-hand drive models
- \*2 Only models with no rear fog light
- \*3 Only models with Highline equipment
- \*4 Only models with Trendline equipment
- \*5 Only models with basic equipment

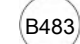
- ws = white
- sw = black
- ro = red
- br = brown
- gn = green
- bl = blue
- gr = grey
- li = purple
- ge = yellow
- or = orange
- rs = pink


740-059111017



Reversing light switch, Control unit in dash panel insert, Dash panel insert

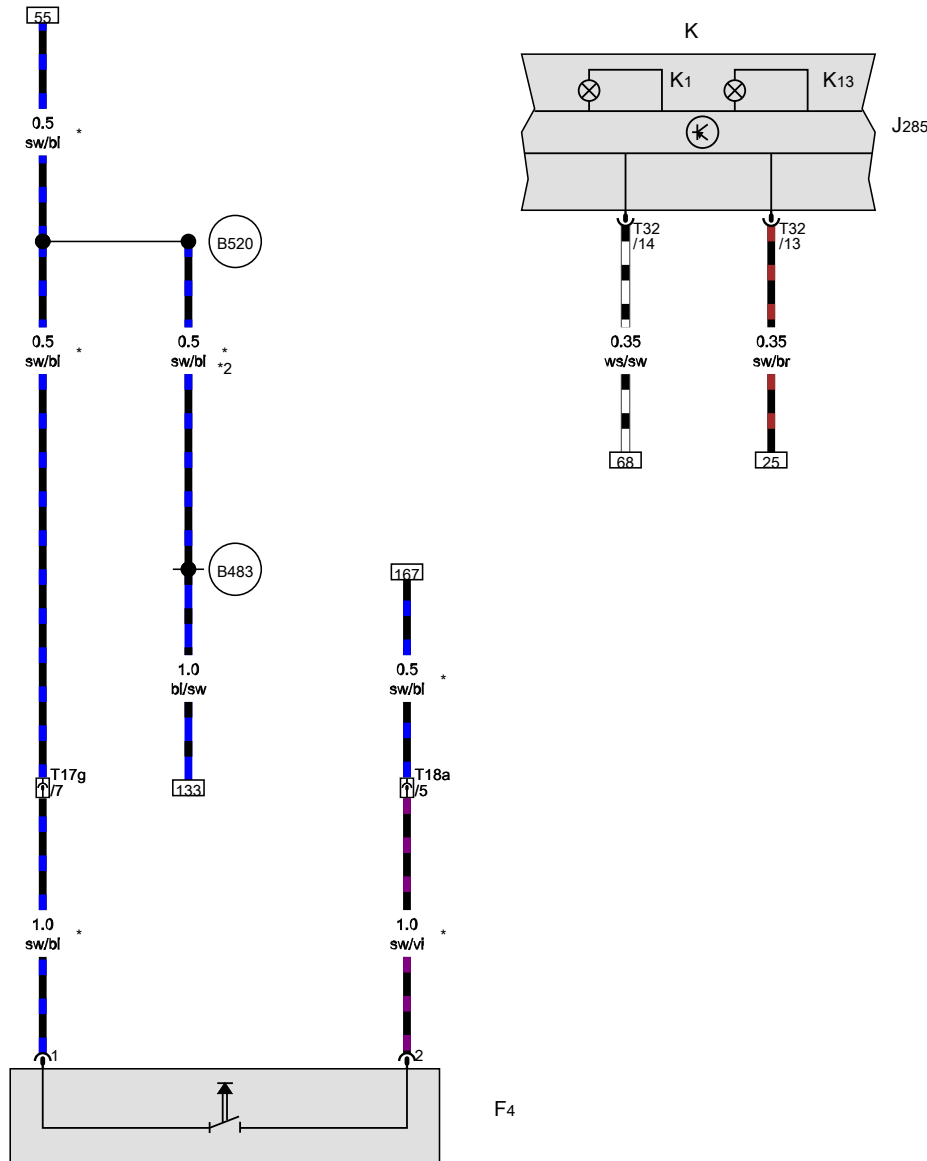
- F4 Reversing light switch
- J285 Control unit in dash panel insert
- K Dash panel insert
- K1 Main beam warning lamp
- K13 Rear fog light warning lamp
- T17g 17-pin connector, near handbrake lever, black
- T18a 18-pin connector, near engine control unit, grey
- T32 32-pin connector, blue

 B483 Connection 19, in main wiring harness

 B520 Connection (RL), in main wiring harness

\* Only models with manual gearbox

\*2 Only models with no automatic headlight control with coming home



- ws = white
- sw = black
- ro = red
- br = brown
- gn = green
- bl = blue
- gr = grey
- li = purple
- ge = yellow
- or = orange
- rs = pink

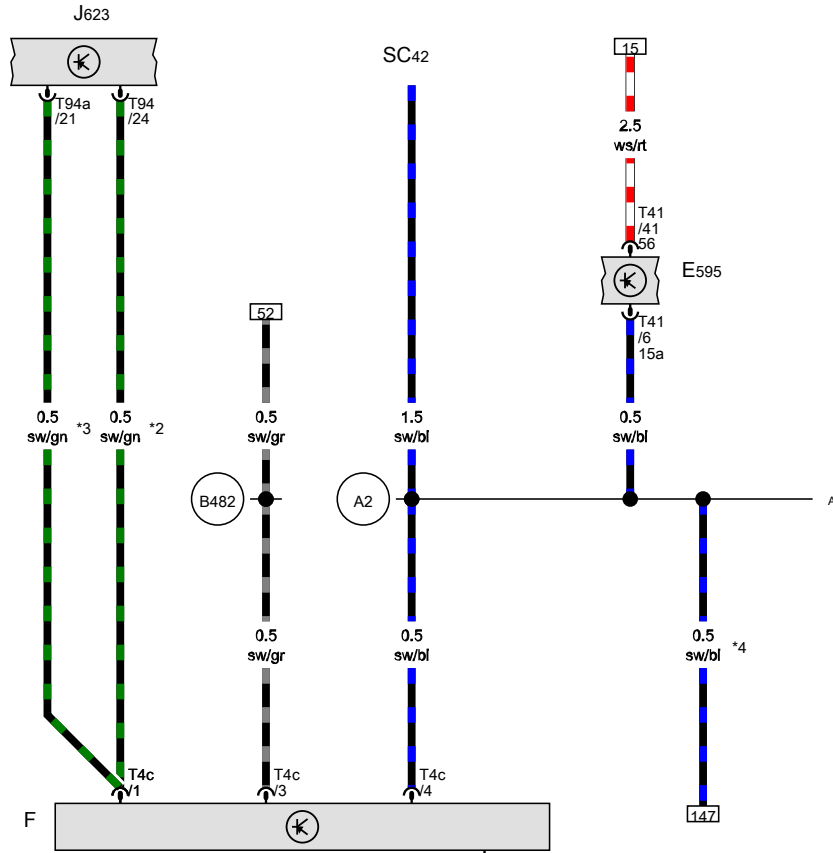
141 142 143 144 145 146 147 148 149 150 151 152 153 154

740-0591210121

Steering column combination switch, Brake light switch, Engine control unit

- E595 Steering column combination switch
- F Brake light switch
- J623 Engine control unit
- SC42 Fuse 42 on fuse holder C
- T4c 4-pin connector, black
- T41 41-pin connector, grey
- T94 94-pin connector, black
- T94a 94-pin connector, black

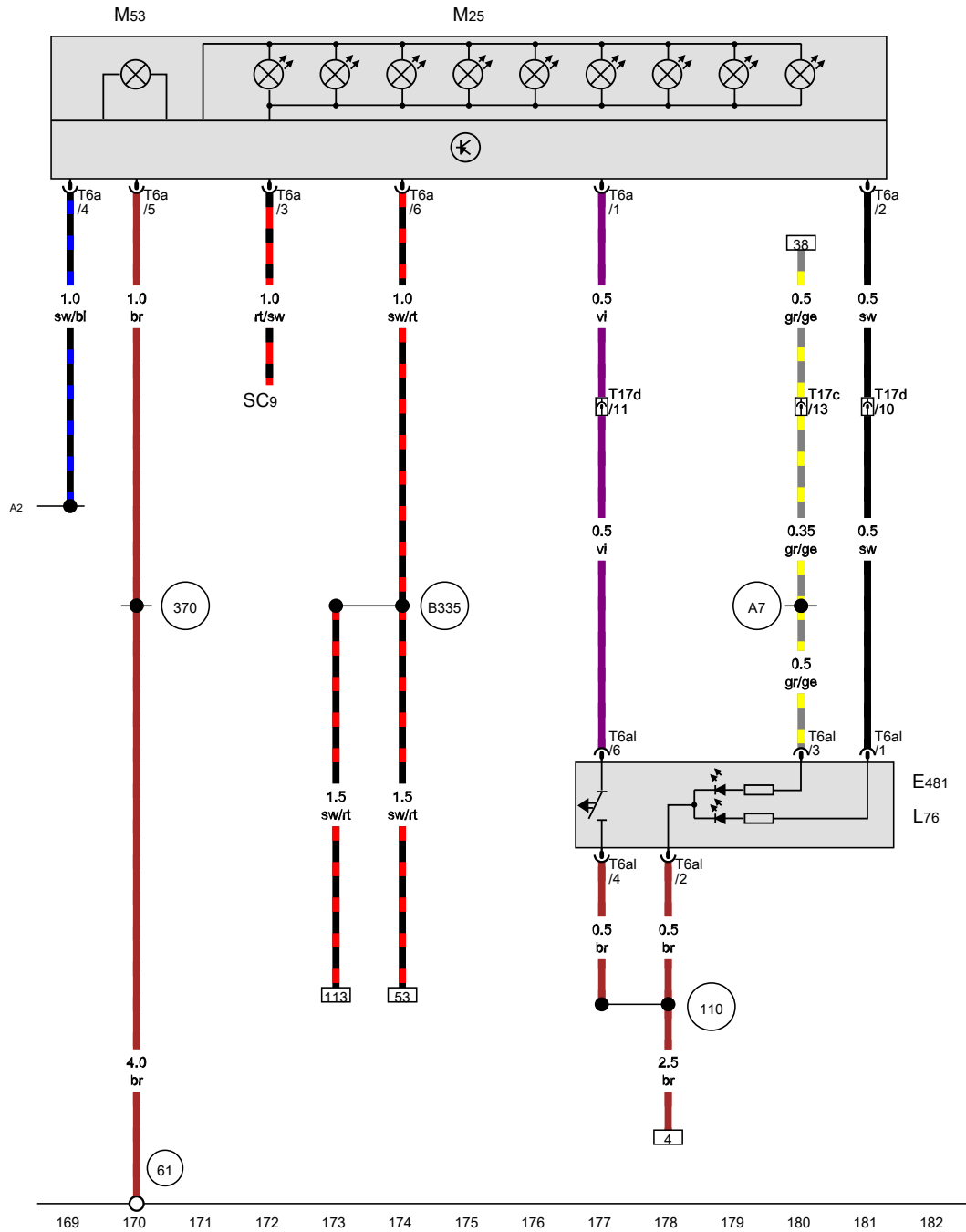
- 42 Earth point, next to steering column
- 371 Earth connection 6, in main wiring harness
- A2 Positive connection (15), in dash panel wiring harness
- B482 Connection 18, in main wiring harness
- \* Only models with headlight range control
- \*2 Only models with petrol engine
- \*3 Only models with diesel engine
- \*4 Only models with manual gearbox



- ws = white
- sw = black
- ro = red
- br = brown
- gn = green
- bl = blue
- gr = grey
- li = purple
- ge = yellow
- or = orange
- rs = pink

155 156 157 158 159 160 161 162 163 164 165 166 167 168

[PH0-059131012]



**Load area illumination switch, Additional brake light bulb, Load area illumination bulb**

- E481 Load area illumination switch, near radio
- L76 Button illumination bulb
- M25 Additional brake light bulb
- M53 Load area illumination bulb
- SC9 Fuse 9 on fuse holder C
- T6a 6-pin connector
- T6al 6-pin connector
- T17c 17-pin connector, on left under dash panel, black
- T17d 17-pin connector, on left under dash panel, red

- (61) Earth point, left C-pillar
- (110) Earth connection 2, in dash panel wiring harness
- (370) Earth connection 5, in main wiring harness
- (A2) Positive connection (15), in dash panel wiring harness
- (A7) Positive connection (58 D1), in dash panel wiring harness
- (B335) Connection 1 (54), in main wiring harness

- ws = white
- sw = black
- ro = red
- br = brown
- gn = green
- bl = blue
- gr = grey
- li = purple
- ge = yellow
- or = orange
- rs = pink

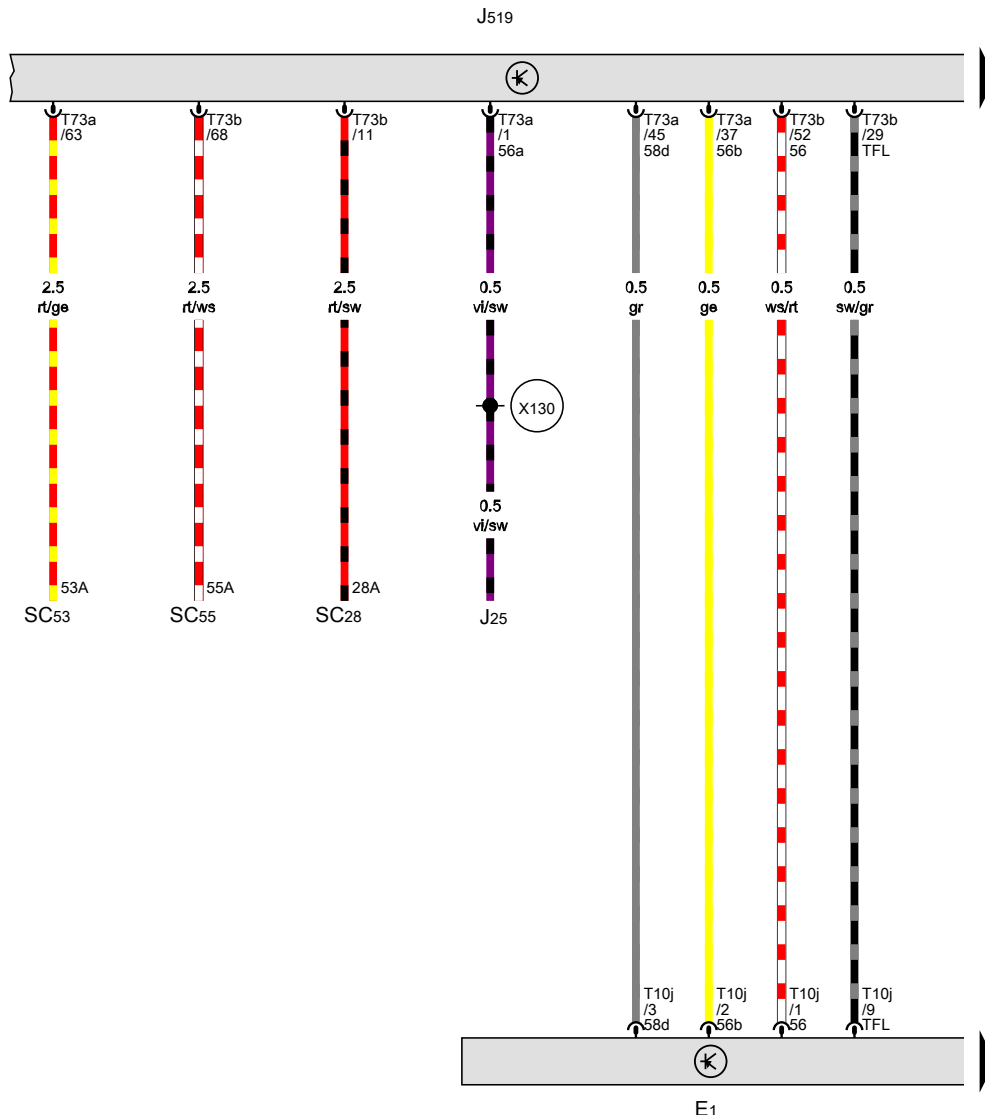
170-0591410171

**Exterior lighting , (7L3),(7L6),(8k3),(8k8)**

From June 2012

Light switch, Onboard supply control unit

- E1 Light switch
- J25 Headlight relay
- J519 Onboard supply control unit
- SC28 Fuse 28 on fuse holder C
- SC53 Fuse 53 on fuse holder C
- SC55 Fuse 55 on fuse holder C
- T10j 10-pin connector, black
- T73a 73-pin connector, black
- T73b 73-pin connector, colourless
- X130 Connection 3, in optional equipment wiring harness

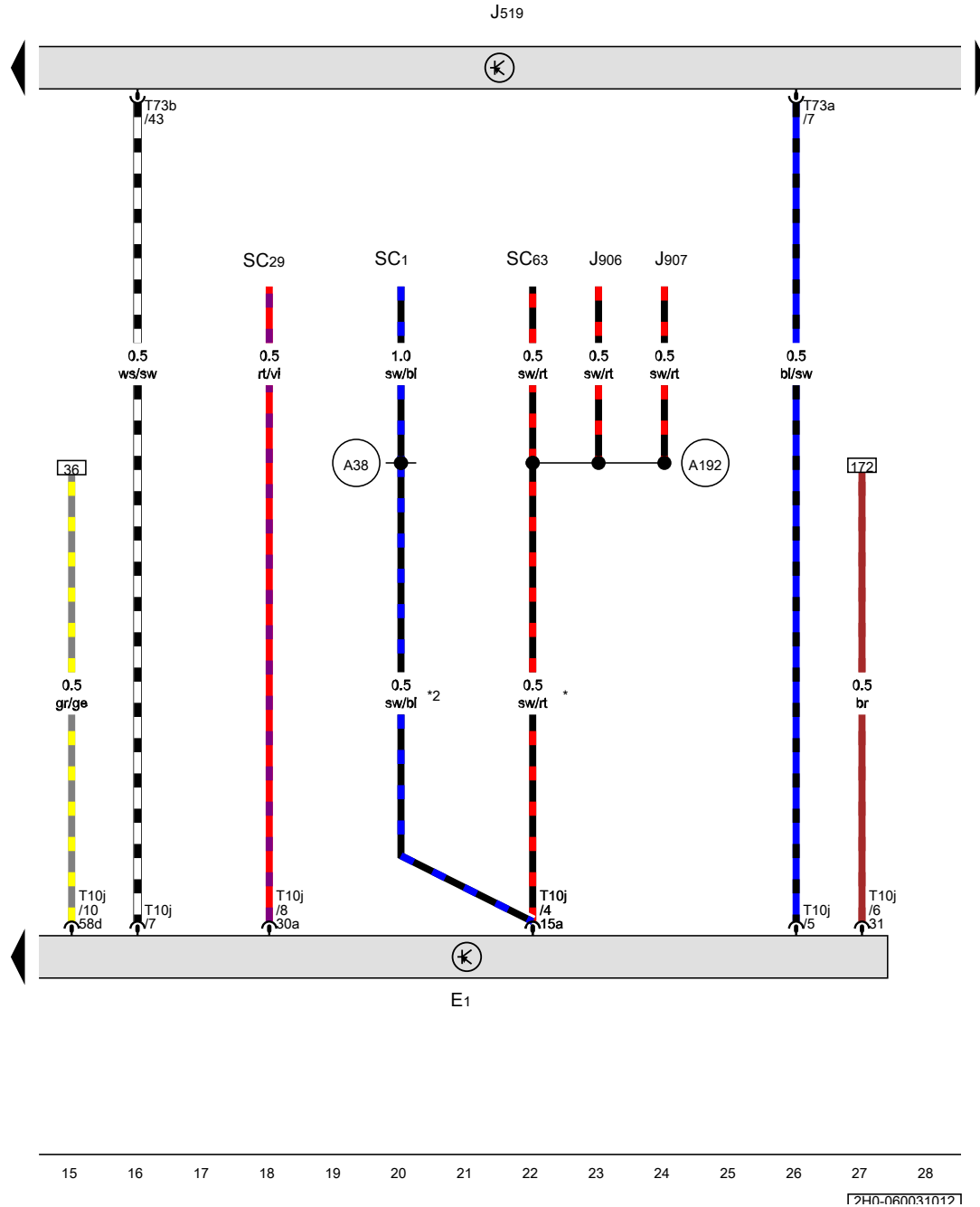


- ws = white
- sw = black
- ro = red
- br = brown
- gn = green
- bl = blue
- gr = grey
- li = purple
- ge = yellow
- or = orange
- rs = pink

1 2 3 4 5 6 7 8 9 10 11 12 13 14

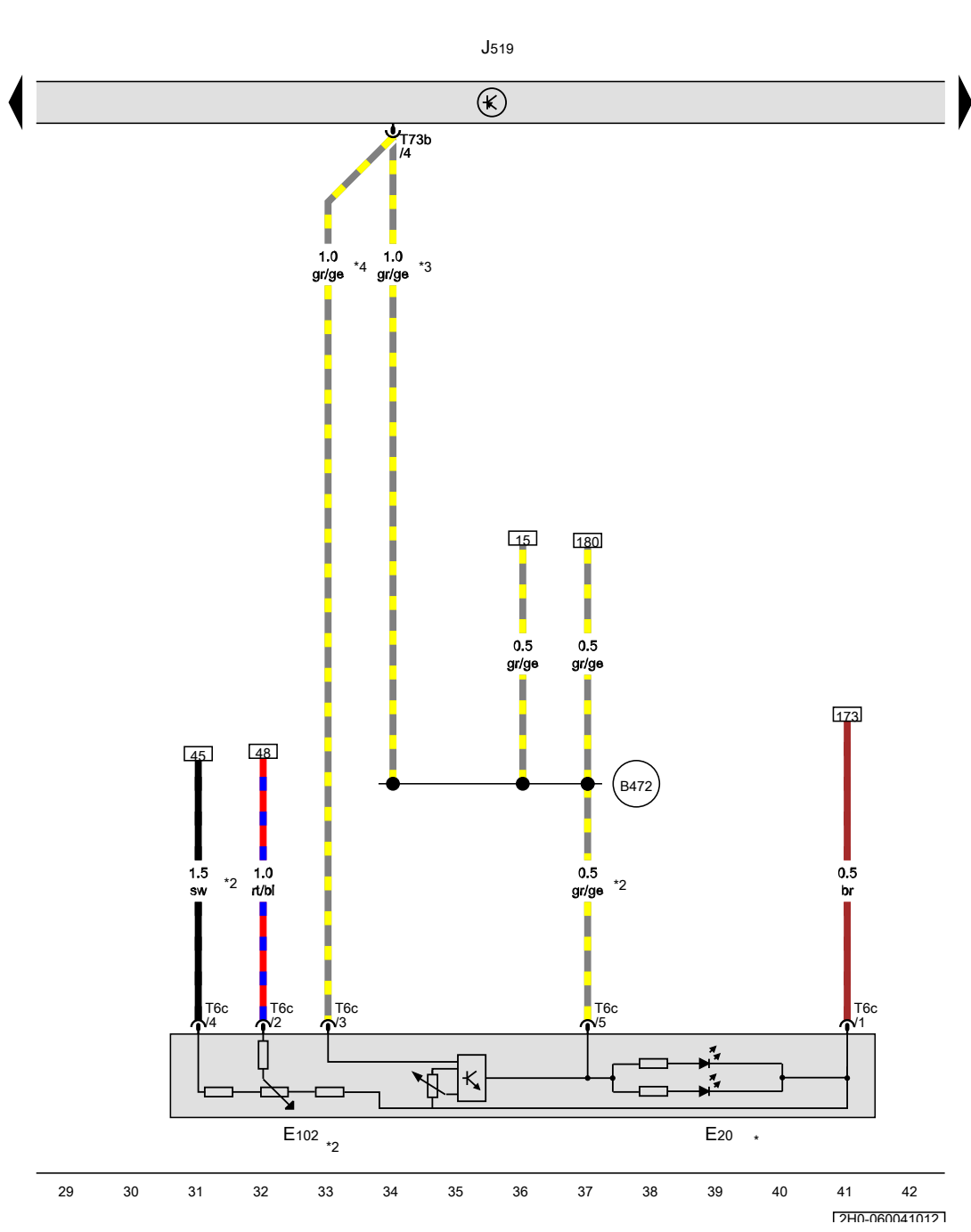
1740-0600210121

Light switch, Onboard supply control unit



- E1 Light switch
- J519 Onboard supply control unit
- J906 Starter relay 1
- J907 Starter relay 2
- SC1 Fuse 1 on fuse holder C
- SC29 Fuse 29 on fuse holder C
- SC63 Fuse 63 on fuse holder C
- T10j 10-pin connector, black
- T73a 73-pin connector, black
- T73b 73-pin connector, colourless
- A38 Positive connection 2 (15a) in dash panel wiring harness
- A192 Positive connection 3 (15a) in dash panel wiring harness
- \* Only models with start/stop system
- \*2 Only models with no start/stop system

- ws = white
- sw = black
- ro = red
- br = brown
- gn = green
- bl = blue
- gr = grey
- li = purple
- ge = yellow
- or = orange
- rs = pink



Switch and instrument illumination regulator, Headlight range control regulator, Onboard supply control unit

- E20 Switch and instrument illumination regulator
- E102 Headlight range control regulator
- J519 Onboard supply control unit
- T6c 6-pin connector
- T73b 73-pin connector, colourless

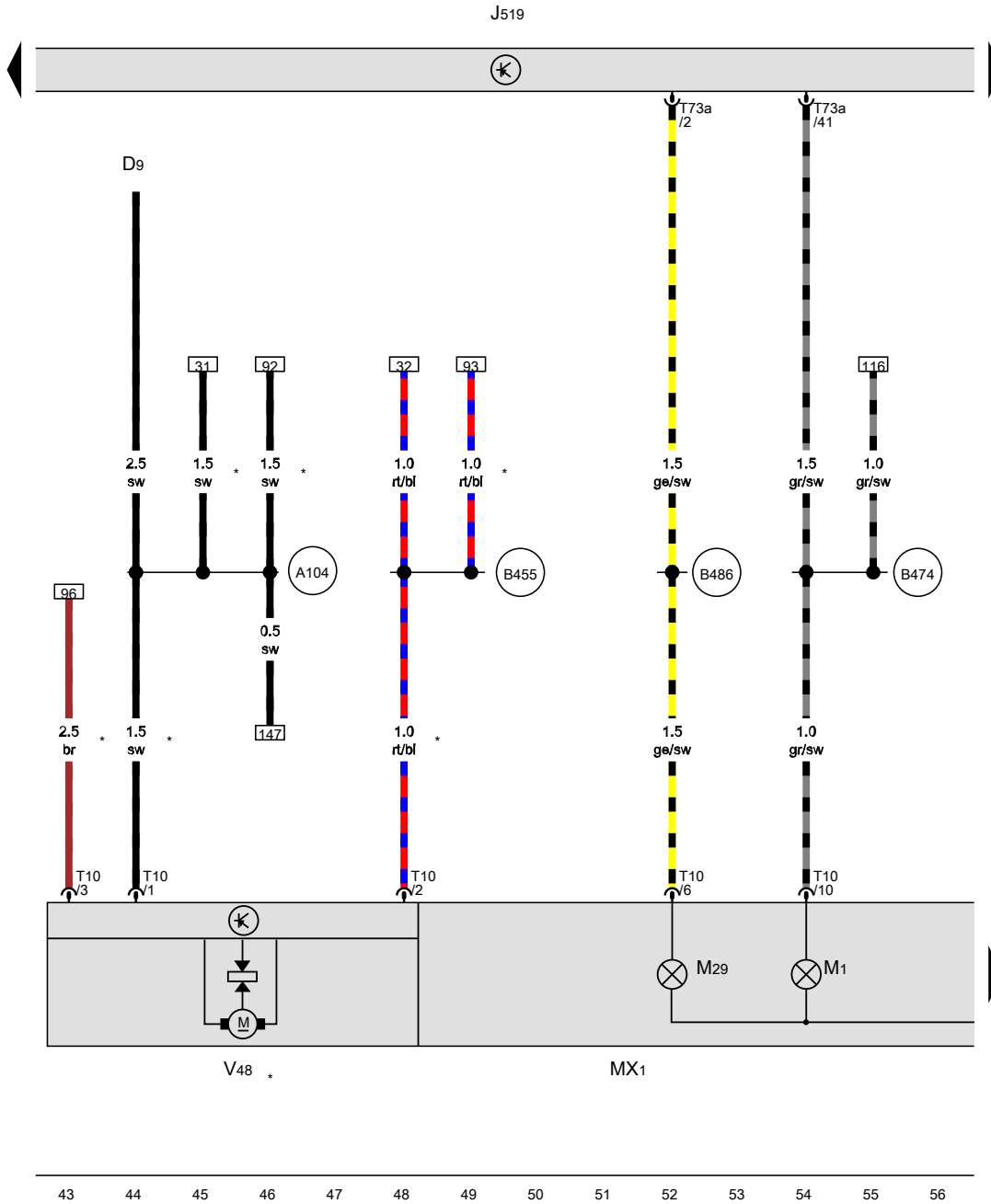
**B472** Connection 8, in main wiring harness

- \* Only models with dimmable instrument illumination
- \*2 Only models with headlight range control
- \*3 Only models with Trendline equipment
- \*4 Only models with Highline equipment

- ws = white
- sw = black
- ro = red
- br = brown
- gn = green
- bl = blue
- gr = grey
- li = purple
- ge = yellow
- or = orange
- rs = pink

12H0-0600410121

Onboard supply control unit, Front left headlight



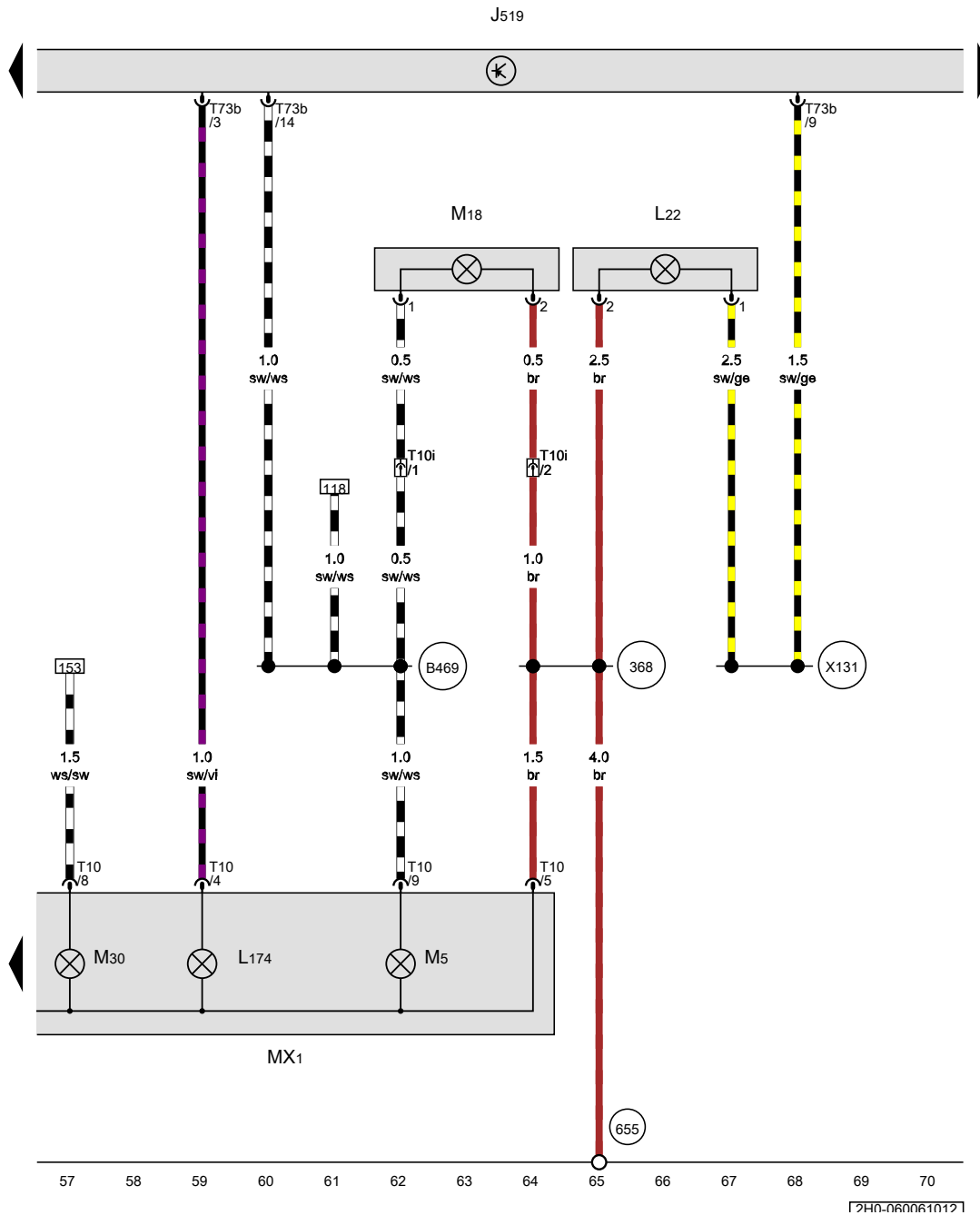
- D9 Electronic ignition lock
- J519 Onboard supply control unit
- MX1 Front left headlight
- M1 Left side light bulb
- M29 Left headlight dipped beam bulb
- T10 10-pin connector
- T73a 73-pin connector, black
- V48 Left headlight range control motor
- A104 Positive connection 2 (15), in dash panel wiring harness
- B455 Connection (HRC), in main wiring harness
- B474 Connection 10, in main wiring harness
- B486 Connection 22, in main wiring harness
- \* Only models with headlight range control

- ws = white
- sw = black
- ro = red
- br = brown
- gn = green
- bl = blue
- gr = grey
- li = purple
- ge = yellow
- or = orange
- rs = pink

43 44 45 46 47 48 49 50 51 52 53 54 55 56



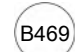
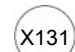
1740-0600510121





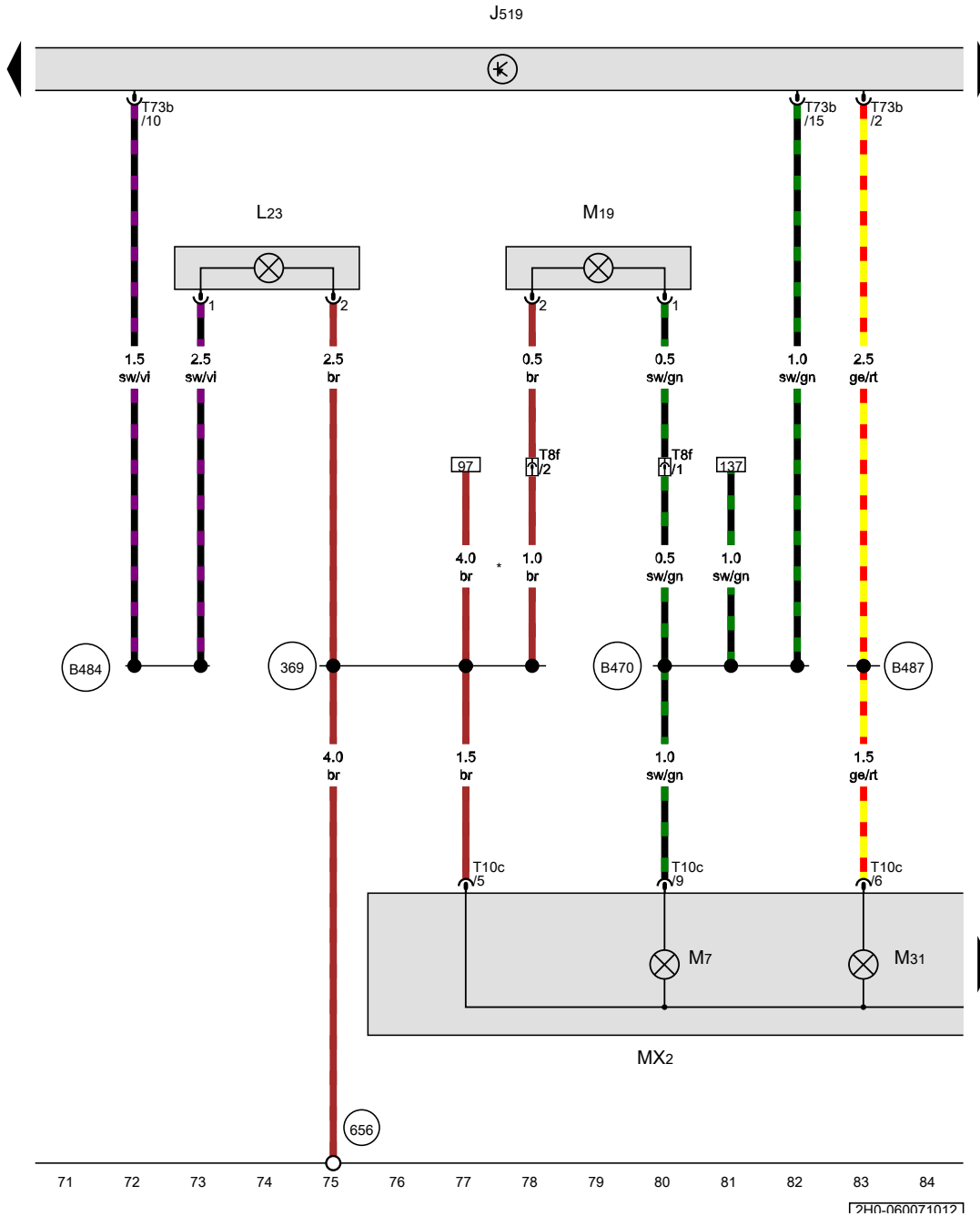
**Onboard supply control unit, Left fog light bulb, Front left headlight, Left turn signal repeater bulb**

- J519 Onboard supply control unit
- L22 Left fog light bulb
- L174 Left daytime running light bulb
- MX1 Front left headlight
- M5 Front left turn signal bulb
- M18 Left turn signal repeater bulb
- M30 Left headlight main beam bulb
- T10 10-pin connector, black
- T10i 10-pin connector, black
- T73b 73-pin connector, colourless

-  368 Earth connection 3, in main wiring harness
-  655 Earth point, on left headlight, on left on bulkhead
-  B469 Connection 5, in main wiring harness
-  X131 Connection 4, in optional equipment wiring harness

- ws = white
- sw = black
- ro = red
- br = brown
- gn = green
- bl = blue
- gr = grey
- li = purple
- ge = yellow
- or = orange
- rs = pink

7PH0-0600610121



**Onboard supply control unit, Right fog light bulb, Front right headlight, Right turn signal repeater bulb**

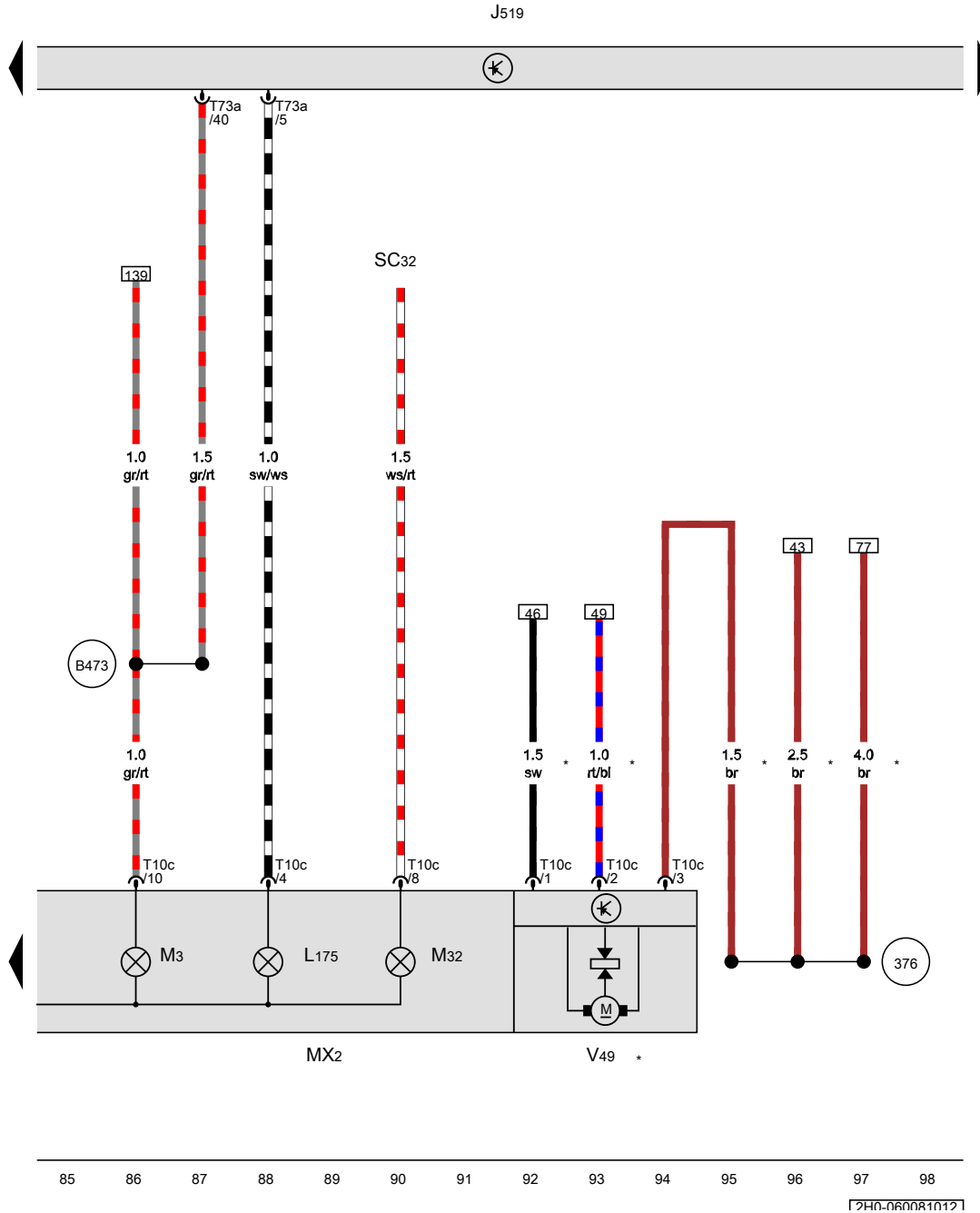
- J519 Onboard supply control unit
- L23 Right fog light bulb
- MX2 Front right headlight
- M7 Front right turn signal bulb
- M19 Right turn signal repeater bulb
- M31 Right headlight dipped beam bulb
- T8f 8-pin connector, in rear right of engine compartment, black
- T10c 10-pin connector, black
- T73b 73-pin connector, colourless

- 369 Earth connection 4, in main wiring harness
- 656 Earth point, on right headlight, on right on bulkhead
- B470 Connection 6, in main wiring harness
- B484 Connection 20, in main wiring harness
- B487 Connection 23, in main wiring harness
- \* Only models with headlight range control

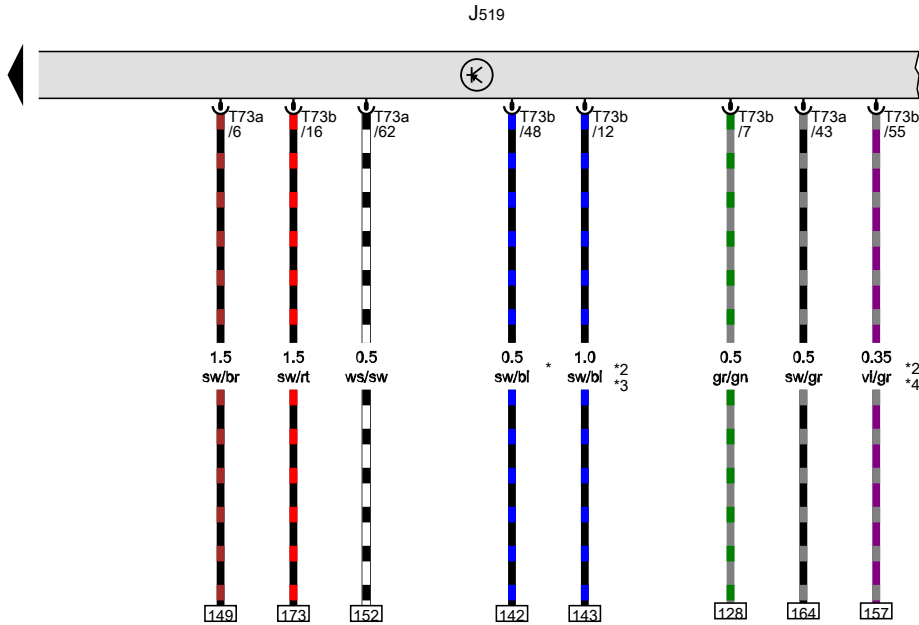
- ws = white
- sw = black
- ro = red
- br = brown
- gn = green
- bl = blue
- gr = grey
- li = purple
- ge = yellow
- or = orange
- rs = pink

1740-0600710121

Onboard supply control unit, Front right headlight



- J519 Onboard supply control unit
- L175 Right daytime running light bulb
- MX2 Front right headlight
- M3 Right side light bulb
- M32 Right headlight main beam bulb
- SC32 Fuse 32 on fuse holder C
- T10c 10-pin connector, black
- T73a 73-pin connector, black
- V49 Right headlight range control motor
- 376 Earth connection 11, in main wiring harness
- B473 Connection 9, in main wiring harness
- \* Only models with headlight range control



**Onboard supply control unit**

- J519 Onboard supply control unit
- T73a 73-pin connector, black
- T73b 73-pin connector, colourless
- \* Only models with manual gearbox
- \*2 Only models with automatic gearbox
- \*3 Only models with automatic driving lights control
- \*4 Only models with no start/stop system

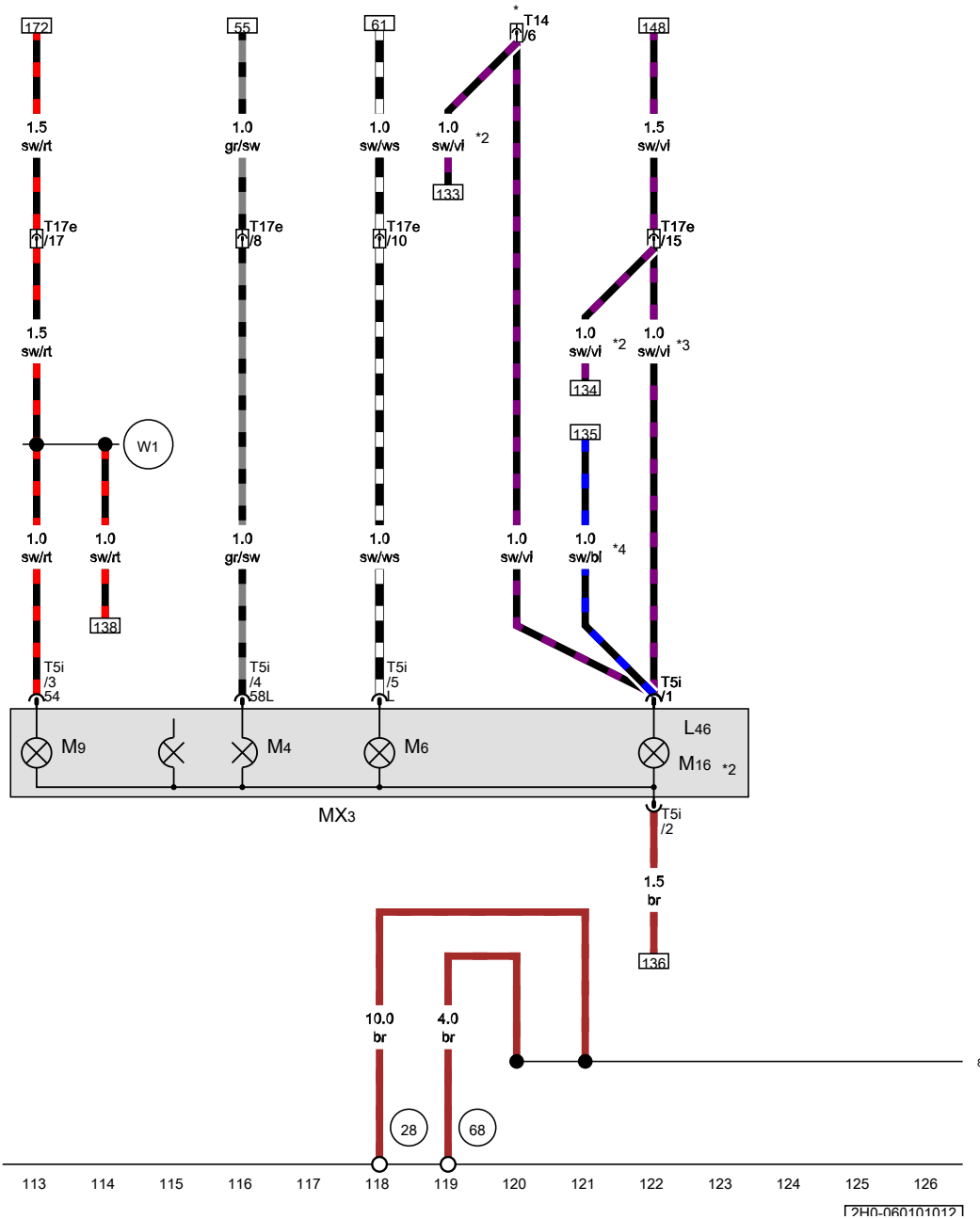
- ws = white
- sw = black
- ro = red
- br = brown
- gn = green
- bl = blue
- gr = grey
- li = purple
- ge = yellow
- or = orange
- rs = pink

Left tail light

- L46 Rear left fog light bulb
- MX3 Left tail light
- M4 Left tail light bulb
- M6 Rear left turn signal bulb
- M9 Left brake light bulb
- M16 Left reversing light bulb
- T5i 5-pin connector
- T14 14-pin connector, behind rear bumper on left
- T17e 17-pin connector, near handbrake lever, red

- (28) Earth point, on bulkhead
- (68) Earth point, on left of rear cross member
- (86) Earth connection 1, in rear wiring harness
- (W1) Positive connection 1 (54), in rear wiring harness

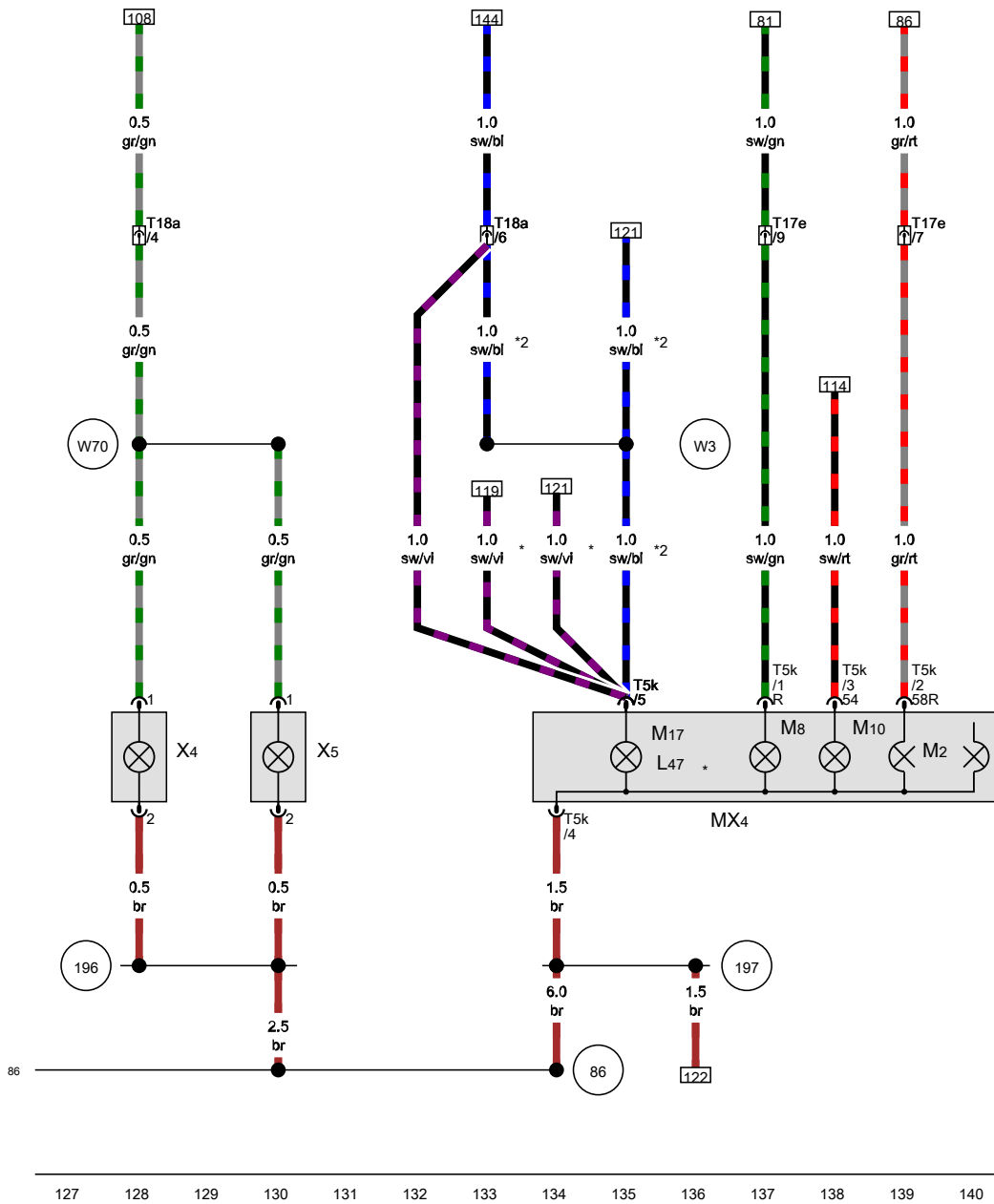
- \* see applicable current flow diagram for preparation for trailer coupling
- \*2 Only right-hand drive models
- \*3 Only models with no towing bracket
- \*4 Only models with no rear fog light



- ws = white
- sw = black
- ro = red
- br = brown
- gn = green
- bl = blue
- gr = grey
- li = purple
- ge = yellow
- or = orange
- rs = pink

17H0-0601010121

Right tail light, Left number plate light, Right number plate light



- L47 Rear right fog light bulb
- M2 Right tail light bulb
- MX4 Right tail light
- M8 Rear right turn signal bulb
- M10 Right brake light bulb
- M17 Right reversing light bulb
- T5k 5-pin connector
- T17e 17-pin connector, near handbrake lever, red
- T18a 18-pin connector, near engine control unit, grey
- X4 Left number plate light
- X5 Right number plate light

- 86 Earth connection 1, in rear wiring harness
- 196 Earth connection 3, in rear wiring harness
- 197 Earth connection 4, in rear wiring harness
- W3 Connection in rear wiring harness
- W70 Positive connection 2 (58), in number plate wiring harness
- \* Only right-hand drive models
- \*2 Only models with no rear fog light

- ws = white
- sw = black
- ro = red
- br = brown
- gn = green
- bl = blue
- gr = grey
- li = purple
- ge = yellow
- or = orange
- rs = pink

17H0-060111017

Reversing light switch, Dash panel insert, Automatic anti-dazzle interior mirror

- F4 Reversing light switch
- J285 Control unit in dash panel insert
- K Dash panel insert
- K1 Main beam warning lamp
- K13 Rear fog light warning lamp
- SC30 Fuse 30 on fuse holder C
- T6kp 6-pin connector, on interior mirror, black
- T17g 17-pin connector, near handbrake lever, black
- T18a 18-pin connector, near engine control unit, grey
- T32 32-pin connector, blue
- Y7 Automatic anti-dazzle interior mirror

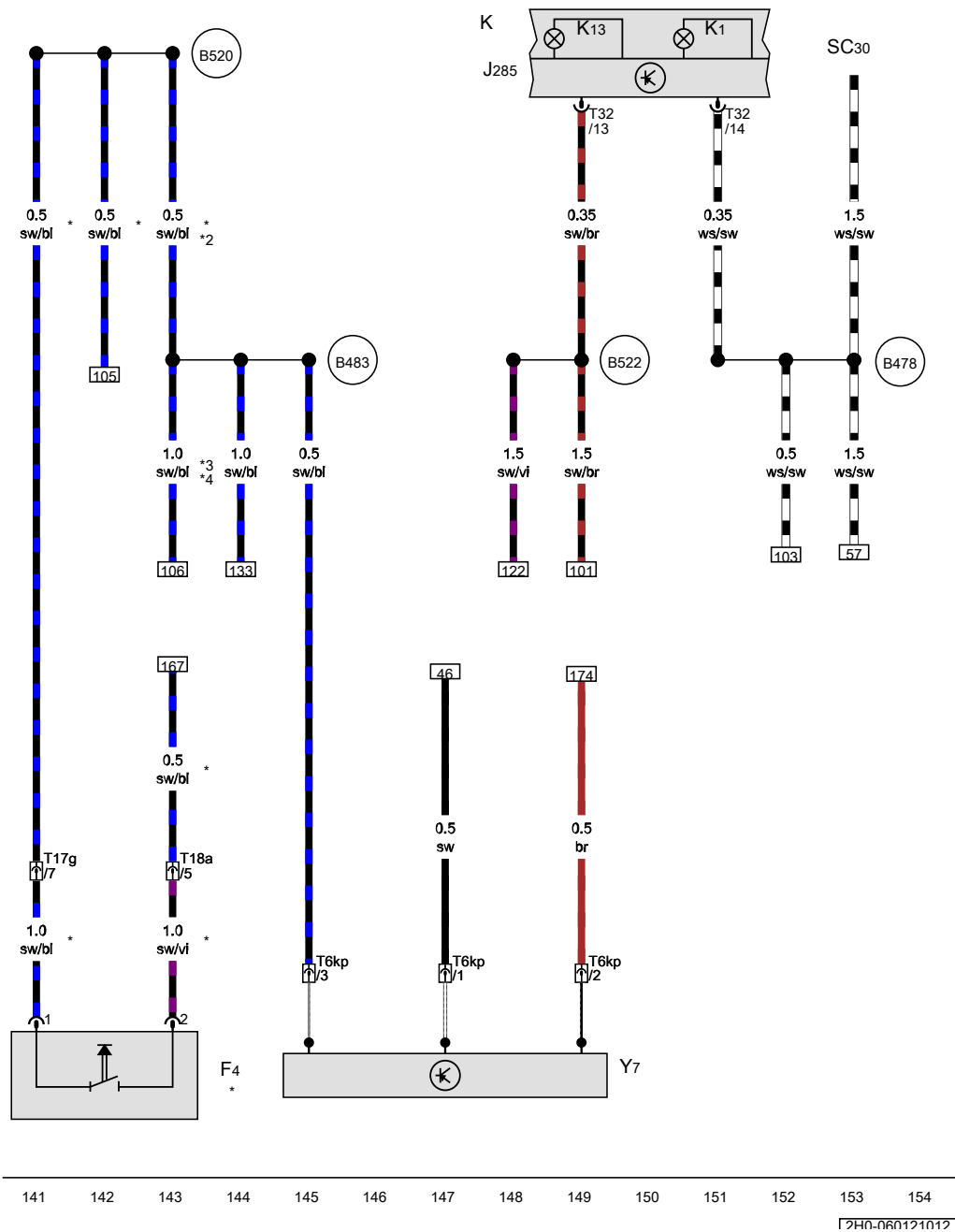
B478 Connection 14, in main wiring harness

B483 Connection 19, in main wiring harness

B520 Connection (RL), in main wiring harness

B522 Connection (FL), in main wiring harness

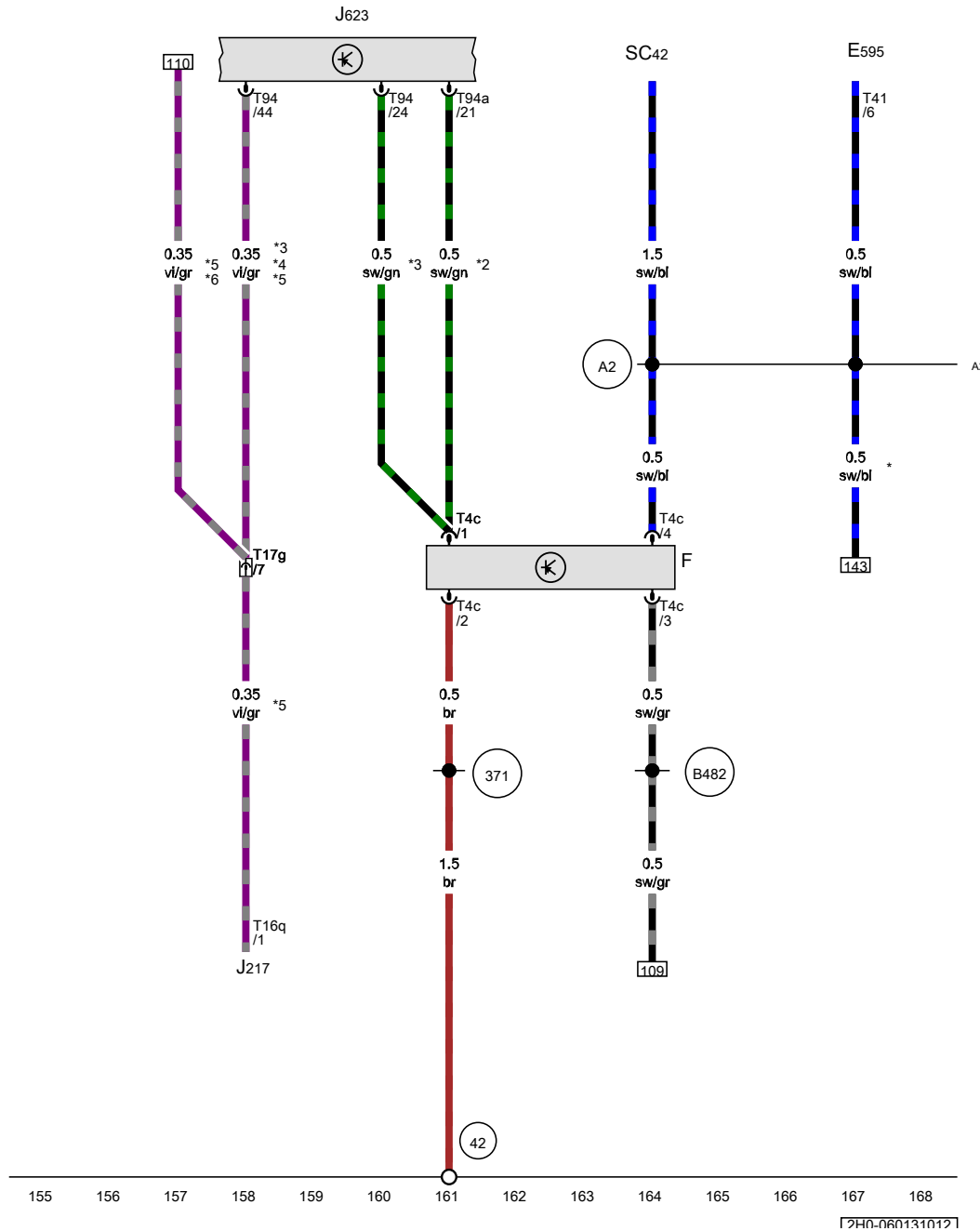
- \* Only models with manual gearbox
- \*2 Only models with no automatic headlight control with coming home
- \*3 Only models with automatic gearbox
- \*4 Only models with automatic driving lights control



Steering column combination switch, Brake light switch, Fuse 42 on fuse holder C

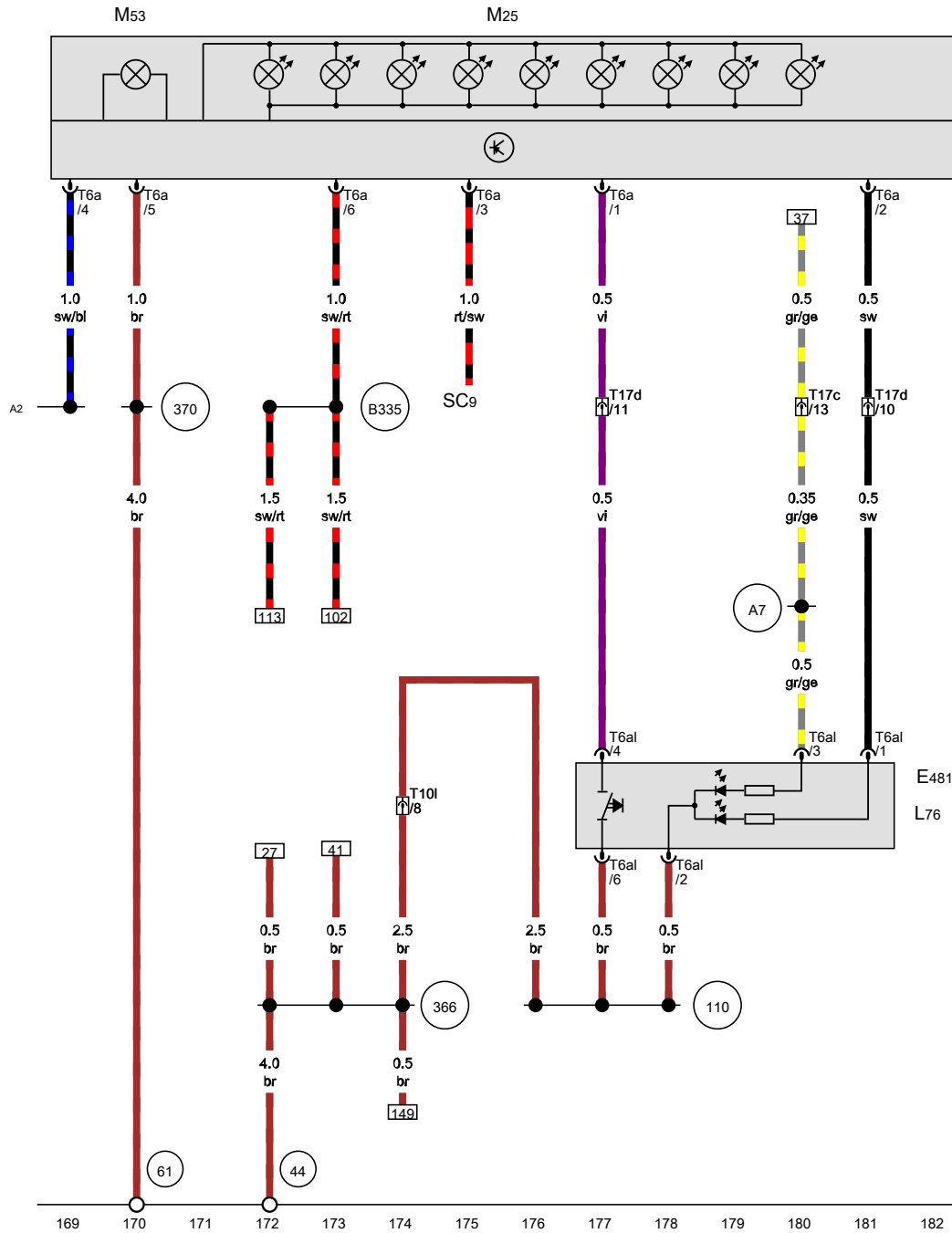
- E595 Steering column combination switch
- F Brake light switch
- J217 Automatic gearbox control unit
- J623 Engine control unit
- SC42 Fuse 42 on fuse holder C
- T4c 4-pin connector
- T16q 16-pin connector
- T17g 17-pin connector, near handbrake lever, black
- T41 41-pin connector, grey
- T94 94-pin connector, black
- T94a 94-pin connector

- (42) Earth point, next to steering column
- (371) Earth connection 6, in main wiring harness
- (A2) Positive connection (15), in dash panel wiring harness
- (B482) Connection 18, in main wiring harness
- \* Only models with manual gearbox
- \*2 Only models with diesel engine
- \*3 Only models with petrol engine
- \*4 Only models with start/stop system
- \*5 Only models with automatic gearbox
- \*6 Only models with no start/stop system



- ws = white
- sw = black
- ro = red
- br = brown
- gn = green
- bl = blue
- gr = grey
- li = purple
- ge = yellow
- or = orange
- rs = pink





PHD-0601410121

**Load area illumination switch, Additional brake light bulb, Load area illumination bulb**

- E481 Load area illumination switch, near radio
- L76 Button illumination bulb
- M25 Additional brake light bulb
- M53 Load area illumination bulb
- SC9 Fuse 9 on fuse holder C
- T6a 6-pin connector, black
- T6al 6-pin connector, blue
- T10l 10-pin connector, on relay carrier, blue
- T17c 17-pin connector, on relay carrier, black
- T17d 17-pin connector, on left under dash panel, red

- 44 Earth point, lower part of left A-pillar
- 61 Earth point, left C-pillar
- 110 Earth connection 2, in dash panel wiring harness
- 366 Earth connection 1, in main wiring harness
- 370 Earth connection 5, in main wiring harness
- A2 Positive connection (15), in dash panel wiring harness
- A7 Positive connection (58 D1), in dash panel wiring harness
- B335 Connection 1 (54), in main wiring harness

- ws = white
- sw = black
- ro = red
- br = brown
- gn = green
- bl = blue
- gr = grey
- li = purple
- ge = yellow
- or = orange
- rs = pink

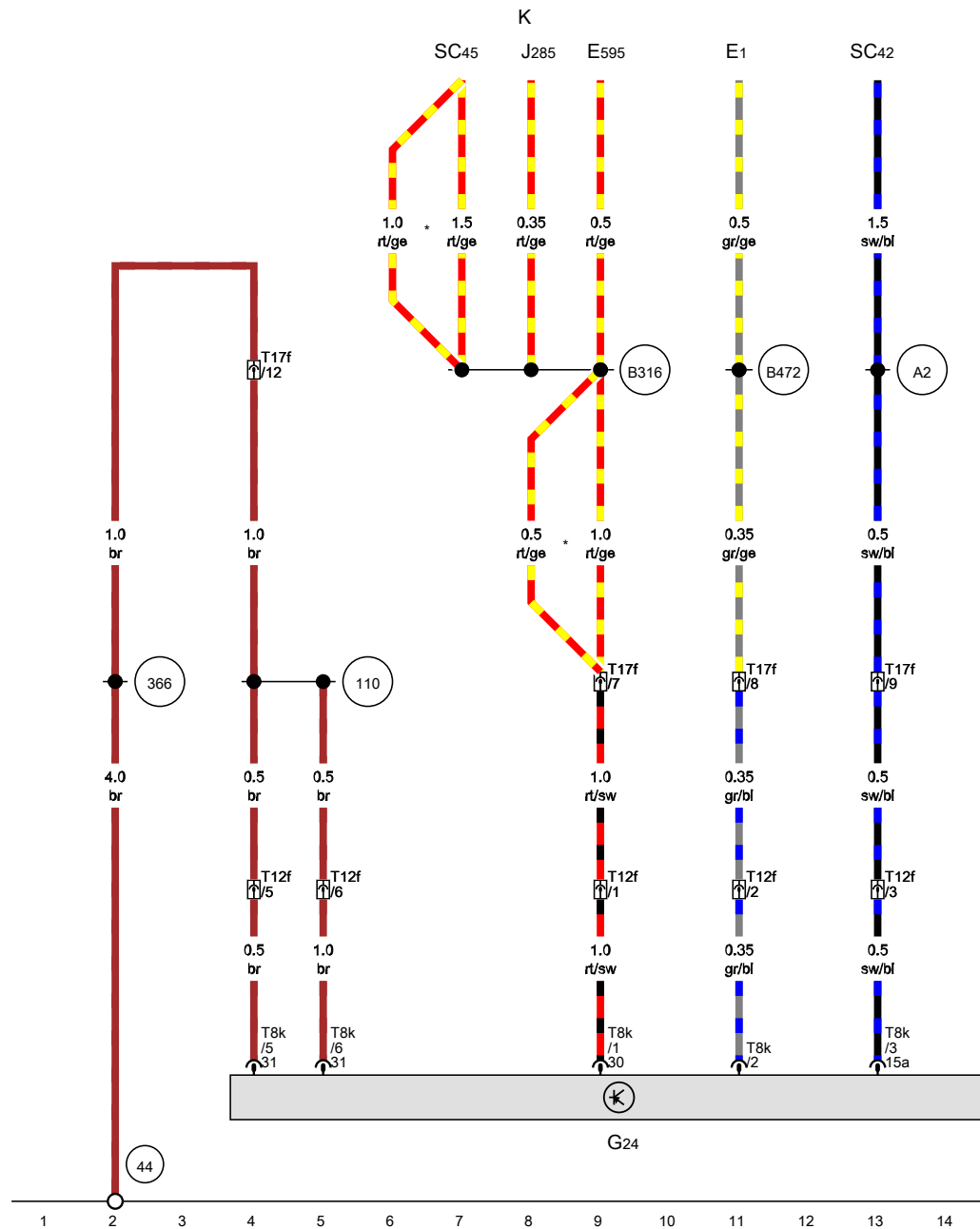
**Electronic logbook, chip card reader unit**

From June 2012

- E1 Light switch
- E595 Steering column combination switch
- G24 Tachograph
- J285 Control unit in dash panel insert
- K Dash panel insert
- SC42 Fuse 42 on fuse holder C
- SC45 Fuse 45 on fuse holder C
- T8k 8-pin connector, colourless
- T12f 12-pin connector, near handbrake lever, black
- T17f 17-pin connector, near handbrake lever, blue

- 44 Earth point, lower part of left A-pillar
- 110 Earth connection 2, in dash panel wiring harness
- 366 Earth connection 1, in main wiring harness
- A2 Positive connection (15), in dash panel wiring harness
- B316 Positive connection 2 (30a) in main wiring harness
- B472 Connection 8, in main wiring harness

\* From February 2013



- ws = white
- sw = black
- ro = red
- br = brown
- gn = green
- bl = blue
- gr = grey
- li = purple
- ge = yellow
- or = orange
- rs = pink

Г240-0610211121

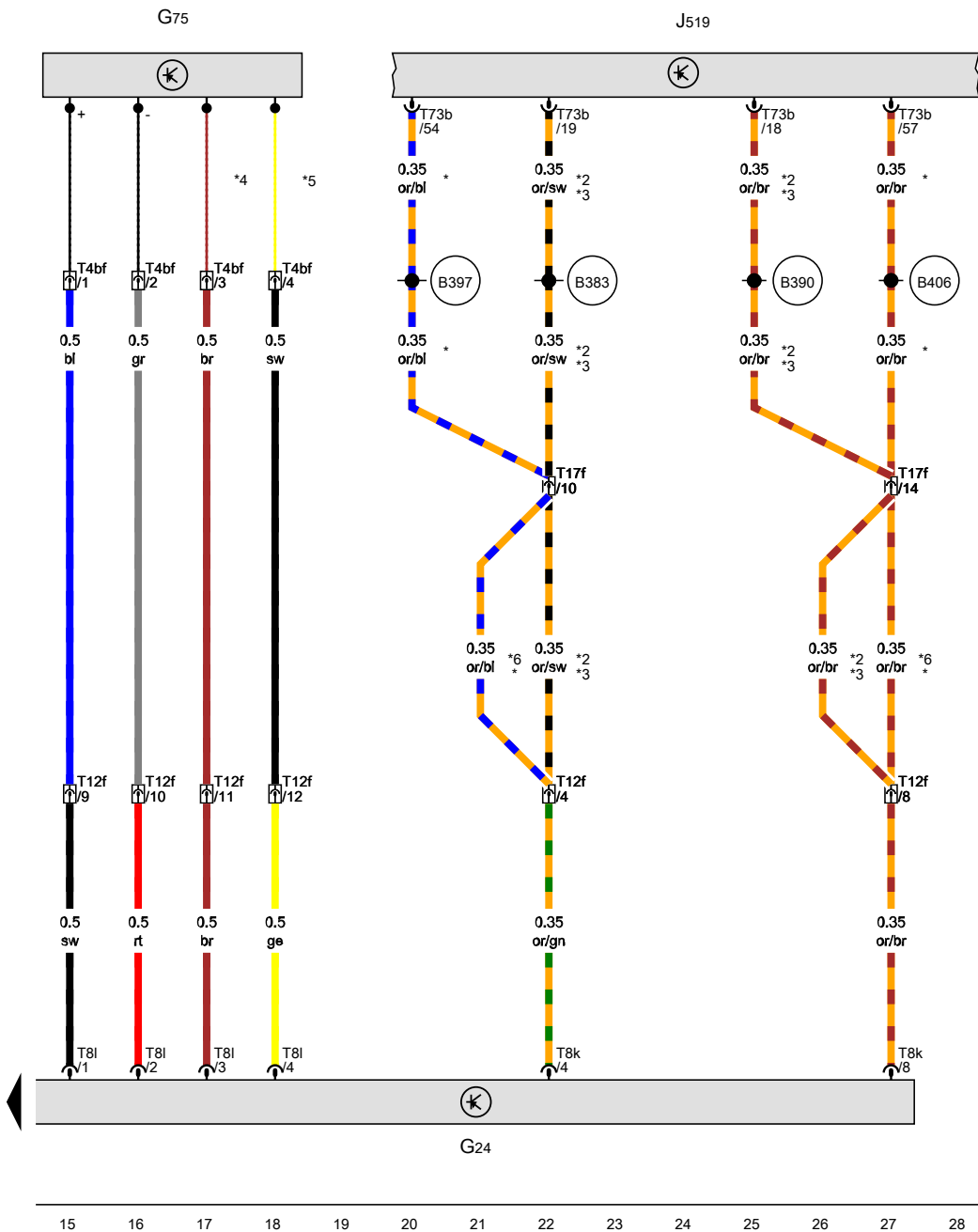
Tachograph sender

- G24 Tachograph
- G75 Tachograph sender, on rear axle, right
- J519 Onboard supply control unit
- T4bf 4-pin connector, on underbody, near rear axle, black
- T8k 8-pin connector, colourless
- T8l 8-pin connector, yellow
- T12f 12-pin connector, near handbrake lever, black
- T17f 17-pin connector, near handbrake lever, blue
- T73b 73-pin connector, colourless

- B383 Connection 1 (powertrain CAN bus, high), in main wiring harness
- B390 Connection 1 (powertrain CAN bus, low), in main wiring harness
- B397 Connection 1 (convenience CAN bus, high), in main wiring harness
- B406 Connection 1 (convenience CAN bus, low), in main wiring harness

- \* Only models with automatic driving lights control
- \*2 Only models with no start/stop system
- \*3 Only models with no automatic headlight control with coming home
- \*4 Speed signal
- \*5 Data wire
- \*6 Only models with start/stop system

- ws = white
- sw = black
- ro = red
- br = brown
- gn = green
- bl = blue
- gr = grey
- li = purple
- ge = yellow
- or = orange
- rs = pink



Г240-0610311121

## Trailer coupling

From June 2012

Fuse 6 on fuse holder C, Fuse 39 on fuse holder C, Fuse 40 on fuse holder C, Fuse 41 on fuse holder C

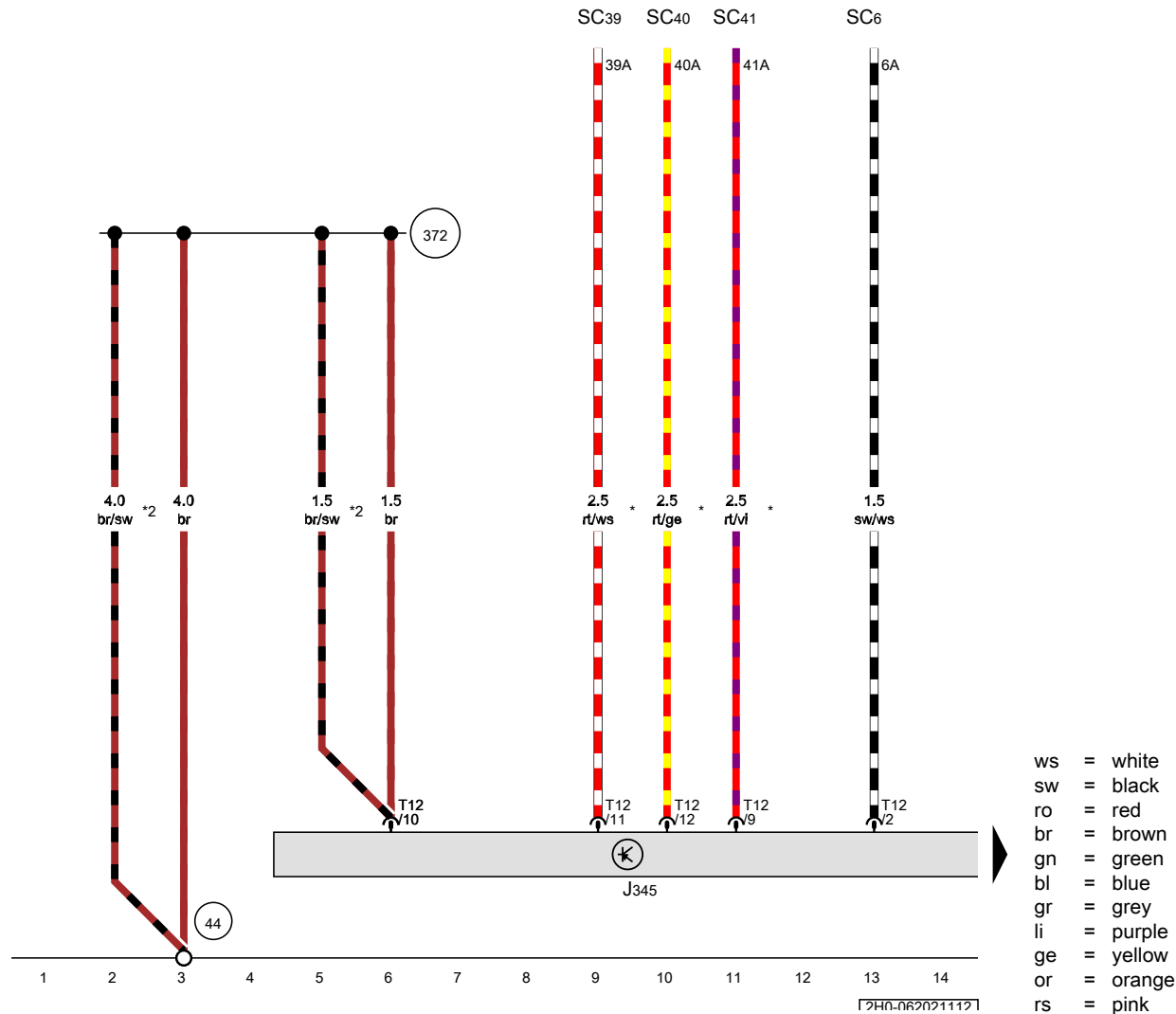
- J345 Trailer detector control unit
- SC6 Fuse 6 on fuse holder C
- SC39 Fuse 39 on fuse holder C
- SC40 Fuse 40 on fuse holder C
- SC41 Fuse 41 on fuse holder C
- T12 12-pin connector, red

44 Earth point, lower part of left A-pillar

372 Earth connection 7, in main wiring harness

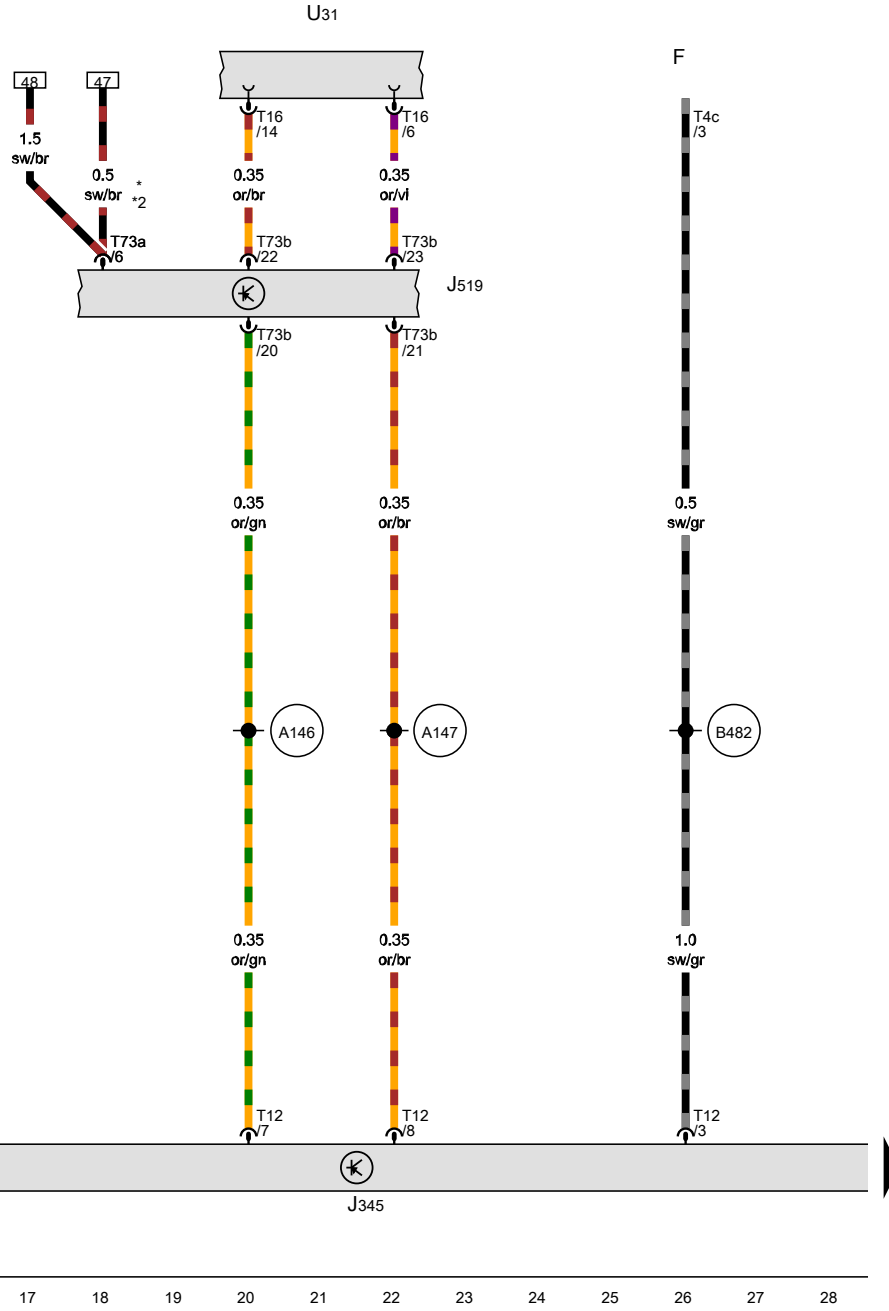
\* Cross-section 1.5 possible

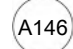
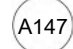
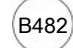
\*2 From January 2013



Г240-0620211121

Brake light switch, Diagnostic connection

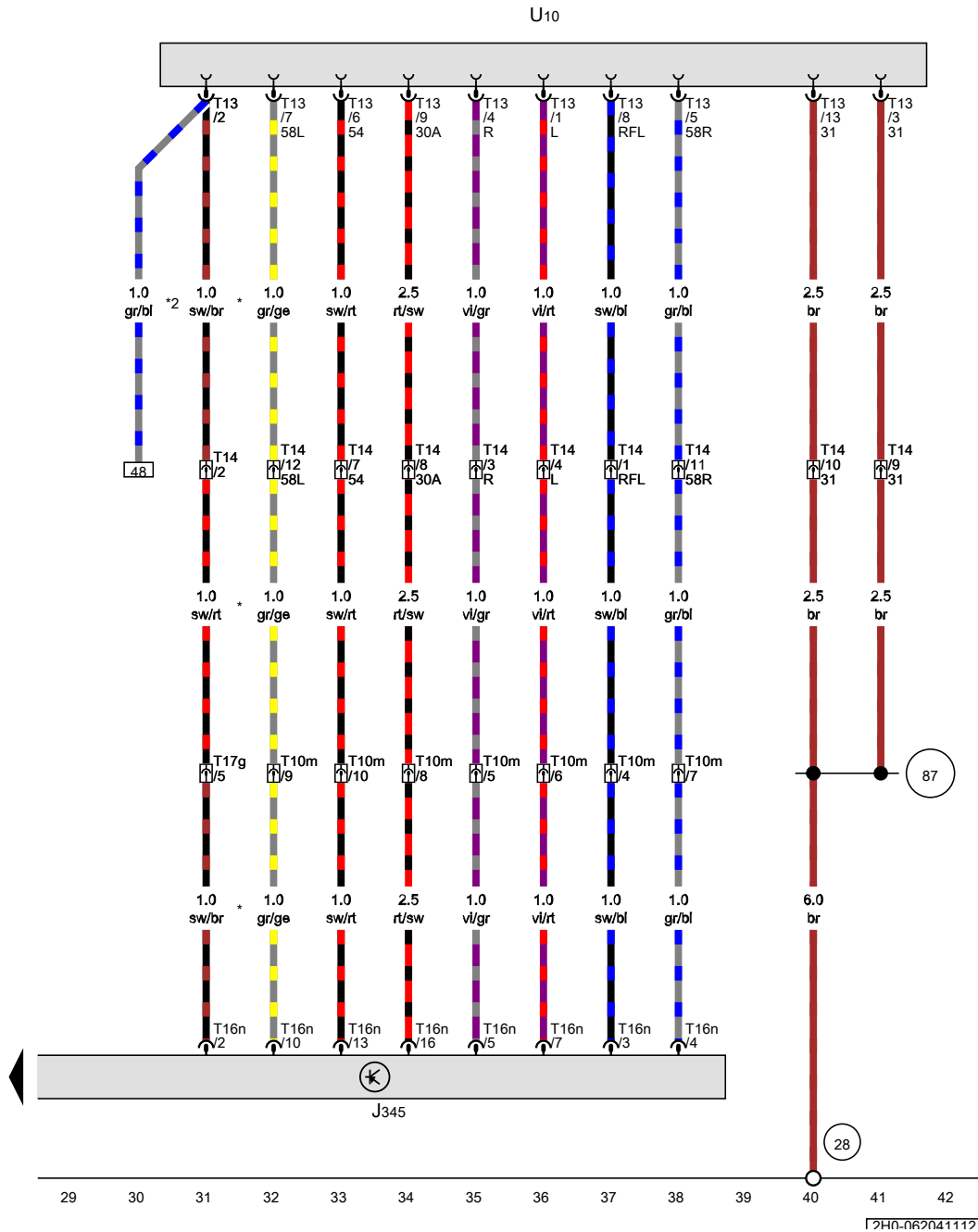


- F Brake light switch
- J345 Trailer detector control unit
- J519 Onboard supply control unit
- T4c 4-pin connector
- T12 12-pin connector, red
- T16 16-pin connector
- T73a 73-pin connector
- T73b 73-pin connector
- U31 Diagnostic connection, near driver side A-pillar
-  A146 Connection (convenience CAN bus, high), in dash panel wiring harness
-  A147 Connection (convenience CAN bus, low), in dash panel wiring harness
-  B482 Connection 18, in main wiring harness
- \* From January 2013
- \*2 Only models with automatic driving lights control

- ws = white
- sw = black
- ro = red
- br = brown
- gn = green
- bl = blue
- gr = grey
- li = purple
- ge = yellow
- or = orange
- rs = pink

15 16 17 18 19 20 21 22 23 24 25 26 27 28

Г240-0620311121



- J345 Trailer detector control unit
- T10m 10-pin connector, near handbrake lever, brown
- T13 13-pin connector, black
- T14 14-pin connector, behind rear bumper on left, black
- T16n 16-pin connector, black
- T17g 17-pin connector, near handbrake lever, black
- U10 Trailer socket, on rear skirt

(28) Earth point, on bulkhead

(87) Earth connection 2, in rear wiring harness

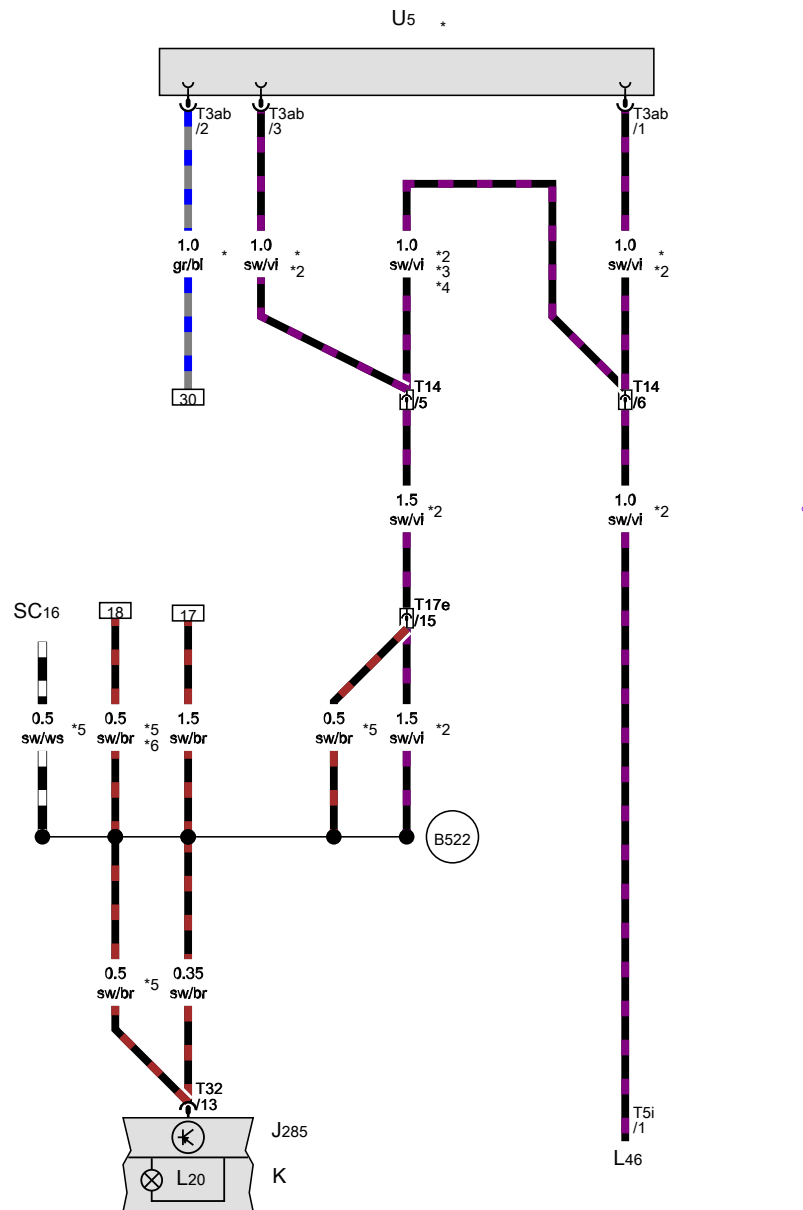
\* Only models with automatic driving lights control

\*2 Only models with no automatic headlight control with coming home

- ws = white
- sw = black
- ro = red
- br = brown
- gn = green
- bl = blue
- gr = grey
- li = purple
- ge = yellow
- or = orange
- rs = pink



Dash panel insert, Rear left fog light bulb



- J285 Control unit in dash panel insert
- K Dash panel insert
- L20 Rear fog light bulb
- L46 Rear left fog light bulb
- SC16 Fuse 16 on fuse holder C
- T3ab 3-pin connector, black
- T5i 5-pin connector
- T14 14-pin connector, behind rear bumper on left, black
- T17e 17-pin connector, near handbrake lever, red
- T32 32-pin connector, blue
- U5 12 V socket, near trailer socket
- B522 Connection (FL), in main wiring harness
- \* Only models with no automatic headlight control with coming home
- \*2 Only models with rear fog light
- \*3 Push-in bridge
- \*4 Only models with preparation for trailer coupling
- \*5 From January 2013
- \*6 Only models with automatic driving lights control

- ws = white
- sw = black
- ro = red
- br = brown
- gn = green
- bl = blue
- gr = grey
- li = purple
- ge = yellow
- or = orange
- rs = pink

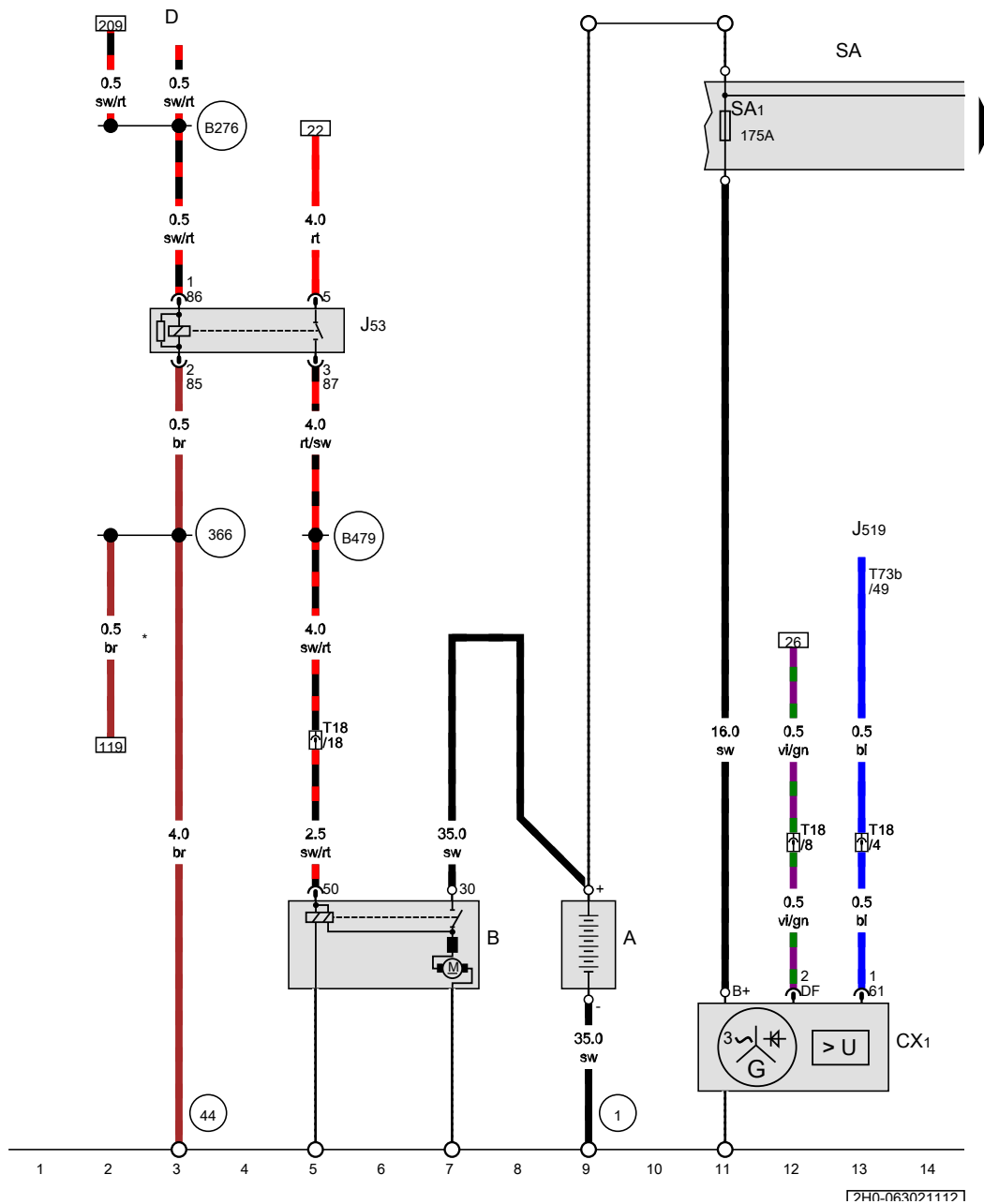
43 44 45 46 47 48 49 50 51 52 53 54 55 56

[2H0-062051112]

**2.0l petrol engine , CFPA**

From June 2012

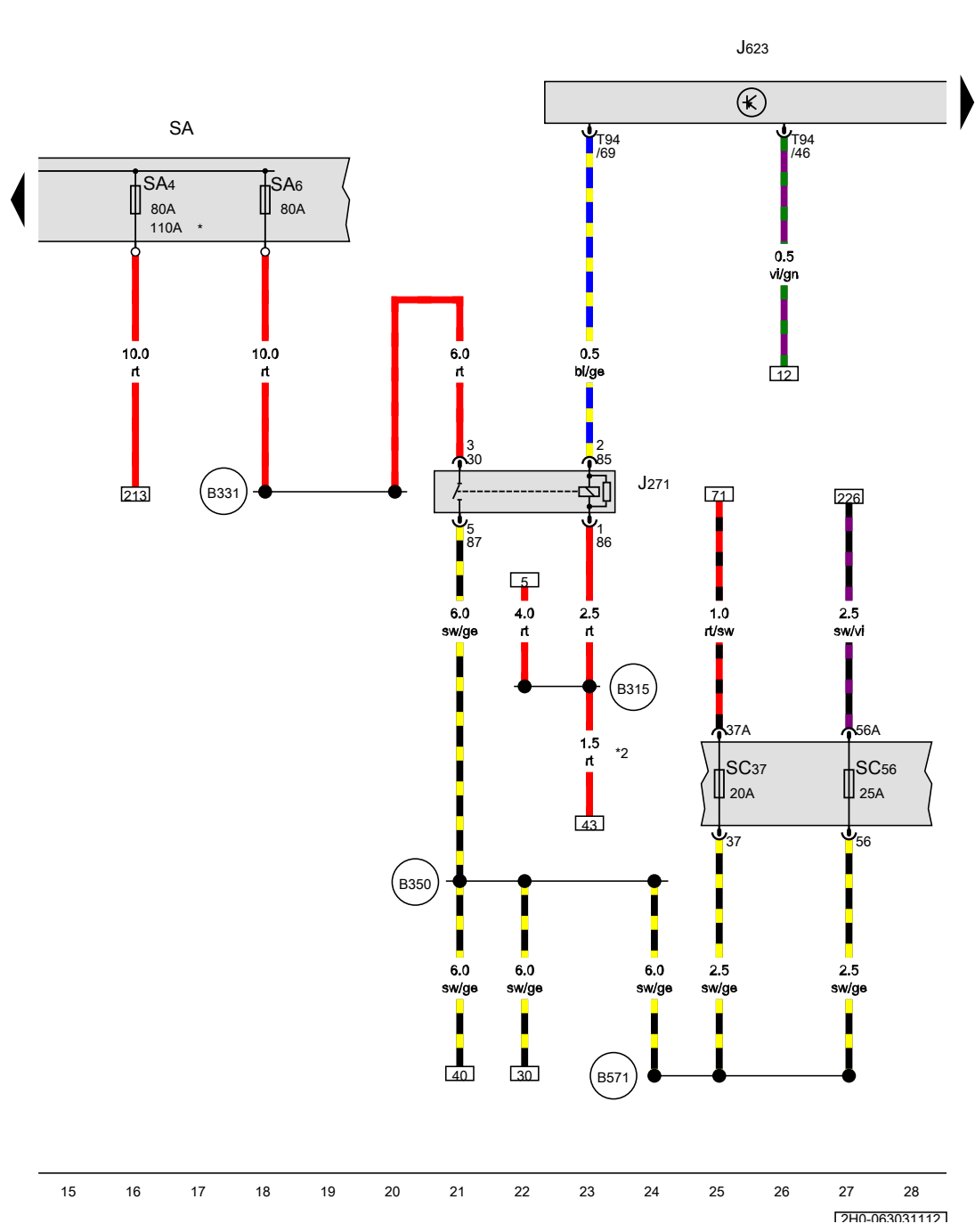
**Battery, Starter, Alternator with voltage regulator, Starter motor relay, Fuse 1 in fuse holder A**



- A Battery
  - B Starter
  - CX1 Alternator with voltage regulator
  - D Ignition/starter switch
  - J53 Starter motor relay
  - J519 Onboard supply control unit
  - SA Fuse holder A
  - SA1 Fuse 1 in fuse holder A
  - T18 18-pin connector, near engine control unit, grey
  - T73b 73-pin connector
- 1 Earth strap, battery - body
  - 44 Earth point, lower part of left A-pillar
  - 366 Earth connection 1, in main wiring harness
  - B276 Positive connection (50), in main wiring harness
  - B479 Connection 15, in main wiring harness
- \* From February 2013

- ws = white
- sw = black
- ro = red
- br = brown
- gn = green
- bl = blue
- gr = grey
- li = purple
- ge = yellow
- or = orange
- rs = pink

ГЭН-0630211121



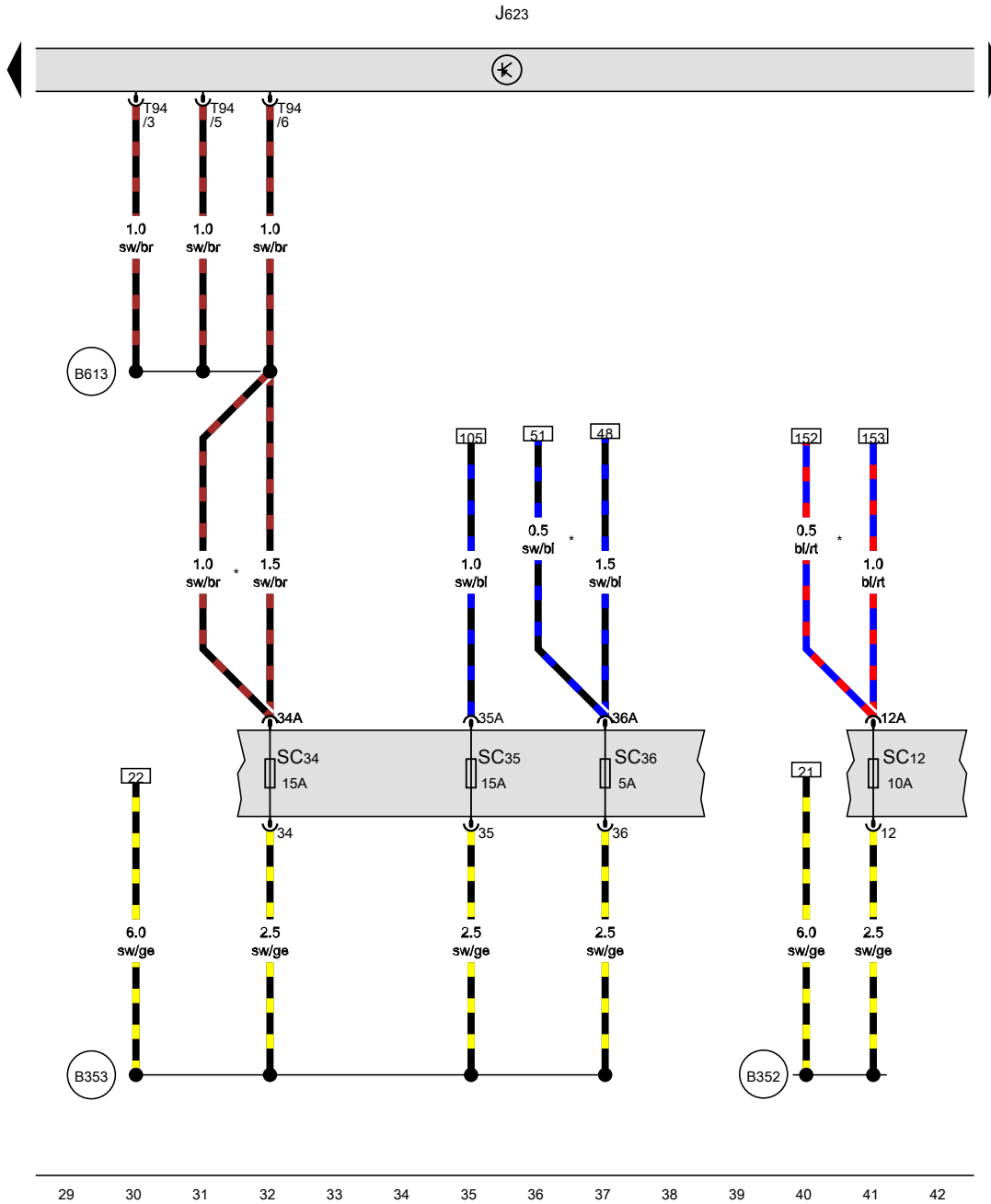
Main relay, Engine control unit, Fuse 4 in fuse holder A

- J271 Main relay
- J623 Engine control unit
- SA Fuse holder A
- SA4 Fuse 4 in fuse holder A
- SA6 Fuse 6 in fuse holder A
- SC37 Fuse 37 on fuse holder C
- SC56 Fuse 56 on fuse holder C
- T94 94-pin connector, black

- (B315) Positive connection 1 (30a) in main wiring harness
- (B331) Positive connection 17 (30a) in main wiring harness
- (B350) Positive connection 1 (87a) in main wiring harness
- (B571) Connection 38, in main wiring harness

\* Only for countries with hot climate  
 \*2 From February 1995

- ws = white
- sw = black
- ro = red
- br = brown
- gn = green
- bl = blue
- gr = grey
- li = purple
- ge = yellow
- or = orange
- rs = pink

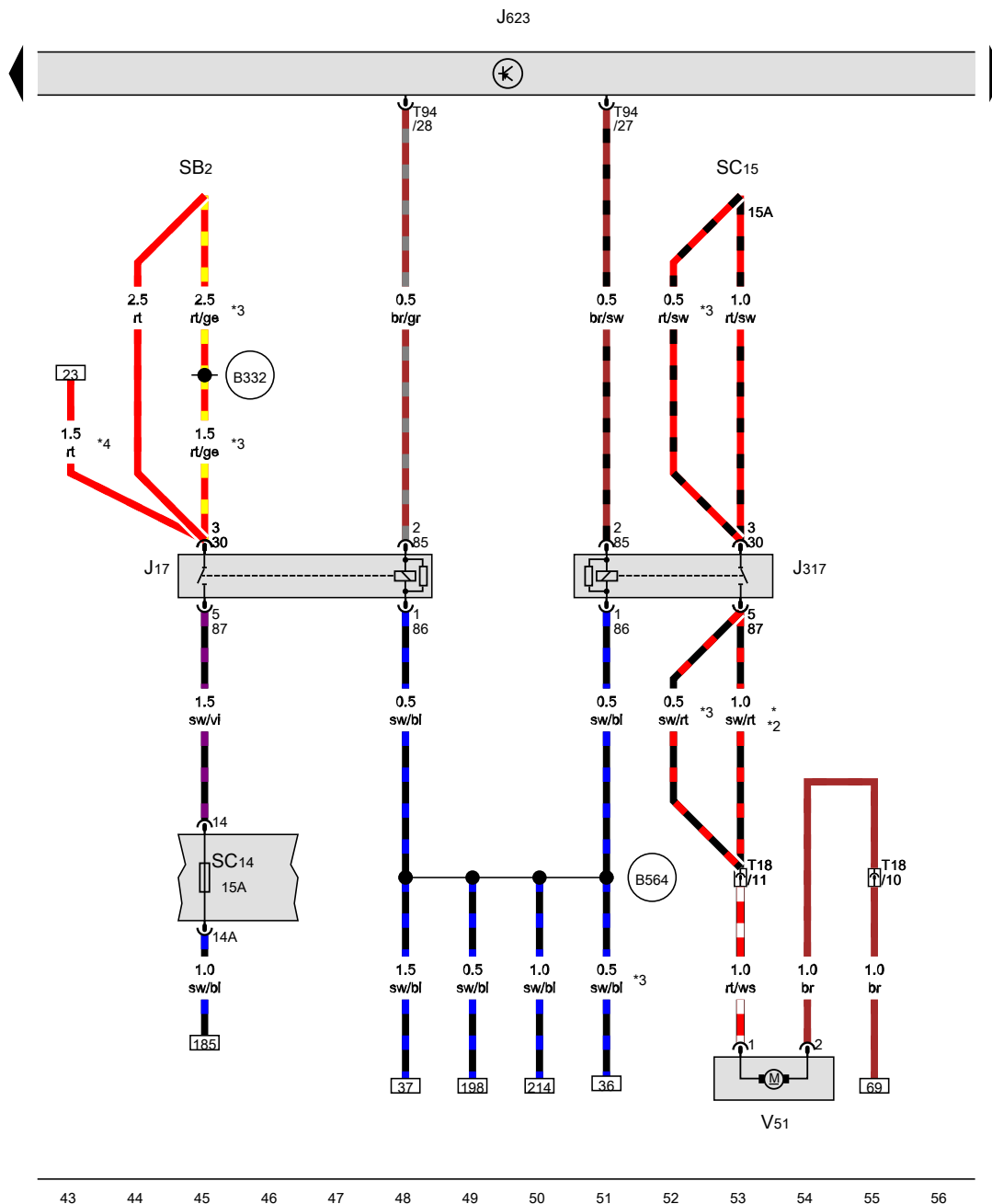


Engine control unit, Fuse 12 on fuse holder C, Fuse 35 on fuse holder C, Fuse 36 on fuse holder C

- J623 Engine control unit
- SC12 Fuse 12 on fuse holder C
- SC34 Fuse 34 on fuse holder C
- SC35 Fuse 35 on fuse holder C
- SC36 Fuse 36 on fuse holder C
- T94 94-pin connector, black
- B352 Positive connection 3 (87a) in main wiring harness
- B353 Positive connection 4 (87a) in main wiring harness
- B613 Connection 41, in main wiring harness
- \* From February 2013

- ws = white
- sw = black
- ro = red
- br = brown
- gn = green
- bl = blue
- gr = grey
- li = purple
- ge = yellow
- or = orange
- rs = pink

[74H-063041117]



Fuel pump relay, Terminal 30 voltage supply relay, Engine control unit, Fuse 14 on fuse holder C, Fuse 15 on fuse holder C, Continued coolant circulation pump

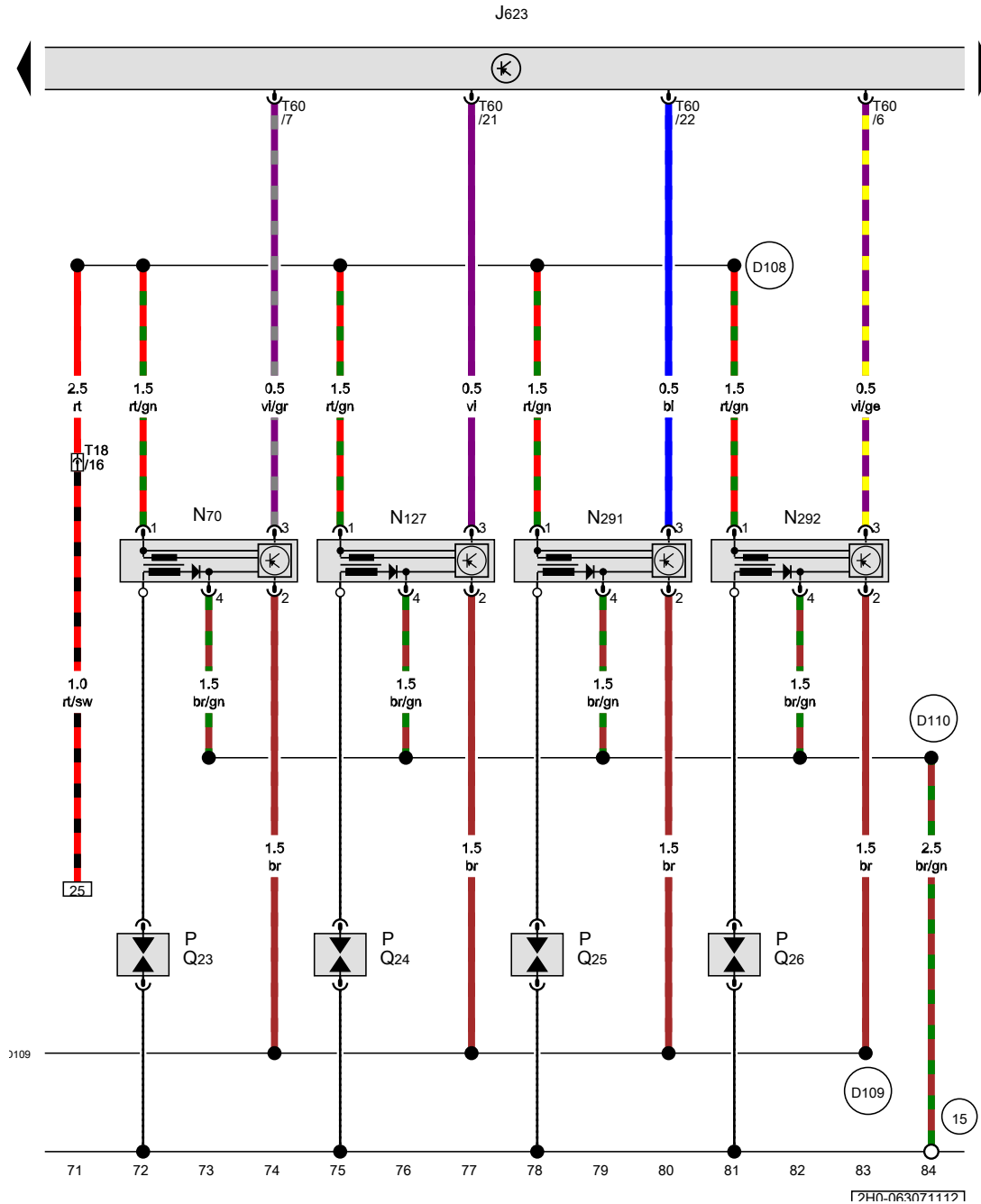
- J17 Fuel pump relay
- J317 Terminal 30 voltage supply relay
- J623 Engine control unit
- SB2 Fuse 2 on fuse holder B
- SC14 Fuse 14 on fuse holder C
- SC15 Fuse 15 on fuse holder C
- T18 18-pin connector, near engine control unit, grey
- T94 94-pin connector, black
- V51 Continued coolant circulation pump
- B332 Positive connection 18 (30a) in main wiring harness
- B564 Connection 31, in main wiring harness
- \* Only models with no Climatronic
- \*2 see applicable current flow diagram for automatic air conditioning system
- \*3 From February 2013
- \*4 From February 1995

- ws = white
- sw = black
- ro = red
- br = brown
- gn = green
- bl = blue
- gr = grey
- li = purple
- ge = yellow
- or = orange
- rs = pink

43 44 45 46 47 48 49 50 51 52 53 54 55 56

[74H0-063051112]





Engine control unit, Ignition coil 1 with output stage, Ignition coil 2 with output stage, Ignition coil 3 with output stage, Ignition coil 4 with output stage, Spark plug connector, Spark plug 1, Spark plug 2, Spark plug 3, Spark plug 4

- J623 Engine control unit
- N70 Ignition coil 1 with output stage
- N127 Ignition coil 2 with output stage
- N291 Ignition coil 3 with output stage
- N292 Ignition coil 4 with output stage
- P Spark plug connector
- Q23 Spark plug 1
- Q24 Spark plug 2
- Q25 Spark plug 3
- Q26 Spark plug 4
- T18 18-pin connector, near engine control unit, grey
- T60 60-pin connector, black

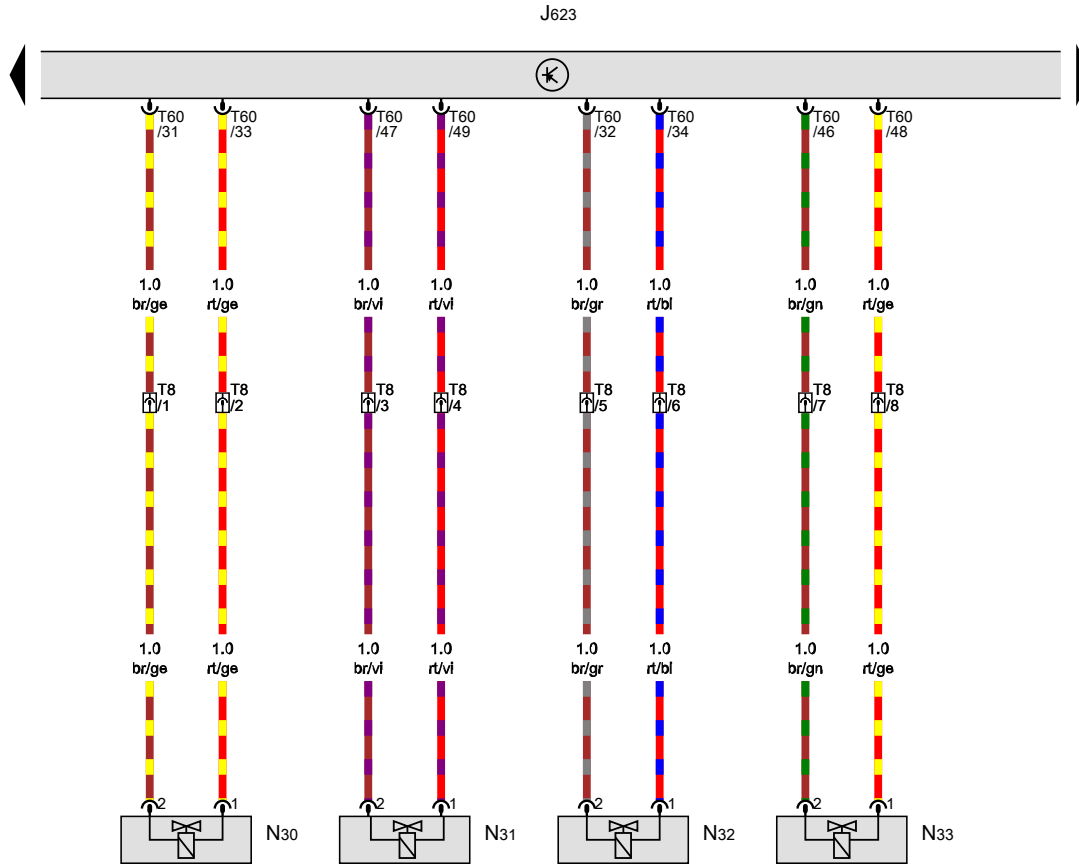
- (15) Earth point, on cylinder head
- (D108) Connection 6 in engine compartment wiring harness
- (D109) Connection 7 in engine compartment wiring harness
- (D110) Connection 8 in engine compartment wiring harness

- ws = white
- sw = black
- ro = red
- br = brown
- gn = green
- bl = blue
- gr = grey
- li = purple
- ge = yellow
- or = orange
- rs = pink

[240-063071112]

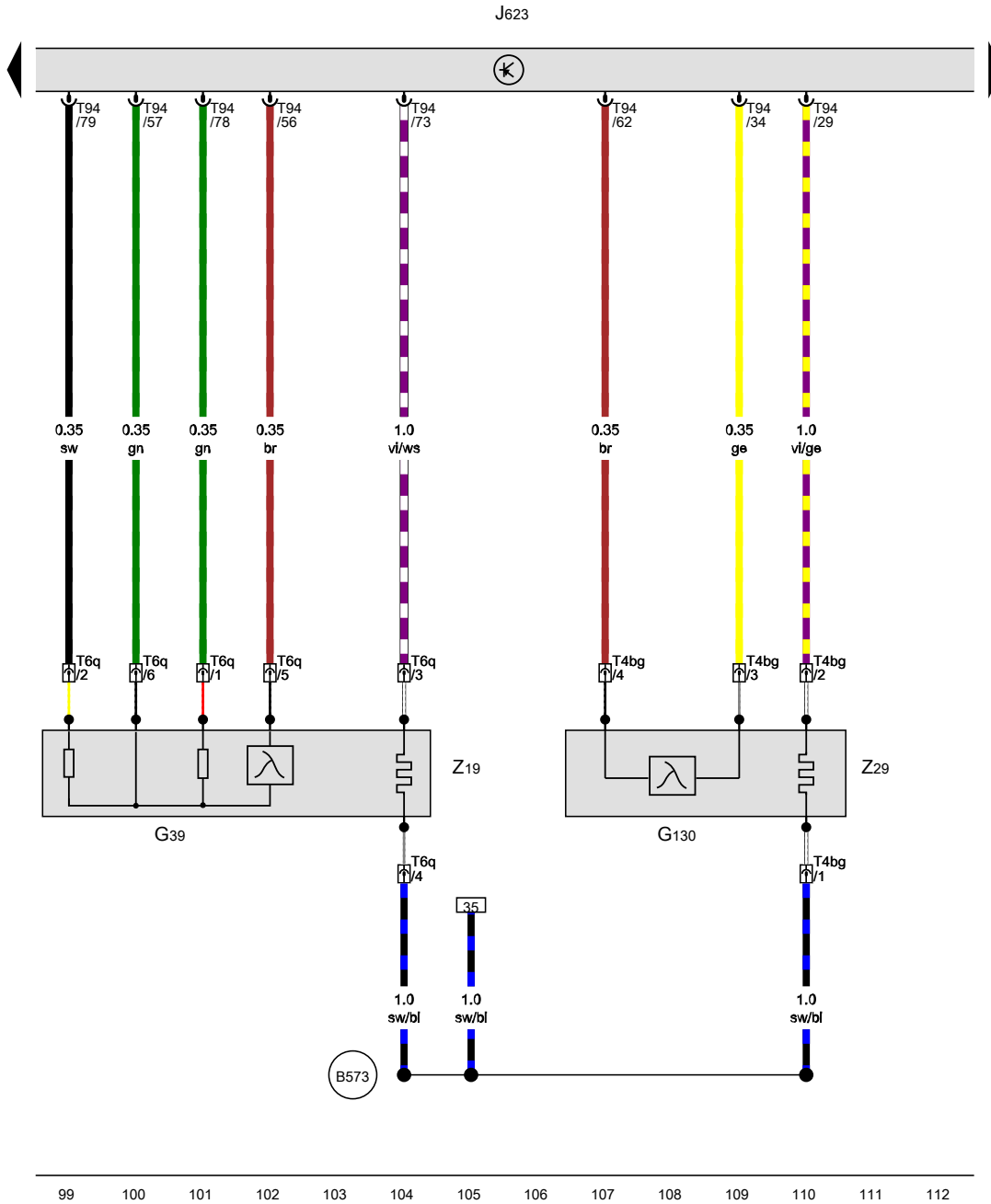


Engine control unit, Injector, cylinder 1, Injector, cylinder 2, Injector, cylinder 3, Injector, cylinder 4



- J623 Engine control unit
- N30 Injector, cylinder 1
- N31 Injector, cylinder 2
- N32 Injector, cylinder 3
- N33 Injector, cylinder 4
- T8 8-pin connector, brown
- T60 60-pin connector, black

- ws = white
- sw = black
- ro = red
- br = brown
- gn = green
- bl = blue
- gr = grey
- li = purple
- ge = yellow
- or = orange
- rs = pink



**Lambda probe, Lambda probe after catalytic converter, Engine control unit**

- G39 Lambda probe
- G130 Lambda probe after catalytic converter
- J623 Engine control unit
- T4bg 4-pin connector, in rear right of engine compartment, black
- T6q 6-pin connector, front right in engine compartment, black
- T94 94-pin connector, black
- Z19 Lambda probe heater
- Z29 Lambda probe 1 heater after catalytic converter
- B573 Connection 40, in main wiring harness

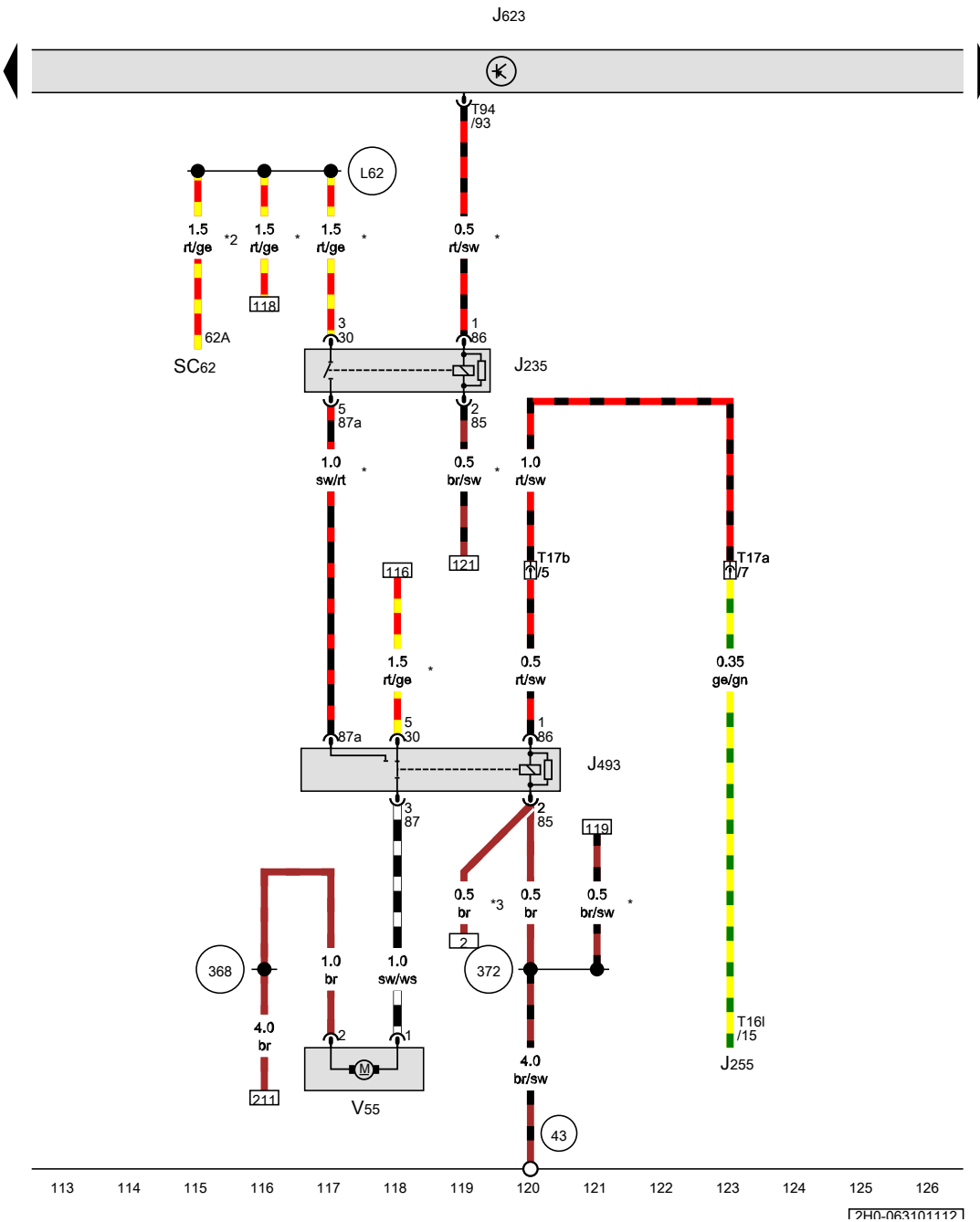
- ws = white
- sw = black
- ro = red
- br = brown
- gn = green
- bl = blue
- gr = grey
- li = purple
- ge = yellow
- or = orange
- rs = pink

1740-0630911171

Engine control unit, Circulation pump

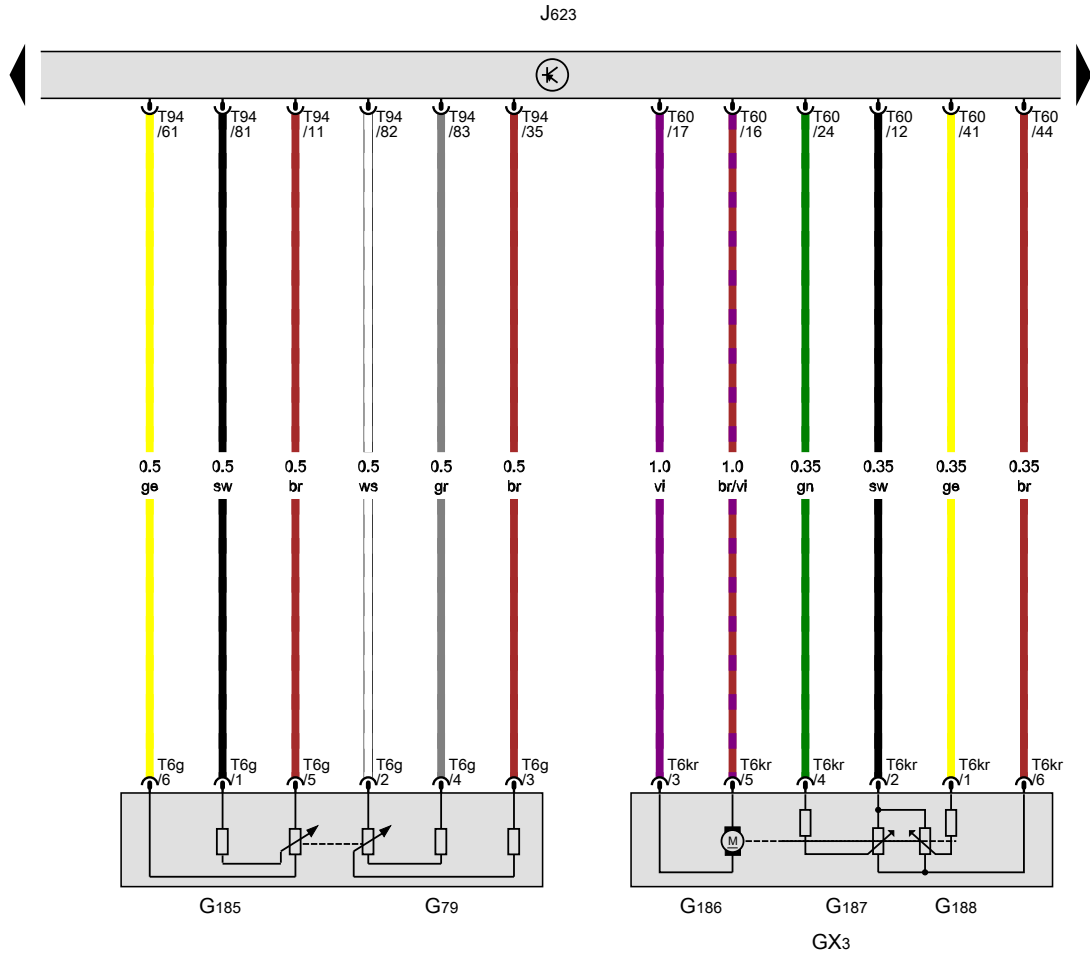
- J235 Coolant pump relay
- J255 Climatronic control unit
- J493 Auxiliary coolant heater relay
- J623 Engine control unit
- SC62 Fuse 62 on fuse holder C
- T16l 16-pin connector
- T17a 17-pin connector, behind glove compartment, black
- T17b 17-pin connector, on left under dash panel, brown
- T94 94-pin connector, black
- V55 Circulation pump

- 43 Earth point, lower part of right A-pillar
- 368 Earth connection 3, in main wiring harness
- 372 Earth connection 7, in main wiring harness
- L62 Positive connection (30a), in auxiliary heater wiring harness
- \* Only models with Climatronic
- \*2 see applicable current flow diagram for fuse assignment
- \*3 From February 2013



[7H0-063101117]

Throttle valve module, Accelerator position sender, Throttle valve drive for electric throttle, Engine control unit

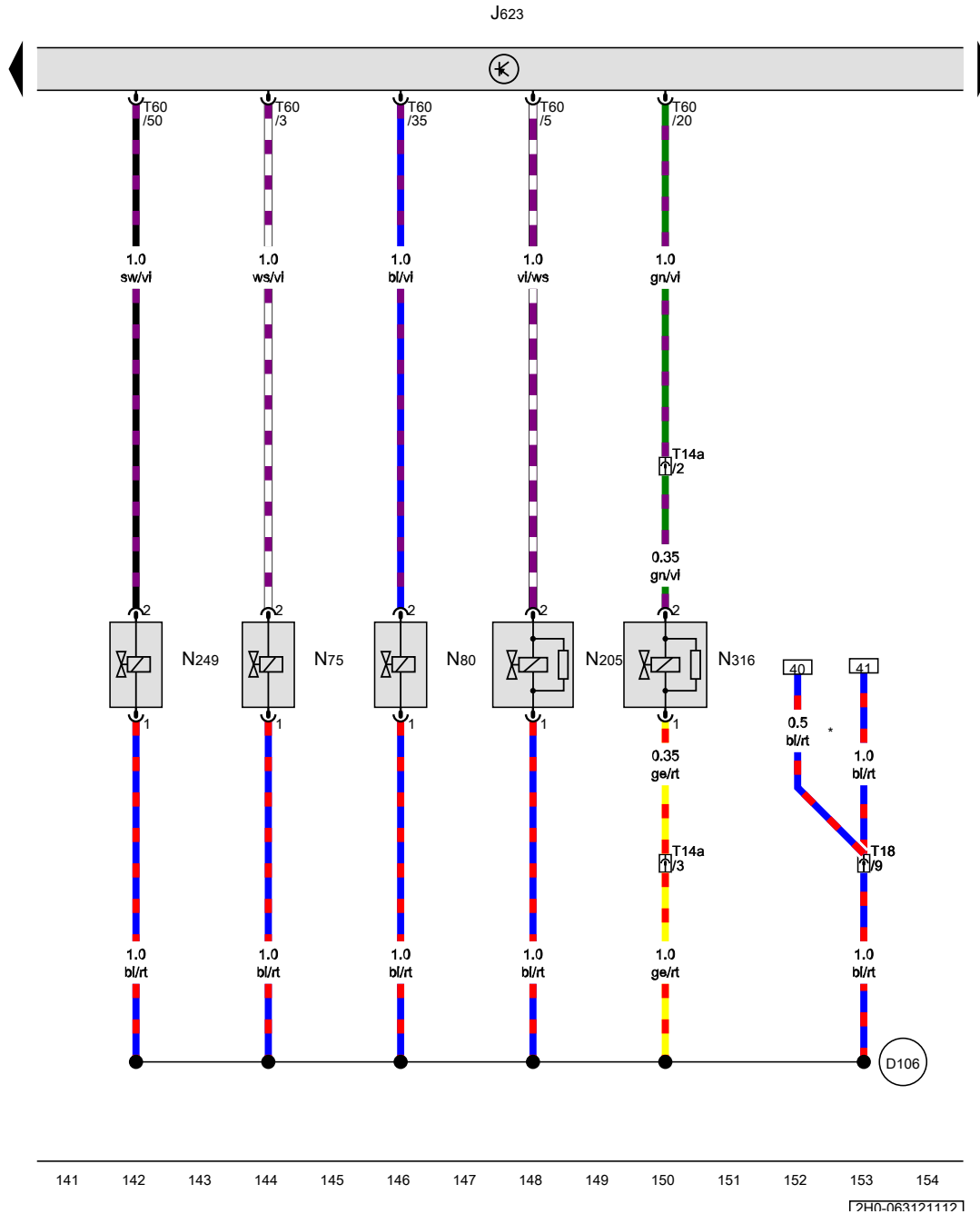


- GX3 Throttle valve module
- G79 Accelerator position sender
- G185 Accelerator position sender 2
- G186 Throttle valve drive for electric throttle
- G187 Throttle valve drive angle sender 1 for electric throttle
- G188 Throttle valve drive angle sender 2 for electric throttle
- J623 Engine control unit
- T6g 6-pin connector
- T6kr 6-pin connector
- T60 60-pin connector, black
- T94 94-pin connector, black

- ws = white
- sw = black
- ro = red
- br = brown
- gn = green
- bl = blue
- gr = grey
- li = purple
- ge = yellow
- or = orange
- rs = pink

127 128 129 130 131 132 133 134 135 136 137 138 139 140

[240-063111112]



Engine control unit, Charge pressure control solenoid valve, Activated charcoal filter solenoid valve 1, Camshaft control valve 1, Turbocharger air recirculation valve, Intake manifold flap valve

- J623 Engine control unit
- N75 Charge pressure control solenoid valve
- N80 Activated charcoal filter solenoid valve 1
- N205 Camshaft control valve 1
- N249 Turbocharger air recirculation valve
- N316 Intake manifold flap valve
- T14a 14-pin connector, front left in engine compartment, black
- T18 18-pin connector, near engine control unit, grey
- T60 60-pin connector, black

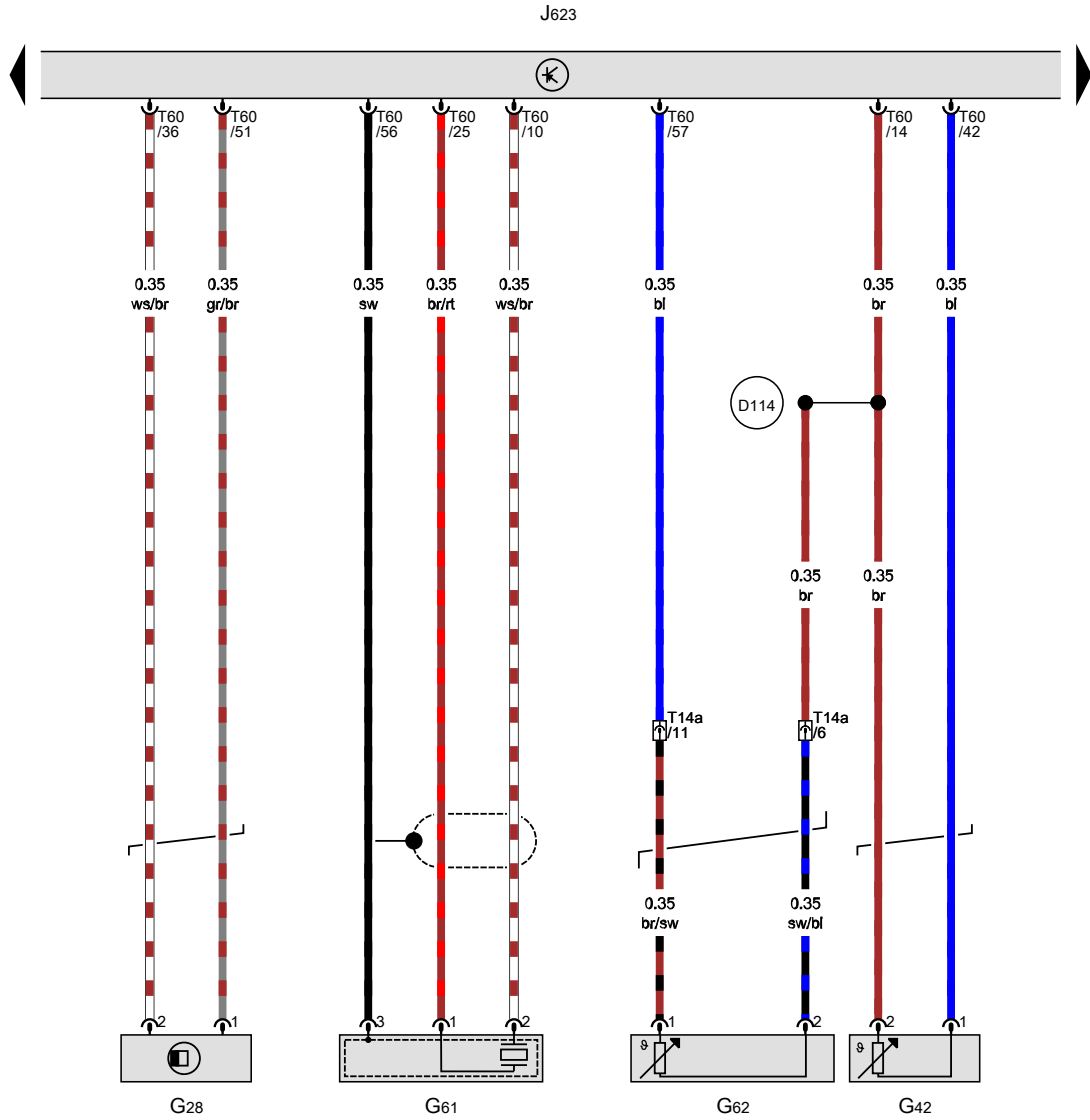
D106 Connection 4 in engine compartment wiring harness

\* From February 2013

- ws = white
- sw = black
- ro = red
- br = brown
- gn = green
- bl = blue
- gr = grey
- li = purple
- ge = yellow
- or = orange
- rs = pink

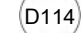
141 142 143 144 145 146 147 148 149 150 151 152 153 154

[2H0-063121112]

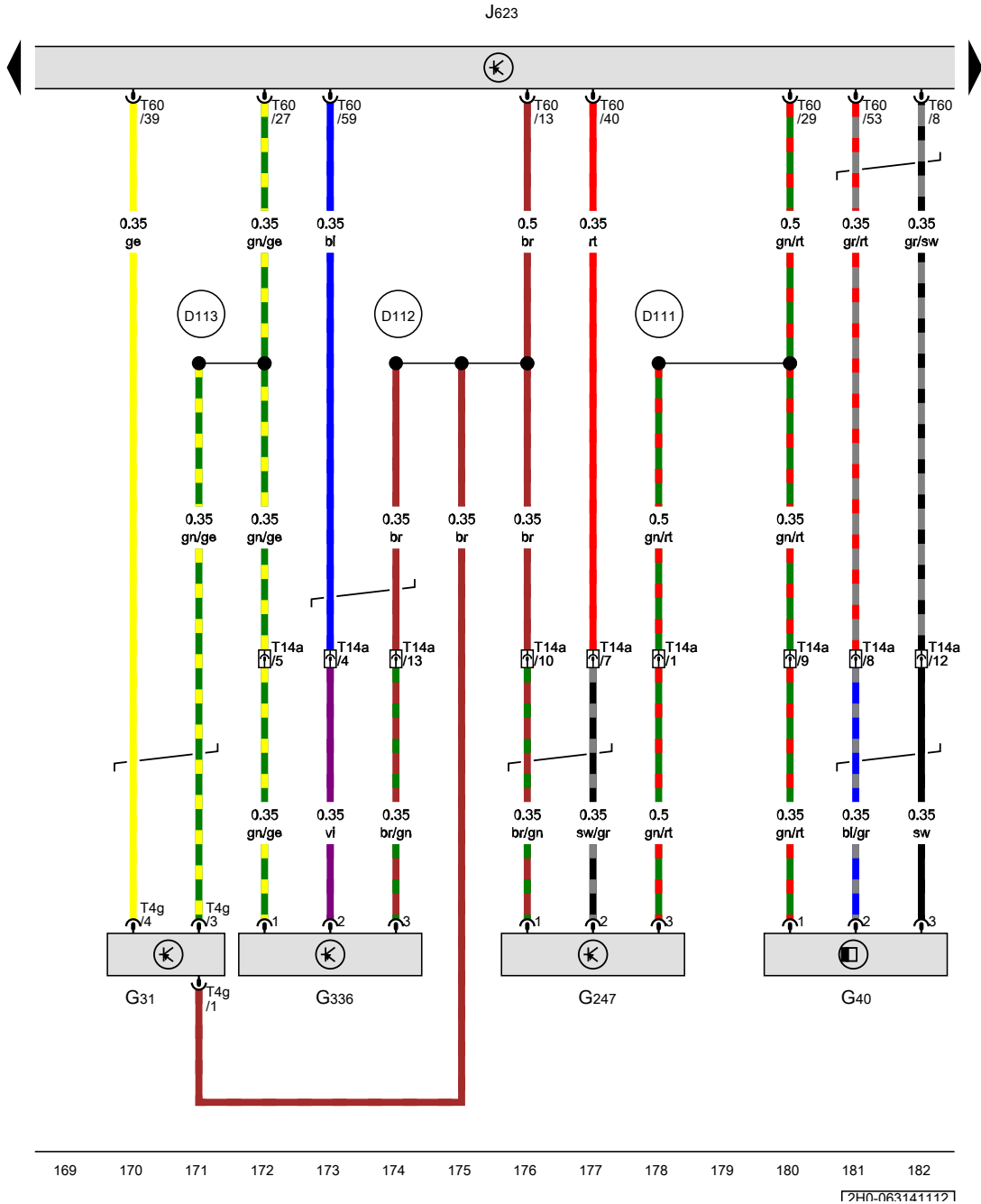


Engine speed sender, Intake air temperature sender, Knock sensor 1, Coolant temperature sender, Engine control unit

- G28 Engine speed sender
- G42 Intake air temperature sender
- G61 Knock sensor 1
- G62 Coolant temperature sender
- J623 Engine control unit
- T14a 14-pin connector, front left in engine compartment, black
- T60 60-pin connector, black

 D114 Connection 12 in engine compartment wiring harness

- ws = white
- sw = black
- ro = red
- br = brown
- gn = green
- bl = blue
- gr = grey
- li = purple
- ge = yellow
- or = orange
- rs = pink



Charge pressure sender, Hall sender, Fuel pressure sender, Intake manifold flap potentiometer, Engine control unit

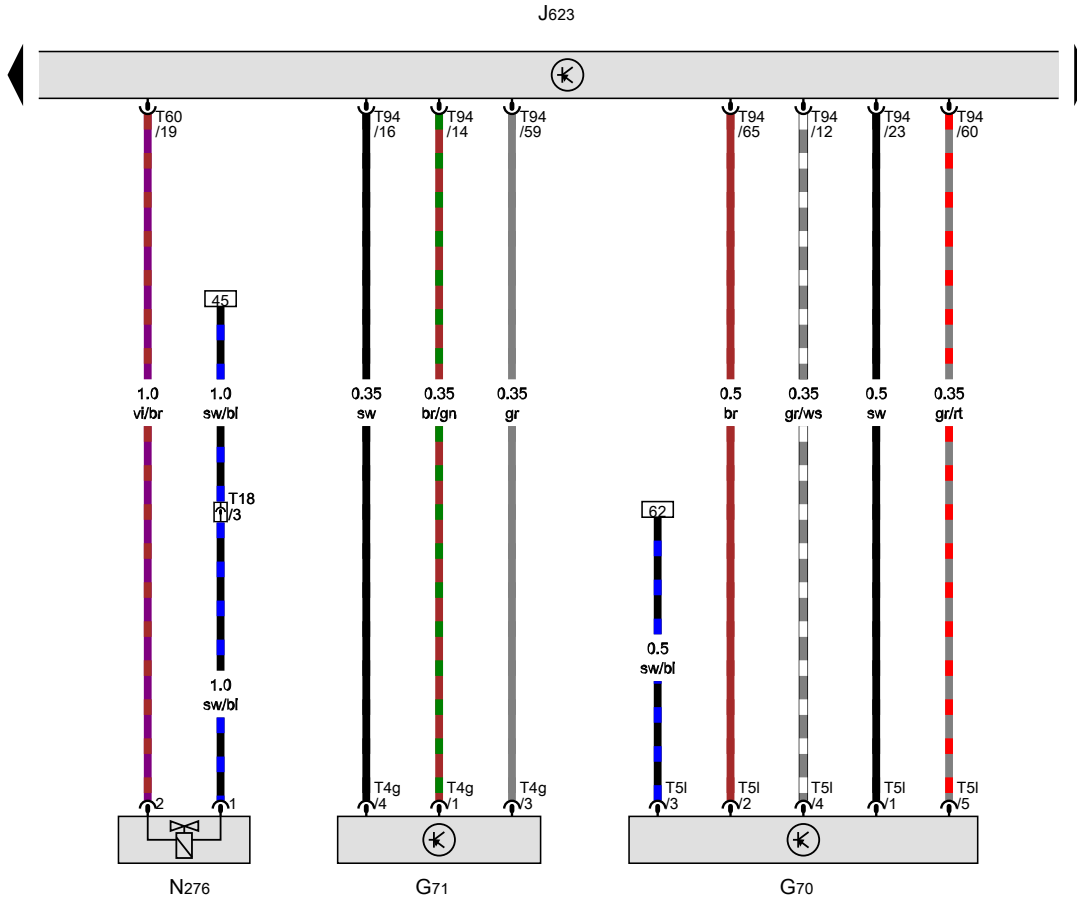
- G31 Charge pressure sender
- G40 Hall sender
- G247 Fuel pressure sender
- G336 Intake manifold flap potentiometer
- J623 Engine control unit
- T4g 4-pin connector
- T14a 14-pin connector, front left in engine compartment, black
- T60 60-pin connector, black

D111 Connection 9 in engine compartment wiring harness

D112 Connection 10 in engine compartment wiring harness

D113 Connection 11 in engine compartment wiring harness

Air mass meter, Intake manifold pressure sender, Engine control unit, Fuel pressure regulating valve



- G70 Air mass meter
- G71 Intake manifold pressure sender
- J623 Engine control unit
- N276 Fuel pressure regulating valve
- T4g 4-pin connector
- T5l 5-pin connector
- T18 18-pin connector, near engine control unit, grey
- T60 60-pin connector, black
- T94 94-pin connector, black

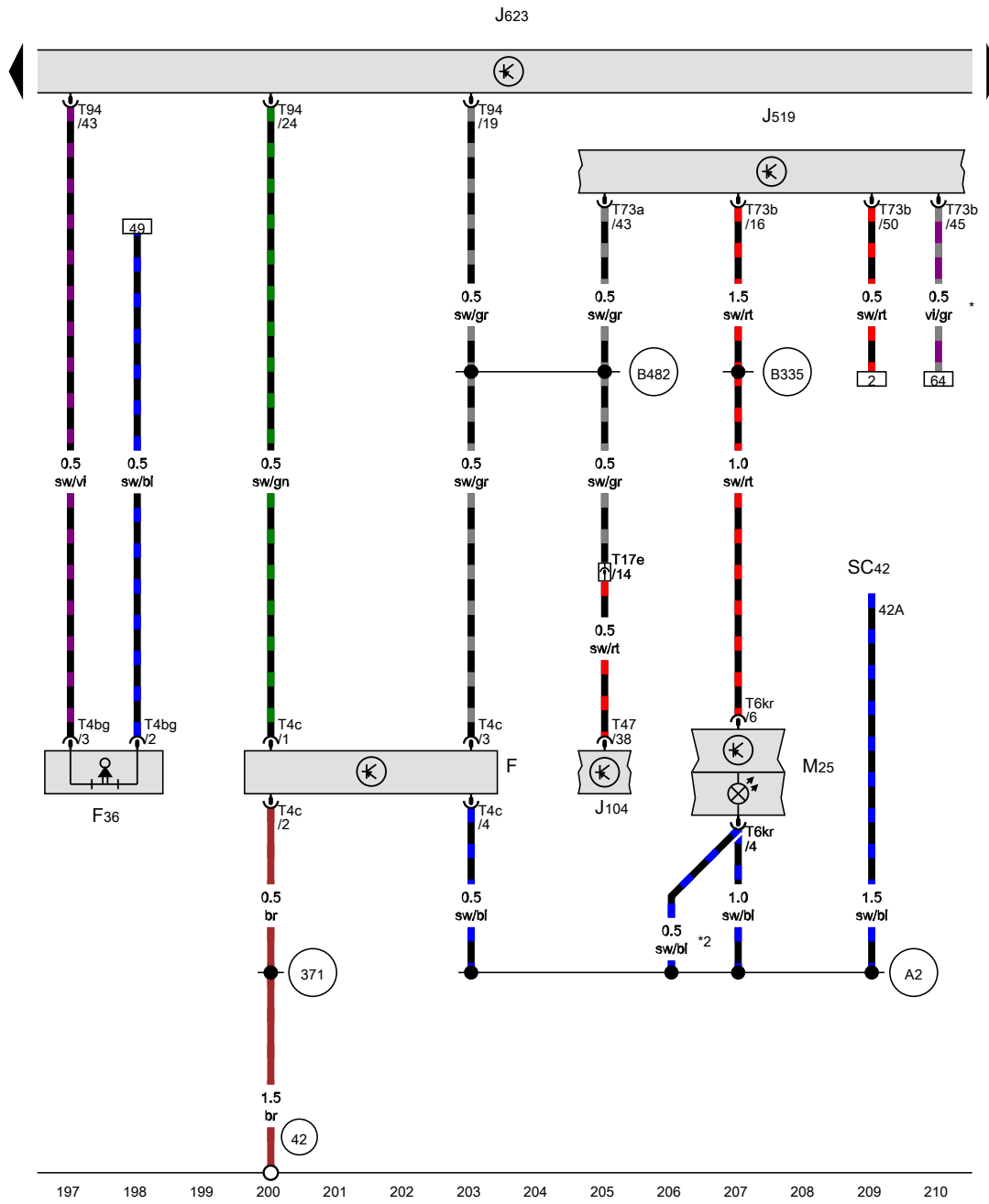
- ws = white
- sw = black
- ro = red
- br = brown
- gn = green
- bl = blue
- gr = grey
- li = purple
- ge = yellow
- or = orange
- rs = pink

183 184 185 186 187 188 189 190 191 192 193 194 195 196

[240-063151112]

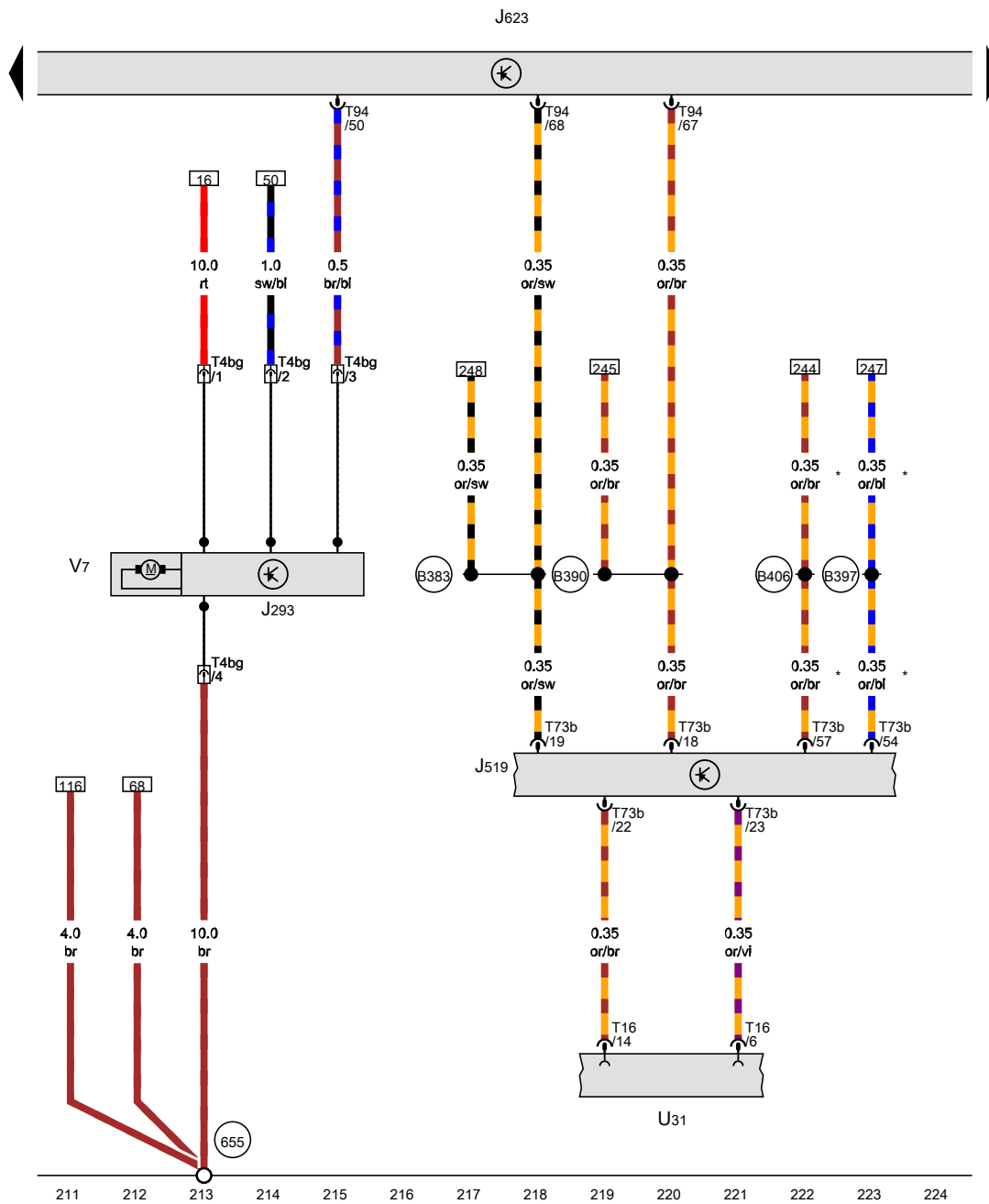


Brake light switch, Clutch pedal switch, ABS control unit, Engine control unit




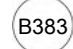
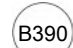
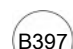

- F Brake light switch
  - F36 Clutch pedal switch
  - J104 ABS control unit
  - J519 Onboard supply control unit
  - J623 Engine control unit
  - M25 Additional brake light bulb
  - SC42 Fuse 42 on fuse holder C
  - T4bg 4-pin connector
  - T4c 4-pin connector
  - T6kr 6-pin connector
  - T17e 17-pin connector, near handbrake lever, red
  - T47 47-pin connector
  - T73a 73-pin connector
  - T73b 73-pin connector
  - T94 94-pin connector, black
- (42) Earth point, next to steering column
  - (371) Earth connection 6, in main wiring harness
  - (A2) Positive connection (15), in dash panel wiring harness
  - (B335) Connection 1 (54), in main wiring harness
  - (B482) Connection 18, in main wiring harness
- \* Only models with cruise control system (CCS)  
 \*2 From February 2013

- ws = white
- sw = black
- ro = red
- br = brown
- gn = green
- bl = blue
- gr = grey
- li = purple
- ge = yellow
- or = orange
- rs = pink



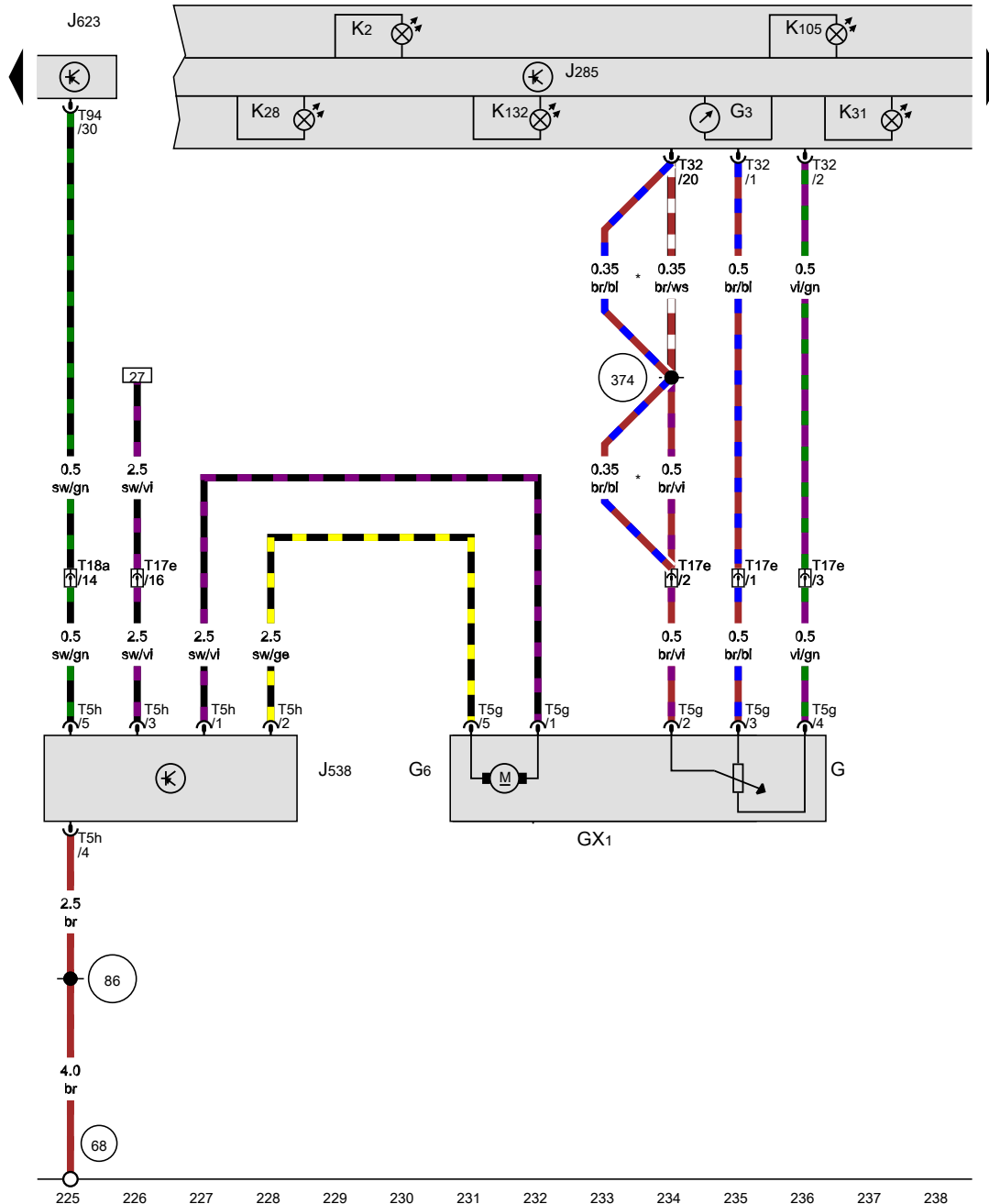
Engine control unit

- J293 Radiator fan control unit
- J519 Onboard supply control unit
- J623 Engine control unit
- T4bg 4-pin connector, in rear right of engine compartment, black
- T16 16-pin connector
- T73b 73-pin connector
- T94 94-pin connector, black
- U31 Diagnostic connection
- V7 Radiator fan

-  655 Earth point, on left headlight
-  B383 Connection 1 (powertrain CAN bus, high), in main wiring harness
-  B390 Connection 1 (powertrain CAN bus, low), in main wiring harness
-  B397 Connection 1 (convenience CAN bus, high), in main wiring harness
-  B406 Connection 1 (convenience CAN bus, low), in main wiring harness
- \* Only models with automatic driving lights control

- ws = white
- sw = black
- ro = red
- br = brown
- gn = green
- bl = blue
- gr = grey
- li = purple
- ge = yellow
- or = orange
- rs = pink

[74H-063171117]



**Fuel gauge sender, Fuel system pressurisation pump, Fuel pump control unit, Engine control unit, Dash panel insert**

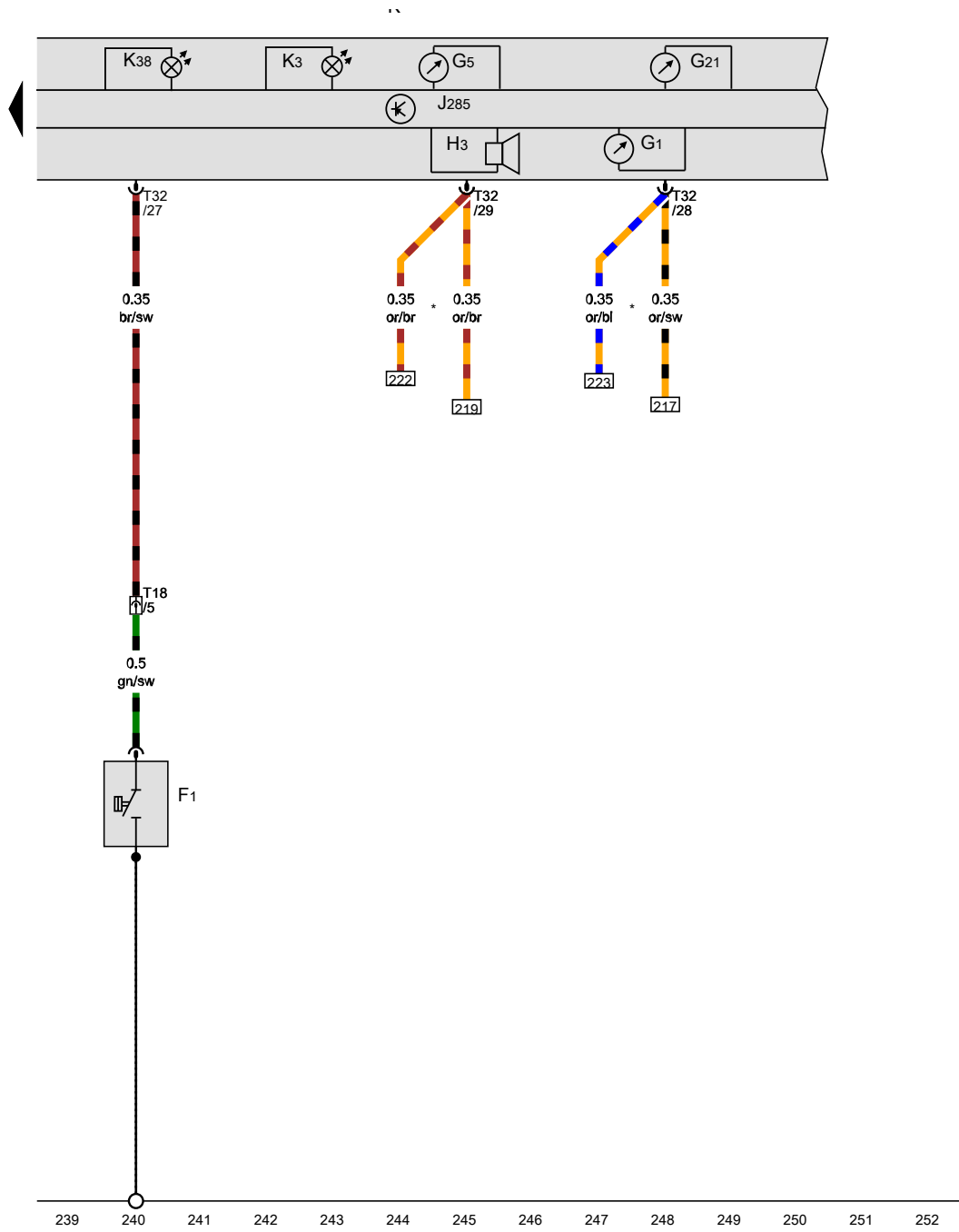
- G Fuel gauge sender, on fuel tank
- GX1 Fuel delivery unit
- G3 Coolant temperature gauge
- G6 Fuel system pressurisation pump
- J285 Control unit in dash panel insert
- J538 Fuel pump control unit, on fuel tank
- J623 Engine control unit
- K Dash panel insert
- K2 Alternator warning lamp
- K28 Coolant temperature and coolant shortage warning lamp
- K31 Cruise control system warning lamp
- K105 Reserve fuel warning lamp
- K132 Electronic power control fault lamp
- T5g 5-pin connector, black
- T5h 5-pin connector, black
- T17e 17-pin connector, near handbrake lever, red
- T18a 18-pin connector, near engine control unit, grey
- T32 32-pin connector, blue
- T94 94-pin connector, black

- 68 Earth point, on left of rear cross member
- 86 Earth connection 1, in rear wiring harness
- 374 Earth connection 9, in main wiring harness

\* From February 2013

- ws = white
- sw = black
- ro = red
- br = brown
- gn = green
- bl = blue
- gr = grey
- li = purple
- ge = yellow
- or = orange
- rs = pink

[2HD-063181112]



Oil pressure switch, Dash panel insert

- F1 Oil pressure switch
- G1 Fuel gauge
- G5 Rev. counter
- G21 Speedometer
- H3 Buzzer and gong
- J285 Control unit in dash panel insert
- K Dash panel insert
- K3 Oil pressure warning lamp
- K38 Oil level warning lamp
- T18 18-pin connector, near engine control unit, black
- T32 32-pin connector, blue
- \* Only models with automatic driving lights control

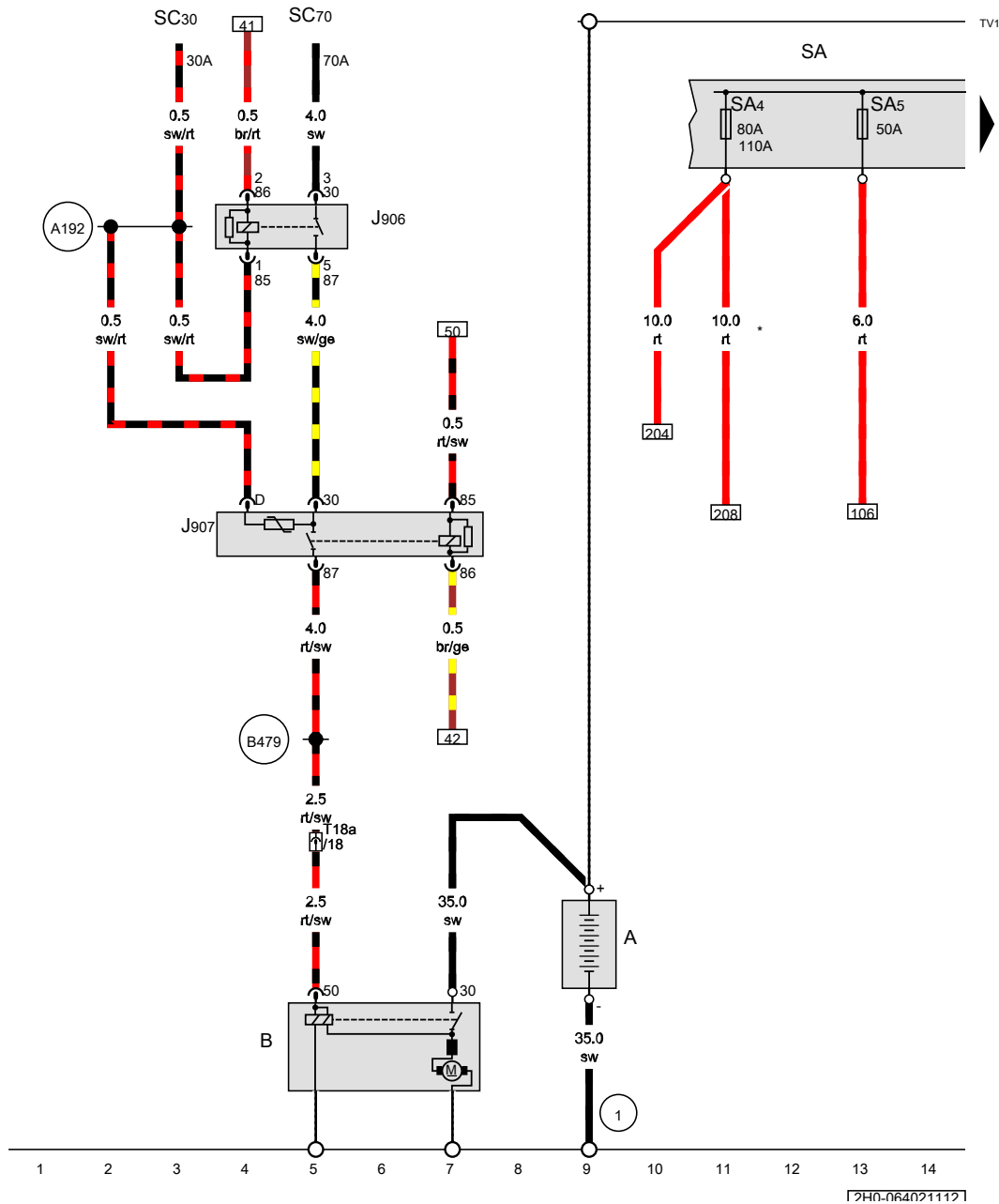
- ws = white
- sw = black
- ro = red
- br = brown
- gn = green
- bl = blue
- gr = grey
- li = purple
- ge = yellow
- or = orange
- rs = pink

12H0-063191117

**2.0l diesel engine , CDBA,(7L6)**

From June 2012

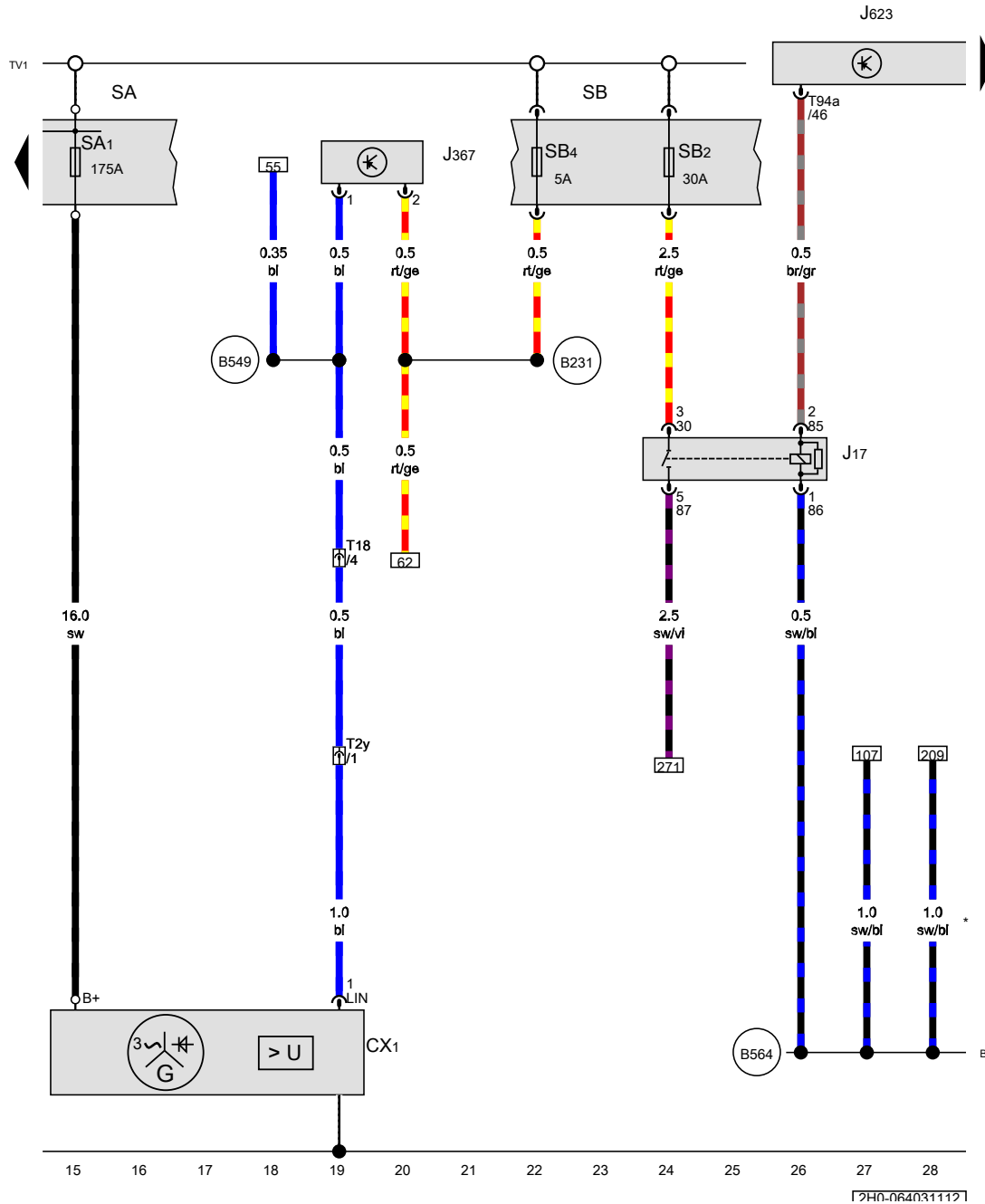
Battery, Starter, Starter relay 1, Starter relay 2, Fuse holder A, Fuse 5 in fuse holder A



- A Battery
- B Starter
- J906 Starter relay 1
- J907 Starter relay 2
- SA Fuse holder A
- SA4 Fuse 4 in fuse holder A
- SA5 Fuse 5 in fuse holder A
- SC30 Fuse 30 on fuse holder C
- SC70 Fuse 70 on fuse holder C
- T18a 18-pin connector, near engine control unit, grey

- 1 Earth strap, battery - body
- A192 Positive connection 3 (15a) in dash panel wiring harness
- B479 Connection 15, in main wiring harness
- \* Hot country version

- ws = white
- sw = black
- ro = red
- br = brown
- gn = green
- bl = blue
- gr = grey
- li = purple
- ge = yellow
- or = orange
- rs = pink



Alternator with voltage regulator, Fuel pump relay, Battery monitor control unit, Engine control unit, Fuse holder A, Fuse 1 in fuse holder A, Fuse holder B, Fuse 2 on fuse holder B

- CX1 Alternator with voltage regulator
- J17 Fuel pump relay
- J367 Battery monitor control unit
- J623 Engine control unit
- SA Fuse holder A
- SA1 Fuse 1 in fuse holder A
- SB Fuse holder B
- SB2 Fuse 2 on fuse holder B
- SB4 Fuse 4 on fuse holder B
- T2y 2-pin connector, front left in engine compartment, black
- T18 18-pin connector, near engine control unit, black
- T94a 94-pin connector, black

(B231) Positive connection 5 (30a), in interior wiring harness

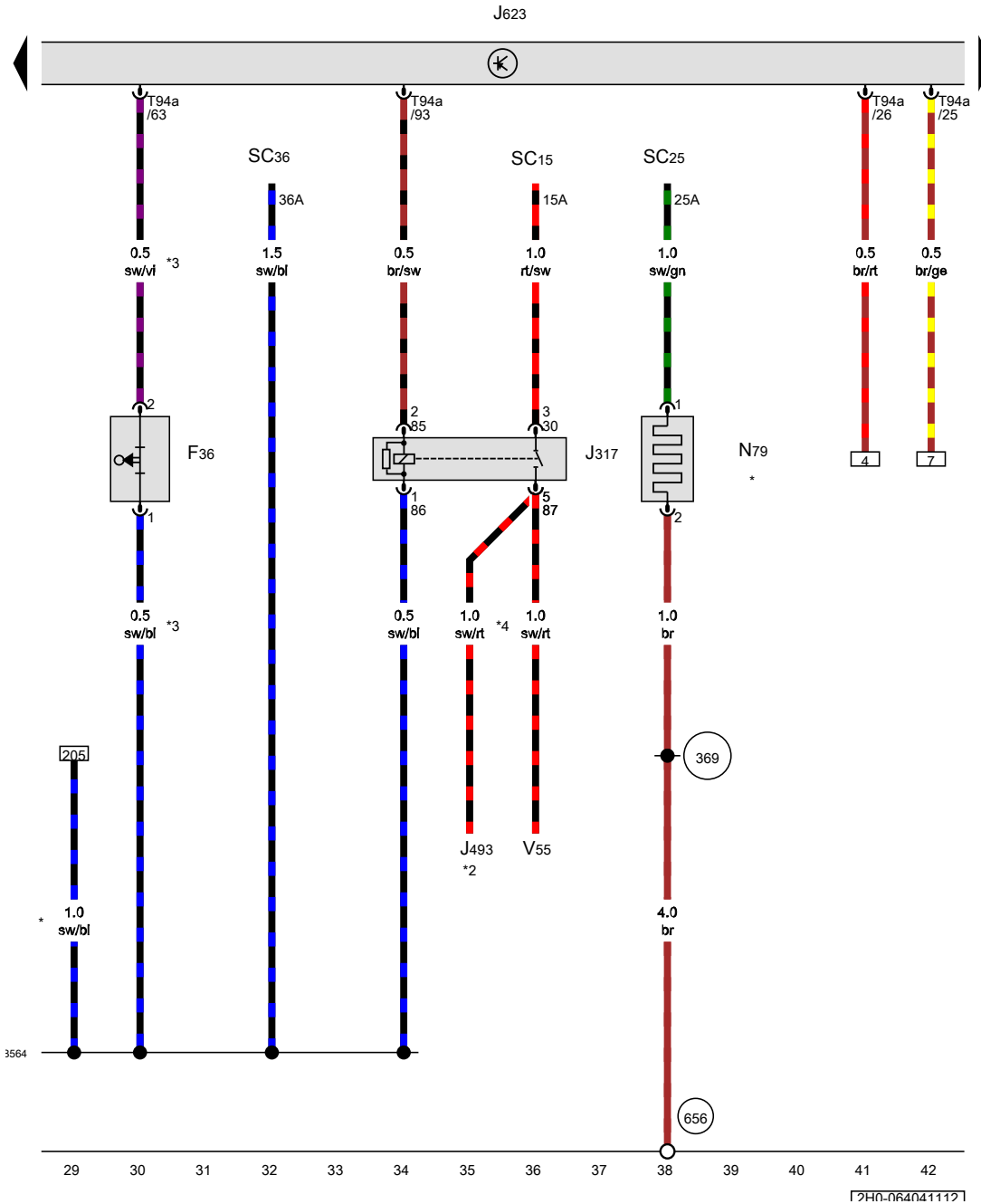
(B549) Connection 2 (LIN bus) in main wiring harness

(B564) Connection 31, in main wiring harness

\* Hot country version

- ws = white
- sw = black
- ro = red
- br = brown
- gn = green
- bl = blue
- gr = grey
- li = purple
- ge = yellow
- or = orange
- rs = pink

ГЭН-0640311171



Terminal 30 voltage supply relay, Auxiliary coolant heater relay, Engine control unit, Heater element for crankcase breather, Fuse 15 on fuse holder C, Fuse 25 on fuse holder C, Fuse 36 on fuse holder C

- F36 Clutch pedal switch
- J317 Terminal 30 voltage supply relay, on relay carrier
- J493 Auxiliary coolant heater relay
- J623 Engine control unit
- N79 Heater element for crankcase breather
- SC15 Fuse 15 on fuse holder C
- SC25 Fuse 25 on fuse holder C
- SC36 Fuse 36 on fuse holder C
- T94a 94-pin connector, black
- V55 Circulation pump

369 Earth connection 4, in main wiring harness

656 Earth point, on right headlight

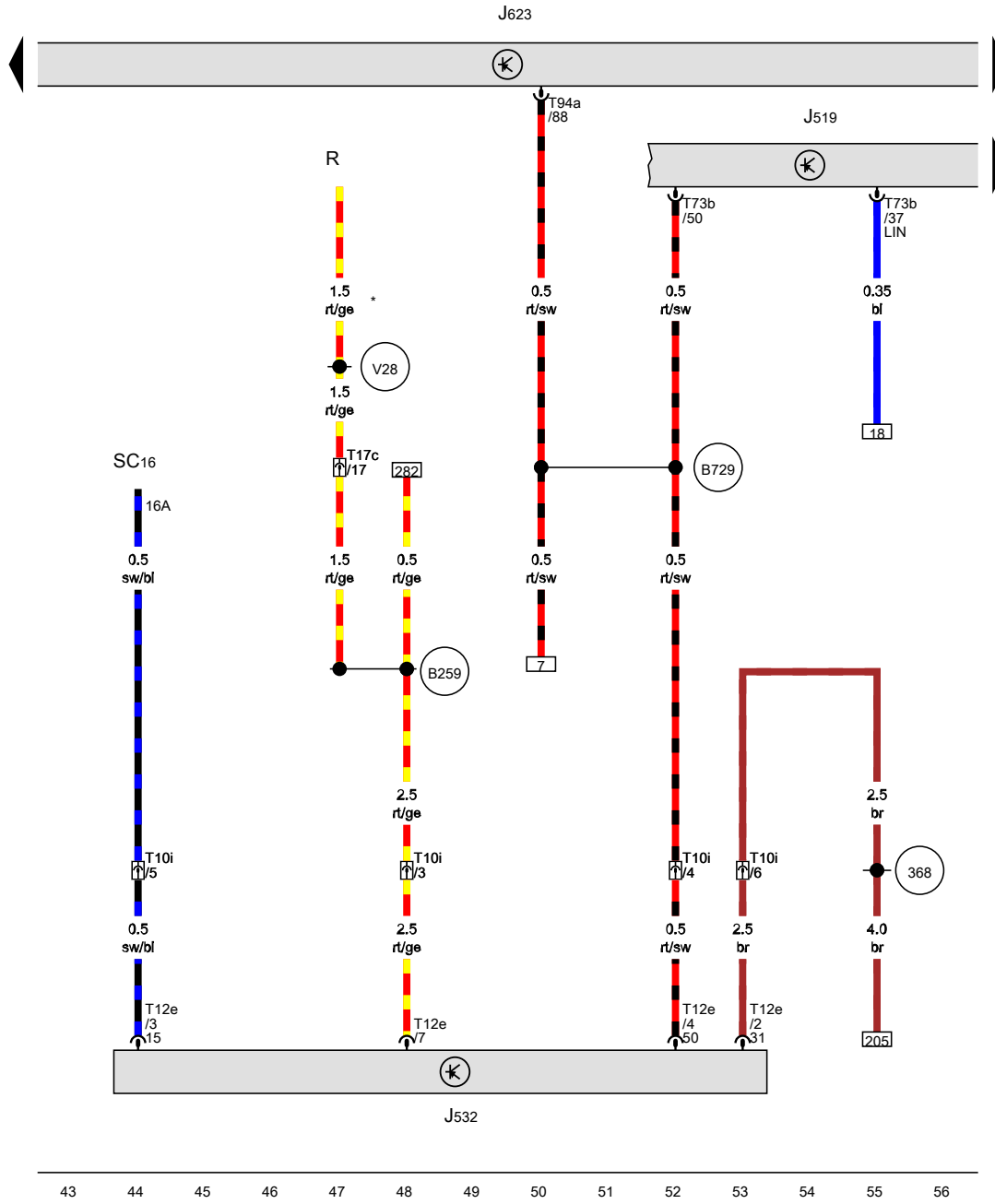
B564 Connection 31, in main wiring harness

- \* Only models with crankcase breather heater element
- \*2 see applicable current flow diagram for air conditioning
- \*3 Only models with manual gearbox
- \*4 Only models with Climatronic

- ws = white
- sw = black
- ro = red
- br = brown
- gn = green
- bl = blue
- gr = grey
- li = purple
- ge = yellow
- or = orange
- rs = pink

17H0-0640411171





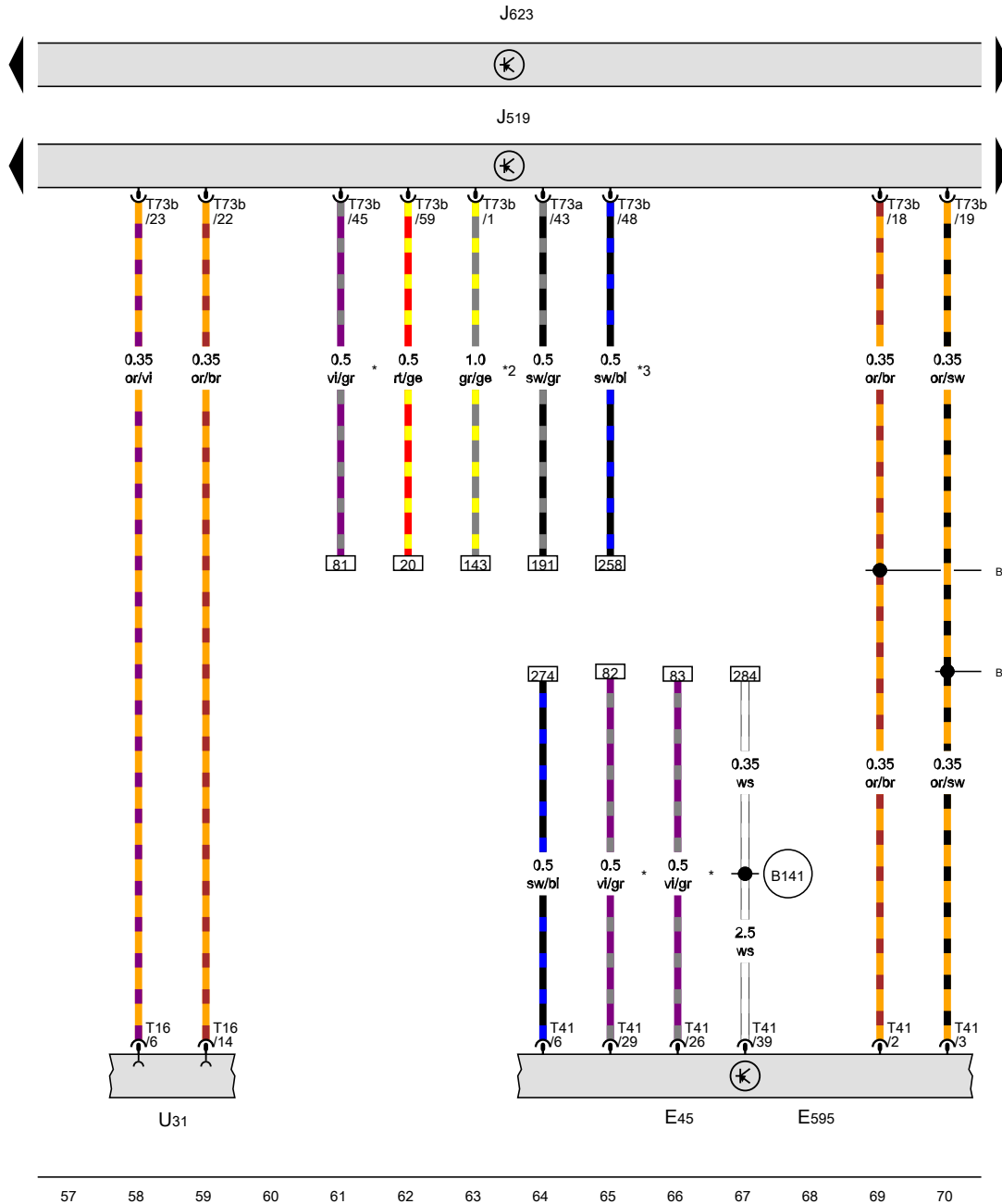
Onboard supply control unit, Voltage stabiliser, Engine control unit, Fuse 16 on fuse holder C

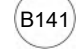
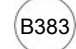
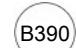
- J519 Onboard supply control unit
- J532 Voltage stabiliser, in front left wing
- J623 Engine control unit
- R Radio
- SC16 Fuse 16 on fuse holder C
- T10i 10-pin connector, on left wheel housing, black
- T12e 12-pin connector, black
- T17c 17-pin connector, on left under dash panel, black
- T73b 73-pin connector
- T94a 94-pin connector, black

- 368 Earth connection 3, in main wiring harness
- B259 Connection (start/stop signal), in interior wiring harness
- B729 Connection 1 (50), in main wiring harness
- V28 Connection 1, in radio wiring harness
- \* see applicable current flow diagram

- ws = white
- sw = black
- ro = red
- br = brown
- gn = green
- bl = blue
- gr = grey
- li = purple
- ge = yellow
- or = orange
- rs = pink

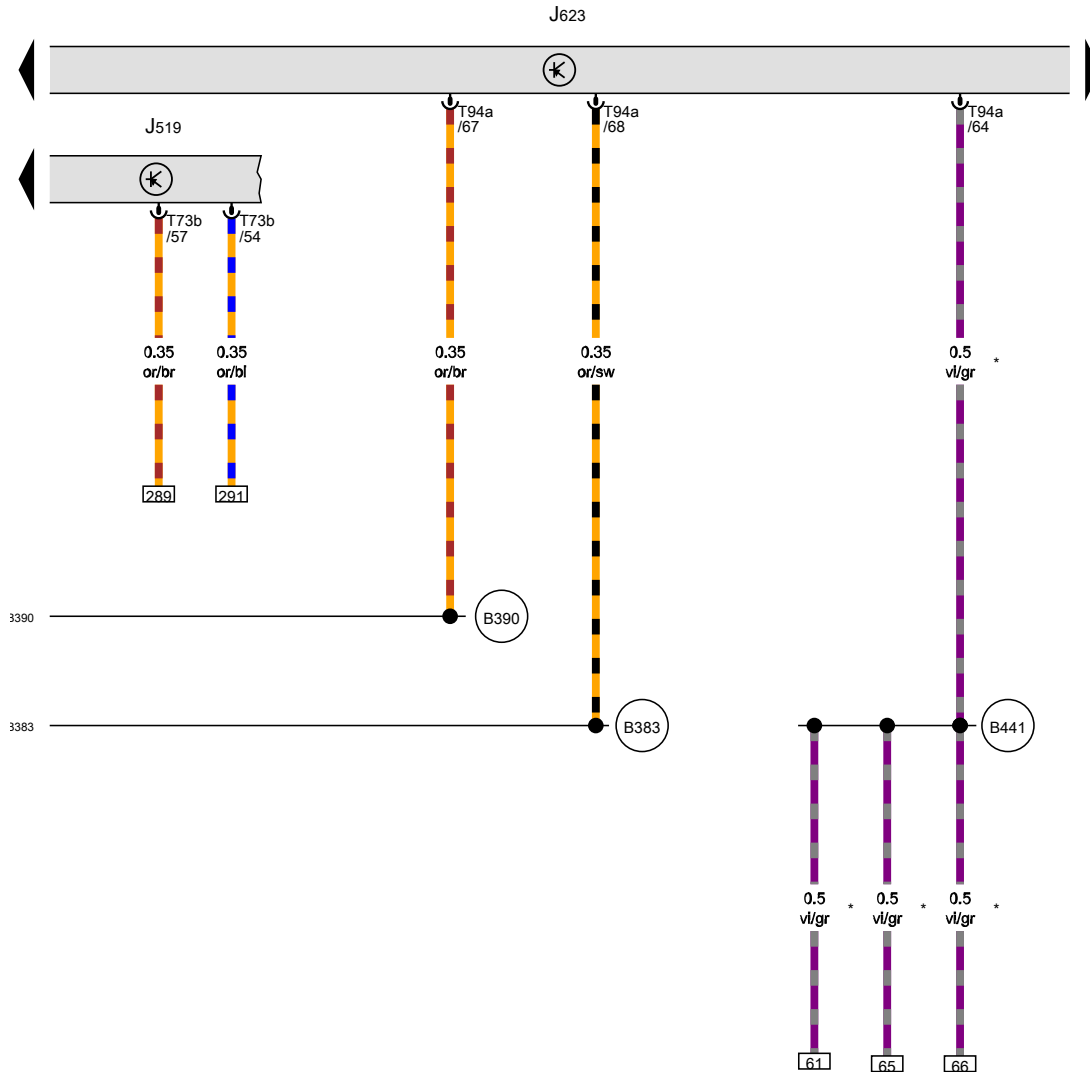
Cruise control system switch, Steering column combination switch, Onboard supply control unit, Engine control unit



- E45 Cruise control system switch
- E595 Steering column combination switch
- J519 Onboard supply control unit
- J623 Engine control unit
- T16 16-pin connector, black
- T41 41-pin connector, grey
- T73a 73-pin connector, black
- T73b 73-pin connector
- U31 Diagnostic connection
-  B141 Positive connection 1 (56a), in interior wiring harness
-  B383 Connection 1 (powertrain CAN bus, high), in main wiring harness
-  B390 Connection 1 (powertrain CAN bus, low), in main wiring harness
- \* Only models with cruise control system (CCS)
- \*2 Only models with no headlight range control, see respective Current Flow Diagram headlight
- \*3 Only models with manual gearbox




- ws = white
- sw = black
- ro = red
- br = brown
- gn = green
- bl = blue
- gr = grey
- li = purple
- ge = yellow
- or = orange
- rs = pink

17H0-0640611171

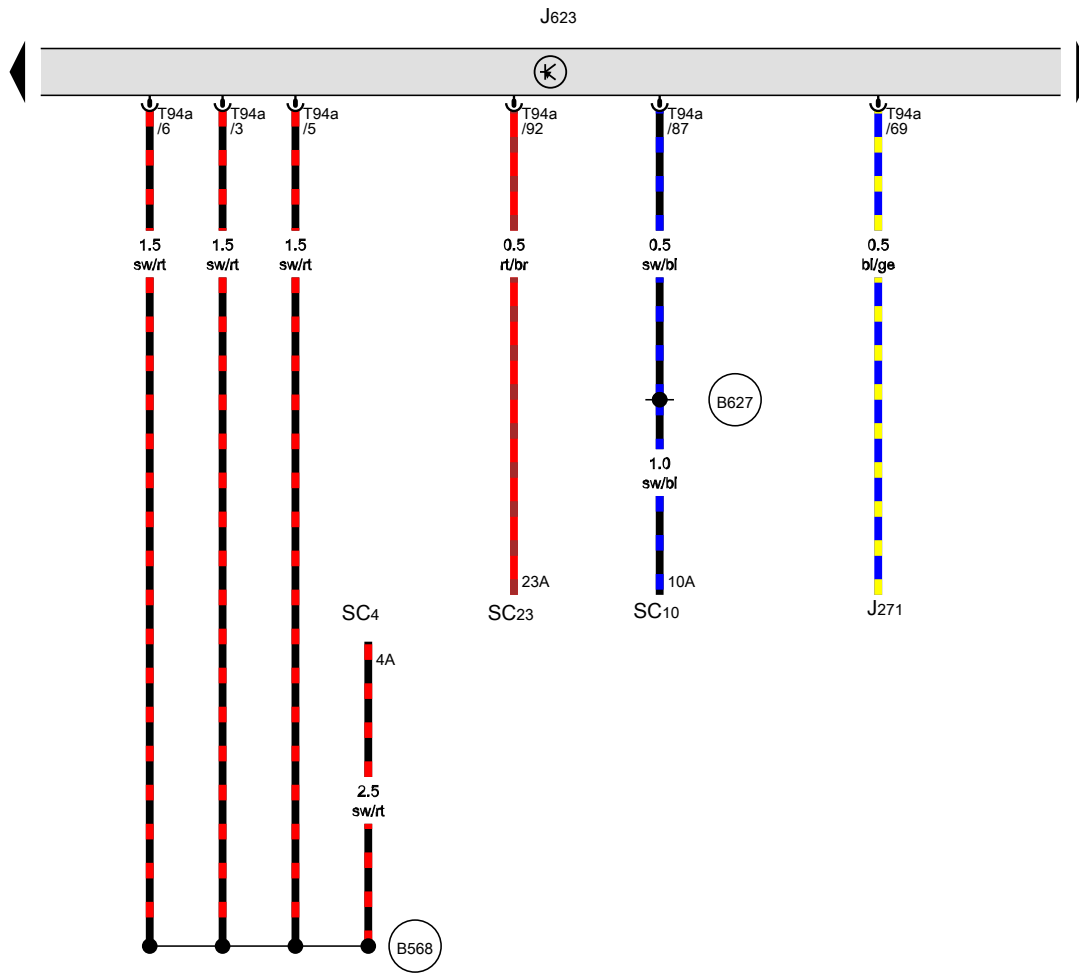


Onboard supply control unit, Engine control unit

- J519 Onboard supply control unit
- J623 Engine control unit
- T73b 73-pin connector
- T94a 94-pin connector, black

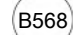
-  B383 Connection 1 (powertrain CAN bus, high), in main wiring harness
-  B390 Connection 1 (powertrain CAN bus, low), in main wiring harness
-  B441 Connection (CCS), in main wiring harness
- \* Only models with cruise control system (CCS)


- ws = white
- sw = black
- ro = red
- br = brown
- gn = green
- bl = blue
- gr = grey
- li = purple
- ge = yellow
- or = orange
- rs = pink



Main relay, Engine control unit, Fuse 4 on fuse holder C, Fuse 10 on fuse holder C, Fuse 23 on fuse holder C

- J271 Main relay, on relay carrier
- J623 Engine control unit
- SC4 Fuse 4 on fuse holder C
- SC10 Fuse 10 on fuse holder C
- SC23 Fuse 23 on fuse holder C
- T94a 94-pin connector, black

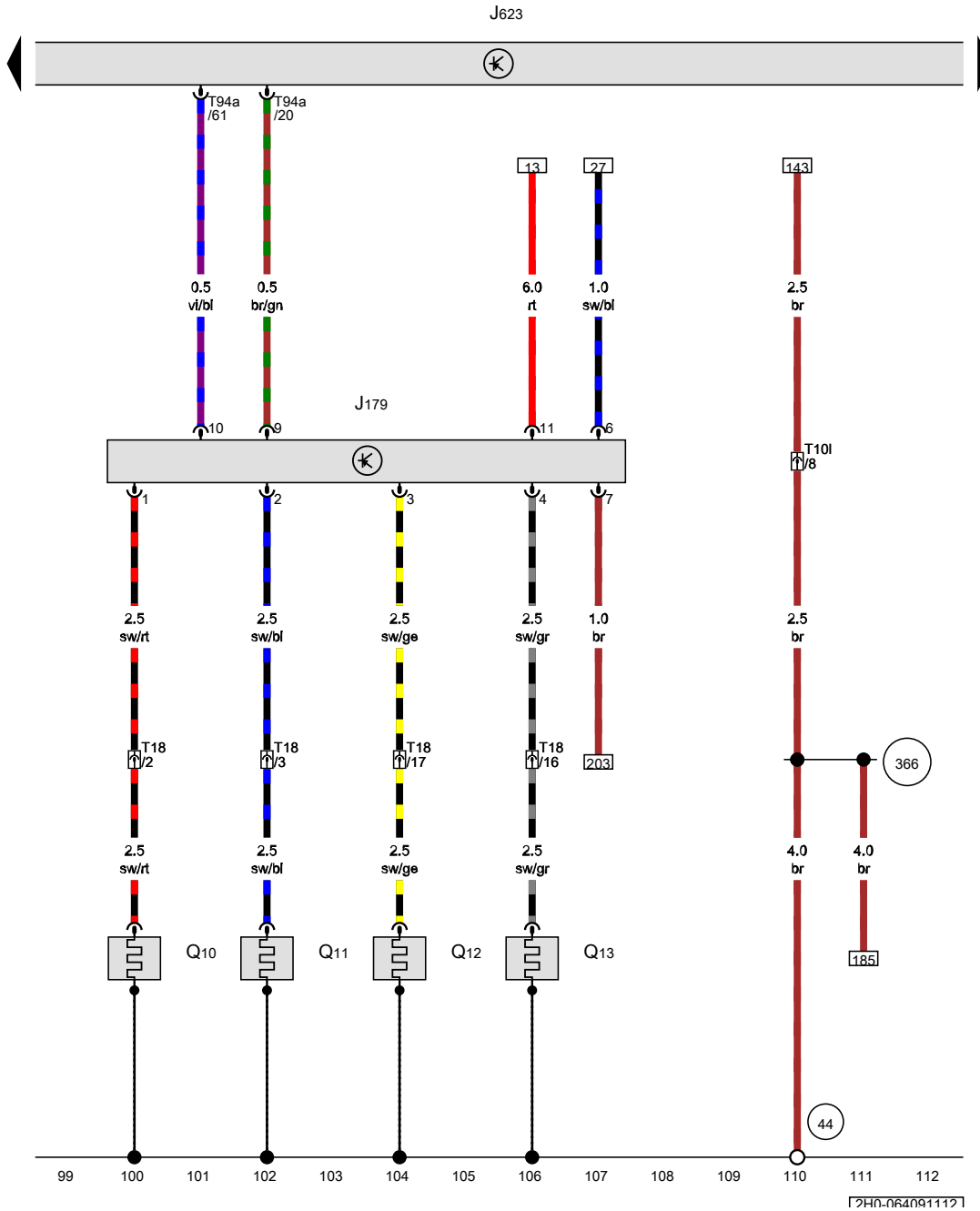
 B568 Connection 35, in main wiring harness

 B627 Positive connection 3 (15), in main wiring harness

- ws = white
- sw = black
- ro = red
- br = brown
- gn = green
- bl = blue
- gr = grey
- li = purple
- ge = yellow
- or = orange
- rs = pink

85 86 87 88 89 90 91 92 93 94 95 96 97 98

[240-064081112]



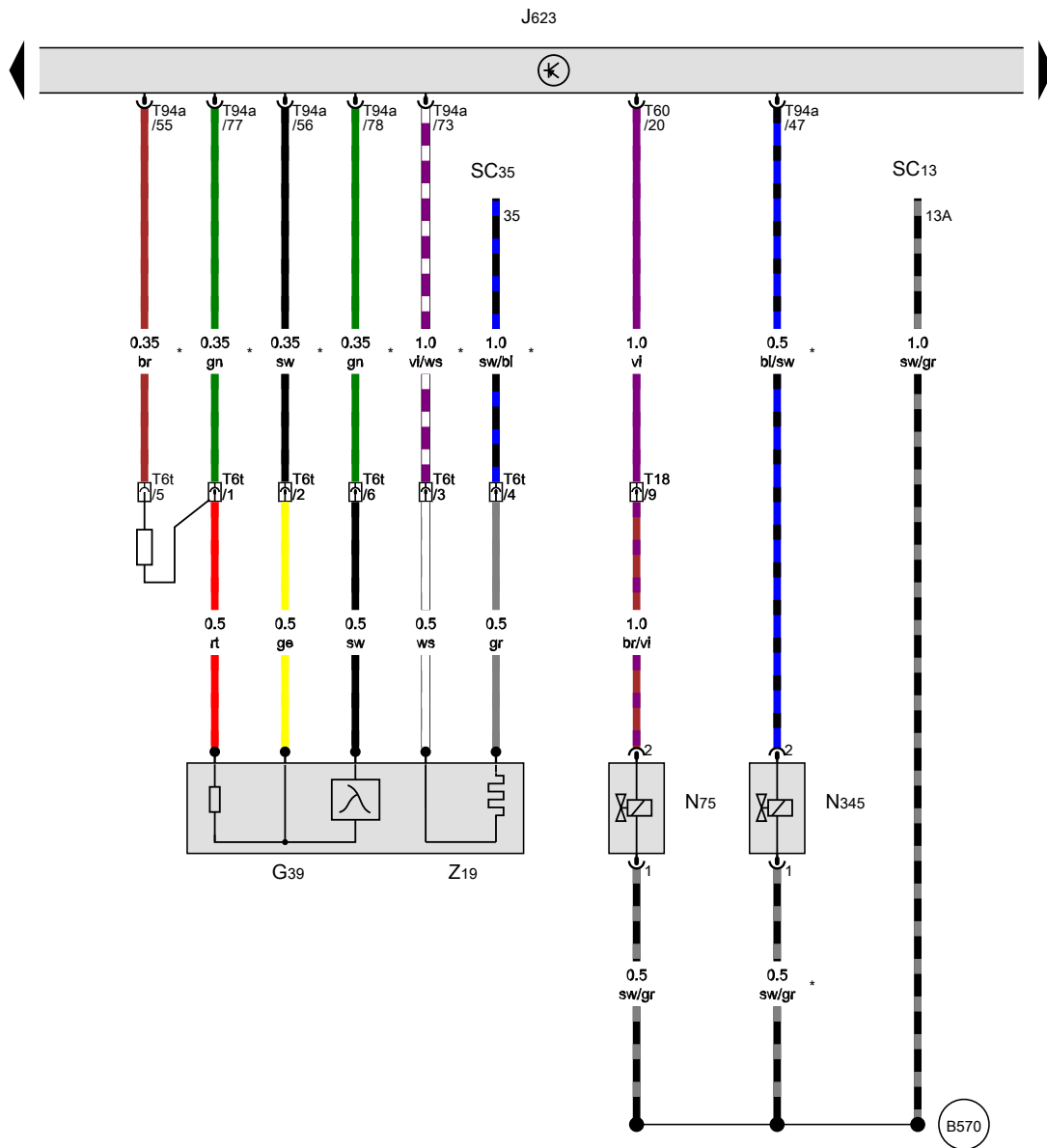
Automatic glow period control unit, Engine control unit, Glow plug 1, Glow plug 2, Glow plug 3, Glow plug 4

- J179 Automatic glow period control unit
- J623 Engine control unit
- Q10 Glow plug 1
- Q11 Glow plug 2
- Q12 Glow plug 3
- Q13 Glow plug 4
- T101 10-pin connector, on left under dash panel, blue
- T18 18-pin connector, near engine control unit, grey
- T94a 94-pin connector, black

- 44 Earth point, lower part of left A-pillar
- 366 Earth connection 1, in main wiring harness

- ws = white
- sw = black
- ro = red
- br = brown
- gn = green
- bl = blue
- gr = grey
- li = purple
- ge = yellow
- or = orange
- rs = pink

17H0-0640911121



Lambda probe, Engine control unit, Charge pressure control solenoid valve, Exhaust gas recirculation cooler changeover valve, Fuse 13 on fuse holder C, Fuse 35 on fuse holder C

- G39 Lambda probe
- J623 Engine control unit
- N75 Charge pressure control solenoid valve
- N345 Exhaust gas recirculation cooler changeover valve
- SC13 Fuse 13 on fuse holder C
- SC35 Fuse 35 on fuse holder C
- T6t 6-pin connector, front right in engine compartment, black
- T18 18-pin connector, near engine control unit, grey
- T60 60-pin connector, black
- T94a 94-pin connector, black
- Z19 Lambda probe heater

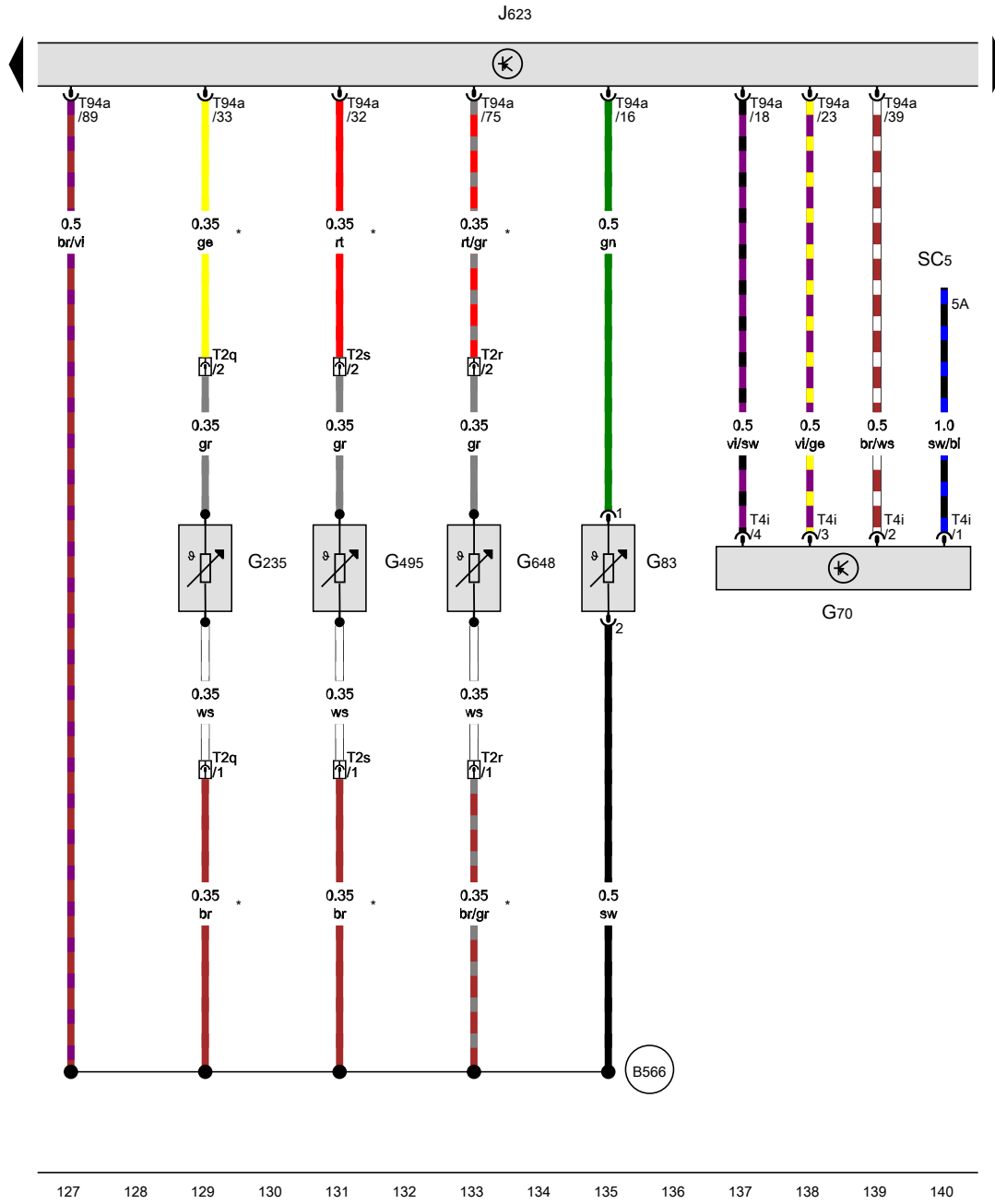
B570 Connection 37, in main wiring harness

\* Only models with Euro 5 emission standard

- ws = white
- sw = black
- ro = red
- br = brown
- gn = green
- bl = blue
- gr = grey
- li = purple
- ge = yellow
- or = orange
- rs = pink

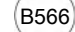
113 114 115 116 117 118 119 120 121 122 123 124 125 126

[PH0-064101117]



Air mass meter, Radiator outlet coolant temperature sender, Exhaust gas temperature sender 1, Exhaust gas temperature sender 3, Exhaust gas temperature sender 4, Engine control unit, Fuse 5 on fuse holder C

- G70 Air mass meter
- G83 Radiator outlet coolant temperature sender
- G235 Exhaust gas temperature sender 1
- G495 Exhaust gas temperature sender 3
- G648 Exhaust gas temperature sender 4
- J623 Engine control unit
- SC5 Fuse 5 on fuse holder C
- T2q 2-pin connector, black
- T2r 2-pin connector, orange
- T2s 2-pin connector, brown
- T4i 4-pin connector, black
- T94a 94-pin connector, black

 B566 Connection 33, in main wiring harness

\* Only models with Euro 5 emission standard

- ws = white
- sw = black
- ro = red
- br = brown
- gn = green
- bl = blue
- gr = grey
- li = purple
- ge = yellow
- or = orange
- rs = pink

127 128 129 130 131 132 133 134 135 136 137 138 139 140

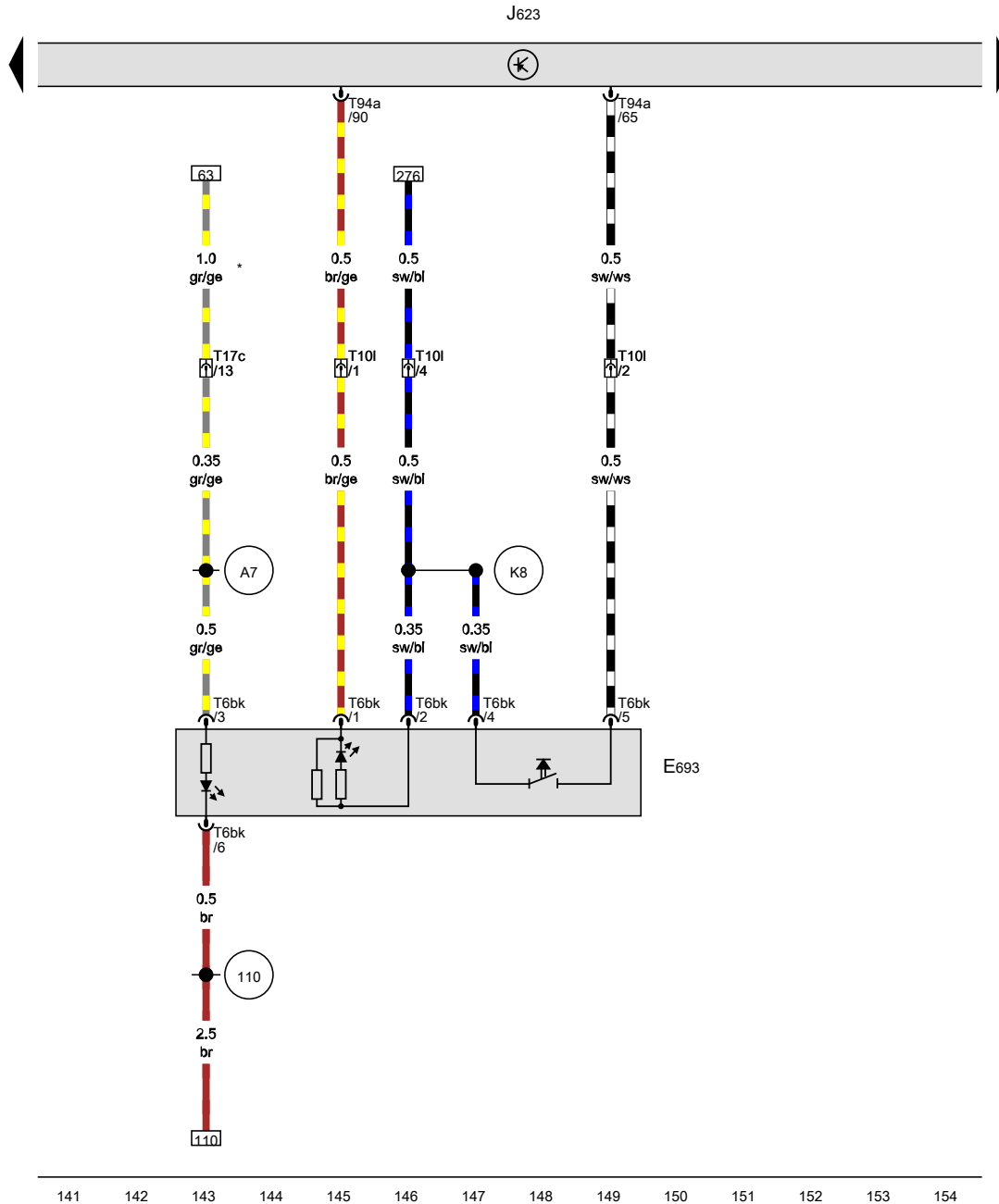
17H0-064111117

Start/Stop operation button, Engine control unit

- E693 Start/Stop operation button
- J623 Engine control unit
- T6bk 6-pin connector, green
- T10l 10-pin connector, on relay carrier, blue
- T17c 17-pin connector, on relay carrier, black
- T94a 94-pin connector, black

- 110 Earth connection 2, in dash panel wiring harness
- A7 Positive connection (58 D1), in dash panel wiring harness
- K8 Connection 1, in centre console wiring harness

\* Only models with no headlight range control, see respective Current Flow Diagram headlight

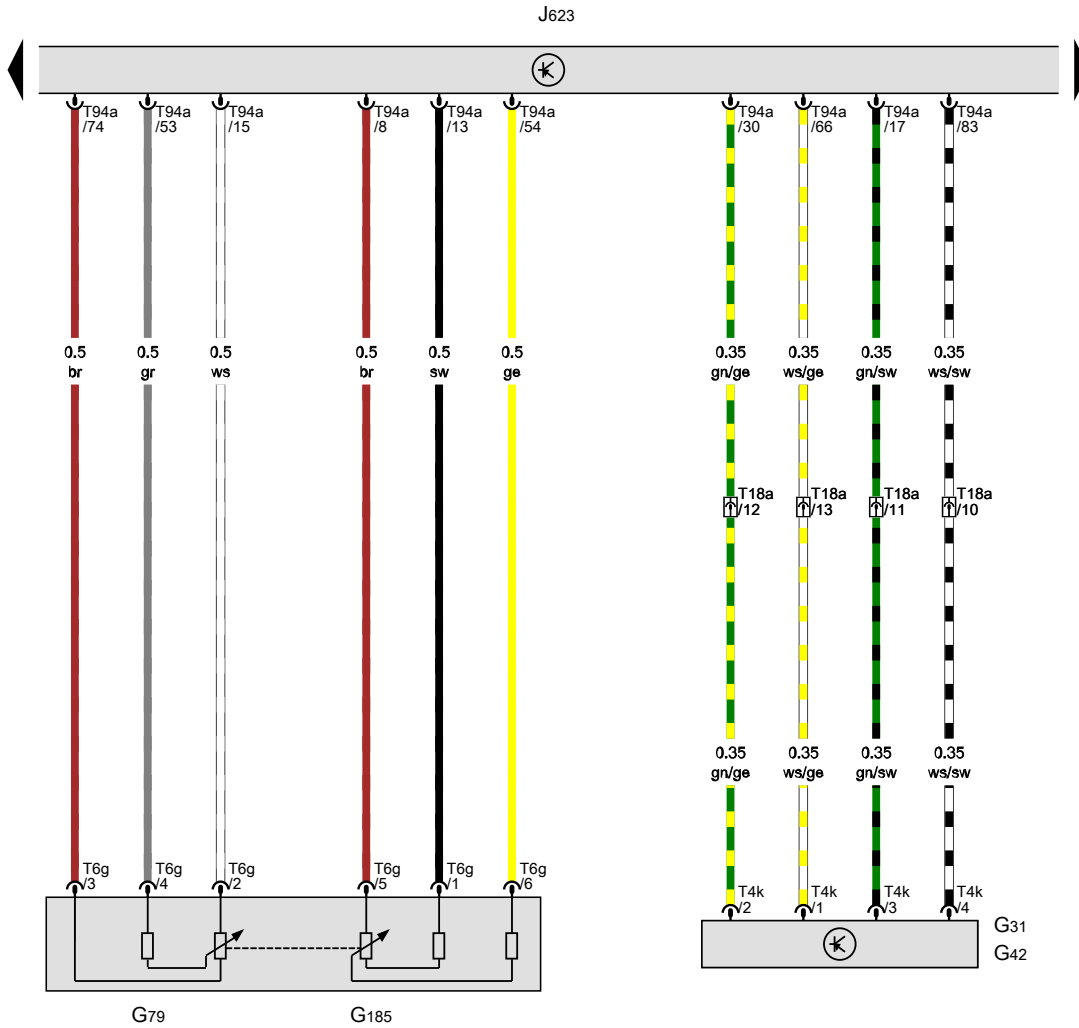


- ws = white
- sw = black
- ro = red
- br = brown
- gn = green
- bl = blue
- gr = grey
- li = purple
- ge = yellow
- or = orange
- rs = pink

141 142 143 144 145 146 147 148 149 150 151 152 153 154

[740-064121112]





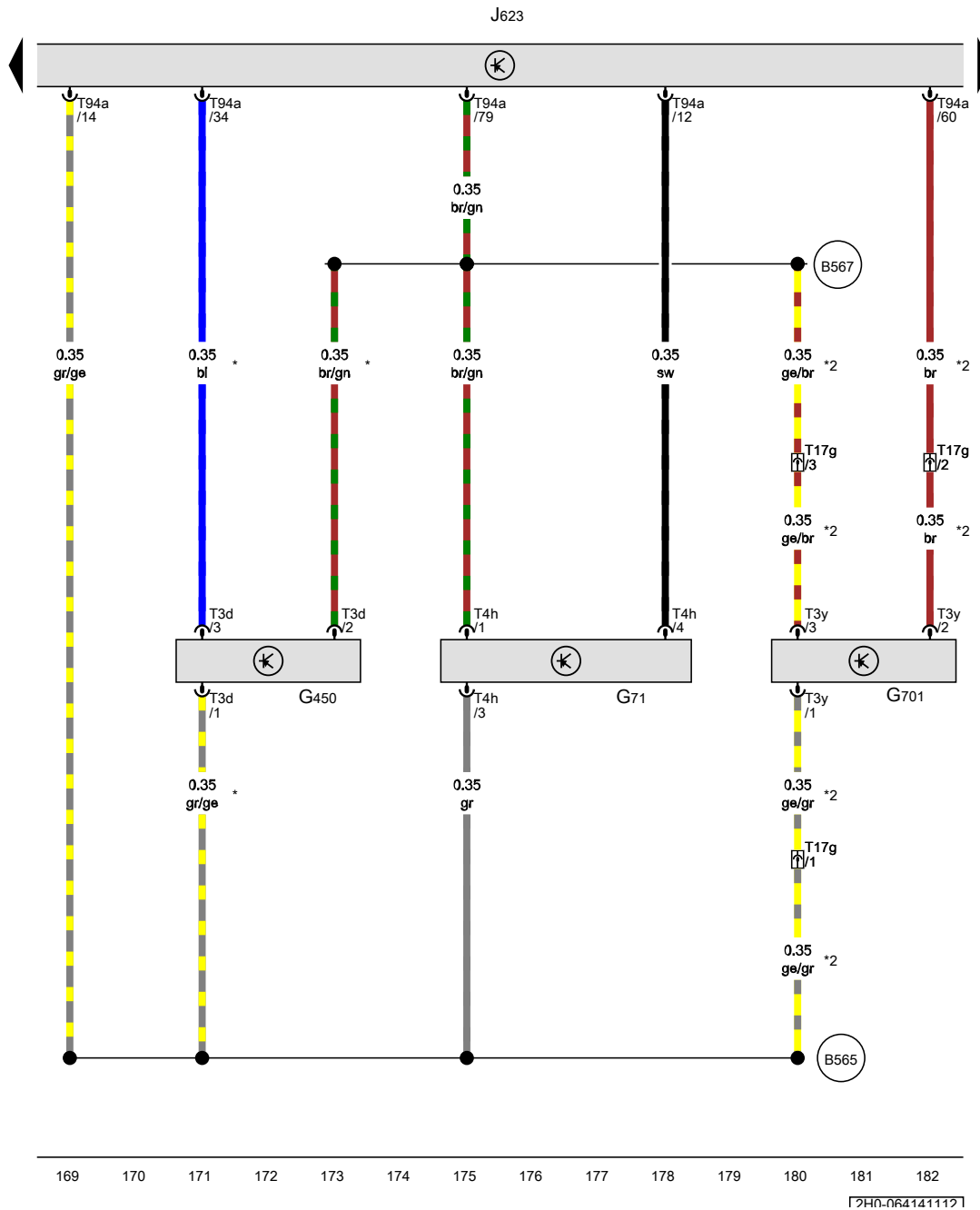
Charge pressure sender, Intake air temperature sender, Accelerator position sender, Accelerator position sender 2, Engine control unit

- G31 Charge pressure sender
- G42 Intake air temperature sender
- G79 Accelerator position sender
- G185 Accelerator position sender 2
- J623 Engine control unit
- T4k 4-pin connector, black
- T6g 6-pin connector, black
- T18a 18-pin connector, near engine control unit, grey
- T94a 94-pin connector, black

- ws = white
- sw = black
- ro = red
- br = brown
- gn = green
- bl = blue
- gr = grey
- li = purple
- ge = yellow
- or = orange
- rs = pink

155 156 157 158 159 160 161 162 163 164 165 166 167 168

[2H0-064131112]



**Intake manifold pressure sender, Exhaust gas pressure sensor 1, Engine control unit**

- G71 Intake manifold pressure sender
- G450 Exhaust gas pressure sensor 1
- G701 Gearbox neutral position sender
- J623 Engine control unit
- T3d 3-pin connector, black
- T3y 3-pin connector
- T4h 4-pin connector, black
- T17g 17-pin connector, near handbrake lever, black
- T94a 94-pin connector, black

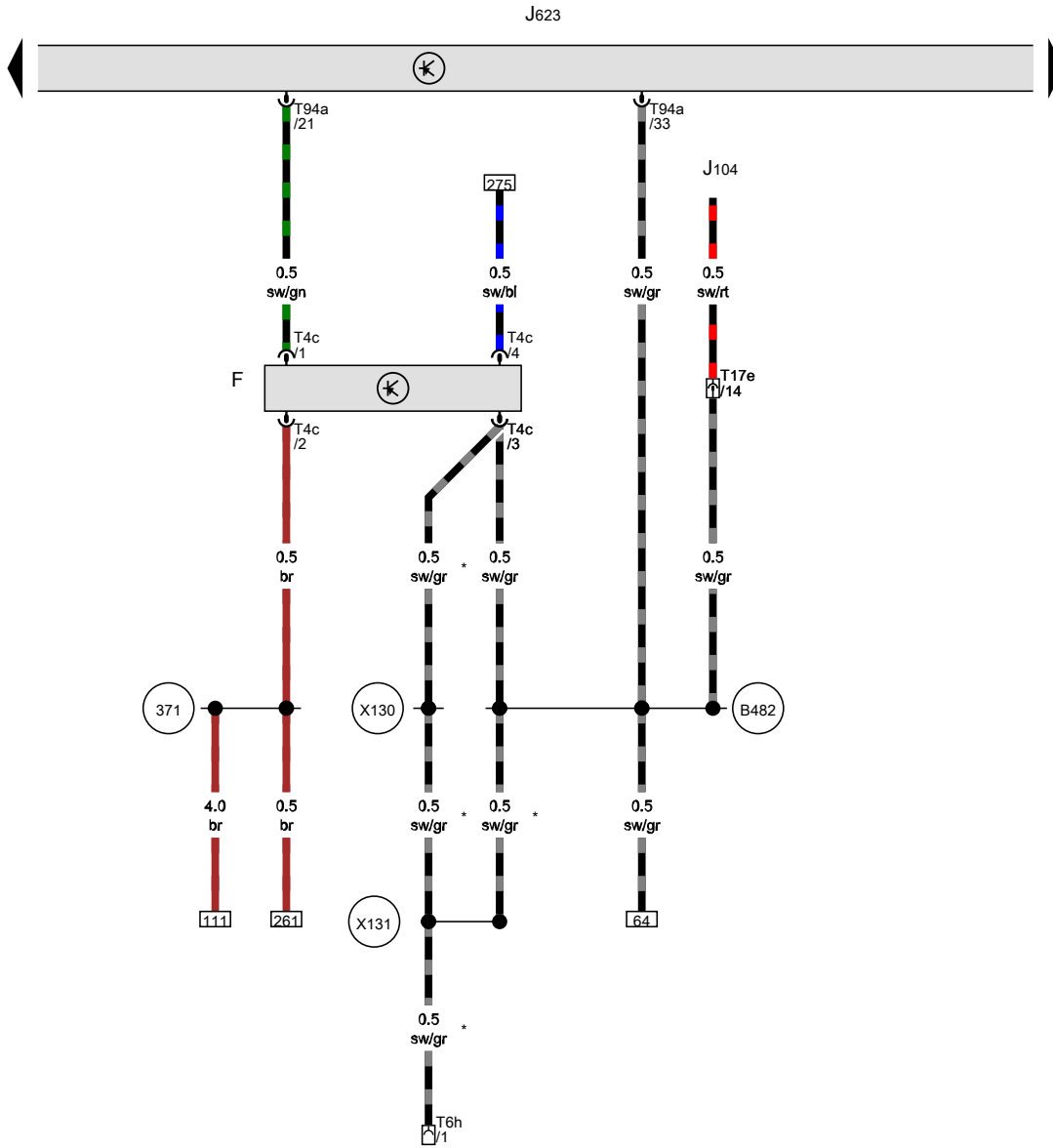
B565 Connection 32, in main wiring harness

B567 Connection 34, in main wiring harness

\* Only models with Euro 5 emission standard



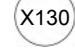
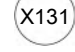
\*2 Only models with manual gearbox

- ws = white
- sw = black
- ro = red
- br = brown
- gn = green
- bl = blue
- gr = grey
- li = purple
- ge = yellow
- or = orange
- rs = pink



**Brake light switch, Engine control unit**

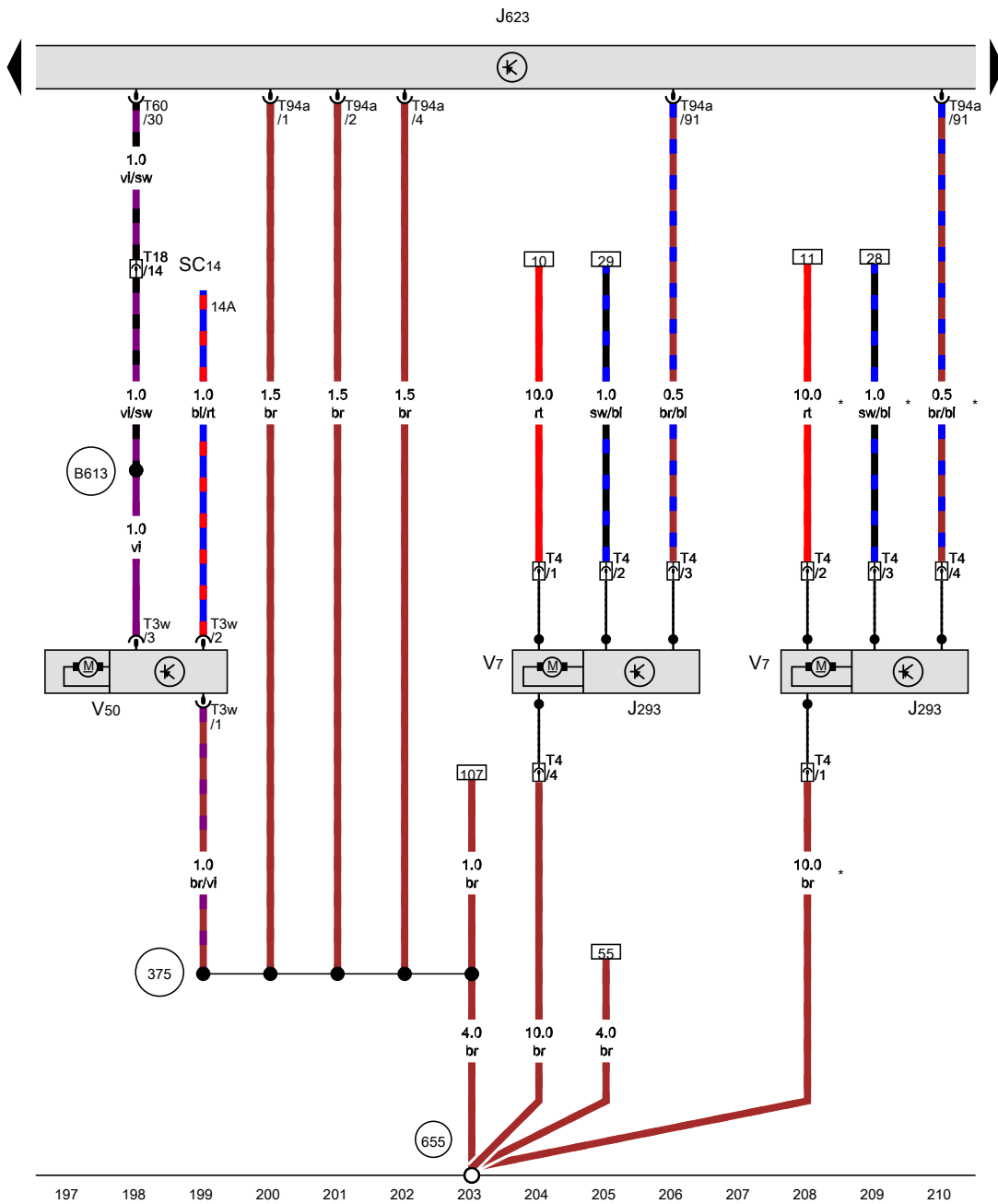
- F Brake light switch
- J104 ABS control unit
- J623 Engine control unit
- T4c 4-pin connector, black
- T6h 6-pin connector, in left footwell, near centre console, grey
- T17e 17-pin connector, near handbrake lever, red
- T94a 94-pin connector, black

-  371 Earth connection 6, in main wiring harness
-  B482 Connection 18, in main wiring harness
-  X130 Connection 3, in optional equipment wiring harness
-  X131 Connection 4, in optional equipment wiring harness
- \* Only models with electric interface for external use

- ws = white
- sw = black
- ro = red
- br = brown
- gn = green
- bl = blue
- gr = grey
- li = purple
- ge = yellow
- or = orange
- rs = pink

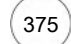


183 184 185 186 187 188 189 190 191 192 193 194 195 196

[PH0-064151112]



Radiator fan control unit, Engine control unit, Fuse 14 on fuse holder C, Radiator fan, Coolant circulation pump

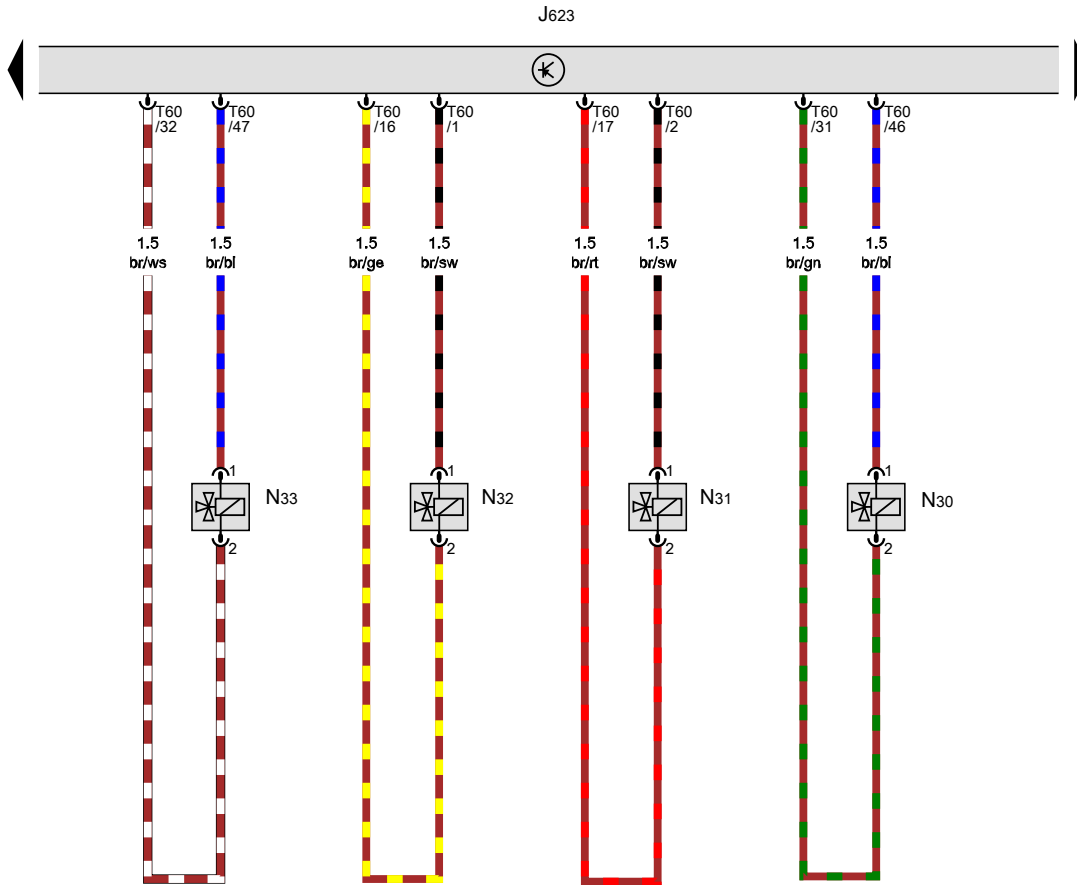
- J293 Radiator fan control unit
- J623 Engine control unit
- SC14 Fuse 14 on fuse holder C
- T3w 3-pin connector, black
- T4 4-pin connector, on radiator cowling, black
- T18 18-pin connector, near engine control unit, grey
- T60 60-pin connector, black
- T94a 94-pin connector, black
- V7 Radiator fan
- V50 Coolant circulation pump

-  375 Earth connection 10, in main wiring harness
-  655 Earth point, on left headlight
-  B613 Connection 41, in main wiring harness
- \* Hot country version

- ws = white
- sw = black
- ro = red
- br = brown
- gn = green
- bl = blue
- gr = grey
- li = purple
- ge = yellow
- or = orange
- rs = pink

Engine control unit, Injector, cylinder 1, Injector, cylinder 2, Injector, cylinder 3, Injector, cylinder 4

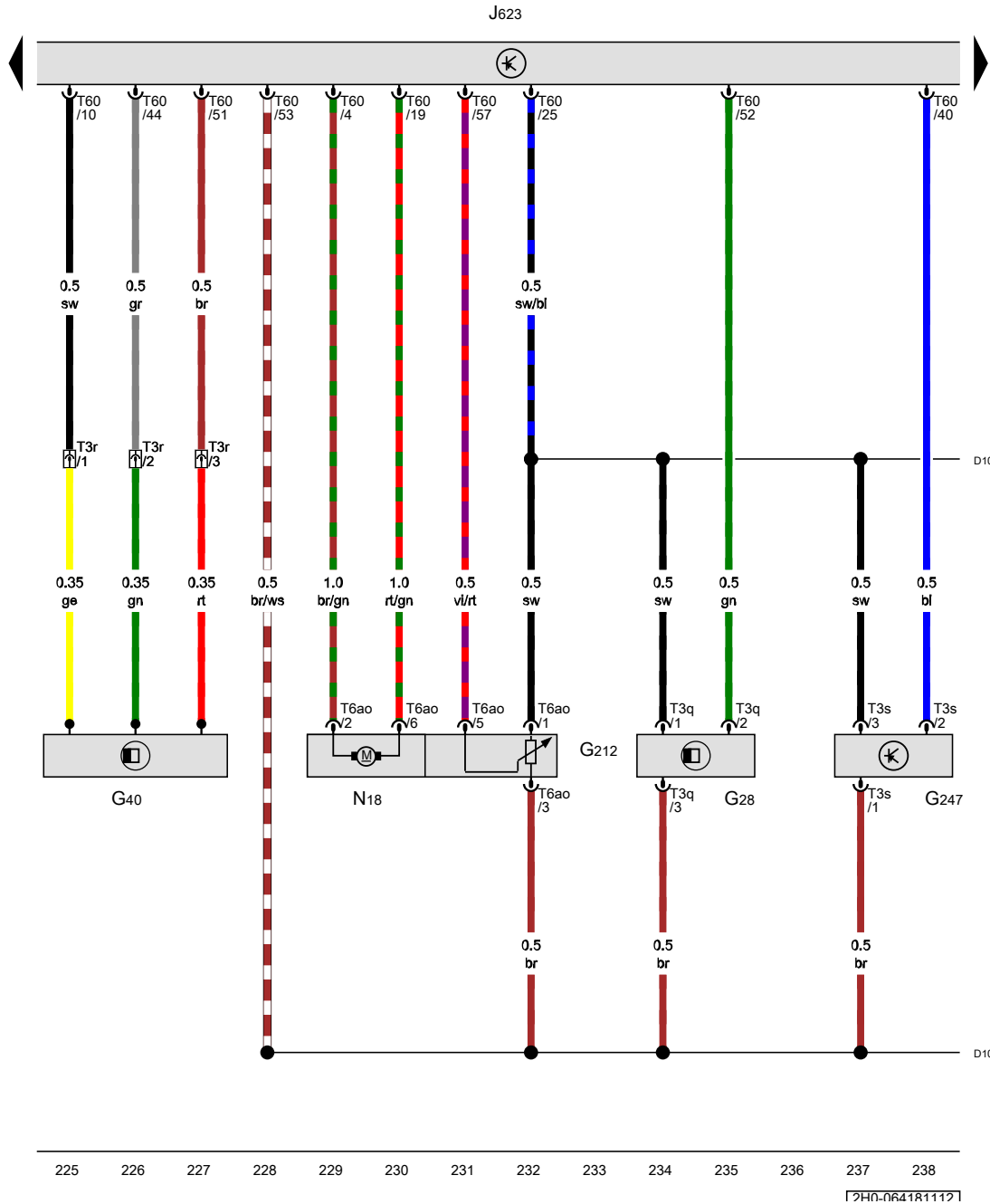
- J623 Engine control unit
- N30 Injector, cylinder 1
- N31 Injector, cylinder 2
- N32 Injector, cylinder 3
- N33 Injector, cylinder 4
- T60 60-pin connector, black



- ws = white
- sw = black
- ro = red
- br = brown
- gn = green
- bl = blue
- gr = grey
- li = purple
- ge = yellow
- or = orange
- rs = pink

211 212 213 214 215 216 217 218 219 220 221 222 223 224

[210-064171117]



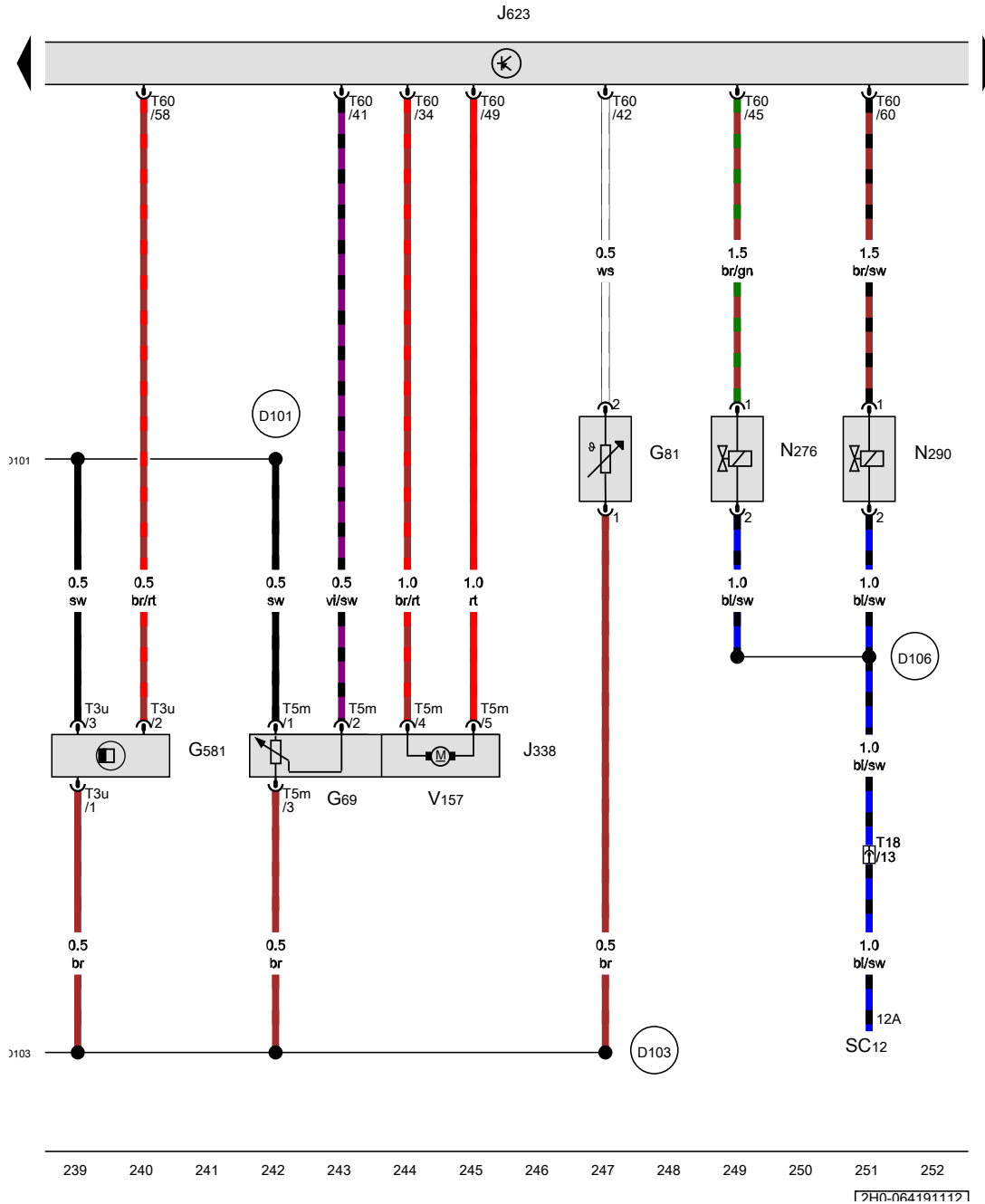
Hall sender, Exhaust gas recirculation potentiometer, Fuel pressure sender, Engine control unit, Exhaust gas recirculation valve

- G28 Engine speed sender
- G40 Hall sender
- G212 Exhaust gas recirculation potentiometer
- G247 Fuel pressure sender
- J623 Engine control unit
- N18 Exhaust gas recirculation valve
- T3q 3-pin connector, black
- T3r 3-pin connector, on front of engine, black
- T3s 3-pin connector, black
- T6ao 6-pin connector, grey
- T60 60-pin connector, black

D101 Connection 1 in engine compartment wiring harness

D103 Connection 3 in engine compartment wiring harness

- ws = white
- sw = black
- ro = red
- br = brown
- gn = green
- bl = blue
- gr = grey
- li = purple
- ge = yellow
- or = orange
- rs = pink



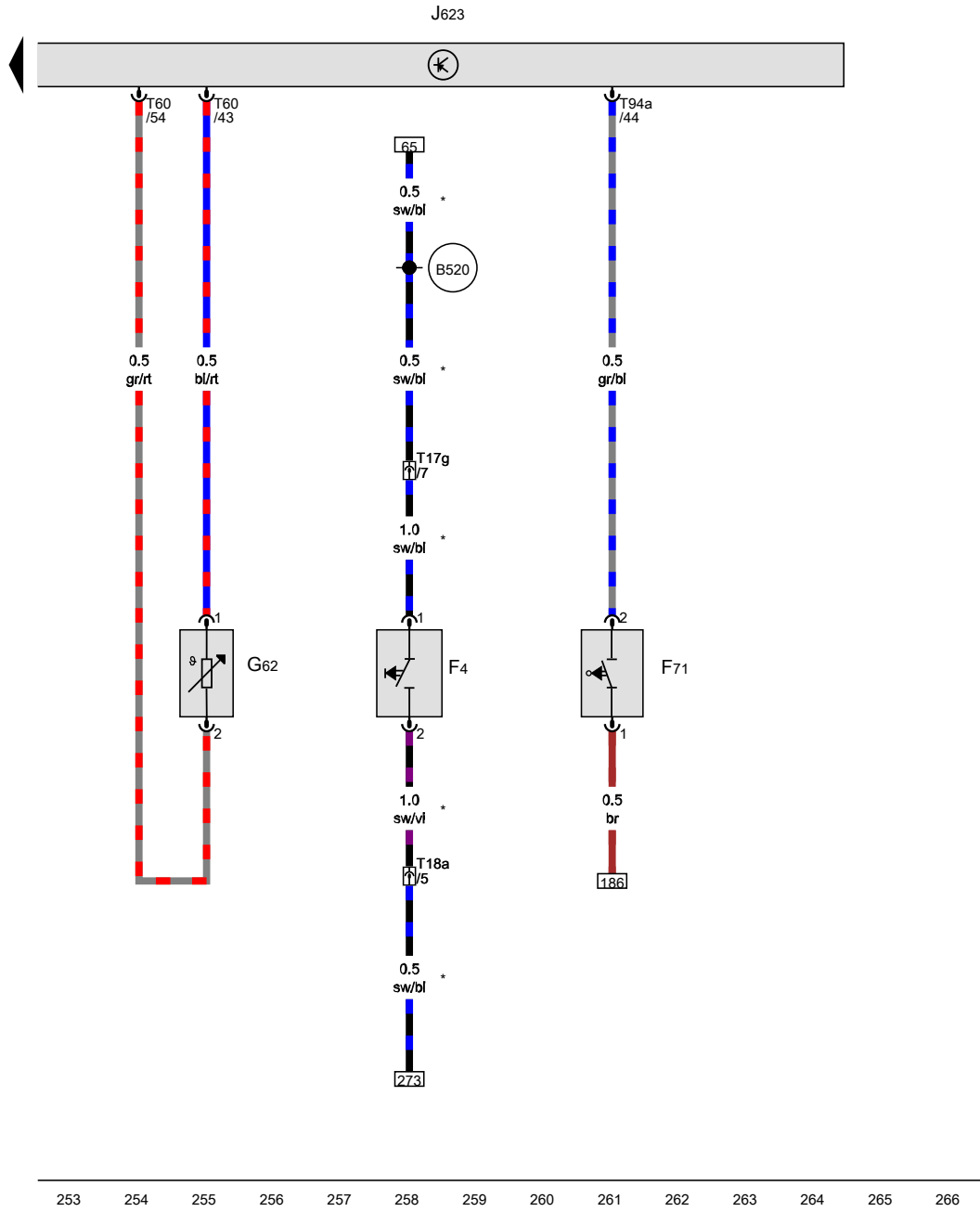
Throttle valve potentiometer, Fuel temperature sender, Position sender for charge pressure positioner, Throttle valve module, Engine control unit, Fuel pressure regulating valve, Fuel metering valve, Fuse 12 on fuse holder C, Intake manifold flap motor

- G69 Throttle valve potentiometer
- G81 Fuel temperature sender
- G581 Position sender for charge pressure positioner
- J338 Throttle valve module, black
- J623 Engine control unit
- N276 Fuel pressure regulating valve
- N290 Fuel metering valve
- SC12 Fuse 12 on fuse holder C
- T3u 3-pin connector, black
- T5m 5-pin connector, black
- T18 18-pin connector, near engine control unit, grey
- T60 60-pin connector, black
- V157 Intake manifold flap motor

- D101 Connection 1 in engine compartment wiring harness
- D103 Connection 3 in engine compartment wiring harness
- D106 Connection 4 in engine compartment wiring harness

- ws = white
- sw = black
- ro = red
- br = brown
- gn = green
- bl = blue
- gr = grey
- li = purple
- ge = yellow
- or = orange
- rs = pink

[740-064191117]



**Clutch pedal switch for stop/start system, Coolant temperature sender, Engine control unit**

- F4 Reversing light switch, on gearbox
- F71 Clutch pedal switch for stop/start system
- G62 Coolant temperature sender
- J623 Engine control unit
- T17g 17-pin connector, near handbrake lever, black
- T18a 18-pin connector, grey
- T60 60-pin connector, black
- T94a 94-pin connector, black

**B520** Connection (RL), in main wiring harness

\* Only models with manual gearbox

- ws = white
- sw = black
- ro = red
- br = brown
- gn = green
- bl = blue
- gr = grey
- li = purple
- ge = yellow
- or = orange
- rs = pink

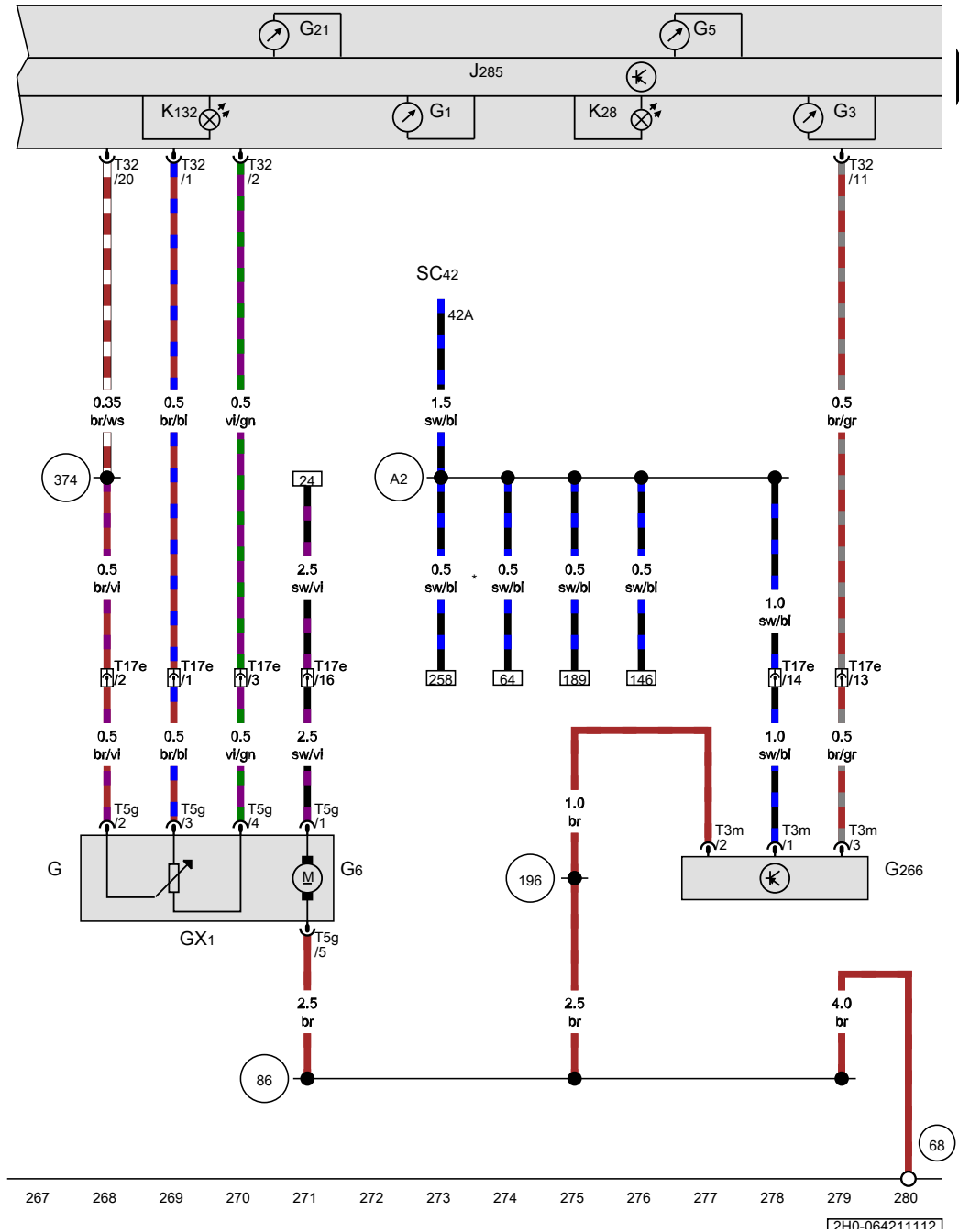
253 254 255 256 257 258 259 260 261 262 263 264 265 266

17H0-064201117

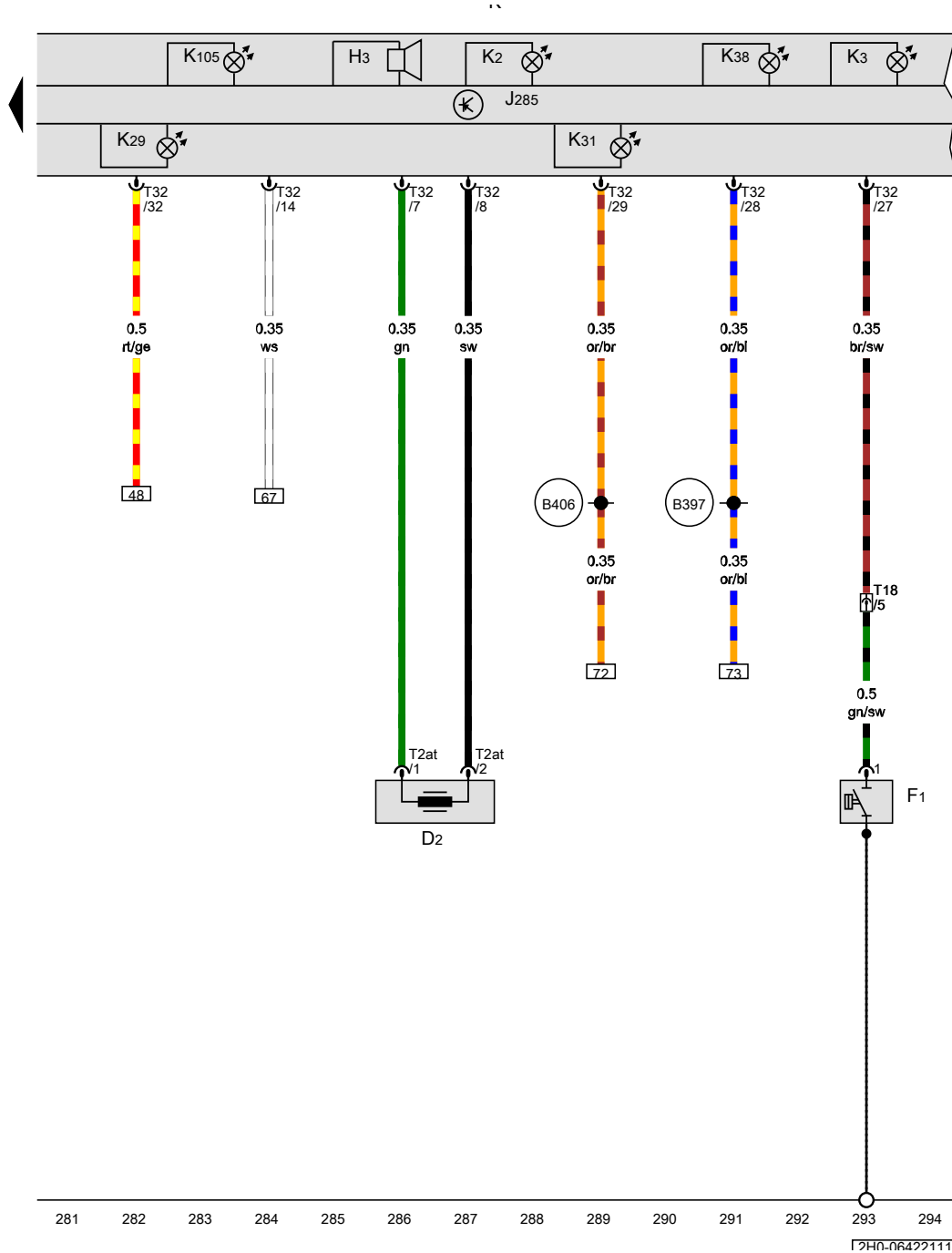


**Fuel system pressurisation pump, Oil level and oil temperature sender, Dash panel insert, Fuse 42 on fuse holder C**

- G Fuel gauge sender
- GX1 Fuel delivery unit
- G1 Fuel gauge
- G3 Coolant temperature gauge
- G5 Rev. counter
- G6 Fuel system pressurisation pump
- G21 Speedometer
- G266 Oil level and oil temperature sender
- J285 Control unit in dash panel insert
- K Dash panel insert
- K28 Coolant temperature and coolant shortage warning lamp
- K132 Electronic power control fault lamp
- SC42 Fuse 42 on fuse holder C
- T3m 3-pin connector, black
- T5g 5-pin connector, black
- T17e 17-pin connector, near handbrake lever, red
- T32 32-pin connector, blue
- 68 Earth point, on left of rear cross member
- 86 Earth connection 1, in rear wiring harness
- 196 Earth connection 3, in rear wiring harness
- 374 Earth connection 9, in main wiring harness
- A2 Positive connection (15), in dash panel wiring harness
- \* Only models with manual gearbox



- ws = white
- sw = black
- ro = red
- br = brown
- gn = green
- bl = blue
- gr = grey
- li = purple
- ge = yellow
- or = orange
- rs = pink



Oil pressure switch, Dash panel insert

- D2 Immobiliser reader coil
- F1 Oil pressure switch
- H3 Buzzer and gong
- J285 Control unit in dash panel insert
- K Dash panel insert
- K2 Alternator warning lamp
- K3 Oil pressure warning lamp
- K29 Glow period warning lamp
- K31 Cruise control system warning lamp
- K38 Oil level warning lamp
- K105 Reserve fuel warning lamp
- T2at 2-pin connector, orange
- T18 18-pin connector, near engine control unit, grey
- T32 32-pin connector, blue
- B397 Connection 1 (convenience CAN bus, high), in main wiring harness
- B406 Connection 1 (convenience CAN bus, low), in main wiring harness

- ws = white
- sw = black
- ro = red
- br = brown
- gn = green
- bl = blue
- gr = grey
- li = purple
- ge = yellow
- or = orange
- rs = pink

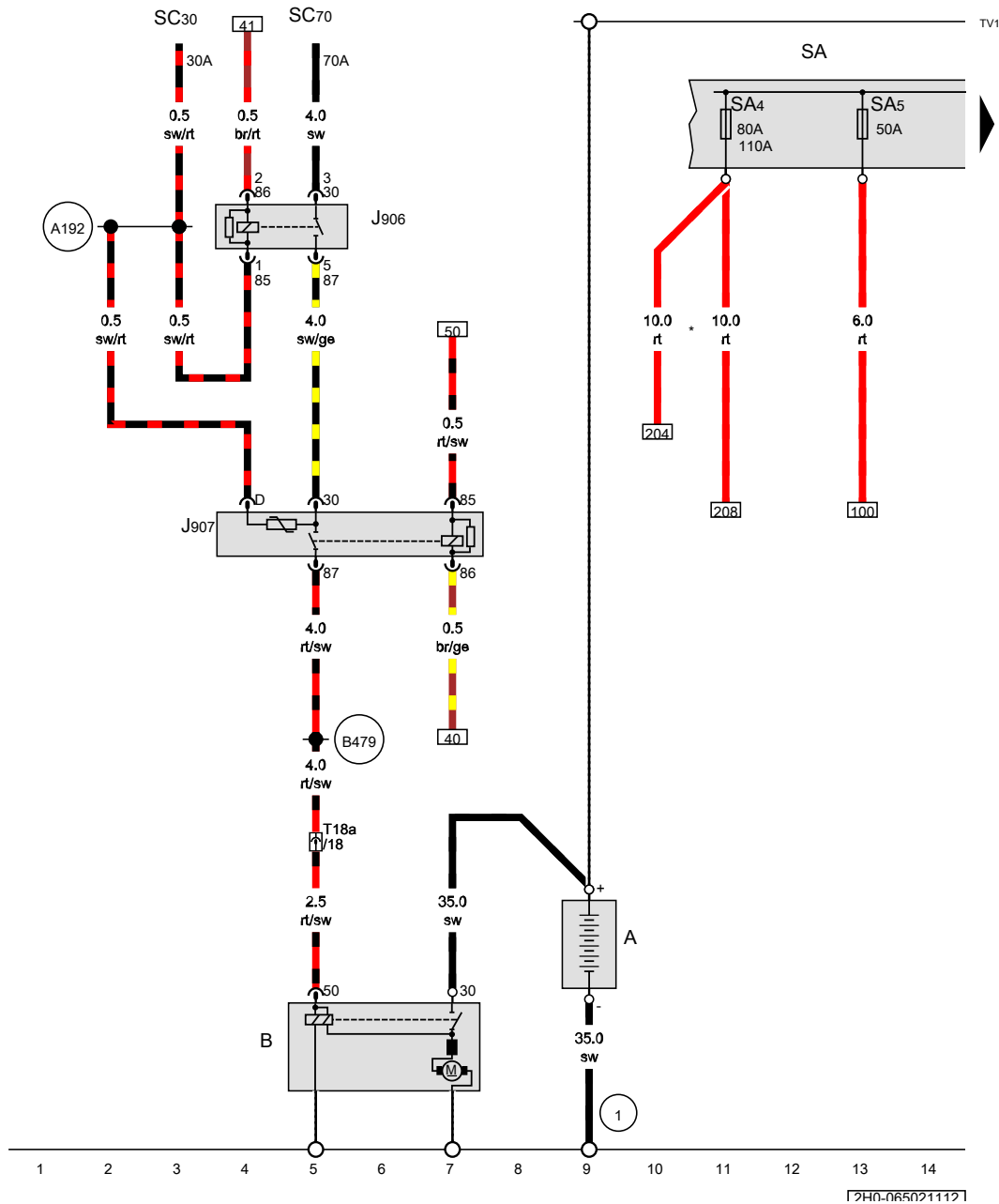
281 282 283 284 285 286 287 288 289 290 291 292 293 294

[740-064271117]

**2.0l diesel engine , CNEA,CSHA,CNFA,CNFB,(7L6)**

From June 2012

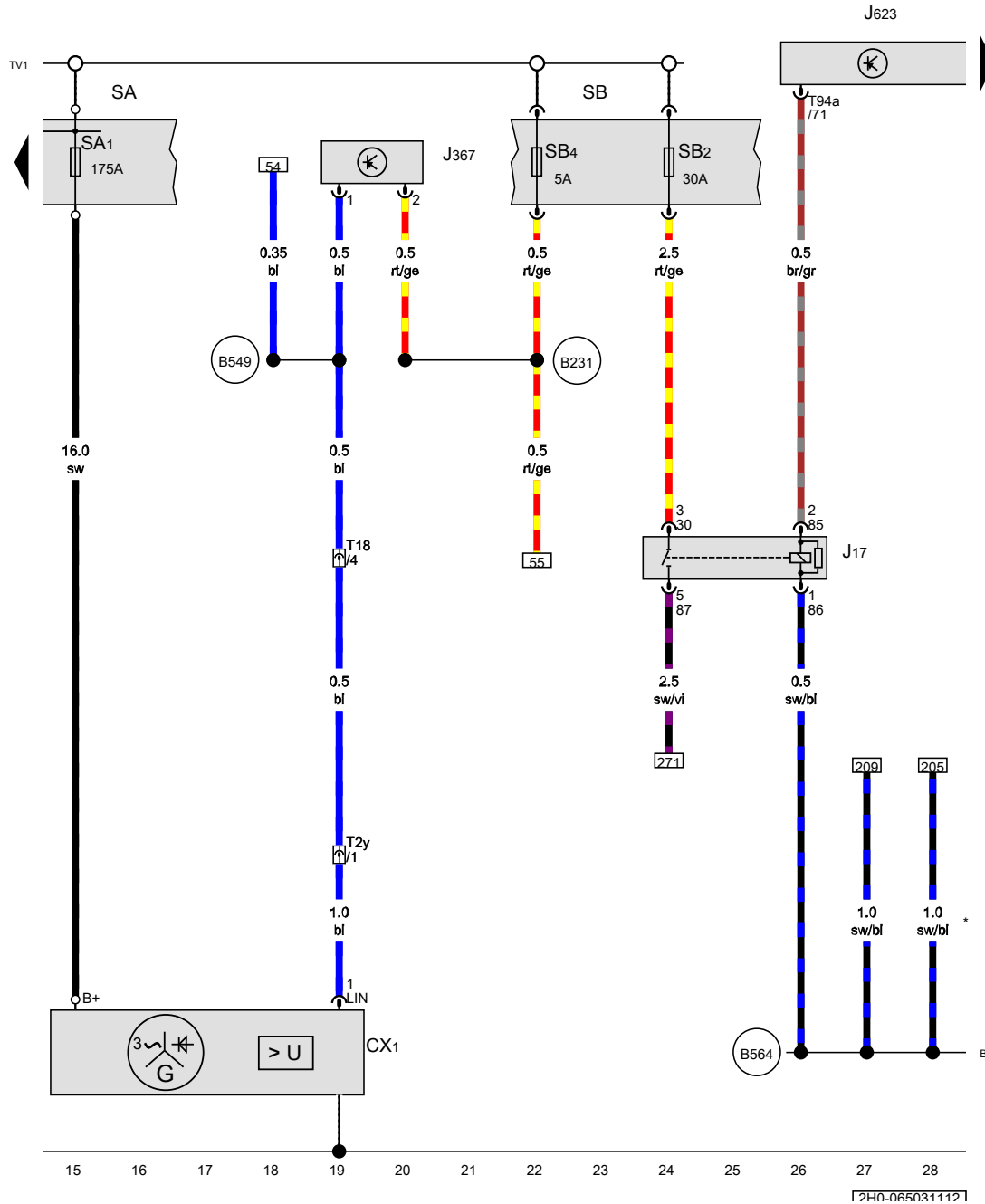
Battery, Starter, Starter relay 1, Starter relay 2, Fuse holder A, Fuse 5 in fuse holder A



- A Battery
- B Starter
- J906 Starter relay 1
- J907 Starter relay 2
- SA Fuse holder A
- SA4 Fuse 4 in fuse holder A
- SA5 Fuse 5 in fuse holder A
- SC30 Fuse 30 on fuse holder C
- SC70 Fuse 70 on fuse holder C
- T18a 18-pin connector, near engine control unit, grey

- 1 Earth strap, battery - body
- A192 Positive connection 3 (15a) in dash panel wiring harness
- B479 Connection 15, in main wiring harness
- \* Hot country version

- ws = white
- sw = black
- ro = red
- br = brown
- gn = green
- bl = blue
- gr = grey
- li = purple
- ge = yellow
- or = orange
- rs = pink



**Alternator with voltage regulator, Fuel pump relay, Battery monitor control unit, Engine control unit, Fuse holder A, Fuse holder B**

- CX1 Alternator with voltage regulator
- J17 Fuel pump relay
- J367 Battery monitor control unit
- J623 Engine control unit
- SA Fuse holder A
- SA1 Fuse 1 in fuse holder A
- SB Fuse holder B
- SB2 Fuse 2 on fuse holder B
- SB4 Fuse 4 on fuse holder B
- T2y 2-pin connector, front left in engine compartment, black
- T18 18-pin connector, near engine control unit, black
- T94a 94-pin connector, black

(B231) Positive connection 5 (30a), in interior wiring harness

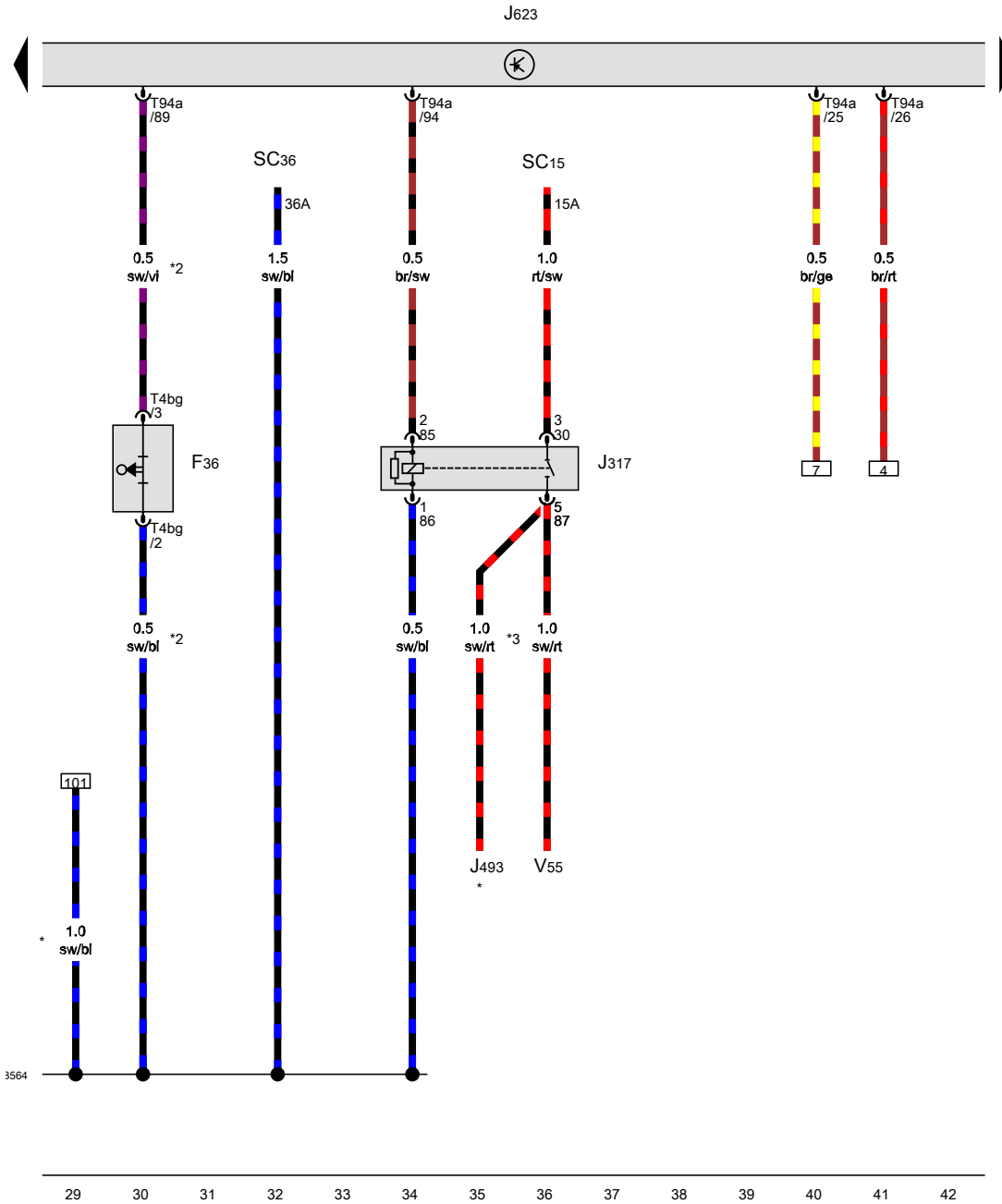
(B549) Connection 2 (LIN bus) in main wiring harness

(B564) Connection 31, in main wiring harness

\* Hot country version

- ws = white
- sw = black
- ro = red
- br = brown
- gn = green
- bl = blue
- gr = grey
- li = purple
- ge = yellow
- or = orange
- rs = pink

1740-0650311121

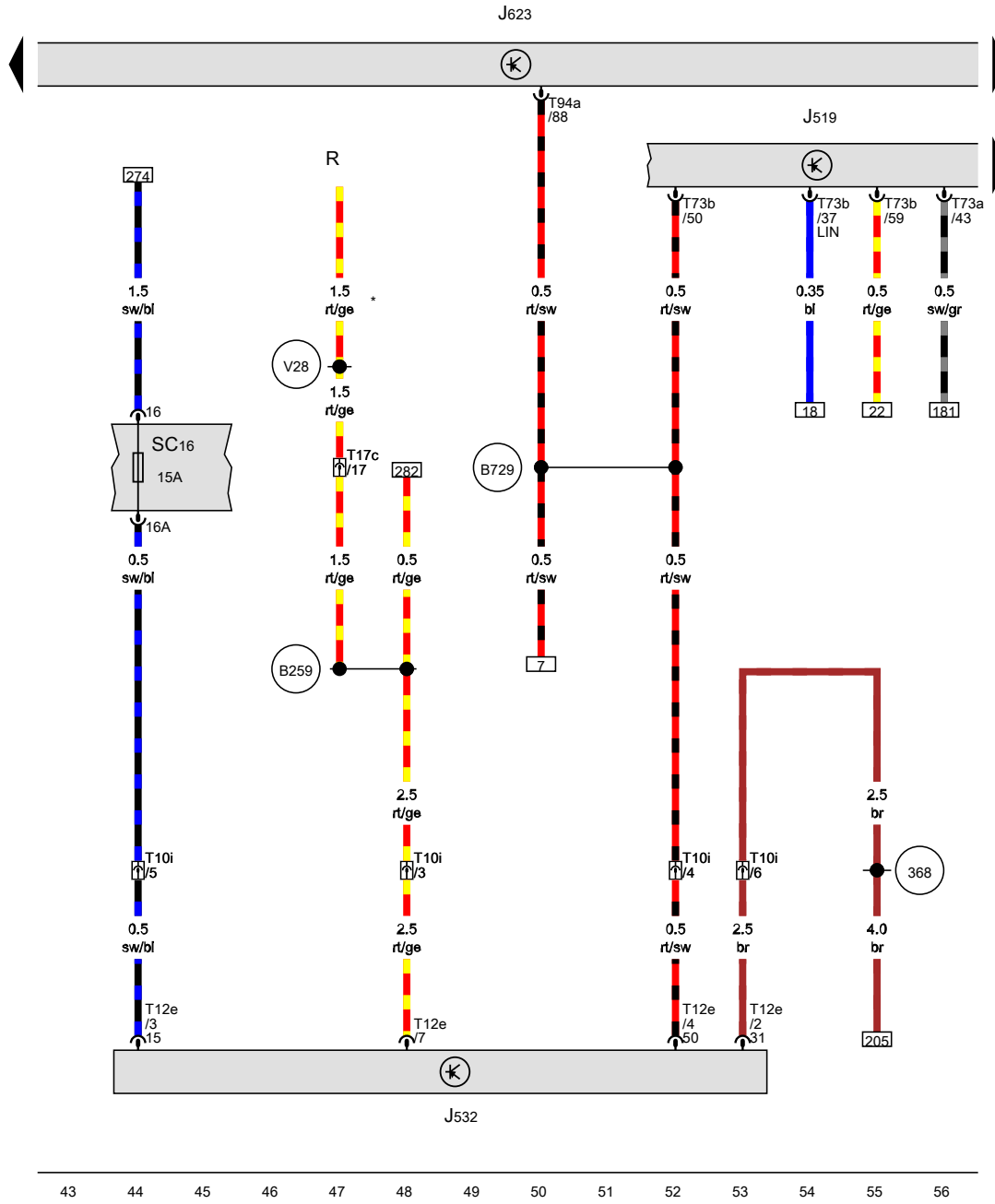


Terminal 30 voltage supply relay, Auxiliary coolant heater relay, Engine control unit, Fuse 15 on fuse holder C, Fuse 36 on fuse holder C

- F36 Clutch pedal switch
- J317 Terminal 30 voltage supply relay, on relay carrier
- J493 Auxiliary coolant heater relay
- J623 Engine control unit
- SC15 Fuse 15 on fuse holder C
- SC36 Fuse 36 on fuse holder C
- T4bg 4-pin connector
- T94a 94-pin connector, black
- V55 Circulation pump
- B564** Connection 31, in main wiring harness
- \* see applicable current flow diagram for air conditioning
- \*2 Only models with manual gearbox
- \*3 Only models with Climatronic

- ws = white
- sw = black
- ro = red
- br = brown
- gn = green
- bl = blue
- gr = grey
- li = purple
- ge = yellow
- or = orange
- rs = pink

[240-065041112]



Onboard supply control unit, Voltage stabiliser, Engine control unit, Fuse 16 on fuse holder C

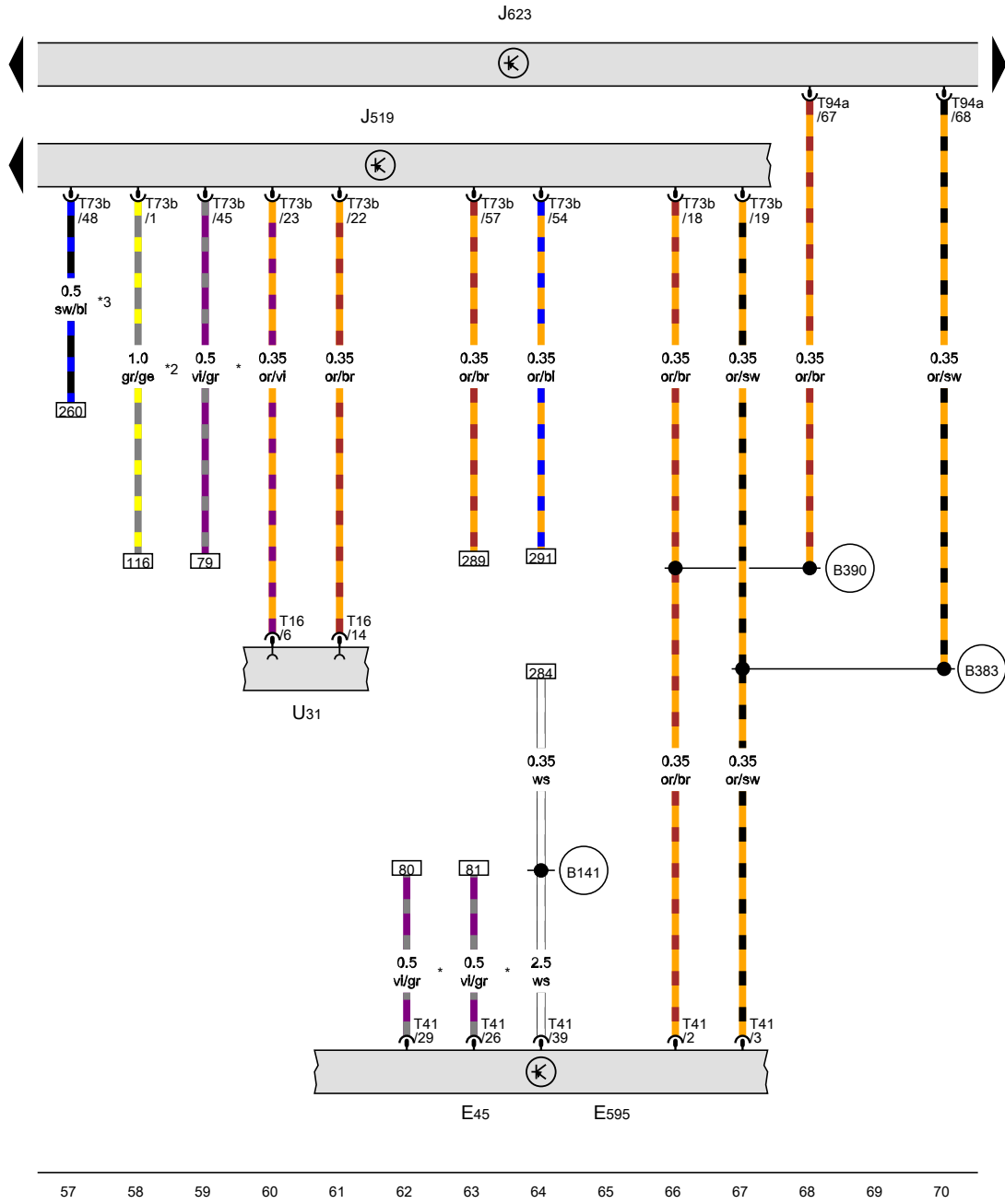
- J519 Onboard supply control unit
- J532 Voltage stabiliser, in front left wing
- J623 Engine control unit
- R Radio
- SC16 Fuse 16 on fuse holder C
- T10i 10-pin connector, on left wheel housing, black
- T12e 12-pin connector, black
- T17c 17-pin connector, on left under dash panel, black
- T73a 73-pin connector, black
- T73b 73-pin connector, colourless
- T94a 94-pin connector, black

- 368 Earth connection 3, in main wiring harness
- B259 Connection (start/stop signal), in interior wiring harness
- B729 Connection 1 (50), in main wiring harness
- V28 Connection 1, in radio wiring harness
- \* see applicable current flow diagram

- ws = white
- sw = black
- ro = red
- br = brown
- gn = green
- bl = blue
- gr = grey
- li = purple
- ge = yellow
- or = orange
- rs = pink

43 44 45 46 47 48 49 50 51 52 53 54 55 56

[240-065051117]



Cruise control system switch, Steering column combination switch, Onboard supply control unit, Engine control unit

- E45 Cruise control system switch
- E595 Steering column combination switch
- J519 Onboard supply control unit
- J623 Engine control unit
- T16 16-pin connector, black
- T41 41-pin connector, grey
- T73b 73-pin connector, colourless
- T94a 94-pin connector, black
- U31 Diagnostic connection

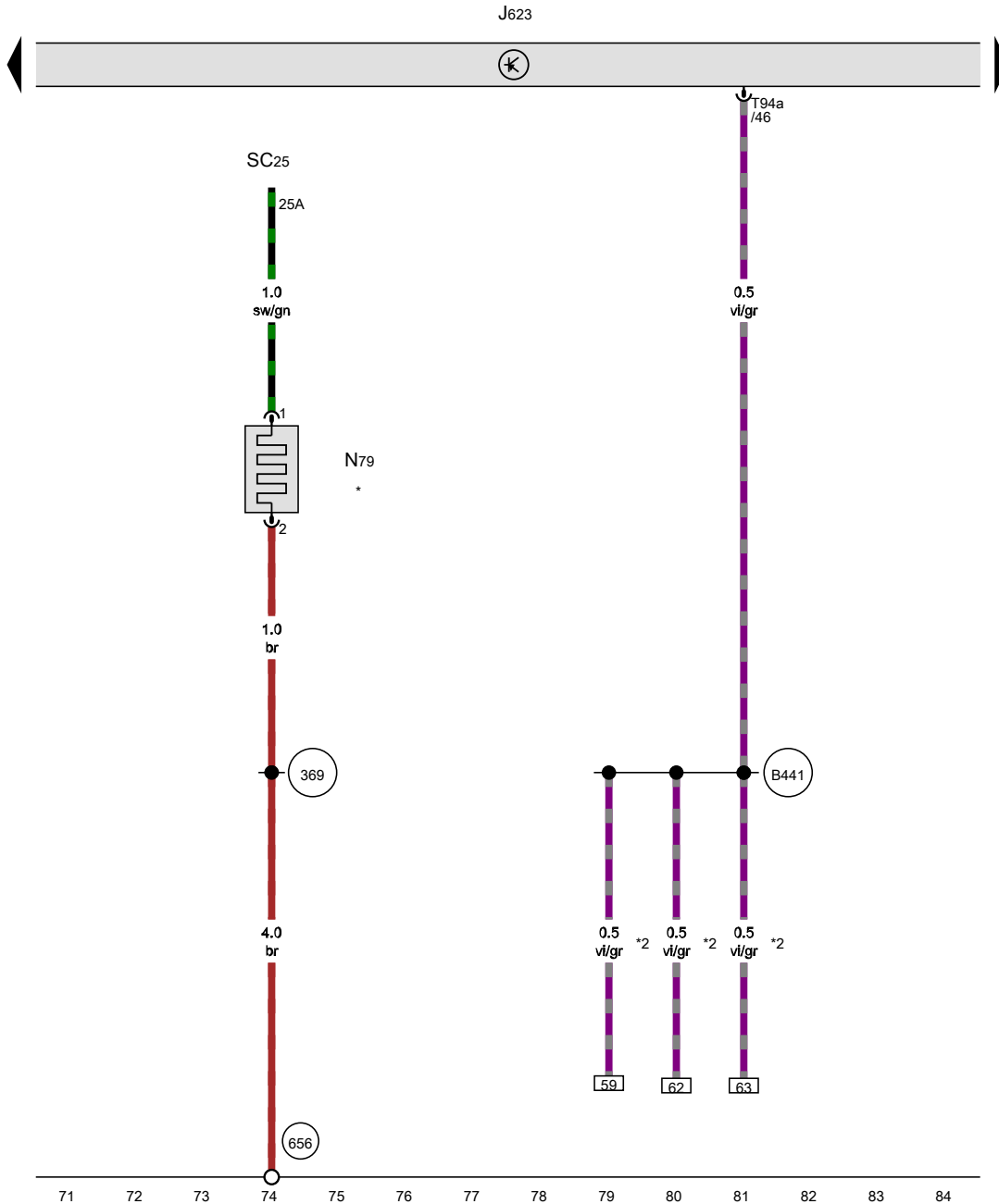
- B141 Positive connection 1 (56a), in interior wiring harness
- B383 Connection 1 (powertrain CAN bus, high), in main wiring harness
- B390 Connection 1 (powertrain CAN bus, low), in main wiring harness
- \* Only models with cruise control system (CCS)
- \*2 Only models with no headlight range control, see respective Current Flow Diagram headlight
- \*3 Only models with manual gearbox

- ws = white
- sw = black
- ro = red
- br = brown
- gn = green
- bl = blue
- gr = grey
- li = purple
- ge = yellow
- or = orange
- rs = pink

57 58 59 60 61 62 63 64 65 66 67 68 69 70



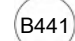
[240-065061112]





**Engine control unit, Heater element for crankcase breather, Fuse 25 on fuse holder C**

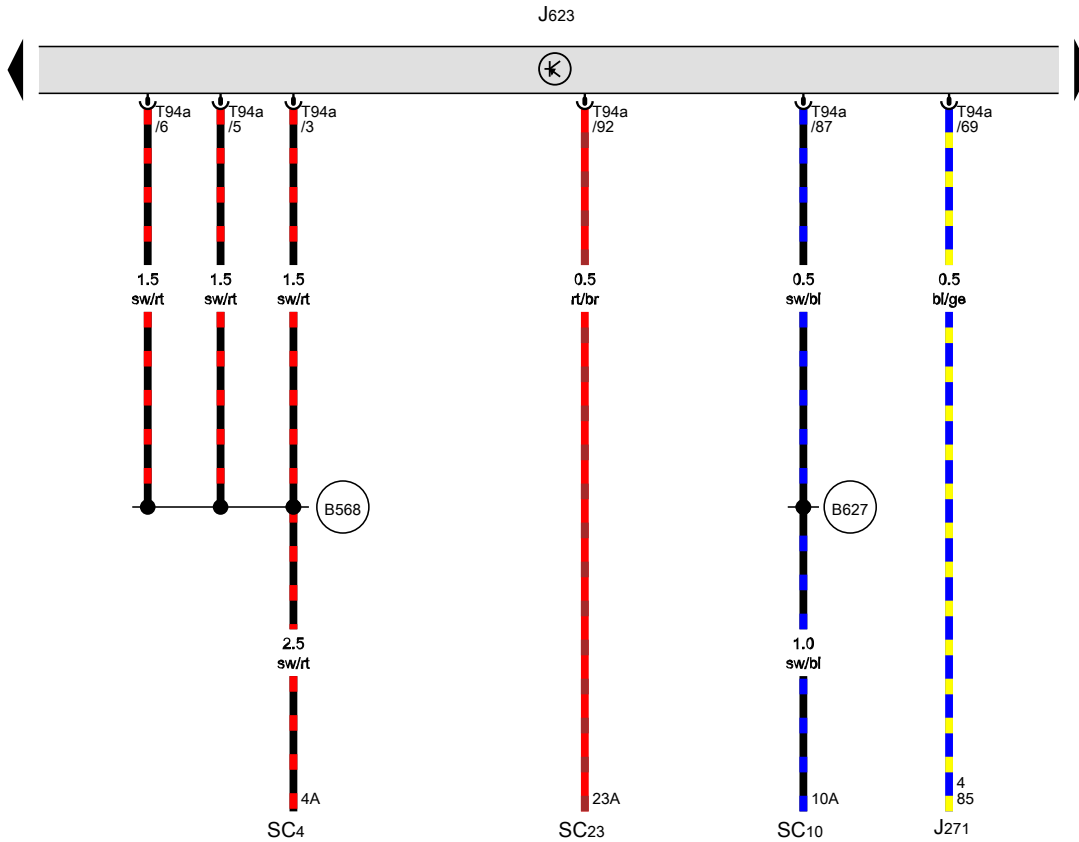
- J623 Engine control unit
- N79 Heater element for crankcase breather
- SC25 Fuse 25 on fuse holder C
- T94a 94-pin connector, black

-  369 Earth connection 4, in main wiring harness
-  656 Earth point, on right headlight
-  B441 Connection (CCS), in main wiring harness

- \* Only models with crankcase breather heater element
- \*2 Only models with cruise control system (CCS)

- ws = white
- sw = black
- ro = red
- br = brown
- gn = green
- bl = blue
- gr = grey
- li = purple
- ge = yellow
- or = orange
- rs = pink

[240-065071112]



Main relay, Engine control unit, Fuse 4 on fuse holder C, Fuse 10 on fuse holder C, Fuse 23 on fuse holder C

- J271 Main relay, on relay carrier
- J623 Engine control unit
- SC4 Fuse 4 on fuse holder C
- SC10 Fuse 10 on fuse holder C
- SC23 Fuse 23 on fuse holder C
- T94a 94-pin connector, black
- B568 Connection 35, in main wiring harness
- B627 Positive connection 3 (15), in main wiring harness

- ws = white
- sw = black
- ro = red
- br = brown
- gn = green
- bl = blue
- gr = grey
- li = purple
- ge = yellow
- or = orange
- rs = pink

85 86 87 88 89 90 91 92 93 94 95 96 97 98

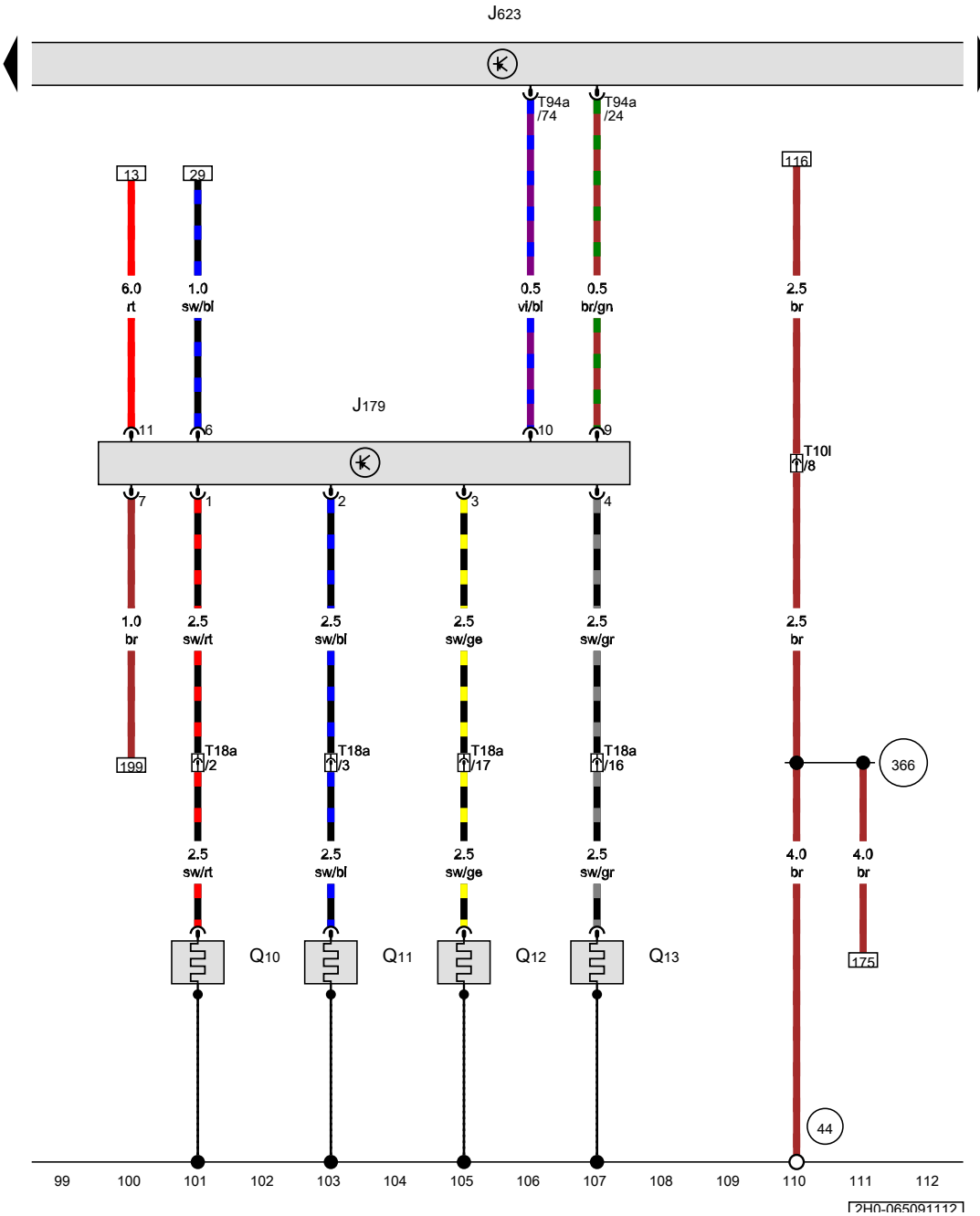
[240-065081112]

Automatic glow period control unit, Engine control unit, Glow plug 1, Glow plug 2, Glow plug 3, Glow plug 4

- J179 Automatic glow period control unit
- J623 Engine control unit
- Q10 Glow plug 1
- Q11 Glow plug 2
- Q12 Glow plug 3
- Q13 Glow plug 4
- T10I 10-pin connector, on left under dash panel, blue
- T18a 18-pin connector, near engine control unit, black
- T94a 94-pin connector, black

44 Earth point, lower part of left A-pillar

366 Earth connection 1, in main wiring harness



- ws = white
- sw = black
- ro = red
- br = brown
- gn = green
- bl = blue
- gr = grey
- li = purple
- ge = yellow
- or = orange
- rs = pink

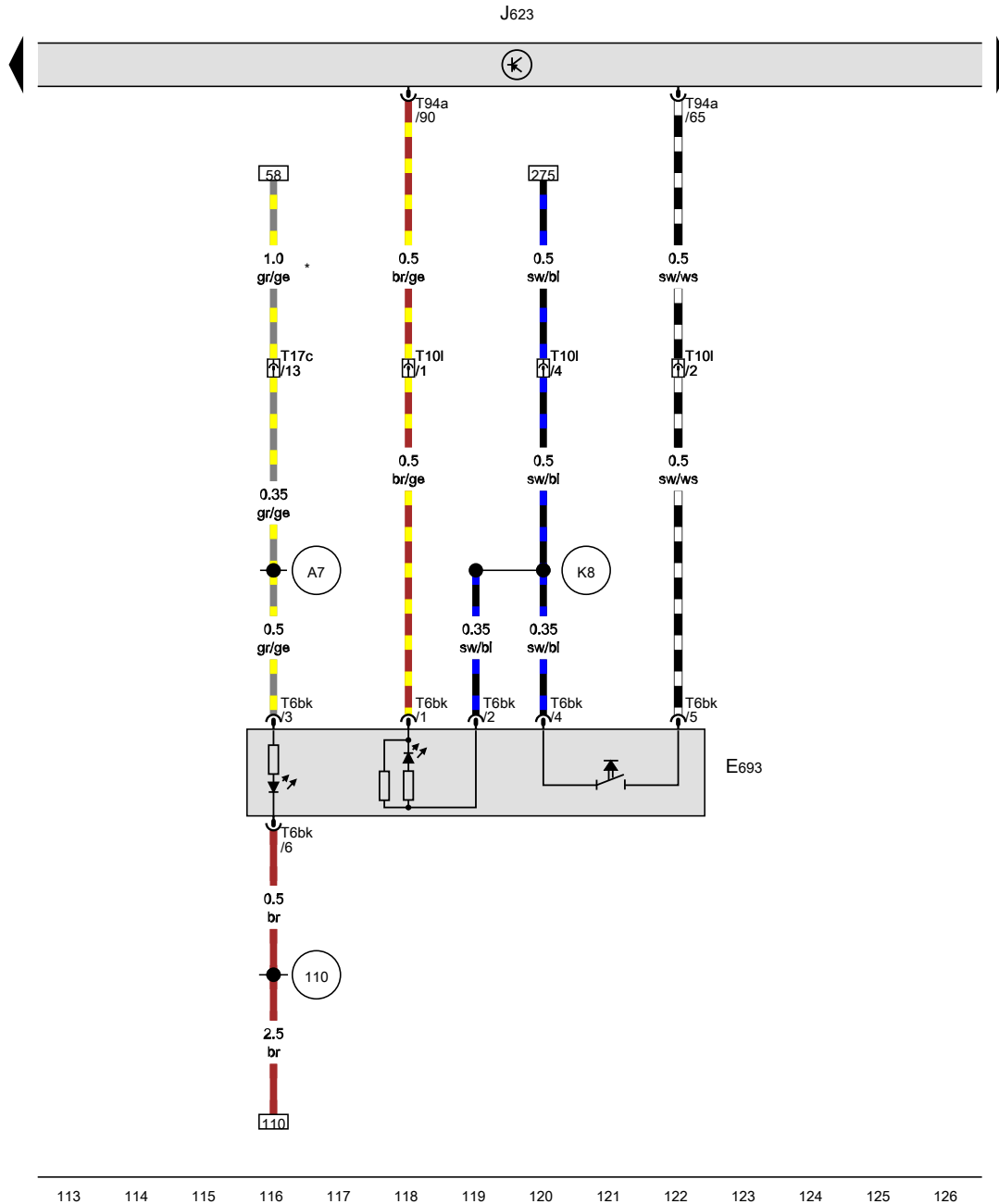
17H0-0650911127

Start/Stop operation button, Engine control unit

- E693 Start/Stop operation button
- J623 Engine control unit
- T6bk 6-pin connector
- T10l 10-pin connector, on left under dash panel, blue
- T17c 17-pin connector, on relay carrier, black
- T94a 94-pin connector, black

- (110) Earth connection 2, in dash panel wiring harness
- (A7) Positive connection (58 D1), in dash panel wiring harness
- (K8) Connection 1, in centre console wiring harness

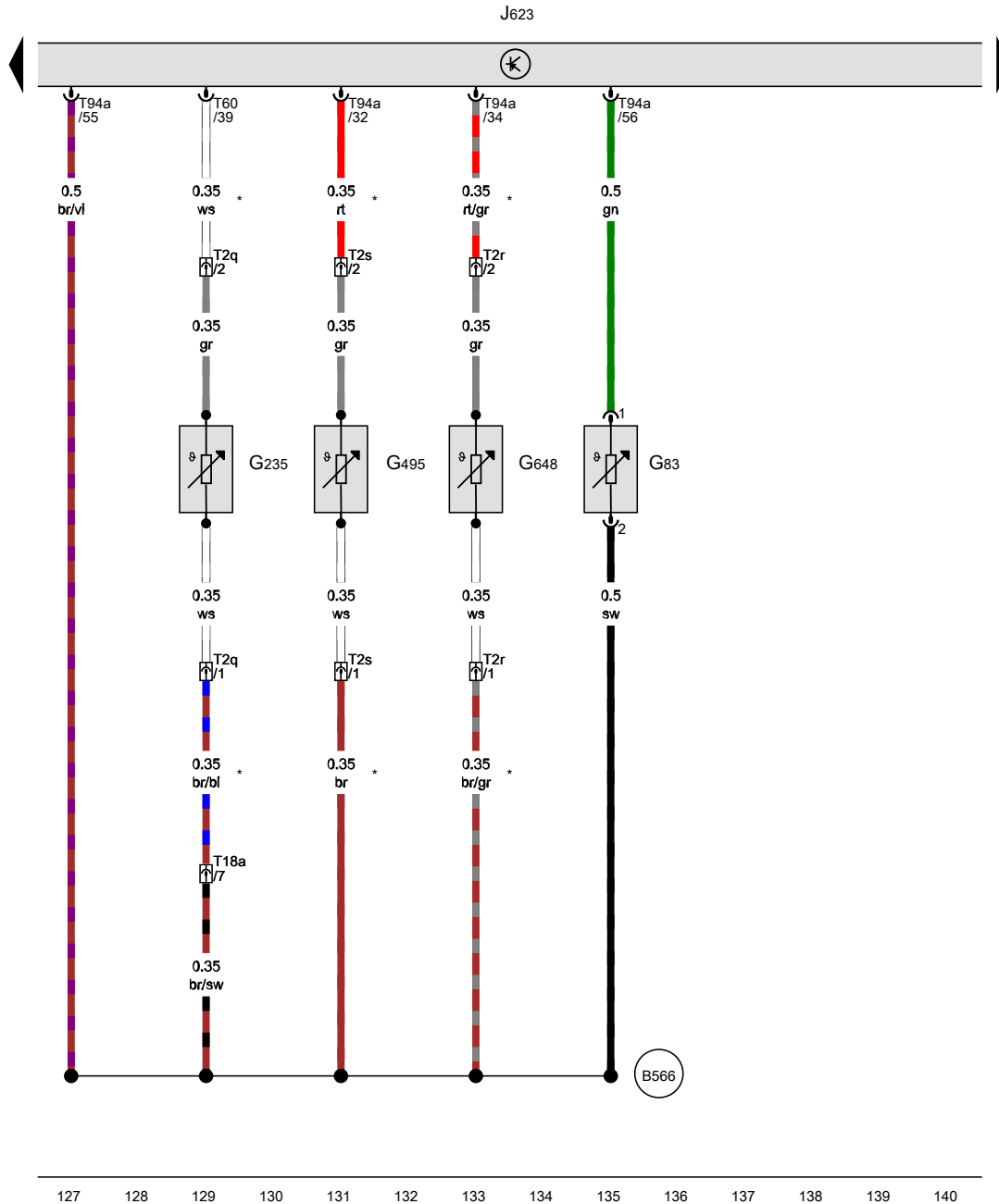
\* Only models with no headlight range control, see respective Current Flow Diagram headlight



- ws = white
- sw = black
- ro = red
- br = brown
- gn = green
- bl = blue
- gr = grey
- li = purple
- ge = yellow
- or = orange
- rs = pink

113 114 115 116 117 118 119 120 121 122 123 124 125 126

[240-065101112]



Radiator outlet coolant temperature sender, Exhaust gas temperature sender 1, Exhaust gas temperature sender 3, Exhaust gas temperature sender 4, Engine control unit

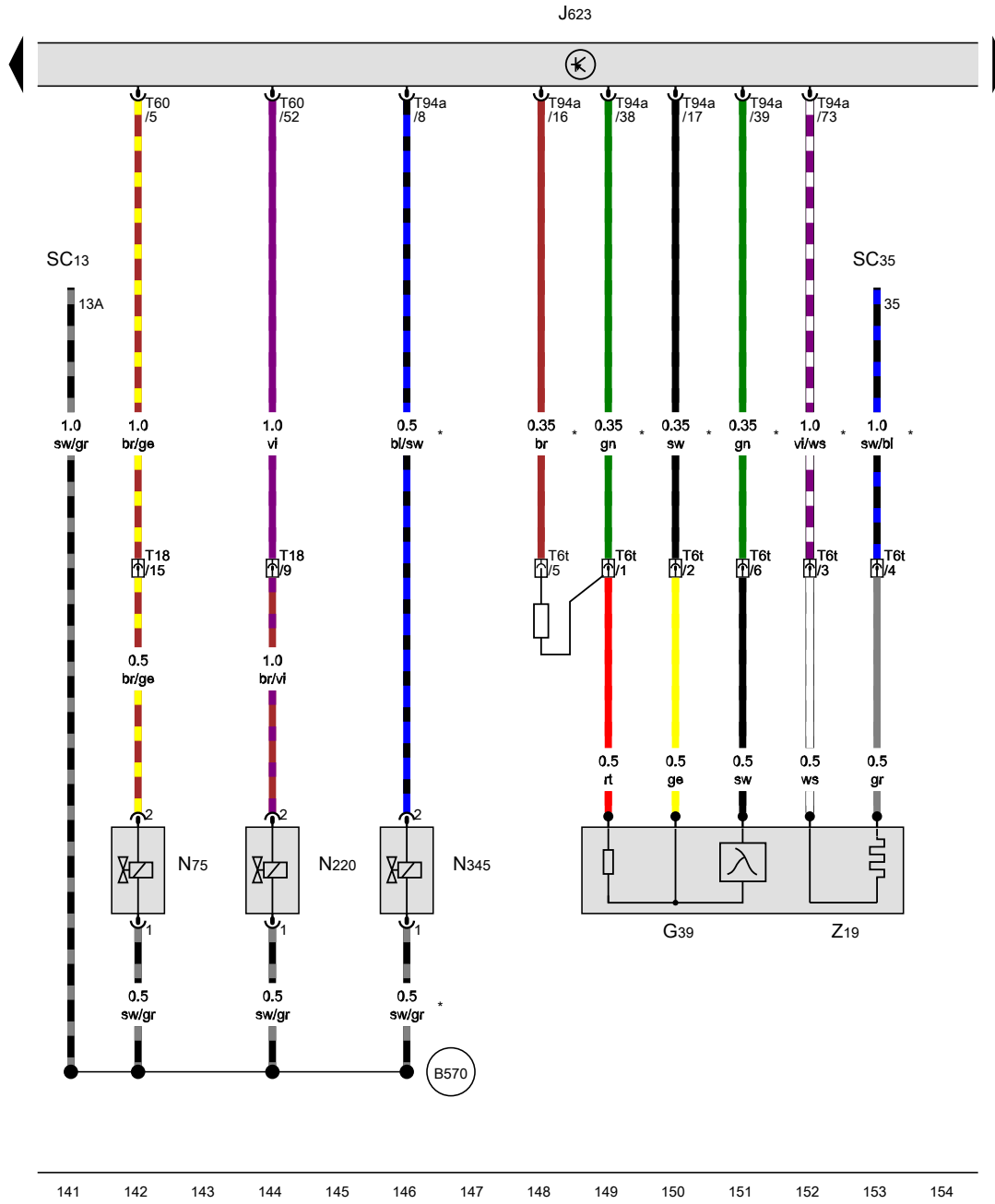
- G83 Radiator outlet coolant temperature sender
- G235 Exhaust gas temperature sender 1
- G495 Exhaust gas temperature sender 3
- G648 Exhaust gas temperature sender 4
- J623 Engine control unit
- T2q 2-pin connector, in front right wheel housing, black
- T2r 2-pin connector, in front right wheel housing, orange
- T2s 2-pin connector, in front right wheel housing, brown
- T18a 18-pin connector, near engine control unit, black
- T60 60-pin connector, black
- T94a 94-pin connector, black

B566 Connection 33, in main wiring harness

\* Only models with Euro 5 emission standard

- ws = white
- sw = black
- ro = red
- br = brown
- gn = green
- bl = blue
- gr = grey
- li = purple
- ge = yellow
- or = orange
- rs = pink

[2H0-065111112]



Lambda probe, Engine control unit, Charge pressure control solenoid valve, Exhaust flap valve, Exhaust gas recirculation cooler changeover valve, Fuse 13 on fuse holder C, Fuse 35 on fuse holder C

- G39 Lambda probe
- J623 Engine control unit
- N75 Charge pressure control solenoid valve
- N220 Exhaust flap valve
- N345 Exhaust gas recirculation cooler changeover valve
- SC13 Fuse 13 on fuse holder C
- SC35 Fuse 35 on fuse holder C
- T6t 6-pin connector, front right in engine compartment, black
- T18 18-pin connector, near engine control unit, black
- T60 60-pin connector, black
- T94a 94-pin connector, black
- Z19 Lambda probe heater

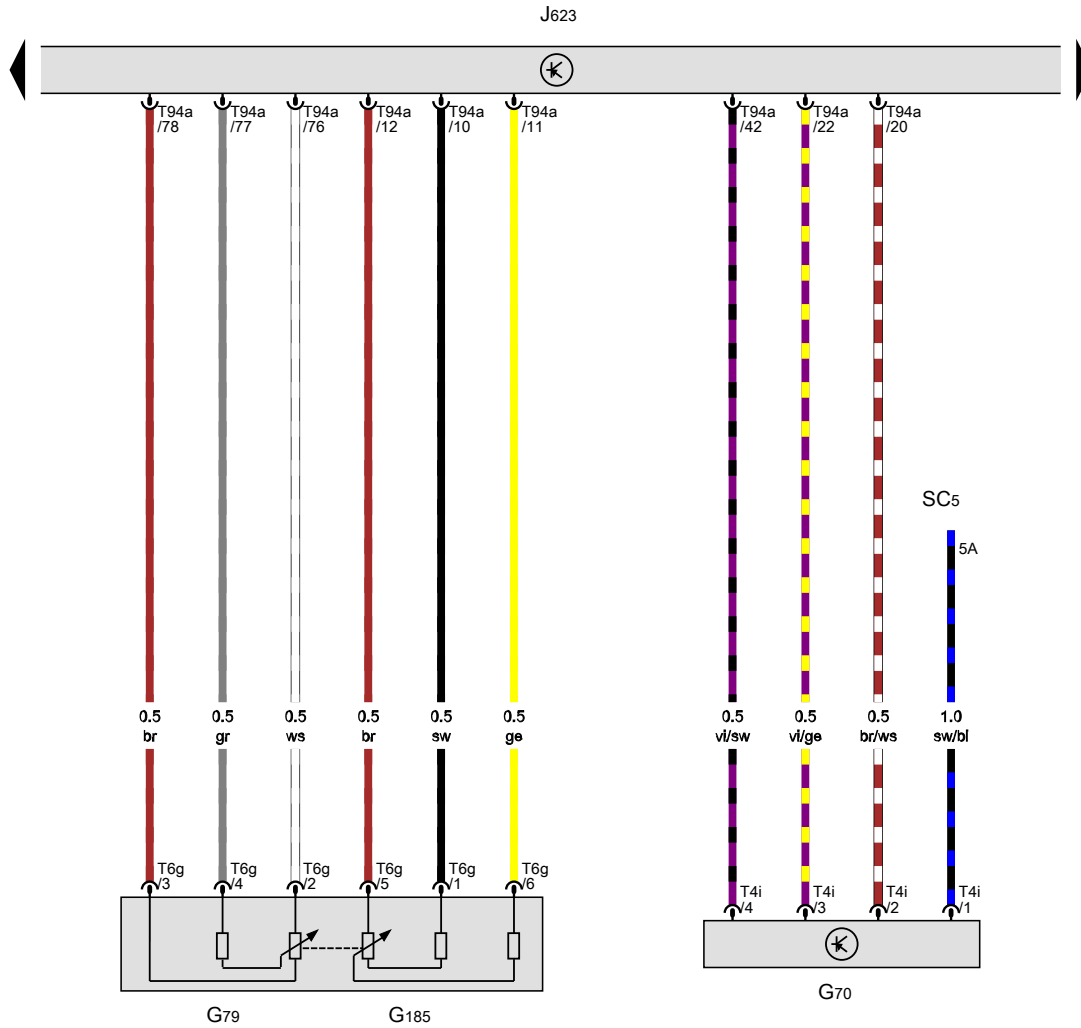
(B570) Connection 37, in main wiring harness

\* Only models with Euro 5 emission standard

- ws = white
- sw = black
- ro = red
- br = brown
- gn = green
- bl = blue
- gr = grey
- li = purple
- ge = yellow
- or = orange
- rs = pink

141 142 143 144 145 146 147 148 149 150 151 152 153 154

[240-065121112]



Air mass meter, Accelerator position sender, Accelerator position sender 2, Engine control unit, Fuse 5 on fuse holder C

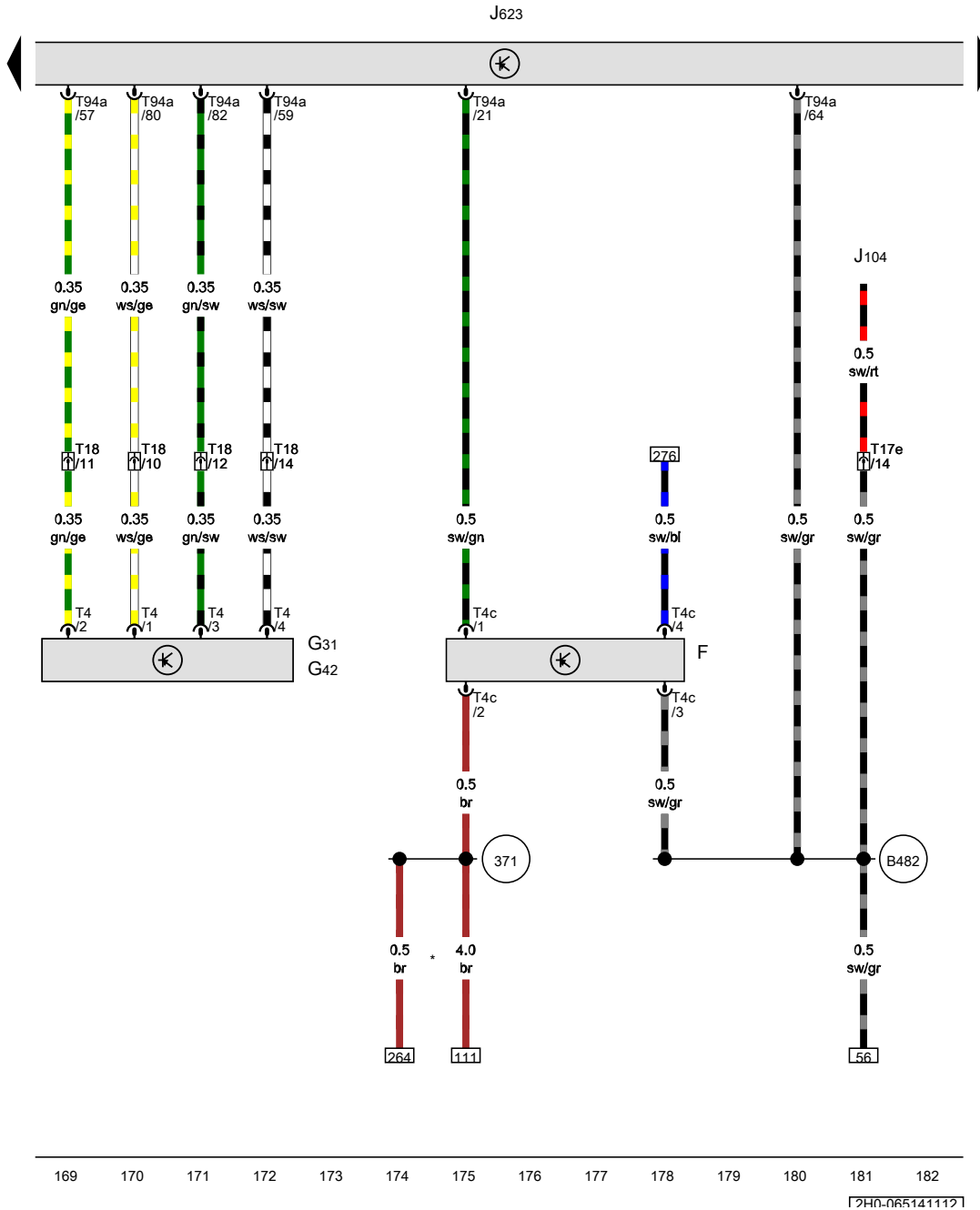
- G70 Air mass meter
- G79 Accelerator position sender
- G185 Accelerator position sender 2
- J623 Engine control unit
- SC5 Fuse 5 on fuse holder C
- T4i 4-pin connector, black
- T6g 6-pin connector
- T94a 94-pin connector, black

- ws = white
- sw = black
- ro = red
- br = brown
- gn = green
- bl = blue
- gr = grey
- li = purple
- ge = yellow
- or = orange
- rs = pink

155 156 157 158 159 160 161 162 163 164 165 166 167 168

[240-065131112]

Brake light switch, Charge pressure sender, Intake air temperature sender, Engine control unit



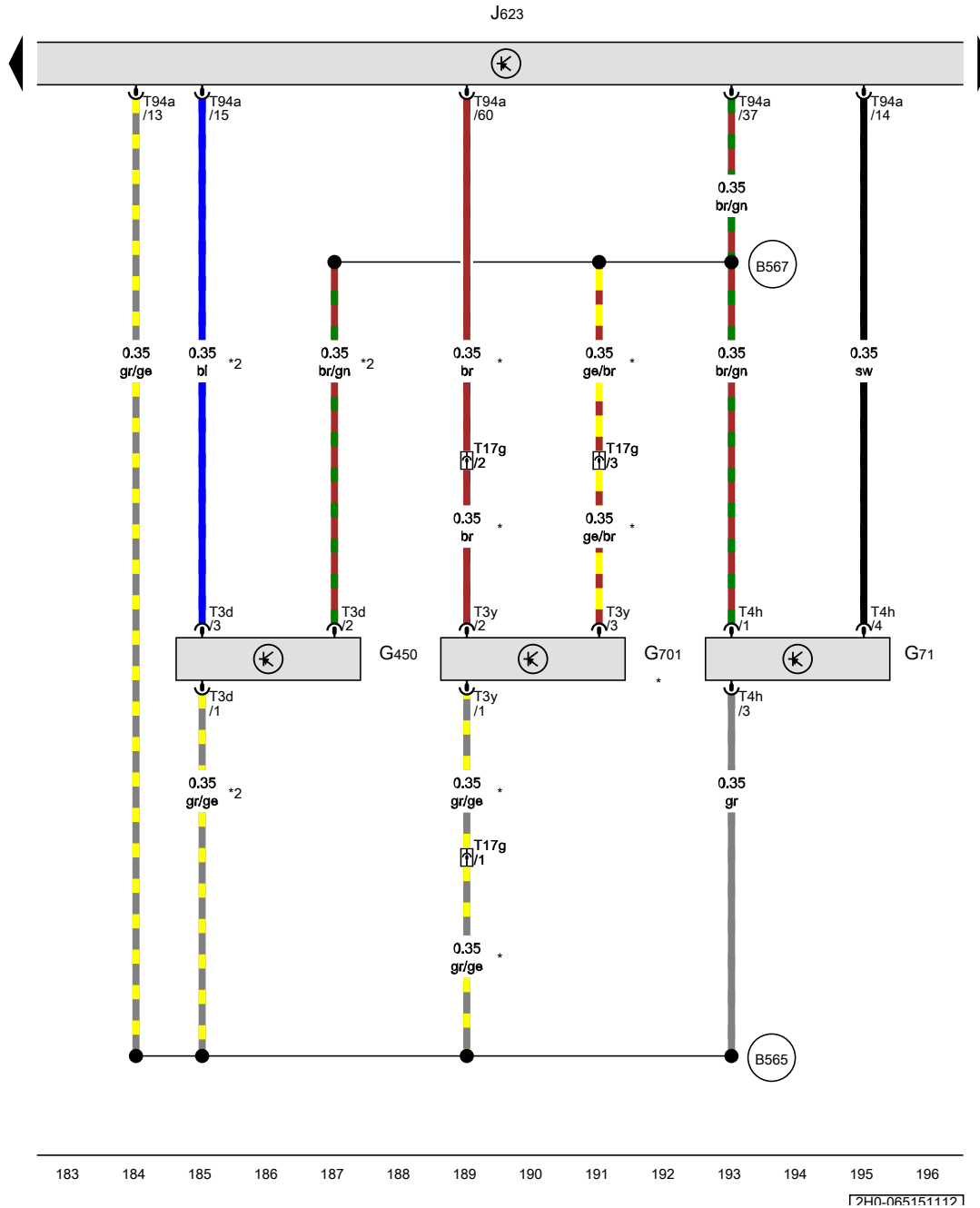
- F Brake light switch
- G31 Charge pressure sender
- G42 Intake air temperature sender
- J104 ABS control unit
- J623 Engine control unit
- T4 4-pin connector
- T4c 4-pin connector, black
- T17e 17-pin connector, near handbrake lever, red
- T18 18-pin connector, near engine control unit, black
- T94a 94-pin connector, black
- 371 Earth connection 6, in main wiring harness
- B482 Connection 18, in main wiring harness
- \* Only models with manual gearbox

- ws = white
- sw = black
- ro = red
- br = brown
- gn = green
- bl = blue
- gr = grey
- li = purple
- ge = yellow
- or = orange
- rs = pink

169 170 171 172 173 174 175 176 177 178 179 180 181 182

1740-0651411171





**Intake manifold pressure sender, Exhaust gas pressure sensor 1, Gearbox neutral position sender, Engine control unit**

- G71 Intake manifold pressure sender
- G450 Exhaust gas pressure sensor 1
- G701 Gearbox neutral position sender
- J623 Engine control unit
- T3d 3-pin connector, black
- T3y 3-pin connector, black
- T4h 4-pin connector, black
- T17g 17-pin connector, near handbrake lever, black
- T94a 94-pin connector, black

**B565** Connection 32, in main wiring harness

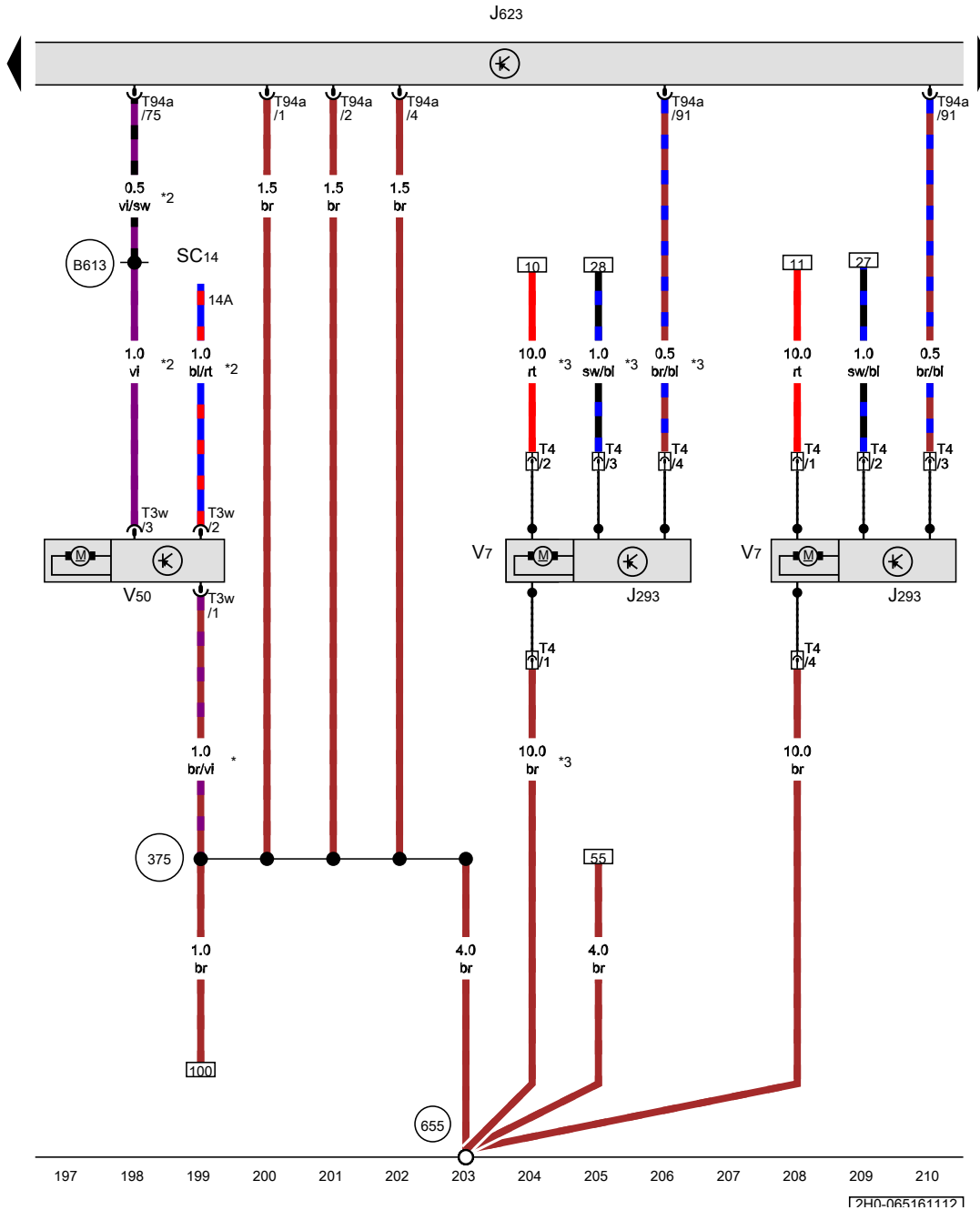
**B567** Connection 34, in main wiring harness

\* Only models with manual gearbox

\*2 Only models with Euro 5 emission standard

- ws = white
- sw = black
- ro = red
- br = brown
- gn = green
- bl = blue
- gr = grey
- li = purple
- ge = yellow
- or = orange
- rs = pink

[240-065151112]



Radiator fan control unit, Engine control unit, Fuse 14 on fuse holder C, Coolant circulation pump

- J293 Radiator fan control unit
- J623 Engine control unit
- SC14 Fuse 14 on fuse holder C
- T3w 3-pin connector, black
- T4 4-pin connector, on radiator cowling, black
- T94a 94-pin connector, black
- V7 Radiator fan
- V50 Coolant circulation pump

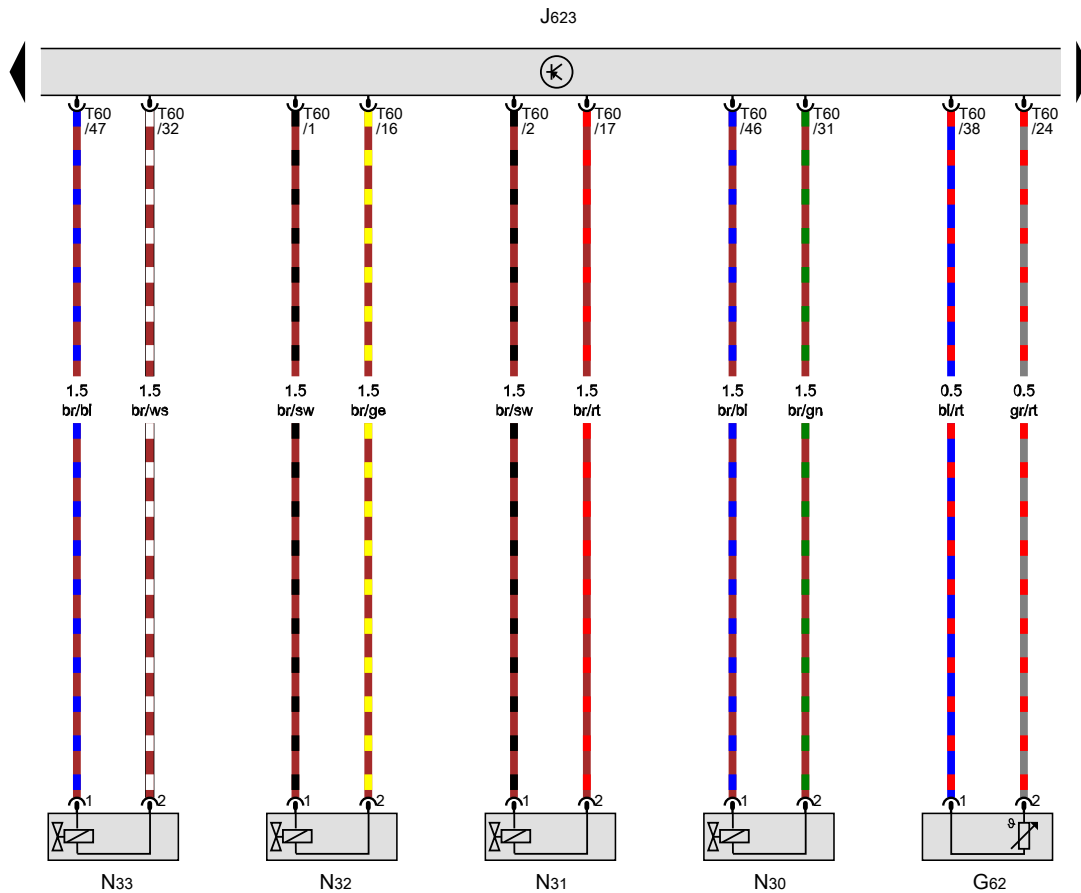
375 Earth connection 10, in main wiring harness

655 Earth point, on left headlight

B613 Connection 41, in main wiring harness

- \* Only models with "Low" equipment (AW0)
- \*2 Only models with Euro 5 plus emission standard (7MJ)
- \*3 Hot country version

- ws = white
- sw = black
- ro = red
- br = brown
- gn = green
- bl = blue
- gr = grey
- li = purple
- ge = yellow
- or = orange
- rs = pink



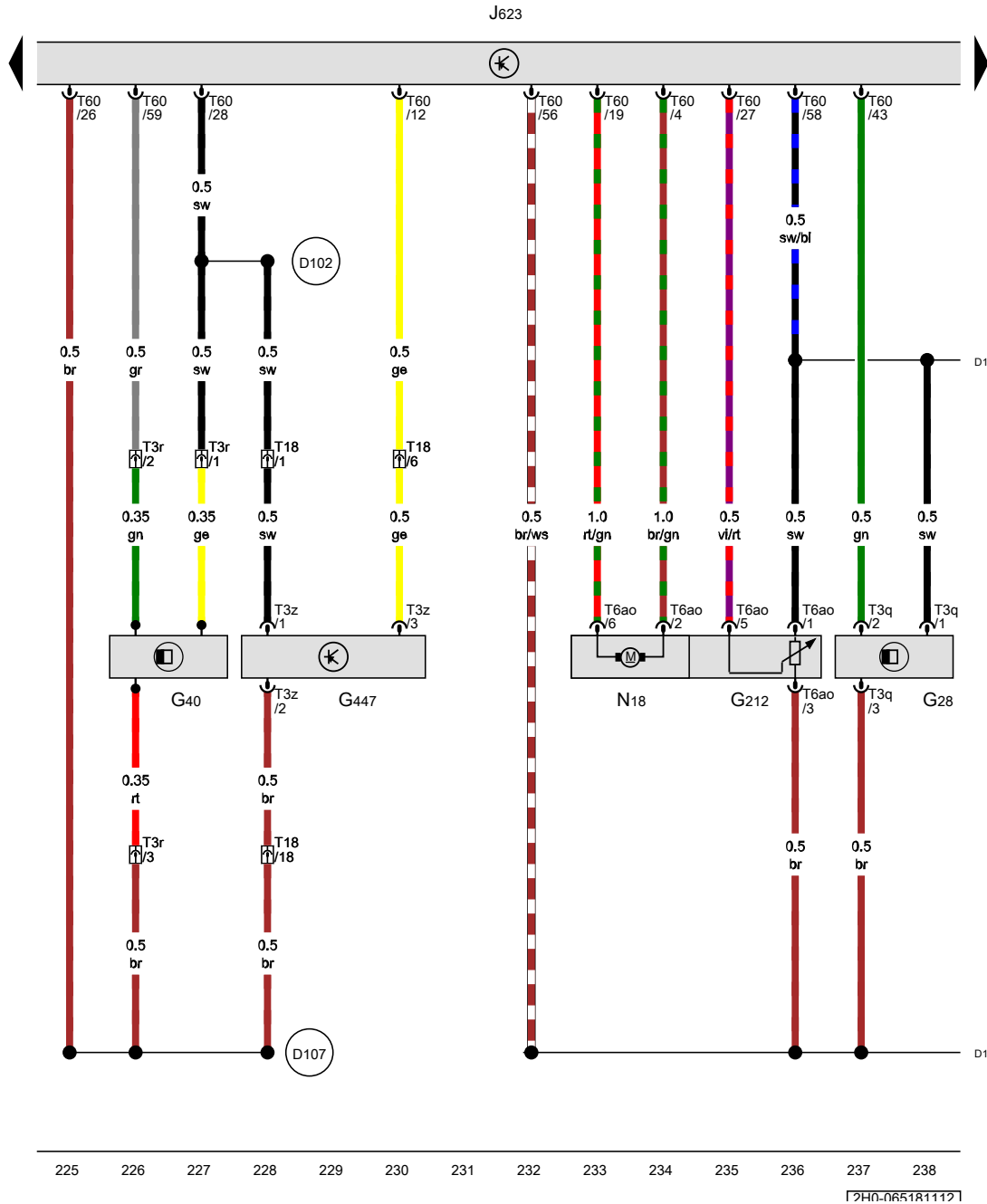
Coolant temperature sender, Engine control unit, Injector, cylinder 1, Injector, cylinder 2, Injector, cylinder 3, Injector, cylinder 4

- G62 Coolant temperature sender
- J623 Engine control unit
- N30 Injector, cylinder 1
- N31 Injector, cylinder 2
- N32 Injector, cylinder 3
- N33 Injector, cylinder 4
- T60 60-pin connector, black

- ws = white
- sw = black
- ro = red
- br = brown
- gn = green
- bl = blue
- gr = grey
- li = purple
- ge = yellow
- or = orange
- rs = pink

211 212 213 214 215 216 217 218 219 220 221 222 223 224

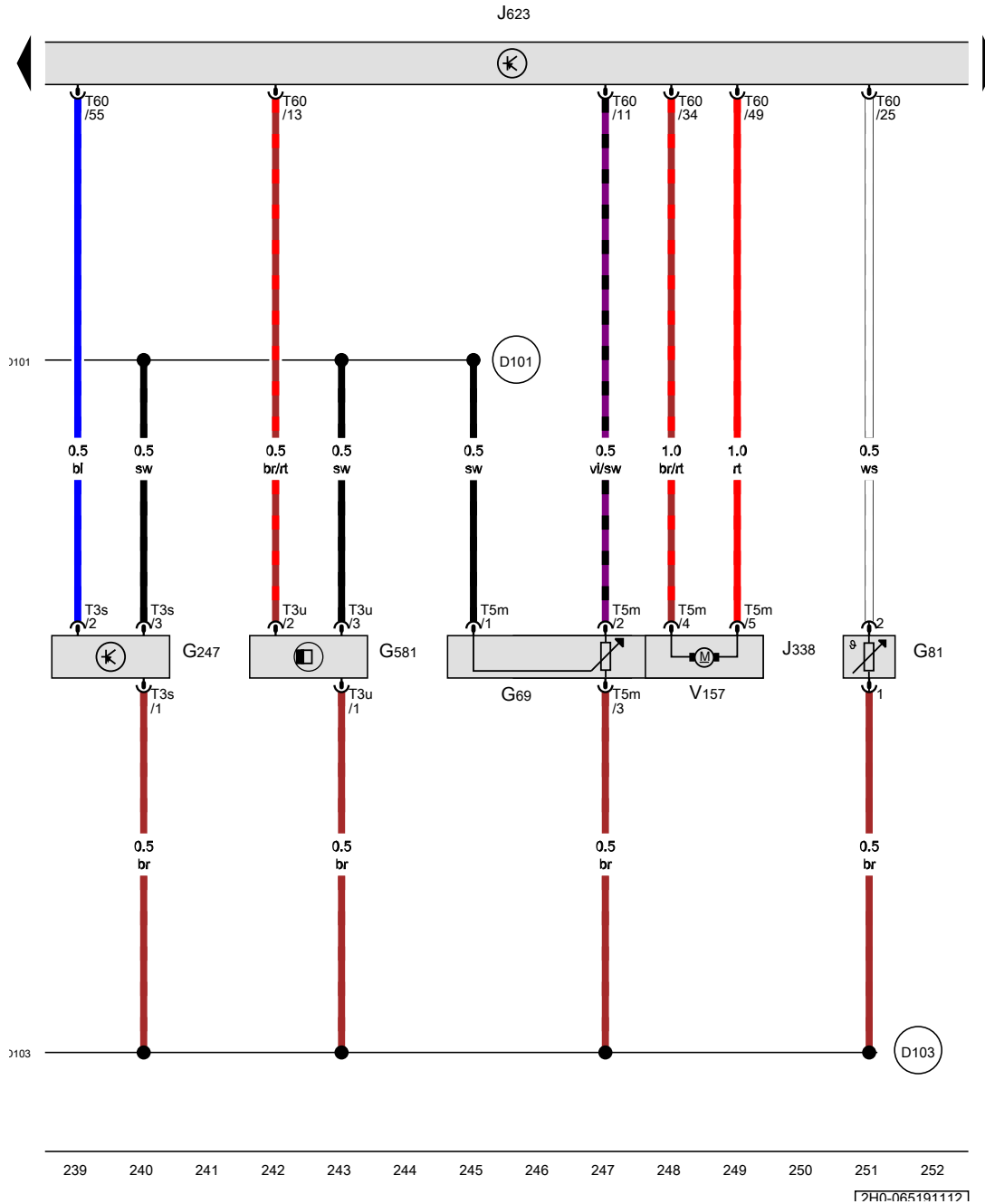
[740-065171117]



Hall sender, Exhaust gas recirculation potentiometer, Charge pressure sender 2, Engine control unit, Exhaust gas recirculation valve



- G28 Engine speed sender
- G40 Hall sender
- G212 Exhaust gas recirculation potentiometer
- G447 Charge pressure sender 2
- J623 Engine control unit
- N18 Exhaust gas recirculation valve
- T3q 3-pin connector, black
- T3r 3-pin connector, on front of engine, black
- T3z 3-pin connector, black
- T6ao 6-pin connector, black
- T18 18-pin connector, near engine control unit, black
- T60 60-pin connector, black
- D101 Connection 1 in engine compartment wiring harness
- D102 Connection 2 in engine compartment wiring harness
- D103 Connection 3 in engine compartment wiring harness
- D107 Connection 5 in engine compartment wiring harness

[240-065181117]

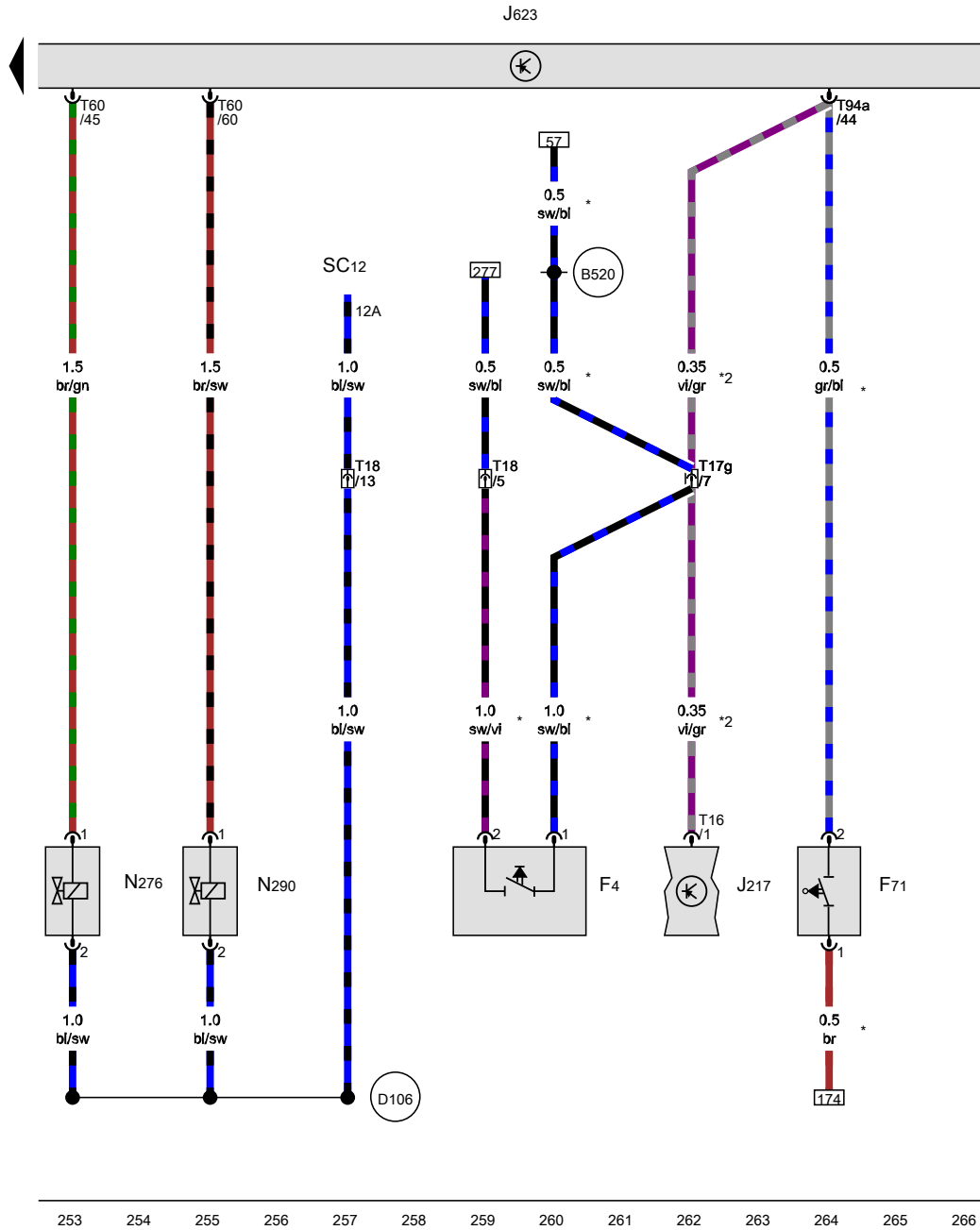


Throttle valve potentiometer, Fuel temperature sender, Fuel pressure sender, Position sender for charge pressure positioner, Throttle valve module, Engine control unit, Intake manifold flap motor

- G69 Throttle valve potentiometer
- G81 Fuel temperature sender
- G247 Fuel pressure sender
- G581 Position sender for charge pressure positioner
- J338 Throttle valve module
- J623 Engine control unit
- T3s 3-pin connector, black
- T3u 3-pin connector
- T5m 5-pin connector
- T60 60-pin connector, black
- V157 Intake manifold flap motor

-  D101 Connection 1 in engine compartment wiring harness
-  D103 Connection 3 in engine compartment wiring harness

- ws = white
- sw = black
- ro = red
- br = brown
- gn = green
- bl = blue
- gr = grey
- li = purple
- ge = yellow
- or = orange
- rs = pink



Clutch pedal switch for stop/start system, Automatic gearbox control unit, Engine control unit, Fuel pressure regulating valve, Fuel metering valve, Fuse 12 on fuse holder C

- F4 Reversing light switch
- F71 Clutch pedal switch for stop/start system
- J217 Automatic gearbox control unit
- J623 Engine control unit
- N276 Fuel pressure regulating valve
- N290 Fuel metering valve
- SC12 Fuse 12 on fuse holder C
- T16 16-pin connector
- T17g 17-pin connector, near handbrake lever, black
- T18 18-pin connector, near engine control unit, black
- T60 60-pin connector, black
- T94a 94-pin connector, black

B520 Connection (RL), in main wiring harness

D106 Connection 4 in engine compartment wiring harness

\* Only models with manual gearbox

\*2 Only models with no automatic gearbox

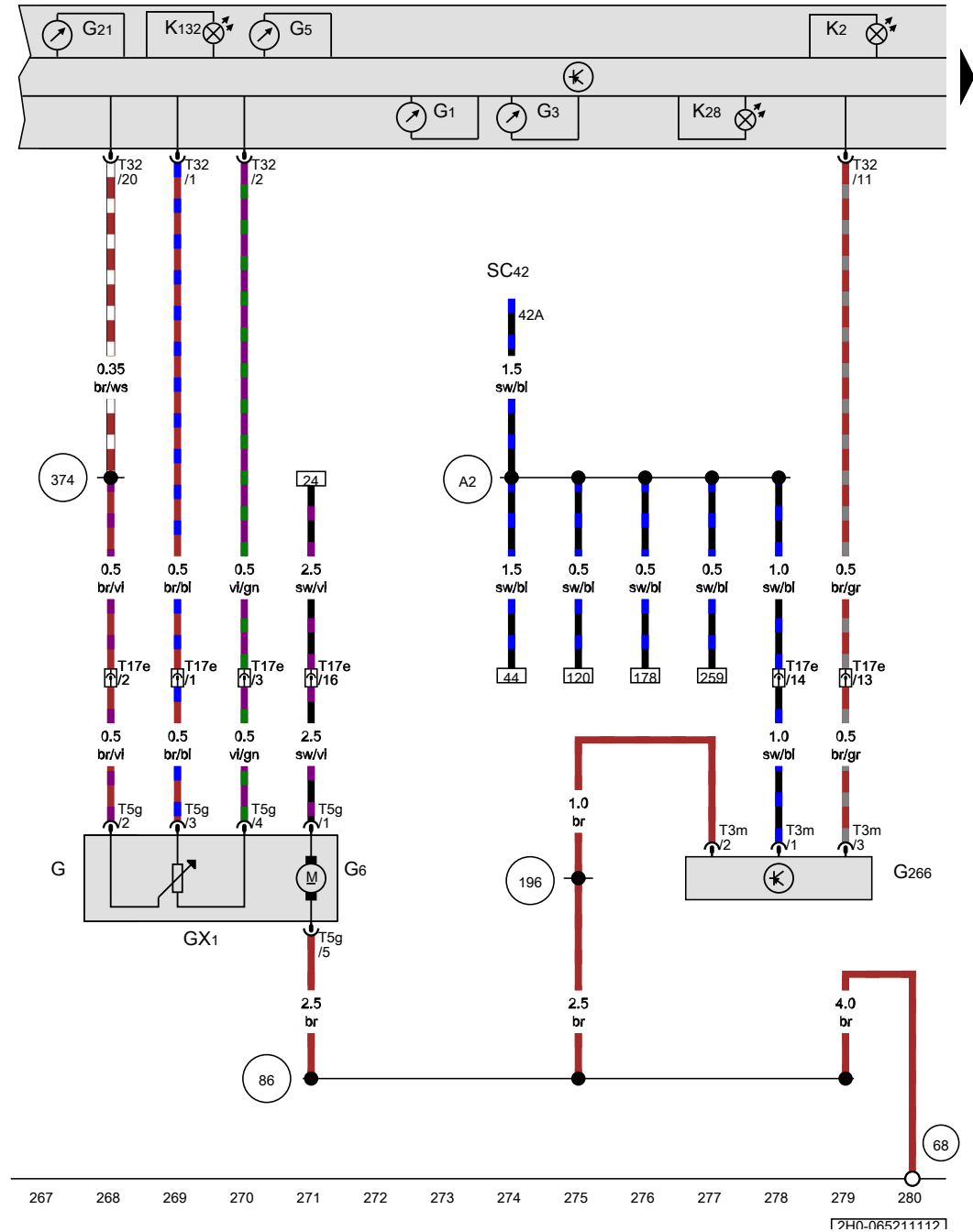
- ws = white
- sw = black
- ro = red
- br = brown
- gn = green
- bl = blue
- gr = grey
- li = purple
- ge = yellow
- or = orange
- rs = pink

7PH0-0652011121

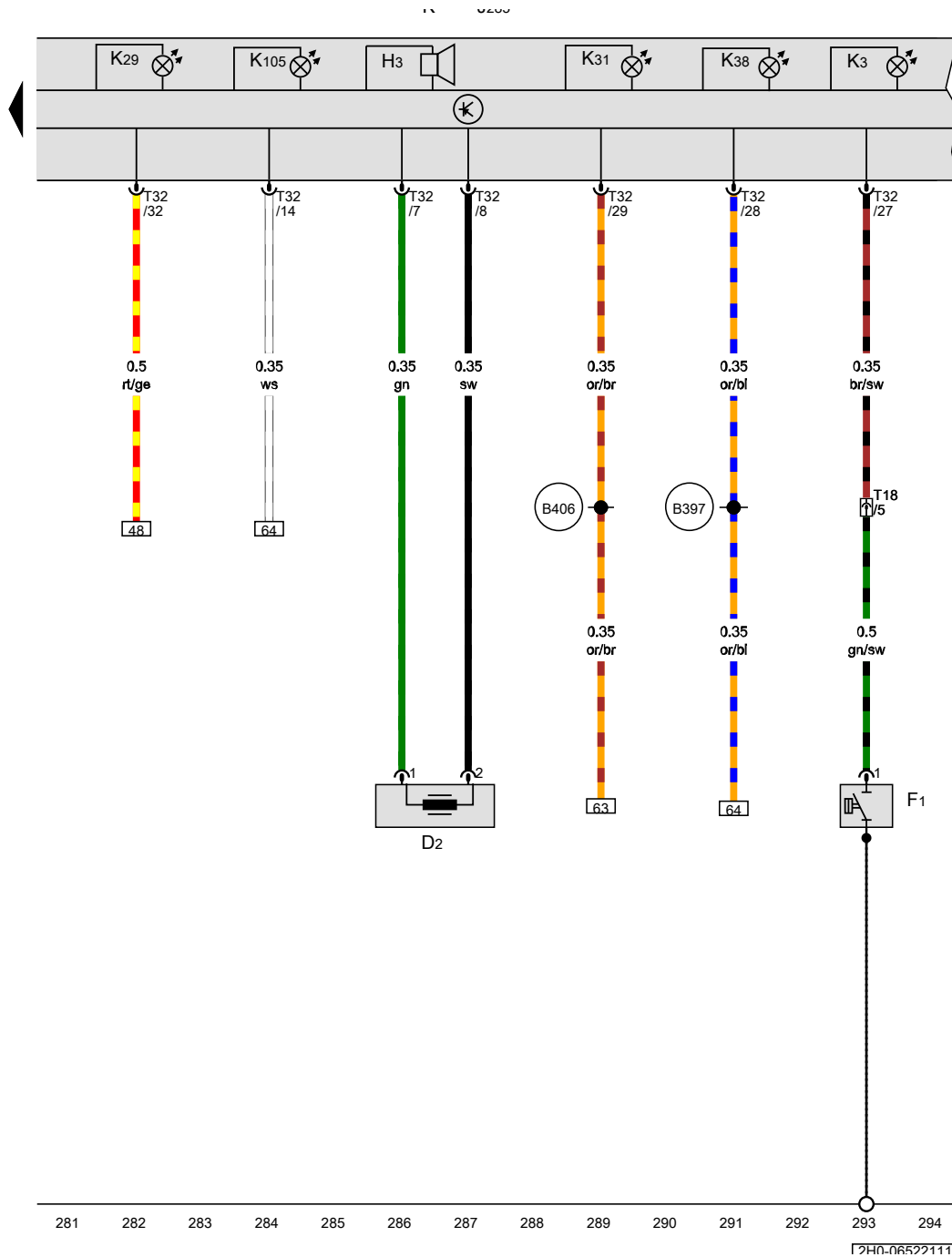
**Fuel system pressurisation pump, Oil level and oil temperature sender, Dash panel insert, Fuse 42 on fuse holder C**

- G Fuel gauge sender
- GX1 Fuel delivery unit
- G1 Fuel gauge
- G3 Coolant temperature gauge
- G5 Rev. counter
- G6 Fuel system pressurisation pump
- G21 Speedometer
- G266 Oil level and oil temperature sender
- J285 Control unit in dash panel insert
- K Dash panel insert
- K2 Alternator warning lamp
- K28 Coolant temperature and coolant shortage warning lamp
- K132 Electronic power control fault lamp
- SC42 Fuse 42 on fuse holder C
- T3m 3-pin connector
- T5g 5-pin connector
- T17e 17-pin connector, near handbrake lever, red
- T32 32-pin connector



- (68) Earth point, on left of rear cross member
- (86) Earth connection 1, in rear wiring harness
- (196) Earth connection 3, in rear wiring harness
- (374) Earth connection 9, in main wiring harness
- (A2) Positive connection (15), in dash panel wiring harness



- ws = white
- sw = black
- ro = red
- br = brown
- gn = green
- bl = blue
- gr = grey
- li = purple
- ge = yellow
- or = orange
- rs = pink



Oil pressure switch, Dash panel insert

- D2 Immobiliser reader coil
- F1 Oil pressure switch
- H3 Buzzer and gong
- J285 Control unit in dash panel insert
- K Dash panel insert
- K3 Oil pressure warning lamp
- K29 Glow period warning lamp
- K31 Cruise control system warning lamp
- K38 Oil level warning lamp
- K105 Reserve fuel warning lamp
- T18 18-pin connector, near engine control unit, black
- T32 32-pin connector
-  B397 Connection 1 (convenience CAN bus, high), in main wiring harness
-  B406 Connection 1 (convenience CAN bus, low), in main wiring harness

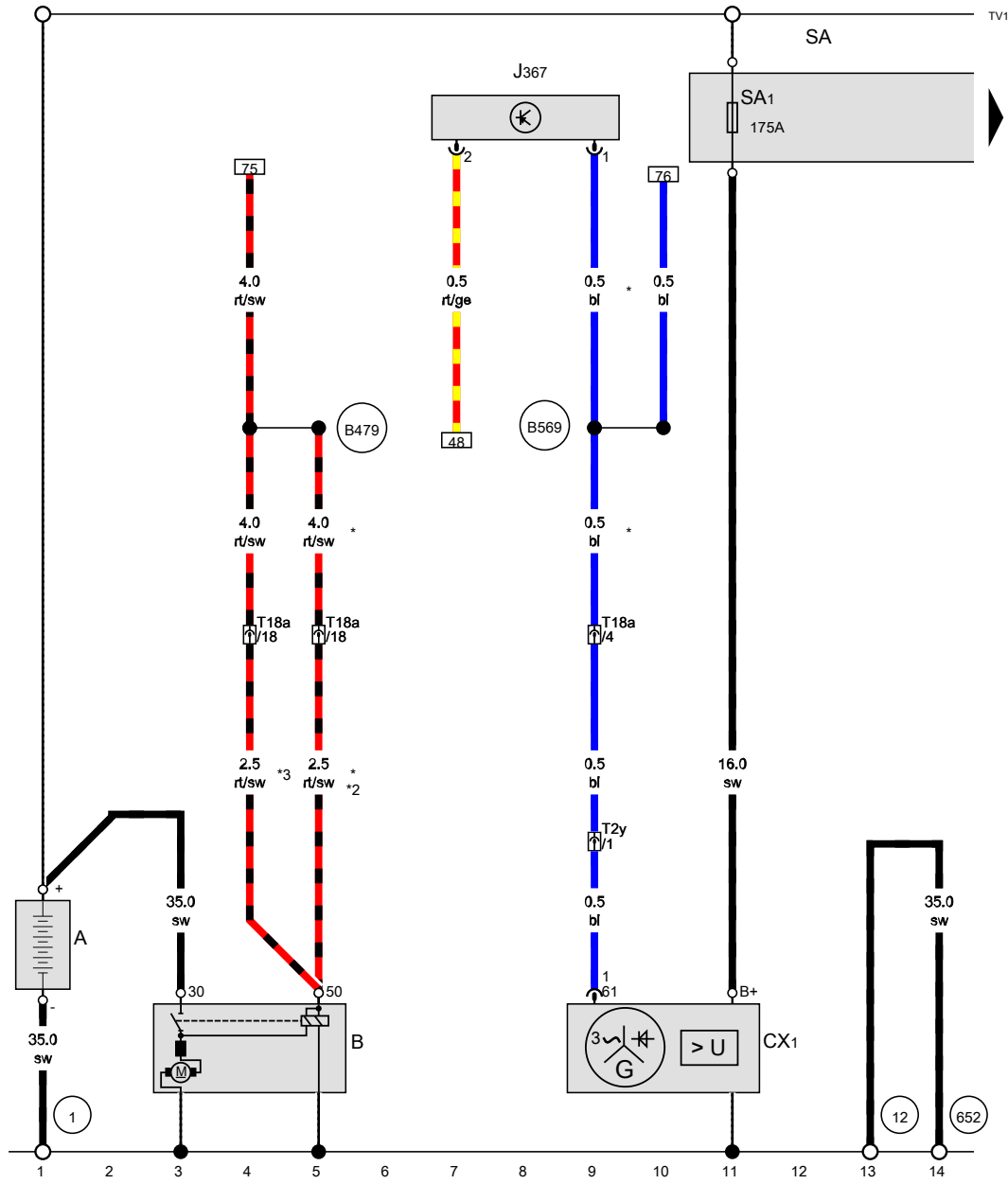
- ws = white
- sw = black
- ro = red
- br = brown
- gn = green
- bl = blue
- gr = grey
- li = purple
- ge = yellow
- or = orange
- rs = pink



**Fuse assignment for models with start/stop system , (7L6)**

From June 2012

**Battery, Starter, Alternator with voltage regulator, Battery monitor control unit, Fuse holder A**

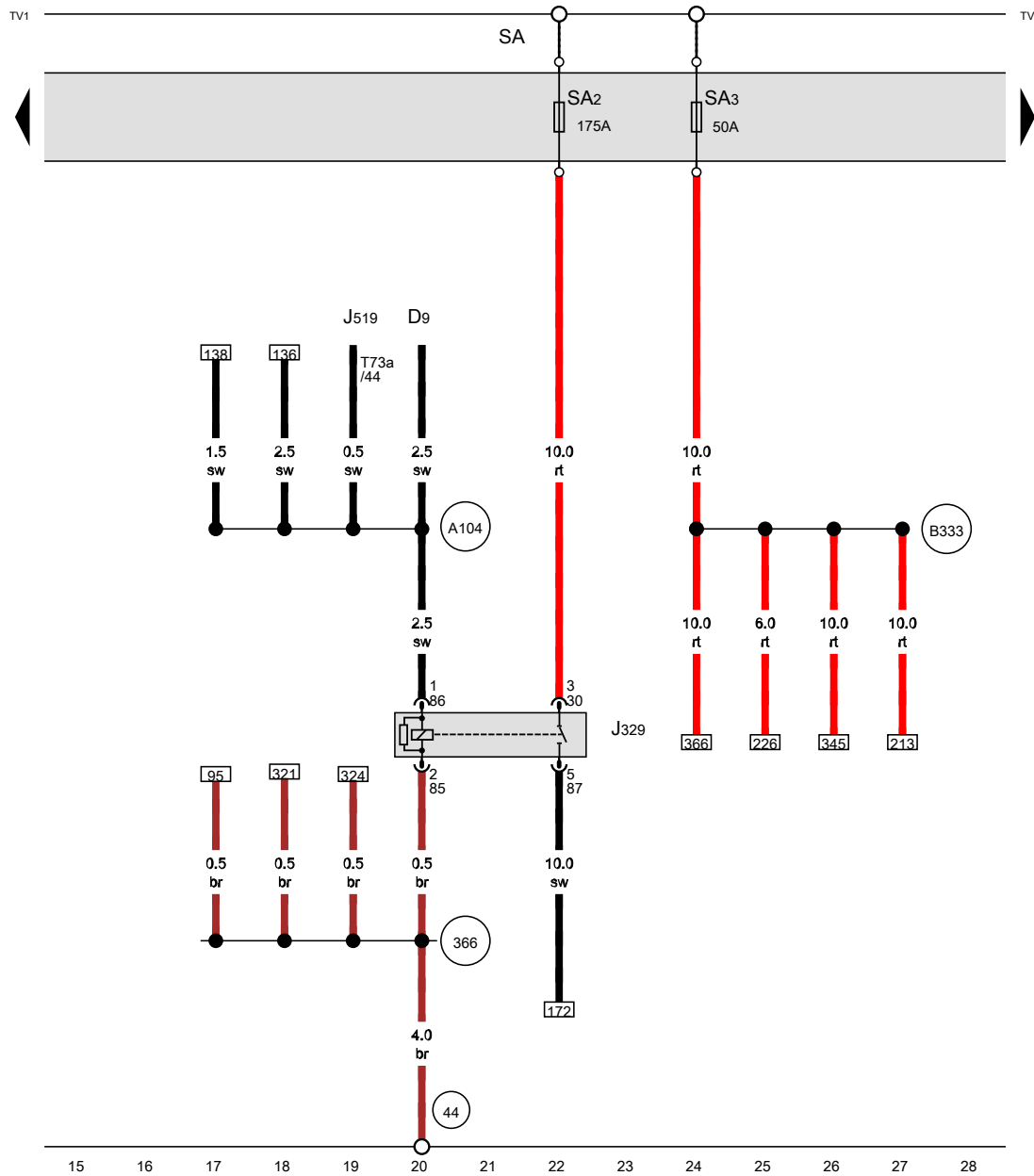


- A Battery
- B Starter
- CX1 Alternator with voltage regulator
- J367 Battery monitor control unit
- SA Fuse holder A
- SA1 Fuse 1 in fuse holder A
- T2y 2-pin connector, black
- T18a 18-pin connector, near engine control unit, grey

- 1 Earth strap, battery - body
- 12 Earth point, on left in engine compartment
- 652 Earth point, engine and gearbox earth
- B479 Connection 15, in main wiring harness
- B569 Connection 36, in main wiring harness
- \* see applicable current flow diagram for engine
- \*2 Only models with diesel engine
- \*3 Only models with petrol engine

- ws = white
- sw = black
- ro = red
- br = brown
- gn = green
- bl = blue
- gr = grey
- li = purple
- ge = yellow
- or = orange
- rs = pink

1740-0660210121



Terminal 15 voltage supply relay, Fuse holder A

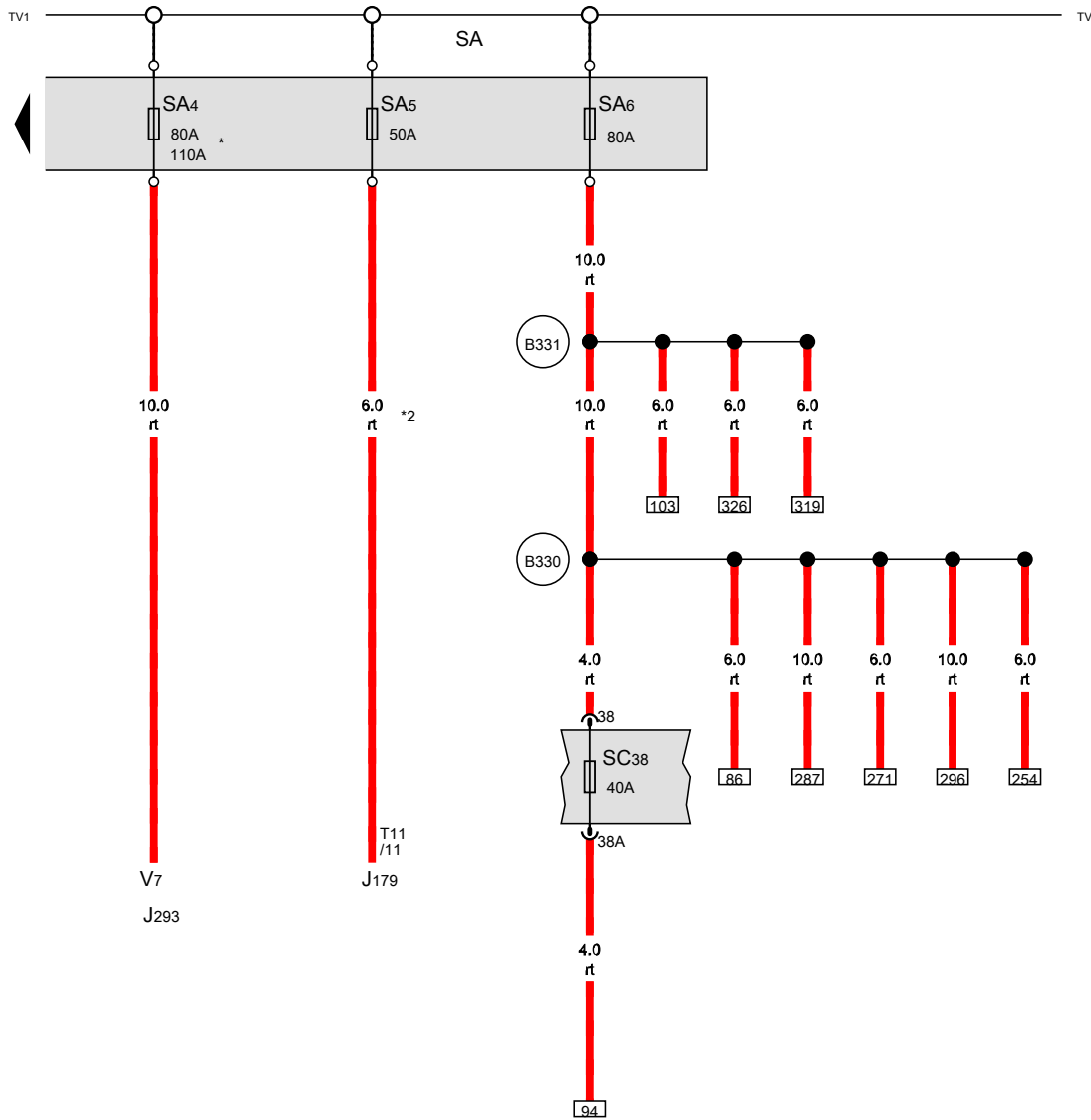
- D9 Electronic ignition lock
- J329 Terminal 15 voltage supply relay
- J519 Onboard supply control unit
- SA Fuse holder A
- SA2 Fuse 2 in fuse holder A
- SA3 Fuse 3 in fuse holder A
- T73a 73-pin connector

- 44 Earth point, lower part of left A-pillar
- 366 Earth connection 1, in main wiring harness
- A104 Positive connection 2 (15), in dash panel wiring harness
- B333 Positive connection 19 (30a) in main wiring harness

- ws = white
- sw = black
- ro = red
- br = brown
- gn = green
- bl = blue
- gr = grey
- li = purple
- ge = yellow
- or = orange
- rs = pink

17H0-0660310121

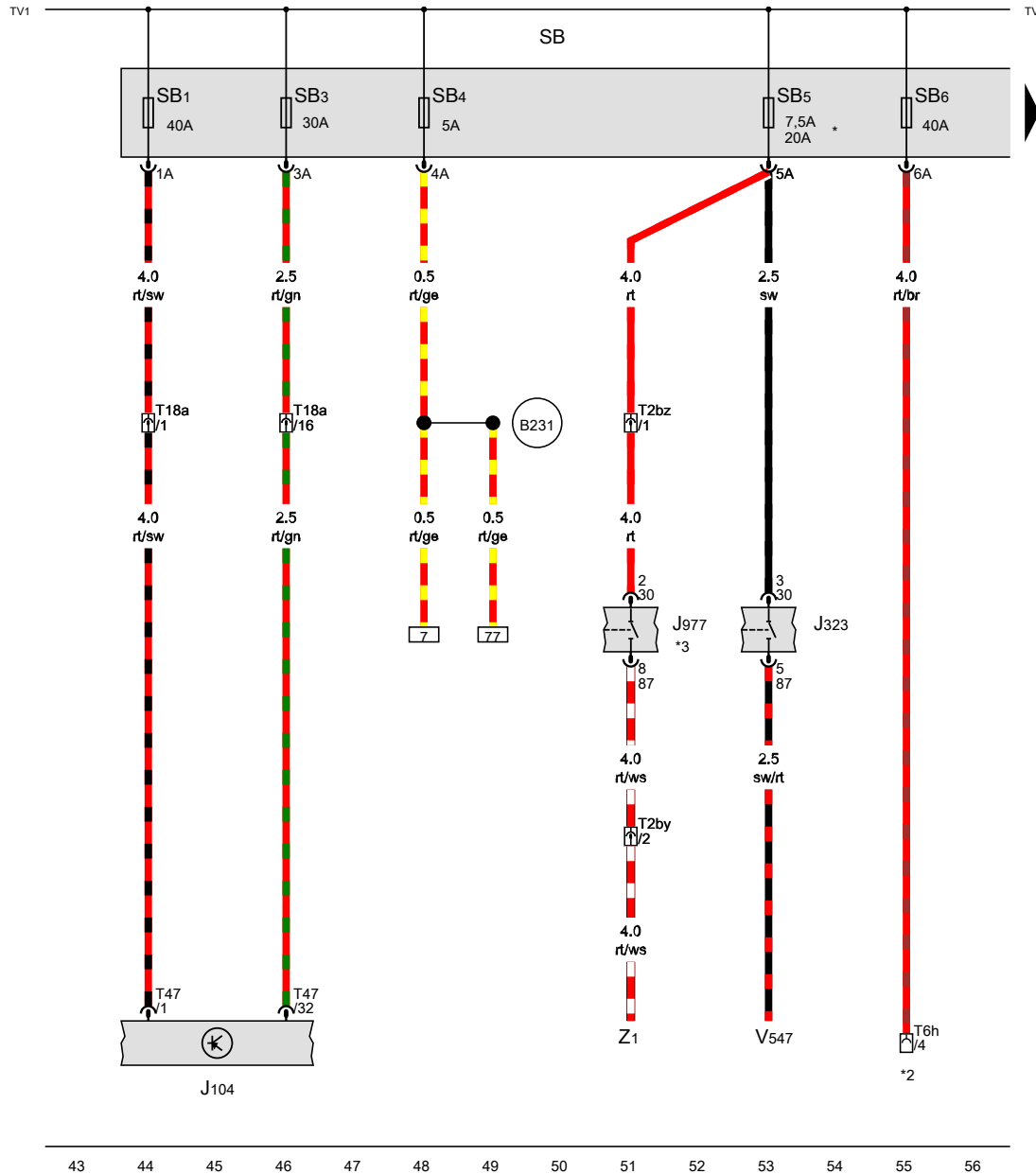
Automatic glow period control unit, Fuse holder A, Fuse 38 on fuse holder C, Radiator fan



- J179 Automatic glow period control unit
- J293 Radiator fan control unit
- SA Fuse holder A
- SA4 Fuse 4 in fuse holder A
- SA5 Fuse 5 in fuse holder A
- SA6 Fuse 6 in fuse holder A
- SC38 Fuse 38 on fuse holder C
- T11 11-pin connector, black
- V7 Radiator fan
- (B330) Positive connection 16 (30a) in main wiring harness
- (B331) Positive connection 17 (30a) in main wiring harness
- \* According to equipment
- \*2 Only models with diesel engine

- ws = white
- sw = black
- ro = red
- br = brown
- gn = green
- bl = blue
- gr = grey
- li = purple
- ge = yellow
- or = orange
- rs = pink

ABS control unit, Fuse 1 on fuse holder B, Fuse 3 on fuse holder B, Fuse 4 on fuse holder B, Fuse 6 on fuse holder B

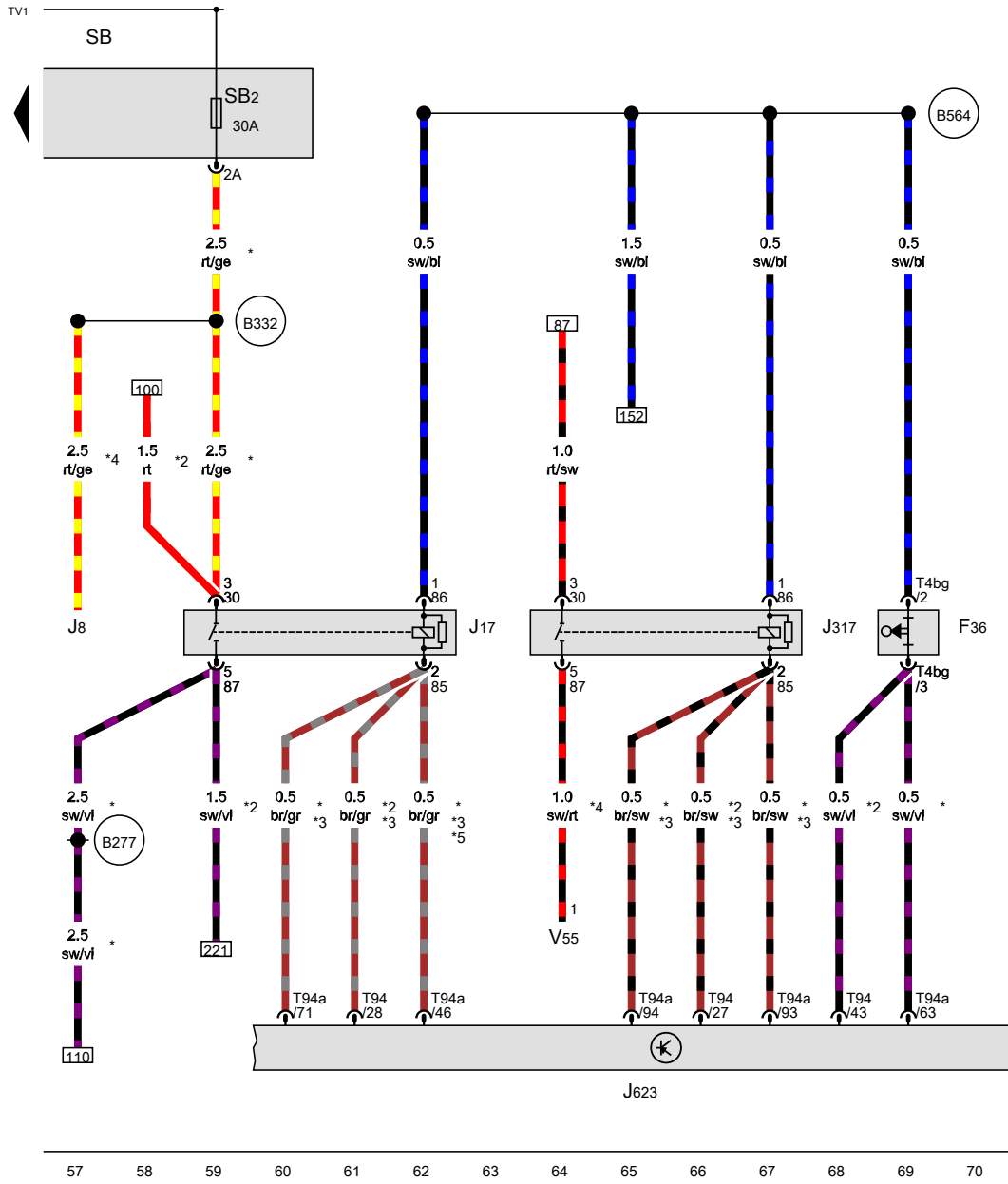


- J104 ABS control unit
- J323 Blower relay
- J977 Terminal 30 relay
- SB Fuse holder B
- SB1 Fuse 1 on fuse holder B
- SB3 Fuse 3 on fuse holder B
- SB4 Fuse 4 on fuse holder B
- SB5 Fuse 5 on fuse holder B
- SB6 Fuse 6 on fuse holder B
- T2by 2-pin connector
- T2bz 2-pin connector
- T6h 6-pin connector, in left footwell, near centre console, grey
- T18a 18-pin connector, near engine control unit, grey
- T47 47-pin connector, black
- V547 Air supply blower
- Z1 Heated rear window
- B231 Positive connection 5 (30a), in interior wiring harness
- \* According to equipment
- \*2 Only models with electric interface for external use
- \*3 see applicable current flow diagram for hardtop

- ws = white
- sw = black
- ro = red
- br = brown
- gn = green
- bl = blue
- gr = grey
- li = purple
- ge = yellow
- or = orange
- rs = pink

7H0-0660510121

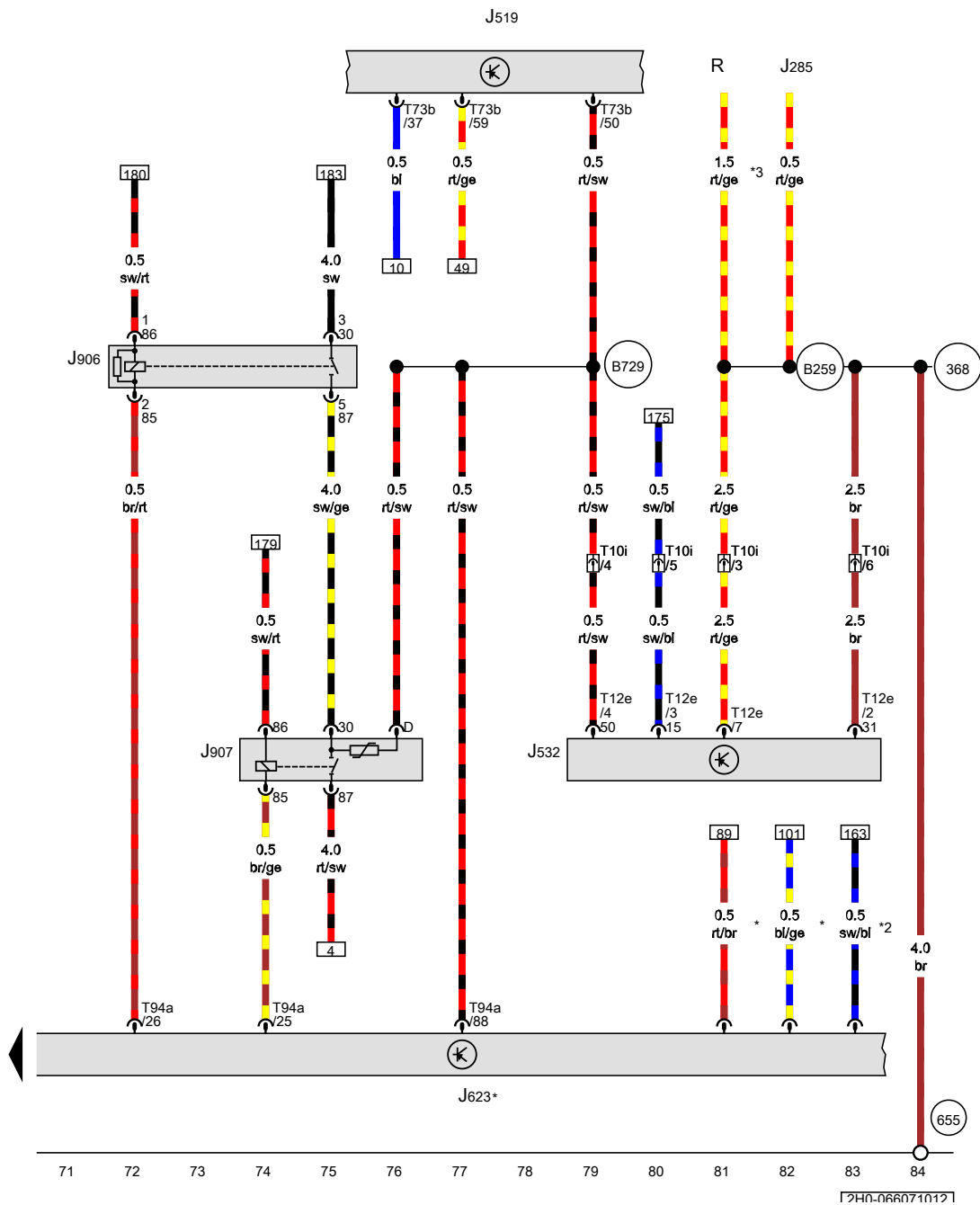
Clutch pedal switch, Fuel pump relay, Terminal 30 voltage supply relay, Engine control unit, Fuse 2 on fuse holder B



- F36 Clutch pedal switch
- J8 Auxiliary heater relay
- J17 Fuel pump relay
- J317 Terminal 30 voltage supply relay
- J623 Engine control unit
- SB Fuse holder B
- SB2 Fuse 2 on fuse holder B
- T4bg 4-pin connector, black
- T94 94-pin connector, black
- T94a 94-pin connector, black
- V55 Circulation pump
- B277 Positive connection 1 (15a) in main wiring harness
- B332 Positive connection 18 (30a) in main wiring harness
- B564 Connection 31, in main wiring harness
- \* Only models with diesel engine
- \*2 Only models with petrol engine
- \*3 see applicable current flow diagram for engine
- \*4 see applicable current flow diagram for auxiliary coolant heater
- \*5 Slot assignment, with no cruise control system (CCS)

- ws = white
- sw = black
- ro = red
- br = brown
- gn = green
- bl = blue
- gr = grey
- li = purple
- ge = yellow
- or = orange
- rs = pink

1740-0660610121



Voltage stabiliser, Engine control unit, Starter relay 1, Starter relay 2

- J285 Control unit in dash panel insert
- J519 Onboard supply control unit
- J532 Voltage stabiliser
- J623 Engine control unit
- J906 Starter relay 1
- J907 Starter relay 2
- R Radio
- T10i 10-pin connector, near battery, black
- T12e 12-pin connector, black
- T73b 73-pin connector, colourless
- T94a 94-pin connector, black

- (368) Earth connection 3, in main wiring harness
- (655) Earth point, on left headlight
- (B259) Connection (start/stop signal), in interior wiring harness
- (B729) Connection 1 (50), in main wiring harness

- \* see applicable current flow diagram for engine
- \*2 Only models with diesel engine
- \*3 see applicable current flow diagram for radio/ radio navigation system

- ws = white
- sw = black
- ro = red
- br = brown
- gn = green
- bl = blue
- gr = grey
- li = purple
- ge = yellow
- or = orange
- rs = pink

1740-0660710171

Headlight relay, Fuse 15 on fuse holder C, Fuse 23 on fuse holder C, Fuse 24 on fuse holder C

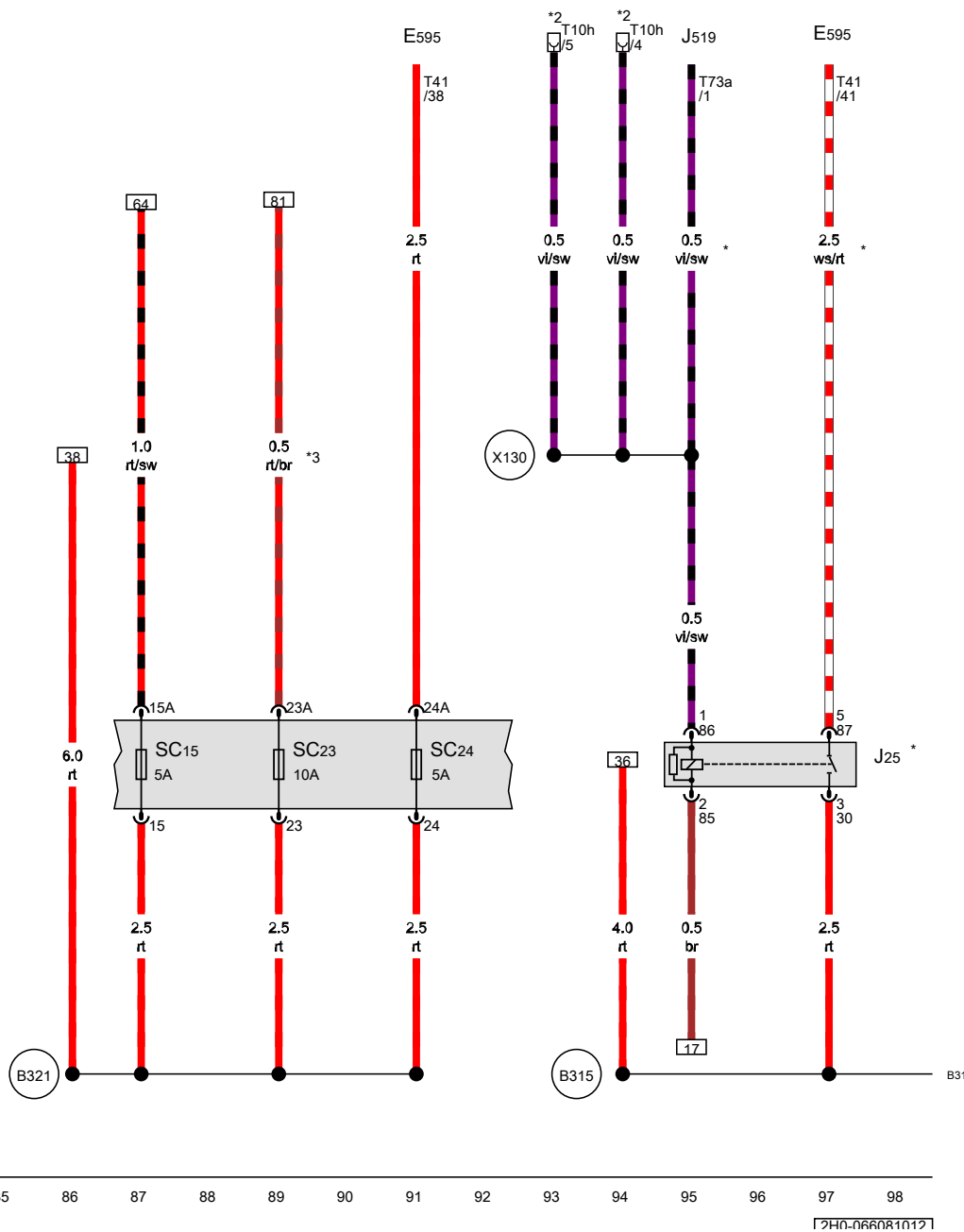
- E595 Steering column combination switch
- J25 Headlight relay
- J519 Onboard supply control unit
- SC15 Fuse 15 on fuse holder C
- SC23 Fuse 23 on fuse holder C
- SC24 Fuse 24 on fuse holder C
- T10h 10-pin connector, in left footwell, near centre console, purple
- T41 41-pin connector
- T73a 73-pin connector, black

(B315) Positive connection 1 (30a) in main wiring harness

(B321) Positive connection 7 (30a) in main wiring harness

(X130) Connection 3, in optional equipment wiring harness

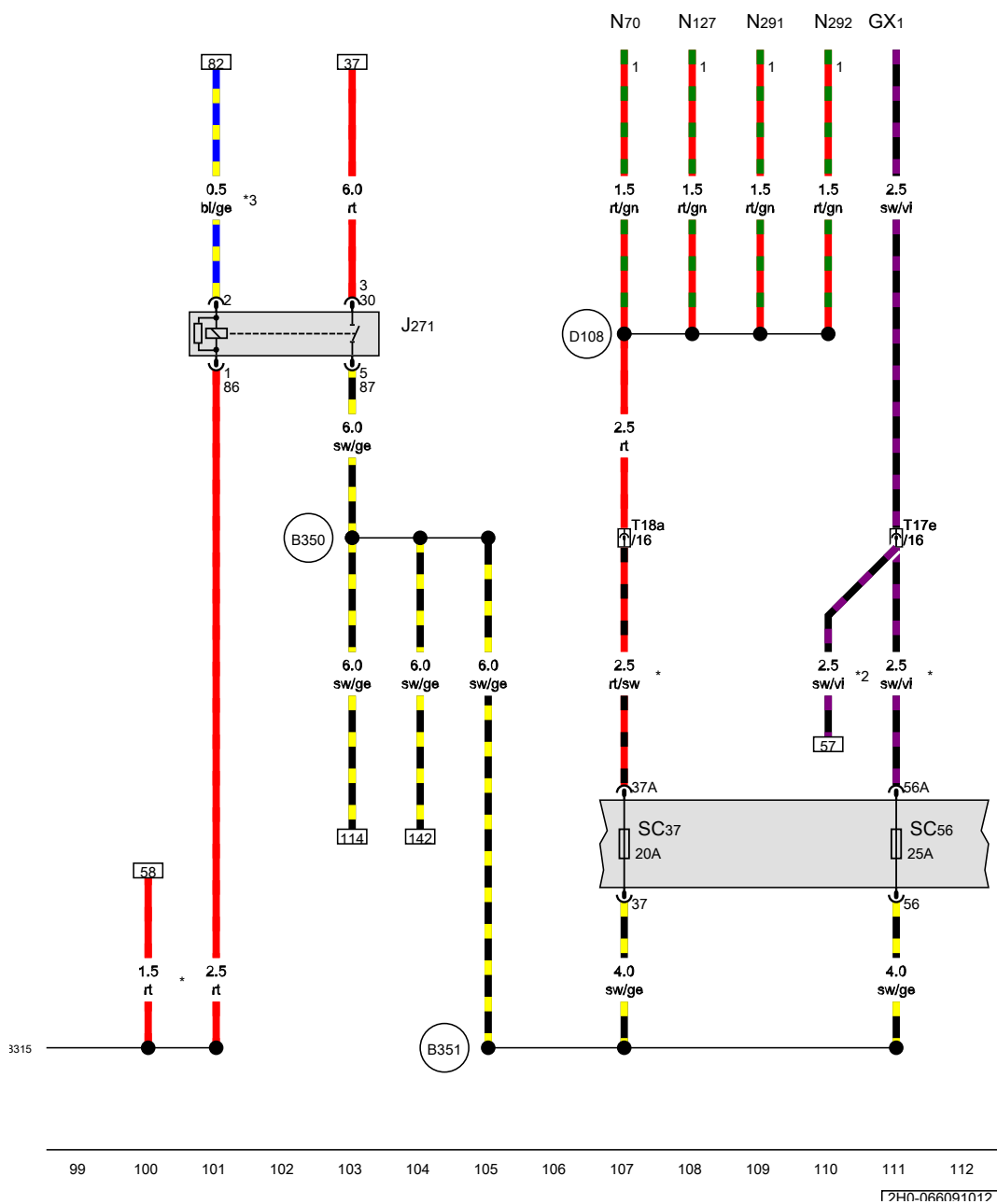
- \* Only models with automatic driving lights control
- \*2 Only models with electric interface for external use
- \*3 see applicable current flow diagram for engine



17H0-0660810121



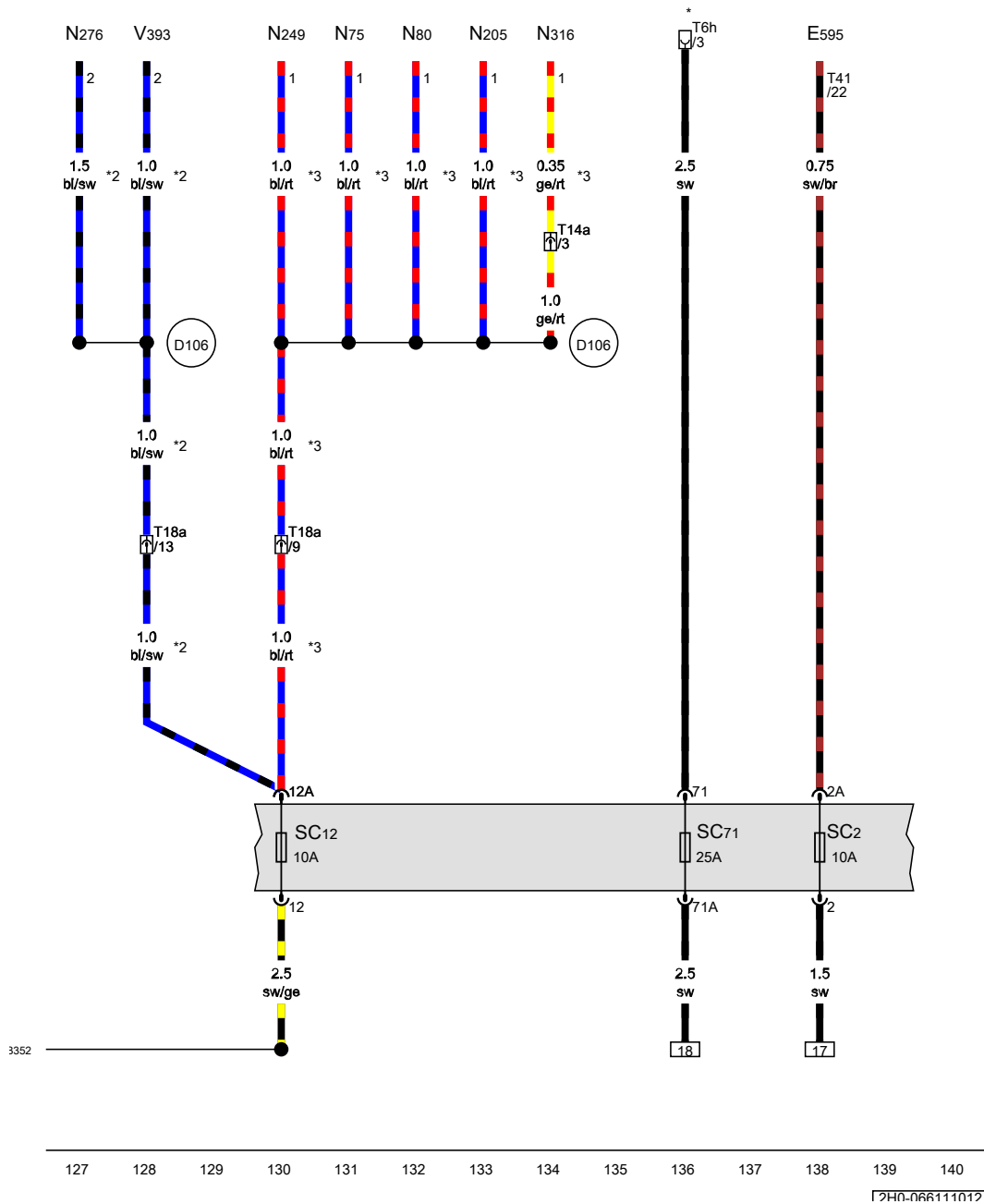
Main relay, Fuse 37 on fuse holder C, Fuse 56 on fuse holder C



- GX1 Fuel delivery unit, on fuel tank
- J271 Main relay
- N70 Ignition coil 1 with output stage
- N127 Ignition coil 2 with output stage
- N291 Ignition coil 3 with output stage
- N292 Ignition coil 4 with output stage
- SC37 Fuse 37 on fuse holder C
- SC56 Fuse 56 on fuse holder C
- T17e 17-pin connector, near handbrake lever, blue
- T18a 18-pin connector, near engine control unit, black
- B315 Positive connection 1 (30a) in main wiring harness
- B350 Positive connection 1 (87a) in main wiring harness
- B351 Positive connection 2 (87a) in main wiring harness
- D108 Connection 6 in engine compartment wiring harness
- \* Only models with petrol engine
- \*2 Only models with diesel engine
- \*3 see applicable current flow diagram for engine



Fuse 2 on fuse holder C, Fuse 12 on fuse holder C, Fuse 71 on fuse holder C



- E595 Steering column combination switch
- N75 Charge pressure control solenoid valve
- N80 Activated charcoal filter solenoid valve 1
- N205 Camshaft control valve 1
- N249 Turbocharger air recirculation valve
- N276 Fuel pressure regulating valve
- N316 Intake manifold flap valve
- SC2 Fuse 2 on fuse holder C
- SC12 Fuse 12 on fuse holder C
- SC71 Fuse 71 on fuse holder C
- T6h 6-pin connector, in left footwell, near centre console, grey
- T14a 14-pin connector, front left in engine compartment
- T18a 18-pin connector, near engine control unit, black
- T41 41-pin connector, grey
- V393 Supplementary fuel pump

B352 Positive connection 3 (87a) in main wiring harness

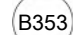
D106 Connection 4 in engine compartment wiring harness

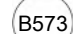
- \* Only models with electric interface for external use
- \*2 Only models with diesel engine
- \*3 Only models with petrol engine

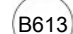
- ws = white
- sw = black
- ro = red
- br = brown
- gn = green
- bl = blue
- gr = grey
- li = purple
- ge = yellow
- or = orange
- rs = pink

Fuse 34 on fuse holder C, Fuse 35 on fuse holder C, Fuse 36 on fuse holder C

- J623 Engine control unit
- SC34 Fuse 34 on fuse holder C
- SC35 Fuse 35 on fuse holder C
- SC36 Fuse 36 on fuse holder C
- T4f 4-pin connector, front right in engine compartment, black
- T6q 6-pin connector, front right in engine compartment, black
- T6t 6-pin connector, front right in engine compartment, black
- T94 94-pin connector, black
- V50 Coolant circulation pump
- Z19 Lambda probe heater
- Z29 Lambda probe 1 heater after catalytic converter

 B353 Positive connection 4 (87a) in main wiring harness

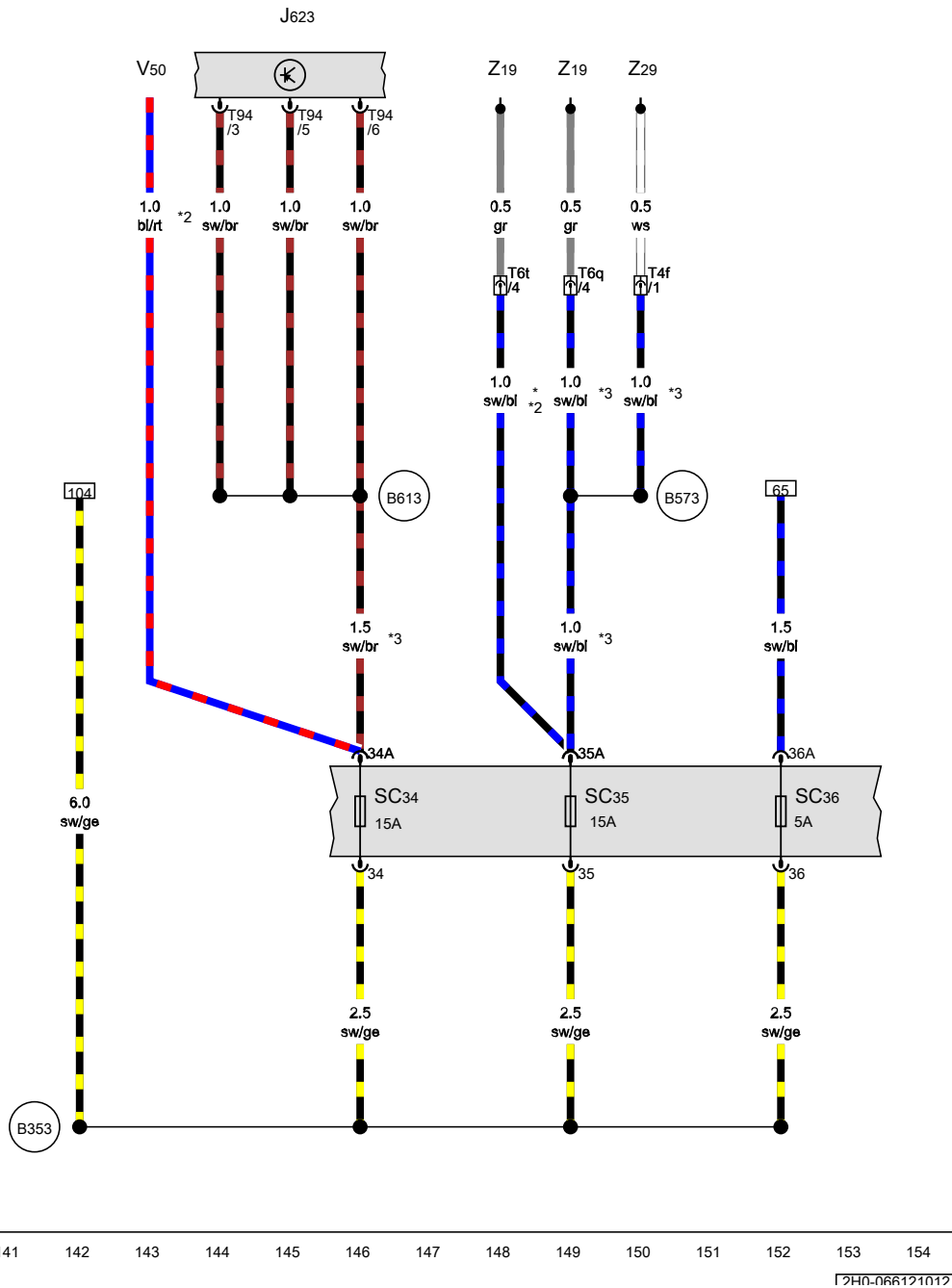
 B573 Connection 40, in main wiring harness

 B613 Connection 41, in main wiring harness

\* Only models with Euro 5 emission standard

\*2 Only models with diesel engine

\*3 Only models with petrol engine

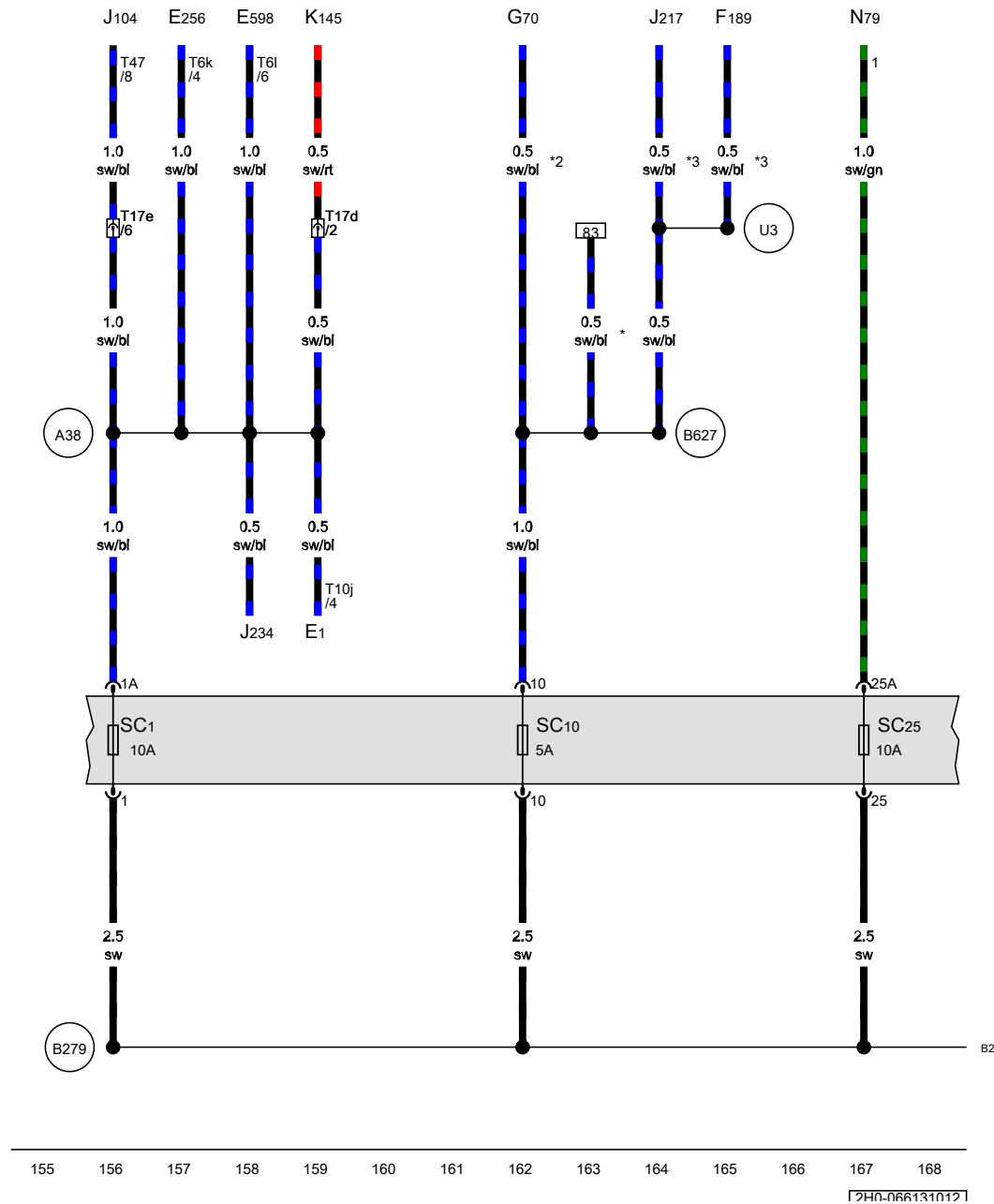


- ws = white
- sw = black
- ro = red
- br = brown
- gn = green
- bl = blue
- gr = grey
- li = purple
- ge = yellow
- or = orange
- rs = pink

141 142 143 144 145 146 147 148 149 150 151 152 153 154

7PH0-0661210121

**Fuse 1 on fuse holder C, Fuse 10 on fuse holder C, Fuse 25 on fuse holder C**



- E1 Light switch
- E256 TCS and ESP button, on centre console switch module
- E598 Driving program button, on centre console switch module
- F189 Tiptronic switch
- G70 Air mass meter
- J104 ABS control unit
- J217 Automatic gearbox control unit
- J234 Airbag control unit
- K145 Front passenger side airbag deactivated warning lamp
- N79 Heater element for crankcase breather
- SC1 Fuse 1 on fuse holder C
- SC10 Fuse 10 on fuse holder C
- SC25 Fuse 25 on fuse holder C
- T6k 6-pin connector, black
- T6l 6-pin connector, red
- T10j 10-pin connector, black
- T17d 17-pin connector, on left under dash panel, red
- T17e 17-pin connector, near handbrake lever, blue
- T47 47-pin connector, black

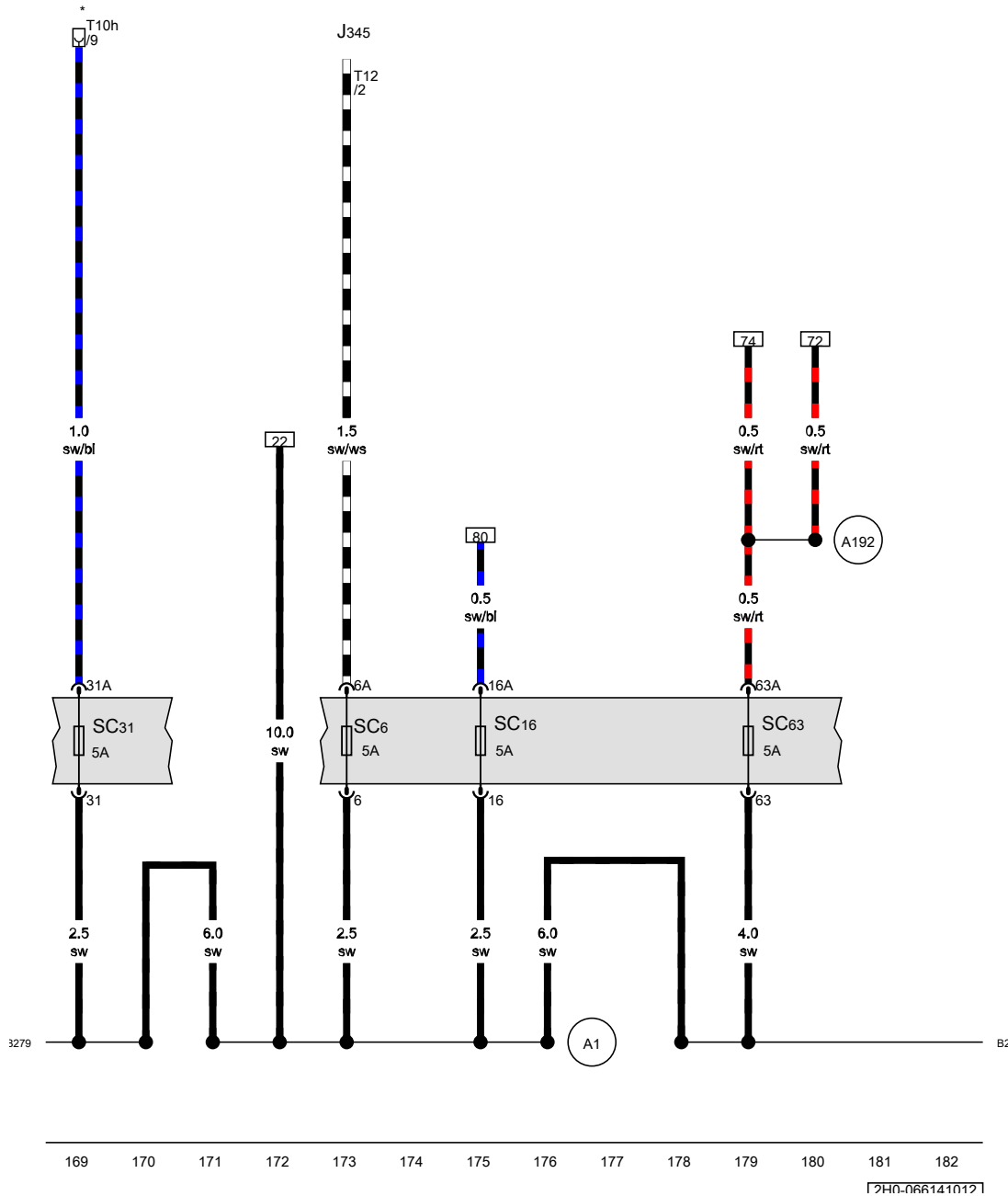
- A38 Positive connection 2 (15a) in dash panel wiring harness
- B279 Positive connection 3 (15a) in main wiring harness
- B627 Positive connection 3 (15), in main wiring harness
- U3 Connection 1, in automatic gearbox wiring harness
- \* Only models with diesel engine
- \*2 Only models with petrol engine
- \*3 see applicable current flow diagram for automatic gearbox

- ws = white
- sw = black
- ro = red
- br = brown
- gn = green
- bl = blue
- gr = grey
- li = purple
- ge = yellow
- or = orange
- rs = pink

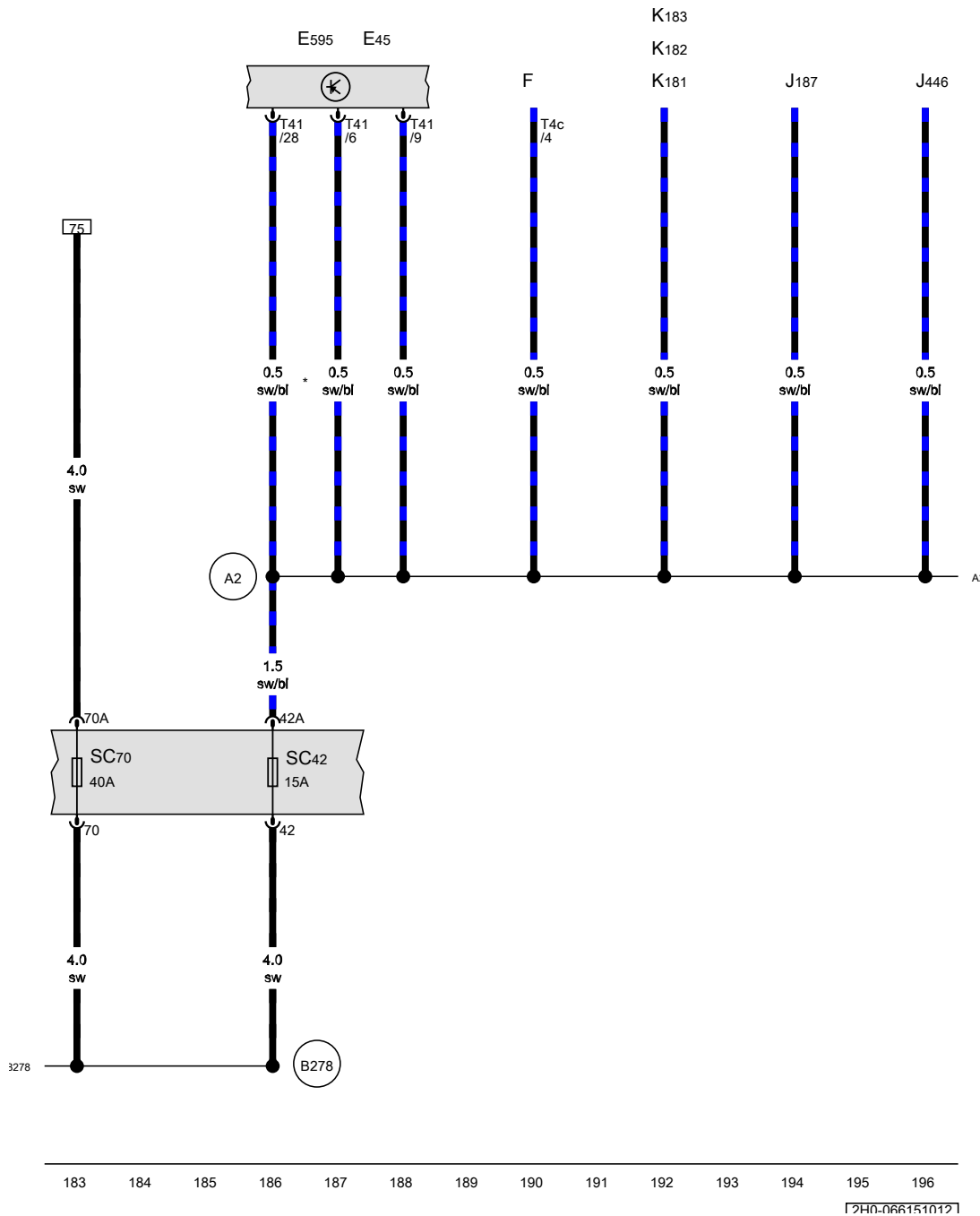
Fuse 6 on fuse holder C, Fuse 16 on fuse holder C, Fuse 31 on fuse holder C, Fuse 63 on fuse holder C

- J345 Trailer detector control unit
- SC6 Fuse 6 on fuse holder C
- SC16 Fuse 16 on fuse holder C
- SC31 Fuse 31 on fuse holder C
- SC63 Fuse 63 on fuse holder C
- T10h 10-pin connector, in left footwell, near centre console, purple
- T12 12-pin connector, red

- (A1) Positive connection (30a), in dash panel wiring harness
- (A192) Positive connection 3 (15a) in dash panel wiring harness
- (B278) Positive connection 2 (15a) in main wiring harness
- (B279) Positive connection 3 (15a) in main wiring harness
- \* Only models with electric interface for external use



1740-0661410121



**Brake light switch, Fuse 42 on fuse holder C**

- E45 Cruise control system switch
- E595 Steering column combination switch
- F Brake light switch
- J187 Differential lock control unit
- J446 Parking aid control unit
- K181 Normal operation warning lamp in transfer box operating unit
- K182 Reduction gearing warning lamp in transfer box operating unit
- K183 Inter-axle lock-up warning lamp in transfer box operating unit
- SC42 Fuse 42 on fuse holder C
- SC70 Fuse 70 on fuse holder C
- T4c 4-pin connector, black
- T41 41-pin connector, grey

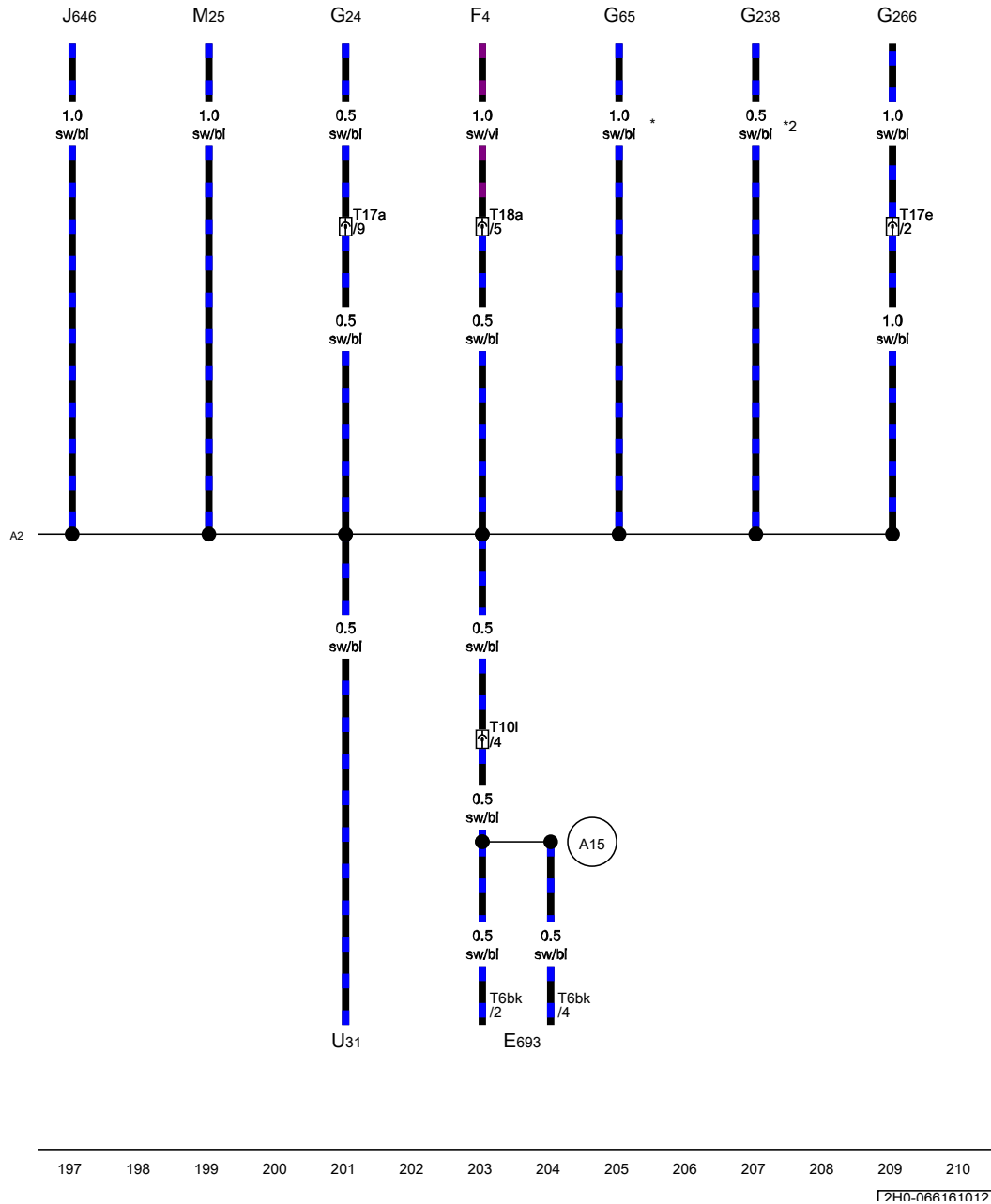
**A2** Positive connection (15), in dash panel wiring harness

**B278** Positive connection 2 (15a) in main wiring harness

\* Only models with cruise control system

- ws = white
- sw = black
- ro = red
- br = brown
- gn = green
- bl = blue
- gr = grey
- li = purple
- ge = yellow
- or = orange
- rs = pink

Start/Stop operation button, Reversing light switch, Tachograph, Air quality sensor, Oil level and oil temperature sender, Transfer box control unit, Additional brake light bulb, Diagnostic connection



- E693 Start/Stop operation button, in front centre console
- F4 Reversing light switch
- G24 Tachograph
- G65 High-pressure sender
- G238 Air quality sensor
- G266 Oil level and oil temperature sender
- J646 Transfer box control unit
- M25 Additional brake light bulb
- T6bk 6-pin connector, green
- T10l 10-pin connector, blue
- T17a 17-pin connector, behind glove compartment, black
- T17e 17-pin connector, near handbrake lever, blue
- T18a 18-pin connector, near engine control unit, grey
- U31 Diagnostic connection

**A2** Positive connection (15), in dash panel wiring harness

**A15** Positive connection (15), in instrument wiring harness

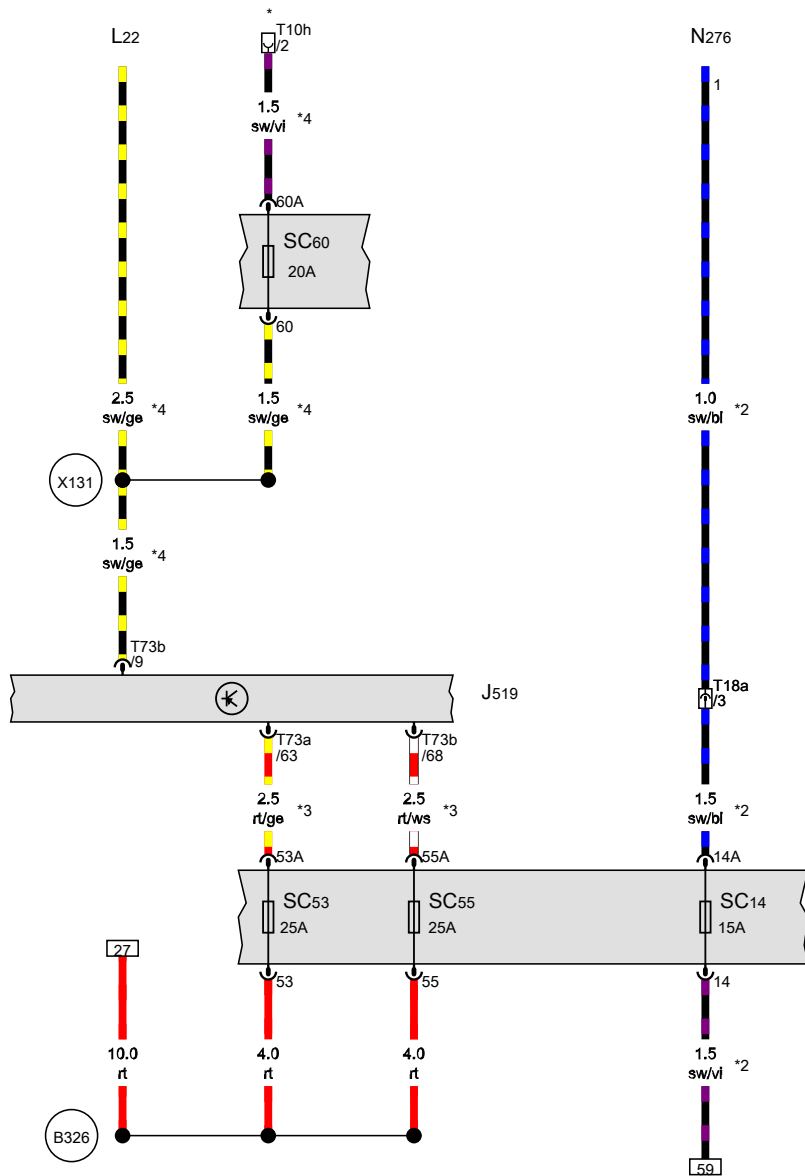
\* Only models with air conditioning system/ Climatronic

\*2 Only models with Climatronic

- ws = white
- sw = black
- ro = red
- br = brown
- gn = green
- bl = blue
- gr = grey
- li = purple
- ge = yellow
- or = orange
- rs = pink



Fuse 14 on fuse holder C, Fuse 53 on fuse holder C, Fuse 55 on fuse holder C



- J519 Onboard supply control unit
- L22 Left fog light bulb
- N276 Fuel pressure regulating valve
- SC14 Fuse 14 on fuse holder C
- SC53 Fuse 53 on fuse holder C
- SC55 Fuse 55 on fuse holder C
- SC60 Fuse 60 on fuse holder C
- T10h 10-pin connector, in left footwell, near centre console, purple
- T18a 18-pin connector, near engine control unit, black
- T73a 73-pin connector, black
- T73b 73-pin connector, colourless

- B326 Positive connection 12 (30a) in main wiring harness
- X131 Connection 4, in optional equipment wiring harness

- \* Only models with electric interface for external use
- \*2 Only models with petrol engine
- \*3 see applicable current flow diagram for exterior lighting
- \*4 Only models with automatic driving lights control

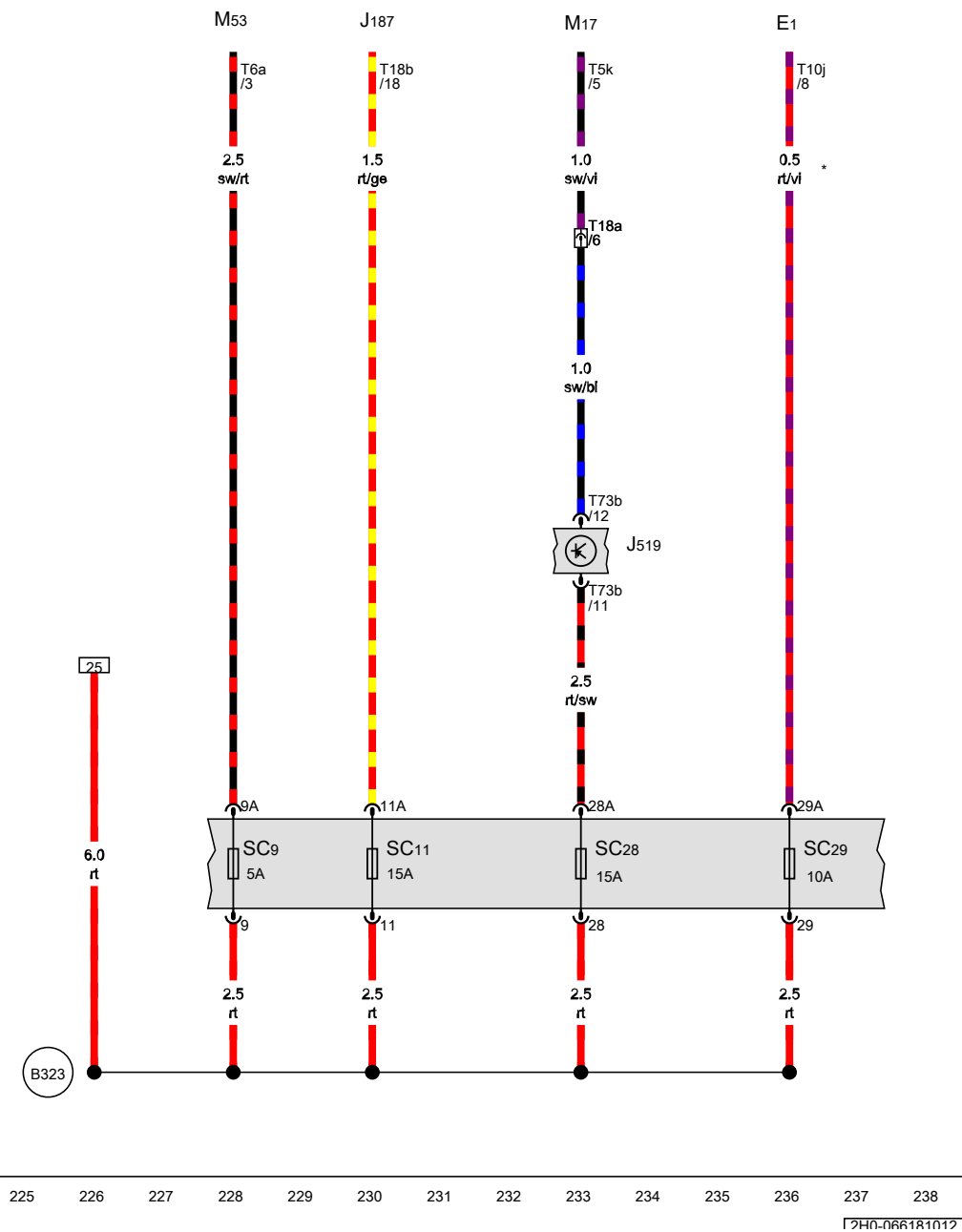
- ws = white
- sw = black
- ro = red
- br = brown
- gn = green
- bl = blue
- gr = grey
- li = purple
- ge = yellow
- or = orange
- rs = pink

Fuse 9 on fuse holder C, Fuse 11 on fuse holder C, Fuse 28 on fuse holder C, Fuse 29 on fuse holder C

- E1 Light switch
- J187 Differential lock control unit
- J519 Onboard supply control unit
- M17 Right reversing light bulb
- M53 Load area illumination bulb
- SC9 Fuse 9 on fuse holder C
- SC11 Fuse 11 on fuse holder C
- SC28 Fuse 28 on fuse holder C
- SC29 Fuse 29 on fuse holder C
- T5k 5-pin connector
- T6a 6-pin connector
- T10j 10-pin connector, black
- T18a 18-pin connector, near engine control unit, near engine control unit, grey
- T18b 18-pin connector
- T73b 73-pin connector

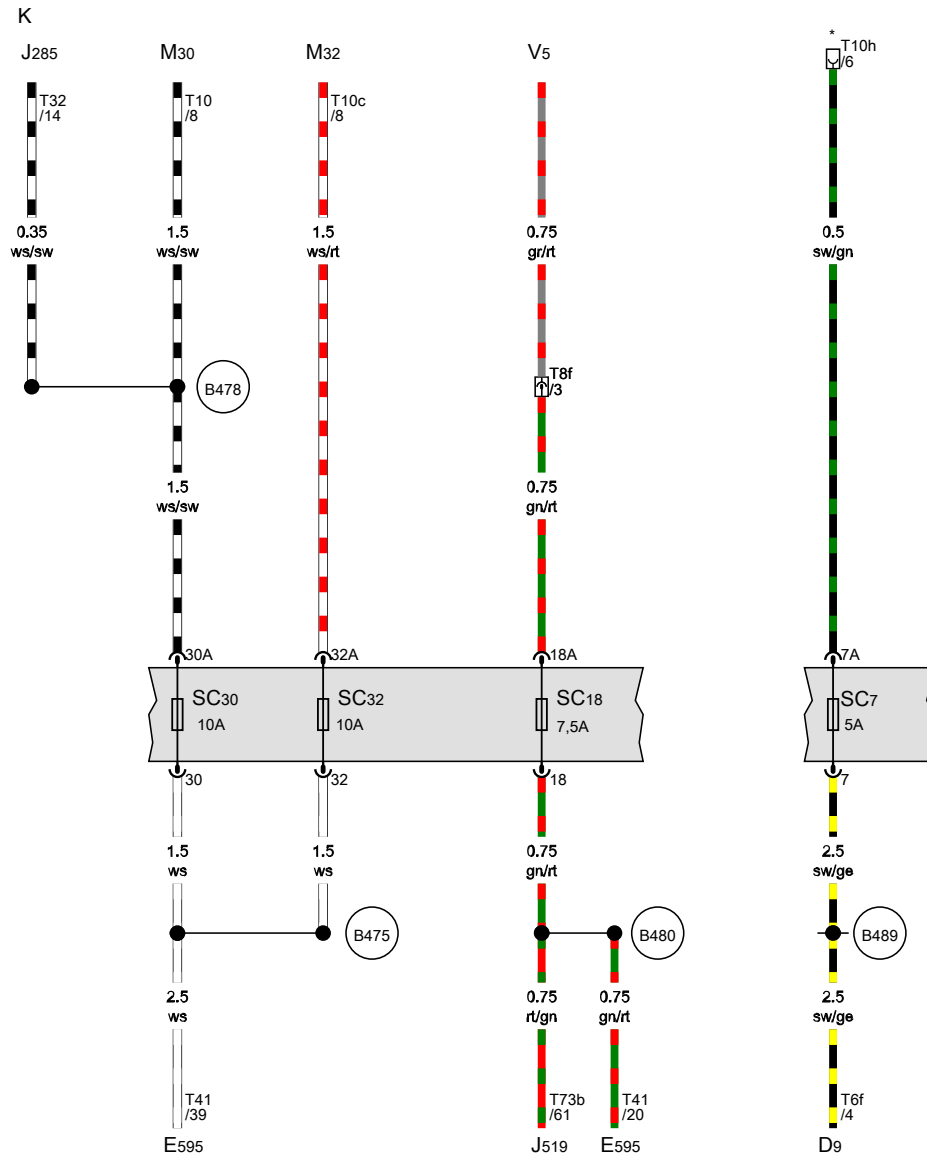
B323 Positive connection 9 (30a) in main wiring harness

\* Only models with automatic driving lights control



- ws = white
- sw = black
- ro = red
- br = brown
- gn = green
- bl = blue
- gr = grey
- li = purple
- ge = yellow
- or = orange
- rs = pink

Fuse 7 on fuse holder C, Fuse 18 on fuse holder C, Fuse 30 on fuse holder C, Fuse 32 on fuse holder C



- D9 Electronic ignition lock
- E595 Steering column combination switch
- J285 Control unit in dash panel insert
- J519 Onboard supply control unit
- K Dash panel insert
- M30 Left headlight main beam bulb
- M32 Right headlight main beam bulb
- SC7 Fuse 7 on fuse holder C
- SC18 Fuse 18 on fuse holder C
- SC30 Fuse 30 on fuse holder C
- SC32 Fuse 32 on fuse holder C
- T6f 6-pin connector, black
- T8f 8-pin connector, in rear right of engine compartment, black
- T10 10-pin connector, black
- T10c 10-pin connector, black
- T10h 10-pin connector, in left footwell, near centre console, purple
- T32 32-pin connector, blue
- T41 41-pin connector, grey
- T73b 73-pin connector, colourless
- V5 Washer pump

B475 Connection 11, in main wiring harness

B478 Connection 14, in main wiring harness

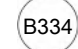
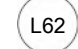
B480 Connection 16, in main wiring harness

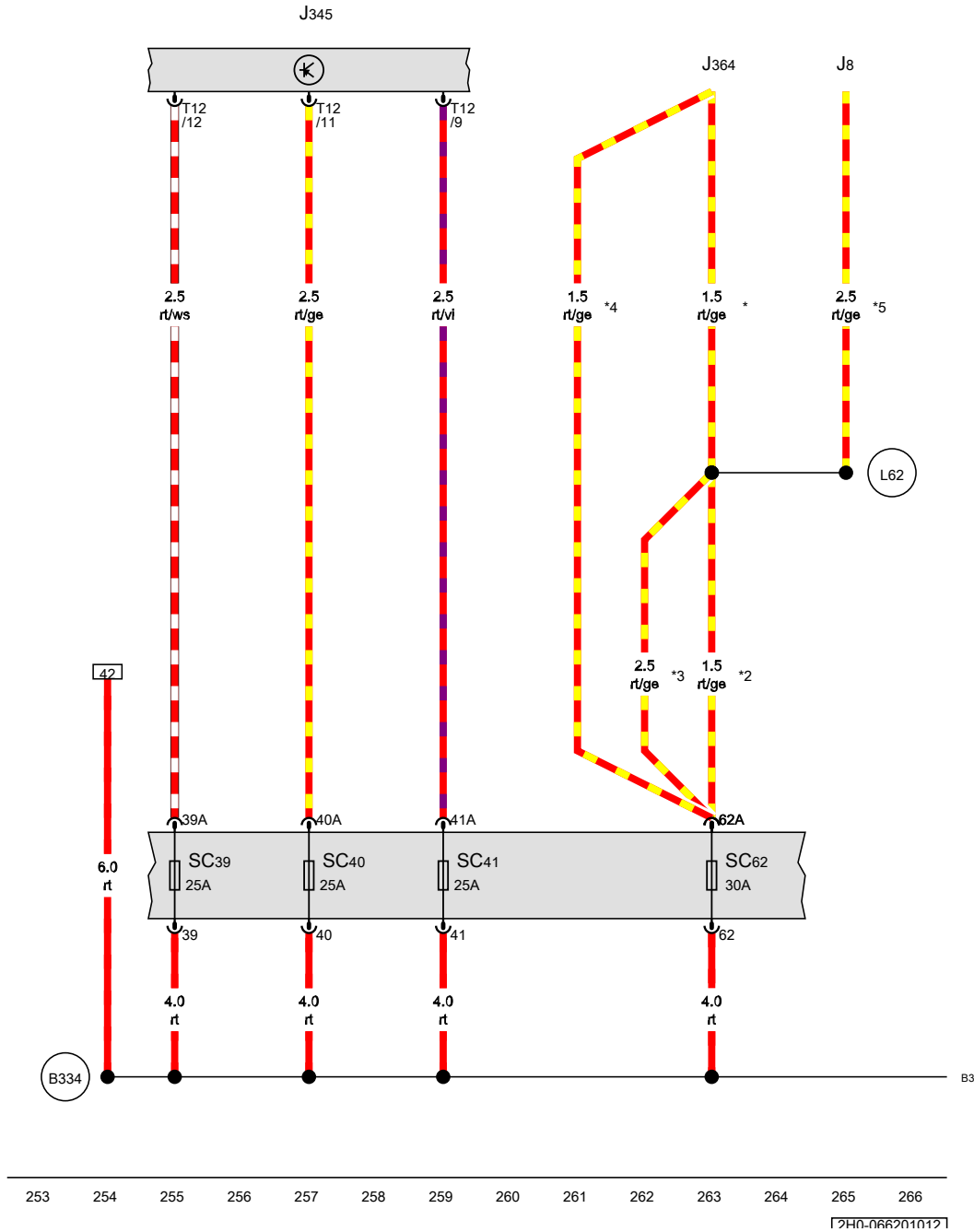
B489 Connection 25, in main wiring harness

\* Only models with electric interface for external use

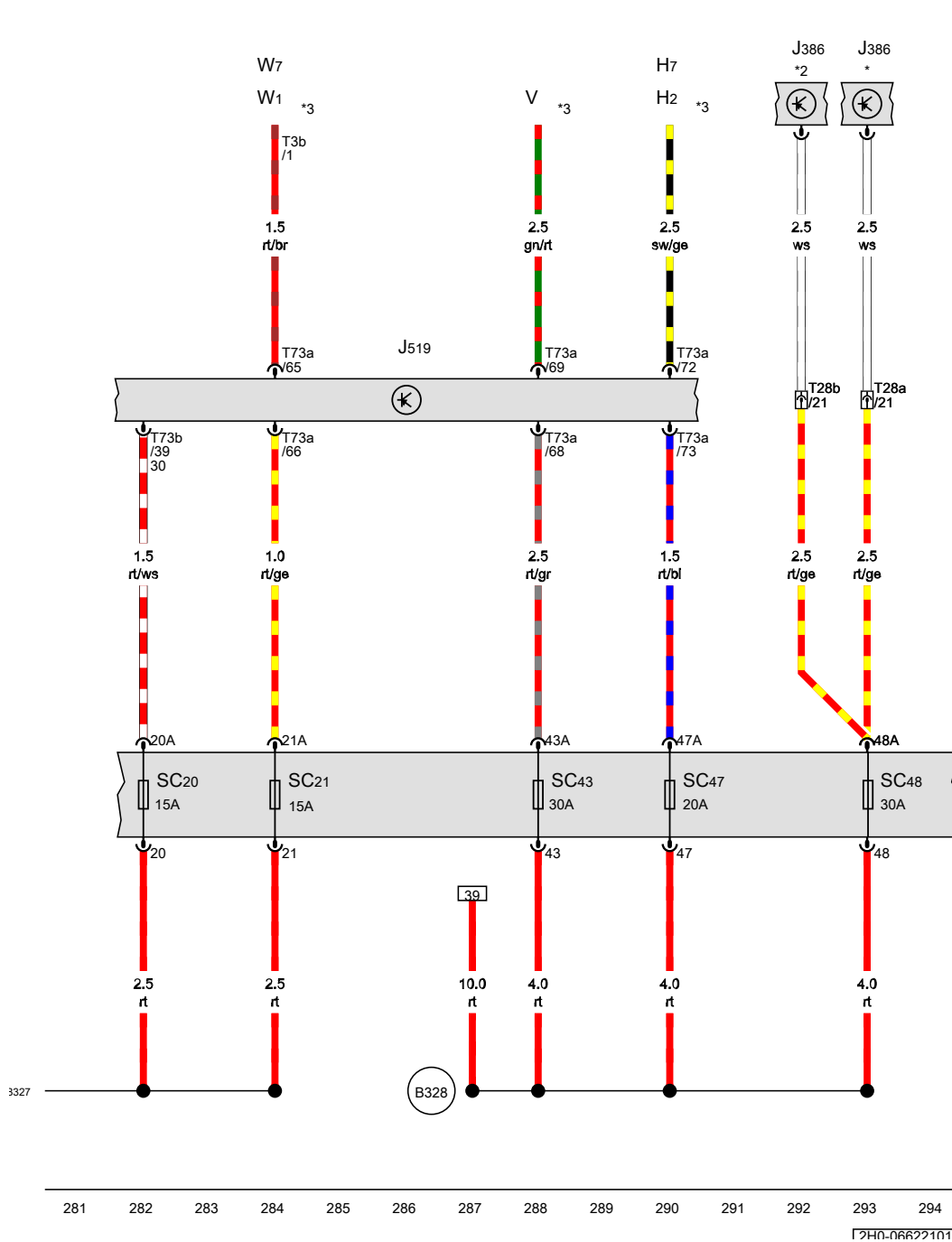
- ws = white
- sw = black
- ro = red
- br = brown
- gn = green
- bl = blue
- gr = grey
- li = purple
- ge = yellow
- or = orange
- rs = pink

Fuse 39 on fuse holder C, Fuse 40 on fuse holder C, Fuse 41 on fuse holder C, Fuse 62 on fuse holder C

- J8 Auxiliary heater relay
  - J345 Trailer detector control unit
  - J364 Auxiliary heater control unit
  - SC39 Fuse 39 on fuse holder C
  - SC40 Fuse 40 on fuse holder C
  - SC41 Fuse 41 on fuse holder C
  - SC62 Fuse 62 on fuse holder C
  - T12 12-pin connector, red
-  Positive connection 20 (30a) in main wiring harness
  -  Positive connection (30a), in auxiliary heater wiring harness
- \* Only models with air conditioning system/ Climatronic
  - \*2 Only models with Climatronic
  - \*3 Only models with Climatic
  - \*4 Only models with no air conditioning system/Climatronic
  - \*5 see applicable current flow diagram for auxiliary coolant heater







Fuse 20 on fuse holder C, Fuse 21 on fuse holder C, Fuse 43 on fuse holder C, Fuse 47 on fuse holder C, Fuse 48 on fuse holder C

- H2 Treble horn
- H7 Bass horn
- J386 Driver door control unit
- J519 Onboard supply control unit
- SC20 Fuse 20 on fuse holder C
- SC21 Fuse 21 on fuse holder C
- SC43 Fuse 43 on fuse holder C
- SC47 Fuse 47 on fuse holder C
- SC48 Fuse 48 on fuse holder C
- T3b 3-pin connector
- T28a 28-pin connector, in left A-pillar
- T28b 28-pin connector, on right A-pillar
- T73a 73-pin connector, black
- T73b 73-pin connector, colourless
- V Windscreen wiper motor
- W1 Front interior light
- W7 Centre interior light

B327 Positive connection 13 (30a) in main wiring harness

B328 Positive connection 14 (30a) in main wiring harness

- \* Only left-hand drive models
- \*2 Only right-hand drive models
- \*3 see applicable current flow diagram for basic equipment

- ws = white
- sw = black
- ro = red
- br = brown
- gn = green
- bl = blue
- gr = grey
- li = purple
- ge = yellow
- or = orange
- rs = pink

281 282 283 284 285 286 287 288 289 290 291 292 293 294

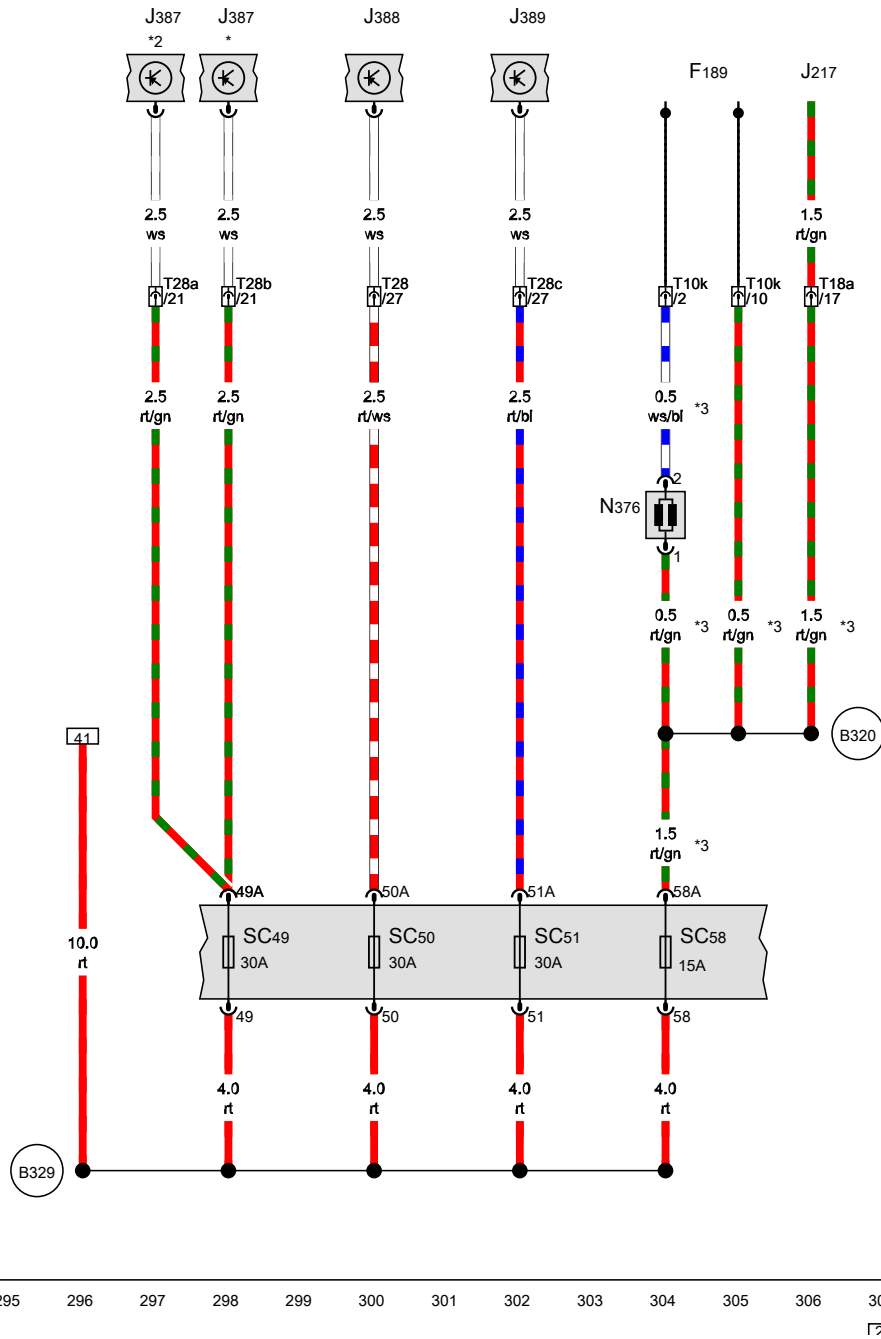
[740-066221017]

Fuse 49 on fuse holder C, Fuse 50 on fuse holder C, Fuse 51 on fuse holder C, Fuse 58 on fuse holder C

- F189 Tiptronic switch
- J217 Automatic gearbox control unit
- J387 Front passenger door control unit
- J388 Rear left door control unit
- J389 Rear right door control unit
- N376 Ignition key withdrawal lock solenoid
- SC49 Fuse 49 on fuse holder C
- SC50 Fuse 50 on fuse holder C
- SC51 Fuse 51 on fuse holder C
- SC58 Fuse 58 on fuse holder C
- T10k 10-pin connector, in left footwell, near centre console, purple
- T18a 18-pin connector, near engine control unit, grey
- T28 28-pin connector, near A-pillar
- T28a 28-pin connector, in left A-pillar
- T28b 28-pin connector, on right A-pillar
- T28c 28-pin connector

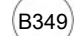
- B320 Positive connection 6 (30a) in main wiring harness
- B329 Positive connection 15 (30a) in main wiring harness

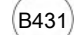
- \* Only left-hand drive models
- \*2 Only right-hand drive models
- \*3 Only models with automatic gearbox

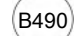


Voltage supply relay 2, Fuse 57 on fuse holder C, Fuse 69 on fuse holder C

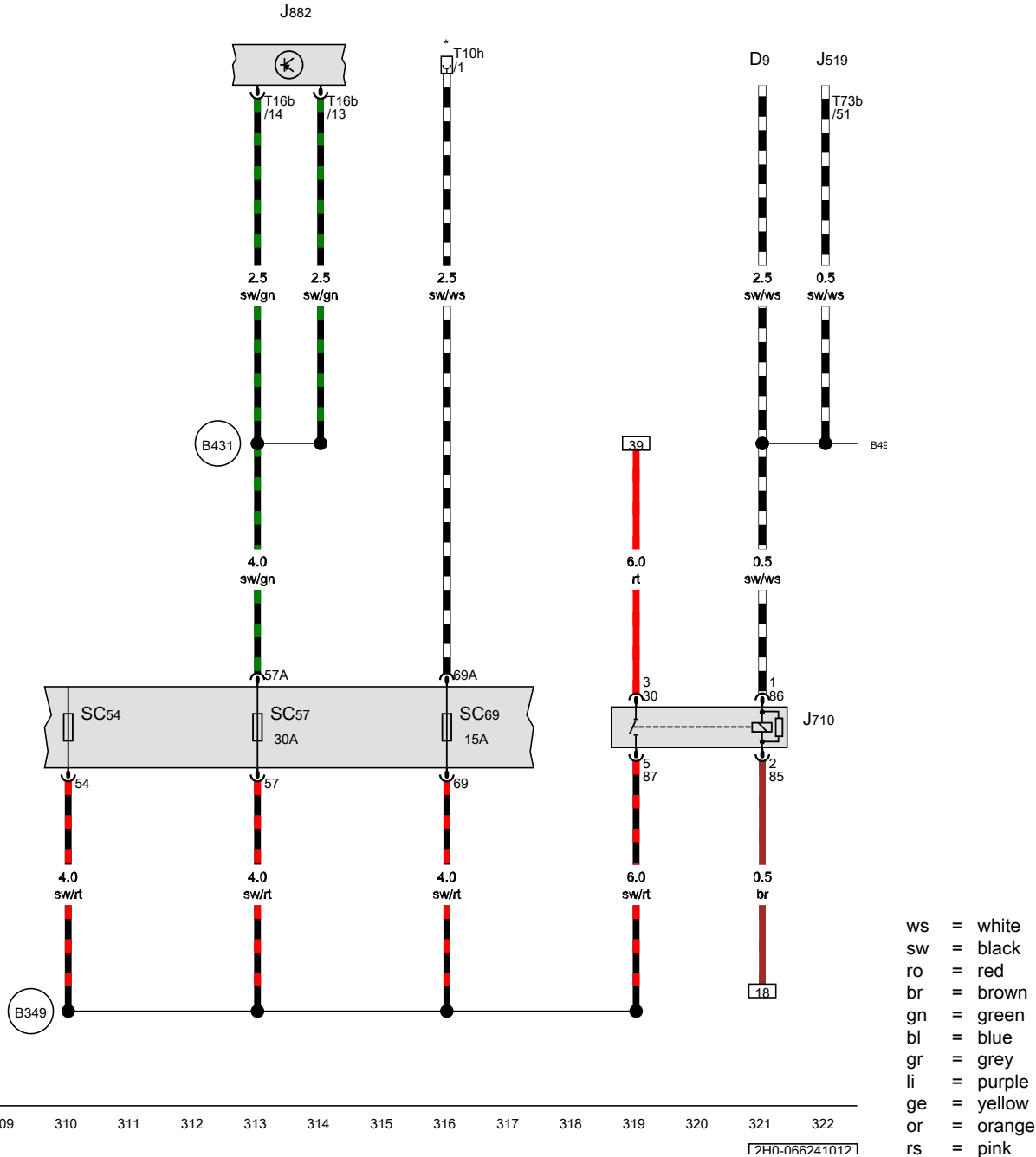
- D9 Electronic ignition lock
- J519 Onboard supply control unit
- J710 Voltage supply relay 2
- J882 Seat heating control unit
- SC54 Fuse 54 on fuse holder C
- SC57 Fuse 57 on fuse holder C
- SC69 Fuse 69 on fuse holder C
- T10h 10-pin connector, in left footwell, near centre console, purple
- T16b 16-pin connector, black
- T73b 73-pin connector, colourless

 B349 Connection 2 (75a), in main wiring harness

 B431 Connection (seat heating), in main wiring harness

 B490 Connection 26, in main wiring harness

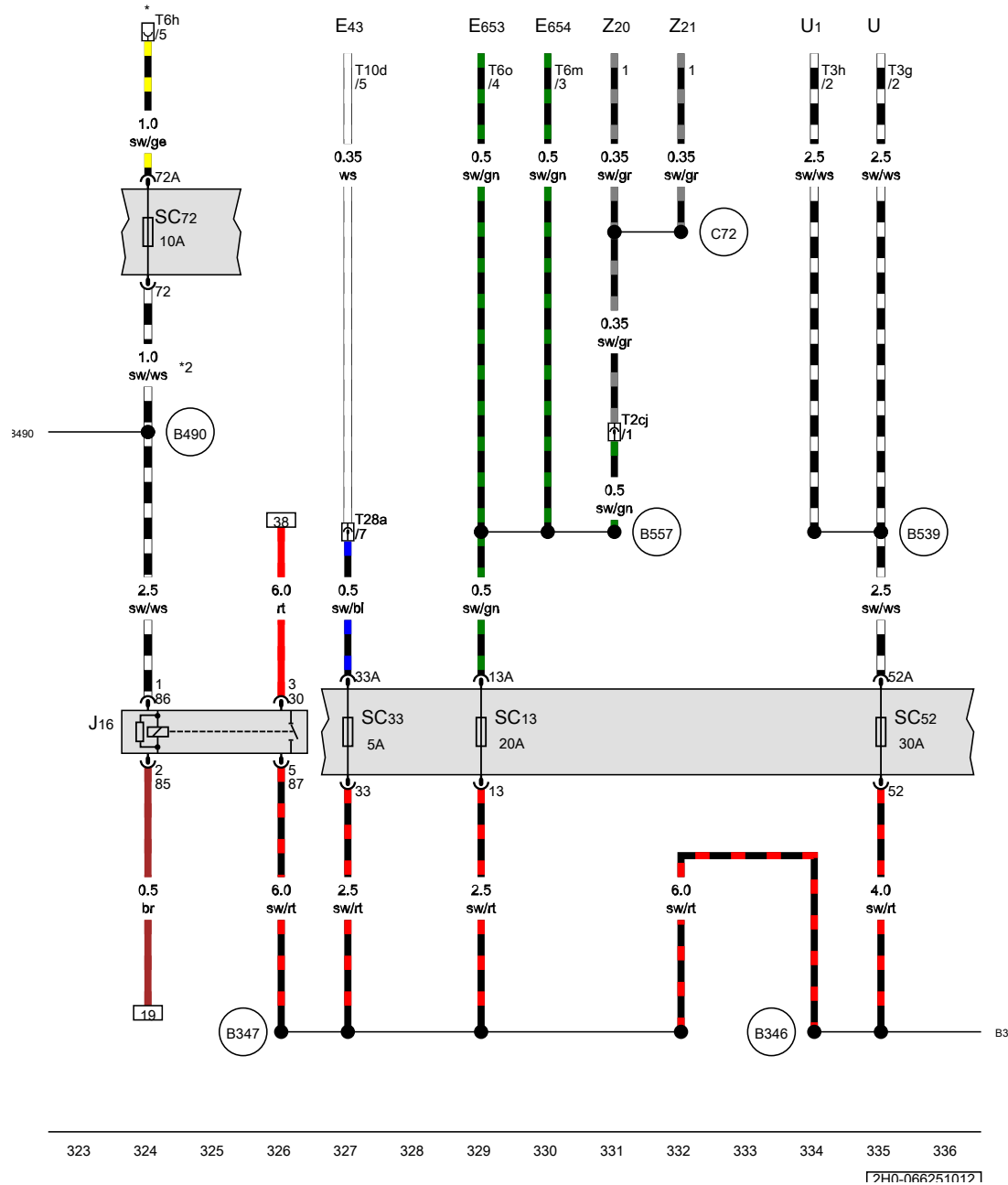
\* Only models with electric interface for external use



309 310 311 312 313 314 315 316 317 318 319 320 321 322

17H0-0662410121



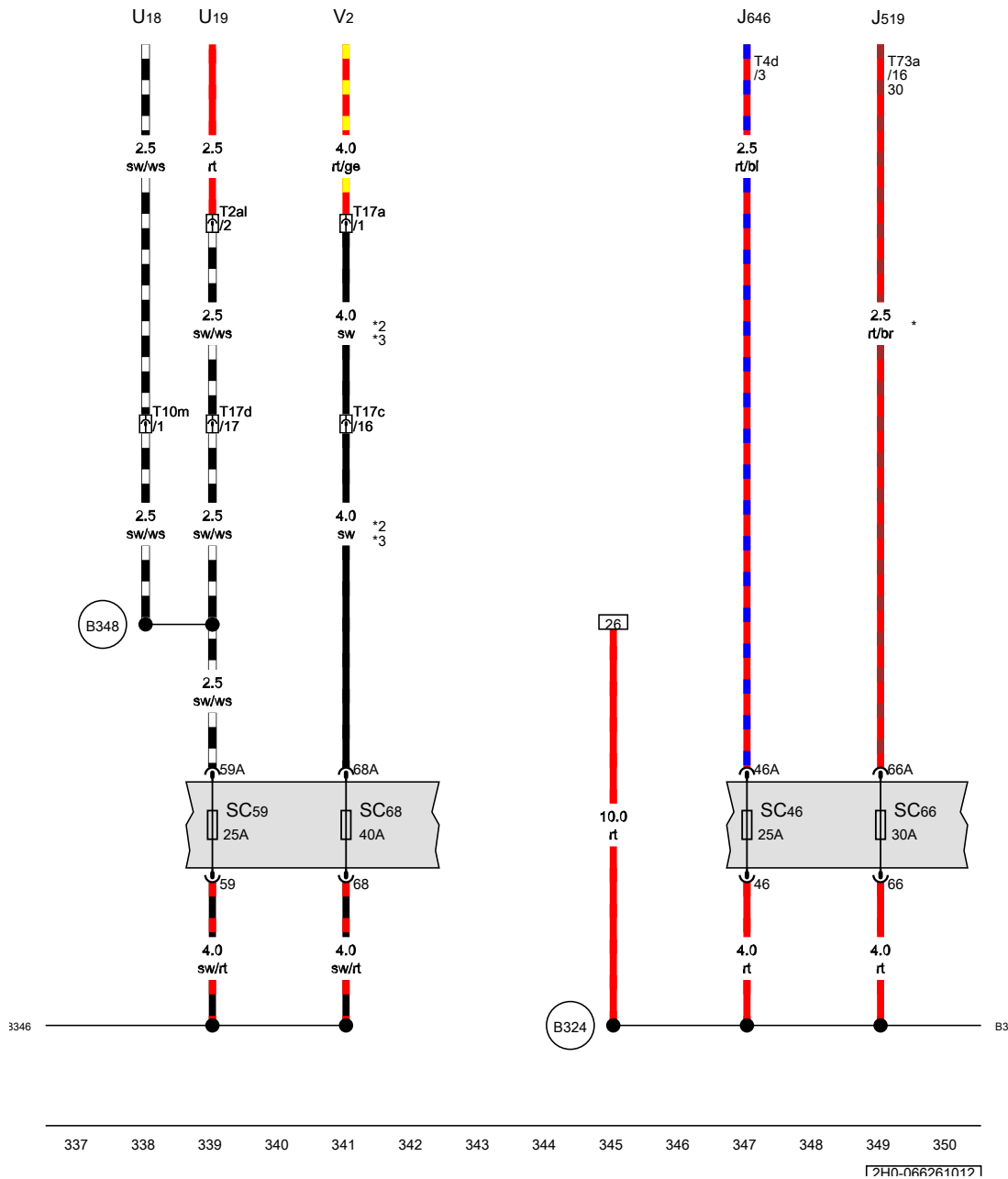


Current supply relay, Fuse 13 on fuse holder C, Fuse 33 on fuse holder C, Fuse 52 on fuse holder C, Fuse 72 on fuse holder C

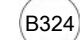
- E43 Mirror adjustment switch, in driver door
- E653 Button for left seat heating, on centre console switch module
- E654 Button for right seat heating, on centre console switch module
- J16 Current supply relay
- SC13 Fuse 13 on fuse holder C
- SC33 Fuse 33 on fuse holder C
- SC52 Fuse 52 on fuse holder C
- SC72 Fuse 72 on fuse holder C
- T2cj 2-pin connector
- T3g 3-pin connector, transparent
- T3h 3-pin connector, transparent
- T6h 6-pin connector, in left footwell, near centre console, grey
- T6m 6-pin connector, white
- T6o 6-pin connector, blue
- T10d 10-pin connector, black
- T28a 28-pin connector, in left A-pillar
- U Electric socket, on centre console switch module
- U1 Cigarette lighter, on centre console switch module
- Z20 Left washer jet heater element
- Z21 Right washer jet heater element

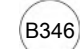
- B346 Connection 1 (75), in main wiring harness
- B347 Connection 2 (75), in main wiring harness
- B490 Connection 26, in main wiring harness
- B539 Connection 30, in main wiring harness
- B557 Positive connection 21 (30a) in main wiring harness
- C72 Positive connection in heated washer jet wiring harness
- \* Only models with electric interface for external use
- \*2 Only models with fog lights

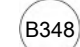
Fuse 46 on fuse holder C, Fuse 59 on fuse holder C, Fuse 66 on fuse holder C, Fuse 68 on fuse holder C



- J519 Onboard supply control unit
- J646 Transfer box control unit
- SC46 Fuse 46 on fuse holder C
- SC59 Fuse 59 on fuse holder C
- SC66 Fuse 66 on fuse holder C
- SC68 Fuse 68 on fuse holder C
- T2al 2-pin connector, in rear left wheel housing, black
- T4d 4-pin connector
- T10m 10-pin connector, near handbrake lever, brown
- T17a 17-pin connector, behind glove compartment, black
- T17c 17-pin connector, on left under dash panel, black
- T17d 17-pin connector, on left under dash panel, red
- T73a 73-pin connector, black
- U18 12 V socket 2, in centre of dash panel, in storage compartment
- U19 12 V socket 3, in rear left wheel housing
- V2 Fresh air blower

 B324 Positive connection 10 (30a) in main wiring harness

 B346 Connection 1 (75), in main wiring harness

 B348 Connection 1 (75a), in main wiring harness

- \* Only models with central locking
- \*2 see applicable current flow diagram for manually controlled heater
- \*3 Only models with no Climatronic

- ws = white
- sw = black
- ro = red
- br = brown
- gn = green
- bl = blue
- gr = grey
- li = purple
- ge = yellow
- or = orange
- rs = pink



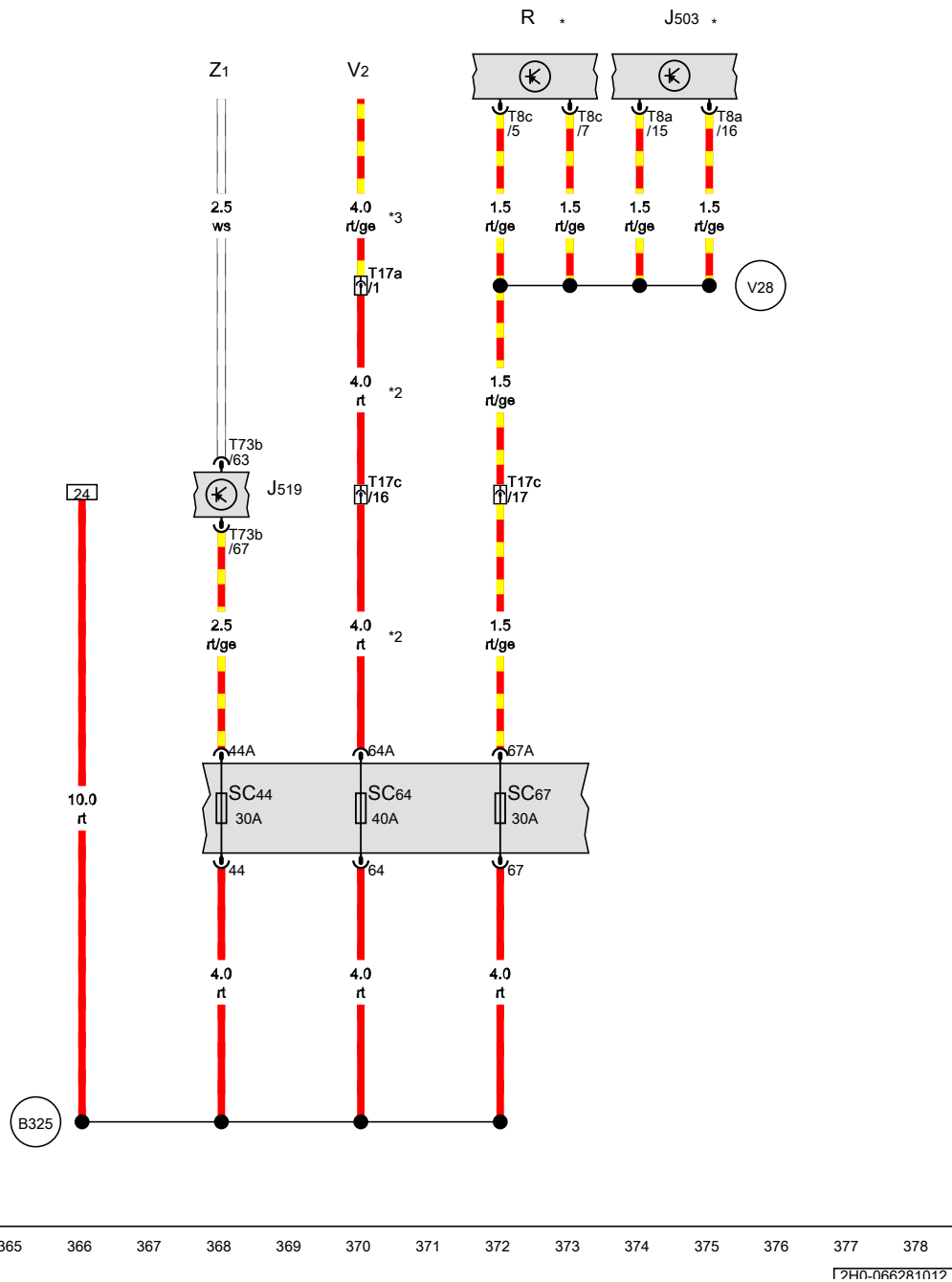
Fuse 44 on fuse holder C, Fuse 64 on fuse holder C, Fuse 67 on fuse holder C

- J503 Control unit with display for radio and navigation
- J519 Onboard supply control unit
- R Radio
- SC44 Fuse 44 on fuse holder C
- SC64 Fuse 64 on fuse holder C
- SC67 Fuse 67 on fuse holder C
- T8a 8-pin connector, black
- T8c 8-pin connector, black
- T17a 17-pin connector, behind glove compartment, black
- T17c 17-pin connector, on left under dash panel, black
- T73b 73-pin connector, colourless
- V2 Fresh air blower
- Z1 Heated rear window

**B325** Positive connection 11 (30a) in main wiring harness

**V28** Connection 1, in radio wiring harness

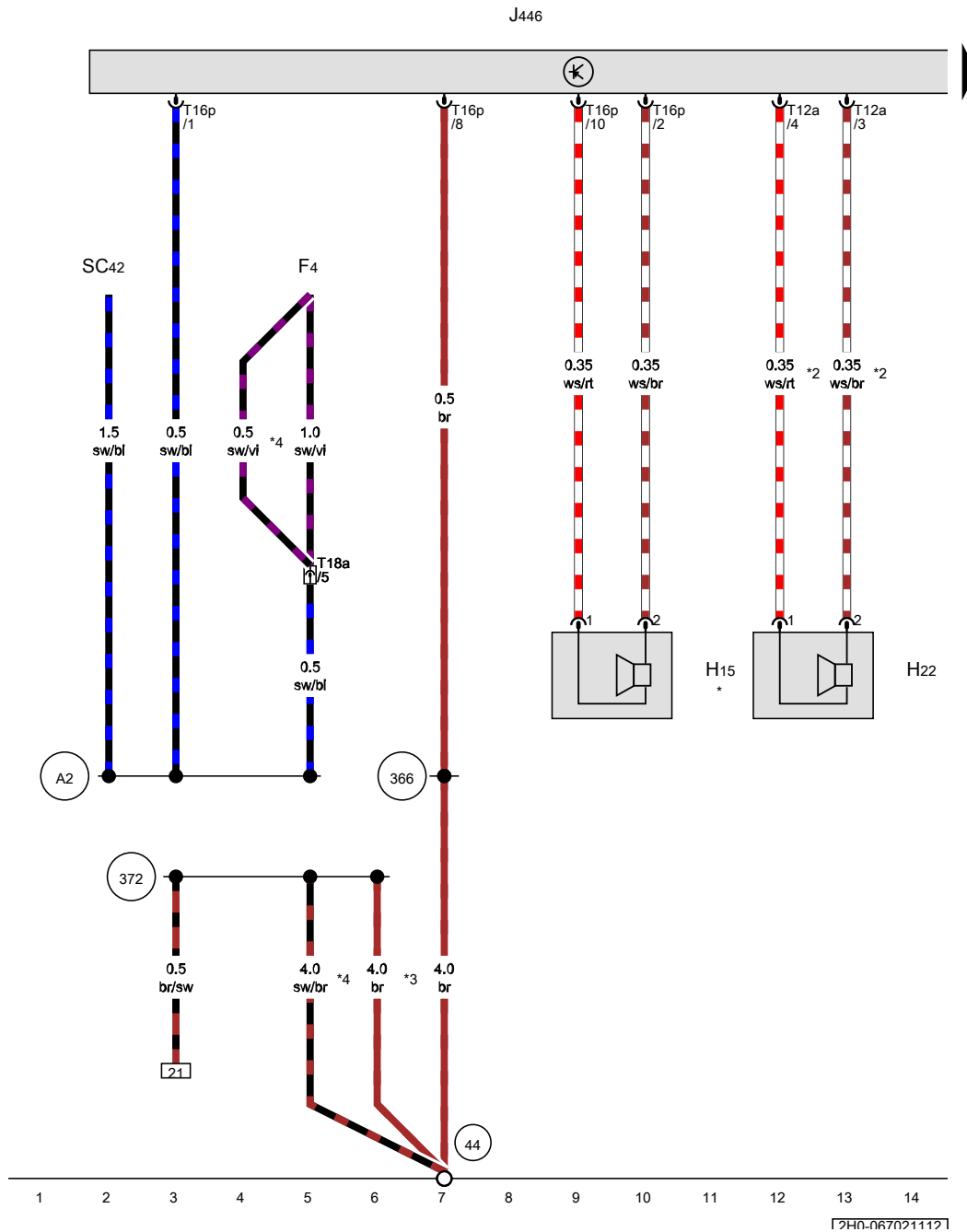
- \* According to equipment
- \*2 Only models with Climatronic
- \*3 see applicable current flow diagram



**Parking aid (PDC)**

From June 2012

Rear parking aid warning buzzer, Front parking aid warning buzzer, Parking aid control unit



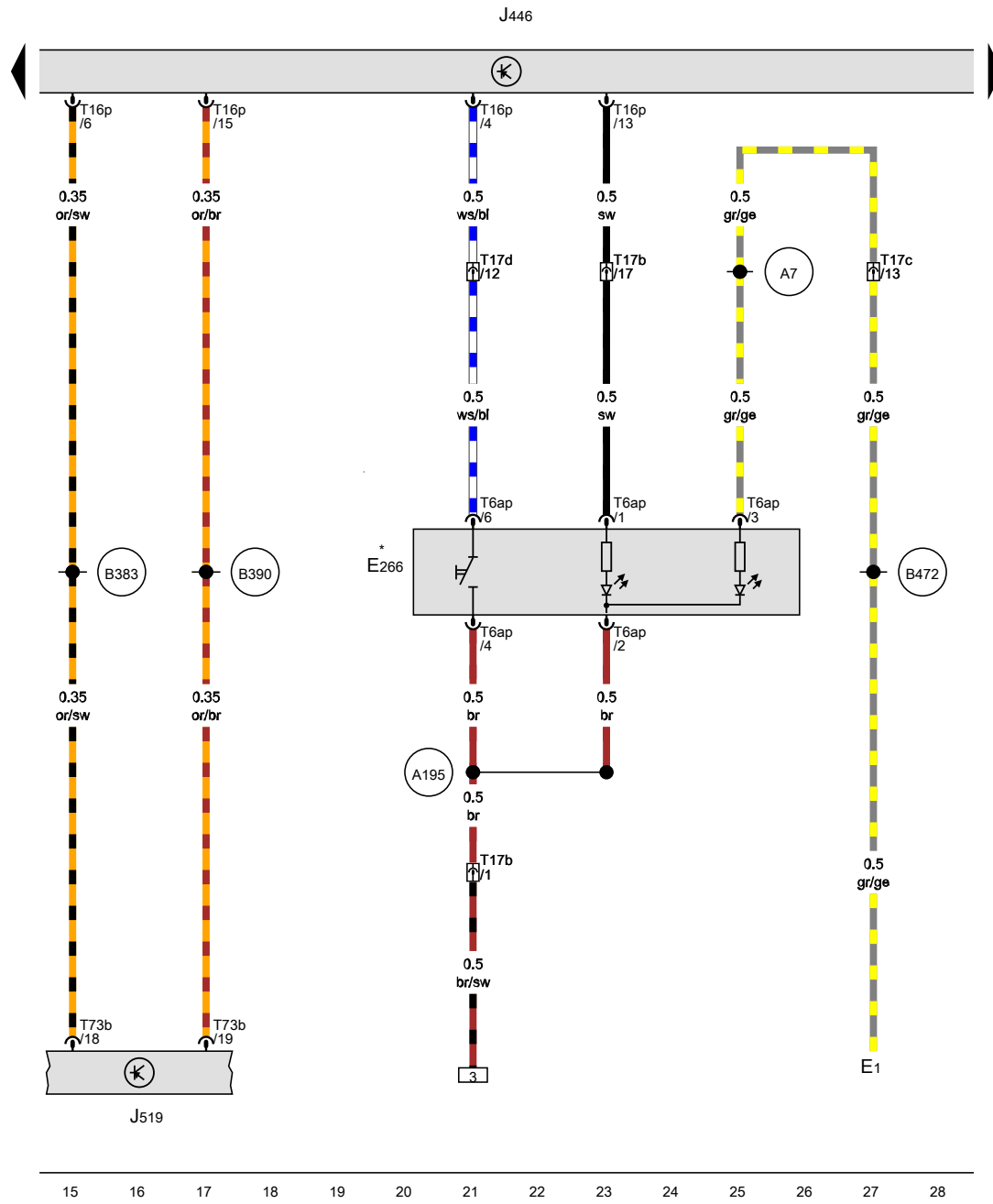
- F4 Reversing light switch
- H15 Rear parking aid warning buzzer, behind right C-pillar trim
- H22 Front parking aid warning buzzer, on relay carrier
- J446 Parking aid control unit, lower part of A-pillar, front passenger side
- SC42 Fuse 42 on fuse holder C
- T12a 12-pin connector, brown
- T16p 16-pin connector, brown
- T18a 18-pin connector, near engine control unit, grey

- 44 Earth point, lower part of left A-pillar
- 366 Earth connection 1, in main wiring harness
- 372 Earth connection 7, in main wiring harness
- A2 Positive connection (15), in dash panel wiring harness

- \* Only models with double cab
- \*2 Only models with parking aid, front/rear
- \*3 Up to January 2013
- \*4 From February 2013

- ws = white
- sw = black
- ro = red
- br = brown
- gn = green
- bl = blue
- gr = grey
- li = purple
- ge = yellow
- or = orange
- rs = pink

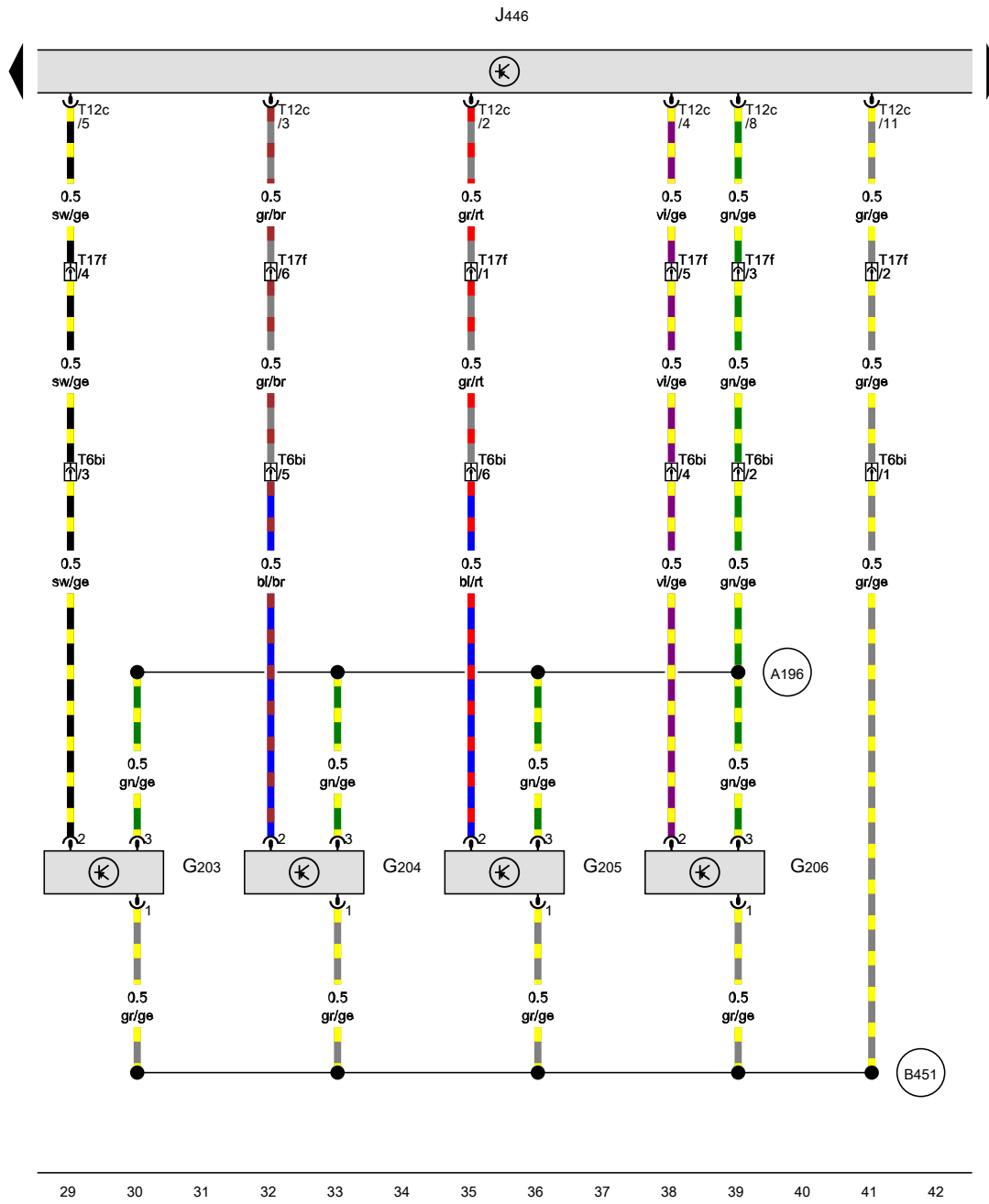
Parking aid button, Parking aid control unit



- E1 Light switch
- E266 Parking aid button
- J446 Parking aid control unit, lower part of A-pillar, front passenger side
- J519 Onboard supply control unit
- T6ap 6-pin connector
- T16p 16-pin connector, brown
- T17b 17-pin connector, on left under dash panel, brown
- T17c 17-pin connector, on left under dash panel
- T17d 17-pin connector, on left under dash panel
- T73b 73-pin connector

- (A7) Positive connection (58 D1), in dash panel wiring harness
- (A195) Connection 1 (PDC), in dash panel insert wiring harness
- (B383) Connection 1 (powertrain CAN bus, high), in main wiring harness
- (B390) Connection 1 (powertrain CAN bus, low), in main wiring harness
- (B472) Connection 8, in main wiring harness
- \* Only models with parking aid, front/rear

- ws = white
- sw = black
- ro = red
- br = brown
- gn = green
- bl = blue
- gr = grey
- li = purple
- ge = yellow
- or = orange
- rs = pink



Rear left parking aid sender, Rear centre left parking aid sender, Rear centre right parking aid sender, Rear right parking aid sender, Parking aid control unit

- G203 Rear left parking aid sender
- G204 Rear centre left parking aid sender
- G205 Rear centre right parking aid sender
- G206 Rear right parking aid sender
- J446 Parking aid control unit, lower part of A-pillar, front passenger side
- T6bi 6-pin connector, under rear bumper on left, black
- T12c 12-pin connector, brown
- T17f 17-pin connector, near handbrake lever, blue

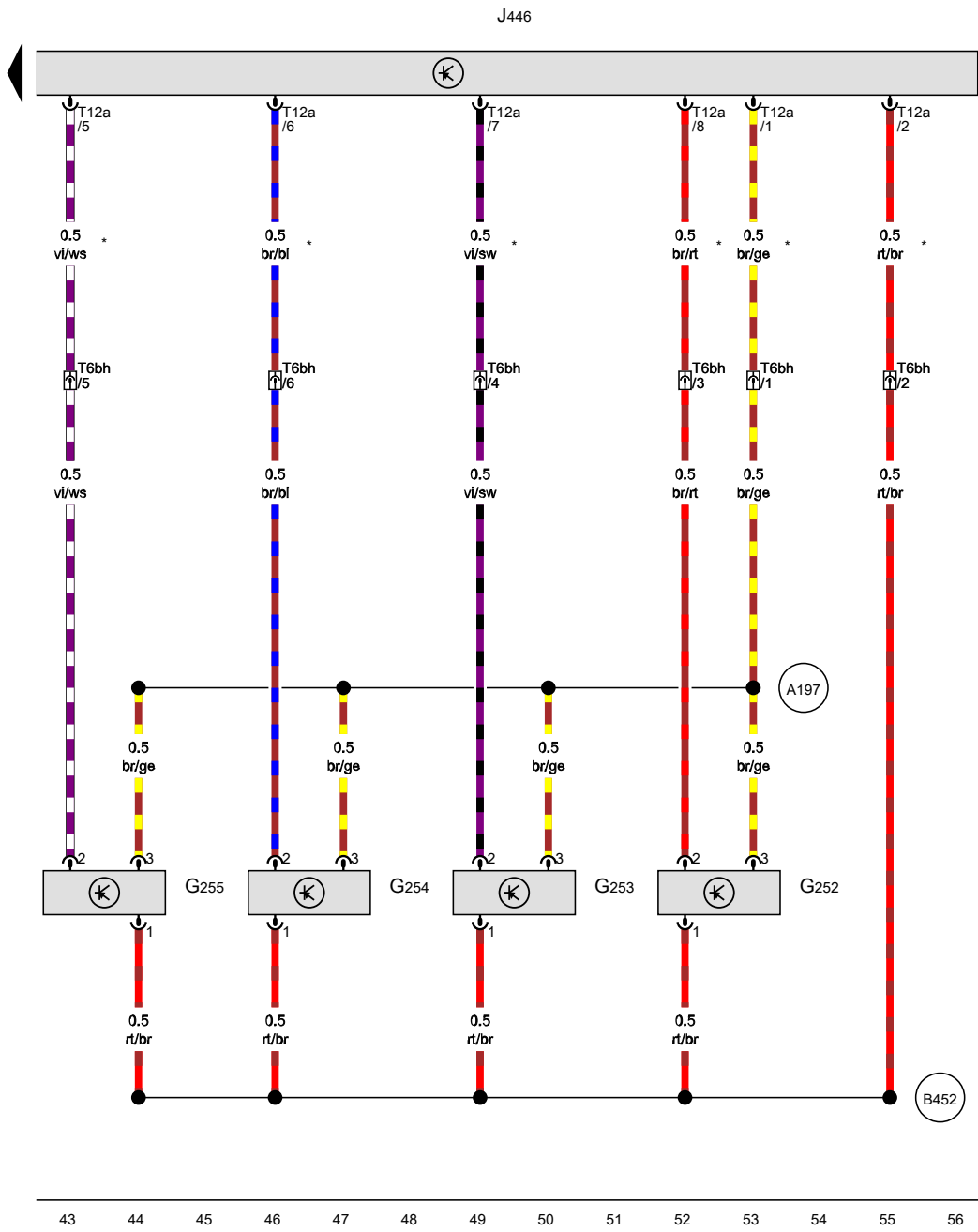
(A196) Connection 2 (PDC), in dash panel insert wiring harness

(B451) Connection 2 (PDC), in main wiring harness

- ws = white
- sw = black
- ro = red
- br = brown
- gn = green
- bl = blue
- gr = grey
- li = purple
- ge = yellow
- or = orange
- rs = pink

[2H0-067041112]





Front right parking aid sender, Front centre right parking aid sender, Front centre left parking aid sender, Front left parking aid sender, Parking aid control unit

- G252 Front right parking aid sender
- G253 Front centre right parking aid sender
- G254 Front centre left parking aid sender
- G255 Front left parking aid sender
- J446 Parking aid control unit, lower part of A-pillar, front passenger side
- T6bh 6-pin connector, behind front bumper on left, black
- T12a 12-pin connector, brown
- (A197) Connection 3 (PDC), in dash panel insert wiring harness
- (B452) Connection 3 (PDC), in main wiring harness
- \* Only models with parking aid, front/rear

- ws = white
- sw = black
- ro = red
- br = brown
- gn = green
- bl = blue
- gr = grey
- li = purple
- ge = yellow
- or = orange
- rs = pink

43 44 45 46 47 48 49 50 51 52 53 54 55 56

[740-067051117]

**2.0l diesel engine , CDBA**

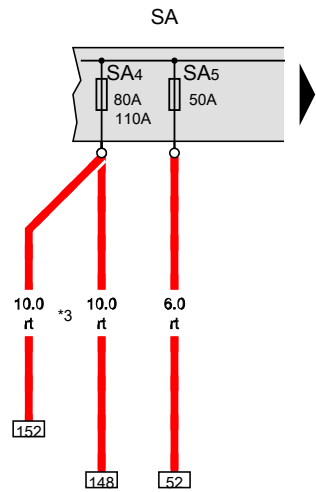
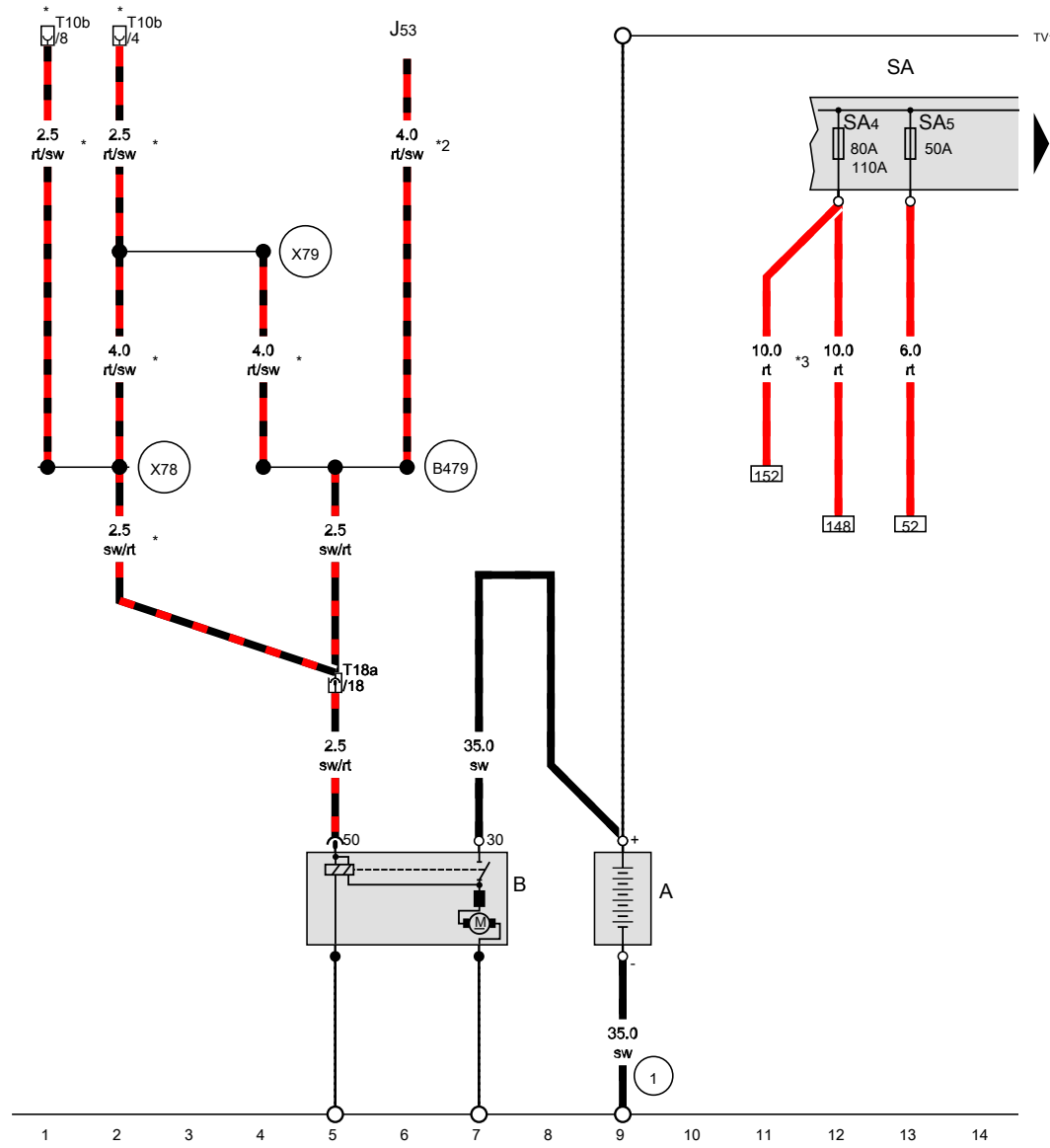
From June 2012

Battery, Starter, Starter motor relay, Fuse 5 in fuse holder A

- A Battery
- B Starter
- J53 Starter motor relay
- SA Fuse holder A
- SA4 Fuse 4 in fuse holder A
- SA5 Fuse 5 in fuse holder A
- T10b 10-pin connector, in left footwell, near centre console, yellow
- T18a 18-pin connector, near engine control unit, grey

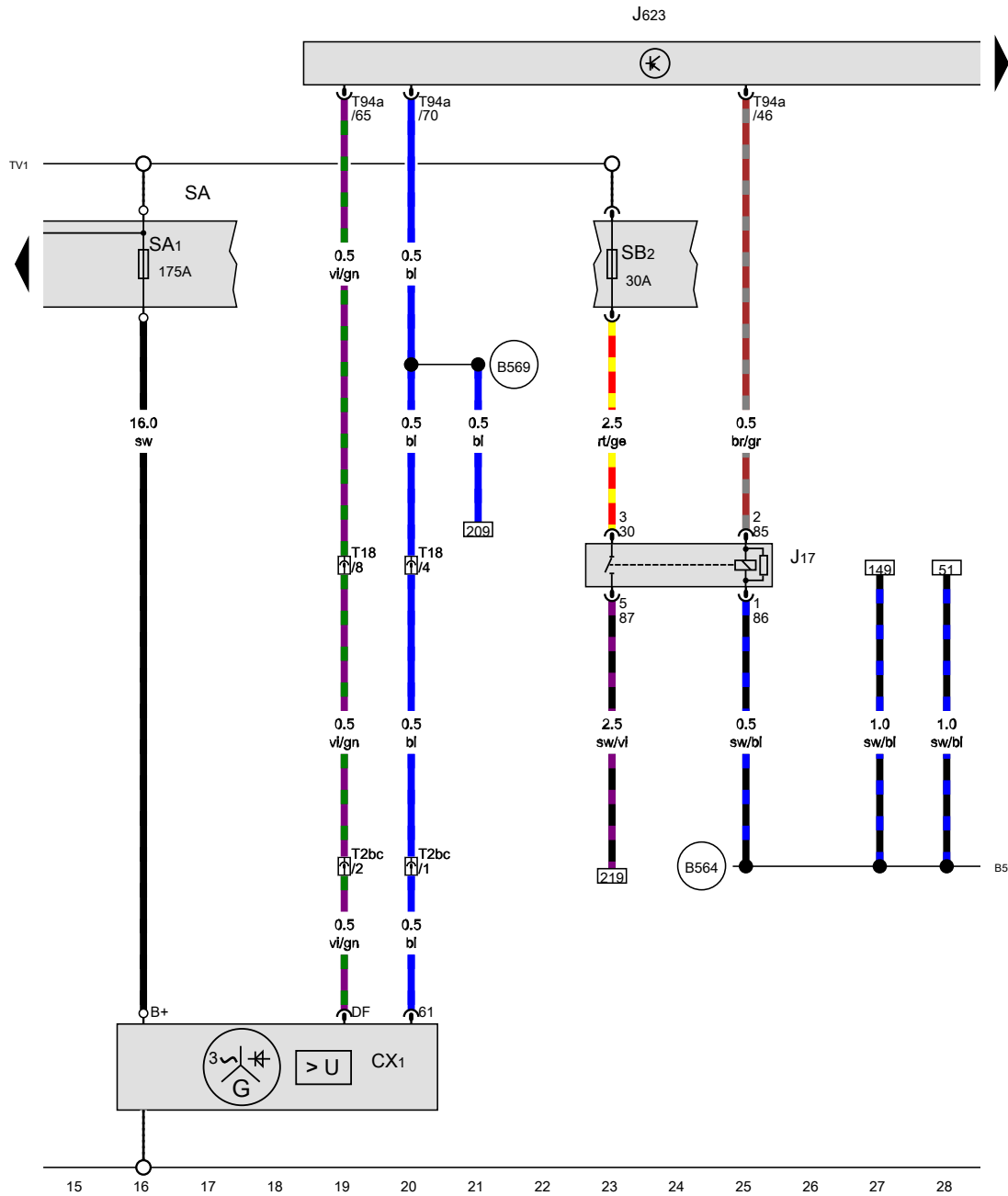
- 1 Earth strap, battery - body
- B479 Connection 15, in main wiring harness
- X78 Connection 1, in optional equipment wiring harness
- X79 Connection 2, in optional equipment wiring harness

\* Only models with electric interface for external use  
 \*2 see applicable current flow diagram for fuse assignment  
 \*3 Only for countries with hot climate



- ws = white
- sw = black
- ro = red
- br = brown
- gn = green
- bl = blue
- gr = grey
- li = purple
- ge = yellow
- or = orange
- rs = pink

1240-0680211121

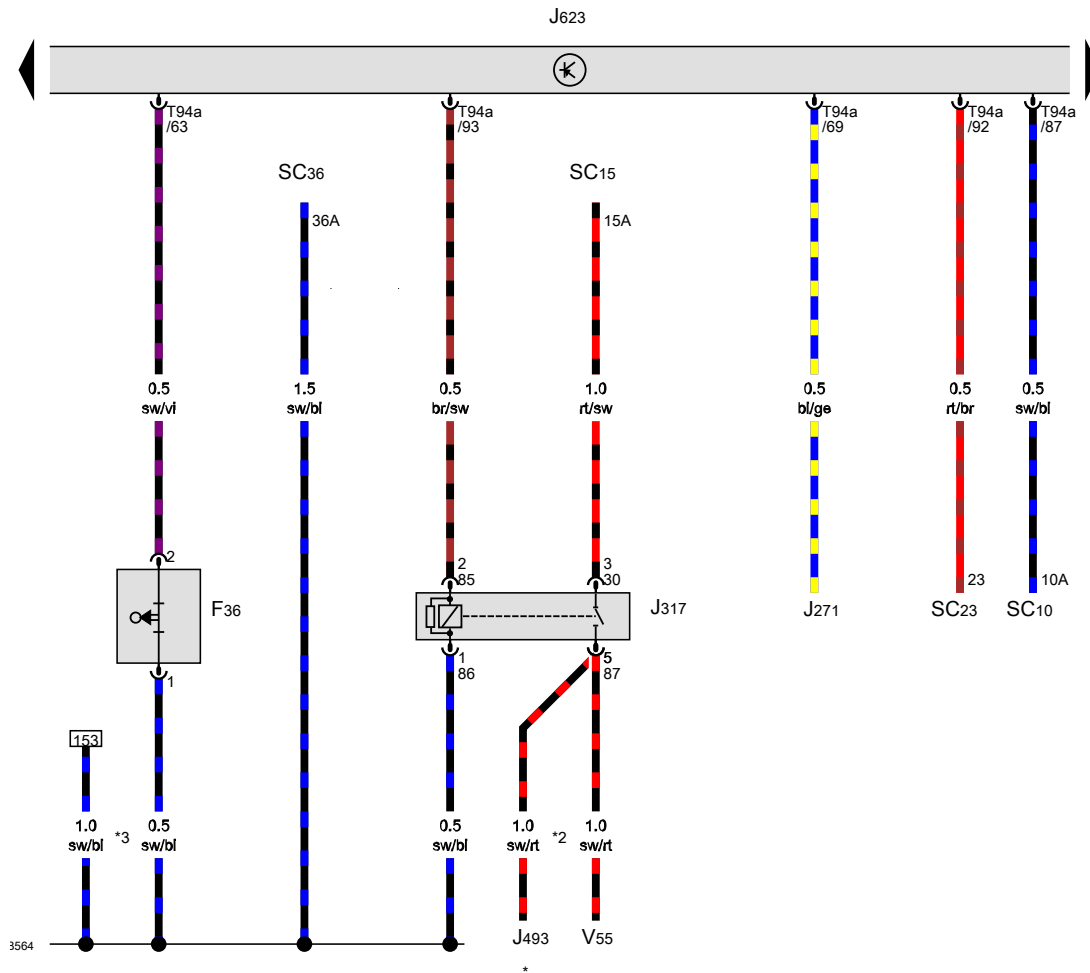


Alternator with voltage regulator, Fuel pump relay, Engine control unit, Fuse 1 in fuse holder A, Fuse 2 on fuse holder B

- CX1 Alternator with voltage regulator
- J17 Fuel pump relay
- J623 Engine control unit
- SA Fuse holder A
- SA1 Fuse 1 in fuse holder A
- SB2 Fuse 2 on fuse holder B
- T2bc 2-pin connector, near alternator, black
- T18 18-pin connector, near engine control unit, black
- T94a 94-pin connector, black
- (B564) Connection 31, in main wiring harness
- (B569) Connection 36, in main wiring harness

- ws = white
- sw = black
- ro = red
- br = brown
- gn = green
- bl = blue
- gr = grey
- li = purple
- ge = yellow
- or = orange
- rs = pink

Г240-0680311121



Main relay, Terminal 30 voltage supply relay, Auxiliary coolant heater relay, Engine control unit, Fuse 10 on fuse holder C, Fuse 15 on fuse holder C, Fuse 23 on fuse holder C, Fuse 36 on fuse holder C

- F36 Clutch pedal switch
- J271 Main relay, on relay carrier
- J317 Terminal 30 voltage supply relay, on relay carrier
- J493 Auxiliary coolant heater relay
- J623 Engine control unit
- SC10 Fuse 10 on fuse holder C
- SC15 Fuse 15 on fuse holder C
- SC23 Fuse 23 on fuse holder C
- SC36 Fuse 36 on fuse holder C
- T5e 5-pin connector
- T94a 94-pin connector, black
- V55 Circulation pump

**B564** Connection 31, in main wiring harness

- \* see applicable current flow diagram for fuse assignment
- \*2 Only models with Climatronic
- \*3 Only for countries with hot climate

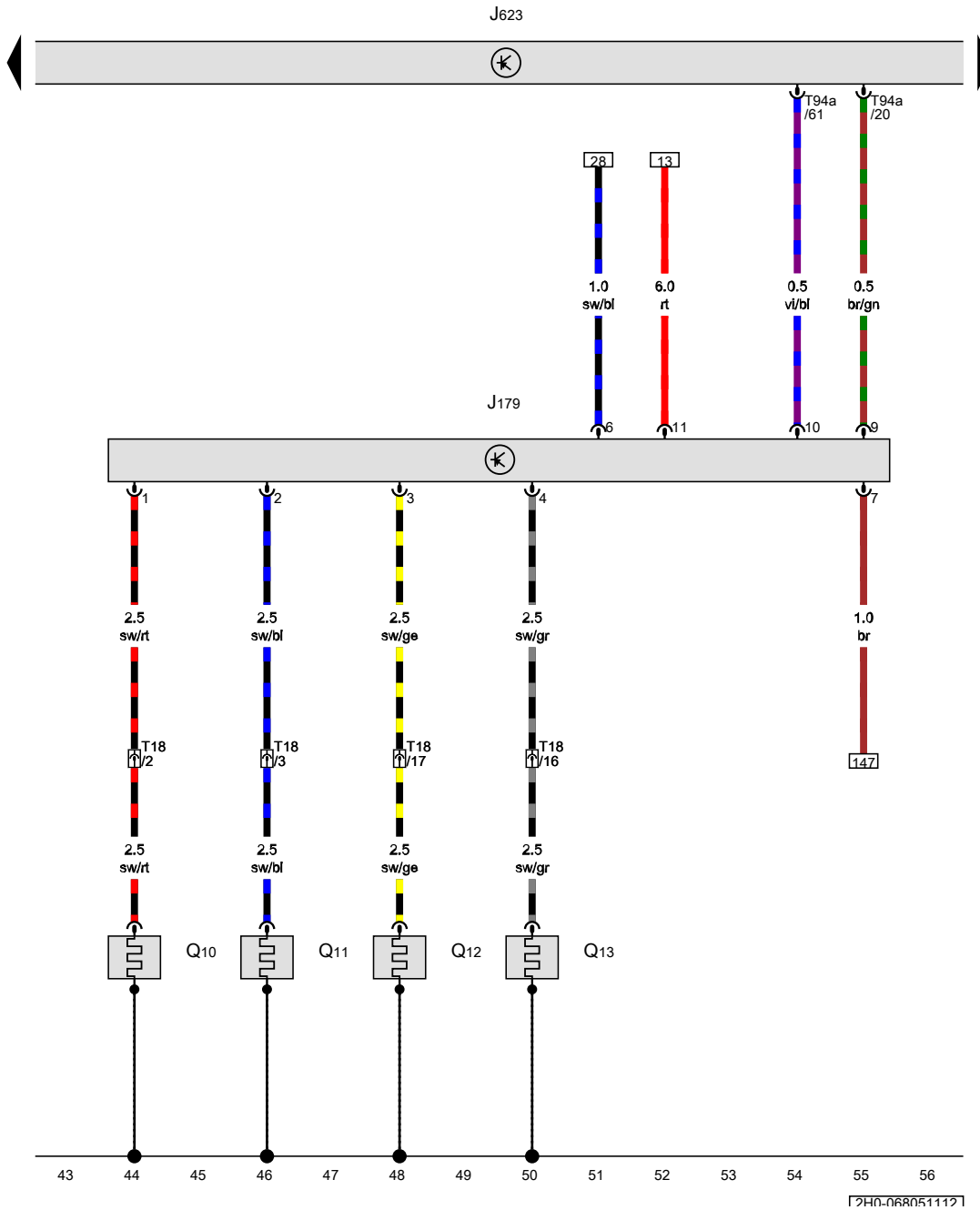
- ws = white
- sw = black
- ro = red
- br = brown
- gn = green
- bl = blue
- gr = grey
- li = purple
- ge = yellow
- or = orange
- rs = pink

29 30 31 32 33 34 35 36 37 38 39 40 41 42

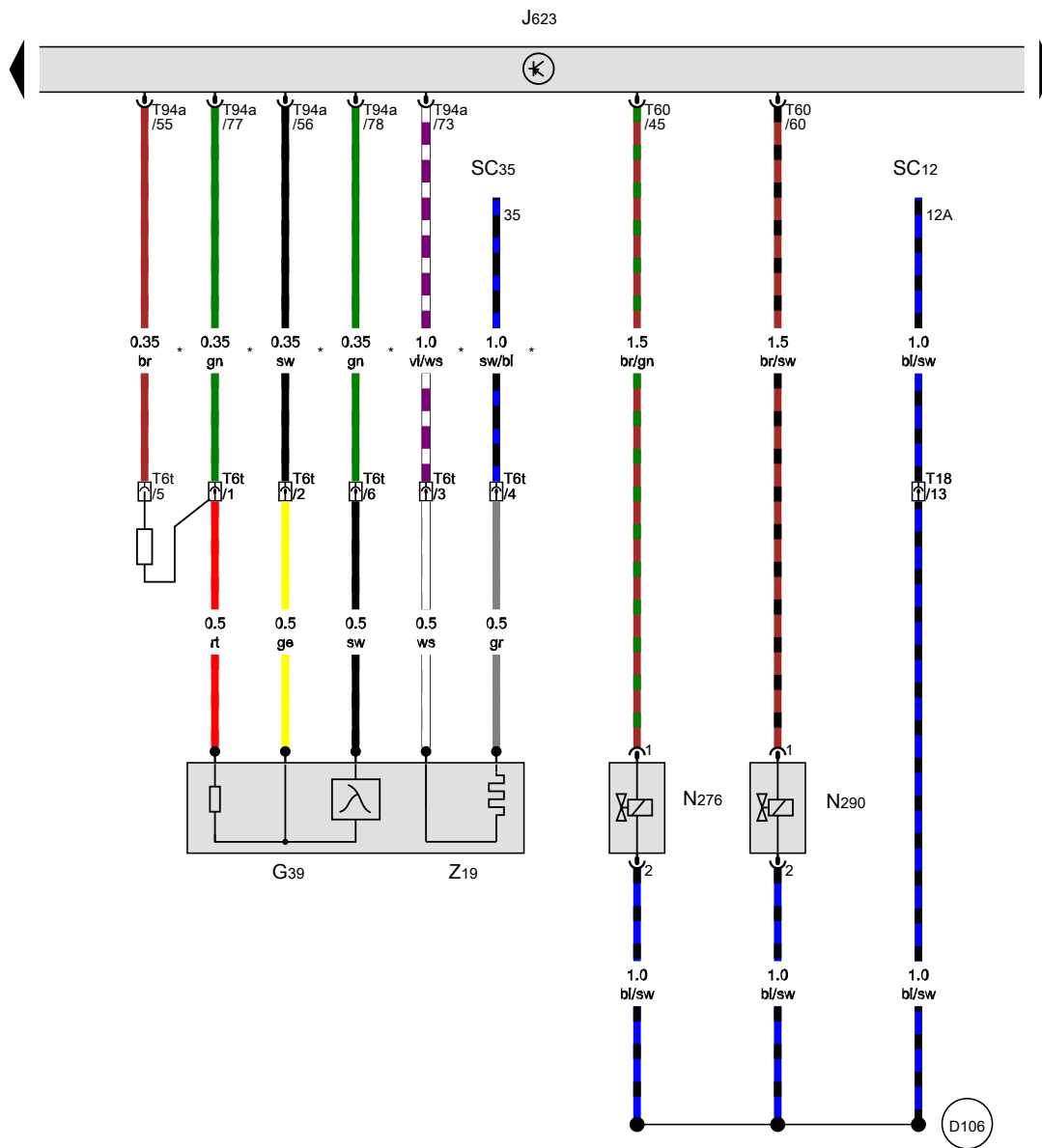
12H0-0680411121

Automatic glow period control unit, Engine control unit, Glow plug 1, Glow plug 2, Glow plug 3, Glow plug 4

- J179 Automatic glow period control unit
- J623 Engine control unit
- Q10 Glow plug 1
- Q11 Glow plug 2
- Q12 Glow plug 3
- Q13 Glow plug 4
- T18 18-pin connector, near engine control unit, black
- T94a 94-pin connector, black



- ws = white
- sw = black
- ro = red
- br = brown
- gn = green
- bl = blue
- gr = grey
- li = purple
- ge = yellow
- or = orange
- rs = pink



Lambda probe, Engine control unit, Fuel pressure regulating valve, Fuel metering valve, Fuse 12 on fuse holder C, Fuse 35 on fuse holder C

- G39 Lambda probe
- J623 Engine control unit
- N276 Fuel pressure regulating valve
- N290 Fuel metering valve
- SC12 Fuse 12 on fuse holder C
- SC35 Fuse 35 on fuse holder C
- T6t 6-pin connector, front right in engine compartment, black
- T18 18-pin connector, near engine control unit, black
- T60 60-pin connector, black
- T94a 94-pin connector, black
- Z19 Lambda probe heater

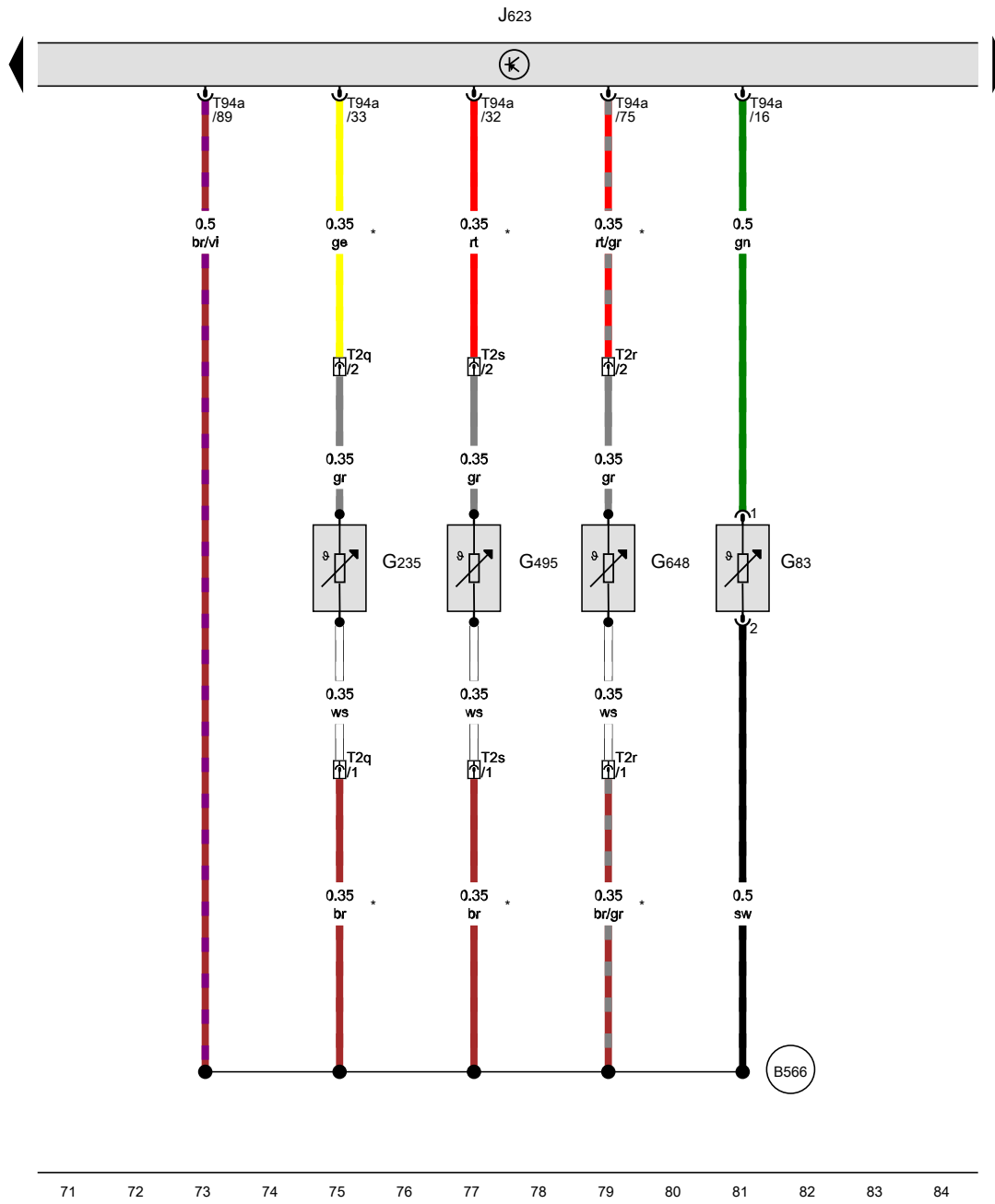
D106 Connection 4 in engine compartment wiring harness

\* Only models with Euro 5 emission standard

- ws = white
- sw = black
- ro = red
- br = brown
- gn = green
- bl = blue
- gr = grey
- li = purple
- ge = yellow
- or = orange
- rs = pink

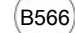
57 58 59 60 61 62 63 64 65 66 67 68 69 70

[7HD-068061117]



Radiator outlet coolant temperature sender, Exhaust gas temperature sender 1, Exhaust gas temperature sender 3, Exhaust gas temperature sender 4, Engine control unit

- G83 Radiator outlet coolant temperature sender
- G235 Exhaust gas temperature sender 1
- G495 Exhaust gas temperature sender 3
- G648 Exhaust gas temperature sender 4
- J623 Engine control unit
- T2q 2-pin connector, in front right wheel housing, black
- T2r 2-pin connector, in front right wheel housing, orange
- T2s 2-pin connector, in front right wheel housing, brown
- T94a 94-pin connector, black

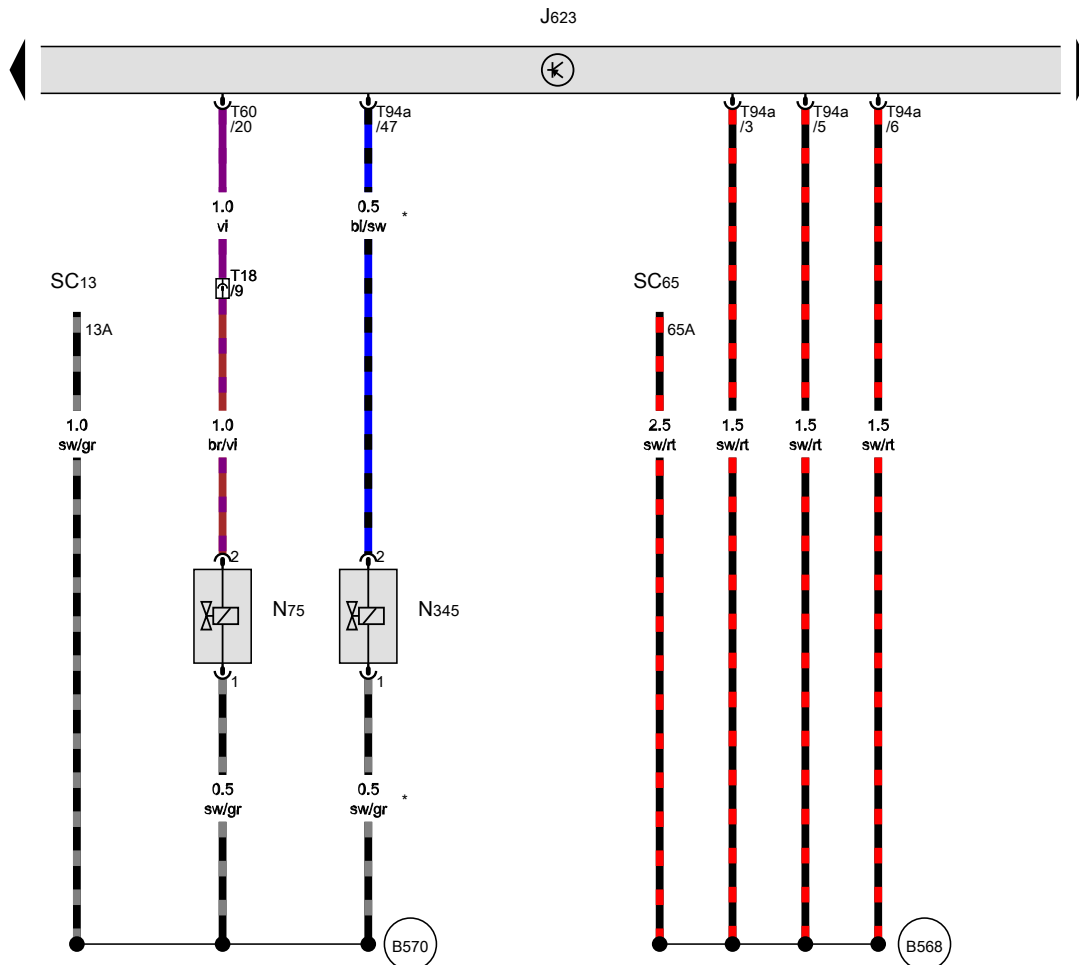
 B566 Connection 33, in main wiring harness

\* Only models with Euro 5 emission standard

- ws = white
- sw = black
- ro = red
- br = brown
- gn = green
- bl = blue
- gr = grey
- li = purple
- ge = yellow
- or = orange
- rs = pink

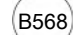
[240-068071117]

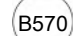




Engine control unit, Charge pressure control solenoid valve, Exhaust gas recirculation cooler changeover valve, Fuse 13 on fuse holder C, Fuse 65 on fuse holder C

- J623 Engine control unit
- N75 Charge pressure control solenoid valve
- N345 Exhaust gas recirculation cooler changeover valve
- SC13 Fuse 13 on fuse holder C
- SC65 Fuse 65 on fuse holder C
- T18 18-pin connector, near engine control unit, black
- T60 60-pin connector, black
- T94a 94-pin connector, black

 Connection 35, in main wiring harness

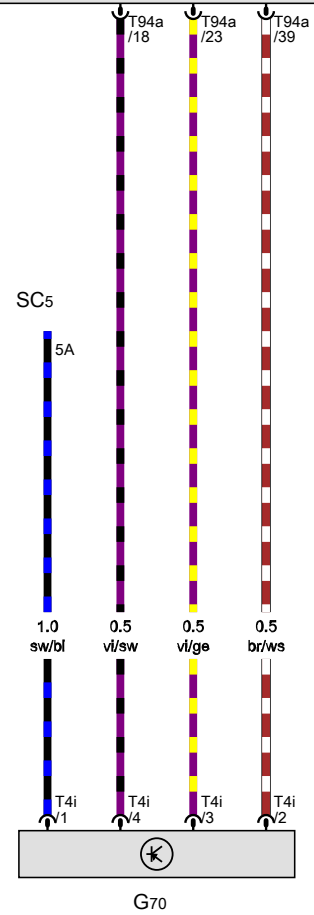
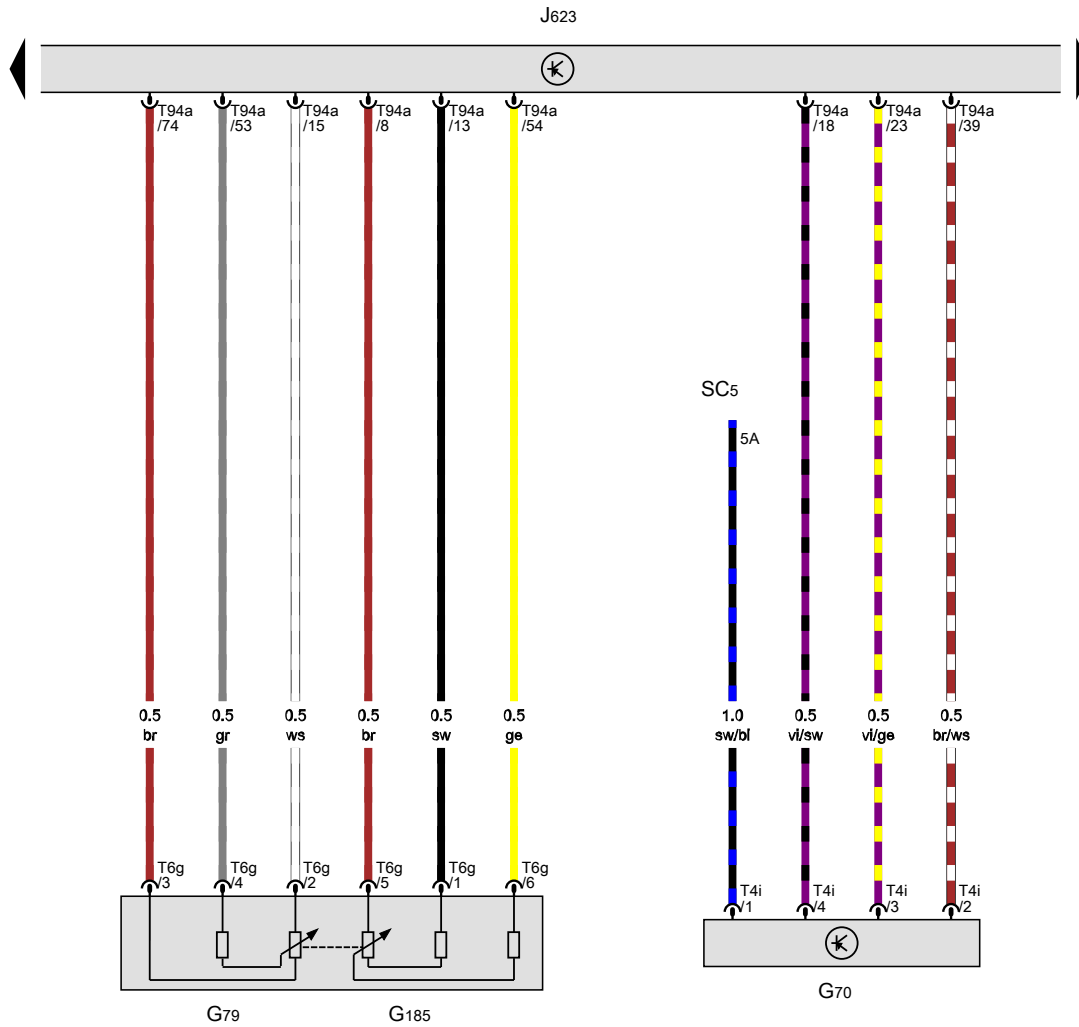
 Connection 37, in main wiring harness

\* Only models with Euro 5 emission standard

- ws = white
- sw = black
- ro = red
- br = brown
- gn = green
- bl = blue
- gr = grey
- li = purple
- ge = yellow
- or = orange
- rs = pink

85 86 87 88 89 90 91 92 93 94 95 96 97 98

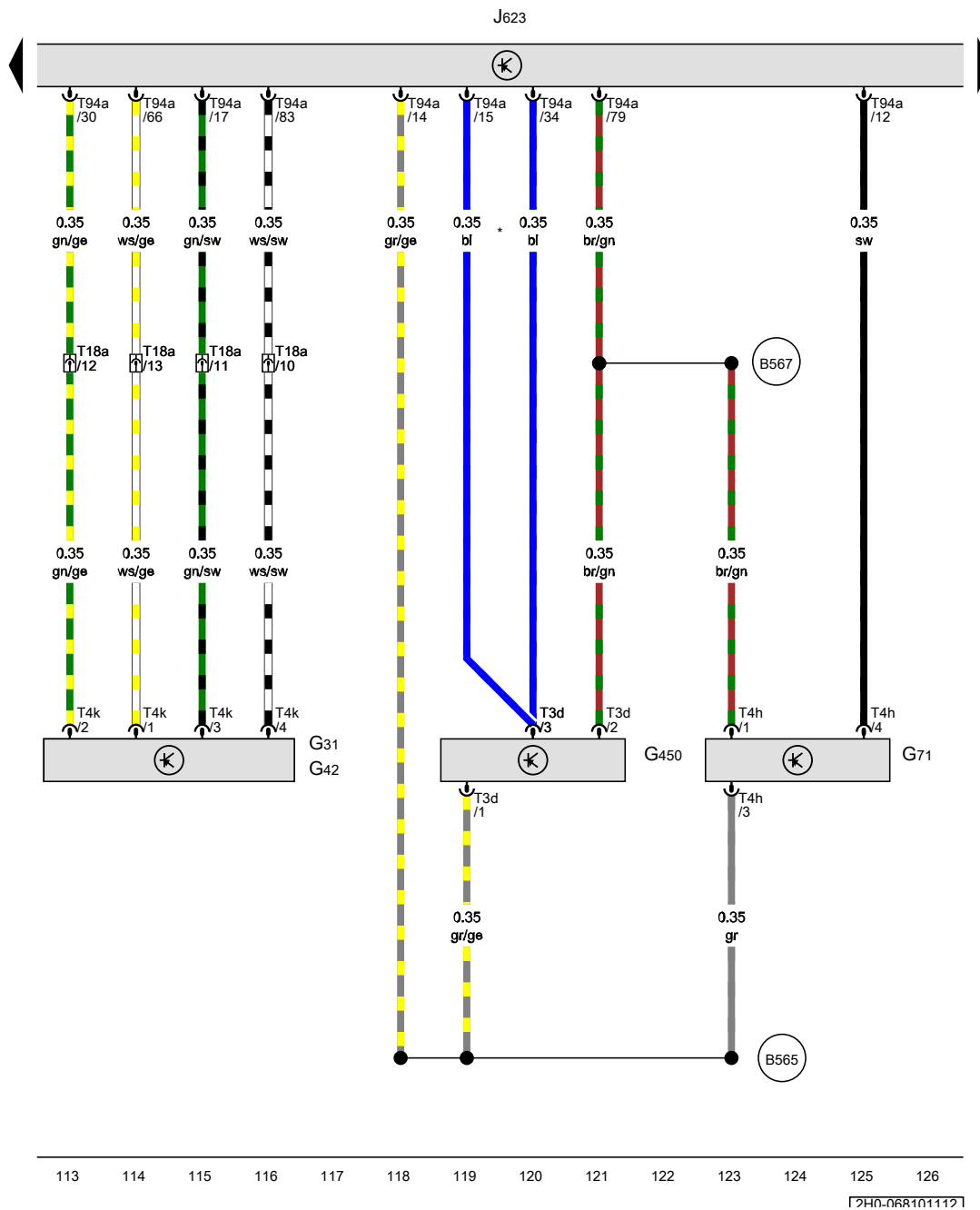
[240-068081112]



Air mass meter, Accelerator position sender, Accelerator position sender 2, Engine control unit, Fuse 5 on fuse holder C

- G70 Air mass meter
- G79 Accelerator position sender
- G185 Accelerator position sender 2
- J623 Engine control unit
- SC5 Fuse 5 on fuse holder C
- T4i 4-pin connector, black
- T6g 6-pin connector, black
- T94a 94-pin connector, black

- ws = white
- sw = black
- ro = red
- br = brown
- gn = green
- bl = blue
- gr = grey
- li = purple
- ge = yellow
- or = orange
- rs = pink



Charge pressure sender, Intake air temperature sender, Intake manifold pressure sender, Exhaust gas pressure sensor 1, Engine control unit

- G31 Charge pressure sender
- G42 Intake air temperature sender
- G71 Intake manifold pressure sender
- G450 Exhaust gas pressure sensor 1
- J623 Engine control unit
- T3d 3-pin connector, black
- T4h 4-pin connector, black
- T4k 4-pin connector, black
- T18a 18-pin connector, near engine control unit, grey
- T94a 94-pin connector, black

B565 Connection 32, in main wiring harness

B567 Connection 34, in main wiring harness

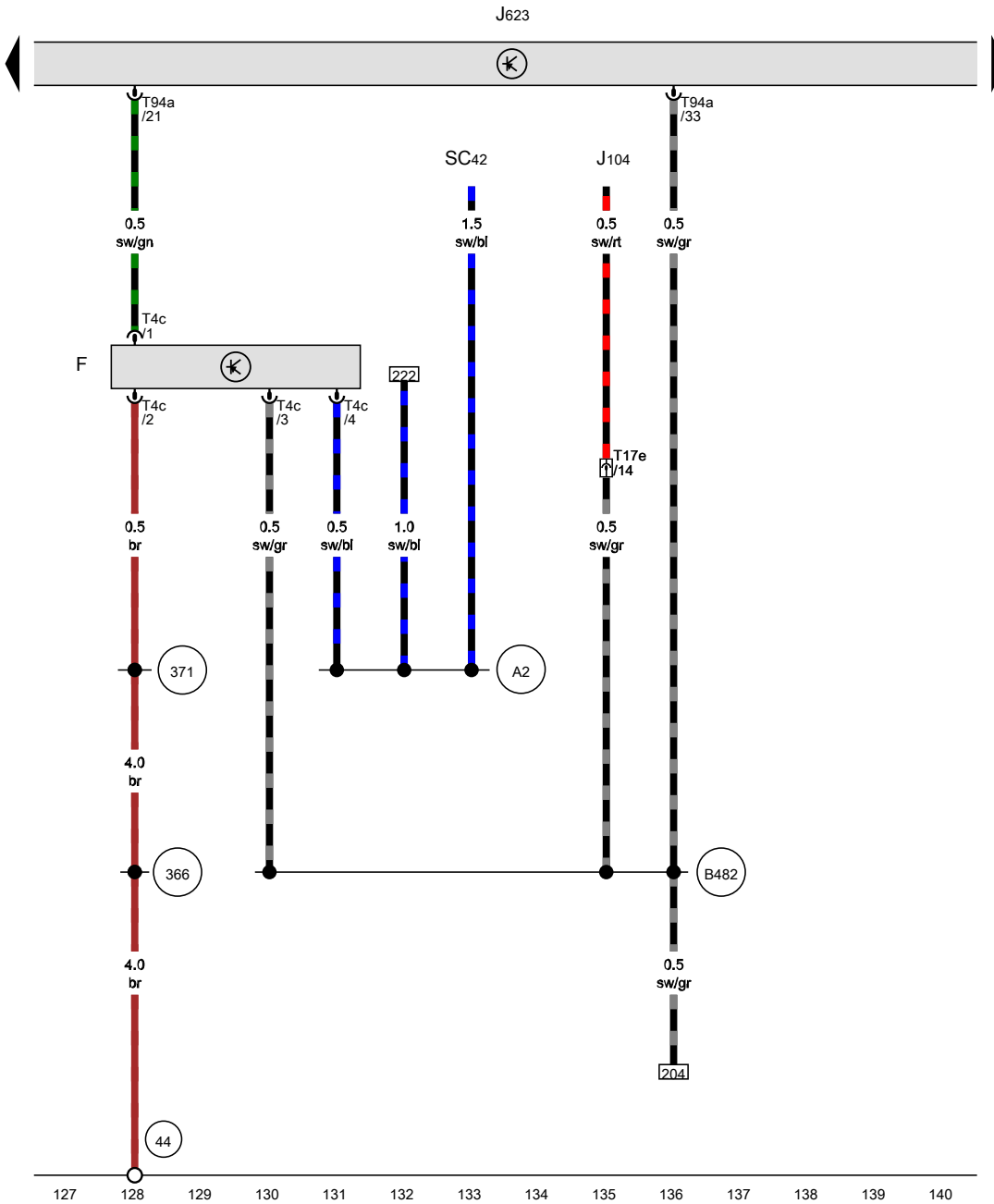
\* Only models with Euro 3 emission standard

- ws = white
- sw = black
- ro = red
- br = brown
- gn = green
- bl = blue
- gr = grey
- li = purple
- ge = yellow
- or = orange
- rs = pink

113 114 115 116 117 118 119 120 121 122 123 124 125 126

[2HD-068101112]

Brake light switch, Engine control unit

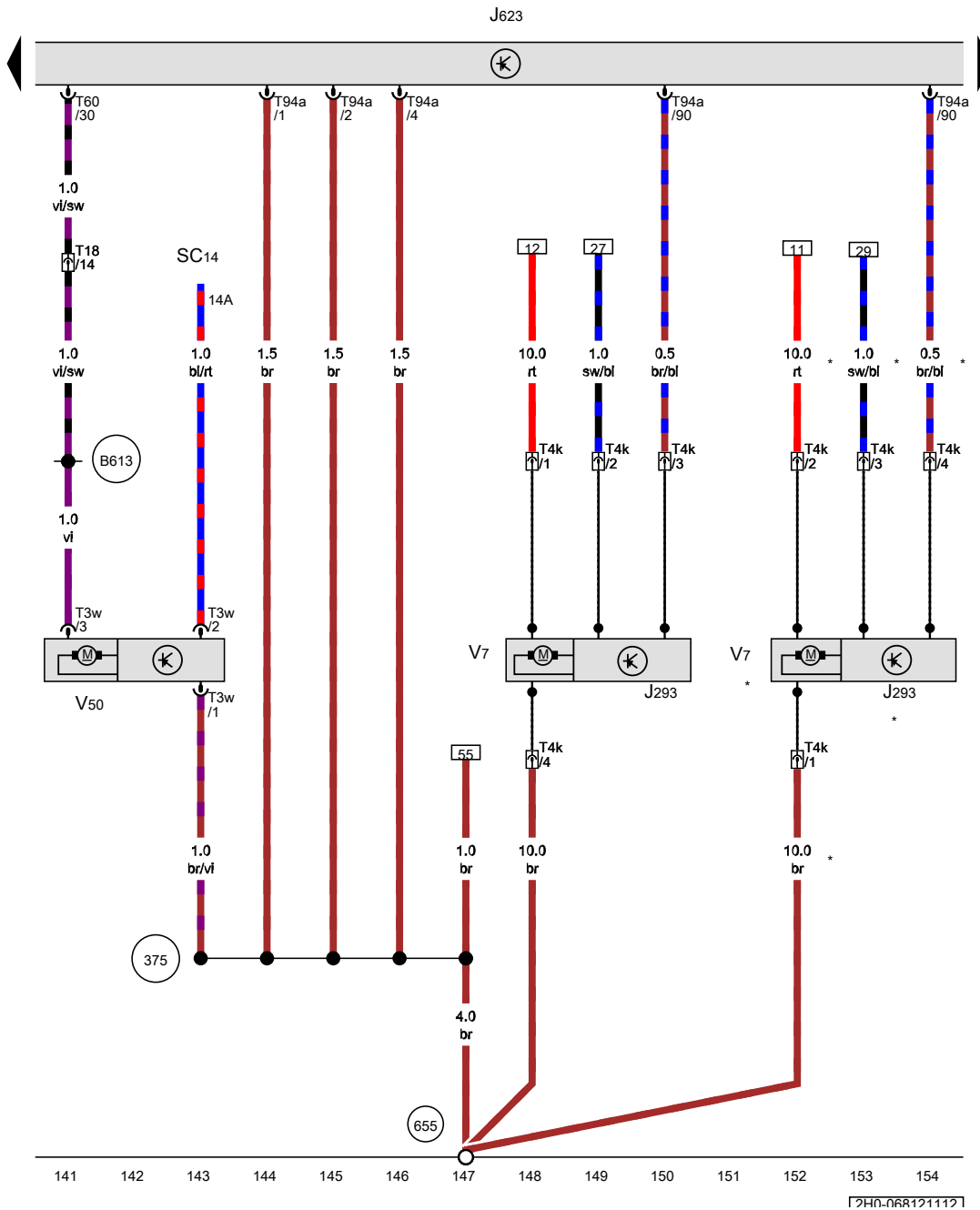


- F Brake light switch
- J104 ABS control unit
- J623 Engine control unit
- SC42 Fuse 42 on fuse holder C
- T4c 4-pin connector, black
- T17e 17-pin connector, near handbrake lever, red
- T94a 94-pin connector, black

- (44) Earth point, lower part of left A-pillar
- (366) Earth connection 1, in main wiring harness
- (371) Earth connection 6, in main wiring harness
- (A2) Positive connection (15), in dash panel wiring harness
- (B482) Connection 18, in main wiring harness


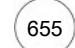

- ws = white
- sw = black
- ro = red
- br = brown
- gn = green
- bl = blue
- gr = grey
- li = purple
- ge = yellow
- or = orange
- rs = pink

[240-068111112]



**Radiator fan control unit, Engine control unit, Fuse 14 on fuse holder C, Radiator fan, Coolant circulation pump**

- J293 Radiator fan control unit
- J623 Engine control unit
- SC14 Fuse 14 on fuse holder C
- T3w 3-pin connector, black
- T4k 4-pin connector, on radiator cowling, black
- T18 18-pin connector, near engine control unit, black
- T60 60-pin connector, black
- T94a 94-pin connector, black
- V7 Radiator fan
- V50 Coolant circulation pump

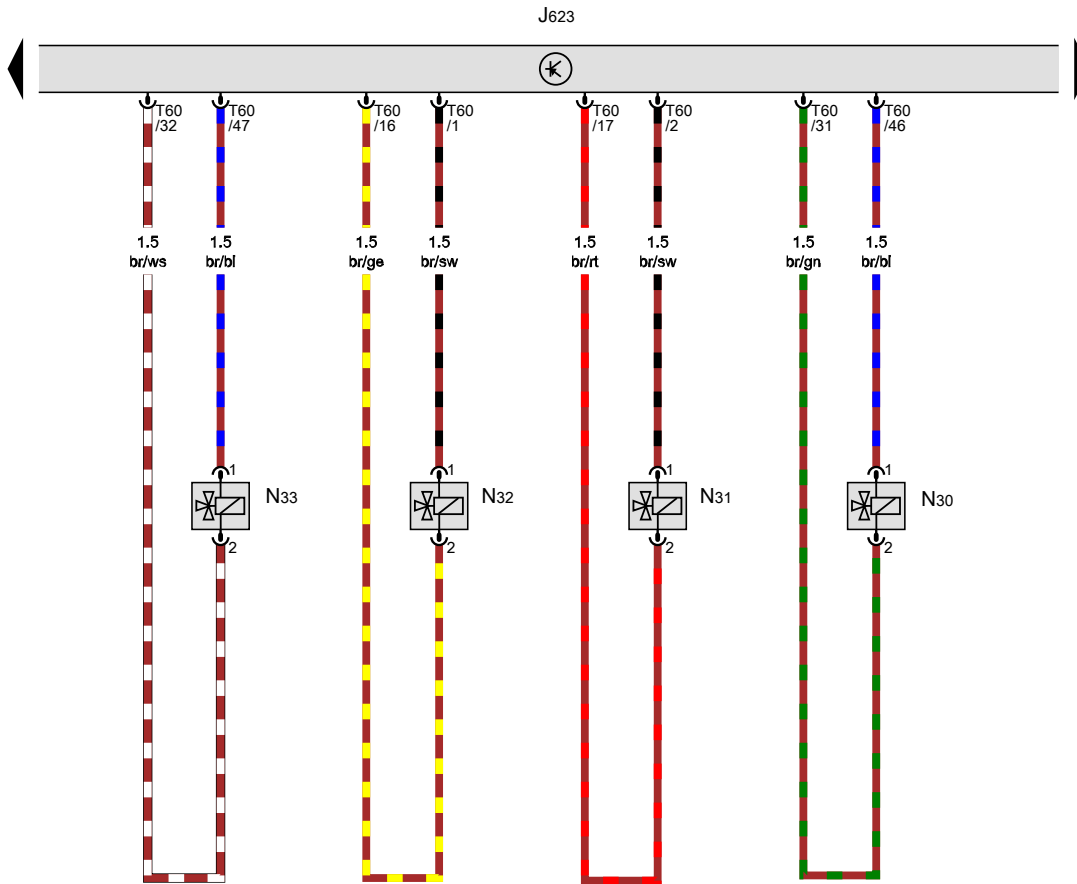
-  375 Earth connection 10, in main wiring harness
-  655 Earth point, on left headlight
-  B613 Connection 41, in main wiring harness
- \* Only for countries with hot climate

- ws = white
- sw = black
- ro = red
- br = brown
- gn = green
- bl = blue
- gr = grey
- li = purple
- ge = yellow
- or = orange
- rs = pink

[2HD-068121112]

Engine control unit, Injector, cylinder 1, Injector, cylinder 2, Injector, cylinder 3, Injector, cylinder 4

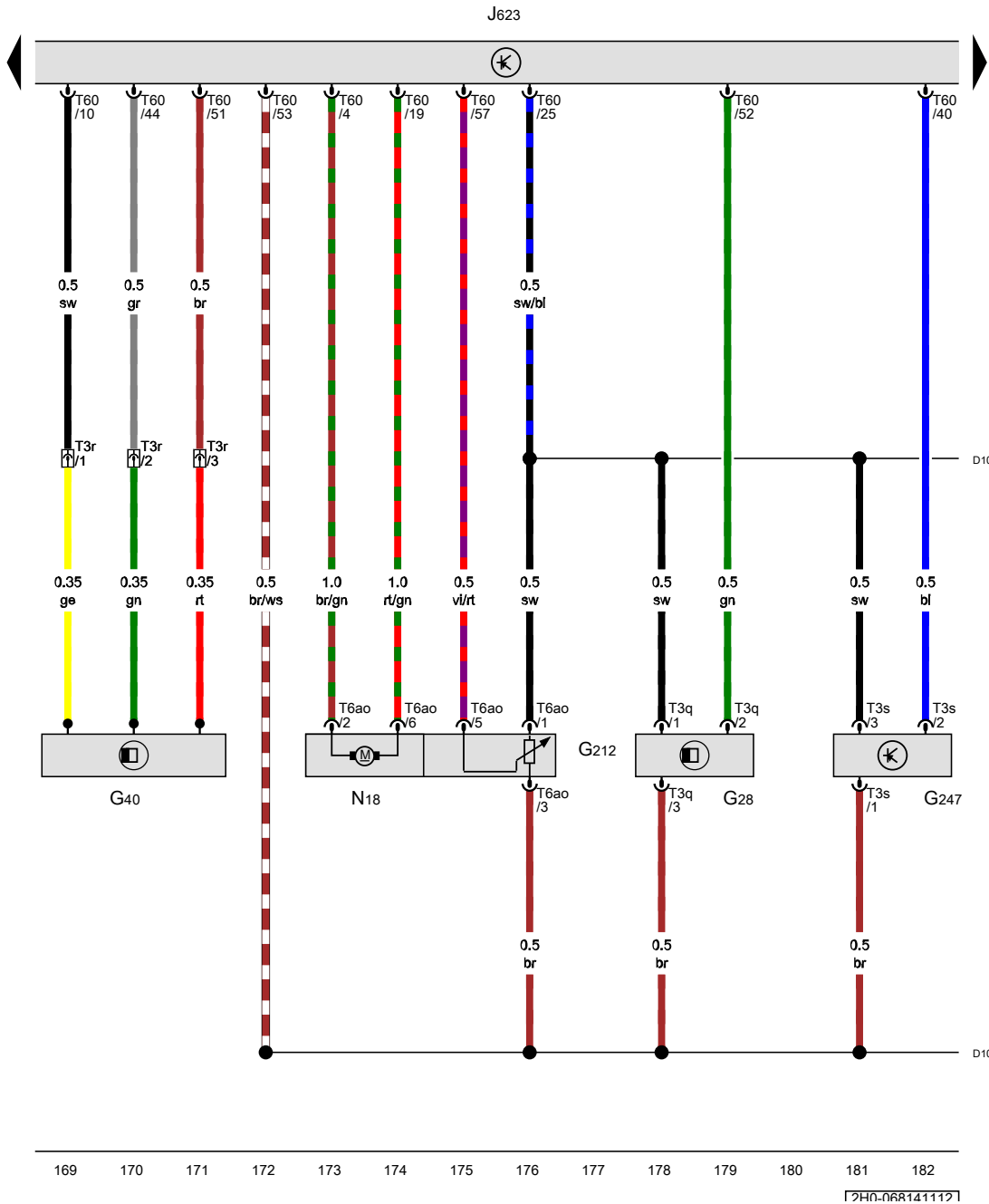
- J623 Engine control unit
- N30 Injector, cylinder 1
- N31 Injector, cylinder 2
- N32 Injector, cylinder 3
- N33 Injector, cylinder 4
- T60 60-pin connector, black



- ws = white
- sw = black
- ro = red
- br = brown
- gn = green
- bl = blue
- gr = grey
- li = purple
- ge = yellow
- or = orange
- rs = pink

155 156 157 158 159 160 161 162 163 164 165 166 167 168

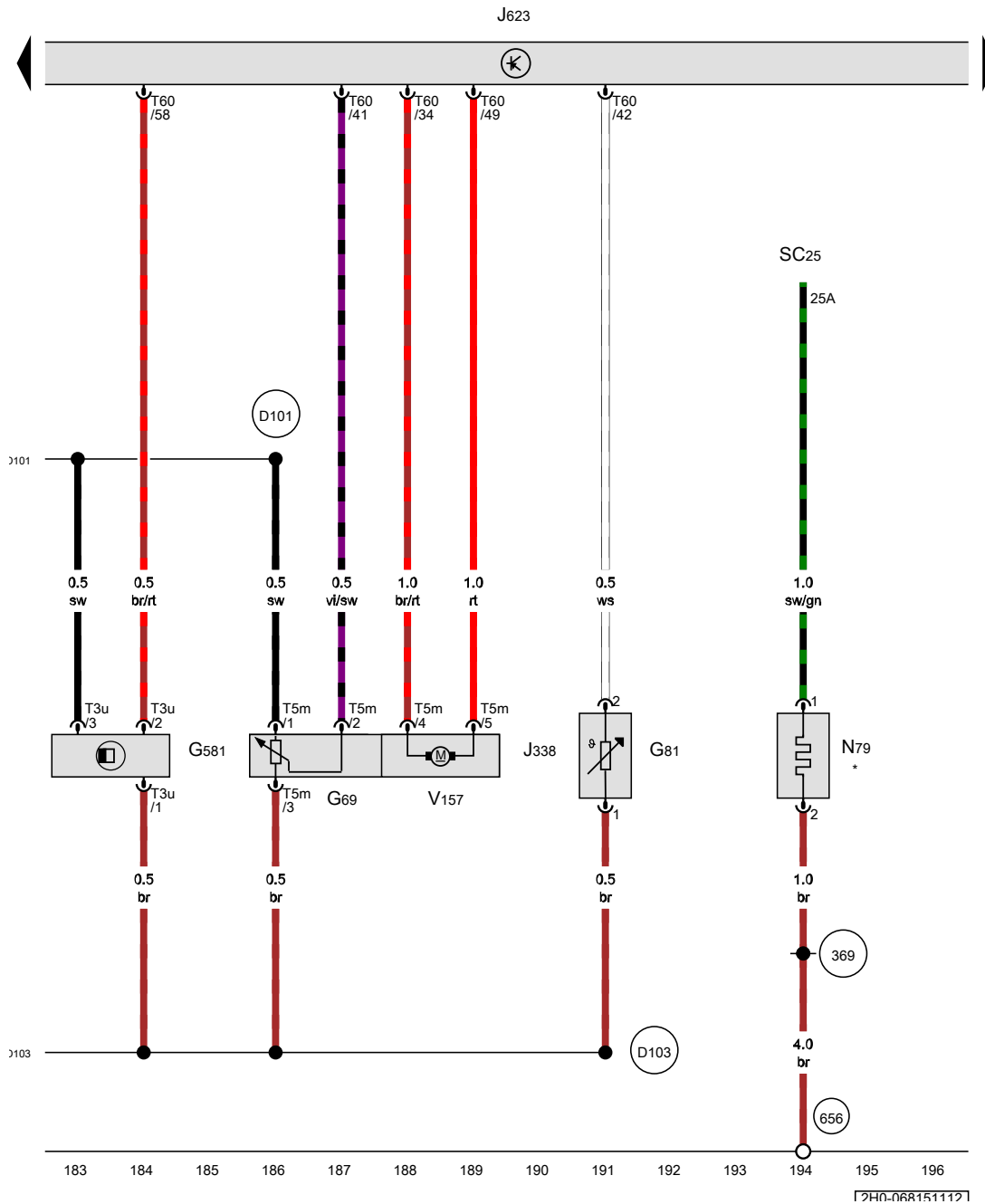
[2HD-068131112]



Hall sender, Exhaust gas recirculation potentiometer, Fuel pressure sender, Engine control unit, Exhaust gas recirculation valve



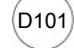
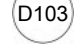
- G28 Engine speed sender
- G40 Hall sender
- G212 Exhaust gas recirculation potentiometer
- G247 Fuel pressure sender
- J623 Engine control unit
- N18 Exhaust gas recirculation valve
- T3q 3-pin connector
- T3r 3-pin connector, on front of engine, black
- T3s 3-pin connector
- T6ao 6-pin connector
- T60 60-pin connector, black
- D101 Connection 1 in engine compartment wiring harness
- D103 Connection 3 in engine compartment wiring harness

- ws = white
- sw = black
- ro = red
- br = brown
- gn = green
- bl = blue
- gr = grey
- li = purple
- ge = yellow
- or = orange
- rs = pink



Throttle valve potentiometer, Fuel temperature sender, Position sender for charge pressure positioner, Throttle valve module, Engine control unit, Heater element for crankcase breather, Fuse 25 on fuse holder C, Intake manifold flap motor

- G69 Throttle valve potentiometer
- G81 Fuel temperature sender
- G581 Position sender for charge pressure positioner
- J338 Throttle valve module
- J623 Engine control unit
- N79 Heater element for crankcase breather
- SC25 Fuse 25 on fuse holder C
- T3u 3-pin connector
- T5m 5-pin connector
- T60 60-pin connector, black
- V157 Intake manifold flap motor

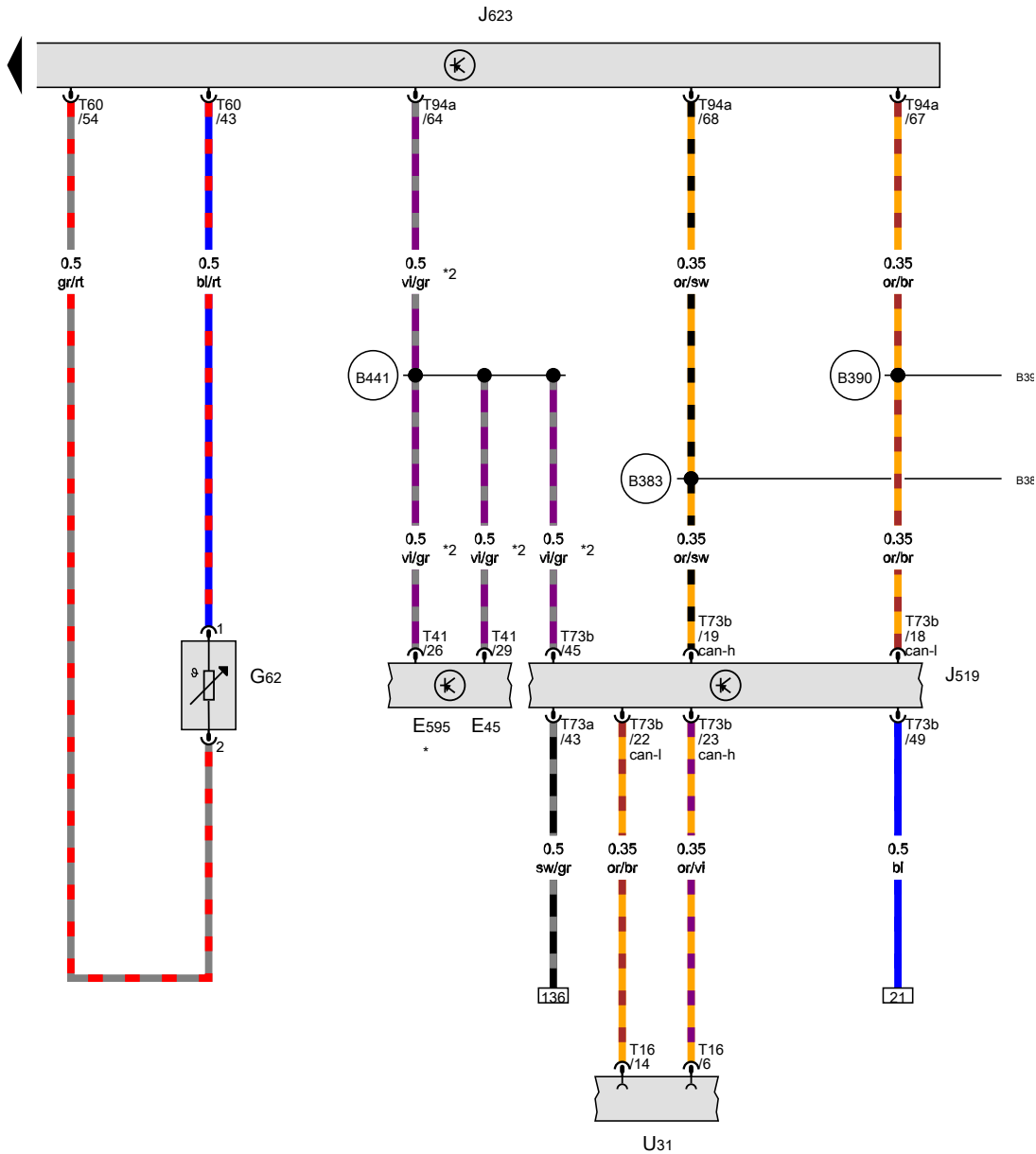
-  369 Earth connection 4, in main wiring harness
-  656 Earth point, on right headlight
-  D101 Connection 1 in engine compartment wiring harness
-  D103 Connection 3 in engine compartment wiring harness
- \* Only models with crankcase breather heater element

- ws = white
- sw = black
- ro = red
- br = brown
- gn = green
- bl = blue
- gr = grey
- li = purple
- ge = yellow
- or = orange
- rs = pink

[7HD-068151117]

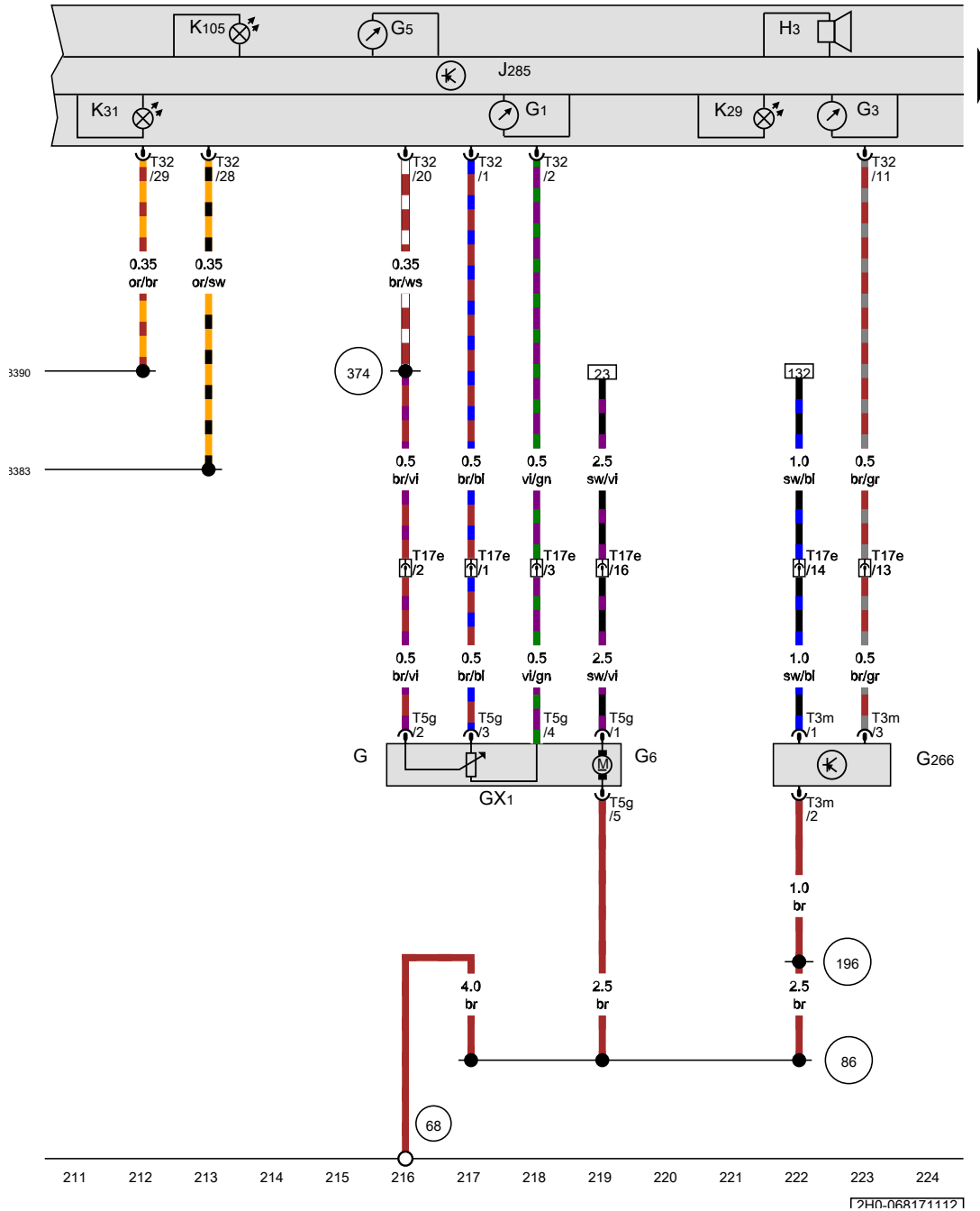


Cruise control system switch, Steering column combination switch, Coolant temperature sender, Onboard supply control unit, Engine control unit



- E45 Cruise control system switch
- E595 Steering column combination switch
- G62 Coolant temperature sender
- J519 Onboard supply control unit
- J623 Engine control unit
- T16 16-pin connector, black
- T41 41-pin connector, grey
- T60 60-pin connector, black
- T73a 73-pin connector, black
- T73b 73-pin connector, colourless
- T94a 94-pin connector, black
- U31 Diagnostic connection
- B383 Connection 1 (powertrain CAN bus, high), in main wiring harness
- B390 Connection 1 (powertrain CAN bus, low), in main wiring harness
- B441 Connection (CCS), in main wiring harness
- \* see applicable current flow diagram for basic equipment
- \*2 Only models with cruise control system (CCS)

- ws = white
- sw = black
- ro = red
- br = brown
- gn = green
- bl = blue
- gr = grey
- li = purple
- ge = yellow
- or = orange
- rs = pink

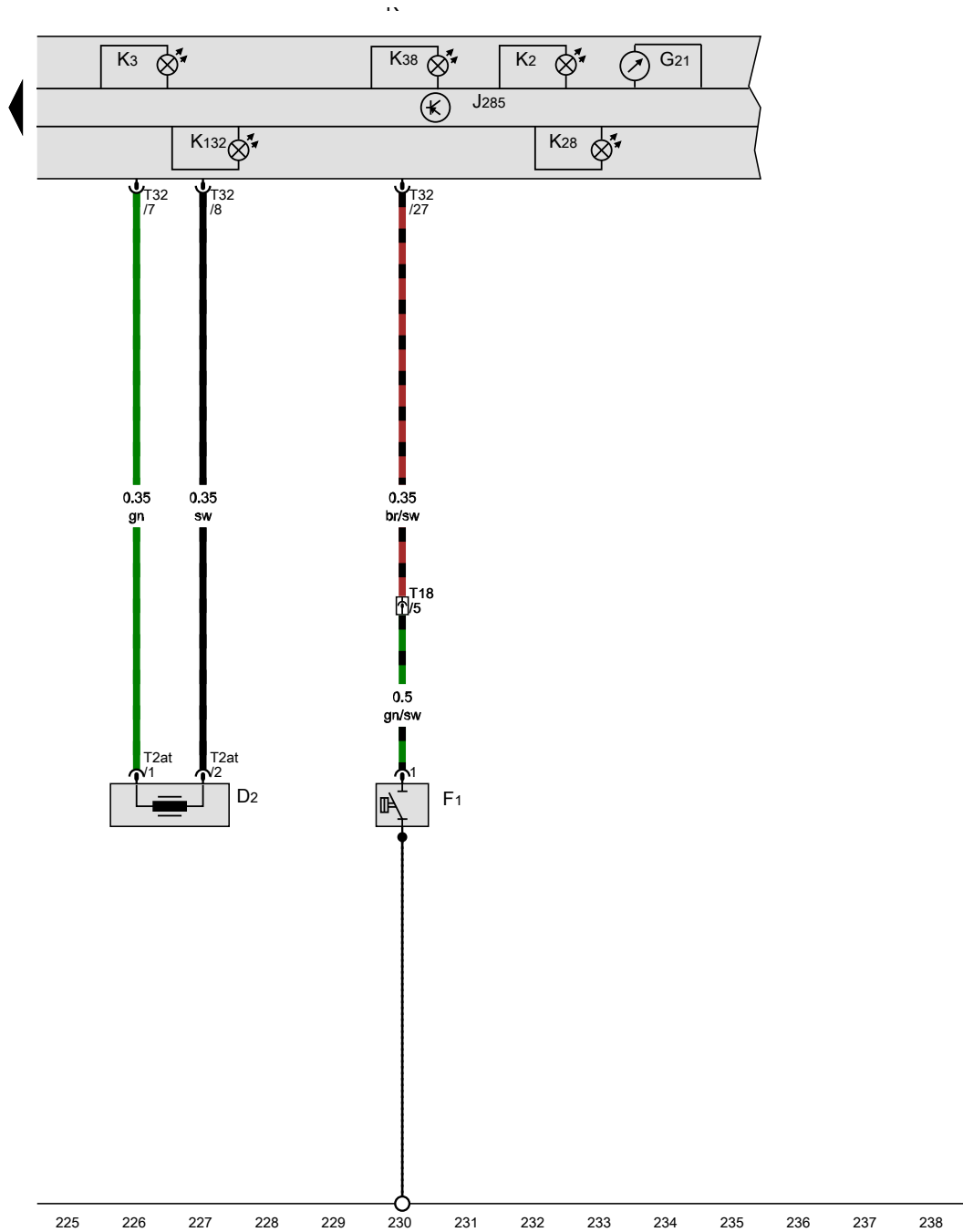


Fuel delivery unit, Oil level and oil temperature sender, Dash panel insert

- G Fuel gauge sender
- G1 Fuel gauge
- GX1 Fuel delivery unit
- G3 Coolant temperature gauge
- G5 Rev. counter
- G6 Fuel system pressurisation pump
- G266 Oil level and oil temperature sender
- H3 Buzzer and gong
- J285 Control unit in dash panel insert
- K Dash panel insert
- K29 Glow period warning lamp
- K31 Cruise control system warning lamp
- K105 Reserve fuel warning lamp
- T3m 3-pin connector
- T5g 5-pin connector
- T17e 17-pin connector, near handbrake lever, red
- T32 32-pin connector

- 68 Earth point, on left of rear cross member
- 86 Earth connection 1, in rear wiring harness
- 196 Earth connection 3, in rear wiring harness
- 374 Earth connection 9, in main wiring harness
- B383 Connection 1 (powertrain CAN bus, high), in main wiring harness
- B390 Connection 1 (powertrain CAN bus, low), in main wiring harness

- ws = white
- sw = black
- ro = red
- br = brown
- gn = green
- bl = blue
- gr = grey
- li = purple
- ge = yellow
- or = orange
- rs = pink



**Immobiliser reader coil, Oil pressure switch, Dash panel insert**

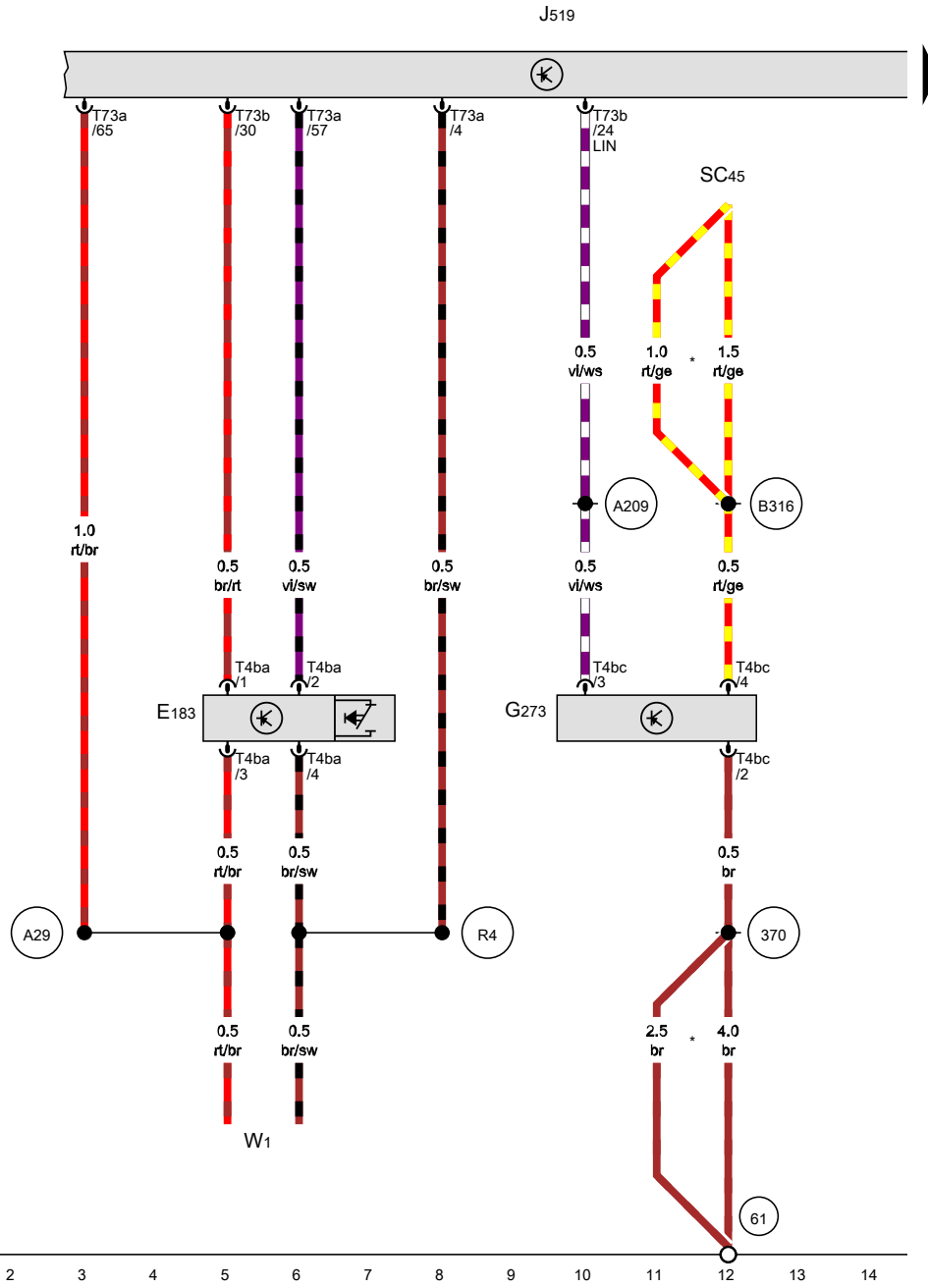
- D2 Immobiliser reader coil
- F1 Oil pressure switch
- G21 Speedometer
- J285 Control unit in dash panel insert
- K Dash panel insert
- K2 Alternator warning lamp
- K3 Oil pressure warning lamp
- K28 Coolant temperature and coolant shortage warning lamp
- K38 Oil level warning lamp
- K132 Electronic power control fault lamp
- T2at 2-pin connector, orange
- T18 18-pin connector, near engine control unit, black
- T32 32-pin connector

- ws = white
- sw = black
- ro = red
- br = brown
- gn = green
- bl = blue
- gr = grey
- li = purple
- ge = yellow
- or = orange
- rs = pink

[240-068181117]

**Anti-theft alarm system**

From June 2012



**Interior monitoring switch, Interior monitoring sensor, Onboard supply control unit**


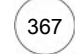


- E183 Interior monitoring switch
- G273 Interior monitoring sensor
- J519 Onboard supply control unit, near driver side A-pillar
- SC45 Fuse 45 on fuse holder C
- T4ba 4-pin connector, black
- T4bc 4-pin connector, brown
- T73a 73-pin connector, black
- T73b 73-pin connector, colourless
- W1 Front interior light

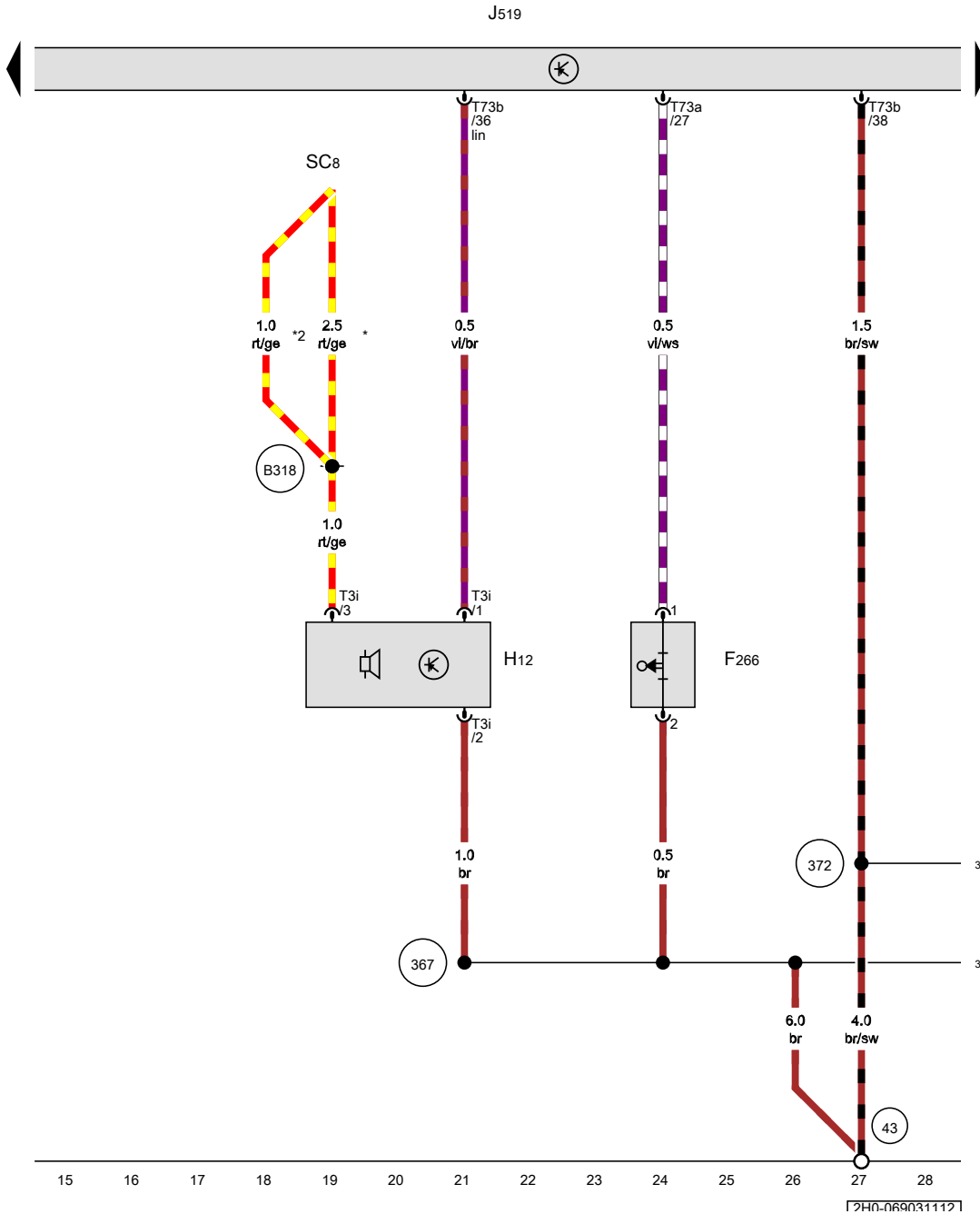
- (61) Earth point, left C-pillar
  - (370) Earth connection 5, in main wiring harness
  - (A29) Connection (interior light), in dash panel wiring harness
  - (A209) Connection 1 (LIN bus) in dash panel wiring harness
  - (B316) Positive connection 2 (30a) in main wiring harness
  - (R4) Connection 1, in interior light/door contact switch wiring harness
- \* From February 2013

- ws = white
- sw = black
- ro = red
- br = brown
- gn = green
- bl = blue
- gr = grey
- li = purple
- ge = yellow
- or = orange
- rs = pink

**Bonnet contact switch, Alarm horn, Onboard supply control unit**

- F266 Bonnet contact switch
- H12 Alarm horn
- J519 Onboard supply control unit, near driver side A-pillar
- SC8 Fuse 8 on fuse holder C
- T3i 3-pin connector, black
- T73a 73-pin connector, black
- T73b 73-pin connector, colourless

-  43 Earth point, lower part of right A-pillar
-  367 Earth connection 2, in main wiring harness
-  372 Earth connection 7, in main wiring harness
-  B318 Positive connection 4 (30a) in main wiring harness
- \* Up to January 2013
- \*2 From February 2013


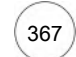
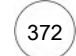


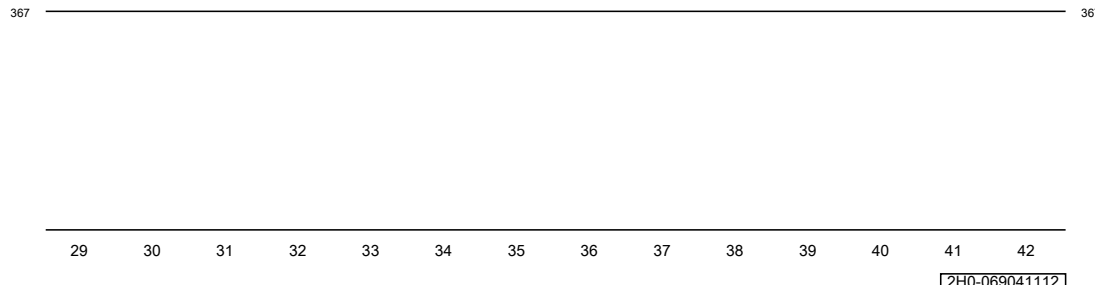
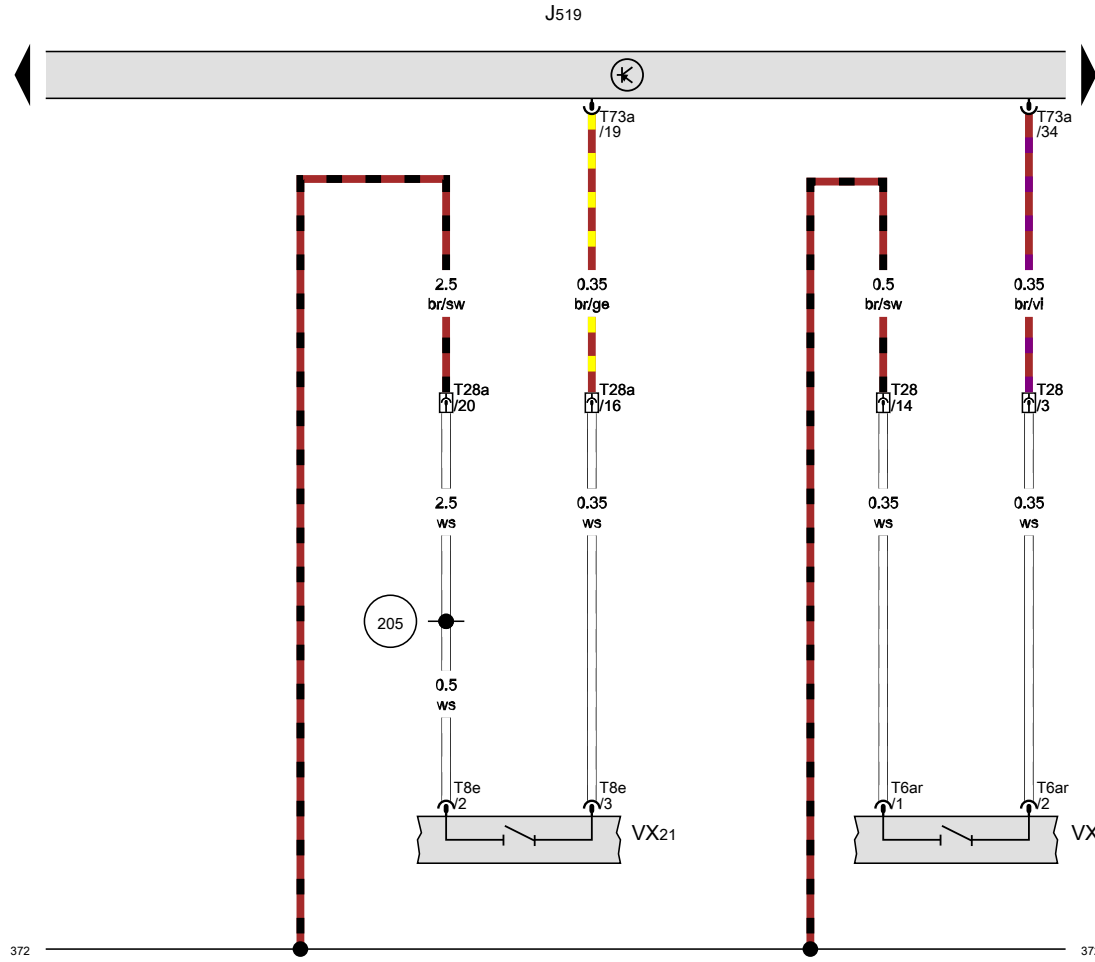
- ws = white
- sw = black
- ro = red
- br = brown
- gn = green
- bl = blue
- gr = grey
- li = purple
- ge = yellow
- or = orange
- rs = pink

Γ240-0690311121

Onboard supply control unit, Driver door lock unit, Rear left door lock unit

- J519 Onboard supply control unit, near driver side A-pillar
- T6ar 6-pin connector
- T8e 8-pin connector
- T28 28-pin connector, on left B-pillar
- T28a 28-pin connector, on left A-pillar
- T73a 73-pin connector, black
- VX21 Driver door lock unit
- VX23 Rear left door lock unit

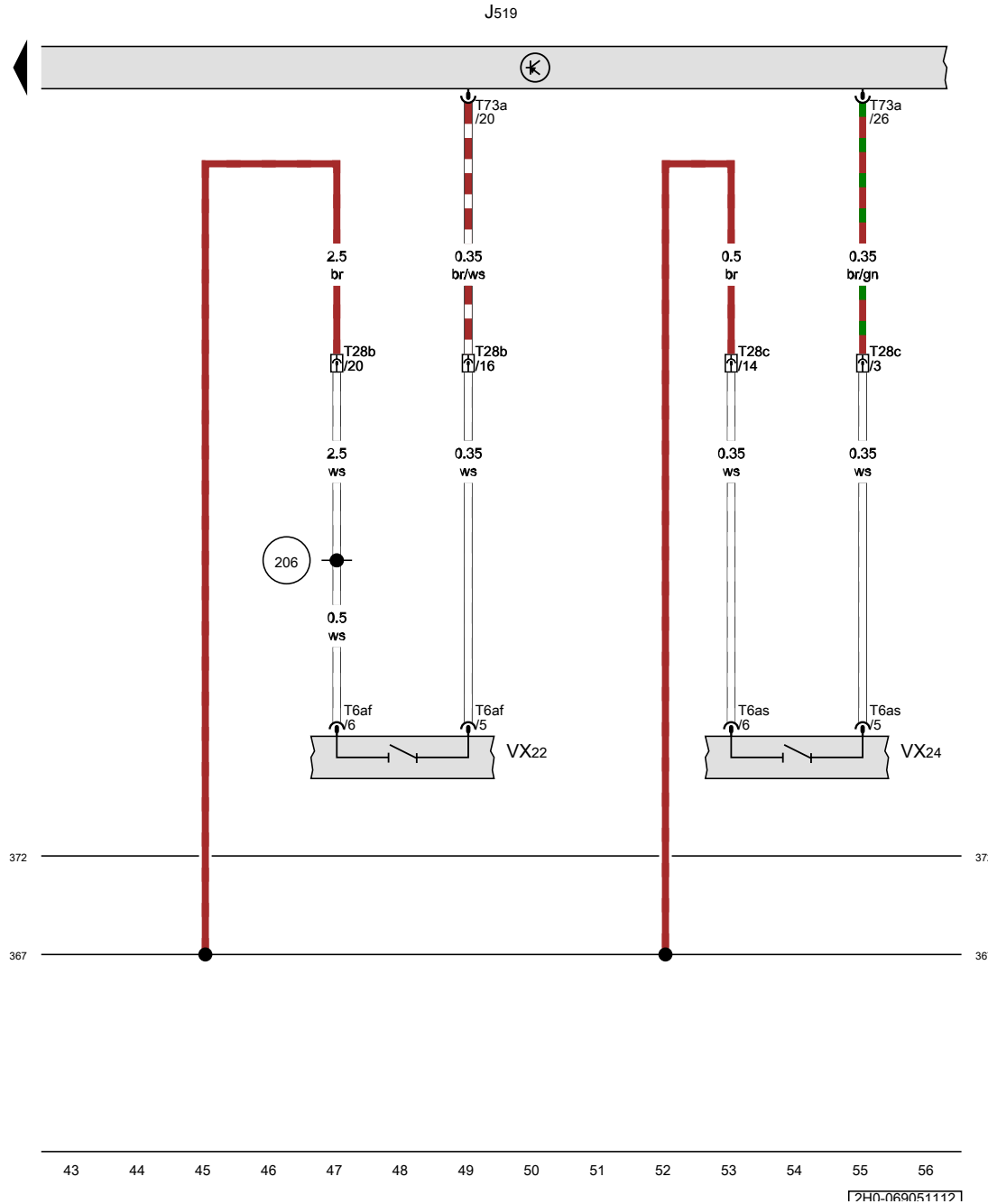
-  205 Earth connection, in driver door wiring harness
-  367 Earth connection 2, in main wiring harness
-  372 Earth connection 7, in main wiring harness



- ws = white
- sw = black
- ro = red
- br = brown
- gn = green
- bl = blue
- gr = grey
- li = purple
- ge = yellow
- or = orange
- rs = pink

12H0-0690411121

Onboard supply control unit, Front passenger door lock unit, Rear right door lock unit



- J519 Onboard supply control unit, near driver side A-pillar
- T6af 6-pin connector
- T6as 6-pin connector
- T28b 28-pin connector, on right A-pillar
- T28c 28-pin connector, on right B-pillar
- T73a 73-pin connector, black
- VX22 Front passenger door lock unit
- VX24 Rear right door lock unit

- 206 Earth connection, in front passenger door wiring harness
- 367 Earth connection 2, in main wiring harness
- 372 Earth connection 7, in main wiring harness

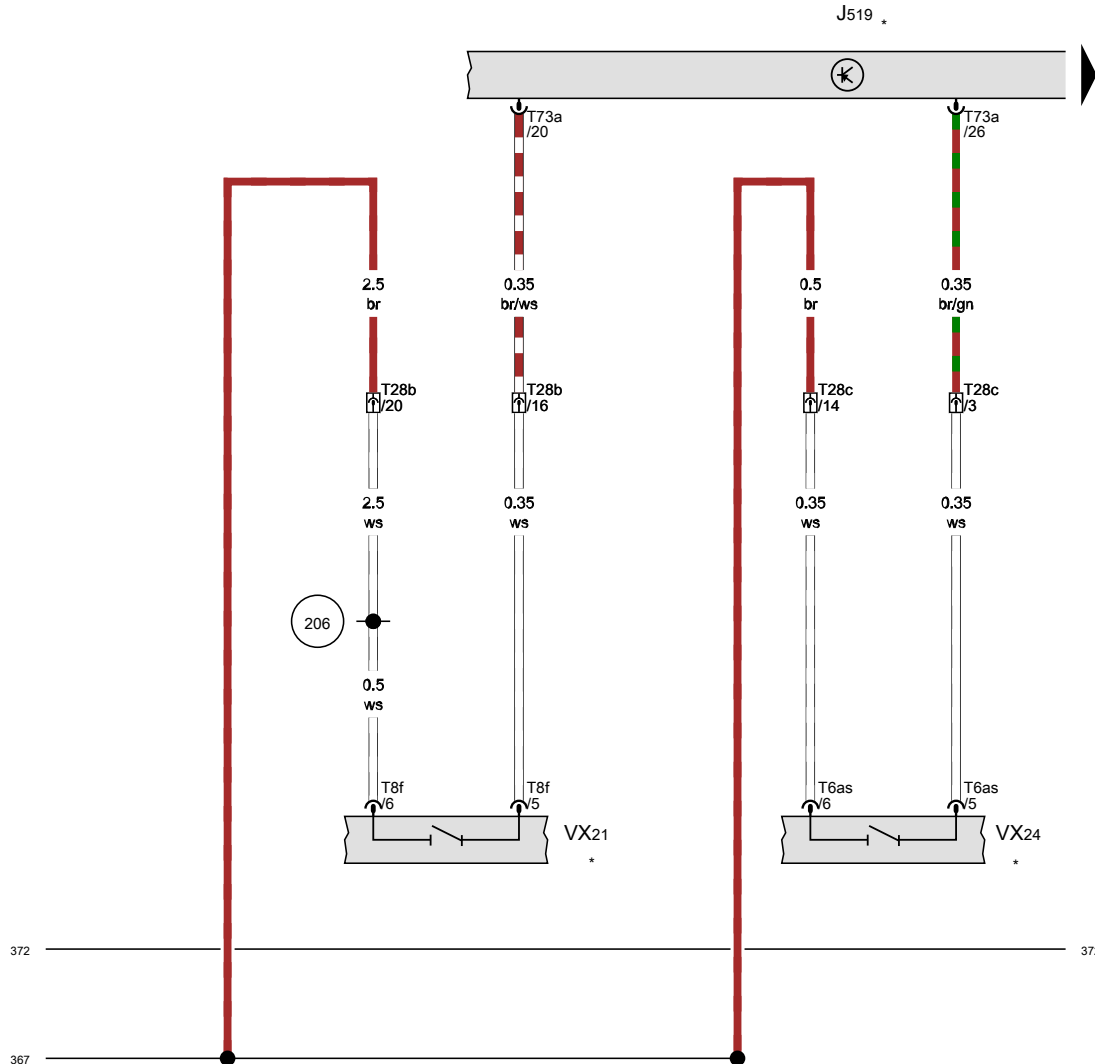
- ws = white
- sw = black
- ro = red
- br = brown
- gn = green
- bl = blue
- gr = grey
- li = purple
- ge = yellow
- or = orange
- rs = pink



Onboard supply control unit, Rear right door lock unit

- J519 Onboard supply control unit
- T6as 6-pin connector
- T8f 8-pin connector
- T28b 28-pin connector, on right A-pillar
- T28c 28-pin connector, on right B-pillar
- T73a 73-pin connector, black
- VX21 Driver door lock unit
- VX24 Rear right door lock unit

- 206 Earth connection, in front passenger door wiring harness
- 367 Earth connection 2, in main wiring harness
- 372 Earth connection 7, in main wiring harness
- \* Only right-hand drive models



- ws = white
- sw = black
- ro = red
- br = brown
- gn = green
- bl = blue
- gr = grey
- li = purple
- ge = yellow
- or = orange
- rs = pink

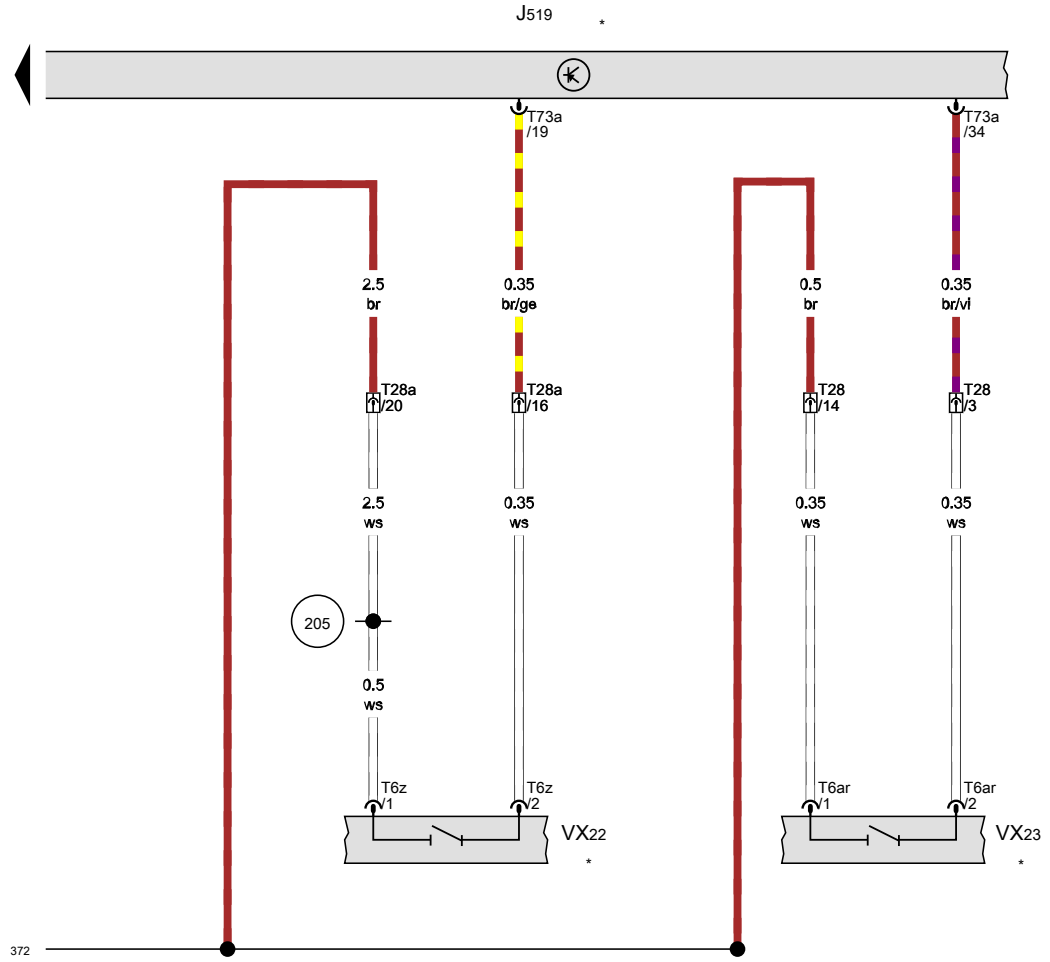
57 58 59 60 61 62 63 64 65 66 67 68 69 70

[240-069061112]

Onboard supply control unit, Front passenger door lock unit, Rear left door lock unit

- J519 Onboard supply control unit
- T6ar 6-pin connector
- T6z 6-pin connector
- T28 28-pin connector, on left B-pillar
- T28a 28-pin connector, on left A-pillar
- T73a 73-pin connector, black
- VX22 Front passenger door lock unit
- VX23 Rear left door lock unit

- (205) Earth connection, in driver door wiring harness
- (372) Earth connection 7, in main wiring harness
- \* Only right-hand drive models



- ws = white
- sw = black
- ro = red
- br = brown
- gn = green
- bl = blue
- gr = grey
- li = purple
- ge = yellow
- or = orange
- rs = pink

71 72 73 74 75 76 77 78 79 80 81 82 83 84


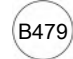

[240-069071112]

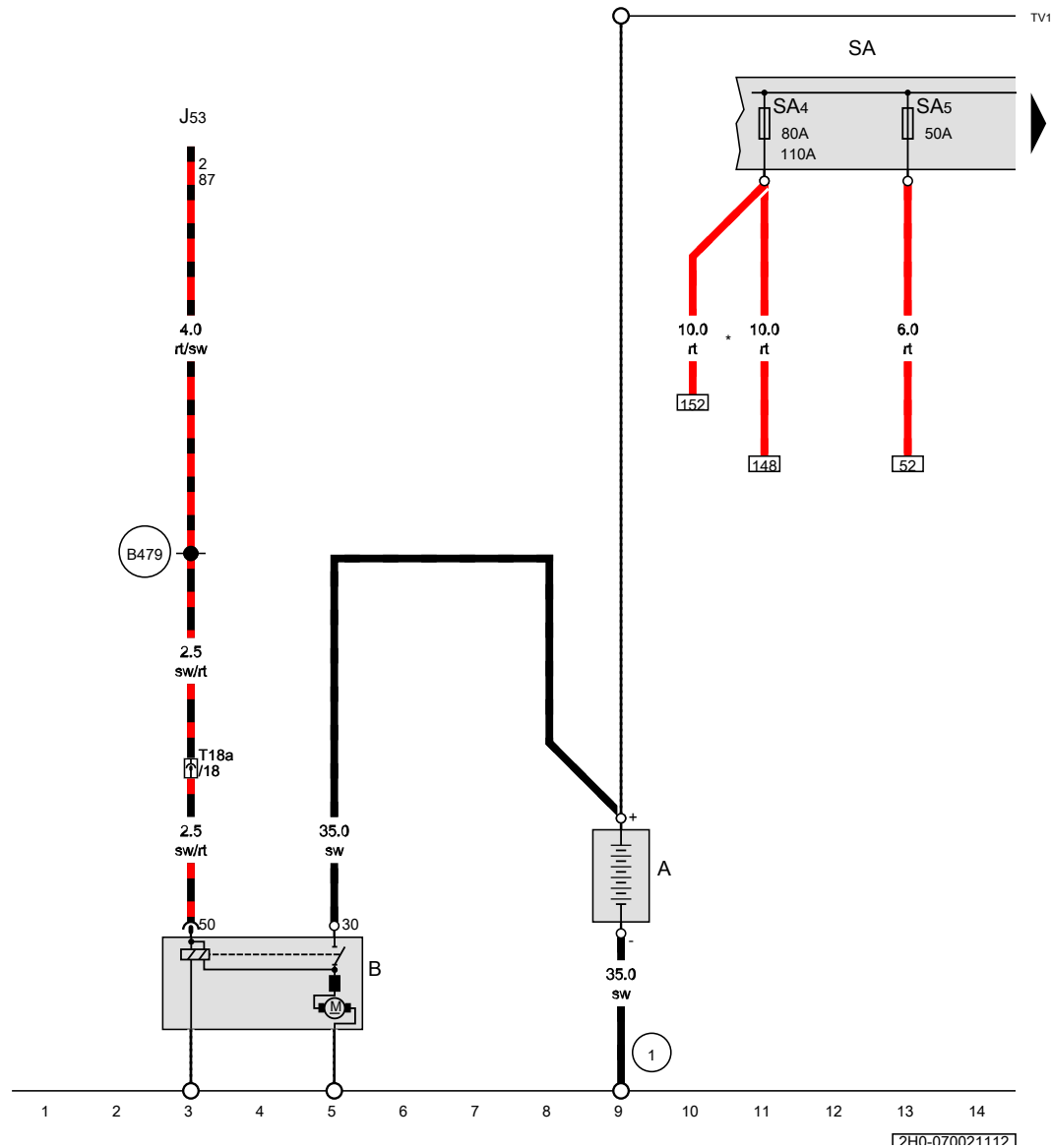
**2.0l diesel engine , CNEA**

From June 2012

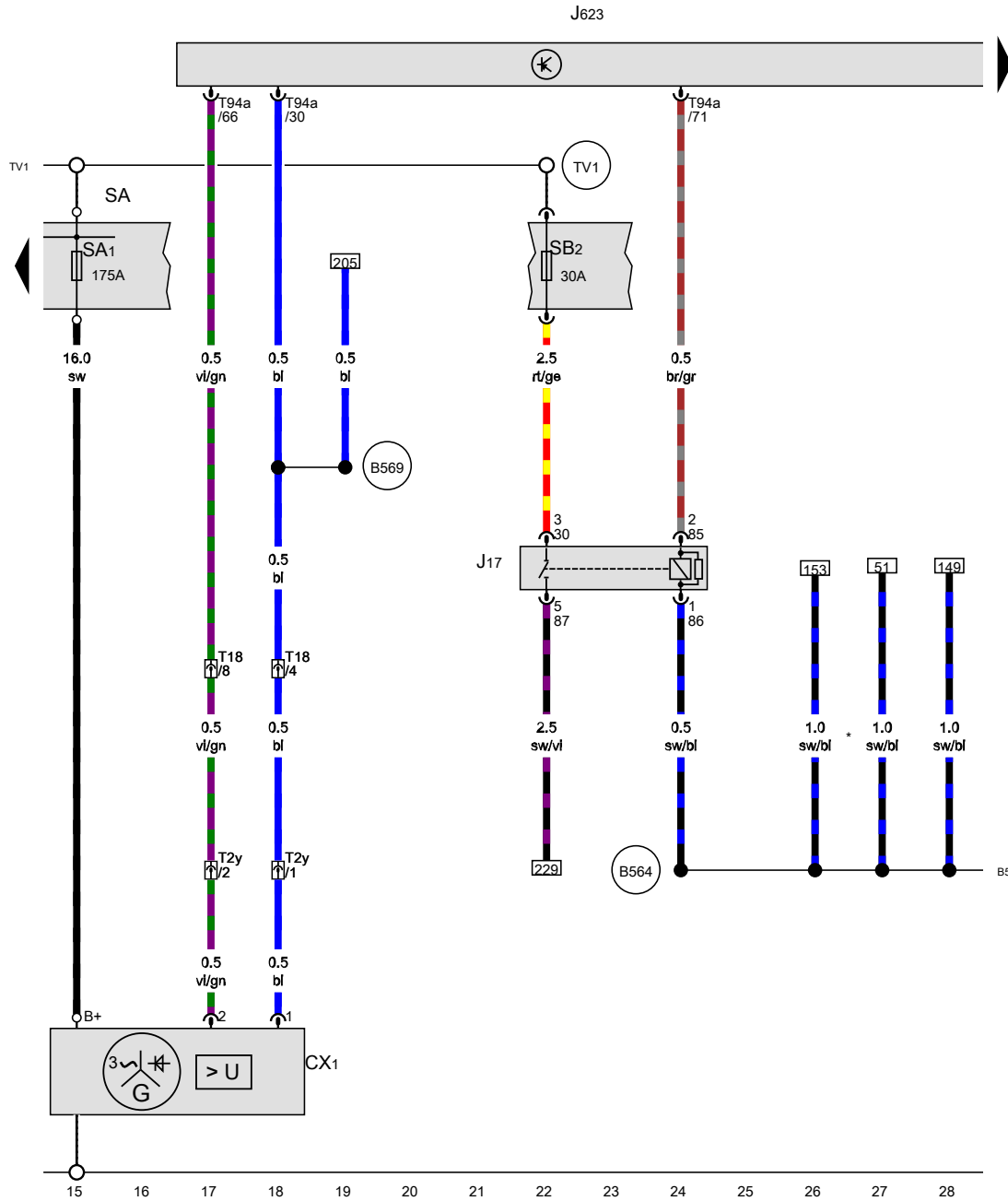
**Battery, Starter, Starter motor relay, Fuse 4 in fuse holder A, Fuse 5 in fuse holder A**

- A Battery
- B Starter
- J53 Starter motor relay
- SA Fuse holder A
- SA4 Fuse 4 in fuse holder A
- SA5 Fuse 5 in fuse holder A
- T18a 18-pin connector, near engine control unit

-  1 Earth strap, battery - body
-  B479 Connection 15, in main wiring harness
-  TV1 Wiring junction
- \* Only for countries with hot climate



ГЭН-0700211121



**Alternator with voltage regulator, Fuel pump relay, Engine control unit, Fuse 1 in fuse holder A, Fuse 2 on fuse holder B**

- CX1 Alternator with voltage regulator
- J17 Fuel pump relay
- J623 Engine control unit, near battery
- SA Fuse holder A
- SA1 Fuse 1 in fuse holder A
- SB2 Fuse 2 on fuse holder B
- T2y 2-pin connector, front left in engine compartment, black
- T18 18-pin connector, near engine control unit, black
- T94a 94-pin connector, black

B564 Connection 31, in main wiring harness

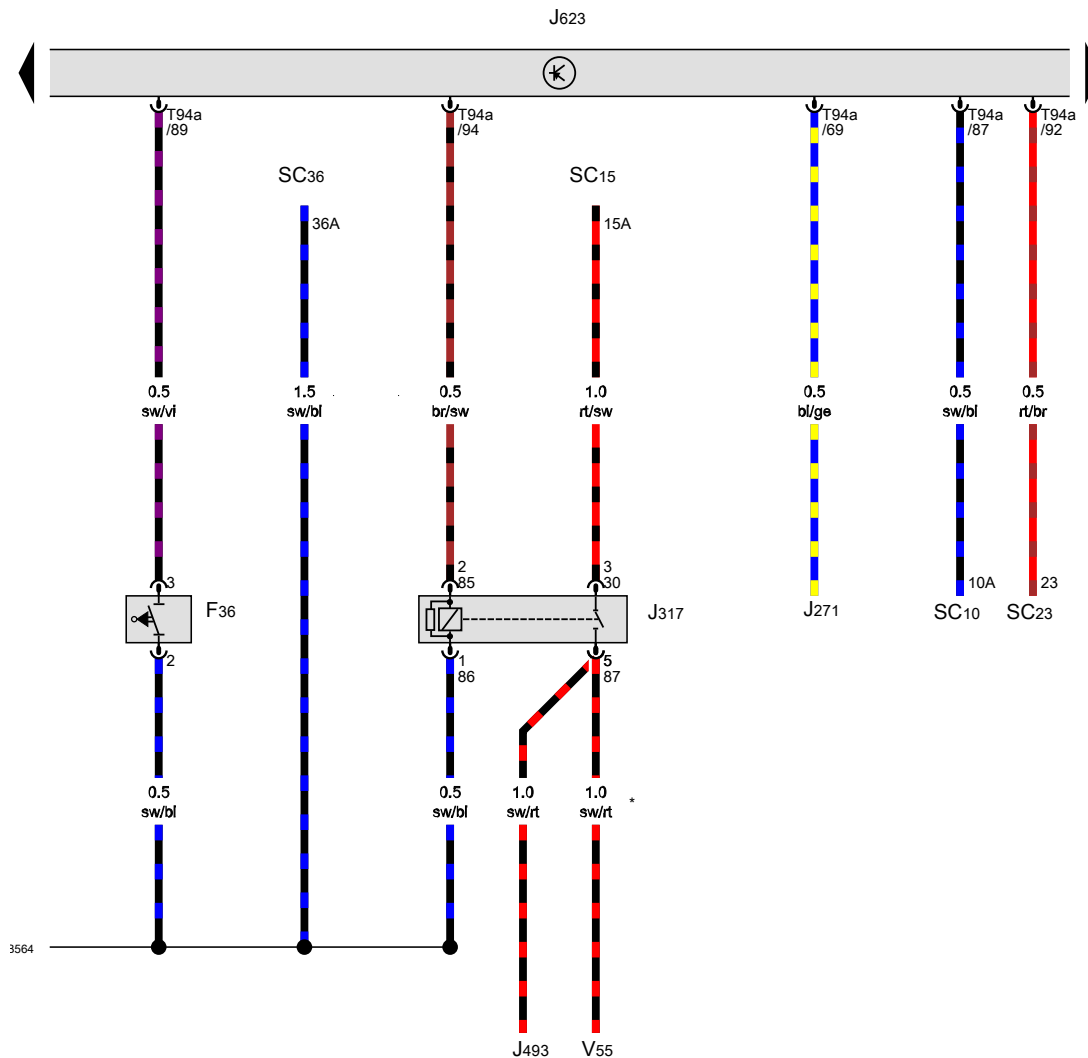
B569 Connection 36, in main wiring harness

TV1 Wiring junction

\* Only for countries with hot climate

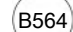
- ws = white
- sw = black
- ro = red
- br = brown
- gn = green
- bl = blue
- gr = grey
- li = purple
- ge = yellow
- or = orange
- rs = pink

Г240-0700311121



Clutch pedal switch, Main relay, Terminal 30 voltage supply relay, Engine control unit, Fuse 10 on fuse holder C, Fuse 15 on fuse holder C, Fuse 23 on fuse holder C, Fuse 36 on fuse holder C

- F36 Clutch pedal switch
- J271 Main relay, on relay carrier
- J317 Terminal 30 voltage supply relay, on relay carrier
- J493 Auxiliary coolant heater relay
- J623 Engine control unit, near battery
- SC10 Fuse 10 on fuse holder C
- SC15 Fuse 15 on fuse holder C
- SC23 Fuse 23 on fuse holder C
- SC36 Fuse 36 on fuse holder C
- T94a 94-pin connector, black
- V55 Circulation pump

 B564 Connection 31, in main wiring harness

\* Only models with no air conditioning system/Climatronic

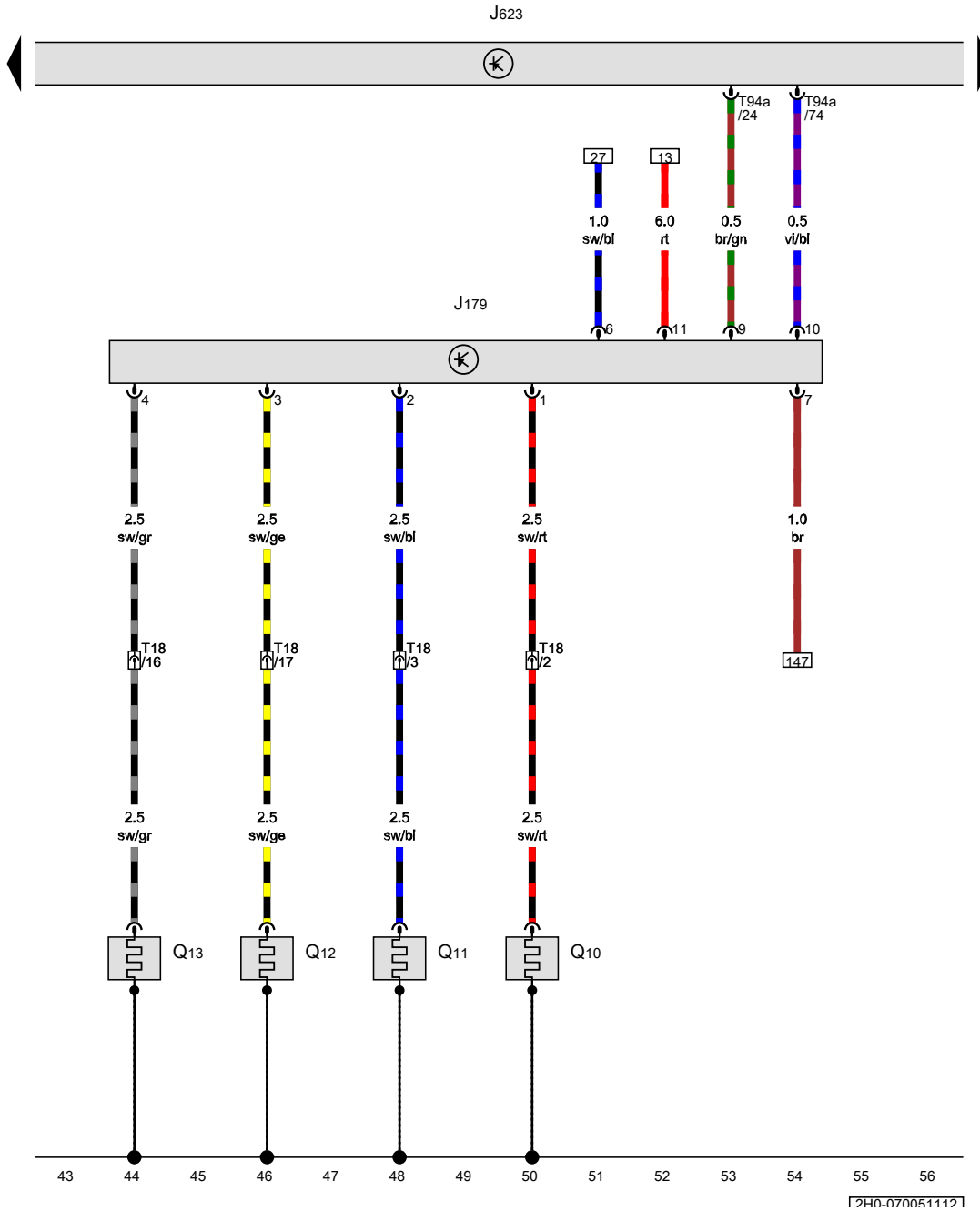
- ws = white
- sw = black
- ro = red
- br = brown
- gn = green
- bl = blue
- gr = grey
- li = purple
- ge = yellow
- or = orange
- rs = pink

29 30 31 32 33 34 35 36 37 38 39 40 41 42

12H0-0700411121

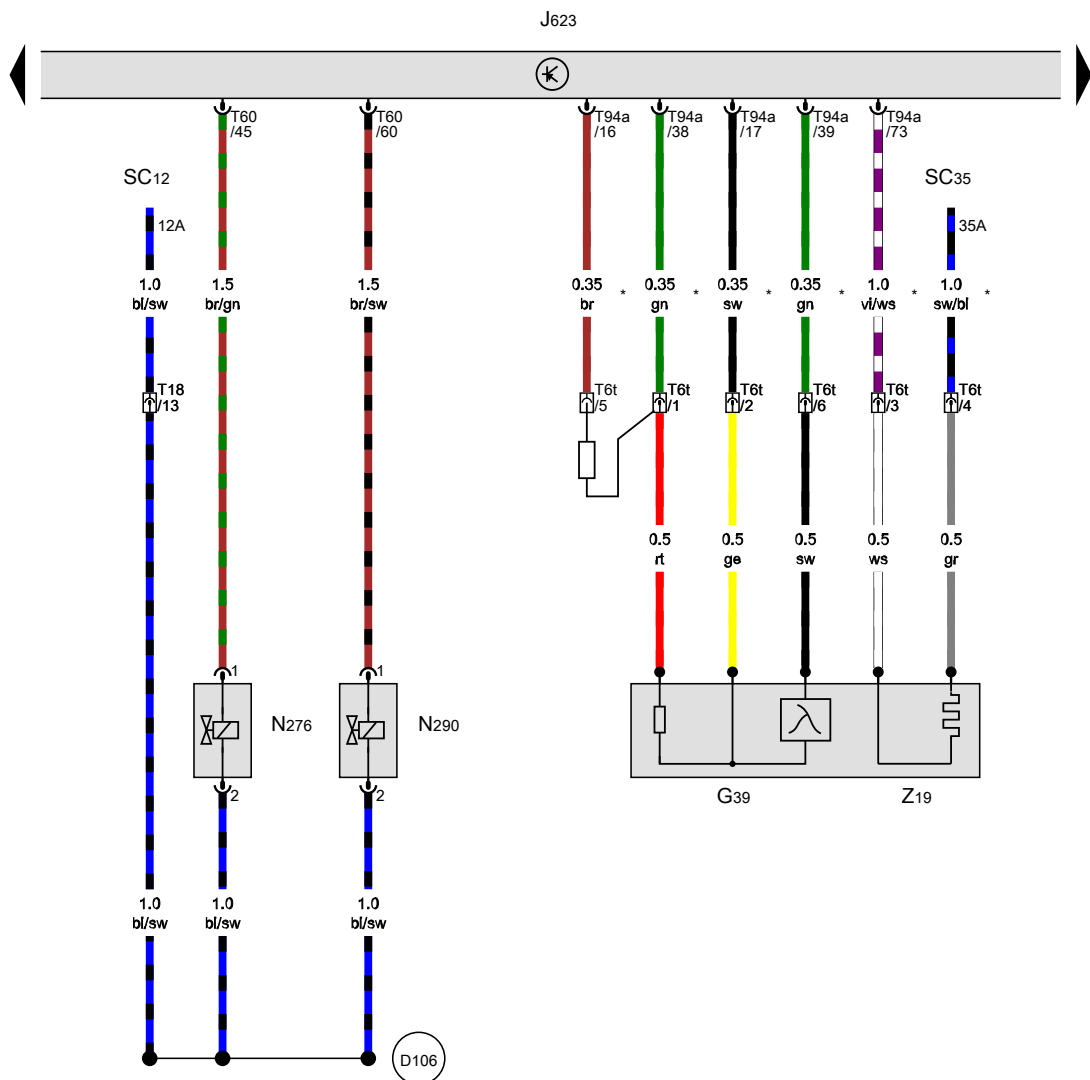
Automatic glow period control unit, Engine control unit, Glow plug 1, Glow plug 2, Glow plug 3, Glow plug 4

- J179 Automatic glow period control unit, near left headlight
- J623 Engine control unit, near battery
- Q10 Glow plug 1
- Q11 Glow plug 2
- Q12 Glow plug 3
- Q13 Glow plug 4
- T18 18-pin connector, near engine control unit, black
- T94a 94-pin connector, black



- ws = white
- sw = black
- ro = red
- br = brown
- gn = green
- bl = blue
- gr = grey
- li = purple
- ge = yellow
- or = orange
- rs = pink

[240-070051112]



Lambda probe, Engine control unit, Fuel pressure regulating valve, Fuel metering valve, Fuse 12 on fuse holder C, Fuse 35 on fuse holder C

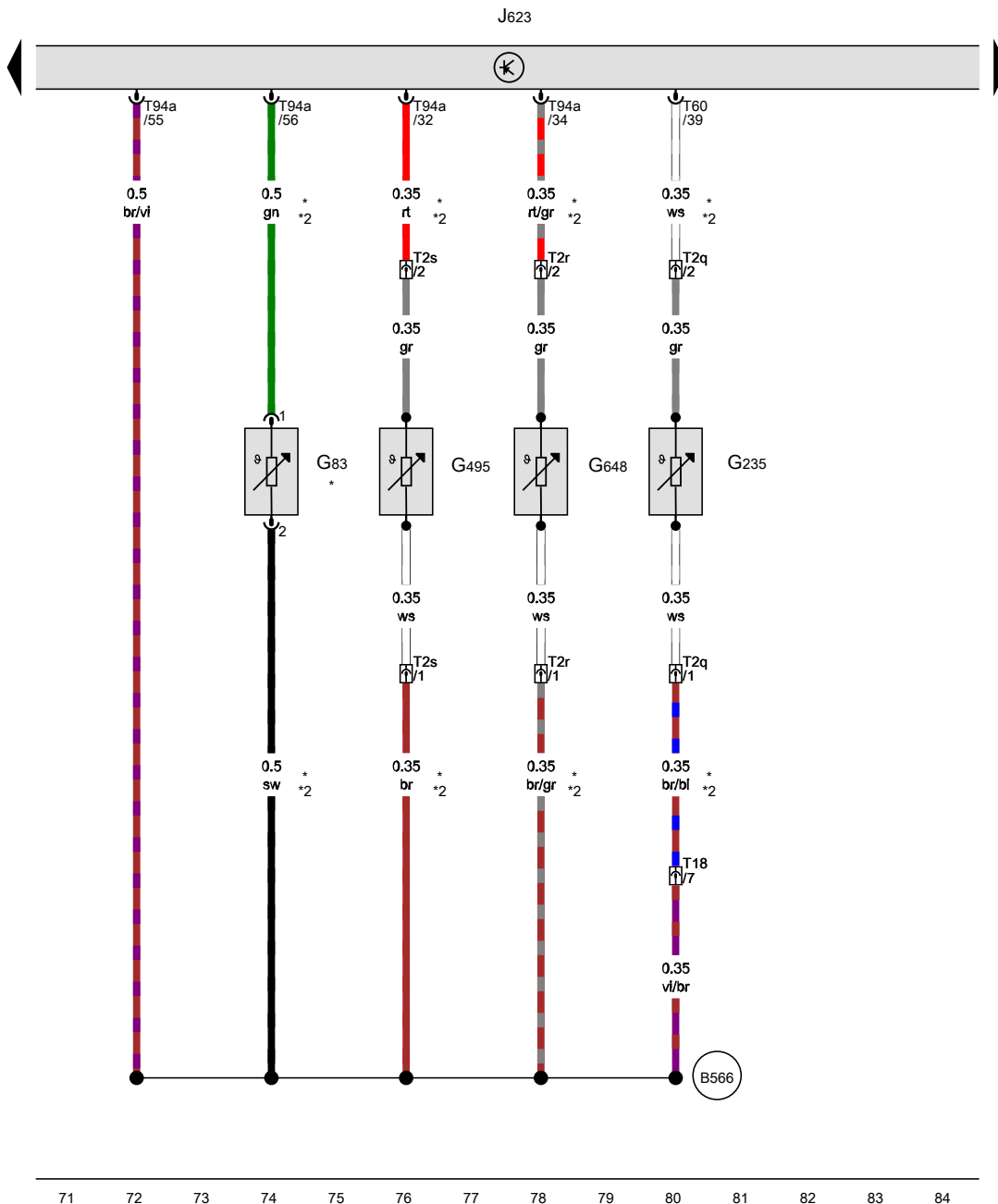
- G39 Lambda probe
- J623 Engine control unit, near battery
- N276 Fuel pressure regulating valve
- N290 Fuel metering valve
- SC12 Fuse 12 on fuse holder C
- SC35 Fuse 35 on fuse holder C
- T6t 6-pin connector, front right in engine compartment, black
- T18 18-pin connector, near engine control unit, black
- T60 60-pin connector, black
- T94a 94-pin connector, black
- Z19 Lambda probe heater

D106 Connection 4 in engine compartment wiring harness

\* Only models with Euro 5 emission standard

- ws = white
- sw = black
- ro = red
- br = brown
- gn = green
- bl = blue
- gr = grey
- li = purple
- ge = yellow
- or = orange
- rs = pink





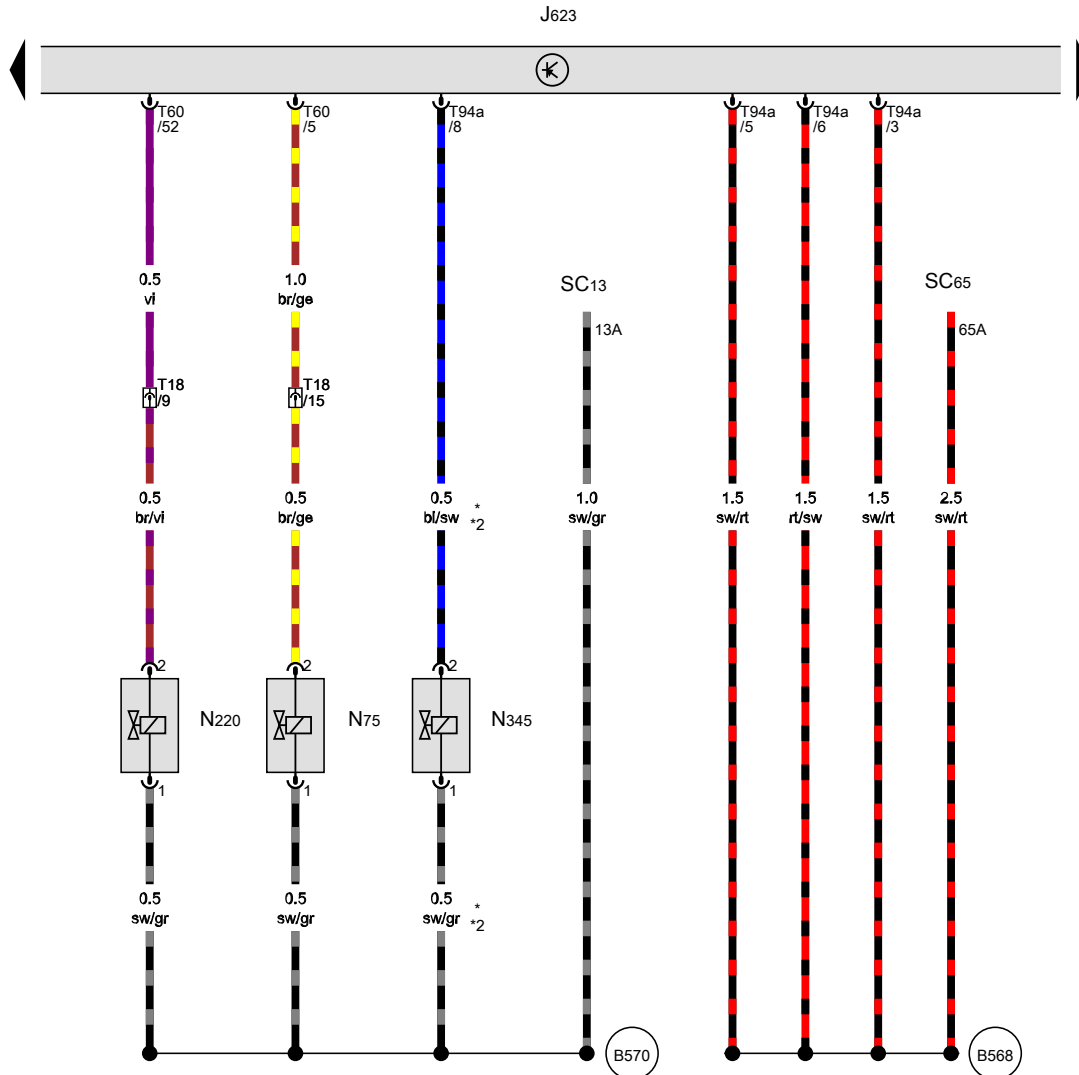
Radiator outlet coolant temperature sender, Exhaust gas temperature sender 1, Exhaust gas temperature sender 3, Exhaust gas temperature sender 4, Engine control unit

- G83 Radiator outlet coolant temperature sender
- G235 Exhaust gas temperature sender 1
- G495 Exhaust gas temperature sender 3
- G648 Exhaust gas temperature sender 4
- J623 Engine control unit, near battery
- T2q 2-pin connector, black
- T2r 2-pin connector, orange
- T2s 2-pin connector, brown
- T18 18-pin connector, near engine control unit, black
- T60 60-pin connector, black
- T94a 94-pin connector, black

B566 Connection 33, in main wiring harness

- \* Only models with Euro 5 emission standard
- \*2 Only models with Euro 5 plus emission standard (7MJ)

- ws = white
- sw = black
- ro = red
- br = brown
- gn = green
- bl = blue
- gr = grey
- li = purple
- ge = yellow
- or = orange
- rs = pink



Engine control unit, Charge pressure control solenoid valve, Exhaust flap valve, Exhaust gas recirculation cooler changeover valve, Fuse 13 on fuse holder C, Fuse 65 on fuse holder C

- J623 Engine control unit, near battery
- N75 Charge pressure control solenoid valve
- N220 Exhaust flap valve
- N345 Exhaust gas recirculation cooler changeover valve
- SC13 Fuse 13 on fuse holder C
- SC65 Fuse 65 on fuse holder C
- T18 18-pin connector, near engine control unit, black
- T60 60-pin connector, black
- T94a 94-pin connector, black

**B568** Connection 35, in main wiring harness

**B570** Connection 37, in main wiring harness

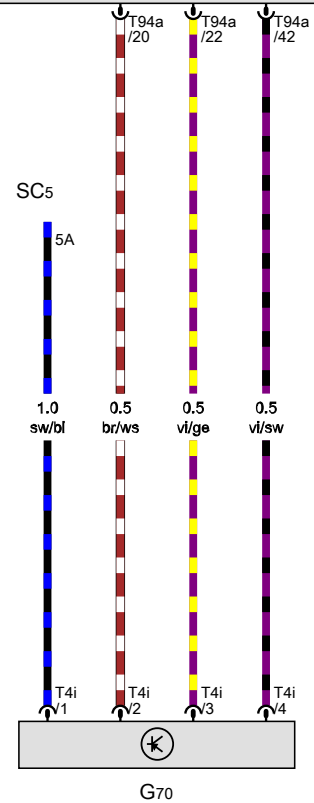
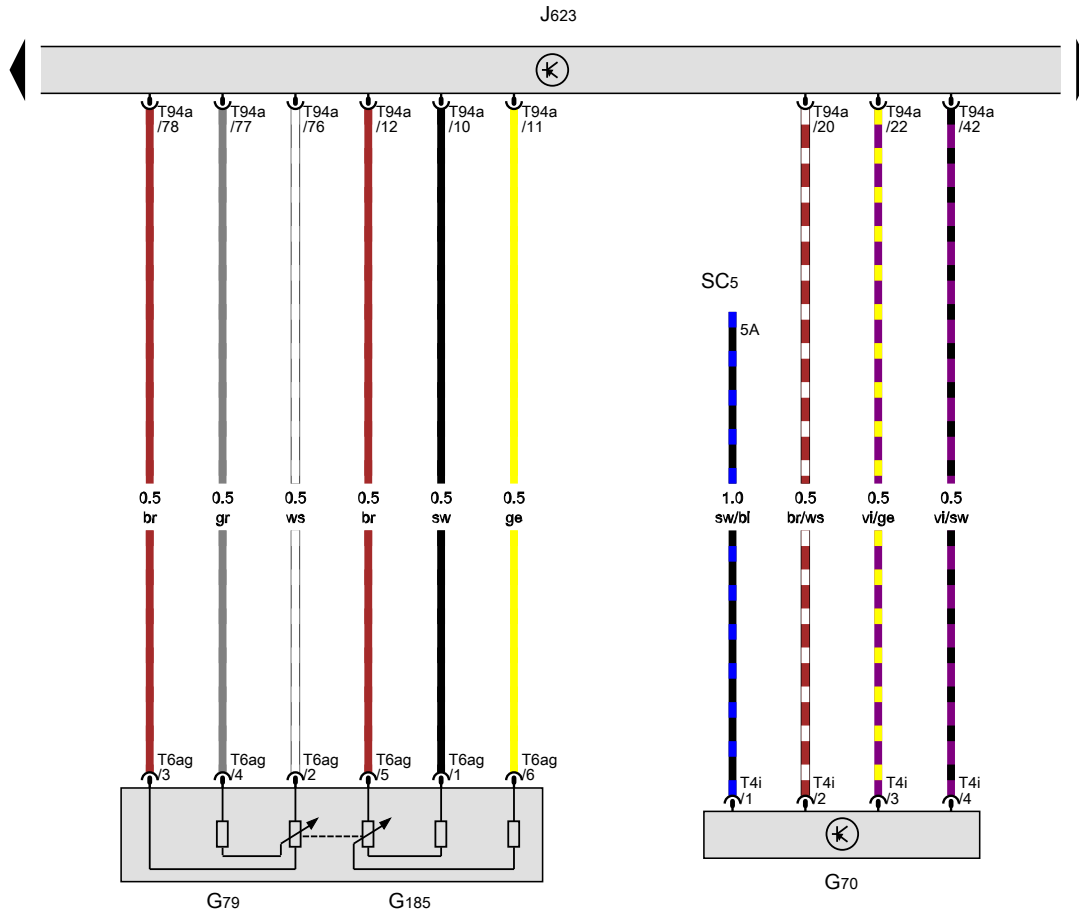
\* Only models with Euro 5 emission standard

\*2 Only models with Euro 5 plus emission standard (7MJ)

- ws = white
- sw = black
- ro = red
- br = brown
- gn = green
- bl = blue
- gr = grey
- li = purple
- ge = yellow
- or = orange
- rs = pink

85 86 87 88 89 90 91 92 93 94 95 96 97 98

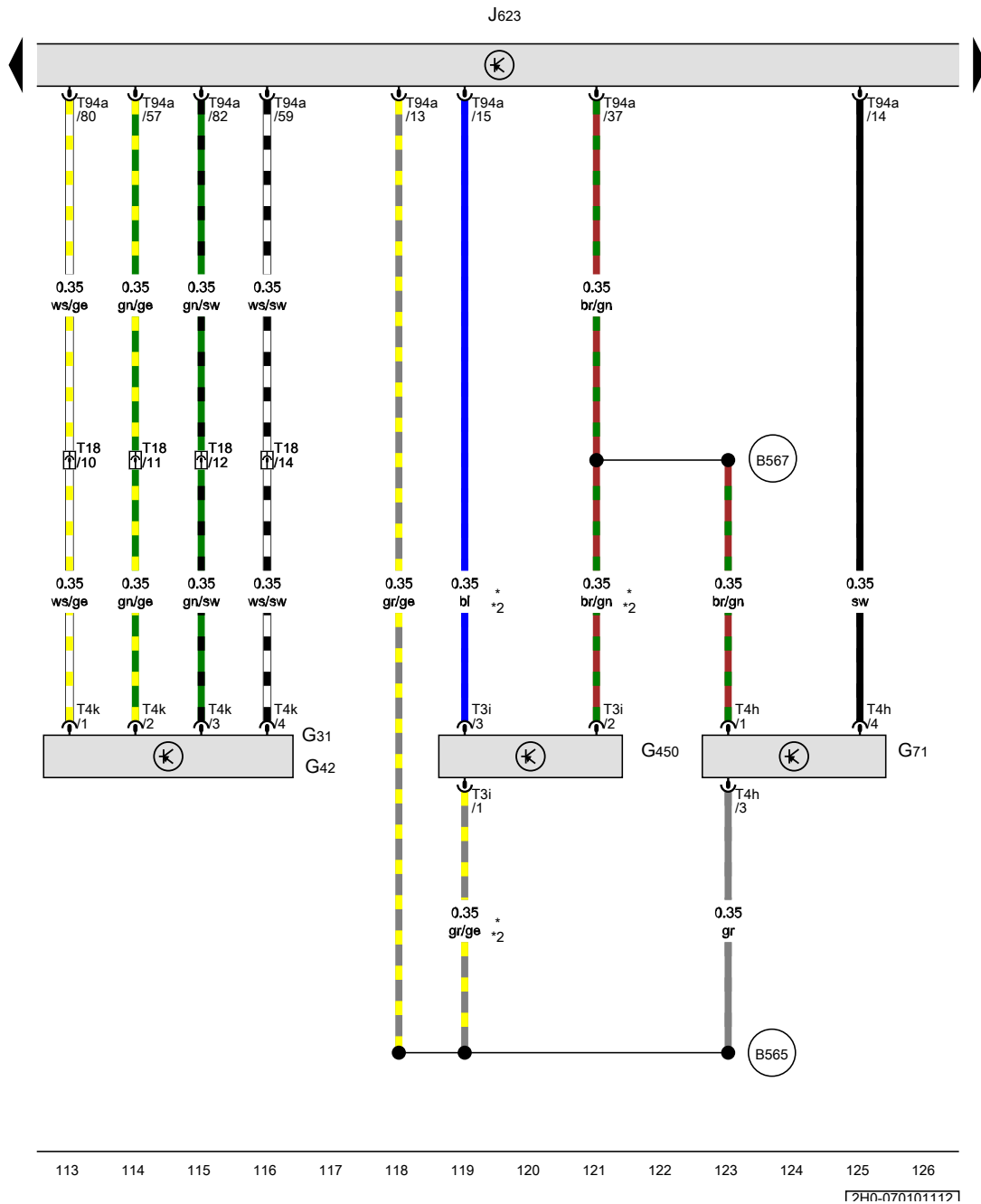
[240-070081112]



Air mass meter, Accelerator position sender, Accelerator position sender 2, Engine control unit, Fuse 5 on fuse holder C

- G70 Air mass meter
- G79 Accelerator position sender
- G185 Accelerator position sender 2
- J623 Engine control unit, near battery
- SC5 Fuse 5 on fuse holder C
- T4i 4-pin connector, black
- T6ag 6-pin connector
- T94a 94-pin connector, black

- ws = white
- sw = black
- ro = red
- br = brown
- gn = green
- bl = blue
- gr = grey
- li = purple
- ge = yellow
- or = orange
- rs = pink



Charge pressure sender, Intake air temperature sender, Intake manifold pressure sender, Exhaust gas pressure sensor 1, Engine control unit

- G31 Charge pressure sender
- G42 Intake air temperature sender
- G71 Intake manifold pressure sender
- G450 Exhaust gas pressure sensor 1
- J623 Engine control unit, near battery
- T3i 3-pin connector, black
- T4h 4-pin connector, black
- T4k 4-pin connector, black
- T18 18-pin connector, near engine control unit, black
- T94a 94-pin connector, black

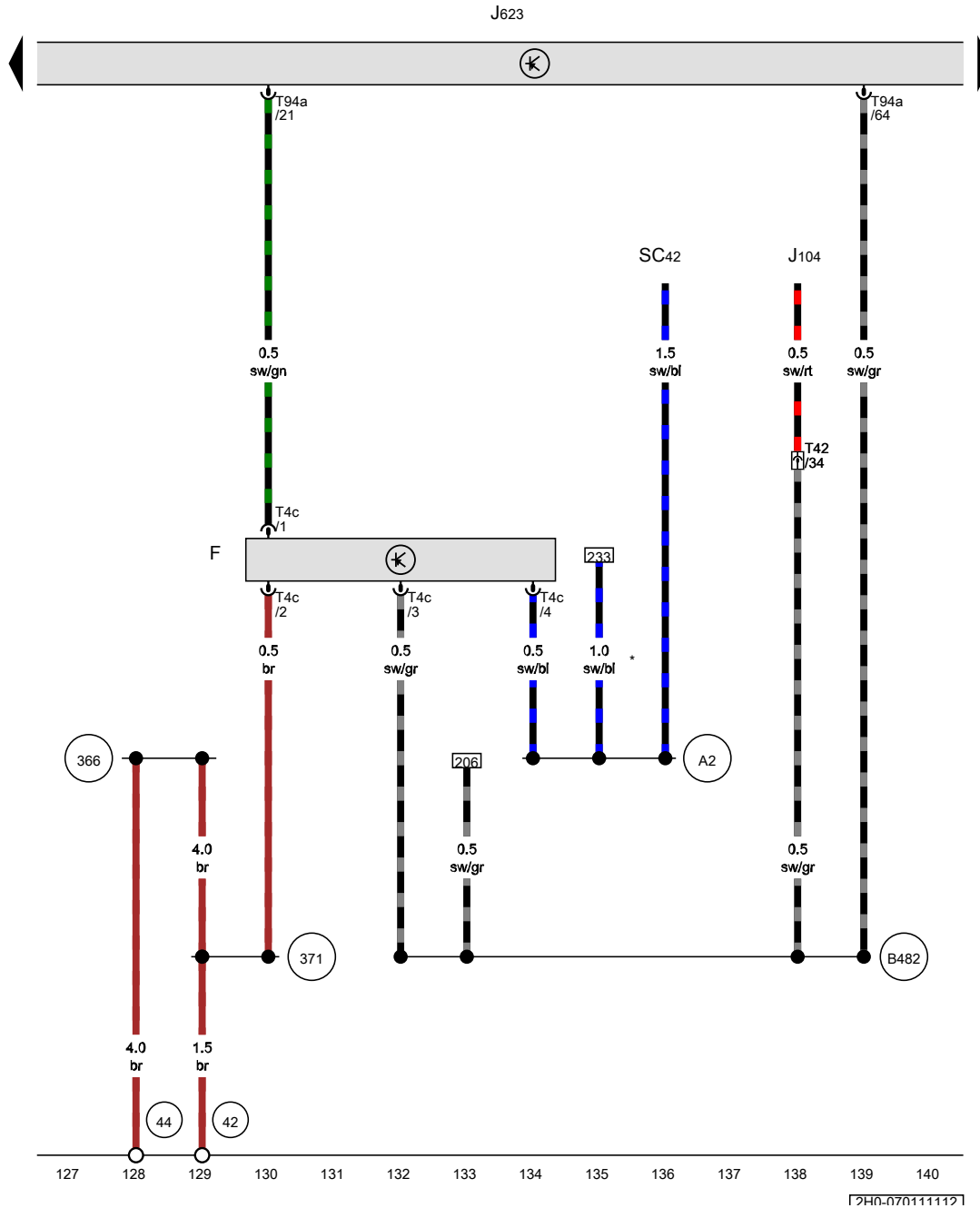
B565 Connection 32, in main wiring harness

B567 Connection 34, in main wiring harness

\* Only models with Euro 5 emission standard

\*2 Only models with Euro 5 plus emission standard (7MJ)

- ws = white
- sw = black
- ro = red
- br = brown
- gn = green
- bl = blue
- gr = grey
- li = purple
- ge = yellow
- or = orange
- rs = pink



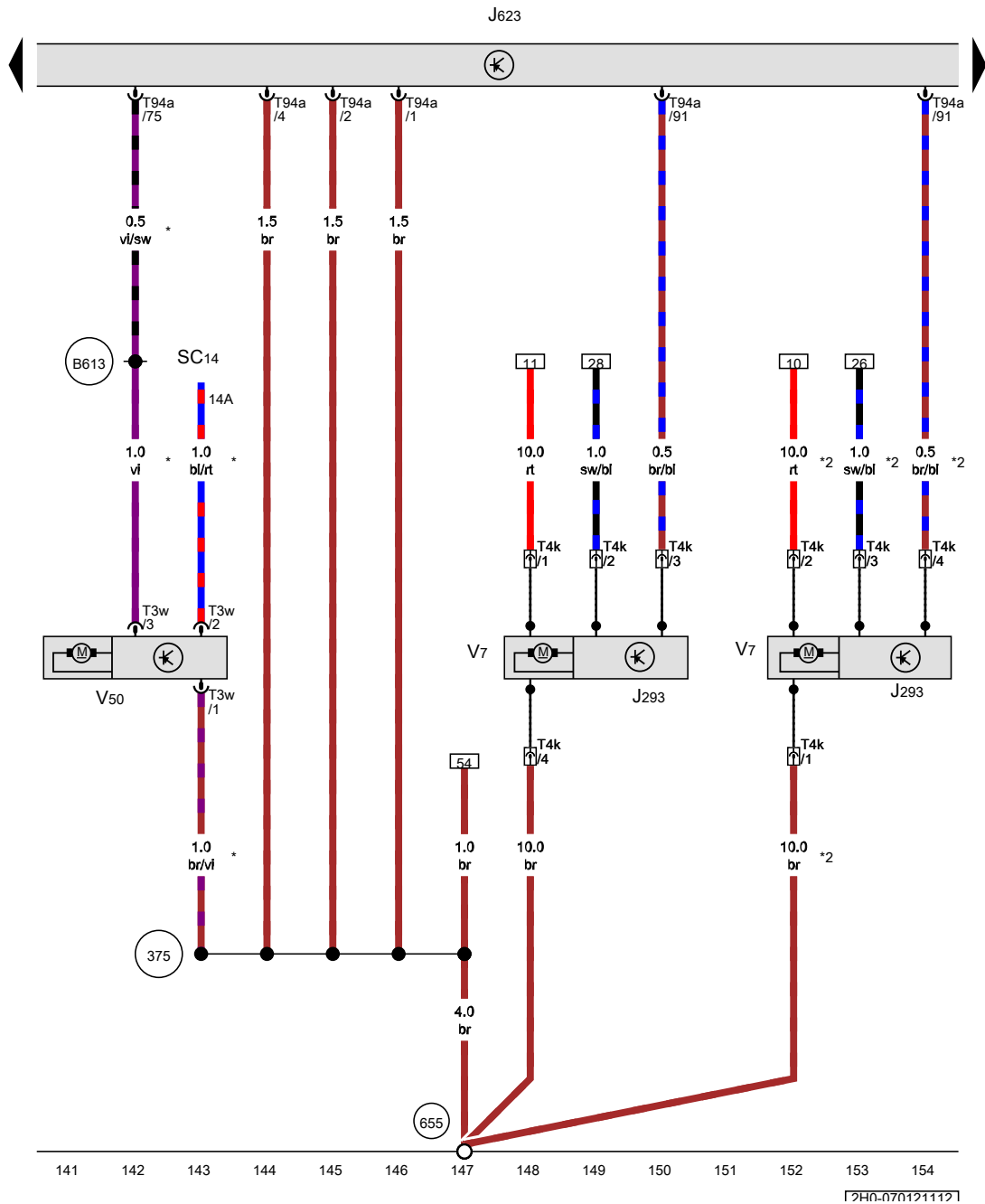
**Brake light switch, Engine control unit**

- F Brake light switch
- J104 ABS control unit
- J623 Engine control unit, near battery
- SC42 Fuse 42 on fuse holder C
- T4c 4-pin connector, black
- T42 42-pin connector, near handbrake lever, black
- T94a 94-pin connector, black

- (42) Earth point, next to steering column
- (44) Earth point, lower part of left A-pillar
- (366) Earth connection 1, in main wiring harness
- (371) Earth connection 6, in main wiring harness
- (A2) Positive connection (15), in dash panel wiring harness
- (B482) Connection 18, in main wiring harness
- \* Only models with Euro 5 emission standard

- ws = white
- sw = black
- ro = red
- br = brown
- gn = green
- bl = blue
- gr = grey
- li = purple
- ge = yellow
- or = orange
- rs = pink

[PH0-070111112]

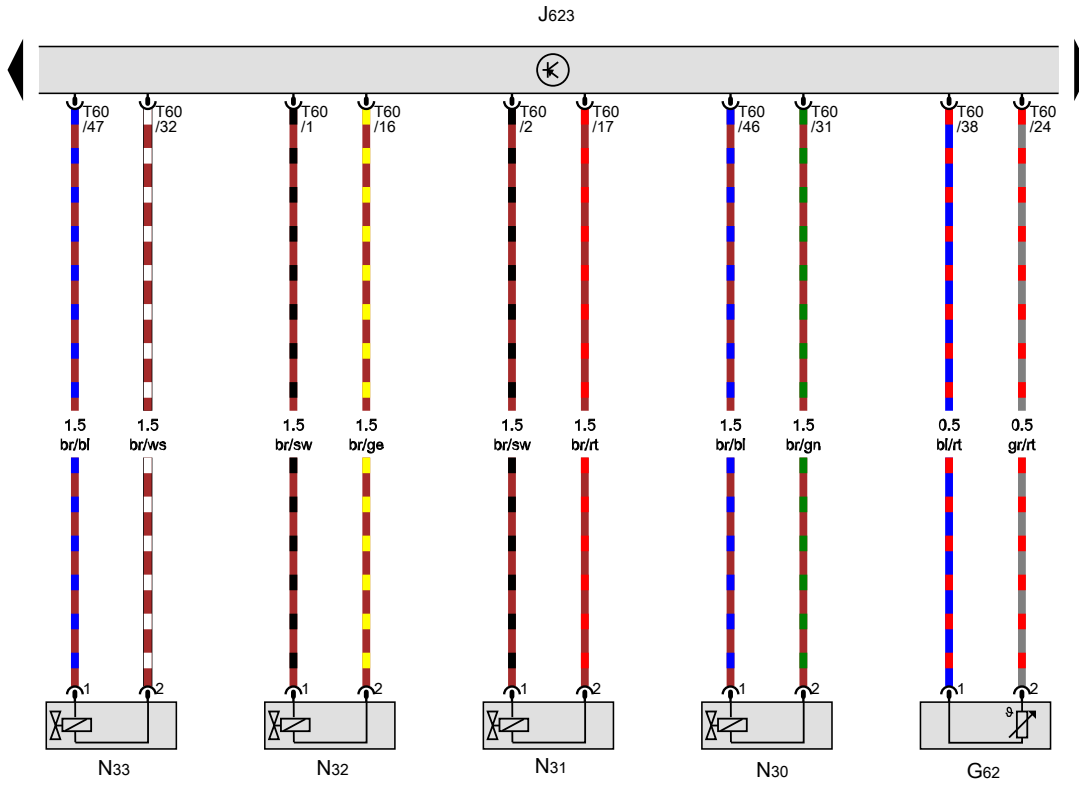


**Radiator fan control unit, Engine control unit, Fuse 14 on fuse holder C, Radiator fan, Coolant circulation pump**

- J293 Radiator fan control unit
- J623 Engine control unit, near battery
- SC14 Fuse 14 on fuse holder C
- T3w 3-pin connector
- T4k 4-pin connector, on radiator cowling, black
- T94a 94-pin connector, black
- V7 Radiator fan
- V50 Coolant circulation pump
- 375 Earth connection 10, in main wiring harness
- 655 Earth point, on left headlight
- B613 Connection 41, in main wiring harness
- \* Only models with Euro 5 plus emission standard (7MJ)
- \*2 Only for countries with hot climate

- ws = white
- sw = black
- ro = red
- br = brown
- gn = green
- bl = blue
- gr = grey
- li = purple
- ge = yellow
- or = orange
- rs = pink

17H0-0701211121



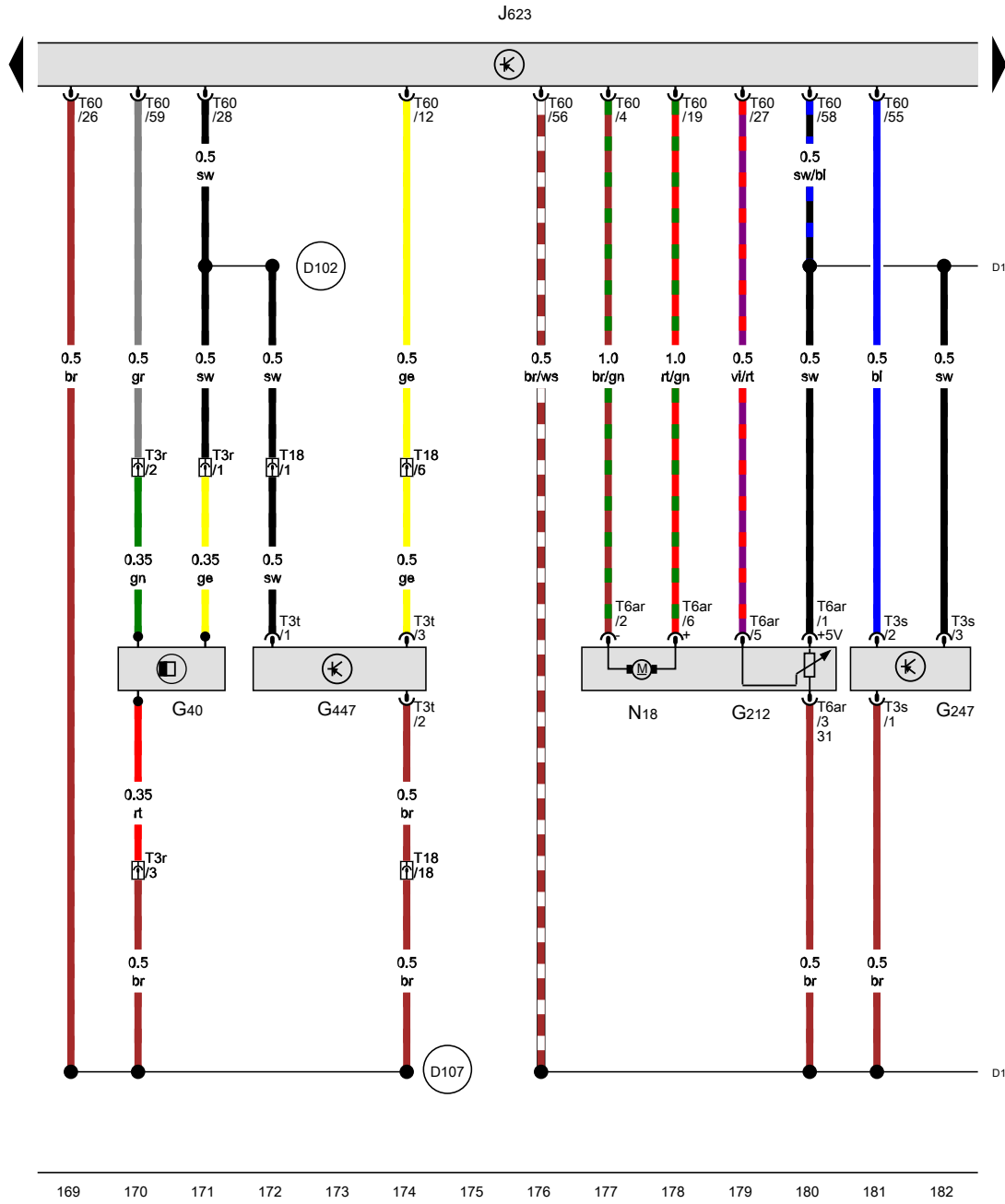
Coolant temperature sender, Engine control unit, Injector, cylinder 1, Injector, cylinder 2, Injector, cylinder 3, Injector, cylinder 4

- G62 Coolant temperature sender
- J623 Engine control unit, near battery
- N30 Injector, cylinder 1
- N31 Injector, cylinder 2
- N32 Injector, cylinder 3
- N33 Injector, cylinder 4
- T60 60-pin connector, black

- ws = white
- sw = black
- ro = red
- br = brown
- gn = green
- bl = blue
- gr = grey
- li = purple
- ge = yellow
- or = orange
- rs = pink

155 156 157 158 159 160 161 162 163 164 165 166 167 168

[240-070131112]



Hall sender, Exhaust gas recirculation potentiometer, Fuel pressure sender, Charge pressure sender 2, Engine control unit, Exhaust gas recirculation valve

- G40 Hall sender
- G212 Exhaust gas recirculation potentiometer
- G247 Fuel pressure sender
- G447 Charge pressure sender 2, on turbocharger air recirculation valve
- J623 Engine control unit, near battery
- N18 Exhaust gas recirculation valve
- T3r 3-pin connector, on front of engine, black
- T3s 3-pin connector, black
- T3t 3-pin connector
- T6ar 6-pin connector, black
- T18 18-pin connector, near engine control unit, black
- T60 60-pin connector, black

D101 Connection 1 in engine compartment wiring harness

D102 Connection 2 in engine compartment wiring harness

D103 Connection 3 in engine compartment wiring harness

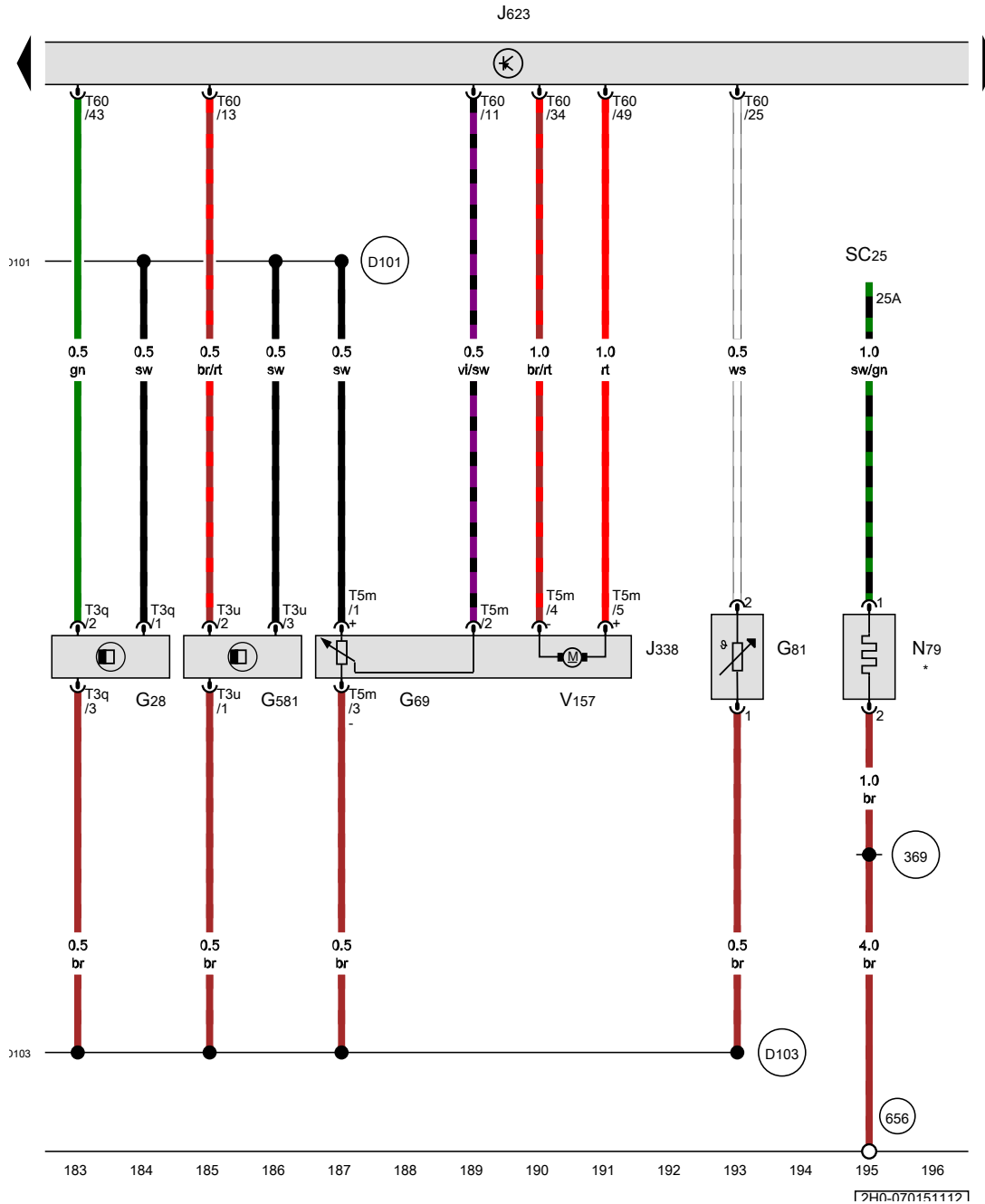
D107 Connection 5 in engine compartment wiring harness

- ws = white
- sw = black
- ro = red
- br = brown
- gn = green
- bl = blue
- gr = grey
- li = purple
- ge = yellow
- or = orange
- rs = pink

169 170 171 172 173 174 175 176 177 178 179 180 181 182

[PH0-070141117]





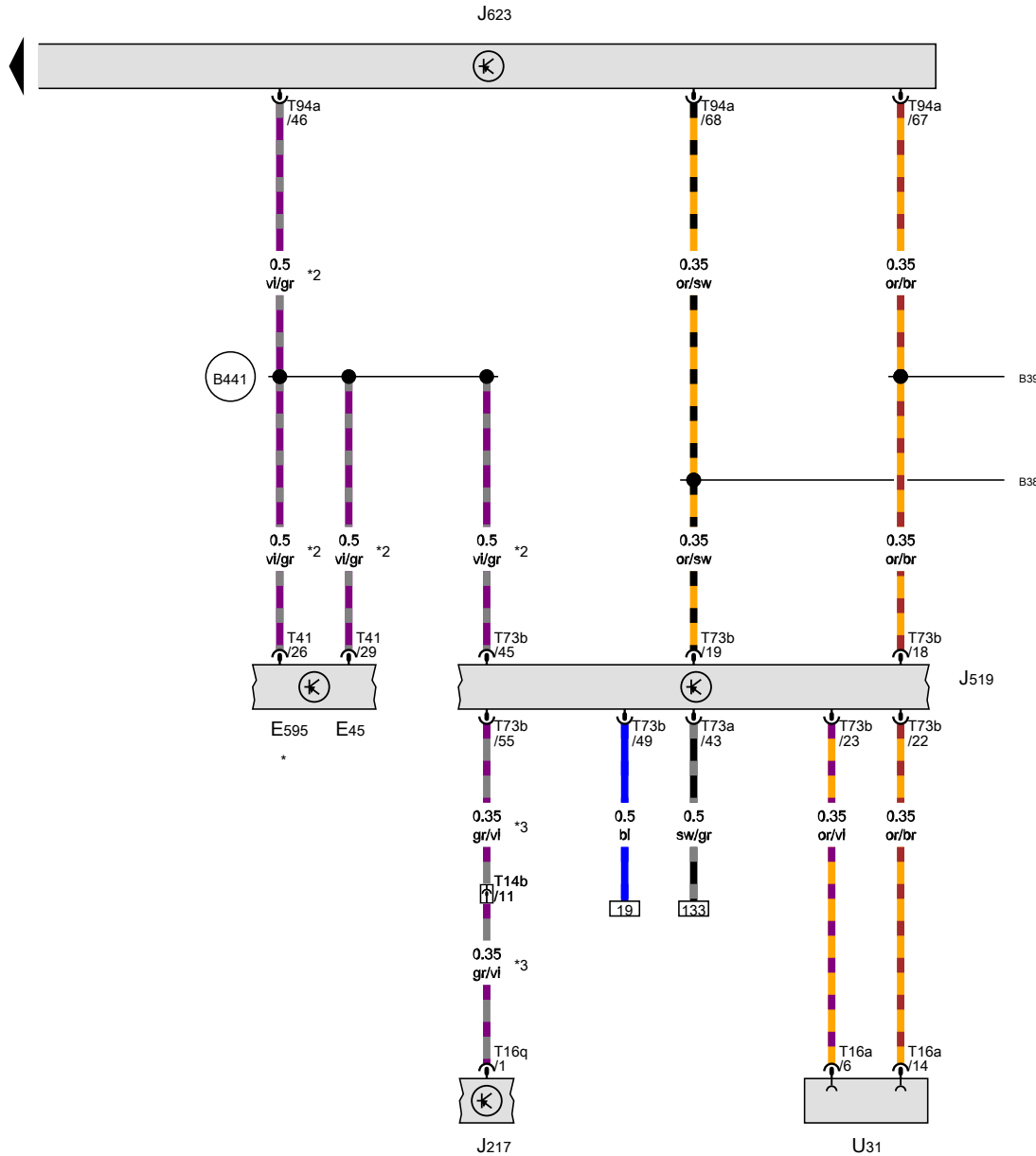
Engine speed sender, Throttle valve potentiometer, Fuel temperature sender, Position sender for charge pressure positioner, Throttle valve module, Engine control unit, Heater element for crankcase breather, Fuse 25 on fuse holder C, Intake manifold flap motor

- G28 Engine speed sender
- G69 Throttle valve potentiometer
- G81 Fuel temperature sender
- G581 Position sender for charge pressure positioner
- J338 Throttle valve module
- J623 Engine control unit, near battery
- N79 Heater element for crankcase breather
- SC25 Fuse 25 on fuse holder C
- T3q 3-pin connector, black
- T3u 3-pin connector, black
- T5m 5-pin connector
- T60 60-pin connector, black
- V157 Intake manifold flap motor
- 369 Earth connection 4, in main wiring harness
- 656 Earth point, on right headlight
- D101 Connection 1 in engine compartment wiring harness
- D103 Connection 3 in engine compartment wiring harness
- \* Only models with crankcase breather heater element

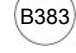


- ws = white
- sw = black
- ro = red
- br = brown
- gn = green
- bl = blue
- gr = grey
- li = purple
- ge = yellow
- or = orange
- rs = pink

740-070151117

Cruise control system switch, Automatic gearbox control unit, Onboard supply control unit, Engine control unit

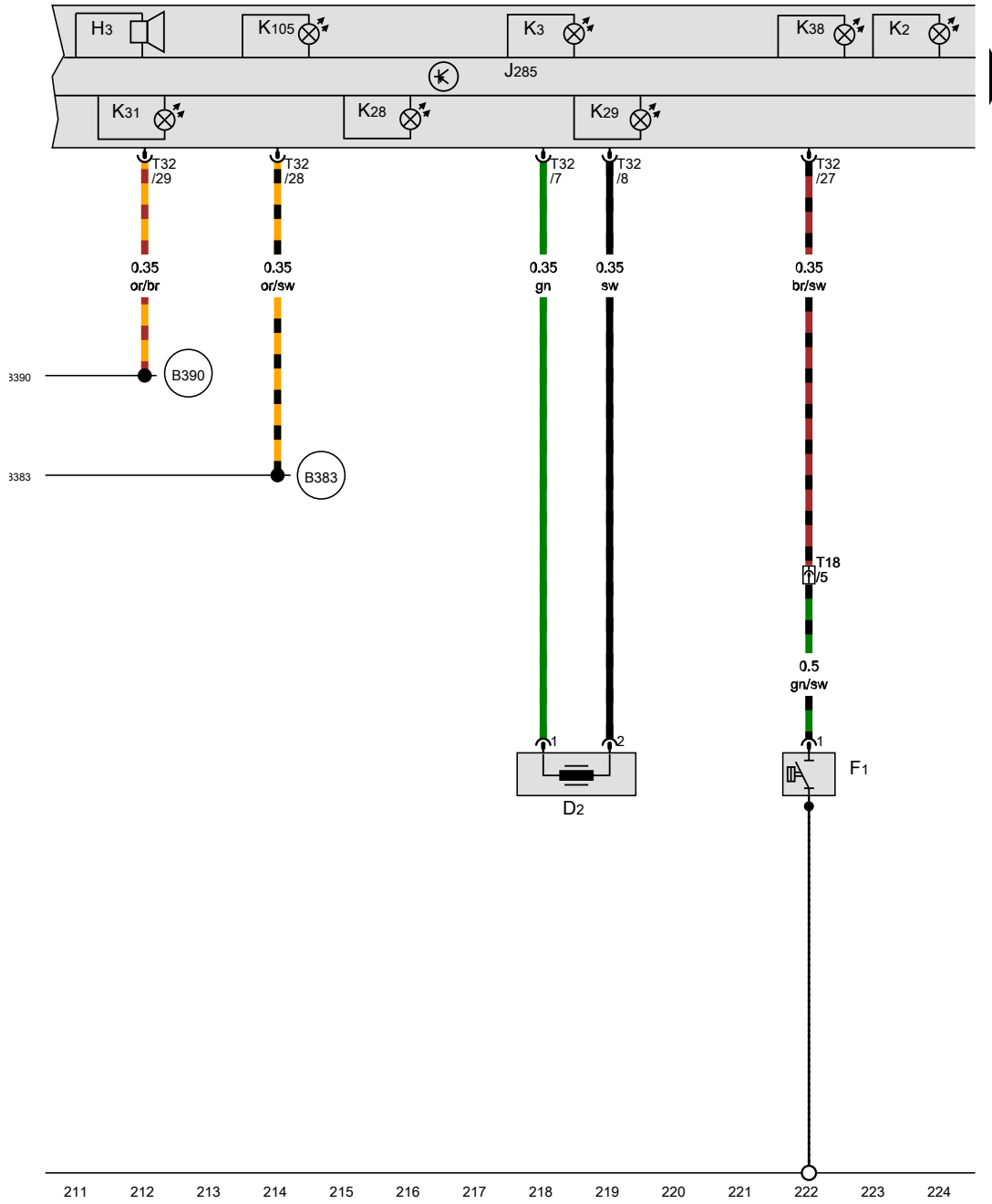


- E45 Cruise control system switch
- E595 Steering column combination switch
- J217 Automatic gearbox control unit
- J519 Onboard supply control unit
- J623 Engine control unit, near battery
- T14b 14-pin connector, near battery, black
- T16a 16-pin connector
- T16q 16-pin connector
- T41 41-pin connector, grey
- T73a 73-pin connector, black
- T73b 73-pin connector, colourless
- T94a 94-pin connector, black
- U31 Diagnostic connection

-  B383 Connection 1 (powertrain CAN bus, high), in main wiring harness
-  B390 Connection 1 (powertrain CAN bus, low), in main wiring harness
-  B441 Connection (CCS), in main wiring harness

- \* see applicable current flow diagram for basic equipment
- \*2 Only models with cruise control system (CCS)
- \*3 see applicable current flow diagram for automatic gearbox

- ws = white
- sw = black
- ro = red
- br = brown
- gn = green
- bl = blue
- gr = grey
- li = purple
- ge = yellow
- or = orange
- rs = pink



Dash panel insert

- D2 Immobiliser reader coil
- F1 Oil pressure switch
- H3 Buzzer and gong
- J285 Control unit in dash panel insert
- K Dash panel insert
- K2 Alternator warning lamp
- K3 Oil pressure warning lamp
- K28 Coolant temperature and coolant shortage warning lamp
- K29 Glow period warning lamp
- K31 Cruise control system warning lamp
- K38 Oil level warning lamp
- K105 Reserve fuel warning lamp
- T18 18-pin connector, near engine control unit, black
- T32 32-pin connector, blue

- B383 Connection 1 (powertrain CAN bus, high), in main wiring harness
- B390 Connection 1 (powertrain CAN bus, low), in main wiring harness

- ws = white
- sw = black
- ro = red
- br = brown
- gn = green
- bl = blue
- gr = grey
- li = purple
- ge = yellow
- or = orange
- rs = pink

211 212 213 214 215 216 217 218 219 220 221 222 223 224

17H0-070171117


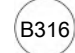



## Multifunction steering wheel

From June 2012

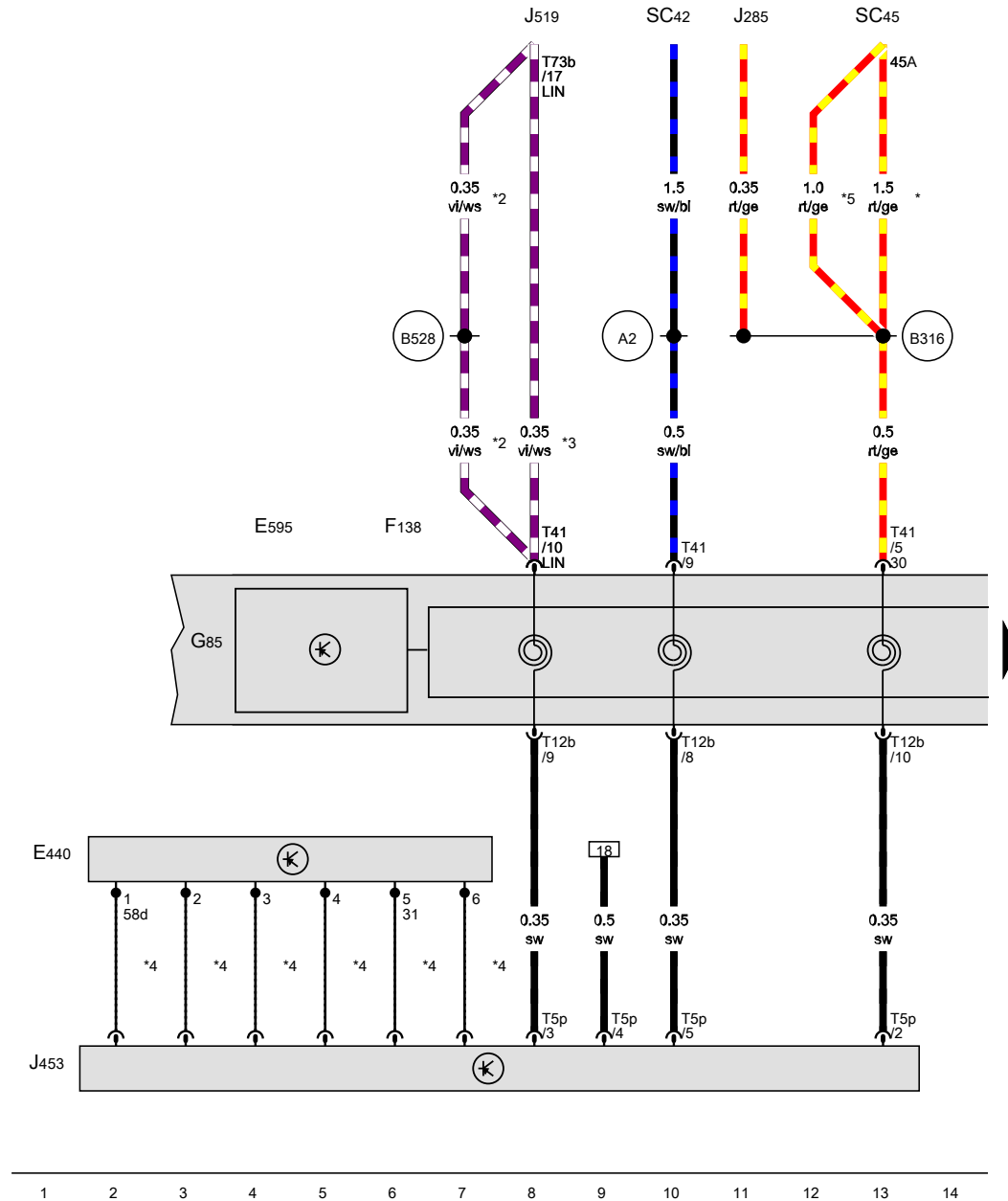
**Steering column combination switch, Multifunction steering wheel control unit, Fuse 42 on fuse holder C, Fuse 45 on fuse holder C**

- E440 Multifunction buttons on left in steering wheel
- E595 Steering column combination switch
- F138 Airbag coil connector and return ring with slip ring
- G85 Steering angle sender
- J285 Control unit in dash panel insert
- J453 Multifunction steering wheel control unit, in steering wheel
- J519 Onboard supply control unit
- SC42 Fuse 42 on fuse holder C
- SC45 Fuse 45 on fuse holder C
- T5p 5-pin connector, black
- T12b 12-pin connector, yellow
- T41 41-pin connector, grey
- T73b 73-pin connector, colourless

-  A2 Positive connection (15), in dash panel wiring harness
-  B316 Positive connection 2 (30a) in main wiring harness
-  B528 Connection 1 (LIN bus) in main wiring harness

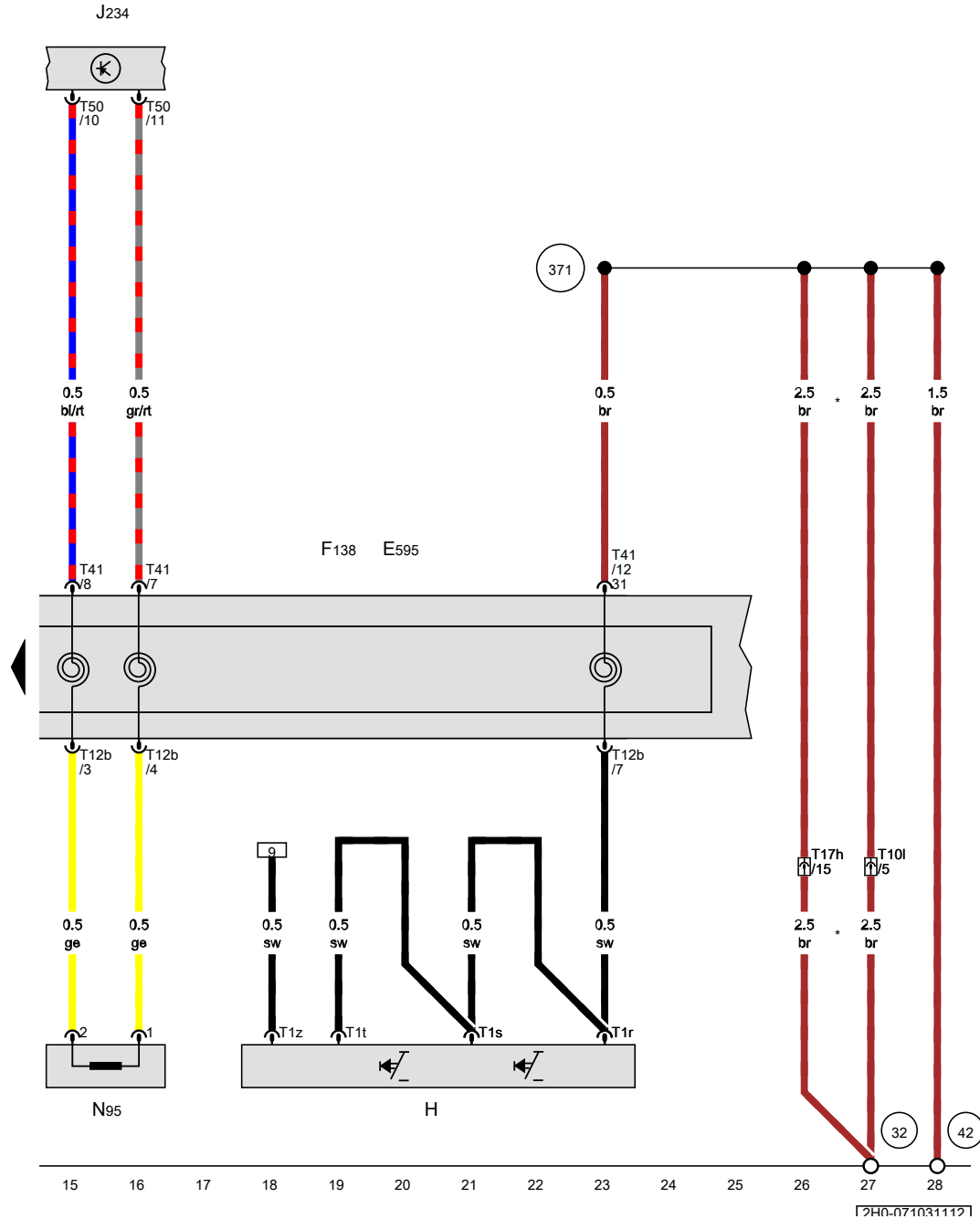
- \* Up to January 2013
- \*2 Only models with electric window regulators
- \*3 Only vehicles without electric window regulators
- \*4 Flat conductor
- \*5 From February 2013

- ws = white
- sw = black
- ro = red
- br = brown
- gn = green
- bl = blue
- gr = grey
- li = purple
- ge = yellow
- or = orange
- rs = pink



ГЭН-0710211121

Steering column combination switch, Airbag control unit



- E595 Steering column combination switch
- F138 Airbag coil connector and return ring with slip ring
- H Horn plate, in steering wheel
- J234 Airbag control unit
- N95 Driver side airbag igniter, in steering wheel
- T1r Single connector, black
- T1s Single connector, black
- T1t Single connector, black
- T1z Single connector, black
- T10l 10-pin connector, on left under dash panel, blue
- T12b 12-pin connector, yellow
- T17h 17-pin connector, on left under dash panel, blue
- T41 41-pin connector, grey
- T50 50-pin connector, light green

- 32 Earth point, on left behind dash panel
- 42 Earth point, next to steering column
- 371 Earth connection 6, in main wiring harness
- \* From February 2013

- ws = white
- sw = black
- ro = red
- br = brown
- gn = green
- bl = blue
- gr = grey
- li = purple
- ge = yellow
- or = orange
- rs = pink

ГР40-0710311121

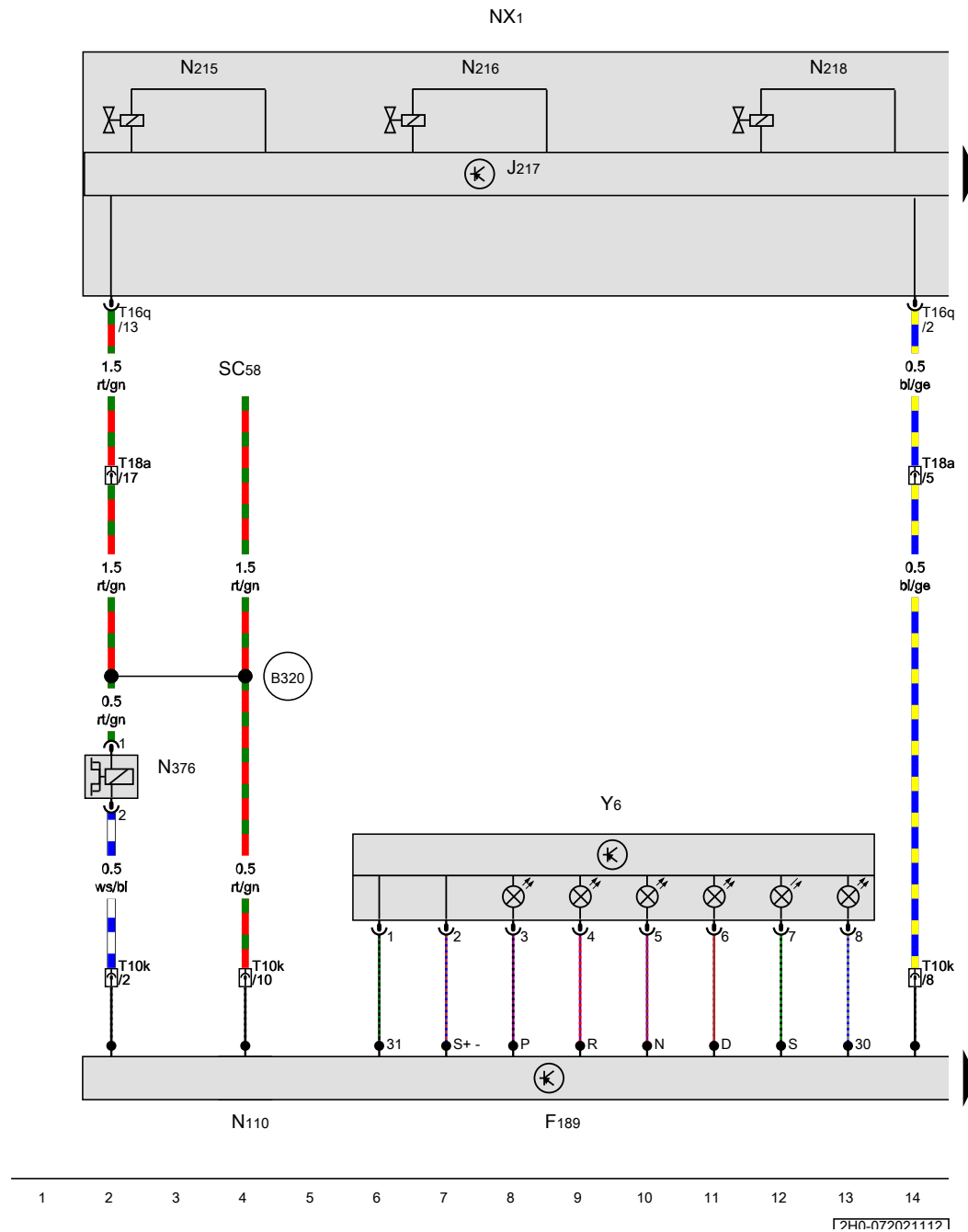
**8-speed automatic gearbox with Tiptronic , (G1G)**

From June 2012



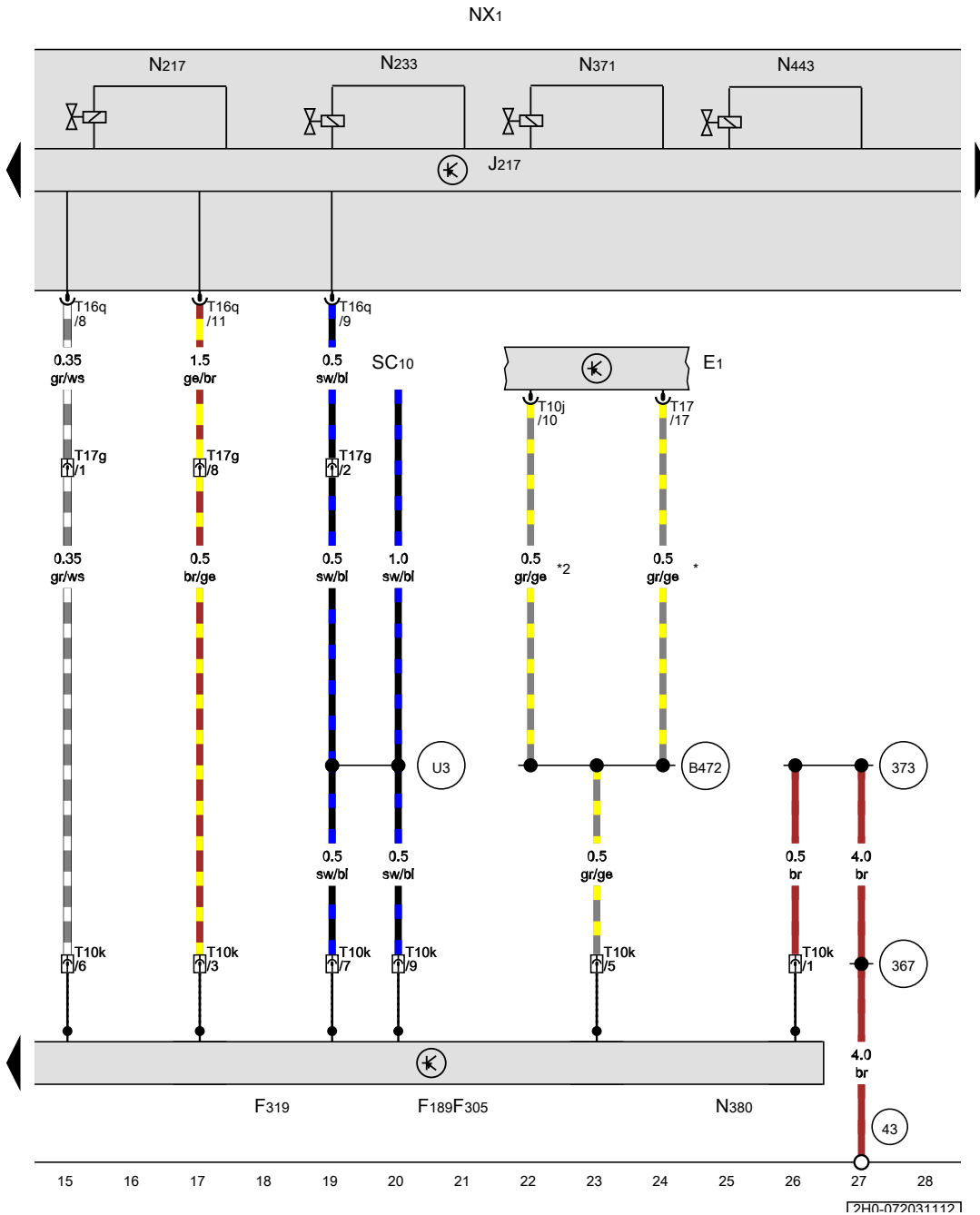
**Tiptronic switch, Gearbox, Ignition key withdrawal lock solenoid, Fuse 58 on fuse holder C, Selector lever position display**

- F189 Tiptronic switch
  - J217 Automatic gearbox control unit, in gearbox
  - NX1 Gearbox
  - N110 Selector lever lock solenoid
  - N215 Automatic gearbox pressure regulating valve 1
  - N216 Automatic gearbox pressure regulating valve 2
  - N218 Automatic gearbox pressure regulating valve 4
  - N376 Ignition key withdrawal lock solenoid
  - SC58 Fuse 58 on fuse holder C
  - T10k 10-pin connector, in centre console, near handbrake lever, black
  - T16q 16-pin connector, black
  - T18a 18-pin connector, near battery, grey
  - Y6 Selector lever position display
- B320 Positive connection 6 (30a) in main wiring harness



- ws = white
- sw = black
- ro = red
- br = brown
- gn = green
- bl = blue
- gr = grey
- li = purple
- ge = yellow
- or = orange
- rs = pink

Light switch, Tiptronic switch, Gearbox

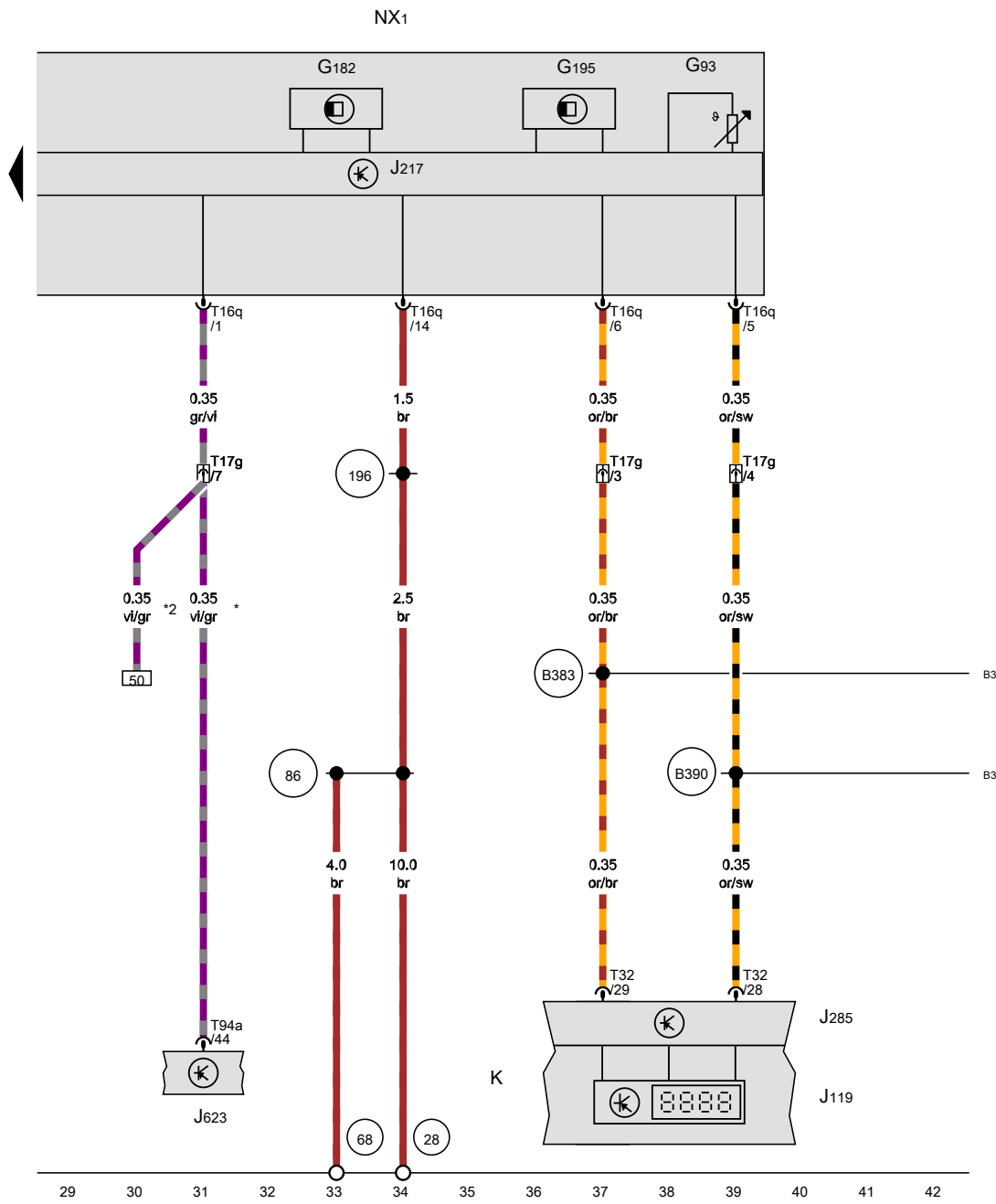


- E1 Light switch
- F189 Tiptronic switch
- F305 Gear selector position P switch
- F319 Selector lever locked in position P switch
- J217 Automatic gearbox control unit, in gearbox
- NX1 Gearbox
- N217 Automatic gearbox pressure regulating valve 3
- N233 Automatic gearbox pressure regulating valve 5
- N371 Automatic gearbox pressure regulating valve 6
- N380 Selector lever position P solenoid
- N443 Automatic gearbox pressure regulating valve 7
- SC10 Fuse 10 on fuse holder C
- T10j 10-pin connector
- T10k 10-pin connector, in centre console, near handbrake lever, black
- T16q 16-pin connector
- T17 17-pin connector
- T17g 17-pin connector, near handbrake lever, black

- 43 Earth point, lower part of right A-pillar
- 367 Earth connection 2, in main wiring harness
- 373 Earth connection 8, in main wiring harness
- B472 Connection 8, in main wiring harness
- U3 Connection 1, in automatic gearbox wiring harness
- \* Only models with no start/stop system
- \*2 Only models with start/stop system

- ws = white
- sw = black
- ro = red
- br = brown
- gn = green
- bl = blue
- gr = grey
- li = purple
- ge = yellow
- or = orange
- rs = pink

ГЭН-0720311121



**Dash panel insert, Gearbox**

- G93 Gearbox oil temperature sender
- G182 Gearbox input speed sender
- G195 Gearbox output speed sender
- J119 Multifunction indicator
- J217 Automatic gearbox control unit, in gearbox
- J285 Control unit in dash panel insert
- J623 Engine control unit
- K Dash panel insert
- NX1 Gearbox
- T16q 16-pin connector
- T17g 17-pin connector, near handbrake lever, black
- T32 32-pin connector, blue
- T94a 94-pin connector, black

- (28) Earth point, on bulkhead
- (68) Earth point, on left of rear cross member
- (86) Earth connection 1, in rear wiring harness
- (196) Earth connection 3, in rear wiring harness
- (B383) Connection 1 (powertrain CAN bus, high), in main wiring harness
- (B390) Connection 1 (powertrain CAN bus, low), in main wiring harness
- \* Only models with start/stop system
- \*2 Only models with no start/stop system

- ws = white
- sw = black
- ro = red
- br = brown
- gn = green
- bl = blue
- gr = grey
- li = purple
- ge = yellow
- or = orange
- rs = pink

[PH0-072041117]

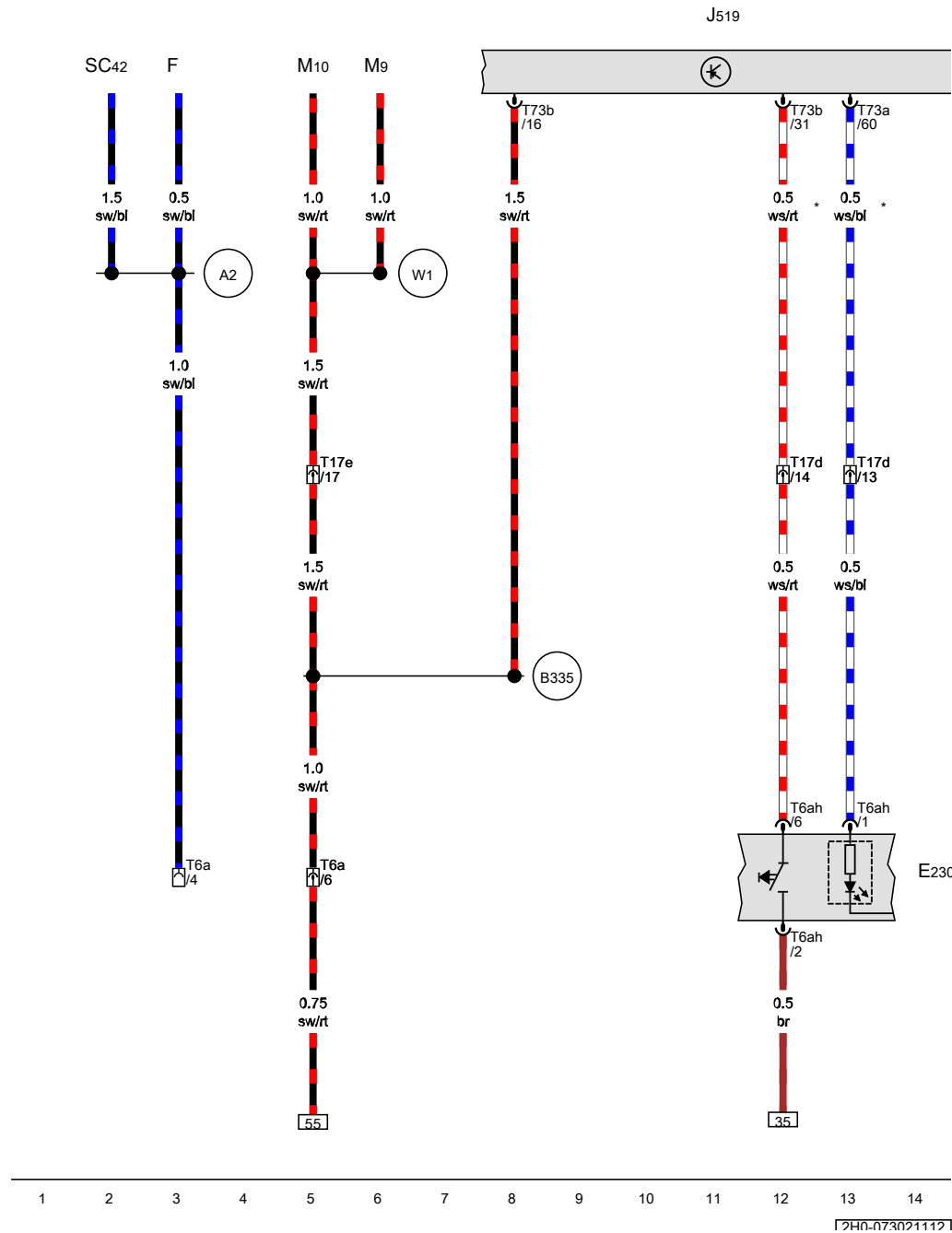


## Hardtop

From June 2012

Heated rear window button, Brake light switch, Onboard supply control unit, Fuse 42 on fuse holder C

- E230 Heated rear window button
  - F Brake light switch
  - J519 Onboard supply control unit
  - M9 Left brake light bulb
  - M10 Right brake light bulb
  - SC42 Fuse 42 on fuse holder C
  - T6a 6-pin connector, on rear roof module, black
  - T6ah 6-pin connector
  - T17d 17-pin connector, on left under dash panel
  - T17e 17-pin connector, near handbrake lever, red
  - T73a 73-pin connector, black
  - T73b 73-pin connector, colourless
- A2 Positive connection (15), in dash panel wiring harness  
B335 Connection 1 (54), in main wiring harness  
W1 Positive connection 1 (54), in rear wiring harness  
 \* see applicable current flow diagram for basic equipment

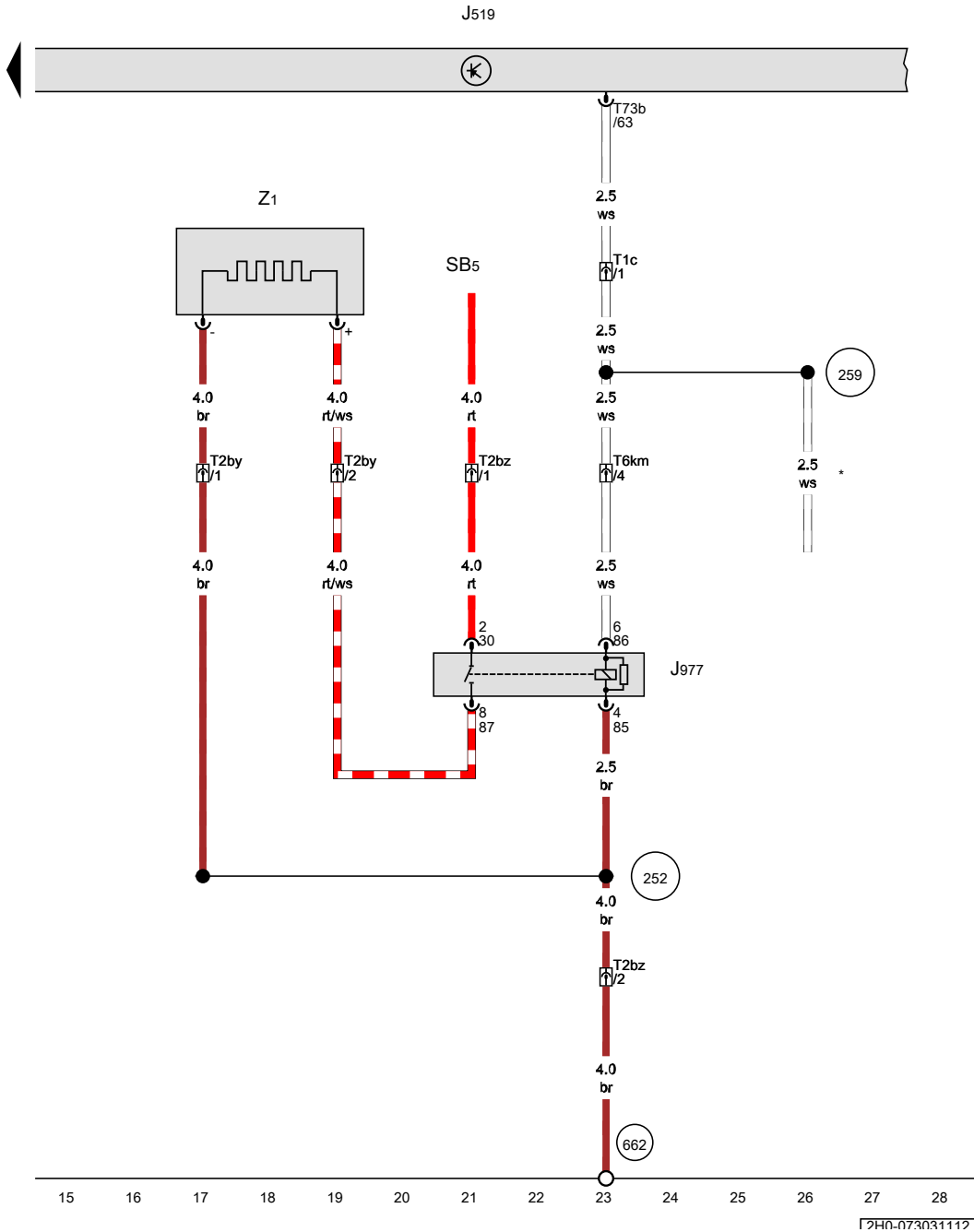


ГЭН-0730211121

**Onboard supply control unit, Terminal 30 relay, Fuse 5 on fuse holder B, Heated rear window**

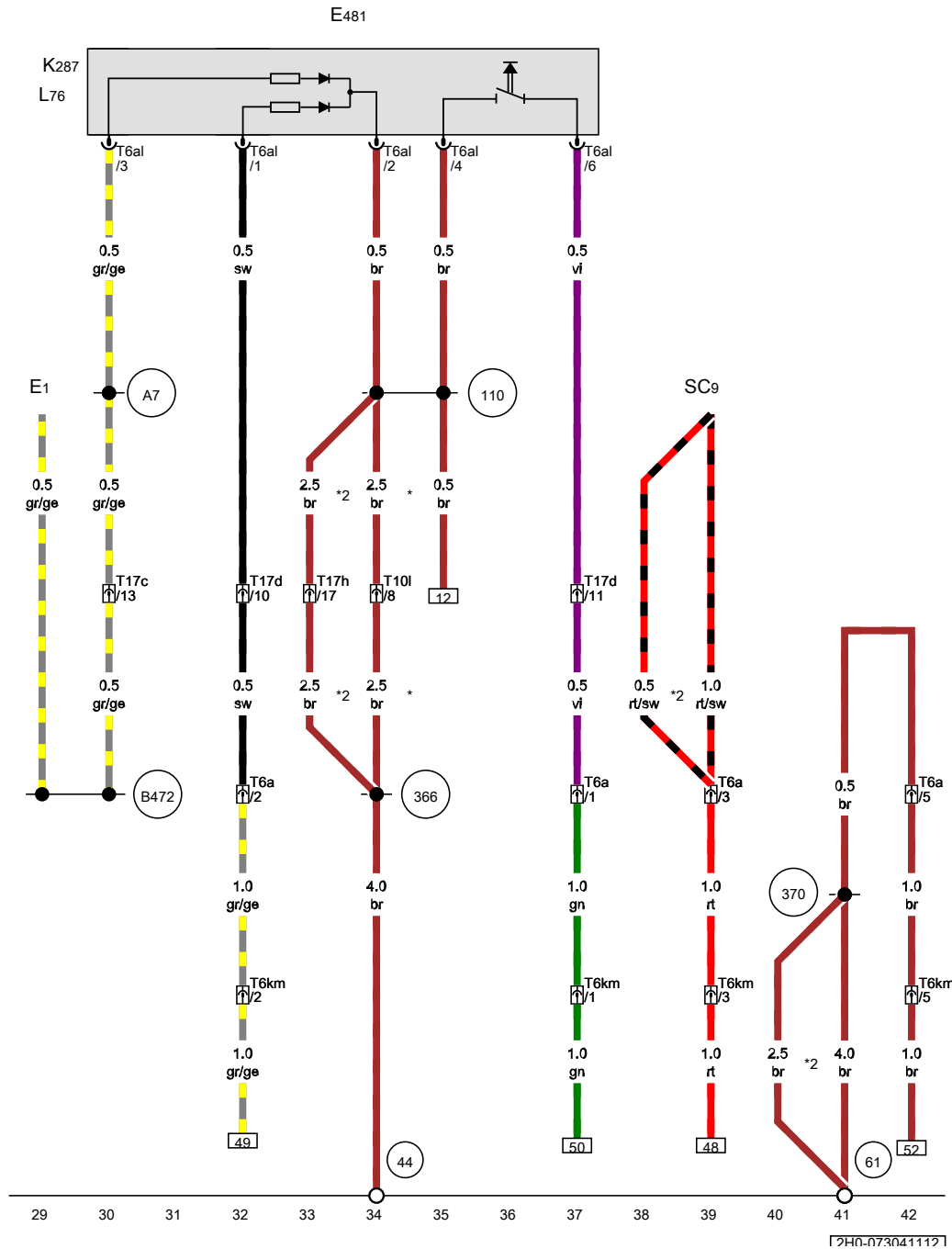
- J519 Onboard supply control unit
- J977 Terminal 30 relay, near rear lid, behind moulded headliner
- SB5 Fuse 5 on fuse holder B
- T1c Single connector, near left C-pillar
- T2by 2-pin connector, Coupling point for rear lid, black
- T2bz 2-pin connector, in rear left side panel, black
- T6km 6-pin connector, near rear lid, behind moulded headliner, black
- T73b 73-pin connector, colourless
- Z1 Heated rear window

- 252 Earth connection, in optional equipment wiring harness
- 259 Earth connection 2, in optional equipment wiring harness
- 662 Earth point, rear left side panel
- \* Wiring open end



- ws = white
- sw = black
- ro = red
- br = brown
- gn = green
- bl = blue
- gr = grey
- li = purple
- ge = yellow
- or = orange
- rs = pink

Load area illumination switch, Fuse 9 on fuse holder C



- E1 Light switch
- E481 Load area illumination switch, near radio
- K287 Function monitor warning lamp
- L76 Button illumination bulb
- SC9 Fuse 9 on fuse holder C
- T6a 6-pin connector, on rear roof module, black
- T6al 6-pin connector, blue
- T6km 6-pin connector, near rear lid, behind moulded headliner, black
- T10l 10-pin connector, on left under dash panel, blue
- T17c 17-pin connector, on left under dash panel
- T17d 17-pin connector, on left under dash panel
- T17h 17-pin connector, on left under dash panel, blue

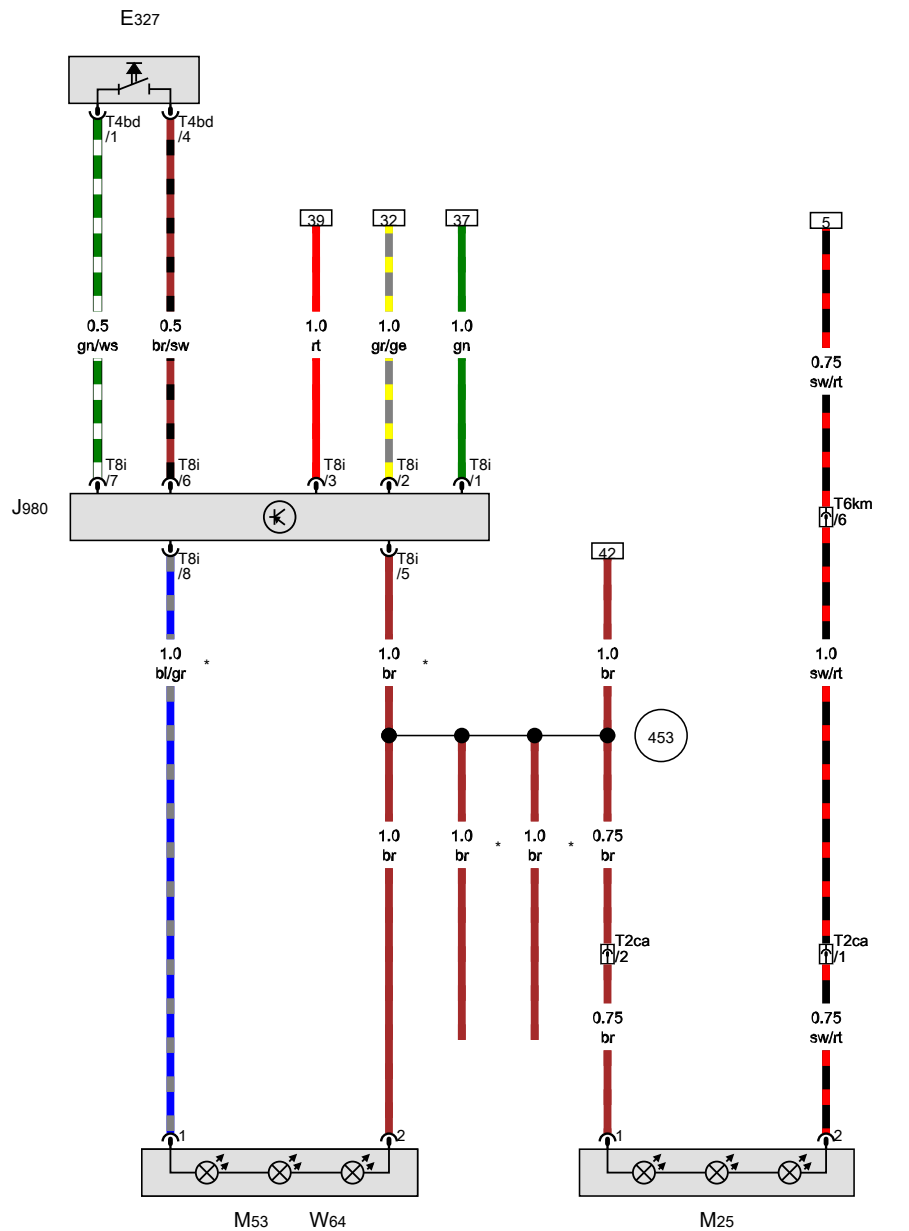
- 44 Earth point, lower part of left A-pillar
- 61 Earth point, left C-pillar
- 110 Earth connection 2, in dash panel wiring harness
- 366 Earth connection 1, in main wiring harness
- 370 Earth connection 5, in main wiring harness
- A7 Positive connection (58 D1), in dash panel wiring harness
- B472 Connection 8, in main wiring harness

\* Up to January 2013  
 \*2 From February 2013

- ws = white
- sw = black
- ro = red
- br = brown
- gn = green
- bl = blue
- gr = grey
- li = purple
- ge = yellow
- or = orange
- rs = pink

17H0-0730411171





**Rear interior light button, Control unit for special installations, Additional brake light bulb, Load area illumination bulb**

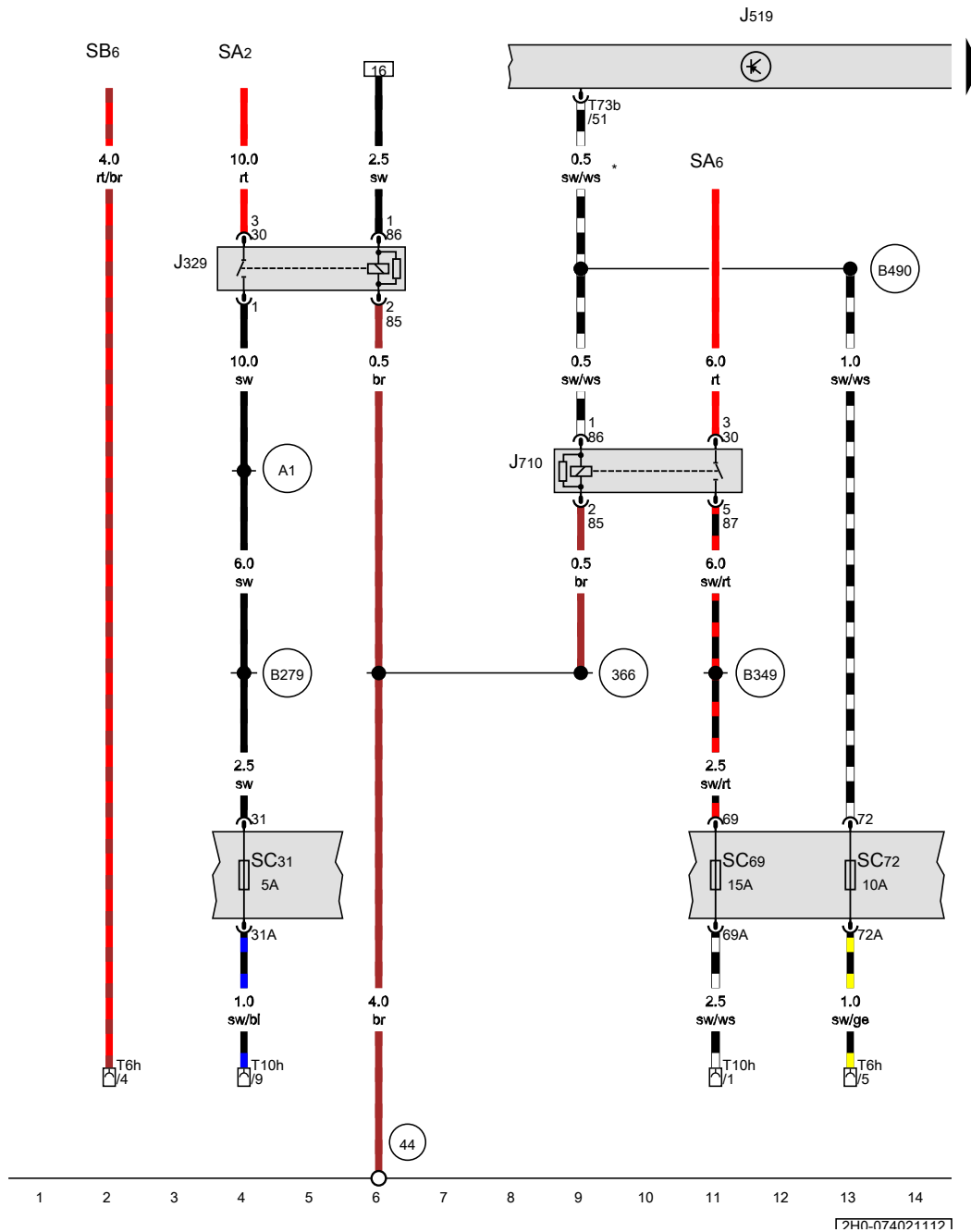
- E327 Rear interior light button, in left D-pillar
- J980 Control unit for special installations, near rear lid, behind moulded headliner
- M25 Additional brake light bulb
- M53 Load area illumination bulb
- T2ca 2-pin connector, Coupling point for rear lid, black
- T4bd 4-pin connector, black
- T6km 6-pin connector, near rear lid, behind moulded headliner, black
- T8i 8-pin connector
- W64 Interior light
- 453 Earth connection 3, in optional equipment wiring harness

\* Wiring open end

- ws = white
- sw = black
- ro = red
- br = brown
- gn = green
- bl = blue
- gr = grey
- li = purple
- ge = yellow
- or = orange
- rs = pink

**Interface for external use , (UF1)**

From June 2012

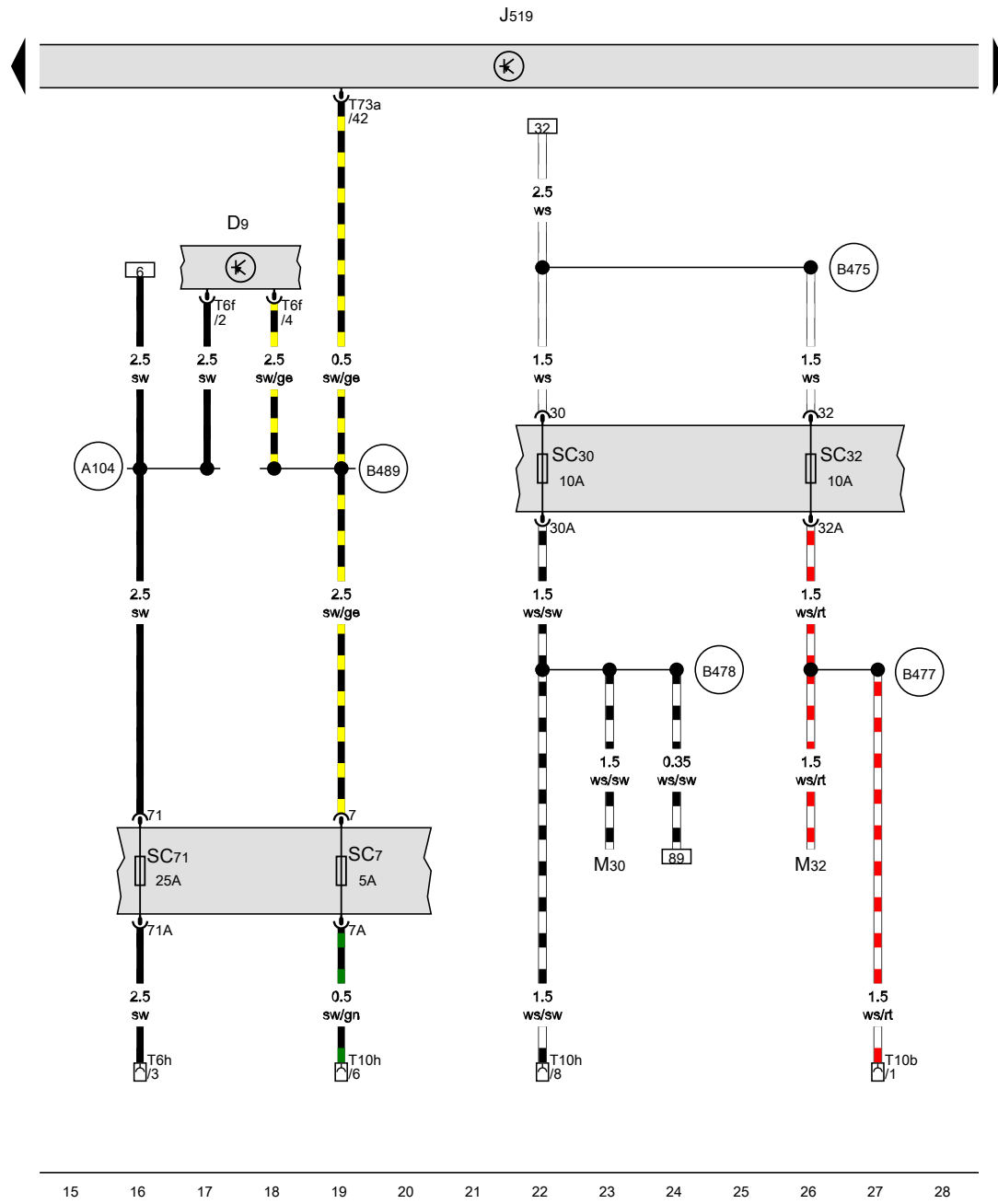


Onboard supply control unit, Voltage supply relay 2, Fuse 2 in fuse holder A, Fuse 31 on fuse holder C, Fuse 69 on fuse holder C, Fuse 72 on fuse holder C

- J329 Terminal 15 voltage supply relay
- J519 Onboard supply control unit
- J710 Voltage supply relay 2, on relay carrier
- SA2 Fuse 2 in fuse holder A
- SB6 Fuse 6 on fuse holder B
- SA6 Fuse 6 in fuse holder A
- SC31 Fuse 31 on fuse holder C
- SC69 Fuse 69 on fuse holder C
- SC72 Fuse 72 on fuse holder C
- T6h 6-pin connector, in front centre console, grey
- T10h 10-pin connector, in left footwell, near centre console, purple
- T73b 73-pin connector, colourless

- (44) Earth point, lower part of left A-pillar
- (366) Earth connection 1, in main wiring harness
- (A1) Positive connection (30a), in dash panel wiring harness
- (B279) Positive connection 3 (15a) in main wiring harness
- (B349) Connection 2 (75a), in main wiring harness
- (B490) Connection 26, in main wiring harness
- \* Only models with no start/stop system

- ws = white
- sw = black
- ro = red
- br = brown
- gn = green
- bl = blue
- gr = grey
- li = purple
- ge = yellow
- or = orange
- rs = pink



Onboard supply control unit, Fuse 7 on fuse holder C, Fuse 30 on fuse holder C, Fuse 32 on fuse holder C, Fuse 71 on fuse holder C

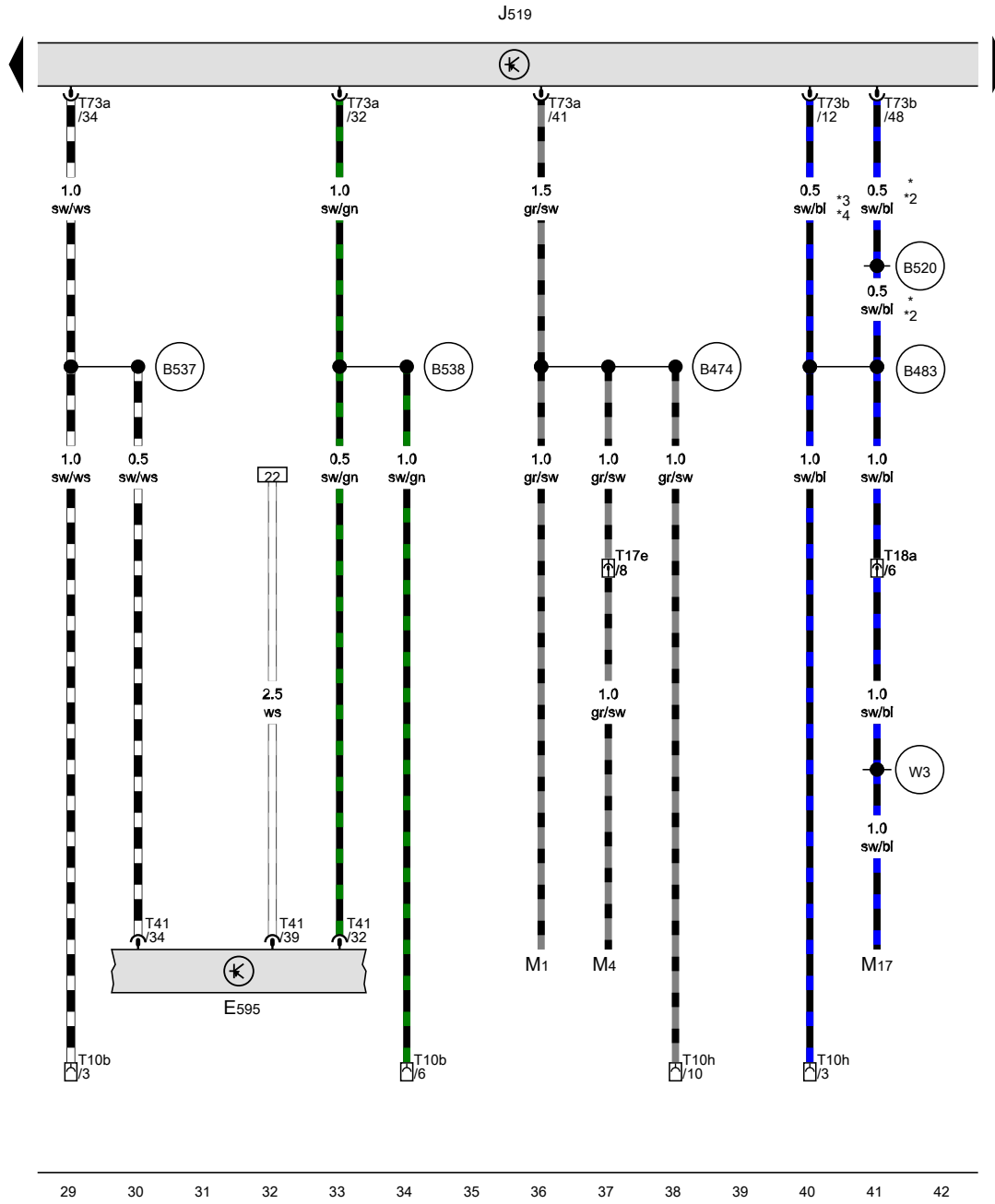
- D9 Electronic ignition lock
- J519 Onboard supply control unit
- M30 Left headlight main beam bulb
- M32 Right headlight main beam bulb
- SC7 Fuse 7 on fuse holder C
- SC30 Fuse 30 on fuse holder C
- SC32 Fuse 32 on fuse holder C
- SC71 Fuse 71 on fuse holder C
- T6f 6-pin connector, black
- T6h 6-pin connector, in front centre console, grey
- T10b 10-pin connector, in left footwell, near centre console, yellow
- T10h 10-pin connector, in left footwell, near centre console, purple
- T73a 73-pin connector, black

- (A104) Positive connection 2 (15), in dash panel wiring harness
- (B475) Connection 11, in main wiring harness
- (B477) Connection 13, in main wiring harness
- (B478) Connection 14, in main wiring harness
- (B489) Connection 25, in main wiring harness

- ws = white
- sw = black
- ro = red
- br = brown
- gn = green
- bl = blue
- gr = grey
- li = purple
- ge = yellow
- or = orange
- rs = pink

15 16 17 18 19 20 21 22 23 24 25 26 27 28

1740-0740311121



**Onboard supply control unit**

- E595 Steering column combination switch
- J519 Onboard supply control unit
- M1 Left side light bulb
- M4 Left tail light bulb
- M17 Right reversing light bulb
- T10b 10-pin connector, in left footwell, near centre console, yellow
- T10h 10-pin connector, in left footwell, near centre console, purple
- T17e 17-pin connector, near handbrake lever, red
- T18a 18-pin connector, near engine control unit, grey
- T41 41-pin connector, grey
- T73a 73-pin connector, black
- T73b 73-pin connector, colourless

**B474** Connection 10, in main wiring harness

**B483** Connection 19, in main wiring harness

**B520** Connection (RL), in main wiring harness

**B537** Connection 28, in main wiring harness

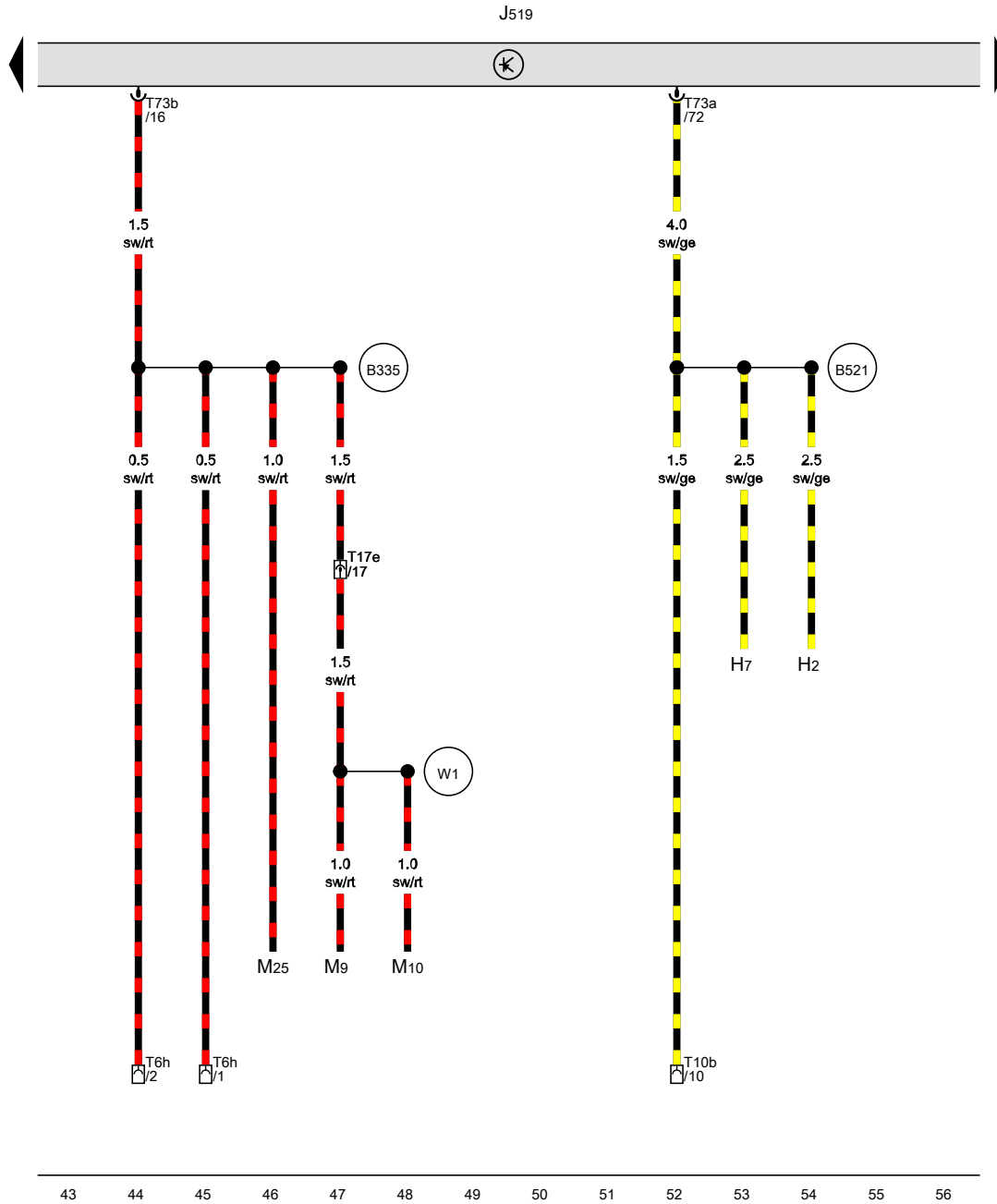
**B538** Connection 29, in main wiring harness

**W3** Connection in rear wiring harness

- \* Only models with manual gearbox
- \*2 Only models with no automatic headlight control with coming home
- \*3 Only models with automatic driving lights control
- \*4 Only models with automatic gearbox

- ws = white
- sw = black
- ro = red
- br = brown
- gn = green
- bl = blue
- gr = grey
- li = purple
- ge = yellow
- or = orange
- rs = pink

12012



Onboard supply control unit

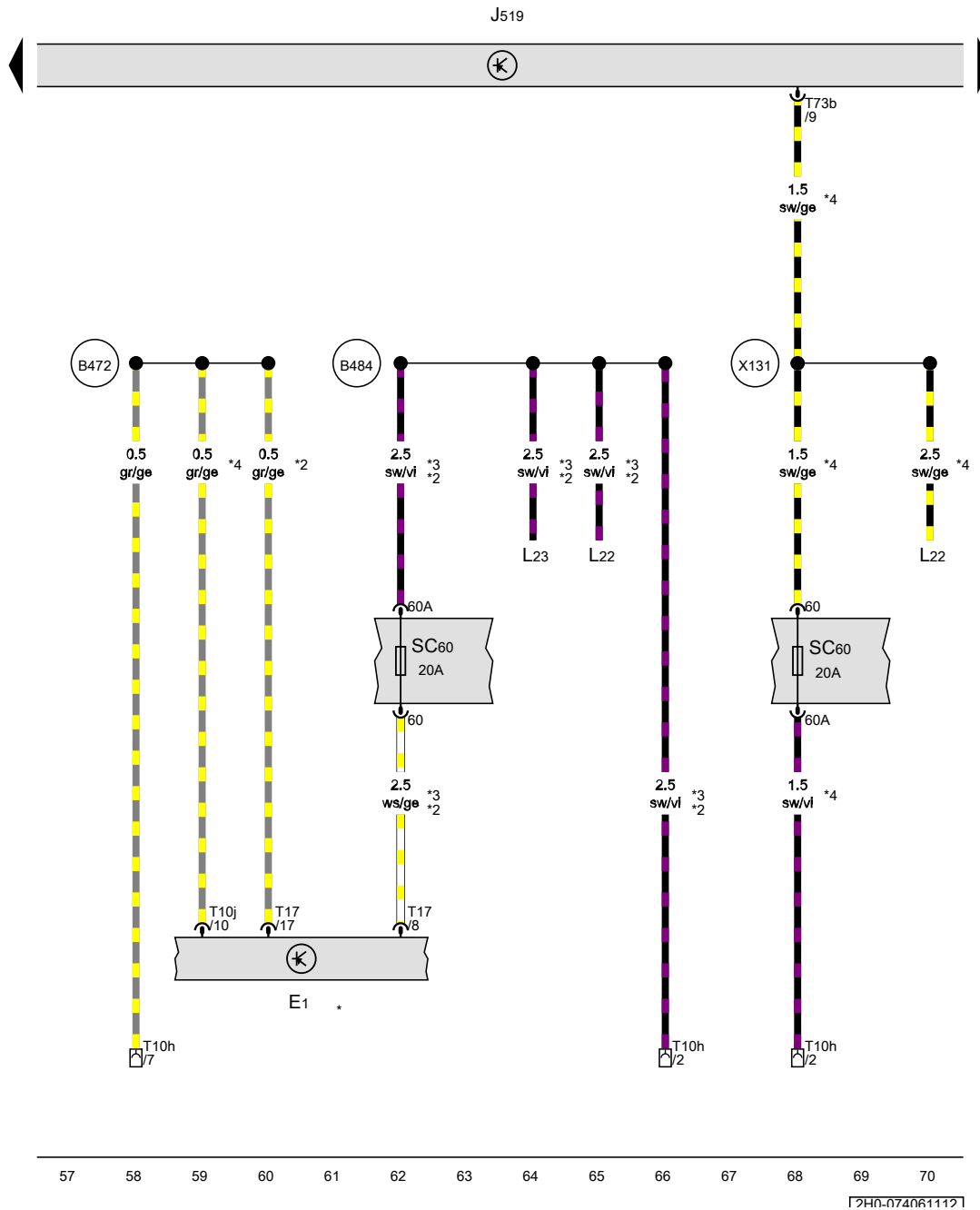
- H2 Treble horn
- H7 Bass horn
- J519 Onboard supply control unit
- M9 Left brake light bulb
- M10 Right brake light bulb
- M25 Additional brake light bulb
- T6h 6-pin connector, in front centre console, grey
- T10b 10-pin connector, in left footwell, near centre console, yellow
- T17e 17-pin connector, near handbrake lever, red
- T73a 73-pin connector, black
- T73b 73-pin connector, colourless

- B335 Connection 1 (54), in main wiring harness
- B521 Connection (dual tone horn), in main wiring harness
- W1 Positive connection 1 (54), in rear wiring harness

- ws = white
- sw = black
- ro = red
- br = brown
- gn = green
- bl = blue
- gr = grey
- li = purple
- ge = yellow
- or = orange
- rs = pink

[240-074051112]

Light switch, Onboard supply control unit



- E1 Light switch
- J519 Onboard supply control unit
- L22 Left fog light bulb
- L23 Right fog light bulb
- SC60 Fuse 60 on fuse holder C
- T10h 10-pin connector, in left footwell, near centre console, purple
- T10j 10-pin connector, black
- T17 17-pin connector, black
- T73b 73-pin connector, colourless

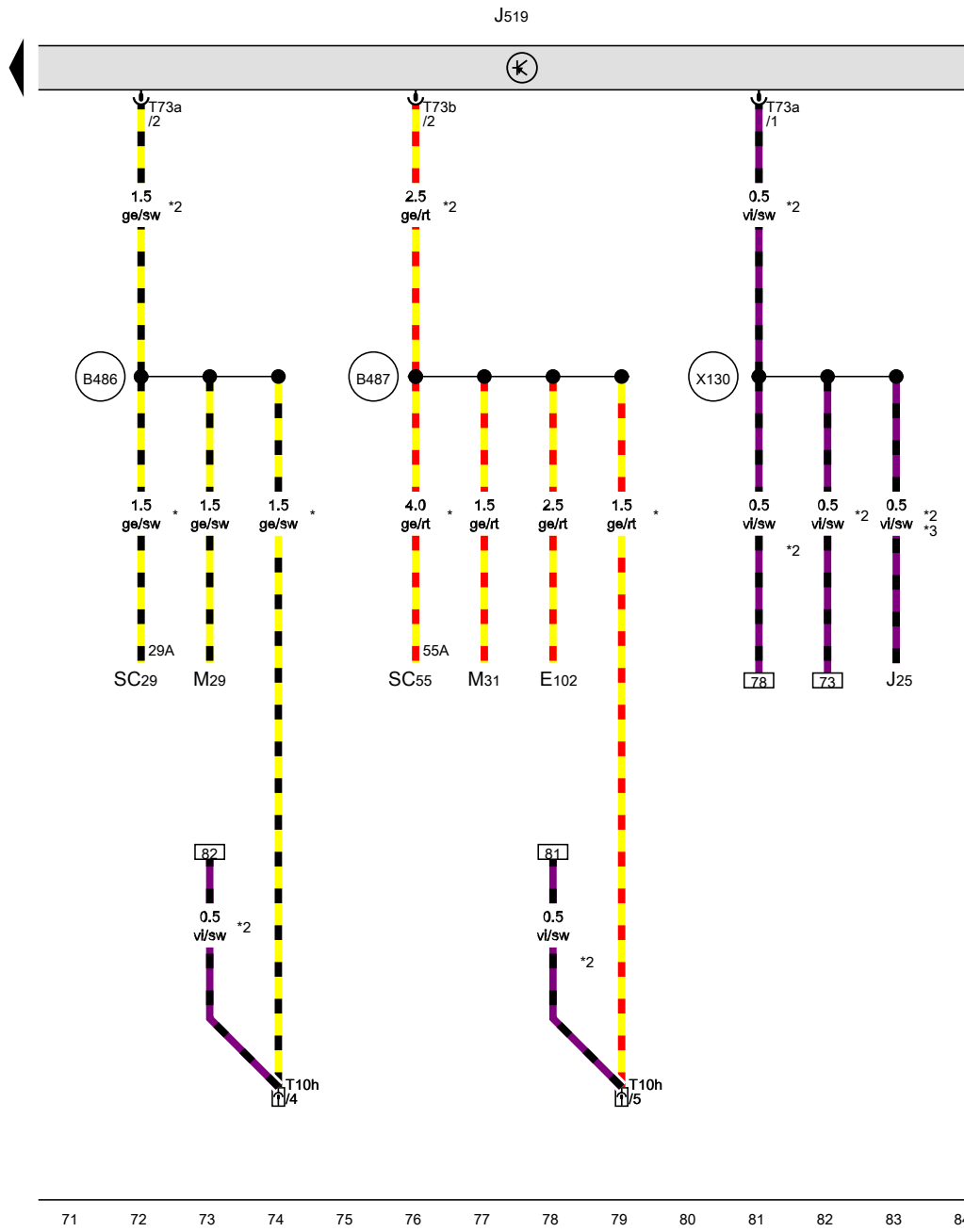
**B472** Connection 8, in main wiring harness

**B484** Connection 20, in main wiring harness

**X131** Connection 4, in optional equipment wiring harness

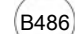
- \* see applicable current flow diagram for exterior lighting
- \*2 Only models with no automatic headlight control with coming home
- \*3 Only models with fog lights
- \*4 Only models with automatic driving lights control

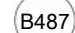
- ws = white
- sw = black
- ro = red
- br = brown
- gn = green
- bl = blue
- gr = grey
- li = purple
- ge = yellow
- or = orange
- rs = pink

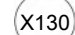


Onboard supply control unit, Fuse 29 on fuse holder C, Fuse 55 on fuse holder C

- E102 Headlight range control regulator
- J25 Headlight relay
- J519 Onboard supply control unit
- M29 Left headlight dipped beam bulb
- M31 Right headlight dipped beam bulb
- SC29 Fuse 29 on fuse holder C
- SC55 Fuse 55 on fuse holder C
- T10h 10-pin connector, in left footwell, near centre console, purple
- T73a 73-pin connector, black
- T73b 73-pin connector, colourless

 B486 Connection 22, in main wiring harness

 B487 Connection 23, in main wiring harness

 X130 Connection 3, in optional equipment wiring harness

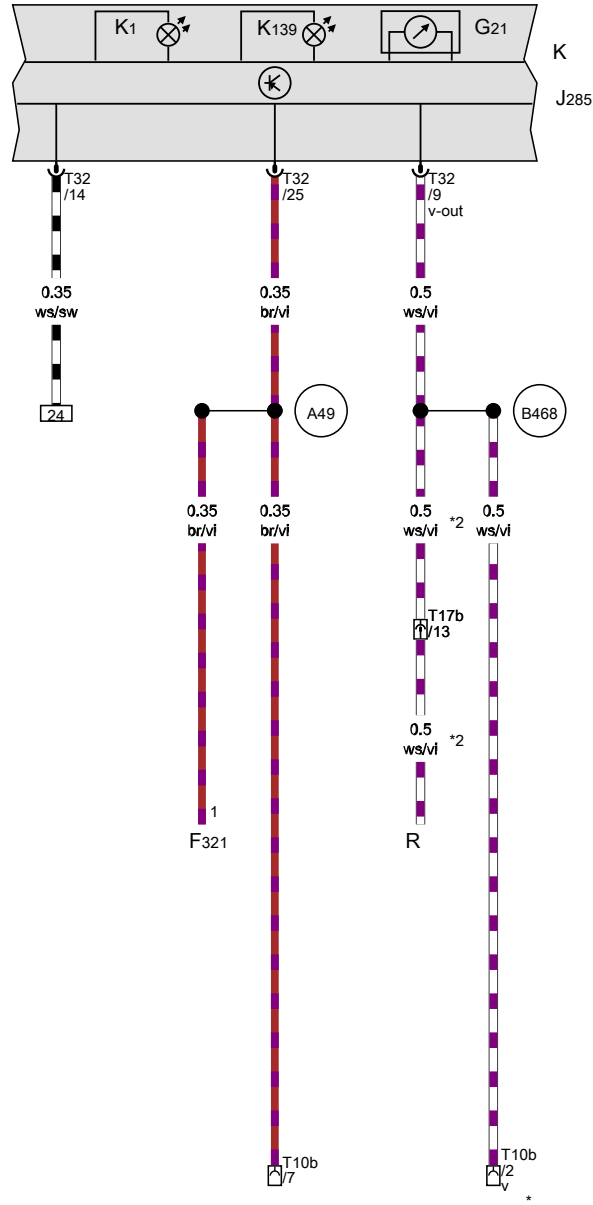
\* Only models with no automatic headlight control with coming home

\*2 Only models with automatic driving lights control

\*3 see applicable current flow diagram for fuse assignment

- ws = white
- sw = black
- ro = red
- br = brown
- gn = green
- bl = blue
- gr = grey
- li = purple
- ge = yellow
- or = orange
- rs = pink





**Parking brake contact switch, Dash panel insert, Radio**

- F321 Parking brake contact switch
- G21 Speedometer
- J285 Control unit in dash panel insert
- K Dash panel insert
- K1 Main beam warning lamp
- K139 Handbrake warning lamp
- R Radio
- T10b 10-pin connector, in left footwell, near centre console, yellow
- T17b 17-pin connector, on left under dash panel, brown
- T32 32-pin connector, blue

**A49** Connection 1, in dash panel wiring harness

**B468** Connection 4, in main wiring harness

\* Speed signal

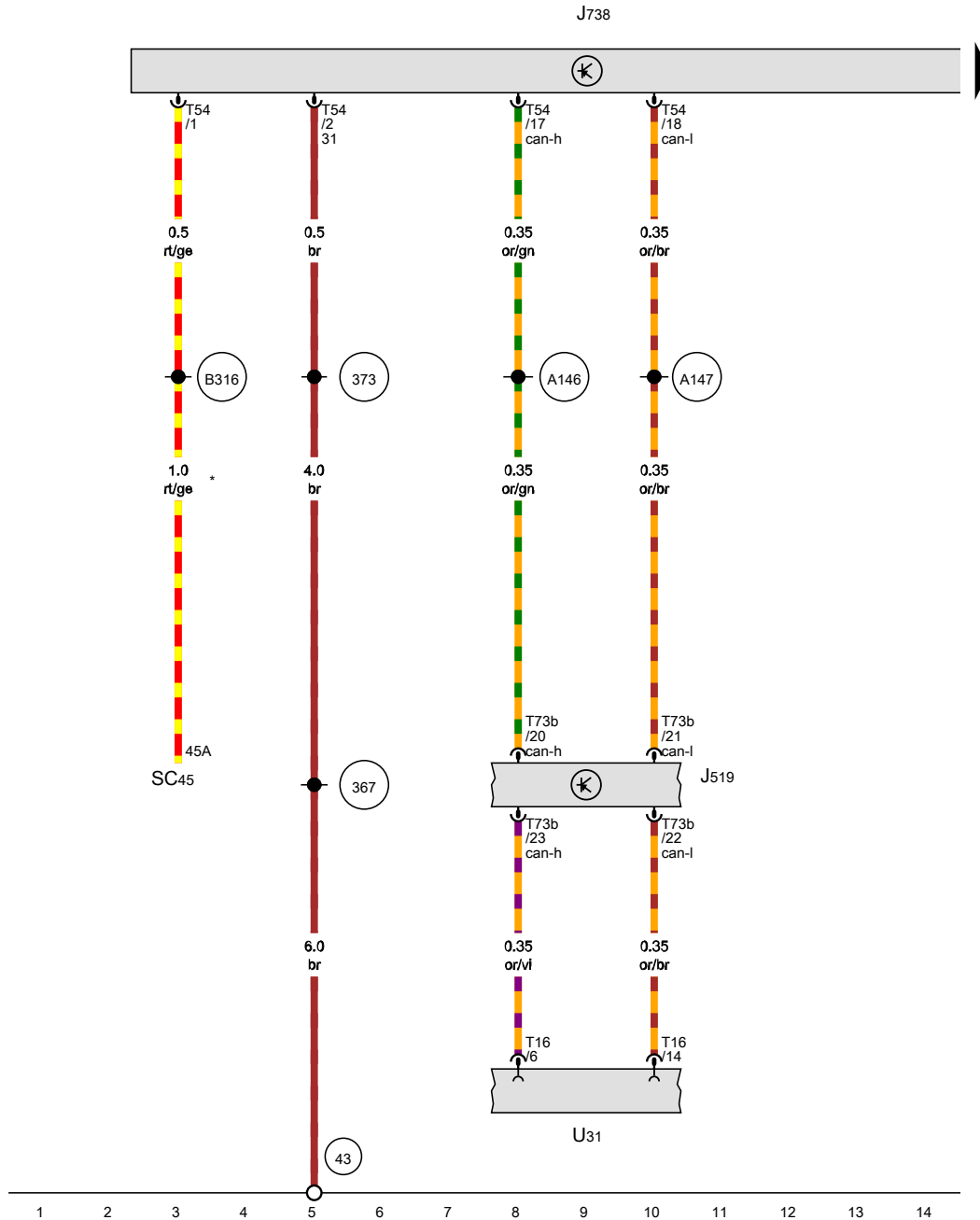
\*2 Only models with radio

- ws = white
- sw = black
- ro = red
- br = brown
- gn = green
- bl = blue
- gr = grey
- li = purple
- ge = yellow
- or = orange
- rs = pink

**Preparation for mobile telephone , (9W7)**

From June 2012

**Onboard supply control unit, Telephone controls control unit, Fuse 45 on fuse holder C**



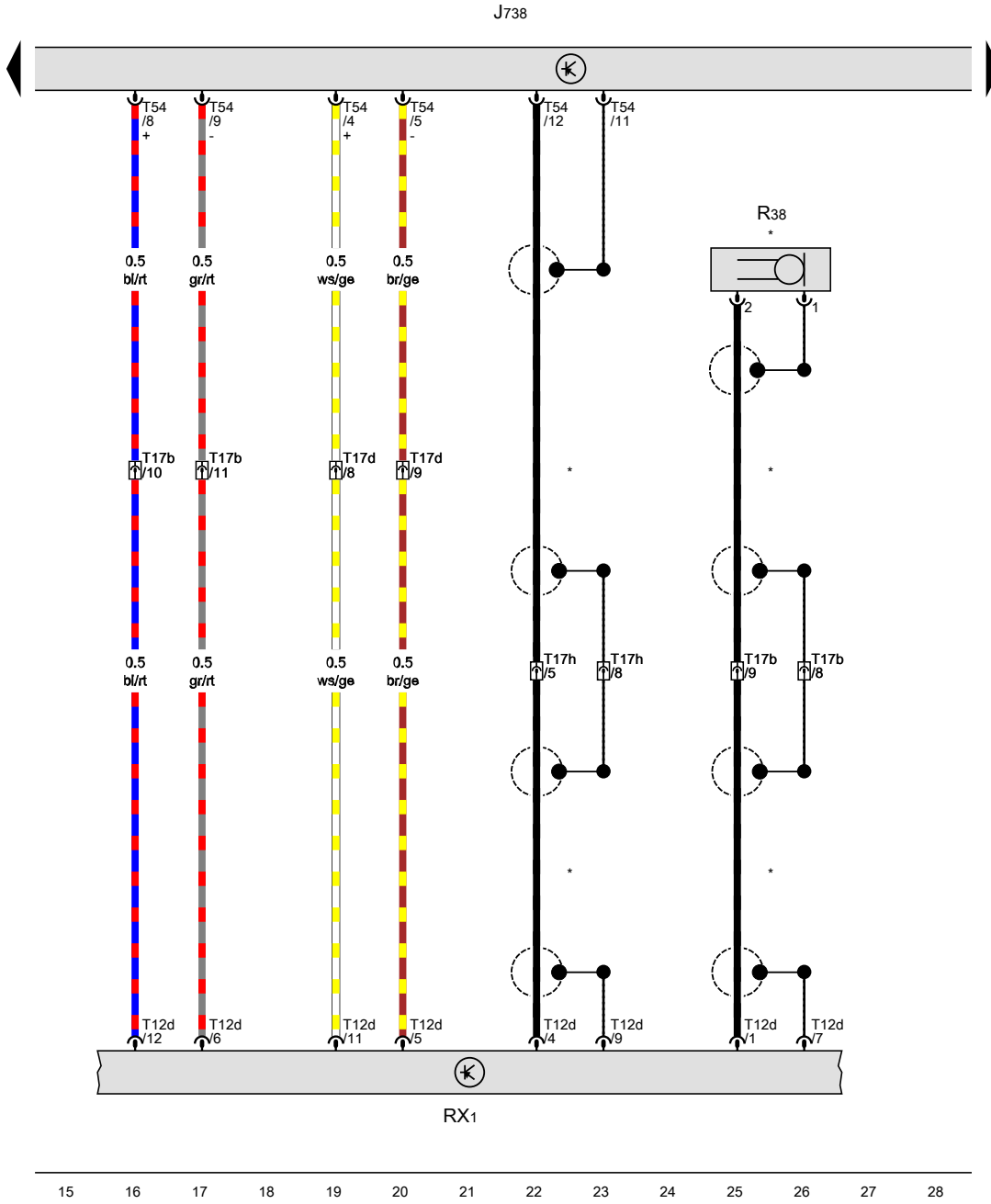
- J519 Onboard supply control unit
- J738 Telephone controls control unit, under centre console
- SC45 Fuse 45 on fuse holder C
- T16 16-pin connector, black
- T54 54-pin connector, black
- T73b 73-pin connector, colourless
- U31 Diagnostic connection

- 43 Earth point, lower part of right A-pillar
- 367 Earth connection 2, in main wiring harness
- 373 Earth connection 8, in main wiring harness
- A146 Connection (convenience CAN bus, high), in dash panel wiring harness
- A147 Connection (convenience CAN bus, low), in dash panel wiring harness
- B316 Positive connection 2 (30a) in main wiring harness
- \* Cross-section 1.5 possible

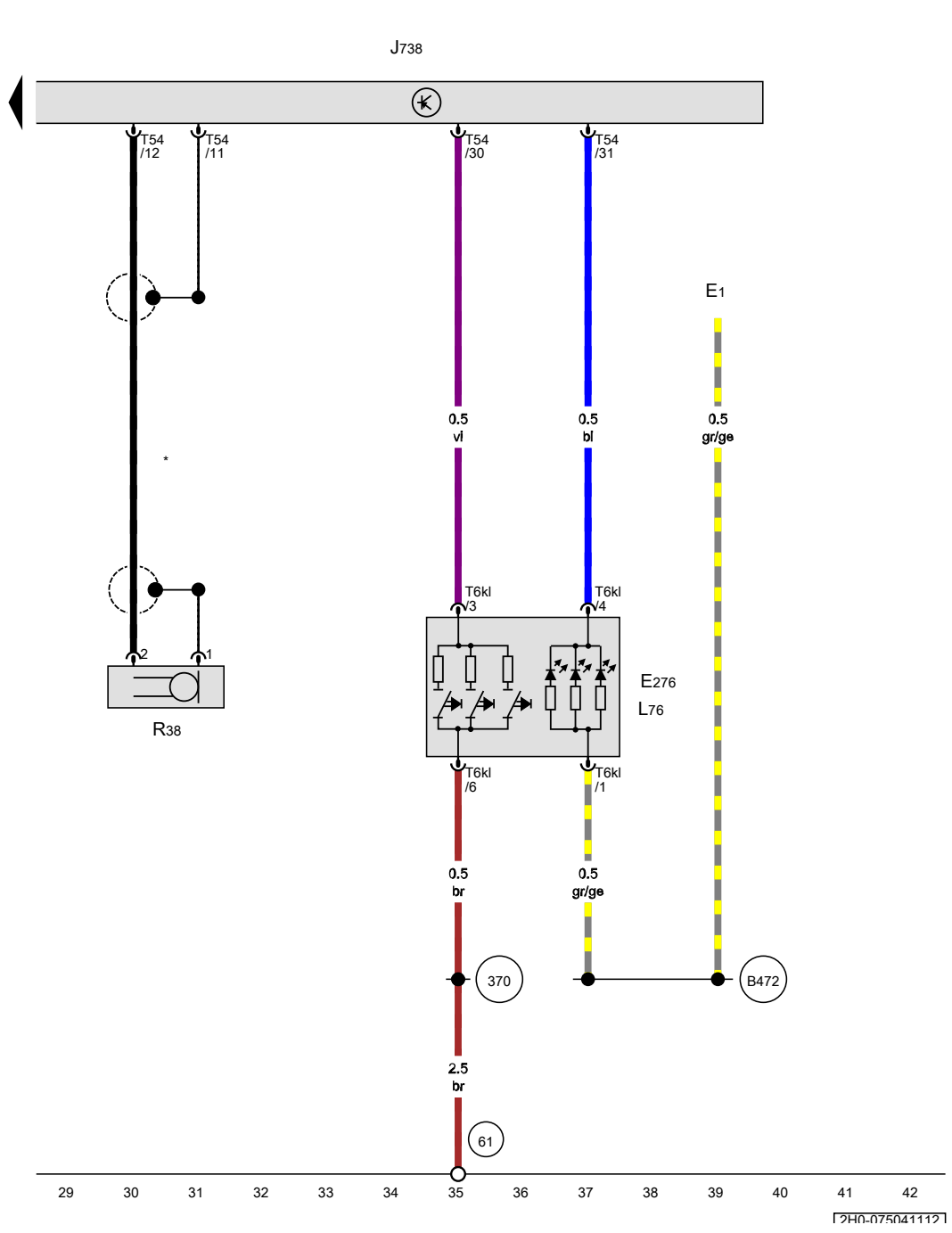
ГЭН-0750211121

Telephone controls control unit, Radio/RNS

- J738 Telephone controls control unit, under centre console
- RX1 Radio/RNS
- R38 Telephone microphone
- T12d 12-pin connector, green
- T17b 17-pin connector, on left under dash panel, brown
- T17d 17-pin connector, on left under dash panel, green
- T17h 17-pin connector, on left under dash panel, blue
- T54 54-pin connector, black
- \* Only models with radio navigation system RNS 510



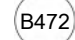


- ws = white
- sw = black
- ro = red
- br = brown
- gn = green
- bl = blue
- gr = grey
- li = purple
- ge = yellow
- or = orange
- rs = pink



**Emergency assistance call button, Telephone controls control unit, Telephone microphone**

- E1 Light switch
- E276 Emergency assistance call button, near interior mirror
- J738 Telephone controls control unit, under centre console
- L76 Button illumination bulb
- R38 Telephone microphone, near interior mirror
- T6kl 6-pin connector, brown
- T54 54-pin connector, black

-  61 Earth point, left C-pillar
-  370 Earth connection 5, in main wiring harness
-  B472 Connection 8, in main wiring harness

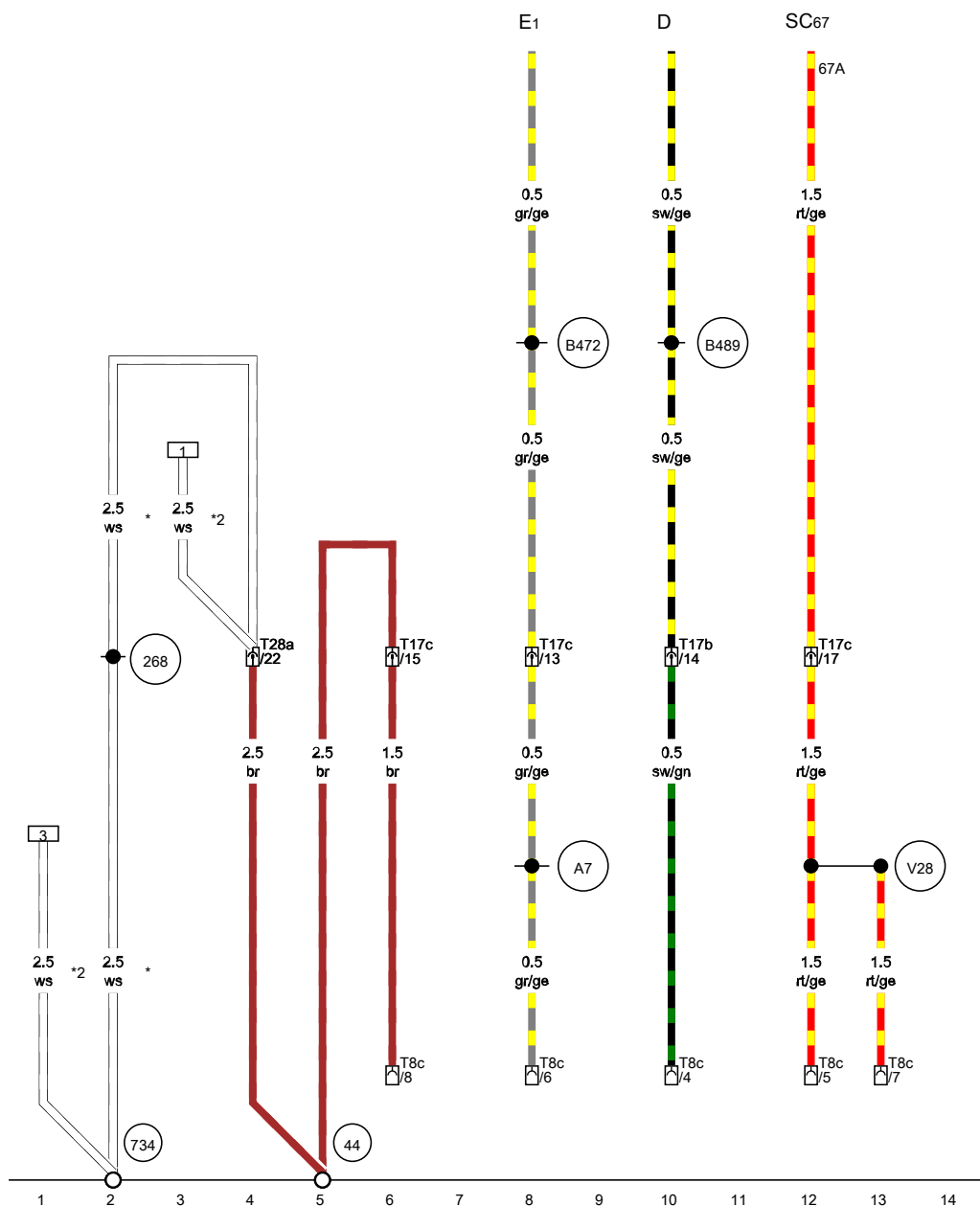
\* Only models with no navigation system

- ws = white
- sw = black
- ro = red
- br = brown
- gn = green
- bl = blue
- gr = grey
- li = purple
- ge = yellow
- or = orange
- rs = pink

## Preparation for radio

From June 2012

Ignition/starter switch, Light switch, Fuse 67 on fuse holder C



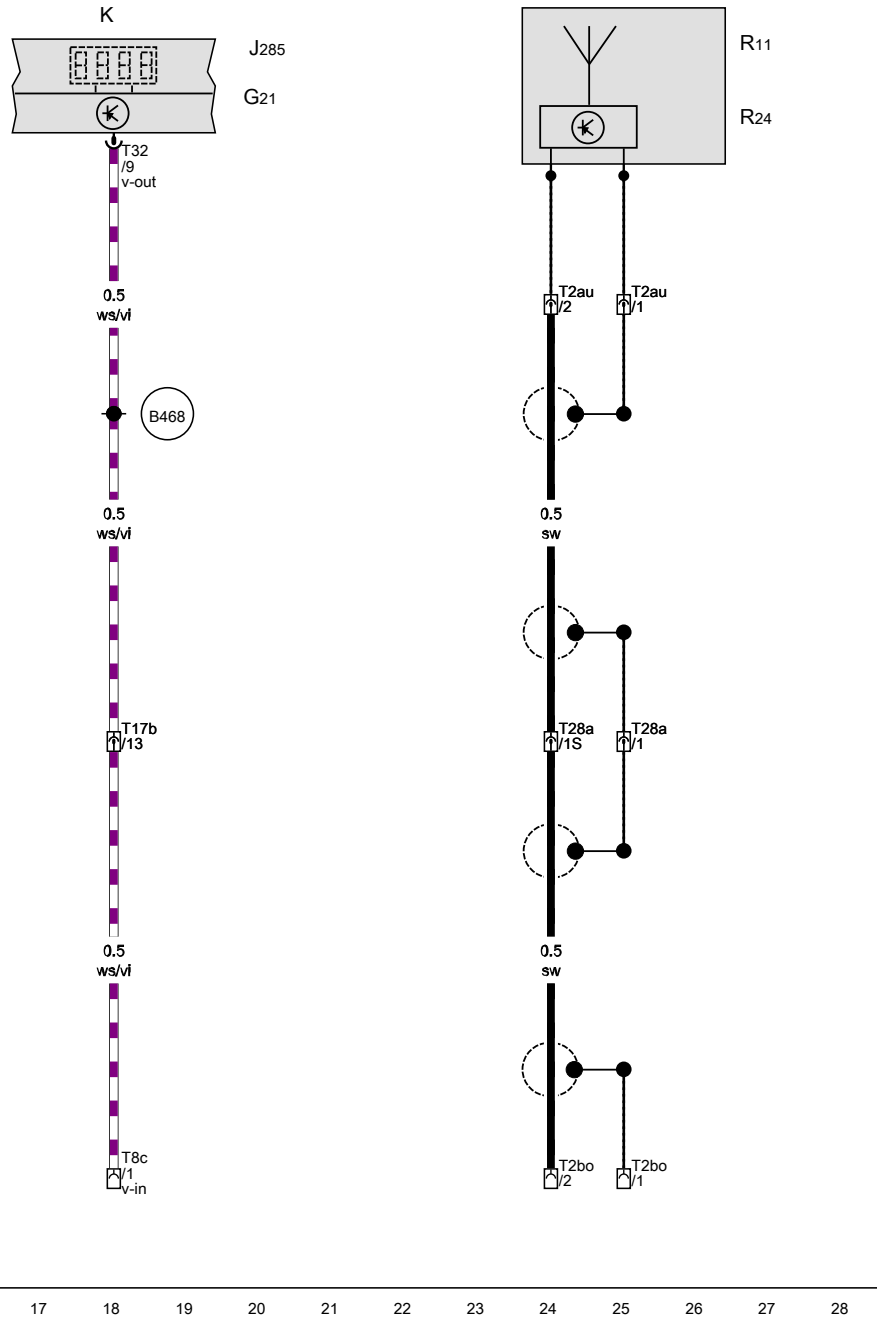
- D Ignition/starter switch
- E1 Light switch
- SC67 Fuse 67 on fuse holder C
- T8c 8-pin connector, in slot for radio, centre of dash panel, black
- T17b 17-pin connector, on relay carrier, brown
- T17c 17-pin connector, on left under dash panel
- T28a 28-pin connector, on left A-pillar, black

- (44) Earth point, lower part of left A-pillar
- (268) Earth connection 2, in front passenger side door wiring harness
- (734) Earth point in front left door
- (A7) Positive connection (58 D1), in dash panel wiring harness
- (B472) Connection 8, in main wiring harness
- (B489) Connection 25, in main wiring harness
- (V28) Connection 1, in radio wiring harness

\* From February 2013  
 \*2 Up to January 2013

- ws = white
- sw = black
- ro = red
- br = brown
- gn = green
- bl = blue
- gr = grey
- li = purple
- ge = yellow
- or = orange
- rs = pink

12H0-0760211121



**Dash panel insert, Aerial, Aerial amplifier**

- G21 Speedometer
- J285 Control unit in dash panel insert
- K Dash panel insert
- R11 Aerial, in front passenger side exterior mirror housing
- R24 Aerial amplifier
- T2au 2-pin connector, in left door, near exterior mirror
- T2bo 2-pin connector
- T8c 8-pin connector, in slot for radio, centre of dash panel, black
- T17b 17-pin connector, on relay carrier, brown
- T28a 28-pin connector, on left A-pillar, black
- T32 32-pin connector
- B468 Connection 4, in main wiring harness

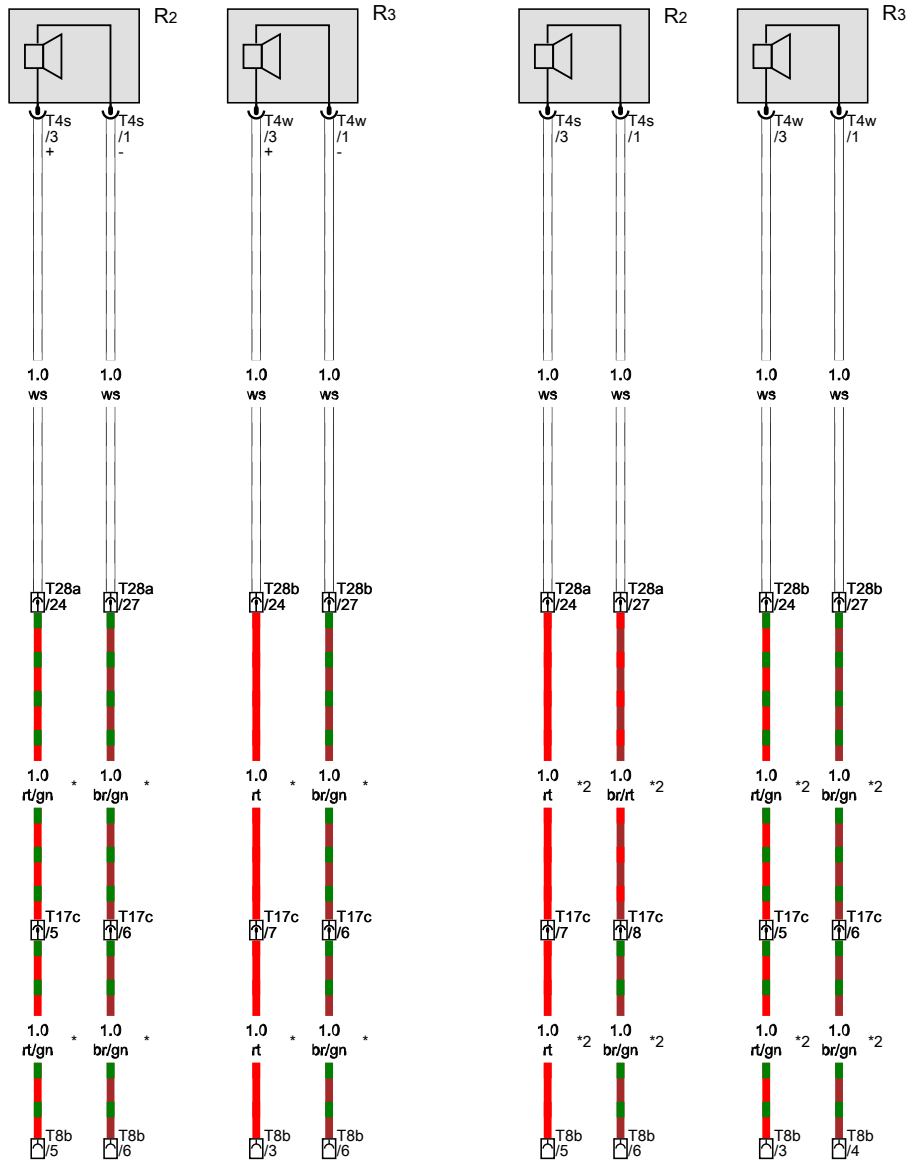
- ws = white
- sw = black
- ro = red
- br = brown
- gn = green
- bl = blue
- gr = grey
- li = purple
- ge = yellow
- or = orange
- rs = pink

15 16 17 18 19 20 21 22 23 24 25 26 27 28

1240-0760311121



Front left loudspeaker, Front right loudspeaker



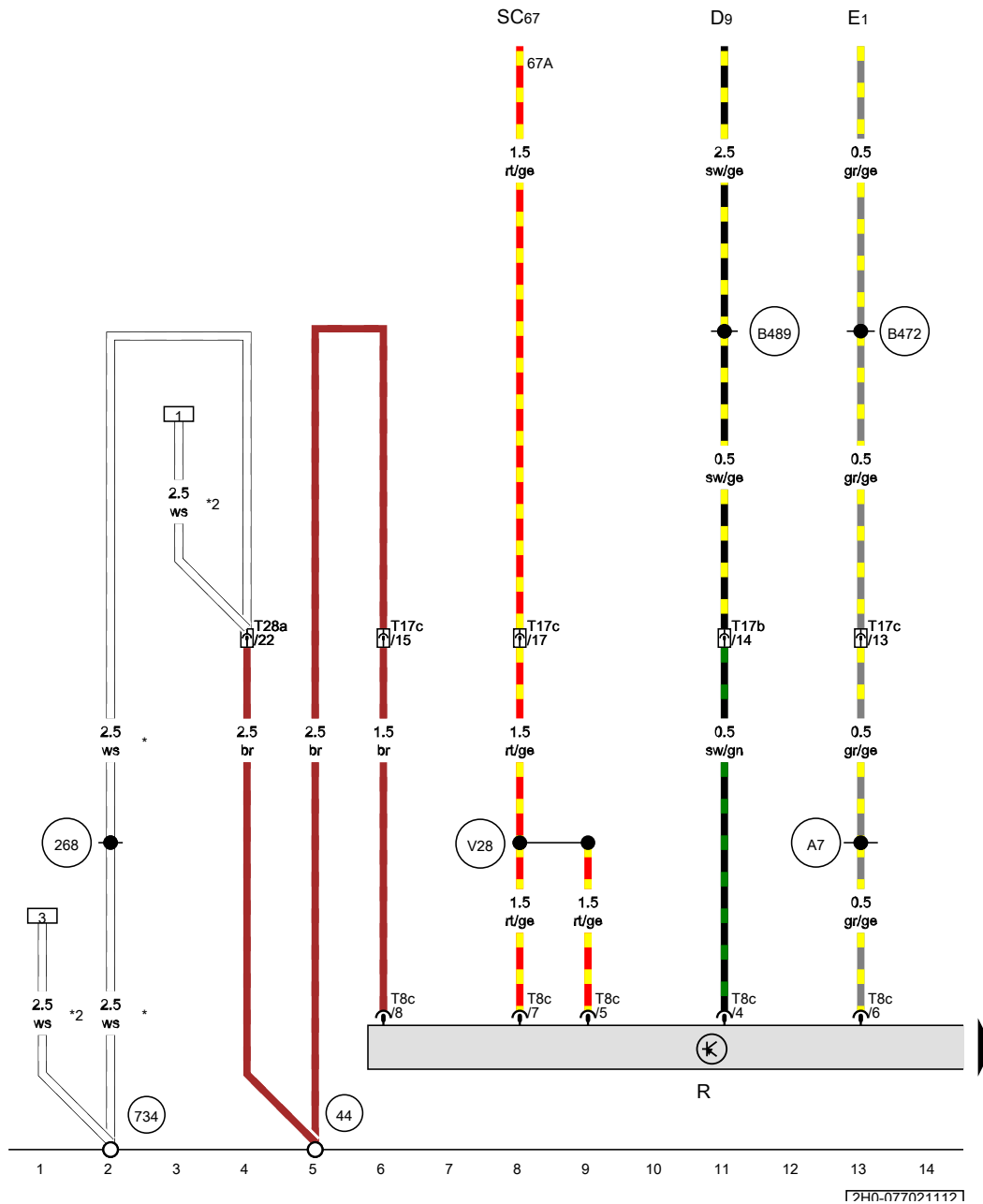
- R2 Front left loudspeaker
- R3 Front right loudspeaker
- T4s 4-pin connector
- T4w 4-pin connector
- T8b 8-pin connector, in slot for radio, centre of dash panel, brown
- T17c 17-pin connector, on left under dash panel
- T28a 28-pin connector, on left A-pillar, black
- T28b 28-pin connector, on right A-pillar, black
- \* Only left-hand drive models
- \*2 Only right-hand drive models

- ws = white
- sw = black
- ro = red
- br = brown
- gn = green
- bl = blue
- gr = grey
- li = purple
- ge = yellow
- or = orange
- rs = pink

**Radio system , (8AN),(8AG)**

From June 2012

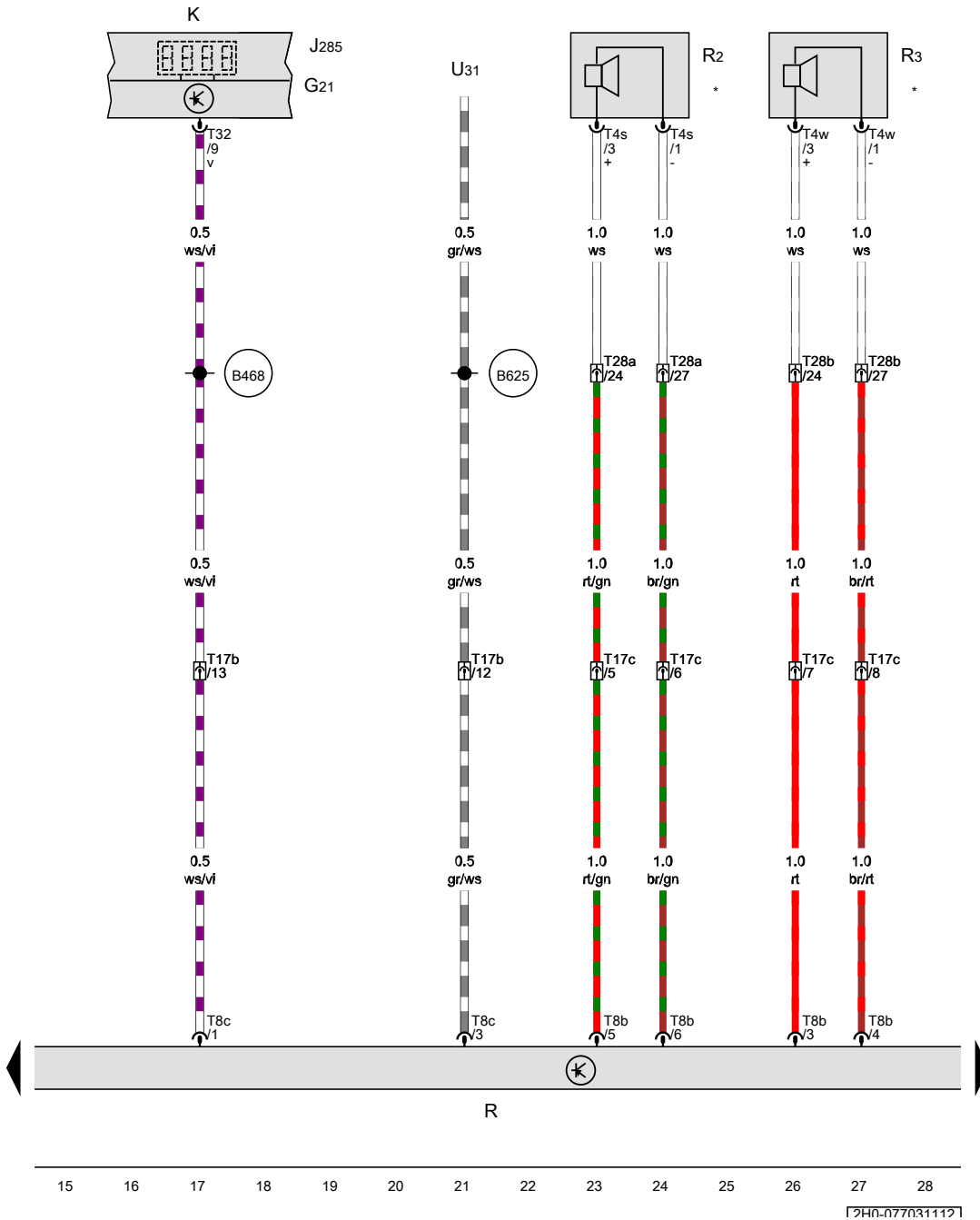
Electronic ignition lock, Light switch, Radio, Fuse 67 on fuse holder C



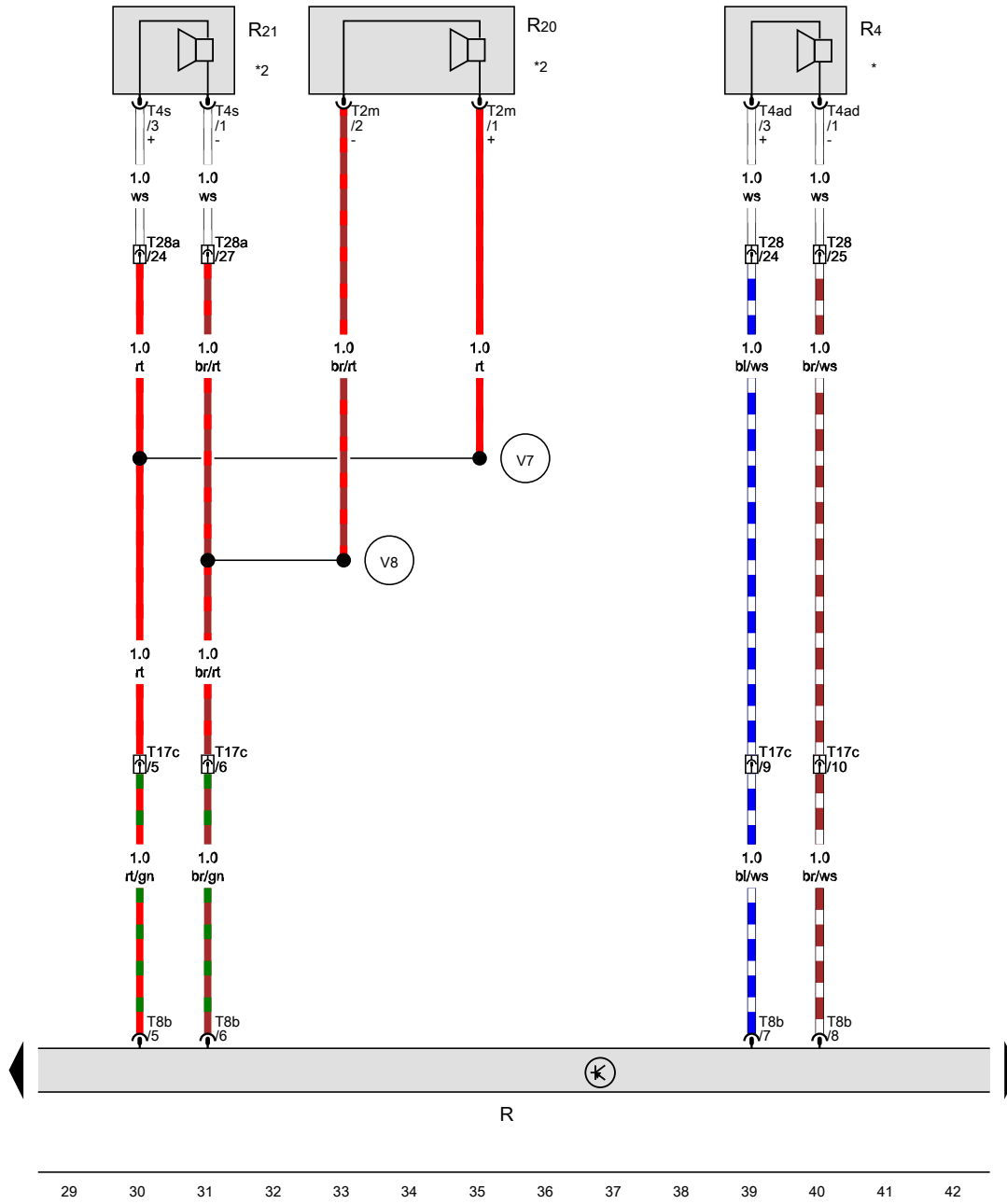
1740-0770211121

Dash panel insert, Radio, Front left loudspeaker, Front right loudspeaker, Diagnostic connection

- G21 Speedometer
  - J285 Control unit in dash panel insert
  - K Dash panel insert
  - R Radio
  - R2 Front left loudspeaker
  - R3 Front right loudspeaker
  - T4s 4-pin connector
  - T4w 4-pin connector
  - T8b 8-pin connector, brown
  - T8c 8-pin connector, black
  - T17b 17-pin connector, on left under dash panel, brown
  - T17c 17-pin connector, on left under dash panel
  - T28a 28-pin connector, black
  - T28b 28-pin connector, on right A-pillar, black
  - T32 32-pin connector
  - U31 Diagnostic connection
- B468 Connection 4, in main wiring harness
  - B625 Connection (K-diagnosis wire), in main wiring harness
- \* Only models with 2 loudspeakers (8RD)



Radio, Rear left loudspeaker, Front left treble loudspeaker, Front left bass loudspeaker

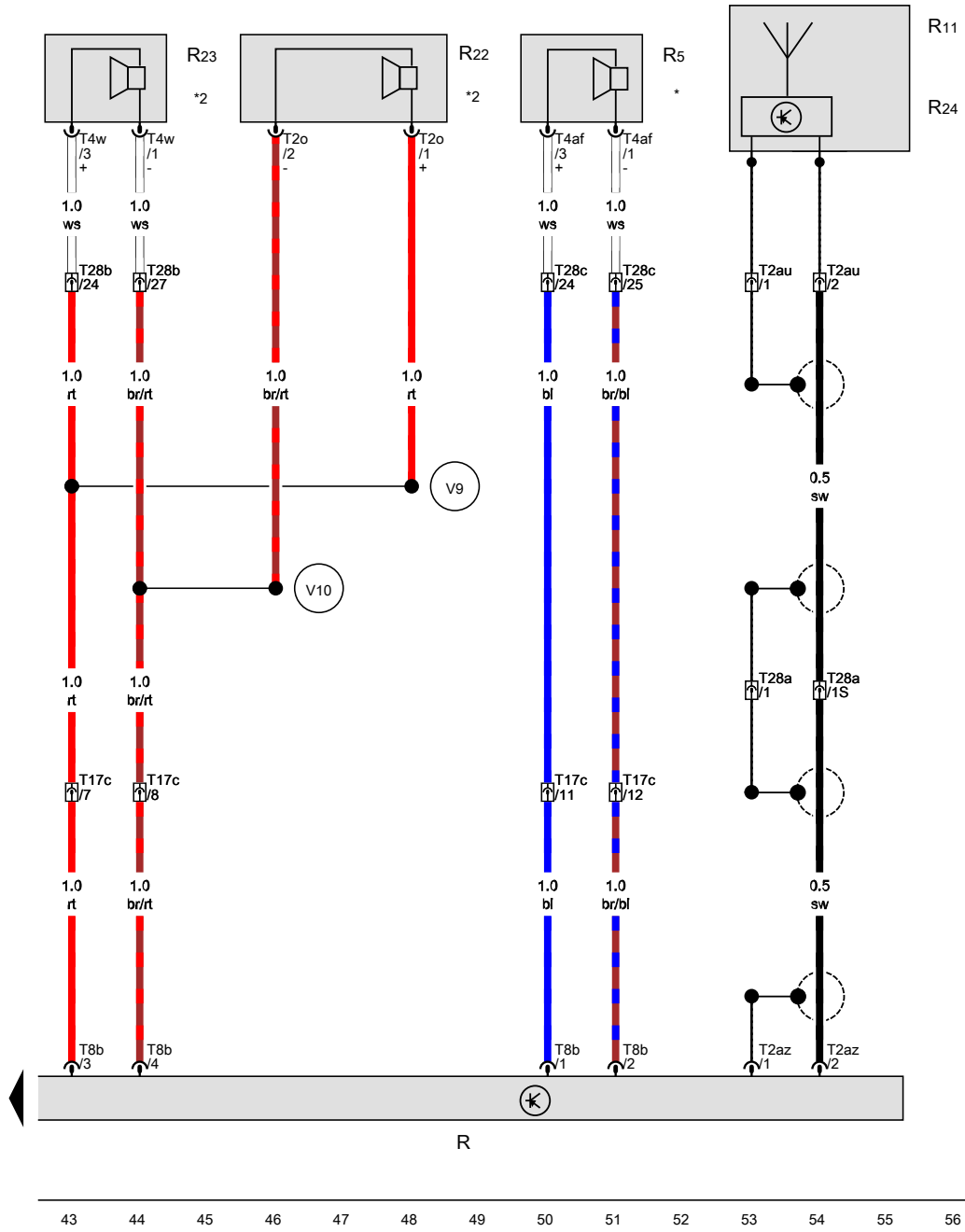


- R Radio
- R4 Rear left loudspeaker
- R20 Front left treble loudspeaker
- R21 Front left bass loudspeaker
- T2m 2-pin connector
- T4ad 4-pin connector
- T4s 4-pin connector
- T8b 8-pin connector, brown
- T17c 17-pin connector, on left under dash panel
- T28 28-pin connector, black
- T28a 28-pin connector, black
- V7 Connection (positive, front left loudspeaker), in loudspeaker wiring harness
- V8 Connection (negative, front left loudspeaker), in loudspeaker wiring harness
- \* Only models with equipment (6-passive loudspeakers)
- \*2 Only models with 4 or 6 loudspeakers

- ws = white
- sw = black
- ro = red
- br = brown
- gn = green
- bl = blue
- gr = grey
- li = purple
- ge = yellow
- or = orange
- rs = pink

[2H0-077041112]

Radio, Rear right loudspeaker, Aerial, Front right treble loudspeaker, Front right bass loudspeaker, Aerial amplifier



- R Radio
- R5 Rear right loudspeaker
- R11 Aerial
- R22 Front right treble loudspeaker
- R23 Front right bass loudspeaker
- R24 Aerial amplifier
- T2au 2-pin connector, in left door, near exterior mirror, black
- T2az 2-pin connector
- T2o 2-pin connector
- T4af 4-pin connector
- T4w 4-pin connector
- T8b 8-pin connector, brown
- T17c 17-pin connector, on left under dash panel
- T28a 28-pin connector, black
- T28b 28-pin connector, on right A-pillar, black
- T28c 28-pin connector, on right B-pillar, black
- V9 Connection (positive, front right loudspeaker), in loudspeaker wiring harness
- V10 Connection (negative, front right loudspeaker), in loudspeaker wiring harness
- \* Only models with equipment (6-passive loudspeakers)
- \*2 Only models with 4 or 6 loudspeakers

- ws = white
- sw = black
- ro = red
- br = brown
- gn = green
- bl = blue
- gr = grey
- li = purple
- ge = yellow
- or = orange
- rs = pink

[240-077051112]

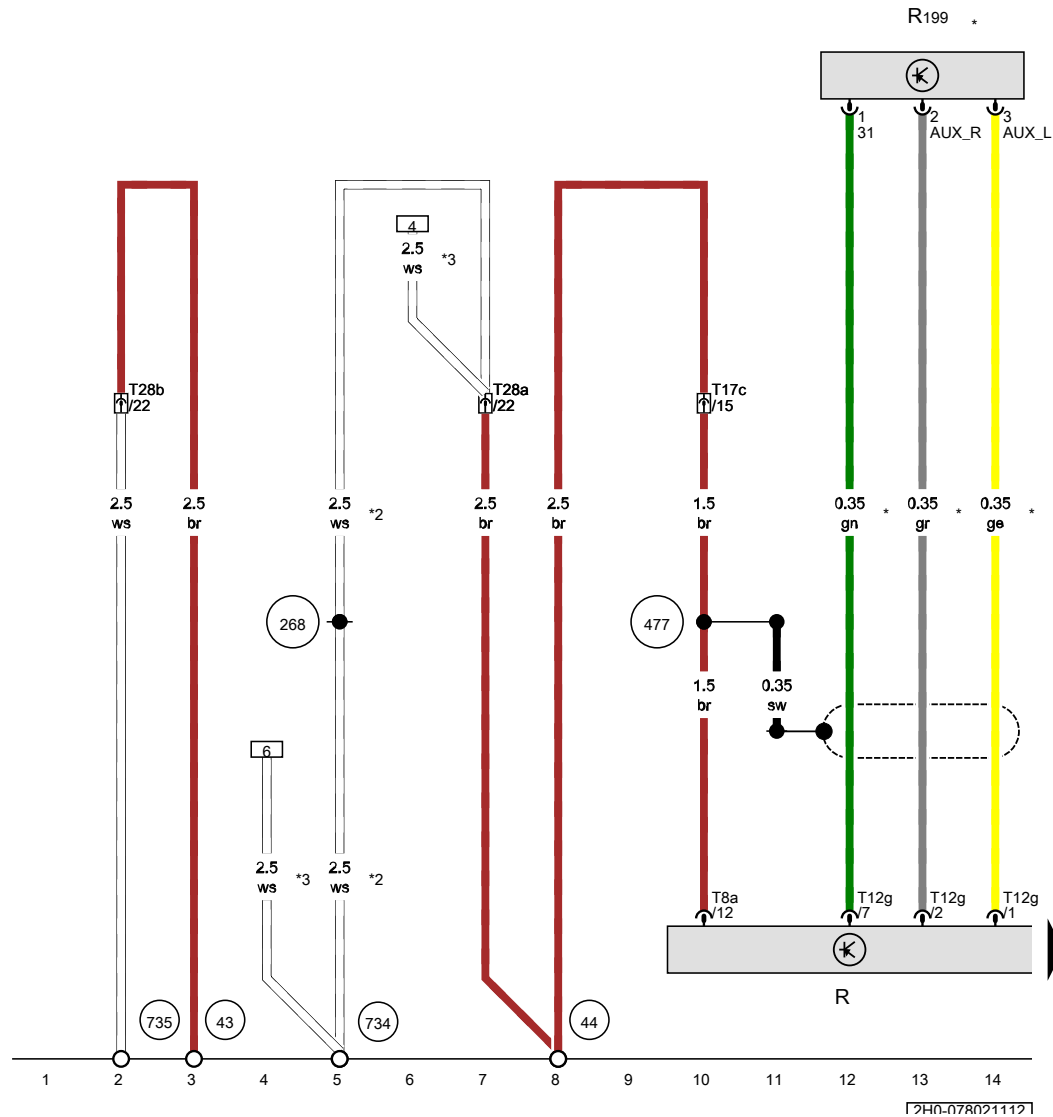
**Radio system , (8UA),(8AE),(8DD)**

From June 2012

Radio, Connection for external audio sources

- R Radio
- R199 Connection for external audio sources
- T8a 8-pin connector, black
- T12g 12-pin connector, blue
- T17c 17-pin connector, on left under dash panel
- T28a 28-pin connector, on left A-pillar, black
- T28b 28-pin connector, on right A-pillar, black

- 43 Earth point, lower part of right A-pillar
- 44 Earth point, lower part of left A-pillar
- 268 Earth connection 2, in front passenger side door wiring harness
- 477 Earth connection (audio), in main wiring harness
- 734 Earth point in front left door
- 735 Earth point in front right door
- \* From February 1995
- \*2 From February 2013
- \*3 Up to January 2013



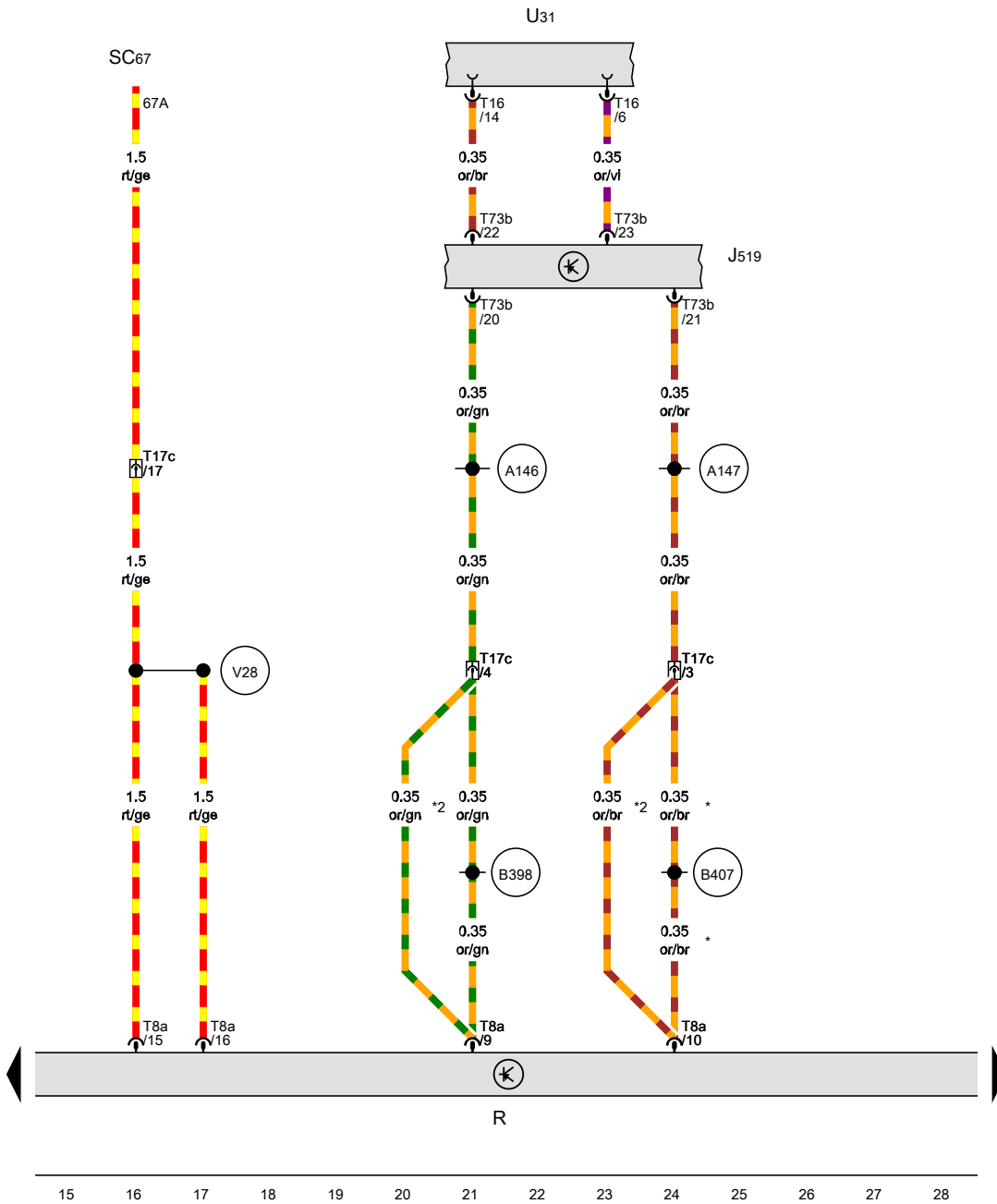
Г240-0780211121



Radio, Fuse 67 on fuse holder C, Diagnostic connection

- J519 Onboard supply control unit
- R Radio
- SC67 Fuse 67 on fuse holder C
- T8a 8-pin connector, black
- T16 16-pin connector, black
- T17c 17-pin connector, on left under dash panel
- T73b 73-pin connector
- U31 Diagnostic connection, near driver side A-pillar

- A146 Connection (convenience CAN bus, high), in dash panel wiring harness
- A147 Connection (convenience CAN bus, low), in dash panel wiring harness
- B398 Connection 2 (convenience CAN bus, high), in main wiring harness
- B407 Connection 2 (convenience CAN bus, low), in main wiring harness
- V28 Connection 1, in radio wiring harness
- \* From February 1995
- \*2 Up to January 1995

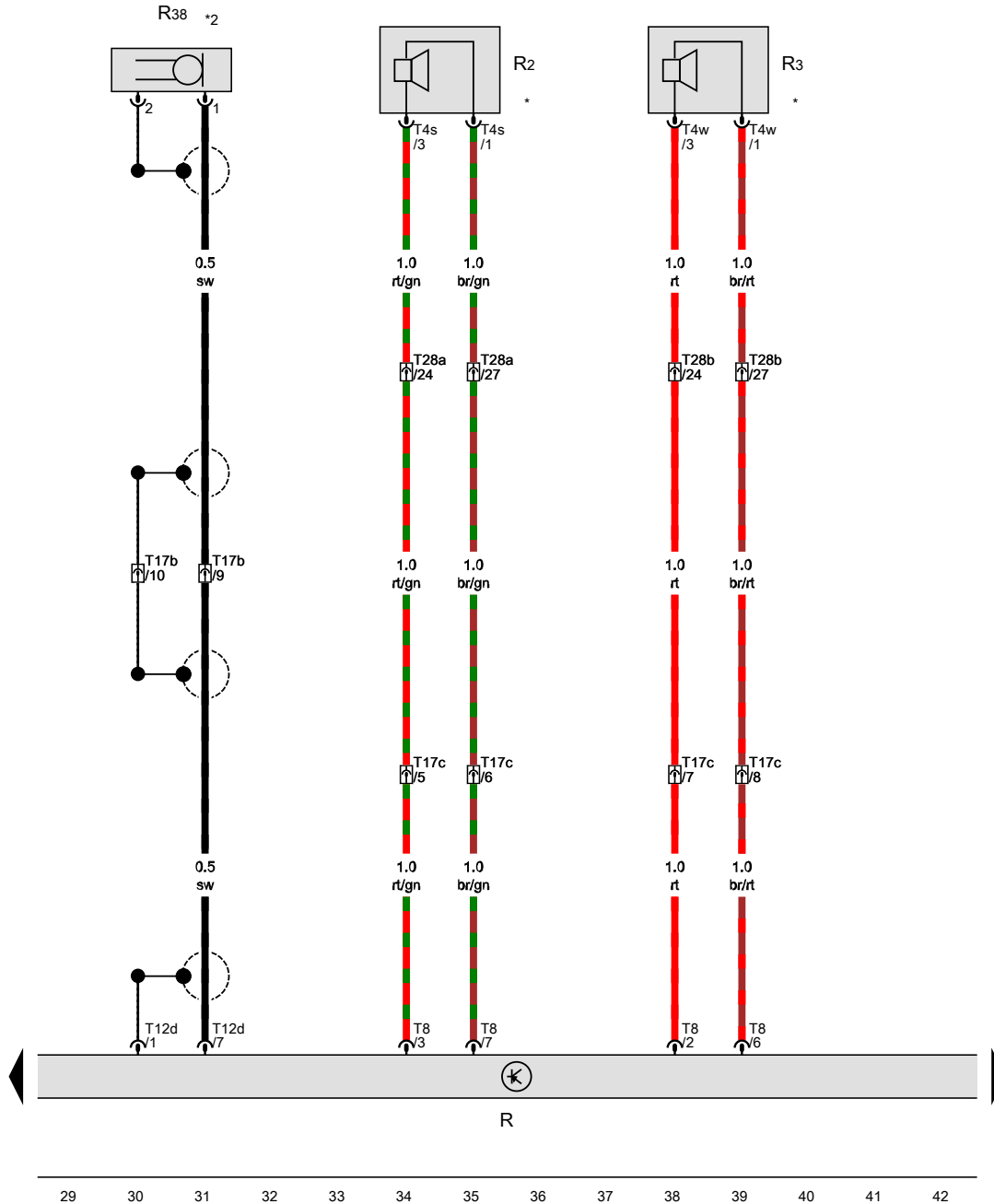


- ws = white
- sw = black
- ro = red
- br = brown
- gn = green
- bl = blue
- gr = grey
- li = purple
- ge = yellow
- or = orange
- rs = pink

Г240-0780311121

Radio, Front left loudspeaker, Front right loudspeaker, Telephone microphone

- R Radio
- R2 Front left loudspeaker
- R3 Front right loudspeaker
- R38 Telephone microphone, near interior mirror
- T4s 4-pin connector
- T4w 4-pin connector
- T8 8-pin connector, brown
- T12d 12-pin connector, green
- T17b 17-pin connector, on relay carrier, brown
- T17c 17-pin connector, on left under dash panel
- T28a 28-pin connector, on left A-pillar, black
- T28b 28-pin connector, on right A-pillar, black
- \* Only models with 2 loudspeakers (8RD)
- \*2 Only models with mobile telephone/ preparation for mobile telephone

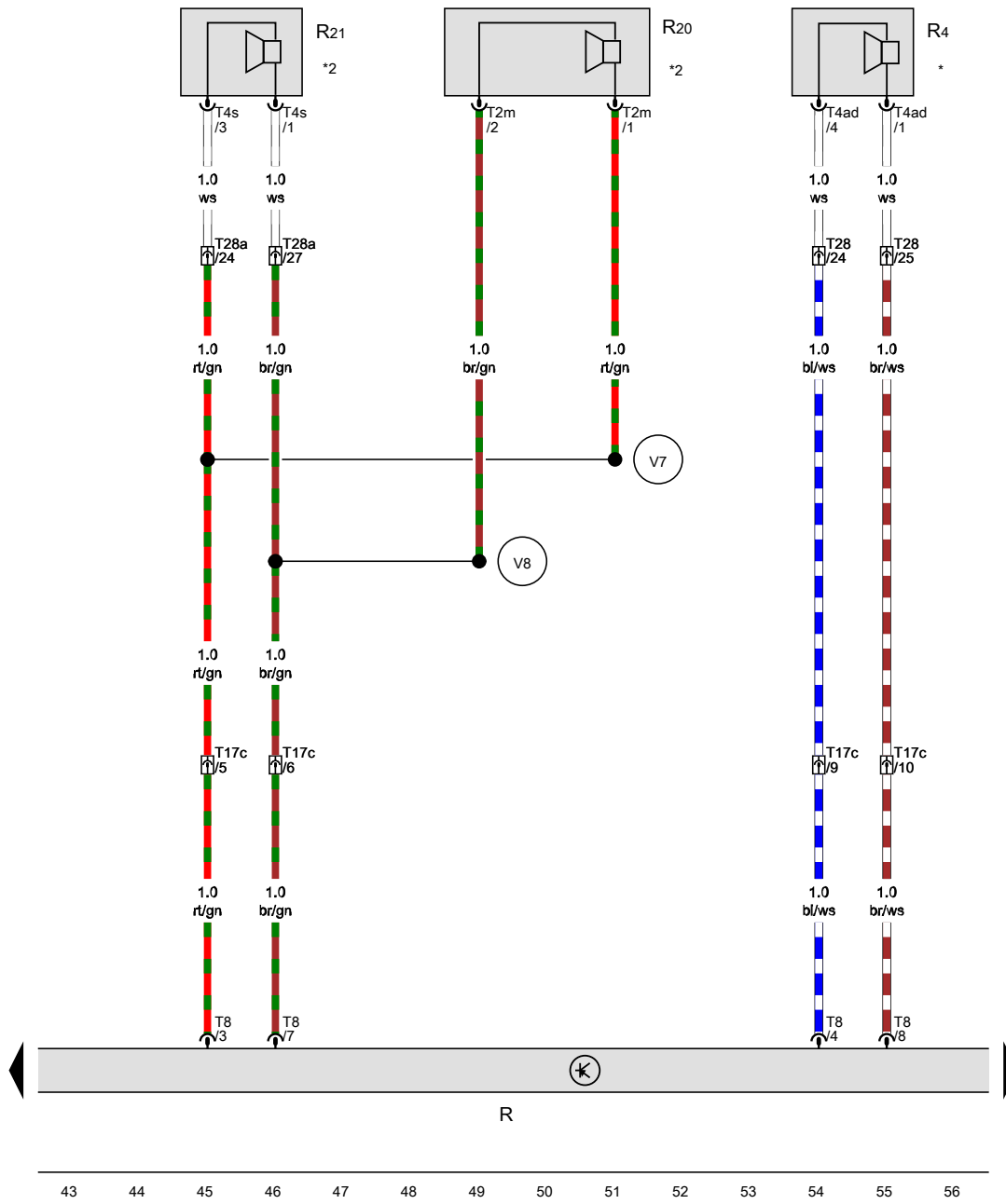


- ws = white
- sw = black
- ro = red
- br = brown
- gn = green
- bl = blue
- gr = grey
- li = purple
- ge = yellow
- or = orange
- rs = pink

29 30 31 32 33 34 35 36 37 38 39 40 41 42

[240-078041117]

Radio, Rear left loudspeaker, Front left treble loudspeaker, Front left bass loudspeaker



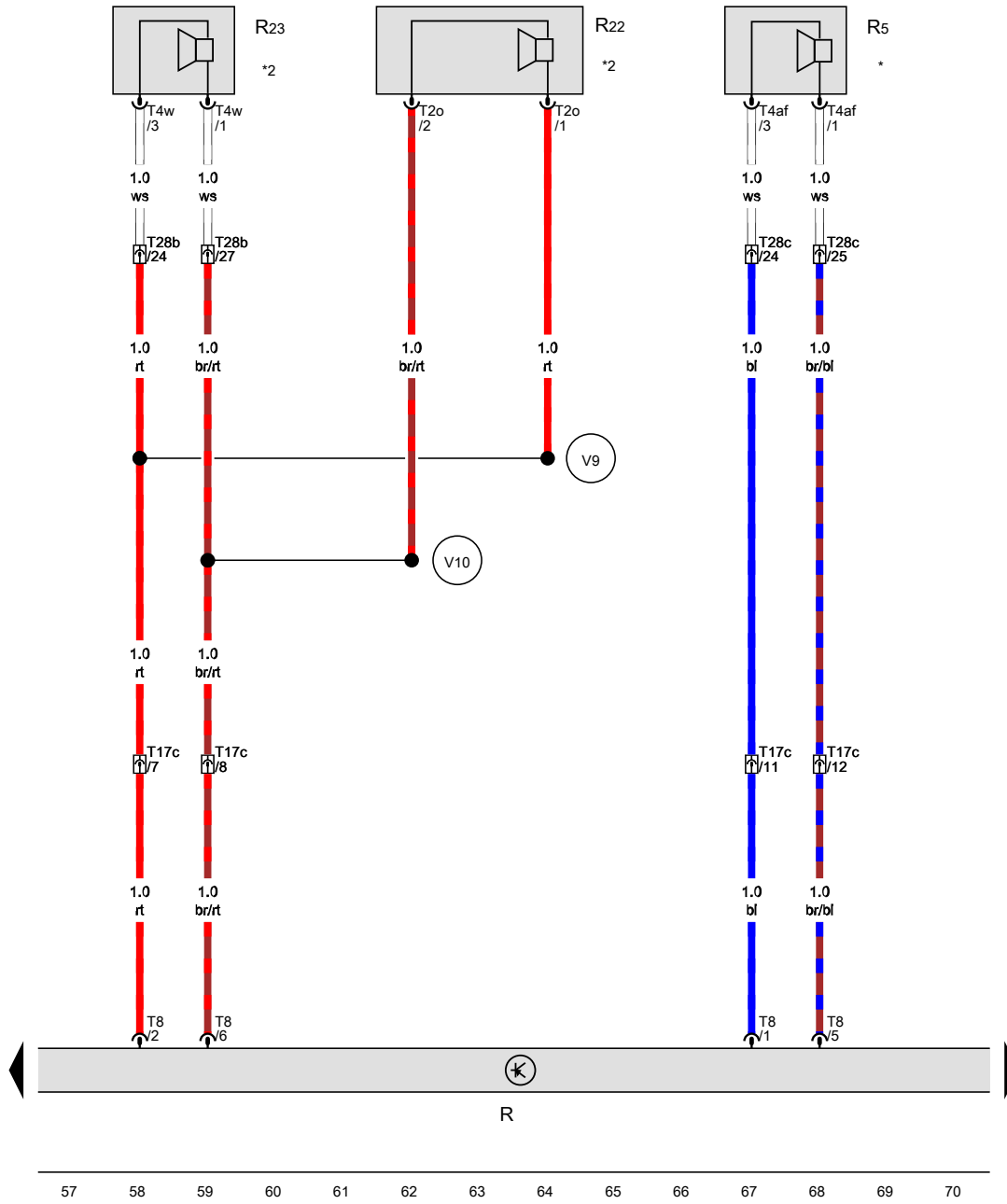
- R Radio
- R4 Rear left loudspeaker
- R20 Front left treble loudspeaker
- R21 Front left bass loudspeaker
- T2m 2-pin connector
- T4ad 4-pin connector
- T4s 4-pin connector
- T8 8-pin connector, brown
- T17c 17-pin connector, on left under dash panel
- T28 28-pin connector, on left B-pillar, black
- T28a 28-pin connector, on left A-pillar, black
- V7 Connection (positive, front left loudspeaker), in loudspeaker wiring harness
- V8 Connection (negative, front left loudspeaker), in loudspeaker wiring harness
- \* Only models with equipment (6-passive loudspeakers)
- \*2 Only models with 4 or 6 loudspeakers

- ws = white
- sw = black
- ro = red
- br = brown
- gn = green
- bl = blue
- gr = grey
- li = purple
- ge = yellow
- or = orange
- rs = pink

43 44 45 46 47 48 49 50 51 52 53 54 55 56

[780-078051117]

Radio, Rear right loudspeaker, Front right treble loudspeaker, Front right bass loudspeaker



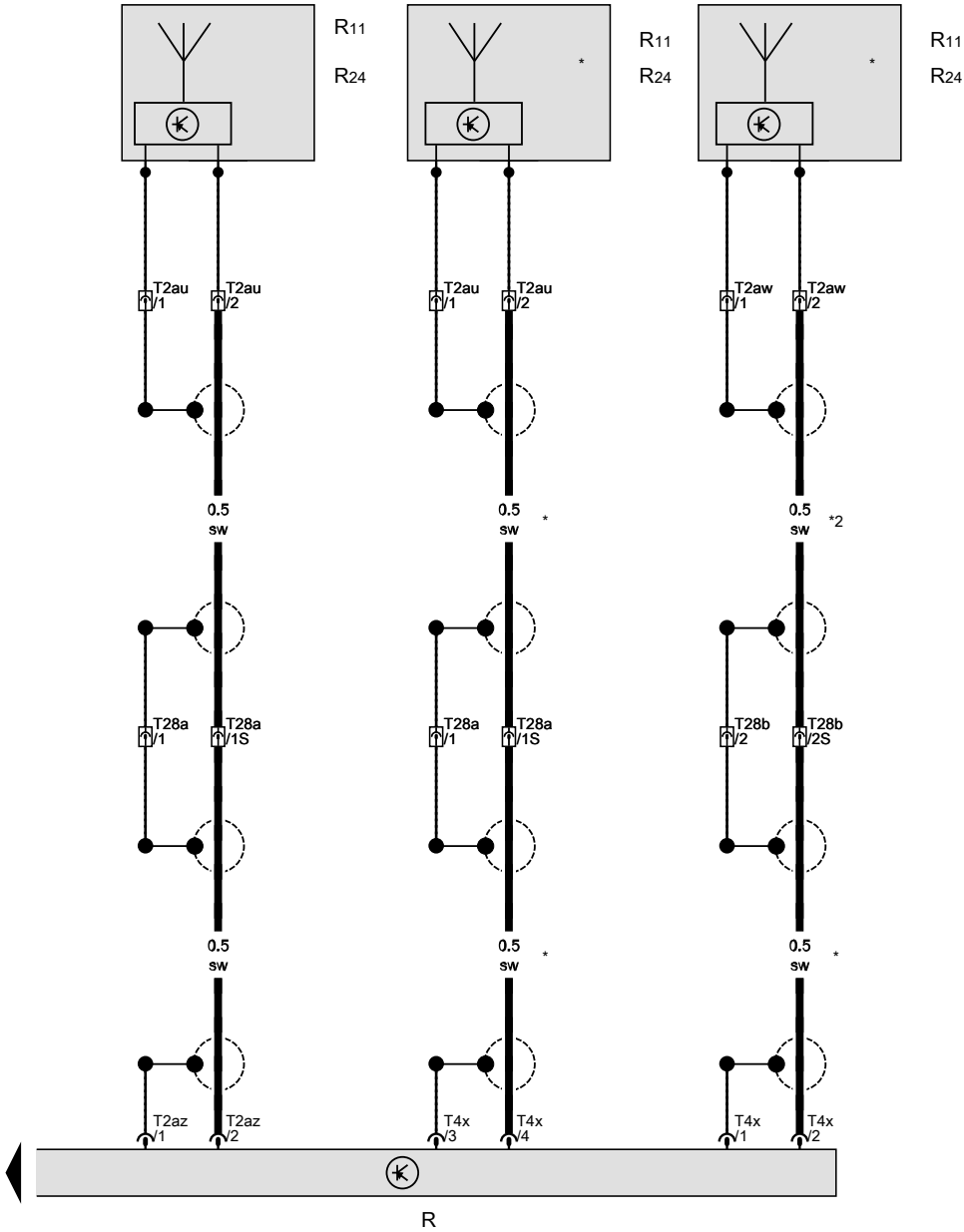
- R Radio
- R5 Rear right loudspeaker
- R22 Front right treble loudspeaker
- R23 Front right bass loudspeaker
- T2o 2-pin connector
- T4af 4-pin connector
- T4w 4-pin connector
- T8 8-pin connector, brown
- T17c 17-pin connector, on left under dash panel
- T28b 28-pin connector, on right A-pillar, black
- T28c 28-pin connector, on right B-pillar, black
- V9 Connection (positive, front right loudspeaker), in loudspeaker wiring harness
- V10 Connection (negative, front right loudspeaker), in loudspeaker wiring harness
- \* Only models with equipment (6-passive loudspeakers)
- \*2 Only models with 4 or 6 loudspeakers

- ws = white
- sw = black
- ro = red
- br = brown
- gn = green
- bl = blue
- gr = grey
- li = purple
- ge = yellow
- or = orange
- rs = pink

7PH0-0780611121

Radio, Aerial, Aerial amplifier

- R Radio
- R11 Aerial
- R24 Aerial amplifier
- T2au 2-pin connector, in left door, near exterior mirror, black
- T2aw 2-pin connector, in right door, near exterior mirror, black
- T2az 2-pin connector, colourless
- T4x 4-pin connector, colourless
- T28a 28-pin connector, on left A-pillar, black
- T28b 28-pin connector, on right A-pillar, black
- \* Only models with radio RCD 310/RCD 510
- \*2 Only models with radio and amplifier



- ws = white
- sw = black
- ro = red
- br = brown
- gn = green
- bl = blue
- gr = grey
- li = purple
- ge = yellow
- or = orange
- rs = pink

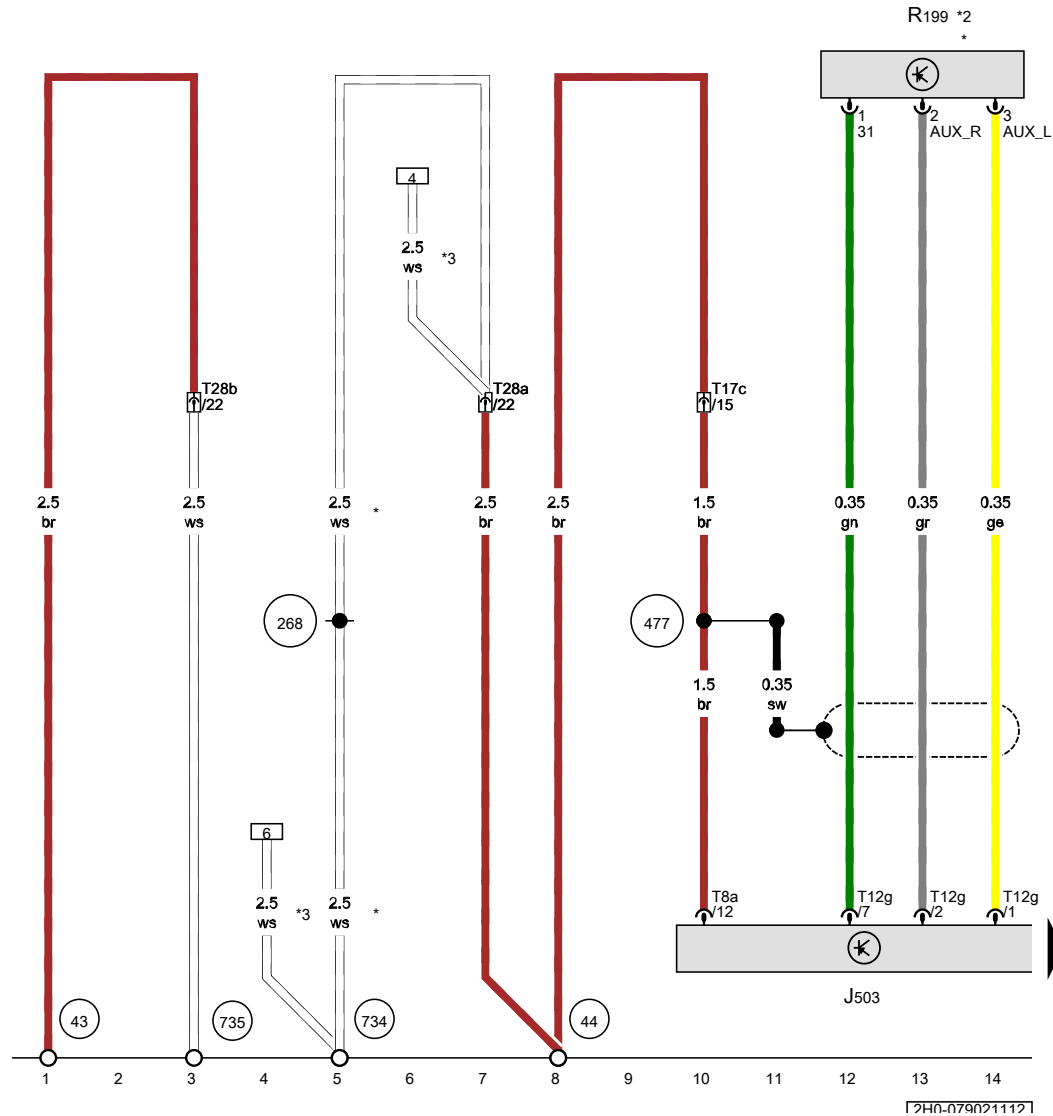
**Radio navigation system , (8AY),(7UC),(7UK),(7T6)**

From June 2012

**Control unit with display for radio and navigation,  
Connection for external audio sources**

- J503 Control unit with display for radio and navigation
- R199 Connection for external audio sources
- T8a 8-pin connector, black
- T12g 12-pin connector, blue
- T17c 17-pin connector, on left under dash panel
- T28a 28-pin connector, on left A-pillar, black
- T28b 28-pin connector, on right A-pillar, black

- 43 Earth point, lower part of right A-pillar
- 44 Earth point, lower part of left A-pillar
- 268 Earth connection 2, in front passenger side door wiring harness
- 477 Earth connection (audio), in main wiring harness
- 734 Earth point in front left door
- 735 Earth point in front right door
- \* From February 2013
- \*2 According to equipment
- \*3 Up to January 2013



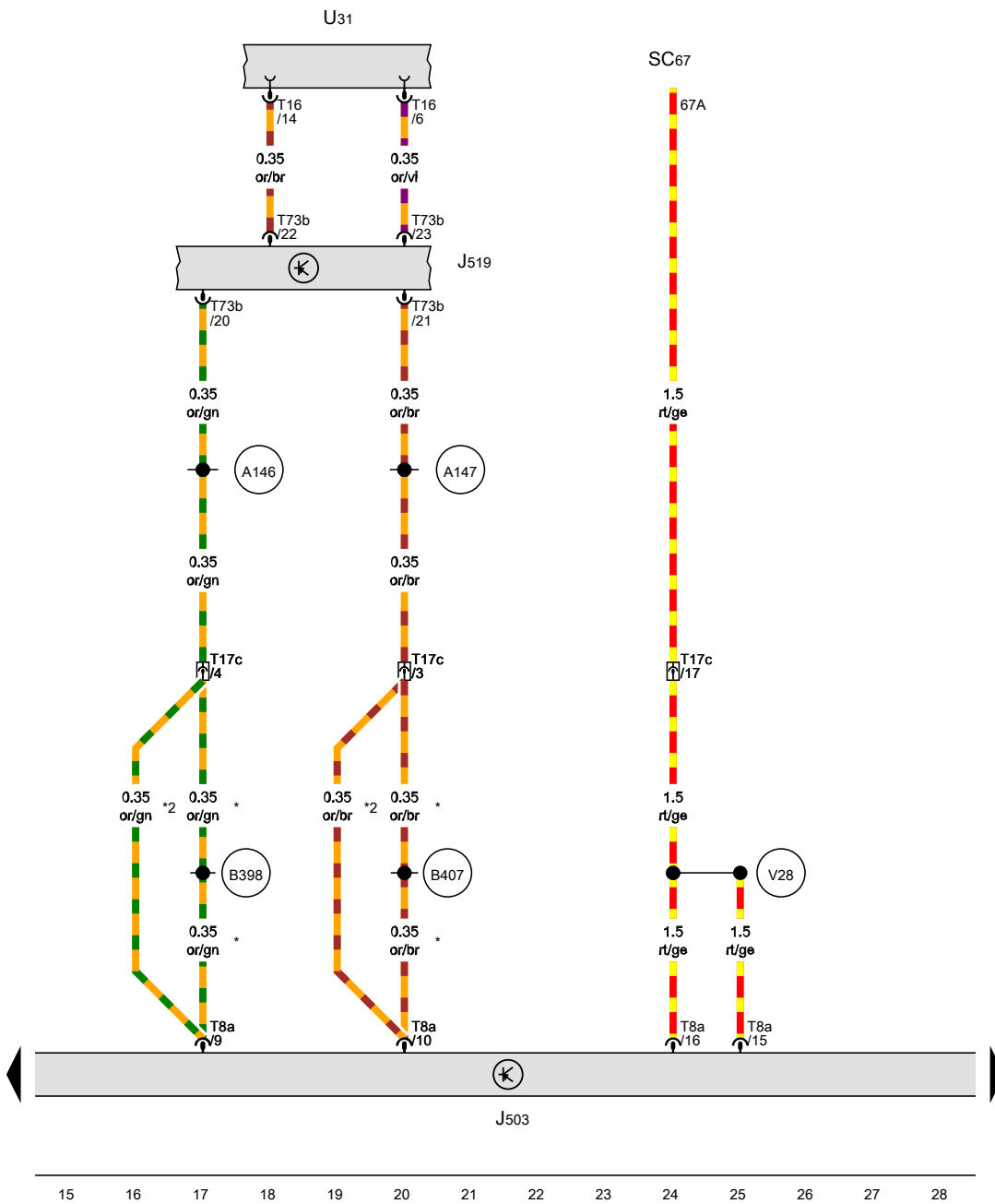
ГЭН-0790211121

**Control unit with display for radio and navigation, Fuse 67 on fuse holder C, Diagnostic connection**

- J503 Control unit with display for radio and navigation
- J519 Onboard supply control unit
- SC67 Fuse 67 on fuse holder C
- T8a 8-pin connector, black
- T16 16-pin connector, black
- T17c 17-pin connector, on left under dash panel
- T73b 73-pin connector, colourless
- U31 Diagnostic connection

- (A146) Connection (convenience CAN bus, high), in dash panel wiring harness
- (A147) Connection (convenience CAN bus, low), in dash panel wiring harness
- (B398) Connection 2 (convenience CAN bus, high), in main wiring harness
- (B407) Connection 2 (convenience CAN bus, low), in main wiring harness
- (V28) Connection 1, in radio wiring harness

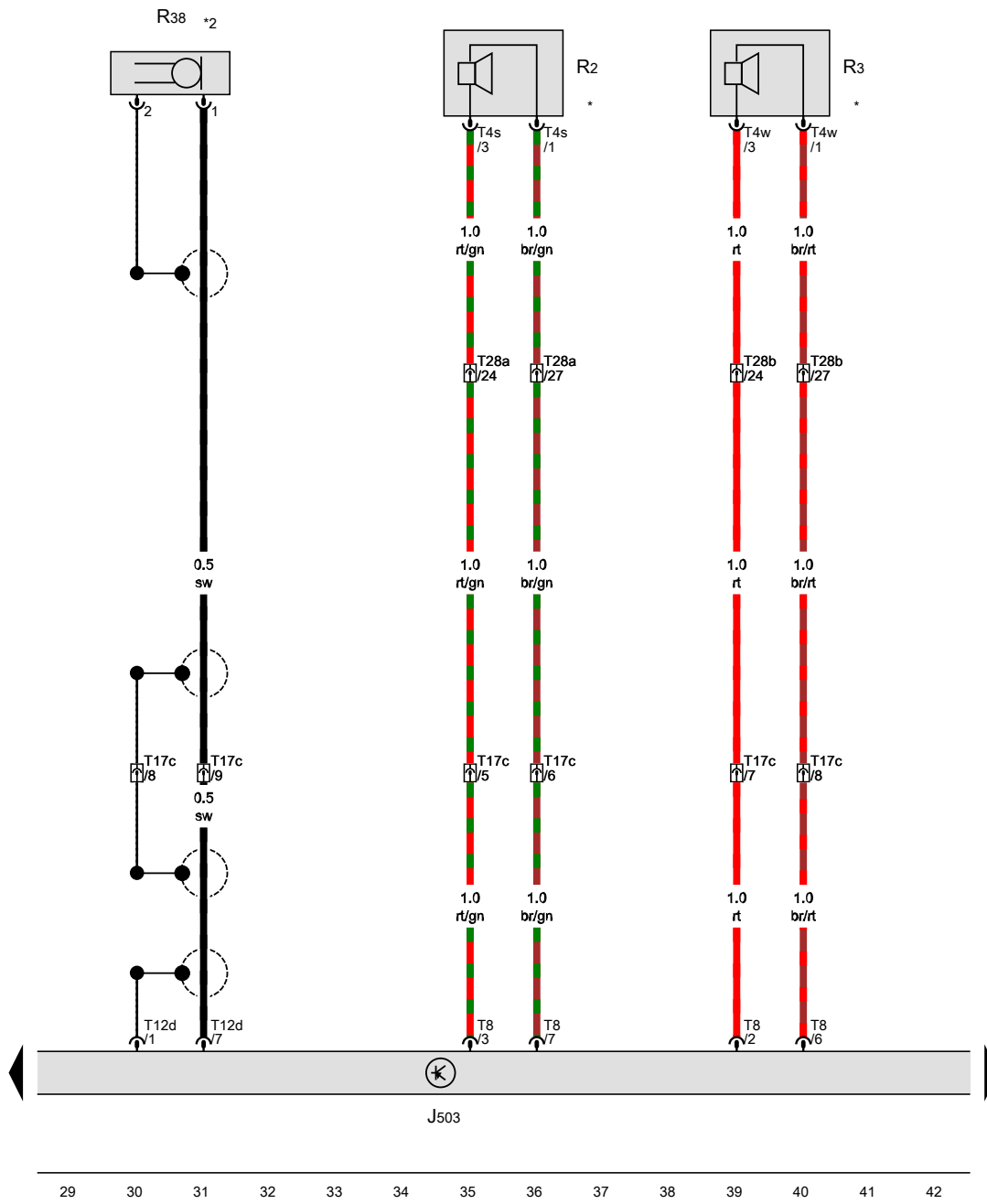
\* From February 2013  
 \*2 Up to January 2013



- ws = white
- sw = black
- ro = red
- br = brown
- gn = green
- bl = blue
- gr = grey
- li = purple
- ge = yellow
- or = orange
- rs = pink

ГЭН-0790311121





Control unit with display for radio and navigation, Front left loudspeaker, Front right loudspeaker, Telephone microphone

- J503 Control unit with display for radio and navigation
- R2 Front left loudspeaker
- R3 Front right loudspeaker
- R38 Telephone microphone
- T4s 4-pin connector, black
- T4w 4-pin connector, black
- T8 8-pin connector, brown
- T12d 12-pin connector, green
- T17c 17-pin connector, on left under dash panel
- T28a 28-pin connector, on left A-pillar, black
- T28b 28-pin connector, on right A-pillar, black
- \* Only models with 2 loudspeakers (8RD)
- \*2 Only models with mobile telephone/ preparation for mobile telephone

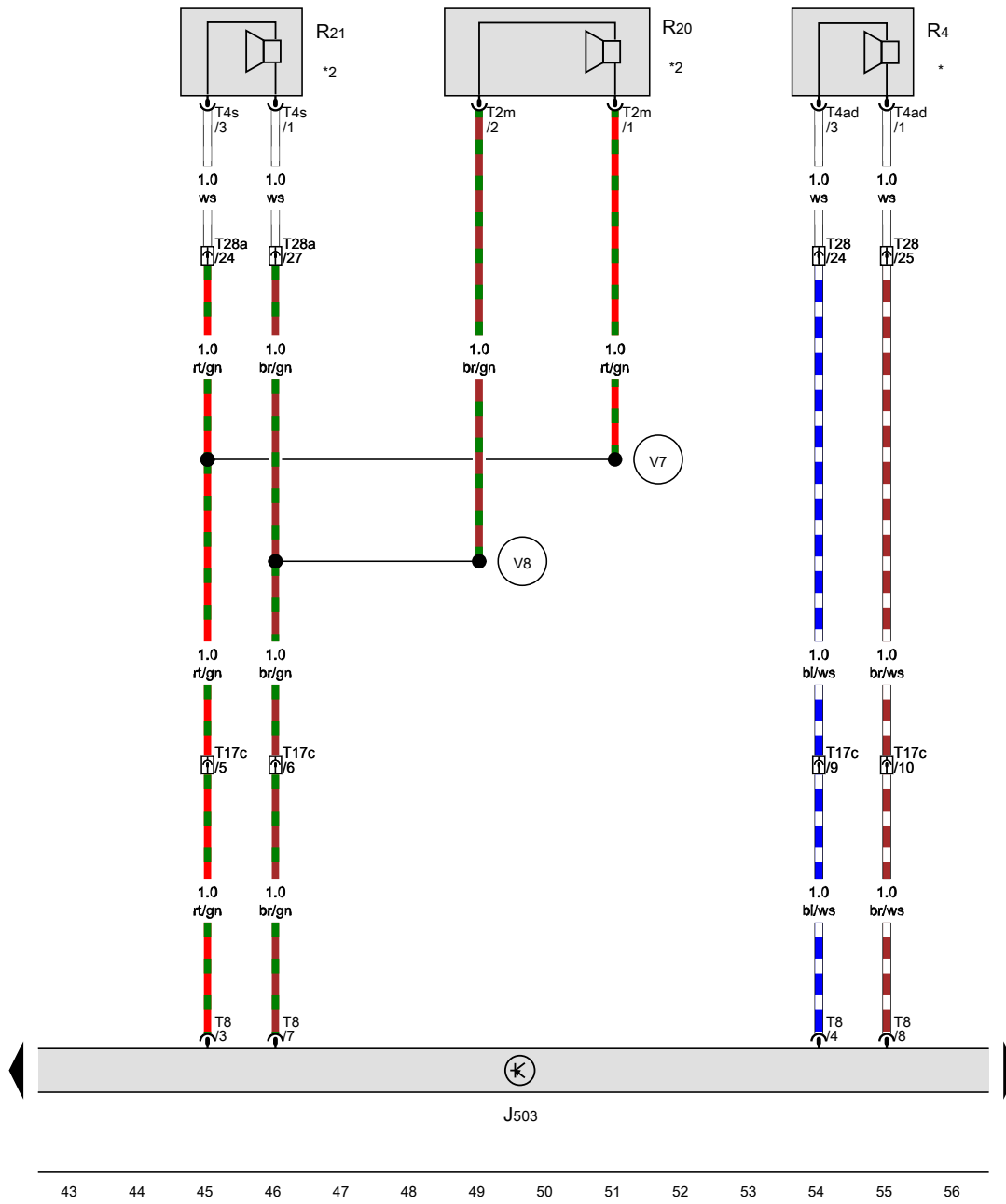
- ws = white
- sw = black
- ro = red
- br = brown
- gn = green
- bl = blue
- gr = grey
- li = purple
- ge = yellow
- or = orange
- rs = pink

[240-079041112]

Control unit with display for radio and navigation, Rear left loudspeaker, Front left treble loudspeaker, Front left bass loudspeaker

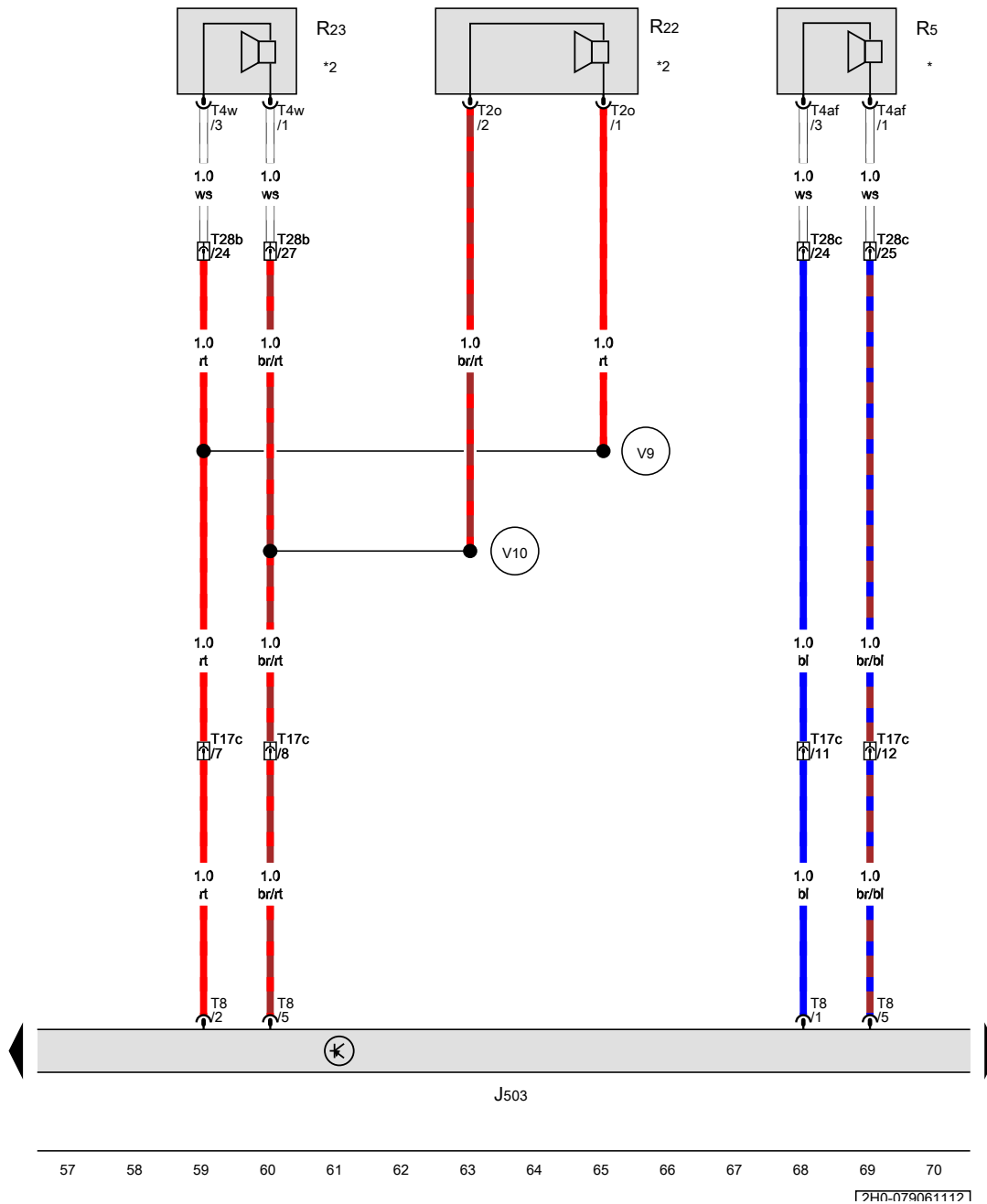
- J503 Control unit with display for radio and navigation
- R4 Rear left loudspeaker
- R20 Front left treble loudspeaker
- R21 Front left bass loudspeaker
- T2m 2-pin connector, black
- T4ad 4-pin connector
- T4s 4-pin connector, black
- T8 8-pin connector, brown
- T17c 17-pin connector, on left under dash panel
- T28 28-pin connector, on left B-pillar, black
- T28a 28-pin connector, on left A-pillar, black

- V7 Connection (positive, front left loudspeaker), in loudspeaker wiring harness
- V8 Connection (negative, front left loudspeaker), in loudspeaker wiring harness
- \* Only models with equipment (6-passive loudspeakers)
- \*2 Only models with 4 or 6 loudspeakers



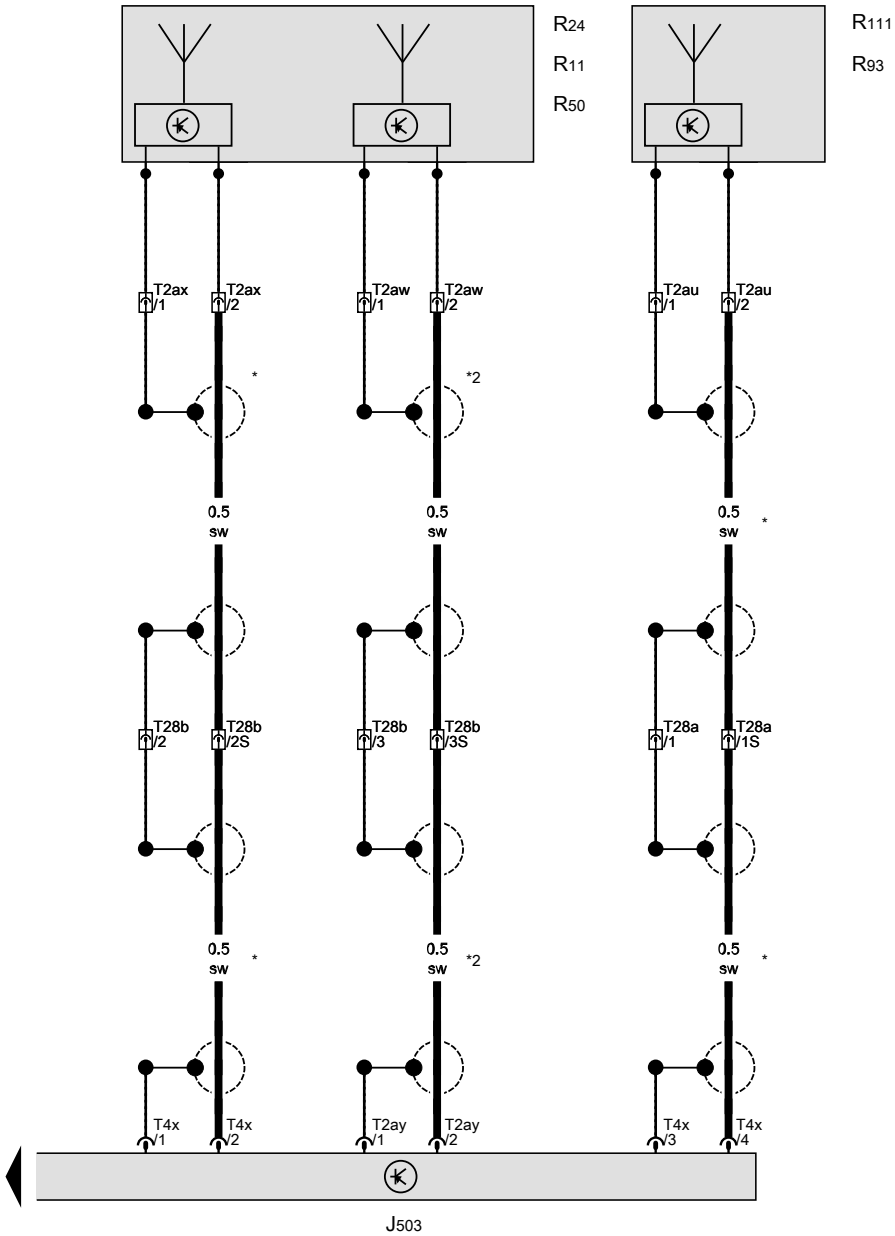
- ws = white
- sw = black
- ro = red
- br = brown
- gn = green
- bl = blue
- gr = grey
- li = purple
- ge = yellow
- or = orange
- rs = pink

Control unit with display for radio and navigation, Rear right loudspeaker, Front right treble loudspeaker, Front right bass loudspeaker



- J503 Control unit with display for radio and navigation
- R5 Rear right loudspeaker
- R22 Front right treble loudspeaker
- R23 Front right bass loudspeaker
- T2o 2-pin connector, black
- T4af 4-pin connector, black
- T4w 4-pin connector, black
- T8 8-pin connector, brown
- T17c 17-pin connector, on left under dash panel
- T28b 28-pin connector, on right A-pillar, black
- T28c 28-pin connector, on right B-pillar, black
- V9 Connection (positive, front right loudspeaker), in loudspeaker wiring harness
- V10 Connection (negative, front right loudspeaker), in loudspeaker wiring harness
- \* Only models with equipment (6-passive loudspeakers)
- \*2 Only models with 4 or 6 loudspeakers

- ws = white
- sw = black
- ro = red
- br = brown
- gn = green
- bl = blue
- gr = grey
- li = purple
- ge = yellow
- or = orange
- rs = pink



**Control unit with display for radio and navigation, Aerial, Aerial amplifier, GPS aerial, Radio aerial 2**

- J503 Control unit with display for radio and navigation
- R11 Aerial
- R24 Aerial amplifier
- R50 GPS aerial
- R93 Radio aerial 2
- R111 Aerial amplifier 2
- T2au 2-pin connector, in left door, near exterior mirror
- T2aw 2-pin connector, in right door, near exterior mirror, blue
- T2ax 2-pin connector, in right door, near exterior mirror
- T2ay 2-pin connector, blue
- T4x 4-pin connector, colourless
- T28a 28-pin connector, on left A-pillar, black
- T28b 28-pin connector, on right A-pillar, black
- \* Aerial connection for radio
- \*2 Aerial connection for GPS

- ws = white
- sw = black
- ro = red
- br = brown
- gn = green
- bl = blue
- gr = grey
- li = purple
- ge = yellow
- or = orange
- rs = pink

71 72 73 74 75 76 77 78 79 80 81 82 83 84

79H0-0790711171

**Air supply for toothed belt drive (engine dust kit)**

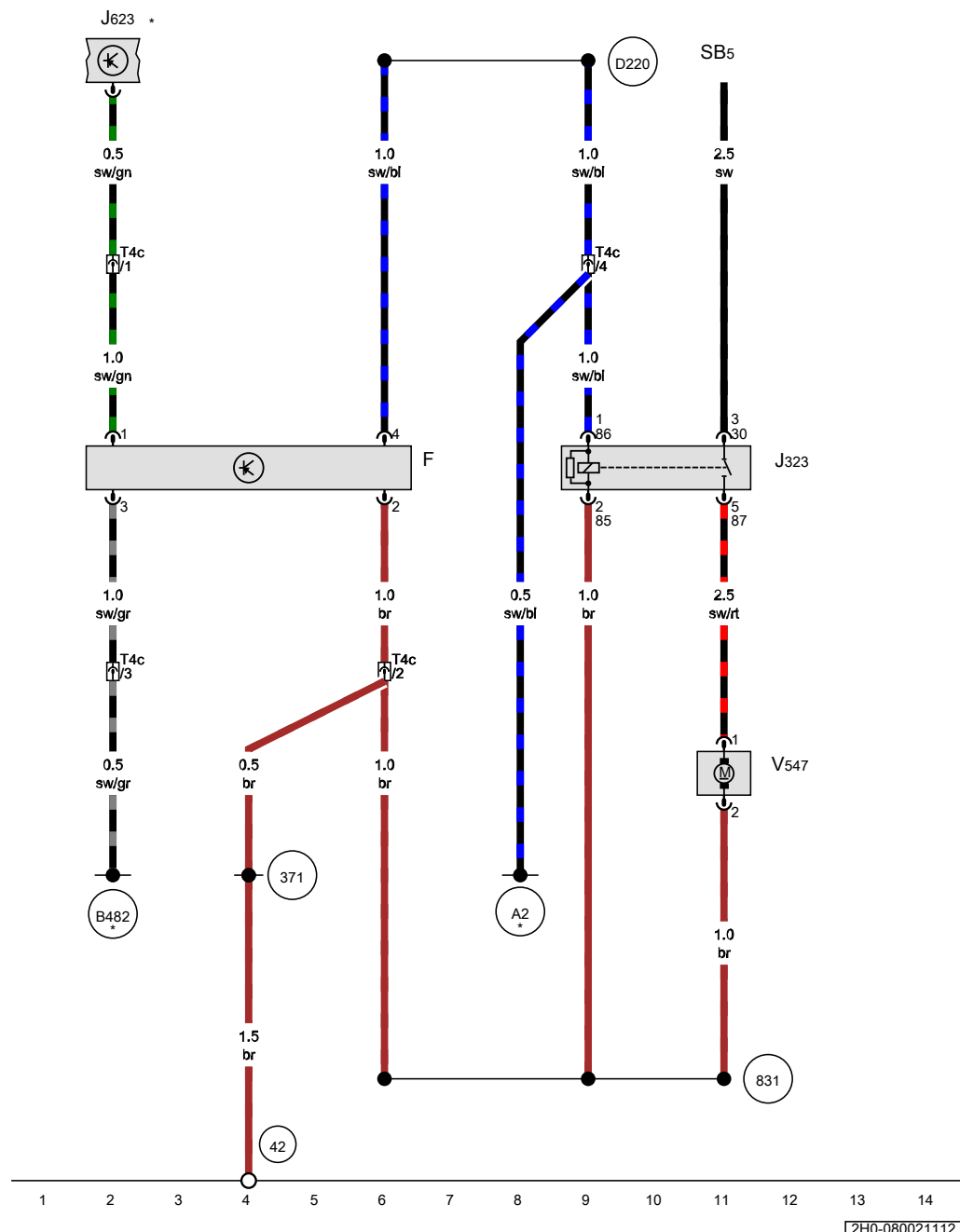
From November 2012

**Blower relay, Air supply blower**

- F Brake light switch, on brake master cylinder
- J323 Blower relay, near engine control unit
- J623 Engine control unit
- SB5 Fuse 5 on fuse holder B
- T4c 4-pin connector, black
- V547 Air supply blower

- (42) Earth point, next to steering column
- (371) Earth connection 6, in main wiring harness
- (831) Earth connection in air supply wiring harness (engine dust kit)
- (A2) Positive connection (15), in dash panel wiring harness
- (B482) Connection 18, in main wiring harness
- (D220) Positive connection (15) in air supply wiring harness (engine dust kit)

\* see applicable current flow diagram for ABS



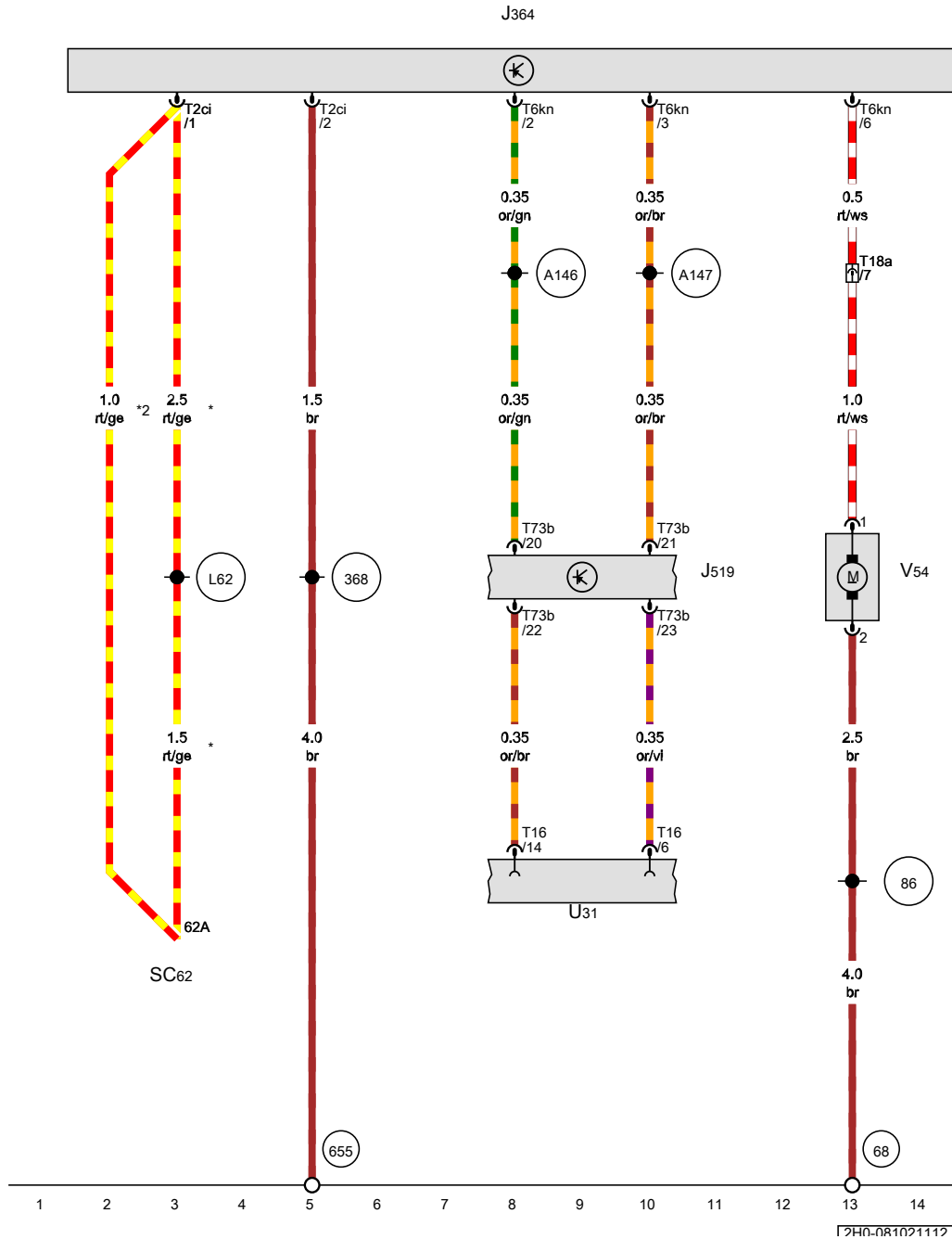
- ws = white
- sw = black
- ro = red
- br = brown
- gn = green
- bl = blue
- gr = grey
- li = purple
- ge = yellow
- or = orange
- rs = pink

1740-0800211121

**Auxiliary coolant heater , CFP**

From January 2013

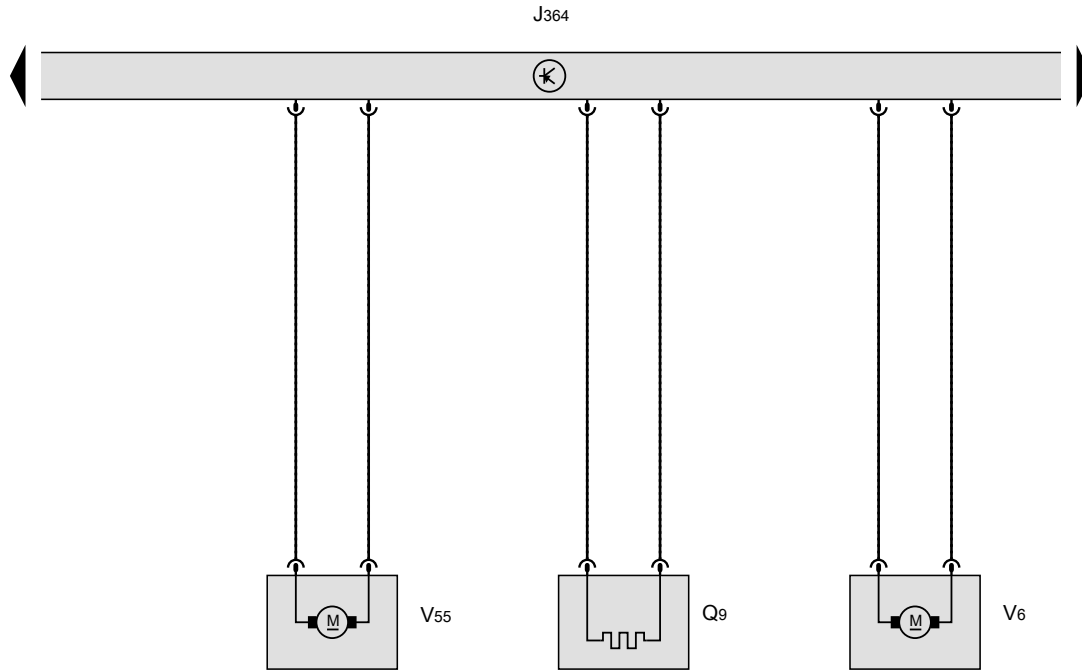
**Auxiliary heater control unit, Onboard supply control unit, Fuse 62 on fuse holder C, Metering pump**



- J364 Auxiliary heater control unit
- J519 Onboard supply control unit
- SC62 Fuse 62 on fuse holder C
- T2ci 2-pin connector, black
- T6kn 6-pin connector, black
- T16 16-pin connector, black
- T18a 18-pin connector, near engine control unit, grey
- T73b 73-pin connector, colourless
- U31 Diagnostic connection, near driver side A-pillar
- V54 Metering pump
- 68 Earth point, on left of rear cross member
- 86 Earth connection 1, in rear wiring harness
- 368 Earth connection 3, in main wiring harness
- 655 Earth point, on left headlight
- A146 Connection (convenience CAN bus, high), in dash panel wiring harness
- A147 Connection (convenience CAN bus, low), in dash panel wiring harness
- L62 Positive connection (30a), in auxiliary heater wiring harness
- \* Only models with air conditioning system/ Climatronic
- \*2 Only models with no air conditioning system/Climatronic

- ws = white
- sw = black
- ro = red
- br = brown
- gn = green
- bl = blue
- gr = grey
- li = purple
- ge = yellow
- or = orange
- rs = pink





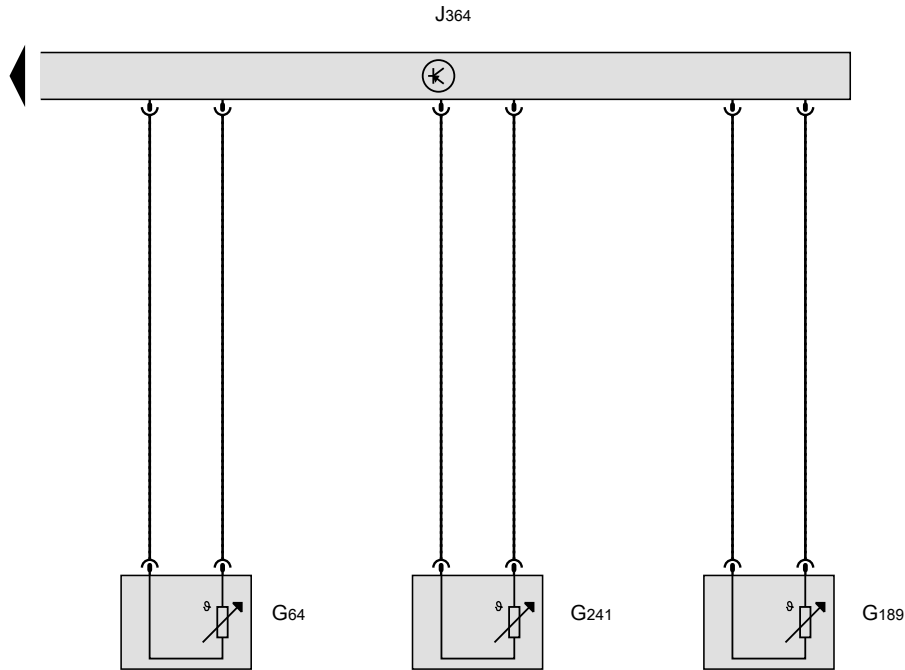
**Auxiliary heater control unit, Glow plug for heater,  
Combustion air blower**

- J364 Auxiliary heater control unit
- Q9 Glow plug for heater
- V6 Combustion air blower
- V55 Circulation pump

- ws = white
- sw = black
- ro = red
- br = brown
- gn = green
- bl = blue
- gr = grey
- li = purple
- ge = yellow
- or = orange
- rs = pink

15 16 17 18 19 20 21 22 23 24 25 26 27 28

12H0-0810311121



Flame monitor, Overheating sensor, Coolant temperature sender for heater, Auxiliary heater control unit

- G64 Flame monitor
- G189 Overheating sensor
- G241 Coolant temperature sender for heater
- J364 Auxiliary heater control unit

- ws = white
- sw = black
- ro = red
- br = brown
- gn = green
- bl = blue
- gr = grey
- li = purple
- ge = yellow
- or = orange
- rs = pink

29 30 31 32 33 34 35 36 37 38 39 40 41 42

[240-081041112]

## Reversing camera (Rear Assist)

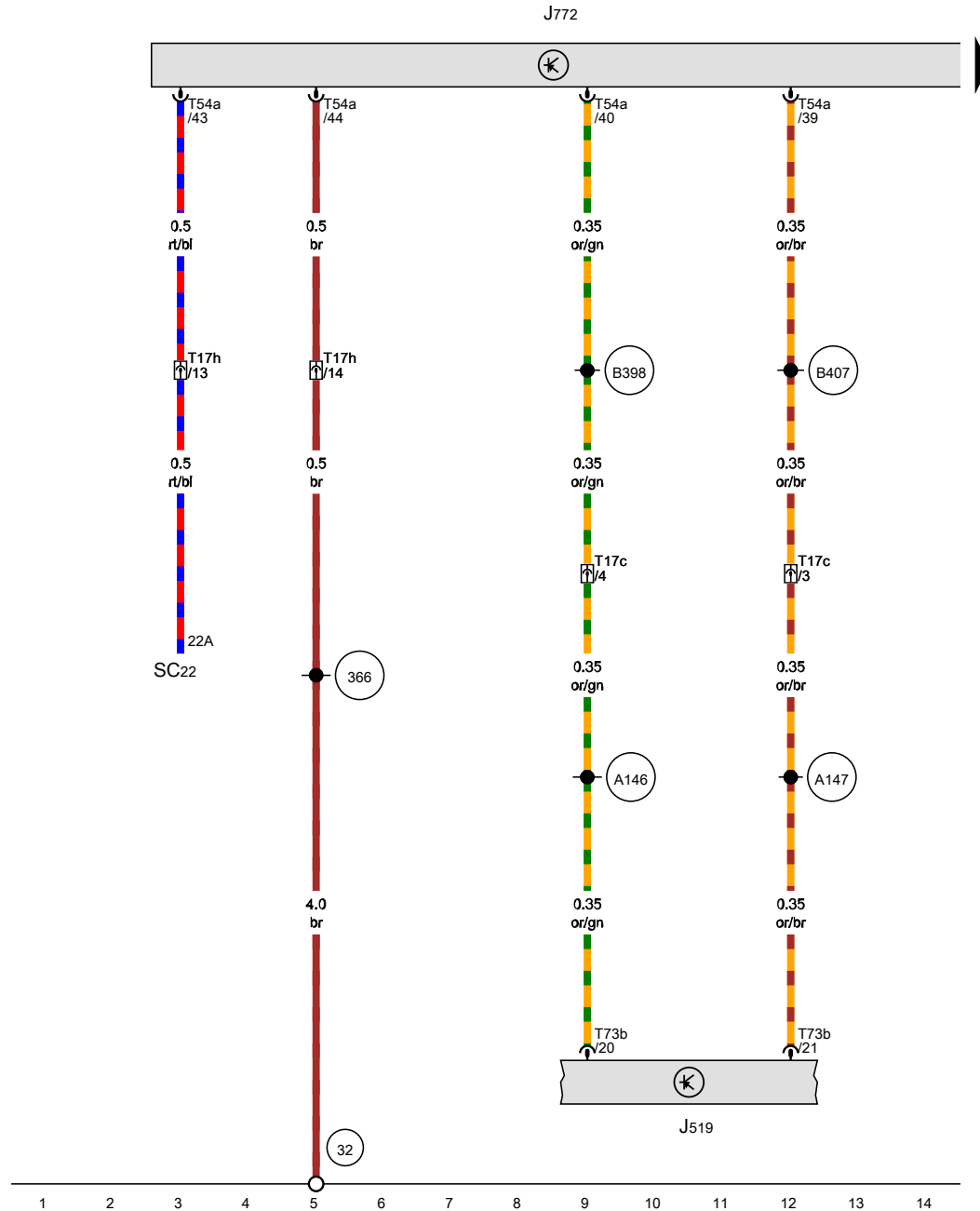
From January 2013

Onboard supply control unit, Reversing camera system control unit

- J519 Onboard supply control unit
- J772 Reversing camera system control unit
- SC22 Fuse 22 on fuse holder C
- T17c 17-pin connector, on left under dash panel, white
- T17h 17-pin connector, on left under dash panel, blue
- T54a 54-pin connector, light blue
- T73b 73-pin connector, white

- 32 Earth point, on left behind dash panel
- 366 Earth connection 1, in main wiring harness
- A146 Connection (convenience CAN bus, high), in dash panel wiring harness
- A147 Connection (convenience CAN bus, low), in dash panel wiring harness
- B398 Connection 2 (convenience CAN bus, high), in main wiring harness
- B407 Connection 2 (convenience CAN bus, low), in main wiring harness

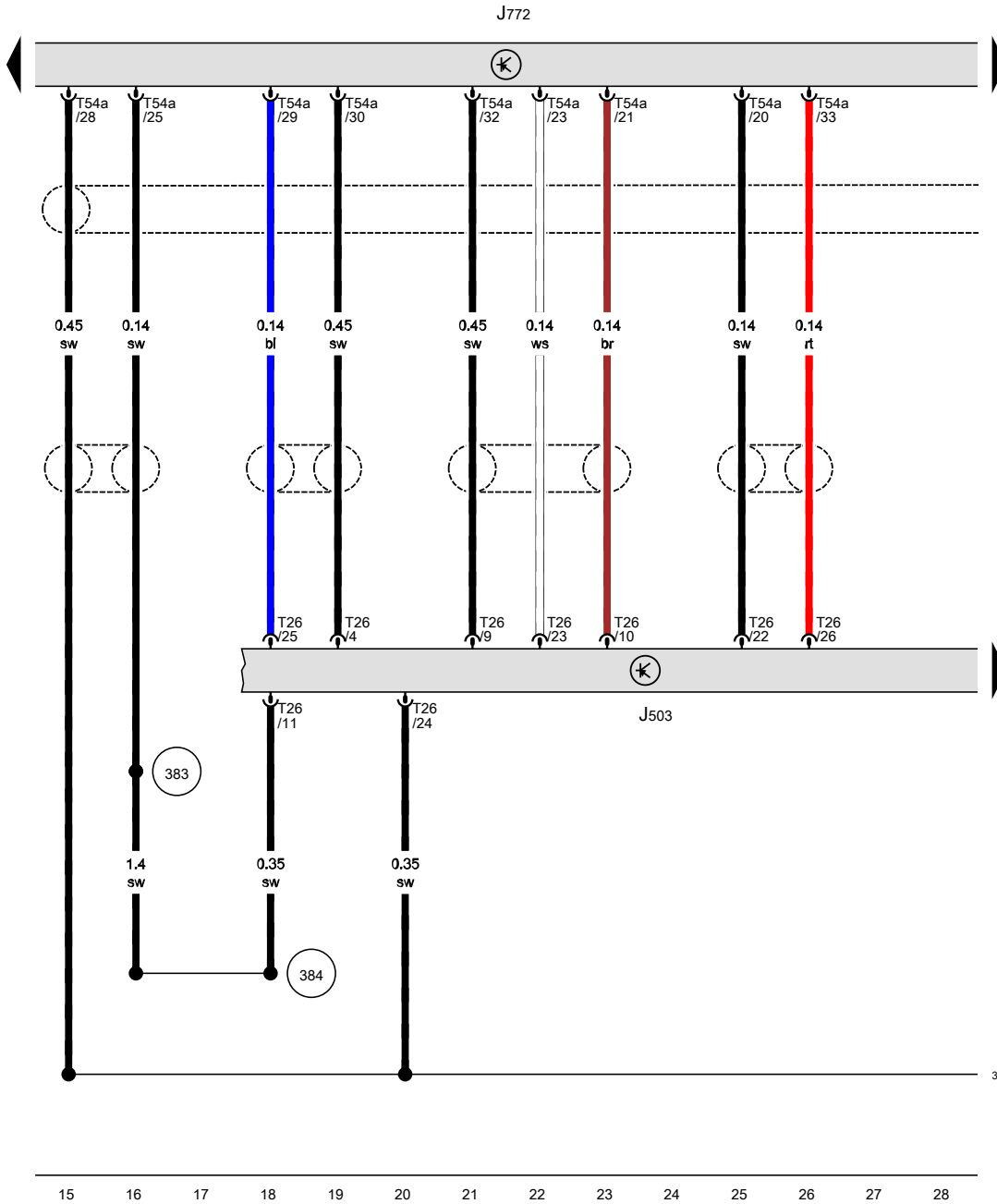
- ws = white
- sw = black
- ro = red
- br = brown
- gn = green
- bl = blue
- gr = grey
- li = purple
- ge = yellow
- or = orange
- rs = pink



Control unit with display for radio and navigation, Reversing camera system control unit

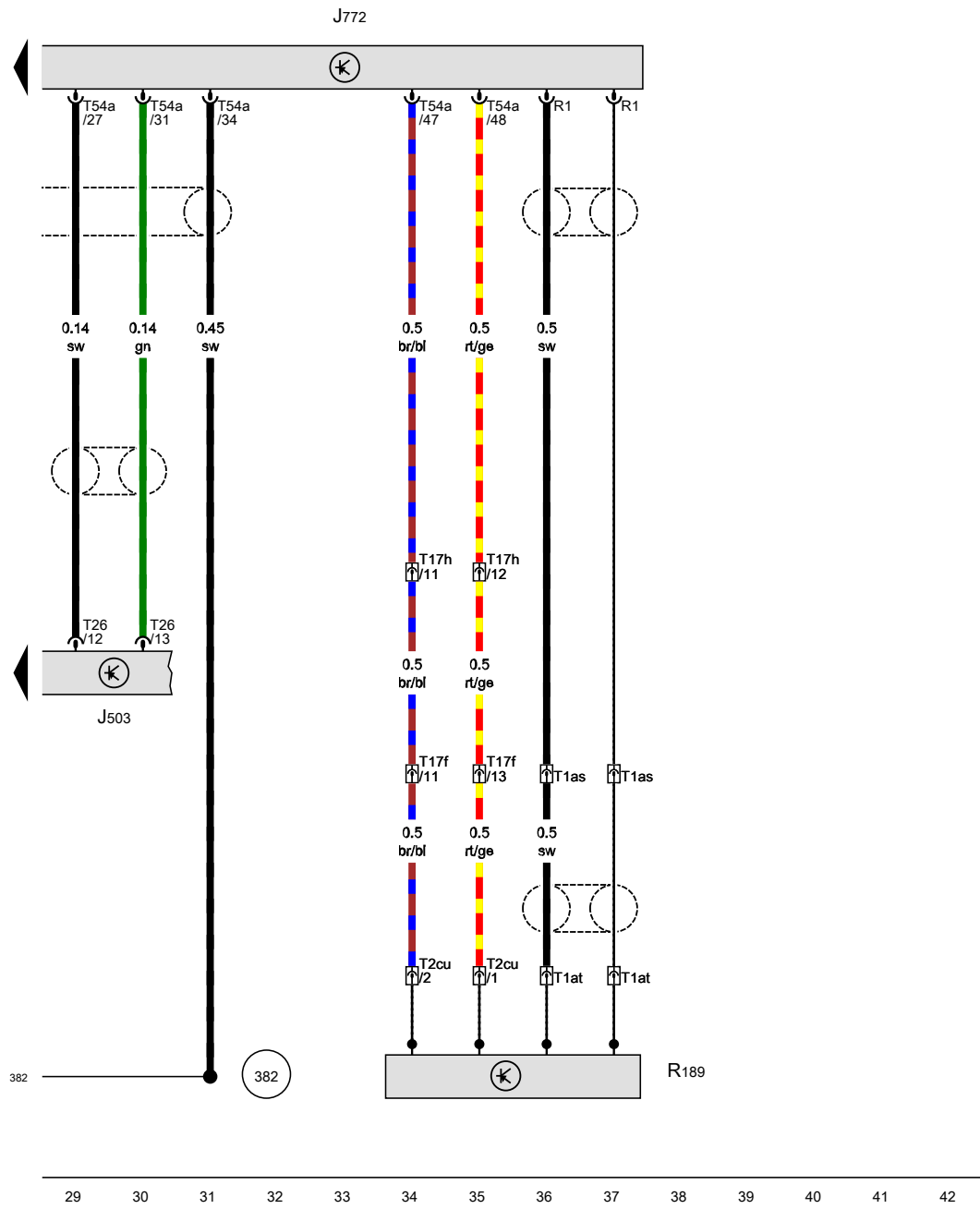
- J503 Control unit with display for radio and navigation
- J772 Reversing camera system control unit
- T26 26-pin connector, black
- T54a 54-pin connector, light blue

- 382 Earth connection 17, in main wiring harness
- 383 Earth connection 18, in main wiring harness
- 384 Earth connection 19, in main wiring harness



- ws = white
- sw = black
- ro = red
- br = brown
- gn = green
- bl = blue
- gr = grey
- li = purple
- ge = yellow
- or = orange
- rs = pink

17H0-0820311121



Control unit with display for radio and navigation, Reversing camera system control unit, Reversing camera

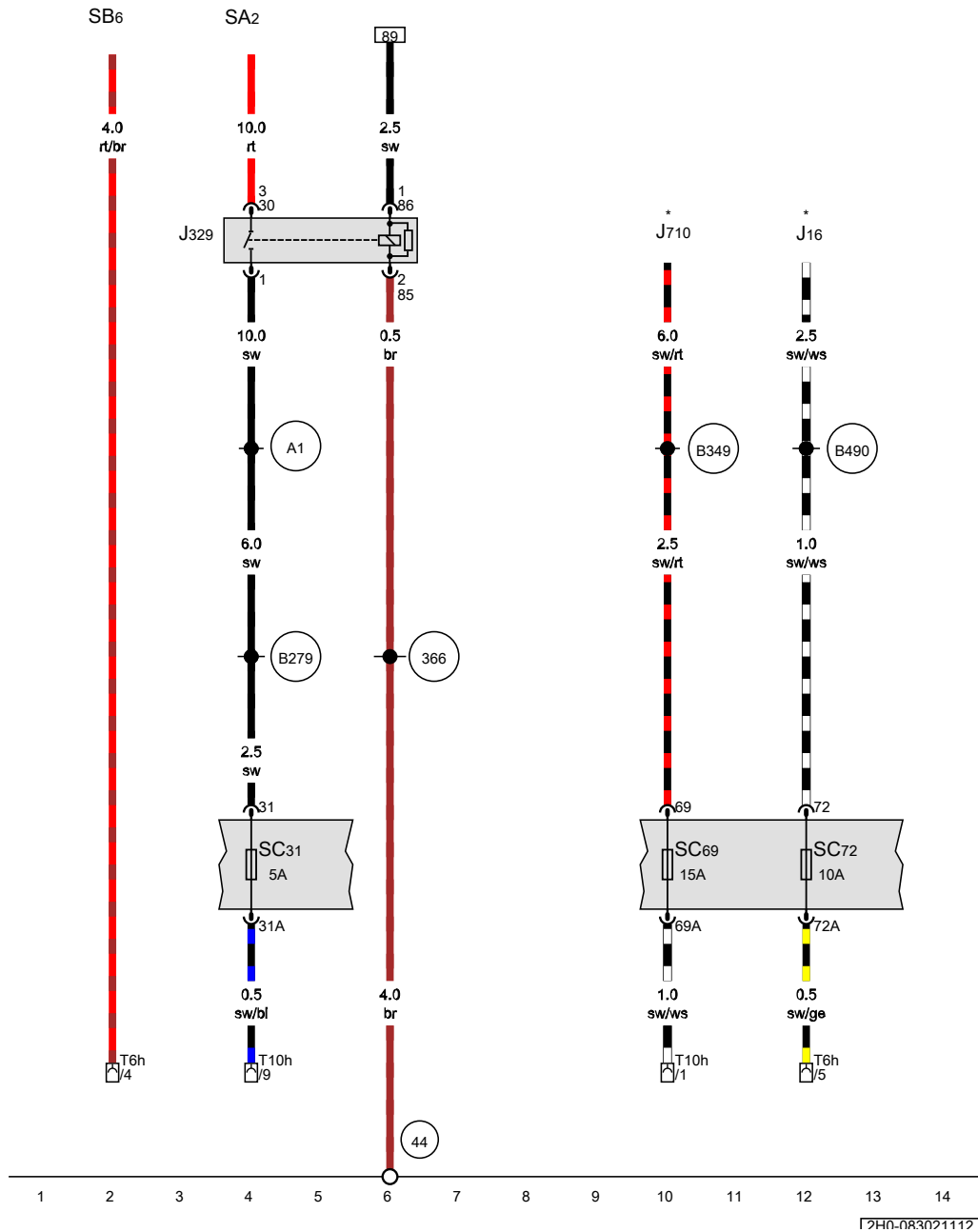
- J503 Control unit with display for radio and navigation
- J772 Reversing camera system control unit
- R189 Reversing camera
- T1as Single connector, near handbrake lever, grey
- T1at Single connector, grey
- T2cu 2-pin connector, black, in rear lid
- T17f 17-pin connector, near handbrake lever, blue
- T17h 17-pin connector, on left under dash panel, blue
- T26 26-pin connector, black
- T54a 54-pin connector, light blue

382 Earth connection 17, in main wiring harness

- ws = white
- sw = black
- ro = red
- br = brown
- gn = green
- bl = blue
- gr = grey
- li = purple
- ge = yellow
- or = orange
- rs = pink

**Interface for external use**

From January 2013



Voltage supply relay 2, Fuse 2 in fuse holder A, Fuse 31 on fuse holder C, Fuse 69 on fuse holder C, Fuse 72 on fuse holder C

- J16 Current supply relay
- J329 Terminal 15 voltage supply relay
- J710 Voltage supply relay 2, on relay carrier
- SA2 Fuse 2 in fuse holder A
- SB6 Fuse 6 on fuse holder B
- SC31 Fuse 31 on fuse holder C
- SC69 Fuse 69 on fuse holder C
- SC72 Fuse 72 on fuse holder C
- T6h 6-pin connector, in front centre console, grey
- T10h 10-pin connector, in left footwell, near centre console, purple



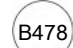
- 44 Earth point, lower part of left A-pillar
- 366 Earth connection 1, in main wiring harness
- A1 Positive connection (30a), in dash panel wiring harness
- B279 Positive connection 3 (15a) in main wiring harness
- B349 Connection 2 (75a), in main wiring harness
- B490 Connection 26, in main wiring harness

\* see applicable current flow diagram for fuse assignment

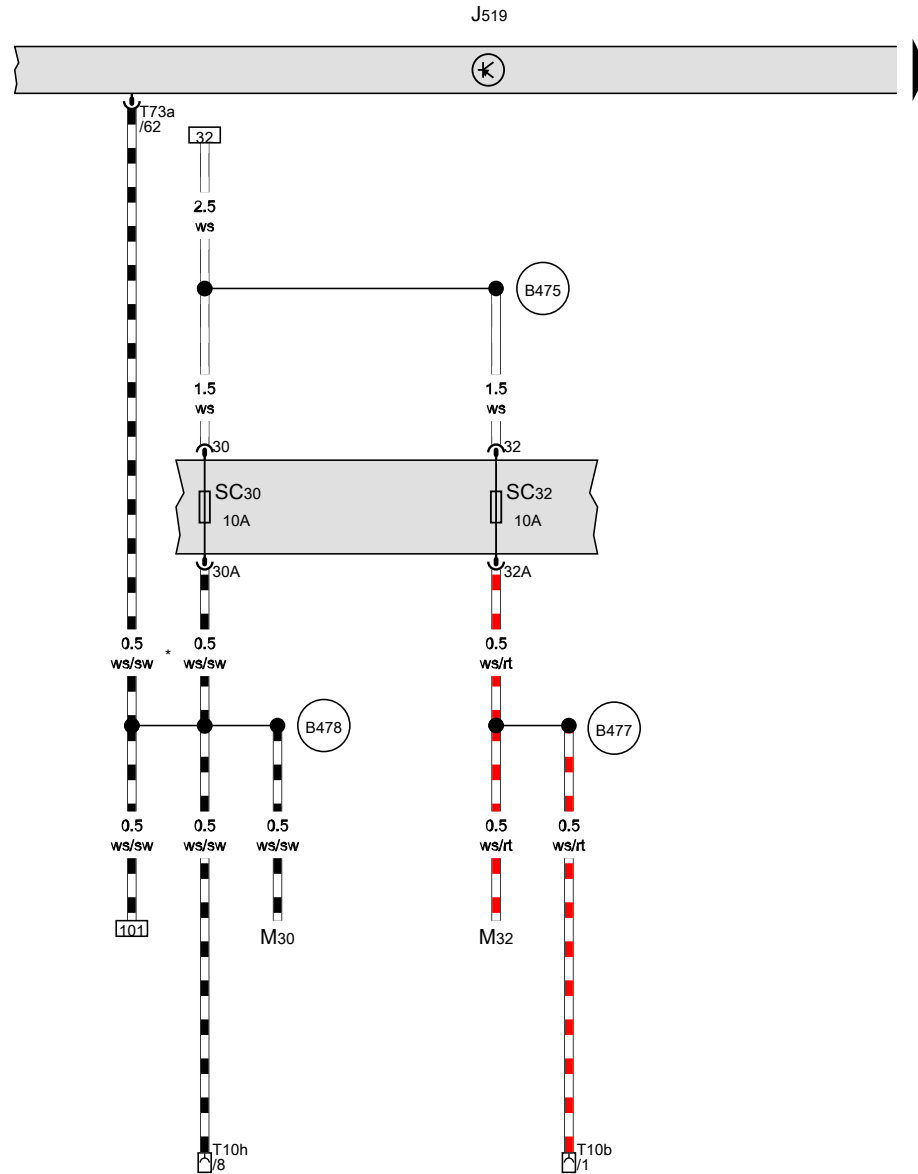


**Onboard supply control unit, Fuse 30 on fuse holder C, Fuse 32 on fuse holder C**

- J519 Onboard supply control unit
- M30 Left headlight main beam bulb
- M32 Right headlight main beam bulb
- SC30 Fuse 30 on fuse holder C
- SC32 Fuse 32 on fuse holder C
- T10b 10-pin connector, in left footwell, near centre console, yellow
- T10h 10-pin connector, in left footwell, near centre console, purple
- T73a 73-pin connector, black

-  B475 Connection 11, in main wiring harness
-  B477 Connection 13, in main wiring harness
-  B478 Connection 14, in main wiring harness

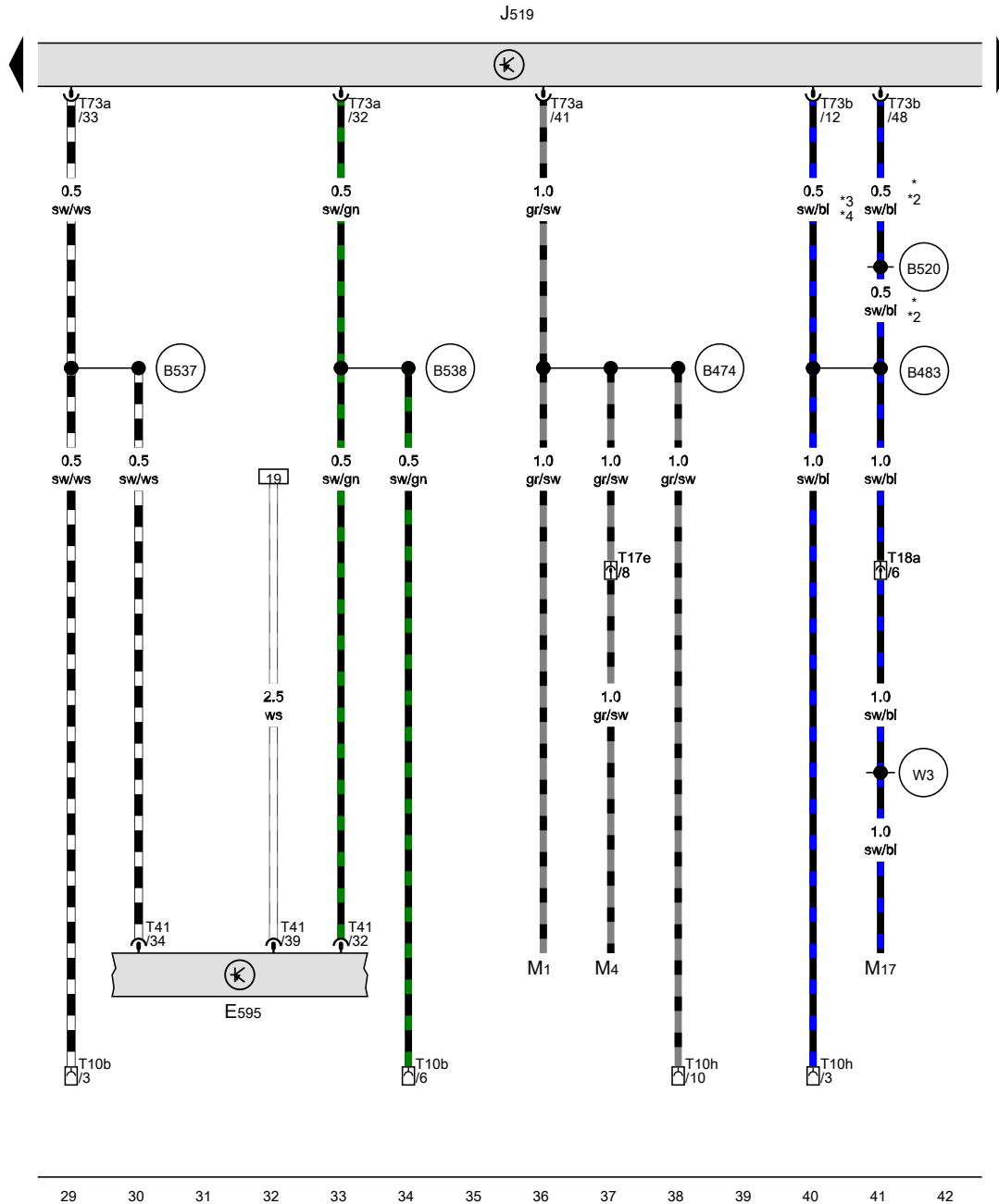
\* Only models with automatic driving lights control



- ws = white
- sw = black
- ro = red
- br = brown
- gn = green
- bl = blue
- gr = grey
- li = purple
- ge = yellow
- or = orange
- rs = pink

15 16 17 18 19 20 21 22 23 24 25 26 27 28

1740-0830311121



Onboard supply control unit

- E595 Steering column combination switch
- J519 Onboard supply control unit
- M1 Left side light bulb
- M4 Left tail light bulb
- M17 Right reversing light bulb
- T10b 10-pin connector, in left footwell, near centre console, yellow
- T10h 10-pin connector, in left footwell, near centre console, purple
- T17e 17-pin connector, near handbrake lever, red
- T18a 18-pin connector, near engine control unit, grey
- T41 41-pin connector, grey
- T73a 73-pin connector, black
- T73b 73-pin connector, colourless

B474 Connection 10, in main wiring harness

B483 Connection 19, in main wiring harness

B520 Connection (RL), in main wiring harness

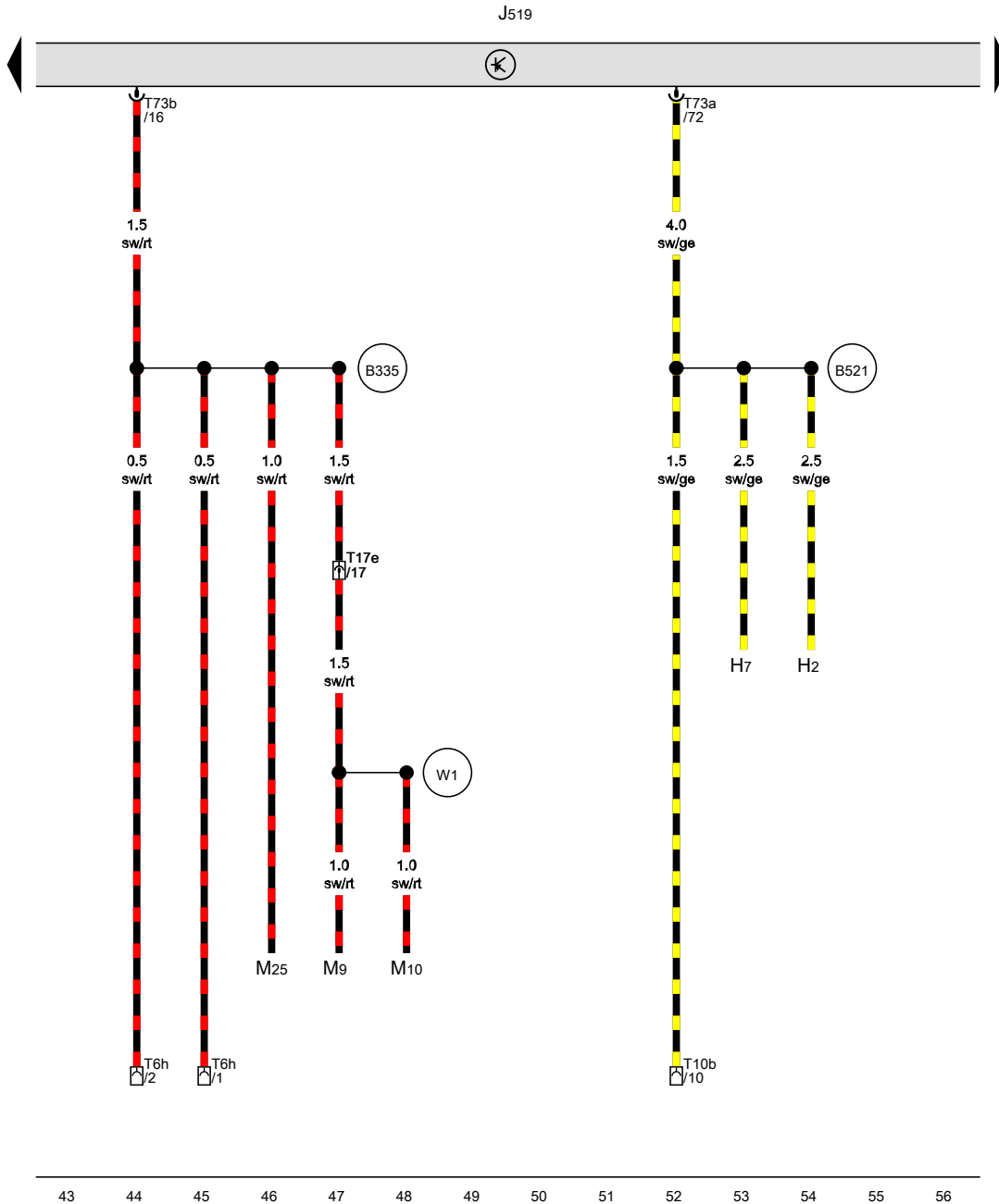
B537 Connection 28, in main wiring harness

B538 Connection 29, in main wiring harness

W3 Connection in rear wiring harness

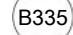
- \* Only models with manual gearbox
- \*2 Only models with no automatic headlight control with coming home
- \*3 Only models with automatic driving lights control
- \*4 Only models with automatic gearbox

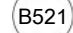
- ws = white
- sw = black
- ro = red
- br = brown
- gn = green
- bl = blue
- gr = grey
- li = purple
- ge = yellow
- or = orange
- rs = pink

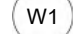


Onboard supply control unit

- H2 Treble horn
- H7 Bass horn
- J519 Onboard supply control unit
- M9 Left brake light bulb
- M10 Right brake light bulb
- M25 Additional brake light bulb
- T6h 6-pin connector, in front centre console, grey
- T10b 10-pin connector, in left footwell, near centre console, yellow
- T17e 17-pin connector, near handbrake lever, red
- T73a 73-pin connector, black
- T73b 73-pin connector, colourless

 B335 Connection 1 (54), in main wiring harness

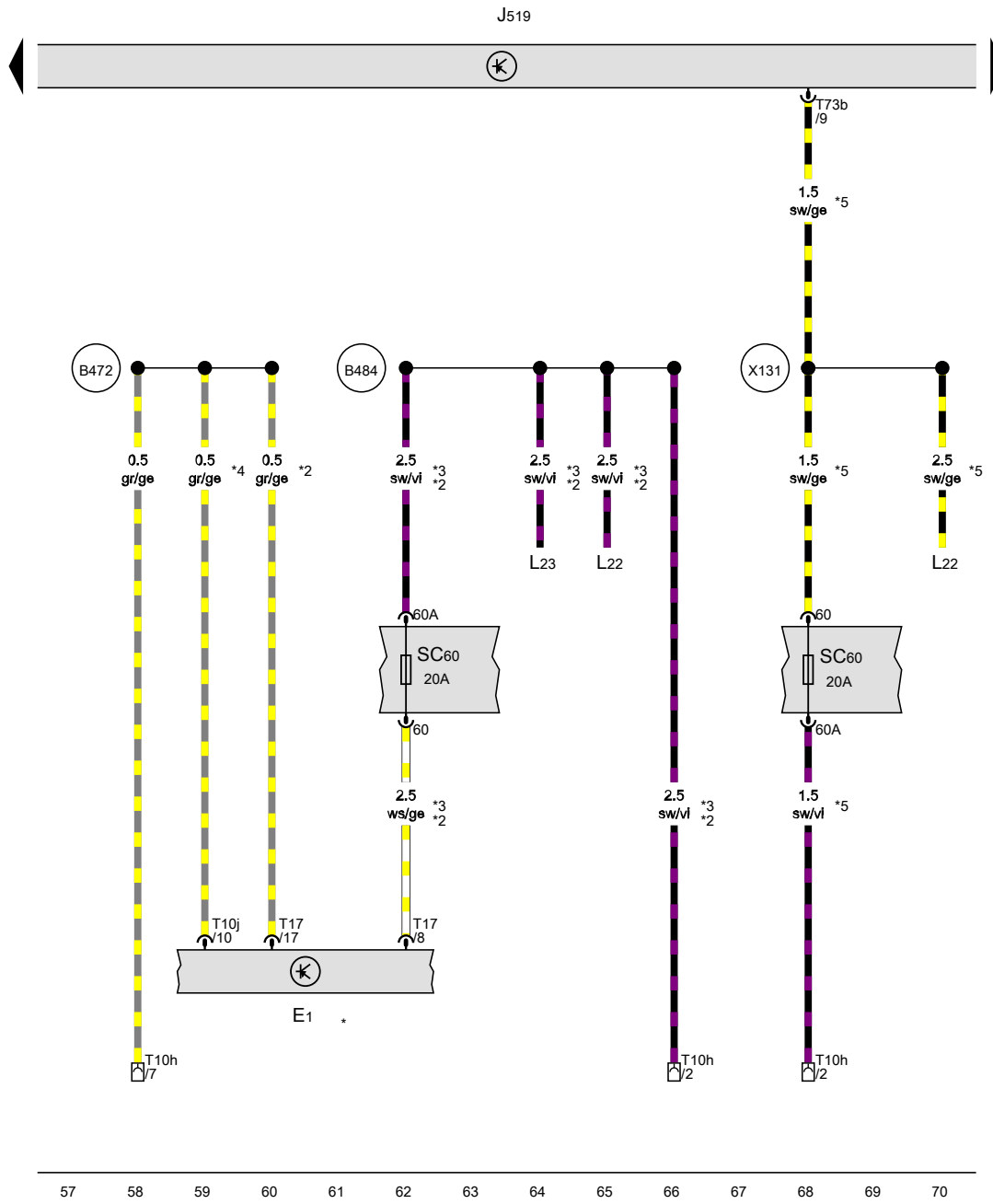
 B521 Connection (dual tone horn), in main wiring harness

 W1 Positive connection 1 (54), in rear wiring harness


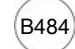
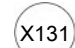
- ws = white
- sw = black
- ro = red
- br = brown
- gn = green
- bl = blue
- gr = grey
- li = purple
- ge = yellow
- or = orange
- rs = pink

[240-083051112]

Light switch, Onboard supply control unit



- E1 Light switch
- J519 Onboard supply control unit
- L22 Left fog light bulb
- L23 Right fog light bulb
- SC60 Fuse 60 on fuse holder C
- T10h 10-pin connector, in left footwell, near centre console, purple
- T10j 10-pin connector, black
- T17 17-pin connector, black
- T73b 73-pin connector, colourless

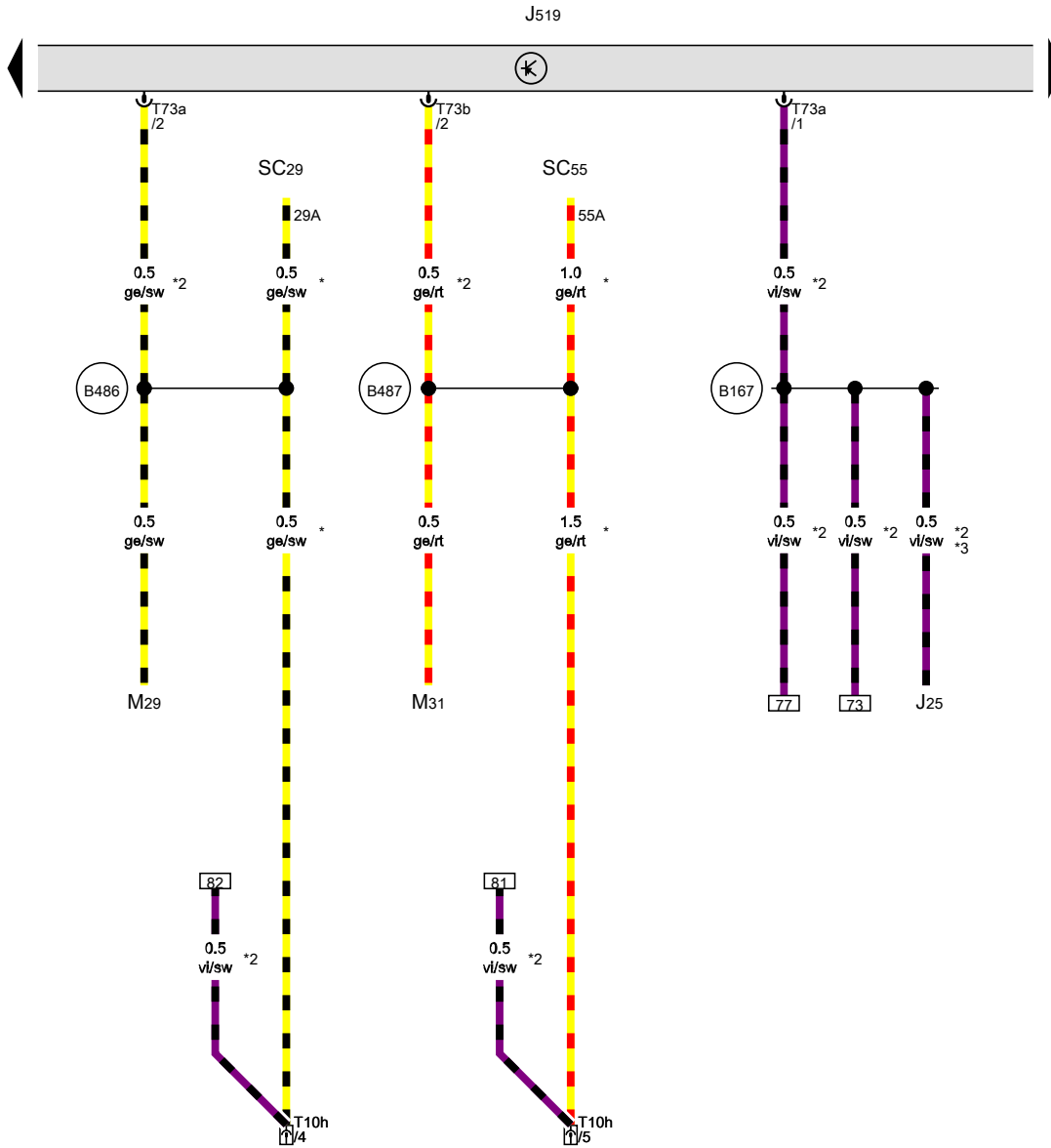
-  B472 Connection 8, in main wiring harness
-  B484 Connection 20, in main wiring harness
-  X131 Connection 4, in optional equipment wiring harness

- \* see applicable current flow diagram for exterior lighting
- \*2 Only models with no automatic headlight control with coming home
- \*3 Only models with fog lights
- \*4 Only models with automatic driving lights control
- \*5 Only models with start/stop system

- ws = white
- sw = black
- ro = red
- br = brown
- gn = green
- bl = blue
- gr = grey
- li = purple
- ge = yellow
- or = orange
- rs = pink

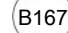
57 58 59 60 61 62 63 64 65 66 67 68 69 70

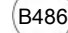
[790-083061117]

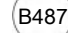


Onboard supply control unit, Fuse 29 on fuse holder C, Fuse 55 on fuse holder C

- J25 Headlight relay
- J519 Onboard supply control unit
- M29 Left headlight dipped beam bulb
- M31 Right headlight dipped beam bulb
- SC29 Fuse 29 on fuse holder C
- SC55 Fuse 55 on fuse holder C
- T10h 10-pin connector, in left footwell, near centre console, purple
- T73a 73-pin connector, black
- T73b 73-pin connector, colourless

 B167 Connection (56b), in interior wiring harness

 B486 Connection 22, in main wiring harness

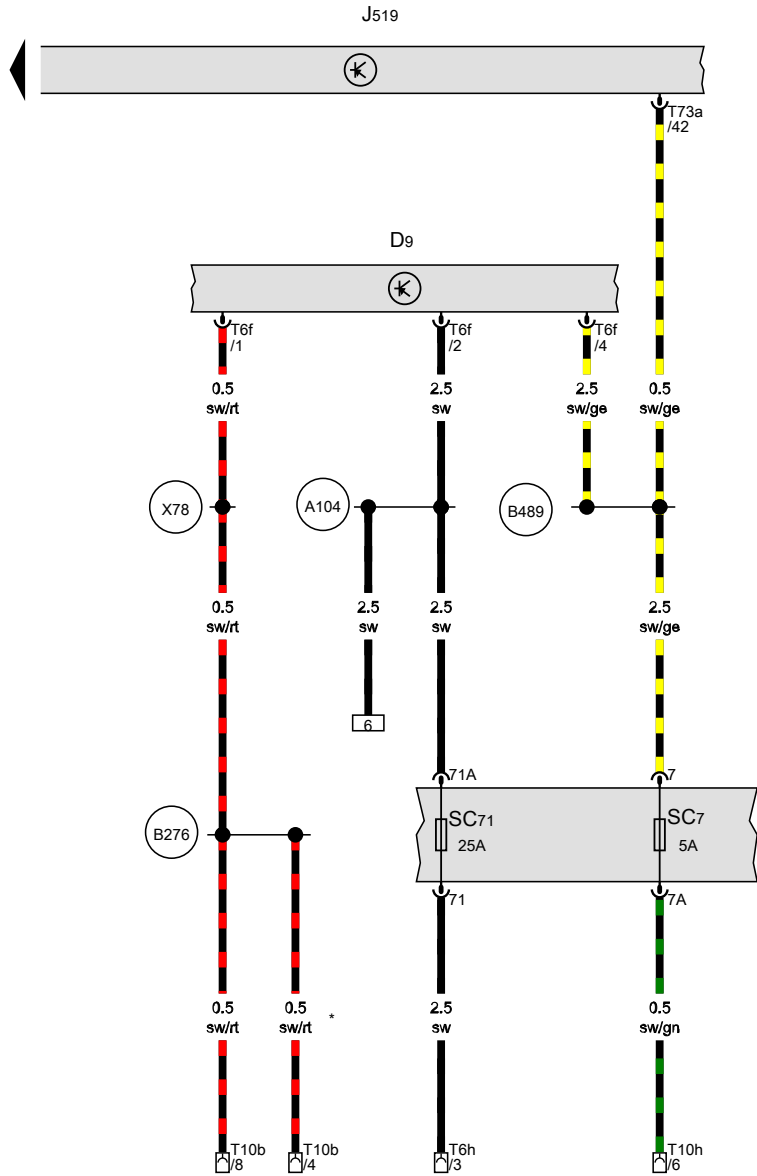
 B487 Connection 23, in main wiring harness

\* Only models with no automatic headlight control with coming home

\*2 Only models with automatic driving lights control




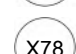
\*3 see applicable current flow diagram for fuse assignment

- ws = white
- sw = black
- ro = red
- br = brown
- gn = green
- bl = blue
- gr = grey
- li = purple
- ge = yellow
- or = orange
- rs = pink



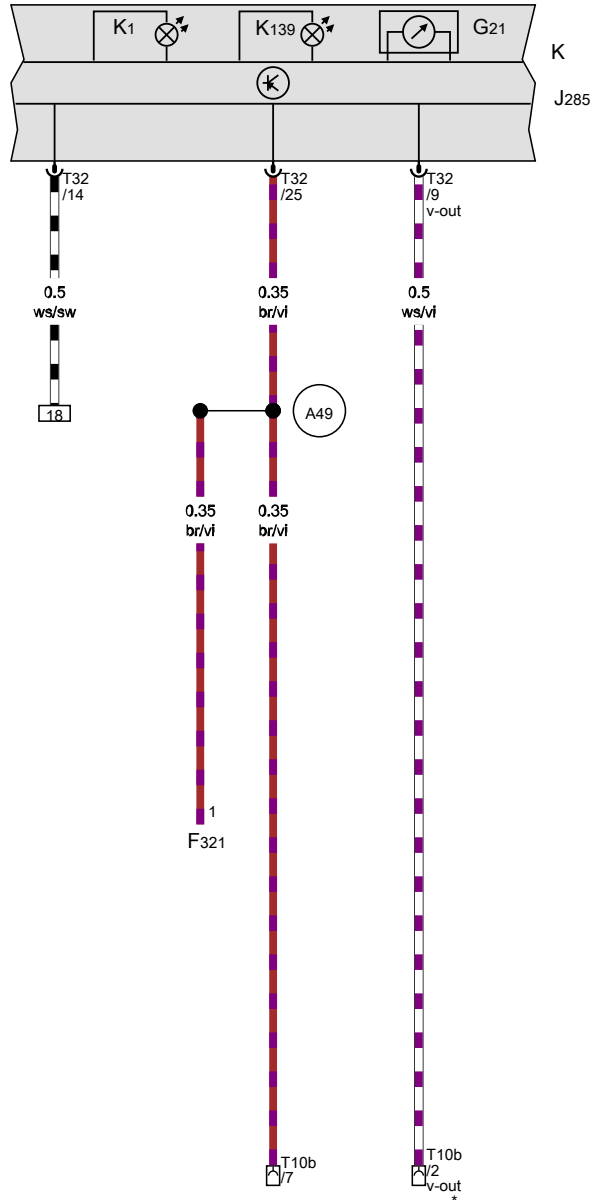
**Onboard supply control unit, Fuse 7 on fuse holder C, Fuse 71 on fuse holder C**

- D9 Electronic ignition lock
- J519 Onboard supply control unit
- SC7 Fuse 7 on fuse holder C
- SC71 Fuse 71 on fuse holder C
- T6f 6-pin connector, black
- T6h 6-pin connector, in front centre console, grey
- T10b 10-pin connector, in left footwell, near centre console, yellow
- T10h 10-pin connector, in left footwell, near centre console, purple
- T73a 73-pin connector, black

-  A104 Positive connection 2 (15), in dash panel wiring harness
-  B276 Positive connection (50), in main wiring harness
-  B489 Connection 25, in main wiring harness
-  X78 Connection 1, in optional equipment wiring harness

\* Only models with automatic gearbox

- ws = white
- sw = black
- ro = red
- br = brown
- gn = green
- bl = blue
- gr = grey
- li = purple
- ge = yellow
- or = orange
- rs = pink



**Parking brake contact switch, Dash panel insert**

- F321 Parking brake contact switch
- G21 Speedometer
- J285 Control unit in dash panel insert
- K Dash panel insert
- K1 Main beam warning lamp
- K139 Handbrake warning lamp
- T10b 10-pin connector, in left footwell, near centre console, yellow
- T32 32-pin connector, blue

**A49** Connection 1, in dash panel wiring harness

\* Speed signal

- ws = white
- sw = black
- ro = red
- br = brown
- gn = green
- bl = blue
- gr = grey
- li = purple
- ge = yellow
- or = orange
- rs = pink

**8-speed automatic gearbox with Tiptronic , (G1G)**

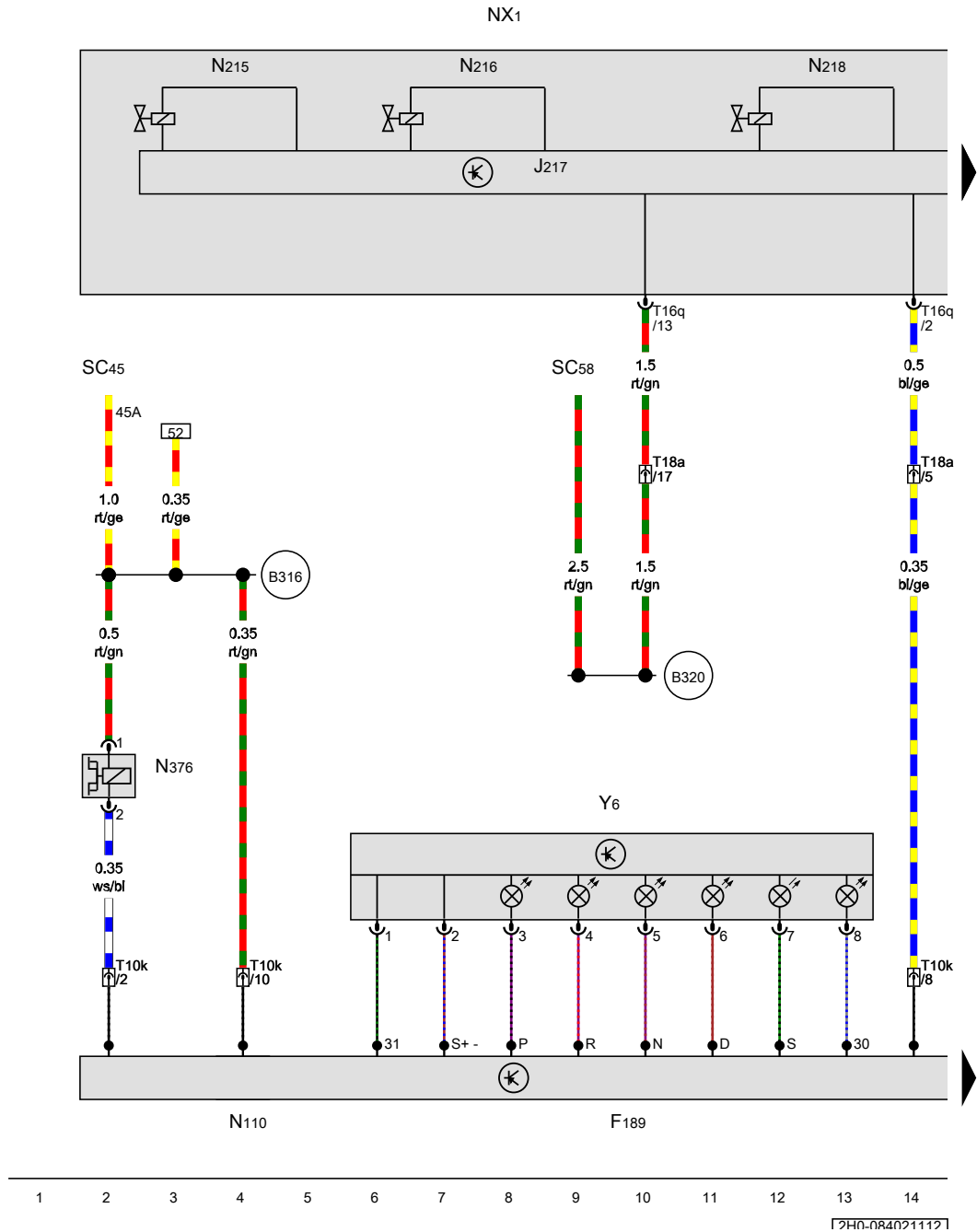
From January 2013



Tiptronic switch, Gearbox, Ignition key withdrawal lock solenoid, Fuse 58 on fuse holder C, Selector lever position display

- F189 Tiptronic switch
- J217 Automatic gearbox control unit, in gearbox
- NX1 Gearbox
- N110 Selector lever lock solenoid
- N215 Automatic gearbox pressure regulating valve 1
- N216 Automatic gearbox pressure regulating valve 2
- N218 Automatic gearbox pressure regulating valve 4
- N376 Ignition key withdrawal lock solenoid
- SC45 Fuse 45 on fuse holder C
- SC58 Fuse 58 on fuse holder C
- T10k 10-pin connector, in centre console, near handbrake lever, black
- T16q 16-pin connector, black
- T18a 18-pin connector, near battery, grey
- Y6 Selector lever position display

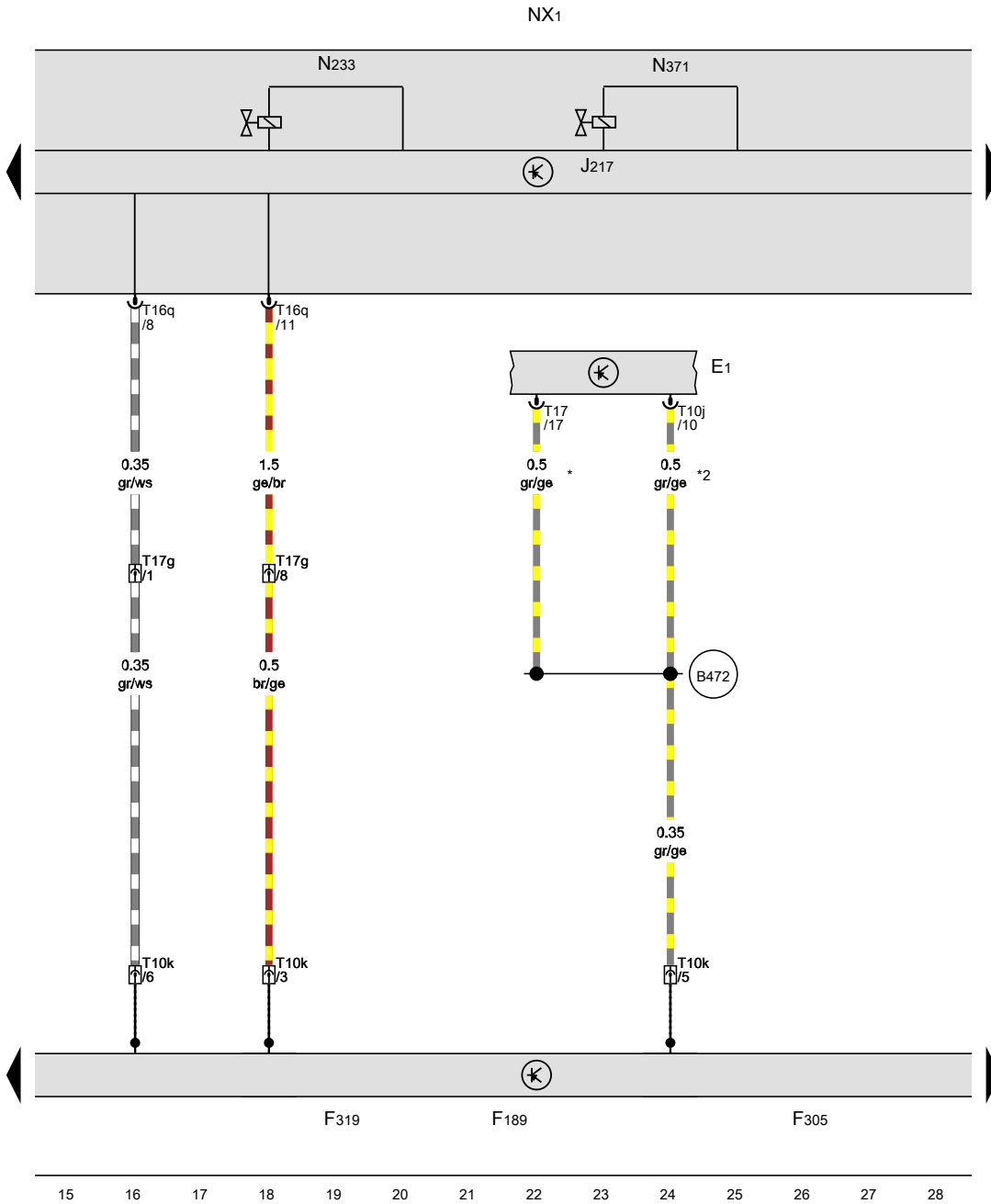
- (B316) Positive connection 2 (30a) in main wiring harness
- (B320) Positive connection 6 (30a) in main wiring harness



- ws = white
- sw = black
- ro = red
- br = brown
- gn = green
- bl = blue
- gr = grey
- li = purple
- ge = yellow
- or = orange
- rs = pink

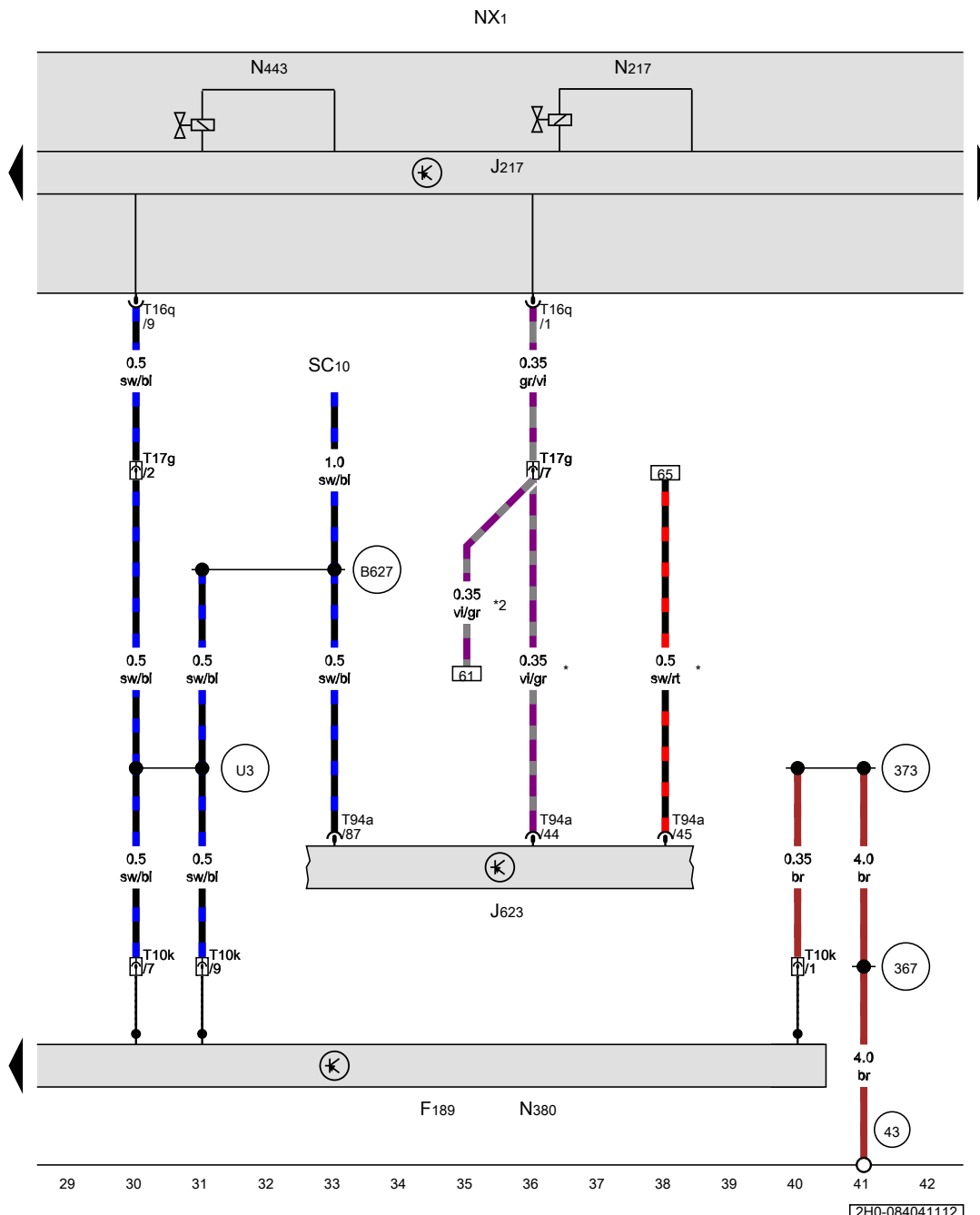
Light switch, Tiptronic switch, Gearbox

- E1 Light switch
- F189 Tiptronic switch
- F305 Gear selector position P switch
- F319 Selector lever locked in position P switch
- J217 Automatic gearbox control unit, in gearbox
- NX1 Gearbox
- N233 Automatic gearbox pressure regulating valve 5
- N371 Automatic gearbox pressure regulating valve 6
- T10j 10-pin connector, black
- T10k 10-pin connector, in centre console, near handbrake lever, black
- T16q 16-pin connector, black
- T17 17-pin connector, black
- T17g 17-pin connector, near handbrake lever, black
- B472** Connection 8, in main wiring harness
- \* Only models with no start/stop system
- \*2 Only models with start/stop system



- ws = white
- sw = black
- ro = red
- br = brown
- gn = green
- bl = blue
- gr = grey
- li = purple
- ge = yellow
- or = orange
- rs = pink

17H0-0840311121



**Tiptronic switch, Gearbox**

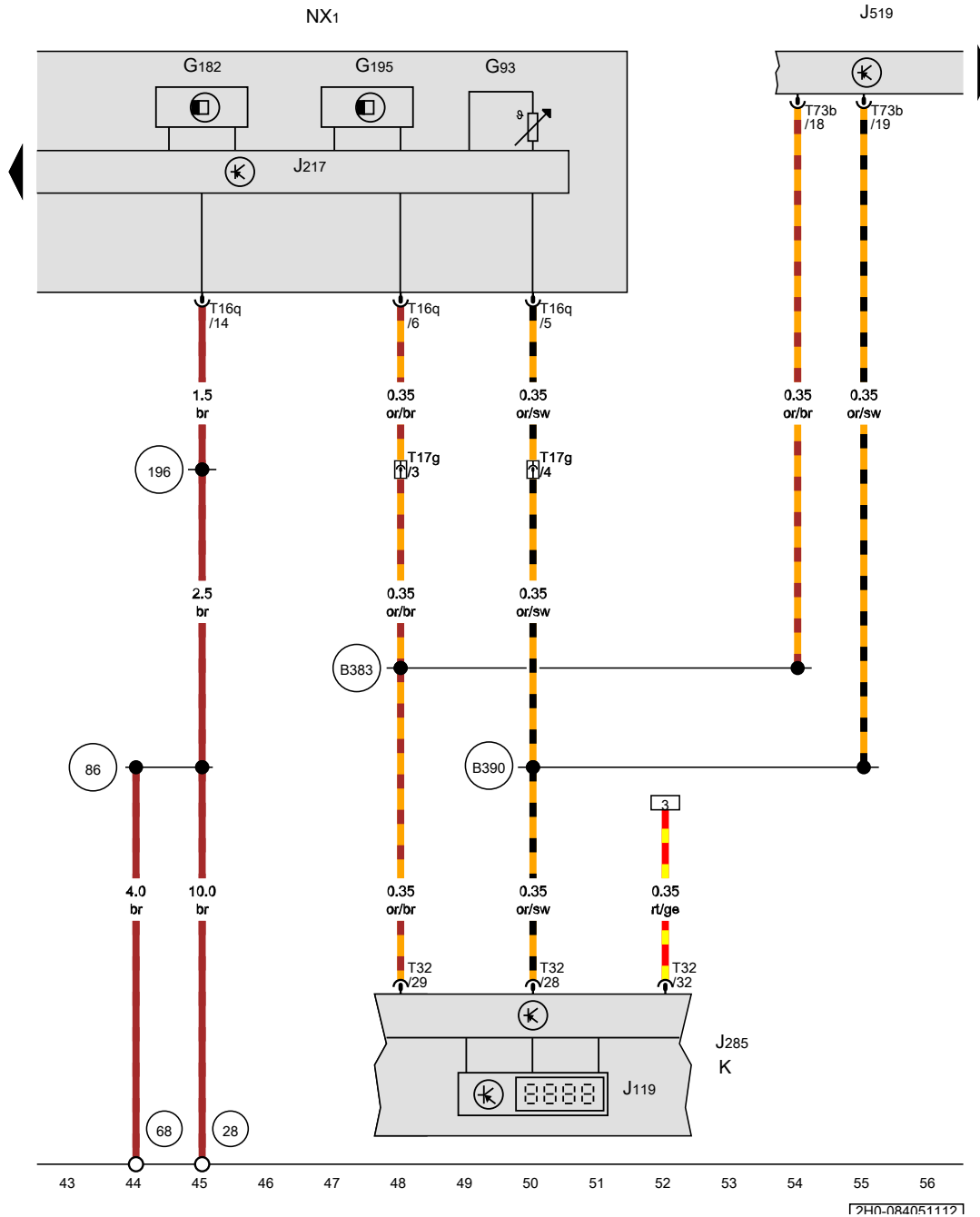
- F189 Tiptronic switch
- J217 Automatic gearbox control unit, in gearbox
- J623 Engine control unit
- NX1 Gearbox
- N217 Automatic gearbox pressure regulating valve 3
- N380 Selector lever position P solenoid
- N443 Automatic gearbox pressure regulating valve 7
- SC10 Fuse 10 on fuse holder C
- T10k 10-pin connector, in centre console, near handbrake lever, black
- T16q 16-pin connector, black
- T17g 17-pin connector, near handbrake lever, black
- T94a 94-pin connector, black

- 43 Earth point, lower part of right A-pillar
- 367 Earth connection 2, in main wiring harness
- 373 Earth connection 8, in main wiring harness
- B627 Positive connection 3 (15), in main wiring harness
- U3 Connection 1, in automatic gearbox wiring harness

\* Only models with start/stop system  
 \*2 Only models with no start/stop system

- ws = white
- sw = black
- ro = red
- br = brown
- gn = green
- bl = blue
- gr = grey
- li = purple
- ge = yellow
- or = orange
- rs = pink

7PH-084041117



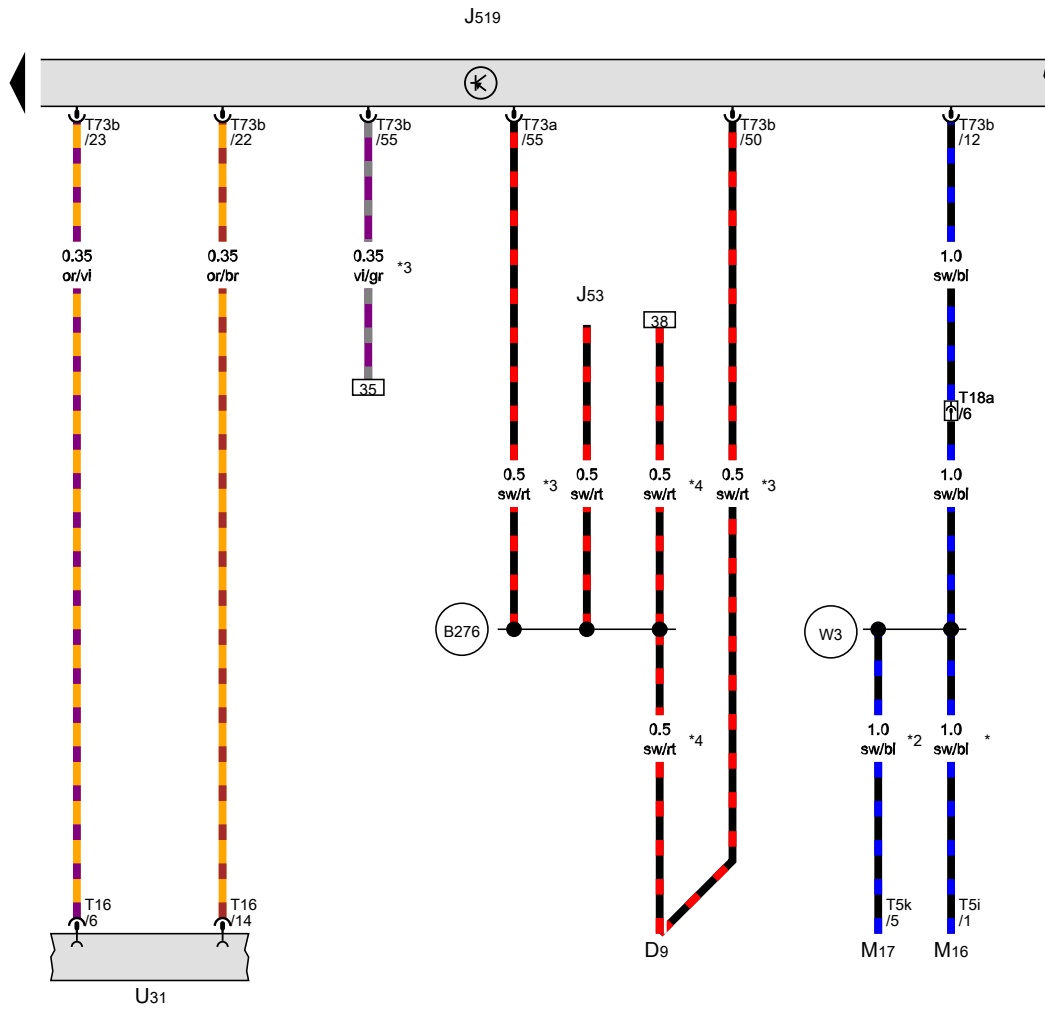
**Dash panel insert, Gearbox**

- G93 Gearbox oil temperature sender
- G182 Gearbox input speed sender
- G195 Gearbox output speed sender
- J119 Multifunction indicator
- J217 Automatic gearbox control unit, in gearbox
- J285 Control unit in dash panel insert
- J519 Onboard supply control unit
- K Dash panel insert
- NX1 Gearbox
- T16q 16-pin connector, black
- T17g 17-pin connector, near handbrake lever, black
- T32 32-pin connector, blue
- T73b 73-pin connector, colourless

- (28) Earth point, on bulkhead
- (68) Earth point, on left of rear cross member
- (86) Earth connection 1, in rear wiring harness
- (196) Earth connection 3, in rear wiring harness
- (B383) Connection 1 (powertrain CAN bus, high), in main wiring harness
- (B390) Connection 1 (powertrain CAN bus, low), in main wiring harness

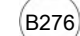
- ws = white
- sw = black
- ro = red
- br = brown
- gn = green
- bl = blue
- gr = grey
- li = purple
- ge = yellow
- or = orange
- rs = pink


[PH0-084051117]



Electronic ignition lock

- D9 Electronic ignition lock
- J53 Starter motor relay
- J519 Onboard supply control unit
- M16 Left reversing light bulb
- M17 Right reversing light bulb
- T5i 5-pin connector, black
- T5k 5-pin connector, black
- T16 16-pin connector, black
- T18a 18-pin connector, near battery, grey
- T73a 73-pin connector, black
- T73b 73-pin connector, colourless
- U31 Diagnostic connection

 B276 Positive connection (50), in main wiring harness

 W3 Connection in rear wiring harness

- \* Only right-hand drive models
- \*2 Only left-hand drive models
- \*3 Only models with no start/stop system
- \*4 Only models with start/stop system

57 58 59 60 61 62 63 64 65 66 67 68 69 70

17H0-084061117


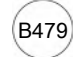

- ws = white
- sw = black
- ro = red
- br = brown
- gn = green
- bl = blue
- gr = grey
- li = purple
- ge = yellow
- or = orange
- rs = pink

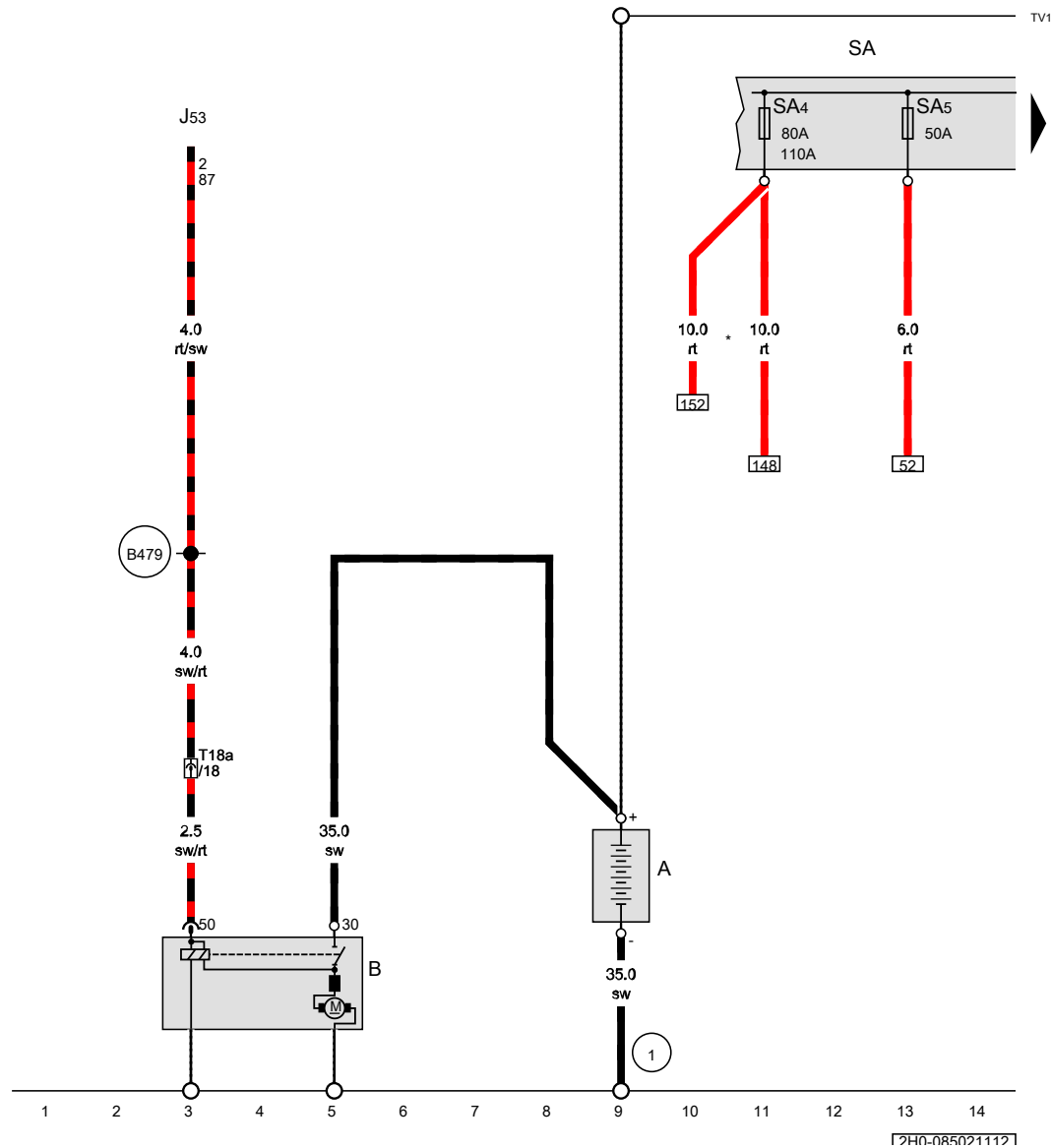
**2.0l diesel engine , CNEA,CSHA**

From January 2013

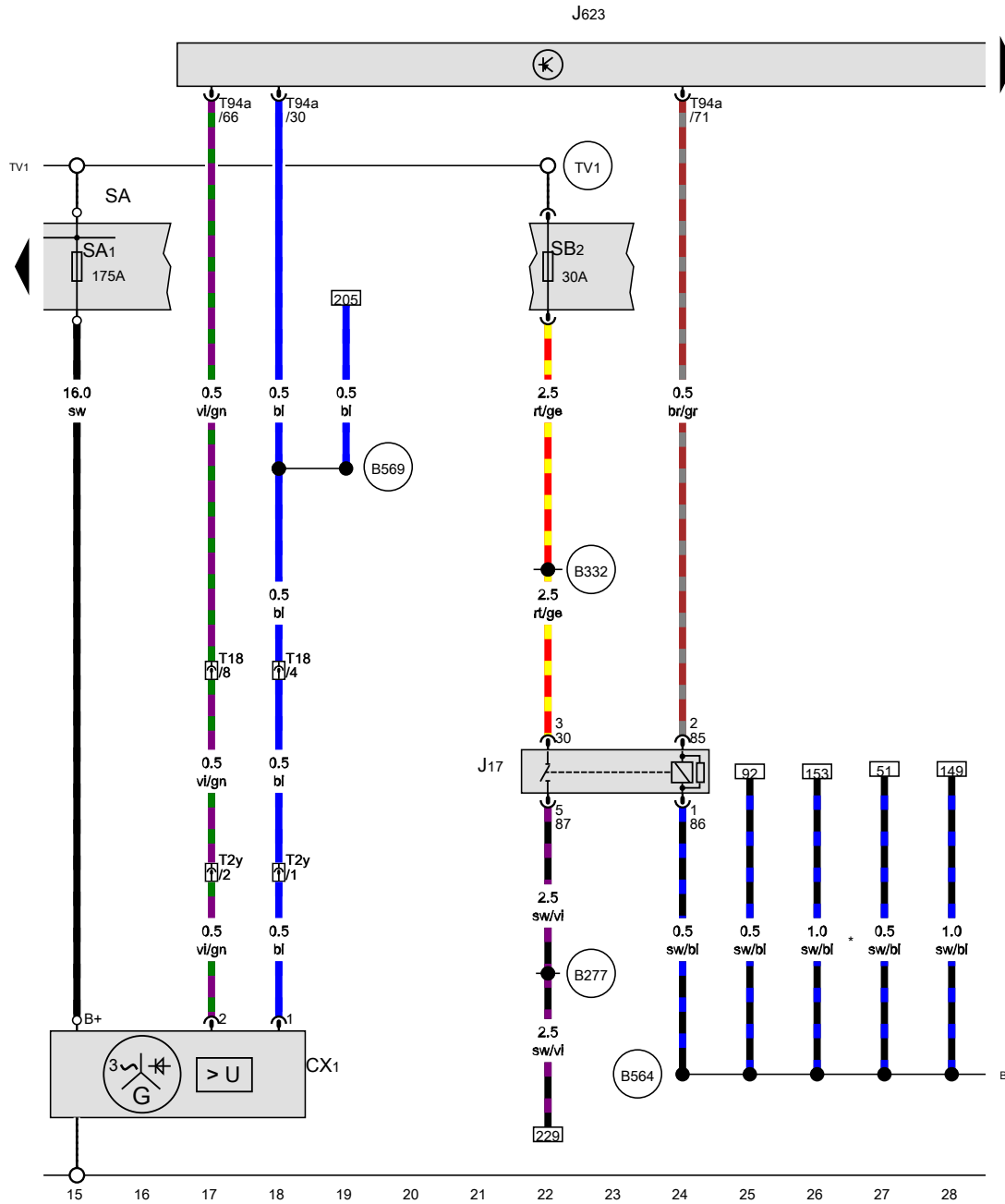
**Battery, Starter, Starter motor relay, Fuse 4 in fuse holder A, Fuse 5 in fuse holder A**

- A Battery
- B Starter
- J53 Starter motor relay
- SA Fuse holder A
- SA4 Fuse 4 in fuse holder A
- SA5 Fuse 5 in fuse holder A
- T18a 18-pin connector, near engine control unit, grey

-  1 Earth strap, battery - body
-  B479 Connection 15, in main wiring harness
-  TV1 Wiring junction
- \* Only for countries with hot climate



- ws = white
- sw = black
- ro = red
- br = brown
- gn = green
- bl = blue
- gr = grey
- li = purple
- ge = yellow
- or = orange
- rs = pink



Alternator with voltage regulator, Fuel pump relay, Engine control unit, Fuse 1 in fuse holder A, Fuse 2 on fuse holder B

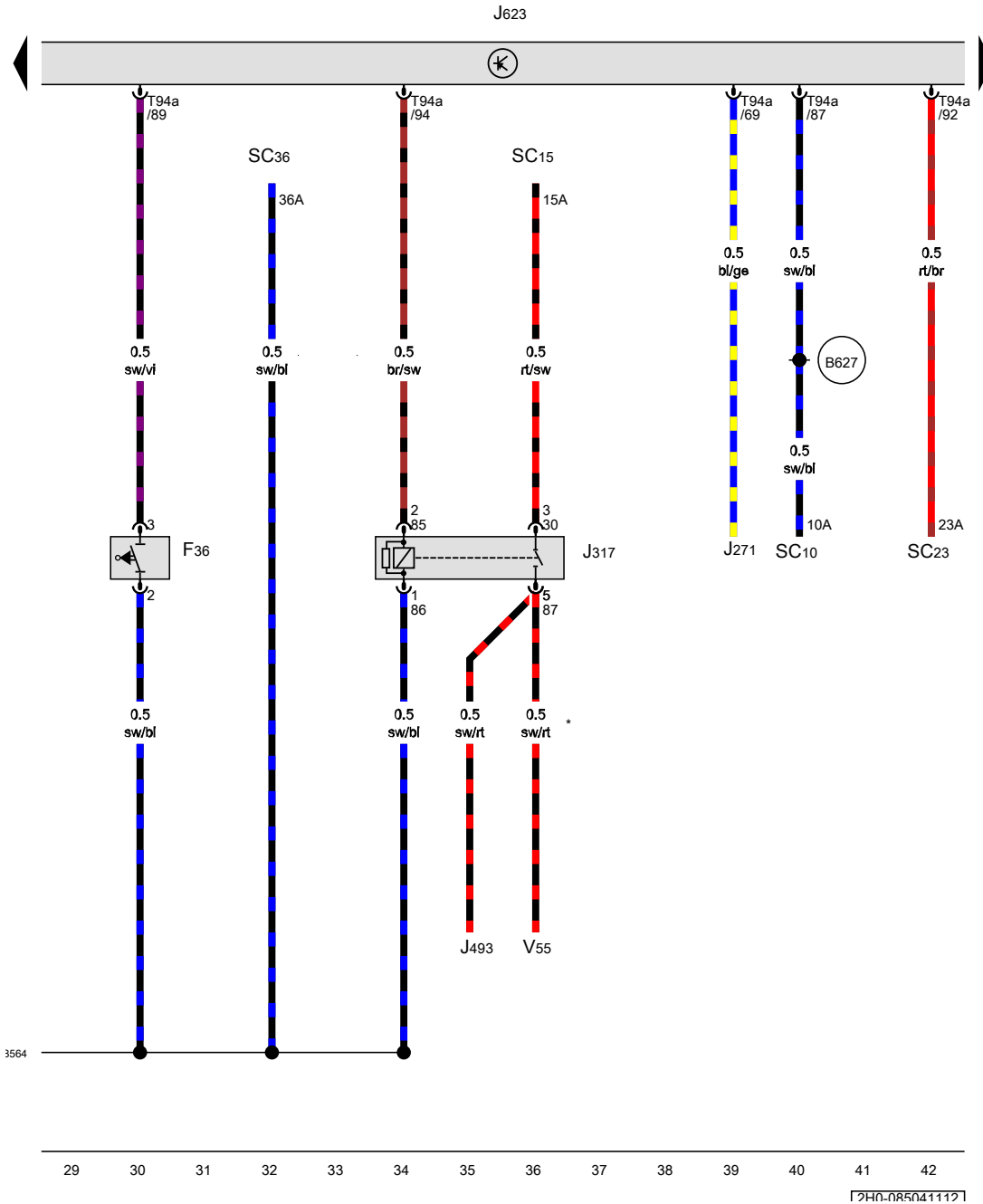
- CX1 Alternator with voltage regulator
- J17 Fuel pump relay
- J623 Engine control unit, near battery
- SA Fuse holder A
- SA1 Fuse 1 in fuse holder A
- SB2 Fuse 2 on fuse holder B
- T2y 2-pin connector, front left in engine compartment, black
- T18 18-pin connector, near engine control unit, black
- T94a 94-pin connector, black

- (B277) Positive connection 1 (15a) in main wiring harness
- (B332) Positive connection 18 (30a) in main wiring harness
- (B564) Connection 31, in main wiring harness
- (B569) Connection 36, in main wiring harness
- (TV1) Wiring junction
- \* Only for countries with hot climate

- ws = white
- sw = black
- ro = red
- br = brown
- gn = green
- bl = blue
- gr = grey
- li = purple
- ge = yellow
- or = orange
- rs = pink

ГЭН-0850311121





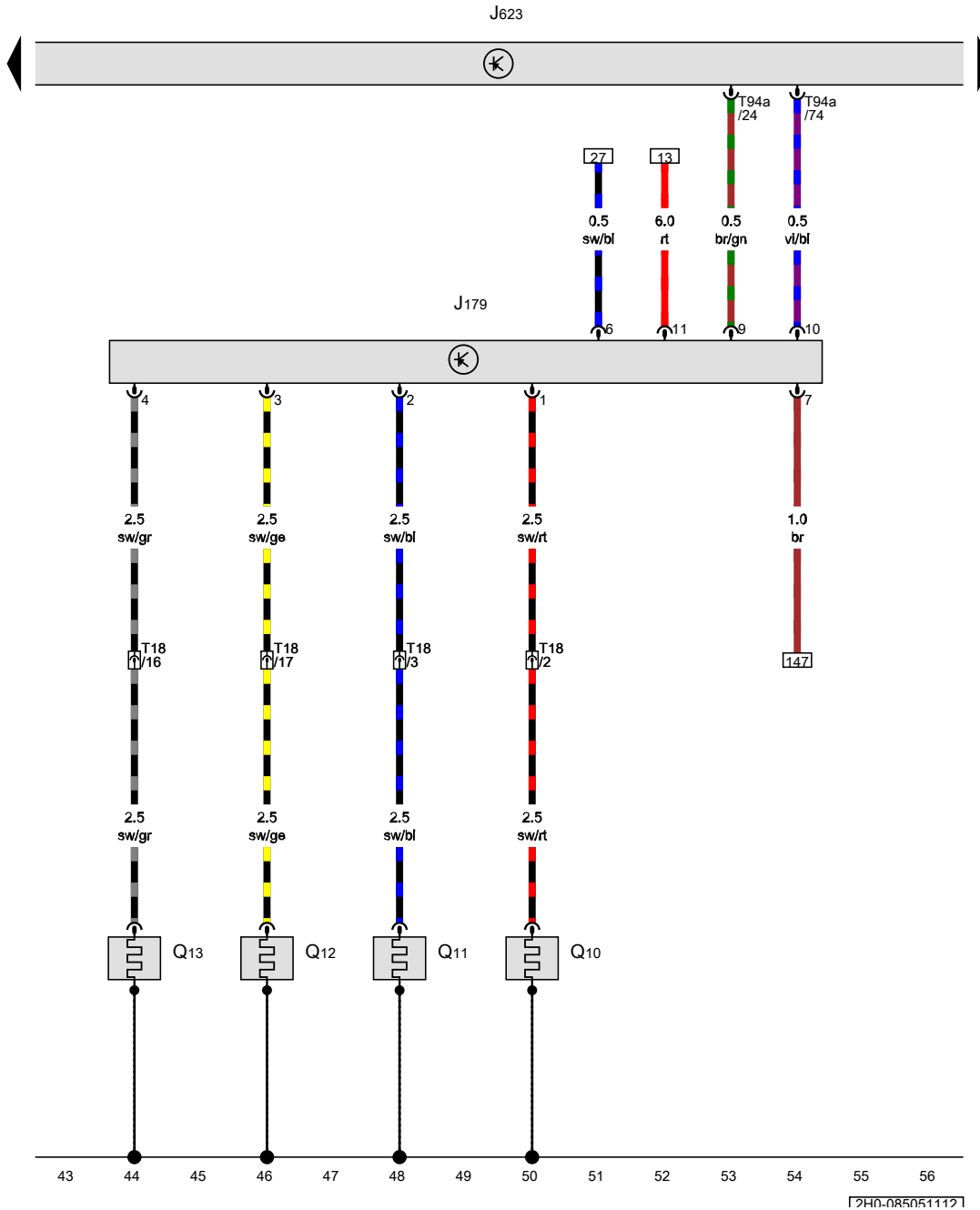
Clutch pedal switch, Main relay, Terminal 30 voltage supply relay, Engine control unit, Fuse 10 on fuse holder C, Fuse 15 on fuse holder C, Fuse 23 on fuse holder C, Fuse 36 on fuse holder C

- F36 Clutch pedal switch
  - J271 Main relay, on relay carrier
  - J317 Terminal 30 voltage supply relay, on relay carrier
  - J493 Auxiliary coolant heater relay
  - J623 Engine control unit, near battery
  - SC10 Fuse 10 on fuse holder C
  - SC15 Fuse 15 on fuse holder C
  - SC23 Fuse 23 on fuse holder C
  - SC36 Fuse 36 on fuse holder C
  - T94a 94-pin connector, black
  - V55 Circulation pump
- B564 Connection 31, in main wiring harness  
B627 Positive connection 3 (15), in main wiring harness  
 \* Only models with no air conditioning system/Climatronic

- ws = white
- sw = black
- ro = red
- br = brown
- gn = green
- bl = blue
- gr = grey
- li = purple
- ge = yellow
- or = orange
- rs = pink

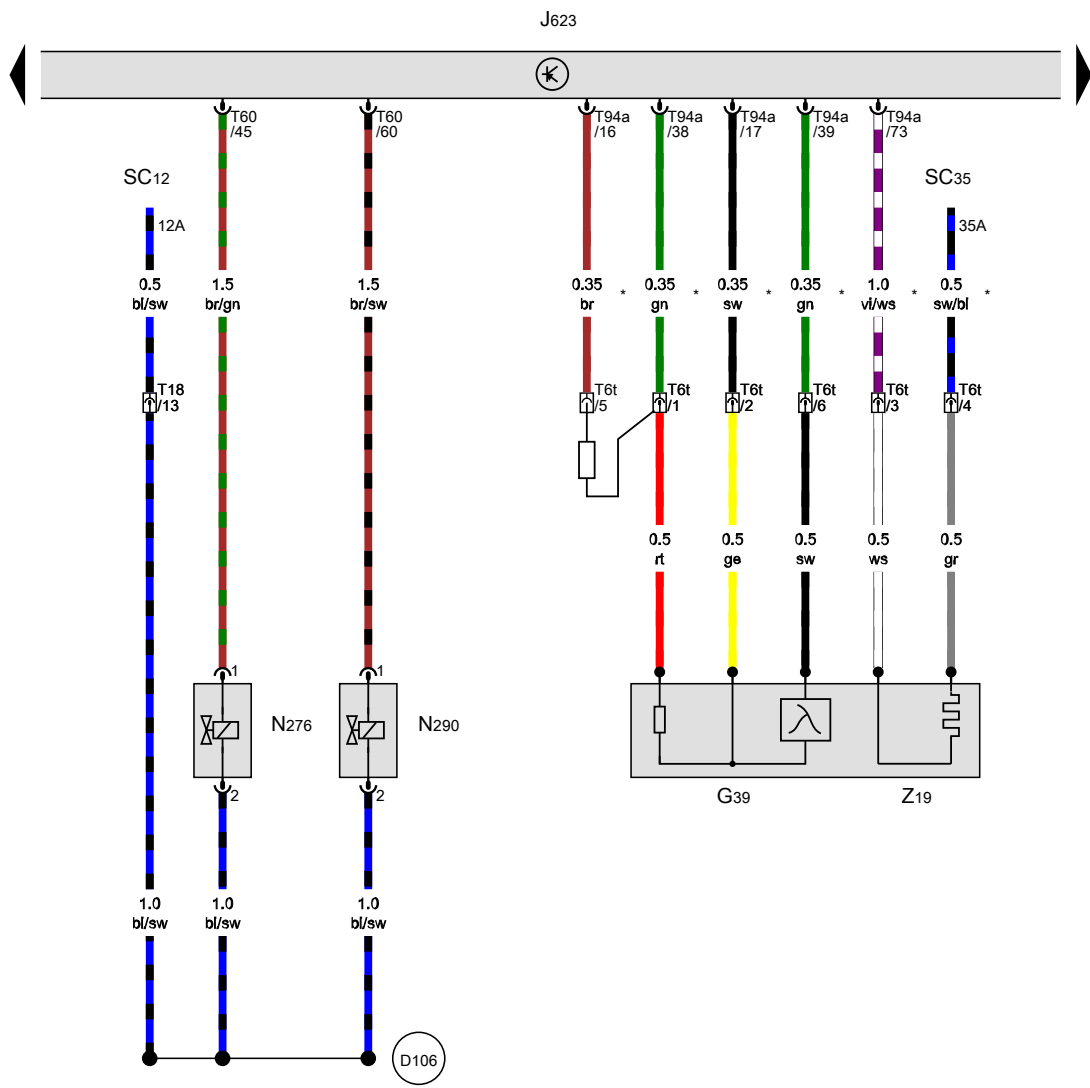
Automatic glow period control unit, Engine control unit, Glow plug 1, Glow plug 2, Glow plug 3, Glow plug 4

- J179 Automatic glow period control unit, near left headlight
- J623 Engine control unit, near battery
- Q10 Glow plug 1
- Q11 Glow plug 2
- Q12 Glow plug 3
- Q13 Glow plug 4
- T18 18-pin connector, near engine control unit, black
- T94a 94-pin connector, black



- ws = white
- sw = black
- ro = red
- br = brown
- gn = green
- bl = blue
- gr = grey
- li = purple
- ge = yellow
- or = orange
- rs = pink

[240-085051112]



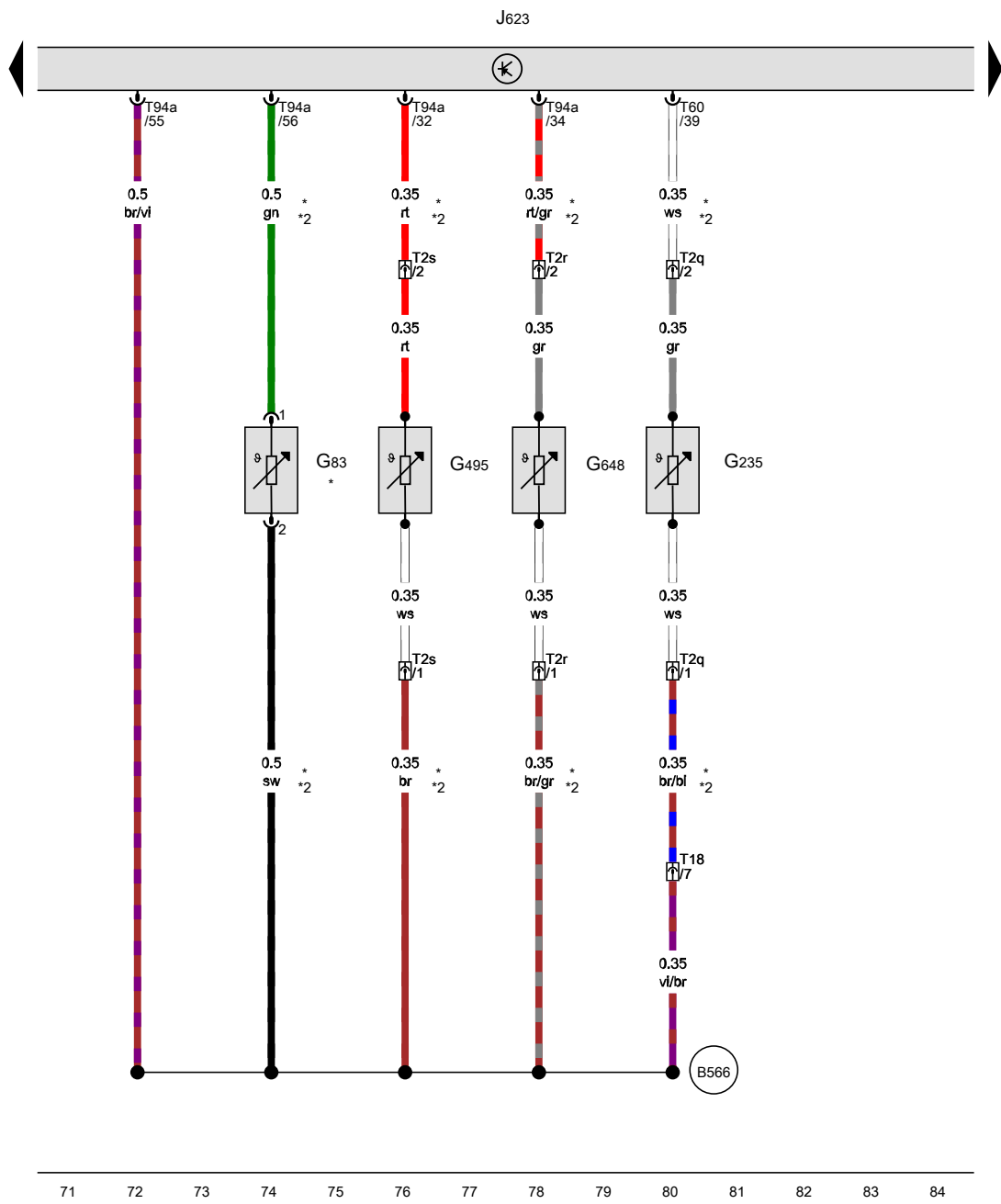
Lambda probe, Engine control unit, Fuel pressure regulating valve, Fuel metering valve, Fuse 12 on fuse holder C, Fuse 35 on fuse holder C

- G39 Lambda probe
- J623 Engine control unit, near battery
- N276 Fuel pressure regulating valve
- N290 Fuel metering valve
- SC12 Fuse 12 on fuse holder C
- SC35 Fuse 35 on fuse holder C
- T6t 6-pin connector, front right in engine compartment, black
- T18 18-pin connector, near engine control unit, black
- T60 60-pin connector, black
- T94a 94-pin connector, black
- Z19 Lambda probe heater

D106 Connection 4 in engine compartment wiring harness

\* Only models with Euro 5 emission standard

- ws = white
- sw = black
- ro = red
- br = brown
- gn = green
- bl = blue
- gr = grey
- li = purple
- ge = yellow
- or = orange
- rs = pink



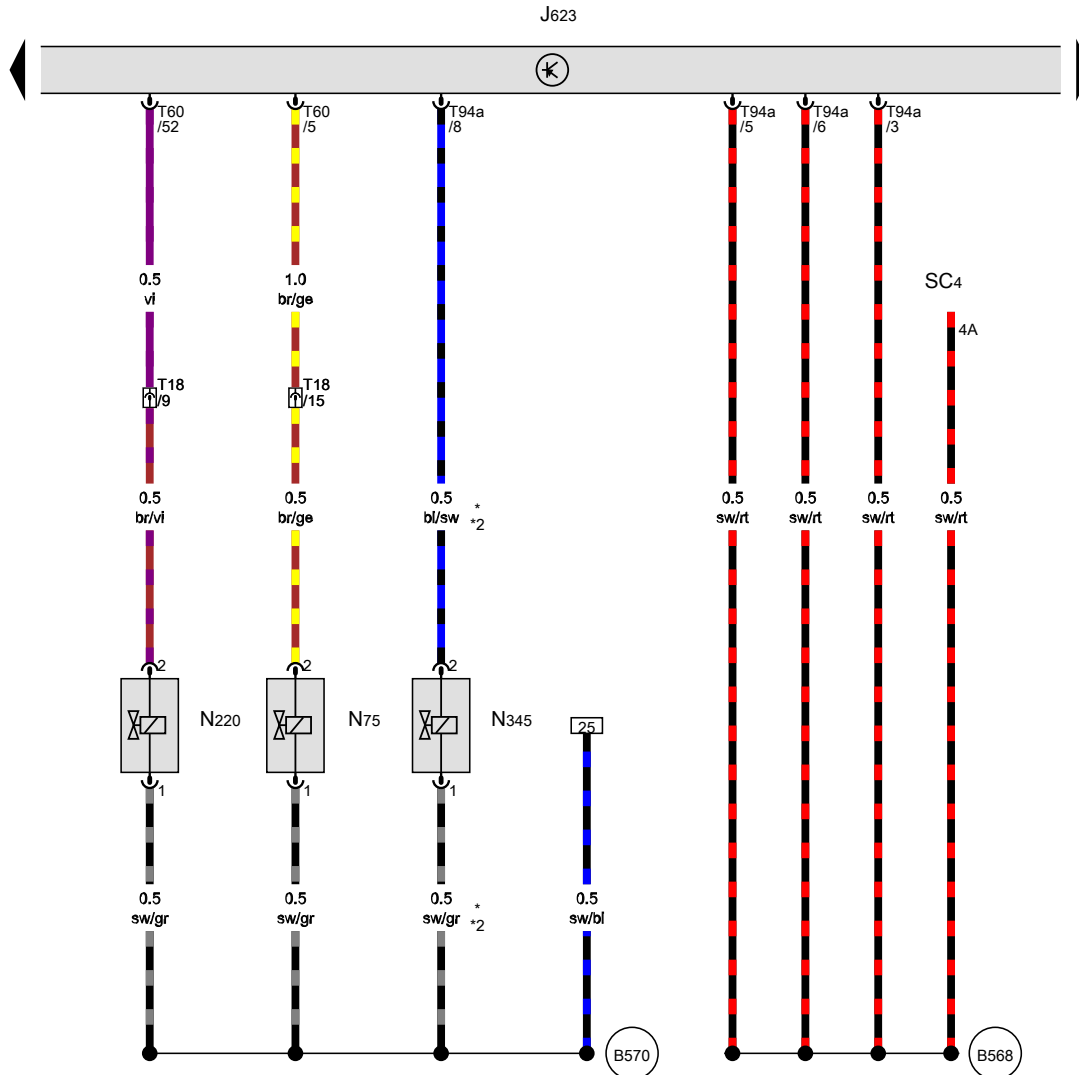
Radiator outlet coolant temperature sender, Exhaust gas temperature sender 1, Exhaust gas temperature sender 3, Exhaust gas temperature sender 4, Engine control unit

- G83 Radiator outlet coolant temperature sender
- G235 Exhaust gas temperature sender 1
- G495 Exhaust gas temperature sender 3
- G648 Exhaust gas temperature sender 4
- J623 Engine control unit, near battery
- T2q 2-pin connector, black
- T2r 2-pin connector, orange
- T2s 2-pin connector, brown
- T18 18-pin connector, near engine control unit, black
- T60 60-pin connector, black
- T94a 94-pin connector, black

B566 Connection 33, in main wiring harness

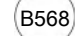
- \* Only models with Euro 5 emission standard
- \*2 Only models with Euro 5 plus emission standard (7MJ)

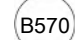
- ws = white
- sw = black
- ro = red
- br = brown
- gn = green
- bl = blue
- gr = grey
- li = purple
- ge = yellow
- or = orange
- rs = pink



Engine control unit, Charge pressure control solenoid valve, Exhaust flap valve, Exhaust gas recirculation cooler changeover valve, Fuse 4 on fuse holder C

- J623 Engine control unit, near battery
- N75 Charge pressure control solenoid valve
- N220 Exhaust flap valve
- N345 Exhaust gas recirculation cooler changeover valve
- SC4 Fuse 4 on fuse holder C
- T18 18-pin connector, near engine control unit, black
- T60 60-pin connector, black
- T94a 94-pin connector, black

 B568 Connection 35, in main wiring harness

 B570 Connection 37, in main wiring harness

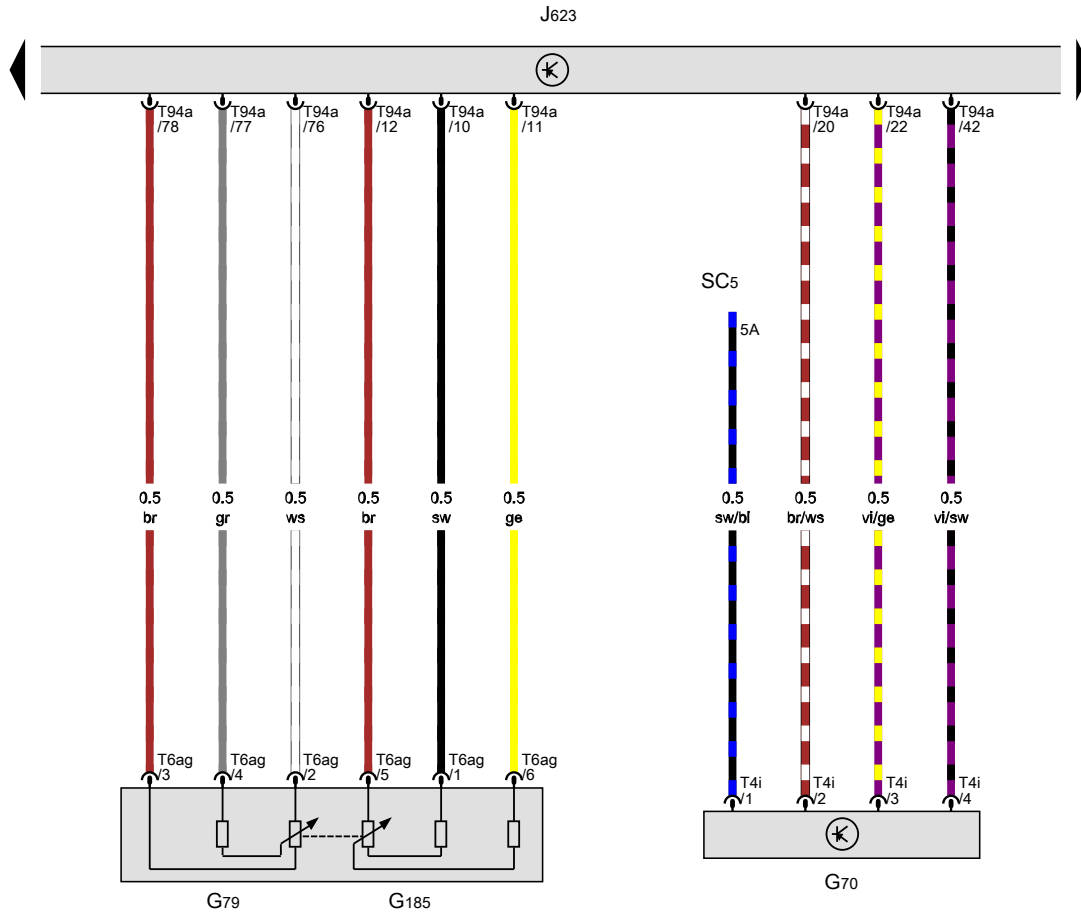
\* Only models with Euro 5 emission standard

\*2 Only models with Euro 5 plus emission standard (7MJ)

- ws = white
- sw = black
- ro = red
- br = brown
- gn = green
- bl = blue
- gr = grey
- li = purple
- ge = yellow
- or = orange
- rs = pink

85 86 87 88 89 90 91 92 93 94 95 96 97 98

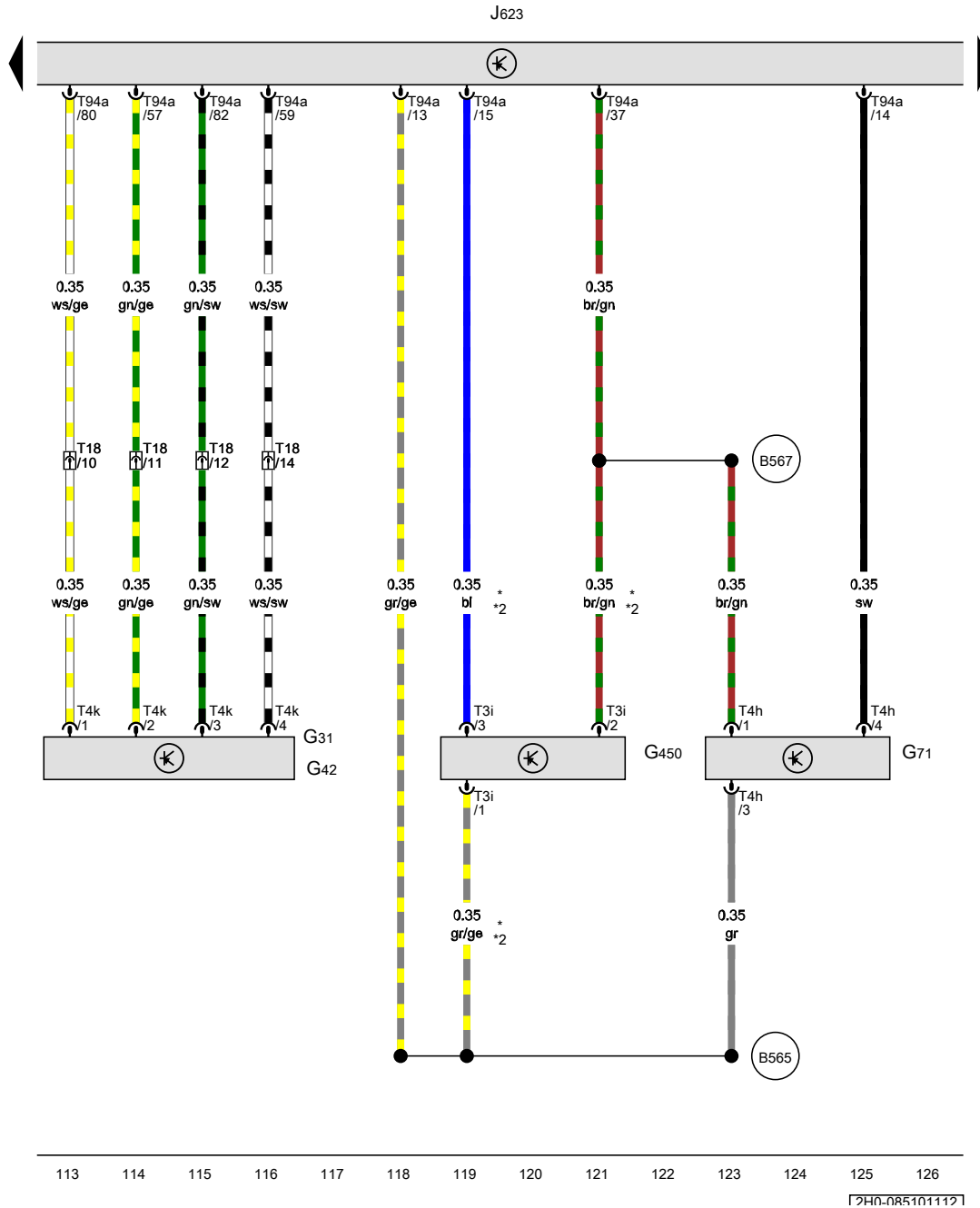
[7PH-085081117]



Air mass meter, Accelerator position sender, Accelerator position sender 2, Engine control unit, Fuse 5 on fuse holder C

- G70 Air mass meter
- G79 Accelerator position sender
- G185 Accelerator position sender 2
- J623 Engine control unit, near battery
- SC5 Fuse 5 on fuse holder C
- T4i 4-pin connector, black
- T6ag 6-pin connector
- T94a 94-pin connector, black

- ws = white
- sw = black
- ro = red
- br = brown
- gn = green
- bl = blue
- gr = grey
- li = purple
- ge = yellow
- or = orange
- rs = pink



Charge pressure sender, Intake air temperature sender, Intake manifold pressure sender, Exhaust gas pressure sensor 1, Engine control unit

- G31 Charge pressure sender
- G42 Intake air temperature sender
- G71 Intake manifold pressure sender
- G450 Exhaust gas pressure sensor 1
- J623 Engine control unit, near battery
- T3i 3-pin connector, black
- T4h 4-pin connector, black
- T4k 4-pin connector, black
- T18 18-pin connector, near engine control unit, black
- T94a 94-pin connector, black

B565 Connection 32, in main wiring harness

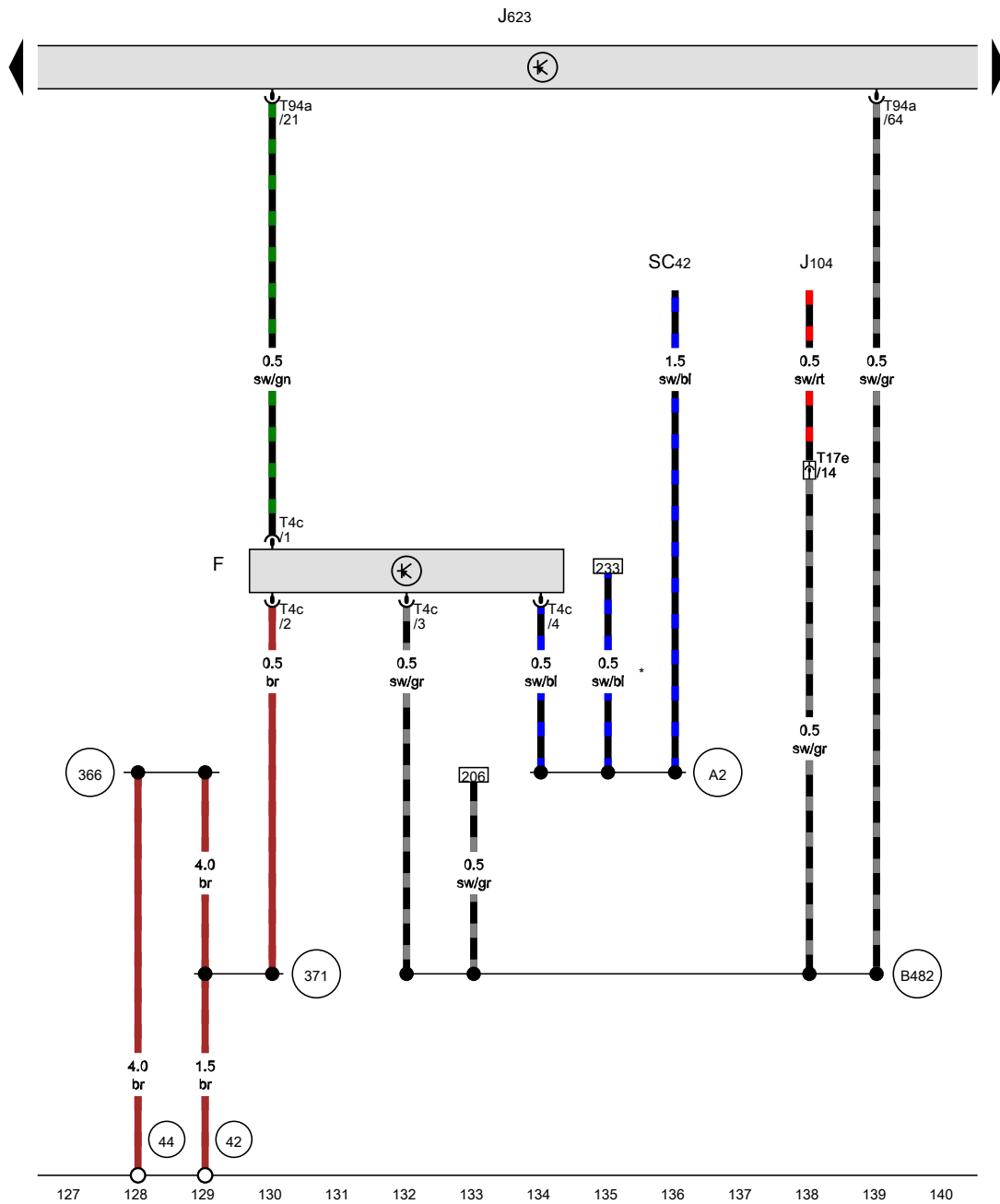
B567 Connection 34, in main wiring harness

\* Only models with Euro 5 emission standard

\*2 Only models with Euro 5 plus emission standard (7MJ)

113 114 115 116 117 118 119 120 121 122 123 124 125 126

[790-085101117]



**Brake light switch, Engine control unit**

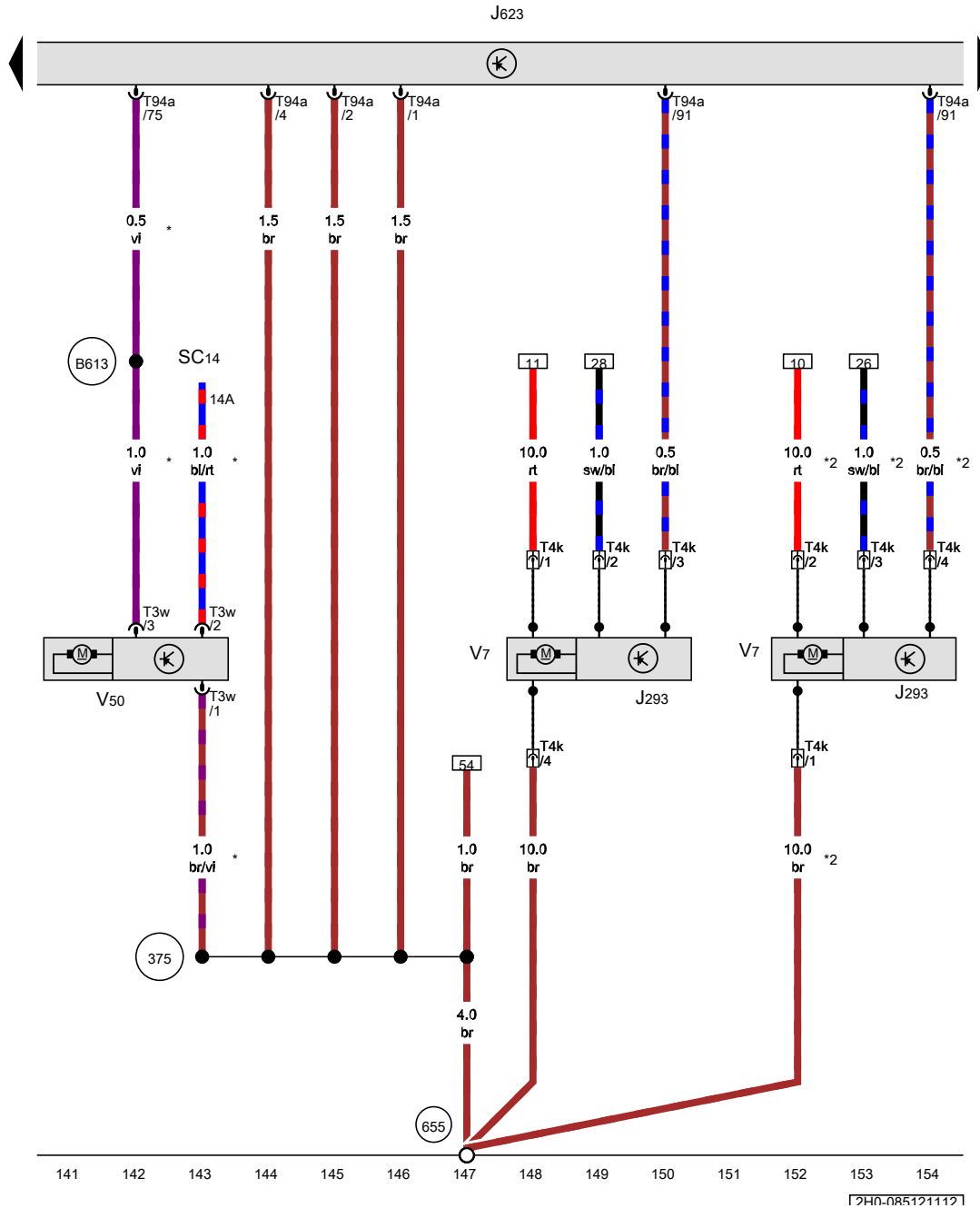
- F Brake light switch
- J104 ABS control unit
- J623 Engine control unit, near battery
- SC42 Fuse 42 on fuse holder C
- T4c 4-pin connector, black
- T17e 17-pin connector, near handbrake lever, red
- T94a 94-pin connector, black

- (42) Earth point, next to steering column
- (44) Earth point, lower part of left A-pillar
- (366) Earth connection 1, in main wiring harness
- (371) Earth connection 6, in main wiring harness
- (A2) Positive connection (15), in dash panel wiring harness
- (B482) Connection 18, in main wiring harness
- \* Only models with Euro 5 emission standard

- ws = white
- sw = black
- ro = red
- br = brown
- gn = green
- bl = blue
- gr = grey
- li = purple
- ge = yellow
- or = orange
- rs = pink

[PH0-085111117]



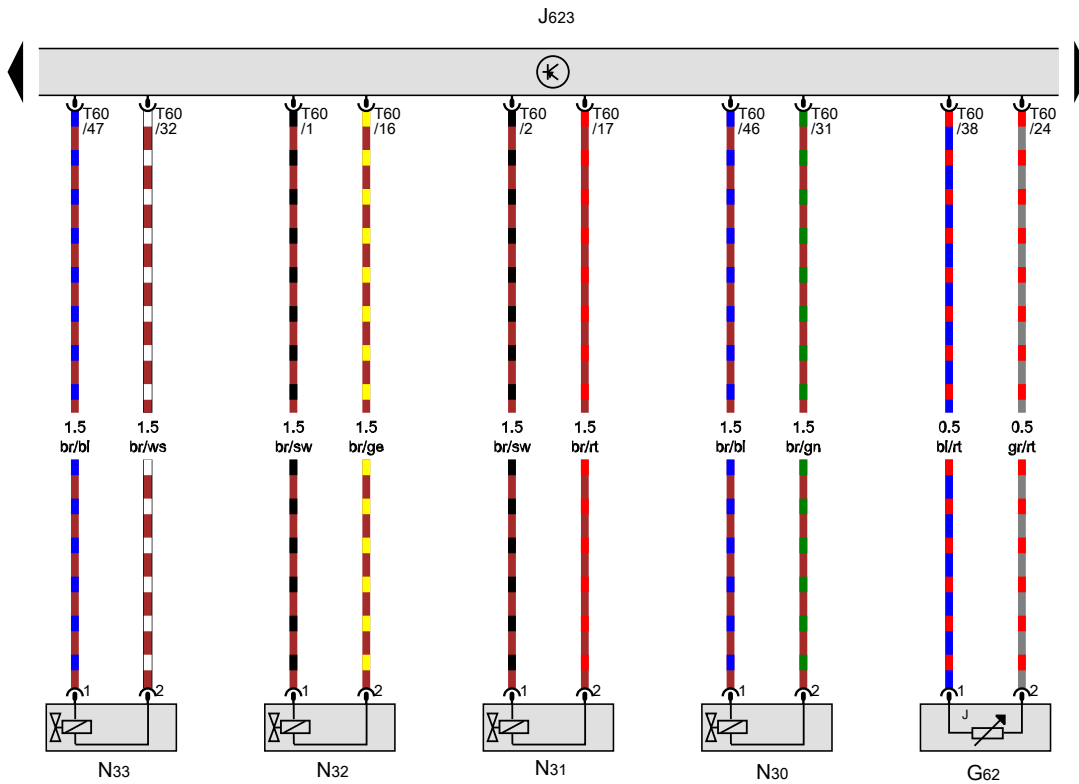


Radiator fan control unit, Engine control unit, Fuse 14 on fuse holder C, Radiator fan, Coolant circulation pump

- J293 Radiator fan control unit
- J623 Engine control unit, near battery
- SC14 Fuse 14 on fuse holder C
- T3w 3-pin connector
- T4k 4-pin connector, on radiator cowling, black
- T94a 94-pin connector, black
- V7 Radiator fan
- V50 Coolant circulation pump
- 375 Earth connection 10, in main wiring harness
- 655 Earth point, on left headlight
- B613 Connection 41, in main wiring harness
- \* Only models with Euro 5 plus emission standard (7MJ)
- \*2 Only for countries with hot climate

- ws = white
- sw = black
- ro = red
- br = brown
- gn = green
- bl = blue
- gr = grey
- li = purple
- ge = yellow
- or = orange
- rs = pink

7PH0-0851211121



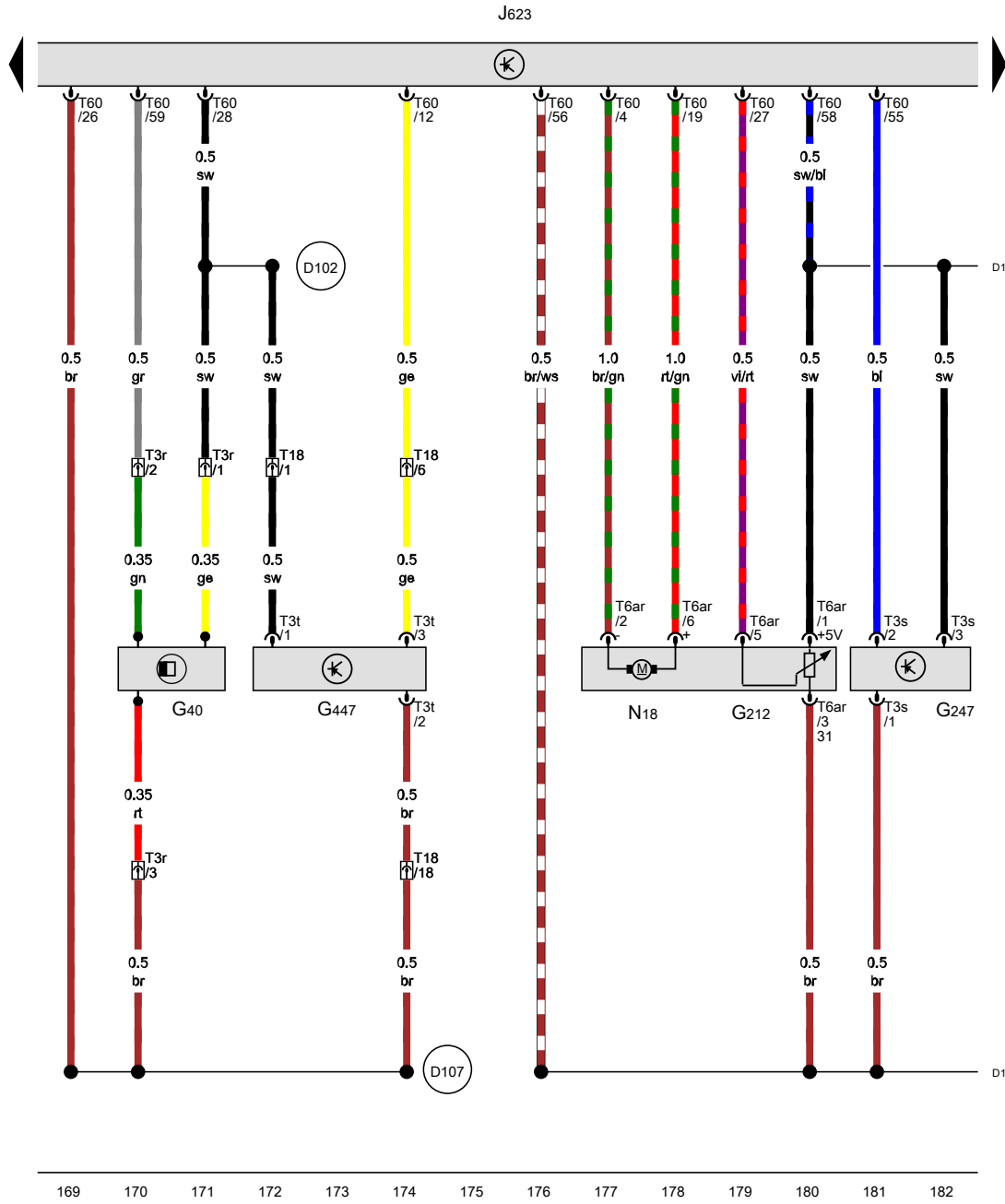
Coolant temperature sender, Engine control unit, Injector, cylinder 1, Injector, cylinder 2, Injector, cylinder 3, Injector, cylinder 4

- G62 Coolant temperature sender
- J623 Engine control unit, near battery
- N30 Injector, cylinder 1
- N31 Injector, cylinder 2
- N32 Injector, cylinder 3
- N33 Injector, cylinder 4
- T60 60-pin connector, black

- ws = white
- sw = black
- ro = red
- br = brown
- gn = green
- bl = blue
- gr = grey
- li = purple
- ge = yellow
- or = orange
- rs = pink

155 156 157 158 159 160 161 162 163 164 165 166 167 168

[2PH0-085131112]



Hall sender, Exhaust gas recirculation potentiometer, Fuel pressure sender, Charge pressure sender 2, Engine control unit, Exhaust gas recirculation valve

- G40 Hall sender
- G212 Exhaust gas recirculation potentiometer
- G247 Fuel pressure sender
- G447 Charge pressure sender 2, on turbocharger air recirculation valve
- J623 Engine control unit, near battery
- N18 Exhaust gas recirculation valve
- T3r 3-pin connector, on front of engine, black
- T3s 3-pin connector, black
- T3t 3-pin connector
- T6ar 6-pin connector, black
- T18 18-pin connector, near engine control unit, black
- T60 60-pin connector, black

D101 Connection 1 in engine compartment wiring harness

D102 Connection 2 in engine compartment wiring harness

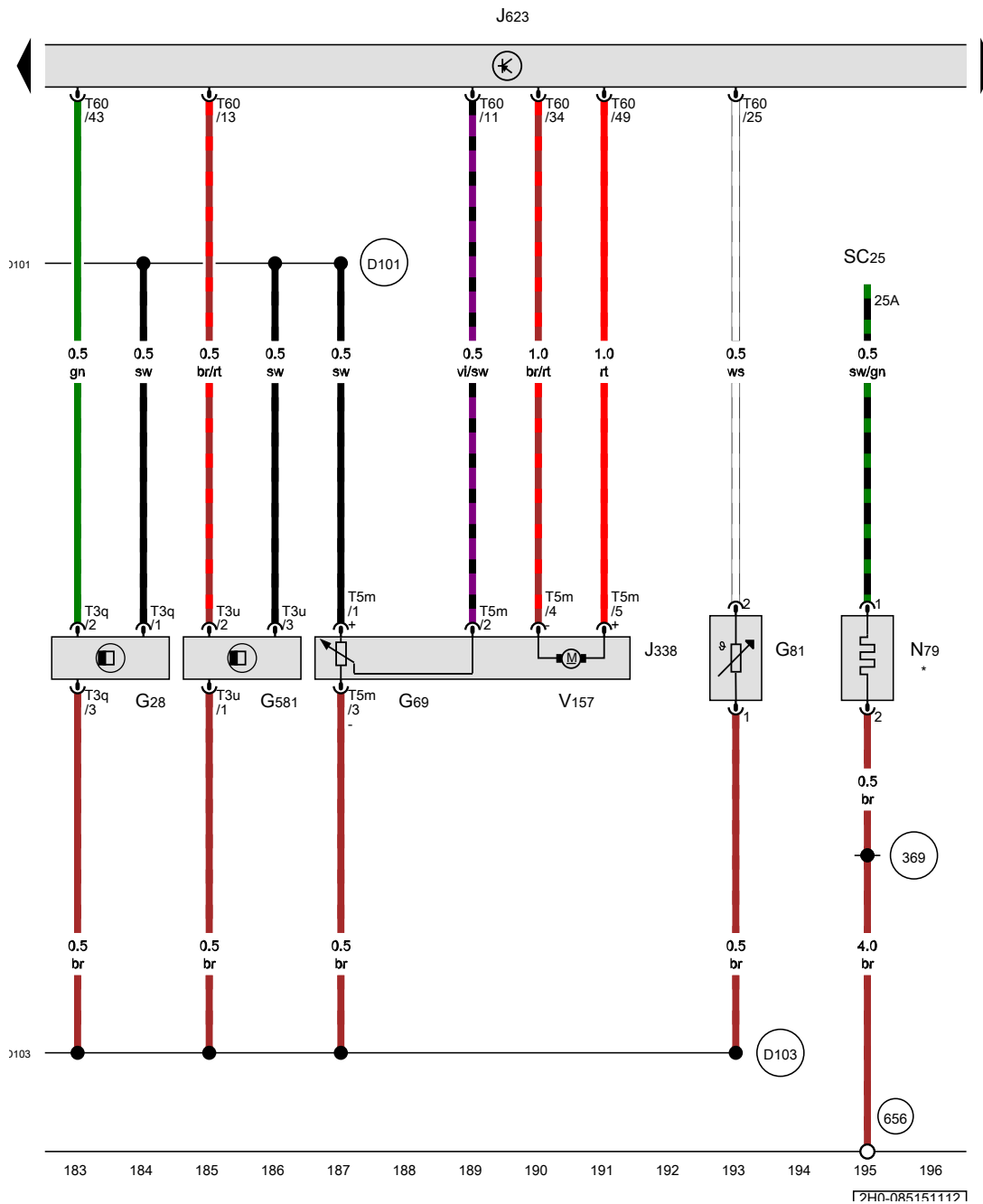
D103 Connection 3 in engine compartment wiring harness

D107 Connection 5 in engine compartment wiring harness

- ws = white
- sw = black
- ro = red
- br = brown
- gn = green
- bl = blue
- gr = grey
- li = purple
- ge = yellow
- or = orange
- rs = pink

169 170 171 172 173 174 175 176 177 178 179 180 181 182

[PHD-085141117]



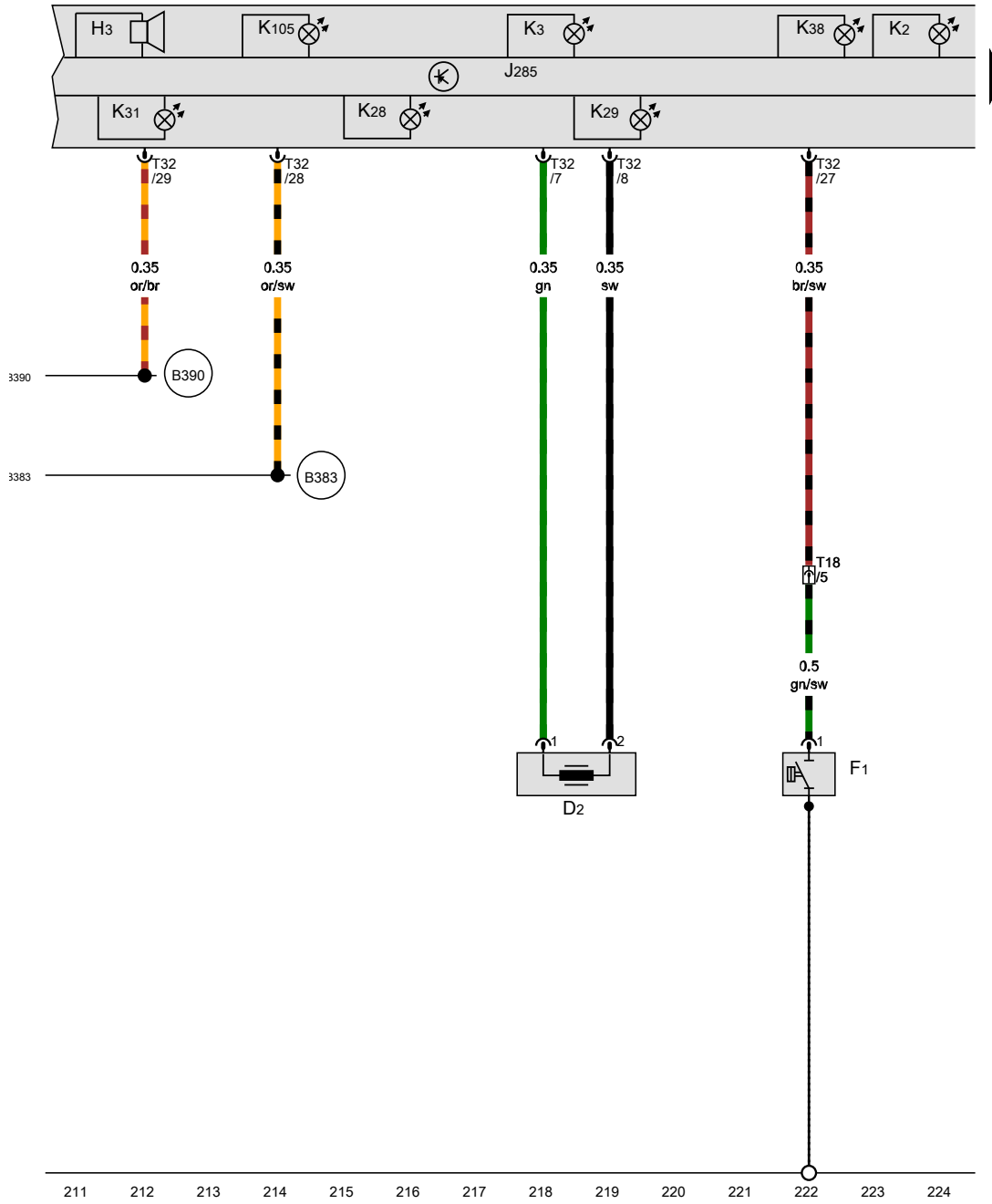
Engine speed sender, Throttle valve potentiometer, Fuel temperature sender, Position sender for charge pressure positioner, Throttle valve module, Engine control unit, Heater element for crankcase breather, Fuse 25 on fuse holder C, Intake manifold flap motor

- G28 Engine speed sender
- G69 Throttle valve potentiometer
- G81 Fuel temperature sender
- G581 Position sender for charge pressure positioner
- J338 Throttle valve module
- J623 Engine control unit, near battery
- N79 Heater element for crankcase breather
- SC25 Fuse 25 on fuse holder C
- T3q 3-pin connector, black
- T3u 3-pin connector, black
- T5m 5-pin connector
- T60 60-pin connector, black
- V157 Intake manifold flap motor

- 369 Earth connection 4, in main wiring harness
- 656 Earth point, on right headlight
- D101 Connection 1 in engine compartment wiring harness
- D103 Connection 3 in engine compartment wiring harness
- \* Only models with crankcase breather heater element

7HD-085151117





**Dash panel insert**

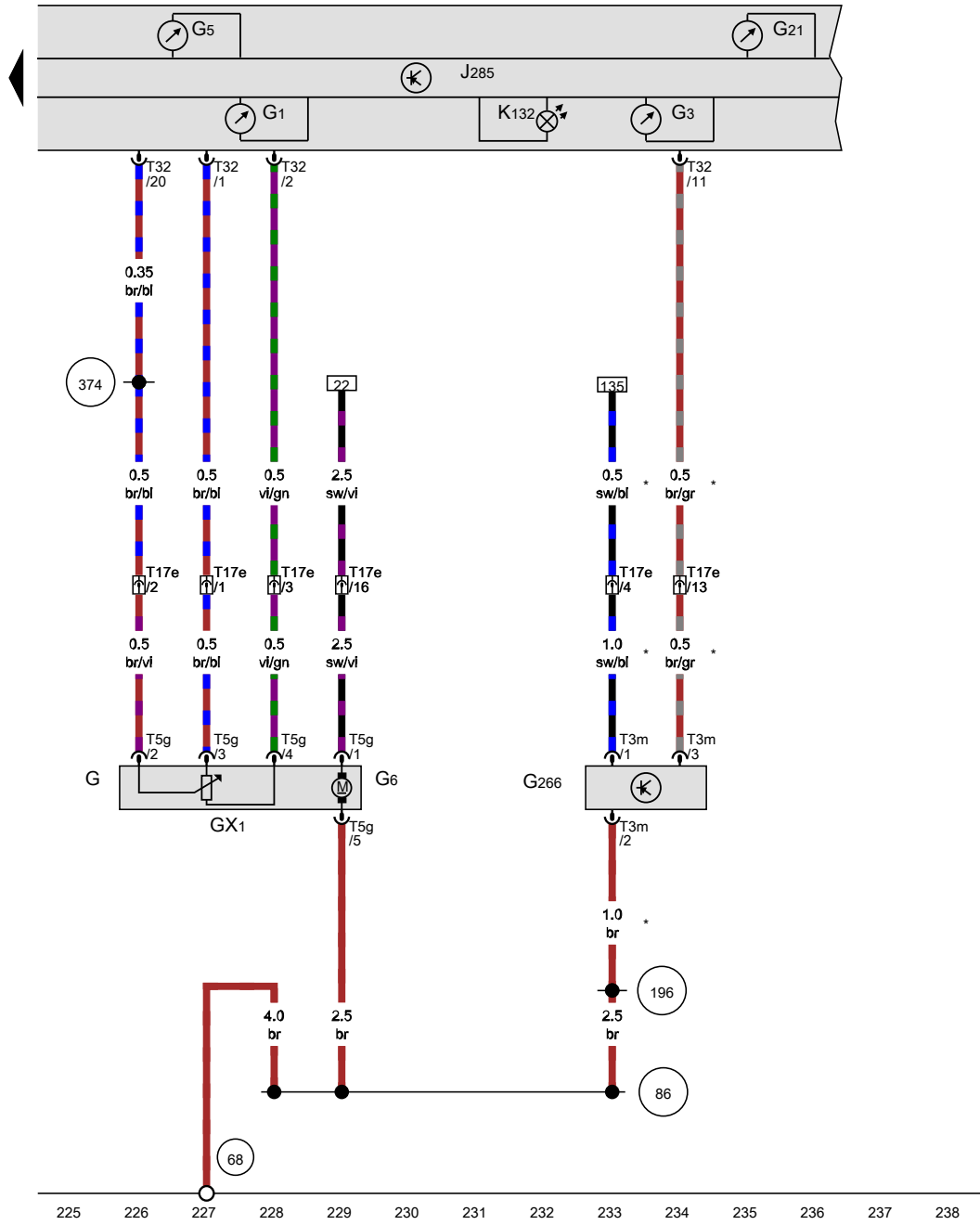
- D2 Immobiliser reader coil
- F1 Oil pressure switch
- H3 Buzzer and gong
- J285 Control unit in dash panel insert
- K Dash panel insert
- K2 Alternator warning lamp
- K3 Oil pressure warning lamp
- K28 Coolant temperature and coolant shortage warning lamp
- K29 Glow period warning lamp
- K31 Cruise control system warning lamp
- K38 Oil level warning lamp
- K105 Reserve fuel warning lamp
- T18 18-pin connector, near engine control unit, black
- T32 32-pin connector, blue

- B383 Connection 1 (powertrain CAN bus, high), in main wiring harness
- B390 Connection 1 (powertrain CAN bus, low), in main wiring harness

- ws = white
- sw = black
- ro = red
- br = brown
- gn = green
- bl = blue
- gr = grey
- li = purple
- ge = yellow
- or = orange
- rs = pink

211 212 213 214 215 216 217 218 219 220 221 222 223 224

17H0-085171117



**Oil level and oil temperature sender, Dash panel insert**

- G Fuel gauge sender
- GX1 Fuel delivery unit
- G1 Fuel gauge
- G3 Coolant temperature gauge
- G5 Rev. counter
- G6 Fuel system pressurisation pump
- G21 Speedometer
- G266 Oil level and oil temperature sender
- J285 Control unit in dash panel insert
- K Dash panel insert
- K132 Electronic power control fault lamp
- T3m 3-pin connector, black
- T5g 5-pin connector, black
- T17e 17-pin connector, near handbrake lever, red
- T32 32-pin connector, blue

- 68 Earth point, on left of rear cross member
- 86 Earth connection 1, in rear wiring harness
- 196 Earth connection 3, in rear wiring harness
- 374 Earth connection 9, in main wiring harness
- \* Only models with Euro 5 emission standard

- ws = white
- sw = black
- ro = red
- br = brown
- gn = green
- bl = blue
- gr = grey
- li = purple
- ge = yellow
- or = orange
- rs = pink

[7H0-085181117]

**Climatronic**

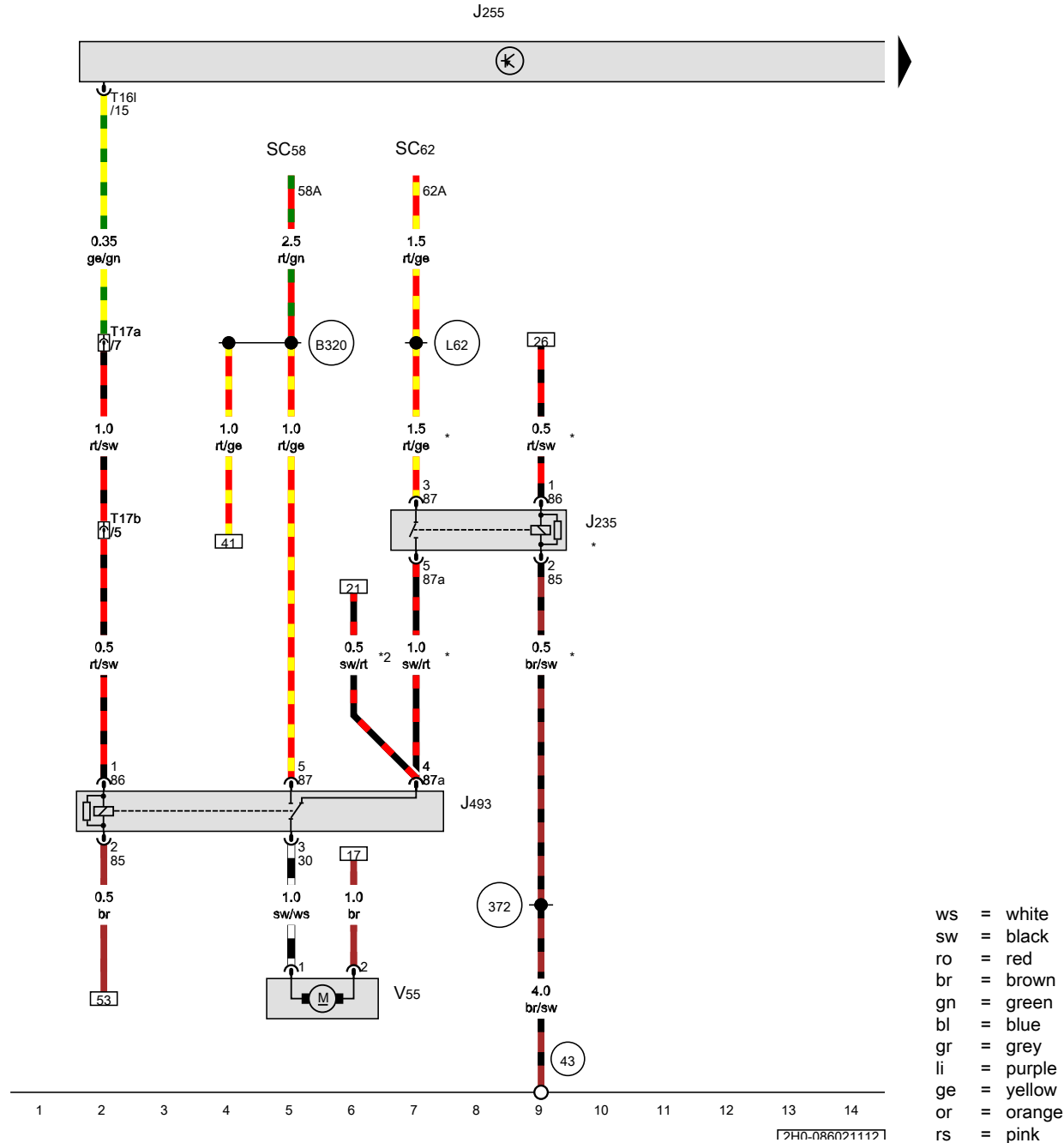
From January 2013



Climatronic control unit, Circulation pump

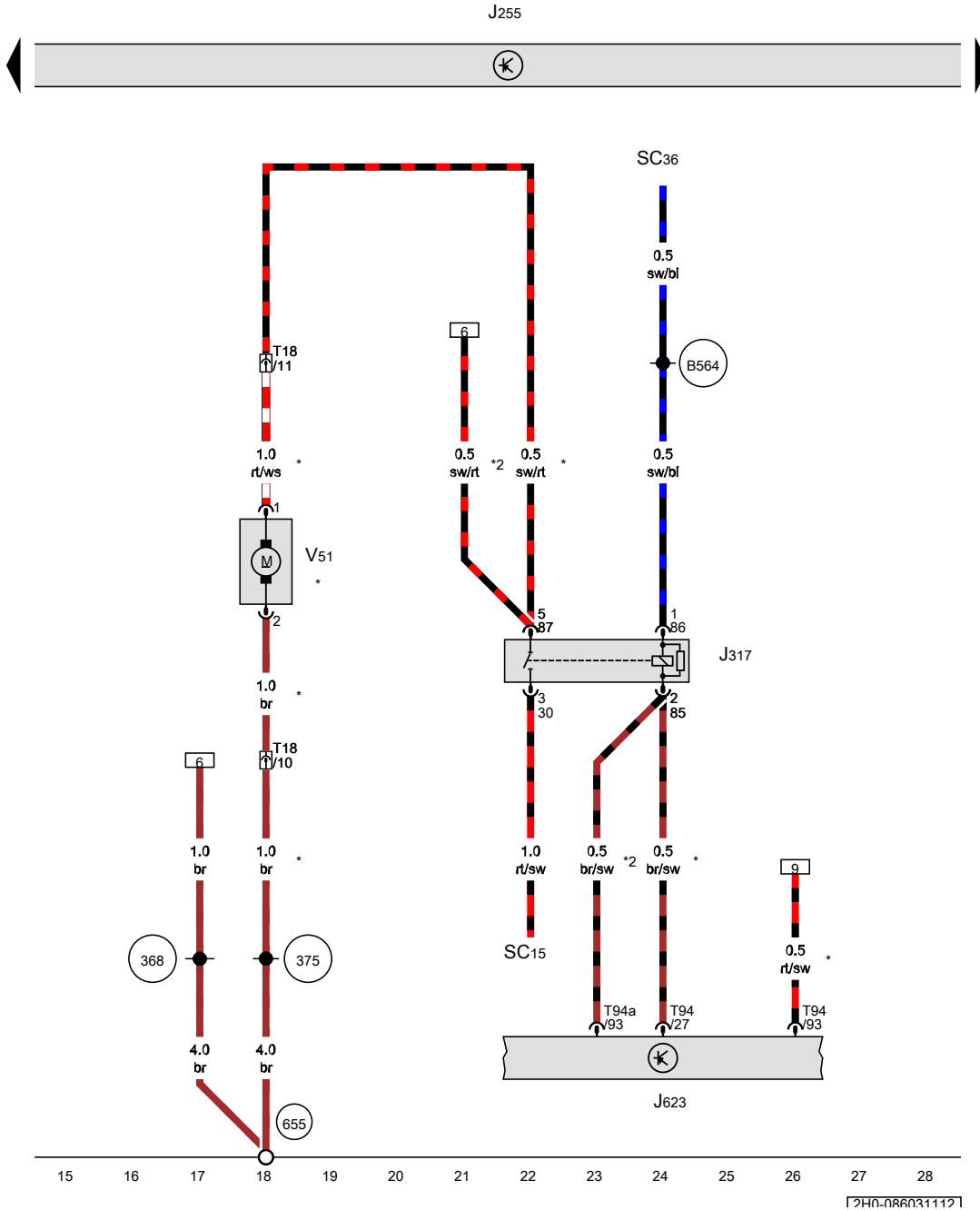
- J235 Coolant pump relay
- J255 Climatronic control unit, in centre of dash panel
- J493 Auxiliary coolant heater relay
- SC58 Fuse 58 on fuse holder C
- SC62 Fuse 62 on fuse holder C
- T16l 16-pin connector, black
- T17a 17-pin connector, behind glove compartment, black
- T17b 17-pin connector, on relay carrier, brown
- V55 Circulation pump

- (43) Earth point, lower part of right A-pillar
- (372) Earth connection 7, in main wiring harness
- (B320) Positive connection 6 (30a) in main wiring harness
- (L62) Positive connection (30a), in auxiliary heater wiring harness
- \* Only models with petrol engine
- \*2 Only models with diesel engine



17H0-0060211121

Climatronic control unit, Continued coolant circulation pump

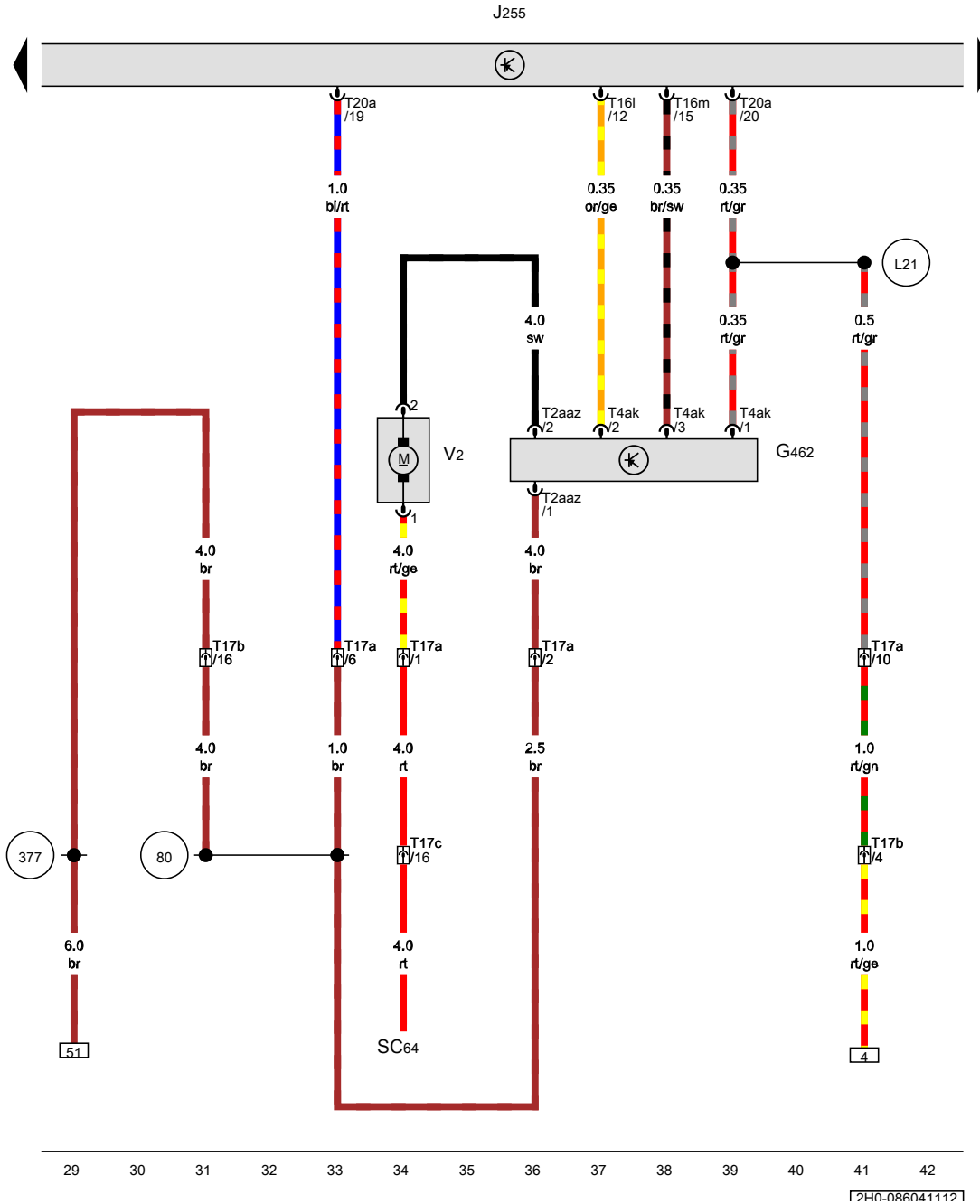


- J255 Climatronic control unit, in centre of dash panel
- J317 Terminal 30 voltage supply relay
- J623 Engine control unit
- SC15 Fuse 15 on fuse holder C
- SC36 Fuse 36 on fuse holder C
- T18 18-pin connector, near engine control unit, black
- T94 94-pin connector, black
- T94a 94-pin connector, black
- V51 Continued coolant circulation pump

- 368 Earth connection 3, in main wiring harness
- 375 Earth connection 10, in main wiring harness
- 655 Earth point, on left headlight
- B564 Connection 31, in main wiring harness

\* Only models with petrol engine  
 \*2 Only models with diesel engine

ws = white  
 sw = black  
 ro = red  
 br = brown  
 gn = green  
 bl = blue  
 gr = grey  
 li = purple  
 ge = yellow  
 or = orange  
 rs = pink



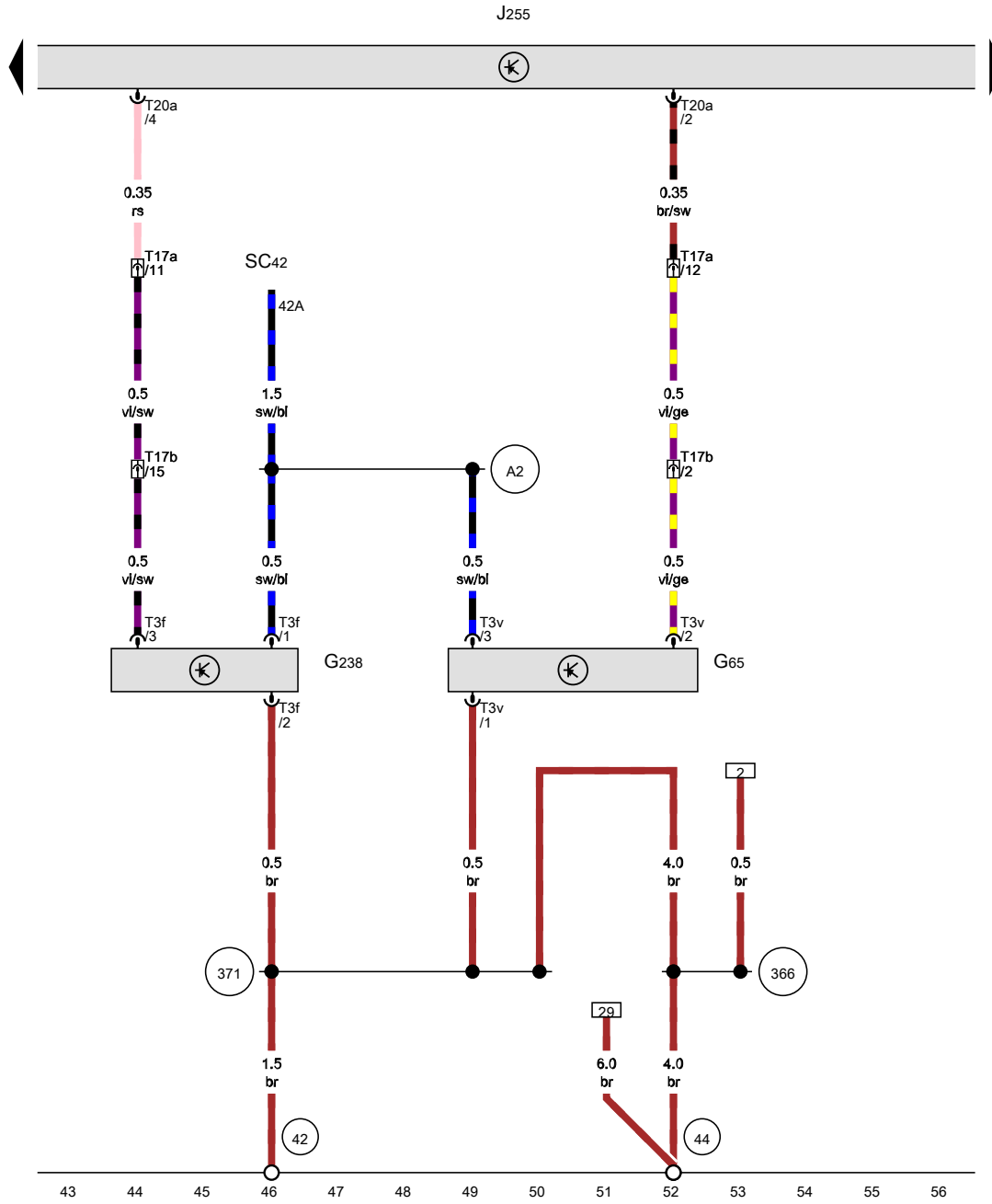
**Sender for front Bitron blower regulation, Climatronic control unit, Fresh air blower**

- G462 Sender for front Bitron blower regulation
- J255 Climatronic control unit, in centre of dash panel
- SC64 Fuse 64 on fuse holder C
- T2aaz 2-pin connector
- T4ak 4-pin connector
- T16l 16-pin connector, black
- T16m 16-pin connector, brown
- T17a 17-pin connector, behind glove compartment, black
- T17b 17-pin connector, on relay carrier, brown
- T17c 17-pin connector, on left under dash panel, white
- T20a 20-pin connector
- V2 Fresh air blower

- 80 Earth connection 1, in dash panel wiring harness
- 377 Earth connection 12, in main wiring harness
- L21 Connection 1 (30), in Climatronic operating unit wiring harness

- ws = white
- sw = black
- ro = red
- br = brown
- gn = green
- bl = blue
- gr = grey
- li = purple
- ge = yellow
- or = orange
- rs = pink

7PH0-0860411171



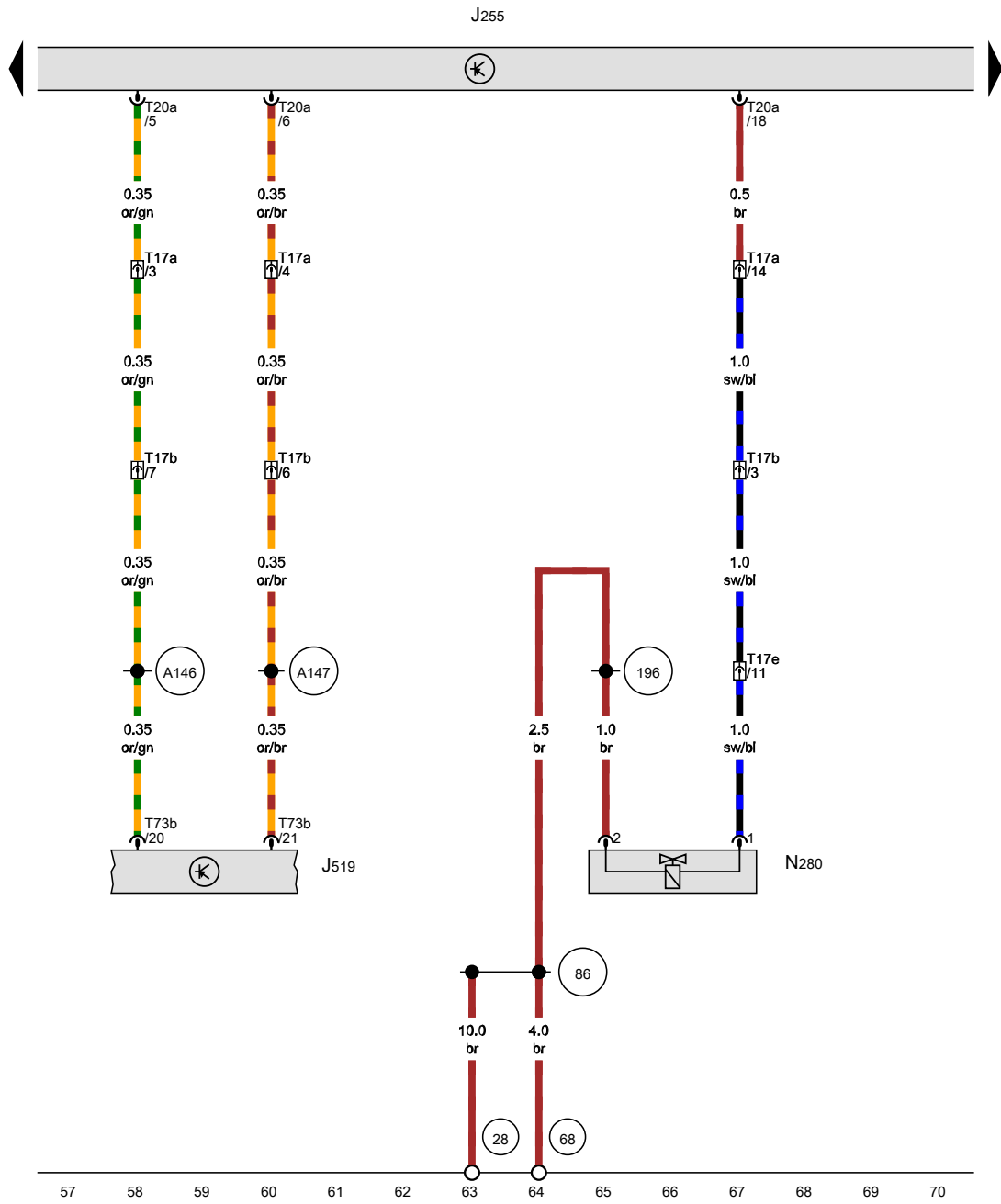
**High-pressure sender, Air quality sensor, Climatronic control unit, Fuse 42 on fuse holder C**

- G65 High-pressure sender
- G238 Air quality sensor, near window wiper motor
- J255 Climatronic control unit, in centre of dash panel
- SC42 Fuse 42 on fuse holder C
- T3f 3-pin connector
- T3v 3-pin connector
- T17a 17-pin connector, behind glove compartment, black
- T17b 17-pin connector, on relay carrier, brown
- T20a 20-pin connector

- 42 Earth point, next to steering column
- 44 Earth point, lower part of left A-pillar
- 366 Earth connection 1, in main wiring harness
- 371 Earth connection 6, in main wiring harness
- A2 Positive connection (15), in dash panel wiring harness







- ws = white
- sw = black
- ro = red
- br = brown
- gn = green
- bl = blue
- gr = grey
- li = purple
- ge = yellow
- or = orange
- rs = pink

[29] 086051117



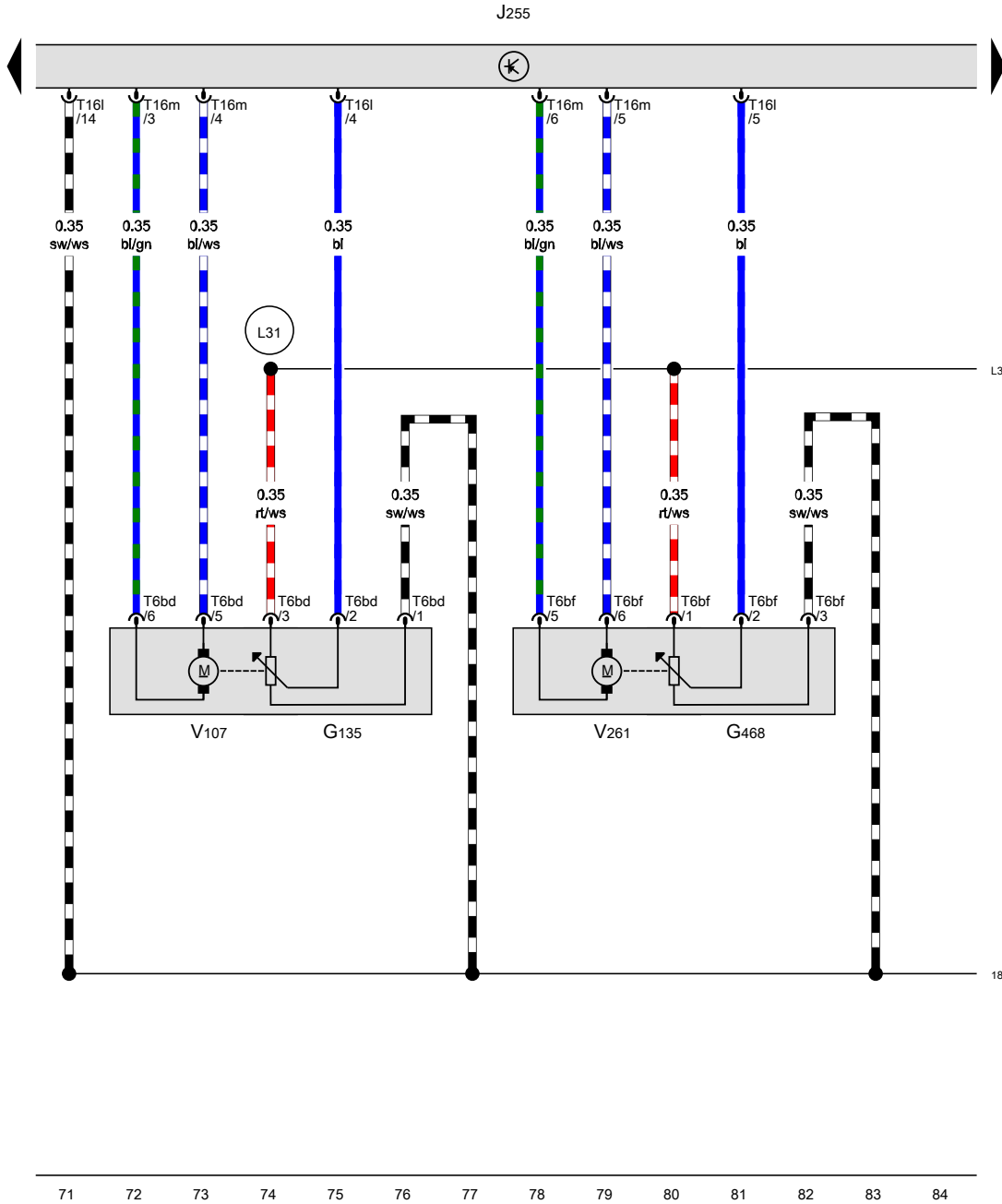
**Climatronic control unit, Onboard supply control unit, Air conditioner compressor regulating valve**

- J255 Climatronic control unit, in centre of dash panel
- J519 Onboard supply control unit
- N280 Air conditioner compressor regulating valve
- T17a 17-pin connector, behind glove compartment, black
- T17b 17-pin connector, on relay carrier, brown
- T17e 17-pin connector, near handbrake lever, red
- T20a 20-pin connector
- T73b 73-pin connector, colourless

-  28 Earth point, on bulkhead
-  68 Earth point, on left of rear cross member
-  86 Earth connection 1, in rear wiring harness
-  196 Earth connection 3, in rear wiring harness
-  A146 Connection (convenience CAN bus, high), in dash panel wiring harness
-  A147 Connection (convenience CAN bus, low), in dash panel wiring harness

- ws = white
- sw = black
- ro = red
- br = brown
- gn = green
- bl = blue
- gr = grey
- li = purple
- ge = yellow
- or = orange
- rs = pink

[240-086061112]



Potentiometer for defroster flap control motor,  
 Potentiometer for footwell vent control motor, Climatronic  
 control unit, Defroster flap control motor, Footwell flap  
 control motor

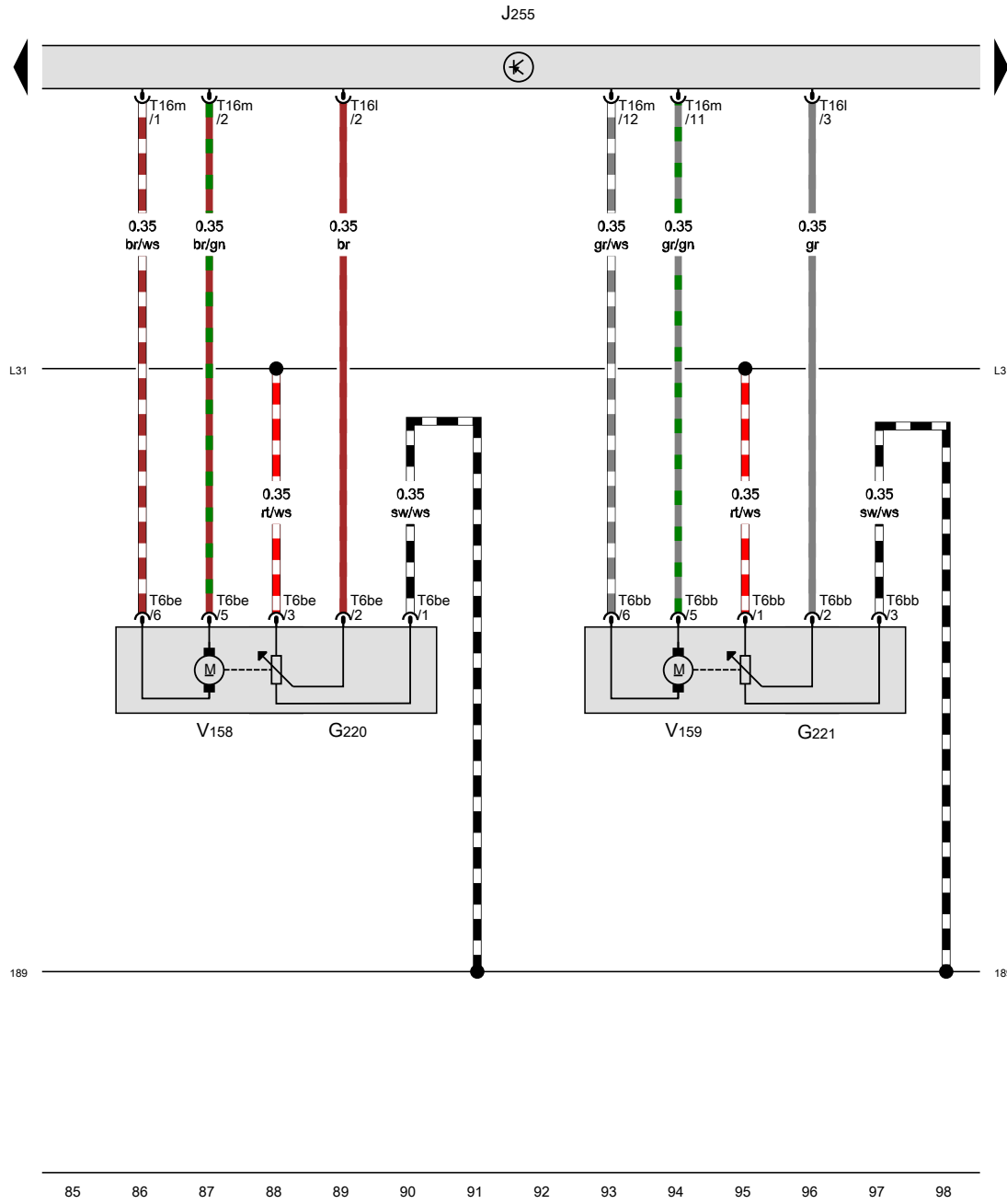
- G135 Potentiometer for defroster flap control motor
- G468 Potentiometer for footwell vent control motor
- J255 Climatronic control unit, in centre of dash panel
- T6bd 6-pin connector, black
- T6bf 6-pin connector
- T16l 16-pin connector, black
- T16m 16-pin connector, brown
- V107 Defroster flap control motor
- V261 Footwell flap control motor

- (189) Earth connection 1, in heater wiring harness
- (L31) Connection (5V), in air conditioning system wiring harness

- ws = white
- sw = black
- ro = red
- br = brown
- gn = green
- bl = blue
- gr = grey
- li = purple
- ge = yellow
- or = orange
- rs = pink

71 72 73 74 75 76 77 78 79 80 81 82 83 84

[2HD-086071112]



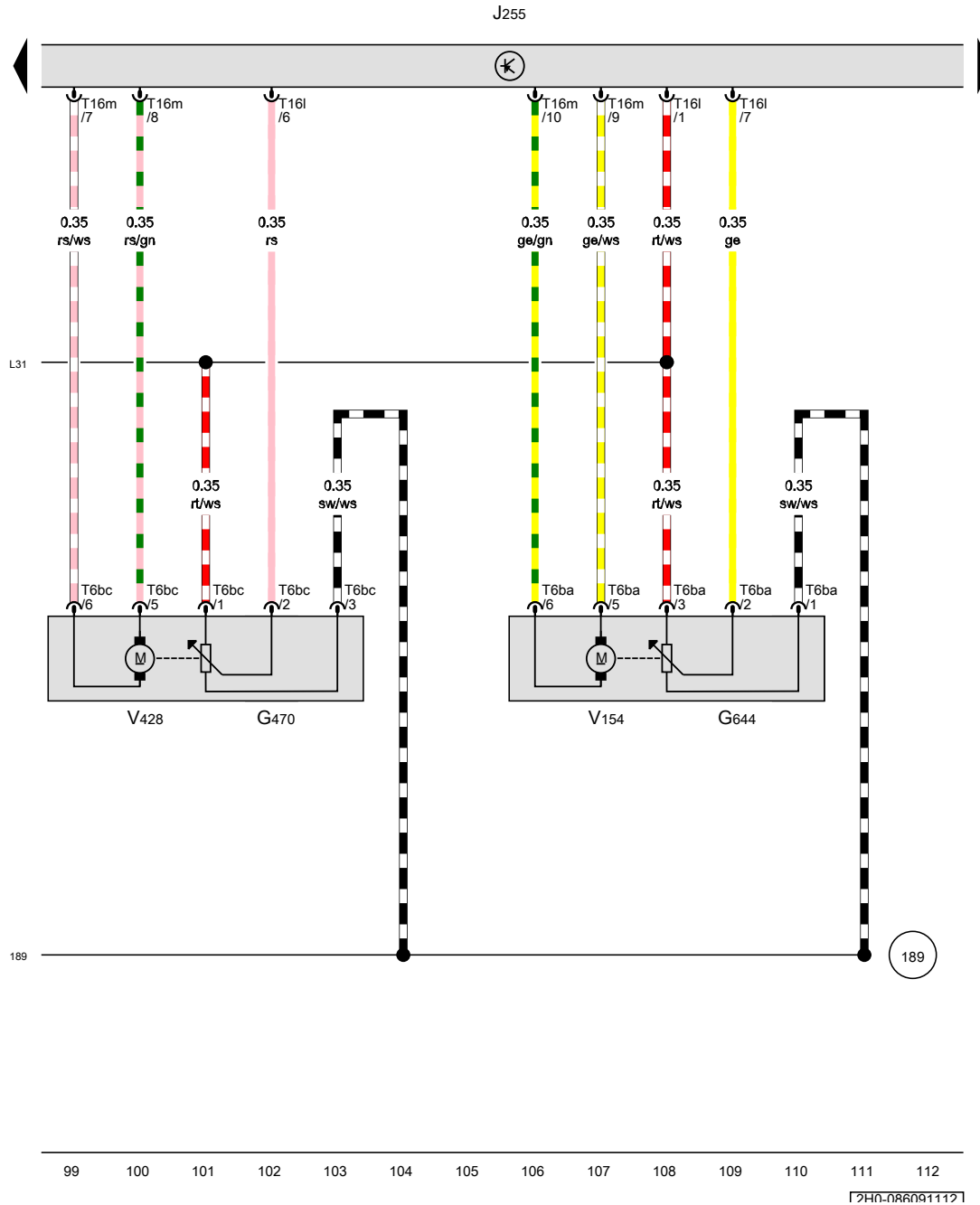
Potentiometer for left temperature flap control motor,  
 Potentiometer for right temperature flap control motor,  
 Climatronic control unit, Left temperature flap control motor,  
 Right temperature flap control motor

- G220 Potentiometer for left temperature flap control motor
- G221 Potentiometer for right temperature flap control motor
- J255 Climatronic control unit, in centre of dash panel
- T6bb 6-pin connector
- T6be 6-pin connector
- T16l 16-pin connector, black
- T16m 16-pin connector, brown
- V158 Left temperature flap control motor
- V159 Right temperature flap control motor

- (189) Earth connection 1, in heater wiring harness
- (L31) Connection (5V), in air conditioning system wiring harness

- ws = white
- sw = black
- ro = red
- br = brown
- gn = green
- bl = blue
- gr = grey
- li = purple
- ge = yellow
- or = orange
- rs = pink

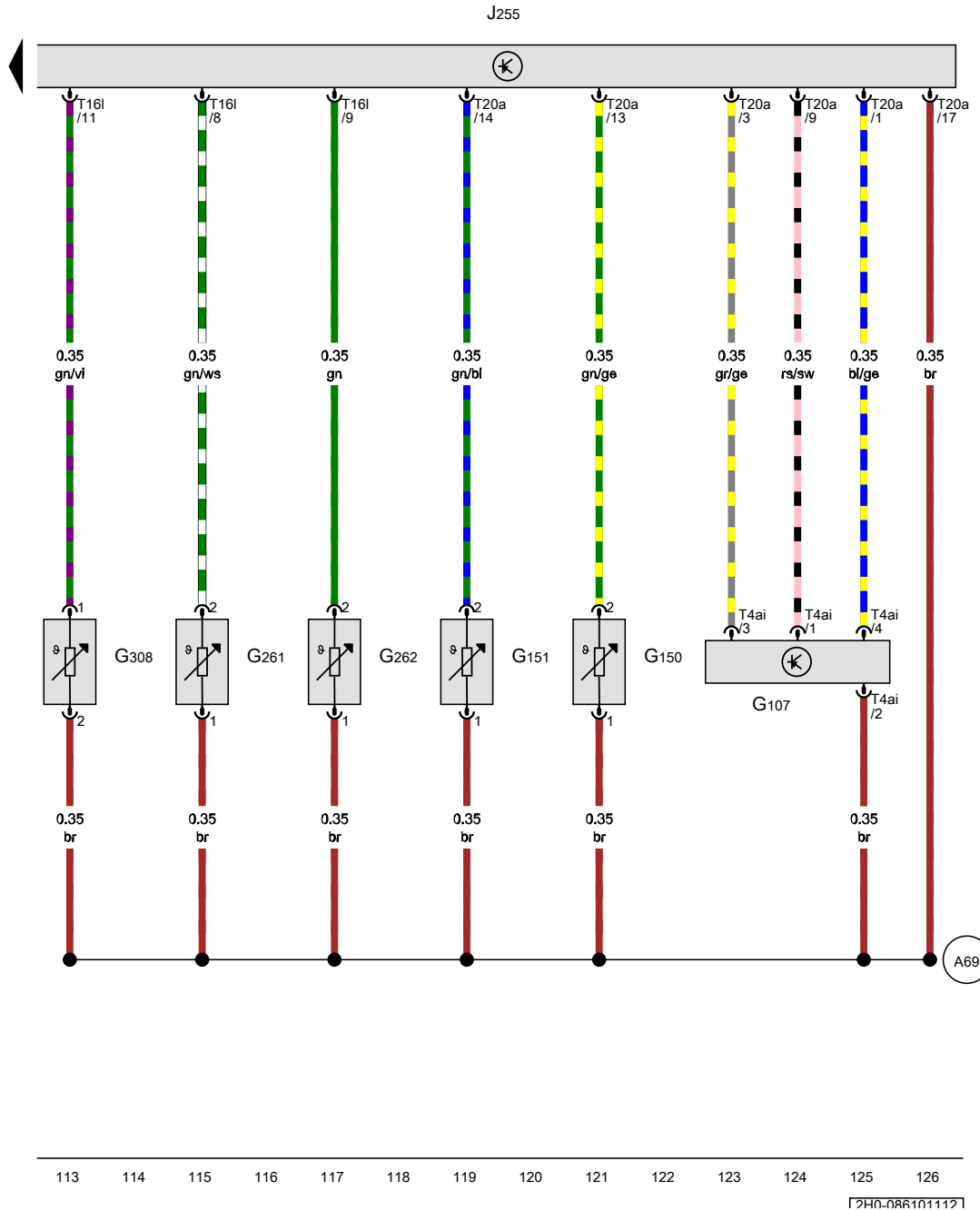
[PH0-0860R1117]



Potentiometer for front air distribution control motor, Potentiometer for fresh air/recirculated air, air flow flap control motor, Climatronic control unit, Fresh air and air recirculation flap control motor, Air distribution flap control motor

- G470 Potentiometer for front air distribution control motor
- G644 Potentiometer for fresh air/recirculated air, air flow flap control motor
- J255 Climatronic control unit, in centre of dash panel
- T6ba 6-pin connector
- T6bc 6-pin connector
- T16l 16-pin connector, black
- T16m 16-pin connector, brown
- V154 Fresh air and air recirculation flap control motor
- V428 Air distribution flap control motor
- 189 Earth connection 1, in heater wiring harness
- L31 Connection (5V), in air conditioning system wiring harness





Sunlight penetration photosensor, Left vent temperature sender, Right vent temperature sender, Left footwell vent temperature sender, Right footwell vent temperature sender, Evaporator temperature sensor, Climatronic control unit

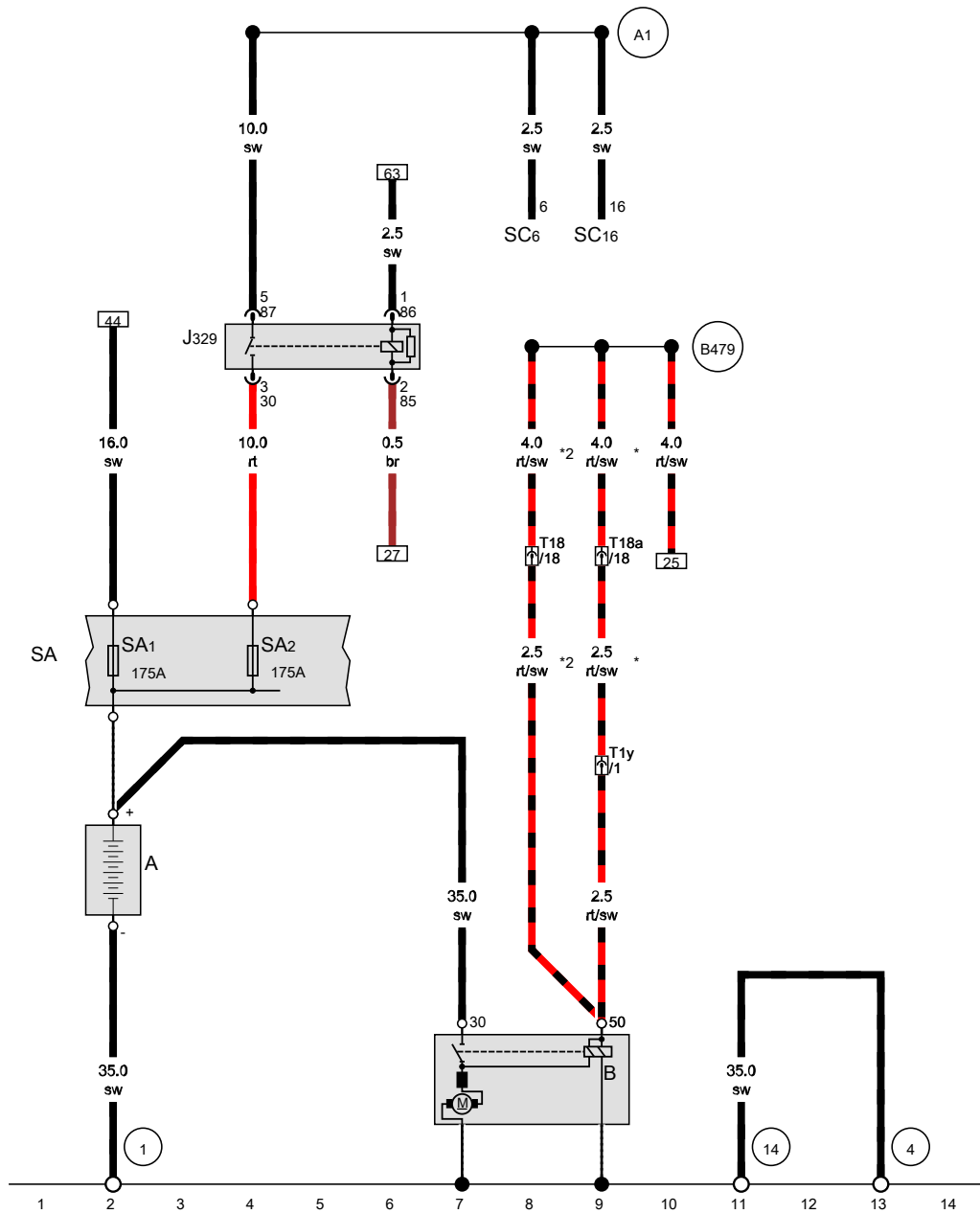
- G107 Sunlight penetration photosensor
- G150 Left vent temperature sender
- G151 Right vent temperature sender
- G261 Left footwell vent temperature sender
- G262 Right footwell vent temperature sender
- G308 Evaporator temperature sensor
- J255 Climatronic control unit, in centre of dash panel
- T4ai 4-pin connector, black
- T16l 16-pin connector, black
- T20a 20-pin connector
- (A69) Connection (31, air conditioning system/blower control), in dash panel wiring harness

- ws = white
- sw = black
- ro = red
- br = brown
- gn = green
- bl = blue
- gr = grey
- li = purple
- ge = yellow
- or = orange
- rs = pink

**Basic equipment**

From January 2013

**Battery, Starter, Terminal 15 voltage supply relay, Fuse holder A**

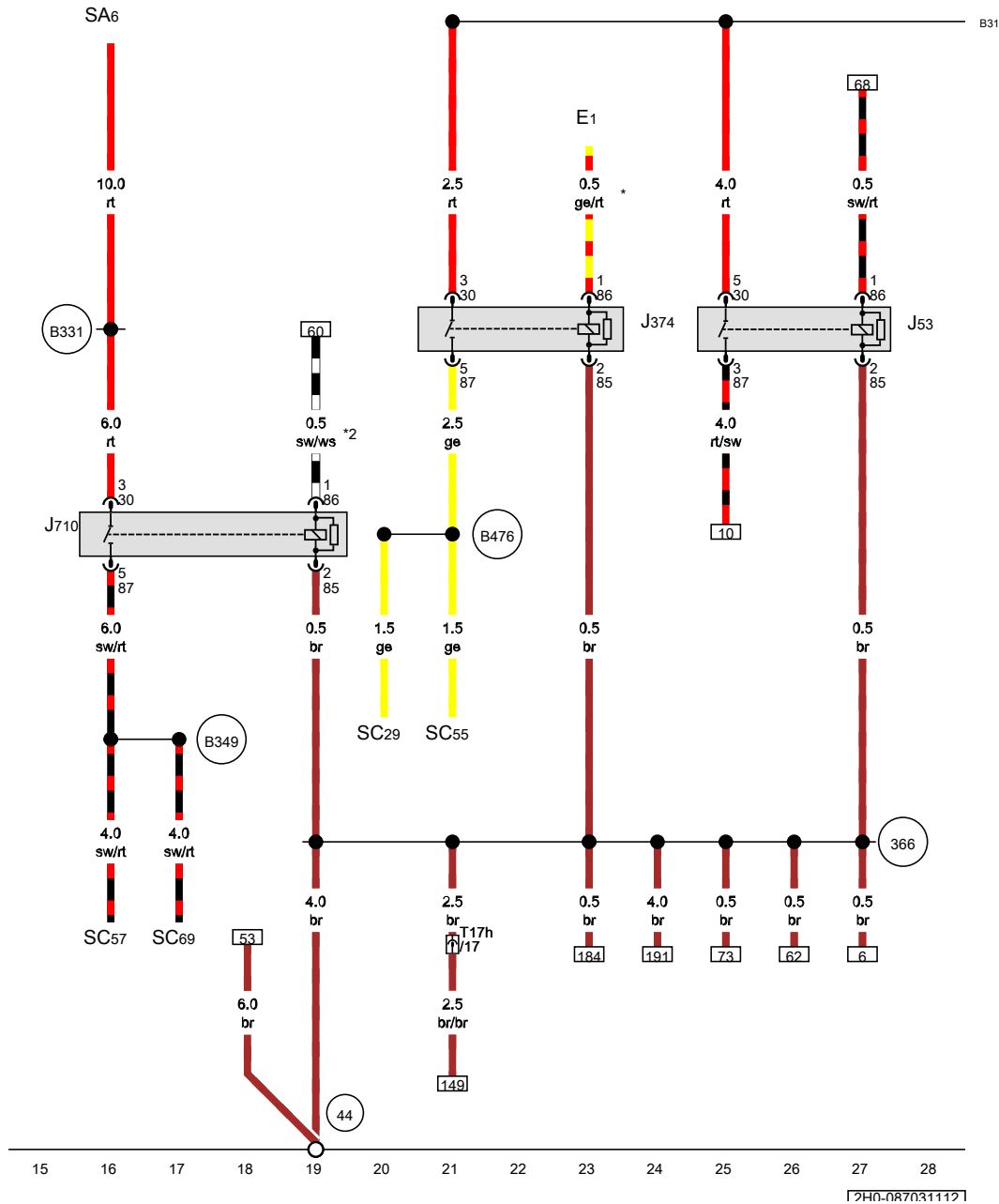


- A Battery
- B Starter
- J329 Terminal 15 voltage supply relay
- SA Fuse holder A
- SA1 Fuse 1 in fuse holder A
- SA2 Fuse 2 in fuse holder A
- SC6 Fuse 6 on fuse holder C
- SC16 Fuse 16 on fuse holder C
- T1y Single connector, black
- T18 18-pin connector, near engine control unit, black
- T18a 18-pin connector, near engine control unit, grey
- 1 Earth strap, battery - body
- 4 Earth strap, battery - body - gearbox
- 14 Earth point, on gearbox
- A1 Positive connection (30a), in dash panel wiring harness
- B479 Connection 15, in main wiring harness
- \* Only models with diesel engine
- \*2 Only models with petrol engine

ws = white  
 sw = black  
 ro = red  
 br = brown  
 gn = green  
 bl = blue  
 gr = grey  
 li = purple  
 ge = yellow  
 or = orange  
 rs = pink

ГЭН-0870211121

Starter motor relay, Terminal 58b relief relay, Voltage supply relay 2



- E1 Light switch
- J53 Starter motor relay
- J374 Terminal 58b relief relay
- J710 Voltage supply relay 2
- SA6 Fuse 6 in fuse holder A
- SC29 Fuse 29 on fuse holder C
- SC55 Fuse 55 on fuse holder C
- SC57 Fuse 57 on fuse holder C
- SC69 Fuse 69 on fuse holder C
- T17h 17-pin connector, on left under dash panel, blue

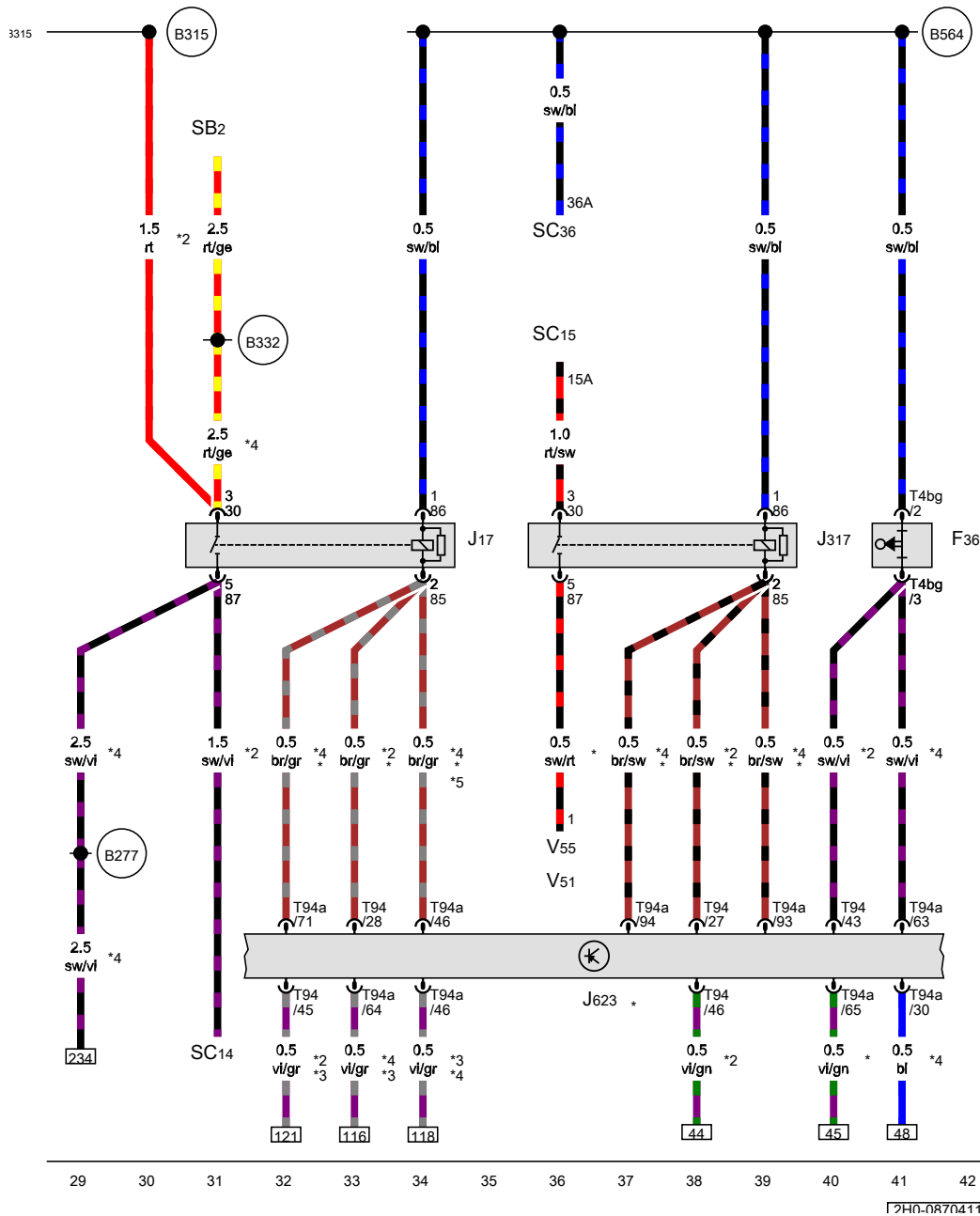
- (44) Earth point, lower part of left A-pillar
- (366) Earth connection 1, in main wiring harness
- (B315) Positive connection 1 (30a) in main wiring harness
- (B331) Positive connection 17 (30a) in main wiring harness
- (B349) Connection 2 (75a), in main wiring harness
- (B476) Connection 12, in main wiring harness

\* see applicable current flow diagram  
 \*2 Only models with no start/stop system

- ws = white
- sw = black
- ro = red
- br = brown
- gn = green
- bl = blue
- gr = grey
- li = purple
- ge = yellow
- or = orange
- rs = pink

Г240-0870311121

Clutch pedal switch, Fuel pump relay, Terminal 30 voltage supply relay, Engine control unit



- F36 Clutch pedal switch
- J17 Fuel pump relay
- J317 Terminal 30 voltage supply relay
- J623 Engine control unit
- SB2 Fuse 2 on fuse holder B
- SC14 Fuse 14 on fuse holder C
- SC15 Fuse 15 on fuse holder C
- SC36 Fuse 36 on fuse holder C
- T4bg 4-pin connector, black
- T94 94-pin connector, black
- T94a 94-pin connector, black
- V51 Continued coolant circulation pump
- V55 Circulation pump

- (B277) Positive connection 1 (15a) in main wiring harness
- (B315) Positive connection 1 (30a) in main wiring harness
- (B332) Positive connection 18 (30a) in main wiring harness
- (B564) Connection 31, in main wiring harness

- \* see applicable current flow diagram for engine
- \*2 Only models with petrol engine
- \*3 Only models with cruise control system (CCS)
- \*4 Only models with diesel engine
- \*5 Slot assignment, with no cruise control system (CCS)

- ws = white
- sw = black
- ro = red
- br = brown
- gn = green
- bl = blue
- gr = grey
- li = purple
- ge = yellow
- or = orange
- rs = pink

[PH0-087041117]

Alternator with voltage regulator, Fuse 4 on fuse holder B

- CX1 Alternator with voltage regulator
- J519 Onboard supply control unit
- SB4 Fuse 4 on fuse holder B
- T18 18-pin connector, near engine control unit, black
- T73a 73-pin connector, black
- T73b 73-pin connector, colourless

12 Earth point, on left in engine compartment

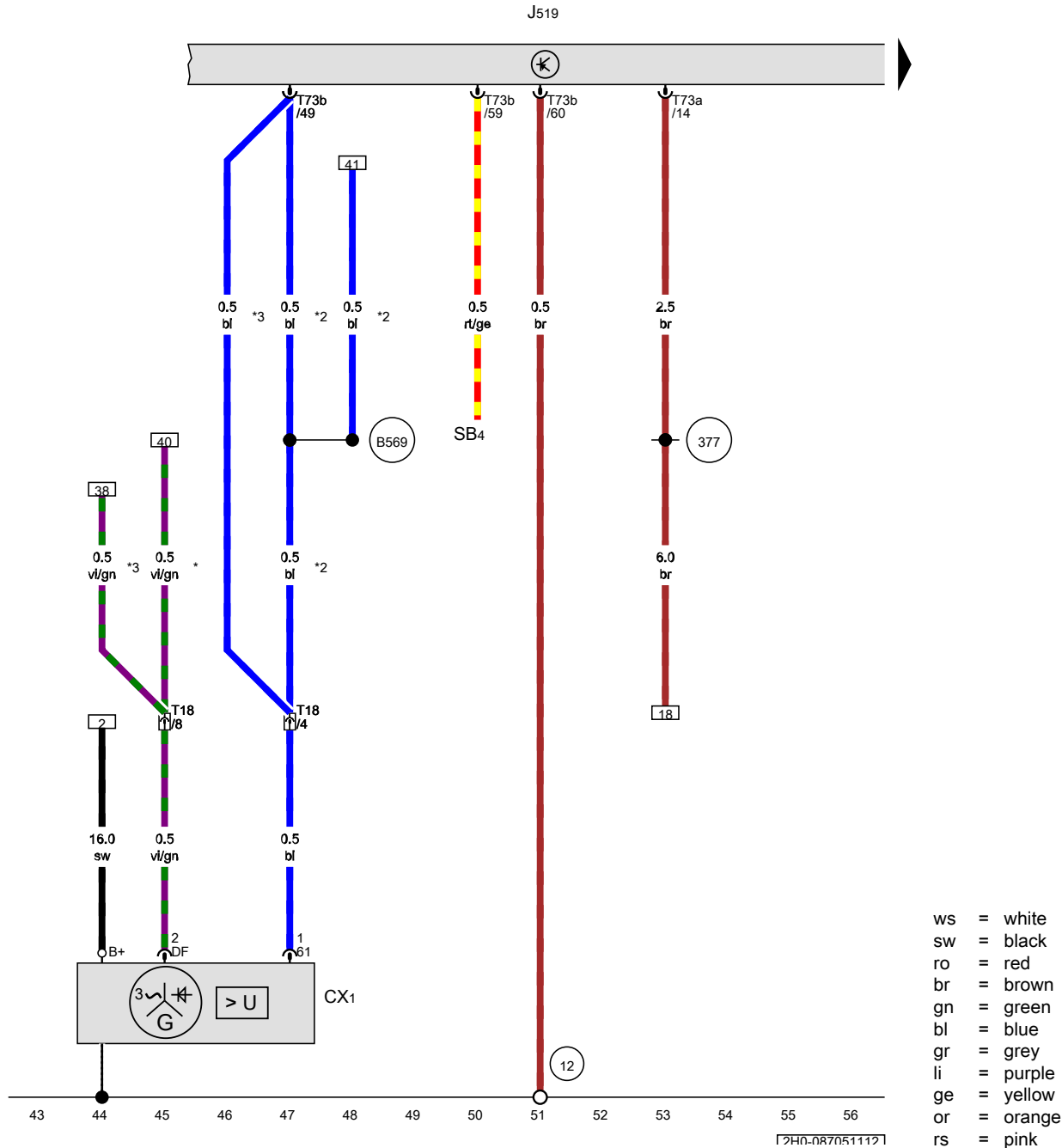
377 Earth connection 12, in main wiring harness

B569 Connection 36, in main wiring harness

\* see applicable current flow diagram for engine

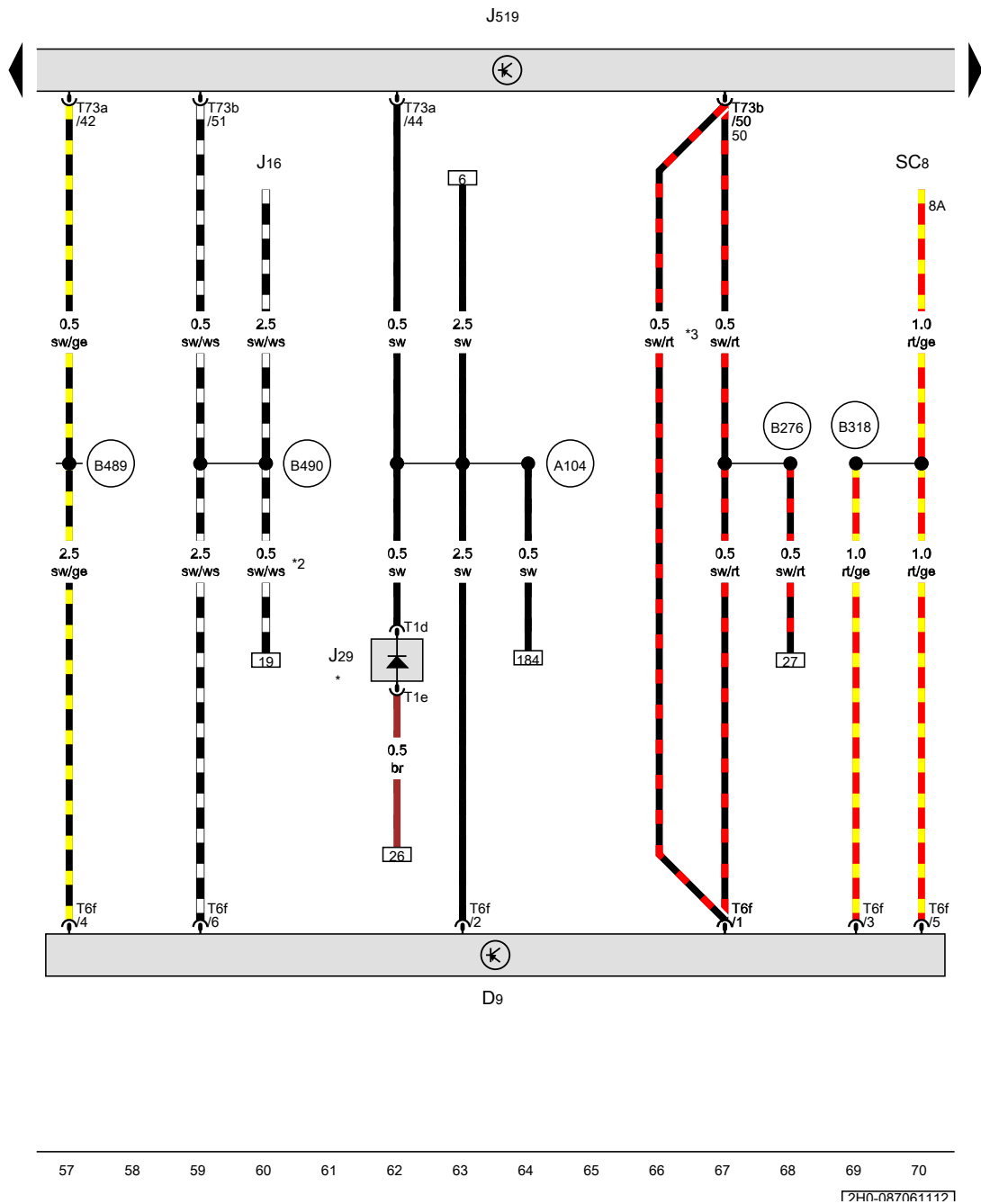
\*2 Only models with diesel engine

\*3 Only models with petrol engine



- ws = white
- sw = black
- ro = red
- br = brown
- gn = green
- bl = blue
- gr = grey
- li = purple
- ge = yellow
- or = orange
- rs = pink

[240-087051112]



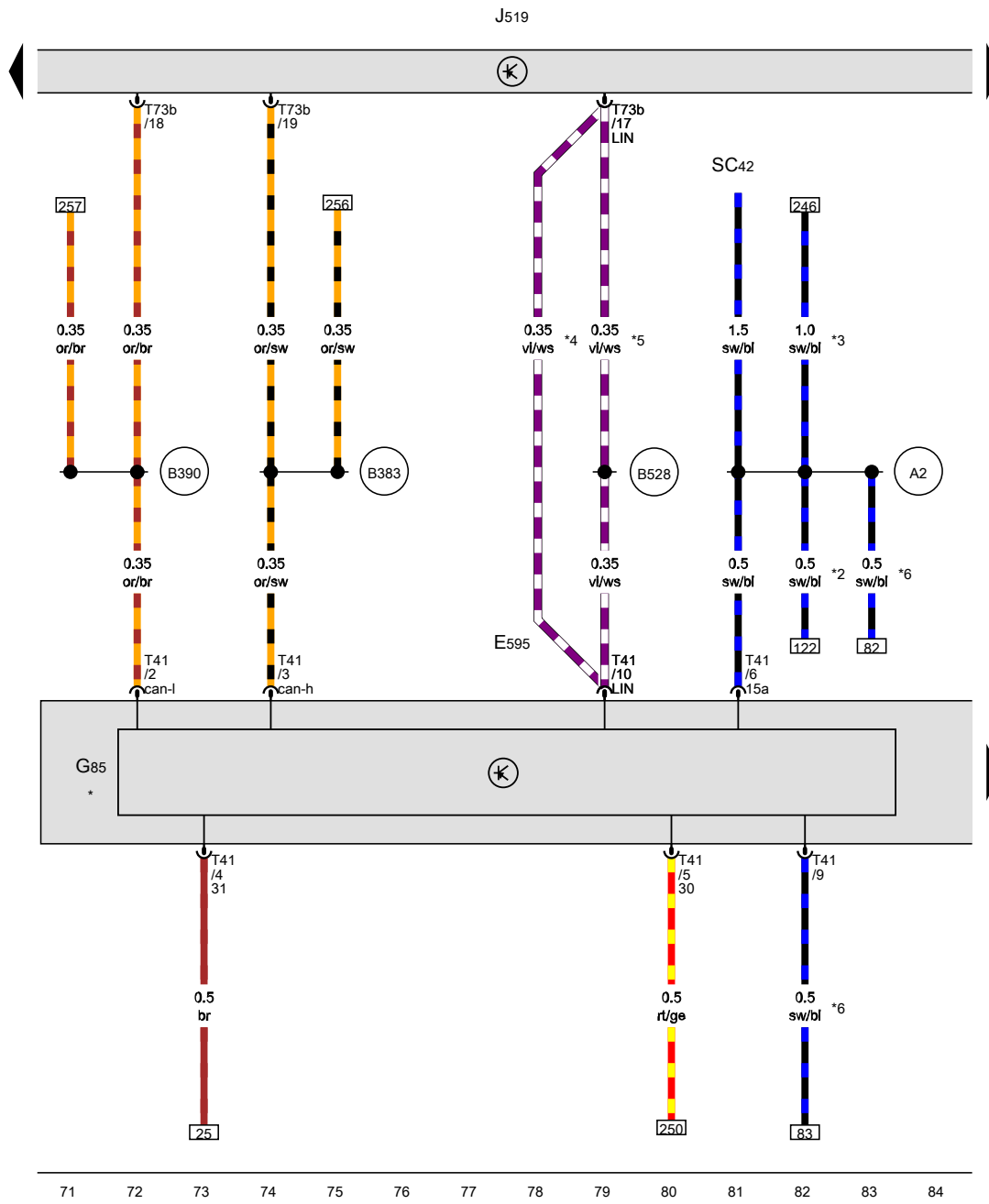
Electronic ignition lock

- D9 Electronic ignition lock
- J16 Current supply relay
- J29 Blocking diode, near steering column
- J519 Onboard supply control unit
- SC8 Fuse 8 on fuse holder C
- T1d Single connector, red
- T1e Single connector, red
- T6f 6-pin connector, black
- T73a 73-pin connector, black
- T73b 73-pin connector, colourless

- A104 Positive connection 2 (15), in dash panel wiring harness
- B276 Positive connection (50), in main wiring harness
- B318 Positive connection 4 (30a) in main wiring harness
- B489 Connection 25, in main wiring harness
- B490 Connection 26, in main wiring harness

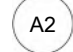



- \* Only models with cruise control system (CCS)
- \*2 Only models with no start/stop system
- \*3 Only models with automatic gearbox

- ws = white
- sw = black
- ro = red
- br = brown
- gn = green
- bl = blue
- gr = grey
- li = purple
- ge = yellow
- or = orange
- rs = pink



Steering column combination switch, Steering angle sender

- E595 Steering column combination switch
- G85 Steering angle sender
- J519 Onboard supply control unit
- SC42 Fuse 42 on fuse holder C
- T41 41-pin connector, grey
- T73b 73-pin connector, colourless

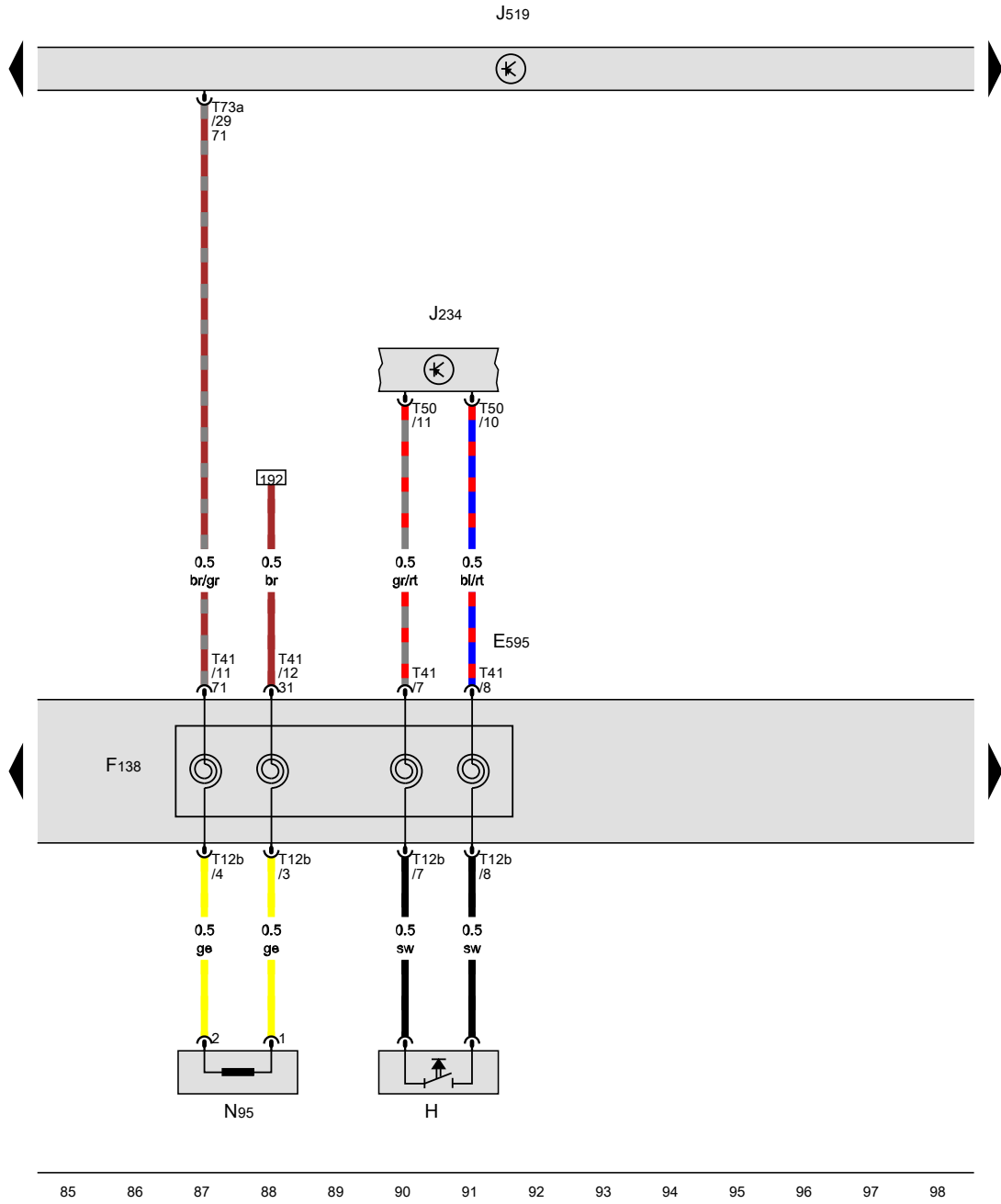
-  A2 Positive connection (15), in dash panel wiring harness
-  B383 Connection 1 (powertrain CAN bus, high), in main wiring harness
-  B390 Connection 1 (powertrain CAN bus, low), in main wiring harness
-  B528 Connection 1 (LIN bus) in main wiring harness

- \* Only models with anti-lock brake system (ABS) and electronic stabilisation program (ESP)
- \*2 Only models with cruise control system (CCS)
- \*3 Only models with Euro 5 emission standard
- \*4 Only models with manual window regulators
- \*5 Only models with electric window regulators
- \*6 From November 2011

- ws = white
- sw = black
- ro = red
- br = brown
- gn = green
- bl = blue
- gr = grey
- li = purple
- ge = yellow
- or = orange
- rs = pink

17PH0-0870711121



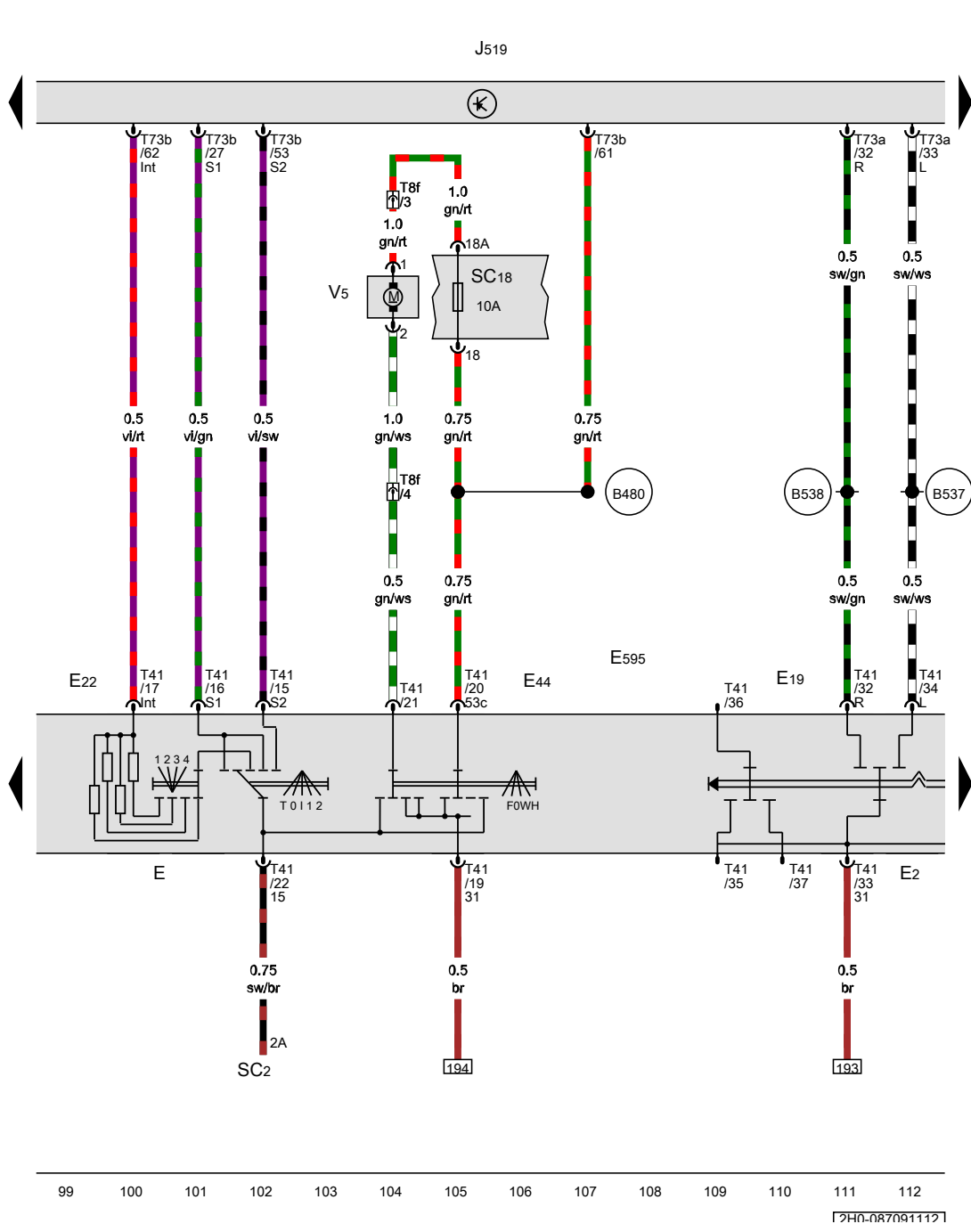


**Steering column combination switch, Airbag coil connector and return ring with slip ring, Horn plate, Airbag control unit**

- E595 Steering column combination switch
- F138 Airbag coil connector and return ring with slip ring, on steering wheel
- H Horn plate
- J234 Airbag control unit
- J519 Onboard supply control unit
- N95 Driver side airbag igniter
- T12b 12-pin connector, yellow
- T41 41-pin connector, grey
- T50 50-pin connector, yellow
- T73a 73-pin connector, black

- ws = white
- sw = black
- ro = red
- br = brown
- gn = green
- bl = blue
- gr = grey
- li = purple
- ge = yellow
- or = orange
- rs = pink

[240-087081112]



Turn signal switch, Intermittent wiper switch, Washer pump switch (automatic wash/wipe and headlight washer system), Steering column combination switch, Washer pump

- E Windscreen wiper switch
  - E2 Turn signal switch
  - E19 Parking light switch
  - E22 Intermittent wiper switch
  - E44 Washer pump switch (automatic wash/wipe and headlight washer system)
  - E595 Steering column combination switch
  - J519 Onboard supply control unit
  - SC2 Fuse 2 on fuse holder C
  - SC18 Fuse 18 on fuse holder C
  - T8f 8-pin connector, in rear left of engine compartment, black
  - T41 41-pin connector, grey
  - T73a 73-pin connector, black
  - T73b 73-pin connector, colourless
  - V5 Washer pump
- B480 Connection 16, in main wiring harness
  - B537 Connection 28, in main wiring harness
  - B538 Connection 29, in main wiring harness

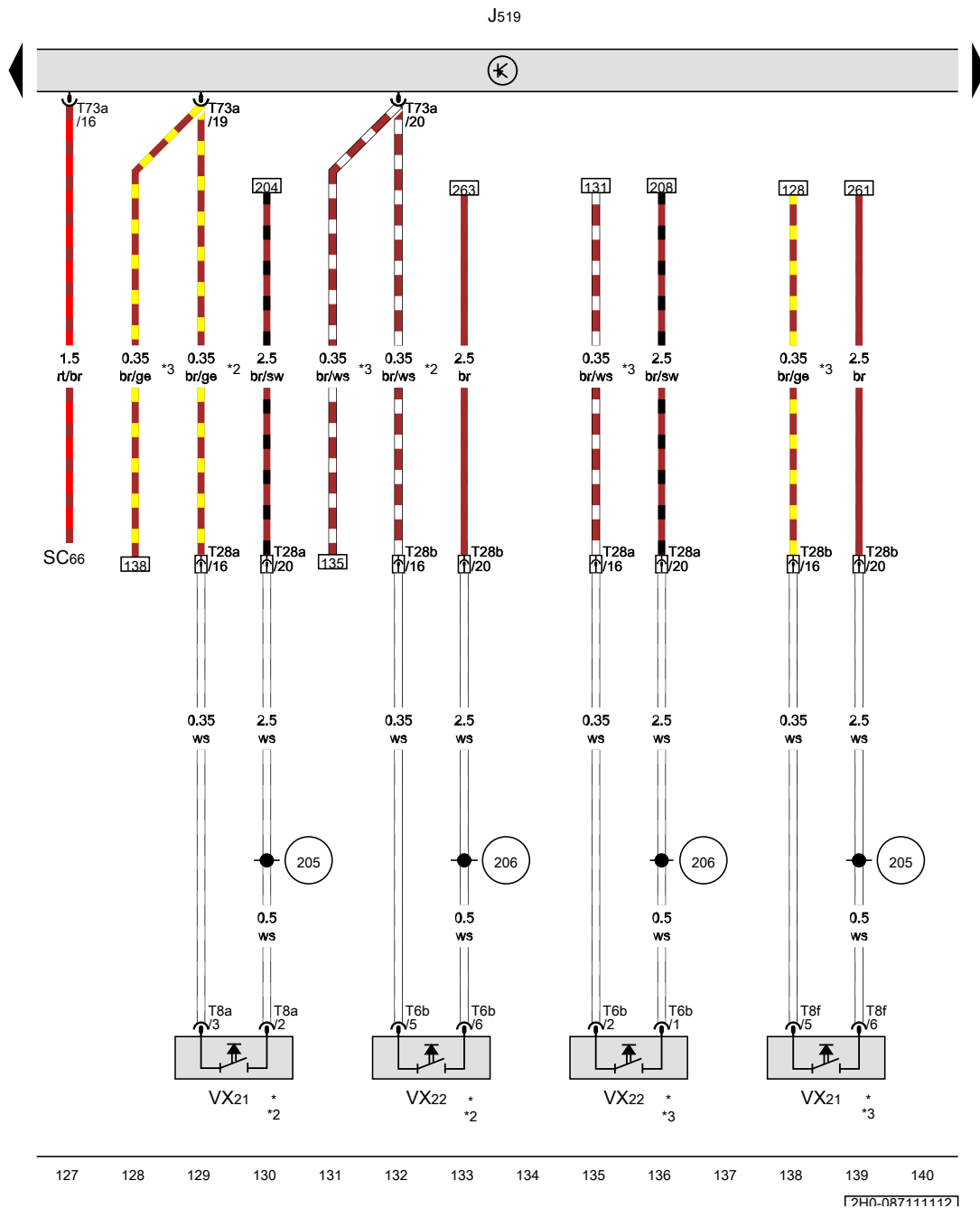
- ws = white
- sw = black
- ro = red
- br = brown
- gn = green
- bl = blue
- gr = grey
- li = purple
- ge = yellow
- or = orange
- rs = pink

99 100 101 102 103 104 105 106 107 108 109 110 111 112

[PHD-087091112]



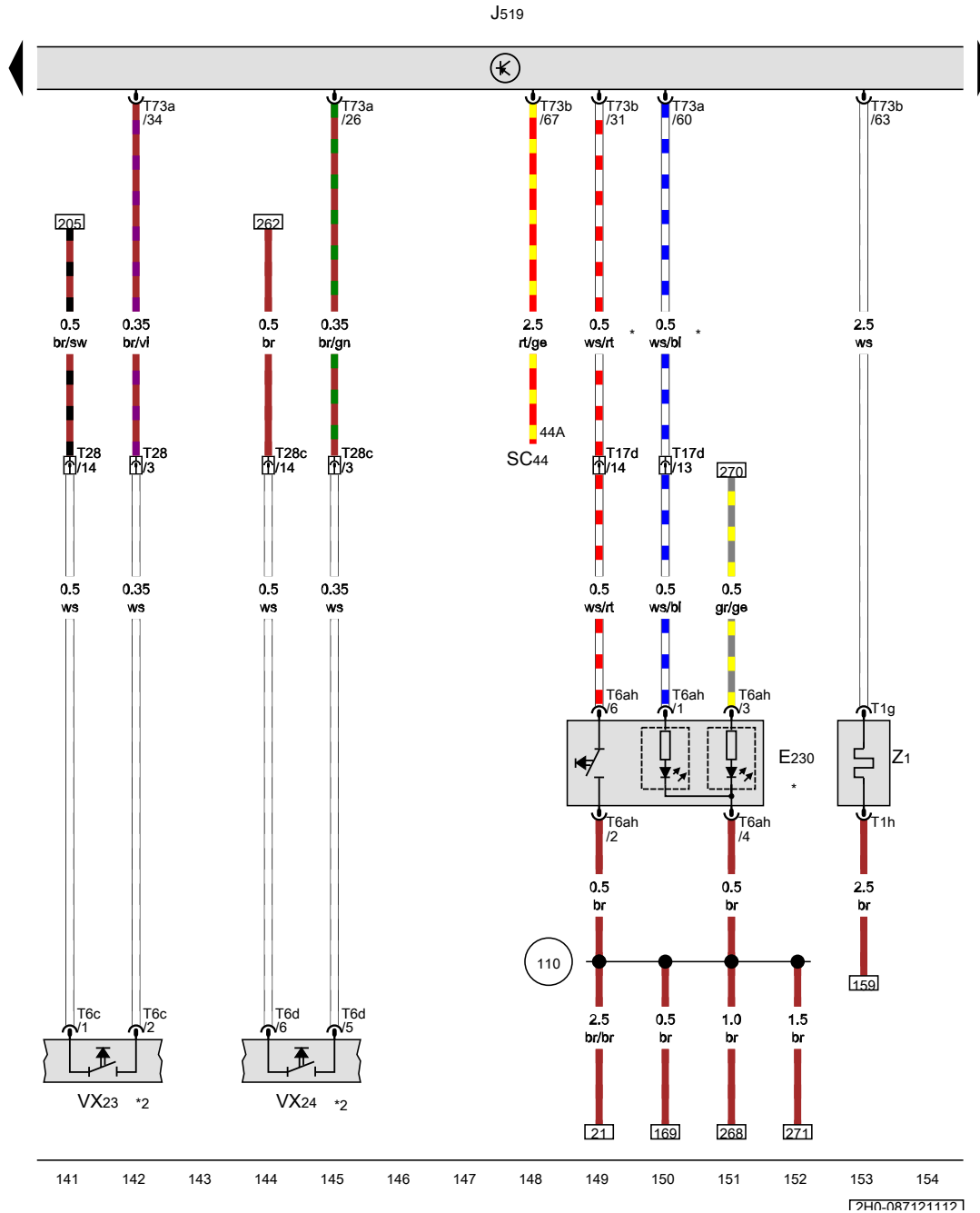
Driver door lock unit, Front passenger door lock unit



- J519 Onboard supply control unit
- SC66 Fuse 66 on fuse holder C
- T6b 6-pin connector, black
- T8a 8-pin connector, black
- T8f 8-pin connector, black
- T28a 28-pin connector, on left A-pillar, grey
- T28b 28-pin connector, on right A-pillar, grey
- T73a 73-pin connector, black
- VX21 Driver door lock unit
- VX22 Front passenger door lock unit

- 205 Earth connection, in driver door wiring harness
- 206 Earth connection, in front passenger door wiring harness
- \* Only models with no central locking
- \*2 Only left-hand drive models
- \*3 Only right-hand drive models

- ws = white
- sw = black
- ro = red
- br = brown
- gn = green
- bl = blue
- gr = grey
- li = purple
- ge = yellow
- or = orange
- rs = pink



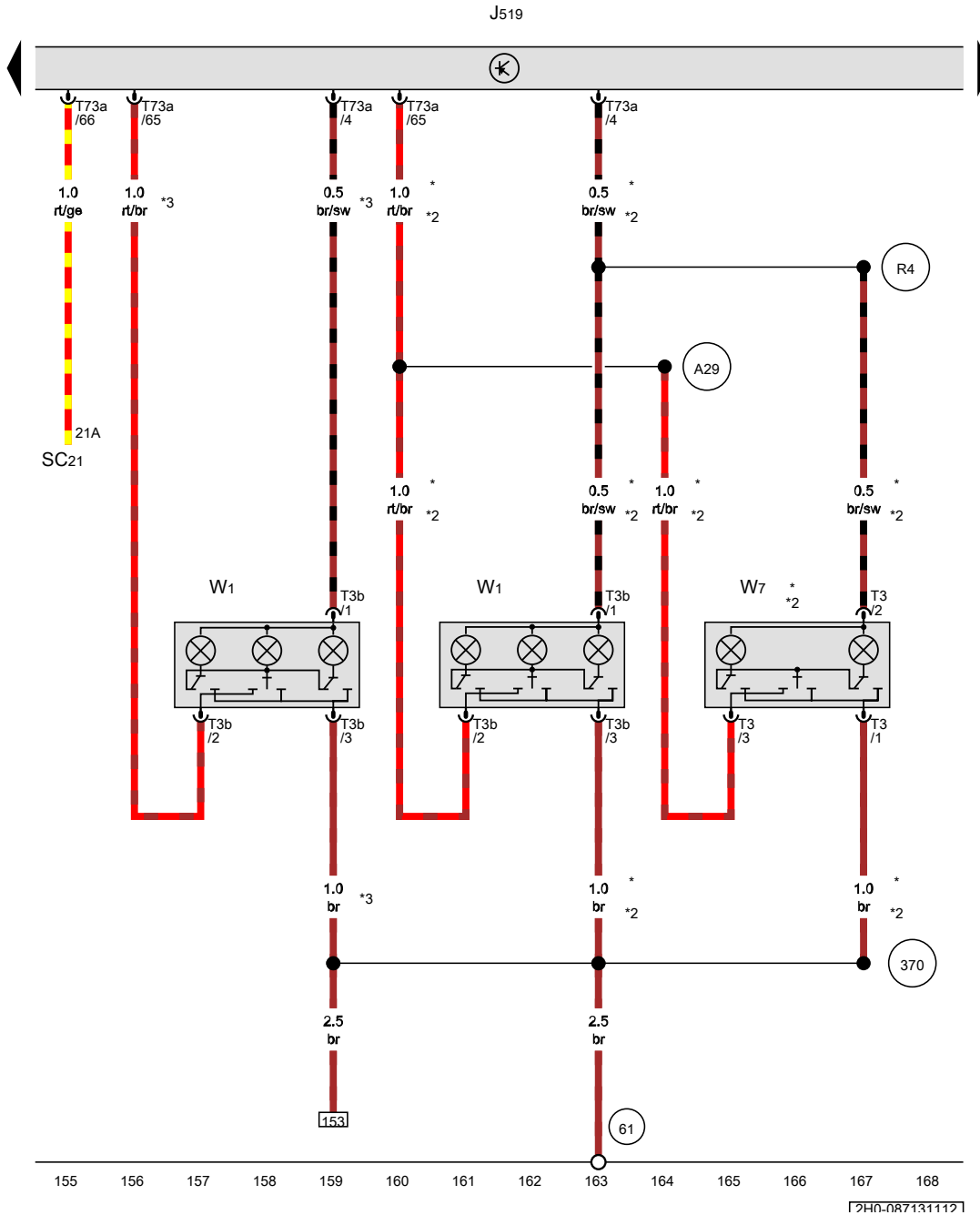
Heated rear window button, Rear left door lock unit, Rear right door lock unit, Heated rear window

- E230 Heated rear window button, near radio
- J519 Onboard supply control unit
- SC44 Fuse 44 on fuse holder C
- T1g Single connector, black
- T1h Single connector, black
- T6ah 6-pin connector, brown
- T6c 6-pin connector, black
- T6d 6-pin connector, grey
- T17d 17-pin connector, on left under dash panel, green
- T28 28-pin connector, on left B-pillar, grey
- T28c 28-pin connector, on right B-pillar, grey
- T73a 73-pin connector, black
- T73b 73-pin connector, colourless
- VX23 Rear left door lock unit
- VX24 Rear right door lock unit
- Z1 Heated rear window

110 Earth connection 2, in dash panel wiring harness

- \* Only models with no air conditioning system/Climatronic
- \*2 Only models with no central locking

- ws = white
- sw = black
- ro = red
- br = brown
- gn = green
- bl = blue
- gr = grey
- li = purple
- ge = yellow
- or = orange
- rs = pink

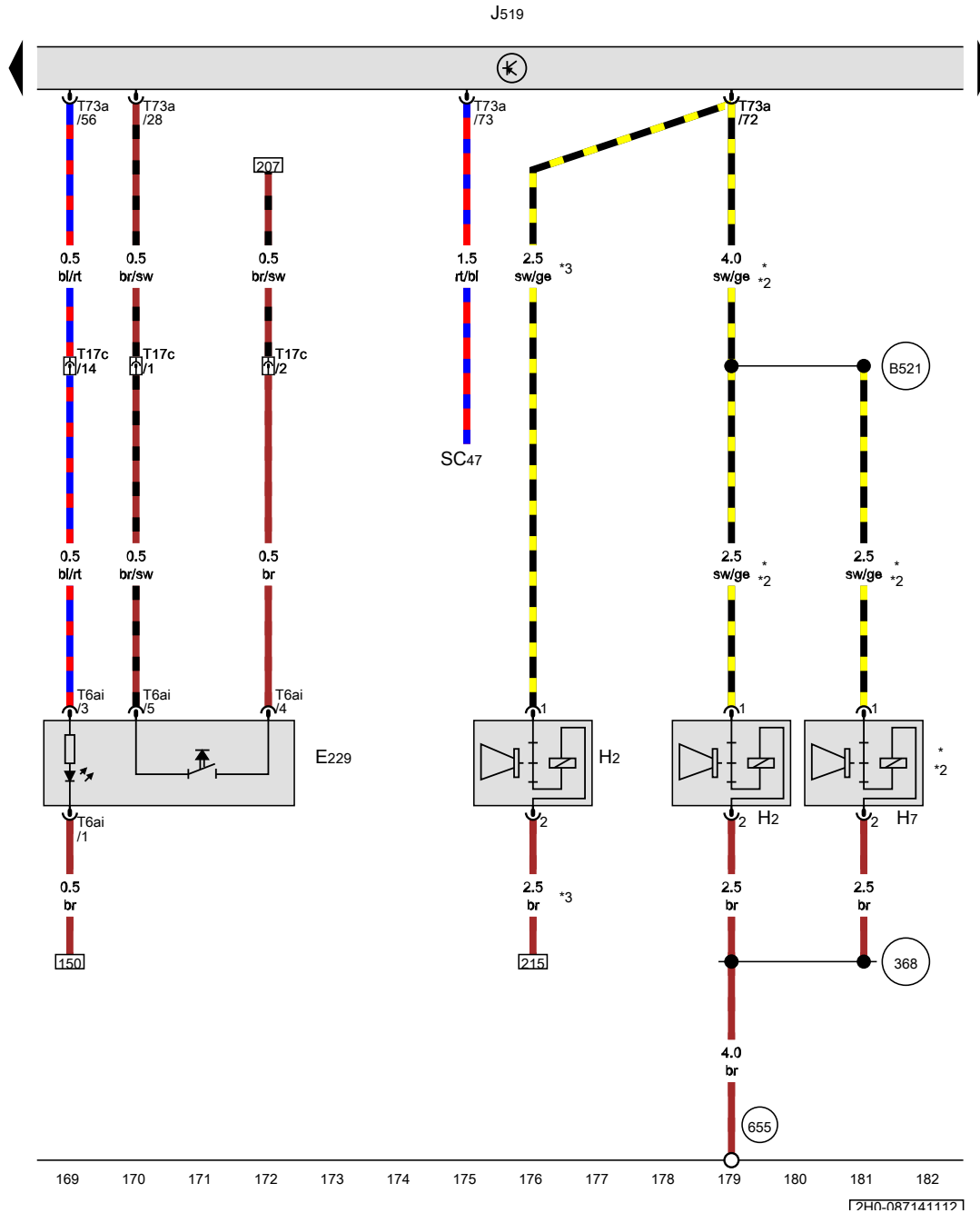


Front interior light, Centre interior light

- J519 Onboard supply control unit
- SC21 Fuse 21 on fuse holder C
- T3 3-pin connector, black
- T3b 3-pin connector, black
- T73a 73-pin connector, black
- W1 Front interior light
- W7 Centre interior light

- 61 Earth point, left C-pillar
- 370 Earth connection 5, in main wiring harness
- A29 Connection (interior light), in dash panel wiring harness
- R4 Connection 1, in interior light/door contact switch wiring harness
- \* Only models with double cab
- \*2 Only models with Highline equipment
- \*3 Only models with basic equipment

- ws = white
- sw = black
- ro = red
- br = brown
- gn = green
- bl = blue
- gr = grey
- li = purple
- ge = yellow
- or = orange
- rs = pink



Hazard warning lights button, Treble horn, Bass horn

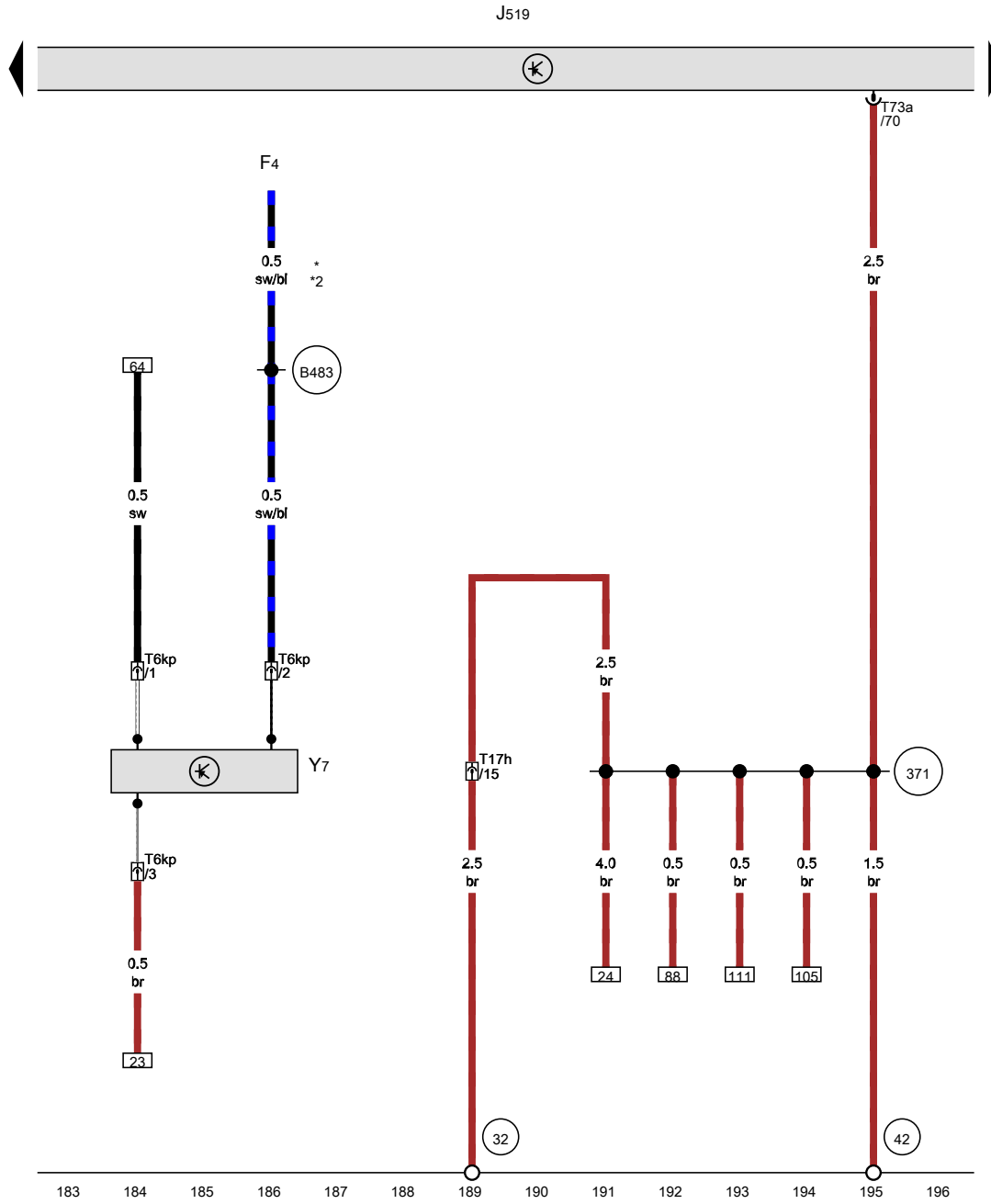
- E229 Hazard warning lights button, near radio
- H2 Treble horn
- H7 Bass horn
- J519 Onboard supply control unit
- SC47 Fuse 47 on fuse holder C
- T6ai 6-pin connector, black, red
- T17c 17-pin connector, on left under dash panel, white
- T73a 73-pin connector, black

- (368) Earth connection 3, in main wiring harness
- (655) Earth point, on left headlight
- (B521) Connection (dual tone horn), in main wiring harness

- \* Only models with Highline equipment
- \*2 Only models with Trendline equipment
- \*3 Only models with basic equipment

- ws = white
- sw = black
- ro = red
- br = brown
- gn = green
- bl = blue
- gr = grey
- li = purple
- ge = yellow
- or = orange
- rs = pink

PH0-087141117



- F4 Reversing light switch
- J519 Onboard supply control unit
- T6kp 6-pin connector, on interior mirror, black
- T17h 17-pin connector, on left under dash panel, blue
- T73a 73-pin connector, black
- Y7 Automatic anti-dazzle interior mirror, on interior mirror

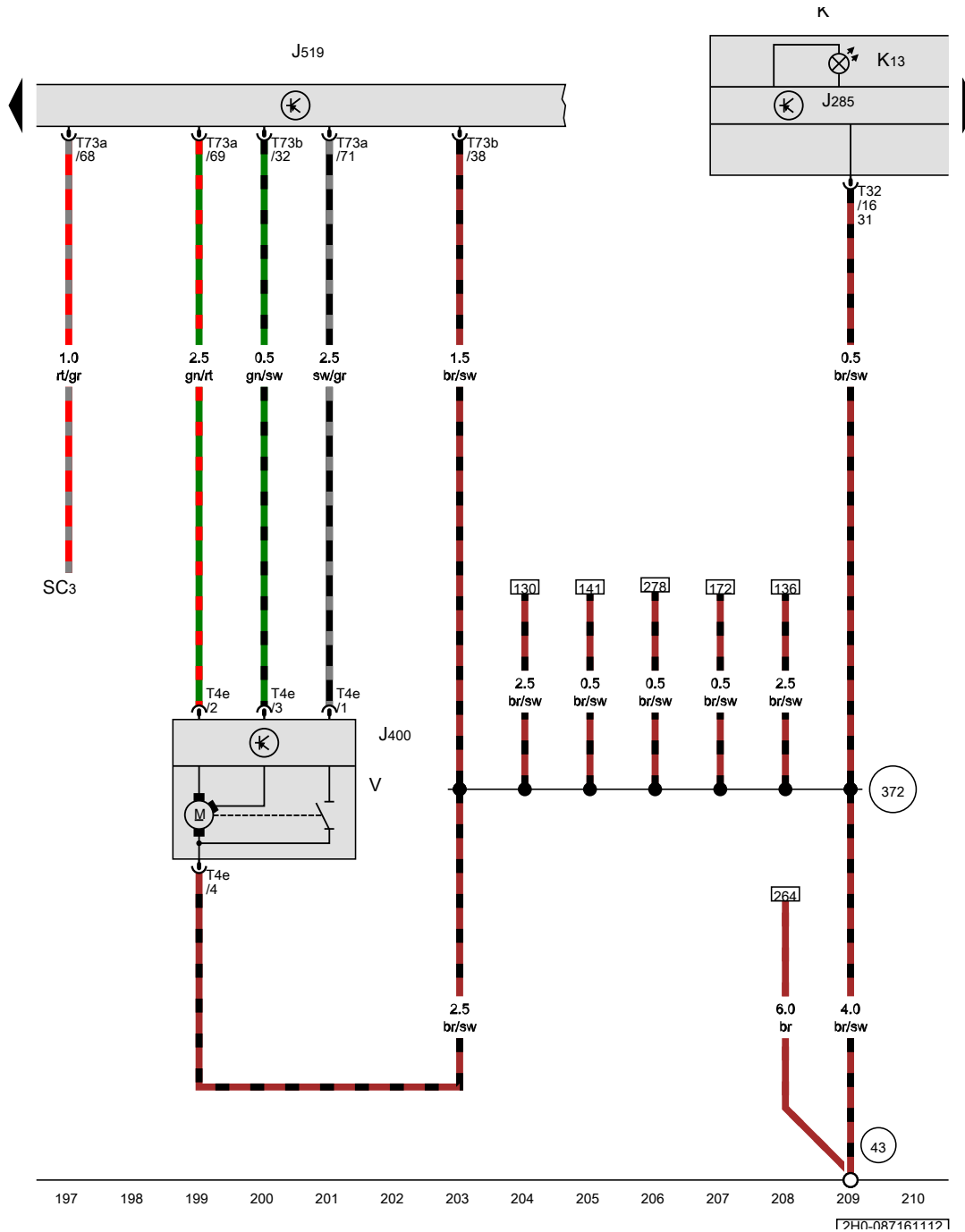
- 32 Earth point, on left behind dash panel
- 42 Earth point, next to steering column
- 371 Earth connection 6, in main wiring harness
- B483 Connection 19, in main wiring harness

\* see applicable current flow diagram for exterior lighting  
 \*2 Only models with automatic driving lights control

ws = white  
 sw = black  
 ro = red  
 br = brown  
 gn = green  
 bl = blue  
 gr = grey  
 li = purple  
 ge = yellow  
 or = orange  
 rs = pink

[PH0-087151117]

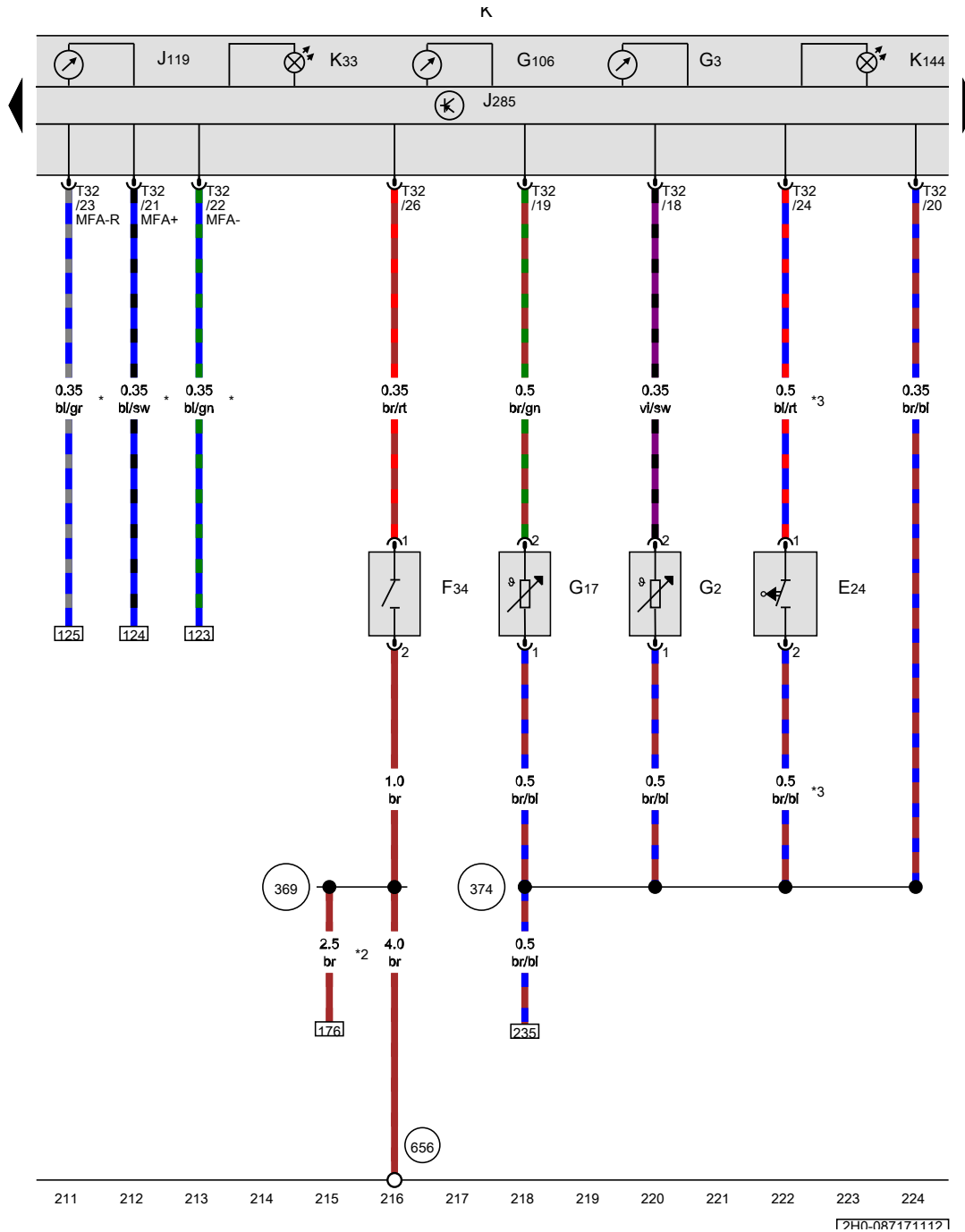




Dash panel insert, Windscreen wiper motor

- J285 Control unit in dash panel insert
- J400 Wiper motor control unit
- J519 Onboard supply control unit
- K Dash panel insert
- K13 Rear fog light warning lamp
- SC3 Fuse 3 on fuse holder C
- T4e 4-pin connector, black
- T32 32-pin connector, blue
- T73a 73-pin connector, black
- T73b 73-pin connector, colourless
- V Windscreen wiper motor

- 43 Earth point, lower part of right A-pillar
- 372 Earth connection 7, in main wiring harness



Driver side belt switch, Brake fluid level warning contact, Coolant temperature display sender, Coolant temperature gauge, Ambient temperature sensor, Ambient temperature indicator, Multifunction indicator, Dash panel insert, Brake fluid level warning lamp, Driver side airbag deactivated warning lamp

- E24 Driver side belt switch
- F34 Brake fluid level warning contact
- G2 Coolant temperature display sender
- G3 Coolant temperature gauge
- G17 Ambient temperature sensor
- G106 Ambient temperature indicator
- J119 Multifunction indicator
- J285 Control unit in dash panel insert
- K Dash panel insert
- K33 Brake fluid level warning lamp
- K144 Driver side airbag deactivated warning lamp
- T32 32-pin connector, blue

369 Earth connection 4, in main wiring harness

374 Earth connection 9, in main wiring harness

656 Earth point, on right headlight, on right on bulkhead

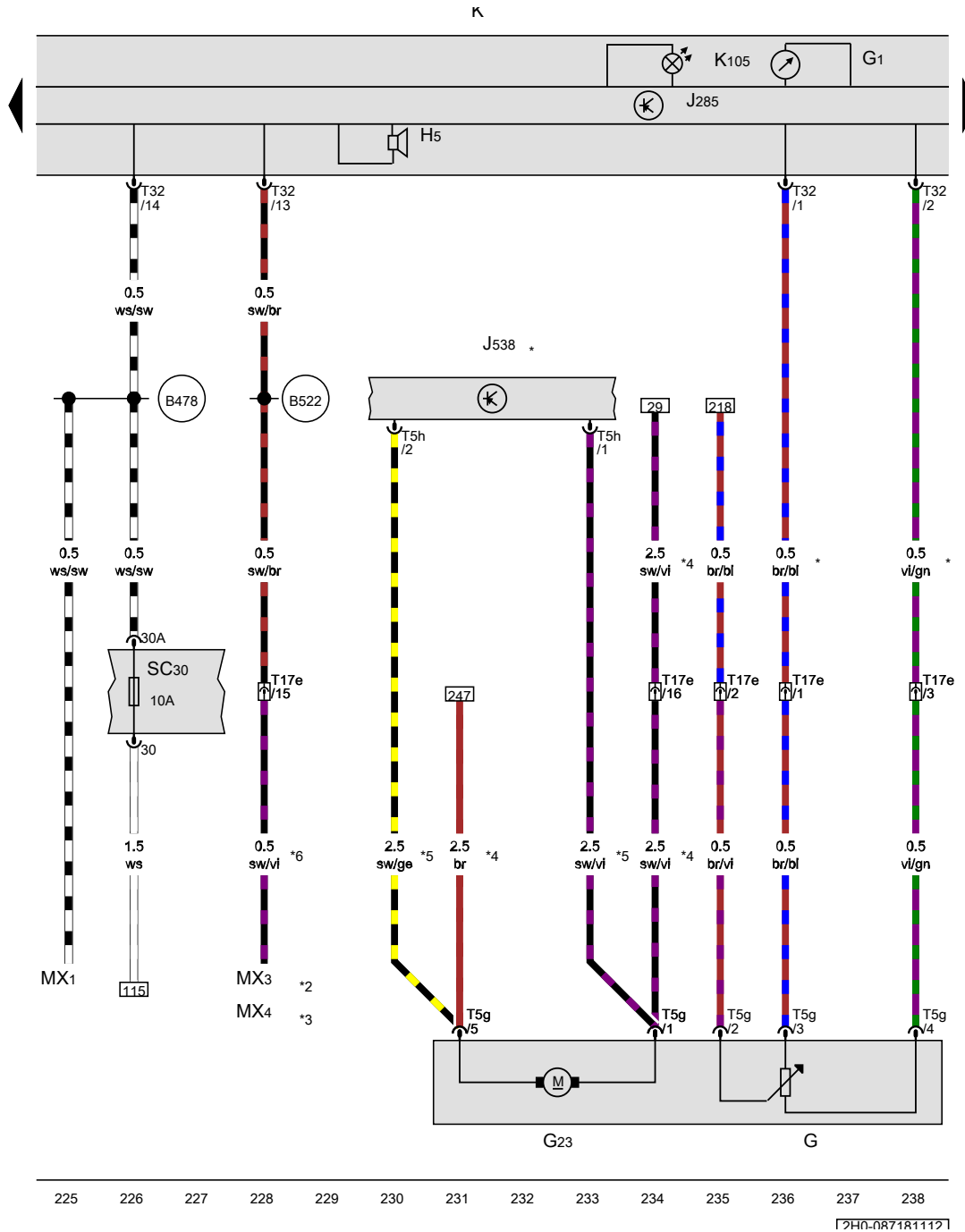
\* Only models with multifunction display

\*2 Only models with basic equipment

\*3 Only models with no airbag

- ws = white
- sw = black
- ro = red
- br = brown
- gn = green
- bl = blue
- gr = grey
- li = purple
- ge = yellow
- or = orange
- rs = pink

[79H0-087171117]



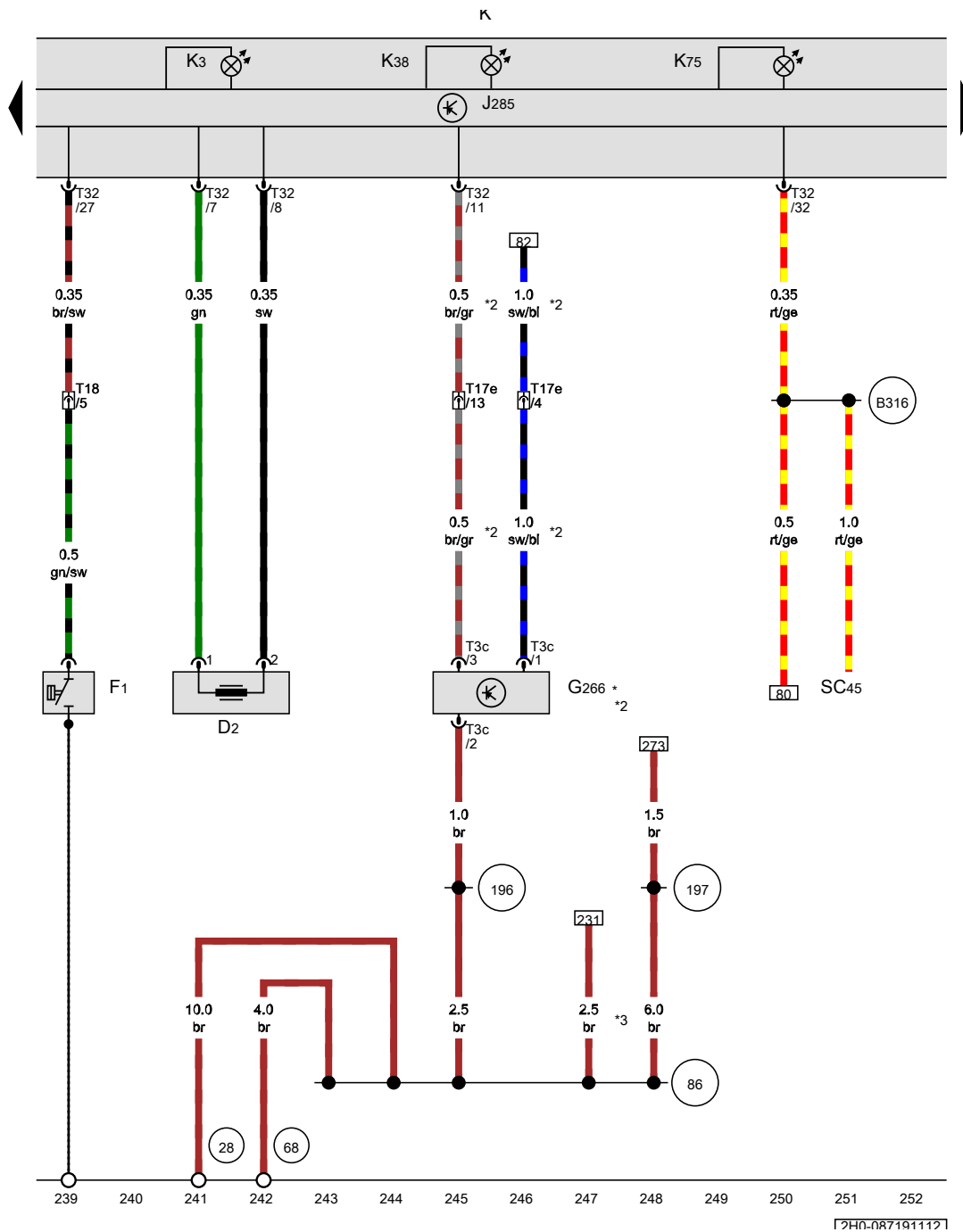
**Fuel gauge, Fuel pump, Ignition and starter key warning system buzzer and gong, Fuel pump control unit, Dash panel insert, Reserve fuel warning lamp**

- G Fuel gauge sender
- G1 Fuel gauge
- G23 Fuel pump
- H5 Ignition and starter key warning system buzzer and gong
- J285 Control unit in dash panel insert
- J538 Fuel pump control unit
- K Dash panel insert
- K105 Reserve fuel warning lamp
- MX1 Front left headlight
- MX3 Left tail light
- MX4 Right tail light
- SC30 Fuse 30 on fuse holder C
- T5g 5-pin connector, black
- T5h 5-pin connector, black
- T17e 17-pin connector, near handbrake lever, red
- T32 32-pin connector, blue

- B478 Connection 14, in main wiring harness
- B522 Connection (FL), in main wiring harness

- \* see applicable current flow diagram for engine
- \*2 Left-hand drive models
- \*3 Only right-hand drive models
- \*4 Only models with diesel engine
- \*5 Only models with petrol engine
- \*6 Only models with no towing bracket

- ws = white
- sw = black
- ro = red
- br = brown
- gn = green
- bl = blue
- gr = grey
- li = purple
- ge = yellow
- or = orange
- rs = pink



Immobiliser reader coil, Oil pressure switch, Oil level and oil temperature sender, Dash panel insert, Oil pressure warning lamp, Oil level warning lamp

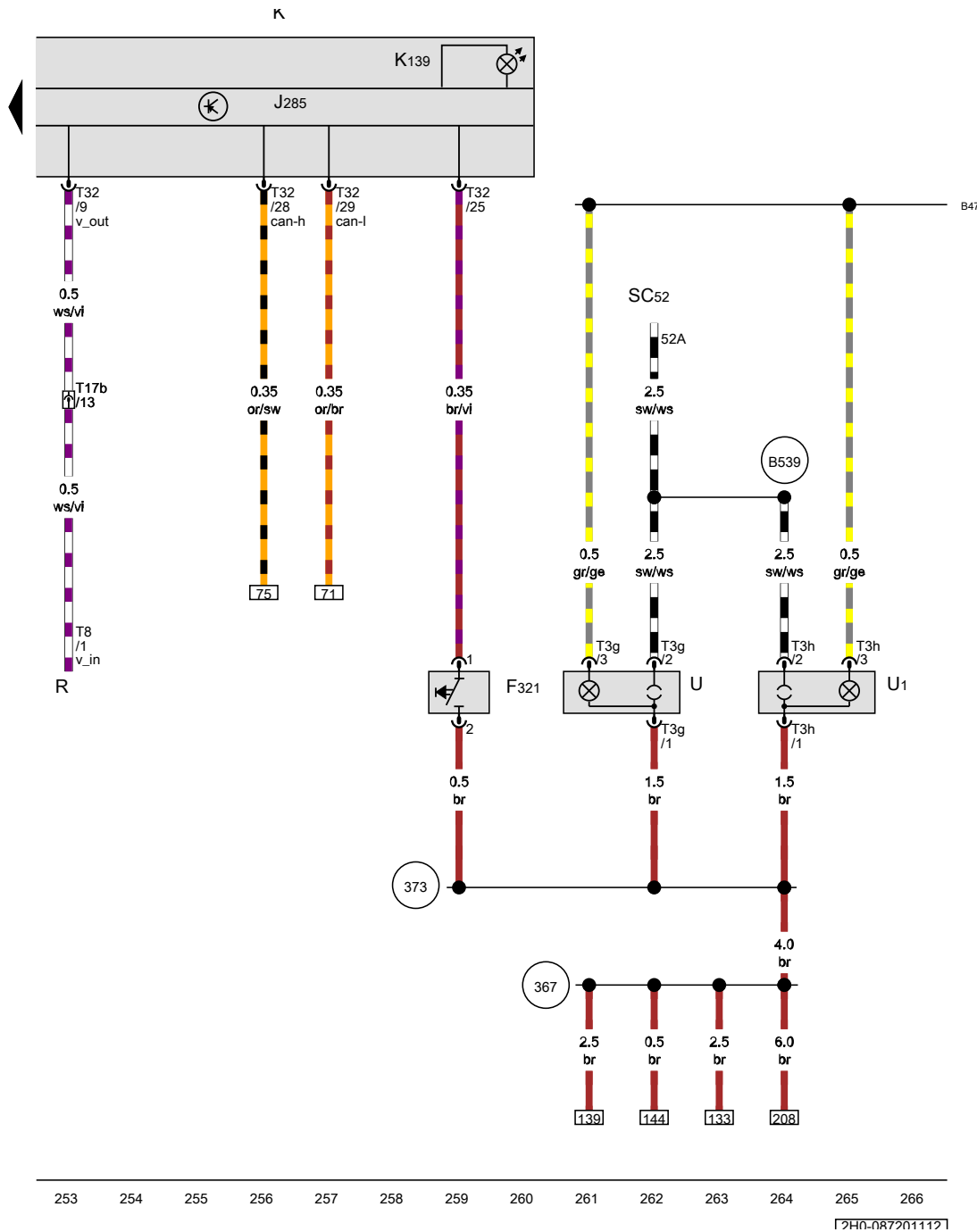
- D2 Immobiliser reader coil, on ignition/starter switch
- F1 Oil pressure switch
- G266 Oil level and oil temperature sender
- J285 Control unit in dash panel insert
- K Dash panel insert
- K3 Oil pressure warning lamp
- K38 Oil level warning lamp
- K75 Airbag warning lamp
- SC45 Fuse 45 on fuse holder C
- T3c 3-pin connector, black
- T17e 17-pin connector, near handbrake lever, red
- T18 18-pin connector, near engine control unit, black
- T32 32-pin connector, blue

- (28) Earth point, on bulkhead
- (68) Earth point, on left of rear cross member
- (86) Earth connection 1, in rear wiring harness
- (196) Earth connection 3, in rear wiring harness
- (197) Earth connection 4, in rear wiring harness
- (B316) Positive connection 2 (30a) in main wiring harness

- \* see applicable current flow diagram for engine
- \*2 Only models with Euro 5 emission standard
- \*3 Only models with diesel engine

- ws = white
- sw = black
- ro = red
- br = brown
- gn = green
- bl = blue
- gr = grey
- li = purple
- ge = yellow
- or = orange
- rs = pink

7PH0-087191117



**Parking brake contact switch, Dash panel insert, Radio, Electric socket, Cigarette lighter**

- F321 Parking brake contact switch
- J285 Control unit in dash panel insert
- K Dash panel insert
- K139 Handbrake warning lamp
- R Radio
- SC52 Fuse 52 on fuse holder C
- T3g 3-pin connector, grey
- T3h 3-pin connector, transparent
- T8 8-pin connector, brown
- T17b 17-pin connector, on left under dash panel, brown
- T32 32-pin connector, blue
- U Electric socket, on centre console switch module
- U1 Cigarette lighter, on centre console switch module

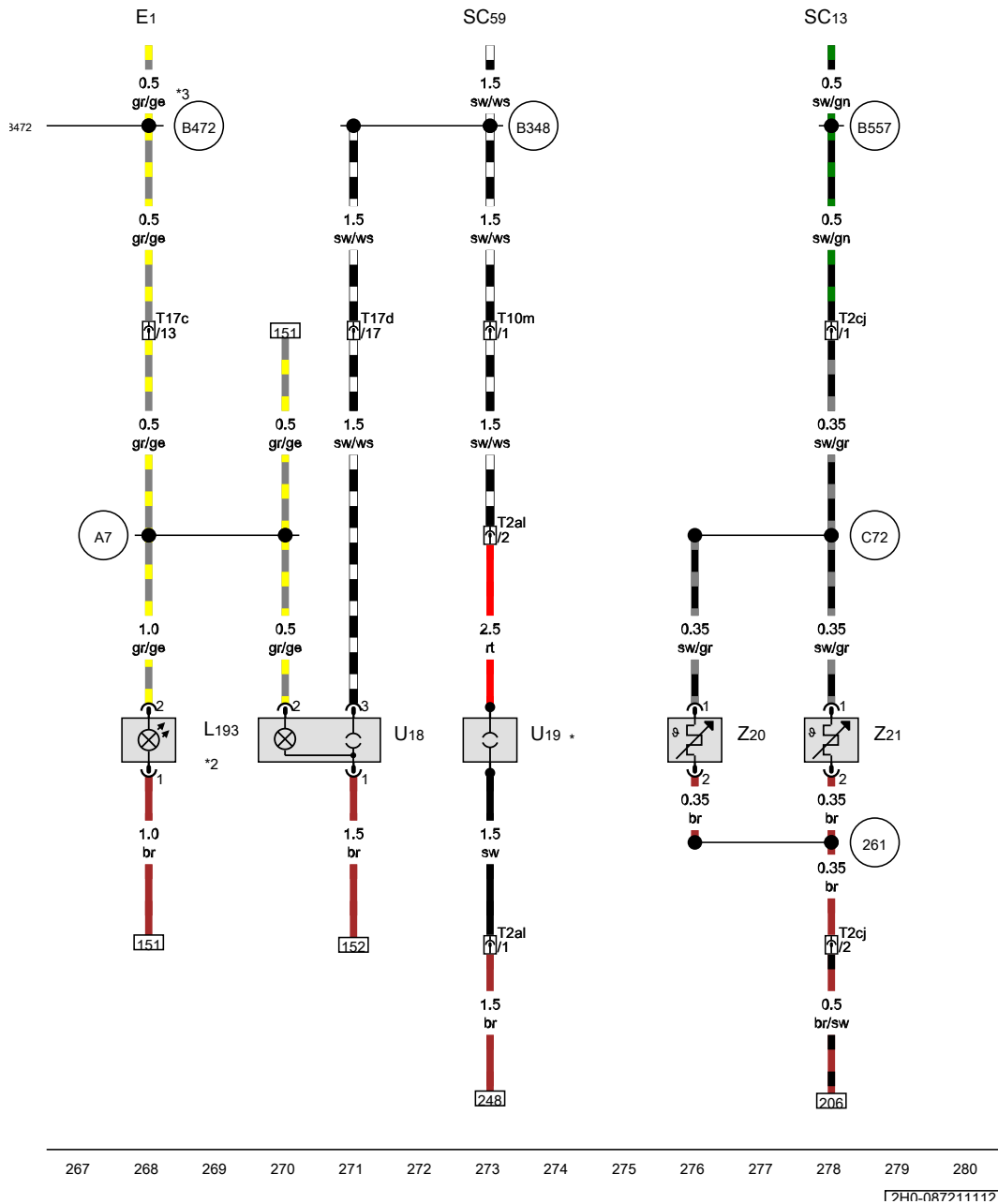
- 367 Earth connection 2, in main wiring harness
- 373 Earth connection 8, in main wiring harness
- B472 Connection 8, in main wiring harness
- B539 Connection 30, in main wiring harness

- ws = white
- sw = black
- ro = red
- br = brown
- gn = green
- bl = blue
- gr = grey
- li = purple
- ge = yellow
- or = orange
- rs = pink

253 254 255 256 257 258 259 260 261 262 263 264 265 266

[79H-087201117]

**Light switch, Light 1 for front centre console background lighting, 12 V socket 2, Left washer jet heater element**



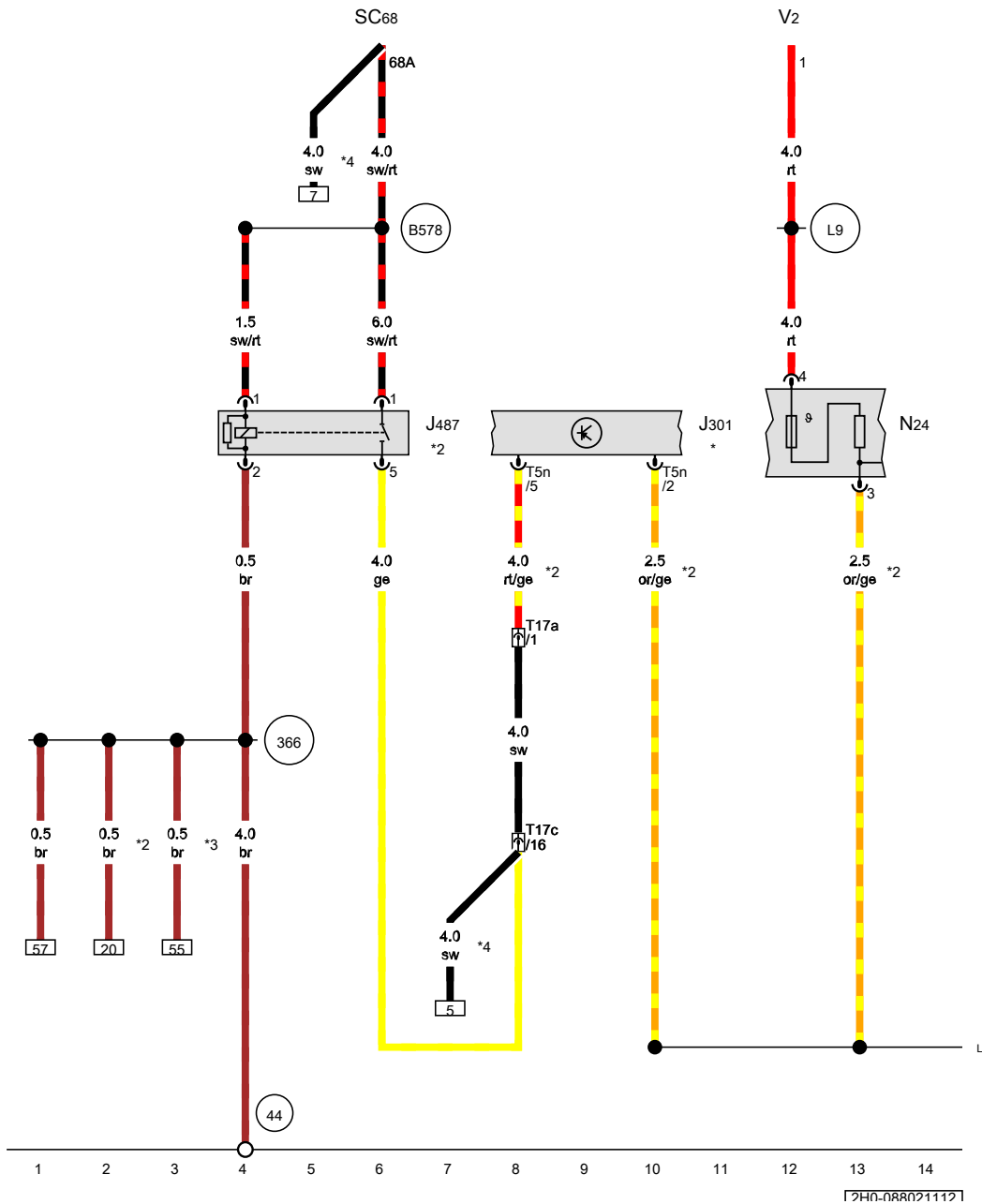
- E1 Light switch
- L193 Light 1 for front centre console background lighting, in centre console, under radio
- SC13 Fuse 13 on fuse holder C
- SC59 Fuse 59 on fuse holder C
- T2al 2-pin connector, in rear left wheel housing, black
- T2cj 2-pin connector, near window wiper motor, black
- T10m 10-pin connector, near handbrake lever, brown
- T17c 17-pin connector, on left under dash panel, white
- T17d 17-pin connector, on left under dash panel, green
- U18 12 V socket 2, in centre of dash panel, in storage compartment
- U19 12 V socket 3, on left wheel housing
- Z20 Left washer jet heater element
- Z21 Right washer jet heater element

- (261) Earth connection, in heated washer jet wiring harness
- (A7) Positive connection (58 D1), in dash panel wiring harness
- (B348) Connection 1 (75a), in main wiring harness
- (B472) Connection 8, in main wiring harness
- (B557) Positive connection 21 (30a) in main wiring harness
- (C72) Positive connection in heated washer jet wiring harness
- \* Special equipment
- \*2 Only models with Highline equipment
- \*3 see applicable current flow diagram

- ws = white
- sw = black
- ro = red
- br = brown
- gn = green
- bl = blue
- gr = grey
- li = purple
- ge = yellow
- or = orange
- rs = pink

**Auxiliary coolant heater, supplementary heater, supplementary heater which can be operated independently**

From January 2013



- J301 Air conditioning system control unit
- J487 Fresh air blower isolation relay
- N24 Fresh air blower series resistor with overheating fuse
- SC68 Fuse 68 on fuse holder C
- T5n 5-pin connector
- T17a 17-pin connector, behind glove compartment, black
- T17c 17-pin connector, on left under dash panel, white
- V2 Fresh air blower

- 44 Earth point, lower part of left A-pillar
- 366 Earth connection 1, in main wiring harness
- B578 Positive connection 2 (75), in interior wiring harness
- L6 Connection 2, in evaporator housing unit wiring harness
- L9 Connection 1, in air conditioning system wiring harness

- \* see applicable current flow diagram for fuse assignment
- \*2 Only models with Climatic
- \*3 Only models with remote controlled auxiliary coolant heater
- \*4 see applicable current flow diagram for manually controlled heater

- ws = white
- sw = black
- ro = red
- br = brown
- gn = green
- bl = blue
- gr = grey
- li = purple
- ge = yellow
- or = orange
- rs = pink

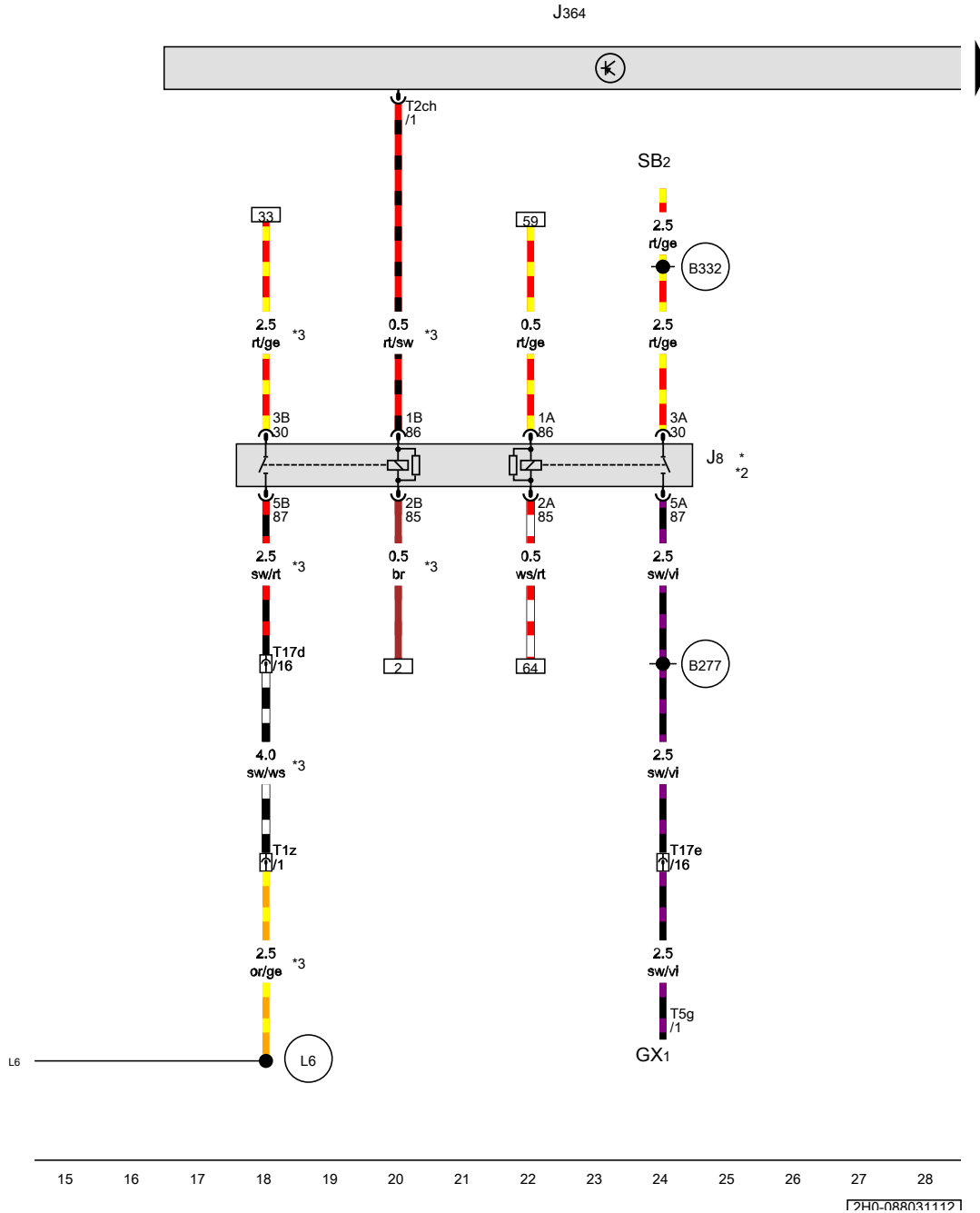
17H0-0880211121



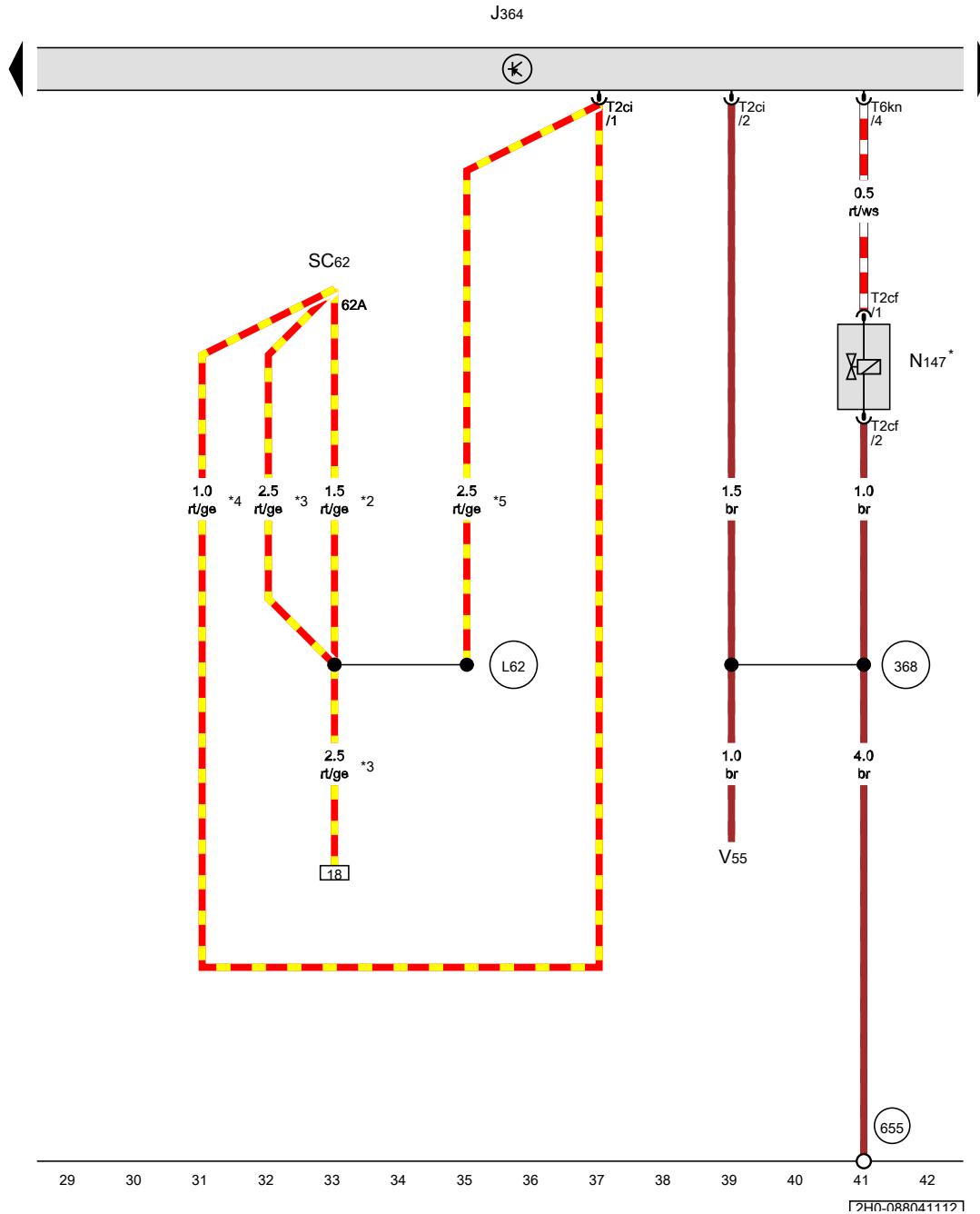
Auxiliary heater relay, Auxiliary heater control unit

- GX1 Fuel delivery unit
- J8 Auxiliary heater relay
- J364 Auxiliary heater control unit
- SB2 Fuse 2 on fuse holder B
- T1z Single connector, black
- T2ch 2-pin connector, black
- T5g 5-pin connector, black
- T17d 17-pin connector, on left under dash panel, red
- T17e 17-pin connector, near handbrake lever, red

- B277 Positive connection 1 (15a) in main wiring harness
- B332 Positive connection 18 (30a) in main wiring harness
- L6 Connection 2, in evaporator housing unit wiring harness
- \* Only models with diesel engine
- \*2 Only models with auxiliary coolant heater
- \*3 Only models with Climatic



- ws = white
- sw = black
- ro = red
- br = brown
- gn = green
- bl = blue
- gr = grey
- li = purple
- ge = yellow
- or = orange
- rs = pink

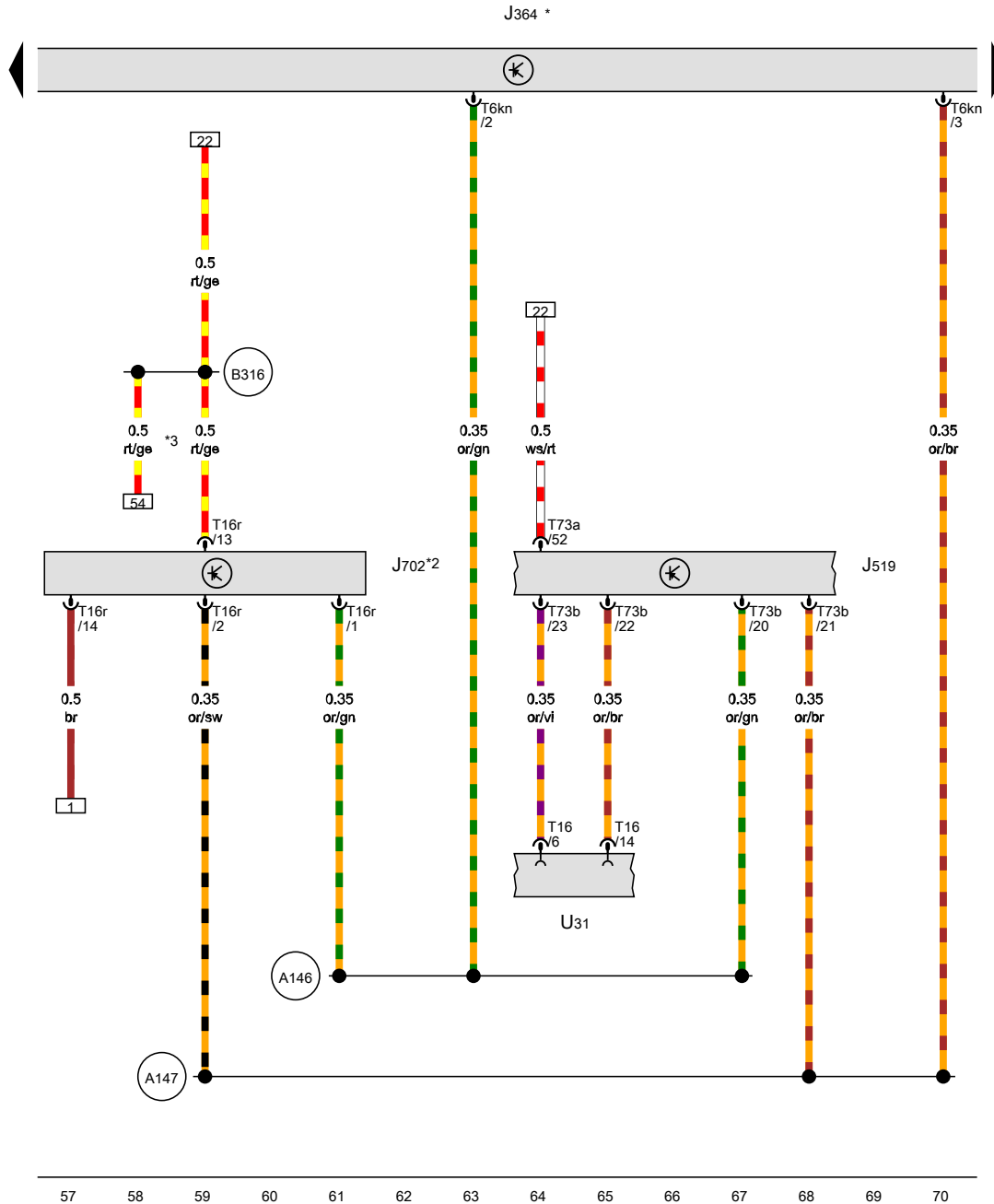


**Auxiliary heater control unit, 2-way valve for coolant shut-off valve, Circulation pump**

- J364 Auxiliary heater control unit
- N147 2-way valve for coolant shut-off valve, front left in engine compartment
- SC62 Fuse 62 on fuse holder C
- T2cf 2-pin connector, black
- T2ci 2-pin connector
- T6kn 6-pin connector, black
- V55 Circulation pump

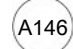

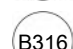
- 368 Earth connection 3, in main wiring harness
- 655 Earth point, on left headlight
- L62 Positive connection (30a), in auxiliary heater wiring harness
- \* Only models with auxiliary coolant heater
- \*2 Only models with Climatronic
- \*3 Only models with Climatic
- \*4 Only models with no air conditioning system/ Climatronic
- \*5 Only models with air conditioning system/ Climatronic





**Auxiliary heater control unit, Onboard supply control unit, Roof display unit**

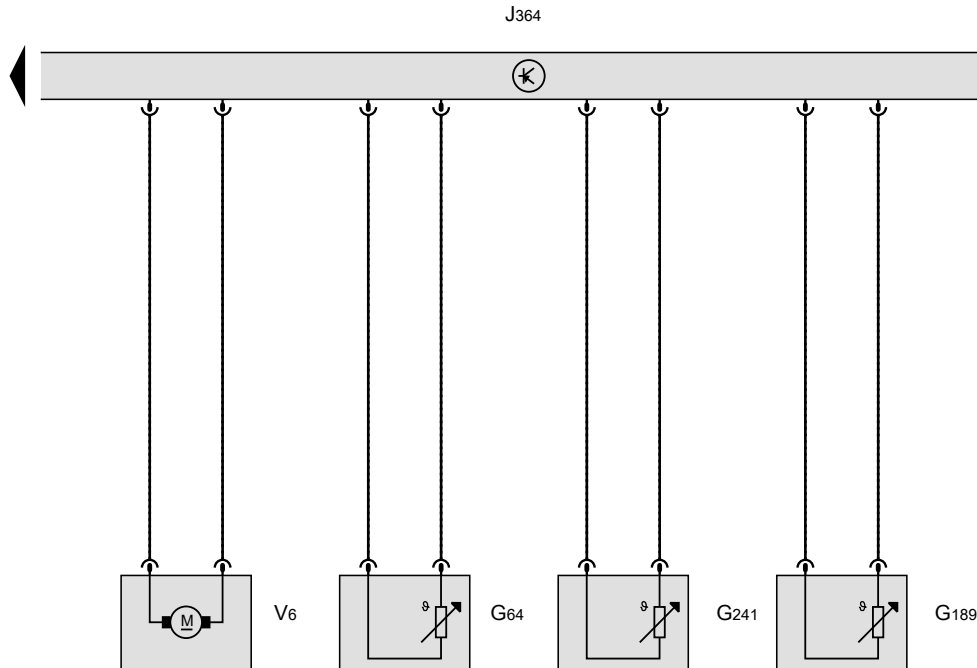
- J364 Auxiliary heater control unit
- J519 Onboard supply control unit
- J702 Roof display unit, near interior mirror
- T6kn 6-pin connector, black
- T16 16-pin connector, black
- T16r 16-pin connector, black
- T73a 73-pin connector, black
- T73b 73-pin connector, colourless
- U31 Diagnostic connection

-  A146 Connection (convenience CAN bus, high), in dash panel wiring harness
-  A147 Connection (convenience CAN bus, low), in dash panel wiring harness
-  B316 Positive connection 2 (30a) in main wiring harness

- \* Only models with diesel engine
- \*2 Only models with auxiliary coolant heater
- \*3 Only models with remote controlled auxiliary coolant heater

- ws = white
- sw = black
- ro = red
- br = brown
- gn = green
- bl = blue
- gr = grey
- li = purple
- ge = yellow
- or = orange
- rs = pink

[240-088061112]



Flame monitor, Overheating sensor, Coolant temperature sender for heater, Auxiliary heater control unit, Combustion air blower

- G64 Flame monitor
- G189 Overheating sensor
- G241 Coolant temperature sender for heater
- J364 Auxiliary heater control unit
- V6 Combustion air blower

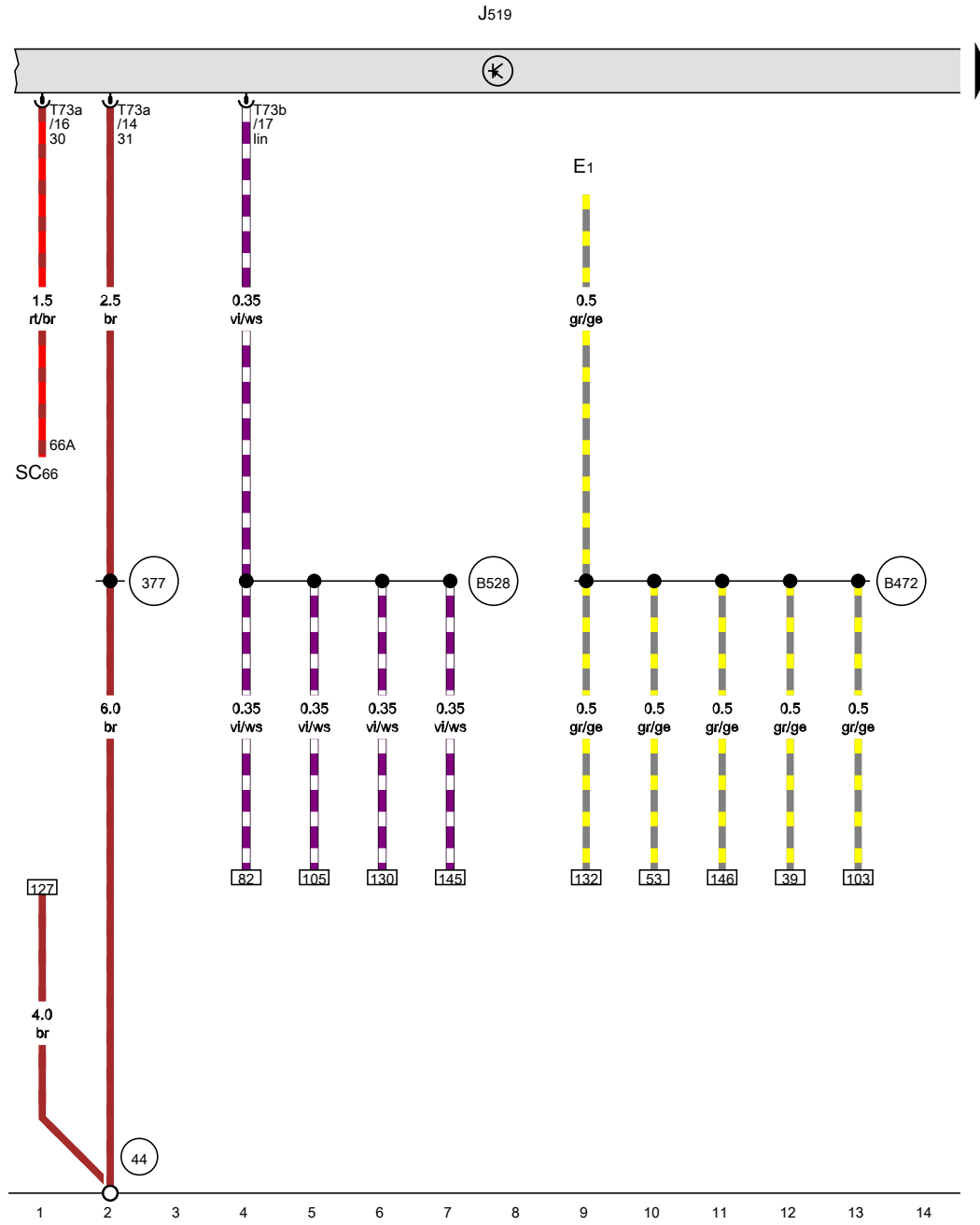
- ws = white
- sw = black
- ro = red
- br = brown
- gn = green
- bl = blue
- gr = grey
- li = purple
- ge = yellow
- or = orange
- rs = pink

71 72 73 74 75 76 77 78 79 80 81 82 83 84

[240-088071112]

## Central locking, window regulators and mirror adjustment

From January 2013



Light switch, Onboard supply control unit

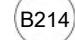
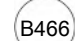
- E1 Light switch
- J519 Onboard supply control unit, near driver side A-pillar
- SC66 Fuse 66 on fuse holder C
- T73a 73-pin connector, black
- T73b 73-pin connector

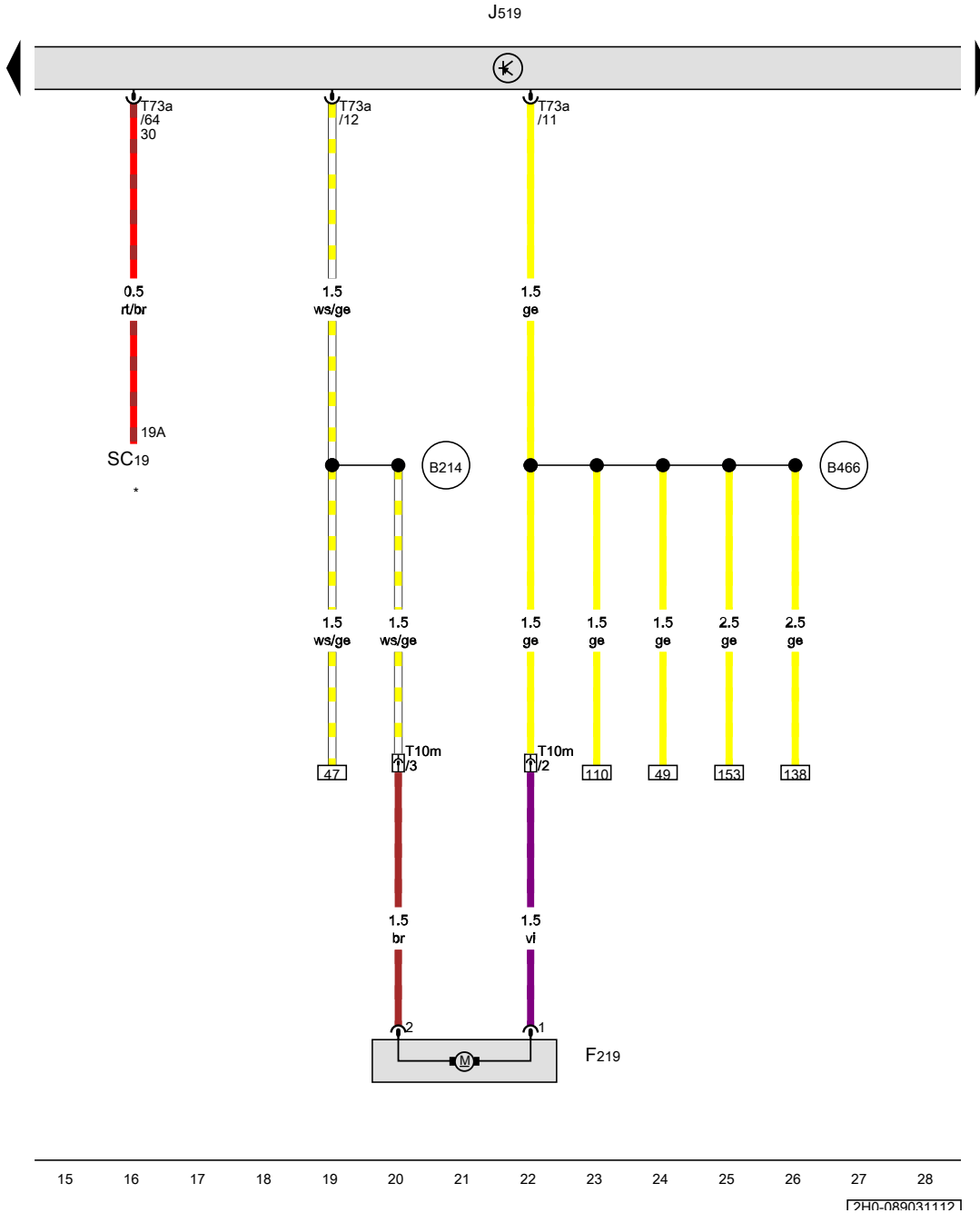
- 44 Earth point, lower part of left A-pillar
- 377 Earth connection 12, in main wiring harness
- B472 Connection 8, in main wiring harness
- B528 Connection 1 (LIN bus) in main wiring harness

- ws = white
- sw = black
- ro = red
- br = brown
- gn = green
- bl = blue
- gr = grey
- li = purple
- ge = yellow
- or = orange
- rs = pink

1740-0890211121

Fuel tank filler flap central locking actuator, Onboard supply control unit, Fuse 19 on fuse holder C

- F219 Fuel tank filler flap central locking actuator
- J519 Onboard supply control unit, near driver side A-pillar
- SC19 Fuse 19 on fuse holder C
- T10m 10-pin connector, near handbrake lever, brown
- T73a 73-pin connector, black
-  B214 Connection 1 (central locking), in interior wiring harness
-  B466 Connection 2, in main wiring harness
- \* Only models with heated exterior mirrors

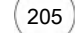


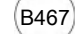
- ws = white
- sw = black
- ro = red
- br = brown
- gn = green
- bl = blue
- gr = grey
- li = purple
- ge = yellow
- or = orange
- rs = pink



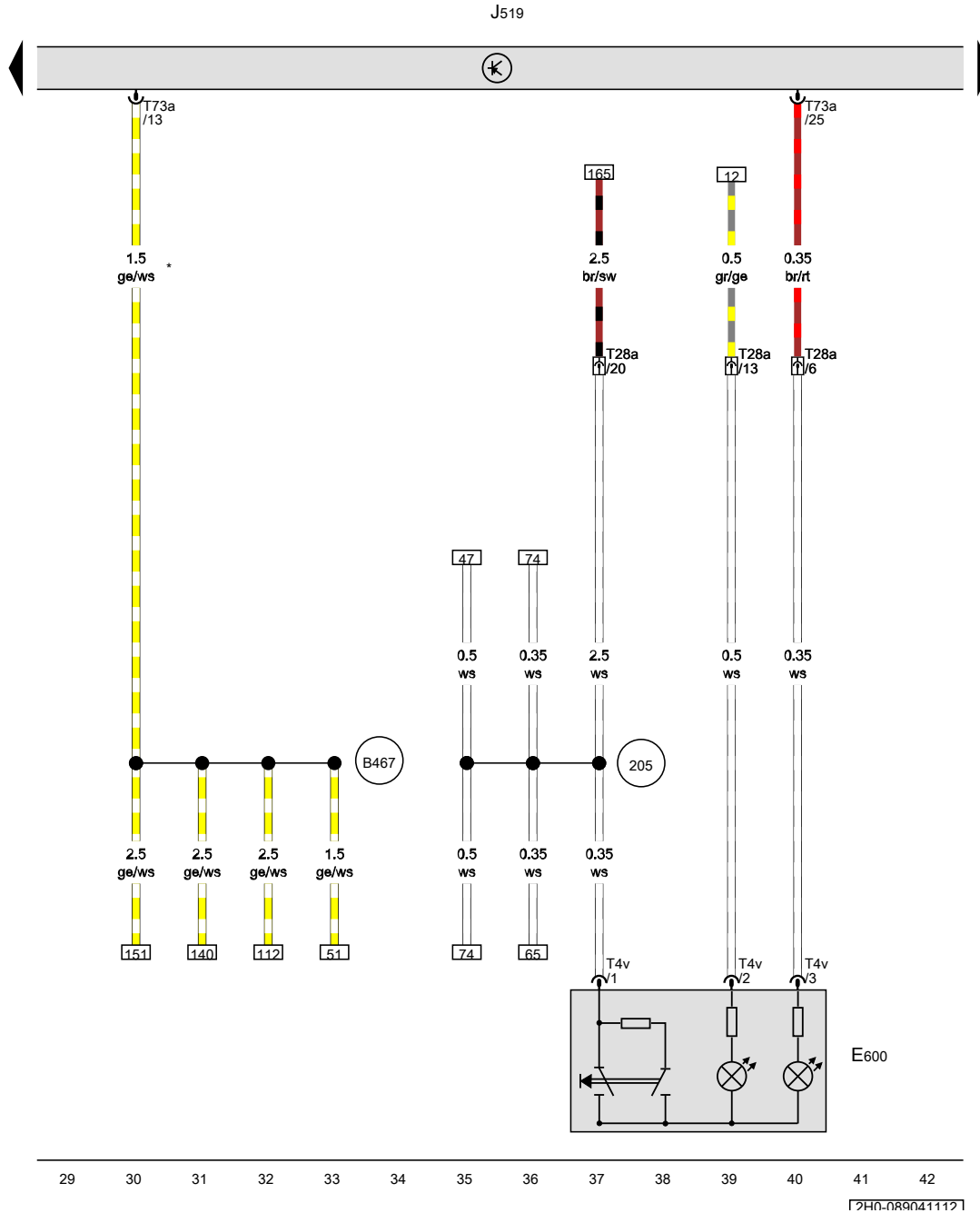
Central locking button, Onboard supply control unit

- E600 Central locking button, in driver door
- J519 Onboard supply control unit, near driver side A-pillar
- T4v 4-pin connector, black
- T28a 28-pin connector, on left A-pillar, black
- T73a 73-pin connector, black

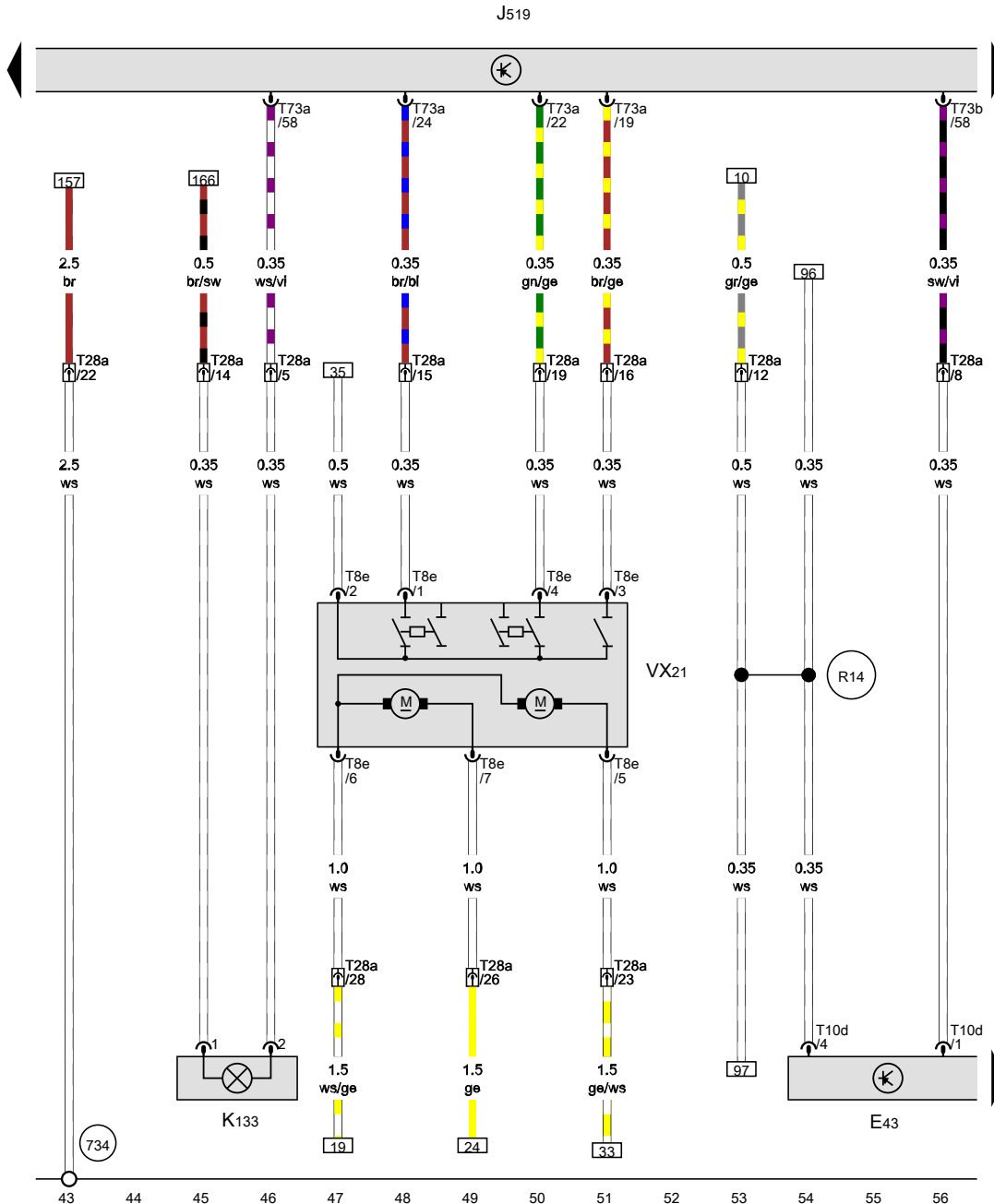
 205 Earth connection, in driver door wiring harness

 B467 Connection 3, in main wiring harness

\* Only models with double cab



- ws = white
- sw = black
- ro = red
- br = brown
- gn = green
- bl = blue
- gr = grey
- li = purple
- ge = yellow
- or = orange
- rs = pink



**Mirror adjustment switch, Onboard supply control unit, Central locking SAFELock function warning lamp, Driver door lock unit**

- E43 Mirror adjustment switch, in driver door
  - J519 Onboard supply control unit, near driver side A-pillar
  - K133 Central locking SAFELock function warning lamp
  - T8e 8-pin connector, black
  - T10d 10-pin connector, black
  - T28a 28-pin connector, on left A-pillar, black
  - T73a 73-pin connector, black
  - T73b 73-pin connector
  - VX21 Driver door lock unit
- (734) Earth point in front left door
  - (R14) Connection 1 (open), in driver door wiring harness

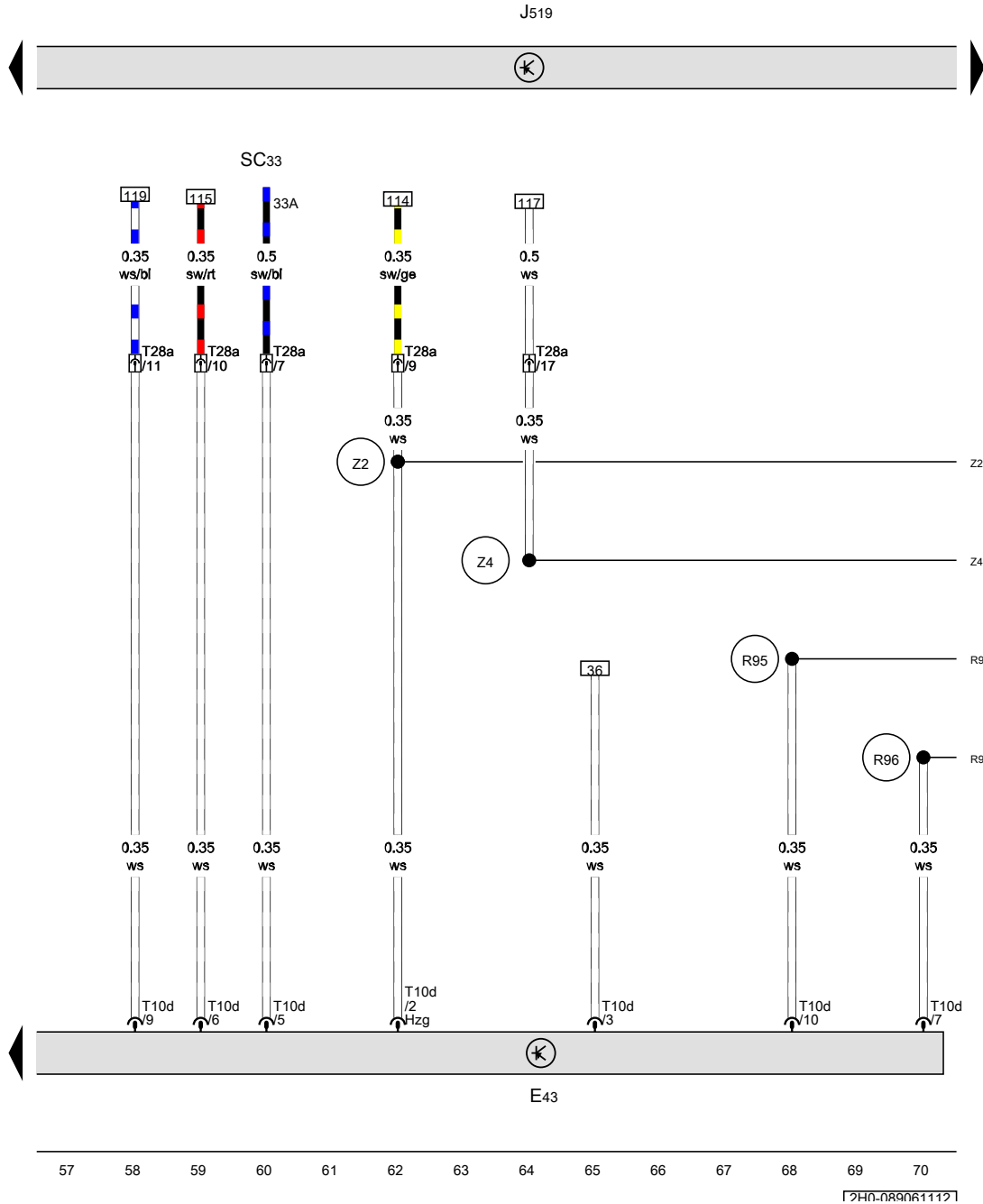
- ws = white
- sw = black
- ro = red
- br = brown
- gn = green
- bl = blue
- gr = grey
- li = purple
- ge = yellow
- or = orange
- rs = pink

[2H0-089051117]

Mirror adjustment switch, Onboard supply control unit, Fuse 33 on fuse holder C

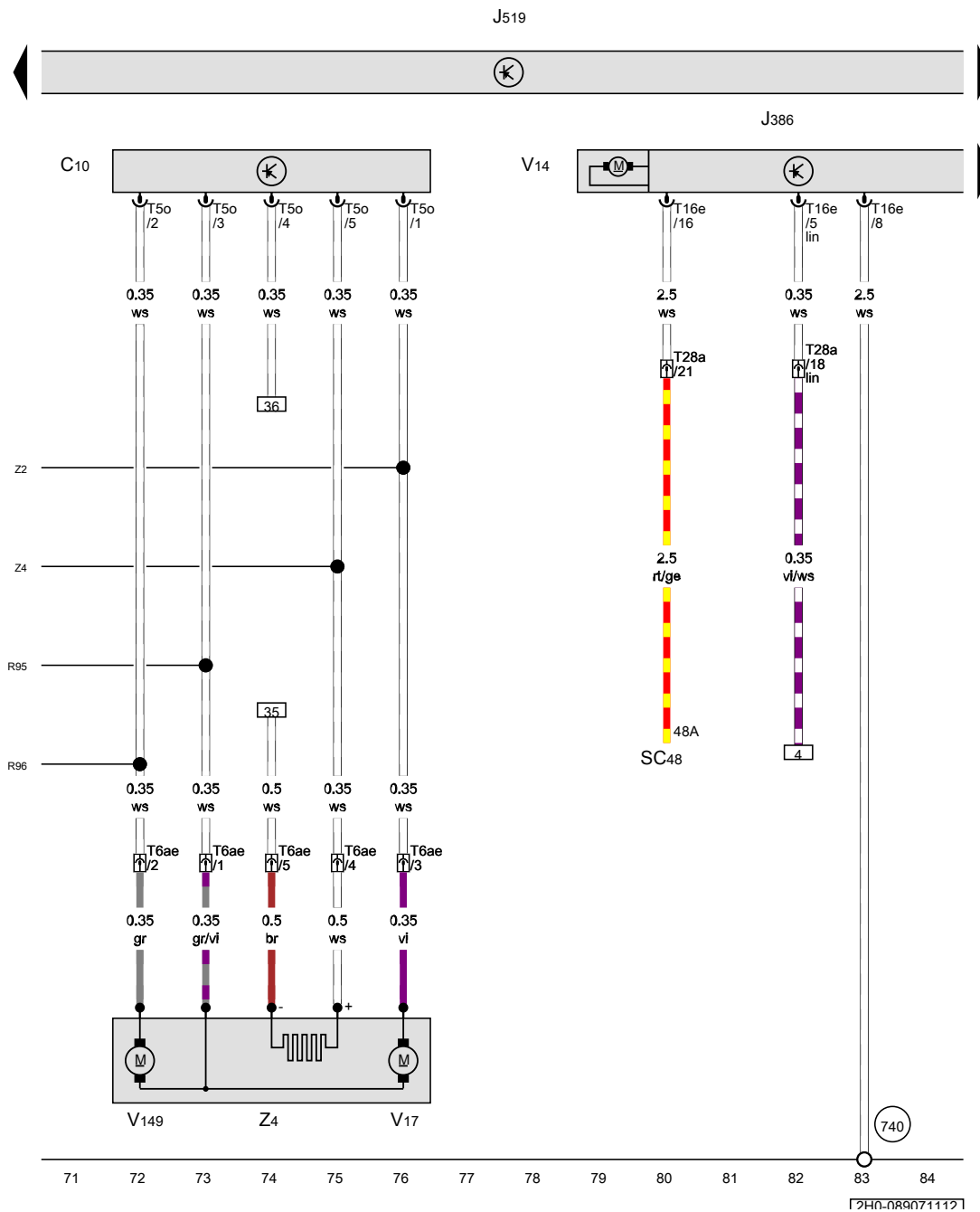
- E43 Mirror adjustment switch, in driver door
- J519 Onboard supply control unit, near driver side A-pillar
- SC33 Fuse 33 on fuse holder C
- T10d 10-pin connector, black
- T28a 28-pin connector, on left A-pillar, black

- (R95) Connection 2 in driver side door wiring harness
- (R96) Connection 3 in driver side door wiring harness
- (Z2) Connection 2, in mirror adjustment/heating wiring harness
- (Z4) Positive connection (15a), in mirror adjustment/heating wiring harness



- ws = white
- sw = black
- ro = red
- br = brown
- gn = green
- bl = blue
- gr = grey
- li = purple
- ge = yellow
- or = orange
- rs = pink

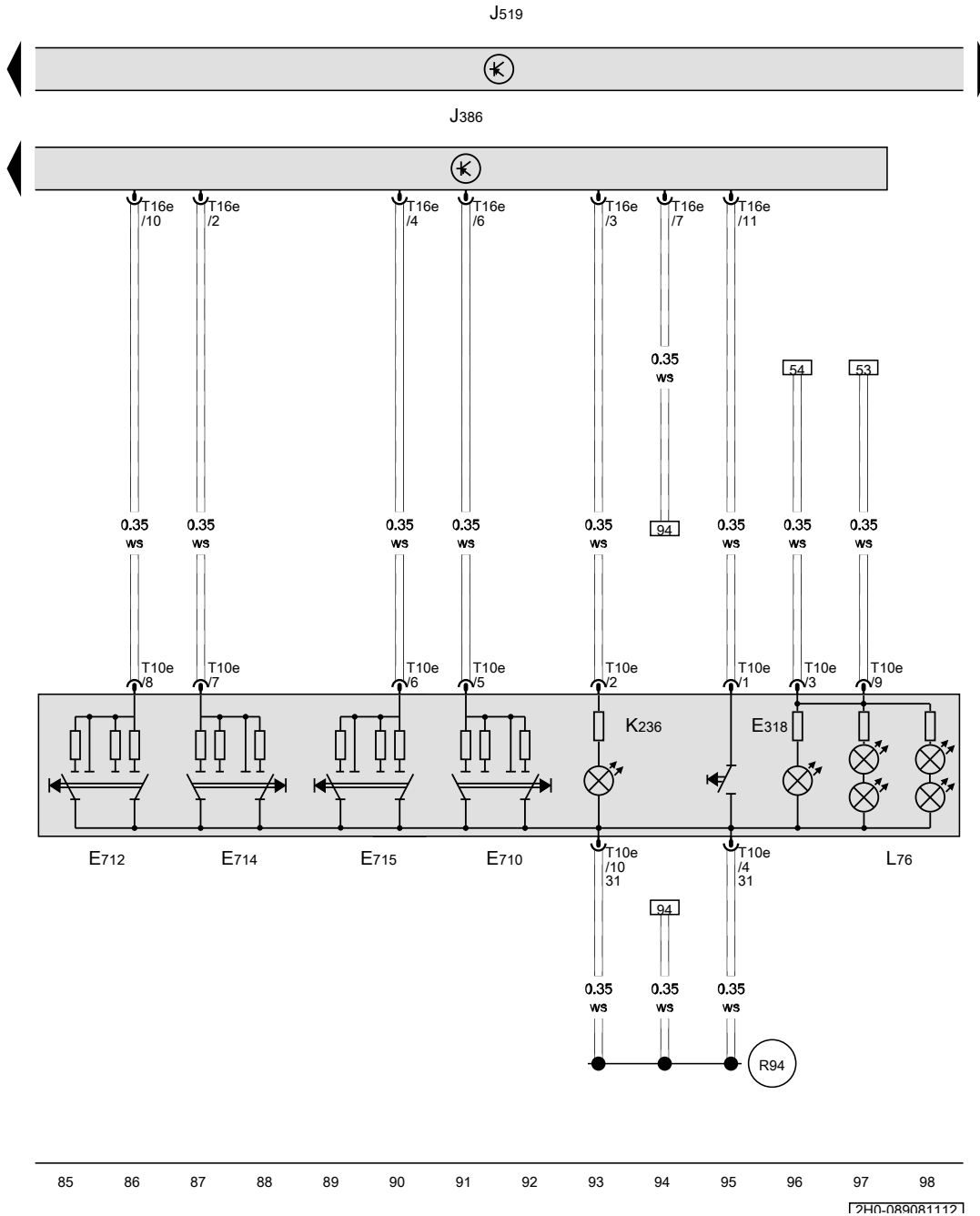
[240-089061117]



Suppression filter, Driver door control unit, Onboard supply control unit, Fuse 48 on fuse holder C, Left window regulator motor, Heated exterior mirror on driver side

- C10 Suppression filter, in left door
  - J386 Driver door control unit
  - J519 Onboard supply control unit, near driver side A-pillar
  - SC48 Fuse 48 on fuse holder C
  - T50 5-pin connector
  - T6ae 6-pin connector, in left door, near exterior mirror, blue
  - T16e 16-pin connector
  - T28a 28-pin connector, on left A-pillar, black
  - V14 Left window regulator motor
  - V17 Driver side mirror adjustment motor
  - V149 Driver side mirror adjustment motor
  - Z4 Heated exterior mirror on driver side
- 740 Earth point 2 in front left door
  - R95 Connection 2 in driver side door wiring harness
  - R96 Connection 3 in driver side door wiring harness
  - Z2 Connection 2, in mirror adjustment/heating wiring harness
  - Z4 Positive connection (15a), in mirror adjustment/heating wiring harness

- ws = white
- sw = black
- ro = red
- br = brown
- gn = green
- bl = blue
- gr = grey
- li = purple
- ge = yellow
- or = orange
- rs = pink



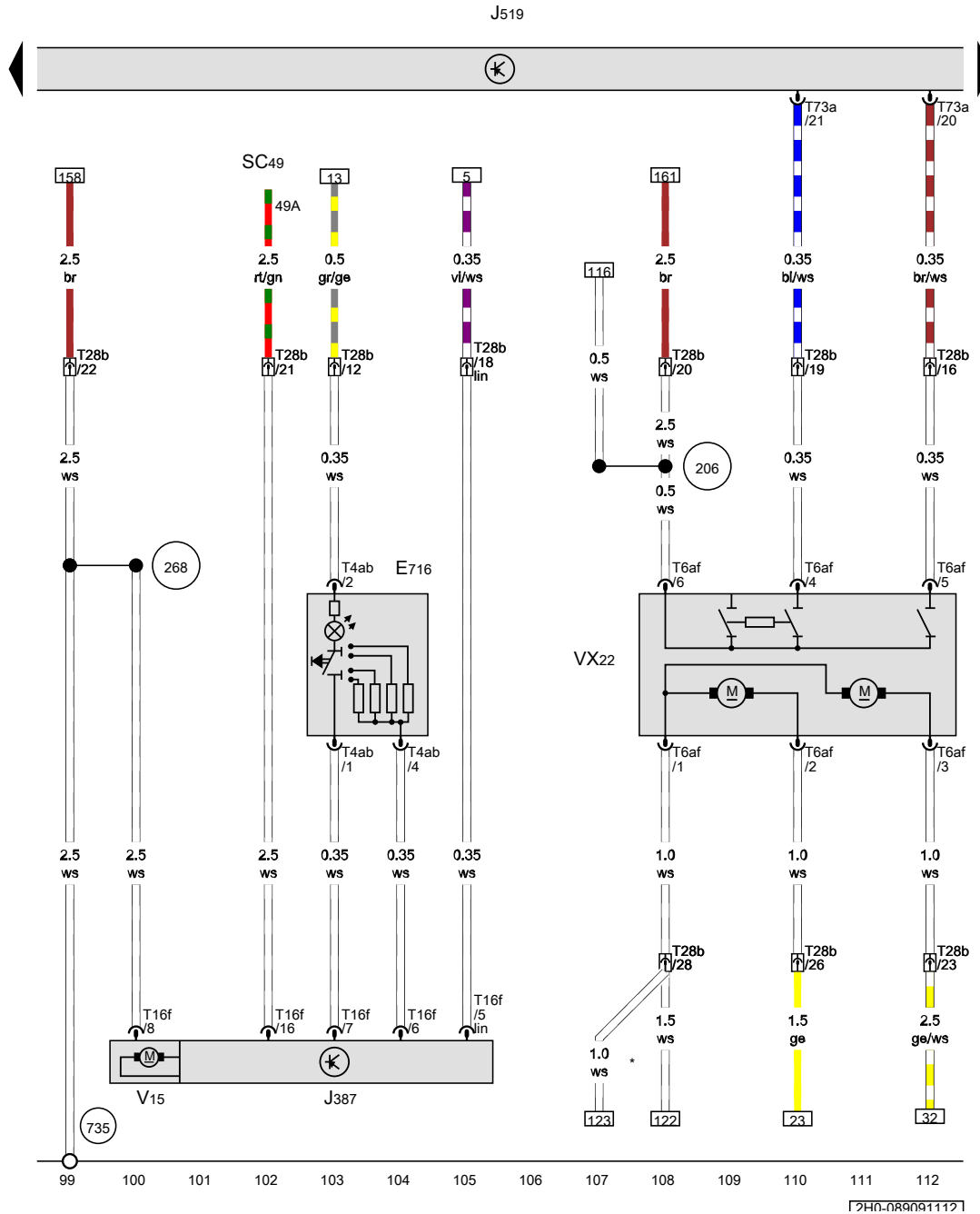
Childproof lock button, Front driver side window regulator button, Rear driver side window regulator button, in driver door, Driver door control unit, Onboard supply control unit

- E318 Childproof lock button
- E710 Front driver side window regulator button
- E712 Rear driver side window regulator button, in driver door
- E714 Rear passenger side window regulator button, in driver door
- E715 Front passenger side window regulator button, in driver door
- J386 Driver door control unit
- J519 Onboard supply control unit, near driver side A-pillar
- K236 Warning light for activated childproof lock
- L76 Button illumination bulb
- T10e 10-pin connector
- T16e 16-pin connector, black
- R94 Connection 1 in driver side door wiring harness

- ws = white
- sw = black
- ro = red
- br = brown
- gn = green
- bl = blue
- gr = grey
- li = purple
- ge = yellow
- or = orange
- rs = pink

85 86 87 88 89 90 91 92 93 94 95 96 97 98

[2H0-089081112]

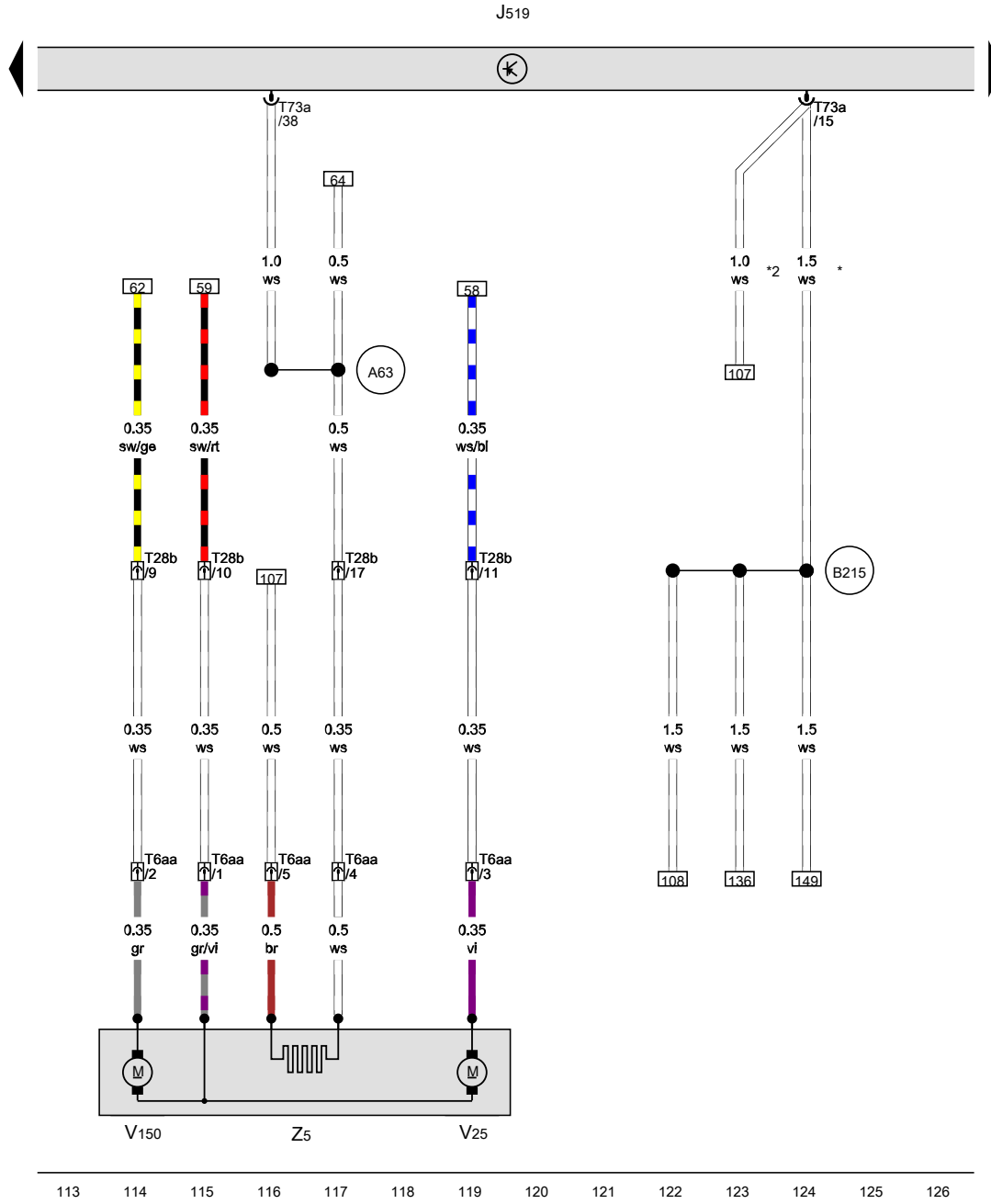


Front passenger side window regulator button, Front passenger door control unit, Onboard supply control unit, Fuse 49 on fuse holder C, Right window regulator motor, Front passenger door lock unit

- E716 Front passenger side window regulator button
- J387 Front passenger door control unit
- J519 Onboard supply control unit, near driver side A-pillar
- SC49 Fuse 49 on fuse holder C
- T4ab 4-pin connector
- T6af 6-pin connector
- T16f 16-pin connector, black
- T28b 28-pin connector, on right A-pillar, black
- T73a 73-pin connector, black
- V15 Right window regulator motor
- VX22 Front passenger door lock unit
- 206 Earth connection, in front passenger door wiring harness
- 268 Earth connection 2, in front passenger side door wiring harness
- 735 Earth point in front right door
- \* Only models with single cab

- ws = white
- sw = black
- ro = red
- br = brown
- gn = green
- bl = blue
- gr = grey
- li = purple
- ge = yellow
- or = orange
- rs = pink

7PH0-0890911171



**Onboard supply control unit, Heated exterior mirror on front passenger side**

- J519 Onboard supply control unit, near driver side A-pillar
- T6aa 6-pin connector, in right door, near exterior mirror, blue
- T28b 28-pin connector, on right A-pillar, black
- T73a 73-pin connector, black
- V25 Front passenger side mirror adjustment motor
- V150 Front passenger side mirror adjustment motor
- Z5 Heated exterior mirror on front passenger side

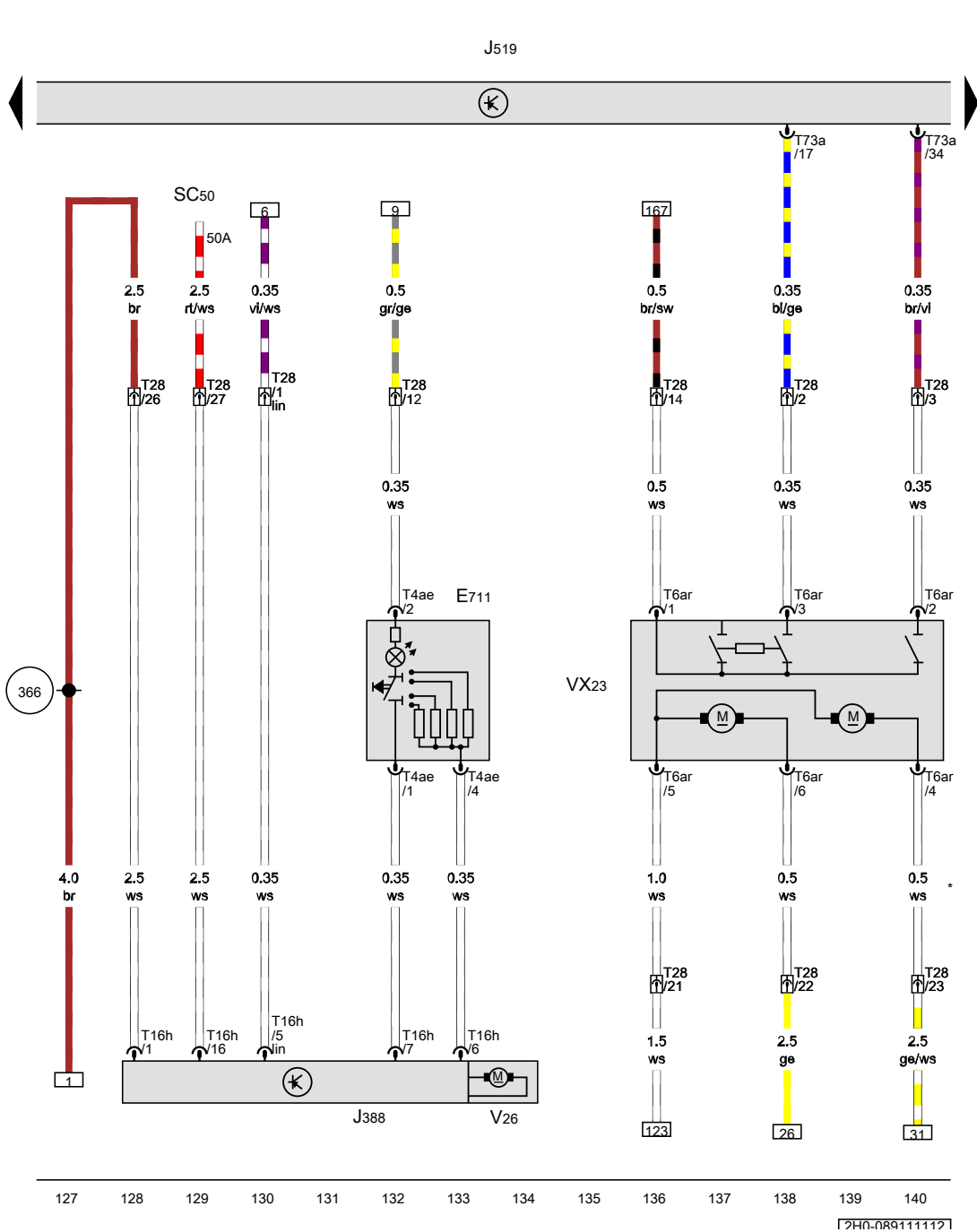
A63 Connection (mirror adjustment/heating), in dash panel wiring harness

B215 Connection 2 (central locking), in interior wiring harness

\* Only models with double cab

\*2 Only models with single cab

- ws = white
- sw = black
- ro = red
- br = brown
- gn = green
- bl = blue
- gr = grey
- li = purple
- ge = yellow
- or = orange
- rs = pink



Rear driver side window regulator button, Rear left door control unit, Onboard supply control unit, Fuse 50 on fuse holder C, Rear left door lock unit, Rear left window regulator motor

- E711 Rear driver side window regulator button, in rear left door
- J388 Rear left door control unit
- J519 Onboard supply control unit, near driver side A-pillar
- SC50 Fuse 50 on fuse holder C
- T4ae 4-pin connector, black
- T6ar 6-pin connector, black
- T16h 16-pin connector
- T28 28-pin connector, on left B-pillar, black
- T73a 73-pin connector, black
- VX23 Rear left door lock unit
- V26 Rear left window regulator motor

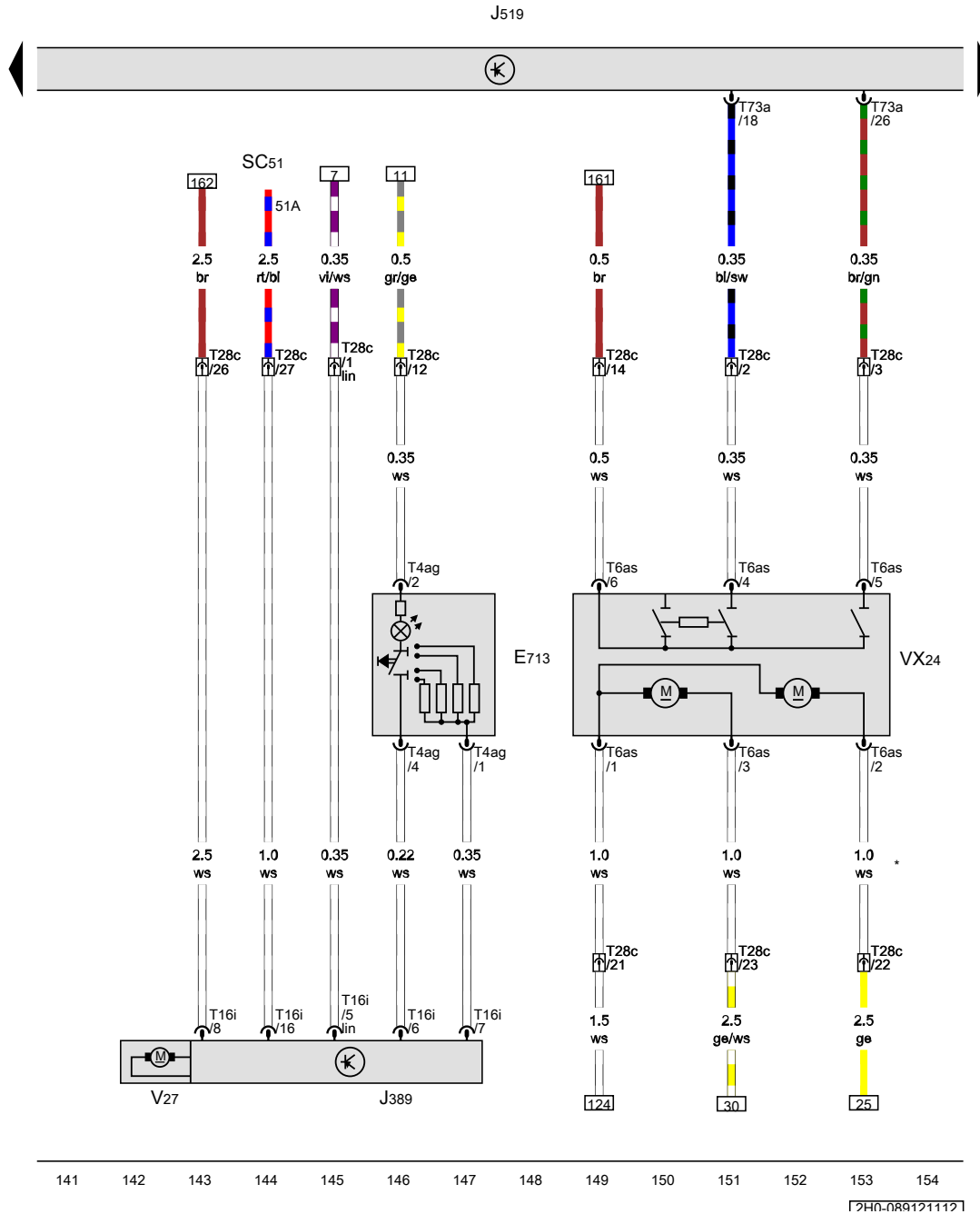
366 Earth connection 1, in main wiring harness

\* Only models with SAFELOCK function

- ws = white
- sw = black
- ro = red
- br = brown
- gn = green
- bl = blue
- gr = grey
- li = purple
- ge = yellow
- or = orange
- rs = pink

PHD-089111117





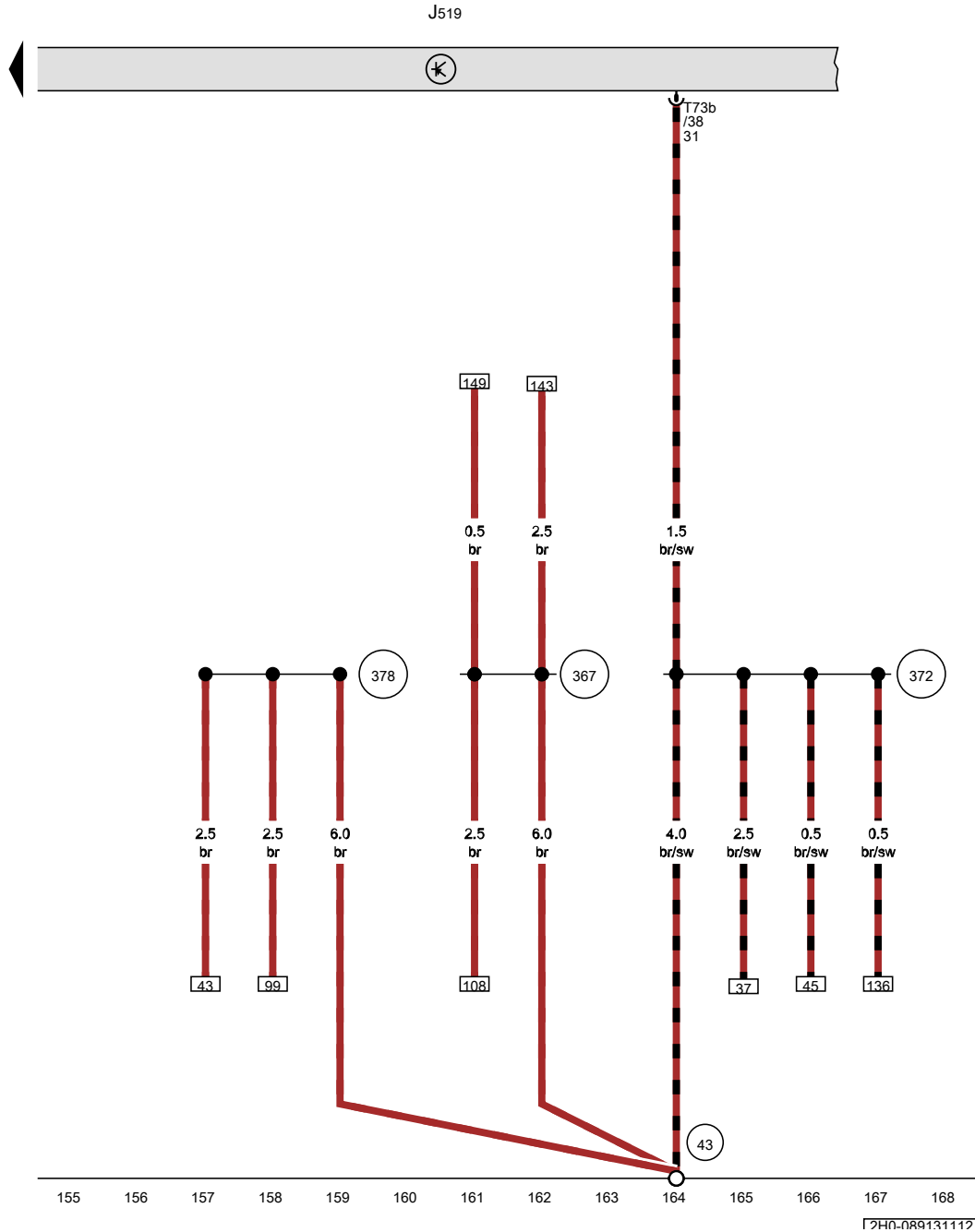
Rear passenger side window regulator button, Rear right door control unit, Onboard supply control unit, Fuse 51 on fuse holder C, Rear right door lock unit, Rear right window regulator motor

- E713 Rear passenger side window regulator button, in rear right door
- J389 Rear right door control unit
- J519 Onboard supply control unit, near driver side A-pillar
- SC51 Fuse 51 on fuse holder C
- T4ag 4-pin connector
- T6as 6-pin connector, black
- T16i 16-pin connector, black
- T28c 28-pin connector, on right B-pillar, black
- T73a 73-pin connector, black
- VX24 Rear right door lock unit
- V27 Rear right window regulator motor
- \* Only models with SAFELOCK function

- ws = white
- sw = black
- ro = red
- br = brown
- gn = green
- bl = blue
- gr = grey
- li = purple
- ge = yellow
- or = orange
- rs = pink

141 142 143 144 145 146 147 148 149 150 151 152 153 154

[PH0-089121112]



**Onboard supply control unit**

J519 Onboard supply control unit, near driver side A-pillar  
 T73b 73-pin connector

43 Earth point, lower part of right A-pillar

367 Earth connection 2, in main wiring harness

372 Earth connection 7, in main wiring harness

378 Earth connection 13, in main wiring harness

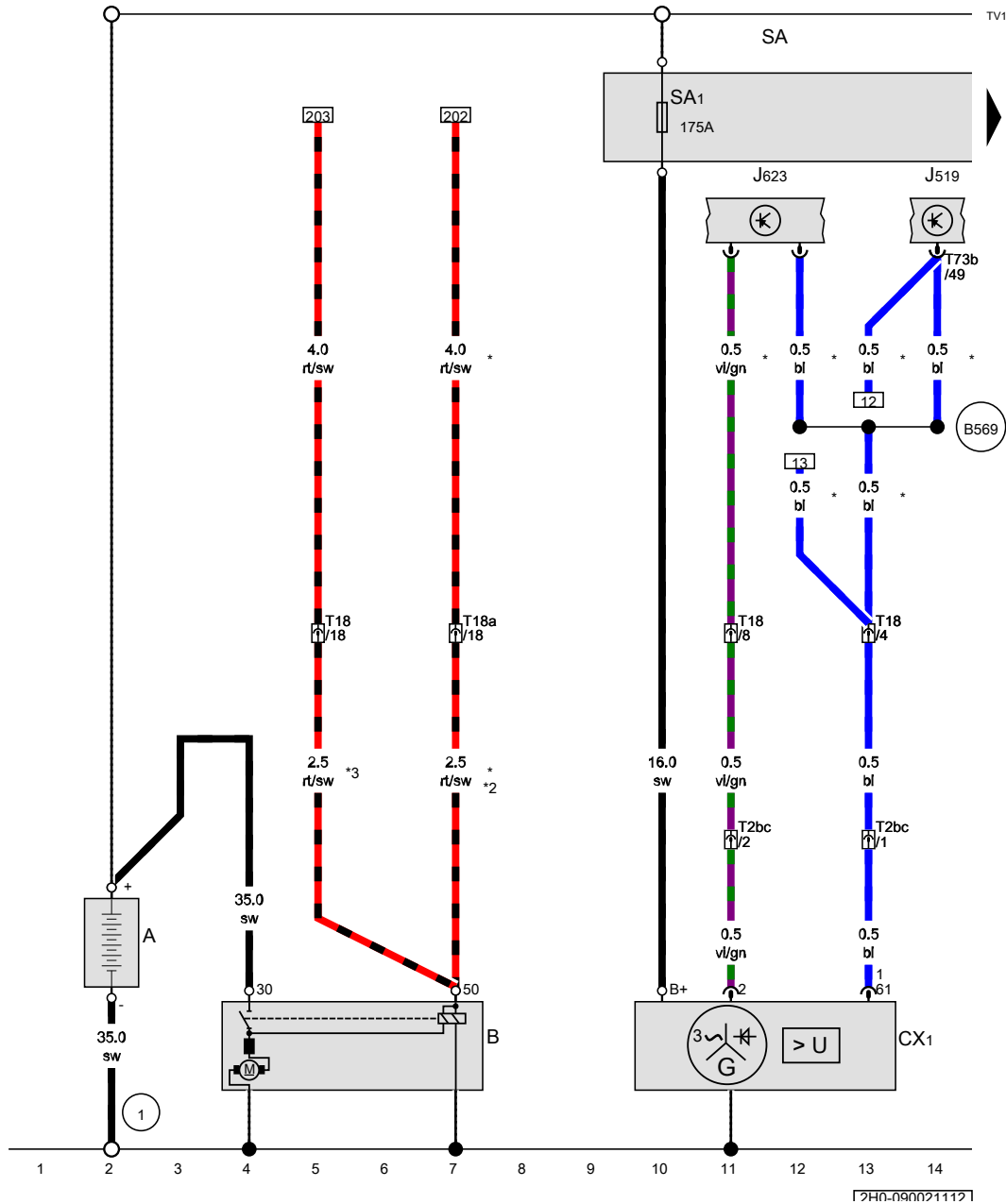
- ws = white
- sw = black
- ro = red
- br = brown
- gn = green
- bl = blue
- gr = grey
- li = purple
- ge = yellow
- or = orange
- rs = pink

[2PH-089131112]

## Fuse assignment , (7L3)

From January 2013

**Battery, Starter, Alternator with voltage regulator, Fuse holder A**

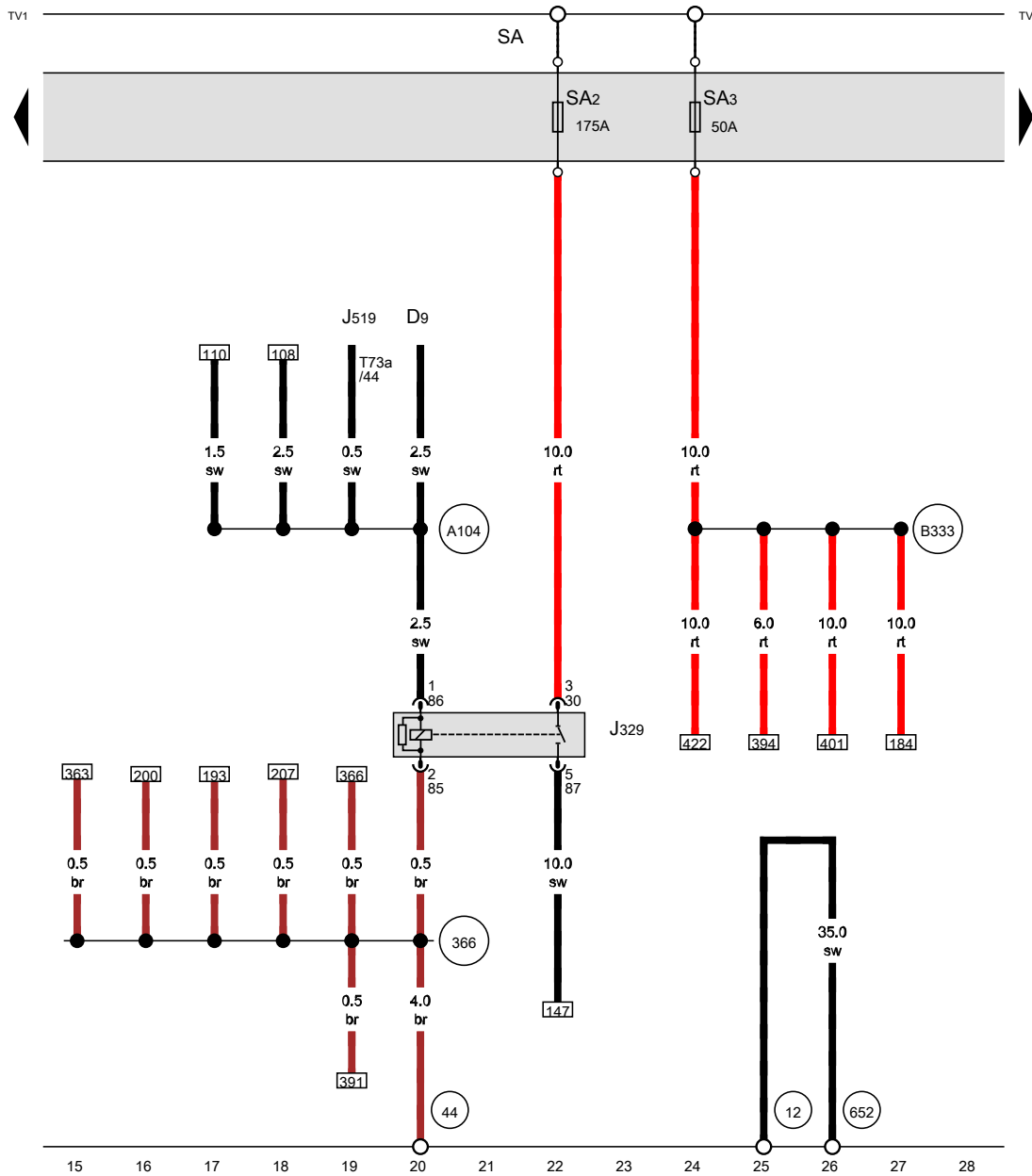


- A Battery
- B Starter
- CX1 Alternator with voltage regulator
- J519 Onboard supply control unit
- J623 Engine control unit
- SA Fuse holder A
- SA1 Fuse 1 in fuse holder A
- T2bc 2-pin connector
- T18 18-pin connector, near engine control unit, black
- T18a 18-pin connector, near engine control unit, grey
- T73b 73-pin connector, colourless

- 1 Earth strap, battery - body
- B569 Connection 36, in main wiring harness
- \* see applicable current flow diagram for engine
- \*2 Only models with diesel engine
- \*3 Only models with petrol engine

- ws = white
- sw = black
- ro = red
- br = brown
- gn = green
- bl = blue
- gr = grey
- li = purple
- ge = yellow
- or = orange
- rs = pink

ГЭН-0900211121



Terminal 15 voltage supply relay, Fuse holder A

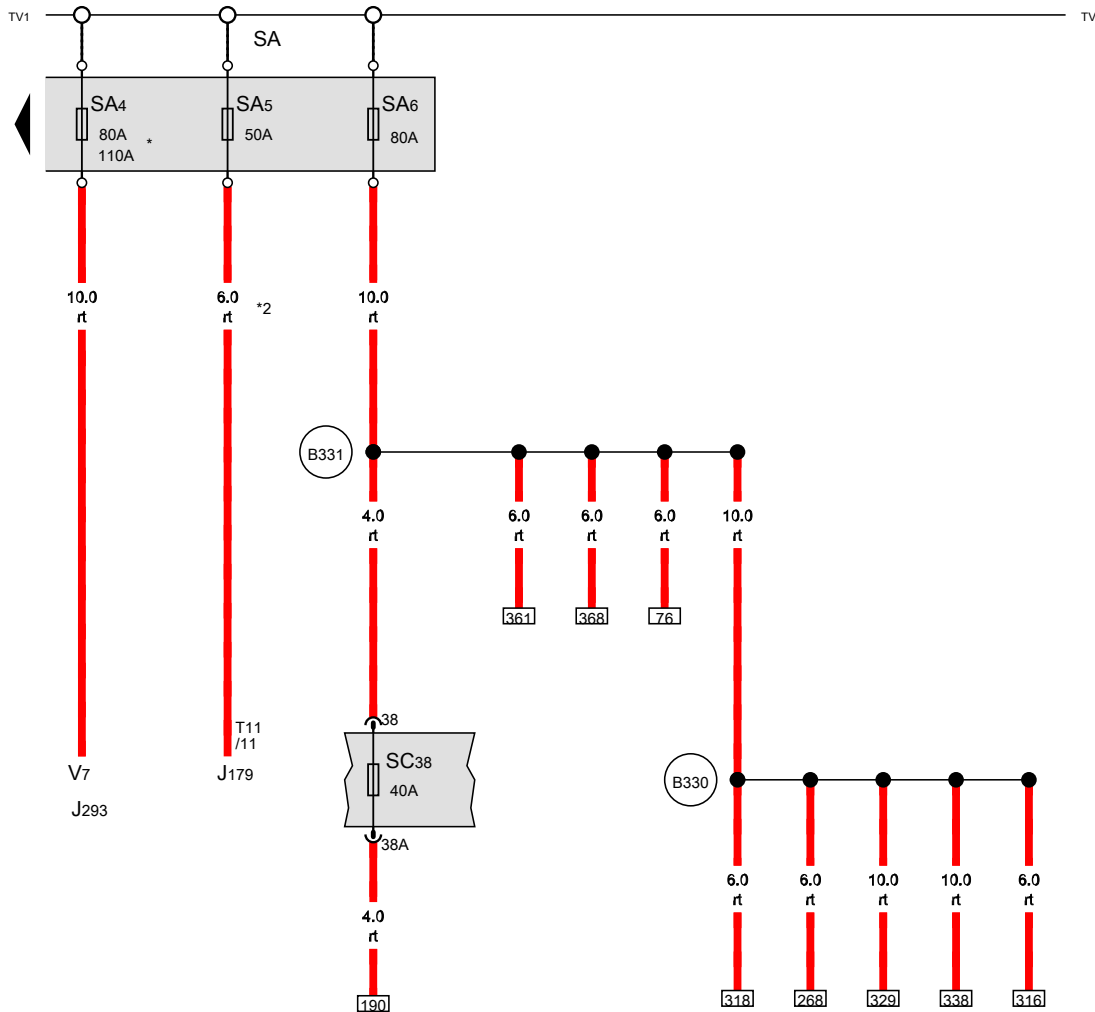
- D9 Electronic ignition lock
- J329 Terminal 15 voltage supply relay
- J519 Onboard supply control unit
- SA Fuse holder A
- SA2 Fuse 2 in fuse holder A
- SA3 Fuse 3 in fuse holder A
- T73a 73-pin connector, black

- 12 Earth point, on left in engine compartment
- 44 Earth point, lower part of left A-pillar
- 366 Earth connection 1, in main wiring harness
- 652 Earth point, engine and gearbox earth
- A104 Positive connection 2 (15), in dash panel wiring harness
- B333 Positive connection 19 (30a) in main wiring harness

- ws = white
- sw = black
- ro = red
- br = brown
- gn = green
- bl = blue
- gr = grey
- li = purple
- ge = yellow
- or = orange
- rs = pink

17H0-0900311121

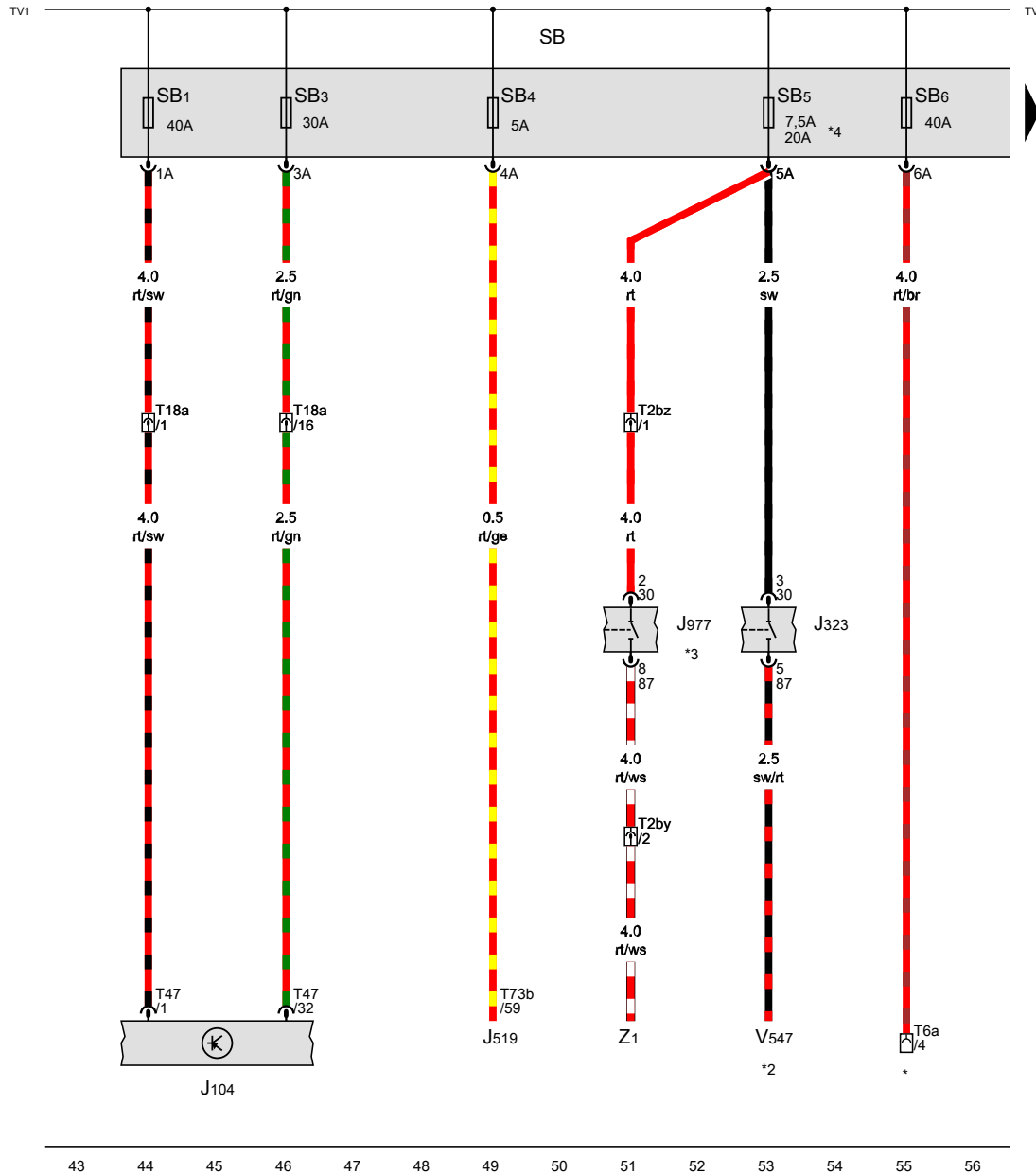
Automatic glow period control unit, Fuse holder A, Fuse 38 on fuse holder C, Radiator fan



- J179 Automatic glow period control unit
- J293 Radiator fan control unit
- SA Fuse holder A
- SA4 Fuse 4 in fuse holder A
- SA5 Fuse 5 in fuse holder A
- SA6 Fuse 6 in fuse holder A
- SC38 Fuse 38 on fuse holder C
- T11 11-pin connector, black
- V7 Radiator fan
- B330 Positive connection 16 (30a) in main wiring harness
- B331 Positive connection 17 (30a) in main wiring harness
- \* According to equipment
- \*2 Only models with diesel engine

- ws = white
- sw = black
- ro = red
- br = brown
- gn = green
- bl = blue
- gr = grey
- li = purple
- ge = yellow
- or = orange
- rs = pink

ABS control unit, Fuse 1 on fuse holder B, Fuse 3 on fuse holder B, Fuse 4 on fuse holder B, Fuse 6 on fuse holder B



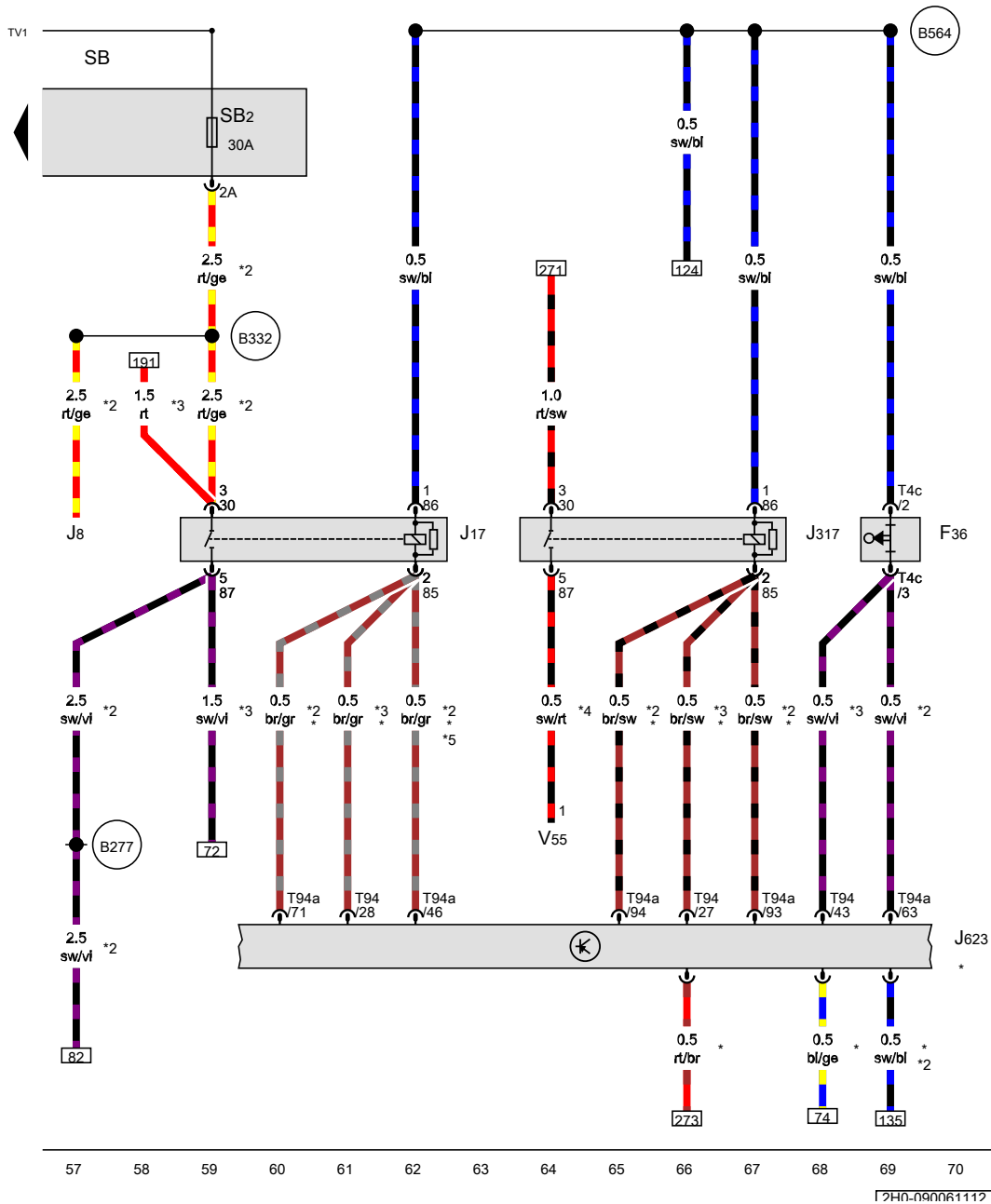
- J104 ABS control unit
- J323 Blower relay
- J519 Onboard supply control unit
- J977 Terminal 30 relay
- SB Fuse holder B
- SB1 Fuse 1 on fuse holder B
- SB3 Fuse 3 on fuse holder B
- SB4 Fuse 4 on fuse holder B
- SB5 Fuse 5 on fuse holder B
- SB6 Fuse 6 on fuse holder B
- T2by 2-pin connector
- T2bz 2-pin connector
- T6a 6-pin connector, in left footwell, near centre console, grey
- T18a 18-pin connector, near engine control unit, grey
- T47 47-pin connector, black
- T73b 73-pin connector, colourless
- V547 Air supply blower
- Z1 Heated rear window
- \* Only models with electric interface for external use
- \*2 see applicable current flow diagram
- \*3 see applicable current flow diagram for hardtop
- \*4 According to equipment

- ws = white
- sw = black
- ro = red
- br = brown
- gn = green
- bl = blue
- gr = grey
- li = purple
- ge = yellow
- or = orange
- rs = pink

43 44 45 46 47 48 49 50 51 52 53 54 55 56

7H0-0900511121

Clutch pedal switch, Fuel pump relay, Terminal 30 voltage supply relay, Engine control unit, Fuse 2 on fuse holder B



- F36 Clutch pedal switch
- J8 Auxiliary heater relay
- J17 Fuel pump relay
- J317 Terminal 30 voltage supply relay
- J623 Engine control unit
- SB Fuse holder B
- SB2 Fuse 2 on fuse holder B
- T4c 4-pin connector, black
- T94 94-pin connector, black
- T94a 94-pin connector
- V55 Circulation pump
- B277 Positive connection 1 (15a) in main wiring harness
- B332 Positive connection 18 (30a) in main wiring harness
- B564 Connection 31, in main wiring harness
- \* see applicable current flow diagram for engine
- \*2 Only models with diesel engine
- \*3 Only models with petrol engine
- \*4 see applicable current flow diagram for auxiliary coolant heater
- \*5 Slot assignment, with no cruise control system (CCS)

- ws = white
- sw = black
- ro = red
- br = brown
- gn = green
- bl = blue
- gr = grey
- li = purple
- ge = yellow
- or = orange
- rs = pink

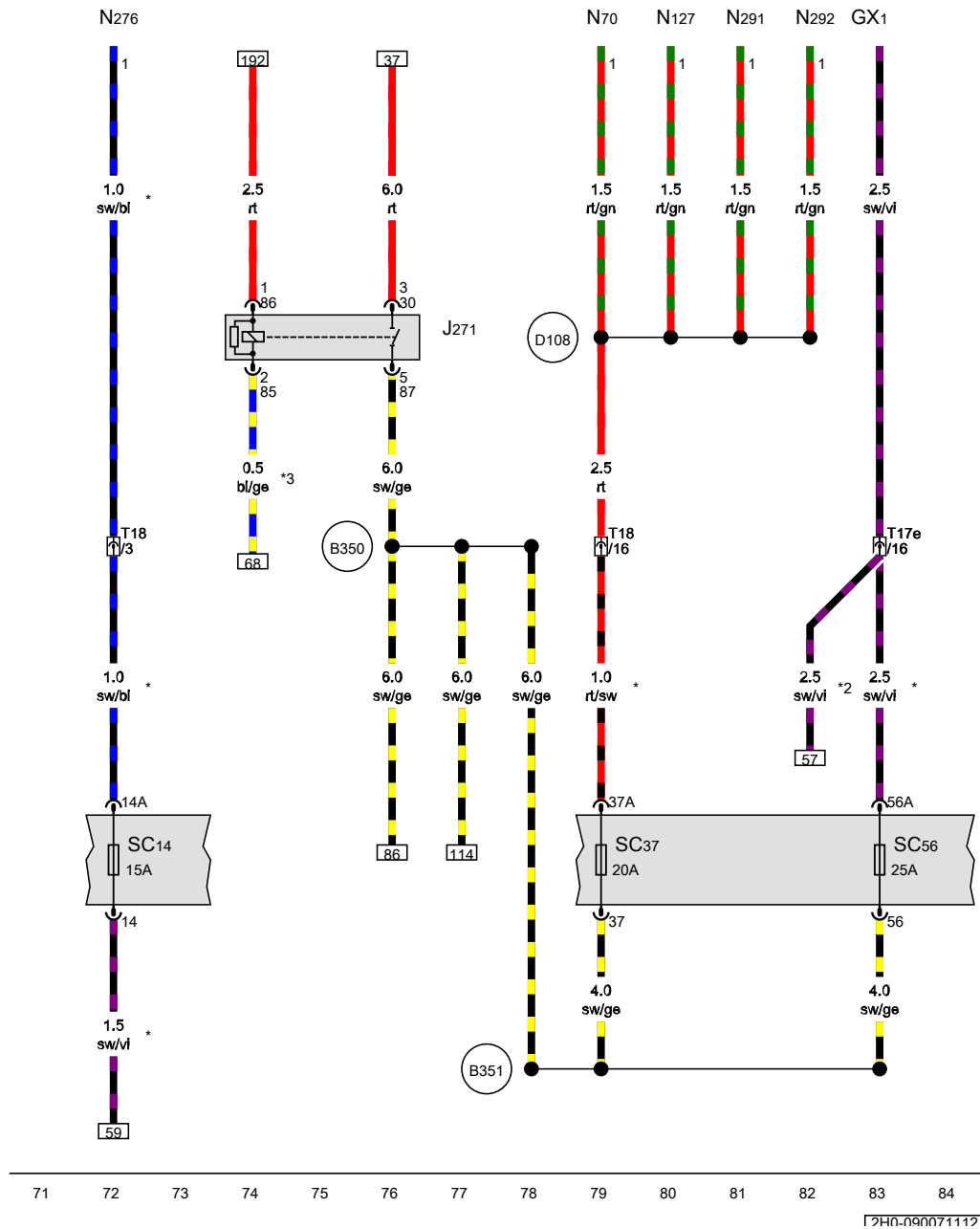


Main relay, Fuse 14 on fuse holder C, Fuse 37 on fuse holder C, Fuse 56 on fuse holder C

- GX1 Fuel delivery unit, on fuel tank
- J271 Main relay
- N70 Ignition coil 1 with output stage
- N127 Ignition coil 2 with output stage
- N276 Fuel pressure regulating valve
- N291 Ignition coil 3 with output stage
- N292 Ignition coil 4 with output stage
- SC14 Fuse 14 on fuse holder C
- SC37 Fuse 37 on fuse holder C
- SC56 Fuse 56 on fuse holder C
- T17e 17-pin connector, near handbrake lever, red
- T18 18-pin connector, near engine control unit, black

- B350 Positive connection 1 (87a) in main wiring harness
- B351 Positive connection 2 (87a) in main wiring harness
- D108 Connection 6 in engine compartment wiring harness

- \* Only models with petrol engine
- \*2 Only models with diesel engine
- \*3 see applicable current flow diagram for engine



- ws = white
- sw = black
- ro = red
- br = brown
- gn = green
- bl = blue
- gr = grey
- li = purple
- ge = yellow
- or = orange
- rs = pink

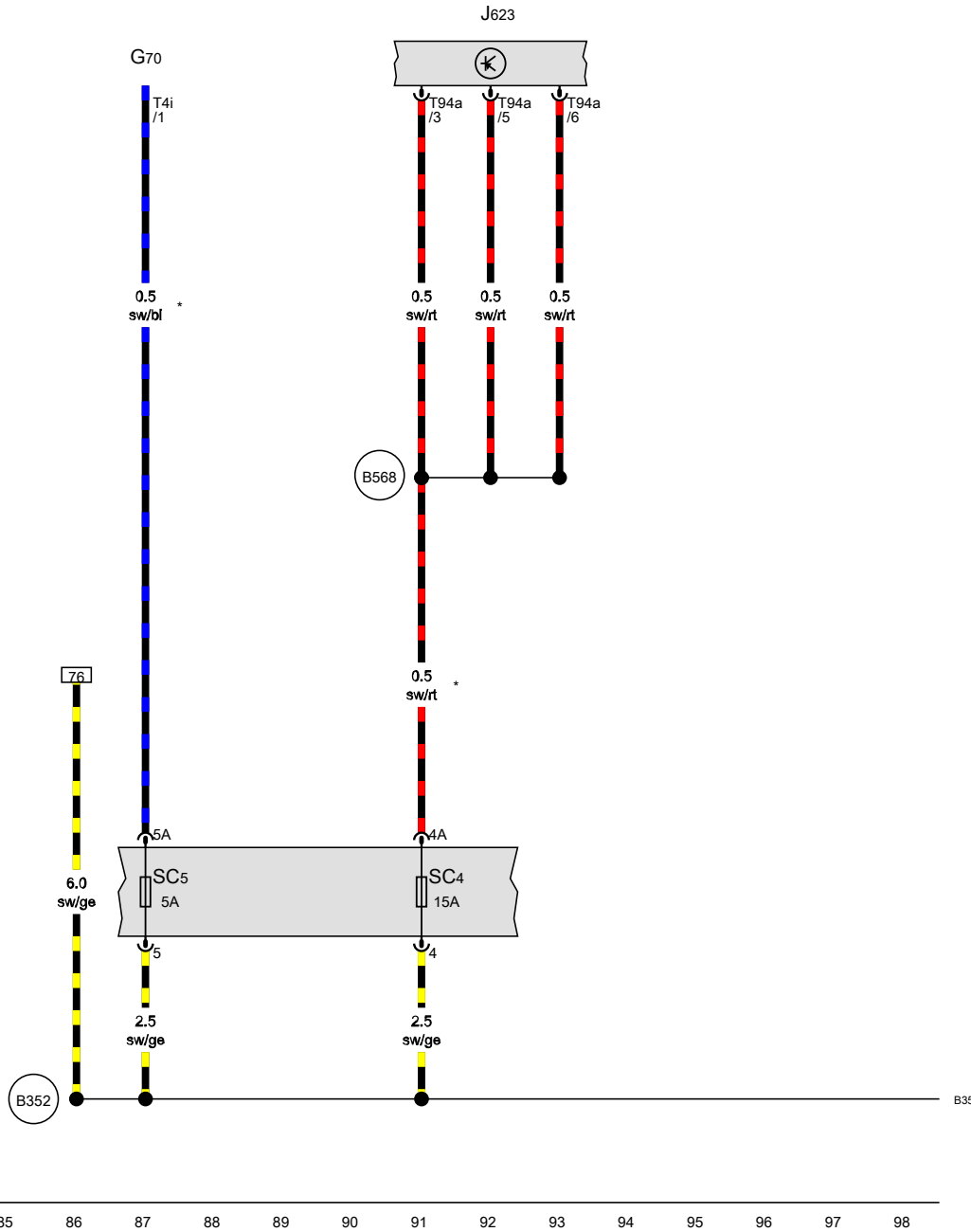
Fuse 4 on fuse holder C, Fuse 5 on fuse holder C

- G70 Air mass meter
- J623 Engine control unit
- SC4 Fuse 4 on fuse holder C
- SC5 Fuse 5 on fuse holder C
- T4i 4-pin connector, black
- T94a 94-pin connector

B352 Positive connection 3 (87a) in main wiring harness

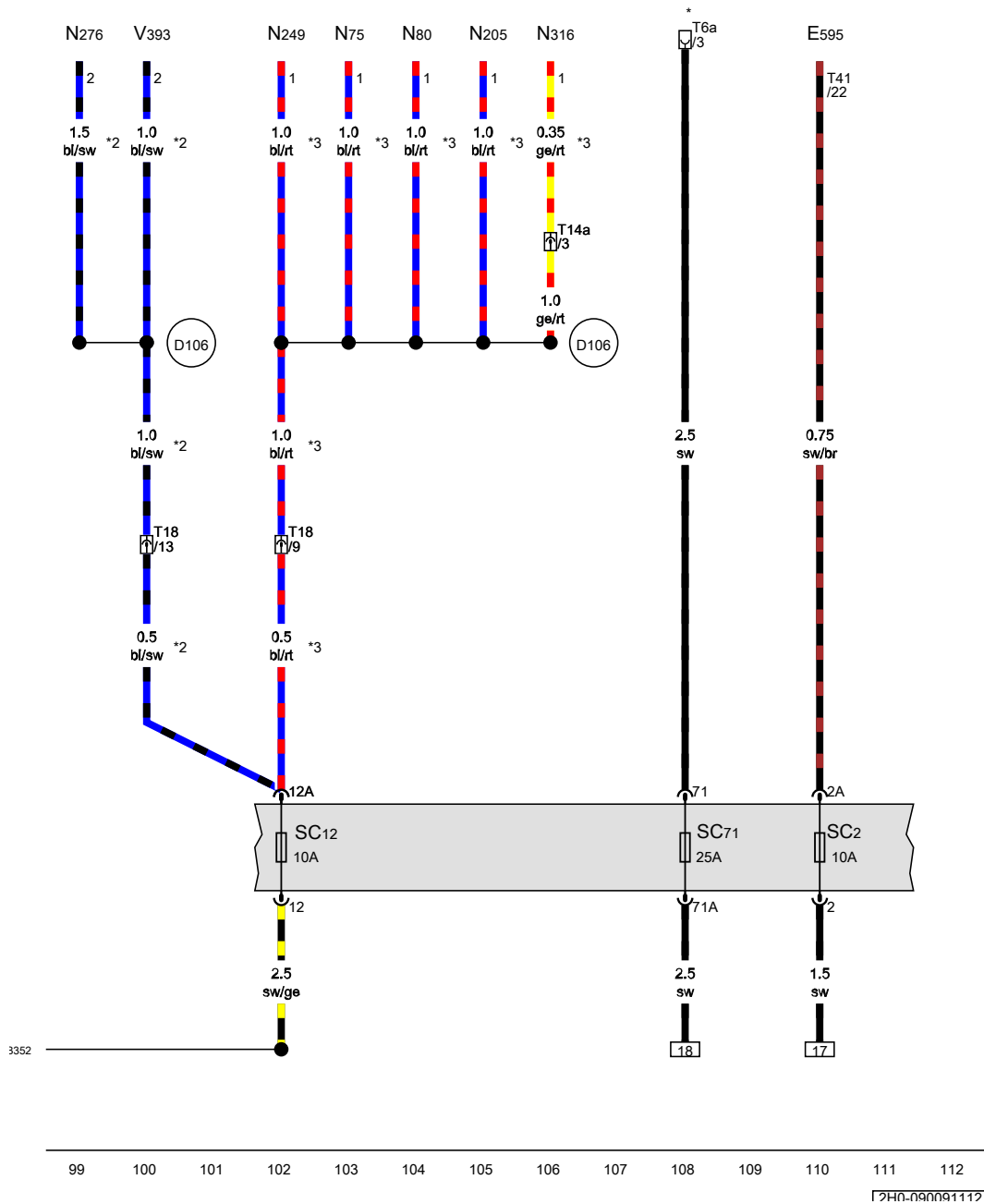
B568 Connection 35, in main wiring harness

\* Only models with diesel engine



- ws = white
- sw = black
- ro = red
- br = brown
- gn = green
- bl = blue
- gr = grey
- li = purple
- ge = yellow
- or = orange
- rs = pink

Fuse 2 on fuse holder C, Fuse 12 on fuse holder C, Fuse 71 on fuse holder C



- E595 Steering column combination switch
- N75 Charge pressure control solenoid valve
- N80 Activated charcoal filter solenoid valve 1
- N205 Camshaft control valve 1
- N249 Turbocharger air recirculation valve
- N276 Fuel pressure regulating valve
- N316 Intake manifold flap valve
- SC2 Fuse 2 on fuse holder C
- SC12 Fuse 12 on fuse holder C
- SC71 Fuse 71 on fuse holder C
- T6a 6-pin connector, in left footwell, near centre console, grey
- T14a 14-pin connector, front left in engine compartment, black
- T18 18-pin connector, near engine control unit, black
- T41 41-pin connector, grey
- V393 Supplementary fuel pump

**B352** Positive connection 3 (87a) in main wiring harness

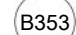
**D106** Connection 4 in engine compartment wiring harness

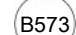
- \* Only models with electric interface for external use
- \*2 Only models with diesel engine
- \*3 Only models with petrol engine

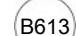
- ws = white
- sw = black
- ro = red
- br = brown
- gn = green
- bl = blue
- gr = grey
- li = purple
- ge = yellow
- or = orange
- rs = pink

Fuse 34 on fuse holder C, Fuse 35 on fuse holder C, Fuse 36 on fuse holder C

- J623 Engine control unit
- SC34 Fuse 34 on fuse holder C
- SC35 Fuse 35 on fuse holder C
- SC36 Fuse 36 on fuse holder C
- T4f 4-pin connector, front right in engine compartment
- T6q 6-pin connector, front right in engine compartment
- T6t 6-pin connector, front right in engine compartment, black
- T94 94-pin connector
- V50 Coolant circulation pump
- Z19 Lambda probe heater
- Z29 Lambda probe 1 heater after catalytic converter

 B353 Positive connection 4 (87a) in main wiring harness

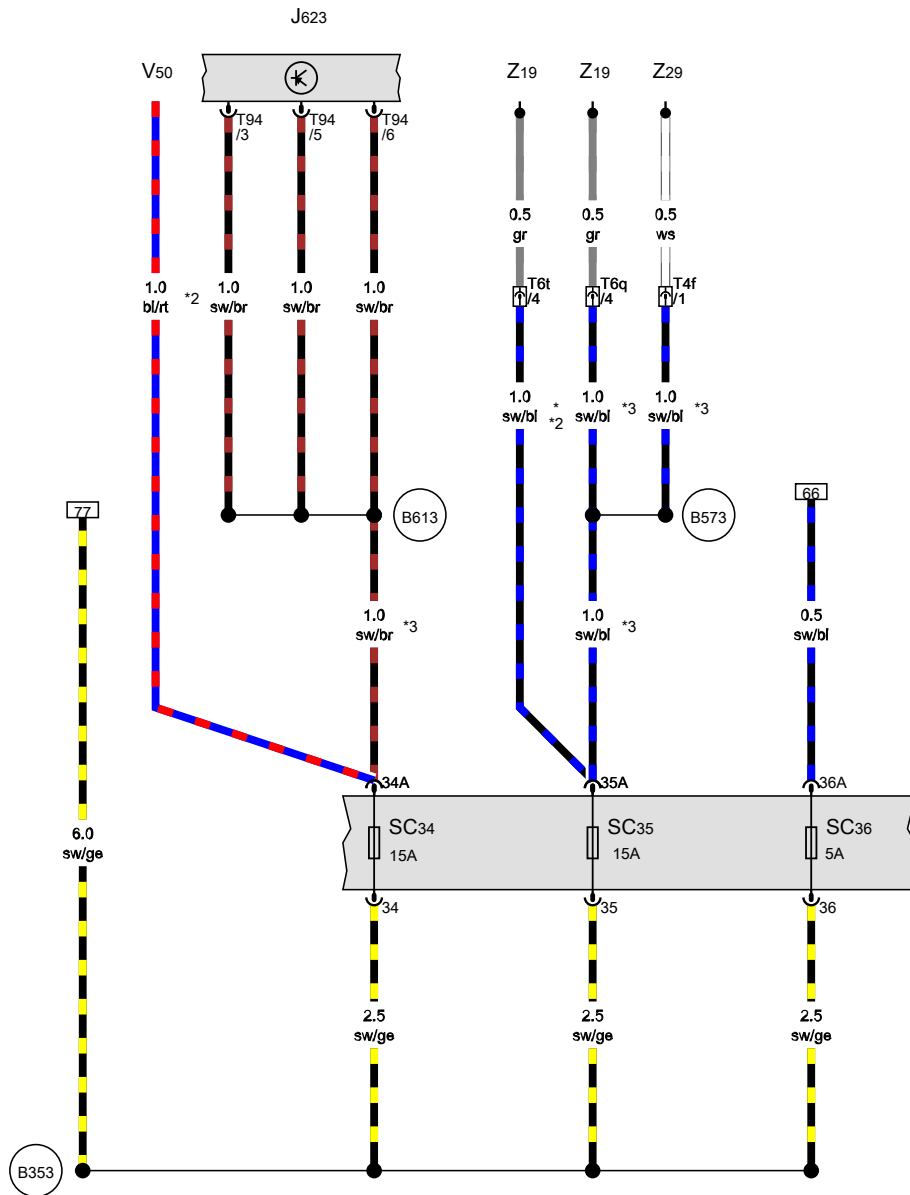
 B573 Connection 40, in main wiring harness

 B613 Connection 41, in main wiring harness

\* Only models with Euro 5 emission standard

\*2 Only models with diesel engine

\*3 Only models with petrol engine



- ws = white
- sw = black
- ro = red
- br = brown
- gn = green
- bl = blue
- gr = grey
- li = purple
- ge = yellow
- or = orange
- rs = pink

113 114 115 116 117 118 119 120 121 122 123 124 125 126

7PH0-0901011171

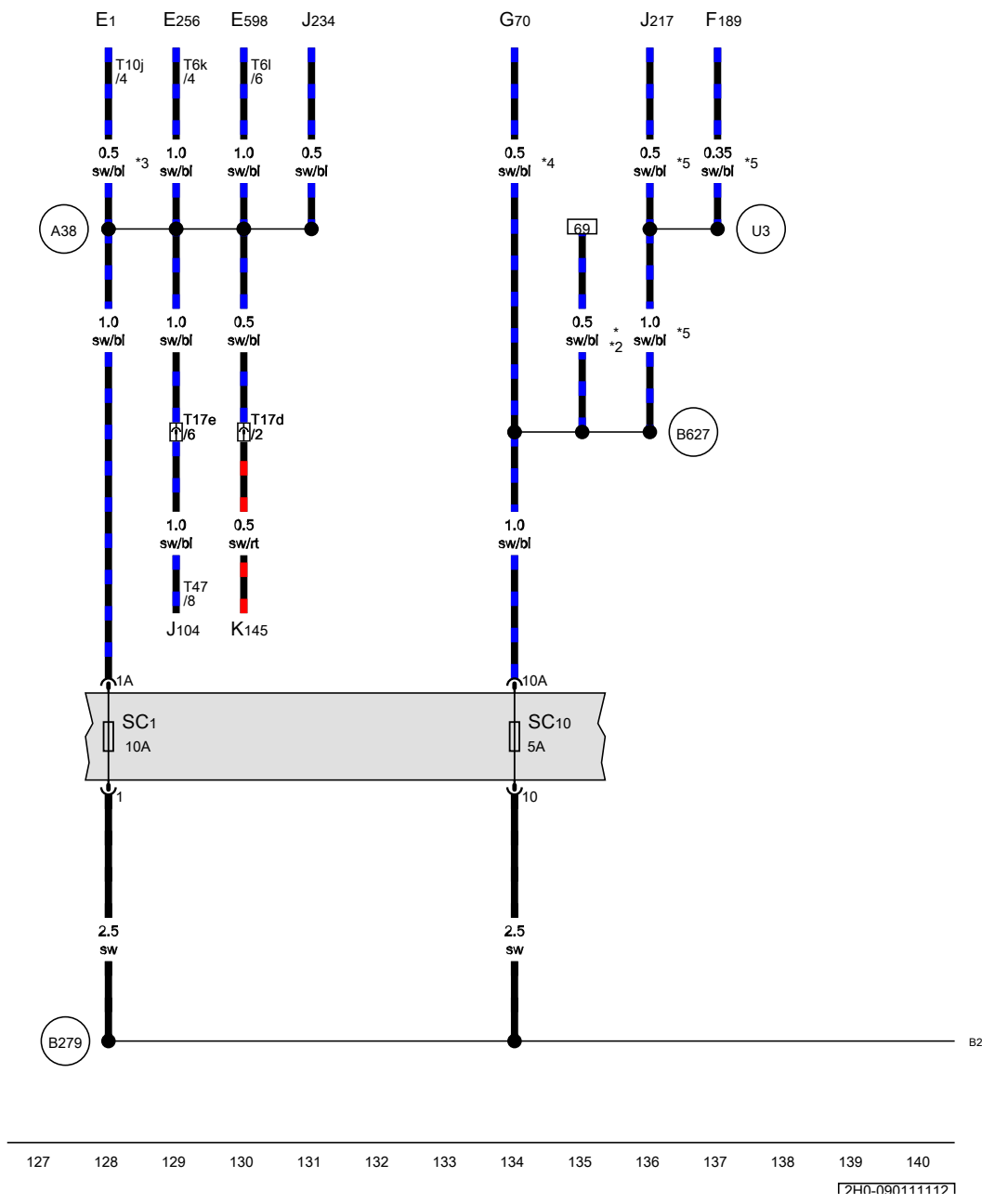
Fuse 1 on fuse holder C, Fuse 10 on fuse holder C

- E1 Light switch
- E256 TCS and ESP button
- E598 Driving program button
- F189 Tiptronic switch
- G70 Air mass meter
- J104 ABS control unit
- J217 Automatic gearbox control unit
- J234 Airbag control unit
- K145 Front passenger side airbag deactivated warning lamp
- SC1 Fuse 1 on fuse holder C
- SC10 Fuse 10 on fuse holder C
- T6k 6-pin connector, black
- T6l 6-pin connector, red
- T10j 10-pin connector, black
- T17d 17-pin connector, on left under dash panel, green
- T17e 17-pin connector, near handbrake lever, red
- T47 47-pin connector, black

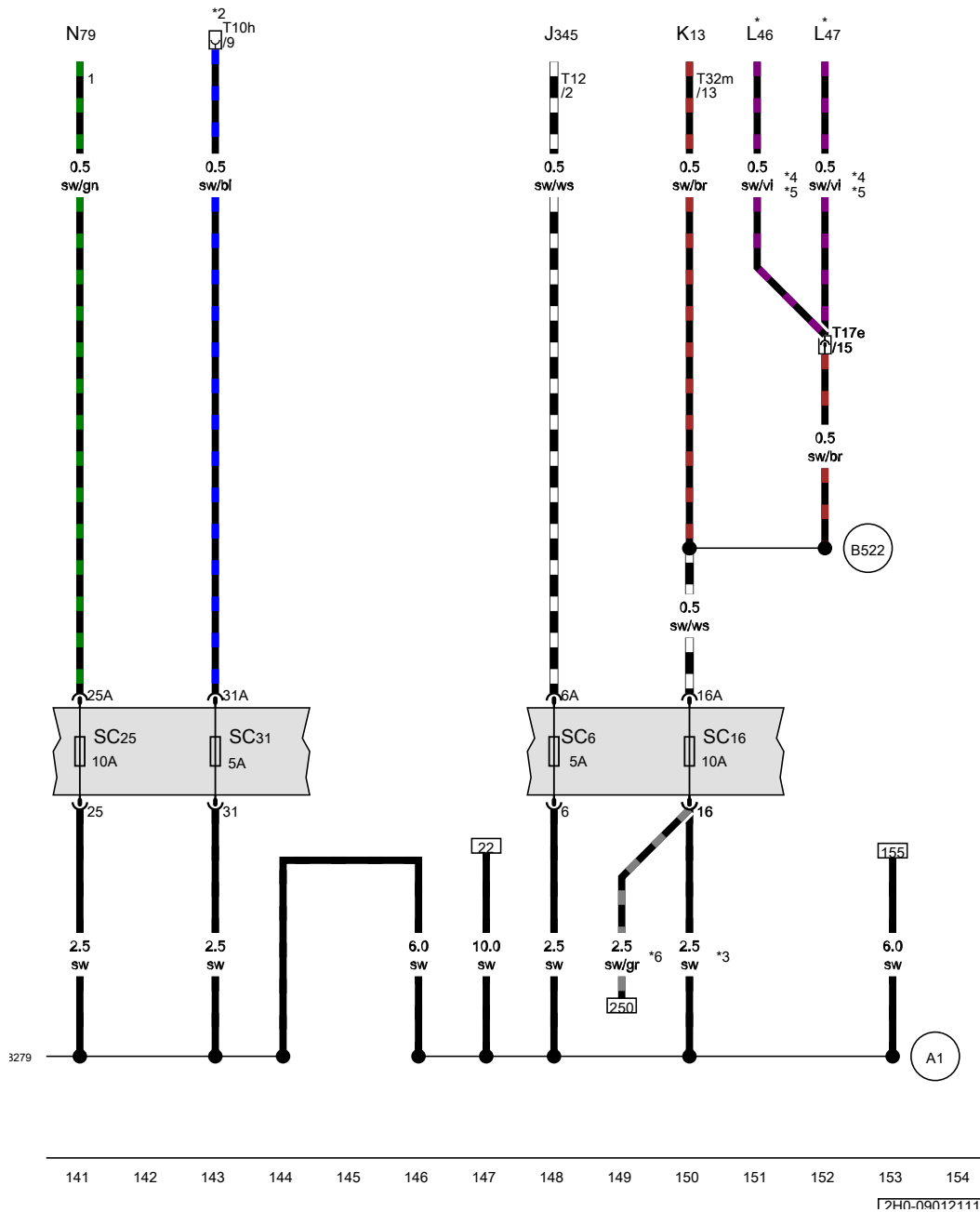
- (A38) Positive connection 2 (15a) in dash panel wiring harness
- (B279) Positive connection 3 (15a) in main wiring harness
- (B627) Positive connection 3 (15), in main wiring harness
- (U3) Connection 1, in automatic gearbox wiring harness

- \* see applicable current flow diagram for engine
- \*2 Only models with diesel engine
- \*3 Only models with automatic driving lights control
- \*4 Only models with petrol engine
- \*5 see applicable current flow diagram for automatic gearbox

- ws = white
- sw = black
- ro = red
- br = brown
- gn = green
- bl = blue
- gr = grey
- li = purple
- ge = yellow
- or = orange
- rs = pink



Fuse 6 on fuse holder C, Fuse 16 on fuse holder C, Fuse 25 on fuse holder C, Fuse 31 on fuse holder C



- J345 Trailer detector control unit
- K13 Rear fog light warning lamp
- L46 Rear left fog light bulb
- L47 Rear right fog light bulb
- N79 Heater element for crankcase breather
- SC6 Fuse 6 on fuse holder C
- SC16 Fuse 16 on fuse holder C
- SC25 Fuse 25 on fuse holder C
- SC31 Fuse 31 on fuse holder C
- T10h 10-pin connector, purple
- T12 12-pin connector, red
- T17e 17-pin connector, near handbrake lever, red
- T32m 32-pin connector, blue

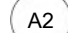
- A1 Positive connection (30a), in dash panel wiring harness
- B279 Positive connection 3 (15a) in main wiring harness
- B522 Connection (FL), in main wiring harness

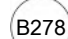
- \* According to equipment
- \*2 Only models with electric interface for external use
- \*3 Only models with automatic driving lights control
- \*4 Cross-section 1.5 possible
- \*5 see applicable current flow diagram for exterior lighting
- \*6 Only models with no automatic headlight control with coming home

- ws = white
- sw = black
- ro = red
- br = brown
- gn = green
- bl = blue
- gr = grey
- li = purple
- ge = yellow
- or = orange
- rs = pink

Fuse 42 on fuse holder C, Fuse 63 on fuse holder C

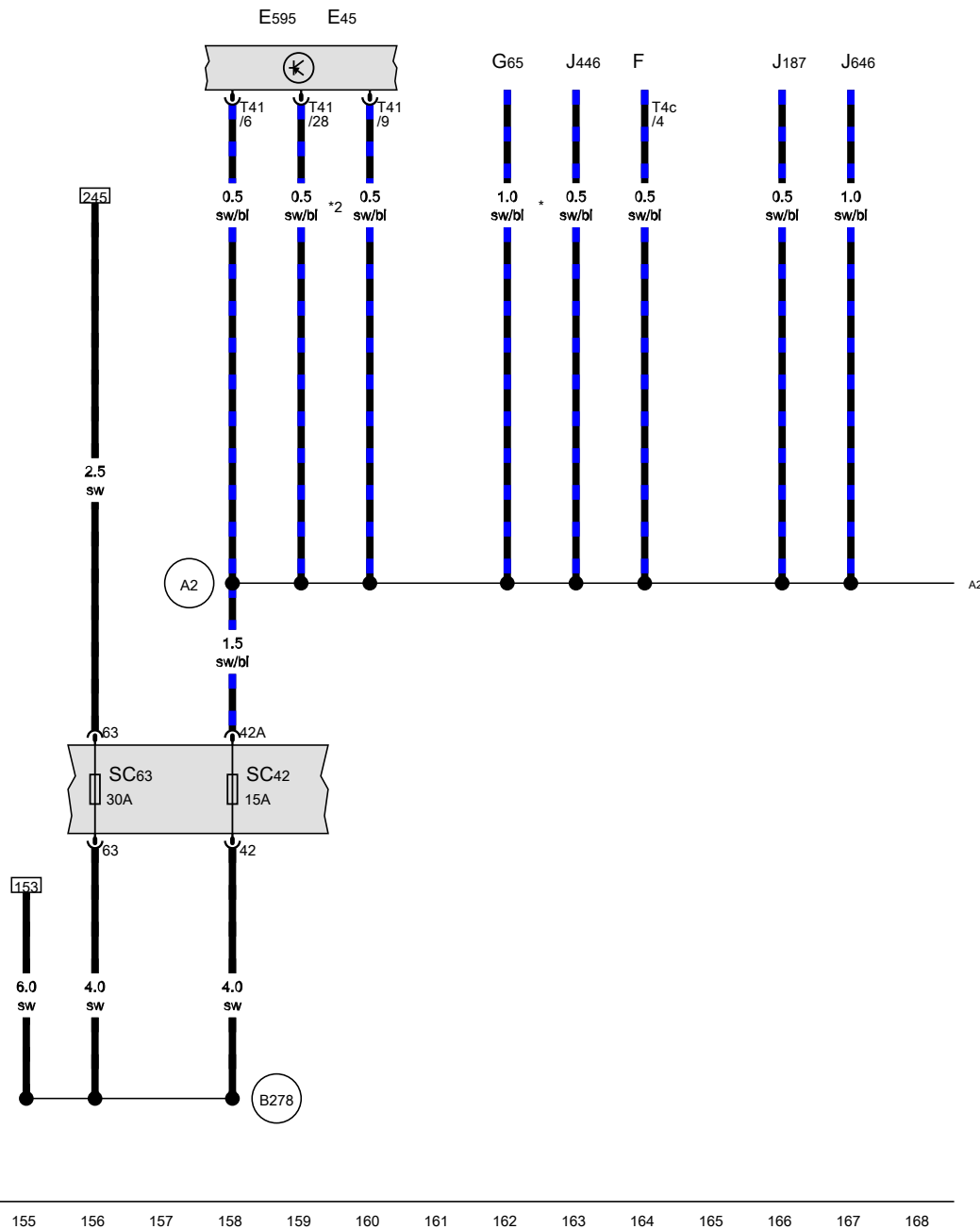
- E45 Cruise control system switch
- E595 Steering column combination switch
- F Brake light switch
- G65 High-pressure sender
- J187 Differential lock control unit
- J446 Parking aid control unit
- J646 Transfer box control unit
- SC42 Fuse 42 on fuse holder C
- SC63 Fuse 63 on fuse holder C
- T4c 4-pin connector, black
- T41 41-pin connector, grey

 A2 Positive connection (15), in dash panel wiring harness

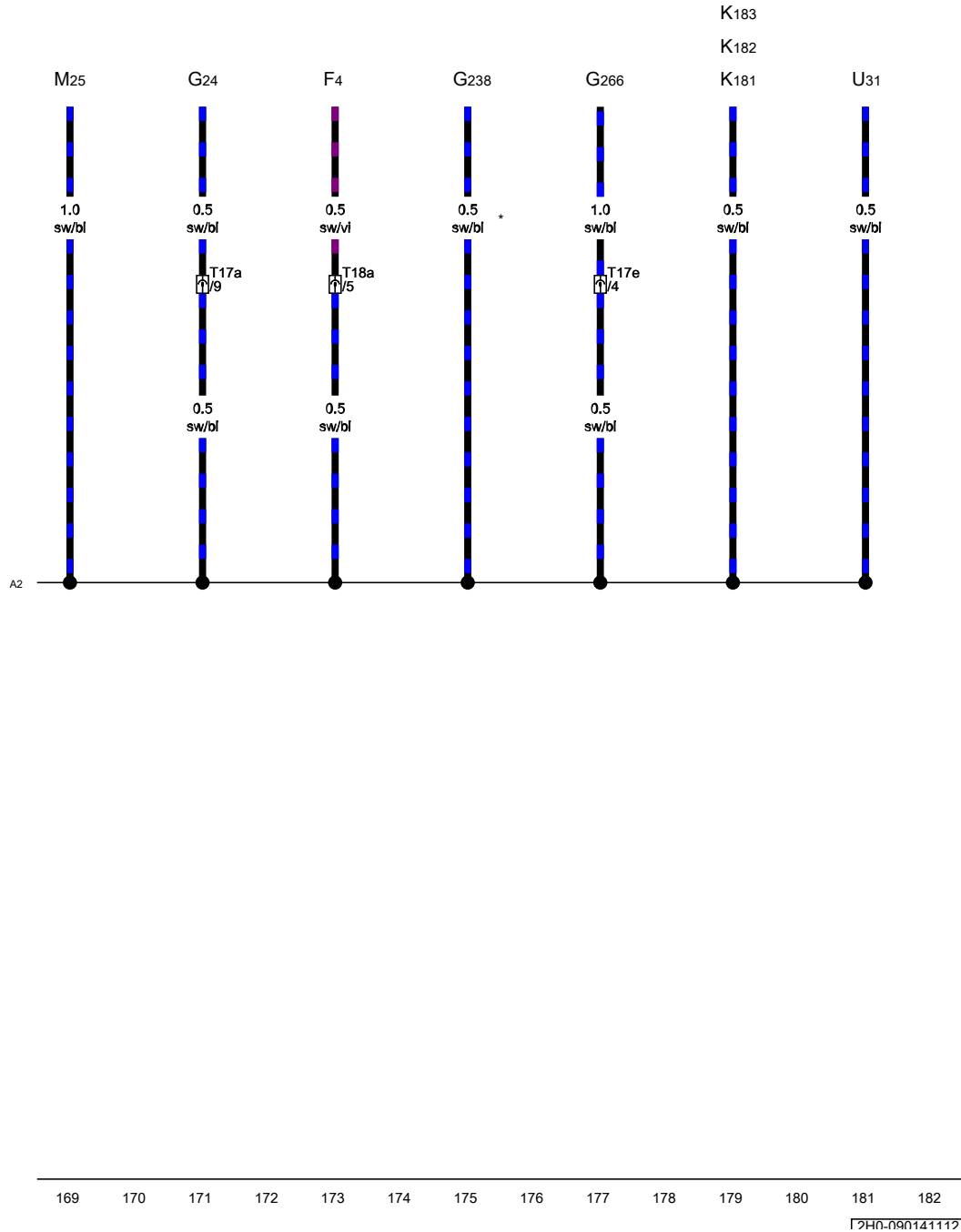
 B278 Positive connection 2 (15a) in main wiring harness

\* Only models with air conditioning system/ Climatronic

\*2 Only models with cruise control system



7H0-090131117



Reversing light switch, Tachograph, Air quality sensor, Oil level and oil temperature sender

- F4 Reversing light switch
- G24 Tachograph
- G238 Air quality sensor
- G266 Oil level and oil temperature sender
- K181 Normal operation warning lamp in transfer box operating unit
- K182 Reduction gearing warning lamp in transfer box operating unit
- K183 Inter-axle lock-up warning lamp in transfer box operating unit
- M25 Additional brake light bulb
- T17a 17-pin connector, on left under dash panel, green
- T17e 17-pin connector, near handbrake lever, red
- T18a 18-pin connector, near engine control unit, grey
- U31 Diagnostic connection

**A2** Positive connection (15), in dash panel wiring harness

\* Only models with Climatronic

- ws = white
- sw = black
- ro = red
- br = brown
- gn = green
- bl = blue
- gr = grey
- li = purple
- ge = yellow
- or = orange
- rs = pink



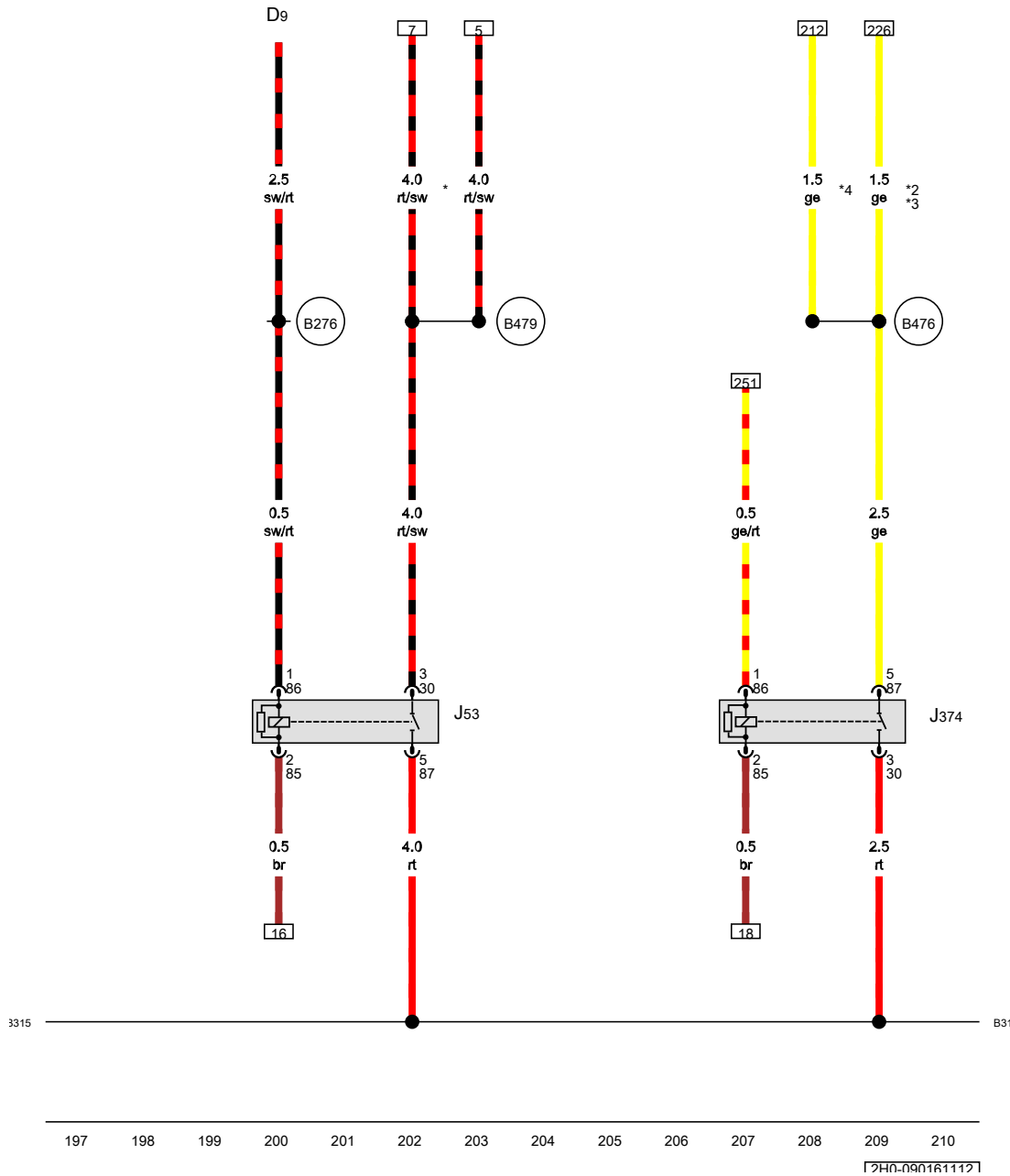


Starter motor relay, Terminal 58b relief relay

- D9 Electronic ignition lock
- J53 Starter motor relay
- J374 Terminal 58b relief relay

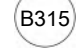


- B276 Positive connection (50), in main wiring harness
- B315 Positive connection 1 (30a) in main wiring harness
- B476 Connection 12, in main wiring harness
- B479 Connection 15, in main wiring harness

- \* see applicable current flow diagram for engine
- \*2 Only models with Trendline equipment
- \*3 Only models with basic equipment
- \*4 Only models with no automatic headlight control with coming home

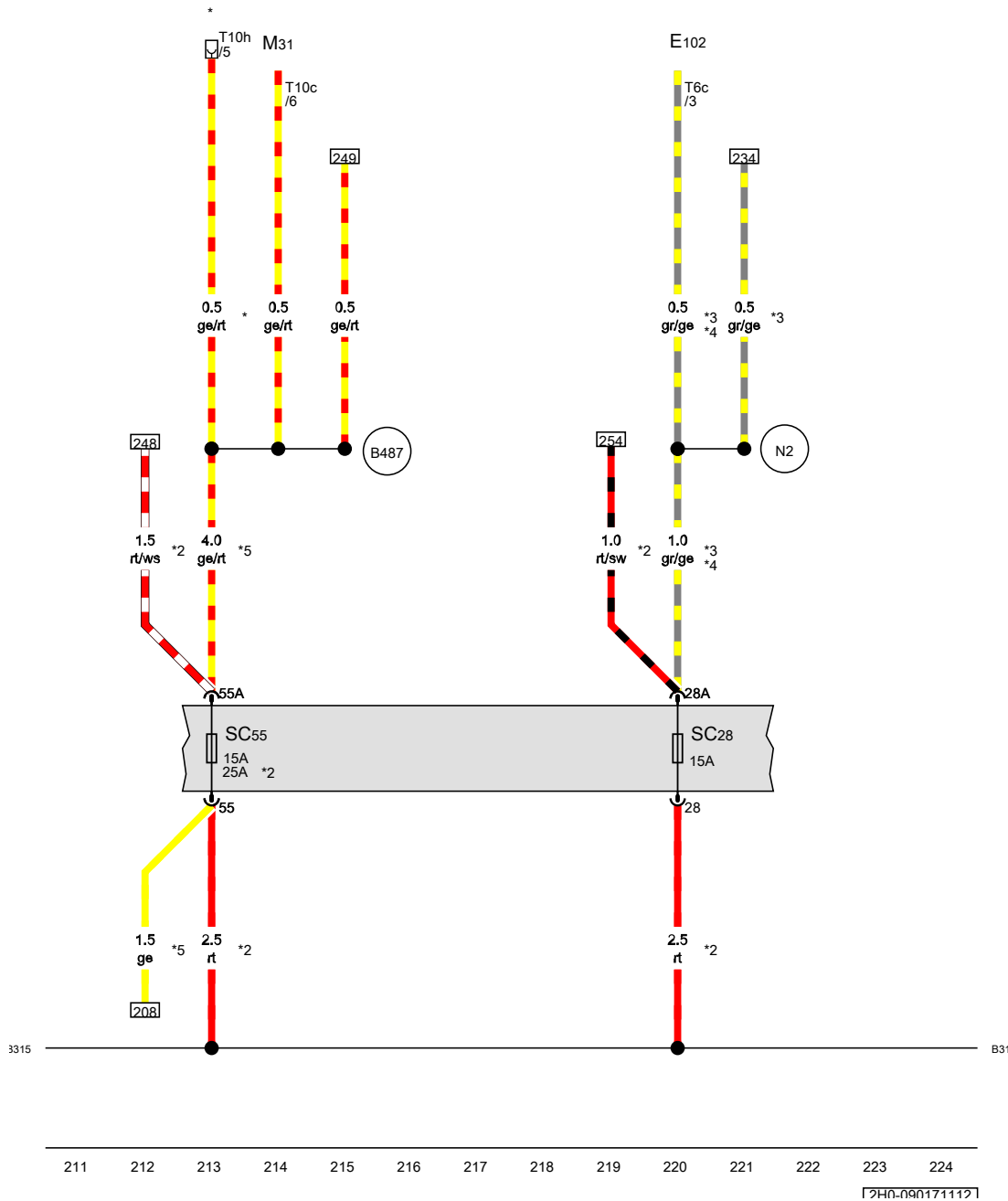


Fuse 28 on fuse holder C, Fuse 55 on fuse holder C

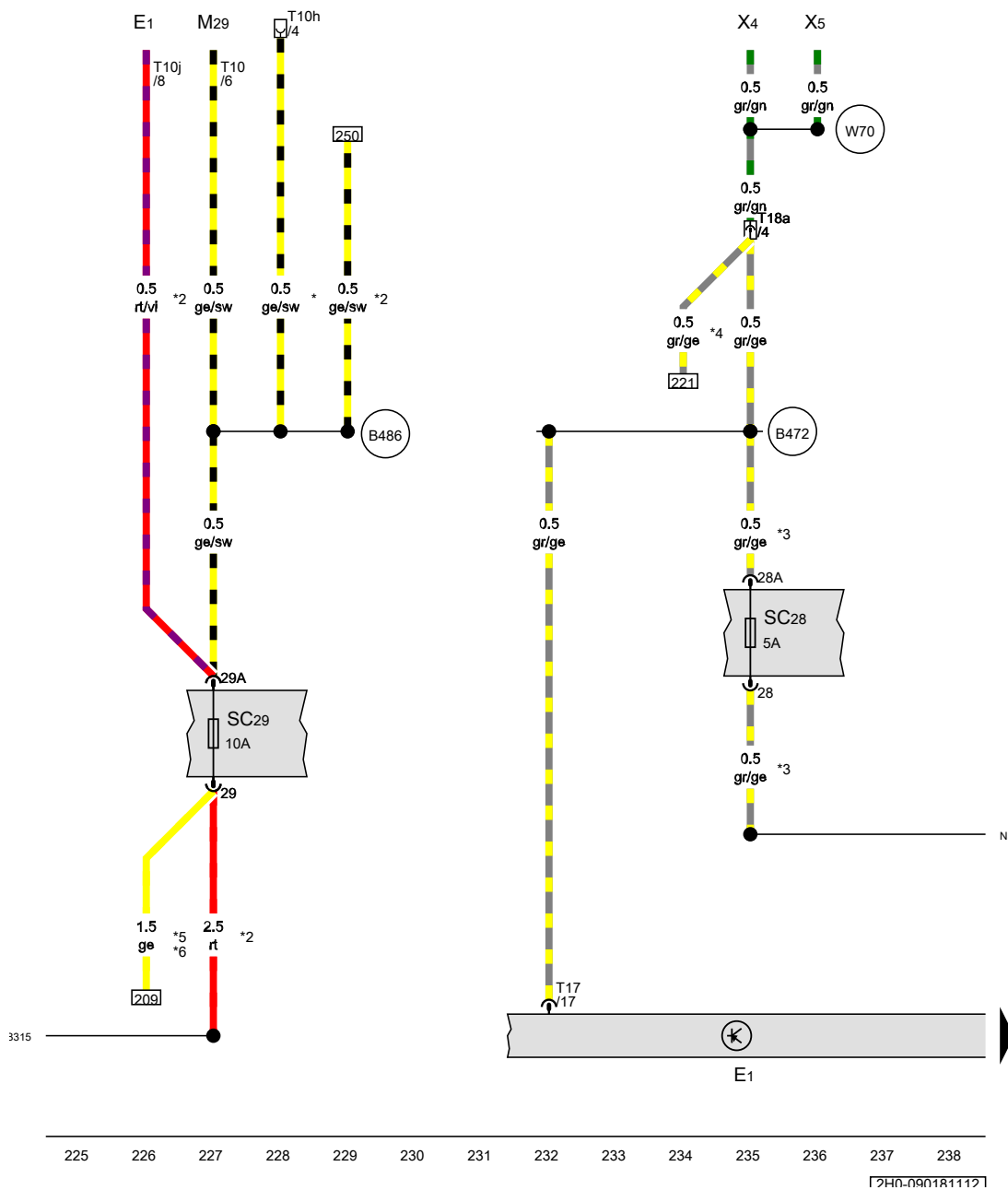
- E102 Headlight range control regulator
- M31 Right headlight dipped beam bulb
- SC28 Fuse 28 on fuse holder C
- SC55 Fuse 55 on fuse holder C
- T6c 6-pin connector
- T10c 10-pin connector, black
- T10h 10-pin connector, purple

-  B315 Positive connection 1 (30a) in main wiring harness
-  B487 Connection 23, in main wiring harness
-  N2 Connection 1, in headlight range control wiring harness

- \* Only models with electric interface for external use
- \*2 Only models with automatic driving lights control
- \*3 Only models with Highline equipment
- \*4 Coming home with rain sensor
- \*5 Only models with no automatic headlight control with coming home



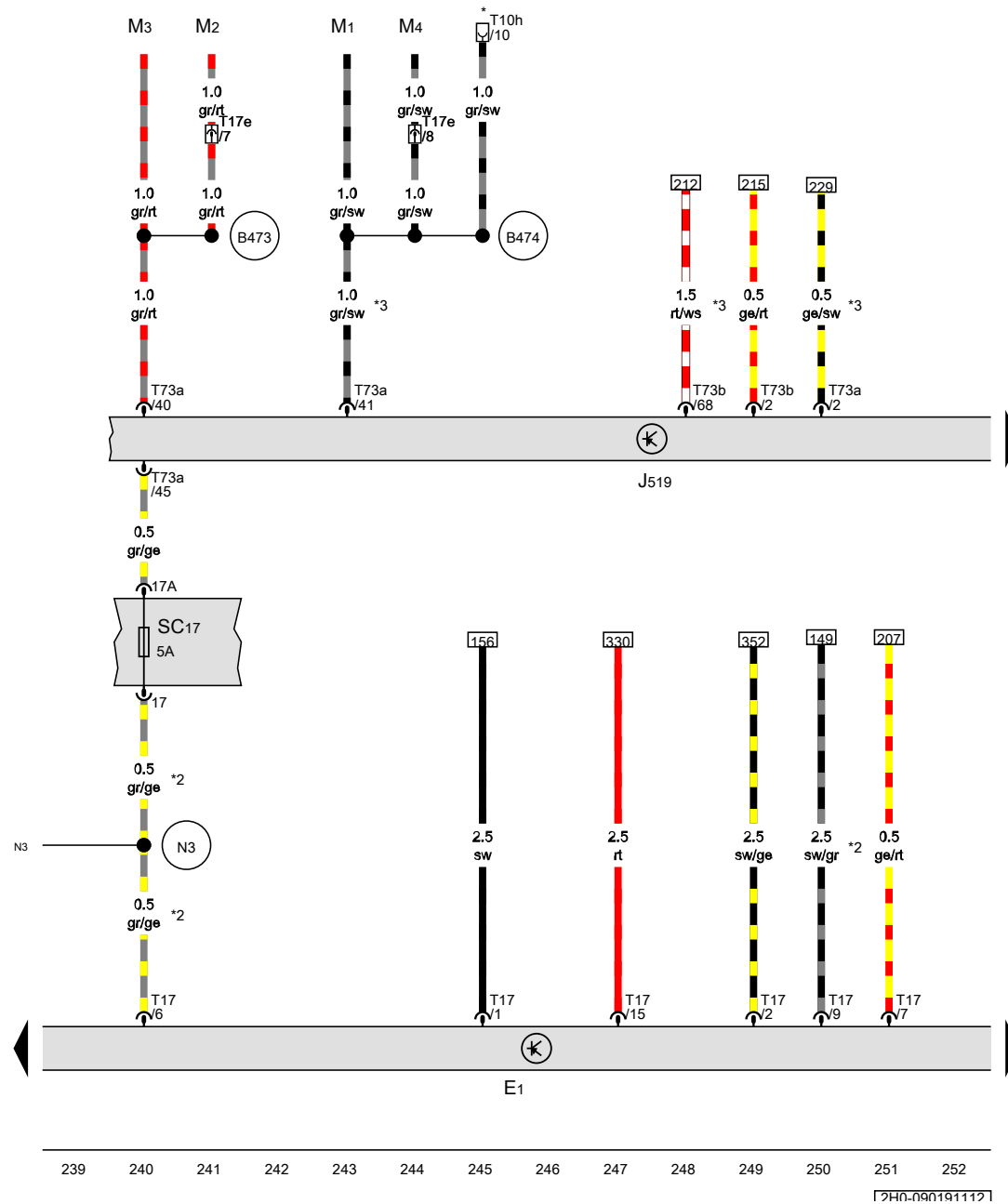
- ws = white
- sw = black
- ro = red
- br = brown
- gn = green
- bl = blue
- gr = grey
- li = purple
- ge = yellow
- or = orange
- rs = pink



Fuse 28 on fuse holder C, Fuse 29 on fuse holder C

- E1 Light switch
- M29 Left headlight dipped beam bulb
- SC28 Fuse 28 on fuse holder C
- SC29 Fuse 29 on fuse holder C
- T10 10-pin connector
- T10h 10-pin connector, purple
- T10j 10-pin connector, black
- T17 17-pin connector
- T18a 18-pin connector, near engine control unit, grey
- X4 Left number plate light
- X5 Right number plate light
- (B315) Positive connection 1 (30a) in main wiring harness
- (B472) Connection 8, in main wiring harness
- (B486) Connection 22, in main wiring harness
- (N3) Connection 2, in headlight range control wiring harness
- (W70) Positive connection 2 (58), in number plate wiring harness
- \* Only models with electric interface for external use
- \*2 Only models with automatic driving lights control
- \*3 Only models with no automatic headlight control with coming home
- \*4 Only models with Highline equipment
- \*5 Only models with Trendline equipment
- \*6 Only models with basic equipment

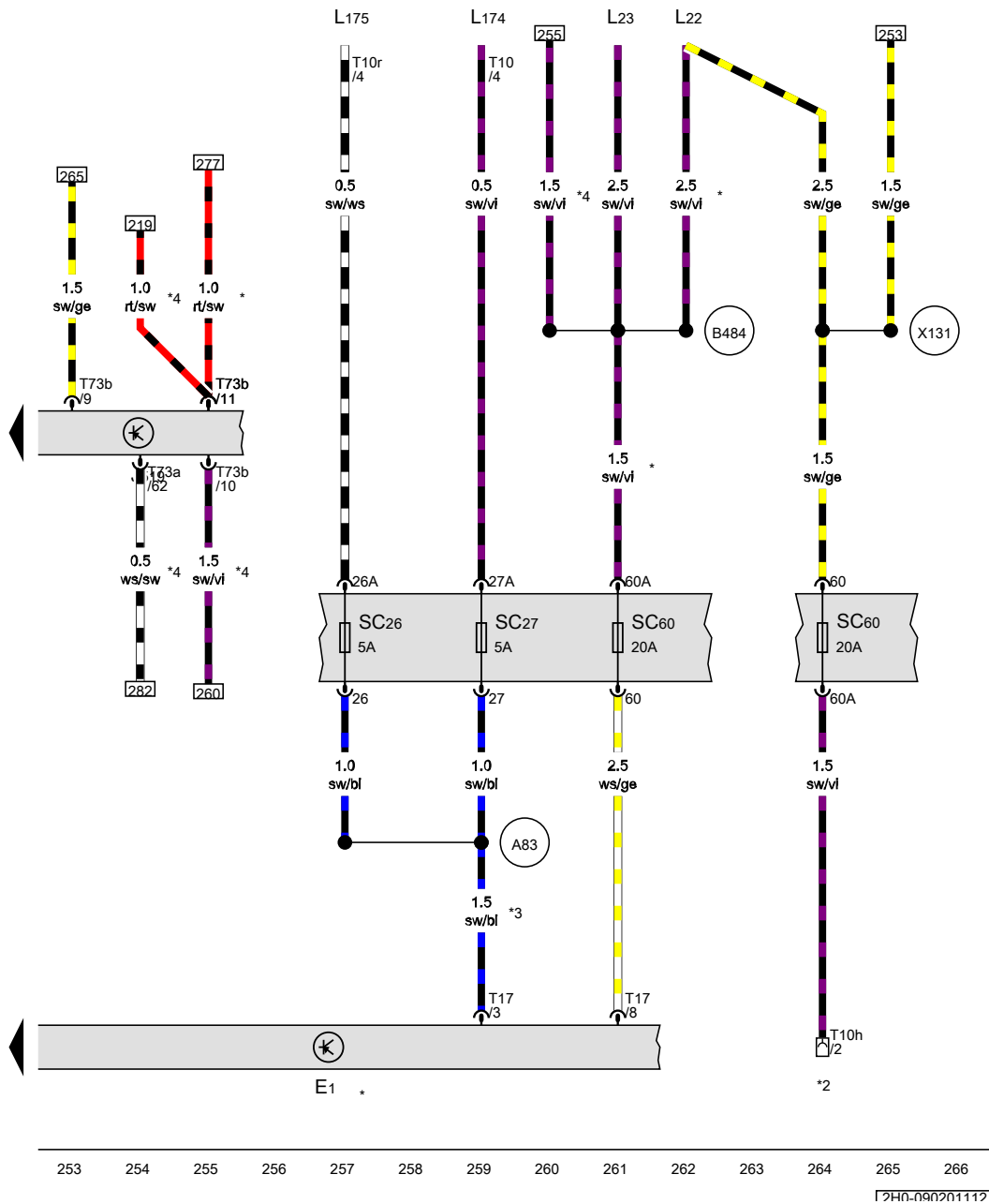
- ws = white
- sw = black
- ro = red
- br = brown
- gn = green
- bl = blue
- gr = grey
- li = purple
- ge = yellow
- or = orange
- rs = pink



Fuse 17 on fuse holder C

- E1 Light switch
- J519 Onboard supply control unit
- M1 Left side light bulb
- M2 Right tail light bulb
- M3 Right side light bulb
- M4 Left tail light bulb
- SC17 Fuse 17 on fuse holder C
- T10h 10-pin connector, purple
- T17 17-pin connector
- T17e 17-pin connector, near handbrake lever, red
- T73a 73-pin connector, black
- T73b 73-pin connector, colourless
- B473 Connection 9, in main wiring harness
- B474 Connection 10, in main wiring harness
- N3 Connection 2, in headlight range control wiring harness
- \* Only models with electric interface for external use
- \*2 Only models with no automatic headlight control with coming home
- \*3 Only models with automatic driving lights control

Fuse 26 on fuse holder C, Fuse 27 on fuse holder C, Fuse 60 on fuse holder C



- E1 Light switch
- J519 Onboard supply control unit
- L22 Left fog light bulb
- L23 Right fog light bulb
- L174 Left daytime running light bulb
- L175 Right daytime running light bulb
- SC26 Fuse 26 on fuse holder C
- SC27 Fuse 27 on fuse holder C
- SC60 Fuse 60 on fuse holder C
- T10 10-pin connector
- T10h 10-pin connector, purple
- T10r 10-pin connector, black
- T17 17-pin connector
- T73a 73-pin connector, black
- T73b 73-pin connector, colourless
- A83 Connection (daytime running lights), in dash panel wiring harness
- B484 Connection 20, in main wiring harness
- X131 Connection 4, in optional equipment wiring harness
- \* Only models with no automatic headlight control with coming home
- \*2 Only models with electric interface for external use
- \*3 Only models with daytime running lights
- \*4 Only models with automatic driving lights control

- ws = white
- sw = black
- ro = red
- br = brown
- gn = green
- bl = blue
- gr = grey
- li = purple
- ge = yellow
- or = orange
- rs = pink

253 254 255 256 257 258 259 260 261 262 263 264 265 266

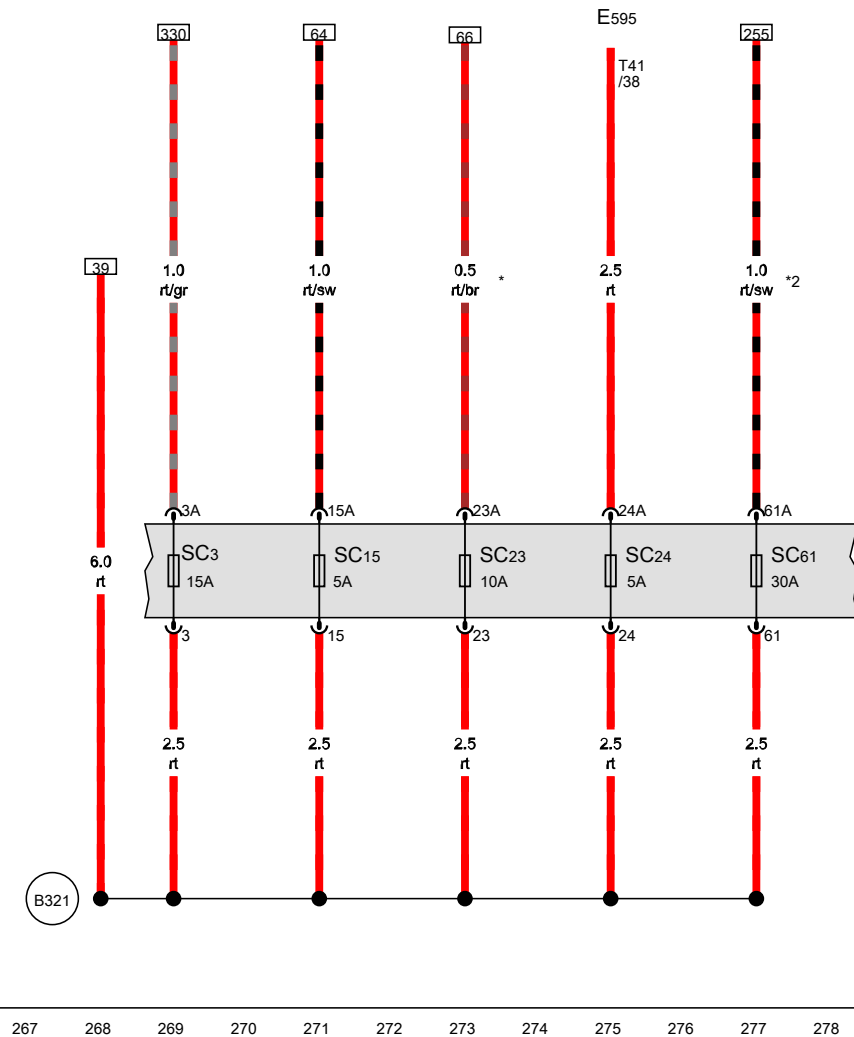
17H0-0902011171

Fuse 3 on fuse holder C, Fuse 15 on fuse holder C, Fuse 23 on fuse holder C, Fuse 24 on fuse holder C, Fuse 61 on fuse holder C

- E595 Steering column combination switch
- SC3 Fuse 3 on fuse holder C
- SC15 Fuse 15 on fuse holder C
- SC23 Fuse 23 on fuse holder C
- SC24 Fuse 24 on fuse holder C
- SC61 Fuse 61 on fuse holder C
- T41 41-pin connector, grey

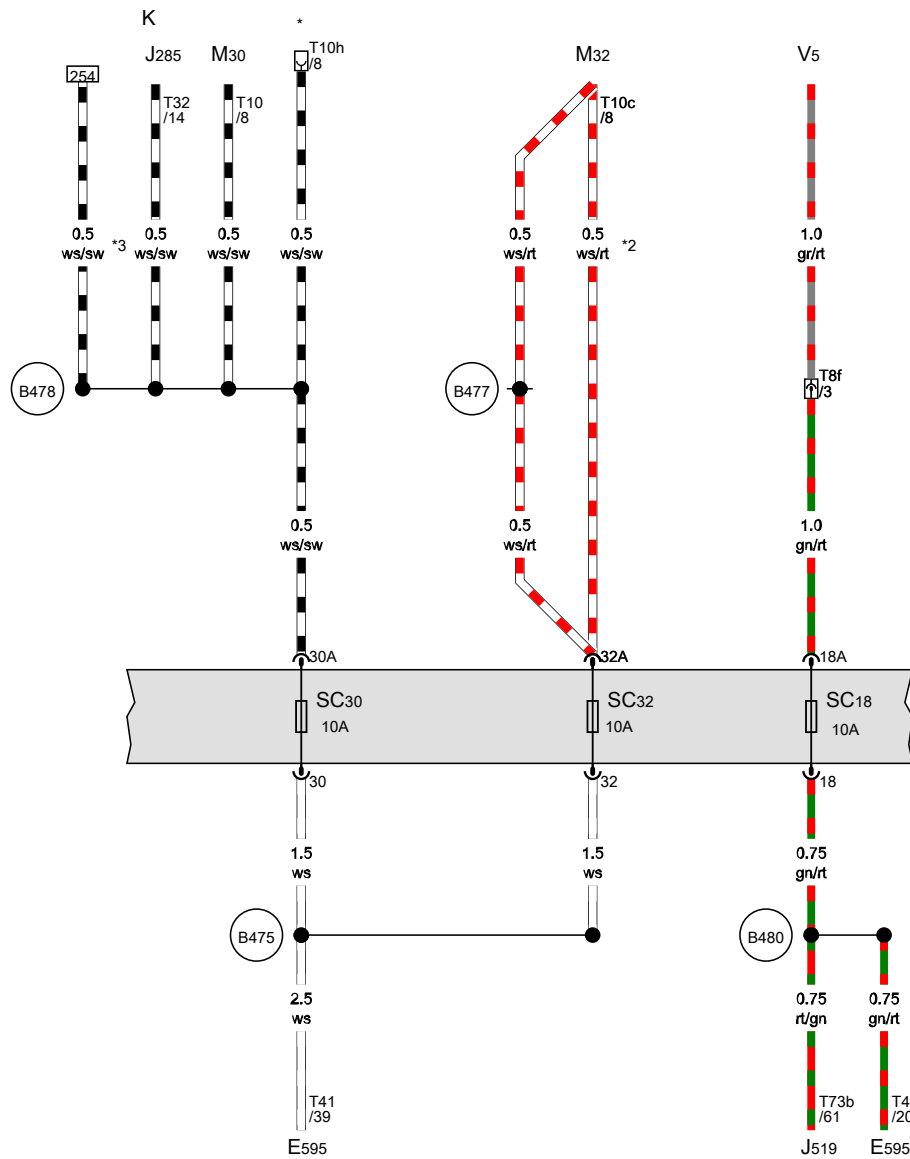
B321 Positive connection 7 (30a) in main wiring harness

- \* see applicable current flow diagram for engine
- \*2 Only models with no automatic headlight control with coming home



- ws = white
- sw = black
- ro = red
- br = brown
- gn = green
- bl = blue
- gr = grey
- li = purple
- ge = yellow
- or = orange
- rs = pink

Fuse 18 on fuse holder C, Fuse 30 on fuse holder C, Fuse 32 on fuse holder C



- E595 Steering column combination switch
- J285 Control unit in dash panel insert
- J519 Onboard supply control unit
- K Dash panel insert
- M30 Left headlight main beam bulb
- M32 Right headlight main beam bulb
- SC18 Fuse 18 on fuse holder C
- SC30 Fuse 30 on fuse holder C
- SC32 Fuse 32 on fuse holder C
- T8f 8-pin connector, in rear right of engine compartment, black
- T10 10-pin connector
- T10c 10-pin connector, black
- T10h 10-pin connector, purple
- T32 32-pin connector, blue
- T41 41-pin connector, grey
- T73b 73-pin connector, colourless
- V5 Washer pump

- B475 Connection 11, in main wiring harness
- B477 Connection 13, in main wiring harness
- B478 Connection 14, in main wiring harness
- B480 Connection 16, in main wiring harness

- \* Only models with interface for special functions
- \*2 Only models with no electric interface
- \*3 Only models with automatic driving lights control

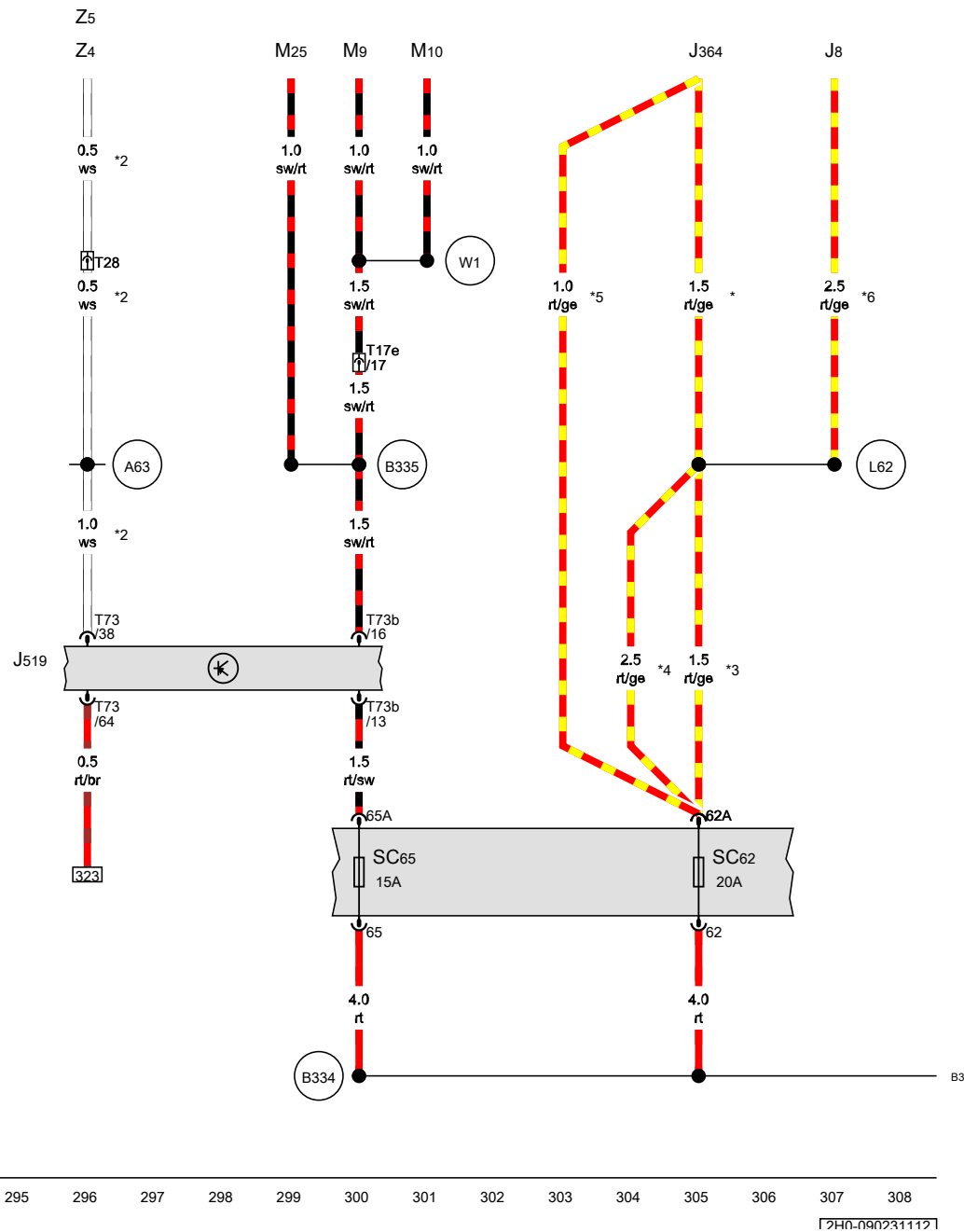
- ws = white
- sw = black
- ro = red
- br = brown
- gn = green
- bl = blue
- gr = grey
- li = purple
- ge = yellow
- or = orange
- rs = pink

281 282 283 284 285 286 287 288 289 290 291 292 293 294

1790-0002211171

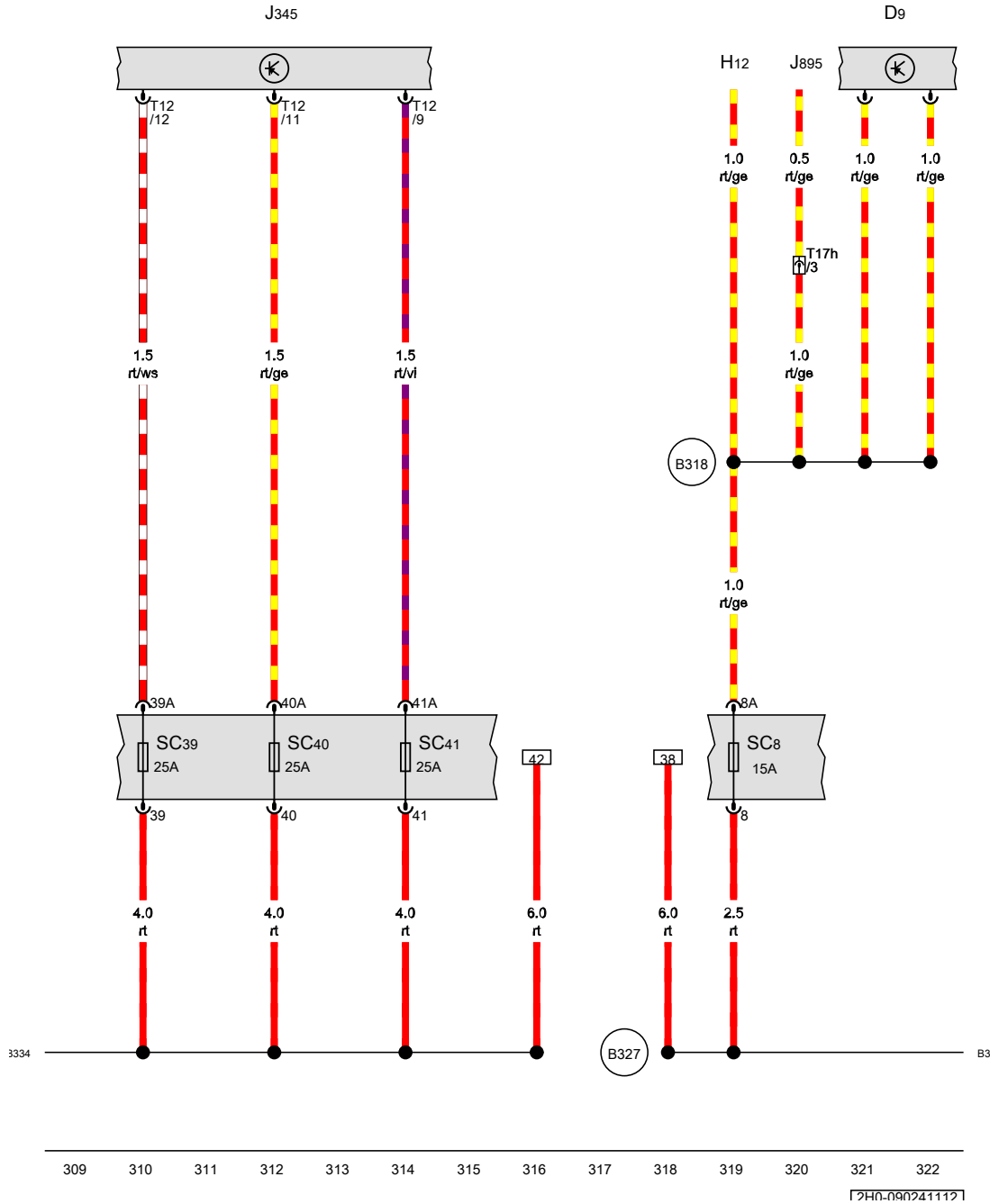


Fuse 62 on fuse holder C, Fuse 65 on fuse holder C



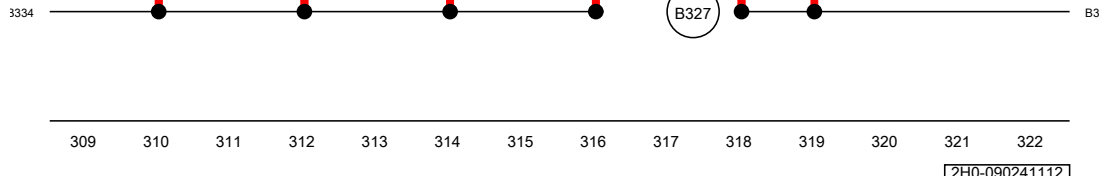
- J8 Auxiliary heater relay
- J364 Auxiliary heater control unit
- J519 Onboard supply control unit
- M9 Left brake light bulb
- M10 Right brake light bulb
- M25 Additional brake light bulb
- SC62 Fuse 62 on fuse holder C
- SC65 Fuse 65 on fuse holder C
- T17e 17-pin connector, near handbrake lever, red
- T28 28-pin connector, on right A-pillar, black
- T73 73-pin connector, black
- T73b 73-pin connector, colourless
- Z4 Heated exterior mirror on driver side
- Z5 Heated exterior mirror on front passenger side
- A63 Connection (mirror adjustment/heating), in dash panel wiring harness
- B334 Positive connection 20 (30a) in main wiring harness
- B335 Connection 1 (54), in main wiring harness
- L62 Positive connection (30a), in auxiliary heater wiring harness
- W1 Positive connection 1 (54), in rear wiring harness
- \* Only models with air conditioning system/ Climatronic
- \*2 see applicable current flow diagram for window regulators/ basic equipment/ convenience system
- \*3 Only models with Climatronic
- \*4 Only models with Climatic
- \*5 Only models with no air conditioning system/Climatronic
- \*6 see applicable current flow diagram for auxiliary coolant heater

ws = white  
 sw = black  
 ro = red  
 br = brown  
 gn = green  
 bl = blue  
 gr = grey  
 li = purple  
 ge = yellow  
 or = orange  
 rs = pink

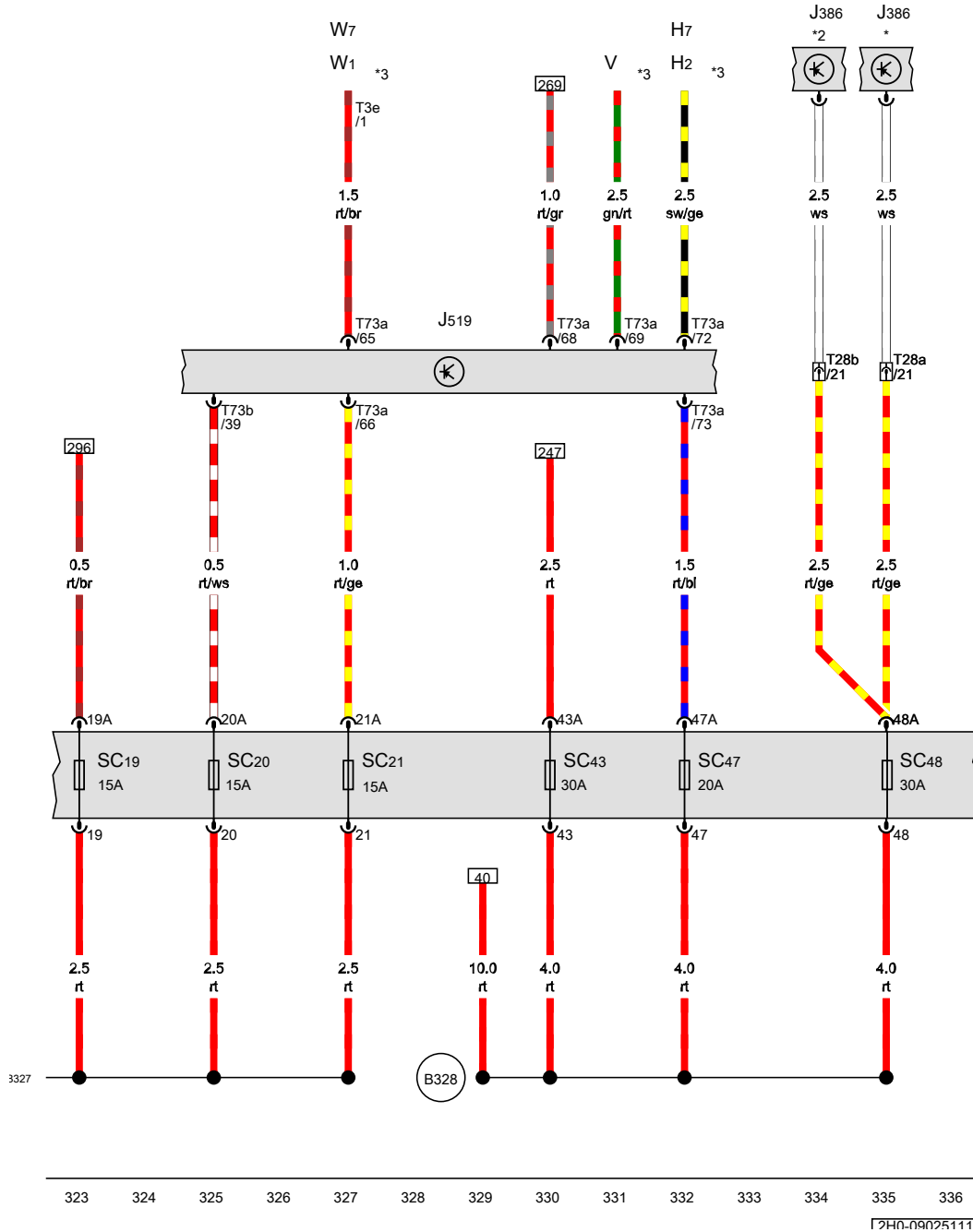


Fuse 8 on fuse holder C, Fuse 39 on fuse holder C, Fuse 40 on fuse holder C, Fuse 41 on fuse holder C

- D9 Electronic ignition lock
- H12 Alarm horn
- J345 Trailer detector control unit
- J895 Control unit for vehicle location system
- SC8 Fuse 8 on fuse holder C
- SC39 Fuse 39 on fuse holder C
- SC40 Fuse 40 on fuse holder C
- SC41 Fuse 41 on fuse holder C
- T12 12-pin connector, red
- T17h 17-pin connector, on left under dash panel, blue
- B318 Positive connection 4 (30a) in main wiring harness
- B327 Positive connection 13 (30a) in main wiring harness
- B334 Positive connection 20 (30a) in main wiring harness



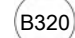
Fuse 19 on fuse holder C, Fuse 20 on fuse holder C, Fuse 21 on fuse holder C, Fuse 43 on fuse holder C, Fuse 47 on fuse holder C, Fuse 48 on fuse holder C

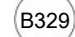


- H2 Treble horn
- H7 Bass horn
- J386 Driver door control unit
- J519 Onboard supply control unit
- SC19 Fuse 19 on fuse holder C
- SC20 Fuse 20 on fuse holder C
- SC21 Fuse 21 on fuse holder C
- SC43 Fuse 43 on fuse holder C
- SC47 Fuse 47 on fuse holder C
- SC48 Fuse 48 on fuse holder C
- T3e 3-pin connector
- T28a 28-pin connector, in left A-pillar, black
- T28b 28-pin connector, on right A-pillar
- T73a 73-pin connector, black
- T73b 73-pin connector, colourless
- V Windscreen wiper motor
- W1 Front interior light
- W7 Centre interior light
- B327 Positive connection 13 (30a) in main wiring harness
- B328 Positive connection 14 (30a) in main wiring harness
- \* Only left-hand drive models
- \*2 Only right-hand drive models
- \*3 see applicable current flow diagram for basic equipment

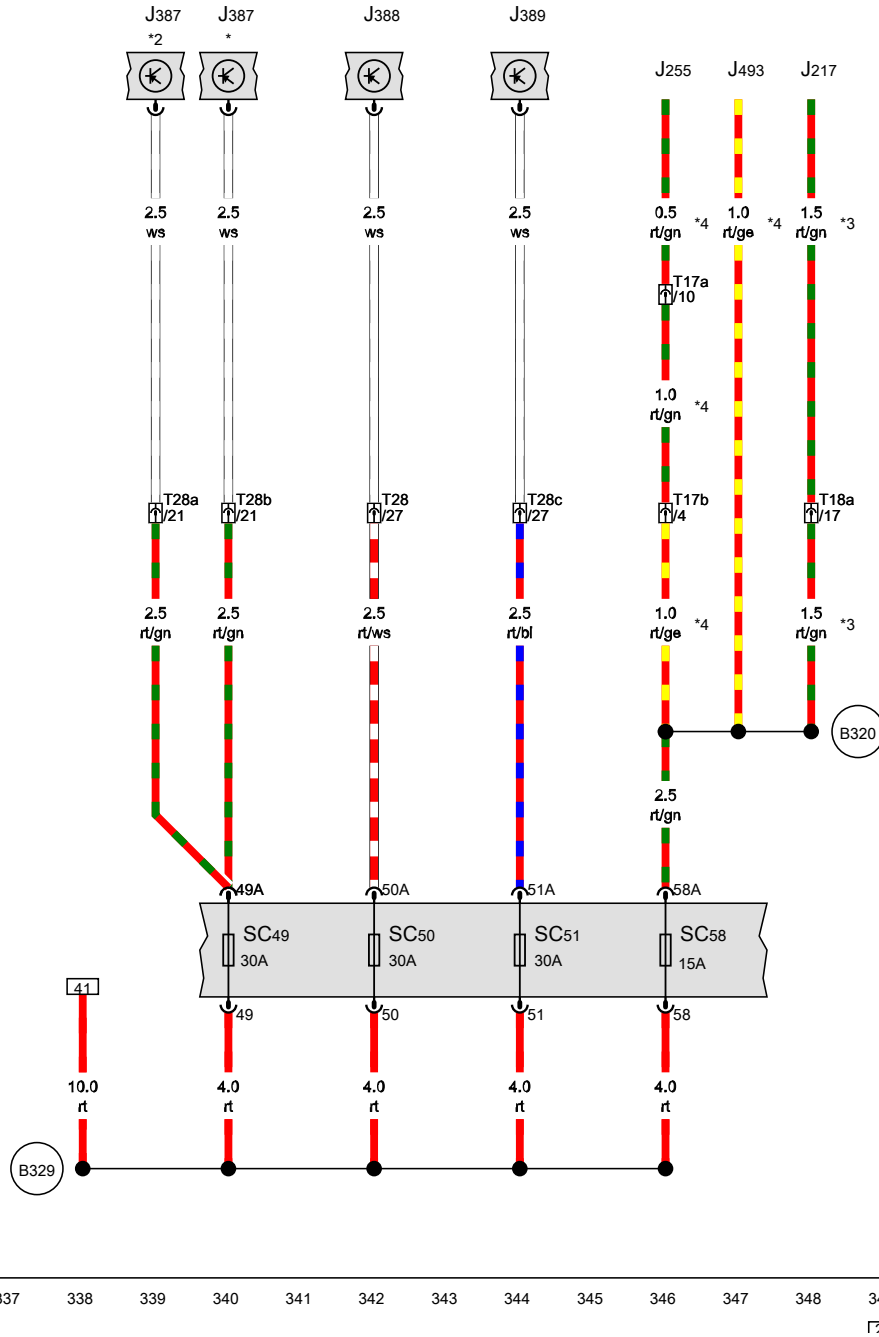
**Fuse 49 on fuse holder C, Fuse 50 on fuse holder C, Fuse 51 on fuse holder C, Fuse 58 on fuse holder C**

- J217 Automatic gearbox control unit
- J255 Climatronic control unit
- J387 Front passenger door control unit
- J388 Rear left door control unit
- J389 Rear right door control unit
- J493 Auxiliary coolant heater relay
- SC49 Fuse 49 on fuse holder C
- SC50 Fuse 50 on fuse holder C
- SC51 Fuse 51 on fuse holder C
- SC58 Fuse 58 on fuse holder C
- T17a 17-pin connector, on left under dash panel, green
- T17b 17-pin connector, on left under dash panel, green
- T18a 18-pin connector, near engine control unit, grey
- T28 28-pin connector, on right A-pillar, black
- T28a 28-pin connector, in left A-pillar, black
- T28b 28-pin connector, on right A-pillar
- T28c 28-pin connector, black

 B320 Positive connection 6 (30a) in main wiring harness

 B329 Positive connection 15 (30a) in main wiring harness

- \* Only left-hand drive models
- \*2 Only right-hand drive models
- \*3 Only models with automatic gearbox
- \*4 see applicable current flow diagram for air conditioning



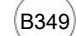
- ws = white
- sw = black
- ro = red
- br = brown
- gn = green
- bl = blue
- gr = grey
- li = purple
- ge = yellow
- or = orange
- rs = pink

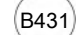
337 338 339 340 341 342 343 344 345 346 347 348 349 350

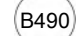
17H0-090261117

Voltage supply relay 2, Fuse 54 on fuse holder C, Fuse 57 on fuse holder C, Fuse 69 on fuse holder C

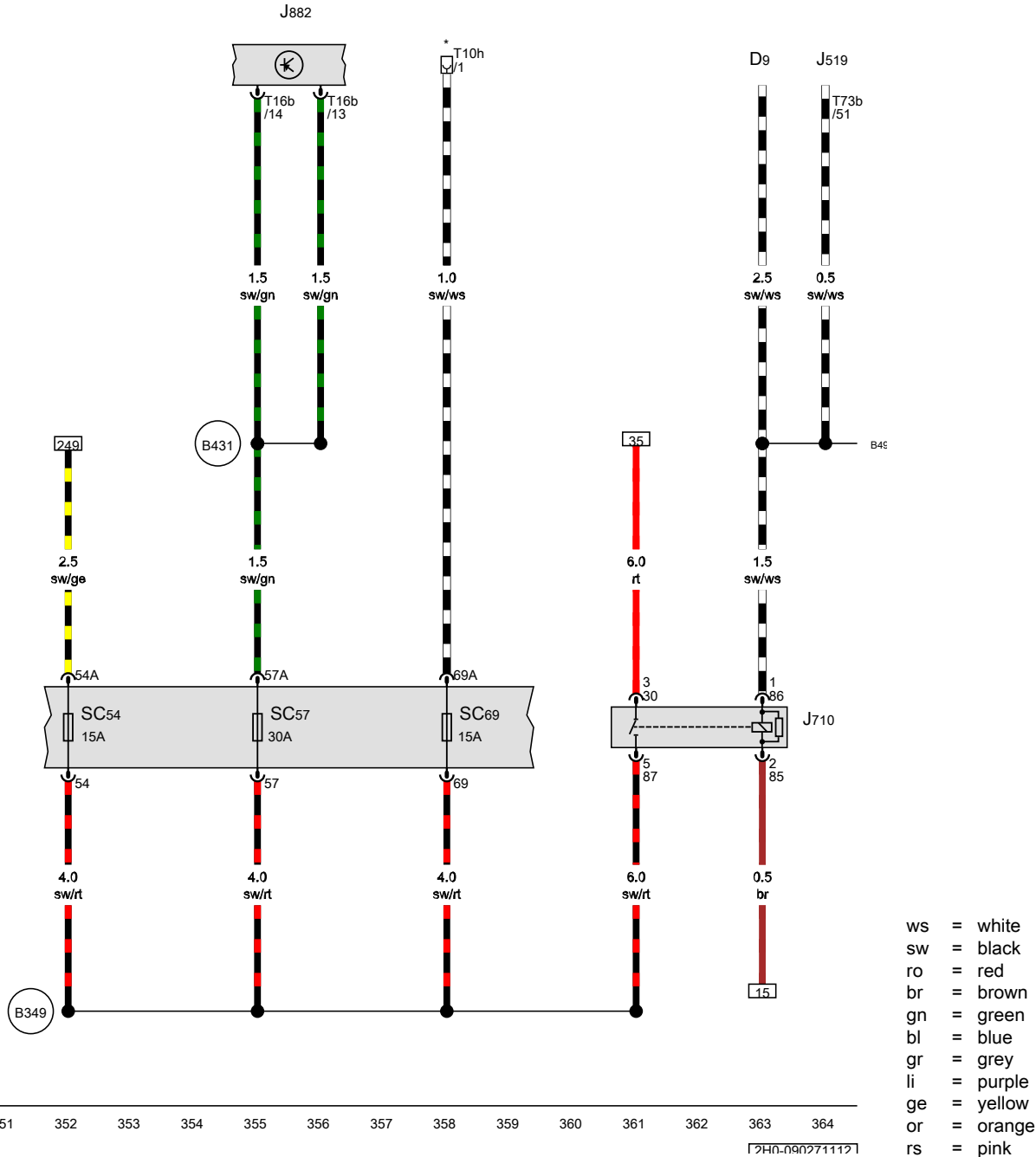
- D9 Electronic ignition lock
- J519 Onboard supply control unit
- J710 Voltage supply relay 2
- J882 Seat heating control unit
- SC54 Fuse 54 on fuse holder C
- SC57 Fuse 57 on fuse holder C
- SC69 Fuse 69 on fuse holder C
- T10h 10-pin connector, purple
- T16b 16-pin connector, black
- T73b 73-pin connector, colourless

 B349 Connection 2 (75a), in main wiring harness

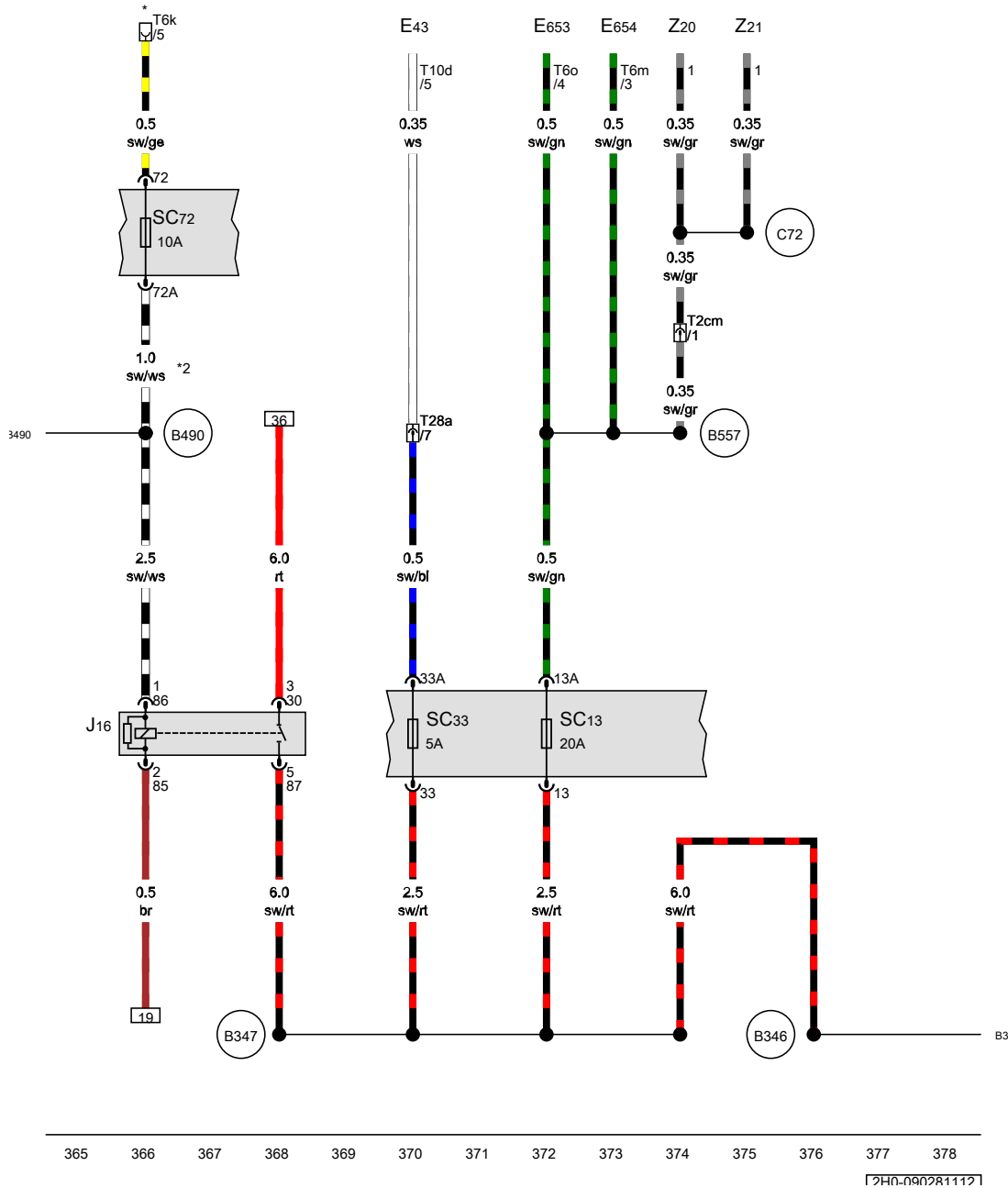
 B431 Connection (seat heating), in main wiring harness

 B490 Connection 26, in main wiring harness





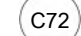
\* Only models with electric interface for external use



Current supply relay, Fuse 13 on fuse holder C, Fuse 33 on fuse holder C, Fuse 72 on fuse holder C



- E43 Mirror adjustment switch
- E653 Button for left seat heating
- E654 Button for right seat heating
- J16 Current supply relay
- SC13 Fuse 13 on fuse holder C
- SC33 Fuse 33 on fuse holder C
- SC72 Fuse 72 on fuse holder C
- T2cm 2-pin connector, near window wiper motor, black
- T6k 6-pin connector, in left footwell, near centre console, black
- T6m 6-pin connector, white
- T6o 6-pin connector, blue
- T10d 10-pin connector
- T28a 28-pin connector, in left A-pillar, black
- Z20 Left washer jet heater element
- Z21 Right washer jet heater element

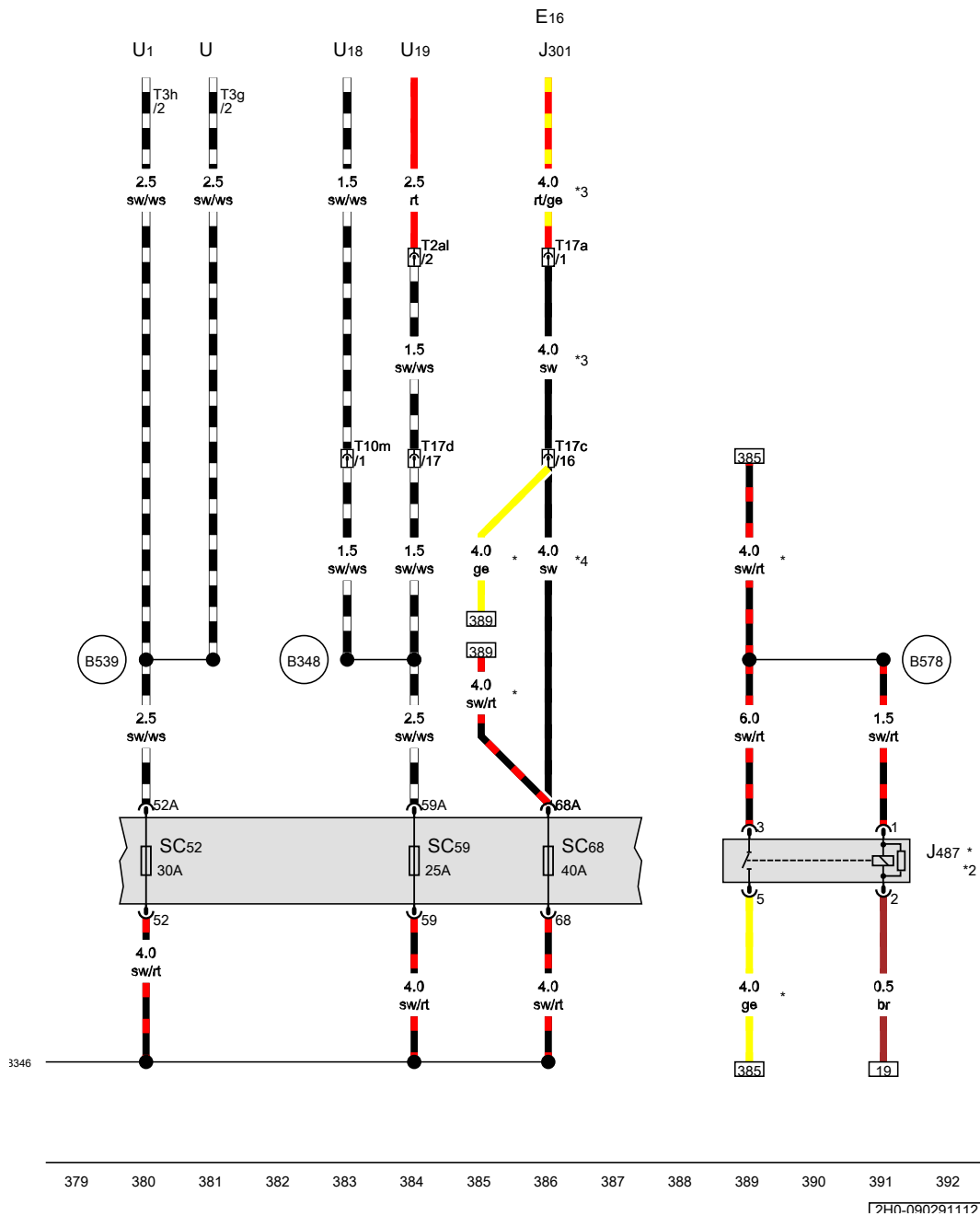
-  B346 Connection 1 (75), in main wiring harness
-  B347 Connection 2 (75), in main wiring harness
-  B490 Connection 26, in main wiring harness
-  B557 Positive connection 21 (30a) in main wiring harness
-  C72 Positive connection in heated washer jet wiring harness

\* Only models with electric interface for external use  
 \*2 Only models with fog lights

- ws = white
- sw = black
- ro = red
- br = brown
- gn = green
- bl = blue
- gr = grey
- li = purple
- ge = yellow
- or = orange
- rs = pink

365 366 367 368 369 370 371 372 373 374 375 376 377 378

1790-0002811171



**Fuse 52 on fuse holder C, Fuse 59 on fuse holder C, Fuse 68 on fuse holder C**

- E16 Heater/heat output switch
- J301 Air conditioning system control unit
- J487 Fresh air blower isolation relay
- SC52 Fuse 52 on fuse holder C
- SC59 Fuse 59 on fuse holder C
- SC68 Fuse 68 on fuse holder C
- T2al 2-pin connector, in rear left wheel housing
- T3g 3-pin connector
- T3h 3-pin connector, transparent
- T10m 10-pin connector, near handbrake lever, brown
- T17a 17-pin connector, on left under dash panel, green
- T17c 17-pin connector, on left under dash panel, white
- T17d 17-pin connector, on left under dash panel, green
- U Electric socket, on centre console switch module
- U1 Cigarette lighter, on centre console switch module
- U18 12 V socket 2, in storage compartment, in centre of dash panel
- U19 12 V socket 3, in rear left wheel housing

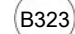
- (B346) Connection 1 (75), in main wiring harness
- (B348) Connection 1 (75a), in main wiring harness
- (B539) Connection 30, in main wiring harness
- (B578) Positive connection 2 (75), in interior wiring harness

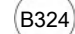
- \* Only models with auxiliary coolant heater
- \*2 Only models with Climatic
- \*3 see applicable current flow diagram
- \*4 Only models with no Climatronic

- ws = white
- sw = black
- ro = red
- br = brown
- gn = green
- bl = blue
- gr = grey
- li = purple
- ge = yellow
- or = orange
- rs = pink

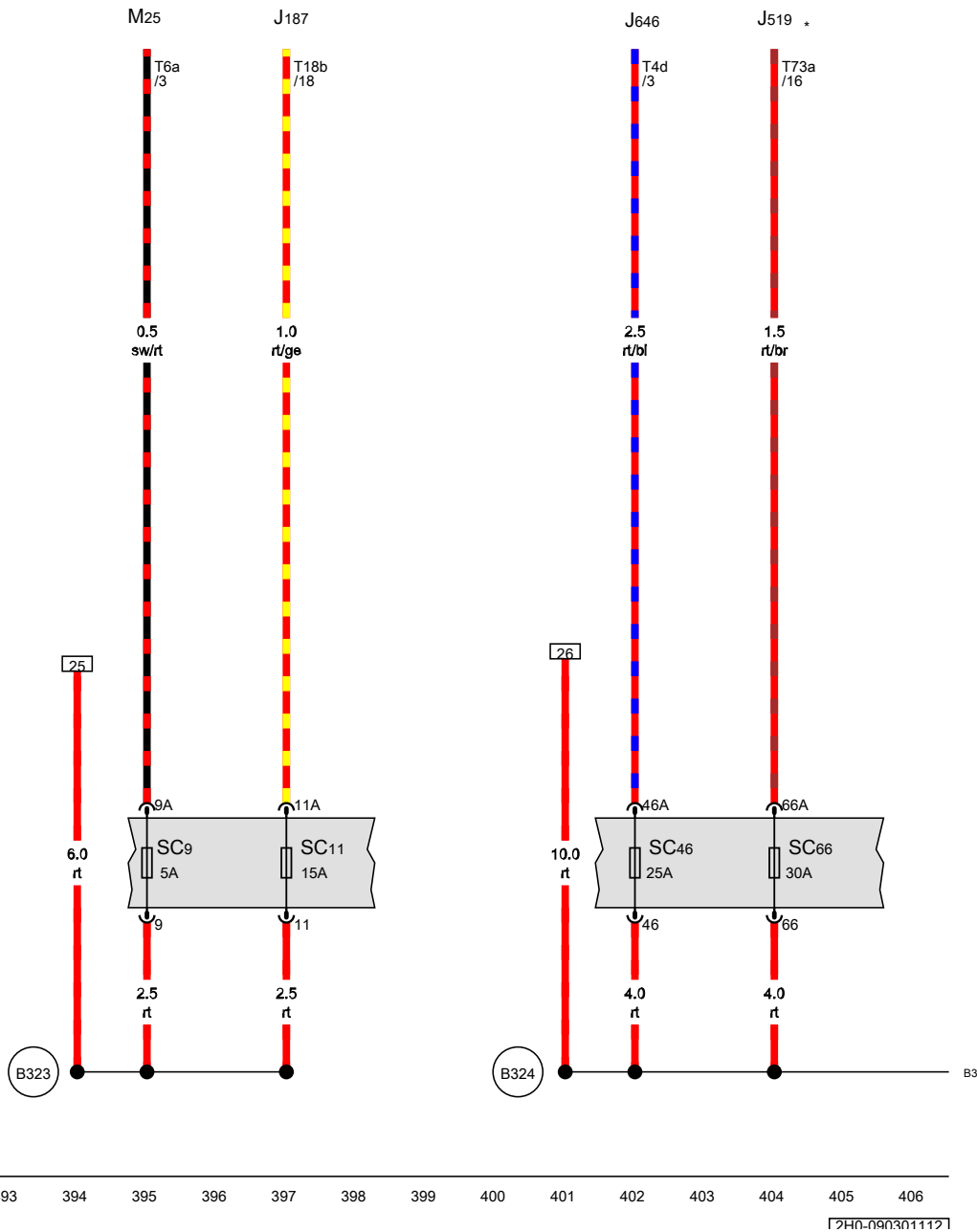
Fuse 9 on fuse holder C, Fuse 11 on fuse holder C, Fuse 46 on fuse holder C, Fuse 66 on fuse holder C

- J187 Differential lock control unit
- J519 Onboard supply control unit
- J646 Transfer box control unit
- M25 Additional brake light bulb
- SC9 Fuse 9 on fuse holder C
- SC11 Fuse 11 on fuse holder C
- SC46 Fuse 46 on fuse holder C
- SC66 Fuse 66 on fuse holder C
- T4d 4-pin connector
- T6a 6-pin connector
- T18b 18-pin connector, black
- T73a 73-pin connector, black

 B323 Positive connection 9 (30a) in main wiring harness

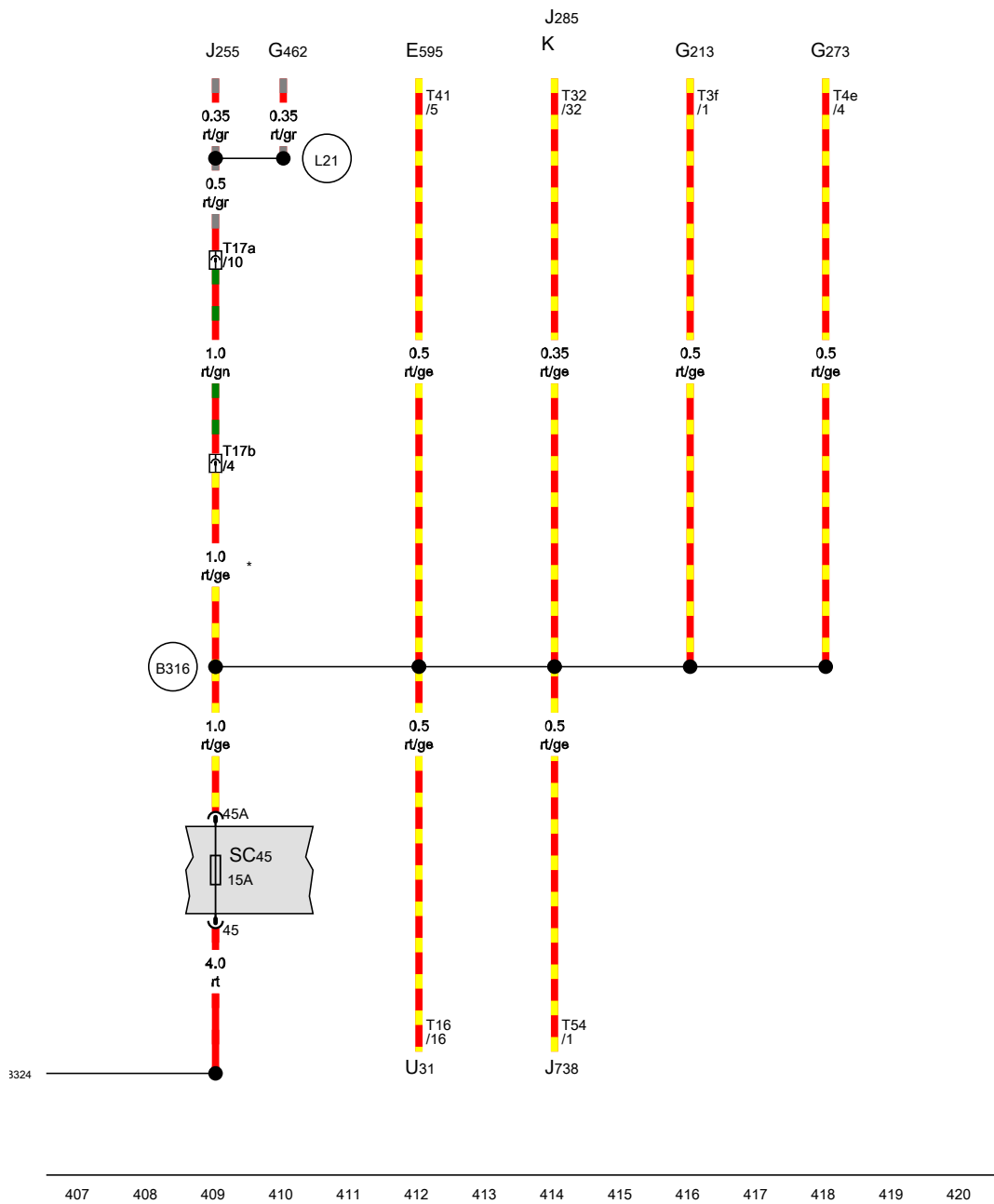
 B324 Positive connection 10 (30a) in main wiring harness

\* see applicable current flow diagram for basic equipment/ central locking





Steering column combination switch, Rain sensor, Interior monitoring sensor, Telephone controls control unit, Dash panel insert, Fuse 45 on fuse holder C, Diagnostic connection



- E595 Steering column combination switch
- G213 Rain sensor
- G273 Interior monitoring sensor
- G462 Sender for front Bitron blower regulation
- J255 Climatronic control unit
- J285 Control unit in dash panel insert
- J738 Telephone controls control unit
- K Dash panel insert
- SC45 Fuse 45 on fuse holder C
- T3f 3-pin connector, black
- T4e 4-pin connector
- T16 16-pin connector, black
- T17a 17-pin connector, on left under dash panel, green
- T17b 17-pin connector, on left under dash panel, green
- T32 32-pin connector, blue
- T41 41-pin connector, grey
- T54 54-pin connector
- U31 Diagnostic connection

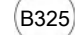
- B316 Positive connection 2 (30a) in main wiring harness
- B324 Positive connection 10 (30a) in main wiring harness
- L21 Connection 1 (30), in Climatronic operating unit wiring harness

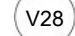
\* Only models with Climatronic

- ws = white
- sw = black
- ro = red
- br = brown
- gn = green
- bl = blue
- gr = grey
- li = purple
- ge = yellow
- or = orange
- rs = pink

**Fuse 44 on fuse holder C, Fuse 64 on fuse holder C, Fuse 67 on fuse holder C**

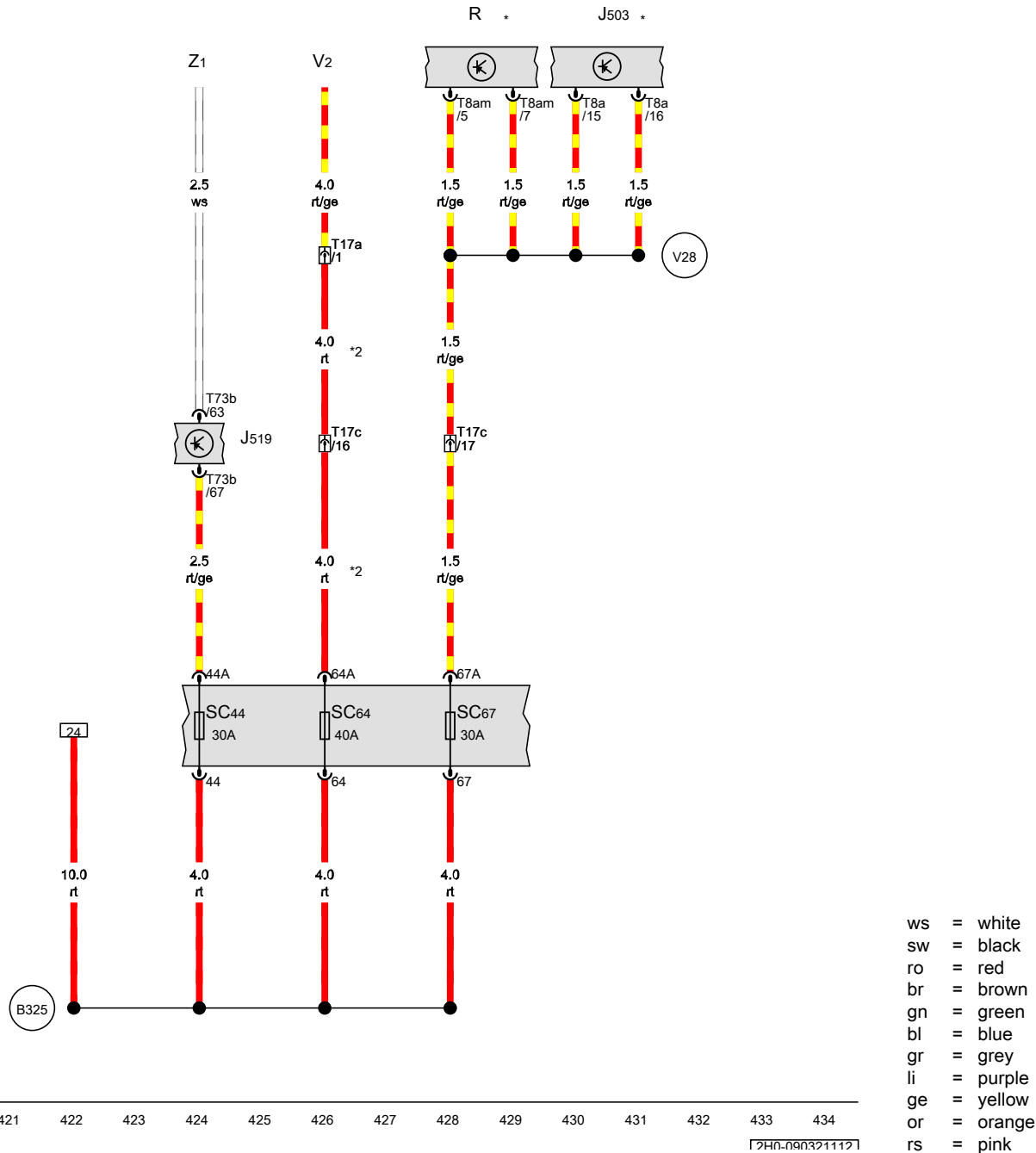
- J503 Control unit with display for radio and navigation
- J519 Onboard supply control unit
- R Radio
- SC44 Fuse 44 on fuse holder C
- SC64 Fuse 64 on fuse holder C
- SC67 Fuse 67 on fuse holder C
- T8a 8-pin connector, black
- T8am 8-pin connector, black
- T17a 17-pin connector, on left under dash panel, green
- T17c 17-pin connector, on left under dash panel, black
- T73b 73-pin connector, colourless
- V2 Fresh air blower
- Z1 Heated rear window

 Positive connection 11 (30a) in main wiring harness

 Connection 1, in radio wiring harness

\* According to equipment

\*2 Only models with Climatronic



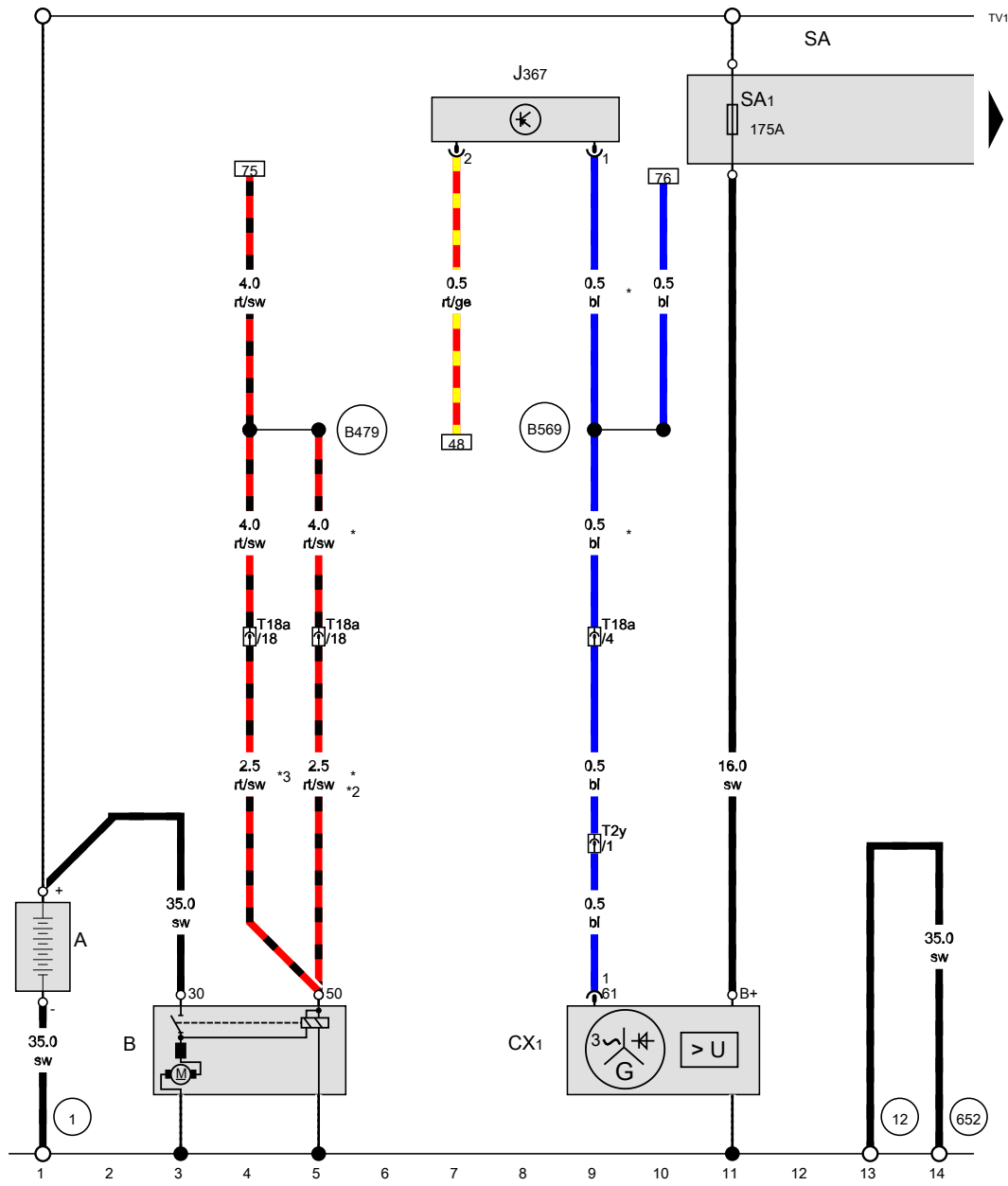
421 422 423 424 425 426 427 428 429 430 431 432 433 434

17H0-090321117

**Fuse assignment for models with start/stop system , (7L6)**

From January 2013

**Battery, Starter, Alternator with voltage regulator, Battery monitor control unit, Fuse holder A**

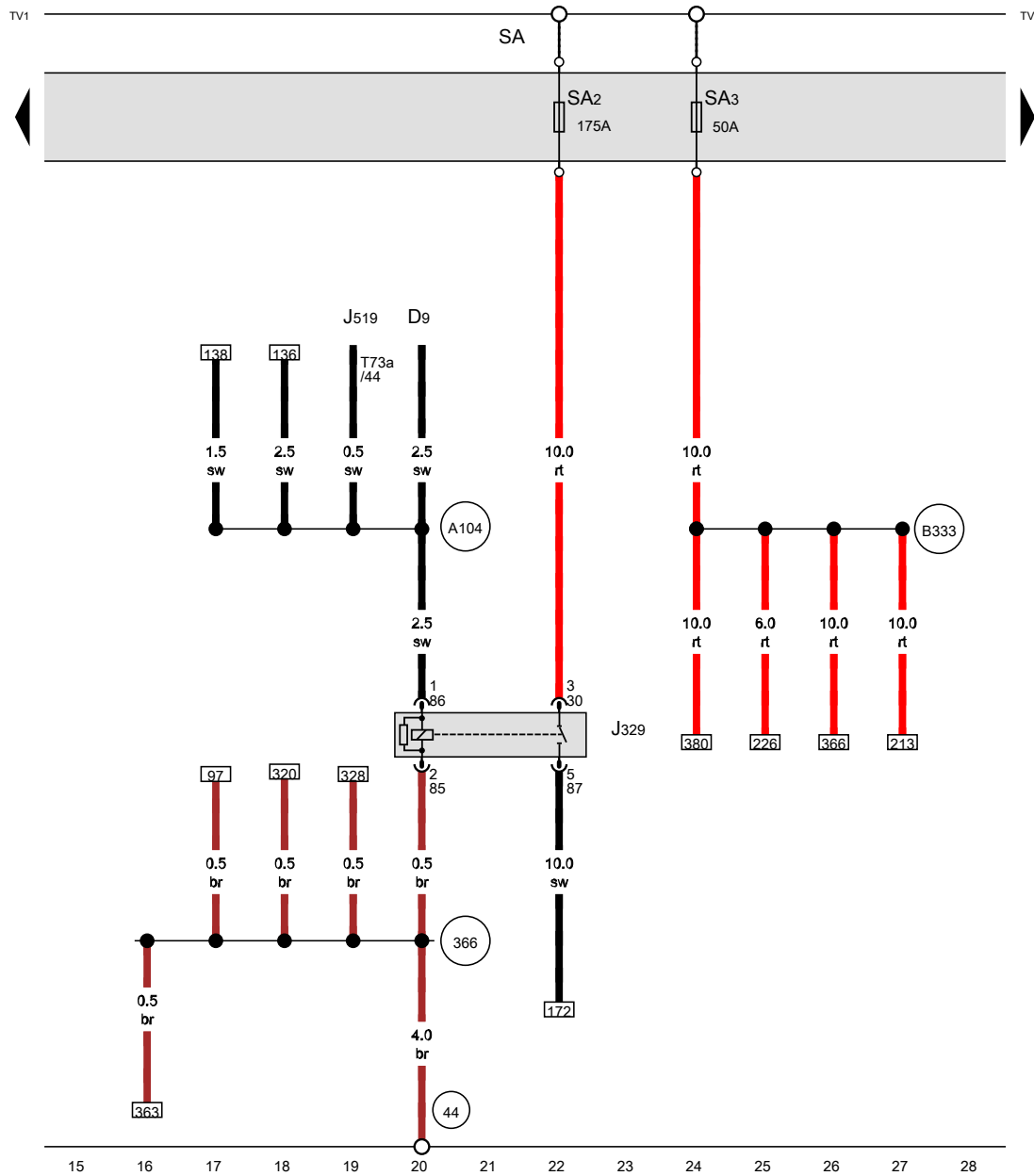


- A Battery
- B Starter
- CX1 Alternator with voltage regulator
- J367 Battery monitor control unit
- SA Fuse holder A
- SA1 Fuse 1 in fuse holder A
- T2y 2-pin connector, black
- T18a 18-pin connector, near engine control unit, grey

- 1 Earth strap, battery - body
- 12 Earth point, on left in engine compartment
- 652 Earth point, engine and gearbox earth
- B479 Connection 15, in main wiring harness
- B569 Connection 36, in main wiring harness
- \* see applicable current flow diagram for engine
- \*2 Only models with diesel engine
- \*3 Only models with petrol engine

- ws = white
- sw = black
- ro = red
- br = brown
- gn = green
- bl = blue
- gr = grey
- li = purple
- ge = yellow
- or = orange
- rs = pink

ГЭН-0910211121



Terminal 15 voltage supply relay, Fuse holder A

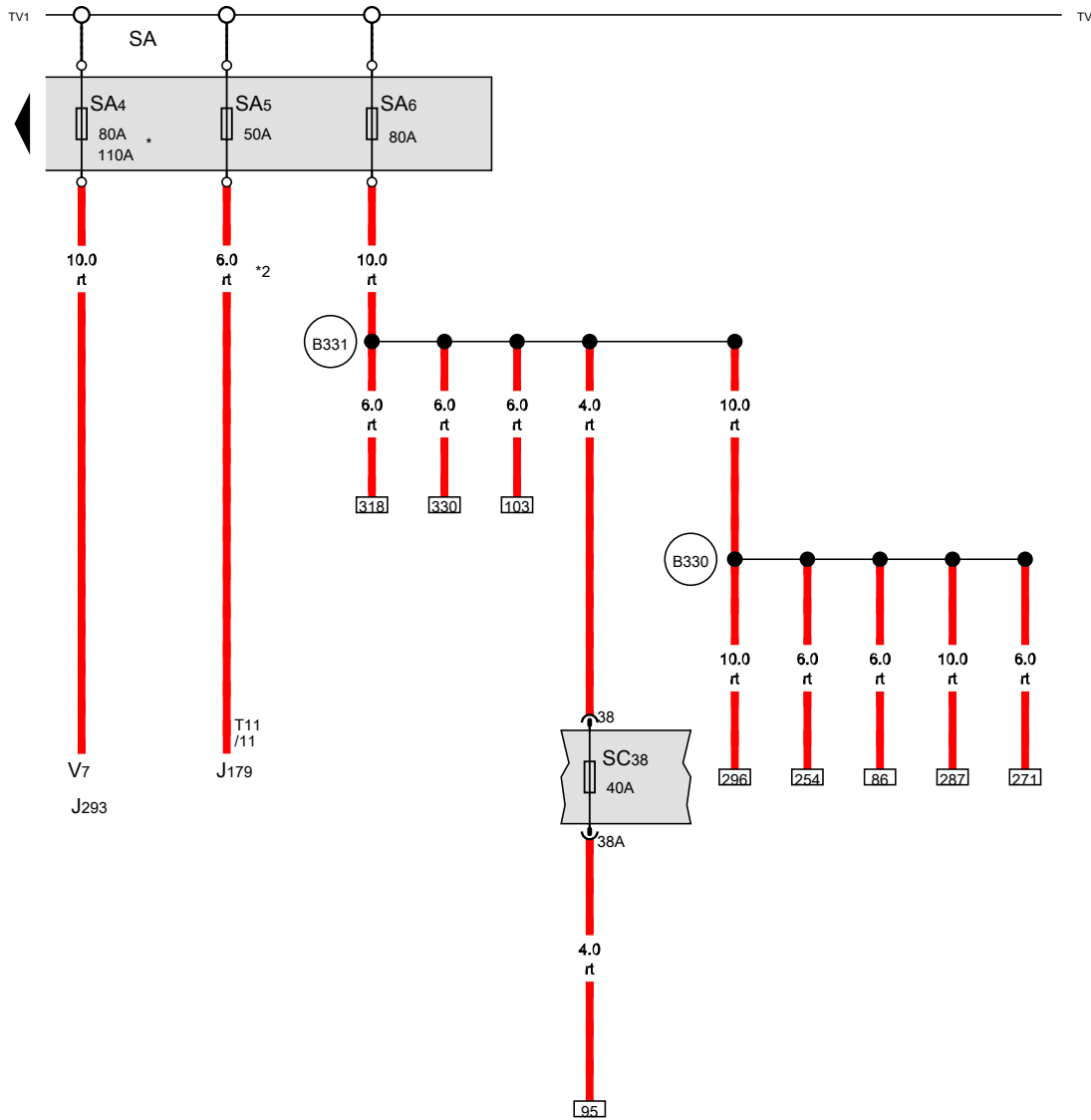
- D9 Electronic ignition lock
- J329 Terminal 15 voltage supply relay
- J519 Onboard supply control unit
- SA Fuse holder A
- SA2 Fuse 2 in fuse holder A
- SA3 Fuse 3 in fuse holder A
- T73a 73-pin connector

- 44 Earth point, lower part of left A-pillar
- 366 Earth connection 1, in main wiring harness
- A104 Positive connection 2 (15), in dash panel wiring harness
- B333 Positive connection 19 (30a) in main wiring harness

- ws = white
- sw = black
- ro = red
- br = brown
- gn = green
- bl = blue
- gr = grey
- li = purple
- ge = yellow
- or = orange
- rs = pink

1740-0910311121

Automatic glow period control unit, Fuse holder A, Fuse 38 on fuse holder C, Radiator fan



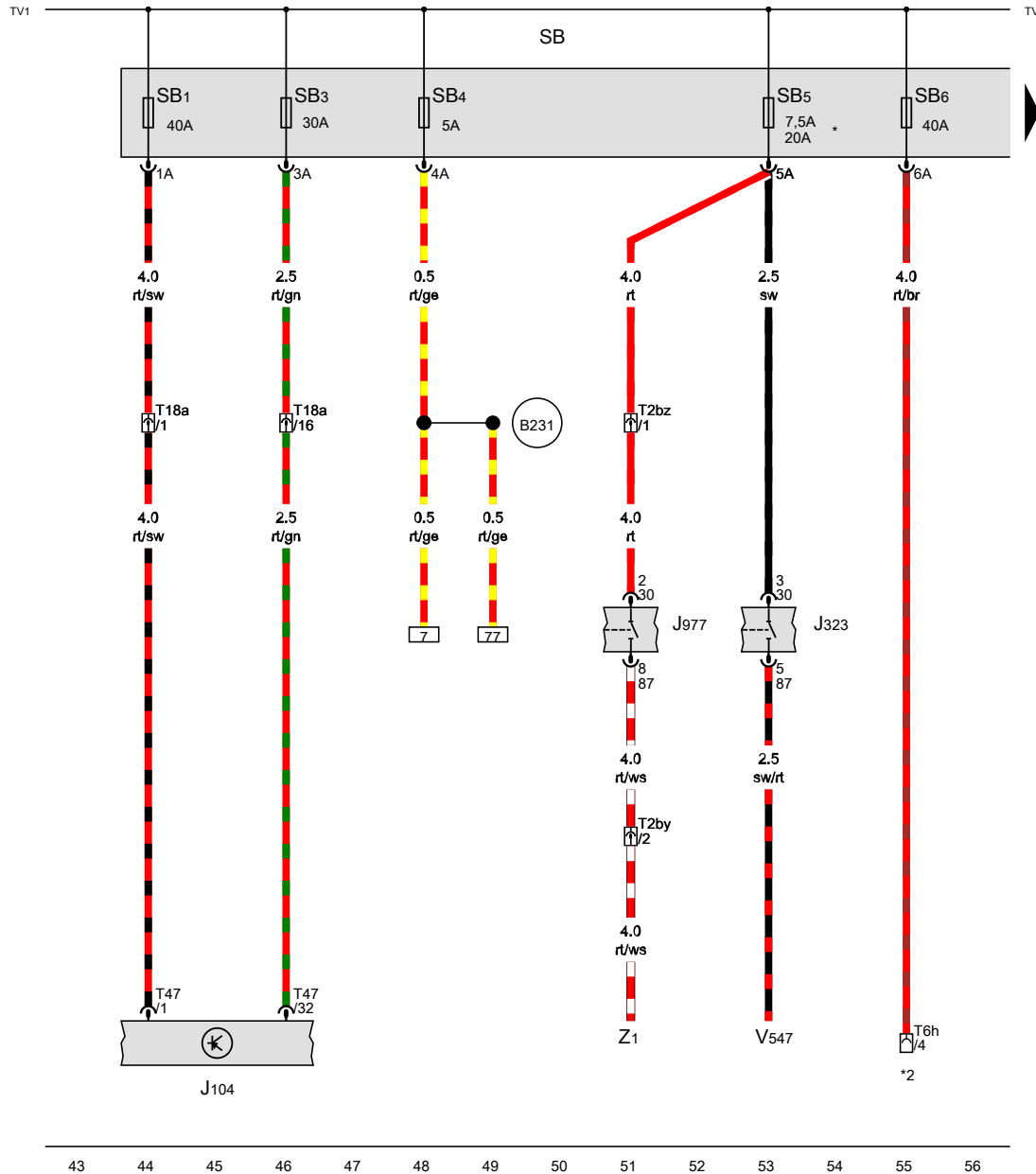
- J179 Automatic glow period control unit
- J293 Radiator fan control unit
- SA Fuse holder A
- SA4 Fuse 4 in fuse holder A
- SA5 Fuse 5 in fuse holder A
- SA6 Fuse 6 in fuse holder A
- SC38 Fuse 38 on fuse holder C
- T11 11-pin connector, black
- V7 Radiator fan
- (B330) Positive connection 16 (30a) in main wiring harness
- (B331) Positive connection 17 (30a) in main wiring harness
- \* According to equipment
- \*2 Only models with diesel engine

- ws = white
- sw = black
- ro = red
- br = brown
- gn = green
- bl = blue
- gr = grey
- li = purple
- ge = yellow
- or = orange
- rs = pink

29 30 31 32 33 34 35 36 37 38 39 40 41 42

[79H-091041117]

ABS control unit, Fuse 1 on fuse holder B, Fuse 3 on fuse holder B, Fuse 4 on fuse holder B, Fuse 6 on fuse holder B

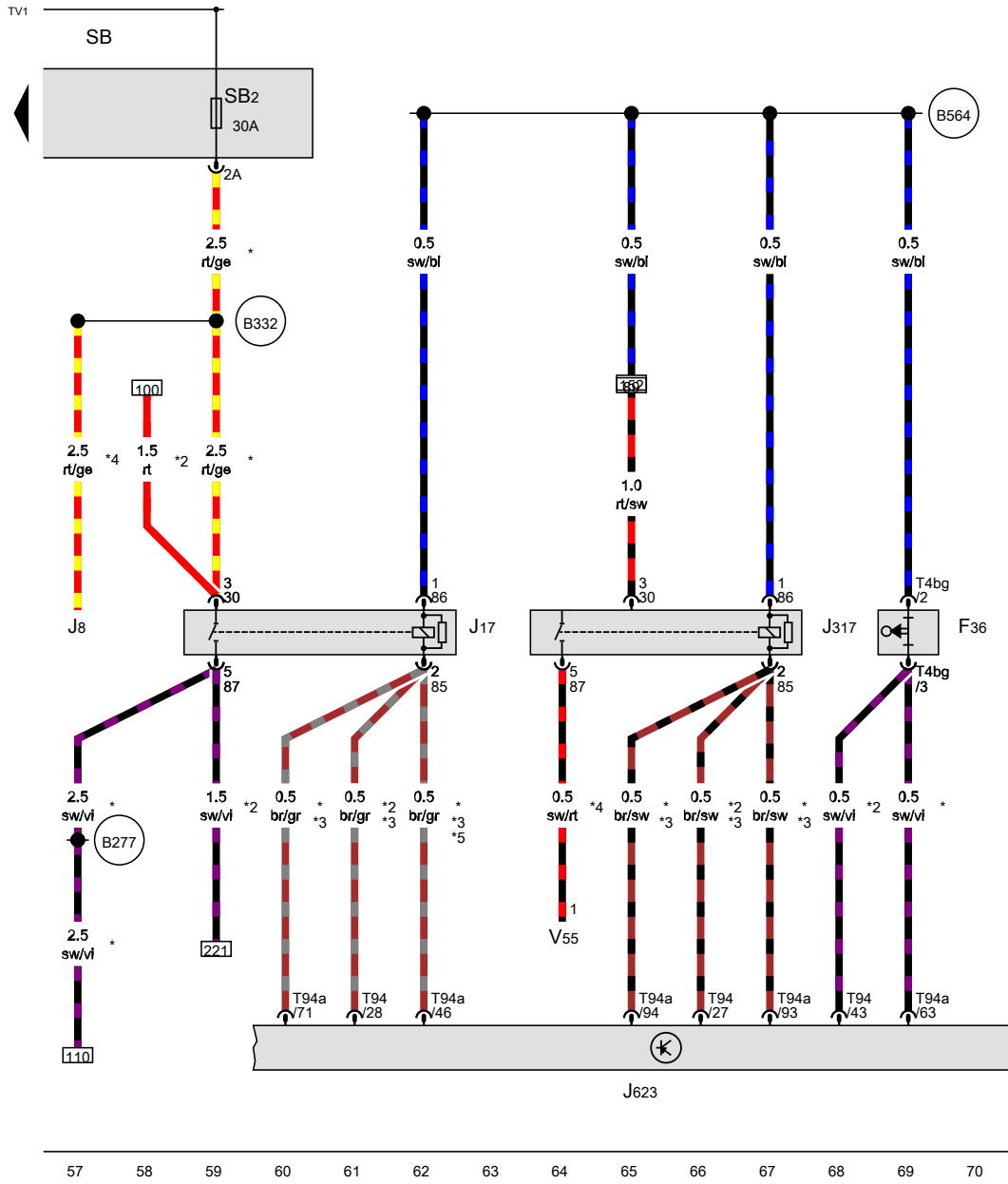


- J104 ABS control unit
- J323 Blower relay
- J977 Terminal 30 relay
- SB Fuse holder B
- SB1 Fuse 1 on fuse holder B
- SB3 Fuse 3 on fuse holder B
- SB4 Fuse 4 on fuse holder B
- SB5 Fuse 5 on fuse holder B
- SB6 Fuse 6 on fuse holder B
- T2by 2-pin connector
- T2bz 2-pin connector
- T6h 6-pin connector, in left footwell, near centre console, grey
- T18a 18-pin connector, near engine control unit, grey
- T47 47-pin connector, black
- V547 Air supply blower
- Z1 Heated rear window
- B231 Positive connection 5 (30a), in interior wiring harness
- \* According to equipment
- \*2 Only models with electric interface for external use

- ws = white
- sw = black
- ro = red
- br = brown
- gn = green
- bl = blue
- gr = grey
- li = purple
- ge = yellow
- or = orange
- rs = pink

[7H0-091051112]

Clutch pedal switch, Fuel pump relay, Terminal 30 voltage supply relay, Engine control unit, Fuse 2 on fuse holder B



- F36 Clutch pedal switch
- J8 Auxiliary heater relay
- J17 Fuel pump relay
- J317 Terminal 30 voltage supply relay
- J623 Engine control unit
- SB Fuse holder B
- SB2 Fuse 2 on fuse holder B
- T4bg 4-pin connector, black
- T94 94-pin connector, black
- T94a 94-pin connector, black
- V55 Circulation pump

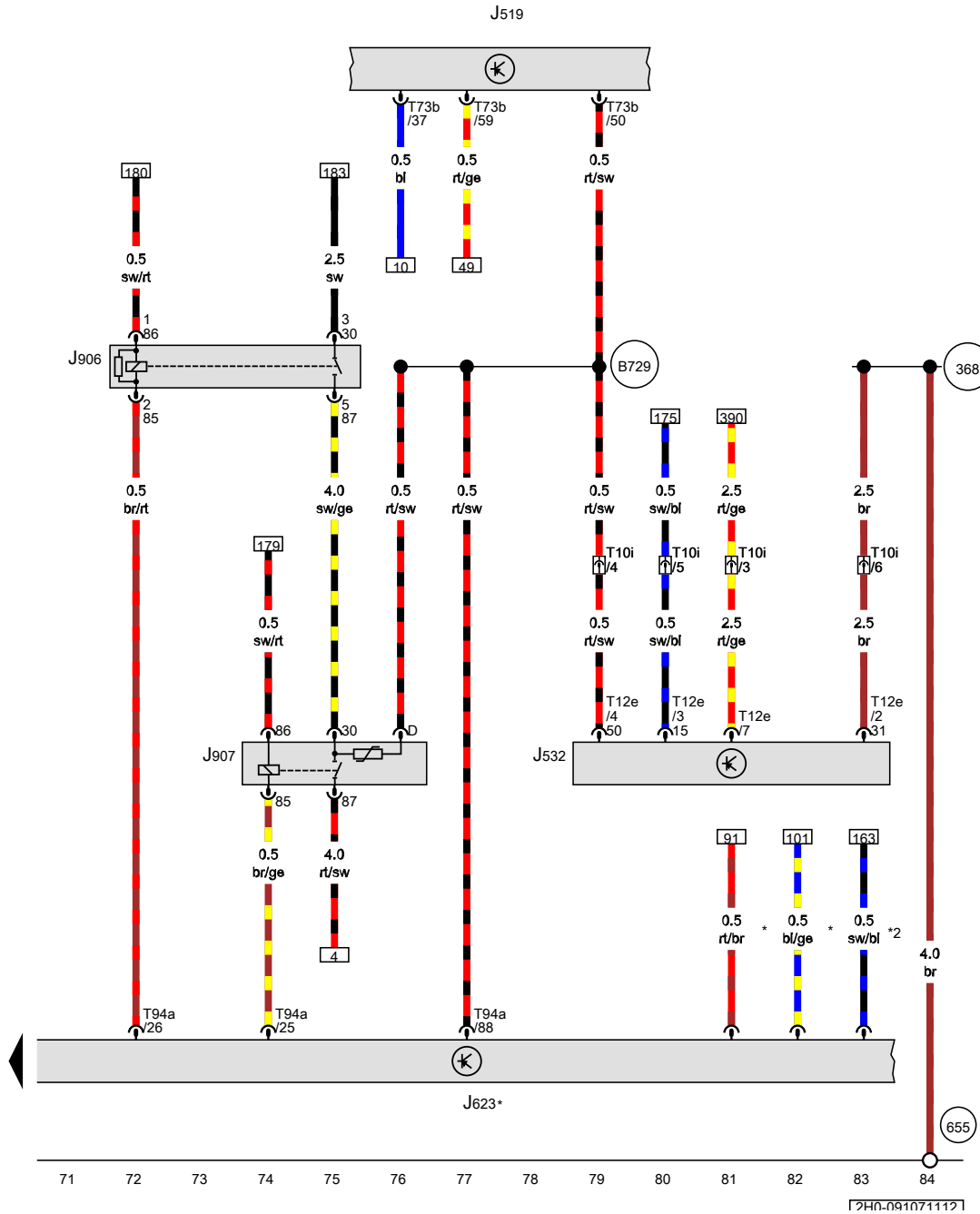
- B277 Positive connection 1 (15a) in main wiring harness
- B332 Positive connection 18 (30a) in main wiring harness
- B564 Connection 31, in main wiring harness

- \* Only models with diesel engine
- \*2 Only models with petrol engine
- \*3 see applicable current flow diagram for engine
- \*4 see applicable current flow diagram for auxiliary coolant heater
- \*5 Slot assignment, with no cruise control system (CCS)

- ws = white
- sw = black
- ro = red
- br = brown
- gn = green
- bl = blue
- gr = grey
- li = purple
- ge = yellow
- or = orange
- rs = pink

7PH0-0910611171





Voltage stabiliser, Engine control unit, Starter relay 1, Starter relay 2

- J519 Onboard supply control unit
- J532 Voltage stabiliser
- J623 Engine control unit
- J906 Starter relay 1
- J907 Starter relay 2
- T10i 10-pin connector, near battery, black
- T12e 12-pin connector, black
- T73b 73-pin connector, colourless
- T94a 94-pin connector, black

368 Earth connection 3, in main wiring harness

655 Earth point, on left headlight

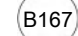
B729 Connection 1 (50), in main wiring harness

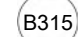
\* see applicable current flow diagram for engine

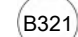
\*2 Only models with diesel engine

Headlight relay, Fuse 3 on fuse holder C, Fuse 15 on fuse holder C, Fuse 23 on fuse holder C, Fuse 24 on fuse holder C

- E595 Steering column combination switch
- J25 Headlight relay
- J519 Onboard supply control unit
- SC3 Fuse 3 on fuse holder C
- SC15 Fuse 15 on fuse holder C
- SC23 Fuse 23 on fuse holder C
- SC24 Fuse 24 on fuse holder C
- T10h 10-pin connector, in left footwell, near centre console, purple
- T41 41-pin connector
- T73a 73-pin connector, black

 B167 Connection (56b), in interior wiring harness

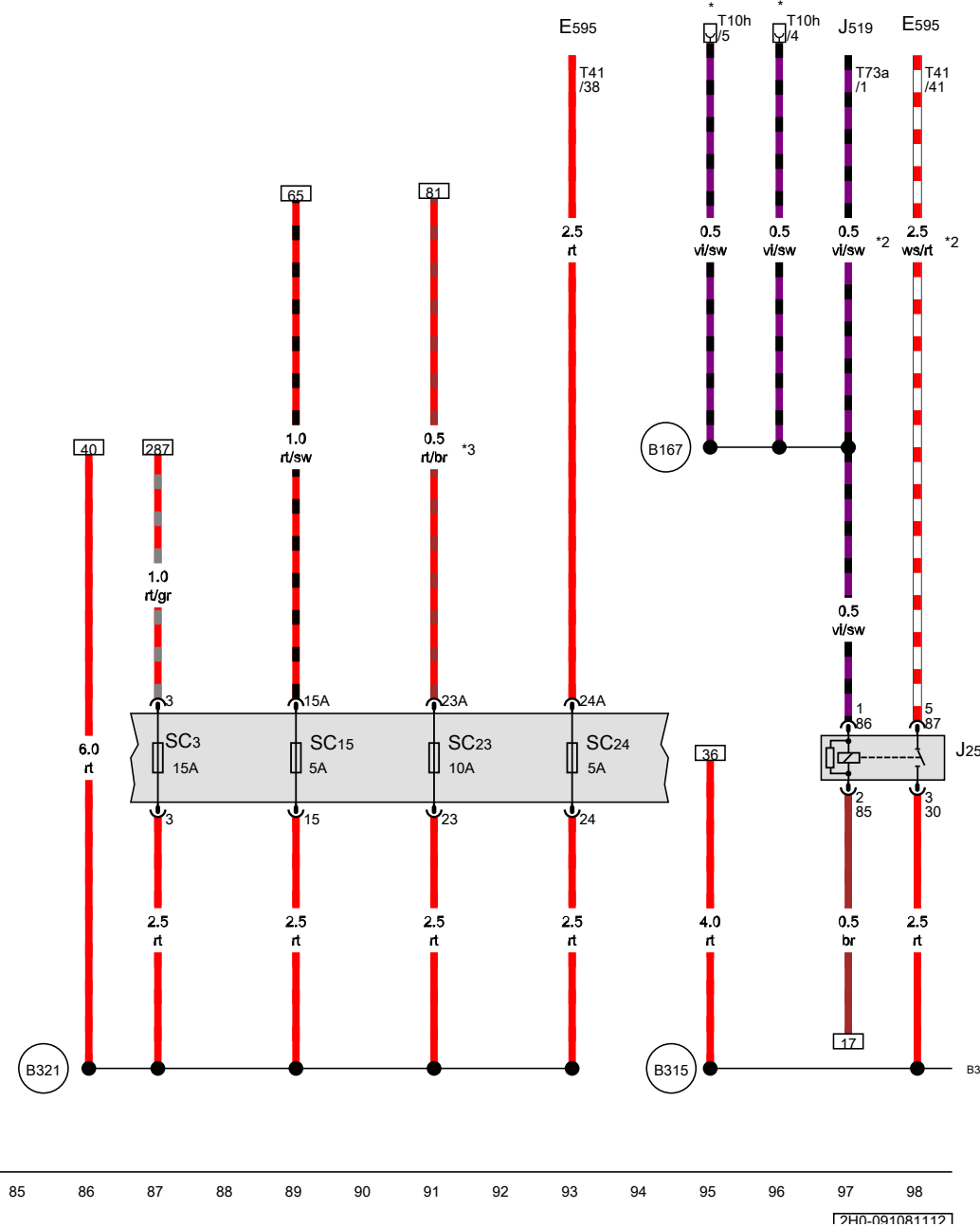
 B315 Positive connection 1 (30a) in main wiring harness

 B321 Positive connection 7 (30a) in main wiring harness

\* Only models with electric interface for external use

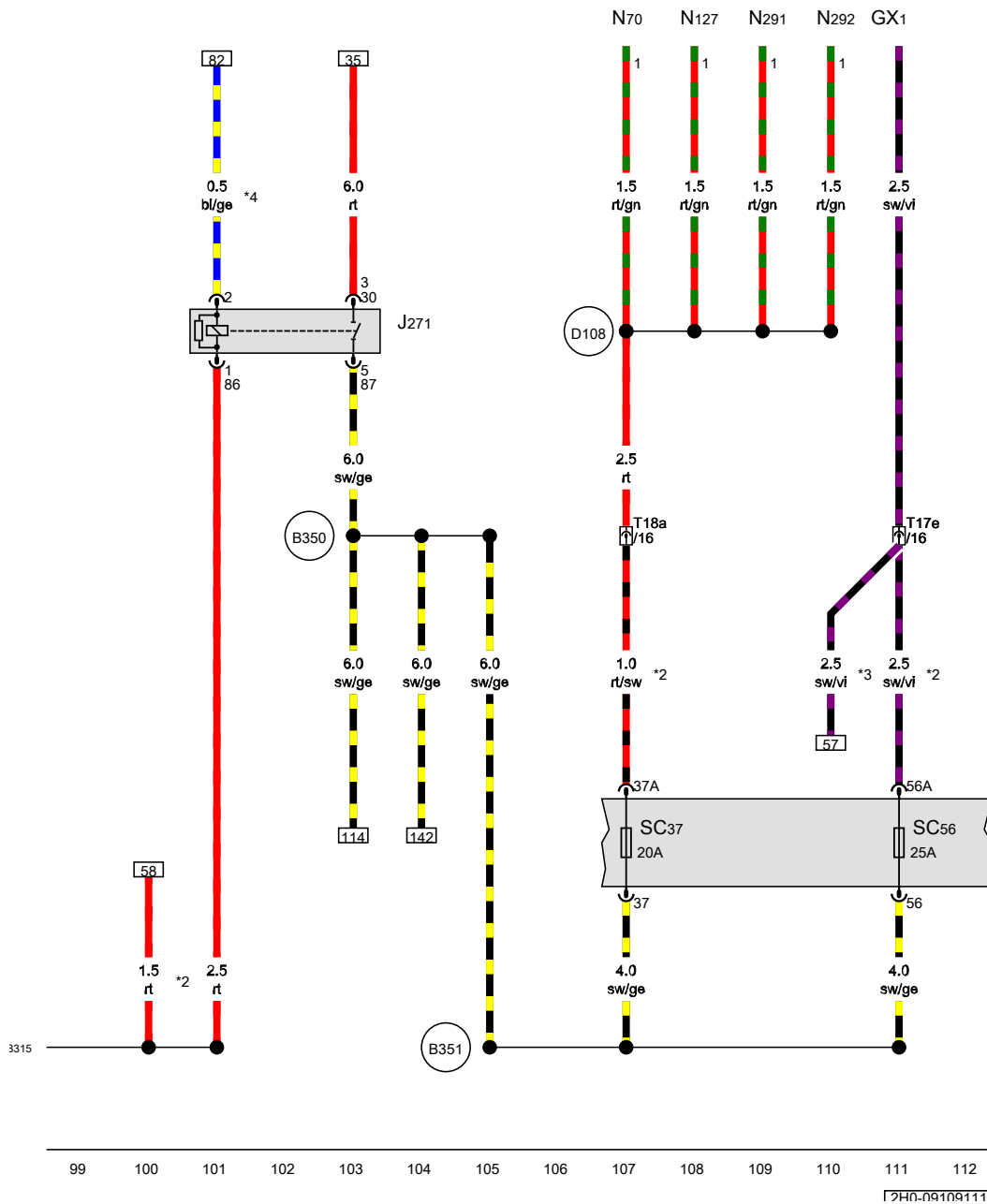
\*2 Only models with automatic driving lights control

\*3 see applicable current flow diagram for engine



17H0-091081117

Main relay, Fuse 37 on fuse holder C, Fuse 56 on fuse holder C

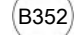


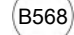
- GX1 Fuel delivery unit, on fuel tank
- J271 Main relay
- N70 Ignition coil 1 with output stage
- N127 Ignition coil 2 with output stage
- N291 Ignition coil 3 with output stage
- N292 Ignition coil 4 with output stage
- SC37 Fuse 37 on fuse holder C
- SC56 Fuse 56 on fuse holder C
- T17e 17-pin connector, near handbrake lever, blue
- T18a 18-pin connector, near engine control unit, black
- B315 Positive connection 1 (30a) in main wiring harness
- B350 Positive connection 1 (87a) in main wiring harness
- B351 Positive connection 2 (87a) in main wiring harness
- D108 Connection 6 in engine compartment wiring harness
- \* Only models with automatic driving lights control
- \*2 Only models with petrol engine
- \*3 Only models with diesel engine
- \*4 see applicable current flow diagram for engine

- ws = white
- sw = black
- ro = red
- br = brown
- gn = green
- bl = blue
- gr = grey
- li = purple
- ge = yellow
- or = orange
- rs = pink

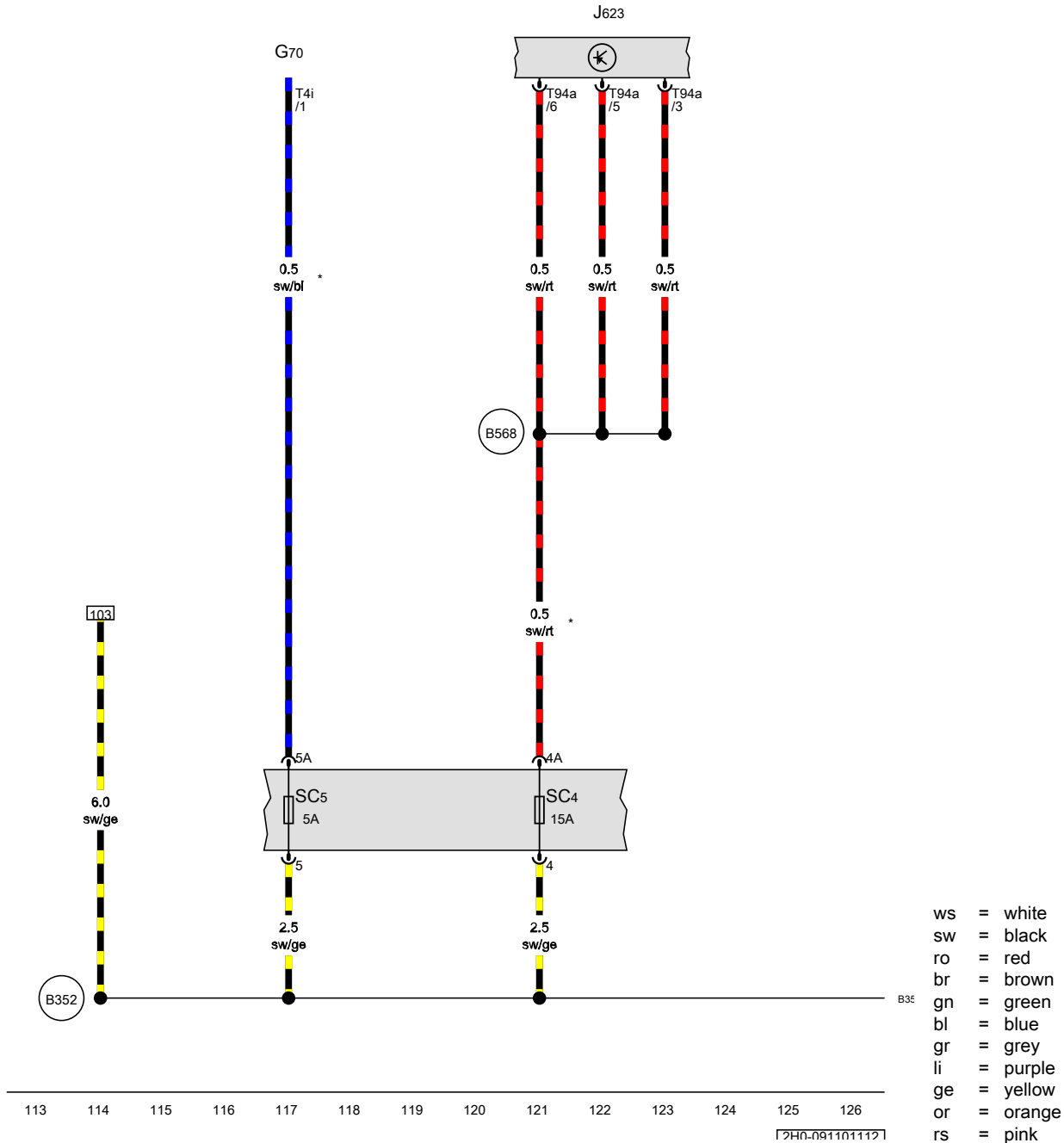
Fuse 4 on fuse holder C, Fuse 5 on fuse holder C

- G70 Air mass meter
- J623 Engine control unit
- SC4 Fuse 4 on fuse holder C
- SC5 Fuse 5 on fuse holder C
- T4i 4-pin connector, black
- T94a 94-pin connector, black

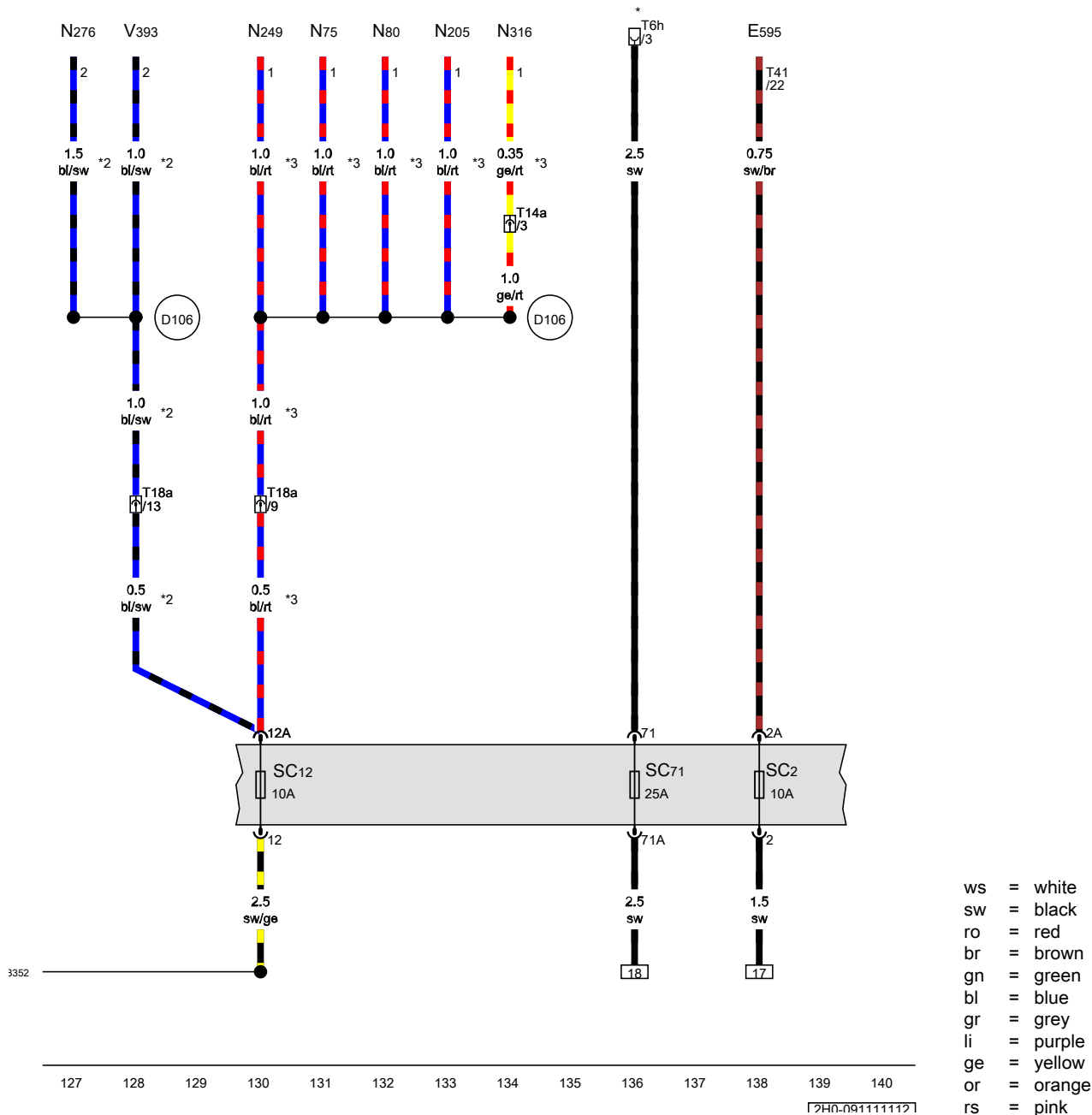
 B352 Positive connection 3 (87a) in main wiring harness

 B568 Connection 35, in main wiring harness

\* Only models with diesel engine



Fuse 2 on fuse holder C, Fuse 12 on fuse holder C, Fuse 71 on fuse holder C



- E595 Steering column combination switch
  - N75 Charge pressure control solenoid valve
  - N80 Activated charcoal filter solenoid valve 1
  - N205 Camshaft control valve 1
  - N249 Turbocharger air recirculation valve
  - N276 Fuel pressure regulating valve
  - N316 Intake manifold flap valve
  - SC2 Fuse 2 on fuse holder C
  - SC12 Fuse 12 on fuse holder C
  - SC71 Fuse 71 on fuse holder C
  - T6h 6-pin connector, in left footwell, near centre console, grey
  - T14a 14-pin connector, front left in engine compartment
  - T18a 18-pin connector, near engine control unit, black
  - T41 41-pin connector, grey
  - V393 Supplementary fuel pump
- B352 Positive connection 3 (87a) in main wiring harness
  - D106 Connection 4 in engine compartment wiring harness
- \* Only models with electric interface for external use
  - \*2 Only models with diesel engine
  - \*3 Only models with petrol engine

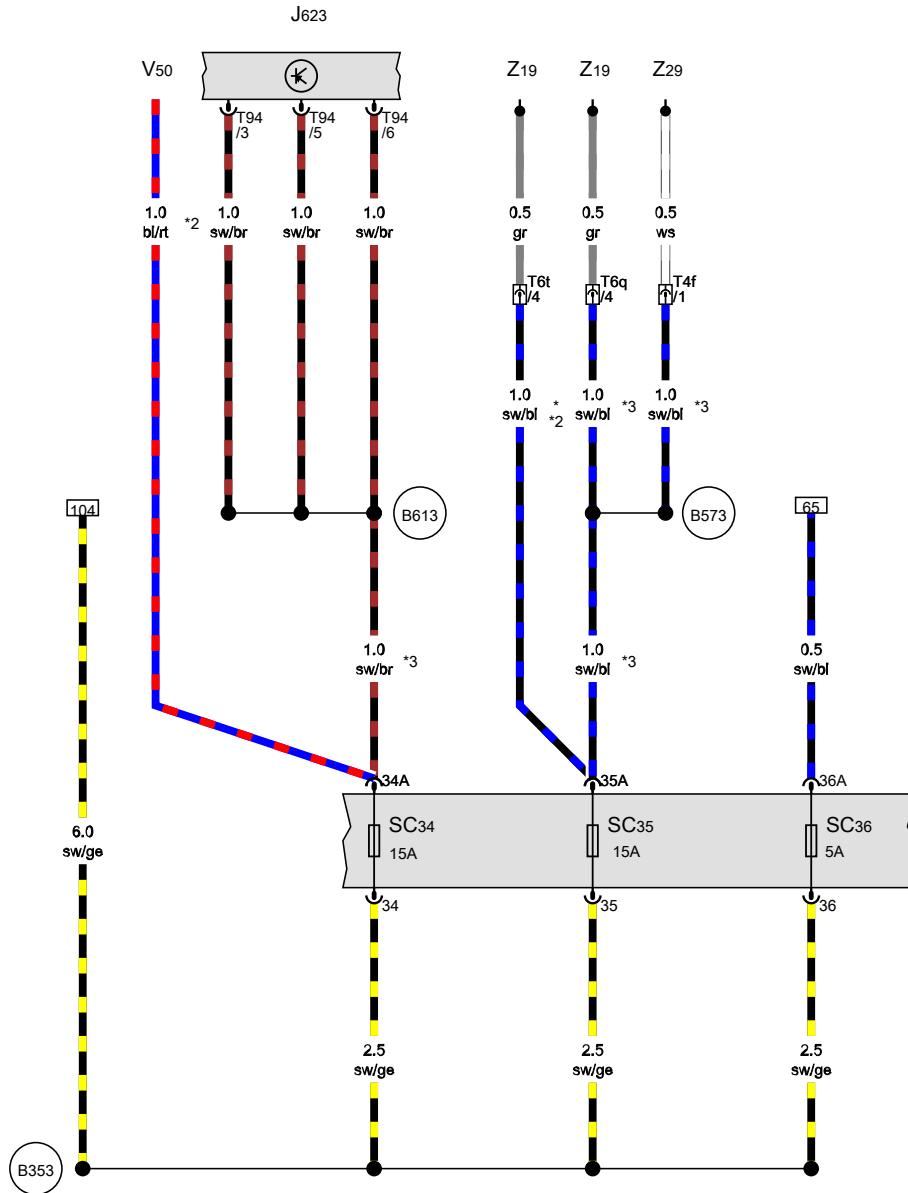
- ws = white
- sw = black
- ro = red
- br = brown
- gn = green
- bl = blue
- gr = grey
- li = purple
- ge = yellow
- or = orange
- rs = pink

Fuse 34 on fuse holder C, Fuse 35 on fuse holder C, Fuse 36 on fuse holder C

- J623 Engine control unit
- SC34 Fuse 34 on fuse holder C
- SC35 Fuse 35 on fuse holder C
- SC36 Fuse 36 on fuse holder C
- T4f 4-pin connector, front right in engine compartment, black
- T6q 6-pin connector, front right in engine compartment, black
- T6t 6-pin connector, front right in engine compartment, black
- T94 94-pin connector, black
- V50 Coolant circulation pump
- Z19 Lambda probe heater
- Z29 Lambda probe 1 heater after catalytic converter

- B353 Positive connection 4 (87a) in main wiring harness
- B573 Connection 40, in main wiring harness
- B613 Connection 41, in main wiring harness

- \* Only models with Euro 5 emission standard
- \*2 Only models with diesel engine
- \*3 Only models with petrol engine



- ws = white
- sw = black
- ro = red
- br = brown
- gn = green
- bl = blue
- gr = grey
- li = purple
- ge = yellow
- or = orange
- rs = pink

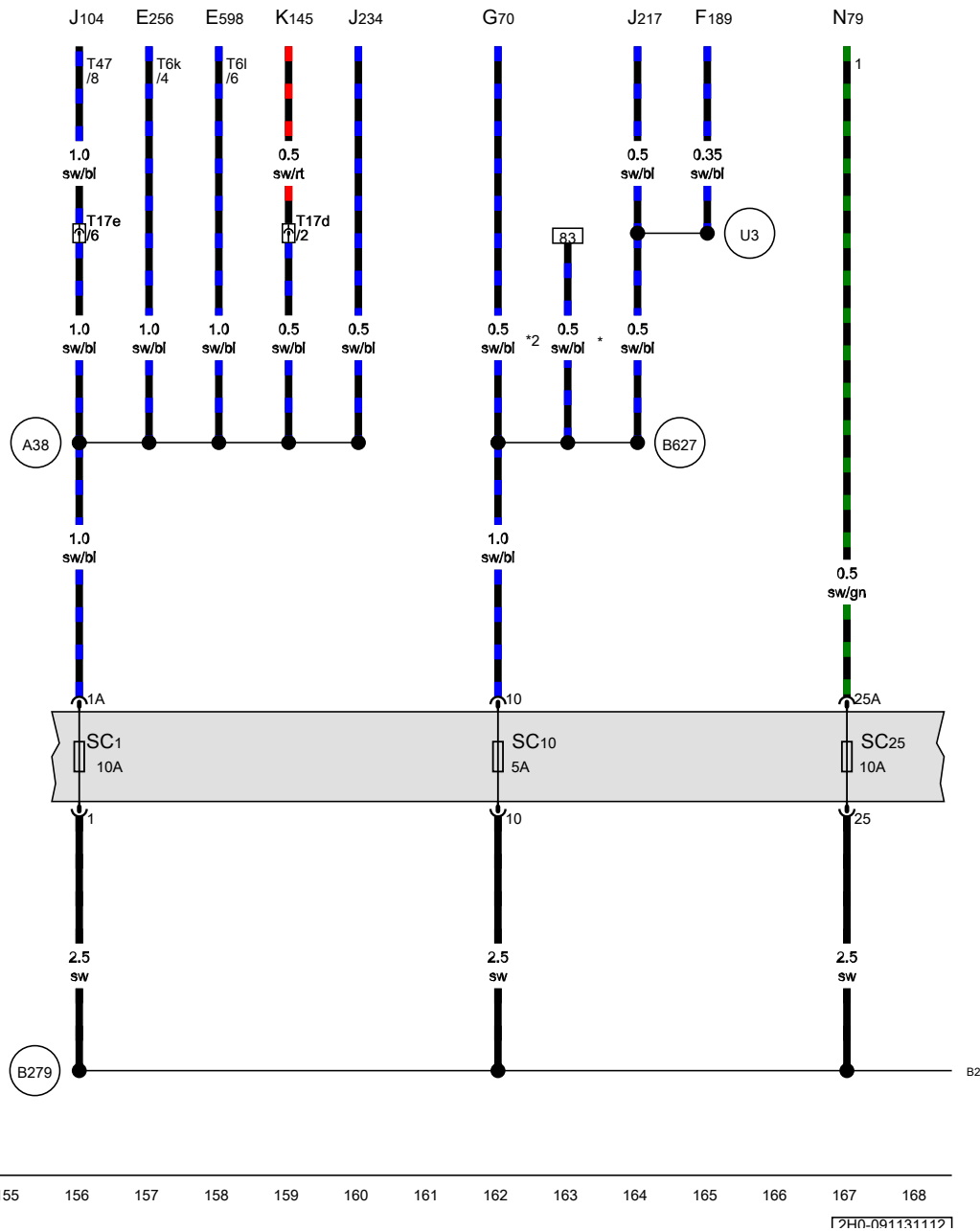
141 142 143 144 145 146 147 148 149 150 151 152 153 154

7PH0-0911211121

**Fuse 1 on fuse holder C, Fuse 10 on fuse holder C, Fuse 25 on fuse holder C**

- E256 TCS and ESP button, on centre console switch module
- E598 Driving program button, on centre console switch module
- F189 Tiptronic switch
- G70 Air mass meter
- J104 ABS control unit
- J217 Automatic gearbox control unit
- J234 Airbag control unit
- K145 Front passenger side airbag deactivated warning lamp
- N79 Heater element for crankcase breather
- SC1 Fuse 1 on fuse holder C
- SC10 Fuse 10 on fuse holder C
- SC25 Fuse 25 on fuse holder C
- T6k 6-pin connector, black
- T6l 6-pin connector, red
- T17d 17-pin connector, on left under dash panel, green
- T17e 17-pin connector, near handbrake lever, blue
- T47 47-pin connector, black

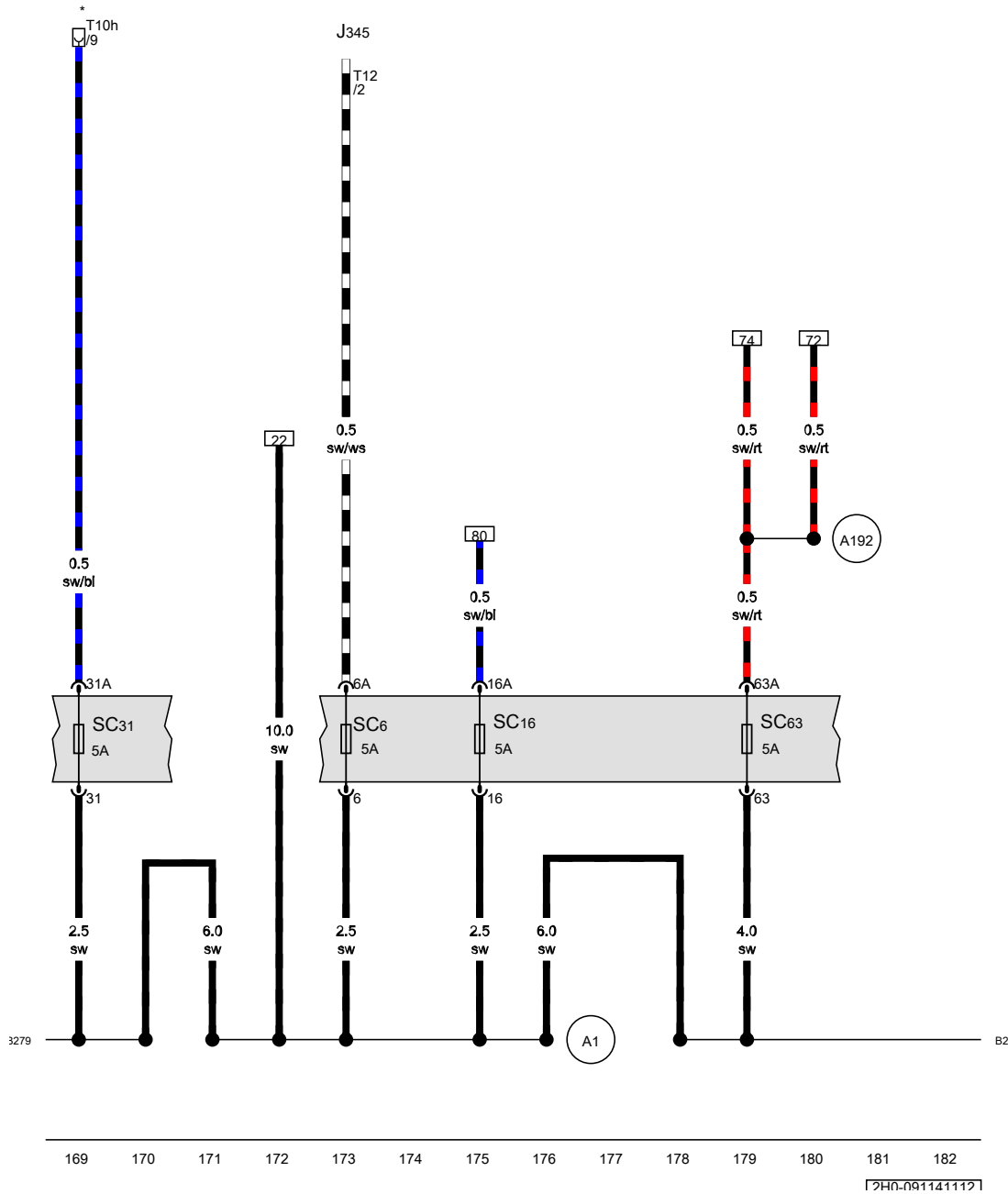
- A38 Positive connection 2 (15a) in dash panel wiring harness
- B279 Positive connection 3 (15a) in main wiring harness
- B627 Positive connection 3 (15), in main wiring harness
- U3 Connection 1, in automatic gearbox wiring harness
- \* Only models with diesel engine
- \*2 Only models with petrol engine



Fuse 6 on fuse holder C, Fuse 16 on fuse holder C, Fuse 31 on fuse holder C, Fuse 63 on fuse holder C

- J345 Trailer detector control unit
- SC6 Fuse 6 on fuse holder C
- SC16 Fuse 16 on fuse holder C
- SC31 Fuse 31 on fuse holder C
- SC63 Fuse 63 on fuse holder C
- T10h 10-pin connector, in left footwell, near centre console, purple
- T12 12-pin connector, red

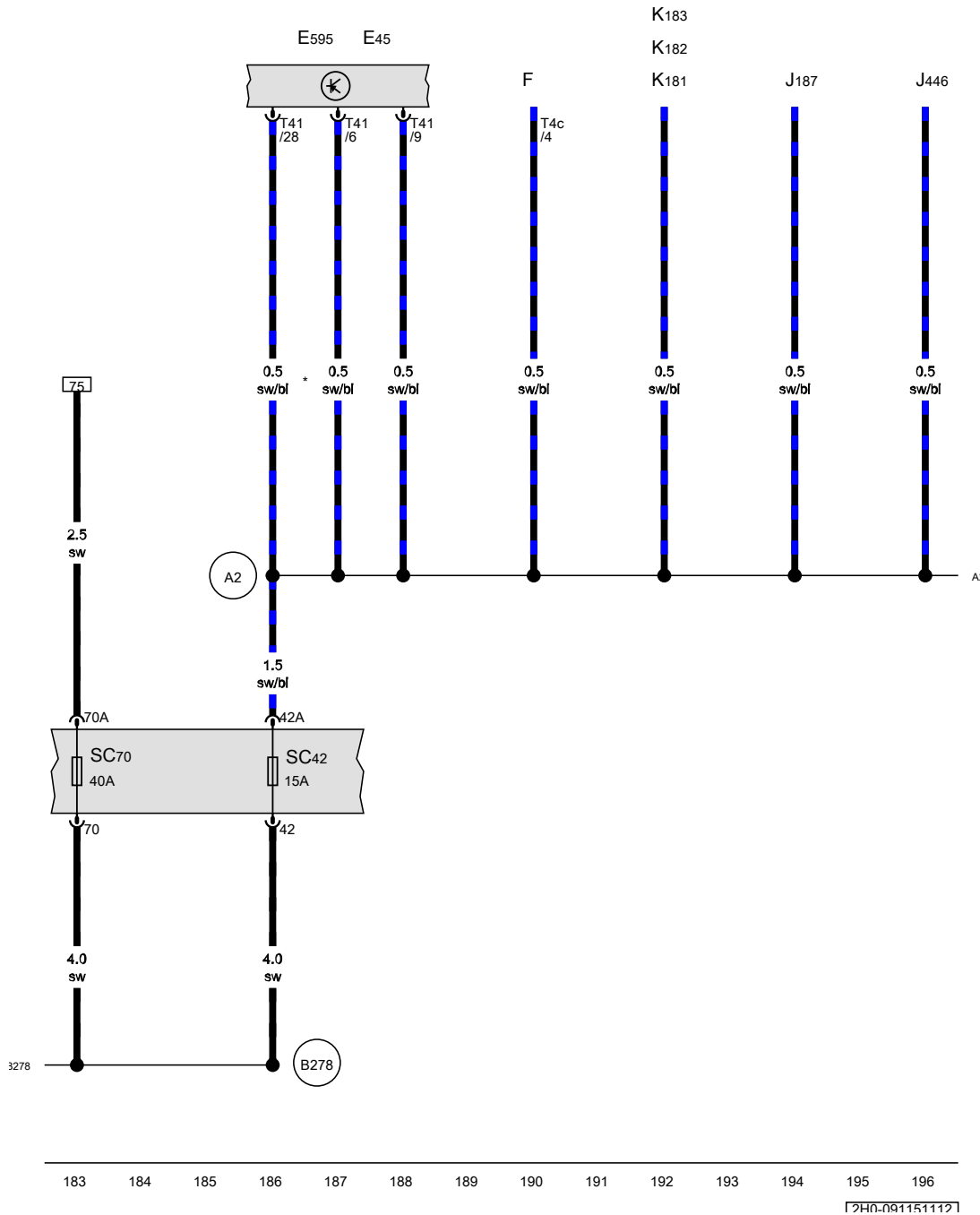
- A1 Positive connection (30a), in dash panel wiring harness
- A192 Positive connection 3 (15a) in dash panel wiring harness
- B278 Positive connection 2 (15a) in main wiring harness
- B279 Positive connection 3 (15a) in main wiring harness
- \* Only models with electric interface for external use



- ws = white
- sw = black
- ro = red
- br = brown
- gn = green
- bl = blue
- gr = grey
- li = purple
- ge = yellow
- or = orange
- rs = pink

[PH0-091141117]





Brake light switch, Fuse 42 on fuse holder C

- E45 Cruise control system switch
- E595 Steering column combination switch
- F Brake light switch
- J187 Differential lock control unit
- J446 Parking aid control unit
- K181 Normal operation warning lamp in transfer box operating unit
- K182 Reduction gearing warning lamp in transfer box operating unit
- K183 Inter-axle lock-up warning lamp in transfer box operating unit
- SC42 Fuse 42 on fuse holder C
- SC70 Fuse 70 on fuse holder C
- T4c 4-pin connector, black
- T41 41-pin connector, grey

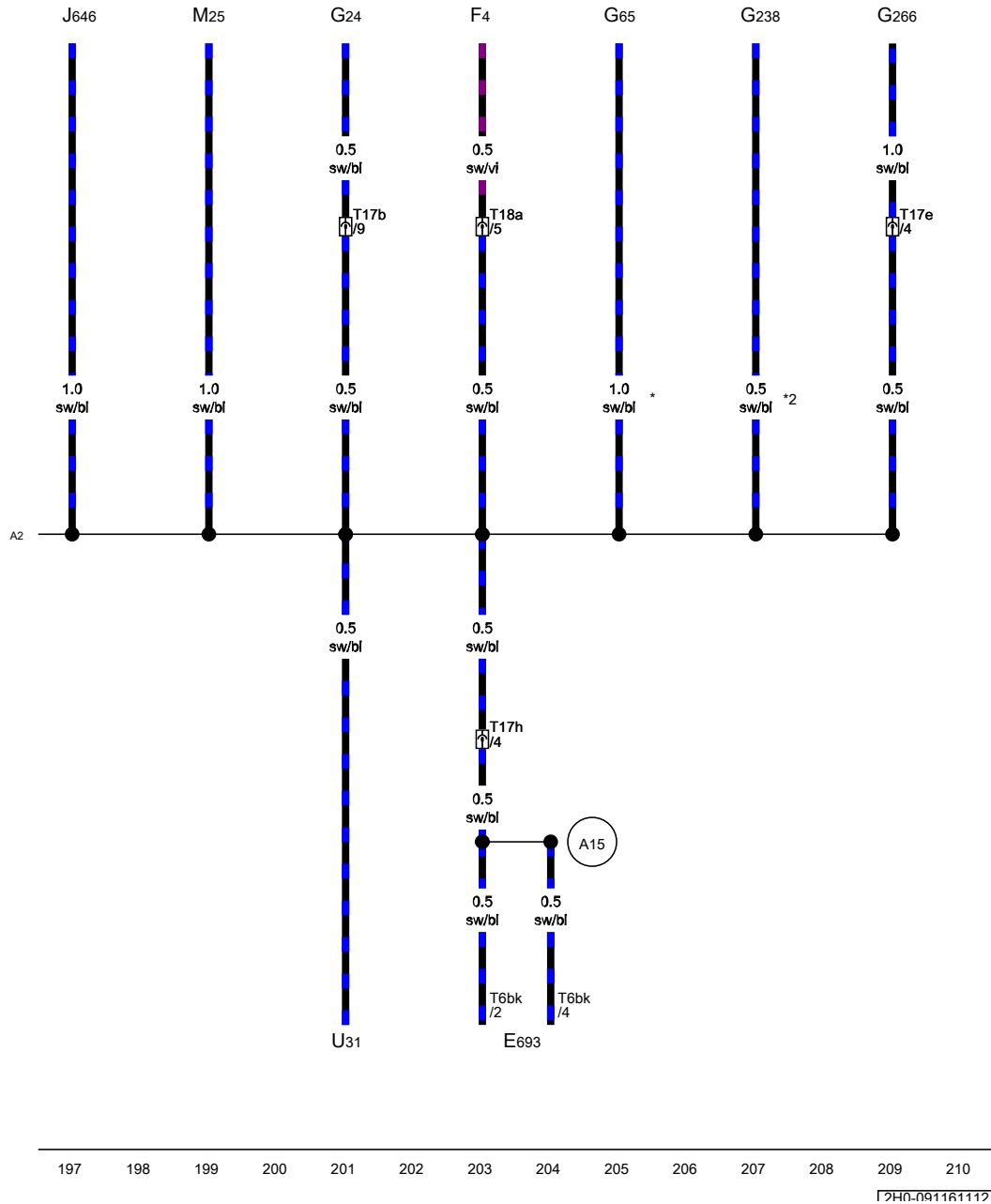
A2 Positive connection (15), in dash panel wiring harness

B278 Positive connection 2 (15a) in main wiring harness

\* Only models with cruise control system

- ws = white
- sw = black
- ro = red
- br = brown
- gn = green
- bl = blue
- gr = grey
- li = purple
- ge = yellow
- or = orange
- rs = pink

Start/Stop operation button, Reversing light switch, Tachograph, Air quality sensor, Oil level and oil temperature sender, Transfer box control unit, Additional brake light bulb, Diagnostic connection



- E693 Start/Stop operation button, in front centre console
- F4 Reversing light switch
- G24 Tachograph
- G65 High-pressure sender
- G238 Air quality sensor
- G266 Oil level and oil temperature sender
- J646 Transfer box control unit
- M25 Additional brake light bulb
- T6bk 6-pin connector, green
- T17b 17-pin connector, behind glove compartment, black
- T17e 17-pin connector, near handbrake lever, blue
- T17h 17-pin connector, blue
- T18a 18-pin connector, near engine control unit, grey
- U31 Diagnostic connection

A2 Positive connection (15), in dash panel wiring harness

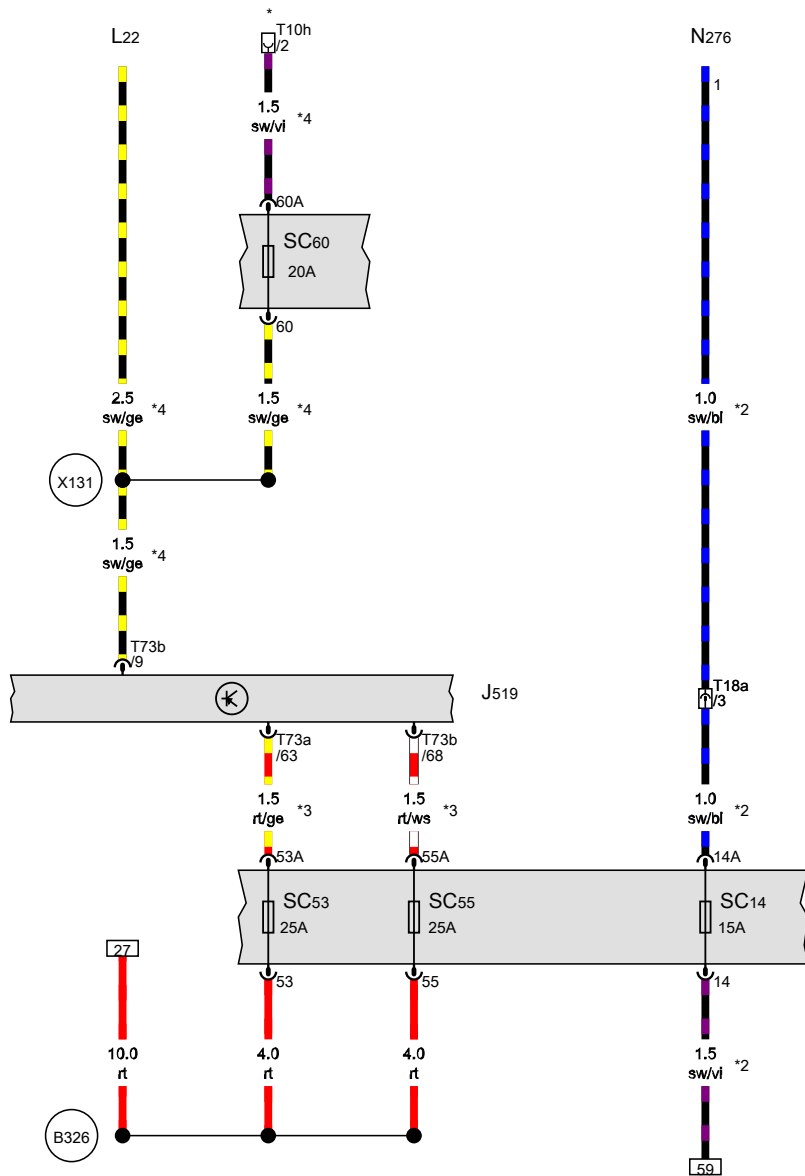
A15 Positive connection (15), in instrument wiring harness

\* Only models with air conditioning system/ Climatronic

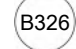
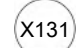
\*2 Only models with Climatronic

- ws = white
- sw = black
- ro = red
- br = brown
- gn = green
- bl = blue
- gr = grey
- li = purple
- ge = yellow
- or = orange
- rs = pink

Fuse 14 on fuse holder C, Fuse 53 on fuse holder C, Fuse 55 on fuse holder C



- J519 Onboard supply control unit
- L22 Left fog light bulb
- N276 Fuel pressure regulating valve
- SC14 Fuse 14 on fuse holder C
- SC53 Fuse 53 on fuse holder C
- SC55 Fuse 55 on fuse holder C
- SC60 Fuse 60 on fuse holder C
- T10h 10-pin connector, in left footwell, near centre console, purple
- T18a 18-pin connector, near engine control unit, black
- T73a 73-pin connector, black
- T73b 73-pin connector, colourless

-  B326 Positive connection 12 (30a) in main wiring harness
-  X131 Connection 4, in optional equipment wiring harness

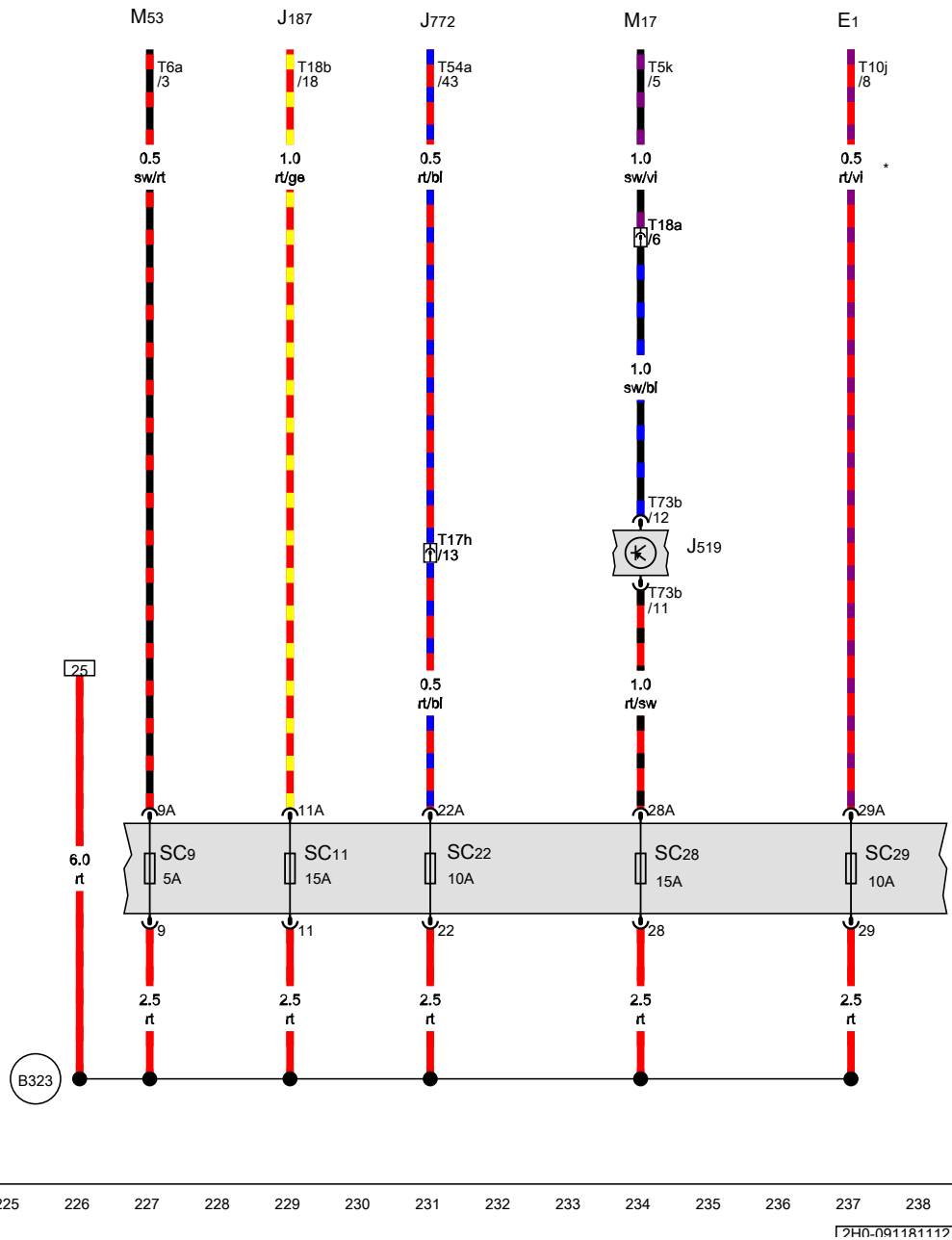
- \* Only models with electric interface for external use
- \*2 Only models with petrol engine
- \*3 see applicable current flow diagram for exterior lighting
- \*4 Only models with automatic driving lights control

- ws = white
- sw = black
- ro = red
- br = brown
- gn = green
- bl = blue
- gr = grey
- li = purple
- ge = yellow
- or = orange
- rs = pink

Fuse 9 on fuse holder C, Fuse 11 on fuse holder C, Fuse 28 on fuse holder C, Fuse 29 on fuse holder C

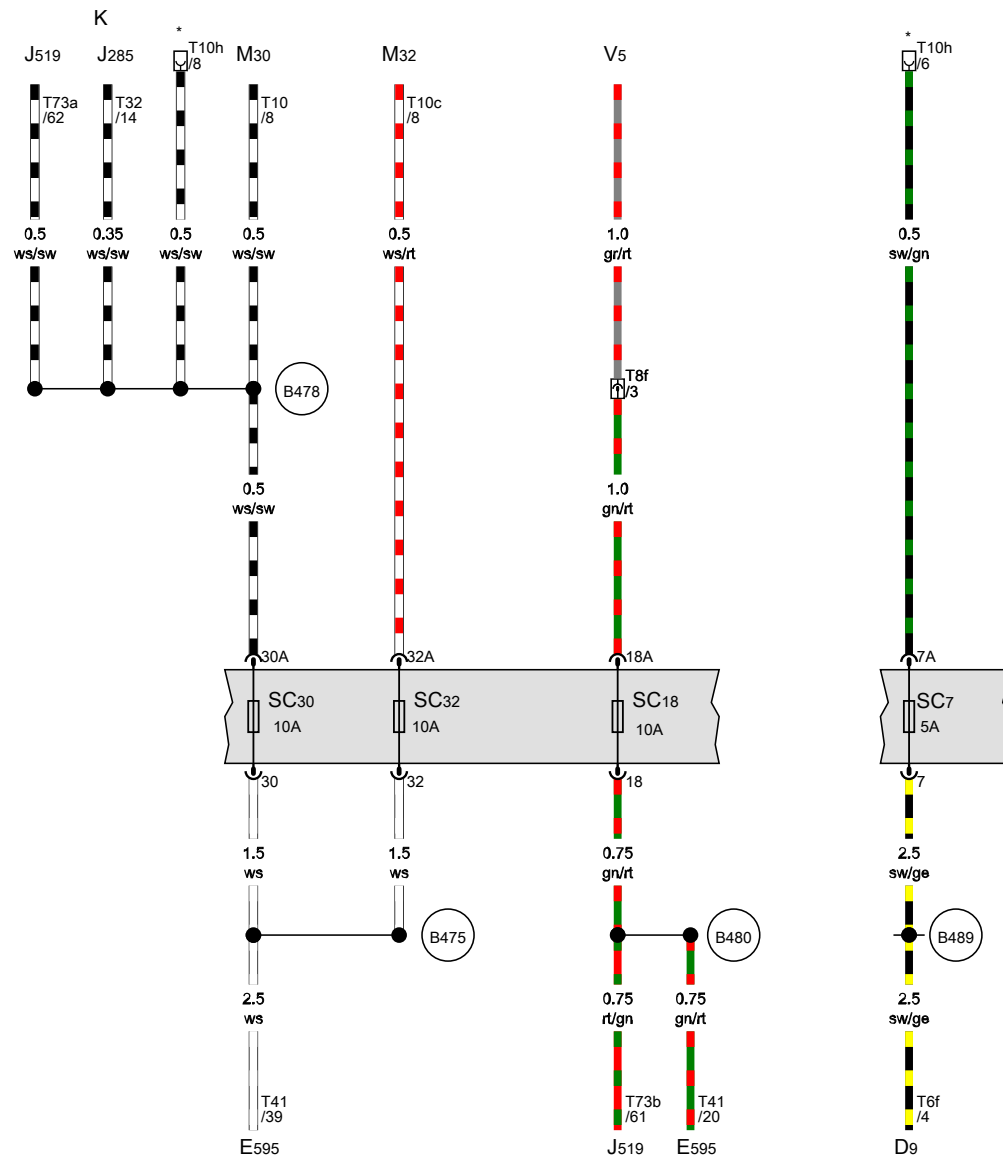
- E1 Light switch
- J187 Differential lock control unit
- J519 Onboard supply control unit
- J772 Reversing camera system control unit
- M17 Right reversing light bulb
- M53 Load area illumination bulb
- SC9 Fuse 9 on fuse holder C
- SC11 Fuse 11 on fuse holder C
- SC22 Fuse 22 on fuse holder C
- SC28 Fuse 28 on fuse holder C
- SC29 Fuse 29 on fuse holder C
- T5k 5-pin connector
- T6a 6-pin connector
- T10j 10-pin connector, black
- T17h 17-pin connector, on left under dash panel, blue
- T18a 18-pin connector, near engine control unit, near engine control unit, grey
- T18b 18-pin connector
- T54a 54-pin connector
- T73b 73-pin connector

- B323 Positive connection 9 (30a) in main wiring harness
- \* Only models with automatic driving lights control



- ws = white
- sw = black
- ro = red
- br = brown
- gn = green
- bl = blue
- gr = grey
- li = purple
- ge = yellow
- or = orange
- rs = pink

Fuse 7 on fuse holder C, Fuse 18 on fuse holder C, Fuse 30 on fuse holder C, Fuse 32 on fuse holder C



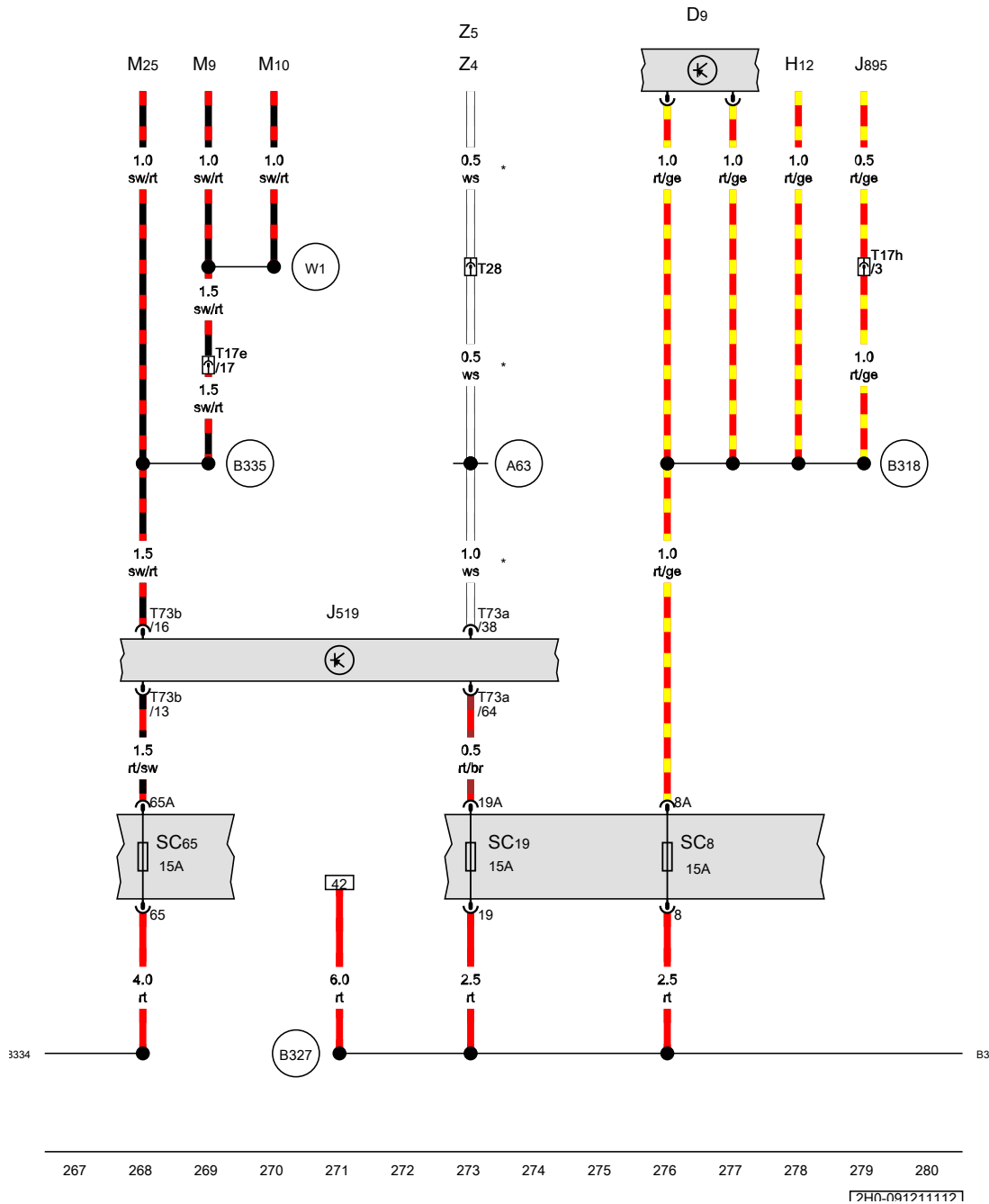
- D9 Electronic ignition lock
- E595 Steering column combination switch
- J285 Control unit in dash panel insert
- J519 Onboard supply control unit
- K Dash panel insert
- M30 Left headlight main beam bulb
- M32 Right headlight main beam bulb
- SC7 Fuse 7 on fuse holder C
- SC18 Fuse 18 on fuse holder C
- SC30 Fuse 30 on fuse holder C
- SC32 Fuse 32 on fuse holder C
- T6f 6-pin connector, black
- T8f 8-pin connector, in rear right of engine compartment, black
- T10 10-pin connector, black
- T10c 10-pin connector, black
- T10h 10-pin connector, in left footwell, near centre console, purple
- T32 32-pin connector, blue
- T41 41-pin connector, grey
- T73a 73-pin connector
- T73b 73-pin connector, colourless
- V5 Washer pump

- B475 Connection 11, in main wiring harness
- B478 Connection 14, in main wiring harness
- B480 Connection 16, in main wiring harness
- B489 Connection 25, in main wiring harness

\* Only models with electric interface for external use

- ws = white
- sw = black
- ro = red
- br = brown
- gn = green
- bl = blue
- gr = grey
- li = purple
- ge = yellow
- or = orange
- rs = pink





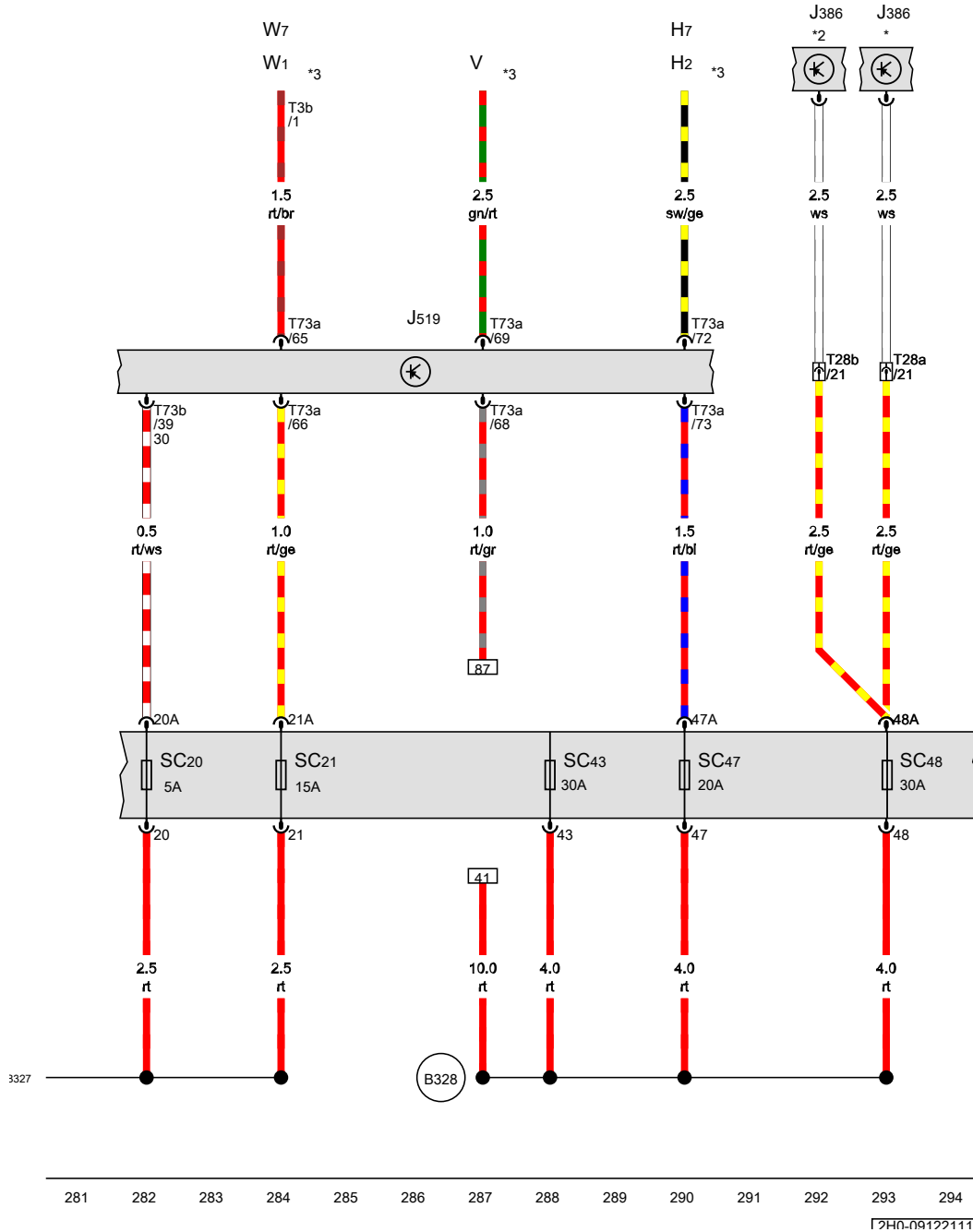
Fuse 8 on fuse holder C, Fuse 19 on fuse holder C, Fuse 65 on fuse holder C

- D9 Electronic ignition lock
- H12 Alarm horn
- J519 Onboard supply control unit
- J895 Control unit for vehicle location system
- M9 Left brake light bulb
- M10 Right brake light bulb
- M25 Additional brake light bulb
- SC8 Fuse 8 on fuse holder C
- SC19 Fuse 19 on fuse holder C
- SC65 Fuse 65 on fuse holder C
- T17e 17-pin connector, near handbrake lever, blue
- T17h 17-pin connector, on left under dash panel, blue
- T28 28-pin connector, near A-pillar
- T73a 73-pin connector, black
- T73b 73-pin connector, colourless
- Z4 Heated exterior mirror on driver side
- Z5 Heated exterior mirror on front passenger side

- A63 Connection (mirror adjustment/heating), in dash panel wiring harness
- B318 Positive connection 4 (30a) in main wiring harness
- B327 Positive connection 13 (30a) in main wiring harness
- B334 Positive connection 20 (30a) in main wiring harness
- B335 Connection 1 (54), in main wiring harness
- W1 Positive connection 1 (54), in rear wiring harness

\* see applicable current flow diagram for window regulators/ basic equipment/ convenience system

- ws = white
- sw = black
- ro = red
- br = brown
- gn = green
- bl = blue
- gr = grey
- li = purple
- ge = yellow
- or = orange
- rs = pink



Fuse 20 on fuse holder C, Fuse 21 on fuse holder C, Fuse 43 on fuse holder C, Fuse 47 on fuse holder C, Fuse 48 on fuse holder C

- H2 Treble horn
- H7 Bass horn
- J386 Driver door control unit
- J519 Onboard supply control unit
- SC20 Fuse 20 on fuse holder C
- SC21 Fuse 21 on fuse holder C
- SC43 Fuse 43 on fuse holder C
- SC47 Fuse 47 on fuse holder C
- SC48 Fuse 48 on fuse holder C
- T3b 3-pin connector
- T28a 28-pin connector, in left A-pillar
- T28b 28-pin connector, on right A-pillar
- T73a 73-pin connector, black
- T73b 73-pin connector, colourless
- V Windscreen wiper motor
- W1 Front interior light
- W7 Centre interior light
- B327 Positive connection 13 (30a) in main wiring harness
- B328 Positive connection 14 (30a) in main wiring harness
- \* Only left-hand drive models
- \*2 Only right-hand drive models
- \*3 see applicable current flow diagram for basic equipment

- ws = white
- sw = black
- ro = red
- br = brown
- gn = green
- bl = blue
- gr = grey
- li = purple
- ge = yellow
- or = orange
- rs = pink

281 282 283 284 285 286 287 288 289 290 291 292 293 294

7PH0-0912211121



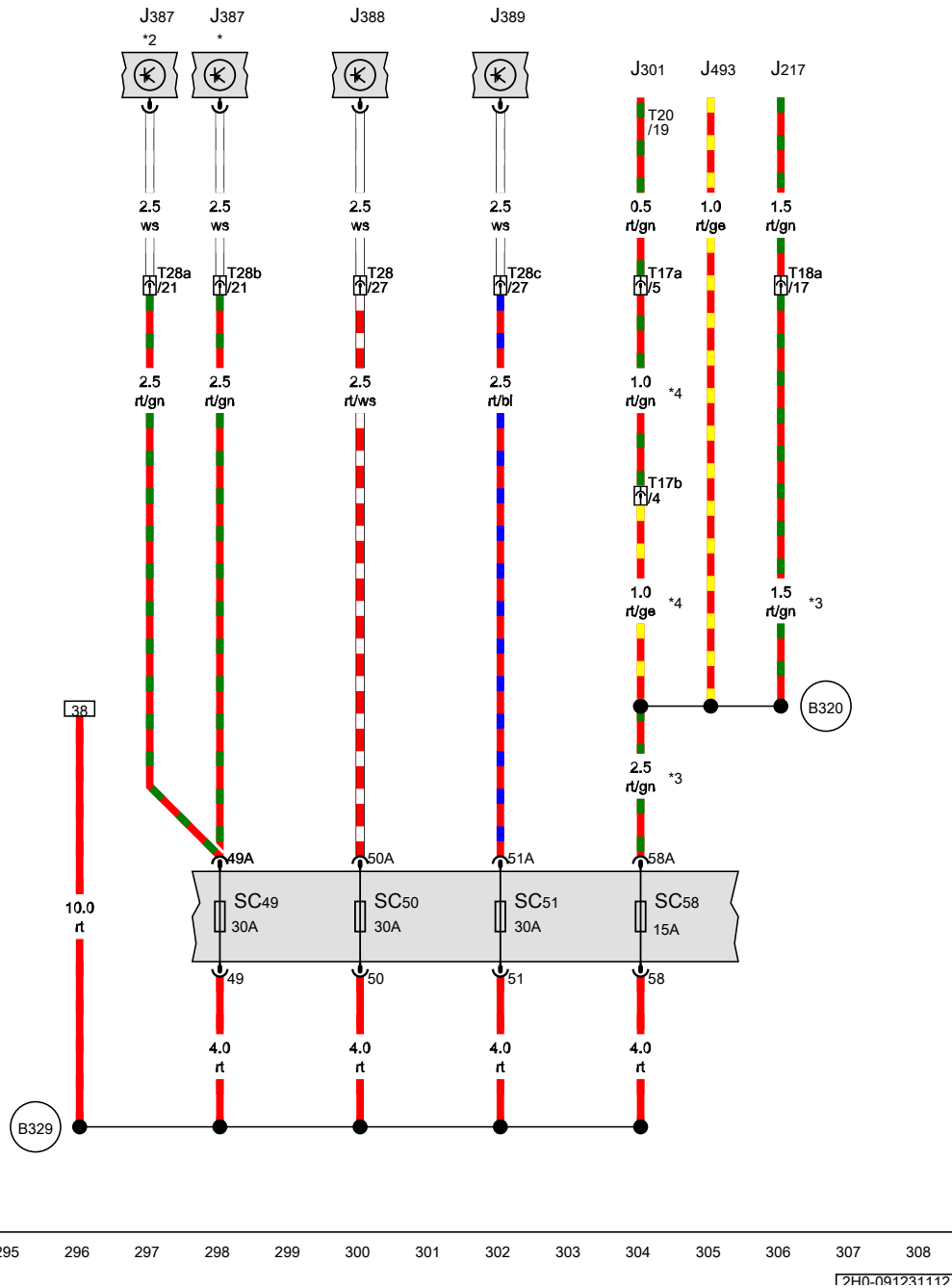
Fuse 49 on fuse holder C, Fuse 50 on fuse holder C, Fuse 51 on fuse holder C, Fuse 58 on fuse holder C

- J217 Automatic gearbox control unit
- J301 Air conditioning system control unit
- J387 Front passenger door control unit
- J388 Rear left door control unit
- J389 Rear right door control unit
- J493 Auxiliary coolant heater relay
- SC49 Fuse 49 on fuse holder C
- SC50 Fuse 50 on fuse holder C
- SC51 Fuse 51 on fuse holder C
- SC58 Fuse 58 on fuse holder C
- T17a 17-pin connector, behind glove compartment, black
- T17b 17-pin connector, on left under dash panel, brown
- T18a 18-pin connector, near engine control unit, grey
- T20 20-pin connector
- T28 28-pin connector, near A-pillar
- T28a 28-pin connector, in left A-pillar
- T28b 28-pin connector, on right A-pillar
- T28c 28-pin connector

B320 Positive connection 6 (30a) in main wiring harness

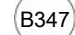
B329 Positive connection 15 (30a) in main wiring harness

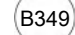
- \* Only left-hand drive models
- \*2 Only right-hand drive models
- \*3 Only models with automatic gearbox
- \*4 Only models with Climatic

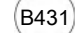


Voltage supply relay 2, Fuse 57 on fuse holder C, Fuse 69 on fuse holder C

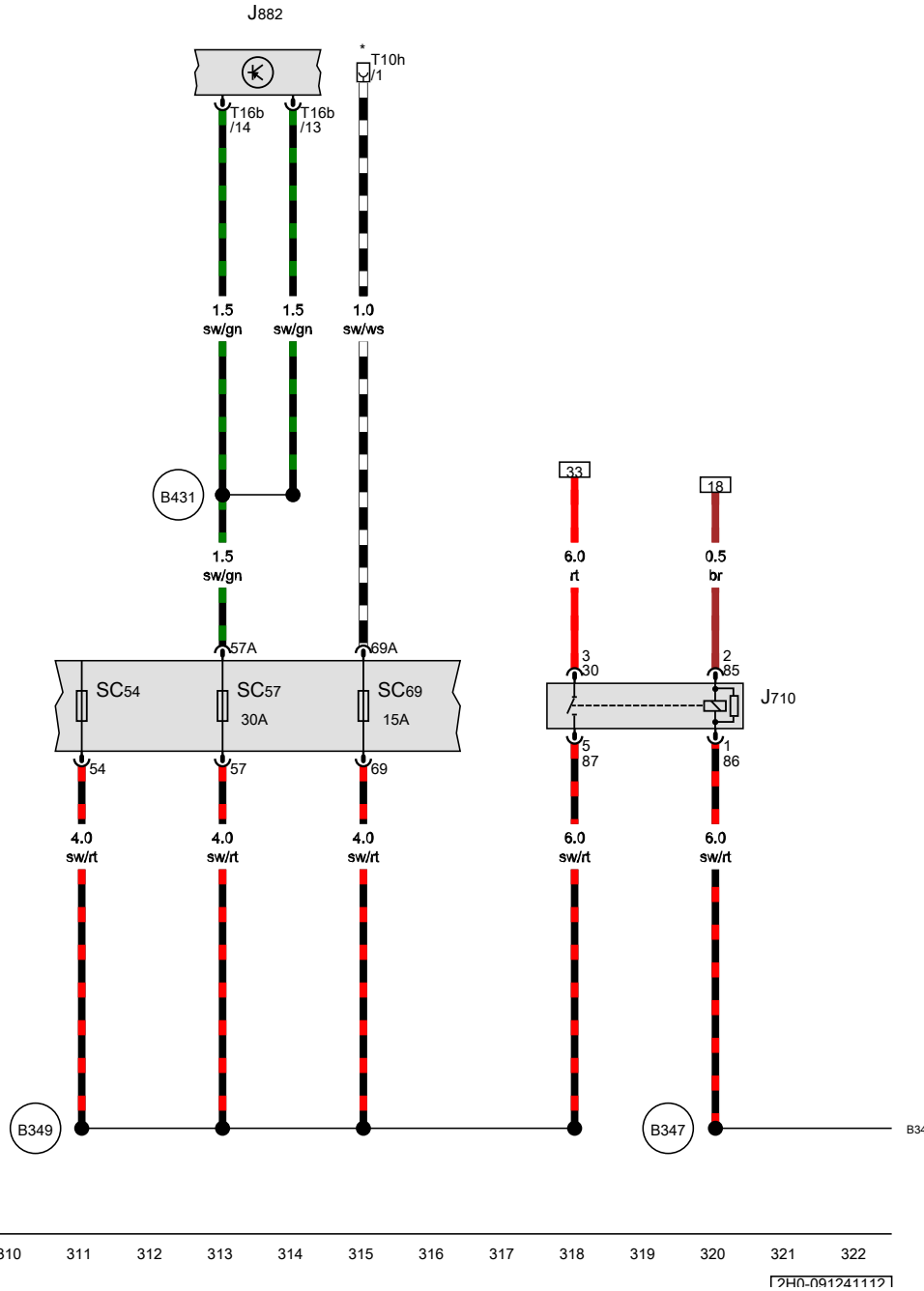
- J710 Voltage supply relay 2
- J882 Seat heating control unit
- SC54 Fuse 54 on fuse holder C
- SC57 Fuse 57 on fuse holder C
- SC69 Fuse 69 on fuse holder C
- T10h 10-pin connector, in left footwell, near centre console, purple
- T16b 16-pin connector, black

 Connection 2 (75), in main wiring harness

 Connection 2 (75a), in main wiring harness

 Connection (seat heating), in main wiring harness

\* Only models with electric interface for external use



309 310 311 312 313 314 315 316 317 318 319 320 321 322

12H0-0912411121

Current supply relay, Fuse 72 on fuse holder C

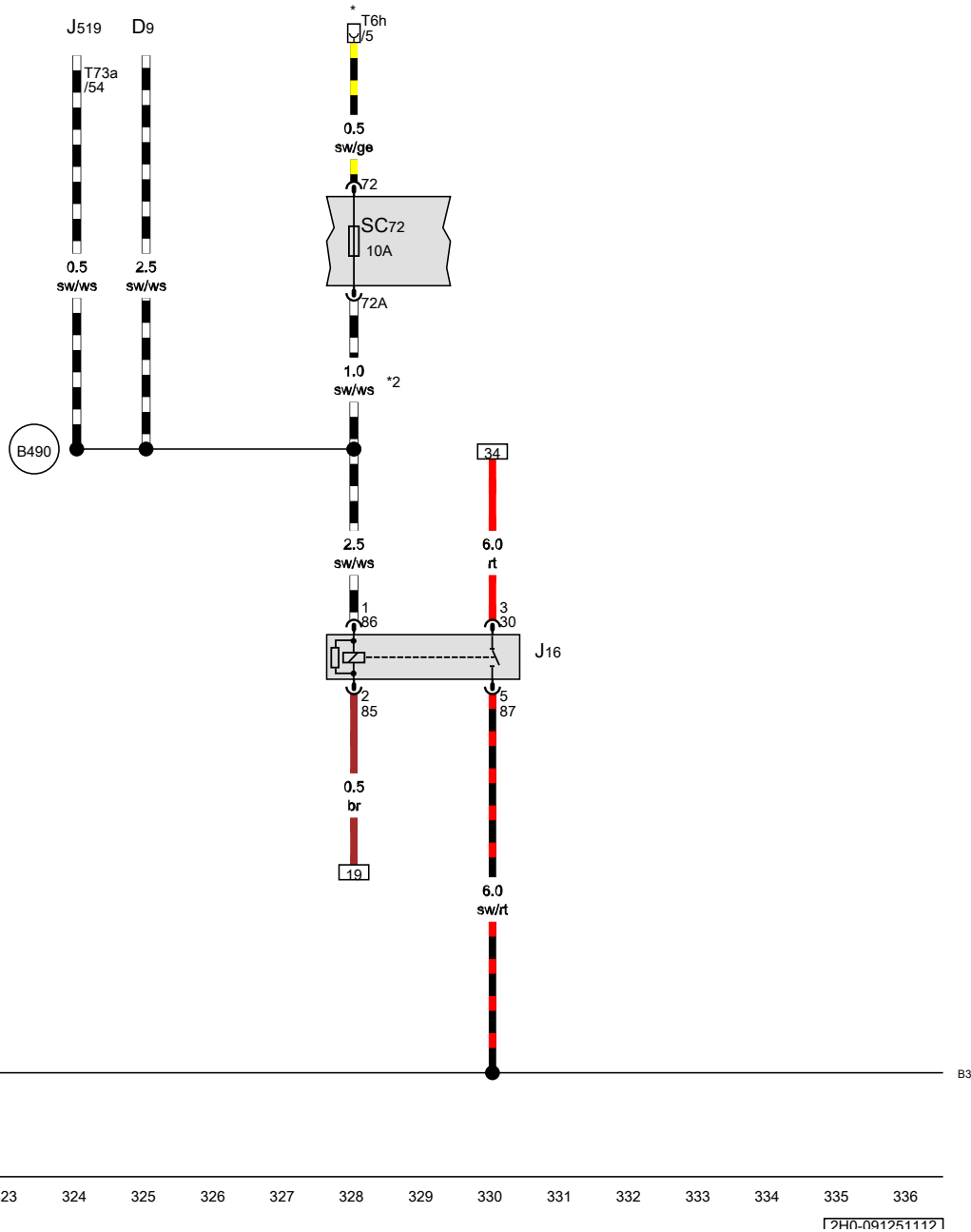
- D9 Electronic ignition lock
- J16 Current supply relay
- J519 Onboard supply control unit
- SC72 Fuse 72 on fuse holder C
- T6h 6-pin connector, in left footwell, near centre console, grey
- T73a 73-pin connector

B347 Connection 2 (75), in main wiring harness

B490 Connection 26, in main wiring harness

\* Only models with electric interface for external use

\*2 Only models with fog lights



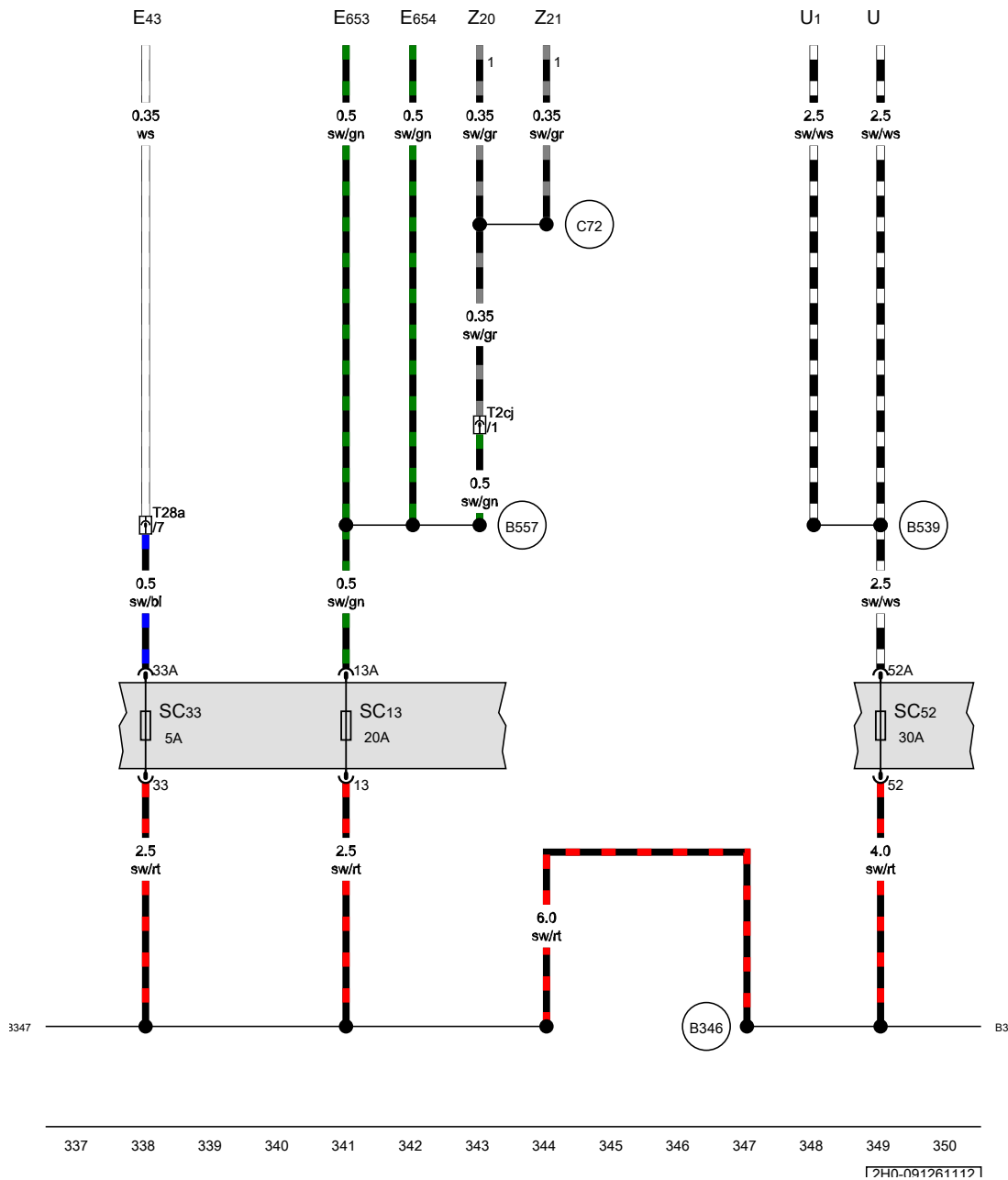
- ws = white
- sw = black
- ro = red
- br = brown
- gn = green
- bl = blue
- gr = grey
- li = purple
- ge = yellow
- or = orange
- rs = pink

3347

B34

[2H0-091251112]

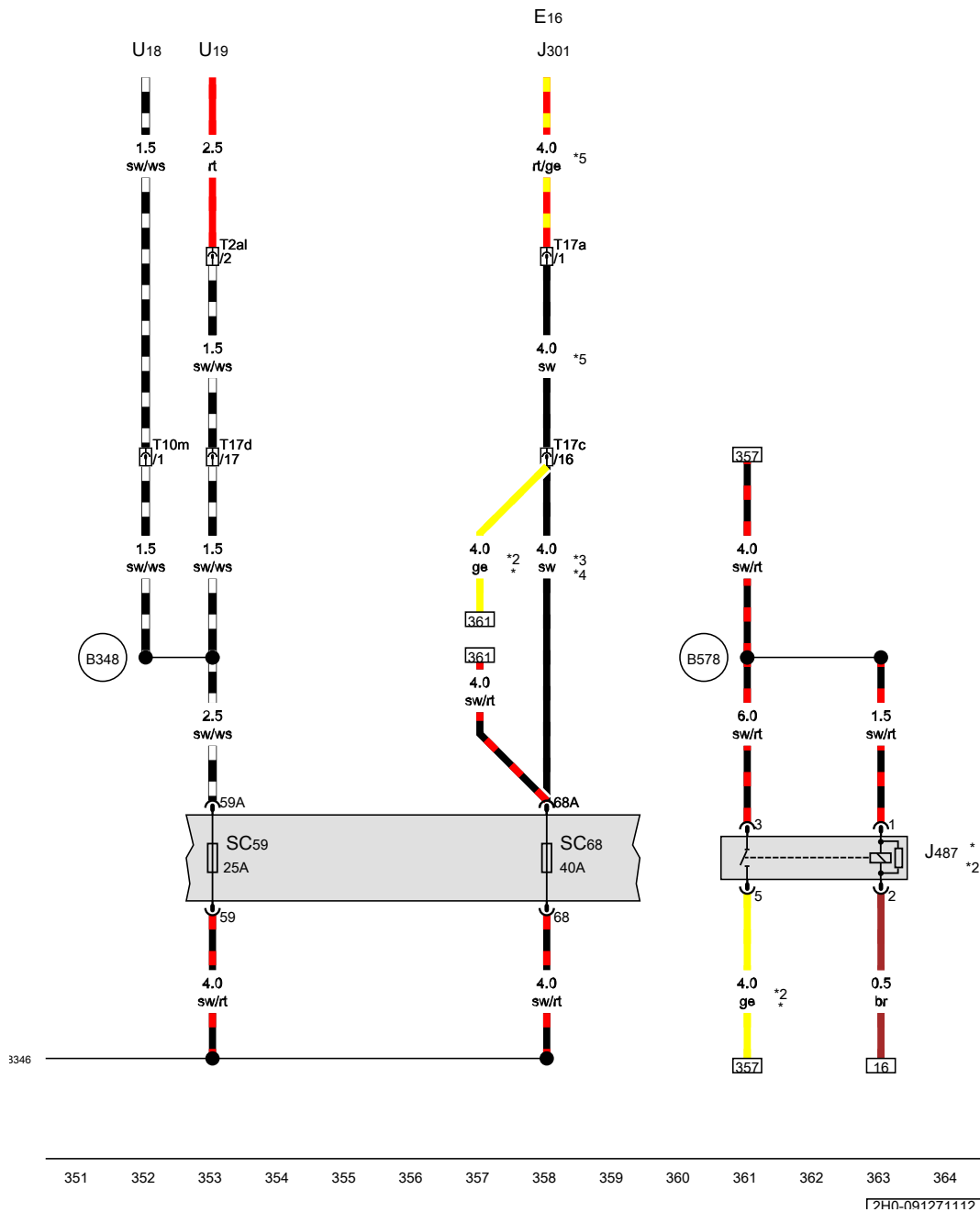
Fuse 13 on fuse holder C, Fuse 33 on fuse holder C, Fuse 52 on fuse holder C



- E43 Mirror adjustment switch, in driver door
- E653 Button for left seat heating, on centre console switch module
- E654 Button for right seat heating, on centre console switch module
- SC13 Fuse 13 on fuse holder C
- SC33 Fuse 33 on fuse holder C
- SC52 Fuse 52 on fuse holder C
- T2cj 2-pin connector
- T28a 28-pin connector, in left A-pillar
- U Electric socket, on centre console switch module
- U1 Cigarette lighter, on centre console switch module
- Z20 Left washer jet heater element
- Z21 Right washer jet heater element

- (B346) Connection 1 (75), in main wiring harness
- (B347) Connection 2 (75), in main wiring harness
- (B539) Connection 30, in main wiring harness
- (B557) Positive connection 21 (30a) in main wiring harness
- (C72) Positive connection in heated washer jet wiring harness

Fuse 59 on fuse holder C, Fuse 68 on fuse holder C



- E16 Heater/heat output switch
- J301 Air conditioning system control unit
- J487 Fresh air blower isolation relay
- SC59 Fuse 59 on fuse holder C
- SC68 Fuse 68 on fuse holder C
- T2al 2-pin connector, in rear left wheel housing, black
- T10m 10-pin connector, near handbrake lever, brown
- T17a 17-pin connector, behind glove compartment, black
- T17c 17-pin connector, on left under dash panel, white
- T17d 17-pin connector, on left under dash panel, green
- U18 12 V socket 2, in centre of dash panel, in storage compartment
- U19 12 V socket 3, in rear left wheel housing

- B346 Connection 1 (75), in main wiring harness
- B348 Connection 1 (75a), in main wiring harness
- B578 Positive connection 2 (75), in interior wiring harness

- \* Only models with auxiliary coolant heater
- \*2 Only models with Climatic
- \*3 Only models with no Climatronic
- \*4 Only models with no auxiliary coolant heater
- \*5 see applicable current flow diagram

- ws = white
- sw = black
- ro = red
- br = brown
- gn = green
- bl = blue
- gr = grey
- li = purple
- ge = yellow
- or = orange
- rs = pink

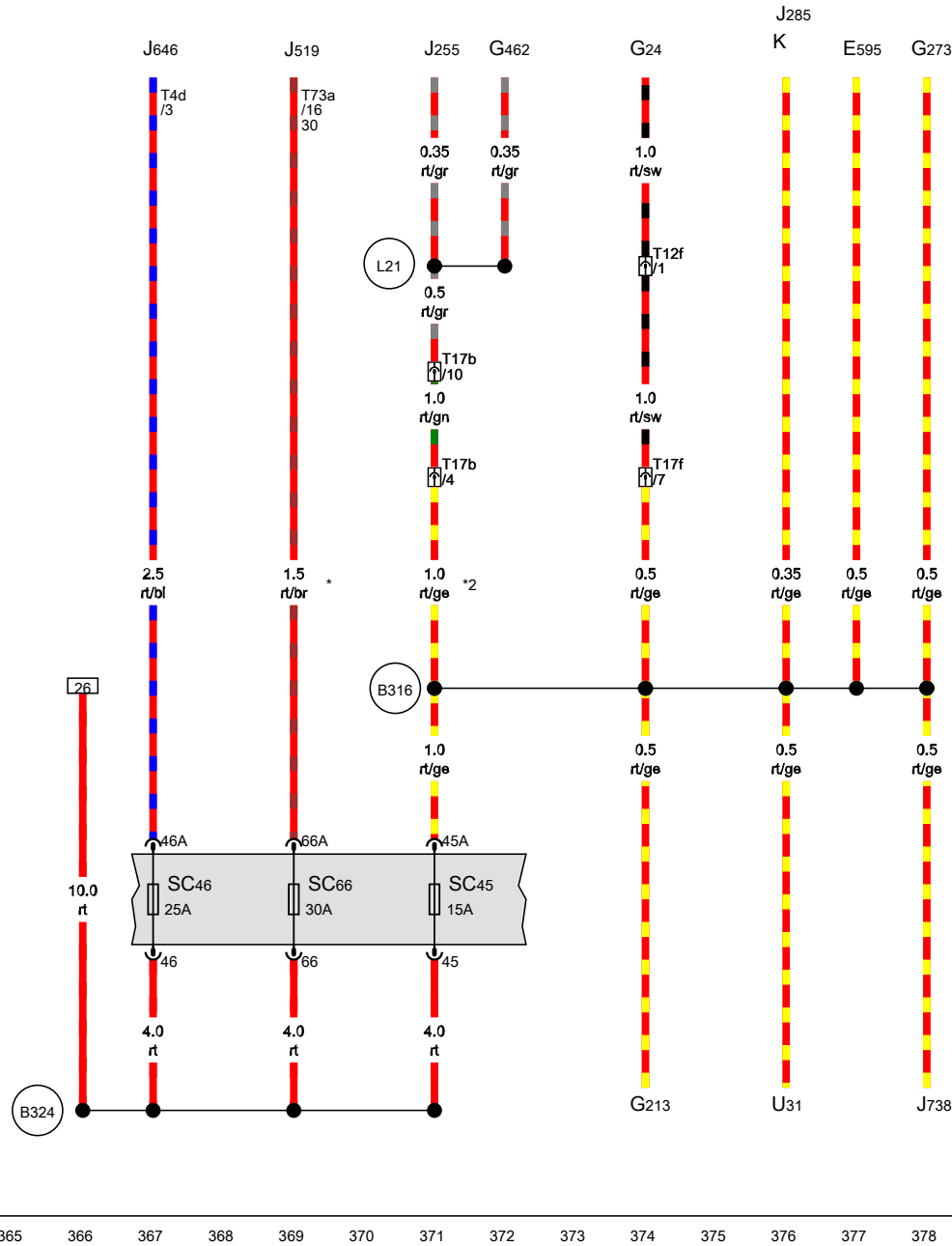
Steering column combination switch, Rain sensor, Interior monitoring sensor, Telephone controls control unit, Dash panel insert, Fuse 45 on fuse holder C, Fuse 46 on fuse holder C, Fuse 66 on fuse holder C, Diagnostic connection

- E595 Steering column combination switch
- G24 Tachograph
- G213 Rain sensor
- G273 Interior monitoring sensor
- G462 Sender for front Bitron blower regulation
- J255 Climatronic control unit
- J285 Control unit in dash panel insert
- J519 Onboard supply control unit
- J646 Transfer box control unit
- J738 Telephone controls control unit
- K Dash panel insert
- SC45 Fuse 45 on fuse holder C
- SC46 Fuse 46 on fuse holder C
- SC66 Fuse 66 on fuse holder C
- T4d 4-pin connector
- T12f 12-pin connector, near handbrake lever, black
- T17b 17-pin connector, on left under dash panel, brown
- T17f 17-pin connector, near handbrake lever, blue
- T73a 73-pin connector, black
- U31 Diagnostic connection

- B316 Positive connection 2 (30a) in main wiring harness
- B324 Positive connection 10 (30a) in main wiring harness
- L21 Connection 1 (30), in Climatronic operating unit wiring harness

\* Only models with central locking  
 \*2 Only models with Climatronic

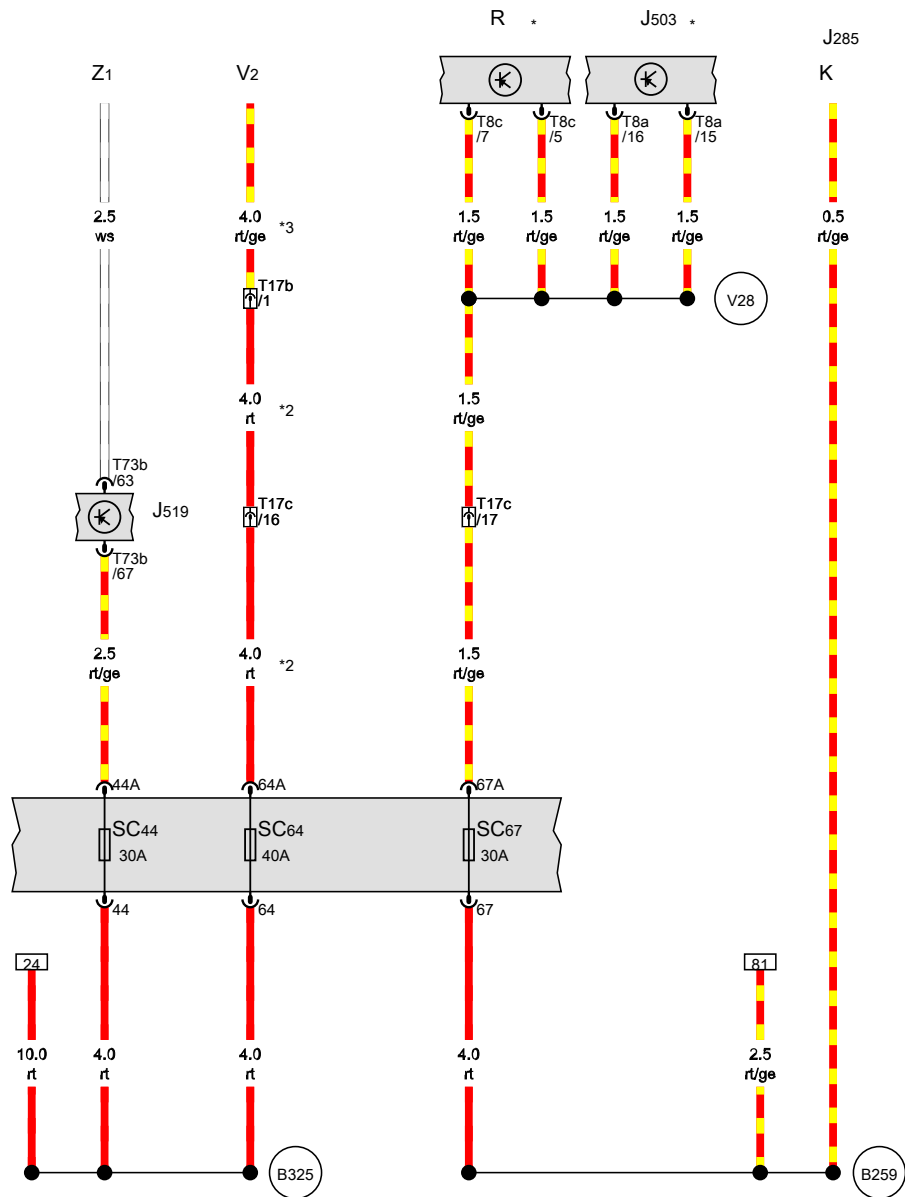
- ws = white
- sw = black
- ro = red
- br = brown
- gn = green
- bl = blue
- gr = grey
- li = purple
- ge = yellow
- or = orange
- rs = pink



365 366 367 368 369 370 371 372 373 374 375 376 377 378

17H0-091281117

**Fuse 44 on fuse holder C, Fuse 64 on fuse holder C, Fuse 67 on fuse holder C**



- J285 Control unit in dash panel insert
- J503 Control unit with display for radio and navigation
- J519 Onboard supply control unit
- K Dash panel insert
- R Radio
- SC44 Fuse 44 on fuse holder C
- SC64 Fuse 64 on fuse holder C
- SC67 Fuse 67 on fuse holder C
- T8a 8-pin connector, black
- T8c 8-pin connector, black
- T17b 17-pin connector, behind glove compartment, black
- T17c 17-pin connector, on left under dash panel, white
- T73b 73-pin connector, colourless
- V2 Fresh air blower
- Z1 Heated rear window
- B259** Connection (start/stop signal), in interior wiring harness
- B325** Positive connection 11 (30a) in main wiring harness
- V28** Connection 1, in radio wiring harness
- \* According to equipment
- \*2 Only models with Climatronic
- \*3 see applicable current flow diagram

- ws = white
- sw = black
- ro = red
- br = brown
- gn = green
- bl = blue
- gr = grey
- li = purple
- ge = yellow
- or = orange
- rs = pink

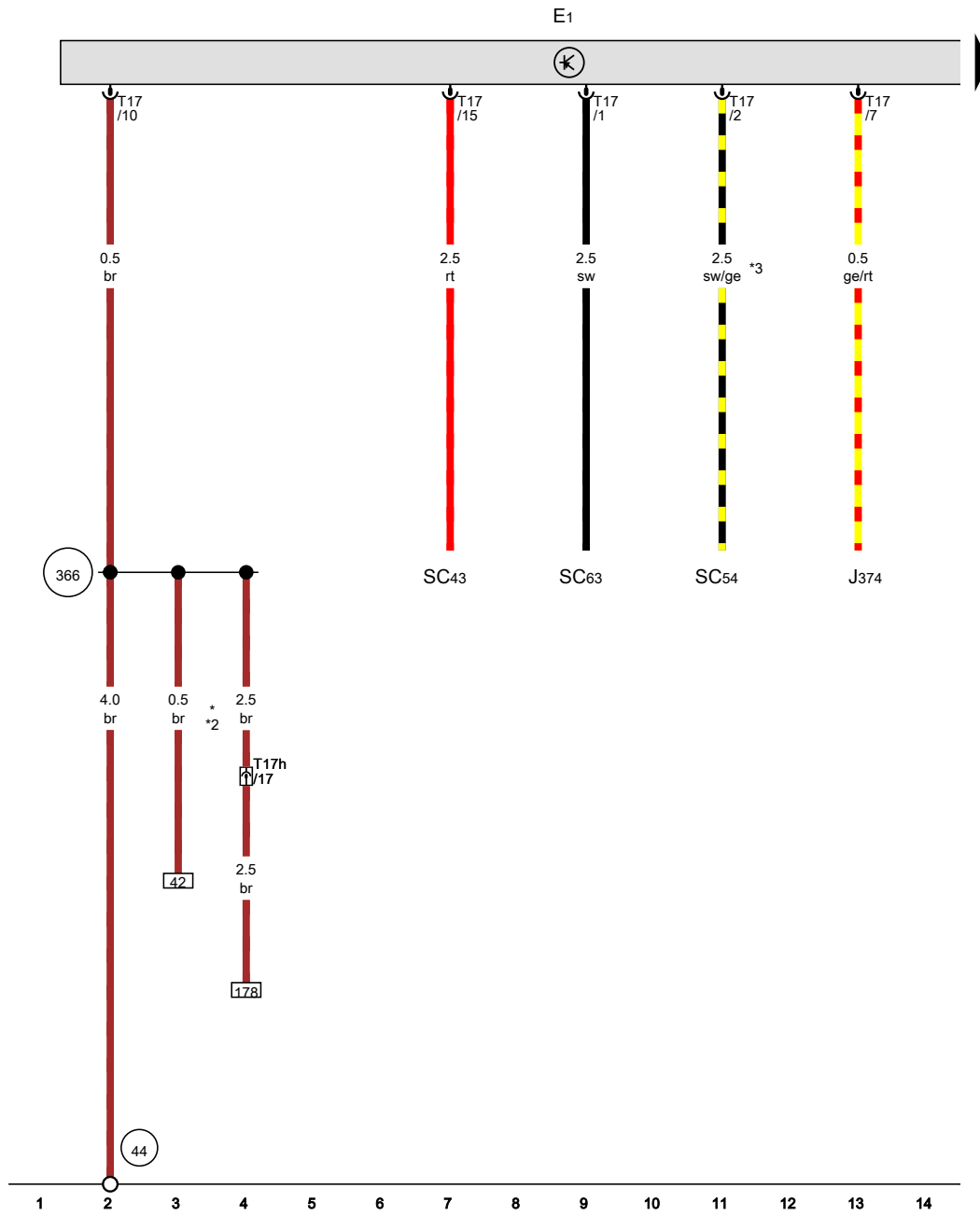
379 380 381 382 383 384 385 386 387 388 389 390 391 392

17H0-0912911171

## Exterior lighting , (7L3)

From January 2013





Light switch

- E1 Light switch
- J374 Terminal 58b relief relay
- SC43 Fuse 43 on fuse holder C
- SC54 Fuse 54 on fuse holder C
- SC63 Fuse 63 on fuse holder C
- T17 17-pin connector, black
- T17h 17-pin connector, on left under dash panel, blue

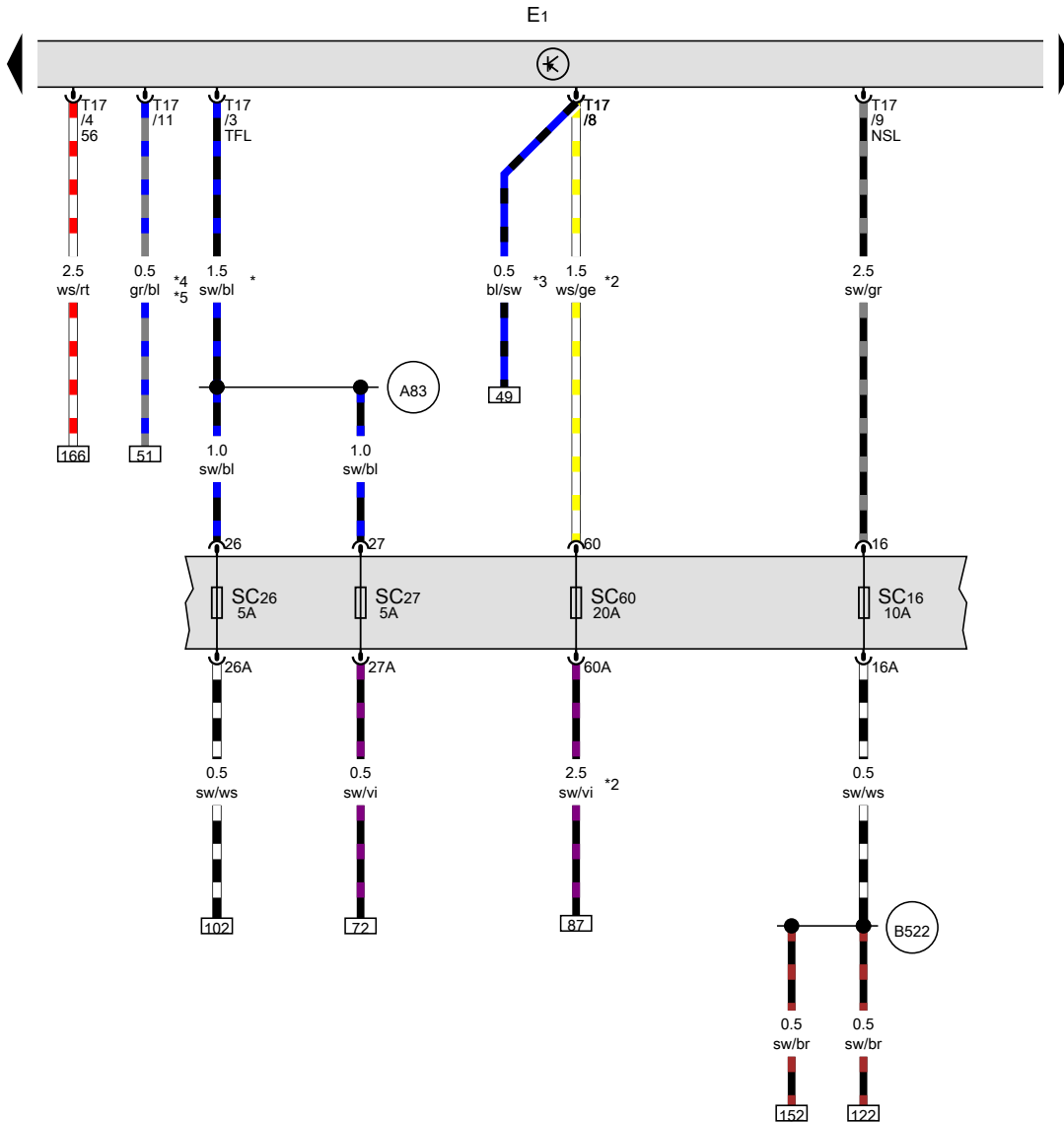
- 44 Earth point, lower part of left A-pillar
- 366 Earth connection 1, in main wiring harness

- \* Only models with headlight range control
- \*2 Only models with Highline equipment
- \*3 Only models with fog lights

- ws = white
- sw = black
- ro = red
- rt = red
- br = brown
- gn = green
- bl = blue
- gr = grey
- li = purple
- vi = purple
- ge = yellow
- or = orange
- rs = pink

1740-0920211131

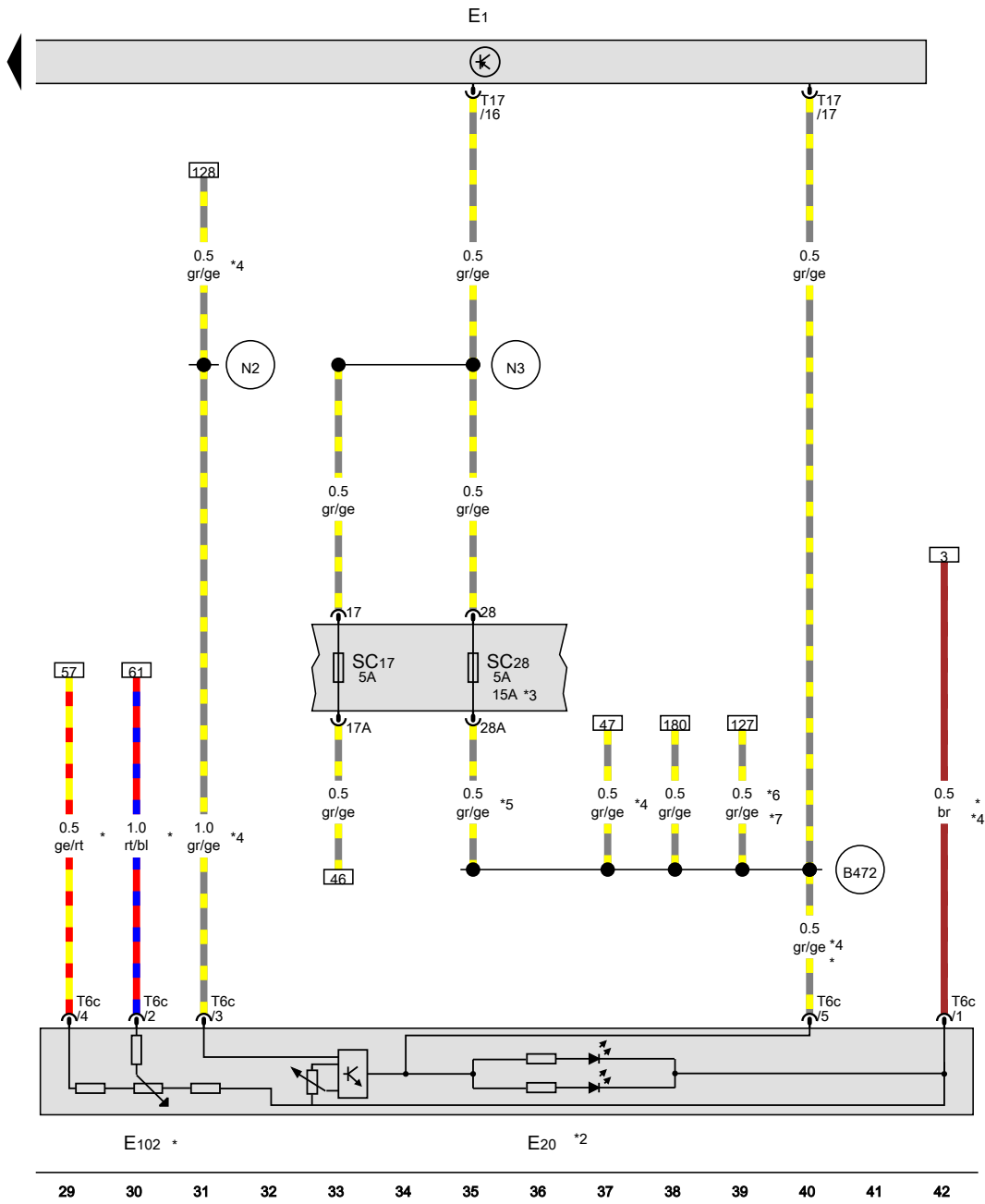
Light switch, Fuse 16 on fuse holder C, Fuse 26 on fuse holder C, Fuse 27 on fuse holder C, Fuse 60 on fuse holder C



- E1 Light switch
- SC16 Fuse 16 on fuse holder C
- SC26 Fuse 26 on fuse holder C
- SC27 Fuse 27 on fuse holder C
- SC60 Fuse 60 on fuse holder C
- T17 17-pin connector, black
- A83 Connection (daytime running lights), in dash panel wiring harness
- B522 Connection (FL), in main wiring harness
- \* Only models with daytime running lights
- \*2 Only models with fog lights
- \*3 Only models with static cornering light
- \*4 Only models with electric interface for external use
- \*5 Only models with basic equipment

- ws = white
- sw = black
- ro = red
- rt = red
- br = brown
- gn = green
- bl = blue
- gr = grey
- li = purple
- vi = purple
- ge = yellow
- or = orange
- rs = pink

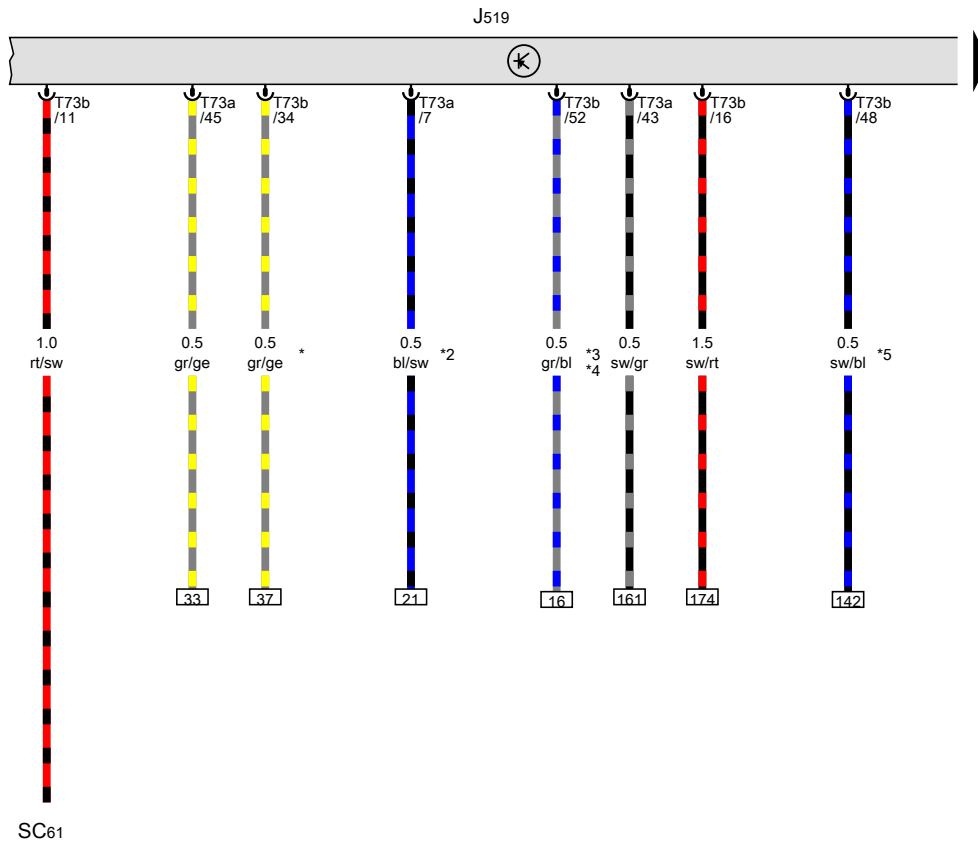
Light switch, Switch and instrument illumination regulator, Headlight range control regulator, Fuse 28 on fuse holder C



- E1 Light switch
- E20 Switch and instrument illumination regulator
- E102 Headlight range control regulator
- SC17 Fuse 17 on fuse holder C
- SC28 Fuse 28 on fuse holder C
- T6c 6-pin connector, black
- T17 17-pin connector, black
- (B472) Connection 8, in main wiring harness
- (N2) Connection 1, in headlight range control wiring harness
- (N3) Connection 2, in headlight range control wiring harness
- \* Only models with headlight range control
- \*2 Only models with dimmable instrument illumination
- \*3 Only models with automatic driving lights control
- \*4 Only models with Highline equipment
- \*5 Only models with no dimmable instrument illumination
- \*6 Only models with Trendline equipment
- \*7 Only models with basic equipment

- ws = white
- sw = black
- ro = red
- rt = red
- br = brown
- gn = green
- bl = blue
- gr = grey
- li = purple
- vi = purple
- ge = yellow
- or = orange
- rs = pink

17H0-0920411131



Onboard supply control unit

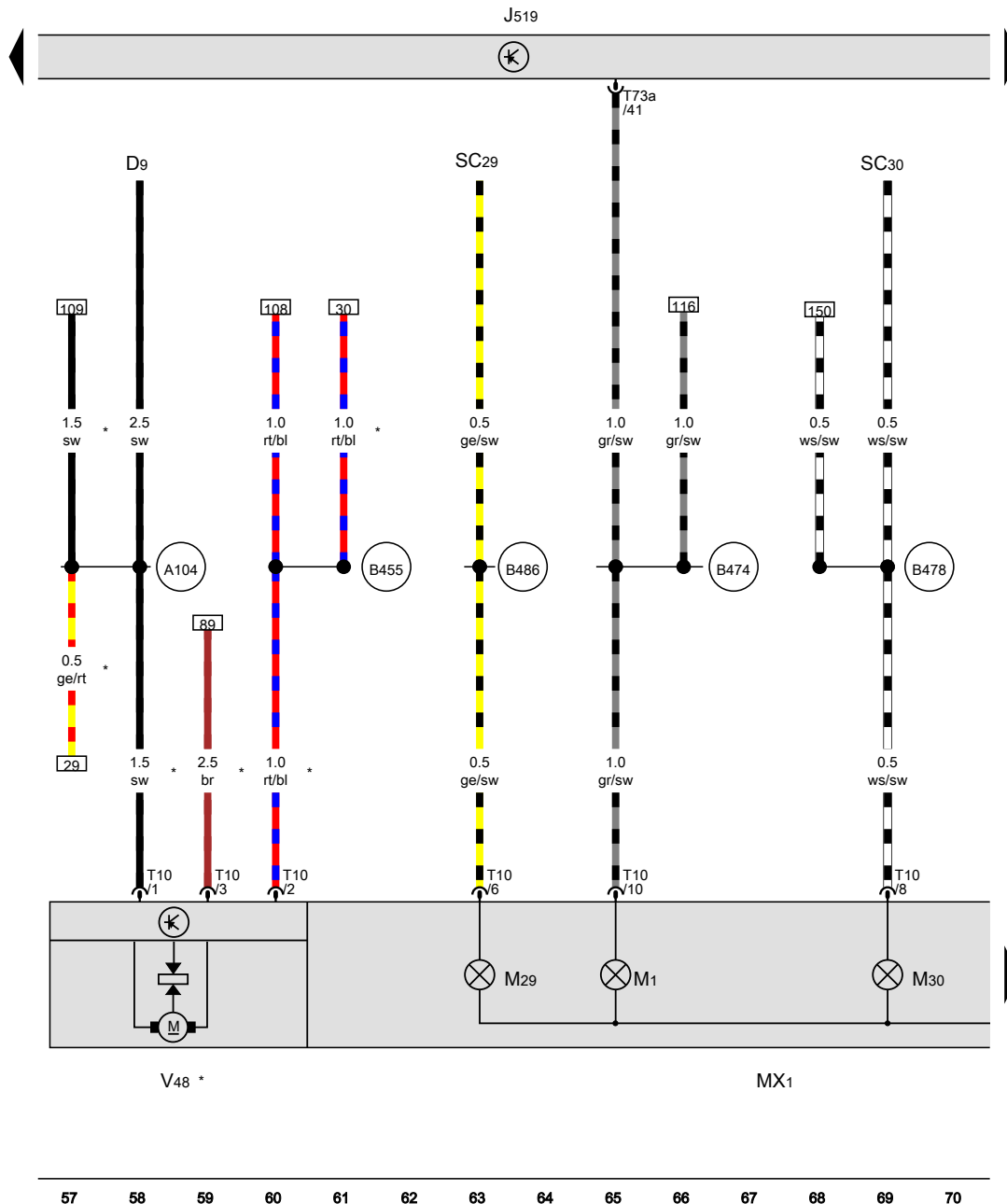
- J519 Onboard supply control unit
- SC61 Fuse 61 on fuse holder C
- T73a 73-pin connector, black
- T73b 73-pin connector, colourless
- \* Only models with Highline equipment
- \*2 Only models with static cornering light
- \*3 Only models with electric interface for external use
- \*4 Only models with basic equipment
- \*5 Only models with manual gearbox

43 44 45 46 47 48 49 50 51 52 53 54 55 56

[240-092051113]

- ws = white
- sw = black
- ro = red
- rt = red
- br = brown
- gn = green
- bl = blue
- gr = grey
- li = purple
- vi = purple
- ge = yellow
- or = orange
- rs = pink

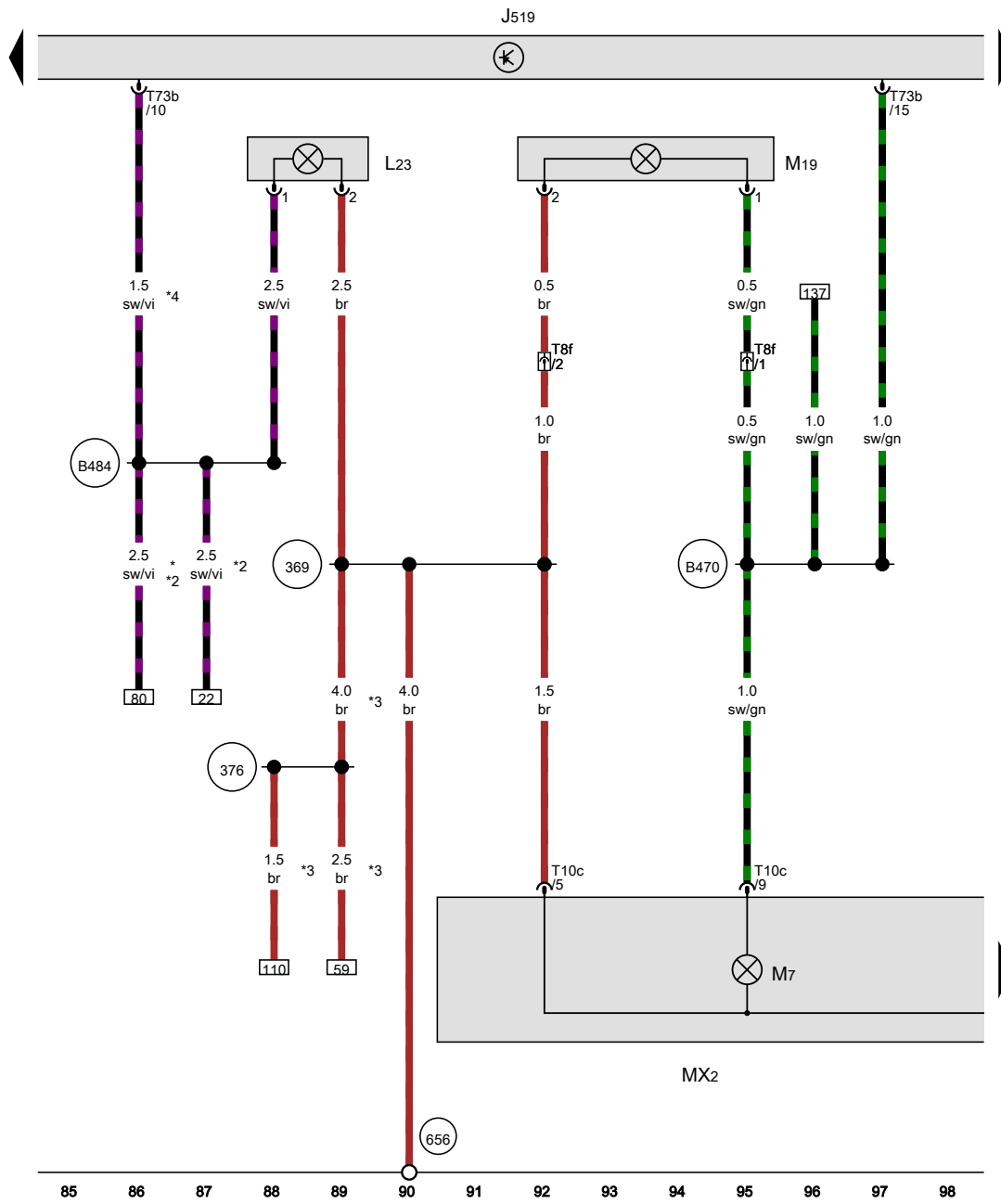
Onboard supply control unit, Front left headlight, Fuse 29 on fuse holder C



- D9 Electronic ignition lock
  - J519 Onboard supply control unit
  - MX1 Front left headlight
  - M1 Left side light bulb
  - M29 Left headlight dipped beam bulb
  - M30 Left headlight main beam bulb
  - SC29 Fuse 29 on fuse holder C
  - SC30 Fuse 30 on fuse holder C
  - T10 10-pin connector
  - T73a 73-pin connector, black
  - V48 Left headlight range control motor
- (A104) Positive connection 2 (15), in dash panel wiring harness
  - (B455) Connection (HRC), in main wiring harness
  - (B474) Connection 10, in main wiring harness
  - (B478) Connection 14, in main wiring harness
  - (B486) Connection 22, in main wiring harness
- \* Only models with headlight range control

17H0-0920611131





**Onboard supply control unit, Right fog light bulb, Front right headlight, Right turn signal repeater bulb**

- J519 Onboard supply control unit
- L23 Right fog light bulb
- MX2 Front right headlight
- M7 Front right turn signal bulb
- M19 Right turn signal repeater bulb
- T8f 8-pin connector, in rear right of engine compartment, black
- T10c 10-pin connector, black
- T73b 73-pin connector, colourless

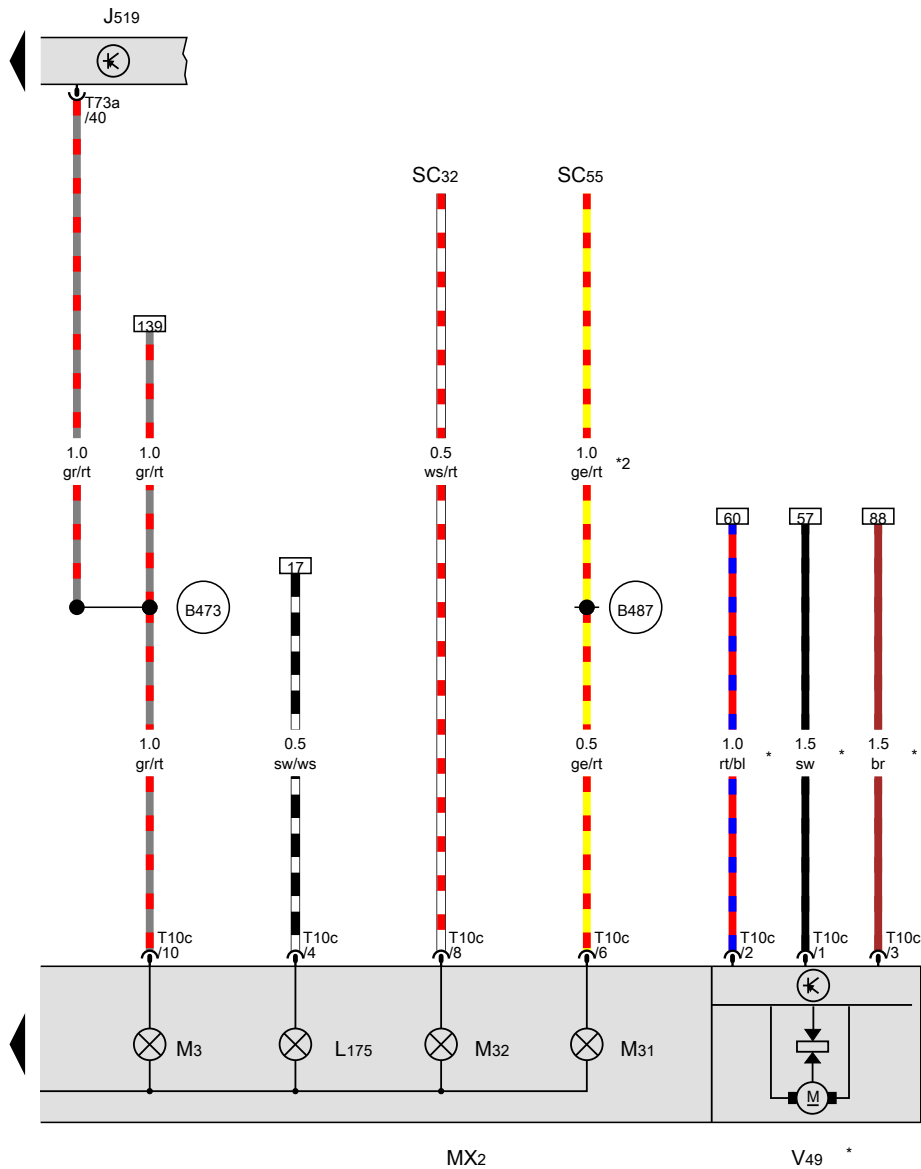
- 369 Earth connection 4, in main wiring harness
- 376 Earth connection 11, in main wiring harness
- 656 Earth point, on right headlight, on right on bulkhead
- B470 Connection 6, in main wiring harness
- B484 Connection 20, in main wiring harness

- \* Only models with no static cornering light
- \*2 Only models with fog lights
- \*3 Only models with headlight range control
- \*4 Only models with static cornering light

- ws = white
- sw = black
- ro = red
- rt = red
- br = brown
- gn = green
- bl = blue
- gr = grey
- li = purple
- vi = purple
- ge = yellow
- or = orange
- rs = pink

17H0-092081113

Onboard supply control unit, Front right headlight, Fuse 32 on fuse holder C, Fuse 55 on fuse holder C



- J519 Onboard supply control unit
- L175 Right daytime running light bulb
- MX2 Front right headlight
- M3 Right side light bulb
- M31 Right headlight dipped beam bulb
- M32 Right headlight main beam bulb
- SC32 Fuse 32 on fuse holder C
- SC55 Fuse 55 on fuse holder C
- T10c 10-pin connector, black
- T73a 73-pin connector, black
- V49 Right headlight range control motor

B473 Connection 9, in main wiring harness

B487 Connection 23, in main wiring harness

\* Only models with headlight range control

\*2 Only models with no headlight range control

- ws = white
- sw = black
- ro = red
- rt = red
- br = brown
- gn = green
- bl = blue
- gr = grey
- li = purple
- vi = purple
- ge = yellow
- or = orange
- rs = pink

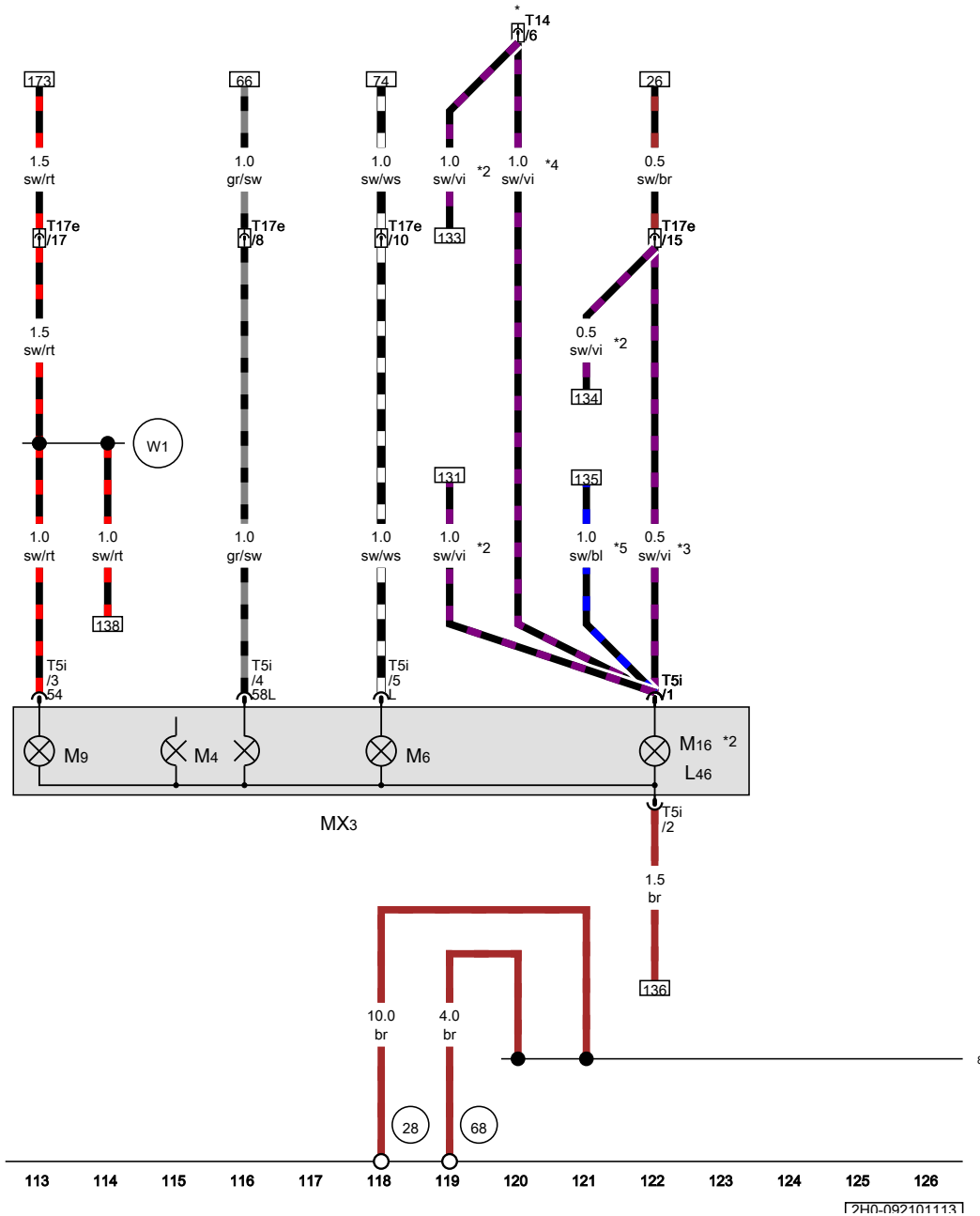


Left tail light

- L46 Rear left fog light bulb
- MX3 Left tail light
- M4 Left tail light bulb
- M6 Rear left turn signal bulb
- M9 Left brake light bulb
- M16 Left reversing light bulb
- T5i 5-pin connector, black
- T14 14-pin connector, behind rear bumper on left, black
- T17e 17-pin connector, near handbrake lever, red

- 28 Earth point, on bulkhead
- 68 Earth point, on left of rear cross member
- 86 Earth connection 1, in rear wiring harness
- W1 Positive connection 1 (54), in rear wiring harness

- \* see applicable current flow diagram for preparation for trailer coupling
- \*2 Only right-hand drive models
- \*3 Only models with no towing bracket
- \*4 Only left-hand drive models
- \*5 Only models with no rear fog light

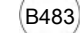


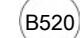
120-0921011131



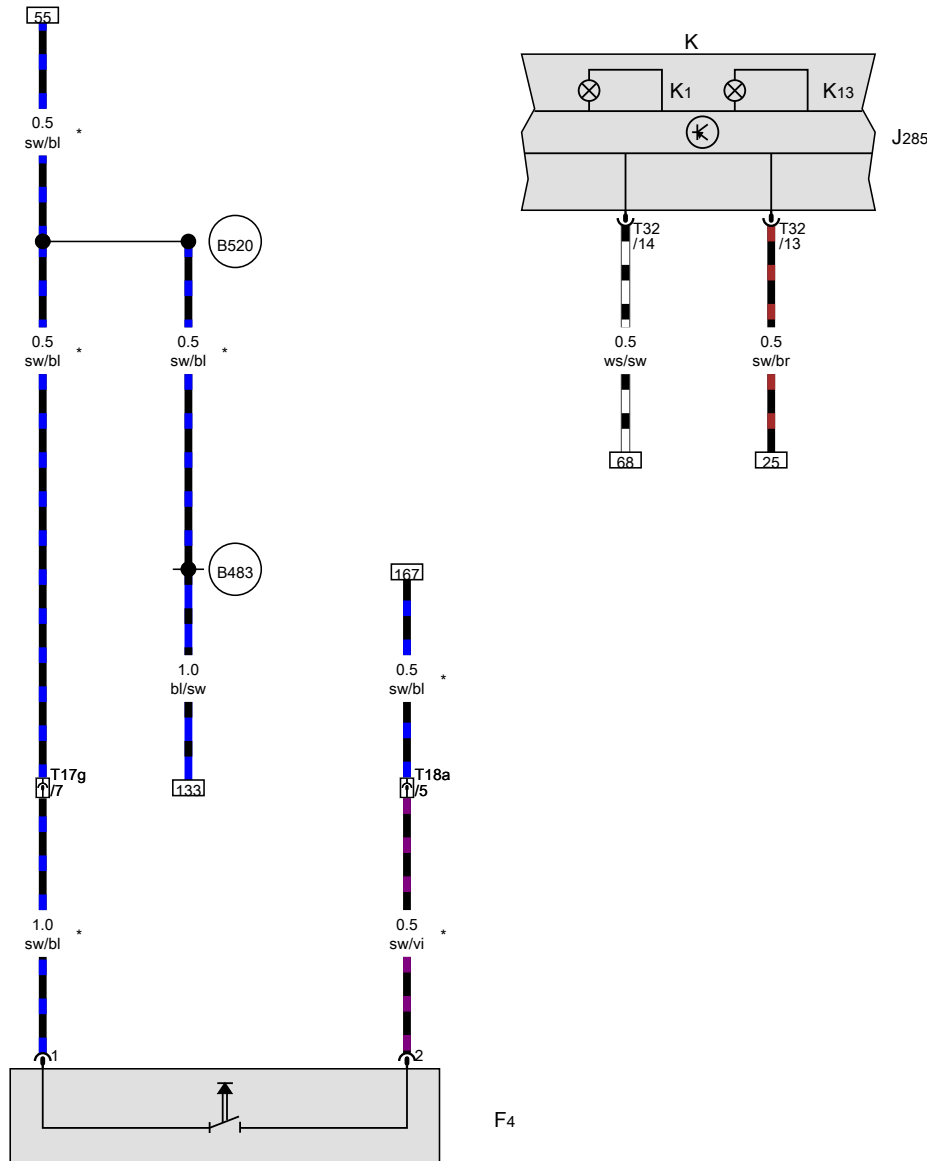
Reversing light switch, Control unit in dash panel insert, Dash panel insert

- F4 Reversing light switch
- J285 Control unit in dash panel insert
- K Dash panel insert
- K1 Main beam warning lamp
- K13 Rear fog light warning lamp
- T17g 17-pin connector, near handbrake lever, black
- T18a 18-pin connector, near engine control unit, grey
- T32 32-pin connector, blue

 B483 Connection 19, in main wiring harness

 B520 Connection (RL), in main wiring harness

\* Only models with manual gearbox



- ws = white
- sw = black
- ro = red
- rt = red
- br = brown
- gn = green
- bl = blue
- gr = grey
- li = purple
- vi = purple
- ge = yellow
- or = orange
- rs = pink

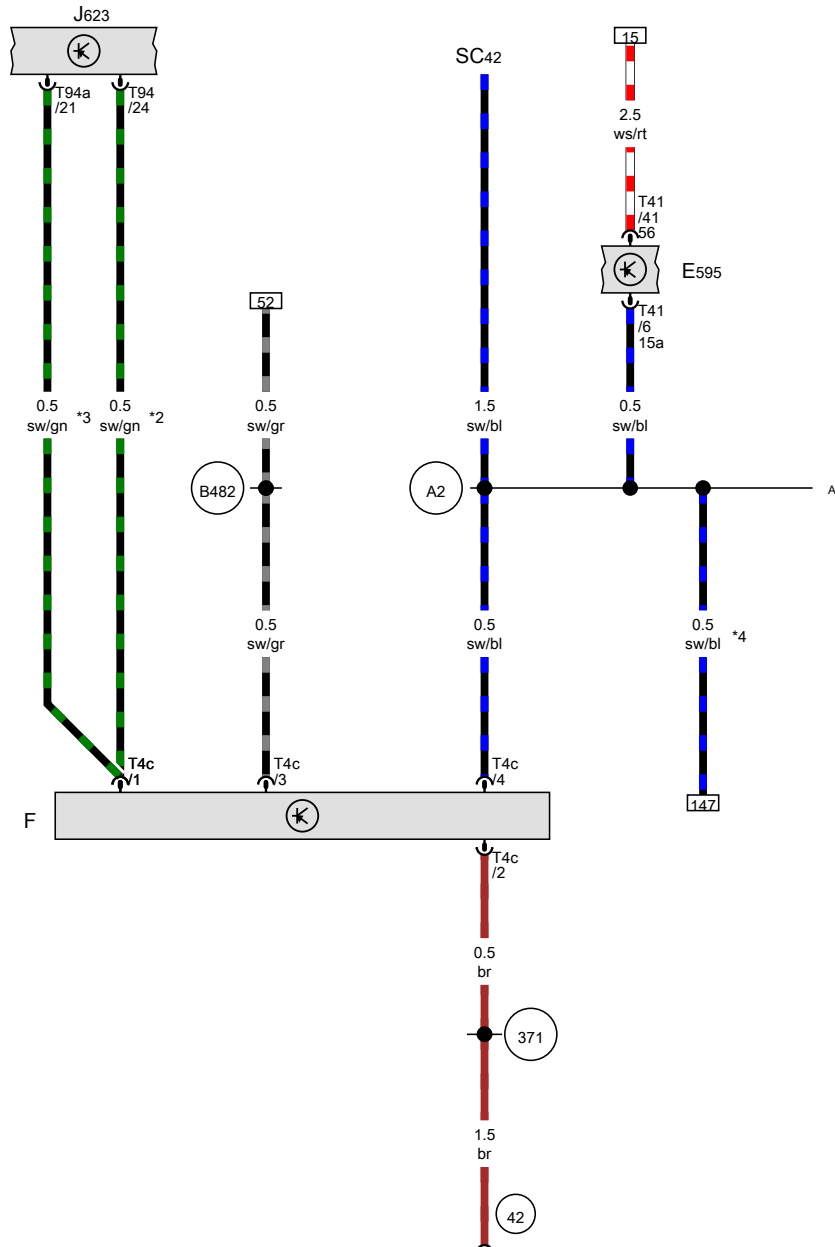
141 142 143 144 145 146 147 148 149 150 151 152 153 154

[2PH0-092121113]

**Steering column combination switch, Brake light switch, Engine control unit**

- E595 Steering column combination switch
- F Brake light switch
- J623 Engine control unit
- SC42 Fuse 42 on fuse holder C
- T4c 4-pin connector, black
- T41 41-pin connector, grey
- T94 94-pin connector, black
- T94a 94-pin connector, black

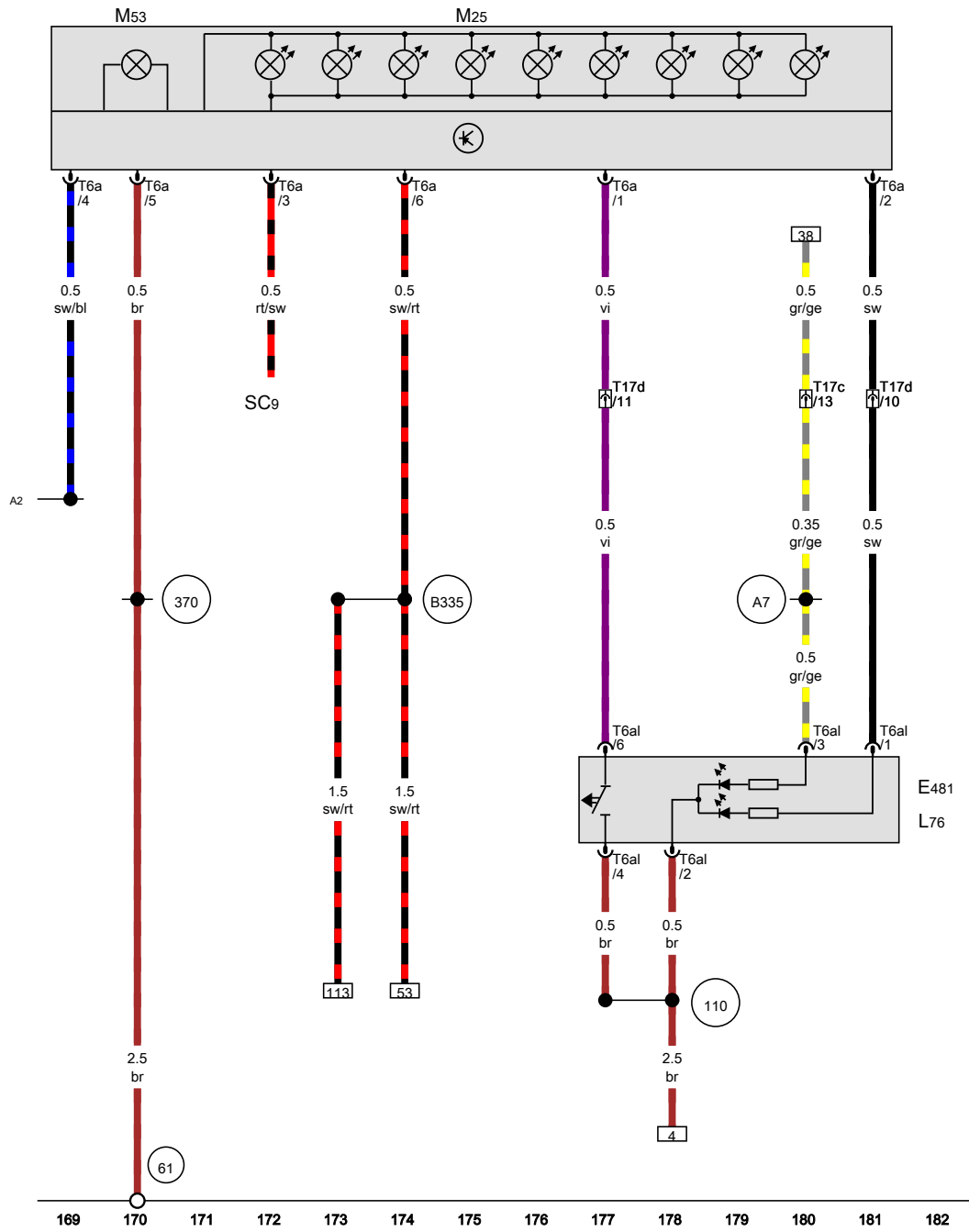
- (42) Earth point, next to steering column
- (371) Earth connection 6, in main wiring harness
- (A2) Positive connection (15), in dash panel wiring harness
- (B482) Connection 18, in main wiring harness
- \* Only models with headlight range control
- \*2 Only models with petrol engine
- \*3 Only models with diesel engine
- \*4 Only models with manual gearbox



- ws = white
- sw = black
- ro = red
- rt = red
- br = brown
- gn = green
- bl = blue
- gr = grey
- li = purple
- vi = purple
- ge = yellow
- or = orange
- rs = pink

155 156 157 158 159 160 161 162 163 164 165 166 167 168

12H0-0921311131



**Load area illumination switch, Additional brake light bulb, Load area illumination bulb**

- E481 Load area illumination switch, near radio
- L76 Button illumination bulb
- M25 Additional brake light bulb
- M53 Load area illumination bulb
- SC9 Fuse 9 on fuse holder C
- T6a 6-pin connector
- T6al 6-pin connector
- T17c 17-pin connector, on left under dash panel, white
- T17d 17-pin connector, on left under dash panel, green

- 61 Earth point, left C-pillar
- 110 Earth connection 2, in dash panel wiring harness
- 370 Earth connection 5, in main wiring harness
- A2 Positive connection (15), in dash panel wiring harness
- A7 Positive connection (58 D1), in dash panel wiring harness
- B335 Connection 1 (54), in main wiring harness

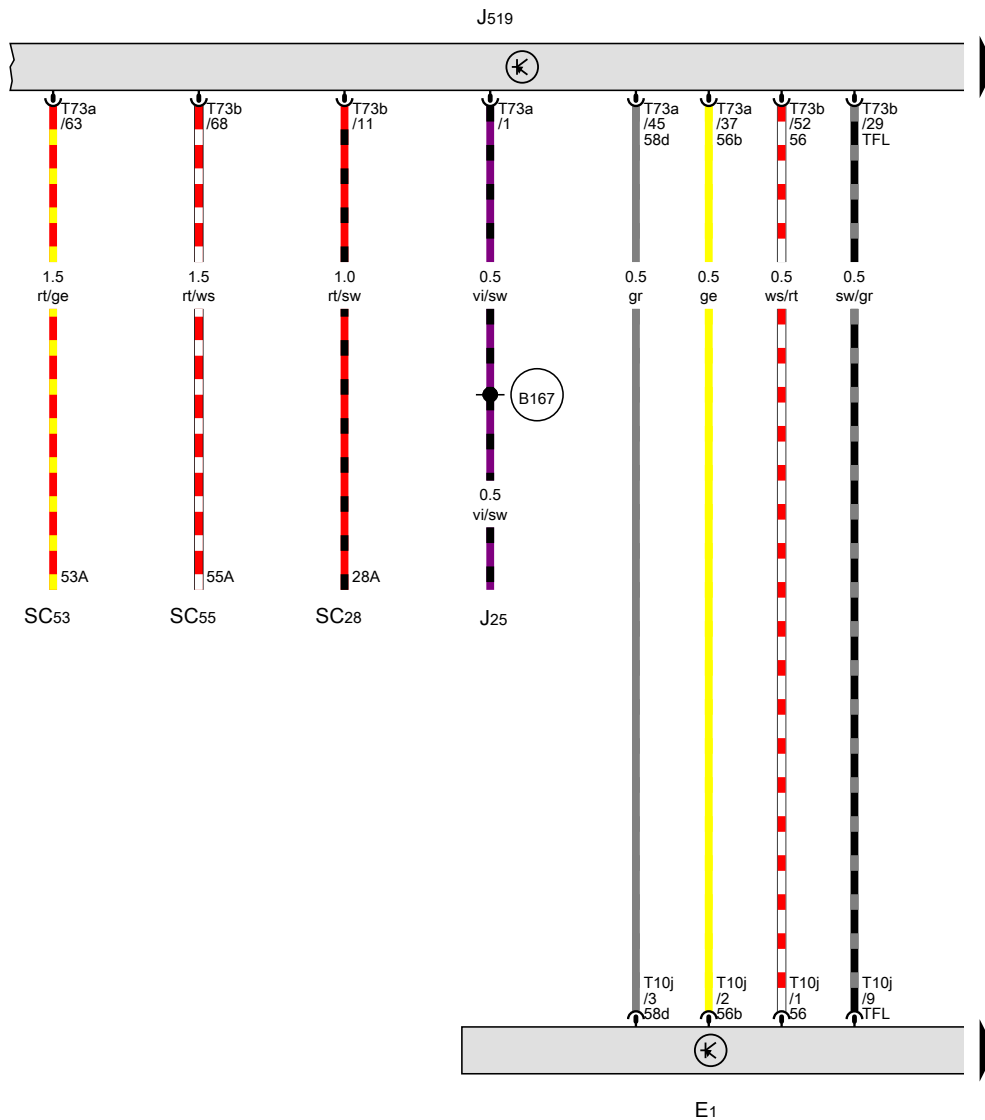
- ws = white
- sw = black
- ro = red
- rt = red
- br = brown
- gn = green
- bl = blue
- gr = grey
- li = purple
- vi = purple
- ge = yellow
- or = orange
- rs = pink

7PH0-092141113

**Exterior lighting , (7L3),(7L6),(7L6)**

From January 2013

Light switch, Onboard supply control unit



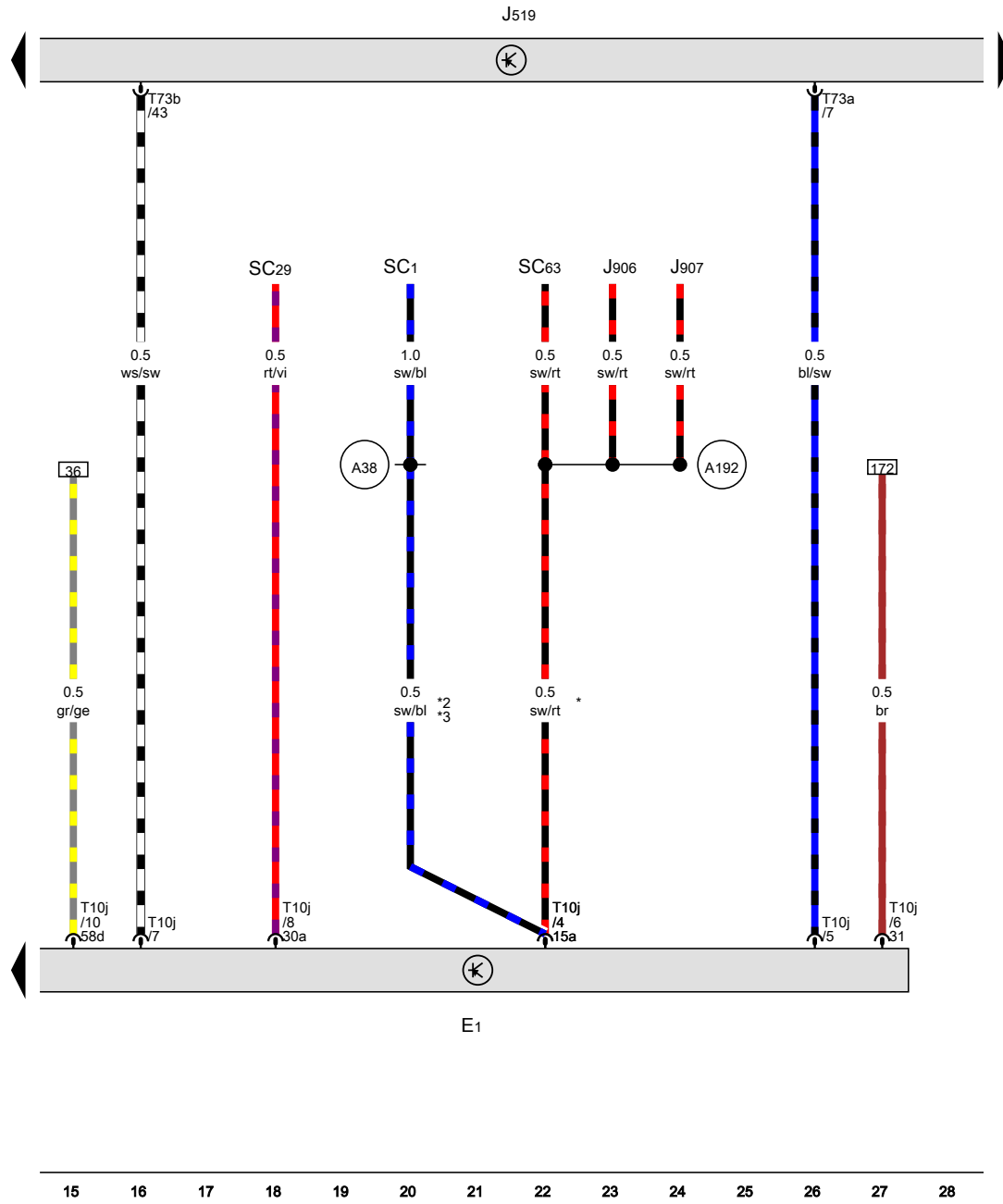
- E1 Light switch
- J25 Headlight relay
- J519 Onboard supply control unit
- SC28 Fuse 28 on fuse holder C
- SC53 Fuse 53 on fuse holder C
- SC55 Fuse 55 on fuse holder C
- T10j 10-pin connector, black
- T73a 73-pin connector, black
- T73b 73-pin connector, colourless
- B167** Connection (56b), in interior wiring harness

- ws = white
- sw = black
- ro = red
- rt = red
- br = brown
- gn = green
- bl = blue
- gr = grey
- li = purple
- vi = purple
- ge = yellow
- or = orange
- rs = pink

1 2 3 4 5 6 7 8 9 10 11 12 13 14

Г240-0930211131

Light switch, Onboard supply control unit

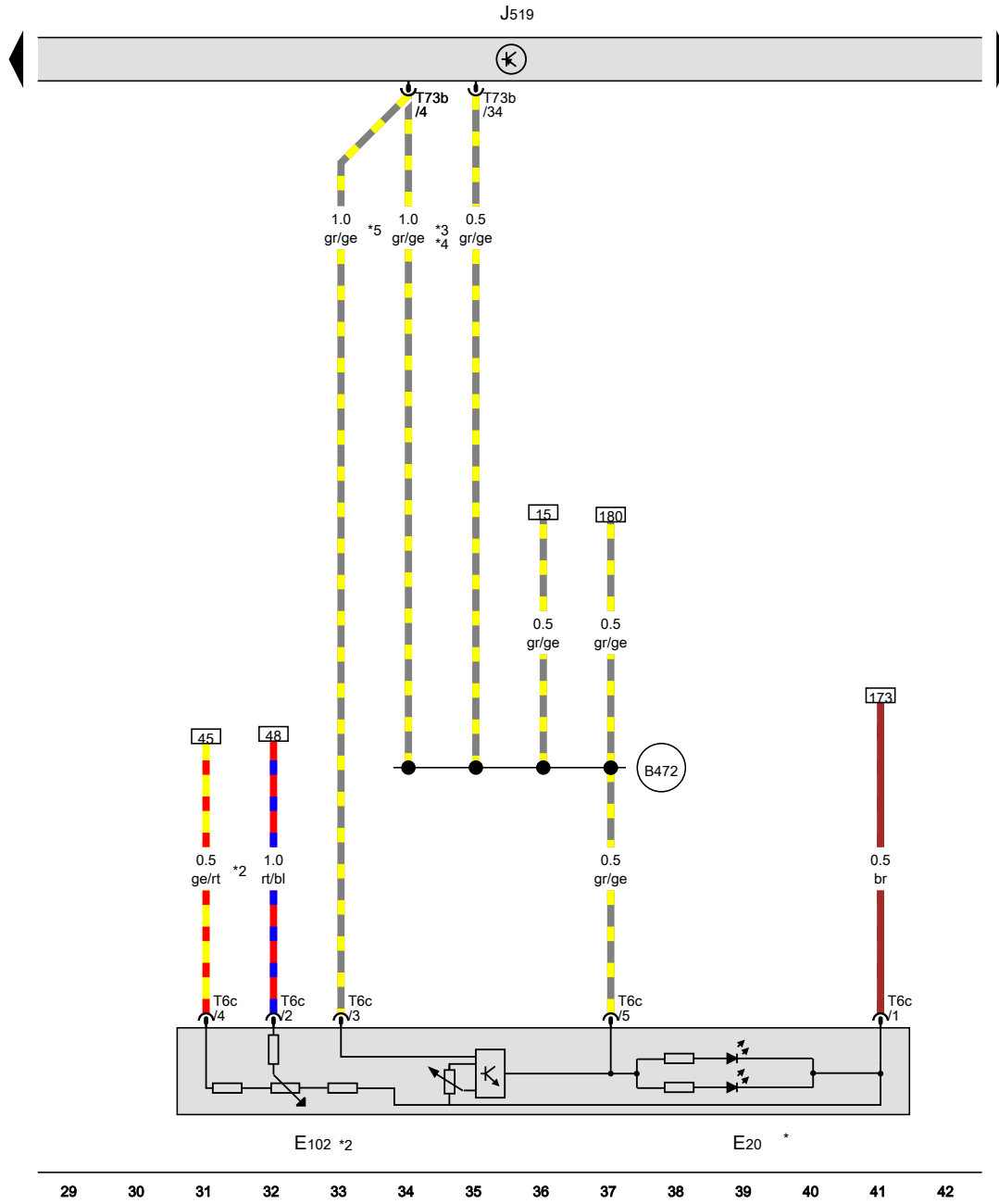


- E1 Light switch
- J519 Onboard supply control unit
- J906 Starter relay 1
- J907 Starter relay 2
- SC1 Fuse 1 on fuse holder C
- SC29 Fuse 29 on fuse holder C
- SC63 Fuse 63 on fuse holder C
- T10j 10-pin connector, black
- T73a 73-pin connector, black
- T73b 73-pin connector, colourless
- A38 Positive connection 2 (15a) in dash panel wiring harness
- A192 Positive connection 3 (15a) in dash panel wiring harness
- \* Only models with start/stop system
- \*2 Only models with no start/stop system
- \*3 Only models with automatic driving lights control

- ws = white
- sw = black
- ro = red
- rt = red
- br = brown
- gn = green
- bl = blue
- gr = grey
- li = purple
- vi = purple
- ge = yellow
- or = orange
- rs = pink

1740-093031113





Switch and instrument illumination regulator, Headlight range control regulator, Onboard supply control unit

- E20 Switch and instrument illumination regulator
- E102 Headlight range control regulator
- J519 Onboard supply control unit
- T6c 6-pin connector
- T73b 73-pin connector, colourless

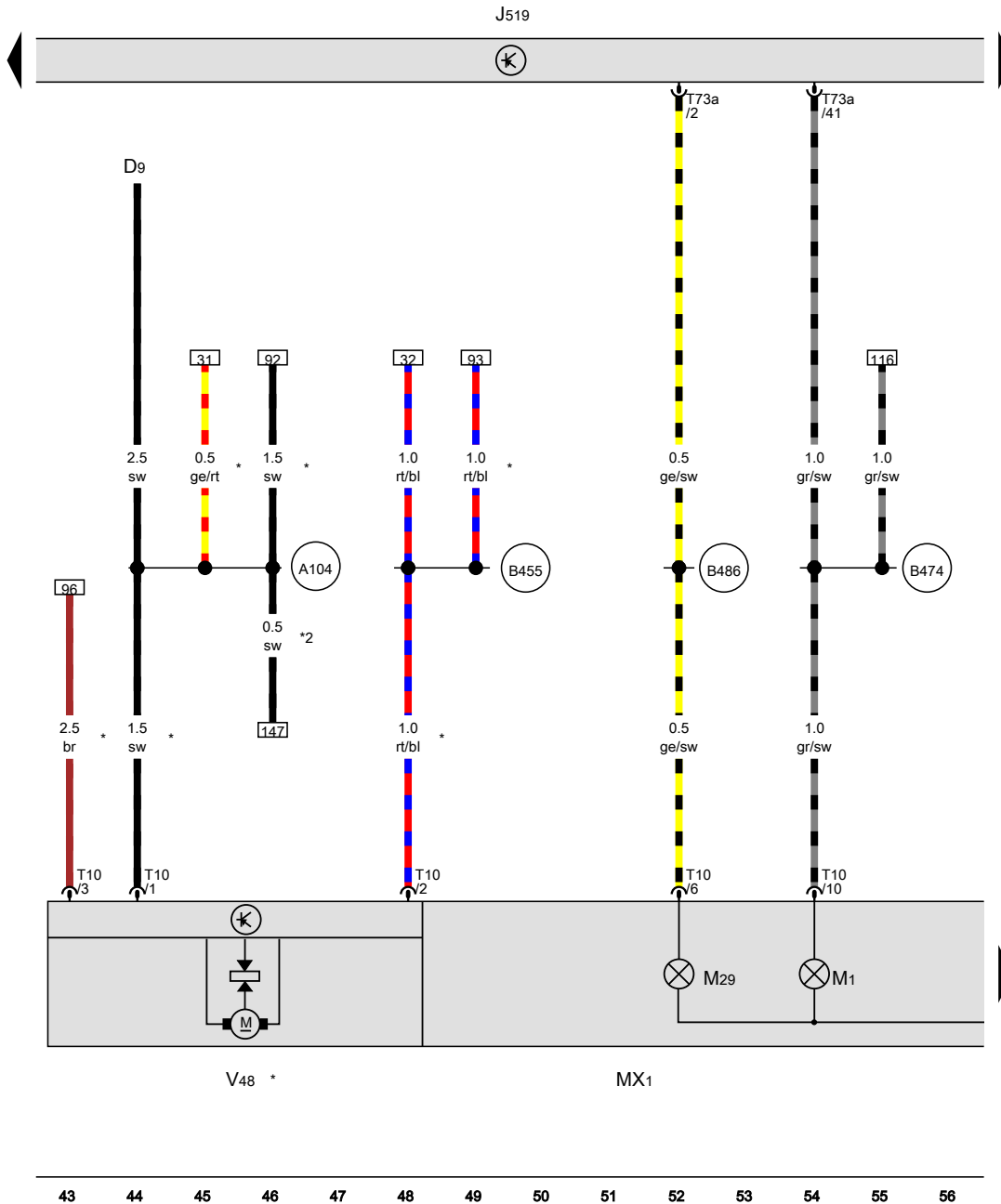
B472 Connection 8, in main wiring harness

- \* Only models with dimmable instrument illumination
- \*2 Only models with headlight range control
- \*3 Only models with Trendline equipment
- \*4 Only models with basic equipment
- \*5 Only models with Highline equipment

- ws = white
- sw = black
- ro = red
- rt = red
- br = brown
- gn = green
- bl = blue
- gr = grey
- li = purple
- vi = purple
- ge = yellow
- or = orange
- rs = pink

12H0-0930411131

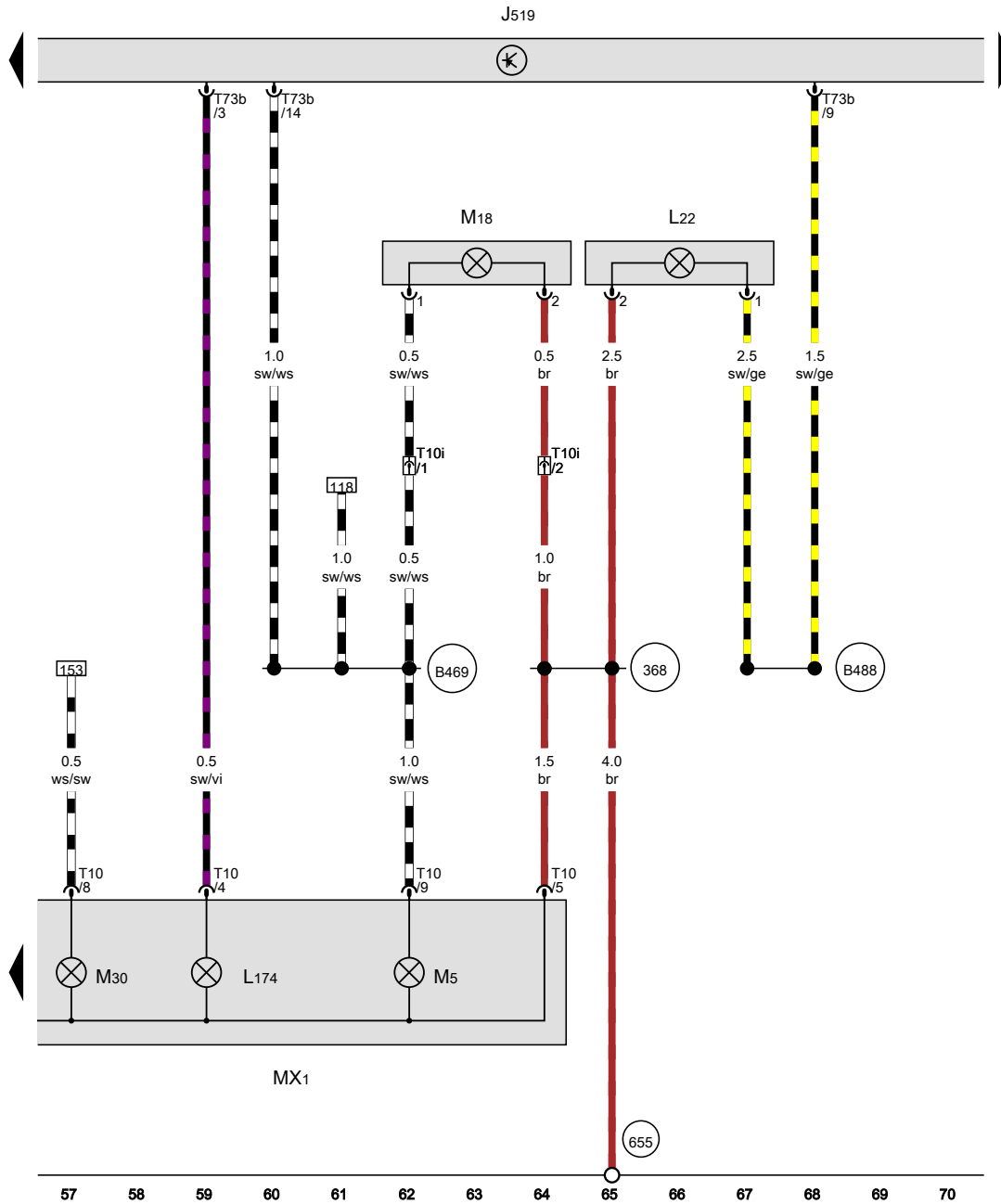
Onboard supply control unit, Front left headlight



- D9 Electronic ignition lock
- J519 Onboard supply control unit
- MX1 Front left headlight
- M1 Left side light bulb
- M29 Left headlight dipped beam bulb
- T10 10-pin connector
- T73a 73-pin connector, black
- V48 Left headlight range control motor
- A104 Positive connection 2 (15), in dash panel wiring harness
- B455 Connection (HRC), in main wiring harness
- B474 Connection 10, in main wiring harness
- B486 Connection 22, in main wiring harness
- \* Only models with headlight range control
- \*2 Only models with rain sensor


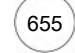
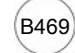
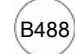
- ws = white
- sw = black
- ro = red
- rt = red
- br = brown
- gn = green
- bl = blue
- gr = grey
- li = purple
- vi = purple
- ge = yellow
- or = orange
- rs = pink

17PH0-0930511131



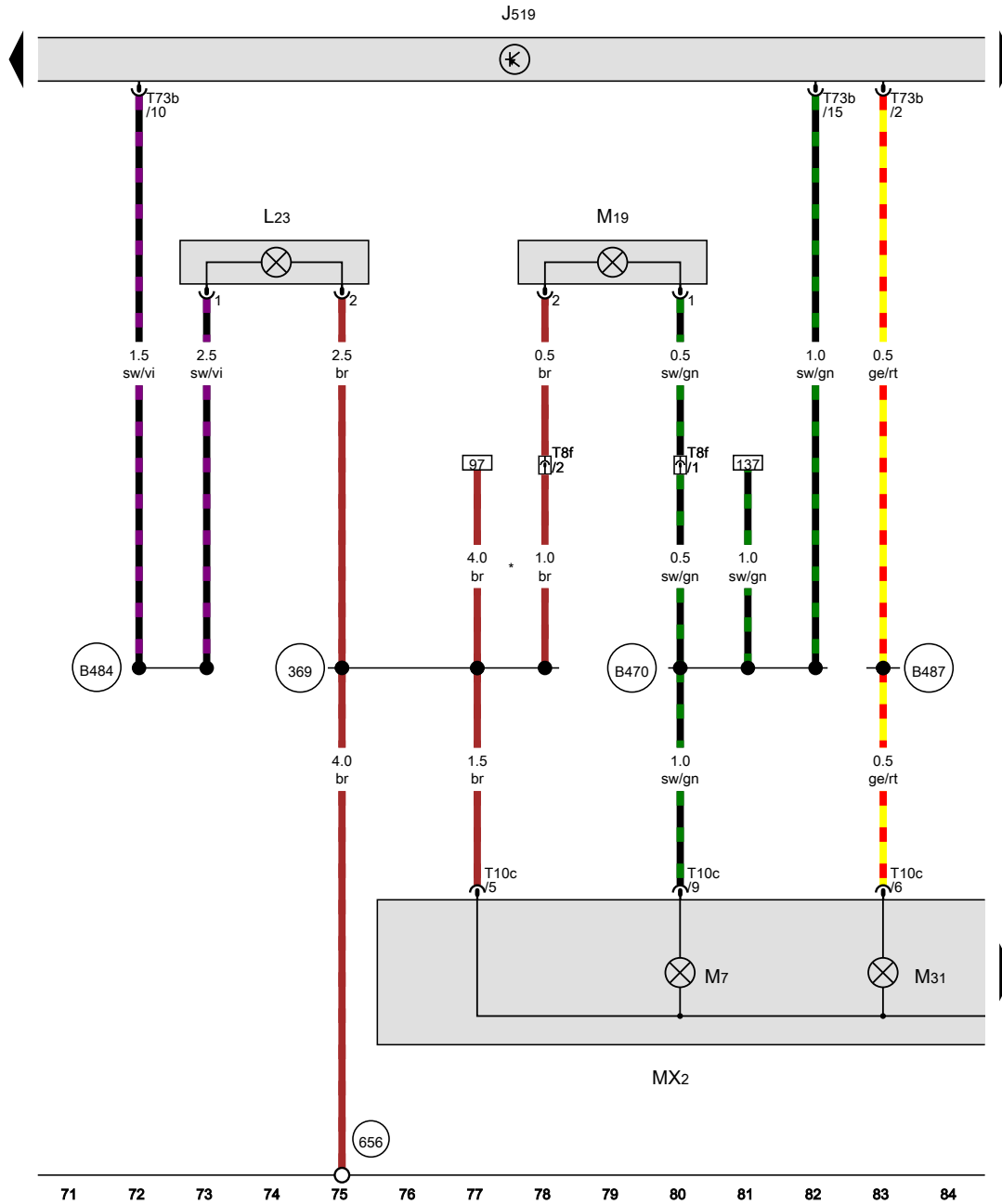
**Onboard supply control unit, Left fog light bulb, Front left headlight, Left turn signal repeater bulb**

- J519 Onboard supply control unit
- L22 Left fog light bulb
- L174 Left daytime running light bulb
- MX1 Front left headlight
- M5 Front left turn signal bulb
- M18 Left turn signal repeater bulb
- M30 Left headlight main beam bulb
- T10 10-pin connector, black
- T10i 10-pin connector, black
- T73b 73-pin connector, colourless

-  368 Earth connection 3, in main wiring harness
-  655 Earth point, on left headlight, on left on bulkhead
-  B469 Connection 5, in main wiring harness
-  B488 Connection 24, in main wiring harness

- ws = white
- sw = black
- ro = red
- rt = red
- br = brown
- gn = green
- bl = blue
- gr = grey
- li = purple
- vi = purple
- ge = yellow
- or = orange
- rs = pink

[740-093061113]



**Onboard supply control unit, Right fog light bulb, Front right headlight, Right turn signal repeater bulb**

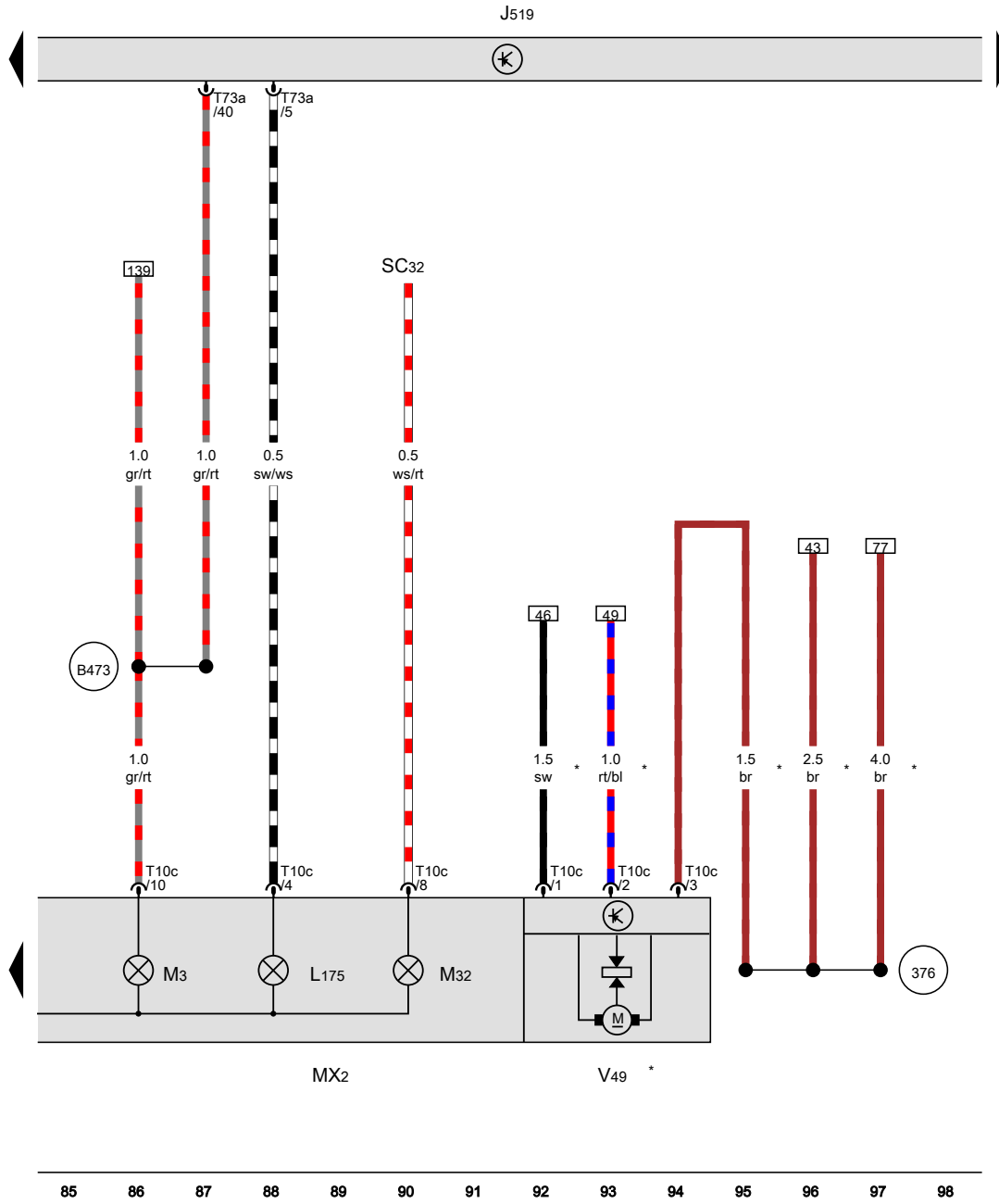
- J519 Onboard supply control unit
- L23 Right fog light bulb
- MX2 Front right headlight
- M7 Front right turn signal bulb
- M19 Right turn signal repeater bulb
- M31 Right headlight dipped beam bulb
- T8f 8-pin connector, in rear right of engine compartment, black
- T10c 10-pin connector, black
- T73b 73-pin connector, colourless

- 369 Earth connection 4, in main wiring harness
- 656 Earth point, on right headlight, on right on bulkhead
- B470 Connection 6, in main wiring harness
- B484 Connection 20, in main wiring harness
- B487 Connection 23, in main wiring harness
- \* Only models with headlight range control

- ws = white
- sw = black
- ro = red
- rt = red
- br = brown
- gn = green
- bl = blue
- gr = grey
- li = purple
- vi = purple
- ge = yellow
- or = orange
- rs = pink

12H0-0930711131

Onboard supply control unit, Front right headlight

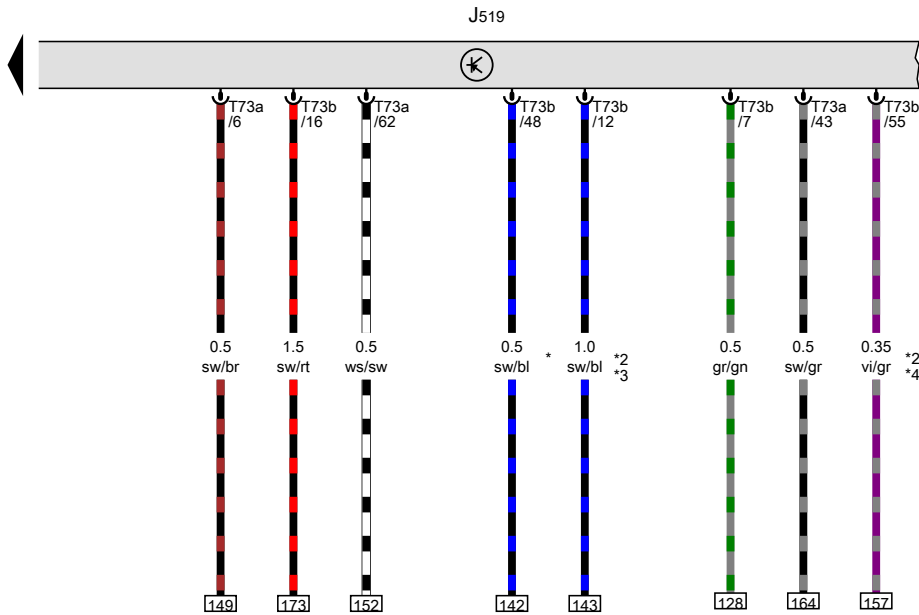


- J519 Onboard supply control unit
- L175 Right daytime running light bulb
- MX2 Front right headlight
- M3 Right side light bulb
- M32 Right headlight main beam bulb
- SC32 Fuse 32 on fuse holder C
- T10c 10-pin connector, black
- T73a 73-pin connector, black
- V49 Right headlight range control motor
- 376 Earth connection 11, in main wiring harness
- B473 Connection 9, in main wiring harness
- \* Only models with headlight range control

- ws = white
- sw = black
- ro = red
- rt = red
- br = brown
- gn = green
- bl = blue
- gr = grey
- li = purple
- vi = purple
- ge = yellow
- or = orange
- rs = pink

85 86 87 88 89 90 91 92 93 94 95 96 97 98

[79H0-093081113]



**Onboard supply control unit**

- J519 Onboard supply control unit
- T73a 73-pin connector, black
- T73b 73-pin connector, colourless
- \* Only models with manual gearbox
- \*2 Only models with automatic gearbox
- \*3 Only models with automatic driving lights control
- \*4 Only models with no start/stop system

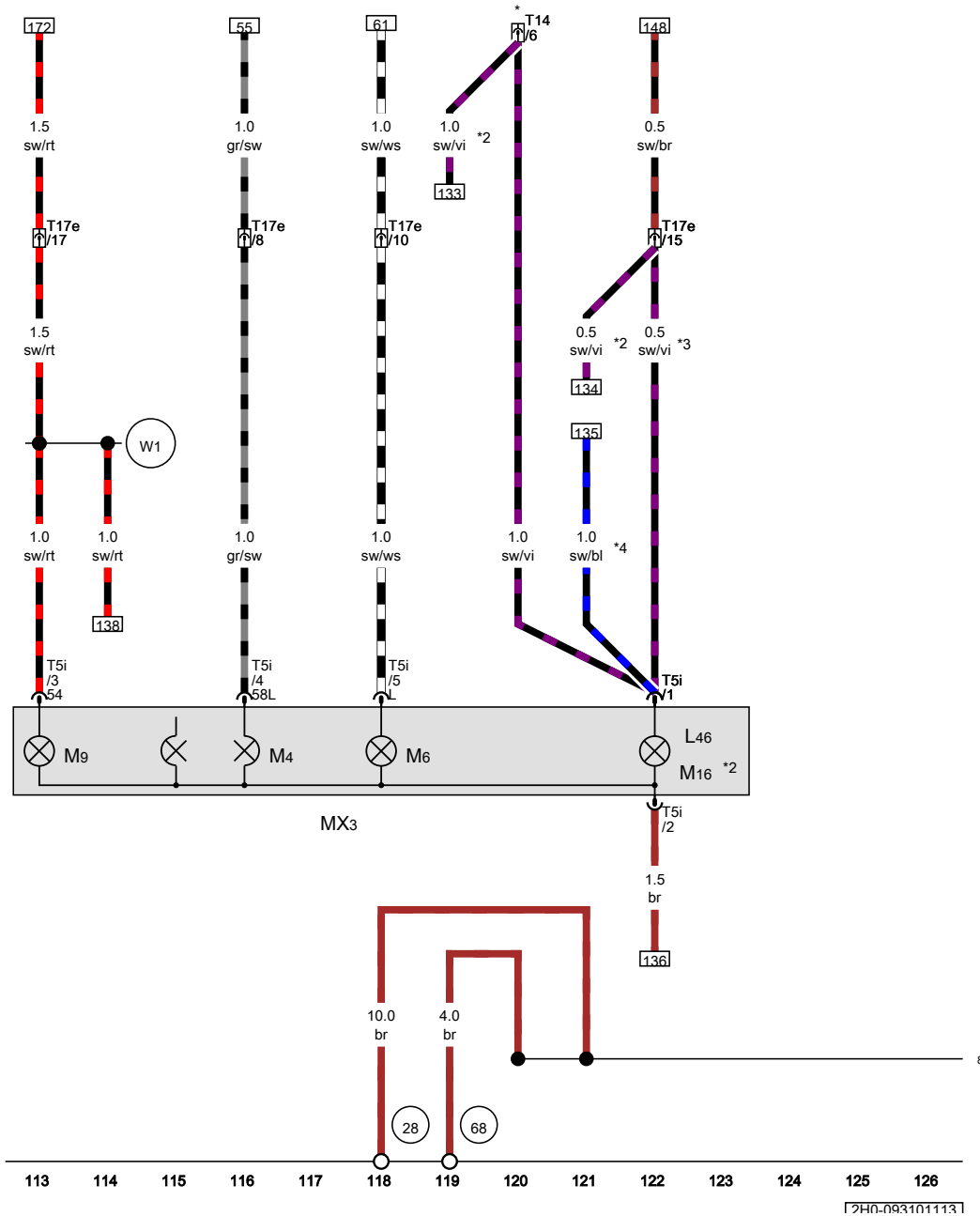
- ws = white
- sw = black
- ro = red
- rt = red
- br = brown
- gn = green
- bl = blue
- gr = grey
- li = purple
- vi = purple
- ge = yellow
- or = orange
- rs = pink

Left tail light

- L46 Rear left fog light bulb
- MX3 Left tail light
- M4 Left tail light bulb
- M6 Rear left turn signal bulb
- M9 Left brake light bulb
- M16 Left reversing light bulb
- T5i 5-pin connector, black
- T14 14-pin connector, behind rear bumper on left
- T17e 17-pin connector, near handbrake lever, red

- (28) Earth point, on bulkhead
- (68) Earth point, on left of rear cross member
- (86) Earth connection 1, in rear wiring harness
- (W1) Positive connection 1 (54), in rear wiring harness

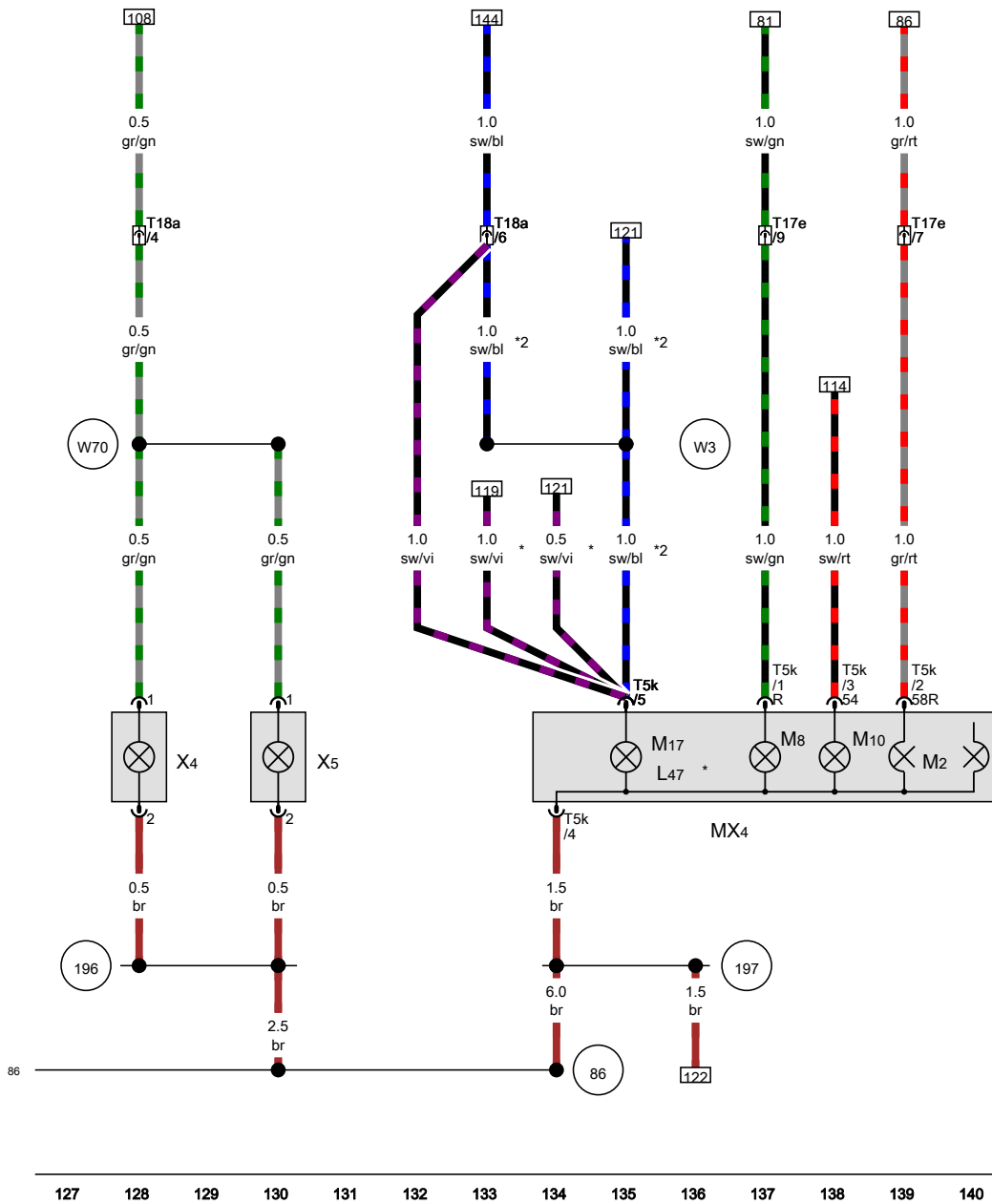
- \* see applicable current flow diagram for preparation for trailer coupling
- \*2 Only right-hand drive models
- \*3 Only models with no towing bracket
- \*4 Only models with no rear fog light



- ws = white
- sw = black
- ro = red
- rt = red
- br = brown
- gn = green
- bl = blue
- gr = grey
- li = purple
- vi = purple
- ge = yellow
- or = orange
- rs = pink

[2HD-093101113]

Right tail light, Left number plate light, Right number plate light



- L47 Rear right fog light bulb
- M2 Right tail light bulb
- MX4 Right tail light
- M8 Rear right turn signal bulb
- M10 Right brake light bulb
- M17 Right reversing light bulb
- T5k 5-pin connector
- T17e 17-pin connector, near handbrake lever, red
- T18a 18-pin connector, near engine control unit, grey
- X4 Left number plate light
- X5 Right number plate light
- 86 Earth connection 1, in rear wiring harness
- 196 Earth connection 3, in rear wiring harness
- 197 Earth connection 4, in rear wiring harness
- W3 Connection in rear wiring harness
- W70 Positive connection 2 (58), in number plate wiring harness
- \* Only right-hand drive models
- \*2 Only models with no rear fog light

- ws = white
- sw = black
- ro = red
- rt = red
- br = brown
- gn = green
- bl = blue
- gr = grey
- li = purple
- vi = purple
- ge = yellow
- or = orange
- rs = pink

127 128 129 130 131 132 133 134 135 136 137 138 139 140

[270-093111113]



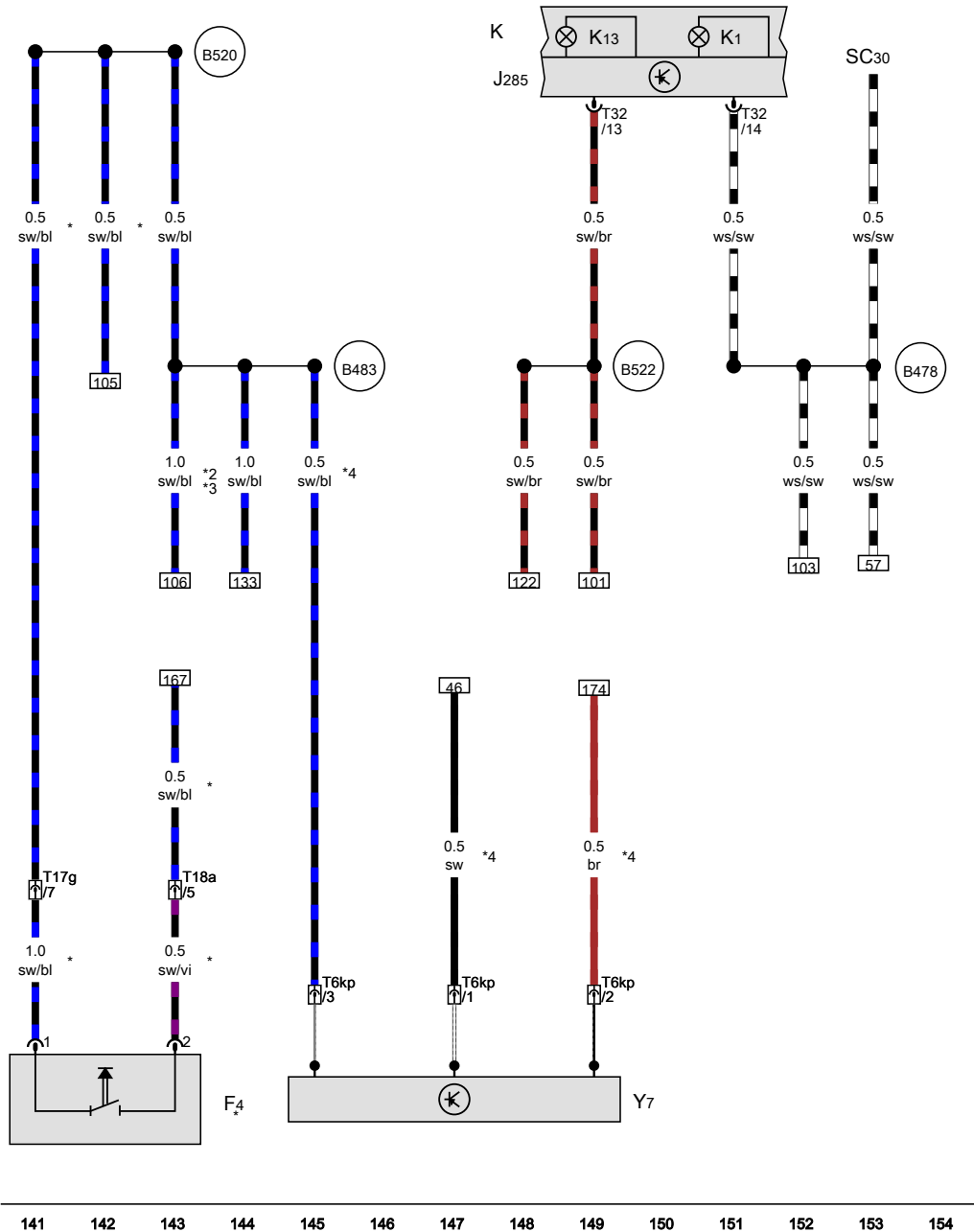
Reversing light switch, Dash panel insert, Automatic anti-dazzle interior mirror

- F4 Reversing light switch
- J285 Control unit in dash panel insert
- K Dash panel insert
- K1 Main beam warning lamp
- K13 Rear fog light warning lamp
- SC30 Fuse 30 on fuse holder C
- T6kp 6-pin connector, on interior mirror, black
- T17g 17-pin connector, near handbrake lever, black
- T18a 18-pin connector, near engine control unit, grey
- T32 32-pin connector, blue
- Y7 Automatic anti-dazzle interior mirror

- (B478) Connection 14, in main wiring harness
- (B483) Connection 19, in main wiring harness
- (B520) Connection (RL), in main wiring harness
- (B522) Connection (FL), in main wiring harness

- \* Only models with manual gearbox
- \*2 Only models with automatic gearbox
- \*3 Only models with automatic driving lights control
- \*4 Only models with rain sensor

- ws = white
- sw = black
- ro = red
- rt = red
- br = brown
- gn = green
- bl = blue
- gr = grey
- li = purple
- vi = purple
- ge = yellow
- or = orange
- rs = pink

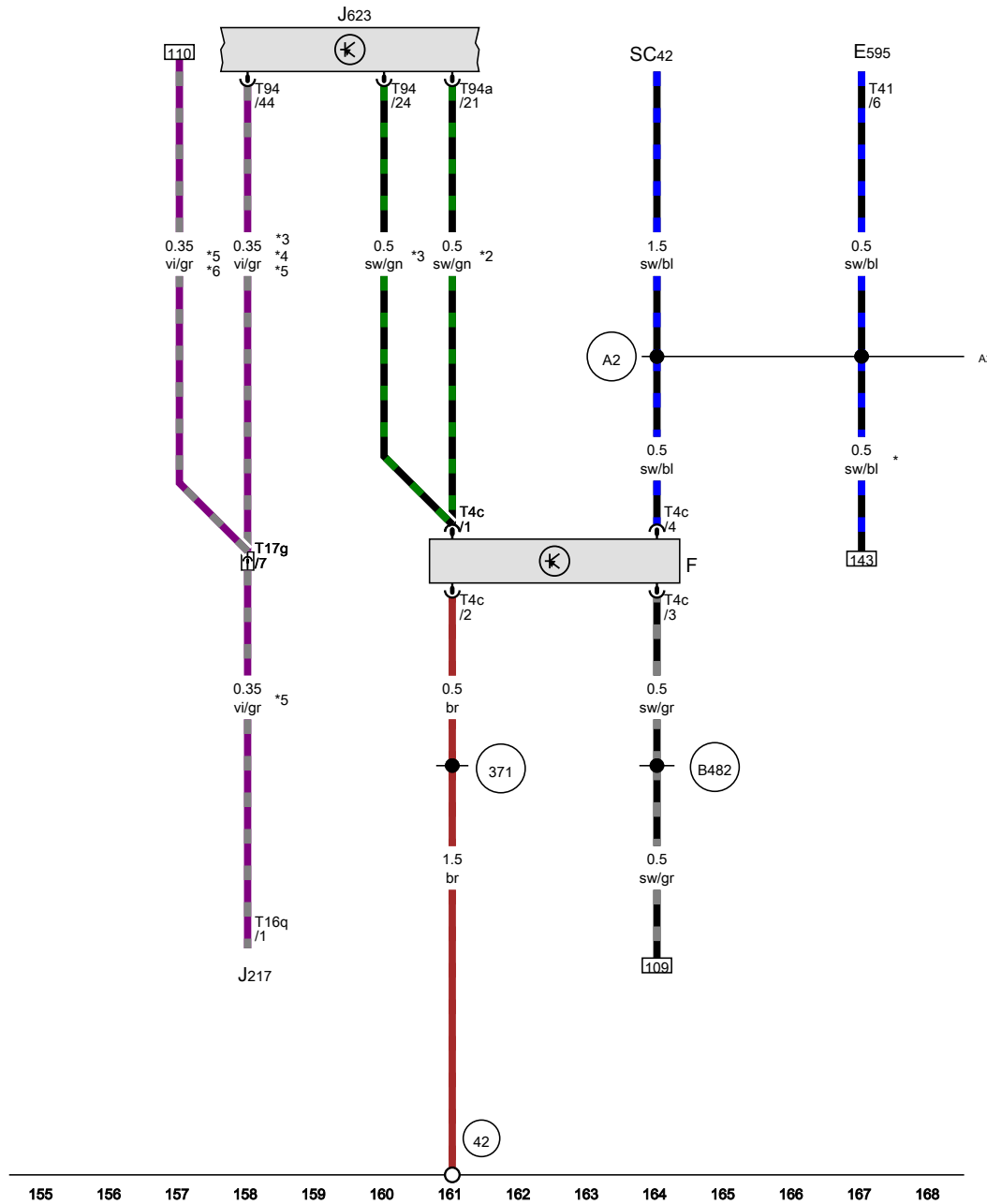


[7H0-093121113]

Steering column combination switch, Brake light switch, Fuse 42 on fuse holder C

- E595 Steering column combination switch
- F Brake light switch
- J217 Automatic gearbox control unit
- J623 Engine control unit
- SC42 Fuse 42 on fuse holder C
- T4c 4-pin connector
- T16q 16-pin connector
- T17g 17-pin connector, near handbrake lever, black
- T41 41-pin connector, grey
- T94 94-pin connector, black
- T94a 94-pin connector

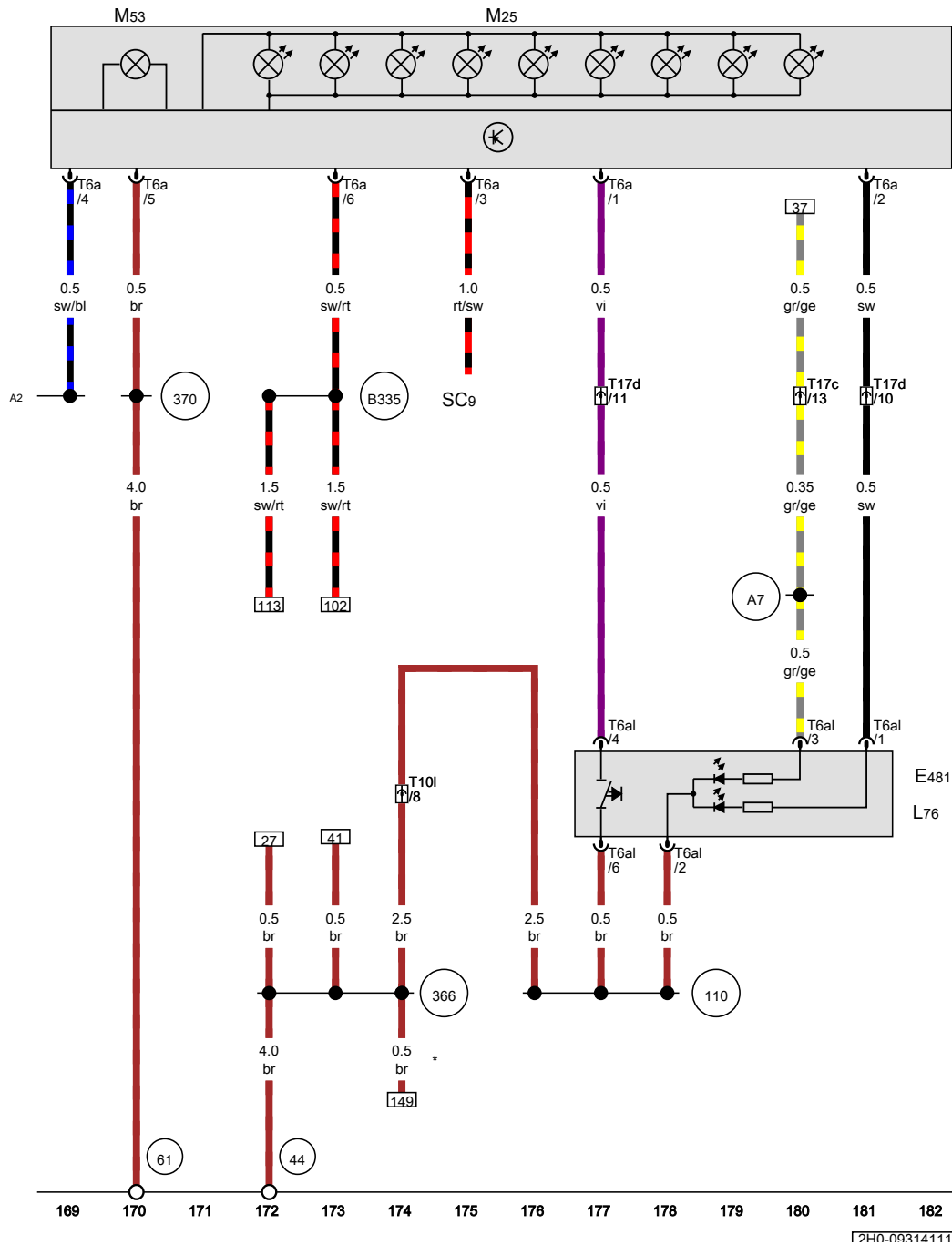
- (42) Earth point, next to steering column
- (371) Earth connection 6, in main wiring harness
- (A2) Positive connection (15), in dash panel wiring harness
- (B482) Connection 18, in main wiring harness
- \* Only models with manual gearbox
- \*2 Only models with diesel engine
- \*3 Only models with petrol engine
- \*4 Only models with start/stop system
- \*5 Only models with automatic gearbox
- \*6 Only models with no start/stop system



- ws = white
- sw = black
- ro = red
- rt = red
- br = brown
- gn = green
- bl = blue
- gr = grey
- li = purple
- vi = purple
- ge = yellow
- or = orange
- rs = pink

155 156 157 158 159 160 161 162 163 164 165 166 167 168

[2PH0-093131113]



**Load area illumination switch, Additional brake light bulb, Load area illumination bulb**

- E481 Load area illumination switch, near radio
- L76 Button illumination bulb
- M25 Additional brake light bulb
- M53 Load area illumination bulb
- SC9 Fuse 9 on fuse holder C
- T6a 6-pin connector, black
- T6al 6-pin connector, blue
- T10l 10-pin connector, on relay carrier, blue
- T17c 17-pin connector, on relay carrier, white
- T17d 17-pin connector, on left under dash panel, green

- 44 Earth point, lower part of left A-pillar
- 61 Earth point, left C-pillar
- 110 Earth connection 2, in dash panel wiring harness
- 366 Earth connection 1, in main wiring harness
- 370 Earth connection 5, in main wiring harness
- A2 Positive connection (15), in dash panel wiring harness
- A7 Positive connection (58 D1), in dash panel wiring harness
- B335 Connection 1 (54), in main wiring harness
- \* Only models with rain sensor

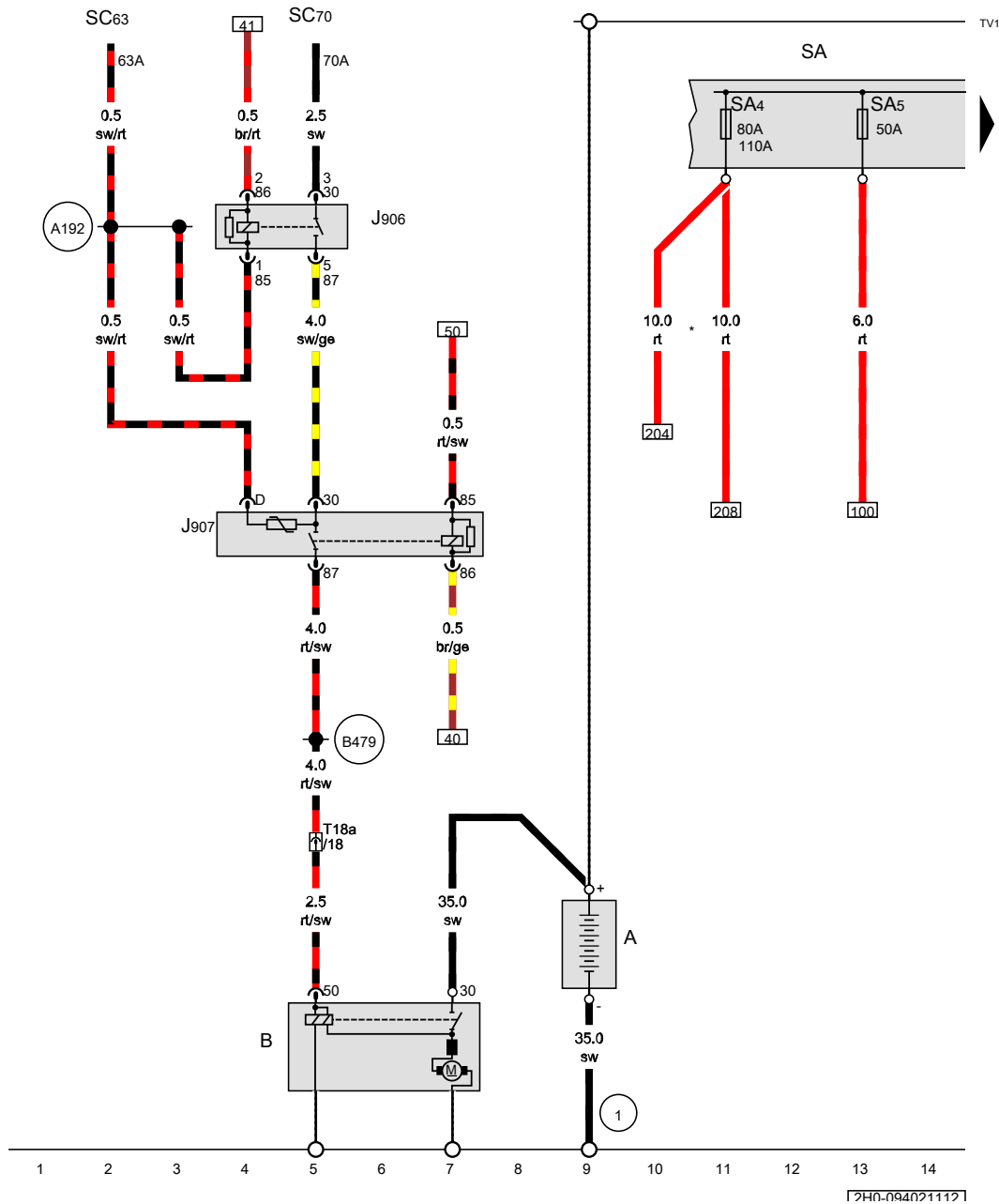
- ws = white
- sw = black
- ro = red
- rt = red
- br = brown
- gn = green
- bl = blue
- gr = grey
- li = purple
- vi = purple
- ge = yellow
- or = orange
- rs = pink

PHN-093141113

**2.0l diesel engine , CNEA,CSHA,CNFA,CNFB,(7L6)**

From January 2013

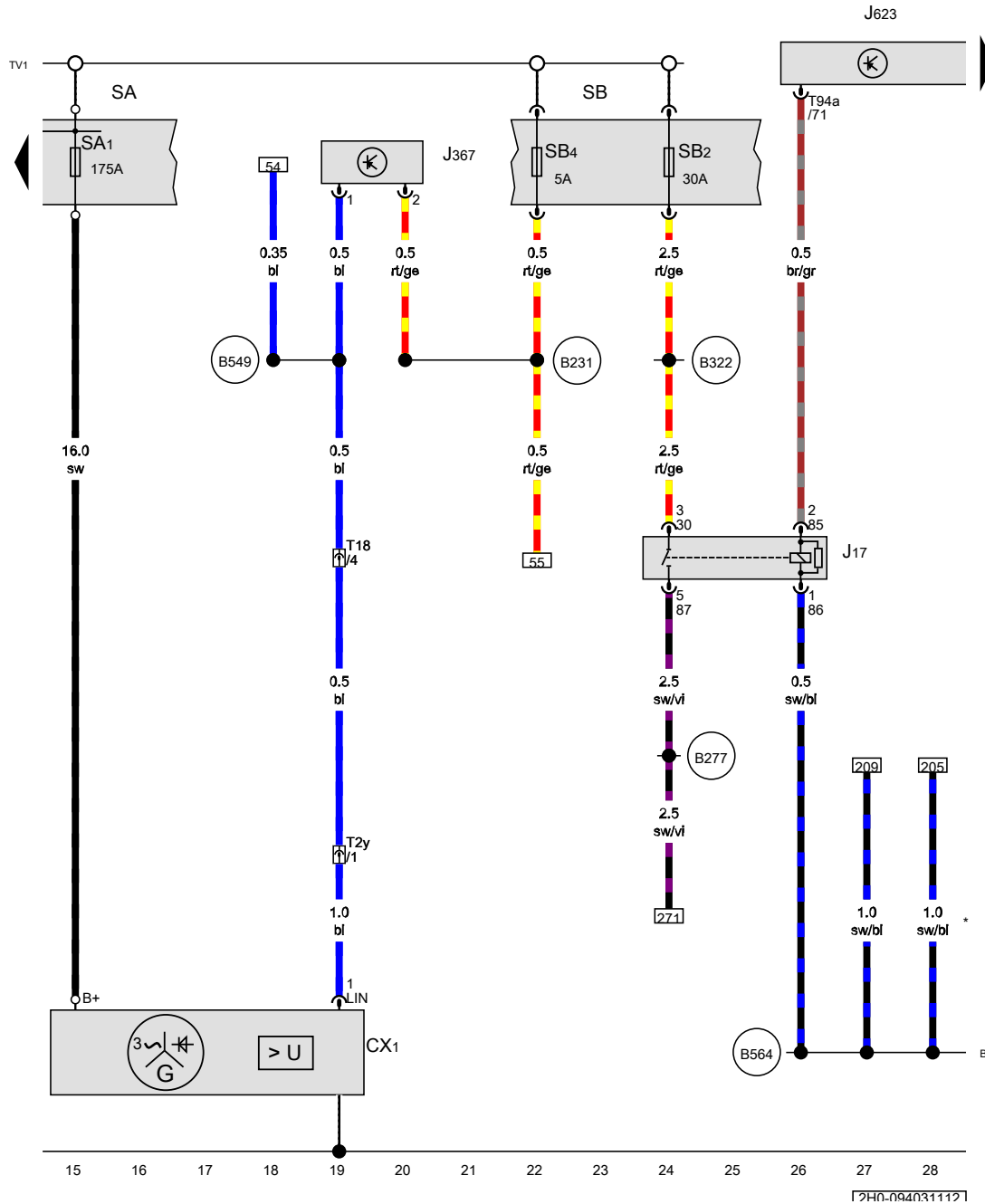
**Battery, Starter, Starter relay 1, Starter relay 2, Fuse holder A, Fuse 5 in fuse holder A**



- A Battery
- B Starter
- J906 Starter relay 1
- J907 Starter relay 2
- SA Fuse holder A
- SA4 Fuse 4 in fuse holder A
- SA5 Fuse 5 in fuse holder A
- SC63 Fuse 63 on fuse holder C
- SC70 Fuse 70 on fuse holder C
- T18a 18-pin connector, near engine control unit, grey

- 1 Earth strap, battery - body
- A192 Positive connection 3 (15a) in dash panel wiring harness
- B479 Connection 15, in main wiring harness
- \* Hot country version

- ws = white
- sw = black
- ro = red
- br = brown
- gn = green
- bl = blue
- gr = grey
- li = purple
- ge = yellow
- or = orange
- rs = pink



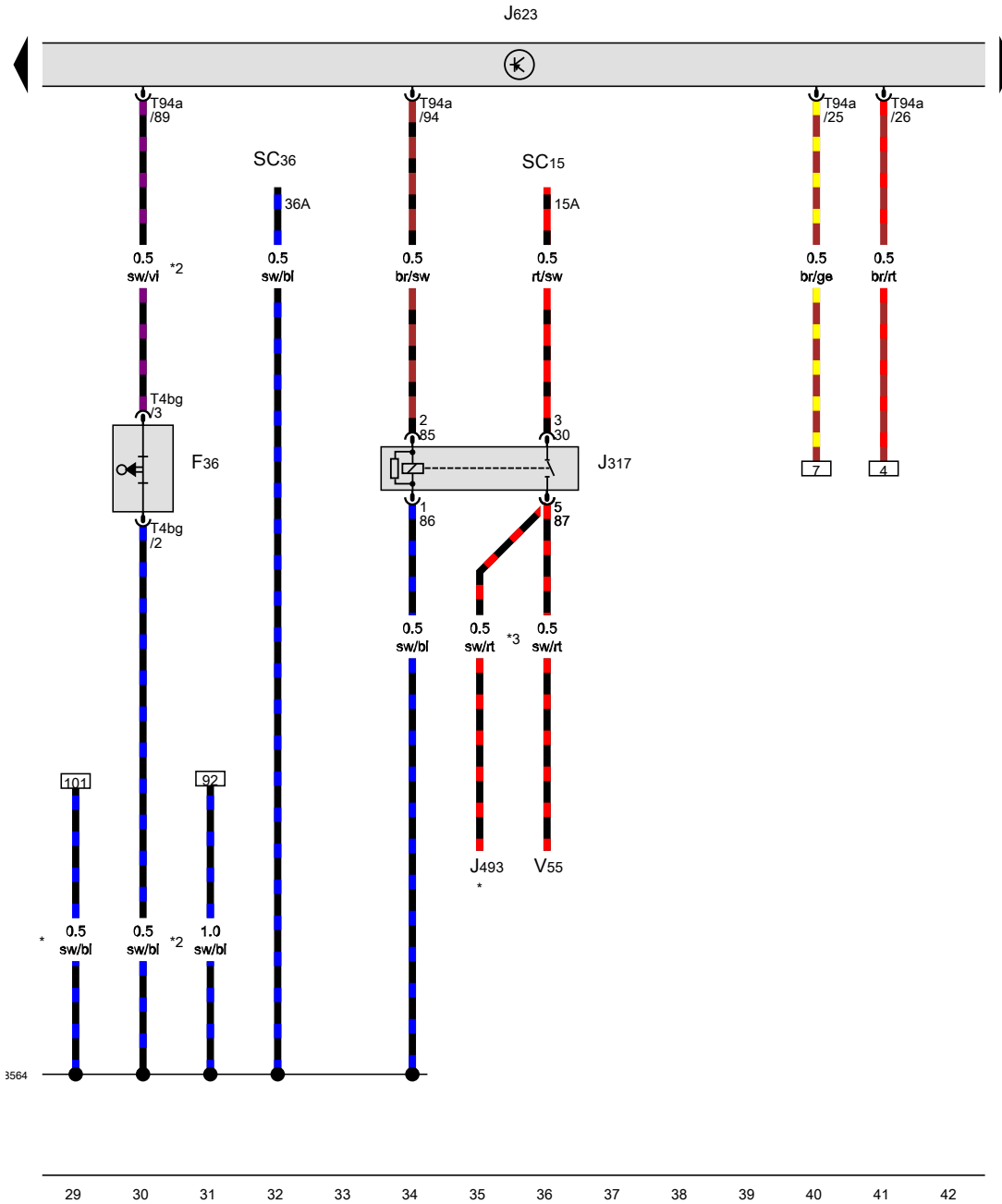
**Alternator with voltage regulator, Fuel pump relay, Battery monitor control unit, Engine control unit, Fuse holder A, Fuse holder B**

- CX1 Alternator with voltage regulator
- J17 Fuel pump relay
- J367 Battery monitor control unit
- J623 Engine control unit
- SA Fuse holder A
- SA1 Fuse 1 in fuse holder A
- SB Fuse holder B
- SB2 Fuse 2 on fuse holder B
- SB4 Fuse 4 on fuse holder B
- T2y 2-pin connector, front left in engine compartment, black
- T18 18-pin connector, near engine control unit, black
- T94a 94-pin connector, black

- (B231) Positive connection 5 (30a), in interior wiring harness
- (B277) Positive connection 1 (15a) in main wiring harness
- (B322) Positive connection 8 (30a) in main wiring harness
- (B549) Connection 2 (LIN bus) in main wiring harness
- (B564) Connection 31, in main wiring harness
- \* Hot country version

- ws = white
- sw = black
- ro = red
- br = brown
- gn = green
- bl = blue
- gr = grey
- li = purple
- ge = yellow
- or = orange
- rs = pink

1740-0940311171

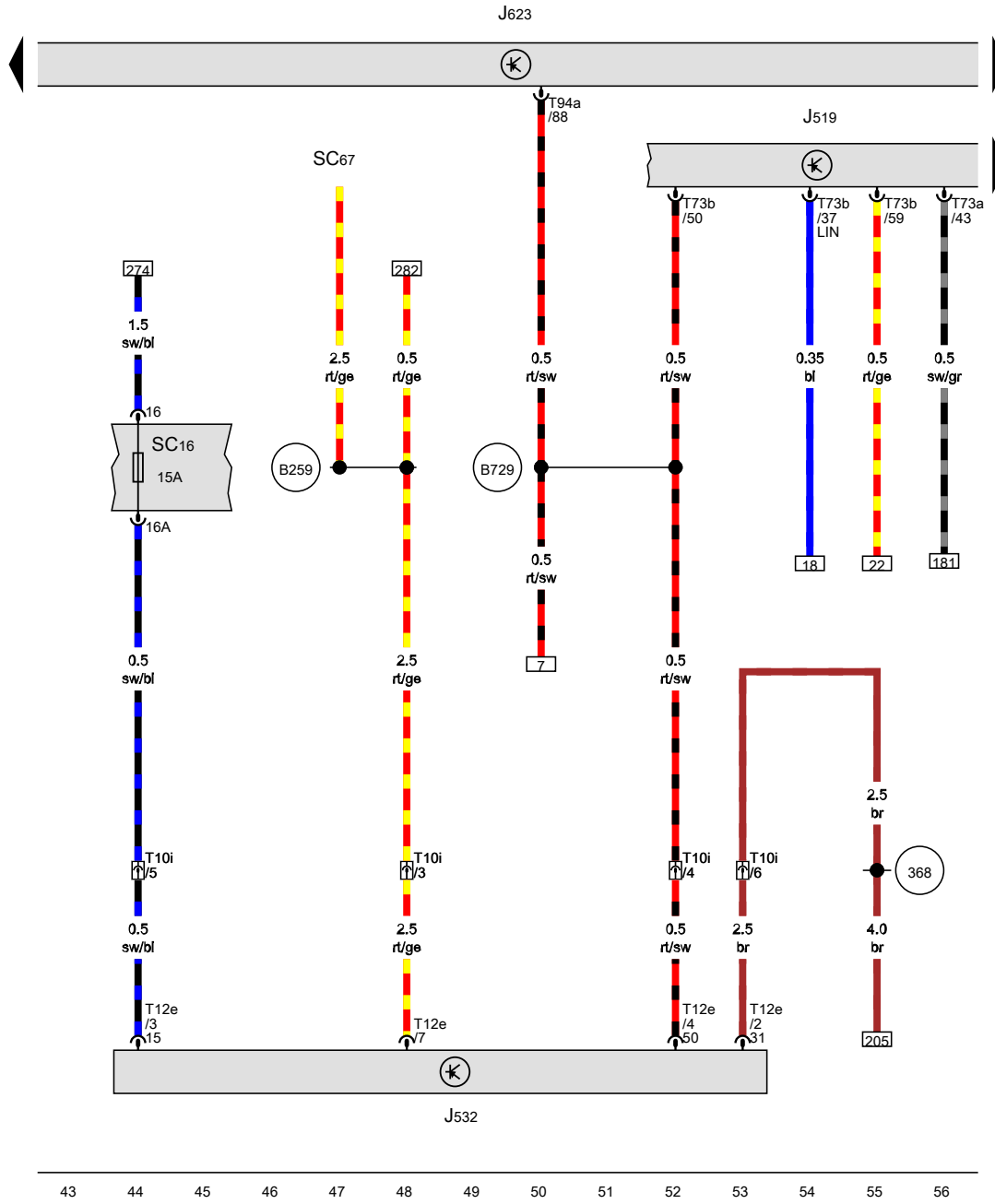


Terminal 30 voltage supply relay, Auxiliary coolant heater relay, Engine control unit, Fuse 15 on fuse holder C, Fuse 36 on fuse holder C

- F36 Clutch pedal switch
- J317 Terminal 30 voltage supply relay, on relay carrier
- J493 Auxiliary coolant heater relay
- J623 Engine control unit
- SC15 Fuse 15 on fuse holder C
- SC36 Fuse 36 on fuse holder C
- T4bg 4-pin connector
- T94a 94-pin connector, black
- V55 Circulation pump
- B564** Connection 31, in main wiring harness
- \* see applicable current flow diagram for air conditioning
- \*2 Only models with manual gearbox
- \*3 Only models with Climatronic

- ws = white
- sw = black
- ro = red
- br = brown
- gn = green
- bl = blue
- gr = grey
- li = purple
- ge = yellow
- or = orange
- rs = pink

17H0-94041117



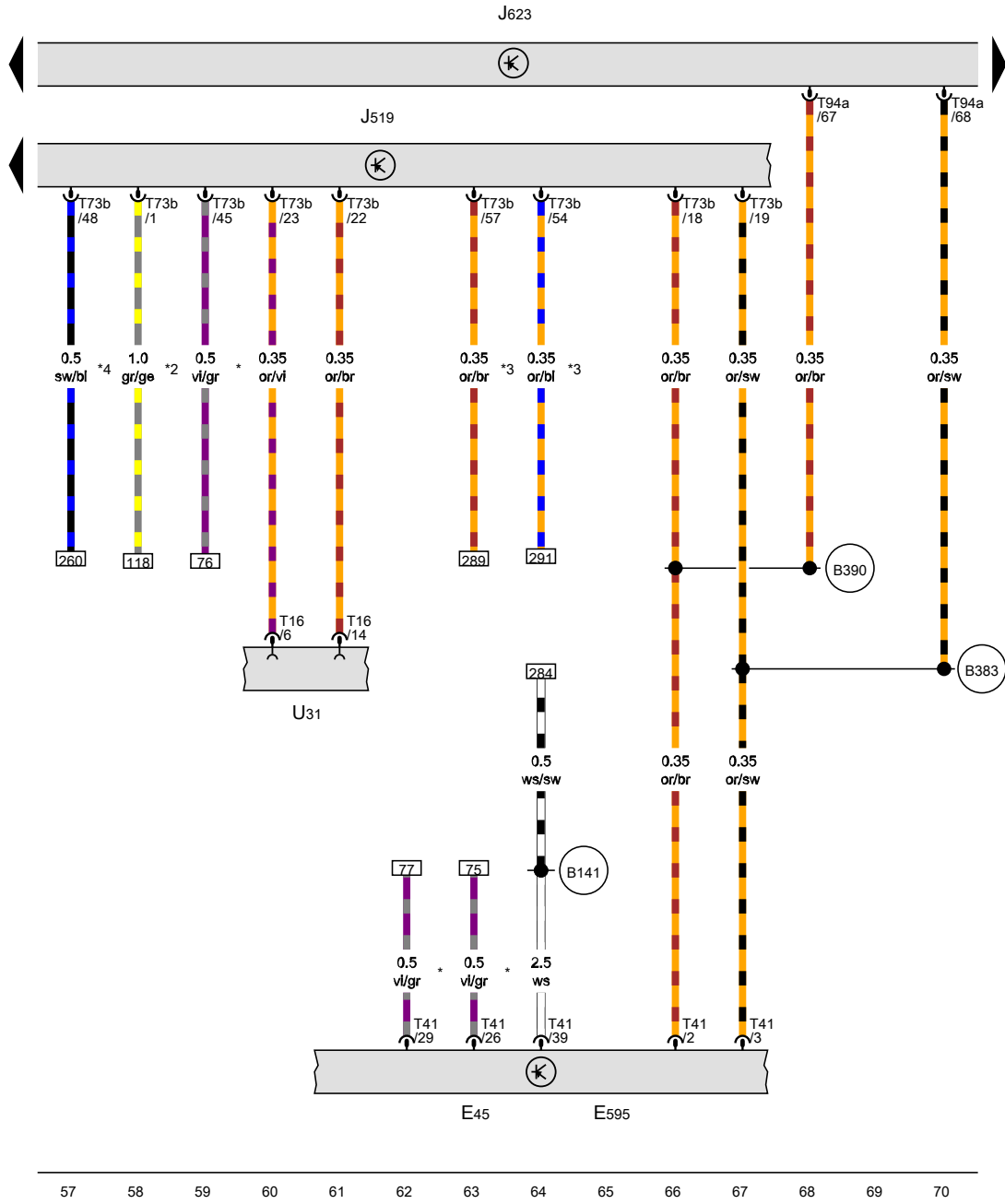
Onboard supply control unit, Voltage stabiliser, Engine control unit, Fuse 16 on fuse holder C

- J519 Onboard supply control unit
- J532 Voltage stabiliser, in front left wing
- J623 Engine control unit
- SC16 Fuse 16 on fuse holder C
- SC67 Fuse 67 on fuse holder C
- T10i 10-pin connector, on left wheel housing, black
- T12e 12-pin connector, black
- T73a 73-pin connector, black
- T73b 73-pin connector, colourless
- T94a 94-pin connector, black

- 368 Earth connection 3, in main wiring harness
- B259 Connection (start/stop signal), in interior wiring harness
- B729 Connection 1 (50), in main wiring harness

- ws = white
- sw = black
- ro = red
- br = brown
- gn = green
- bl = blue
- gr = grey
- li = purple
- ge = yellow
- or = orange
- rs = pink





**Cruise control system switch, Steering column combination switch, Onboard supply control unit, Engine control unit**

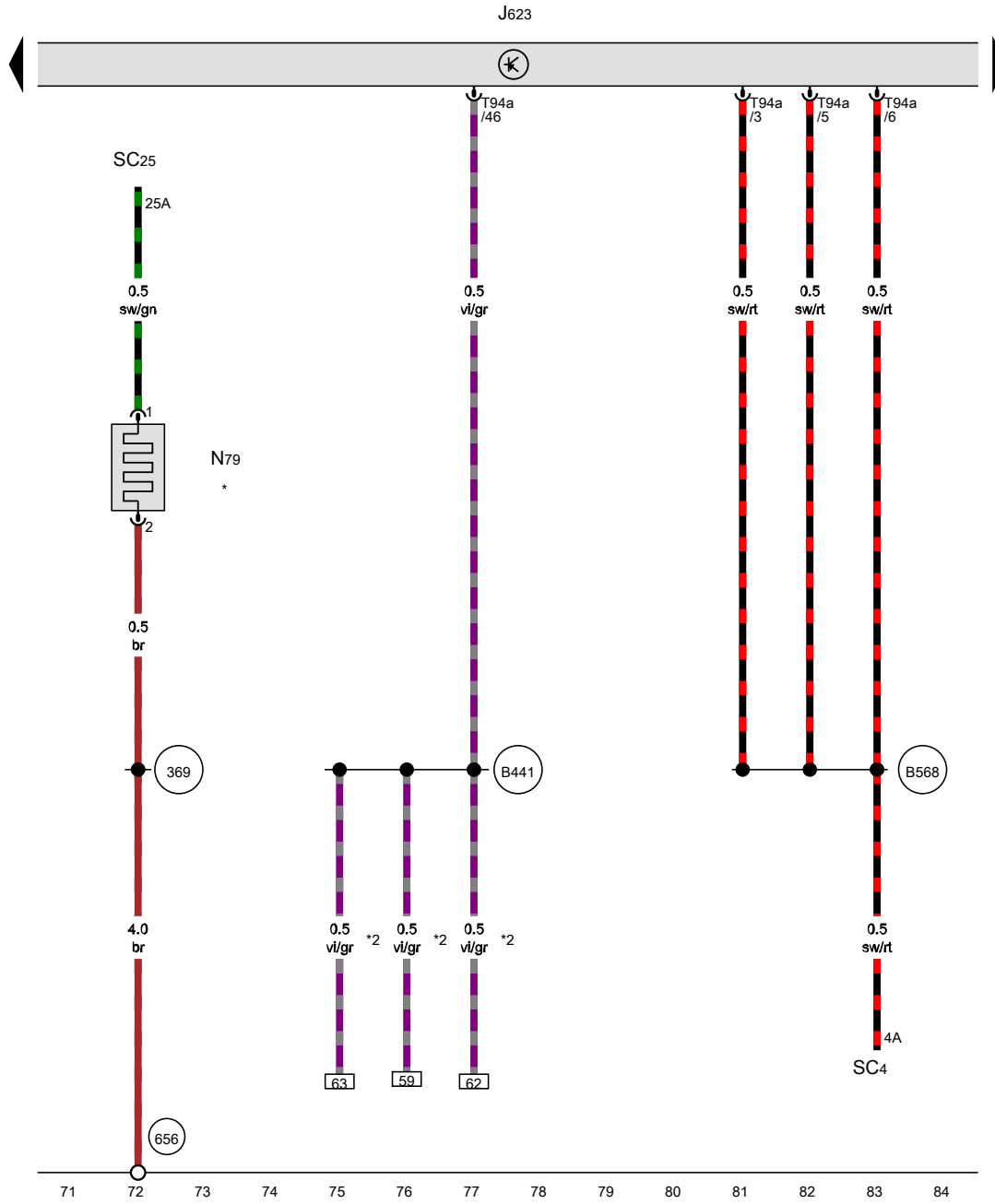
- E45 Cruise control system switch
- E595 Steering column combination switch
- J519 Onboard supply control unit
- J623 Engine control unit
- T16 16-pin connector, black
- T41 41-pin connector, grey
- T73b 73-pin connector, colourless
- T94a 94-pin connector, black
- U31 Diagnostic connection

- B141 Positive connection 1 (56a), in interior wiring harness
- B383 Connection 1 (powertrain CAN bus, high), in main wiring harness
- B390 Connection 1 (powertrain CAN bus, low), in main wiring harness
- \* Only models with cruise control system (CCS)
- \*2 Only models with no headlight range control, see respective Current Flow Diagram headlight
- \*3 Only models with automatic driving lights control
- \*4 Only models with manual gearbox

- ws = white
- sw = black
- ro = red
- br = brown
- gn = green
- bl = blue
- gr = grey
- li = purple
- ge = yellow
- or = orange
- rs = pink

57 58 59 60 61 62 63 64 65 66 67 68 69 70

17910-0940611171



Engine control unit, Heater element for crankcase breather, Fuse 4 on fuse holder C, Fuse 25 on fuse holder C

- J623 Engine control unit
- N79 Heater element for crankcase breather
- SC4 Fuse 4 on fuse holder C
- SC25 Fuse 25 on fuse holder C
- T94a 94-pin connector, black

369 Earth connection 4, in main wiring harness

656 Earth point, on right headlight

B441 Connection (CCS), in main wiring harness

B568 Connection 35, in main wiring harness

\* Only models with crankcase breather heater element

\*2 Only models with cruise control system (CCS)

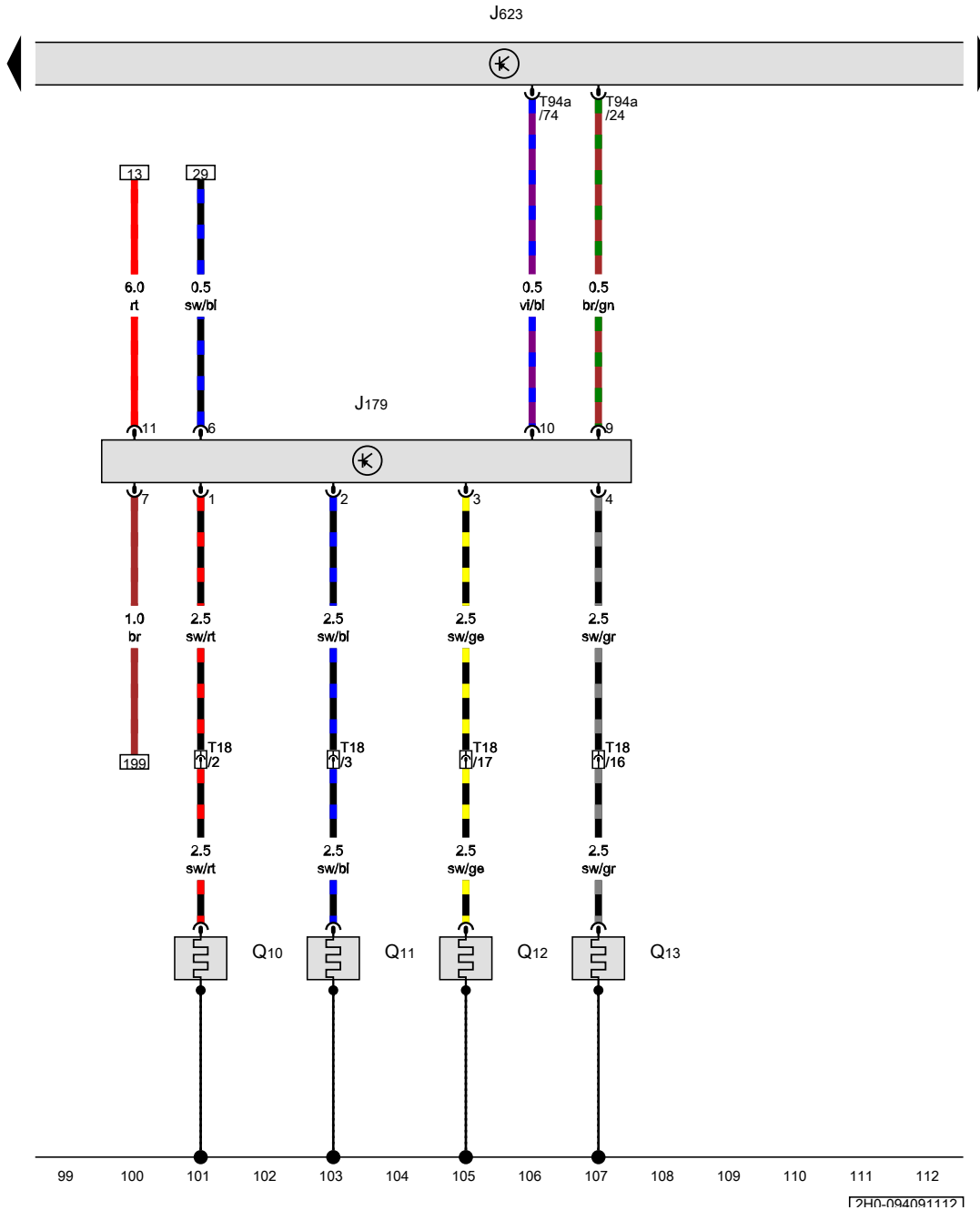
- ws = white
- sw = black
- ro = red
- br = brown
- gn = green
- bl = blue
- gr = grey
- li = purple
- ge = yellow
- or = orange
- rs = pink

17H0-0940711171

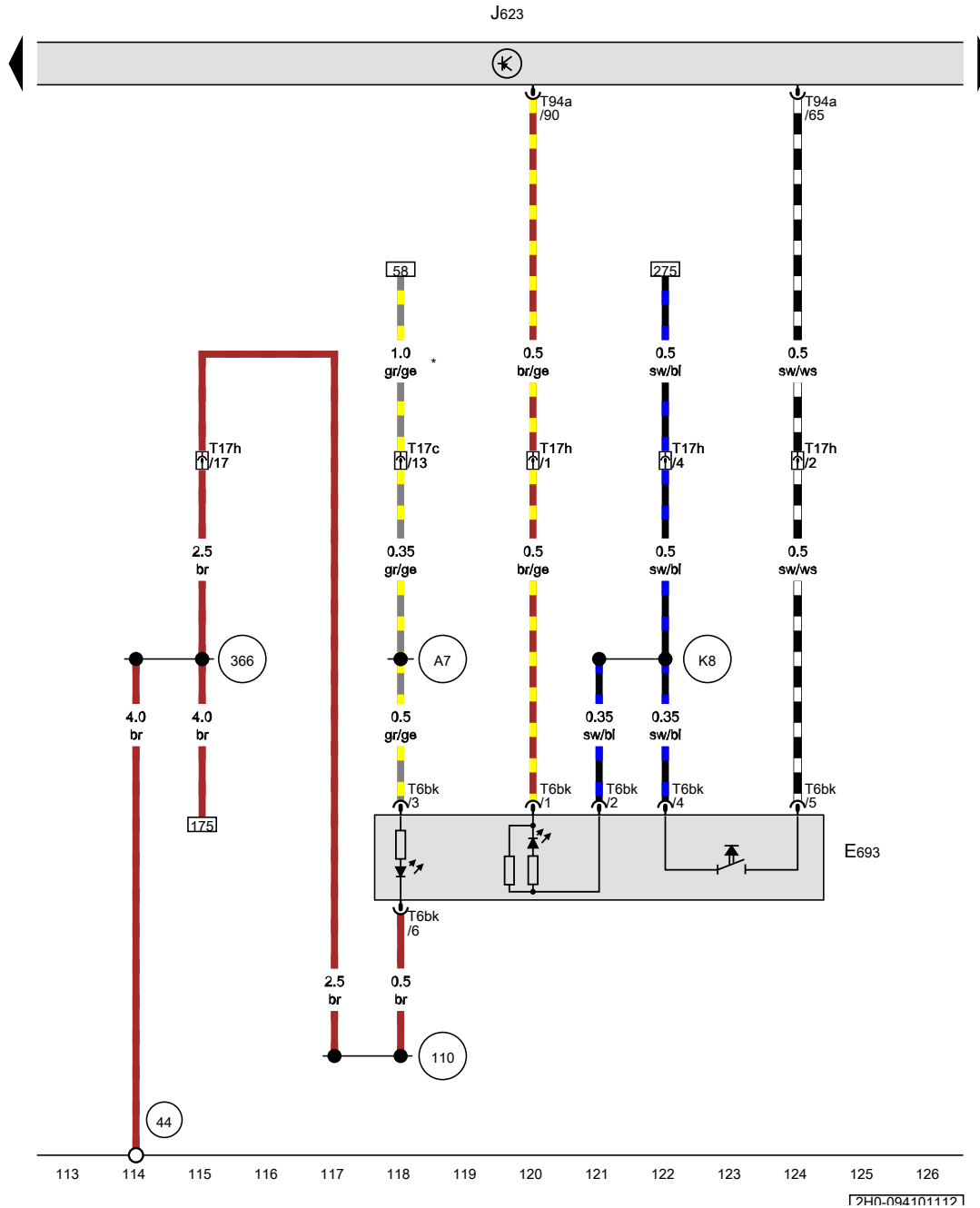


Automatic glow period control unit, Engine control unit, Glow plug 1, Glow plug 2, Glow plug 3, Glow plug 4

- J179 Automatic glow period control unit
- J623 Engine control unit
- Q10 Glow plug 1
- Q11 Glow plug 2
- Q12 Glow plug 3
- Q13 Glow plug 4
- T18 18-pin connector, near engine control unit, black
- T94a 94-pin connector, black



12012



Start/Stop operation button, Engine control unit

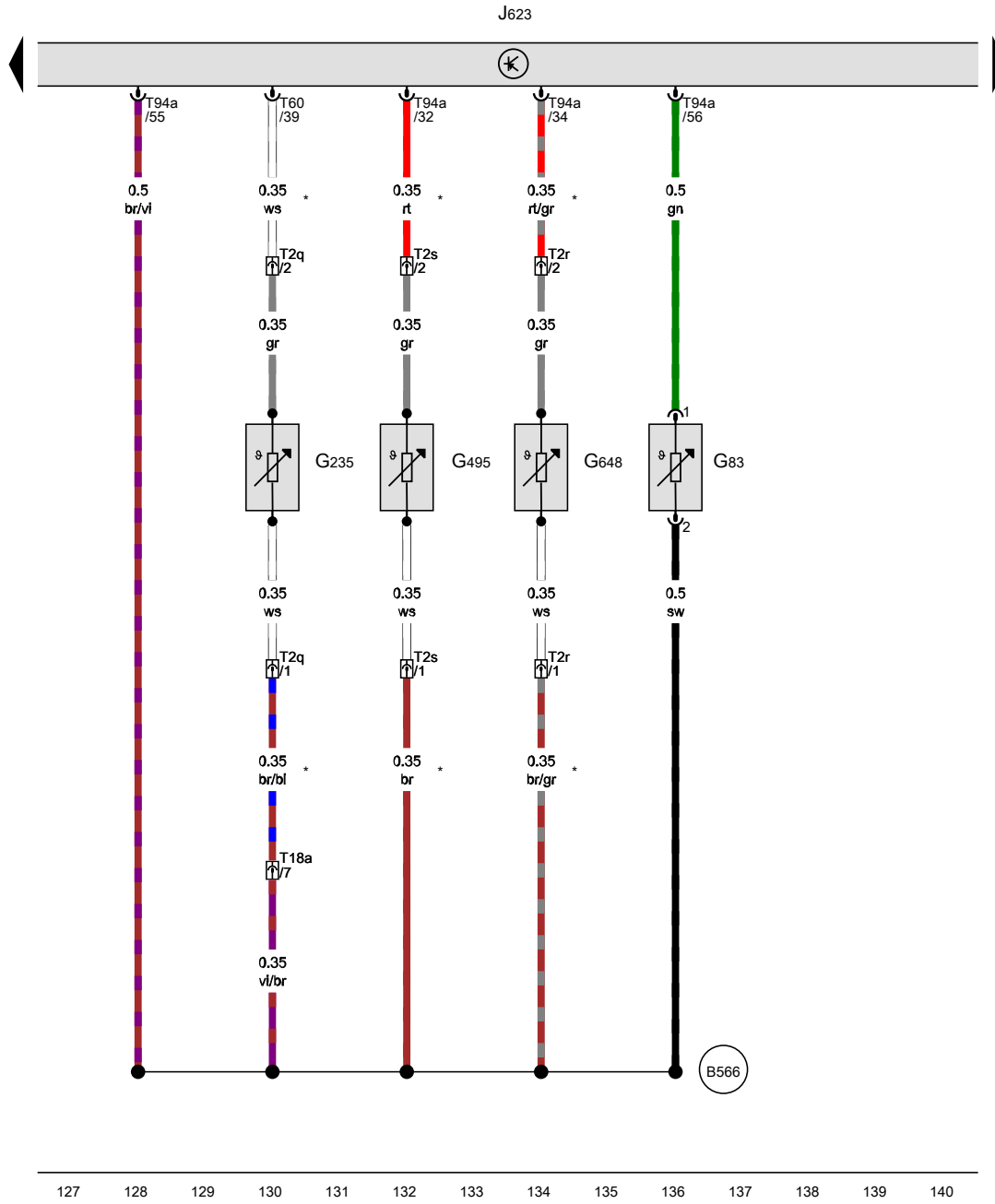
- E693 Start/Stop operation button
- J623 Engine control unit
- T6bk 6-pin connector, black
- T17c 17-pin connector, on relay carrier, white
- T17h 17-pin connector, on left under dash panel, blue
- T94a 94-pin connector, black

- 44 Earth point, lower part of left A-pillar
- 110 Earth connection 2, in dash panel wiring harness
- 366 Earth connection 1, in main wiring harness
- A7 Positive connection (58 D1), in dash panel wiring harness
- K8 Connection 1, in centre console wiring harness

\* Only models with no headlight range control, see respective Current Flow Diagram headlight

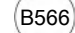
- ws = white
- sw = black
- ro = red
- br = brown
- gn = green
- bl = blue
- gr = grey
- li = purple
- ge = yellow
- or = orange
- rs = pink

12012



Radiator outlet coolant temperature sender, Exhaust gas temperature sender 1, Exhaust gas temperature sender 3, Exhaust gas temperature sender 4, Engine control unit

- G83 Radiator outlet coolant temperature sender
- G235 Exhaust gas temperature sender 1
- G495 Exhaust gas temperature sender 3
- G648 Exhaust gas temperature sender 4
- J623 Engine control unit
- T2q 2-pin connector, in front right wheel housing, black
- T2r 2-pin connector, in front right wheel housing, orange
- T2s 2-pin connector, in front right wheel housing, brown
- T18a 18-pin connector, near engine control unit, black
- T60 60-pin connector, black
- T94a 94-pin connector, black

 B566 Connection 33, in main wiring harness

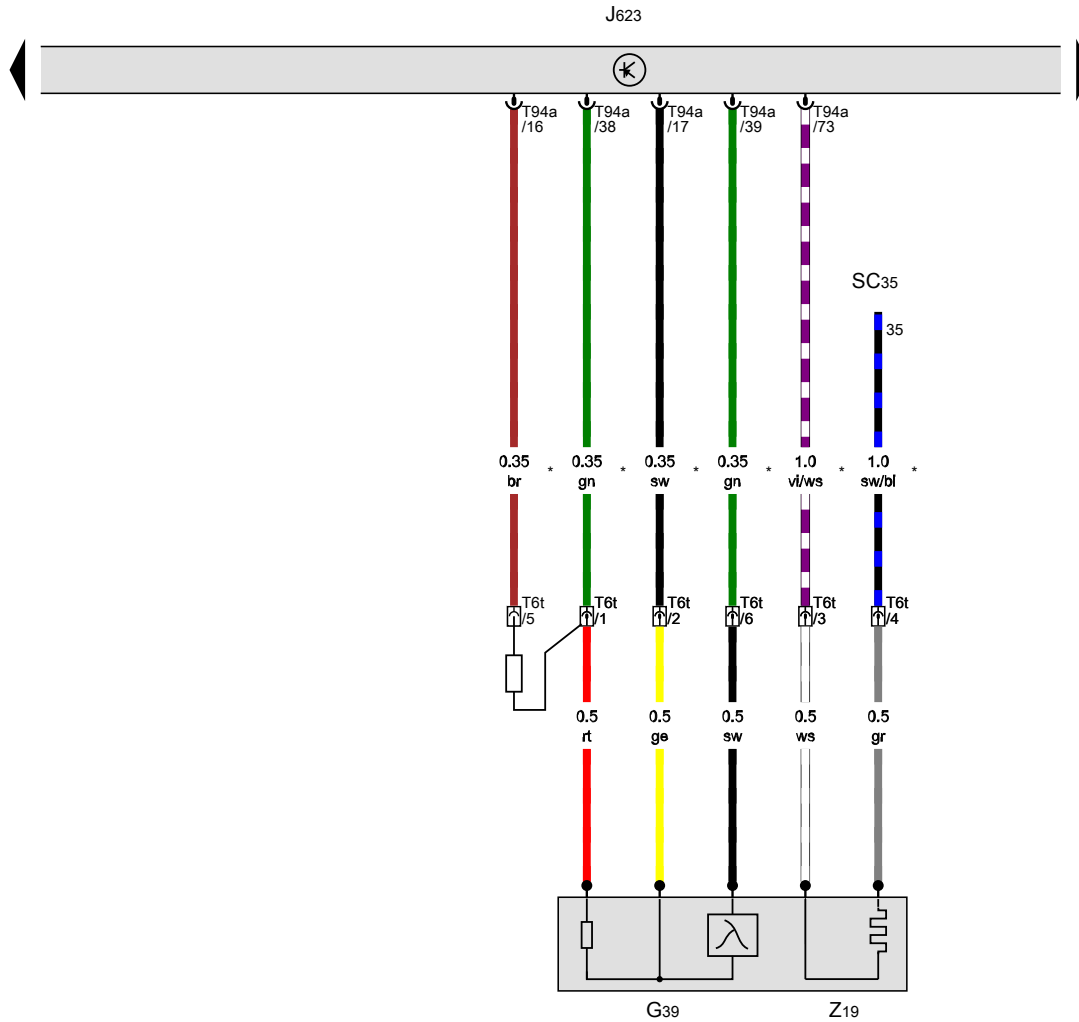
\* Only models with Euro 5 emission standard

- ws = white
- sw = black
- ro = red
- br = brown
- gn = green
- bl = blue
- gr = grey
- li = purple
- ge = yellow
- or = orange
- rs = pink

127 128 129 130 131 132 133 134 135 136 137 138 139 140

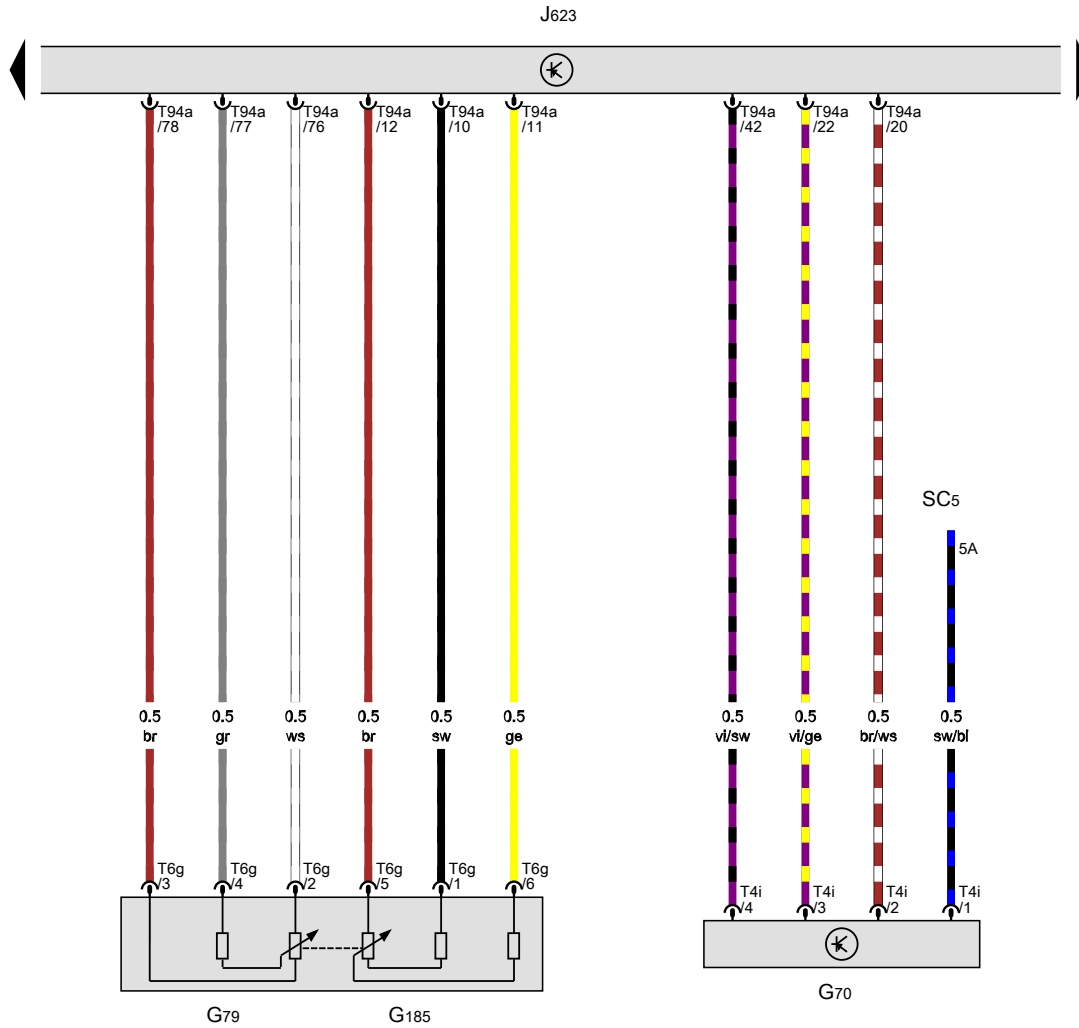
[2H0-094111117]

Lambda probe, Engine control unit, Fuse 35 on fuse holder C



- G39 Lambda probe
- J623 Engine control unit
- SC35 Fuse 35 on fuse holder C
- T6t 6-pin connector, front right in engine compartment, black
- T94a 94-pin connector, black
- Z19 Lambda probe heater
- \* Only models with Euro 5 emission standard

- ws = white
- sw = black
- ro = red
- br = brown
- gn = green
- bl = blue
- gr = grey
- li = purple
- ge = yellow
- or = orange
- rs = pink



Air mass meter, Accelerator position sender, Accelerator position sender 2, Engine control unit, Fuse 5 on fuse holder C

- G70 Air mass meter
- G79 Accelerator position sender
- G185 Accelerator position sender 2
- J623 Engine control unit
- SC5 Fuse 5 on fuse holder C
- T4i 4-pin connector, black
- T6g 6-pin connector
- T94a 94-pin connector, black

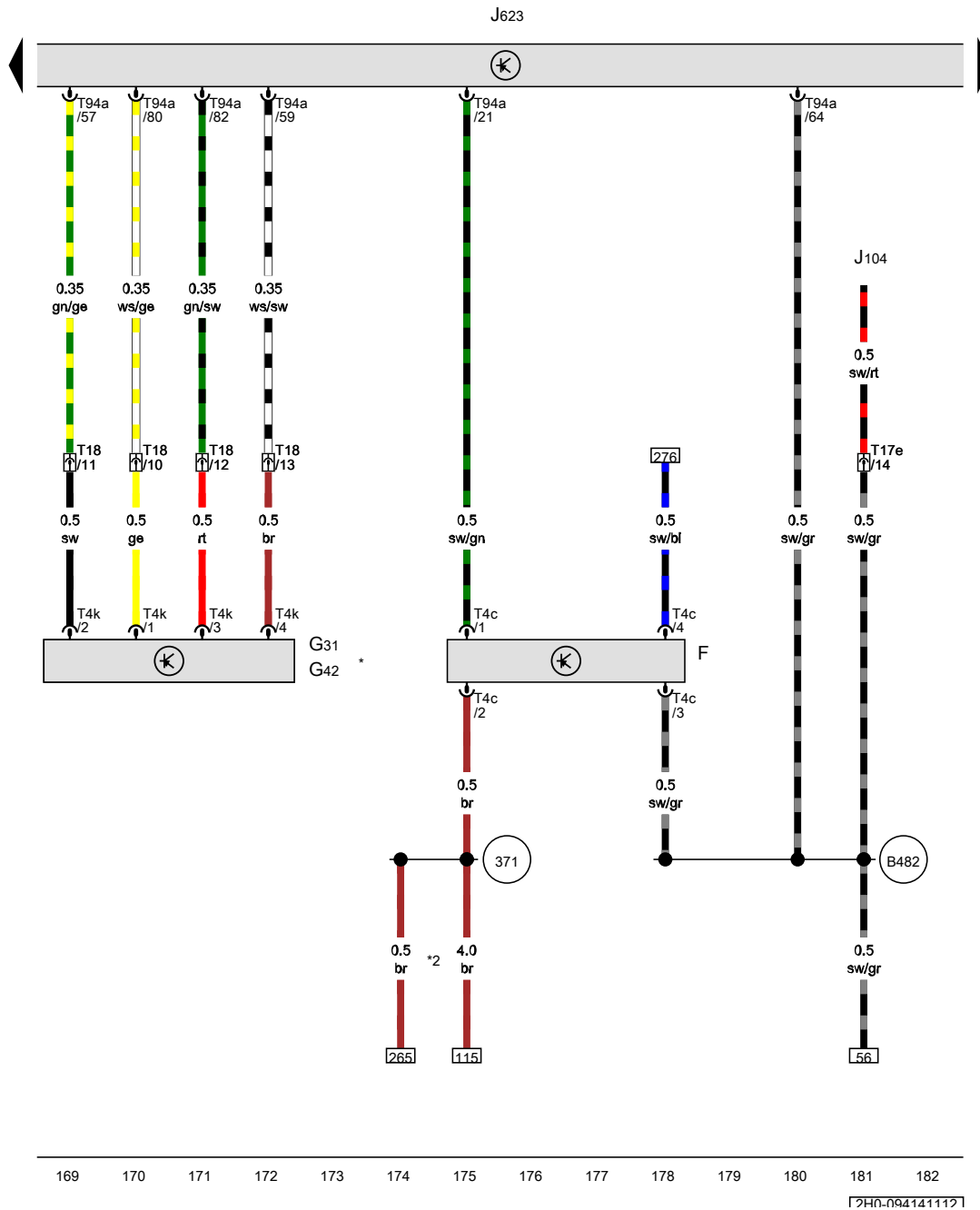
- ws = white
- sw = black
- ro = red
- br = brown
- gn = green
- bl = blue
- gr = grey
- li = purple
- ge = yellow
- or = orange
- rs = pink

155 156 157 158 159 160 161 162 163 164 165 166 167 168

[PH0-094131117]

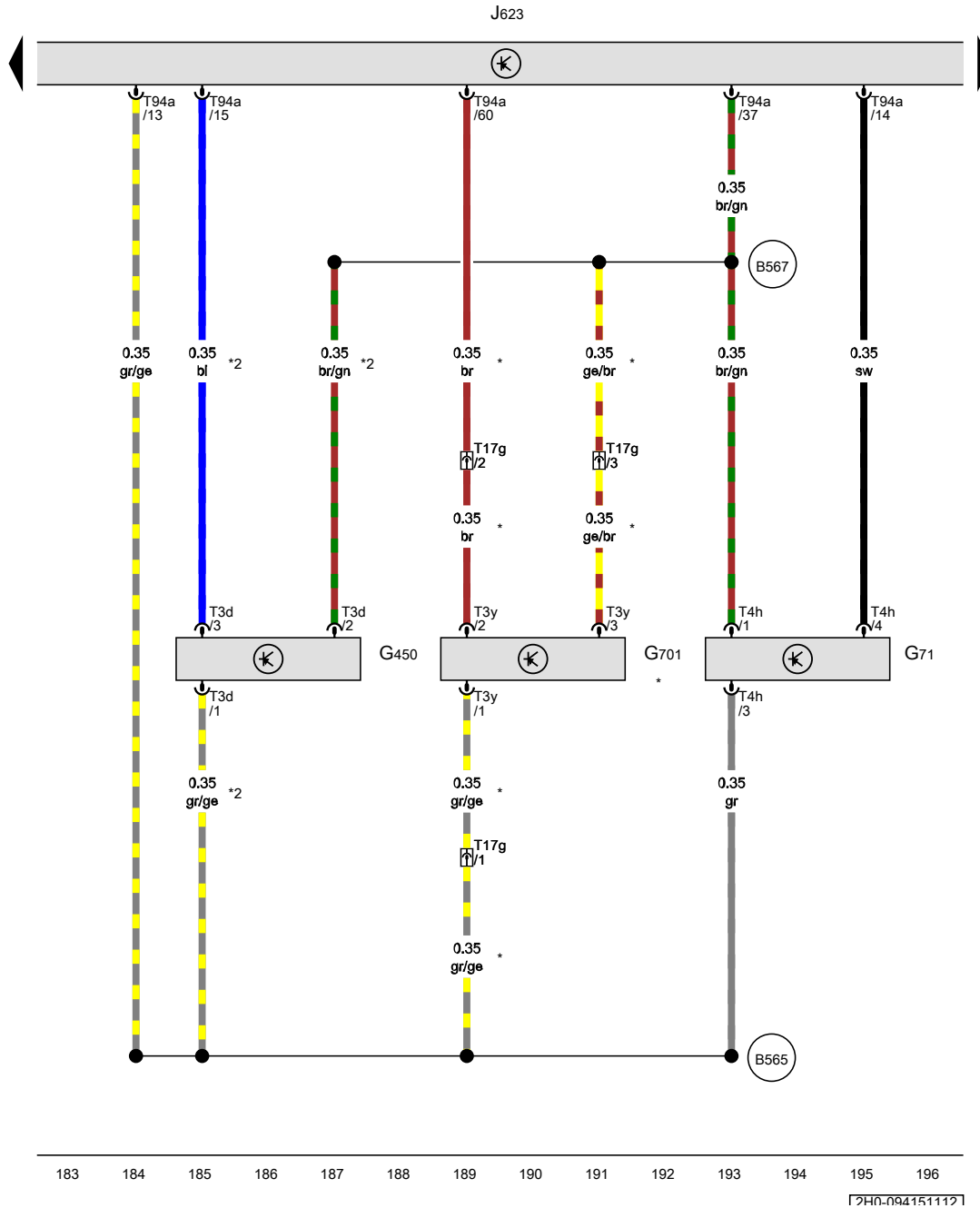


Brake light switch, Charge pressure sender, Intake air temperature sender, Engine control unit



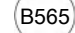
- F Brake light switch
- G31 Charge pressure sender
- G42 Intake air temperature sender
- J104 ABS control unit
- J623 Engine control unit
- T4c 4-pin connector, black
- T4k 4-pin connector, black
- T17e 17-pin connector, near handbrake lever, red
- T18 18-pin connector, near engine control unit, black
- T94a 94-pin connector, black
- 371 Earth connection 6, in main wiring harness
- B482 Connection 18, in main wiring harness
- \* According to equipment
- \*2 Only models with manual gearbox

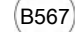
- ws = white
- sw = black
- ro = red
- br = brown
- gn = green
- bl = blue
- gr = grey
- li = purple
- ge = yellow
- or = orange
- rs = pink



**Intake manifold pressure sender, Exhaust gas pressure sensor 1, Gearbox neutral position sender, Engine control unit**

- G71 Intake manifold pressure sender
- G450 Exhaust gas pressure sensor 1
- G701 Gearbox neutral position sender
- J623 Engine control unit
- T3d 3-pin connector, black
- T3y 3-pin connector, black
- T4h 4-pin connector, black
- T17g 17-pin connector, near handbrake lever, black
- T94a 94-pin connector, black

 Connection 32, in main wiring harness

 Connection 34, in main wiring harness

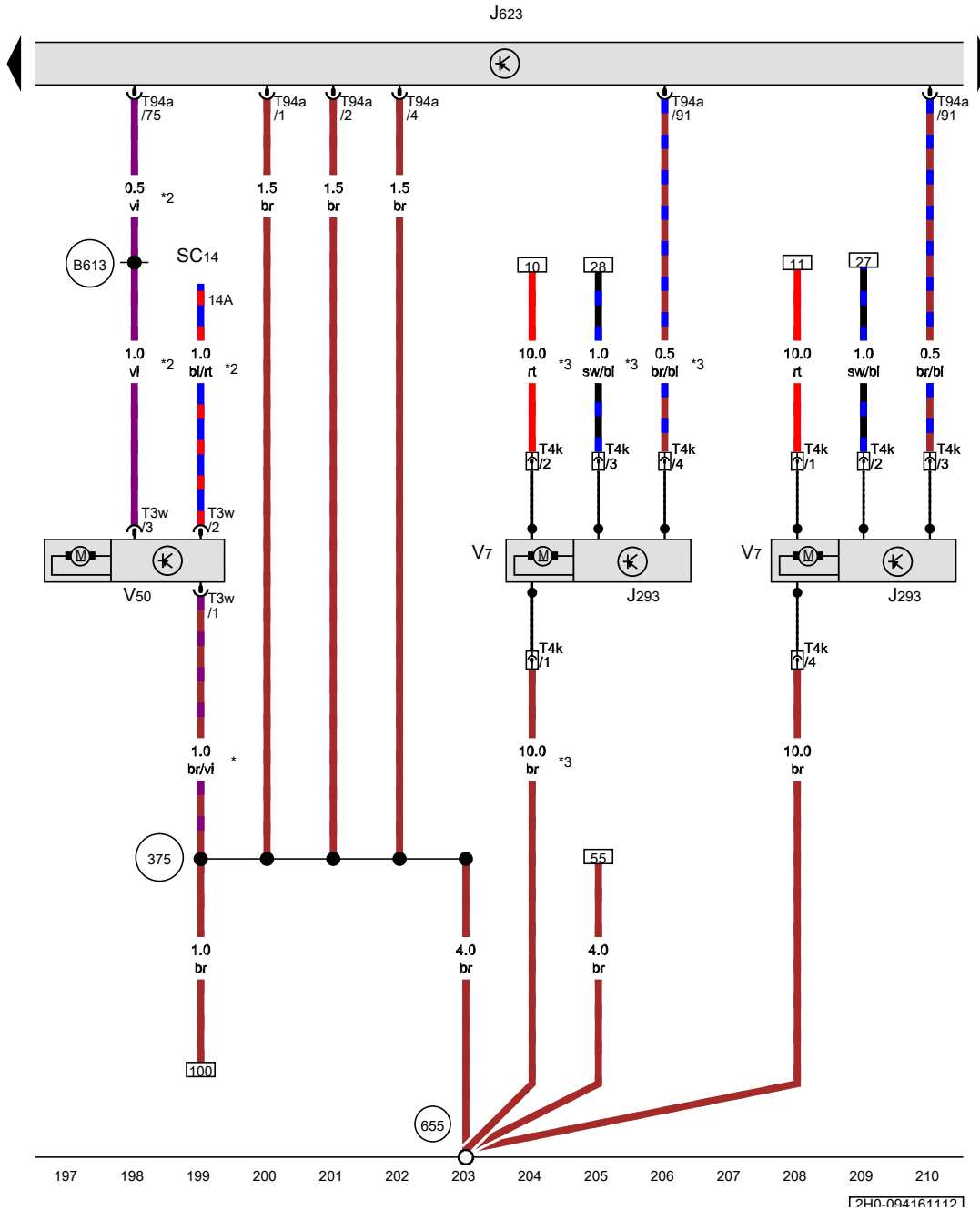
\* Only models with manual gearbox

\*2 Only models with Euro 5 emission standard

- ws = white
- sw = black
- ro = red
- br = brown
- gn = green
- bl = blue
- gr = grey
- li = purple
- ge = yellow
- or = orange
- rs = pink

183 184 185 186 187 188 189 190 191 192 193 194 195 196

[7PH0-094151117]



Radiator fan control unit, Engine control unit, Fuse 14 on fuse holder C, Coolant circulation pump

- J293 Radiator fan control unit
- J623 Engine control unit
- SC14 Fuse 14 on fuse holder C
- T3w 3-pin connector, black
- T4k 4-pin connector, on radiator cowling, black
- T94a 94-pin connector, black
- V7 Radiator fan
- V50 Coolant circulation pump

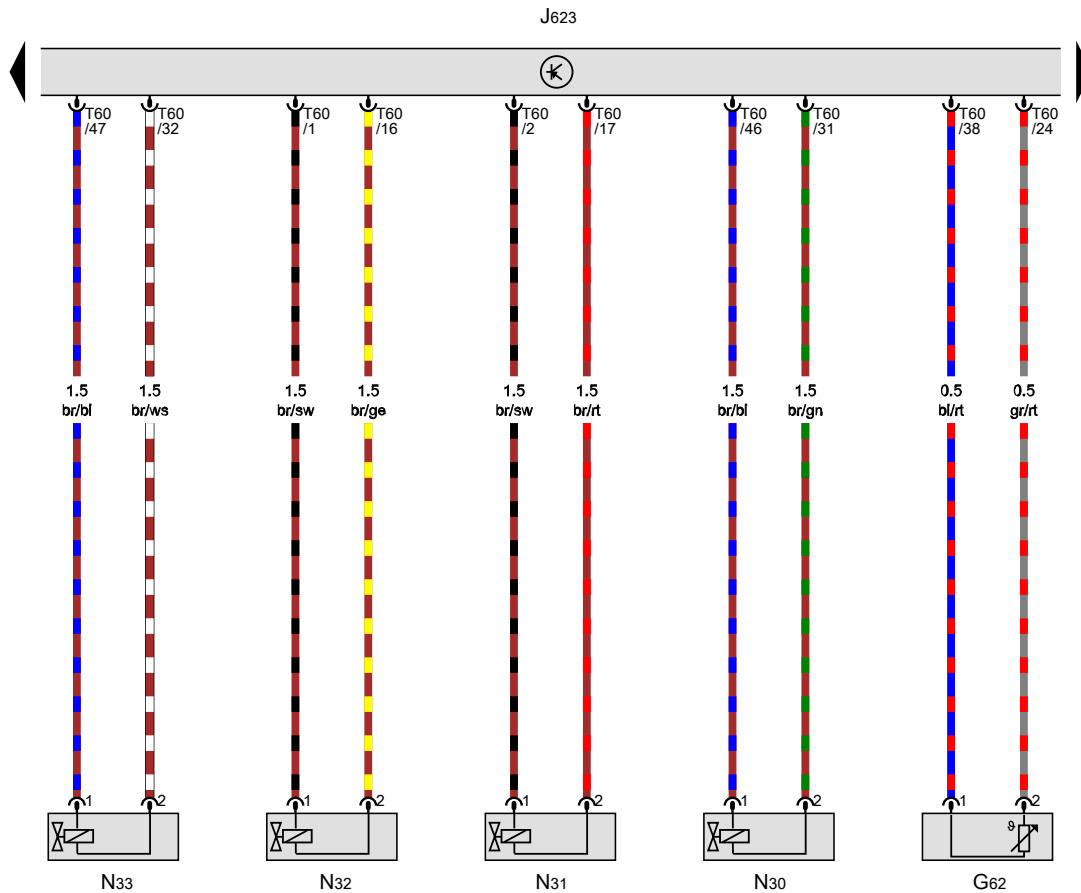
375 Earth connection 10, in main wiring harness

655 Earth point, on left headlight

B613 Connection 41, in main wiring harness

- \* Only models with "Low" equipment (AW0)
- \*2 Only models with Euro 5 plus emission standard (7MJ)
- \*3 Hot country version

- ws = white
- sw = black
- ro = red
- br = brown
- gn = green
- bl = blue
- gr = grey
- li = purple
- ge = yellow
- or = orange
- rs = pink



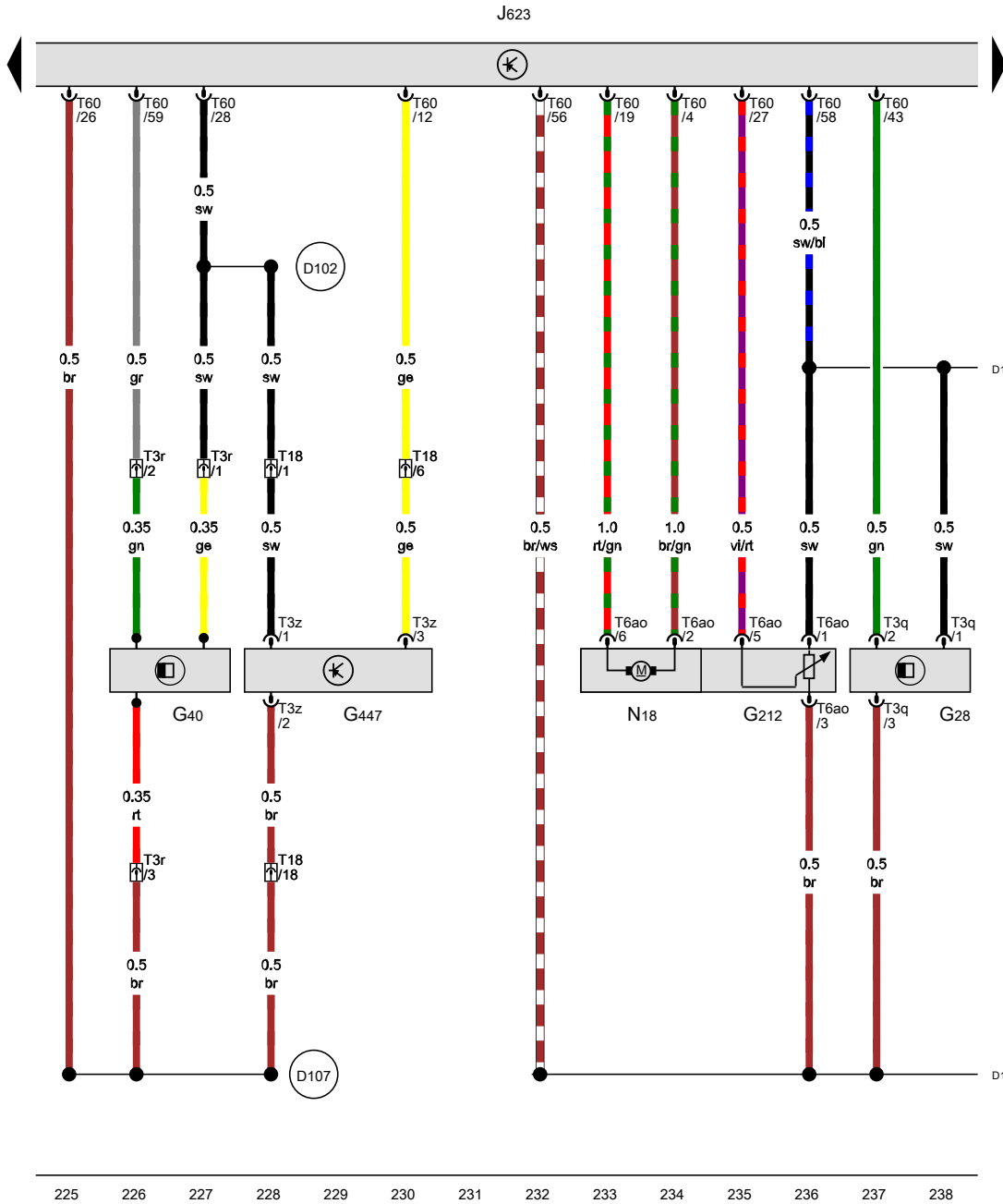
Coolant temperature sender, Engine control unit, Injector, cylinder 1, Injector, cylinder 2, Injector, cylinder 3, Injector, cylinder 4

- G62 Coolant temperature sender
- J623 Engine control unit
- N30 Injector, cylinder 1
- N31 Injector, cylinder 2
- N32 Injector, cylinder 3
- N33 Injector, cylinder 4
- T60 60-pin connector, black

- ws = white
- sw = black
- ro = red
- br = brown
- gn = green
- bl = blue
- gr = grey
- li = purple
- ge = yellow
- or = orange
- rs = pink

211 212 213 214 215 216 217 218 219 220 221 222 223 224

[7PH0-094171117]



Hall sender, Exhaust gas recirculation potentiometer, Charge pressure sender 2, Engine control unit, Exhaust gas recirculation valve

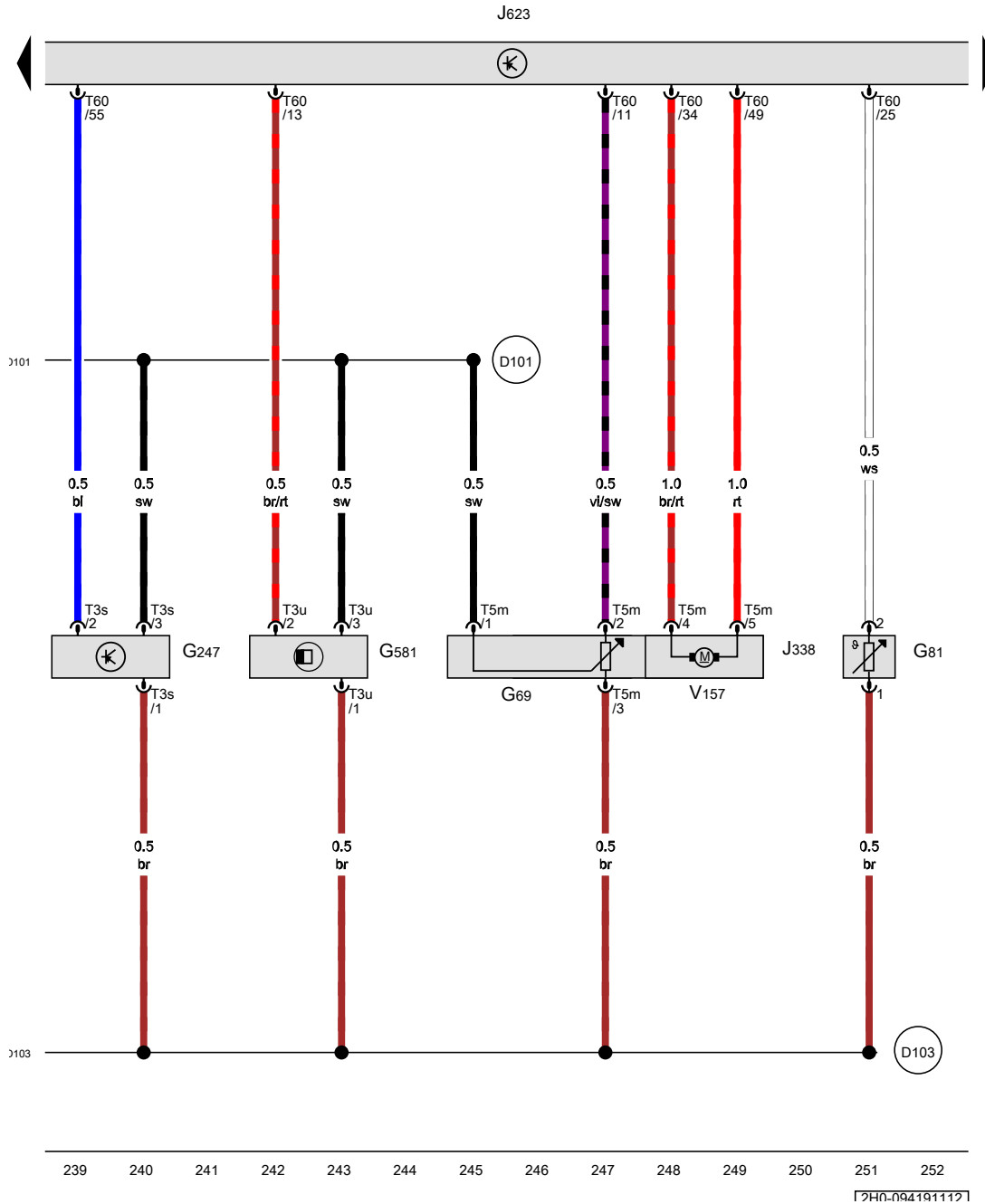
- G28 Engine speed sender
- G40 Hall sender
- G212 Exhaust gas recirculation potentiometer
- G447 Charge pressure sender 2
- J623 Engine control unit
- N18 Exhaust gas recirculation valve
- T3q 3-pin connector, black
- T3r 3-pin connector, on front of engine, black
- T3z 3-pin connector, black
- T6ao 6-pin connector, black
- T18 18-pin connector, near engine control unit, black
- T60 60-pin connector, black

- D101 Connection 1 in engine compartment wiring harness
- D102 Connection 2 in engine compartment wiring harness
- D103 Connection 3 in engine compartment wiring harness
- D107 Connection 5 in engine compartment wiring harness

- ws = white
- sw = black
- ro = red
- br = brown
- gn = green
- bl = blue
- gr = grey
- li = purple
- ge = yellow
- or = orange
- rs = pink



225 226 227 228 229 230 231 232 233 234 235 236 237 238

[7PH-0941R1117]

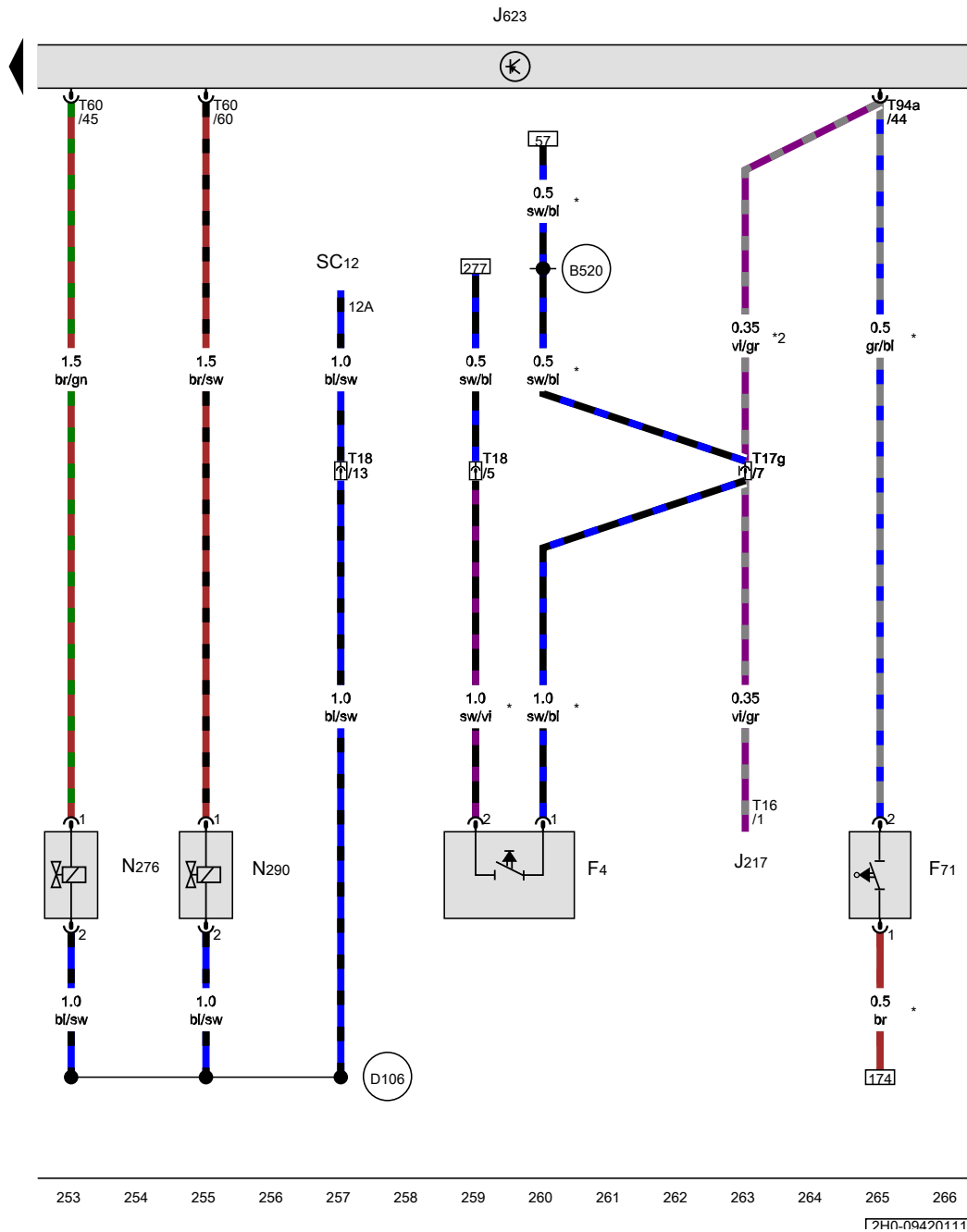


Throttle valve potentiometer, Fuel temperature sender, Fuel pressure sender, Position sender for charge pressure positioner, Throttle valve module, Engine control unit, Intake manifold flap motor

- G69 Throttle valve potentiometer
- G81 Fuel temperature sender
- G247 Fuel pressure sender
- G581 Position sender for charge pressure positioner
- J338 Throttle valve module
- J623 Engine control unit
- T3s 3-pin connector, black
- T3u 3-pin connector
- T5m 5-pin connector
- T60 60-pin connector, black
- V157 Intake manifold flap motor

-  D101 Connection 1 in engine compartment wiring harness
-  D103 Connection 3 in engine compartment wiring harness

- ws = white
- sw = black
- ro = red
- br = brown
- gn = green
- bl = blue
- gr = grey
- li = purple
- ge = yellow
- or = orange
- rs = pink



Clutch pedal switch for stop/start system, Automatic gearbox control unit, Engine control unit, Fuel pressure regulating valve, Fuel metering valve, Fuse 12 on fuse holder C

- F4 Reversing light switch
- F71 Clutch pedal switch for stop/start system
- J217 Automatic gearbox control unit
- J623 Engine control unit
- N276 Fuel pressure regulating valve
- N290 Fuel metering valve
- SC12 Fuse 12 on fuse holder C
- T16 16-pin connector
- T17g 17-pin connector, near handbrake lever, black
- T18 18-pin connector, near engine control unit, black
- T60 60-pin connector, black
- T94a 94-pin connector, black

B520 Connection (RL), in main wiring harness

D106 Connection 4 in engine compartment wiring harness

- \* Only models with manual gearbox
- \*2 Only models with start/stop system

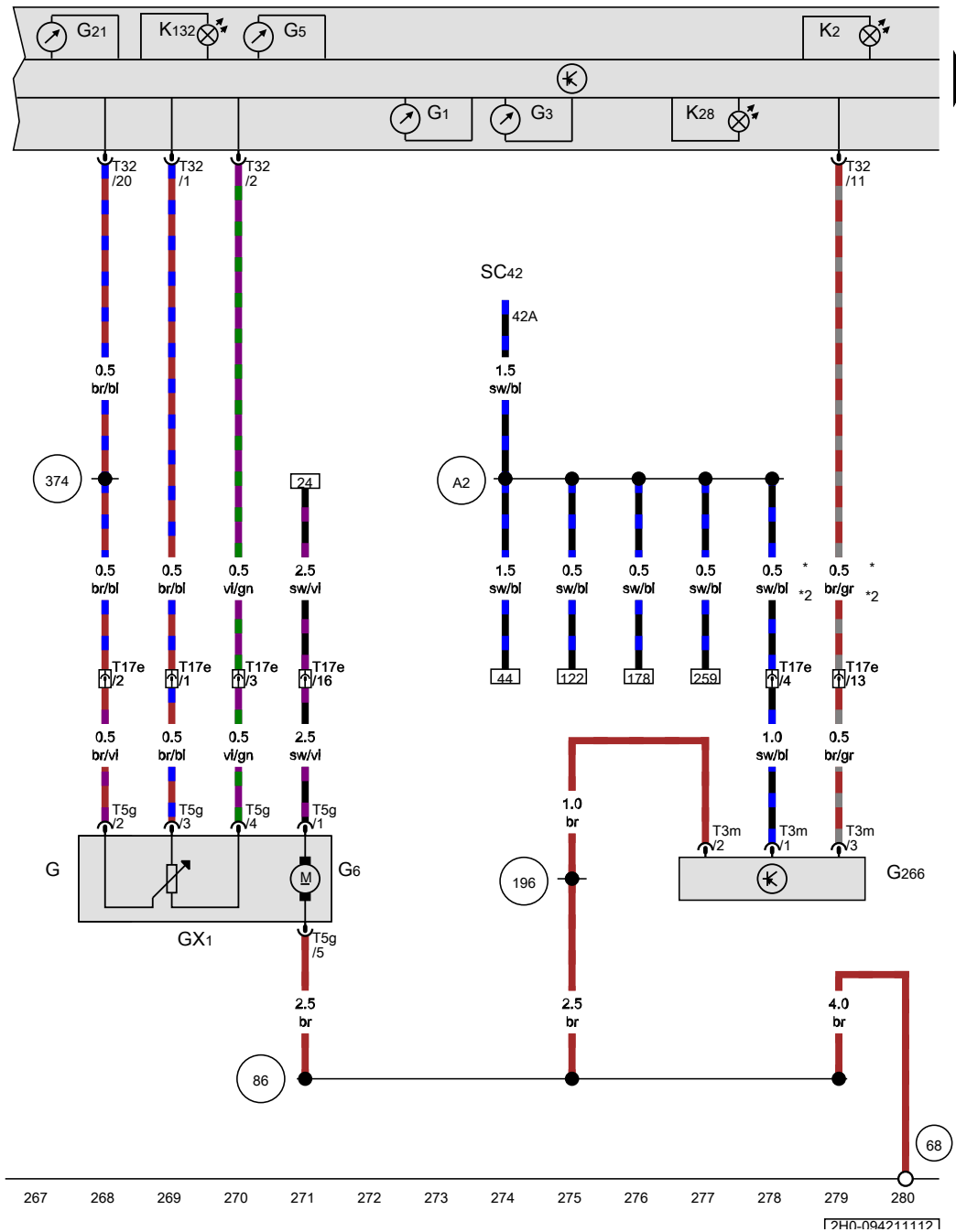
- ws = white
- sw = black
- ro = red
- br = brown
- gn = green
- bl = blue
- gr = grey
- li = purple
- ge = yellow
- or = orange
- rs = pink

**Fuel system pressurisation pump, Oil level and oil temperature sender, Dash panel insert**

- G Fuel gauge sender
- GX1 Fuel delivery unit
- G1 Fuel gauge
- G3 Coolant temperature gauge
- G5 Rev. counter
- G6 Fuel system pressurisation pump
- G21 Speedometer
- G266 Oil level and oil temperature sender
- J285 Control unit in dash panel insert
- K Dash panel insert
- K2 Alternator warning lamp
- K28 Coolant temperature and coolant shortage warning lamp
- K132 Electronic power control fault lamp
- SC42 Fuse 42 on fuse holder C
- T3m 3-pin connector
- T5g 5-pin connector, black
- T17e 17-pin connector, near handbrake lever, red
- T32 32-pin connector, blue

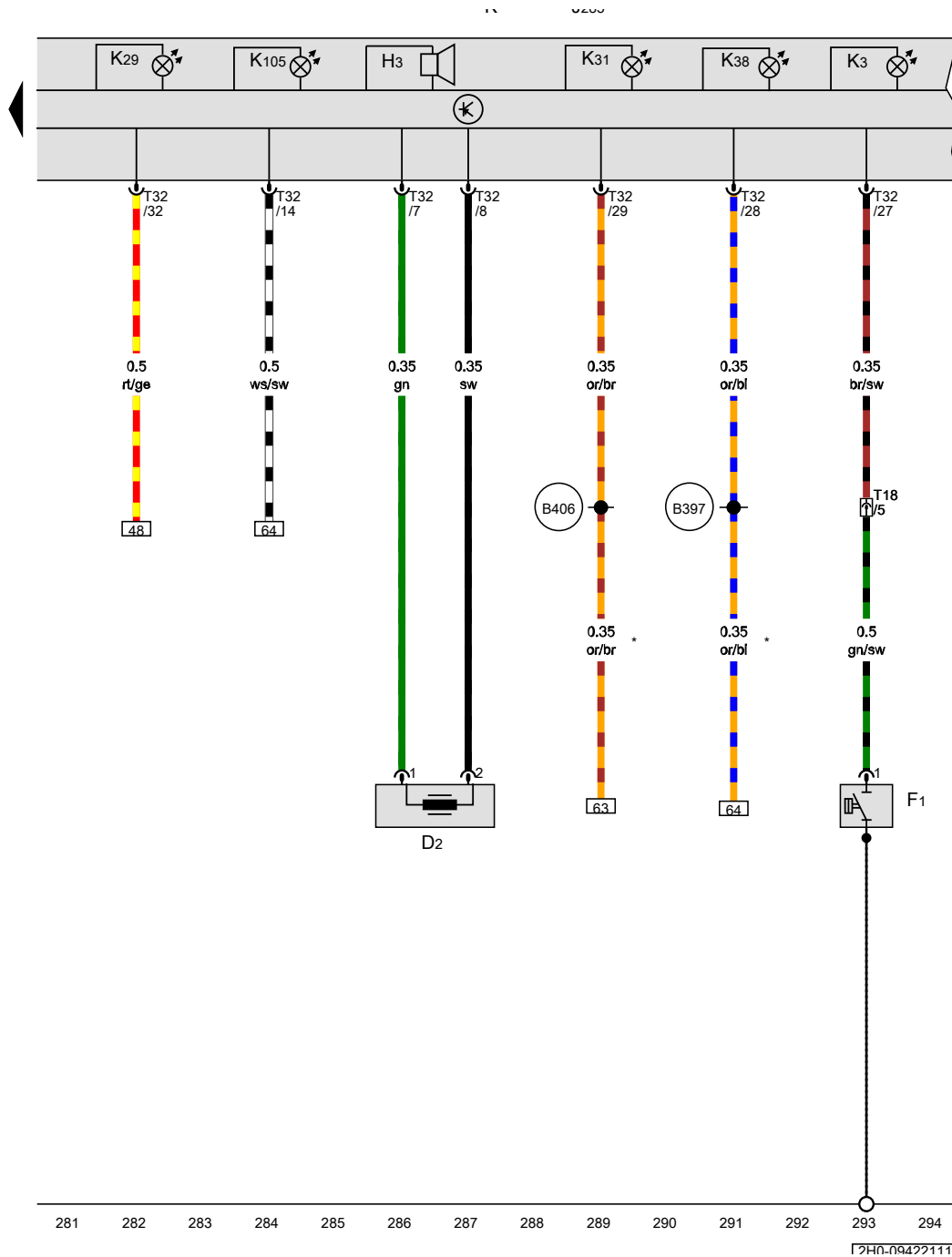
- 68 Earth point, on left of rear cross member
- 86 Earth connection 1, in rear wiring harness
- 196 Earth connection 3, in rear wiring harness
- 374 Earth connection 9, in main wiring harness
- A2 Positive connection (15), in dash panel wiring harness
- \* Only models with Euro 5 emission standard
- \*2 Only models with Euro 5 plus emission standard (7MJ)

- ws = white
- sw = black
- ro = red
- br = brown
- gn = green
- bl = blue
- gr = grey
- li = purple
- ge = yellow
- or = orange
- rs = pink





[79H0-0942711117]





Oil pressure switch, Dash panel insert

- D2 Immobiliser reader coil
- F1 Oil pressure switch
- H3 Buzzer and gong
- J285 Control unit in dash panel insert
- K Dash panel insert
- K3 Oil pressure warning lamp
- K29 Glow period warning lamp
- K31 Cruise control system warning lamp
- K38 Oil level warning lamp
- K105 Reserve fuel warning lamp
- T18 18-pin connector, near engine control unit, black
- T32 32-pin connector, blue
-  B397 Connection 1 (convenience CAN bus, high), in main wiring harness
-  B406 Connection 1 (convenience CAN bus, low), in main wiring harness
- \* Only models with automatic driving lights control

- ws = white
- sw = black
- ro = red
- br = brown
- gn = green
- bl = blue
- gr = grey
- li = purple
- ge = yellow
- or = orange
- rs = pink

281 282 283 284 285 286 287 288 289 290 291 292 293 294

[7H0-094271117]