



OSHAN
X7

About Changan

Changan is China's #1 domestic automaker for the last 10 years consecutively. Changan is also the leader in R&D and innovation and has received many awards in China and internationally. In the Chinese language, CHANG means lasting and AN means safety. Therefore, CHANG AN together represents the idea of "LASTING SAFETY".

Each day, more than 8,500 customers buy a new Changan. With 6,000 sales and service facilities in more than 70 countries across 5 business regions, and more than 150,000 professional team members globally, we stand ready to provide you considerate and prompt service 24 hours a day.

Changan has won numerous awards in the fields of design, quality and standardization such as: Heart of China Ten Best Engines for 5 consecutive years, 1st Prize in China Automotive Science and Technology Award, 1st Prize in China Patent Award, #1 Chinese brand in China for Product Quality by JD Power, Standardized Good Behavior Enterprise Award, and Award for Development of Hybrid Passenger Car by the National Joint Engineering Laboratory.

Changan follows strict development protocols with its Changan Automobile Product Development System (CA-PDS) to meet customer demand, which covers the product's full cycle with 14 milestones and 3,500 work documents to accurately guide product development.

Changan Automobile's Product Test and Verification System: CA-TVS with more than 4 million km in test mileage, each new model is to undergo 10,000 tests in 16 areas, including environment, strength, safety, etc. Changan is committed to provide its customers with a safe and enjoyable ride. All Changan vehicles undergo extensive multiple trials for vehicle quality, extreme temperature ranges from -50°C to +50°C, performance and safety testing, making the vehicle rank the highest points by C-NCAP. Most recently, Changan became the first automaker in the industry to exceed US Standards by passing 55 km/h double roll-over test.

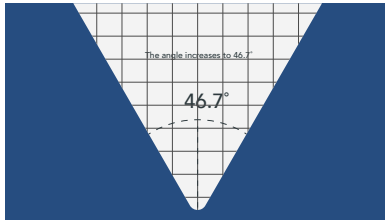
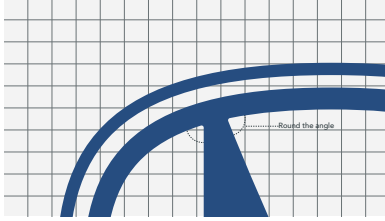
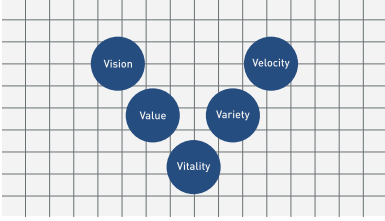
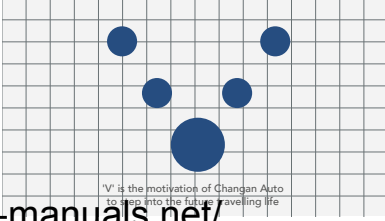
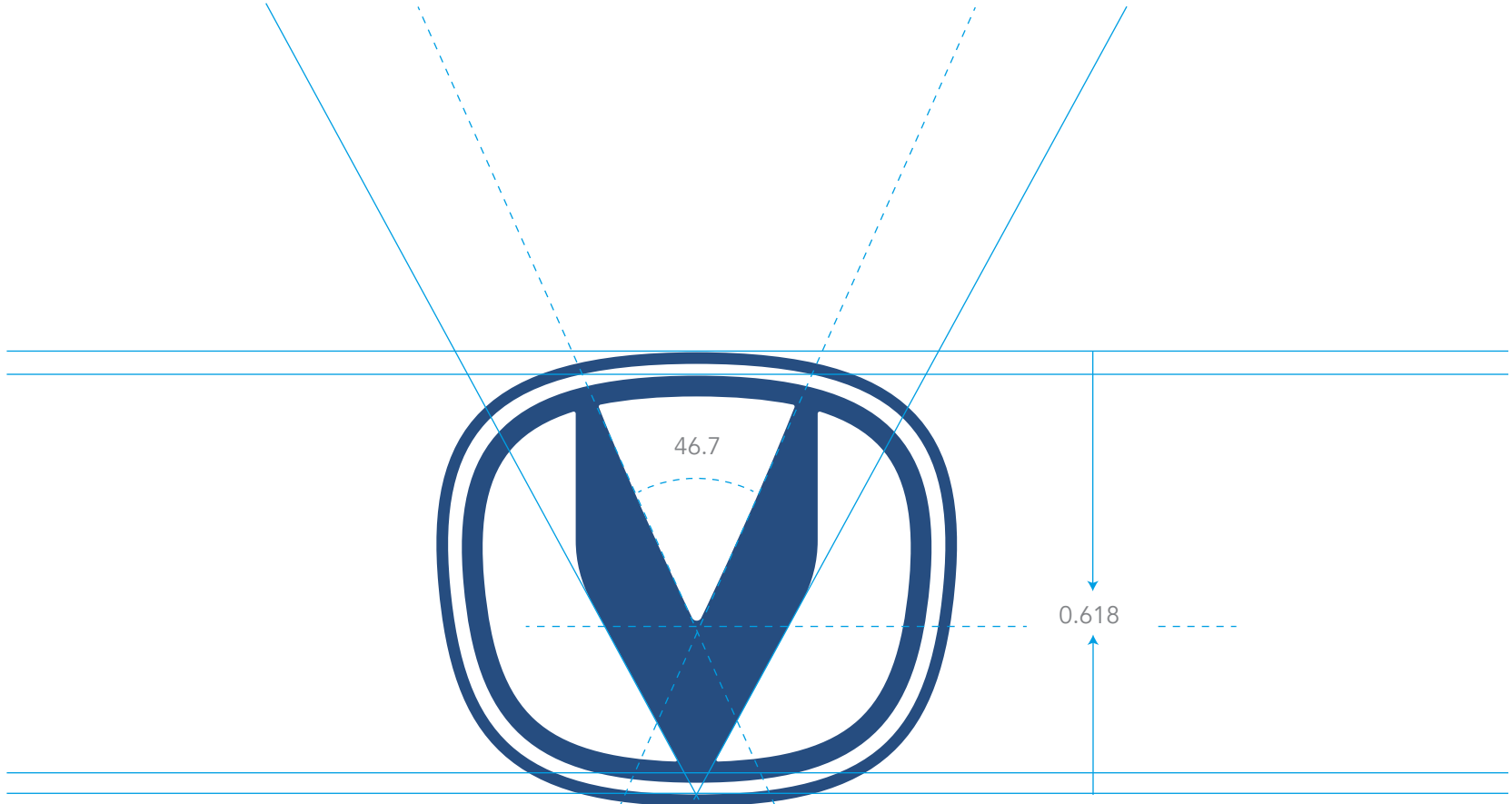
About Master Group

Over the last 59 years, the Group has diversified from bedding into textile, chemical, automotive engineering, power, retail and furniture sectors. We, at Master Group, strive for progress and prosperity of Pakistan through leadership in industrialization, innovation and corporate social responsibility.

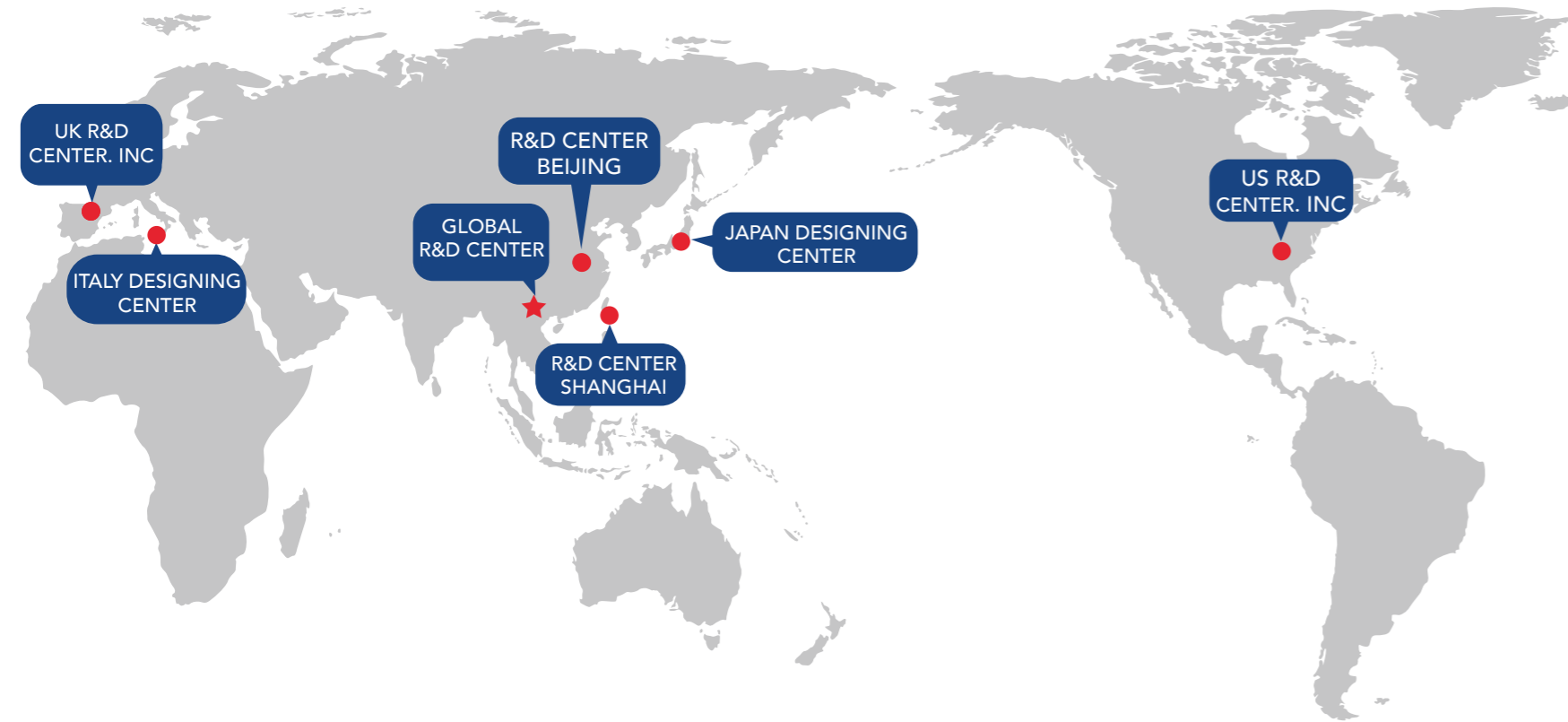
Changan Automobile has entered into a joint venture with Master Group; established in 2018, Master Changan Motors Limited, has committed an investment of USD 136 million and promises to bring futuristic vehicles within the reach of Pakistan.

Changan has entered Pakistan to start an automotive disruption and the latest uprising is for SUV lovers of the nation.

The History IT ALL STARTED IN 1963



Global Research & Development



Each year, Changan Automobile invests 5% of its annual sales revenue in R&D. Since 2006, the total investment has exceeded \$17 billion. The Company has invested \$289 million to build the Dianjing test track, an international standard vehicle testing facility, which is 150 km long and spread over 2,240,000 m², making it the 2nd largest such facility in the world.

In addition, the Company is ranked #1 in automotive R&D in China, having mastered more than 200 key technologies, and taken the lead in realizing the mass production of more

than 70 features such as IACC, APA5.0, APA6.0. Meanwhile, in the field of new energy, Changan Automobile has also acquired more than 580 patents, as well as power battery technology, high efficiency and high-density drive motor system, and many other technologies. Changan Automobile has been leading intelligence and high tech electric and hybrid electric vehicle R&D in China. Over the years, Changan Automobile has invested on independent research and development to build world-class R&D strength, and established the R&D layout with "nine locations in seven countries".

Together with Huawei and CATL, Changan has entered into a new JV under the name of Avatar Technologies. The JV will work on the design and development of high-end new energy smart vehicles, as well as smart ecological services for people, cars and homes, making digital travel a reality. Changan already collaborates with digital partners like Huawei to develop forward looking technologies such as Level 4 self-driving vehicles and 5G car networking.



Changan Automobile Global R&D Center covers an area of more than 1,000 acres and is an open knowledge R&D platform, integrating global resources with a total investment of more than \$ 680 million. As the world's leading data center using cloud technology, it has 7 functions, including design, test and management, covers

more than 12 areas, including simulation analysis, noise vibration and collision, and has more than 180 laboratories, including safety, air conditioning systems and non-metallic materials. The Global R&D center marks Changan Automobile's entry into the R&D 4.0 era of "open sharing, global synergy".

The Chongqing Dianjiang District test track by Changan Automobile is Asia's largest test track and the world's second largest facility. It covers an area of 2,240,000 m² and has 12 test tracks covering various road conditions and driving conditions.



Message from CEO

At Master Changan Motors Limited, our vision is very clear. We want to be the leaders in advanced automotive technology, and disrupt one segment at a time by bringing to Pakistan, current generation products with practical and futuristic features.

We owe our progress to the love and affection of the people who have made Alsvin, Karvaan MPV and M9 Sherpa Pickup, a success. The love and trust has allowed us to continue to push the envelope of technology and design.

After being the first automaker to test autonomous driving technology in Pakistan, we are glad to announce that Changan is all ready to introduce intelligent driving system "FutureSense™" for the people of Pakistan in our latest offering that will redefine the SUV segment – the Changan Oshan X7. And I want you to join me in the journey of being Future Forward, Forever.

The Changan Oshan X7 is for specific kind of customers who don't just have goals, but a purpose. For those who can conquer whatever they set their mind to and are always ready to challenge their limits.

We consider it as poetry in motion, the all new Changan Oshan X7, a muscular form which captures the eyes and commands everybody's attention when on the road.

We want you to claim your ground. To make your mark. We want you to say to the world, Watch Me Move.

Danial Malik



CEO
Master Changan Motors Limited



*Purpose and craft, forged together
An insatiable drive to challenge forever*

*Move, explore, break the chain
Let poetry in motion mark its reign*

*Ambitions aplenty,
But I've nothing to prove.*

While the world stands in awe

WATCH ME MOVE ■







A Marvel in Motion

It makes heads turn and jaws drop; a symphony of aggressive angular design. The shape, surface and lines of the Changan Oshan X7 is a work of art that combines confidence, superiority, and an authoritative presence with sporty elegance.



Giving Form to the Extraordinary

The captivating Surge Flo Grill is inspired by the calm, yet always in motion, waves of the ocean. Each curve is a statement, which says **WATCH ME MOVE**®



Signature Multi-tier Headlamp Setup

The sharp bi-beam projector type LED headlamps, which carry a luminous flux intensity of 1,800 lumens and high beam radiation distance of 160 meters are designed to let one move, explore and break the chain. The equipped headlamp is powered by fog-beating lighting technology that illuminates the path ahead even during fog or haze.



Matrix LED Running Lamps

Their crystalline shine ensures bright, homogeneous illumination of the road during the day and night.



Headlamp Levelling

The bi-beam projector LED headlamps are equipped with a headlamp levelling device, which personalizes visibility during varying driving conditions.



Versatile Turn Signal

The multi-purpose turn signal functions as an indicator light, and while not in use, it illuminates a white light to add to the beauty of the Oshan X7.

Reign from Every Angle

Elegantly designed from hood to rear, the rear flows into a broad waistline, creating a bold and muscular road presence.





Infinity LED Tail Lamps

Leave an impression as you move ahead. The infinity LED tail lamps feature dynamic arrows and a continuous LED strip that leaves an impression that is difficult to ignore.



Shark Fin Antenna

This piano black antenna fin has an angular style, which builds on the overall vehicle design.



Ornamental Exhaust Tip

Sporty chrome plated ornamental dual exhaust tips give your Oshan X7 the perfect dynamic look.



Rear Boneless Wiper

Flexible and stylish boneless wiper equipped with defogger and windshield washer helps you drive with more confidence.

<https://www.automotive-manuals.net/>



Adventures Under a Million Stars

The panoramic glass sunroof opens up whole new vistas at the push of a button, and creates a bright interior flooded with light with a canopy of 0.96 sq.m. The progressive design is a perfect match for the sporty, elegant curves of the Oshan X7.



Luxury that Moves You

Step into an interior like never before; an expansive ivory-white interior awaits you. Equipped with a multi-tier dashboard that features impressions of piano black, brushed metal and plush padding, the interior of the all-new Oshan X7 is a personification of unparalleled sophistication. The expansive legroom delivers best-in-class business class comfort.



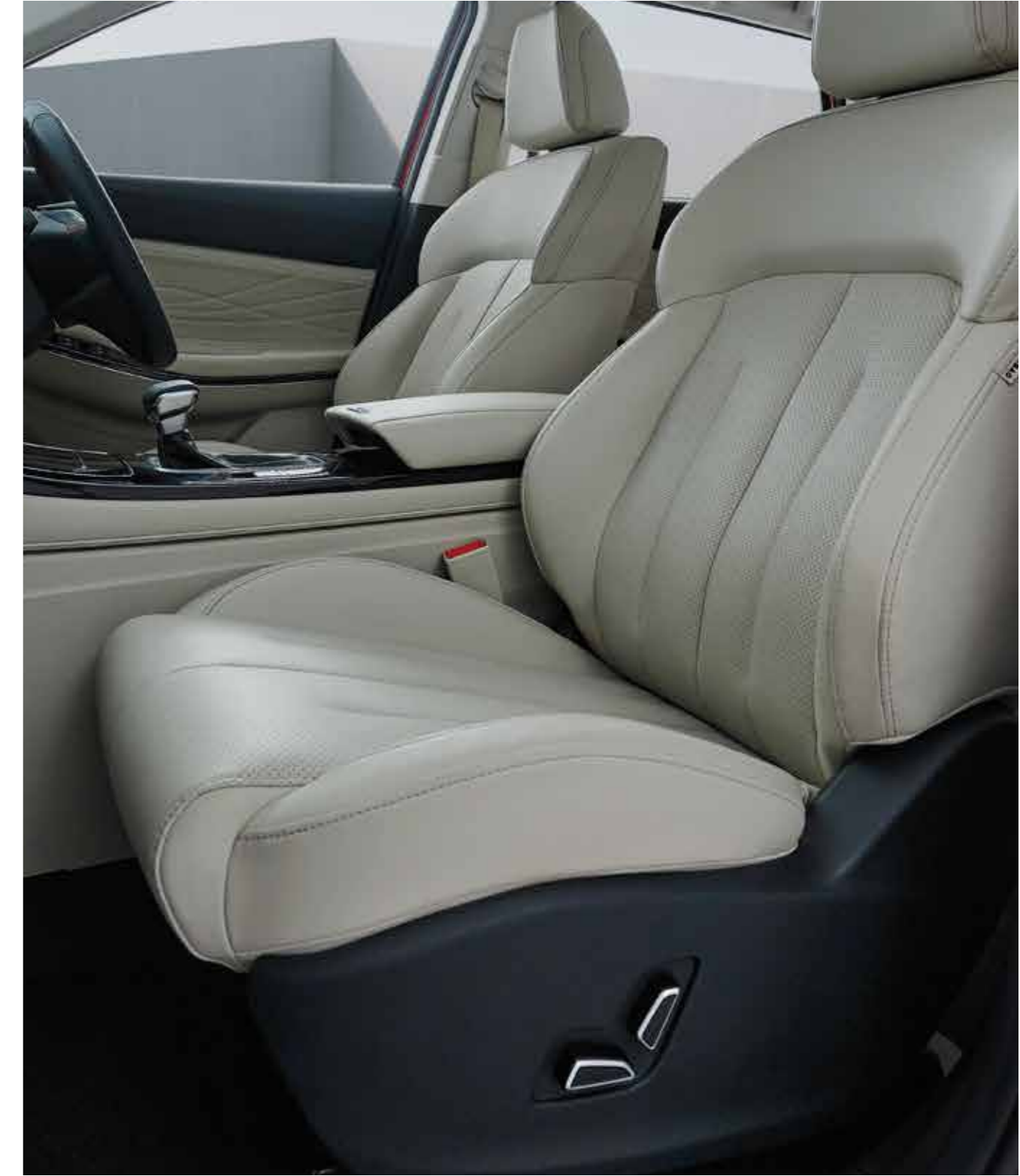
Always the Right Degree

The luxury of space and freedom: in the Oshan X7, every journey is a moving moment - even when stationary.

6-way electric adjustment seats where exclusive comfort can be felt on the front and rear seats, thanks to high-quality materials and first-class workmanship.

The rear seats offer flat floor and best-in-class legroom, while the front passenger and driver seats offer the option of independent heating and ventilation.

No matter which seat you choose, it will be a joyful journey onwards.





Comforting Dominance

You can choose from the luxurious 5-seat arrangement of the Changan Oshan X7 FutureSense™ or a family oriented 7-seat arrangement with the Changan Oshan X7 Comfort variant.



How Excellence is Driven

The luxurious and expansive driver-oriented cockpit brings all vehicle controls within arm's reach, giving the driver full confidence on the road. The D-shaped steering design looks sporty and provides increased legroom.

Space Redefined

Experience a generous feeling of space with many configuration options in the 1,407 liters luggage space. Oshan X7 is the perfect partner for the right number of seats and amount of luggage at any given time.





Digital LED Meter Cluster

A centered and focused 7-inch display on which appears pin-sharp, high-contrast graphics. Brilliant by design, innovative beyond compare, this display shows:

- Fuel efficiency monitoring
- Tyre health information
- Car distance monitoring
- Smart driving control



ESC + TCS



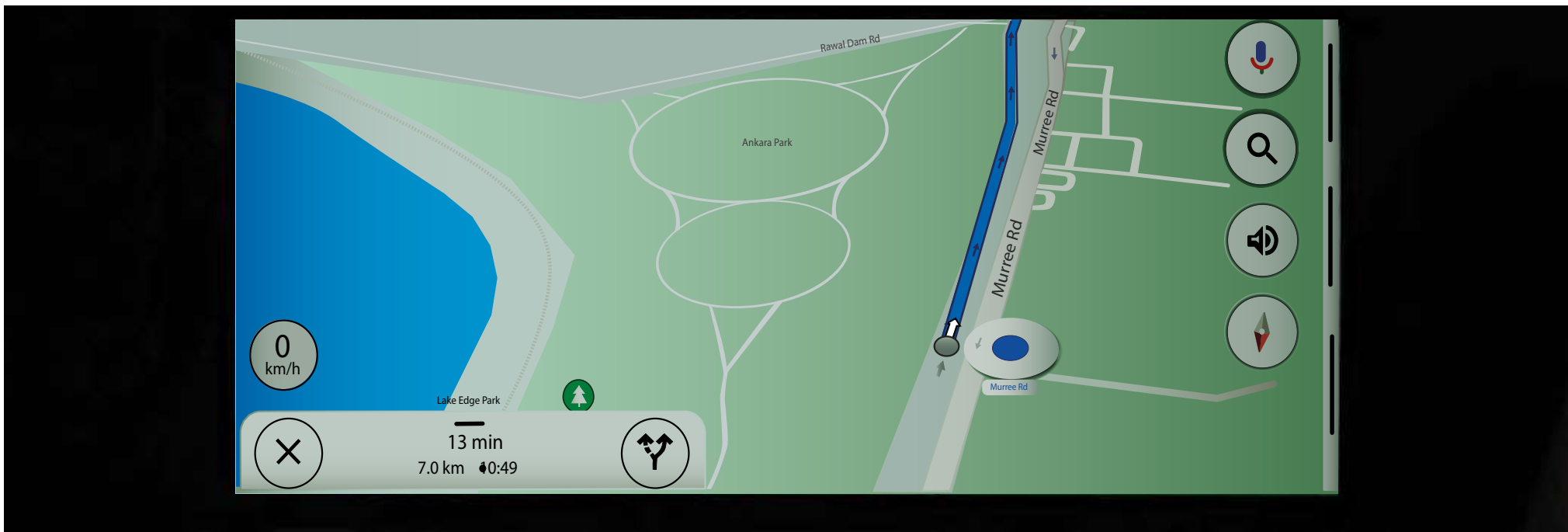
HDC + HHC



ABS + EBD + BA

Safety on the Move

The Oshan X7 incorporates intelligent body stability control system, which integrates Anti-Lock Brakes (ABS), Electronic Brakeforce Distribution with Brake Assist (EBD + BA), Traction Control System (TCS) with Electronic Stability Control (ESC), Hill Hold Control and Hill Descent Control (HHC + HDC) amongst others. The full range of active intelligent safety systems bring true safety and protection.



Quick Control

- Window and Ventilation Operation
- Car Mode Selection



Car Lights

- Automatic Light Configuration
- Turn Signal Configuration



Car Body

- Proximity Operations
- Alerts Configuration
- Window and Mirror Configuration

In Touch with Your World

The integrated dual 10.25-inch high-definition HMI touch screen delivers an interface surrounded by exquisite piano black. Powered by CarAuto, the HMI is equipped with hands-free calling, phone mirroring for Android and IOS phones, navigation, music streaming, and more. The Changan Oshan X7 intelligently allows the users to personalize the vehicle as per their preference.



Air-Conditioning

- Automatic Ventilation Configuration
- Smart AC Speed Configuration



Driver Support

- Custom Driving and Steering Mode
- Driver Wellness Check
- Dynamic Radar Configuration



Vehicle Diagnostic

- Car Vitals Check
- Advanced TPMS Information



Automatic Climate Control

The chic climate control panel with a touch of high gloss lacquer controls the air-conditioning, including blower speed and temperature controls. The controls can be accessed through the smart HMI screen as well.



Center Console

Comfortable and ergonomic center console provides ample storage, USB connectors, and a comfortable seating support for the driver and the passenger.



Intelligent Health Management System

The PM 0.1 filter keeps the air fresh, through its plasma air purification, effectively killing bacteria and filtering viruses.



Powerful Rear Ventilation

The powerful rear AC vents provide passengers with the option to control the cooling and air throw based on their needs.



Push Start Stop

Push Start/Stop makes your driving an effortless and pleasant experience.



Cup, Bottle and Mobile Holders

Plenty of spaces to hold your cups, mugs, bottles, and a nifty slot for holding your mobile phone.



Glasses Holder

A handy compartment to keep you organized on the go.



Guiding Light

The rear reading lamp provides personal illumination.



Style Meets Sense

Electric luggage compartment lid with hands-free power liftgate makes loading and unloading cargo simple and safe. Accessible through smart trunk switch, remote button in the driver's command console, and on the key fob.



A Work of Art

The Oshan X7 features a dual waist line that envelops the whole car and delivers a bulky and authoritative road presence.



Sporty Red Accent

Monotonous single tone exteriors are of the past. Oshan X7 comes with sporty red accent stripes to emphasize on the aggressive body stance.



Smart Proximity Entry

Beautifully crafted double-sided door handles provide a firm grip, and are equipped with smart entry button. The vehicle can be accessed using intelligent proximity sensors too.



19-inch Air Turbine Alloys

Sleek, elegant and industry-leading, the 19-inch air turbine inspired alloy rims create a statement as you drive on your path to success.



Powerful Thing, Ambition

Set yourself a challenge, driven by passion and perseverance, and be sure that your Oshan X7 will get you there. The beating heart Bluecore 1.5L turbocharged engine churns out an enormous torque of 300 Nm, which is 11% better in class, while 185 horses bow down at your foote disposal to uplift you out of all that life throws at you. The powerful engine takes you from 0-100 km/hr in just 8.23 seconds with a fuel efficiency better by 44% than nearest competition.

*Performance parameters based on controlled conditions. Actual driving performance varies as per environment, vehicle conditions and driver ability.



7 Speed Wet DCT Transmission with Triptronic

The 7 speed Dual Clutch Transmission (DCT) is equipped with Sports and Triptronic Modes. The Dual Clutch Transmission provides an uninterrupted power delivery and fuel efficiency by optimizing gear shifting with less wear and tear. Sports mode shifts gears at higher RPM for better acceleration, and triptronic mode gives driver optimized gear shifting based on their own needs.



Intelligent Drive Mode

Four personalized driving modes available: COMFORT, SPORT, ECO, and CUSTOM.



Custom Driving Mode

Tailor made to match your preference for driving style and steering response.



Electronic Parking Brake

Feel free and let your Oshan X7 manage the brakes when idle with Electronic Parking Brake and Auto Brake Hold.

Future Sense™

Emotion Expressed as Innovation
Intelligence meets bold looks. As the first company to test Autonomous Driving Technology in Pakistan, Changan has selected the most suitable tools and smart car functions for Pakistan in the Oshan X7 to make your life easier, so you can do more.



Dynamic Radar Cruise Control

The intelligent radar based adaptive cruise control system adjusts the speed with the vehicle in front and matches the pace accordingly, reducing your stress of continuously adjusting vehicle speed.



Forward Collision Warning (FCW)

Forward collision warning alerts the driver ahead of any potential crash with an audio alert. The intelligent brake assist becomes more sensitive during this period to support the driver.



Touch of Power

Adjust the distance between vehicles and keep a personalized control of your vehicle safety at the touch of a button when you engage Dynamic Radar Cruise Control.



Automatic Emergency Braking (AEB)

As an extension of collision warning, the automatic emergency braking activates by itself in case of unavoidable collision.



High Style, High Function

The smart key fob remotely starts the car engine and opens the rear tailgate by just a touch of a button. If the key is near the Oshan X7, it greets you by activating the Oshan Welcome Mode and opening the side view mirrors, breathing headlights, and unlocks the doors to give you a pleasant welcome.





DVR – Digital Video Recorder

The DVR records multiple 30sec shots of the surrounding cars, in case of collision or a mishap, the multiple video shots can be retrieved to check the cause of the event.



ISOFIX Seat Anchors

Rear Child ISOFIX seats provide interlocking port to hook child seats, making it a part of the vehicle's seat. This ensures that the child seat remains stable during the journey.



Parking Sensors

The Oshan X7 is equipped with three reverse parking sensors and two front parking sensors with proximity alarm to maneuver through narrow parking, while avoiding obstacles and blockages.



Heated Side Mirrors

The powered adjustable Outside Rear View Mirrors (ORVM) are equipped with a heater defroster to provide better visibility in rainy and foggy weather.



360° Panocam

Equipped with 4 wide angle cameras which display the 360° view of the vehicle in real time to assist the driver in maneuvering through tight spots, parking, during DVR, and while making a turn.



Reverse Camera

The dynamic reverse guidelines trace the vehicles trajectory and assist in steering conveniently without colliding into obstacles.



Advanced TPMS

All the tire pressures and temperatures are monitored and shown separately to ensure a safe trip.



Vehicle Stability Controls

The Oshan X7 is equipped with Electronic Stability Control (ESC) and Traction Control to avoid vehicle from skidding, under or oversteering in difficult situations.



Antilock Brakes with Brake Assist

Enhanced ABS module prevents the wheels from locking up during braking, thereby, maintaining tractive contact with the road surface and helping the driver maintain more control over the vehicle.



Electronic Brakeforce Distribution

Based on the vehicle load, the brakeforce is automatically adjusted allowing the vehicle to brake more effectively.



Safety at its Finest

While the comfortable seats immerse you in an overwhelming feeling of relaxation and comfort, the best-in-class safety comes with 4 airbags arrangement: Front Driver, Front Passenger, Driver Side Torso and Passenger Side Torso.



Colors of the Galaxy

Space Gray or Orion Blue? Stellar White or Cosmic Red? The extroverted color palette inspired by the galaxy for the Oshan X7 will leave you spoiled for choice. For whichever paintwork you decide, you always choose ground-breaking design and uncompromising dynamics, which prove passion and character.



Stellar White

Space Gray

Lunar Silver

Orion Blue

Galaxy Black

Cosmic Red

CHANGAN | GENUINE ACCESSORIES

We offer an array of Changan Genuine Accessories that can help you add both, style and utility to your Oshan X7. Find from the list of exuberant accessories tailored to fit your style and Oshan X7.



Window Screen

Keep harsh glares at bay with the help of Window Screens and maintain the interior room brightness as you drive comfortably in your Oshan X7.



Side Step

Made with high quality aluminum alloy and anti-slip material, the side step provides ease of access while getting in or out of the Oshan X7.



Welcome Light

Get welcomed by an illuminating Changan Auto Logo, while getting in and out of the vehicle.



Steering Cover

Exquisitely designed for a better grip and attractive look for optimal comfort, while driving.



Side Visor

Add extra oomph to your Oshan X7 with side visors which compliment the exterior beautifully.



Mud Guard

The 4 pieces set is made out of flexible polymer to protect your car from mud.



Trunk Mat

The perfect fit, which looks good and is easy to clean, and protects the luggage carpet.



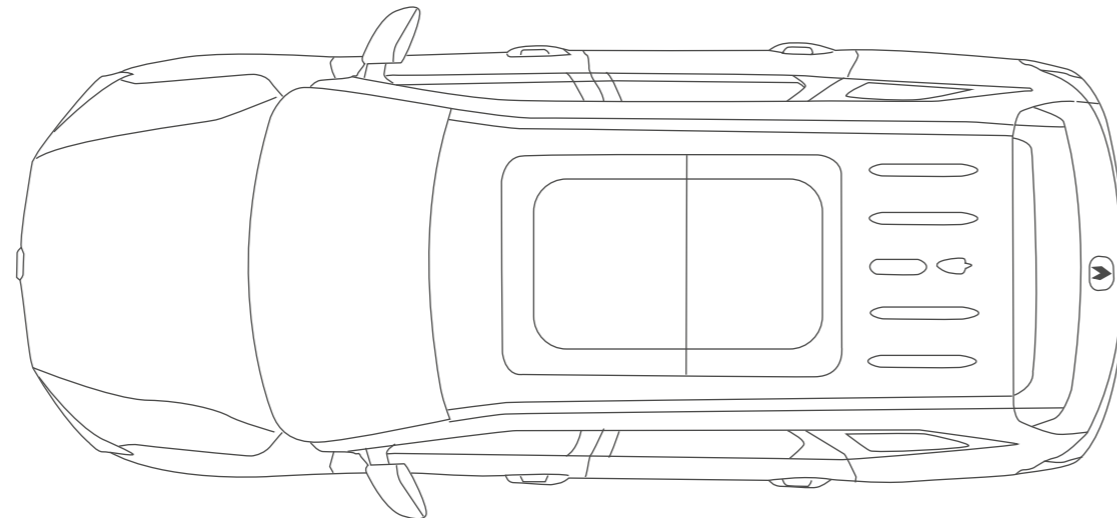
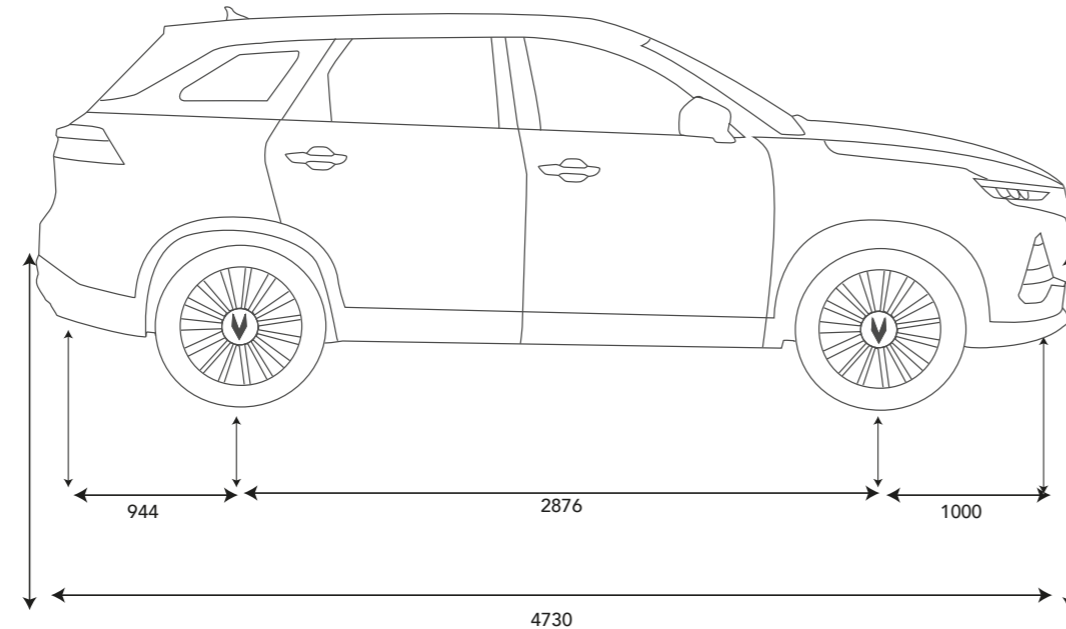
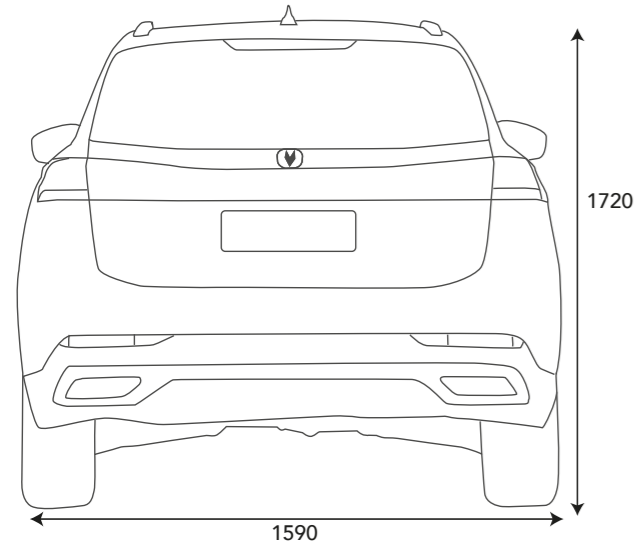
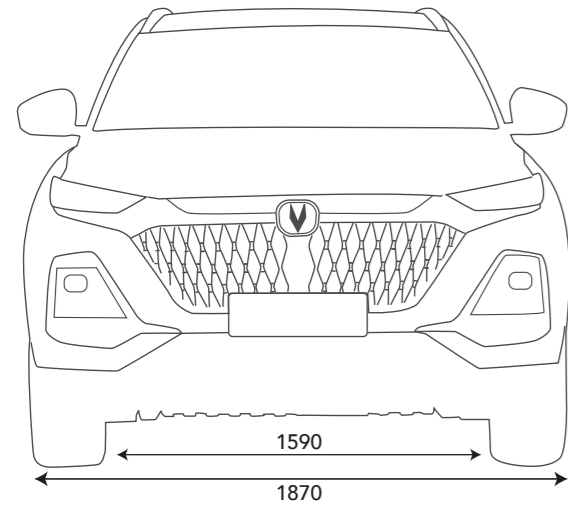
Tissue Box

Smartly designed to carry and be placed on the dashboard at any angle as per your convenience.

Disclaimer: Accessories specified may change periodically without notification. Please visit your nearest authorized Changan Auto outlet for more information and complete range of accessories.

<https://www.automotive-manuals.net/>

Vehicle Specifications



Vehicle Specifications

Model	Changan Oshan X7 FutureSense™
Seating Capacity	5
Engine Performance	
Engine Type	Turbocharged NE15 Series Euro 6 Compliant
Remote Engine Start	Equipped
Displacement in cc (valves per cylinder)	1,499 (4)
Output in kW (hp) / Torque in Nm (ft lbs)	138 (185) / 300 (221)
Power Transmission	
Driving Type	Front Wheel Drive
Smart Driving Modes	Eco, Comfort, Sport, Custom
Start Stop Technology	Equipped
Transmission Type	7 Speed Wet DCT Triptronic
Fuel tank capacity, approx in liters	55
Chassis & Steering	
Suspension (Front / Rear)	McPherson Independent / Multi-Link
Steering Personalization	Light, Sport, Comfort Modes
Tires & Braking System	
Tire & Rims	225/55 R19, 19" Air-Turbine Rims
Brake Type (Front / Rear)	Ventilated Disc
Parking Brake	Electric with Auto Hold
Exterior Design	
Sunroof	Electric Panoramic Sunroof
Roof Rack	Equipped
Electric Outside Rear View Mirror	Heated + Foldable
Boneless Wiper and Defogger	Front + Rear
Tailgate	Powered, Remote Open
Interior Design	
Interior Scheme	Ivory White Faux Leather
Multimedia Steering Wheel	Leather
Instrument Panel	7-inch Digital Speedometer
Access System	Smart Keyless Entry + Push Start
Accessory Connectors	12V Universal, 2 Front USB, 1 Rear USB
Power Windows	One-touch operation
Seating Comfort	
Front Driver Seat	6-Way Electric Adjustable
Front Passenger Seat	6-Way Electric Adjustable
Intelligent Seating	Heated + Ventilated Front Seats
Second Row Seat	40/60 Fold Down
Second Row Console	Console with Cupholders
Third Row Seat	Not Equipped
Air Conditioning	
Automatic Climate Control	Touch-based control
Rear AC Vents	Equipped
Air Purifier	PM 0.1 Air Filter
Human-Machine Interface (HMI)	
HMI Type	10.25" Capacitive Touch Screen
Connectivity	USB, Aux, iPod, BT, WiFi
CarAuto Functionality	Navigation, Music, Handsfree calling
Speakers	6

Model	Changan Oshan X7 Comfort
Seating Capacity	7
Engine Performance	
Engine Type	Turbocharged NE15 Series Euro 6 Compliant
Remote Engine Start	Equipped
Displacement in cc (valves per cylinder)	1,499 (4)
Output in kW (hp) / Torque in Nm (ft lbs)	138 (185) / 300 (221)
Power Transmission	
Driving Type	Front Wheel Drive
Smart Driving Modes	Eco, Comfort, Sport, Custom
Start Stop Technology	Equipped
Transmission Type	7 Speed Wet DCT Triptronic
Fuel tank capacity, approx in liters	55
Chassis & Steering	
Suspension (Front / Rear)	McPherson Independent / Multi-Link
Steering Personalization	Light, Sport, Comfort Modes
Tires & Braking System	
Tire & Rims	225/55 R19, 19" Air-Turbine Rims
Brake Type (Front / Rear)	Ventilated Disc
Parking Brake	Electric with Auto Hold
Exterior Design	
Sunroof	Electric Panoramic Sunroof
Roof Rack	Equipped
Electric Outside Rear View Mirror	Heated + Foldable
Boneless Wiper and Defogger	Front + Rear
Tailgate	Manual
Interior Design	
Interior Scheme	Ivory White Faux Leather
Multimedia Steering Wheel	Microfiber
Instrument Panel	7-inch Digital Speedometer
Access System	Smart Keyless Entry + Push Start
Accessory Connectors	12V Universal, 2 Front USB, 1 Rear USB
Power Windows	One-touch operation
Seating Comfort	
Front Driver Seat	6-Way Electric Adjustable
Front Passenger Seat	6-Way Manual Adjustable
Intelligent Seating	Not Equipped
Second Row Seat	40/60 Fold Down + Slide
Second Row Console	Not Equipped
Third Row Seat	Equipped
Air Conditioning	
Automatic Climate Control	Touch-based control
Rear AC Vents	Equipped
Air Purifier	PM 0.1 Air Filter
Human-Machine Interface (HMI)	
HMI Type	10.25" Capacitive Touch Screen
Connectivity	USB, Aux, iPod, BT, WiFi
CarAuto Functionality	Navigation, Music, Handsfree calling
Speakers	6

Model	Changan Oshan X7 FutureSense™
Lighting	Automatic Front Lights
Rear Lights	
FutureSense™ Package	
Cruise Control	Equipped
Forward Collision Warning (FCW)	Equipped
Auto Emergency Braking (AEB)	Equipped
Camera System	360-degree Panocam
Data Recorder (DVR)	Equipped
Smart Proximity Entry System	Equipped
Smart Exit System	Equipped
Safety	
Front Airbags	Driver + Passenger Airbag (Front)
HMI-Enabled Car Diagnostic System	Equipped
Advanced TPMS	Equipped
Reverse Dynamic Guidelines	Equipped
Parking Sonars	Equipped
Anti-Lock Brakes	Equipped
Stability Controls	Equipped
Hill Control	Equipped
ISOFIX Seat Anchors	Equipped
Immobilizer	Equipped

Model	Changan Oshan X7 FutureSense™
Lighting	LED Matrix Continuous Running
Rear Lights	LED Matrix Continuous Running
FutureSense™ Package	
Cruise Control	Equipped
Forward Collision Warning (FCW)	Equipped
Auto Emergency Braking (AEB)	Equipped
Camera System	360-degree Panocam
Data Recorder (DVR)	Equipped
Smart Proximity Entry System	Equipped
Smart Exit System	Equipped
Safety	
Front Airbags	Driver + Passenger Airbag (Front)
HMI-Enabled Car Diagnostic System	Equipped
Advanced TPMS	Equipped
Reverse Dynamic Guidelines	Equipped
Parking Sonars	Equipped
Anti-Lock Brakes	Equipped
Stability Controls	Equipped
Hill Control	Equipped
ISOFIX Seat Anchors	Equipped
Immobilizer	Equipped

Model	Changan Oshan X7 Comfort
Lighting	LED Matrix Continuous Running
Rear Lights	LED Matrix Continuous Running
FutureSense™ Package	
Cruise Control	Equipped
Forward Collision Warning (FCW)	Equipped
Auto Emergency Braking (AEB)	Equipped
Camera System	360-degree Panocam
Data Recorder (DVR)	Equipped
Smart Proximity Entry System	Equipped
Smart Exit System	Equipped
Safety	
Front Airbags	Driver + Passenger Airbag (Front)
HMI-Enabled Car Diagnostic System	Equipped
Advanced TPMS	Equipped
Reverse Dynamic Guidelines	Equipped
Parking Sonars	Equipped
Anti-Lock Brakes	Equipped
Stability Controls	Equipped
Hill Control	Equipped
ISOFIX Seat Anchors	Equipped
Immobilizer	Equipped

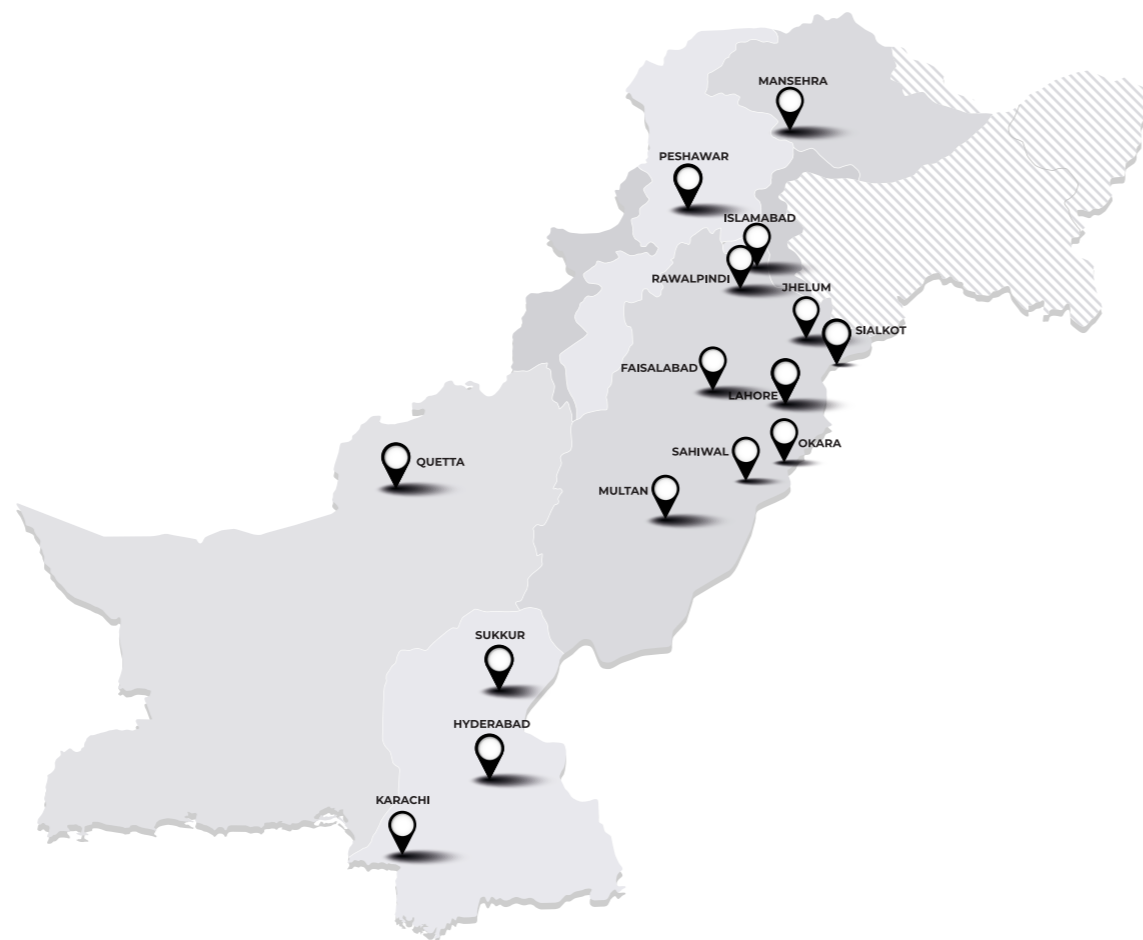
Disclaimer:
 This brochure is for reference only. Depending on region, color, specification and parameters could be different. Specifications are subject to change without notice. Some of the shown / mentioned specifications may not be available. Radar and sensor based operations assist driver in driving the vehicle safely. Functionality may depend on various conditions. Responsibility for timely braking and vehicle control always lie with the driver at all times.

Dealership List

We are present across the nation!

Changan has a rapidly growing network of dealerships across the country. Visit your nearest Changan Auto Outlet for Quality Sales, Service or Genuine Parts.

FAISALABAD	CHANGAN LYALLPUR MOTORS	(+92) 0342 3888 887
HYDERABAD	CHANGAN SINDH MOTORS	(+92) 0334 2426 426
ISLAMABAD	CHANGAN ISLAMABAD MOTORS	(+92) 051- 8731895
JHELUM	CHANGAN JHELUM MOTORS	(+92) 054 4649270
KARACHI	CHANGAN GUL MOTORS	(+92) 021 34551521
	CHANGAN KARACHI MOTORS	(+92) 0313 2333 955, (+92) 0332 0312 345
	CHANGAN SOUTH MOTORS	(+92) 0304 1113 786
	CHANGAN YAZDANI HIGHWAY MOTORS	(+92) 0309 333 9495
	CHANGAN YAZDANI MOTORS	(+92) 021 35077190, (+92) 0300 0609 380
LAHORE	CHANGAN ADIL ASHRAF MOTORS	(+92) 0304 2426 426, (+92) 0321 4486 111
	CHANGAN BILAL AUTOMOBILES	(+92) 0311 1222 665
	CHANGAN CITY SALES	(+92) 0311 1115 500
LAHORE	CHANGAN LAHORE MOTORS	(+92) 0324 6111 666
	CHANGAN HAZARA MOTORS	(+92) 0321 4001 562, (+92) 0343 8866 026
MULTAN	CHANGAN MULTAN MOTORS	(+92) 061 111-222-388, (+92) 0309 6662 341-43-48
PESHAWAR	CHANGAN KHYBER MOTORS	(+92) 0317 7976 667
QUETTA	CHANGAN NIAZ MOTORS	(+92) 081 2672433
RAWALPINDI	CHANGAN CAPITAL MOTORS	(+92) 0336 8563 322
SAHIWAL	CHANGAN SAHIWAL MOTORS	(+92) 0305 3027 700, (+92) 0300 9691 750, (+92) 0300 9690 069
	CHANGAN AUTO STALLION	(+92) 0311 1007 777, (+92) 0311 1786 777
	CHANGAN MEHRAN MOTORS	(+92) 0300 2263 754
OKARA	CHANGAN OKARA MOTORS	(+92) 044 2700505-10, (+92) 0300-9890243



CHANGAN | GENUINE PARTS

CHANGAN | QUALITY SERVICE



CHANGAN CARES

Changan believes in quality products that deliver superior peace of mind. This is why Changan Oshan X7 is covered by industry-leading 5 year / 150,000 km* limited warranty. When you purchase the all new Changan Oshan X7, you are protected by genuine parts, and dealt with qualified technicians at our dealerships so you can have your peace of mind, as you move.

CHANGAN CARES | PROTECTION PLAN

Changan knows how to care for your Changan. This is why we bring Changan Care | Protection Plan. The basic plan provides our signature insurance coverage, which provides 0% depreciation in the 1st year and fastest claim processing right at the dealership!

Talk to a Changan sales or service associate at our dealership to know more.

CHANGAN | CHANGAN MASTER GENUINE OIL

Nothing can do more to assure optimum performance and prolong the life of your Oshan X7, than by using Changan Genuine Motor Oils specially developed for your Changan. By choosing our Changan Genuine Motor Oils you can be assured of its high standard of quality.

* whichever comes first

WATCH ME MOVE

CHANGAN
CARES |  021-111-116-265
customer.care@changan.com.pk

<https://www.automotive-manuals.net/>