

2004 Acura TSX

2004 SYSTEM WIRING DIAGRAMS Acura - TSX

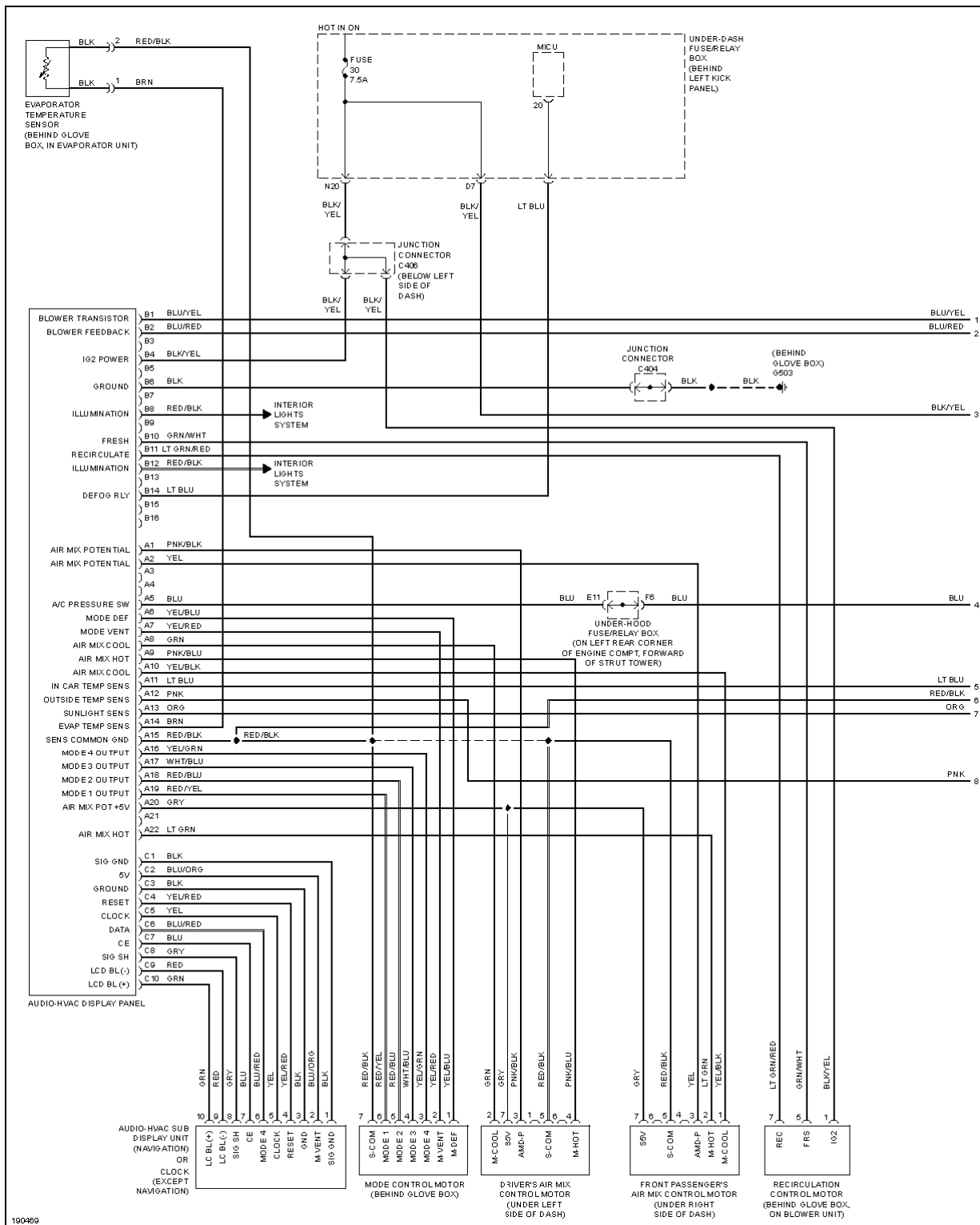


Fig. 1: Air Conditioning Circuit (1 of 3)

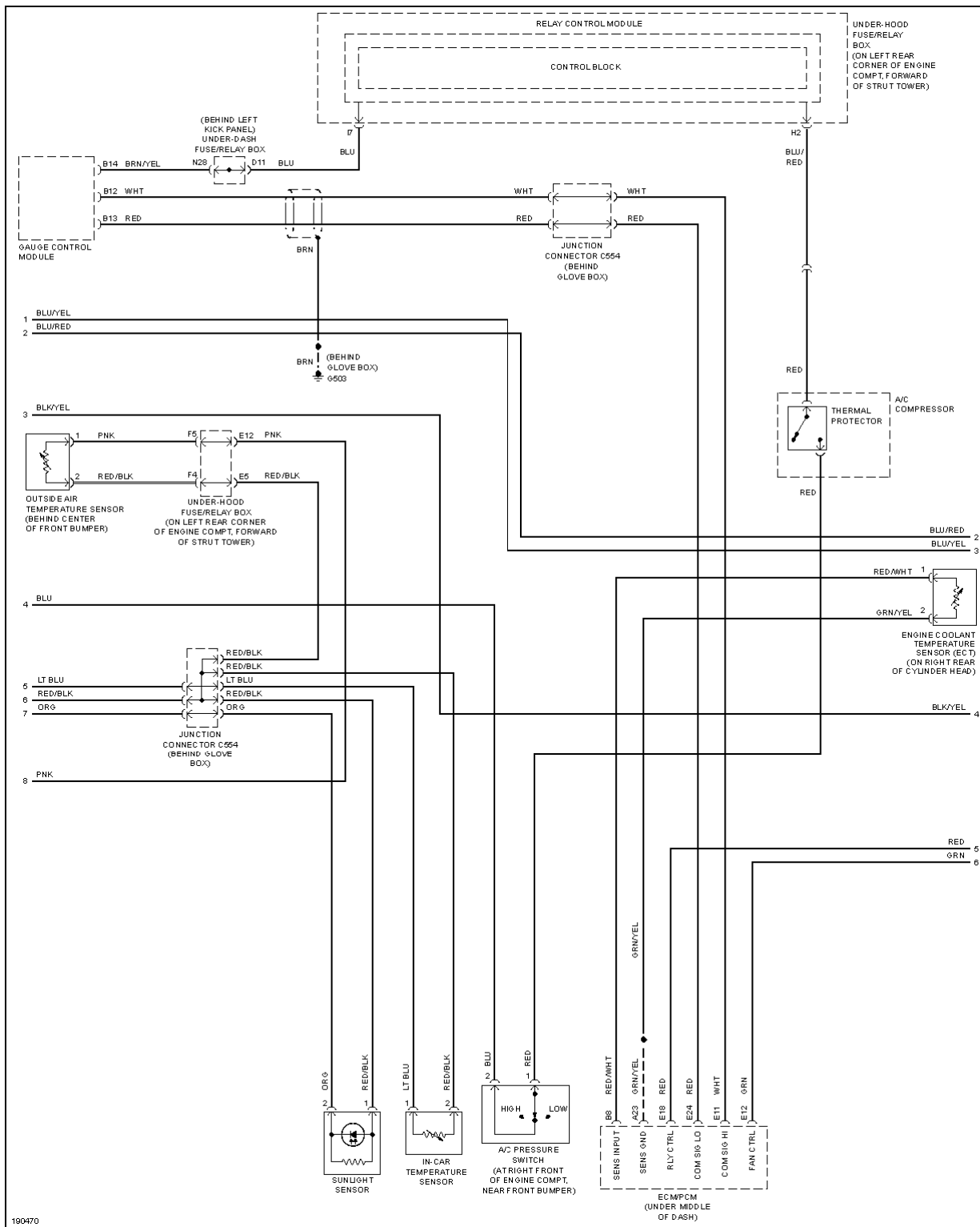


Fig. 2: Air Conditioning Circuit (2 of 3)

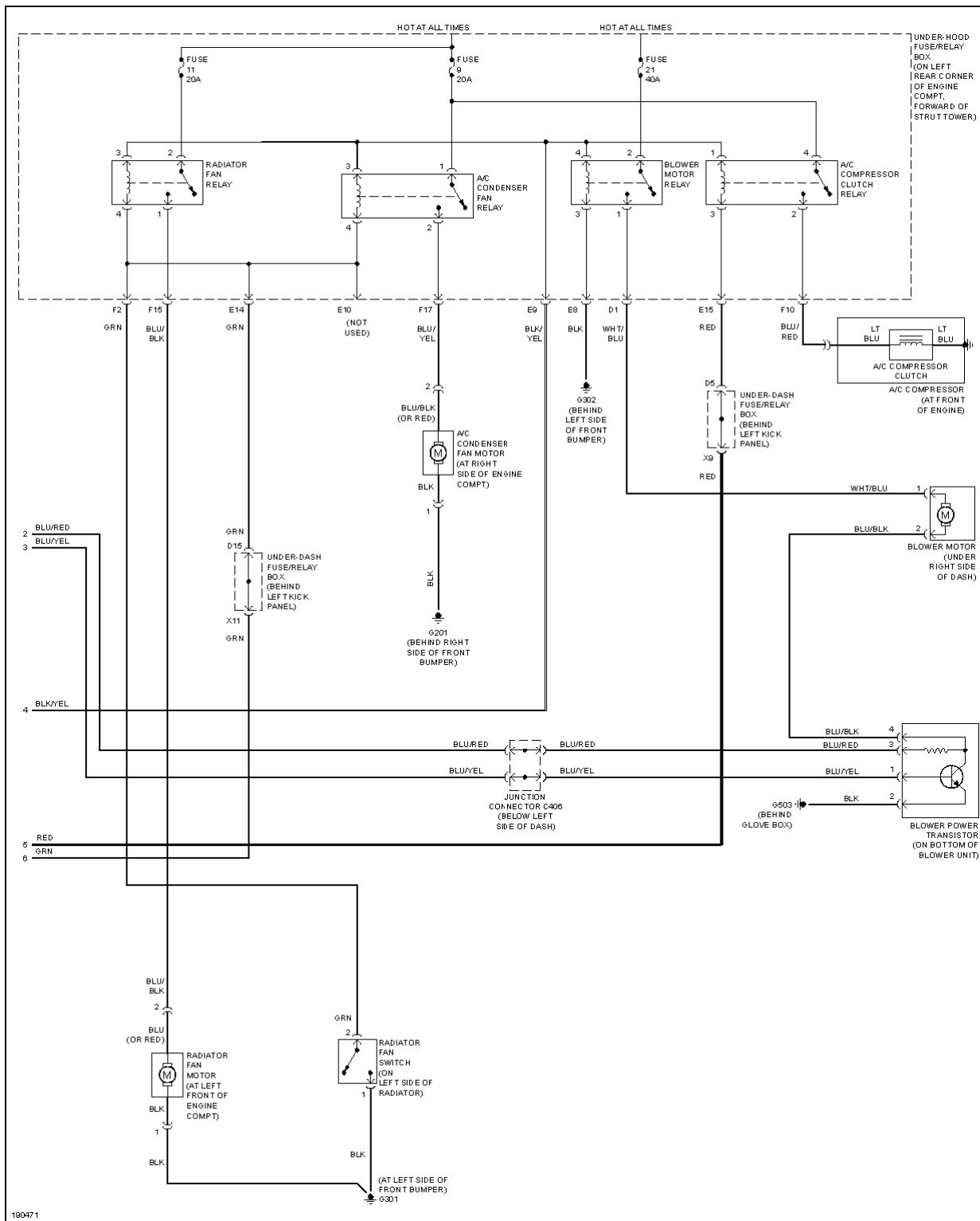


Fig. 3: Air Conditioning Circuit (3 of 3)

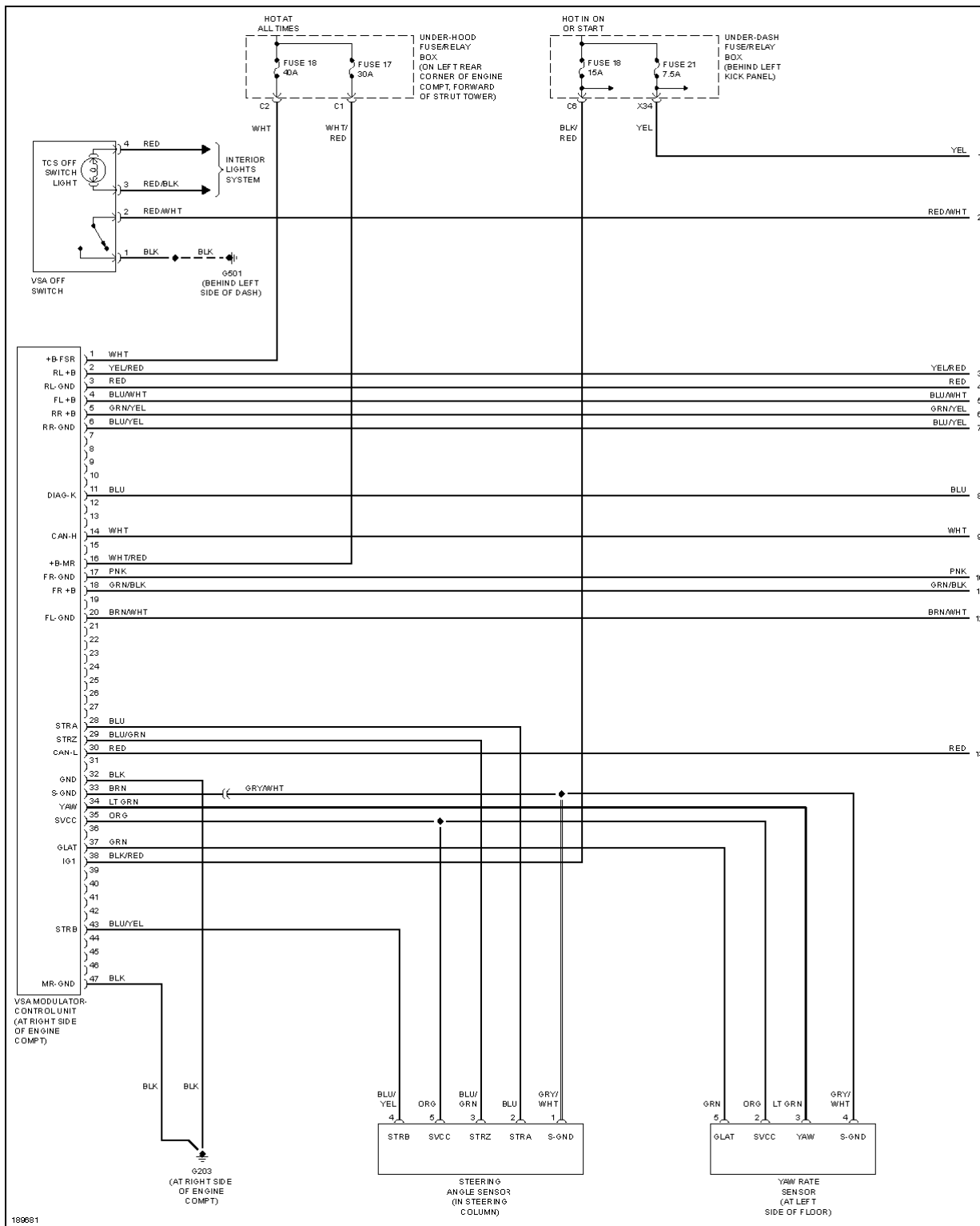


Fig. 4: Anti-lock Brakes Circuit (1 of 2)

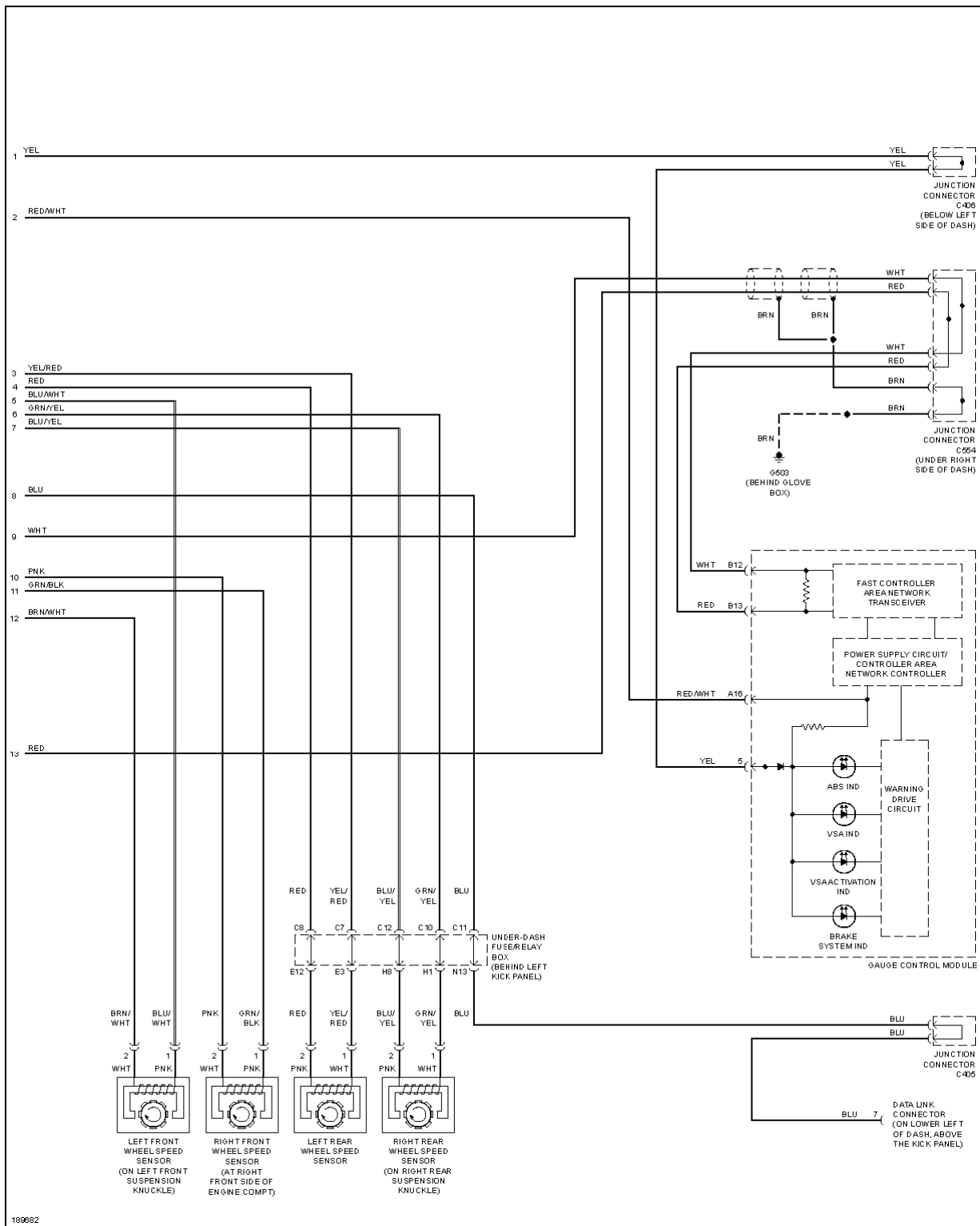


Fig. 5: Anti-lock Brakes Circuit (2 of 2)

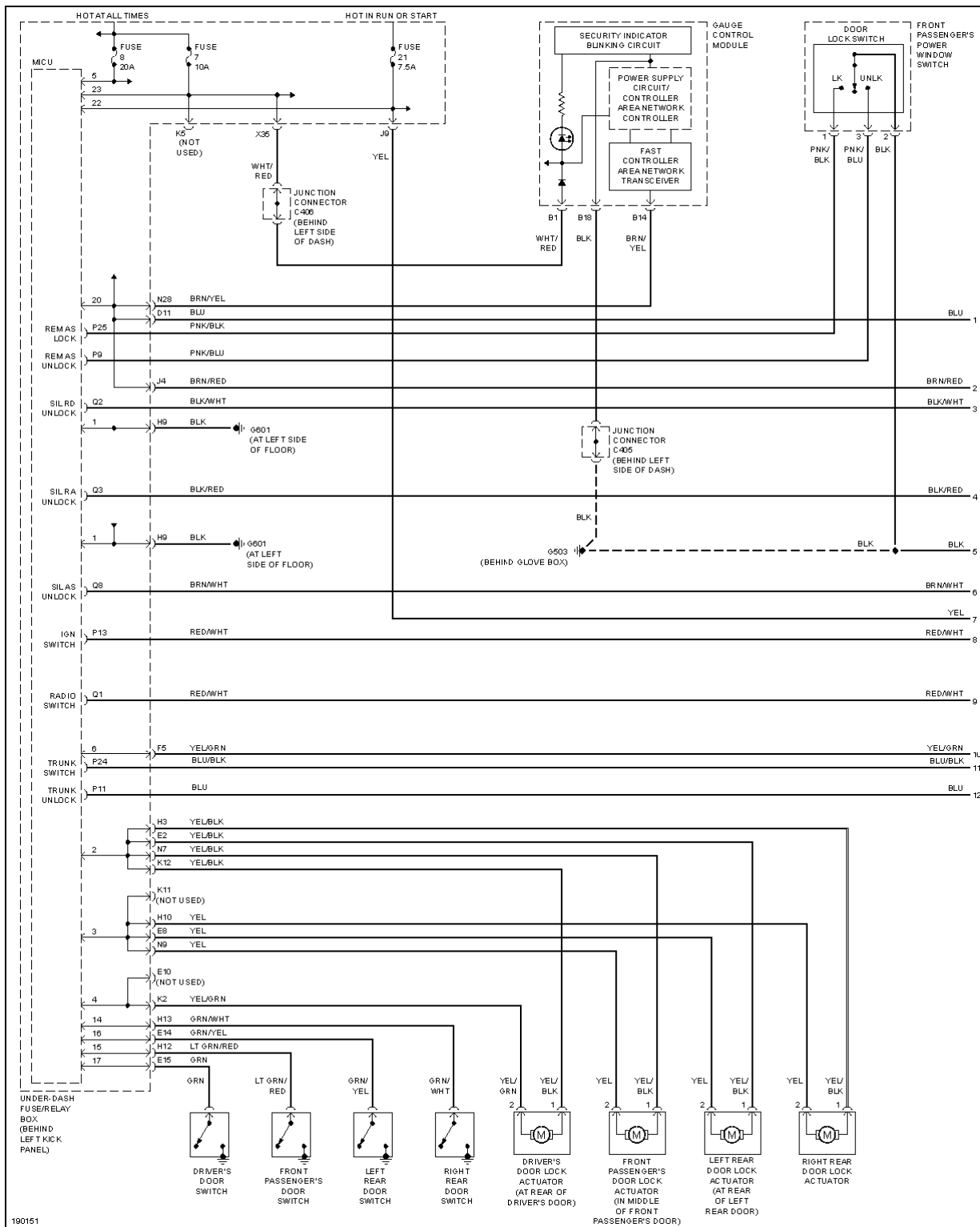


Fig. 6: Forced Entry Circuit (1 of 2)

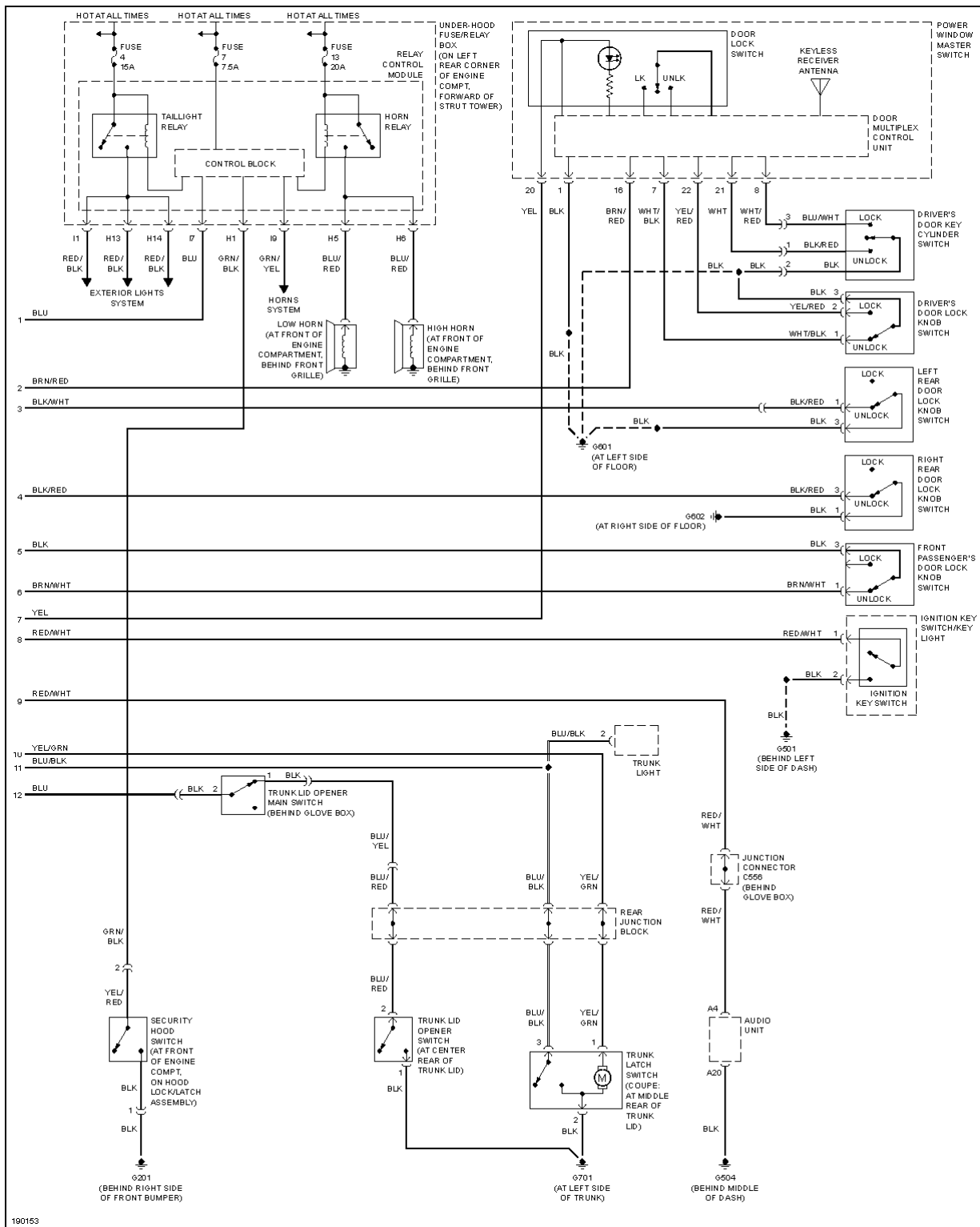


Fig. 7: Forced Entry Circuit (2 of 2)

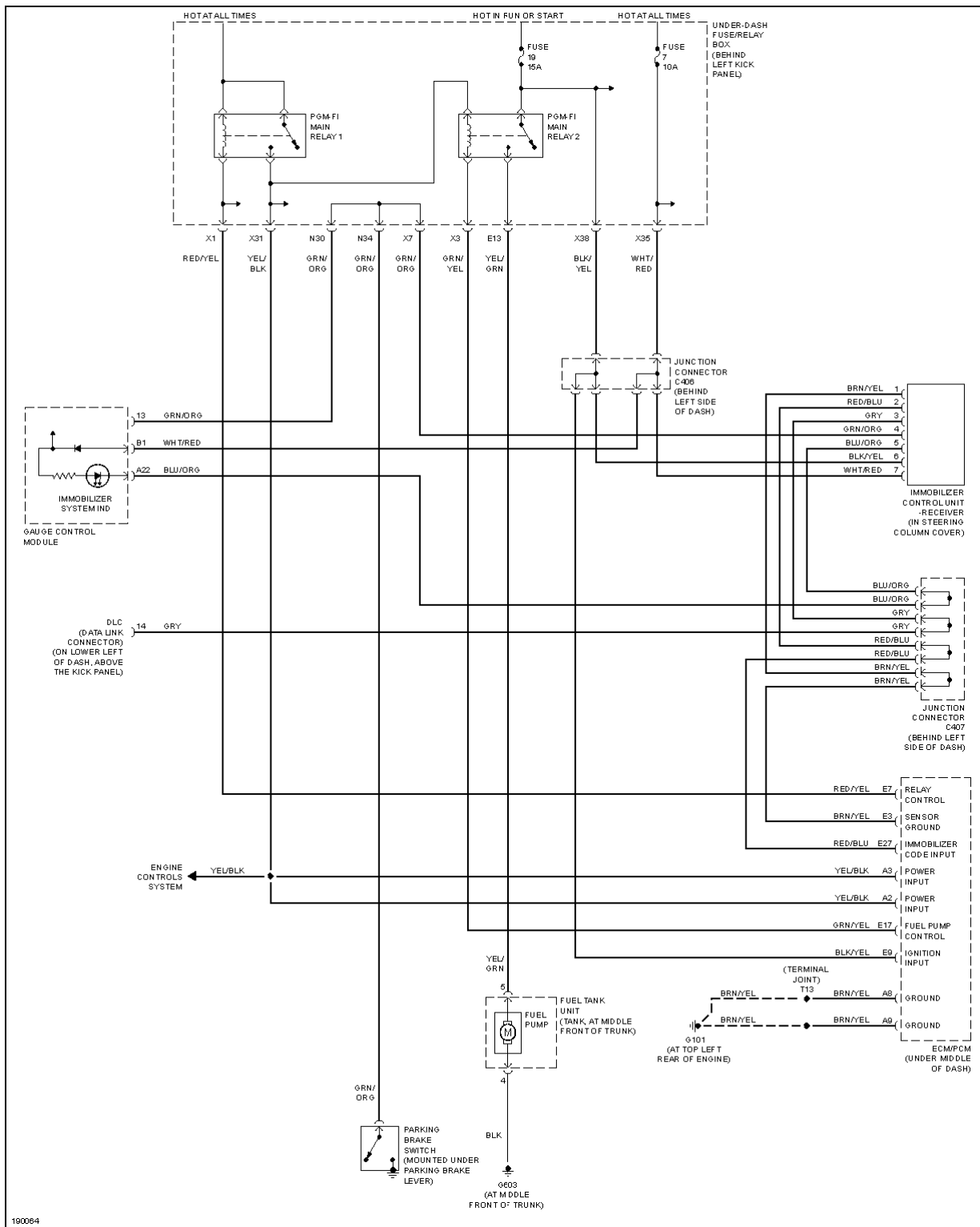


Fig. 8: Immobilizer Circuit

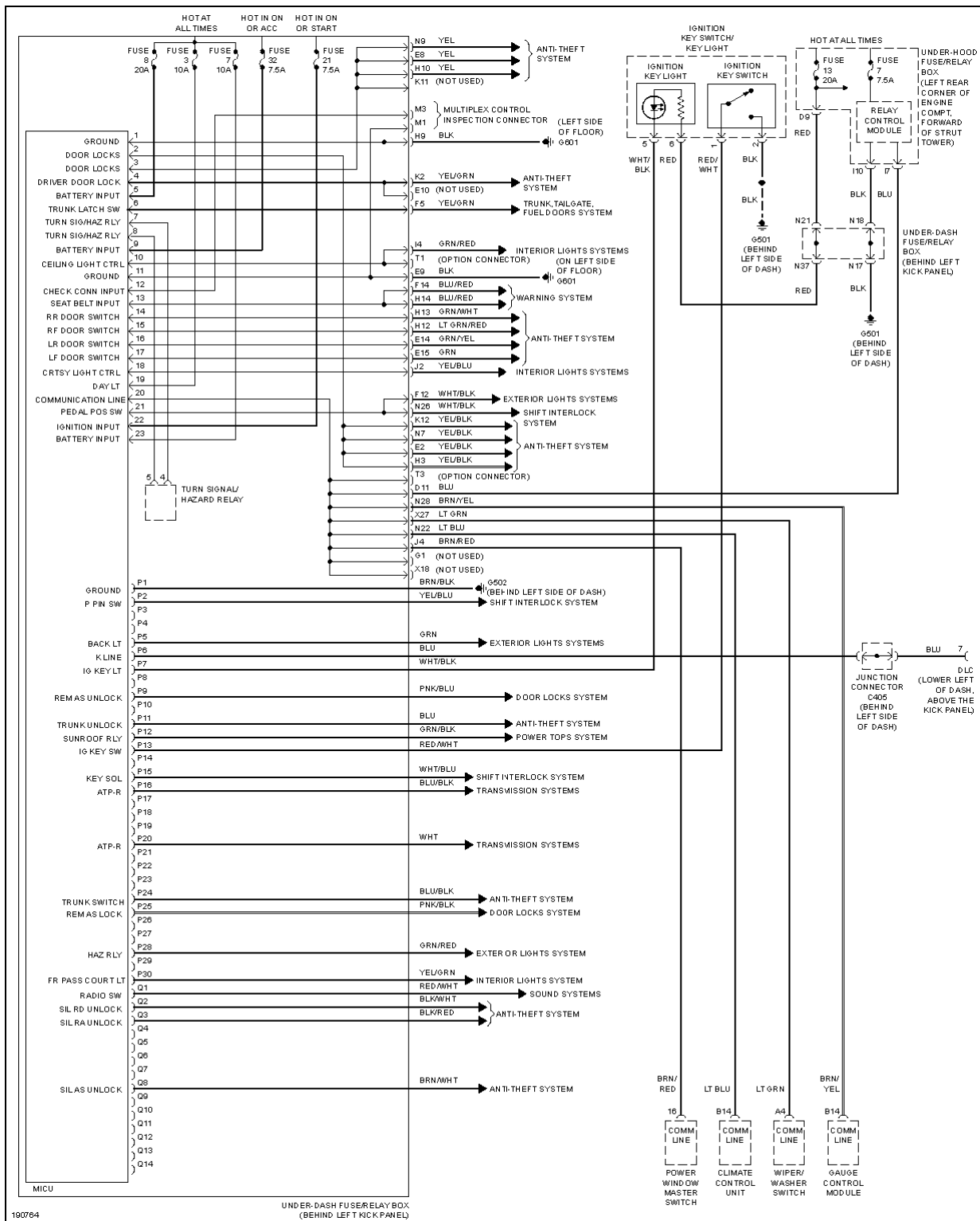


Fig. 9: Body Control Modules Circuit

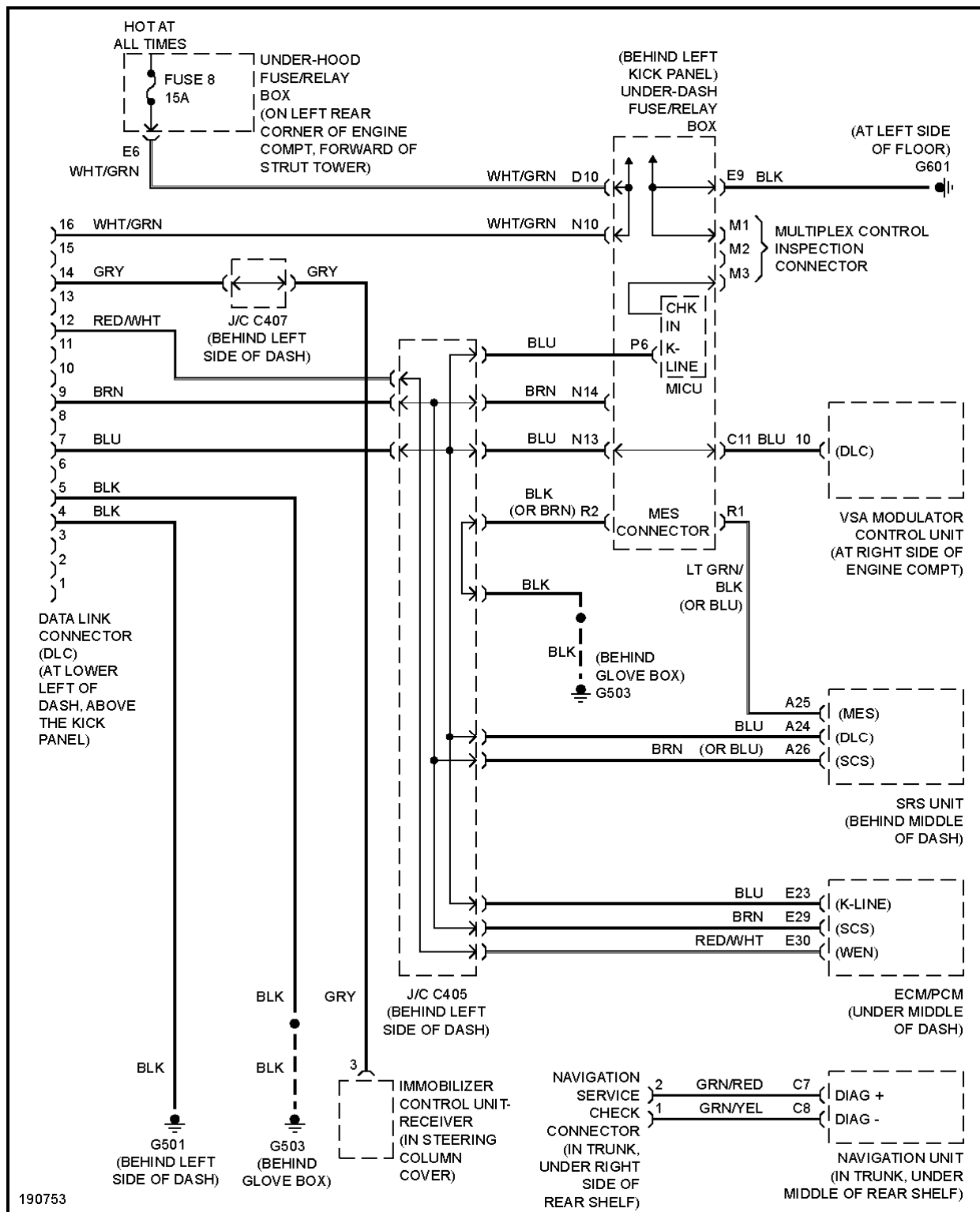


Fig. 10: Data Link Connector Circuit

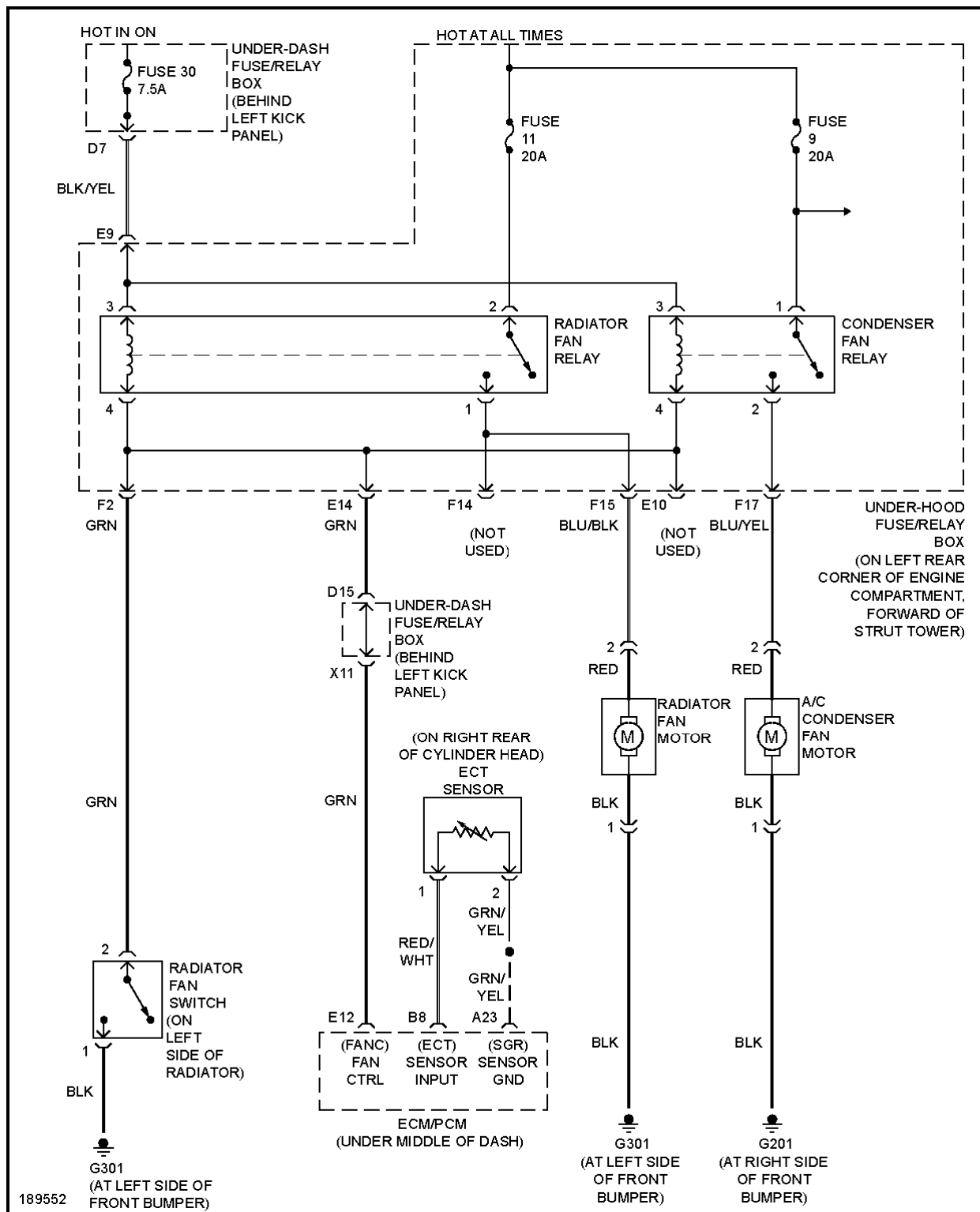


Fig. 11: Cooling Fan Circuit

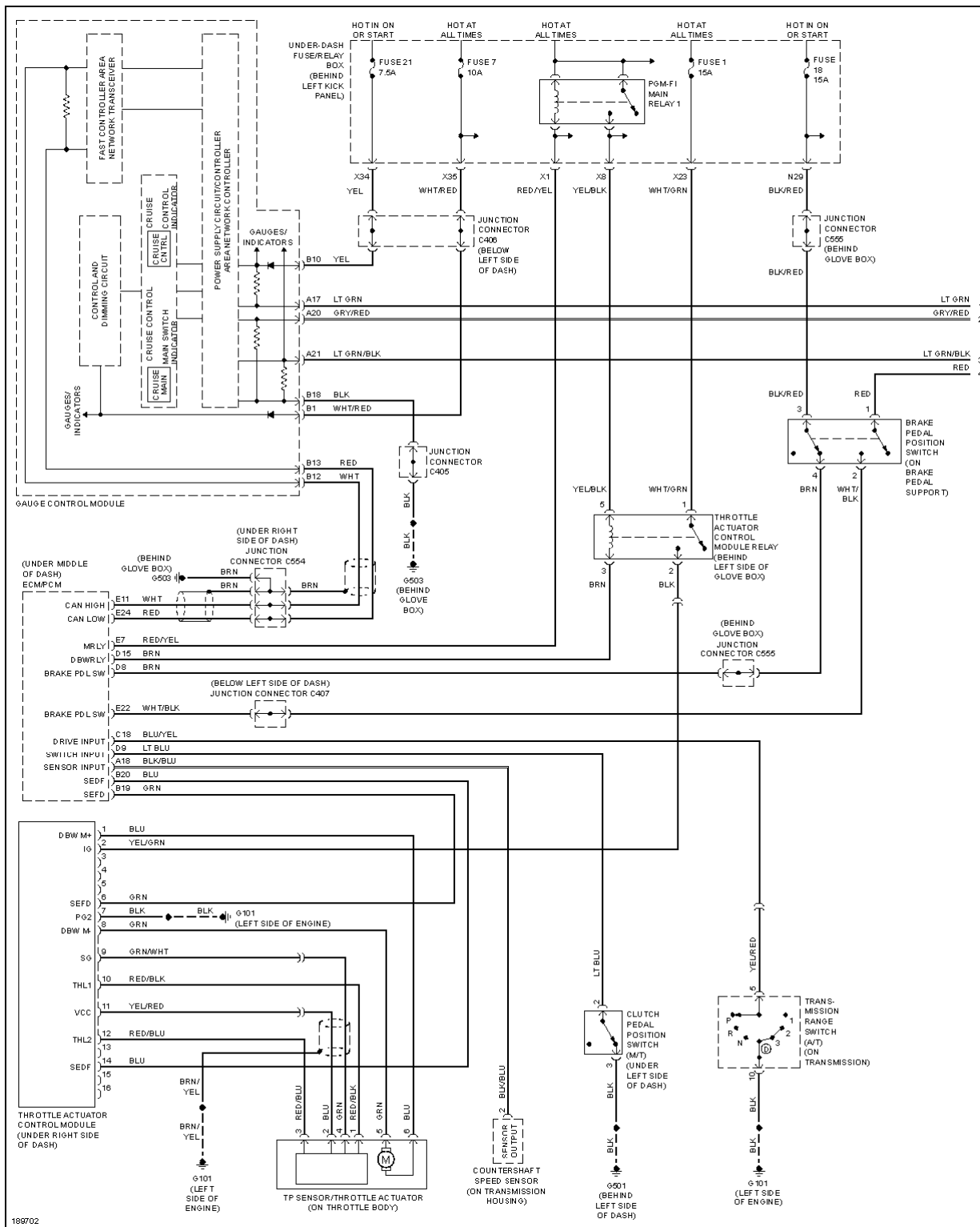


Fig. 12: Cruise Control Circuit (1 of 2)

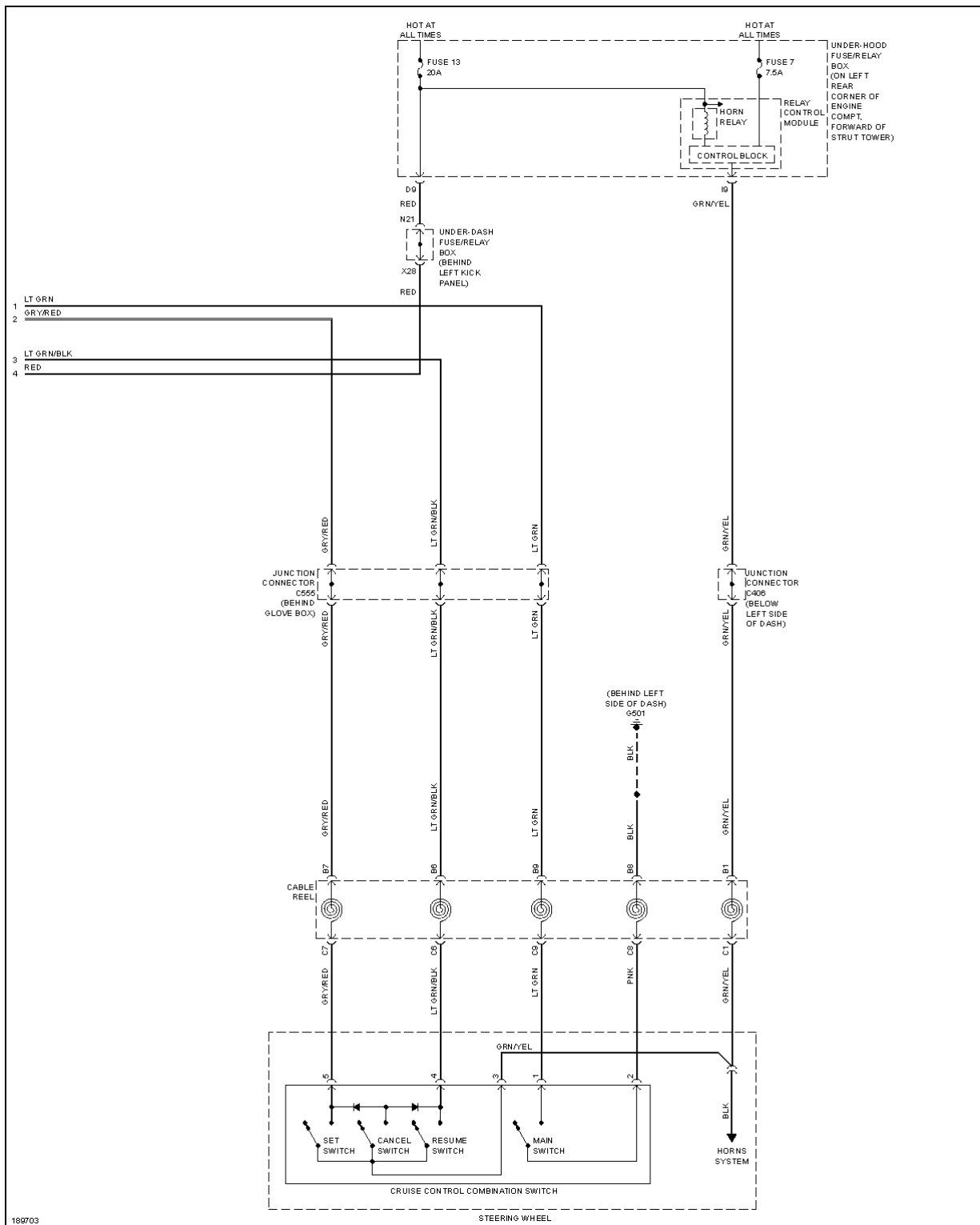
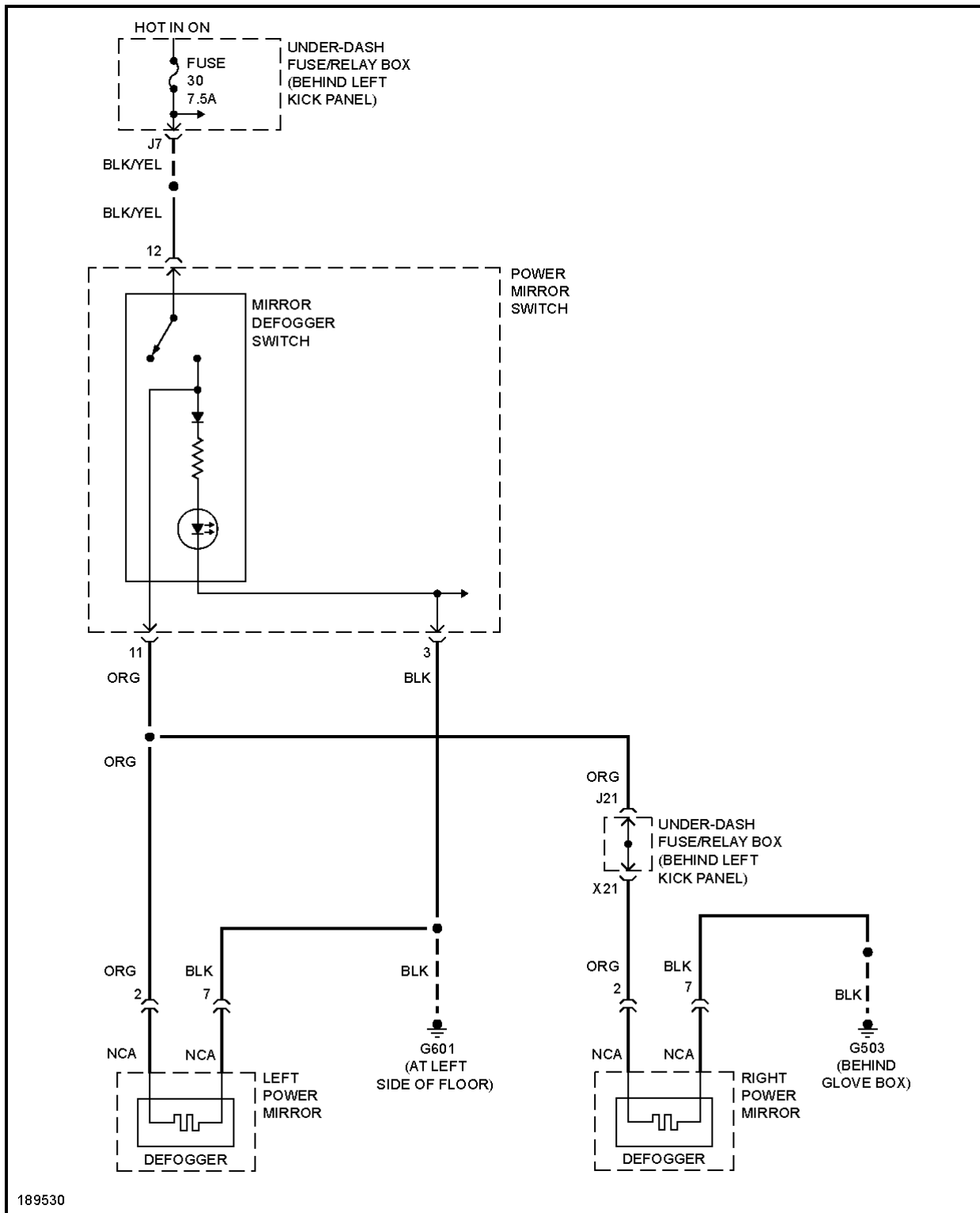


Fig. 13: Cruise Control Circuit (2 of 2)



189530

Fig. 14: Heated Mirrors Circuit

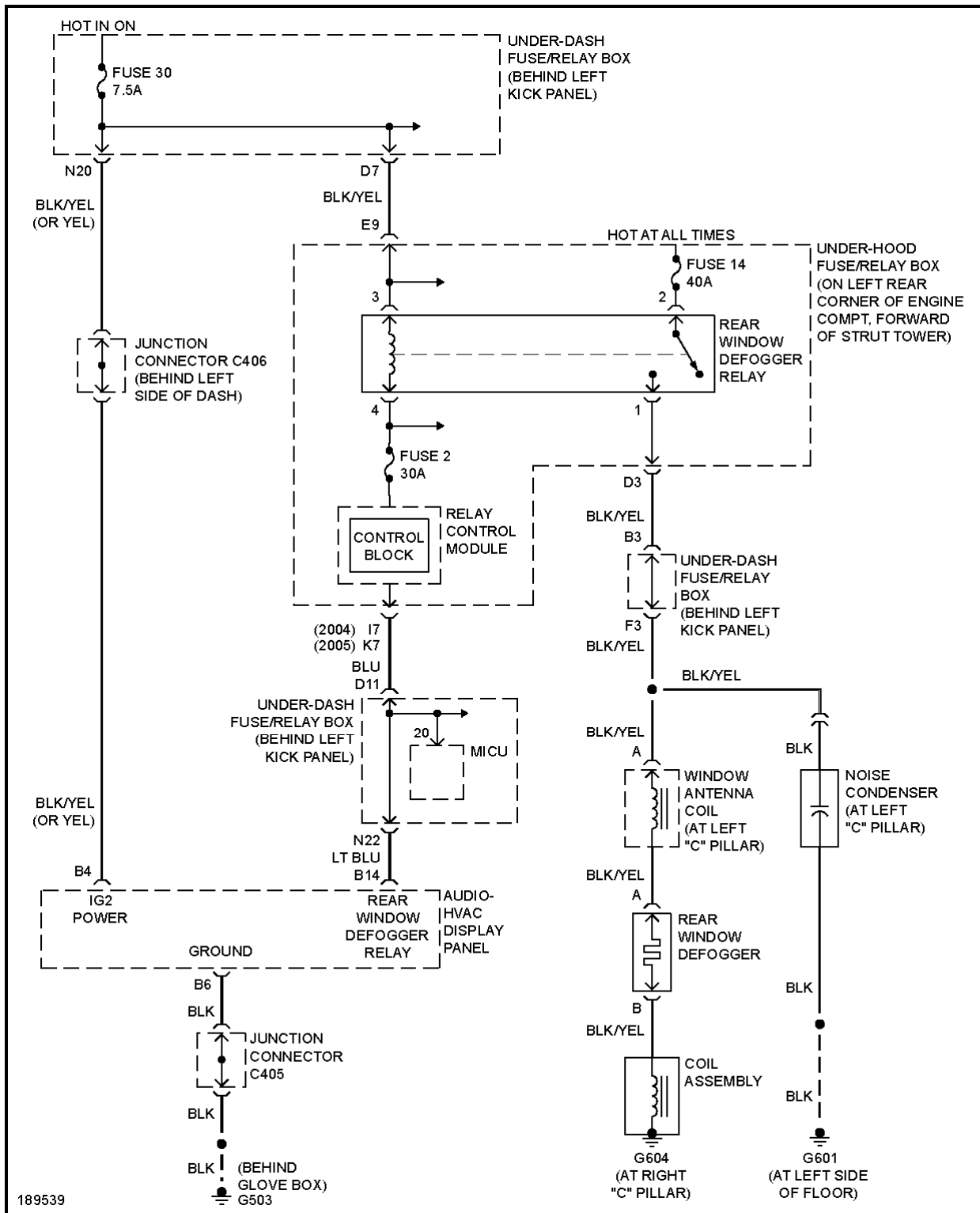


Fig. 15: Rear Defogger Circuit

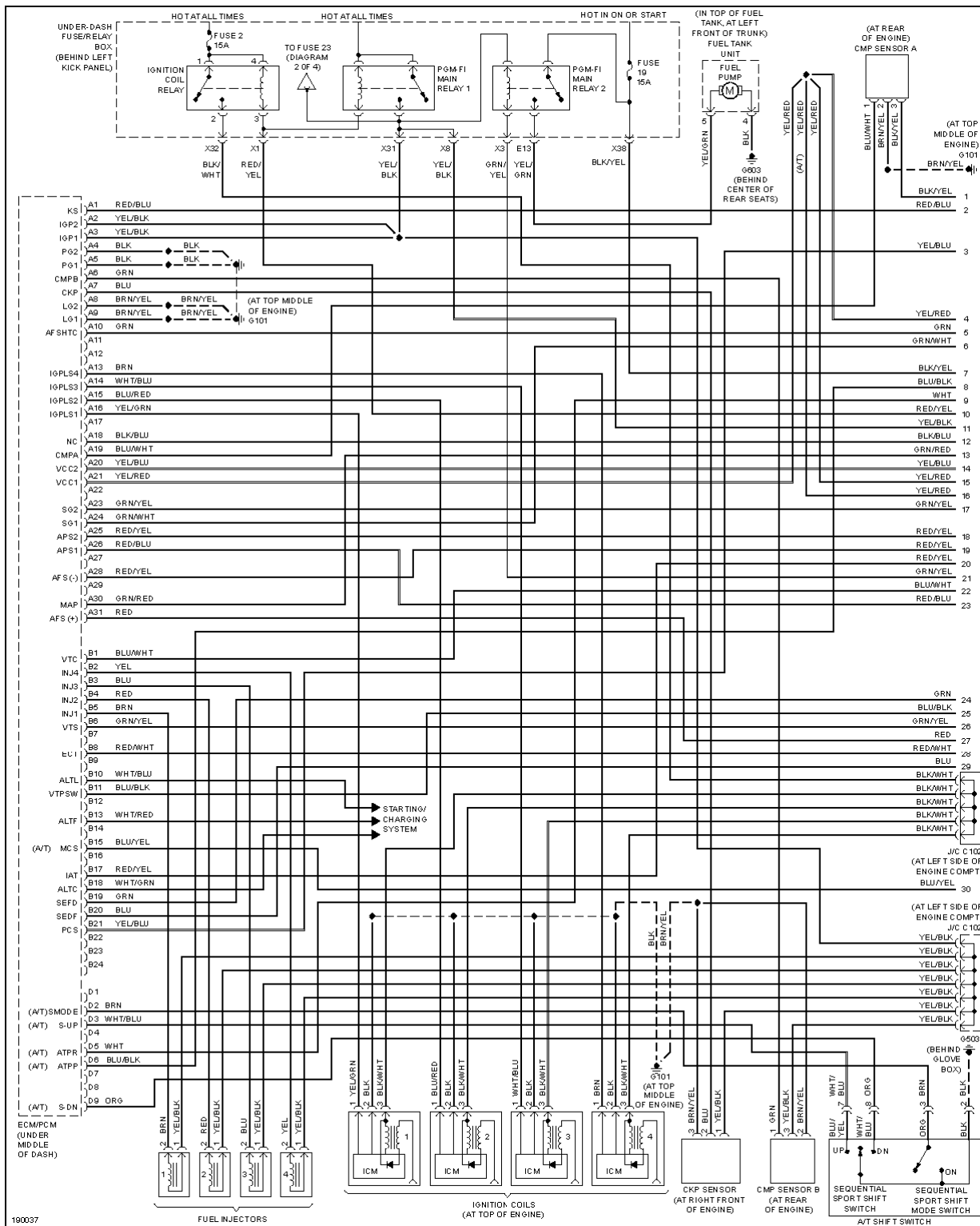


Fig. 16: 2.4L, Engine Performance Circuit (1 of 4)

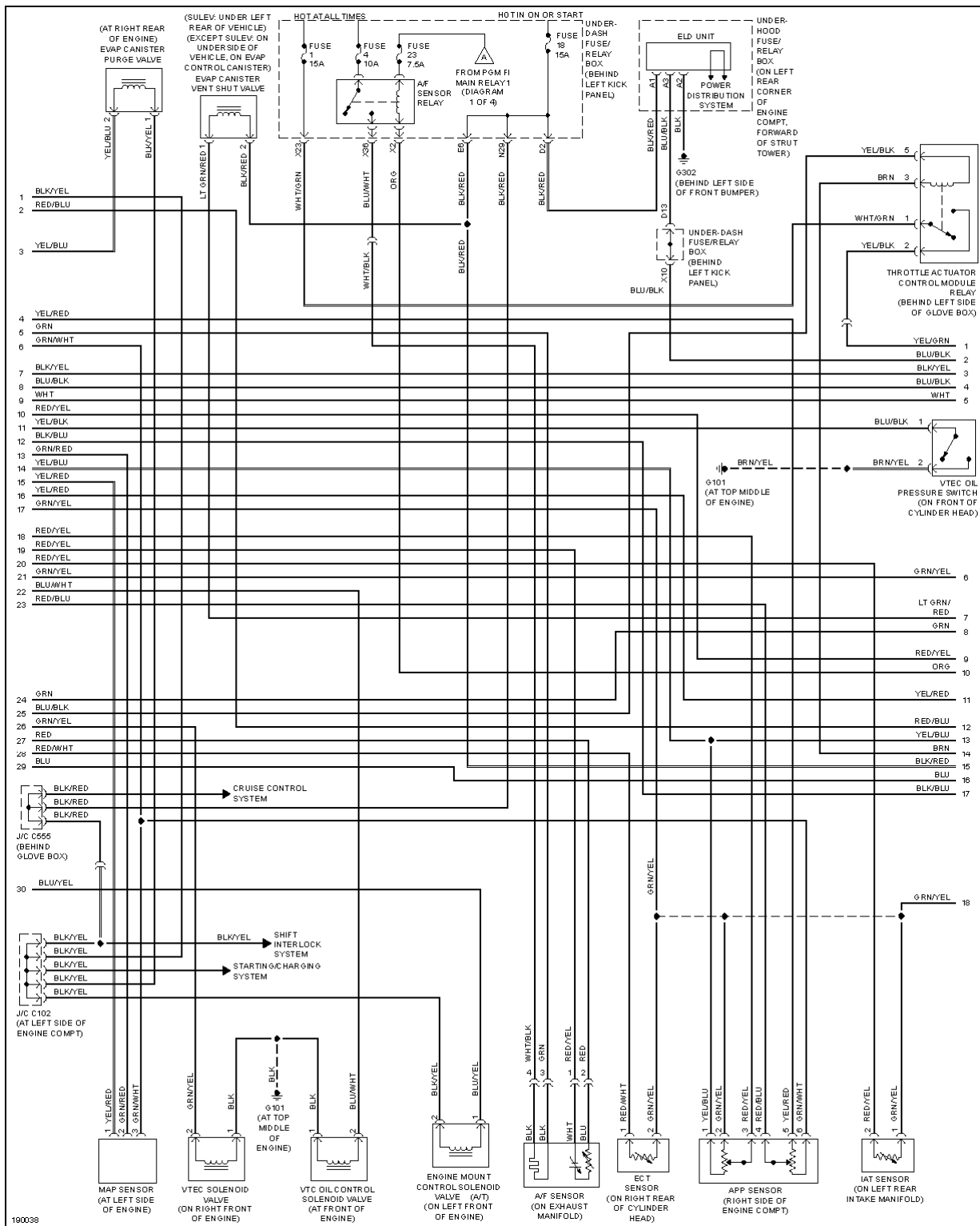


Fig. 17: 2.4L, Engine Performance Circuit (2 of 4)

2004 Acura TSX

2004 SYSTEM WIRING DIAGRAMS Acura - TSX

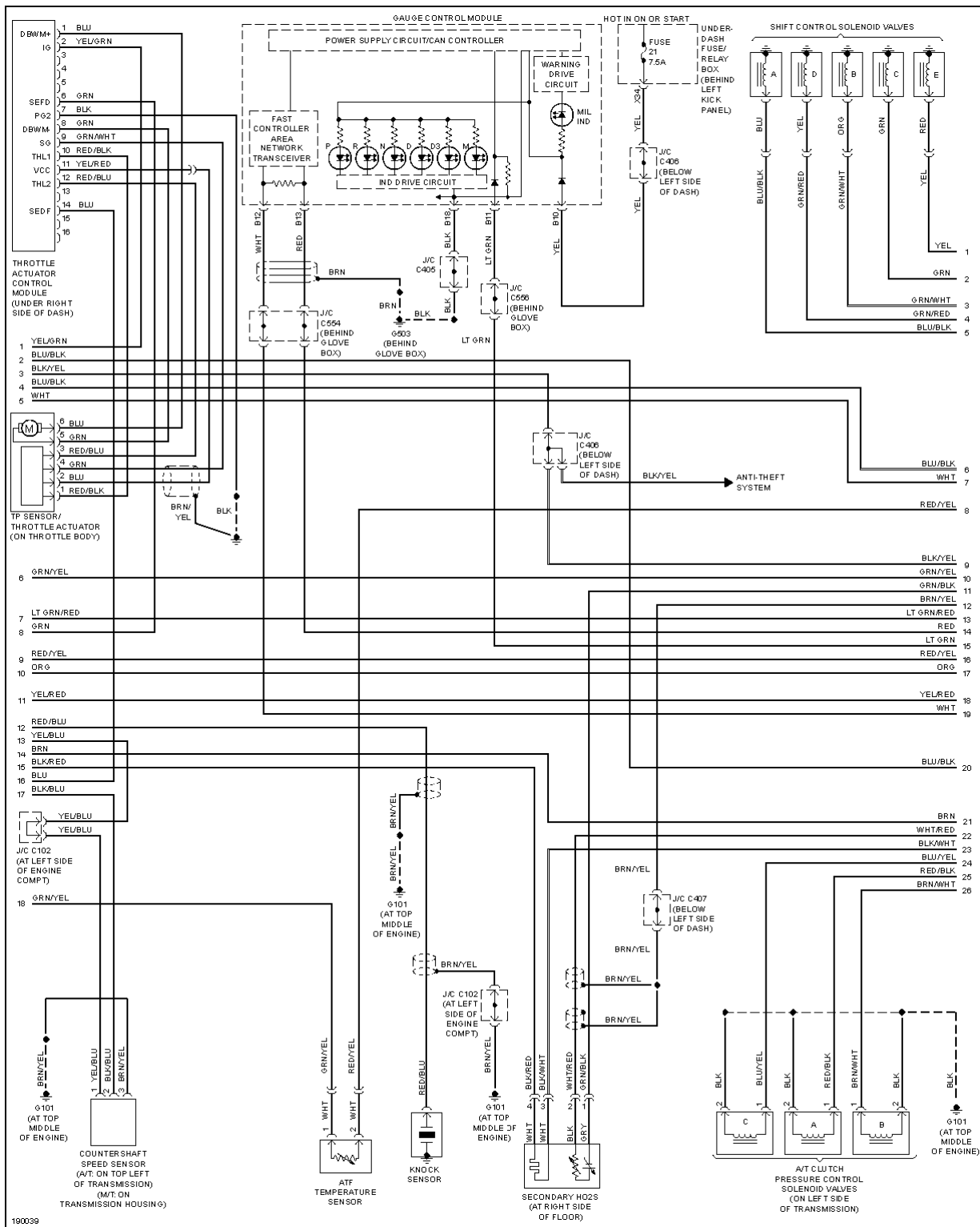


Fig. 18: 2.4L, Engine Performance Circuit (3 of 4)

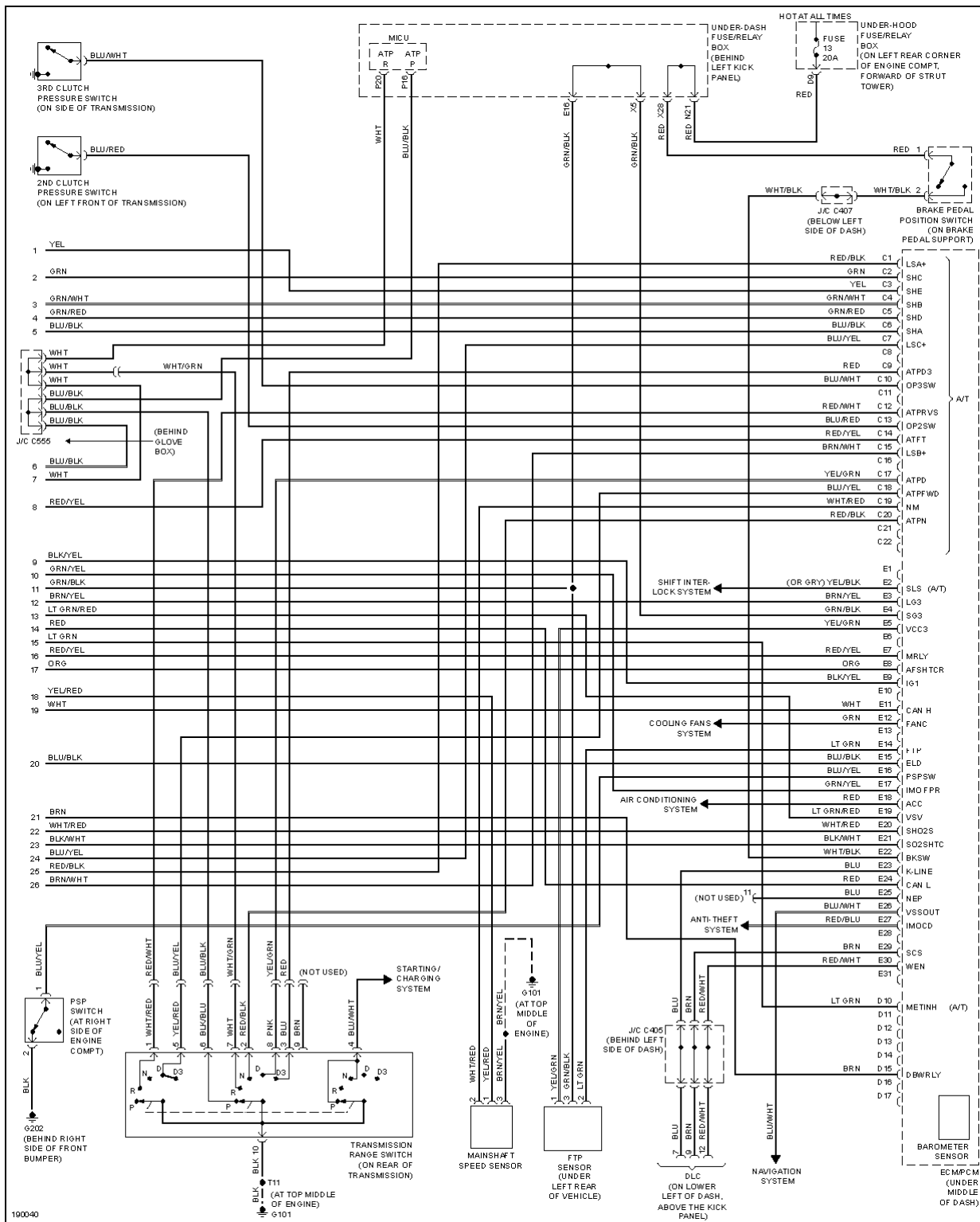
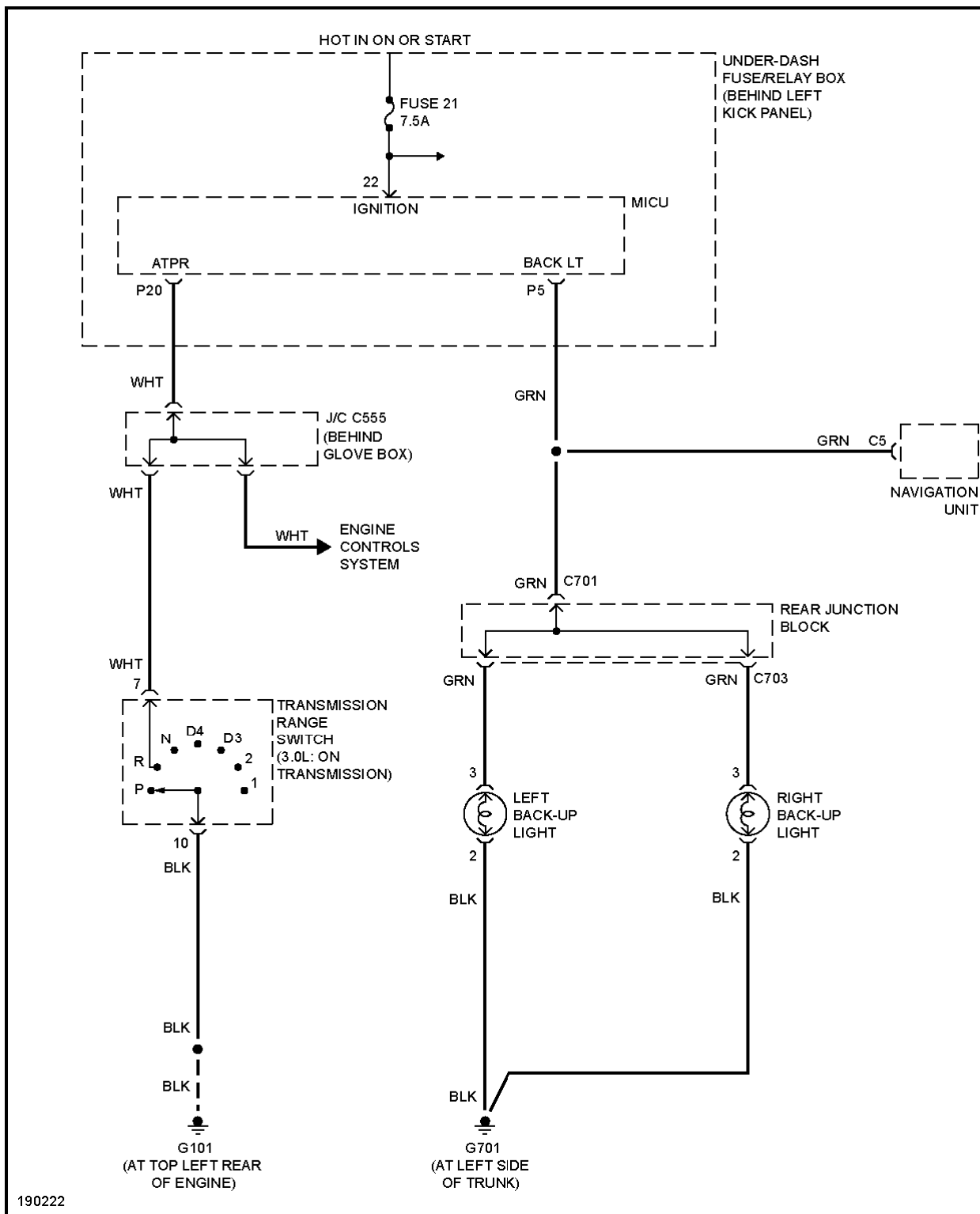


Fig. 19: 2.4L, Engine Performance Circuit (4 of 4)



190222

Fig. 20: Back-up Lamps Circuit, A/T

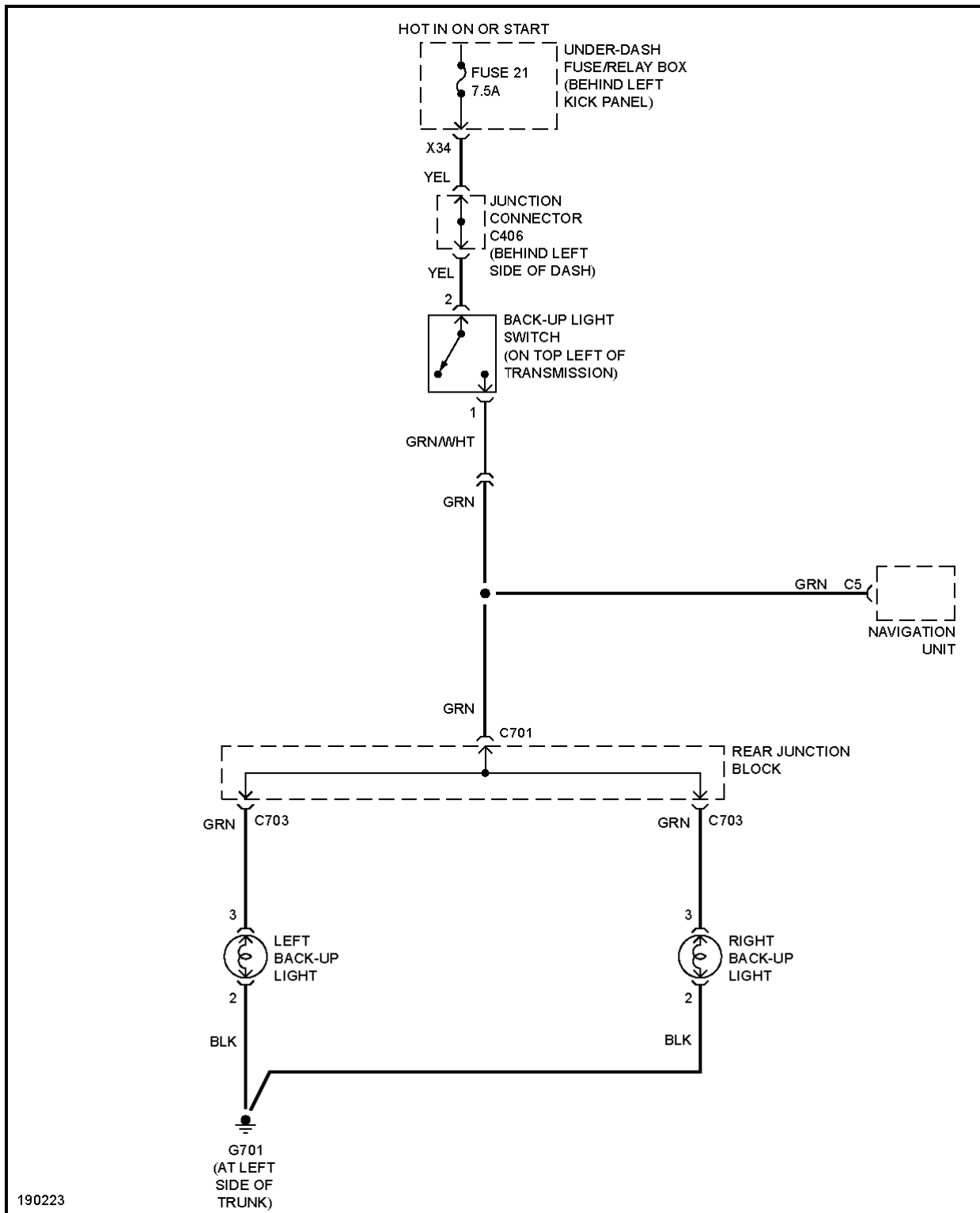


Fig. 21: Back-up Lamps Circuit, M/T

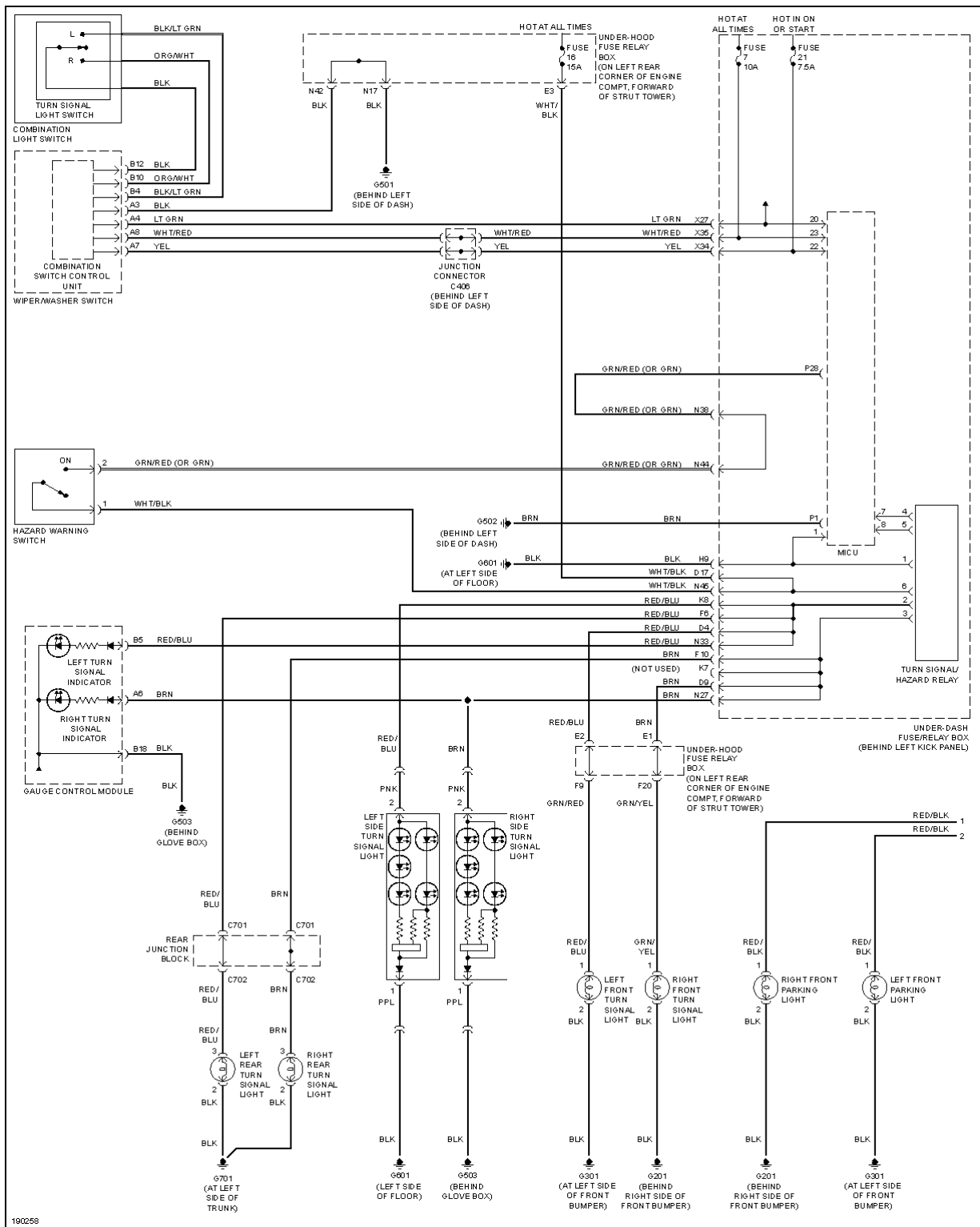


Fig. 22: Exterior Lamps Circuit (1 of 2)

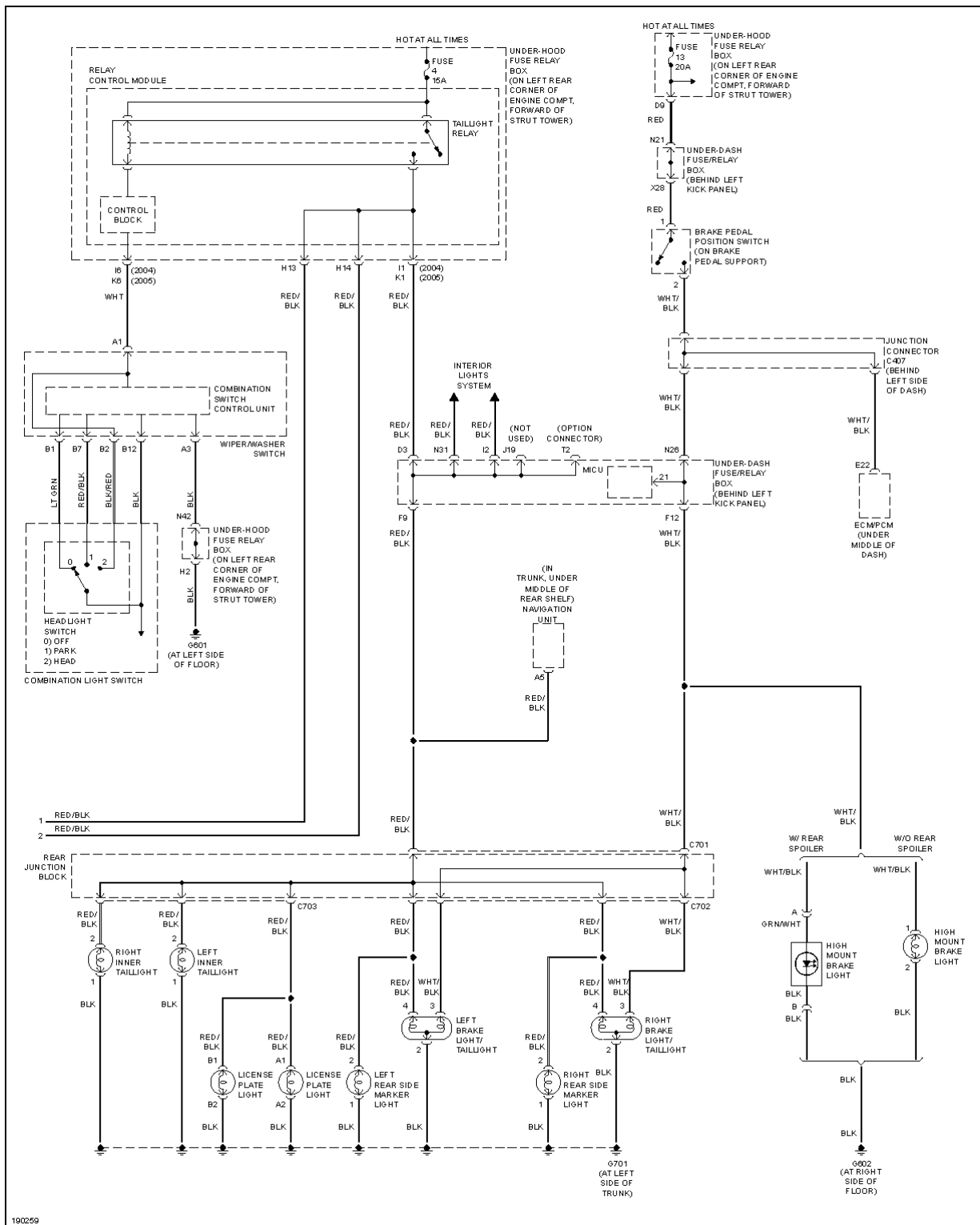


Fig. 23: Exterior Lamps Circuit (2 of 2)

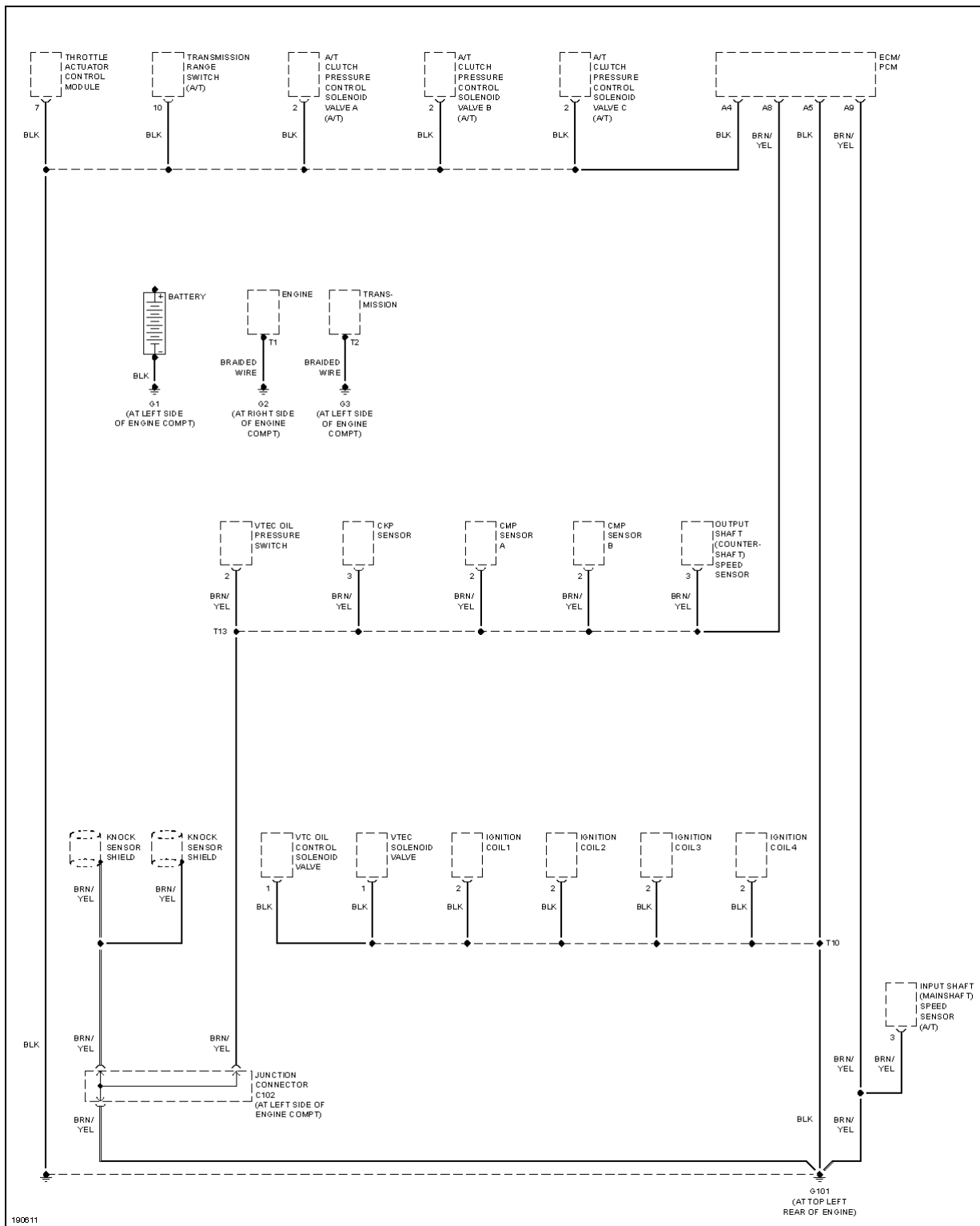


Fig. 24: Ground Distribution Circuit (1 of 4)

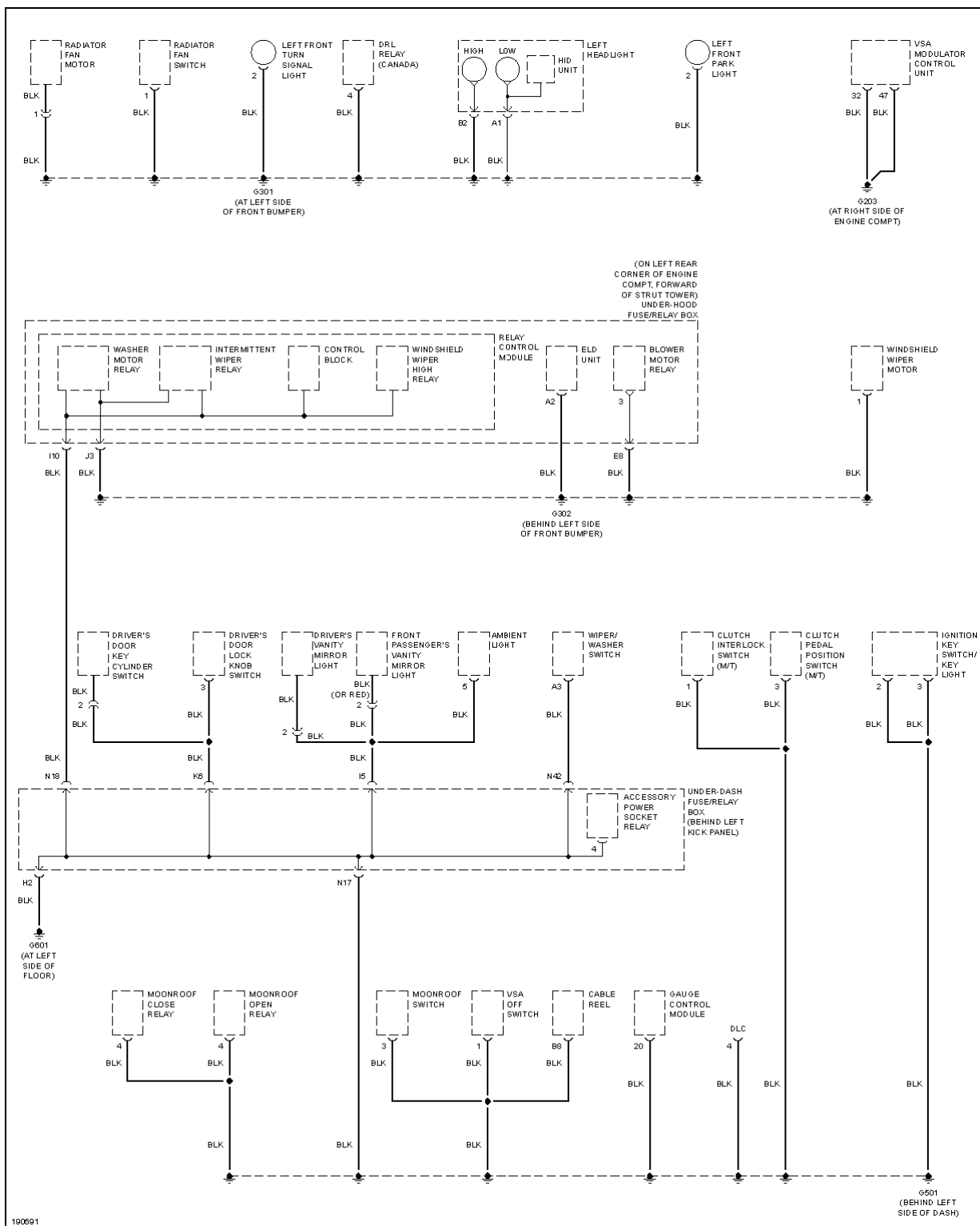


Fig. 25: Ground Distribution Circuit (2 of 4)

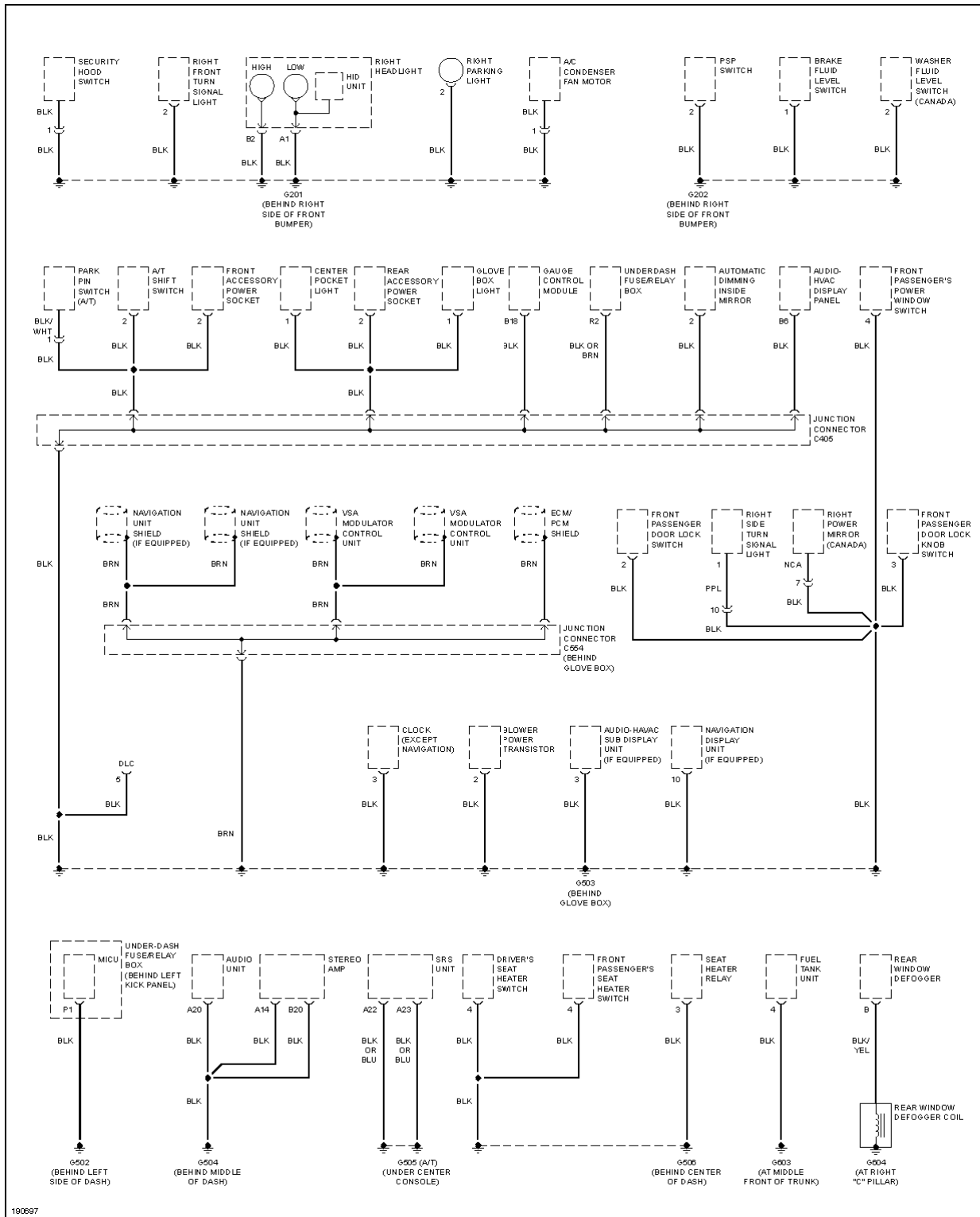


Fig. 26: Ground Distribution Circuit (3 of 4)

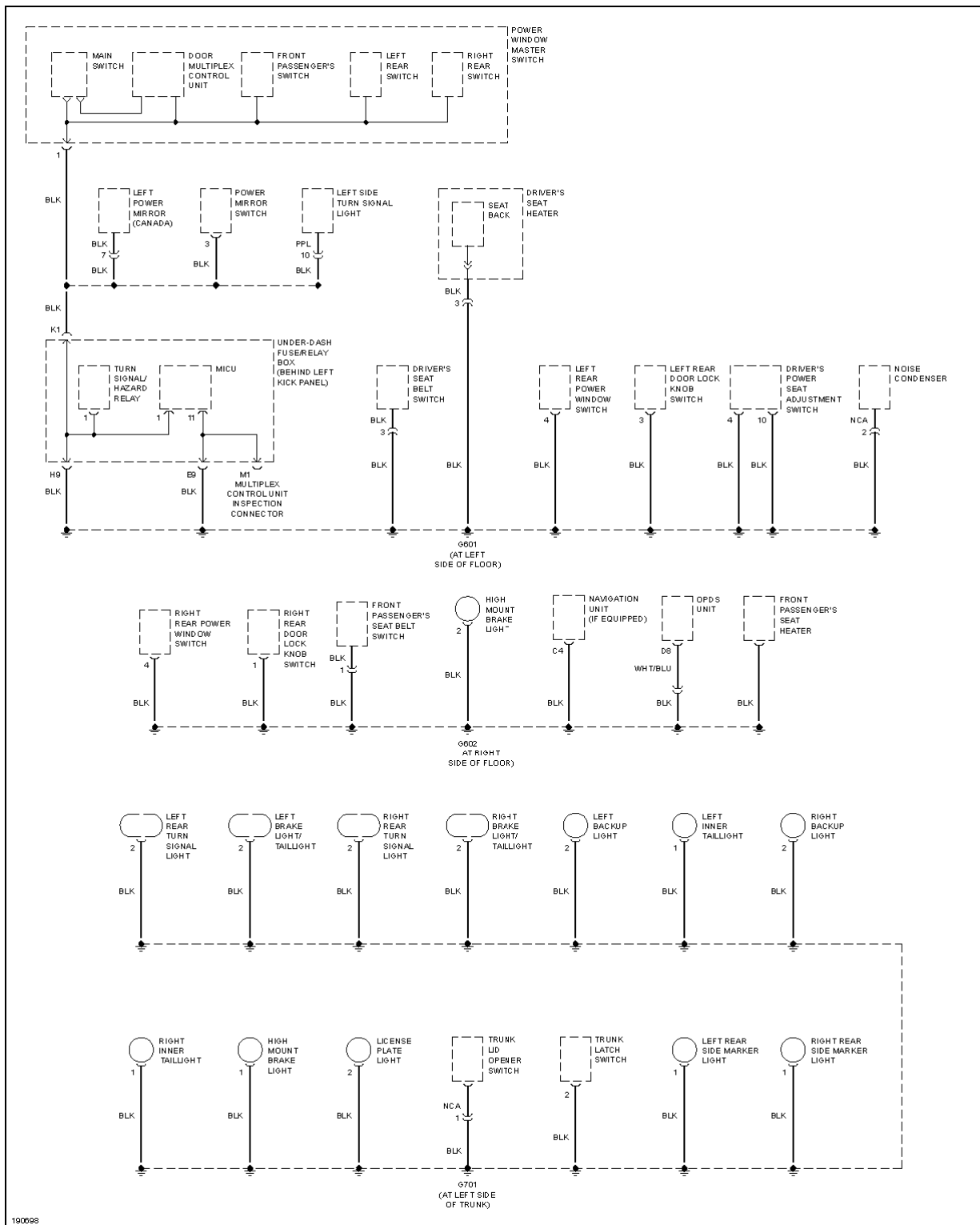


Fig. 27: Ground Distribution Circuit (4 of 4)

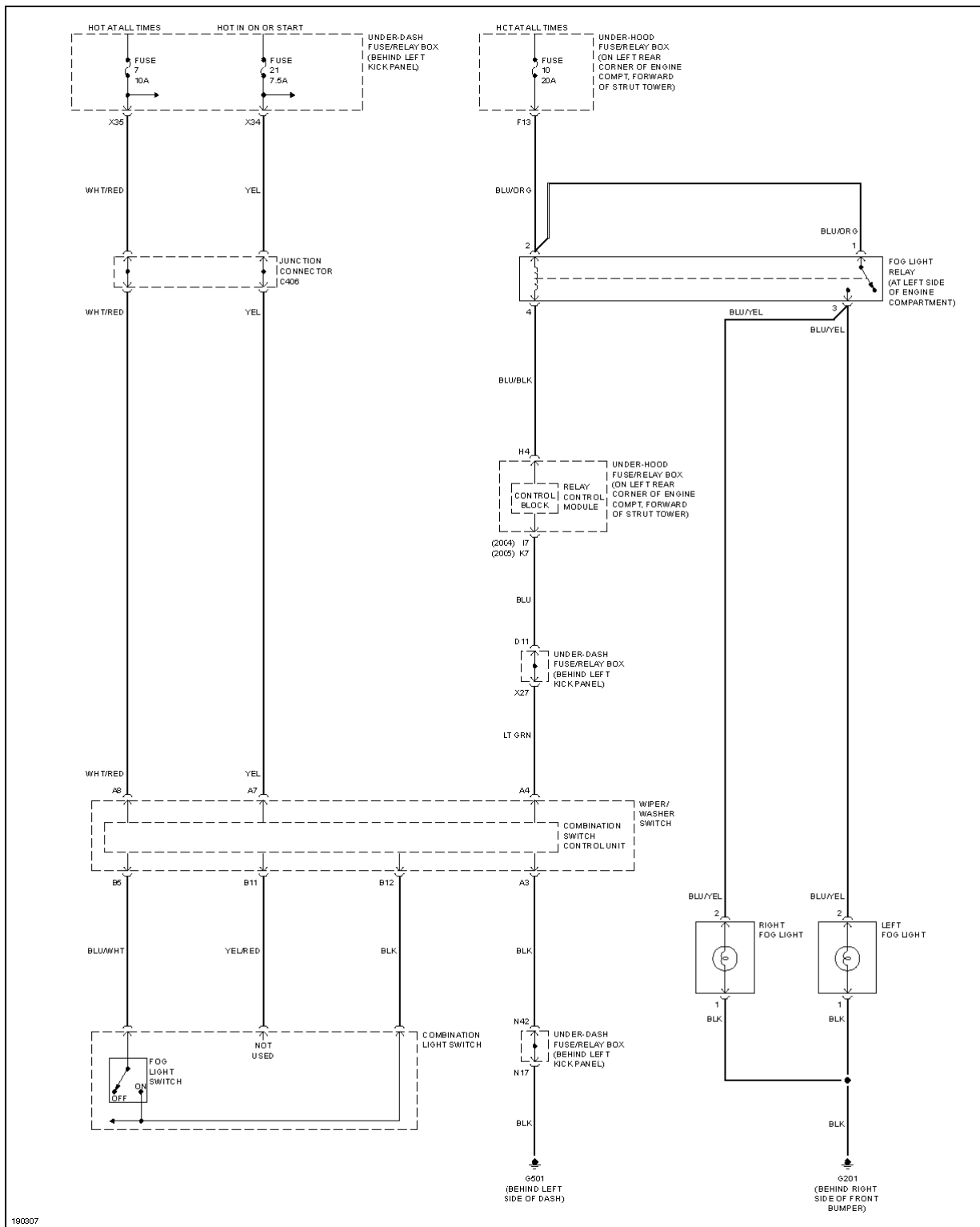


Fig. 28: Fog Lamp Circuit, Accessory

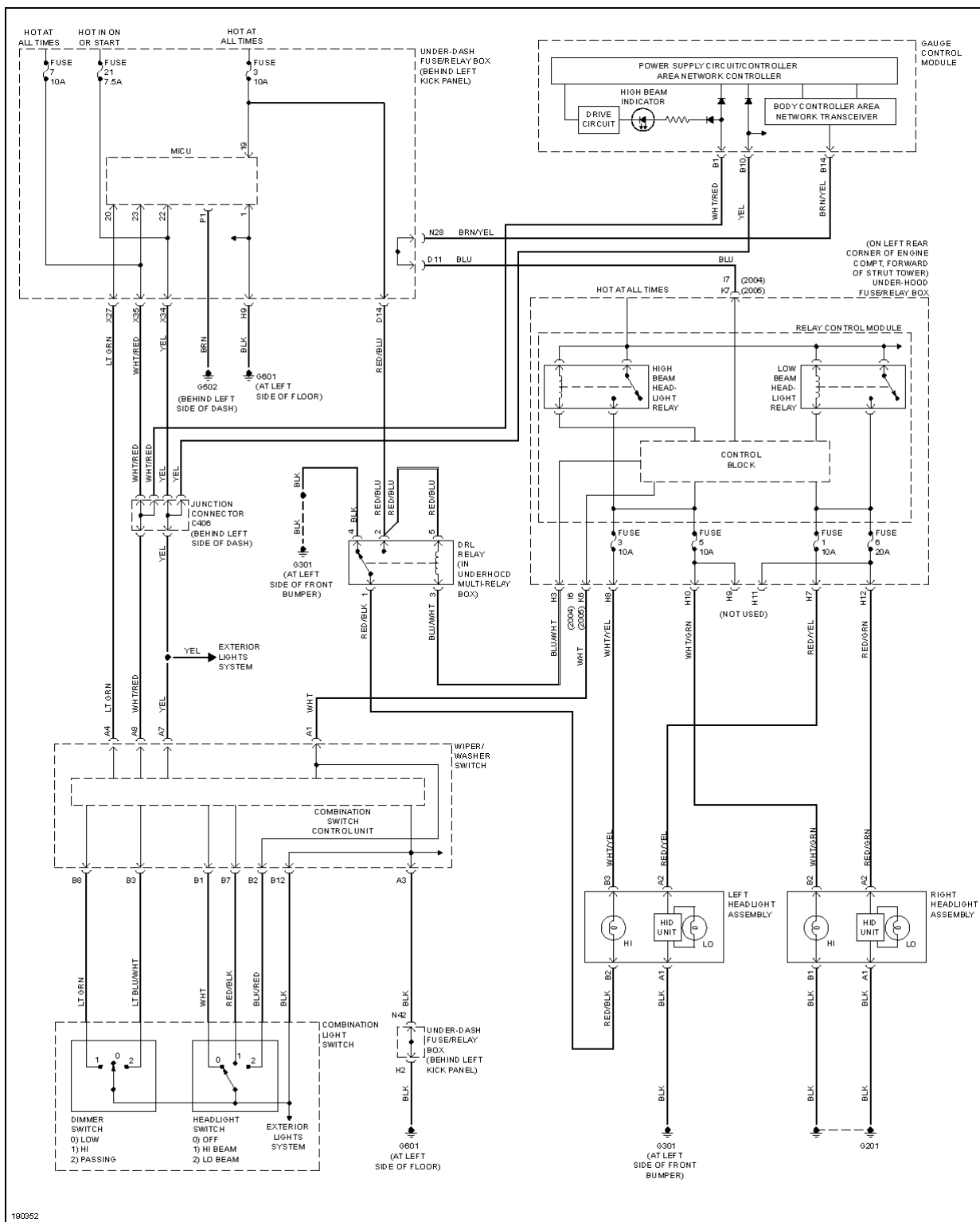


Fig. 29: Headlamps Circuit, W/ DRL

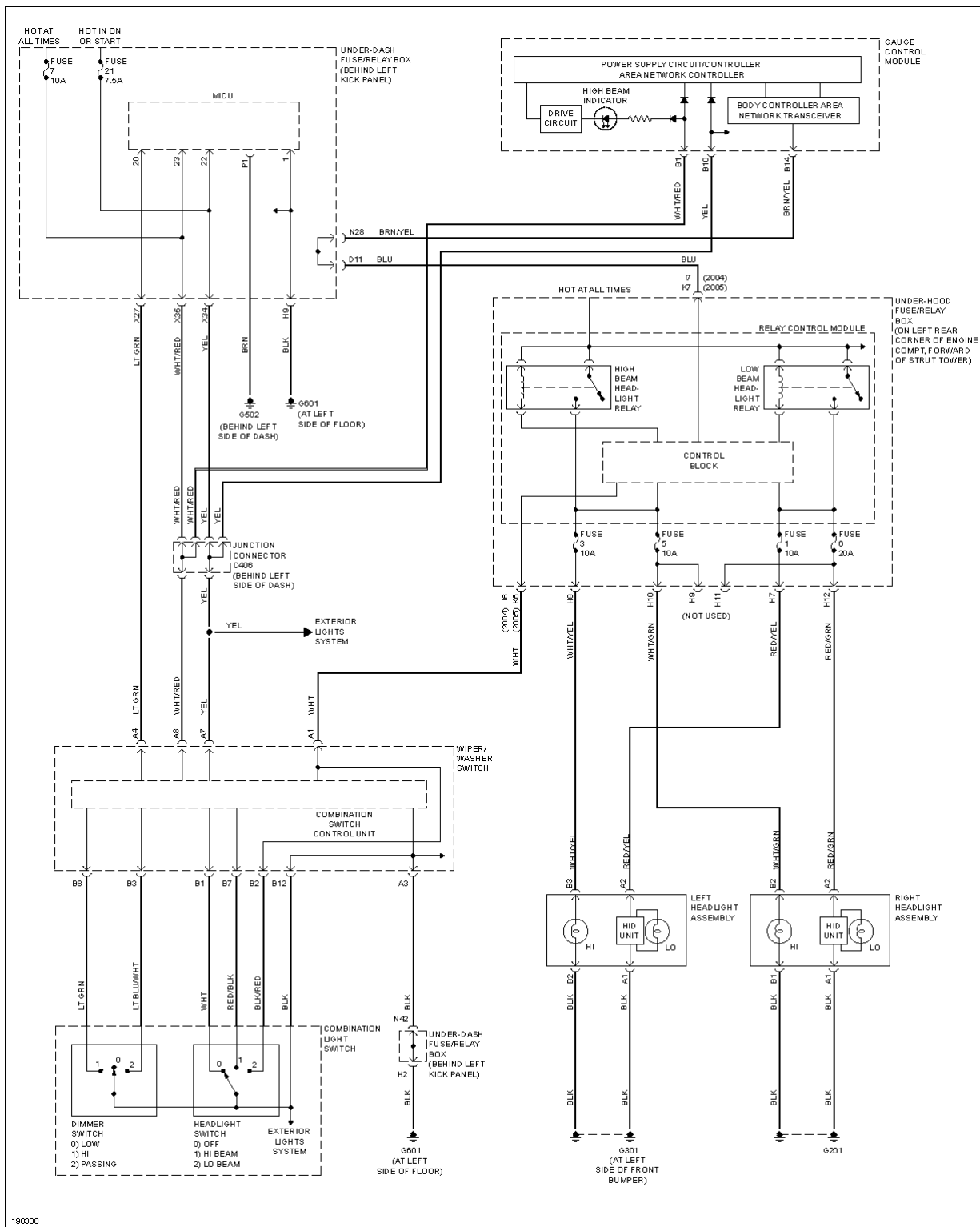


Fig. 30: Headlamps Circuit, W/O DRL

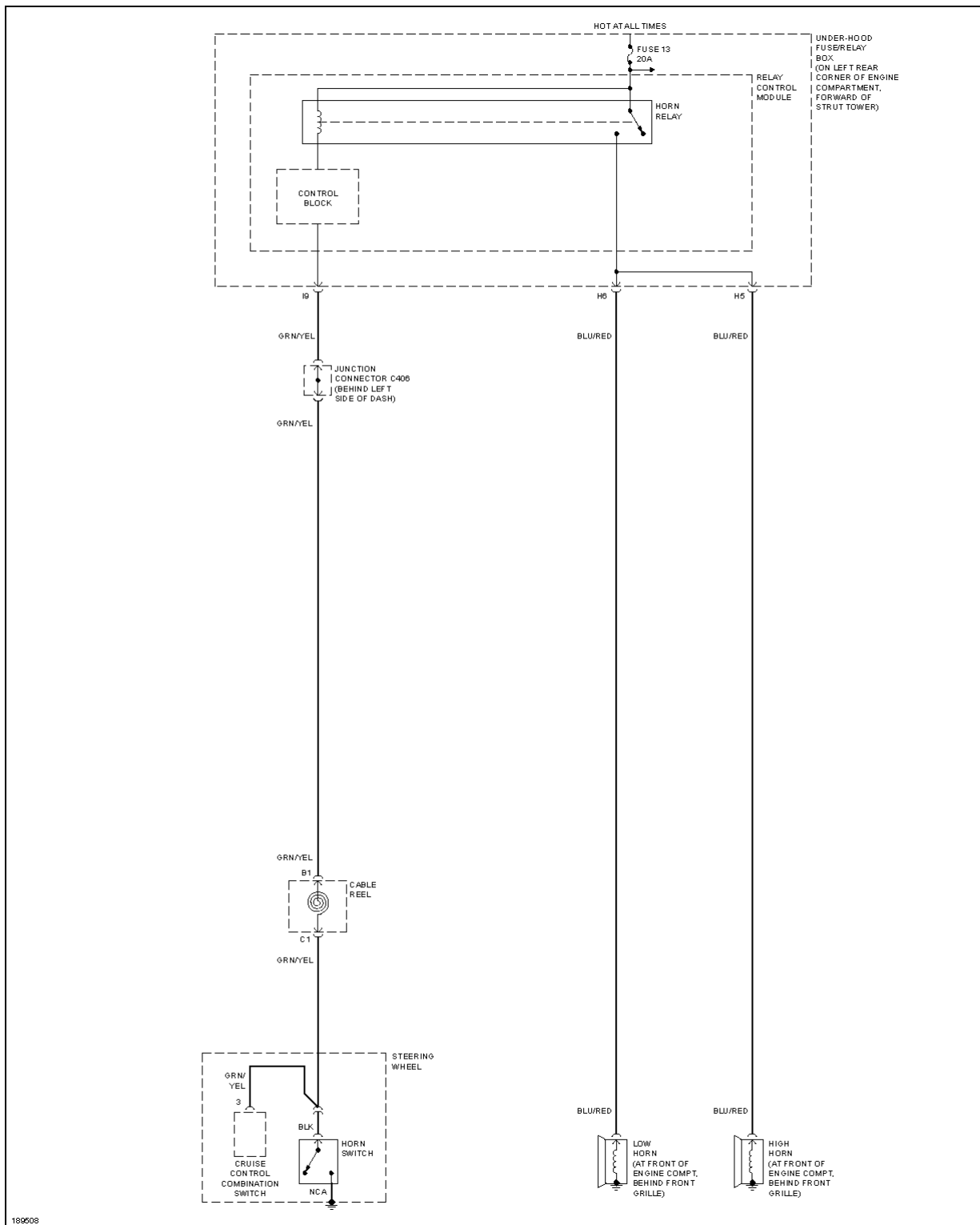


Fig. 31: Horn Circuit

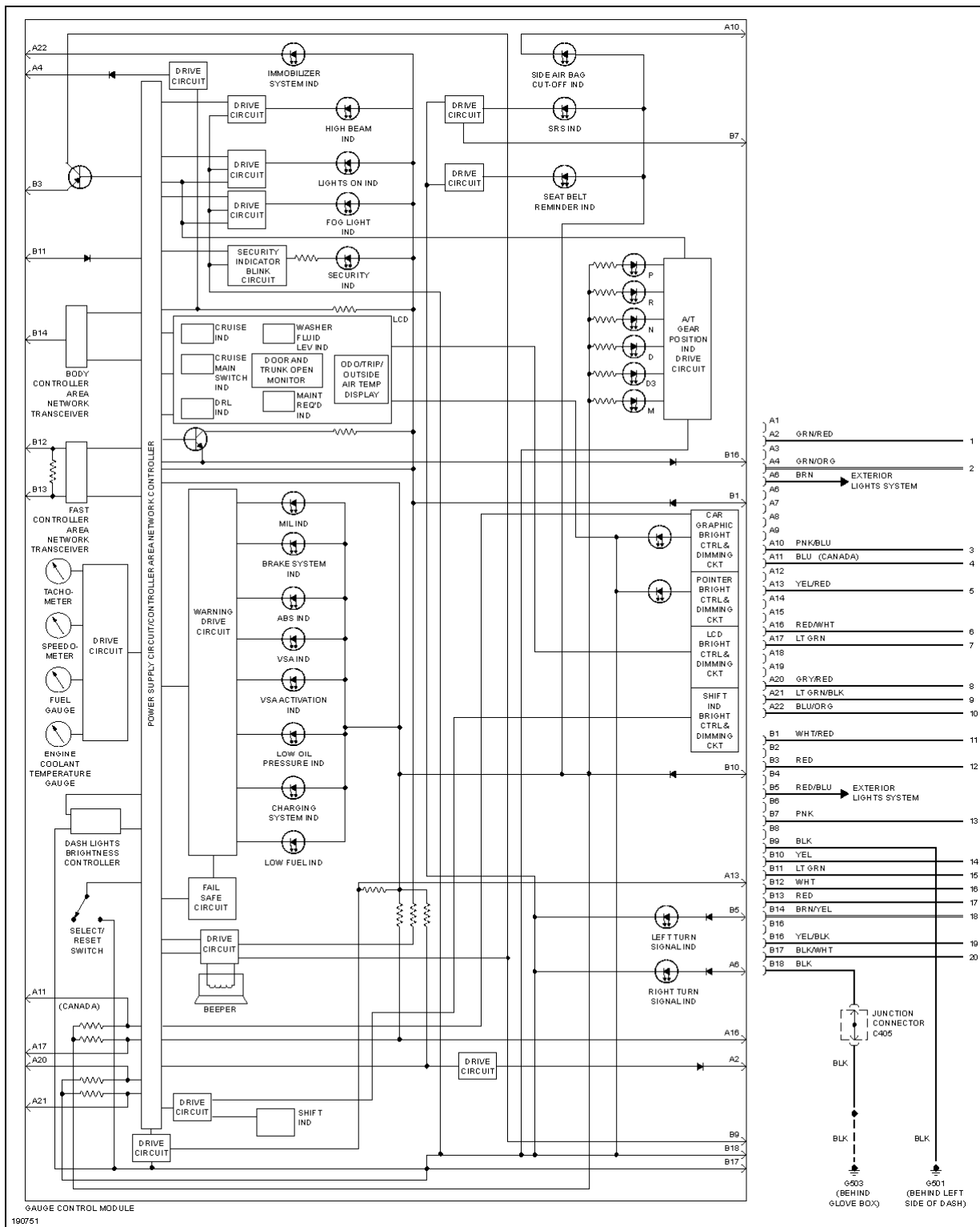


Fig. 32: Instrument Cluster Circuit (1 of 2)

2004 Acura TSX

2004 SYSTEM WIRING DIAGRAMS Acura - TSX

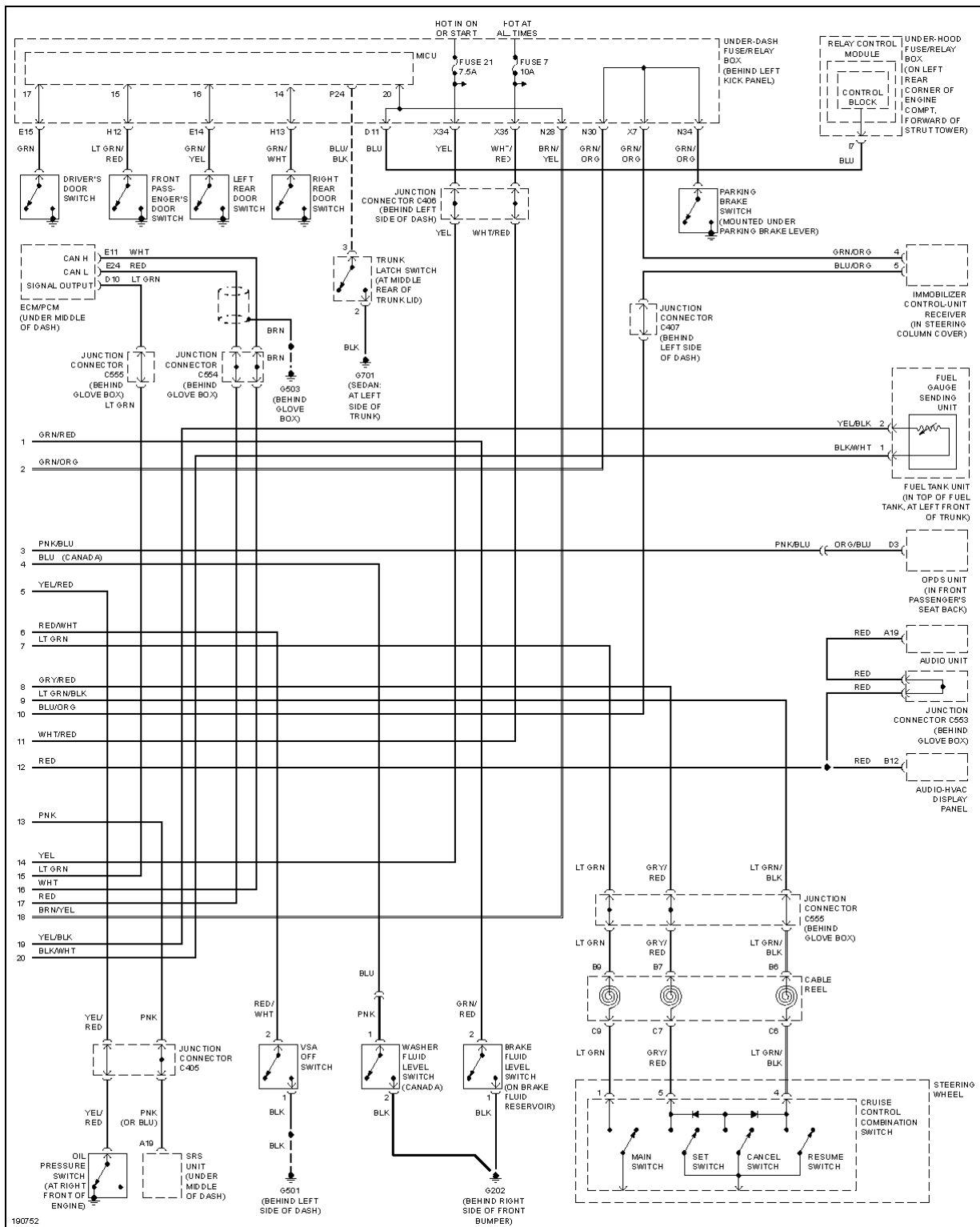


Fig. 33: Instrument Cluster Circuit (2 of 2)

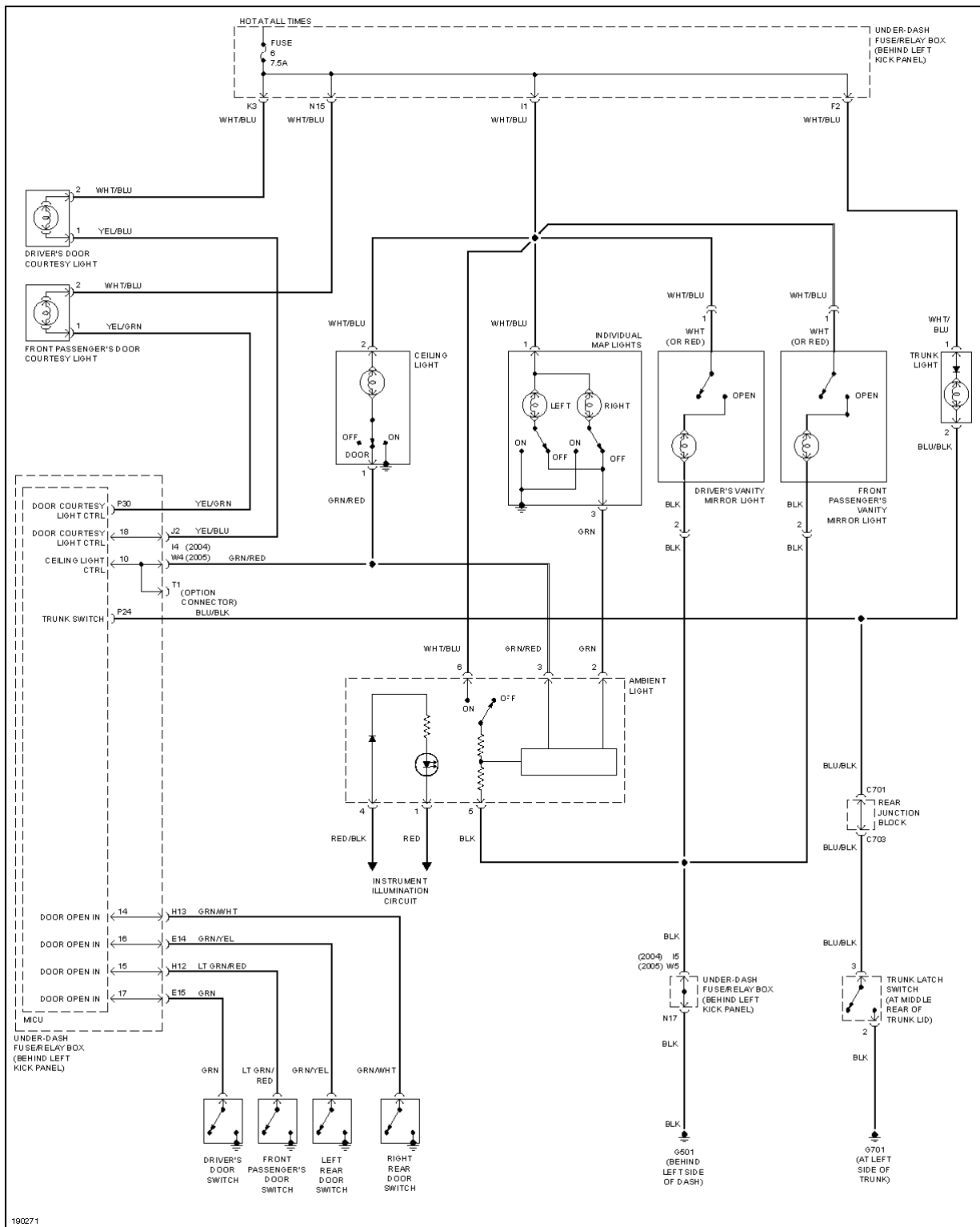


Fig. 34: Courtesy Lamps Circuit

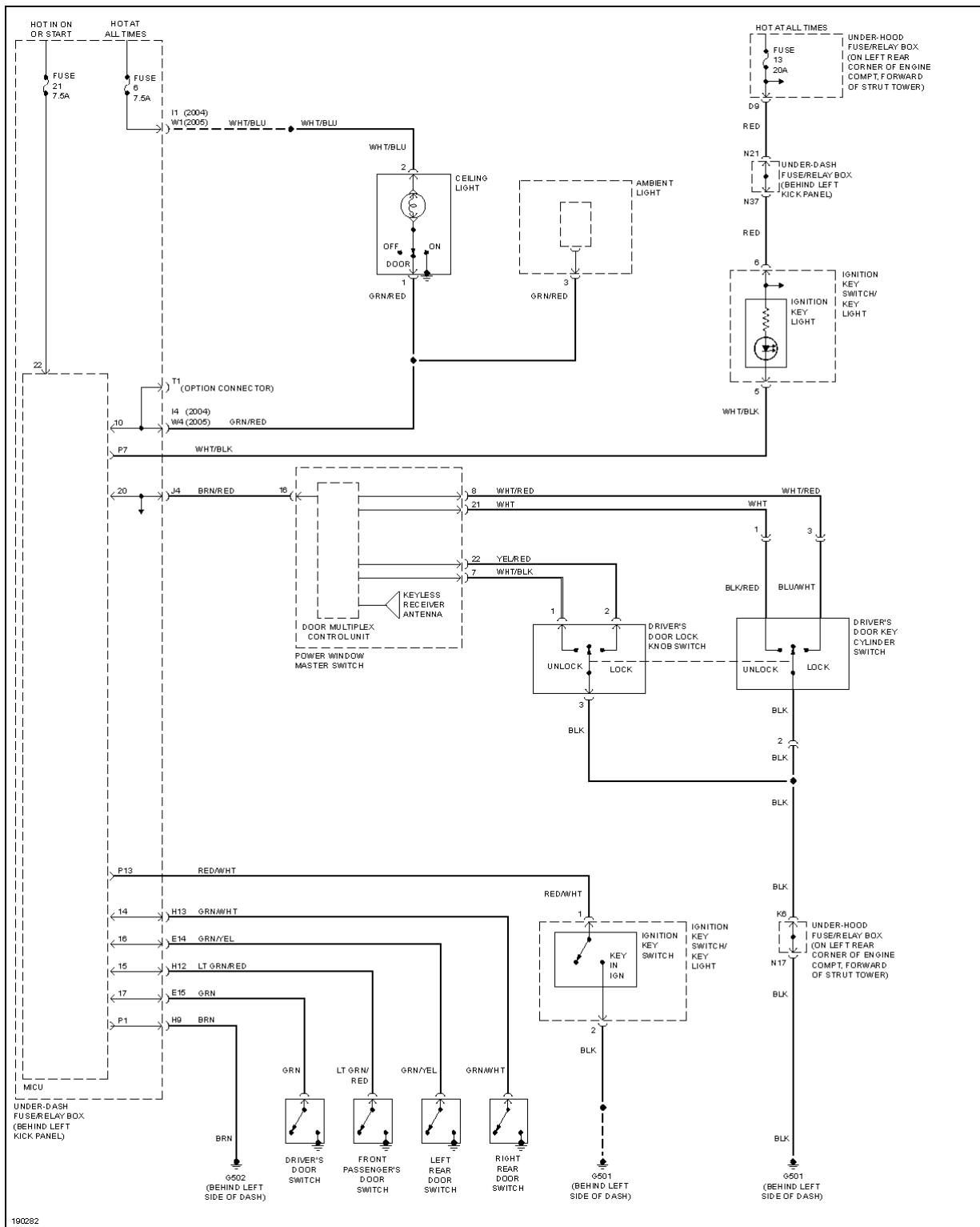


Fig. 35: Entry Light Timer Circuit

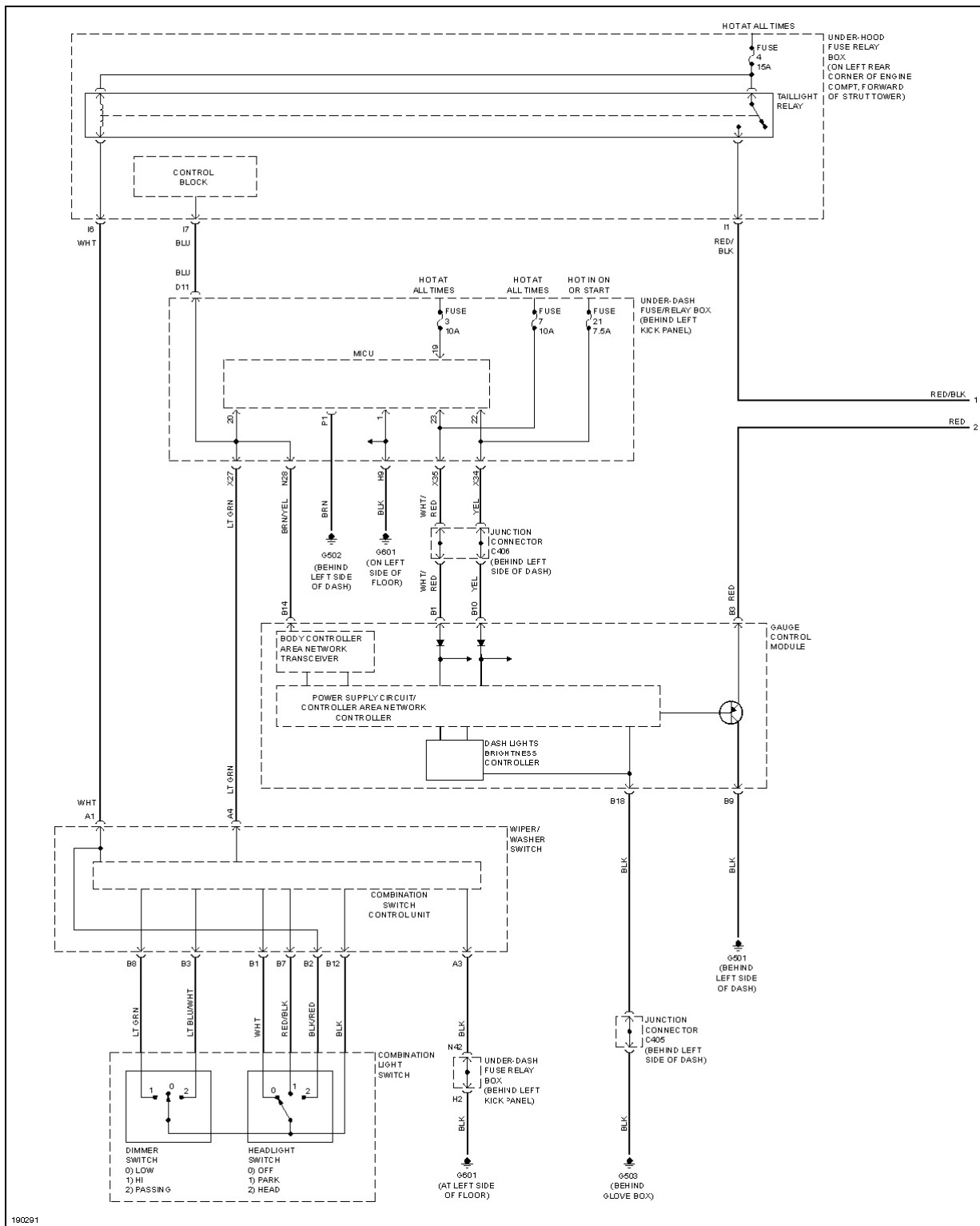


Fig. 36: Instrument Illumination Circuit (1 of 2)

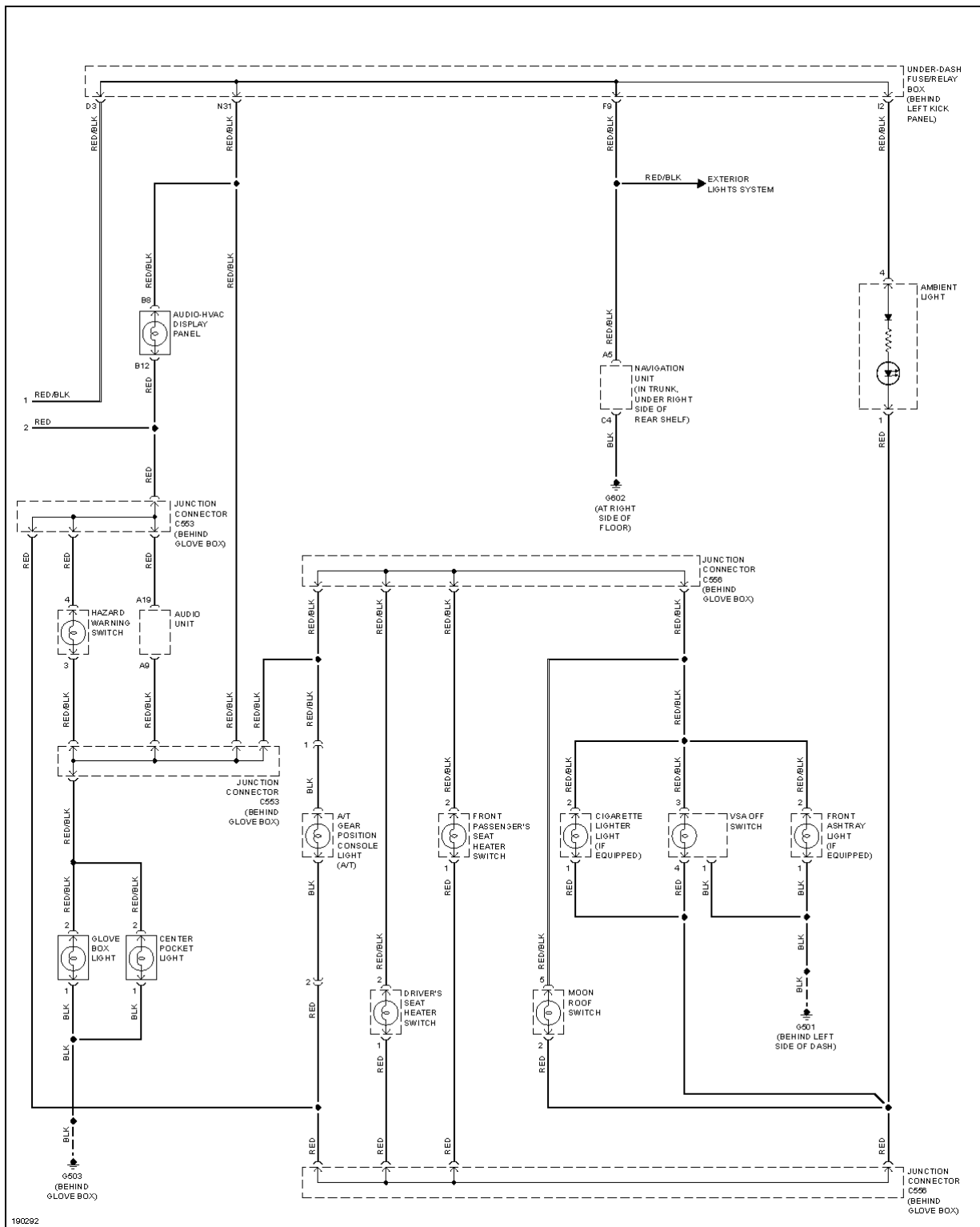


Fig. 37: Instrument Illumination Circuit (2 of 2)

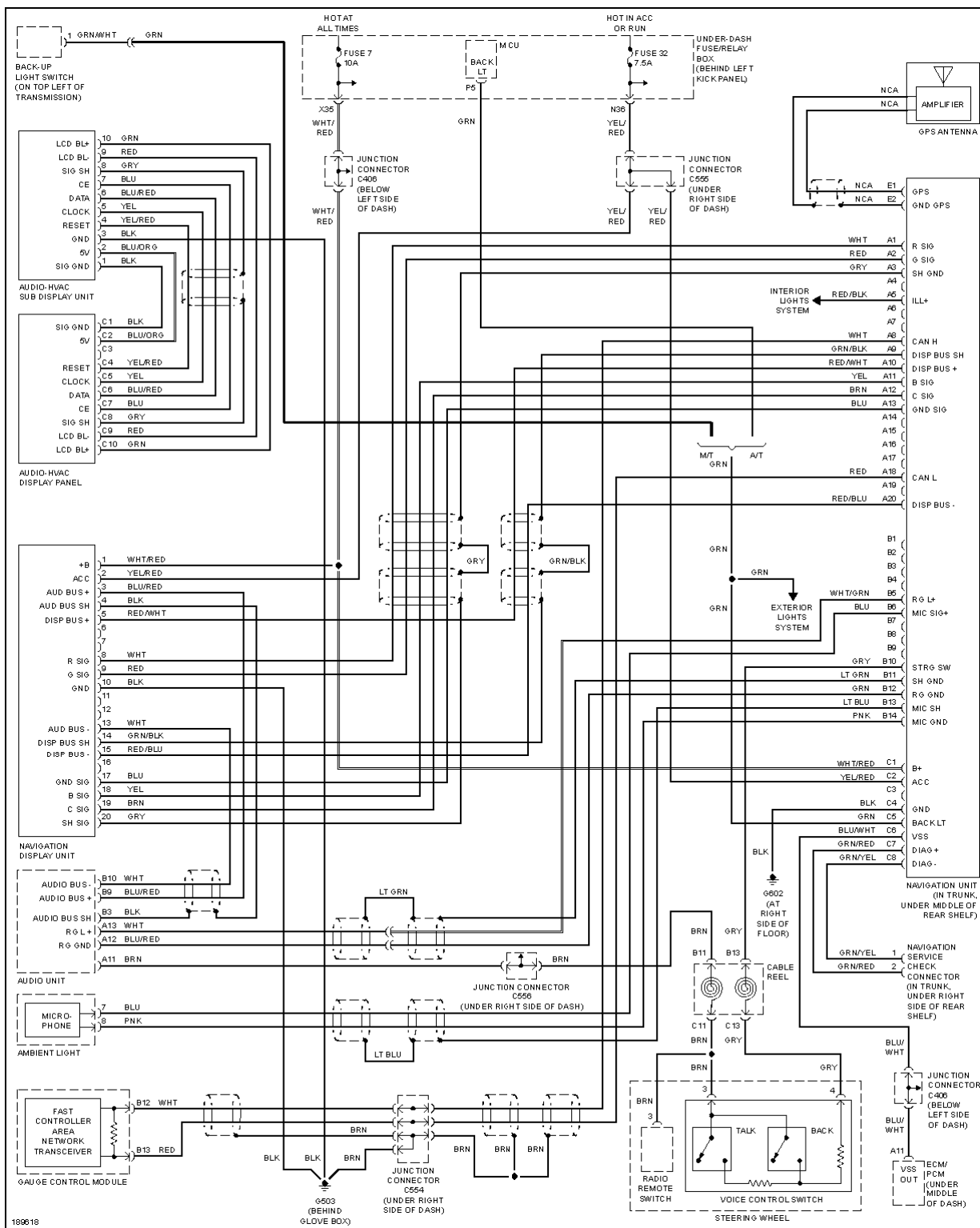


Fig. 38: Navigation Circuit

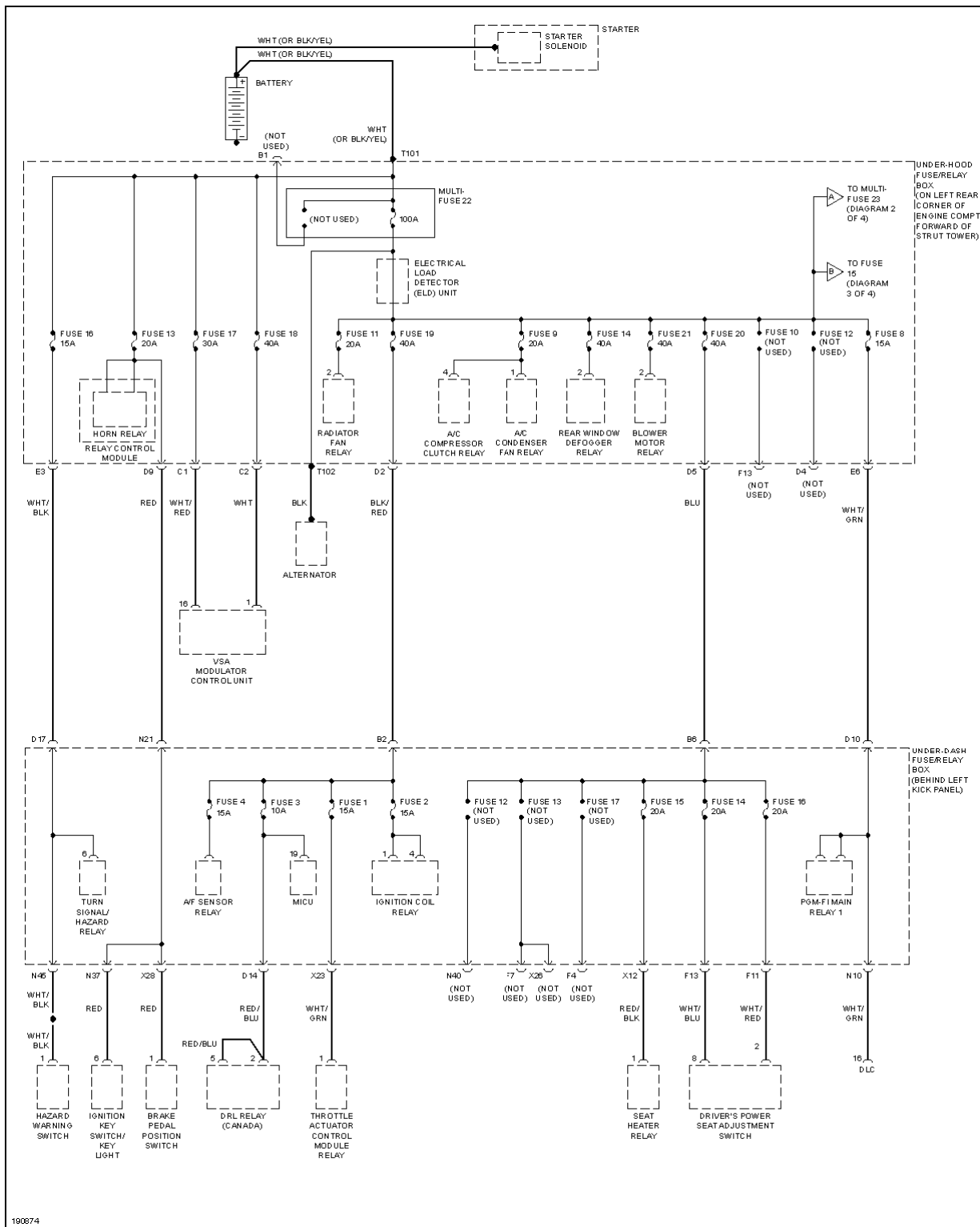


Fig. 39: Power Distribution Circuit (1 of 4)

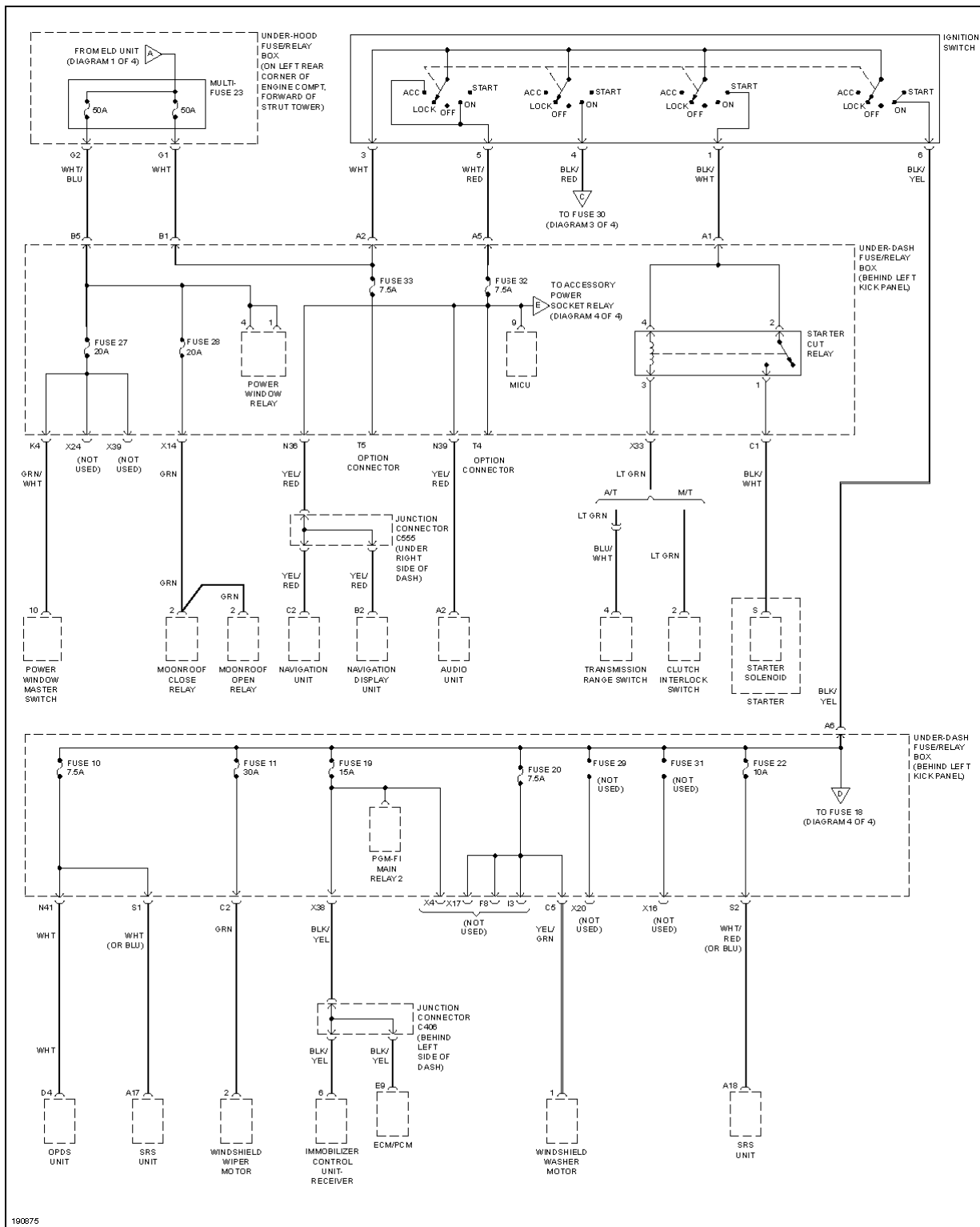


Fig. 40: Power Distribution Circuit (2 of 4)

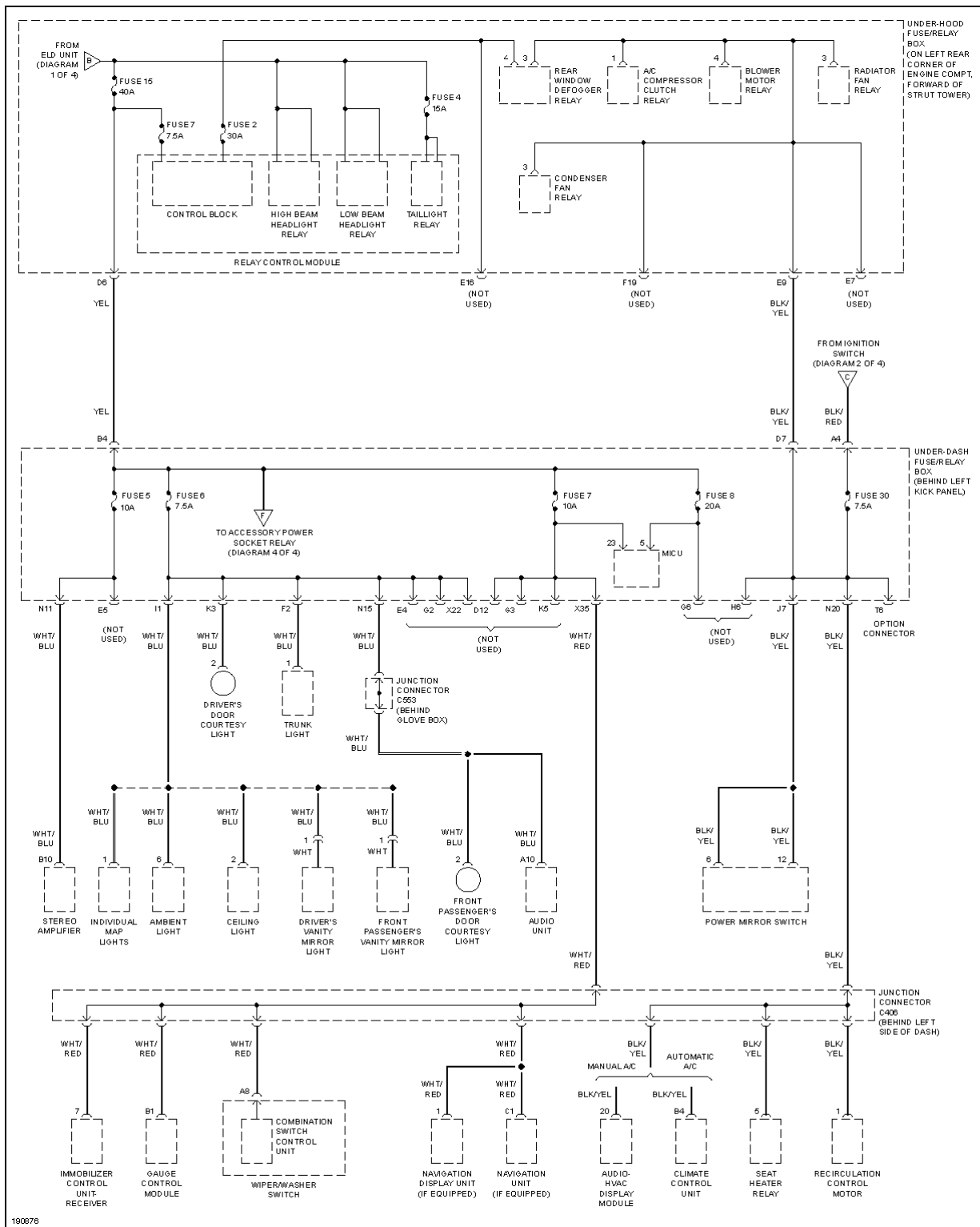


Fig. 41: Power Distribution Circuit (3 of 4)

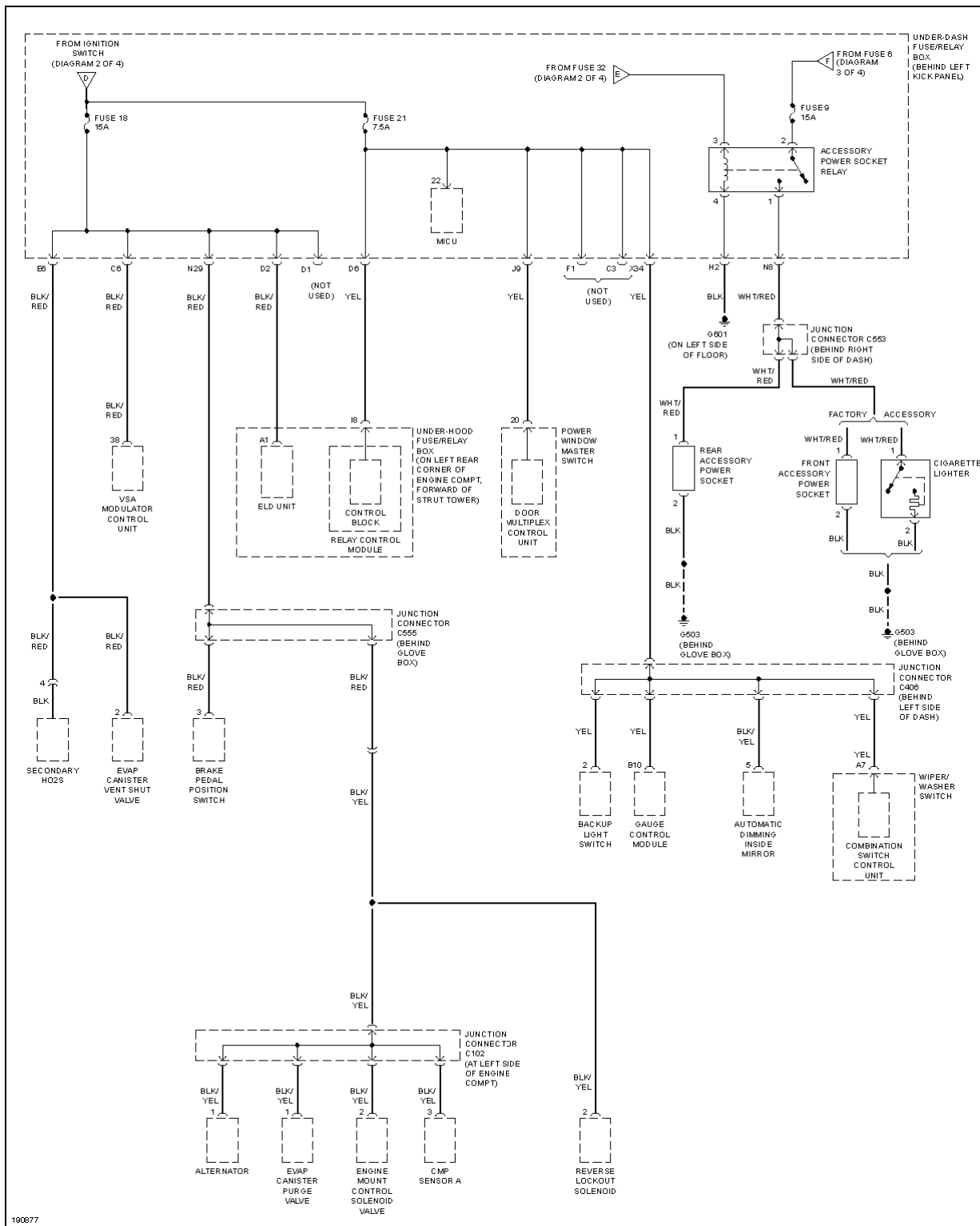


Fig. 42: Power Distribution Circuit (4 of 4)

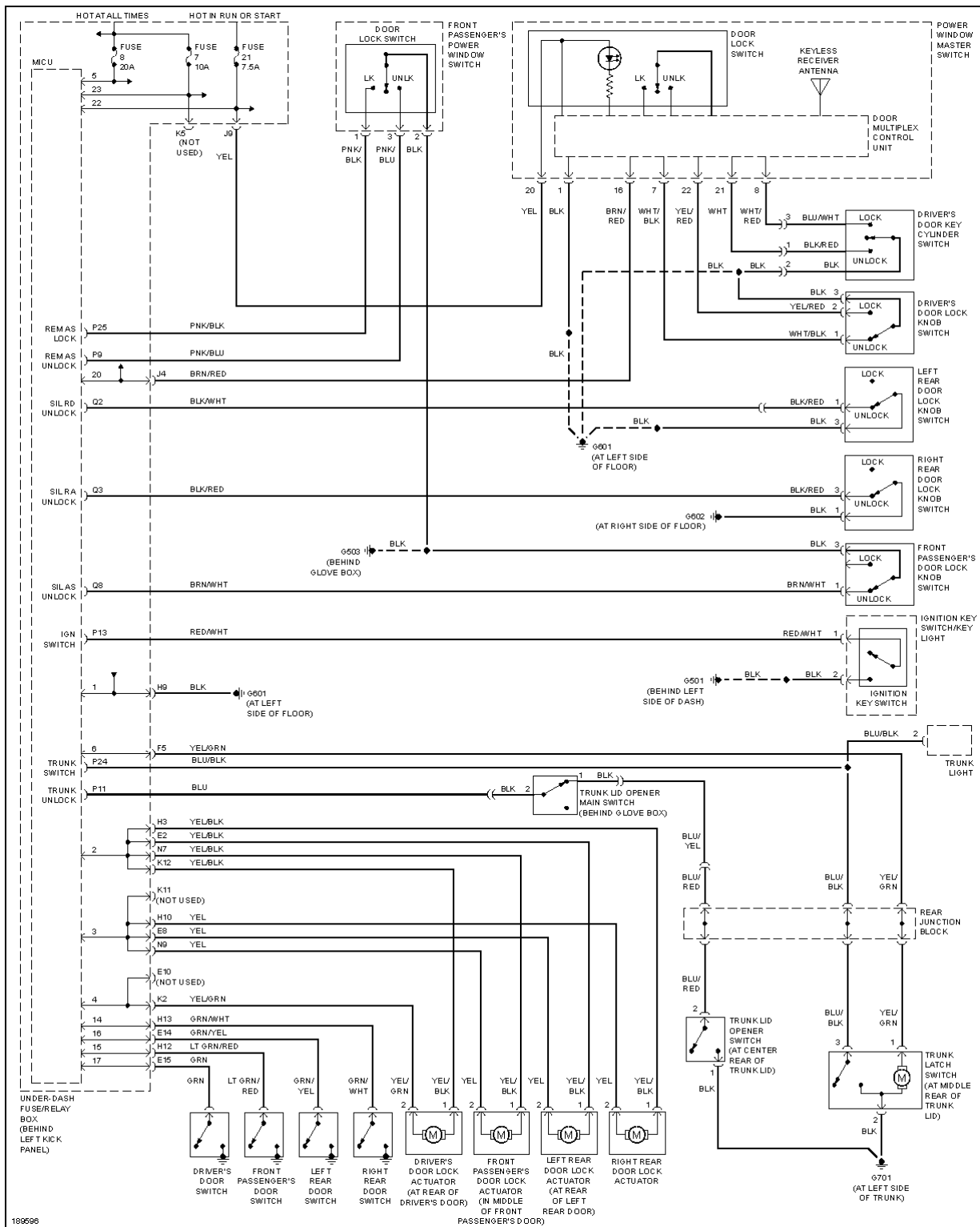


Fig. 43: Power Door Locks Circuit

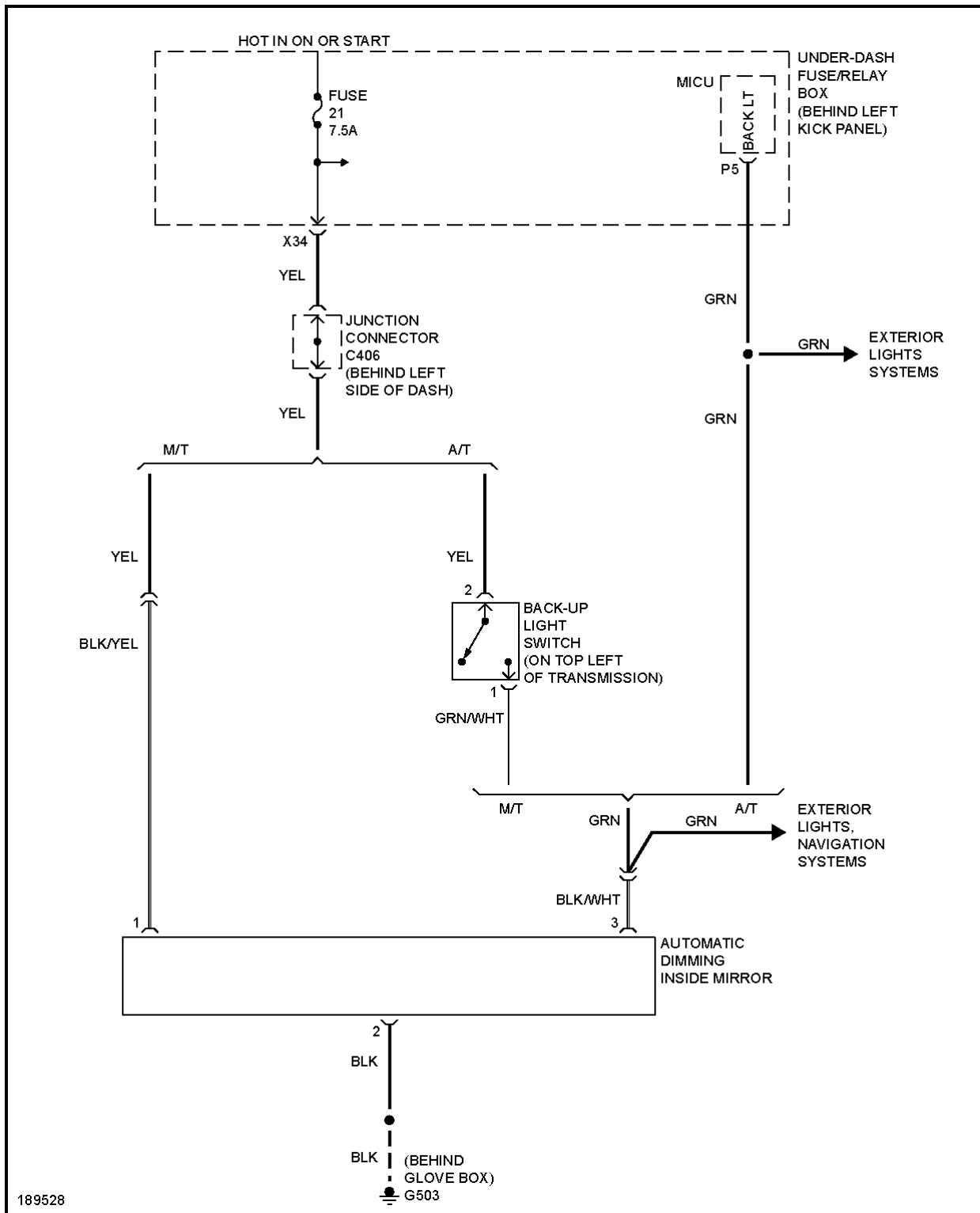


Fig. 44: Automatic Day/Night Mirror Circuit

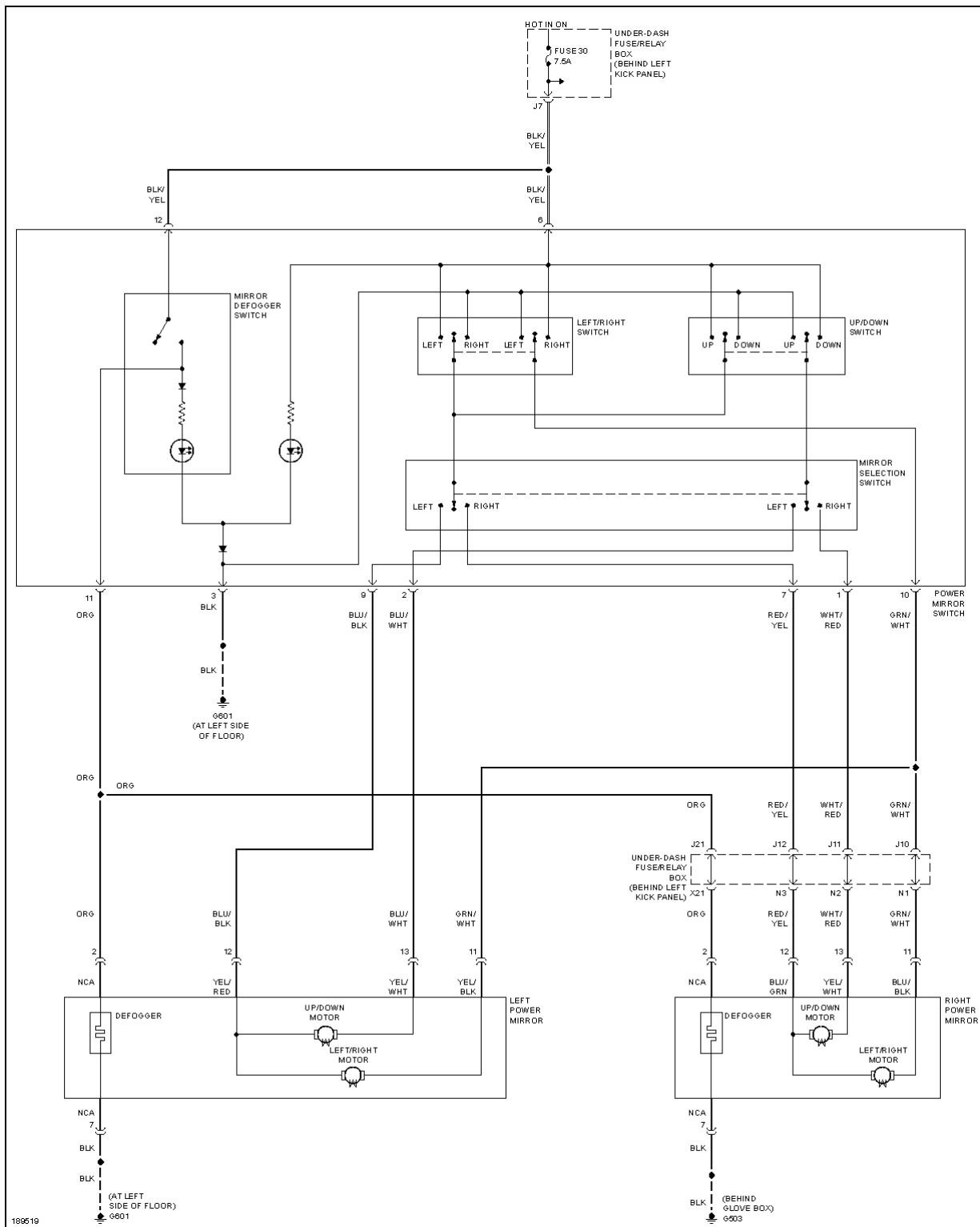


Fig. 45: Power Mirrors Circuit

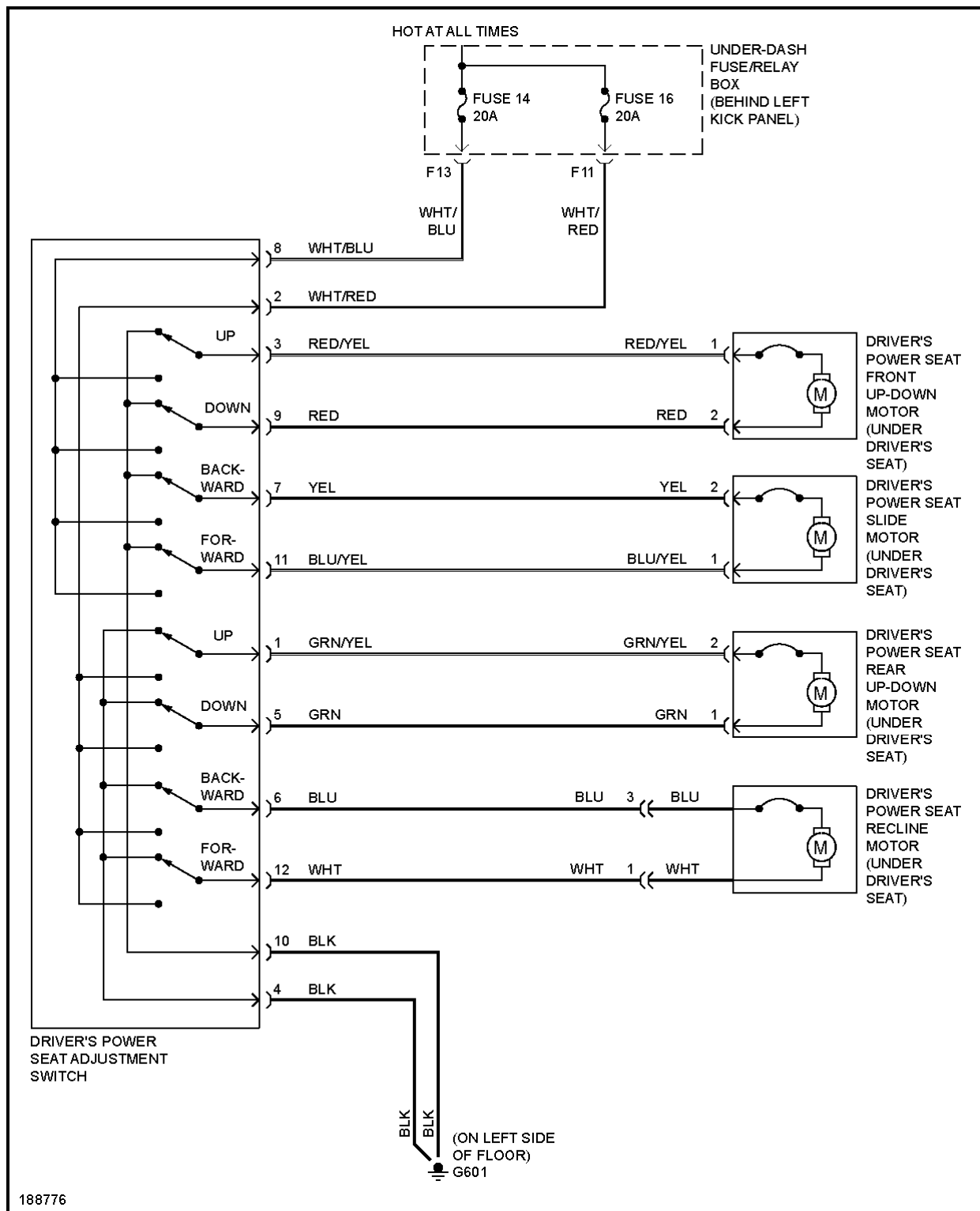


Fig. 46: Driver Power Seat Circuit

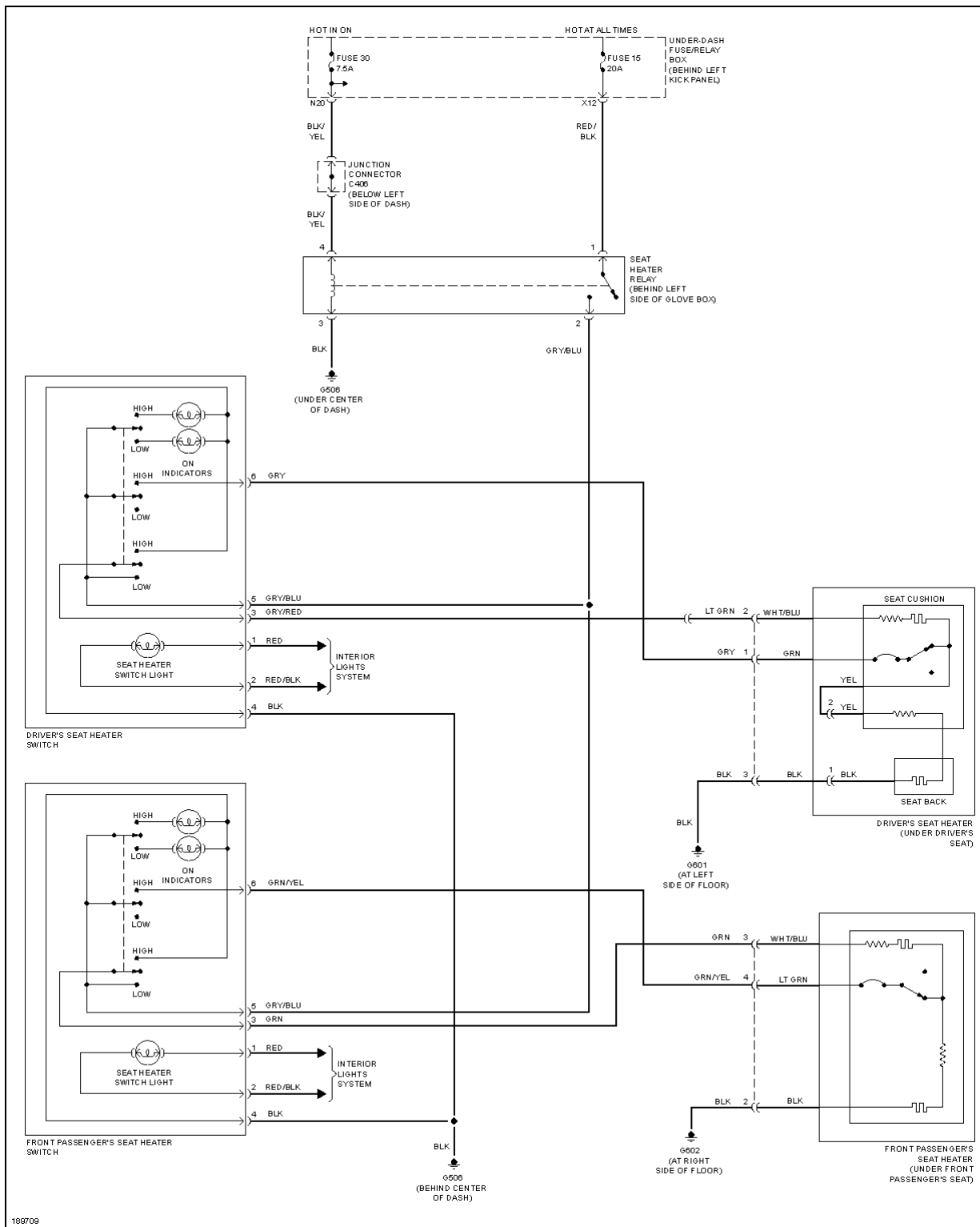


Fig. 47: Heated Seats Circuit

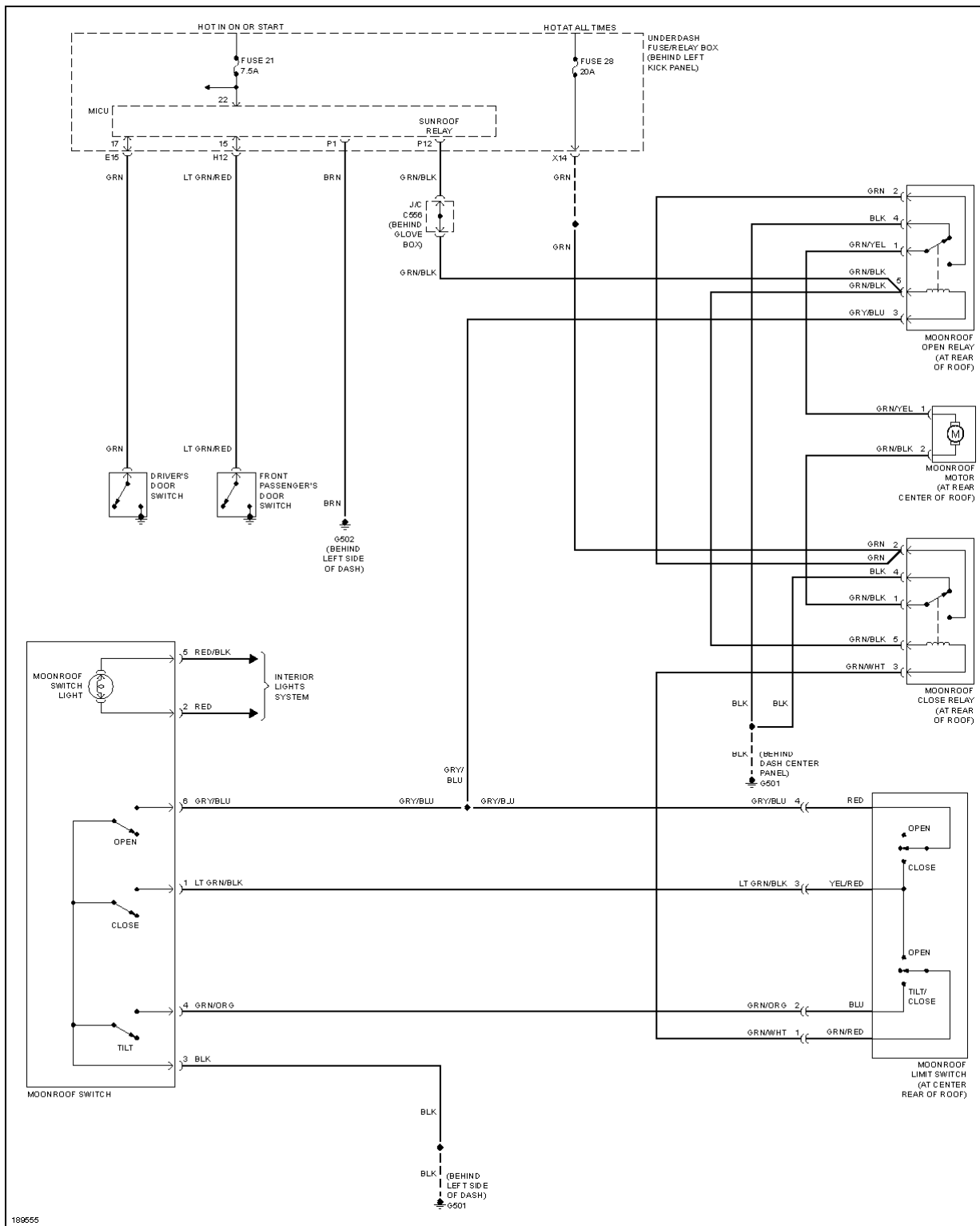


Fig. 48: Power Top/Sunroof Circuit

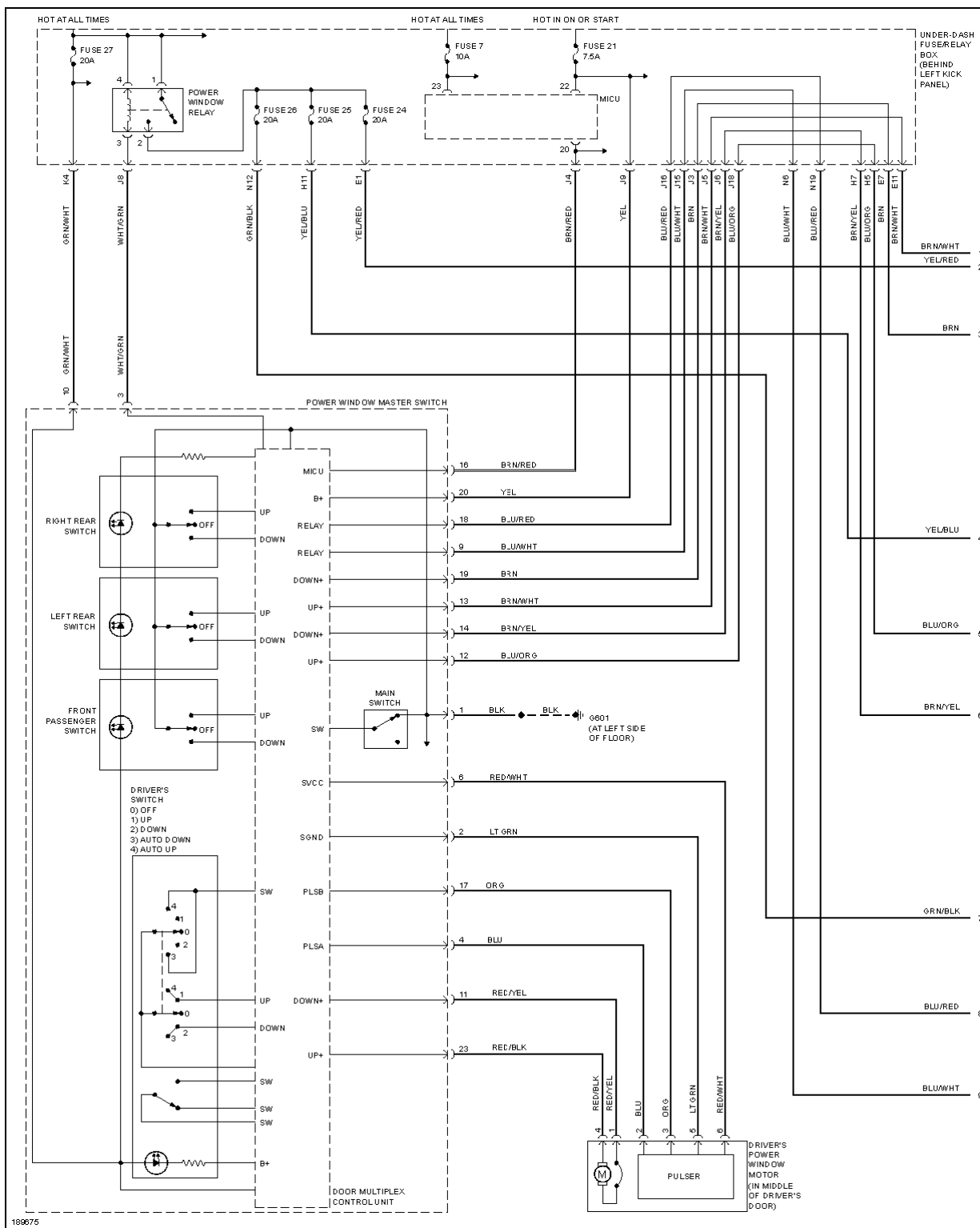


Fig. 49: Power Windows Circuit (1 of 2)

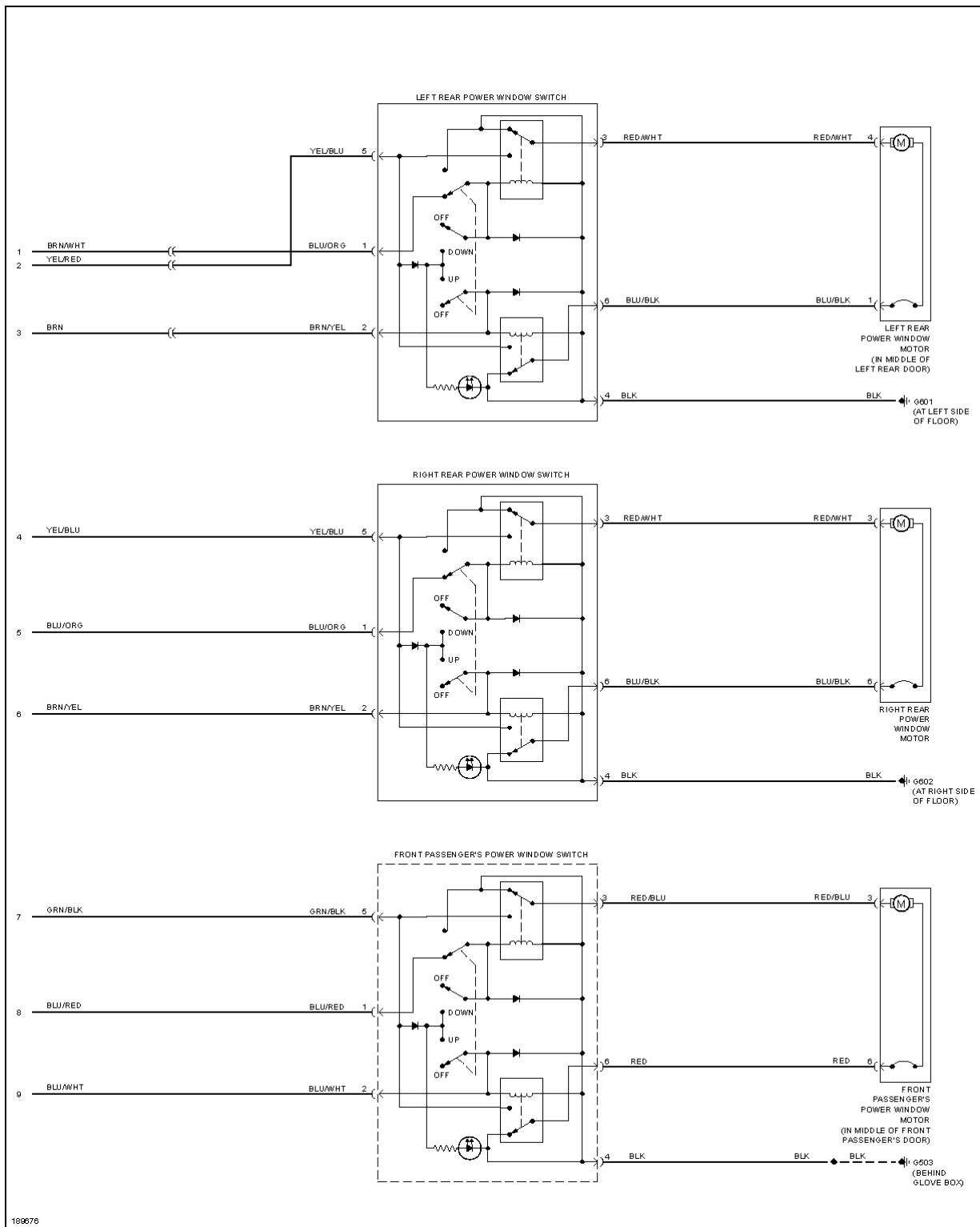


Fig. 50: Power Windows Circuit (2 of 2)

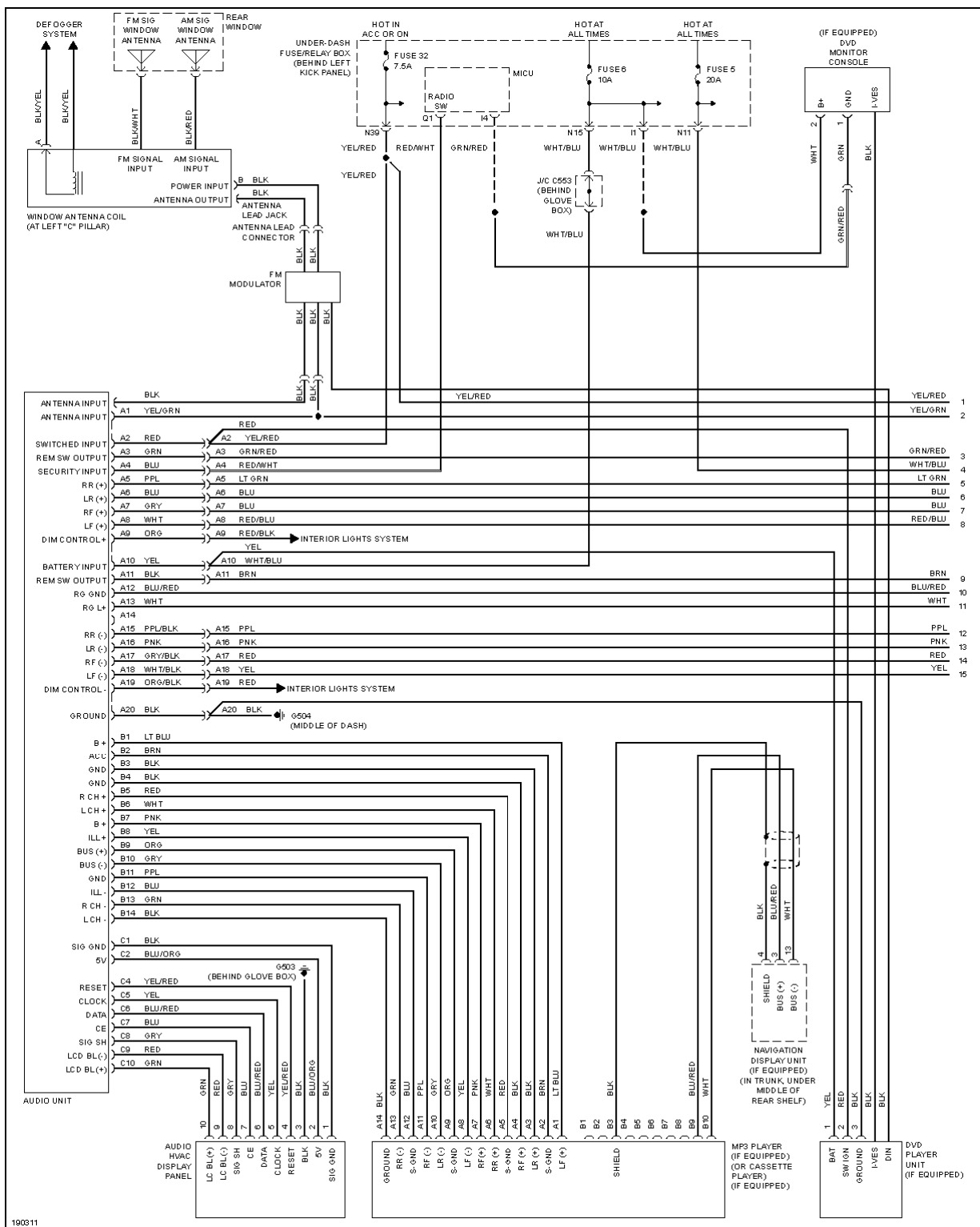


Fig. 51: DVD Player Circuit, W/ Cassette or MP3 Player (1 of 3)

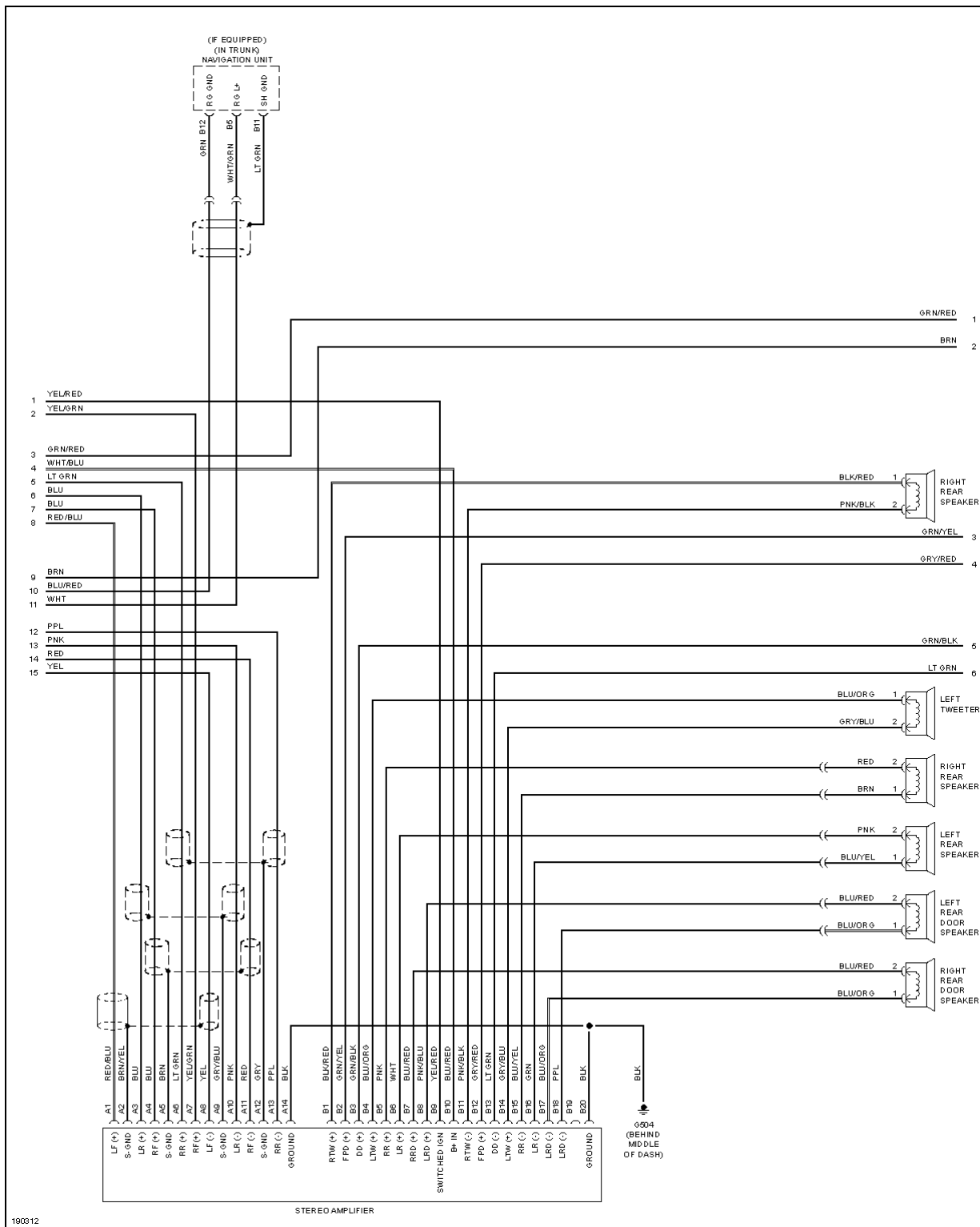
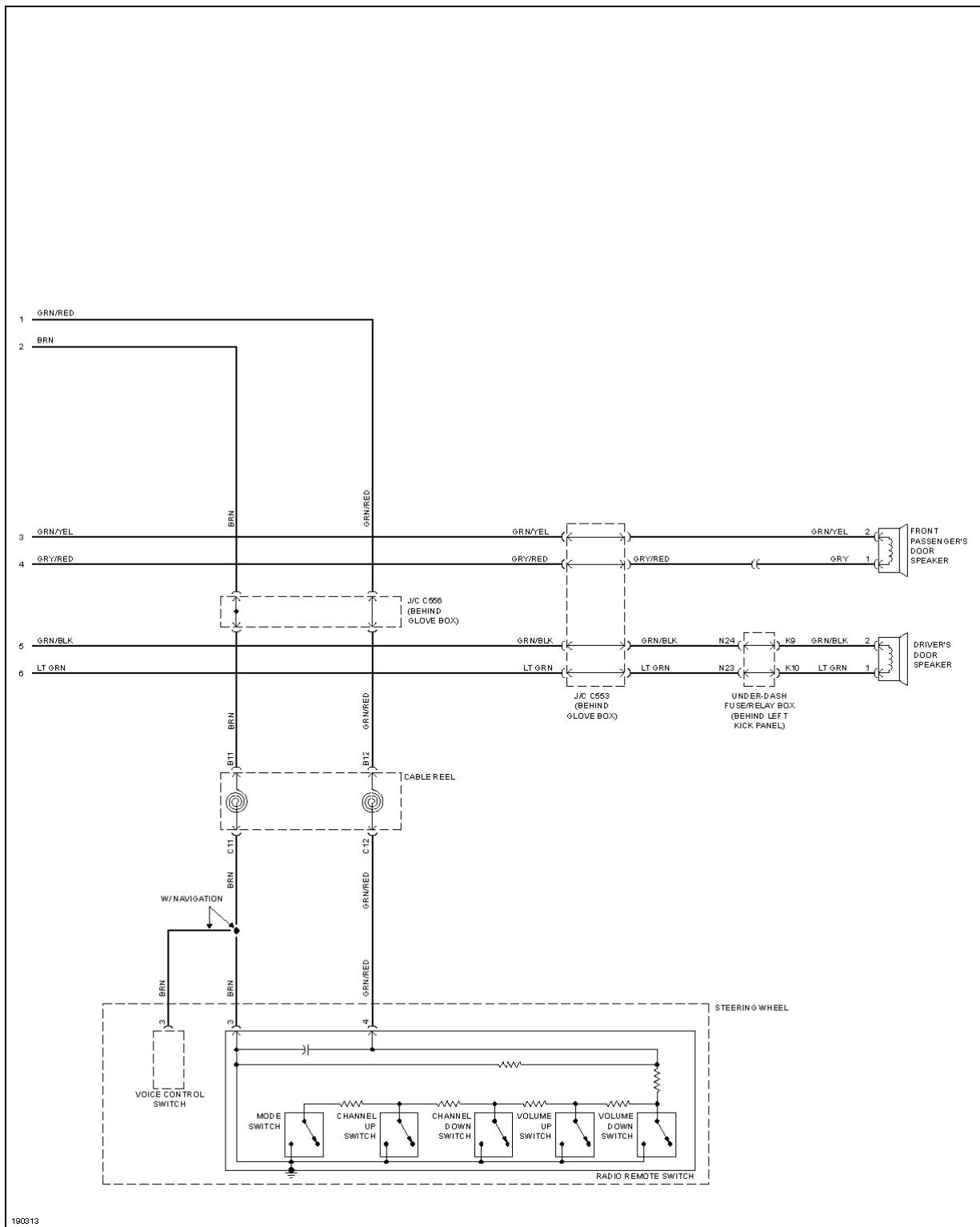


Fig. 52: DVD Player Circuit, W/ Cassette or MP3 Player (2 of 3)



190313

Fig. 53: DVD Player Circuit, W/ Cassette or MP3 Player (3 of 3)

2004 Acura TSX

2004 SYSTEM WIRING DIAGRAMS Acura - TSX

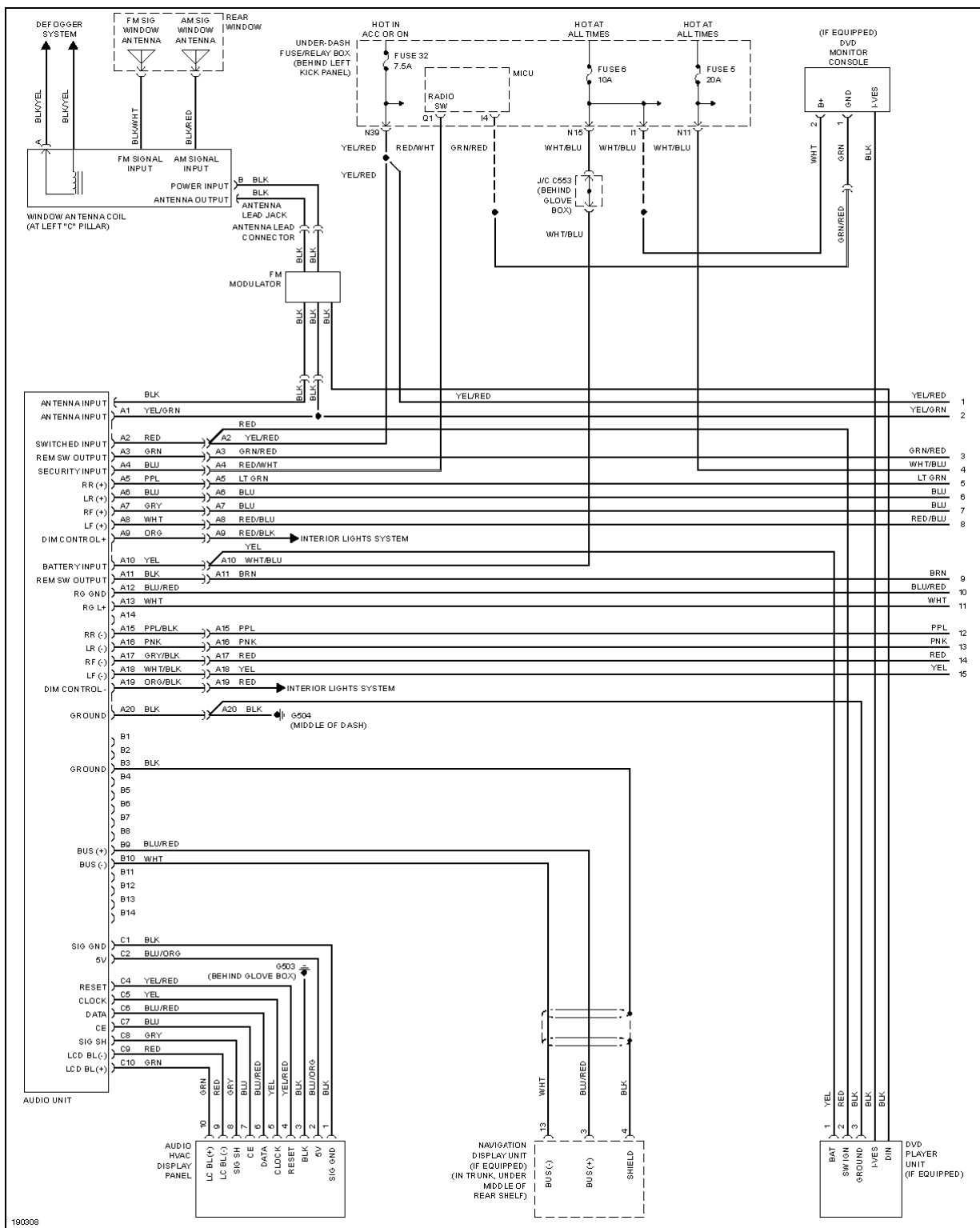


Fig. 54: DVD Player Circuit, W/O Cassette or MP3 Player (1 of 3)

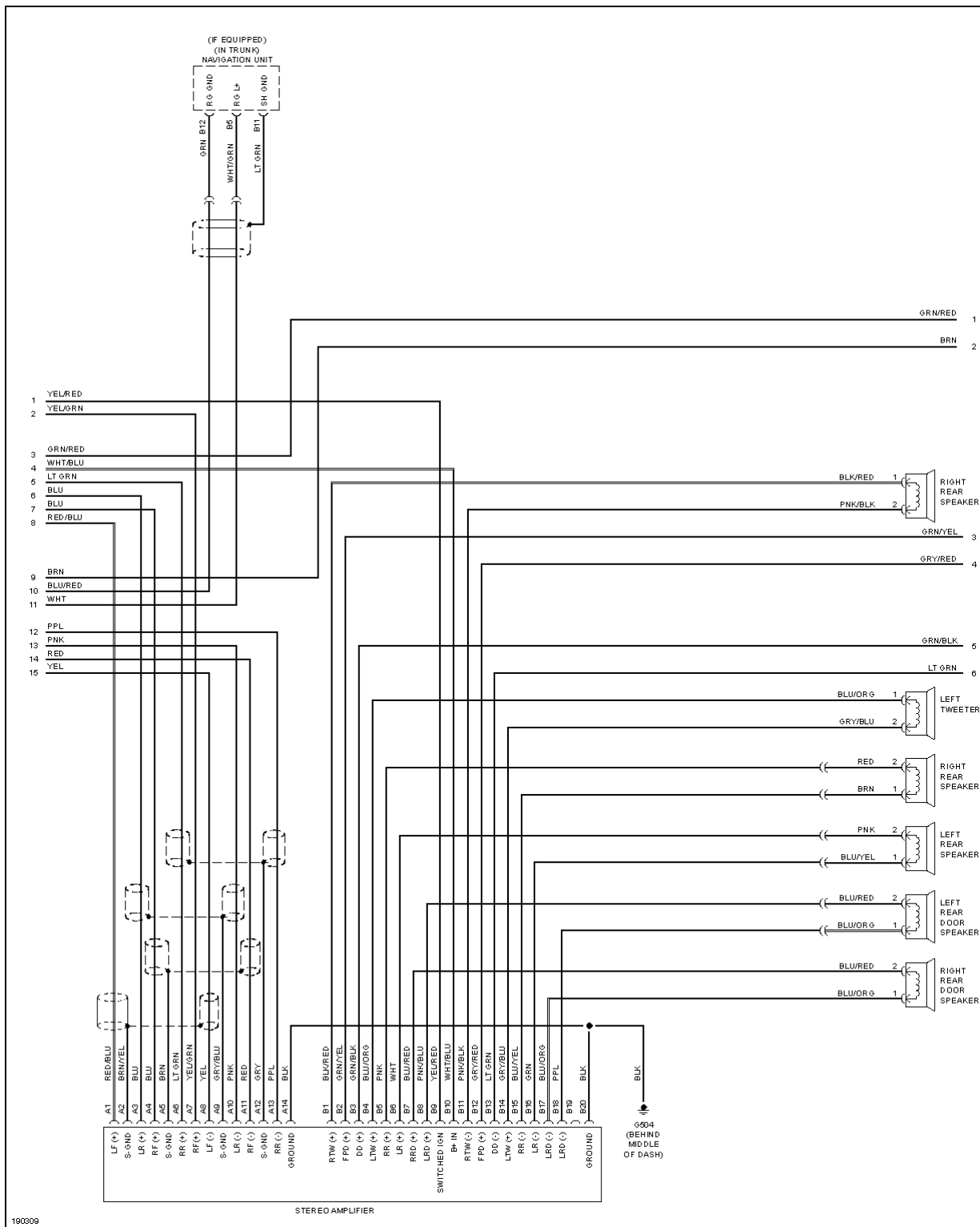


Fig. 55: DVD Player Circuit, W/O Cassette or MP3 Player (2 of 3)

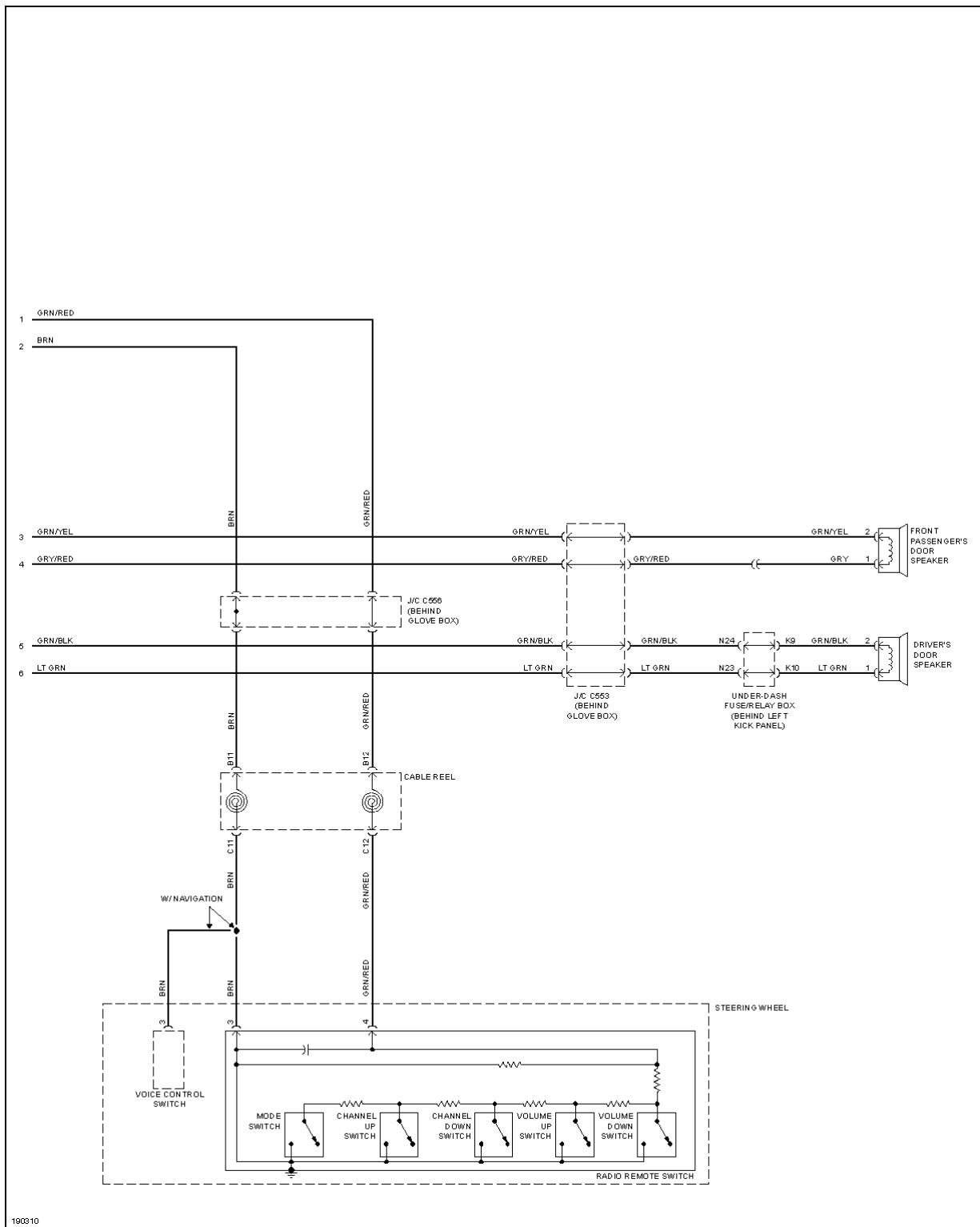


Fig. 56: DVD Player Circuit, W/O Cassette or MP3 Player (3 of 3)

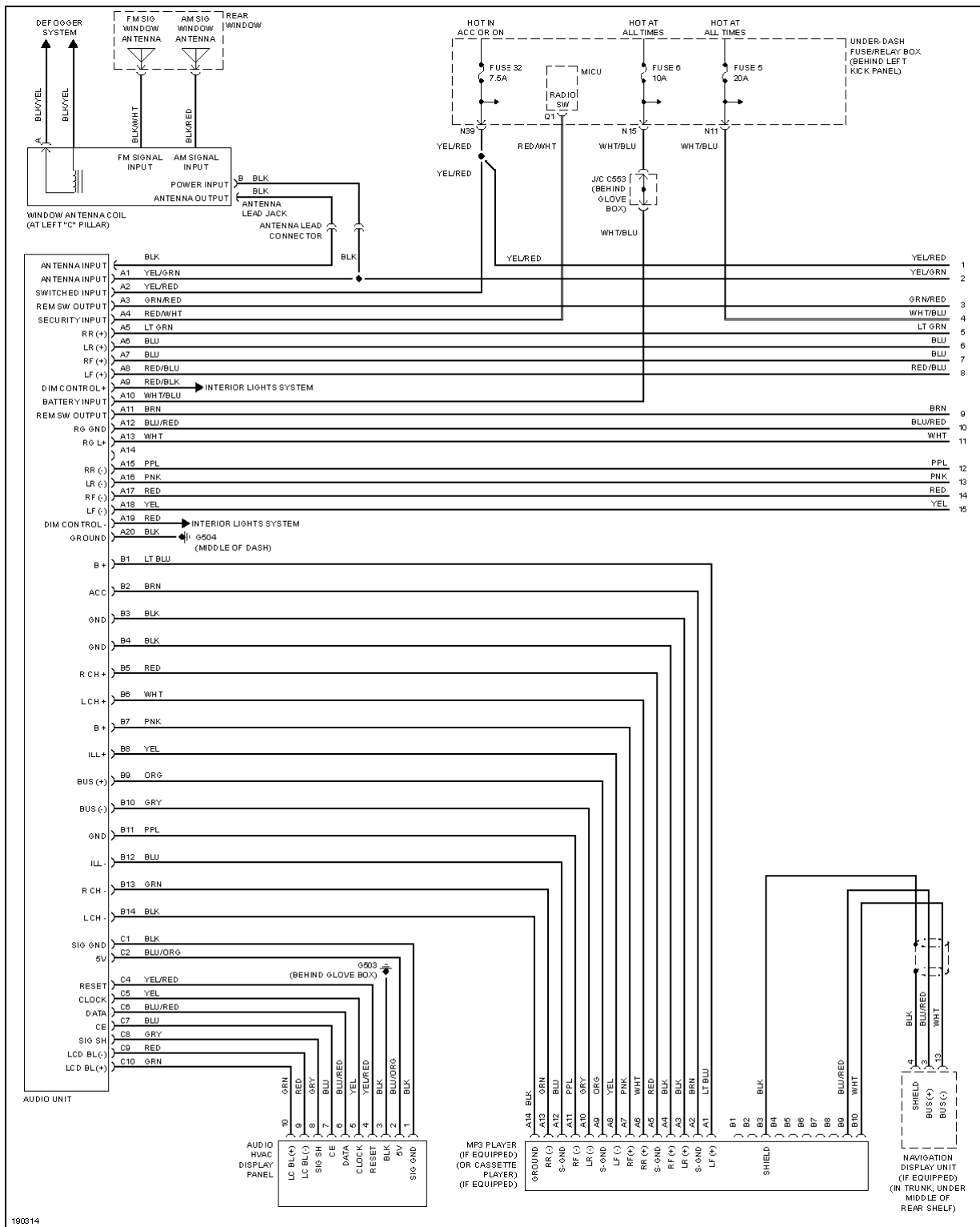


Fig. 57: Radio Circuit, W/ Cassette or MP3 Player (1 of 3)

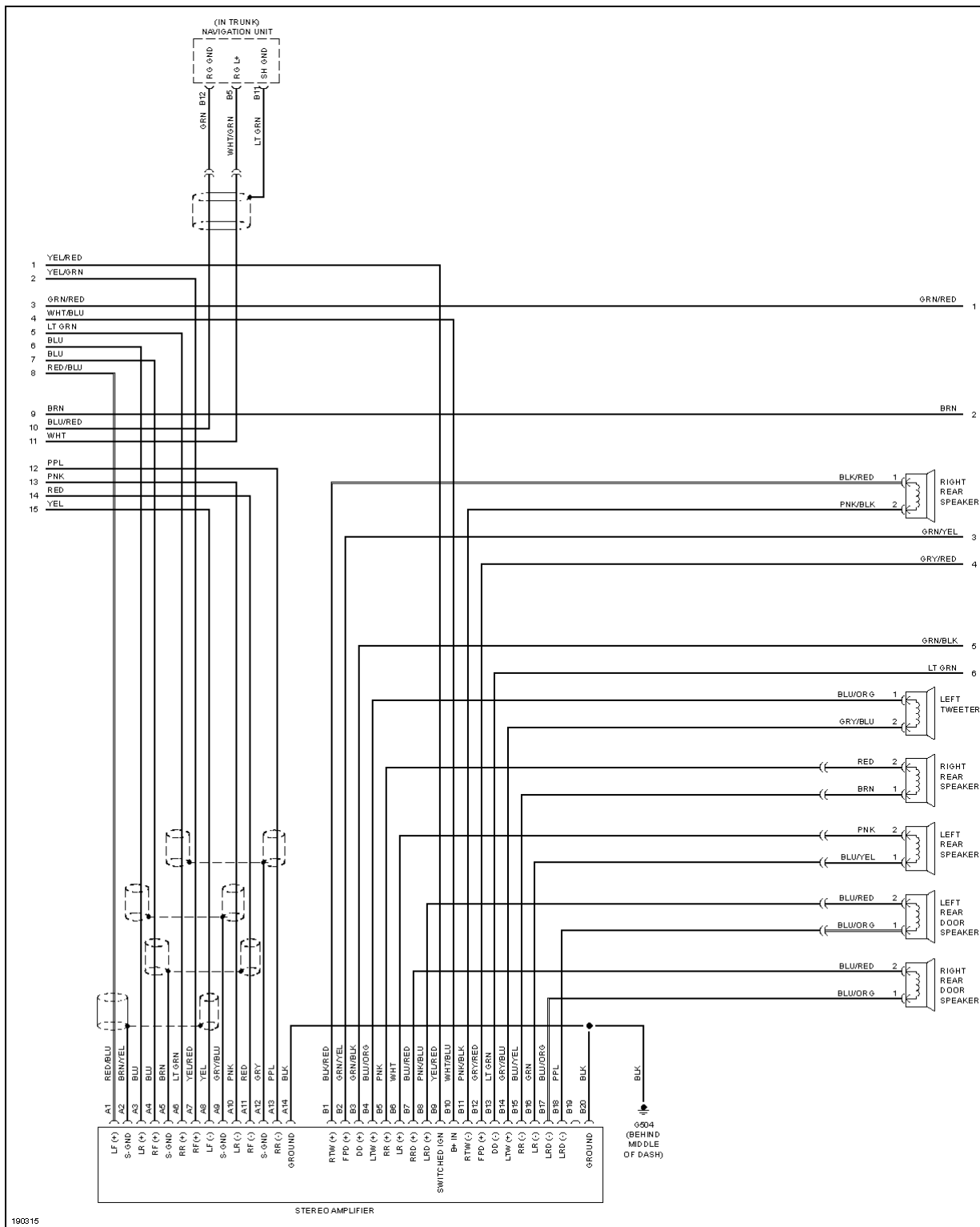


Fig. 58: Radio Circuit, W/ Cassette or MP3 Player (2 of 3)

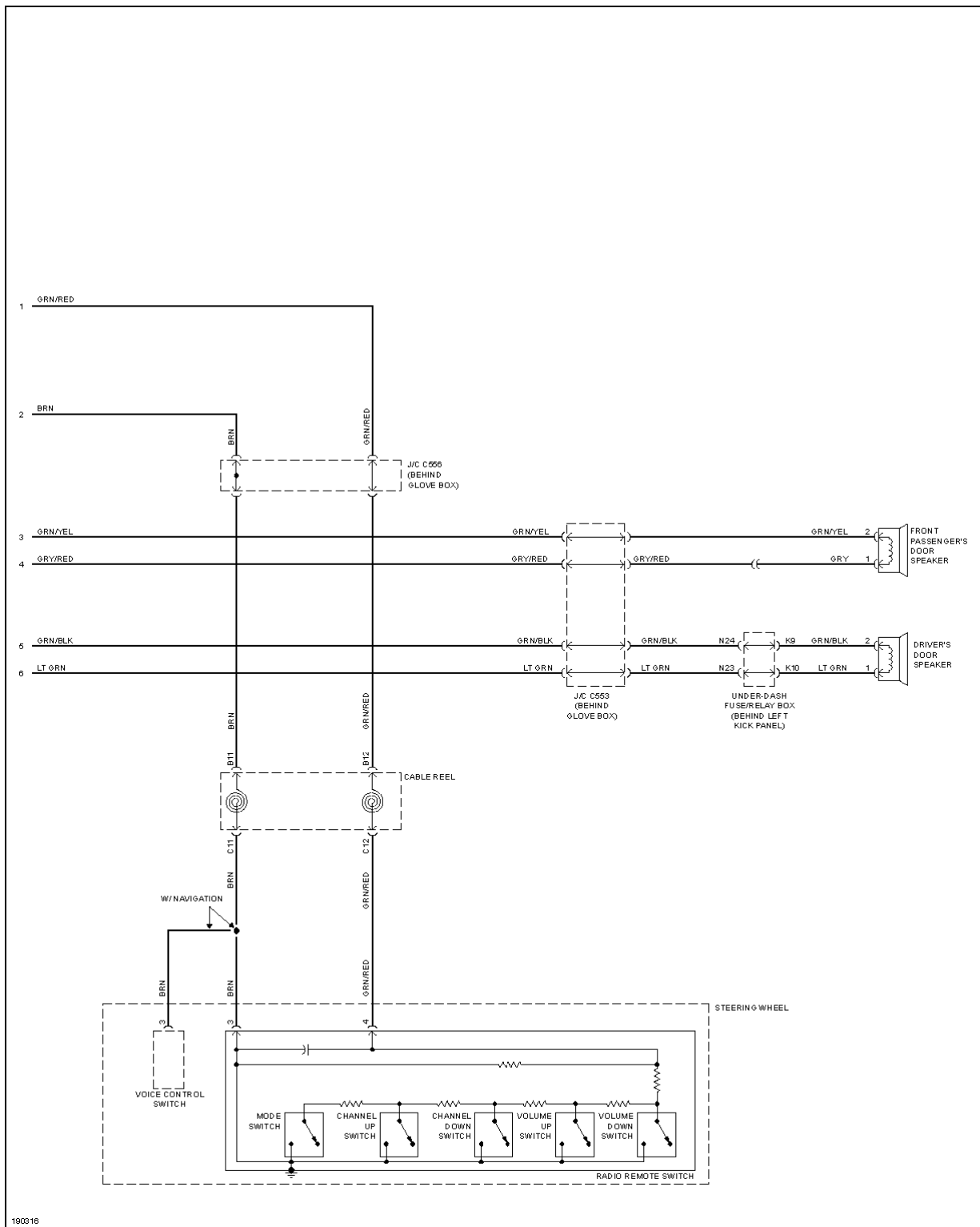


Fig. 59: Radio Circuit, W/ Cassette or MP3 Player (3 of 3)

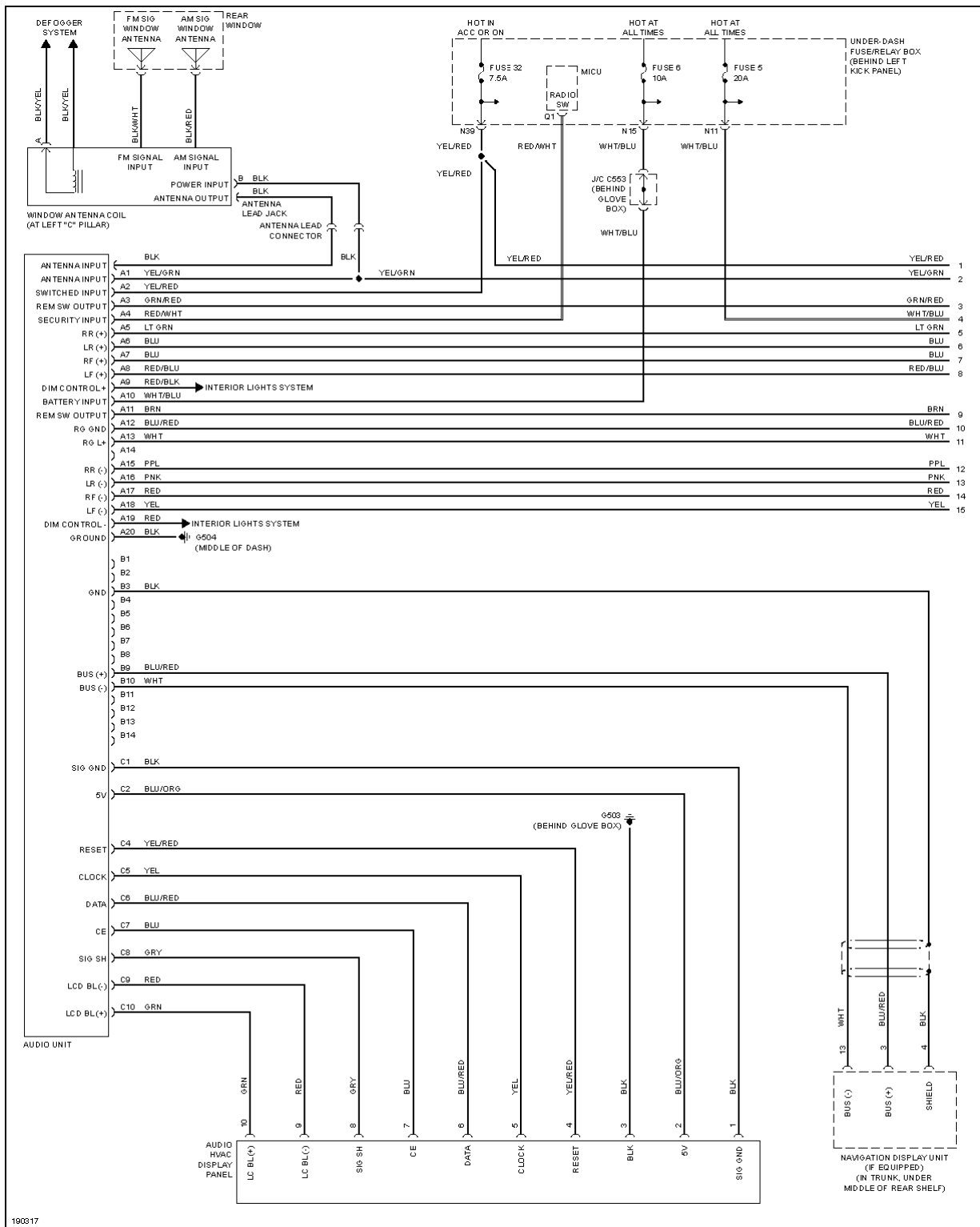


Fig. 60: Radio Circuit, W/O Cassette or MP3 Player (1 of 3)

2004 Acura TSX

2004 SYSTEM WIRING DIAGRAMS Acura - TSX

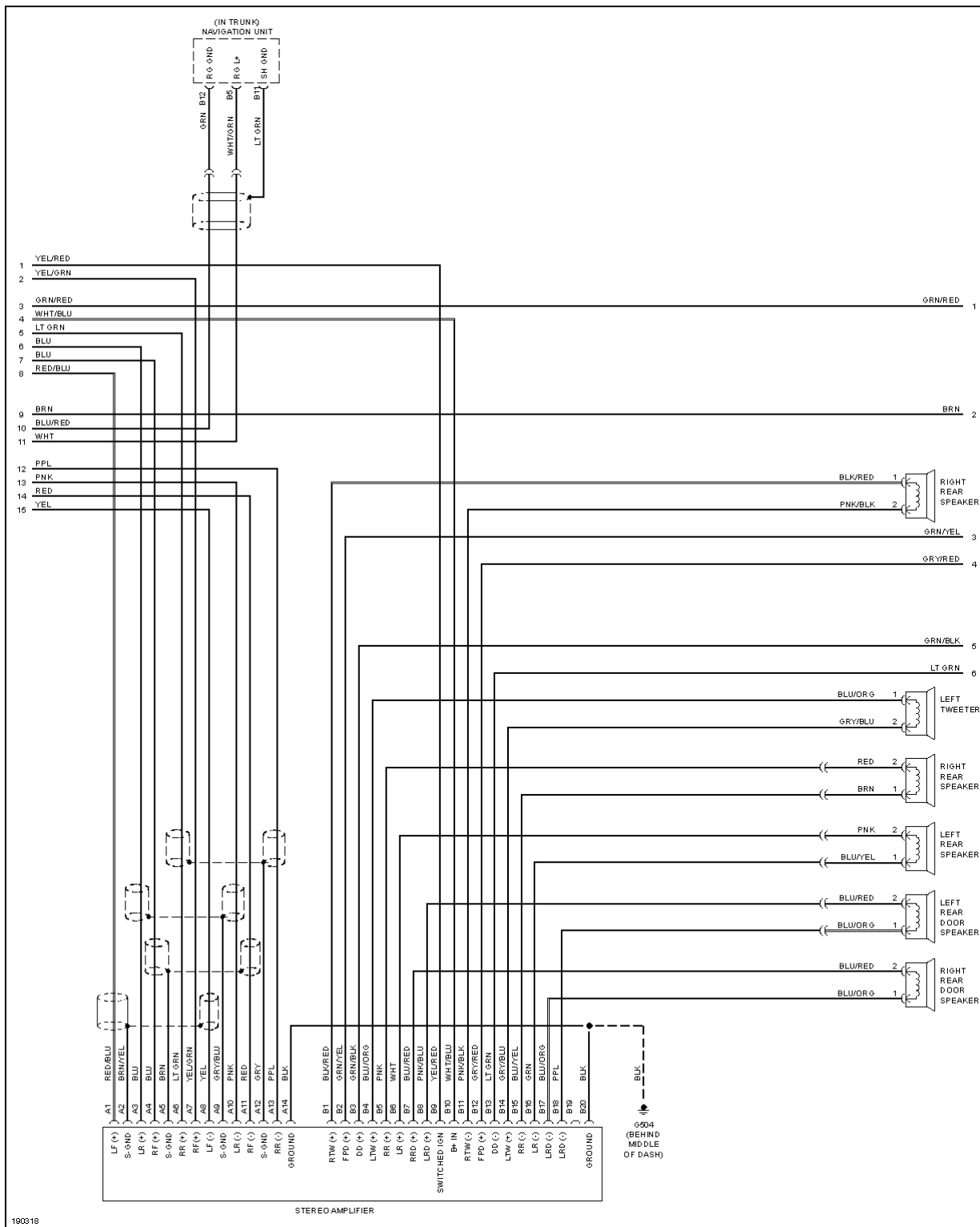


Fig. 61: Radio Circuit, W/O Cassette or MP3 Player (2 of 3)

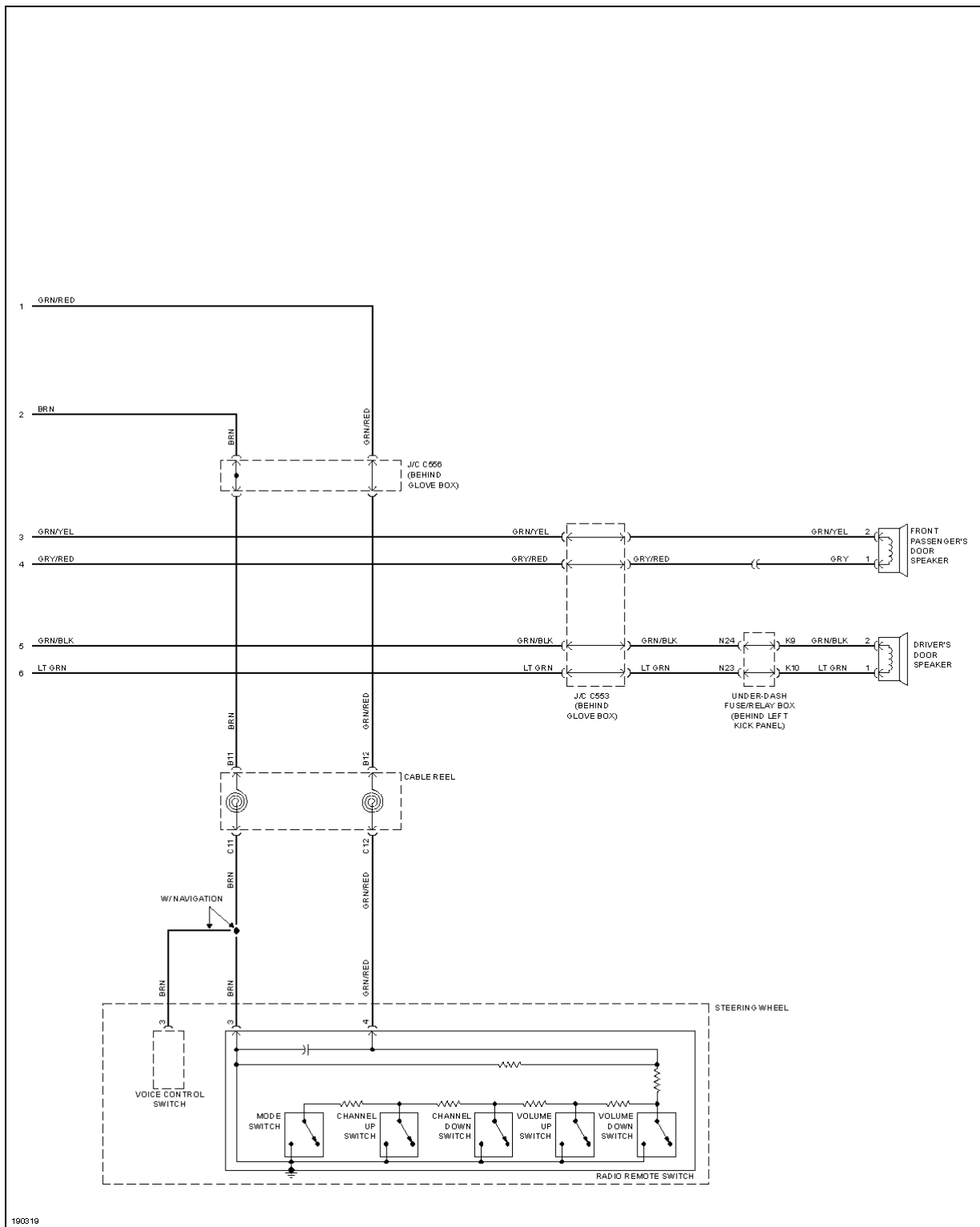


Fig. 62: Radio Circuit, W/O Cassette or MP3 Player (3 of 3)

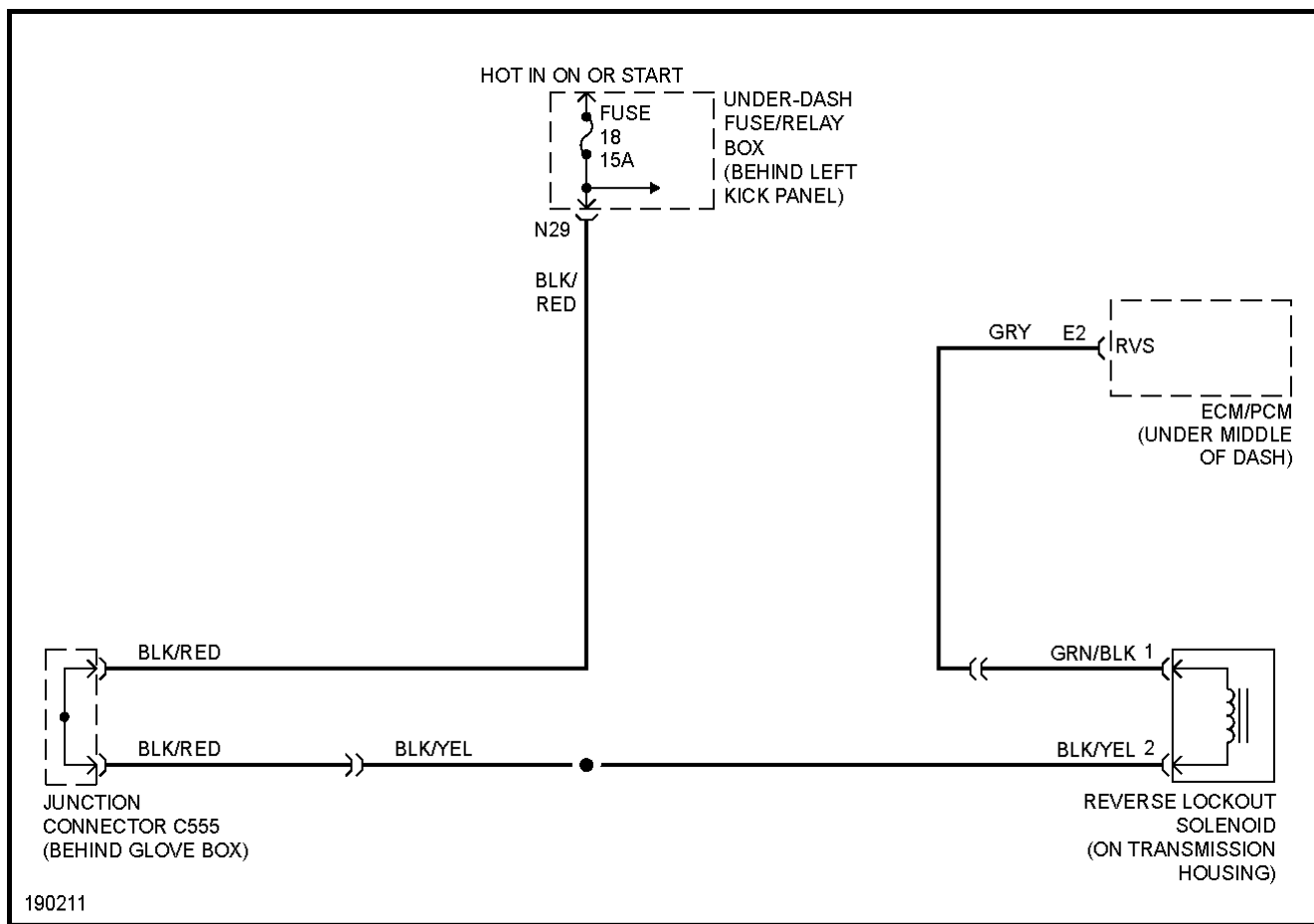


Fig. 63: Reverse Lockout Circuit

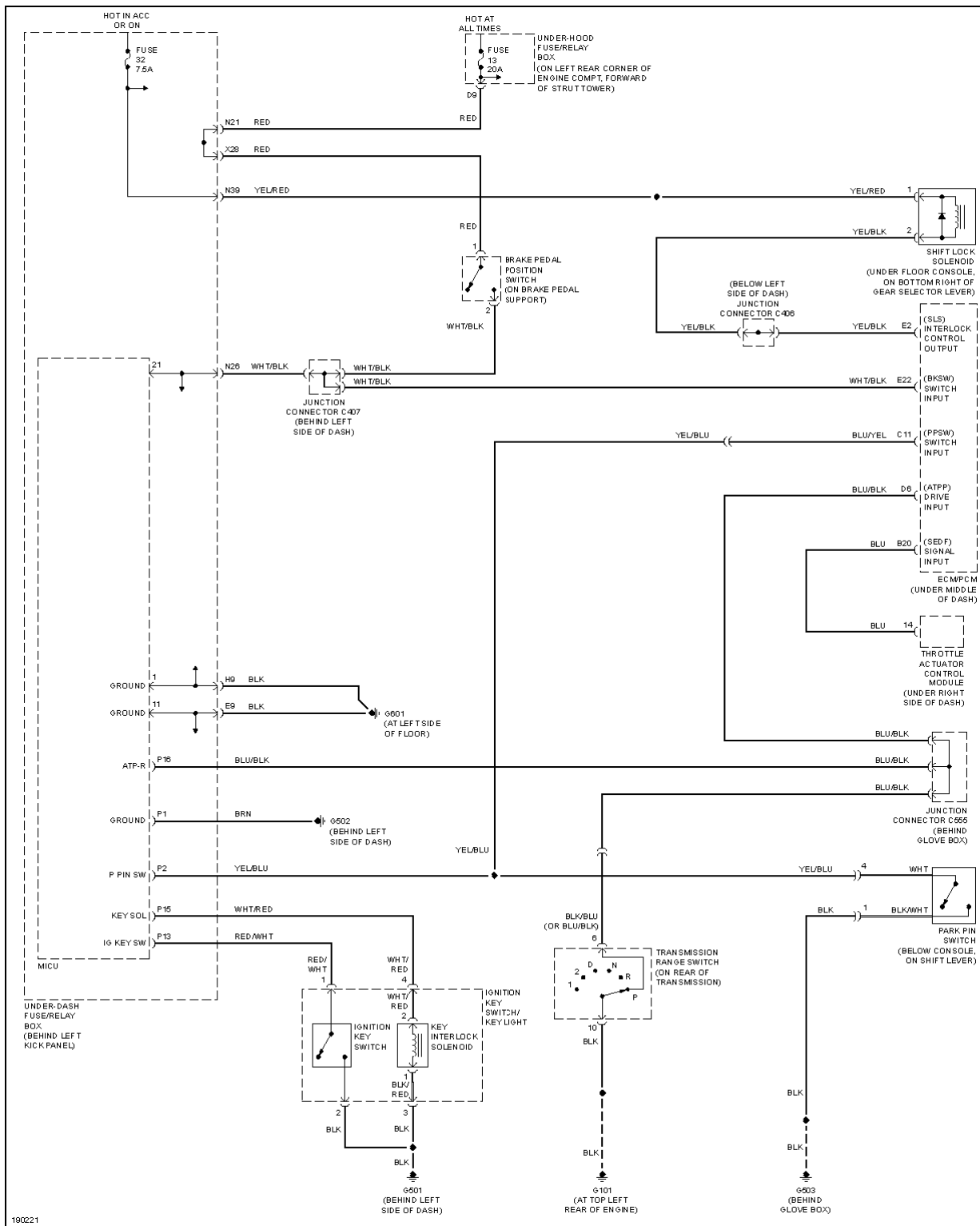


Fig. 64: Shift Interlock Circuit

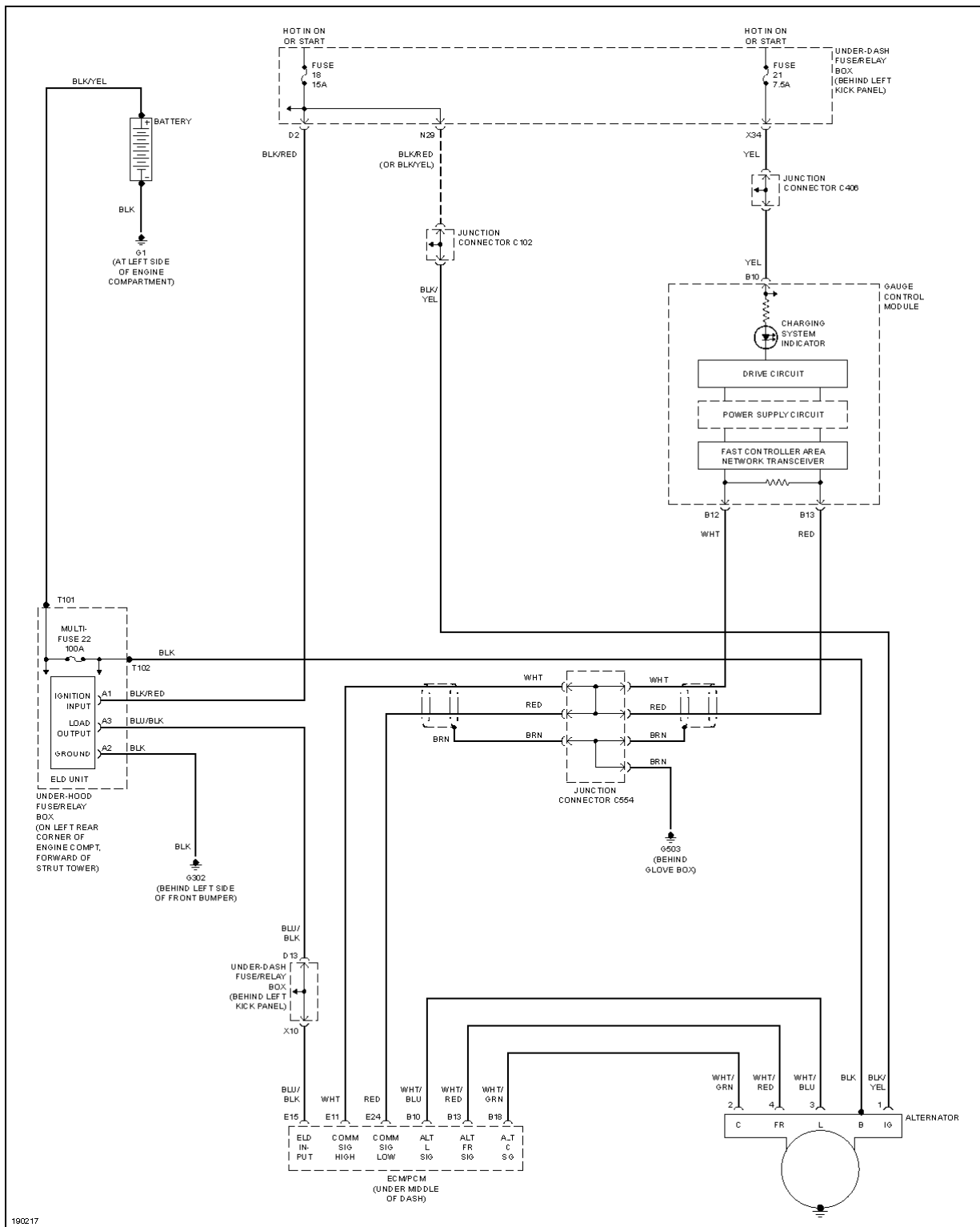


Fig. 65: Charging Circuit

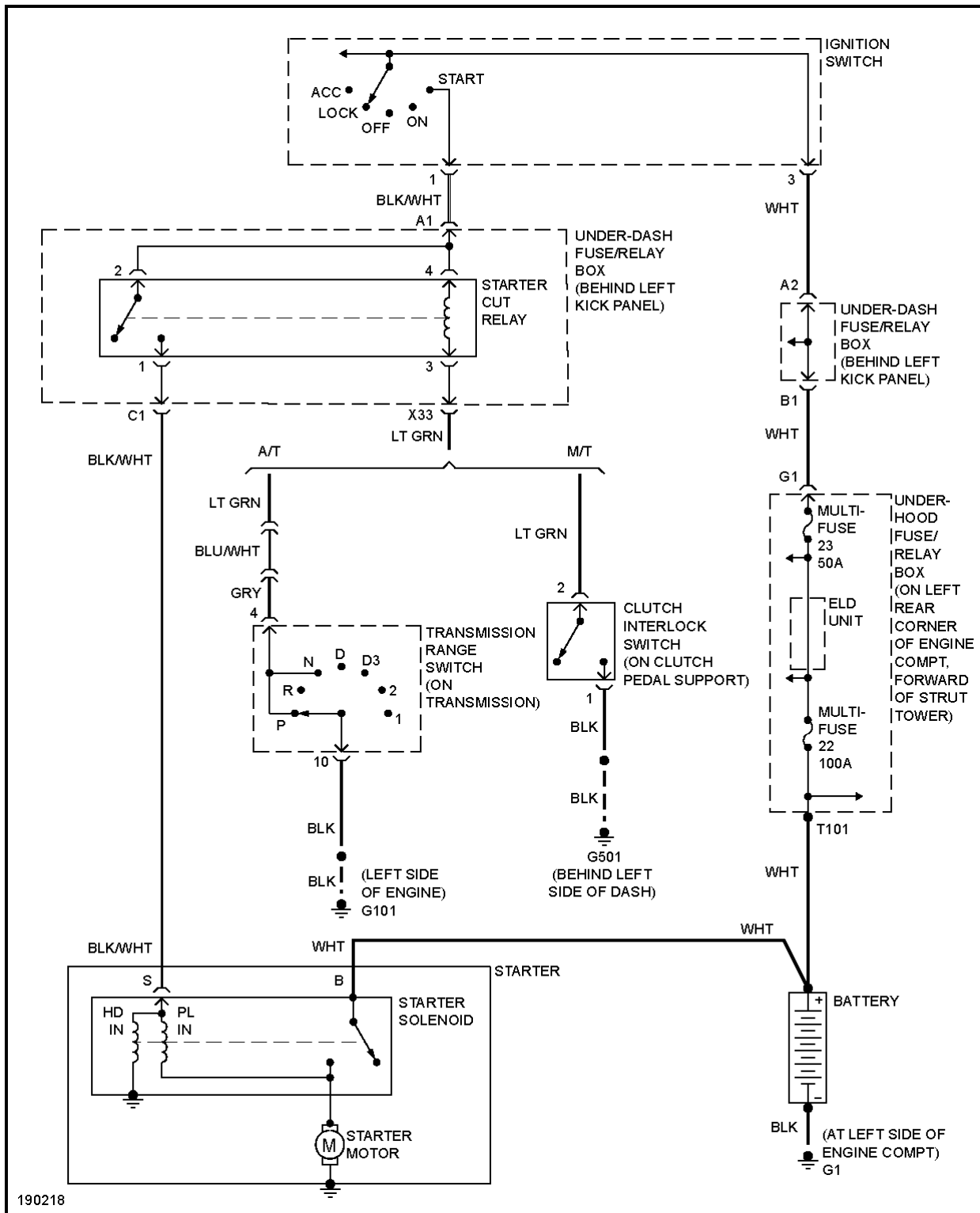


Fig. 66: Starting Circuit

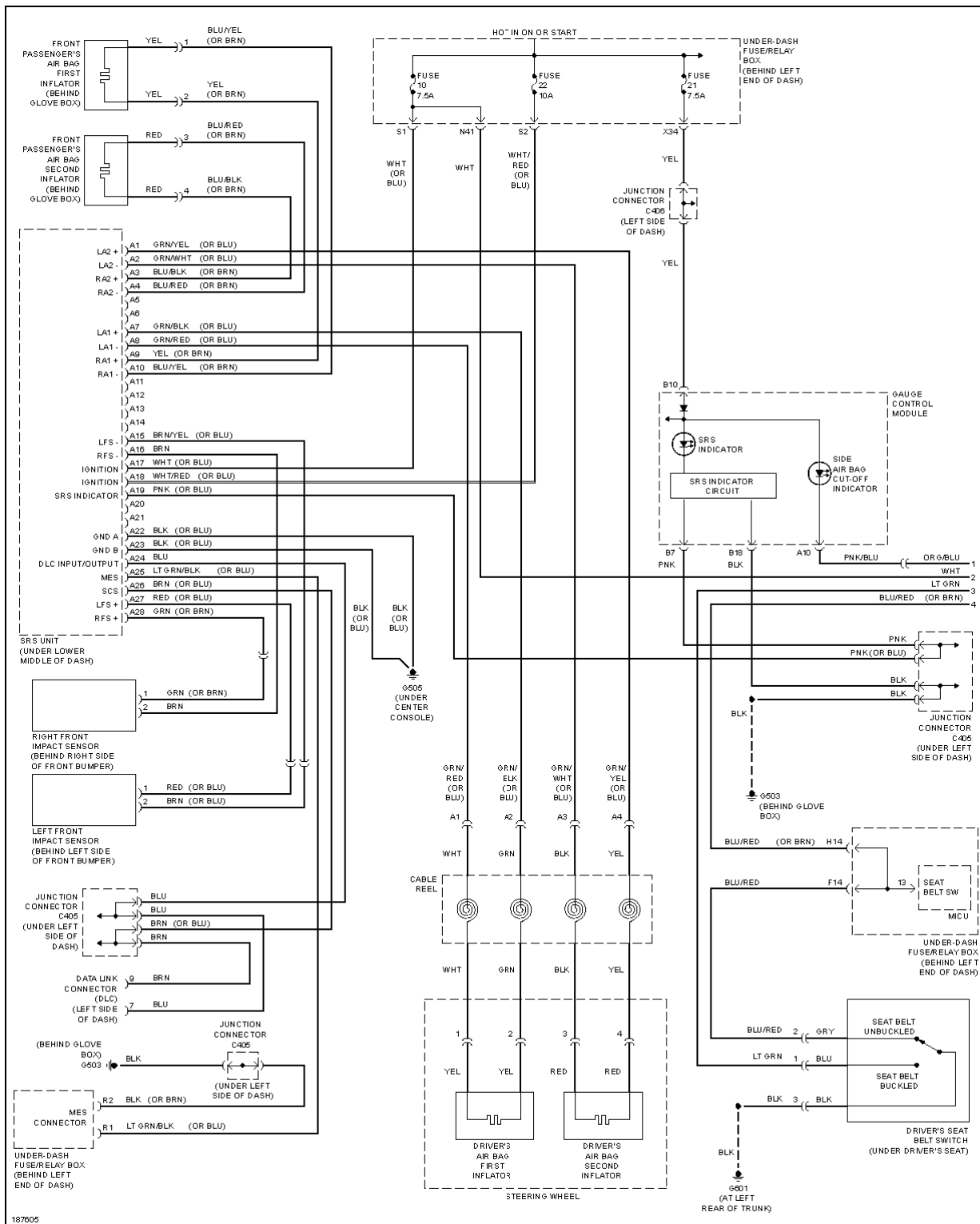


Fig. 67: Supplemental Restraints Circuit (1 of 2)

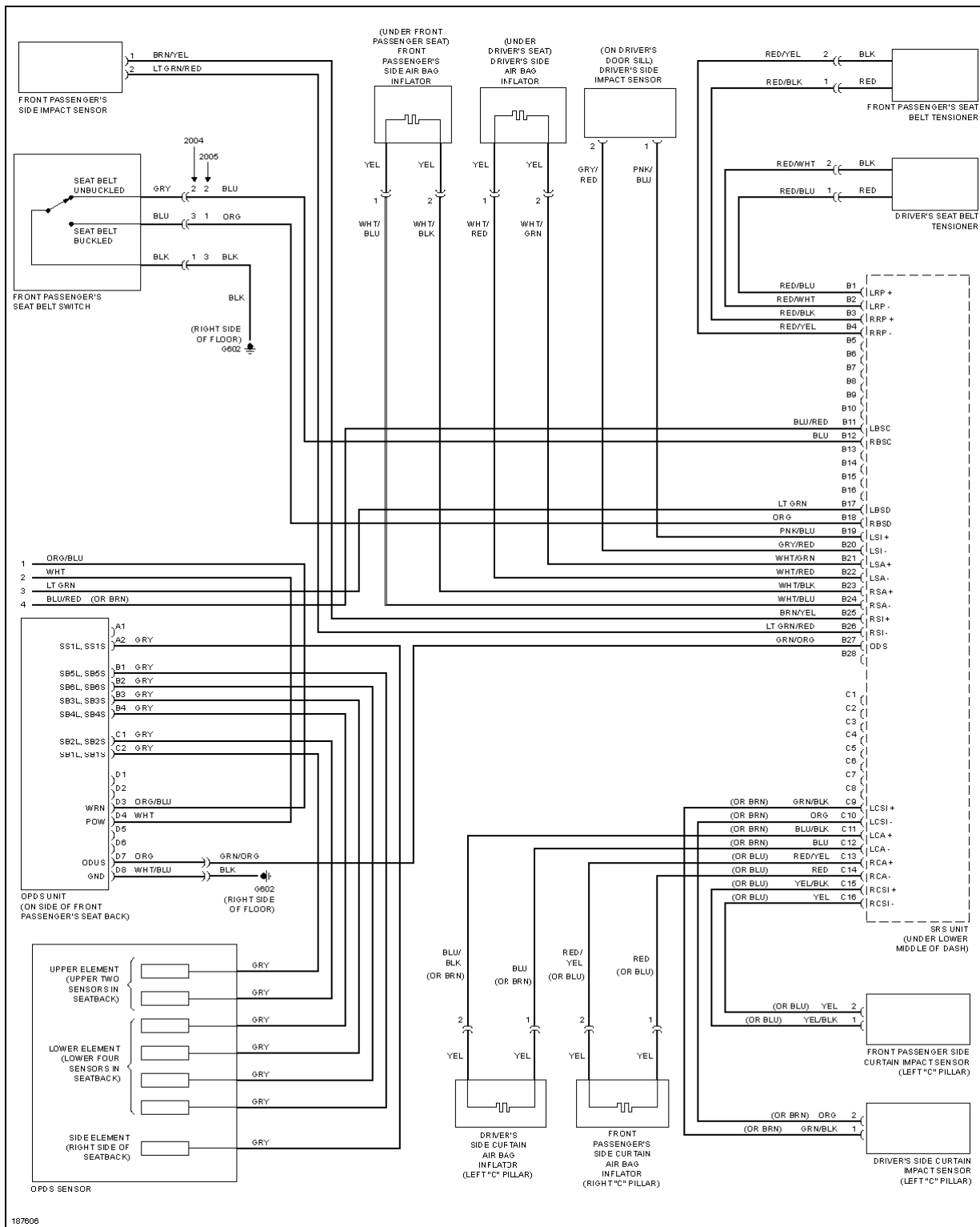


Fig. 68: Supplemental Restraints Circuit (2 of 2)

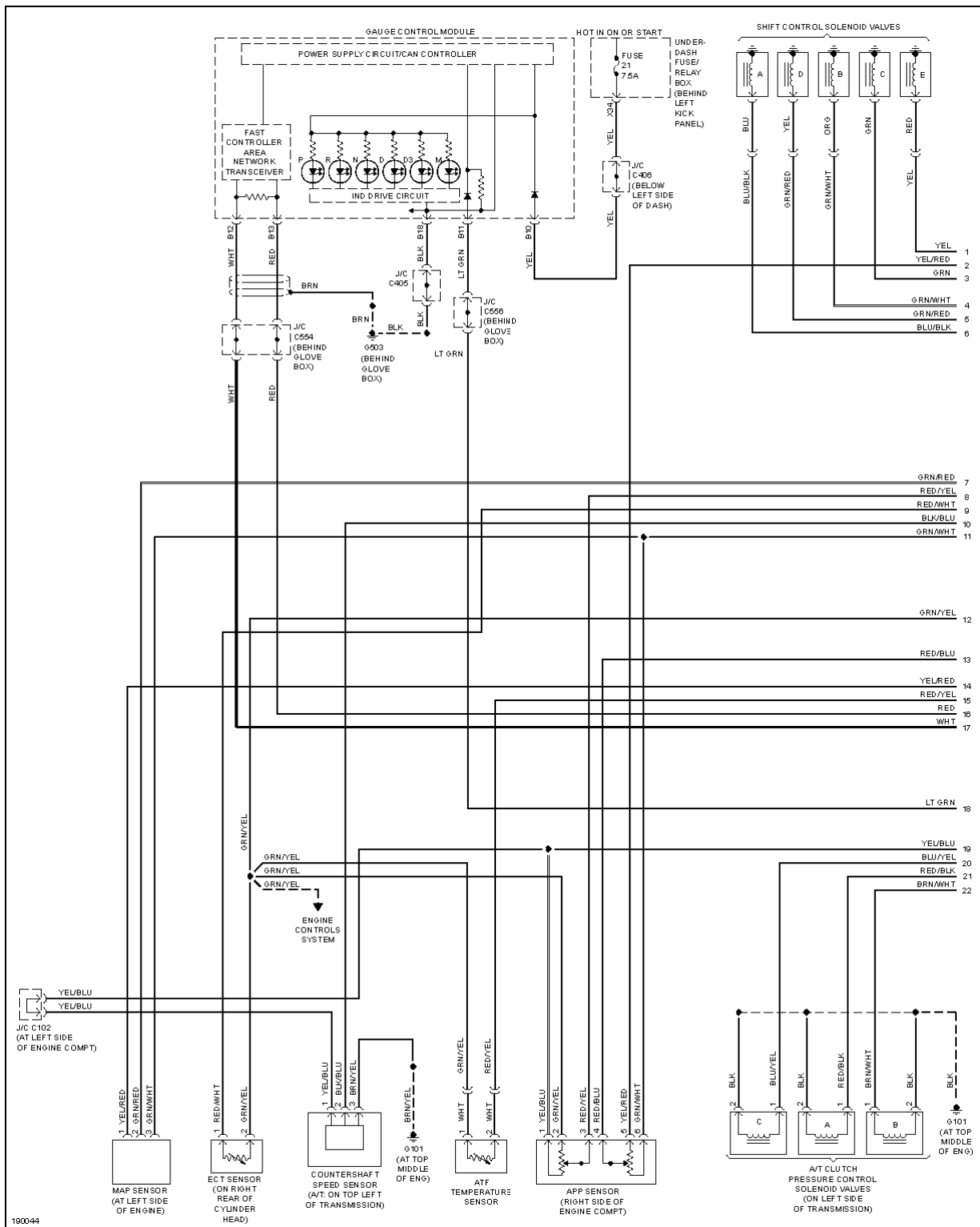


Fig. 69: Transmission Circuit (1 of 2)

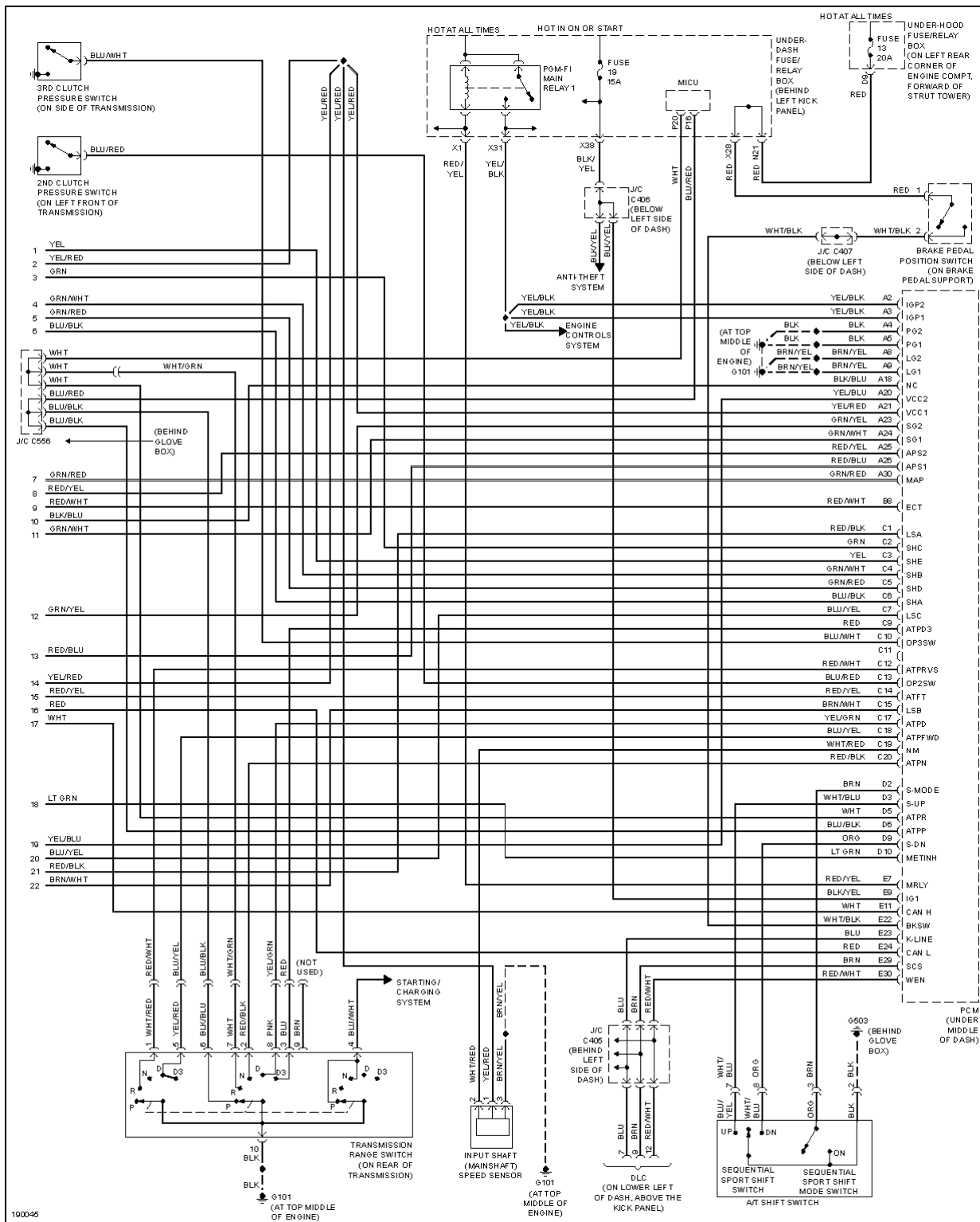


Fig. 70: Transmission Circuit (2 of 2)

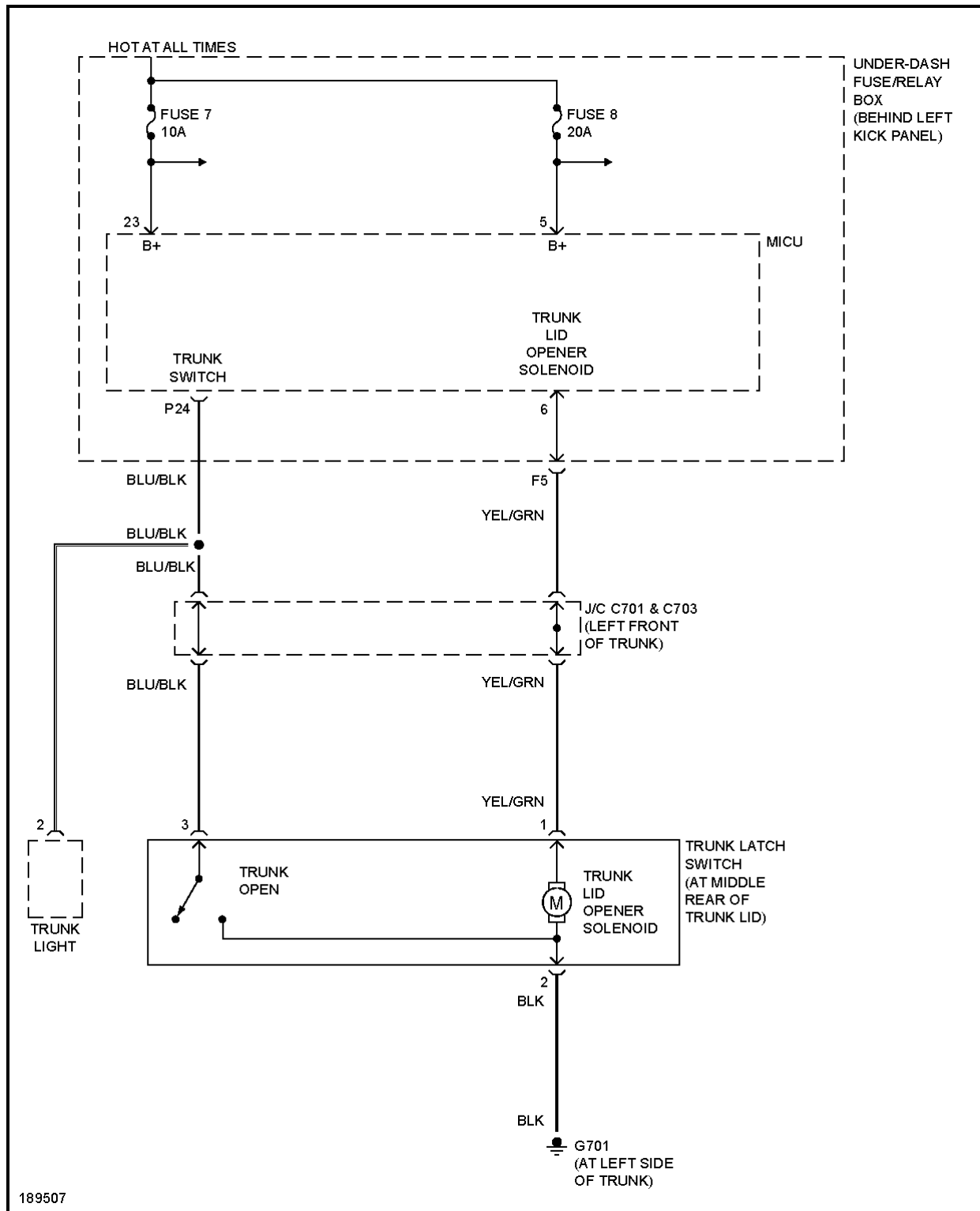


Fig. 71: Trunk, Tailgate, Fuel Door Circuit

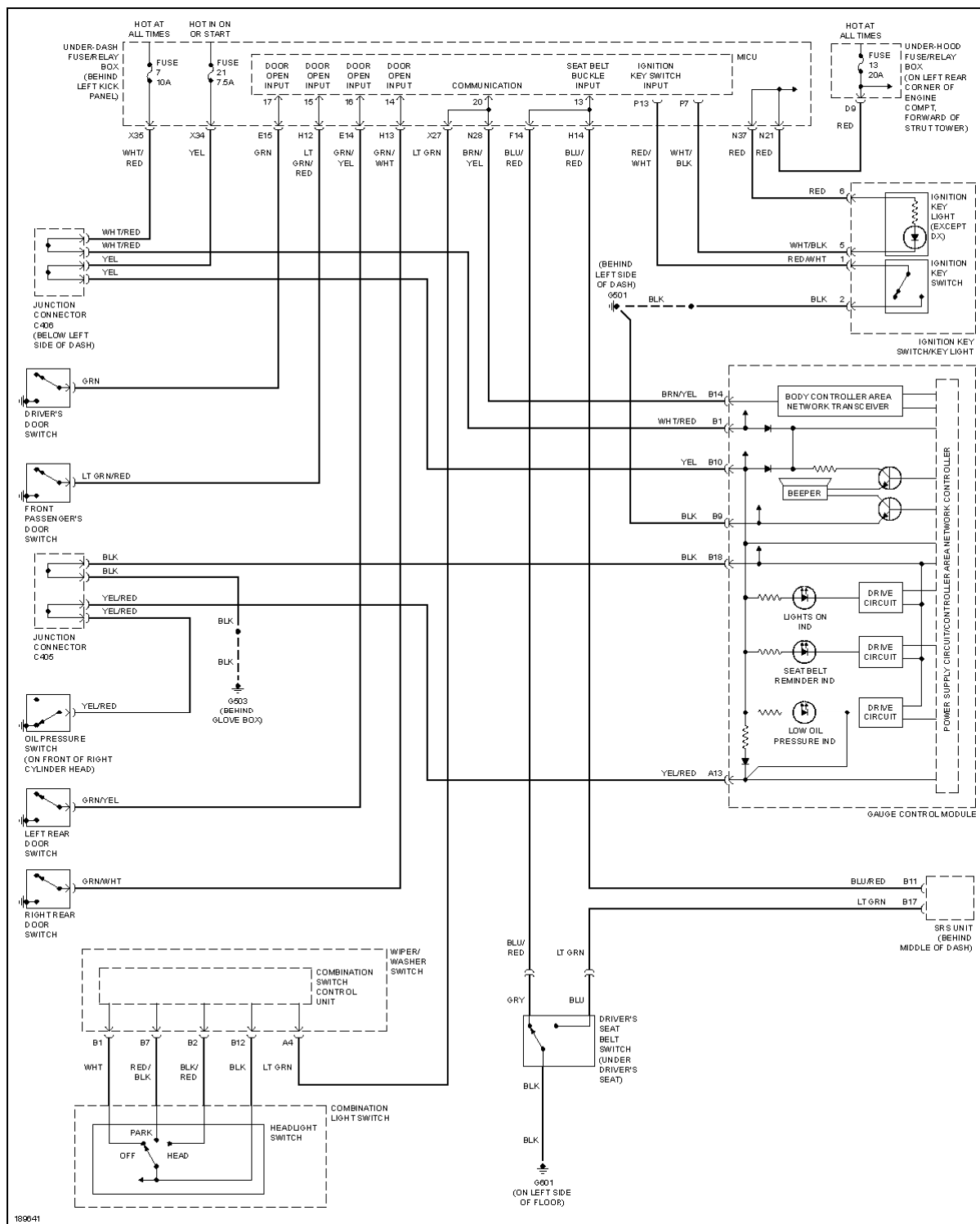


Fig. 72: Warning Systems Circuit

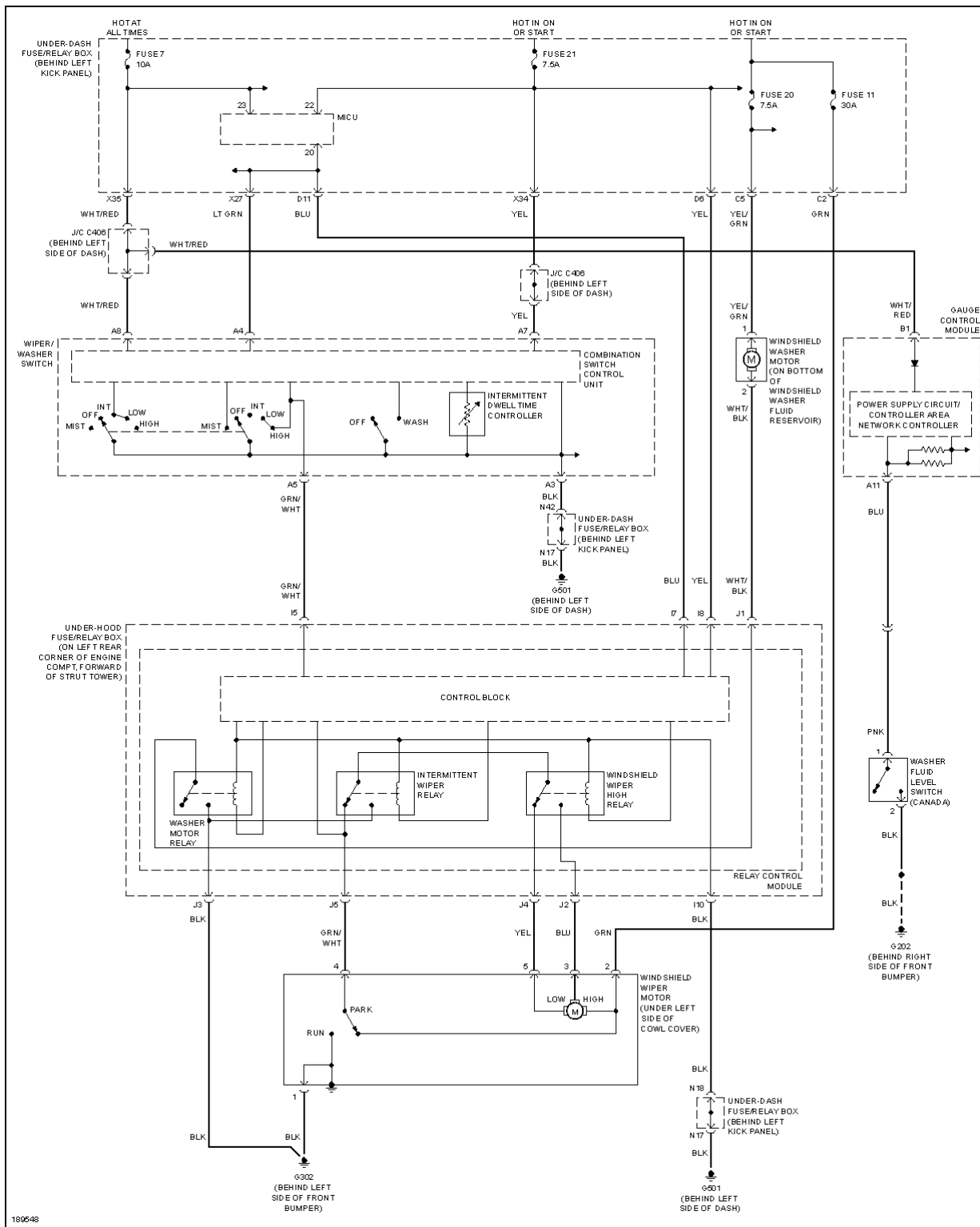


Fig. 73: Wiper/Washer Circuit