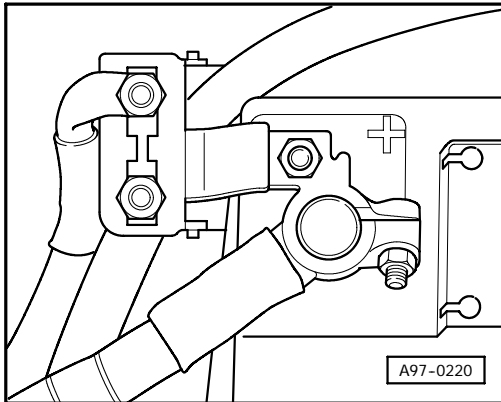


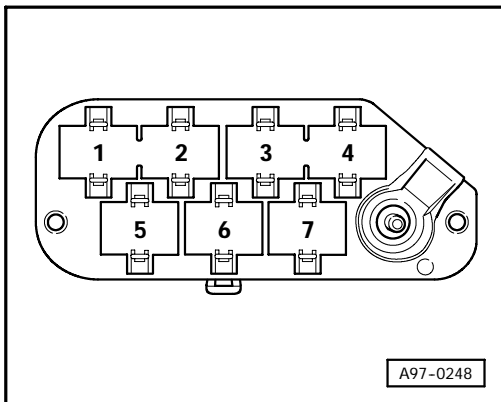
Standard Equipment

from 2002 m. y.

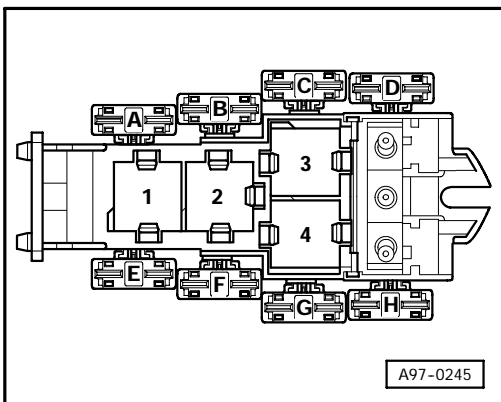
Main fuse



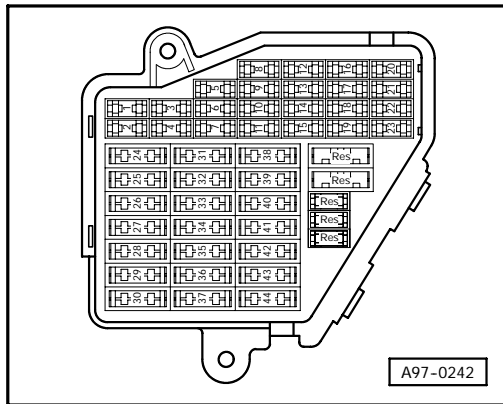
Connector station E-box, plenum chamber



4-Pin Relay Carrier with threaded connection



Fuse holder

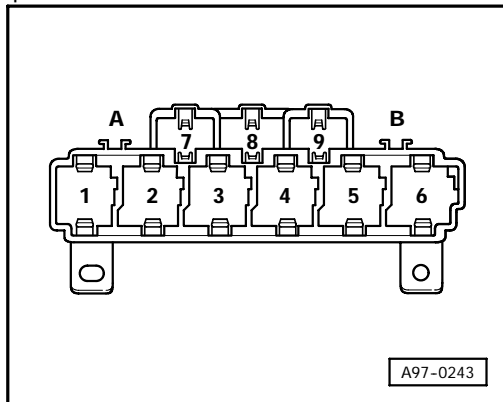


Fuse Colors

- 30 A - Green
- 25 A - White
- 20 A - Yellow
- 15 A - Blue
- 10 A - Red
- 7.5A - Orange
- 5A - Beige

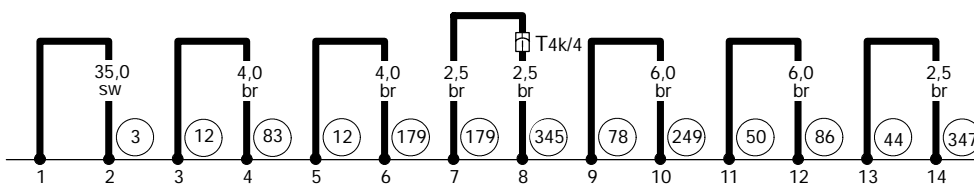
Fuse in fusebox from 23 onwards are numbered 223 onwards in Current Flow Diagram.

9-Pin Relay Carrier in the instrument panel



Relay Location :

- 3** - Horn Relay
- 6** - Load Reduction Relay



97-52805

rs = pink
 ws = white
 sw = black
 ro = red
 br = brown
 gn = green
 bl = blue
 gr = grey
 li = lilac
 ge = yellow
 or = orange

T4k - 4-Pin Connector, black, near front bumper

3 - Ground strap, engine to body

12 - Ground connection, in engine compartment, left

44 - Ground connection (lower left A-pillar)

50 - Ground connection, in luggage compartment, left

78 - Ground connection (lower right B-pillar)

83 - Ground connection -1-, in right front wiring harness

86 - Ground connection -1-, in rear wiring harness

179 - Ground connection, in left headlight wiring harness

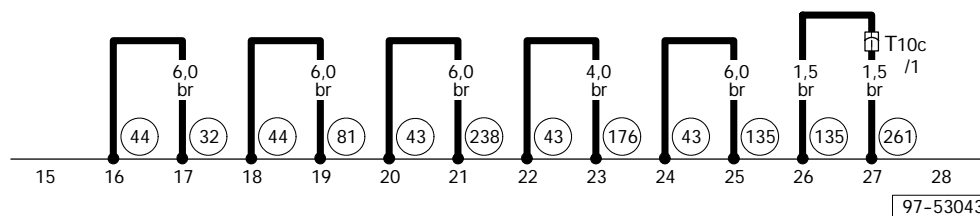
249 - Ground connection -2-, in wiring harness interior

345 - Ground connection (in bumper wiring harness), Fanfare/Fog light

347 - Ground connection (in roof wiring harness)



rs = pink
 ws = white
 sw = black
 ro = red
 br = brown
 gn = green
 bl = blue
 gr = grey
 li = lilac
 ge = yellow
 or = orange



97-53043

T10c - 10-Pin Connector, violet, connector station
 A-pillar, left

32 - Ground connection, behind instrument panel,
 left

43 - Ground connection (lower right A-pillar)

44 - Ground connection (lower left A-pillar)

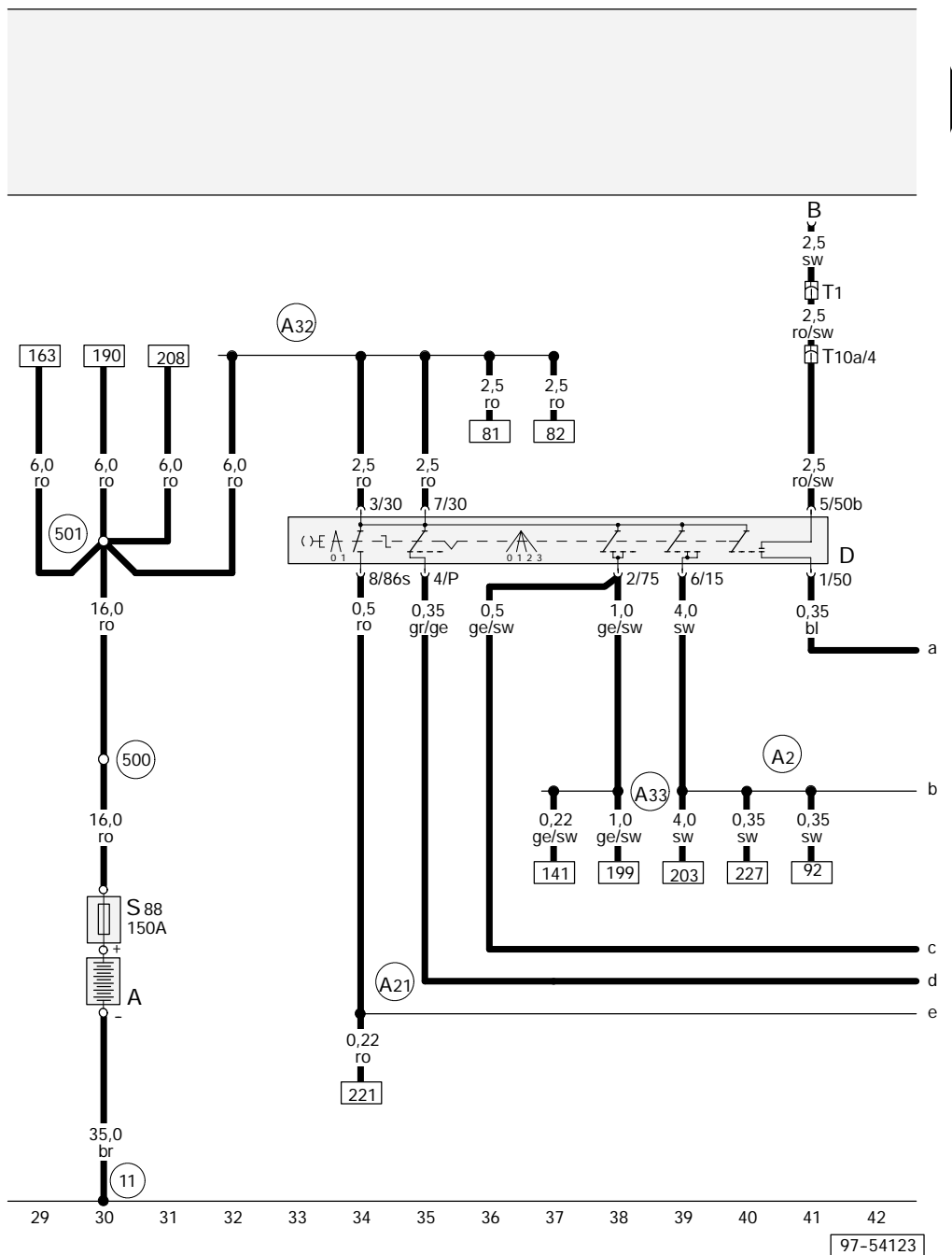
81 - Ground connection -1-, in instrument panel
 wiring harness

135 - Ground connection -2-, in instrument panel
 wiring harness

176 - Ground connection, in right headlight wiring
 harness

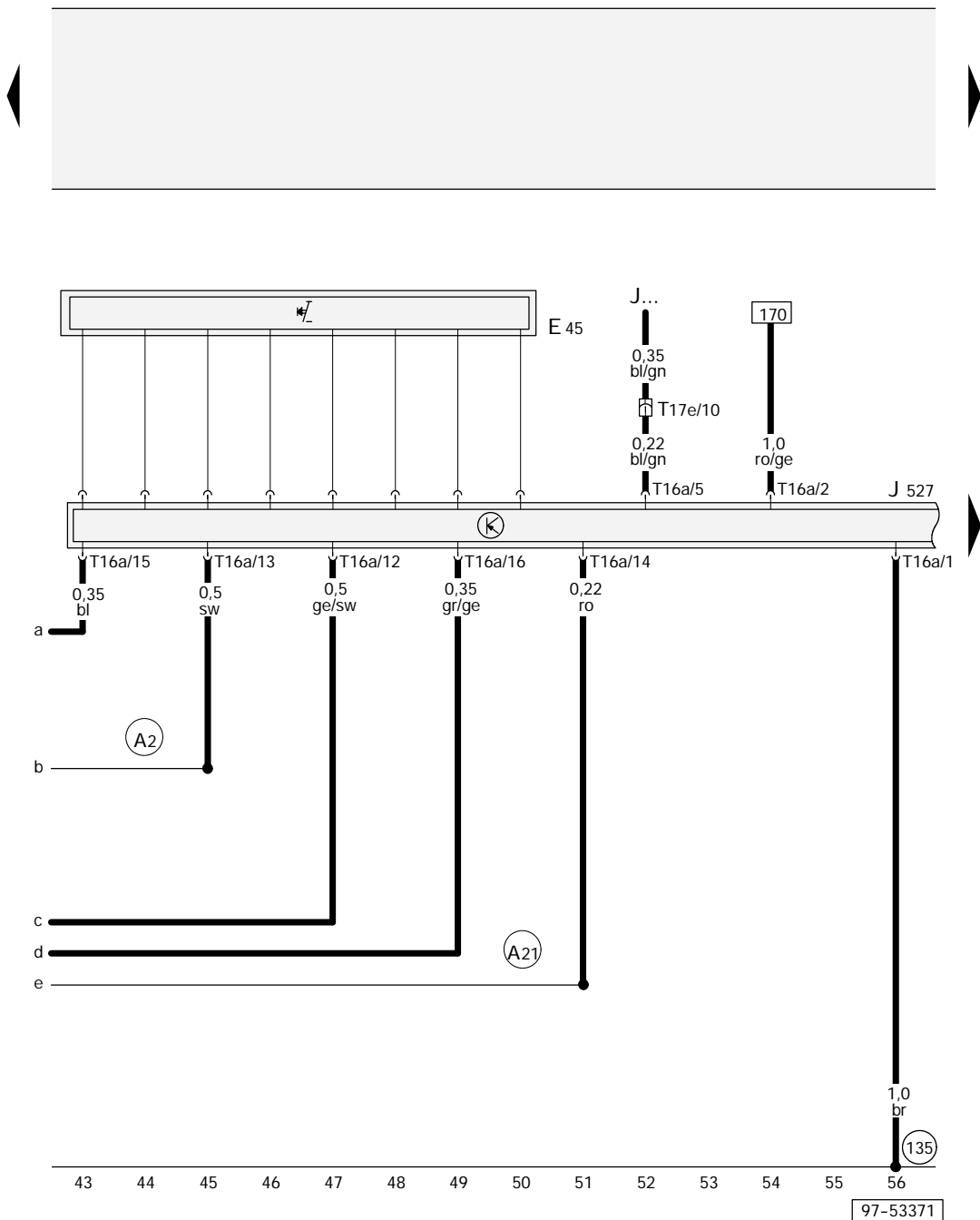
238 - Ground connection -1-, in wiring harness
 interior

261 - Ground connection, in wiring harness heated
 spray jet



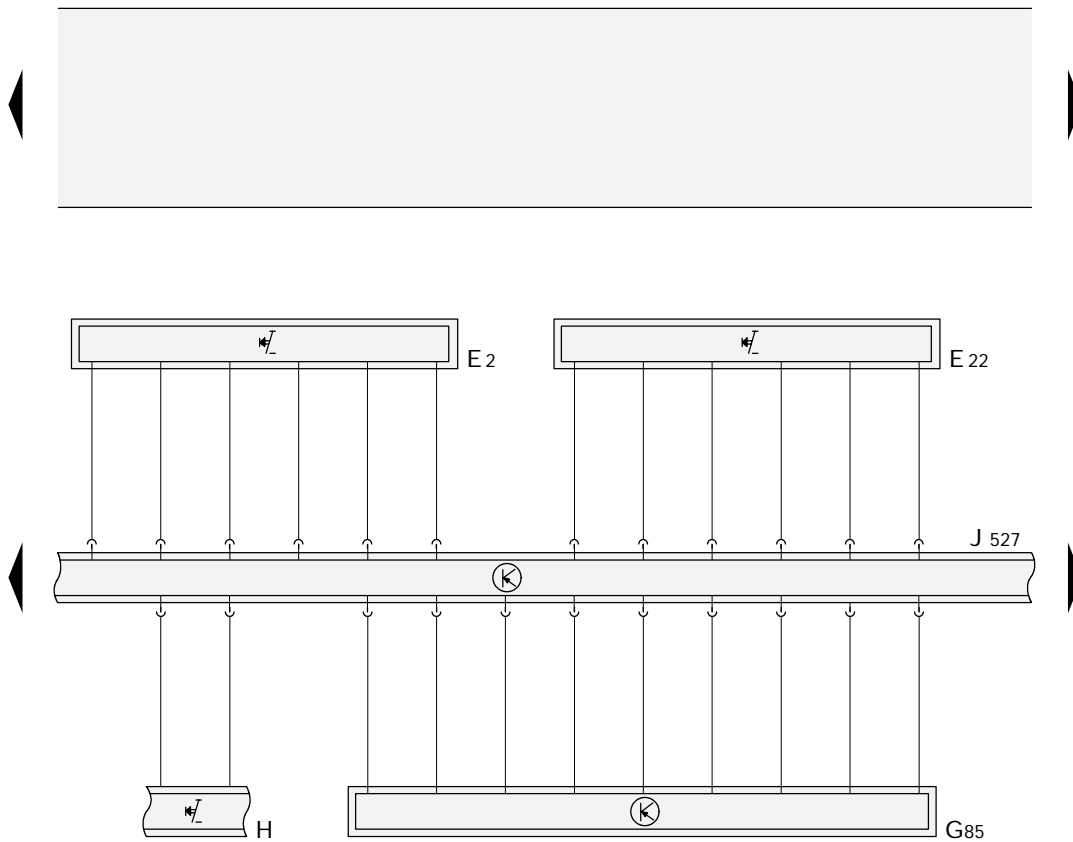
rs = pink
 ws = white
 sw = black
 ro = red
 br = brown
 gn = green
 bl = blue
 gr = grey
 li = lilac
 ge = yellow
 or = orange

- A - Battery
- B - Starter
- D - Ignition/Starter Switch
- S88 - Fuse Strip (main fuse)
- T1 - 1-Pin Connector, black, engine compartment, right
- T10a - 10-Pin Connector, brown, connector station E-box, plenum chamber
- (11) - Ground connection, in battery box
- (500) - Threaded connection -1- (30), on the relay plate
- (501) - Threaded connection -2- (30), on the relay plate
- (A2) - Plus connection (15), in instrument panel wiring harness
- (A21) - Wire connection (86s), in instrument panel wiring harness
- (A32) - Plus connection (30), in instrument panel wiring harness
- (A33) - Wire connection (75), in instrument panel wiring harness

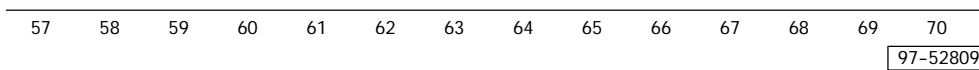


- E45 - Cruise Control Switch
- J... - Engine Control Module (ECM)
- J527 - Steering Column Electronic Systems Control Module
- T16a - 16-Pin Connector, black, on steering Column Electronic Systems Control Module
- T17e - 17-Pin Connector, white, connector station E-box, plenum chamber

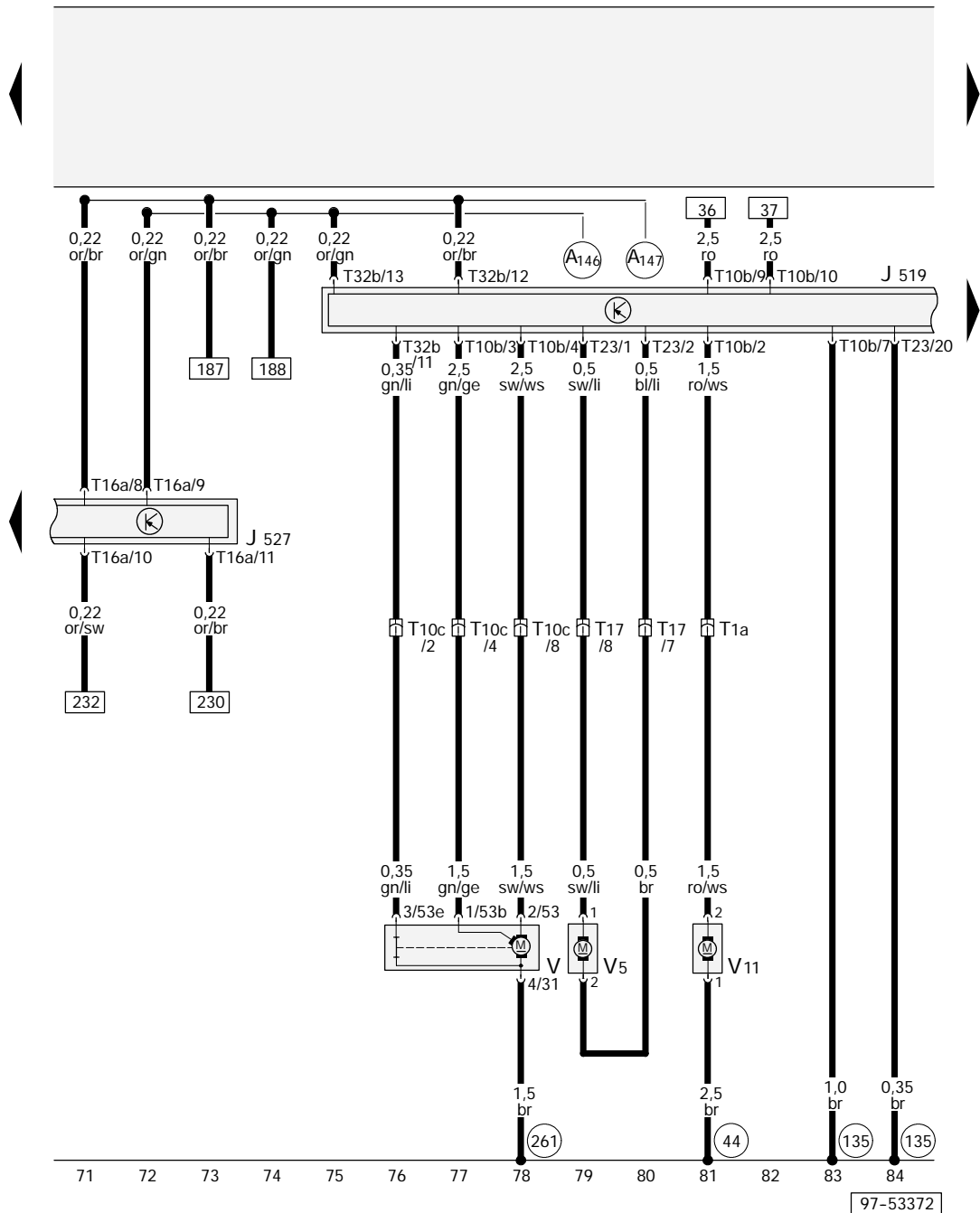
- (135) - Ground connection -2-, in instrument panel wiring harness
- (A2) - Plus connection (15), in instrument panel wiring harness
- (A21) - Wire connection (86s), in instrument panel wiring harness



rs = pink
 ws = white
 sw = black
 ro = red
 br = brown
 gn = green
 bl = blue
 gr = grey
 li = lilac
 ge = yellow
 or = orange



- E2 - Turn signal switch
- E22 - Windshield Wiper/Washer Switch
- G85 - Steering Angle Sensor
- H - Signal horn activation
- J527 - Steering Column Electronic Systems Control Module

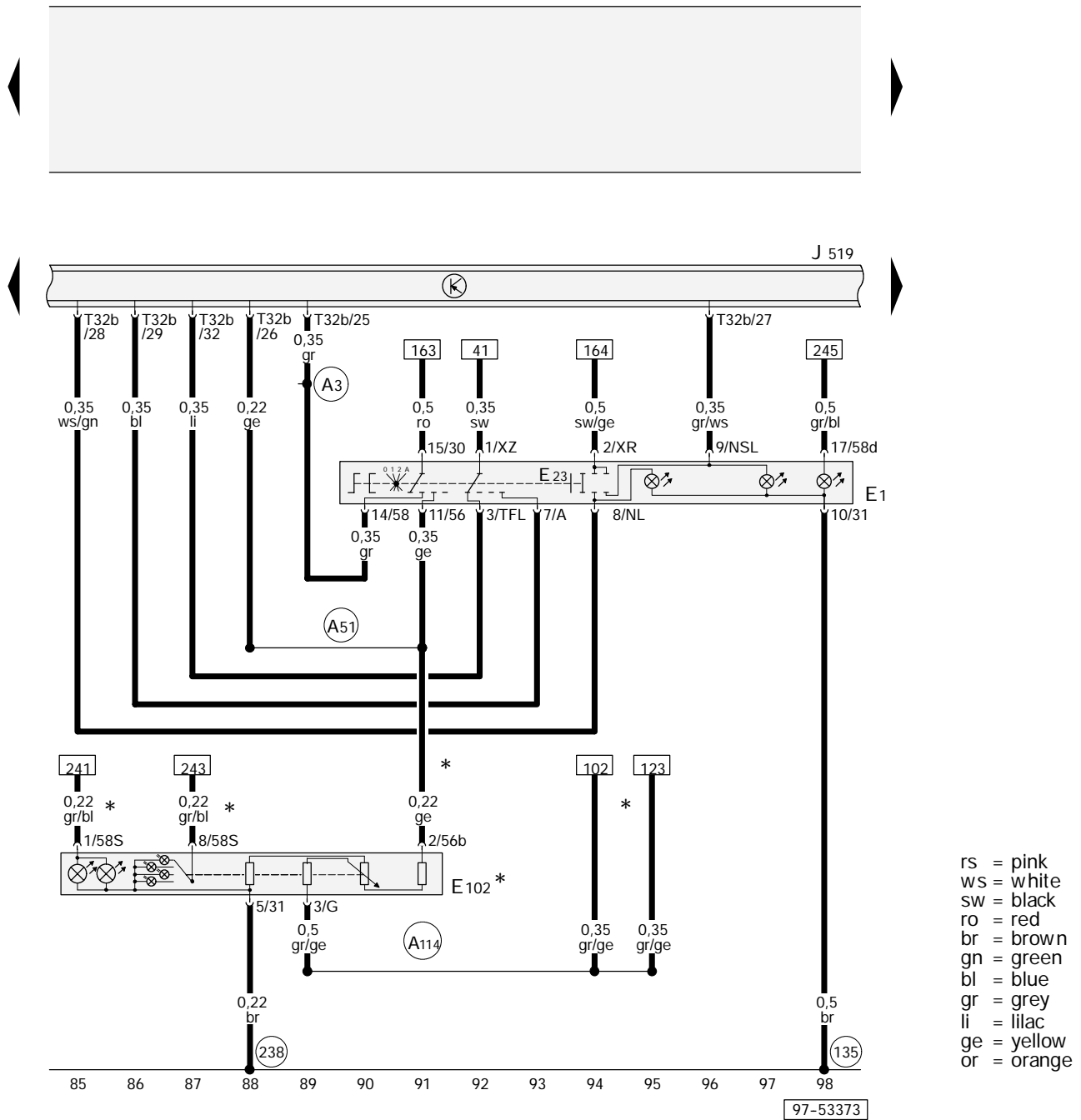


rs = pink
 ws = white
 sw = black
 ro = red
 br = brown
 gn = green
 bl = blue
 gr = grey
 li = lilac
 ge = yellow
 or = orange

97-53372

- J519 - Vehicle Electrical System Control Module
- J527 - Steering Column Electronic Systems Control Module
- T1a - 1-Pin Connector, black, connector station A-pillar, left
- T10b - 10-Pin Connector, black, on vehicle Electrical System Control Module
- T10c - 10-Pin Connector, violet, connector station A-pillar, left
- T16a - 16-Pin Connector, black, on steering Column Electronic Systems Control Module
- T17 - 17-Pin Connector, black, connector station A-pillar, left
- T23 - 23-Pin Connector, black, on vehicle Electrical System Control Module
- T32b - 32-Pin Connector, grey, on vehicle Electrical System Control Module

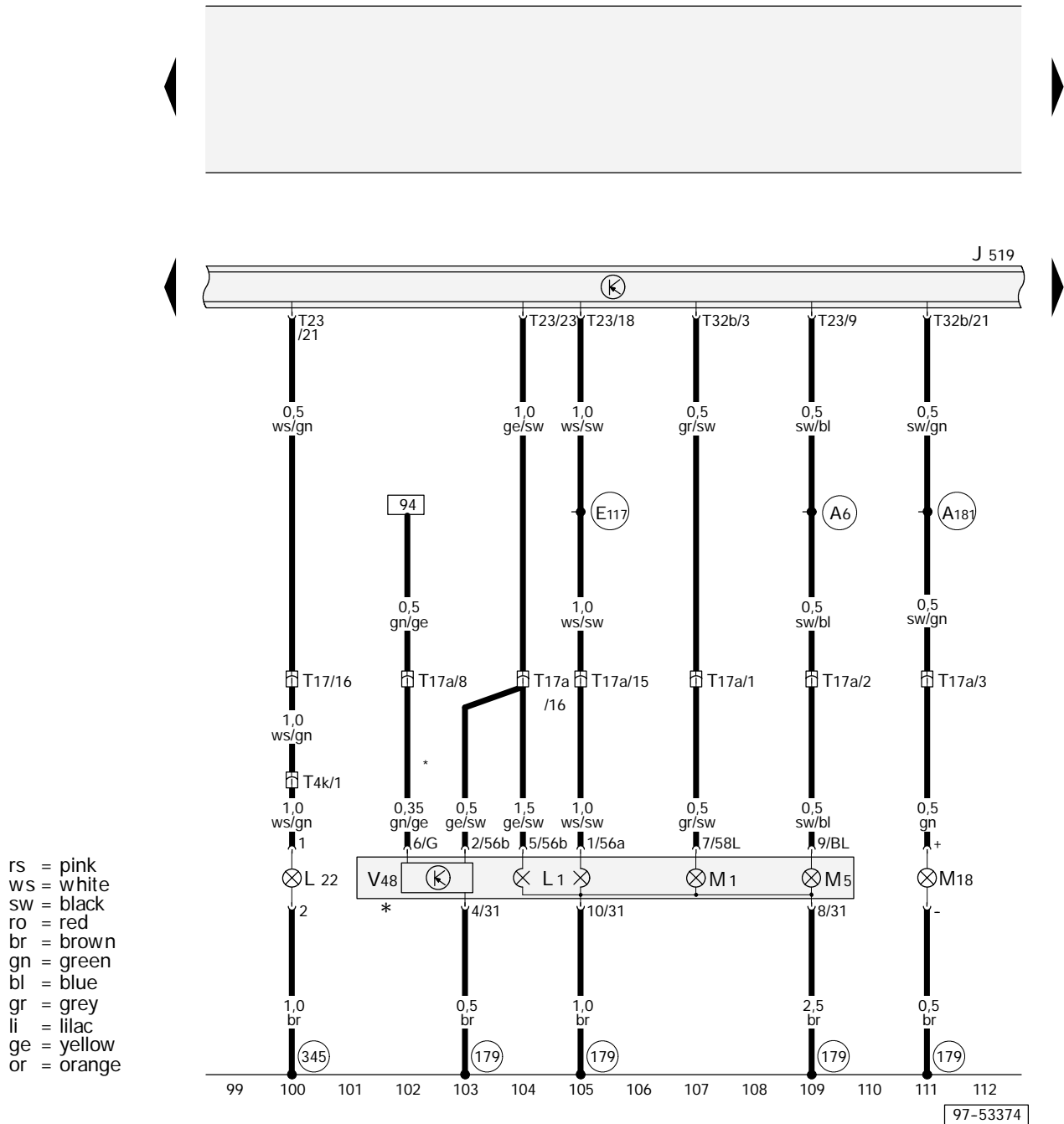
- V - Windshield Wiper Motor
- V5 - Windshield Washer Pump
- V11 - Headlight Washer Pump
- 44 - Ground connection (lower left A-pillar)
- 135 - Ground connection -2-, in instrument panel wiring harness
- 261 - Ground connection, in wiring harness heated spray jet
- A146 - Comfort System High-bus Connection (in instrument panel wiring harness)
- A147 - Comfort System Low-bus Connection (in instrument panel wiring harness)



- E1 - Light switch
- E23 - Fog Light Switch
- E102 - Headlight Adjuster
- J519 - Vehicle Electrical System Control Module
- T32b - 32-Pin Connector, grey, on vehicle Electrical System Control Module

- (135) - Ground connection -2-, in instrument panel wiring harness
- (238) - Ground connection -1-, in wiring harness interior
- (A3) - Plus connection (58), in instrument panel wiring harness
- (A51) - Wire connection (56), in instrument panel wiring harness
- (A114) - Wire connection (headlight Adjuster), in instrument panel wiring harness

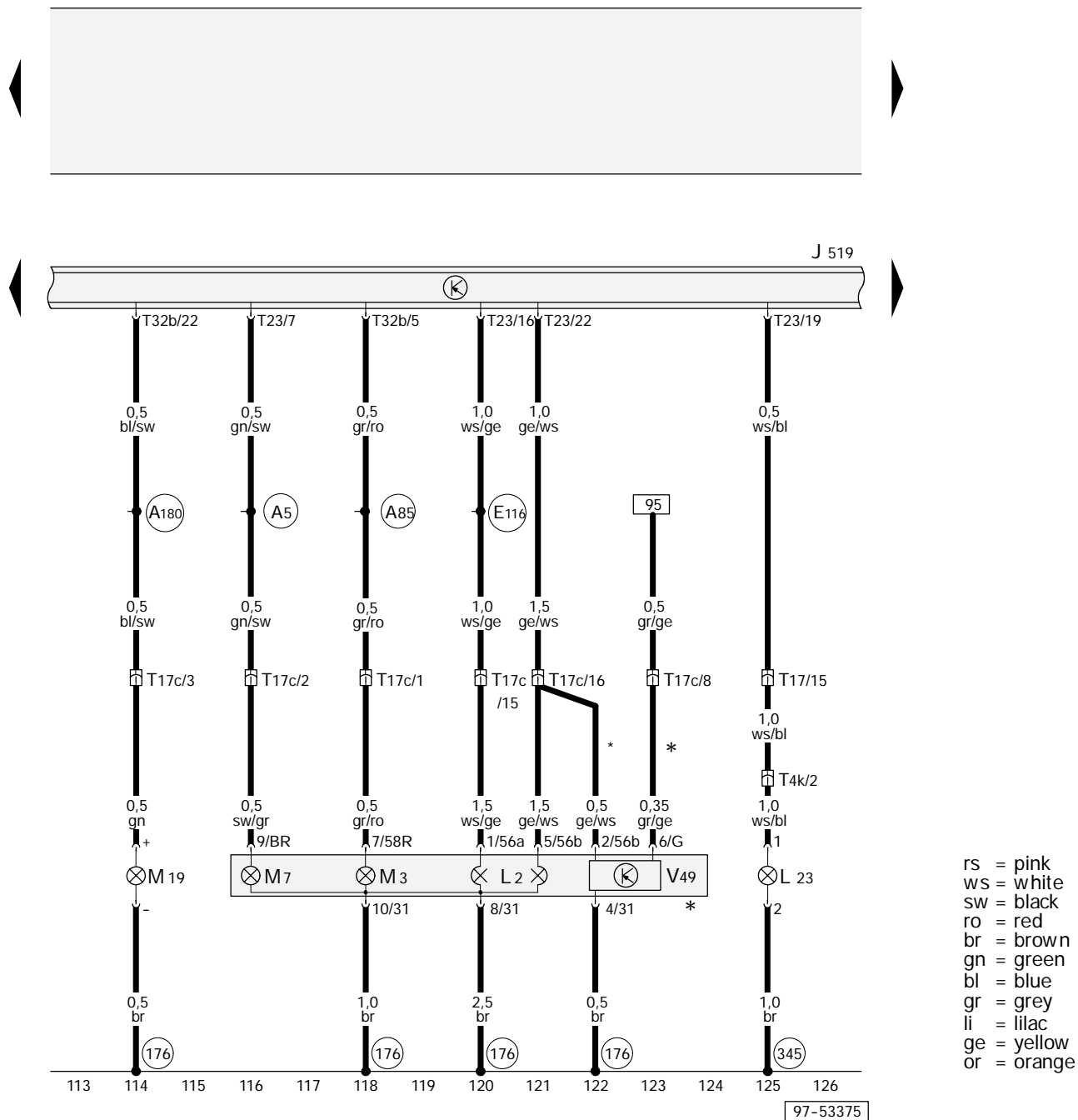
* - Not applicable to USA/CDN



- J519 - Vehicle Electrical System Control Module
- L1 - Twin filament bulb for headlight, left
- L22 - Left Front Fog Light
- M1 - Left Parking Light
- M5 - Left Front Turn Signal Light
- M18 - Left Side Turn Signal Light
- T4k - 4-Pin Connector, black, near front bumper
- T17 - 17-Pin Connector, black, connector station A-pillar, left
- T17a - 17-Pin Connector, red, connector station A-pillar, left
- T23 - 23-Pin Connector, black, on vehicle Electrical System Control Module
- T32b - 32-Pin Connector, grey, on vehicle Electrical System Control Module
- V48 - Left Headlight Beam Adjusting Motor*

- (179) - Ground connection, in left headlight wiring harness
- (345) - Ground connection (in bumper wiring harness), Fanfare/Fog light
- (A6) - Plus connection (left turn signal), in instrument panel wiring harness
- (A181) - Left Turn Signal Plus Connection -2- (in instrument panel wiring harness)
- (E117) - Connector (56a left), in instrument panel wiring harness

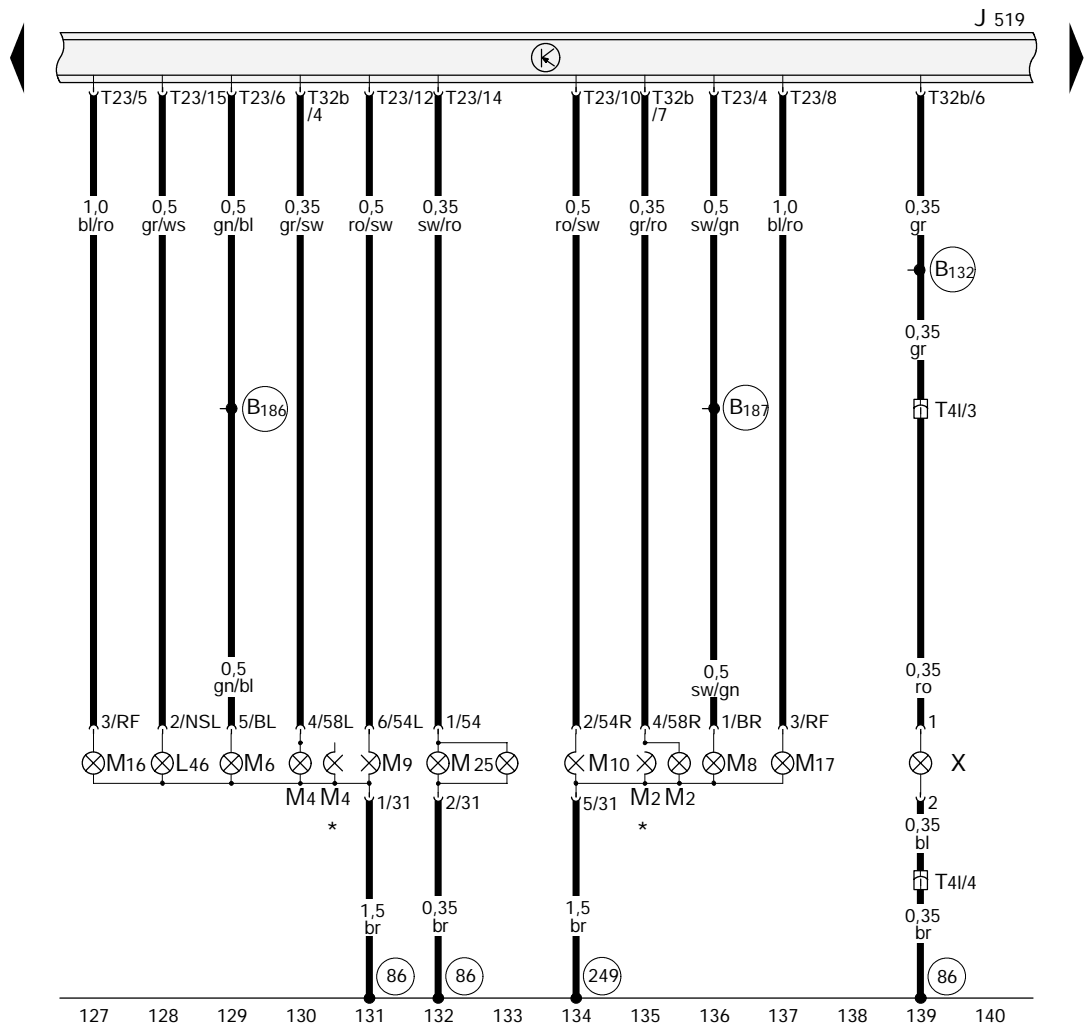
* - Not applicable to USA/CDN



- J519 - Vehicle Electrical System Control Module
- L2 - Twin filament bulb for headlight, right
- L23 - Right Front Fog Light
- M3 - Right Parking Light
- M7 - Right Front Turn Signal Light
- M19 - Right Side Turn Signal Light
- T4k - 4-Pin Connector, black, near front bumper
- T17 - 17-Pin Connector, black, connector station A-pillar, left
- T17c - 17-Pin Connector, red, connector station A-pillar, right
- T23 - 23-Pin Connector, black, on vehicle Electrical System Control Module
- T32b - 32-Pin Connector, grey, on vehicle Electrical System Control Module
- V49 - Right Headlight Beam Adjusting Motor*

- (176) - Ground connection, in right headlight wiring harness
- (345) - Ground connection (in bumper wiring harness), Fanfare/Fog light
- A5 - Plus connection (right turn signal), in instrument panel wiring harness
- A85 - Wire connection (58R), in instrument panel wiring harness
- A180 - Right Turn Signal Plus Connection -2- (in instrument panel wiring harness)
- E116 - Connector (56a, right), in instrument panel wiring harness

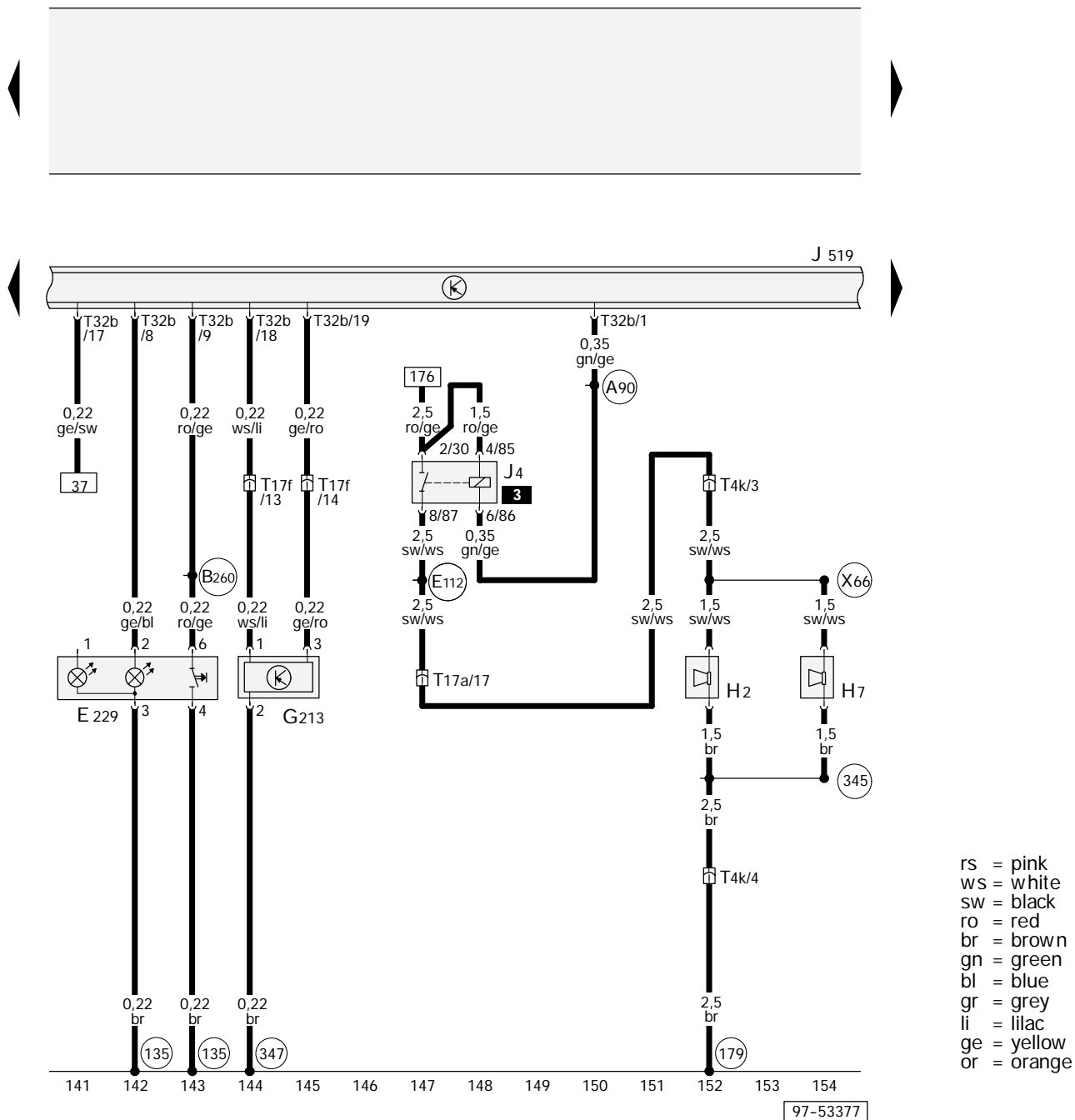
* - Not applicable to USA/CDN



- rs = pink
- ws = white
- sw = black
- ro = red
- br = brown
- gn = green
- bl = blue
- gr = grey
- li = lilac
- ge = yellow
- or = orange

- J519 - Vehicle Electrical System Control Module
- L46 - Left Rear Fog Light
- M2 - Right Tail Light
- M4 - Left Tail Light
- M6 - Left Rear Turn Signal Light
- M8 - Right Rear Turn Signal Light
- M9 - Left Brake Light
- M10 - Right Brake Light
- M16 - Left Back-Up Light
- M17 - Right Back-Up Light
- M25 - High-mount Brake Light
- T4l - 4-Pin Connector, black, in rear lid
- T23 - 23-Pin Connector, black, on vehicle Electrical System Control Module
- T32b - 32-Pin Connector, grey, on vehicle Electrical System Control Module
- X - License Plate Light

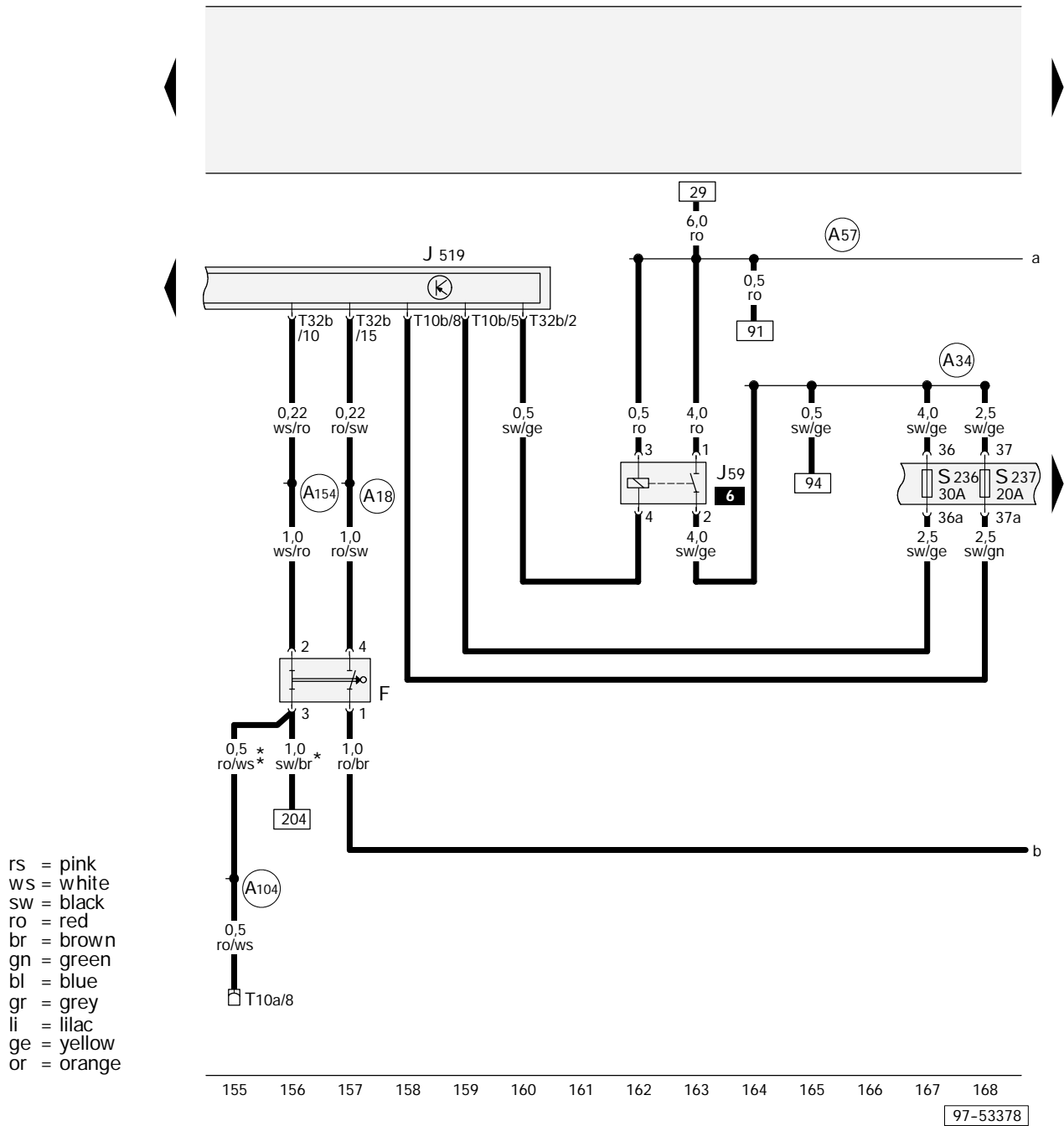
- (86) - Ground connection -1-, in rear wiring harness
- (249) - Ground connection -2-, in wiring harness interior
- (B132) - Connector (license plate light), in wiring harness interior
- (B186) - Connector -2- (BL), in wiring harness interior
- (B187) - Connector -2- (BR), in wiring harness interior
- * - M2/M4 twin filament bulb (5W), not required



- rs = pink
- ws = white
- sw = black
- ro = red
- br = brown
- gn = green
- bl = blue
- gr = grey
- li = lilac
- ge = yellow
- or = orange

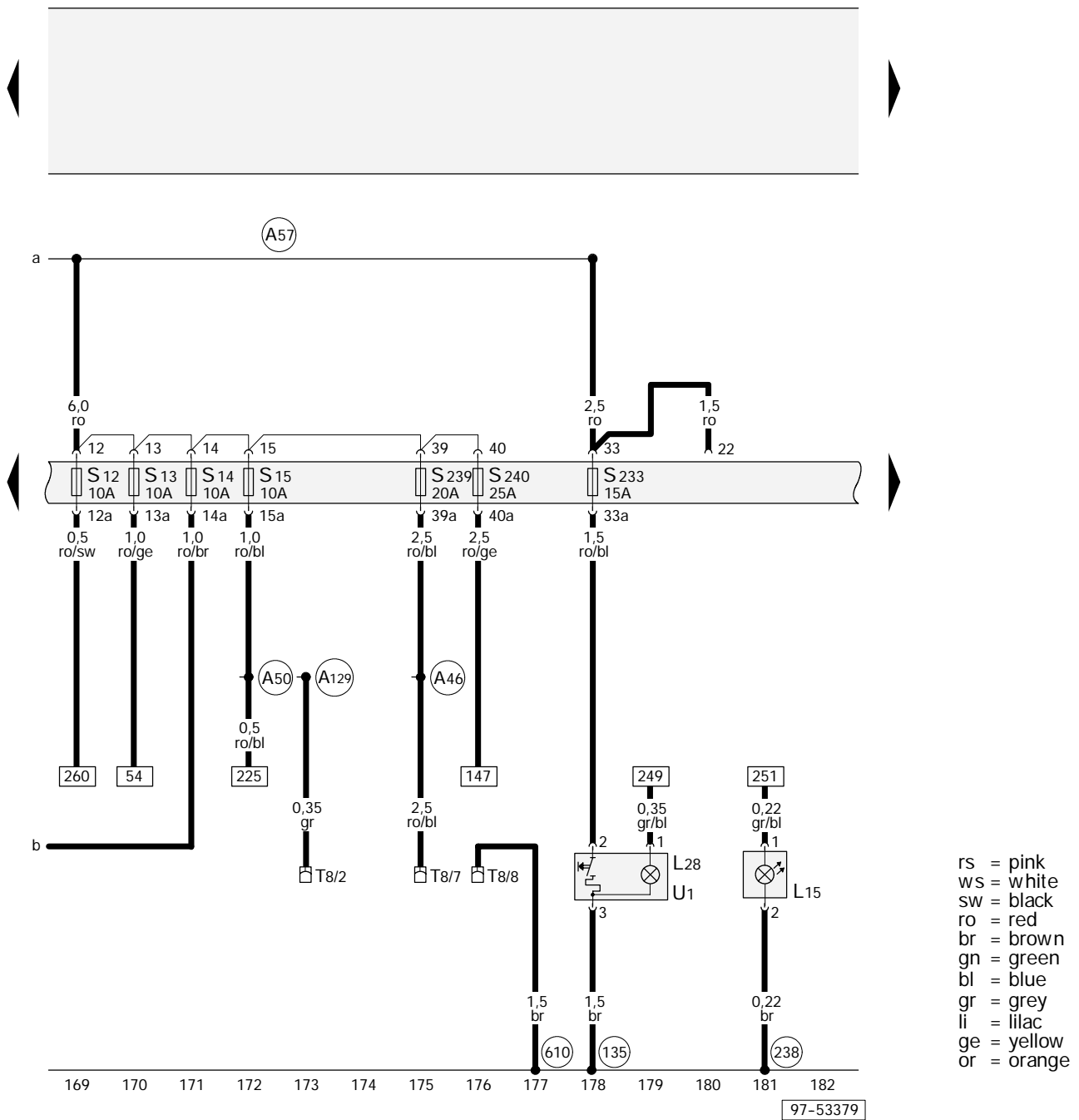
- E229 - Switch for emergency flasher
- G213 - Rain Sensor
- H2 - High Tone Horn
- H7 - Low Tone Horn
- J4 - Horn Relay
- J519 - Vehicle Electrical System Control Module
- T4k - 4-Pin Connector, black, near front bumper
- T17a - 17-Pin Connector, red, connector station A-pillar, left
- T17f - 17-Pin Connector, orange, connector station A-pillar, left
- T32b - 32-Pin Connector, grey, on vehicle Electrical System Control Module

- (135) - Ground connection -2-, in instrument panel wiring harness
- (179) - Ground connection, in left headlight wiring harness
- (345) - Ground connection (in bumper wiring harness), Fanfare/Fog light
- (347) - Ground connection (in roof wiring harness)
- (A90) - Connector (two-tone horn), in instrument panel wiring harness
- (B260) - Connector (emergency flasher), in wiring harness interior
- (E112) - Connector (Horn-87h) in instrument panel wiring harness
- (X66) - Horn Connection (in front bumper wiring harness)



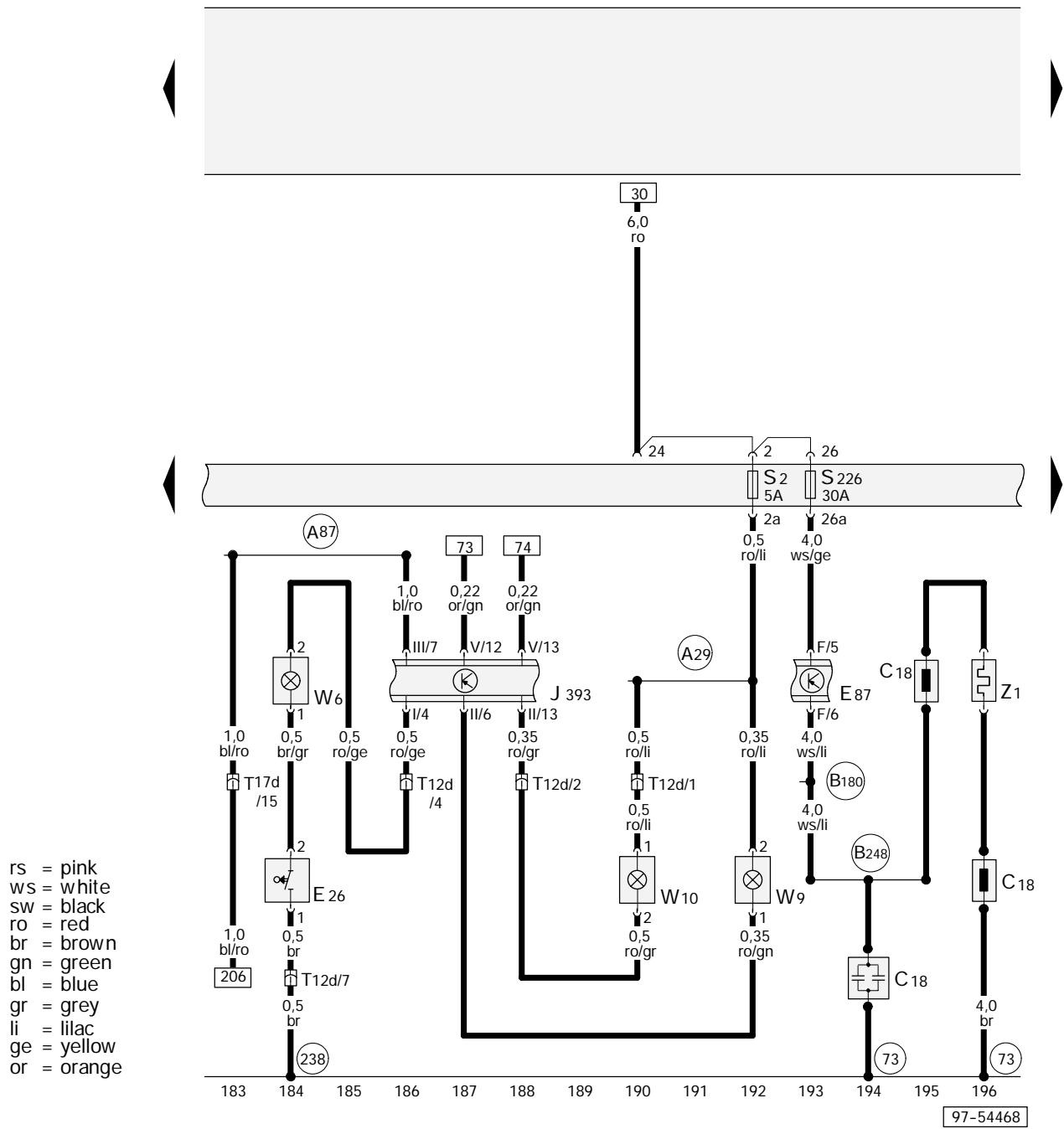
- F - Brake Light Switch
- J59 - Load Reduction Relay
- J519 - Vehicle Electrical System Control Module
- S236 - Fuse in fuse holder
- S237 - Fuse in fuse holder
- T10a - 10-Pin Connector, brown, connector station E-box, plenum chamber
- T10b - 10-Pin Connector, black, on vehicle Electrical System Control Module
- T32b - 32-Pin Connector, grey, on vehicle Electrical System Control Module

- (A18) - Wire connection (54), in instrument panel wiring harness
- (A34) - Wire connection (75x), in instrument panel wiring harness
- (A57) - Plus connection -3- (30), in instrument panel wiring harness
- (A154) - Wire connection (Brake Light Switch), in instrument panel wiring harness
- (A104) - Plus connector -2-, in instrument panel wiring harness



- L15 - Ashtray Light
- L28 - Cigarette Lighter Light
- S12 - Fuse in fuse holder/relay panel
- S13 - Fuse in fuse holder/relay panel
- S14 - Fuse in fuse holder/relay panel
- S15 - Fuse in fuse holder/relay panel
- S233 - Fuse in fuse holder
- S239 - Fuse in fuse holder
- S240 - Fuse in fuse holder
- T8 - 8-Pin Connector, black, radio connector III
- U1 - Cigarette Lighter

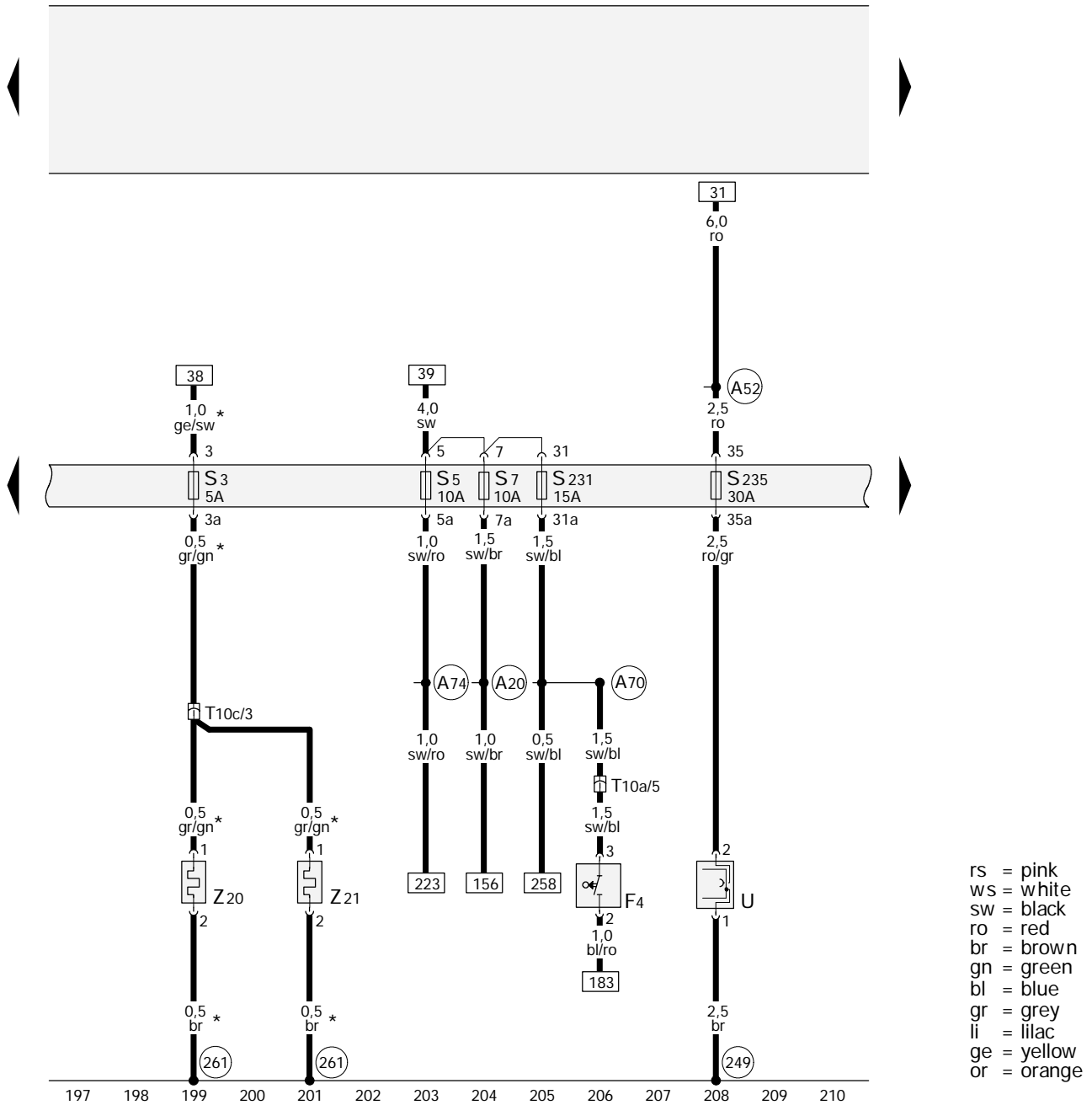
- (135) - Ground connection -2-, in instrument panel wiring harness
- (238) - Ground connection -1-, in wiring harness interior
- (610) - Ground connection (Audio) (under center console, front)
- (A46) - Plus connection (30-from radio), in instrument panel wiring harness
- (A50) - Plus connection (30as), in instrument panel wiring harness
- (A57) - Plus connection -3- (30), in instrument panel wiring harness
- (A129) - Wire connection (quiet switch), in instrument panel wiring harness



rs = pink
 ws = white
 sw = black
 ro = red
 br = brown
 gn = green
 bl = blue
 gr = grey
 li = lilac
 ge = yellow
 or = orange

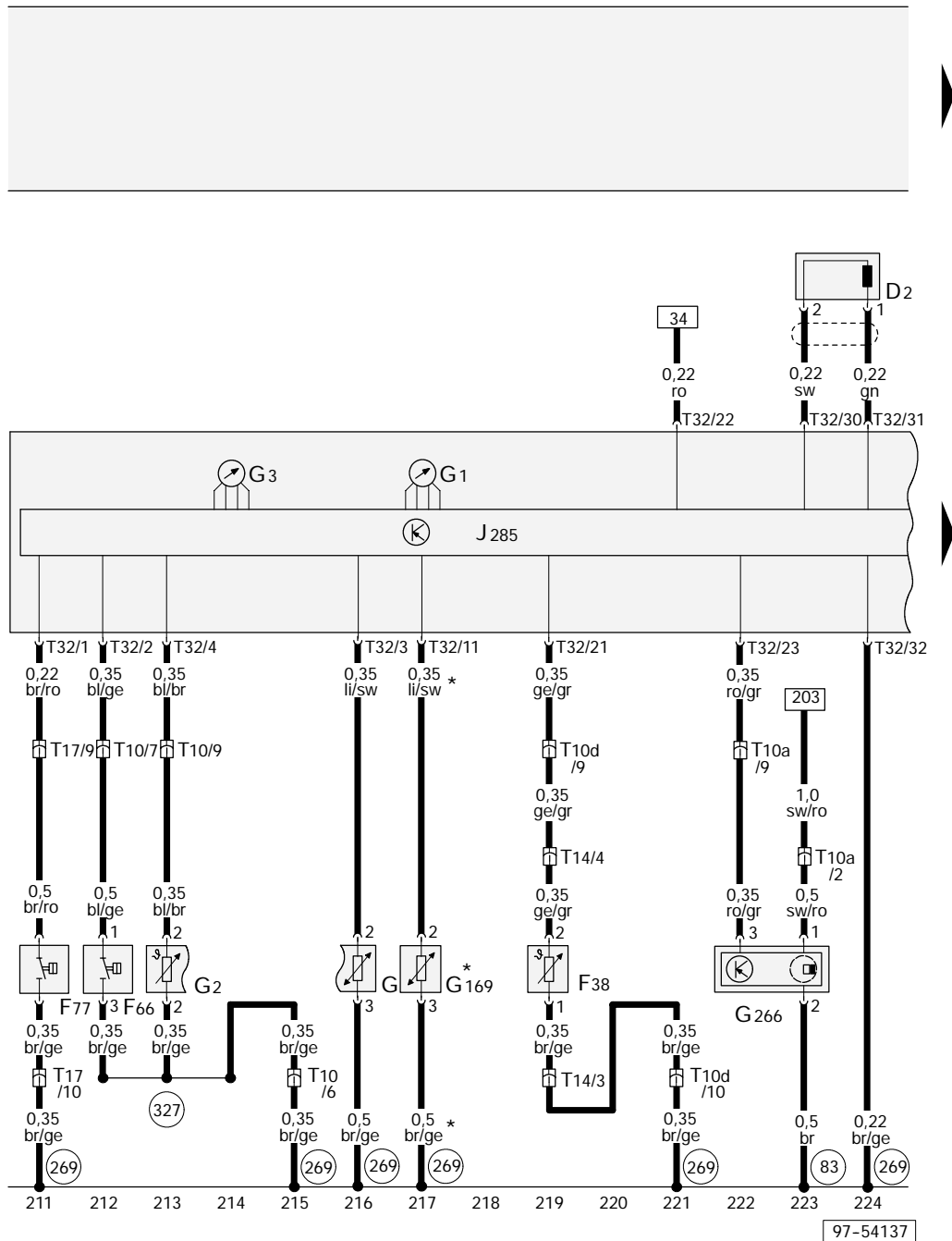
97-54468

- C18 - Windshield Antenna Suppression Filter
- E26 - Glove compartment light
- E87 - A/C Control Head
- J393 - Central control module for comfort system
- S2 - Fuse in fuse holder/relay panel
- S226 - Fuse in fuse holder
- T12d - 12-Pin Connector, brown, near glove Compartment
- T17d - 17-Pin Connector, red, connector station E-box, plenum chamber
- W6 - Glove Compartment Light
- W9 - Left Footwell Light
- W10 - Right Footwell Light
- Z1 - Heated rear window
- (73) - Ground connection, on roof bow, rear
- (238) - Ground connection -1-, in wiring harness interior
- (A29) - Wire connection (interior light), in instrument panel wiring harness
- (A87) - Connector (reverse lamp), in instrument panel wiring harness
- (B180) - Connection (heated rear window), in wiring harness interior
- (B248) - Heated Rear Window Connection -2- (in interior wiring harness)



- F4 - Back-Up Light Switch
- S3 - Fuse in fuse holder/relay panel
- S5 - Fuse in fuse holder/relay panel
- S7 - Fuse in fuse holder/relay panel
- S231 - Fuse in fuse holder
- S235 - Fuse in fuse holder
- T10a - 10-Pin Connector, brown, connector station E-box, plenum chamber
- T10c - 10-Pin Connector, violet, connector station A-pillar, left
- U - Socket
- Z20 - Left Washer Nozzle Heater
- Z21 - Right Washer Nozzle Heater

- (249) - Ground connection -2-, in wiring harness interior
- (261) - Ground connection, in wiring harness heated spray jet
- (A20) - Wire connection (15a), in instrument panel wiring harness
- (A52) - Plus connection -2- (30), in instrument panel wiring harness
- (A70) - Connector (15a, fuse 231), in instrument panel wiring harness
- (A74) - Connector (15a, fuse 5), in instrument panel wiring harness
- * - Only heated spray jets



rs = pink
 ws = white
 sw = black
 ro = red
 br = brown
 gn = green
 bl = blue
 gr = grey
 li = lilac
 ge = yellow
 or = orange

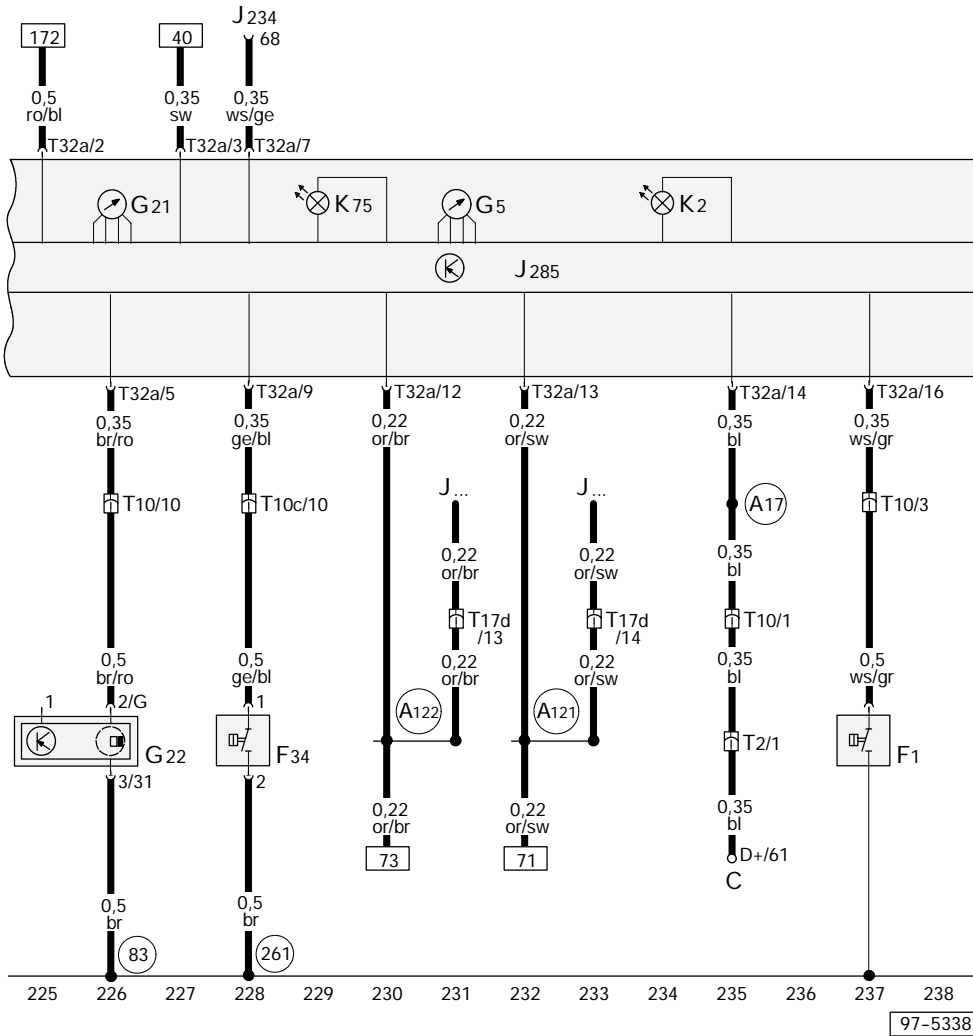
- D2 - Induction Coil of Anti-theft Immobilizer
- F38 - Ambient Temperature Switch
- F66 - Engine Coolant Level (ECL) Warning Switch
- F77 - Windshield Washer Fluid Level Warning Switch
- G - Sender for fuel gauge
- G1 - Fuel Gauge
- G2 - Engine Coolant Temperature (ECT) Sensor
- G3 - Engine Coolant Temperature (ECT) Gauge
- G169 - Fuel Level Sensor 2
- G266 - Oil Level Thermal Sensor
- J285 - Control module with indicator unit in instrument panel insert
- T10 - 10-Pin Connector, black, connector station E-box, plenum chamber
- T10a - 10-Pin Connector, brown, connector station E-box, plenum chamber

- T10d - 10-Pin Connector, grey, connector station A-pillar, left
- T14 - 14-Pin Connector, black, in engine compartment, left
- T17 - 17-Pin Connector, black, connector station A-pillar, left
- T32 - 32-Pin Connector, blue, on instrument panel insert
- (83) - Ground connection -1-, in right front wiring harness
- (269) - Ground connection (sensor Ground) -1-, in instrument panel wiring harness
- (327) - Ground connection (sensor Ground), in engine compartment wiring harness

* - only quattro

Control module with indicator unit in instrument panel insert

Edition 12/01
 W42.USA.5504.02.21

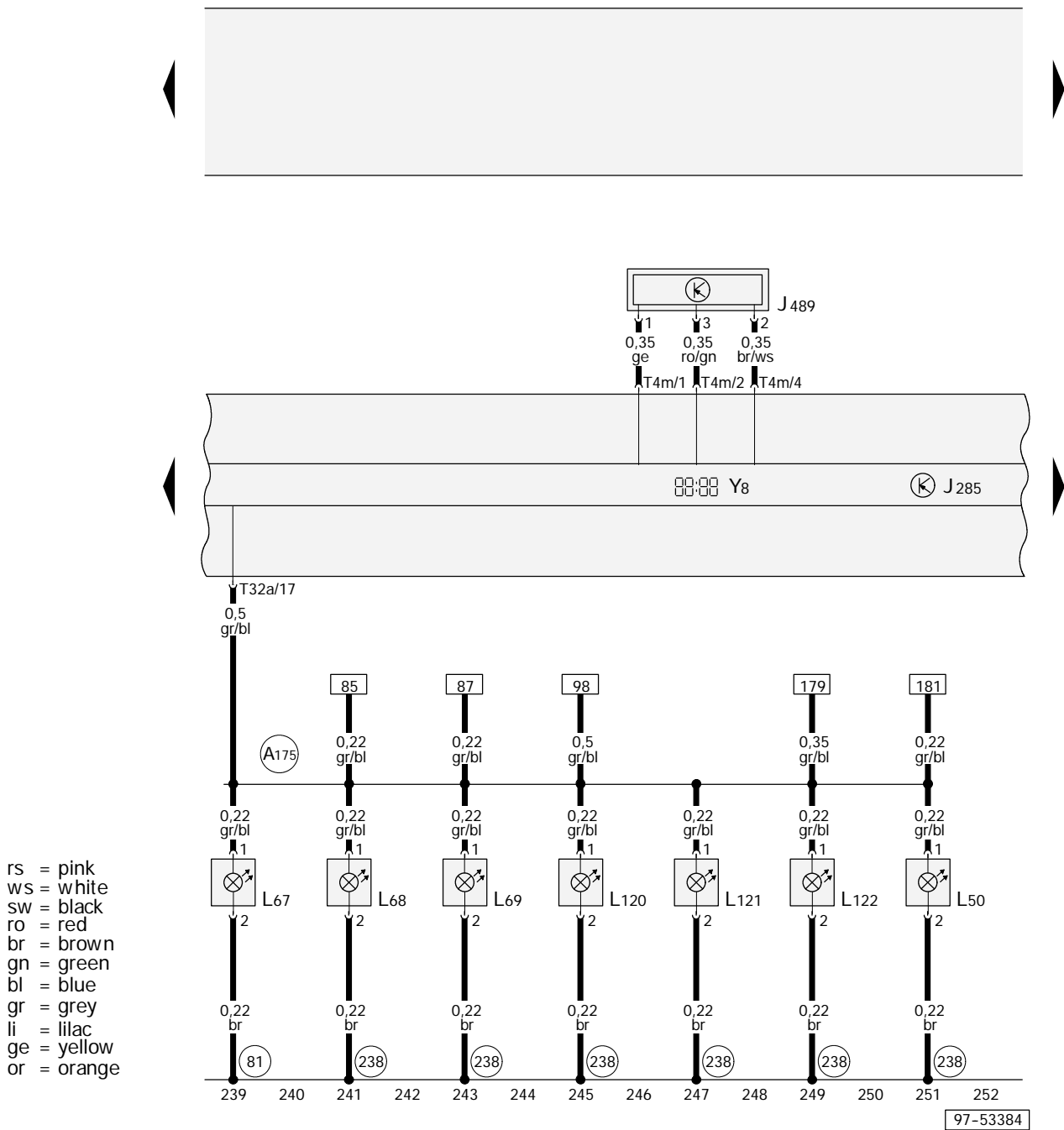


- rs = pink
- ws = white
- sw = black
- ro = red
- br = brown
- gn = green
- bl = blue
- gr = grey
- li = lilac
- ge = yellow
- or = orange

97-53383

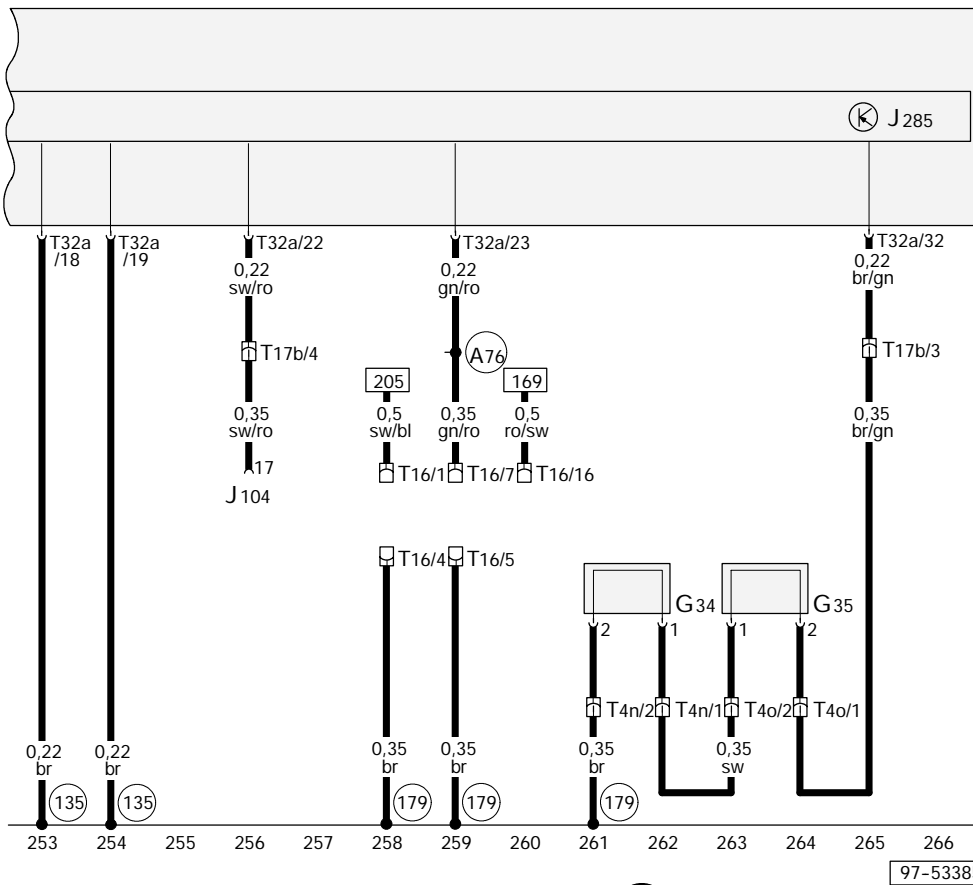
- C - Generator (GEN)
- F1 - Oil Pressure Switch
- F34 - Brake Fluid Level Warning Switch
- G5 - Tachometer
- G21 - Speedometer
- G22 - Speedometer Vehicle Speed Sensor
- J... - Engine Control Module (ECM)
- J234 - Airbag Control Module
- J285 - Control module with indicator unit in instrument panel insert
- K2 - Generator (GEN) Warning Light
- K75 - Airbag Malfunction Indicator Lamp (MIL)
- T2 - Double Connector, black, engine compartment, right
- T10 - 10-Pin Connector, black, connector station E-box, plenum chamber

- T10c - 10-Pin Connector, violet, connector station A-pillar, left
- T17d - 17-Pin Connector, red, connector station E-box, plenum chamber
- T32a - 32-Pin Connector, green, on instrument panel insert
- (83) - Ground connection -1-, in right front wiring harness
- (261) - Ground connection, in wiring harness heated spray jet
- (A17) - Wire connection (61), in instrument panel wiring harness
- (A121) - Wire connection (High-bus), in instrument panel wiring harness
- (A122) - Wire connection (Low-bus), in instrument panel wiring harness



- J285 - Control module with indicator unit in instrument panel insert
- J489 - Radio Frequency Controlled Clock Receiver
- L50 - Rear Center Ashtray Light
- L67 - Left Instrument Panel Vent Illumination
- L68 - Center Instrument Panel Vent Illumination
- L69 - Right Instrument Panel Vent Illumination
- L120 - Storage Compartment Illumination
- L121 - Cup Holder Illumination
- L122 - Coin Holder Illumination
- T4m - 4-Pin Connector, black, on instrument panel insert
- T32a - 32-Pin Connector, green, on instrument panel insert
- Y8 - Radio Frequency Controlled Clock

- (81) - Ground connection -1-, in instrument panel wiring harness
- (238) - Ground connection -1-, in wiring harness interior
- (A175) - Wire connection (58s), in instrument panel wiring harness



rs = pink
 ws = white
 sw = black
 ro = red
 br = brown
 gn = green
 bl = blue
 gr = grey
 li = lilac
 ge = yellow
 or = orange

- G34 - Left Front Brake Pad Wear Sensor
- G35 - Right Front Brake Pad Wear Sensor
- J104 - ABS Control Module (w/EDL)
- J285 - Control module with indicator unit in instrument panel insert
- T4n - 4-Pin Connector, black, left front
- T4o - 4-Pin Connector, black, right front
- T16 - 16-Pin Data Link Connector (DLC), black, under instrument panel, left
- T17b - 17-Pin Connector, green, connector station A-pillar, left
- T32a - 32-Pin Connector, green, on instrument panel insert

- (135) - Ground connection -2-, in instrument panel wiring harness
- (179) - Ground connection, in left headlight wiring harness
- (A76) - Wire connection (K-diagnosis wire), in instrument panel wiring harness