

1996

**BMW 318is/c,
320i, 325i/c, 328i/c
M3 (E36)**

Electrical

Troubleshooting

Manual

Vehicles Produced 9/95 to 8/96



The following systems have been modified during the model year and are marked as early or late production:

- 0670.2 POWER DISTRIBUTION
- 0670.3 FUSE DETAILS
- 0670.4 GROUND DISTRIBUTION
- 0670.5 DATA LINK
- 1210.20 ENGINE CONTROL SYSTEM (DME M5.2, 4-CYLINDER M44)
- 2460.2 ELECTRONIC TRANSMISSION CONTROL (EGS A4S 310R)
- 5126.0 ZKE CENTRAL LOCKING (ZV)
- 5430.1 ELECTRICAL CONVERTIBLE TOP
- 6135.0 DRIVE-AWAY PROTECTION (EWS II)
- 6211.0 INSTRUMENT CLUSTER
- 6313.0 TURN/HAZARD LIGHTS
- 6350.0 CRASH CONTROL MODULE
- 6450.4 INTEGRATED CLIMATE REGULATION (IHKR E36)
- 6450.7 INTEGRATED CLIMATE REGULATION (IHKA E36)
- 6561.0 CELLULAR TELEPHONE (PROVISIONS)
- 6581.2 ON-BOARD COMPUTER (BC V)



ELECTRICAL TROUBLESHOOTING MANUAL

**3 SERIES – E36 (318is, 320i, 325i, 328i, M3, INCL.
CONVERTIBLE)**

SCHEMATICS

MODEL YEAR 1996

0100.0	INDEX	2460.2	ELECTRONIC TRANSMISSION CONTROL (EGS A4S 310R)
0110.0	INTRODUCTION	2460.4	ELECTRONIC TRANSMISSION CONTROL (EGS A5S 310Z)
0140.0	SYMBOLS	3234.0	SUPPLEMENTAL RESTRAINT SYSTEM (AIR BAG)
0670.0	POWER DISTRIBUTION CHART	3450.0	SLIP CONTROL (ABS)
0670.1	FUSE CHART	3450.1	SLIP CONTROL (ABS/ASC)
0670.2	POWER DISTRIBUTION	5116.0	POWER MIRRORS
0670.3	FUSE DETAILS	5126.0	ZKE CENTRAL LOCKING (ZV)
0670.4	GROUND DISTRIBUTION	5133.1	POWER WINDOWS (FH)
0670.5	DATA LINK	5200.0	POWER SEATS
1210.9	ENGINE CONTROL SYSTEM (DME M1.7, 4-CYLINDER M42)	5203.0	HEATED SEATS
1210.10	ENGINE CONTROL SYSTEM MS40 (6-CYLINDER M50)	5410.1	POWER SUN ROOF (SHD)
1210.13	ENGINE CONTROL SYSTEM (DME M3.3.1, 6-CYLINDER M50)	5430.1	ELECTRICAL CONVERTIBLE TOP
1210.14	ENGINE CONTROL SYSTEM (DME M3.3, 6-CYLINDER S50 B30)	6100.0	CENTRAL BODY ELECTRONICS (ZKE IV)
1210.17	ENGINE CONTROL SYSTEM MS41.1 (6-CYLINDER M52)	6133.0	HORN
1210.20	ENGINE CONTROL SYSTEM (DME M5.2, 4-CYLINDER M44)	6135.0	DRIVE-AWAY PROTECTION (EWS II)
1230.0	CHARGING SYSTEM	6160.1	WIPER/WASHER MODULE (WWM)
1240.0	START	6167.1	HEADLIGHT WASHER (SRA)
		6211.0	INSTRUMENT CLUSTER
		6213.2	MULTI-FUNCTION CLOCK
		6214.0	ON-BOARD DISPLAY



SCHEMATICS

6300.0	LIGHT SWITCH DETAILS	6450.4	INTEGRATED CLIMATE REGULATION (IHKR E36)
6312.0	HEADLIGHTS/FOG LIGHTS	6450.7	INTEGRATED CLIMATE REGULATION (IHKA E36)
6313.0	TURN/HAZARD LIGHTS	6510.0	RADIO/CD PLAYER (PROVISIONS)
6314.0	PARK/TAIL/UNDERHOOD LIGHTS	6510.1	RADIO/HIFI
6320.0	LICENSE PLATE/LUGGAGE COMPARTMENT LIGHTS	6561.0	CELLULAR TELEPHONE (PROVISIONS)
6322.0	BACK UP LIGHTS	6571.0	CRUISE CONTROL (TEMPOMAT)
6325.0	BRAKE LIGHTS	6575.2	ANTI-THEFT SYSTEM (ALPINE)
6330.3	INTERIOR LIGHTS	6581.2	ON-BOARD COMPUTER (BC V)
6332.1	GLOVE BOX LIGHT/CASSETTE BOX/ ASHTRAY LIGHT/CHARGING SOCKET/ CIGAR LIGHTER	7000.0	COMPONENT LOCATION CHART
6350.0	CRASH CONTROL MODULE	7100.0	COMPONENT LOCATION VIEWS
6412.5	PARK VENTILATION WITH IHKR	8000.0	SPLICE LOCATION VIEWS
6424.0	REAR WINDOW DEFOGGER/ ANTENNA	8500.0	CONNECTOR VIEWS



0100.0

ABS HYDRAULIC UNIT, Y1	3450.0-01
ABS HYDRAULIC UNIT, Y1w	3450.1-01
ABS PEDAL TRAVEL SENSOR, S123	3450.
ABS PUMP MOTOR RELAY, K75	3450.
ABS RELAY, K10	3450.
AIR BAG GAS GENERATOR, DRIVER'S, G5	3234.0-00
AIR BAG GAS GENERATOR, PASSENGER'S, G6	3234.0-00
AIR CONDITIONING COMPRESSOR, Y2	6450.4-05
AIR FLOW SENSOR, B6233	1210.9-05
AIR PUMP, M6133	1210.14-06
AIR PUMP, Y6133	1210.17-05
ANTENNA AMPLIFIER AM/FM, N8	6424.0-00
ANTI-THEFT CONTROL MODULE (ALPINE), N12w	6575.2-00
ANTI-THEFT HORN (ALPINE), H1w	6575.2-02
ANTI-THEFT SYSTEM (ALPINE)	6575.2
ASC DIODE, V7	3450.1-00
ASC SWITCH, S6	3450.1-02
AUTOMATIC CLIMATE CONTROL MODULE, A115	6450.7
AUTOMATIC TRANSMISSION RANGE SWITCH, S3	2460.
AUXILIARY FAN MOTOR, M9	6450.4-06
AUXILIARY FUSE BOX, P95	0670.2-04
AUXILIARY THROTTLE POSITION MOTOR (ADS), M93	3450.1-02
AUXILIARY THROTTLE POSITION SENSOR, R31	3450.1-04
AUXILIARY TURN LIGHT, LEFT FRONT, H9	6313.0-02
AUXILIARY TURN LIGHT, RIGHT FRONT, H8	6313.0-02
B+ JUMP START JUNCTION POINT, G6430	0670.2-00
BACK UP LIGHT, LEFT, H27	6322.0-00
BACK UP LIGHT, RIGHT, H28	6322.0-00
BACK UP LIGHTS	6322.0
BATTERY, G1	0670.2-00
BLOWER MOTOR, M30	6450.4-01
BLOWER RELAY, K4	6450.4-00
BLOWER RESISTORS, R11	6450.4-01
BLOWER SWITCH, S75	6450.4-01
BODY ELECTRONICS CONTROL MODULE (ZKE IV), A104	6100.0-00

BRAKE FLUID LEVEL SWITCH, B18	6211.0-00
BRAKE LIGHT SWITCH, S29	6325.0-00
BRAKE LIGHT SWITCH, S30	6325.0-01
BRAKE LIGHT, LEFT, H24	6325.0-00
BRAKE LIGHT, RIGHT, H31	6325.0-00
BRAKE LIGHTS	6325.0
BRAKE PAD SENSOR, LEFT FRONT, B16	6211.0-01
BRAKE PAD SENSOR, RIGHT REAR, B17	6211.0-01
CAMSHAFT ACTUATOR, B6208	1210.
CAMSHAFT ACTUATOR, Y6208	1210.10-05
CAMSHAFT POSITION SENSOR (CYLINDER IDENTIFICATION), B6204	1210.
CARBON CANISTER VALVE, Y199	1210.17-10
CASSETTE BOX LIGHT, E45y	6300.0-00
CD CHANGER, N22	6510.1-00
CELLULAR TELEPHONE (PROVISIONS)	6561.0
CENTRAL BODY ELECTRONICS (ZKE IV)	6100.0
CENTRAL LOCKING SWITCH, S302	5126.0-02
CENTRAL POWER WINDOW SWITCH, S40y	5133.1-03
CHANGE-OVER VALVE, Y5013	1210.14-06
CHARGING SYSTEM	1230.0
CHECK CONTROL MODULE, A4	6581.2-03
CHILD PROTECTION CONTROL (CONSOLE), S130	5133.1-02
CHIME MODULE, H10	6581.2-01
CLUTCH SWITCH, S32	6525.0-00
COMBINATION SWITCH, S7	6312.0-00
COMPONENT LOCATION CHART	7000.0
COMPONENT LOCATION VIEWS	7100.0
COMPRESSOR CONTROL RELAY, K19	6450.4-05
CONNECTOR VIEWS	8500.0
CONTACT RING, C101	3234.0-00
CONVERTIBLE TOP ACTUATING SWITCH, S143	5430.1-01
CONVERTIBLE TOP CONTROL MODULE, A96	5430.1-00
CONVERTIBLE TOP END-POSITION MICRO SWITCH, S164 ..	5430.1-01
CONVERTIBLE TOP MOTOR, M101	5430.1-02

CONVERTIBLE TOP POSITION MICRO SWITCH, S165	5430.1-01
CONVERTIBLE TOP STORAGE LID LOCK MOTOR, M43	5430.1-02
CONVERTIBLE TOP STORAGE LID MICRO SWITCH, S214	5430.1-02
CONVERTIBLE TOP STORAGE LID MOTOR, M100	5430.1-02
CRANKSHAFT POSITION/RPM SENSOR, B6203	1210.
CRASH CONTROL MODULE	6350.0
CRASH CONTROL MODULE, N17	6350.0-01
CRUISE CONTROL (TEMPOMAT)	6571.0
CRUISE CONTROL ACTUATOR (TEMPOMAT), M25	6571.0-01
CRUISE CONTROL MODULE (TEMPOMAT), A8	6571.0-00
CRUISE CONTROL SWITCH, S28	6571.0-00
DASH VENT MIXING FLAP MOTOR, M34	6450.4-04
DATA LINK	0670.5
DATA LINK CONNECTOR, D100	0670.5-00
DAYTIME RUNNING LIGHTS CODING DIODE, V4	6314.0-02
DEFROSTER FLAP MOTOR, M35	6450.7-03
DIMMER, N3	6300.0-00
DIVERSITY, N404	6424.0-03
DOOR CONTACT, LEFT REAR, S125	6330.3-01
DOOR CONTACT, RIGHT REAR, S124	6330.3-01
DOOR JAMB SWITCH, DRIVER'S, S14	6330.3-01
DOOR JAMB SWITCH, PASSENGER'S, S13	6330.3-01
DOOR LOCK MOTOR, DRIVER'S, M12	5126.0-00
DOOR LOCK MOTOR, LEFT REAR, M15	5126.0-01
DOOR LOCK MOTOR, PASSENGER'S, M13	5126.0-00
DOOR LOCK MOTOR, RIGHT REAR, M14	5126.0-01
DOUBLE RELAY, K5029	1210.14-00
DOUBLE TEMPERATURE SWITCH, S36y	6450.
DUAL TEMPERATURE SENSOR (COOLANT TEMPERATURE), B6256	1210.17-02
ELECTRICAL CONVERTIBLE TOP	5430.1
ELECTRONIC IMMOBILIZER CONTROL MODULE (EWS II), A836 ..	6135.0
ELECTRONIC TRANSMISSION CONTROL (EGS A4S 310R)	2460.2
ELECTRONIC TRANSMISSION CONTROL (EGS A5S 310Z)	2460.4
ENGINE CONTROL MODULE (DME), A6000	1210.

ENGINE CONTROL MODULE RELAY, K6300	1210.
ENGINE CONTROL SYSTEM (DME M1.7, 4-CYLINDER M42)	1210.9
ENGINE CONTROL SYSTEM (DME M3.3.1, 6-CYLINDER M50) ..	1210.13
ENGINE CONTROL SYSTEM (DME M3.3, 6-CYLINDER S50 B30) ..	1210.14
ENGINE CONTROL SYSTEM (DME M5.2, 4-CYLINDER M44)	1210.20
ENGINE CONTROL SYSTEM MS40 (6-CYLINDER M50)	1210.10
ENGINE CONTROL SYSTEM MS41.1 (6-CYLINDER M52)	1210.17
ENGINE COOLANT LEVEL SWITCH, S63	6581.2-03
ENGINE COOLANT TEMPERATURE SENSOR, B6232	6211.0-02
ENGINE COOLANT TEMPERATURE SENSOR, B6236	1210.
ENGINE HOOD SWITCH, S21w	6575.2-02
EVAPORATIVE EMISSION VALVE, Y6120	1210.
EVAPORATOR TEMPERATURE SENSOR, B14	6450.4-03
EXHAUST GAS FLAP VALVE, Y198	1210.17-04
FINAL STAGE UNIT, N2	6450.7-00
FM AMPLIFIER HLO, N444	6424.0-03
FOG LIGHT SWITCH, S10	6312.0-00
FOG LIGHT, LEFT REAR, H26	6312.0-02
FOG LIGHT, LEFT, E26	6312.0-00
FOG LIGHT, RIGHT, E27	6312.0-00
FRESH AIR FLAP MOTOR, M36	6450.4-04
FRONT ASHTRAY LIGHT, E25	6332.1-00
FRONT CIGAR LIGHTER LIGHT, E29	6300.0-03
FRONT CIGAR LIGHTER, E28	6332.1-00
FRONT DOME LIGHT/MAP READING ASSEMBLY, E34	6330.3-00
FRONT FOG LIGHT RELAY, K47	6312.0-00
FRONT POWER DISTRIBUTION BOX, P90	0670.2-00
FUEL INJECTION VALVE, CYL. 1, Y6101	1210.
FUEL INJECTION VALVE, CYL. 2, Y6102	1210.
FUEL INJECTION VALVE, CYL. 3, Y6103	1210.
FUEL INJECTION VALVE, CYL. 4, Y6104	1210.
FUEL INJECTION VALVE, CYL. 5, Y6105	1210.
FUEL INJECTION VALVE, CYL. 6, Y6106	1210.
FUEL LEVEL SENSOR, B6	6211.0-04
FUEL PUMP RELAY, CYL. 1-6, K6301	1210.



FUEL PUMP RELAY, K6301w	1210.9-03
FUEL PUMP, M2	1210.
FUEL PUMP/START IDENTIFICATION RELAY, K6307	1210.14-02
FUEL TANK PRESSURE SENSOR, B72	1210.17-10
FUEL TANK SENSOR II, B25y	6211.0-04
FUSE CHART	0670.1
FUSE DETAILS	0670.3
GAS FILLER LOCK MOTOR, M16	5126.0-01
GENERATOR, G8509	1230.0-00
GLOVE BOX LIGHT, E42	6332.1-00
GLOVE BOX LIGHT/CASSETTE BOX/ASHTRAY LIGHT/ CHARGING SOCKET/CIGAR LIGHTER	6332.1
GLOVE BOX LOCK MOTOR, M107	5126.0-01
GROUND DISTRIBUTION	0670.4
HALL EFFECT CAMSHAFT SENSOR, B6209	1210.13-01
HARD TOP CONNECTOR 1, E99	5430.1-00
HARD TOP CONNECTOR 2, E100y	6330.3-03
HAZARD FLASHER RELAY, K16	6313.0-00
HAZARD SWITCH, S18	6313.0-01
HEADLIGHT WASHER (SRA)	6167.1
HEADLIGHT, LEFT, E7	6313.0-02
HEADLIGHT, RIGHT, E8	6313.0-02
HEADLIGHT/FOG LIGHT WASHER PUMP, M7	6167.1-00
HEADLIGHTS/FOG LIGHTS	6312.0
HEAT EXCHANGER TEMPERATURE SENSOR, LH, B11	6450.4-03
HEAT EXCHANGER TEMPERATURE SENSOR, RH, B12	6450.4-03
HEATED OXYGEN SENSOR 2, B5028	1210.14-06
HEATED OXYGEN SENSOR, B6200	1210.
HEATED SEATS	5203.0
HEIGHT MOTOR, DRIVER'S SEAT, M52	5200.0-00
HIFI AMPLIFIER, A18	6510.1-00
HIGH BEAM LIGHT RELAY, K46	6312.0-01
HIGH BEAM LIGHT, LEFT, E11	6312.0-01
HIGH BEAM LIGHT, RIGHT, E12	6312.0-01
HIGH LEVEL STOP LIGHT, H34	6325.0-00

HIGH RANGE SPEAKER, LEFT FRONT, H59	6510.1-01
HIGH RANGE SPEAKER, LEFT REAR, H56	6510.1-01
HIGH RANGE SPEAKER, RIGHT FRONT, H50	6510.0-00
HIGH RANGE SPEAKER, RIGHT FRONT, H50	6510.1-02
HIGH RANGE SPEAKER, RIGHT REAR, H53	6510.1-02
HIGH SPEED RELAY, K22	6450.4-06
HORN	6133.0
HORN RELAY (ALPINE), K108	6575.2-02
HORN RELAY, K2	6133.0-00
HORN SWITCH, S4	6133.0-00
HORN, LEFT, H2	6133.0-00
HORN, RIGHT, H3	6133.0-00
HOT FILM AIR MASS METER, B6207	1210.17-05
HOT FILM AIR MASS METER, B6217	1210.13-05
IDLE SPEED CONTROL VALVE, Y6130	1210.
IGNITION COIL, CYL. 1, T6151	1210.
IGNITION COIL, CYL. 2, T6152	1210.
IGNITION COIL, CYL. 3, T6153	1210.
IGNITION COIL, CYL. 4, T6154	1210.
IGNITION COIL, CYL. 5, T6155	1210.
IGNITION COIL, CYL. 6, T6156	1210.
IGNITION SWITCH, S2	0670.2-05
IHKR CONTROL PANEL, S134y	6450.4-02
INDEX	0100.0
INERTIA SWITCH, S27	5126.0-02
INSTRUMENT CLUSTER	6211.0
INSTRUMENT CLUSTER, A2w	6211.0-00
INTAKE AIR RESONANCE CHANGEVER VALVE, Y6131	1210.20-01
INTAKE AIR RESONANCE CHANGEVER VALVE, Y6131	1210.9-01
INTAKE AIR TEMPERATURE SENSOR, B6205	1210.
INTEGRATED CLIMATE REGULATION (IHKA E36)	6450.7
INTEGRATED CLIMATE REGULATION (IHKR E36)	6450.4
INTEGRATED CLIMATE REGULATION CONTROL MODULE, A87y	6450.4-00
INTERIOR LIGHT, LEFT REAR, E39	6330.3-00

INTERIOR LIGHT, RIGHT REAR, E40	6330.3-00
INTERIOR LIGHTS	6330.3
INTRODUCTION	0110.0
KICK-DOWN SWITCH, S8507	2460.2-04
KNOCK SENSOR, B6240	1210.17-06
KNOCK SENSOR, B6240	1210.20-04
KNOCK SENSOR, CYL. 1-2, B6241	1210.9-05
KNOCK SENSOR, CYL. 1-3, B6241w	1210.
KNOCK SENSOR, CYL. 3-4, B6242	1210.9-05
KNOCK SENSOR, CYL. 4-6, B6242w	1210.
KNOCK SENSOR, CYL. 5-6, B6243	1210.14-05
LICENSE PLATE LIGHT, LEFT, E43	6320.0-00
LICENSE PLATE LIGHT, RIGHT, E44	6320.0-00
LICENSE PLATE/LUGGAGE COMPARTMENT LIGHTS	6320.0
LIGHT SWITCH DETAILS	6300.0
LIGHT SWITCH, S8	6300.0-00
LOW BEAM LIGHT RELAY, K48	6312.0-01
LOW BEAM LIGHT, LEFT, E13	6312.0-01
LOW BEAM LIGHT, RIGHT, E14	6312.0-01
LOW RANGE SPEAKER, LEFT FRONT, H58	6510.0-00
LOW RANGE SPEAKER, LEFT FRONT, H58	6510.1-01
LOW RANGE SPEAKER, LEFT REAR, H57	6510.1-01
LOW RANGE SPEAKER, RIGHT FRONT, H51	6510.0-00
LOW RANGE SPEAKER, RIGHT FRONT, H51	6510.1-02
LOW RANGE SPEAKER, RIGHT REAR, H52	6510.1-02
MAKEUP MIRROR LIGHT, DRIVER'S, E35	6330.3-00
MAKEUP MIRROR LIGHT, PASSENGER'S, E36	6330.3-00
MAKEUP MIRROR SWITCH, DRIVER'S, S77	6330.3-00
MAKEUP MIRROR SWITCH, PASSENGER'S, S78	6330.3-00
MICROPHONE, B400	6581.0-00
MID-HIGH RANGE SPEAKER, LEFT, H42	6510.1-01
MID-HIGH RANGE SPEAKER, RIGHT, H43	6510.1-02
MIDRANGE SPEAKER, LEFT FRONT, H55	6510.1-01
MIDRANGE SPEAKER, RIGHT FRONT, H54	6510.1-02
MIRROR CONTROL SWITCH, S17	5116.0-00

MIRROR, DRIVER'S SIDE, Y5	5116.0-01
MIRROR, PASSENGER'S SIDE, Y6	5116.0-01
MULTI-FUNCTION CLOCK	6213.2
MULTI-FUNCTION CLOCK, N10	6213.2-00
NORMAL SPEED RELAY, K21	6450.4-06
OBD II CONNECTOR, D110	0670.5
OIL PRESSURE SWITCH, B6231	6211.0-00
OIL TEMPERATURE SENSOR, B6238	6211.0-04
ON-BOARD COMPUTER (BC V)	6581.2
ON-BOARD COMPUTER TEMPERATURE SENSOR, B21	6581.2-00
ON-BOARD COMPUTER, N4	6581.2-00
ON-BOARD DISPLAY	6214.0
ON-BOARD DISPLAY, A35	6214.0-00
OUTSIDE TEMPERATURE SENSOR, B13	6450.4-03
OXYGEN SENSOR (BEHIND CATALYTIC CONVERTER), B62002	1210.20-03
OXYGEN SENSOR (IN FRONT OF CATALYTIC CONVERTER), B62001	1210.20-03
OXYGEN SENSOR I (BEHIND CATALYTIC CONVERTER), B62102	1210.17-04
OXYGEN SENSOR I (IN FRONT OF CATALYTIC CONVERTER), B62101	1210.17-04
OXYGEN SENSOR II (BEHIND CATALYTIC CONVERTER), B62202	1210.17-04
OXYGEN SENSOR II (IN FRONT OF CATALYTIC CONVERTER), B62201	1210.17-04
OXYGEN SENSOR RELAY, K6303	1210.
PARK BRAKE SWITCH, S31	6211.0-00
PARK LIGHT, LEFT, E15	6314.0-01
PARK LIGHT, RIGHT, E19	6314.0-01
PARK VENTILATION RELAY, K450	6412.5.0-00
PARK VENTILATION WITH IHKR	6412.5
PARK/TAIL/UNDERHOOD LIGHTS	6314.0
POWER DISTRIBUTION	0670.2
POWER DISTRIBUTION CHART	0670.0



POWER MIRRORS	5116.0
POWER SEATS	5200.0
POWER SUN ROOF (SHD)	5410.0
POWER WINDOW SWITCH, DRIVER'S, S126y	5133.1-01
POWER WINDOW SWITCH, PASSENGER'S, S127y	5133.1-01
POWER WINDOWS (FH)	5133.1
PRESSURE SWITCH, B9508	6450.4-06
PROGRAM SWITCH, S8503	2460.
RADIO, N9	6510.0-00
RADIO/CD PLAYER (PROVISIONS)	6510.0
RADIO/HIFI	6510.1
REAR ASHTRAY LIGHT, E28y	6300.0-03
REAR DEFOGGER RELAY, K13	6424.0-00
REAR DEFOGGER/ANTENNA, E10	6424.0-02
REAR DOOR (CONSOLE) POWER WINDOW SWITCH, LH, S128y	5133.1-02
REAR DOOR (CONSOLE) POWER WINDOW SWITCH, RH, S129y	5133.1-02
REAR FOG LIGHT SWITCH, S82	6312.0-02
REAR POWER WINDOW SWITCH, LH, S128z	5133.1-03
REAR POWER WINDOW SWITCH, RH, S129z	5133.1-03
REAR RECIRCULATION FLAP MOTOR, M46	6450.7-03
REAR WINDOW BLOWER MICRO SWITCH, S196	5430.1-01
REAR WINDOW BLOWER RELAY, K99	6424.0-01
REAR WINDOW BLOWER, M105	6424.0-01
REAR WINDOW DEFOGGER/ANTENNA	6424.0
RECIRCULATION FLAP MOTOR, M40	6450.4-04
REGULATION FLAP MOTOR, M44	6450.7-03
RESISTOR, R8554	1210.13-04
REVERSING LIGHT SWITCH, S8511	6322.0-00
ROLLOVER PROTECTION ACTUATOR, LH, Y85	5430.1-03
ROLLOVER PROTECTION ACTUATOR, RH, Y86	5430.1-03
ROLLOVER SENSOR, N24	5430.1-03
SEAT BELT SWITCH, DRIVER'S, S58	3234.0-00
SEAT BELT SWITCH, PASSENGER'S, S59	3234.0-00

SEAT CONTROL SWITCH, DRIVER'S SEAT, S51	5200.0-00
SEAT CONTROL SWITCH, PASSENGER'S SEAT, S56	5200.0-01
SEAT CUSHION TILT MOTOR, DRIVER'S, M50	5200.0-00
SEAT CUSHION TILT MOTOR, PASSENGER'S, M61	5200.0-01
SEAT HEATER SWITCH, DRIVER'S SEAT, S53	5203.0-00
SEAT HEATER SWITCH, PASSENGER'S SEAT, S54	5203.0-00
SEAT HEATER, DRIVER'S, E57	5203.0-00
SEAT HEATER, PASSENGER'S, E58	5203.0-00
SEAT HEIGHT MOTOR, PASSENGER'S, M59	5200.0-01
SEAT MOVEMENT MOTOR, DRIVER'S, M51	5200.0-00
SEAT MOVEMENT MOTOR, PASSENGER'S, M60	5200.0-01
SEAT OCCUPANCY DETECTOR, A113	3234.0-00
SEATBACK HEATER, DRIVER'S, E56	5203.0-00
SEATBACK HEATER, PASSENGER'S, E59	5203.0-00
SEATBACK RECLINER MOTOR, DRIVER'S, M53	5200.0-00
SEATBACK RECLINER MOTOR, PASSENGER'S, M58	5200.0-01
SECONDARY AIR PUMP RELAY, K6304	1210.17-05
SECONDARY AIR PUMP VALVE, Y6163	1210.17-05
SHIFT-LOCK, Y19	2460.2-04
SLIP CONTROL (ABS)	3450.0
SLIP CONTROL (ABS/ASC)	3450.1
SLIP CONTROL MODULE (ABS), A7	3450.0-00
SLIP CONTROL MODULE (ABS/ASC), A52	3450.1-01
SPEAKER, LEFT REAR, H46	6510.1-01
SPEAKER, RIGHT REAR, H45	6510.0-00
SPEAKER, RIGHT REAR, H45	6510.1-02
SPEED SENSOR - ABS, LEFT FRONT, B2	3450.
SPEED SENSOR - ABS, LEFT REAR, B4	3450.
SPEED SENSOR - ABS, RIGHT FRONT, B1	3450.
SPEED SENSOR - ABS, RIGHT REAR, B3	3450.
SPLICE LOCATION VIEWS	8000.0
START	1240.0
STARTER, M6510	1240.0-01
SUNROOF CONTROL ASSEMBLY, A56	5410.1-01
SUNROOF MOTOR, M24	5410.1-01



INDEX

SUNROOF SWITCH, S38	5410.1-01	TRUNK LIGHT ASSEMBLY, RIGHT, E47	6313.0-02
SUPPLEMENTAL RESTRAINT SYSTEM (AIR BAG)	3234.0	TRUNK LIGHT ASSEMBLY, RIGHT, E47	6322.0-00
SUPPLEMENTAL RESTRAINT SYSTEM CONTROL MODULE,		TRUNK LIGHT ASSEMBLY, RIGHT, E47	6325.0-01
A12	3234.0-00	TRUNK LIGHT ASSEMBLY, RIGHT, E47	6581.2-04
SUPPRESSION FILTER, C900	6424.0-01	TRUNK LIGHT SWITCH, S61y	6320.0-00
SWITCH SPATIAL SOUND, S303	6510.1	TRUNK LOCK MOTOR, M17	5126.2-01
SYMBOLS	0140.0	TURN LIGHT, LEFT FRONT, H7	6313.0-02
TAIL LIGHT, LEFT, H25	6314.0-01	TURN LIGHT, LEFT REAR, H6	6313.0-02
TAIL LIGHT, LEFT, H37	6314.0-01	TURN LIGHT, RIGHT FRONT, H4	6313.0-02
TAIL LIGHT, RIGHT, H30	6314.0-01	TURN LIGHT, RIGHT REAR, H5	6313.0-02
TAIL LIGHT, RIGHT, H39	6314.0-01	TURN/HAZARD LIGHTS	6313.0
TELEPHONE HANDSET, U4	6561.0-00	UNCOUPLING DIODE (KL61), V9501	1210.14
TELEPHONE TRANSCEIVER, H38	6561.0-00	UNDERHOOD LIGHT SWITCH, S19	6300.0-00
TEMPERATURE SWITCH, S36	6450.4-06	UNDERHOOD LIGHT, E20	6300.0-00
THROTTLE FLAP HEATER, E104	3450.1-02	UNLOADER RELAY, TERMINAL 15, K9	5203.0-00
THROTTLE POSITION SENSOR, R6252	1210.9-05	VARIABLE CAMSHAFT CONTROL MODULE (VANOS), A5024	1210.14-04
TRANSMISSION CONTROL MODULE (EGS), A7000	2460.4-00	VARIABLE CAMSHAFT CONTROL SENSOR 1, B5022	1210.14-04
TRANSMISSION CONTROL MODULE (EGS), A8500	2460.2-00	VARIABLE CAMSHAFT CONTROL SENSOR 2, B5023	1210.14-04
TRANSMISSION POSITION INDICATOR LIGHT, E82	2460.2-03	VARIABLE CAMSHAFT CONTROL VALVE 1, Y5020	1210.14-04
TRANSMISSION VALVE UNIT, Y8505	2460.2-01	VARIABLE CAMSHAFT CONTROL VALVE 1, Y6275	1210.17-05
TRANSMISSION VALVE UNIT, Y8505y	2460.4-01	VARIABLE CAMSHAFT CONTROL VALVE 2, Y5021	1210.14-04
TRANSMITTER MODULE (EWS II), A835	6135.0	VEHICLE SPEED SENSOR, B10	6211.0-04
TRUNK COMPARTMENT LIGHT, E32	6320.0-00	WASHER FLUID LEVEL SWITCH, S64	6581.2-03
TRUNK COMPARTMENT LIGHT, LEFT, E101	6320.0-00	WASHER PUMP, M4	6160.1-01
TRUNK COMPARTMENT LIGHT, RIGHT, E102	6320.0-00	WATER VALVE ASSEMBLY, Y4	6450.4-02
TRUNK LID MICRO SWITCH, S213	5430.1-02	WINDOW MOTOR, DRIVER'S, M21	5133.1-04
TRUNK LID RELAY, K117	5126.0-01	WINDOW MOTOR, LEFT REAR, M20	5133.1-05
TRUNK LIGHT ASSEMBLY, LEFT, E46	6312.0-04	WINDOW MOTOR, LEFT REAR, M98	5133.1-05
TRUNK LIGHT ASSEMBLY, LEFT, E46	6313.0-02	WINDOW MOTOR, PASSENGER'S, M23	5133.1-04
TRUNK LIGHT ASSEMBLY, LEFT, E46	6314.0-01	WINDOW MOTOR, RIGHT REAR, M22	5133.1-05
TRUNK LIGHT ASSEMBLY, LEFT, E46	6322.0-00	WINDOW MOTOR, RIGHT REAR, M99	5133.1-05
TRUNK LIGHT ASSEMBLY, LEFT, E46	6325.0-01	WINDOW SWITCH, LEFT REAR, S41	5133.1-02
TRUNK LIGHT ASSEMBLY, LEFT, E46	6581.2-04	WINDOW SWITCH, RIGHT REAR, S42	5133.1-02
TRUNK LIGHT ASSEMBLY, RIGHT, E47	6312.0-04	WINDSCREEN COWL PANEL LOCK MICROSWITCH, S231	5430.1-00
TRUNK LIGHT ASSEMBLY, RIGHT, E47	6314.0-01	WINDSCREEN COWL PANEL LOCK MOTOR, M132	5430.1-00



INDEX

WIPER MOTOR, M3	6160.1-00
WIPER/WASHER MODULE (LOW II), A64	6160.1
WIPER/WASHER MODULE (WWM)	6160.1
WIPER/WASHER MODULE, A51	6160.1-01
WIPER/WASHER SWITCH, S5	6160.1-01
ZKE CENTRAL LOCKING (ZV)	5126.0



0110.0

Schematics

The schematics divide the entire vehicle electrical system into individual circuits. Interacting electrical components are shown on one common schematic.

Switches and other components are represented in such a way that their general layout and function are self-explicit. They are arranged on the sheet such that the current path can be followed from positive (top) to negative (bottom).

Important: The components and wires are not drawn to scale. For instance, a lead with a length of over 1m can be shown as a lead that is only a few cm long. To ensure clear arrangement, all connectors, lines branches and connected components from the fuses to the component and from the component to ground connection are not shown within the individual cells. If required, reference can be made to cells **0670.3 Fuse Details** and **0670.4 Ground Distribution** where all lines are illustrated with all plug connections, line branches and connected components.

All circuit symbols used are listed and explained in cell **0140.0 Symbols**.

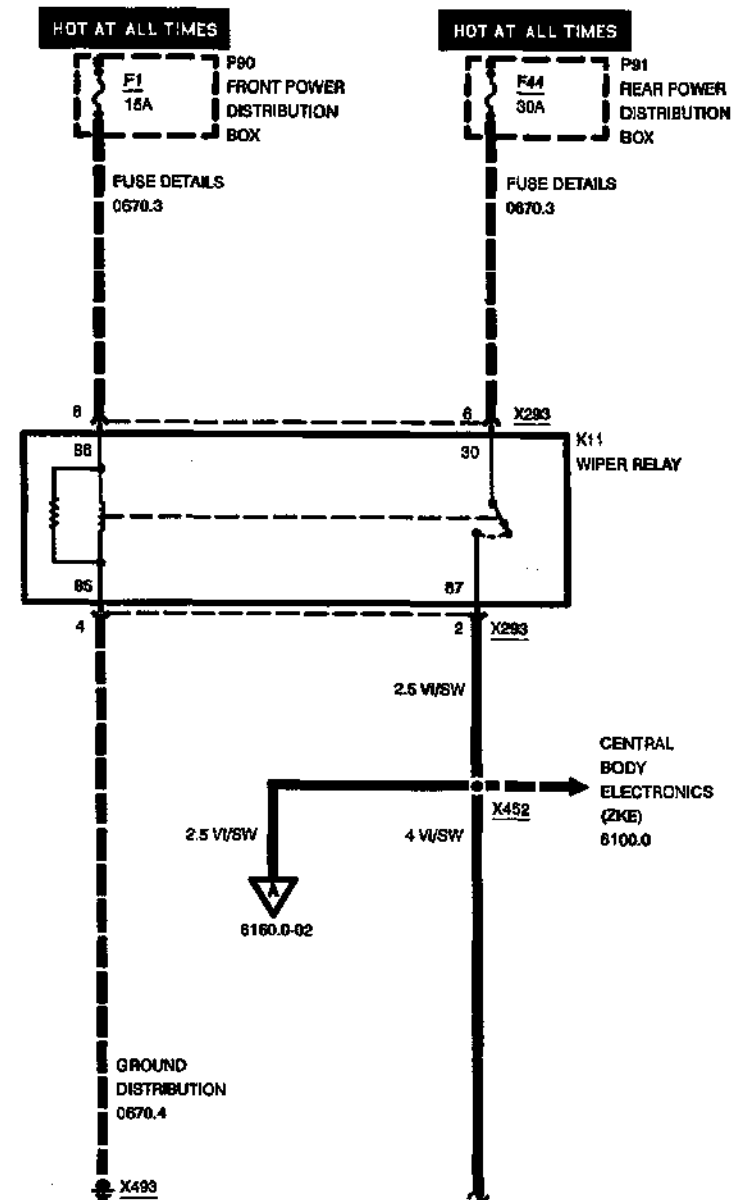
In cell **7000.0 Component Location Chart** all important connectors, ground points and components are listed in tabular form. It provides a precise description of the component locations in the vehicle.

In cell **7100.0 Component Location Views** the location of connectors and components which are difficult to locate are shown in line arts or illustrations. In cell **8000.0 Splice Location Views** all splices are listed in numerical order and illustrations are provided to assist in locating splices on larger harnesses. In cell **8500.0 Connector Views** diagrams of connectors with more than 2 pins are illustrated.

Included in this ETM are foldout block diagrams. These are overviews of the entire system (EGS, ABS, AC, etc.) which helps understand the relationships between various components and control unit of the system being diagnosed.

Example

General conventions can be explained based on the following schematic example.

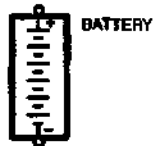




INTRODUCTION

General Conventions

1. Switches and relays are always shown in rest position (e.g. K11).
2. A component shown in a dashed frame signifies that the component is illustrated only in part (e.g. P90 and P91).
3. A component shown in a completely drawn frame signifies that the component is illustrated in full (e.g. K11).
4. The dashed line between pin 8 and pin 6 of connector X293 indicates that both pins belong to connector X293.
5. The dashed line from fuse F1 to pin 8 of connector X293 shows the positive supply of relay K11. If required, refer to cell **0670.3 Fuse Details** at fuse F1 for the complete line progressing with plug connections, line branches, wire colors and cross sections.
6. The dashed line with an arrow at splice X452 indicates that several wires lead to splice X452. All lines leading to the connection are illustrated in cell **6100.0 Central Body Electronics (ZKE)**. An interrupted line with an arrow indicates that only this one wire leads to another circuit.
7. The dashed line from pin 4 of connector X293 to ground X493 shows the ground supply for relay K11. If required, refer to cell **0670.4 Ground Distribution** at ground X493 for the complete line progression with all plug connections, line branches, wire colors, and cross sections.
8. The interrupted line from splice X452 with an A in the open arrow is continued on page 6160.0-02. Termination of wire 4 VI/SW from splice X452 with a wavy line indicates that the wire is continued on the opposite page.



BATTERY



FUSE DETAILS



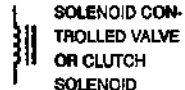
FUSIBLE LINK



THERMO SWITCH



SOLENOID



SOLENOID CONTROLLED VALVE OR CLUTCH SOLENOID



HEATING ELEMENT



LOUDSPEAKER OR HORN



LIGHT



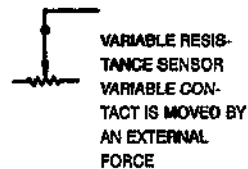
PERMANENT MAGNET MOTOR ONE SPEED



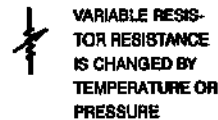
PERMANENT MAGNET MOTOR TWO SPEEDS



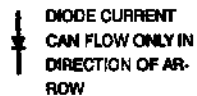
KNOCK SENSOR



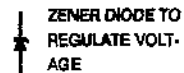
VARIABLE RESISTANCE SENSOR
VARIABLE CONTACT IS MOVED BY AN EXTERNAL FORCE



VARIABLE RESISTOR
RESISTANCE IS CHANGED BY TEMPERATURE OR PRESSURE



DIODE
CURRENT CAN FLOW ONLY IN DIRECTION OF ARROW



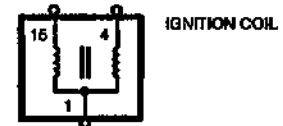
ZENER DIODE TO REGULATE VOLTAGE



LIGHT EMITTING DIODE



OXYGEN SENSOR



IGNITION COIL



CONTROL/POWER ELECTRONICS



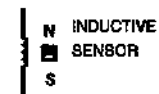
HALL EFFECT SENSOR



RADIO



TRANSISTORIZED SWITCH



INDUCTIVE SENSOR



VEHICLE SPEED SENSOR

SYMBOLS



ENTIRE COM-
PONENT SHOWN



CONNECTOR
ATTACHED TO
COMPONENT
LEAD (PIGTAIL)



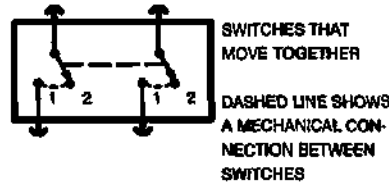
PART OF COM-
PONENT SHOWN



ONE POLE, TWO
POSITION SWITCH



COMPONENT WITH
SCREW TERMINALS

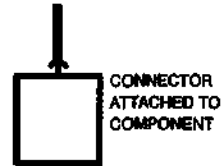


SWITCHES THAT
MOVE TOGETHER

DASHED LINE SHOWS
A MECHANICAL CON-
NECTION BETWEEN
SWITCHES

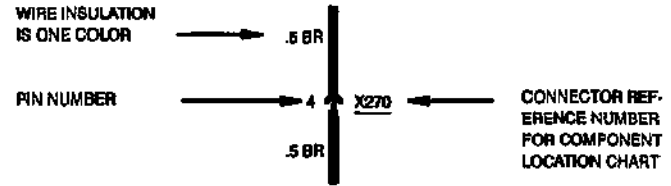


COMPONENT
CASE ATTACHED
DIRECTLY TO
METAL PART OF
CAR (GROUNDED)



CONNECTOR
ATTACHED TO
COMPONENT

WIRE COLOR	
BL	BLUE
BR	BROWN
GE	YELLOW
GN	GREEN
GR	GRAY
OR	ORANGE
RS	PINK
RT	RED
SW	BLACK
VI	VIOLET
WS	WHITE
TR	TRANSPARENT



WIRE INSULATION
IS ONE COLOR

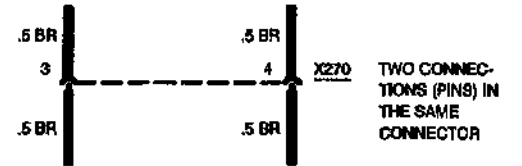
PIN NUMBER

CONNECTOR REF-
ERENCE NUMBER
FOR COMPONENT
LOCATION CHART



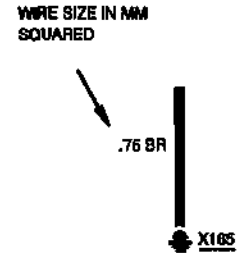
WIRE INSULATION
IS ONE COLOR
WITH ANOTHER
COLOR STRIPE
(GREEN WITH
WHITE)

A WAVY LINE
MEANS WIRE IS
CONTINUED



TWO CONNE-
CTIONS (PINS) IN
THE SAME
CONNECTOR

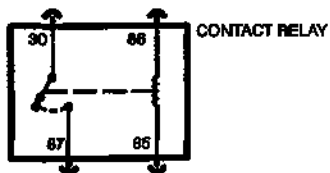
DASHED LINE INDI-
CATES TERMINALS
OF THE SAME
CONNECTOR



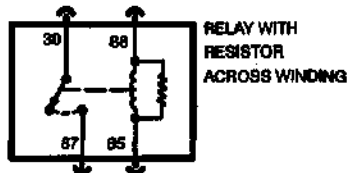
WIRE SIZE IN MM
SQUARED

WIRE ATTACHED
TO METAL PART OF
CAR (GROUNDED)

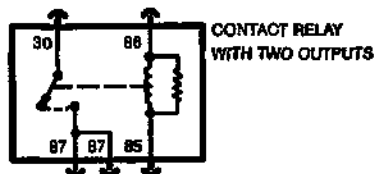
GROUND NUMBERED
FOR REFERENCE ON
COMPONENT LOCATION
CHART



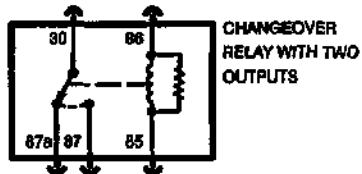
CONTACT RELAY



RELAY WITH RESISTOR ACROSS WINDING

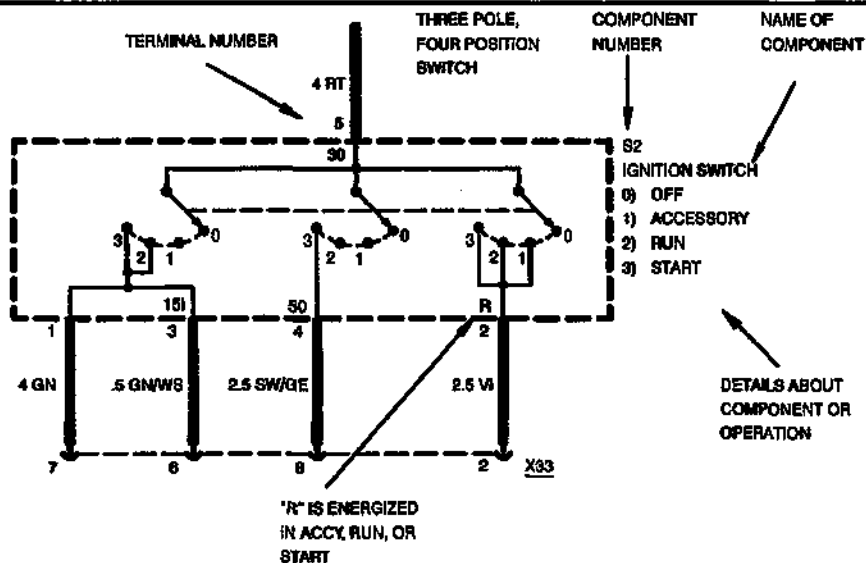


CONTACT RELAY WITH TWO OUTPUTS



CHANGEOVER RELAY WITH TWO OUTPUTS

TERMINAL NUMBER	DESCRIPTION
30	RELAY INPUT
85	RELAY OUTPUT (WINDING)
86	RELAY INPUT (WINDING)
87	RELAY OUTPUT (ENERGIZED)
87a	RELAY OUTPUT (AT REST)

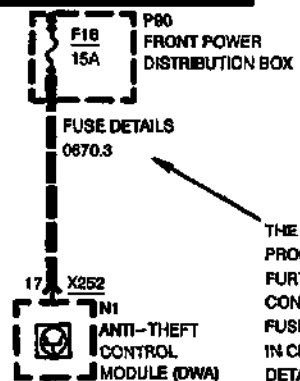


TERMINAL NUMBER	DESCRIPTION	TERMINAL NUMBER	DESCRIPTION
50	VOLTAGE: IGNITION SWITCH IN START	15I	VOLTAGE: IGNITION SWITCH IN RUN
30	VOLTAGE: SUPPLIED AT ALL TIMES	R	VOLTAGE: IGNITION SWITCH IN ACCESSORY, RUN OR START
15	VOLTAGE: IGNITION SWITCH IN RUN OR START	31	GROUND

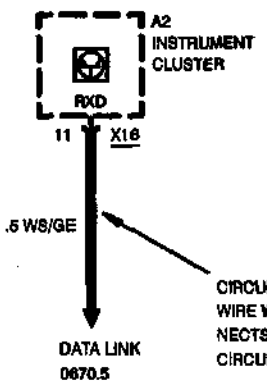
HOT AT ALL TIMES	POWER STATUS	DESCRIPTION
	HOT AT ALL TIMES	VOLTAGE: SUPPLIED AT ALL TIMES
	HOT IN RUN AND START	VOLTAGE: IGNITION SWITCH IN RUN OR START
	HOT IN ACCY, RUN AND START	VOLTAGE: IGNITION SWITCH IN ACCESSORY, RUN OR START

BMW
3 **SYMBOLS**

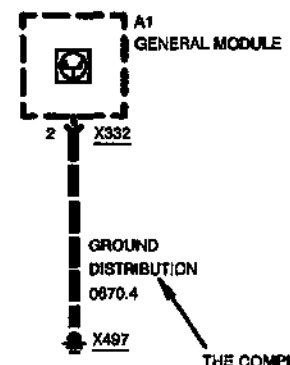
HOT IN ACCY, RUN AND START



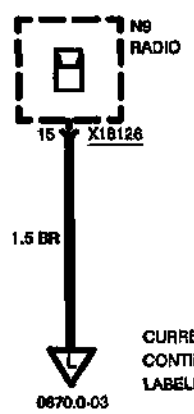
THE COMPLETE WIRE PROGRESSION AND FURTHER CIRCUITS CONNECTED TO FUSE 18 ARE SHOWN IN CELL "0670.3 FUSE DETAILS" AT FUSE 18



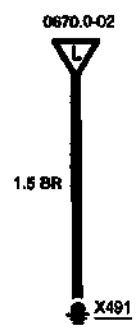
CIRCUIT REFERENCE—A WIRE WHICH CONNECTS TO ANOTHER CIRCUIT



THE COMPLETE WIRE PROGRESSION AND FURTHER CIRCUITS CONNECTED TO GROUND X497 ARE SHOWN IN CELL "0670.4 GROUND DISTRIBUTION" AT GROUND X497



CURRENT PATH IS CONTINUED AS LABELED

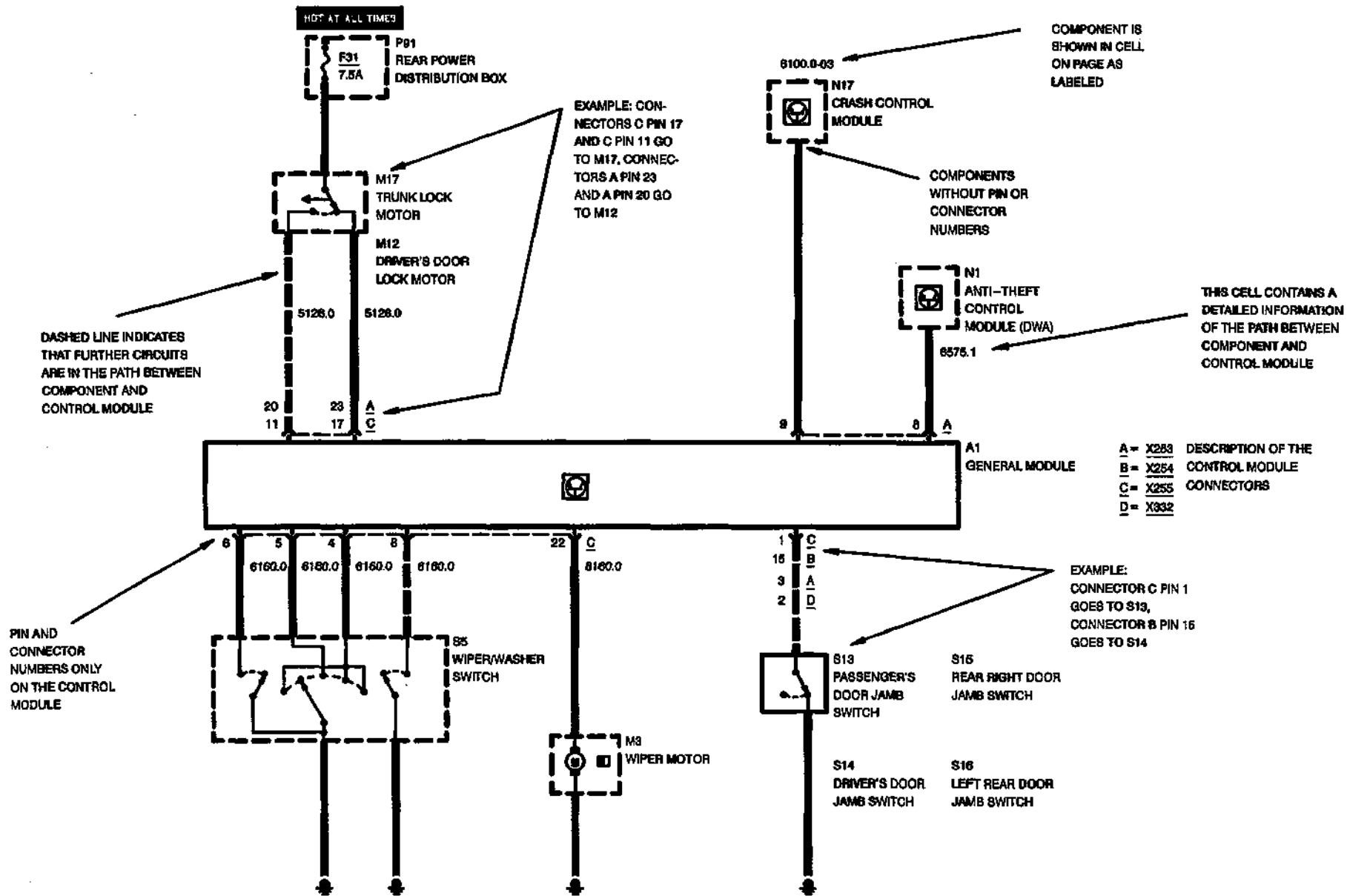


ARROW SHOWS DIRECTION OF CURRENT FLOW AND IS REPEATED WHERE CURRENT PATH CONTINUES



SYMBOLS

BLOCK DIAGRAM



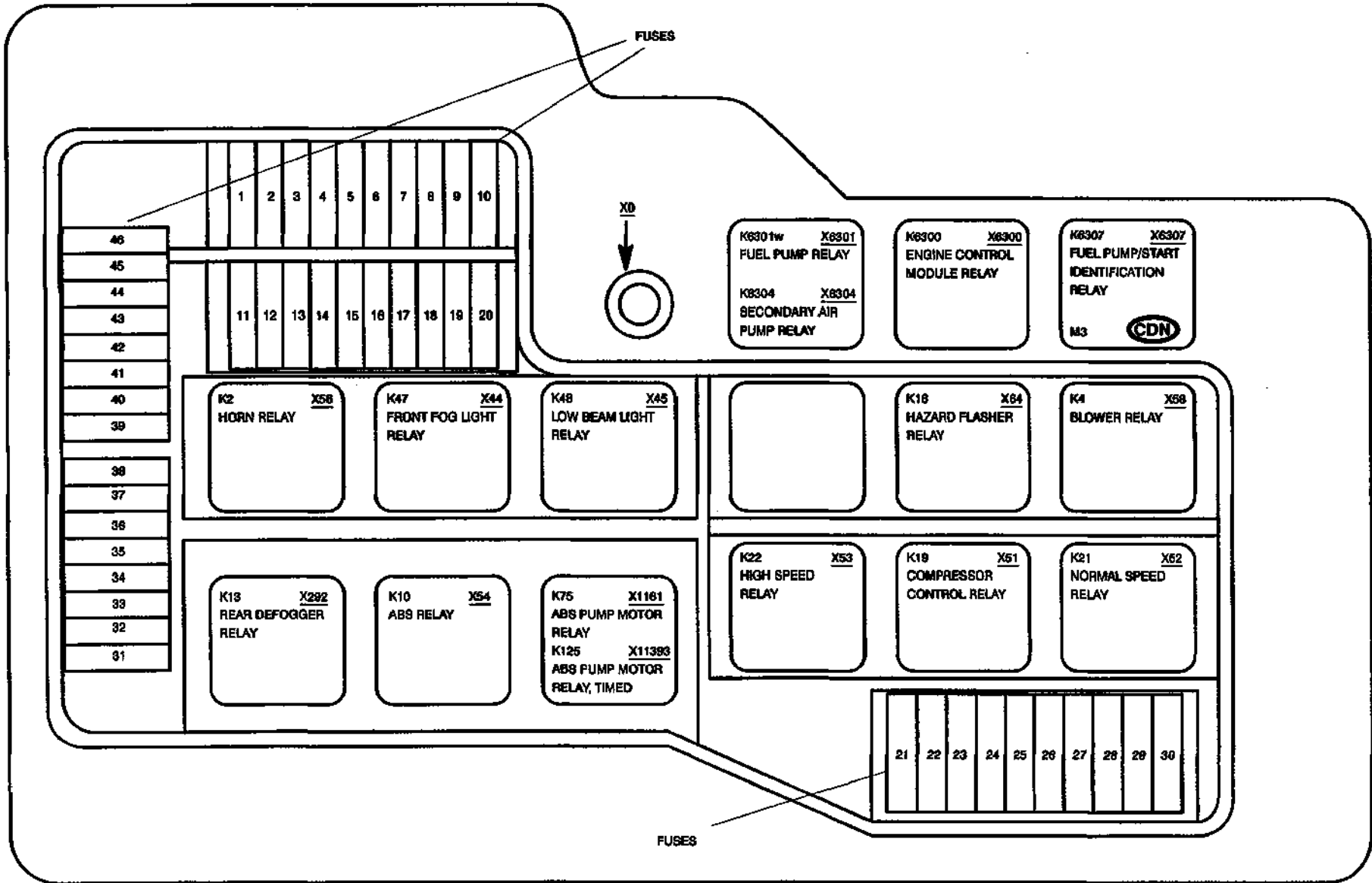


0670.0



POWER DISTRIBUTION CHART

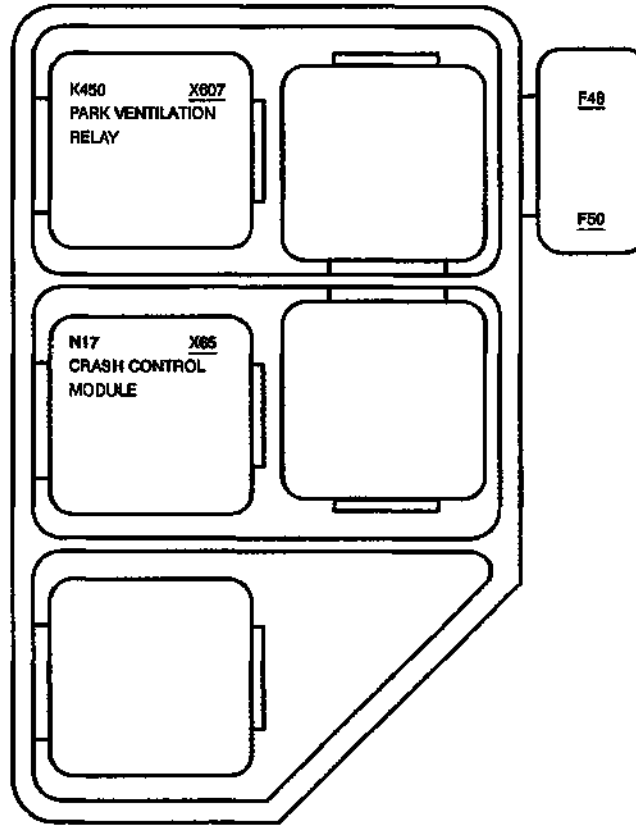
FRONT POWER DISTRIBUTION BOX





POWER DISTRIBUTION CHART

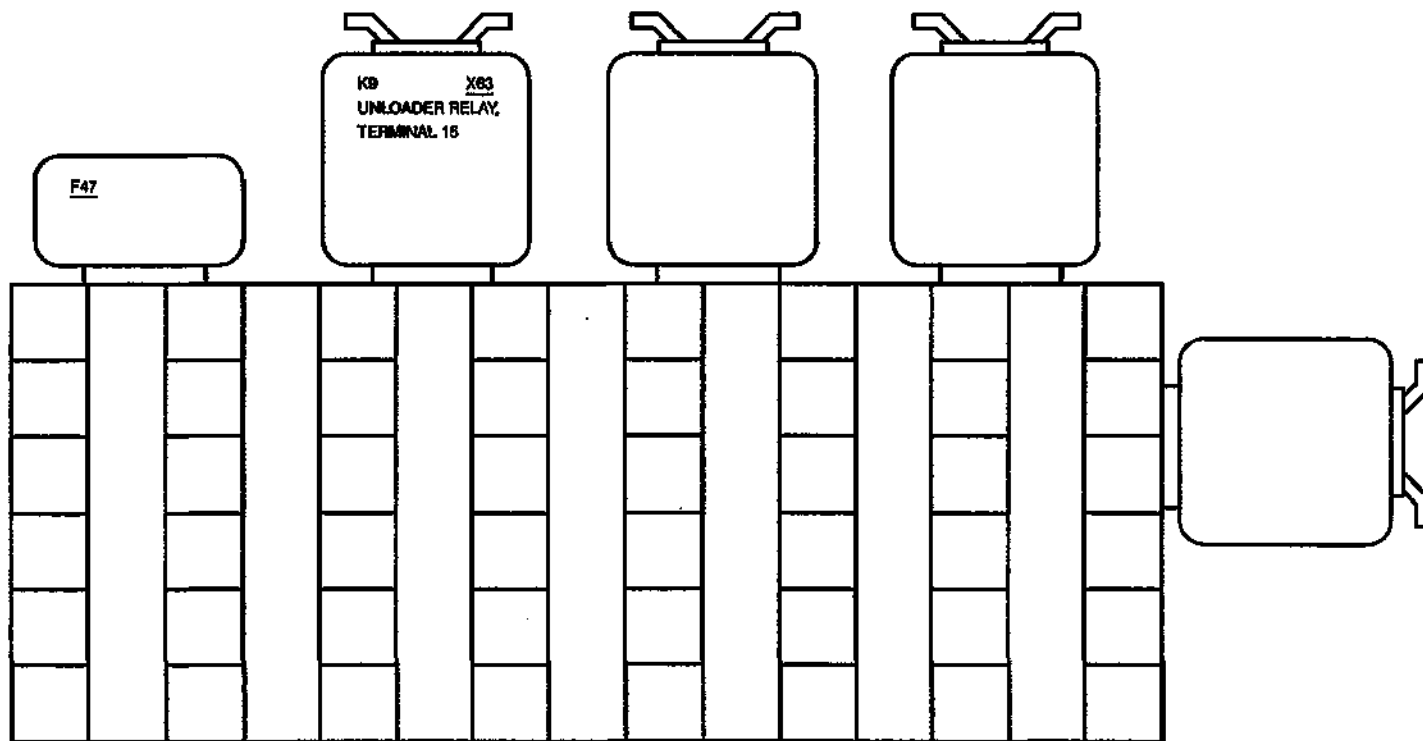
RELAY PANEL UNDER LH SIDE OF DASHBOARD





POWER DISTRIBUTION CHART

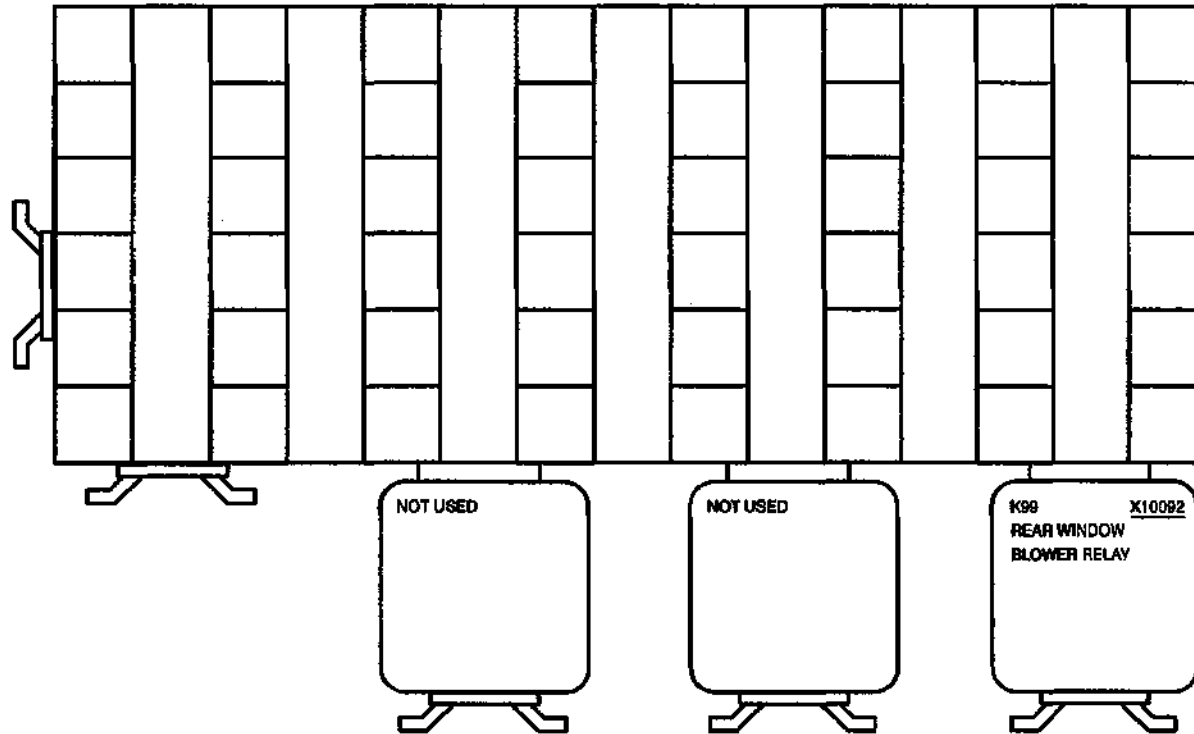
SPLICE PANEL UNDER LH SIDE OF DASHBOARD





POWER DISTRIBUTION CHART

SPLICE PANEL UNDER RH SIDE OF DASHBOARD





FUSE CHART

FUSES 1 TO 29

	FUSE NUMBER																												
	1	2	3	4	5	6	7	8	9	10	11	12	13	14	15	16	17	18	19	20	21	22	23	24	25	26	27	28	29
	30A	15A	30A	15A	30A	20A	5A	15A	20A	30A	7.5A	7.5A	5A	30A	15A	5A	10A	15A	30A	30A	5A	5A	5A	10A	5A	10A	5A	5A	7.5A
1210.9 ENGINE CONTROL SYSTEM (DME M1.7, 4-CYLINDER M42)																●		●											●
1210.10 ENGINE CONTROL SYSTEM MS40 (6-CYLINDER M50)																●		●											●
1210.13 ENGINE CONTROL SYSTEM (DME M3.3.1, 6-CYLINDER M50)																●		●											●
1210.14 ENGINE CONTROL SYSTEM (DME M3.3, 6-CYLINDER S50 B30)																●		●											
1210.17 ENGINE CONTROL SYSTEM MS41.1 (6-CYLINDER M52)																●		●											
1210.20 ENGINE CONTROL SYSTEM (DME M5.2, 4-CYLINDER M44)																●		●											
1230.0 CHARGING SYSTEM																													
1240.0 START																													
2460.2 ELECTRONIC TRANSMISSION CONTROL (EGS A4S 310R)																											●		●
2460.4 ELECTRONIC TRANSMISSION CONTROL (EGS A5S 310Z)																											●		●
3234.0 SUPPLEMENTAL RESTRAINT SYSTEM (AIR BAG)																											●		●
3450.0 SLIP CONTROL (ABS)										●											●		●					●	
3450.1 SLIP CONTROL (ABS/ASC)										●											●						●	●	
5116.0 POWER MIRRORS																									●				
5126.0 ZKE CENTRAL LOCKING (ZV)								●																			●		●
5133.1 POWER WINDOWS (FH)															●					●									
5200.0 POWER SEATS					●																								
5203.0 HEATED SEATS			●																				●						
5410.1 POWER SUN ROOF (SHD)	●																												
5430.1 ELECTRICAL CONVERTIBLE TOP								●																				●	



FUSE CHART

FUSES 1 TO 29

	FUSE NUMBER																												
	1	2	3	4	5	6	7	8	9	10	11	12	13	14	15	16	17	18	19	20	21	22	23	24	25	26	27	28	29
	30A	15A	30A	15A	30A	20A	5A	15A	20A	30A	7.5A	7.5A	5A	30A	15A	5A	10A	15A	30A	30A	5A	5A	5A	10A	5A	10A	5A	5A	7.5A
6100.0							•							•															
6133.0								•																					
6135.0																													•
6160.1			•																										
6167.1			•																										
6211.0																							•					•	
6213.2																							•				•	•	
6214.0																							•					•	
6300.0																						•				•			
6312.0										•	•			•		•							•		•				•
6313.0																							•						
6314.0																													
6320.0																													
6322.0																											•		
6325.0																													
6330.3								•																					
6332.1																													
6350.0																													
6412.5																							•						
6424.0							•																	•					



FUSE CHART

FUSES 1 TO 29

	FUSE NUMBER																												
	1	2	3	4	5	6	7	8	9	10	11	12	13	14	15	16	17	18	19	20	21	22	23	24	25	26	27	28	29
	30A	15A	30A	16A	30A	20A	5A	15A	20A	30A	7.5A	7.5A	6A	30A	15A	5A	10A	15A	30A	30A	5A	6A	6A	10A	5A	10A	5A	5A	7.5A
6450.4 INTEGRATED CLIMATE REGULATION (IHKR E36)																●				●			●						
6450.7 INTEGRATED CLIMATE REGULATION (IHKA E36)																●				●			●						
6510.0 RADIO/CD PLAYER (PROVISIONS)								●																					
6510.1 RADIO/HIFI							●																						
6561.0 CELLULAR TELEPHONE (PROVISIONS)																													
6571.0 CRUISE CONTROL (TEMPOMAT)																												●	
6575.2 ANTI-THEFT SYSTEM (ALPINE)																													
6581.2 ON-BOARD COMPUTER (BC V)										●	●												●			●	●		

04/97

0670.1-02

1996



FUSE CHART

FUSES 30 TO 48

	FUSE NUMBER																		
	30	31	32	33	34	35	36	37	38	39	40	41	42	43	44	45	46	47	48
	7.5A	5A	30A	10A	15A	25A	30A	10A	30A	7.5A	30A	30A	7.5A	5A	15A	7.5A	15A	15A	40A
1210.9 ENGINE CONTROL SYSTEM (DME M1.7, 4-CYLINDER M42)																			
1210.10 ENGINE CONTROL SYSTEM MS40 (6-CYLINDER M50)										●									
1210.13 ENGINE CONTROL SYSTEM (DME M3.3.1, 6-CYLINDER M50)										●									
1210.14 ENGINE CONTROL SYSTEM (DME M3.3, 6-CYLINDER S50 B30)										●									
1210.17 ENGINE CONTROL SYSTEM MS41.1 (6-CYLINDER M52)										●							●		
1210.20 ENGINE CONTROL SYSTEM (DME M5.2, 4-CYLINDER M44)																			
1230.0 CHARGING SYSTEM																			
1240.0 START																			
2460.2 ELECTRONIC TRANSMISSION CONTROL (EGS A4S 310R)																	●		
2460.4 ELECTRONIC TRANSMISSION CONTROL (EGS A5S 310Z)																			
3234.0 SUPPLEMENTAL RESTRAINT SYSTEM (AIR BAG)													●	●					
3450.0 SLIP CONTROL (ABS)										●							●	●	
3450.1 SLIP CONTROL (ABS/ASC)										●							●		
5116.0 POWER MIRRORS																			
5128.0 ZKE CENTRAL LOCKING (ZV)										●									
5133.1 POWER WINDOWS (FH)																			
5200.0 POWER SEATS													●						
5203.0 HEATED SEATS																			
5410.1 POWER SUN ROOF (SHD)																			
5430.1 ELECTRICAL CONVERTIBLE TOP										●							●	●	



FUSE CHART

FUSES 30 TO 48

	FUSE NUMBER																		
	30	31	32	33	34	35	36	37	38	39	40	41	42	43	44	45	46	47	48
	7.5A	5A	30A	10A	15A	25A	30A	10A	30A	7.5A	30A	30A	7.5A	5A	15A	7.5A	15A	15A	40A
6100.0				●		●								●					
6133.0																			
6135.0		●															●		
6160.1							●	●							●				
6167.1							●								●				
6211.0		●															●		
6213.2		●														●	●		
6214.0		●														●	●		
6300.0				●				●											
6312.0	●																		
6313.0					●														
6314.0				●				●											
6320.0				●				●											
6322.0																			
6325.0																	●		
6330.3				●										●					
6332.1		●	●					●							●				
6350.0					●														
6412.5																			
6424.0																			



FUSE CHART

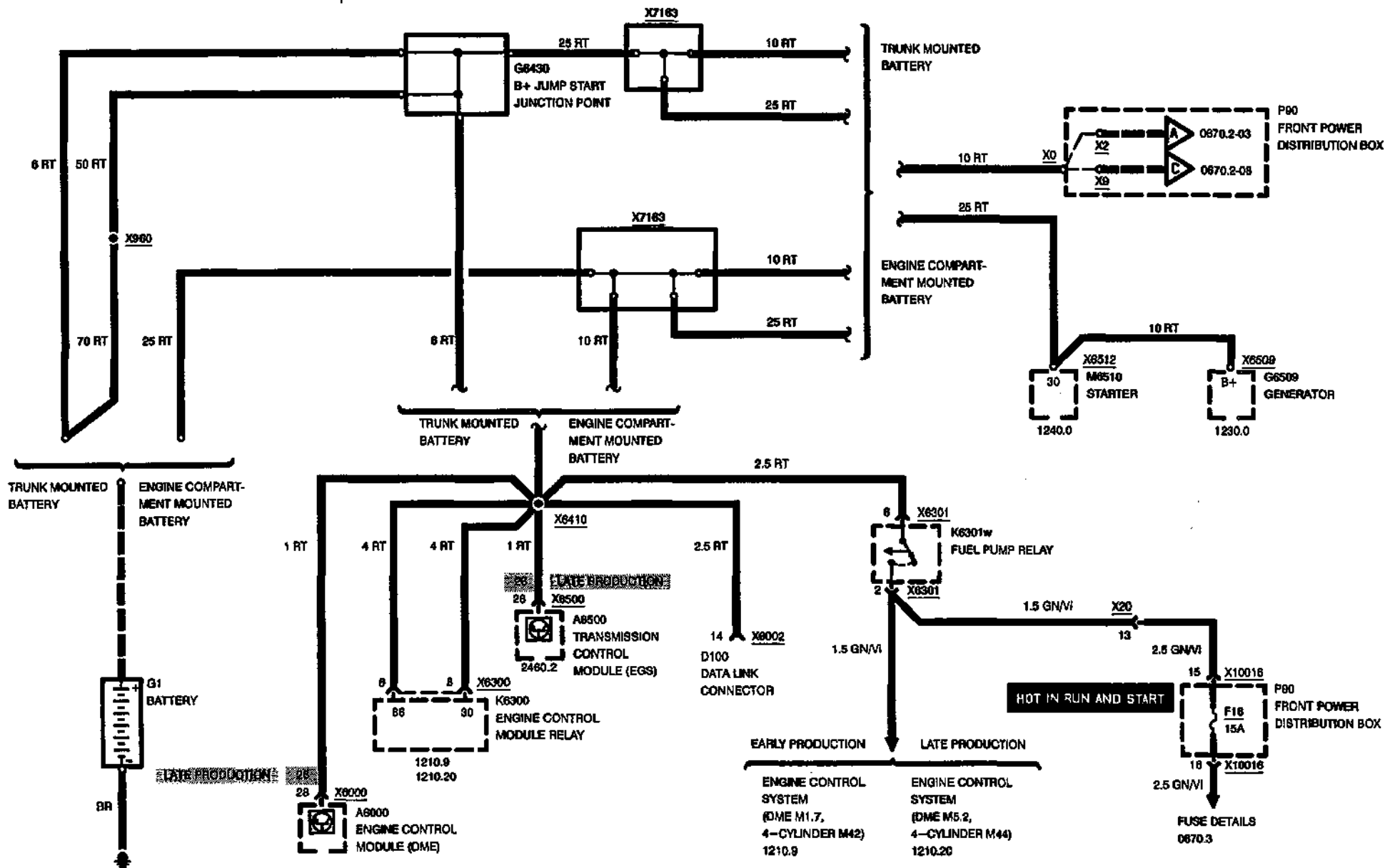
FUSES 30 TO 48

	FUSE NUMBER																		
	30	31	32	33	34	35	36	37	38	39	40	41	42	43	44	45	46	47	48
	7.5A	5A	30A	10A	15A	25A	30A	10A	30A	7.5A	30A	30A	7.5A	5A	15A	7.5A	15A	15A	40A
6450.4 INTEGRATED CLIMATE REGULATION (IHKR E36)		●						●		●		●							●
6450.7 INTEGRATED CLIMATE REGULATION (IHKA E36)		●								●		●							●
6510.0 RADIO/CD PLAYER (PROVISIONS)																●			
6561.0 CELLULAR TELEPHONE (PROVISIONS)				●											●				
6571.0 CRUISE CONTROL (TEMPOMAT)																	●		
6575.2 ANTI-THEFT SYSTEM (ALPINE)															●			●	
6581.2 ON-BOARD COMPUTER (BC V)		●		●				●								●			



POWER DISTRIBUTION

318is



04/97

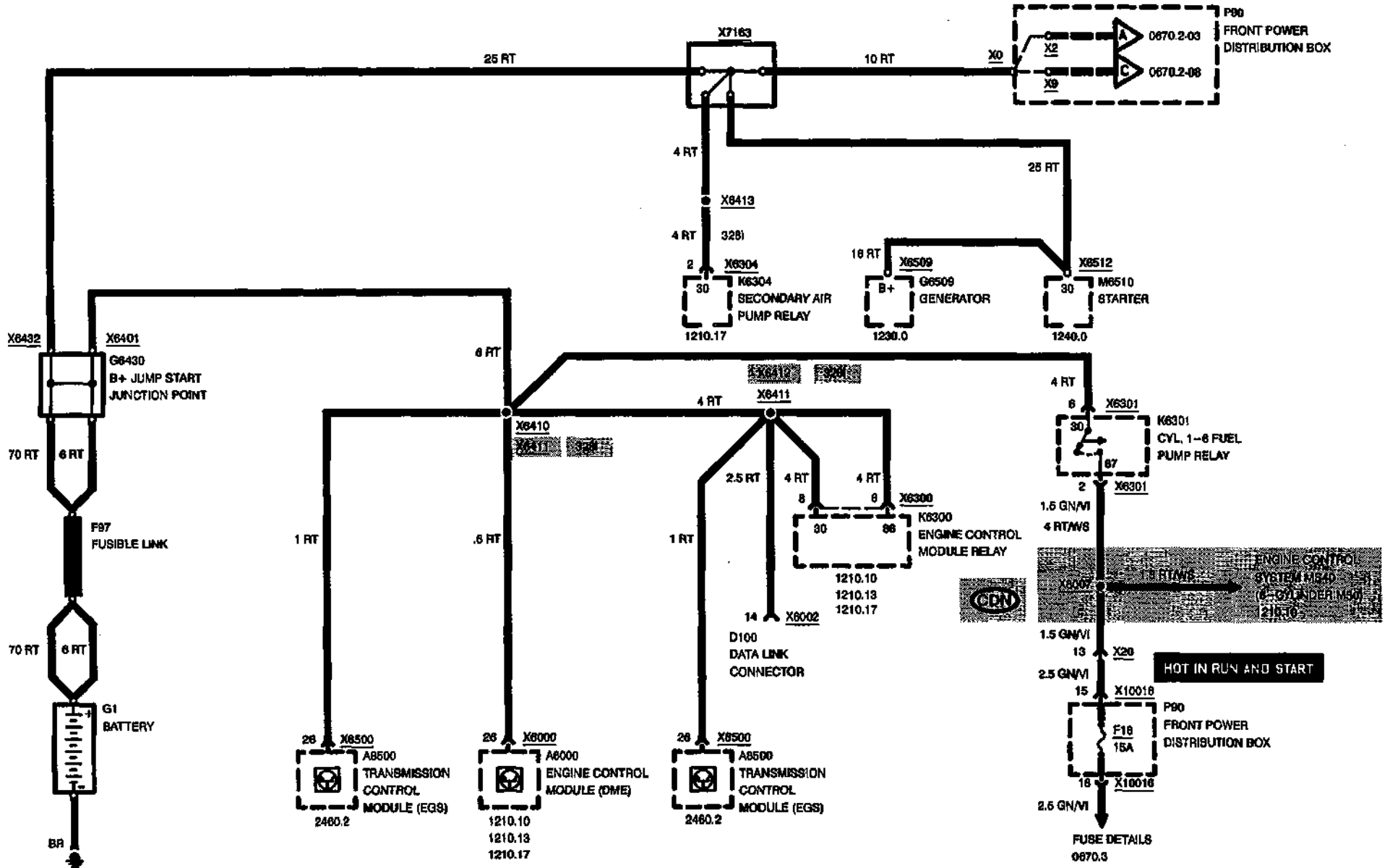
0670.2-00

1996



POWER DISTRIBUTION

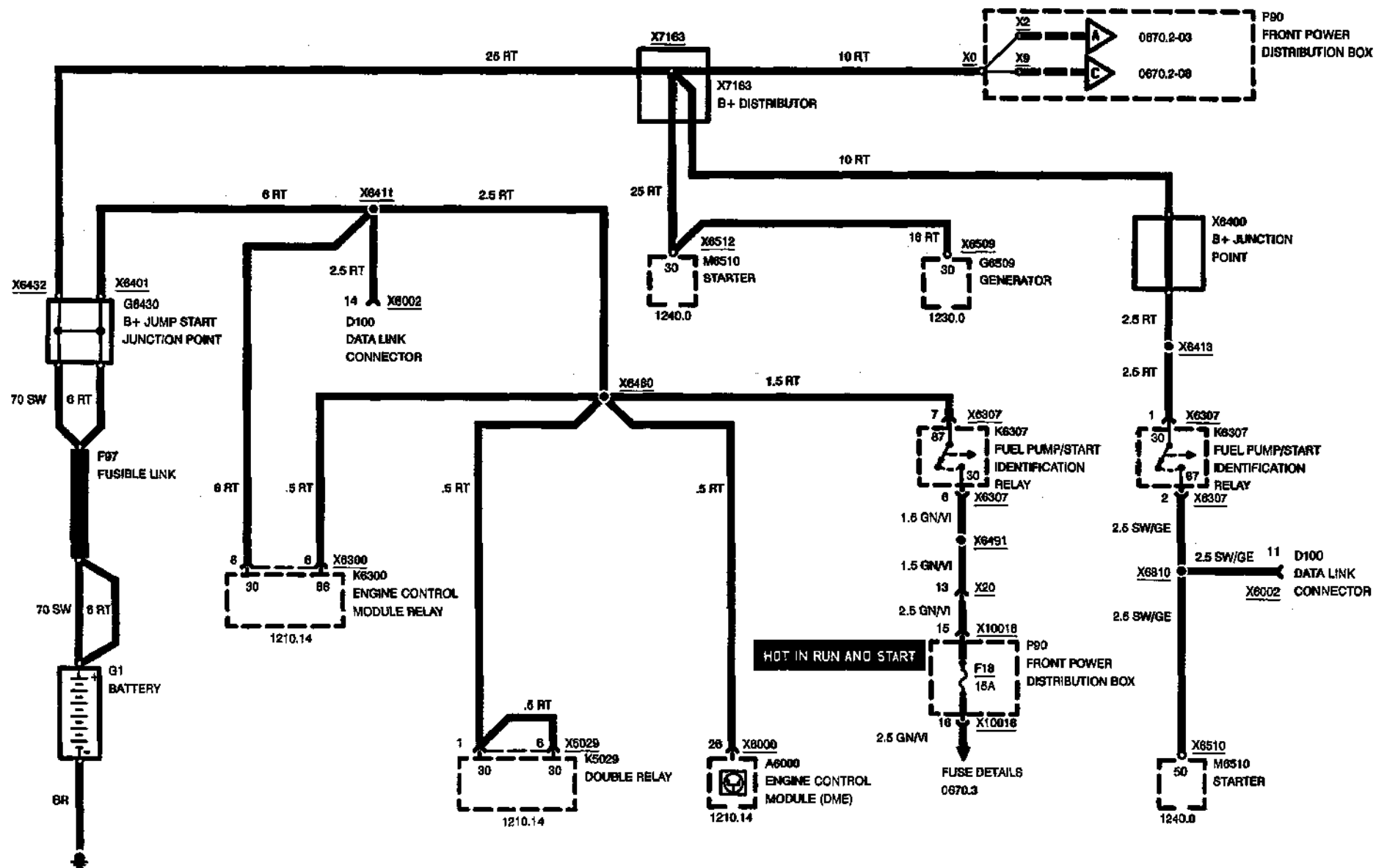
320i (CDM), 325i, 328i



04/97

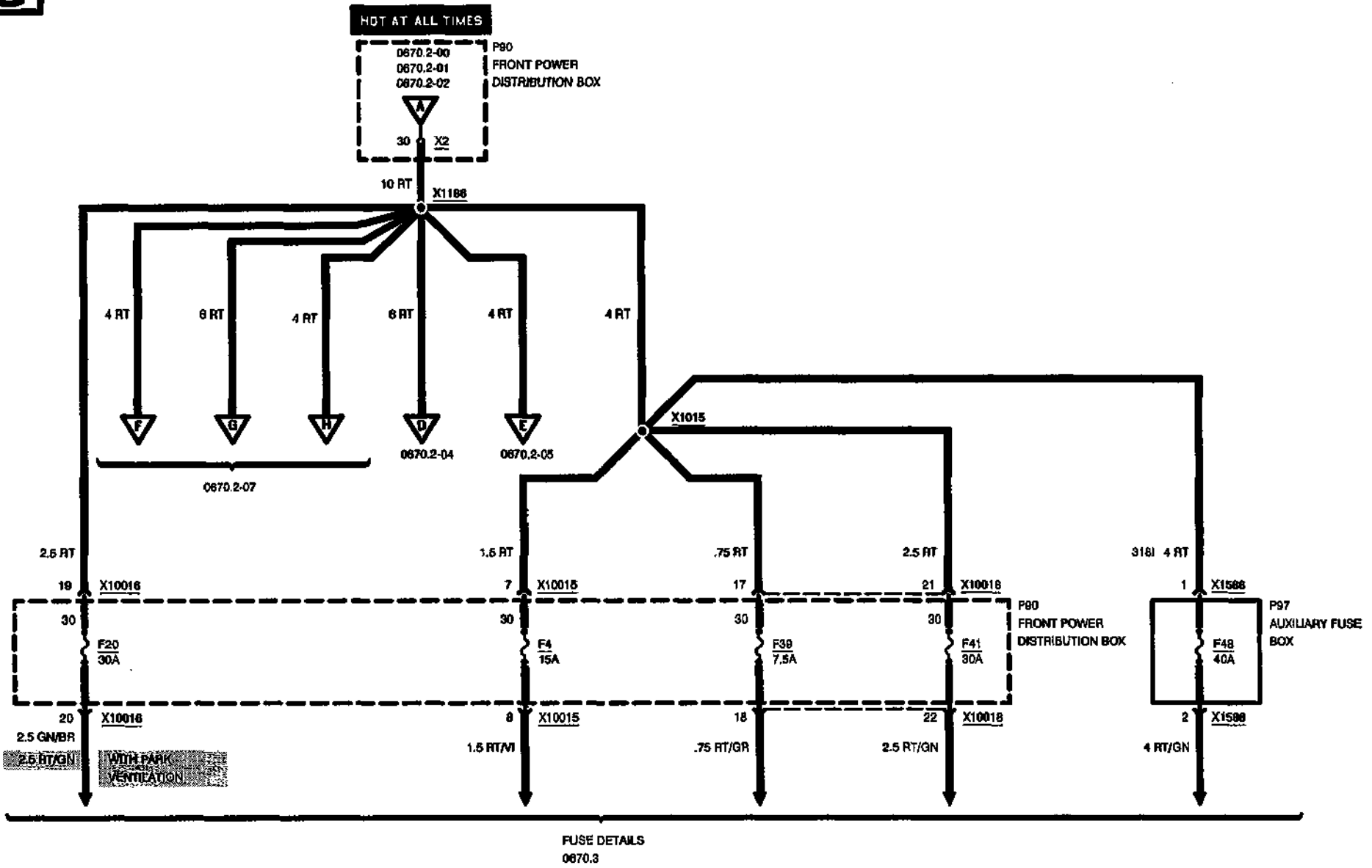
0670.2-01

1996



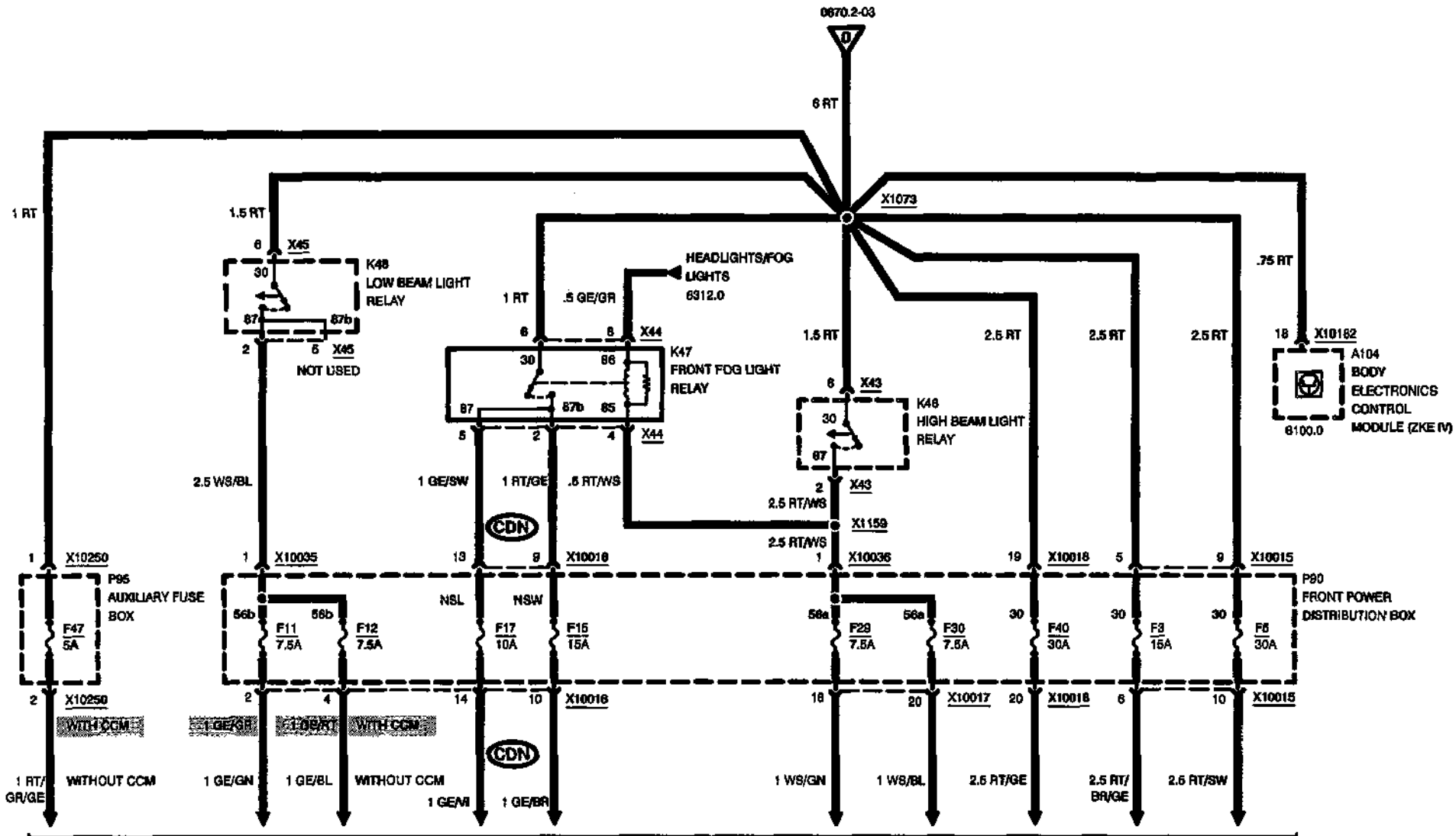


POWER DISTRIBUTION





POWER DISTRIBUTION



FUSE DETAILS
0670.3

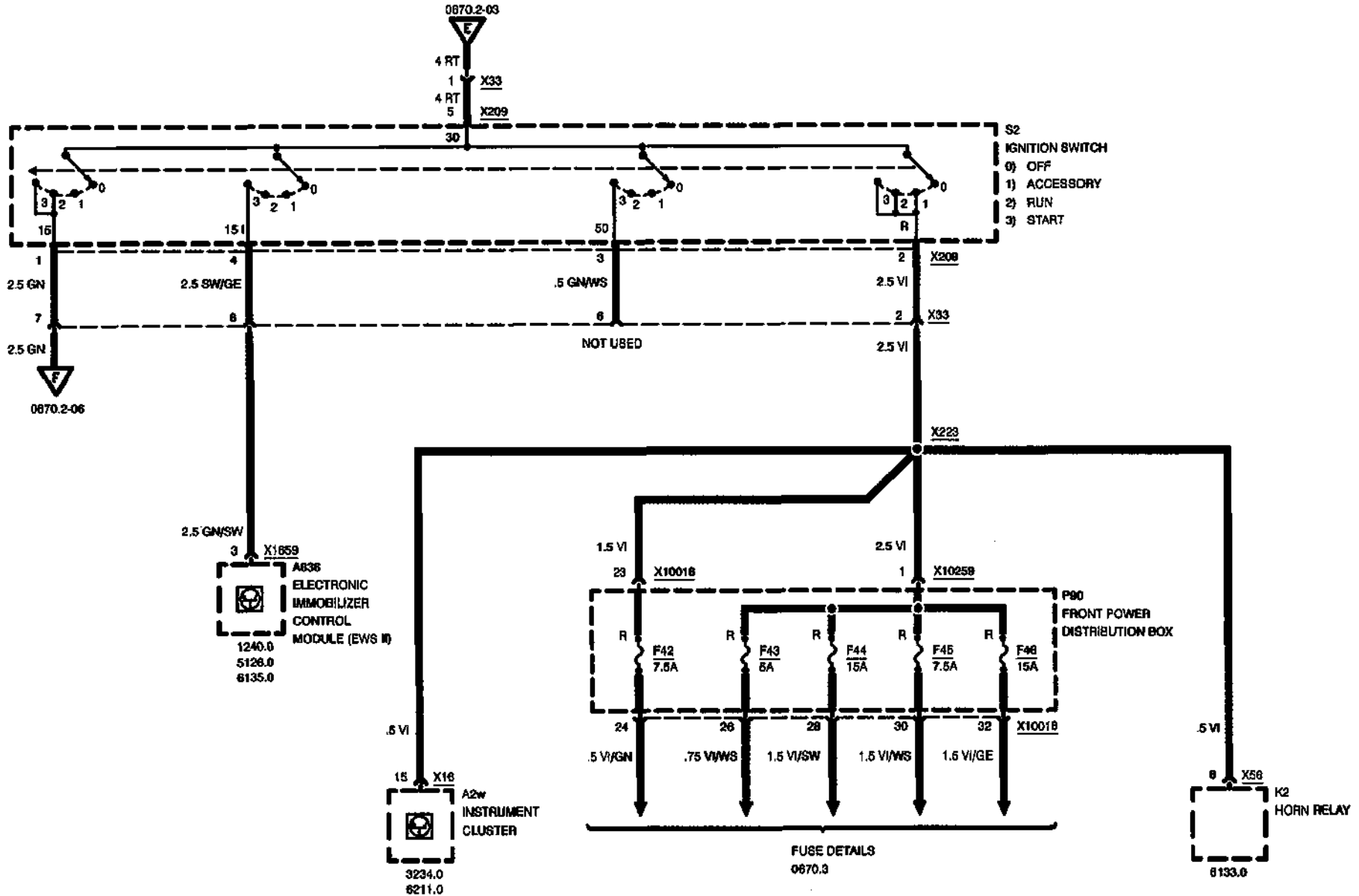
04/97

0670.2-04

1996



POWER DISTRIBUTION



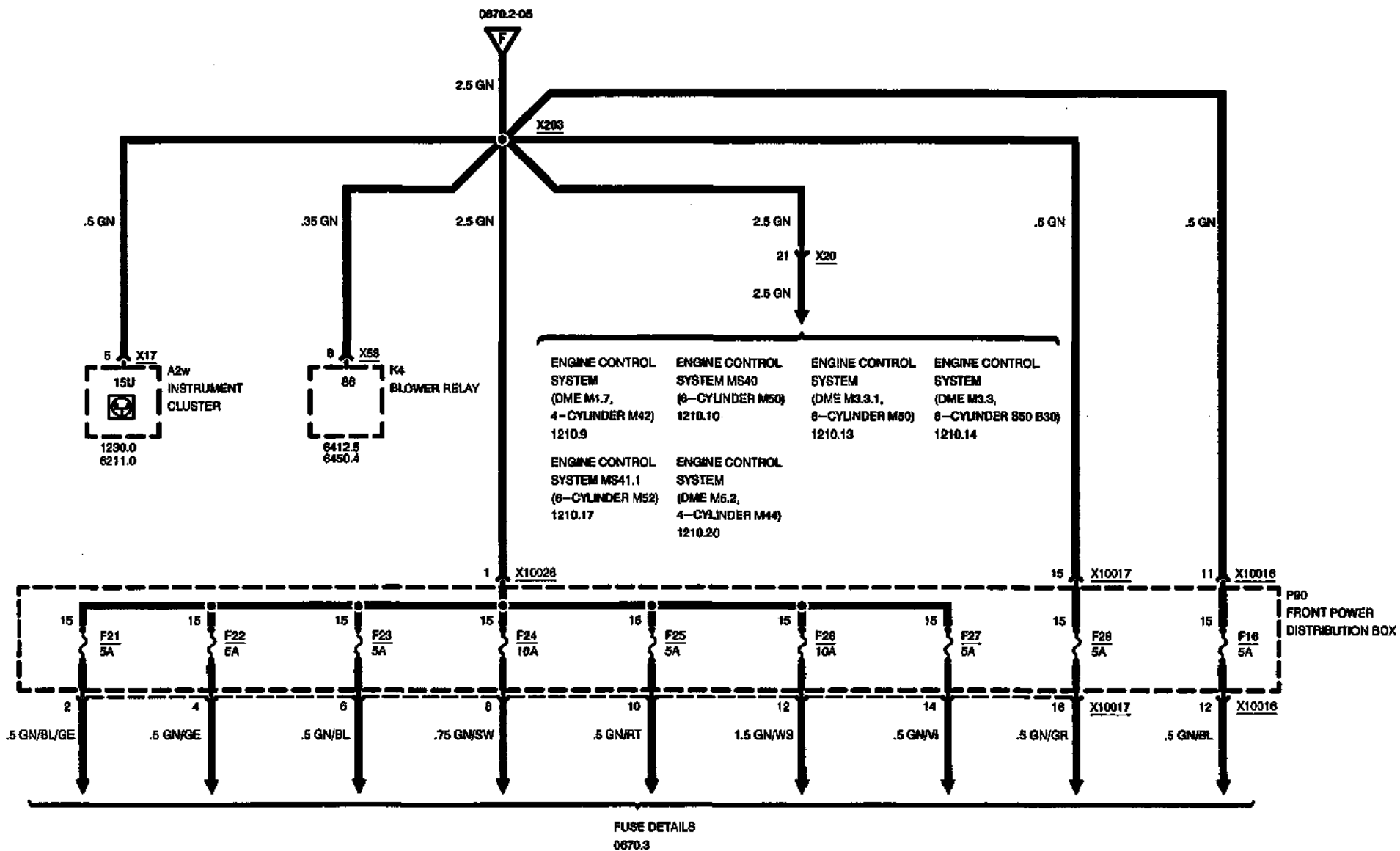
04/97

0670.2-05

1996



POWER DISTRIBUTION



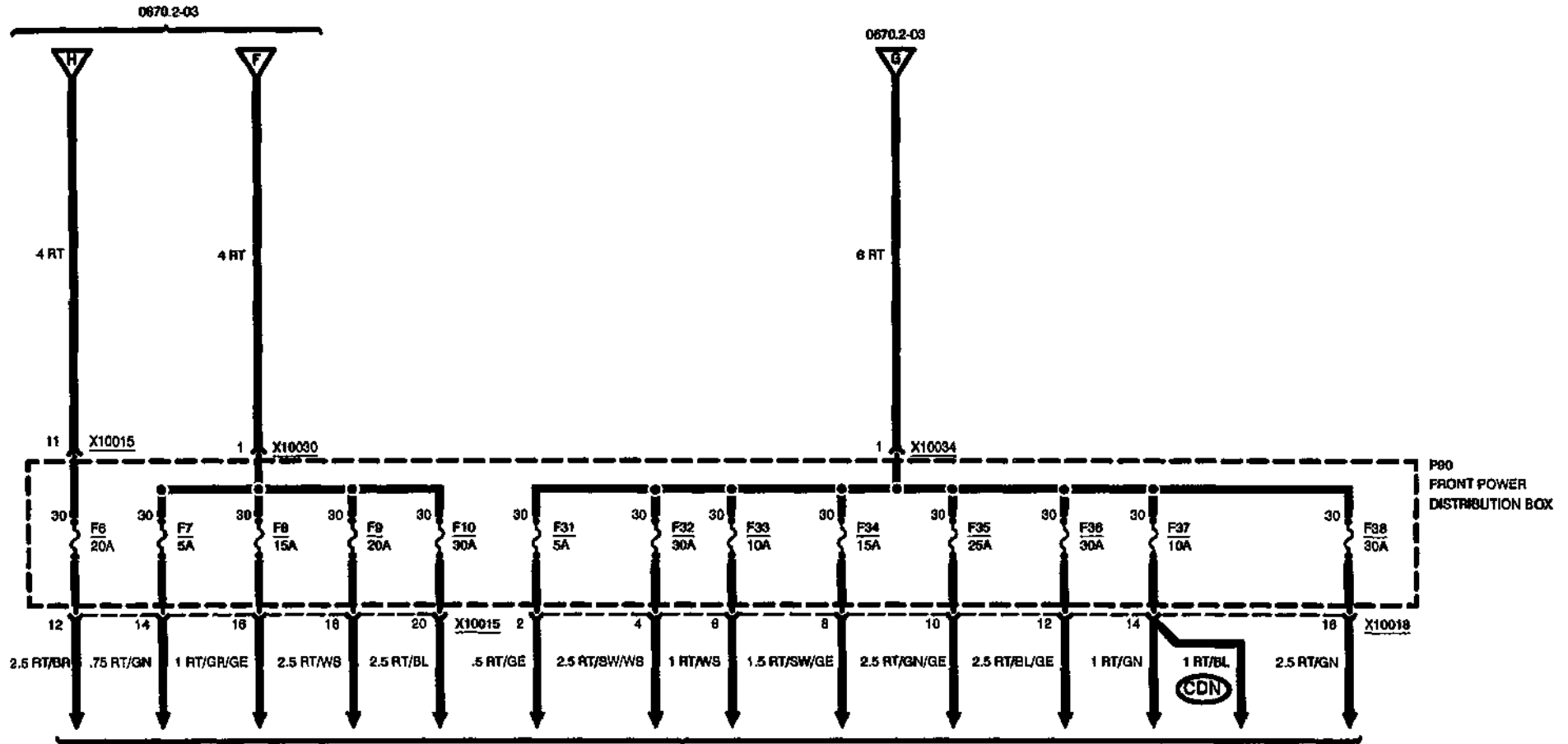
04/97

0670.2-06

1996



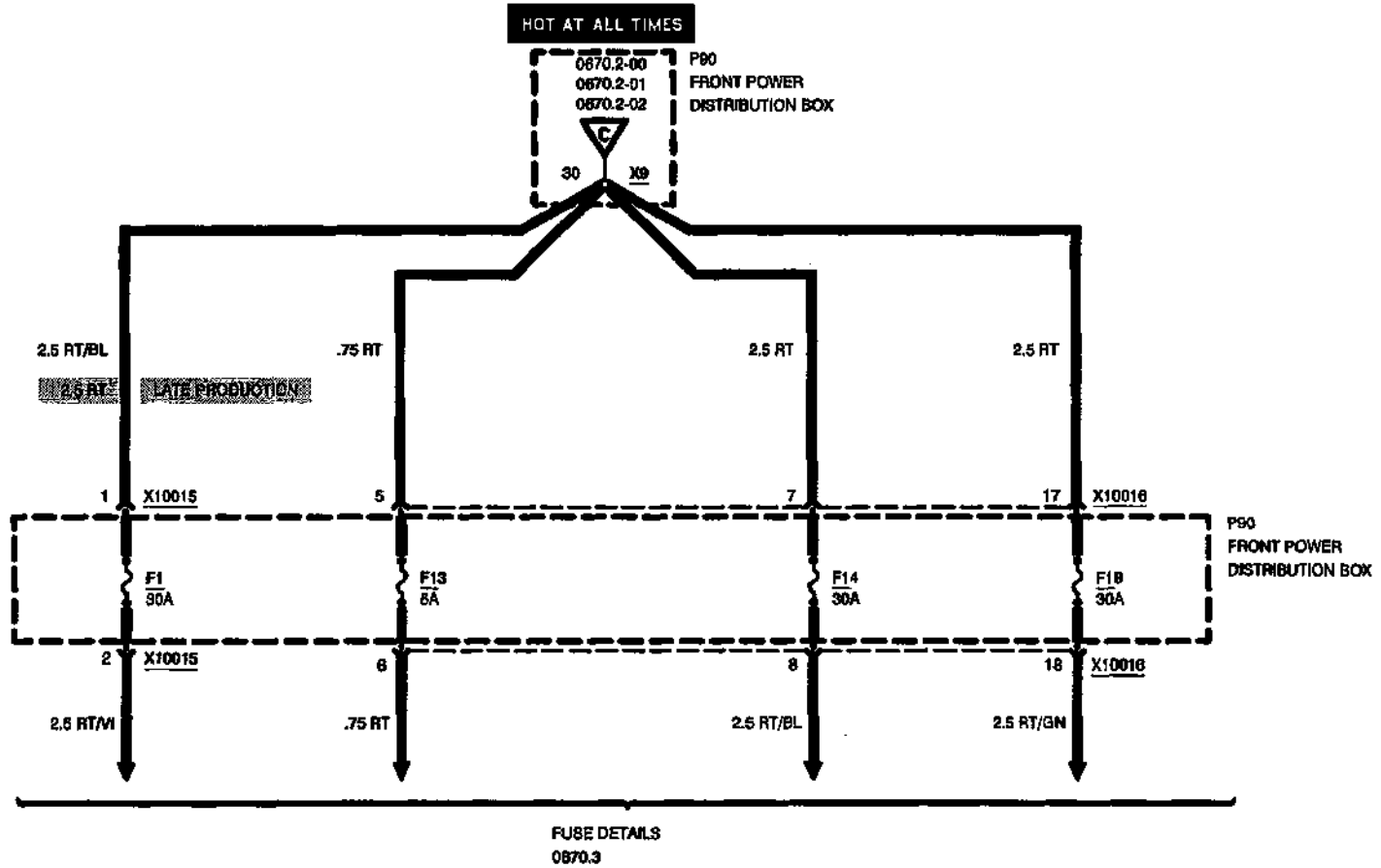
POWER DISTRIBUTION



FUSE DETAILS
0670.3



POWER DISTRIBUTION



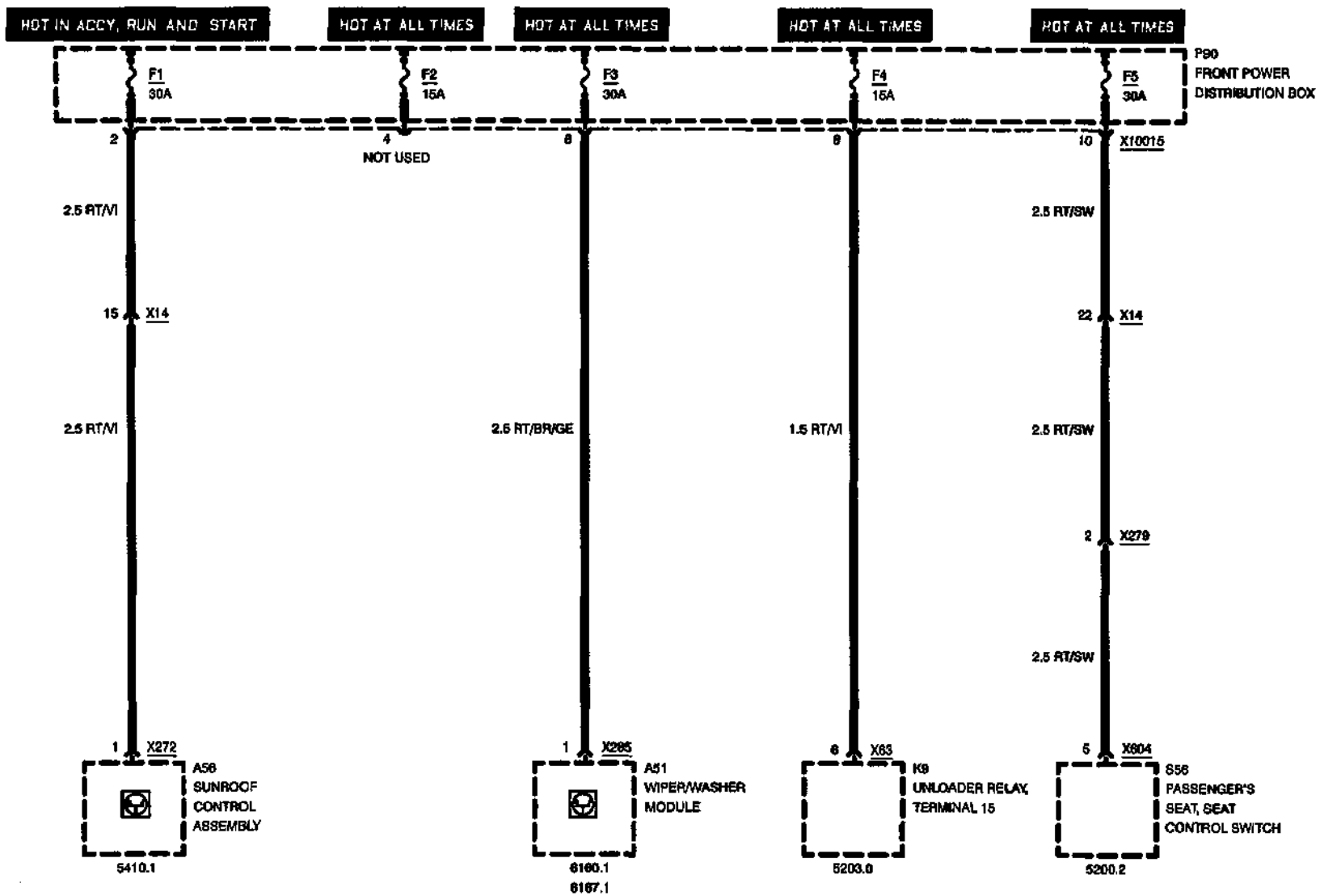


0670.3



FUSE DETAILS

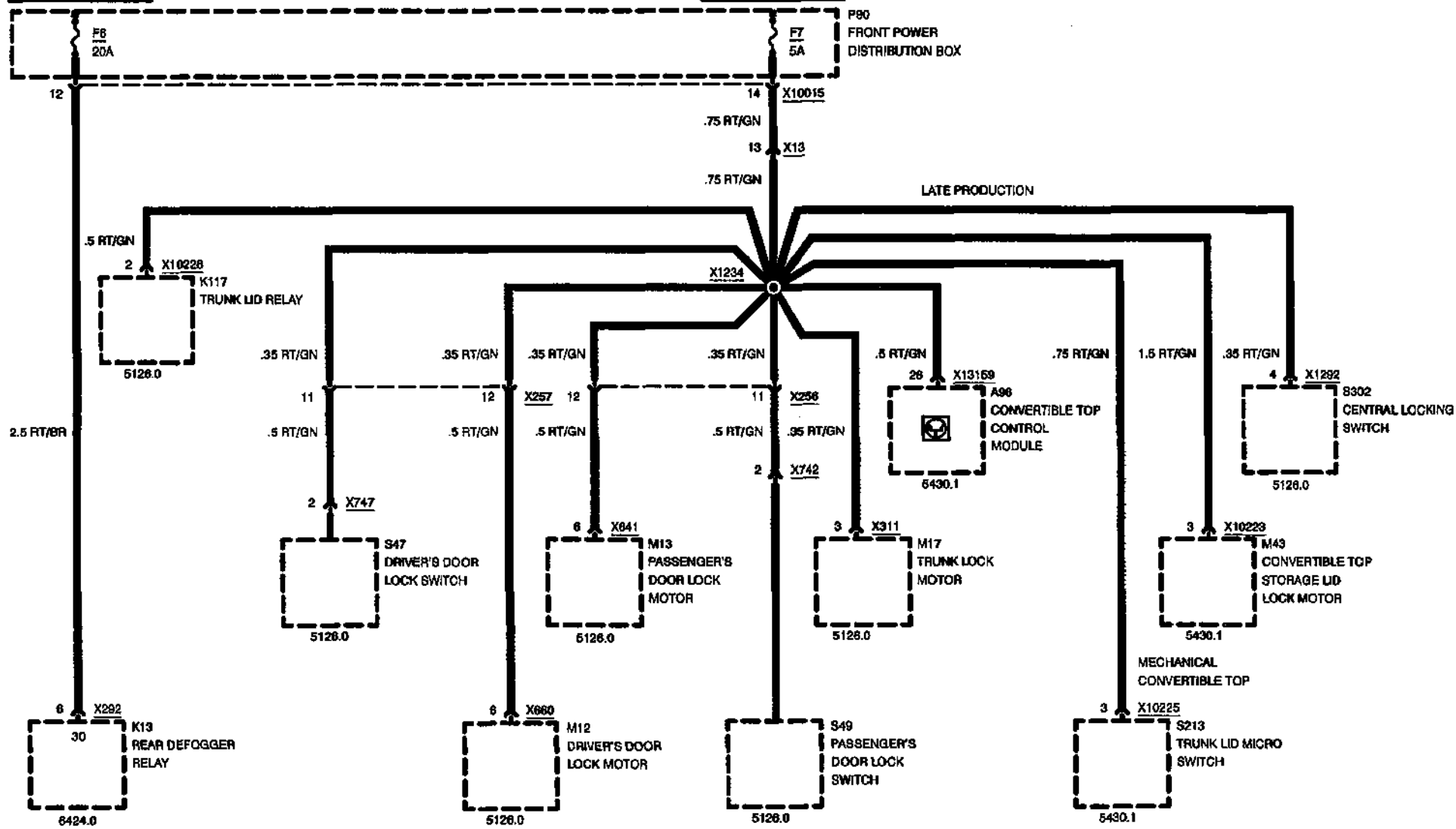
FUSES 1, 2, 3, 4, AND 5



BMW
3 **FUSE DETAILS**
FUSES 6 AND 7

HOT AT ALL TIMES

HOT AT ALL TIMES

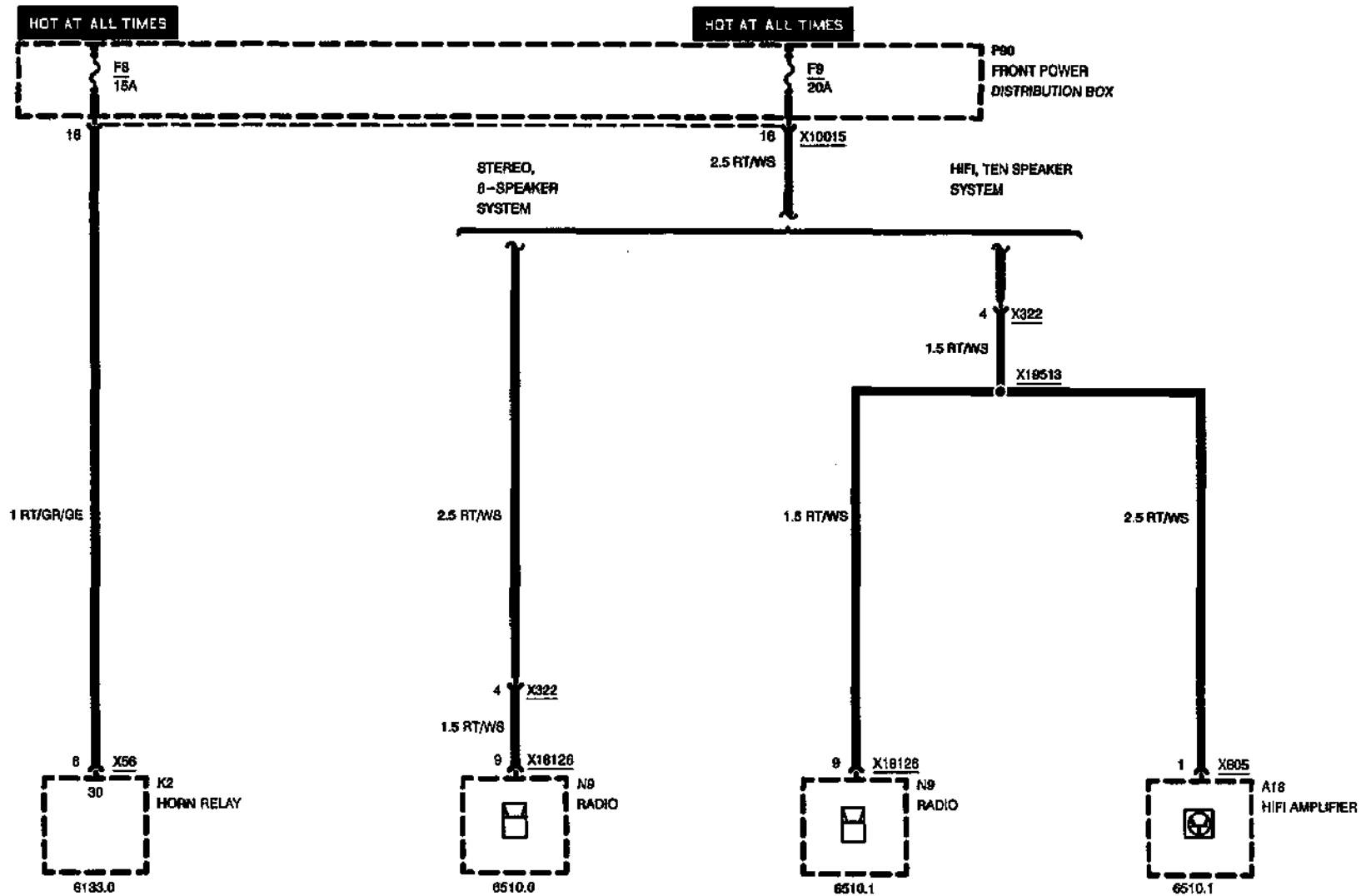


04/97

0670.3-01

1996

BMW 3 FUSE DETAILS
FUSES 8 AND 9



04/97

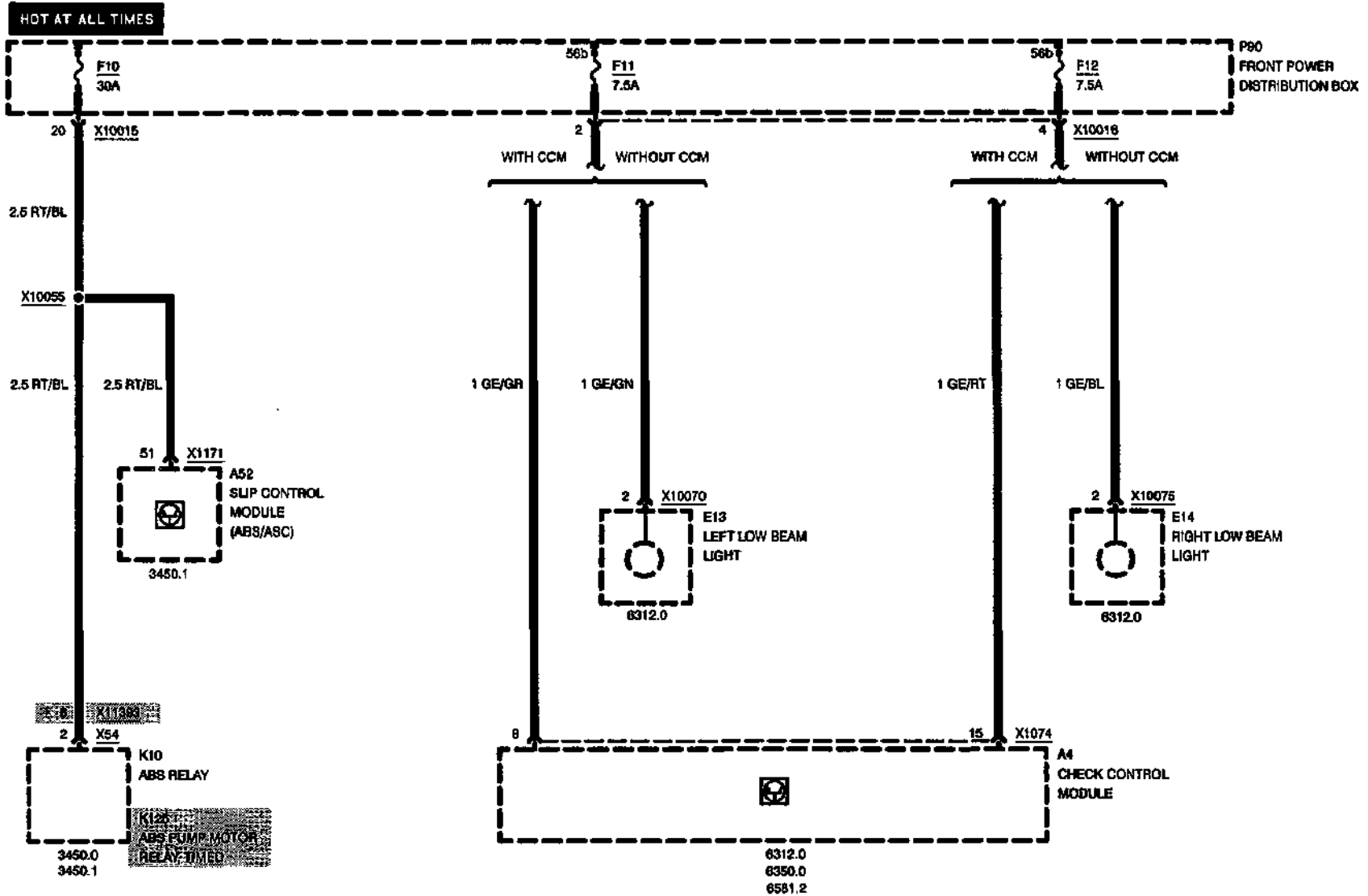
0670.3-02

1996



FUSE DETAILS

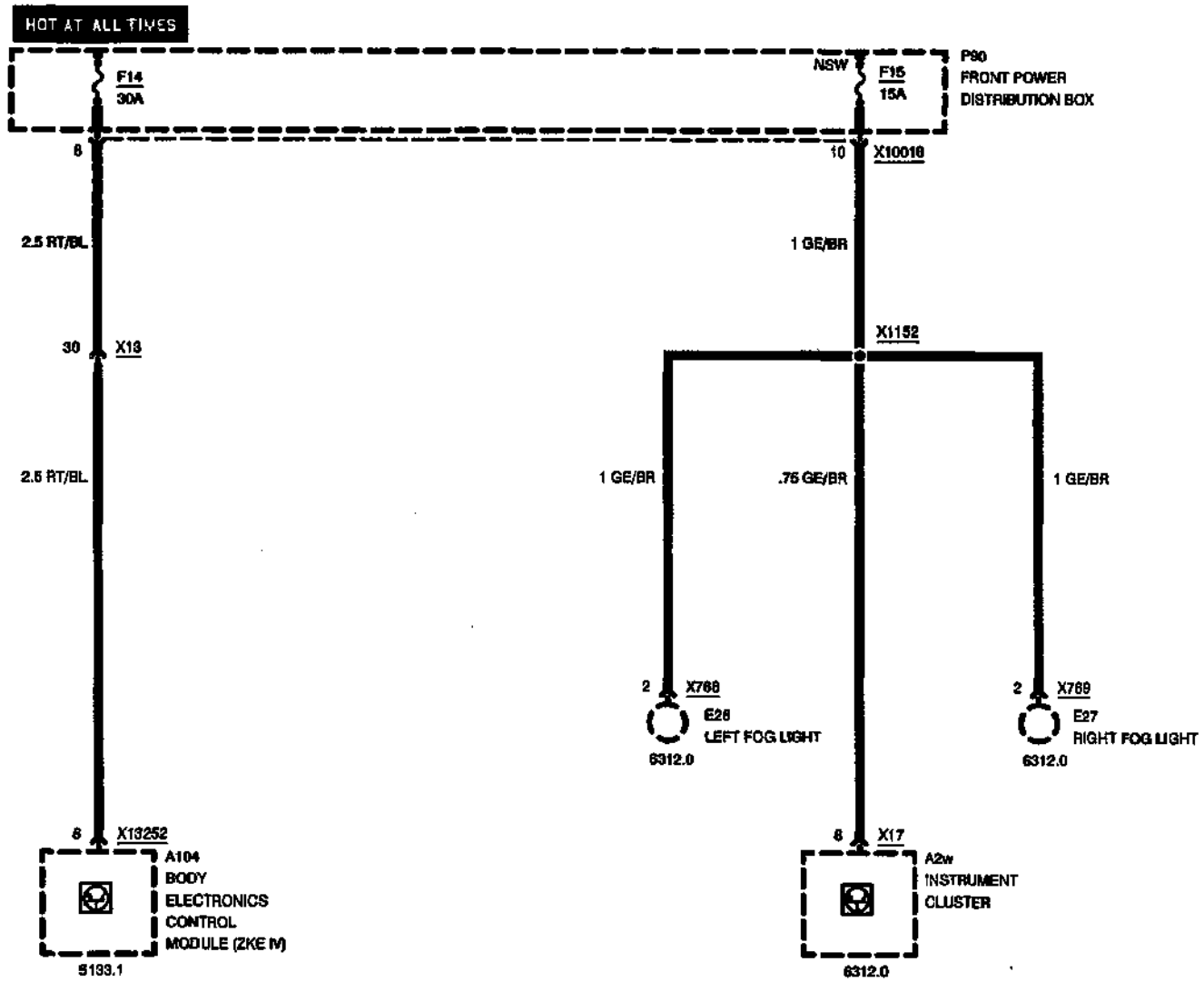
FUSES 10, 11, AND 12





FUSE DETAILS

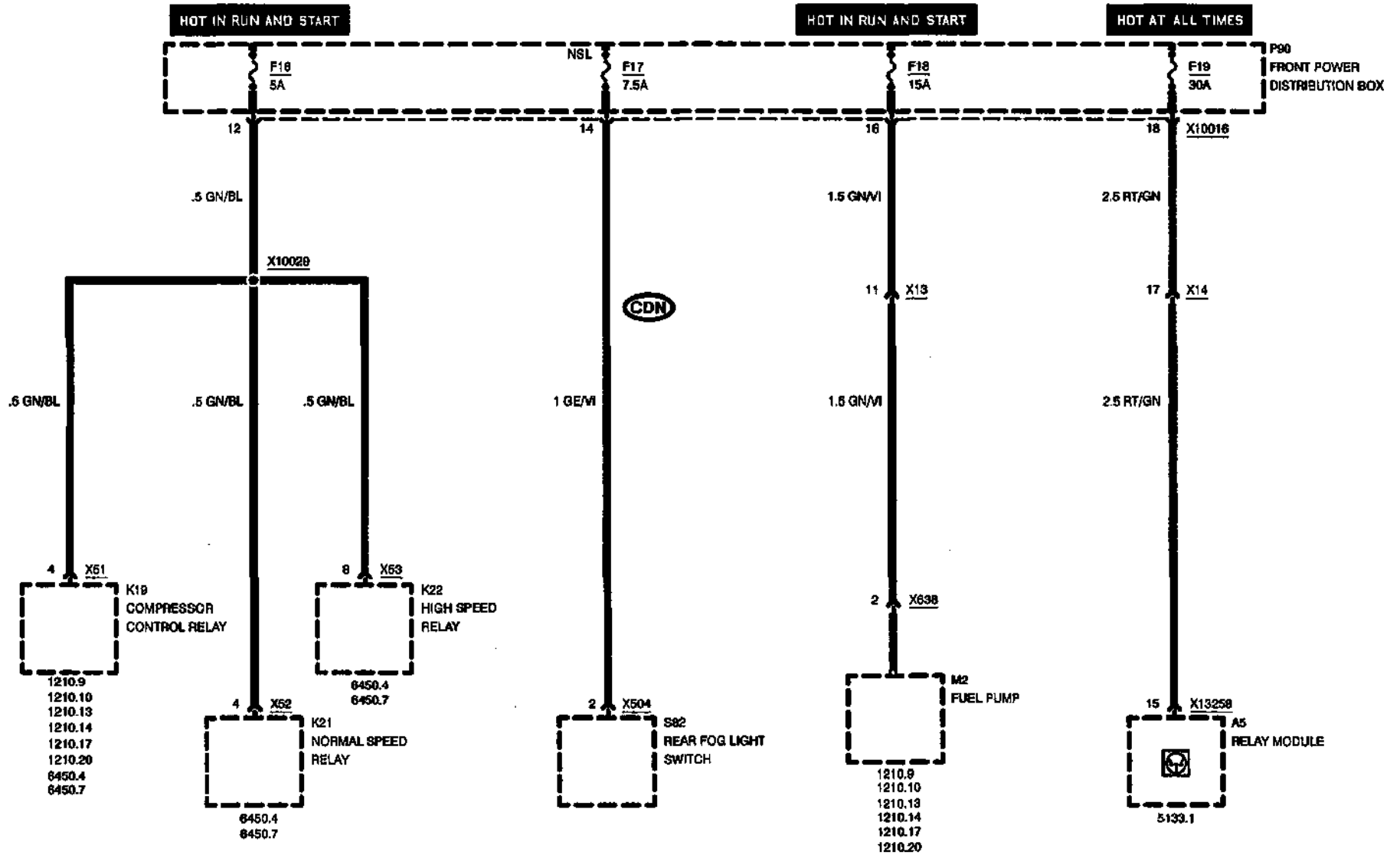
FUSES 14 AND 15





FUSE DETAILS

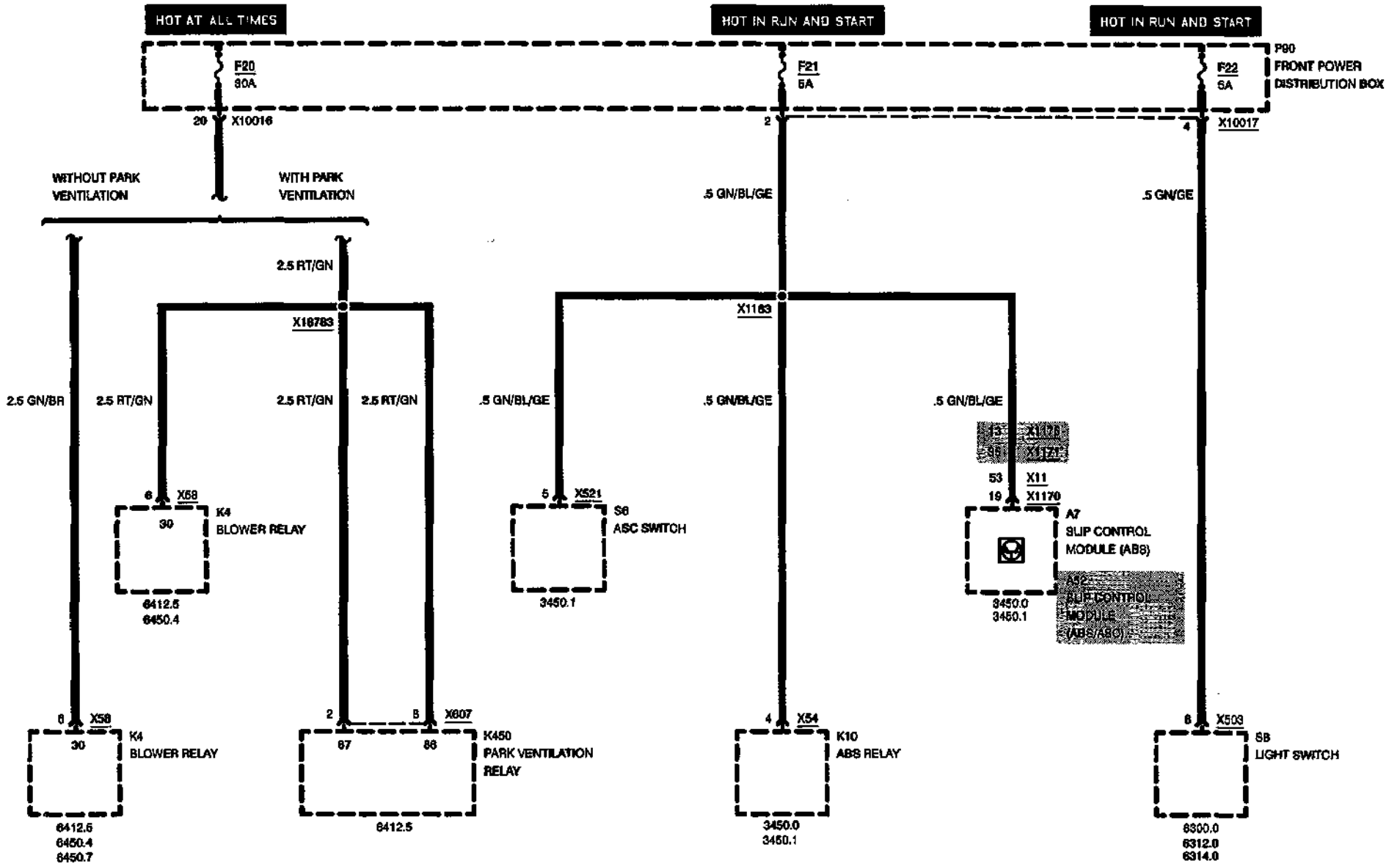
FUSES 16, 17, 18, AND 19





FUSE DETAILS

FUSES 20, 21, AND 22



04/97

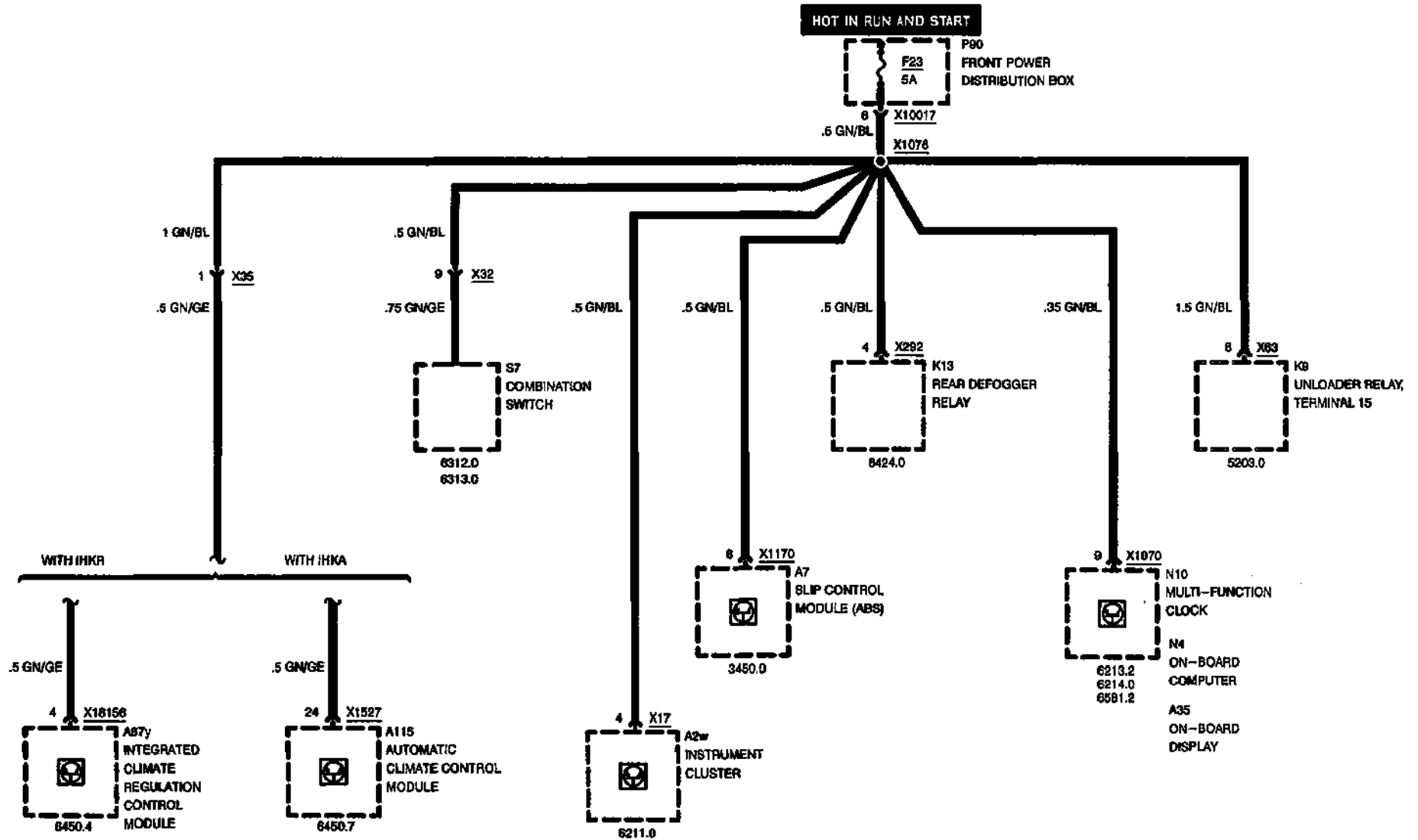
0670.3-06

1996



FUSE DETAILS

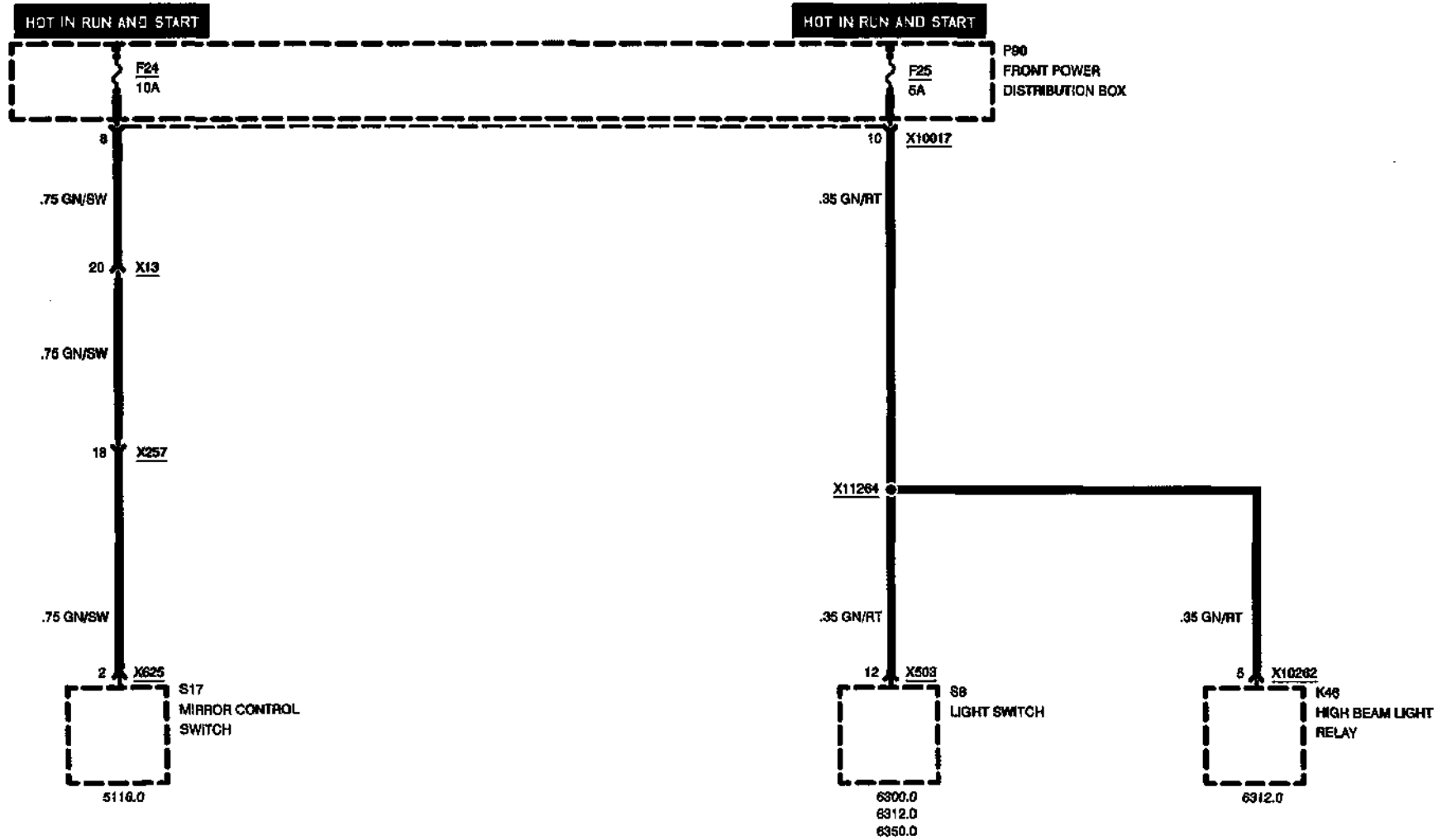
FUSE 23





FUSE DETAILS

FUSES 24 AND 25

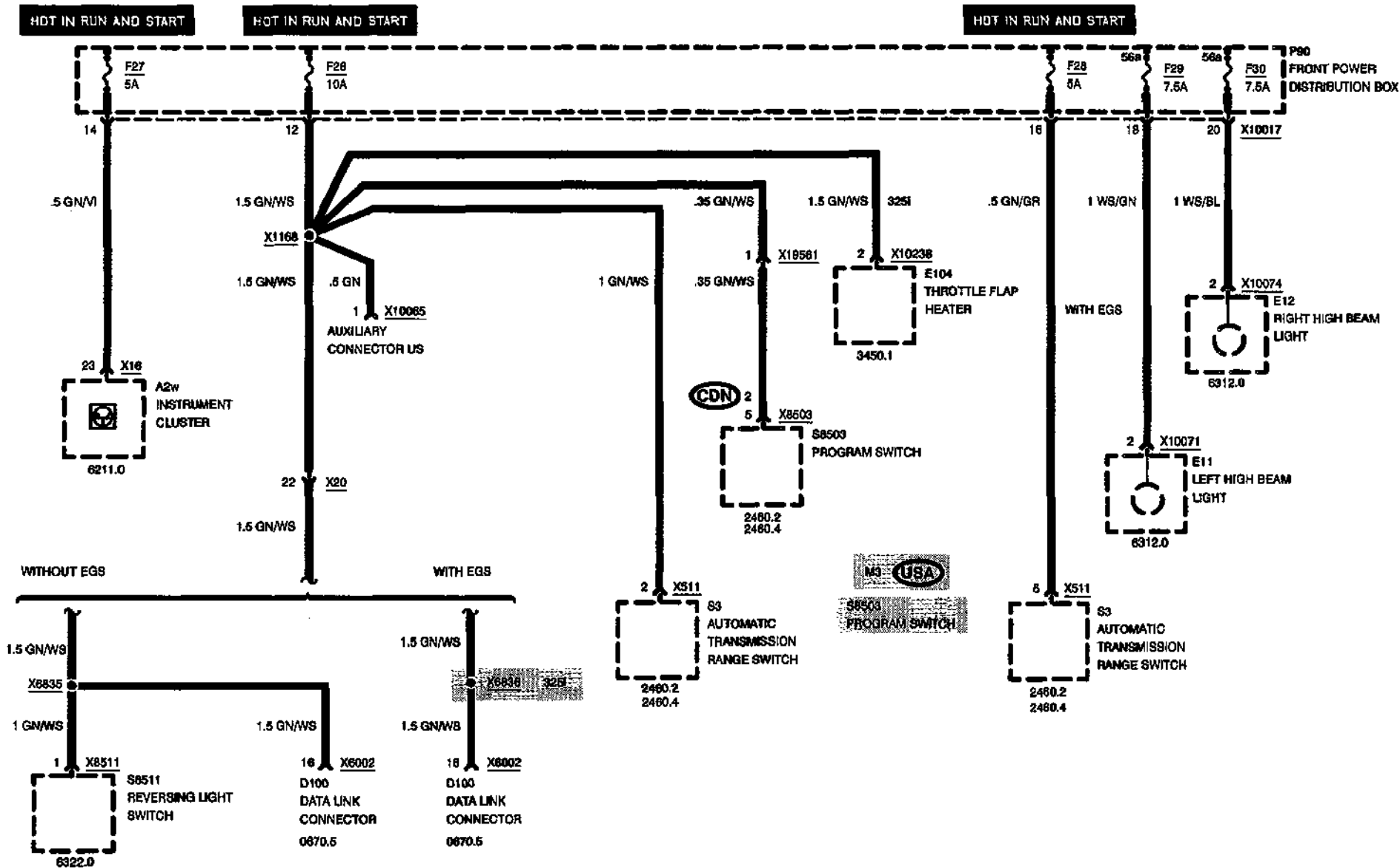


04/97

0670.3-08

1996

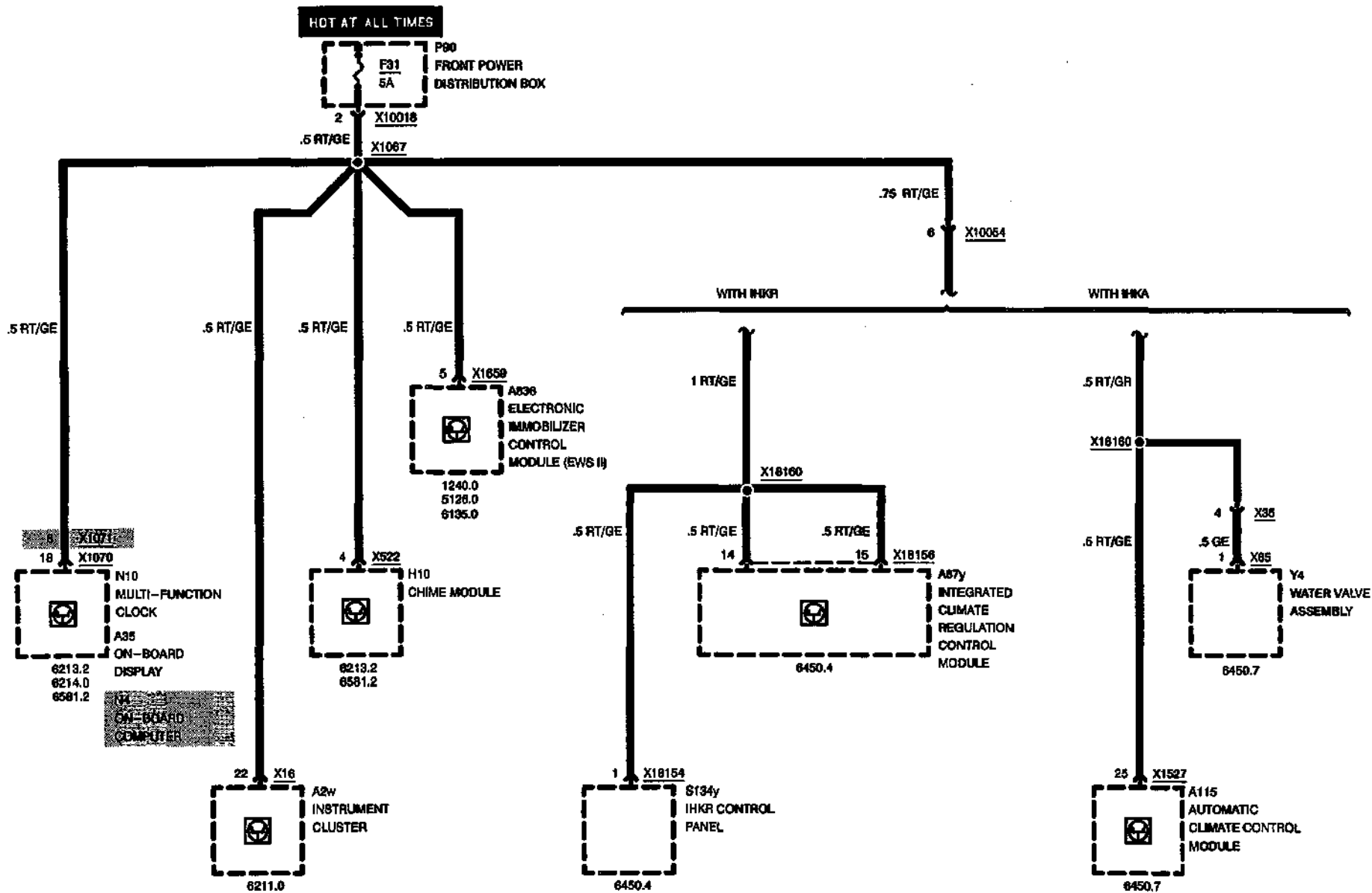
BMW 3 FUSE DETAILS
FUSES 26, 27, 28, 29, AND 30



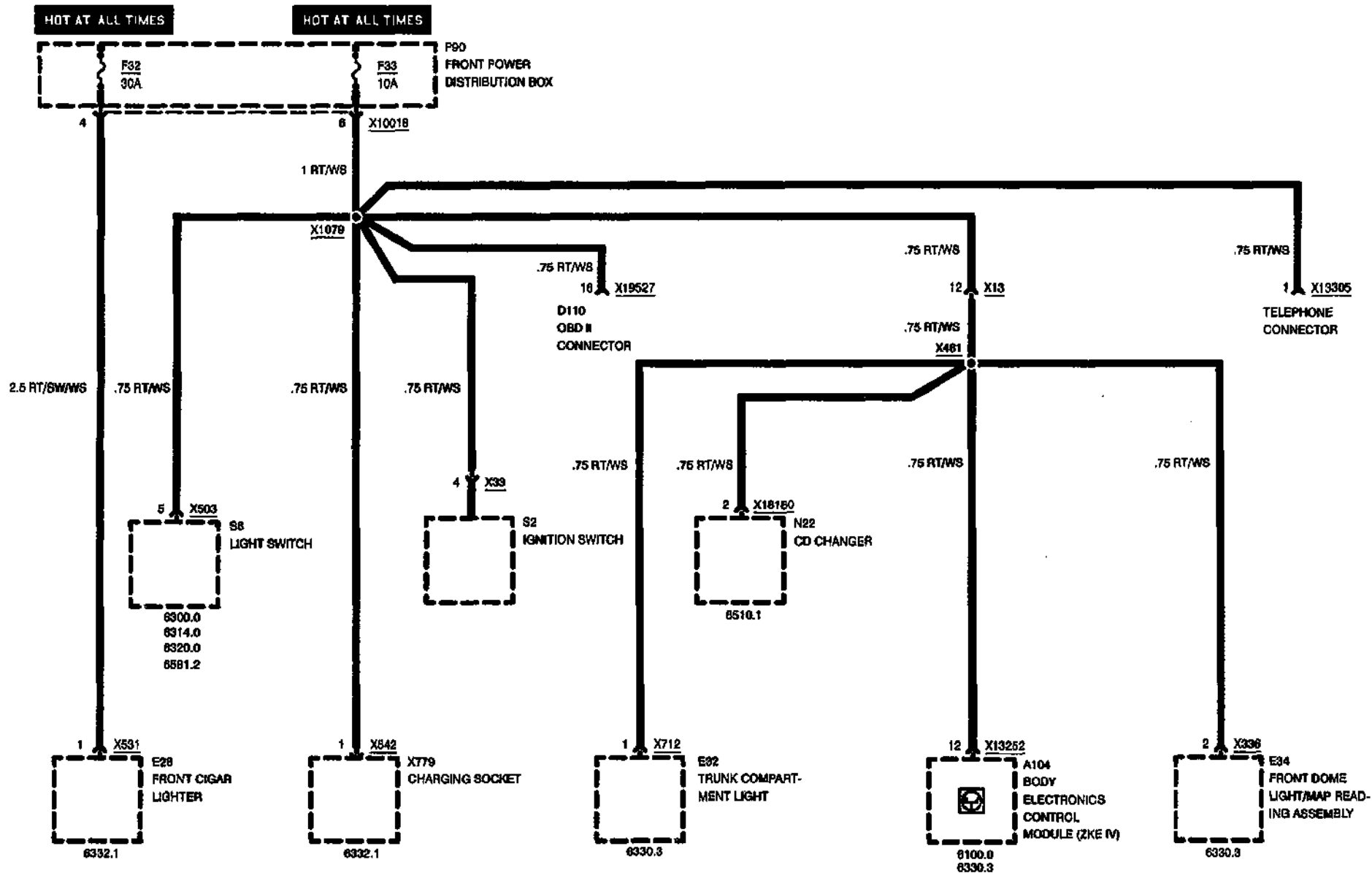


FUSE DETAILS

FUSE 31



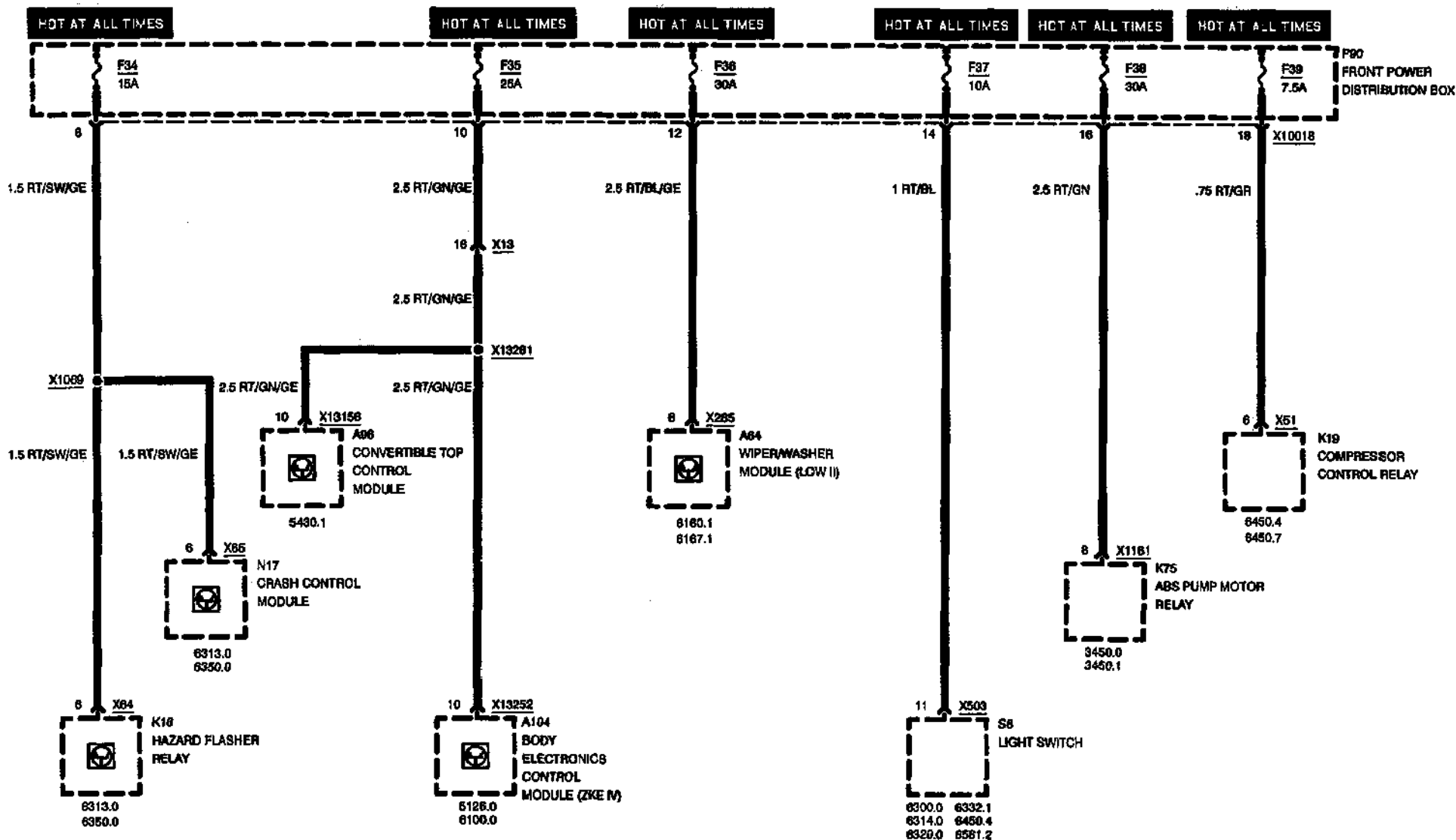
BMW
3 FUSE DETAILS
FUSES 32 AND 33





FUSE DETAILS

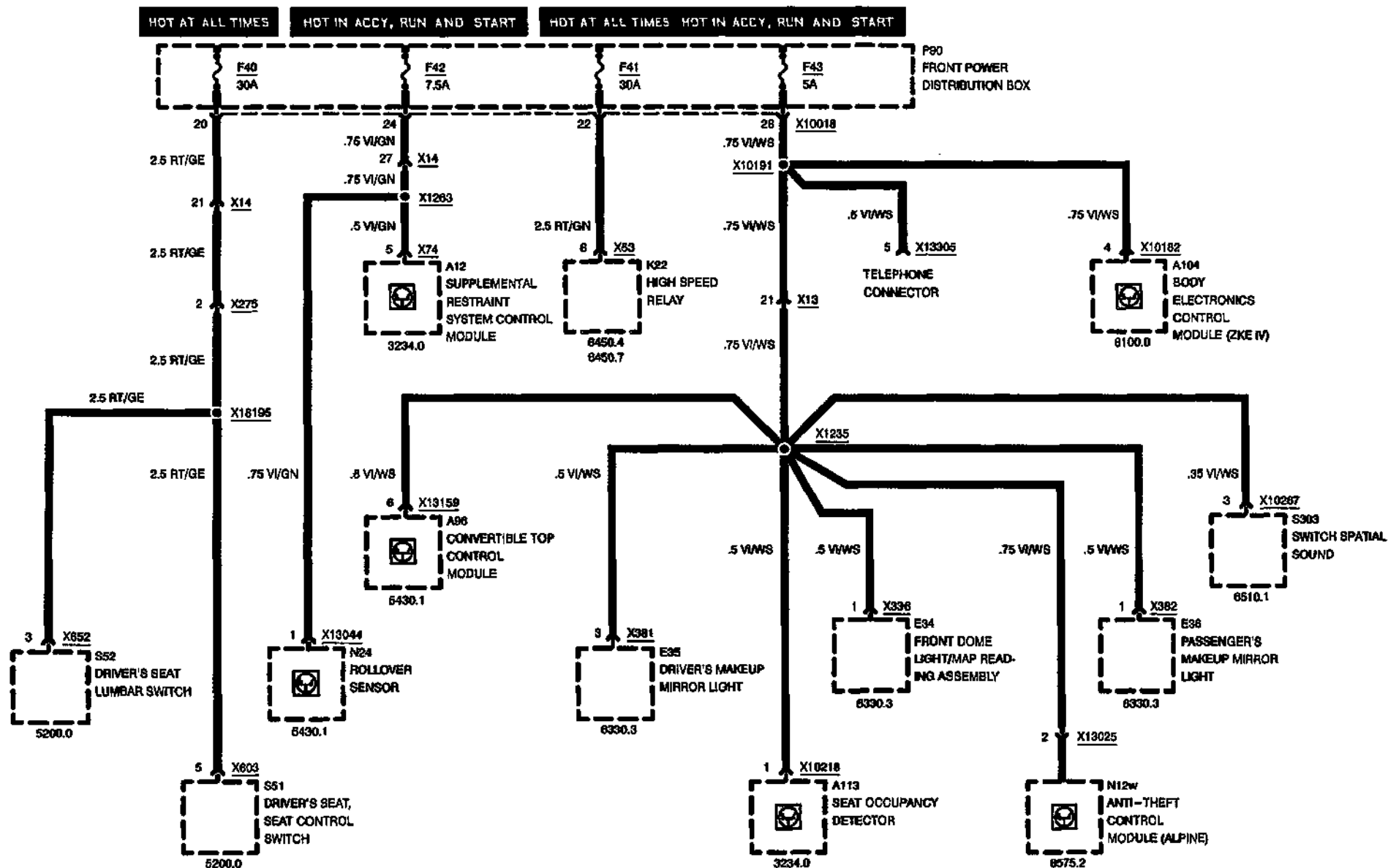
FUSES 34, 35, 36, 37, 38, AND 39





FUSE DETAILS

FUSES 40, 41, 42, AND 43



04/97

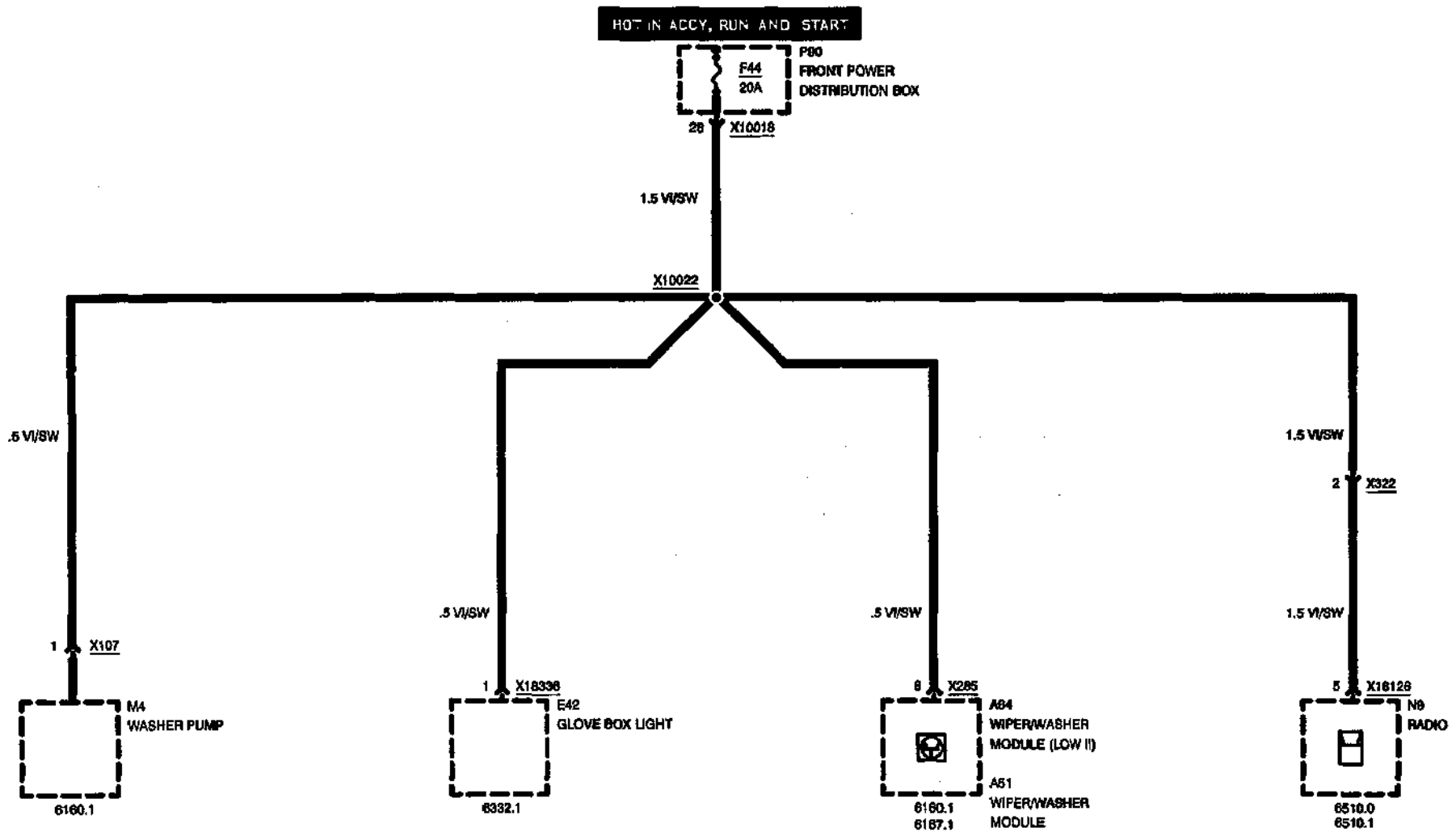
0670.3-13

1996



FUSE DETAILS

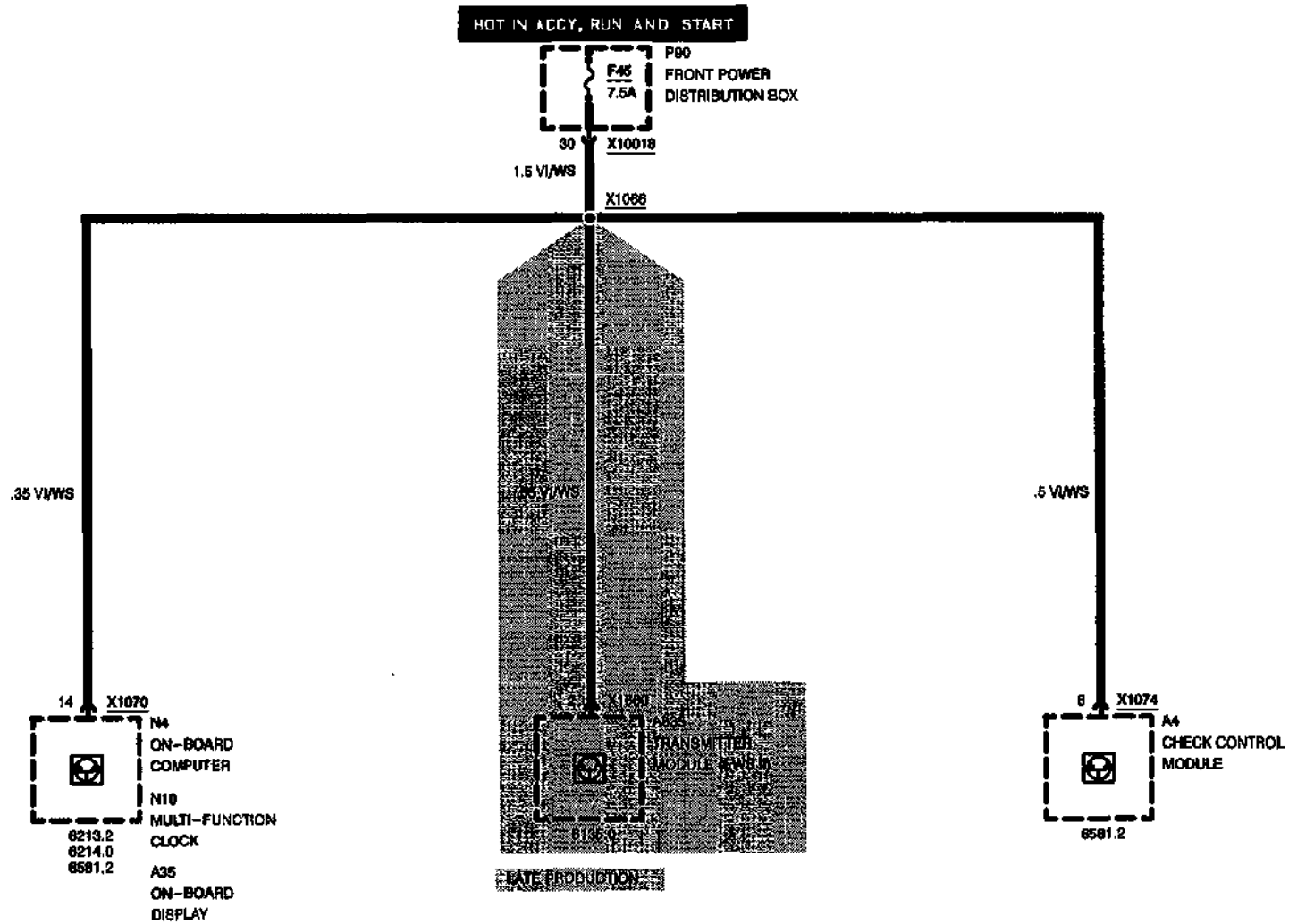
FUSE 44



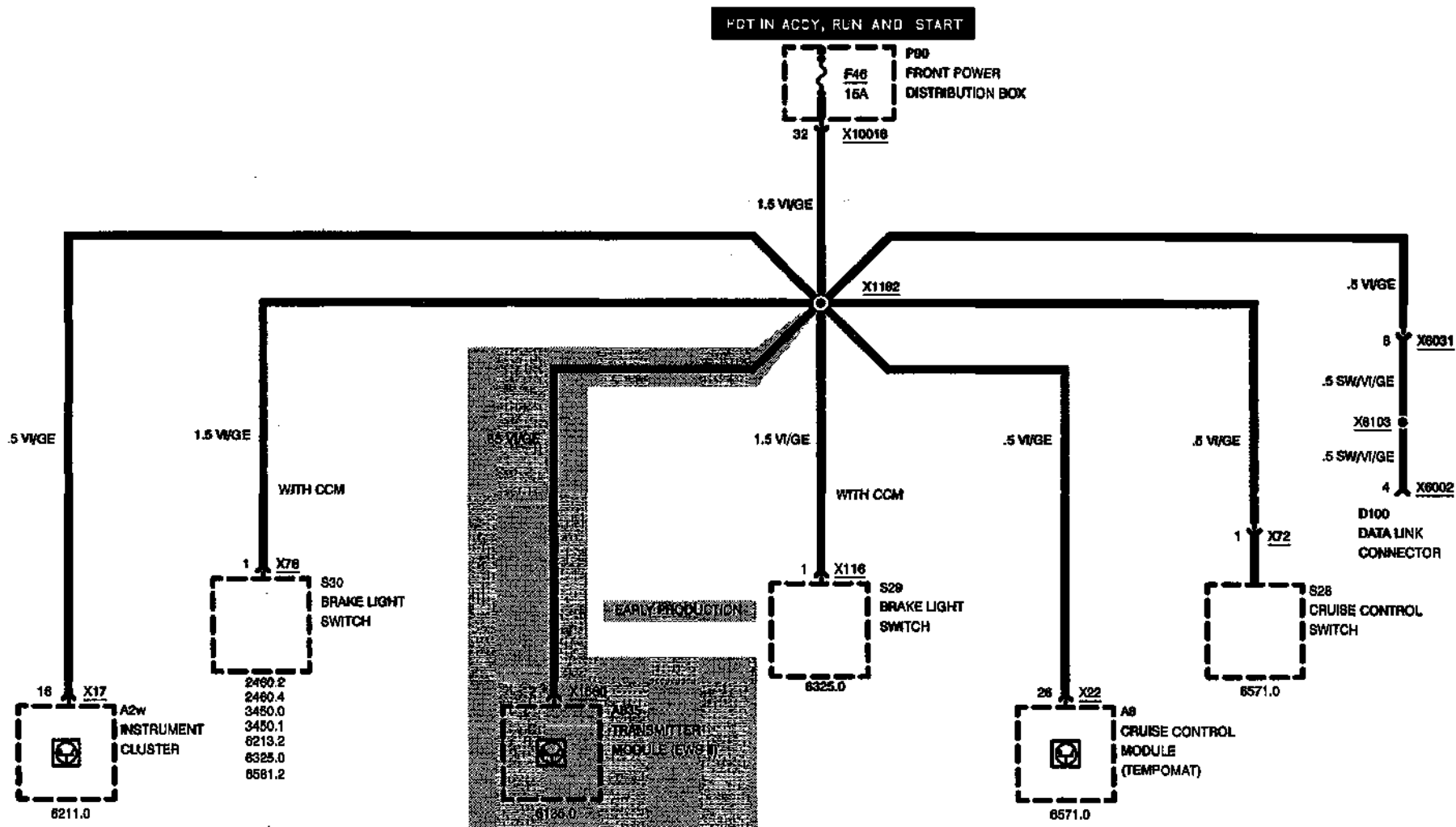


FUSE DETAILS

FUSE 45



BMW **FUSE DETAILS**
3 **FUSE 46**

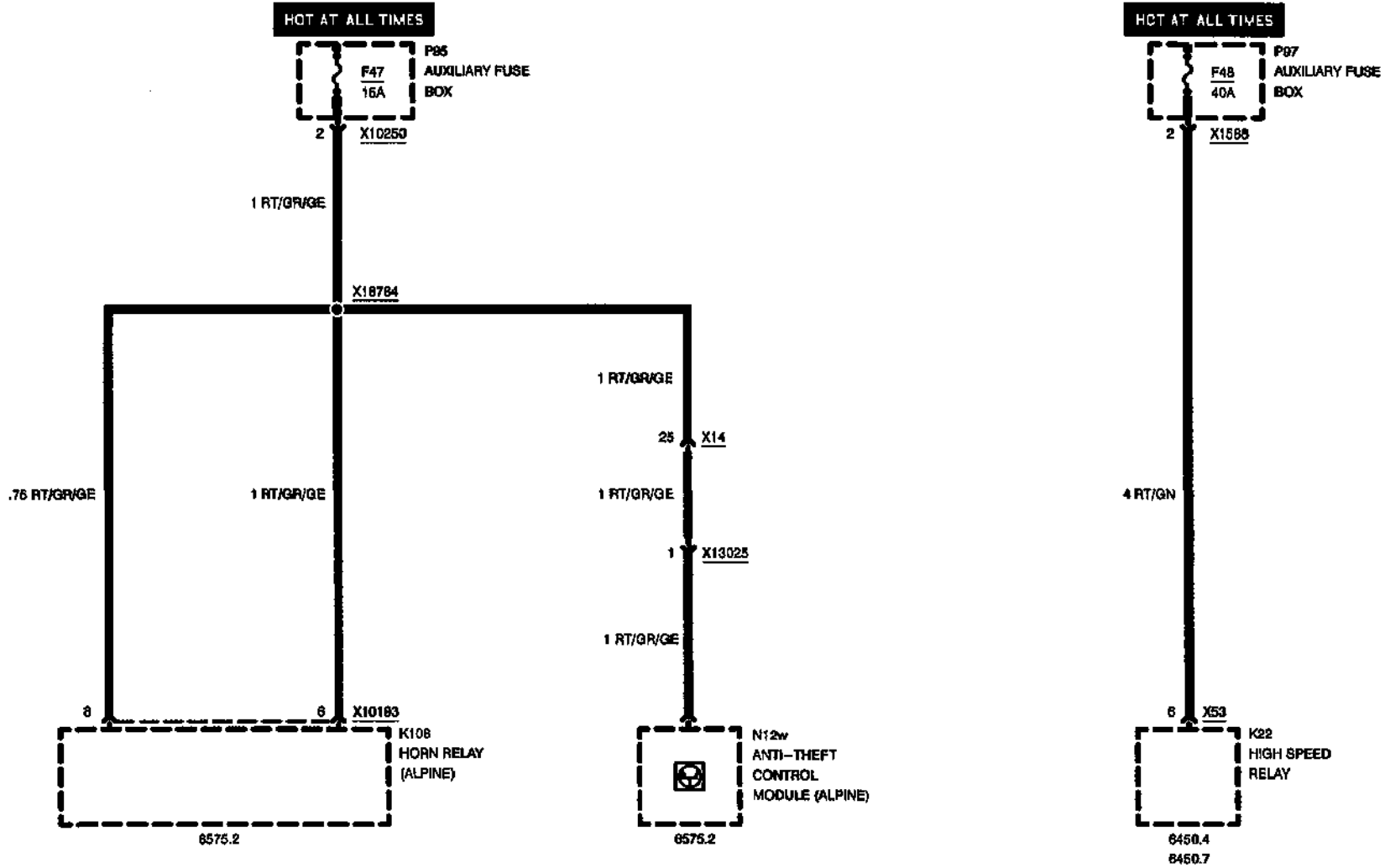




FUSE DETAILS

FUSES 47 AND 48

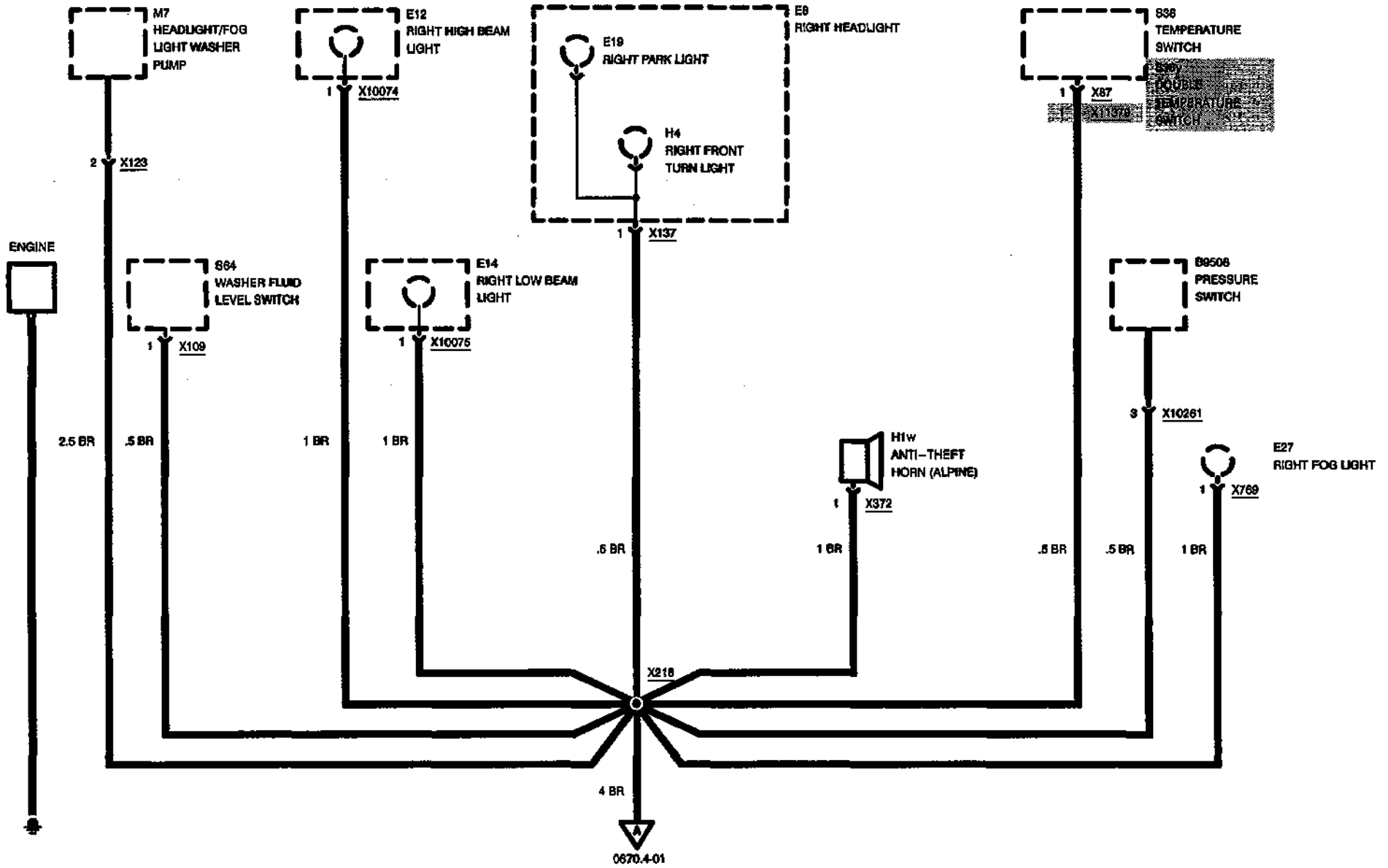
04/97
0670.3-17
1996





GROUND DISTRIBUTION

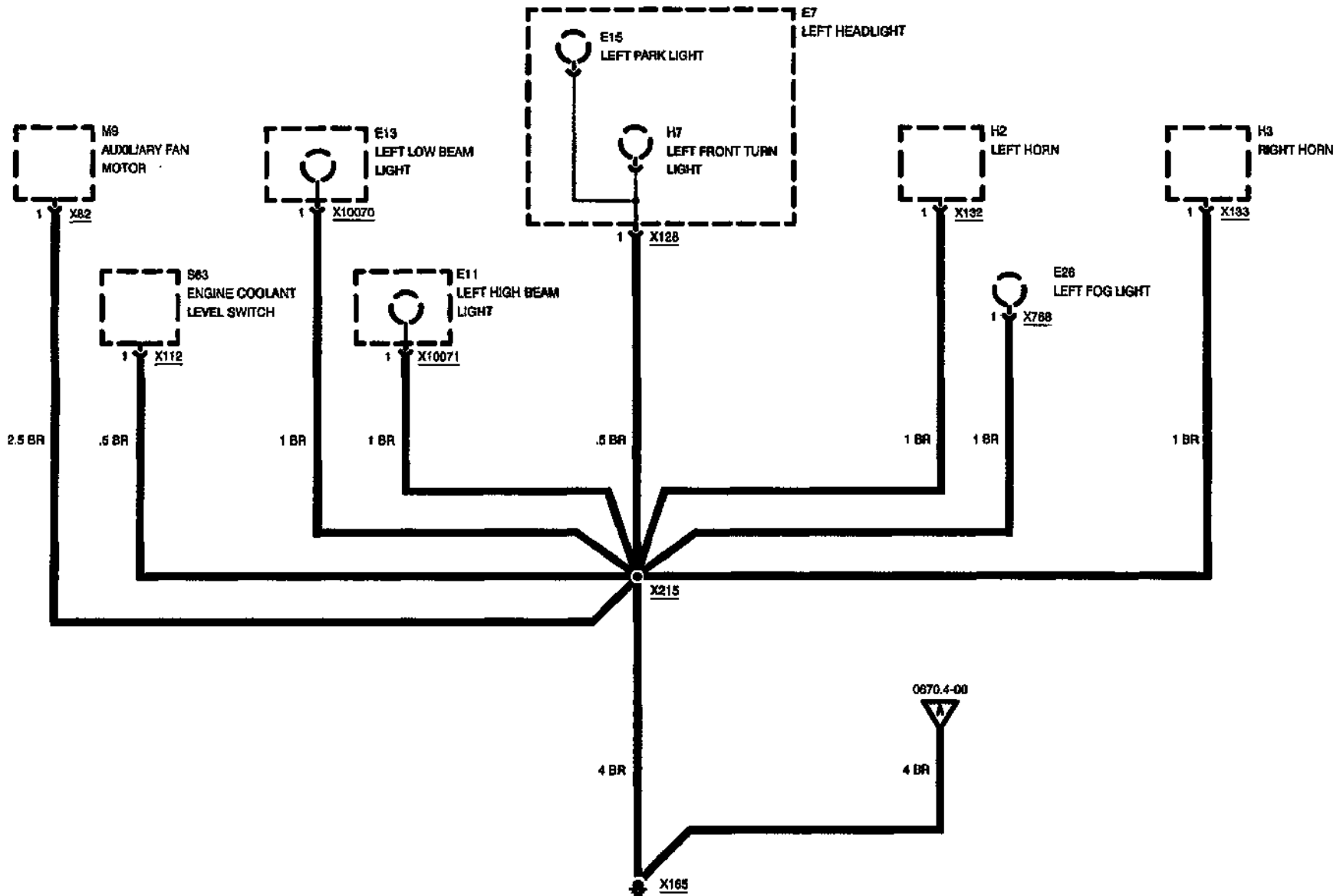
GROUND X165





GROUND DISTRIBUTION

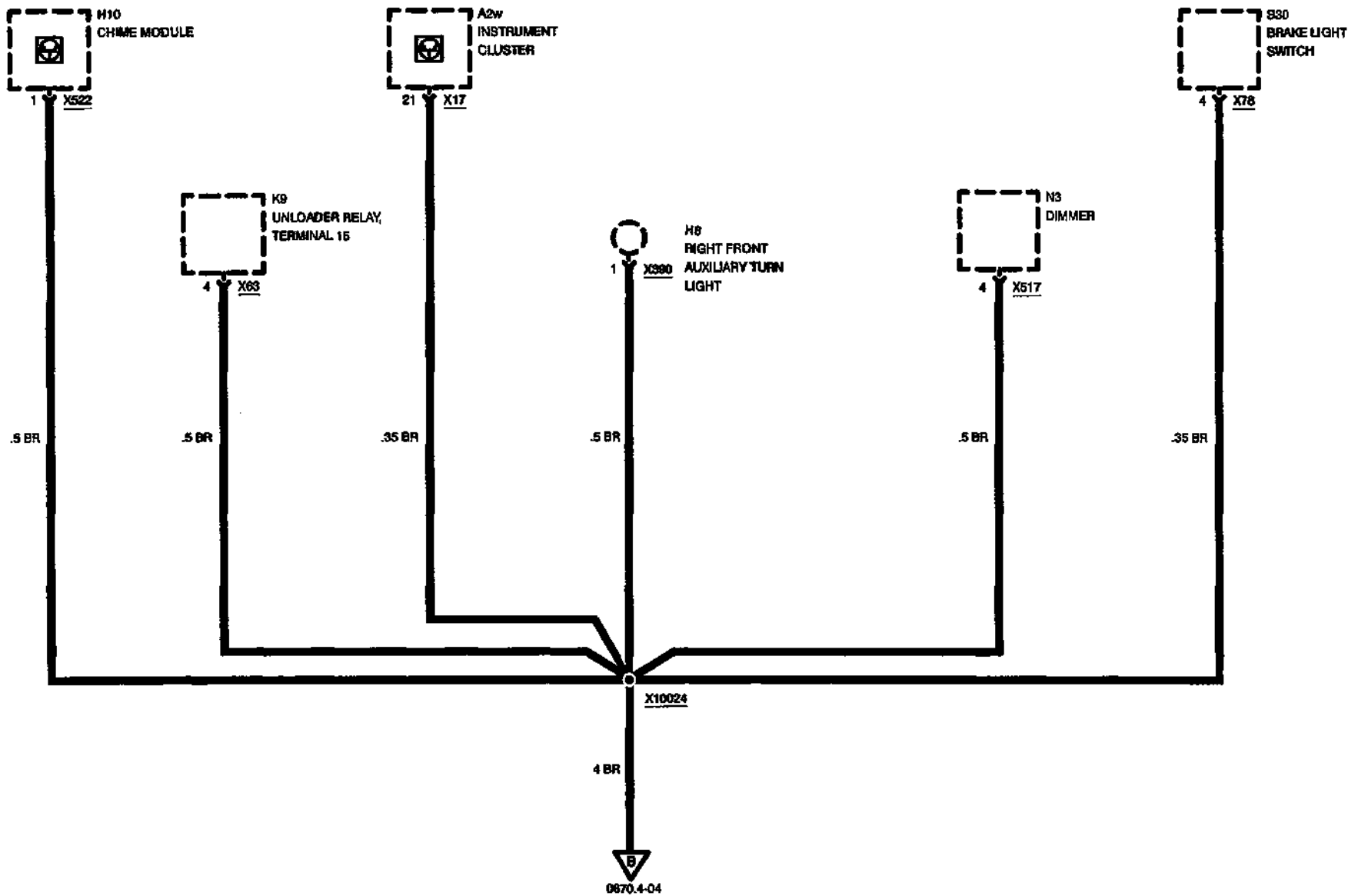
GROUND X165





GROUND DISTRIBUTION

GROUND X173



04/97

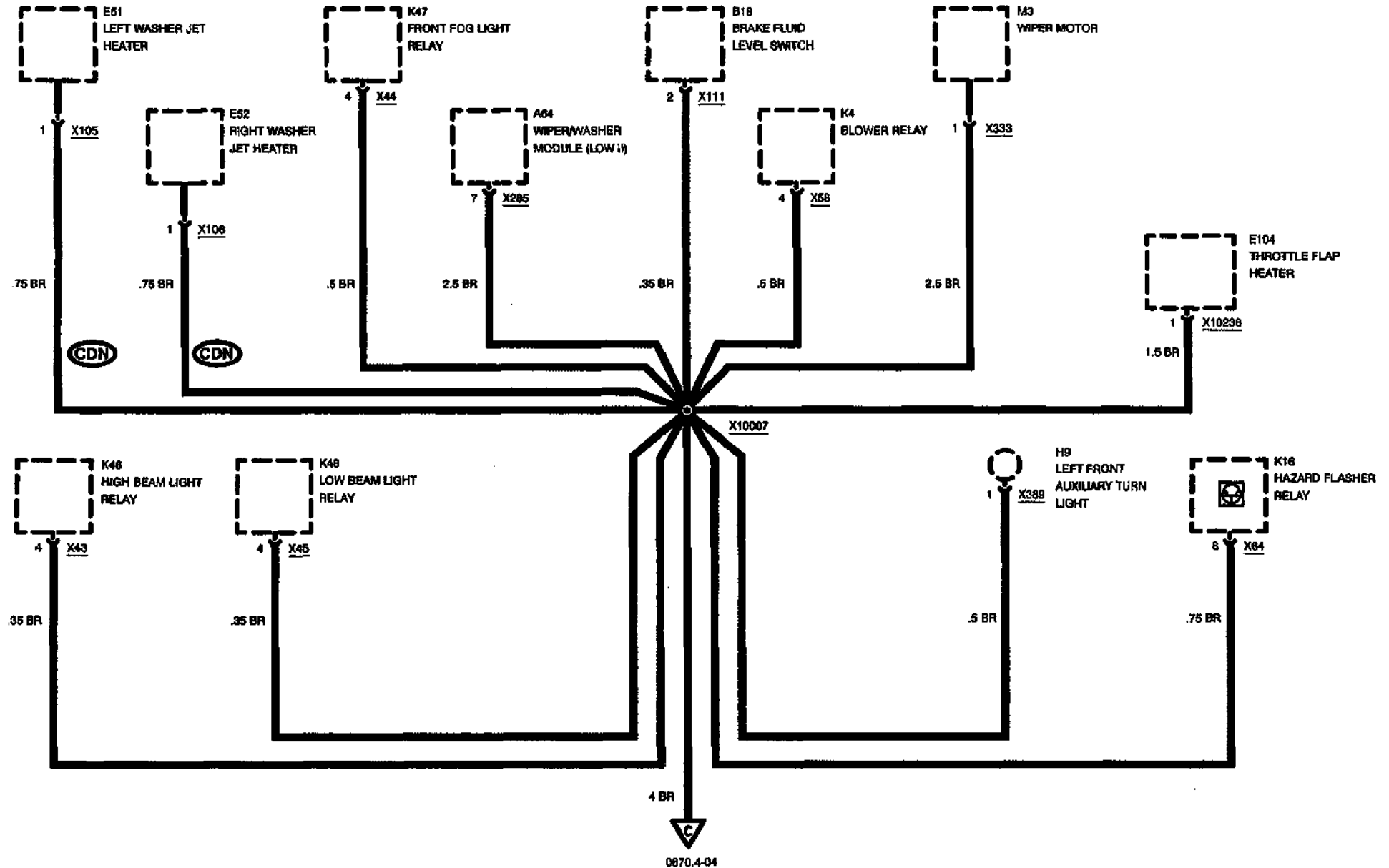
0670.4-02

1996



GROUND DISTRIBUTION

GROUND X173



04/97

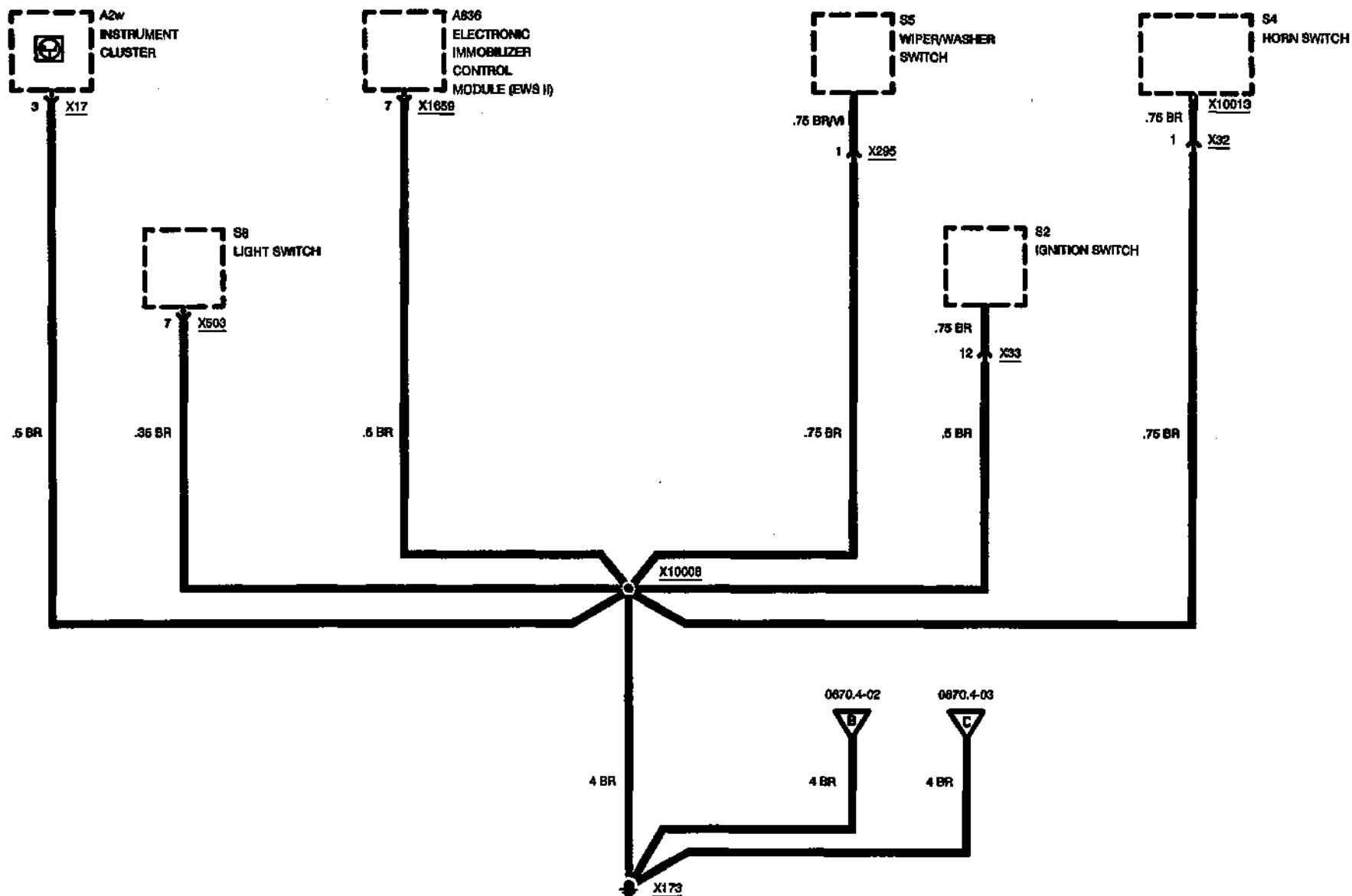
0670.4-03

1996



GROUND DISTRIBUTION

GROUND X173



04/97

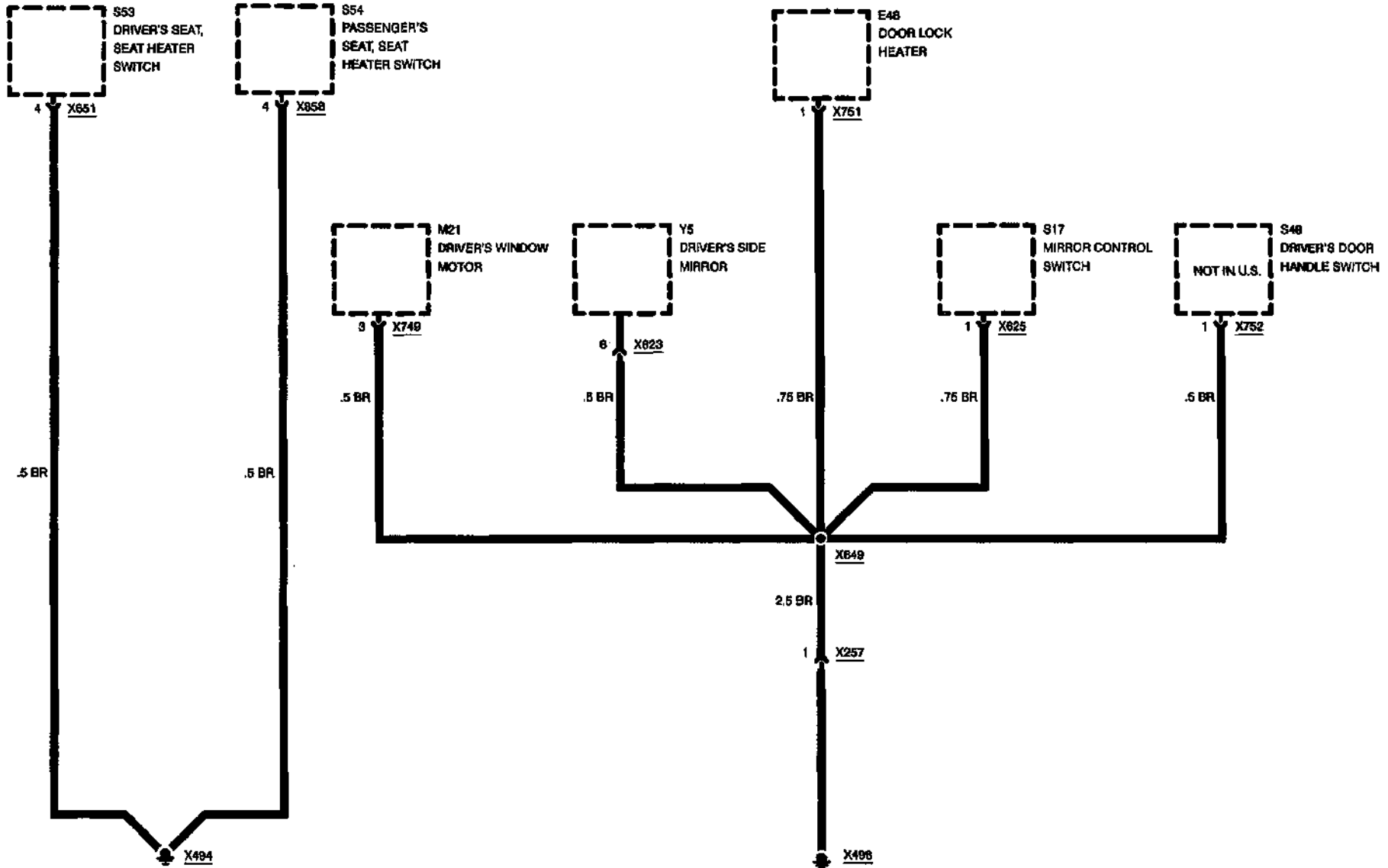
0670.4-04

1996



GROUND DISTRIBUTION

GROUNDS X494 AND X498



04/97

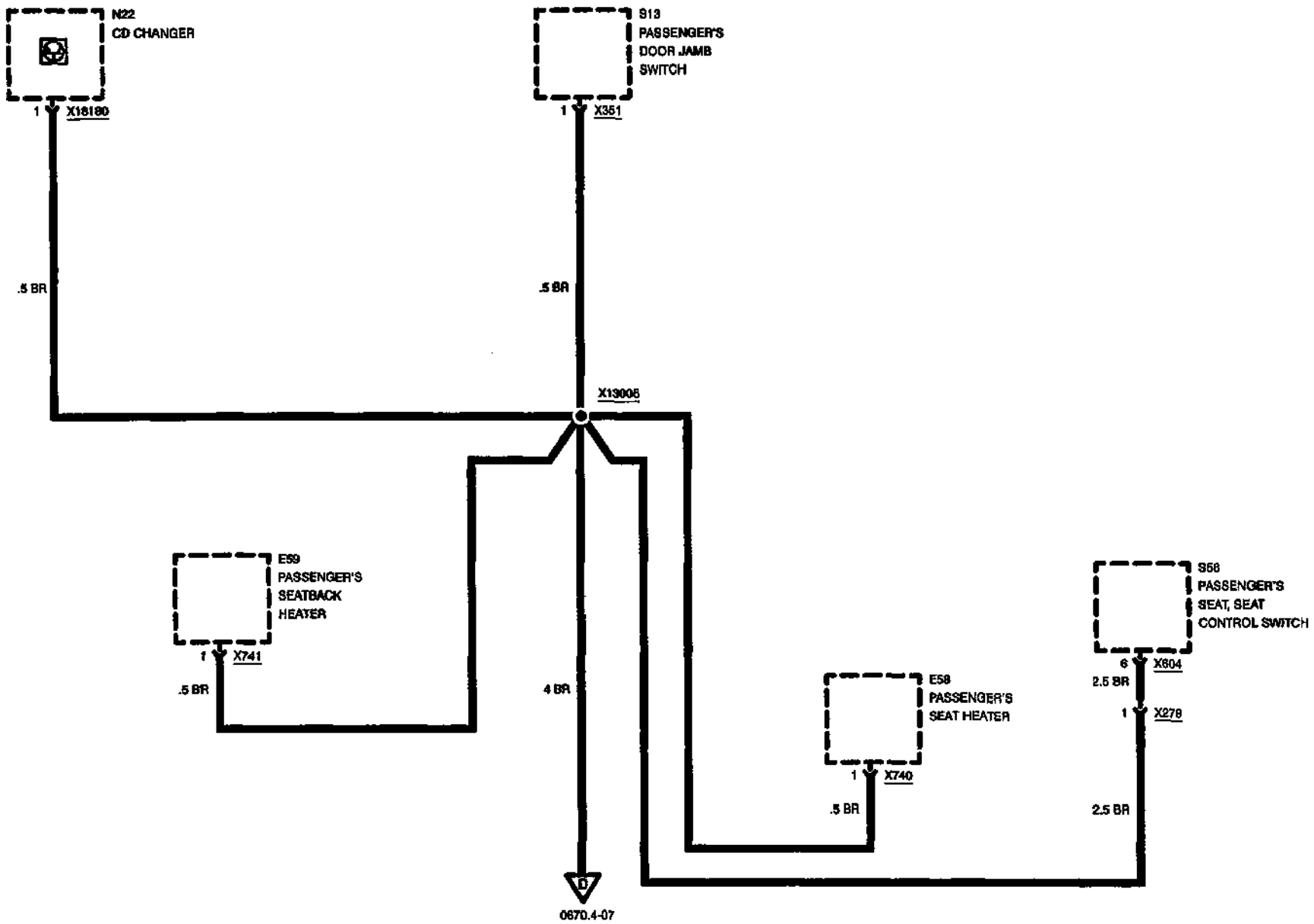
0670.4-05

1996



GROUND DISTRIBUTION

GROUND X495



04/97

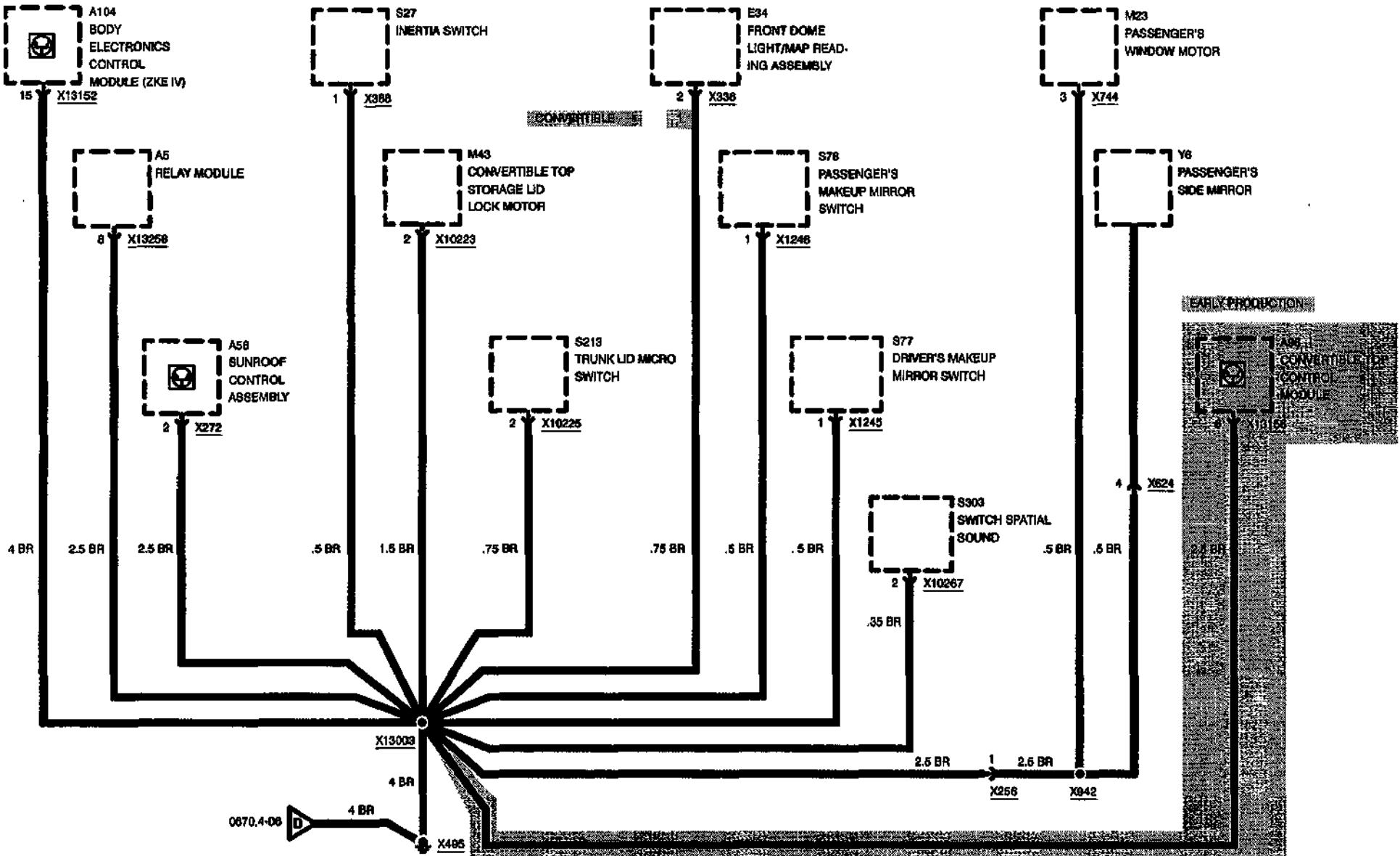
0670.4-06

1996



GROUND DISTRIBUTION

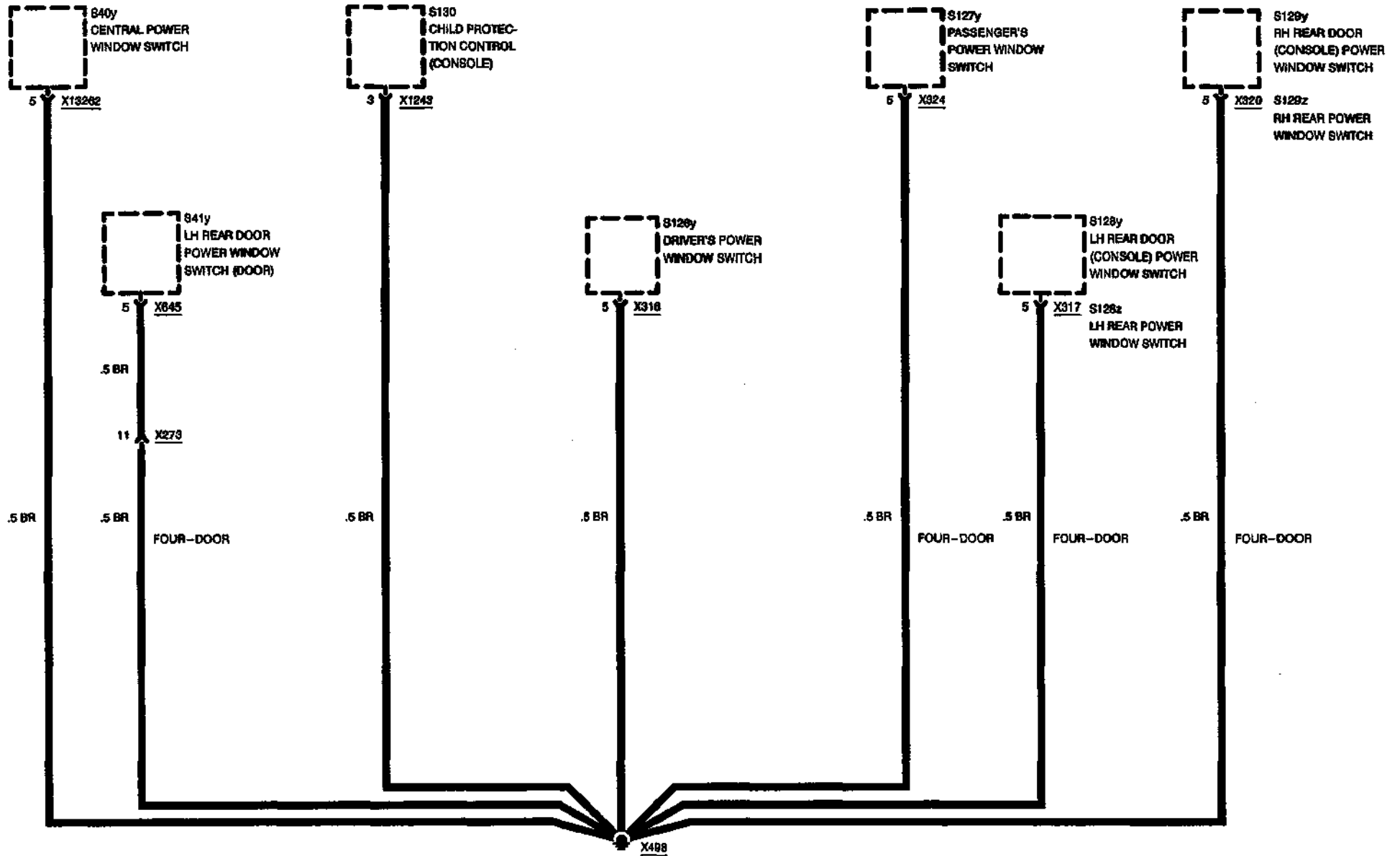
GROUND X495





GROUND DISTRIBUTION

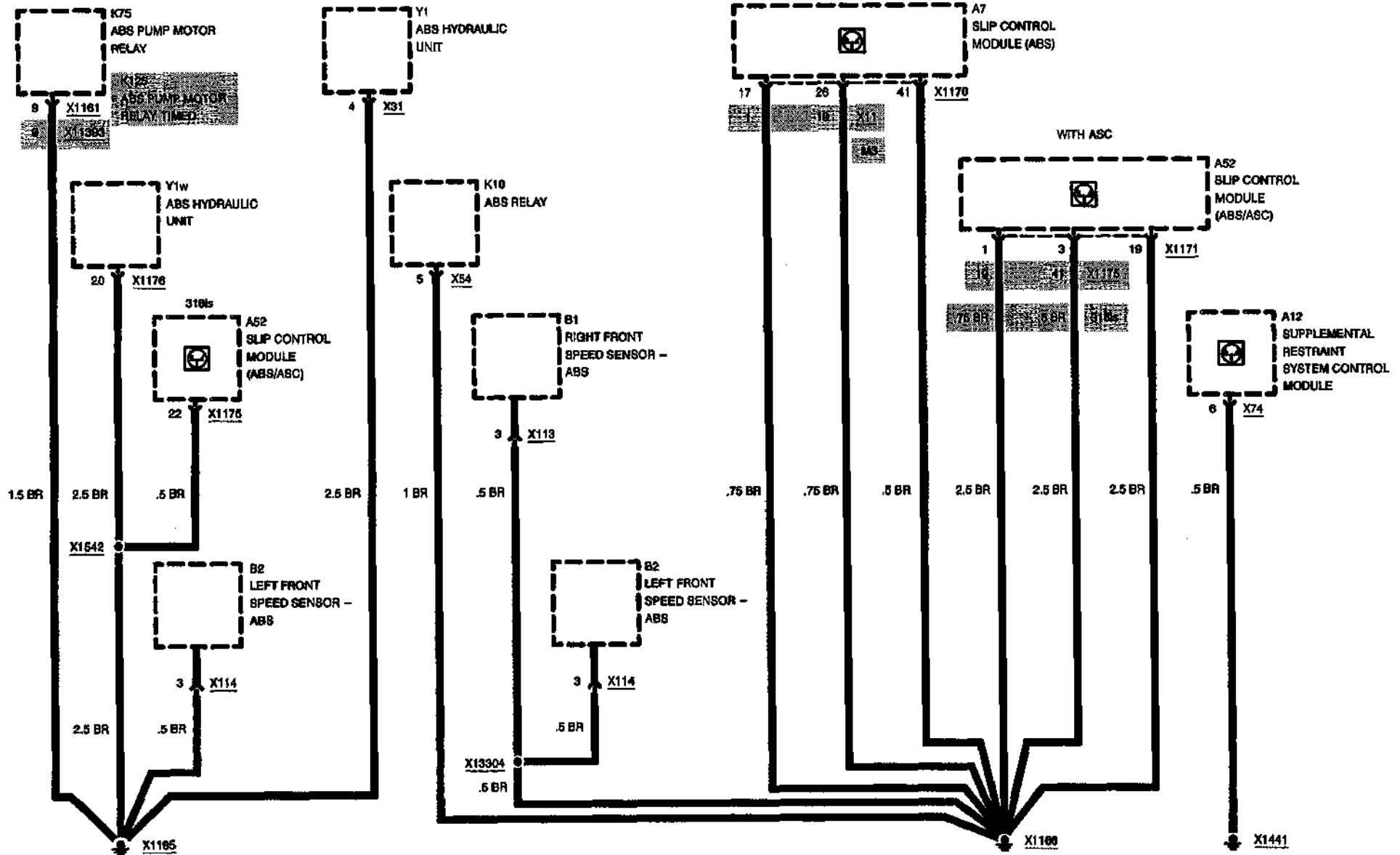
GROUND X498





GROUND DISTRIBUTION

GROUNDS X1165, X1166, AND X1441

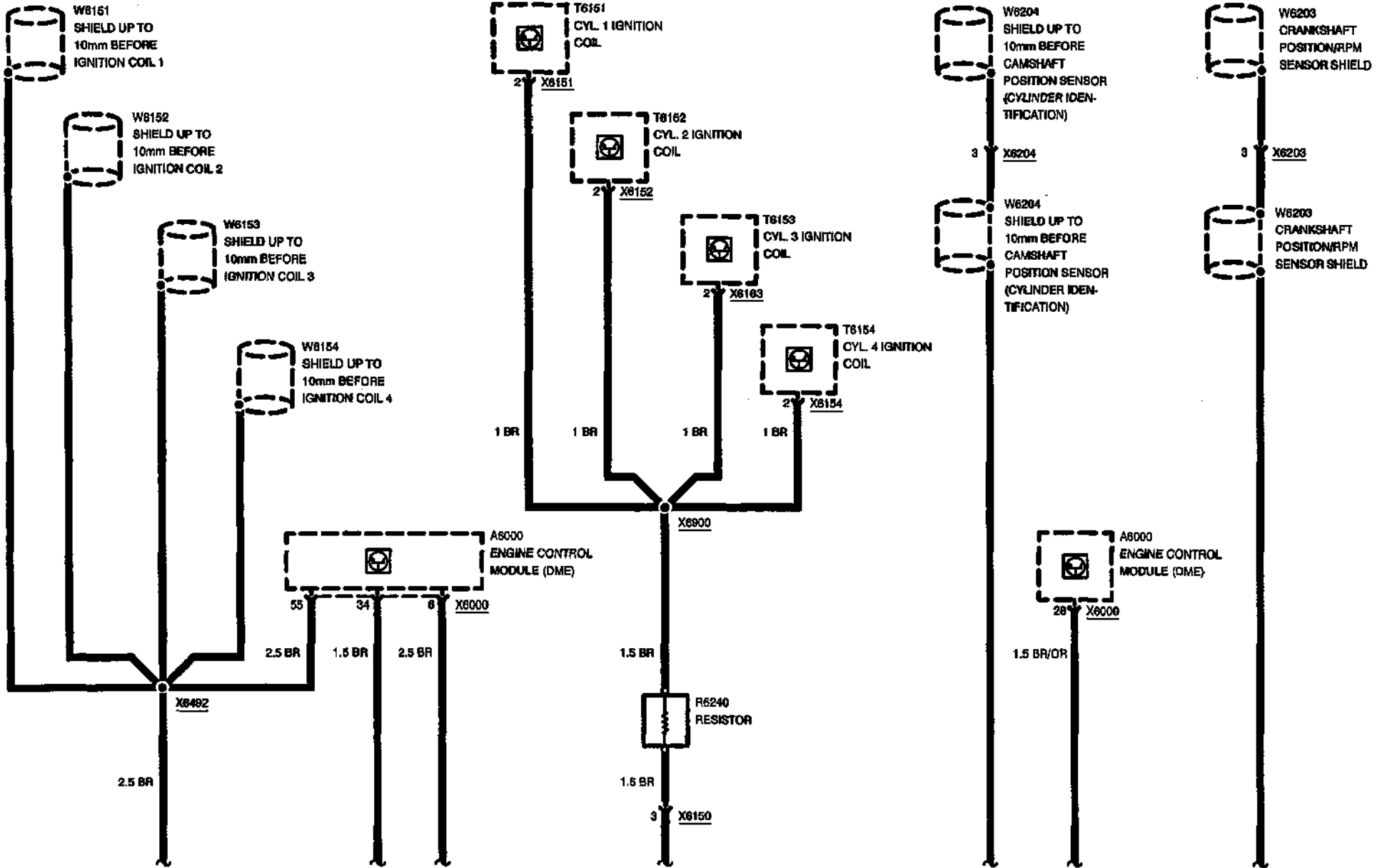




GROUND DISTRIBUTION

318is EARLY PRODUCTION

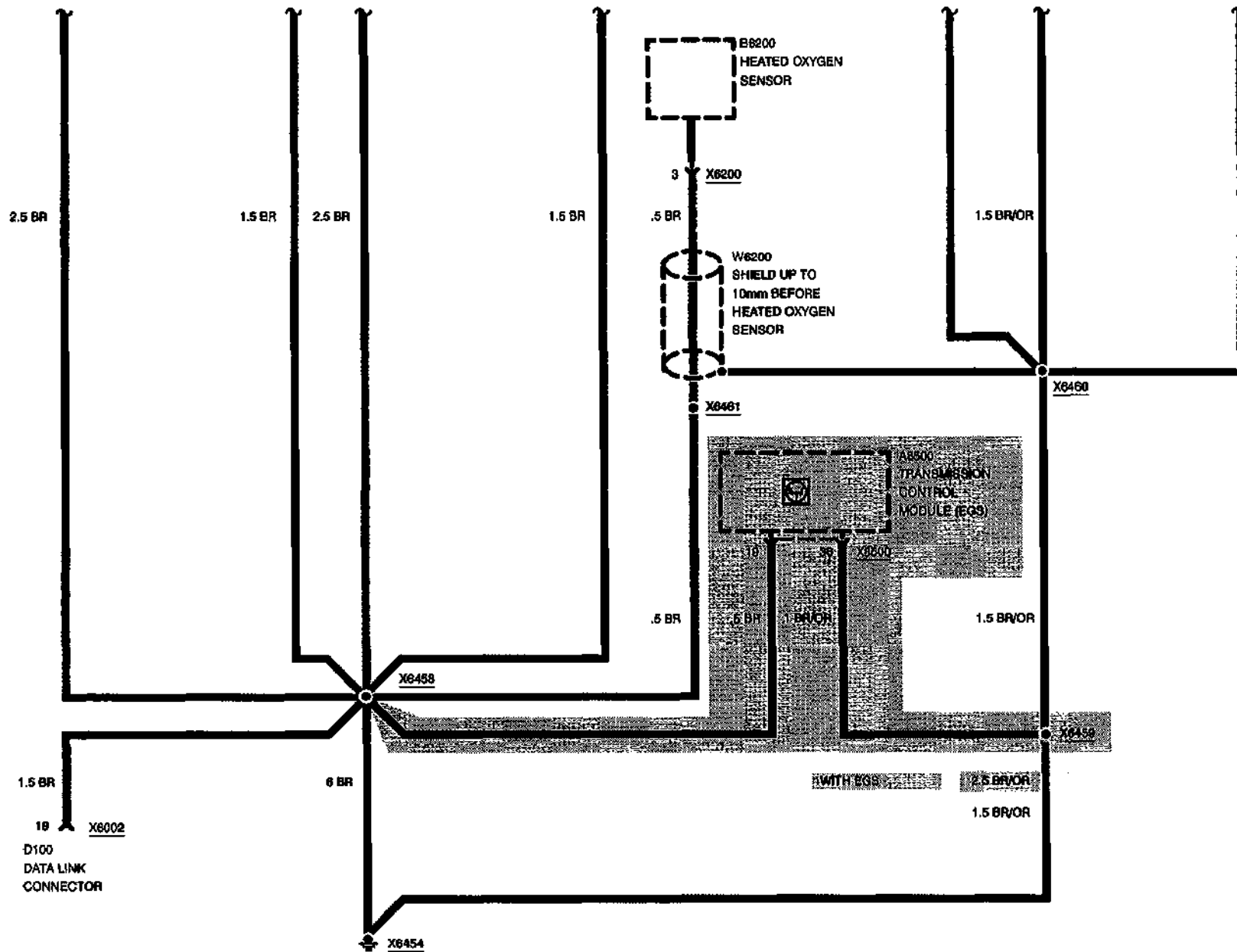
GROUND X6454



04/97

0670.4-10

1996

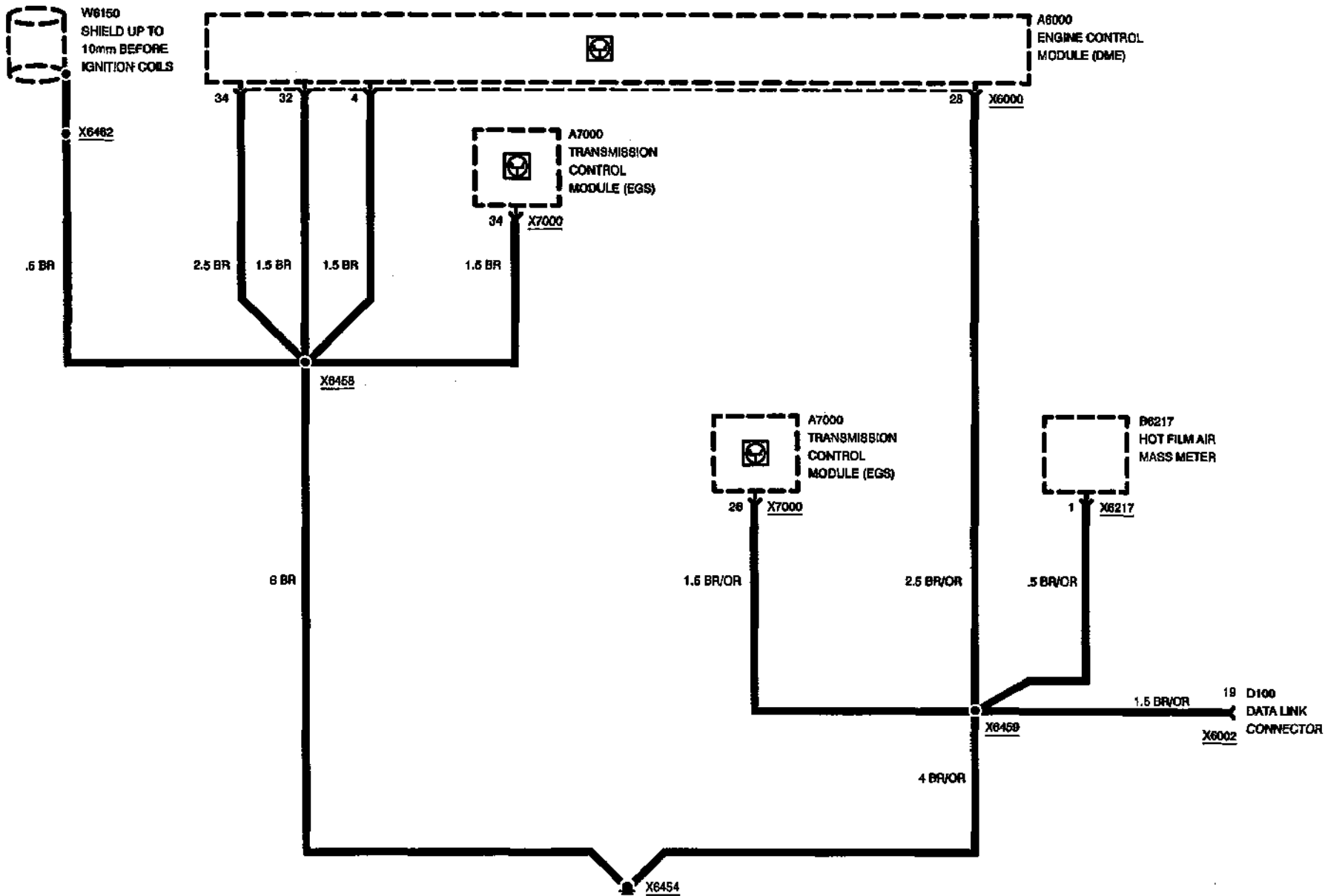




GROUND DISTRIBUTION

320i **CDN**

GROUND X6454



04/97

0670.4-12

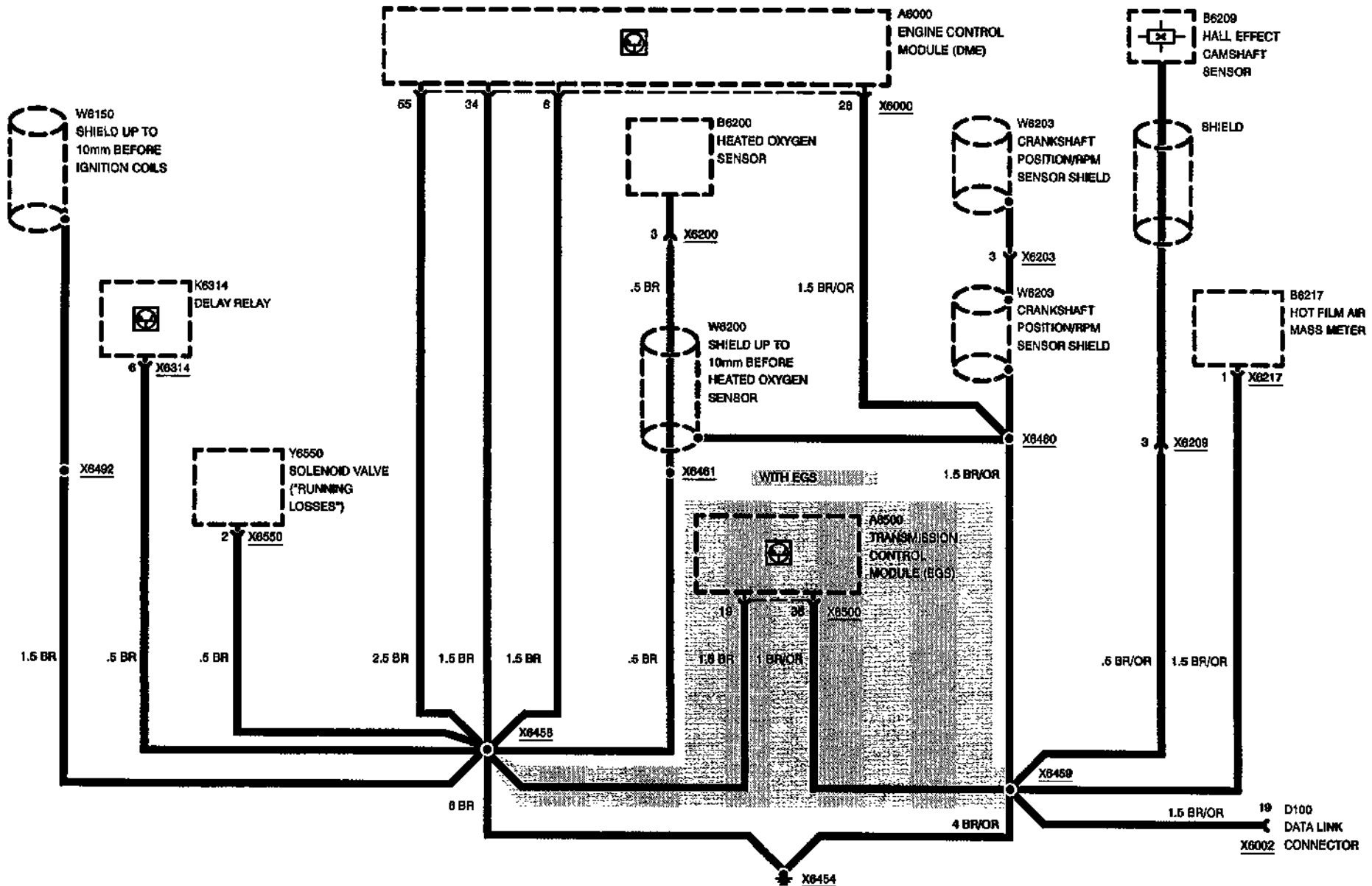
1996



GROUND DISTRIBUTION

GROUND X6454

325i, M3 (USA)



04/97

0670.4-13

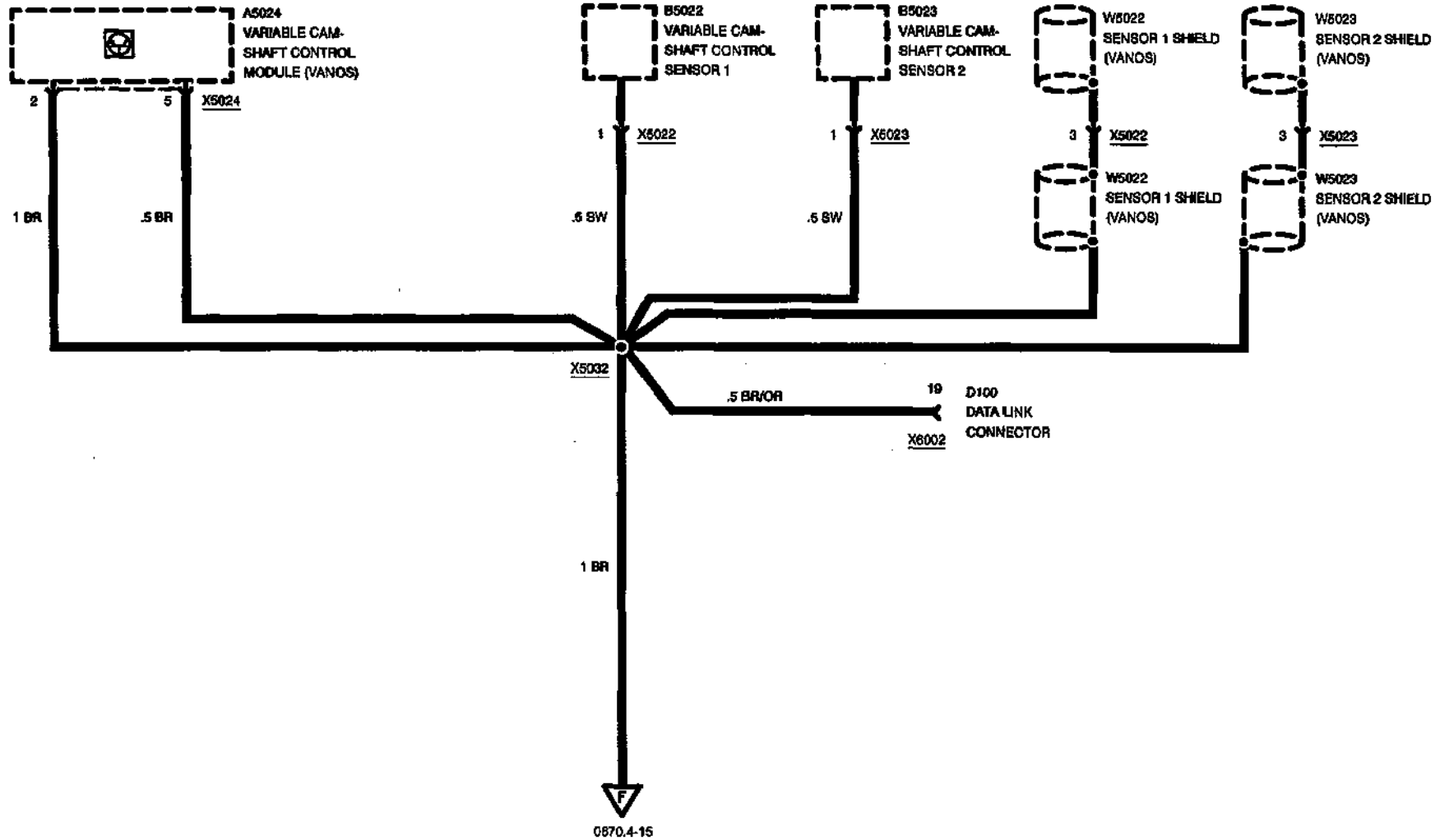
1996



GROUND DISTRIBUTION

GROUND X6454

M3



04/97

0670.4-14

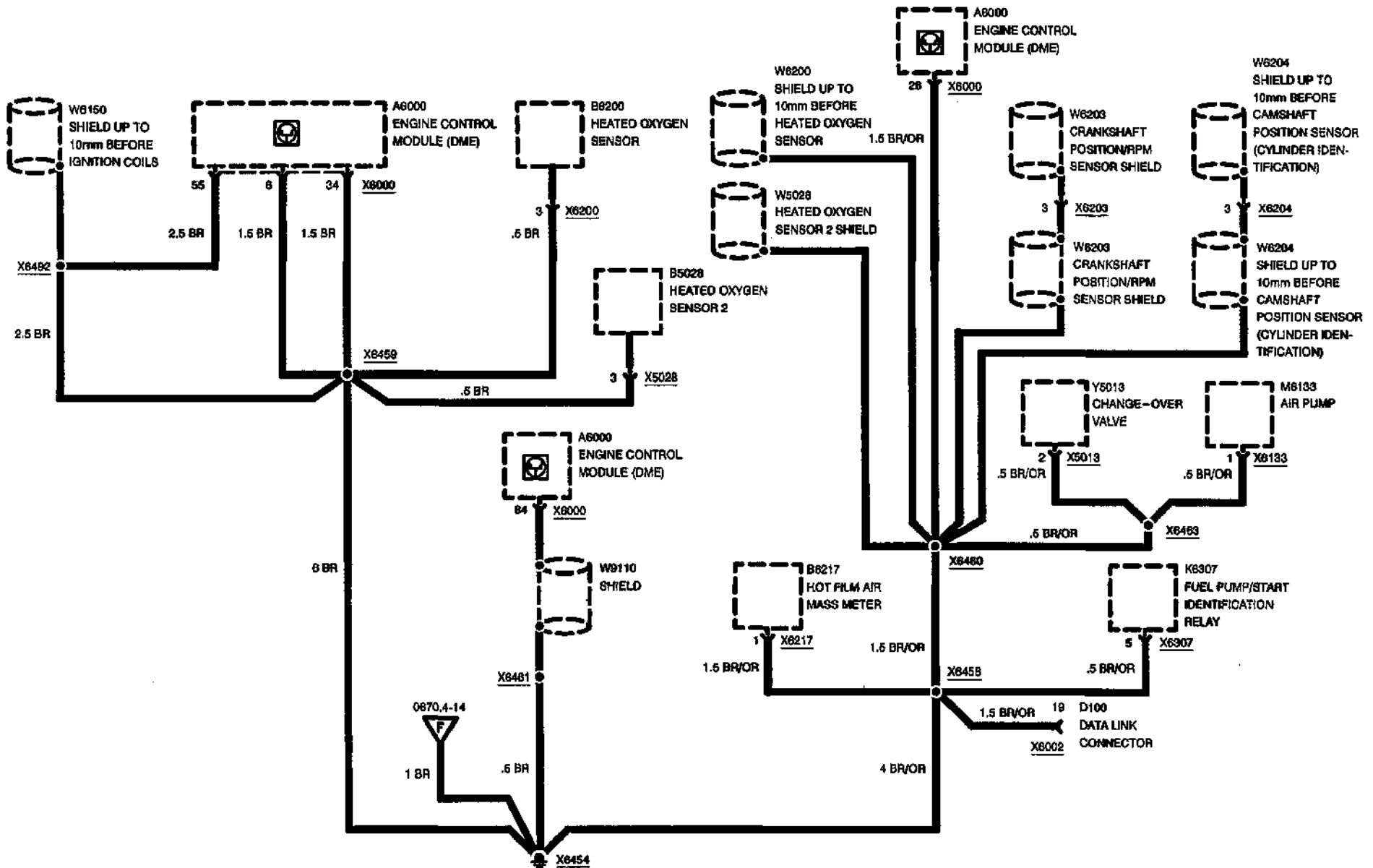
1996



GROUND DISTRIBUTION

GROUND X6454

M3



04/97

0670.4-15

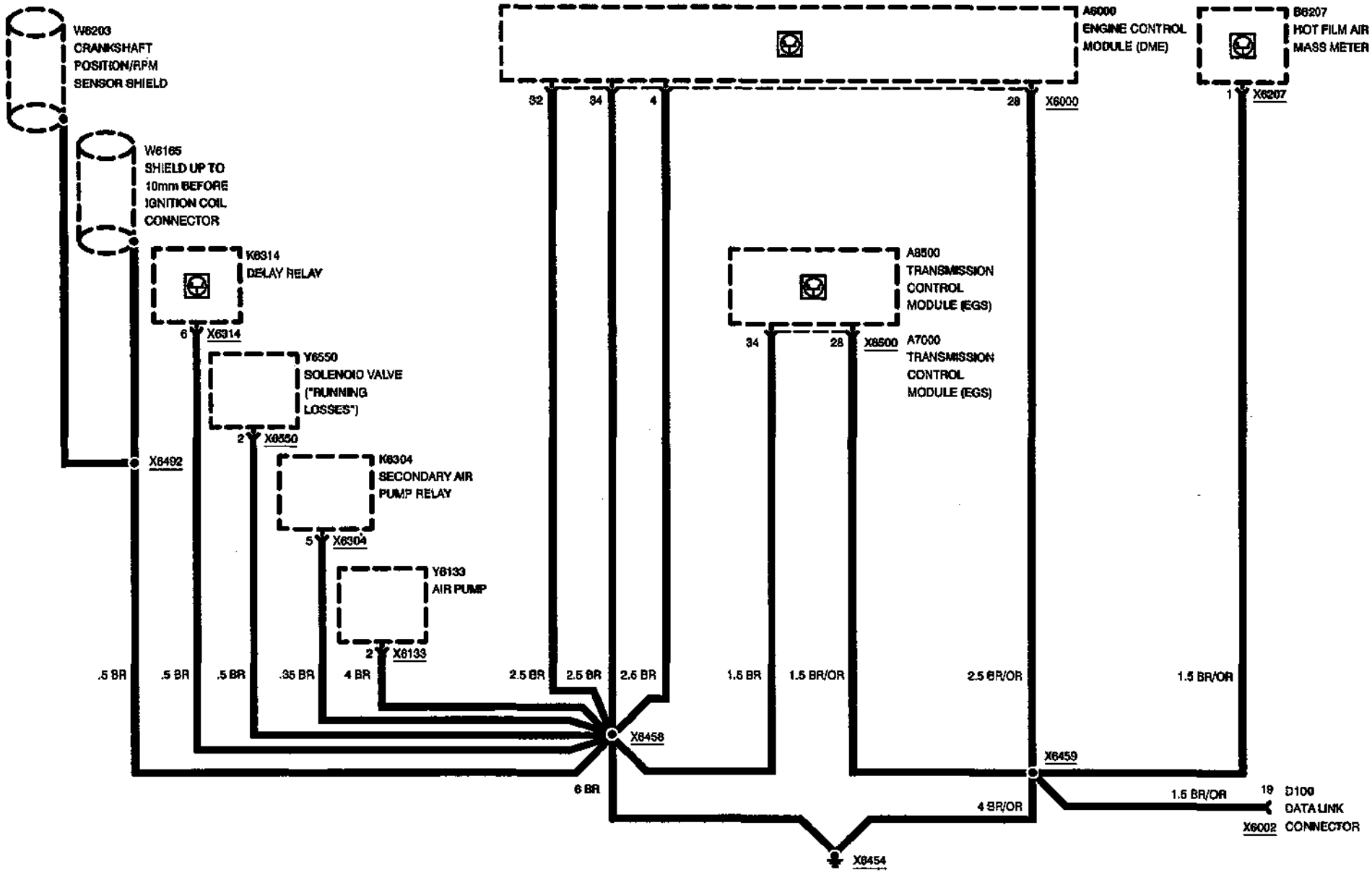
1996



GROUND DISTRIBUTION

328i, M3 (USA)

GROUND X6454



04/97

0670.4-16

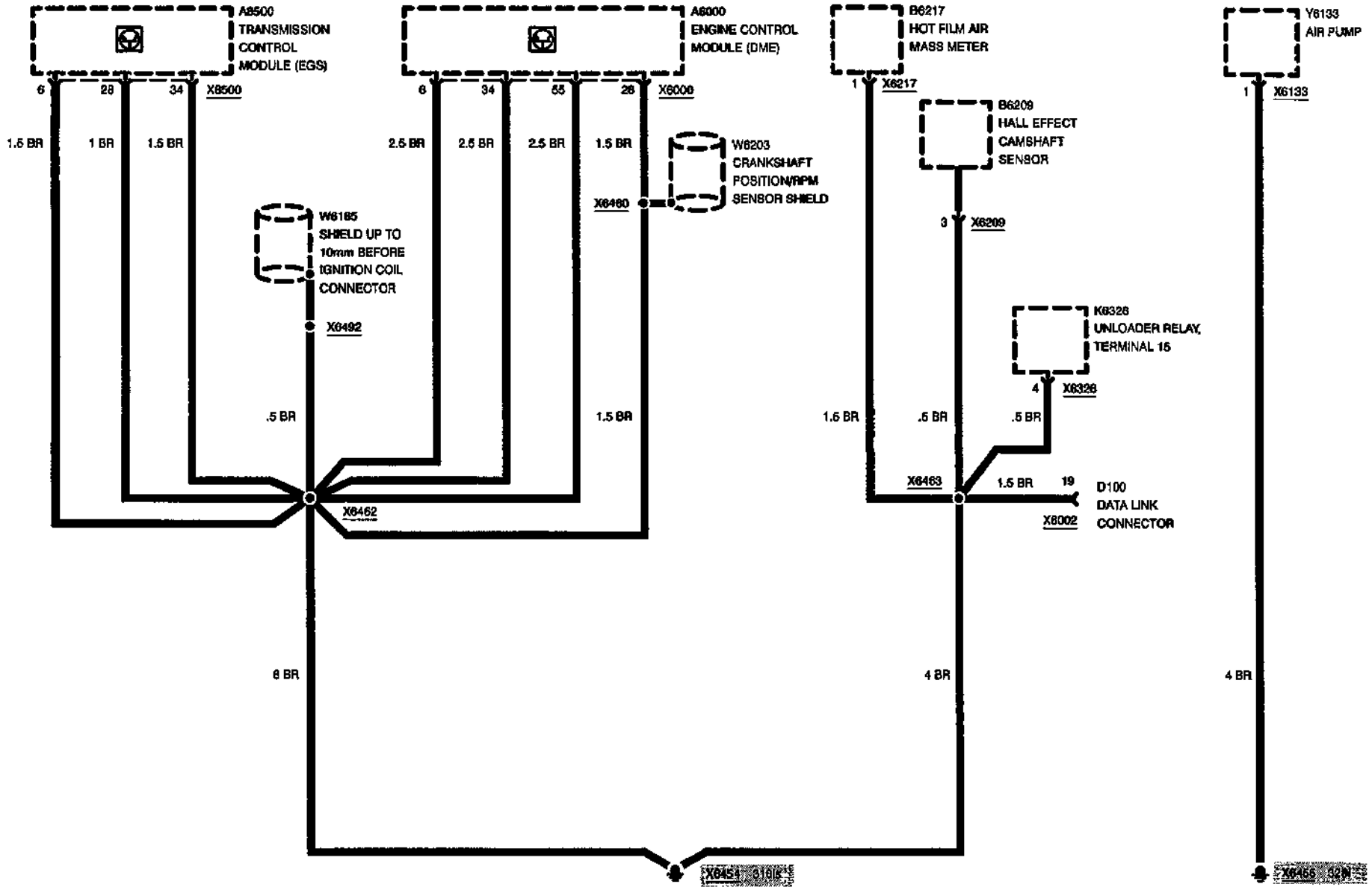
1996



GROUND DISTRIBUTION

GROUNDS X6454 AND X6455

318ls, 328i LATE PRODUCTION



04/97

0670.4-17

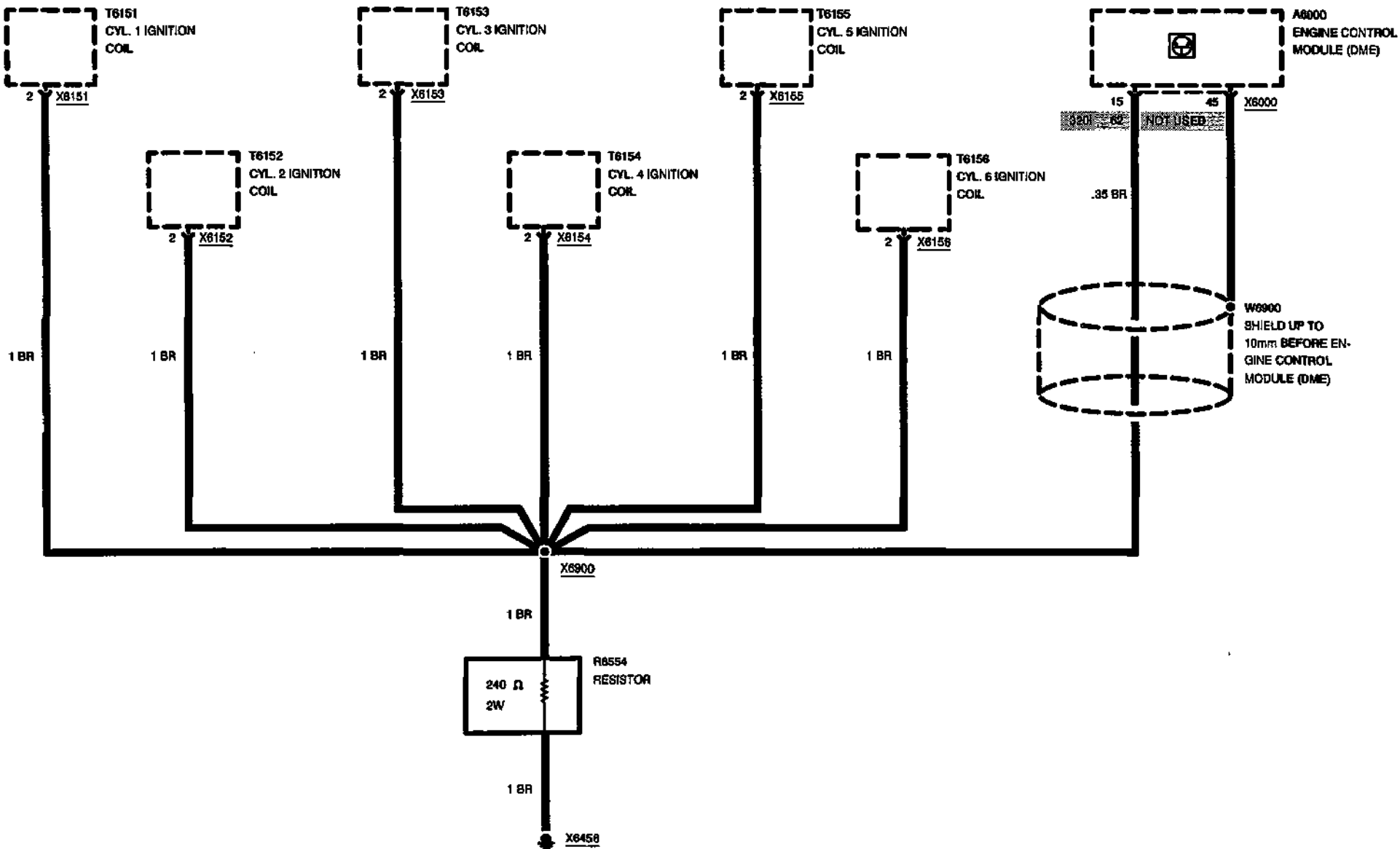
1996



GROUND DISTRIBUTION

320i, 325i

GROUND X6456



04/97

0670.4-18

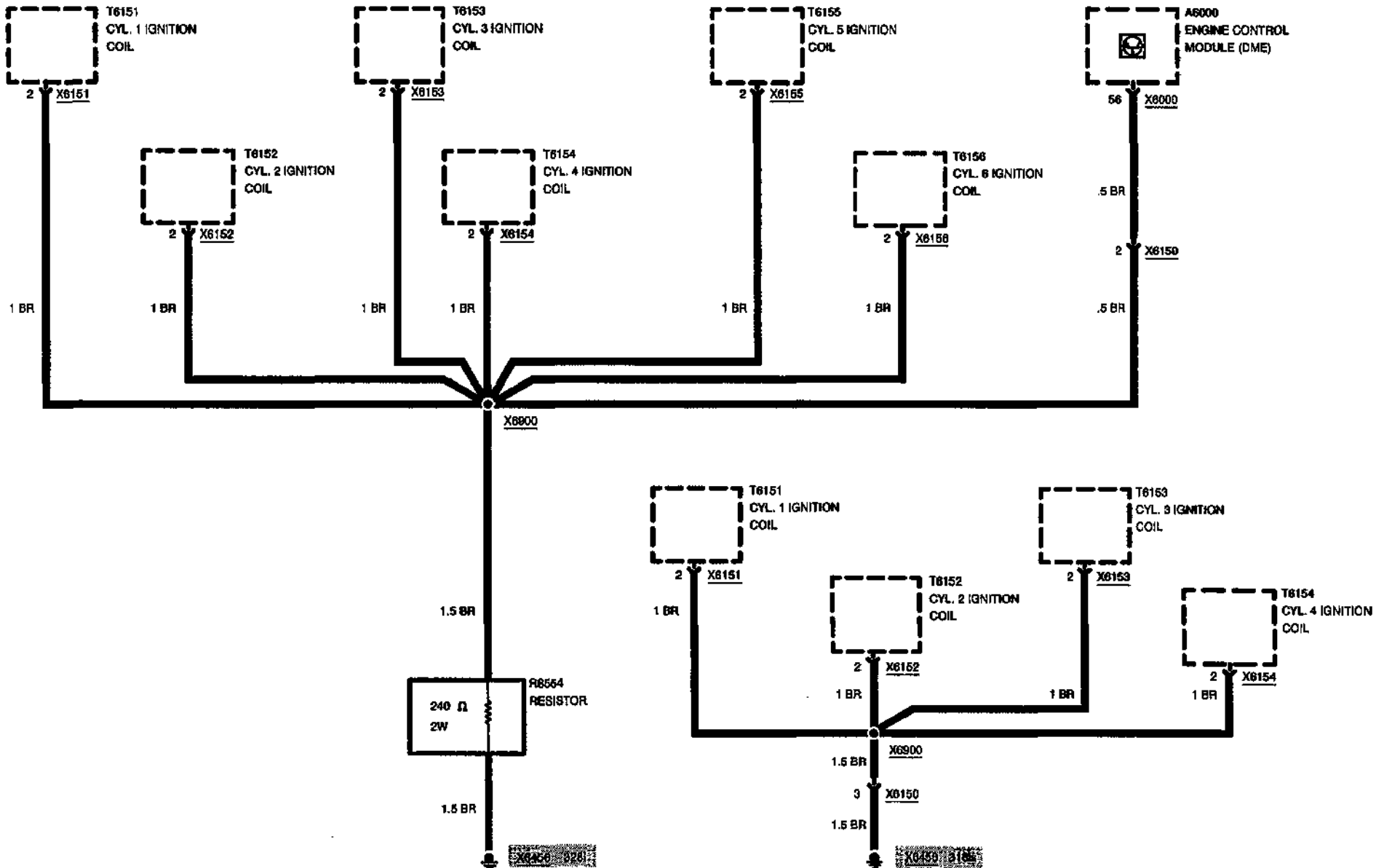
1996



GROUND DISTRIBUTION

318is, 328i

GROUND X6456



04/97

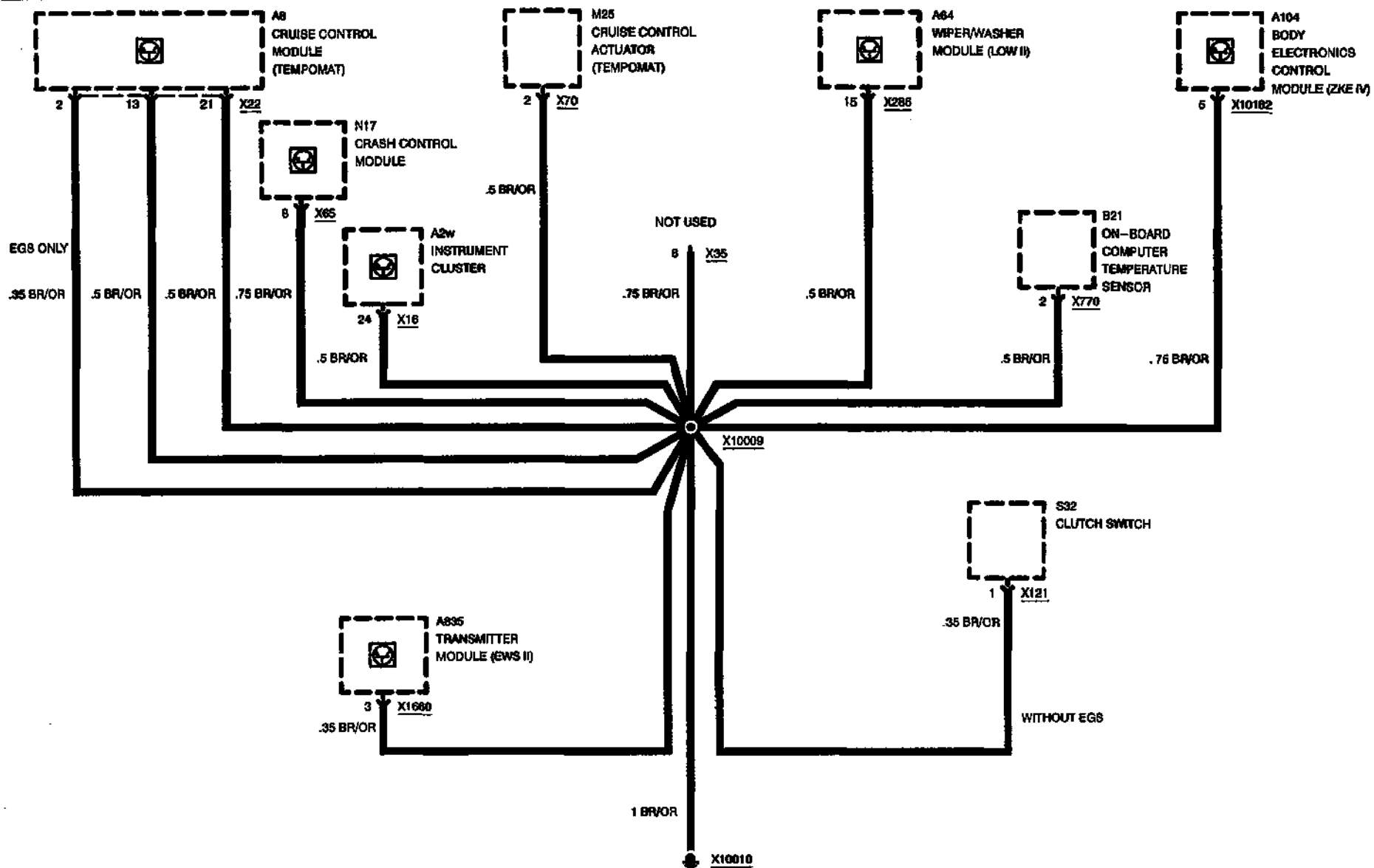
0670.4-19

1996



GROUND DISTRIBUTION

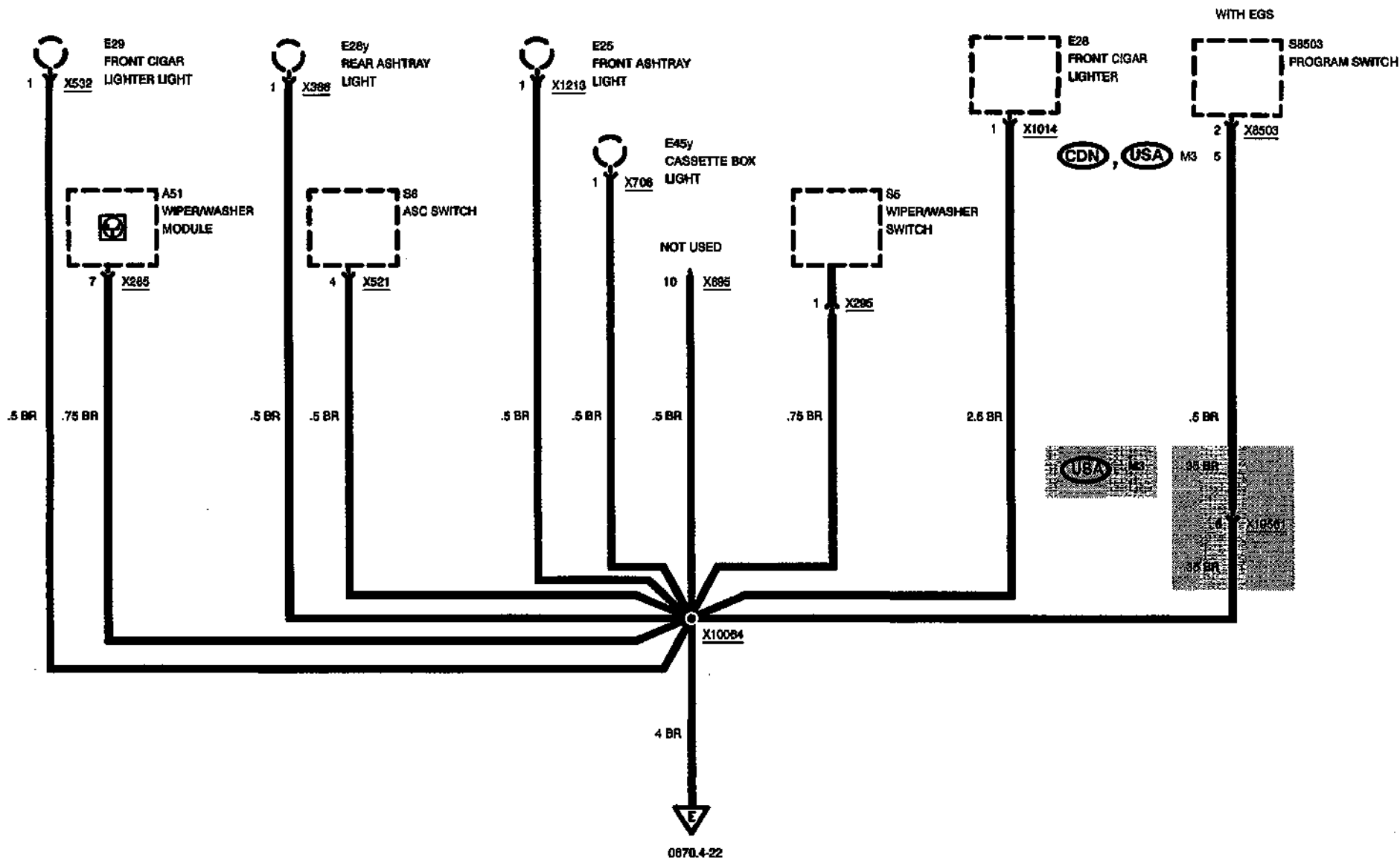
GROUND X10010





GROUND DISTRIBUTION

GROUND X10012



04/97

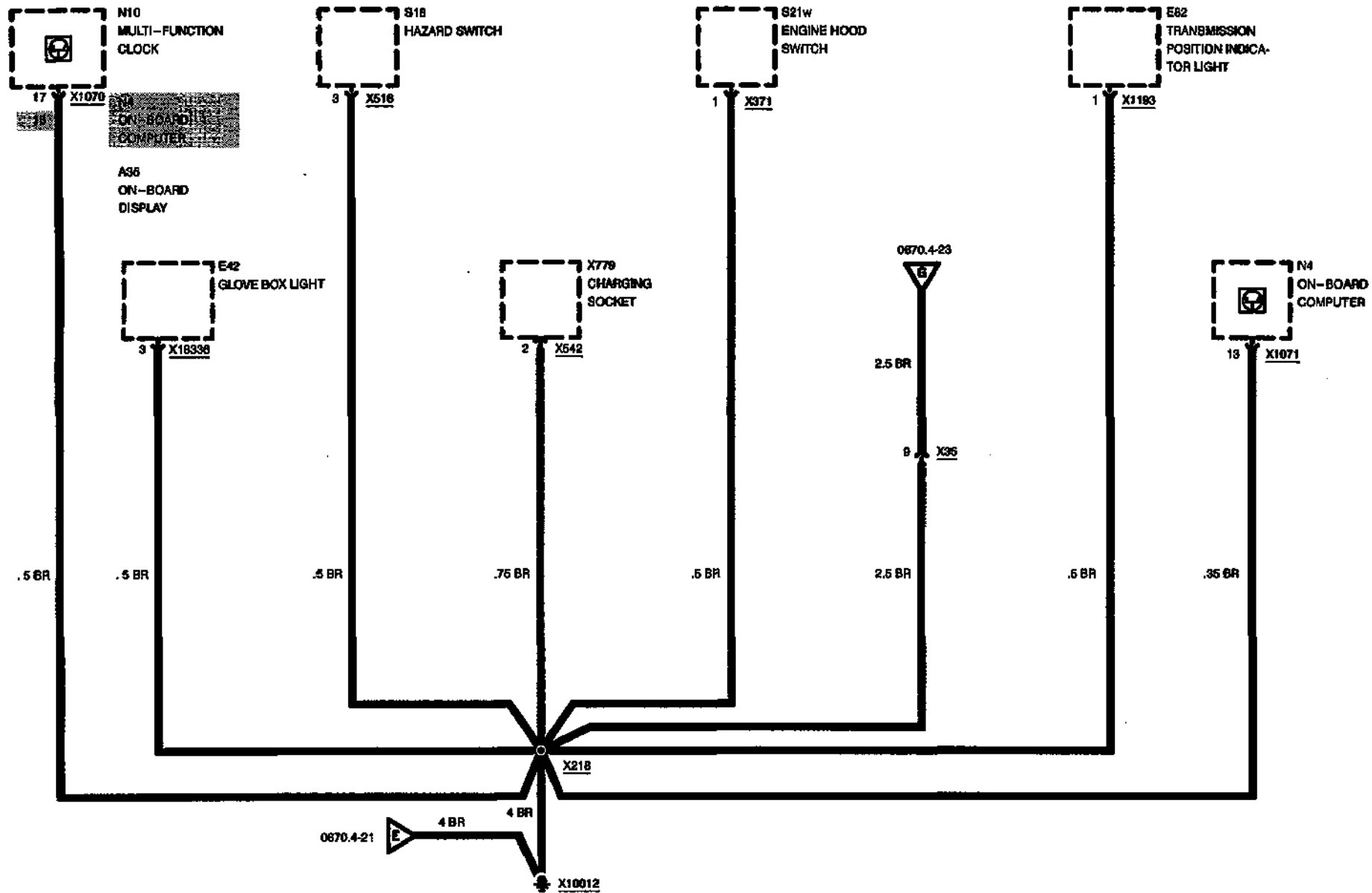
0670.4-21

1996



GROUND DISTRIBUTION

GROUND X10012



04/97

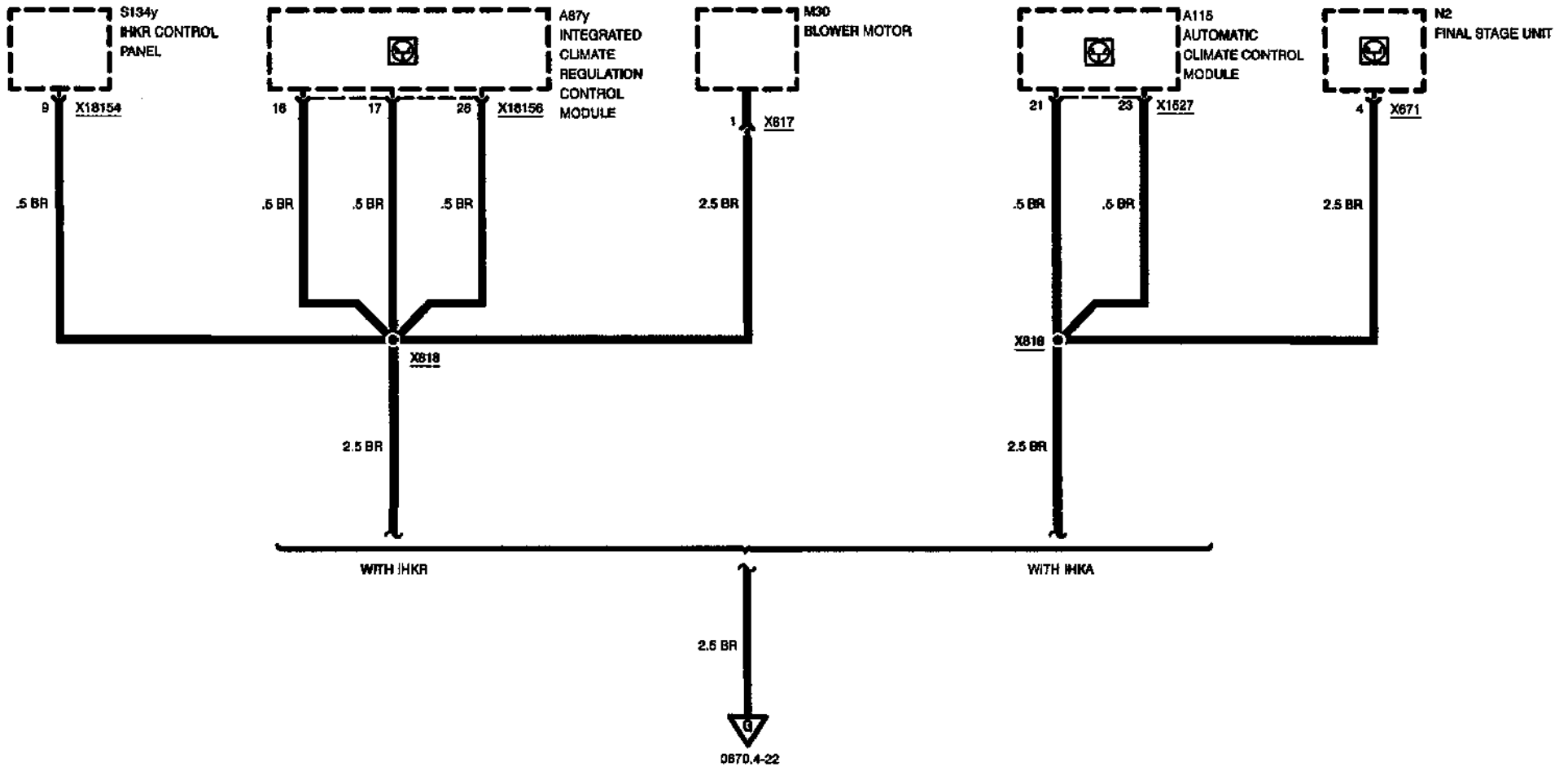
0670.4-22

1996



GROUND DISTRIBUTION

GROUND X10012



04/97

0670.4-23

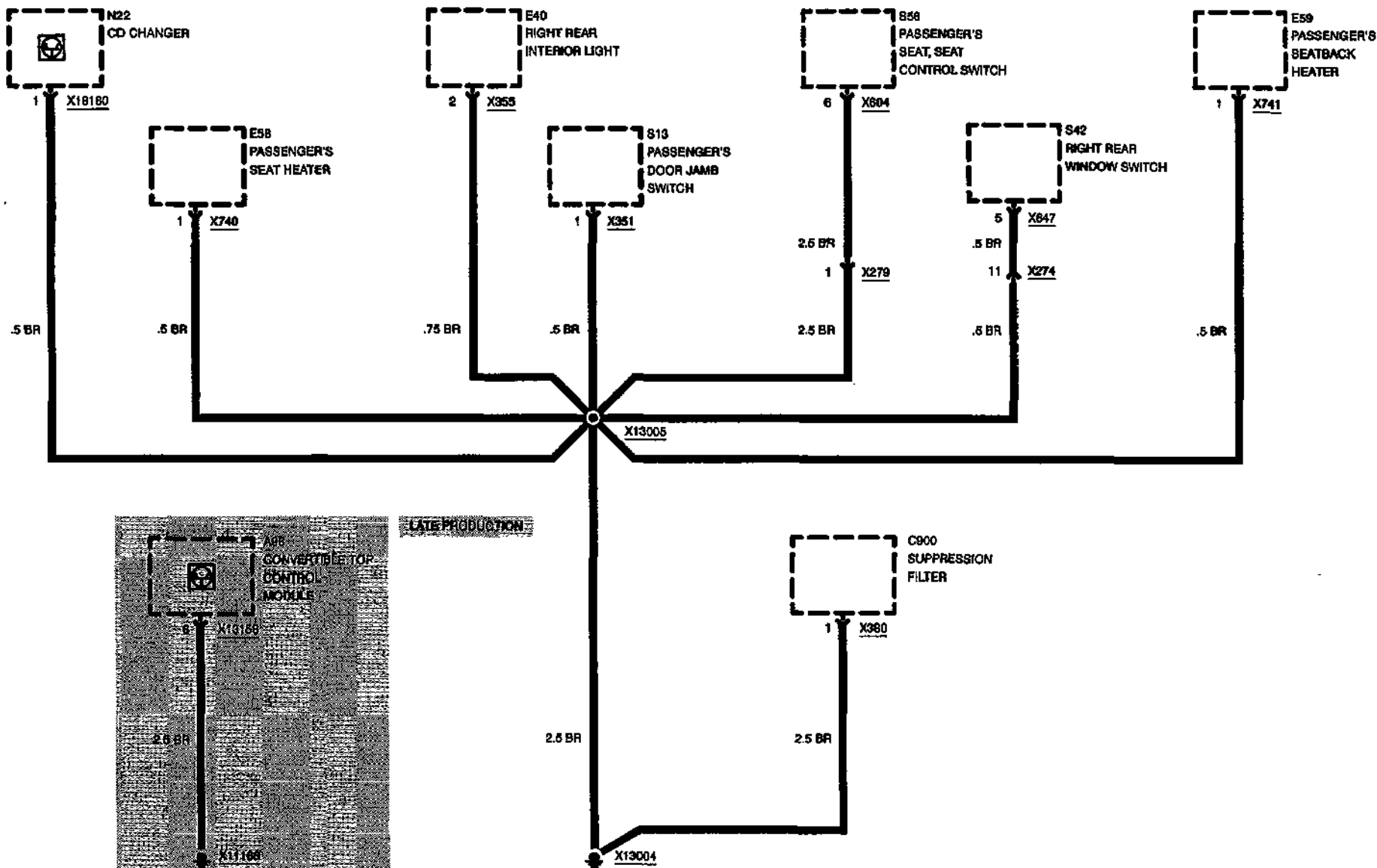
1996



GROUND DISTRIBUTION

GROUNDS X11166 AND X13004

FOUR-DOOR



04/97

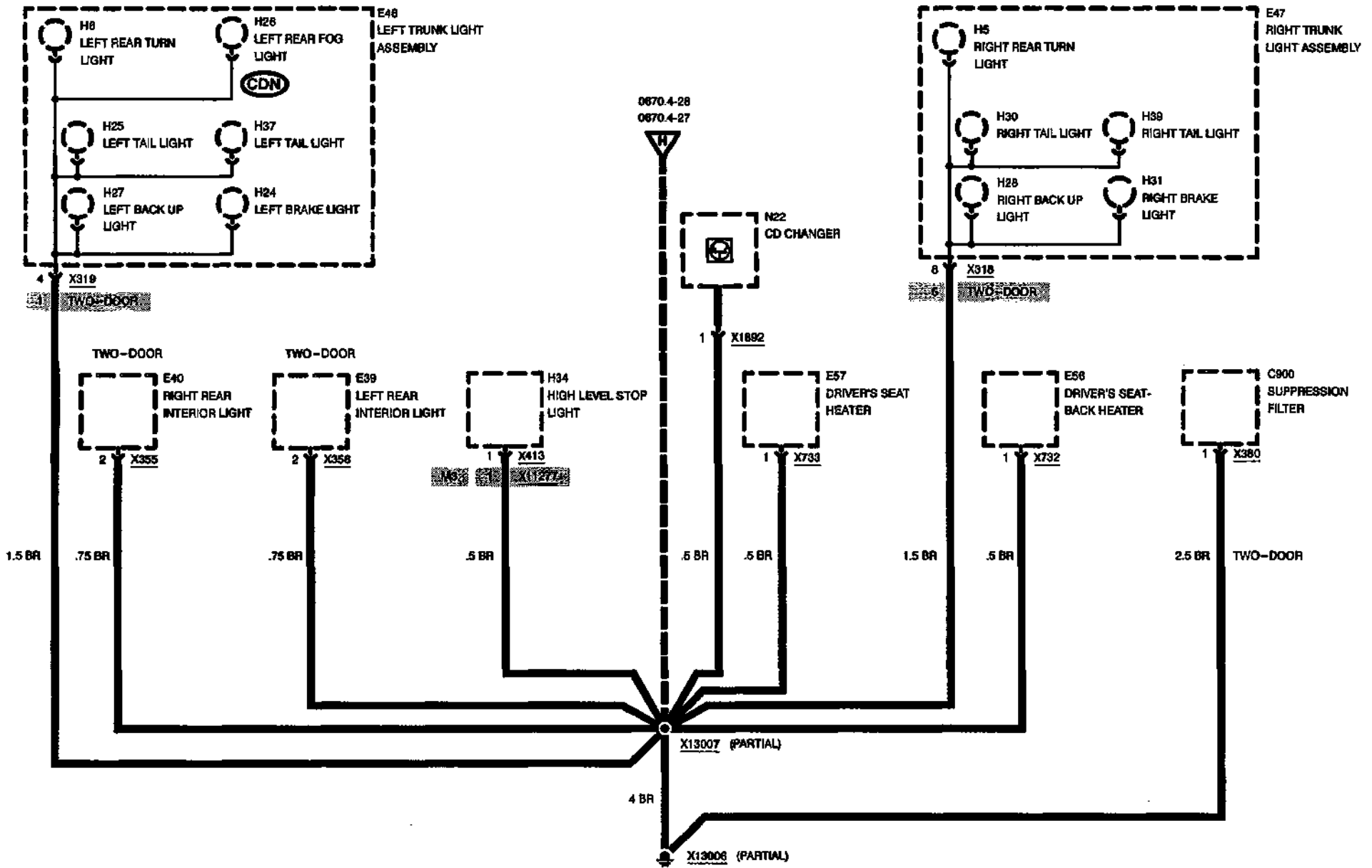
0670.4-24

1996



GROUND DISTRIBUTION

GROUND X13006



04/97

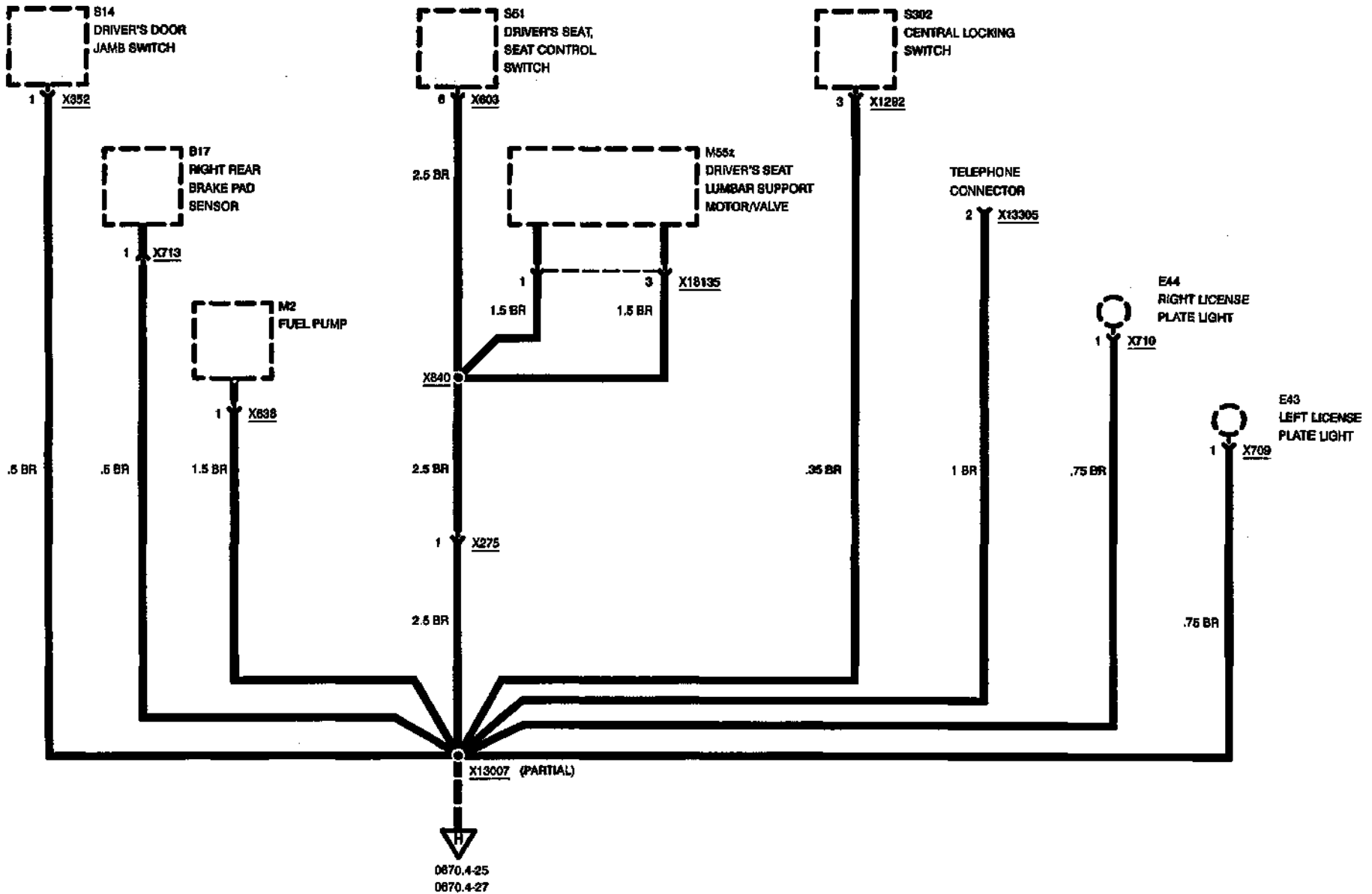
0670.4-25

1996



GROUND DISTRIBUTION

GROUND X13006

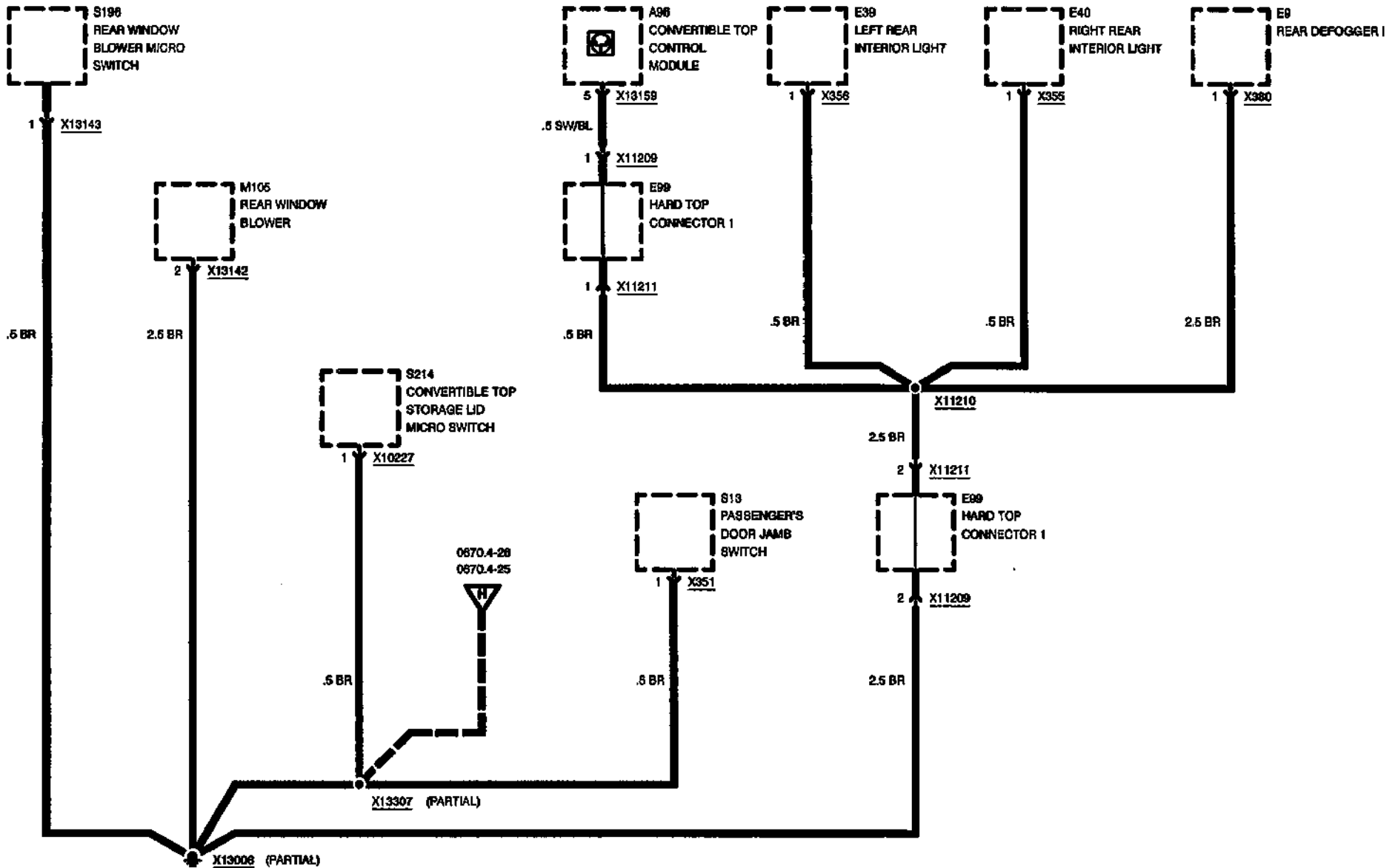




GROUND DISTRIBUTION

GROUND X13006

CONVERTIBLE



04/97

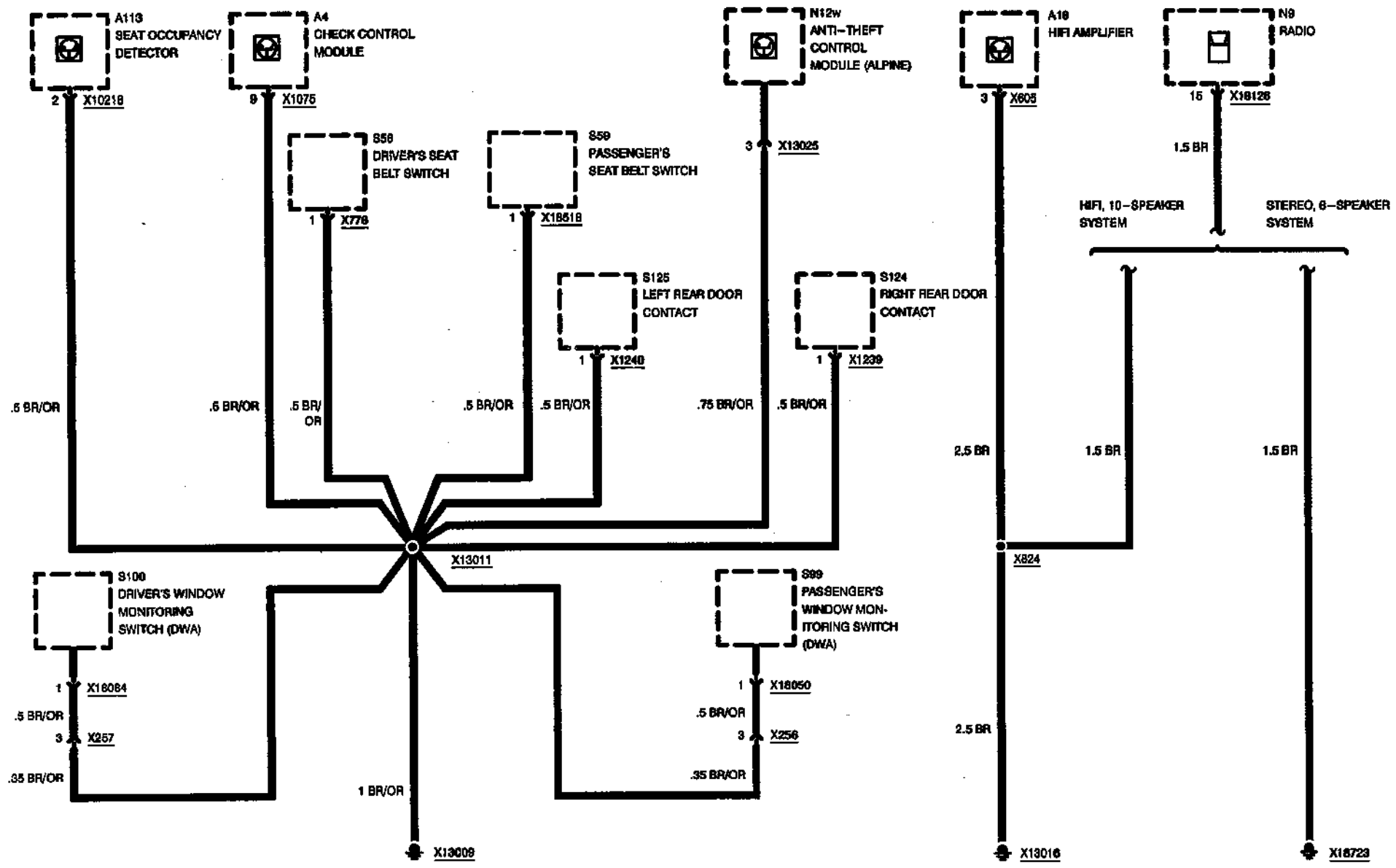
0670.4-27

1996



GROUND DISTRIBUTION

GROUNDS X13009, X13016, AND X18723



04/97

0670.4-28

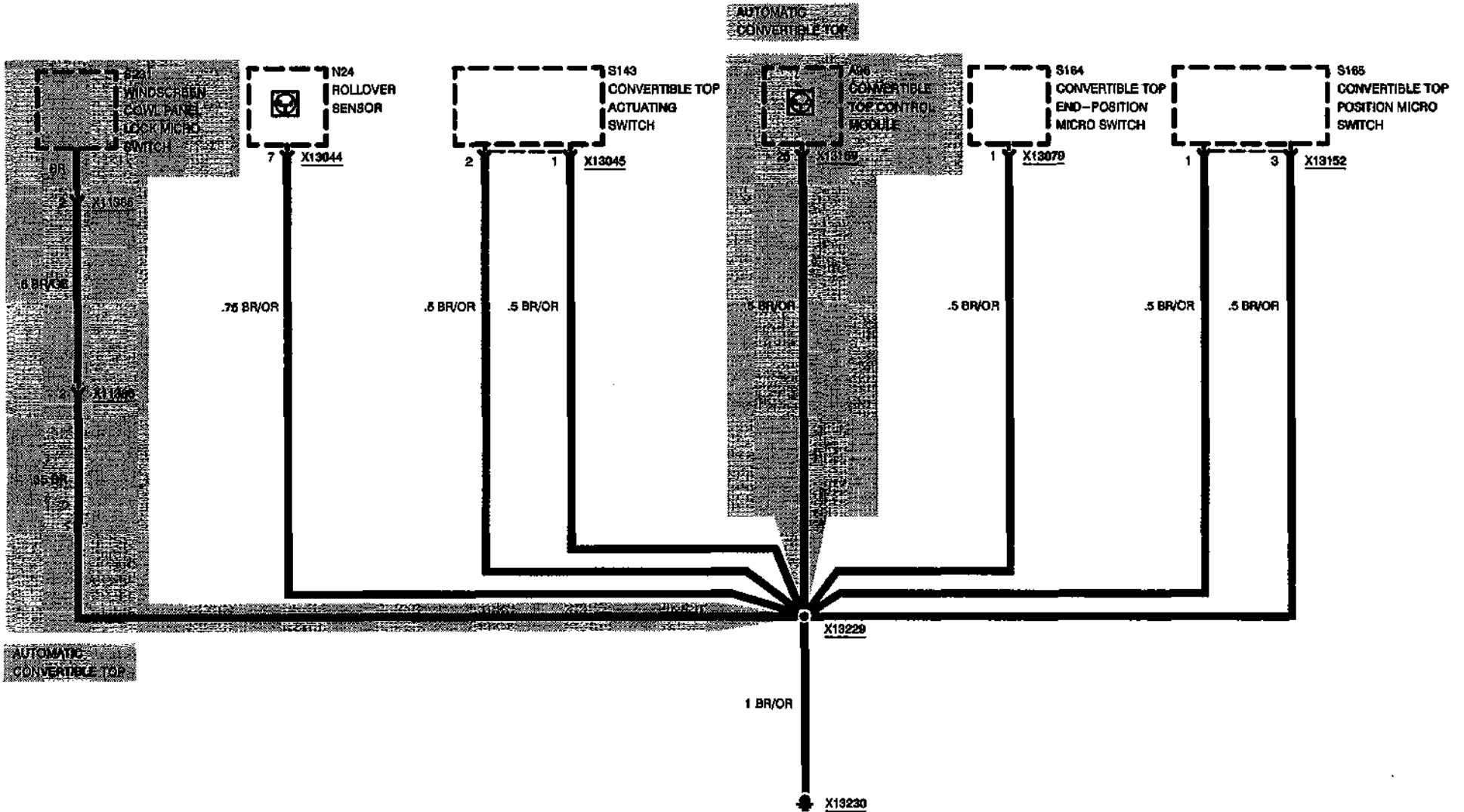
1996



GROUND DISTRIBUTION

GROUND X13230

CONVERTIBLE



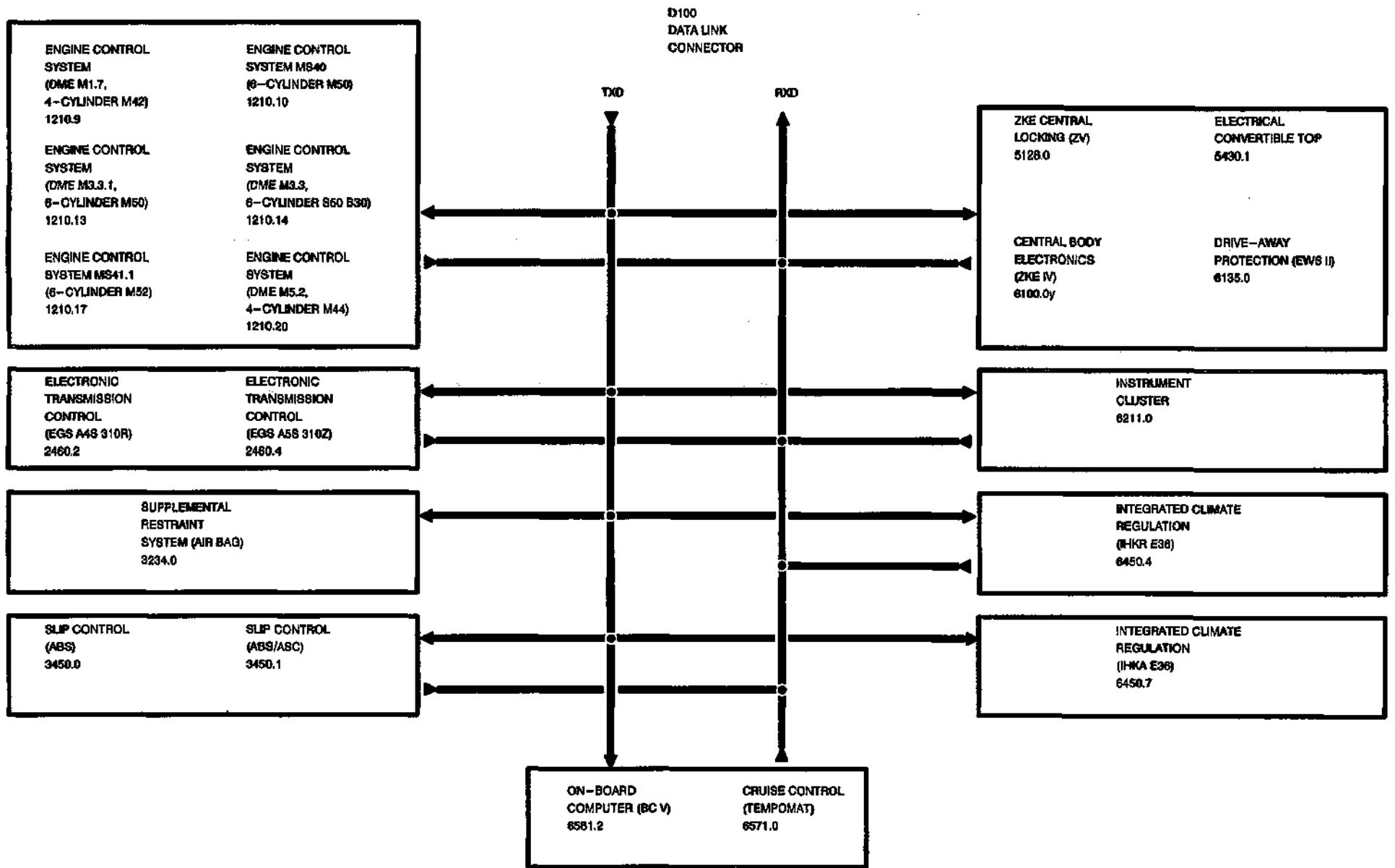
04/97

0670.4-29

1996



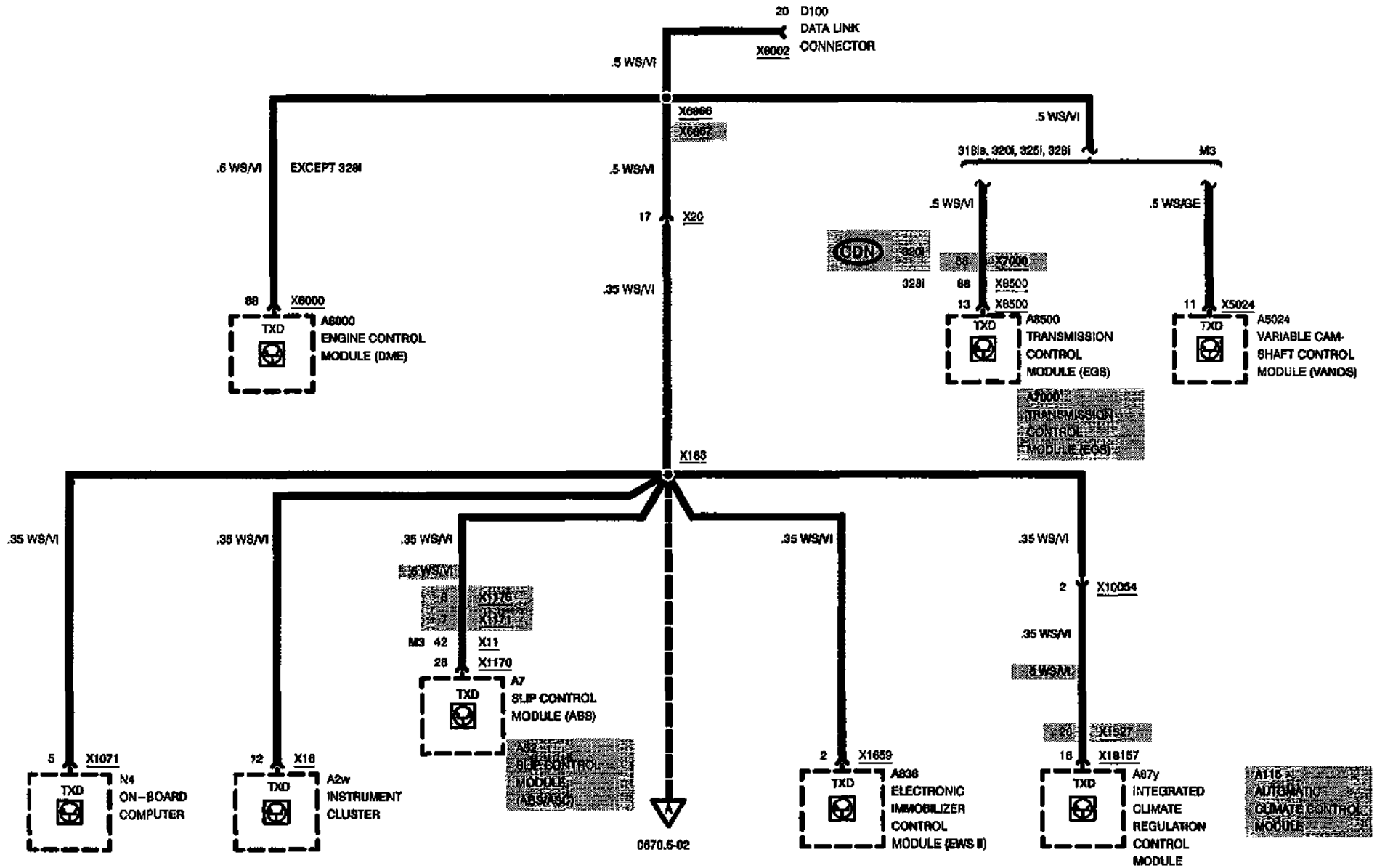
DATA LINK BLOCK DIAGRAM





DATA LINK

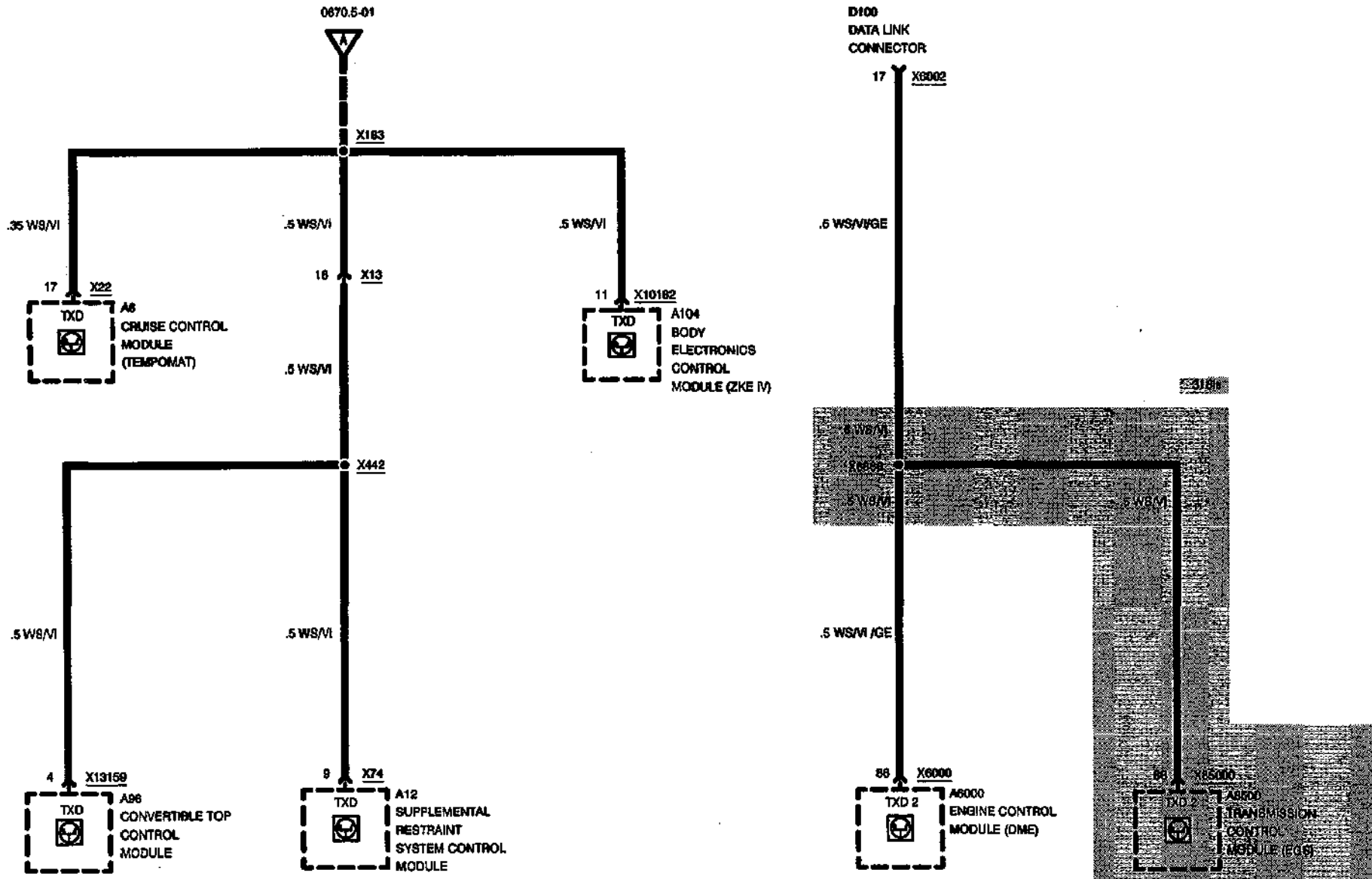
TXD, PIN 20





DATA LINK

TXD, PIN 20 AND TXD 2, PIN 17

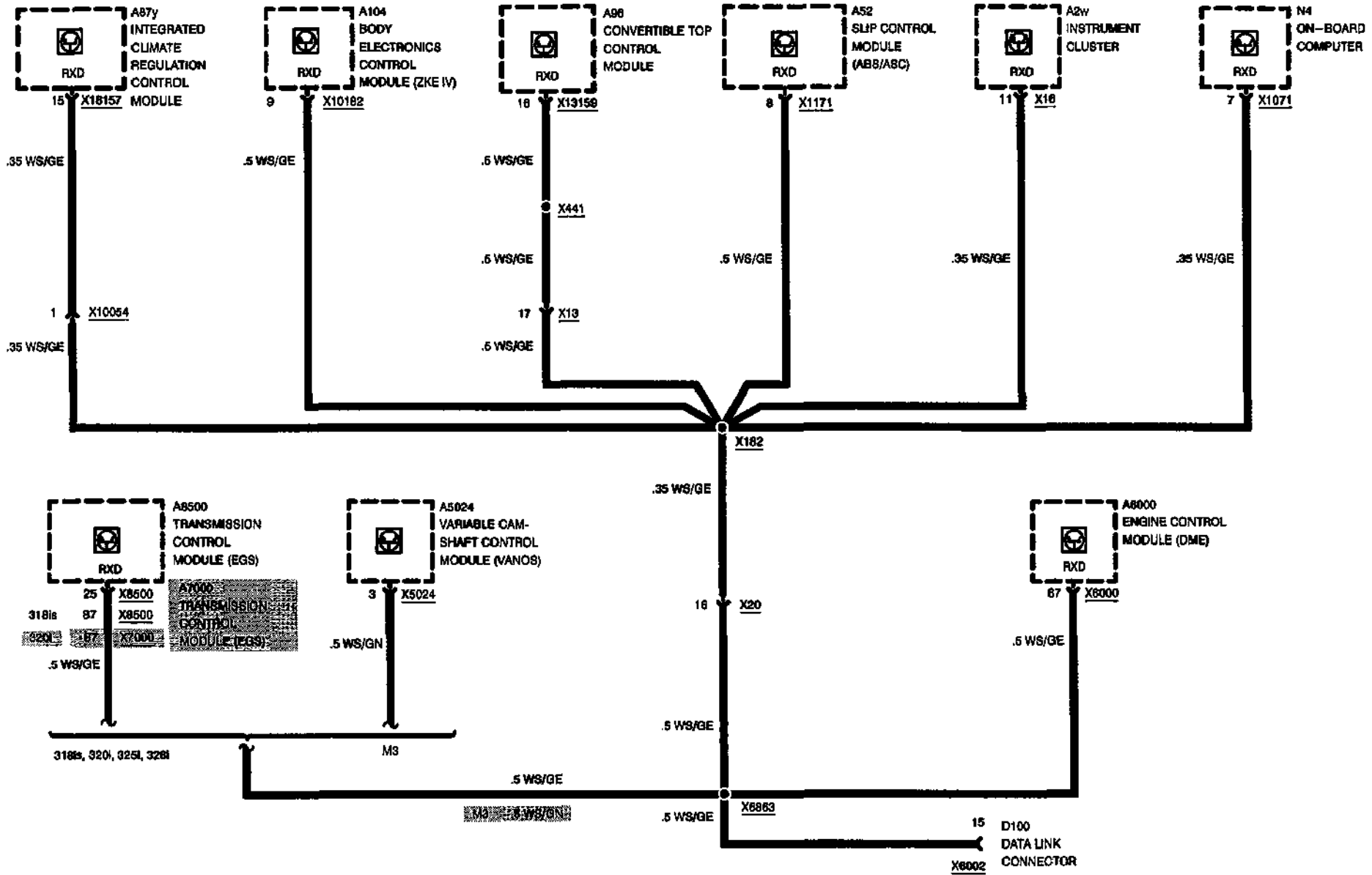


04/97

0670.5-02

1996

BMW
3 DATA LINK
RXD, PIN 15

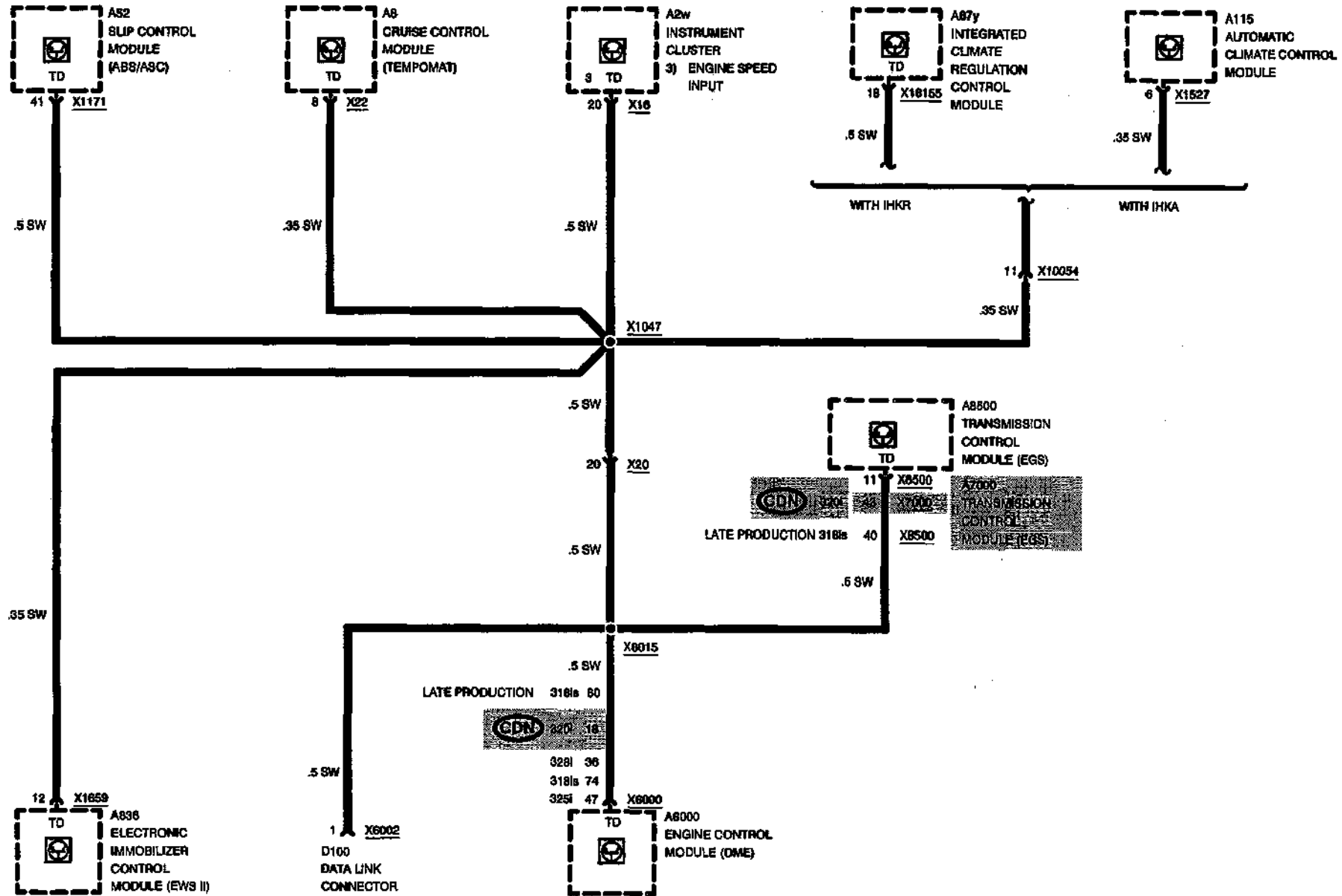


04/97
0670.5-03
1996



DATA LINK

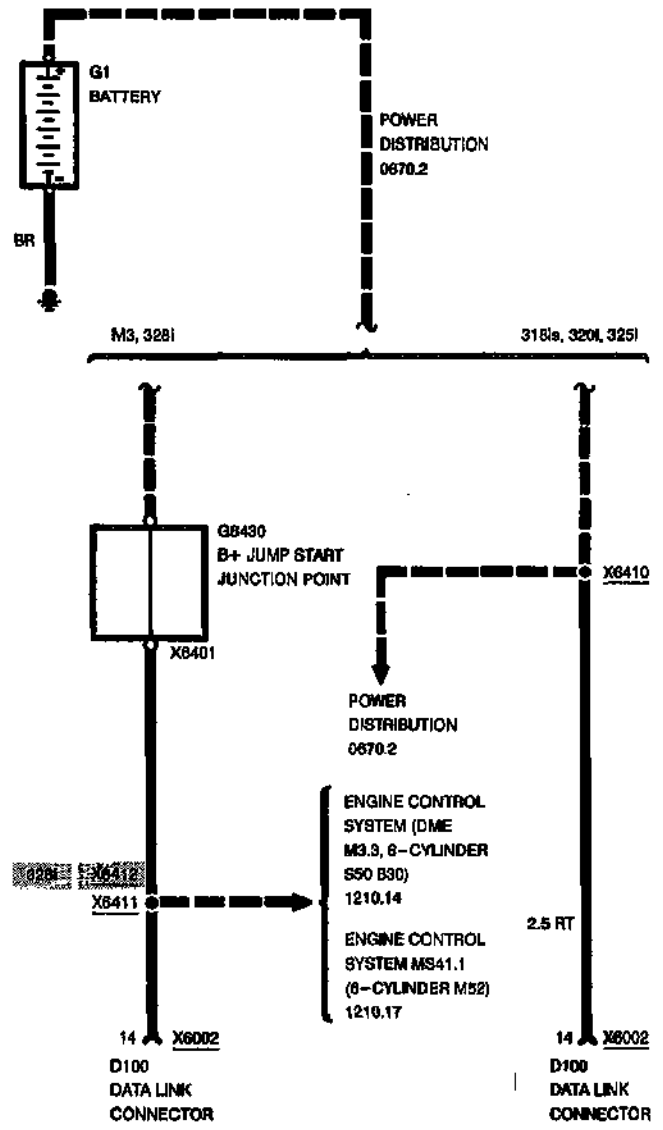
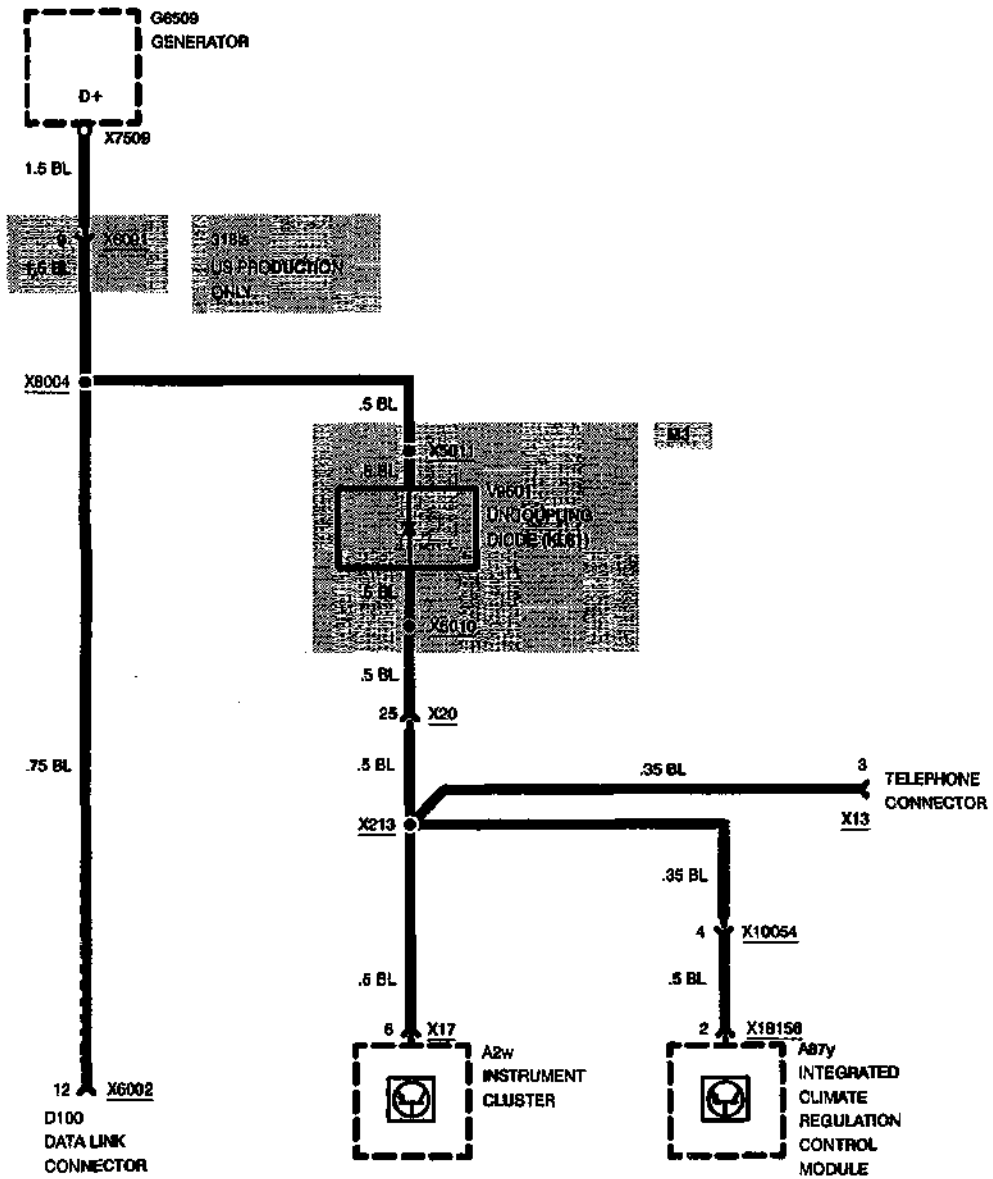
DATA LINK CONNECTOR, PIN 1





DATA LINK

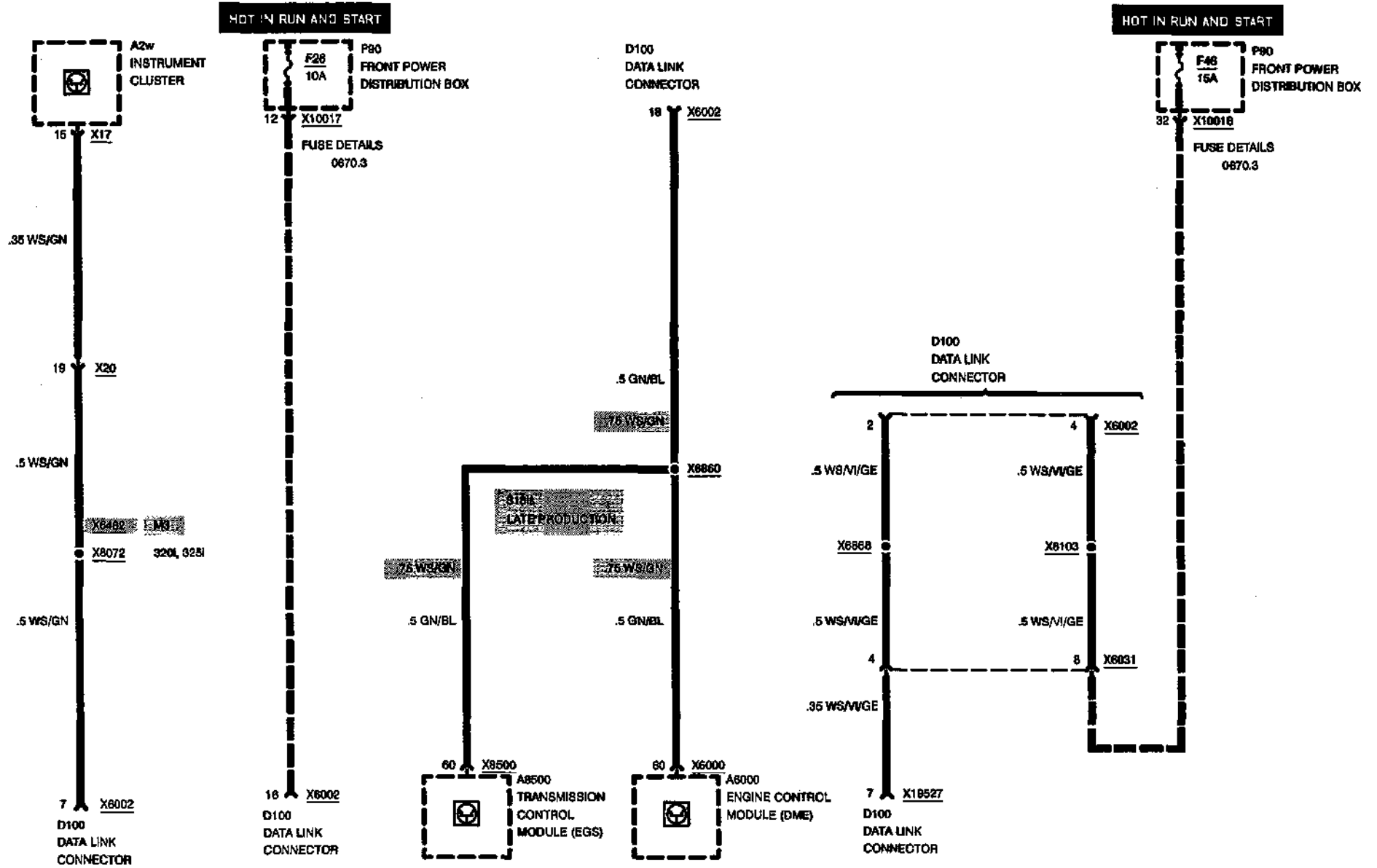
DATA LINK CONNECTOR, PINS 12 AND 14





DATA LINK

DATA LINK CONNECTOR, PINS 2, 4, 7, 16, AND 18

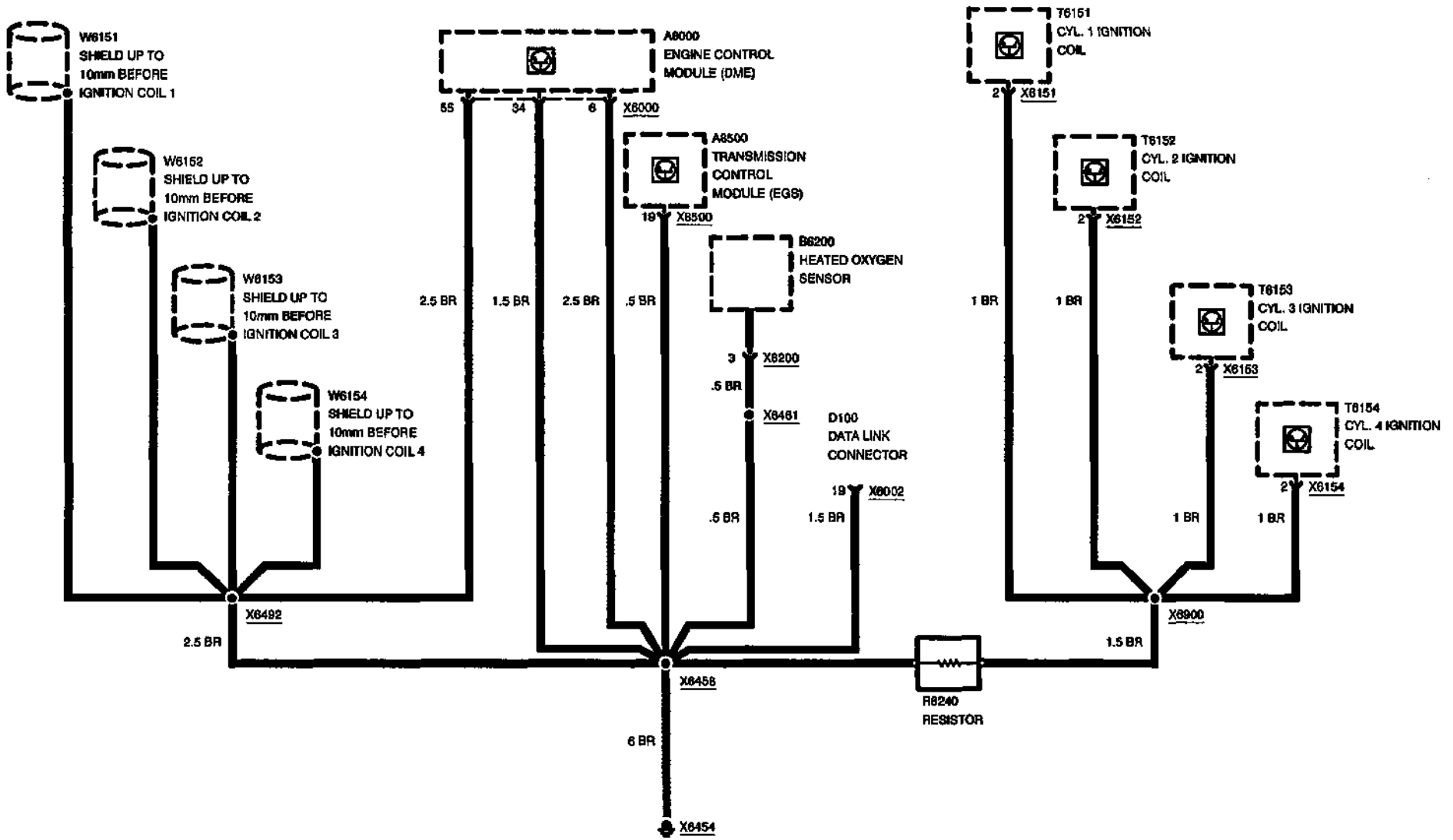




DATA LINK

DATA LINK CONNECTOR, PIN 19

318is



04/97

0670.5-07

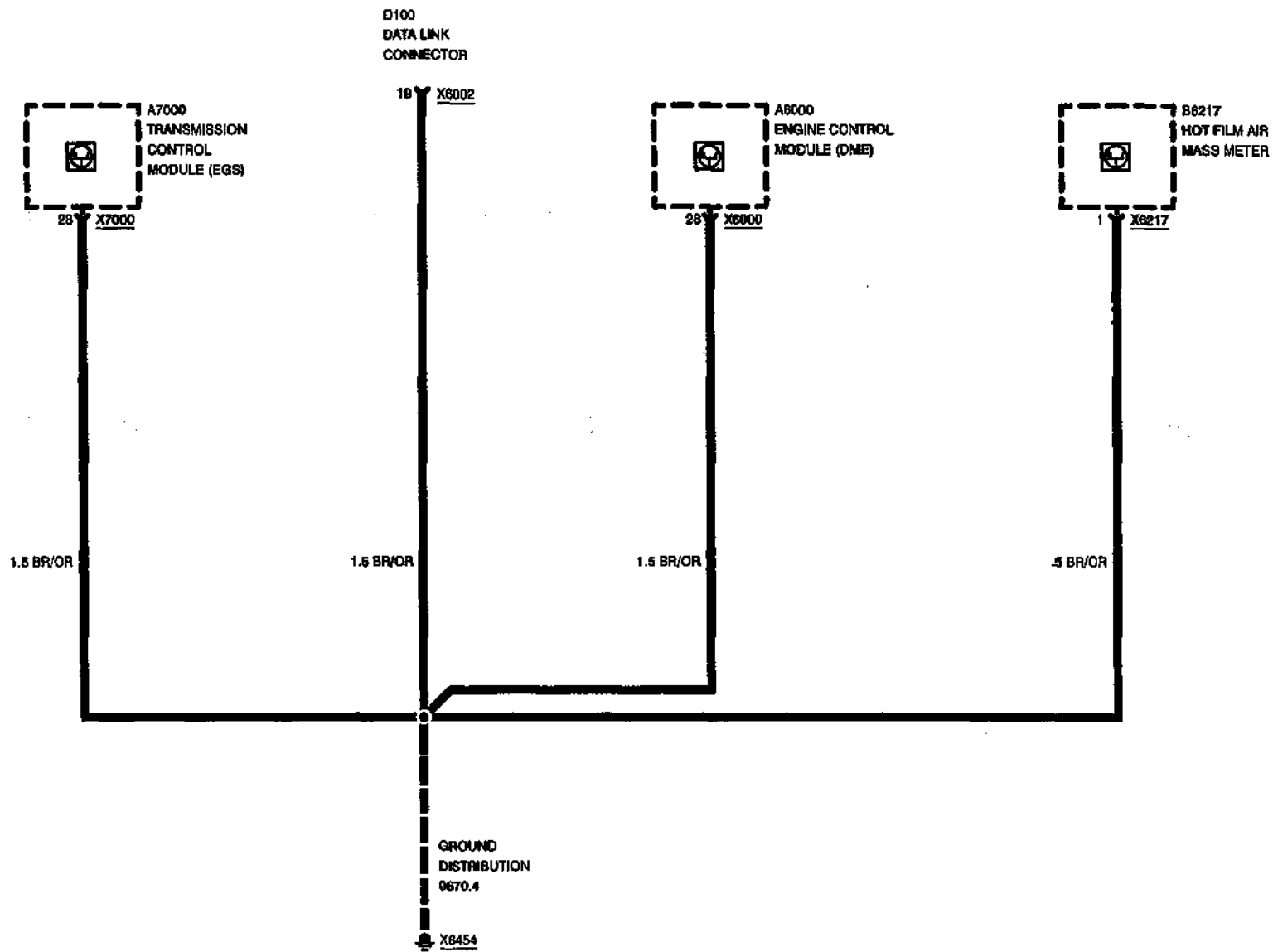
1996



DATA LINK

DATA LINK CONNECTOR, PIN 19

320i



04/97

0670.5-08

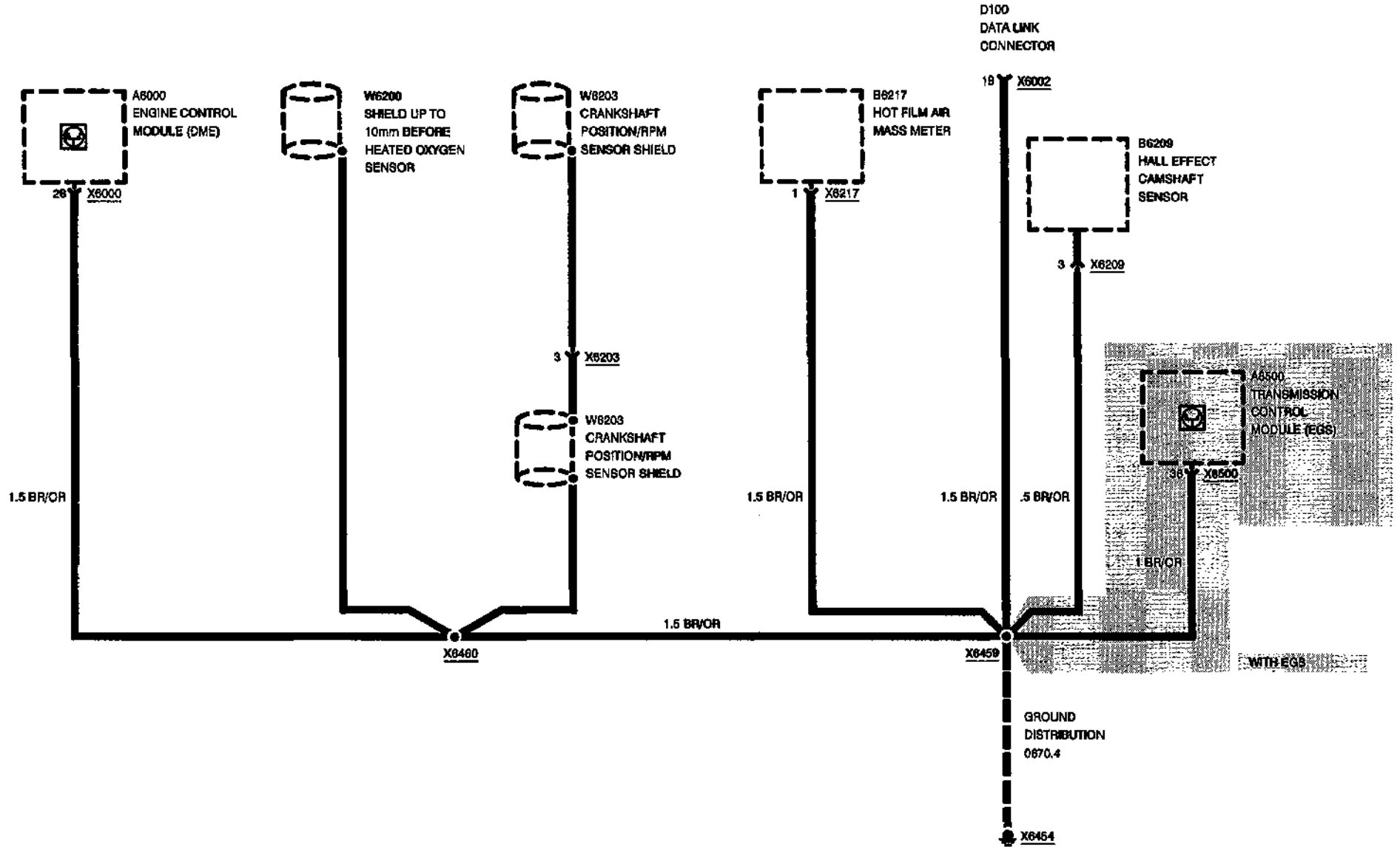
15.3



DATA LINK

DATA LINK CONNECTOR, PIN 19

325i



04/97

0670.5-09

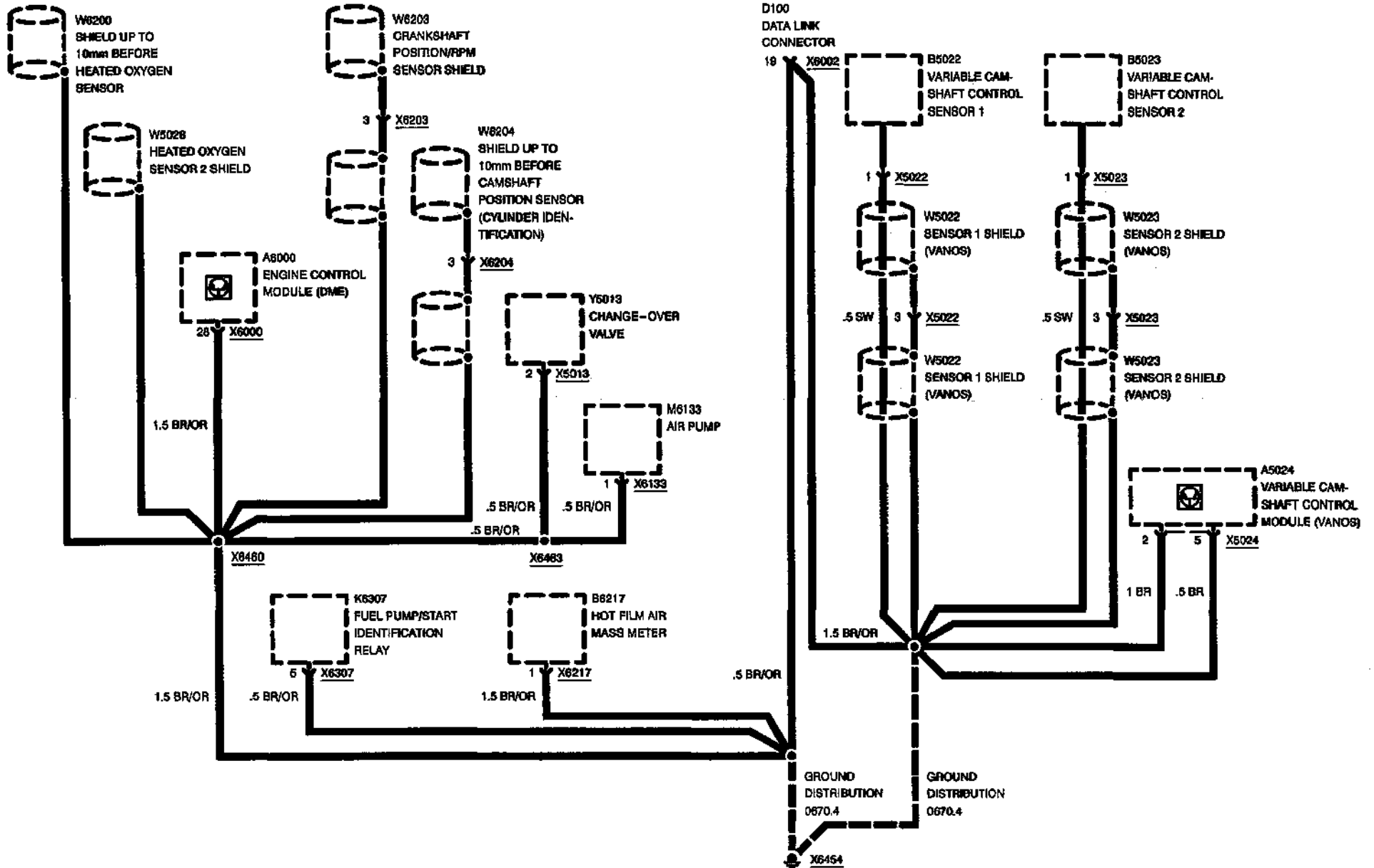
1996



DATA LINK

DATA LINK CONNECTOR, PIN 19

M3



04/97

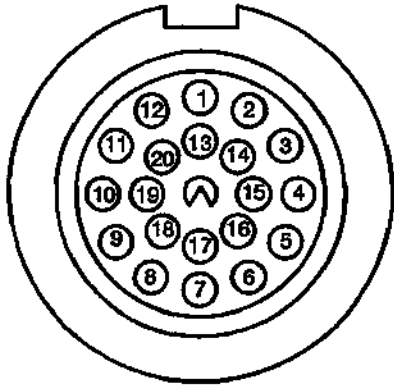
0670.5-10

1996



DATA LINK

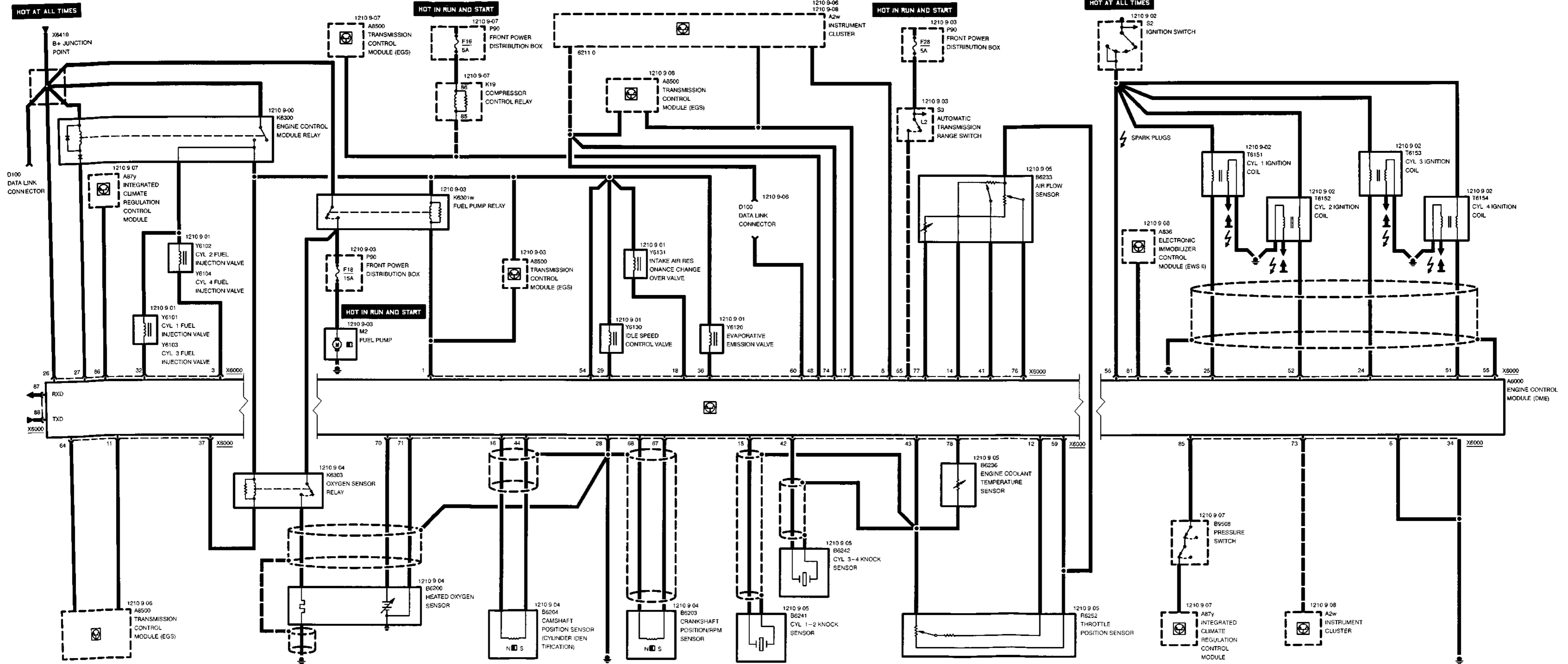
DATA LINK CONNECTOR (X6002)



PIN NUMBER	TERMINAL NUMBER	TERMINAL DESCRIPTION	WIRE COLOR
1	-	ENGINE	SW
2	-	OBD II CONNECTOR	WS/VI/GE
3	-	NOT OCCUPIED	
4	R	FUSE 46 (328i)	SW/VI/GE
5	-	NOT OCCUPIED	
6	-	NOT OCCUPIED	
7	SI	SERVICE INTERVAL RESET	WS/GN
8	-	NOT OCCUPIED	
9	-	NOT OCCUPIED	
10	-	NOT OCCUPIED	
11	-	NOT OCCUPIED	
12	61(D+)	GENERATOR CHARGE INDICATOR	BL
13	-	NOT OCCUPIED	
14	30	VOLTAGE: HOT AT ALL TIMES	RT
15	RXD	DIAGNOSTIC DATA LINK	WS/GE
16	15S	VOLTAGE: IGNITION SWITCH IN RUN AND START	GN/WS
17	TXD 2	DIAGNOSTIC DATA LINK	WS/VI/GE
18	PGSP	PROGRAM SELECT FOR ENGINE CONTROL MODULE (DME)	GN/BL
19	31	GROUND	BR
20	TXD	DIAGNOSTIC DATA LINK	WS/VI



0670.5-12



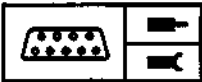


Pin Assignments

X6000

Pin	Type	Description/Function	Connection
1	A	Fuel pump relay control	Fuel pump relay, terminal 85
2		Not used	
3	A	Cyl. 2 and cyl. 4 fuel injection valve control	Cyl. 2 and cyl. 4 fuel injection valves
4		Not used	
5		Not used	
6	M	Ground, fuel injection valve output stages	Ground point
7		Not used	
8	A	"Check engine" indicator control	Instrument cluster
9		Not used	
10		Not used	
11	A	DKV potentiometer signal	Transmission control module (EGS)
12	E	Throttle position	Throttle position sensor
13		Not used	
14	E	Volume air flow sensor	Volume air flow sensor
15	E	Cyl. 1-2 knock sensor	Cyl. 1-2 knock sensor
16	E	Camshaft position sensor (cylinder identification)	Camshaft position sensor (cylinder identification)
17	A	Ti-measurement signal (fuel consumption)	Instrument cluster
18	A	Intake air resonance changeover valve control	Intake air resonance changeover valve
19		Not used	
20		Not used	
21		Not used	
22		Not used	
23		Not used	
24	A	Cyl. 3 ignition coil control	Cyl. 3 ignition coil
25	A	Cyl. 1 ignition coil control	Cyl. 1 ignition coil
26	E	Battery voltage	B+ junction point
27	A	Engine control module relay control	Engine control module relay, terminal 85
28	M	Ground for electronics and shielding of sensors	Ground point

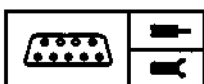
E = Input, A = Output, M = Ground



Pin Assignments

Pin	Type	Description/Function	Connection
29	A	Idle speed control valve control	Idle speed control valve
30		Not used	
31		Not used	
32	A	Cyl. 1 and cyl. 3 fuel injection valve control	Cyl. 1 and cyl. 3 fuel injection valves
33		Not used	
34	M	Ground, remaining output stages (except for ignition and fuel injection valves)	Ground point
35		Not used	
36	A	Evaporative emission valve control	Evaporative emission valve
37	A	Oxygen sensor heater control	Oxygen sensor relay, terminal 85
38		Not used	
39		Not used	
40		Not used	
41	E	Volume air flow sensor	Volume air flow sensor
42	E	Cyl. 3-4 knock sensor	Cyl. 3-4 knock sensor
43	M	Ground for sensors	Engine coolant temperature sensor, cyl. 1-2 knock sensor, cyl. 3-4 knock sensor, and throttle position sensor
44	E	Camshaft position sensor (cylinder identification)	Camshaft position sensor (cylinder identification)
45		Not used	
46		Not used	
47		Not used	
48	A	A/C compressor cut-out	Compressor control relay, terminal 85
49		Not used	
50		Not used	
51	A	Cyl. 4 ignition coil control	Cyl. 4 ignition coil
52	A	Cyl. 2 ignition coil control	Cyl. 2 ignition coil
53		Not used	
54	E	Battery voltage from engine control module relay	Engine control module relay, terminal 87a
55	M	Ground, ignition	Ground point
56	E	Ignition switch, terminal 15	Ignition switch, terminal 15
57		Not used	

E = Input, A = Output, M = Ground



Pin Assignments

Pin	Type	Description/Function	Connection
58		Not used	
59	A	5V component supply	Throttle position sensor and volume air flow sensor
60	E	Programming voltage	Data link connector
61		Not used	
62		Not used	
63		Not used	
64	E	Ignition timing intervention	Transmission control module (EGS)
65	E	Drive range P/N	Automatic transmission range switch
66		Not used	
67	E	Crankshaft position/RPM sensor	Crankshaft position/RPM sensor
68	E	Crankshaft position/RPM sensor	Crankshaft position/RPM sensor
69		Not used	
70	E	Oxygen sensor signal	Heated oxygen sensor
71	M	Oxygen sensor signal ground	Heated oxygen sensor
72		Not used	
73	E	Vehicle speed signal	Instrument cluster
74	A	Crankshaft RPM speed signal TD	Instrument cluster
75		Not used	
76	E	Volume air flow sensor	Volume air flow sensor
77	E	Volume air flow sensor	Volume air flow sensor
78	E	Engine coolant temperature	Engine coolant temperature sensor
79		Not used	
80		Not used	
81	E	Drive-away protection signal (code)	Electronic immobilizer control module (EWS II)
82		Not used	
83		Not used	
84		Not used	
85	E	A/C pressure	Pressure switch
86	A	Auxiliary ventilation signal	Integrated climate regulation control module

E = Input, A = Output, M = Ground



Pin Assignments

Pin	Type	Description/Function	Connection
87	A	RxD diagnosis data line	Data link connector
88	E/A	TxD diagnosis data line	Data link connector

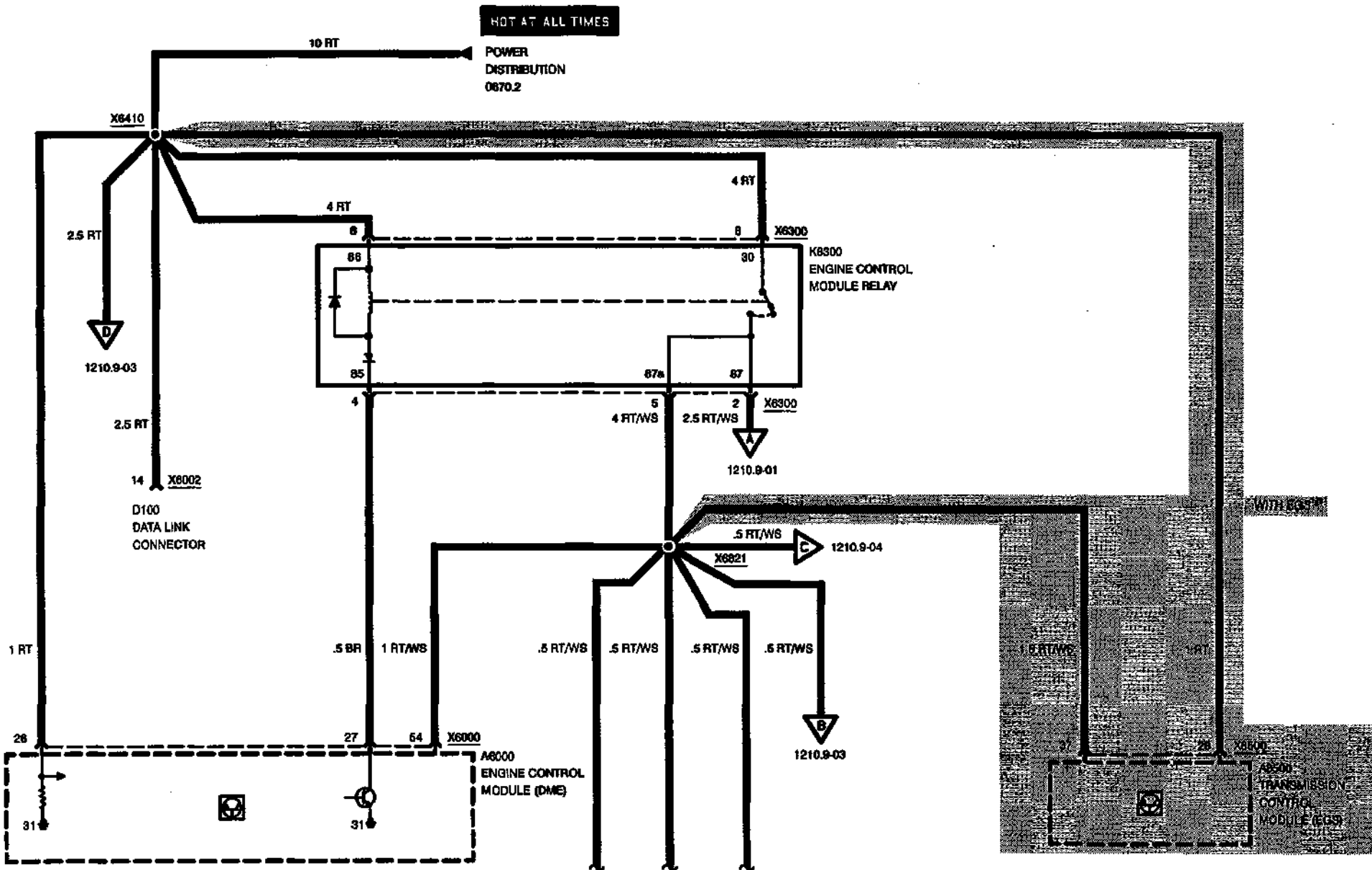
E = Input, A = Output, M = Ground

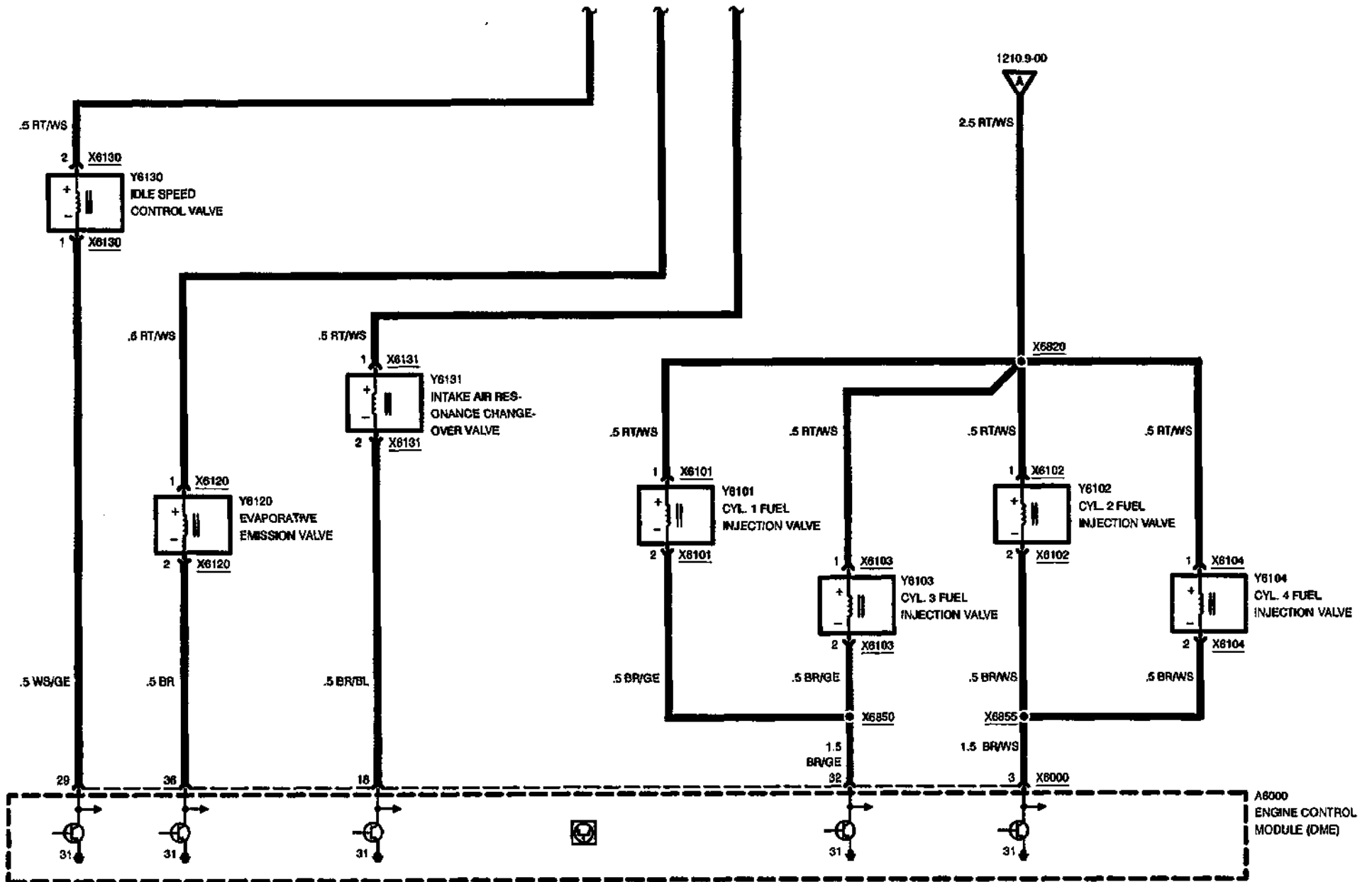




ENGINE CONTROL SYSTEM (DME M1.7, 4-CYLINDER M42)

POWER, FUEL INJECTION VALVES

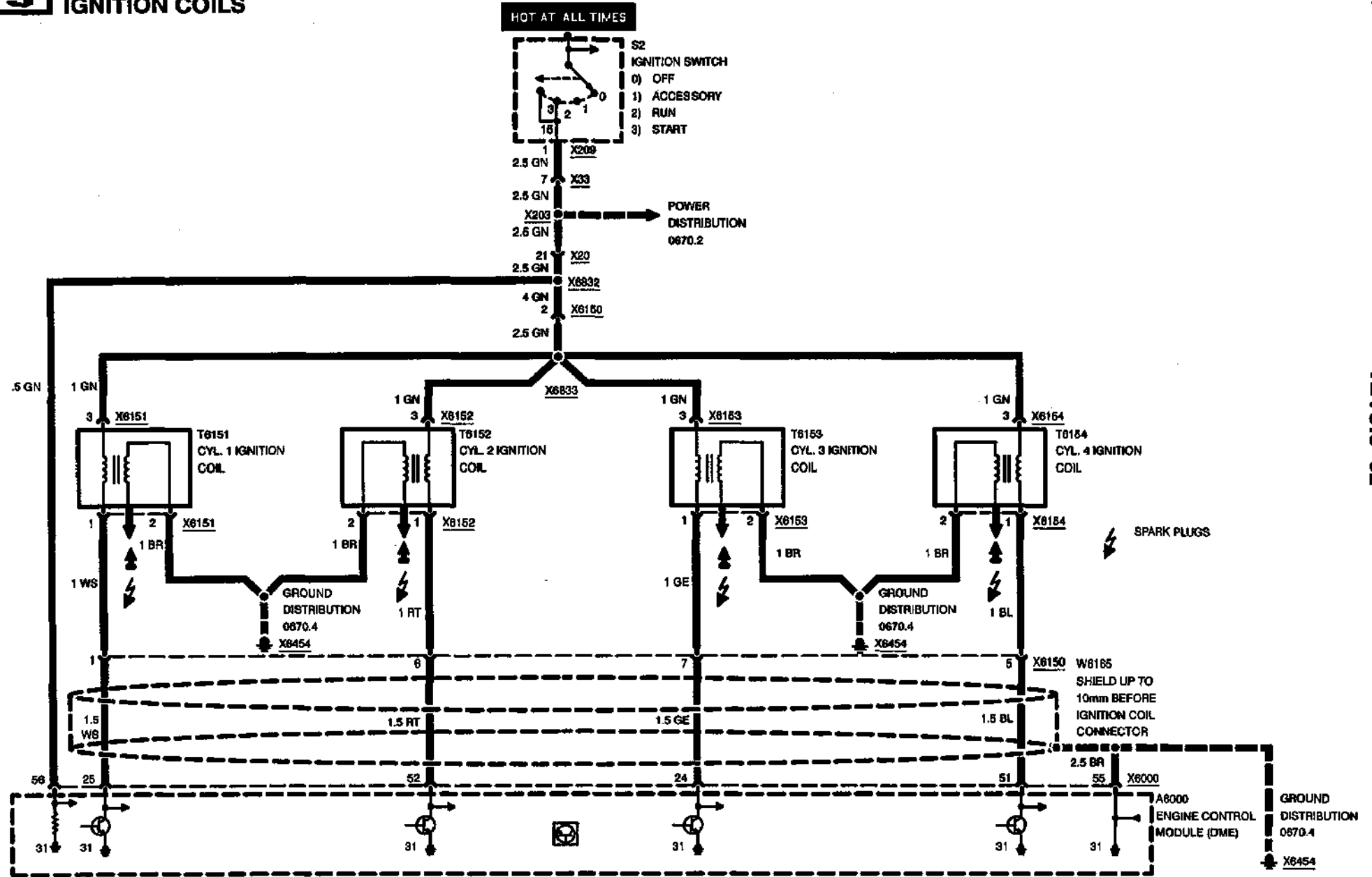






ENGINE CONTROL SYSTEM (DME M1.7, 4-CYLINDER M42)

IGNITION COILS



04/97

1210.9-02

1996



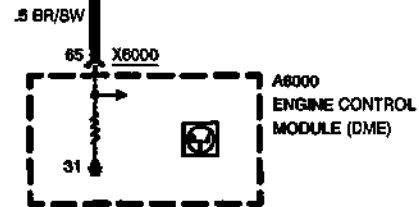
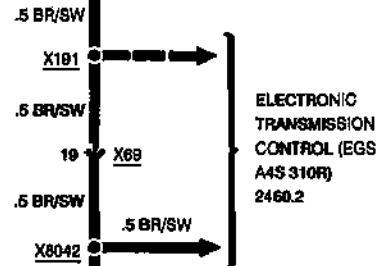
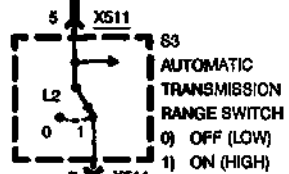
ENGINE CONTROL SYSTEM (DME M1.7, 4-CYLINDER M42)

FUEL PUMP

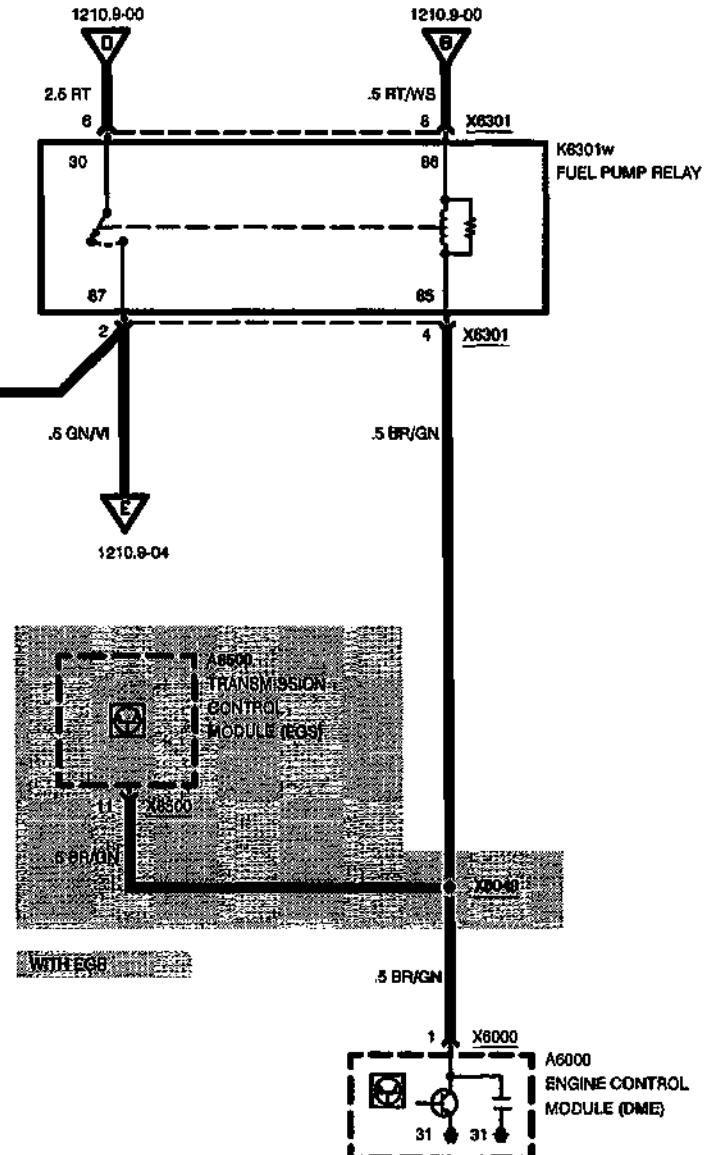
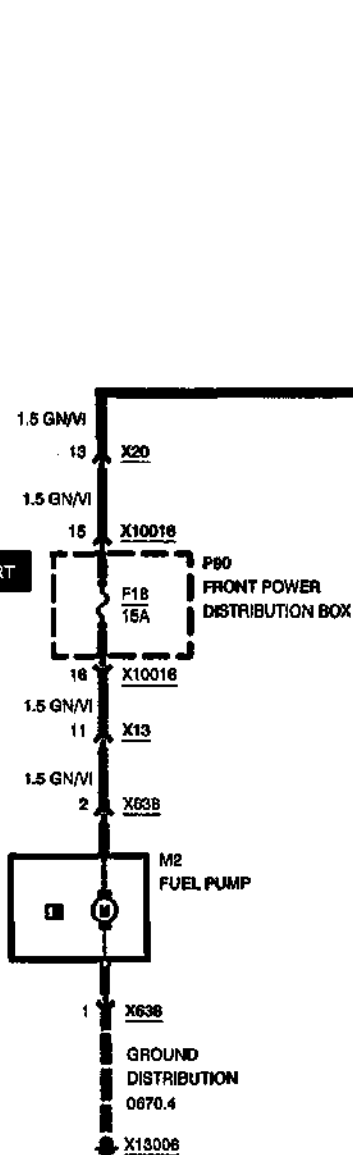
HOT IN RUN AND START



	L1	L2	L3	L4
P	1	1	0	1
R	1	0	0	0
N	1	1	1	0
D	0	0	0	1
3	0	0	1	1
2	1	0	1	1
1	0	0	1	0



HOT IN RUN AND START



04/97

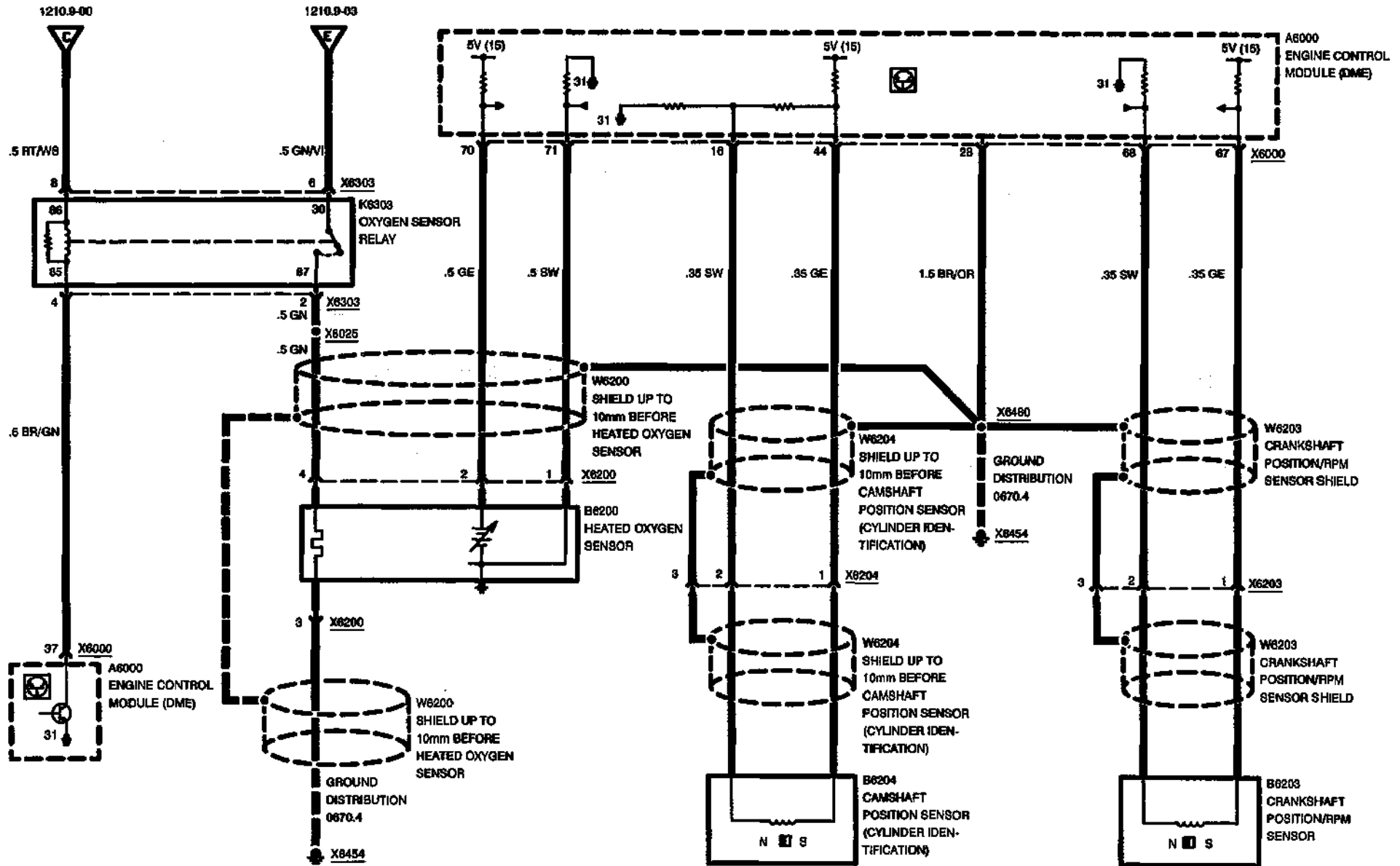
1210.9-03

1996



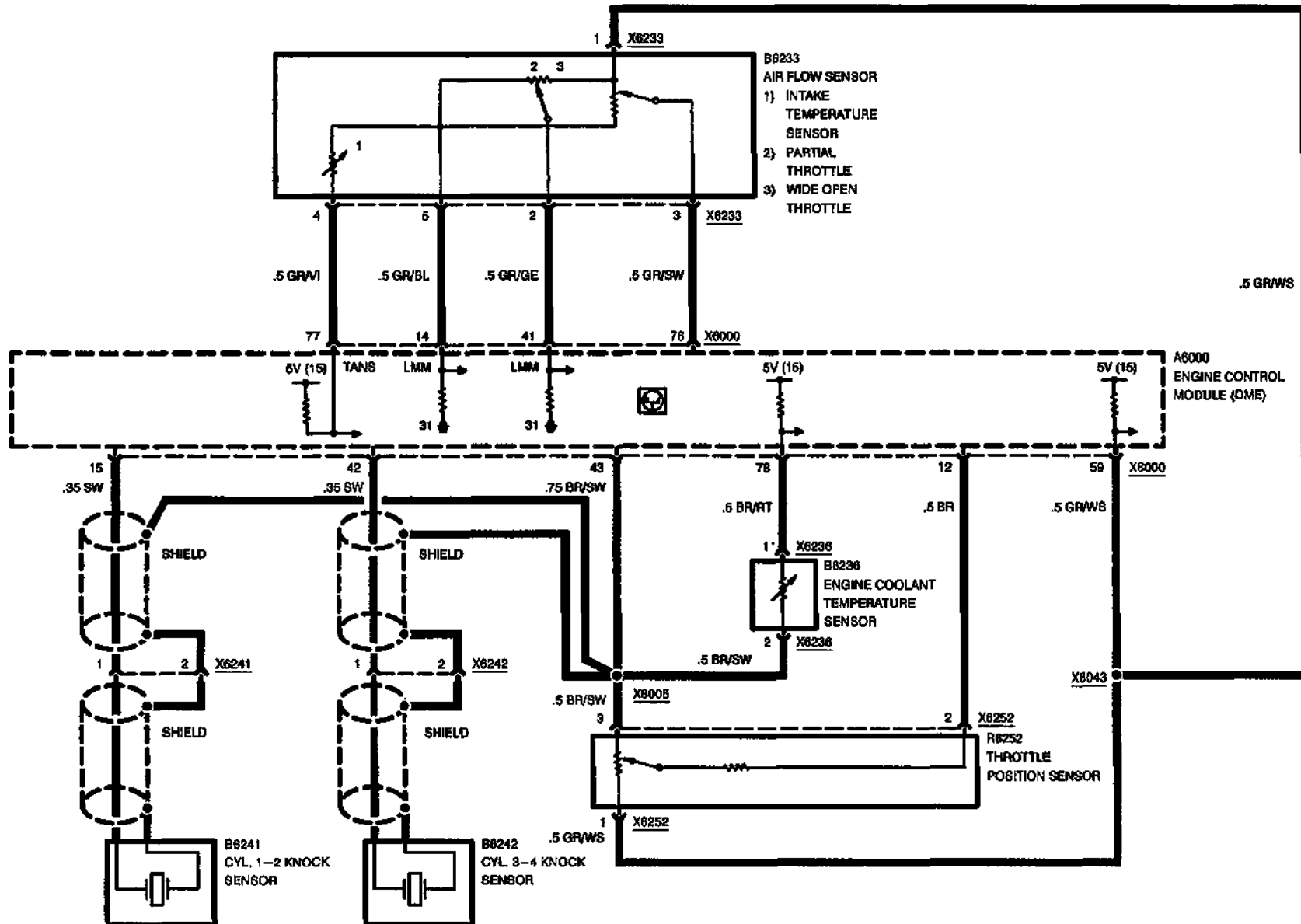
ENGINE CONTROL SYSTEM (DME M1.7, 4-CYLINDER M42)

HEATED OXYGEN SENSOR, CRANKSHAFT SENSORS





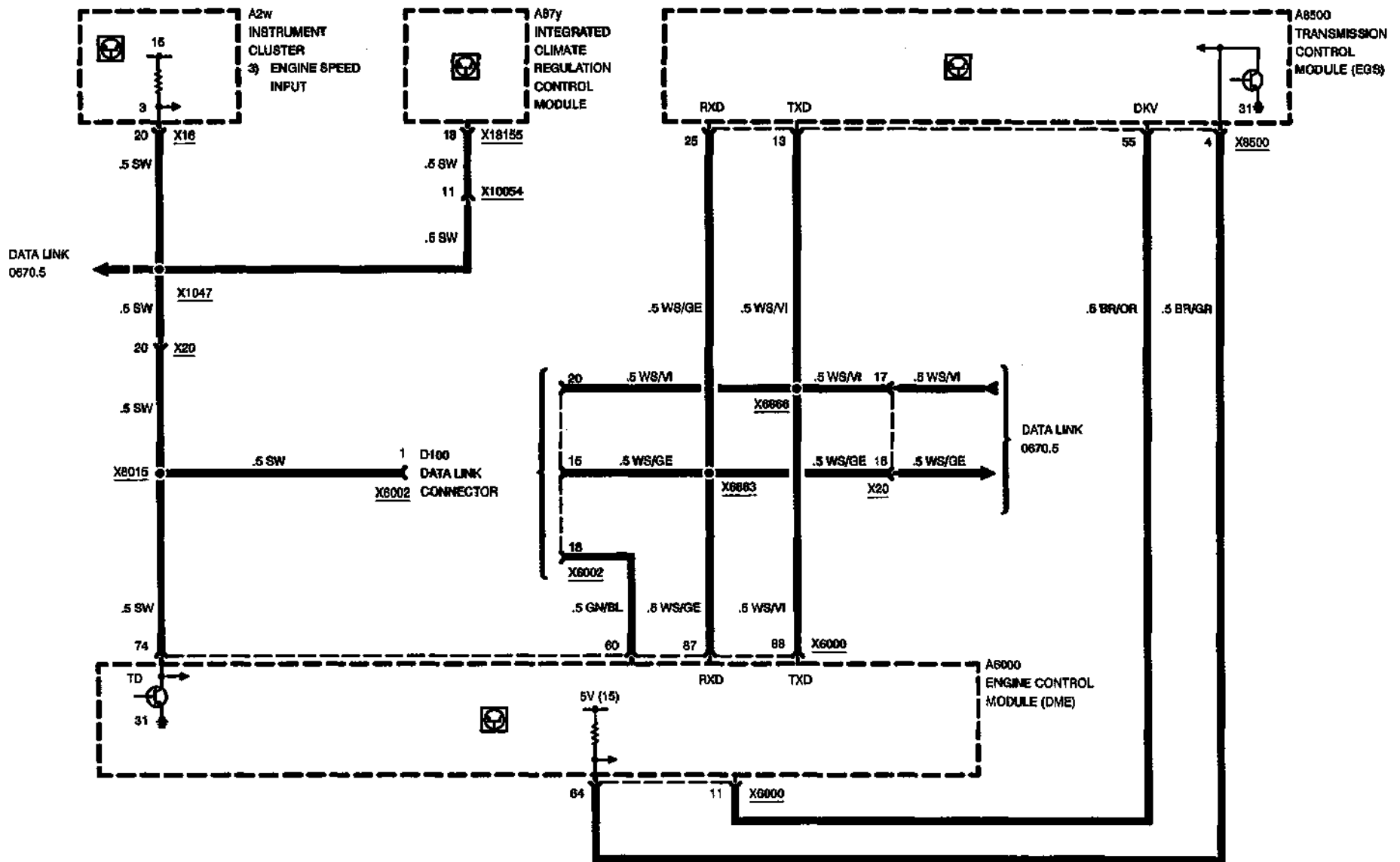
ENGINE CONTROL SYSTEM (DME M1.7, 4-CYLINDER M42)





ENGINE CONTROL SYSTEM (DME M1.7, 4-CYLINDER M42)

DATA LINK

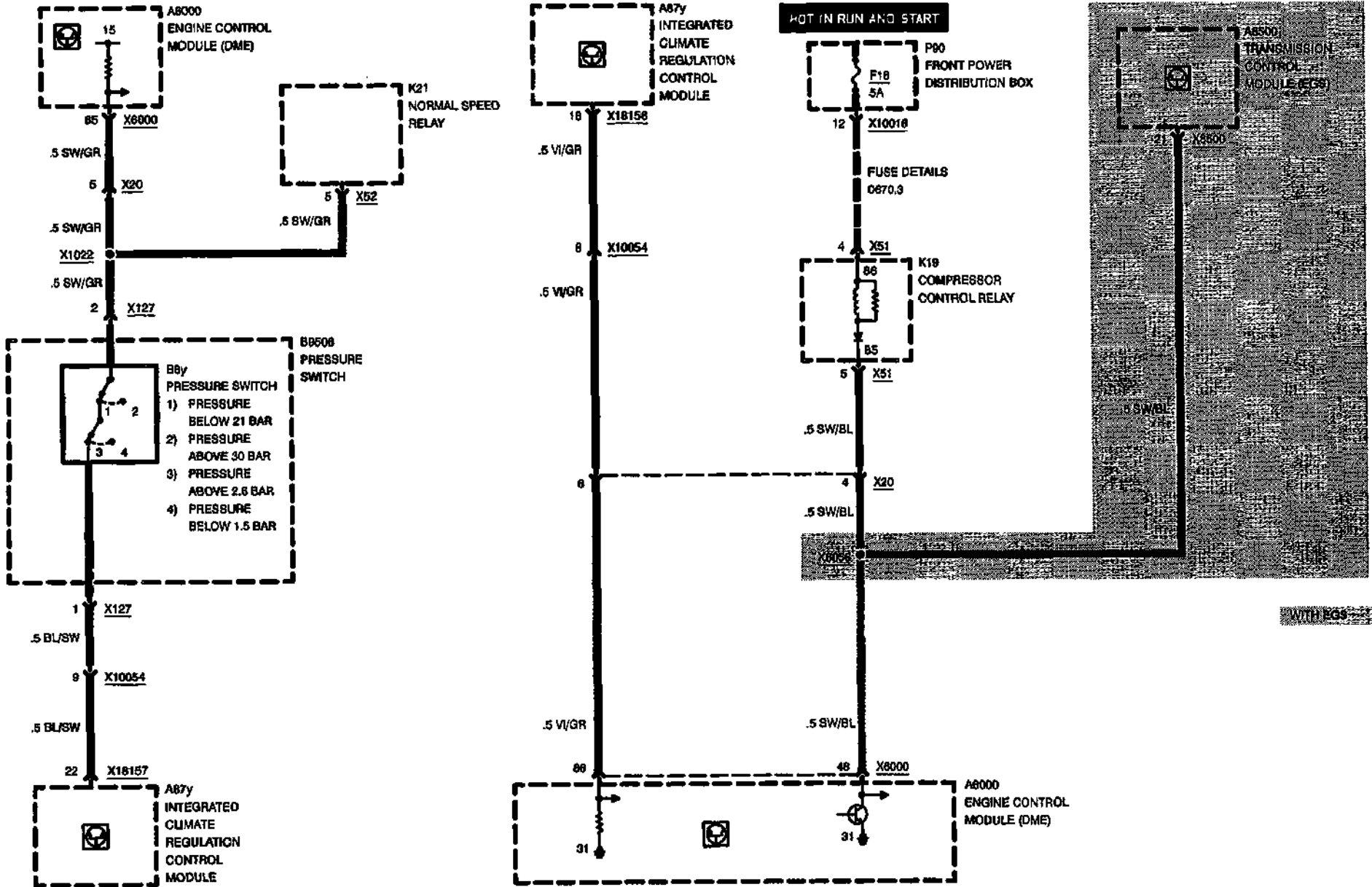


04/97

1210.9-06

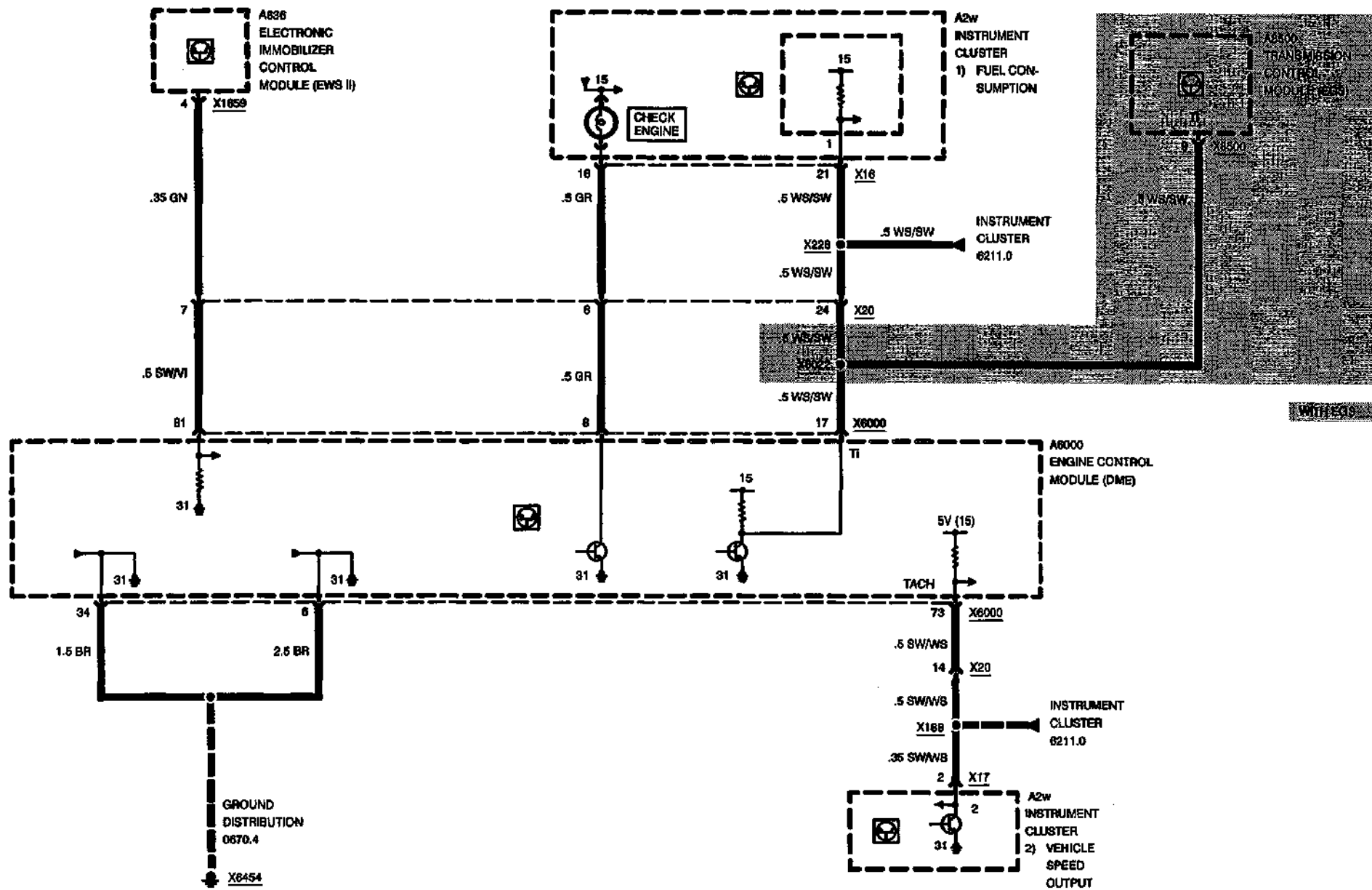
1996

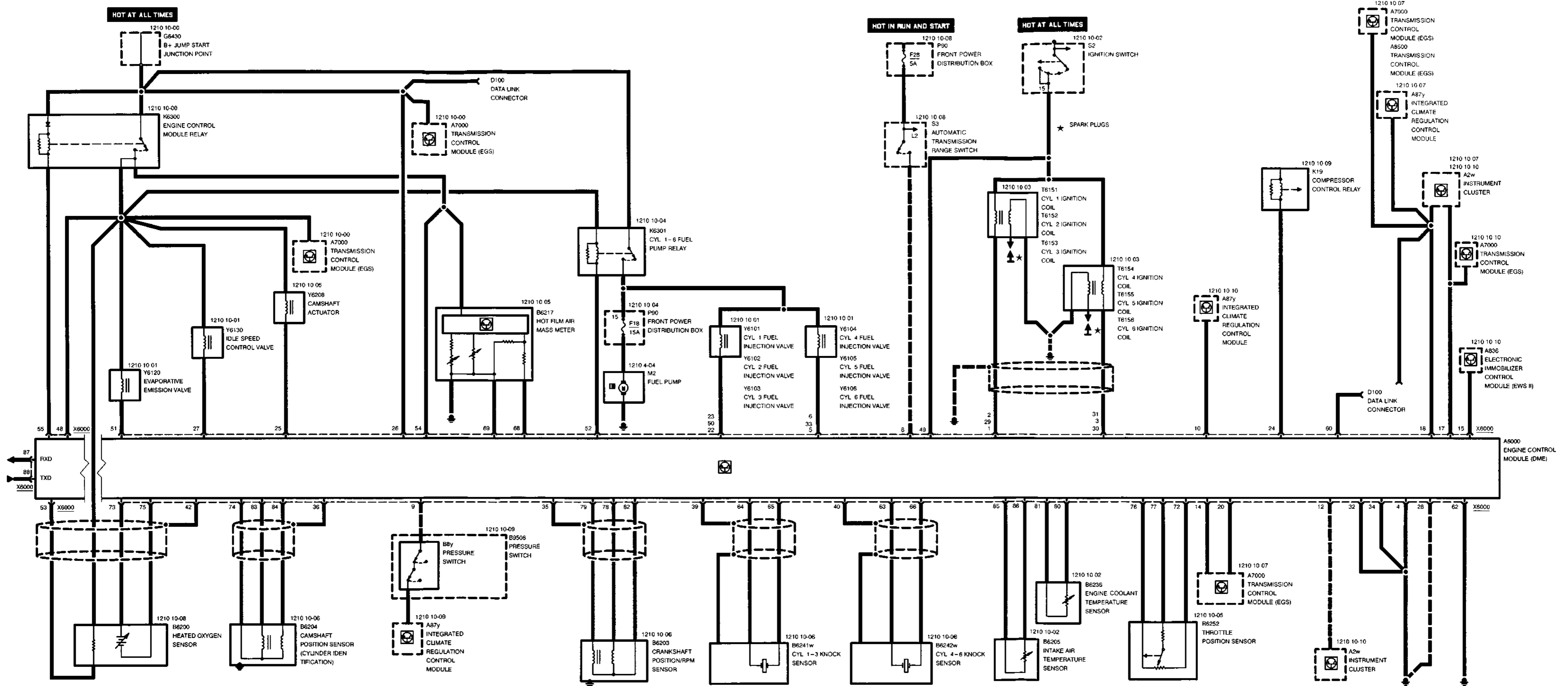
ENGINE CONTROL SYSTEM (DME M1.7, 4-CYLINDER M42)

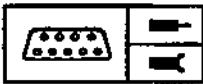


WITH EGS

ENGINE CONTROL SYSTEM (DME M1.7, 4-CYLINDER M42)







Pin Assignments

X6000

Pin	Type	Description/Function	Connection
1	A	Cyl. 1 ignition coil control	Cyl. 1 ignition coil
2	A	Cyl. 3 ignition coil control	Cyl. 3 ignition coil
3	A	Cyl. 5 ignition coil control	Cyl. 5 ignition coil
4	M	Ground	Ground
5	A	Cyl. 6 fuel injection valve control	Cyl. 6 fuel injection valve
6	A	Cyl. 4 fuel injection valve control	Cyl. 4 fuel injection valve
7		Not used	
8	E	Drive range P/N	Automatic transmission range switch
9	A	A/C signal	Pressure switch
10	A	Auxiliary ventilation signal	Integrated climate regulation control module
11		Not used	
12	E	Vehicle speed signal	Instrument cluster
13		Not used	
14	A	Throttle valve position	Transmission control module (EGS)
15	E	Drive-away protection signal	Starter interlock module
16		Not used	
17	A	TI-measurement signal (fuel consumption)	Instrument cluster
18	A	Crankshaft RPM speed signal TD	Instrument cluster
19		Not used	
20	E	Ignition timing intervention	Transmission control module (EGS)
21		Not used	
22	A	Cyl. 3 fuel injection valve control	Cyl. 3 fuel injection valve
23	A	Cyl. 1 fuel injection valve control	Cyl. 1 fuel injection valve
24	A	A/C compressor control	Compressor control relay
25	A	Camshaft control signal	Camshaft control
26	E	Battery voltage	Jump start junction point
27	A	Idle speed signal	Idle speed control valve
28	M	Ground	Ground
29	A	Cyl. 2 ignition coil control	Cyl. 2 ignition coil

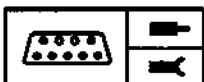
E = Input, A = Output, M = Ground



Pin Assignments

Pin	Type	Description/Function	Connection
30	A	Cyl. 4 ignition coil control	Cyl. 4 ignition coil
31	A	Cyl. 6 ignition coil control	Cyl. 6 ignition coil
32	M	Ground	Ground
33	A	Cyl. 5 fuel injection valve control	Cyl.5 fuel injection valve
34	M	Ground	Ground
35	M	Shield, crankshaft position/RPM sensor	Shield
36	M	Shield, camshaft sensor	Shield
37		Not used	
38		Not used	
39	M	Shield, knock sensor (Cyl. 1-3)	Knock sensor (Cyl. 1-3)
40	M	Shield, knock sensor (Cyl. 4-6)	Knock sensor(Cyl. 4-6)
41		Not used	
42	M	Shield, oxygen sensor	Shield
43		Not used	
44		Not used	
45		Not used	
46		Not used	
47		Not used	
48	E	Voltage supply	Engine control module relay
49	E	Ignition signal	Ignition switch
50	A	Cyl. 2 fuel injection valve control	Cyl. 2 fuel injection valve
51	A	Evaporative emission valve control	Evaporative emission valve
52	A	Fuel pump signal	Fuel pump relay
53	M	Ground, oxygen sensor	Oxygen sensor
54	E	Voltage supply	Engine control module relay
55	A	DME-relay signal	Engine control module relay
56		Not used	
57		Not used	
58		Not used	
59		Not used	
60	E	Programming voltage	Data link connector
61		Not used	

E = Input, A = Output, M = Ground



Pin Assignments

Pin	Type	Description/Function	Connection
62	M	Ground	Ground
63	E	Knock sensor signal (-)	Knock sensor (Cyl. 4-6)
64	E	Knock sensor signal (-)	Knock sensor (Cyl. 1-3)
65	A	Knock sensor signal (+)	Knock sensor (Cyl. 1-3)
66	A	Knock sensor signal (+)	Knock sensor (Cyl. 4-6)
67		Not used	
68	M	Ground, air mass meter	Hot film air mass meter
69	E	Air mass meter signal	Hot film air mass meter
70		Not used	
71		Not used	
72	A	Voltage supply	Throttle position sensor
73	E	Oxygen sensor signal	Oxygen sensor
74	M	Ground, hall effect camshaft sensor	Hall effect camshaft sensor
75	M	Ground, oxygen sensor	Oxygen sensor
76	M	Ground, throttle position sensor	Throttle position sensor
77	E	Throttle position signal	Throttle position sensor
78	E	Crankshaft position/RPM signal (-)	Crankshaft position/RPM sensor
79	A	Crankshaft position/RPM signal (+)	Crankshaft position/RPM sensor
80	E	Engine coolant temperature	Engine coolant temperature sensor
81	A	Engine coolant temperature	Engine coolant temperature sensor
82	M	Ground, crankshaft position/RPM sensor	Crankshaft position/RPM sensor
83	E	Camshaft signal (-)	Hall effect camshaft sensor
84	A	Camshaft signal (+)	Hall effect camshaft sensor
85	E	Engine intake air temperature	Engine intake air temperature sensor
86	M	Ground, engine intake air temperature sensor	Engine intake air temperature sensor
87	A	RxD diagnostic data link	Data link connector
88	E/A	TxD diagnostic data link	Data link connector

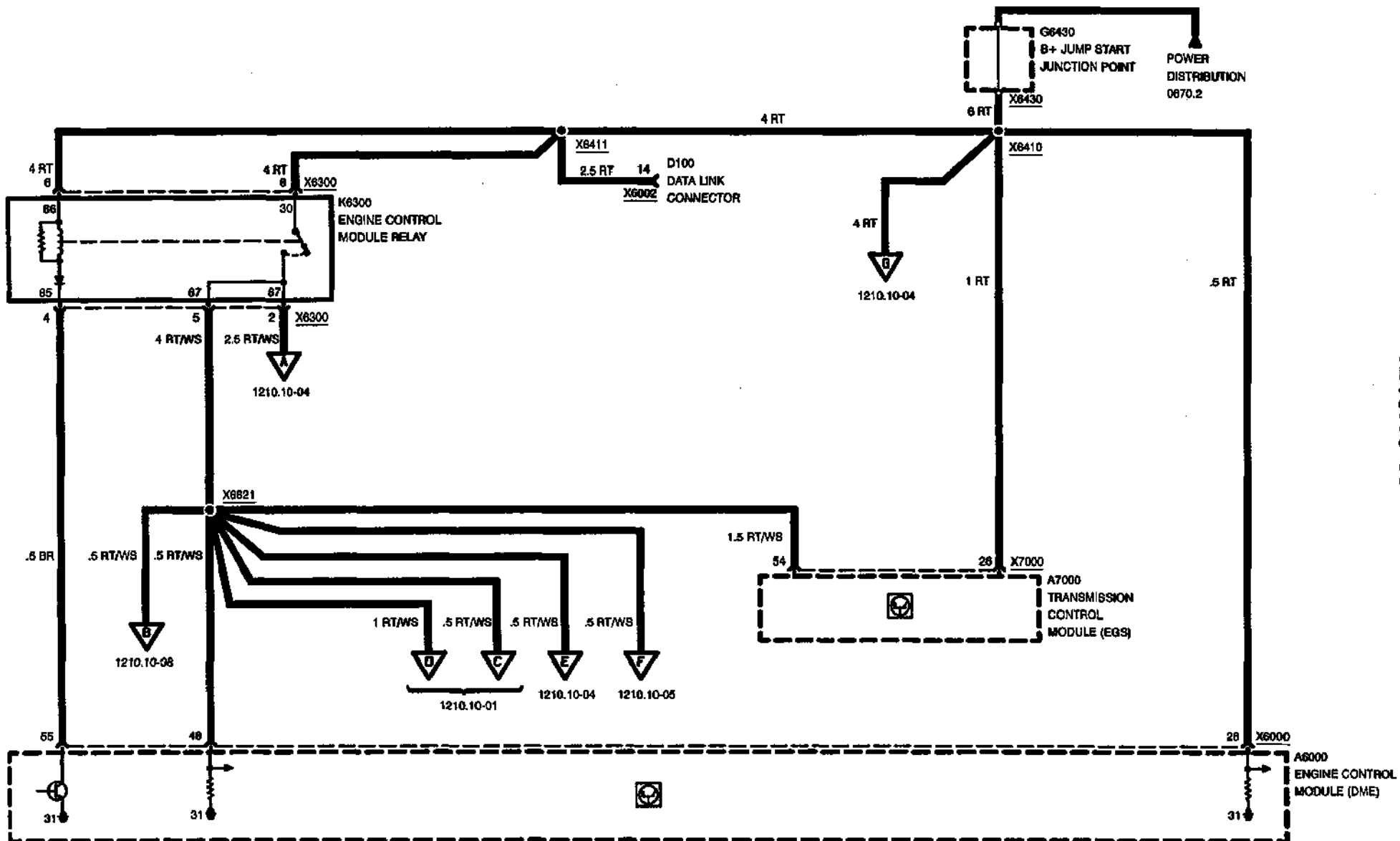
E = Input, A = Output, M = Ground



ENGINE CONTROL SYSTEM MS40 (6-CYLINDER M50)



POWER



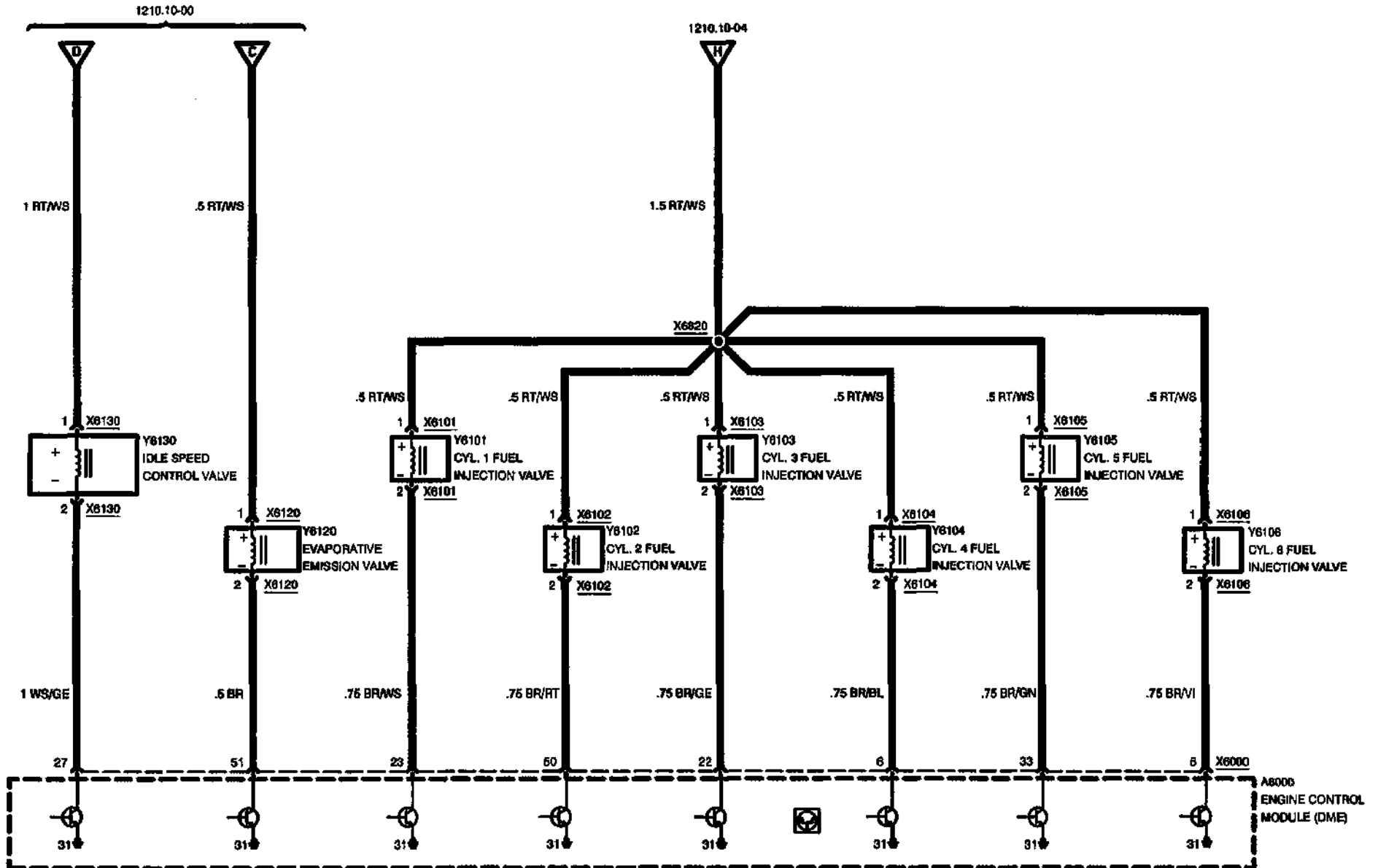
04/97

1210.10-00

1996



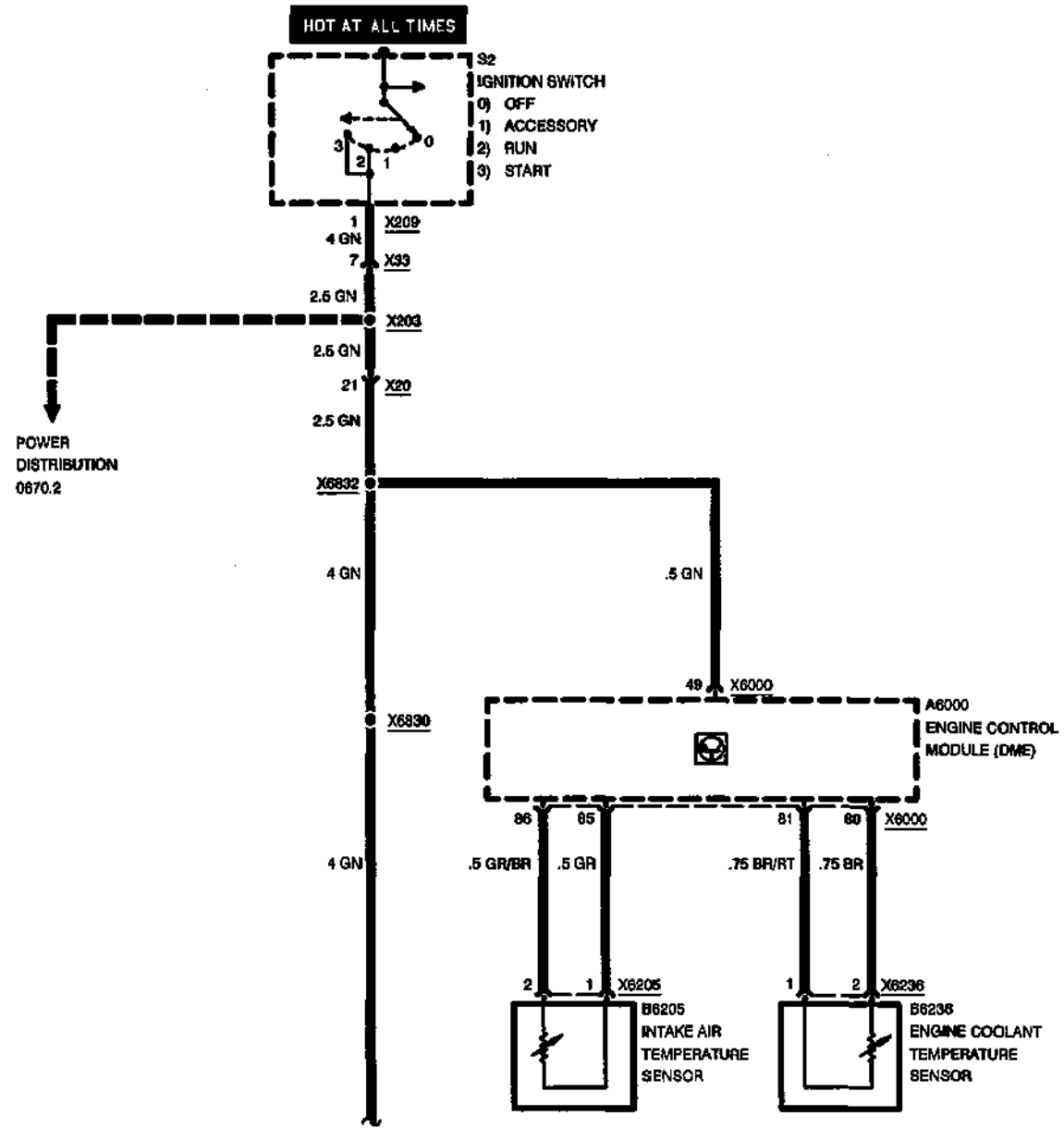
ENGINE CONTROL SYSTEM MS40 (6-CYLINDER M50)

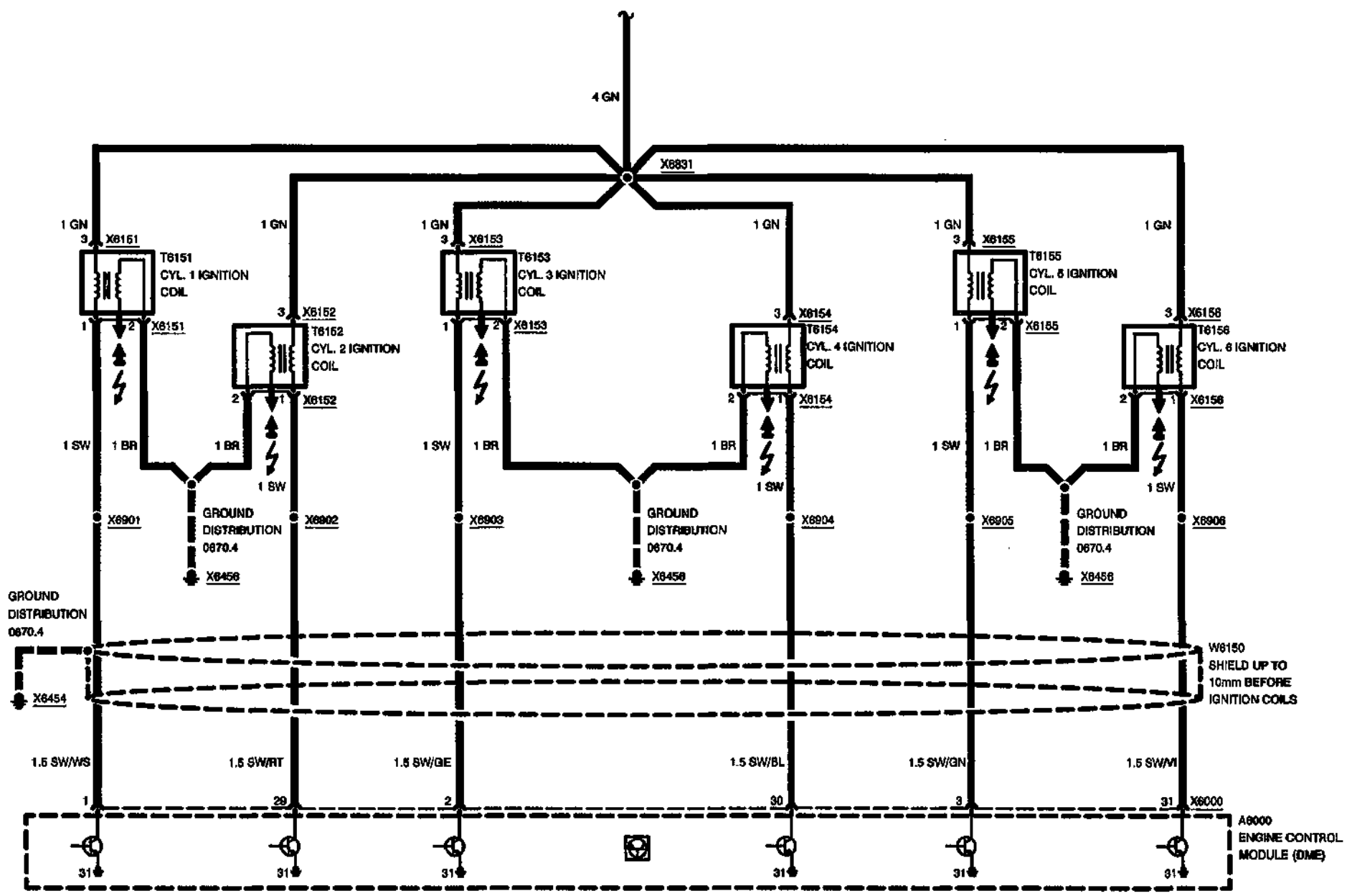


04/97

1210.10-01

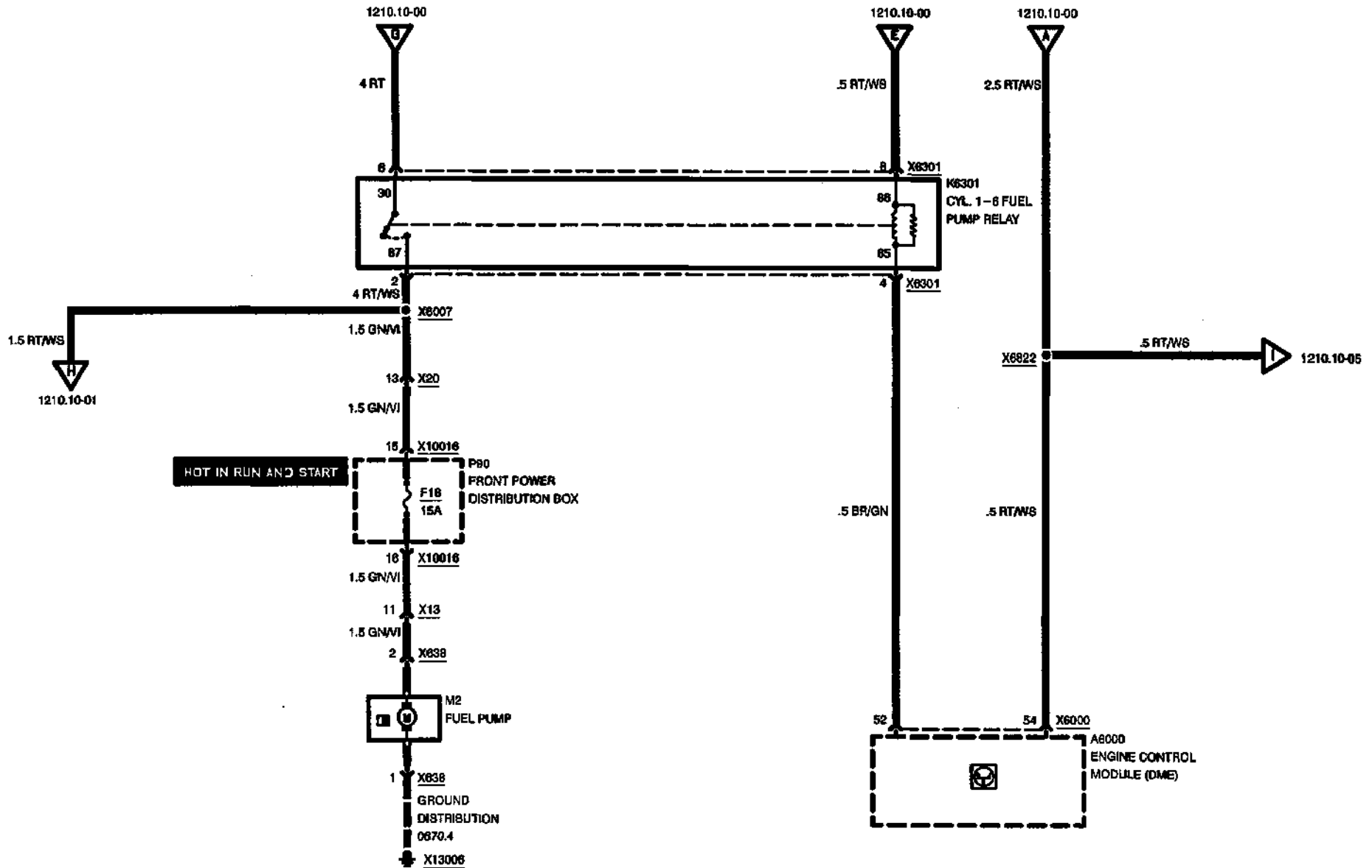
1996





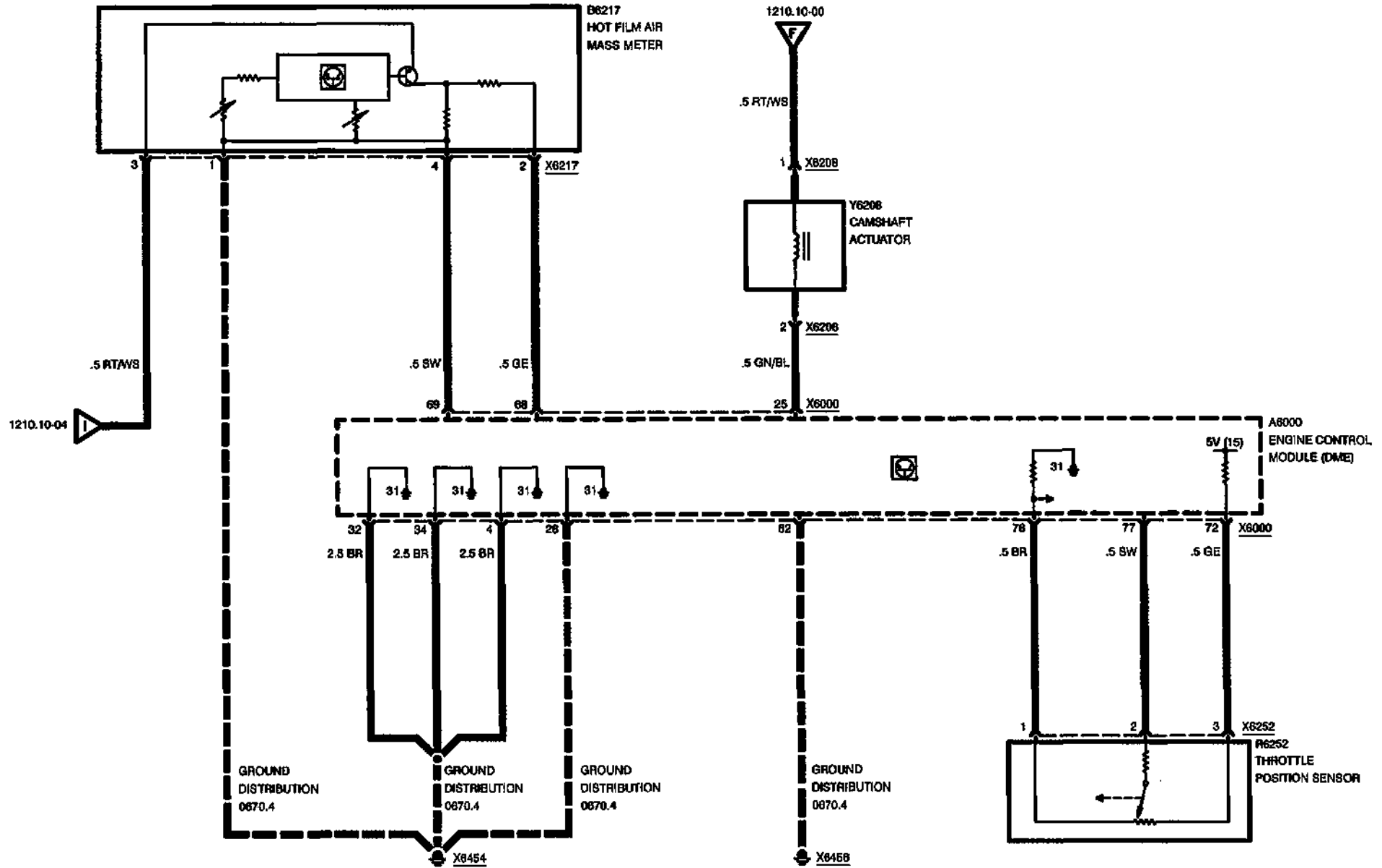


ENGINE CONTROL SYSTEM MS40 (6-CYLINDER M50)

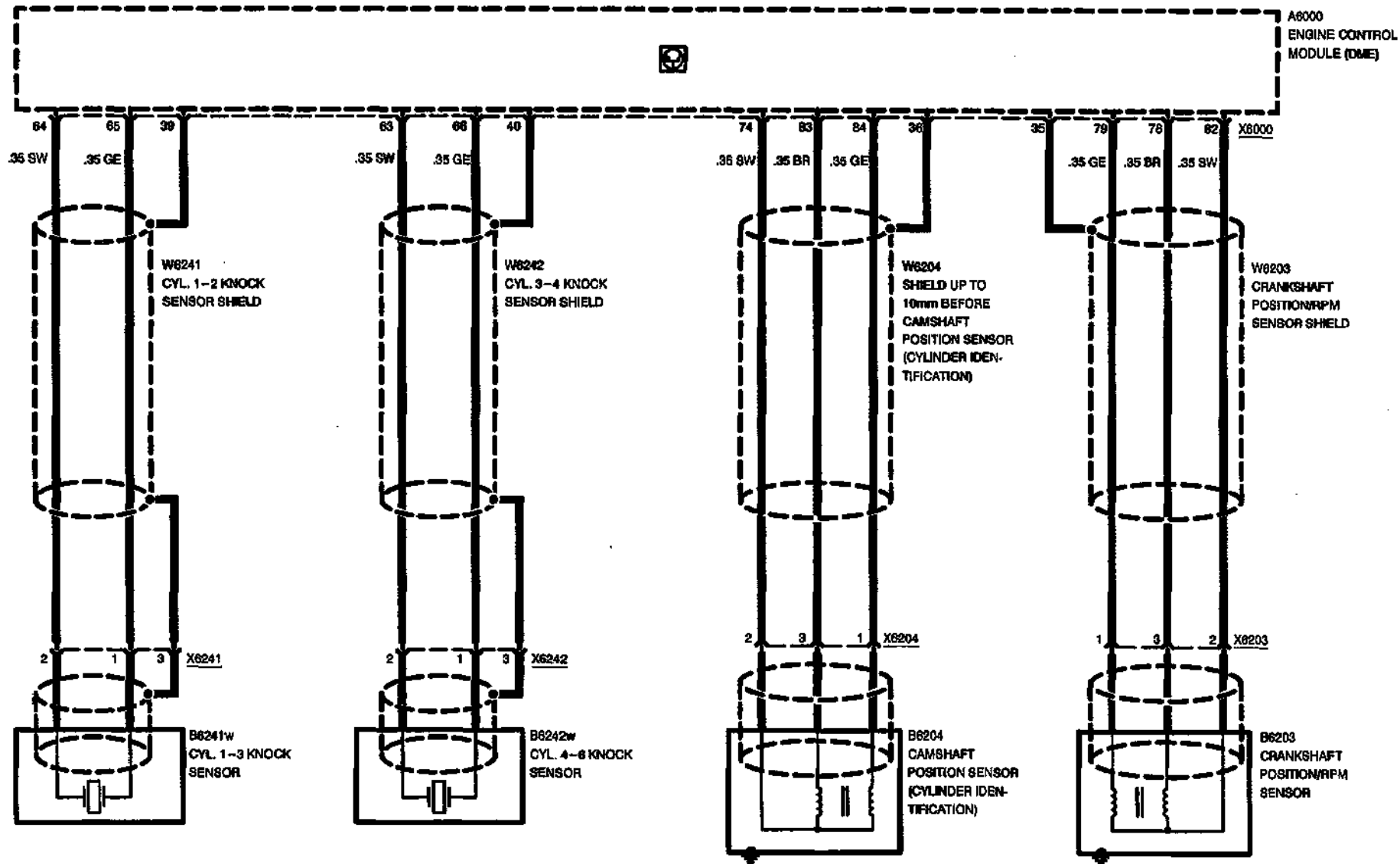




ENGINE CONTROL SYSTEM MS40 (6-CYLINDER M50)

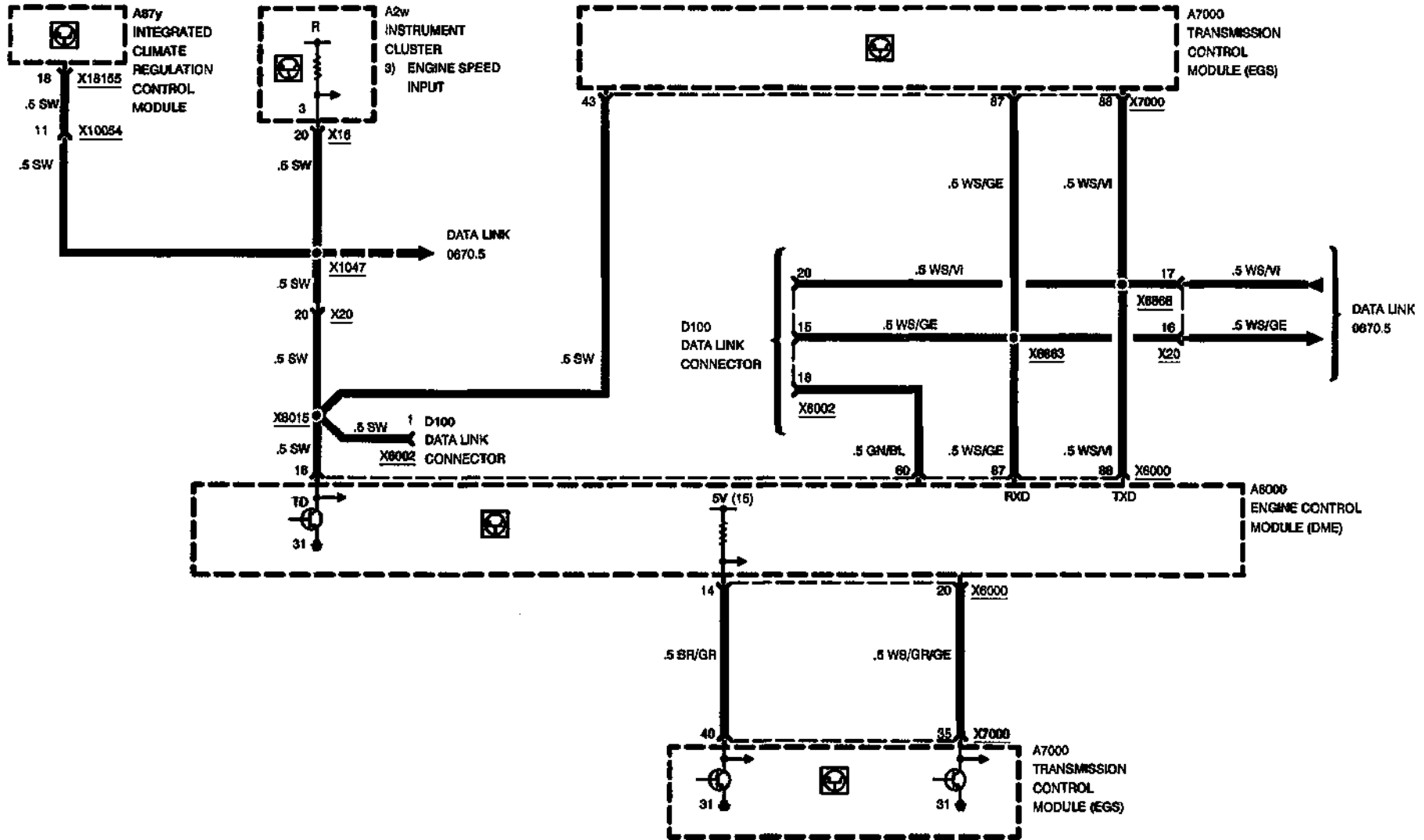


04/97 — 1210.10-05 — 1996





ENGINE CONTROL SYSTEM MS40 (6-CYLINDER M50)

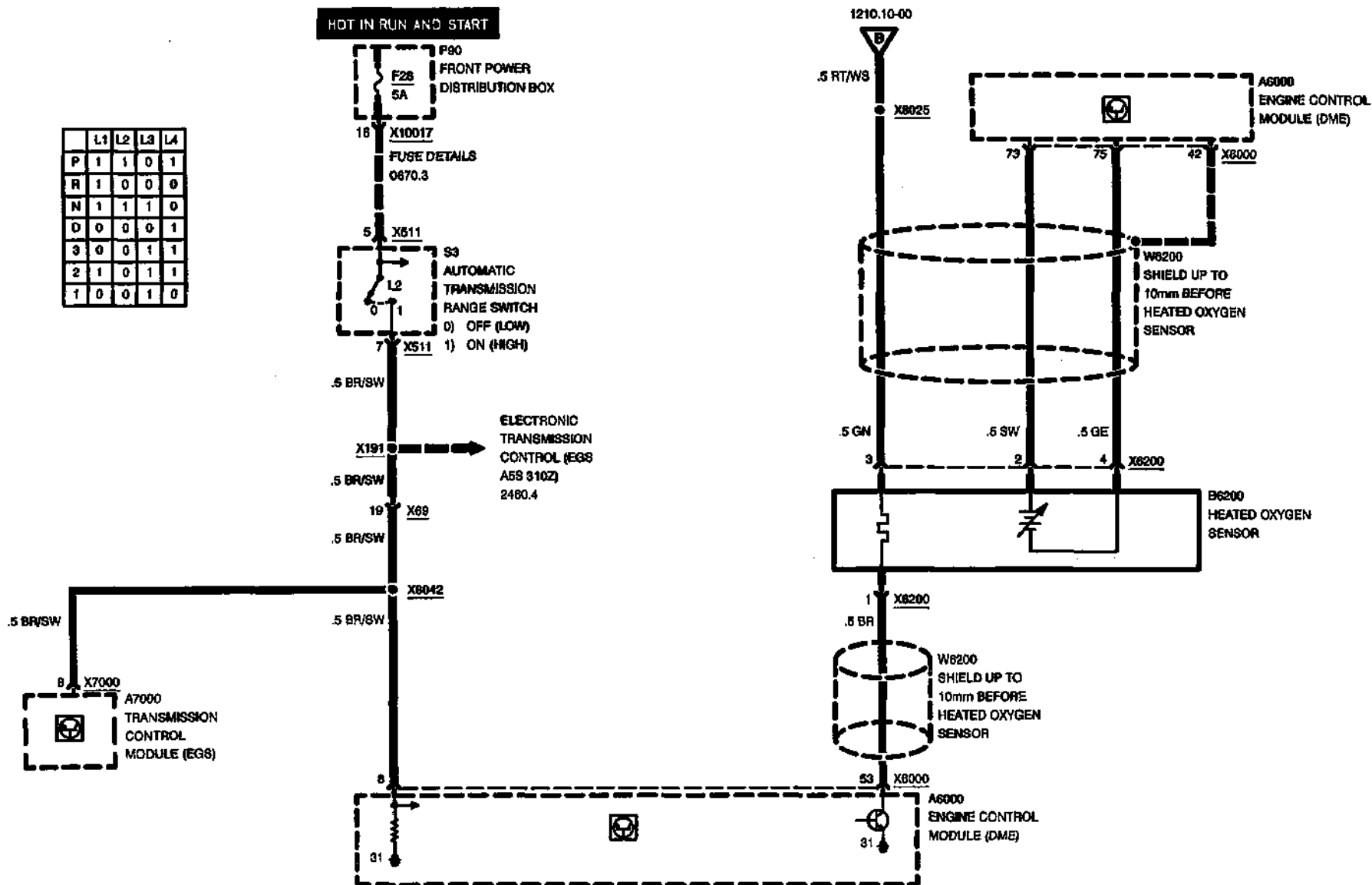


04/97

1210.10-07

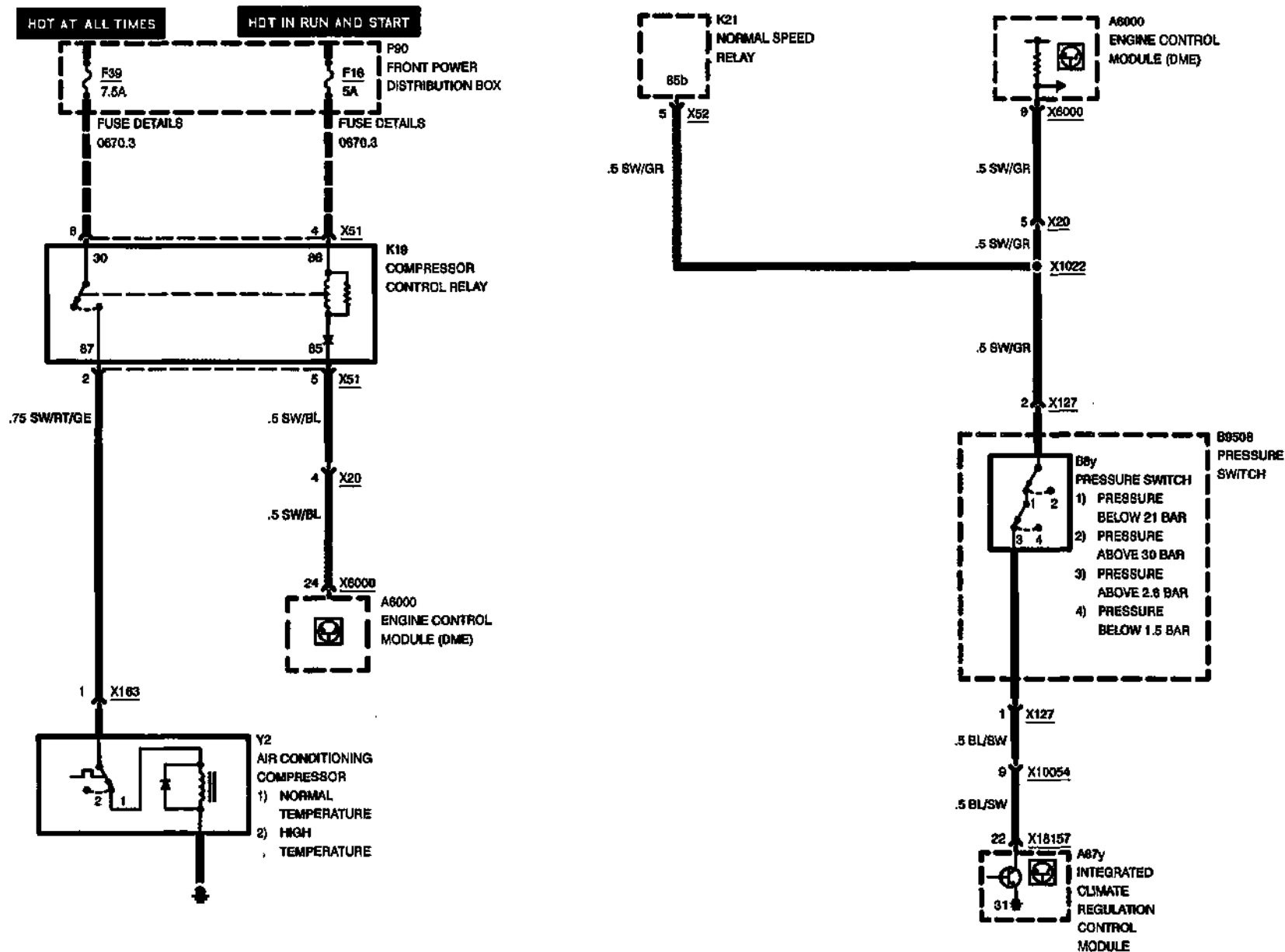
1996

	L1	L2	L3	L4
P	1	1	0	1
R	1	0	0	0
N	1	1	1	0
D	0	0	0	1
3	0	0	1	1
2	1	0	1	1
1	0	0	1	0





ENGINE CONTROL SYSTEM MS40 (6-CYLINDER M50)



04/97

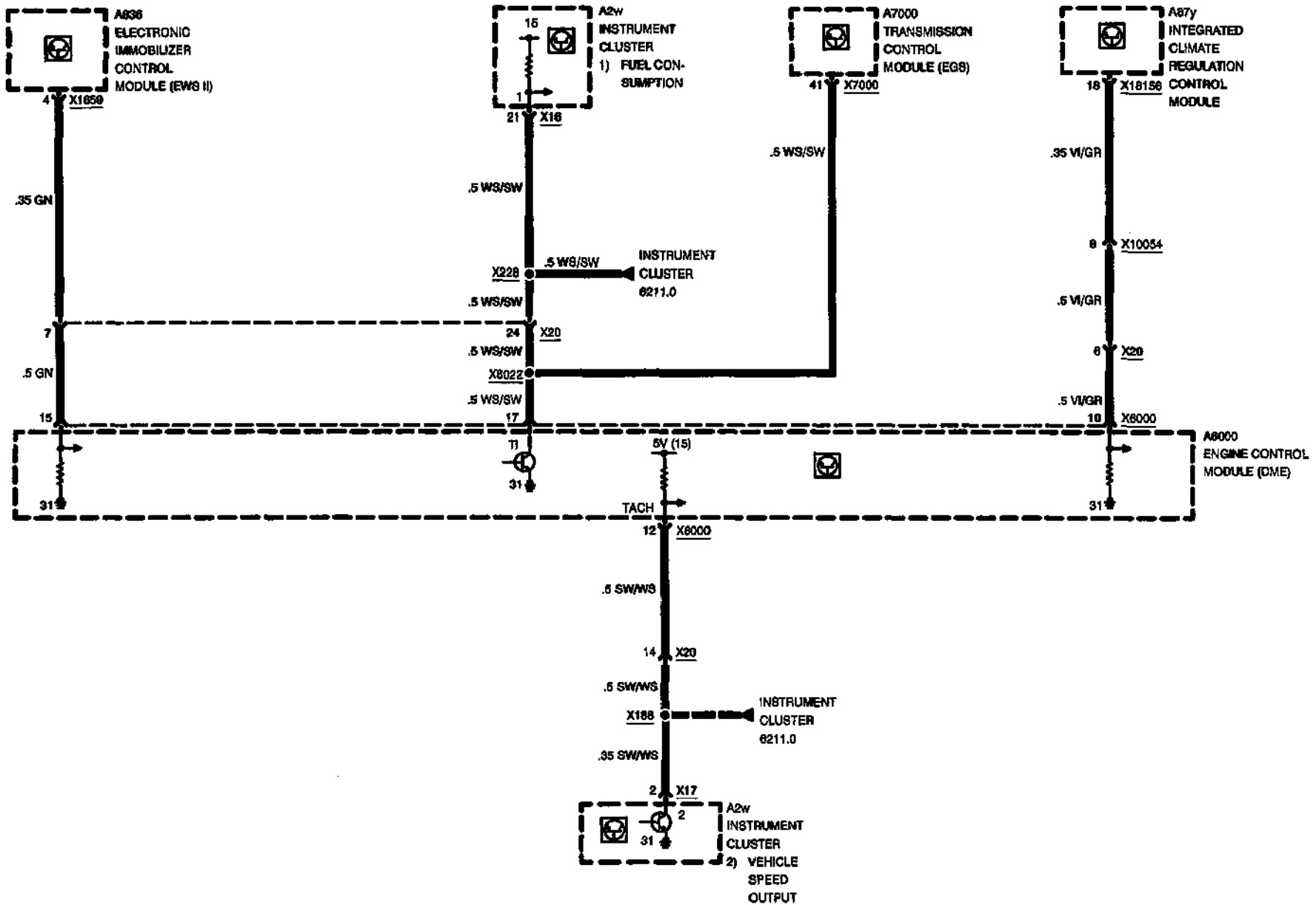
1210.10-09

1996



ENGINE CONTROL SYSTEM MS40 (6-CYLINDER M50)

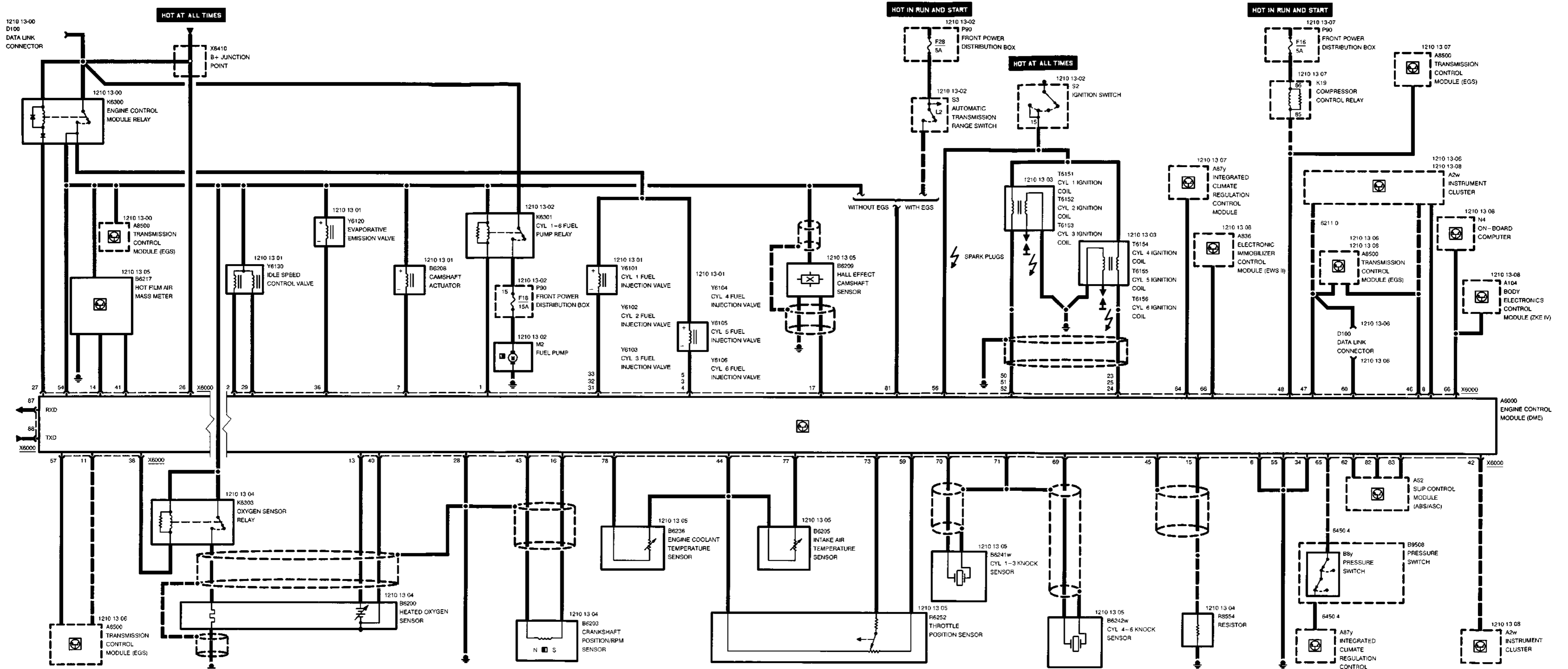
CDN

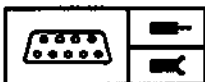


04/97

1210.10-10

1996



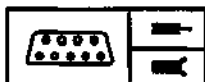


Pin Assignments

X6000

Pin	Type	Description/Function	Connection
1	A	Fuel pump relay control	Fuel pump relay, terminal 85
2	A	Idle speed control valve - close winding control	Idle speed control valve
3	A	Cyl. 5 fuel injection valve control	Cyl. 5 fuel injection valve
4	A	Cyl. 6 fuel injection valve control	Cyl. 6 fuel injection valve
5	A	Cyl. 4 fuel injection valve control	Cyl. 4 fuel injection valve
6	M	Ground, fuel injection valve output stages	Ground point
7	A	Camshaft actuator control	Camshaft actuator
8	A	"Check engine" indicator control	Instrument cluster
9		Not used	
10		Not used	
11	A	Throttle valve position	Transmission control module (EGS)
12		Not used	
13	E	Oxygen sensor signal	Heated oxygen sensor
14	A	Hot wire air mass meter	Hot wire air mass meter
15	M	Ground	Ground point
16	E	Crankshaft position/RPM sensor signal (+)	Crankshaft position/RPM sensor
17	E	Camshaft position sensor	Hall effect camshaft sensor
18		Not used	
19		Not used	
20		Not used	
21		Not used	
22		Not used	
23	A	Cyl. 4 ignition coil control	Cyl. 4 ignition coil
24	A	Cyl. 6 ignition coil control	Cyl. 6 ignition coil
25	A	Cyl. 5 ignition coil control	Cyl. 5 ignition coil
26	E	Battery voltage	B+ junction point
27	A	Engine control module relay control	Engine control module relay, terminal 85
28	M	Ground for electronics and shielding of sensors	Ground point
29	A	Idle speed control valve - opening winding control	Idle speed control valve

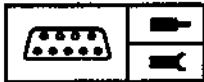
E = Input, A = Output, M = Ground



Pin Assignments

Pin	Type	Description/Function	Connection
30		Not used	
31	A	Cyl. 3 fuel injection valve control	Cyl. 3 fuel injection valve
32	A	Cyl. 2 fuel injection valve control	Cyl. 2 fuel injection valve
33	A	Cyl. 1 fuel injection valve control	Cyl. 1 fuel injection valve
34	M	Ground remaining output stages (except for ignition and fuel injection valves)	Ground point
35		Not used	
36	A	Evaporative emission valve control	Evaporative emission valve
37		Not used	
38	A	Oxygen sensor heater control	Oxygen sensor relay, terminal 85
39		Not used	
40	M	Oxygen sensor signal ground	Heated oxygen sensor
41	E	Hot wire air mass meter	Hot wire air mass meter
42	E	Vehicle speed signal	Instrument cluster
43	E	Crankshaft position/RPM sensor signal (-)	Crankshaft position/RPM sensor
44	M	Ground for sensors	Engine intake air temperature sensor, engine coolant temperature sensor, and throttle position sensor
45	M	Ground for shield	Shield
46	A	TI measurement signal (fuel consumption)	Instrument cluster
47	A	Crankshaft RPM speed signal TD	Instrument cluster
48	A	A/C compressor control	Compressor control relay, terminal 85
49		Not used	
50	A	Cyl. 1 ignition coil control	Cyl. 1 ignition coil
51	A	Cyl. 2 ignition coil control	Cyl. 2 ignition coil
52	A	Cyl. 3 ignition coil control	Cyl. 3 ignition coil
53		Not used	
54	E	Battery voltage from engine control module relay	Engine control module relay, terminal 87a
55	M	Ground, ignition	Ground point
56	E	Ignition switch, terminal 15	Ignition switch
57	E	Ignition timing intervention	Transmission control module (EGS)
58		Not used	
59	A	5V component supply	Throttle position sensor

E = Input, A = Output, M = Ground



Pin Assignments

Pin	Type	Description/Function	Connection
60	E	Programming voltage	Data link connector
61		Not used	
62	E	EML-signal	ABS/ASC control module
63		Not used	
64	E	A/C switch	Integrated climate regulation control module
65	E	A/C pressure signal	Pressure switch
66	E	Drive-away protection signal (code)	Electronic immobilizer control module (EWS II)
67		Not used	
68		Not used	
69	E	Cyl. 4-6 knock sensor	Cyl. 4-6 knock sensor
70	E	Cyl. 1-3 knock sensor	Cyl. 1-3 knock sensor
71	M	Ground for knock sensors and shields	Cyl. 1-3 knock sensor, cyl. 4-6 knock sensor, and shields
72		Not used	
73	E	Throttle position	Throttle position sensor
74		Not used	
75		Not used	
76		Not used	
77	E	Engine intake air temperature	Engine intake air temperature sensor
78	E	Engine coolant temperature	Engine coolant temperature sensor
79		Not used	
80		Not used	
81	E	Drive range P/N	Automatic transmission range switch
82	E	Throttle flap position	ABS/ASC control module
83	A	Ignition cut-off signal	ABS/ASC control module
84		Not used	
85		Not used	
86		Not used	
87	E	RxD diagnosis data line	Data link connector
88	E/A	TxD diagnosis data line	Data link connector

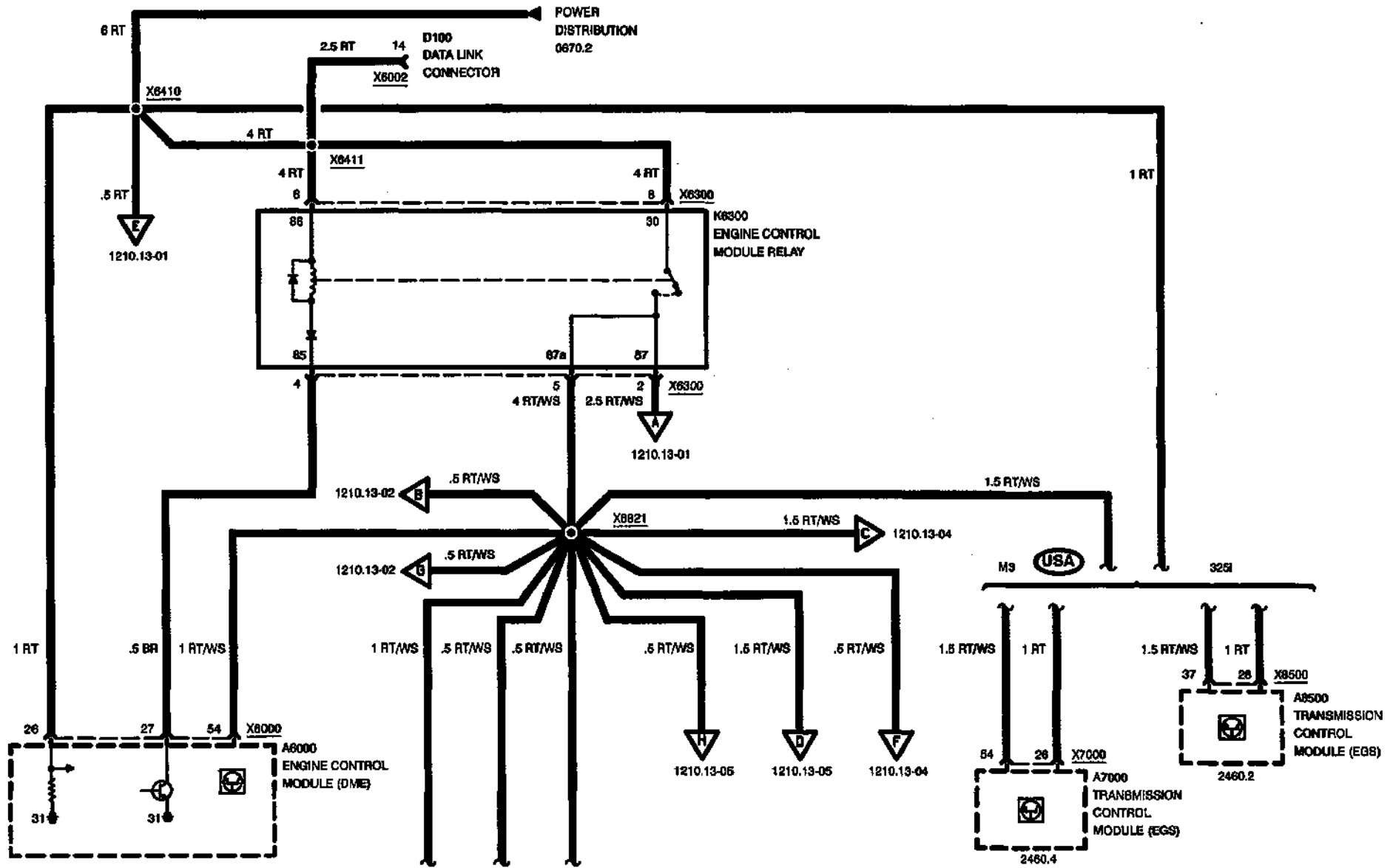
E = Input, A = Output, M = Ground



ENGINE CONTROL SYSTEM (DME M3.3.1, 6-CYLINDER M50)

POWER, FUEL INJECTION VALVES

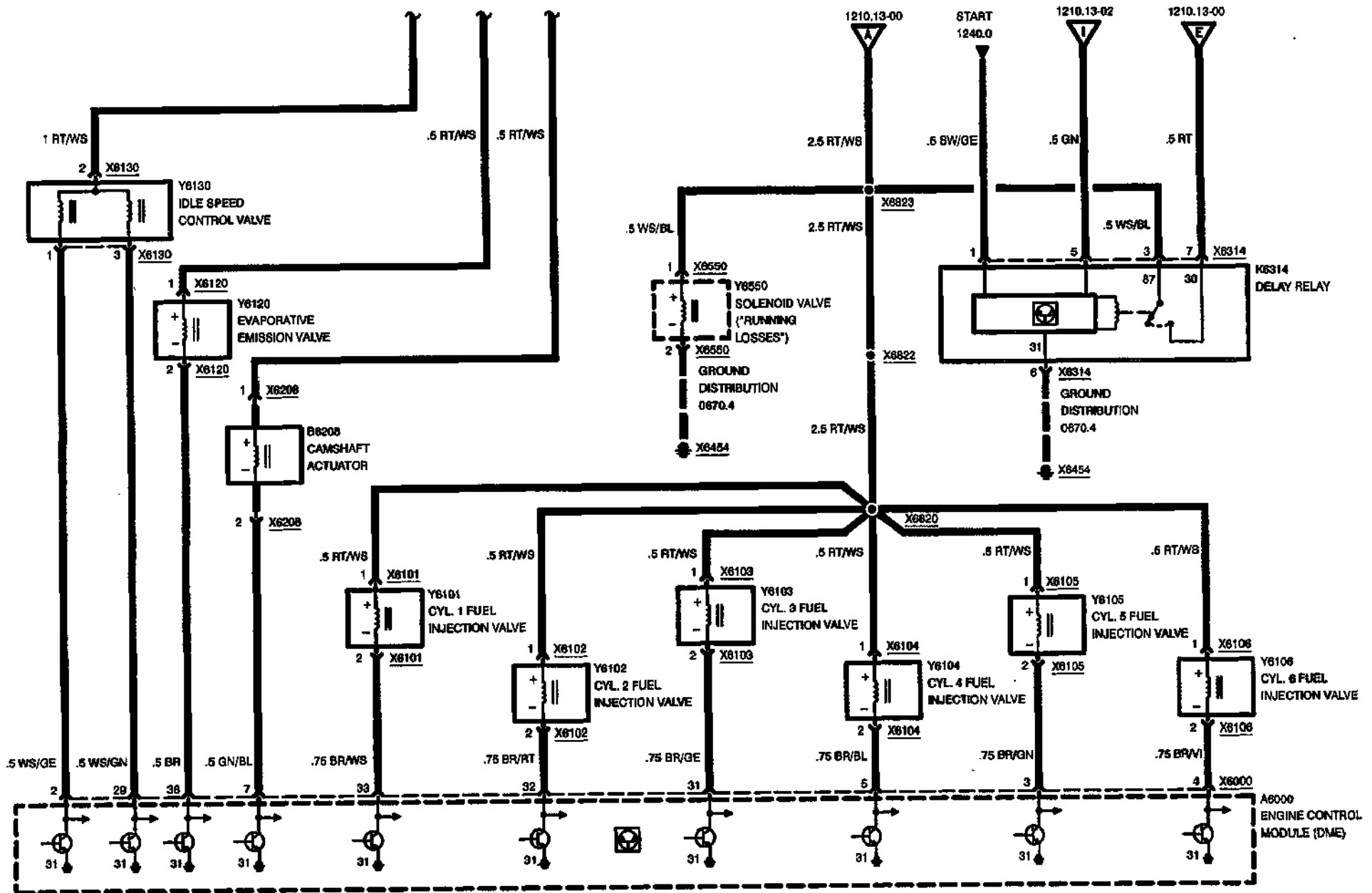
HOT AT ALL TIMES



04/97

1210.13-00

1996

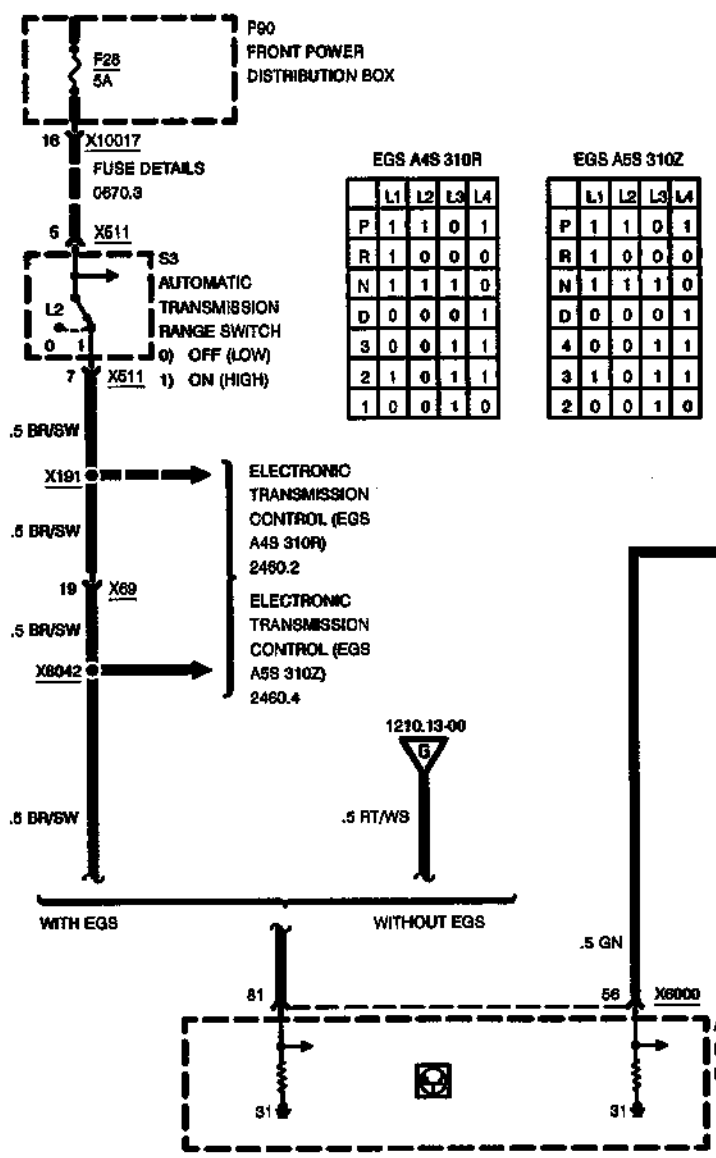




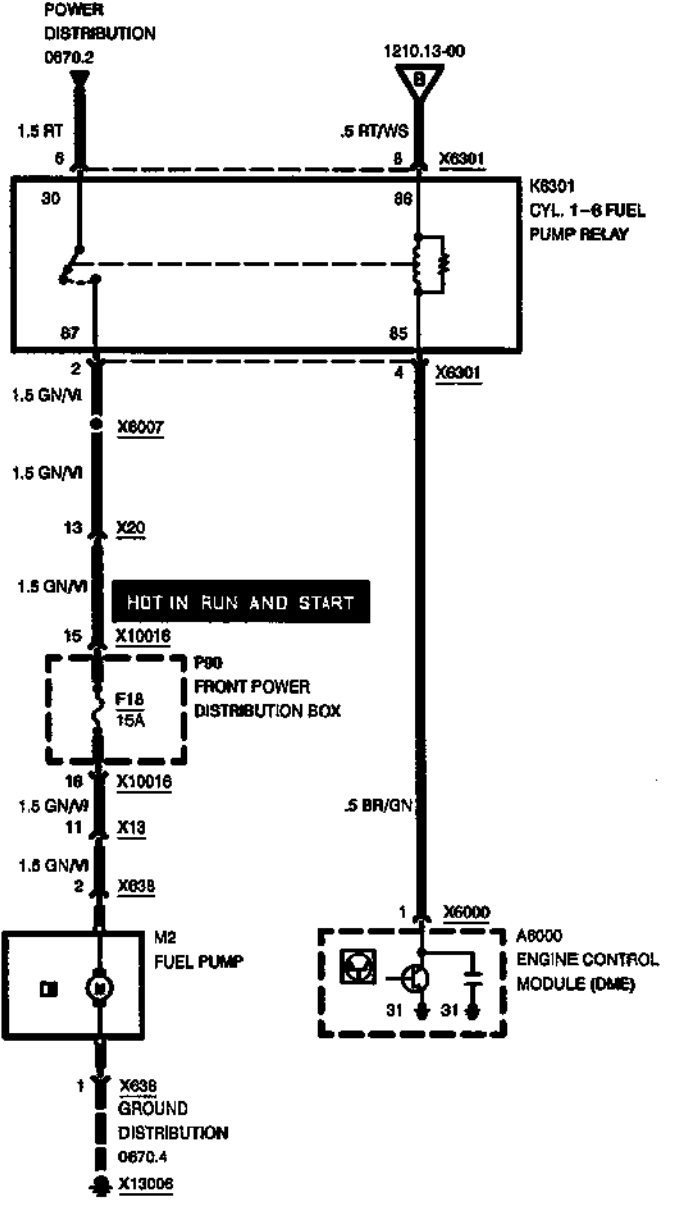
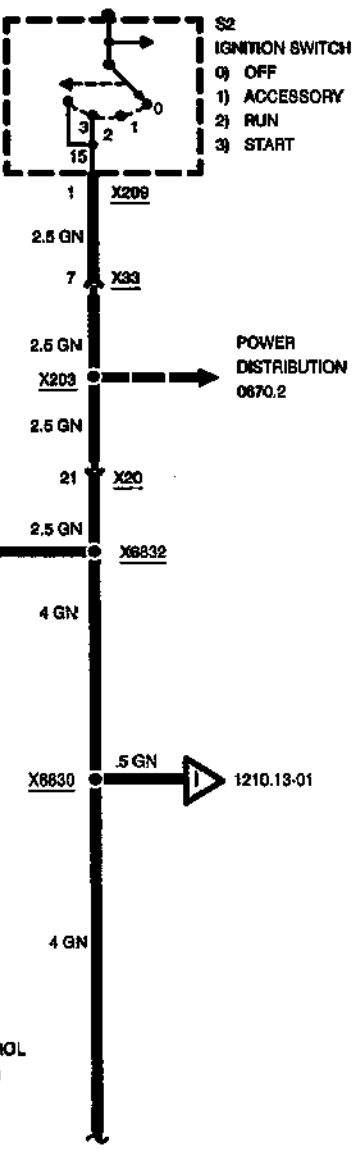
ENGINE CONTROL SYSTEM (DME M3.3.1, 6-CYLINDER M50)

FUEL PUMP, IGNITION COILS

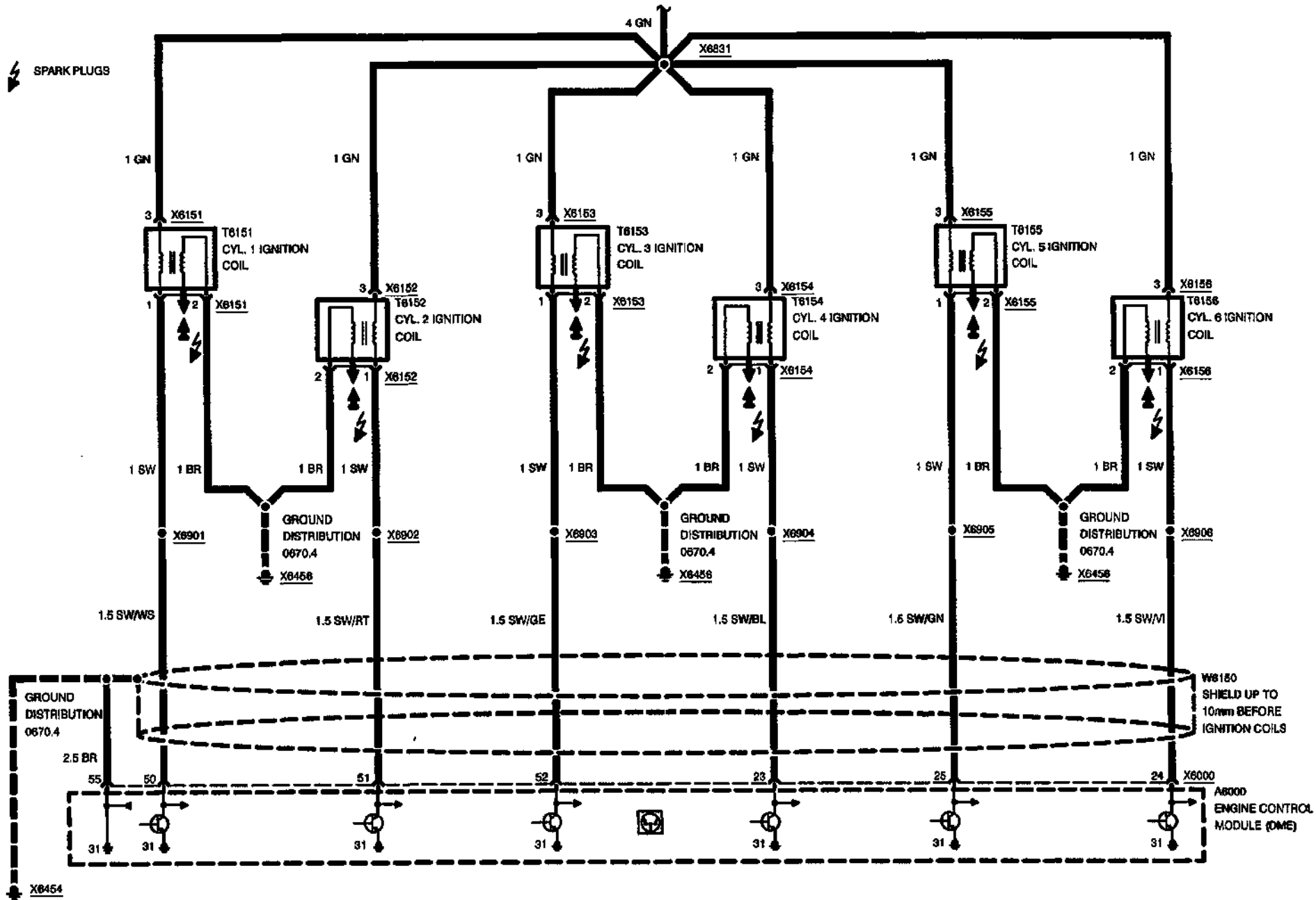
HOT IN RUN AND START



HOT AT ALL TIMES



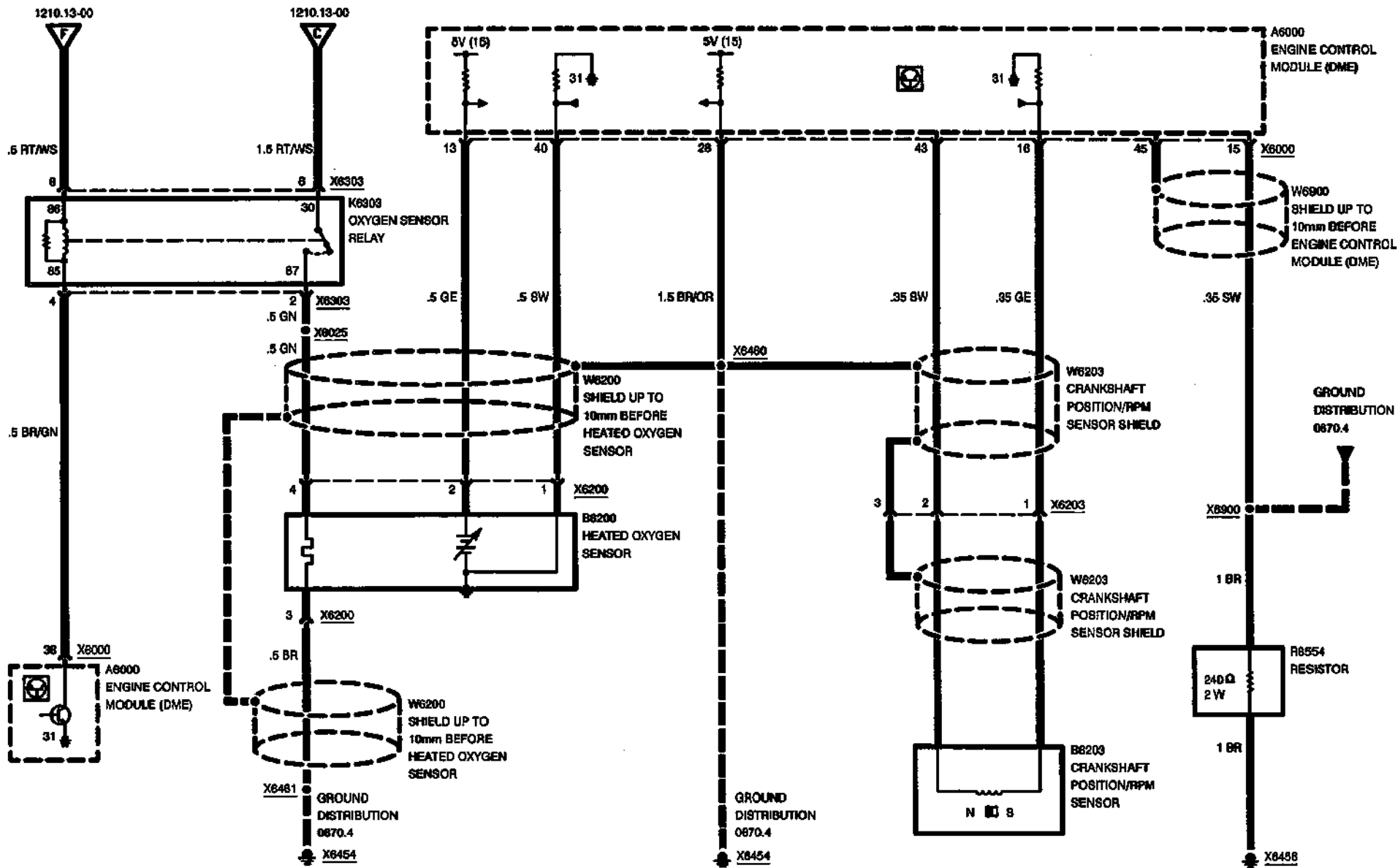
04/97
1210.13-02
1996





ENGINE CONTROL SYSTEM (DME M3.3.1, 6-CYLINDER M50)

HEATED OXYGEN SENSOR, CRANKSHAFT SENSORS



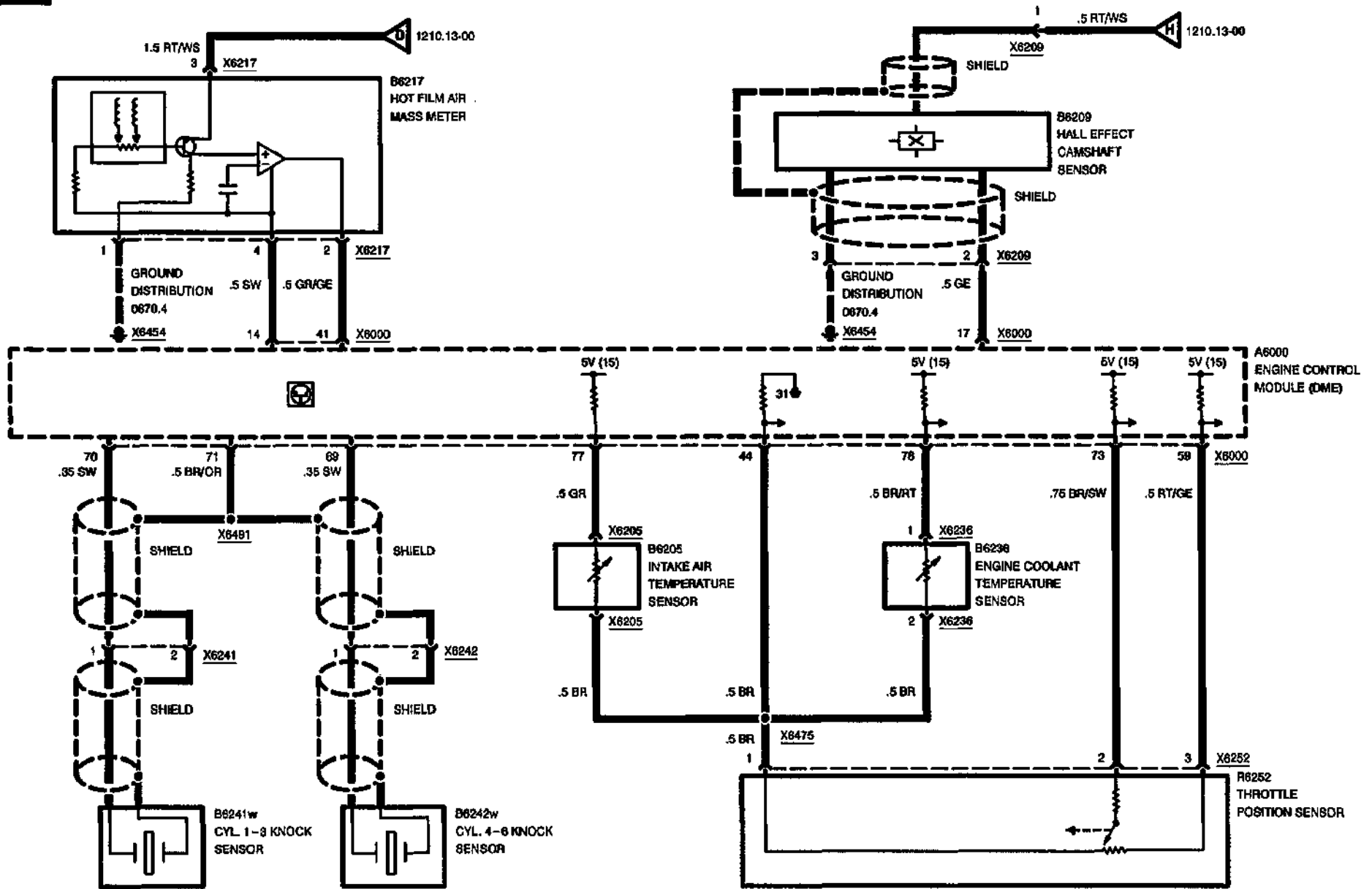
04/97

1210.13-04

1996



ENGINE CONTROL SYSTEM (DME M3.3.1, 6-CYLINDER M50)

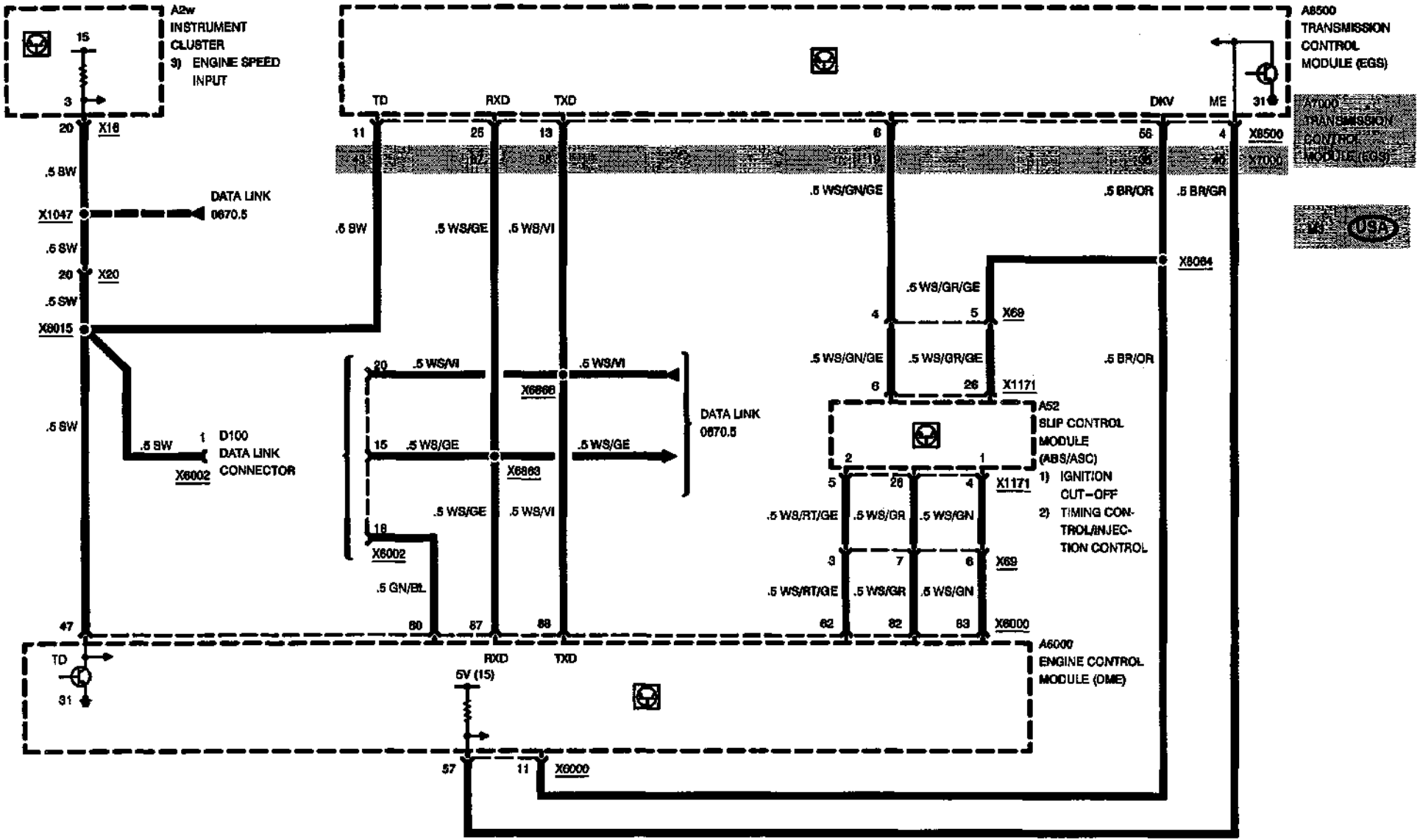


04/97

1210.13-05

1996

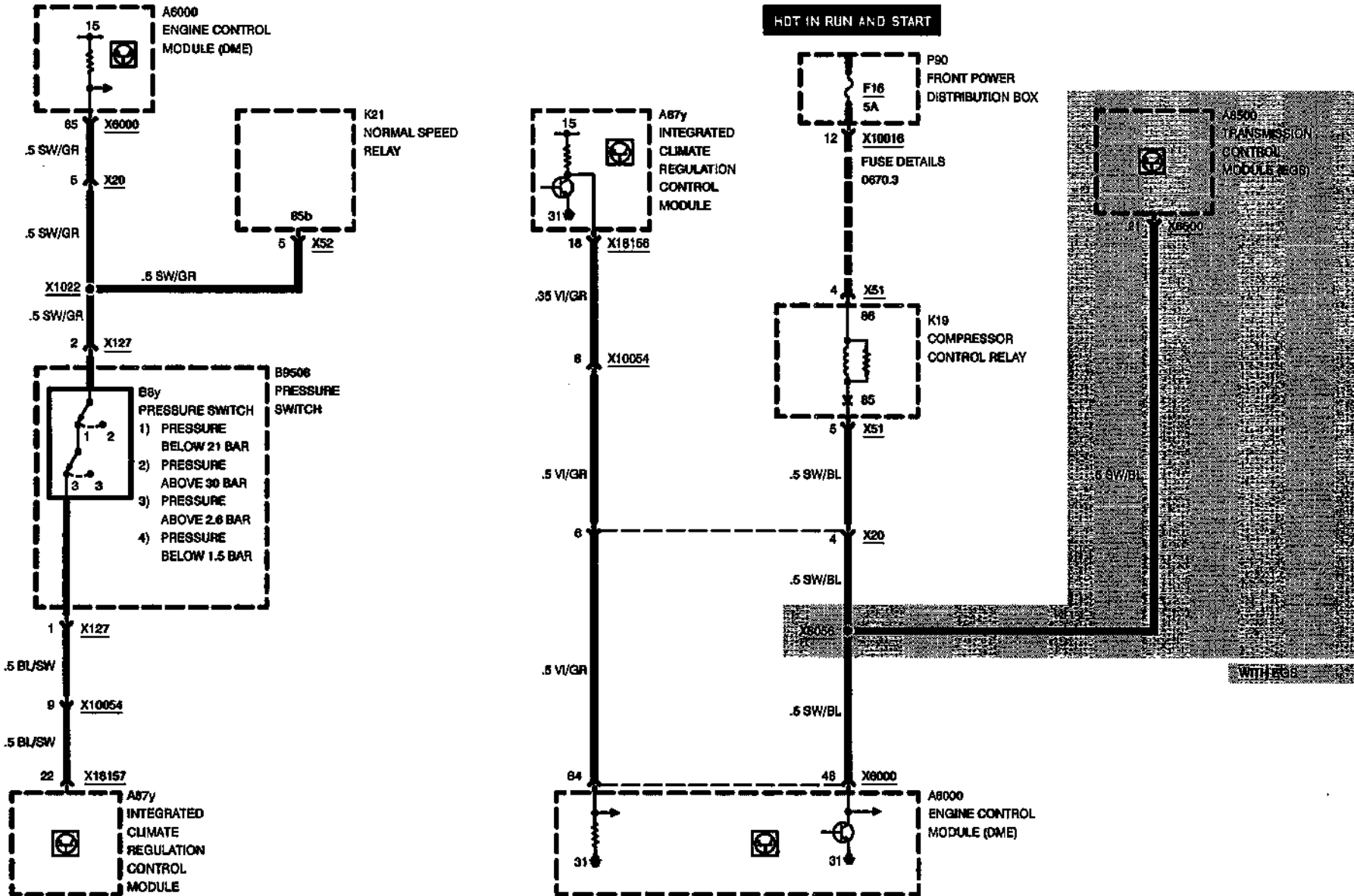
BMW 3 ENGINE CONTROL SYSTEM (DME M3.3.1, 6-CYLINDER M50)
DATA LINK



04/97
 1210.13-06
 1996



ENGINE CONTROL SYSTEM (DME M3.3.1, 6-CYLINDER M50)

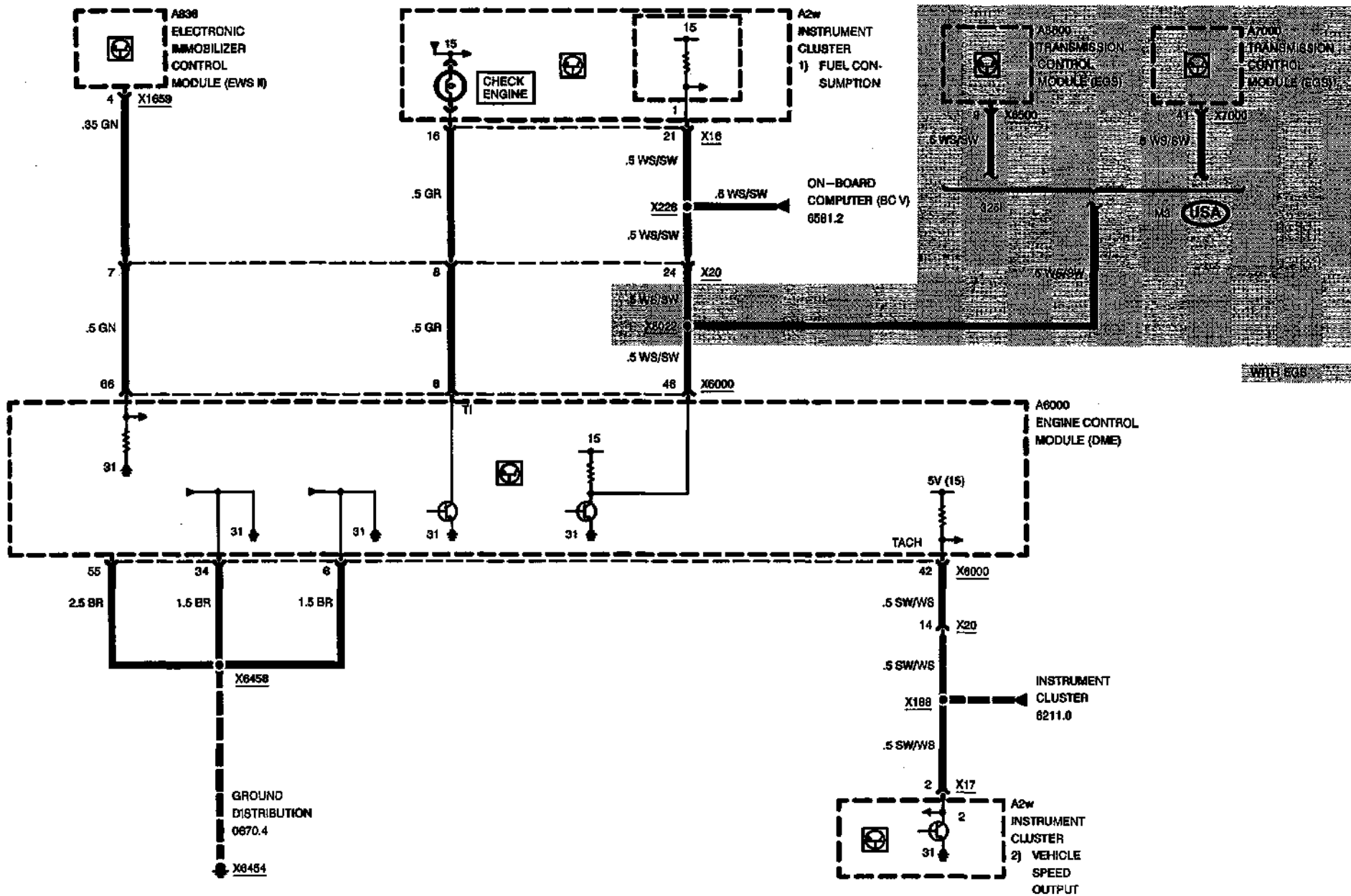


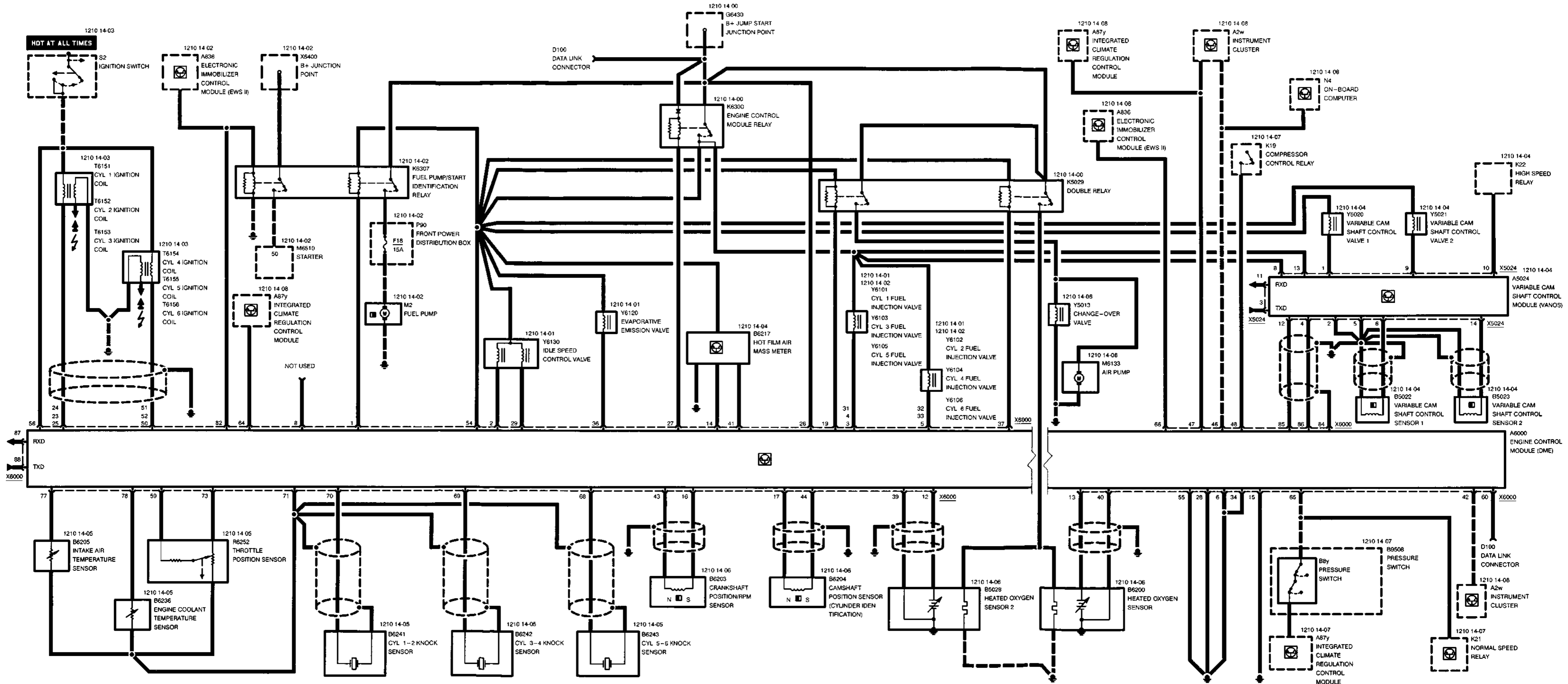
04/97

1210.13-07

1996

ENGINE CONTROL SYSTEM (DME M3.3.1, 6-CYLINDER M50)







Pin Assignments

X5024

Pin	Type	Description/Function	Connection
1	A	Valve 1 (delayed setting)	Variable camshaft control valve 1
2	M	Ground	Ground
3	A	RxD diagnostic data link	Data link connector
4	E/A	CAN-High signal	Engine control module (DME)
5	M	Ground	Ground
6	E	Sensor 1 (output NW)	Variable camshaft control sensor 1
7		Not used	
8	E	Battery voltage	DME relay
9	A	Valve 2 (advanced setting)	Variable camshaft control valve 2
10	E	Fan signal	High speed relay (auxiliary fan)
11	E/A	TxD diagnostic data link	Data link connector
12	E/A	CAN-Low signal	Engine control module (DME)
13	E	Battery voltage	DME-relay
14	E	Sensor 2 (input NW)	Variable camshaft control sensor 2
15		Not used	

X6000

Pin	Type	Description/Function	Connection
1	A	Fuel pump relay control	Fuel pump relay
2	A	Close winding control	Idle speed control valve
3	A	Cyl. 1 fuel injection valve control	Cyl. 1 fuel injection valve
4	A	Cyl. 3 fuel injection valve control	Cyl. 3 fuel injection valve
5	A	Cyl. 2 fuel injection valve control	Cyl. 2 fuel injection valve
6	M	Ground, full injection output stages	Ground
7		Not used	
8	A	"Check engine" indicator control	Instrument cluster
9		Not used	
10		Not used	
11		Not used	

E = Input, A = Output, M = Ground



Pin Assignments

Pin	Type	Description/Function	Connection
12	E	Oxygen sensor II signal	Heated oxygen sensor
13	E	Oxygen sensor I signal	Heated oxygen sensor
14	M	Ground, hot film air mass meter	Hot film air mass meter
15	E	Ignition control signal	Ground
16	E	Crankshaft position/RPM sensor signal	Crankshaft position/RPM sensor
17	E	Camshaft position sensor signal	Hall effect camshaft sensor
18		Not used	
19	A	Secondary air pump	Double relay
20		Not used	
21		Not used	
22		Not used	
23	A	Cyl. 2 ignition coil control	Cyl. 2 ignition coil
24	A	Cyl. 3 ignition coil control	Cyl. 3 ignition coil
25	A	Cyl. 1 ignition coil control	Cyl. 1 ignition coil
26	E	Battery voltage	Jump start junction point
27	A	DME relay signal	Engine control module relay
28	M	Ground	Ground
29	A	Opening winding control	Idle speed control valve
30		Not used	
31	A	Cyl. 5 fuel injection valve control	Cyl. 5 fuel injection valve
32	A	Cyl. 6 fuel injection valve control	Cyl. 6 fuel injection valve
33	A	Cyl. 4 fuel injection valve control	Cyl. 4 fuel injection valve
34	M	Ground, output stages	Ground
35		Not used	
36	A	Evaporative emission valve control	Evaporative emission valve
37	A	Oxygen sensor heater control	Double relay
38		Not used	
39	M	Ground, oxygen sensor II	Heated oxygen sensor
40	M	Ground, oxygen sensor I	Heated oxygen sensor
41	E	Air mass meter signal	Hot film air mass meter
42	E	Vehicle speed signal	Instrument cluster
43	M	Ground, crankshaft sensor	Crankshaft position/RPM sensor

E = Input, A = Output, M = Ground



Pin Assignments

Pin	Type	Description/Function	Connection
44	M	Ground, camshaft sensor	Hall effect camshaft sensor
45		Not used	
46	A	Ti-measurement signal (fuel consumption)	Instrument cluster/On-board computer
47	A	Crankshaft RPM speed signal TD	Instrument cluster
48	E	A/C compressor signal	Compressor control relay
49		Not used	
50	A	Cyl. 4 ignition coil control	Cyl. 4 ignition coil
51	A	Cyl. 6 ignition coil control	Cyl. 6 ignition coil
52	A	Cyl. 5 ignition coil control	Cyl. 5 ignition coil
53		Not used	
54	E	Battery voltage	Engine control module (DME)
55	M	Ground, ignition	Ground
56	E	Voltage, terminal 15	Ignition switch
57		Not used	
58		Not used	
59	A	5V voltage supply	Throttle position sensor
60	E	Programming voltage	Data link connector
61		Not used	
62		Not used	
63		Not used	
64	E	A/C signal	Integrated climate regulation control module
65	E	A/C pressure signal	Pressure switch/Auxiliary VENT I
66	E	Drive away protection signal	Electronic immobilizer control module (EWS II)
67		Not used	
68	E	Knock sensor signal	Cyl. 5-6 knock sensor
69	E	Knock sensor signal	Cyl. 3-4 knock sensor
70	E	Knock sensor signal	Cyl. 1-2 knock sensor
71	M	Ground, knock sensors and shields	Knock sensors and shields
72		Not used	
73	E	Throttle position	Throttle position sensor
74		Not used	

E = Input, A = Output, M = Ground



Pin Assignments

Pin	Type	Description/Function	Connection
75		Not used	
76		Not used	
77	E	Engine intake air temperature	Engine intake air temperature sensor
78	E	Engine coolant temperature	Engine coolant temperature sensor
79		Not used	
80		Not used	
81		Not used	
82	E	Start revolution signal	Ignition switch
83		Not used	
84	M	Shield	Ground
85	E/A	CAN-Low signal	Variable camshaft control module
86	E/A	CAN-High signal	Variable camshaft control module
87	A	RxD diagnostic data link	Data link connector
88	E/A	TxD diagnostic data link	Data link connector

E = Input, A = Output, M = Ground

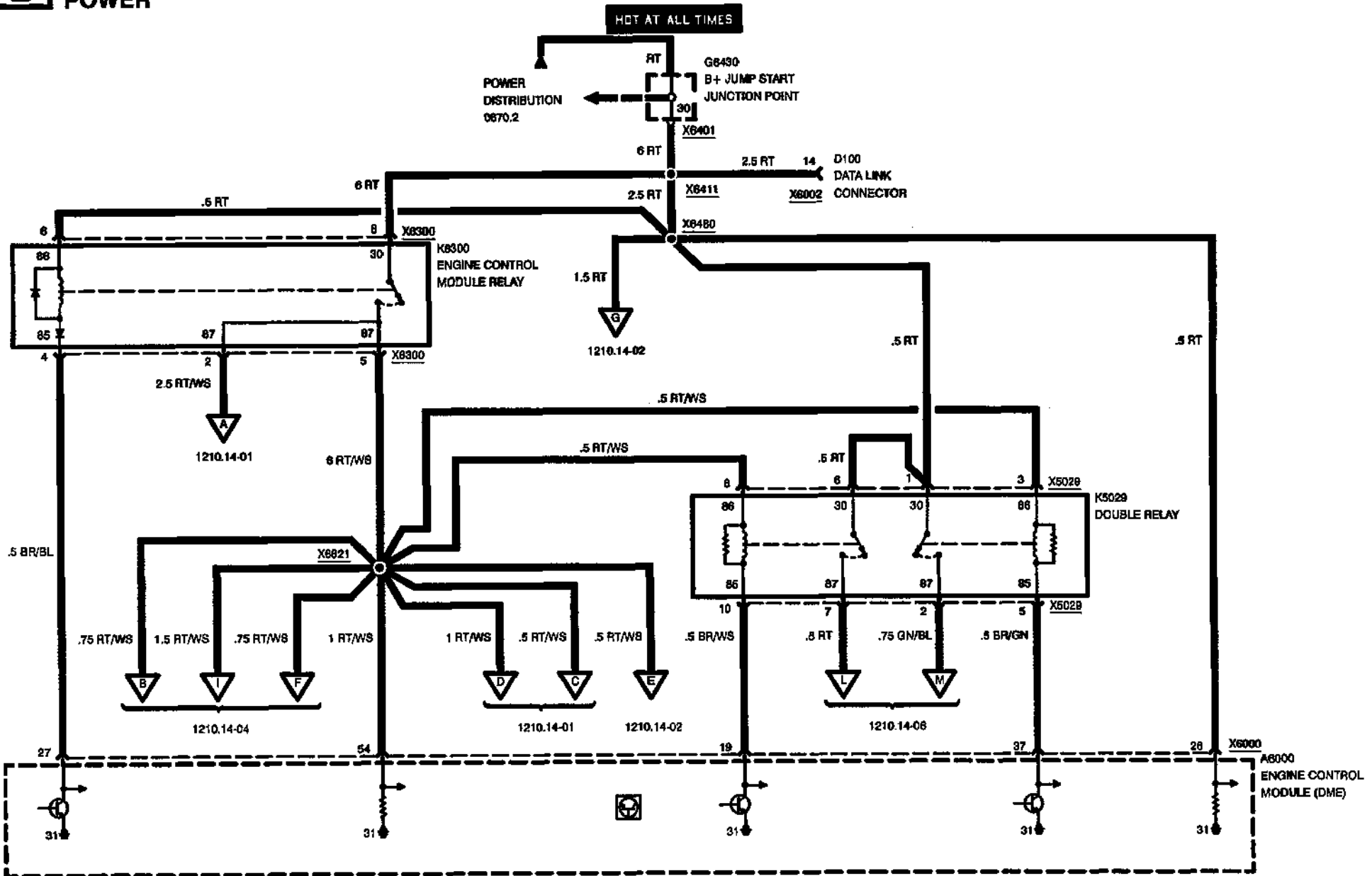




ENGINE CONTROL SYSTEM (DME M3.3, 6-CYLINDER S50 B30)



POWER



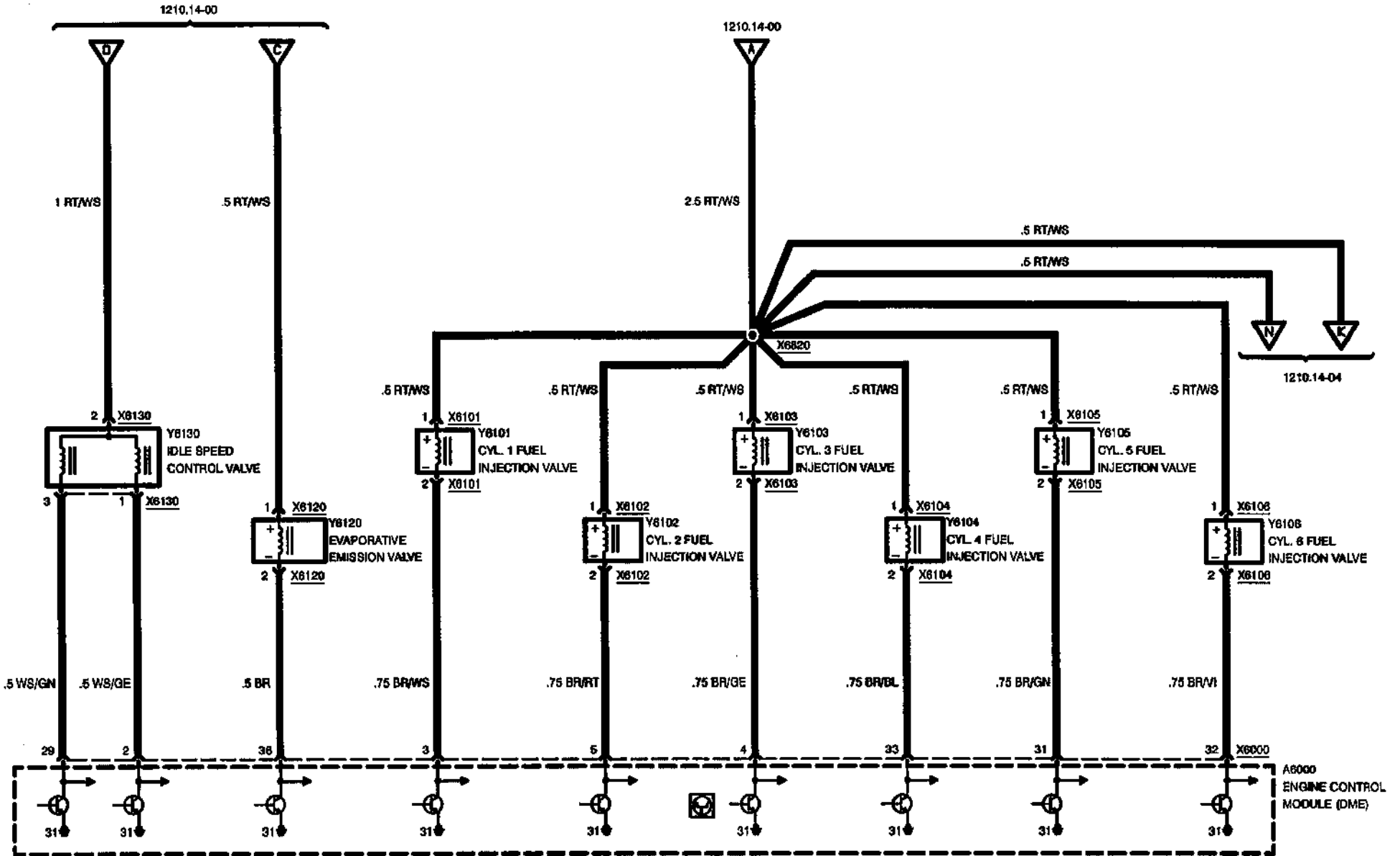
04/97

1210.14-00

1996



ENGINE CONTROL SYSTEM (DME M3.3, 6-CYLINDER S50 B30)

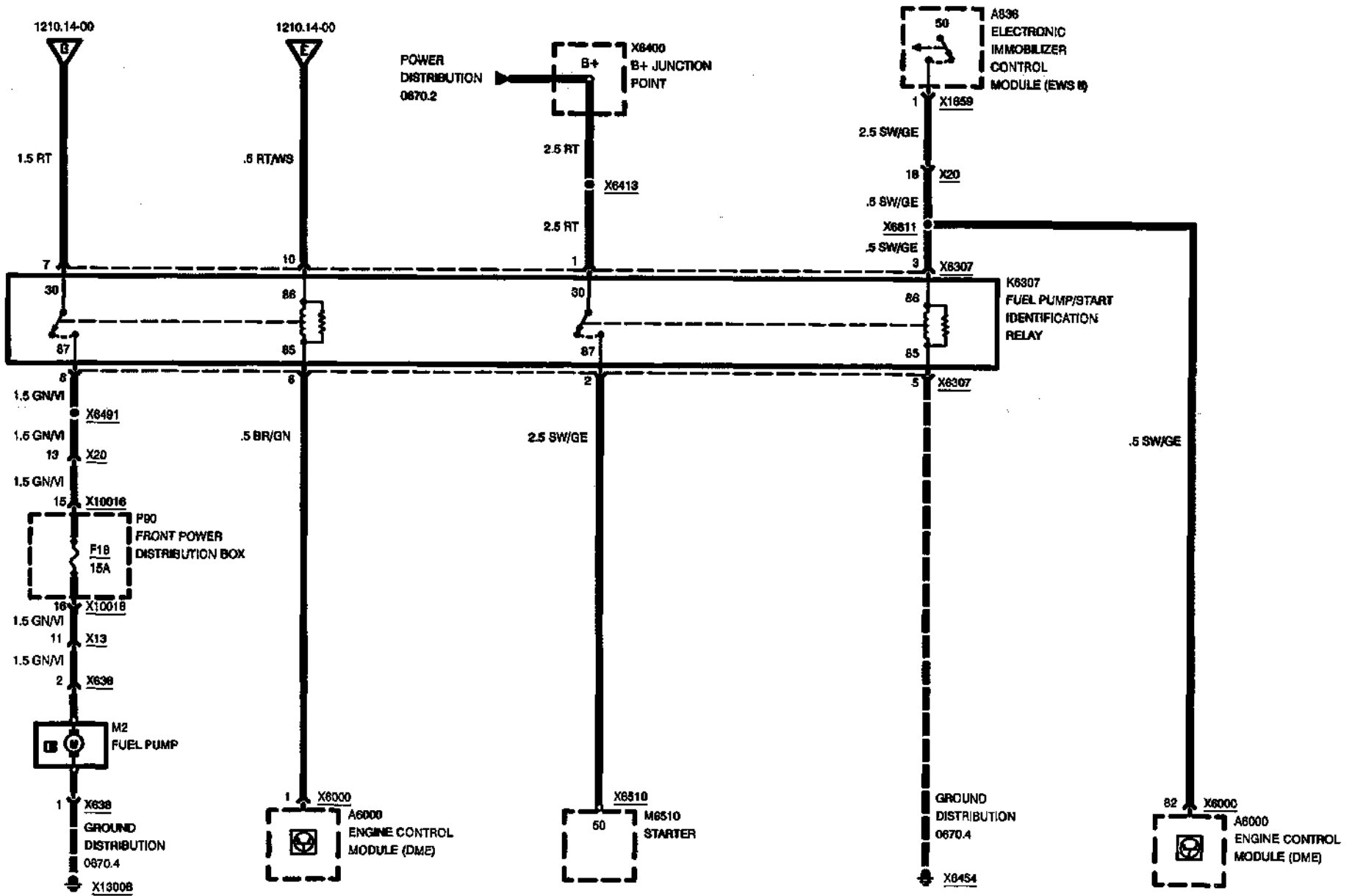




ENGINE CONTROL SYSTEM (DME M3.3, 6-CYLINDER S50 B30)

CDN

POWER



04/97

1210.14-02

1996



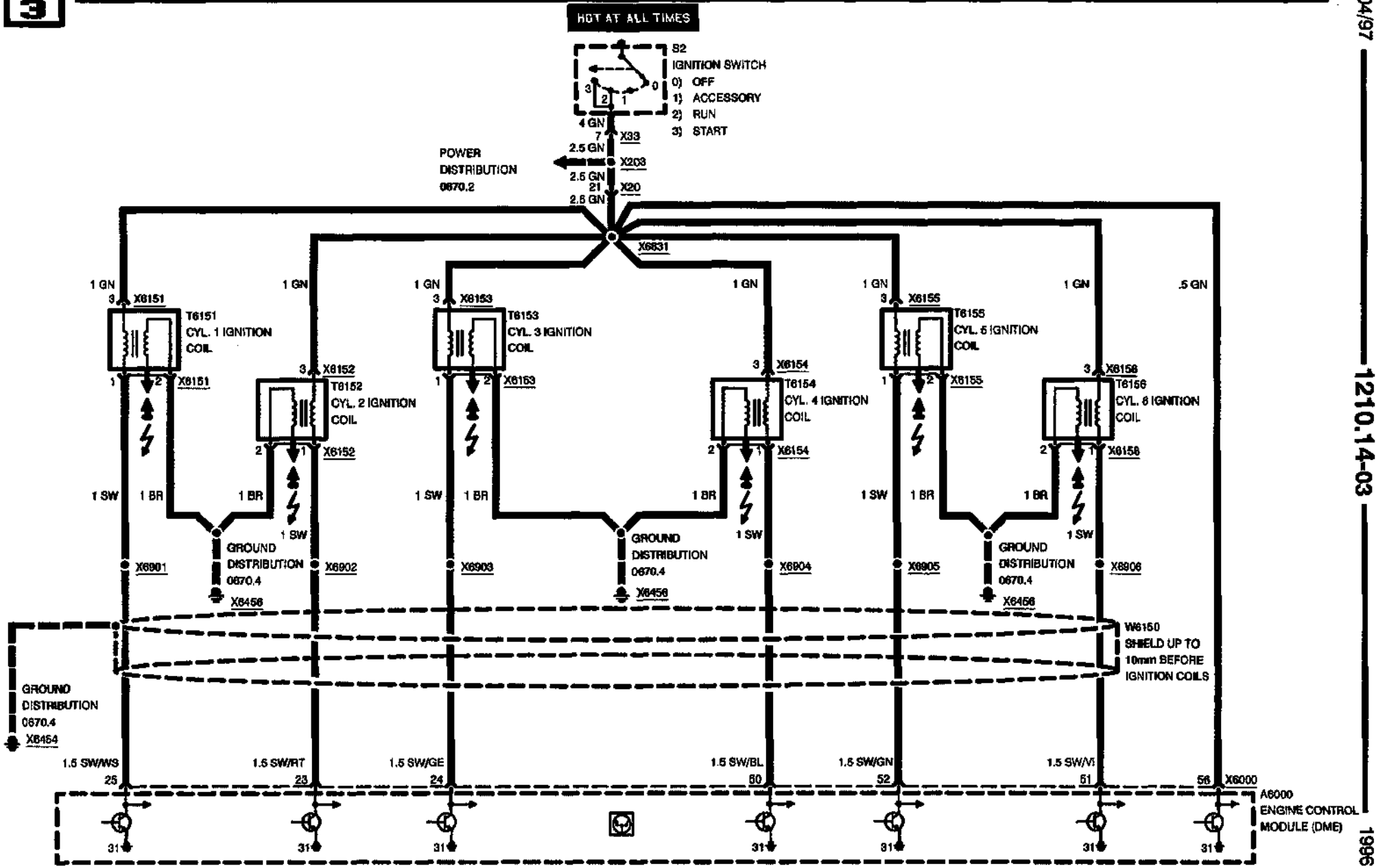
ENGINE CONTROL SYSTEM (DME M3.3, 6-CYLINDER S50 B30)

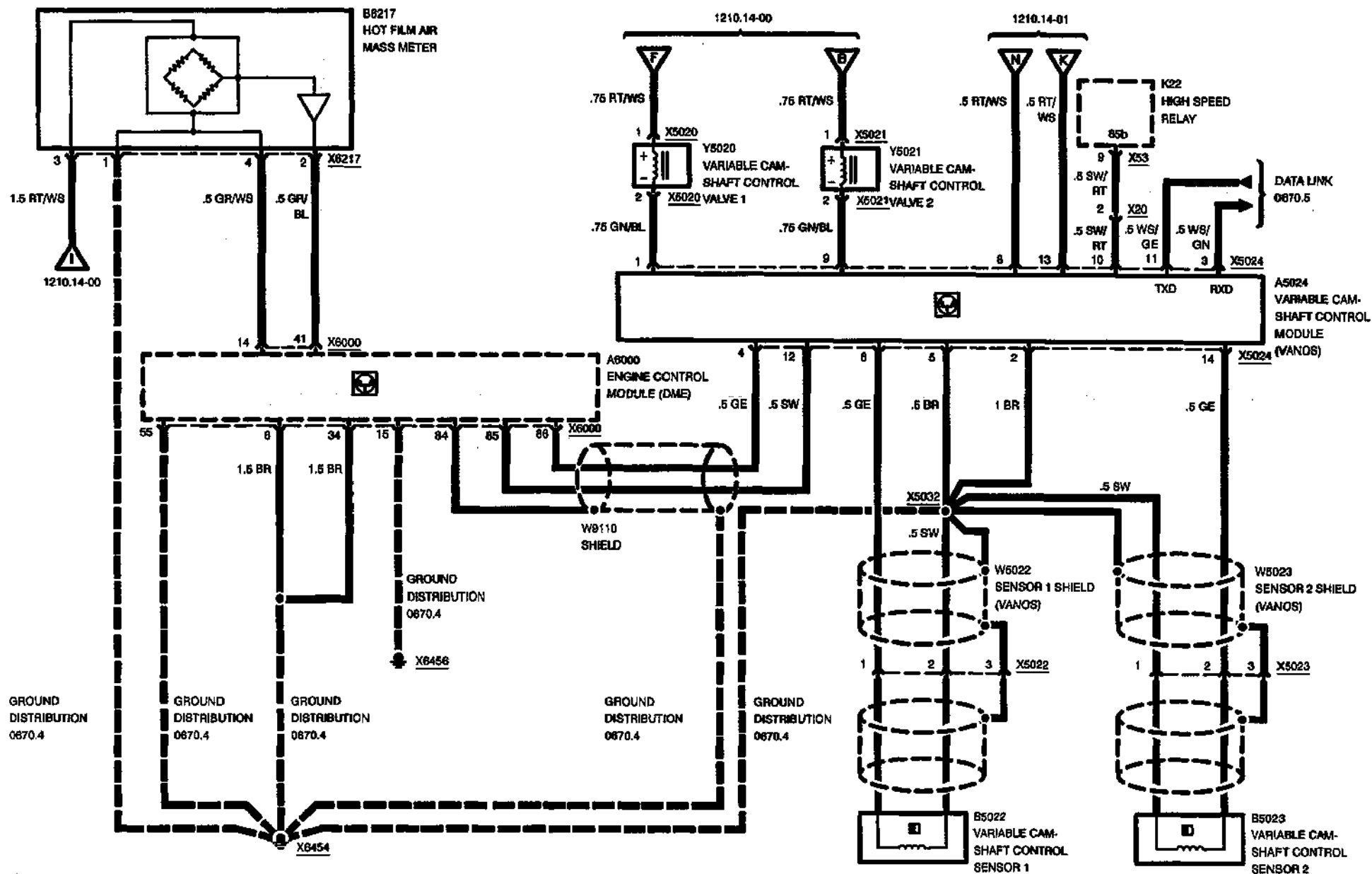


04/97

1210.14-03

1995





04/97

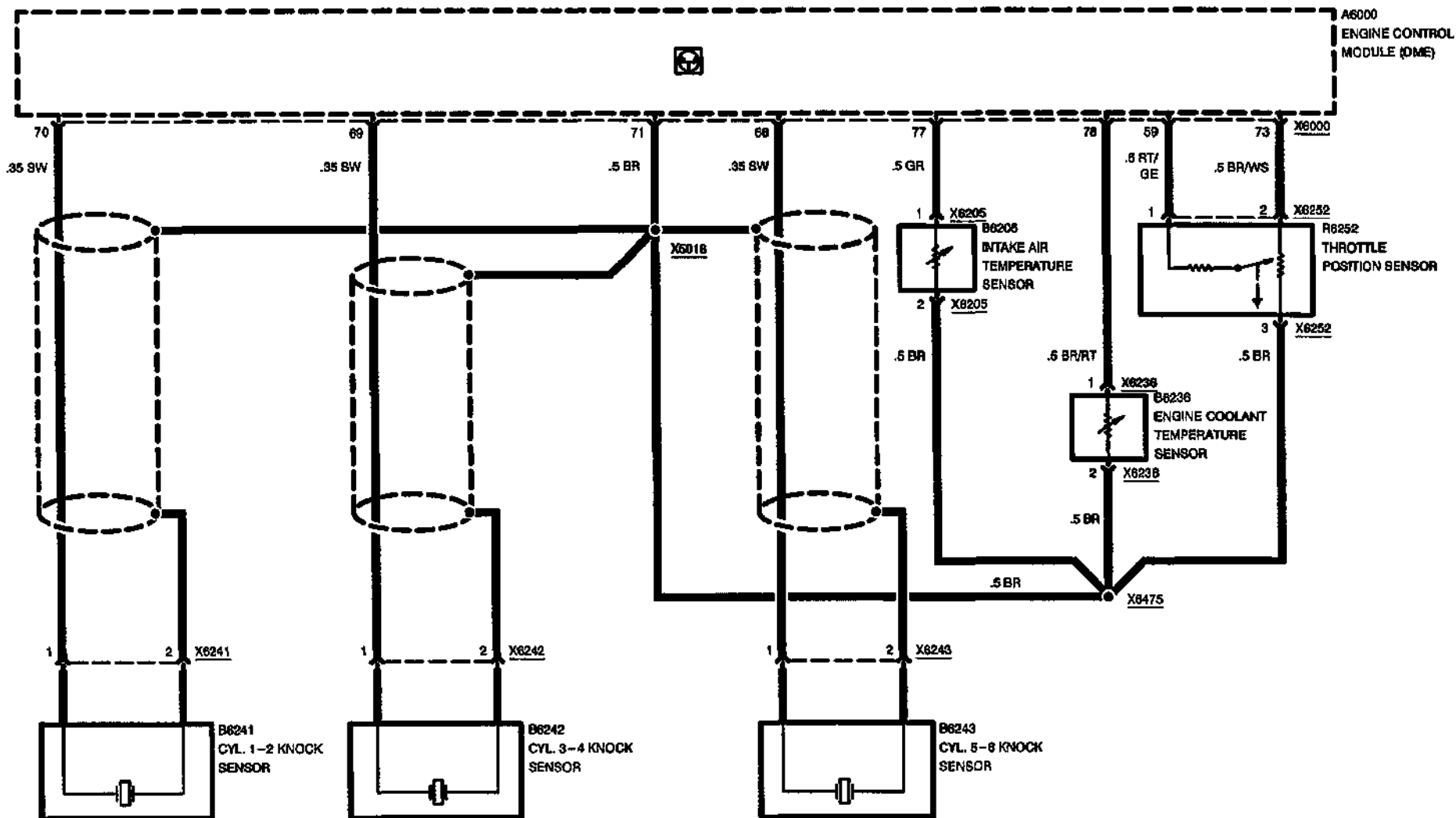
1210.14-04

1996



ENGINE CONTROL SYSTEM (DME M3.3, 6-CYLINDER S50 B30)

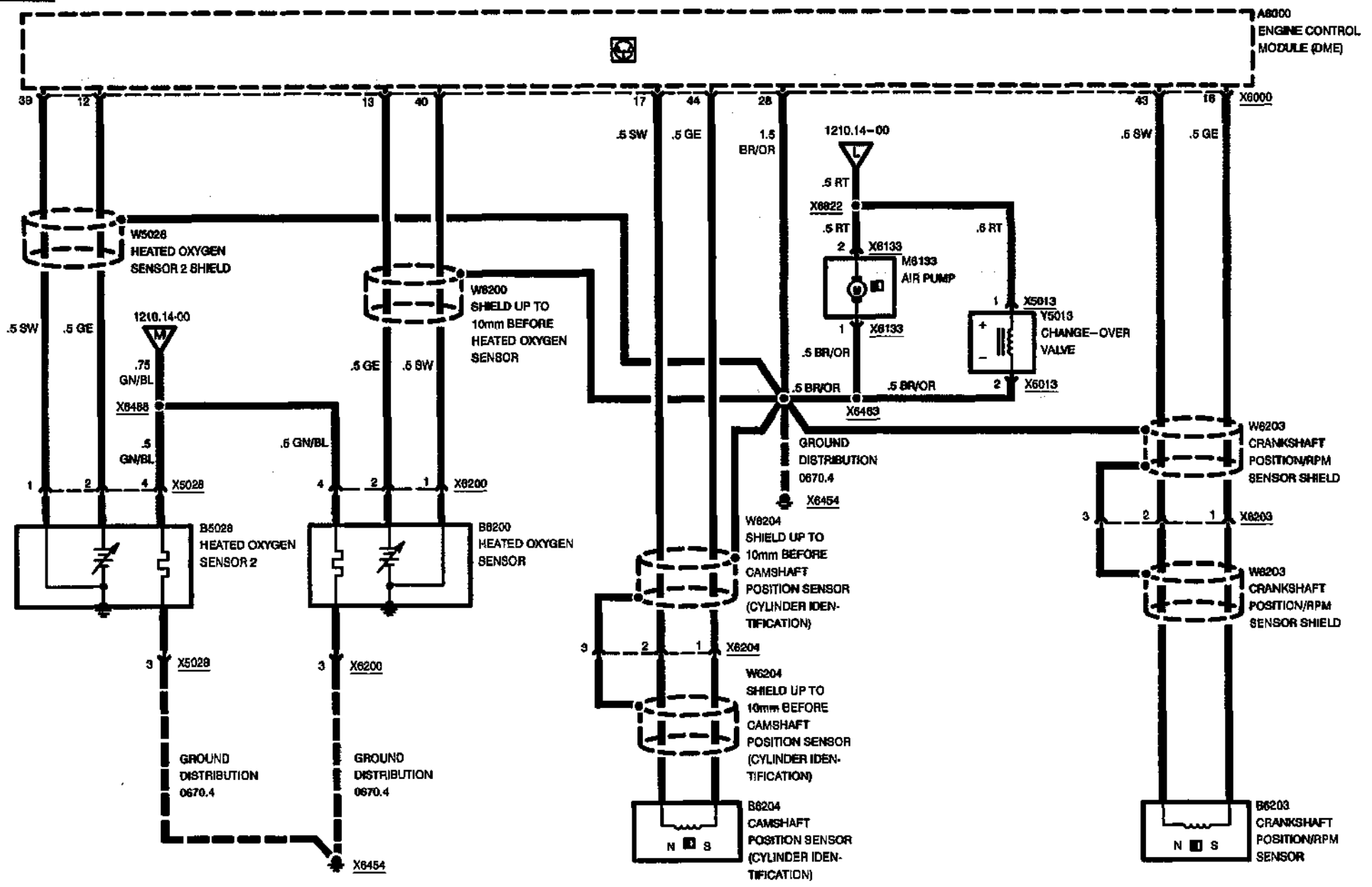
CDN

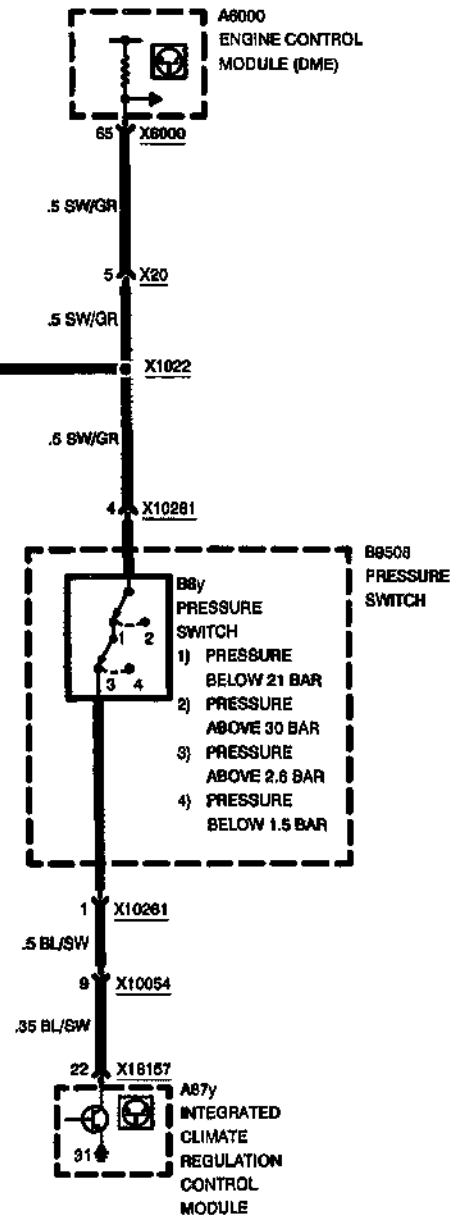
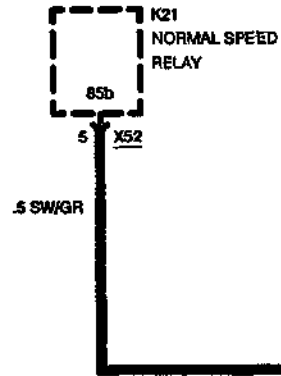
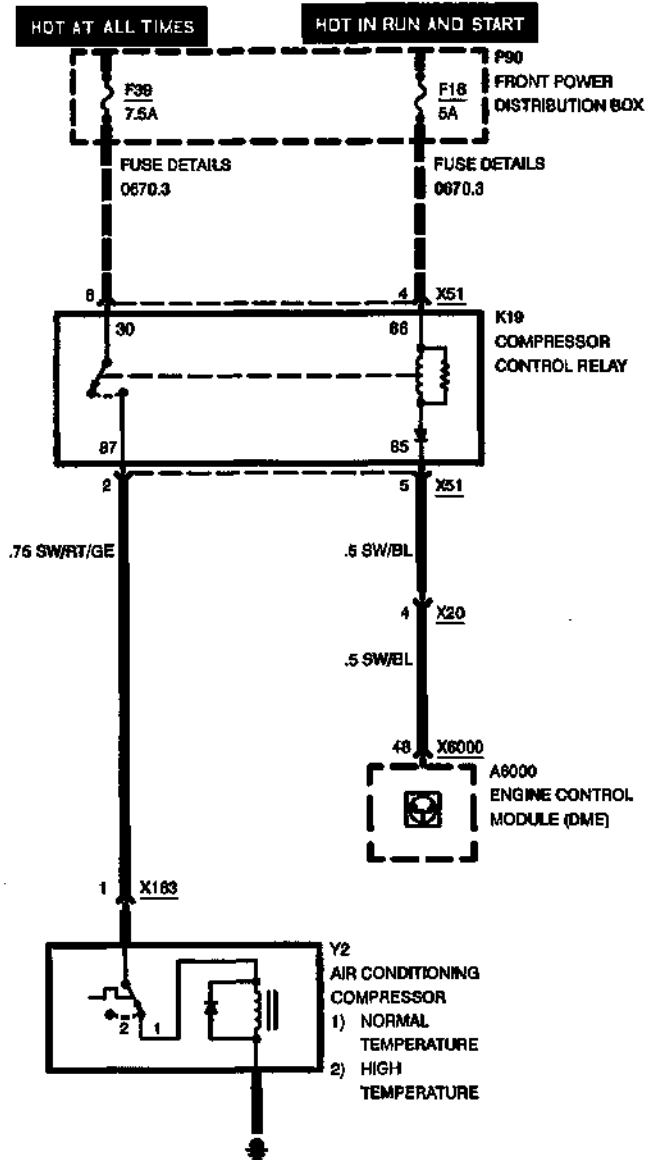


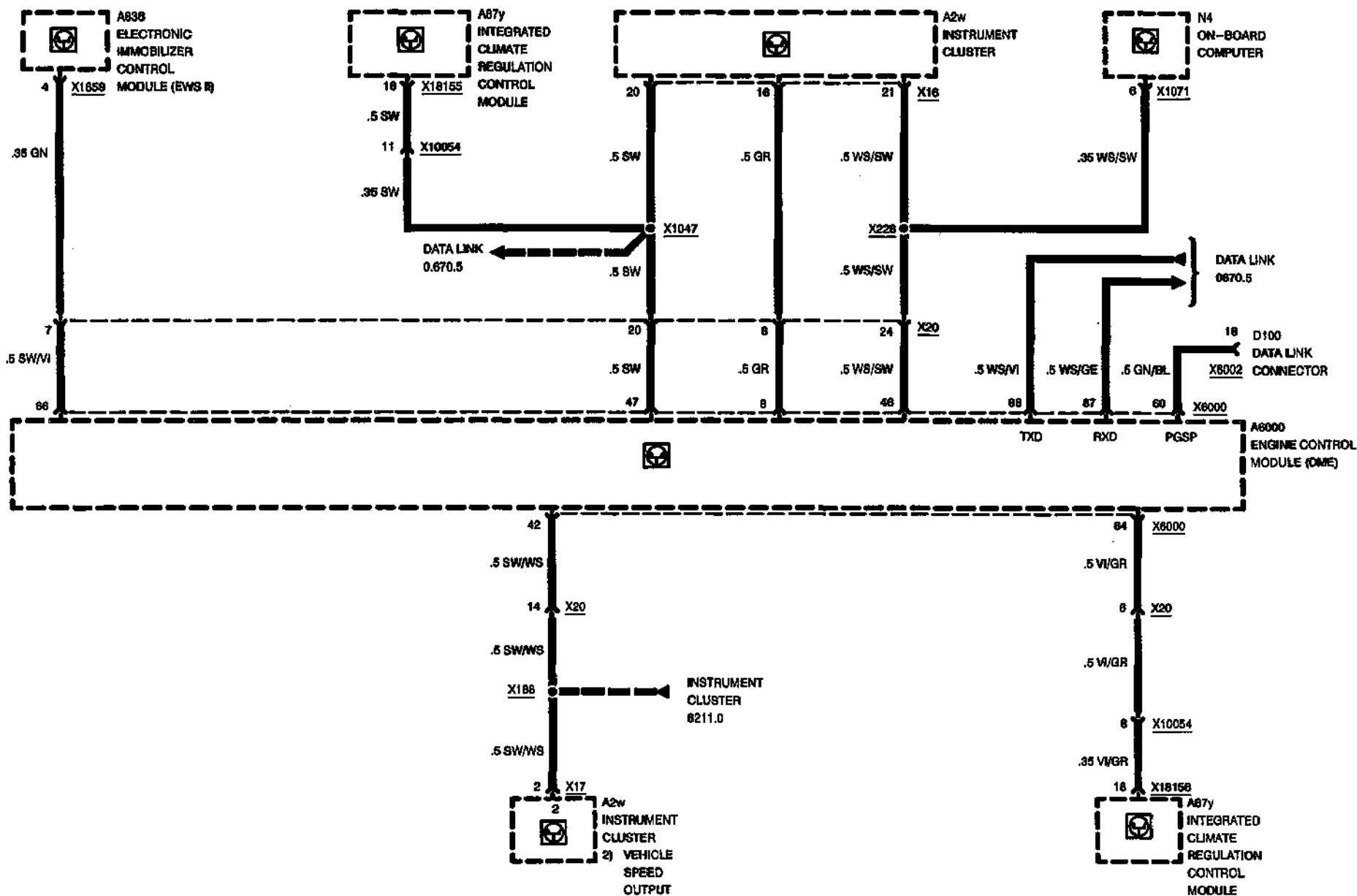
04/97

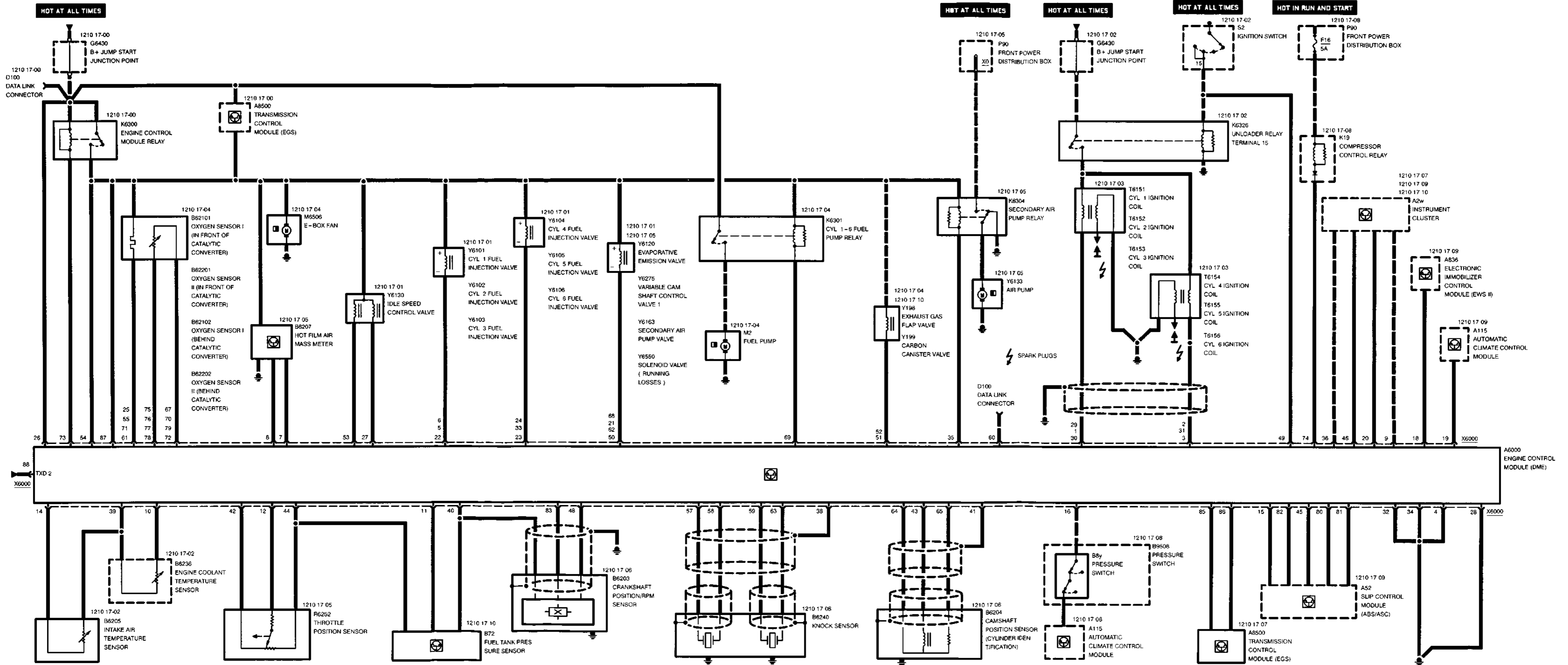
1210.14-05

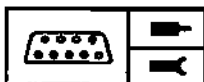
1996











Pin Assignments

X600Q

Pin	Type	Description/Function	Connection
1	A	Cyl. 2 ignition coil control	Cyl. 2 ignition coil
2	A	Cyl. 4 ignition coil control	Cyl. 4 ignition coil
3	A	Cyl. 6 ignition coil control	Cyl. 6 ignition coil
4	M	Ground	Ground point
5	A	Cyl. 2 fuel injection valve control	Cyl. 2 fuel injection valve
6	A	Cyl. 1 fuel injection valve control	Cyl. 1 fuel injection valve
7	M	Ground	Hot wire air mass meter
8	E	Hot wire air mass meter	Hot wire air mass meter
9	E	Ti-measurement signal (fuel consumption)	Instrument cluster
10	E	Engine coolant temperature	Engine coolant temperature sensor
11	E	Fuel tank pressure	Fuel tank pressure sensor
12	E	Throttle position signal	Throttle position sensor
13		Not used	
14	E	Intake air temperature	Intake air temperature sensor
15	E	Speed signal right rear	ABS/ASC control module
16	E	Activate A/C	Pressure switch
17		Not used	
18	E	Drive away protection signal (code)	Electronic immobilizer control module (EWS II)
19	E	A/C-ON-signal	Air conditioning operating unit
20	A	"Check engine" indicator control	Instrument cluster
21	A	Camshaft control	Variable camshaft control valve
22	A	Cyl. 3 fuel injection valve control	Cyl. 3 fuel injection valve
23	A	Cyl. 6 fuel injection valve control	Cyl. 6 fuel injection valve
24	A	Cyl. 4 fuel injection valve control	Cyl. 4 fuel injection valve
25	M	Oxygen sensor heating ground	Oxygen sensor (in front of catalytic converter)
26	E	Battery voltage	B+ jump start junction point
27	A	Activate valve	Idle speed control valve
28	M	Ground	Ground point
29	A	Cyl. 1 ignition coil control	Cyl. 1 ignition coil

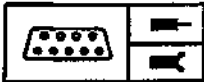
E = Input, A = Output, M = Ground



Pin Assignments

Pin	Type	Description/Function	Connection
30	A	Cyl. 3 ignition coil control	Cyl. 3 Ignition coil
31	A	Cyl. 5 ignition coil control	Cyl. 5 Ignition coil
32	M	Ground	Ground point
33	A	Cyl. 5 fuel injection valve control	Cyl. 5 fuel injection valve
34	M	Ground	Ground point
35	A	Activate relay	Secondary air pump relay
36	A	Crankshaft RPM speed signal TD	Instrument cluster
37		Not used	
38	M	Ground	Shield knock sensor
39	M	Ground	Temperature sensors
40	M	Ground	Crankshaft position/RPM sensor Fuel tank pressure sensor
41	M	Ground	Shield camshaft position sensor
42	M	Ground	Throttle position sensor
43	E	Camshaft position	Camshaft position sensor
44	A	Voltage supply	Throttle position sensor Fuel tank pressure sensor
45	A	Throttle position signal	ABS/ASC control module
46	E	Ti-measurement signal (fuel consumption)	Instrument cluster
47		Not used	
48	A	Voltage supply	Crankshaft position/RPM sensor
49	E	Terminal 15	Ignition switch
50	A	Running losses	Solenoid valve
51	A	Activate valve	Carbon canister valve
52	A	Signal exhaust flap	Exhaust gas flap valve
53	A	Activate valve	Idle speed control valve
54	E	Battery voltage, terminal 87	Engine control module relay
55	M	Oxygen sensor heating ground	Oxygen sensor (in front of catalytic converter)
56	M	Ground	Ground point
57	E	Cyl. 1-3 knock sensor	Knock sensor
58	E	Cyl. 1-3 knock sensor	Knock sensor
59	E	Cyl. 4-6 knock sensor	Knock sensor

E = Input, A = Output, M = Ground



Pin Assignments

Pin	Type	Description/Function	Connection
60	E	Programming voltage	Data link connector
61	M	Oxygen sensor heating ground	Oxygen sensor (behind catalytic converter)
62	A	Activate valve	Secondary air pump valve
63	E	Cyl. 4-6 knock sensor	Knock sensor
64	M	Ground	Camshaft position sensor
65	E	Camshaft position	Camshaft position sensor
66		Not used	
67	M	Oxygen sensor signal ground	Oxygen sensor (in front of catalytic converter)
68	A	Activate valve	Evaporative emission valve
69	A	Activate relay	Fuel pump relay
70	M	Oxygen sensor signal ground	Oxygen sensor (in front of catalytic converter)
71	M	Oxygen sensor signal ground	Oxygen sensor (behind catalytic converter)
72	M	Oxygen sensor signal ground	Oxygen sensor (behind catalytic converter)
73	E	Activate relay	Engine control module relay
74	A	Activate A/C compressor	Compressor control relay
75	E	Sensor signal	Oxygen sensor (in front of catalytic converter)
76	E	Sensor signal	Oxygen sensor (in front of catalytic converter)
77	E	Sensor signal	Oxygen sensor (behind catalytic converter)
78	E	Sensor signal	Oxygen sensor (behind catalytic converter)
79	M	Oxygen sensor heating ground	Oxygen sensor (behind catalytic converter)
80	A	ASC-signal ZA	Slip control module ABS/ASC
81	A	ASC-signal ZWV	Slip control module ABS/ASC
82	A	ASC-signal MSR	Slip control module ABS/ASC
83	E	Sensor signal	Crankshaft position/RPM sensor
84		Not used	
85	E/A	CAN LOW	Transmission control module EGS
86	E/A	CAN HIGH	Transmission control module EGS
87	E	Battery voltage, terminal 87	Engine control module relay
88	E/A	TxD diagnosis data link	Data link connector

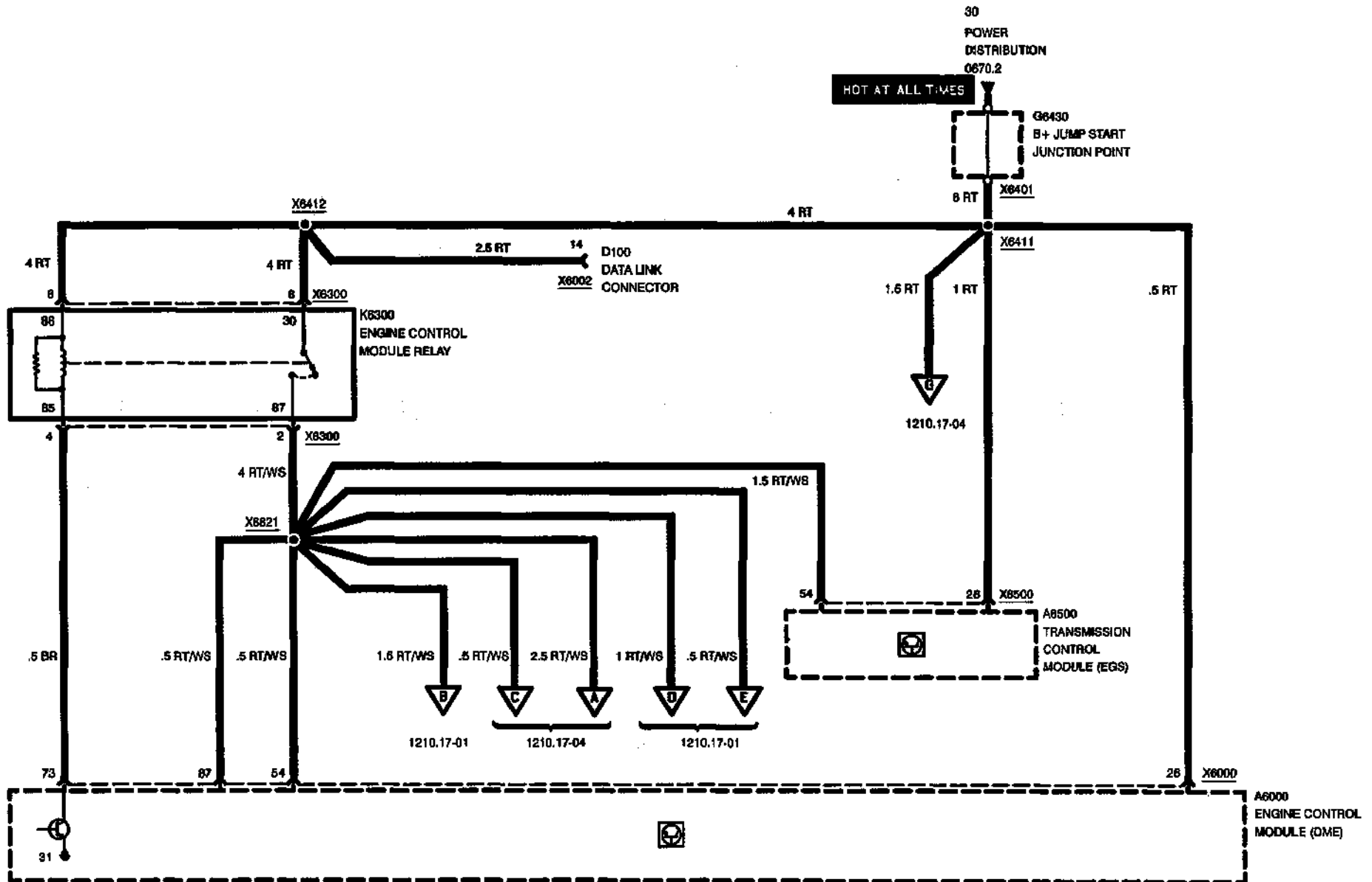
E = Input, A = Output, M = Ground



ENGINE CONTROL SYSTEM MS41.1 (6-CYLINDER M52)

328i

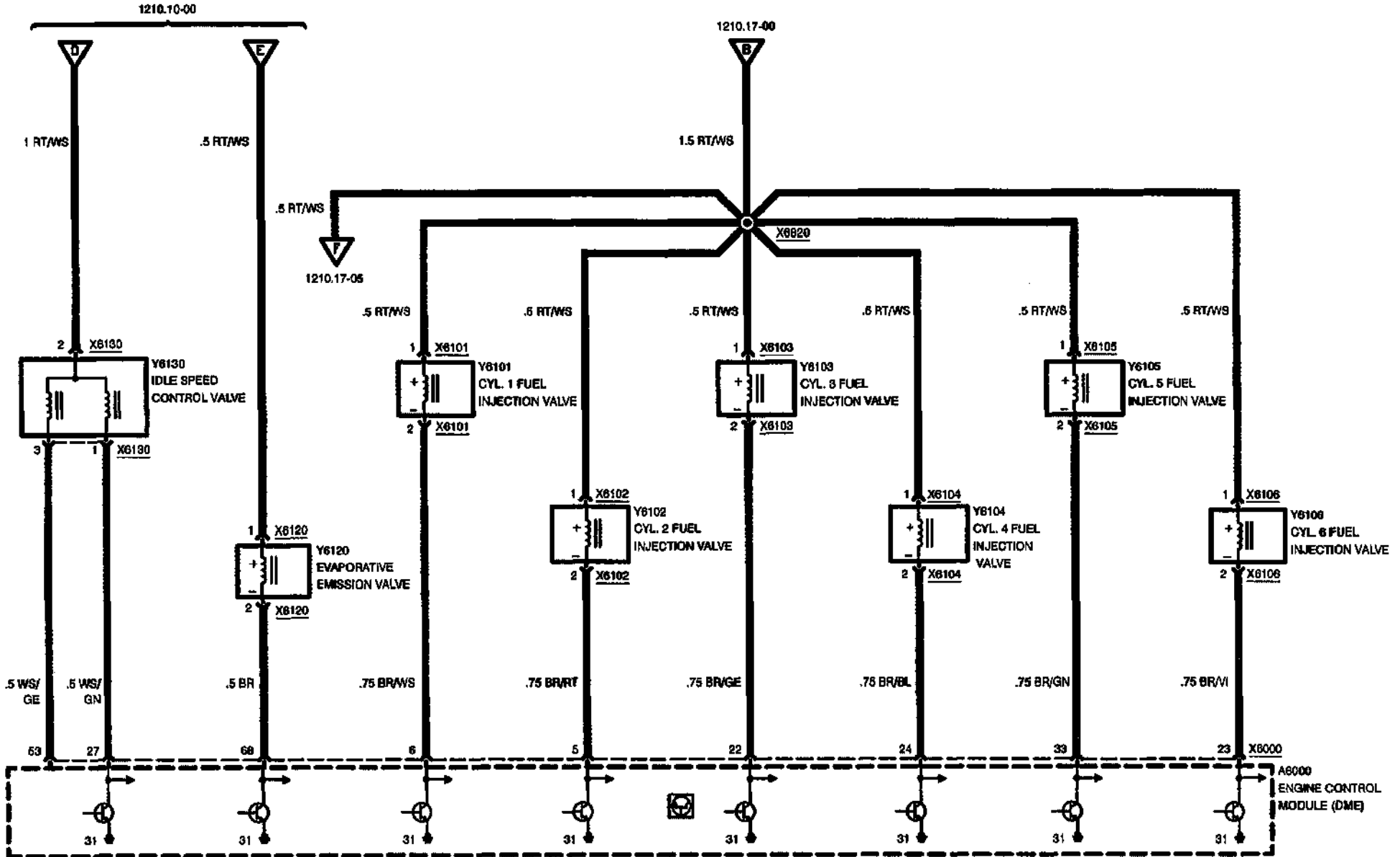
POWER

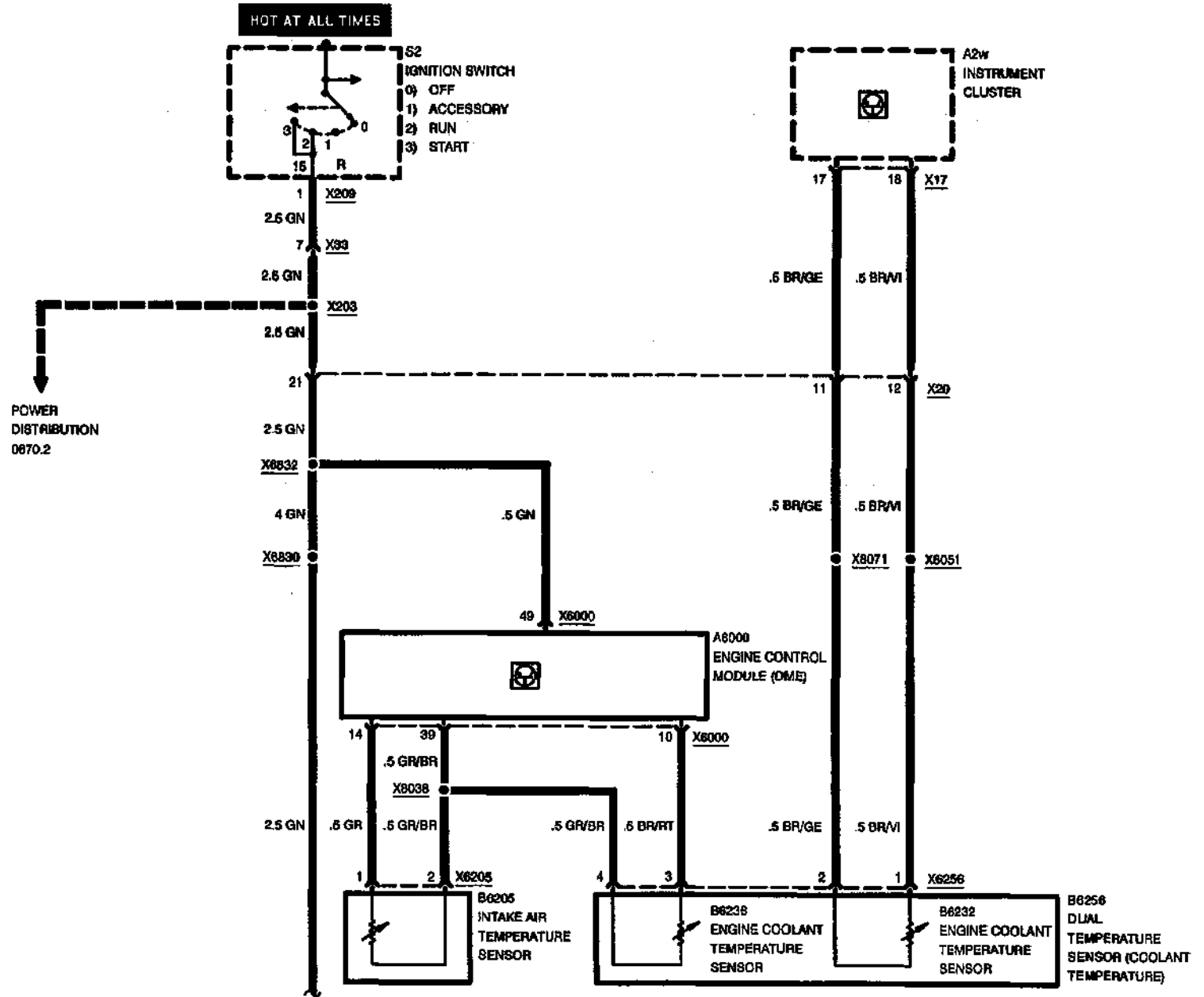


04/97

1210.17-00

1996

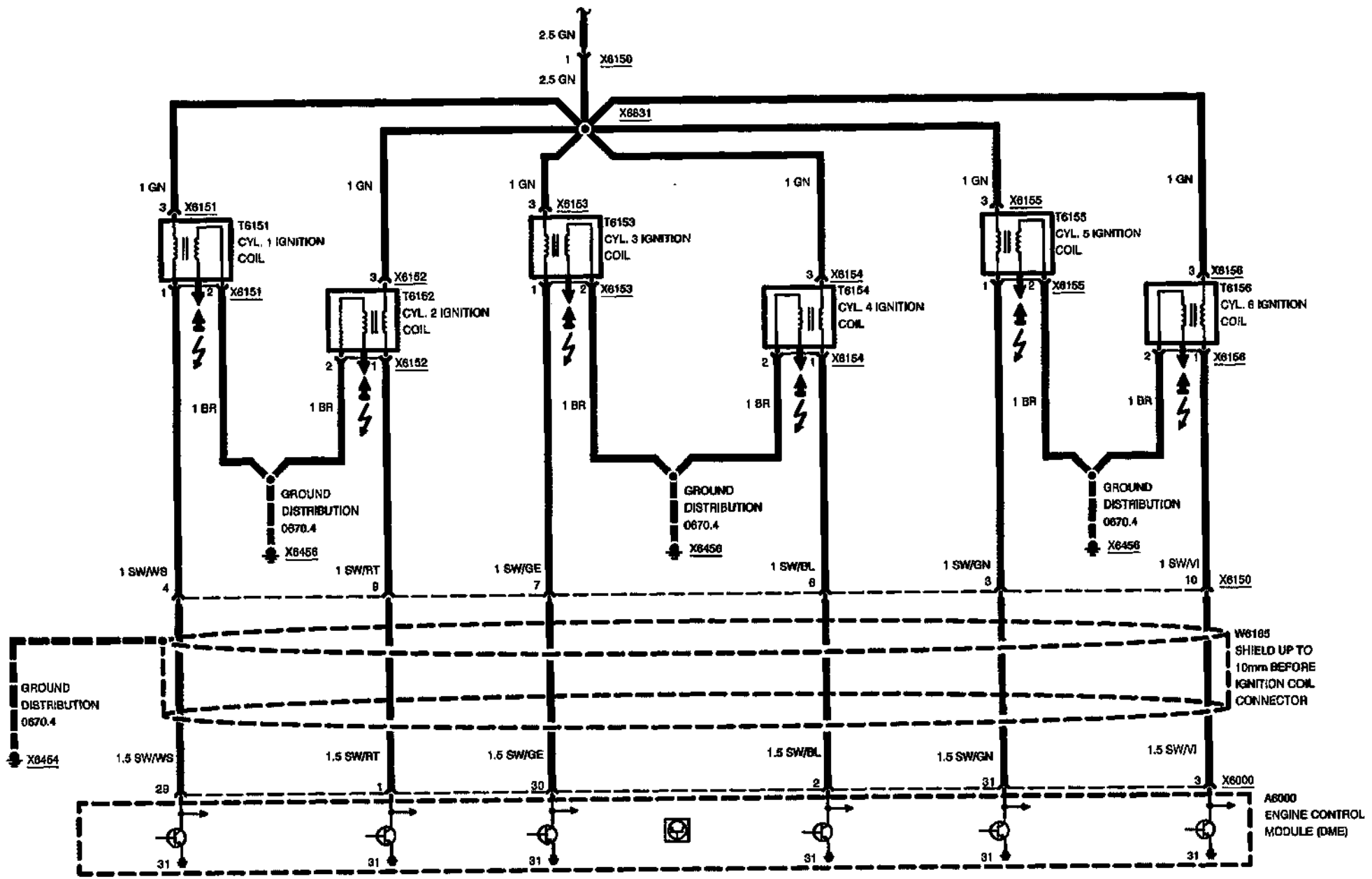


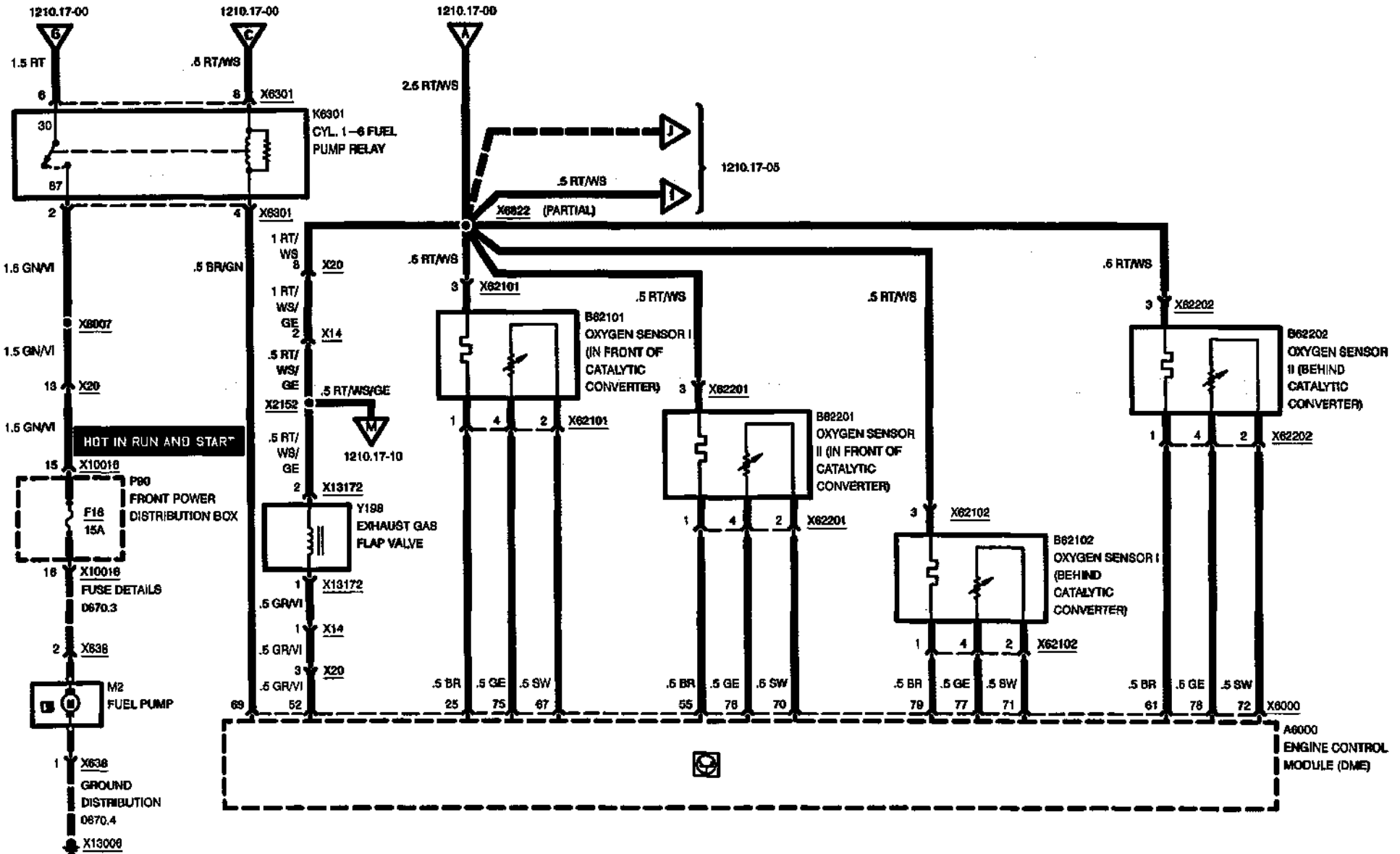


04/97

1210.17-02

1996





04/97

1210.17-04

1996



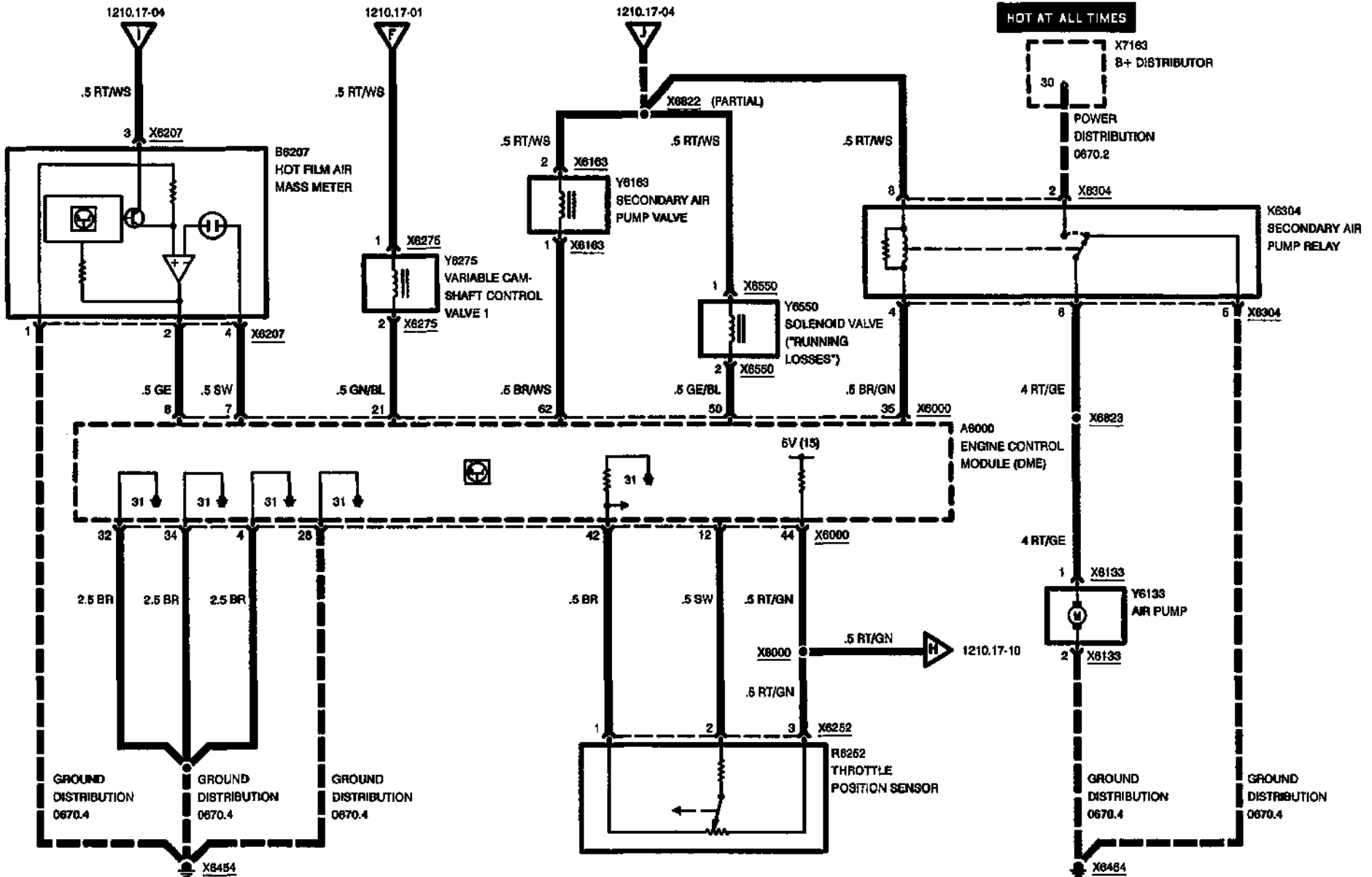
ENGINE CONTROL SYSTEM MS41.1 (6-CYLINDER M52)

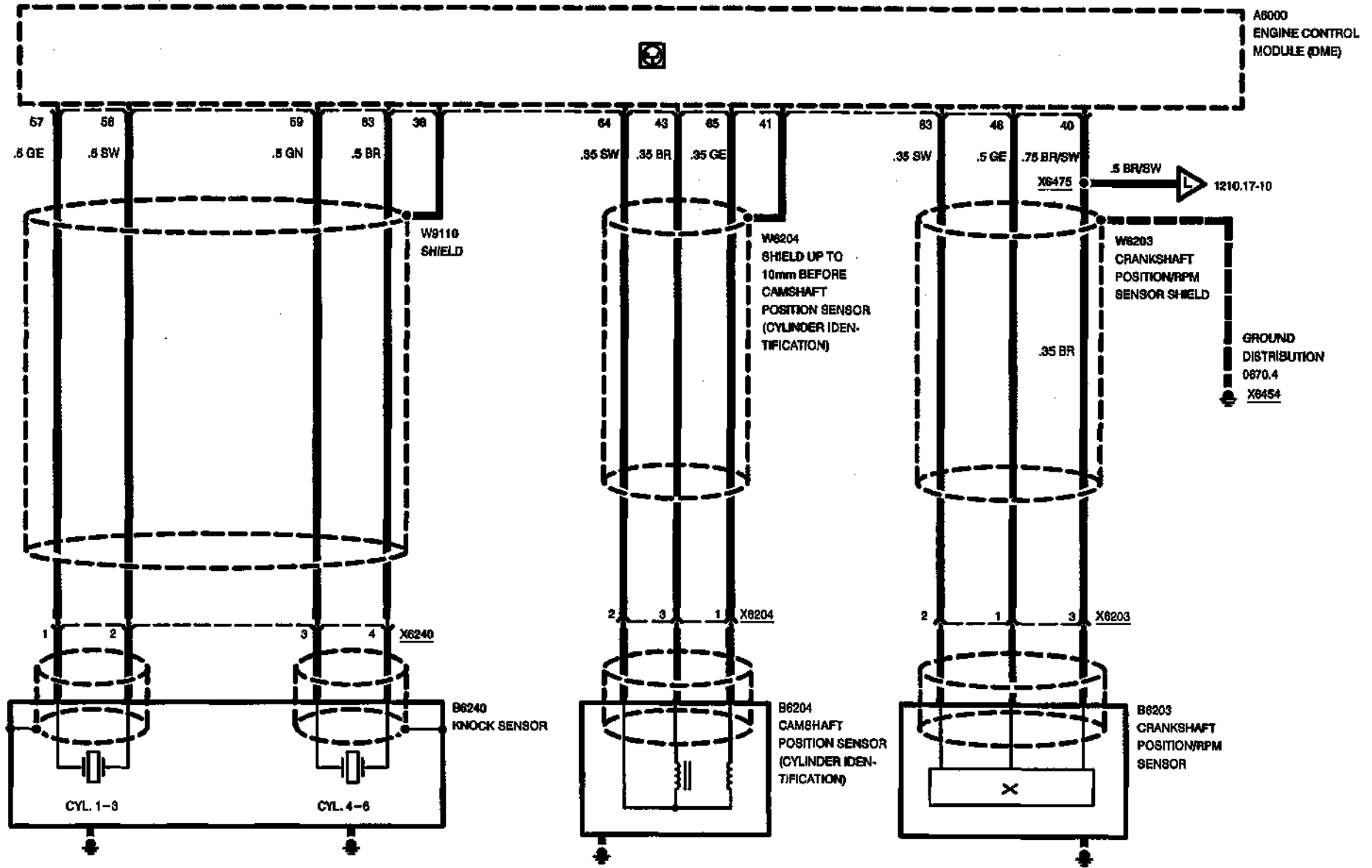
328i

04/97

1210.17-05

1996

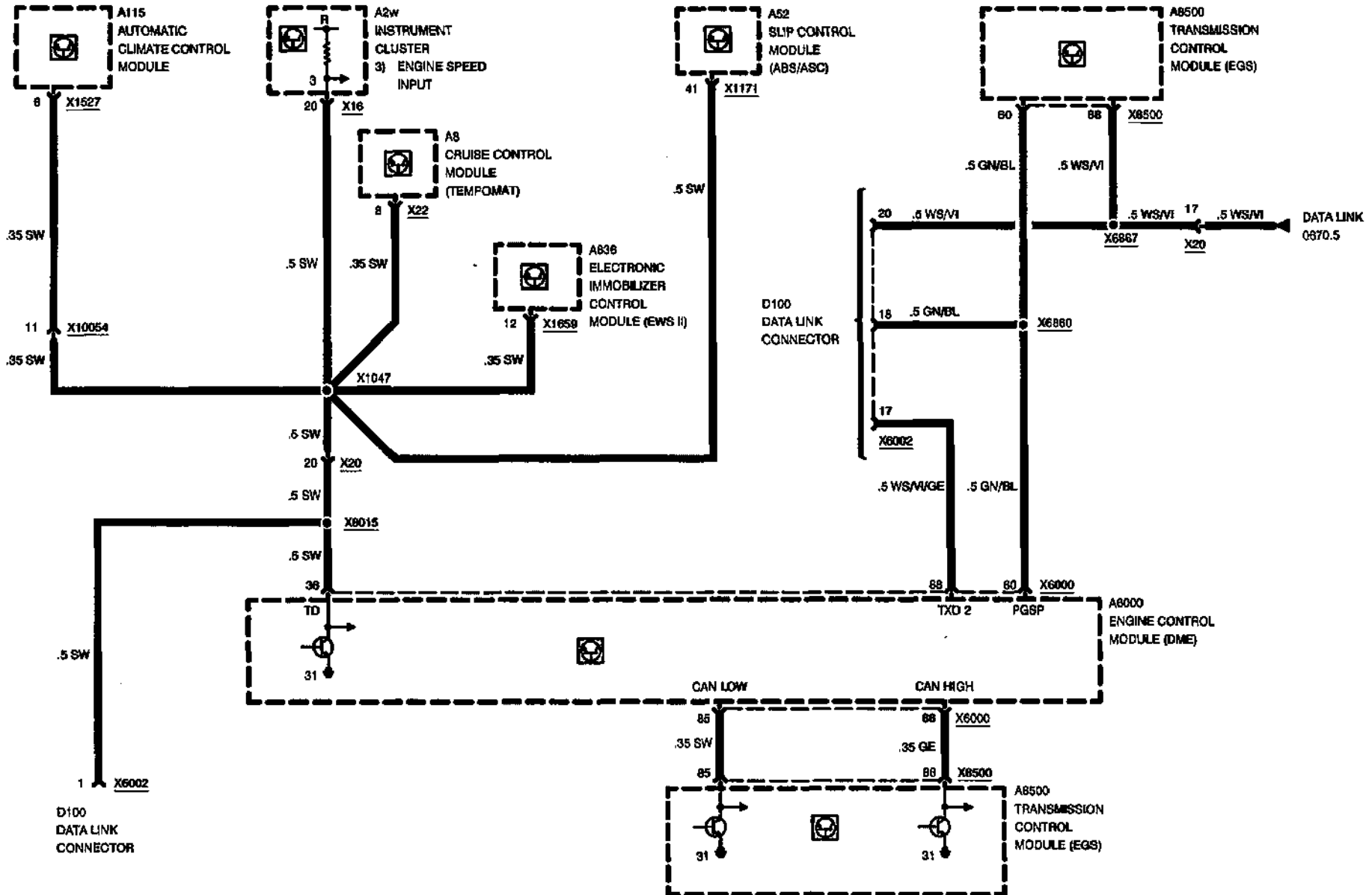






ENGINE CONTROL SYSTEM MS41.1 (6-CYLINDER M52)

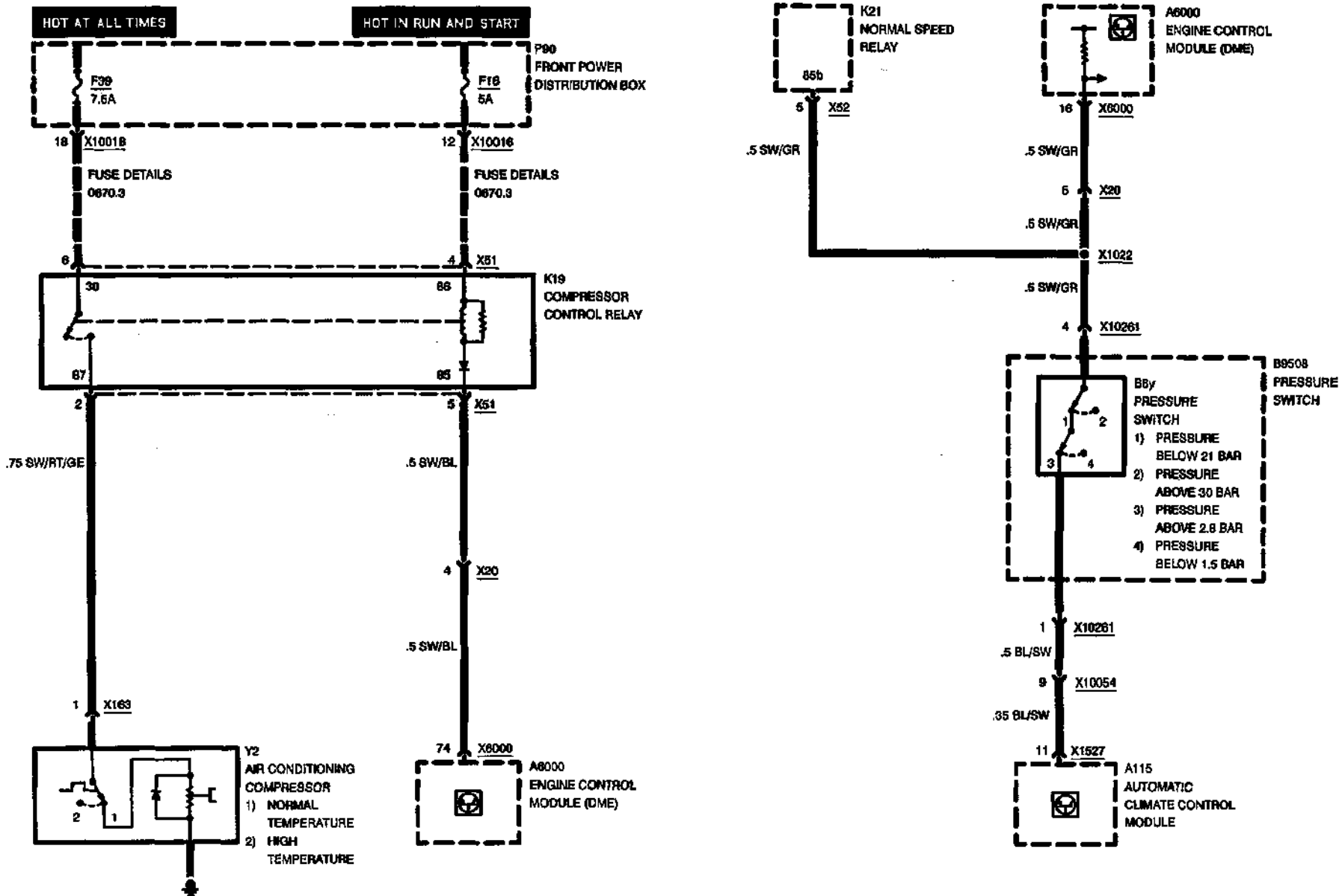
328i



03/97

1210.17-07

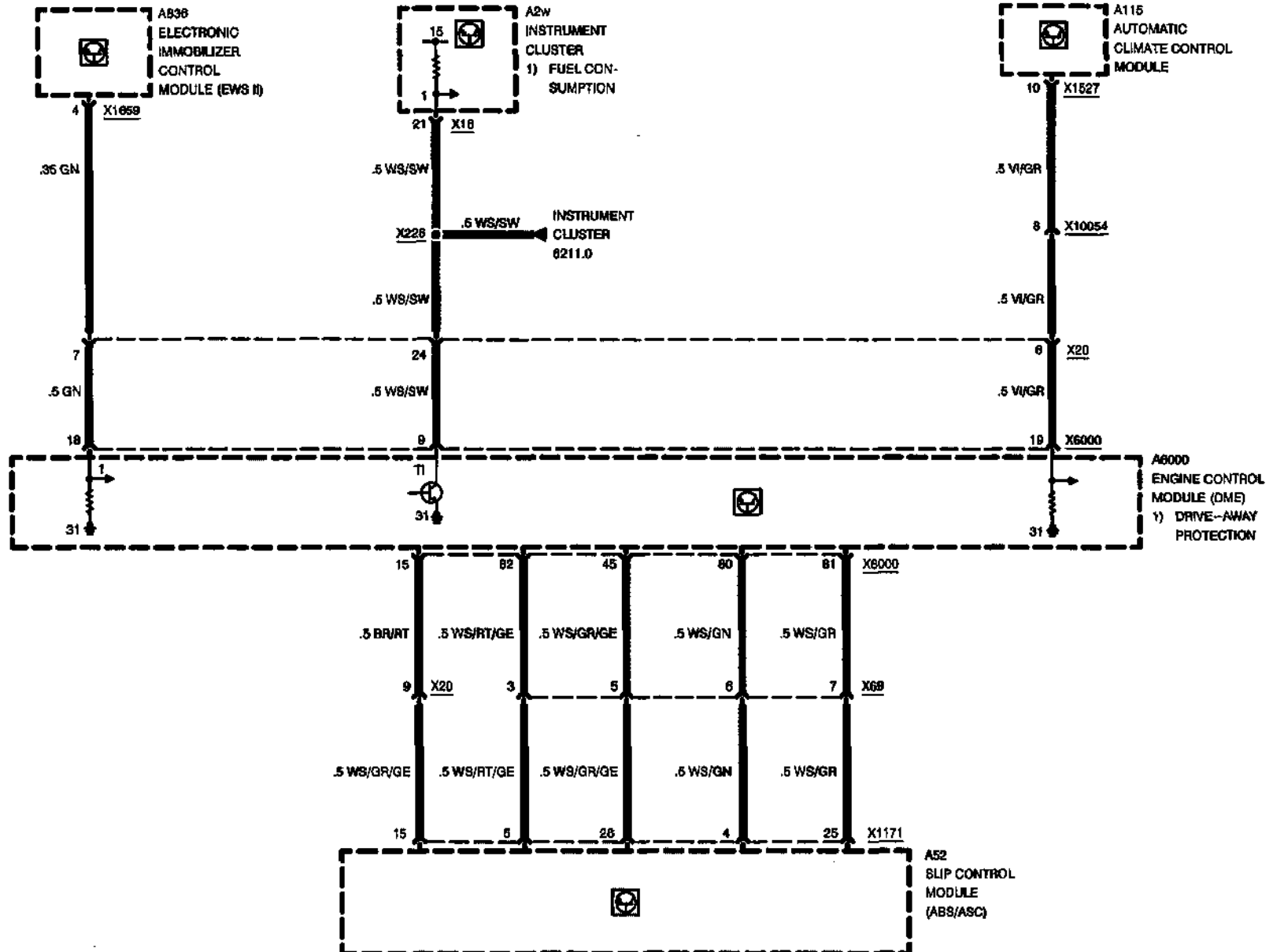
1996





ENGINE CONTROL SYSTEM MS41.1 (6-CYLINDER M52)

328i



04/97

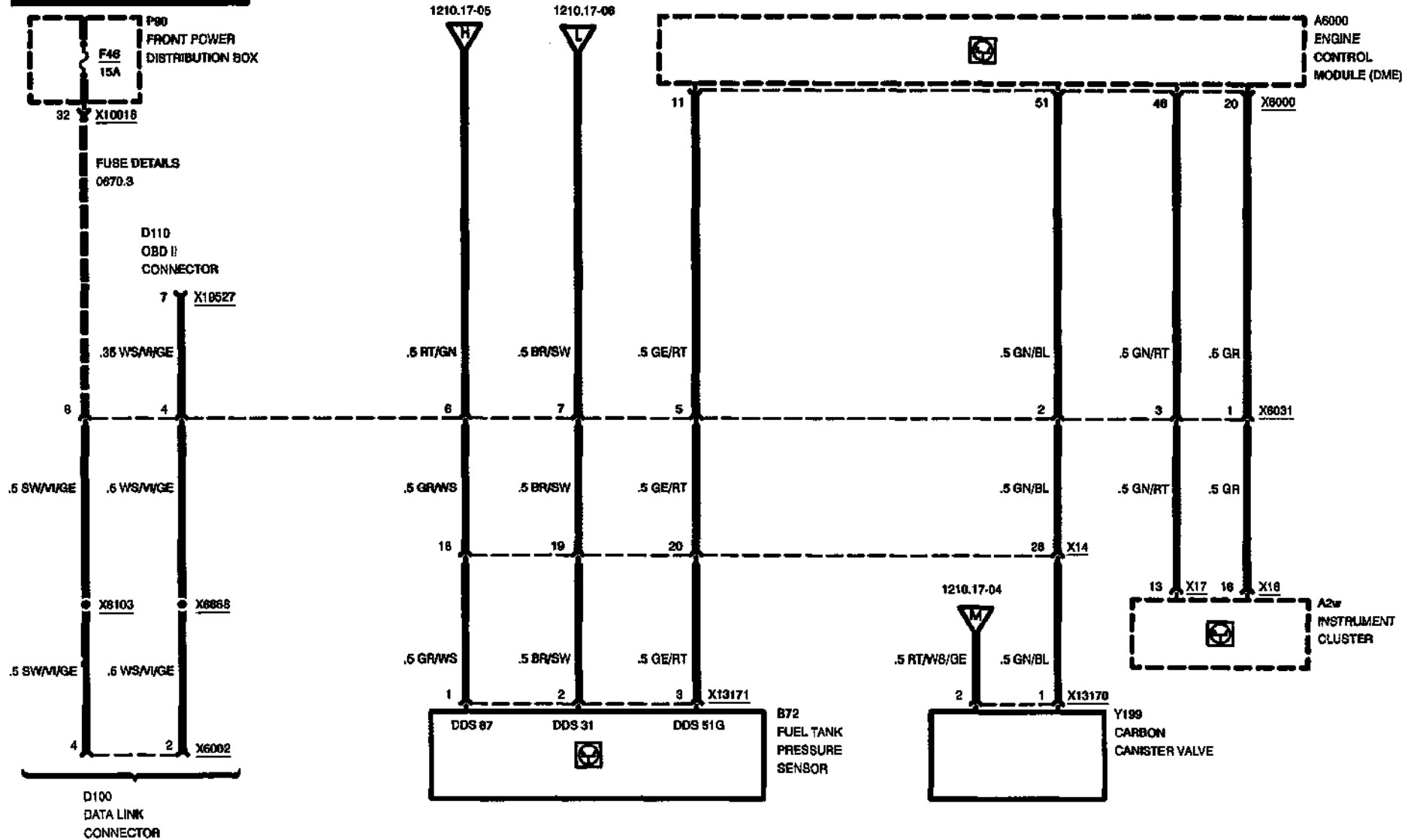
1210.17-09

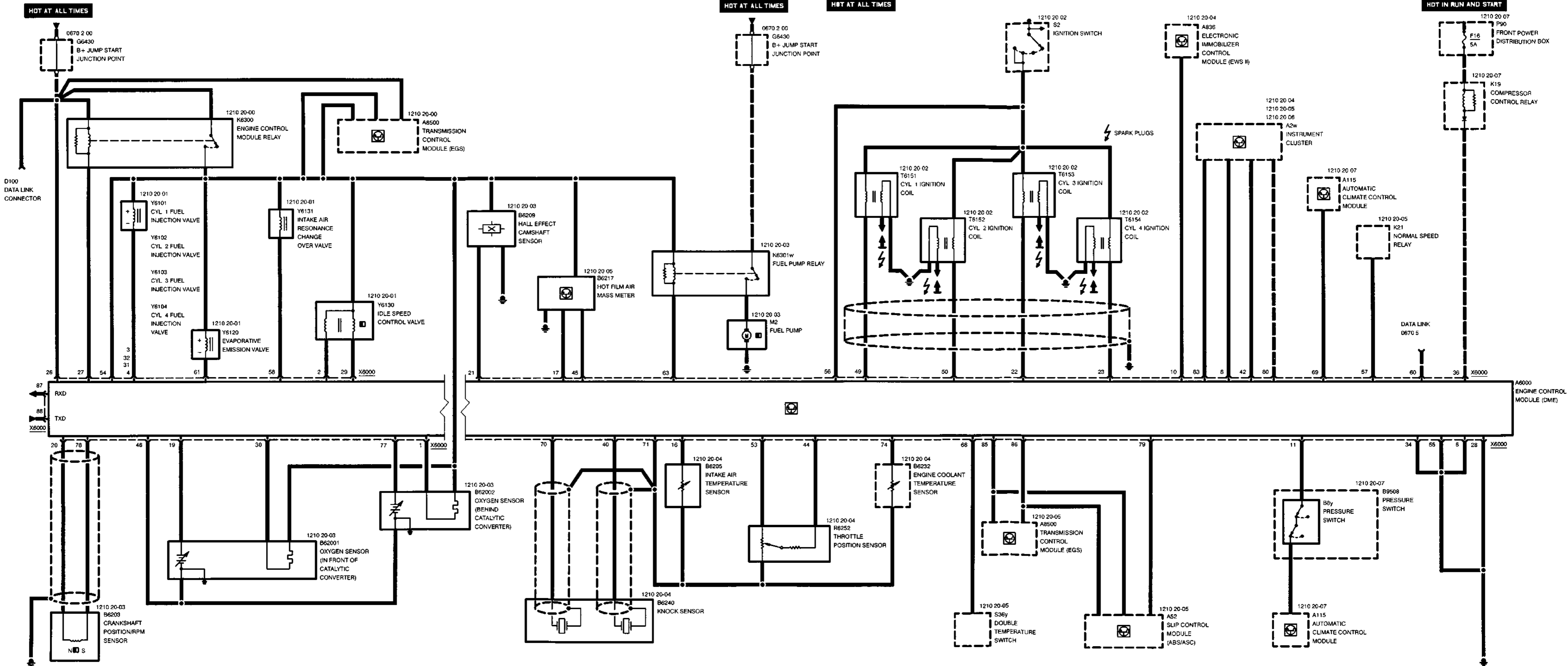
1998

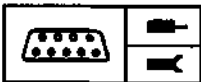


OBD II DIAGNOSIS

HOT IN ACCY RUN AND START





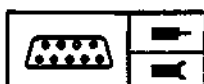


Pin Assignments

X6000

Pin	Type	Description/Function	Connection
1	M	Oxygen sensor heating ground	Oxygen sensor (behind catalytic converter)
2	A	Activate valve	Idle speed control valve
3	A	Activate valve	Cyl. 1 fuel injection valve
4	A	Activate valve	Cyl. 4 fuel injection valve
5		Not used	
6	M	Ground, fuel injection valve output stages	Ground point
7		Not used	
8	A	"Check engine" indicator control	Instrument cluster
9		Not used	
10	E	Drive away protection signal	Electronic immobilizer control module (EWS II)
11	E	Activate A/C	Pressure switch
12		Not used	
13		Not used	
14		Not used	
15		Not used	
16	E	Intake air temperature	Intake air temperature sensor
17	M	Ground	Hot film air mass meter
18		Not used	
19	E	Oxygen sensor signal	Oxygen sensor (in front of catalytic converter)
20	E	Crankshaft position/RPM	Crankshaft position/RPM sensor
21	E	Camshaft position	Hall effect camshaft sensor
22	A	Cyl. 3 ignition coil control	Cyl. 3 ignition coil
23	A	Cyl. 4 ignition coil control	Cyl. 4 ignition coil
24		Not used	
25		Not used	
26	E	Battery voltage	B+ jump start junction point
27	A	Engine control module relay control	Engine control module relay, terminal 85
28	M	Ground for electronics and shielding of sensors	Ground point

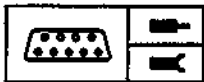
E = Input, A = Output, M = Ground



Pin Assignments

Pin	Type	Description/Function	Connection
29	A	Idle speed control valve control	Idle speed control valve
30	M	Oxygen sensor heating ground	Oxygen sensor (In front of catalytic converter)
31	A	Activate valve	Cyl. 3 fuel Injection valve
32	A	Activate valve	Cyl. 2 fuel injection valve
33		Not used	
34	M	Ground, remaining output stages (except for ignition and fuel injection valves)	Ground point
35		Not used	
36	A	A/C compressor cut-out	Compressor control relay
37		Not used	
38		Not used	
39		Not used	
40	E	Cyl. 3-4 knock sensor	Knock sensor
41		Not used	
42	E	Ti-measurement signal (fuel consumption)	Instrument cluster
43		Not used	
44	E	Throttle position	Throttle position sensor
45	E	Signal input	Hot film air mass meter
46	M	Sensor ground	Oxygen sensors
47		Not used	
48		Not used	
49	A	Cyl. 1 ignition coil control	Cyl. 1 ignition coil
50	A	Cyl. 2 ignition coil control	Cyl. 2 ignition coil
51		Not used	
52		Not used	
53	A	Component supply +	Throttle position sensor
54	E	Battery voltage from engine control module relay	Engine control module relay, terminal 87
55	M	Ground, ignition	Ground point
56	E	Ignition switch, terminal 15	Ignition switch, terminal 15
57	A	Activate auxiliary fan	Normal speed relay
58	A	Activate valve	Intake air resonance change over valve

E = Input, A = Output, M = Ground



Pin Assignments

Pin	Type	Description/Function	Connection
59		Not used	
60	E	Programming voltage	Data link connector
61	A	Activate valve	Evaporation emission valve
62		Not used	
63	A	Activate relay	Fuel pump relay
64		Not used	
65		Not used	
66		Not used	
67		Not used	
68	E	Signal above 80°C	Double temperature switch
69	E	Signal A/C on	Air conditioning operating unit
70	E	Cyl 1-2 knock sensor	Knock sensor
71	M	Ground for sensors	Temperature-/ knock-/ throttle position-sensors
72		Not used	
73		Not used	
74	E	Temperature signal	Engine coolant temperature sensor
75		Not used	
76		Not used	
77	E	Oxygen sensor signal	Oxygen sensor (behind catalytic converter)
78	E	Crankshaft position/RPM	Crankshaft position/RPM sensor
79	E	Speed signal right rear	ABS/ASC control module
80	A	Crankshaft RPM speed signal TD	Instrument cluster
81		Not used	
82		Not used	
83	E	Vehicle speed signal	Instrument cluster
84		Not used	
85	E/A	CAN-LOW	EGS/ASC control module
86	E/A	CAN-HIGH	EGS/ASC control module
87	A	RxD diagnosis data line	Data link connector
88	E/A	TxD diagnosis data line	Data link connector

E = Input, A = Output, M = Ground



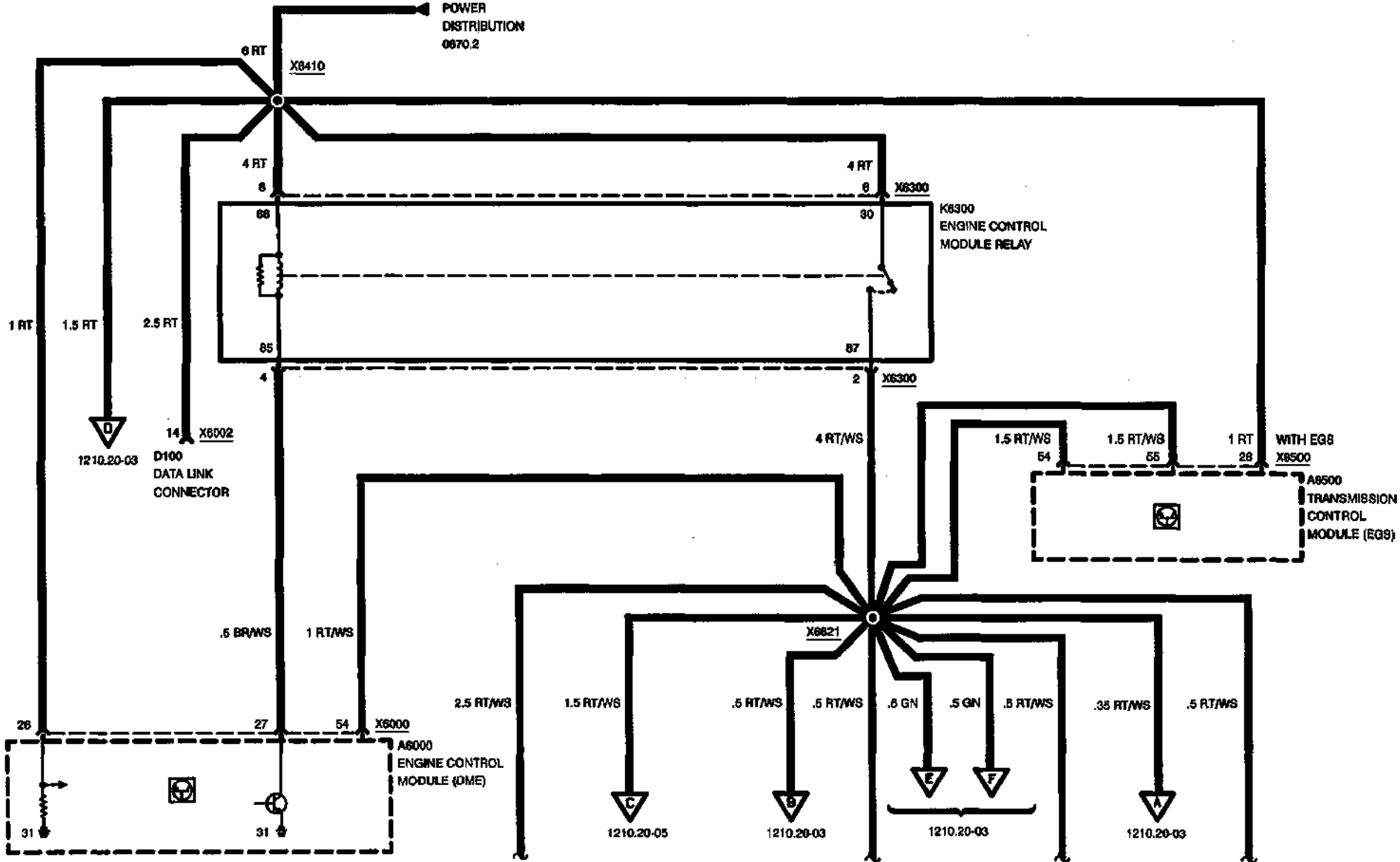
ENGINE CONTROL SYSTEM (DME M5.2, 4-CYLINDER M44)

LATE PRODUCTION

POWER, FUEL INJECTION VALVES

HDT AT ALL TIMES

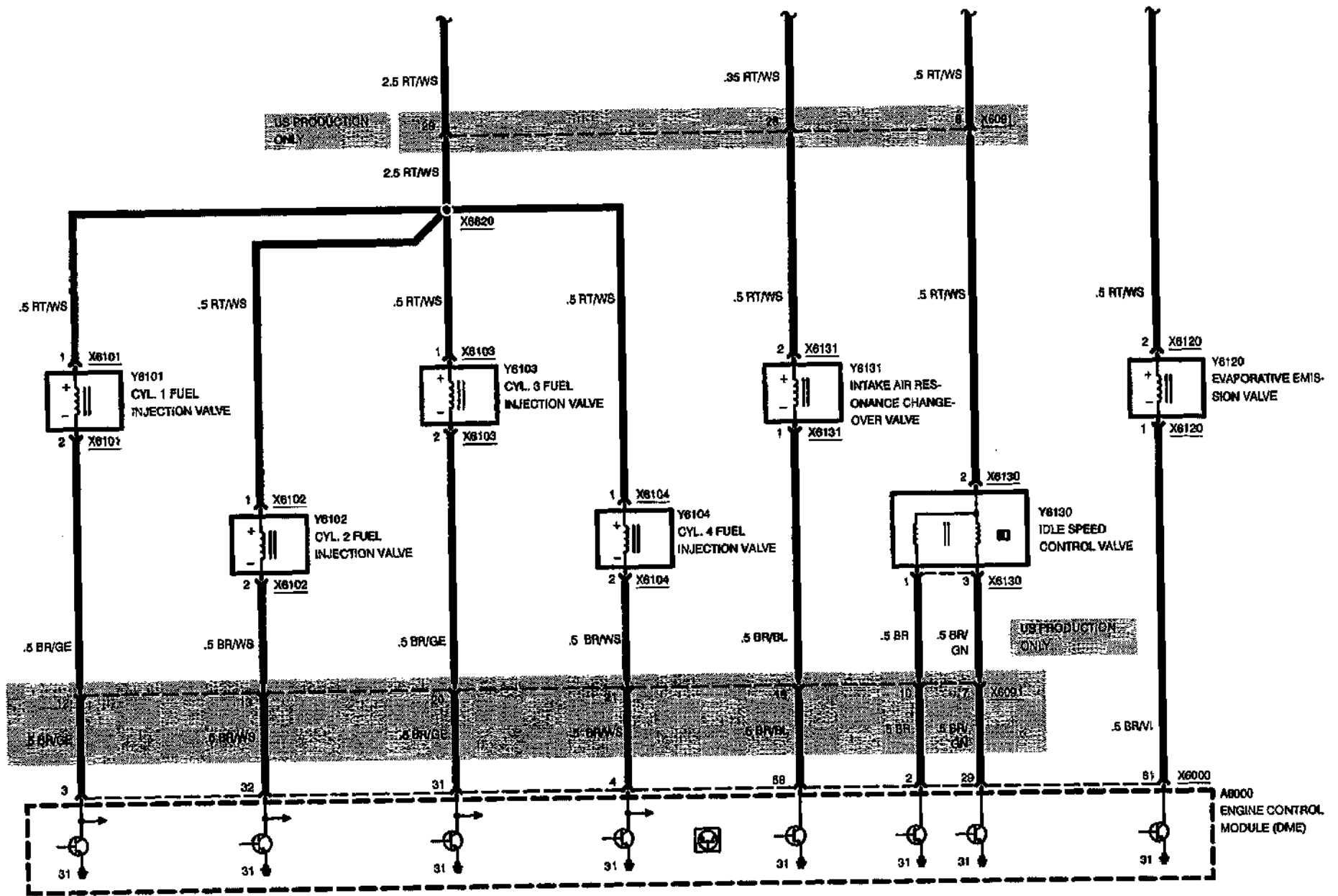
POWER DISTRIBUTION 0670.2



04/97

1210.20-00

1996

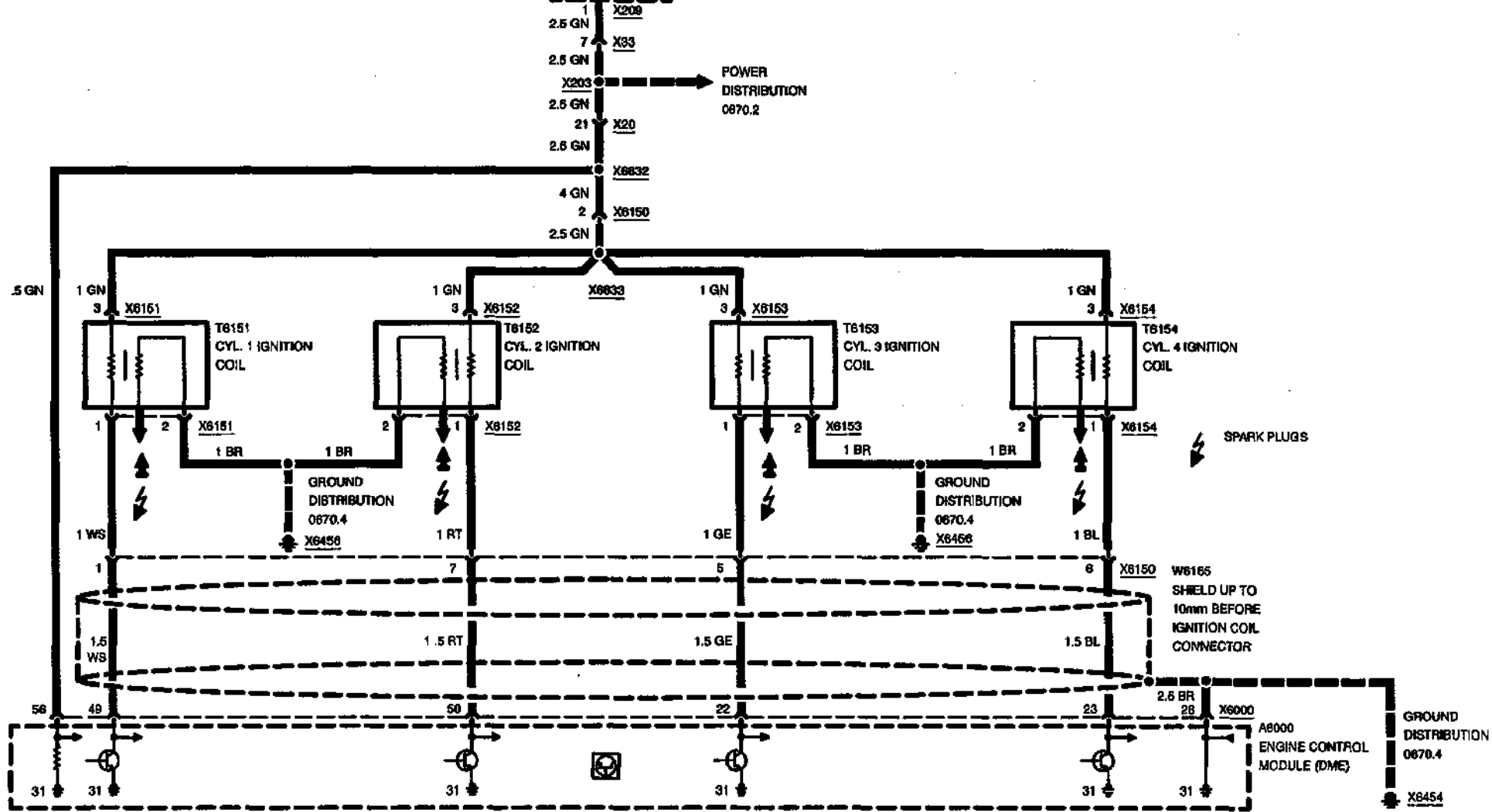
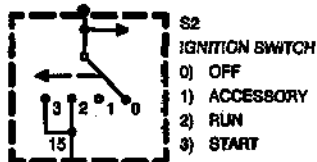




ENGINE CONTROL SYSTEM (DME M5.2, 4-CYLINDER M44)

IGNITION COILS

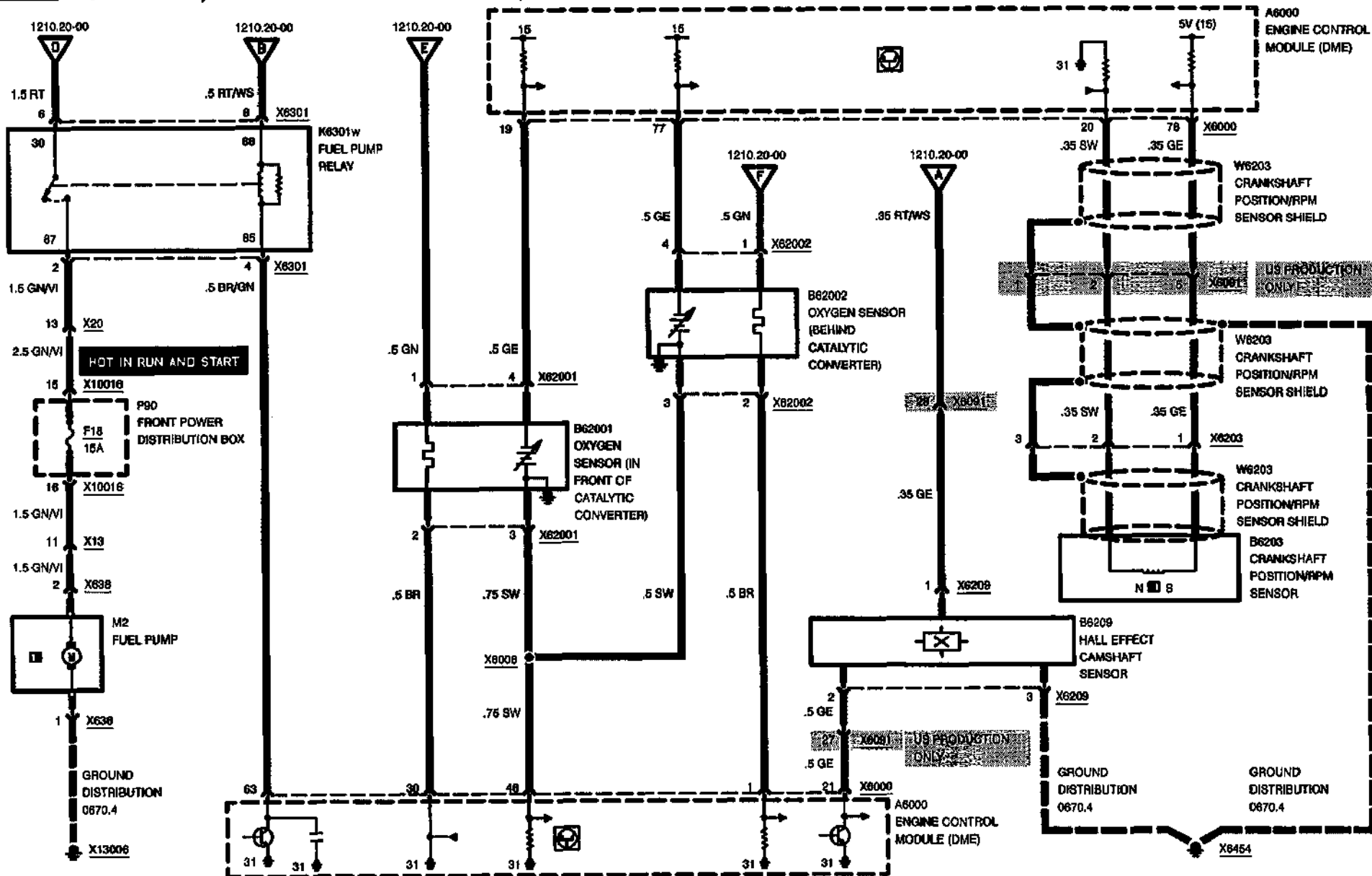
HOT AT ALL TIMES





ENGINE CONTROL SYSTEM (DME M5.2, 4-CYLINDER M44)

FUEL PUMP, HEATED OXYGEN SENSOR, CRANKSHAFT SENSORS

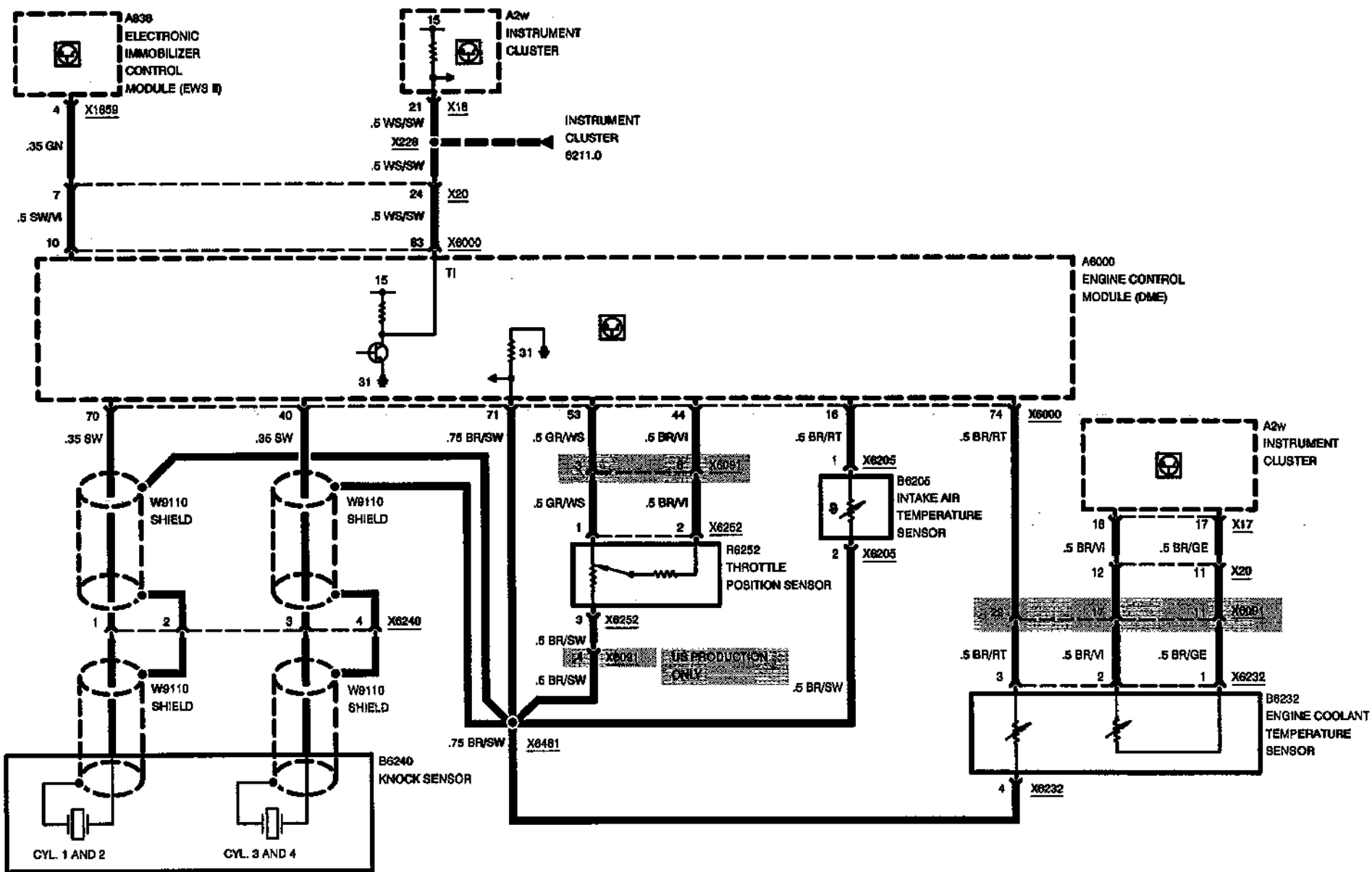


04/97

1210.20-03

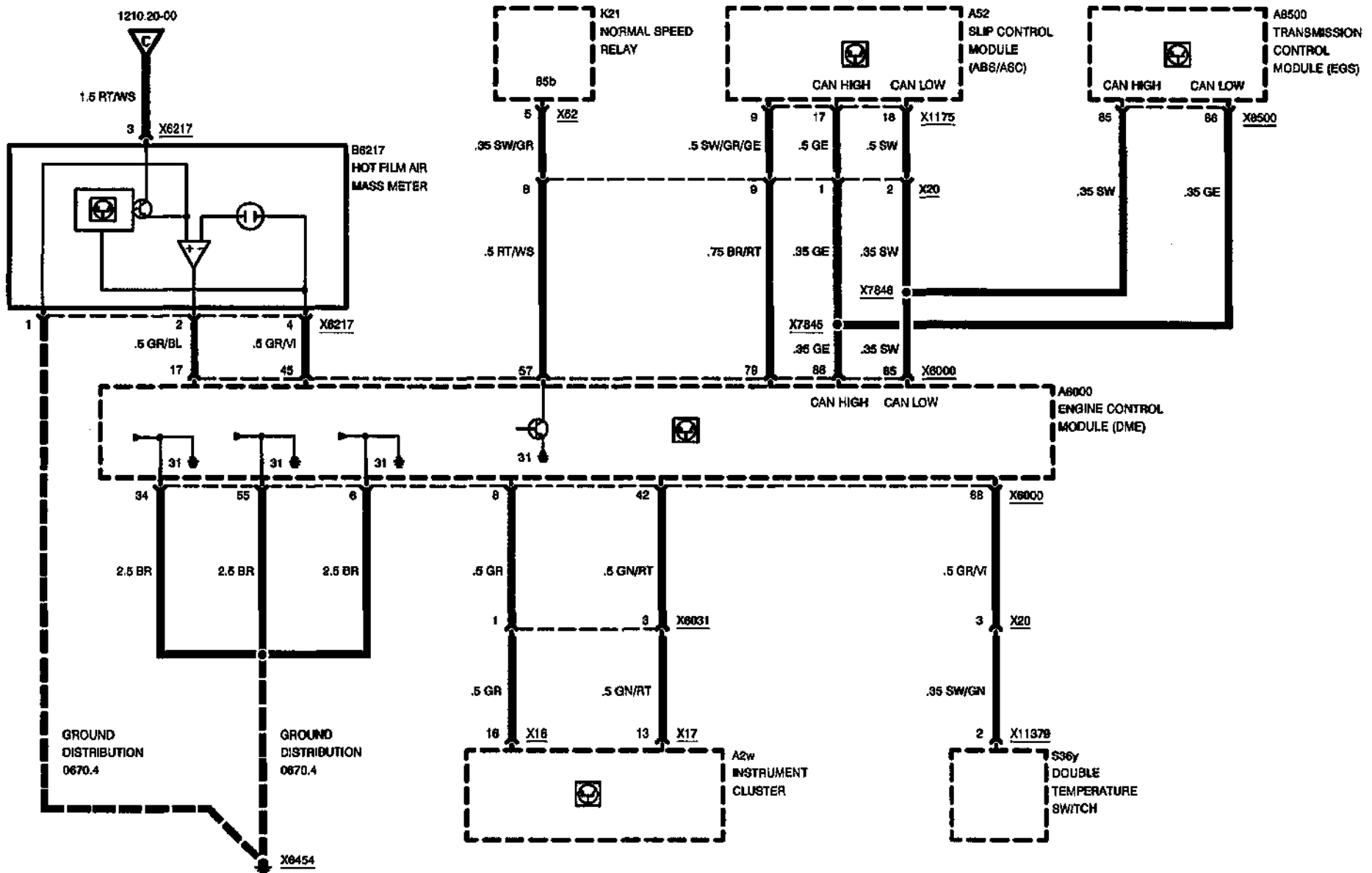
1996

ENGINE CONTROL SYSTEM (DME M5.2, 4-CYLINDER M44)





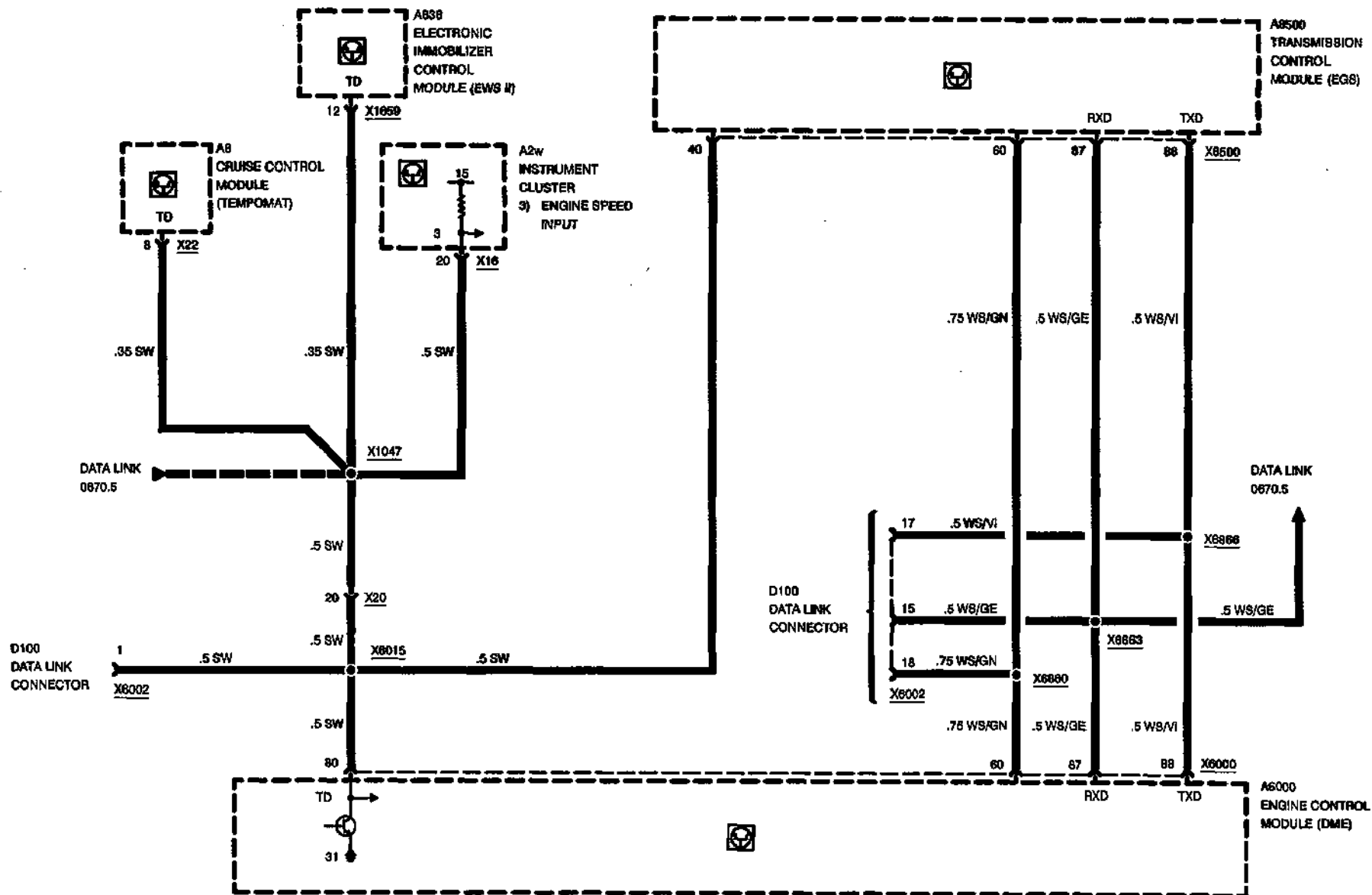
ENGINE CONTROL SYSTEM (DME M5.2, 4-CYLINDER M44)





ENGINE CONTROL SYSTEM (DME M5.2, 4-CYLINDER M44)

DATA LINK



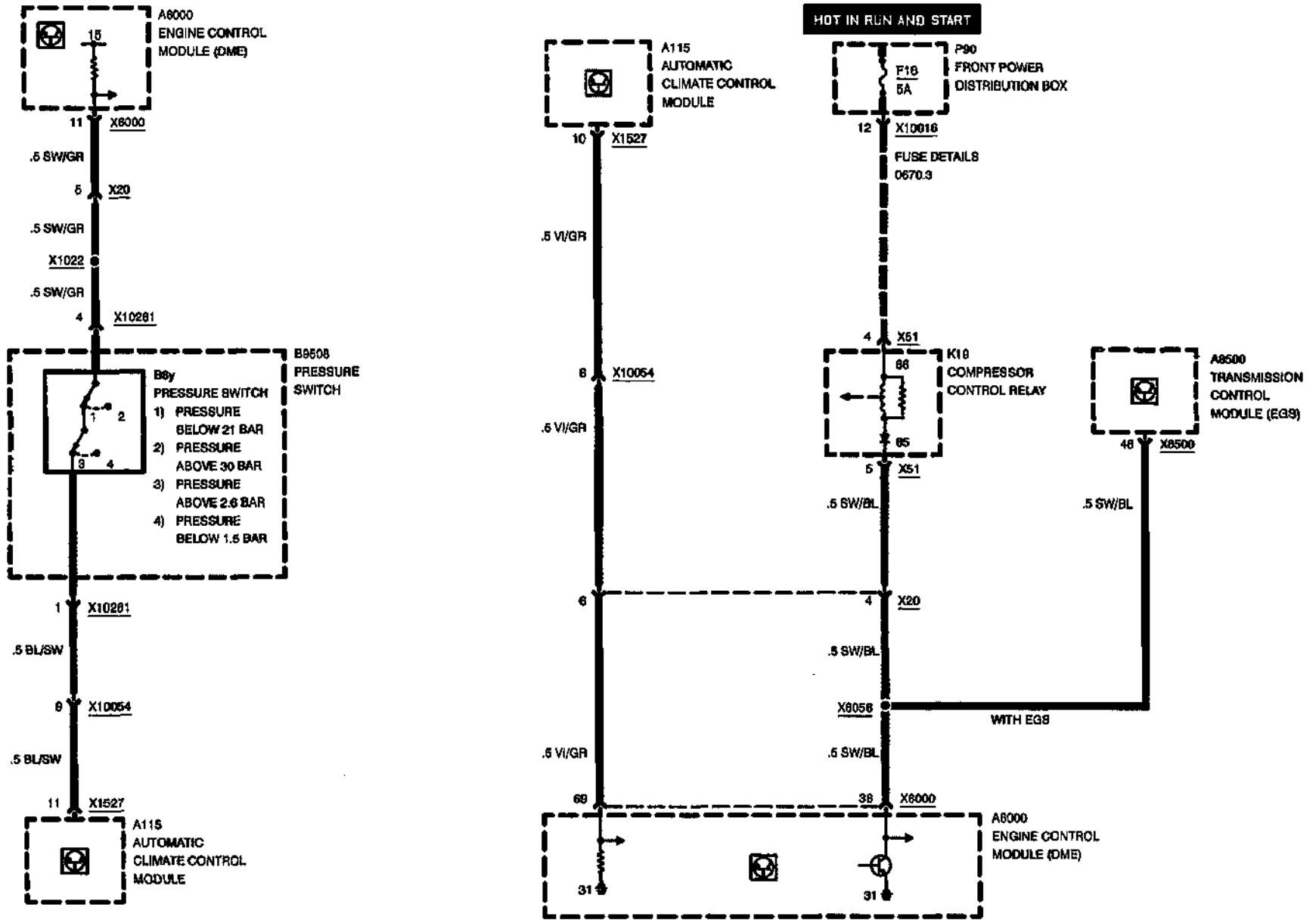
04/97

1210.20-06

1996



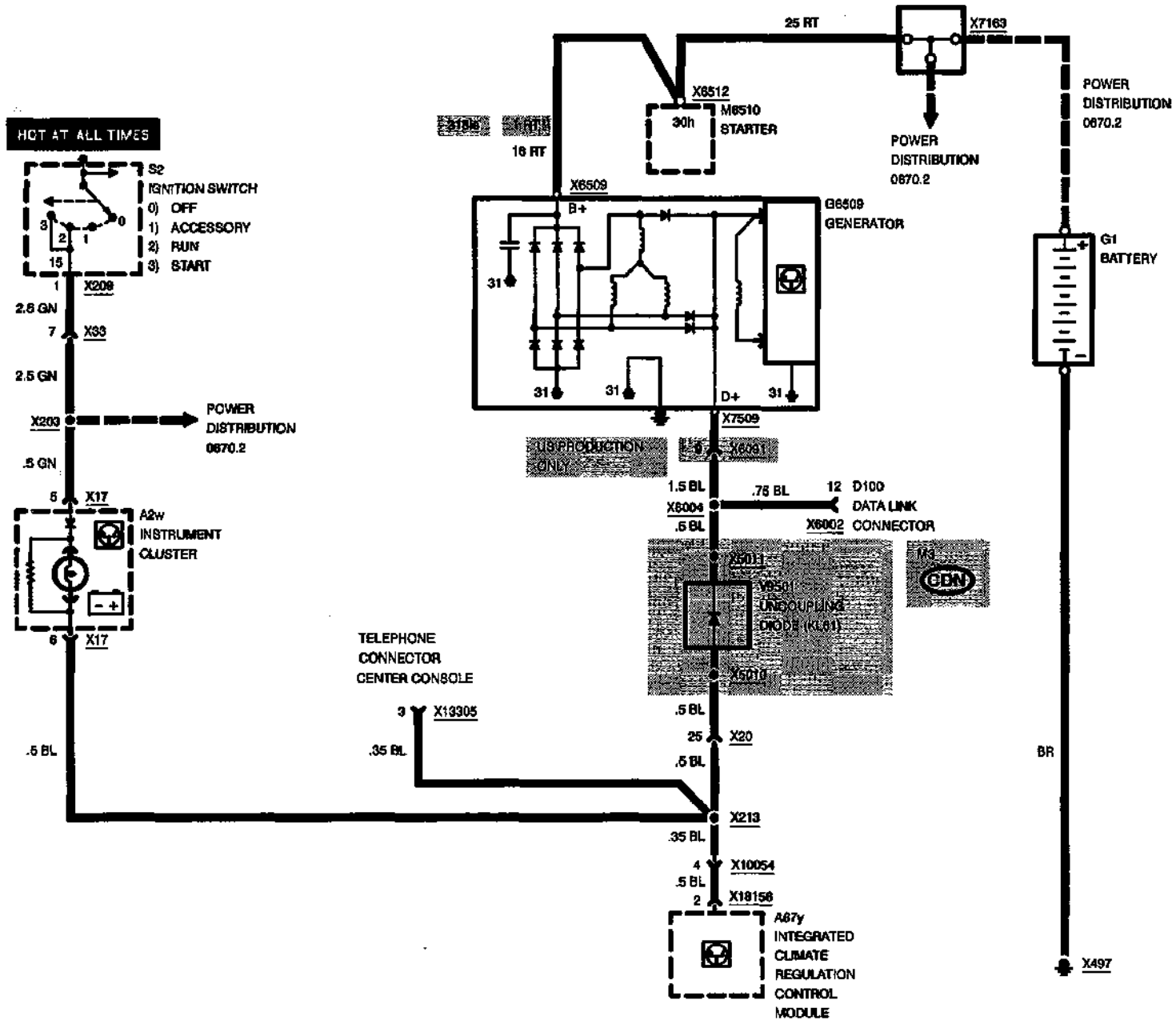
ENGINE CONTROL SYSTEM (DME M5.2, 4-CYLINDER M44)



04/97
1210.20-07
1996



CHARGING SYSTEM

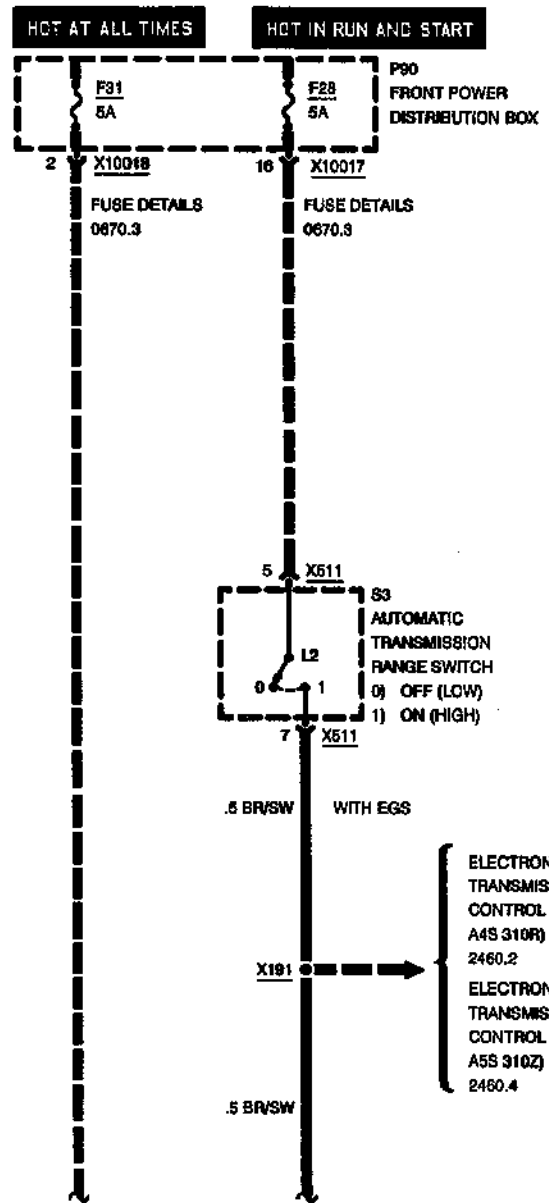
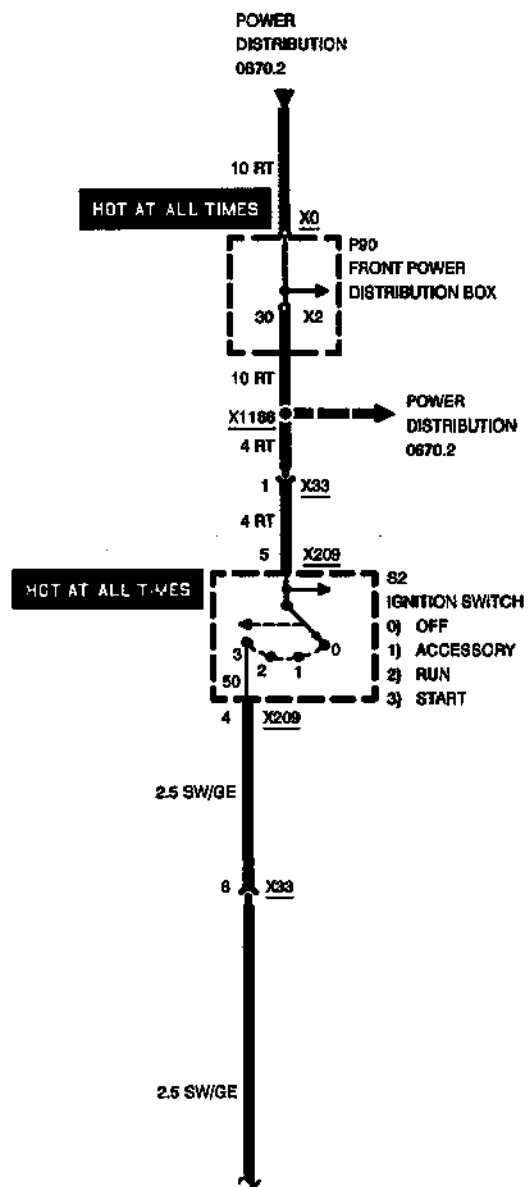


04/97

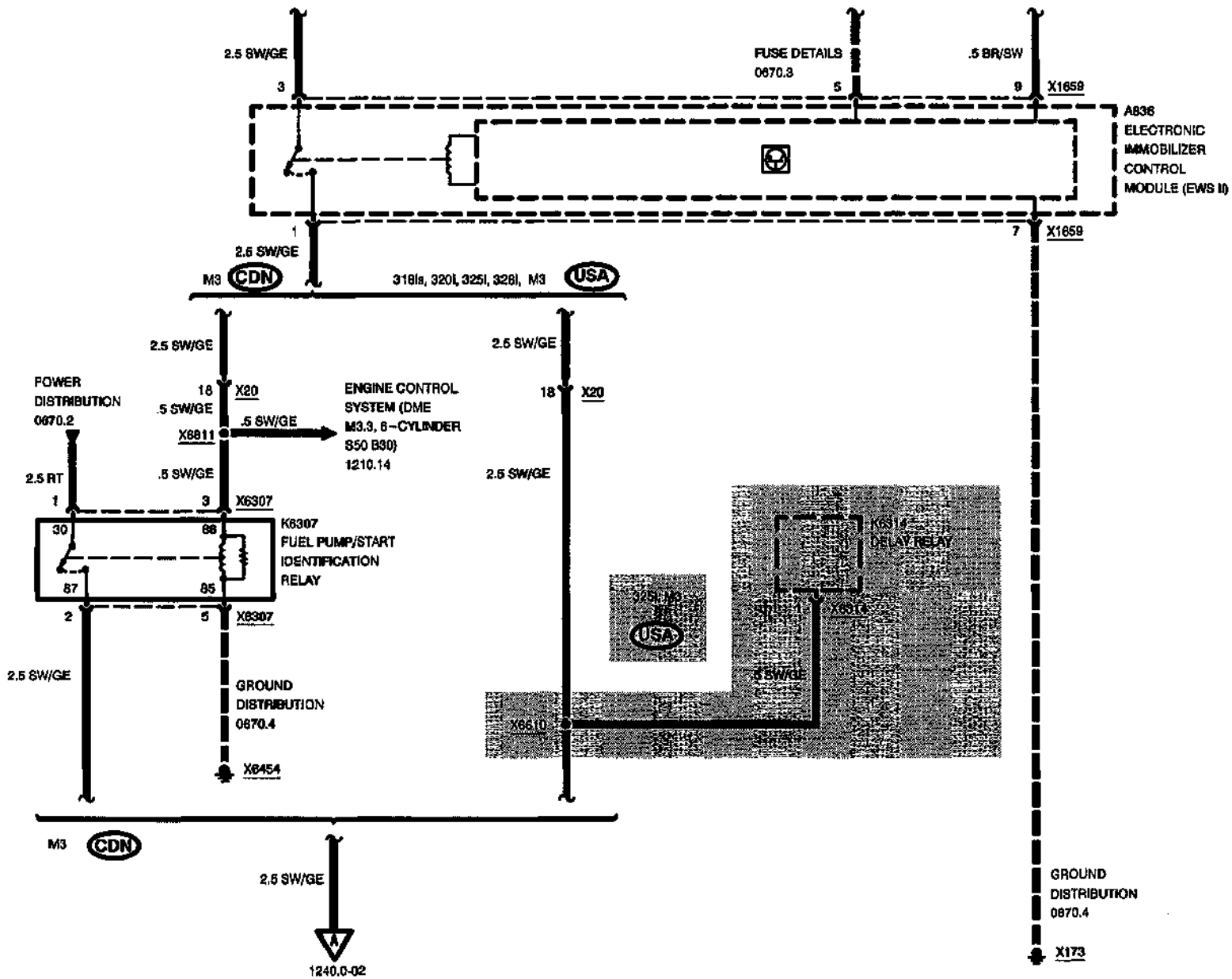
1230.0-00

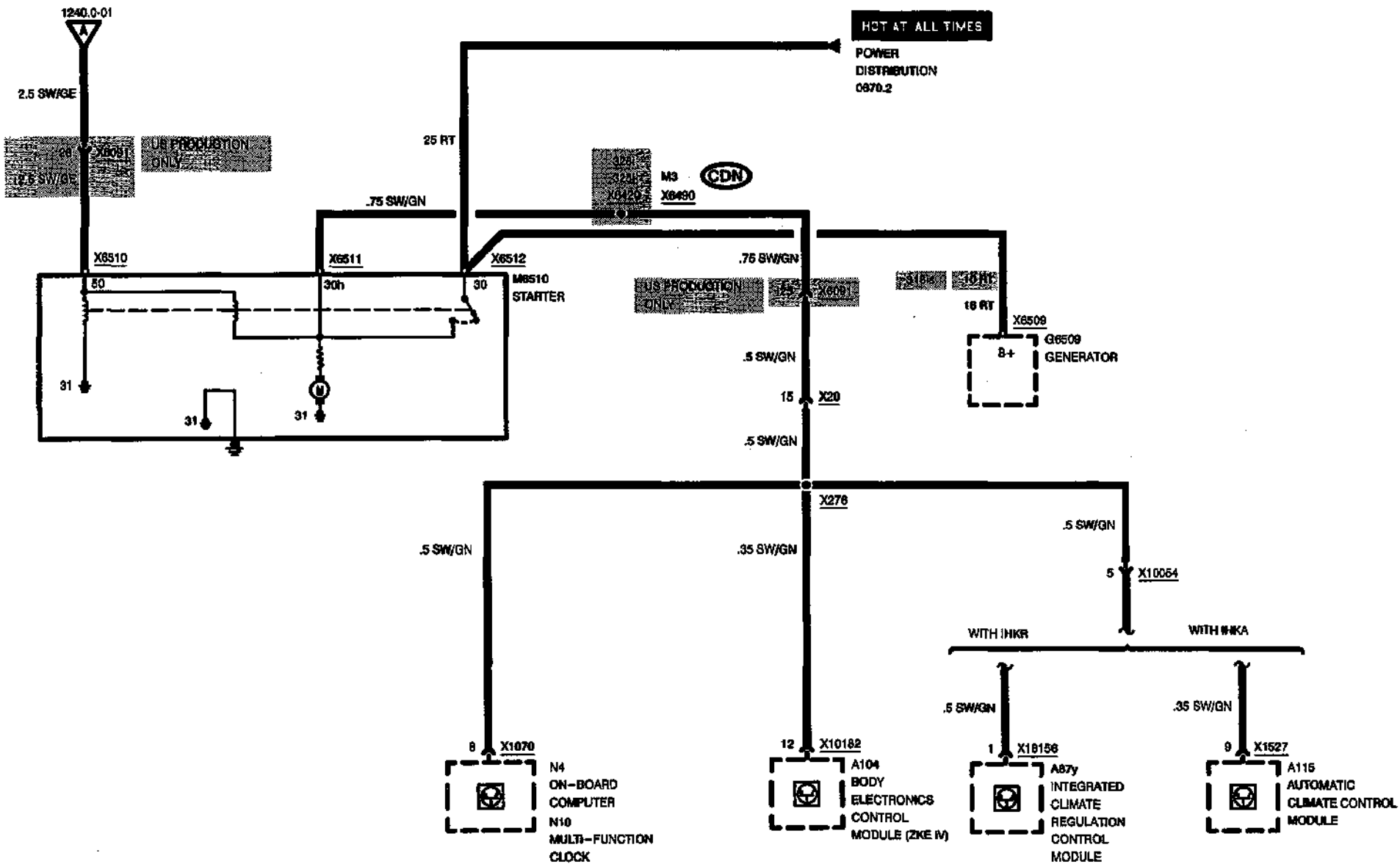
1996



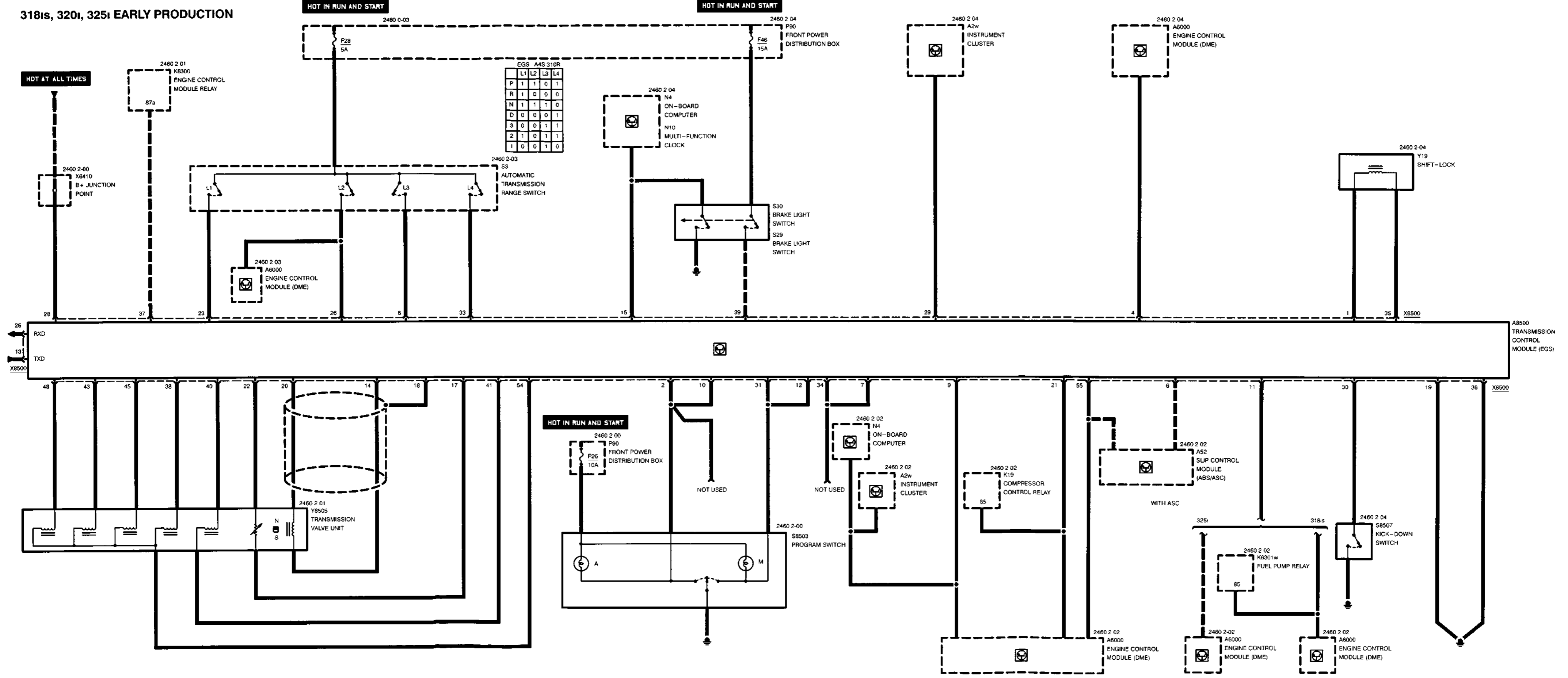


	L1	L2	L3	L4
P	1	1	0	1
R	1	0	0	0
N	1	1	1	0
D	0	0	0	1
3	0	0	1	1
2	1	0	1	1
1	0	0	1	0

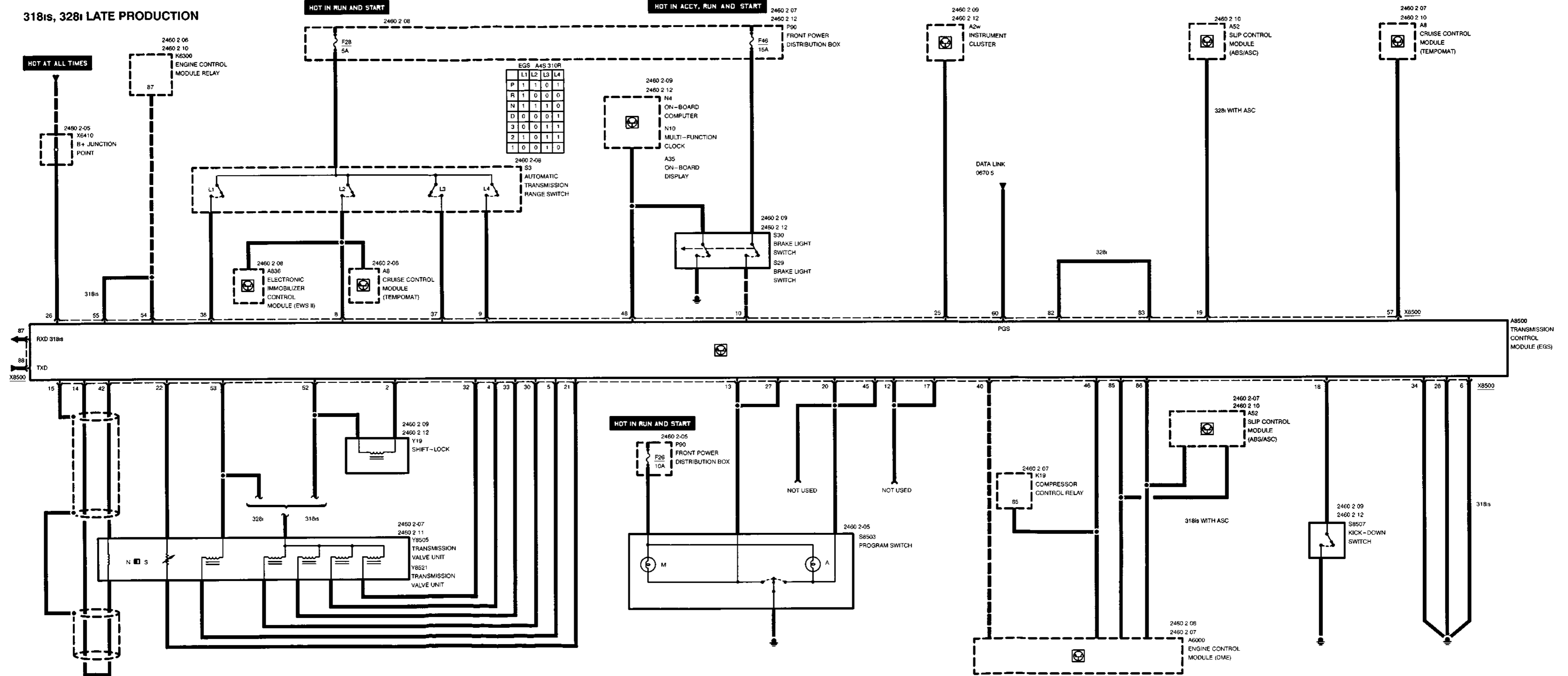


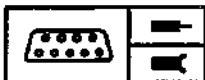


318is, 320i, 325i EARLY PRODUCTION



318is, 328i LATE PRODUCTION





Pin Assignments (318is, 320i, 325i – Early Production)

X8500

Pin	Type	Description/Function	Connection
1	A	Shift lock solenoid control	Shift lock
2	E	Automatic mode signal	Program switch
3		Not used	
4	A	Ignition timing intervention	Engine control module (DME)
5		Not used	
6	E	ASC signal	ABS/ASC control module
7	A	S-program indication	Not used
8	E	Gear range signal L3	Automatic transmission range switch
9	E	Ti measurement signal (fuel consumption)	Engine control module (DME)
10	A	A-program indication	Program switch
11	E	Cyl. 1-6 fuel pump relay control	Engine control module (DME)
12	A	M-program indication	Program switch
13	E/A	TxD diagnostic data link	Data link connector
14	E	Output speed (-)	Transmission valve unit
15	E	Brake switch test signal	Brake light switch
16		Not used	
17	E	Oil temperature signal (analog ground)	Transmission valve unit
18	A	Shield for speed sensor	Transmission valve unit shield
19	M	Ground, power	Ground point
20	E	Output speed (+)	Transmission valve unit
21	E	A/C compressor-ON-signal	Engine control module (DME)
22	E	Oil temperature signal (+)	Transmission valve unit
23	E	Gear range signal L1	Automatic transmission range switch
24		Not used	
25	A	RxD diagnostic data link	Data link connector
26	E	Gear range signal L2	Automatic transmission range switch
27		Not used	
28	E	Battery voltage	B+ junction point
29	A	Fault indicator signal	Instrument cluster
30	E	Kick-down signal	Kick-down switch

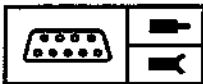
E = Input, A = Output, M = Ground



Pin Assignments (318is, 320i, 325i – Early Production)

Pin	Type	Description/Function	Connection
31	E	Manual mode signal	Program switch
32		Not used	
33	E	Gear range signal L4	Automatic transmission range switch
34	E	S-program button	Not used
35	A	Ground, shift lock solenoid	Shift lock
36	M	Ground, electronic	Ground point
37	E	Voltage supply	Engine control module relay, terminal 87a
38	A	Torque converter clutch solenoid valve control	Transmission valve unit
39	E	Brake pedal position	Brake light switch
40	A	Hydraulic pressure regulator control (+)	Transmission valve unit
41	A	Hydraulic pressure regulator control (-)	Transmission valve unit
42		Not used	
43	A	Solenoid valve 2 control (+)	Transmission valve unit
44		Not used	
45	A	Band solenoid control (+)	Transmission valve unit
46		Not used	
47		Not used	
48	A	Solenoid valve 1 control (+)	Transmission valve unit
49		Not used	
50		Not used	
51		Not used	
52		Not used	
53		Not used	
54	A	Solenoid valves ground control	Transmission valve unit
55	E	Throttle position signal	Engine control module (DME)

E = Input, A = Output, M = Ground

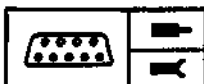


Pin Assignments (318is, 328i – Late Production)

X8500

Pin	Type	Description/Function	Connection
1		Not used	
2	A	Shift-lock solenoid control	Shift-lock
3		Not used	
4	A	Band solenoid	Transmission valve unit (318is)
4	A	Solenoid valve 3 control (-)	Transmission valve unit (328i)
5	A	Hydraulic pressure regulator control (-)	Transmission valve unit
6	M	Ground	Ground point (318is)
7		Not used	
8	E	Gear range signal L2	Automatic transmission range switch
9	E	Gear range signal L4	Automatic transmission range switch
10	E	Brake pedal position	Brake light switch
11		Not used	
12	E	Sport mode signal	Not used
13	E	Manual mode signal	Program switch
14	E	Output speed (-)	Transmission valve unit
15	M	Ground for shield	Shield for speed sensor
16		Not used	
17	A	S-program indication	Not used
18	E	Kick-down signal	Kick-down switch
19	E	ASC signal	ASC module (328i)
20	E	Automatic mode signal	Program switch
21	E	Oil temperature signal (-)	Transmission valve unit
22	E	Oil temperature signal (+)	Transmission valve unit
23		Not used	
24		Not used	
25	A	Fault indicator signal	Instrument cluster
26	E	Battery voltage	B+ Jump start junction point
27	A	M-program indication	Program switch
28	M	Ground	Ground point
29		Not used	

E = Input, A = Output, M = Ground



Pin Assignments (318is, 328i – Late Production)

Pin	Type	Description/Function	Connection
30	A	Solenoid valve 1 control (-)	Transmission valve unit
31		Not used	
32	A	Torque converter clutch solenoid valve control (-)	Transmission valve unit
33	A	Solenoid valve 2 control (-)	Transmission valve unit
34	M	Ground	Ground point
35		Not used	
36	E	Gear range signal L1	Automatic transmission range switch
37	E	Gear range signal L3	Automatic transmission range switch
38		Not used	
39		Not used	
40	E	RPM speed signal TD	Engine control module (318is)
41		Not used	
42	E	Output speed (+)	Transmission valve unit
43		Not used	
44		Not used	
45	A	A-program indication	Program switch
46	E	A/C compressor-ON-signal	Engine control module (318is)
47		Not used	
48	E	Brake switch test signal	Brake light switch
49		Not used	
50		Not used	
51		Not used	
52	A	Voltage supply	Shift-lock/Transmission valve unit (318is)
52	A	Voltage supply	Shift-lock (328i)
53	E	Voltage pressure regulator	Transmission valve unit
54	E	Voltage supply terminal 87	Engine control module relay
55	E	Voltage supply terminal 87	Engine control module relay (318is)
56		Not used	
57	E	Cruise control signal	Cruise control module
58		Not used	
59		Not used	

E = Input, A = Output, M = Ground



Pin Assignments (318is, 328i – Late Production)

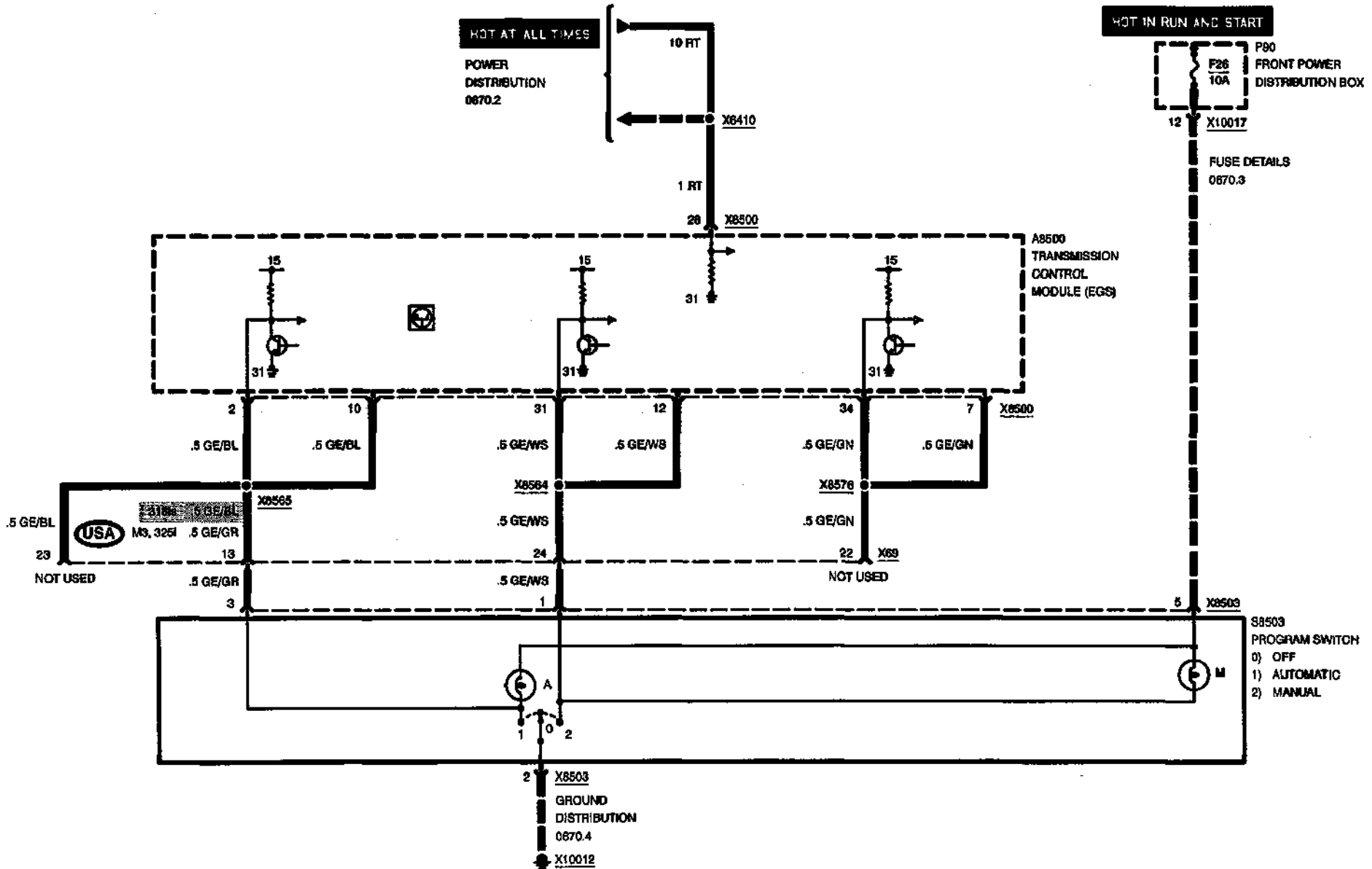
Pin	Type	Description/Function	Connection
60	E	Programming voltage	Data link connector
61		Not used	
62		Not used	
63		Not used	
64		Not used	
65		Not used	
66		Not used	
67		Not used	
68		Not used	
69		Not used	
70		Not used	
71		Not used	
72		Not used	
73		Not used	
74		Not used	
75		Not used	
76		Not used	
77		Not used	
78		Not used	
79		Not used	
80		Not used	
81		Not used	
82	E/A	Jumper plug	(328i)
83	E/A	Jumper plug	(328i)
84		Not used	
85	E/A	CAN-LOW	Engine control module
86	E/A	CAN-HIGH	Engine control module
87	A	RxD diagnostic data link	Data link connector (318is)
88	E/A	TxD diagnostic data link	Data link connector

E = Input, A = Output, M = Ground



ELECTRONIC TRANSMISSION CONTROL (EGS A4S 310R) 318is, 325i, M3 EARLY PRODUCTION

POWER, PROGRAM SWITCH

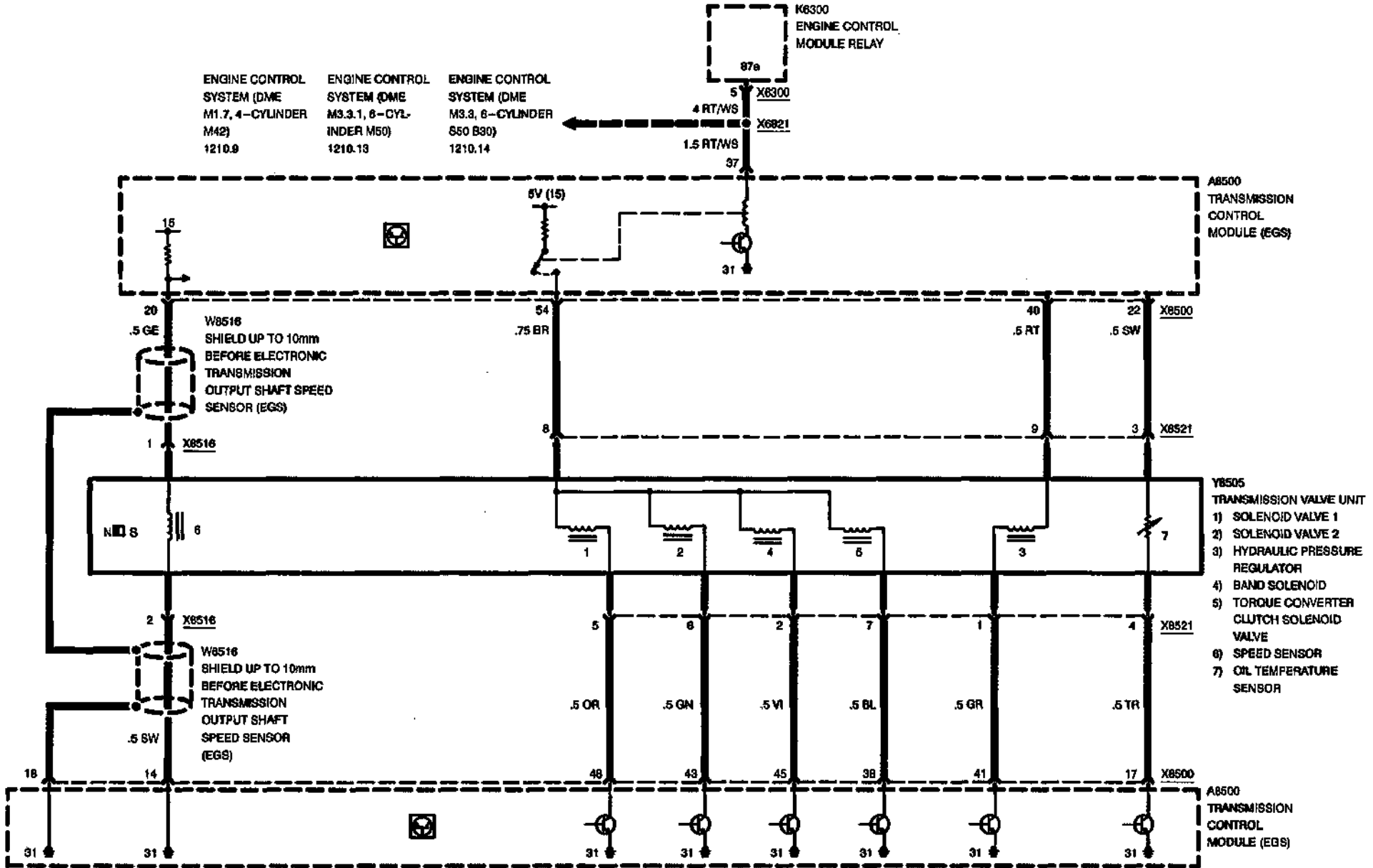
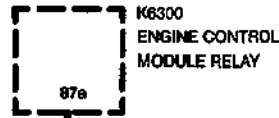




ELECTRONIC TRANSMISSION CONTROL (EGS A4S 310R) 318is, 325i, M3 EARLY PRODUCTION

POWER

ENGINE CONTROL SYSTEM (DME M1.7, 4-CYLINDER M42) 1210.9	ENGINE CONTROL SYSTEM (DME M3.3.1, 6-CYLINDER M50) 1210.13	ENGINE CONTROL SYSTEM (DME M3.3, 6-CYLINDER S50 B30) 1210.14
---	--	--

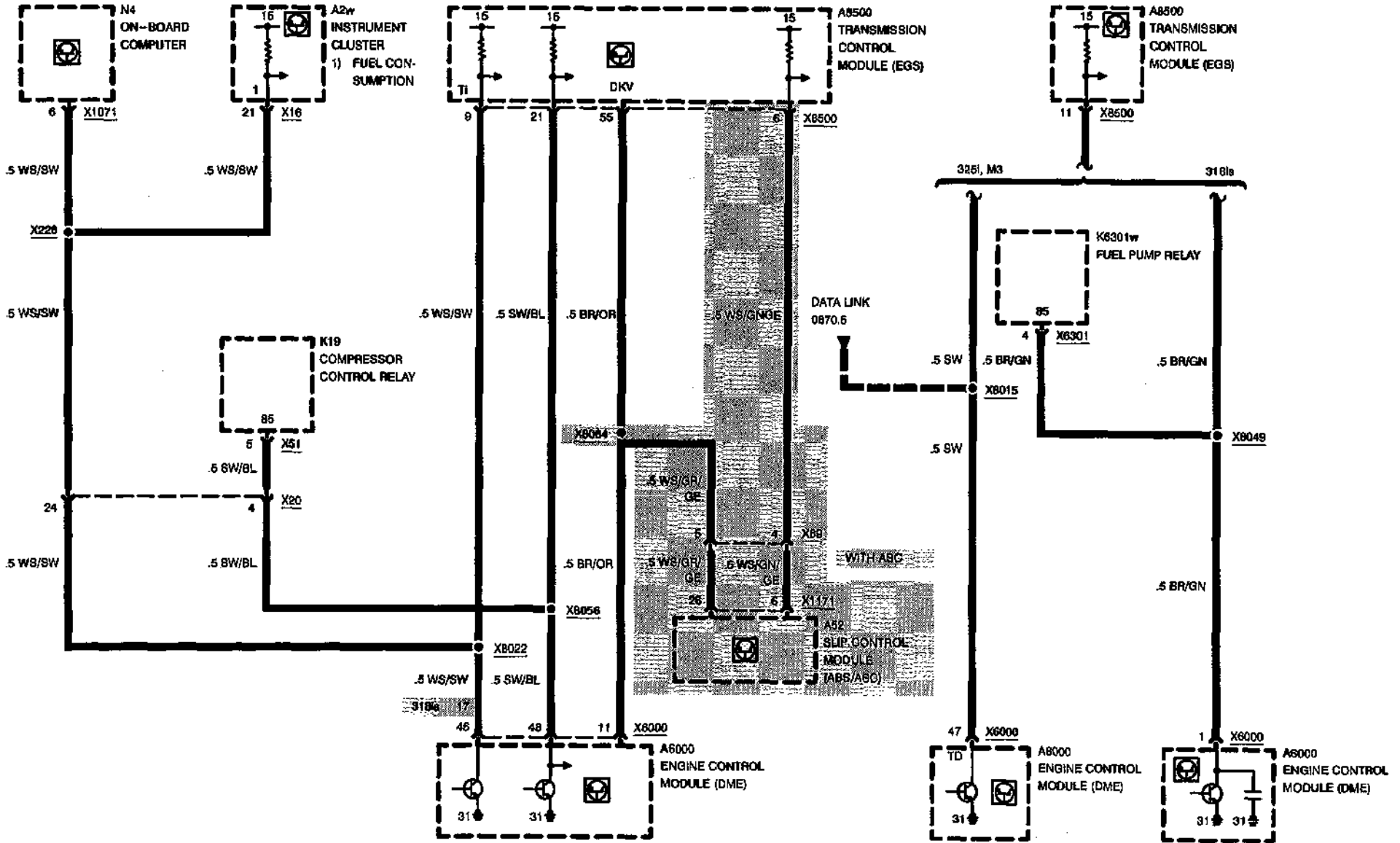


04/97

2460.2-01

1996

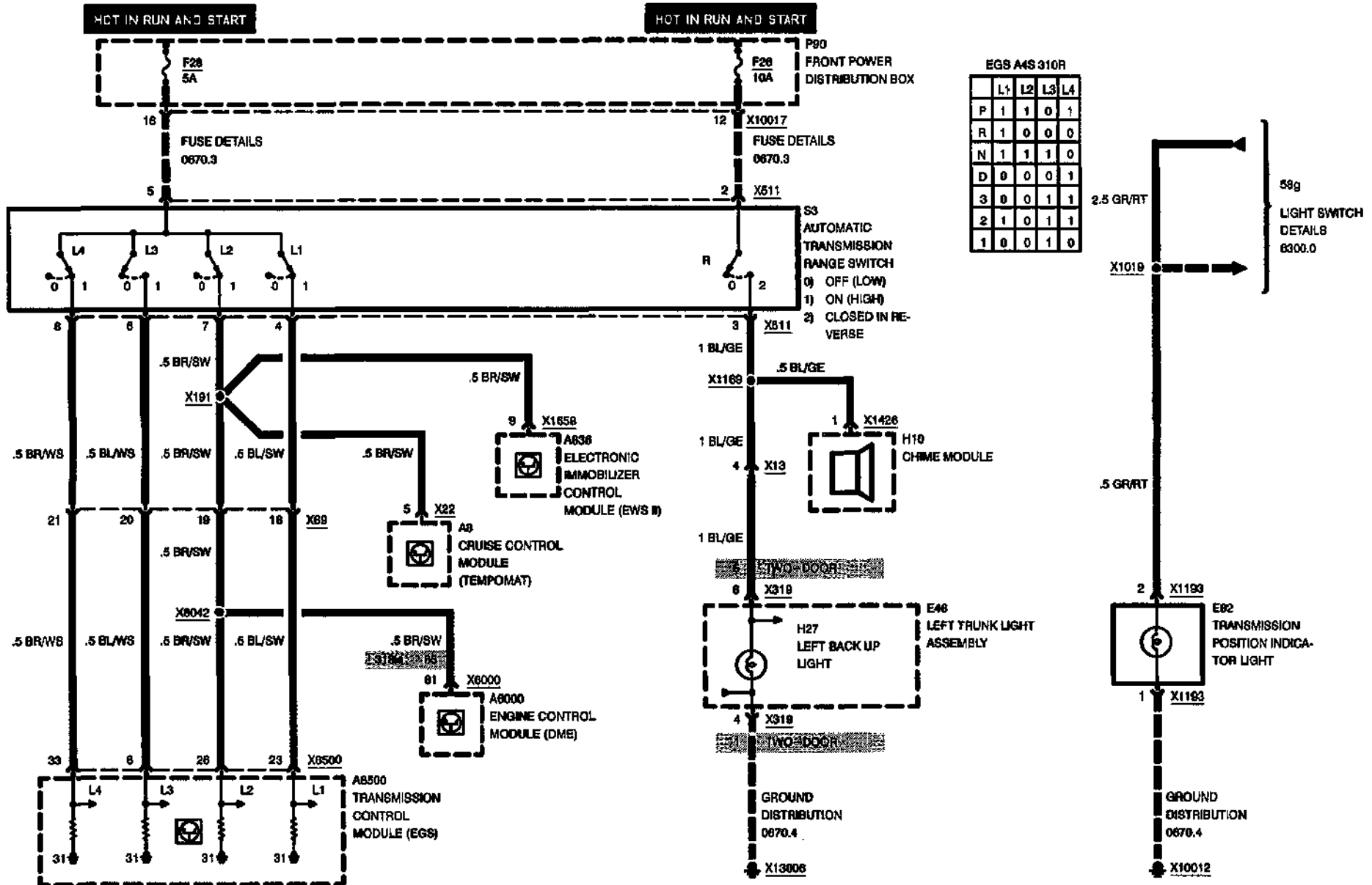
ELECTRONIC TRANSMISSION CONTROL (EGS A4S 310R) 318is, 325i, M3 EARLY PRODUCTION





ELECTRONIC TRANSMISSION CONTROL (EGS A4S 310R) 318is, 325i, M3 EARLY PRODUCTION

GEAR SELECTOR SWITCH

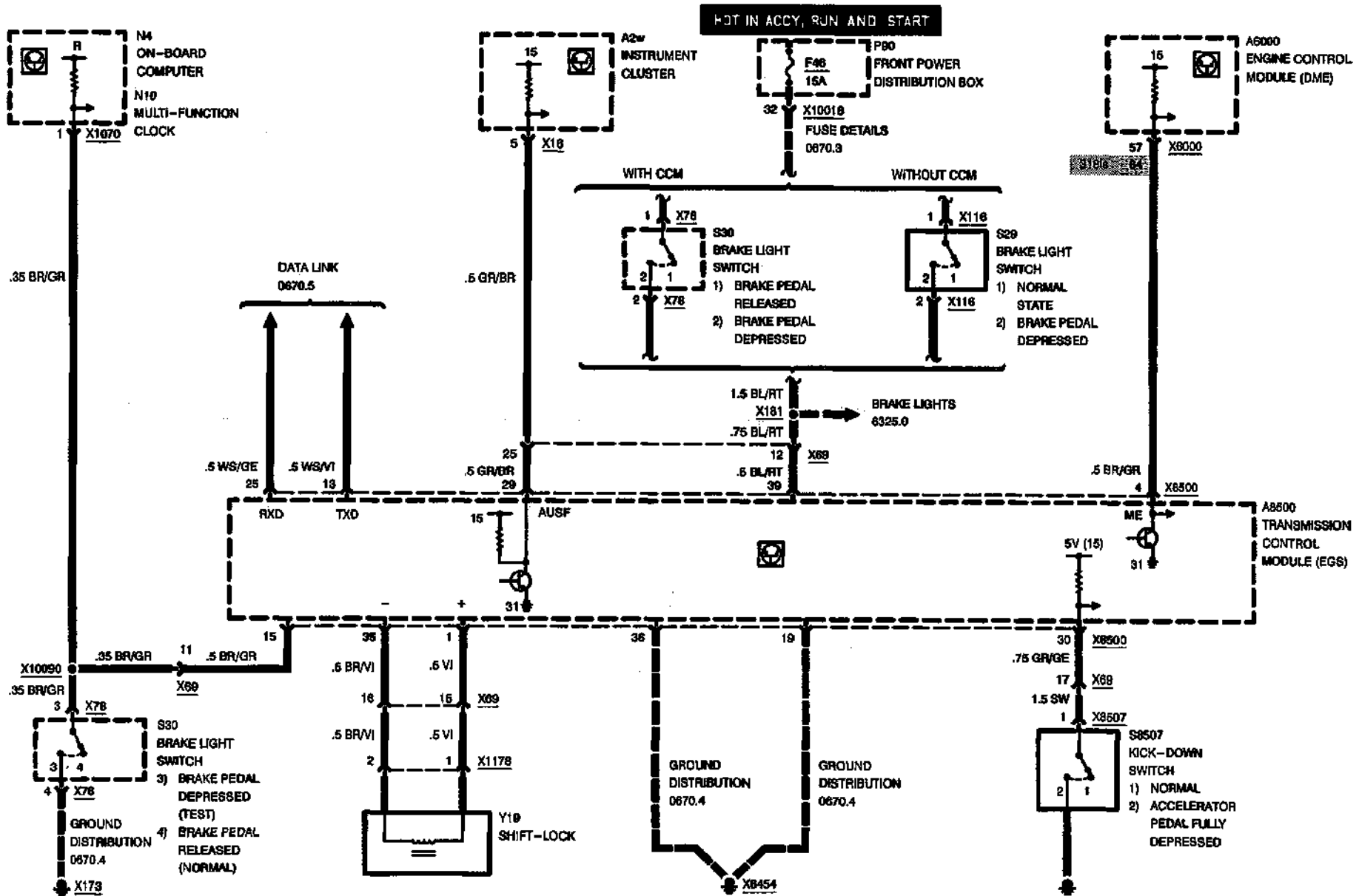




ELECTRONIC TRANSMISSION CONTROL (EGS A4S 310R)

318is, 325i EARLY PRODUCTION

SHIFT LOCK, DATA LINK, KICK-DOWN SWITCH

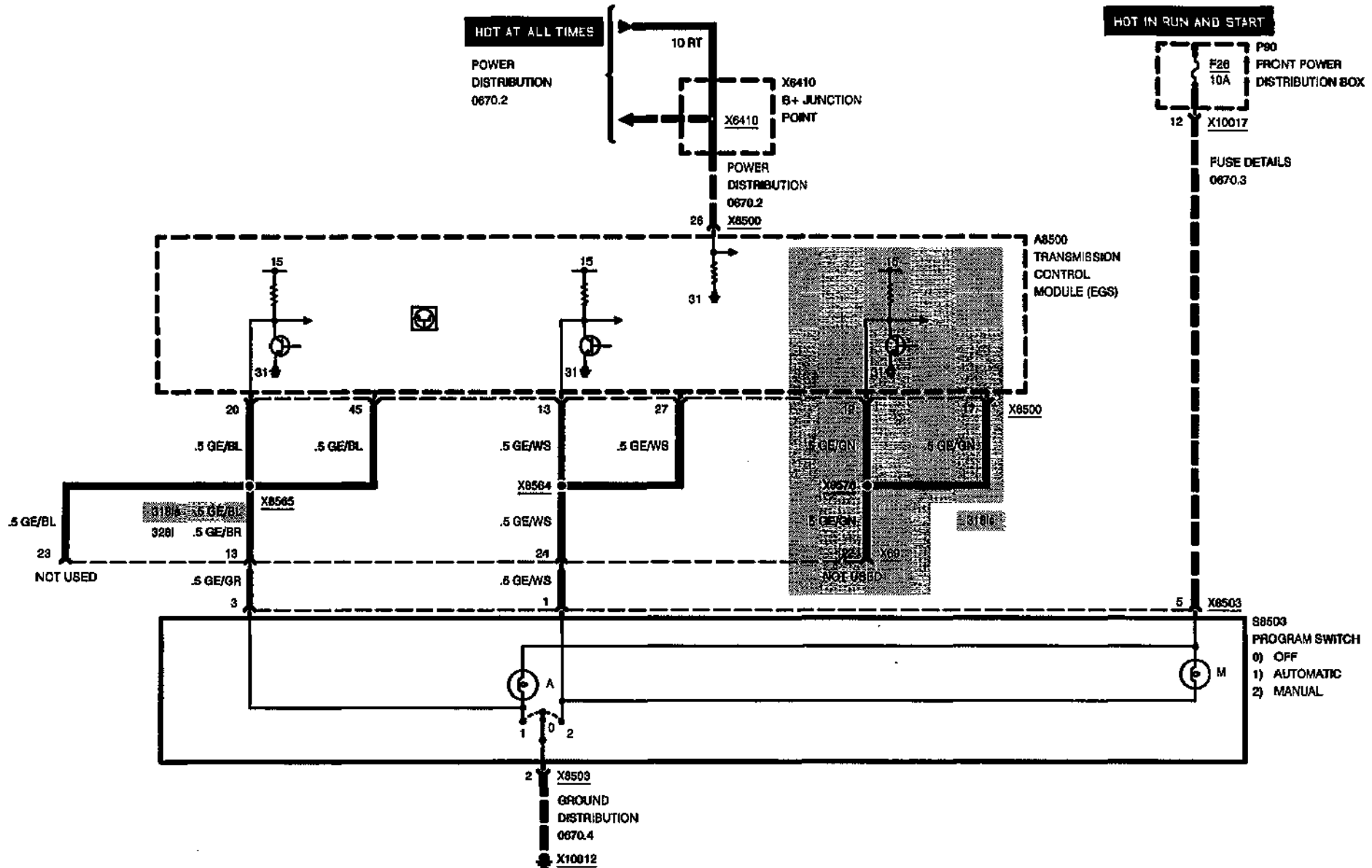




ELECTRONIC TRANSMISSION CONTROL (EGS A4S 310R)

328i, 318is LATE PRODUCTION

POWER, PROGRAM SWITCH



04/97

2460.2-05

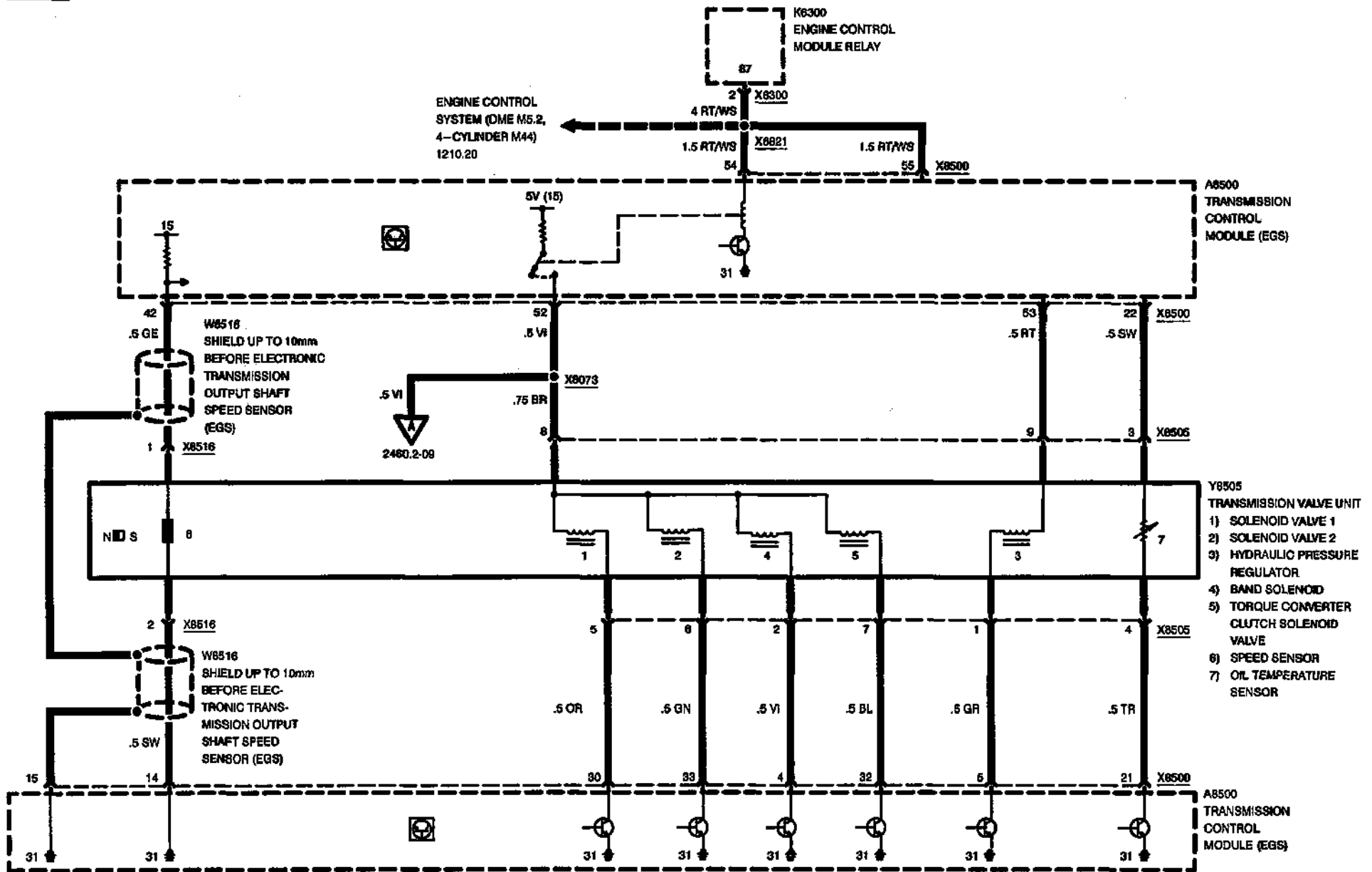
1996



ELECTRONIC TRANSMISSION CONTROL (EGS A4S 310R)

318is LATE PRODUCTION

POWER



04/97

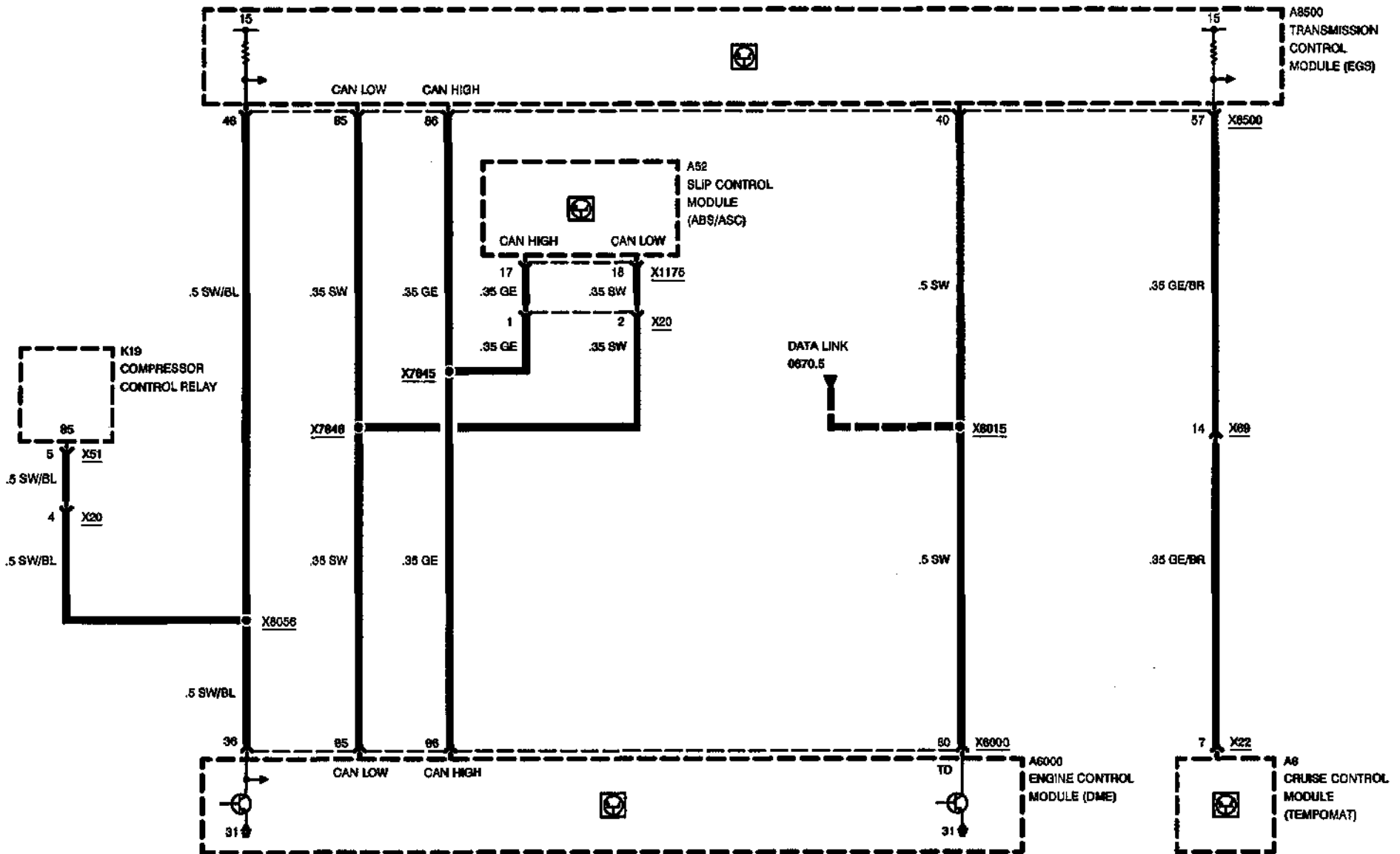
2460-2-06

1996



ELECTRONIC TRANSMISSION CONTROL (EGS A4S 310R)

318is LATE PRODUCTION



04/97

2460.2-07

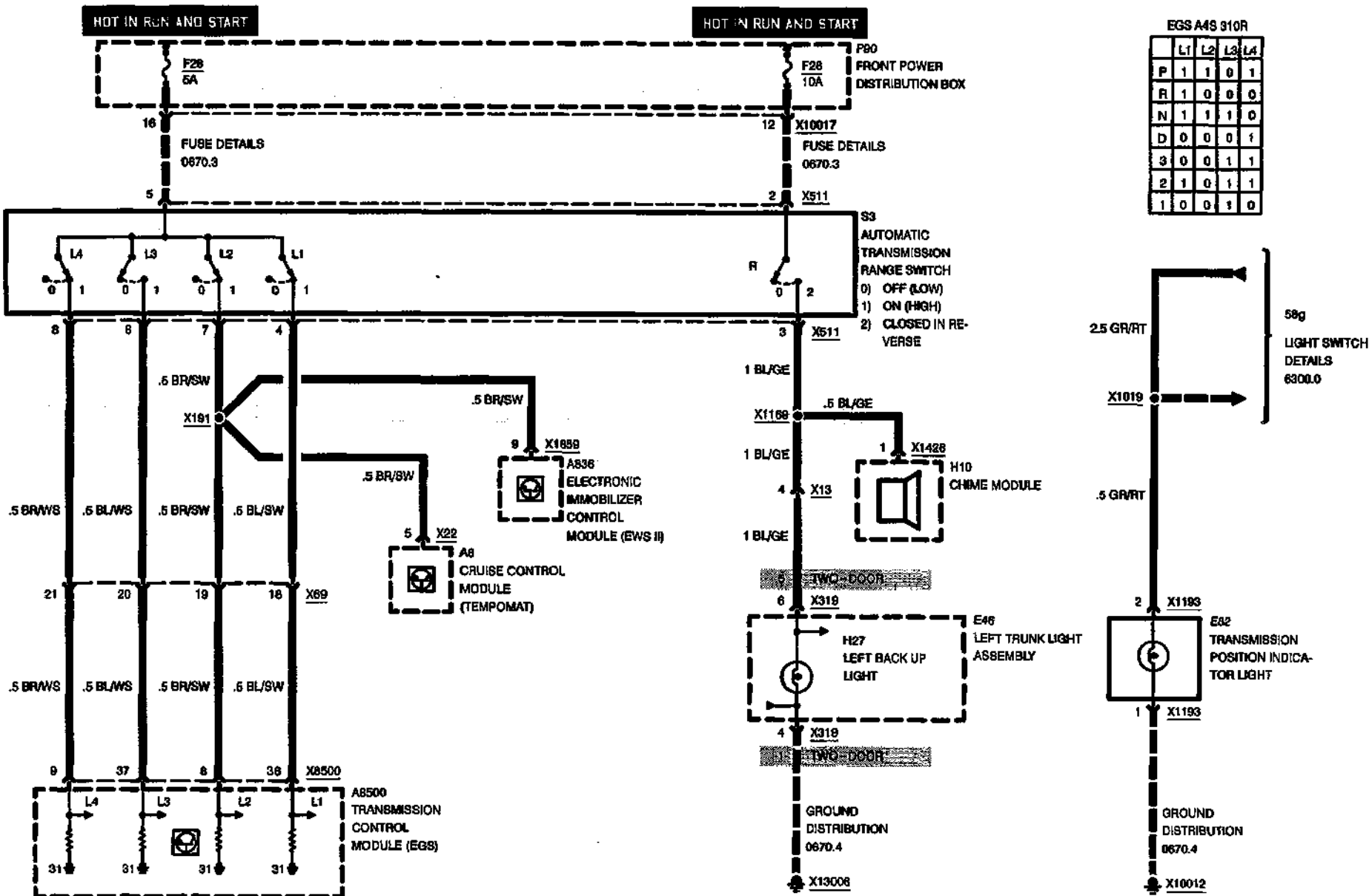
1996



ELECTRONIC TRANSMISSION CONTROL (EGS A4S 310R)

318is, 328i LATE PRODUCTION

GEAR SELECTOR SWITCH



EGS A4S 310R

	L1	L2	L3	L4
P	1	1	0	1
R	1	0	0	0
N	1	1	1	0
D	0	0	0	1
3	0	0	1	1
2	1	0	1	1
1	0	0	1	0

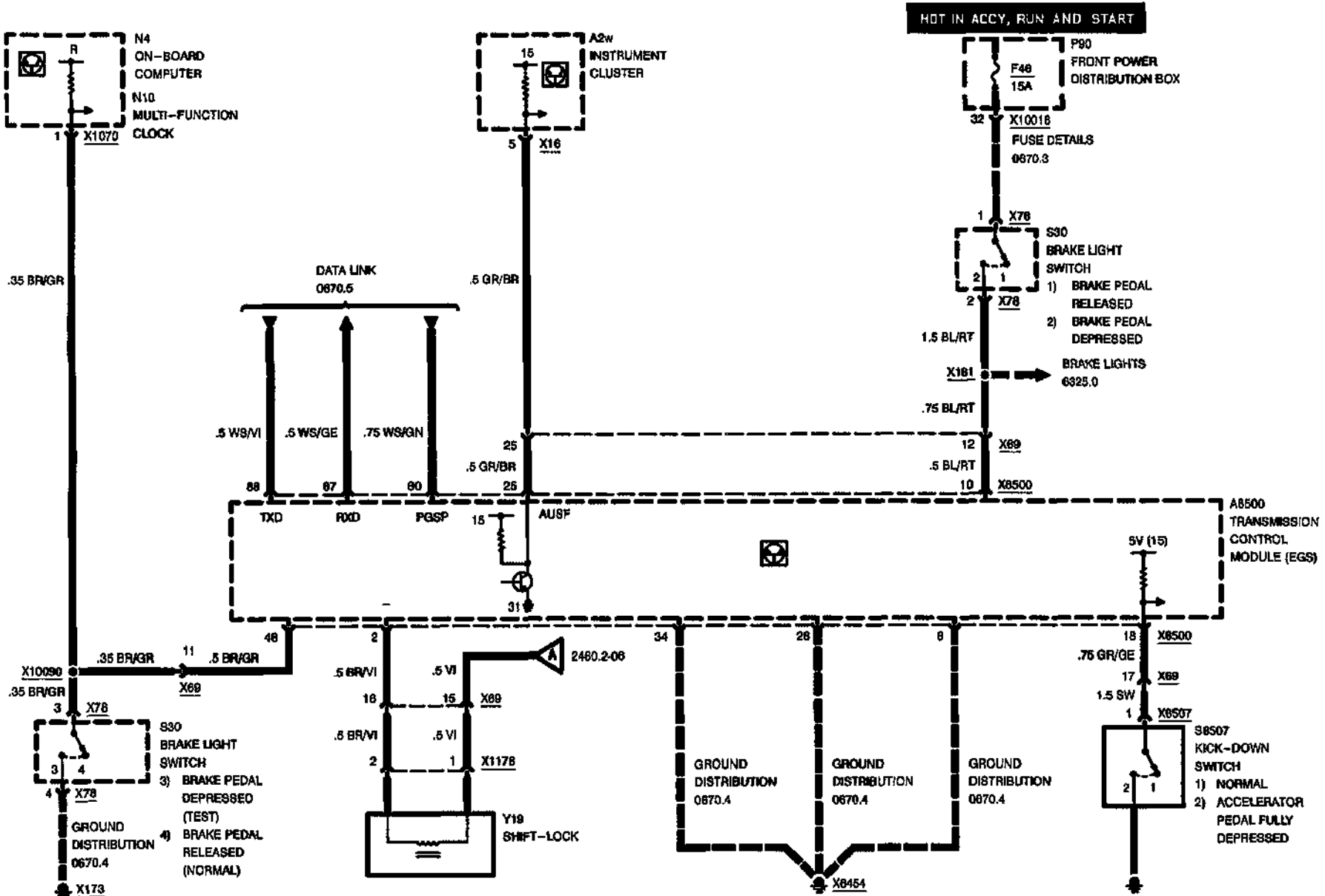
04/97 2460.2-08 1996



ELECTRONIC TRANSMISSION CONTROL (EGS A4S 310R)

318is LATE PRODUCTION

SHIFT LOCK, DATA LINK, KICK-DOWN SWITCH



04/97

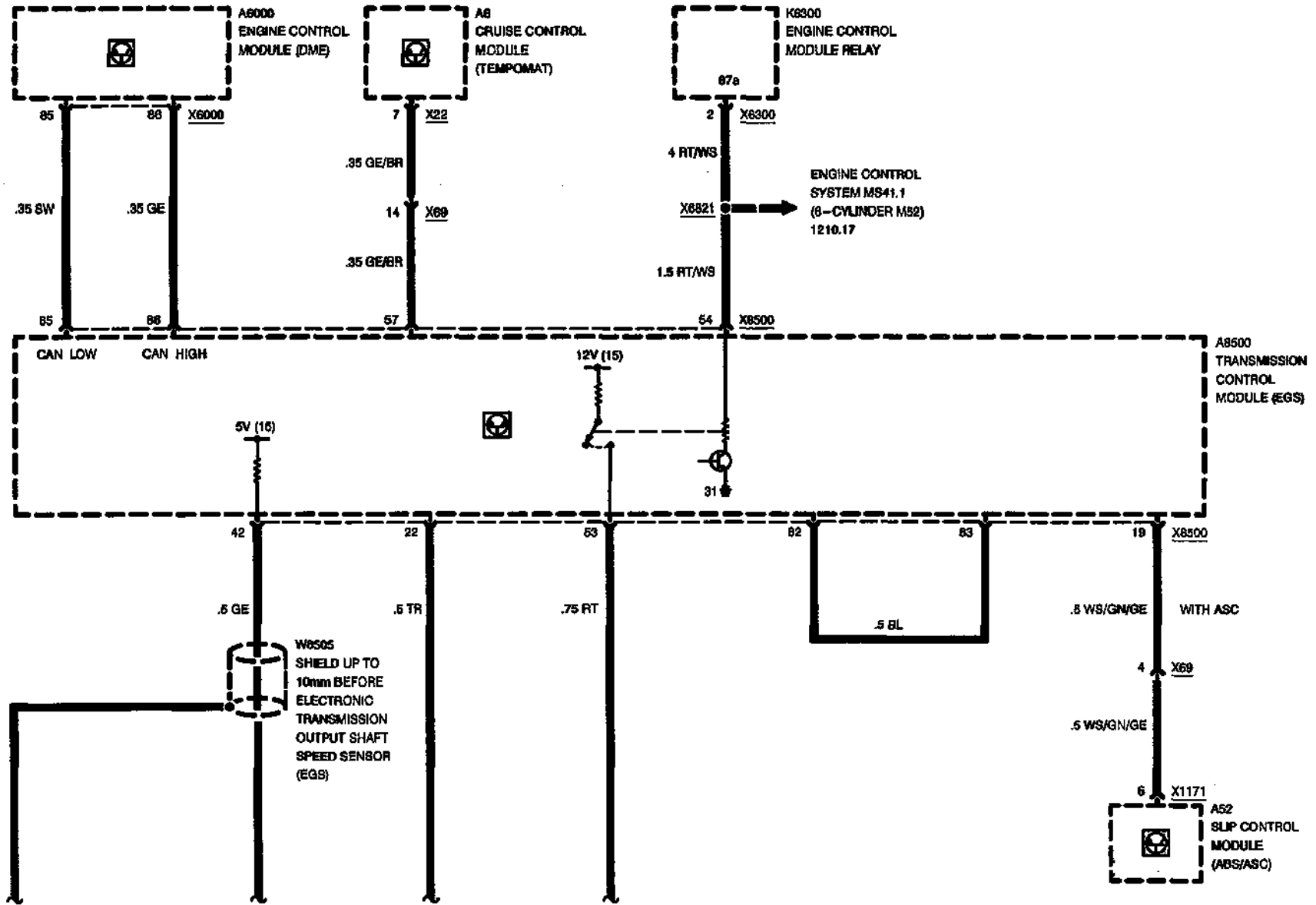
2460.2-09

1996



ELECTRONIC TRANSMISSION CONTROL (EGS A4S 310R)

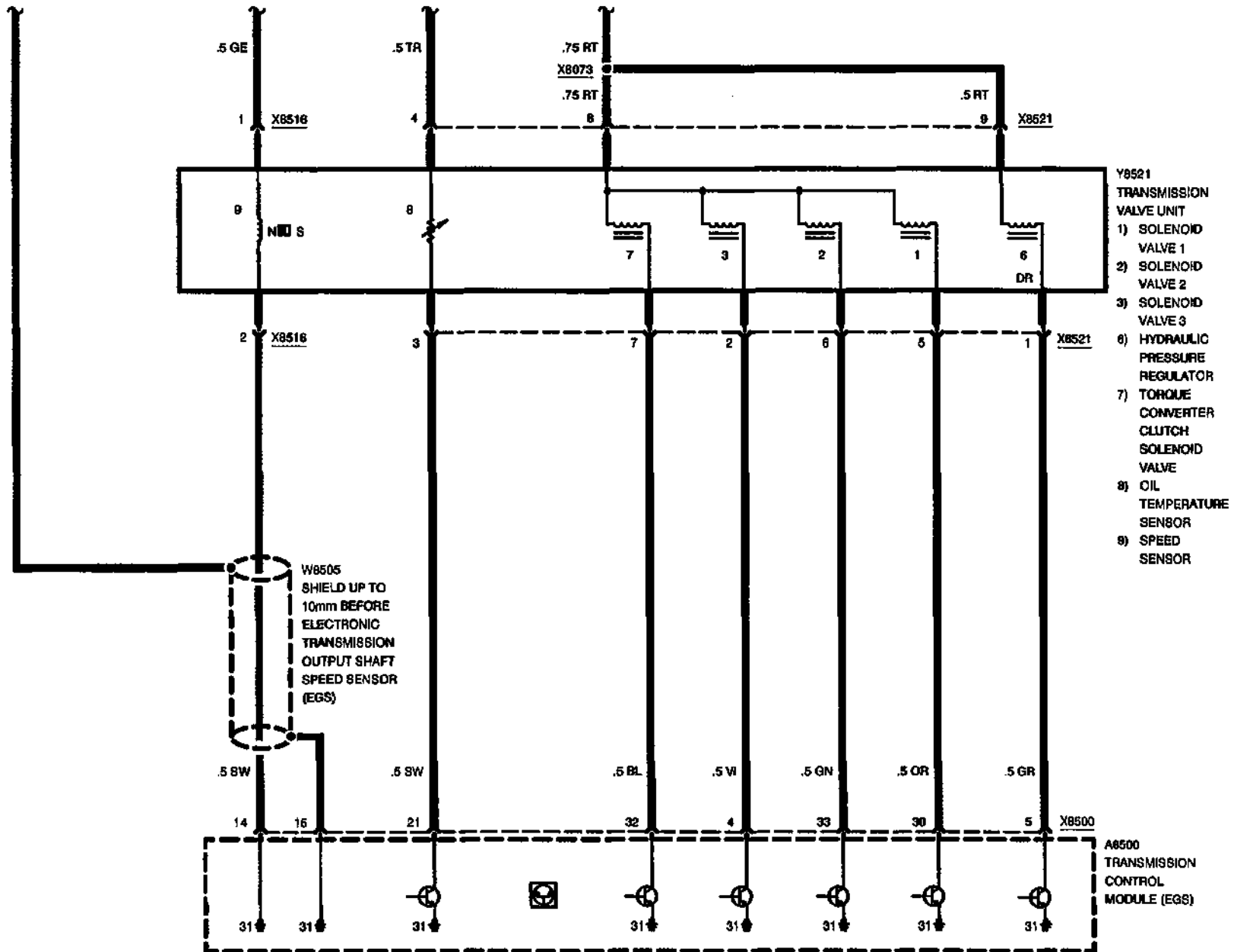
328i LATE PRODUCTION



04/97

2460.2-10

1996

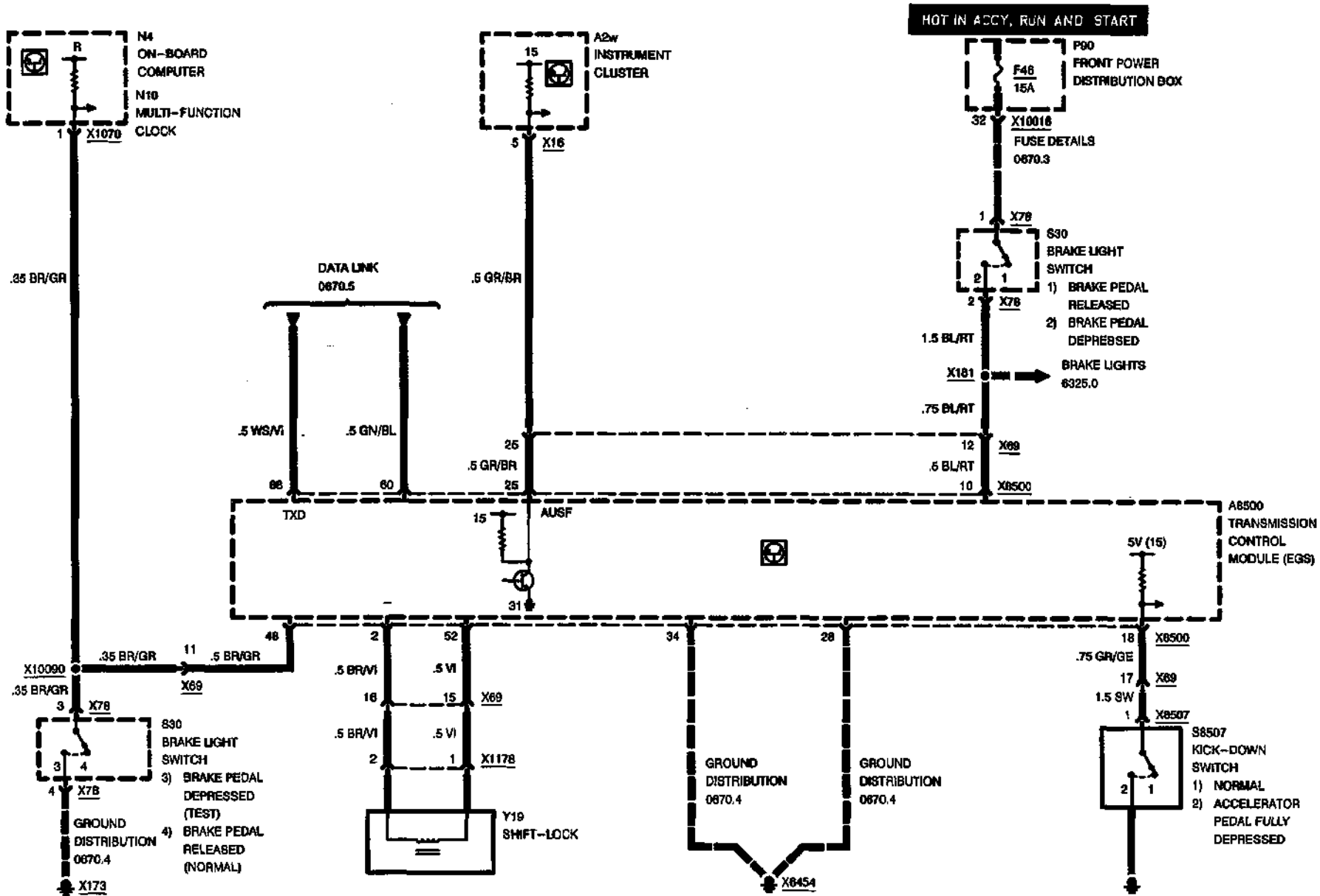




ELECTRONIC TRANSMISSION CONTROL (EGS A4S 310R)

328i LATE PRODUCTION

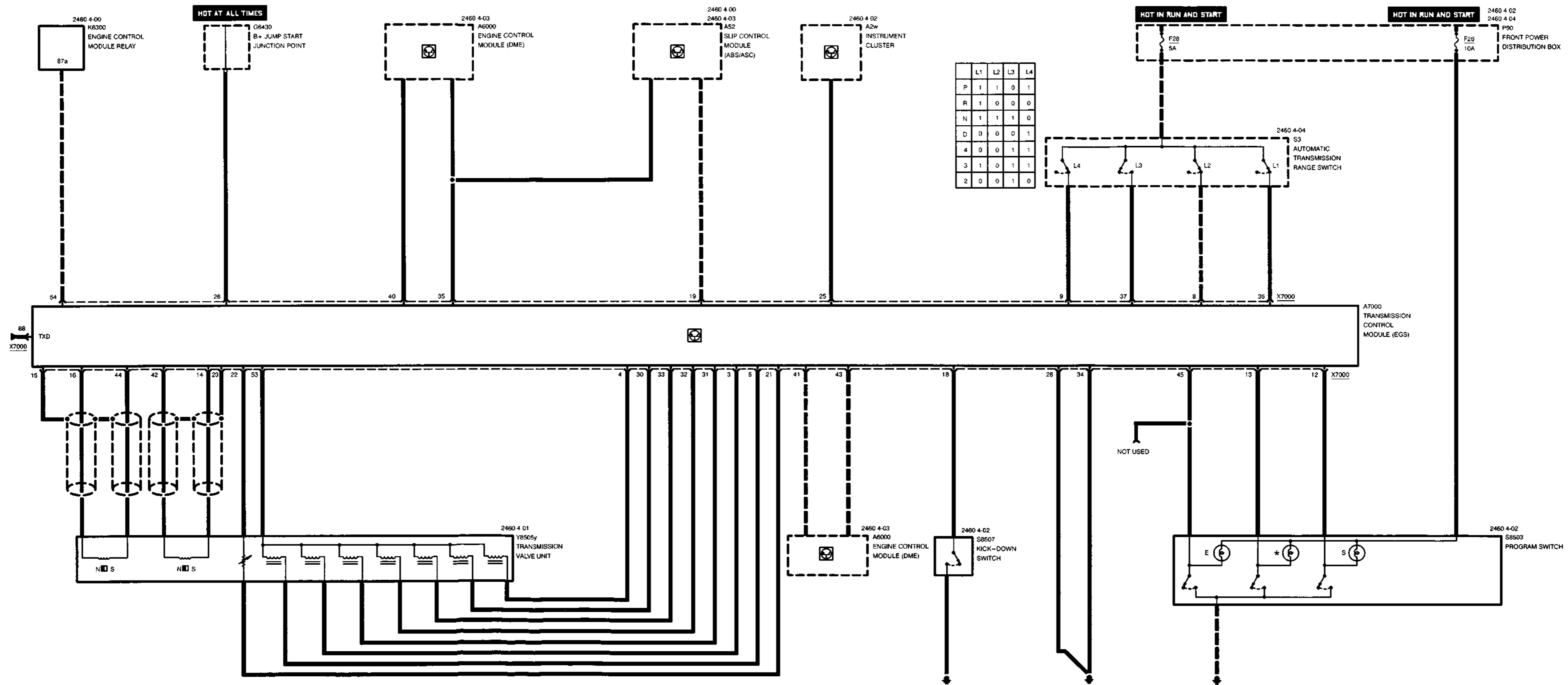
SHIFT LOCK, DATA LINK, KICK-DOWN SWITCH



04/97

2460.2-12

1996





Pin Assignments

X7000

Pin	Type	Description/Function	Connection
1		Not used	
2		Not used	
3	A	Solenoid valve 5	Transmission valve unit
4	A	Torque converter clutch solenoid valve	Transmission valve unit
5	A	Hydraulic pressure regulator	Transmission valve unit
6		Not used	
7		Not used	
8		Gear range signal L2	Automatic transmission range switch
9		Gear range signal L4	Automatic transmission range switch
10		Not used	
11		Not used	
12	E	S-program indication	Program switch
13	E	*-program indication	Program switch
14	E	Speed sensor	Transmission valve unit
15	M	Shield speed sensor	Shield
16	A	Speed sensor n-turbine	Transmission valve unit
17		Not used	
18	E	Kick-down signal	Kick-down switch
19	E	ABS signal	ABS/ASC control module
20		Not used	
21	M	Ground oil temperature sensor	Transmission valve unit
22	E	Oil temperature sensor	Transmission valve unit
23		Not used	
24		Not used	
25	A	Fault indicator signal	Instrument cluster
26	E	Battery voltage	Jump start junction point
27		Not used	
28	M	Ground, electronics	Ground
29		Not used	
30	A	Solenoid valve 1	Transmission valve unit

E = Input, A = Output, M = Ground



Pin Assignments

Pin	Type	Description/Function	Connection
31	A	Solenoid valve 4	Transmission valve unit
32	A	Solenoid valve 3	Transmission valve unit
33	A	Solenoid valve 2	Transmission valve unit
34	M	Ground	Ground
35	E	DKT interface	Engine control module (DME)
36	E	Gear range signal L1	Automatic transmission range switch
37	E	Gear range signal L3	Automatic transmission range switch
38		Not used	
39		Not used	
40	A	Ignition timing intervention	Engine control module (DME)
41	E	Ti-measurement signal (fuel consumption)	Engine control module (DME)
42	A	Speed sensor n - ab (+)	Transmission valve unit
43	E	Crankshaft RPM speed signal TD	Engine control module (DME)
44	E	Speed sensor n-turbine	Transmission valve unit
45	E	E-program indication	Program switch
46		Not used	
47		Not used	
48		Not used	
49		Not used	
50		Not used	
51		Not used	
52		Not used	
53	A	Voltage supply for solenoid valves	Transmission valve unit
54	E	Voltage supply	DME relay
55		Not used	
56		Not used	
57		Not used	
58		Not used	
59		Not used	
60		Not used	
61		Not used	
62		Not used	

E = Input, A = Output, M = Ground



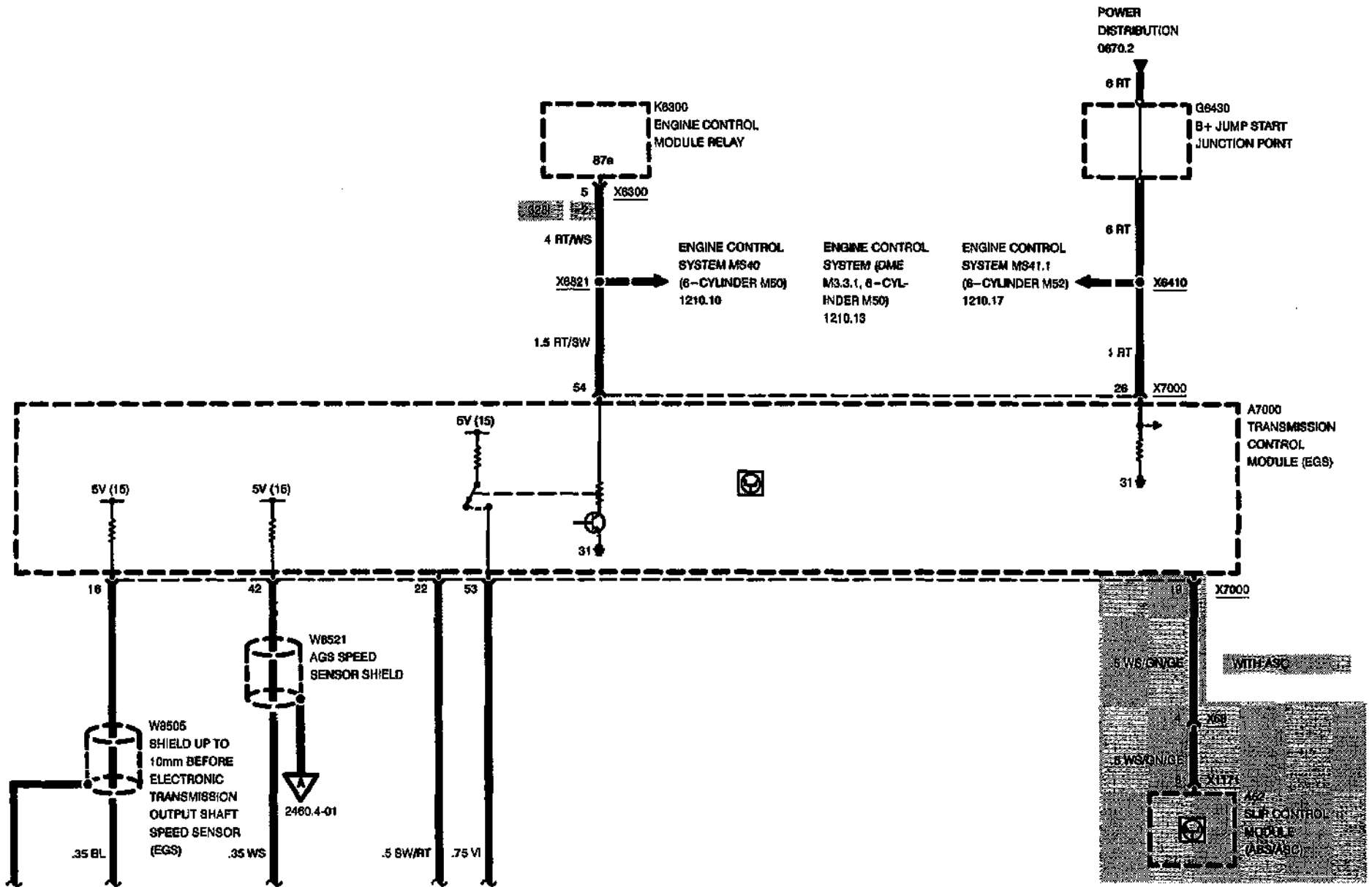
Pin Assignments

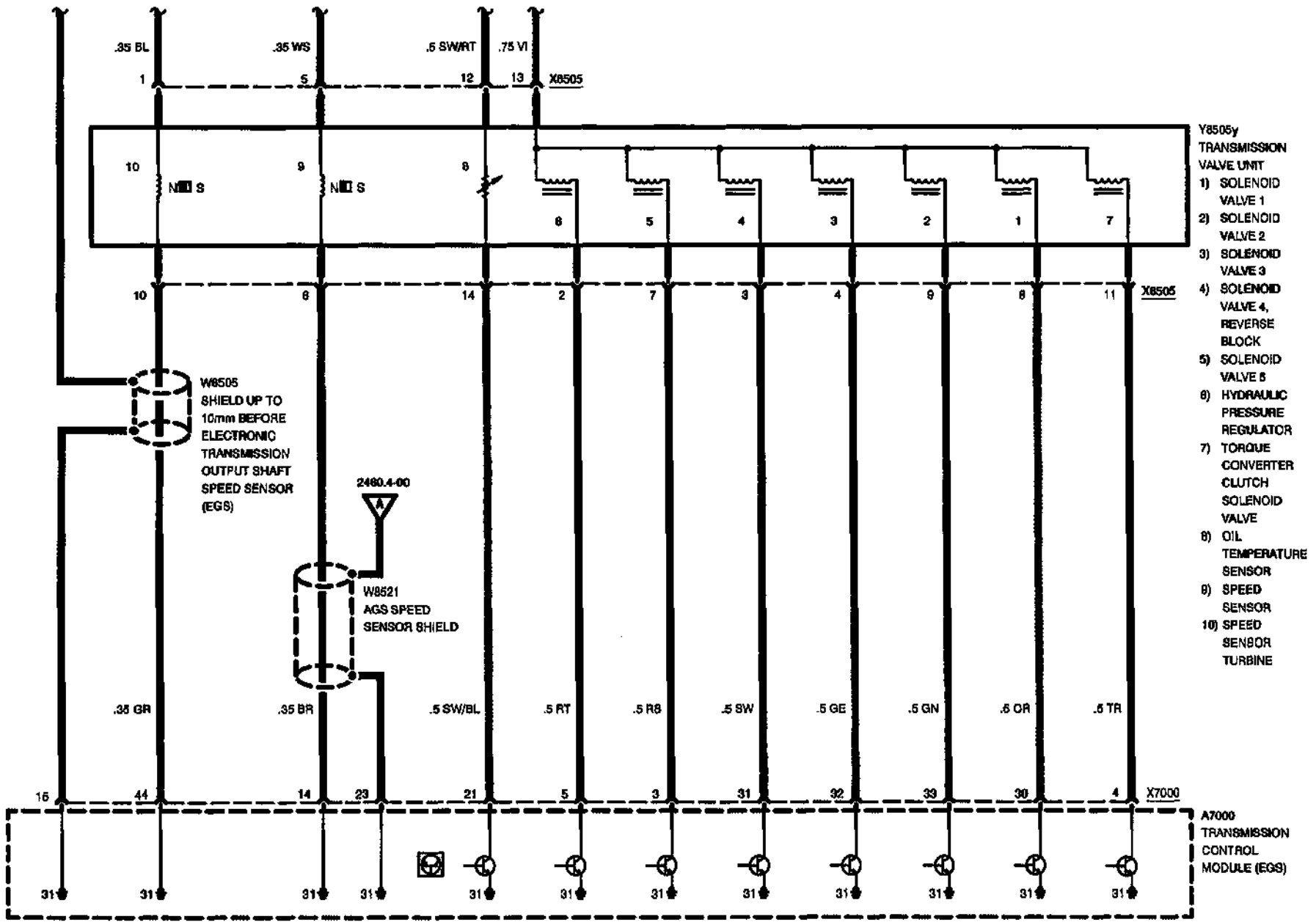
Pin	Type	Description/Function	Connection
63		Not used	
64		Not used	
65		Not used	
66		Not used	
67		Not used	
68		Not used	
69		Not used	
70		Not used	
71		Not used	
72		Not used	
73		Not used	
74		Not used	
75		Not used	
76		Not used	
77		Not used	
78		Not used	
79		Not used	
80		Not used	
81		Not used	
82		Not used	
83		Not used	
84		Not used	
85		Not used	
86		Not used	
87	A	RxD diagnostic data link	Data link connector
88	E/A	TxD diagnostic data link	Data link connector

E = Input, A = Output, M = Ground



ELECTRONIC TRANSMISSION CONTROL (EGS A5S 310Z)

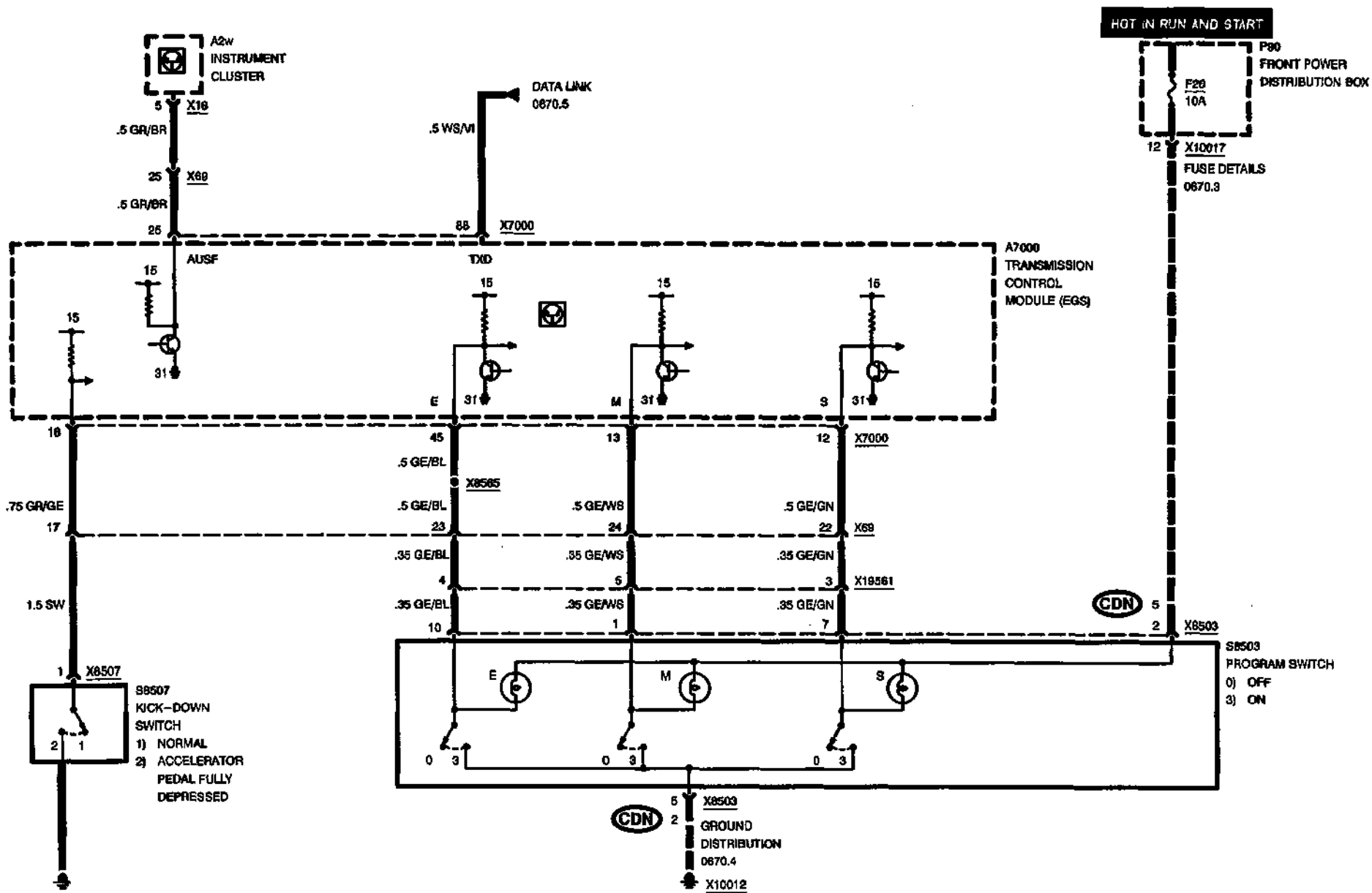




- Y8505y
TRANSMISSION
VALVE UNIT
- 1) SOLENOID VALVE 1
 - 2) SOLENOID VALVE 2
 - 3) SOLENOID VALVE 3
 - 4) SOLENOID VALVE 4, REVERSE BLOCK
 - 5) SOLENOID VALVE 5
 - 6) HYDRAULIC PRESSURE REGULATOR
 - 7) TORQUE CONVERTER CLUTCH SOLENOID VALVE
 - 8) OIL TEMPERATURE SENSOR
 - 9) SPEED SENSOR
 - 10) SPEED SENSOR TURBINE

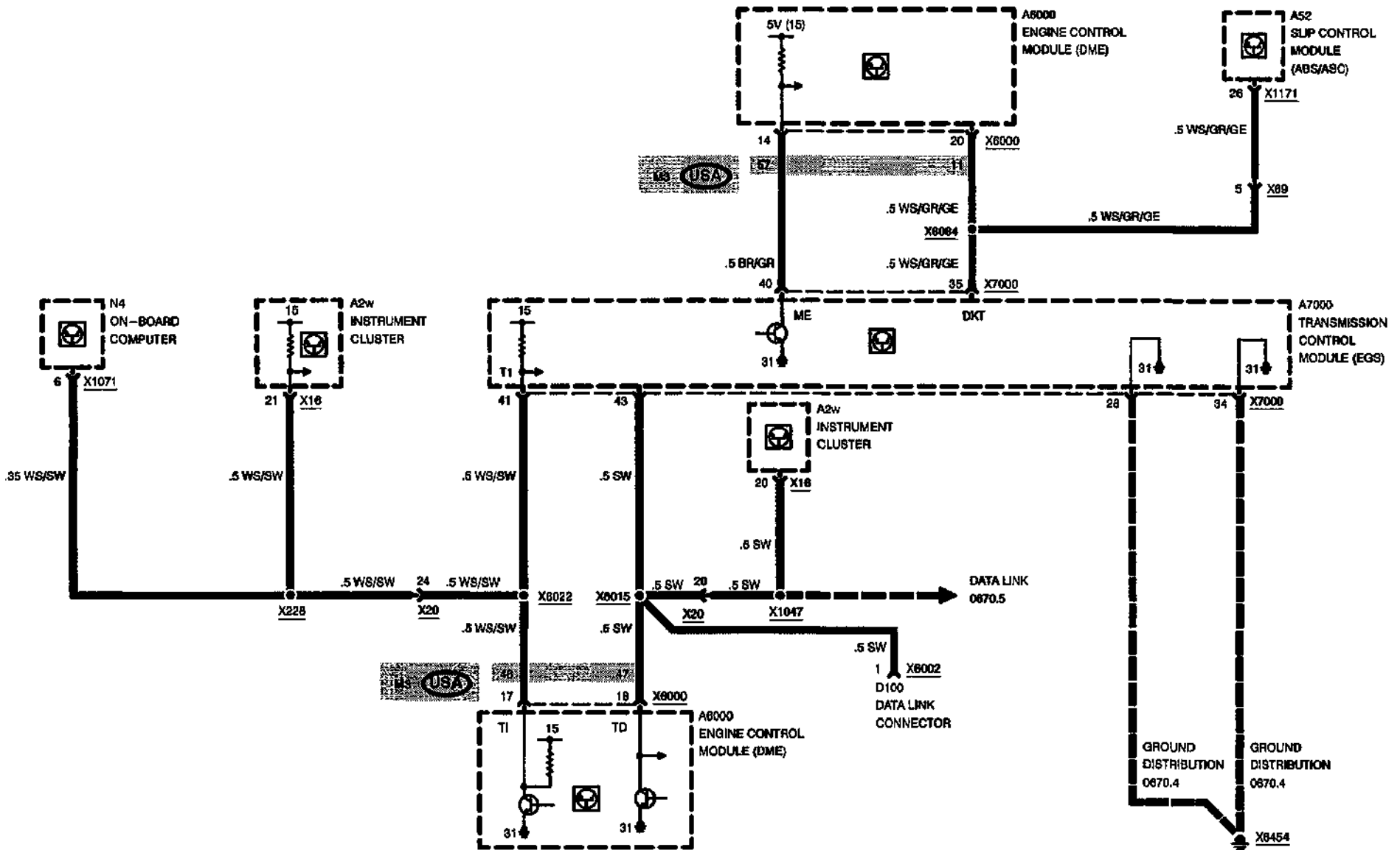
A7000
TRANSMISSION
CONTROL
MODULE (EGS)

ELECTRONIC TRANSMISSION CONTROL (EGS A5S 310Z)

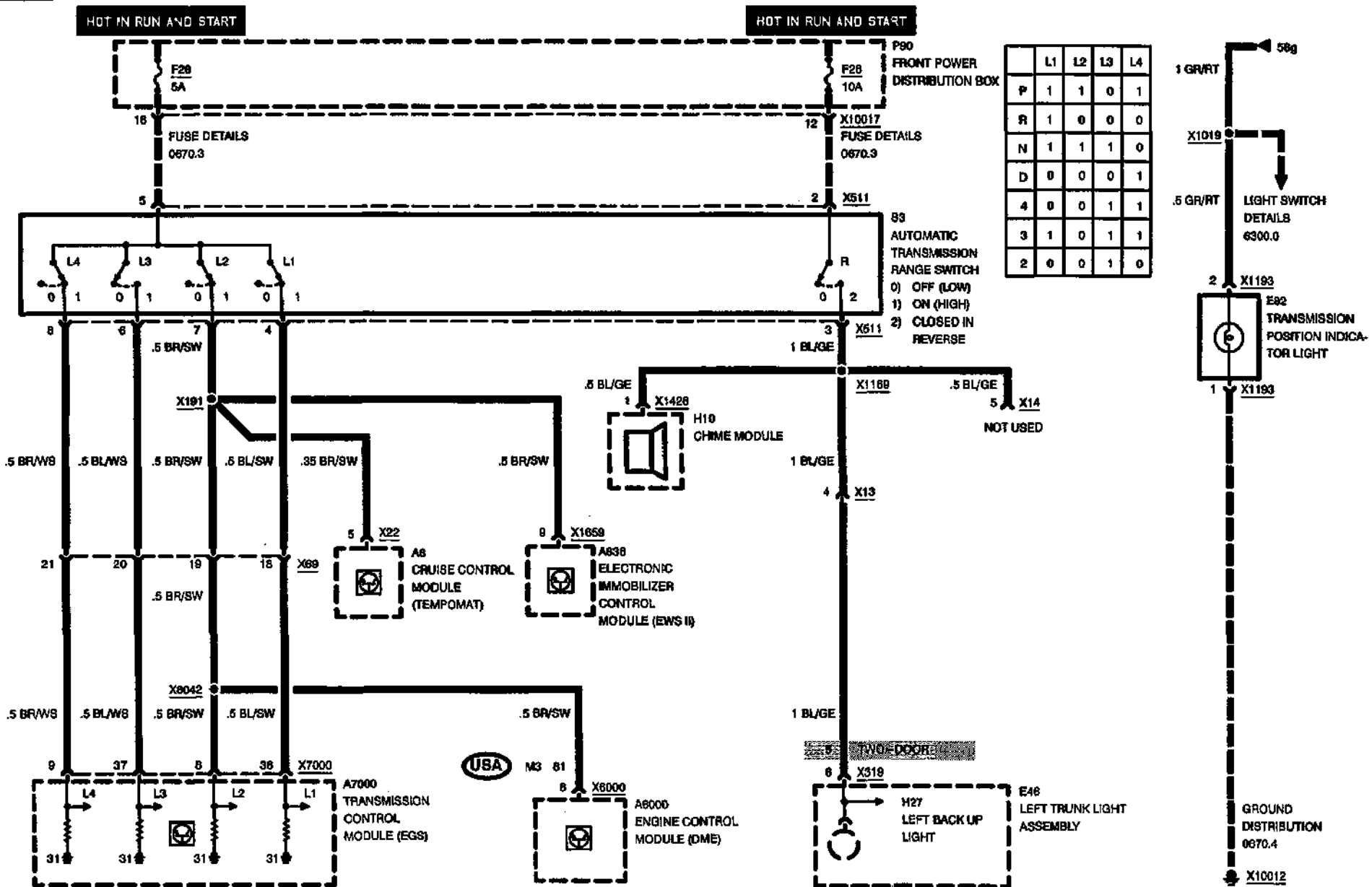




ELECTRONIC TRANSMISSION CONTROL (EGS A5S 310Z)



ELECTRONIC TRANSMISSION CONTROL (EGS A5S 310Z)



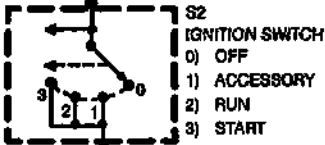


3234.0

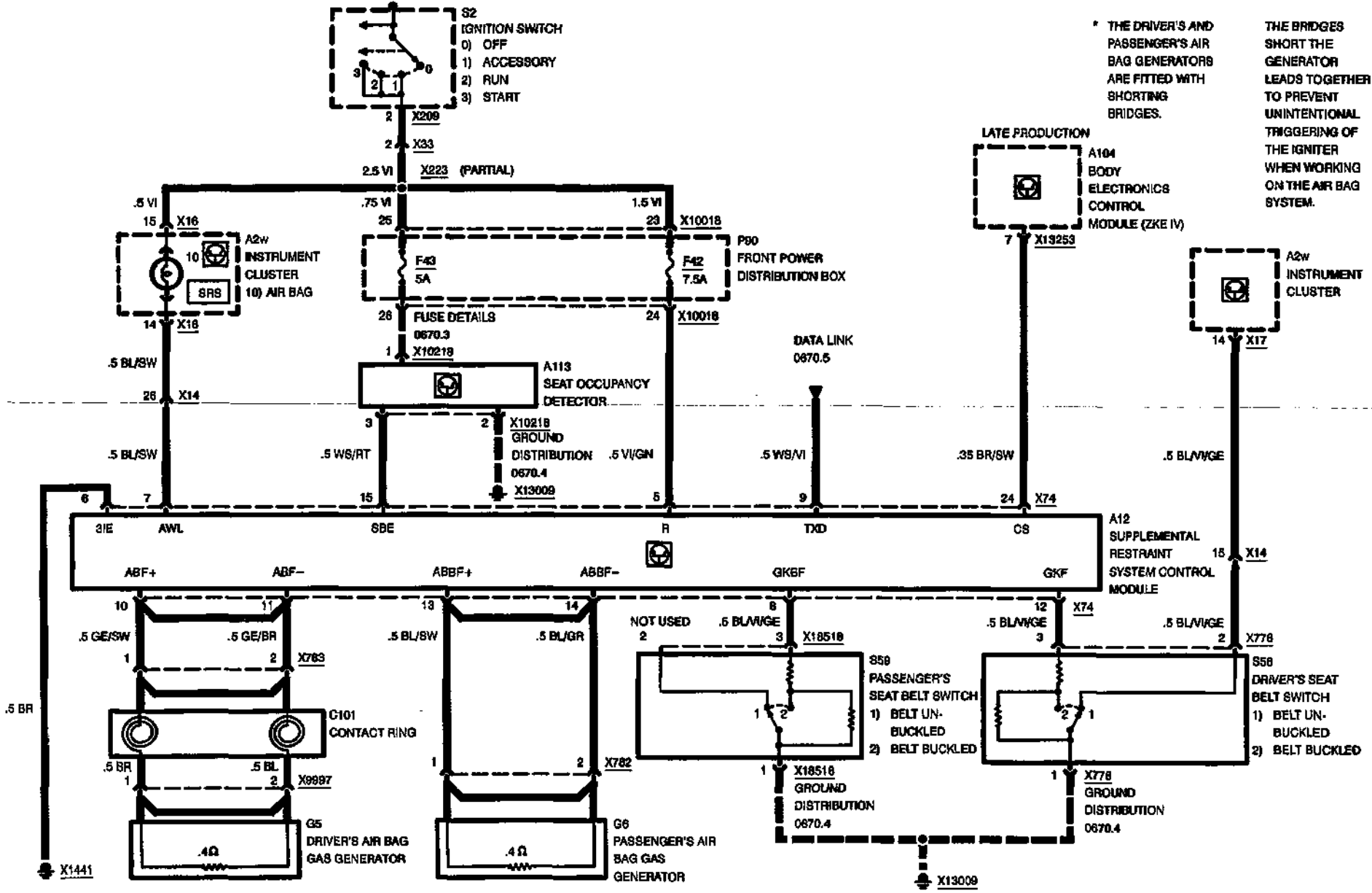


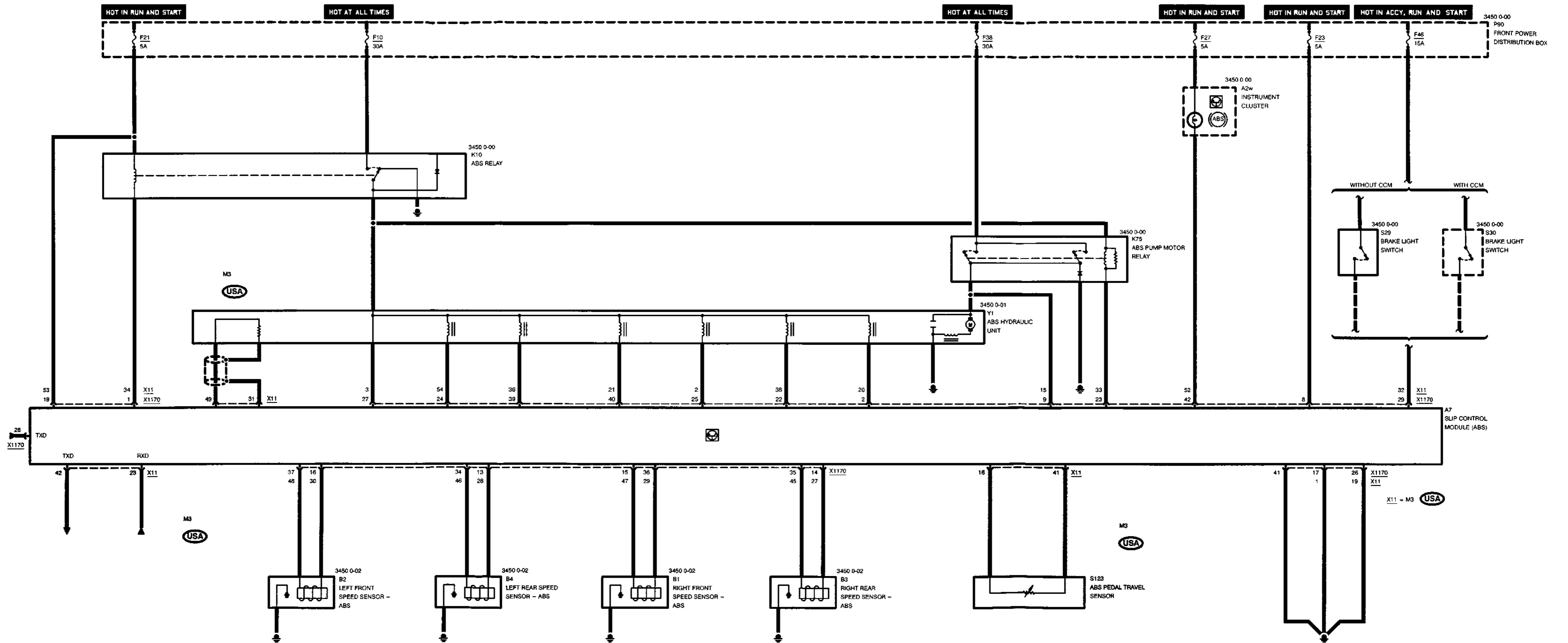
SUPPLEMENTAL RESTRAINT SYSTEM (AIR BAG)

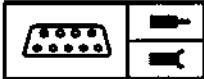
HOT AT ALL TIMES



* THE DRIVER'S AND PASSENGER'S AIR BAG GENERATORS ARE FITTED WITH SHORTING BRIDGES. THE BRIDGES SHORT THE GENERATOR LEADS TOGETHER TO PREVENT UNINTENTIONAL TRIGGERING OF THE IGNITER WHEN WORKING ON THE AIR BAG SYSTEM.







Pin Assignments

X1170

Pin	Type	Description/Function	Connection
1	A	ABS relay control	ABS relay
2	A	Right front inlet valve control	ABS hydraulic unit
3		Not used	
4		Not used	
5		Not used	
6		Not used	
7		Not used	
8	E	Voltage supply, terminal 15	Front power distribution box, fuse 23
9	E	Operating voltage	ABS relay
10		Not used	
11		Not used	
12		Not used	
13	A	Speed sensor ground, RL	Left rear speed sensor - ABS
14	A	Speed sensor ground, RR	Right rear speed sensor - ABS
15	A	Speed sensor ground, FR	Right front speed sensor - ABS
16	A	Speed sensor ground, FL	Left front speed sensor - ABS
17	M	Ground, control module	Chassis ground
18		Not used	
19	E	Voltage supply, terminal 15	Front power distribution box, fuse 21
20		Not used	
21		Not used	
22	A	Left front inlet valve control	ABS hydraulic unit
23	A	ABS pump motor relay control	ABS pump motor relay
24	A	Rear axle inlet valve control	ABS hydraulic unit
25	A	Left front outlet valve control	ABS hydraulic unit
26	M	Ground, control module	Chassis ground
27	E	Voltage monitoring, hydraulics	ABS hydraulic unit
28	E/A	TxD diagnostic data link	Data link connector
29	E	Brake light signal	Brake light switch
30		Not used	

E = Input, A = Output, M = Ground



Pin Assignments

Pin	Type	Description/Function	Connection
31		Not used	
32		Not used	
33		Not used	
34	E	Speed sensor signal RL	Left rear speed sensor - ABS
35	E	Speed sensor signal RR	Right rear speed sensor - ABS
36	E	Speed sensor signal FR	Right front speed sensor - ABS
37	E	Speed sensor signal FL	Left front speed sensor - ABS
38		Not used	
39	A	Rear axle outlet valve control	ABS hydraulic unit
40	A	Right front outlet valve control	ABS hydraulic unit
41	M	Ground, control module	Chassis ground
42	A	ABS warning lamp control	Instrument cluster
43		Not used	
44		Not used	
45		Not used	
46		Not used	
47		Not used	
48		Not used	
49		Not used	
50		Not used	
51		Not used	
52		Not used	
53		Not used	
54		Not used	
55		Not used	

E = Input, A = Output, M = Ground


Pin Assignments (M3 )
X11

Pin	Type	Description/Function	Connection
1	M	Ground, control module	Chassis ground
2	A	Left front outlet valve	ABS hydraulic unit
3	E	Voltage monitoring, hydraulics	ABS hydraulic unit
4		Not used	
5		Not used	
6		Not used	
7		Not used	
8		Not used	
9		Not used	
10		Not used	
11		Not used	
12		Not used	
13		Not used	
14		Not used	
15	E	Operating voltage	ABS relay
16	E	Pedal travel sensor	ABS pedal travel sensor
17		Not used	
18		Not used	
19	M	Ground, control module	Chassis ground
20	A	Left front inlet valve	ABS hydraulic unit
21	A	Right front outlet valve control	ABS hydraulic unit
22		Not used	
23	A	RxD diagnostic data link	Data link connector
24		Not used	
25		Not used	
26		Not used	
27	A	Speed sensor ground, RR	Right rear speed sensor - ABS
28	A	Speed sensor ground, RL	Left rear speed sensor - ABS
29	E	Speed sensor signal, FR	Right front speed sensor - ABS
30	A	Speed sensor ground, FL	Left front speed sensor - ABS

E = Input, A = Output, M = Ground


Pin Assignments (M3)

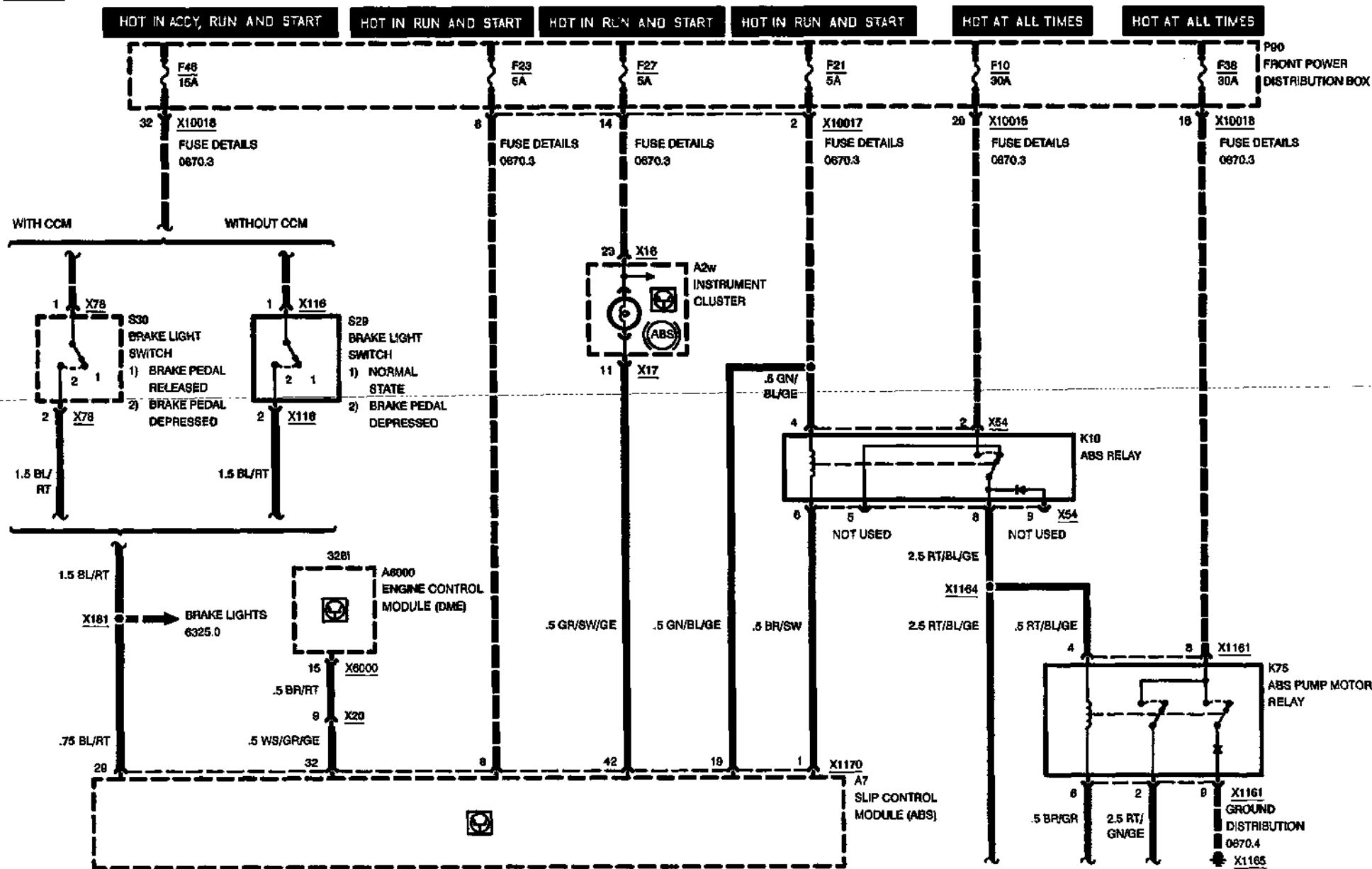
Pin	Type	Description/Function	Connection
31	A	Fuel injection quantity controller	ABS hydraulic unit
32	E	Brake light signal	Brake light switch
33	A	ABS pump motor relay control	ABS pump motor relay
34	A	ABS relay control	ABS relay
35		Not used	
36	A	Rear axle outlet valve control	ABS hydraulic unit
37		Not used	
38	A	Right front inlet valve control	ABS hydraulic unit
39		Not used	
40		Not used	
41	E	Pedal travel sensor	ABS pedal travel sensor
42	E/A	TxD diagnostic data link	Data link connector
43		Not used	
44		Not used	
45	E	Speed sensor signal, RR	Right rear speed sensor - ABS
46	E	Speed sensor signal, RL	Left rear speed sensor - ABS
47	A	Speed sensor signal, FR	Right front speed sensor - ABS
48	E	Speed sensor signal, FL	Left front speed sensor - ABS
49	A	Fuel injection quantity controller	ABS hydraulic unit
50		Not used	
51		Not used	
52	A	ABS warning lamp control	Instrument cluster
53	E	Voltage supply, terminal 15	Front power distribution box, fuse 21
54	A	Rear axle inlet valve control	ABS hydraulic unit

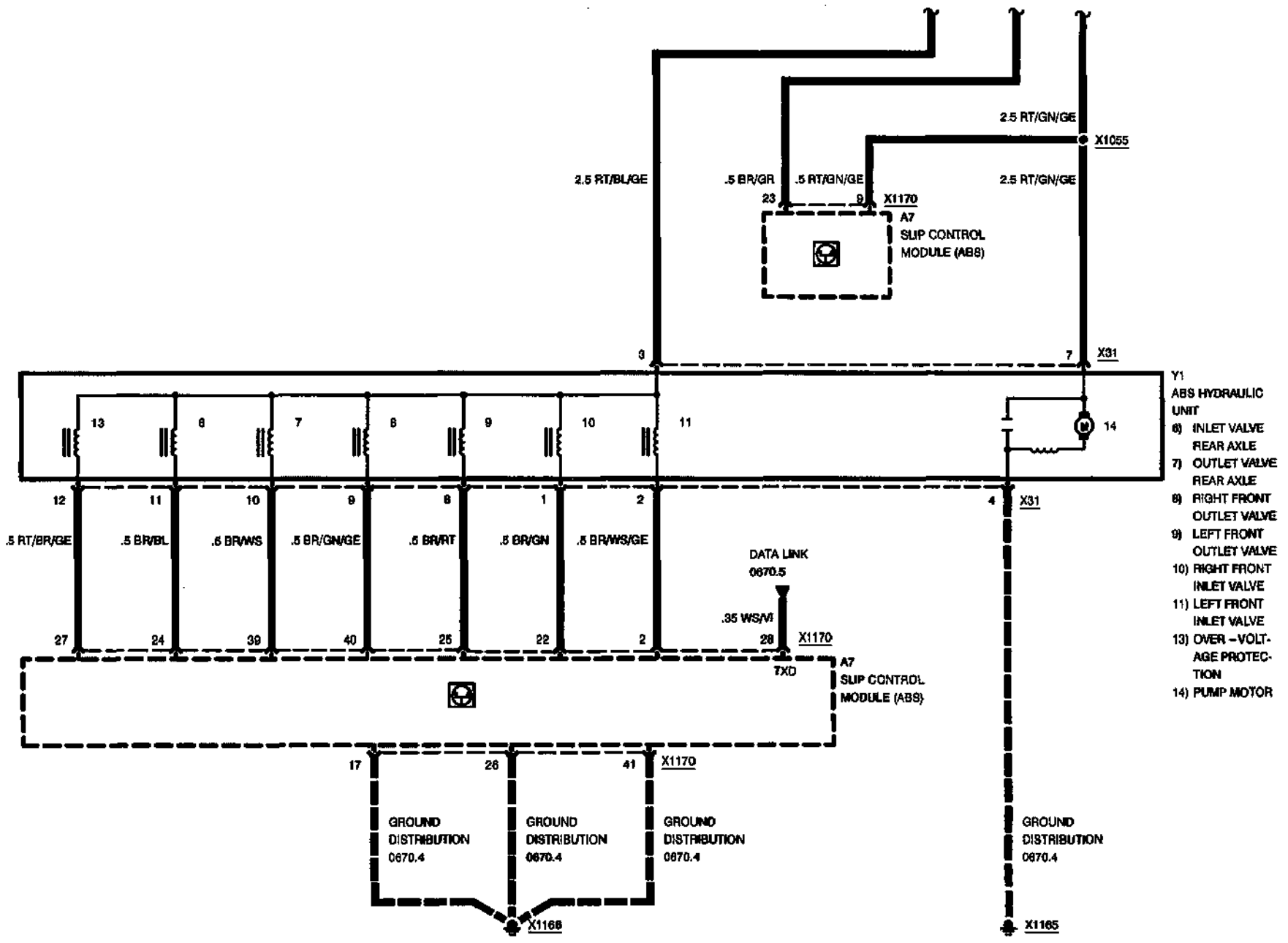
E = Input, A = Output, M = Ground



3450.0

BMW 3 SLIP CONTROL (ABS)

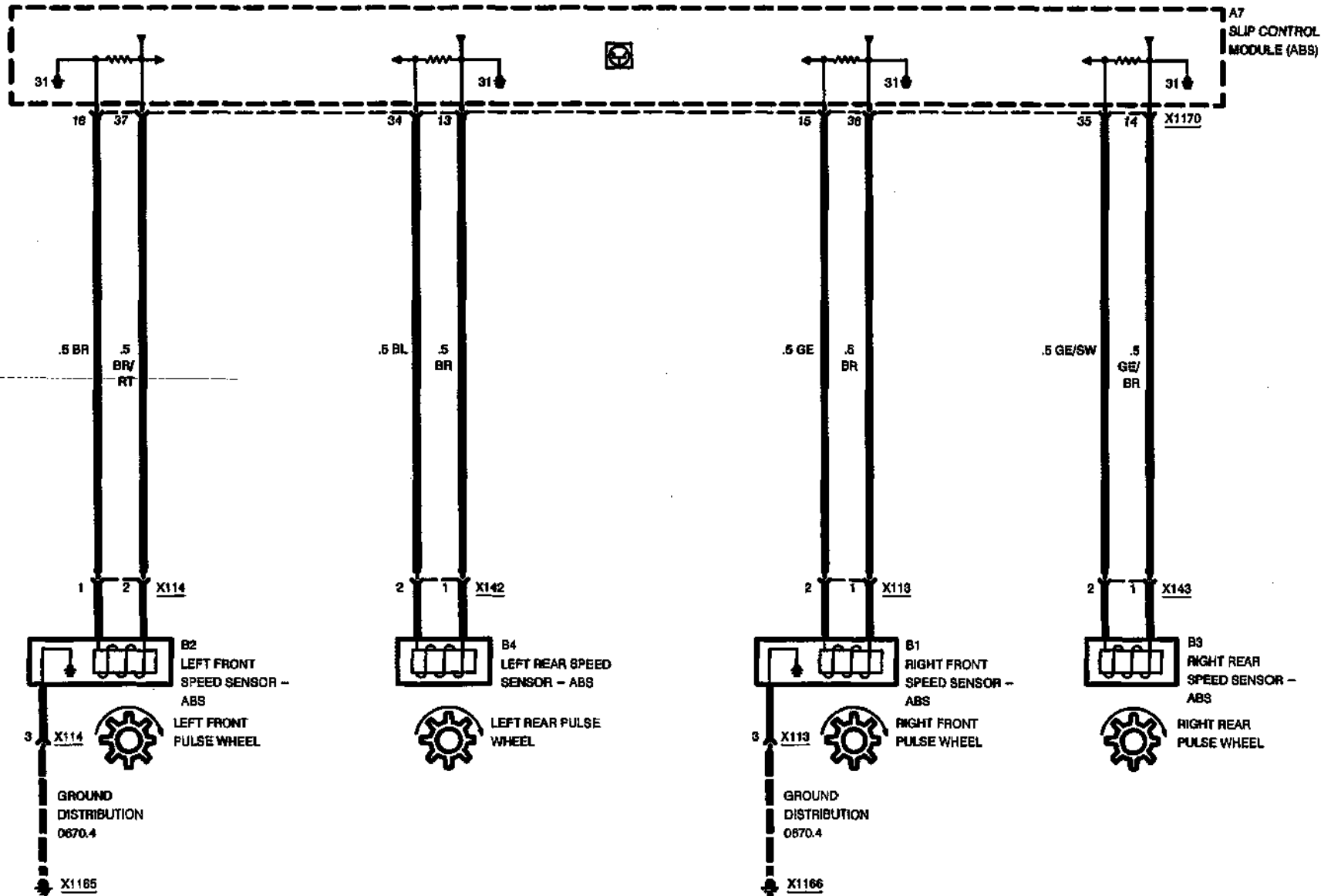


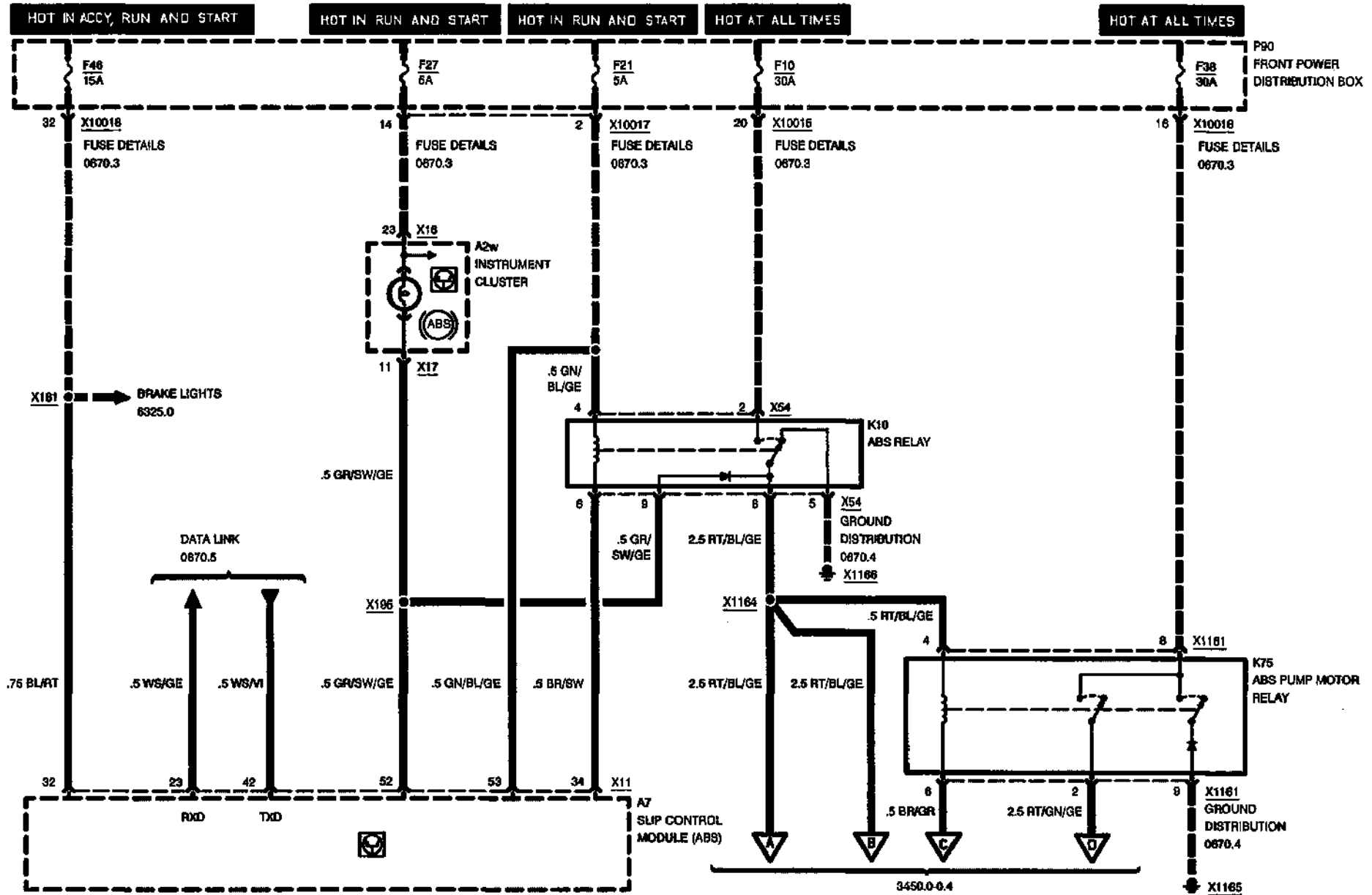


- Y1 ABS HYDRAULIC UNIT
- 6) INLET VALVE REAR AXLE
- 7) OUTLET VALVE REAR AXLE
- 8) RIGHT FRONT OUTLET VALVE
- 9) LEFT FRONT OUTLET VALVE
- 10) RIGHT FRONT INLET VALVE
- 11) LEFT FRONT INLET VALVE
- 13) OVER-VOLTAGE PROTECTION
- 14) PUMP MOTOR



SLIP CONTROL (ABS)







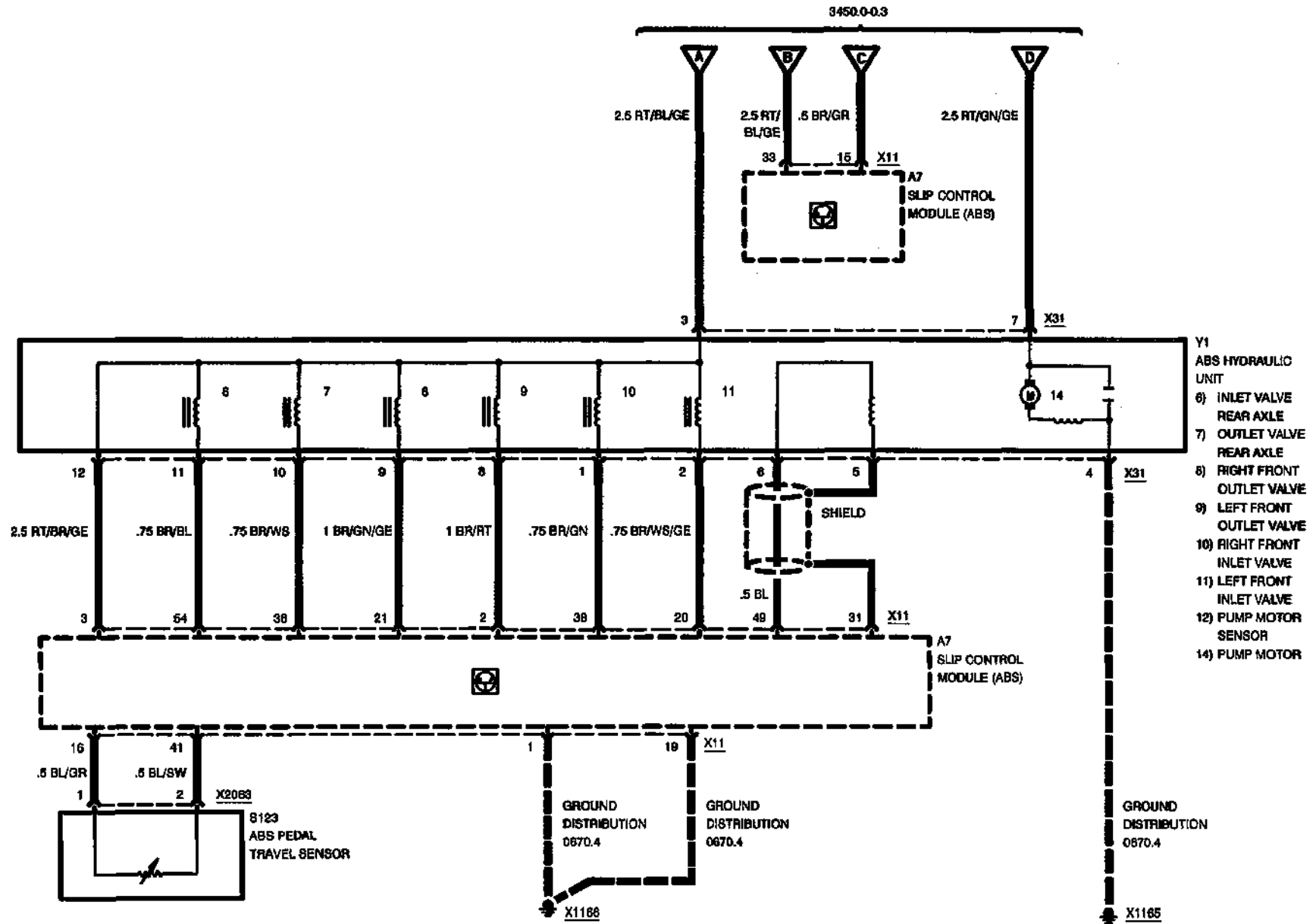
SLIP CONTROL (ABS)

M3 (USA)

04/97

3450.0-04

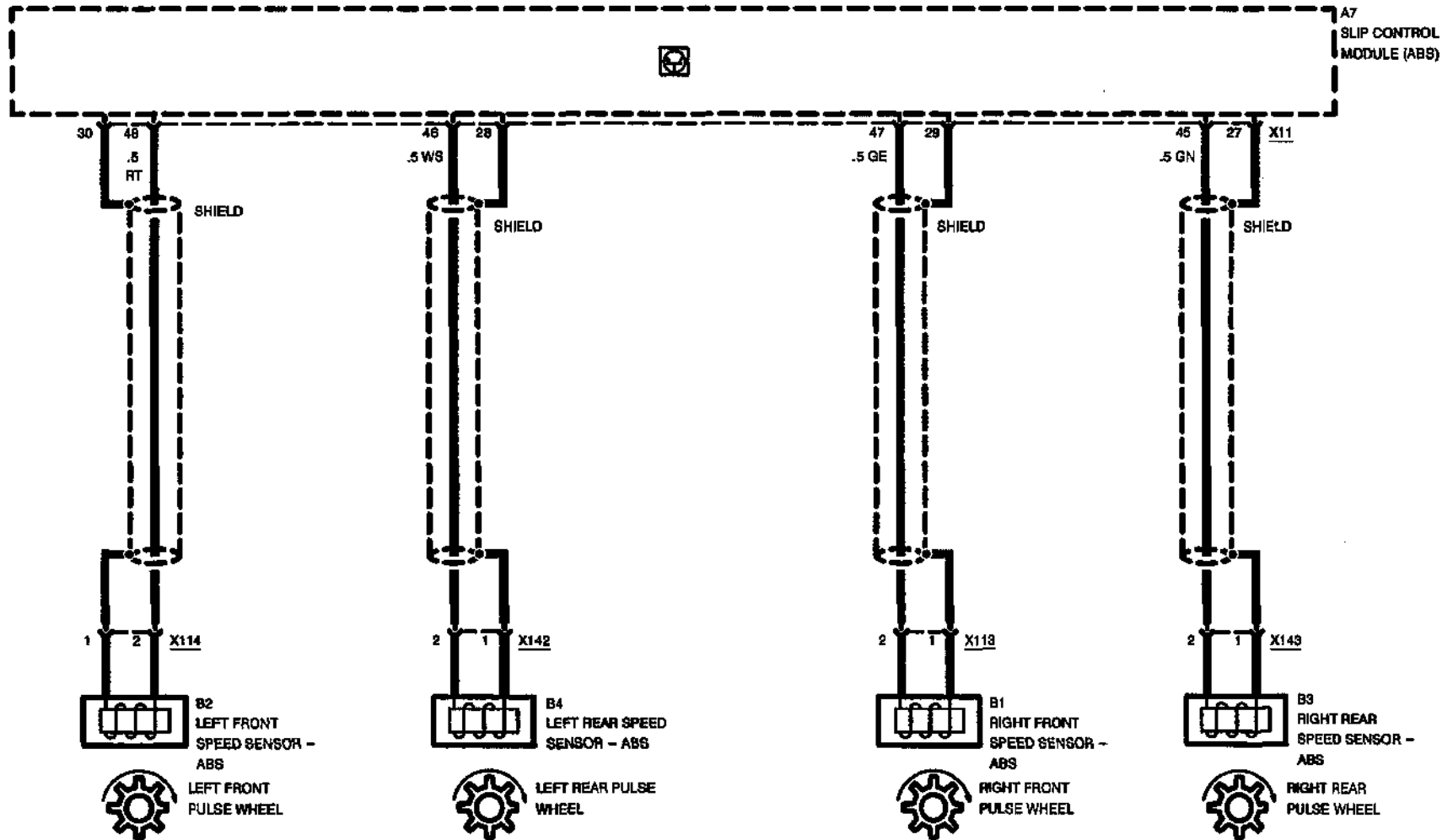
1996





SLIP CONTROL (ABS)

M3 (USA)



04/97

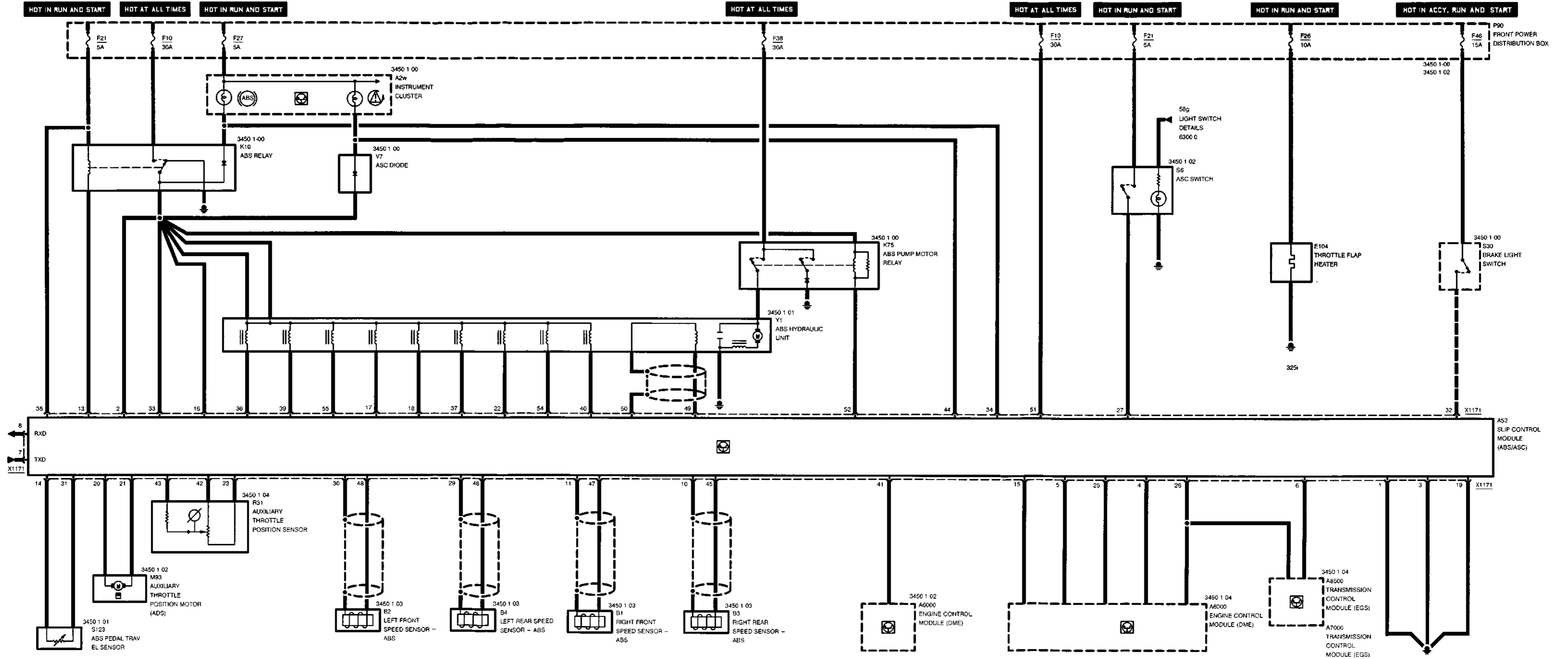
3450.0-05

1996

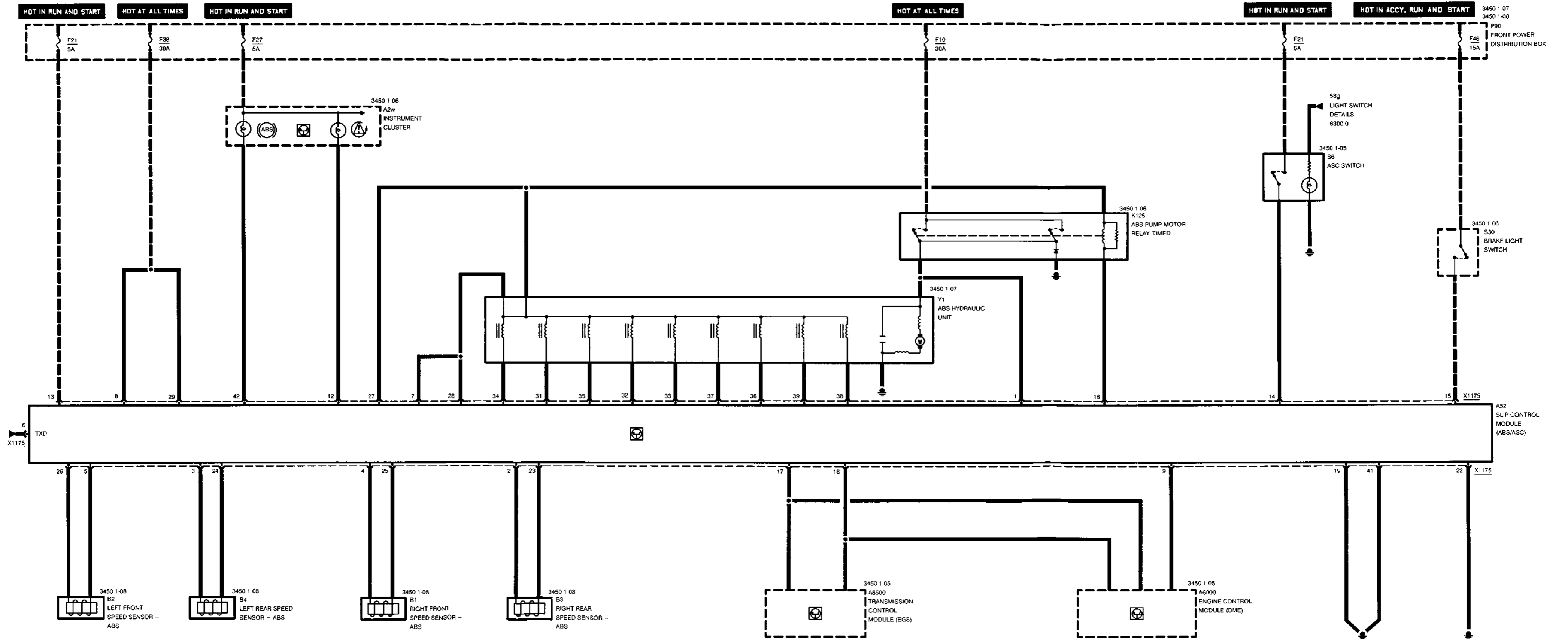


3450.0-06

325i, 328i, M3



318is





Pin Assignments (325i, 328i, M3)

X1171

Pin	Type	Description/Function	Connection
1	M	Ground	Ground
2	E	Battery voltage	ABS relay
3	M	Ground, module	Ground
4	E	Ignition cut-off signal	DME module
5	A	EML-signal	DME module
6	A	Transmission influence	EGS module
7	E/A	TxD signal	Diagnostic link
8	A	RxD signal	Diagnostic link
9		Not used	
10	A	Sensor ground	ABS speed sensor rear right
11	A	Sensor ground	ABS speed sensor front right
12		Not used	
13	A	ABS power protection relay	ABS power protection relay
14	E	Signal ABS travel sensor	ABS travel sensor
15	E	Speed sensor signal right rear	DME module
16	E	Current	ABS relay
17	A	Solenoid valve signal left rear	ABS hydraulic unit
18	A	Solenoid valve signal left rear	ABS hydraulic unit
19	M	Ground	Ground
20	A	ADS step motor	ADS step motor
21	A	ADS step motor	ADS step motor
22	A	Solenoid valve signal right front	ABS hydraulic unit
23	E	ASC throttle flap potentiometer	ASC throttle flap motor
24		Not used	
25	E	Signal idle speed	DME module
26	A	Throttle flap position	DME module
27	E	ASC switch signal	ASC switch
28		Not used	
29	A	Sensor ground	ABS speed sensor rear left
30	A	Sensor ground	ABS speed sensor front left

E = Input, A = Output, M = Ground



Pin Assignments (325i, 328i, M3)

Pin	Type	Description/Function	Connection
31	A	Signal ABS travel sensor	ABS travel sensor
32	E	Brake signal	Brake light switch
33	E	Plus supply	ABS protection relay
34	A	ABS lamp control	Instrument cluster
35	E	Ignition signal	Ignition switch
36	A	Solenoid valve	ABS hydraulic unit
37	A	Solenoid valve signal right front	ABS hydraulic unit
38		Not used	
39	A	Solenoid valve signal left rear	ABS hydraulic unit
40	A	Solenoid valve signal left front	ABS hydraulic unit
41	E	Speed signal	DME module
42	E	ASC throttle flap potentiometer	ASC throttle flap potentiometer
43	E	ASC throttle flap potentiometer	ASC throttle flap potentiometer
44	A	ASC lamp control	Instrument cluster
45	E	Speed sensor signal rear right	Speed sensor rear right
46	E	Speed sensor signal rear left	Speed sensor rear left
47	E	Speed sensor signal front right	Speed sensor front right
48	E	Speed sensor signal front left	Speed sensor front left
49	E	Pump motor sensor signal	ABS hydraulic unit
50	E	Shield pump motor sensor	ABS hydraulic unit
51	E	Plus supply	Front power distribution box
52	A	ABS pump motor relay	ABS pump motor relay
53		Not used	
54	A	Solenoid valve signal left front	ABS hydraulic unit
55	A	Solenoid valve signal left rear	ABS hydraulic unit

E = Input, A = Output, M = Ground



Pin Assignments (318is)

X1175

Pin	Type	Description/Function	Connection
1	E	Signal pump motor	ABS pump motor relay
2	A	Sensor ground	Right rear speed sensor - ABS
3	A	Sensor ground	Left rear speed sensor - ABS
4	A	Sensor ground	Right front speed sensor - ABS
5	A	Sensor ground	Left front speed sensor - ABS
6	E/A	TxD diagnostic data link	Data link connector
7	A	Signal ABS	ABS hydraulic unit
8	E	Voltage supply	Fuse 38
9	A	Speed signal right rear	DME-module
10		Not used	
11		Not used	
12	A	Signal ASC	Instrument cluster
13	E	Voltage supply	Fuse 21
14	E	Signal ASC	ASC switch
15	E	Brake pedal position	Brake light switch
16	A	Activate relay	ABS pump motor relay
17	E/A	CAN HIGH	DME/EGS module
18	E/A	CAN LOW	DME/EGS module
19	M	Ground	Ground point
20		Not used	
21		Not used	
22	M	Ground	Ground point
23	E	Speed signal	Right rear speed sensor - ABS
24	E	Speed signal	Left rear speed sensor - ABS
25	E	Speed signal	Right front speed sensor - ABS
26	E	Speed signal	Left front speed sensor - ABS
27	A	Signal ABS	ABS pump motor relay/Hydraulic unit
28	A	Signal ABS	ABS hydraulic unit
29	E	Voltage supply	Fuse 38
30		Not used	

E = Input, A = Output, M = Ground



Pin Assignments (318is)

Pin	Type	Description/Function	Connection
31	A	Seperator valve	ABS hydraulic unit
32	A	Left rear inlet valve	ABS hydraulic unit
33	A	Left rear outlet valve	ABS hydraulic unit
34	A	Right rear inlet valve	ABS hydraulic unit
35	A	Right rear outlet valve	ABS hydraulic unit
36	A	Left front outlet valve	ABS hydraulic unit
37	A	Right front outlet valve	ABS hydraulic unit
38	A	Left front inlet valve	ABS hydraulic unit
39	A	Right front inlet valve	ABS hydraulic unit
40		Not used	
41	M	Ground	Ground point
42	A	ABS signal	Instrument cluster

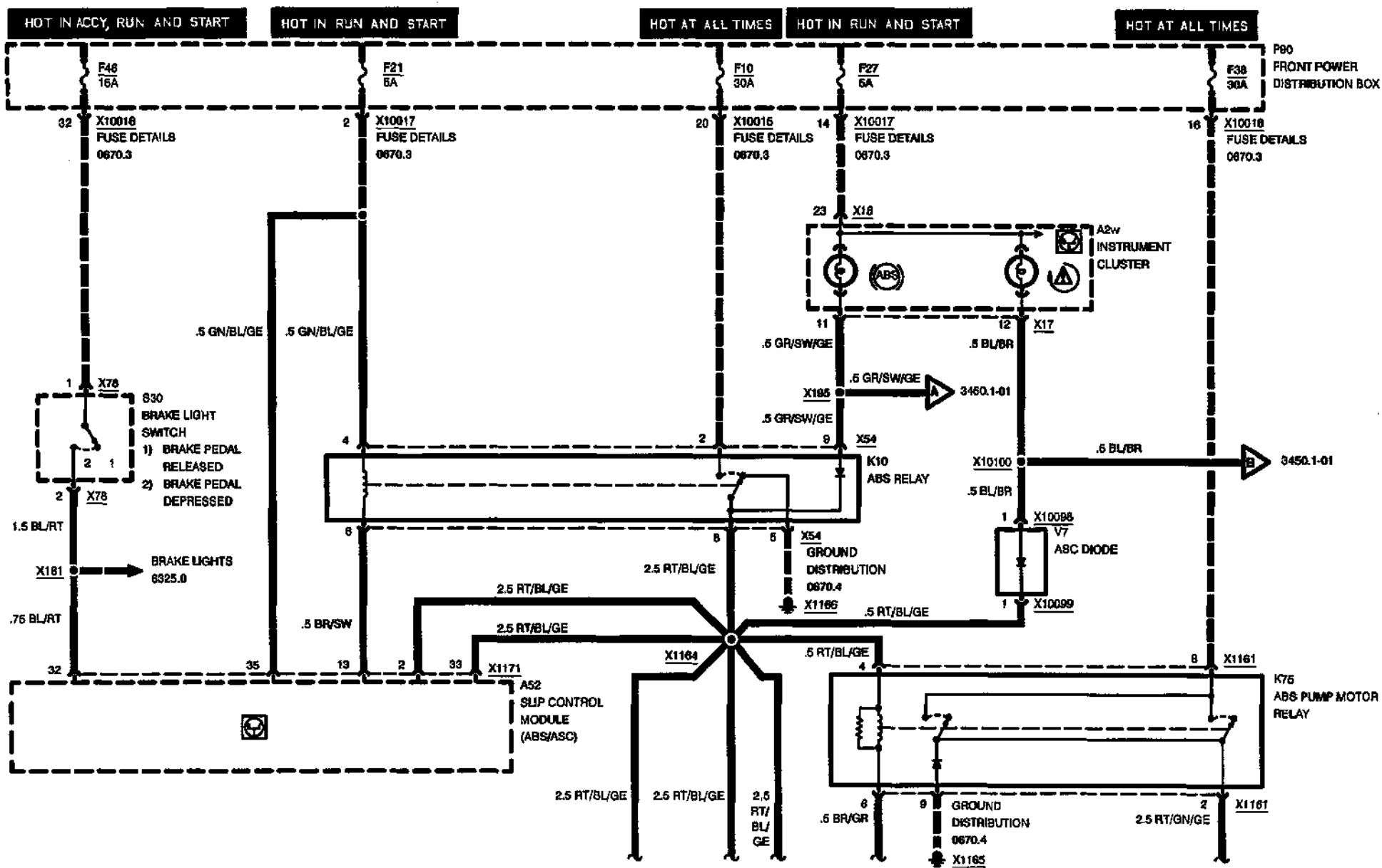
E = Input, A = Output, M = Ground





SLIP CONTROL (ABS/ASC)

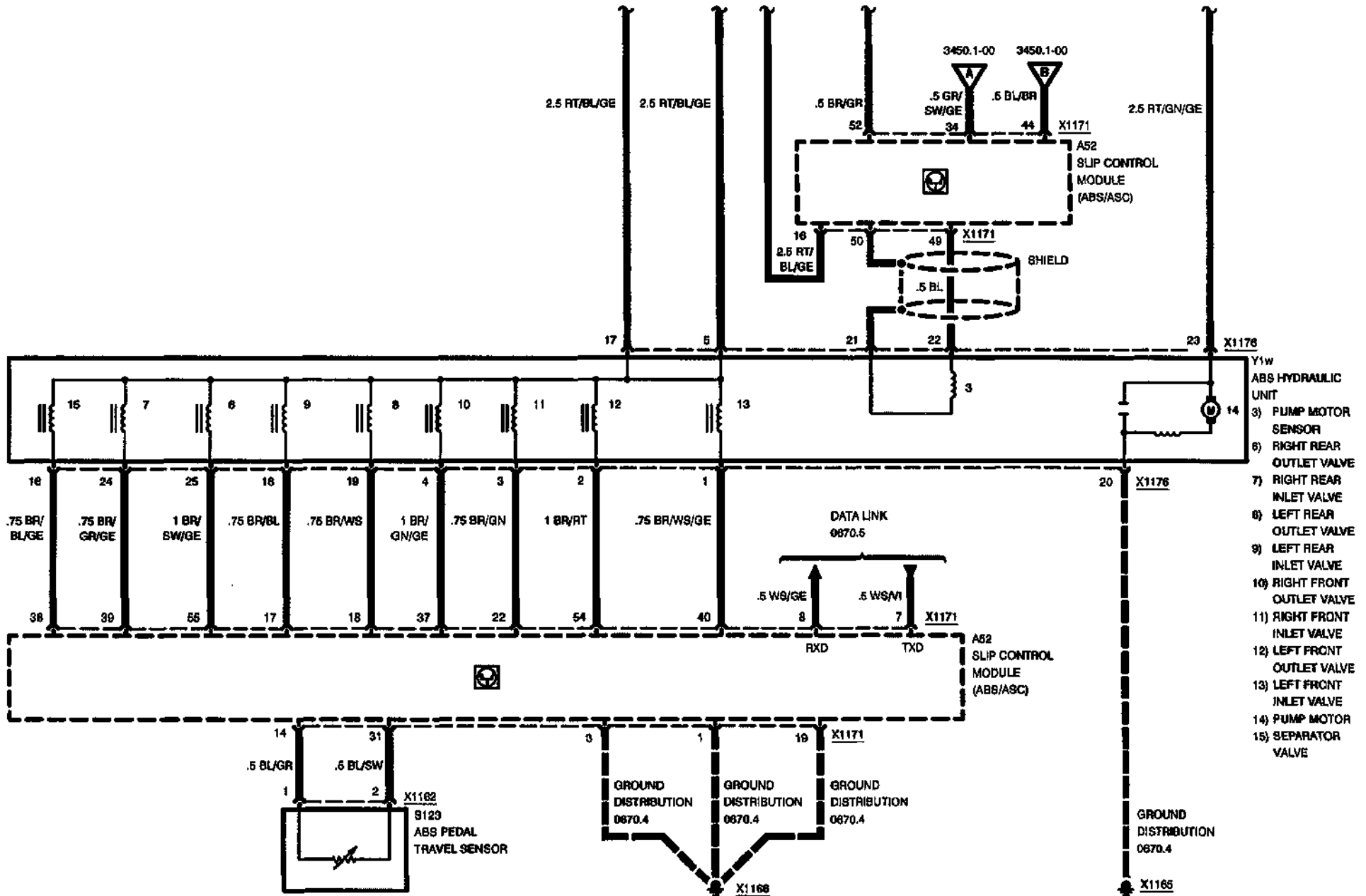
325i, 328i, M3

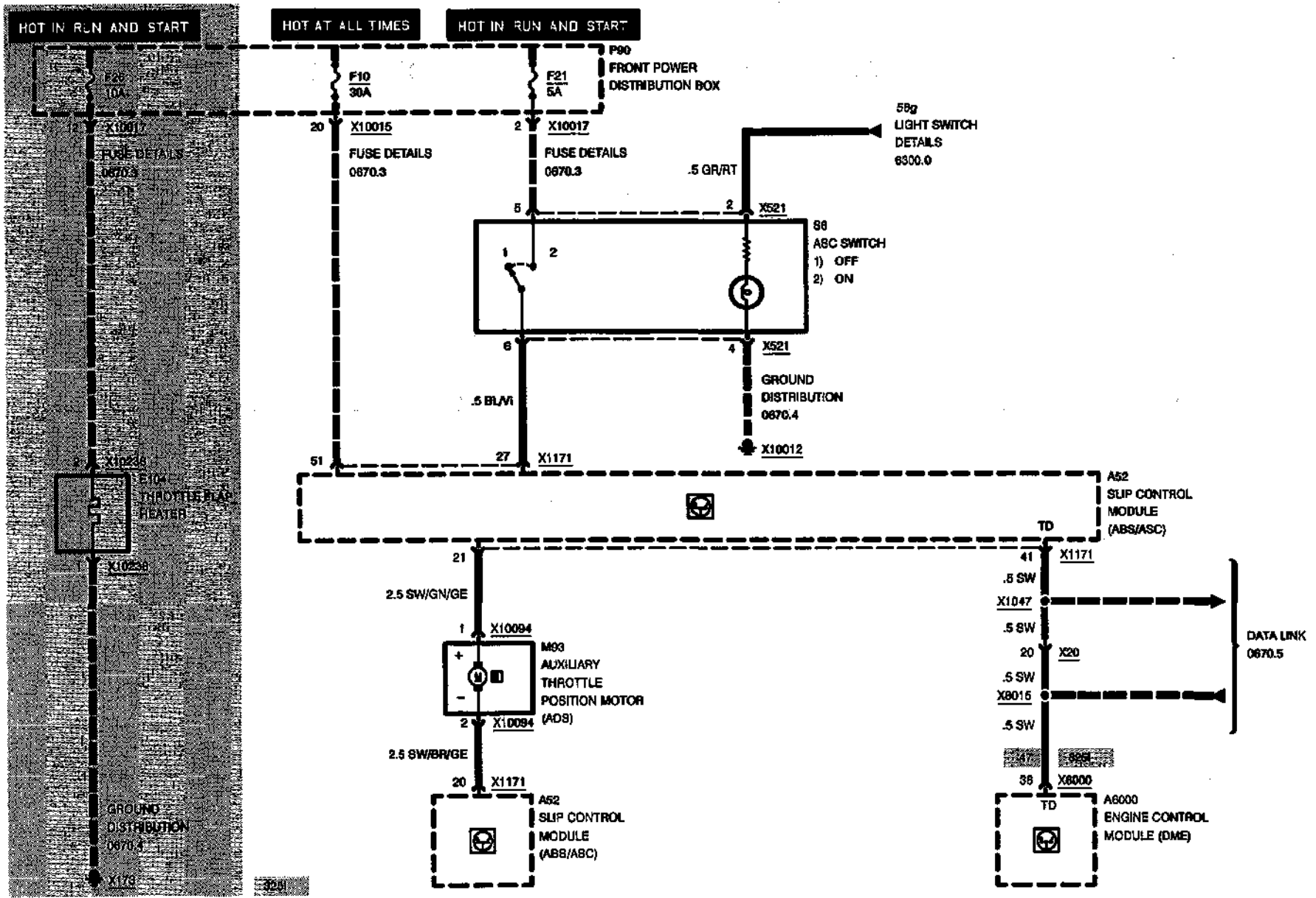


04/97

3450.1-00

1996

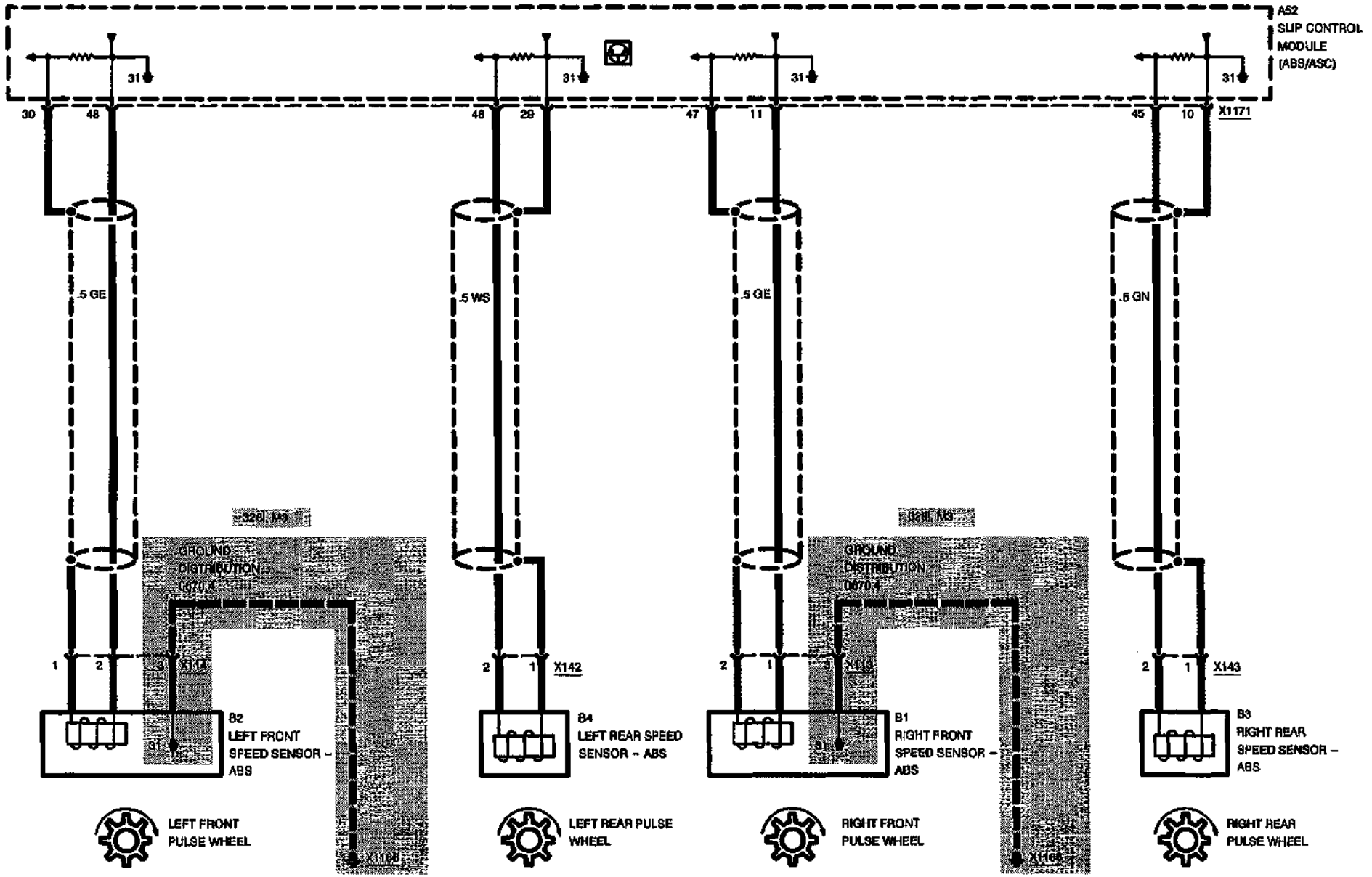






SLIP CONTROL (ABS/ASC)

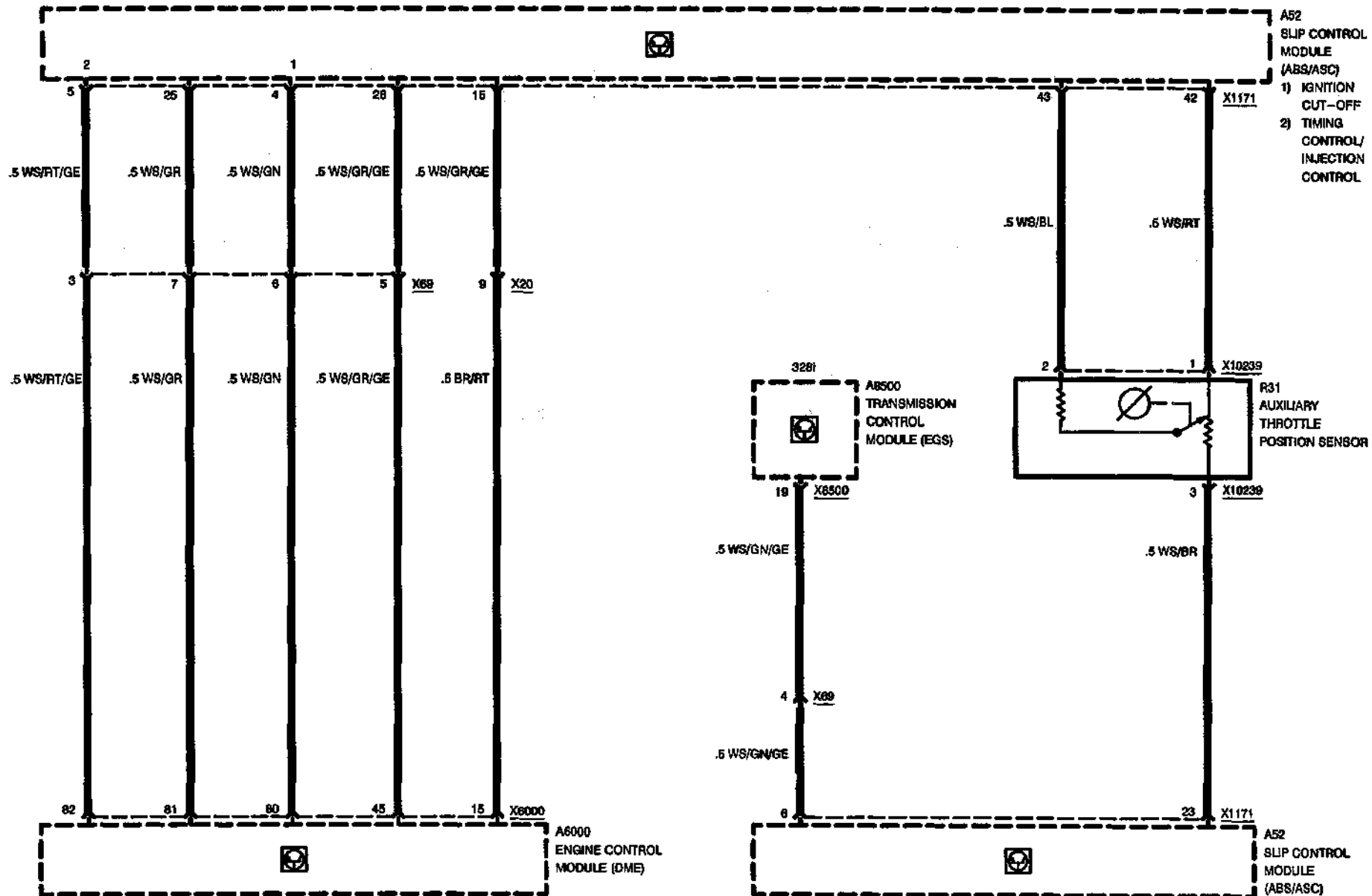
325i, 328i, M3

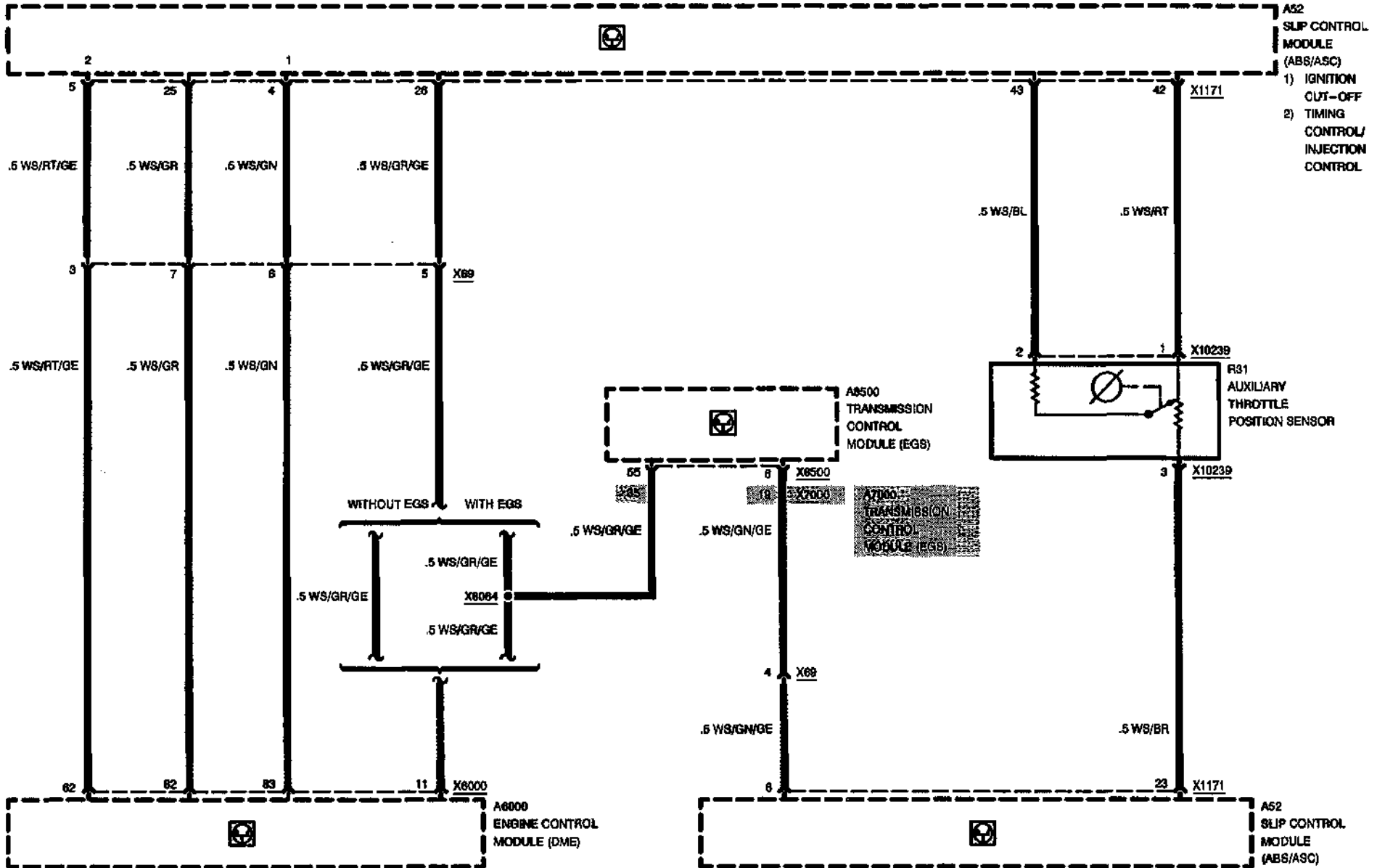


04/97

3450.1-03

1996





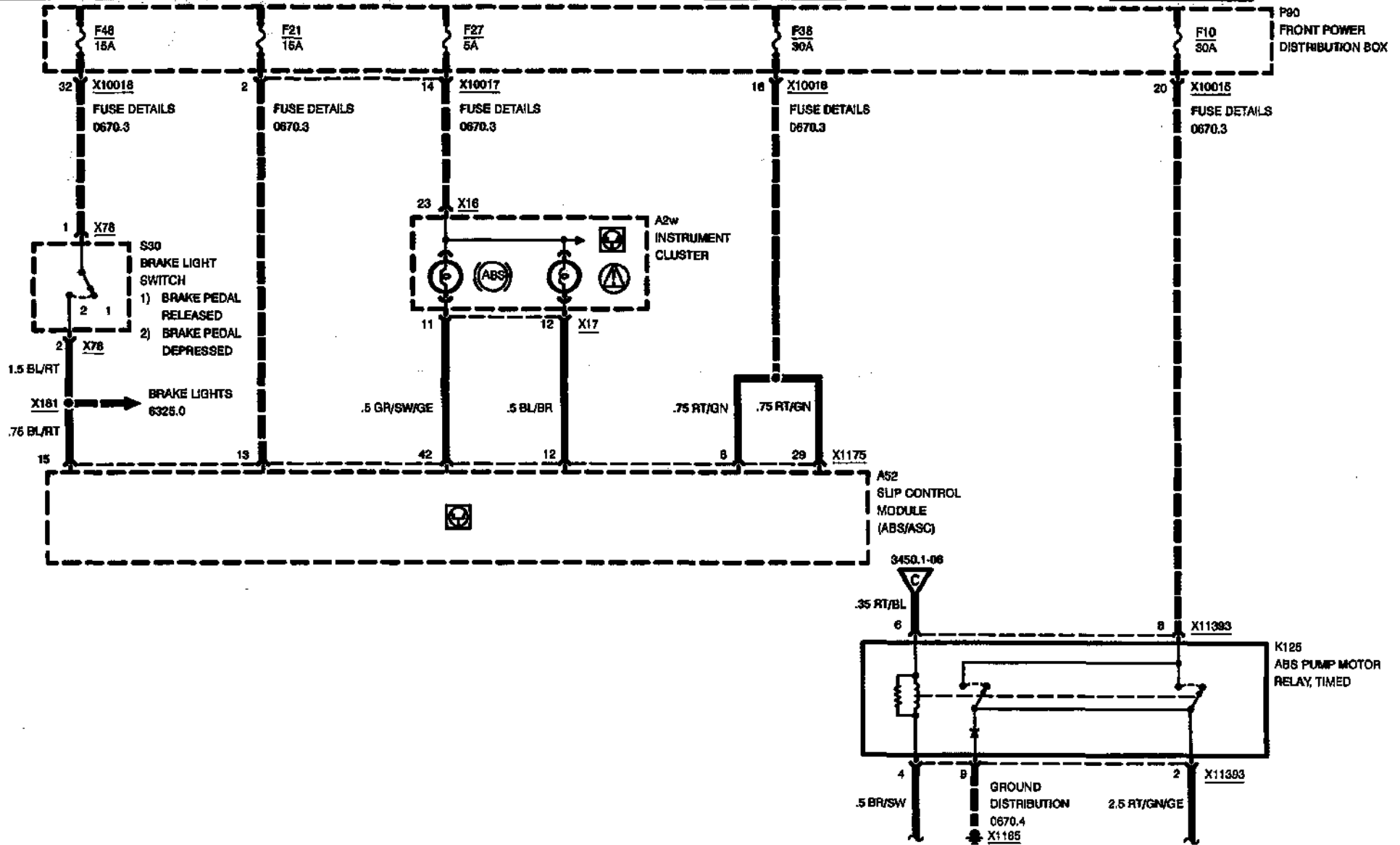
HOT IN ACCY, RUN AND START

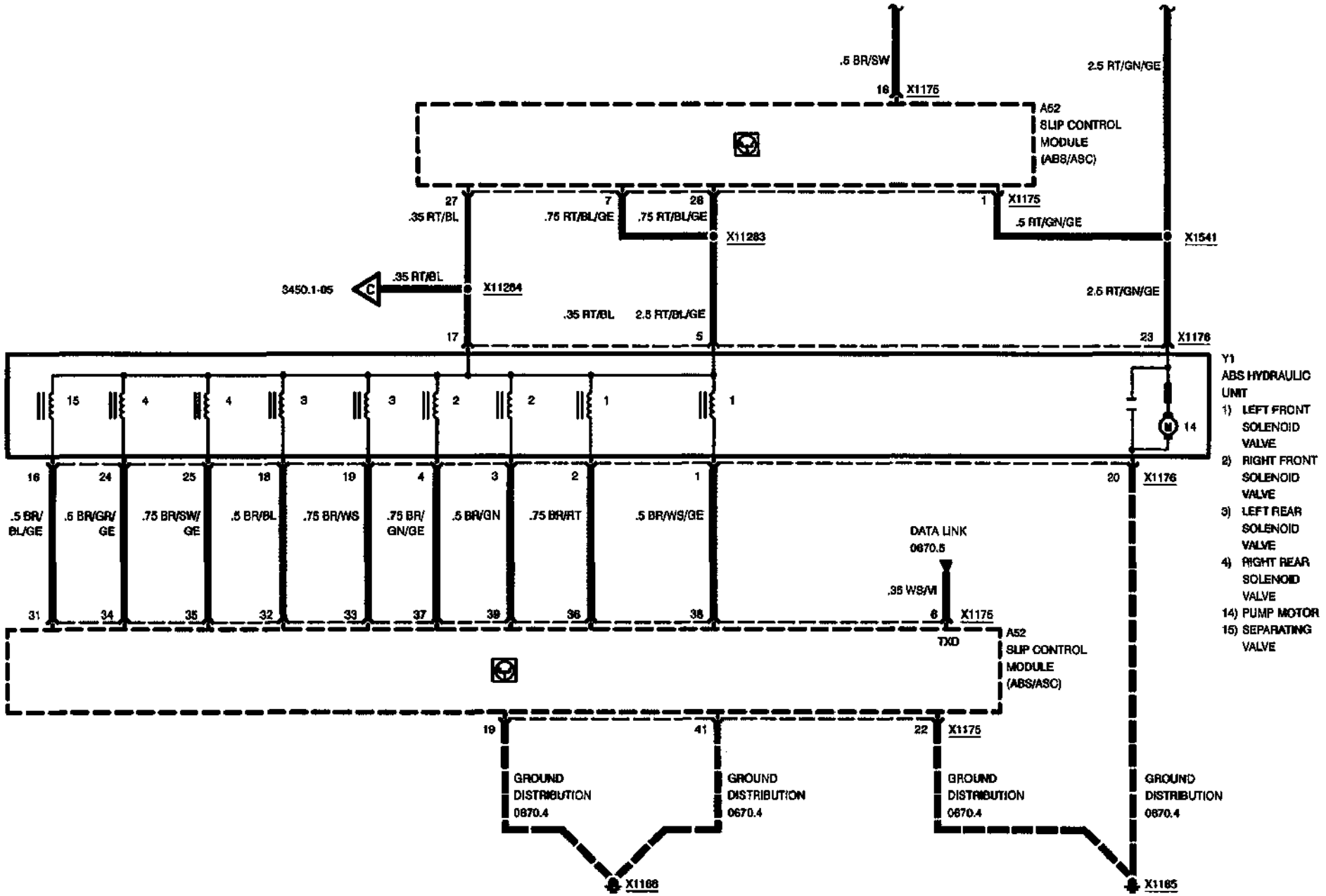
HOT IN RUN AND START

HOT IN RUN AND START

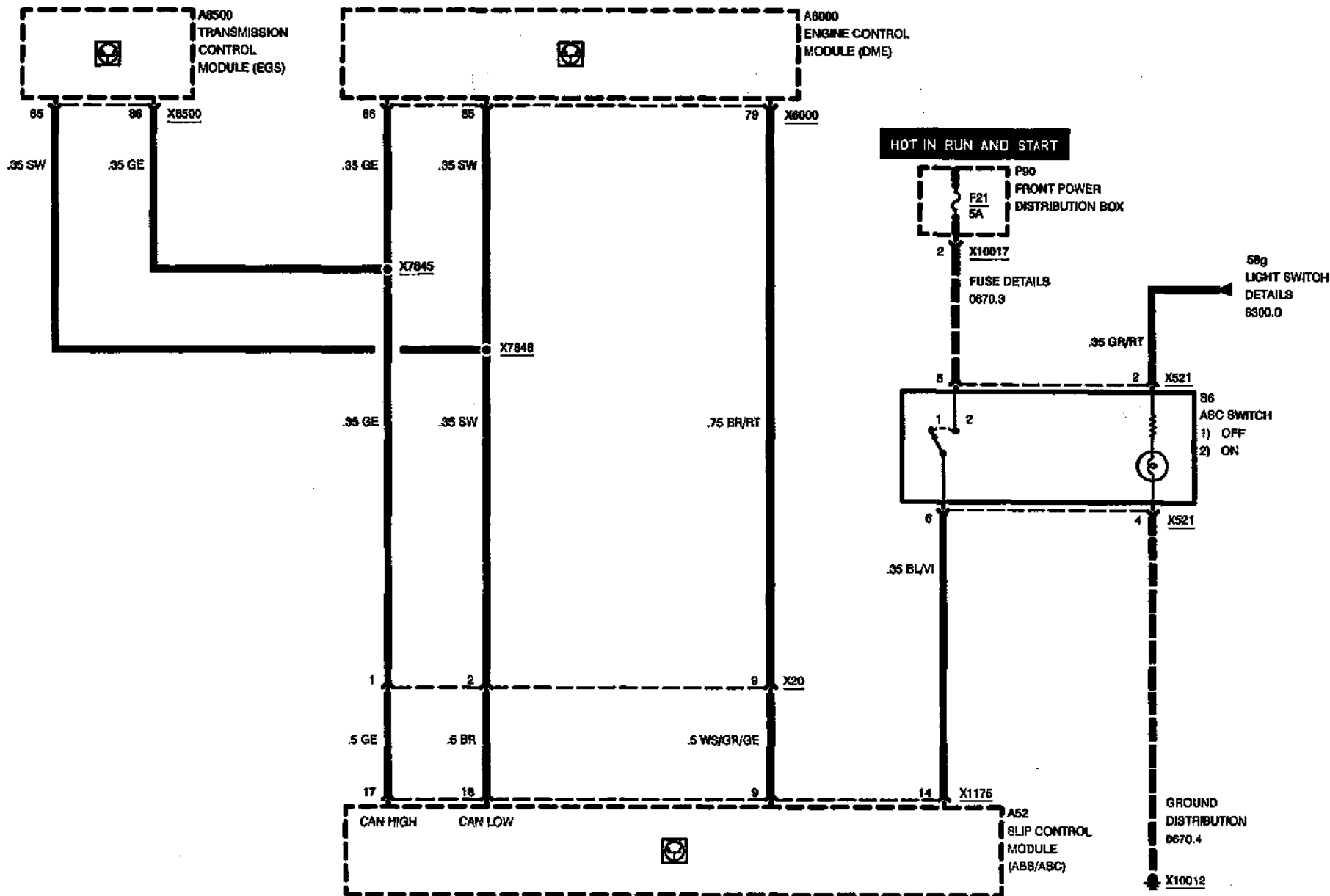
HOT AT ALL TIMES

HOT AT ALL TIMES





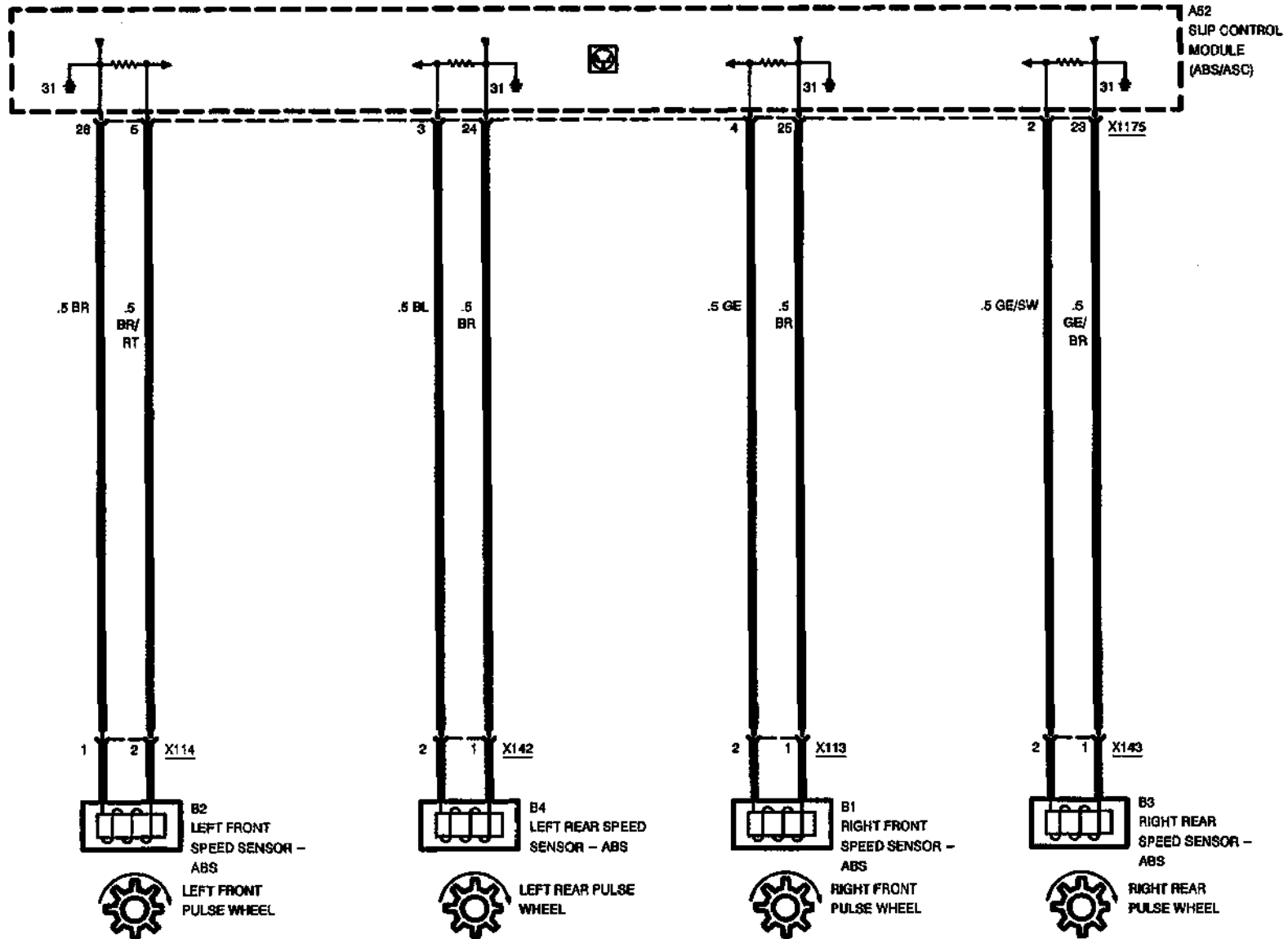
- Y1
ABS HYDRAULIC
UNIT
- 1) LEFT FRONT SOLENOID VALVE
 - 2) RIGHT FRONT SOLENOID VALVE
 - 3) LEFT REAR SOLENOID VALVE
 - 4) RIGHT REAR SOLENOID VALVE
 - 14) PUMP MOTOR
 - 15) SEPARATING VALVE





SLIP CONTROL (ABS/ASC)

318is



04/97

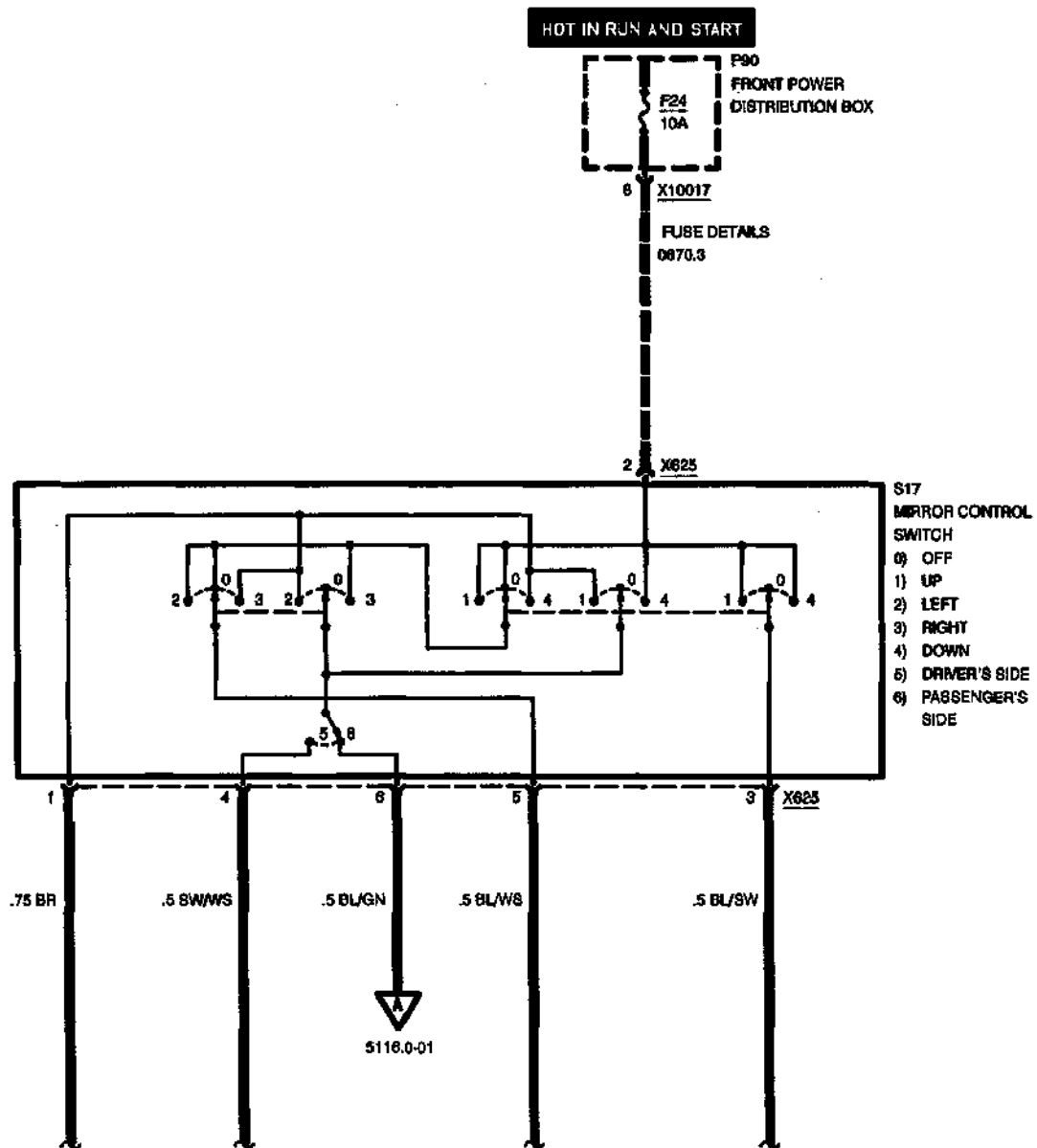
3450.1-09

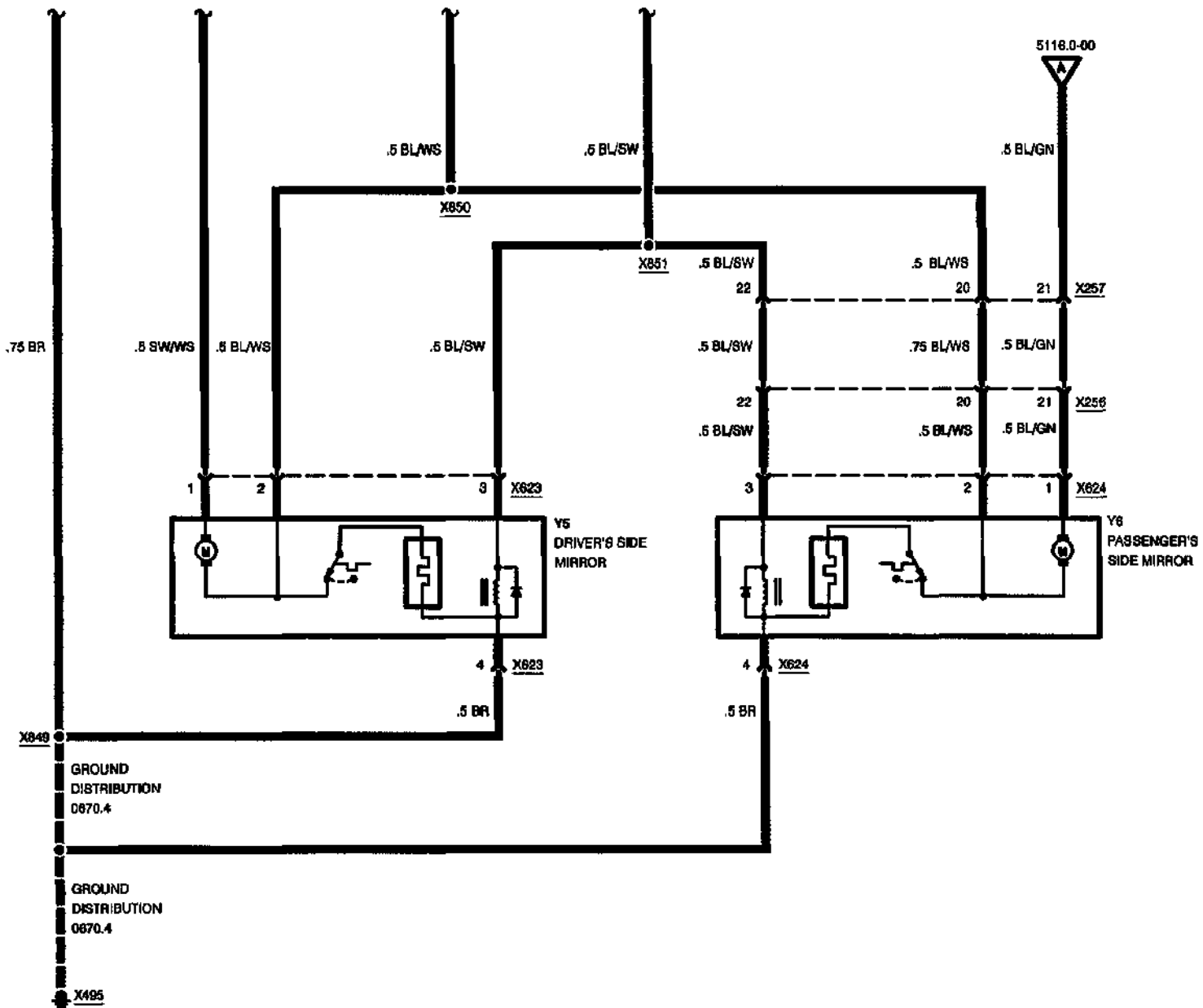
1996



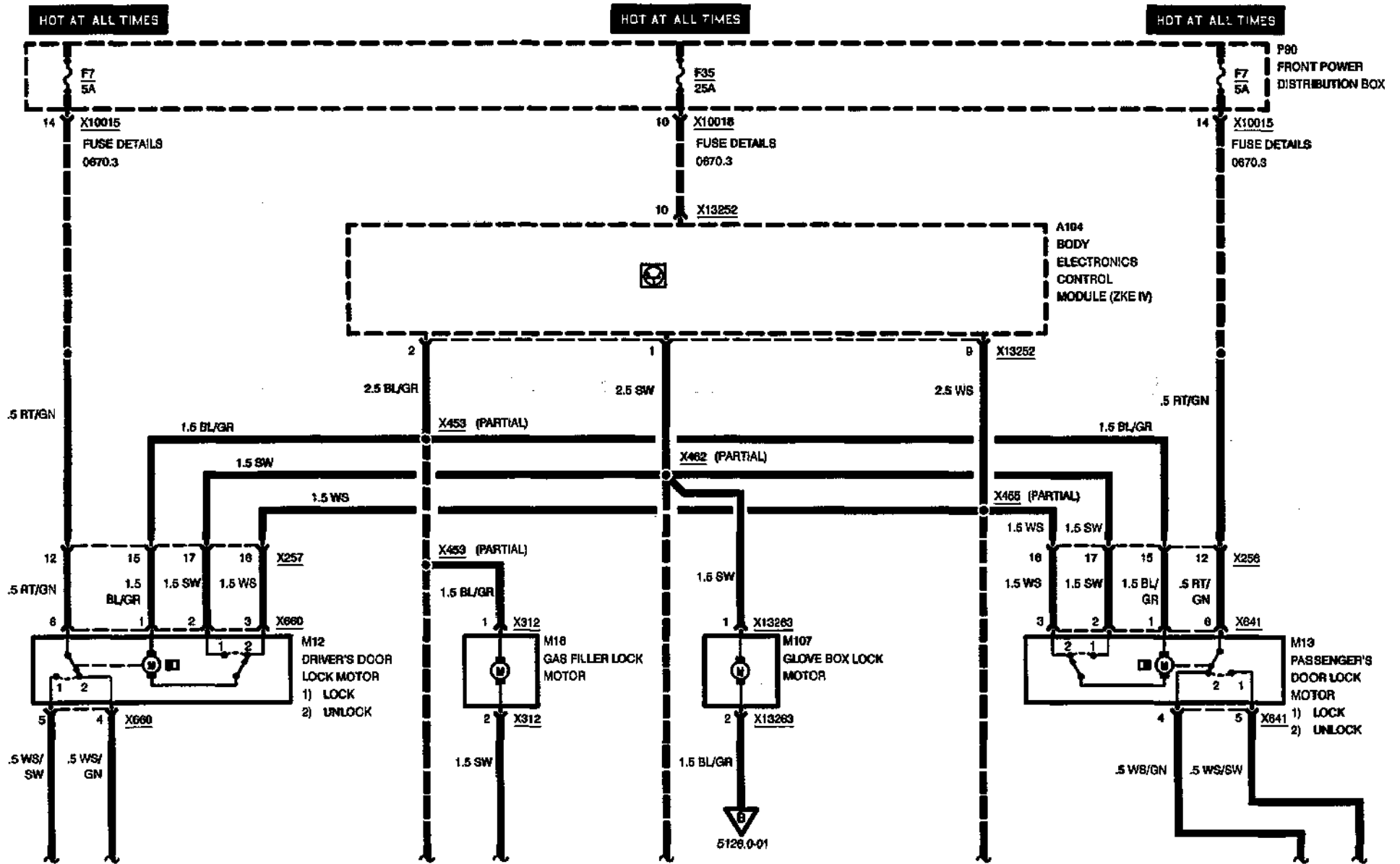
POWER MIRRORS

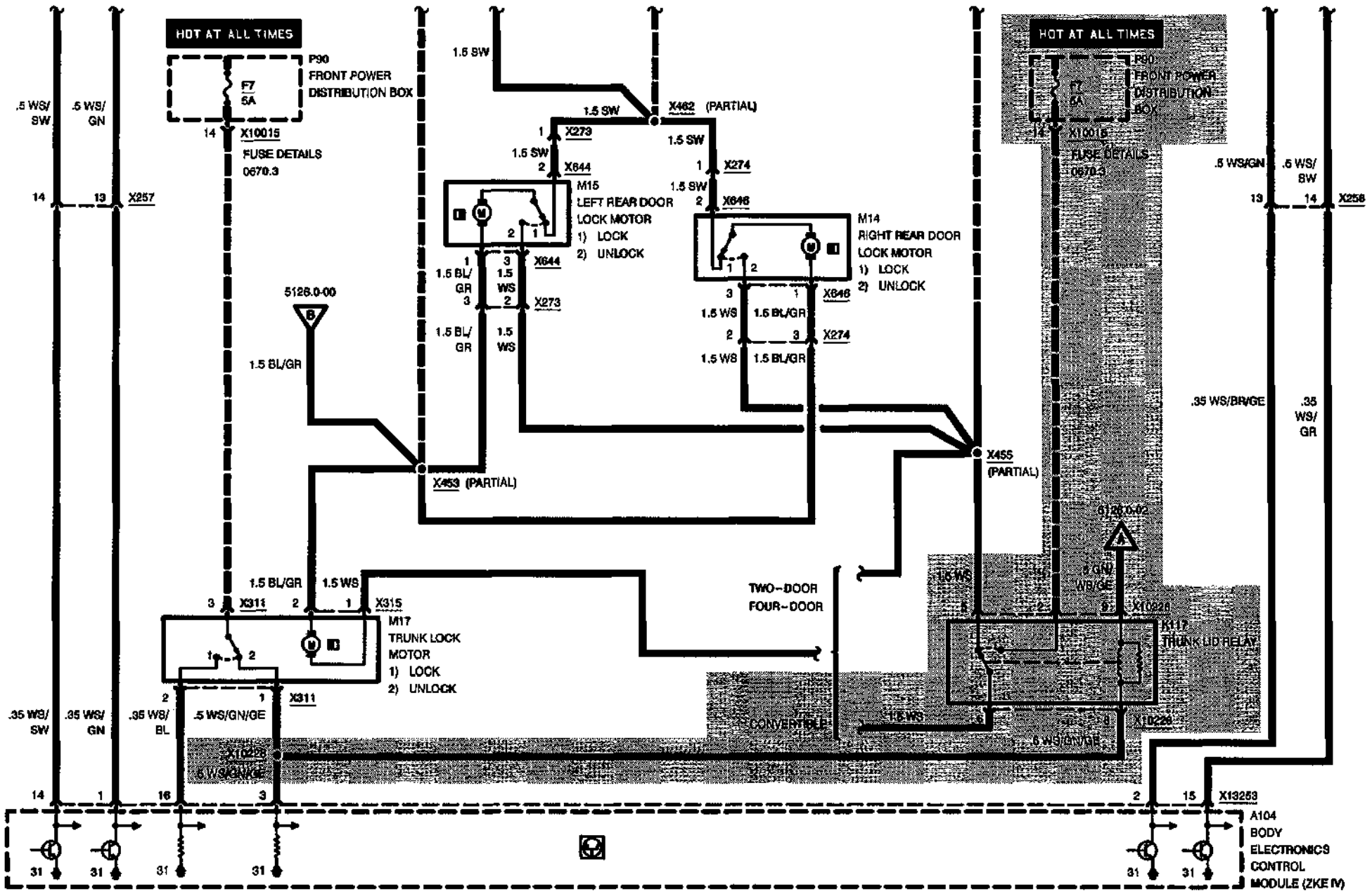
OUTSIDE MIRROR





ZKE CENTRAL LOCKING (ZV) OUTPUT DETAILS

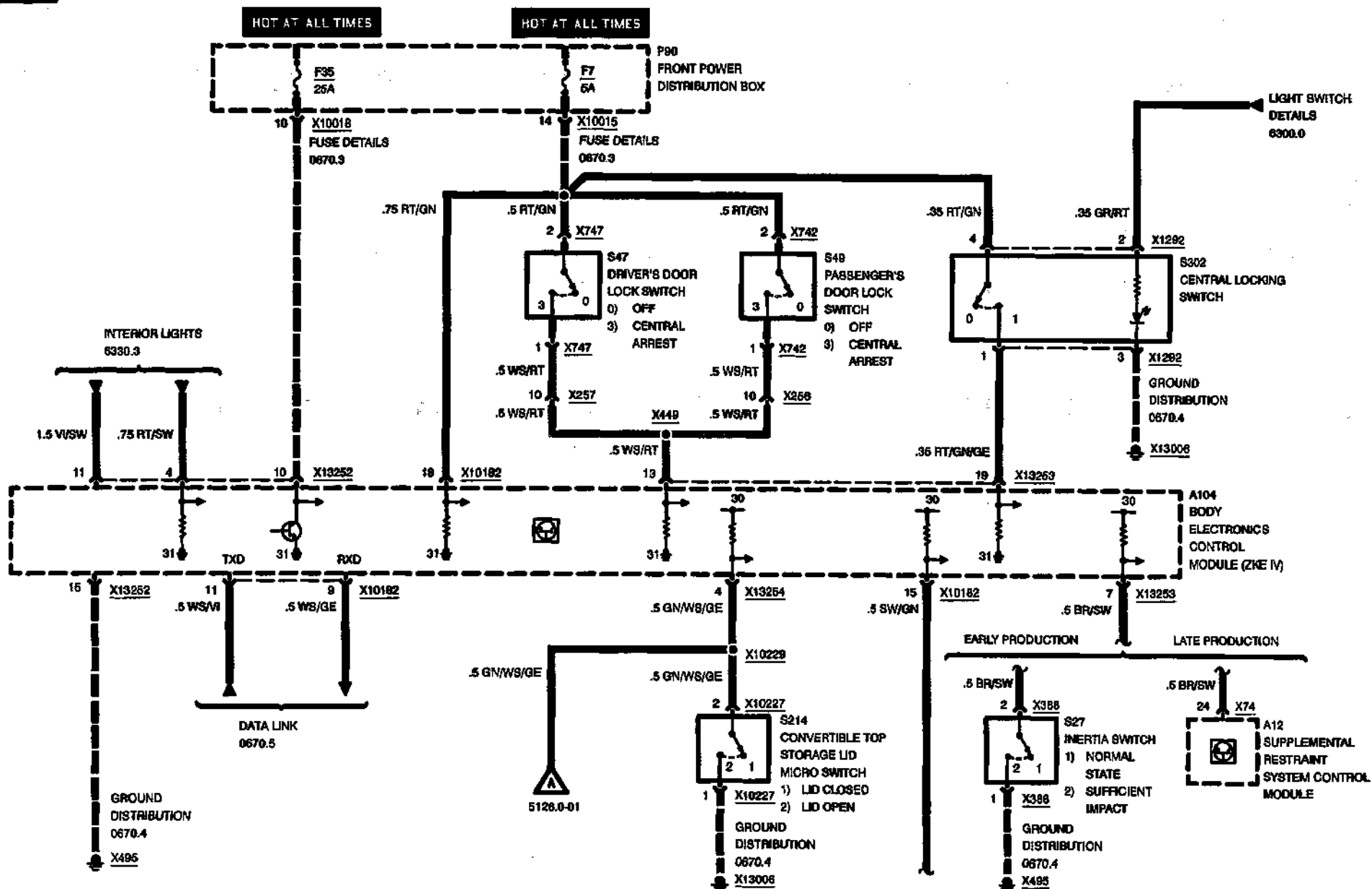


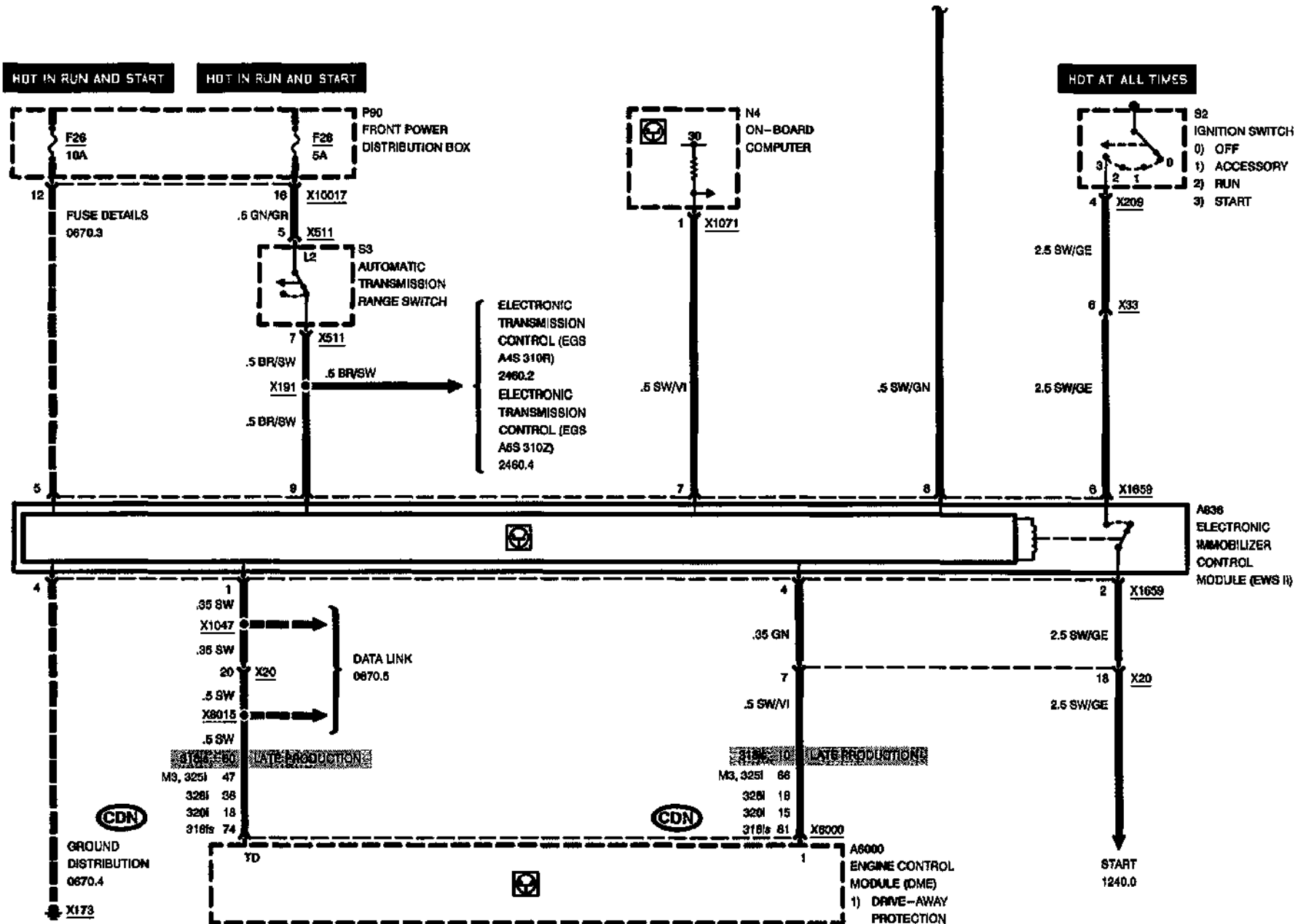


04/97
5126.0-01
1996



ZKE CENTRAL LOCKING (ZV)

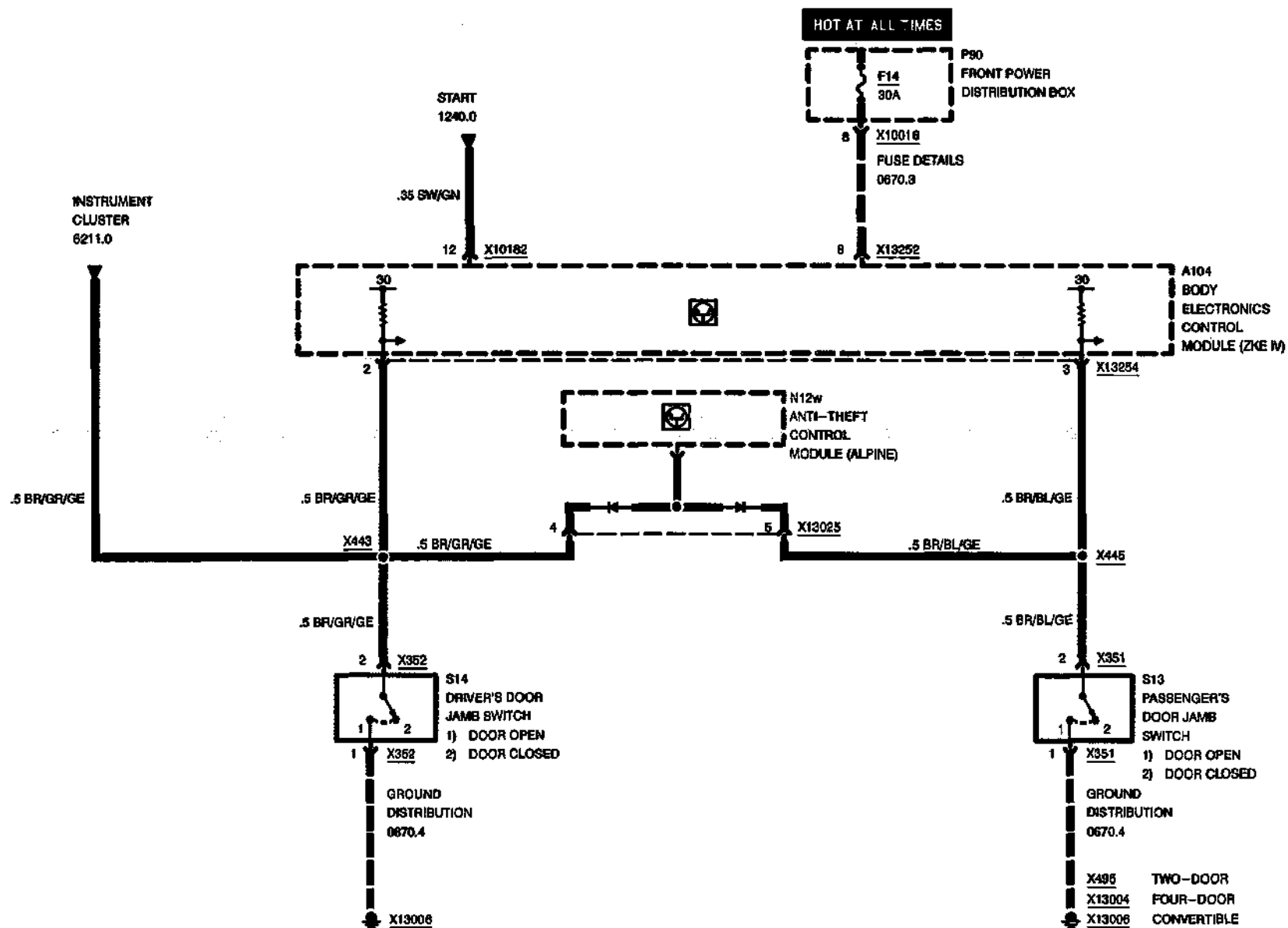






POWER WINDOWS (FH)

INPUT DETAILS



04/97

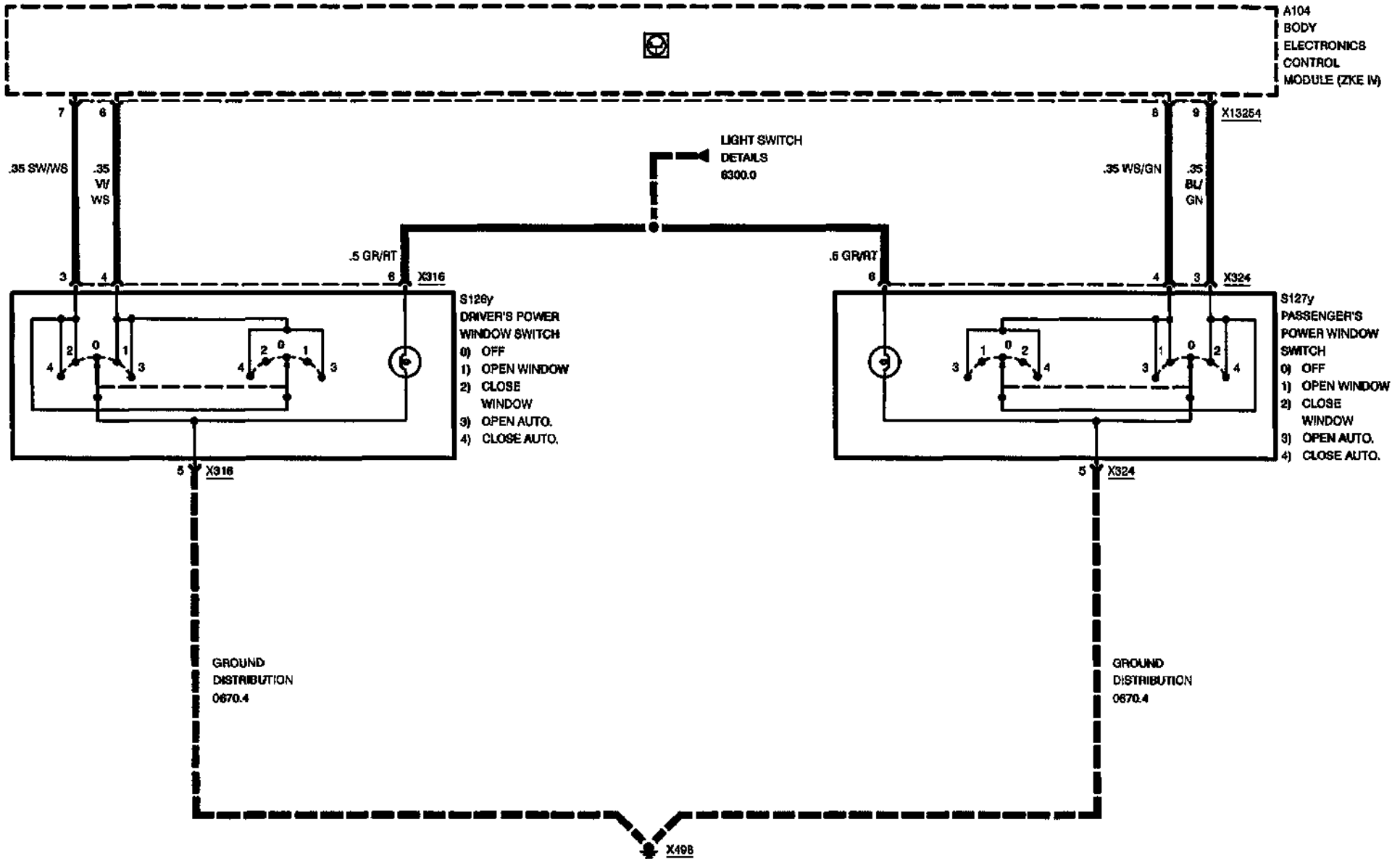
5133.1-00

1996



POWER WINDOWS (FH)

INPUT DETAILS



04/97

5133.1-01

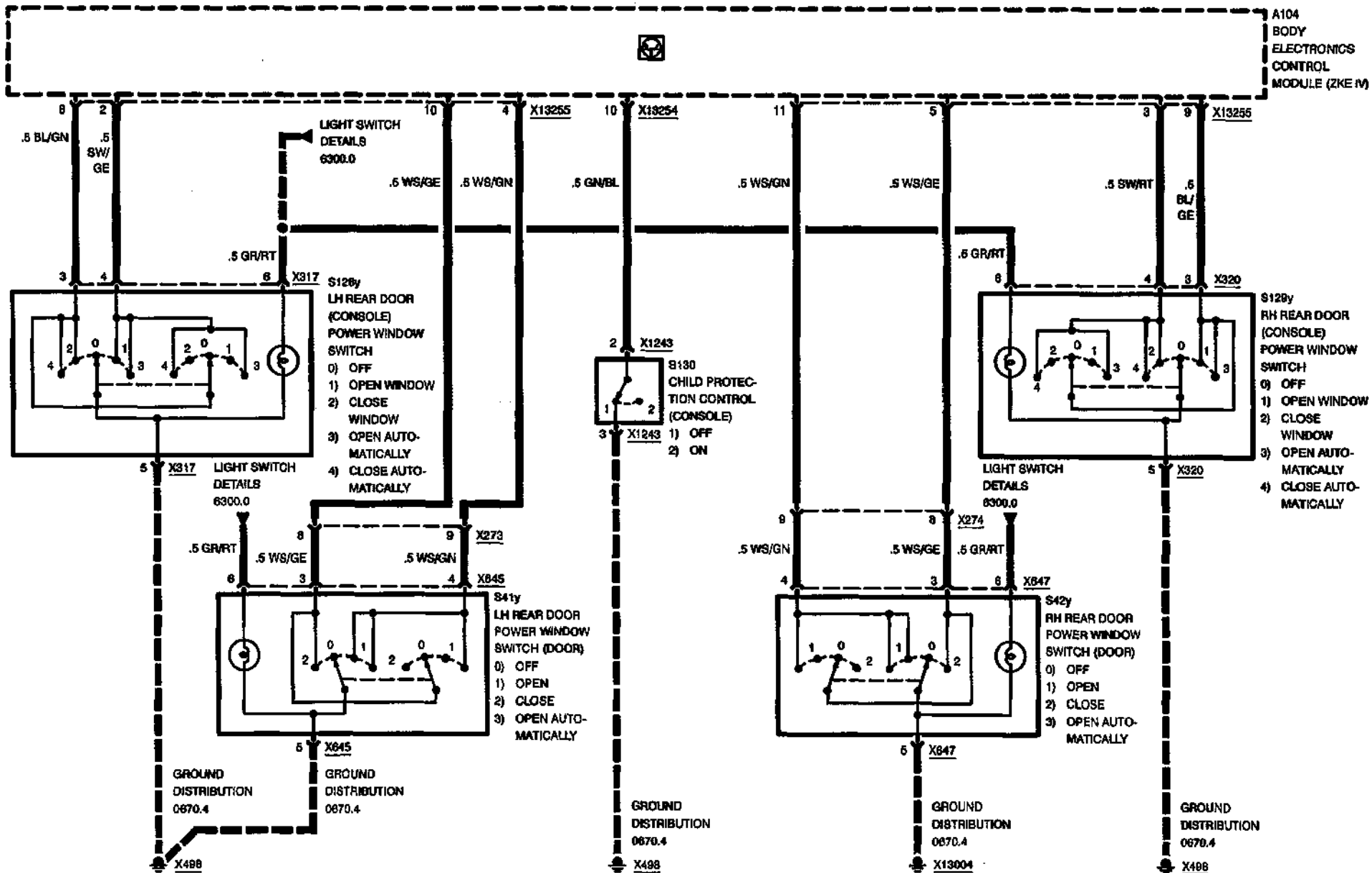
1996



POWER WINDOWS (FH)

INPUT DETAILS

FOUR-DOOR

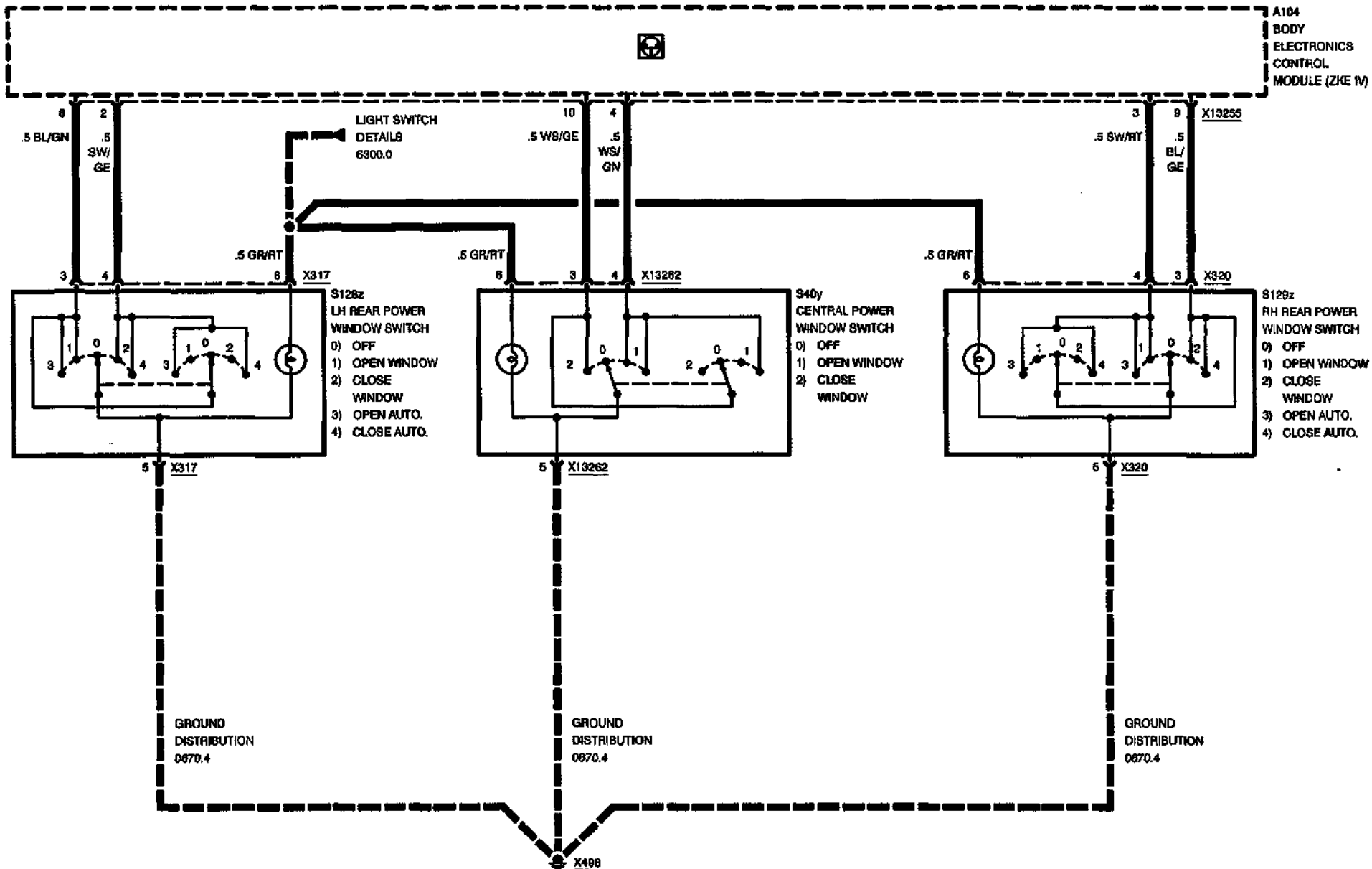




POWER WINDOWS (FH)

INPUT DETAILS

CONVERTIBLE



04/97

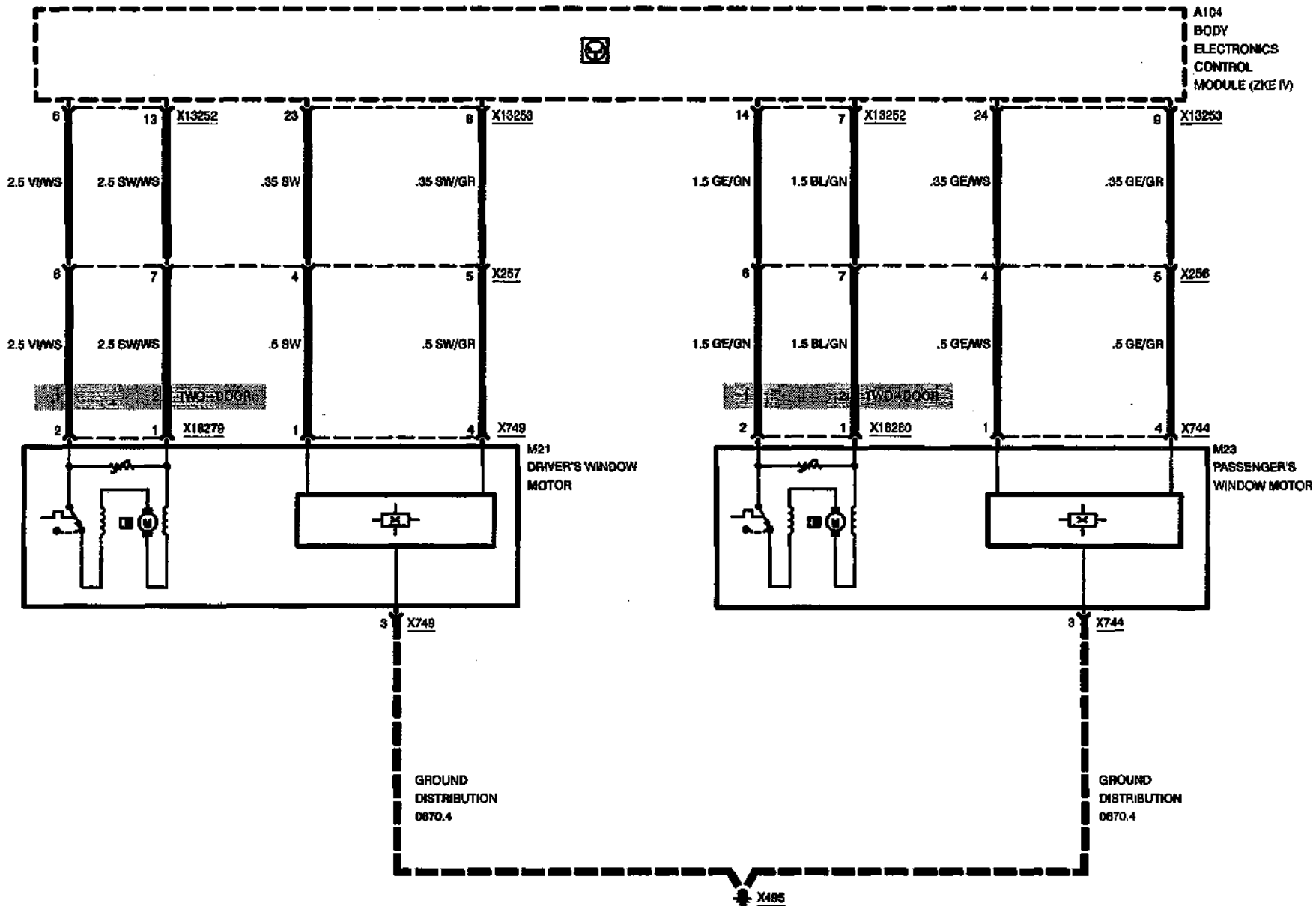
5133.1-03

1996



POWER WINDOWS (FH)

OUTPUT DETAILS



04/97

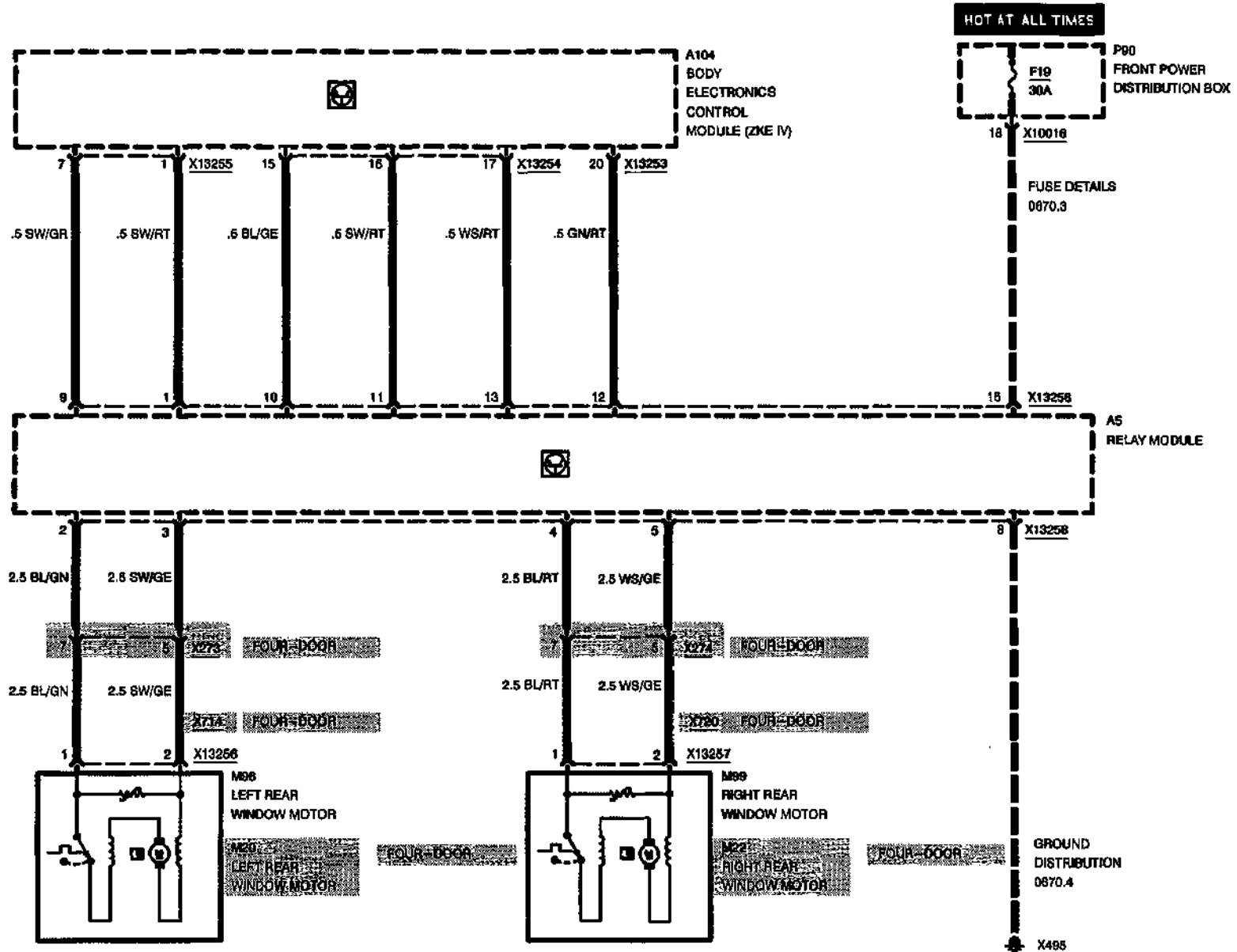
5133.1-04

1996



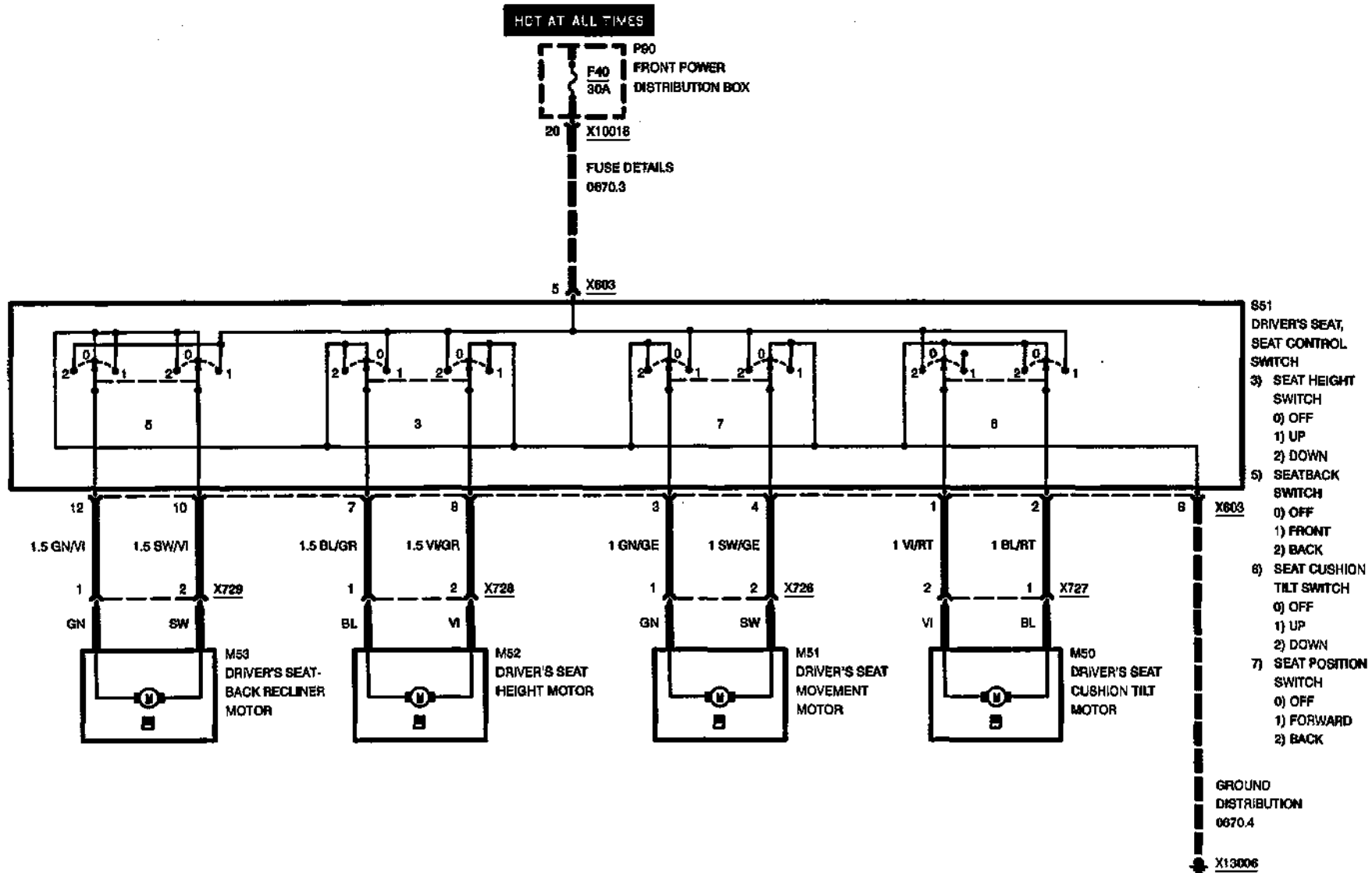
POWER WINDOWS (FH)

OUTPUT DETAILS





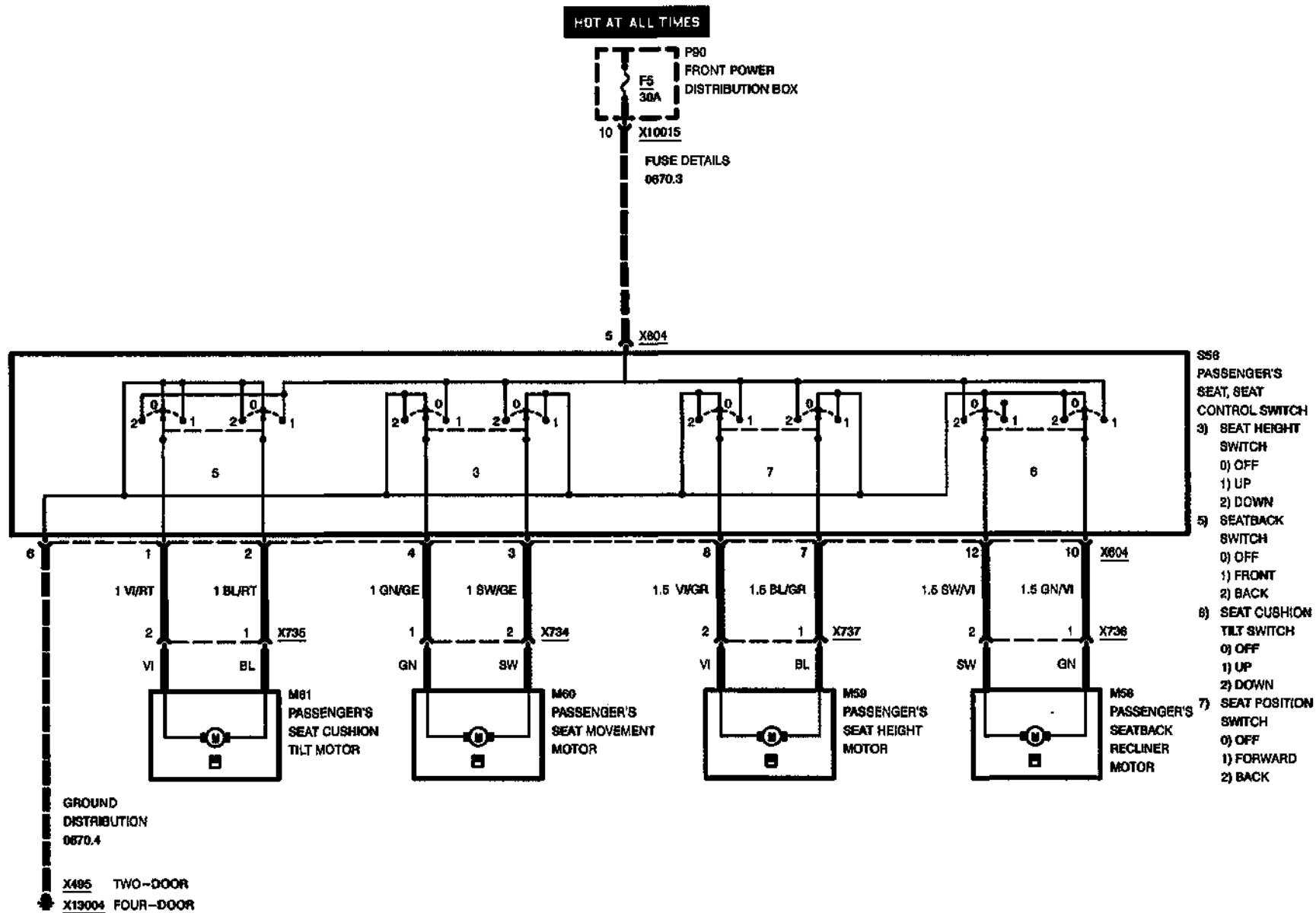
POWER SEATS DRIVER'S SEAT





POWER SEATS

PASSENGER'S SEAT

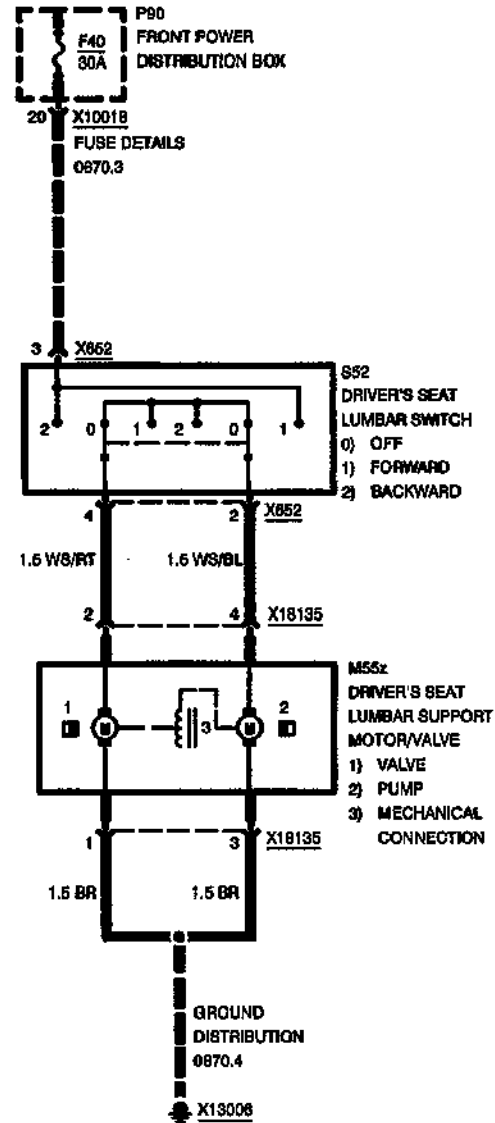




POWER SEATS AND LUMBAR SUPPORT

DRIVER'S SIDE – LUMBAR SUPPORT

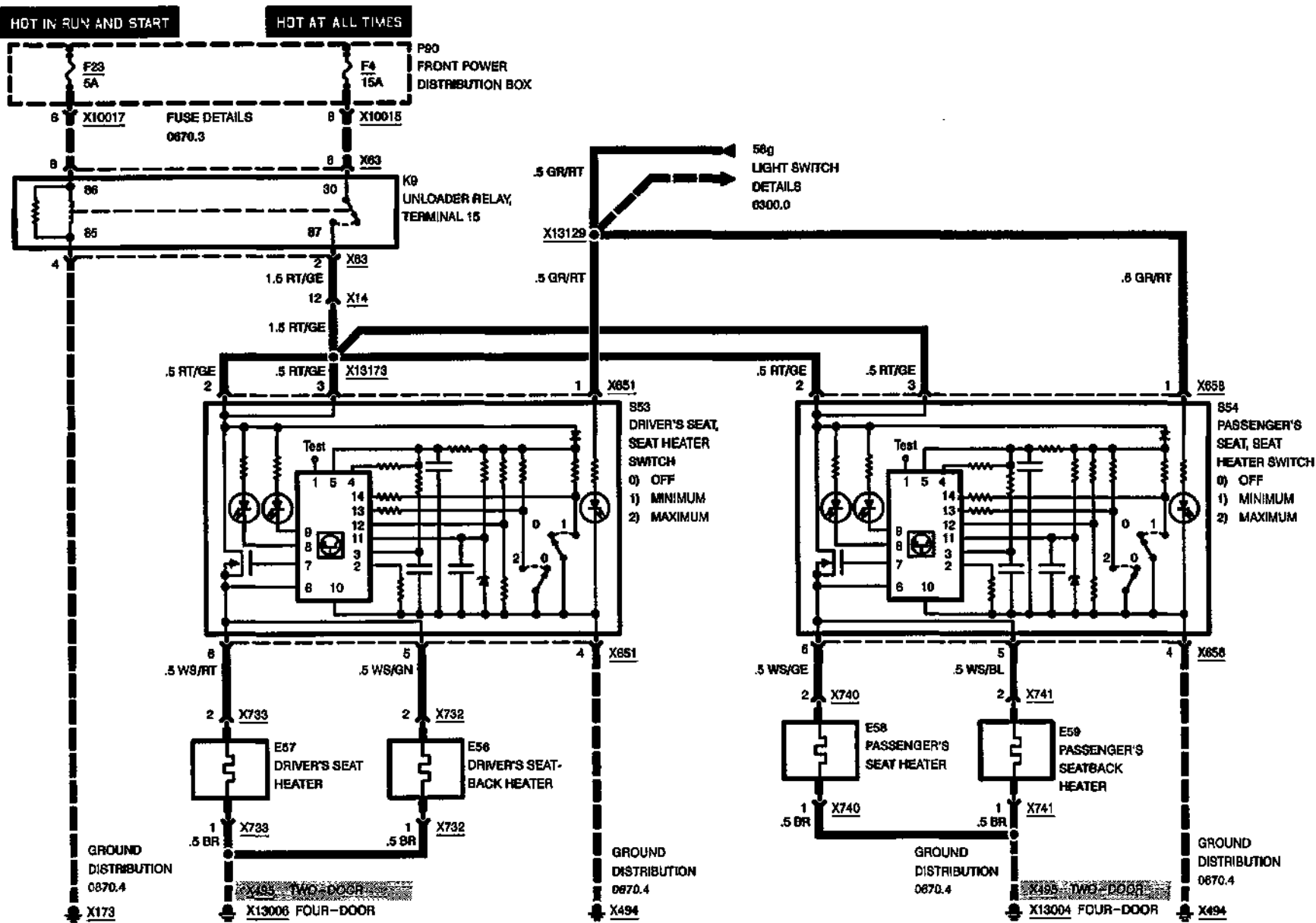
HOT AT ALL TIMES





5203.0

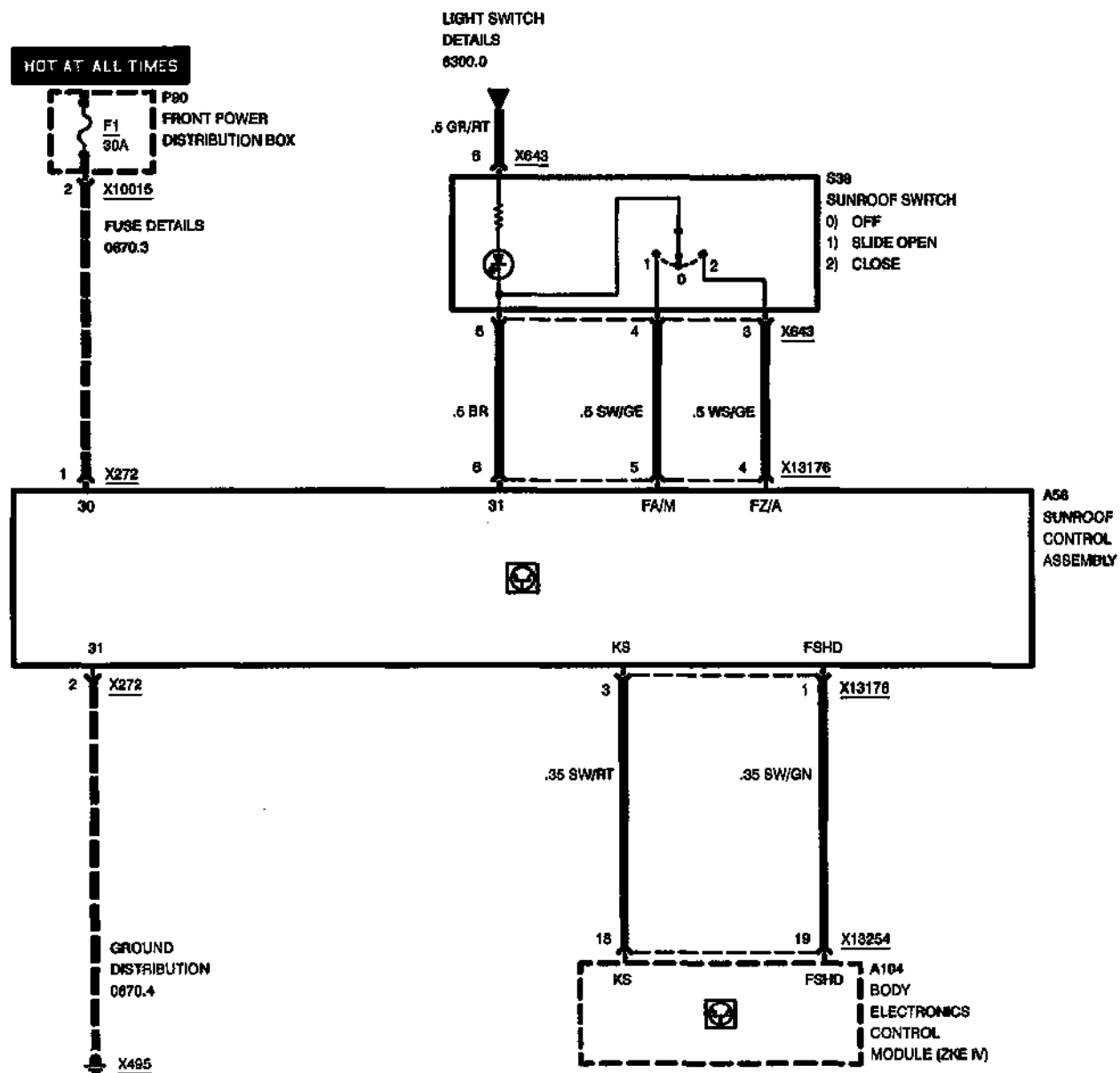
HEATED SEATS

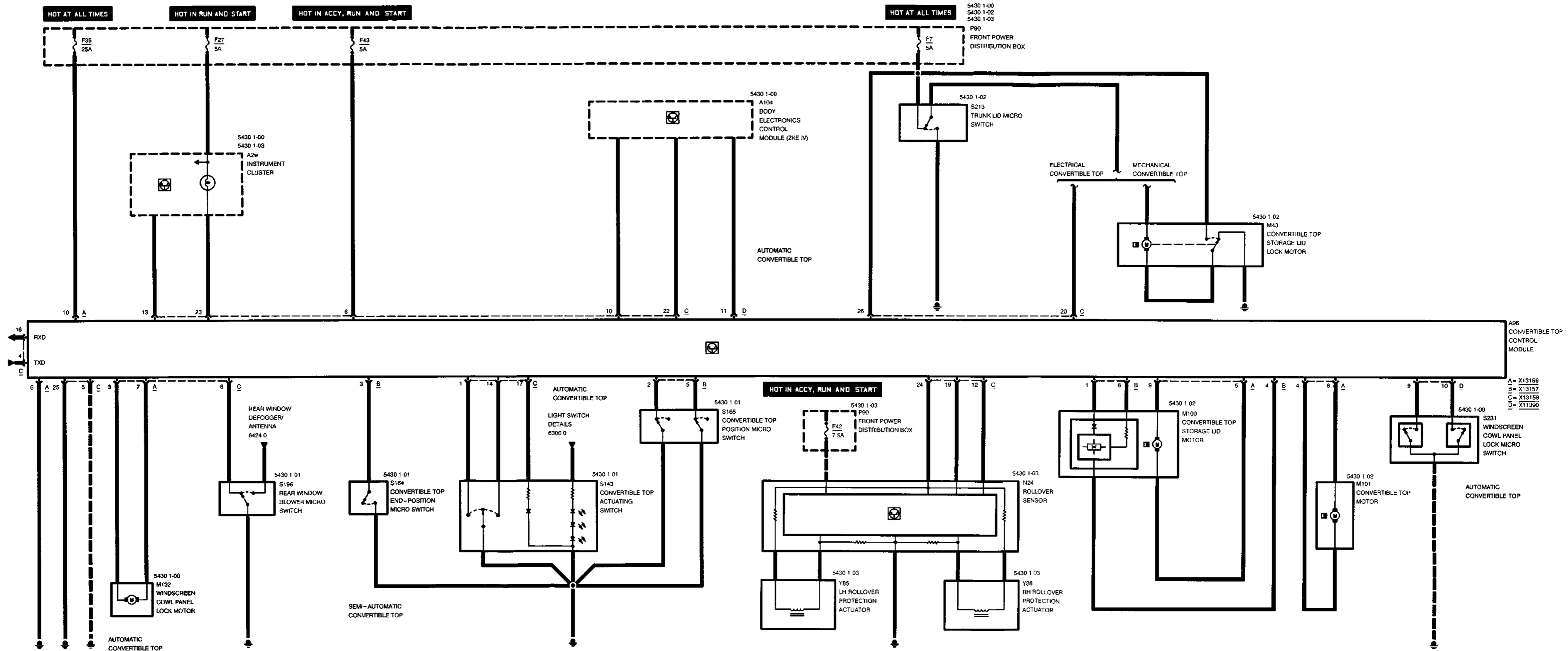




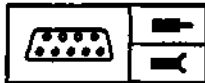


POWER SUN ROOF (SHD)





A = X13158
 B = X13157
 C = X13159
 D = X11390



Pin Assignments

A = X13156 10 Pins, black

B = X13157 6 Pins, black

C = X13159 26 Pins, black

D = X11390 12 Pins, black

X13156

Pin	Type	Description/Function	Connection
1		Not used	
2		Not used	
3	E/A	Activate engine (MVER R2)	Windscreen cowl panel locking (automatic convertible top)
4	E/A	Control signal	Convertible top motor
5	E/A	Control signal	Convertible top storage lid motor
6	M	Ground	Ground
7	E/A	Activate engine (MVER R2)	Windscreen cowl panel locking (automatic convertible top)
8	E/A	Control signal	Convertible top motor
9	E/A	Control signal	Convertible top storage lid motor
10	E	Plus supply 12V	Front power distribution box

X13157

Pin	Type	Description/Function	Connection
1	A	Plus supply	Position sensor (convertible top storage lid motor)
2	E	Position signal	Convertible top position micro switch
3	E	Position signal	Convertible top end position micro switch (semi-automatic convertible top)
4	E	Component ground	Position sensor (convertible top storage lid motor)
5	E	Position signal	Convertible top position micro switch
6	E	Control signal	Position sensor (convertible top storage lid motor)

E = Input, A = Output, M = Ground



Pin Assignments

X13159

Pin	Type	Description/Function	Connection
1	E	Top open signal	Convertible top actuating switch
2		Not used	
3		Not used	
4	E/A	TxD data signal	Data link connector
5	M	Ground	Hard top connector 1
6	E	Power supply	Front power distribution box
7		Not used	
8	E	Rear window blower signal	Rear window blower micro switch
9		Not used	
10	A	Data signal	Body electronics control module
11		Not used	
12	A	Data signal	Roll over sensor
13	A	Speed signal	Instrument cluster
14	E	Top closed signal	Convertible top actuating switch
15		Not used	
16	A	RxD data signal	Data link connector
17	A	LED	Convertible top actuating switch
18		Not used	
19	A	Data signal	Roll over sensor
20	E	Trunk lid signal	Trunk lid micro switch
21		Not used	
22	A	Data signal	Body electronics control module
23	A	Roll over signal	Instrument cluster
24	A	Data signal	Roll over sensor
25	M	Ground	Ground
26	E	Power supply	Front power distribution box

E = Input, A = Output, M = Ground



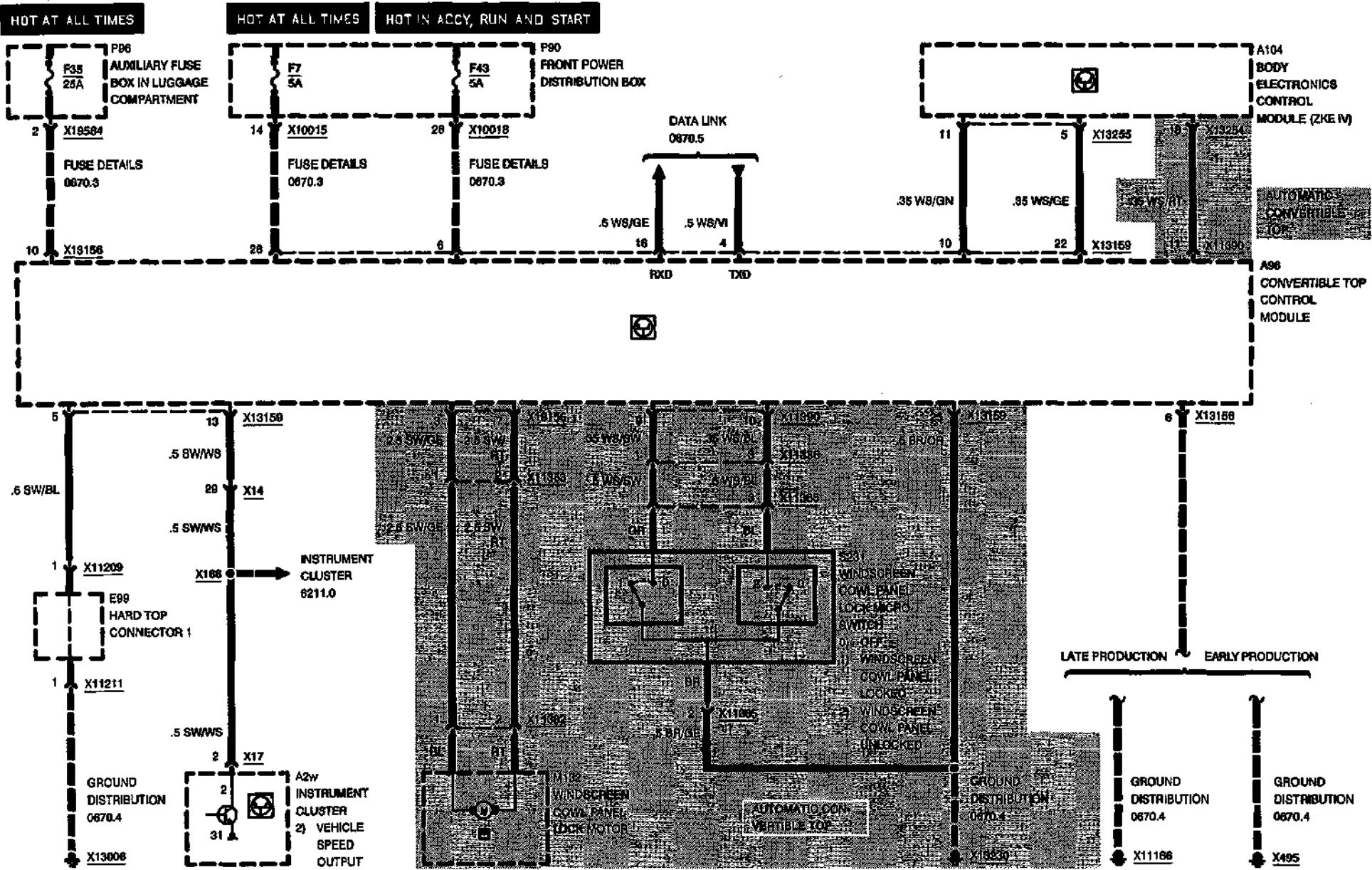
Pin Assignments

X11390

Pin	Type	Description/Function	Connection
1		Not used	
2		Not used	
3		Not used	
4		Not used	
5		Not used	
6		Not used	
7		Not used	
8		Not used	
9	E/A	ML VER	Windscreen cowl panel lock microswitch (automatic convertible top)
10	E/A	ML UNLOCKED	Windscreen cowl panel UNLOCKED (automatic convertible top)
11	E/A	ML KOSCHL	Body electronics control module (ZKE IV) (automatic convertible top)
12		Not used	

E = Input, A = Output, M = Ground

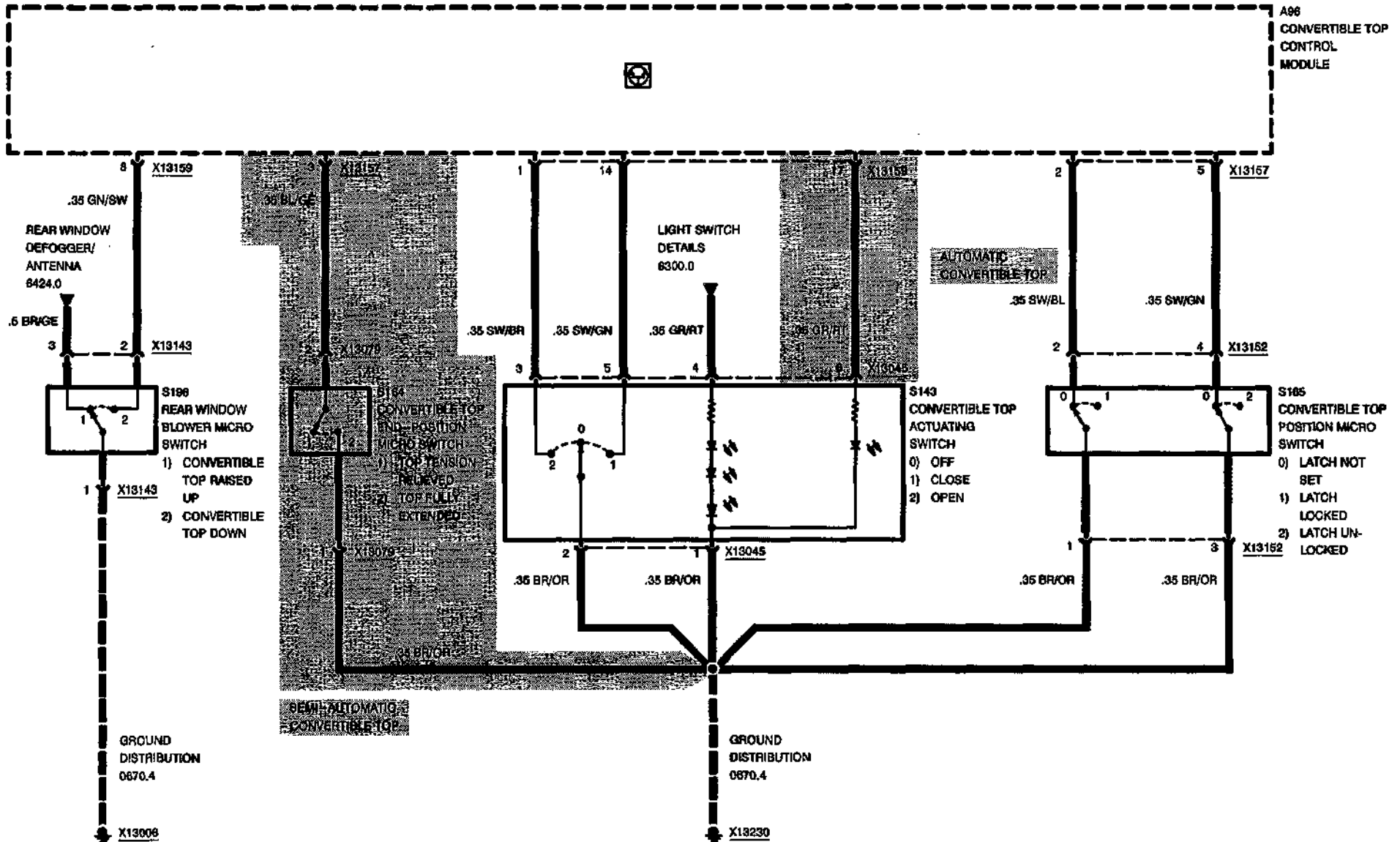
ELECTRICAL CONVERTIBLE TOP



04/97
5430.1-00
1996



ELECTRICAL CONVERTIBLE TOP



04/97

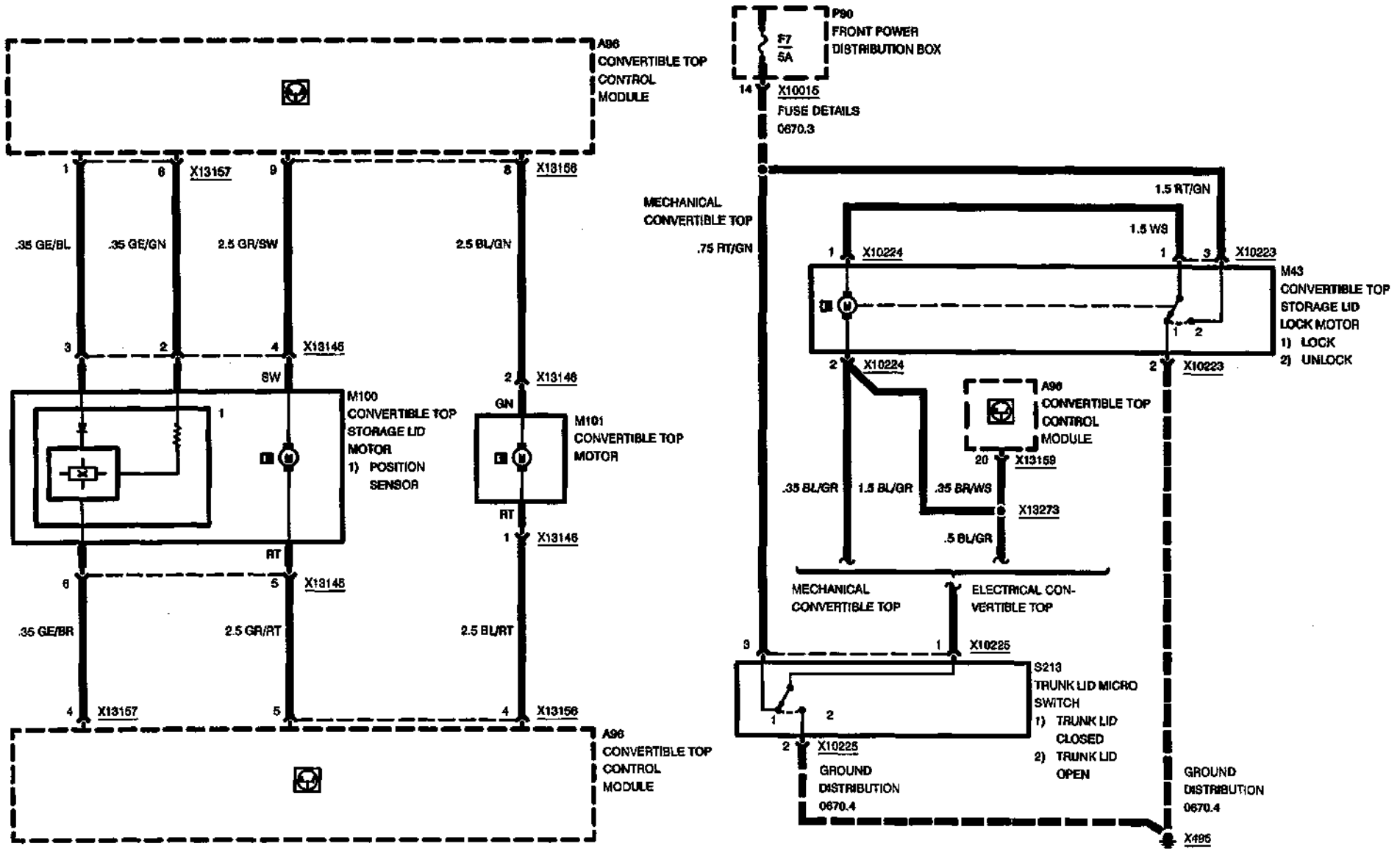
5430.1-01

1996



ELECTRICAL CONVERTIBLE TOP

HOT AT ALL TIMES



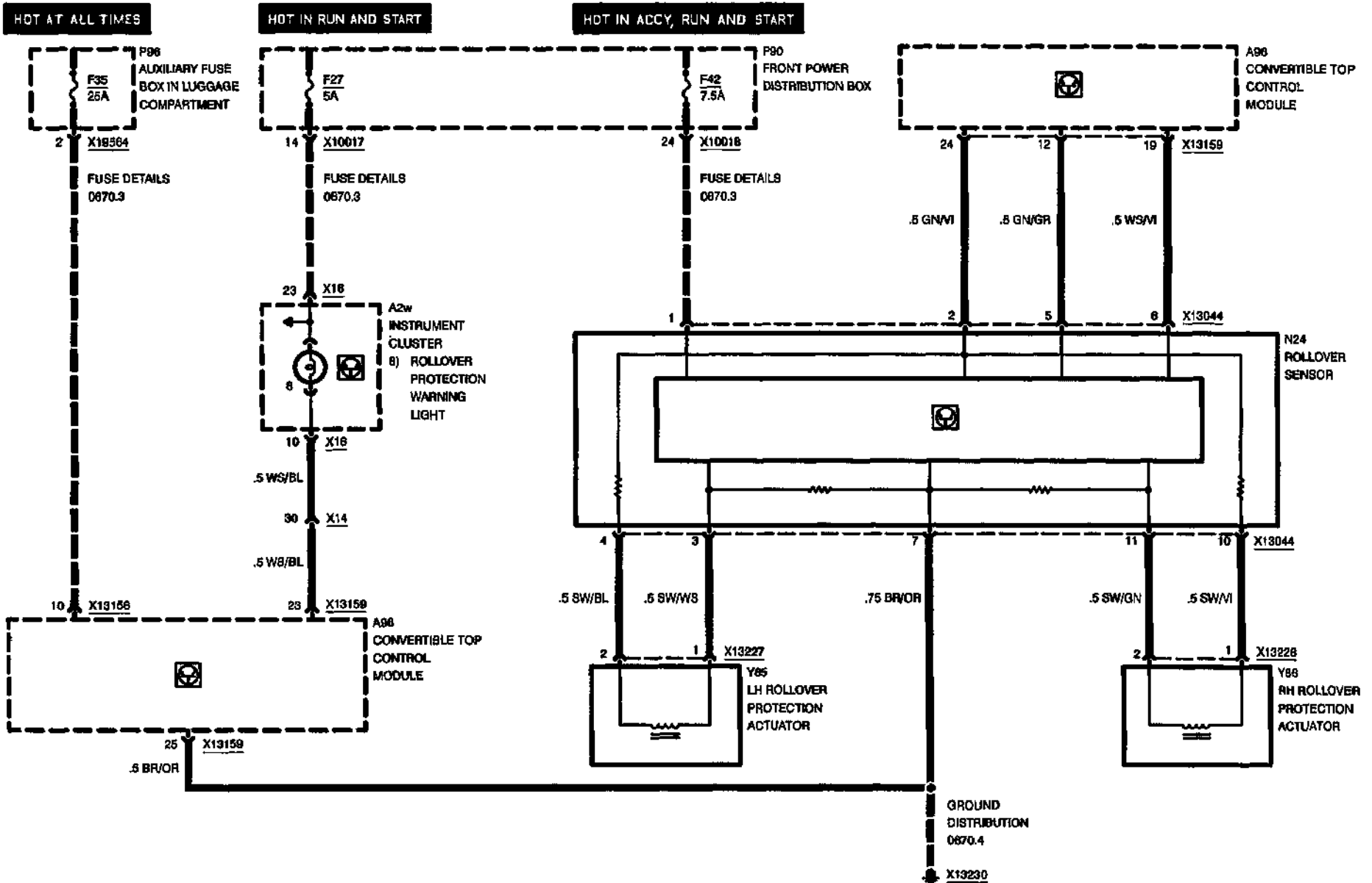
04/97

5430.1-02

1996

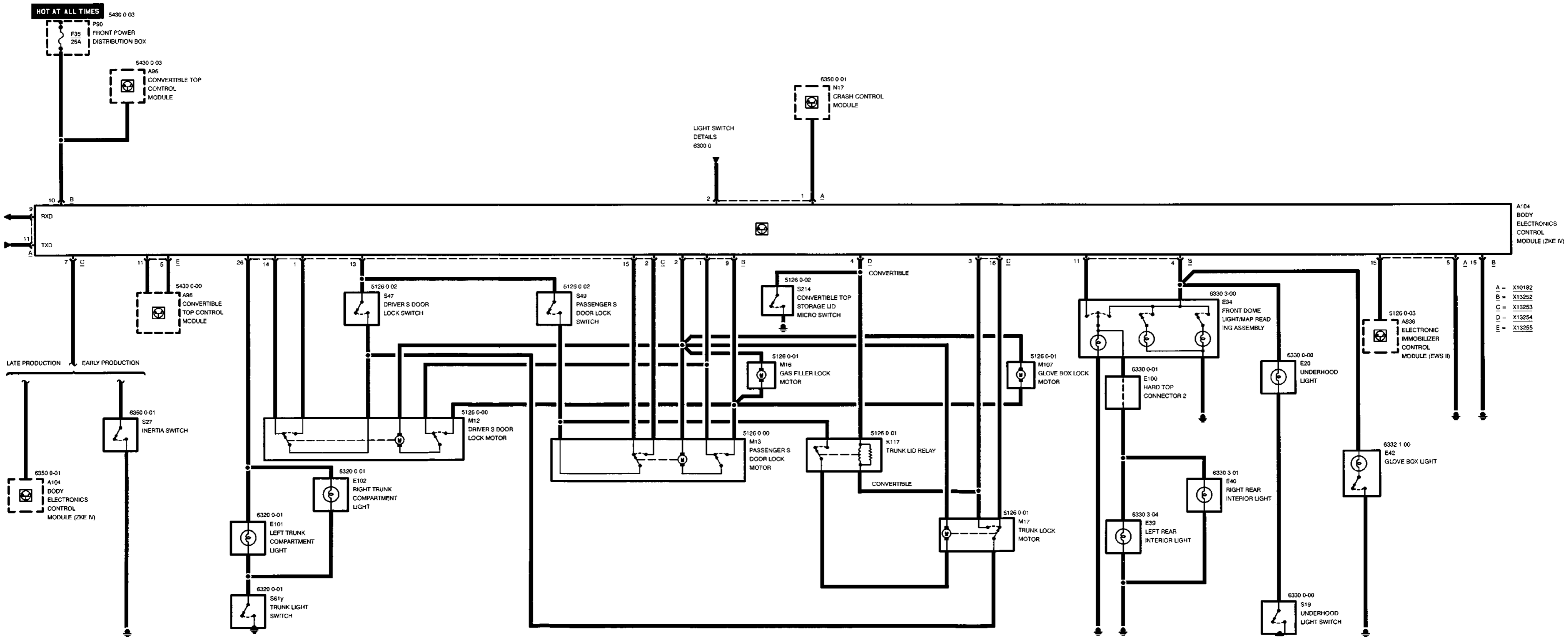


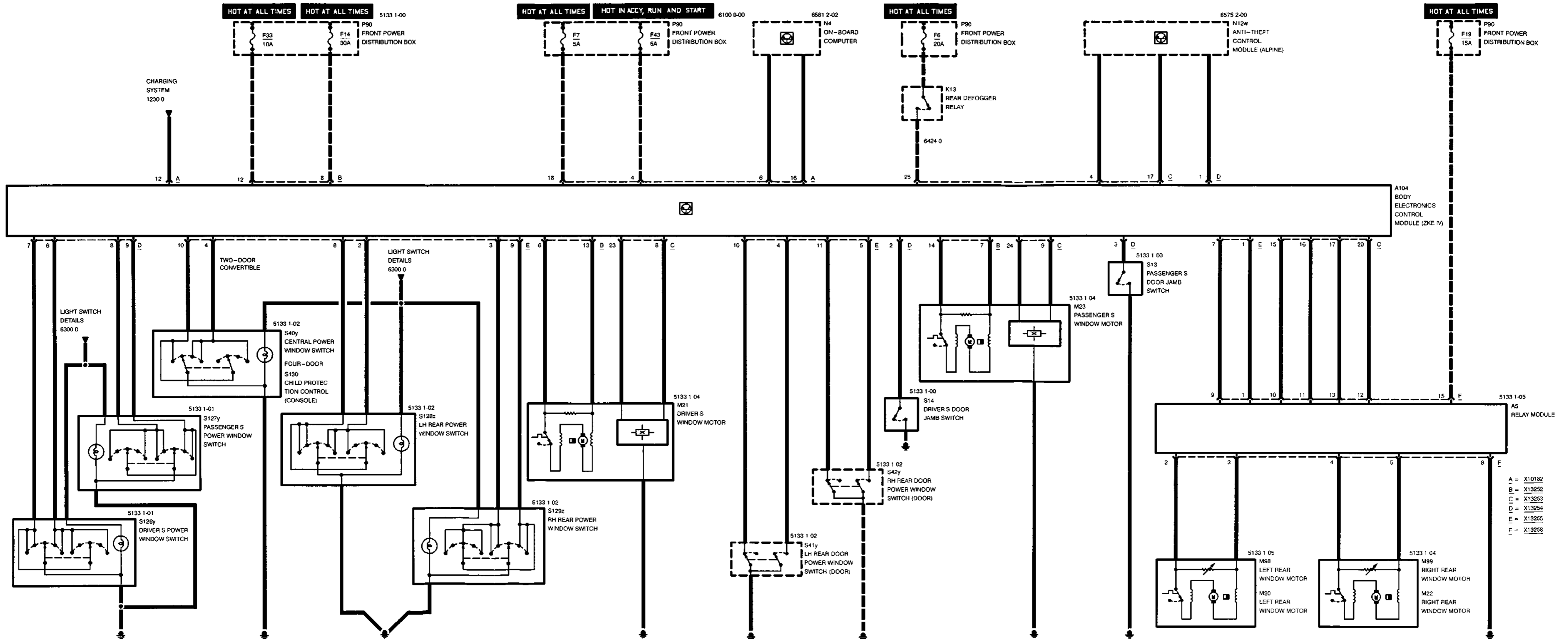
ELECTRICAL CONVERTIBLE TOP

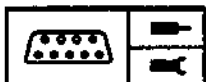




5430.1-04







Pin Assignments

A = X10182	18 Pins, black
B = X13252	15 Pins, black
C = X13253	26 Pins, yellow
D = X13254	26 Pins, green
E = X13255	26 Pins, nature
F = X13258	15 Pins, white

X10182

Pin	Type	Description/Function	Connection
1	E	Crash signal	Crash control unit
2	E	Light signal	Light switch
3		Not used	
4	E	Power supply	Front power distribution box
5	M	Ground	Ground
6		Not used	
7	A	Activate relay	Horn relay (Alpine)
8		Not used	
9	A	Diagnosis RxD signal	Data Link connector
10		Not used	
11	E/A	Diagnosis TxD signal	Data link connector
12	E	Terminal 50	Starter
13		Not used	
14		Not used	
15	A	Drive away protection	Electronic immobilizer control module (EWS II)
16	A	Data signal	On Board computer
17	E	Hood/radio signal	Hood/radio micro switches
18	E	Power supply	Front power distribution box

E = Input, A = Output, M = Ground



Pin Assignments

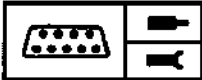
X13252

Pin	Type	Description/Function	Connection
1	E	Power lock signal	Door lock motors
2	A	Voltage supply	All lock motors
3		Not used	
4	E	Automatic interior light signal	Interior light
5		Not used	
6	A	Voltage supply	Power window motor driver's door
7	A	Voltage supply	Power window motor passenger's door
8	E	Power supply	Front power distribution box
9	E	Lock signal	Lock motor & trunk lid relay
10	E	Power supply	Front power distribution box
11	A	Voltage supply	Interior lights, engine compartment light, glove box light
12	E	Power supply	Front power distribution box
13	E	Motor signal	Power window motor driver's door
14	E	Motor signal	Power window motor passenger's door
15	M	Ground	Ground

X13253

Pin	Type	Description/Function	Connection
1	E	Position signal	Door lock motor driver's door
2	E	Position signal	Door lock motor passenger's door
3	E	Lock signal trunk lid	Trunk lid lock motor, trunk lid relay
4	E	Data signal	Anti-theft system control module (Alpine)
5		Not used	
6		Not used	
7	E	Crash signal	Inertia switch
8	E	Revolution signal	Power window motor driver's door
9	E	Revolution signal	Power window motor passenger's door
10		Not used	

E = Input, A = Output, M = Ground



Pin Assignments

Pin	Type	Description/Function	Connection
11		Not used	
12		Not used	
13	E	Central arrest signal	Door lock switches
14	E	Lock signal driver's door	Door lock motor driver's door
15	E	Lock signal passenger's door	Door lock motor passenger's door
16	E	Lock signal trunk lid	Trunk lid lock motor
17	E	Data signal	Anti-theft system control module (Alpine)
18		Not used	
19	E	Central locking signal	Central locking switch
20	E/A	Data signal	Relay module
21		Not used	
22		Not used	
23	A	Plus supply (revolution)	Power window's motor driver's side
24	A	Voltage supply (revolution)	Power window's motor passenger's side
25		Rear defogger signal	Rear defogger relay
26	A	Voltage supply	Luggage compartment lights

X13254

Pin	Type	Description/Function	Connection
1	E	Door signal	Driver's door handle switch
2	E	Door signal	Door jamb switch driver's door
3	E	Door signal	Door jamb switch passenger's door
4	E	Convertible trunk lid signal Four-door door-signal	Trunk lid switch/trunk lid relay Door jump switch left rear
5	E	Door signal	Door jump switch right rear
6	E	OPEN signal	Power window switch driver's door
7	E	CLOSE signal	Power window switch driver's door
8	E	OPEN signal	Power window switch passenger's door
9	E	CLOSE signal	Power window switch passenger's door
10	E	Four-door child protection signal	Child protection switch
11		Not used	

E = Input, A = Output, M = Ground



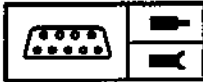
Pin Assignments

Pin	Type	Description/Function	Connection
12		Not used	
13		Not used	
14	E	Trunk lid signal	Trunk lid switch
15	A	DATA signal	Relay module
16	A	DATA signal	Relay module
17	A	DATA signal	Relay module
18	A	Convertible DATA signal	Convertible top control module
19	A	Four-door CORRECT signal	Comfort relay
20		Not used	
21		Not used	
22		Not used	
23		Not used	
24		Not used	
25		Not used	
26		Not used	

X13255

Pin	Type	Description/Function	Connection
1	A	DATA signal	Relay module
2	E	OPEN signal	Power window switch left rear
3	E	OPEN signal	Power window switch right rear
4	E	Convertible OPEN signal Four-door OPEN signal	Main power window switch Driver's rear window switch
5	E	Convertible DATA signal Four-door CLOSE signal	Convertible top control module Passenger's rear window switch
6		Not used	
7	A	DATA signal	Relay module
8	E	CLOSE signal	Power window switch left rear
9	E	CLOSE signal	Power window switch right rear
10	E	Convertible CLOSE signal Four-door CLOSE signal	Main power window switch Driver's window switch

E = Input, A = Output, M = Ground



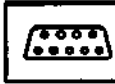
Pin Assignments

Pin	Type	Description/Function	Connection
11	E	Convertible DATA signal Four-door OPEN signal	Convertible top control module Passenger's window switch
12		Not used	
13		Not used	
14		Not used	
15		Not used	
16		Not used	
17		Not used	
18		Not used	
19		Not used	
20		Not used	
21		Not used	
22		Not used	
23		Not used	
24		Not used	
25		Not used	
26		Not used	

X13258

Pin	Type	Description/Function	Connection
1	E	DATA signal	Central body electronic module
2	A	Voltage supply (motor)	Power window motor right rear
3	E	Signal	Power window motor right rear
4	E	Signal	Power window motor left rear
5	A	Voltage supply (motor)	Power window motor left rear
6		Not used	
7		Not used	
8	M	Ground	Ground
9	E	DATA signal	Central body electronic module
10	E/A	DATA signal	Central body electronic module
11	E/A	DATA signal	Central body electronic module

E = Input, A = Output, M = Ground



Pin Assignments

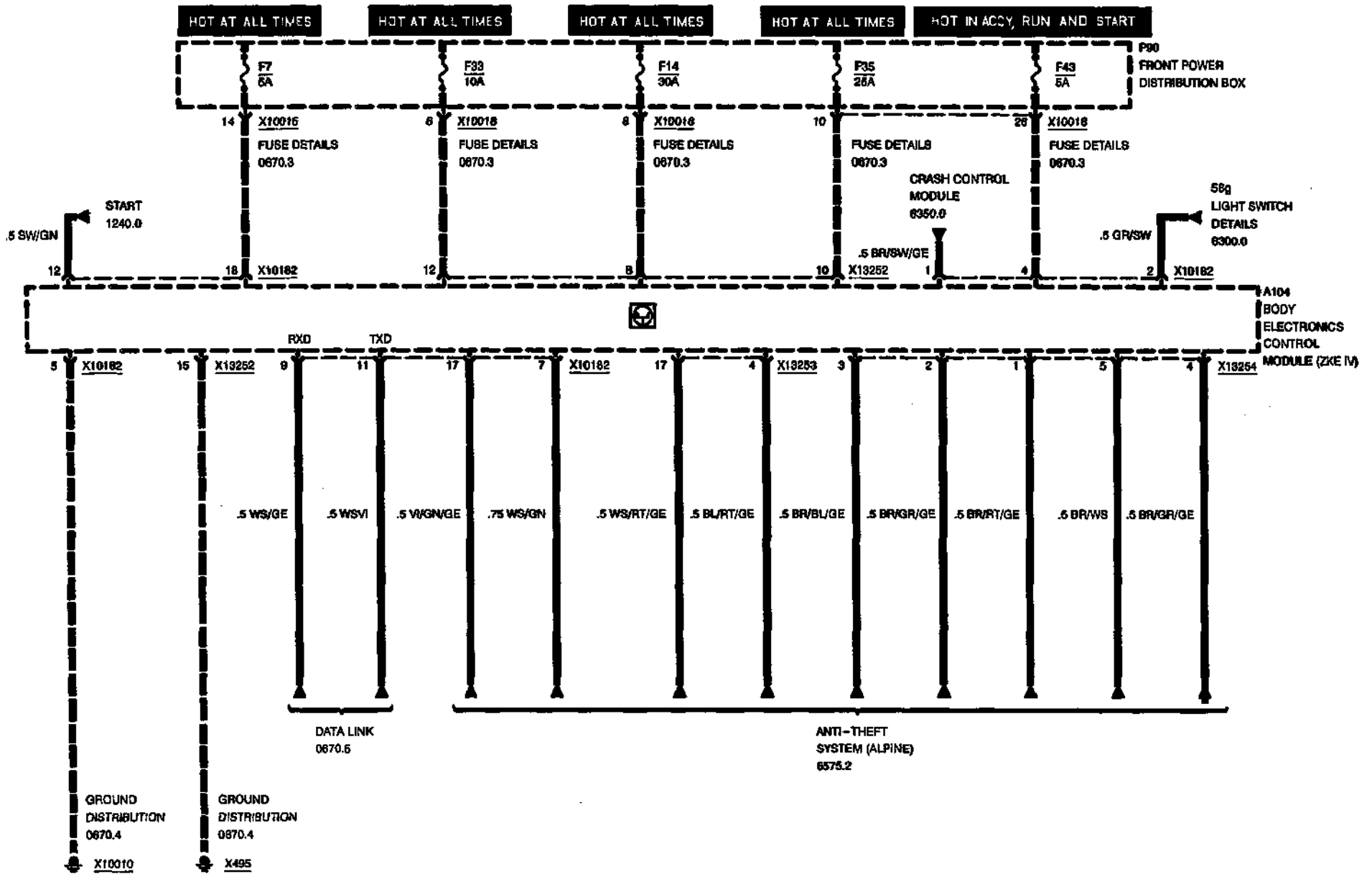
Pin	Type	Description/Function	Connection
12	E	DATA signal	Central body electronic module
13	E/A	DATA signal	Central body electronic module
14		Not used	
15	E	Power supply	Front power distribution box

E = Input, A = Output, M = Ground



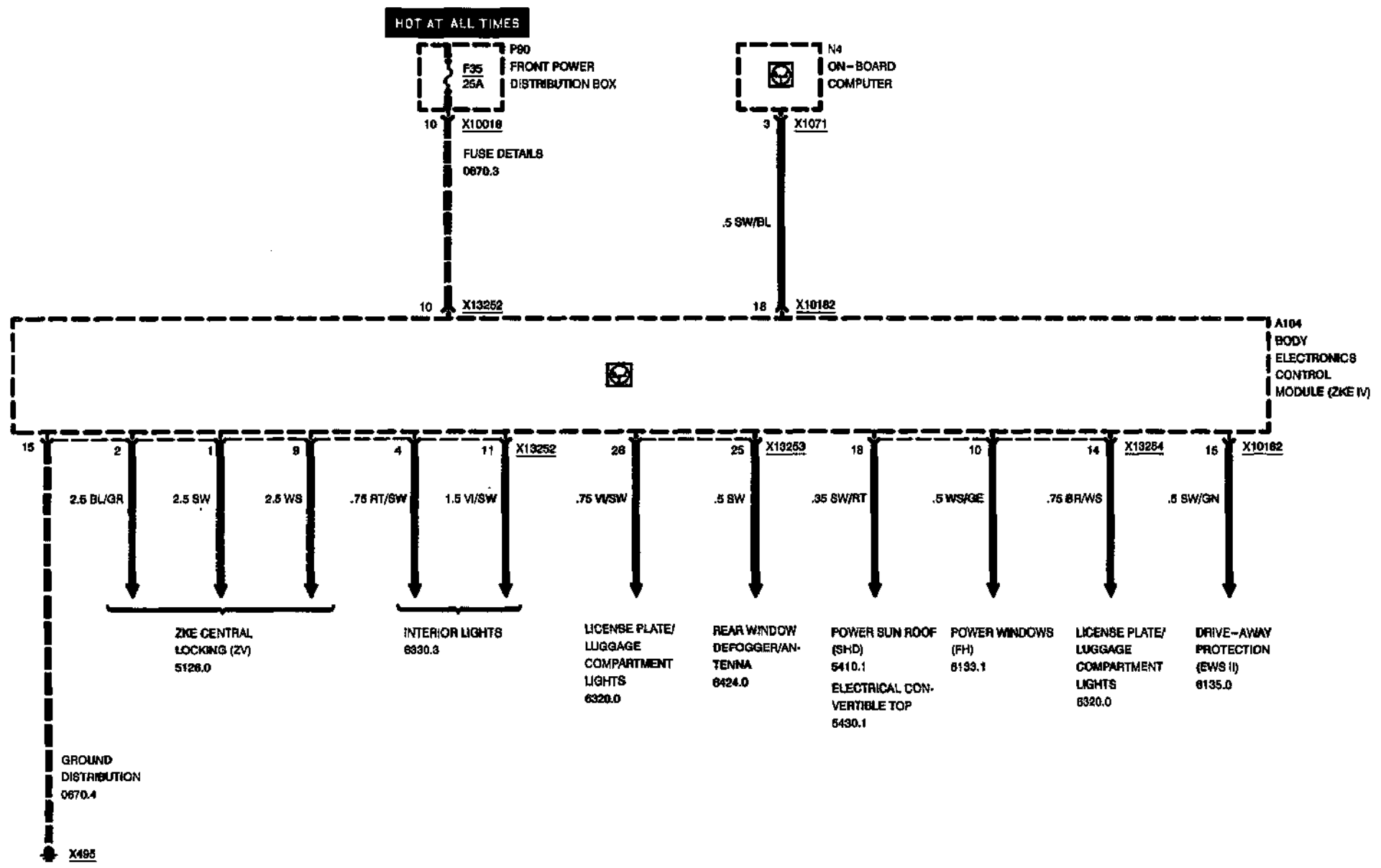


CENTRAL BODY ELECTRONICS (ZKE IV)





CENTRAL BODY ELECTRONICS (ZKE IV)



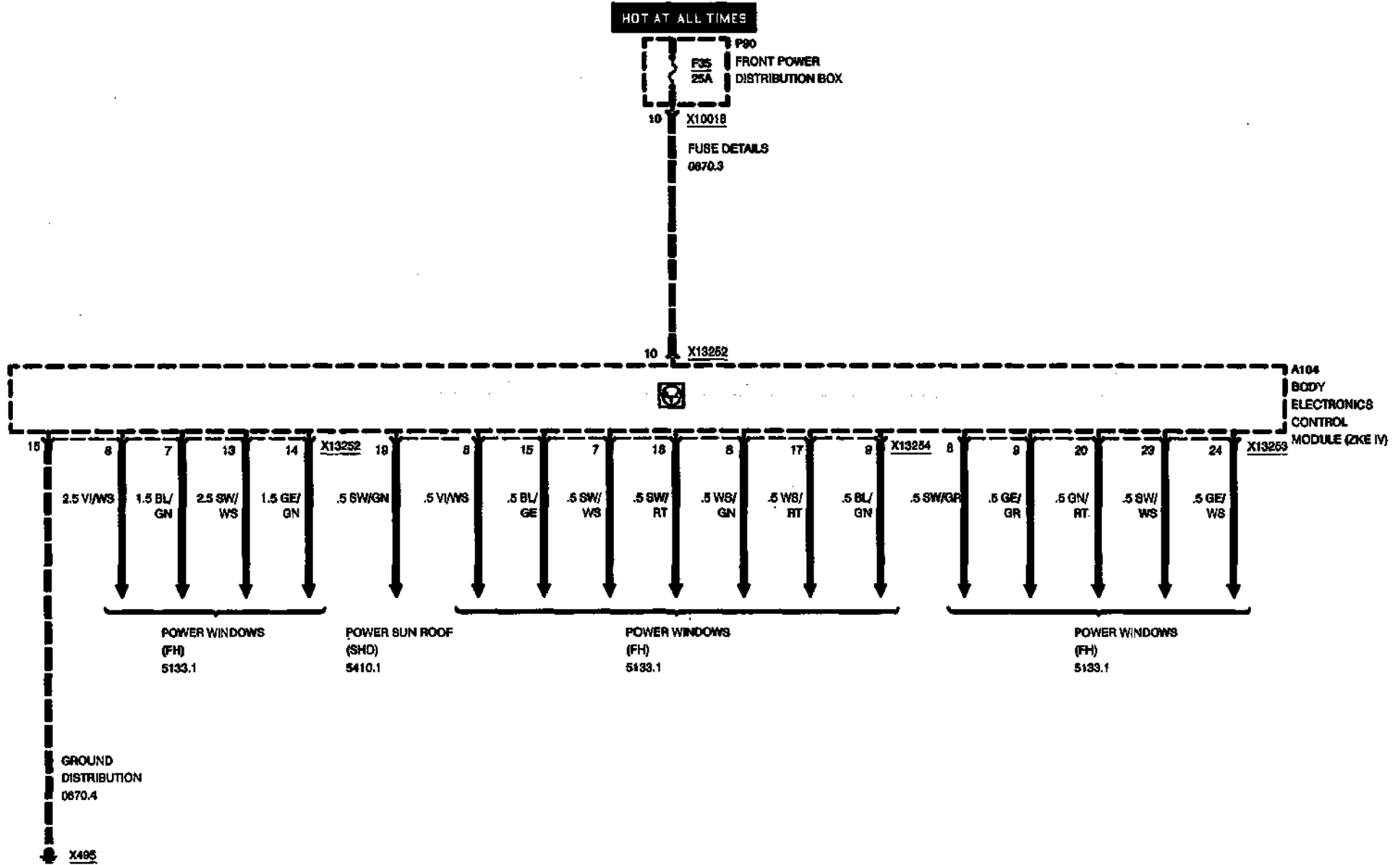
04/97

6100.0-01

1996

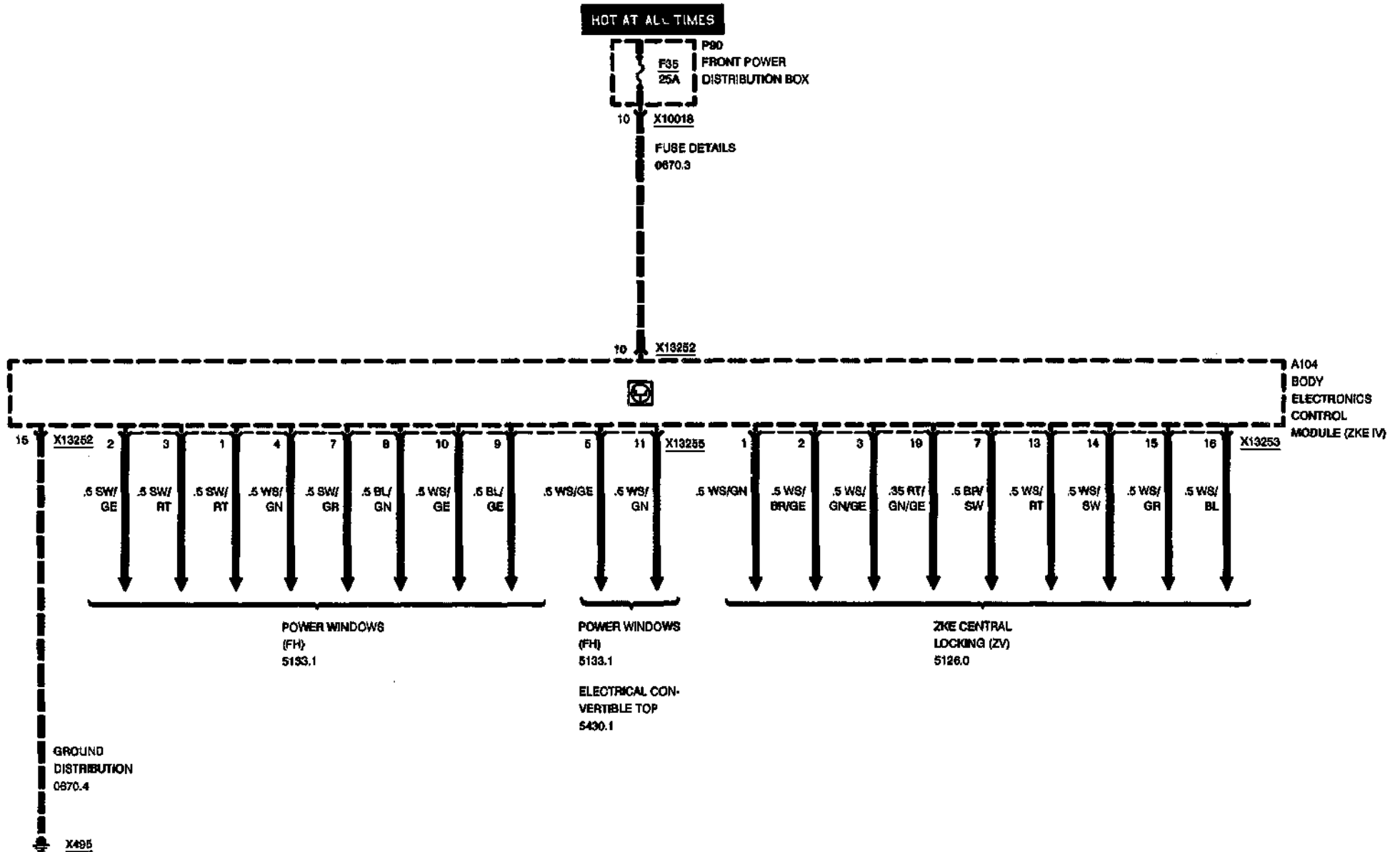


CENTRAL BODY ELECTRONICS (ZKE IV)



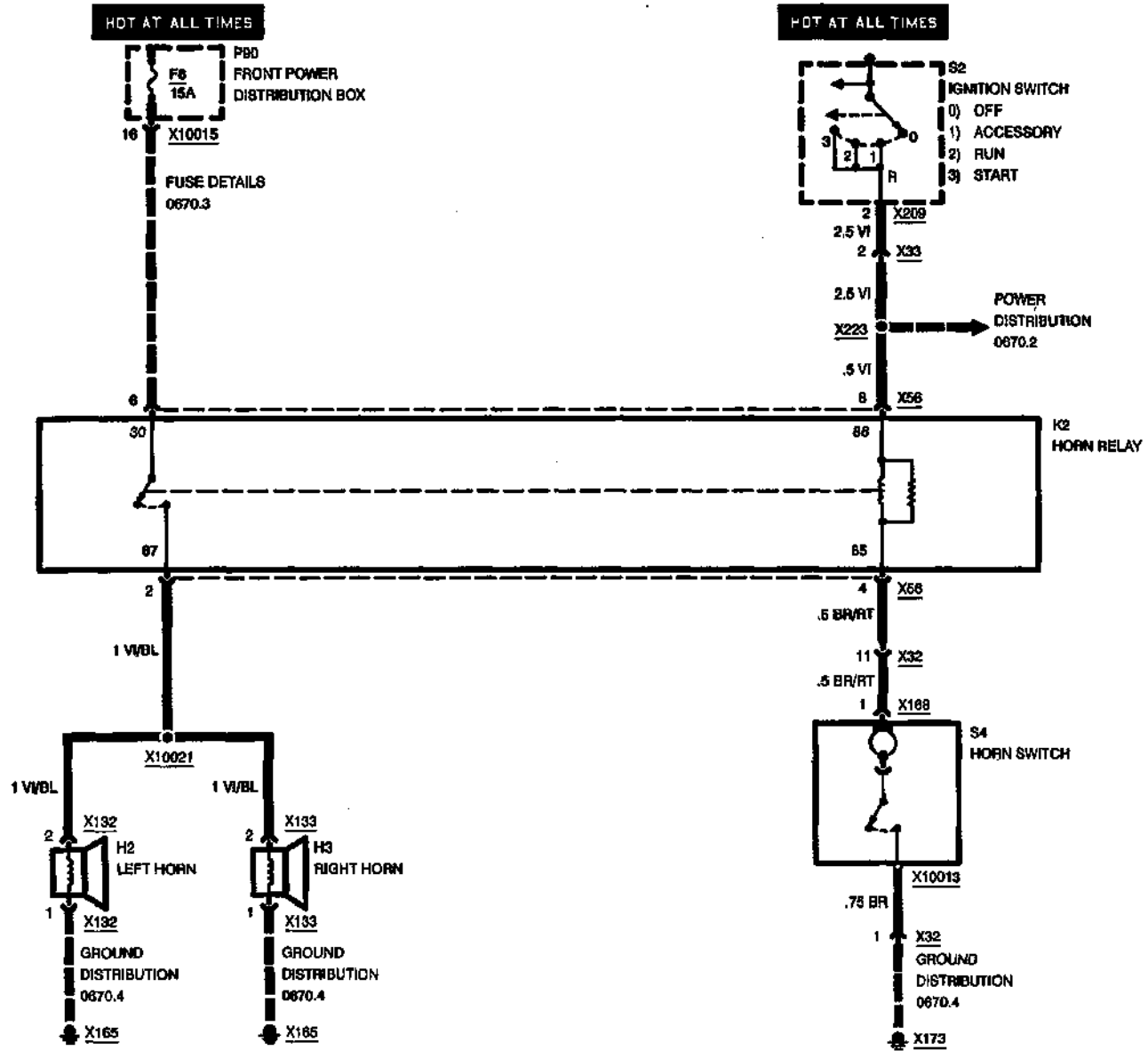


CENTRAL BODY ELECTRONICS (ZKE IV)





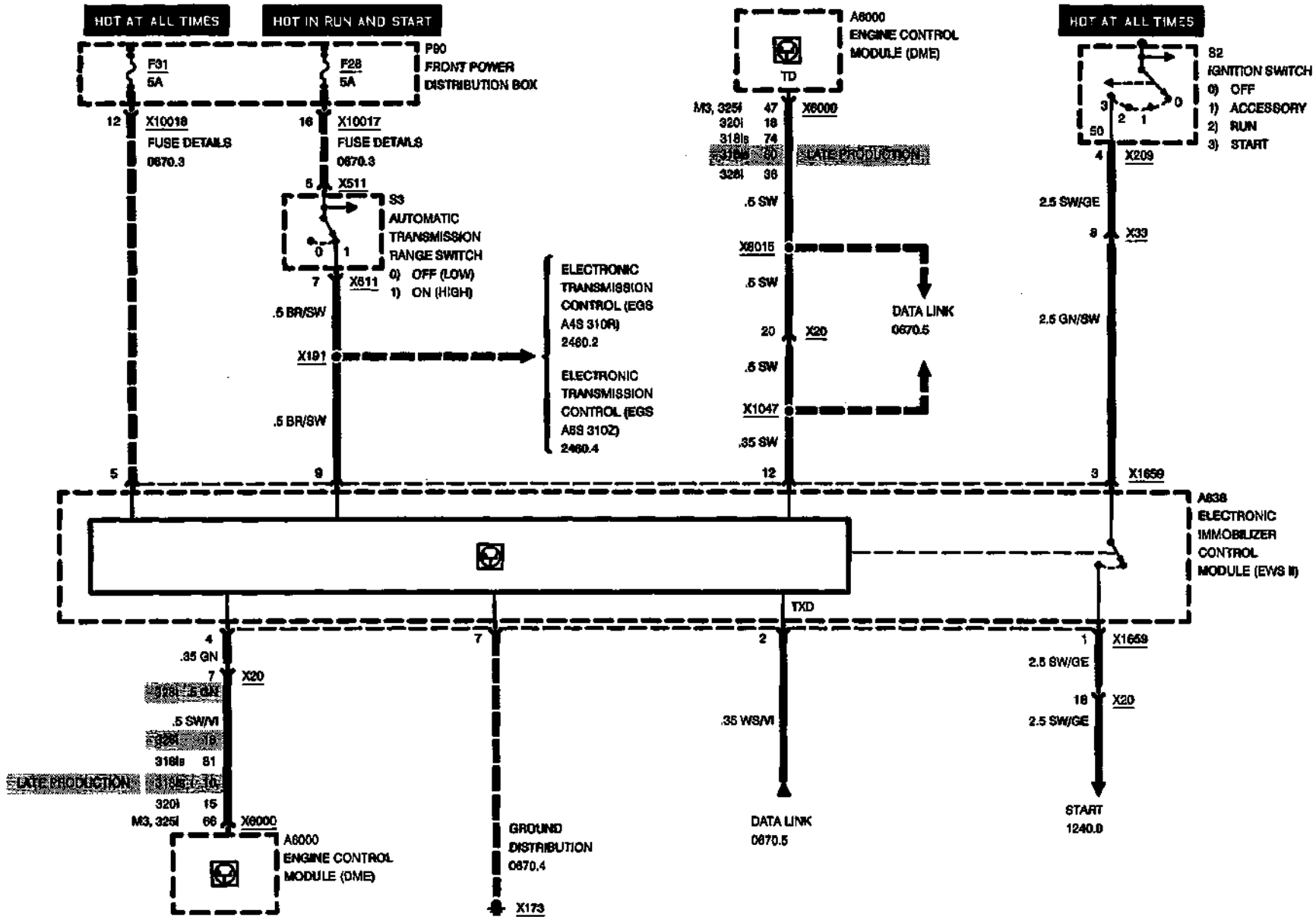
HORN



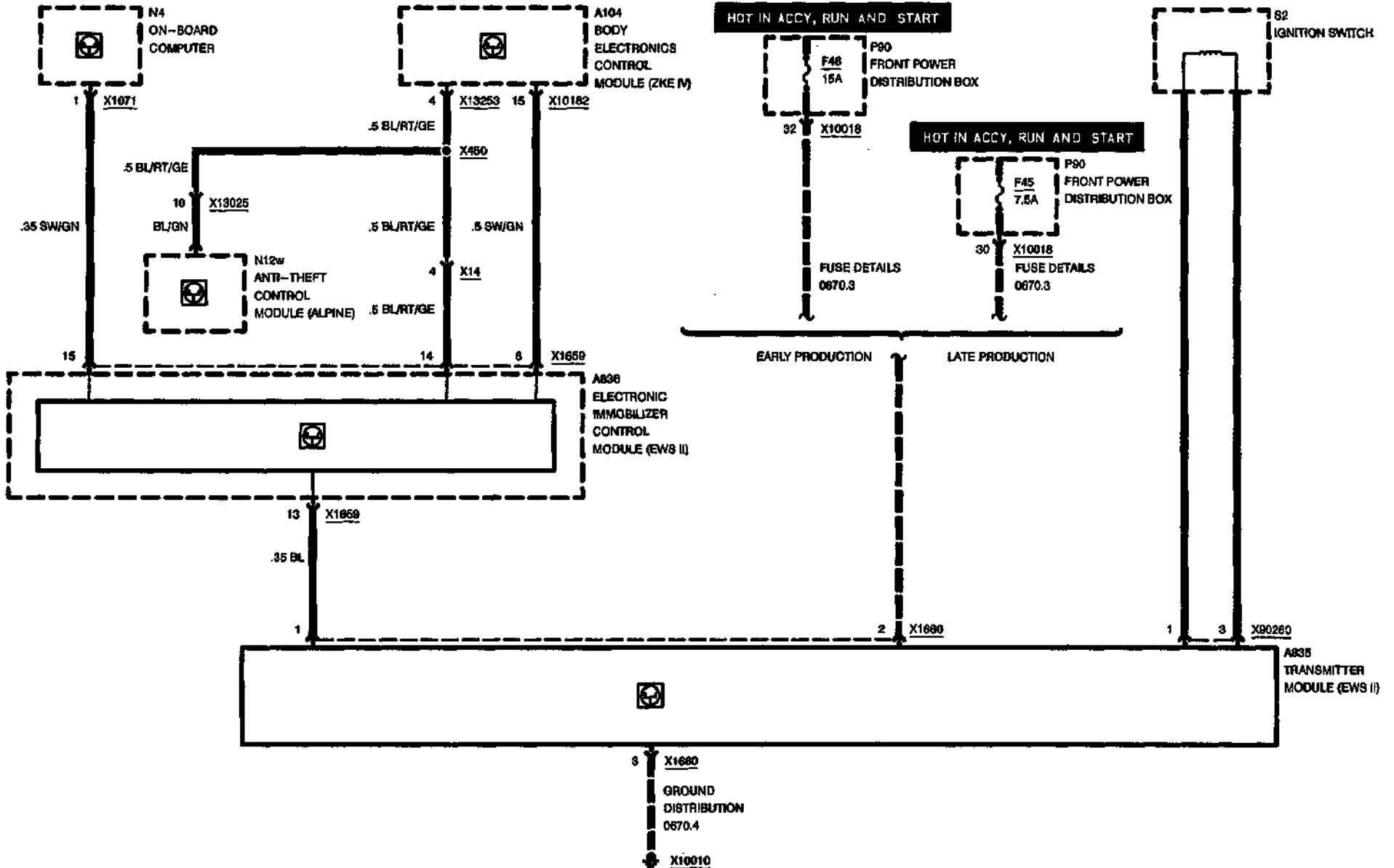




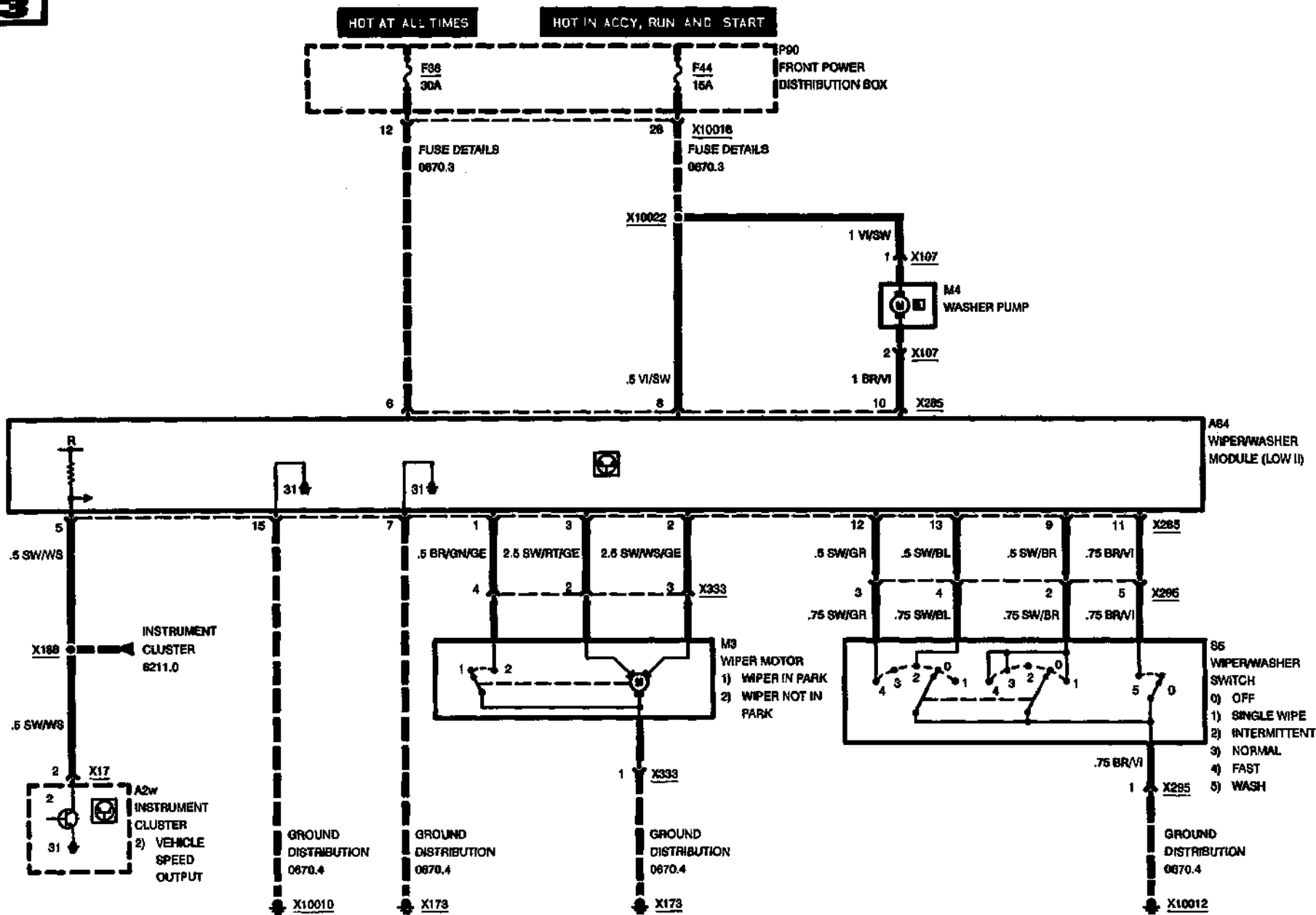
DRIVE-AWAY PROTECTION (EWS II)



DRIVE-AWAY PROTECTION (EWS II)



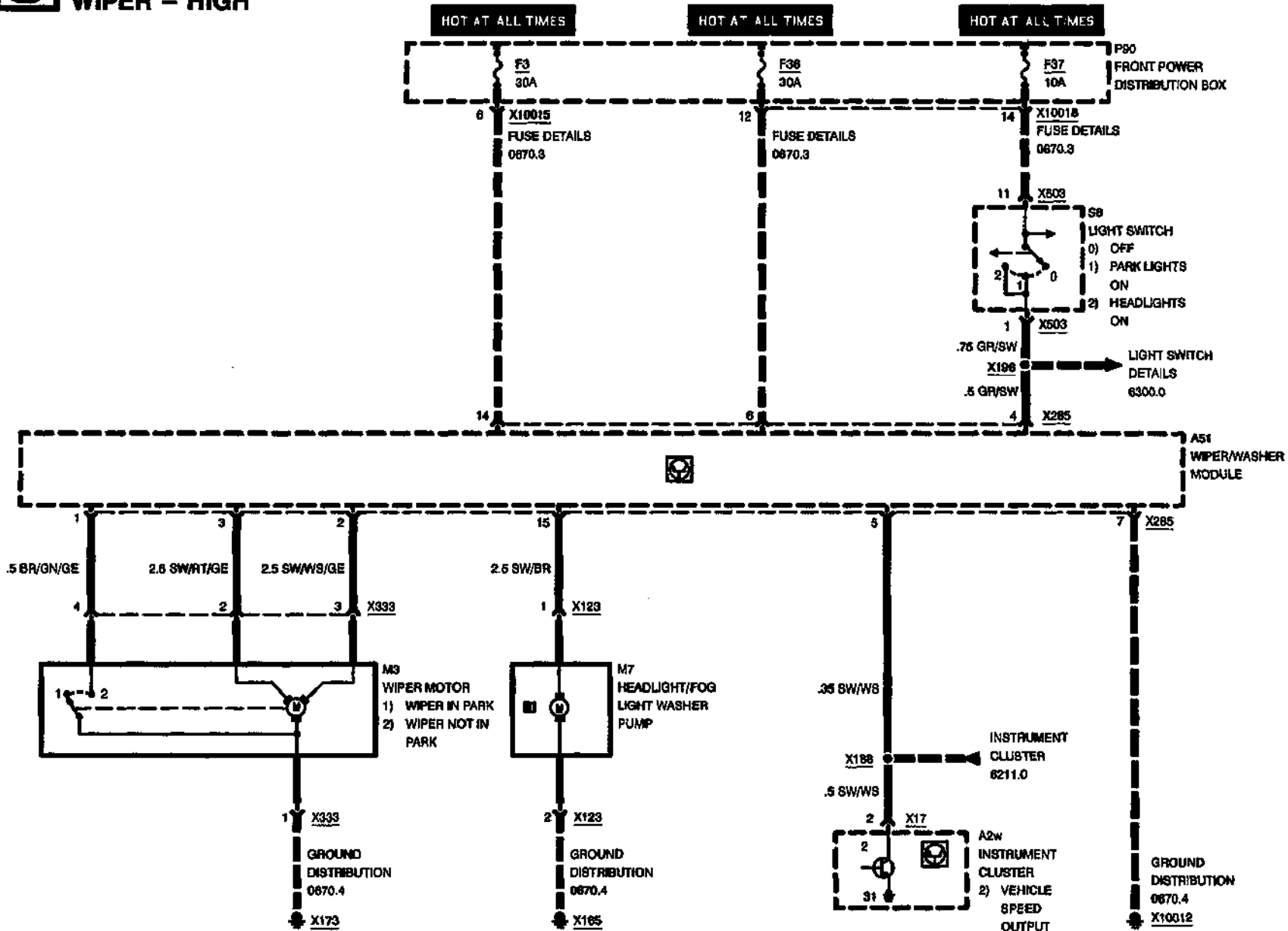
WIPER/WASHER MODULE (WWM)





WIPER/WASHER MODULE (WWM)

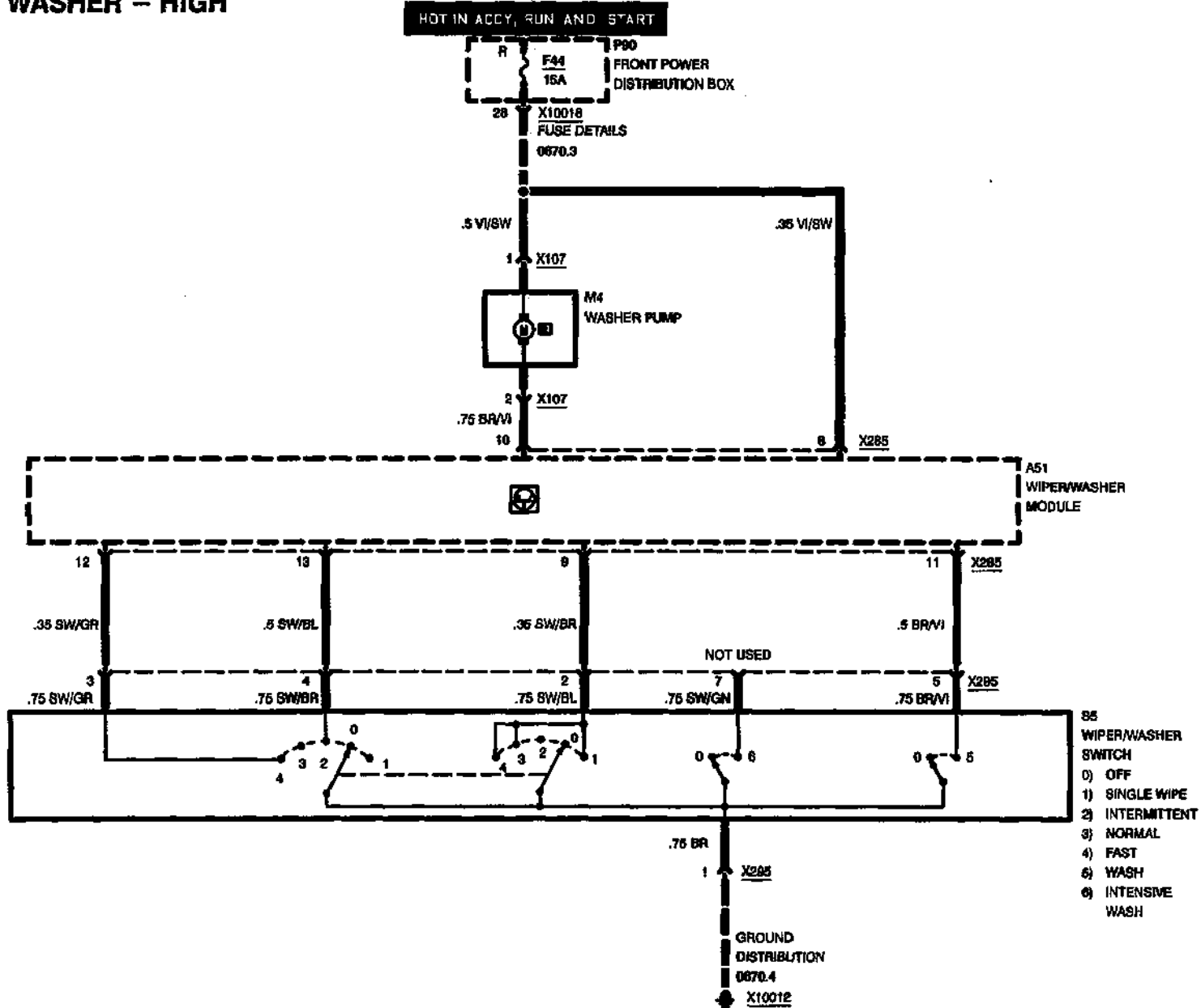
WIPER - HIGH





WIPER/WASHER MODULE (WWM)

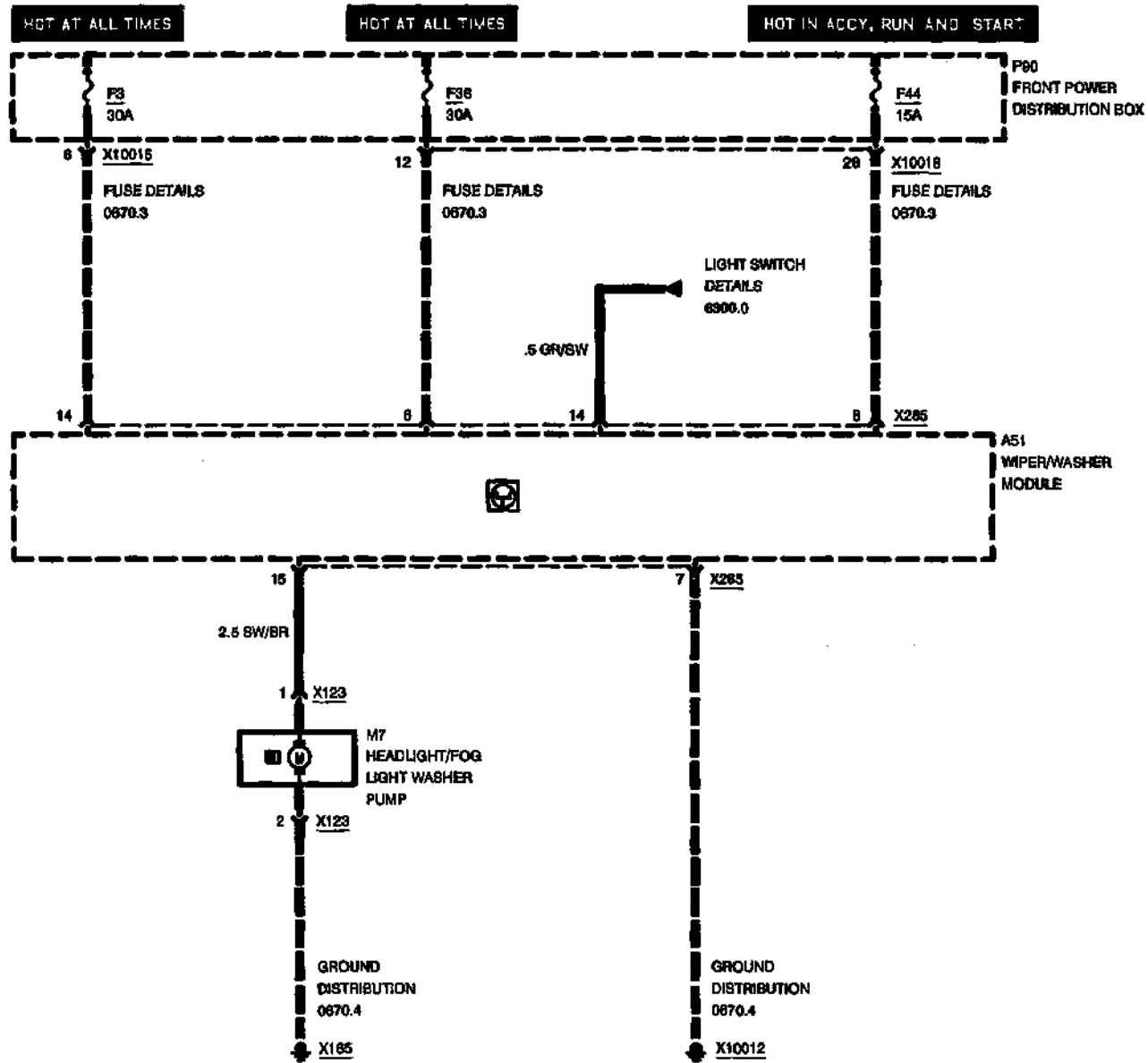
WASHER - HIGH

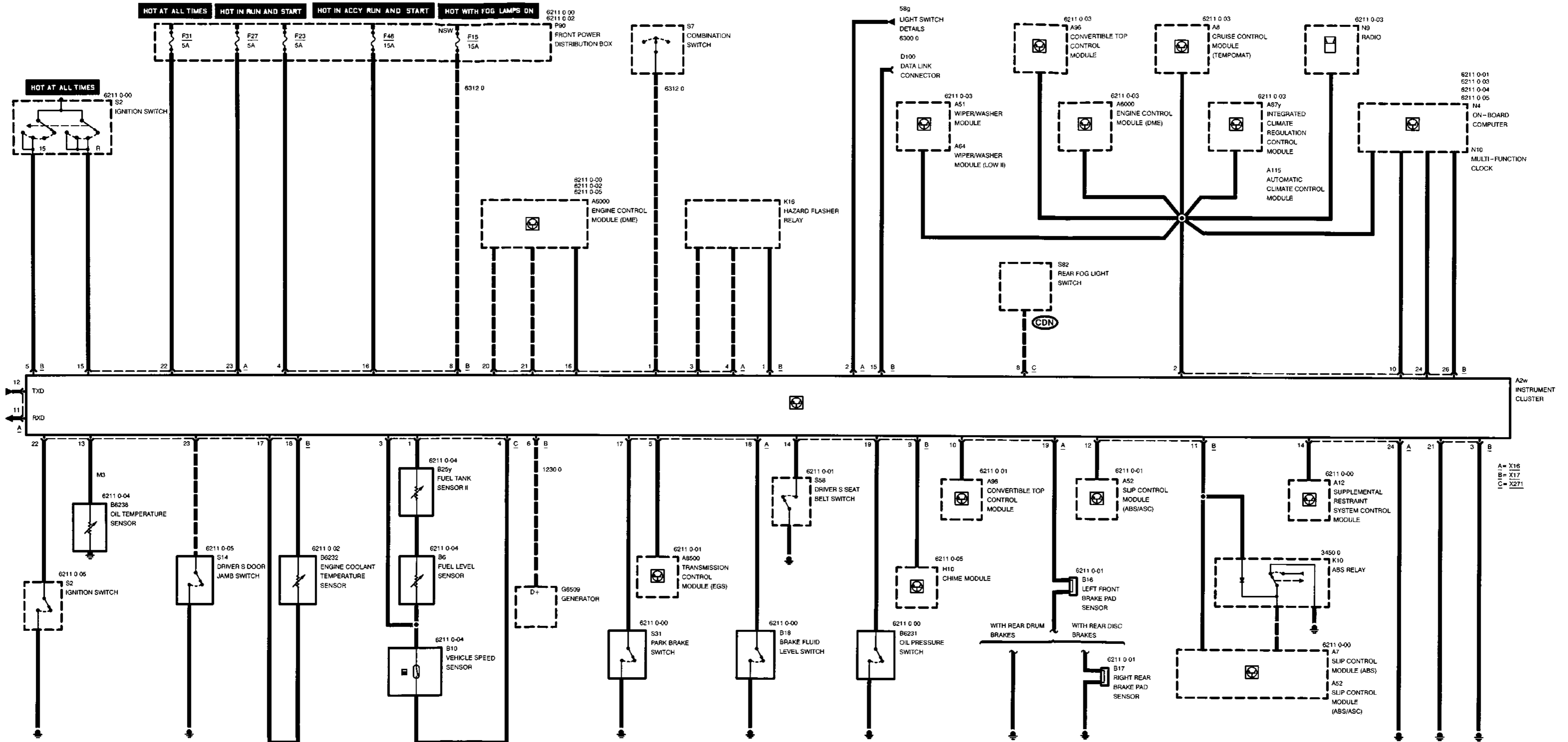






HEADLIGHT WASHER (SRA)







Pin Assignments

X16

Pin	Type	Description/Function	Connection
1	E	High beam indicator control	Combination switch
2	E	Terminal 58g, instrument illumination power	Dimmer
3	E	Right turn signal indicator control	Hazard flasher relay
4	E	Left turn signal indicator control	Hazard flasher relay
5	E	Warning lamp for EGS fault (information signal transmission oil temperature)	Transmission control module (EGS)
6		Not used	
7		Not used	
8		Not used	
9		Not used	
10	E	Convertible Roll over signal	Convertible top control module
11	A	RxD diagnostic data link	Data link connector
12	E/A	TxD diagnostic data link	Data link connector
13	E	M3 oil temperature	Engine oil temperature sensor
14	E	Airbag warning lamp (SRS) control	Supplemental restraint system control module
15		Not used	
16	E	"Check engine" indicator control	Engine control module (DME)
17	E	Park brake warning lamp control	Park brake switch
18	E	Brake fluid warning lamp control	Brake fluid level switch
19	E	Brake pad wear warning lamp control	Brake pad sensors
20	E	Crankshaft RPM speed signal TD	Engine control module (DME)
21	E	Fuel consumption signal + KVA	Engine control module (DME)
22	E	Voltage supply, terminal 30	Front power distribution box, fuse 31
23	E	Voltage supply, terminal 15 for indicator and warning lamps	Front power distribution box, fuse 27
24	M	Ground supply, terminal 31 for instrument cluster electronics	Ground point
25		Not used	
26		Not used	

E = Input, A = Output, M = Ground

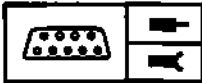


Pin Assignments

X17

Pin	Type	Description/Function	Connection
1	E	Trailer turn signal indicator control	Hazard flasher relay
2	A	Vehicle speed signal	Various control modules
3	M	Ground supply, terminal 31 for indicator and warning lamps	Ground point
4	E	Voltage supply, terminal 15 for instrument cluster electronics	Front power distribution box, fuse 23
5	E	Voltage supply, terminal 15 for battery charge indicator	Ignition switch, terminal 15
6	E	Ground supply, terminal 61 for battery charge indicator	Generator
7		Not used	
8	E	Fog light indicator control	Front power distribution box, fuse 15
9	A	Sound tone signal	Chime module
10	A	Information signal, fuel tank content	On-board computer
11	E	Slip control system warning lamp (ABS) control	Slip control module (ABS)
12	E	ASC signal	ASC control module
13		Not used	
14	E	Seat belt warning lamp control	Driver's seat belt switch
15	E	SIA reset/service interval indicator reset	Data link connector
16	E	Voltage supply, terminal R	Front power distribution box, fuse 46
17	A	Coolant temperature sensor	Coolant temperature sensor
18	E	Coolant temperature sensor	Coolant temperature sensor
19	E	Oil pressure warning lamp control	Oil pressure switch
20		Not used	
21	M	Ground	Ground point
22	E	Ignition key warning/audible ignition key warning	Ignition switch
23	E	Driver's door open	Driver's door jamb switch
24	A	Dimmer signal/brightness information signal for connected control modules	On-board computer or multi-function clock

E = Input, A = Output, M = Ground



Pin Assignments

Pin	Type	Description/Function	Connection
25		Not used	
26	E	Central indicator lamp/check-control	On-board computer or multi-function clock

X271

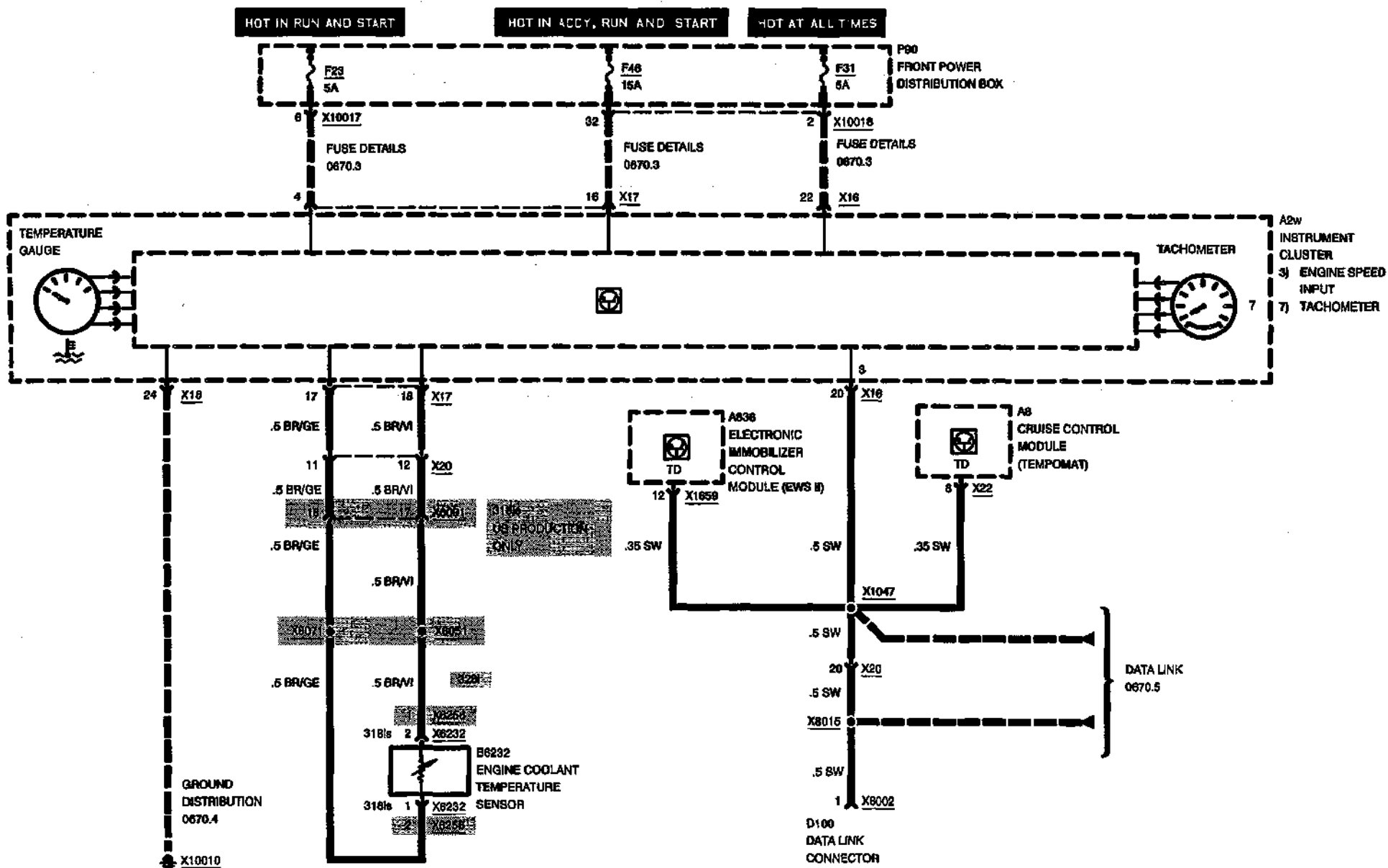
Pin	Type	Description/Function	Connection
1	A	Fuel level sensor	Fuel tank sensors
2		Not used	
3	A	Ground supply for fuel tank sensors and vehicle speed sensor	Fuel tank sensors and vehicle speed sensor
4	E	Position signal tw	Vehicle speed sensor
5	E	Rear fog lights indicator control	Rear fog light switch
6		Not used	
7		Not used	
8		Not used	
9		Not used	
10		Not used	
11		Not used	
12		Not used	

E = Input, A = Output, M = Ground



INSTRUMENT CLUSTER

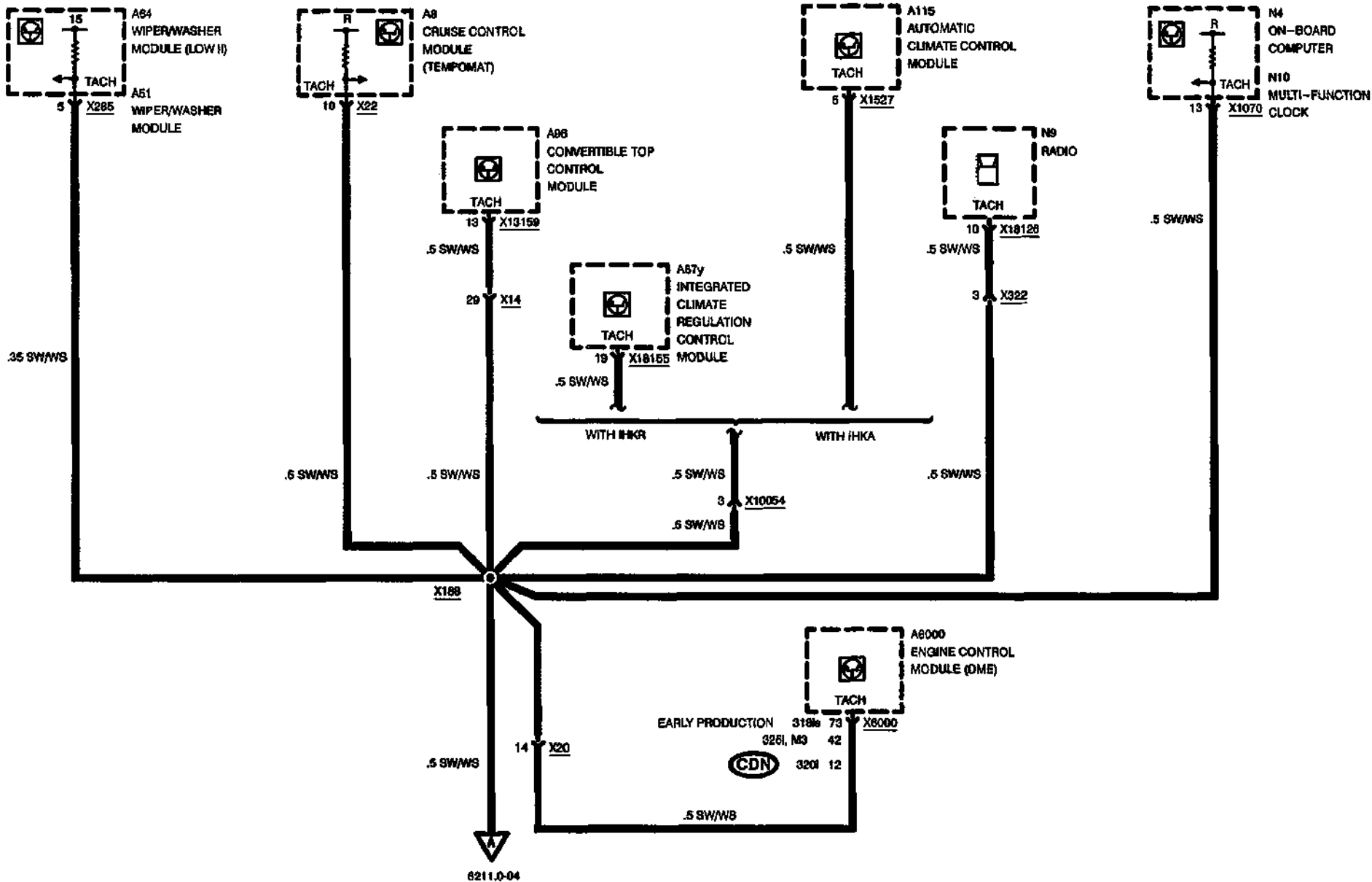
INDICATORS





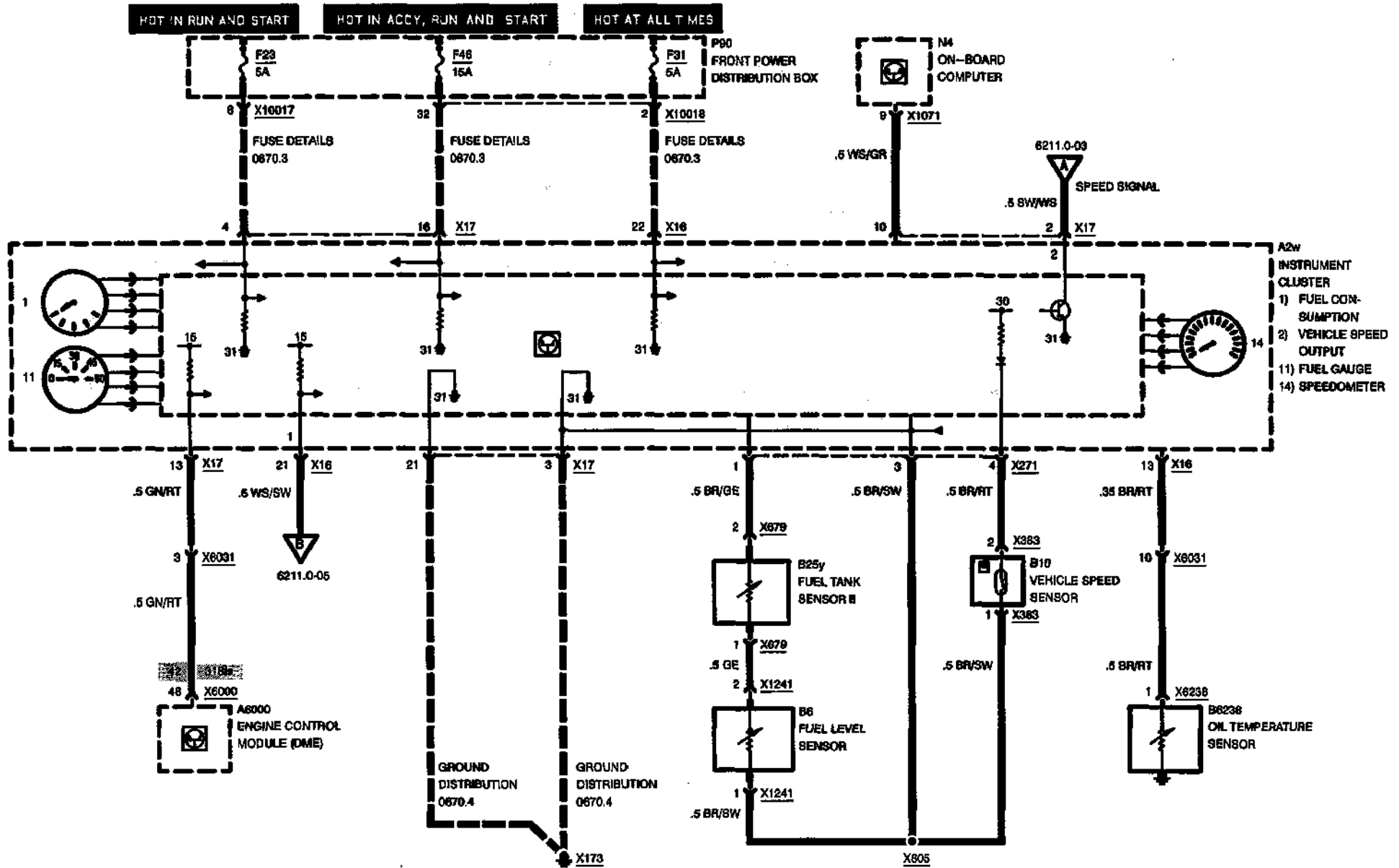
INSTRUMENT CLUSTER

SIGNAL-OUTPUT SPEEDOMETER



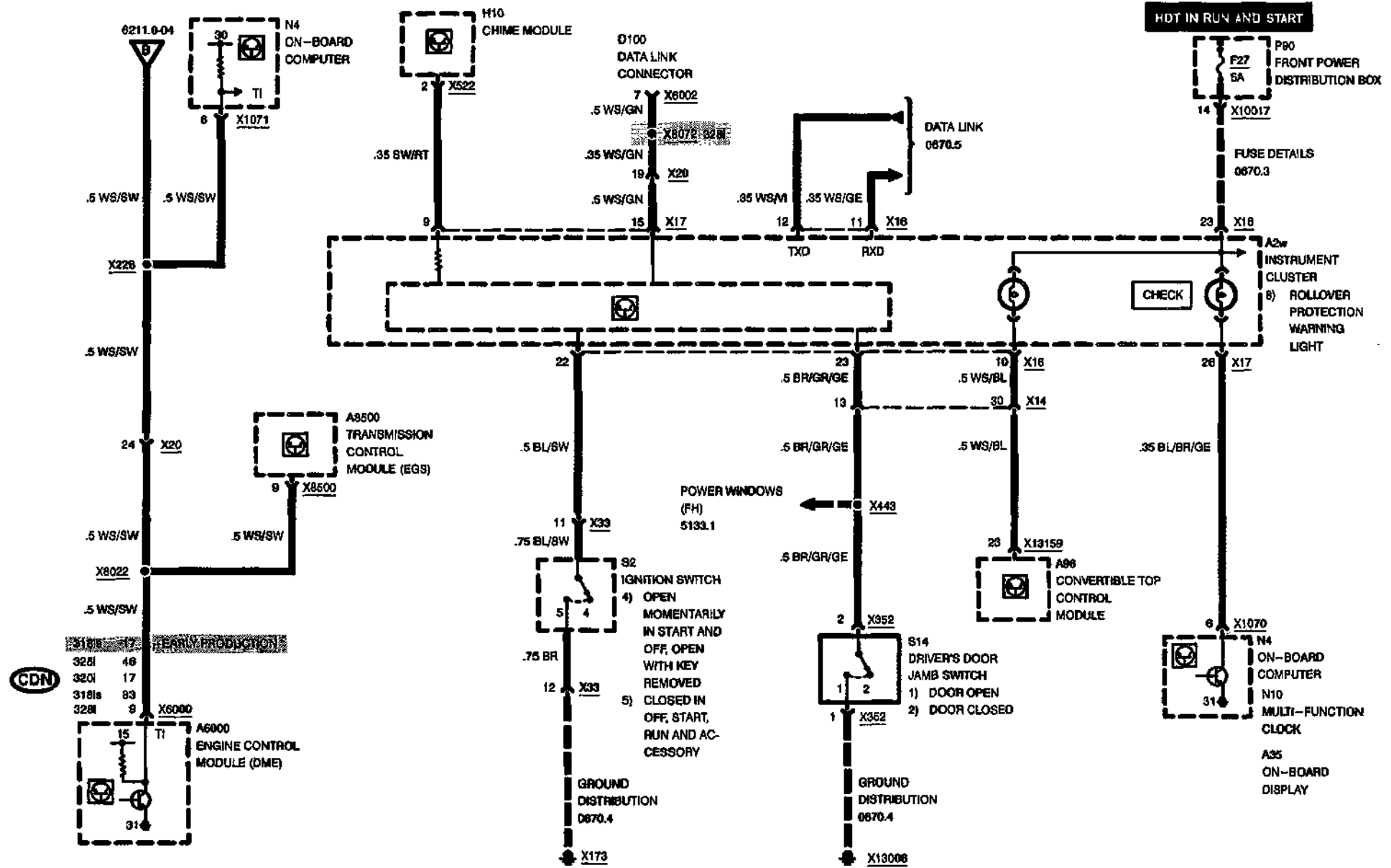


INSTRUMENT CLUSTER INDICATORS





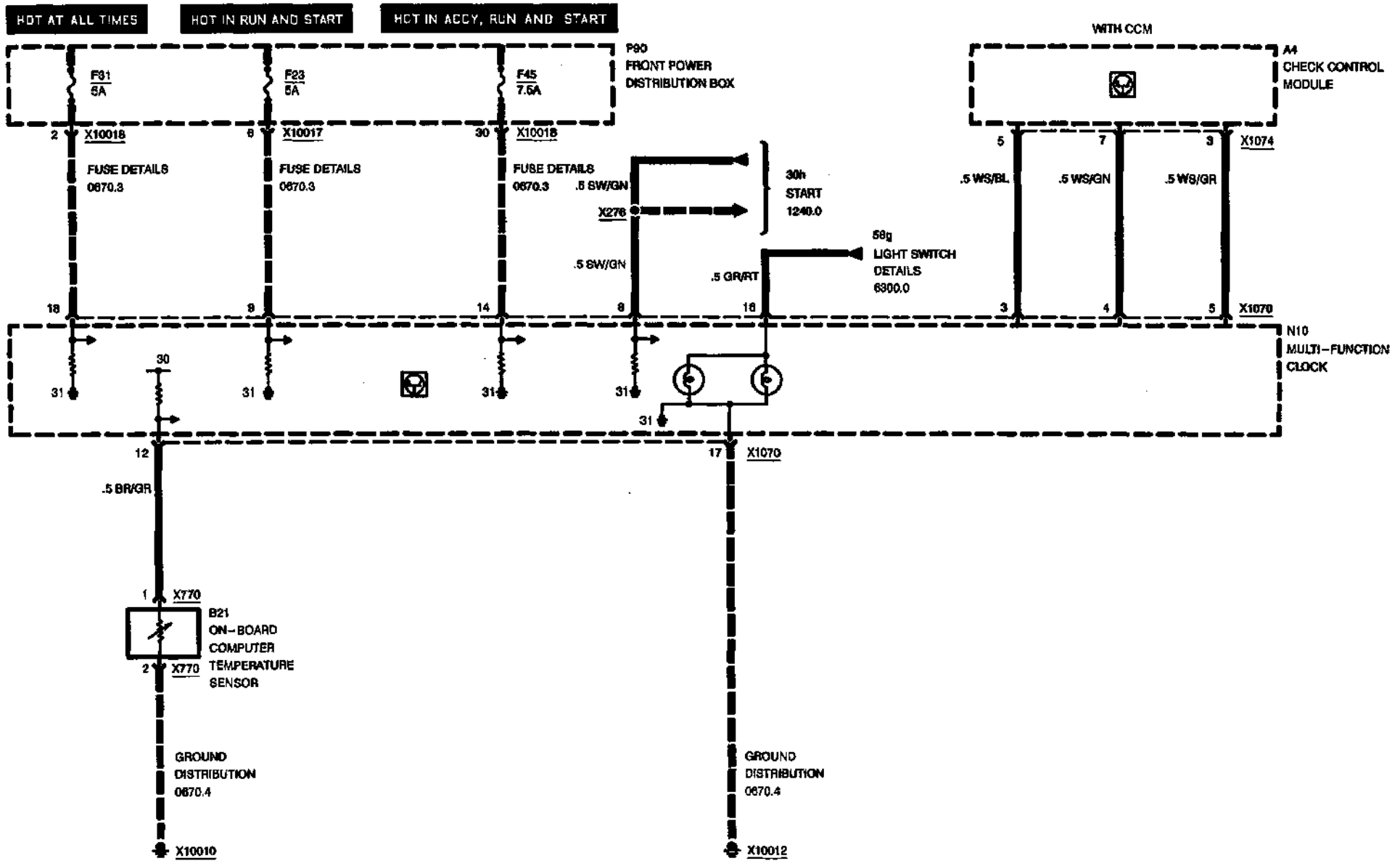
INSTRUMENT CLUSTER INDICATORS



09/96 6211.0-05 1997



MULTI-FUNCTION CLOCK



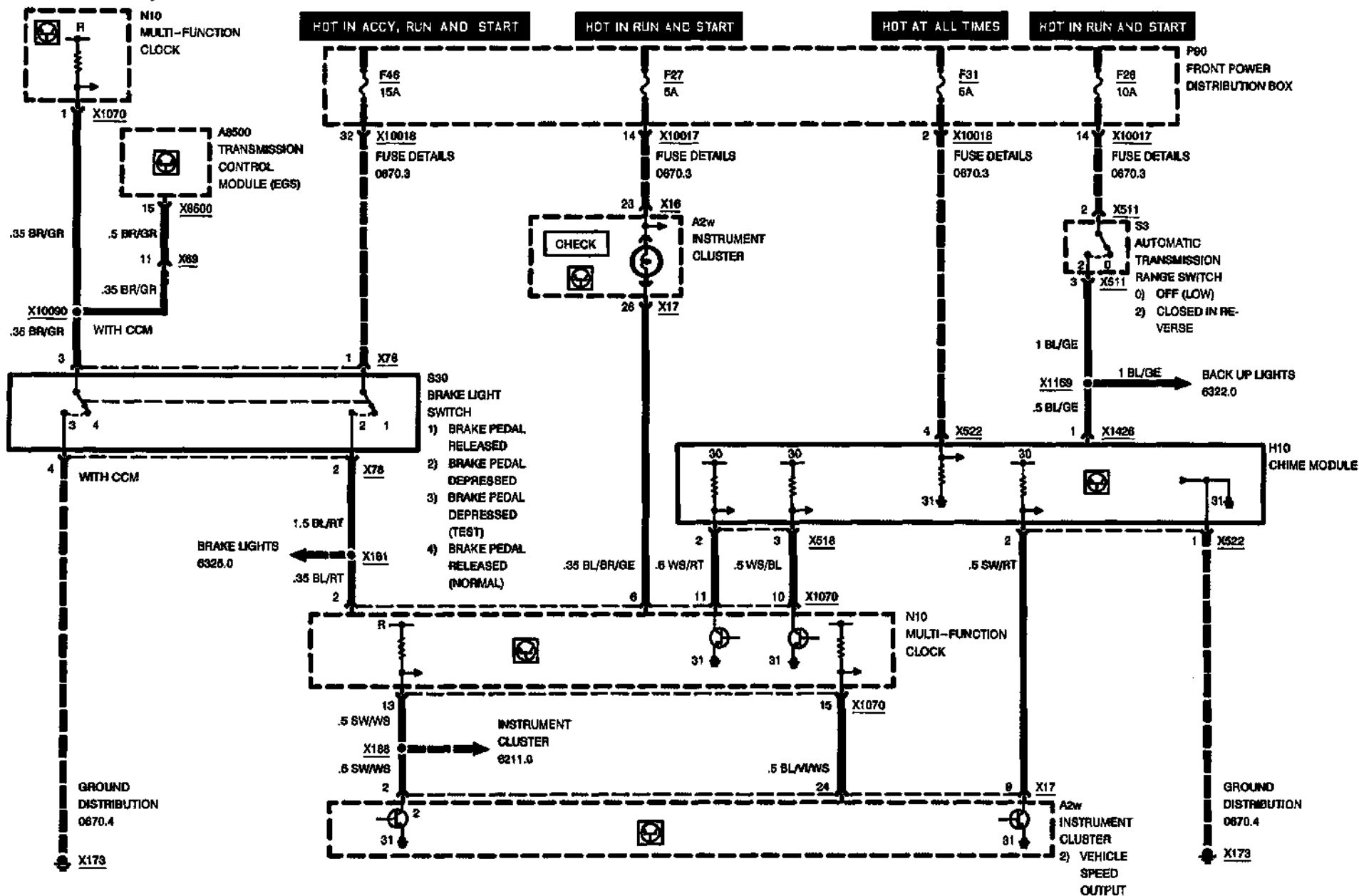
04/97

6213.2-00

1996



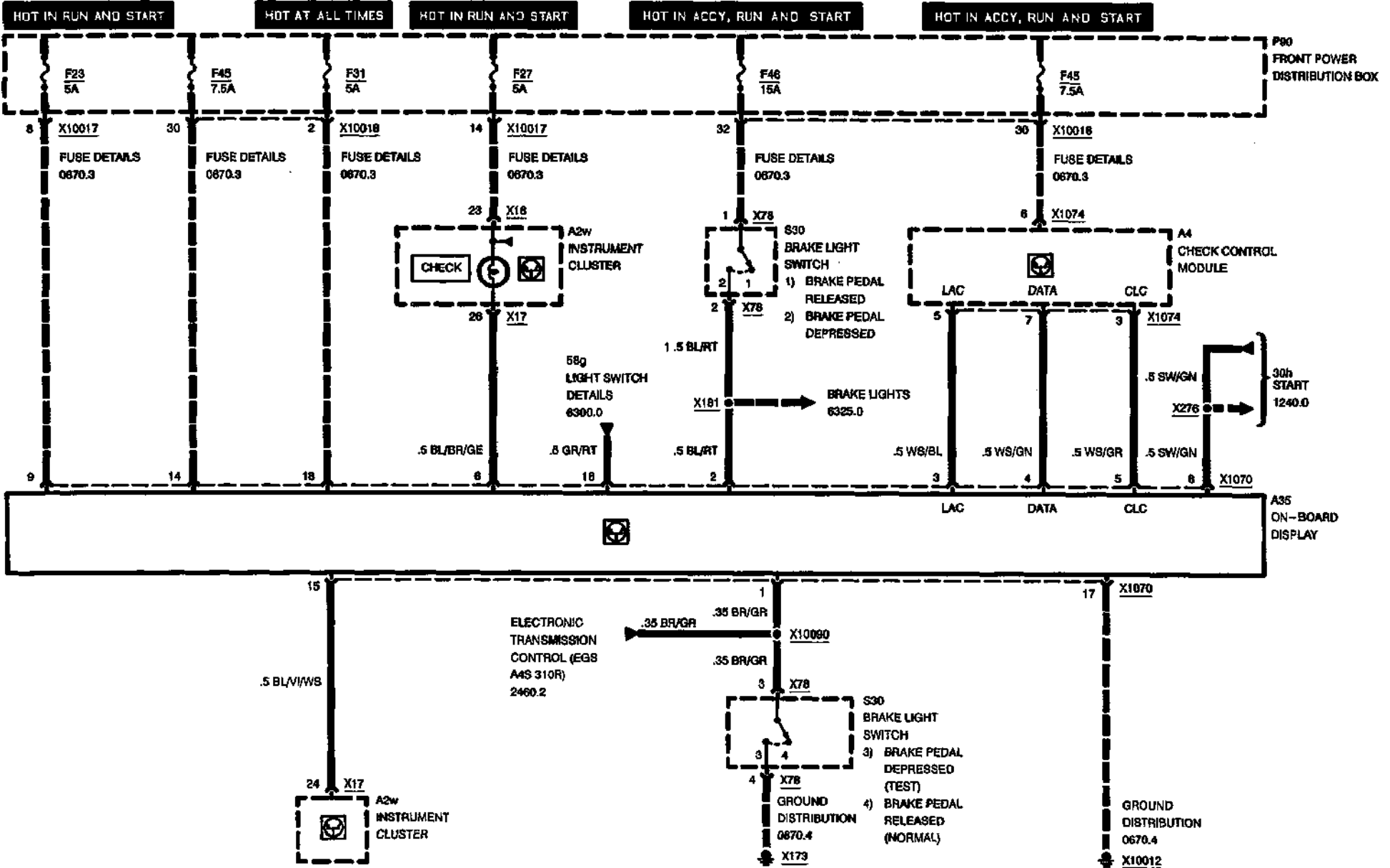
MULTI-FUNCTION CLOCK CHIME, BRAKE LIGHT SWITCH





ON-BOARD DISPLAY

HOT IN ACCY, RUN AND START



04/97

6214.0-00

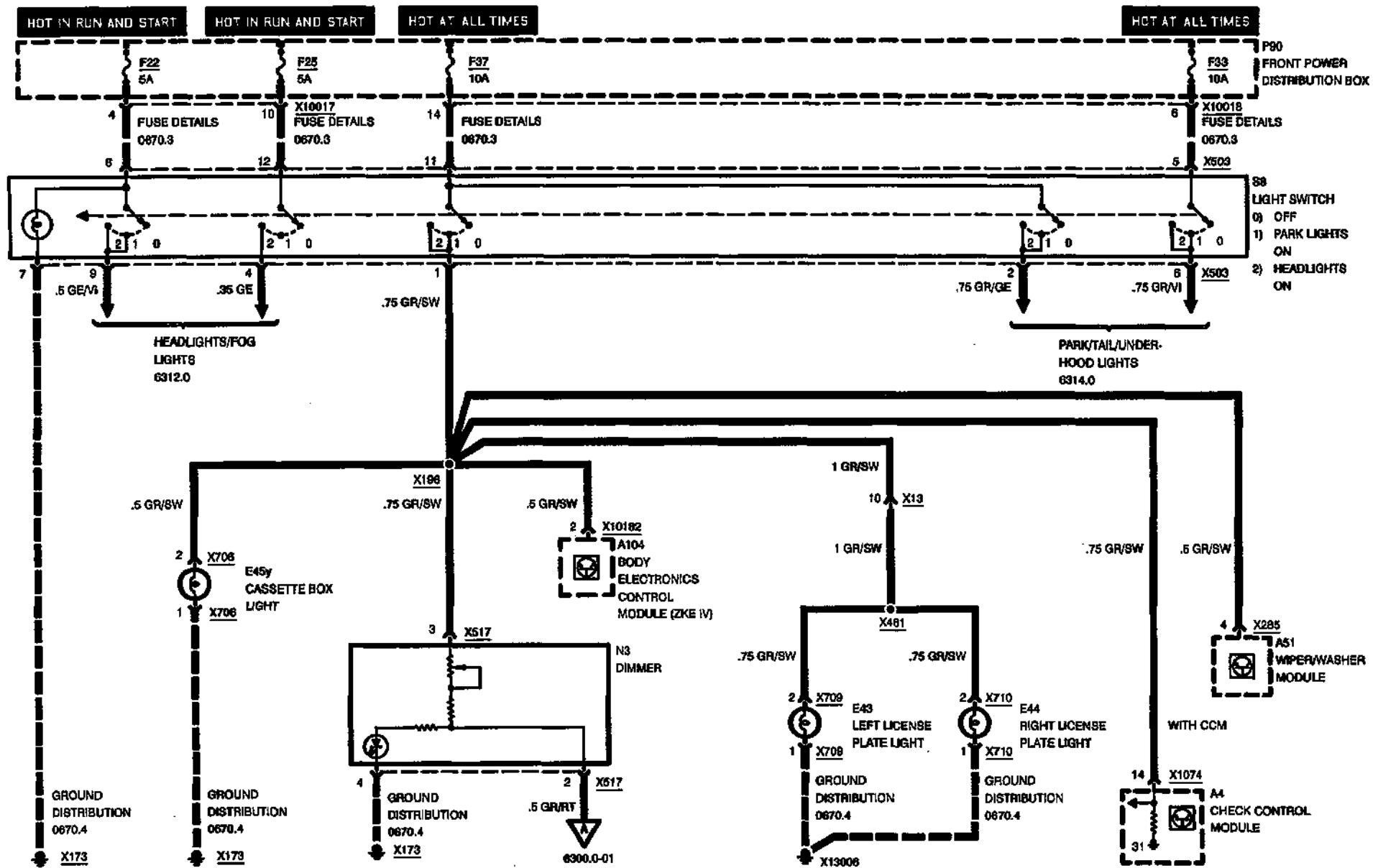
1996



6300.0



LIGHT SWITCH DETAILS



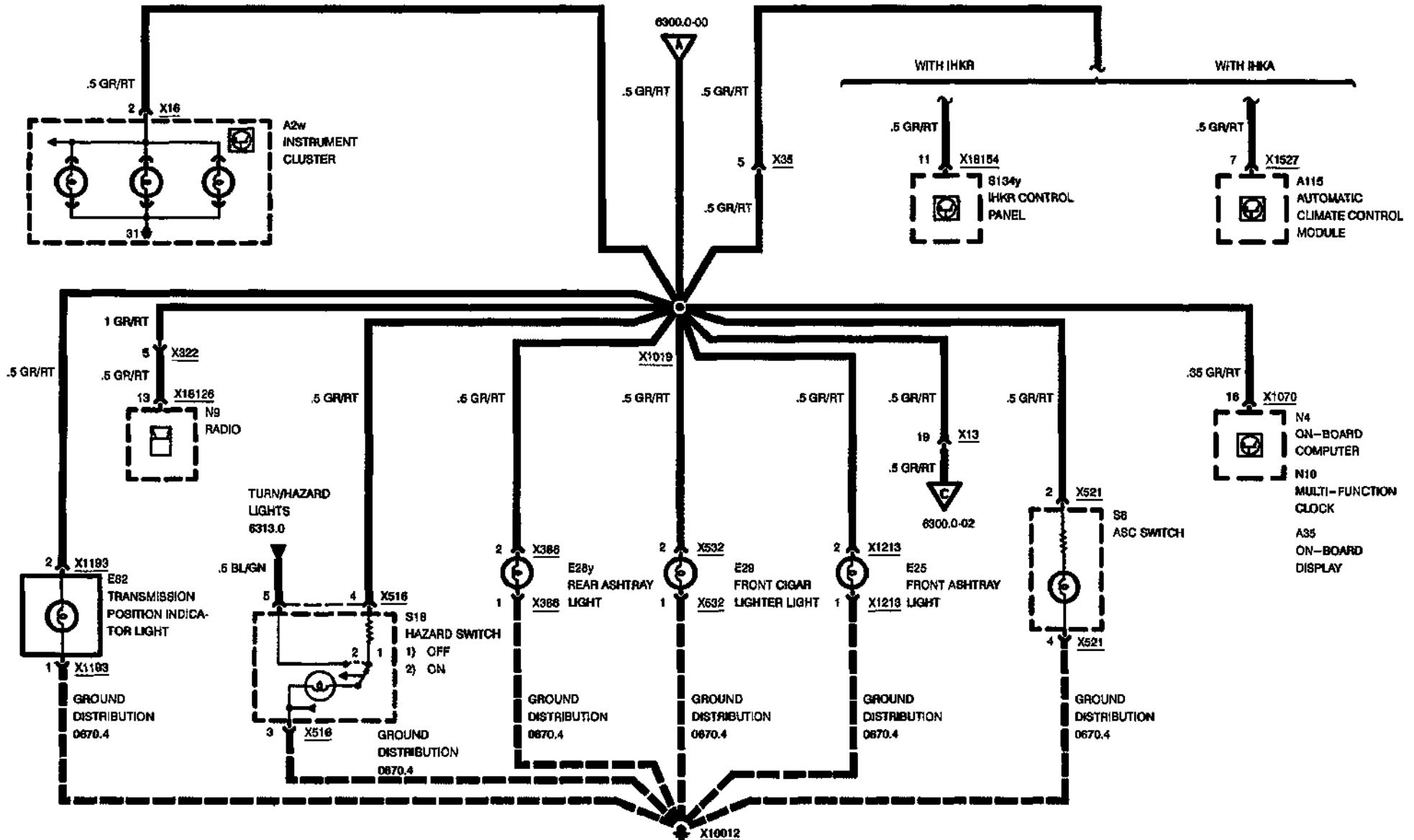
09/96

6300.0-00

1996

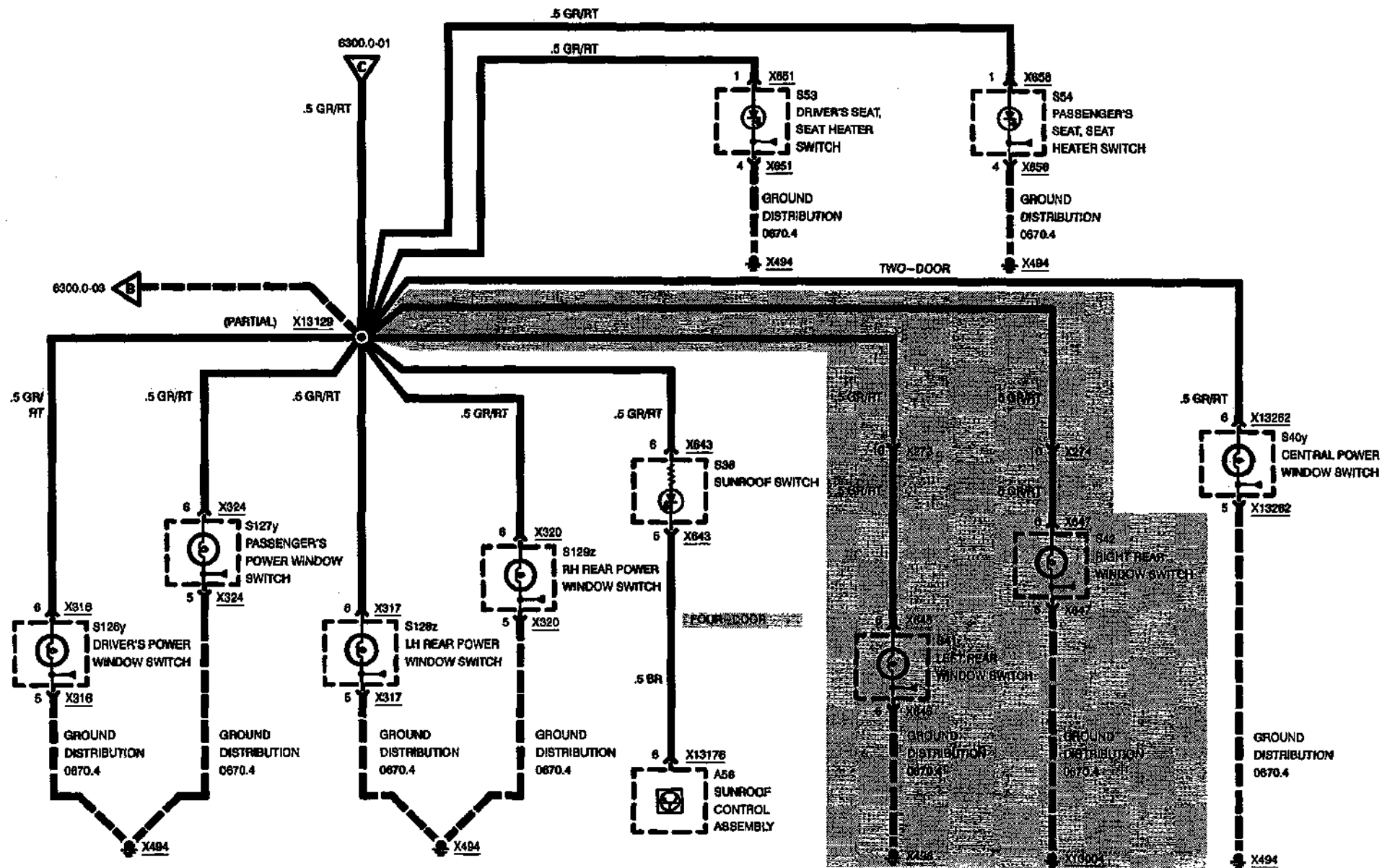


LIGHT SWITCH DETAILS

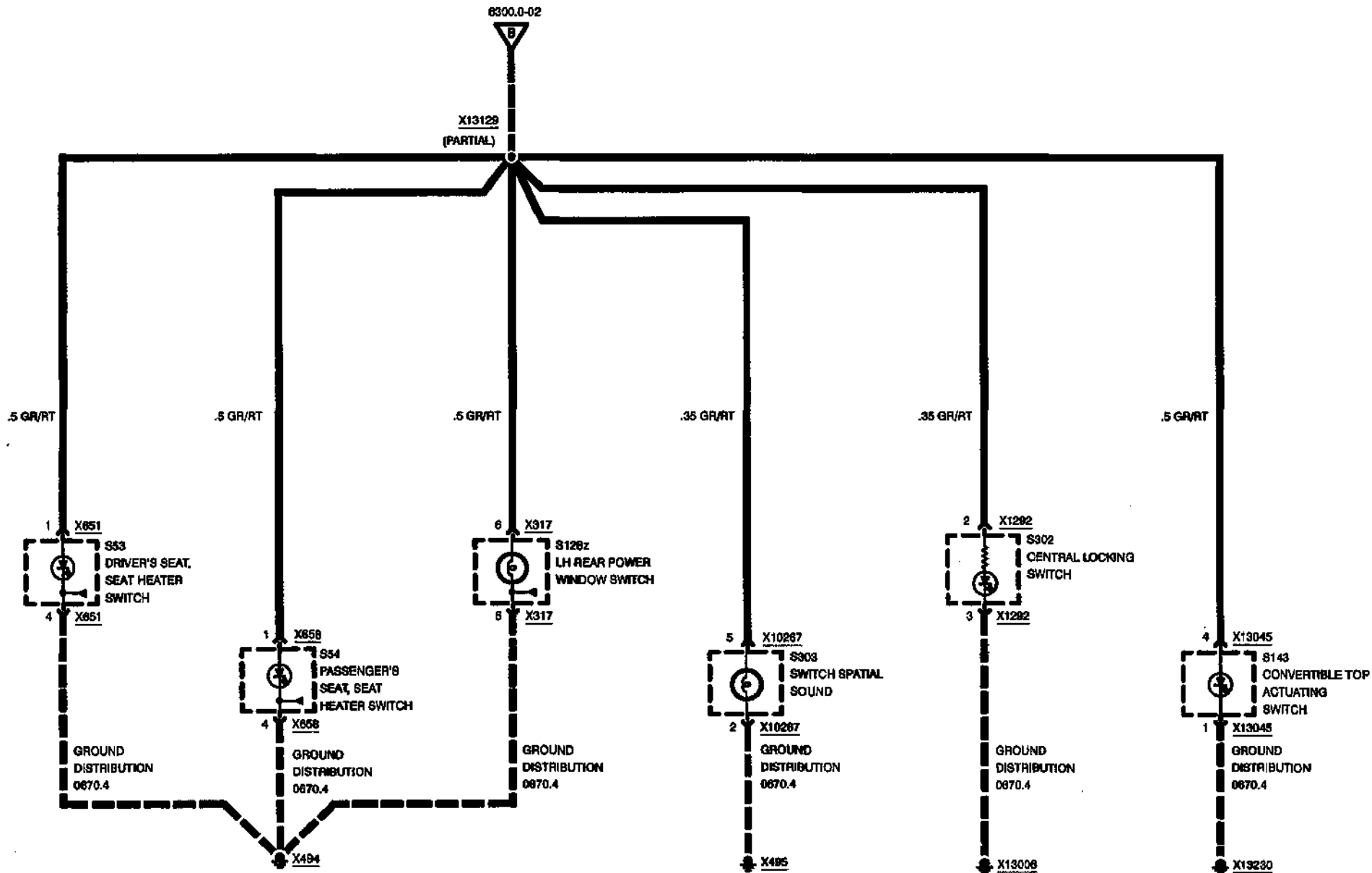




LIGHT SWITCH DETAILS



BMW 3 LIGHT SWITCH DETAILS



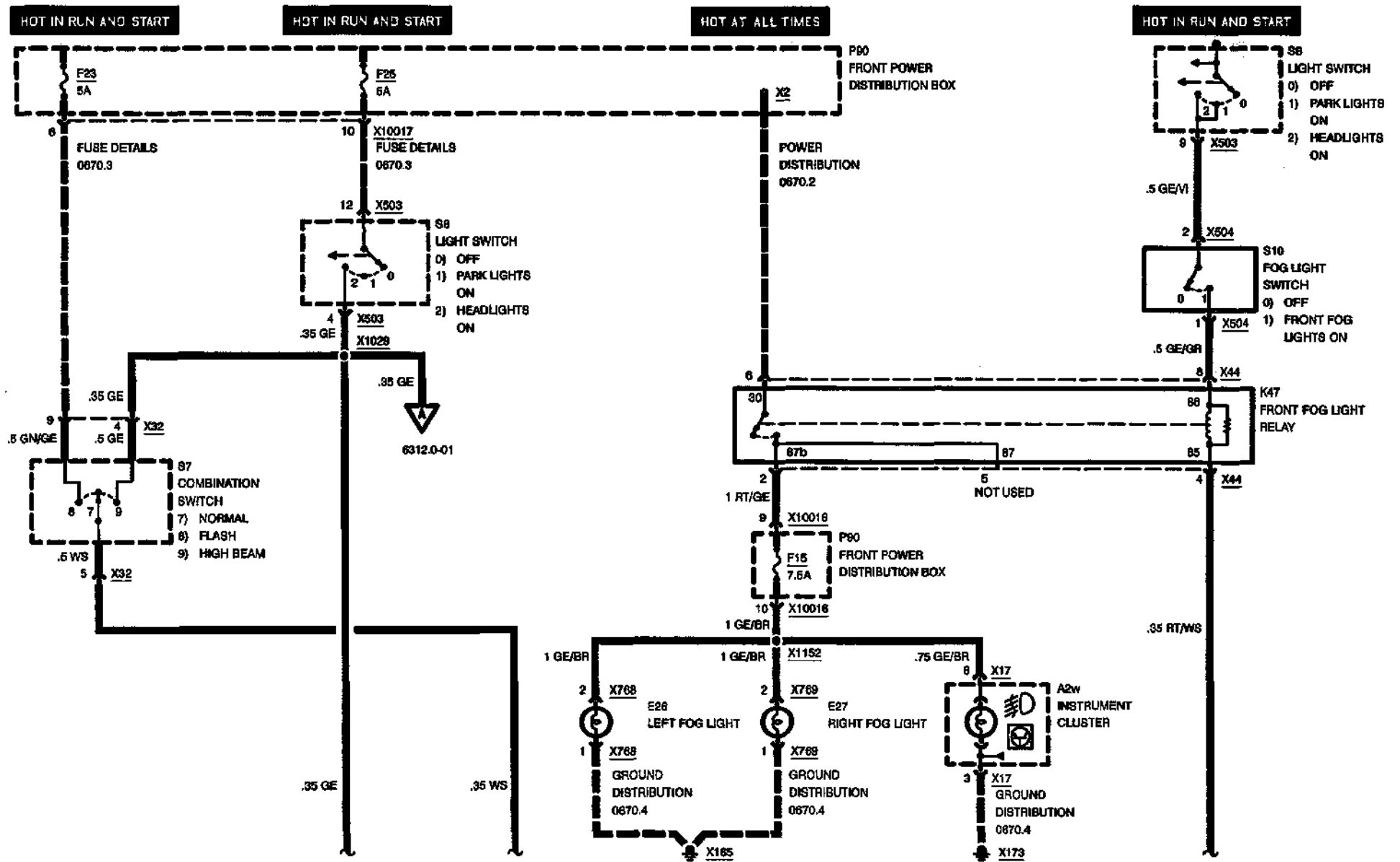
04/97

6300.0-03

1996



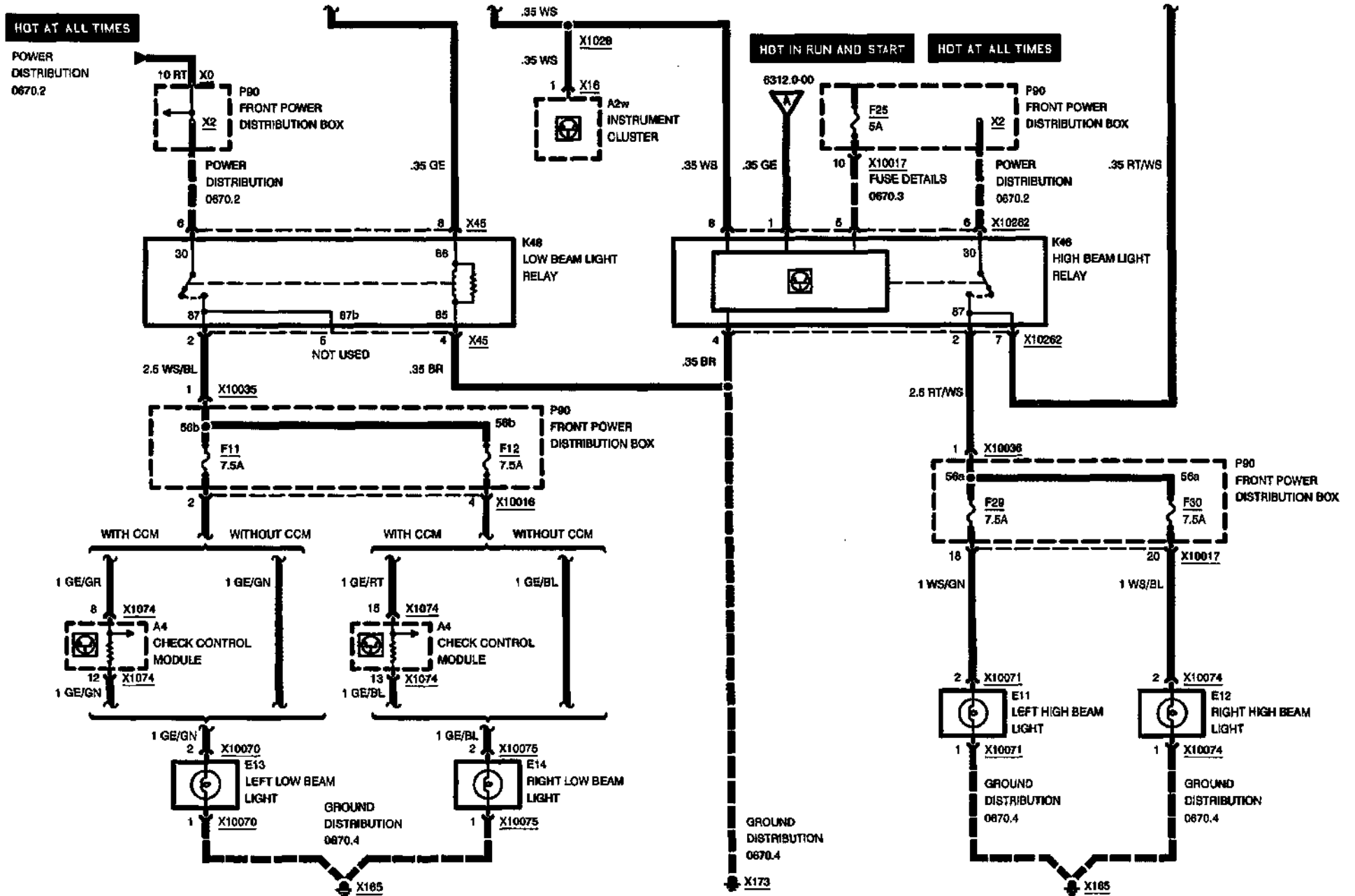
HEADLIGHTS/FOG LIGHTS



04/97

6312.0-00

1996

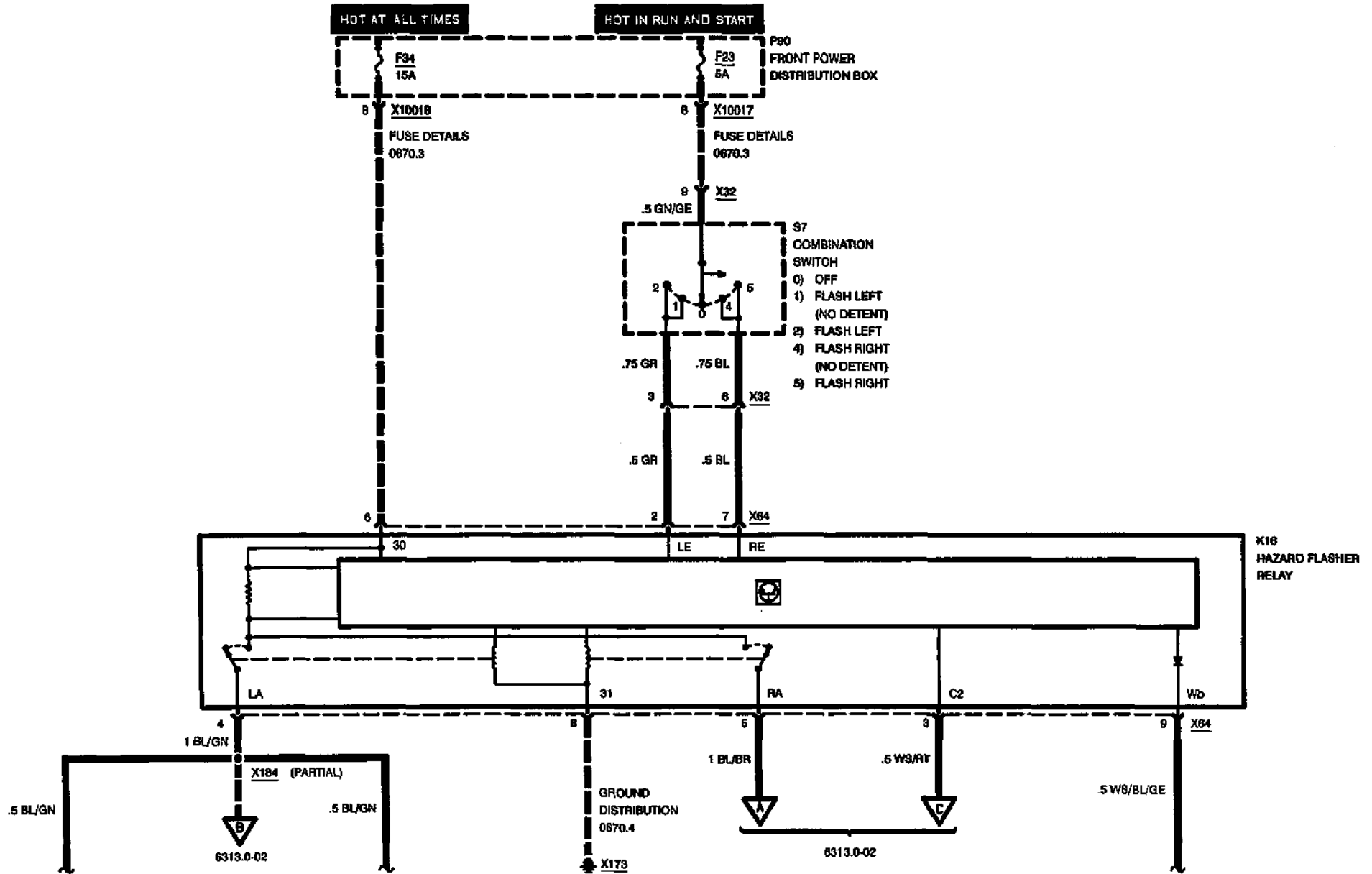




6313.0

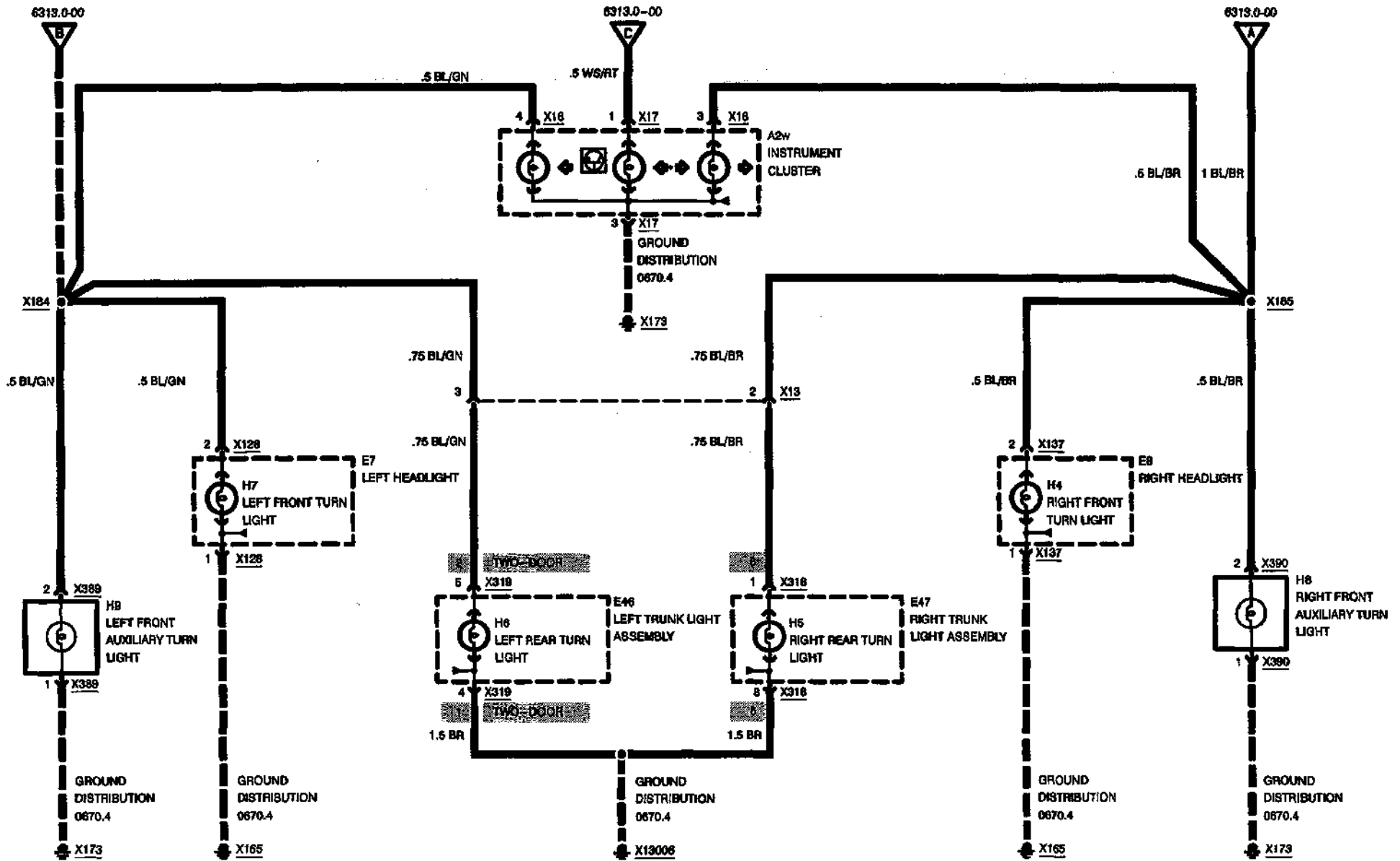


TURN/HAZARD LIGHTS





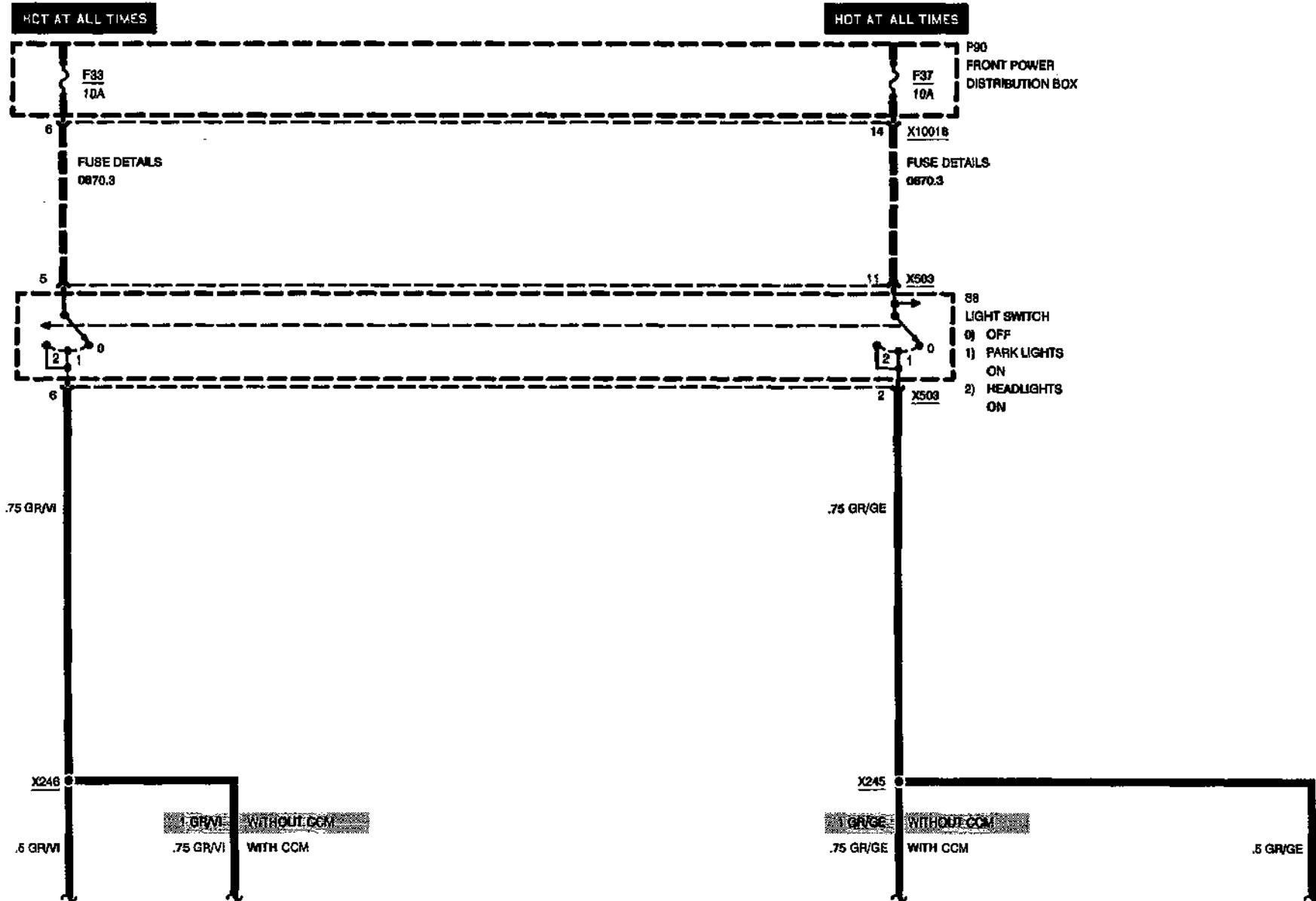
TURN/HAZARD LIGHTS







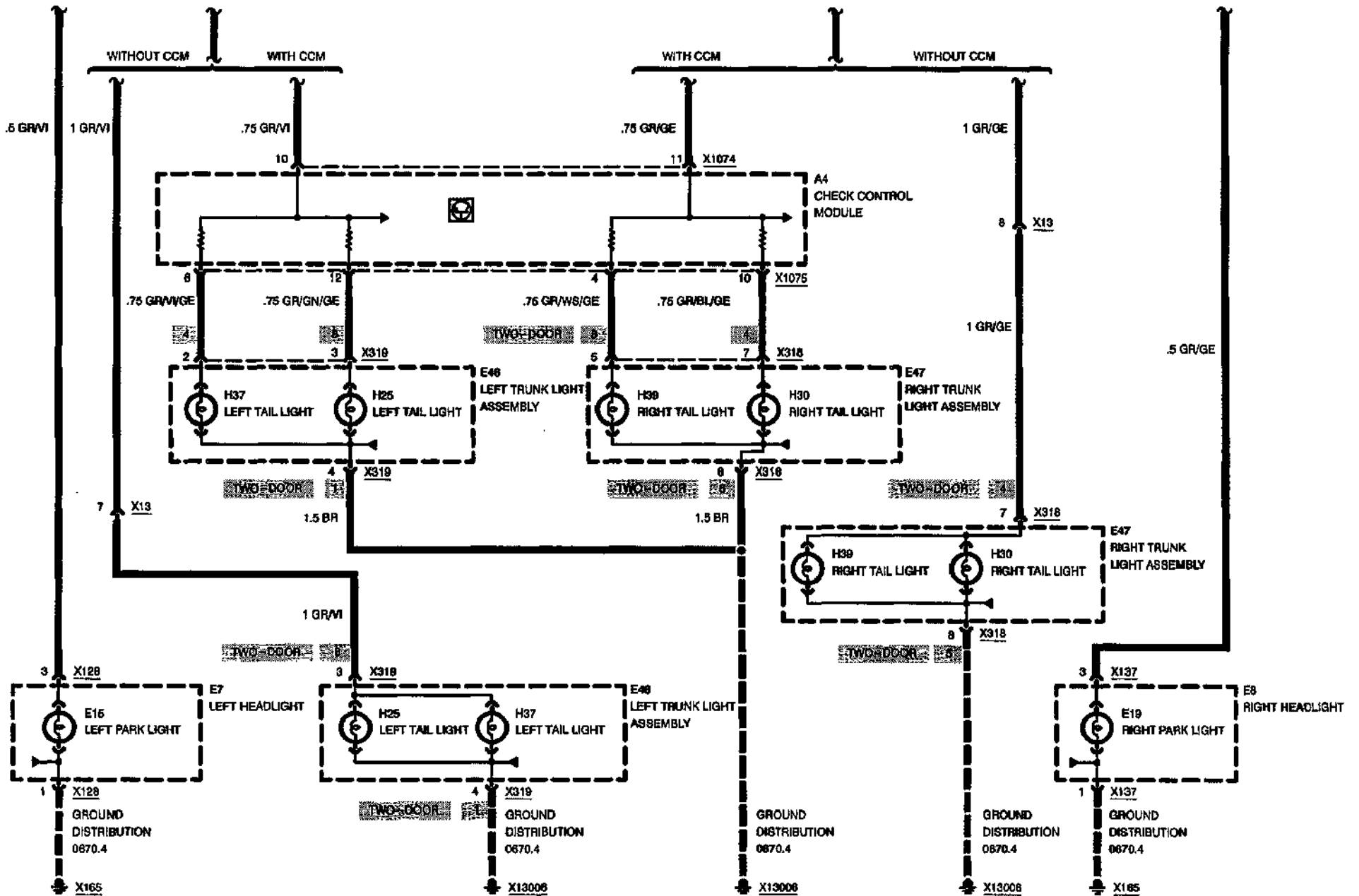
PARK/TAIL LIGHTS



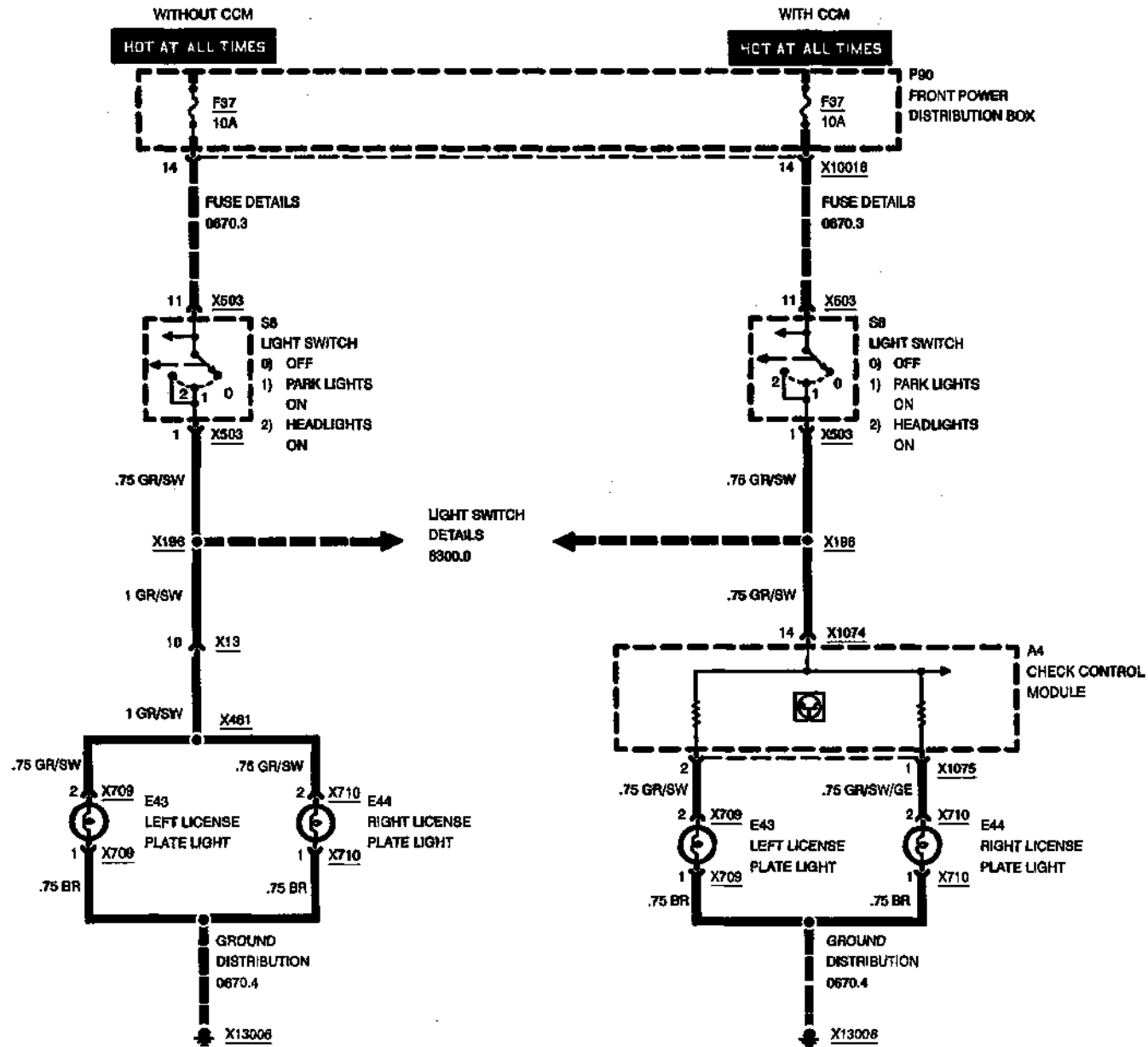
04/97

6314.0-00

1996

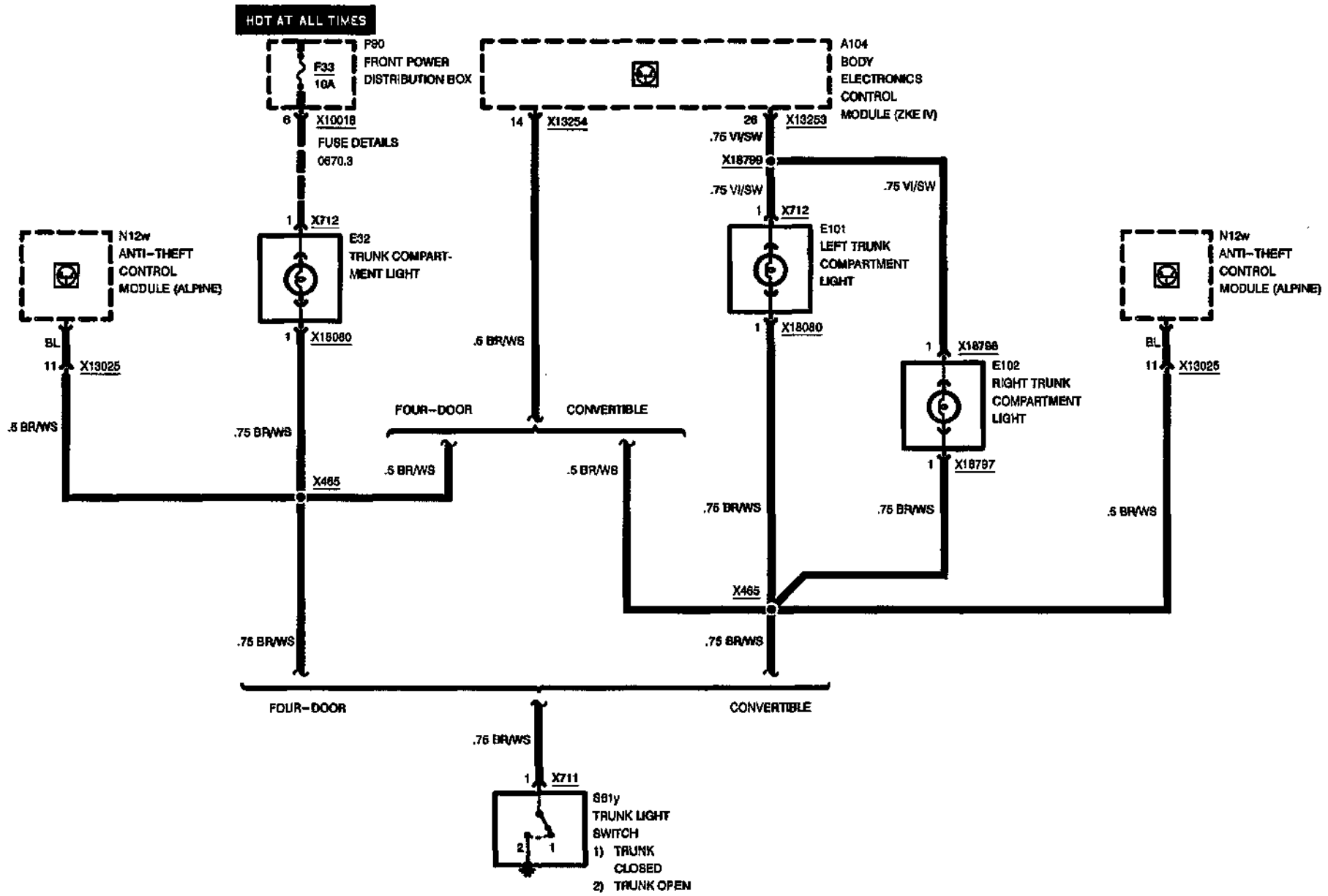


LICENSE PLATE/LUGGAGE COMPARTMENT LIGHTS





LICENSE PLATE/LUGGAGE COMPARTMENT LIGHTS



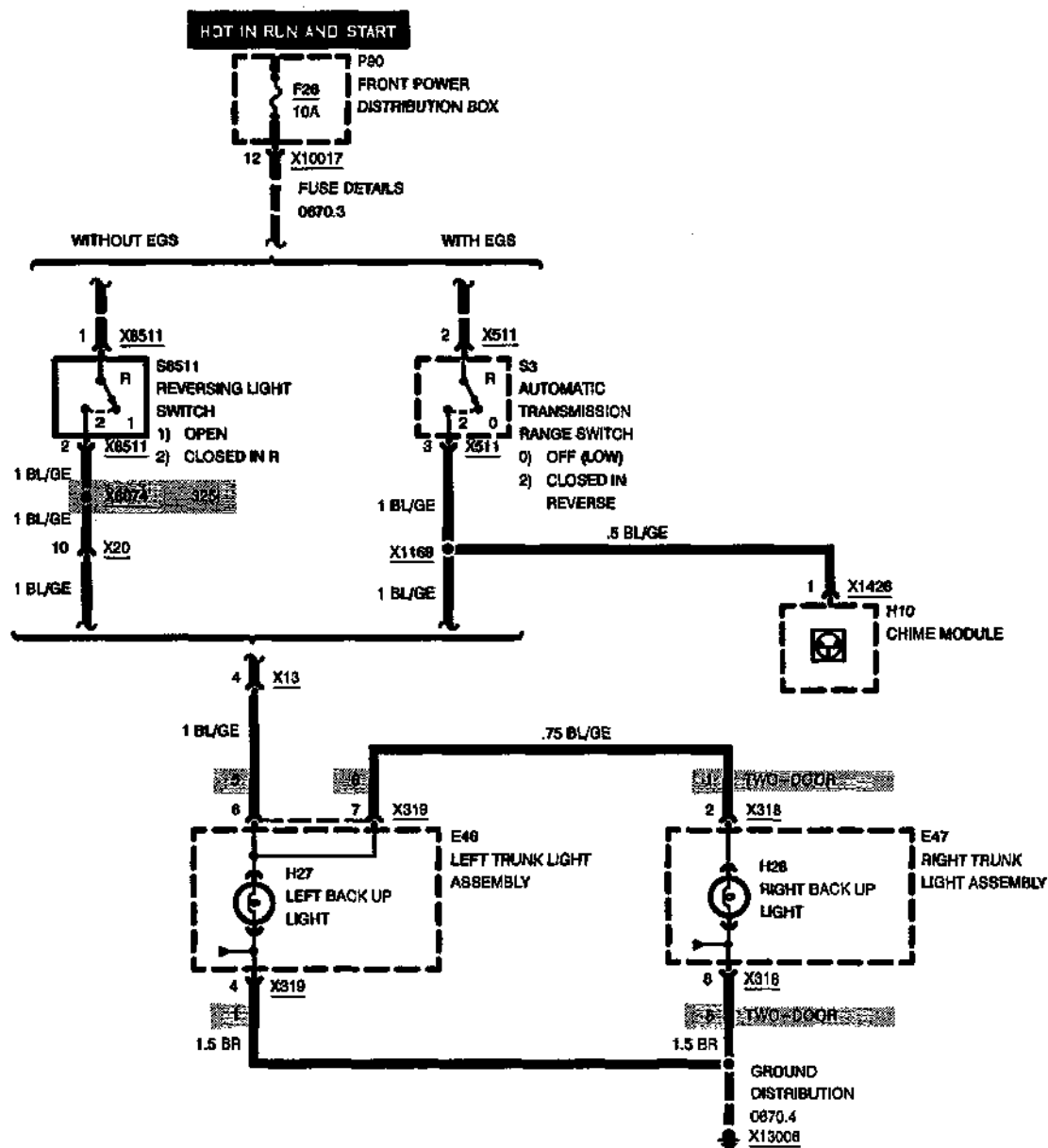
04/97

6320.0-01

1996



BACK UP LIGHTS

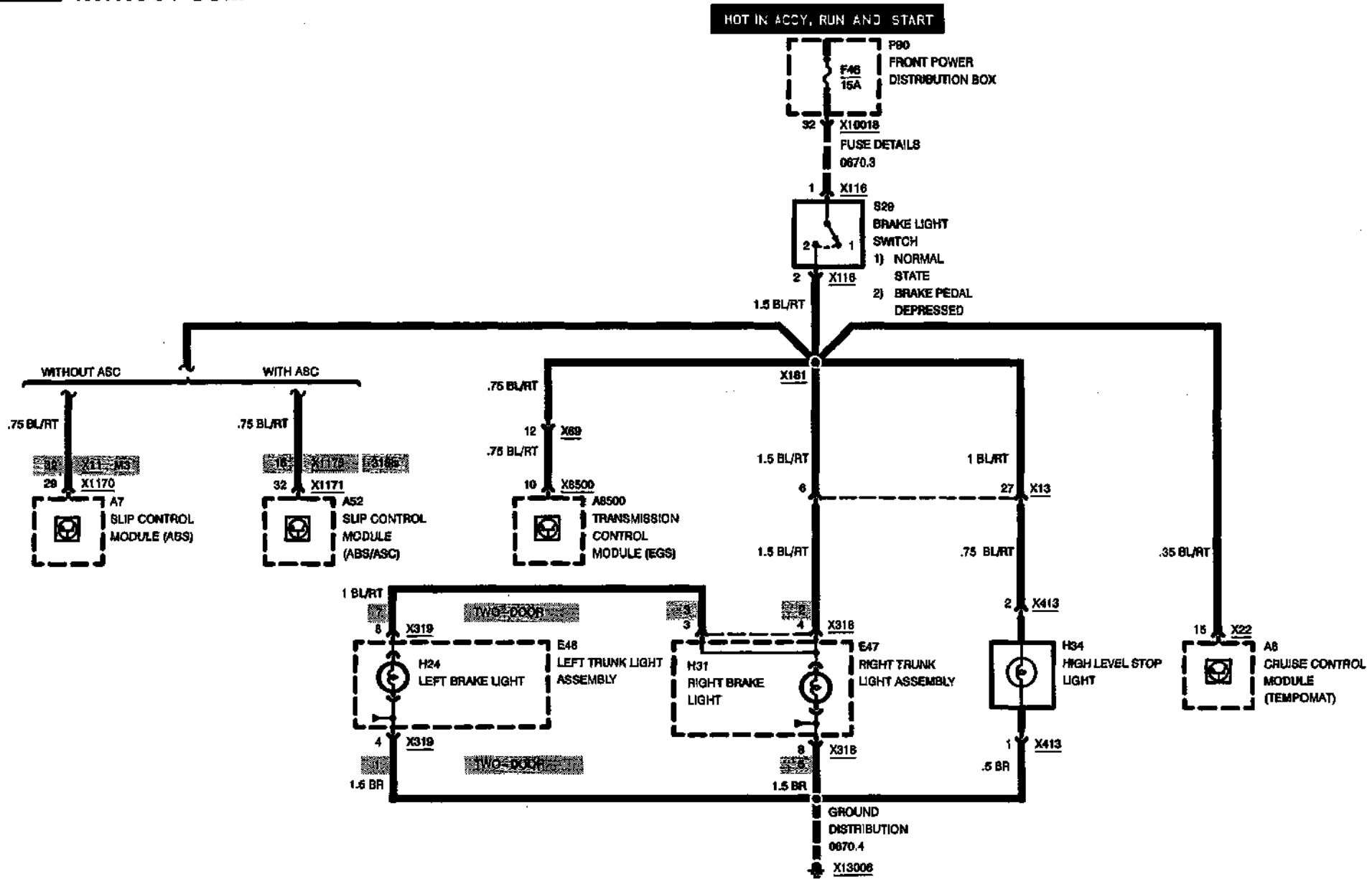




6325.0



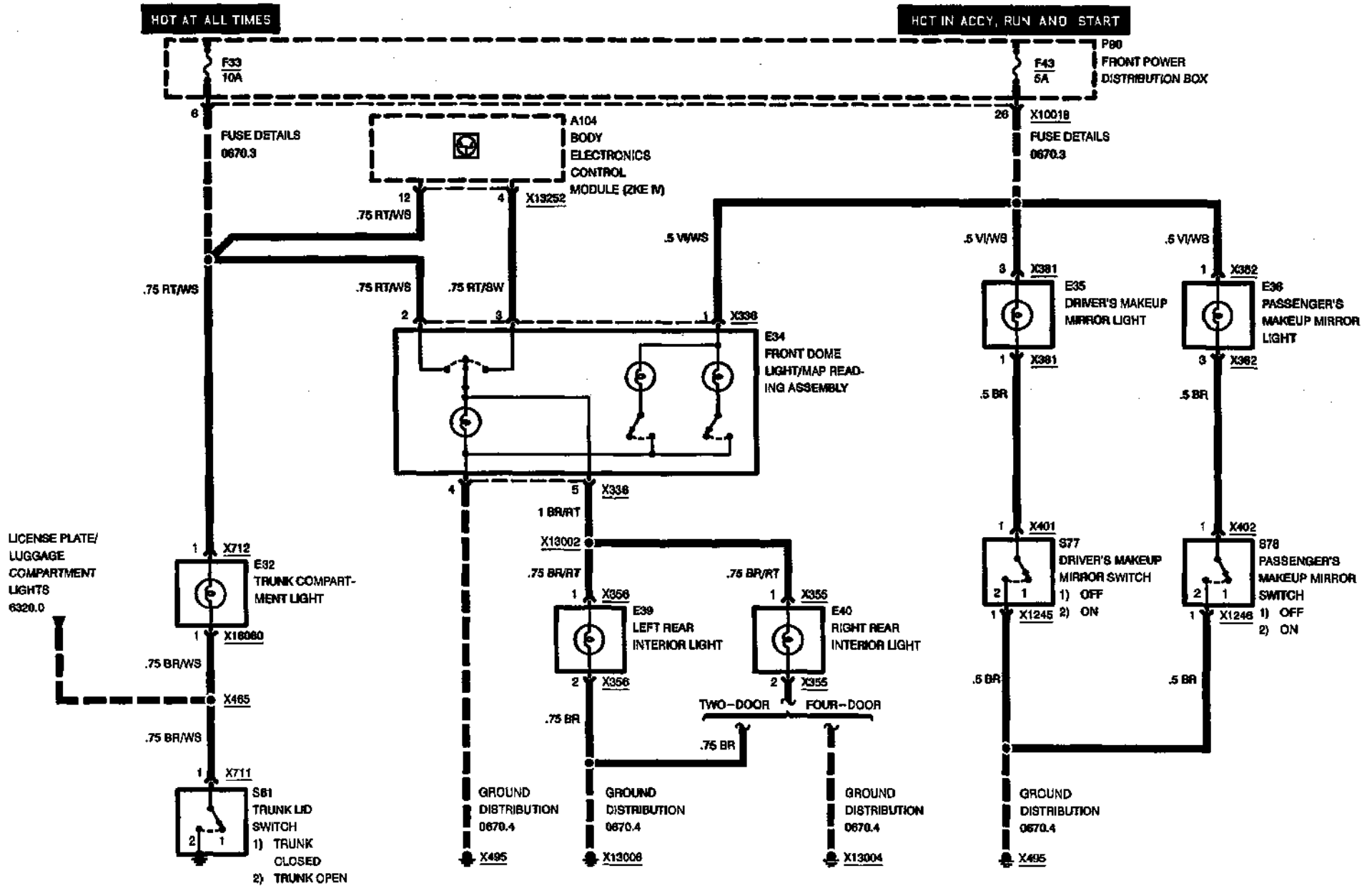
BRAKE LIGHTS WITHOUT CCM





INTERIOR LIGHTS

TWO DOOR/FOUR DOOR



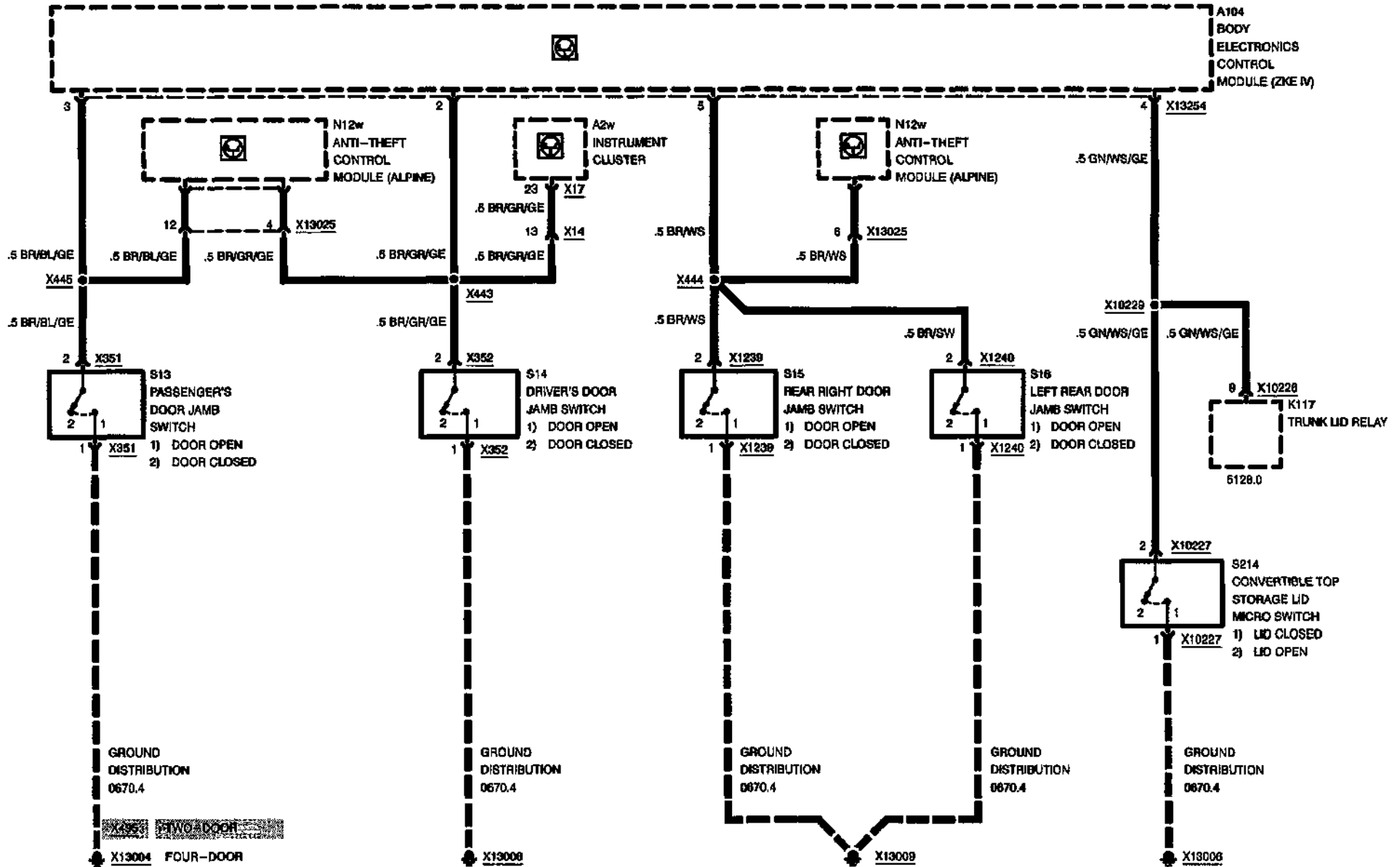
04/97

6330.3-00

1996



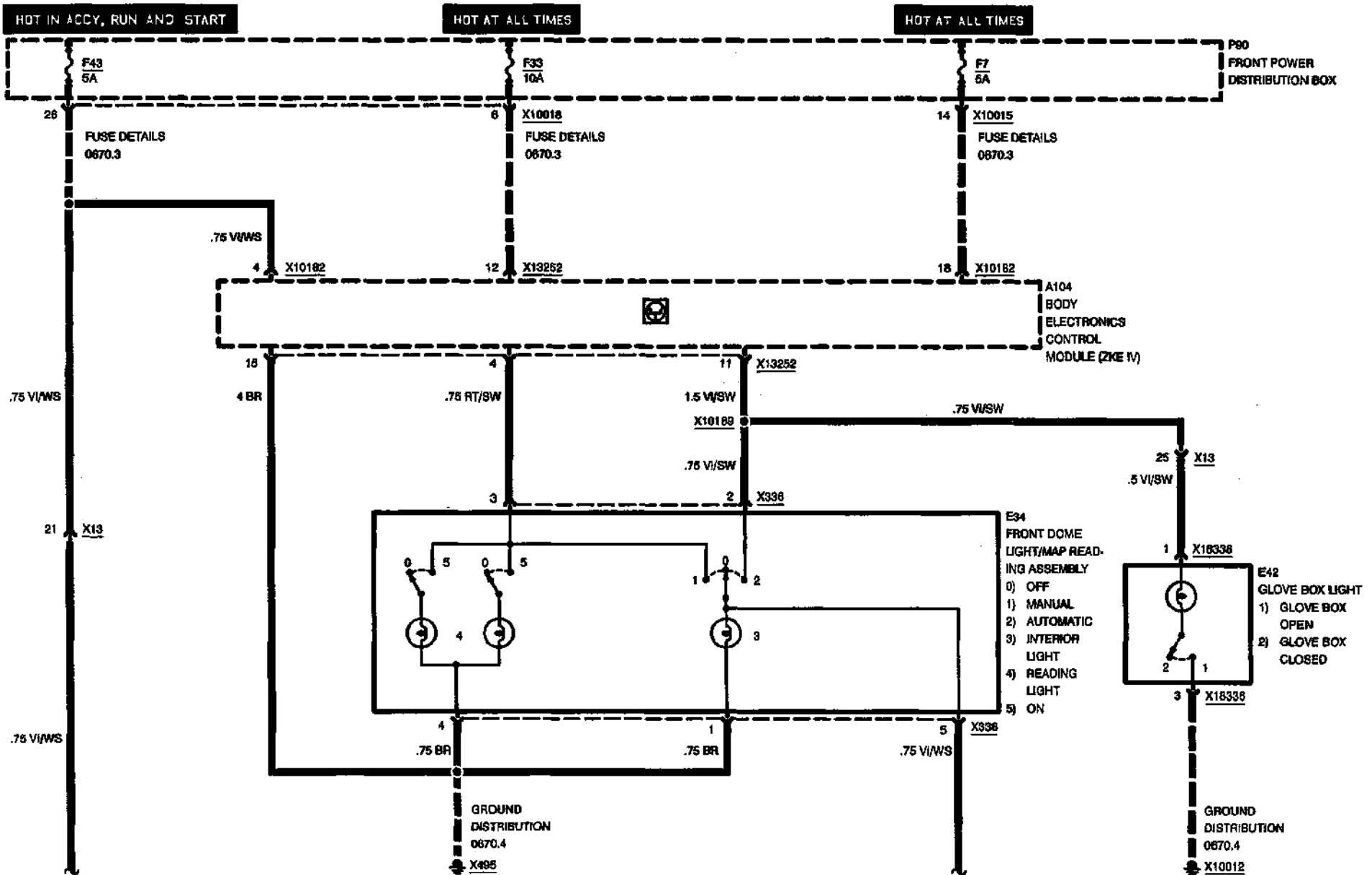
INTERIOR LIGHTS

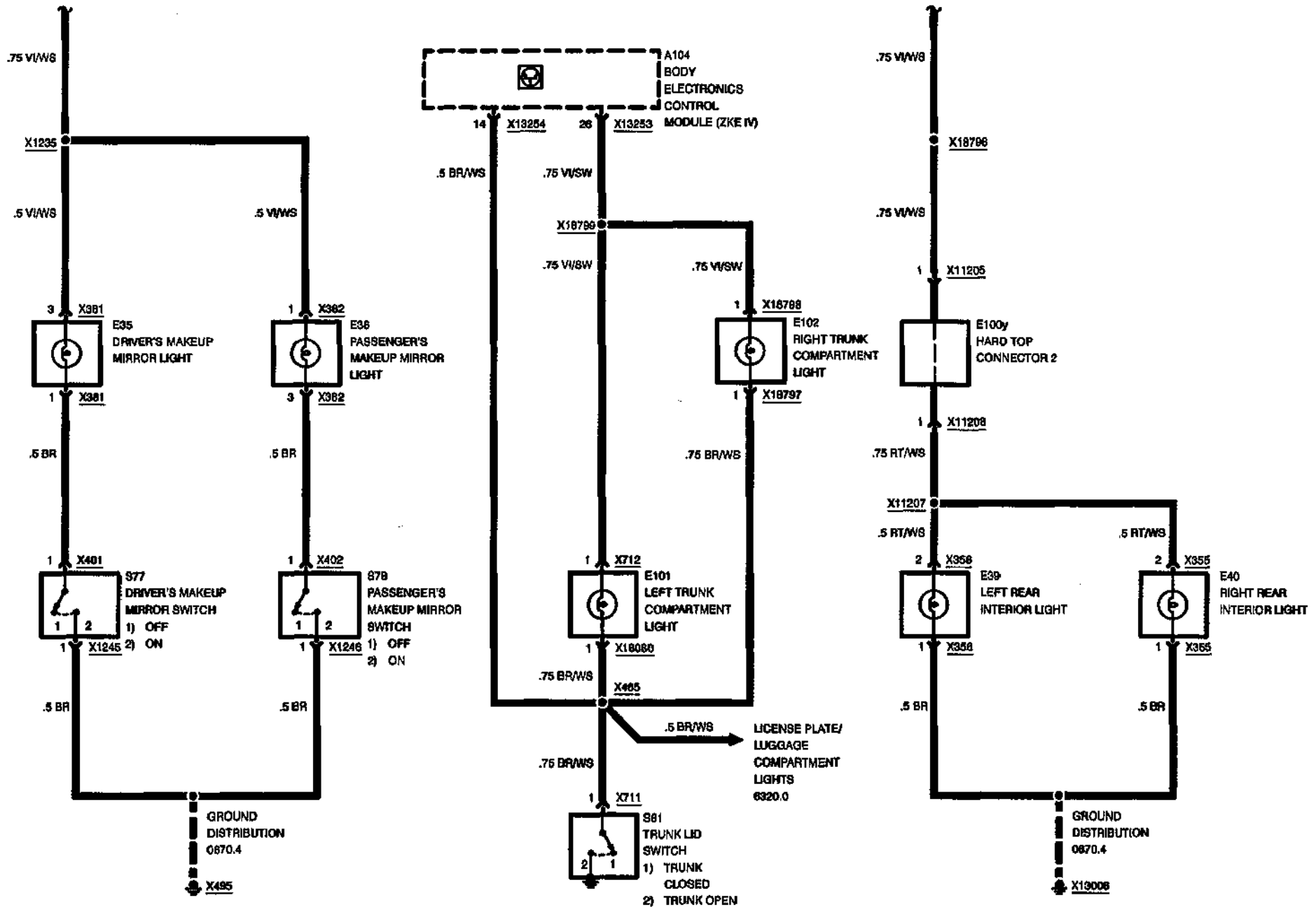


04/97

6330.3-01

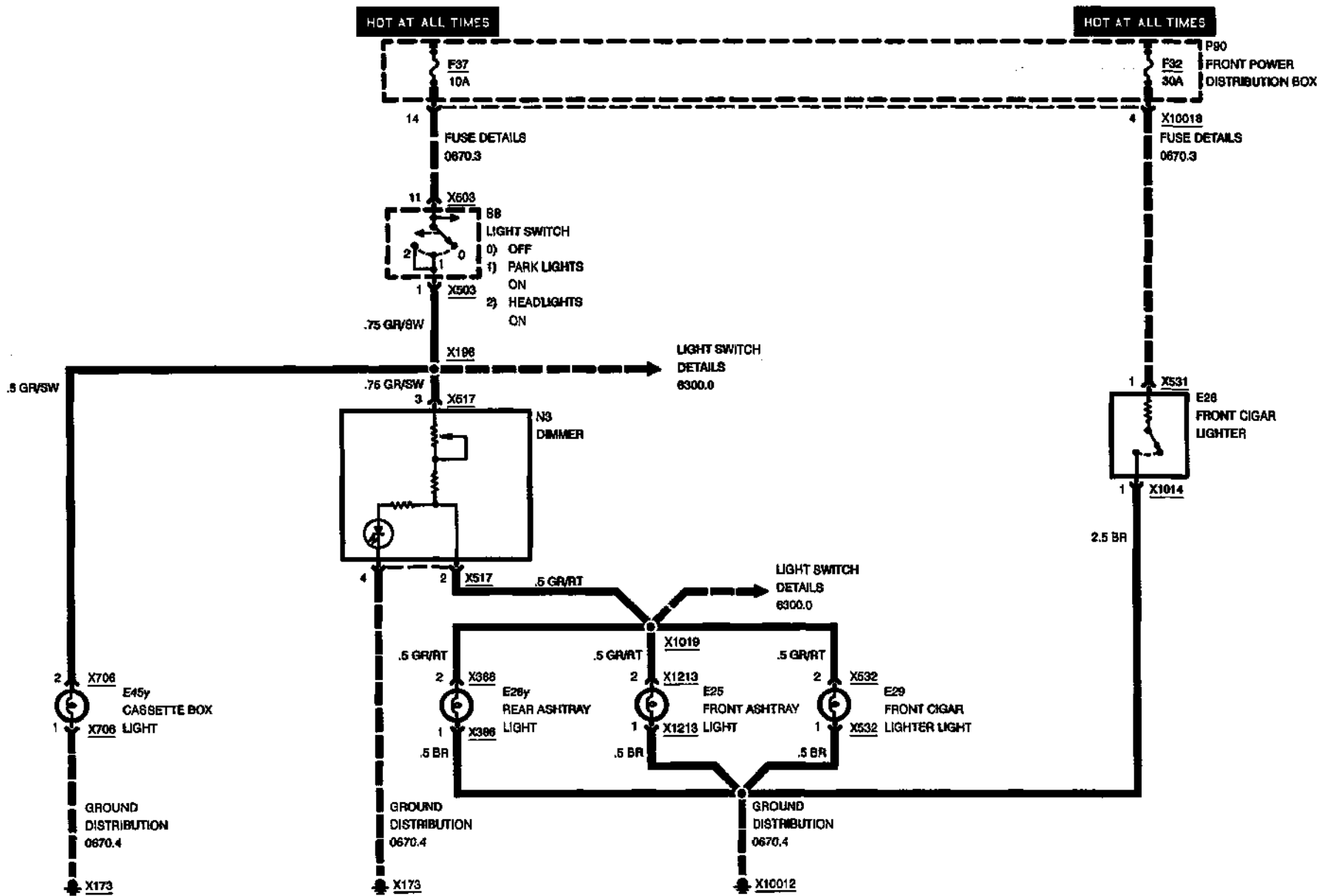
1996







GLOVE BOX LIGHT/CASSETTE BOX/ASHTRAY LIGHT/CHARGING SOCKET/CIGAR LIGHTER



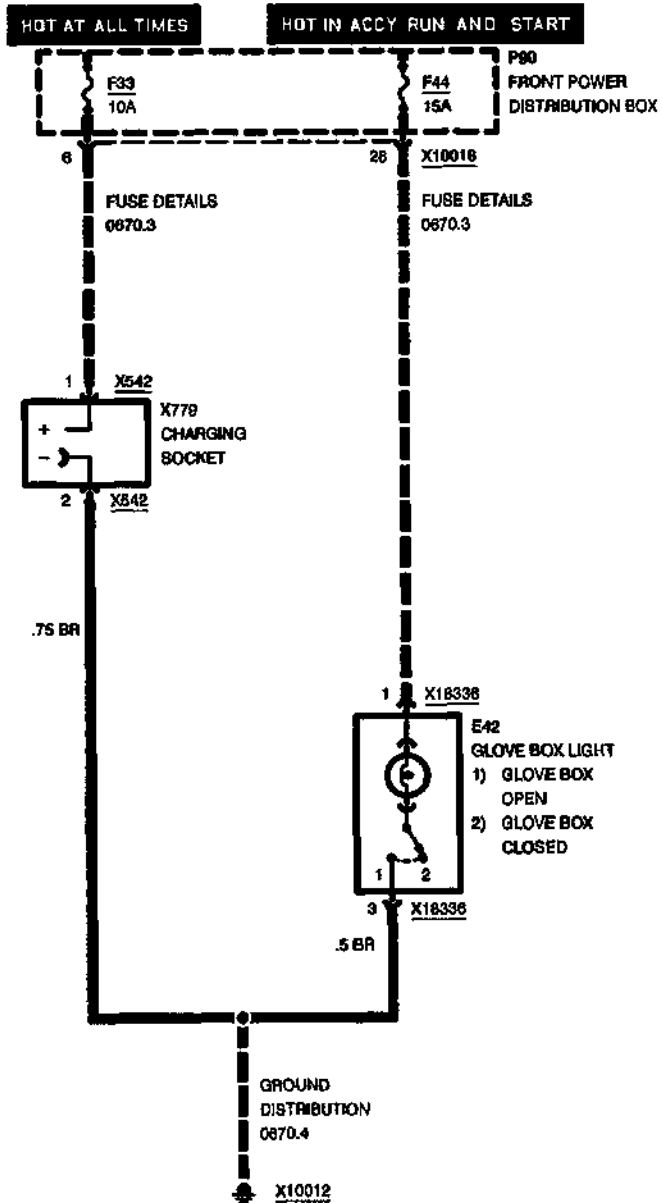
04/97

6332.1-00

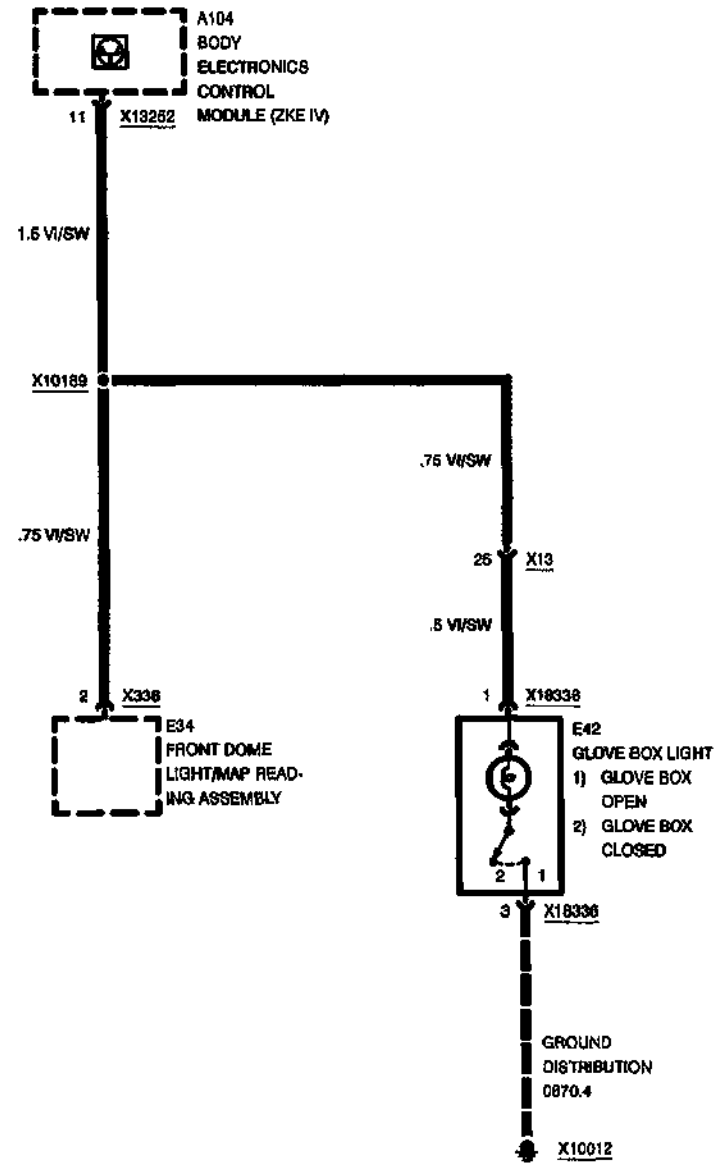
1996



GLOVE BOX LIGHT/CASSETTE BOX/ASHTRAY LIGHT/CHARGING SOCKET/CIGAR LIGHTER

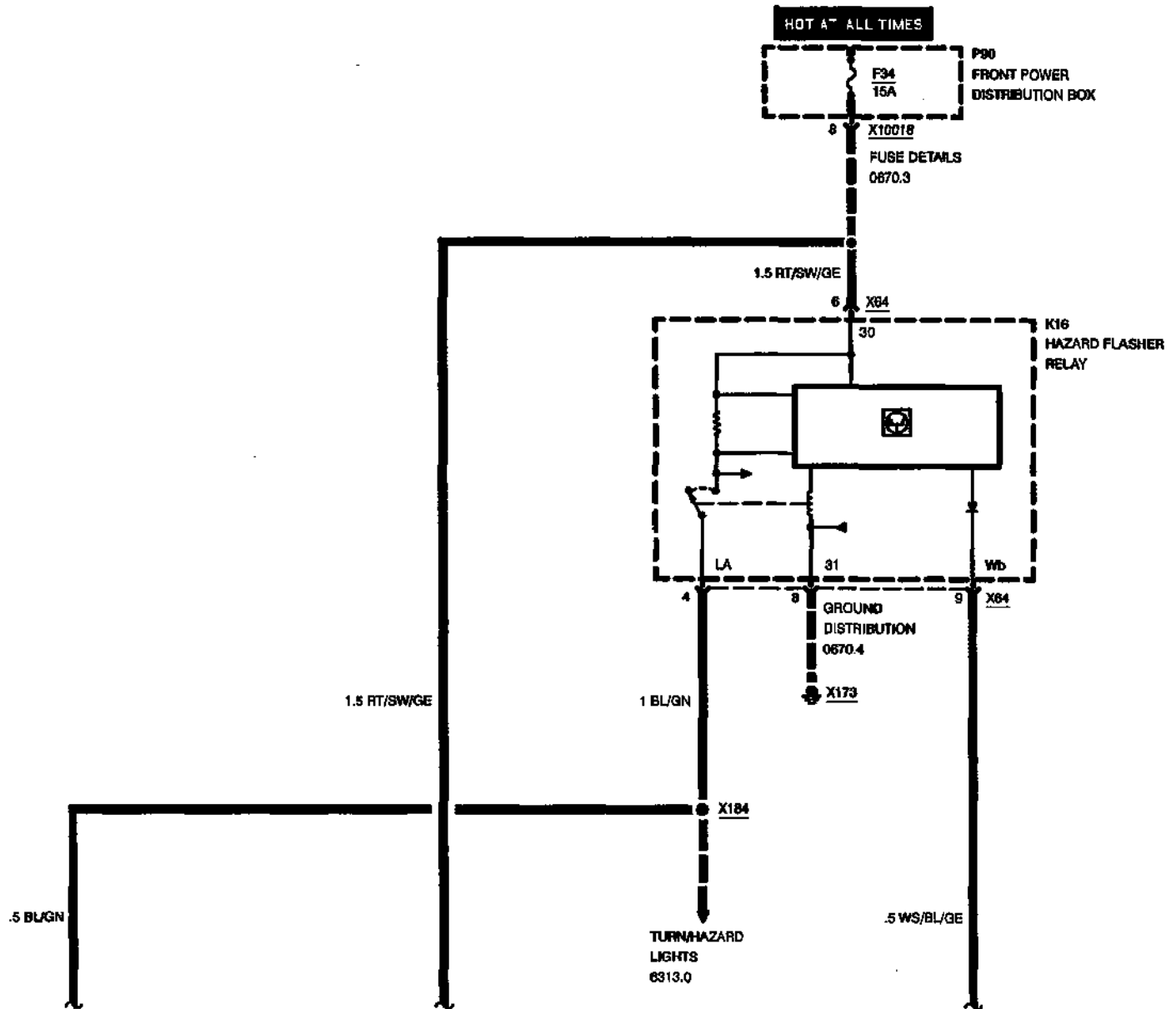


CONVERTIBLE





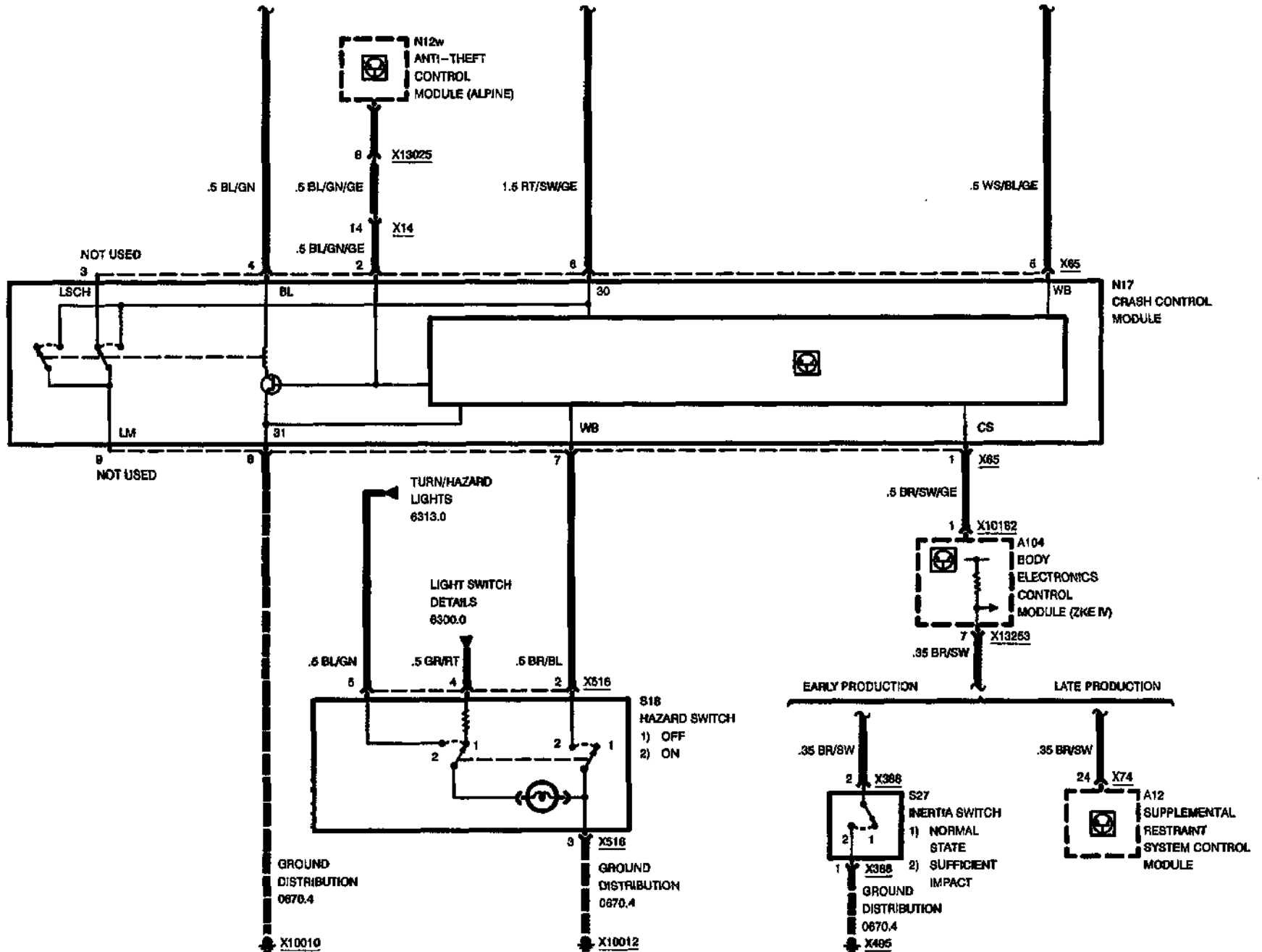
CRASH CONTROL MODULE

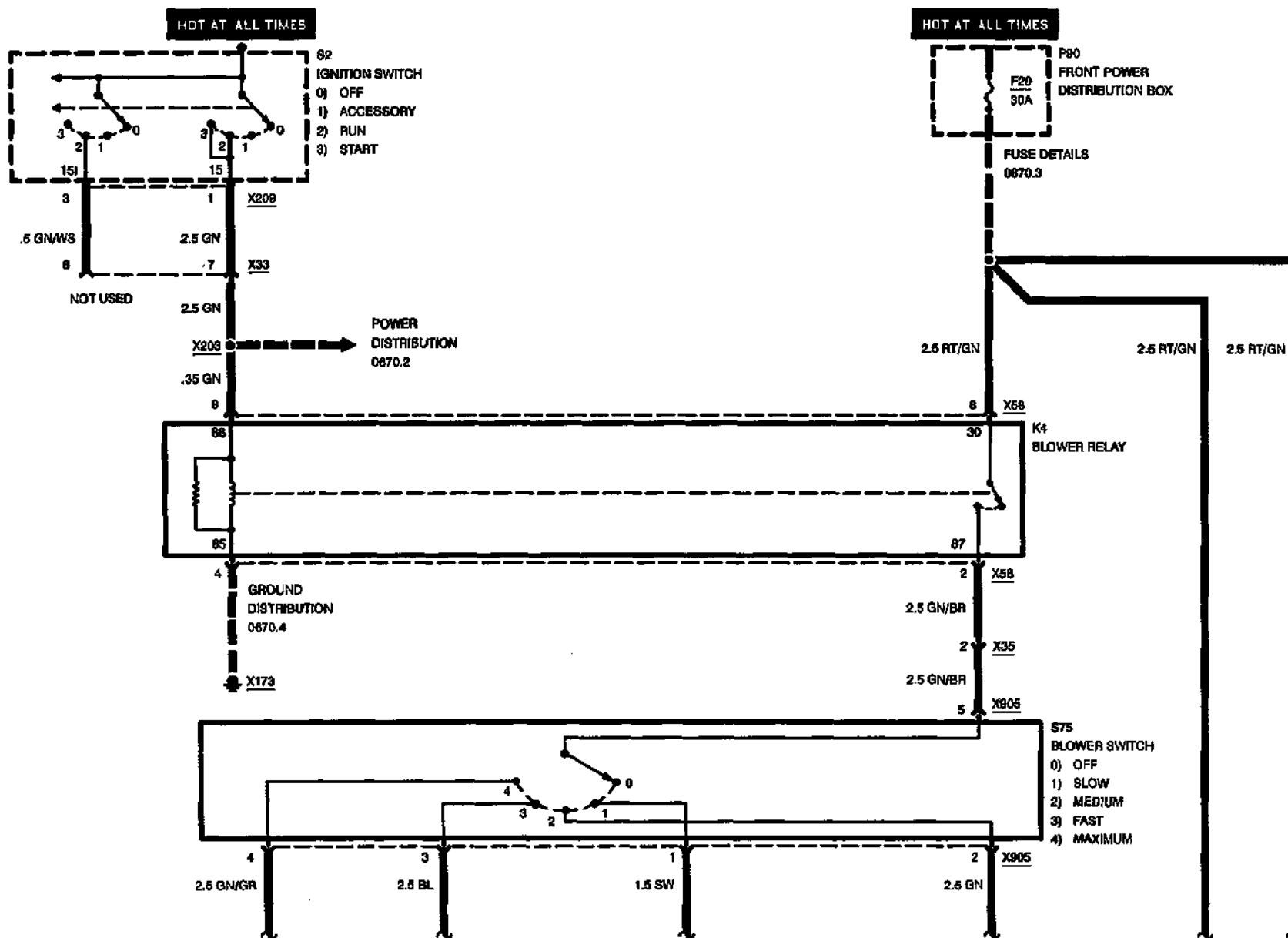


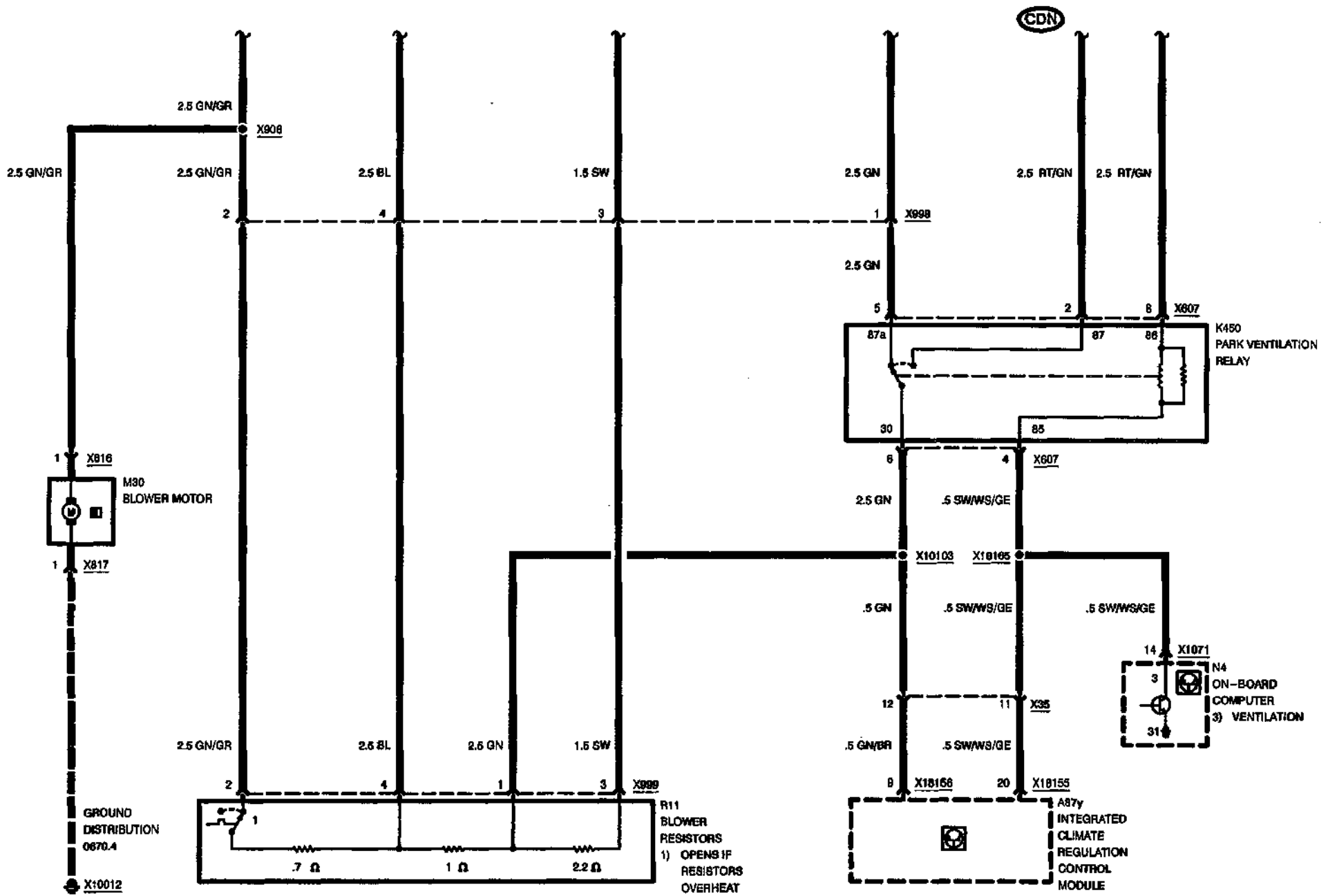
04/97

6350.0-00

1996

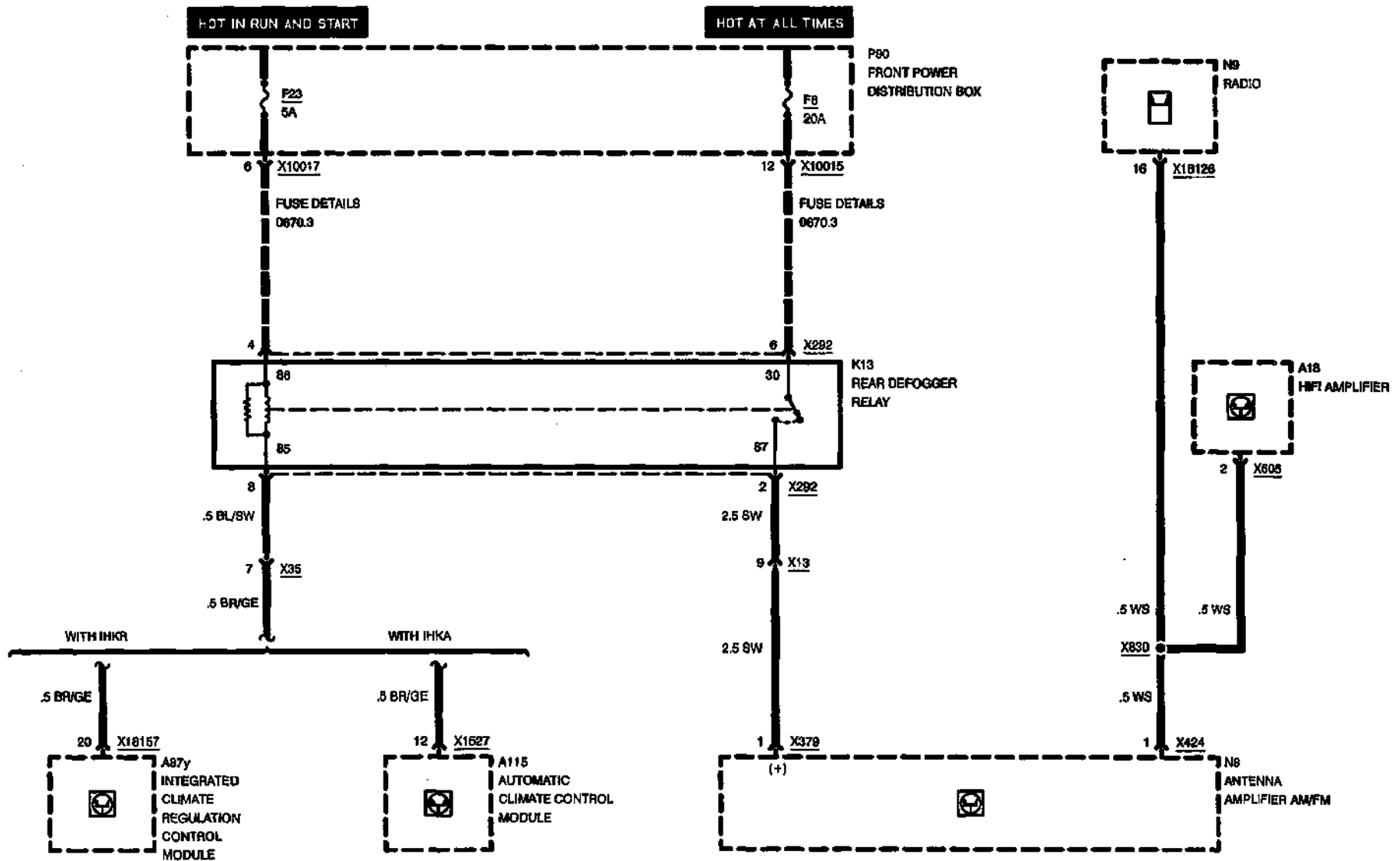








REAR WINDOW DEFOGGER/ANTENNA



04/97

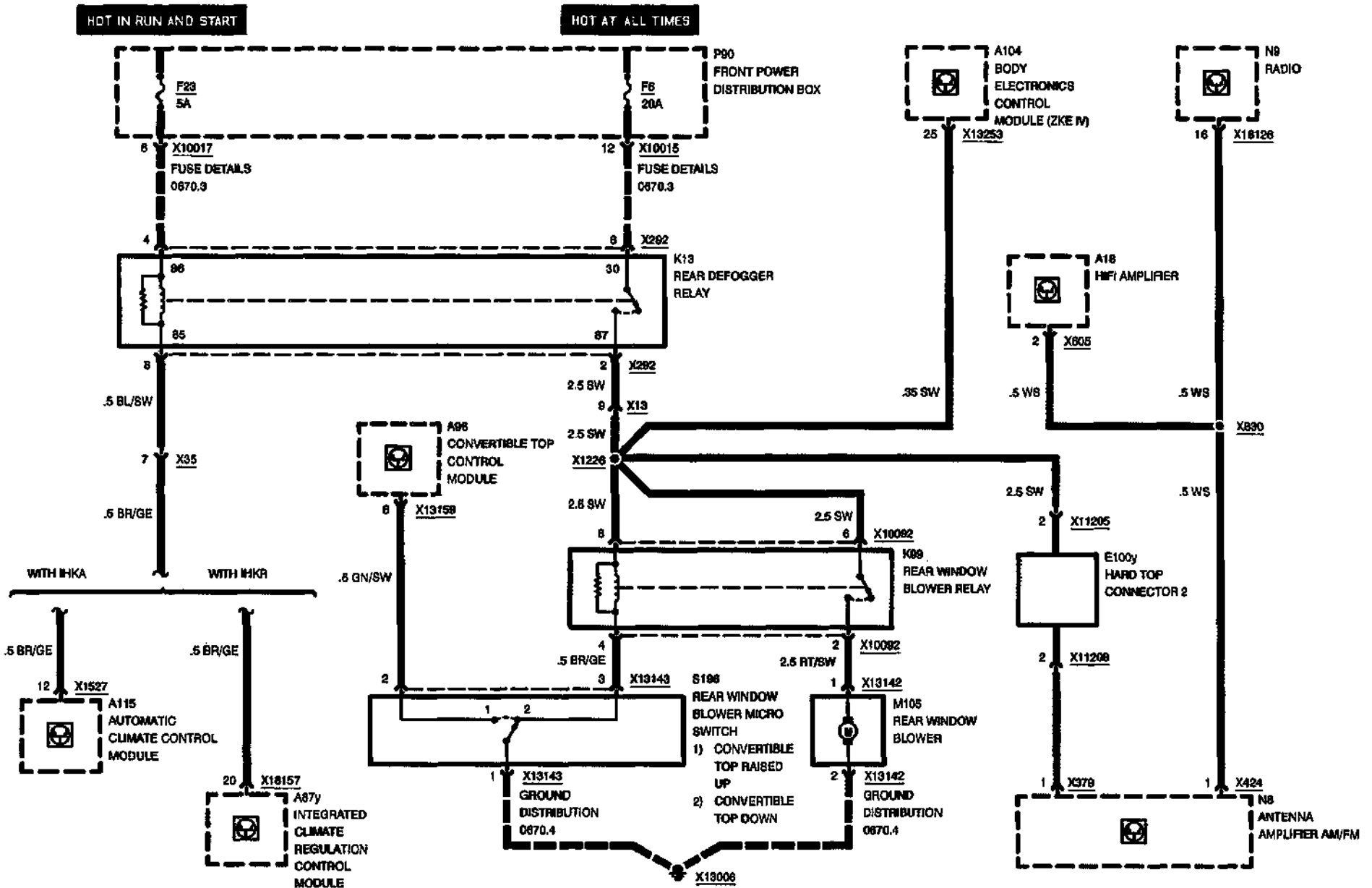
6424.0-00

1996



REAR WINDOW DEFOGGER/ANTENNA

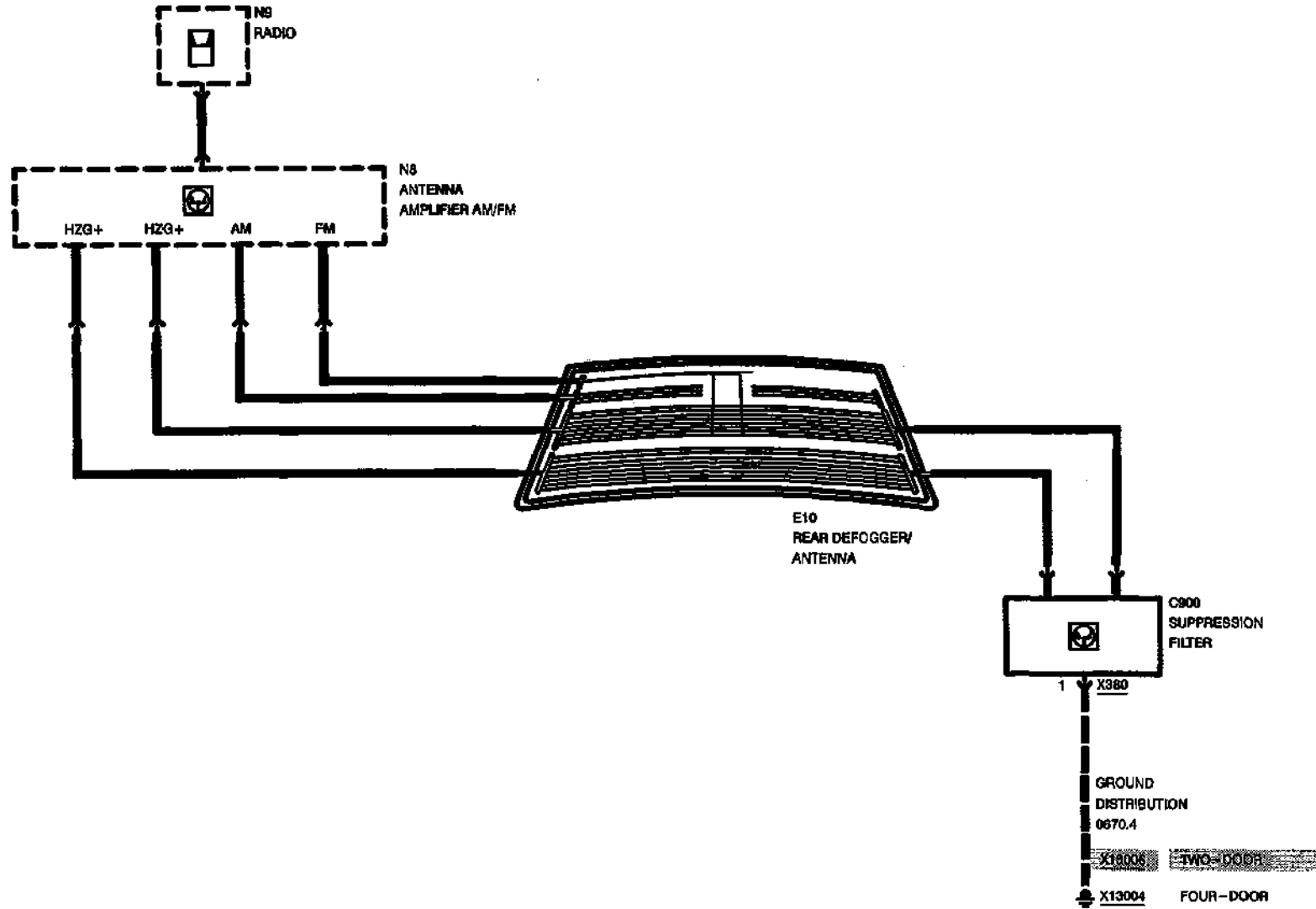
CONVERTIBLE





REAR WINDOW DEFOGGER/ANTENNA

REAR WINDOW ANTENNA



04/97

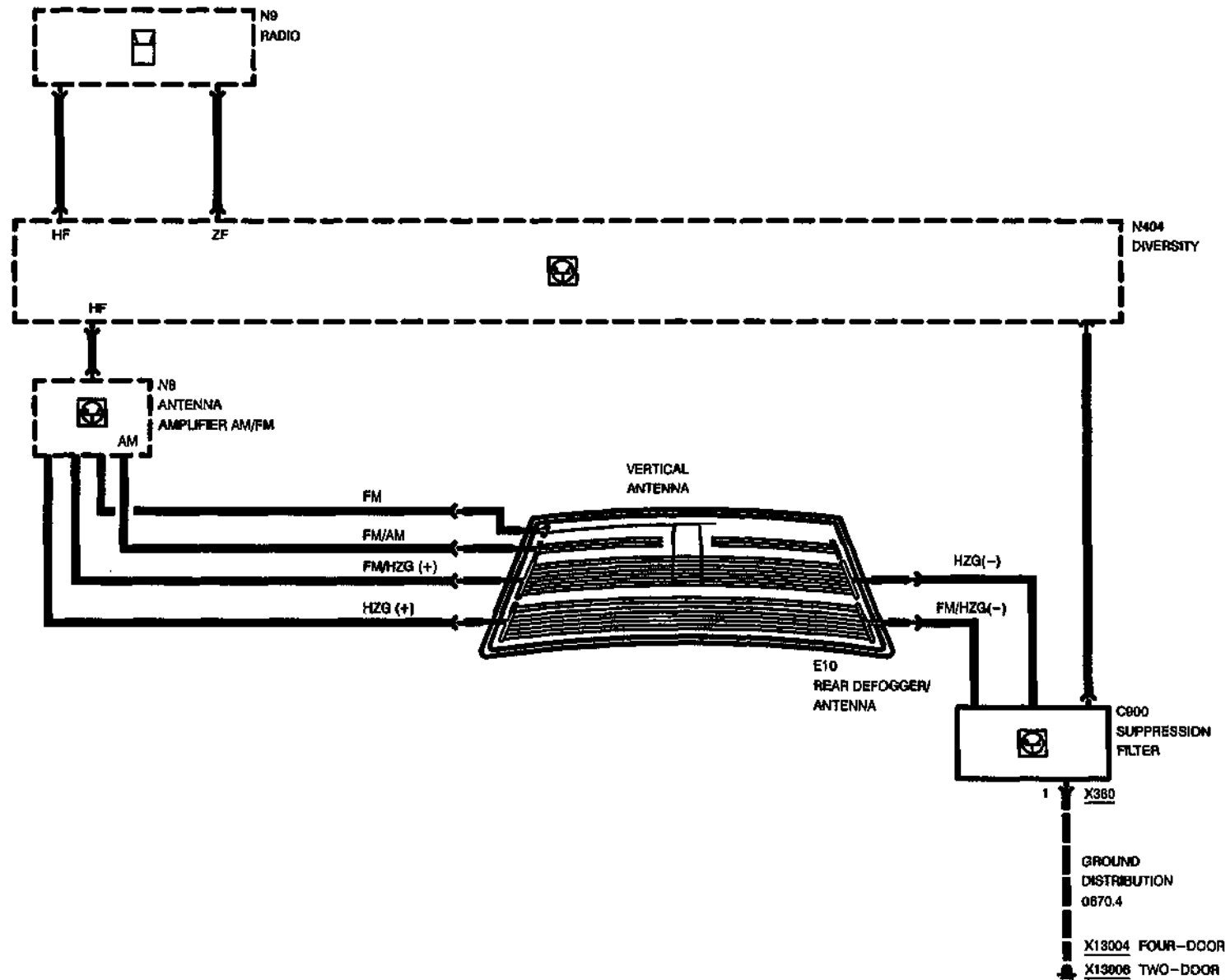
6424.0-02

1996



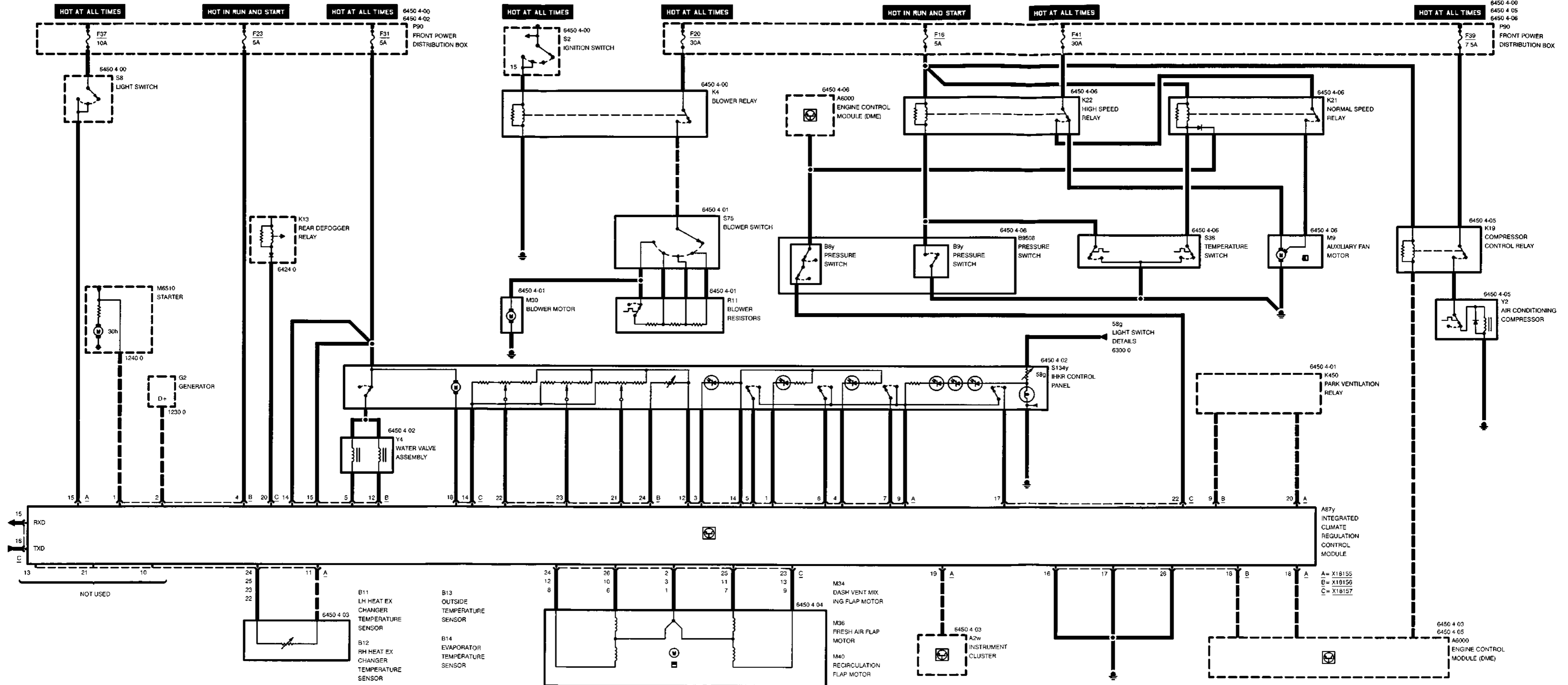
REAR WINDOW DEFOGGER/ANTENNA

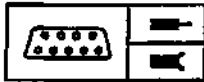
3-ANTENNA-DIVERSITY





6424.0-04






Pin Assignments

A = X18155	26 Pins, white
B = X18156	26 Pins, black
C = X18157	26 Pins, blue

X18155

Pin	Type	Description/Function	Connection
1	A	Function light, air recirculation	IHKR control panel
2		Not used	
3	A	Function light, rear window defogger	IHKR control panel
4	A	Function light, air conditioning	IHKR control panel
5	E	Rear window defogger switch	IHKR control panel
6	E	Air circulation switch	IHKR control panel
7	E	Air conditioning switch	IHKR control panel
8		Not used	
9	A	Ground for rear window defogger switch, air recirculation switch, air conditioning switch, electric flaps switch, and function lights	IHKR control panel
10		Not used	
11	A	Ground for temperature sensors	Various temperature sensors
12	A	Ground for rotary switches and interior temperature sensor	IHKR control panel
13		Not used	
14	 E	Voltage supply for function lights	IHKR control panel
15	E	Terminal 58g	Light switch
16		Not used	
17		Not used	
18	E	Crankshaft position/RPM speed signal TD	Engine control module (DME)
19	A	Vehicle speed	Instrument cluster
20	E	Independent ventilation	Park heating/ventilation relay
21		Not used	
22	A/E	Evaporator temperature	Evaporator temperature sensor

E = Input, A = Output, M = Ground



Pin Assignments

Pin	Type	Description/Function	Connection
23	A/E	Outside temperature	Outside temperature sensor
24	A/E	Heater temperature, left	Left heat exchanger temperature sensor
25	A/E	Heater temperature, right	Right heat exchanger temperature sensor
26		Not used	

X18156

Pin	Type	Description/Function	Connection
1	E	Terminal 30h	Starter, terminal 30h
2	E	Terminal 61	Generator
3		Not used	
4	E	Voltage supply, terminal 15	Front power distribution box, fuse 23
5	A	Left water valve activation	Water valve assembly
6		Not used	
7		Not used	
8		Not used	
9		Terminal 15 (independent ventilation only)	Park heating/ventilation relay
10		Not used	
11		Not used	
12	A	Right water valve activation	Water valve assembly
13		Not used	
14	E	Voltage supply, terminal 30	Front power distribution box, fuse 31
15	E	Voltage supply, terminal 30	Front power distribution box, fuse 31
16	M	Ground for load circuit	Ground point
17	M	Ground for load circuit	Ground point
18	A	Engine control module (DME) activation (anti-stall)	Engine control module (DME)
19		Not used	
20		Not used	
21	E	Nominal temperature valve, right	IHKR control panel
22	E	Nominal temperature valve, left	IHKR control panel
23	E	Nominal air flow valve	IHKR control panel

E = Input, A = Output, M = Ground



Pin Assignments

Pin	Type	Description/Function	Connection
24	A/E	Interior temperature sensor	IHKR control panel
25		Not used	
26	M	Ground for electronics	Ground point

X18157

Pin	Type	Description/Function	Connection
1	A	Voltage supply for recirculation flap motor	Recirculation flap motor
2	A	Voltage supply for dash vent mixing flap motor	Dash vent mixing flap motor
3	A	Voltage supply for fresh air flap motor	Fresh air flap motor
4		Not used	
5		Not used	
6	A	Recirculation flap motor activation	Recirculation flap motor
7	A	Recirculation flap motor activation	Recirculation flap motor
8	A	Recirculation flap motor activation	Recirculation flap motor
9	A	Recirculation flap motor activation	Recirculation flap motor
10	A	Fresh air flap motor activation	Fresh air flap motor
11	A	Fresh air flap motor activation	Fresh air flap motor
12	A	Fresh air flap motor activation	Fresh air flap motor
13	A	Fresh air flap motor activation	Fresh air flap motor
14	A	Voltage supply for rotary switches	IHKR control panel
15	A	RxD diagnostic data line	Data link connector
16	E/A	TxD diagnostic data line	Data link connector
17	E	Ventilation flap switch	IHKR control panel
18	A	Interior sensor blower activation	IHKR control panel
19		Not used	
20	A	Rear window defogger activation	Rear defogger relay, terminal 86b
21		Not used	
22	A	A/C compressor activation	Pressure switch
23	A	Dash vent mixing flap motor activation	Dash vent mixing flap motor
24	A	Dash vent mixing flap motor activation	Dash vent mixing flap motor

E = Input, A = Output, M = Ground



04/97

6450.4-d

1996



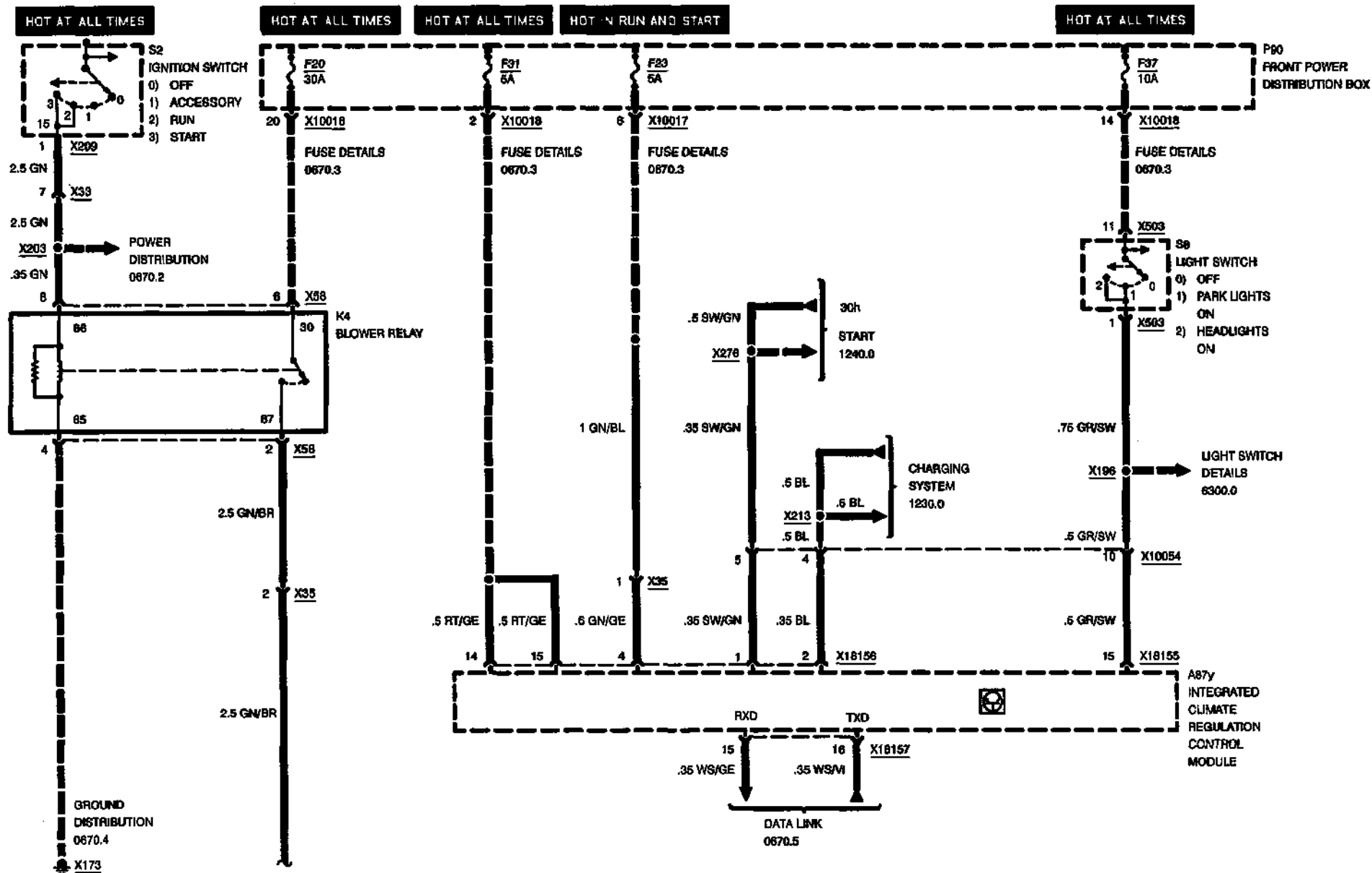
Pin Assignments

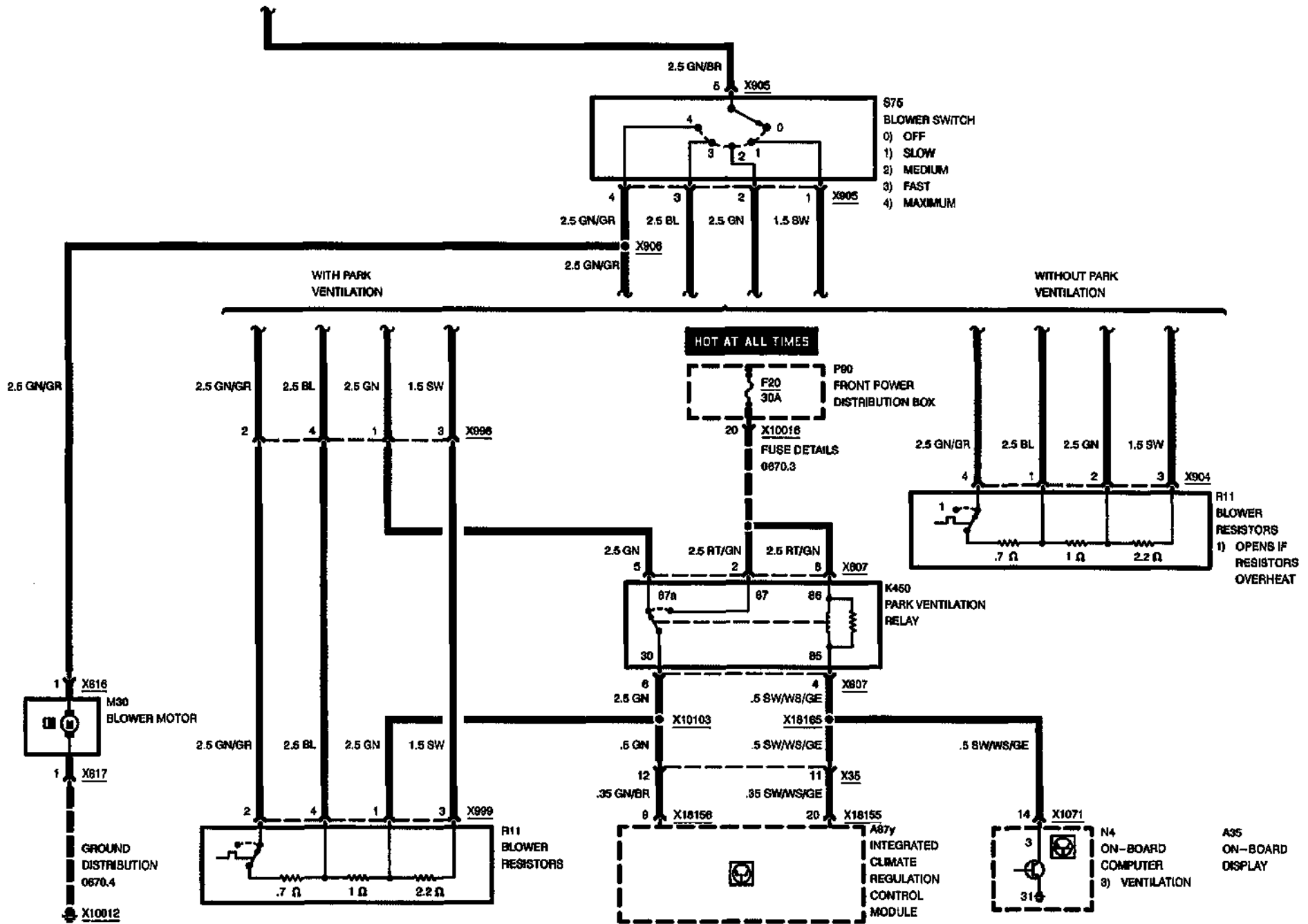
Pin	Type	Description/Function	Connection
25	A	Dash vent mixing flap motor activation	Dash vent mixing flap motor
26	A	Dash vent mixing flap motor activation	Dash vent mixing flap motor

E = Input, A = Output, M = Ground



POWER, BLOWER CONTROLS

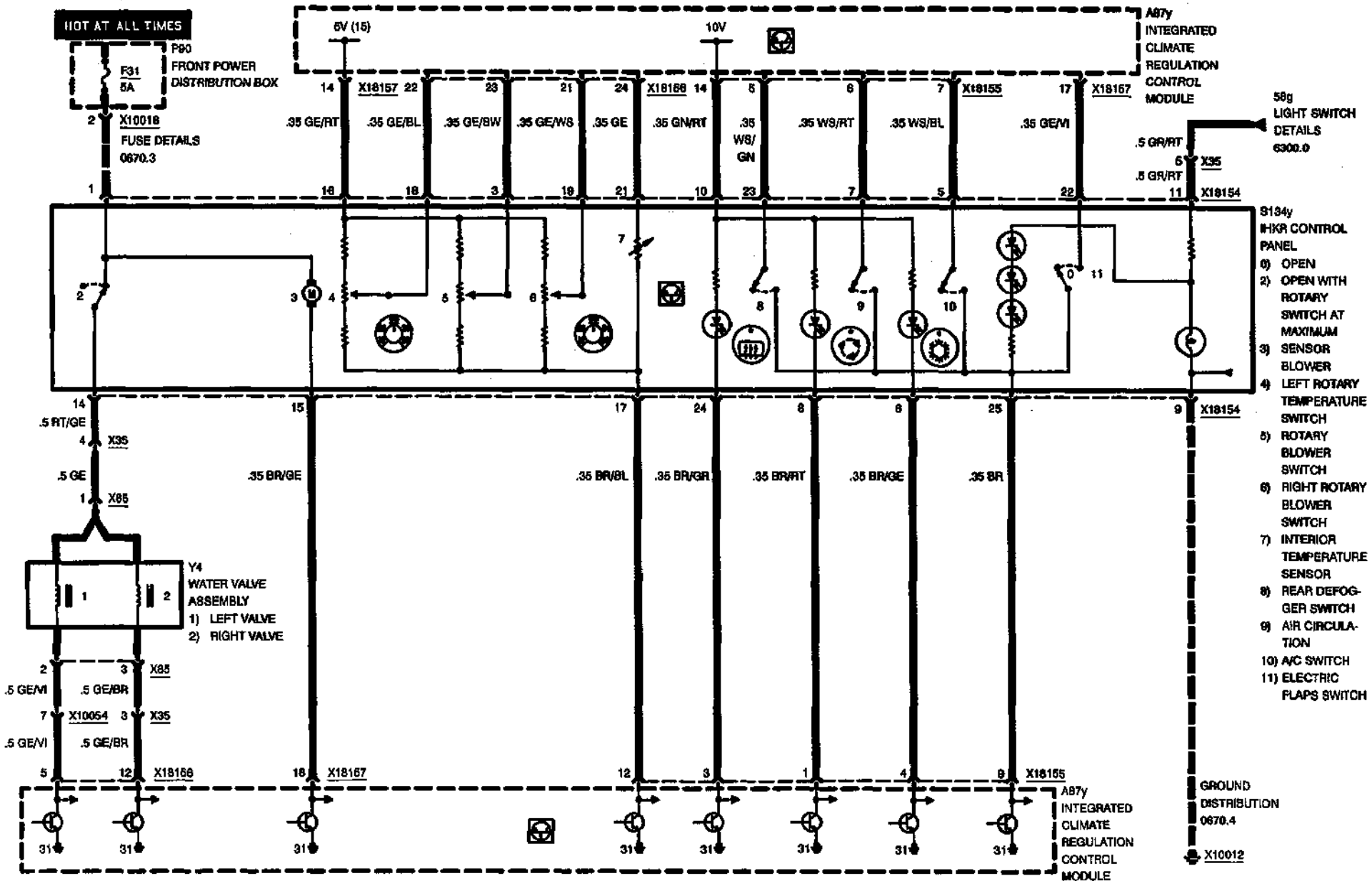






INTEGRATED CLIMATE REGULATION (IHKR E36)

CONTROL MODULE, WATER VALVES



04/97

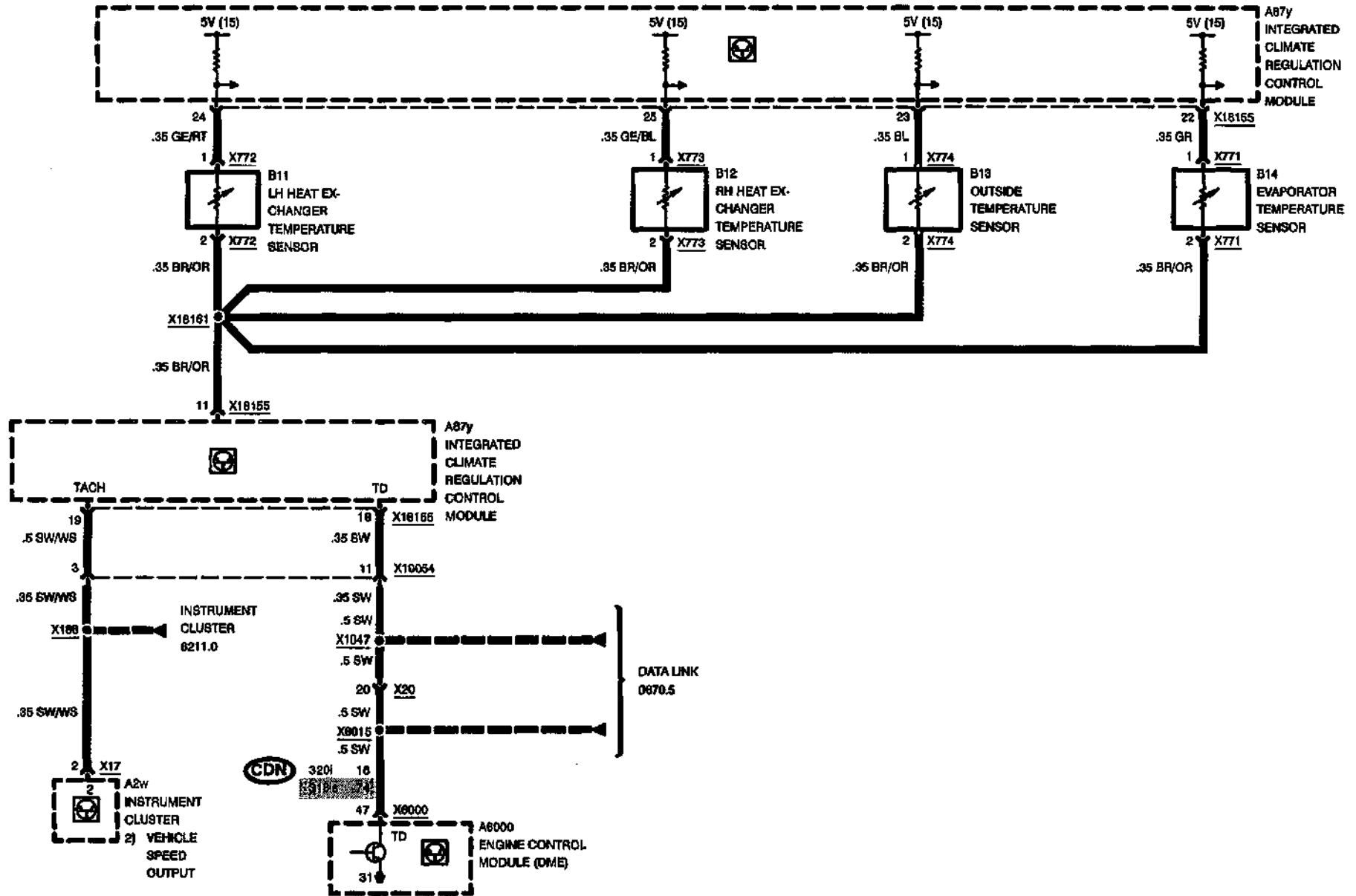
6450.4-02

1998



INTEGRATED CLIMATE REGULATION (IHKR E36)

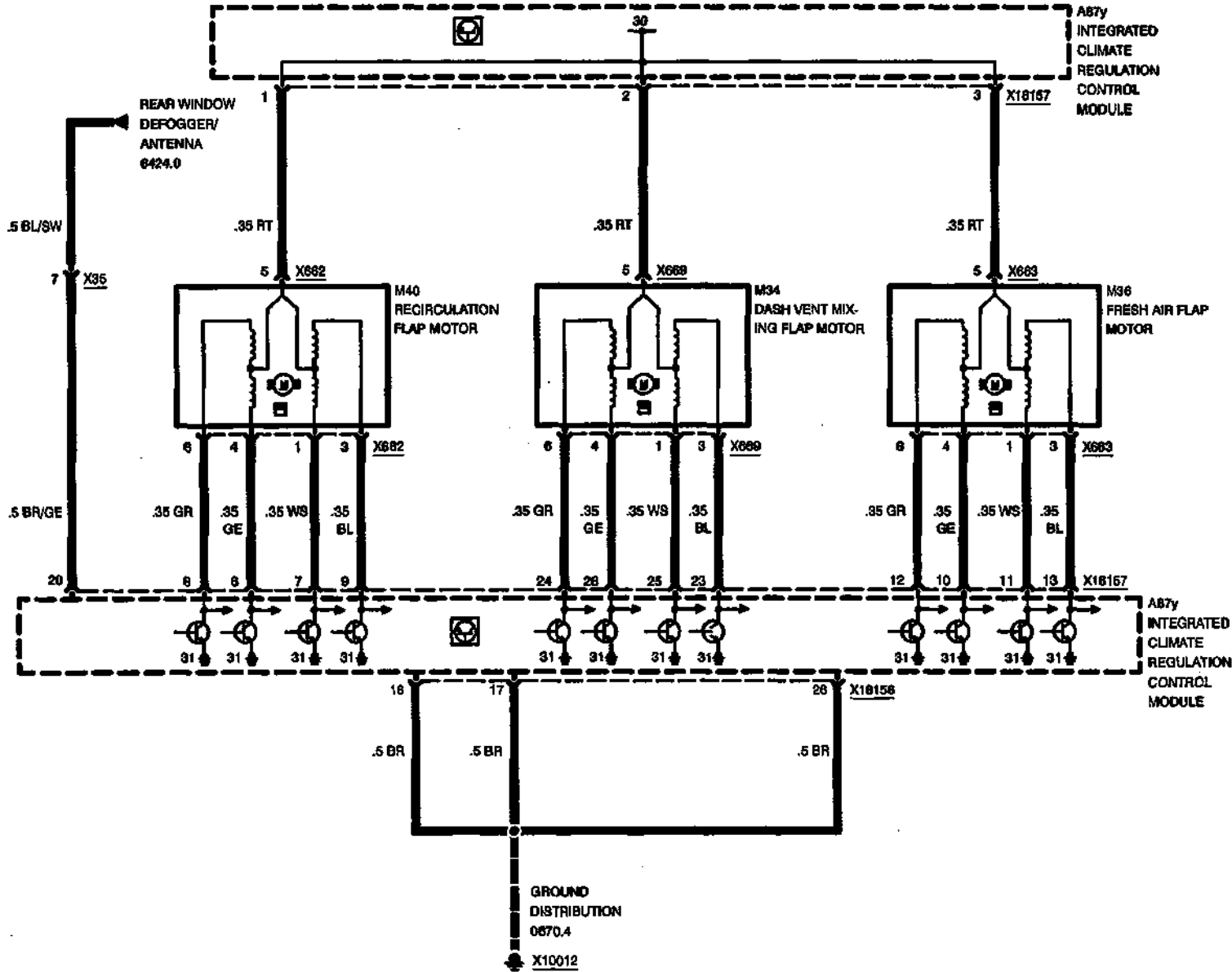
TEMPERATURE CONTROL





INTEGRATED CLIMATE REGULATION (IHKR E36)

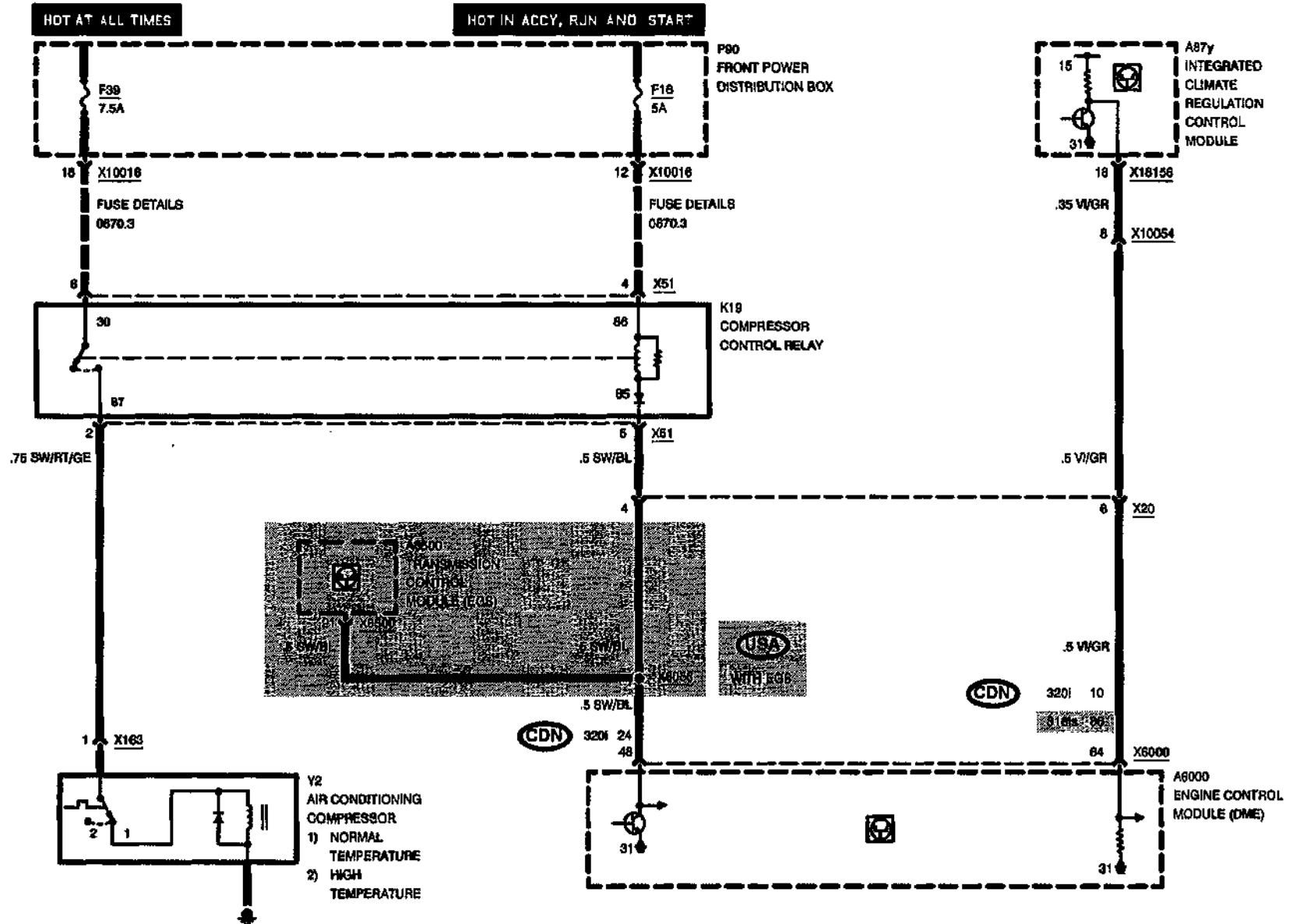
AIR DELIVERY





INTEGRATED CLIMATE REGULATION (IHKR E36)

COMPRESSOR CONTROLS



04/97

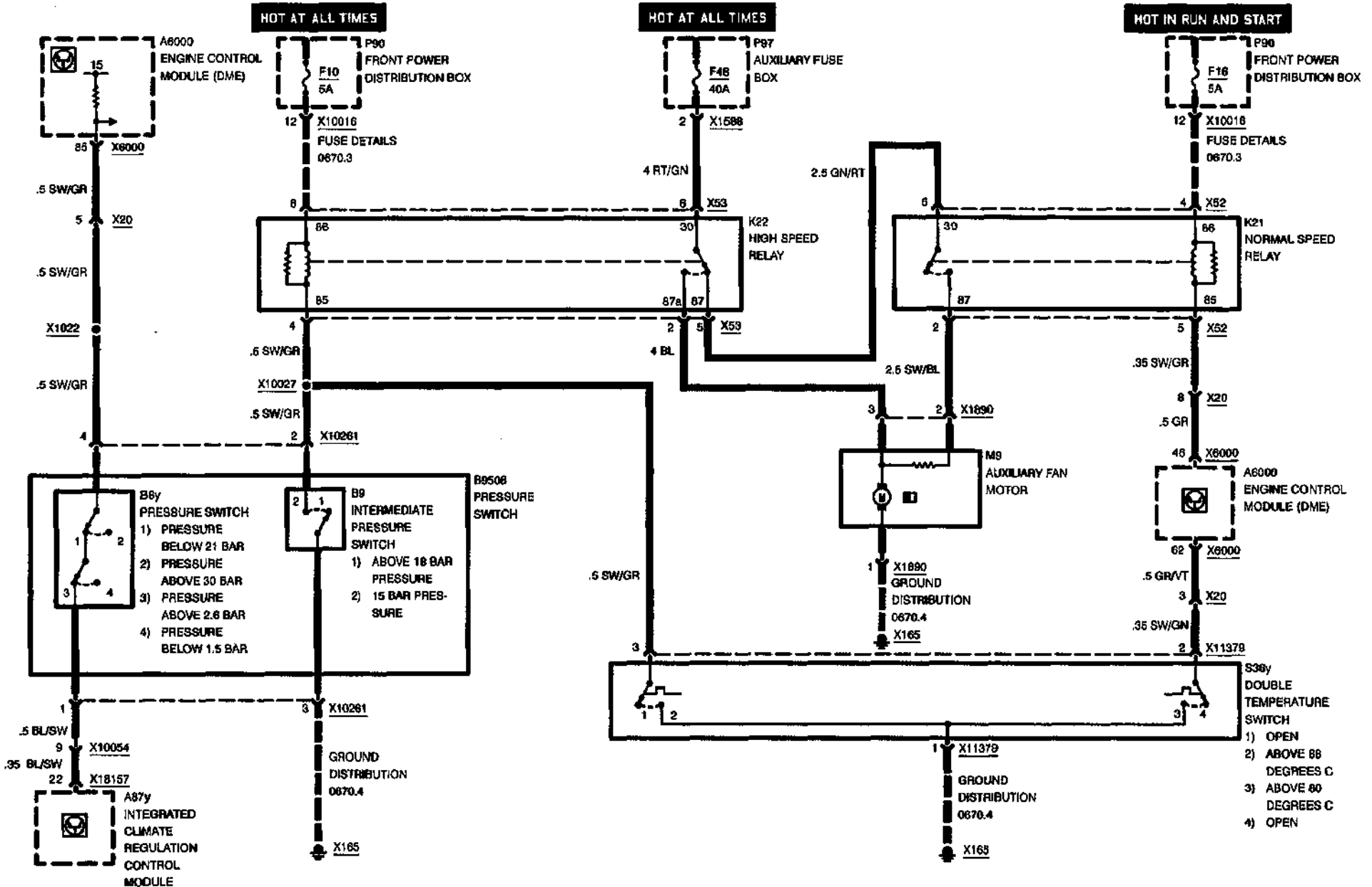
6450.4-05

1996



INTEGRATED CLIMATE REGULATION (IHKR E36)

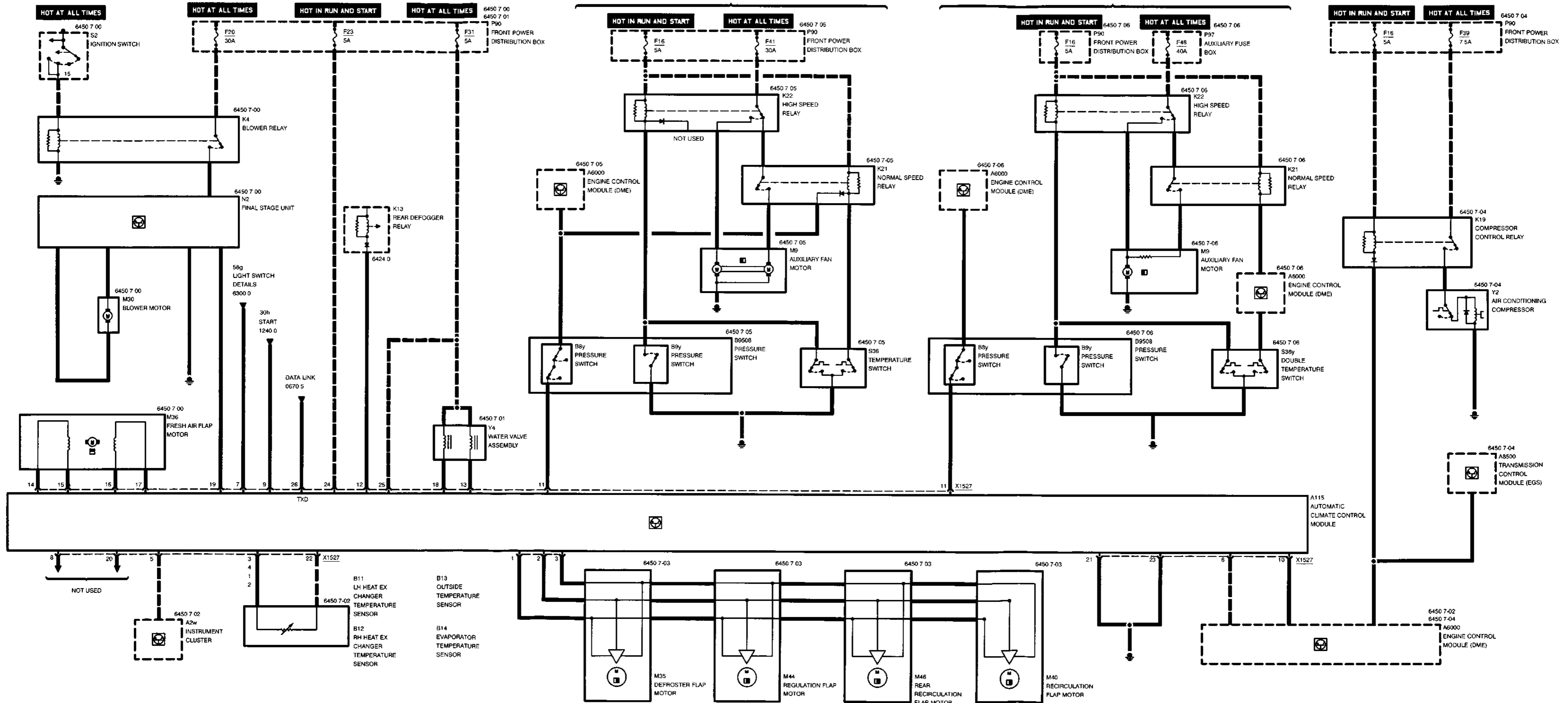
AUXILIARY FAN – 4-CYLINDER ENGINE





AUXILIARY FAN - 6-CYLINDER ENGINE

AUXILIARY FAN - 4-CYLINDER ENGINE





Pin Assignments

X1527

Pin	Type	Description/Function	Connection
1	E	Outside temperature	Outside temperature sensor
2	E	Evaporator temperature	Evaporator temperature sensor
3	E	Heater temperature, left	Left heat exchanger temperature sensor
4	E	Heater temperature, right	Right heat exchanger temperature sensor
5	E	Vehicle speed signal (Speedometer output Signal)	Instrument cluster
6	E	RPM speed signal TD	Engine control module (DME)
7	E	Illumination input	Illumination
8	A	Output signal	On-board computer
9	E	Terminal 50	Starter
10	A	RPM speed increase	Engine control module (DME)
11	A	A/C compressor activation	Pressure switch
12	A	Rear window signal	Rear window
13	A	Water valve activation, right	Right water valve
14	A	Fresh air flap motor activation	Fresh air flap motor
15	A	Fresh air flap motor activation	Fresh air flap motor
16	A	Fresh air flap motor activation	Fresh air flap motor
17	A	Fresh air flap motor activation	Fresh air flap motor
18	A	Water valve activation, left	Left water valve
19	A	A/C fan activation	A/C fan final stage
20	E	Independent ventilation	Relay box
21	M	Ground	Control panel
22	M	Ground	Mixing actuator
23	M	Ground	Control panel
24	E	Terminal 15	Fuse
25	E	Terminal 30	Fuse
26	E/A	Diagnostic data link	Data link connector

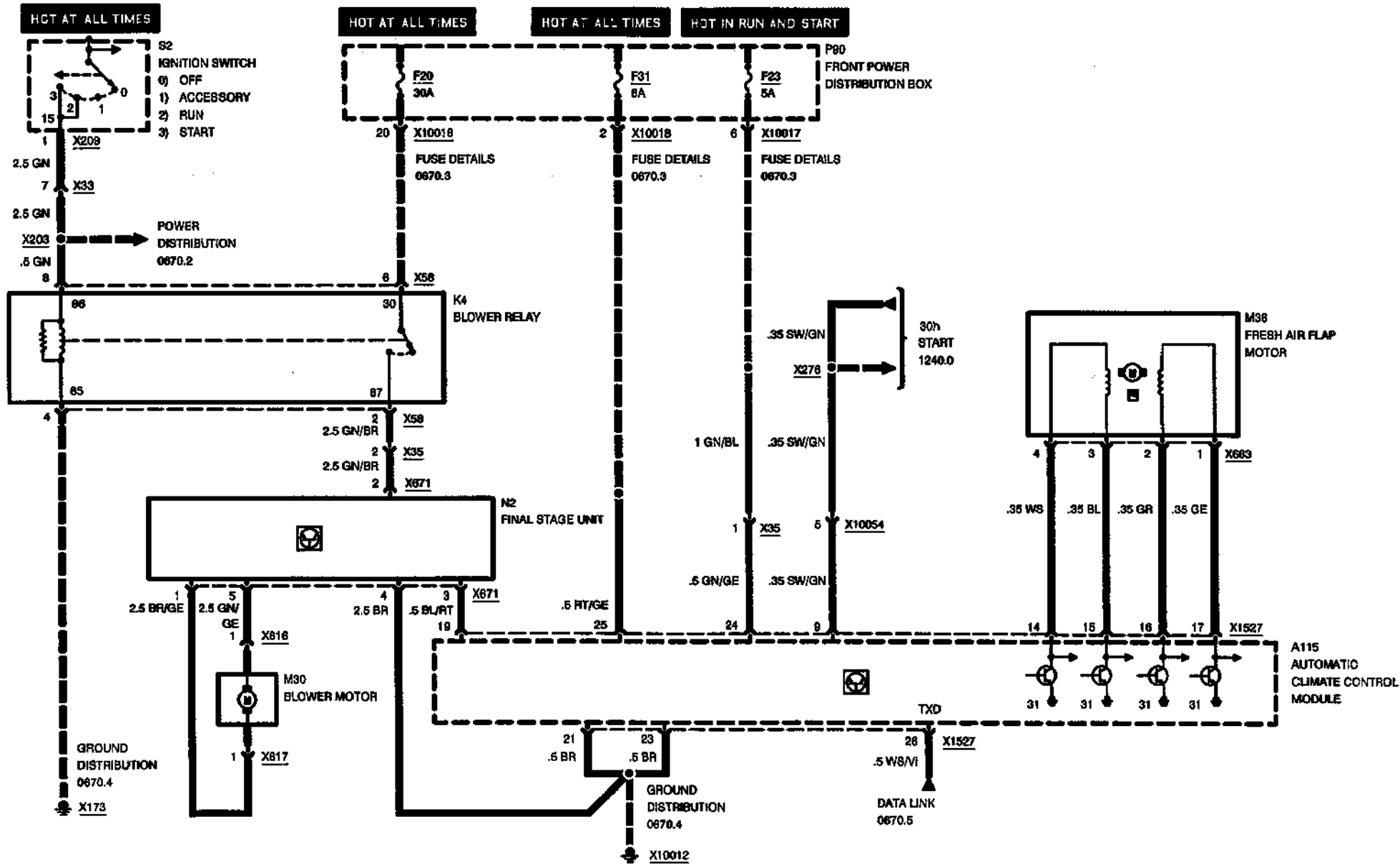
E = Input, A = Output, M = Ground



INTEGRATED CLIMATE REGULATION (IHKA E36)

318is, 328i, M3 LATE PRODUCTION

POWER, AIR FLOW CONTROL



04/97

6450.7-00

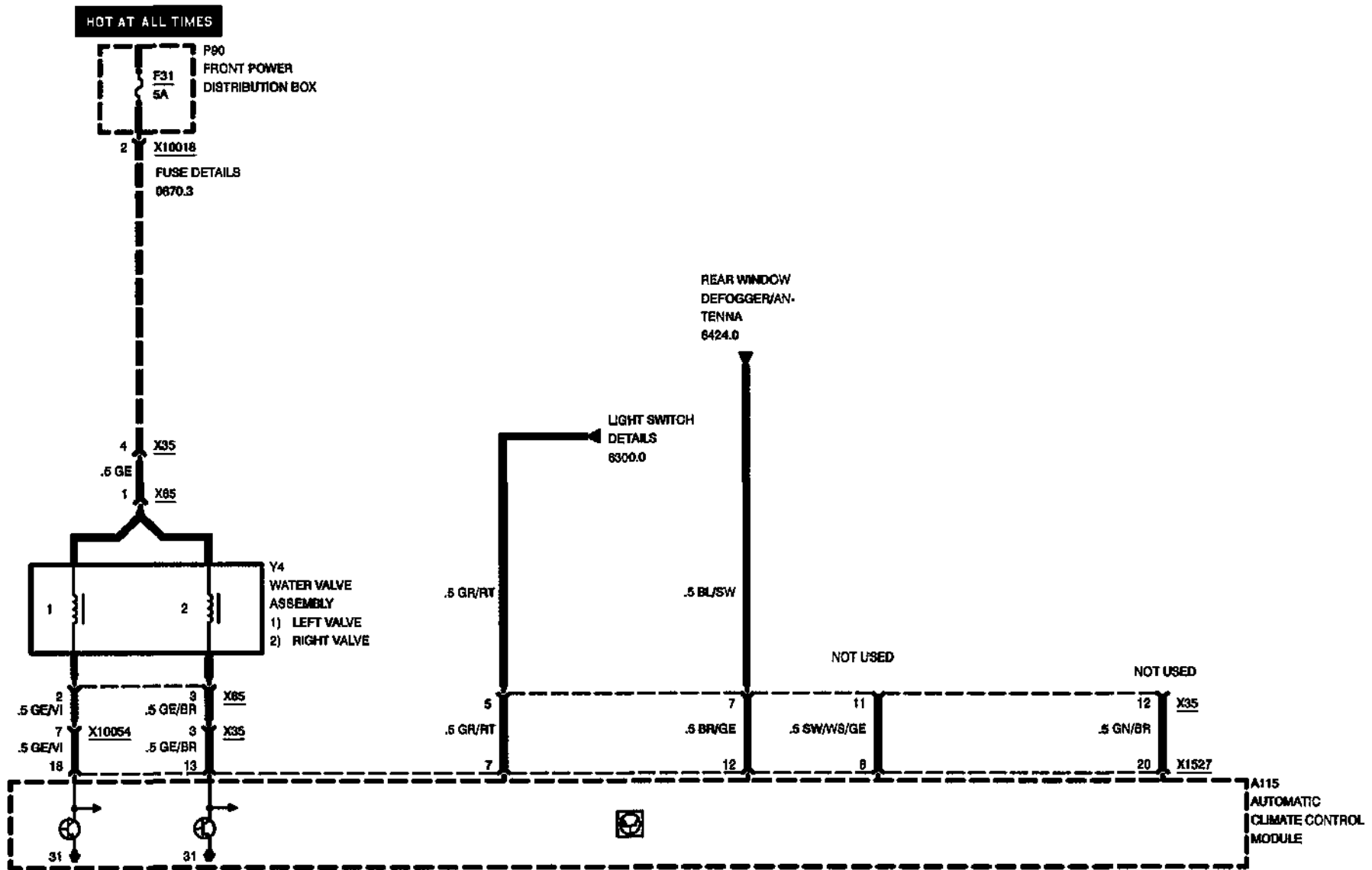
1996



INTEGRATED CLIMATE REGULATION (IHKA E36)

318is, 328i, M3 LATE PRODUCTION

04/97
6450.7-01
1996

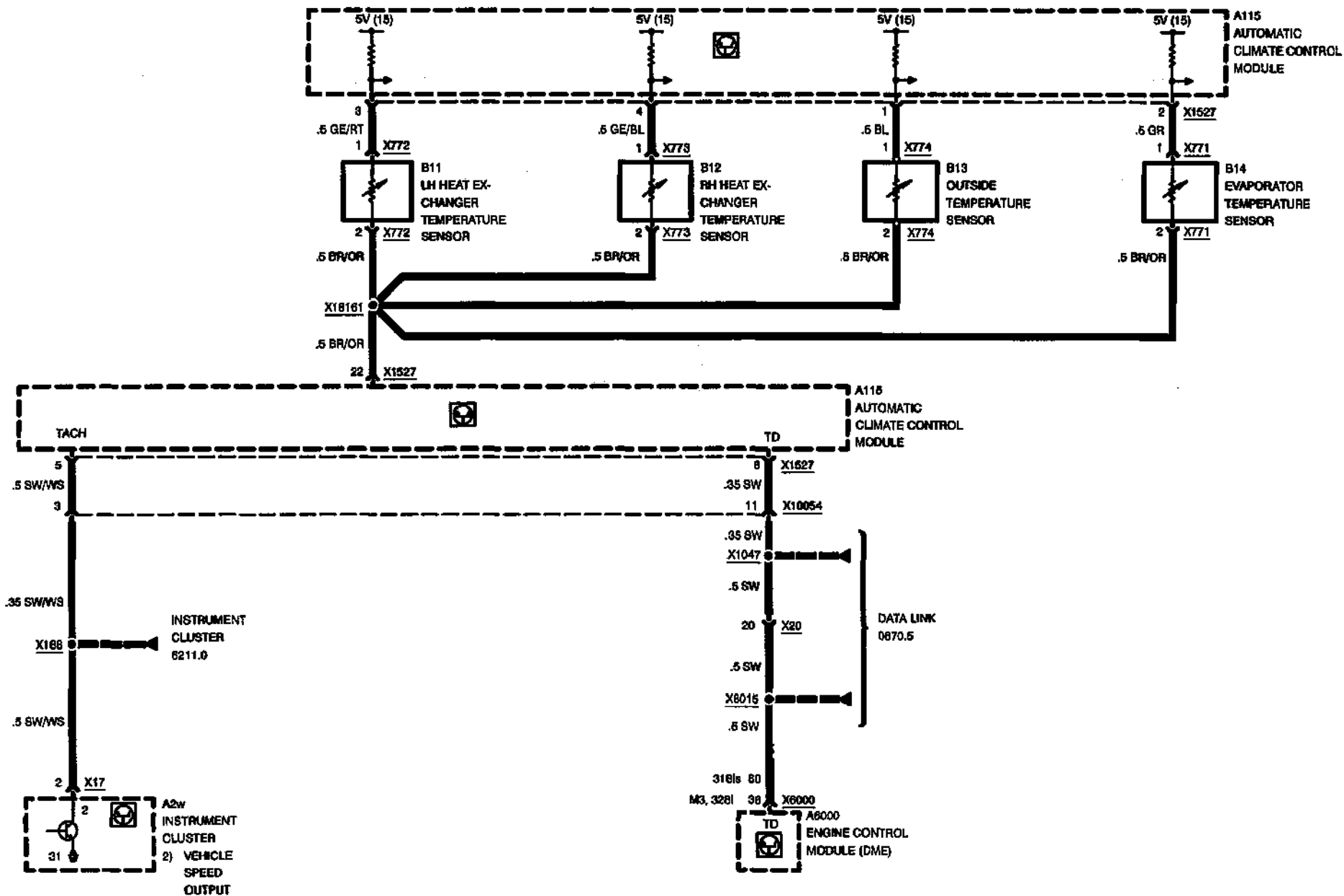




INTEGRATED CLIMATE REGULATION (IHKA E36)

318is, 328i, M3 LATE PRODUCTION

TEMPERATURE CONTROL



04/97

64507-02

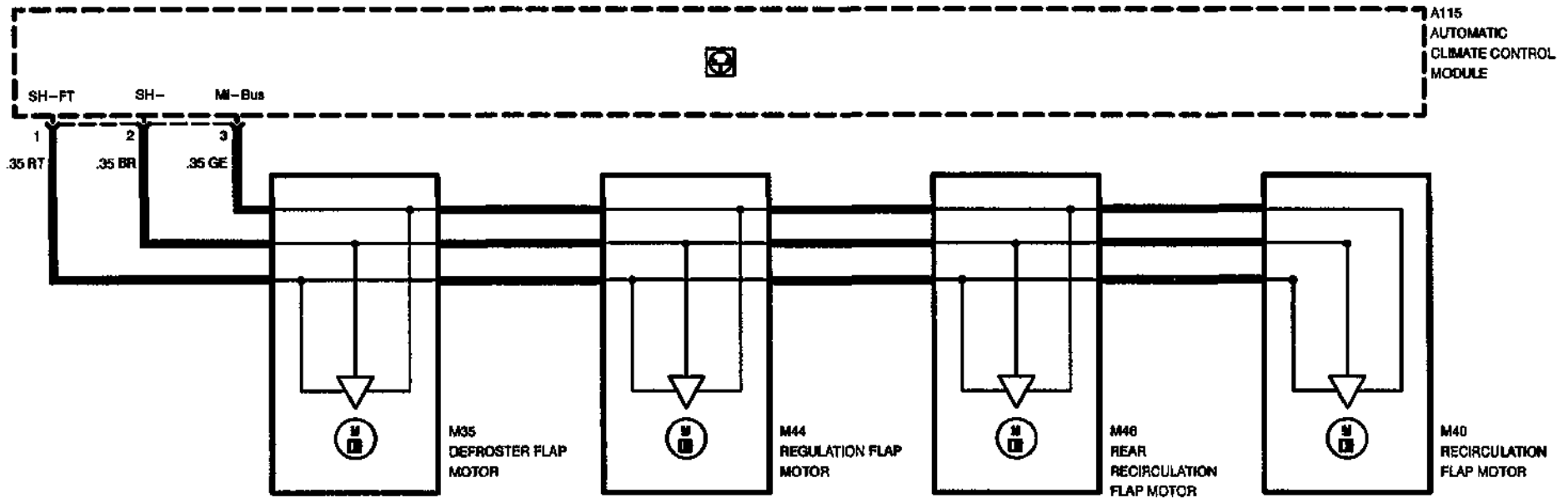
1996



INTEGRATED CLIMATE REGULATION (IHKA E36)

318is, 328i, M3 LATE PRODUCTION

AIR DELIVERY



04/97

6450.7-03

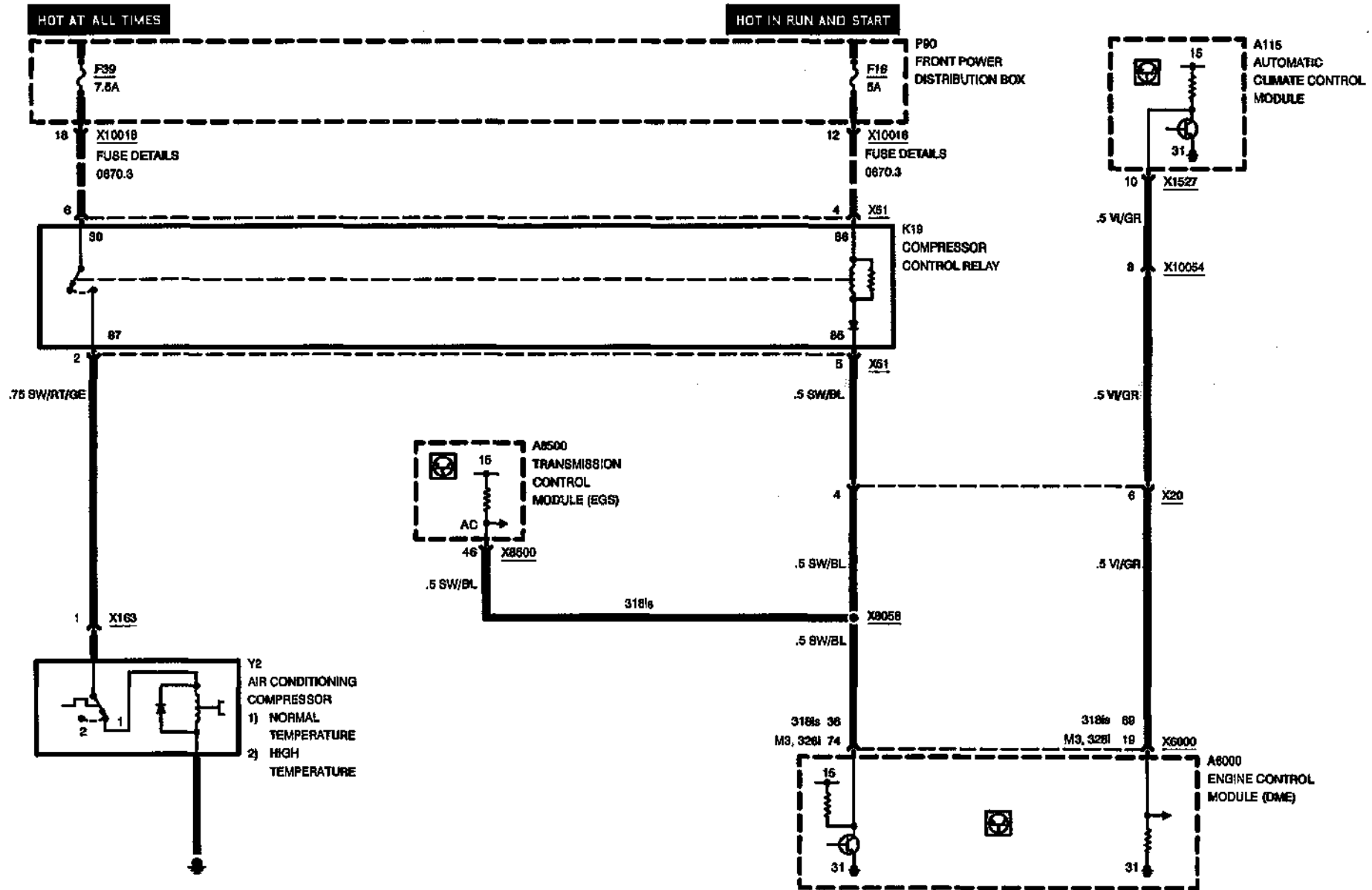
1996



INTEGRATED CLIMATE REGULATION (IHKA E36)

318is, 328i, M3 LATE PRODUCTION

COMPRESSOR CONTROLS



04/97

6450.7-04

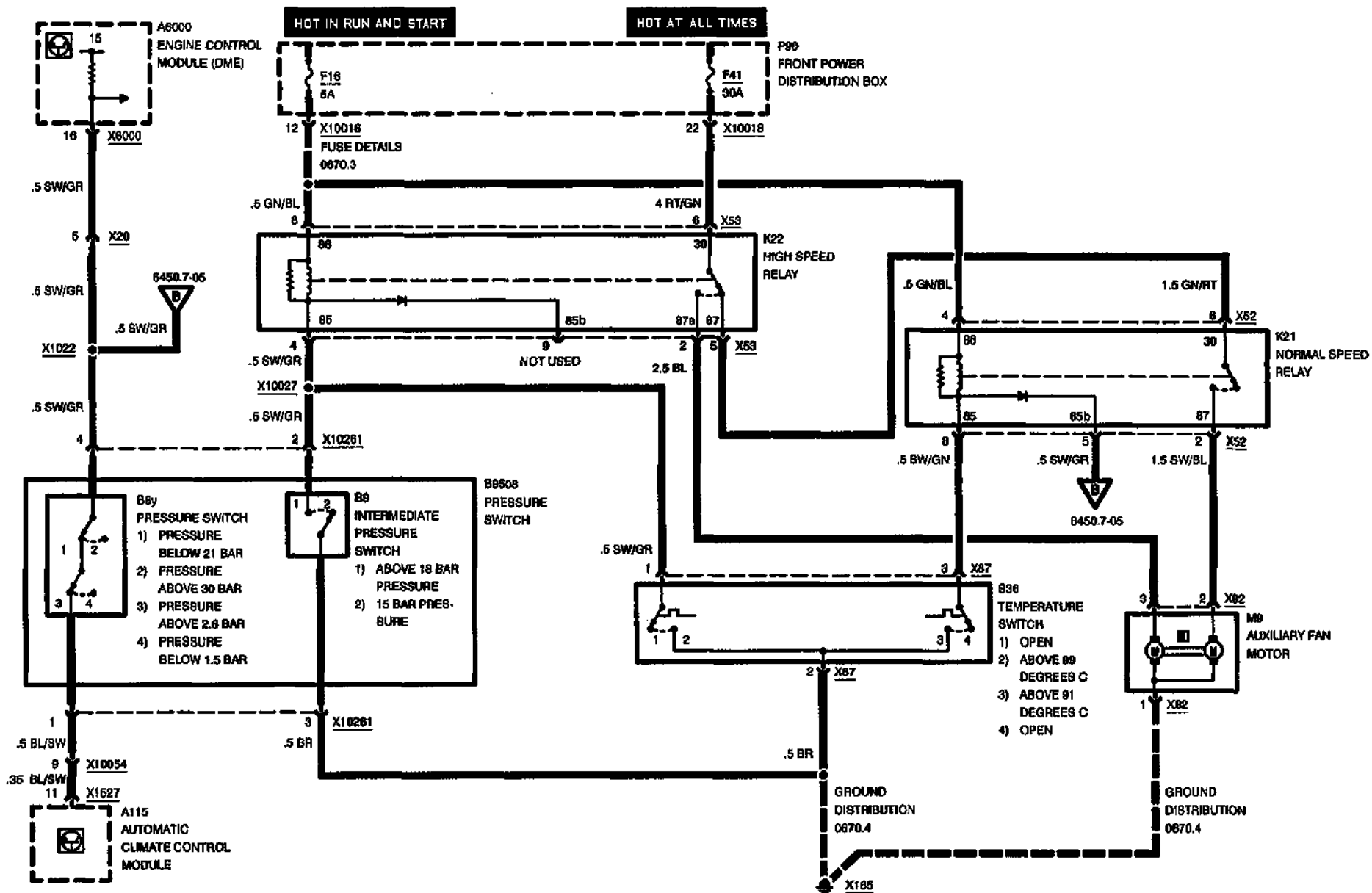
1996



INTEGRATED CLIMATE REGULATION (IHKA E36)

328i, M3 LATE PRODUCTION

AUXILIARY FAN – 6-CYLINDER ENGINE



04/97

6450.7-05

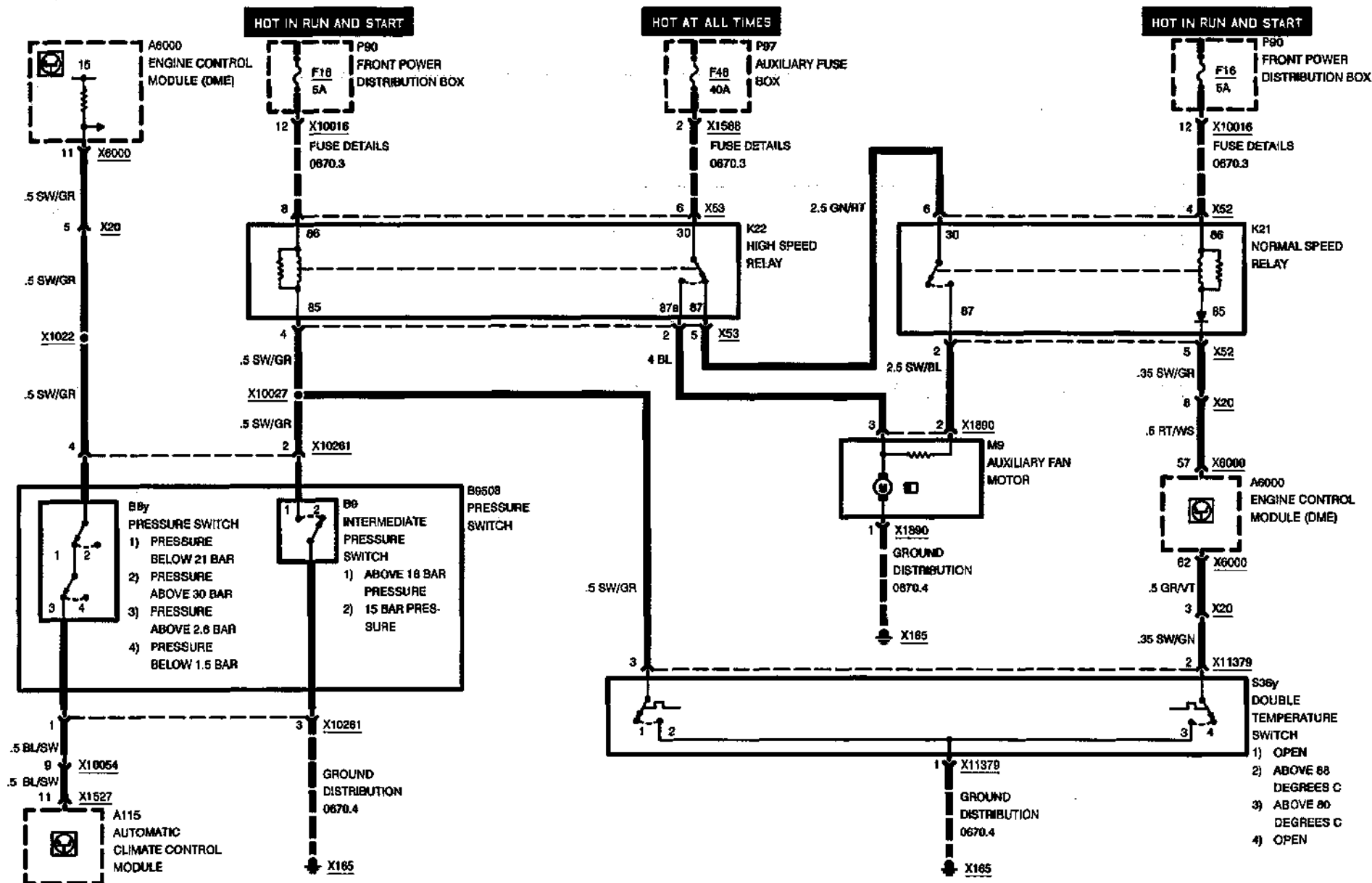
1996



INTEGRATED CLIMATE REGULATION (IHKA E36)

318is LATE PRODUCTION

AUXILIARY FAN - 4-CYLINDER ENGINE



04/97

6450.7-06

1996

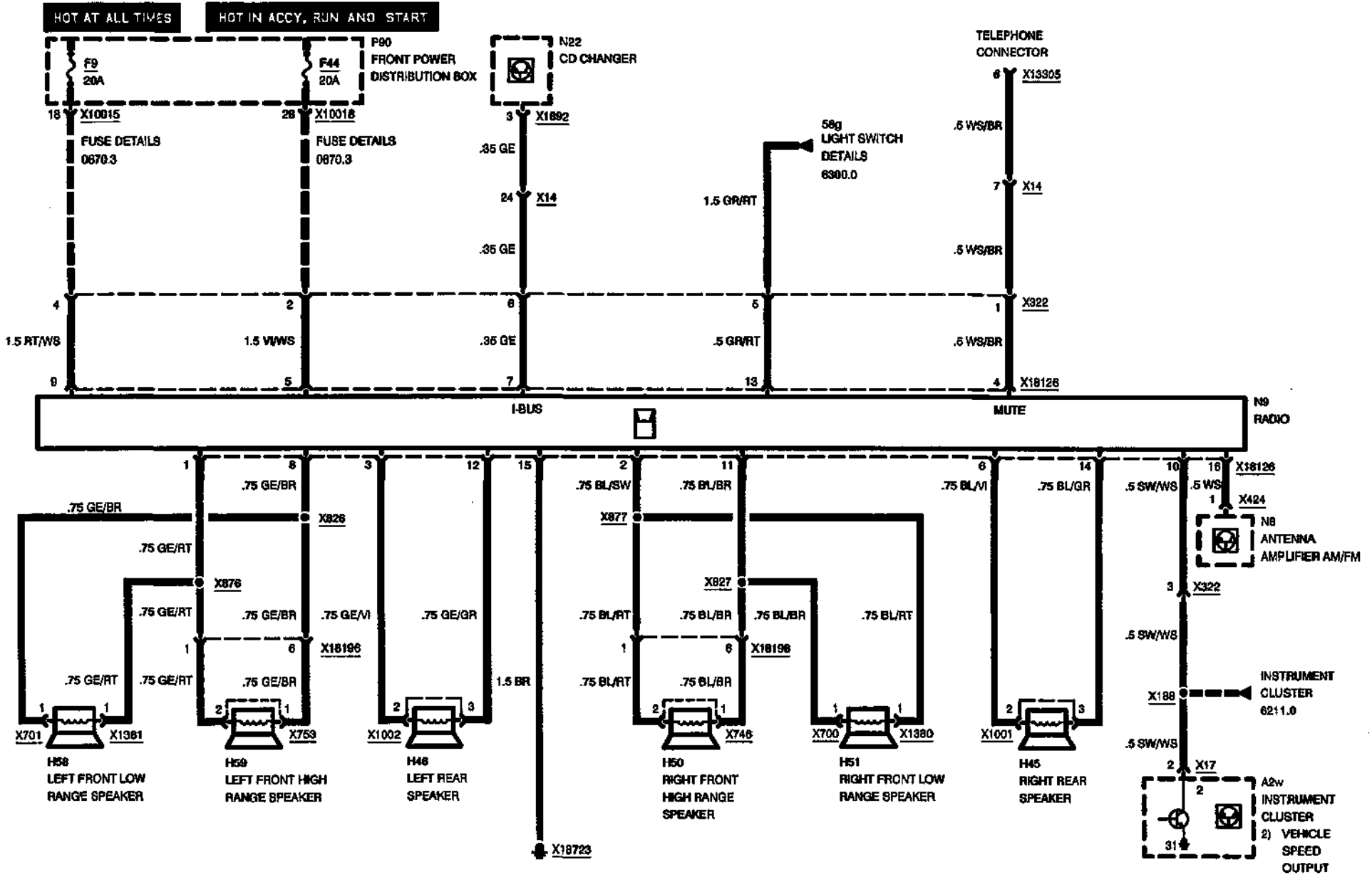




RADIO/STEREO

STEREO, 6-SPEAKER SYSTEM

318is



04/97

6510.0-00

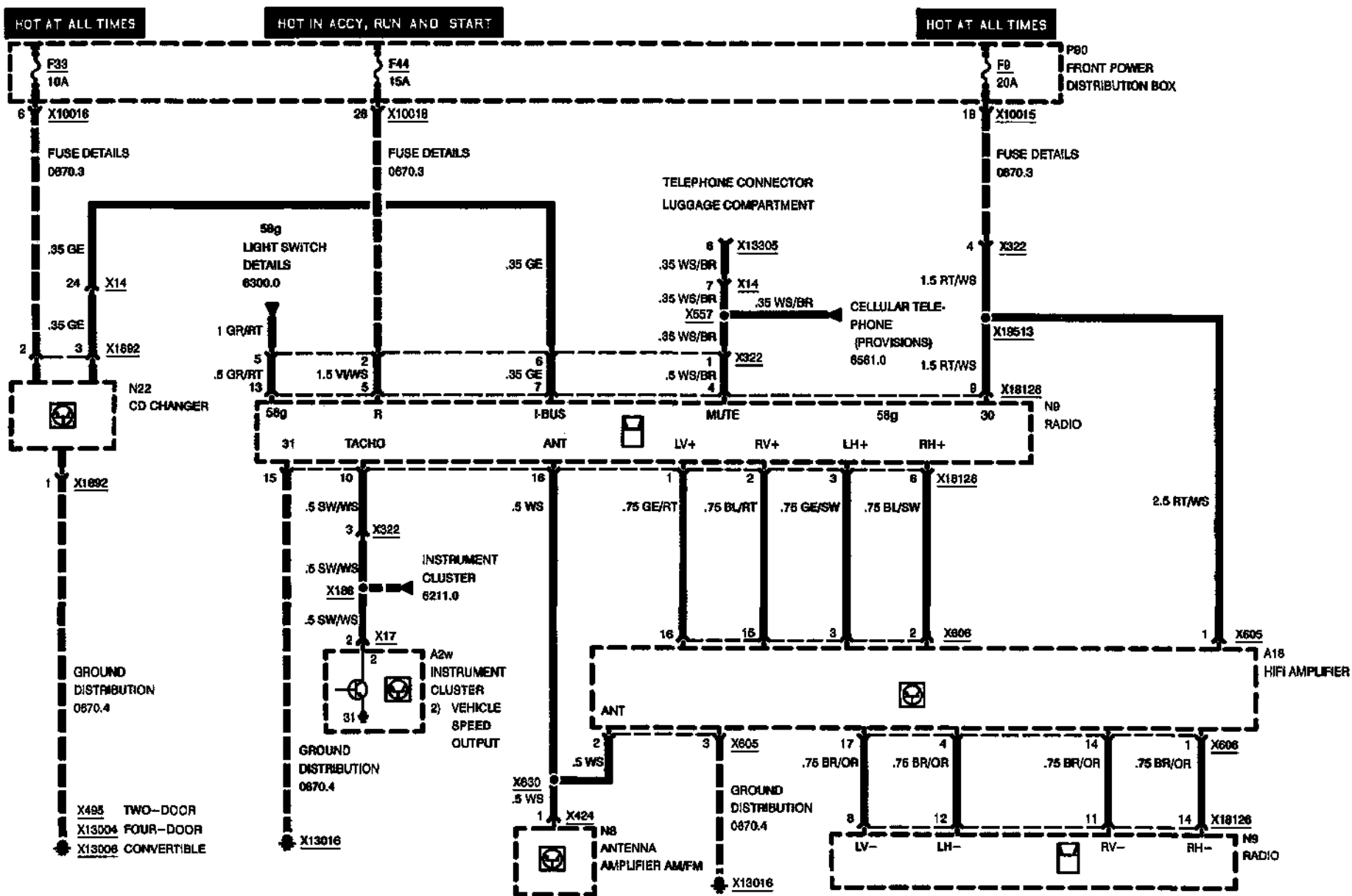
1996





RADIO/HIFI

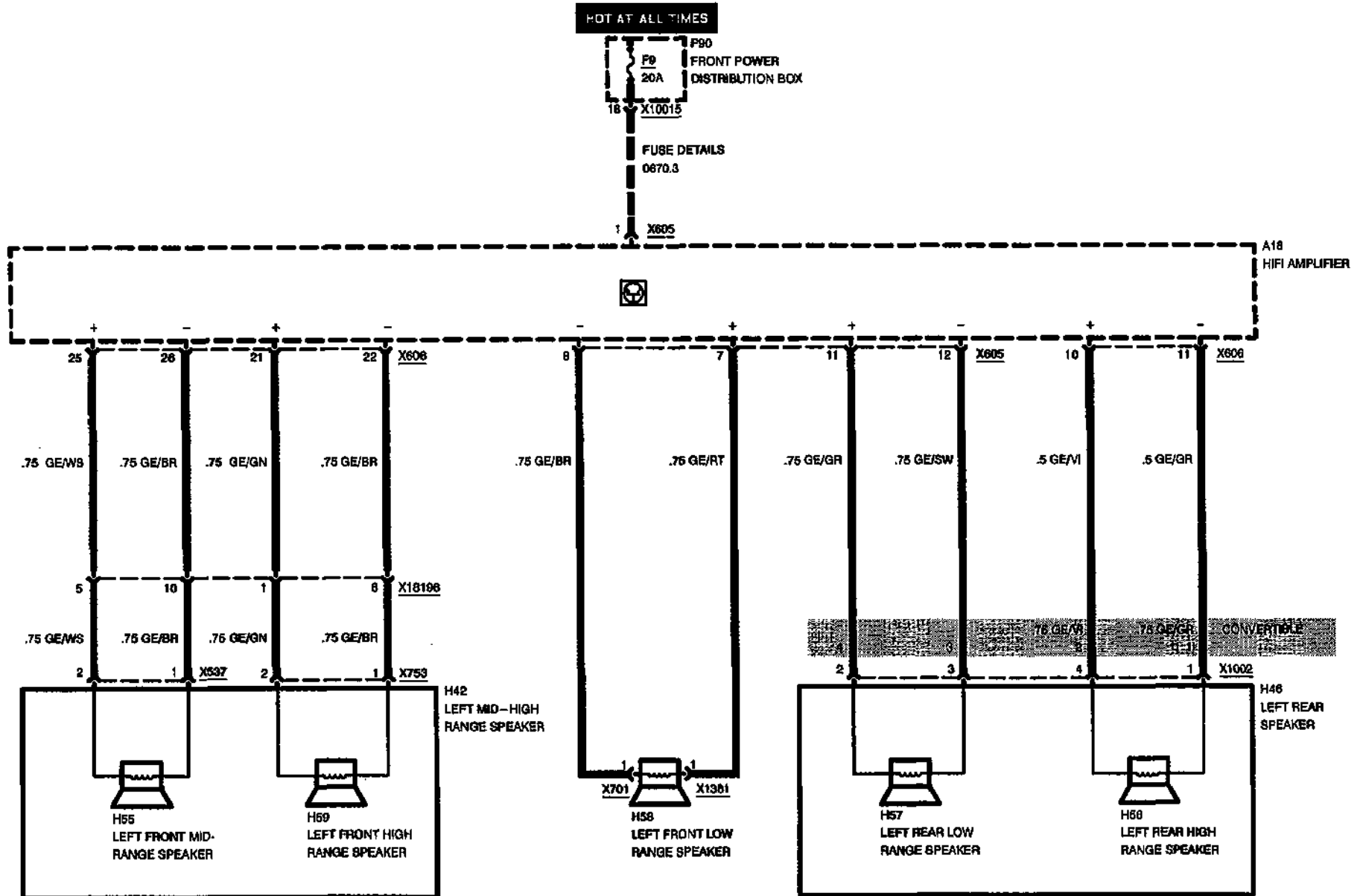
HIFI, 10-SPEAKER SYSTEM





RADIO/HIFI

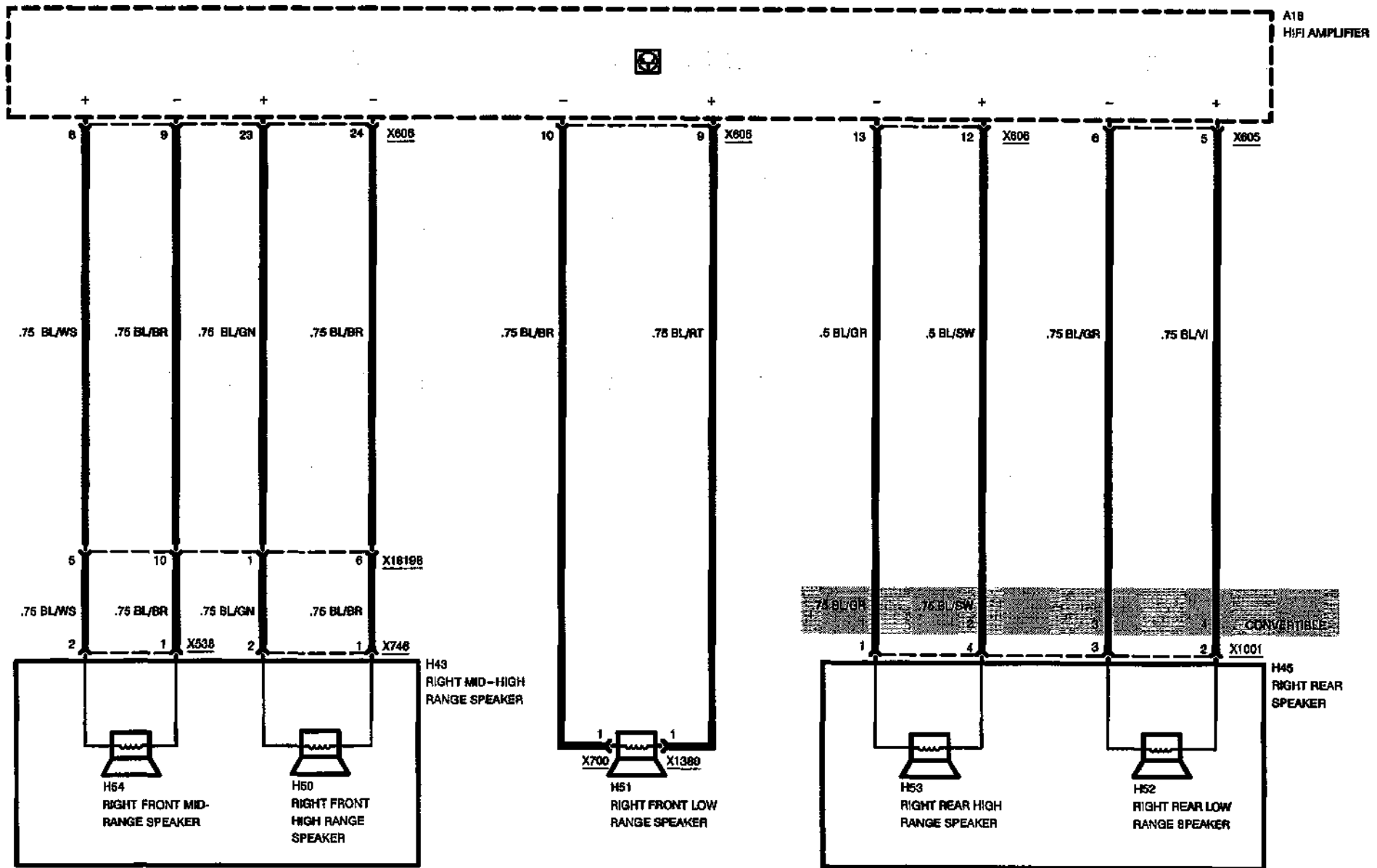
HIFI, 10-SPEAKER SYSTEM





RADIO/HIFI

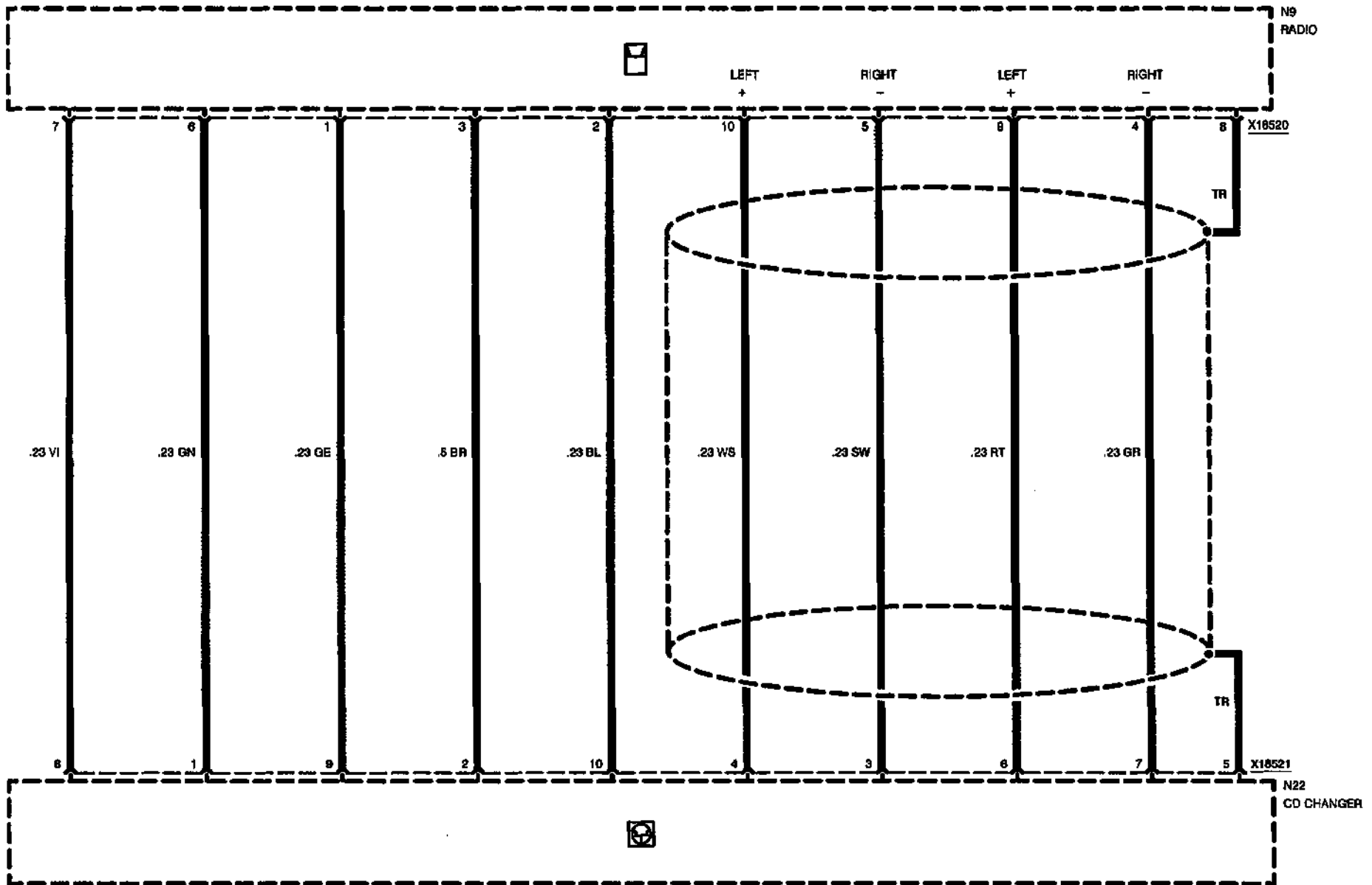
HIFI, 10-SPEAKER SYSTEM





RADIO/HIFI

HIFI, 10-SPEAKER SYSTEM



04/97

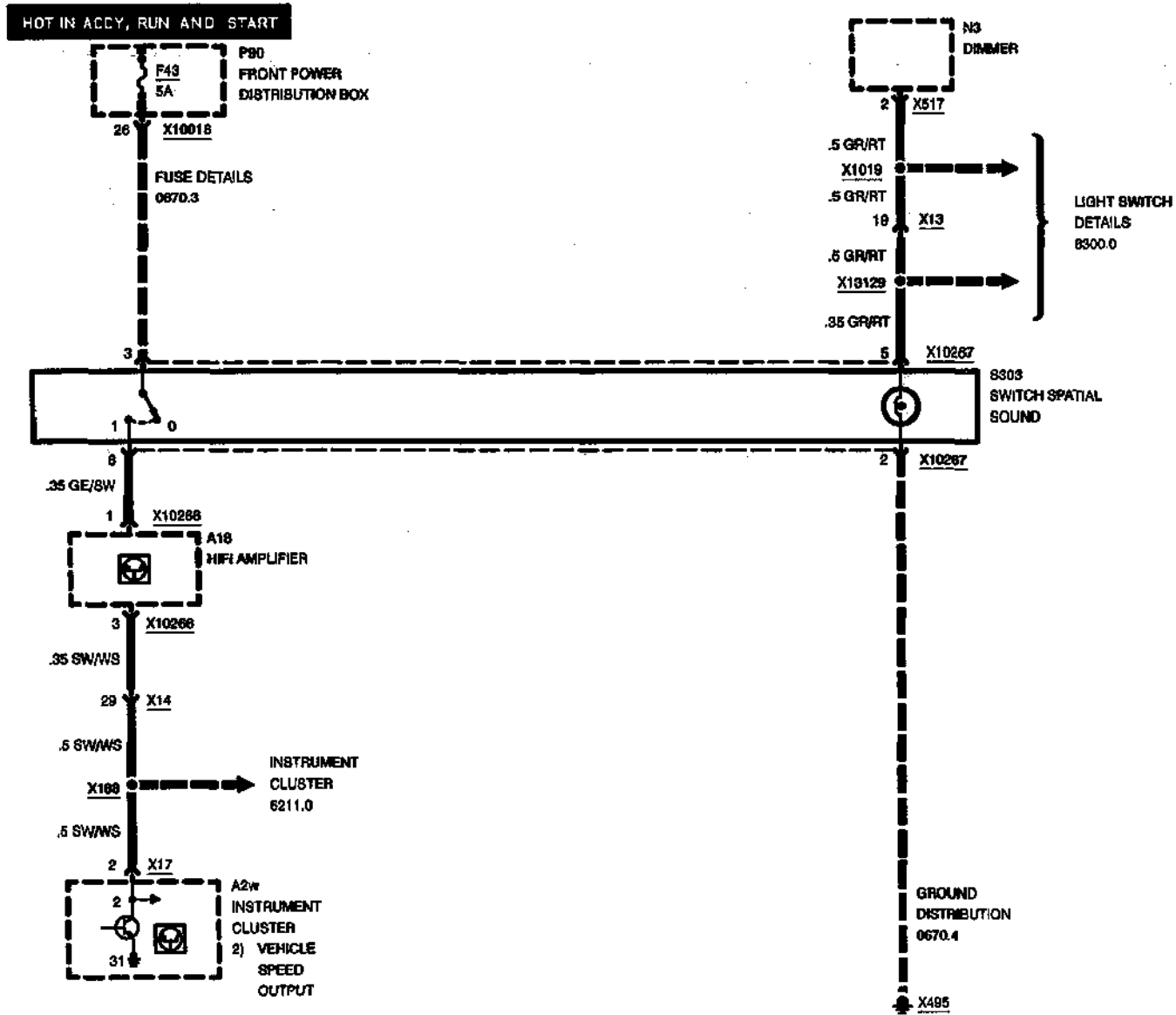
6510.1-03

1996



RADIO/HIFI

HIFI, 10-SPEAKER SYSTEM



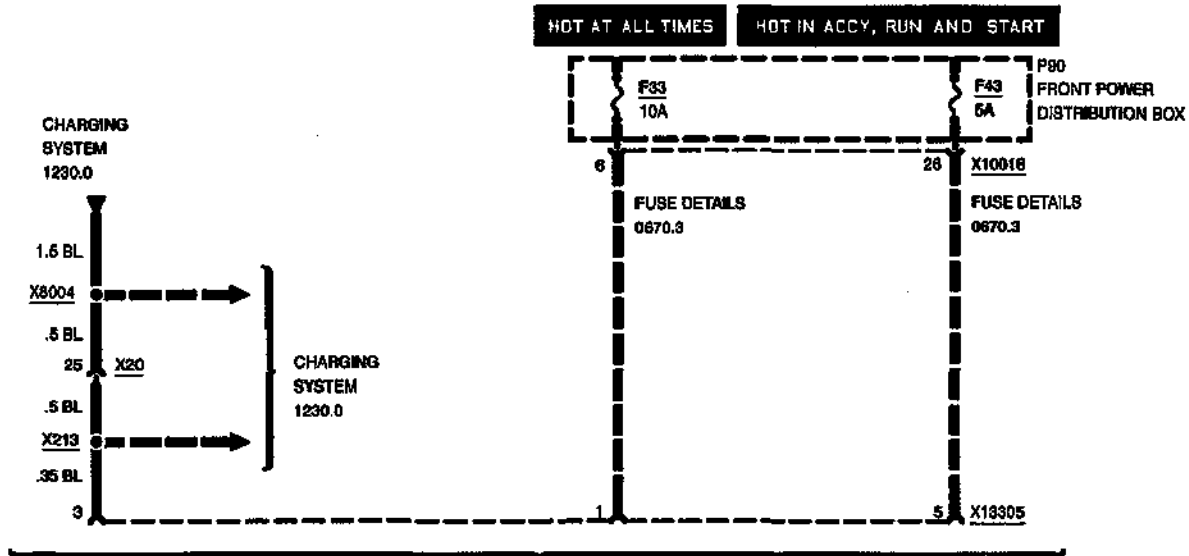


6561.0

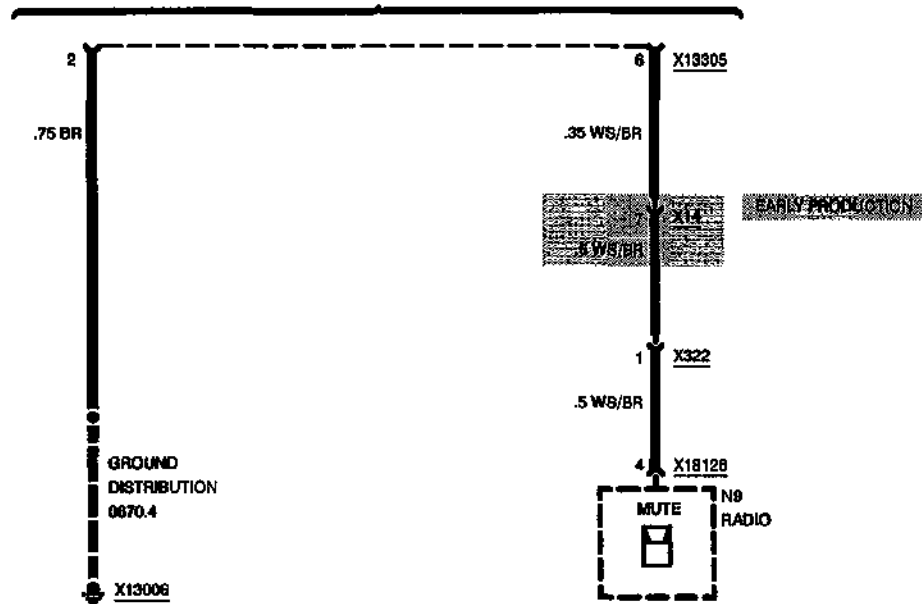


CELLULAR TELEPHONE (PROVISIONS)

PROVISIONS



TELEPHONE CONNECTOR

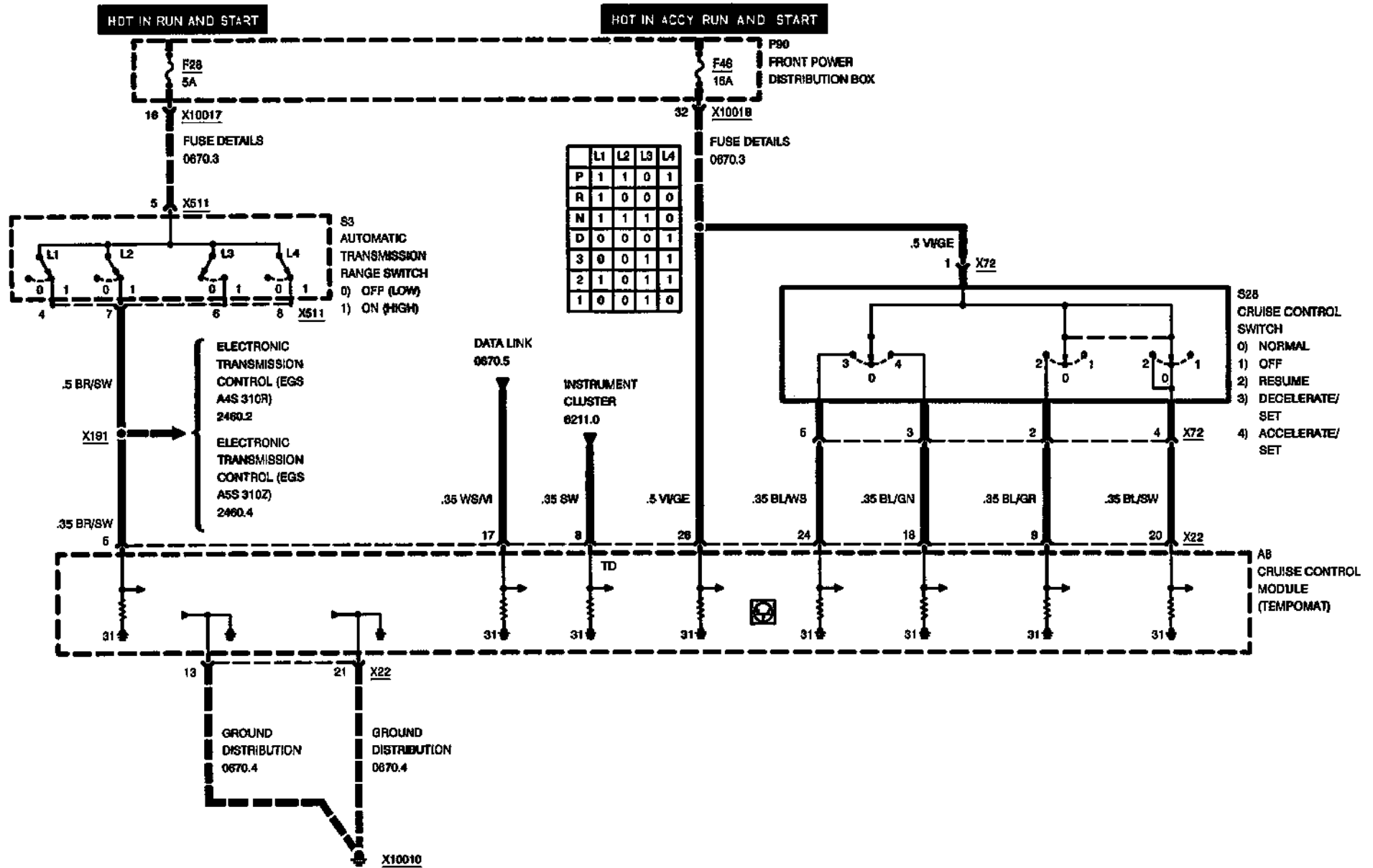




6571.0

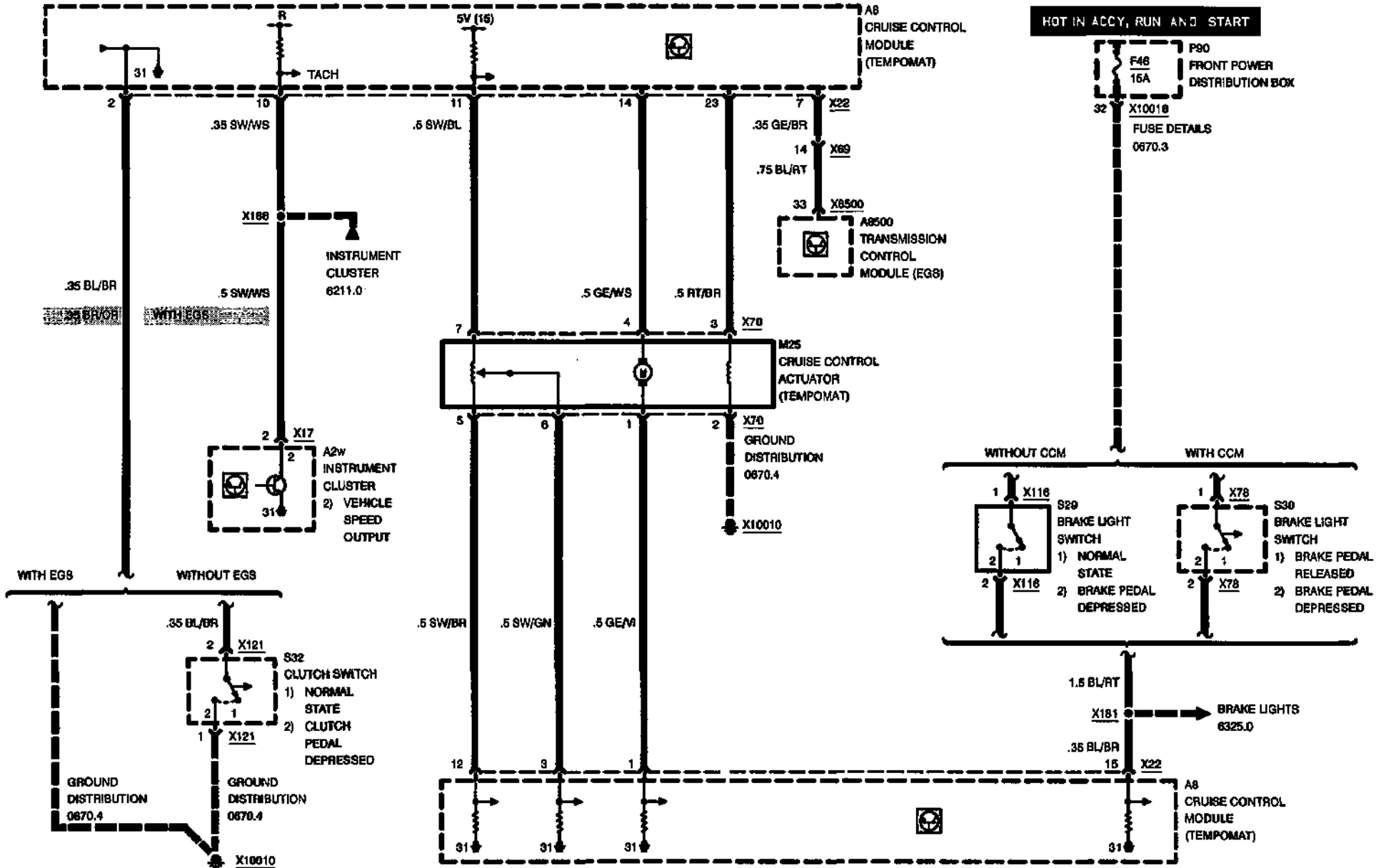


CRUISE CONTROL (TEMPOMAT)



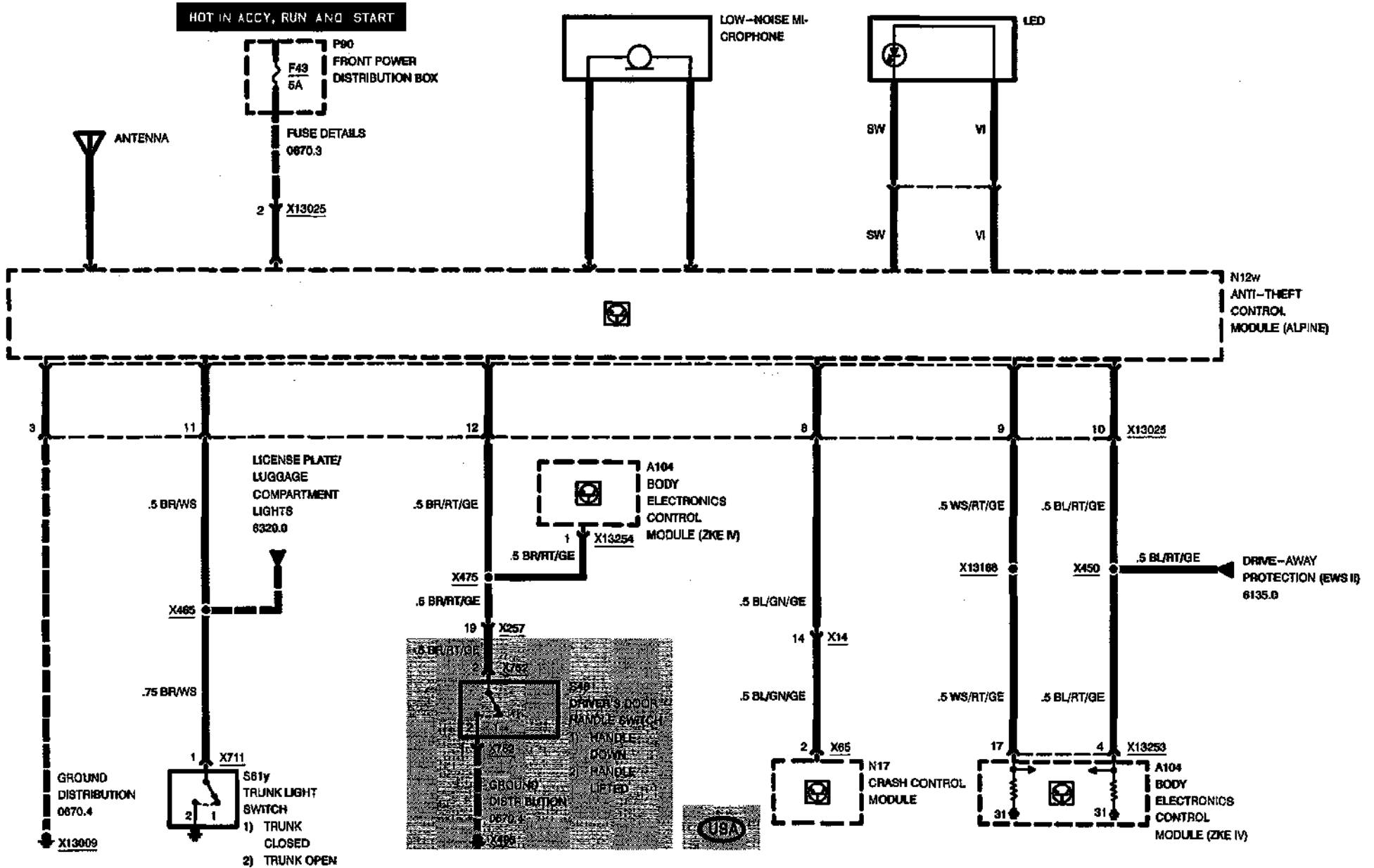


CRUISE CONTROL (TEMPOMAT)





ANTI-THEFT SYSTEM (ALPINE)



04/97

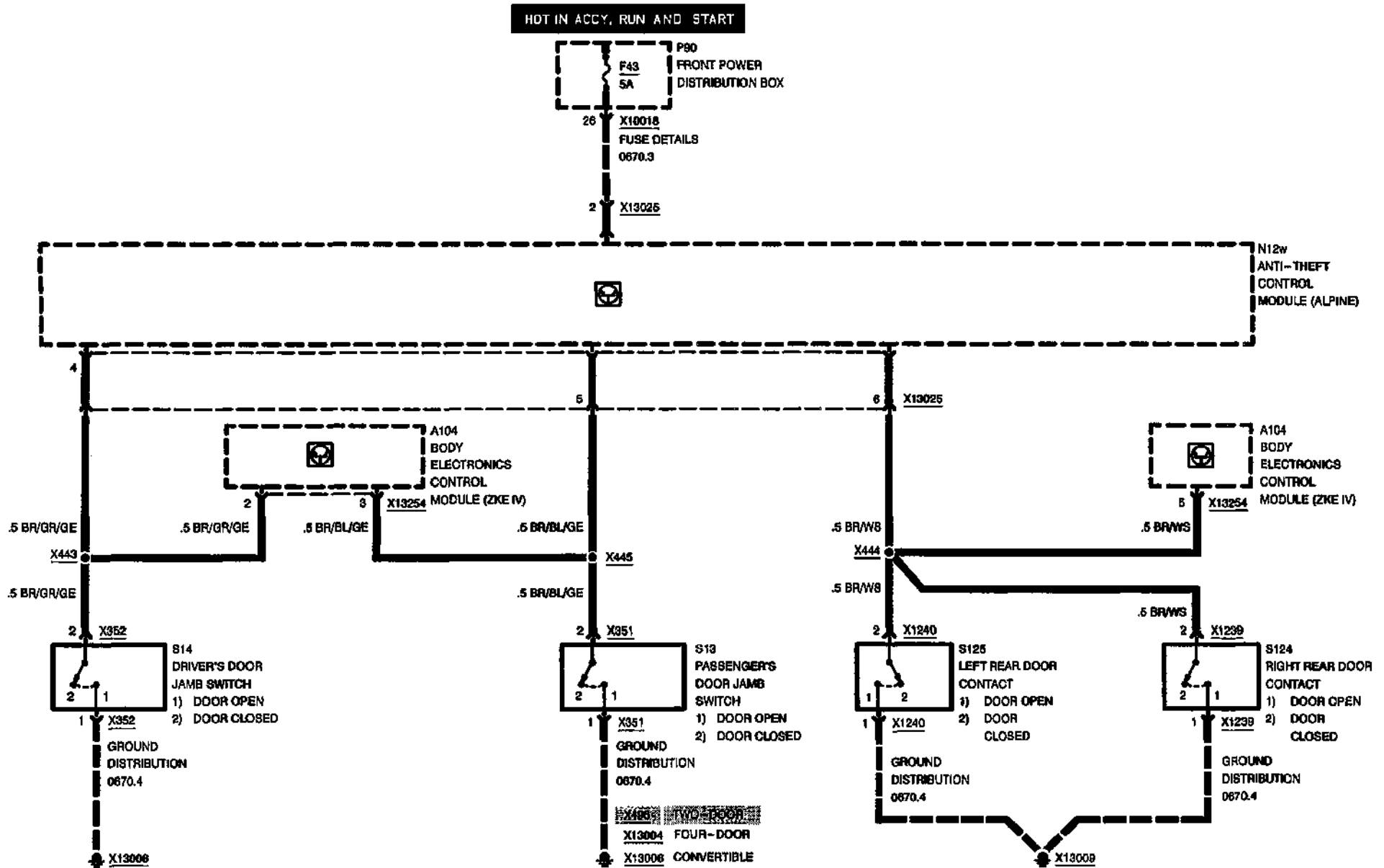
6575.2-00

1996



ANTI-THEFT SYSTEM (ALPINE)

FRONT AND REAR DOOR JAMB SWITCHES



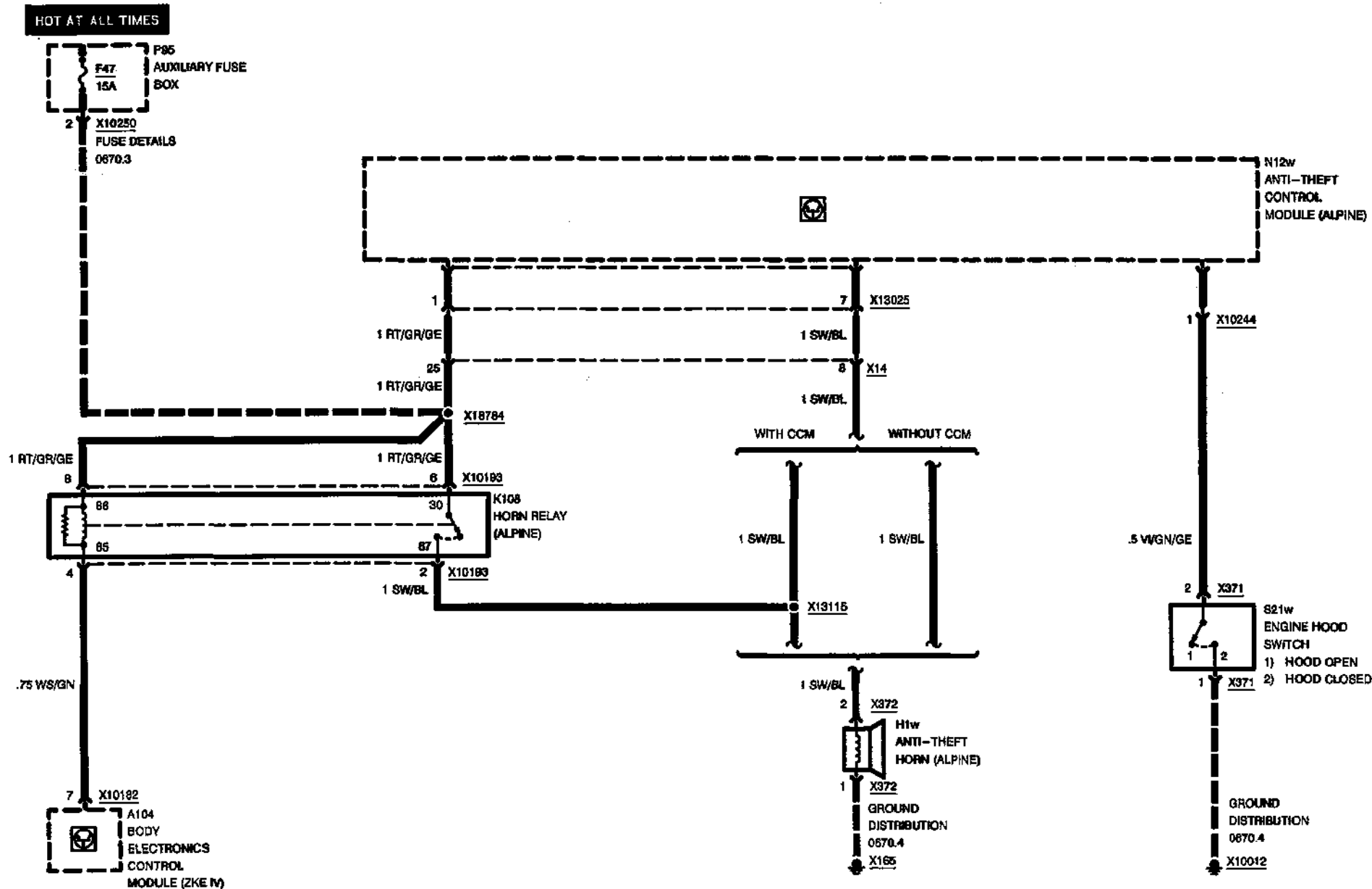
04/97

6575.2-01

1996



ANTI-THEFT SYSTEM (ALPINE)

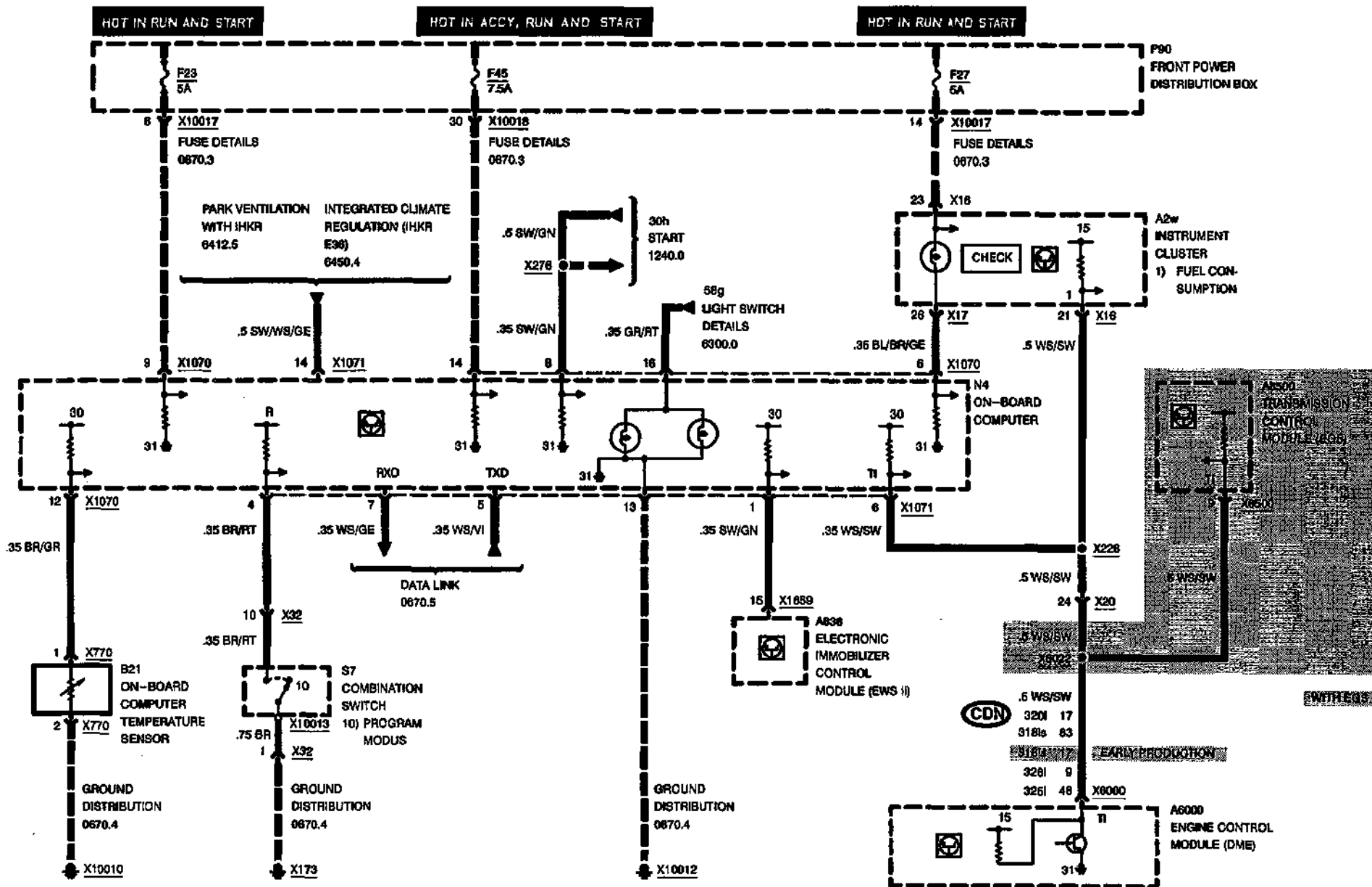






ON-BOARD COMPUTER (BC V)

POWER



04/97

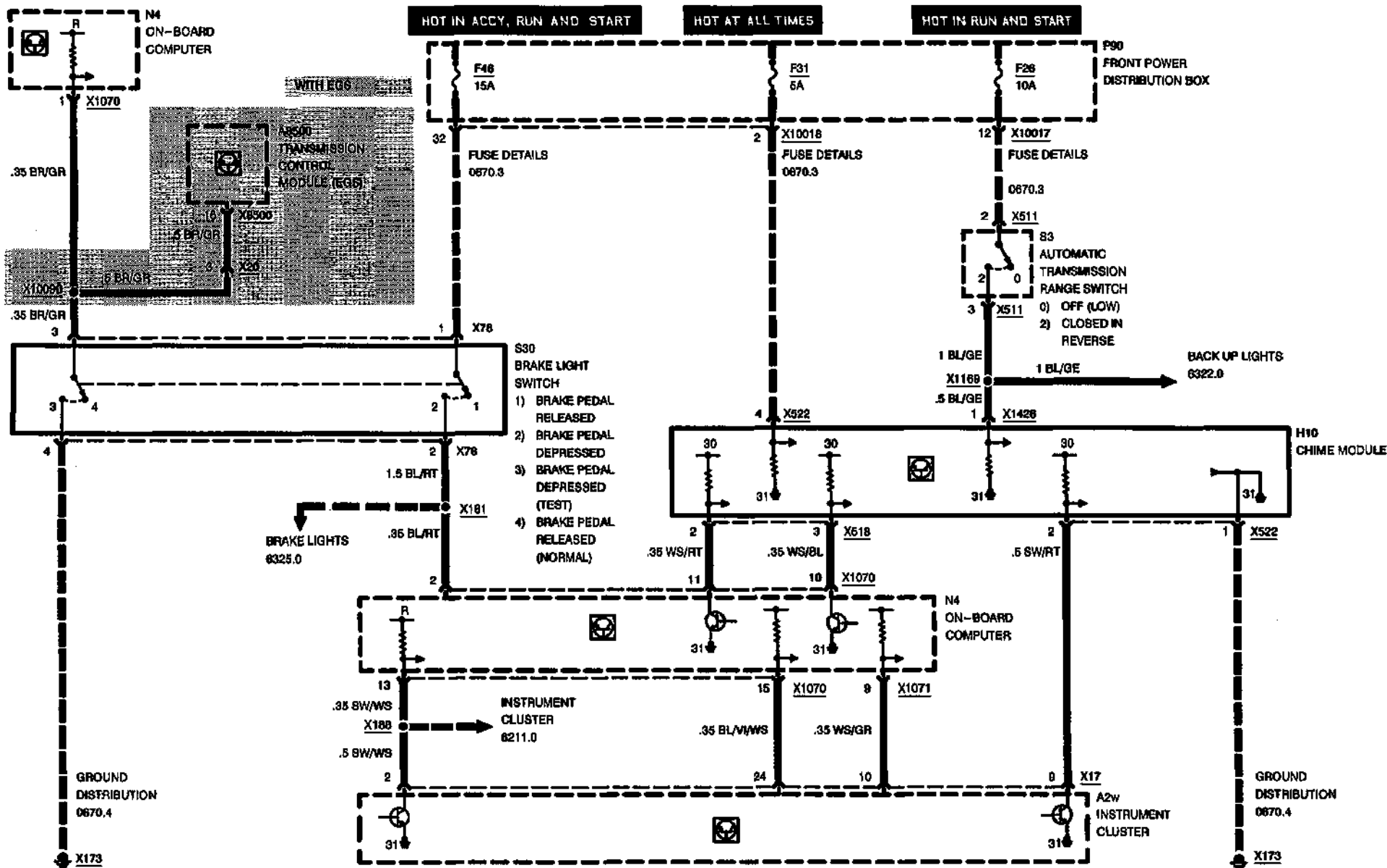
6581.2-00

1996



ON-BOARD COMPUTER (BC V)

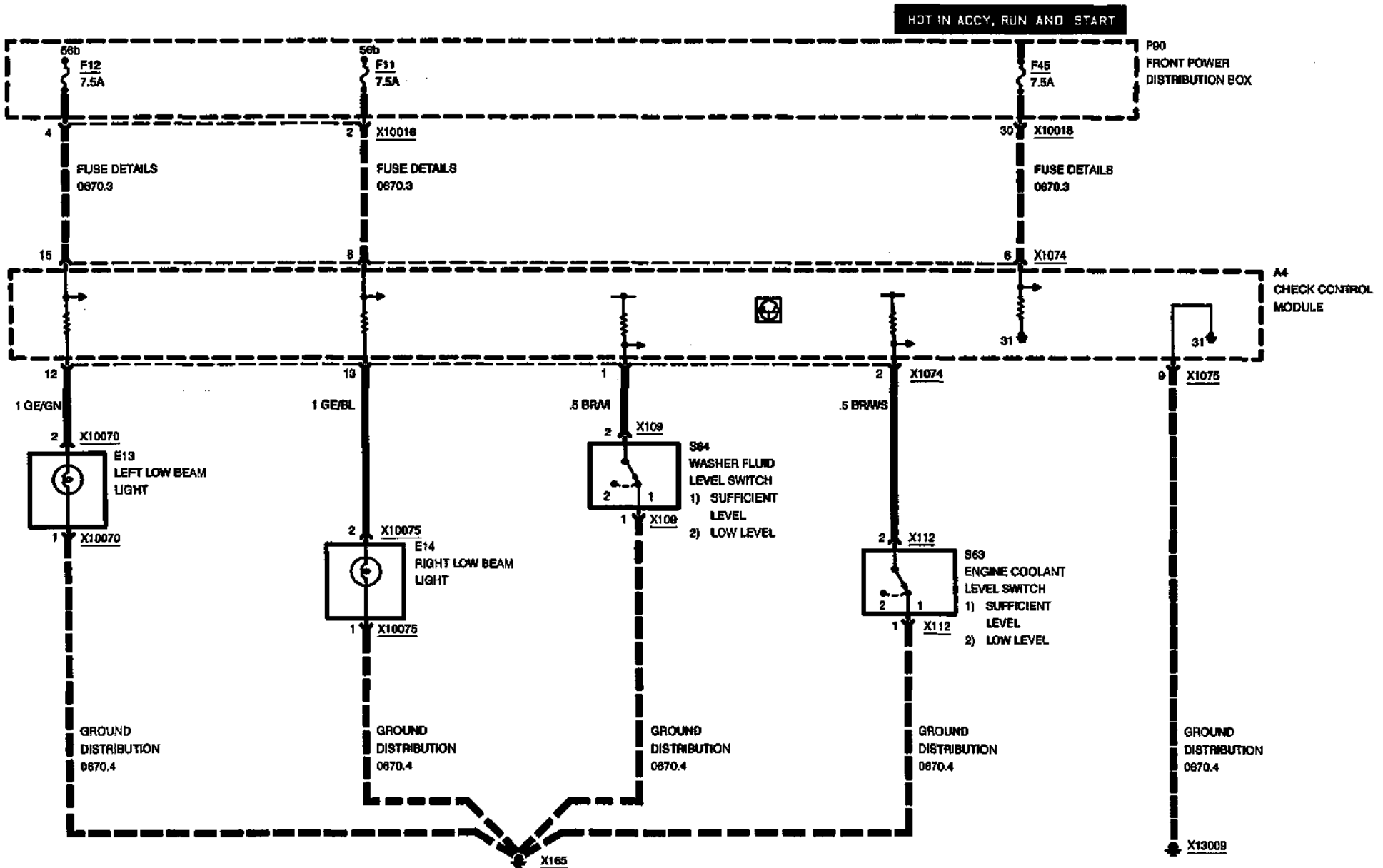
CHIME, BRAKE LIGHT SWITCH





ON-BOARD COMPUTER (BC V)

CHECK CONTROL



04/97

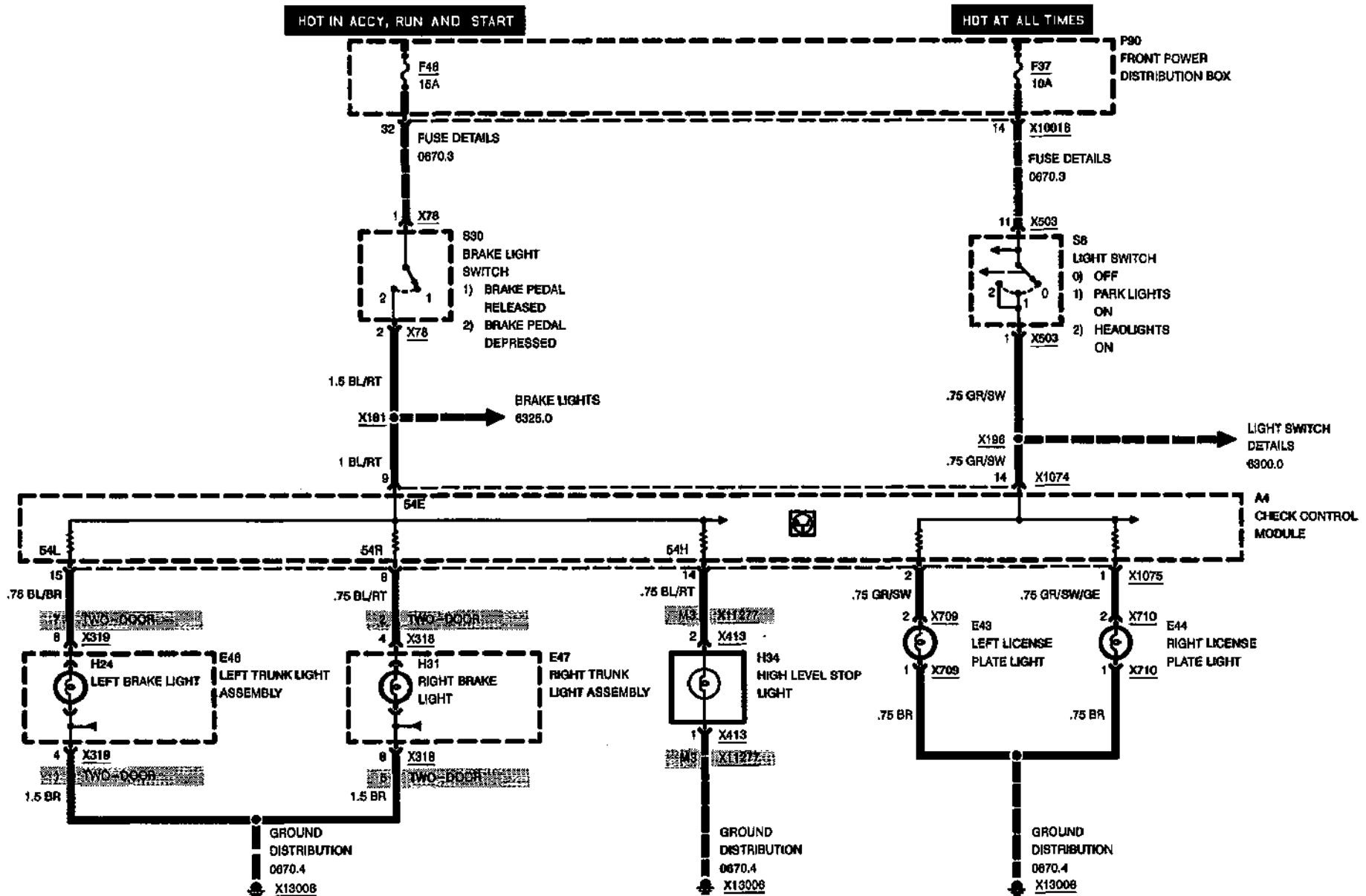
6581.2-02

1996



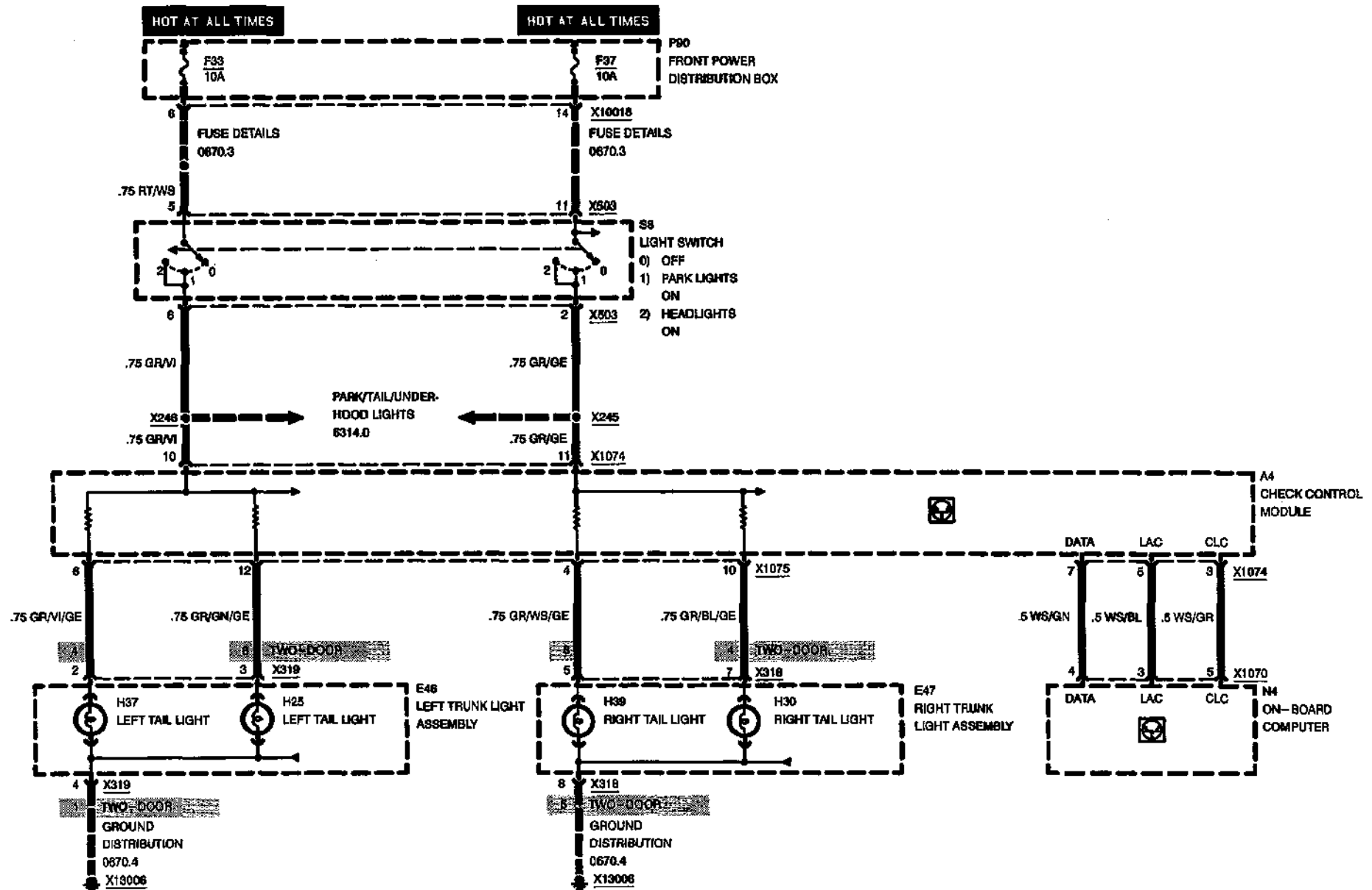
ON-BOARD COMPUTER (BC V)

CHECK CONTROL





ON-BOARD COMPUTER (BC V) CHECK CONTROL





7000.0



COMPONENT LOCATION CHART

COMP.	DESCRIPTION	LOCATION	7100.0	8500.0
A2w	INSTRUMENT CLUSTER	LH side of dash	28-3	
A4	CHECK CONTROL MODULE	below LH side of dash	00-3	
A5	RELAY MODULE	behind glove box		
A7	SLIP CONTROL MODULE (ABS)	RH side of dash behind glove box	01-2	
A8	CRUISE CONTROL MODULE (TEMPOMAT)	RH side of dash behind glove box	01-2	
A12	SUPPLEMENTAL RESTRAINT SYSTEM CONTROL MODULE	below rear seat	00-2	
A18	HIFI AMPLIFIER	behind rear seats right (Convertible)	02-3	
A18	HIFI AMPLIFIER	in LH side of luggage compartment	04-1	
A35	ON-BOARD DISPLAY	center of dash center console		
A51	WIPER/WASHER MODULE	behind glove box (glove box removed)	01-1	
A52	SLIP CONTROL MODULE (ABS/ASC)	behind glove box (glove box removed)	01-3	
A56	SUNROOF CONTROL ASSEMBLY	under roof center panel	04-2	
A64	WIPER/WASHER MODULE (LOW II)	behind glove box (glove box removed)	01-1	
A87y	INTEGRATED CLIMATE REGULATION CONTROL MODULE	center console	03-2	
A96	CONVERTIBLE TOP CONTROL MODULE	in lower LH C-pillar behind side panel	02-1	
A104	BODY ELECTRONICS CONTROL MODULE (ZKE IV)	behind glove box (glove box removed)	01-1	
A113	SEAT OCCUPANCY DETECTOR	under RH front seat		
A115	AUTOMATIC CLIMATE CONTROL MODULE	behind center console	03-2	
A117	TELEPHONE EJECT BOX	center console		
A835	TRANSMITTER MODULE (EWS II)	RH side of steering column	37-3	

04/97

7000.0-0

1996



COMPONENT LOCATION CHART

COMP.	DESCRIPTION	LOCATION	7100.0	8500.0
A836	ELECTRONIC IMMOBILIZER CONTROL MODULE (EWS II)	RH side of dash behind glove box		37-2
A5024	VARIABLE CAMSHAFT CONTROL MODULE (VANOS)	rear RH side of engine compartment		04-3
A6000	ENGINE CONTROL MODULE (DME)	rear RH side of engine compartment		00-1
A7000	TRANSMISSION CONTROL MODULE (EGS)	rear RH side of engine compartment		00-1
A8500	TRANSMISSION CONTROL MODULE (EGS)	rear RH side of engine compartment		00-1
B1	RIGHT FRONT SPEED SENSOR – ABS	on RH front wheel, above brake caliper		08-3
B2	LEFT FRONT SPEED SENSOR – ABS	on LH front wheel, above brake caliper		08-3
B3	RIGHT REAR SPEED SENSOR – ABS	on RH rear wheel, above brake caliper		
B4	LEFT REAR SPEED SENSOR – ABS	on LH rear wheel, above brake caliper		
B6	FUEL LEVEL SENSOR	below LH side of rear seat		21-2
B10	VEHICLE SPEED SENSOR	under rear of car		08-1
B11	LH HEAT EXCHANGER TEMPERATURE SENSOR	center console		
B12	RH HEAT EXCHANGER TEMPERATURE SENSOR	center console		
B13	OUTSIDE TEMPERATURE SENSOR	rear of engine compartment behind RH fresh air cowl		15-2
B14	EVAPORATOR TEMPERATURE SENSOR	RH side of LH footwell LH side of IHKR Plenum		28-1
B16	LEFT FRONT BRAKE PAD SENSOR	on LH front wheel, above brake callper		08-3
B17	RIGHT REAR BRAKE PAD SENSOR	behind RH rear wheel		
B18	BRAKE FLUID LEVEL SWITCH	rear LH side of engine compartment near brake master cylinder top of brake fluid reservoir (325i)		18-3



COMPONENT LOCATION CHART

COMP.	DESCRIPTION	LOCATION	7100.0	8500.0
B21 ..	ON-BOARD COMPUTER TEMPERATURE SENSOR	front RH side of engine compartment		20-1
B25y .	FUEL TANK SENSOR II	top of fuel tank		
B72 ..	FUEL TANK PRESSURE SENSOR	RH rear wheel well behind trim panel		35-1
B400 .	MICROPHONE	center of dash		
B5022	VARIABLE CAMSHAFT CONTROL SENSOR 1	front of engine compartment (M3)		12-2
B5023	VARIABLE CAMSHAFT CONTROL SENSOR 2	RH front of engine (M3)		12-1
B5028	HEATED OXYGEN SENSOR 2	front of engine compartment		
B6200	HEATED OXYGEN SENSOR	under center of car		15-3
B6203	CRANKSHAFT POSITION/RPM SENSOR ...	under RH front of car rear of radiator		10-3
B6204	CAMSHAFT POSITION SENSOR (CYLINDER IDENTIFICATION)	RH front of engine below intake manifold rear of radiator (325i)		11-1
B6204	CAMSHAFT POSITION SENSOR (CYLINDER IDENTIFICATION)	RH front of engine (M3)		11-2
B6204	CAMSHAFT POSITION SENSOR (CYLINDER IDENTIFICATION)	RH front of engine		36-2
B6205	INTAKE AIR TEMPERATURE SENSOR	LH side of engine (near oil level stick)		13-3
B6207	HOT FILM AIR MASS METER	LH side of engine		
B6208	CAMSHAFT ACTUATOR	front of engine		
B6209	HALL EFFECT CAMSHAFT SENSOR	front of engine		
B6217	HOT FILM AIR MASS METER	top front of engine		
B6231	OIL PRESSURE SWITCH	RH front of engine below intake manifold (325i)		11-1
B6231	OIL PRESSURE SWITCH	LH side of engine (near oil level stick) (M3)		14-2

04/97

7000.0-2

1996



COMPONENT LOCATION CHART

COMP.	DESCRIPTION	LOCATION	7100.0	8500.0
B6231	OIL PRESSURE SWITCH	RH front of engine below intake manifold (318ls)	17-1	
B6232	ENGINE COOLANT TEMPERATURE SENSOR	RH front of engine below intake manifold (325i)	11-3	
B6232	ENGINE COOLANT TEMPERATURE SENSOR	RH front of engine (M3)	12-1	
B6232	ENGINE COOLANT TEMPERATURE SENSOR	RH front of engine below intake manifold (318ls)	17-2	
B6233	AIR FLOW SENSOR	LH side of engine compartment right of LH side shock tower		
B6236	ENGINE COOLANT TEMPERATURE SENSOR	RH front of engine below intake manifold (325i)	11-1	
B6236	ENGINE COOLANT TEMPERATURE SENSOR	RH front of engine (M3)	12-1	
B6236	ENGINE COOLANT TEMPERATURE SENSOR	RH front of engine below intake manifold (318ls)	17-2	
B6238	OIL TEMPERATURE SENSOR	LH side of engine (M3)	14-2	
B6240	KNOCK SENSOR	top front of engine		
B6241	CYL. 1-2 KNOCK SENSOR	top front of engine		
B6241w	CYL. 1-3 KNOCK SENSOR	top front of engine		
B6242	CYL. 3-4 KNOCK SENSOR	top front of engine	14-3	
B6242w	CYL. 4-6 KNOCK SENSOR	top front of engine		
B6243	CYL. 5-6 KNOCK SENSOR	top front of engine (M3)		
B6256	DUAL TEMPERATURE SENSOR (COOLANT TEMPERATURE)	RH front of engine below intake manifold		
B9508	PRESSURE SWITCH	front RH side of engine compartment near RH headlight assembly	09-3	



COMPONENT LOCATION CHART

COMP.	DESCRIPTION	LOCATION	7100.0	8500.0
B62001	OXYGEN SENSOR (IN FRONT OF CATALYTIC CONVERTER)	on catalytic converter		
B62002	OXYGEN SENSOR (BEHIND CATALYTIC CONVERTER)	on catalytic converter		
B62101	OXYGEN SENSOR I (IN FRONT OF CATALYTIC CONVERTER)	on catalytic converter		
B62102	OXYGEN SENSOR I (BEHIND CATALYTIC CONVERTER)	on catalytic converter		
B62201	OXYGEN SENSOR II (IN FRONT OF CATALYTIC CONVERTER)	on catalytic converter		
B62202	OXYGEN SENSOR II (BEHIND CATALYTIC CONVERTER)	on catalytic converter		
C101	CONTACT RING	top of steering column	24-2	
C900	SUPPRESSION FILTER	in upper RH C-pillar	33-2	
D100	DATA LINK CONNECTOR	rear RH side of engine compartment	05-1	
E9	REAR DEFOGGER I	in upper RH C-pillar	33-2	
E10	REAR DEFOGGER/ANTENNA	in rear window		
E11	LEFT HIGH BEAM LIGHT	near LH headlight assembly		
E12	RIGHT HIGH BEAM LIGHT	near RH headlight assembly		
E13	LEFT LOW BEAM LIGHT	near LH headlight assembly		
E14	RIGHT LOW BEAM LIGHT	near RH headlight assembly		
E15	LEFT PARK LIGHT	front of vehicle		
E19	RIGHT PARK LIGHT	front of vehicle		
E20	UNDERHOOD LIGHT	on underside of engine hood		

04/97

7000.0-4

1996



COMPONENT LOCATION CHART

COMP.	DESCRIPTION	LOCATION	7100.0	8500.0
E25 ...	FRONT ASHTRAY LIGHT	center console	31-2	
E26 ...	LEFT FOG LIGHT	under LH front bumper	08-2	
E27 ...	RIGHT FOG LIGHT	under RH front bumper	08-2	
E28 ...	FRONT CIGAR LIGHTER	near gearshift lever		
E28y ..	REAR ASHTRAY LIGHT	below center console	31-2	
E28y ..	REAR ASHTRAY LIGHT	behind center console		
E29 ...	FRONT CIGAR LIGHTER LIGHT	center console		
E32 ...	TRUNK COMPARTMENT LIGHT	in luggage compartment		
E34 ...	FRONT DOME LIGHT/MAP READING ASSEMBLY	under roof center panel	04-2	
E35 ...	DRIVER'S MAKEUP MIRROR LIGHT	center of windshield header		
E36 ...	PASSENGER'S MAKEUP MIRROR LIGHT ..	center of windshield header	23-1	
E39 ...	LEFT REAR INTERIOR LIGHT	in upper LH C-pillar	33-1	
E40 ...	RIGHT REAR INTERIOR LIGHT	in upper RH C-pillar	33-2	
E42 ...	GLOVE BOX LIGHT	LH side of glove box	25-1	
E43 ...	LEFT LICENSE PLATE LIGHT	underside of trunk lid, near license plate	09-1	
E44 ...	RIGHT LICENSE PLATE LIGHT	underside of trunk lid, near license plate	09-1	
E45y ..	CASSETTE BOX LIGHT	center of dash		
E46 ...	LEFT TRUNK LIGHT ASSEMBLY	in LH rear side of luggage compartment		
E47 ...	RIGHT TRUNK LIGHT ASSEMBLY	in RH rear side of luggage compartment	03-3	
E56 ...	DRIVER'S SEATBACK HEATER	in upper LH front seatback	23-3	
E57 ...	DRIVER'S SEAT HEATER	under LH front seat	23-3	



COMPONENT LOCATION CHART

COMP.	DESCRIPTION	LOCATION	7100.0	8500.0
E58 ...	PASSENGER'S SEAT HEATER	underside of RH front seat		
E59 ...	PASSENGER'S SEATBACK HEATER	in upper RH front seatback		
E82 ...	TRANSMISSION POSITION INDICATOR LIGHT	center console		
E99 ...	HARD TOP CONNECTOR 1	in convertible top compartment		
E100y	HARD TOP CONNECTOR 2	in convertible top compartment		
E101 .	LEFT TRUNK COMPARTMENT LIGHT	in LH rear side of luggage compartment Convertible		
E102 .	RIGHT TRUNK COMPARTMENT LIGHT	in RH rear side of luggage compartment Convertible		
E104 .	THROTTLE FLAP HEATER	LH side of engine compartment		
G1 ...	BATTERY	rear RH side of engine compartment		
G5 ...	DRIVER'S AIR BAG GAS GENERATOR	behind steering wheel		24-2
G6 ...	PASSENGER'S AIR BAG GAS GENERATOR	RH side of dash		27-2
G6430	B+ JUMP START JUNCTION POINT	rear RH side of engine compartment back of RH side shock tower		05-1
G6509	GENERATOR	front LH side of engine compartment		05-2
H1w ..	ANTI-THEFT HORN (ALPINE)	front RH side of engine compartment		
H2 ...	LEFT HORN	front of engine compartment		
H3 ...	RIGHT HORN	front of engine compartment		
H4 ...	RIGHT FRONT TURN LIGHT	front of vehicle		
H5 ...	RIGHT REAR TURN LIGHT	RH side of body rear end		
H6 ...	LEFT REAR TURN LIGHT	LH side of body rear end		
H7 ...	LEFT FRONT TURN LIGHT	front of vehicle		
H8 ...	RIGHT FRONT AUXILIARY TURN LIGHT ...	front of vehicle		



COMPONENT LOCATION CHART

COMP.	DESCRIPTION	LOCATION	7100.0	8500.0
H9 ...	LEFT FRONT AUXILIARY TURN LIGHT	front of vehicle		
H10 ..	CHIME MODULE	below LH side of dash		
H24 ..	LEFT BRAKE LIGHT	LH side of body rear end		
H25 ..	LEFT TAIL LIGHT	LH side of body rear end		
H26 ..	LEFT REAR FOG LIGHT	LEFT TRUNK LIGHT ASSEMBLY		
H27 ..	LEFT BACK UP LIGHT	LEFT TRUNK LIGHT ASSEMBLY		
H28 ..	RIGHT BACK UP LIGHT	LEFT TRUNK LIGHT ASSEMBLY		
H30 ..	RIGHT TAIL LIGHT	RIGHT TRUNK LIGHT ASSEMBLY		
H31 ..	RIGHT BRAKE LIGHT	RIGHT TRUNK LIGHT ASSEMBLY		
H34 ..	HIGH LEVEL STOP LIGHT	at back of rear window shelf		
H37 ..	LEFT TAIL LIGHT	RIGHT TRUNK LIGHT ASSEMBLY		
H38 ..	TELEPHONE TRANSCEIVER	rear side of luggage compartment		
H41 ..	LEFT FRONT SPEAKER	in lower LH A-pillar		
H42 ..	LEFT MID-HIGH RANGE SPEAKER	in upper LH front door		
H43 ..	RIGHT MID-HIGH RANGE SPEAKER	in upper RH front door		
H45 ..	RIGHT REAR SPEAKER	under rear window shelf		
H46 ..	LEFT REAR SPEAKER	under rear window shelf		
H50 ..	RIGHT FRONT HIGH RANGE SPEAKER ...	in upper RH front door		
H51 ..	RIGHT FRONT LOW RANGE SPEAKER	in lower RH A-pillar		
H52 ..	RIGHT REAR LOW RANGE SPEAKER	under rear window shelf		
H53 ..	RIGHT REAR HIGH RANGE SPEAKER	under rear window shelf		
H54 ..	RIGHT FRONT MIDRANGE SPEAKER	in upper RH front door		



COMPONENT LOCATION CHART

COMP.	DESCRIPTION	LOCATION	7100.0	8500.0
H55	LEFT FRONT MIDRANGE SPEAKER	in upper LH front door		
H56	LEFT REAR HIGH RANGE SPEAKER	under rear window shelf		
H57	LEFT REAR LOW RANGE SPEAKER	under rear window shelf		
H58	LEFT FRONT LOW RANGE SPEAKER	in lower LH A-pillar		
H59	LEFT FRONT HIGH RANGE SPEAKER	in upper LH front door		
K2	HORN RELAY	rear LH side of engine compartment in Power Distribution Box	19-2	
K4	BLOWER RELAY	rear LH side of engine compartment in Power Distribution Box	19-2	
K9	UNLOADER RELAY, TERMINAL 15	behind LH footwell trim	25-3	
K10	ABS RELAY	rear LH side of engine compartment in Power Distribution Box	19-1	
K13	REAR DEFOGGER RELAY	rear LH side of engine compartment in Power Distribution Box	19-1	
K16	HAZARD FLASHER RELAY	rear LH side of engine compartment in Power Distribution Box	19-2	
K19	COMPRESSOR CONTROL RELAY	rear LH side of engine compartment in Power Distribution Box	19-1	
K21	NORMAL SPEED RELAY	rear LH side of engine compartment in Power Distribution Box	19-3	
K22	HIGH SPEED RELAY	rear LH side of engine compartment in Power Distribution Box	19-3	
K46	HIGH BEAM LIGHT RELAY	LH side of dash behind instrument cluster	02-2	
K47	FRONT FOG LIGHT RELAY	rear LH side of engine compartment in Power Distribution Box	19-2	
K48	LOW BEAM LIGHT RELAY	rear LH side of engine compartment in Power Distribution Box	19-2	
K75	ABS PUMP MOTOR RELAY	rear LH side of engine compartment in Power Distribution Box	19-1	
K99	REAR WINDOW BLOWER RELAY	behind glove box left	25-2	
K108	HORN RELAY (ALPINE)	behind glove box left	01-2	
K117	TRUNK LID RELAY	behind glove box right		
K125	ABS PUMP MOTOR RELAY, TIMED	rear LH side of engine compartment in Power Distribution Box	37-1	



COMPONENT LOCATION CHART

COMP.	DESCRIPTION	LOCATION	7100.0	8500.0
K450	PARK VENTILATION RELAY	footwell, driver's side	02-2	
K5029	DOUBLE RELAY	rear LH side of engine compartment in Power Distribution Box (M3)	19-3	
K6300	ENGINE CONTROL MODULE RELAY	rear LH side of engine compartment in Power Distribution Box	19-1	
K6300	ENGINE CONTROL MODULE RELAY	rear LH side of engine compartment in Power Distribution Box (M3)	19-3	
K6300	ENGINE CONTROL MODULE RELAY	rear LH side of engine compartment in Power Distribution Box	37-1	
K6301	CYL. 1-6 FUEL PUMP RELAY	rear LH side of engine compartment in Power Distribution Box	19-1	
K6301	CYL. 1-6 FUEL PUMP RELAY	rear LH side of engine compartment in Power Distribution Box	37-1	
K6301w	FUEL PUMP RELAY	rear LH side of engine compartment in Front Power Distribution Box		
K6303	OXYGEN SENSOR RELAY	Power Distribution Box rear LH side of engine compartment	19-2	
K6304	SECONDARY AIR PUMP RELAY	rear LH side of engine compartment in Power Distribution Box (M3)	37-1	
K6307	FUEL PUMP/START IDENTIFICATION RELAY	rear LH side of engine compartment in Power Distribution Box (M3)	19-3	
K6314	DELAY RELAY	below LH side of dash		
M2	FUEL PUMP	below RH side of rear seat	20-2	
M3	WIPER MOTOR	rear of engine compartment below center of cowl	16-1	
M4	WASHER PUMP	front RH side of engine compartment on washer fluid reservoir	10-1	
M7	HEADLIGHT/FOG LIGHT WASHER PUMP	front RH side of engine compartment on washer fluid reservoir	10-2	
M9	AUXILIARY FAN MOTOR	behind front grille behind trim panel	18-1	
M12	DRIVER'S DOOR LOCK MOTOR	In upper LH front door behind trim panel		
M13	PASSENGER'S DOOR LOCK MOTOR	in upper RH front door behind trim panel		
M14	RIGHT REAR DOOR LOCK MOTOR	In upper RH rear door behind trim panel		
M15	LEFT REAR DOOR LOCK MOTOR	In upper LH rear door behind trim panel		



COMPONENT LOCATION CHART

COMP.	DESCRIPTION	LOCATION	7100.0	8500.0
M16	GAS FILLER LOCK MOTOR	In RH rear side of luggage compartment	03-3	
M17	TRUNK LOCK MOTOR	rear side of luggage compartment		
M20	LEFT REAR WINDOW MOTOR	in lower LH rear door behind trim panel		
M21	DRIVER'S WINDOW MOTOR	LH front door behind door panel	31-3	
M22	RIGHT REAR WINDOW MOTOR	in lower RH rear door behind door panel		
M23	PASSENGER'S WINDOW MOTOR	RH front door behind door panel	32-1	
M24	SUNROOF MOTOR	center of windshield header		
M25	CRUISE CONTROL ACTUATOR (TEMPOMAT)	front LH side of engine compartment	18-2	
M30	BLOWER MOTOR	rear of engine compartment behind RH fresh air cowl	15-2	
M34	DASH VENT MIXING FLAP MOTOR	below RH side of dash center console right	29-3	
M35	DEFROSTER FLAP MOTOR	RH side of IHKA Plenum		
M36	FRESH AIR FLAP MOTOR	below LH side of dash RH side of steering column	29-2	
M40	RECIRCULATION FLAP MOTOR	below LH side of dash RH side of steering column	29-2	
M43	CONVERTIBLE TOP STORAGE LID LOCK MOTOR	in convertible top compartment left	22-1	
M44	REGULATION FLAP MOTOR	RH side of IHKA Plenum		
M46	REAR RECIRCULATION FLAP MOTOR	RH side of IHKA Plenum		
M50	DRIVER'S SEAT CUSHION TILT MOTOR	under LH front seat	23-3	
M51	DRIVER'S SEAT MOVEMENT MOTOR	under LH front seat	23-3	
M52	DRIVER'S SEAT HEIGHT MOTOR	under LH front seat	23-3	
M53	DRIVER'S SEATBACK RECLINER MOTOR	under LH front seat	23-3	



COMPONENT LOCATION CHART

COMP.	DESCRIPTION	LOCATION	7100.0	8500.0
M58 ..	PASSENGER'S SEATBACK RECLINER MOTOR	under RH front seat		
M59 ..	PASSENGER'S SEAT HEIGHT MOTOR	under RH front seat		
M60 ..	PASSENGER'S SEAT MOVEMENT MOTOR	under RH front seat		
M61 ..	PASSENGER'S SEAT CUSHION TILT MOTOR	under RH front seat		
M93 ..	AUXILIARY THROTTLE POSITION MOTOR (ADS)	front of engine compartment		
M98 ..	LEFT REAR WINDOW MOTOR	left from LH rear seat behind trim panel	22-2	
M99 ..	RIGHT REAR WINDOW MOTOR	RH side of RH rear seat behind trim panel	22-2	
M100 .	CONVERTIBLE TOP STORAGE LID MOTOR	in LH side of luggage compartment	34-1	
M101 .	CONVERTIBLE TOP MOTOR	in LH side of luggage compartment	34-3	
M103 .	LH POP OUT WINDOW MOTOR	in lower LH C-pillar		
M104 .	RH POP OUT WINDOW MOTOR	in lower RH C-pillar		
M105 .	REAR WINDOW BLOWER	behind rear seats	21-3	
M107 .	GLOVE BOX LOCK MOTOR	RH side of dash behind glove box		
M132 .	WINDSCREEN COWL PANEL LOCK MOTOR	front cover	38-2	
M6133	AIR PUMP	front of engine compartment		
M6510	STARTER	rear LH side of engine compartment		
N2 ...	FINAL STAGE UNIT	behind LH side of dash		
N3 ...	DIMMER	LH side of dash	26-1	
N4 ...	ON-BOARD COMPUTER	center console	03-1	



COMPONENT LOCATION CHART

COMP.	DESCRIPTION	LOCATION	7100.0	8500.0
N8 ...	ANTENNA AMPLIFIER AM/FM	In upper LH C-pillar	33-1	
N8 ...	ANTENNA AMPLIFIER AM/FM	In LH side of TRUNK (CONVERTIBLE)		
N10 ..	MULTI-FUNCTION CLOCK	center console		
N12w .	ANTI-THEFT CONTROL MODULE (ALPINE)	behind glove box (glove box removed)	01-3	
N17 ..	CRASH CONTROL MODULE	footwell, driver's side	02-2	
N22 ..	CD CHANGER	in LH forward side of luggage compartment	03-3	
N24 ..	ROLLOVER SENSOR	behind rear seats left	02-1	
N404 .	DIVERSITY	in upper LH C-pillar		
N444 .	FM AMPLIFIER HLO	in upper RH C-pillar		
P90 ...	FRONT POWER DISTRIBUTION BOX	rear LH side of engine compartment	05-3	
P95 ...	AUXILIARY FUSE BOX	footwell, driver's side		
P97 ...	AUXILIARY FUSE BOX	LH side of dash behind instrument cluster	02-2	
R11 ..	BLOWER RESISTORS	behind center of dashboard left	29-1	
R6240	RESISTOR	front of engine compartment		
R6252	THROTTLE POSITION SENSOR	RH front of engine (M3)	11-2	
R6252	THROTTLE POSITION SENSOR	LH side of engine (near oil level stick) (320i-325i)	13-3	
R6252	THROTTLE POSITION SENSOR	LH side of engine compartment (318is)	17-3	
R8554	RESISTOR	front of engine compartment		
S2	IGNITION SWITCH	LH side of dash	24-3	
S3	AUTOMATIC TRANSMISSION RANGE SWITCH	center console near gearshift lever	30-3	



COMPONENT LOCATION CHART

COMP.	DESCRIPTION	LOCATION	7100.0	8500.0
S4	HORN SWITCH	top of steering column	24-2	
S5	WIPER/WASHER SWITCH	LH side of dash RH side of steering column above		
S6	ASC SWITCH	center console	30-2	
S7	COMBINATION SWITCH	LH side of steering column	24-3	
S8	LIGHT SWITCH	LH side of dash	26-1	
S10	FOG LIGHT SWITCH	LH side of dash		
S13	PASSENGER'S DOOR JAMB SWITCH	rear RH door pillar	33-3	
S14	DRIVER'S DOOR JAMB SWITCH	LH rear door jamb	33-3	
S17	MIRROR CONTROL SWITCH	in upper LH front door		
S18	HAZARD SWITCH	center console near gearshift lever	30-3	
S19	UNDERHOOD LIGHT SWITCH	near RH headlight assembly		
S21w	ENGINE HOOD SWITCH	front RH side of engine compartment on washer fluid reservoir	10-2	
S27	INERTIA SWITCH	In lower RH A-pillar		
S28	CRUISE CONTROL SWITCH	LH side of dash RH side of steering column above	24-3	
S29	BRAKE LIGHT SWITCH	LH footwell on brake pedal support bracket behind LH footwell trim	26-3	
S30	BRAKE LIGHT SWITCH	LH footwell on brake pedal support bracket behind LH footwell trim	26-2	
S31	PARK BRAKE SWITCH	center console on rear of park brake lever	31-2	
S32	CLUTCH SWITCH	LH footwell on clutch pedal support bracket behind LH footwell trim	26-3	
S36	TEMPERATURE SWITCH	front RH side of engine compartment near RH headlight assembly	09-3	
S36y	DOUBLE TEMPERATURE SWITCH	front RH side of engine compartment near RH headlight assembly	09-3	
S38	SUNROOF SWITCH	roof		
S40y	CENTRAL POWER WINDOW SWITCH	center console		



COMPONENT LOCATION CHART

COMP.	DESCRIPTION	LOCATION	7100.0	8500.0
S41 ...	LEFT REAR WINDOW SWITCH	In lower LH rear door behind trim panel		
S42 ...	RIGHT REAR WINDOW SWITCH	in lower RH rear door behind trim panel		
S51 ...	DRIVER'S SEAT, SEAT CONTROL SWITCH .	LH side of driver's seat		
S53 ...	DRIVER'S SEAT, SEAT HEATER SWITCH ...	center console near gearshift lever	30-2	
S54 ...	PASSENGER'S SEAT, SEAT HEATER SWITCH	center console near gearshift lever	30-1	
S56 ...	PASSENGER'S SEAT, SEAT CONTROL SWITCH	RH front seat		
S58 ...	DRIVER'S SEAT BELT SWITCH	in LH front seat belt buckle		
S59 ...	PASSENGER'S SEAT BELT SWITCH	in RH front seat belt buckle		
S63 ...	ENGINE COOLANT LEVEL SWITCH	front RH side of engine compartment	18-1	
S61y .	TRUNK LIGHT SWITCH	underside of trunk lid left	34-2	
S64 ...	WASHER FLUID LEVEL SWITCH	front RH side of engine compartment on washer fluid reservoir	10-1	
S75 ...	BLOWER SWITCH	center of dash		
S77 ...	DRIVER'S MAKEUP MIRROR SWITCH	above LH sun visor		
S78 ...	PASSENGER'S MAKEUP MIRROR SWITCH	above RH sun visor	23-1	
S82 ...	REAR FOG LIGHT SWITCH	LH side of dash		
S123 .	ABS PEDAL TRAVEL SENSOR	near brake master cylinder	18-3	
S124 .	RIGHT REAR DOOR CONTACT	in lower RH C-pillar	33-3	
S125 .	LEFT REAR DOOR CONTACT	in lower LH C-pillar	33-3	
S126y	DRIVER'S POWER WINDOW SWITCH	center console near gearshift lever	31-1	
S127y	PASSENGER'S POWER WINDOW SWITCH	center console near gearshift lever	31-1	



COMPONENT LOCATION CHART

COMP.	DESCRIPTION	LOCATION	7100.0	8500.0
S128y	LH REAR DOOR (CONSOLE) POWER WINDOW SWITCH	center console		
S128z	LH REAR POWER WINDOW SWITCH	center console		
S129y	RH REAR DOOR (CONSOLE) POWER WINDOW SWITCH	center console		
S129z	RH REAR POWER WINDOW SWITCH	center console		
S130	CHILD PROTECTION CONTROL (CONSOLE)	center console		
S134y	IHKR CONTROL PANEL	center of dash		
S143	CONVERTIBLE TOP ACTUATING SWITCH	center console		
S164	CONVERTIBLE TOP END-POSITION MICRO SWITCH	at convertible top linkage		
S165	CONVERTIBLE TOP POSITION MICRO SWITCH	at convertible top linkage		
S182	LH POP OUT WINDOW SWITCH	center console		
S183	RH POP OUT WINDOW SWITCH	center console		
S196	REAR WINDOW BLOWER MICRO SWITCH	in convertible top compartment left	22-3	
S213	TRUNK LID MICRO SWITCH	underside of trunk lid		
S214	CONVERTIBLE TOP STORAGE LID MICRO SWITCH	at convertible top linkage		
S231	WINDSCREEN COWL PANEL LOCK MICRO-SWITCH	front cover	38-2	
S303	SWITCH SPATIAL SOUND	center console		
S8503	PROGRAM SWITCH	center console		



COMPONENT LOCATION CHART

COMP.	DESCRIPTION	LOCATION	7100.0	8500.0
S8507	KICK-DOWN SWITCH	LH footwell		
S8511	REVERSING LIGHT SWITCH	under front of car LH side of transmission		
T6151	CYL. 1 IGNITION COIL	top RH side of engine	13-1	
T6151	CYL. 1 IGNITION COIL	RH side of engine compartment (318is)	17-3	
T6152	CYL. 2 IGNITION COIL	top RH side of engine	13-1	
T6152	CYL. 2 IGNITION COIL	RH side of engine compartment (318is)	17-3	
T6153	CYL. 3 IGNITION COIL	top RH side of engine	13-1	
T6153	CYL. 3 IGNITION COIL	RH side of engine compartment (318is)	17-3	
T6154	CYL. 4 IGNITION COIL	top RH side of engine	13-1	
T6154	CYL. 4 IGNITION COIL	RH side of engine compartment (318is)	17-3	
T6155	CYL. 5 IGNITION COIL	top RH side of engine	13-1	
T6156	CYL. 6 IGNITION COIL	top RH side of engine	13-1	
U4 ...	TELEPHONE HANDSET	below front of console		
V4	DAYTIME RUNNING LIGHTS CODING DIODE	LH side of dash		
V7	ASC DIODE	top LH side of engine compartment in Front Power Distribution Box		
V9501	UNCOUPLING DIODE (KL61)	front of engine compartment		
X0	B+ JUNCTION POINT	rear LH side of engine compartment	05-3	
X2	BATTERY B+ START POINT	rear LH side of engine compartment	05-3	
X9	B+ JUNCTION POINT	rear LH side of engine compartment	05-3	
X13 ...	(30 PINS, BLACK)	behind LH footwell kickpanel		00-4
X14 ...	(30 PINS, WHITE)	behind LH footwell kickpanel		00-4

04/97

7000.0-16

1996



COMPONENT LOCATION CHART

COMP.	DESCRIPTION	LOCATION	7100.0	8500.0
X16 ...	(26 PINS, WHITE)	LH side of dash rear of instrument cluster, A2	28-3	00-2
X17 ...	(26 PINS, BLUE)	LH side of dash rear of instrument cluster, A2	28-3	00-2
X20 ...	(25 PINS, BLACK)	rear LH side of engine compartment	18-3	05-2
X22 ...	(26 PINS, BLUE)	RH side of dash behind glove box	01-2	00-2
X31 ...	(12 PINS, BLACK)	rear LH side of engine compartment back of LH side shock tower	16-2	01-4
X32 ...	(12 PINS, WHITE)	LH footwell underside of steering column	27-3	02-6
X33 ...	(12 PINS, BLACK)	LH footwell underside of steering column behind LH footwell trim	27-3	02-6
X35 ...	(12 PINS, NATURAL)	below LH side of dash RH side of steering column	27-3	02-6
X43 ...	(9 PINS, BLACK)	Power Distribution Box rear LH side of engine compartment		03-6
X45 ...	(9 PINS, BLACK)	Power Distribution Box rear LH side of engine compartment		03-6
X52 ...	(9 PINS, BLACK)	Power Distribution Box rear LH side of engine compartment		03-6
X53 ...	(9 PINS, BLACK)	Power Distribution Box rear LH side of engine compartment		03-6
X54 ...	(9 PINS, BLACK)	Power Distribution Box rear LH side of engine compartment		03-6
X55 ...	(9 PINS, BLACK)	behind LH footwell speaker grille		03-6
X56 ...	(9 PINS, BLACK)	Power Distribution Box rear LH side of engine compartment		03-6
X58 ...	(9 PINS, BLACK)	Power Distribution Box rear LH side of engine compartment		03-6
X63 ...	(9 PINS, BLACK)	behind LH footwell speaker grille		03-6
X64 ...	(9 PINS, BLACK)	Power Distribution Box rear LH side of engine compartment		03-6
X65 ...	(9 PINS, BLACK)	below LH side of dash		03-6
X69 ...	(25 PINS, GRAY)	rear LH side of engine compartment (325i)	18-3	05-2
X70 ...	(8 PINS, BLACK)	front LH side of engine compartment	18-2	02-2
X72 ...	(6 PINS, BLACK)	LATE PRODUCTION footwell, driver's side		04-2



COMPONENT LOCATION CHART

COMP.	DESCRIPTION	LOCATION	7100.0	8500.0
X74	(30 PINS, ORANGE)	below rear seat	00-2	12-2
X78	(4 PINS, BLACK)	LH footwell on brake pedal support bracket behind LH footwell trim	26-2	03-3
X82	(3 PINS, BLACK)	front of engine compartment on auxiliary fan	18-1	08-1
X83	(8 PINS, BLACK)	RH side of dash behind glove box		03-6
X85	(3 PINS, BLACK)	rear LH side of engine compartment	16-2	06-3
X87	(3 PINS, BLACK)	front RH side of engine compartment RH top of radiator	09-3	06-3
X107	(2 PINS, GRAY)	front RH side of engine compartment on washer fluid reservoir	10-1	
X109	(2 PINS, BLACK)	front RH side of engine compartment on washer fluid reservoir	10-1	
X111	(2 PINS, BLACK)	rear LH side of engine compartment near brake master cylinder top of brake fluid reservoir	18-3	
X112	(2 PINS, BLACK)	front RH side of engine compartment	18-1	
X113	(2 PINS, GRAY)	above RH front wheel well behind RH front wheel	09-2	
X114	(2 PINS, GRAY)	above LH front wheel well behind LH front wheel	09-2	
X116	(2 PINS, BLACK)	LH footwell near brake pedal	26-3	
X118	(2 PINS, BLACK)	above LH front wheel well behind LH front wheel	09-2	
X120	(2 PINS, BLACK)	near LH front wheel well on steering-gear box		
X121	(2 PINS, WHITE)	LH footwell on clutch pedal	26-3	
X123	(2 PINS, GRAY)	front RH side of engine compartment on washer fluid reservoir	10-2	
X128	(2 PINS, BLACK)	front RH side of engine compartment		
X132	(2 PINS, BLACK)	front of engine compartment		
X133	(2 PINS, BLACK)	front of engine compartment		
X137	(2 PINS, BLACK)	front LH side of engine compartment		



COMPONENT LOCATION CHART

COMP.	DESCRIPTION	LOCATION	7100.0	8500.0
X142	(3 PINS, GRAY)	under rear of car LH side of on differential		02-1
X143	(3 PINS, GRAY)	under rear of car LH side of on differential	08-1	02-1
X161	(1 PIN, WHITE)	near RH headlight assembly		
X163	(3 PINS, BLACK)	front RH side of engine compartment on washer fluid reservoir near RH headlight assembly	10-1	06-3
X165	GROUND	front LH side of engine compartment	06-3	
X173	GROUND	below LH side of dash	07-1	
X209	(12 PINS, BLACK)	LH footwell underside of steering column		
X256	(26 PINS, BLACK)	ahead of RH front door in lower RH A-pillar	32-1	04-1
X257	(26 PINS, BLACK)	ahead of LH front door in lower LH A-pillar		04-1
X271	(12 PINS, BLACK)	LH side of dash rear of instrument cluster, A2	28-3	01-3
X272	(2 PINS, BLACK)	under roof center panel		
X273	(12 PINS, BLACK)	in lower LH B-pillar	21-1	01-2
X274	(12 PINS, BLACK)	in lower RH B-pillar	21-1	01-2
X275	(4 PINS, WHITE)	under LH front seat under carpet	23-2	03-3
X279	(4 PINS, WHITE)	under RH front seat	32-3	03-3
X285	(15 PINS, BLUE)	behind glove box	25-2	00-3
X292	(9 PINS, BLACK)	Power Distribution Box rear LH side of engine compartment		03-6
X295	(8 PINS, BLACK)	LH footwell underside of steering column behind LH footwell trim	27-3	03-5
X311	(3 PINS, BLACK)	underside of trunk lid left	34-2	01-1
X312	(2 PINS, BLACK)	in RH rear side of luggage compartment behind RH rear light assembly	03-3	01-6
X315	(2 PINS, BLACK)	underside of trunk lid left	34-2	



COMPONENT LOCATION CHART

COMP.	DESCRIPTION	LOCATION	7100.0	8500.0
X316	(6 PINS, WHITE)	center console near gearshift lever	31-1	05-3
X317	(6 PINS, WHITE)	center console near gearshift lever	30-3	07-1
X318	(8 PINS, BLACK)	in RH rear side of luggage compartment behind RH rear light assembly	03-3	01-4
X319	(8 PINS, BLACK)	in LH rear side of luggage compartment behind LH rear light assembly		01-4
X320	(6 PINS, WHITE)	center console near gearshift lever	30-3	07-1
X322	(6 PINS, BLACK)	LH footwell	28-2	04-2
X324	(6 PINS, WHITE)	center console near gearshift lever	31-1	05-3
X333	(4 PINS, BLACK)	rear of engine compartment below center of cowl	16-1	07-2
X351	(2 PINS, BLACK)	in upper RH B-pillar		
X352	(3 PINS, BLACK)	in upper LH B-pillar	38-3	01-1
X355	(2 PINS, BLACK)	in upper RH C-pillar	33-2	
X356	(2 PINS, BLACK)	in upper LH C-pillar	33-1	
X371	(2 PINS, BLACK)	front RH side of engine compartment on washer fluid reservoir	10-2	
X372	(2 PINS, GRAY)	rear RH side of engine compartment back of RH side shock tower		
X379	(1 PIN, NATURAL)	in upper LH C-pillar	33-1	
X380	(1 PIN, NATURAL)	in upper RH C-pillar	33-2	
X381	(3 PINS, BLACK)	under roof center panel		01-1
X382	(3 PINS, BLACK)	above RH sun visor	23-1	01-1
X383	(2 PINS, BLACK)	under rear of car LH side of on differential	08-1	
X386	(2 PINS, BLACK)	REAR ASHTRAY LIGHT		
X388	(2 PINS, BLACK)	in lower RH A-pillar		
X389	(2 PINS, GRAY)	rear LH side of engine compartment		



COMPONENT LOCATION CHART

COMP.	DESCRIPTION	LOCATION	7100.0	8500.0
X390	(2 PINS, BLACK)	RH side of dash behind glove box		
X401	(1 PIN, BLACK)	above LH sun visor		
X402	(1 PIN, BLACK)	above RH sun visor	23-1	
X413	(2 PINS, BLACK)	at back of rear window shelf		
X423	(1 PIN, NATURAL)	below center console on rear of park brake lever		
X424	(1 PIN, BROWN)	In upper LH C-pillar	33-1	
X494	GROUND	center console near gearshift lever	07-2	
X495	GROUND	behind RH footwell trim above	07-3	
X498	GROUND	center console near gearshift lever	07-2	
X503	(12 PINS, WHITE)	below LH side of dash	26-1	01-6
X504	(4 PINS, WHITE)	center console	26-1	03-3
X509	(9 PINS, BLACK)	behind glove box (glove box removed)		03-6
X510	(9 PINS, BLACK)	behind glove box (glove box removed)		03-6
X511	(8 PINS, BLACK)	center console near gearshift lever	30-3	01-4
X516	(5 PINS, BLACK)	center console	30-3	03-2
X517	(4 PINS, BLACK)	below LH side of dash	26-1	03-3
X518	(4 PINS, BLACK)	LH footwell	28-2	03-3
X521	(6 PINS, BLUE)	center console		04-5
X522	(3 PINS, WHITE)	LH footwell	28-2	03-6
X523	(3 PINS, NATURAL)	LH side of dash		03-6
X531	(1 PIN, NATURAL)	center console near gearshift lever	30-2	
X532	(2 PINS, BLACK)	center console near gearshift lever	30-2	



COMPONENT LOCATION CHART

COMP.	DESCRIPTION	LOCATION	7100.0	8500.0
X537	(2 PINS, BLACK)	in upper LH front door behind door panel	31-3	01-1
X538	(2 PINS, BLACK)	RH front door behind door panel	32-1	
X540	(2 PINS, BLACK)	LH side of glove box	25-1	
X541	(1 PIN, NATURAL)	LH side of glove box	25-1	
X542	(2 PINS, BLACK)	LH side of glove box	25-1	
X603	(6 PINS, ---)	center console		05-1
X604	(6 PINS, ---)	RH front seat		05-1
X605	(12 PINS, BLACK)	below RH side of rear seat Convertible	02-3	11-3
X605	(12 PINS, BLACK)	in LH side of luggage compartment	04-1	11-3
X606	(26 PINS, BLACK)	below RH side of rear seat Convertible	02-3	00-2
X606	(26 PINS, BLACK)	in LH side of luggage compartment	04-1	00-2
X607	(9 PINS, BLACK)	below LH side of dash		03-6
X623	(4 PINS, BLACK)	in upper LH front door behind door panel		10-1
X624	(4 PINS, BLACK)	in upper RH front door behind door panel	32-1	10-1
X625	(6 PINS, WHITE)	LH front door	31-3	05-1
X638	(2 PINS, BLACK)	below RH side of rear seat	20-2	
X641	(6 PINS, BLACK)	RH front door behind door panel		08-2
X644	(6 PINS, BLACK)	in lower LH rear door		05-3
X645	(6 PINS, BLUE)	in lower LH rear door		06-2
X646	(6 PINS, BLACK)	in lower RH rear door behind trim panel		06-2
X647	(6 PINS, BLUE)	in lower RH rear door behind trim panel		08-4
X651	(6 PINS, YELLOW)	center console	30-2	05-3

04/97

7000.0-22

1996



COMPONENT LOCATION CHART

COMP.	DESCRIPTION	LOCATION	7100.0	8500.0
X658	(6 PINS, YELLOW)	center console	30-1	05-3
X660	(4 PINS, BLACK)	LH front door in door at key lock assembly		05-4
X662	(6 PINS, GRAY)	below LH side of dash RH side of steering column	29-2	04-5
X663	(6 PINS, GRAY)	below RH side of dash		10-1
X669	(6 PINS, GRAY)	below RH side of dash center console right	29-3	04-5
X671	(5 PINS, BLACK)	behind LH side of dash		12-1
X679	(2 PINS, WHITE)	below RH side of rear seat	20-2	
X692	(3 PINS, BLACK)	center console		02-1
X695	(10 PINS, BLACK)	below center console		02-4
X700	(1 PIN, NATURAL)	behind RH footwell speaker grille		
X701	(1 PIN, NATURAL)	behind LH footwell kickpanel		
X706	(2 PINS, BLACK)	center console	31-2	
X709	(2 PINS, BLACK)	underside of trunk lid, near license plate	09-1	
X710	(2 PINS, BLACK)	underside of trunk lid, near license plate	09-1	
X711	(1 PIN, NATURAL)	underside of trunk lid left	34-2	
X712	(1 PIN, NATURAL)	underside of trunk lid left		
X713	(2 PINS, BLACK)	under rear of car LH side of on differential	08-1	
X714	(2 PINS, GRAY)	in lower LH rear door behind trim panel		
X720	(2 PINS, GRAY)	in lower RH rear door behind trim panel		
X726	(2 PINS, ---)	under LH front seat	23-2	
X727	(2 PINS, ---)	under LH front seat	23-2	
X728	(2 PINS, ---)	under LH front seat	23-2	



COMPONENT LOCATION CHART

COMP.	DESCRIPTION	LOCATION	7100.0	8500.0
X729	(2 PINS, ---)	under LH front seat	23-2	
X732	(4 PINS, BLACK)	under LH front seat under carpet		03-3
X733	(4 PINS, BLACK)	under LH front seat under carpet		03-3
X734	(2 PINS, ---)	under RH front seat		
X735	(2 PINS, ---)	under RH front seat		
X736	(2 PINS, ---)	under RH front seat		
X737	(2 PINS, ---)	under RH front seat		
X740	(4 PINS, BLACK)	under RH front seat	24-1	03-3
X741	(4 PINS, BLACK)	under RH front seat	24-1	03-3
X742	(2 PINS, YELLOW)	RH front door in door at key lock assembly		
X744	(2 PINS, GRAY)	RH front door behind door panel	32-1	
X746	(3 PINS, BLACK)	RH front door behind door panel	32-1	01-1
X747	(2 PINS, YELLOW)	LH front door in door at key lock assembly	32-2	
X749	(4 PINS, BLACK)	in upper LH front door	31-3	12-3
X751	(2 PINS, WHITE)	LH front door in door at key lock assembly	32-2	
X752	(2 PINS, GRAY)	LH front door in door at key lock assembly	32-2	
X768	(2 PINS, WHITE)	in the engine compartment near LH headlight assembly	08-2	
X768	(2 PINS, WHITE)	In the engine compartment near LH headlight assembly		
X769	(2 PINS, WHITE)	in the engine compartment near RH headlight assembly	08-2	
X770	(2 PINS, YELLOW)	front RH side of engine compartment	20-1	
X771	(2 PINS, BLACK)	RH side of LH footwell LH side of IHKR Plenum	28-1	
X772	(2 PINS, WHITE)	center console		



COMPONENT LOCATION CHART

COMP.	DESCRIPTION	LOCATION	7100.0	8500.0
X773	(2 PINS, WHITE)	center console		
X774	(1 PIN, GRAY)	rear of engine compartment behind RH fresh air cowl		
X778	(3 PINS, BLACK)	in LH front seat belt buckle	23-2	01-1
X779	(2 PINS, BLACK)	LH side of glove box	25-1	
X782	(3 PINS, ORANGE)	below RH side of dash	27-2	13-1
X783	(3 PINS, BLACK)	underside of steering column		13-1
X786	(2 PINS, BLACK)	UNDERHOOD LIGHT		
X816	(2 PINS, BLACK)	rear of engine compartment behind RH fresh air cowl		
X817	(1 PIN, BLACK)	rear of engine compartment behind RH fresh air cowl		
X904	(4 PINS, GRAY)	LH side of IHKR Plenum	29-1	03-3
X905	(5 PINS, BLACK)	behind center of dashboard		
X998	(4 PINS, BLACK)	below center console		03-1
X999	(4 PINS, BLACK)	behind center of dashboard LH side of IHKR Plenum		03-3
X1001	(4 PINS, BLACK)	RIGHT REAR SPEAKER		03-3
X1002	(4 PINS, ---)	LEFT REAR SPEAKER		03-3
X1014	(1 PIN, BLACK)	center console near gearshift lever	30-2	
X1070	(18 PINS, BLACK)	center console	03-1	01-5
X1071	(18 PINS, NATURAL)	center console	03-1	01-5
X1074	(15 PINS, WHITE)	below LH side of dash	00-3	00-3
X1075	(15 PINS, BLACK)	below LH side of dash	00-3	00-3
X1161	(9 PINS, BLACK)	rear LH side of engine compartment		03-6
X1162	(2 PINS, BLACK)	near brake master cylinder	18-3	



COMPONENT LOCATION CHART

COMP.	DESCRIPTION	LOCATION	7100.0	8500.0
X1165	GROUND	below LH side of dash	07-1	
X1166	GROUND	behind RH footwell trim above	07-3	
X1170	(42 PINS, BLACK)	behind glove box (glove box removed)	01-2	12-4
X1171	(55 PINS, BLACK)	behind glove box (glove box removed)	01-3	00-1
X1176	(25 PINS, BLACK)	LH side of engine compartment		05-3
X1178	(2 PINS, WHITE)	below center console LH side of gearshift selector		
X1193	(3 PINS, BLACK)	center console RH side of gearshift selector		01-1
X1213	(2 PINS, BLACK)	center console	31-2	
X1239	(2 PINS, BLACK)	RH C-Pillar		
X1240	(2 PINS, BLACK)	LH C-Pillar		
X1241	(2 PINS, NATURAL)	below LH side of rear seat	21-2	
X1243	(6 PINS, BLACK)	center console near gearshift lever	31-1	04-2
X1245	(1 PIN, BLACK)	above LH sun visor		
X1246	(1 PIN, BLACK)	above RH sun visor		
X1380	(1 PIN, NATURAL)	behind RH footwell speaker grille		
X1381	(1 PIN, NATURAL)	behind LH footwell kickpanel		
X1426	(1 PIN, BROWN)	rear RH side of engine compartment in E-Box		
X1441	GROUND	below rear seat	00-2	
X1527	(26 PINS, BLUE)	behind center console	03-2	00-2
X1659	(15 PINS, YELLOW)	RH side of dash behind glove box	37-2	00-3
X1660	(3 PINS, WHITE)	RH side of steering column	37-3	01-1
X1890	(3 PINS, BLACK)	behind front grille behind trim panel		01-1

04/97

7000.0-26

1996



COMPONENT LOCATION CHART

COMP.	DESCRIPTION	LOCATION	7100.0	8500.0
X1892	(3 PINS, WHITE)	in LH rear side of luggage compartment CD CHANGER	03-3	02-1
X5013	(2 PINS, BLACK)	LH side of engine (M3)	14-2	
X5013	(2 PINS, BLACK)	front of engine compartment		
X5020	(2 PINS, BLACK)	front of engine compartment (M3)		
X5021	(2 PINS, BLACK)	front of engine compartment		
X5022	(3 PINS, BLACK)	front of engine compartment (M3)	12-2	07-3
X5023	(3 PINS, BLACK)	RH front of engine (M3)	12-1	07-3
X5023	(3 PINS, BLACK)	front of engine compartment		07-3
X5024	(15 PINS, WHITE)	rear RH side of engine compartment	04-3	00-3
X5028	(4 PINS, BLACK)	lower LH side of engine (M3)		03-4
X5029	(10 PINS, BLACK)	front LH side of engine compartment in Front Power Distribution Box		09-1
X5032	(15 PINS, BLACK)	front of engine compartment		00-3
X6000	(88 PINS, BLACK)	rear RH side of engine compartment	00-1	06-1
X6002	(20 PINS, BLACK)	rear RH side of engine compartment	05-1	04-4
X6091	(30 PINS, BLACK)	rear of engine compartment on engine bulkhead		13-4
X6101	(2 PINS, BLACK)	on throttle body (M3)	11-2	
X6101	(2 PINS, BLACK)	top center of engine		
X6102	(2 PINS, BLACK)	top center of engine		
X6103	(2 PINS, BLACK)	top center of engine		
X6104	(2 PINS, BLACK)	top center of engine		
X6105	(2 PINS, BLACK)	top center of engine		
X6106	(2 PINS, BLACK)	top center of engine		



COMPONENT LOCATION CHART

COMP.	DESCRIPTION	LOCATION	7100.0	8500.0
X6120	(2 PINS, BLACK)	LH side of engine compartment right of LH side shock tower	15-1	
X6120	(2 PINS, BLACK)	LH side of engine compartment right of LH side shock tower	20-3	
X6130	(3 PINS, GRAY)	RH front of engine below intake manifold (325i)	11-3	13-2
X6130	(2 PINS, BLACK)	rear LH side of engine compartment (M3)	14-3	
X6131	(2 PINS, BLACK)	front RH side of engine compartment		
X6133	(2 PINS, BLACK)	front of engine compartment		
X6150	(12 PINS, BLACK)	rear RH side of engine compartment	05-1	01-6
X6151	(3 PINS, GRAY)	top RH side of engine		07-4
X6152	(3 PINS, GRAY)	top RH side of engine		07-4
X6153	(3 PINS, GRAY)	top RH side of engine		07-4
X6154	(3 PINS, GRAY)	top RH side of engine		07-4
X6155	(3 PINS, GRAY)	top RH side of engine		07-4
X6156	(3 PINS, GRAY)	top RH side of engine		07-4
X6163	(2 PINS, BLACK)	RH side of engine		
X6200	(4 PINS, BLACK)	under center of car	15-3	03-4
X6203	(3 PINS, BLACK)	front of engine below intake manifold (M3)	12-2	13-2
X6204	(3 PINS, BLACK)	front of engine below intake manifold (M3)	12-2	07-3
X6205	(2 PINS, BLACK)	LH side of engine (near oil level stick)	13-3	
X6207	(4 PINS, BLACK)	LH side of engine		07-2
X6208	(2 PINS, BLACK)	front of engine CAMSHAFT ACTUATOR		
X6209	(3 PINS, BLACK)	front of engine HALL EFFECT CAMSHAFT SENSOR		07-5
X6217	(4 PINS, GRAY)	top front of engine		07-2

04/97

7000.0-28

1996



COMPONENT LOCATION CHART

COMP.	DESCRIPTION	LOCATION	7100.0	8500.0
X6231	(2 PINS, BROWN)	RH front of engine below intake manifold (near oil level stick) (325i)	11-1	
X6231	(2 PINS, BLACK)	LH side of engine compartment (near oil level stick) (M3)	14-2	
X6231	(2 PINS, BROWN)	RH front of engine below intake manifold (near oil level stick) (318is)	17-1	
X6232	(2 PINS, BLACK)	RH front of engine below intake manifold (325i)	11-3	
X6232	(2 PINS, BLACK)	RH front of engine (M3)	12-1	
X6232	(2 PINS, BLACK)	RH front of engine below intake manifold (318is)	17-2	
X6233	(7 PINS, BLACK)	LH side of engine compartment right of LH side shock tower		04-3
X6236	(2 PINS, BLUE)	RH front of engine below intake manifold (325i)		
X6236	(2 PINS, BLUE)	RH front of engine (M3)	12-1	
X6236	(2 PINS, BLUE)	RH front of engine below intake manifold (318is)	17-2	
X6238	(2 PINS, BLACK)	LH side of engine (M3)	14-2	
X6240	(4 PINS, BLACK)	LH side of engine near starter		07-2
X6241	(3 PINS, BLACK)	LH side of engine (M3)	14-1	07-5
X6241	(3 PINS, BLACK)	LH side of engine (318is)	16-3	07-5
X6242	(2 PINS, BLACK)	LH side of engine (M3)	14-1	07-3
X6242	(3 PINS, BLACK)	LH side of engine (318is)	16-3	07-5
X6243	(3 PINS, BLACK)	LH side of engine (M3)	14-1	07-5
X6252	(3 PINS, BLACK)	LH side of engine (M3)	11-2	07-3
X6252	(3 PINS, BLACK)	LH side of engine (near oil level stick) (320i-325i)	13-3	13-2
X6256	(4 PINS, BLACK)	rear of engine compartment	11-1	07-2
X6275	(2 PINS, BLACK)	top center of engine	36-2	
X6300	(9 PINS, BLACK)	rear LH side of engine compartment		03-6



COMPONENT LOCATION CHART

COMP.	DESCRIPTION	LOCATION	7100.0	8500.0
X6301	(9 PINS, BLACK)	rear LH side of engine compartment		03-6
X6303	(9 PINS, BLACK)	rear LH side of engine compartment		03-6
X6304	(9 PINS, BLACK)	rear LH side of engine compartment		03-6
X6307	(10 PINS, BLACK)	front of engine compartment		09-1
X6454	GROUND	rear RH side of engine compartment back of RH side shock tower	06-2	
X6456	GROUND	RH front of engine (325i)	11-3	
X6456	GROUND	on cylinder head	36-1	
X6509	CABLE SOCKET ALTERNATOR B+	front LH side of engine compartment	05-2	
X6509	CABLE SOCKET ALTERNATOR B+	front LH side of engine compartment		
X6510	CABLE SOCKET STARTER TERMINAL 50	rear LH side of engine compartment below intake manifold		
X6511	CABLE SOCKET STARTER TERMINAL 30h	rear LH side of engine compartment below intake manifold		
X6512	CABLE SOCKET STARTER TERMINAL 30h	rear LH side of engine compartment below intake manifold		
X6550	(2 PINS, BLACK)	under LH center of car	27-1	
X7000	(88 PINS, BLACK)	rear RH side of engine compartment	00-1	08-1
X7509	CABLE SOCKET ALTERNATOR TERMINAL D+	front LH side of engine compartment below		
X8500	(55 PINS, BLACK)	rear RH side of engine compartment	00-1	00-1
X8503	(10 PINS, WHITE)	center console RH side of gearshift selector	31-1	02-4
X8507	(1 PIN, BLACK)	below LH side of dash		
X8511	(2 PINS, BLACK)	under front of car LH side of transmission		
X8516	(3 PINS, BLACK)	under center of car above		13-2
X8521	(9 PINS, BLACK)	under center of car above		13-3

04/97

7000.0-30

1996



COMPONENT LOCATION CHART

COMP.	DESCRIPTION	LOCATION	7100.0	8500.0
X9317	(6 PINS, YELLOW)	in lower LH C-pillar		05-3
X9320	(6 PINS, YELLOW)	in lower RH C-pillar		05-3
X9997	(2 PINS, ORANGE)	behind steering wheel	24-2	
X10010	GROUND	behind RH footwell trim above		
X10012	GROUND	behind RH footwell trim above	07-3	
X10013	(1 PIN, ---)	top of steering column		
X10015	(20 PINS, BLACK)	Power Distribution Box rear LH side of engine compartment FRONT POWER DISTRIBUTION BOX		
X10016	(20 PINS, BLACK)	Power Distribution Box rear LH side of engine compartment FRONT POWER DISTRIBUTION BOX		
X10017	(20 PINS, BLACK)	Power Distribution Box rear LH side of engine compartment FRONT POWER DISTRIBUTION BOX		
X10018	(32 PINS, BLACK)	Power Distribution Box rear LH side of engine compartment FRONT POWER DISTRIBUTION BOX		
X10026	(6 PINS, BLACK)	Power Distribution Box rear LH side of engine compartment FRONT POWER DISTRIBUTION BOX		
X10030	(5 PINS, BLACK)	Power Distribution Box rear LH side of engine compartment FRONT POWER DISTRIBUTION BOX		
X10034	(2 PINS, ---)	rear LH side of engine compartment FRONT POWER DISTRIBUTION BOX		
X10035	(2 PINS, ---)	rear LH side of engine compartment FRONT POWER DISTRIBUTION BOX		
X10036	(2 PINS, BLACK)	rear LH side of engine compartment FRONT POWER DISTRIBUTION BOX		
X10054	(12 PINS, BLACK)	below LH side of dash RH side of steering column	28-1	02-6
X10065	(2 PINS, WHITE)	LH side of LH footwell under footrest		
X10070	(2 PINS, GRAY)	near LH headlight assembly	13-2	

04/97

7000.0-31

1996



COMPONENT LOCATION CHART

COMP.	DESCRIPTION	LOCATION	7100.0	8500.0
X10071	(2 PINS, BLACK)	near LH headlight assembly	13-2	
X10074	(2 PINS, BLACK)	near LH headlight assembly		
X10075	(2 PINS, GRAY)	near RH headlight assembly		
X10092	(9 PINS, BLACK)	behind glove box left	25-2	03-6
X10094	(2 PINS, BLACK)	LH side of engine compartment		
X10098	(1 PIN, ---)	front RH side of engine compartment		
X10099	(1 PIN, ---)	front RH side of engine compartment		
X10182	(18 PINS, BLACK)	behind glove box (glove box removed)	01-1	01-5
X10193	(9 PINS, BLACK)	behind glove box (glove box removed)		03-6
X10218	(3 PINS, NATURAL)	under RH front seat	24-1	01-1
X10223	(3 PINS, BLACK)	in convertible top compartment left	22-1	03-6
X10224	(2 PINS, BLACK)	in convertible top compartment left	22-1	
X10225	(3 PINS, BLACK)	underside of trunk lid		01-1
X10226	(9 PINS, BLACK)	behind glove box	25-2	03-6
X10238	(2 PINS, BLACK)	LH side of engine compartment		
X10239	(3 PINS, BLACK)	LH side of engine compartment		07-3
X10244	(1 PIN, BLACK)	below LH side of dash		
X10250	(2 PINS, ---)	behind LH footwell speaker grille		
X10261	(4 PINS, BLACK)	front RH side of engine compartment near RH headlight assembly	09-3	12-3
X10262	(9 PINS, BLACK)	below LH side of dash		03-6
X10267	(6 PINS, BLACK)	center console		05-3
X11166	GROUND	behind rear seats left	38-3	



COMPONENT LOCATION CHART

COMP.	DESCRIPTION	LOCATION	7100.0	8500.0
X11205	(2 PINS, BLACK)	behind rear seats left	38-1	
X11209	(2 PINS, BLACK)	behind rear seats left	38-3	
X11211	(2 PINS, ---)	in convertible top compartment		
X11379	(3 PINS, BLACK)	RH top of radiator	09-3	06-3
X11382	(2 PINS, BLUE)	front cover	38-2	
X11383	(2 PINS, BLUE)	behind rear seats	38-3	
X11385	(3 PINS, BLACK)	front cover	38-2	01-1
X11386	(3 PINS, BLUE)	behind rear seats	38-3	01-1
X11390	(12 PINS, BLACK)	in lower LH C-pillar behind side panel	02-1	01-3
X13004	GROUND	in upper RH rear seatback	06-1	
X13006	GROUND	in upper LH rear seatback		
X13009	GROUND	behind RH footwell trim above	07-3	
X13016	GROUND	below LH side of dash	07-1	
X13025	(12 PINS, BLACK)	behind glove box (glove box removed)	01-3	02-6
X13026	(1 PIN, BLACK)	LH side of dash		
X13044	(12 PINS, BLACK)	in lower LH C-pillar behind side panel	02-1	01-3
X13045	(6 PINS, GREEN)	center console		05-3
X13079	(3 PINS, YELLOW)	behind rear seats		01-1
X13125	(3 PINS, YELLOW)	in lower LH C-pillar		01-1
X13126	(3 PINS, YELLOW)	in lower RH C-pillar		01-1
X13142	(2 PINS, WHITE)	behind rear seats	21-3	
X13143	(3 PINS, BLACK)	behind rear seats	38-3	01-1

04/97

7000.0-33

1996



COMPONENT LOCATION CHART

COMP.	DESCRIPTION	LOCATION	7100.0	8500.0
X13145	(6 PINS, BLACK)	In LH side of luggage compartment	34-3	04-2
X13146	(2 PINS, BLACK)	In LH side of luggage compartment	34-1	
X13152	(4 PINS, BLACK)	In LH side of luggage compartment	34-1	07-6
X13156	(10 PINS, BLACK)	In lower LH C-pillar behind side panel	02-1	09-4
X13157	(6 PINS, BLACK)	In lower LH C-pillar behind side panel	02-1	05-3
X13159	(26 PINS, BLACK)	In lower LH C-pillar behind side panel	02-1	00-2
X13170	(2 PINS, BLACK)	In spare-wheel well	35-3	
X13171	(3 PINS, NATURAL)	RH rear wheel well behind trim panel	35-1	06-4
X13172	(2 PINS, BLACK)	In LH rear side of luggage compartment	35-2	
X13226	(2 PINS, BLACK)	behind rear seats		
X13227	(2 PINS, BLACK)	behind rear seats		
X13230	GROUND	behind RH footwell trim above Convertible		
X13252	(15 PINS, YELLOW)	behind glove box (glove box removed)	01-1	00-3
X13253	(26 PINS, YELLOW)	behind glove box (glove box removed)	01-1	00-2
X13254	(26 PINS, GREEN)	behind glove box (glove box removed)	01-1	00-2
X13255	(12 PINS, NATURAL)	behind glove box (glove box removed)		01-3
X13256	(2 PINS, GRAY)	left from LH rear seat behind trim panel	22-2	
X13257	(2 PINS, GRAY)	RH side of RH rear seat behind trim panel	22-2	
X13258	(15 PINS, WHITE)	behind glove box (glove box removed)	25-2	00-3
X13262	(6 PINS, BLUE)	center console		05-3
X13263	(2 PINS, BLACK)	behind glove box		
X13283	(9 PINS, BLACK)	LH side of LH footwell		03-6



COMPONENT LOCATION CHART

COMP.	DESCRIPTION	LOCATION	7100.0	8500.0
X13305	(8 PINS, BLACK)	in LH rear side of luggage compartment		03-5
X18080	(1 PIN, NATURAL)	in luggage compartment		
X18126	(17 PINS, BLACK)	center console behind radio		02-3
X18154	(26 PINS, BLUE)	center console		00-2
X18155	(26 PINS, WHITE)	center console	03-2	00-2
X18156	(26 PINS, BLACK)	center console	03-2	00-2
X18157	(26 PINS, BLUE)	center console	03-2	00-2
X18196	(10 PINS, BLACK)	driver's door LEFT FRONT HIGH RANGE SPEAKER		02-4
X18198	(10 PINS, BLACK)	passenger's door RIGHT FRONT HIGH RANGE SPEAKER		02-4
X18277	(2 PINS, BLACK)	LH front door	32-2	
X18295	(2 PINS, YELLOW)	in lower RH B-pillar behind trim panel		
X18296	(2 PINS, YELLOW)	in lower LH B-pillar behind trim panel	32-2	
X18336	(3 PINS, BLACK)	LH side of glove box (glove box removed)		01-1
X18507	(2 PINS, ---)	center console		
X18509	(8 PINS, ---)	center console		
X18515	(2 PINS, ---)	LH side of LH footwell behind trim panel		
X18518	(3 PINS, BLACK)	under RH front seat		01-1
X18520	(10 PINS, ---)	center console RADIO		
X18521	(10 PINS, ---)	RH side of luggage compartment CD CHANGER		
X18723	GROUND	below LH side of dash		
X18741	(4 PINS, ---)	center of dash MICROPHONE		
X18797	(1 PIN, NATURAL)	in RH rear side of luggage compartment		



COMPONENT LOCATION CHART

COMP.	DESCRIPTION	LOCATION	7100.0	8500.0
X18798	(1 PIN, NATURAL)	in RH rear side of luggage compartment		
X19527	(16 PINS, BLACK)	below LH side of dash		05-5
X62101	(4 PINS, BLACK)	on catalytic converter		07-2
X62101	(4 PINS, BLACK)	top center of engine	36-3	07-2
X62102	(4 PINS, BLACK)	under center of car on catalytic converter		07-2
X62201	(4 PINS, BLACK)	top center of engine	36-3	07-2
X62202	(4 PINS, BLACK)	under center of car on catalytic converter		07-2
X90260	(3 PINS, BLACK)	RH side of steering column	37-3	01-1
Y1	ABS HYDRAULIC UNIT	rear LH side of engine compartment back of LH side shock tower	16-2	
Y2	AIR CONDITIONING COMPRESSOR	front of engine		
Y4	WATER VALVE ASSEMBLY	rear LH side of engine compartment	16-2	
Y5	DRIVER'S SIDE MIRROR	In upper LH front door		
Y6	PASSENGER'S SIDE MIRROR	in upper RH front door		
Y19	SHIFT-LOCK	center console RH side of gearshift selector		
Y1w	ABS HYDRAULIC UNIT	LH side of engine compartment		
Y85	LH ROLLOVER PROTECTION ACTUATOR	behind rear seats Convertible	02-3	
Y86	RH ROLLOVER PROTECTION ACTUATOR	behind rear seats Convertible	02-3	
Y198	EXHAUST GAS FLAP VALVE	in LH rear side of luggage compartment	35-2	
Y199	CARBON CANISTER VALVE	in spare-wheel well	35-3	
Y5013	CHANGE-OVER VALVE	LH side of engine (M3)	14-2	
Y5020	VARIABLE CAMSHAFT CONTROL VALVE 1	RH front of engine (M3)	11-2	
Y5021	VARIABLE CAMSHAFT CONTROL VALVE 2	front of engine compartment (M3)		

04/97

7000.0-36

1996



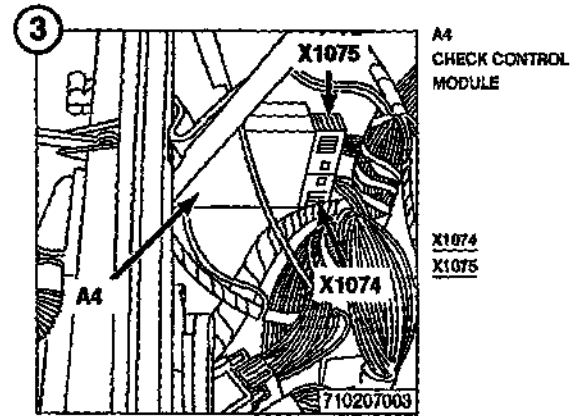
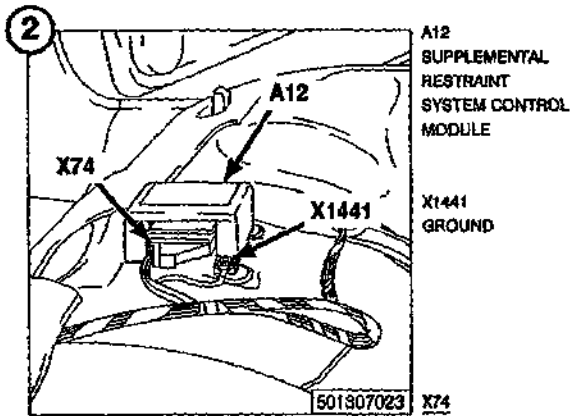
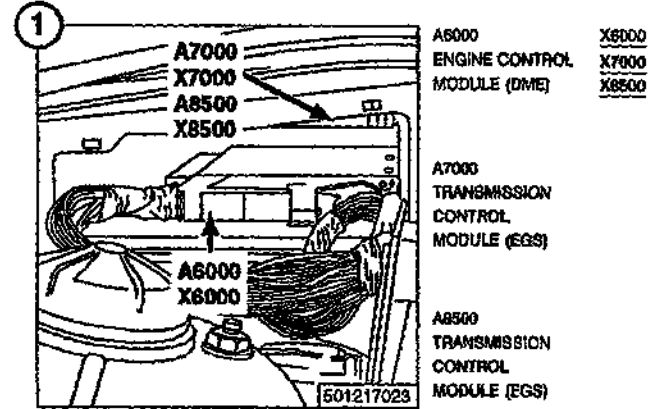
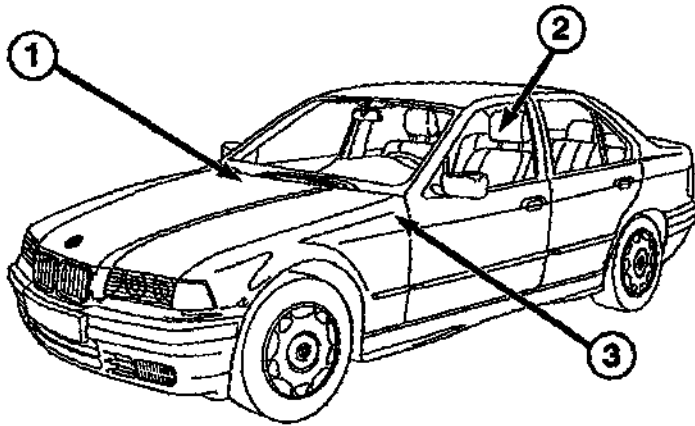
COMPONENT LOCATION CHART

COMP.	DESCRIPTION	LOCATION	7100.0	8500.0
Y6101	CYL. 1 FUEL INJECTION VALVE	RH front of engine (M3)	11-2	
Y6101	CYL. 1 FUEL INJECTION VALVE	top center of engine	12-3	
Y6102	CYL. 2 FUEL INJECTION VALVE	top center of engine	12-3	
Y6103	CYL. 3 FUEL INJECTION VALVE	top center of engine	12-3	
Y6104	CYL. 4 FUEL INJECTION VALVE	top center of engine	12-3	
Y6105	CYL. 5 FUEL INJECTION VALVE	top center of engine	12-3	
Y6106	CYL. 6 FUEL INJECTION VALVE	top center of engine	12-3	
Y6120	EVAPORATIVE EMISSION VALVE	front LH side of engine compartment right of LH side shock tower	15-1	
Y6120	EVAPORATIVE EMISSION VALVE	LH side of engine compartment right of LH side shock tower	20-3	
Y6130	IDLE SPEED CONTROL VALVE	RH front of engine below intake manifold (325i)	11-3	
Y6130	IDLE SPEED CONTROL VALVE	rear LH side of engine compartment (M3)	14-3	
Y6131	INTAKE AIR RESONANCE CHANGE OVER VALVE	rear LH side of engine compartment		
Y6133	AIR PUMP	rear RH side of engine compartment	05-1	
Y6163	SECONDARY AIR PUMP VALVE	RH side of engine		
Y6208	CAMSHAFT ACTUATOR	front of engine compartment		
Y6275	VARIABLE CAMSHAFT CONTROL VALVE 1	top center of engine	36-2	
Y6550	SOLENOID VALVE ("RUNNING LOSSES") ..	lower front side of engine compartment		
Y8505y	TRANSMISSION VALVE UNIT	on LH side of transmission		



COMPONENT LOCATION VIEWS

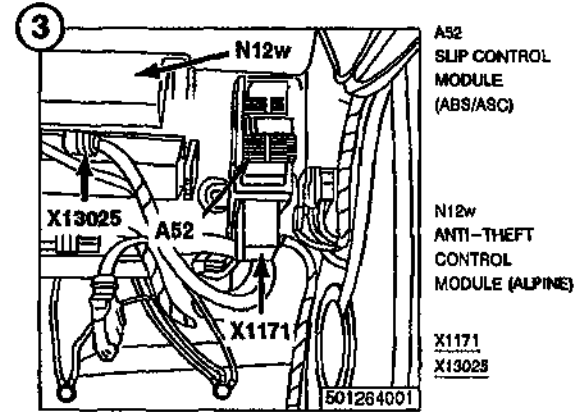
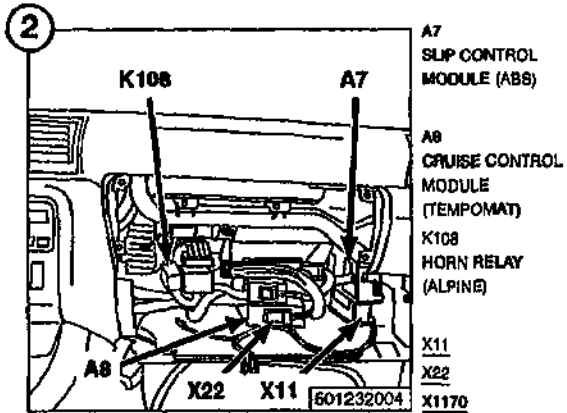
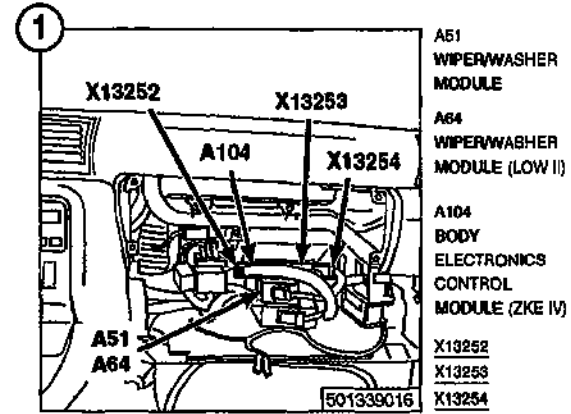
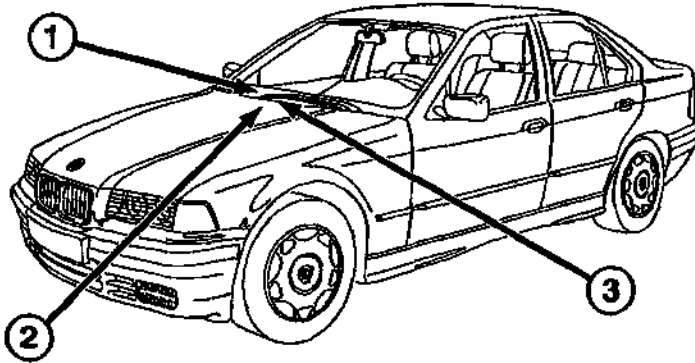
ELECTRICAL CONTROL MODULE LOCATIONS





COMPONENT LOCATION VIEWS

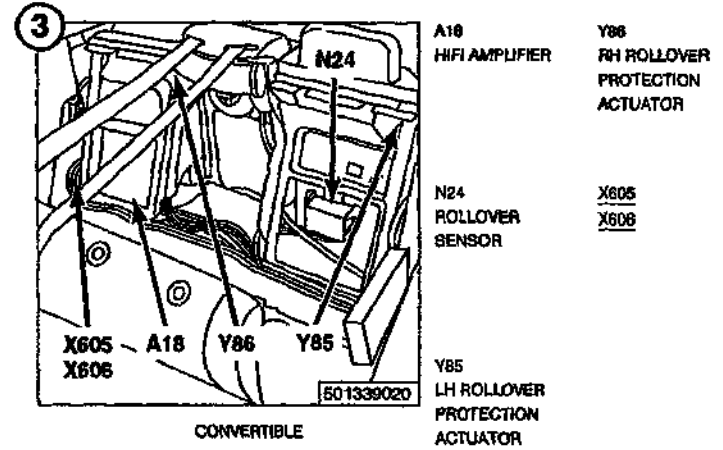
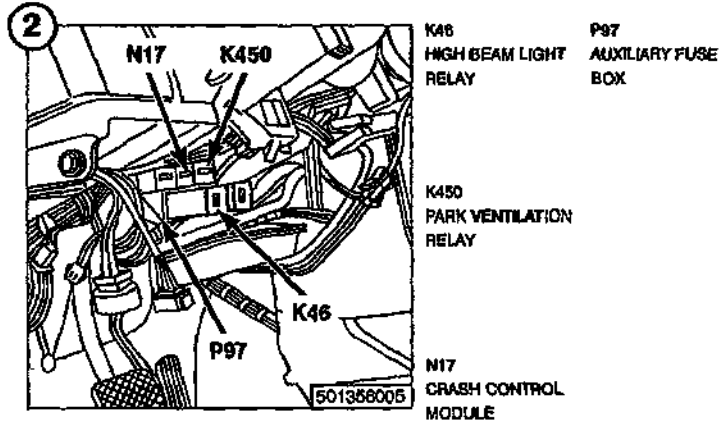
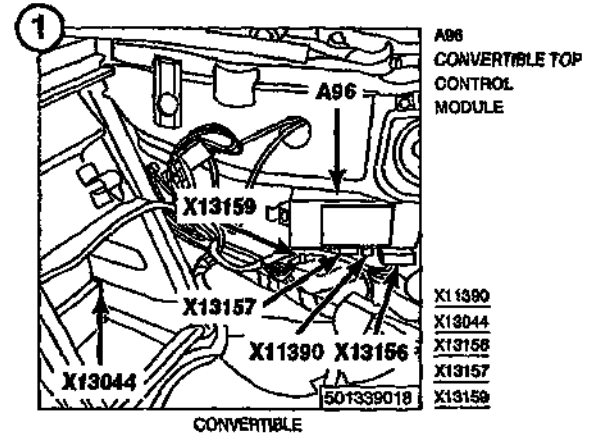
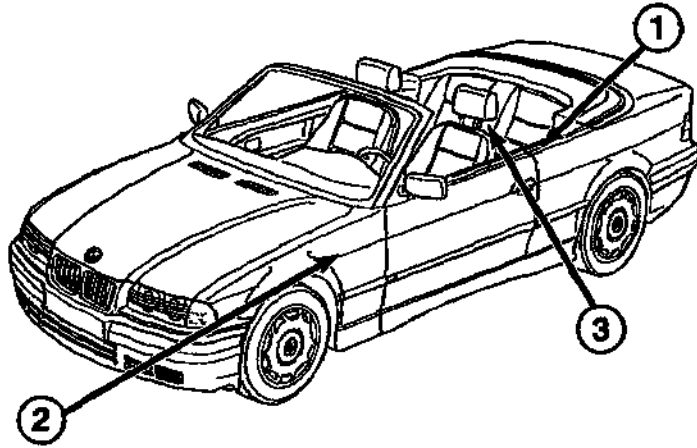
ELECTRICAL CONTROL MODULE LOCATIONS





COMPONENT LOCATION VIEWS

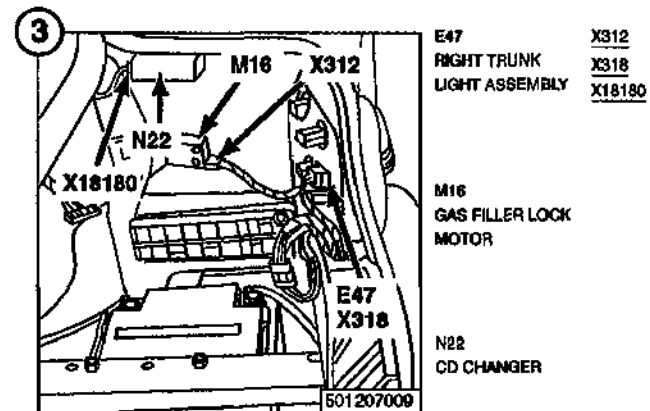
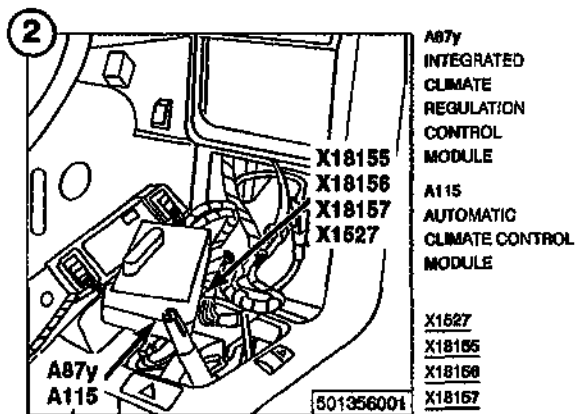
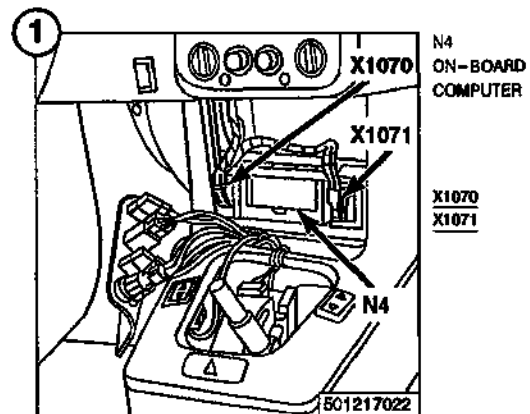
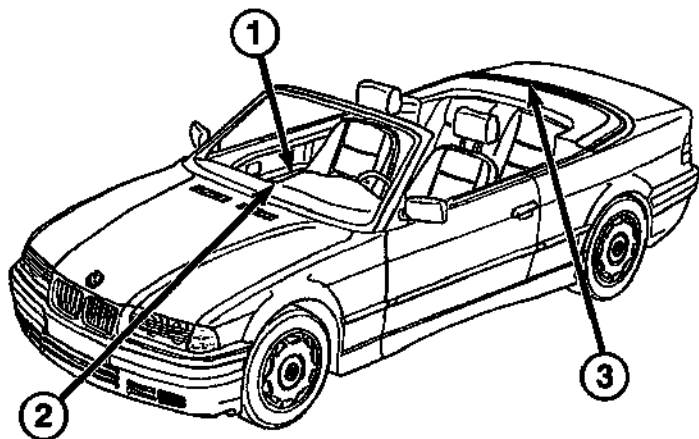
ELECTRICAL CONTROL MODULE LOCATIONS





COMPONENT LOCATION VIEWS

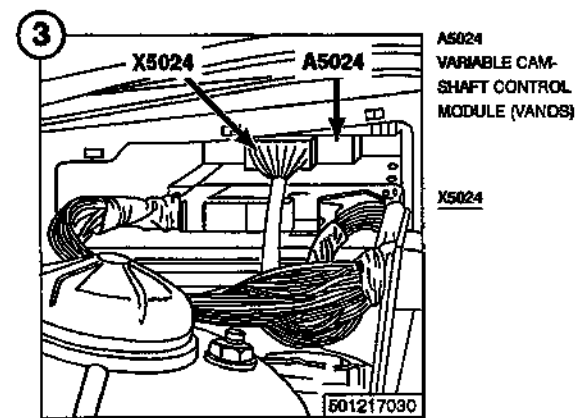
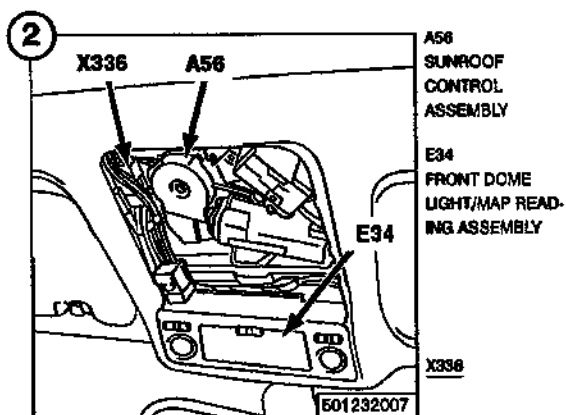
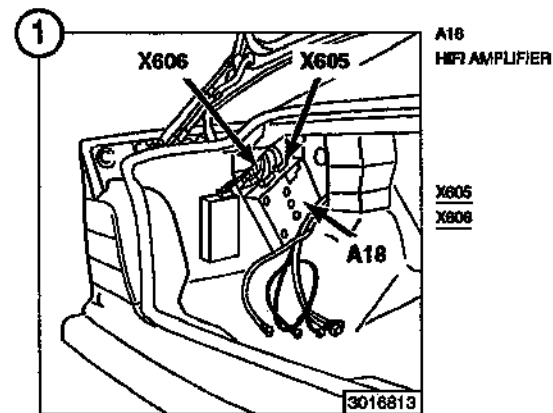
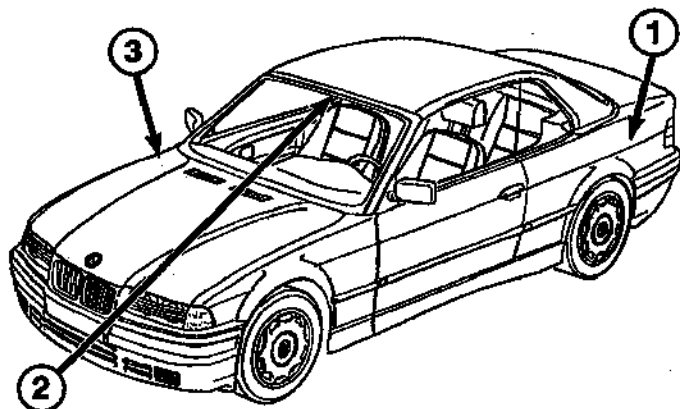
ELECTRICAL CONTROL MODULE LOCATIONS





COMPONENT LOCATION VIEWS

ELECTRICAL CONTROL MODULE LOCATIONS

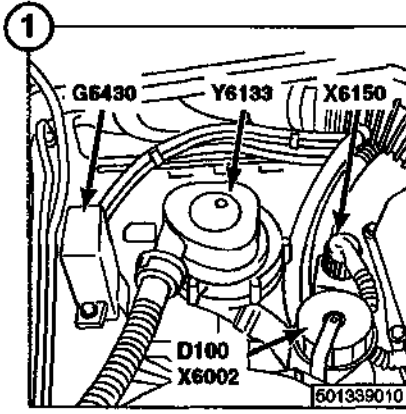
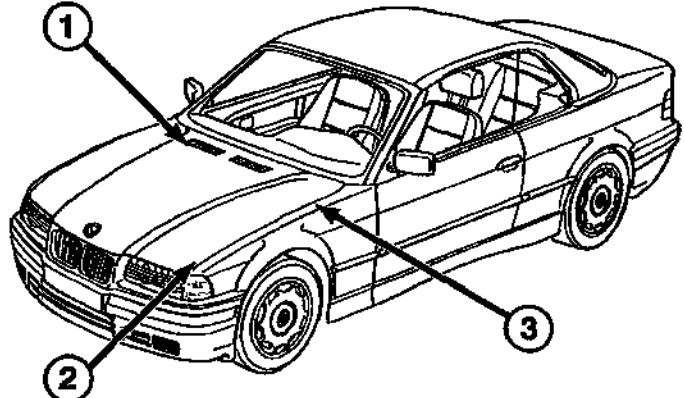


M3



COMPONENT LOCATION VIEWS

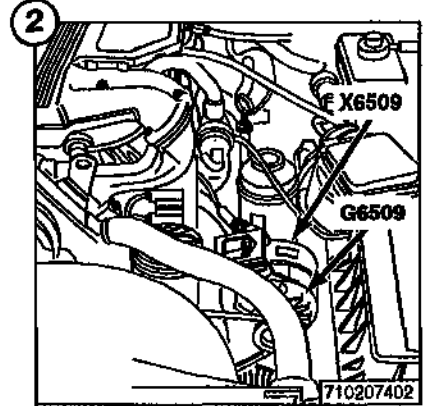
B(+)



D100 DATA LINK CONNECTOR X8002
X8150

G6430 B+ JUMP START JUNCTION POINT

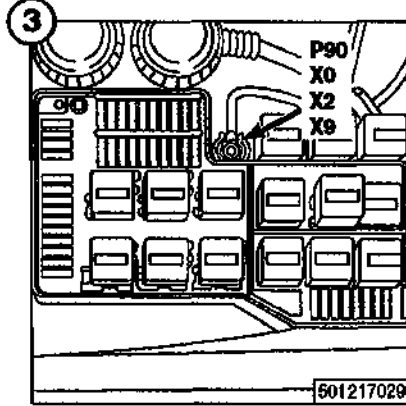
Y6133 AIR PUMP



G6509 GENERATOR

X6509 CABLE SOCKET ALTERNATOR B+

G6509



P90 FRONT POWER DISTRIBUTION BOX

X1 B+ JUNCTION POINT

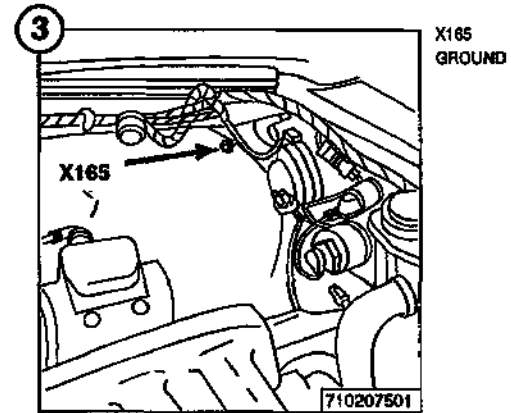
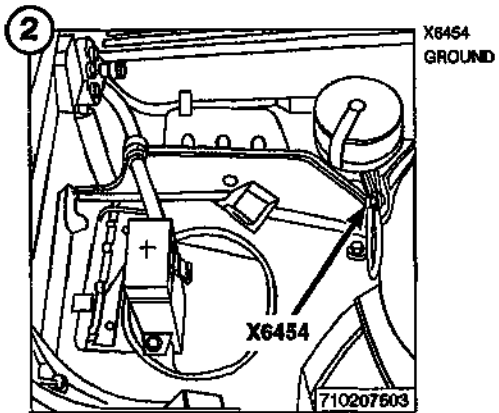
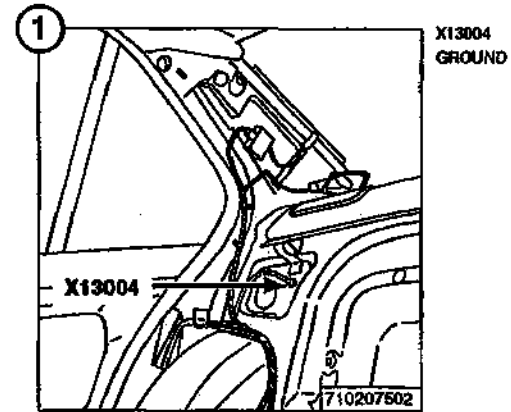
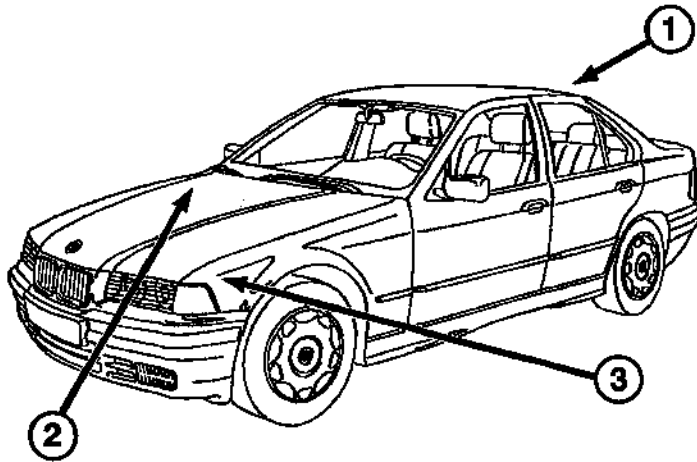
X2 BATTERY B+ START POINT

X9 B+ JUNCTION POINT



COMPONENT LOCATION VIEWS

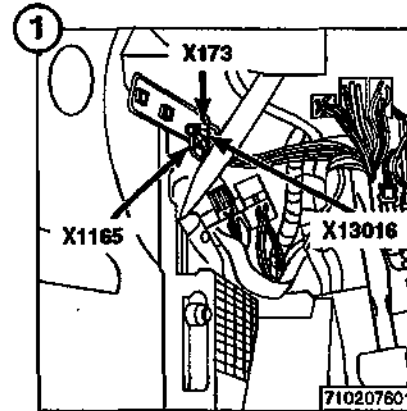
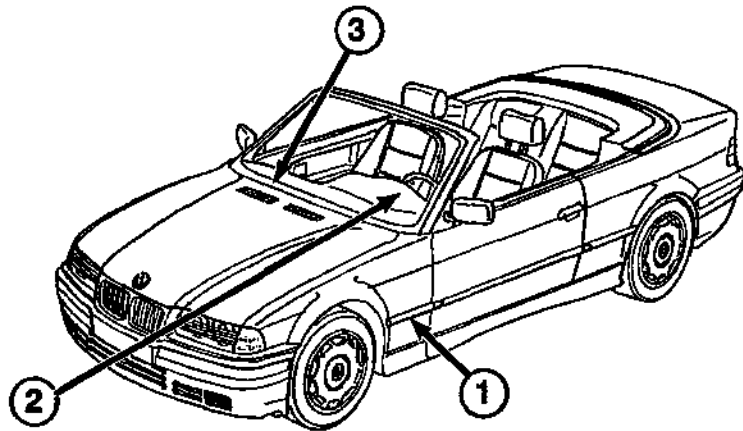
B(-)



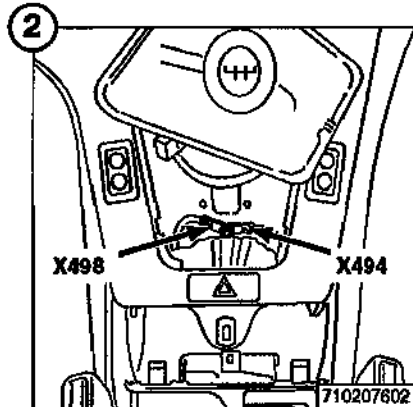


COMPONENT LOCATION VIEWS

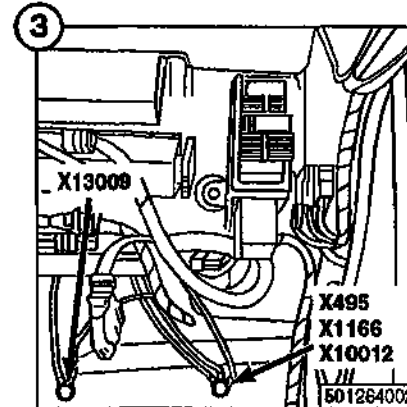
B(-)



X173
GROUND
X1165
GROUND
X13016
GROUND



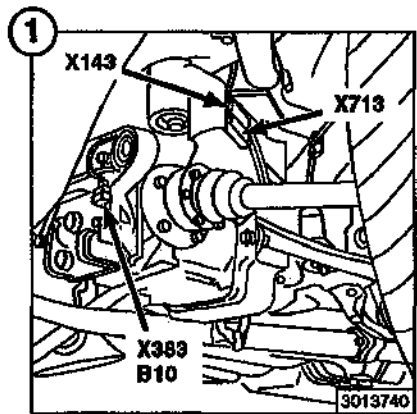
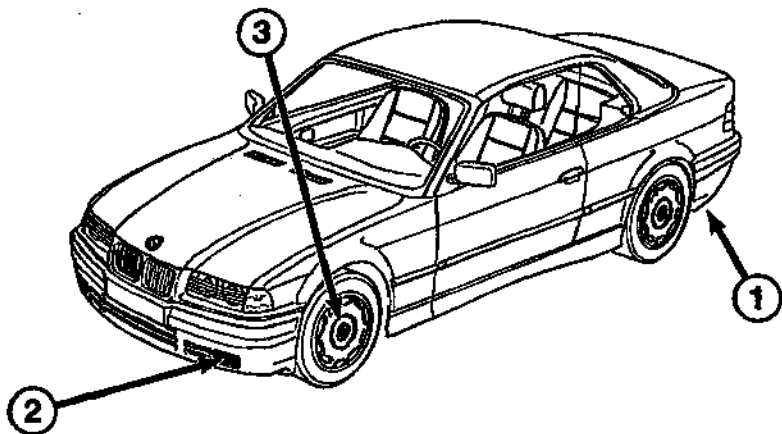
X494
GROUND
X498
GROUND



X495
GROUND
X1166
GROUND
X10012
GROUND
X13009
GROUND



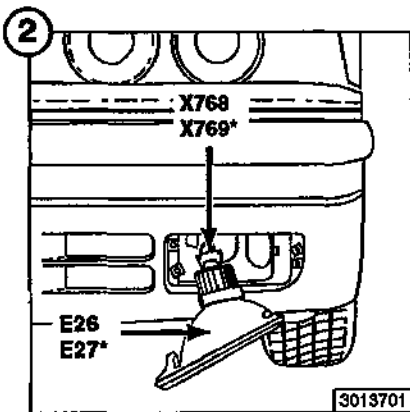
COMPONENT LOCATION VIEWS



B10
VEHICLE SPEED
SENSOR

X143
X383
X713

3013740



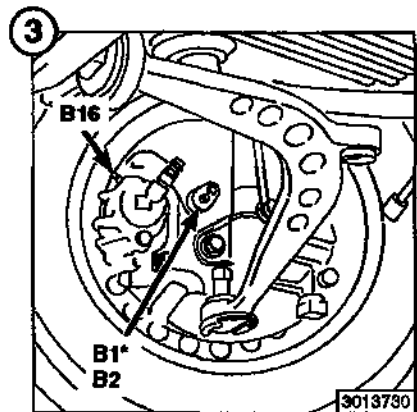
E26
LEFT FOG LIGHT

E27 *
RIGHT FOG LIGHT

X768
X769 *

3013701

*RH similar



B1 *
RIGHT FRONT
SPEED SENSOR -
ABS

B2
LEFT FRONT
SPEED SENSOR -
ABS

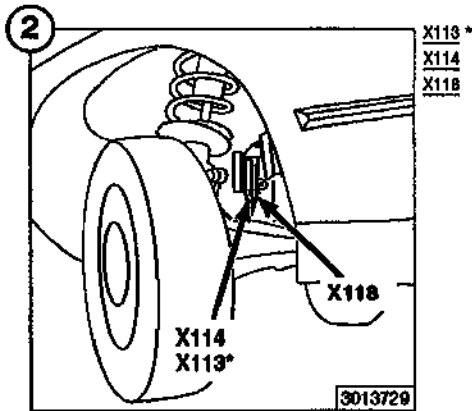
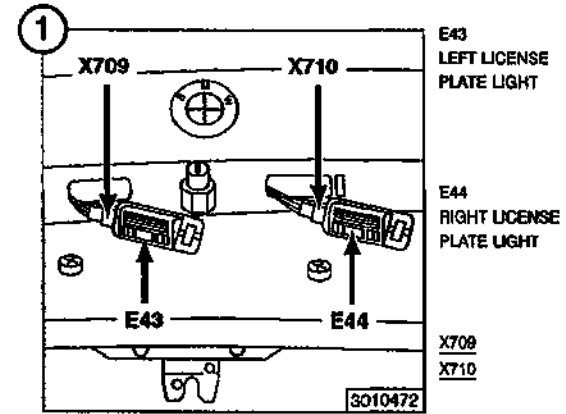
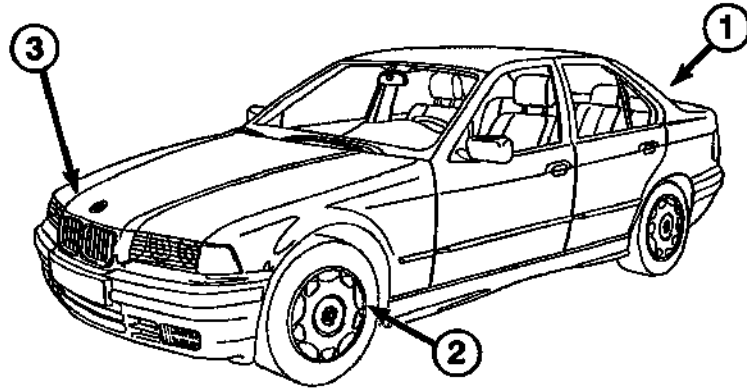
B16
LEFT FRONT
BRAKE PAD
SENSOR

3013730

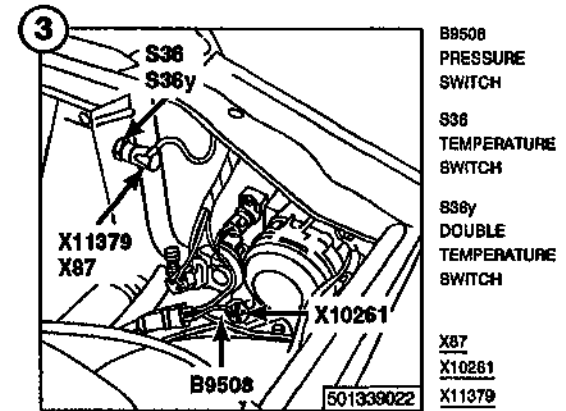
*RH similar

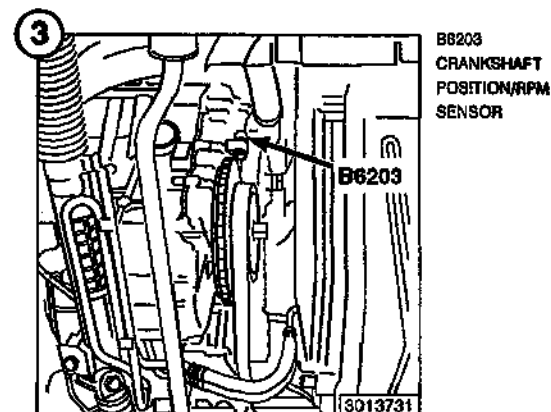
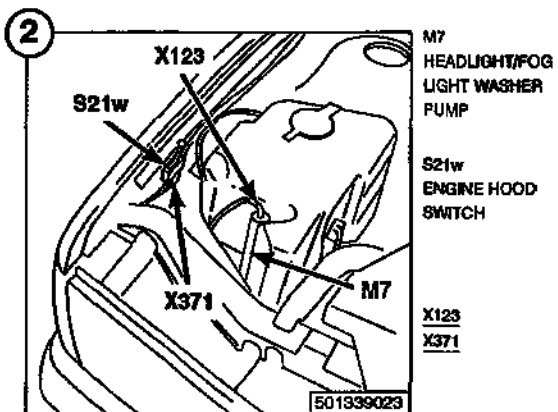
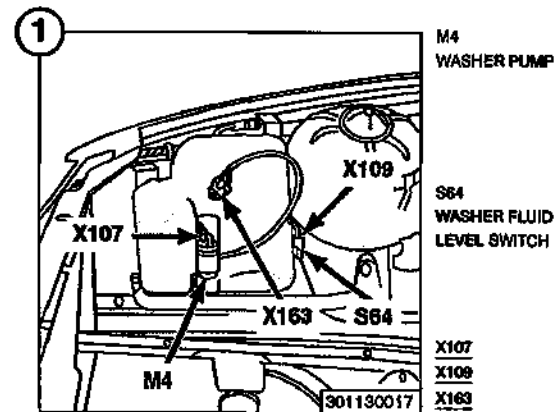
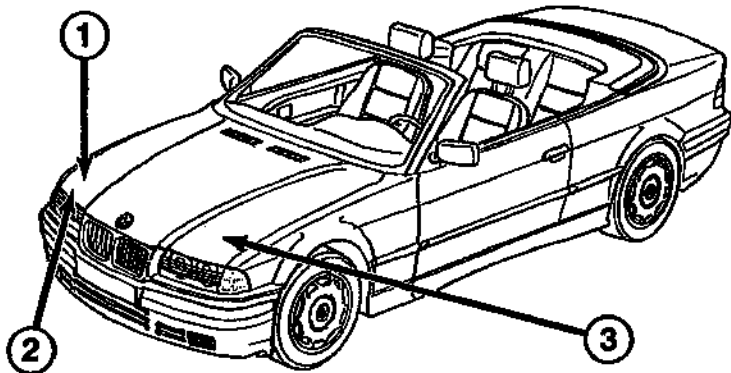


COMPONENT LOCATION VIEWS



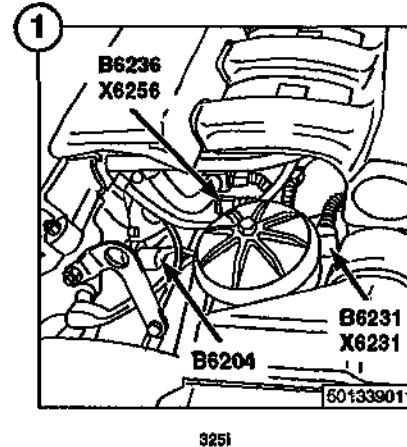
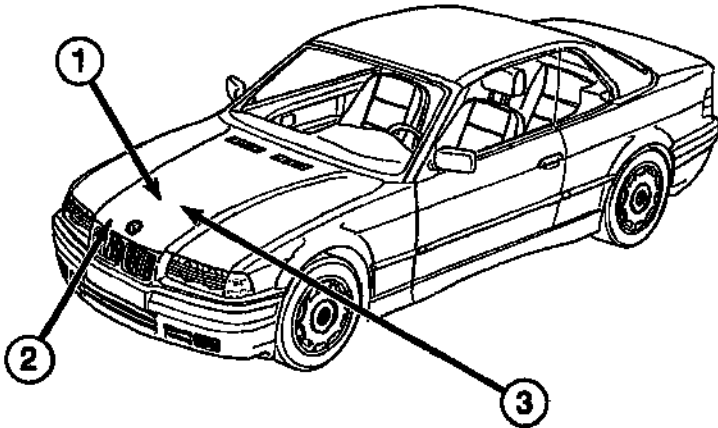
*RH similar



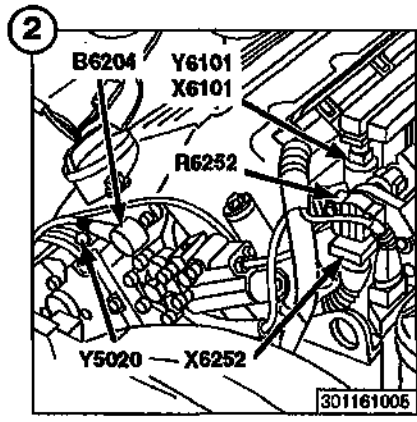




COMPONENT LOCATION VIEWS

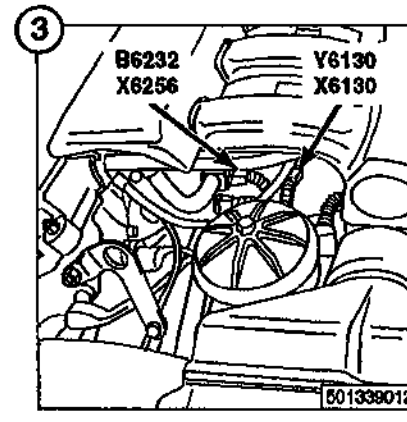


- B6204 CAMSHAFT POSITION SENSOR (CYLINDER IDENTIFICATION)
- X6231 X6256
- B6231 OIL PRESSURE SWITCH
- B6236 ENGINE COOLANT TEMPERATURE SENSOR



- B6204 CAMSHAFT POSITION SENSOR (CYLINDER IDENTIFICATION)
- Y6101 CYL. 1 FUEL INJECTION VALVE
- R6252 THROTTLE POSITION SENSOR
- X6101 X6252
- Y5020 VARIABLE CAM-SHAFT CONTROL VALVE 1

M3



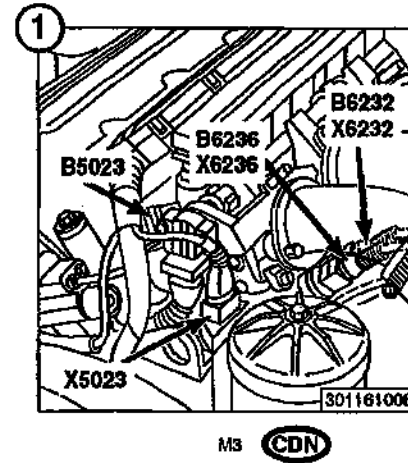
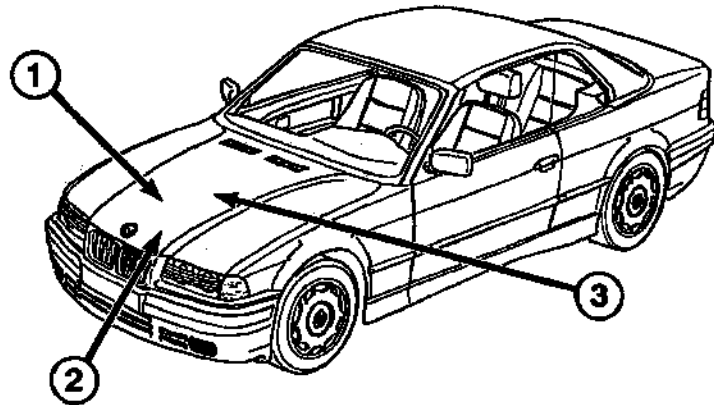
- B6232 ENGINE COOLANT TEMPERATURE SENSOR
- V6130 X6130
- Y6130 IDLE SPEED CONTROL VALVE
- X6456 GROUND
- X6130 X6256

325i

04/97 — 7100.0-11 — 1996



COMPONENT LOCATION VIEWS



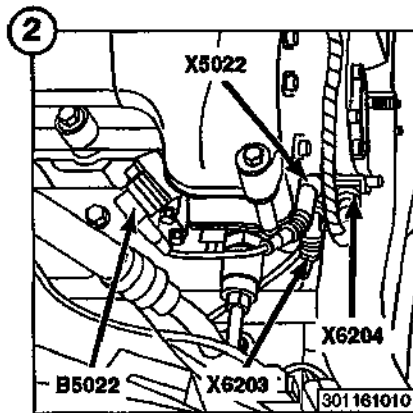
B5023
VARIABLE CAM-
SHAFT CONTROL
SENSOR 2

X5023
X6232
X6236

B8232
ENGINE COOLANT
TEMPERATURE
SENSOR

B6236
ENGINE COOLANT
TEMPERATURE
SENSOR

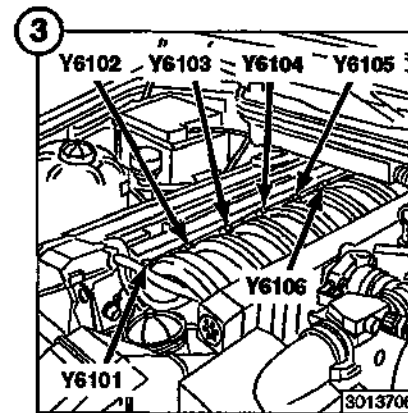
M3 **CDN**



B5022
VARIABLE CAM-
SHAFT CONTROL
SENSOR 1

X5022
X6203
X6206

M3 **CDN**



Y6101
CYL. 1 FUEL
INJECTION VALVE

Y6104
CYL. 4 FUEL
INJECTION VALVE

Y6102
CYL. 2 FUEL
INJECTION VALVE

Y6105
CYL. 5 FUEL
INJECTION VALVE

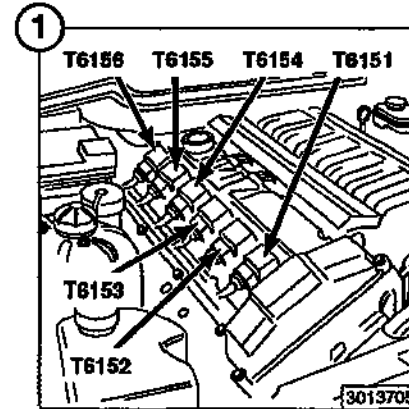
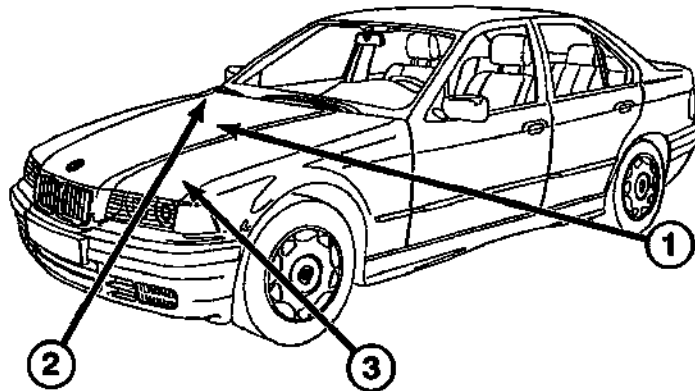
Y6103
CYL. 3 FUEL
INJECTION VALVE

Y6106
CYL. 6 FUEL
INJECTION VALVE

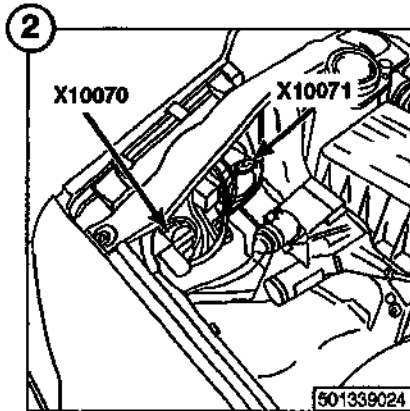
3013706



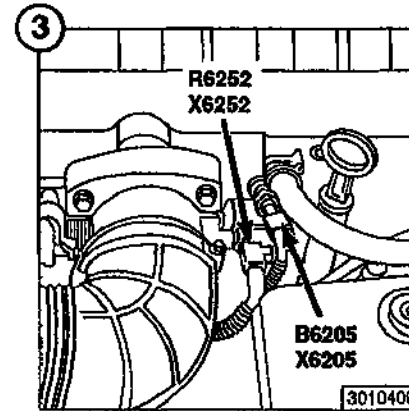
COMPONENT LOCATION VIEWS



- | | |
|----------------------------------|----------------------------------|
| T6151
CYL. 1 IGNITION
COIL | T6154
CYL. 4 IGNITION
COIL |
| T6152
CYL. 2 IGNITION
COIL | T6155
CYL. 5 IGNITION
COIL |
| T6153
CYL. 3 IGNITION
COIL | T6156
CYL. 6 IGNITION
COIL |



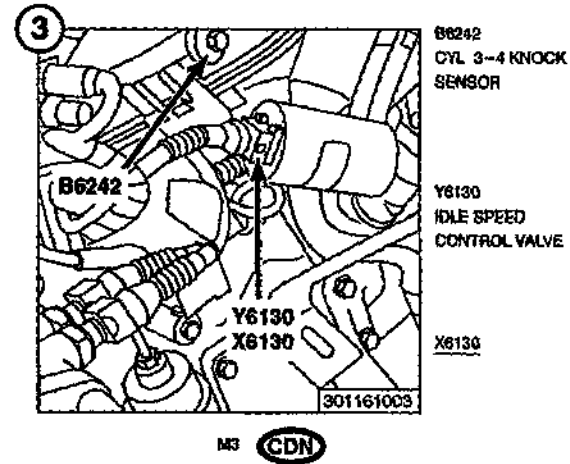
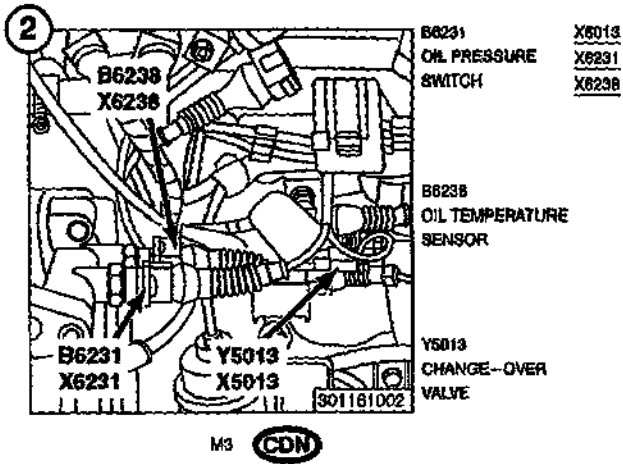
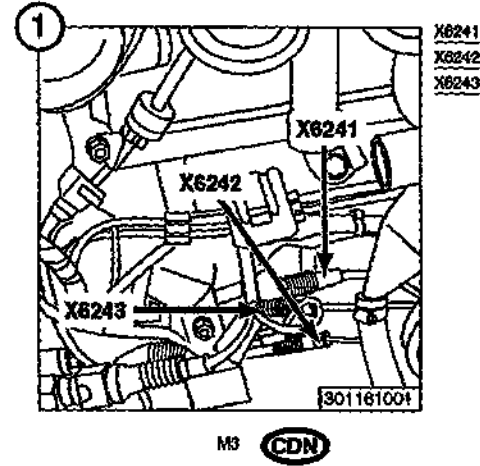
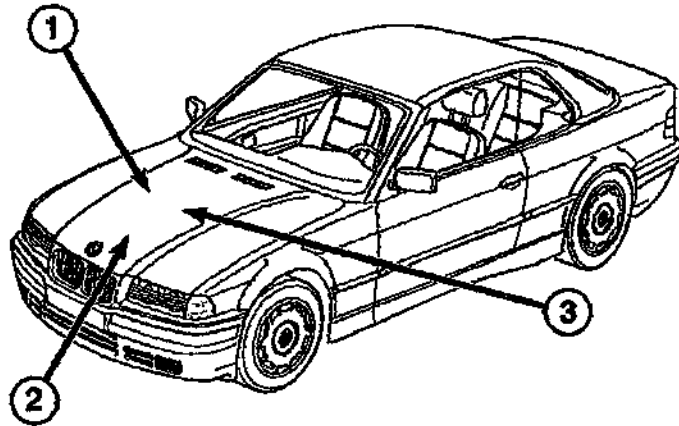
- X10070
- X10071



- B6205
INTAKE AIR
TEMPERATURE
SENSOR
- R6252
THROTTLE
POSITION SENSOR
- X6205
- X6252

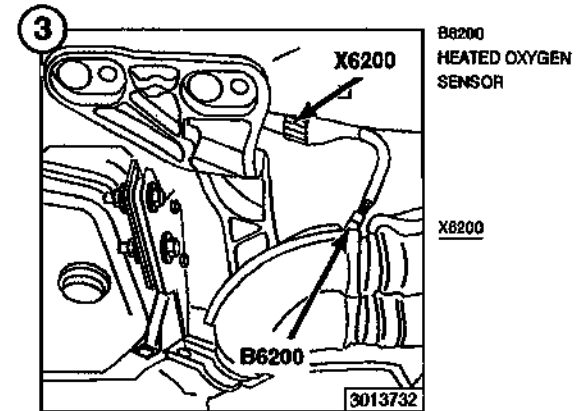
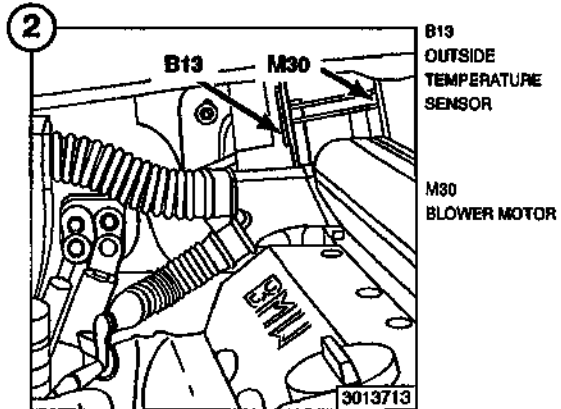
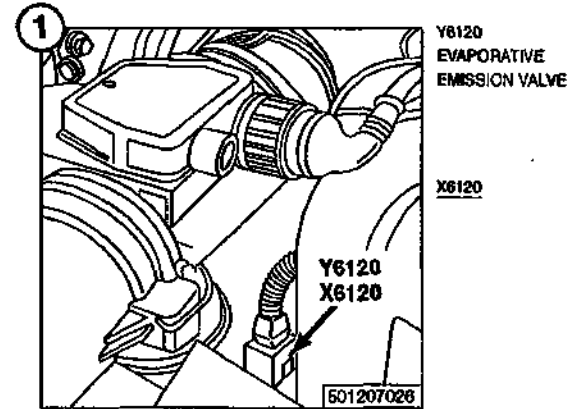
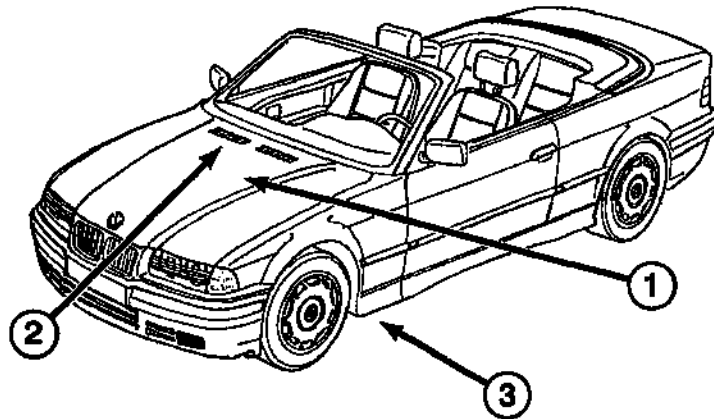


COMPONENT LOCATION VIEWS



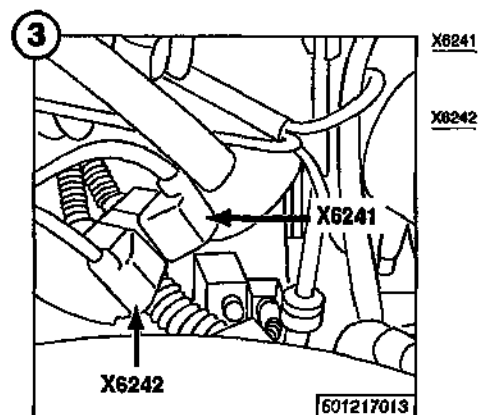
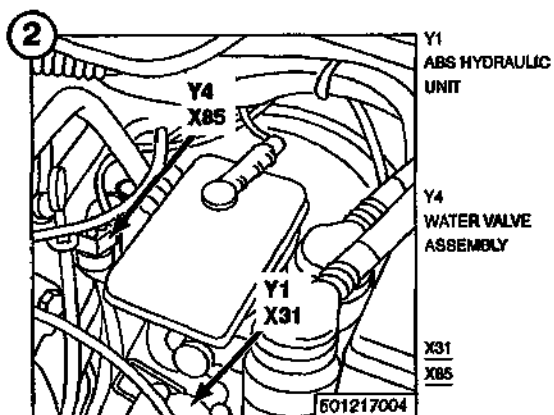
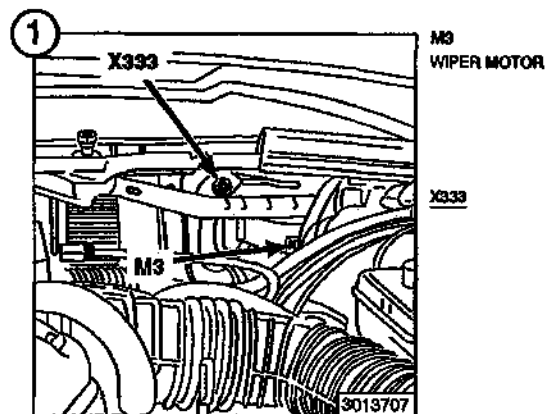
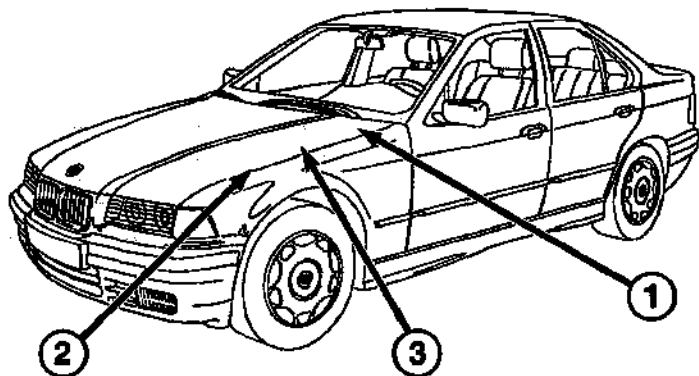


COMPONENT LOCATION VIEWS





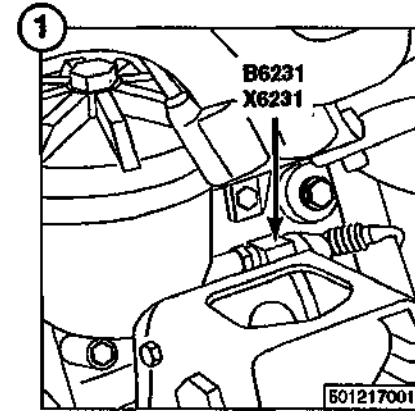
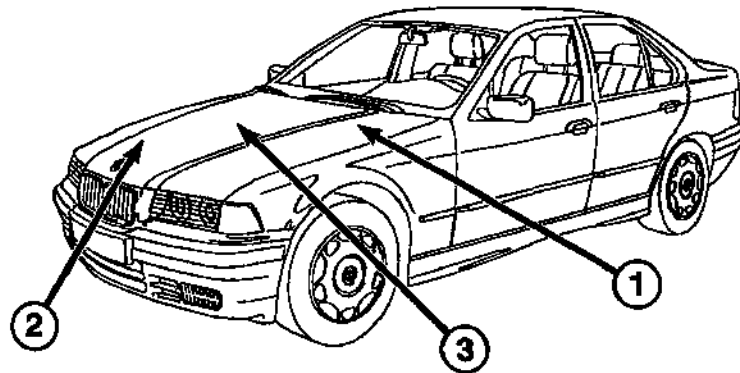
COMPONENT LOCATION VIEWS



318e



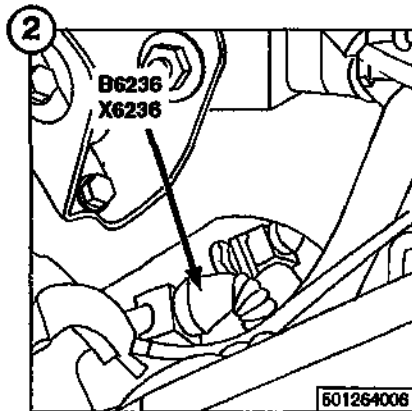
COMPONENT LOCATION VIEWS



B6231
OIL PRESSURE
SWITCH

X6231

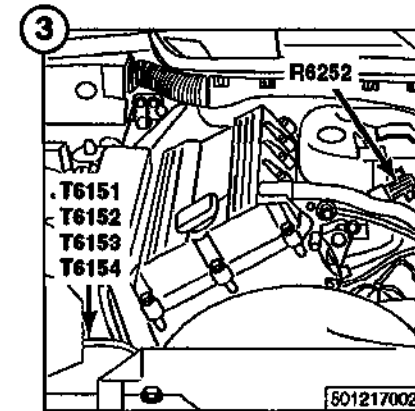
3181a



B6236
ENGINE COOLANT
TEMPERATURE
SENSOR

X6236

3181a



R6252
THROTTLE
POSITION SENSOR

T6153
CYL. 3 IGNITION
COIL

T6151
CYL. 1 IGNITION
COIL

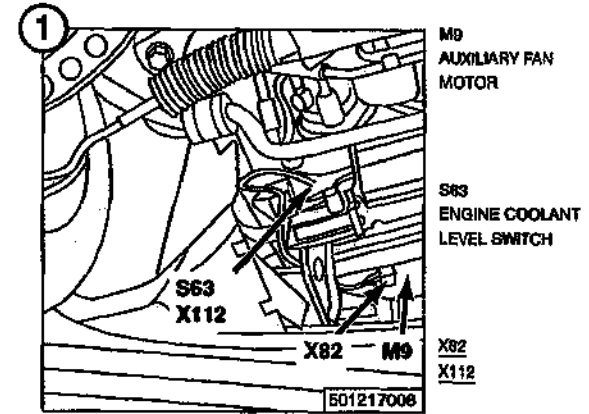
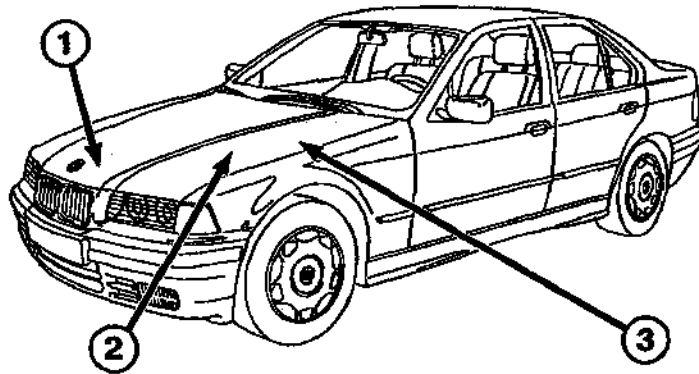
T6154
CYL. 4 IGNITION
COIL

T6152
CYL. 2 IGNITION
COIL

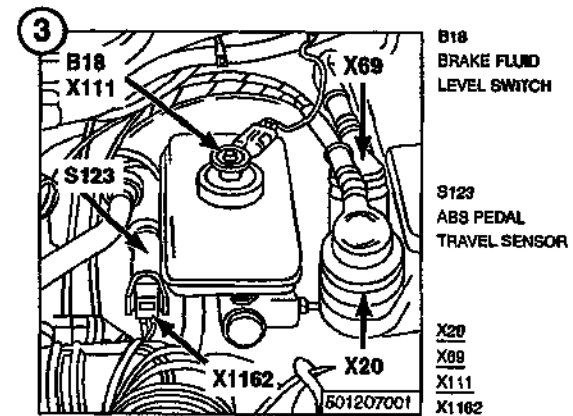
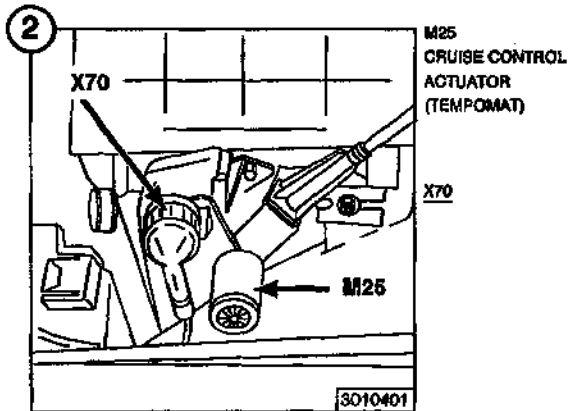
3181a



COMPONENT LOCATION VIEWS



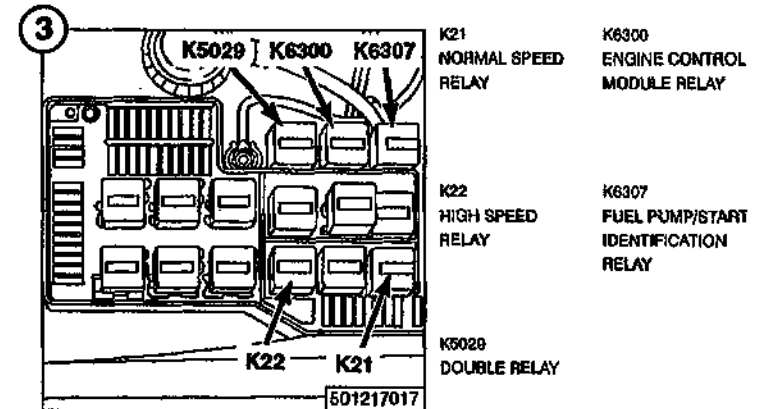
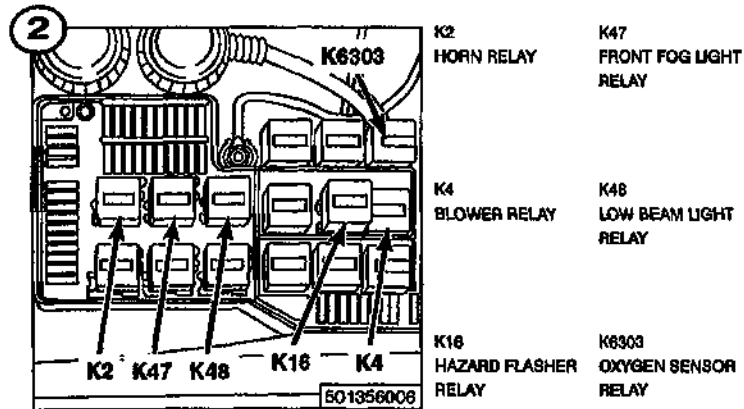
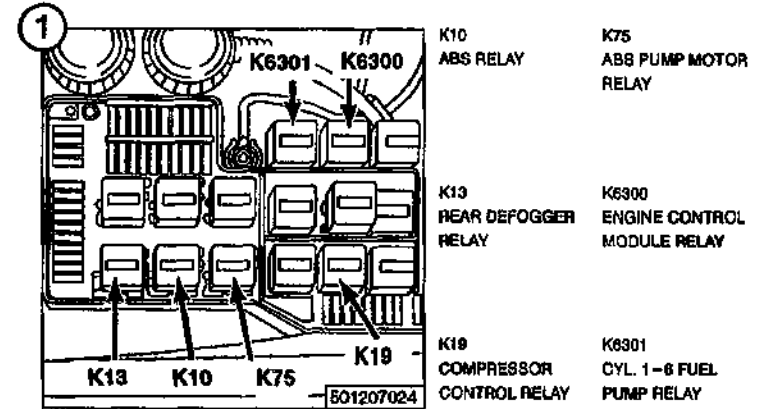
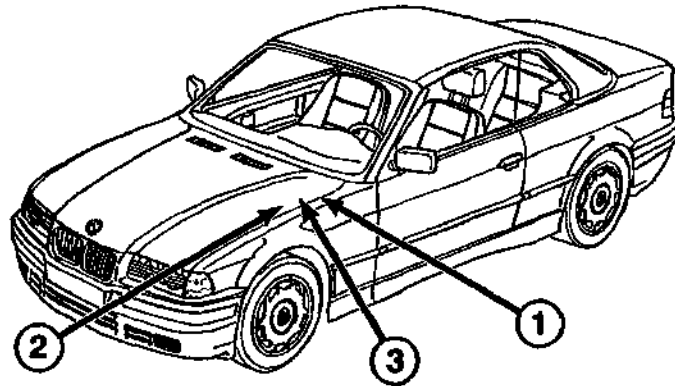
318ia



325i



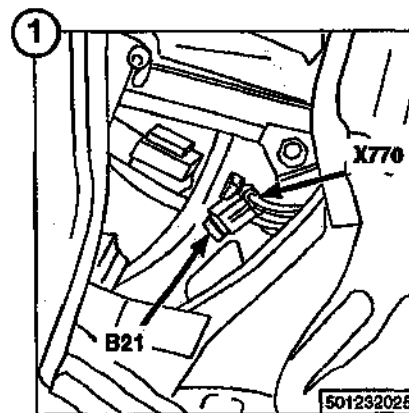
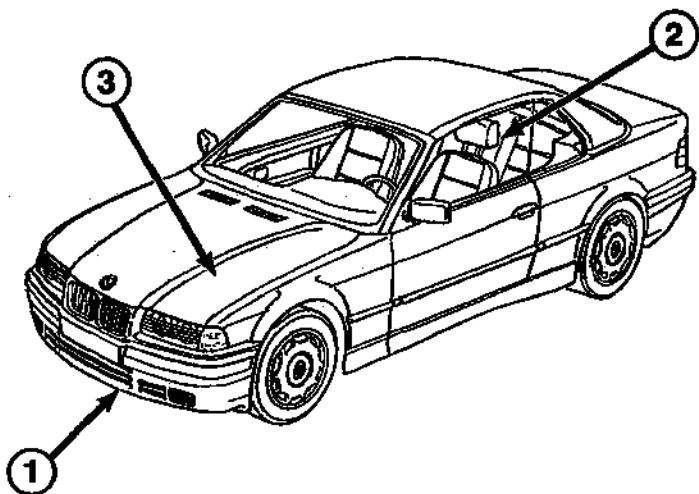
COMPONENT LOCATION VIEWS



M3



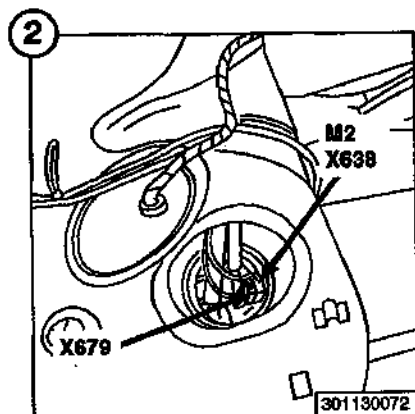
COMPONENT LOCATION VIEWS



B21
ON-BOARD
COMPUTER
TEMPERATURE
SENSOR

X770

501232025



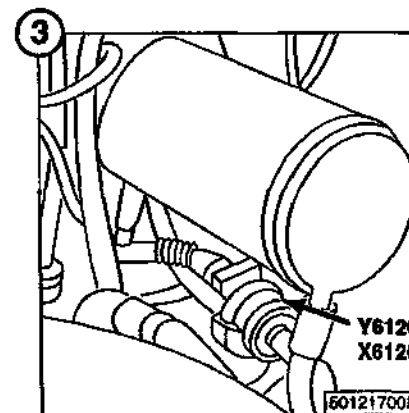
M2
FUEL PUMP

M2
X638

X638
X679

X679

301130072



Y6120
EVAPORATIVE
EMISSION VALVE

X6120

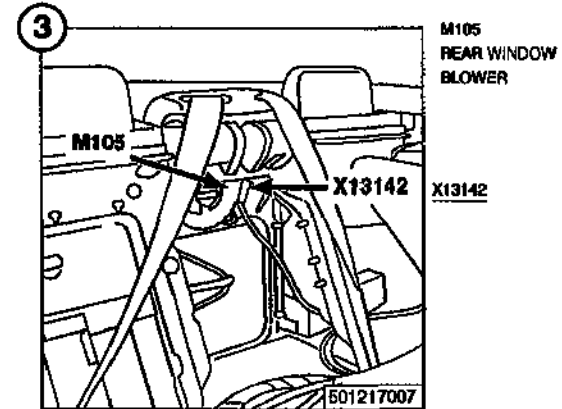
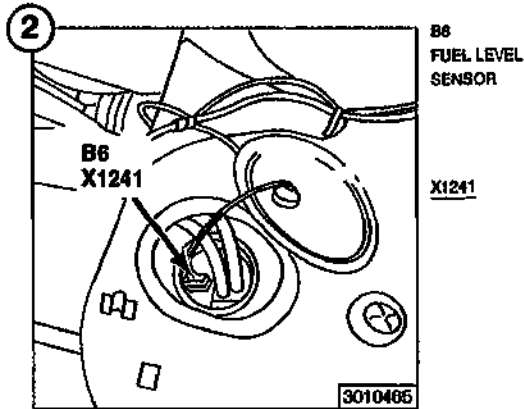
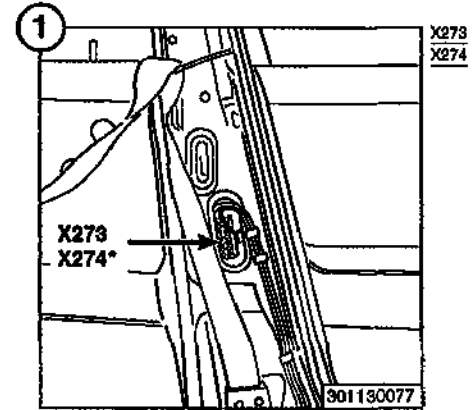
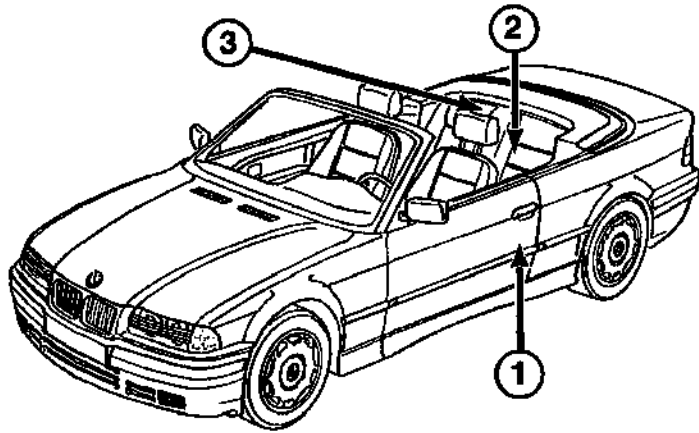
Y6120
X6120

501217005

318la

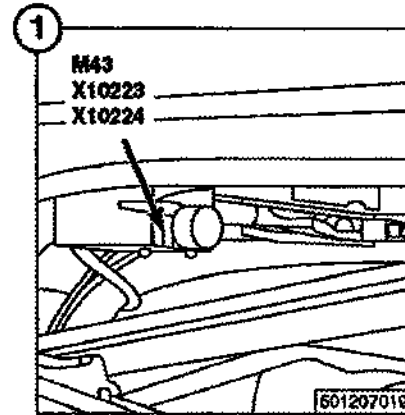
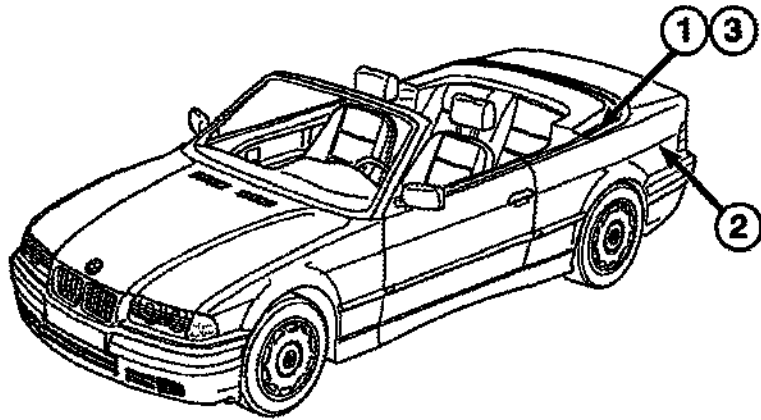


COMPONENT LOCATION VIEWS





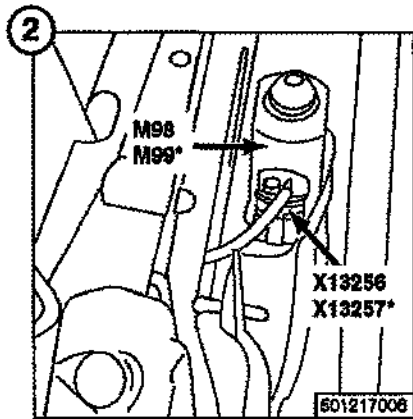
COMPONENT LOCATION VIEWS



M43
CONVERTIBLE TOP
STORAGE LID
LOCK MOTOR

X10223
X10224

601207019



M98 *
LEFT REAR
WINDOW MOTOR

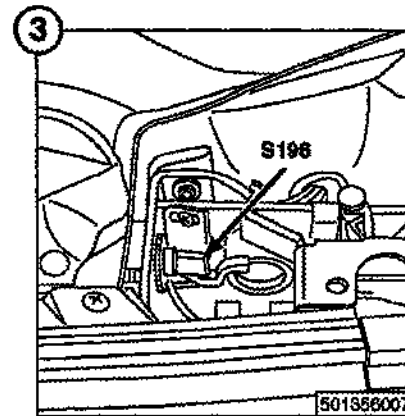
M99 *
RIGHT REAR
WINDOW MOTOR

X13256
X13257*

X13256
X13257

601217006

*RH similar

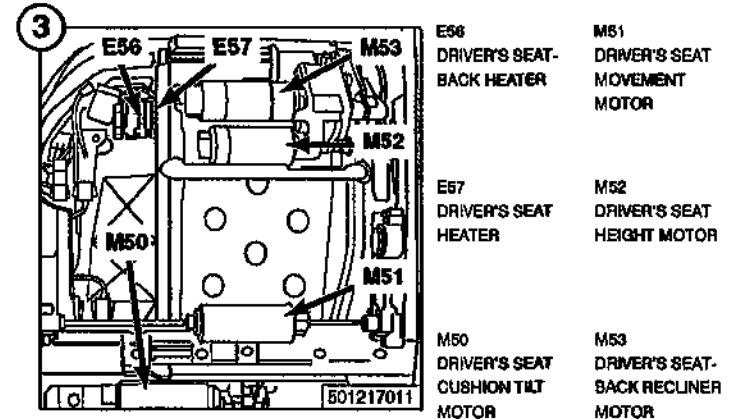
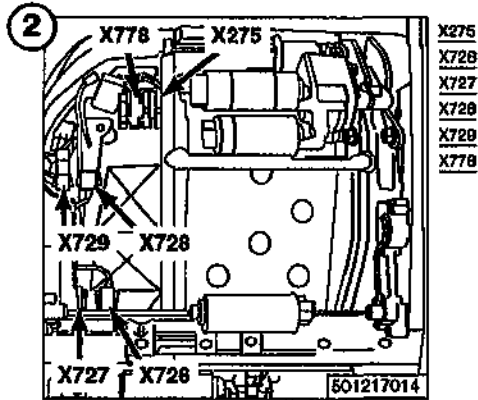
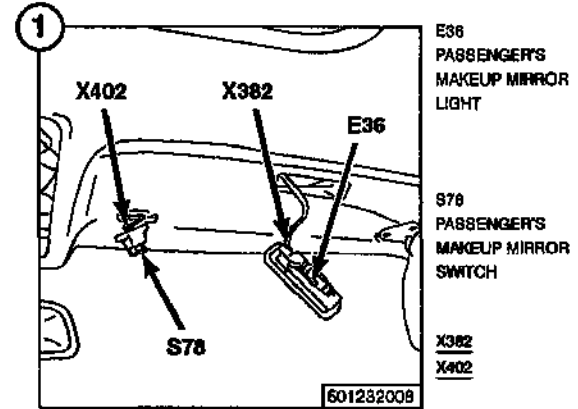
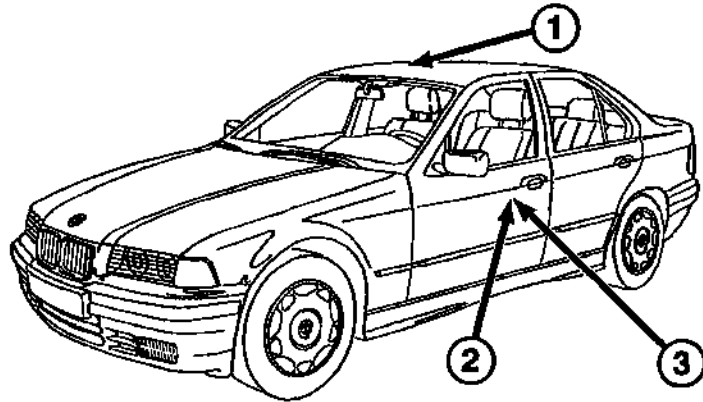


S198
REAR WINDOW
BLOWER MICRO
SWITCH

6013556007

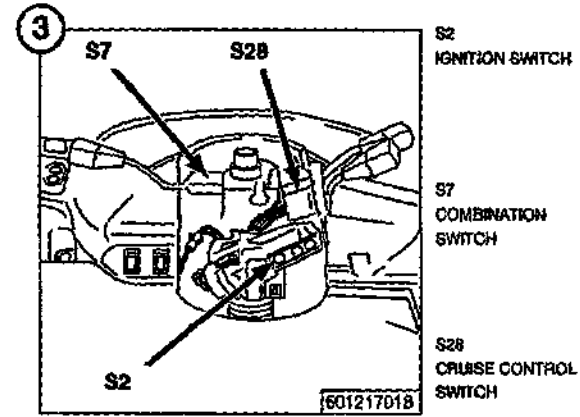
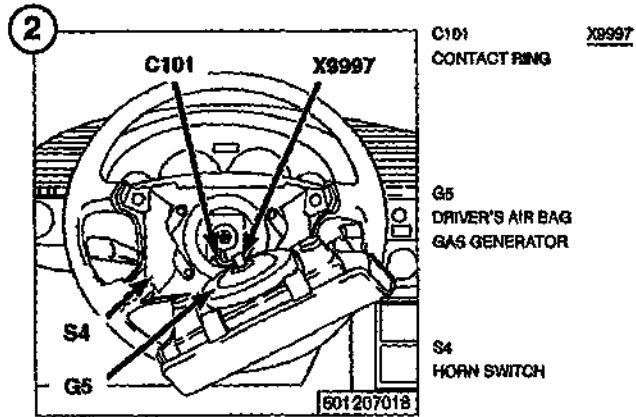
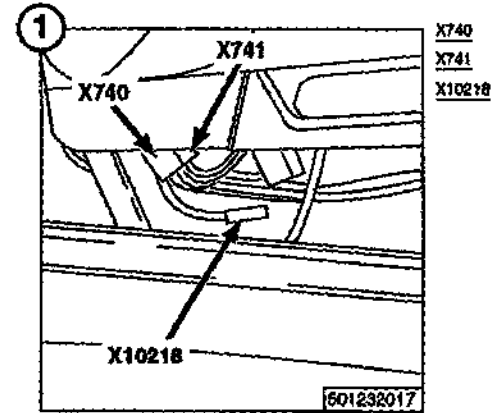
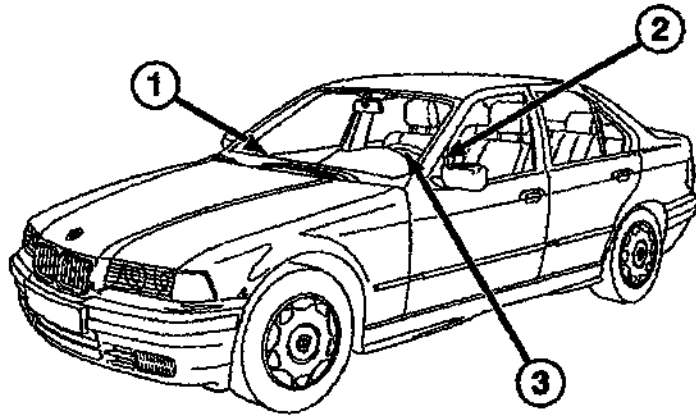


COMPONENT LOCATION VIEWS





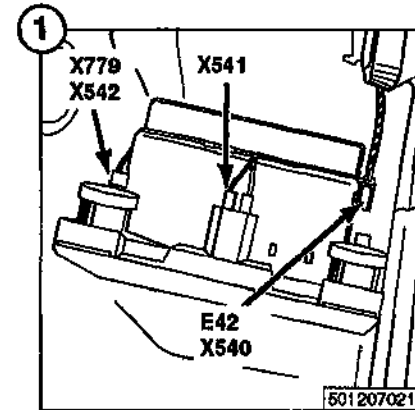
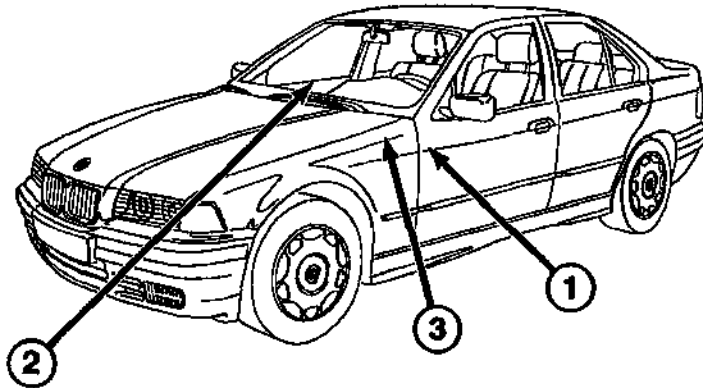
COMPONENT LOCATION VIEWS



04/97
7100.0-24
1996

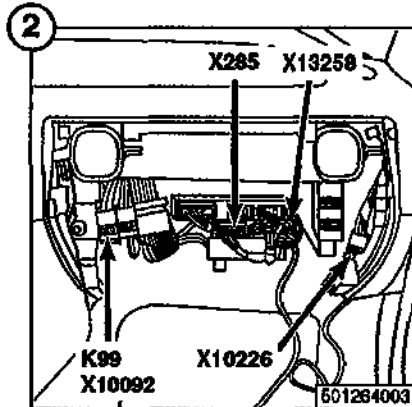


COMPONENT LOCATION VIEWS



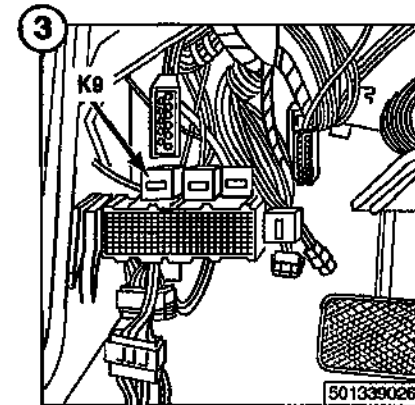
E42
GLOVE BOX LIGHT

X540
X541
X542
X779



K99
REAR WINDOW
BLOWER RELAY

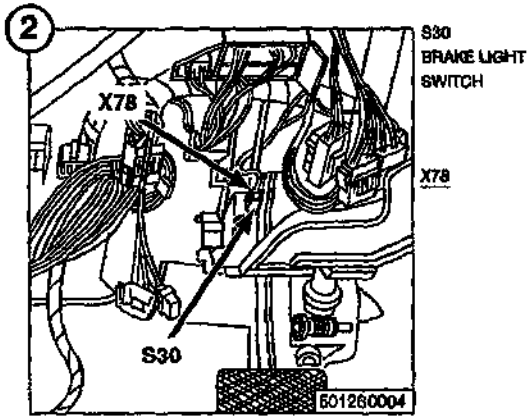
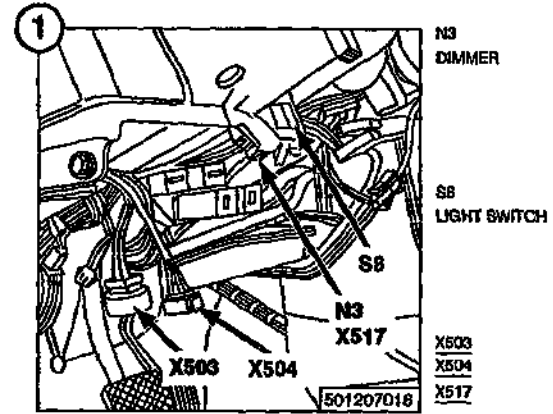
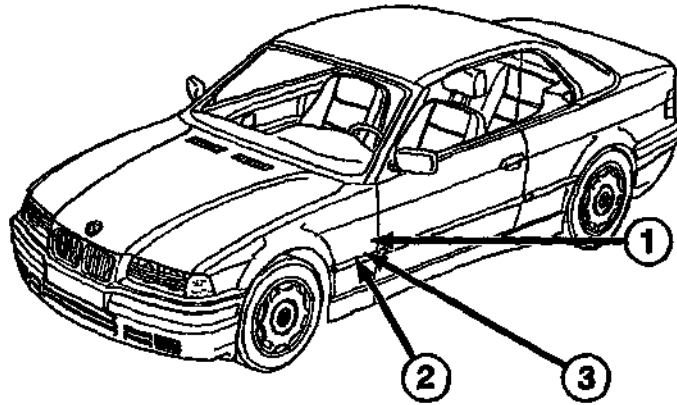
X285
X10092
X10226
X13258



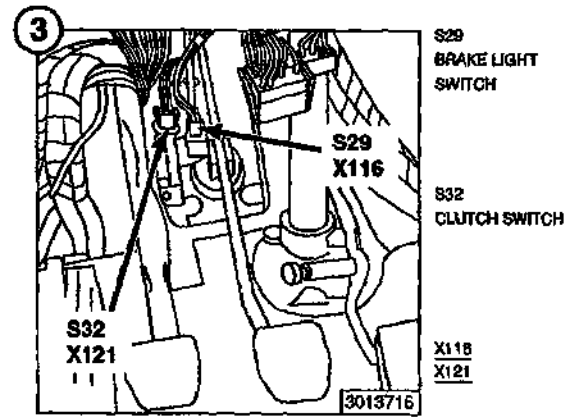
K9
UNLOADER RELAY,
TERMINAL 15



COMPONENT LOCATION VIEWS



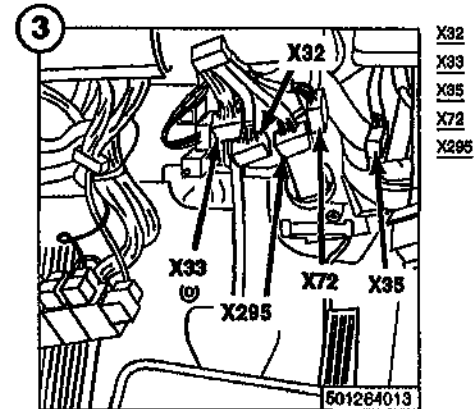
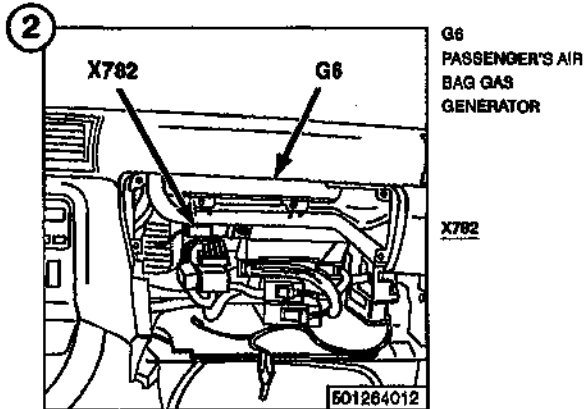
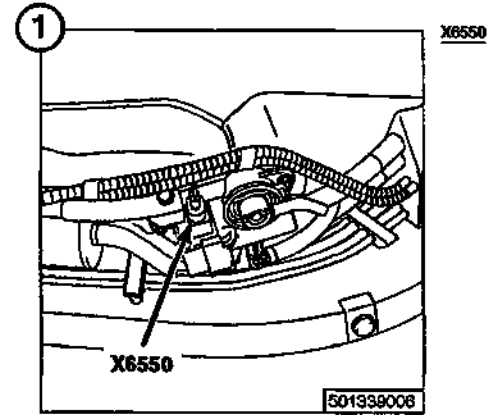
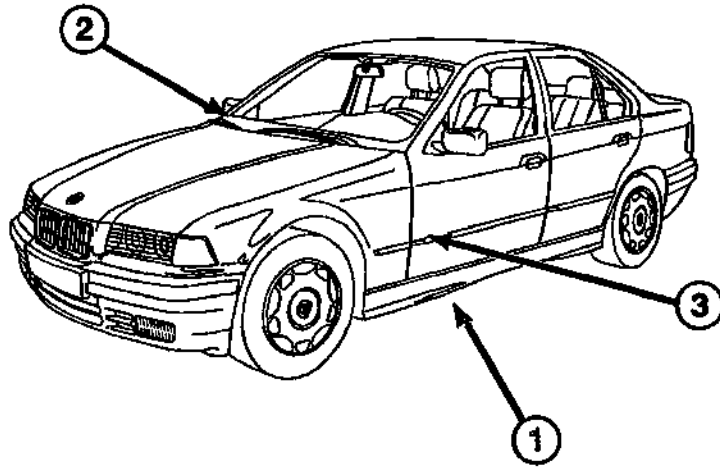
AUTOMATIC



MANUAL

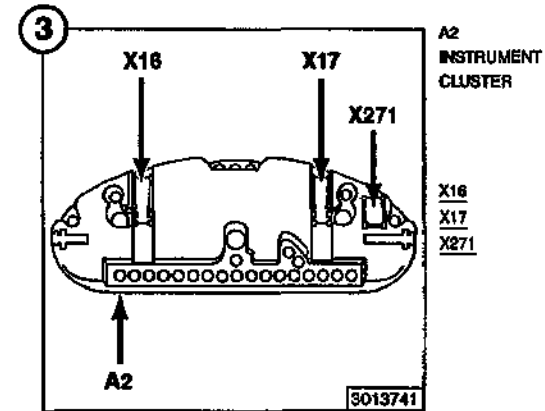
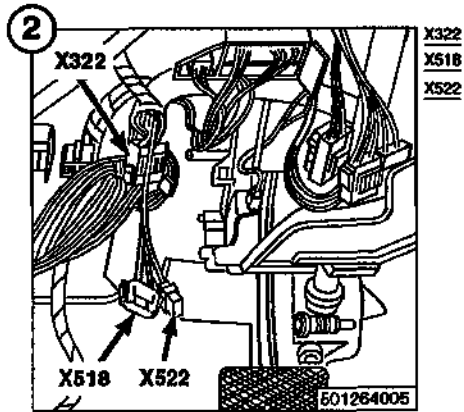
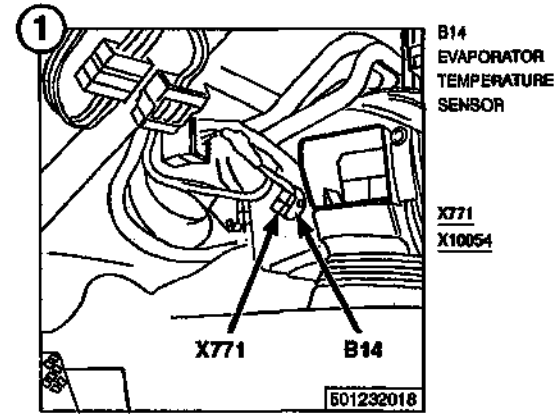
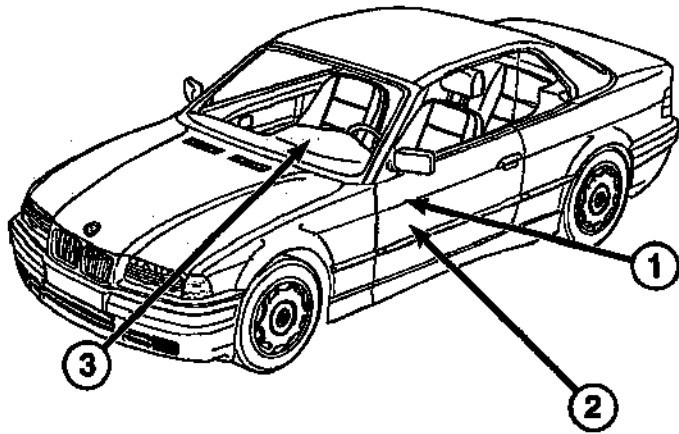


COMPONENT LOCATION VIEWS



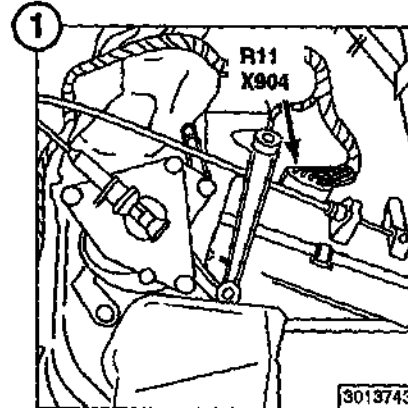
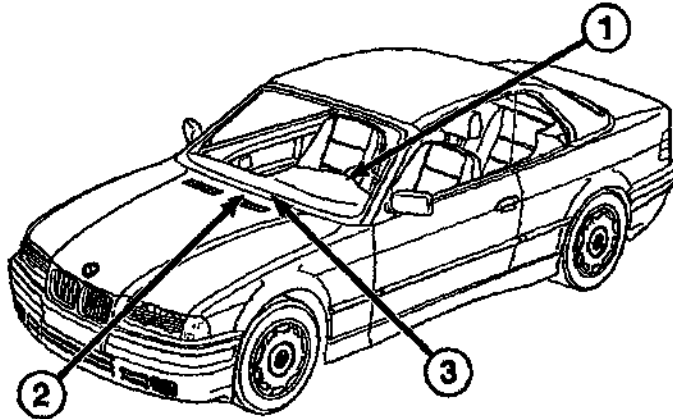


COMPONENT LOCATION VIEWS





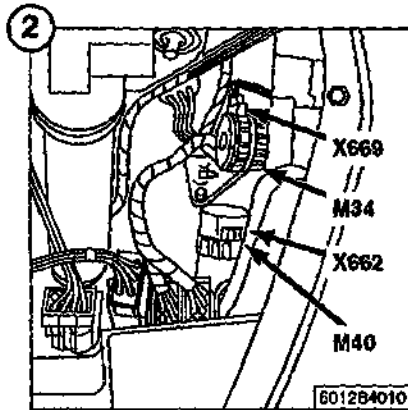
COMPONENT LOCATION VIEWS



R11
BLOWER
RESISTORS

X904

3013743



M34
DASH VENT MIX-
ING FLAP MOTOR

X669

M34

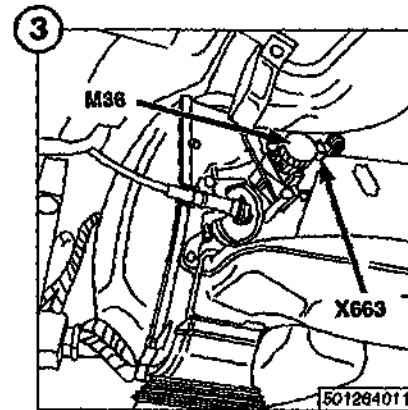
X662

M40

X662

X669

601284010



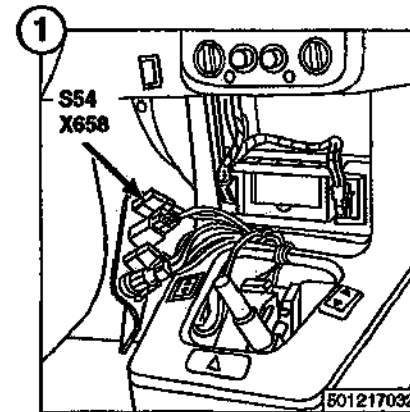
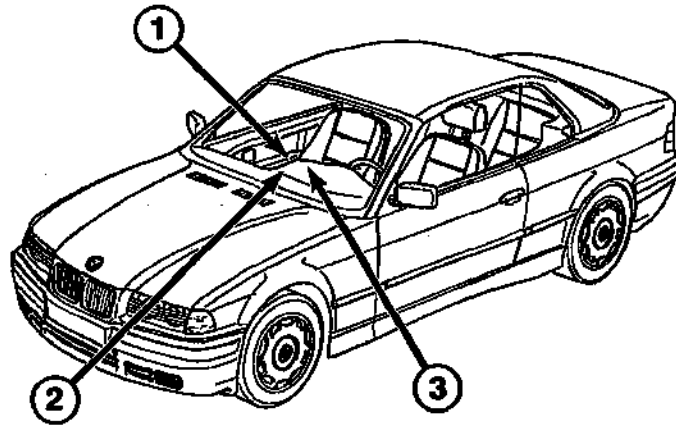
M36
FRESH AIR FLAP
MOTOR

X663

601284011



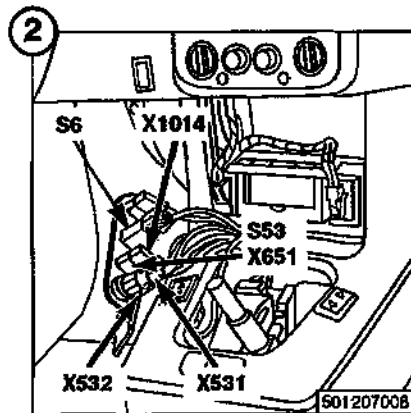
COMPONENT LOCATION VIEWS



S54
PASSENGER'S
SEAT, SEAT
HEATER SWITCH

X658

501217032

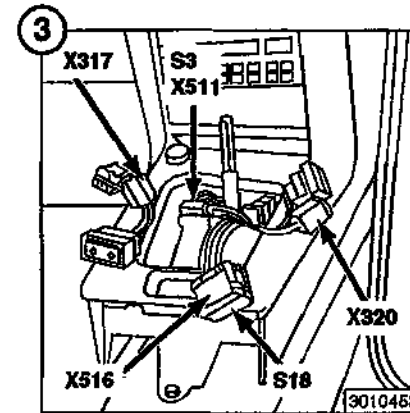


S6
ASC SWITCH

S53
DRIVER'S SEAT,
SEAT HEATER
SWITCH

X531
X532
X651
X1014

501207008



S3
AUTOMATIC
TRANSMISSION
RANGE SWITCH

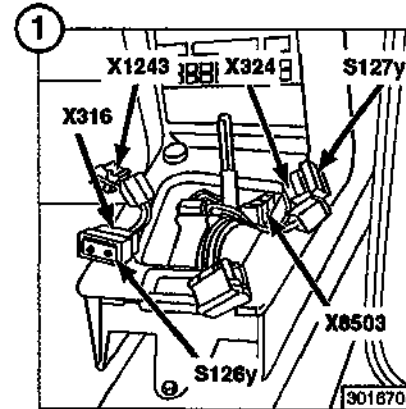
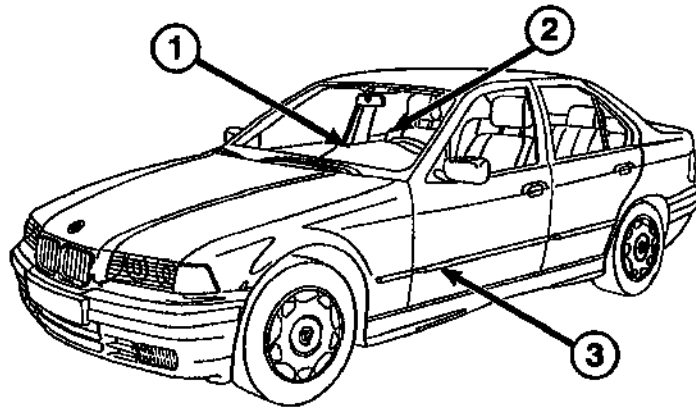
S18
HAZARD SWITCH

X317
X320
X511
X516

3010463



COMPONENT LOCATION VIEWS

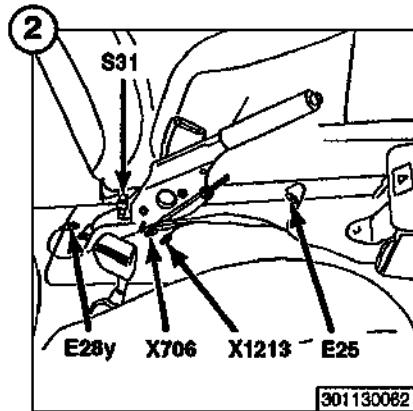


S128y
DRIVER'S POWER WINDOW SWITCH

S127y
PASSENGER'S POWER WINDOW SWITCH

X316
X324
X1243
X8503

3018704



E25
FRONT ASHTRAY LIGHT

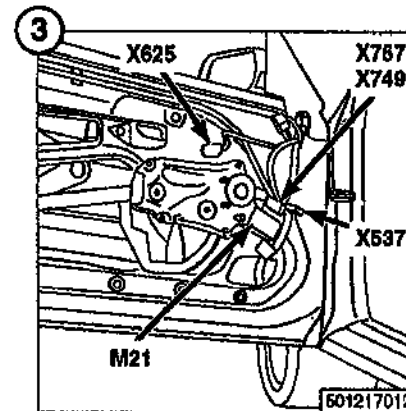
X708
X1219

E20y
REAR ASHTRAY LIGHT

E28y X706 X1213 E25

S34
PARK BRAKE SWITCH

301130082



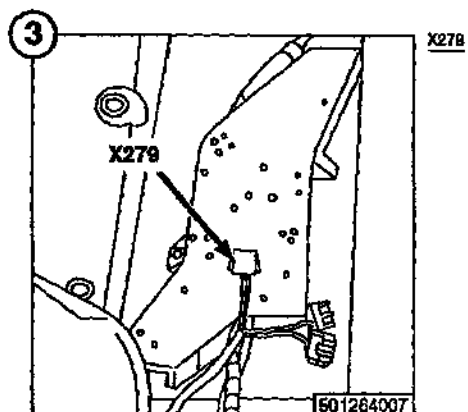
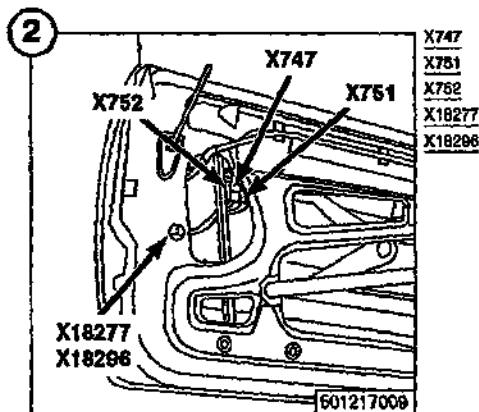
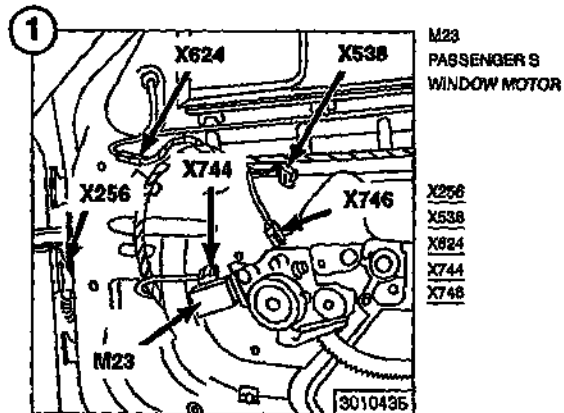
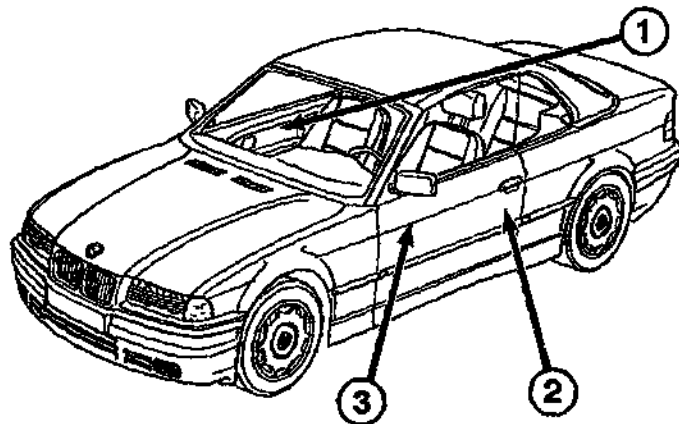
M21
DRIVER'S WINDOW MOTOR

X537
X625
X749
X757

601217012

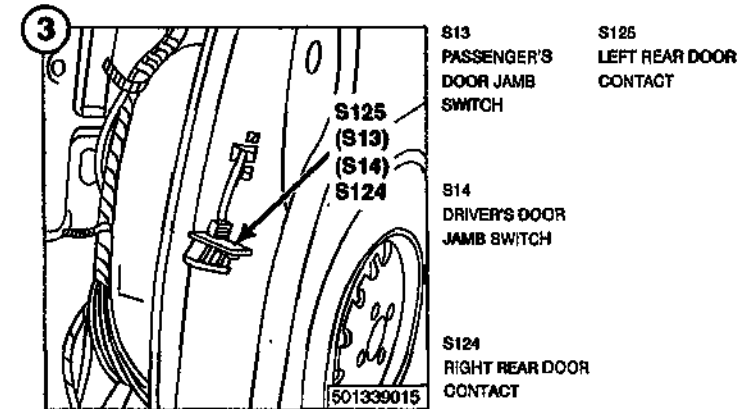
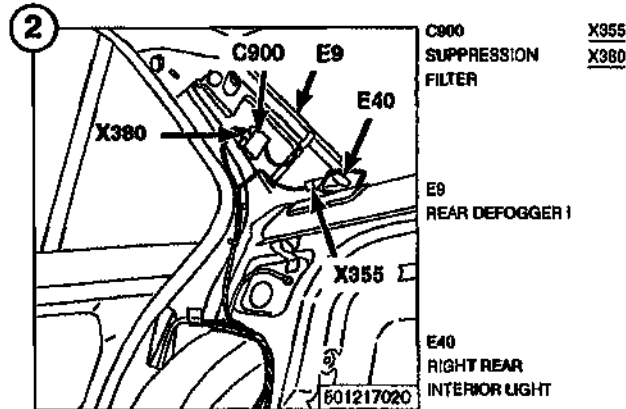
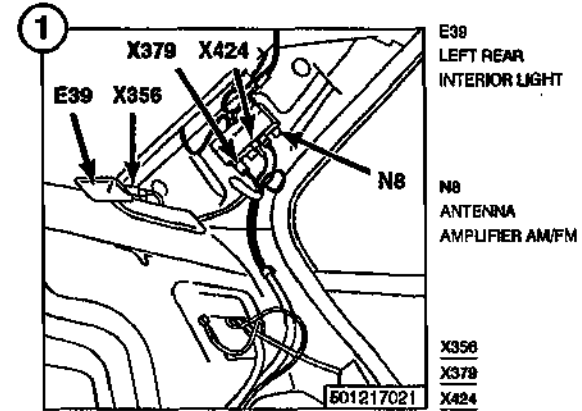
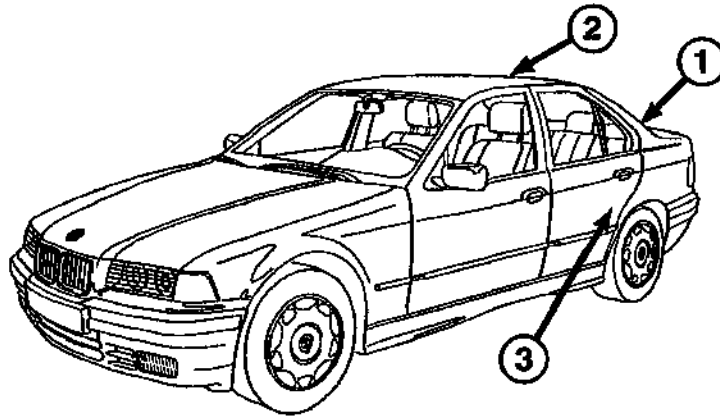


COMPONENT LOCATION VIEWS



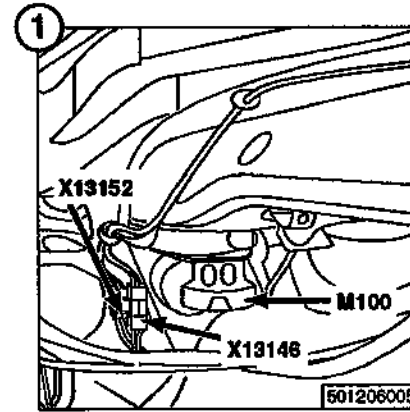
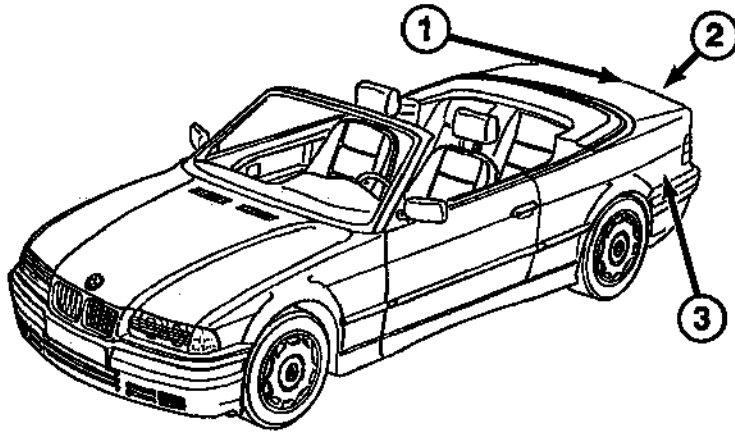


COMPONENT LOCATION VIEWS





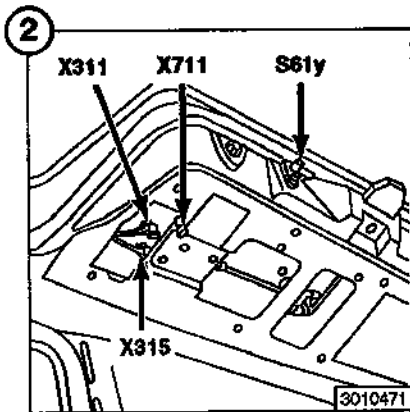
COMPONENT LOCATION VIEWS



M100
CONVERTIBLE TOP
STORAGE LID
MOTOR

X13146
X13152

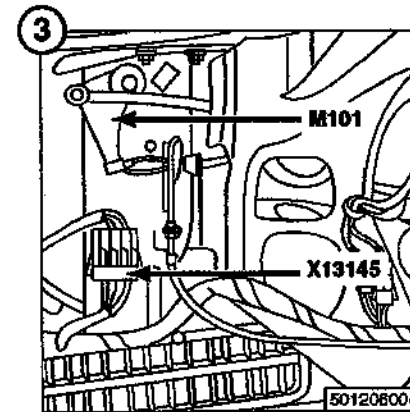
501206005



S61y
TRUNK LIGHT
SWITCH

X311
X315
X711

3010471



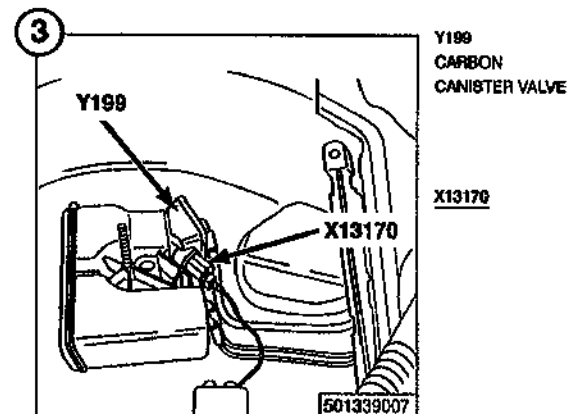
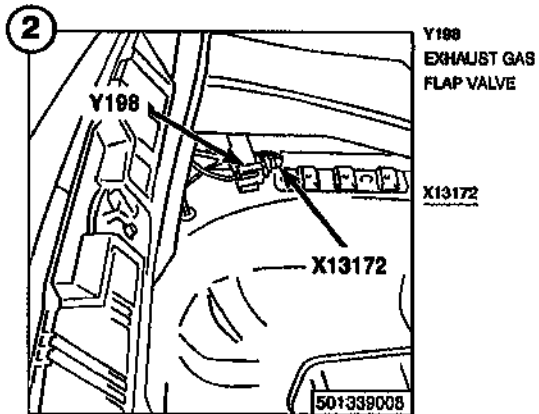
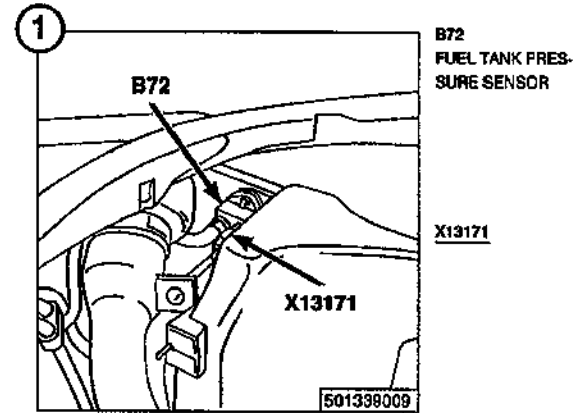
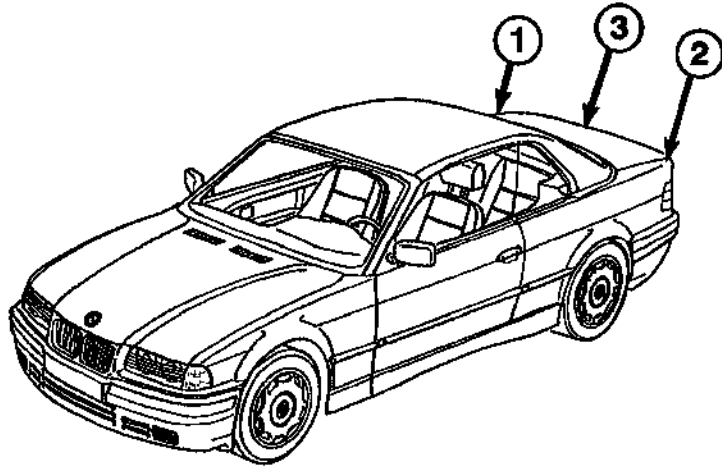
M101
CONVERTIBLE TOP
MOTOR

X13145

501206004

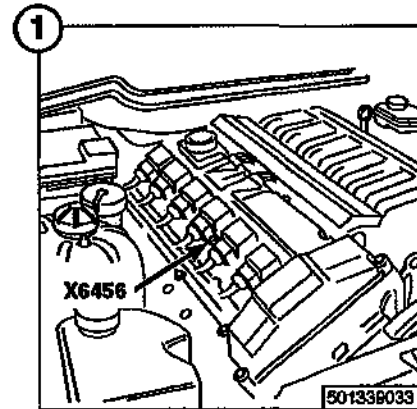
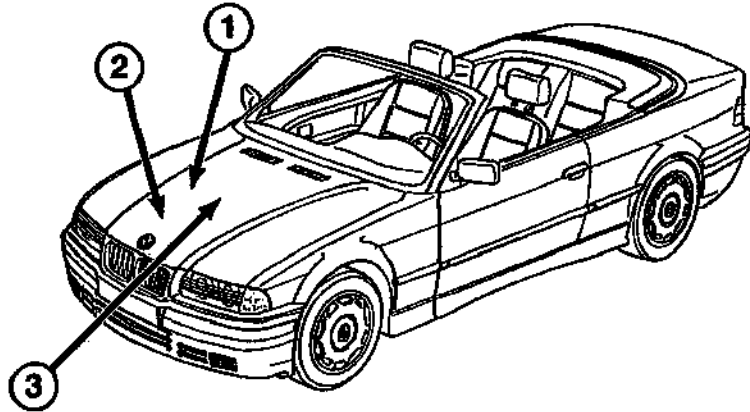


COMPONENT LOCATION VIEWS

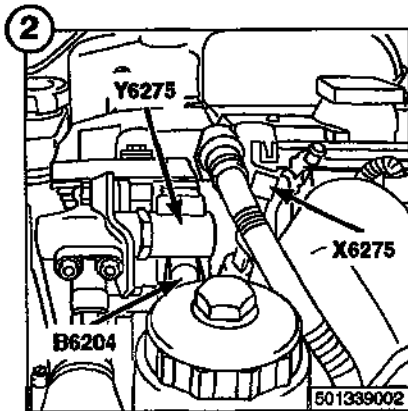




COMPONENT LOCATION VIEWS



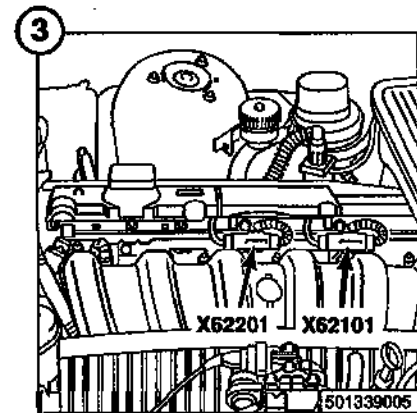
X6456
GROUND



B6204
CAMSHAFT
POSITION SENSOR
(CYLINDER IDENTIFICATION)

Y6275
VARIABLE CAM-
SHAFT CONTROL
VALVE 1

X6275

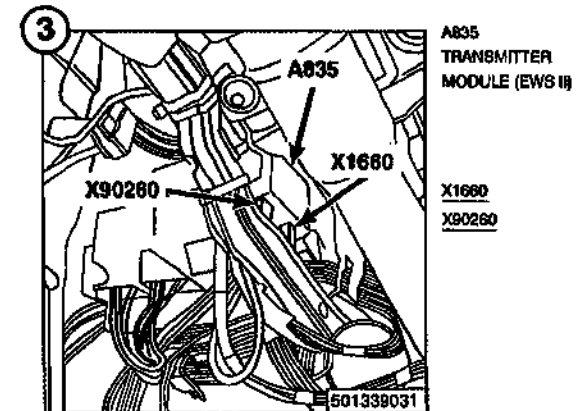
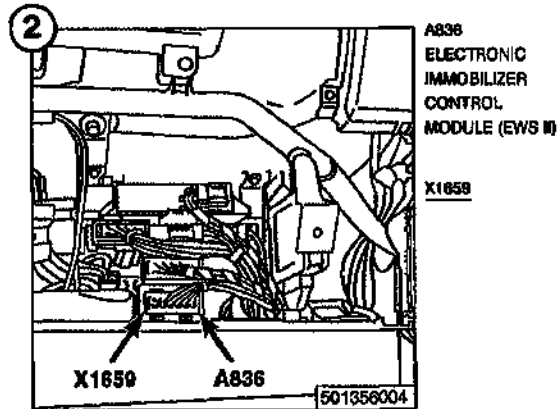
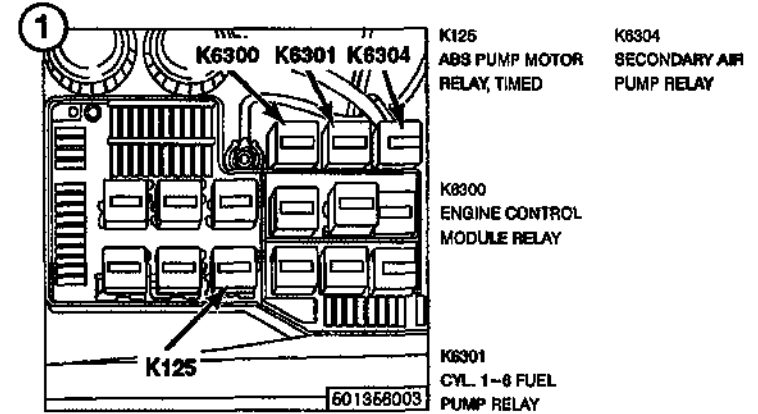
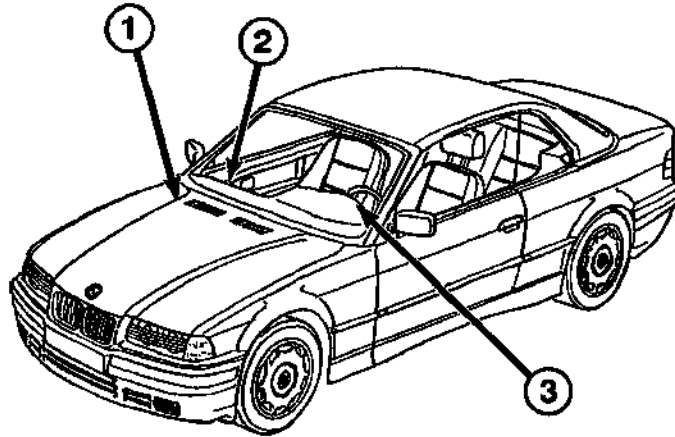


X62101
X62201



COMPONENT LOCATION VIEWS

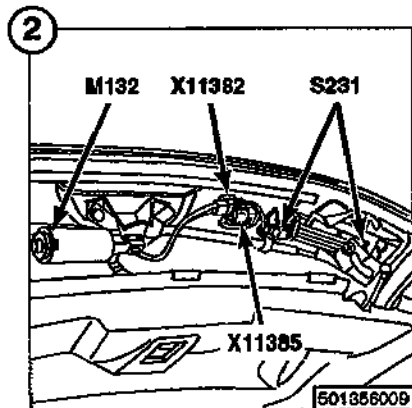
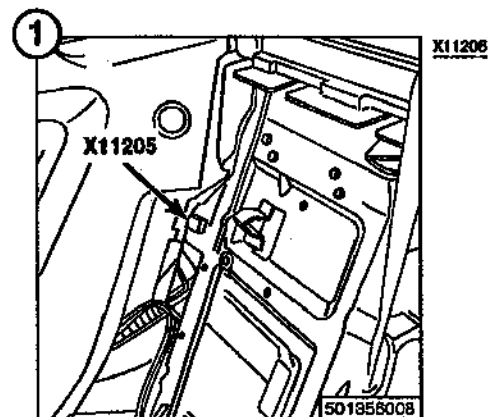
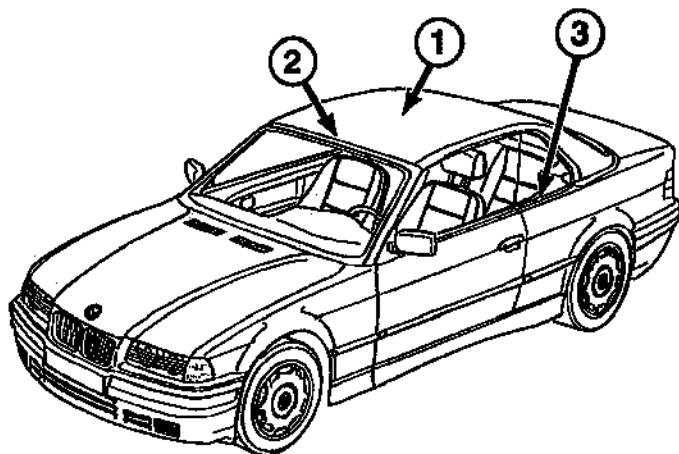
ELECTRICAL CONTROL MODULE LOCATIONS





COMPONENT LOCATION VIEWS

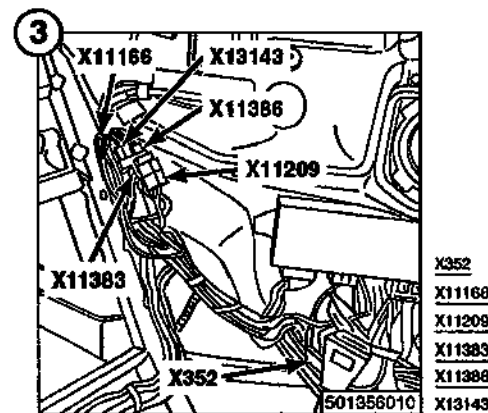
ELECTRICAL CONTROL MODULE LOCATIONS



M132
WINDSCREEN
COWL PANEL
LOCK MOTOR

S231
WINDSCREEN
COWL PANEL
LOCK MICRO-
SWITCH

X11382
X11385



X352
X11166
X11209
X11383
X11386
X13143



8000.0



SPLICE LOCATION VIEWS

SPLICE	HARNESS	PAGE NUMBER	SPLICE	HARNESS	PAGE NUMBER
X181-X276	FRONT	8000.0-02	X5018-X5035	S50 ENGINE	8000.0-06
X313-X314	REAR	8000.0-03	X6410	M42/M43 ENGINE	8000.0-05
X313-X314	REAR, CONVERTIBLE	8000.0-04	X6410	M50 ENGINE	8000.0-07
X428-X481	REAR	8000.0-03	X6410-X6411	M44 ENGINE	8000.0-08
X428	REAR, CONVERTIBLE	8000.0-04	X6410-X6492	S50 ENGINE	8000.0-06
X441-X456	REAR, CONVERTIBLE	8000.0-04	X6411	M50 ENGINE	8000.0-07
X460-X462	REAR, CONVERTIBLE	8000.0-04	X6411-X6420	M52 ENGINE	8000.0-09
X465-X481	REAR, CONVERTIBLE	8000.0-04	X6458-X6459	M52 ENGINE	8000.0-09
X530-X595	FRONT	8000.0-02	X6458-X6492	M42/M43 ENGINE	8000.0-05
X805	REAR	8000.0-03	X6458-X6461	M50 ENGINE	8000.0-07
X805	REAR, CONVERTIBLE	8000.0-04	X6460-X6463	M44 ENGINE	8000.0-08
X824-X830	RADIO	NOT SHOWN	X6475	M50 ENGINE	8000.0-07
X849-X851	DRIVER'S DOOR	NOT SHOWN	X6475	M52 ENGINE	8000.0-09
X876-X878	RADIO	NOT SHOWN	X6491	M50 ENGINE	8000.0-07
X906	IHKR	NOT SHOWN	X6492	M50 ENGINE	8000.0-07
X942	PASSENGER'S DOOR	NOT SHOWN	X6492	M44 ENGINE	8000.0-08
X1015-X1164	FRONT	8000.0-02	X6492	M52 ENGINE	8000.0-09
X1167	REAR	8000.0-03	X6810-X6823	M52 ENGINE	8000.0-09
X1168-X1192	FRONT	8000.0-02	X6810-X6866	M42/M43 ENGINE	8000.0-05
X1212-X1218	REAR	8000.0-03	X6810-X6866	S50 ENGINE	8000.0-06
X1212-X1238	REAR, CONVERTIBLE	8000.0-04	X6810	M50 ENGINE	8000.0-07
X1225-X1233	FRONT	8000.0-02	X6820-X6821	M44 ENGINE	8000.0-08
X1226-X1235	REAR	8000.0-03	X6820-X6822	M50 ENGINE	8000.0-07
X1258	FRONT	8000.0-02	X6830-X6831	M50 ENGINE	8000.0-07
X1299	REAR	8000.0-03	X6832	M44 ENGINE	8000.0-08
X1382-X1383	RADIO	W22	X6832-X6835	M52 ENGINE	8000.0-09
X1387-X1396	REAR	8000.0-03	X6833	M44 ENGINE	8000.0-08
X1387-X1396	REAR, CONVERTIBLE	8000.0-04	X6835	M44 ENGINE	8000.0-08



SPLICE LOCATION VIEWS

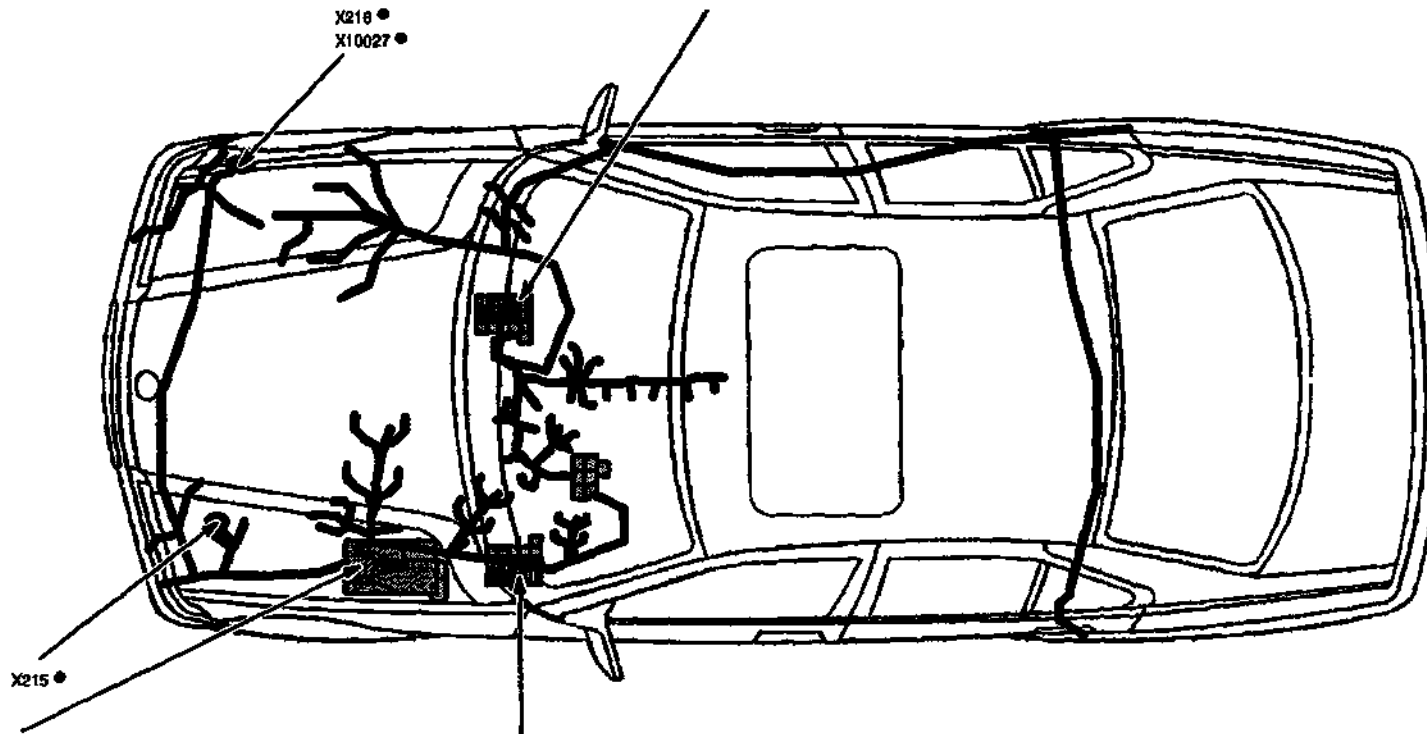
SPLICE	HARNESS	PAGE NUMBER	SPLICE	HARNESS	PAGE NUMBER
X6835-X6836	M50 ENGINE	8000.0-07	X8103	M52 ENGINE	8000.0-09
X6860-X6869	M52 ENGINE	8000.0-09	X8564-X8576	M44 ENGINE	8000.0-08
X6860-X6891	M44 ENGINE	8000.0-08	X8564-X8576	M52 ENGINE	8000.0-09
X6863-X6866	M50 ENGINE	8000.0-07	X8565	M52 ENGINE	8000.0-09
X6900	M44 ENGINE	8000.0-08	X10007-X10100	FRONT	8000.0-02
X6900	M52 ENGINE	8000.0-09	X10118	REAR, CONVERTIBLE	8000.0-04
X6900-X6906	M50 ENGINE	8000.0-07	X10169	M44 ENGINE	8000.0-08
X6900-X6906	S50 ENGINE	8000.0-06	X10251-10252	FRONT	8000.0-02
X7845-X7846	M44 ENGINE	8000.0-08	X10120-X10192	FRONT	8000.0-02
X8000-X8015	M52 ENGINE	8000.0-09	X10189-X10229	REAR, CONVERTIBLE	8000.0-04
X8004	M50 ENGINE	8000.0-07	X13002-X13011	REAR	8000.0-03
X8004	S50 ENGINE	8000.0-06	X13002-X13011	REAR, CONVERTIBLE	8000.0-04
X8004-X8015	M44 ENGINE	8000.0-08	X13021-X13115	FRONT	8000.0-02
X8004-X8576	M42/M43 ENGINE	8000.0-05	X13007-X13273	REAR, CONVERTIBLE	8000.0-04
X8007	M50 ENGINE	8000.0-07	X18160-X18161	IHKR	NOT SHOWN
X8010	M50 ENGINE	8000.0-07	X18165	FRONT	8000.0-02
X8015	M50 ENGINE	8000.0-07	X18251	DRIVER'S DOOR	NOT SHOWN
X8022	M50 ENGINE	8000.0-07	X18252	PASSENGER'S DOOR	NOT SHOWN
X8025	M50 ENGINE	8000.0-07	X18253	DRIVER'S DOOR	NOT SHOWN
X8038	M52 ENGINE	8000.0-09	X18254-X18284	PASSENGER'S DOOR	NOT SHOWN
X8042	M50 ENGINE	8000.0-07	X18783-X18784	FRONT	8000.0-02
X8051	M50 ENGINE	8000.0-07	X18785-X18799	REAR, CONVERTIBLE	8000.0-04
X8056	M50 ENGINE	8000.0-07	X19513-X19514	RADIO	NOT SHOWN
X8056-X8073	M44 ENGINE	8000.0-08	X69008-X69009	S50 ENGINE	8000.0-06
X8065	M50 ENGINE	8000.0-07			
X8071-8074	M50 ENGINE	8000.0-07			
X8071-8074	M52 ENGINE	8000.0-09			
X8084	M50 ENGINE	8000.0-07			



SPLICE LOCATION VIEWS

FRONT HARNESS

SPLICE PANEL	
X185 ●	X1148 ●
X218 ●	X10008 ●
X222 ●	X10064 ●
X857 ●	X13115 ●



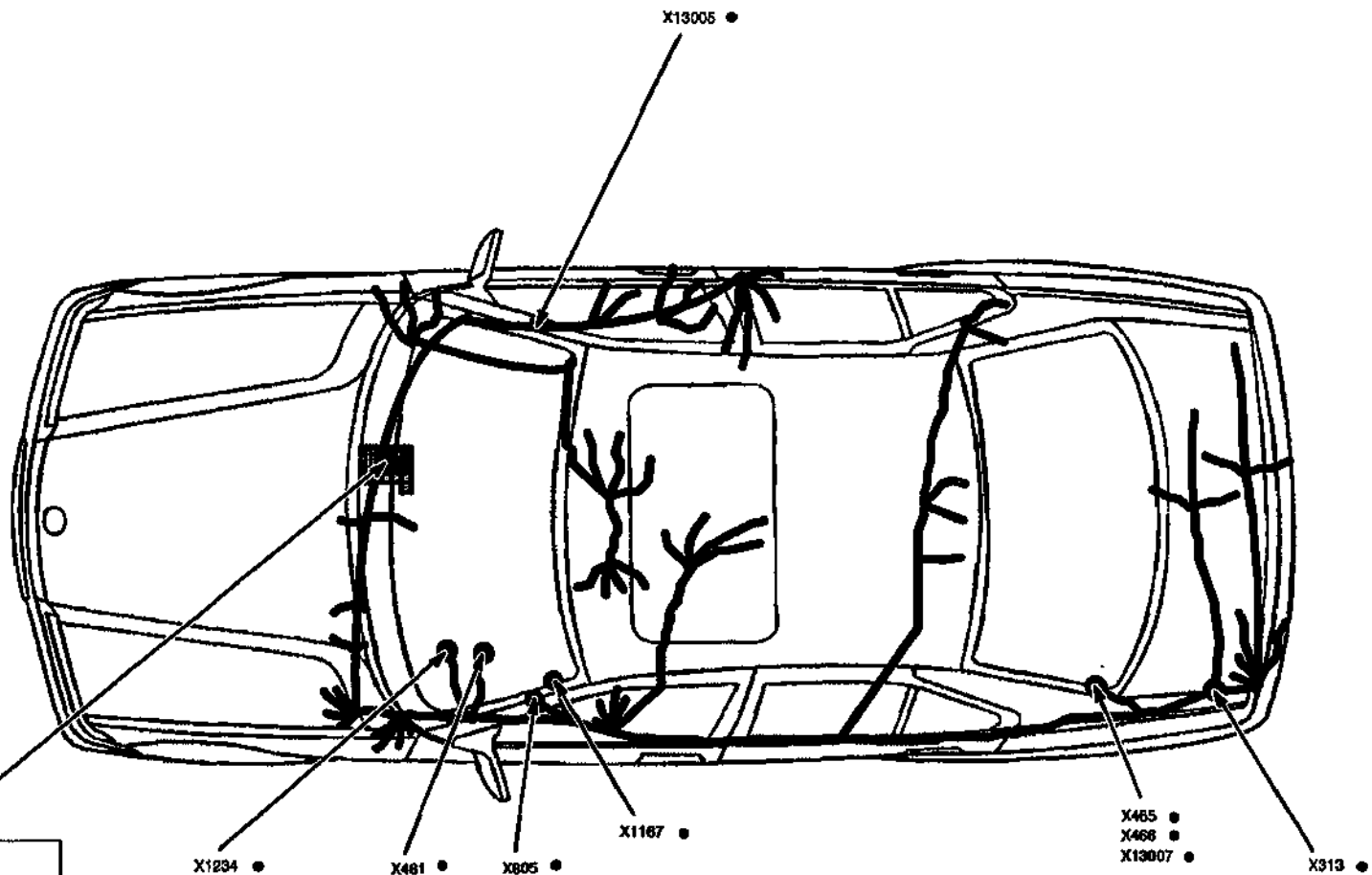
SPLICE PANEL					
X184 ●	X245 ●	X1027 ●	X1077 ●	X1177 ●	X10022 ●
X185 ●	X246 ●	X1028 ●	X1152 ●	X1186 ●	X10055 ●
X186 ●	X276 ●	X1036 ●	X1169 ●	X1182 ●	X10100 ●
X187 ●	X830 ●	X1055 ●	X1183 ●	X1233 ●	X18783 ●
X203 ●	X895 ●	X1068 ●	X1164 ●	X10007 ●	X18784 ●
X223 ●	X1015 ●	X1073 ●	X1168 ●	X10020 ●	
X238 ●	X1022 ●	X1076 ●	X1172 ●	X10021 ●	

SPLICE PANEL						
X181 ●	X213 ●	X1087 ●	X1179 ●	X10028 ●	X10120 ●	X11284 ●
X182 ●	X228 ●	X1089 ●	X1182 ●	X10029 ●	X10123 ●	X13021 ●
X183 ●	X1019 ●	X1079 ●	X1225 ●	X10060 ●	X10181 ●	X18185 ●
X188 ●	X1028 ●	X1080 ●	X1258 ●	X10061 ●	X10192 ●	
X191 ●	X1047 ●	X1085 ●	X10008 ●	X10090 ●	X10231 ●	
X196 ●	X1065 ●	X1159 ●	X10011 ●	X10103 ●	X10251 ●	
X197 ●	X1068 ●	X1189 ●	X10024 ●	X10104 ●	X10252 ●	



SPLICE LOCATION VIEWS

REAR HARNESS



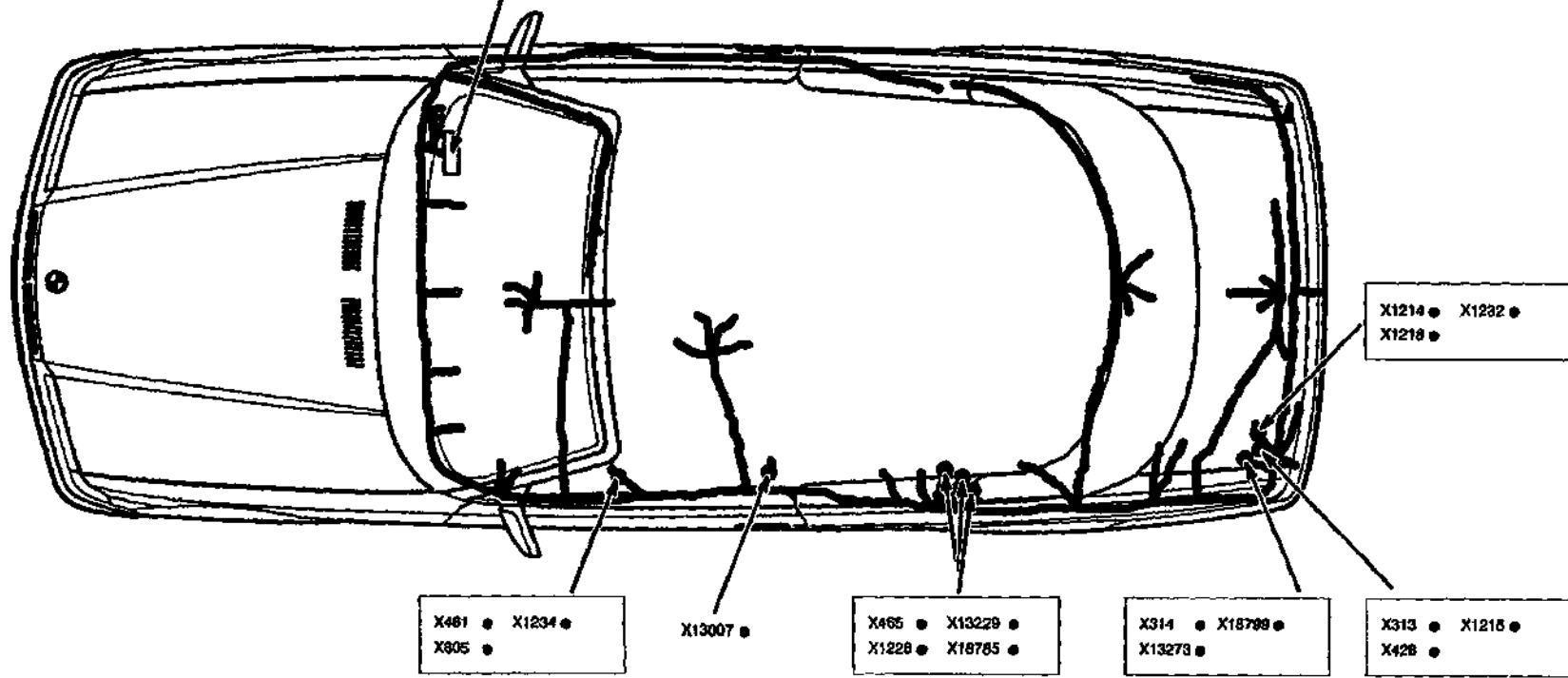
SPLICE PANEL		
X441 ●	X402 ●	X1396 ●
X442 ●	X475 ●	X13002 ●
X443 ●	X481 ●	X13003 ●
X444 ●	X1212 ●	X13010 ●
X445 ●	X1235 ●	X13011 ●
X446 ●	X1299 ●	
X450 ●	X1387 ●	



SPLICE LOCATION VIEWS

REAR WIRING HARNESS – CONVERTIBLE

SPLICE PANEL					
X441 ●	X453 ●	X481 ●	X1387 ●	X13003 ●	X13281 ●
X442 ●	X454 ●	X1212 ●	X1399 ●	X13010 ●	X18798 ●
X443 ●	X455 ●	X1236 ●	X10118 ●	X13011 ●	
X444 ●	X456 ●	X1236 ●	X10189 ●	X13127 ●	
X445 ●	X460 ●	X1237 ●	X10226 ●	X13129 ●	
X449 ●	X462 ●	X1236 ●	X10229 ●	X13132 ●	
X450 ●	X475 ●	X1283 ●	X13002 ●	X13168 ●	

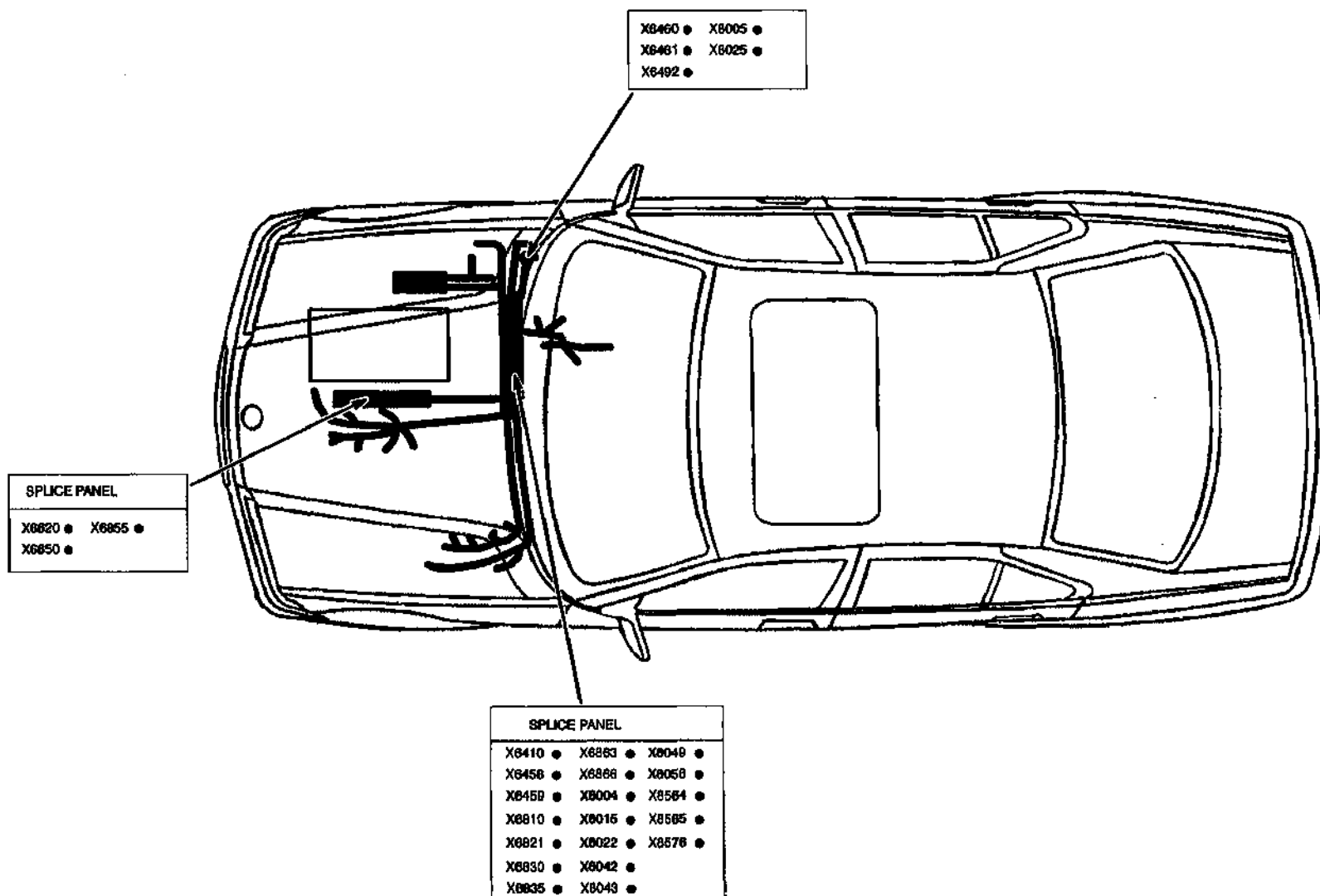


04/97 — 8000.0-04 — 1996



SPLICE LOCATION VIEWS

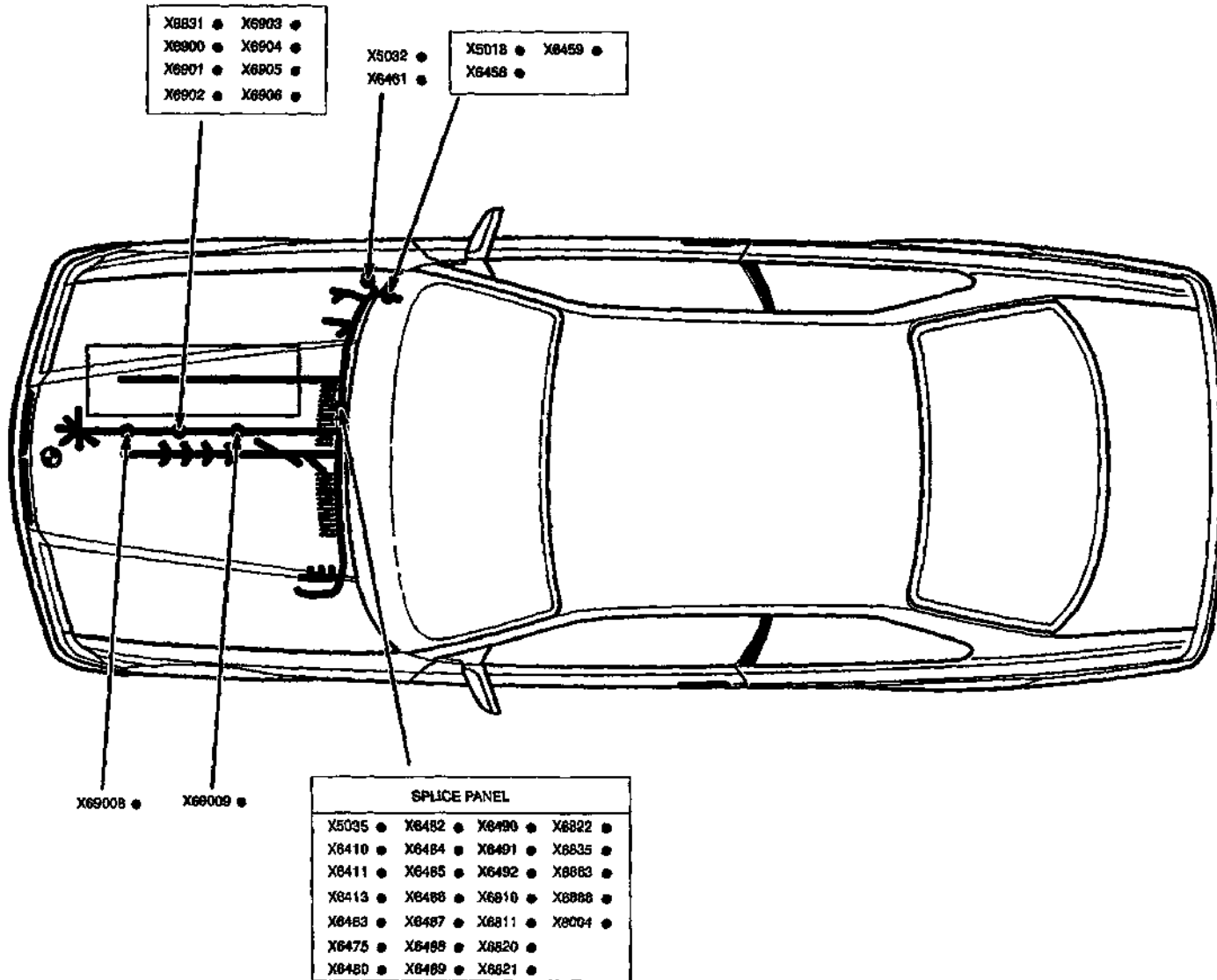
ENGINE HARNESS M42/M43





SPLICE LOCATION VIEWS

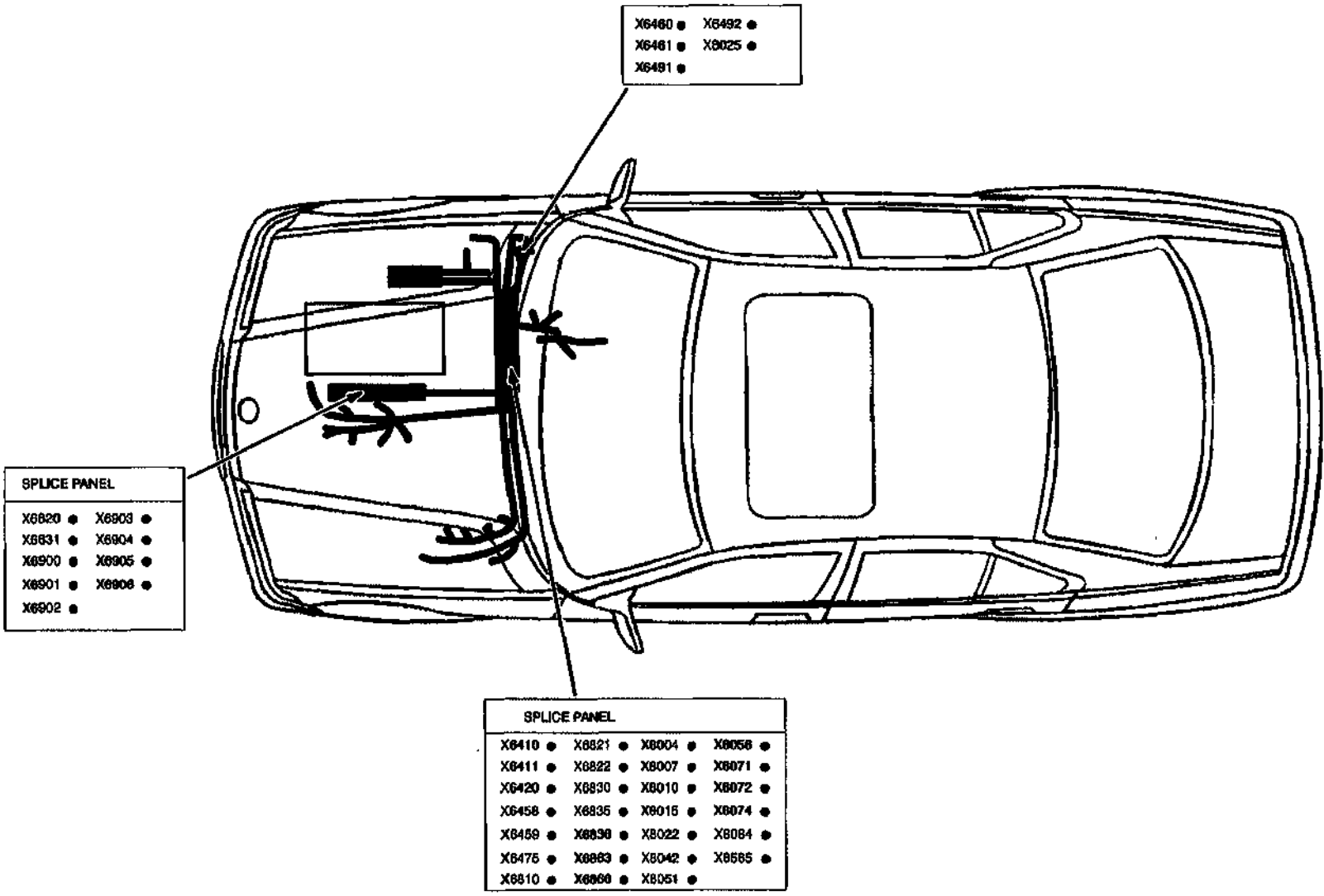
ENGINE HARNESS S50





SPLICE LOCATION VIEWS

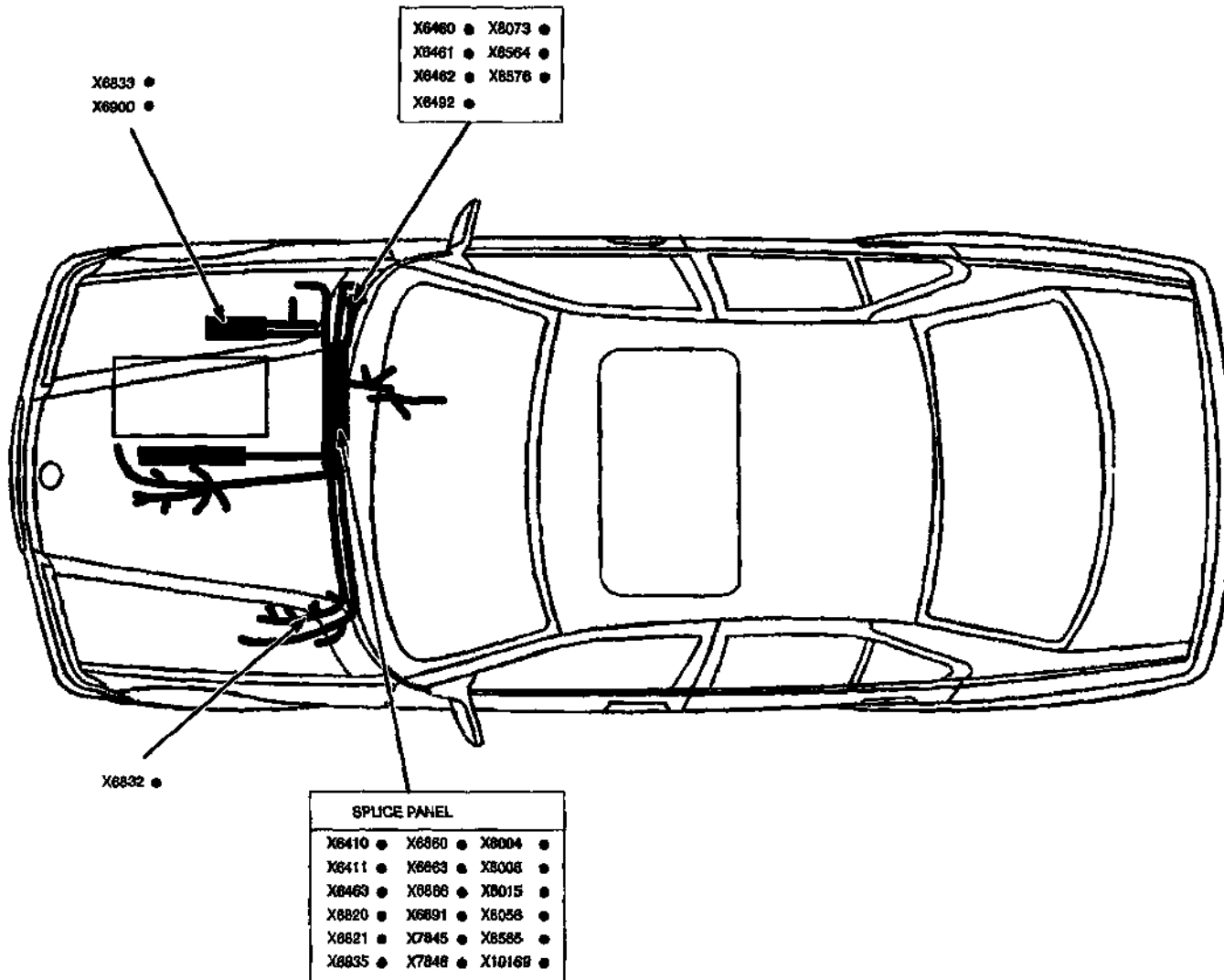
M50 ENGINE HARNESS





SPLICE LOCATION VIEWS

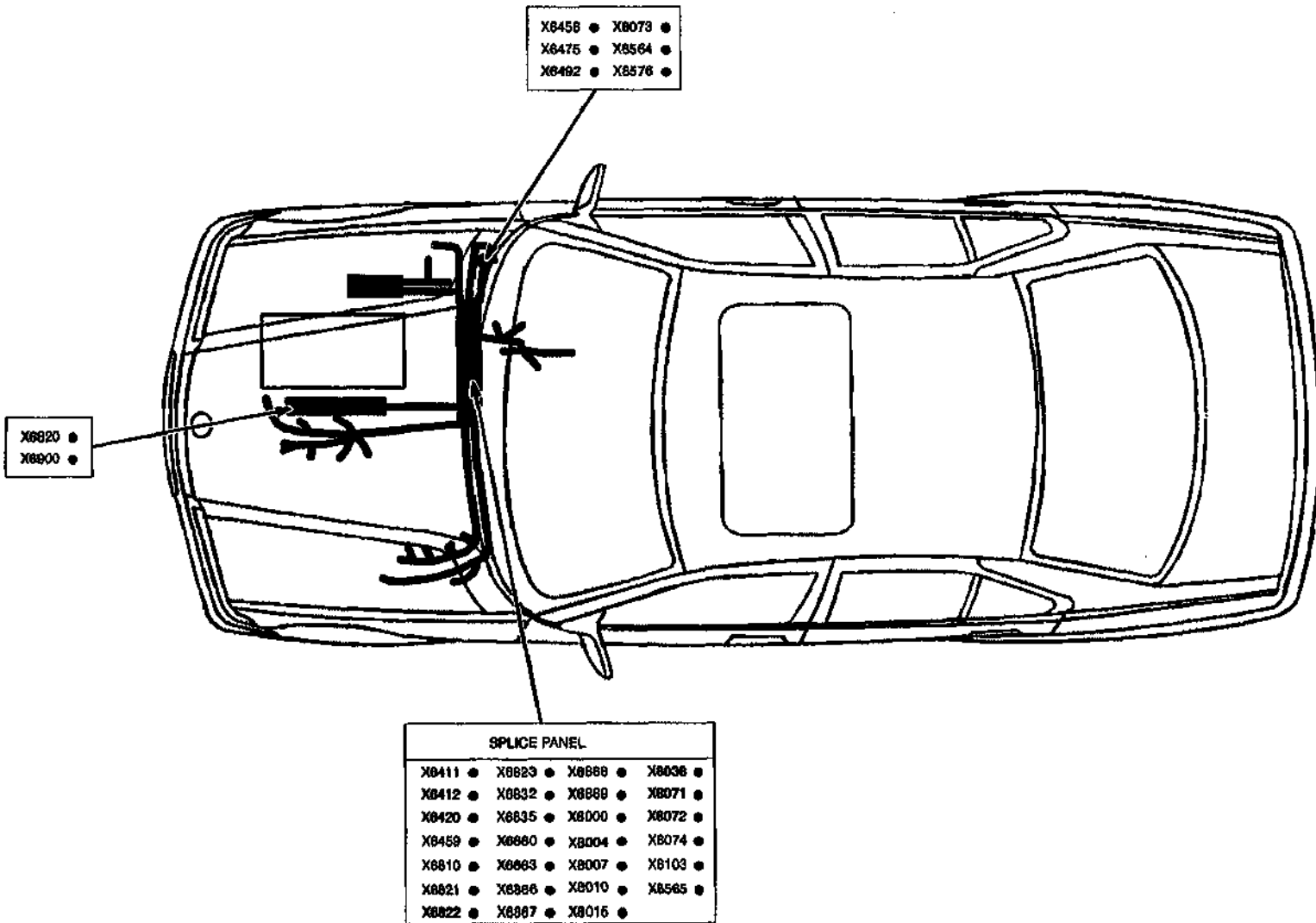
ENGINE HARNESS M44





SPLICE LOCATION VIEWS

ENGINE HARNESS M52



SPLICE PANEL			
X8411 ●	X8823 ●	X8888 ●	X8036 ●
X8412 ●	X8832 ●	X8888 ●	X8071 ●
X8420 ●	X8835 ●	X8000 ●	X8072 ●
X8459 ●	X8860 ●	X8004 ●	X8074 ●
X8810 ●	X8883 ●	X8007 ●	X8103 ●
X8821 ●	X8886 ●	X8010 ●	X8565 ●
X8822 ●	X8887 ●	X8016 ●	



CONNECTOR VIEWS

FIG. 1

B550001.03

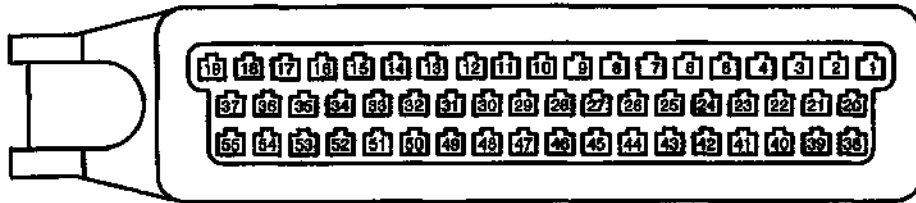


FIG. 2

B260005.00

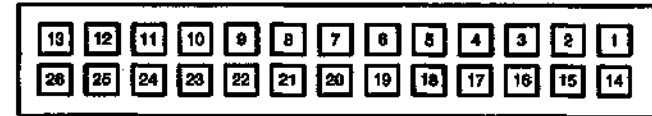


FIG. 3

B180003.00

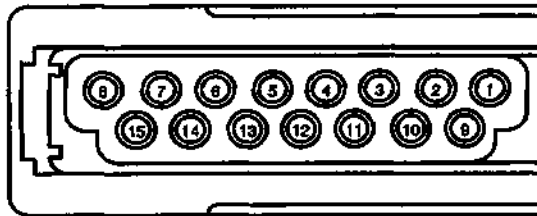
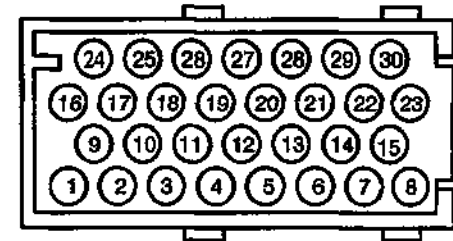


FIG. 4

B300001.00





CONNECTOR VIEWS

FIG. 1
B030024

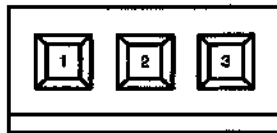


FIG. 2
B120003.00

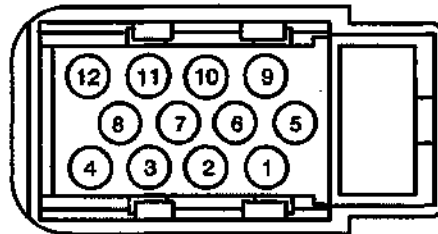


FIG. 3
B120001.00

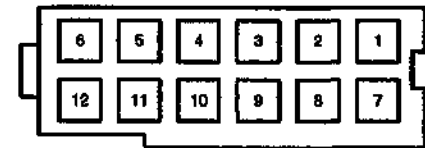


FIG. 4
B080002.00

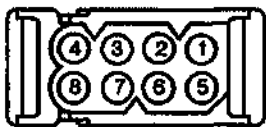


FIG. 5
B180000.00

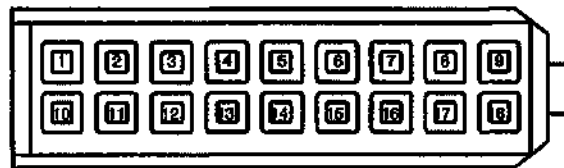
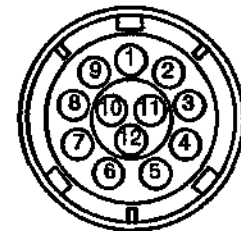


FIG. 6
B120015





CONNECTOR VIEWS

FIG. 1

B030001.00

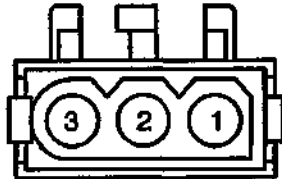


FIG. 2

B070007.00

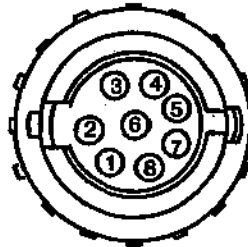


FIG. 3

B170001.00

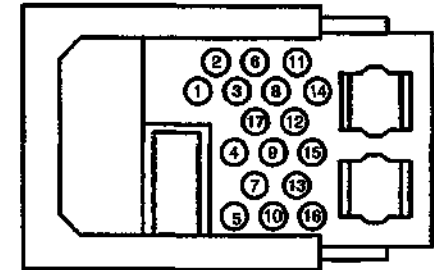


FIG. 4

B100008.00

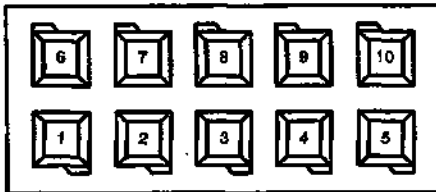


FIG. 5

B030005.00

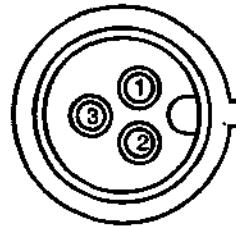
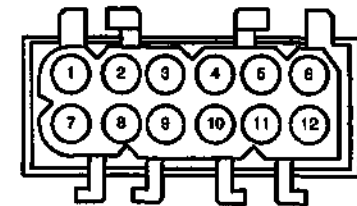


FIG. 6

B120004.01





CONNECTOR VIEWS

FIG. 1

B040002.00

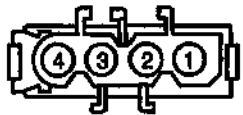


FIG. 2

B050003.00



FIG. 3

B040004.00



FIG. 4

B040016

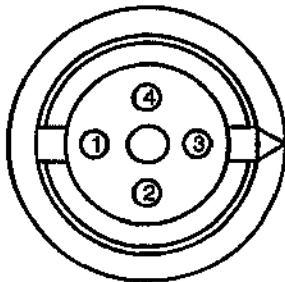


FIG. 5

B080001.00

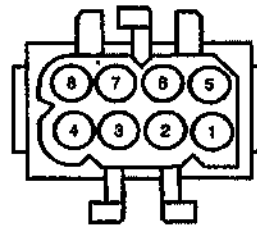
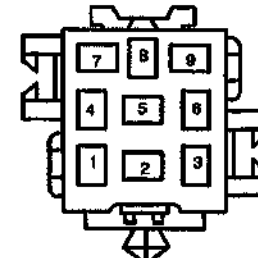


FIG. 6

B080002.00





CONNECTOR VIEWS

FIG. 1

B210002.00

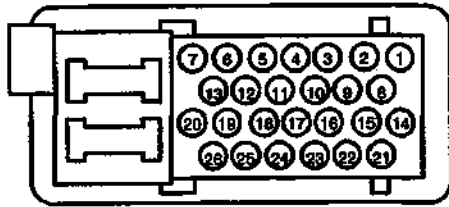


FIG. 2

B060001.02



FIG. 3

B070005.00

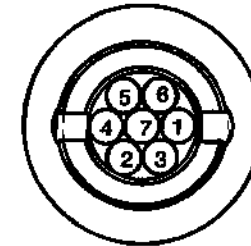


FIG. 4

B200003.00

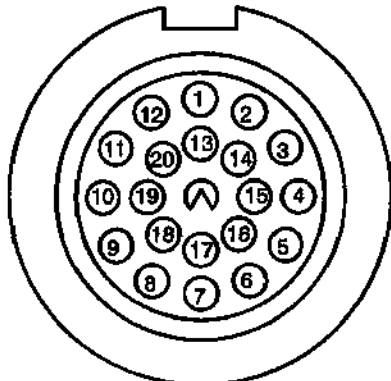


FIG. 5

B080010.01

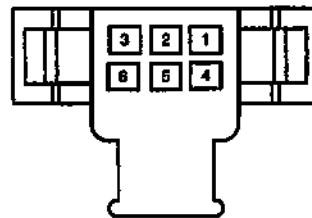


FIG. 6

B030003.02



BMW
3 **CONNECTOR VIEWS**

FIG. 1

B060008.00

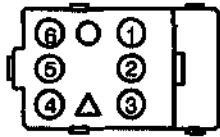


FIG. 2

B250001.01

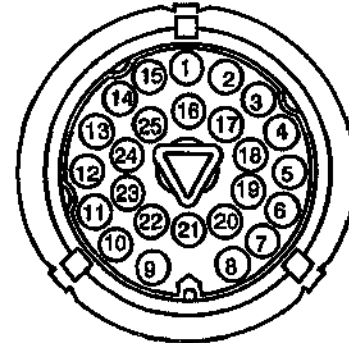


FIG. 3

B060018.02

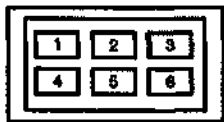


FIG. 4

B060037.00

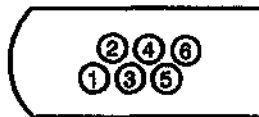
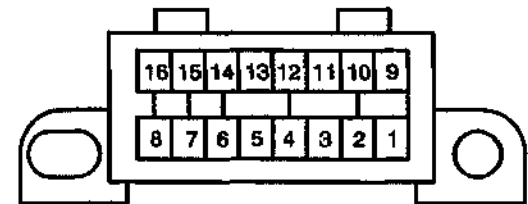


FIG. 5

B160003.00





CONNECTOR VIEWS

FIG. 1

B880001.00

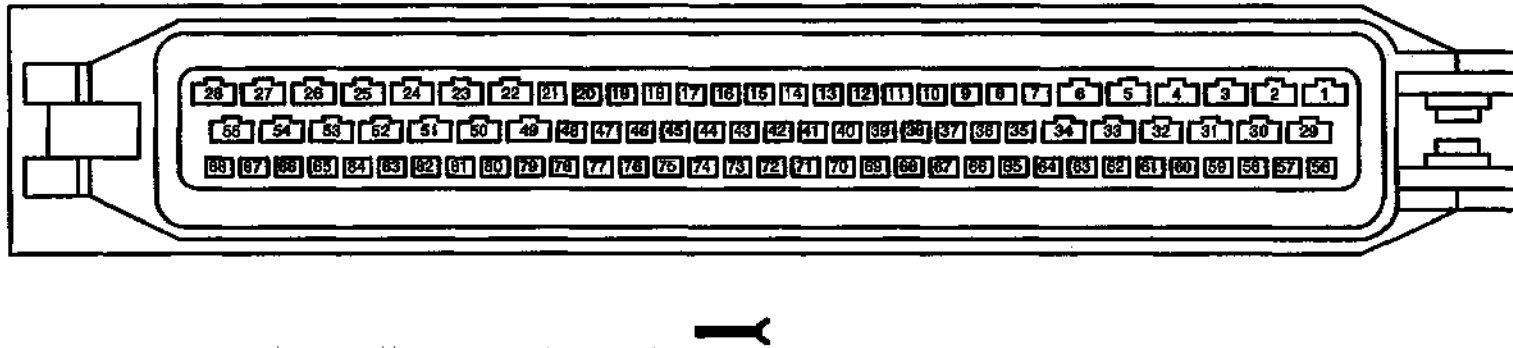


FIG. 2

B060038.00

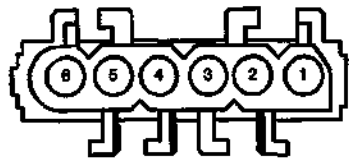


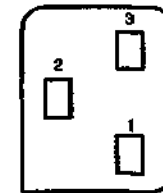
FIG. 3

B030006.00



FIG. 4

B030004.01





CONNECTOR VIEWS

FIG. 1

B060012.00



FIG. 2

B040023.01

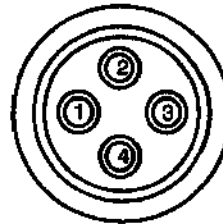


FIG. 3

B030018.00

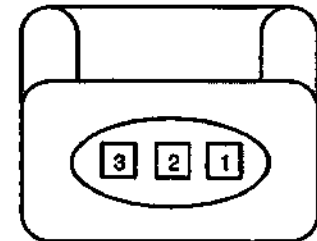


FIG. 4

B030015.08



FIG. 5

B030023.00

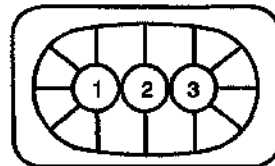


FIG. 6

B040020.06

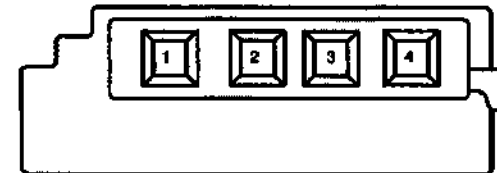


FIG. 1

B030025.00

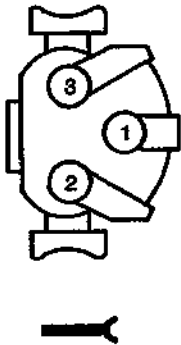


FIG. 2

B080037.01

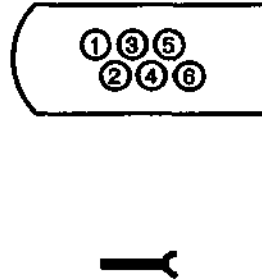


FIG. 3

B030001.00

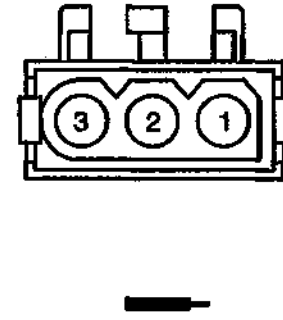


FIG. 4

B060001.00

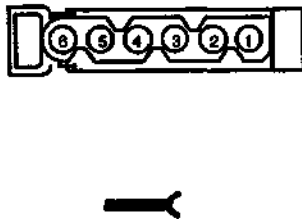


FIG. 5

B120004.05

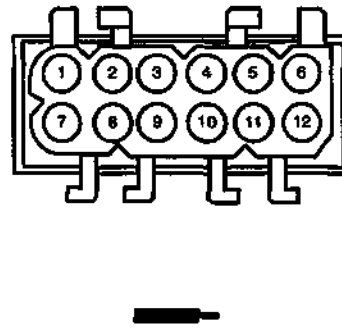


FIG. 6

B060009.00





CONNECTOR VIEWS

FIG. 1

B100004.01

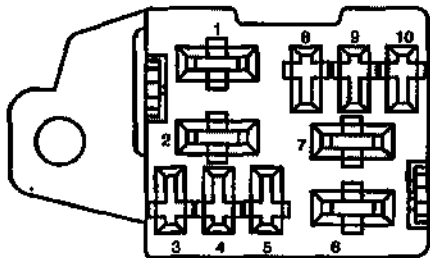


FIG. 2

B180002.00

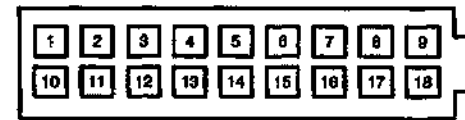


FIG. 3

B080042

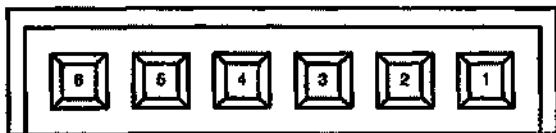
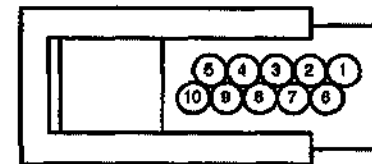


FIG. 4

B100007.00





CONNECTOR VIEWS

FIG. 1

B040021

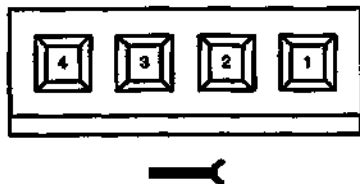


FIG. 2

B260002,04

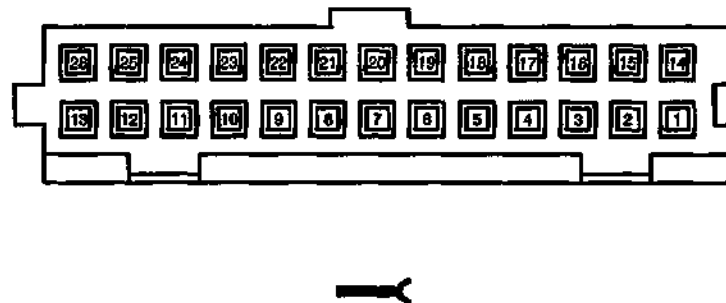


FIG. 3

B040003,00

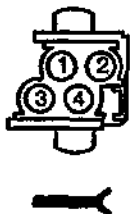


FIG. 4

B130002,00

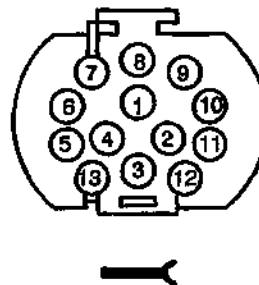
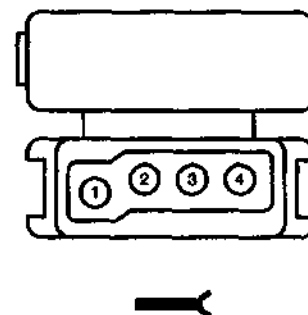


FIG. 5

B040013





CONNECTOR VIEWS

FIG. 1

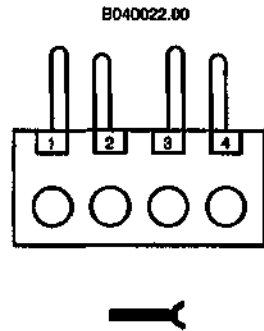


FIG. 2

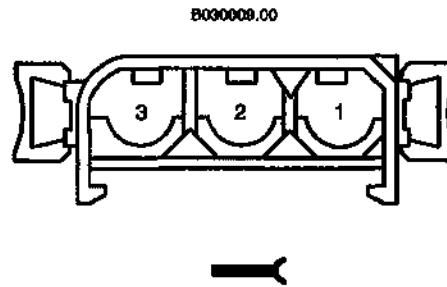


FIG. 3

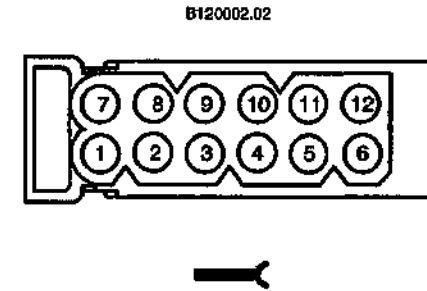


FIG. 4

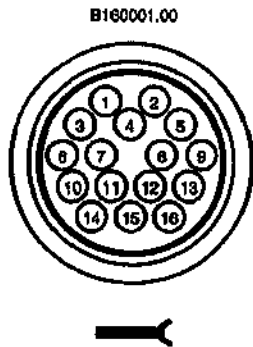


FIG. 5

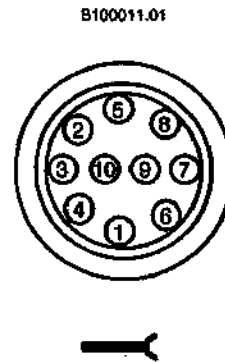
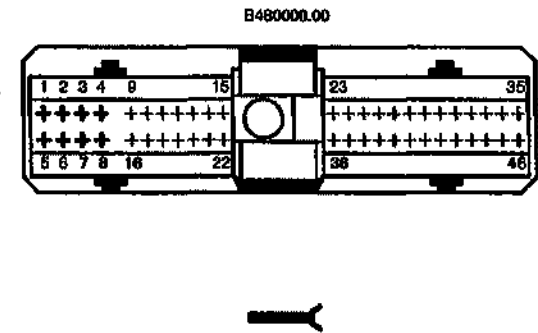


FIG. 6





CONNECTOR VIEWS

FIG. 1

B040005.00

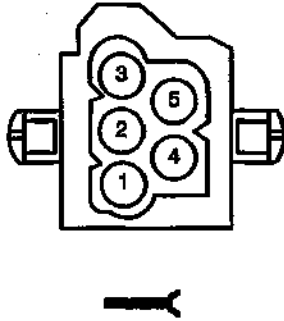


FIG. 2

B900003.00

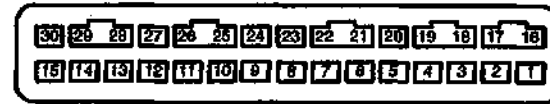


FIG. 3

B040027.00

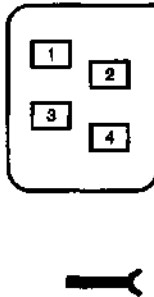


FIG. 4

B420000.00





CONNECTOR VIEWS

FIG. 1

B030042.01

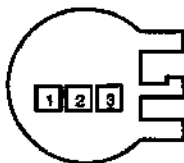


FIG. 2

B030018.01

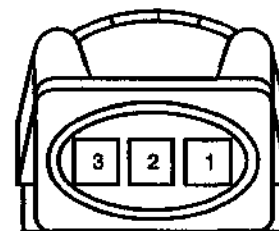


FIG. 3

B090006.00



FIG. 4

B000005.00

